

SECTION **RF**  
ROOF

A  
B  
C  
D  
E  
F  
G  
H  
I  
J  
RF  
L  
M  
N  
O  
P

CONTENTS

<b>BASIC INSPECTION</b> .....	3	SUNROOF MOTOR ASSEMBLY : Special Repair Requirement .....	11
<b>DIAGNOSIS AND REPAIR WORKFLOW</b> .....	3	<b>SUNROOF SWITCH CIRCUIT</b> .....	12
Work Flow .....	3	Description .....	12
<b>INSPECTION AND ADJUSTMENT</b> .....	5	Component Function Check .....	12
<b>ADDITIONAL SERVICE WHEN REPLACING CONTROL UNIT</b> .....	5	Diagnosis Procedure .....	12
ADDITIONAL SERVICE WHEN REPLACING CONTROL UNIT : Description .....	5	<b>VEHICLE SPEED SIGNAL CIRCUIT</b> .....	14
ADDITIONAL SERVICE WHEN REPLACING CONTROL UNIT : Special Repair Requirement .....	5	Component Function Check .....	14
<b>BASIC INSPECTION</b> .....	5	Diagnosis Procedure .....	14
BASIC INSPECTION : Special Repair Requirement .....	5	<b>DOOR SWITCH</b> .....	15
<b>SYSTEM DESCRIPTION</b> .....	6	Description .....	15
<b>SUNROOF SYSTEM</b> .....	6	Component Function Check .....	15
System Diagram .....	6	Diagnosis Procedure .....	15
System Description .....	6	<b>ECU DIAGNOSIS INFORMATION</b> .....	17
Component Parts Location .....	7	<b>BCM (BODY CONTROL MODULE)</b> .....	17
Component Description .....	7	Reference Value .....	17
<b>DIAGNOSIS SYSTEM (BCM)</b> .....	8	Terminal Layout .....	20
<b>COMMON ITEM</b> .....	8	Physical Values .....	20
COMMON ITEM : CONSULT-III Function (BCM - COMMON ITEM) .....	8	Fail Safe .....	25
<b>RETAINED PWR</b> .....	9	DTC Inspection Priority Chart .....	25
RETAINED PWR : CONSULT-III Function (BCM - RETAINED PWR) .....	9	DTC Index .....	26
<b>DTC/CIRCUIT DIAGNOSIS</b> .....	10	<b>SUNROOF MOTOR ASSEMBLY</b> .....	28
<b>POWER SUPPLY AND GROUND CIRCUIT</b> .....	10	Reference Value .....	28
<b>SUNROOF MOTOR ASSEMBLY</b> .....	10	<b>WIRING DIAGRAM</b> .....	29
SUNROOF MOTOR ASSEMBLY : Diagnosis Procedure .....	10	<b>SUNROOF</b> .....	29
		Wiring Diagram .....	29
		<b>SYMPTOM DIAGNOSIS</b> .....	34
		<b>SUNROOF DOES NOT OPERATE PROPERLY</b> .....	34
		Diagnosis Procedure .....	34
		<b>AUTO OPERATION DOES NOT OPERATE</b> .....	35
		Diagnosis Procedure .....	35

<b>DOES NOT STOP FULLY-OPEN OR FULLY-CLOSED POSITION</b> .....	<b>36</b>	<b>PRECAUTIONS</b> .....	<b>45</b>
Diagnosis Procedure .....	36	Precaution for Supplemental Restraint System (SRS) "AIR BAG" and "SEAT BELT PRE-TENSIONER" .....	45
<b>RETAINED POWER OPERATION DOES NOT OPERATE PROPERLY</b> .....	<b>37</b>	Precaution Necessary for Steering Wheel Rotation After Battery Disconnect .....	45
Diagnosis Procedure .....	37	Precaution for Work .....	46
<b>SUNROOF DOES NOT OPERATE ANTI-PINCH FUNCTION</b> .....	<b>38</b>	<b>PREPARATION</b> .....	<b>47</b>
Diagnosis Procedure .....	38	<b>PREPARATION</b> .....	<b>47</b>
<b>SQUEAK AND RATTLE TROUBLE DIAGNOSES</b> .....	<b>39</b>	Special Service Tool .....	47
Work Flow .....	39	Commercial Service Tool .....	47
Generic Squeak and Rattle Troubleshooting .....	41	<b>REMOVAL AND INSTALLATION</b> .....	<b>48</b>
Diagnostic Worksheet .....	43	<b>SUNROOF SYSTEM</b> .....	<b>48</b>
<b>PRECAUTION</b> .....	<b>45</b>	Adjustment .....	48
		Removal and Installation .....	49

# DIAGNOSIS AND REPAIR WORKFLOW

< BASIC INSPECTION >

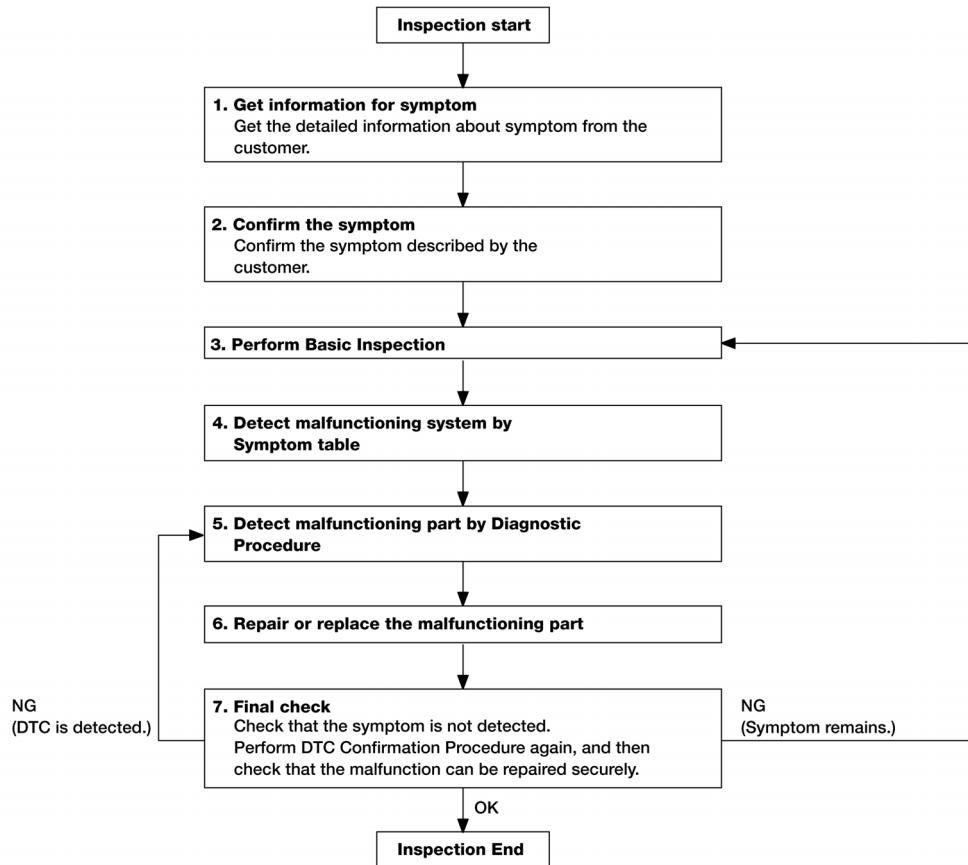
## BASIC INSPECTION

### DIAGNOSIS AND REPAIR WORKFLOW

Work Flow

INFOID:000000006247105

OVERALL SEQUENCE



ABKIA2887GB

DETAILED FLOW

### 1. GET INFORMATION FOR SYMPTOM

Get the detailed information from the customer about the symptom (the condition and the environment when the incident/malfunction occurred).

>> GO TO 2

### 2. CONFIRM THE SYMPTOM

Confirm the symptom described by the customer.  
Verify relation between the symptom and the condition when the symptom is detected.

>> GO TO 3

### 3. PERFORM BASIC INSPECTION

Perform [RF-5. "BASIC INSPECTION : Special Repair Requirement"](#).

# DIAGNOSIS AND REPAIR WORKFLOW

## < BASIC INSPECTION >

---

Inspection End>>GO TO 4

### 4. DETECT MALFUNCTIONING SYSTEM BY SYMPTOM DIAGNOSIS

---

Detect malfunctioning system according to symptom diagnosis based on the confirmed symptom in step 2, and determine the trouble diagnosis order based on possible causes and symptom.

>> GO TO 5

### 5. DETECT MALFUNCTIONING PART BY DIAGNOSTIC PROCEDURE

---

Inspect according to Diagnostic Procedure of the system.

**NOTE:**

The Diagnostic Procedure described based on open circuit inspection. A short circuit inspection is also required for the circuit check in the Diagnostic Procedure.

Is malfunctioning part detected?

YES >> GO TO 6

NO >> Check voltage of related BCM terminals using CONSULT-III.

### 6. REPAIR OR REPLACE THE MALFUNCTIONING PART

---

1. Repair or replace the malfunctioning part.
2. Reconnect parts or connectors disconnected during Diagnostic Procedure.

>> GO TO 7

### 7. FINAL CHECK

---

When symptom was described from the customer, refer to confirmed symptom in step 2, and check that the symptom is not detected.

Does the symptom reappear?

YES (DTC is detected)>>GO TO 5

YES (Symptom is remains)>>GO TO 3

NO >> Inspection End.

# INSPECTION AND ADJUSTMENT

< BASIC INSPECTION >

## INSPECTION AND ADJUSTMENT

### ADDITIONAL SERVICE WHEN REPLACING CONTROL UNIT

### ADDITIONAL SERVICE WHEN REPLACING CONTROL UNIT : Description

INFOID:000000006247106

#### MEMORY RESET PROCEDURE

1. Please observe the following instructions at confirming the sunroof operation.

**NOTE:**

Do not disconnect the electronic power while the sunroof is operating or within 5 seconds after the sunroof stops (to wipe-out the memory of lid position and operating friction).

2. Initialization of system should be conducted after the following conditions.
  - When the battery has been disconnected or discharged.
  - When the sunroof motor has been disconnected from power.
  - When the sunroof motor is changed.
  - When the sunroof does not operate normally (Incomplete initialization conditions).

### ADDITIONAL SERVICE WHEN REPLACING CONTROL UNIT : Special Repair Requirement

INFOID:000000006247107

#### INITIALIZATION PROCEDURE

If the sunroof does not close or open automatically, use the following procedure to return sunroof operation to normal.

1. Turn ignition switch ON.
2. Push and hold the sunroof tilt switch in the forward (DOWN) position until the sunroof is fully closed.
3. After the sunroof has closed all the way, push and hold the tilt switch forward (DOWN) again for more than 2 seconds to re-learn motor position.
4. Initialization is complete if the sunroof operates normally.

#### ANTI-PINCH FUNCTION

1. Fully open the sunroof.
2. Place a piece of wood near fully closed position.
3. Close the sunroof completely with auto-slide close.

Check that sunroof lowers for approximately 150mm (5.91 in) or 2 seconds without pinching a piece of wood and stops.

**CAUTION:**

- Do not check with hands and other part of body because they may be pinched. Do not get pinched.
- Depending on environment and driving conditions, if a similar impact or load is applied to the sunroof it may lower.
- Check that auto-slide operates before inspection when system initialization is performed.
- Perform initial setting when auto-slide operation or anti-pinch function does not operate normally.

#### BASIC INSPECTION

### BASIC INSPECTION : Special Repair Requirement

INFOID:000000006698809

#### BASIC INSPECTION

##### 1.INSPECTION START

1. Check the service history.
2. Check the following parts.
  - Fuse/circuit breaker blown.
  - Poor connection, open or short circuit of harness connector.
  - Battery voltage.

#### Is the inspection result normal?

- YES >> Inspection End.  
NO >> Repair or replace the malfunctioning parts.

# SUNROOF SYSTEM

< SYSTEM DESCRIPTION >

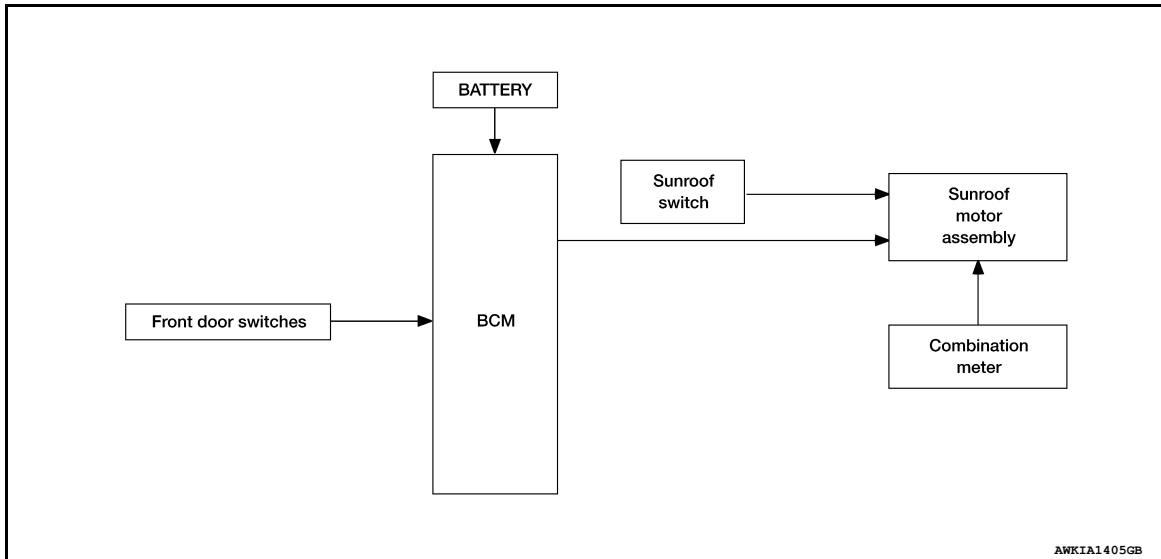
## SYSTEM DESCRIPTION

### SUNROOF SYSTEM

#### System Diagram

INFOID:000000006247108

#### SUNROOF



#### System Description

INFOID:000000006247109

### SUNROOF SYSTEM

#### INPUT/OUTPUT SIGNAL CHART

Item	Input signal to sunroof motor assembly	Sunroof motor function	Actuator
Sunroof switch	Sunroof switch signal (tilt down or slide open)	Sunroof control	Sunroof motor
	Sunroof switch signal (tilt up or slide close)		
BCM	RAP signal		
Combination meter	Vehicle speed signal		

#### SUNROOF OPERATION

- The sunroof motor assembly operates with a power supply that is output from the BCM while the ignition switch is ON or retained power is operating.
- The tilt up/down & slide open/close signals from the sunroof switch enable the sunroof motor to move arbitrarily.

#### AUTO OPERATION

The sunroof AUTO feature makes it possible to slide open and slide close or tilt up and tilt down the sunroof without holding the sunroof switch in the slide open/tilt down or slide close/tilt up position.

#### RETAINED POWER OPERATION

Retained power operation is an additional power supply function that enables the sunroof system to operate up to 45 seconds after the ignition switch is turned OFF.

#### Retained power function cancel conditions

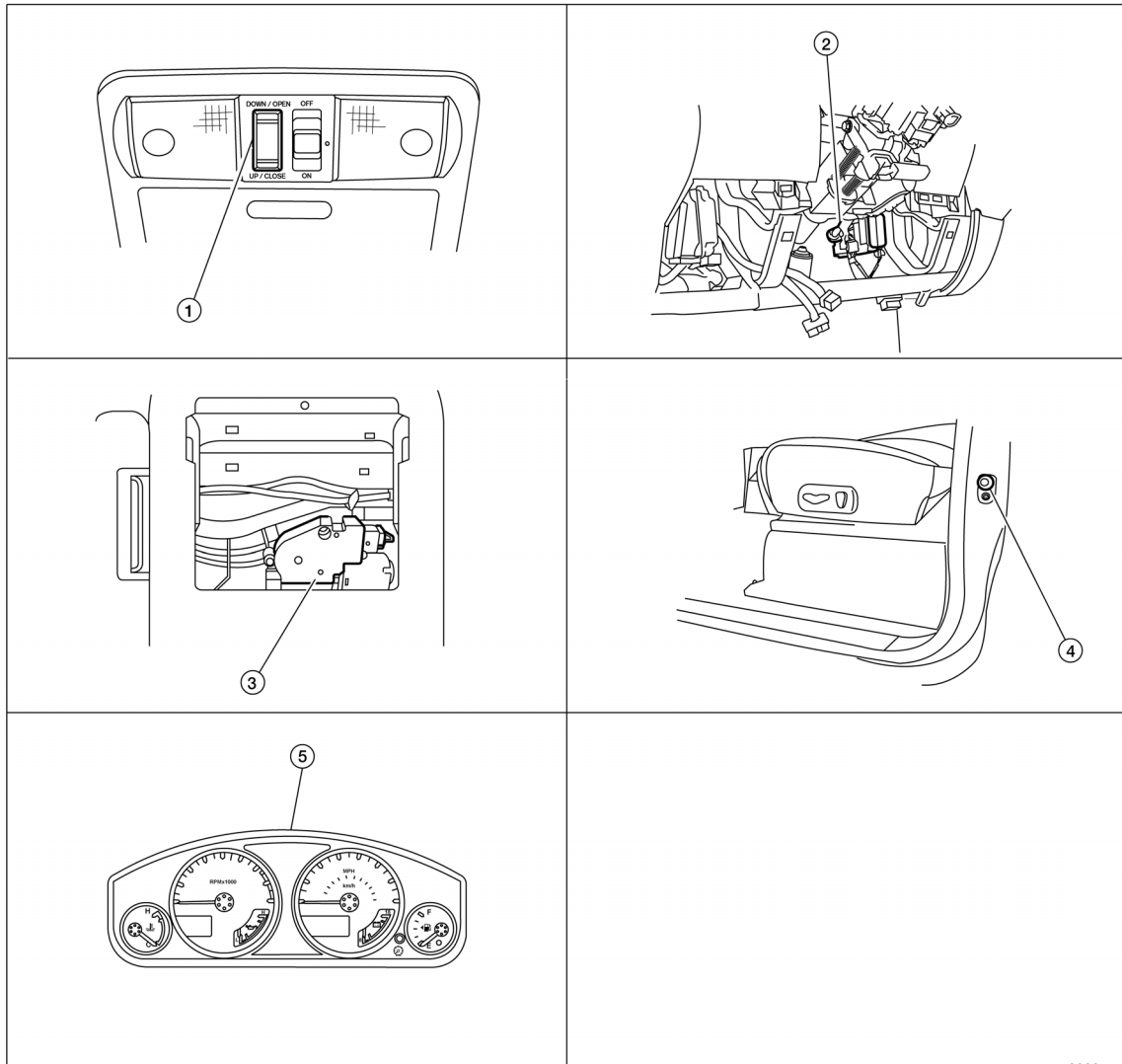
- When a front door is opened (door switch ON)
- When ignition switch is turned ON again.
- When 45 seconds elapse on the timer.

# SUNROOF SYSTEM

< SYSTEM DESCRIPTION >

## Component Parts Location

INFOID:000000006247110



A  
B  
C  
D  
E  
F  
G  
H  
I  
J

RF

ABKIA2900ZZ

- |                                     |   |                               |
|-------------------------------------|---|-------------------------------|
| 1. Sunroof switch R4                | 2. BCM M18, M19, M20<br>(View with lower instrument panel LH removed) | 3. Sunroof motor assembly B83 |
| 4. Front door switch LH B8, RH B108 | 5. Combination meter M24  |                               |

L  
M

## Component Description

INFOID:000000006247111

Component	Function
BCM	Supplies power to the sunroof motor assembly.
Sunroof switch	Transmits tilt up/down & slide open/close operation signal to sunroof motor assembly.
Sunroof motor assembly	The sunroof motor and integrated CPU enables tilt up/down & slide open/close as requested by the sunroof switch.
Front door switch	Detects door open/close condition and transmits to BCM.
Combination meter	Transmits vehicle speed signal to sunroof motor assembly.

N  
O  
P

## DIAGNOSIS SYSTEM (BCM)

< SYSTEM DESCRIPTION >

### DIAGNOSIS SYSTEM (BCM)

#### COMMON ITEM

COMMON ITEM : CONSULT-III Function (BCM - COMMON ITEM)

INFOID:000000006698811

#### APPLICATION ITEM

CONSULT-III performs the following functions via CAN communication with BCM.

Direct Diagnostic Mode	Description
Ecu Identification	The BCM part number is displayed.
Self Diagnostic Result	The BCM self diagnostic results are displayed.
Data Monitor	The BCM input/output data is displayed in real time.
Active Test	The BCM activates outputs to test components.
Work support	The settings for BCM functions can be changed.
Configuration	<ul style="list-style-type: none"> <li>• The vehicle specification can be read and saved.</li> <li>• The vehicle specification can be written when replacing BCM.</li> </ul>
CAN Diag Support Mntr	The result of transmit/receive diagnosis of CAN communication is displayed.

#### SYSTEM APPLICATION

BCM can perform the following functions.

System	Sub System	Direct Diagnostic Mode						
		Ecu Identification	Self Diagnostic Result	Data Monitor	Active Test	Work support	Configuration	CAN Diag Support Mntr
Door lock	DOOR LOCK		×	×	×	×		
Rear window defogger	REAR DEFOGGER			×	×			
Warning chime	BUZZER			×	×			
Interior room lamp timer	INT LAMP			×	×	×		
Remote keyless entry system	MULTI REMOTE ENT			×	×	×		
Exterior lamp	HEAD LAMP			×	×	×		
Wiper and washer	WIPER			×	×	×		
Turn signal and hazard warning lamps	FLASHER			×	×			
Air conditioner	AIR CONDITIONER			×				
Intelligent Key system	INTELLIGENT KEY			×				
Combination switch	COMB SW			×				
BCM	BCM	×	×			×	×	×
Immobilizer	IMMU		×	×	×			
Interior room lamp battery saver	BATTERY SAVER			×	×	×		
Back door open	TRUNK			×	×			
Vehicle security system	THEFT ALM			×	×	×		
RAP system	RETAINED PWR			×	×	×		
Signal buffer system	SIGNAL BUFFER			×	×			
TPMS	AIR PRESSURE MONITOR		×	×	×	×		
Panic alarm system	PANIC ALARM				×			



# DIAGNOSIS SYSTEM (BCM)

< SYSTEM DESCRIPTION >

## RETAINED PWR

RETAINED PWR : CONSULT-III Function (BCM - RETAINED PWR)

INFOID:000000006698812

## DATA MONITOR

Monitor Item [Unit]	Description
IGN ON SW [On/Off]	Indicates condition of ignition switch ON position.
DOOR SW-DR [On/Off]	Indicates condition of front door switch LH.
DOOR SW-AS [On/Off]	Indicates condition of front door switch RH.

## ACTIVE TEST

Test Item	Description
RETAINED PWR	This test is able to check retained power operation [Off/On].

## WORK SUPPORT

Support Item	Setting		Description
	Setting	Value	
RETAINED PWR SET	MODE3	2 min	Sets the retained accessory power operating time.
	MODE2	OFF	
	MODE1*	45 sec	

\*: Initial setting

A  
B  
C  
D  
E  
F  
G  
H  
I  
J  
L  
M  
N  
O  
P

RF

# POWER SUPPLY AND GROUND CIRCUIT

< DTC/CIRCUIT DIAGNOSIS >

## DTC/CIRCUIT DIAGNOSIS

### POWER SUPPLY AND GROUND CIRCUIT SUNROOF MOTOR ASSEMBLY

#### SUNROOF MOTOR ASSEMBLY : Diagnosis Procedure

INFOID:000000006247114

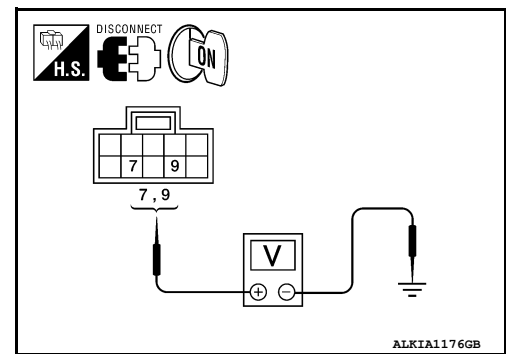
Regarding Wiring Diagram information, refer to [RF-29, "Wiring Diagram"](#).

#### SUNROOF MOTOR ASSEMBLY

##### 1. CHECK SUNROOF MOTOR POWER SUPPLY

1. Turn ignition switch OFF.
2. Disconnect sunroof motor assembly connector B83.
3. Turn ignition switch ON.
4. Check voltage between sunroof motor assembly connector B83 terminals 7 and 9 and ground.

(+)		(-)	Voltage
Connector	Terminal		
B83	7	Ground	Battery voltage
	9		



Is the voltage as specified?

- YES >> GO TO 5  
NO >> GO TO 2

##### 2. CHECK SUNROOF MOTOR POWER SUPPLY CIRCUITS

1. Turn ignition switch OFF.
2. Disconnect BCM connector M20 and circuit breaker-2 connector M82 (with automatic drive positioner) or M83 (without automatic drive positioner).
3. Check continuity between BCM connector M20, circuit breaker-2 connector M82 (with automatic drive positioner) or M83 (without automatic drive positioner) and sunroof motor assembly connector B83.

Connector	Terminal	Connector	Terminal	Continuity
M20	68	B83	9	Yes
M82 or M83	1		7	

4. Check continuity between BCM connector M20, circuit breaker-2 and ground.

Connector	Terminal	—	Continuity
M20	68	Ground	No
M82 or M83	1		

Are the continuity test results as specified?

- YES >> GO TO 3  
NO >> Repair or replace harness.

##### 3. CHECK BCM OUTPUT SIGNAL

1. Connect BCM connector M20.
2. Turn ignition switch ON.
3. Check voltage between BCM connector M20 and ground.

# POWER SUPPLY AND GROUND CIRCUIT

## < DTC/CIRCUIT DIAGNOSIS >

(+)		(-)	Voltage
Connector	Terminal		
M20	68	Ground	Battery voltage

Is the voltage reading as specified?

YES >> GO TO 4

NO >> Replace BCM. Refer to [BCS-55. "Removal and Installation"](#).

### 4. CHECK SUNROOF MOTOR POWER SUPPLY CIRCUITS

1. Check voltage between circuit breaker-2 connector M82 (with automatic drive positioner) or M83 (without automatic drive positioner) and ground.

(+)		(-)	Voltage
Connector	Terminal		
M82 or M83	2	Ground	Battery voltage

Is the voltage reading as specified?

YES >> Replace circuit breaker-2

NO >> Repair or replace harness.

### 5. CHECK GROUND CIRCUIT

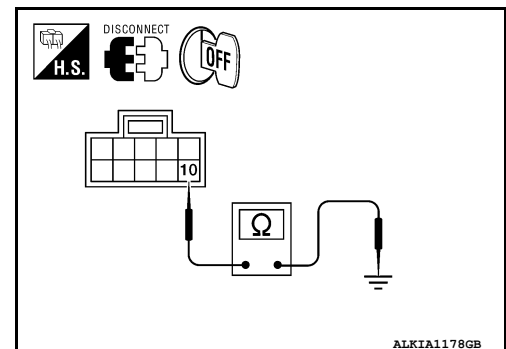
1. Turn ignition switch OFF.
2. Check continuity between sunroof motor assembly connector B83 terminal 10 and ground.

Connector	Terminal	—	Continuity
B83	10	Ground	Yes

Is the continuity test result as specified?

YES >> Inspection End

NO >> Repair or replace harness.



## SUNROOF MOTOR ASSEMBLY : Special Repair Requirement

INFOID:000000006247115

### 1. PERFORM INITIALIZATION PROCEDURE

Perform initialization procedure.

Refer to [RF-5. "ADDITIONAL SERVICE WHEN REPLACING CONTROL UNIT : Special Repair Requirement"](#).

Does the sunroof motor assembly operate properly?

YES >> Repair is complete.

NO >> Check fitting adjustment.

# SUNROOF SWITCH CIRCUIT

< DTC/CIRCUIT DIAGNOSIS >

## SUNROOF SWITCH CIRCUIT

### Description

INFOID:000000006247116

The BCM supplies power to the integrated CPU of the sunroof motor assembly. The tilt and slide functions of the sunroof motor assembly is controlled by the sunroof switch.

### Component Function Check

INFOID:000000006247117

#### 1. CHECK SUNROOF MOTOR FUNCTION

Check to see if tilt up/down & slide open/close functions operate normally with sunroof switch.

Is the inspection result normal?

- YES >> Sunroof motor assembly is OK.
- NO >> Refer to [RF-12, "Diagnosis Procedure"](#).

### Diagnosis Procedure

INFOID:000000006247118

Regarding Wiring Diagram information, refer to [RF-29, "Wiring Diagram"](#).

#### 1. CHECK SUNROOF SWITCH INPUT SIGNAL

1. Turn ignition switch ON.
2. Check voltage between sunroof switch connector and ground.

Connector	Terminals		Sunroof switch position	Voltage (V) (Approx.)
	(+)	(-)		
R4	1	2	DOWN/OPEN	0V
			Other than above	Battery voltage
	3		UP/CLOSE	0V
			Other than above	Battery voltage

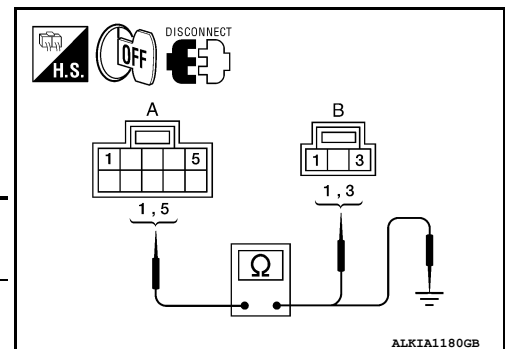
Are the voltage measurements as specified?

- YES >> Sunroof switch is operating normally.
- NO >> GO TO 2

#### 2. CHECK SUNROOF SWITCH CIRCUITS

1. Turn ignition switch OFF.
2. Disconnect sunroof motor assembly connector B83 and sunroof switch connector R4.
3. Check continuity between sunroof motor assembly connector B83 (A) and sunroof switch connector R4 (B).

A		B		Continuity
Connector	Terminal	Connector	Terminal	
B83	1	R4	3	Yes
	5		1	



4. Check continuity between sunroof motor assembly connector B83 (A) and ground.

A		—	Continuity
Connector	Terminal		
B83	5	Ground	No
	1		

Are the continuity test results as specified?

# SUNROOF SWITCH CIRCUIT

## < DTC/CIRCUIT DIAGNOSIS >

- YES >> GO TO 3  
 NO >> Repair harness or connector.

### 3. CHECK SUNROOF SWITCH GROUND CIRCUIT

1. Connect sunroof motor assembly.
2. Check continuity between sunroof switch connector R4 and ground.

Sunroof switch connector	Terminal	Ground	Continuity
R4	2		Yes

#### Is the continuity test result as specified?

- YES >> GO to 4  
 NO >> Repair or replace harness.

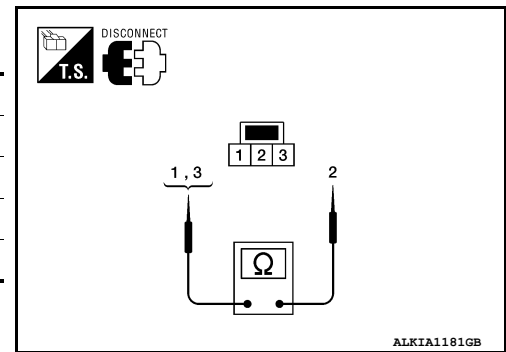
### 4. CHECK SUNROOF SWITCH

1. Check continuity between sunroof switch terminals.

Terminals	Sunroof switch position	Continuity
1	DOWN/OPEN	Yes
	Other than above	No
3	UP/CLOSE	Yes
	Other than above	No

#### Are the continuity test results as specified?

- YES >> Sunroof switch is operating normally.  
 NO >> Replace sunroof switch (map lamp assembly). Refer to [INL-61, "Removal and Installation"](#).



A  
B  
C  
D  
E  
F  
G  
H  
I  
J  
RF  
L  
M  
N  
O  
P

# VEHICLE SPEED SIGNAL CIRCUIT

< DTC/CIRCUIT DIAGNOSIS >

## VEHICLE SPEED SIGNAL CIRCUIT

### Component Function Check

INFOID:000000006827820

#### 1. CHECK SUNROOF MOTOR ASSEMBLY INPUT SIGNAL

1. Start engine.
2. Drive the vehicle at more than 40 km/h (25 MPH).

**CAUTION:**

**Always drive vehicle at a safe speed.**

**NOTE:**

**This procedure may be conducted with the drive wheels lifted in the shop or by driving the vehicle. If a road test is expected to be easier, it is unnecessary to lift the vehicle.**

3. Check tilt up/down & slide open/close operations with sunroof switch.

Is the inspection result normal?

YES >> Inspection End.

NO >> Refer to [RF-14, "Diagnosis Procedure"](#).

### Diagnosis Procedure

INFOID:000000006827821

#### SUNROOF MOTOR ASSEMBLY

#### 1. CHECK SUNROOF MOTOR ASSEMBLY INPUT SIGNAL

1. Turn ignition switch OFF.
2. Disconnect combination meter connector and sunroof motor assembly connector.
3. Check continuity between combination meter connector and sunroof motor assembly connector.

Combination meter		Sunroof motor assembly		Continuity
Connector	Terminal	Connector	Terminal	
M24	5	B83	8	Yes

4. Check continuity between sunroof motor assembly connector and ground.

Sunroof motor assembly		Ground	Continuity
Connector	Terminal		
B83	8		No

Is the inspection result normal?

YES >> Check combination meter. Refer to [MWI-30, "Diagnosis Procedure"](#).

NO >> Repair or replace harness or connector.

# DOOR SWITCH

< DTC/CIRCUIT DIAGNOSIS >

## DOOR SWITCH

### Description

INFOID:000000006827822

Detects door open/close condition.

### Component Function Check

INFOID:000000006827823

#### 1. CHECK FUNCTION

##### With CONSULT-III

Check door switches in data monitor mode with CONSULT-III.

Monitor item	Condition
DOOR SW-DR	CLOSE → OPEN: OFF → ON
DOOR SW-AS	

##### Is the inspection result normal?

- YES >> Door switch is OK.
- NO >> Refer to [RF-15, "Diagnosis Procedure"](#).

### Diagnosis Procedure

INFOID:000000006827824

Regarding Wiring Diagram information, refer to [RF-29, "Wiring Diagram"](#).

#### 1. CHECK DOOR SWITCHES INPUT SIGNAL

##### With CONSULT-III

Check door switches ("DOOR SW-DR", "DOOR SW-AS") in DATA MONITOR mode with CONSULT-III. Refer to [BCS-17, "DOOR LOCK : CONSULT-III Function \(BCM - DOOR LOCK\)"](#).

- When any doors are open:

**DOOR SW-DR : ON**  
**DOOR SW-AS : ON**

- When any doors are closed:

**DOOR SW-DR : OFF**  
**DOOR SW-AS : OFF**

##### Without CONSULT-III

Check voltage between BCM connector M18 or M19 terminals 12, 47 and ground.

Connector	Item	Terminals		Condition	Voltage (V) (Approx.)
		(+)	(-)		
M19	Front door switch LH	47	Ground	Open	0
M18	Front door switch RH	12		Closed	Battery voltage

##### Is the inspection result normal?

- YES >> Door switch circuit is OK.
- NO >> GO TO 2

#### 2. CHECK DOOR SWITCH CIRCUIT

1. Turn ignition switch OFF.

A  
B  
C  
D  
E  
F  
G  
H  
I  
J  
L  
M  
N  
O  
P

RF

# DOOR SWITCH

## < DTC/CIRCUIT DIAGNOSIS >

2. Disconnect door switch and BCM.
3. Check continuity between door switch connector B8 (Front LH), B108 (Front RH) terminal 2 and BCM connector M18, M19 terminals 12, 47.

**2 - 47** :Continuity should exist

**2 - 12** :Continuity should exist

4. Check continuity between door switch connector B8 (Front LH), B108 (Front RH) terminal 2 and ground.

**2 - Ground** :Continuity should not exist

Is the inspection result normal?

YES >> GO TO 3

NO >> Repair or replace harness.

## 3. CHECK DOOR SWITCHES

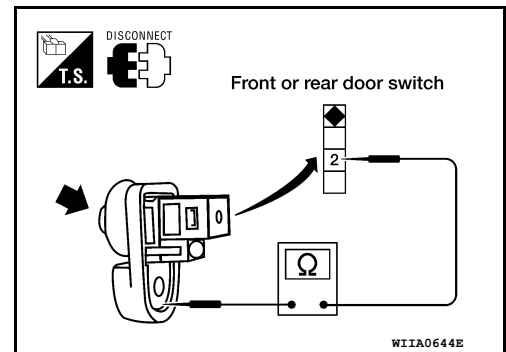
1. Check continuity between door switch terminals.

	Terminal	Condition	Continuity
Door switch	2 – Ground	Open	Yes
		Closed	No

Is the inspection result normal?

YES >> Replace BCM. Refer to [BCS-55, "Removal and Installation"](#)

NO >> Replace door switch.





## BCM (BODY CONTROL MODULE)

< ECU DIAGNOSIS INFORMATION >

# ECU DIAGNOSIS INFORMATION

## BCM (BODY CONTROL MODULE)

### Reference Value

INFOID:000000006698822

#### NOTE:

The Signal Tech II Tool (J-50190) can be used to perform the following functions. Refer to the Signal Tech II User Guide for additional information.

- Activate and display TPMS transmitter IDs
- Display tire pressure reported by the TPMS transmitter
- Read TPMS DTCs
- Register TPMS transmitter IDs
- Check Intelligent Key relative signal strength
- Confirm vehicle Intelligent Key antenna signal strength
- Test remote keyless entry keyfob relative signal strength

### VALUES ON THE DIAGNOSIS TOOL

Monitor Item	Condition	Value/Status
ACC ON SW	Ignition switch OFF or ON	Off
	Ignition switch ACC	On
AIR COND SW	A/C switch OFF	Off
	A/C switch ON	On
AIR PRESS FL	Front left tire air pressure value	kPa, kg/cm <sup>2</sup> , psi
AIR PRESS FR	Front right tire air pressure value	kPa, kg/cm <sup>2</sup> , psi
AIR PRESS RL	Rear left tire air pressure value	kPa, kg/cm <sup>2</sup> , psi
AIR PRESS RR	Rear right tire air pressure value	kPa, kg/cm <sup>2</sup> , psi
AUTO LIGHT SW	Lighting switch OFF	Off
	Lighting switch AUTO	On
BACK DOOR SW	Back door closed	Off
	Back door opened	On
BRAKE SW	Brake pedal released	Off
	Brake pedal applied	On
BUCKLE SW	Seat belt buckle unfastened	Off
	Seat belt buckle fastened	On
BUZZER	Buzzer in combination meter OFF	Off
	Buzzer in combination meter ON	On
CDL LOCK SW	Door lock/unlock switch does not operate	Off
	Press door lock/unlock switch to the LOCK side	On
CDL UNLOCK SW	Door lock/unlock switch does not operate	Off
	Press door lock/unlock switch to the UNLOCK side	On
DOOR SW-AS	Front door RH closed	Off
	Front door RH opened	On
DOOR SW-DR	Front door LH closed	Off
	Front door LH opened	On
DOOR SW-RL	Rear door LH closed	Off
	Rear door LH opened	On
DOOR SW-RR	Rear door RH closed	Off
	Rear door RH opened	On

## BCM (BODY CONTROL MODULE)

### < ECU DIAGNOSIS INFORMATION >

Monitor Item	Condition	Value/Status
FAN ON SIG	Blower motor fan switch OFF	Off
	Blower motor fan switch ON	On
FR FOG SW	Front fog lamp switch OFF	Off
	Front fog lamp switch ON	On
FR WASHER SW	Front washer switch OFF	Off
	Front washer switch ON	On
FR WIPER LOW	Front wiper switch OFF	Off
	Front wiper switch LO	On
FR WIPER HI	Front wiper switch OFF	Off
	Front wiper switch HI	On
FR WIPER INT	Front wiper switch OFF	Off
	Front wiper switch INT	On
FR WIPER STOP	Any position other than front wiper stop position	Off
	Front wiper stop position	On
HAZARD SW	When hazard switch is not pressed	Off
	When hazard switch is pressed	On
HEAD LAMP SW 1	Headlamp switch OFF	Off
	Headlamp switch 1st	On
HEAD LAMP SW 2	Headlamp switch OFF	Off
	Headlamp switch 1st	On
HI BEAM SW	High beam switch OFF	Off
	High beam switch HI	On
ID REGST FL1	ID registration of front left tire incomplete	YET
	ID registration of front left tire complete	DONE
ID REGST FR1	ID registration of front right tire incomplete	YET
	ID registration of front right tire complete	DONE
ID REGST RL1	ID registration of rear left tire incomplete	YET
	ID registration of rear left tire complete	DONE
ID REGST RR1	ID registration of rear right tire incomplete	YET
	ID registration of rear right tire complete	DONE
IGN ON SW	Ignition switch OFF or ACC	Off
	Ignition switch ON	On
IGN SW CAN	Ignition switch OFF or ACC	Off
	Ignition switch ON	On
INT VOLUME	Wiper intermittent dial is in a dial position 1 - 7	1 - 7
I-KEY LOCK <sup>1</sup>	LOCK button of Intelligent Key is not pressed	Off
	LOCK button of Intelligent Key is pressed	On
I-KEY PANIC <sup>1</sup>	PANIC button of Intelligent Key is not pressed	Off
	PANIC button of Intelligent Key is pressed	On
I-KEY PW DWN <sup>1</sup>	UNLOCK button of Intelligent Key is not pressed	Off
	UNLOCK button of Intelligent Key is pressed for greater than 3 seconds and driver's window operating in DOWN direction	On
I-KEY UNLOCK <sup>1</sup>	UNLOCK button of Intelligent Key is not pressed	Off
	UNLOCK button of Intelligent Key is pressed	On

## BCM (BODY CONTROL MODULE)

### < ECU DIAGNOSIS INFORMATION >

Monitor Item	Condition	Value/Status	
KEY CYL LK-SW	Door key cylinder LOCK position	Off	A
	Door key cylinder other than LOCK position	On	
KEY CYL UN-SW	Door key cylinder UNLOCK position	Off	B
	Door key cylinder other than UNLOCK position	On	
KEY ON SW	Mechanical key is removed from key cylinder	Off	C
	Mechanical key is inserted to key cylinder	On	
KEYLESS LOCK <sup>2</sup>	LOCK button of key fob is not pressed	Off	D
	LOCK button of key fob is pressed	On	
KEYLESS PANIC <sup>2</sup>	PANIC button of key fob is not pressed	Off	E
	PANIC button of key fob is pressed	On	
KEYLESS UNLOCK <sup>2</sup>	UNLOCK button of key fob is not pressed	Off	F
	UNLOCK button of key fob is pressed	On	
LIGHT SW 1ST	Lighting switch OFF	Off	G
	Lighting switch 1st	On	
OIL PRESS SW	<ul style="list-style-type: none"> <li>• Ignition switch OFF or ACC</li> <li>• Engine running</li> </ul>	Off	H
	Ignition switch ON	On	
OPTICAL SENSOR	Bright outside of the vehicle	Close to 5V	I
	Dark outside of the vehicle	Close to 0V	
PASSING SW	Other than lighting switch PASS	Off	J
	Lighting switch PASS	On	
PUSH SW <sup>1</sup>	Return to ignition switch to LOCK position	Off	K
	Press ignition switch	On	
REAR DEF SW	Rear window defogger switch OFF	Off	L
	Rear window defogger switch ON	On	
RR WASHER SW	Rear washer switch OFF	Off	M
	Rear washer switch ON	On	
RR WIPER INT	Rear wiper switch OFF	Off	N
	Rear wiper switch INT	On	
RR WIPER ON	Rear wiper switch OFF	Off	O
	Rear wiper switch ON	On	
RR WIPER STOP	Rear wiper stop position	Off	P
	Other than rear wiper stop position	On	
TURN SIGNAL L	Turn signal switch OFF	Off	
	Turn signal switch LH	On	
TURN SIGNAL R	Turn signal switch OFF	Off	
	Turn signal switch RH	On	
VEHICLE SPEED	While driving	Equivalent to speedometer reading	
WARNING LAMP	Low tire pressure warning lamp in combination meter OFF	Off	
	Low tire pressure warning lamp in combination meter ON	On	

1: With Intelligent Key

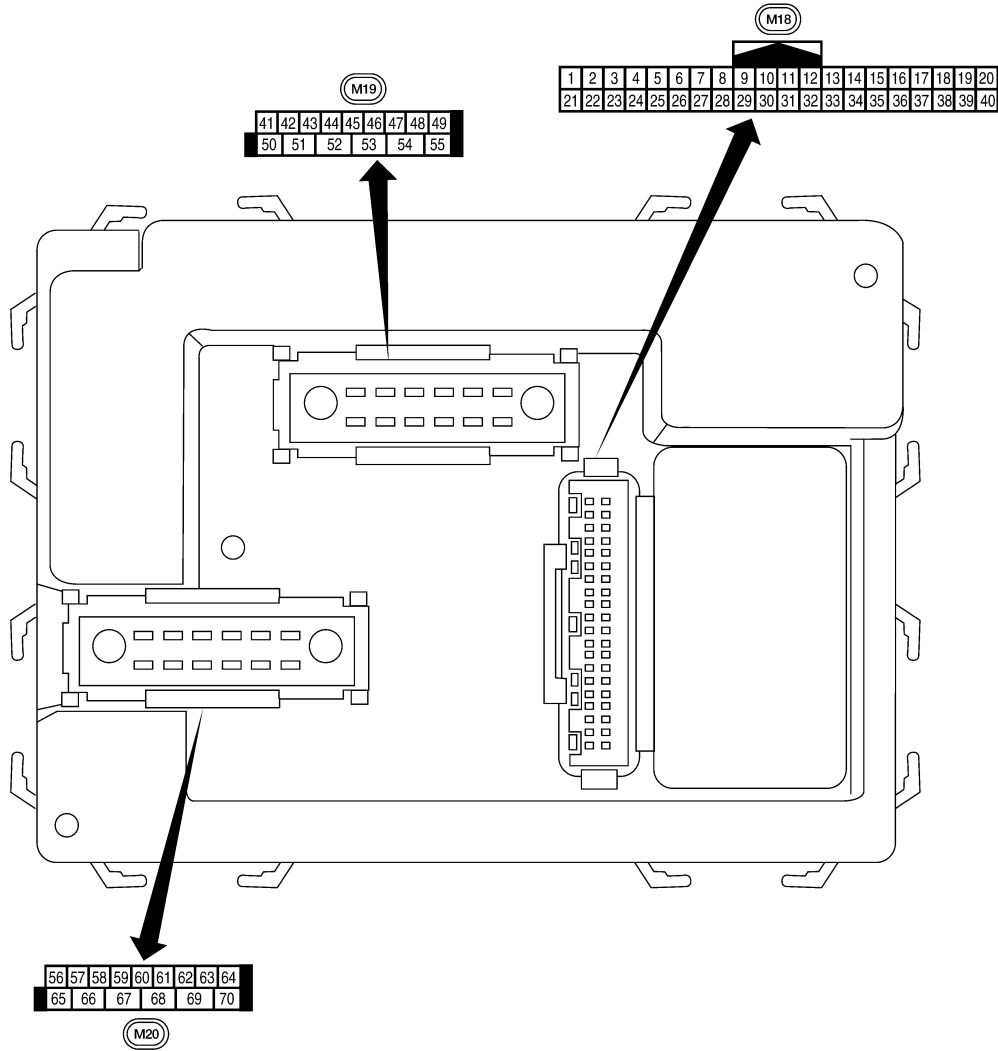
2: With remote keyless entry system

# BCM (BODY CONTROL MODULE)

< ECU DIAGNOSIS INFORMATION >

## Terminal Layout

INFOID:000000006698823



## Physical Values

LIIA2443E

INFOID:000000006698824

# BCM (BODY CONTROL MODULE)

## < ECU DIAGNOSIS INFORMATION >

Terminal	Wire color	Signal name	Signal input/output	Measuring condition		Reference value or waveform (Approx.)
				Ignition switch	Operation or condition	
1	BR	Ignition keyhole illumination	Output	OFF	Door is locked (SW OFF)	Battery voltage
					Door is unlocked (SW ON)	0V
2	P	Combination switch input 5	Input	ON	Lighting, turn, wiper OFF Wiper dial position 4	<p style="text-align: right; font-size: small;">SKIA5291E</p>
3	SB	Combination switch input 4	Input	ON	Lighting, turn, wiper OFF Wiper dial position 4	<p style="text-align: right; font-size: small;">SKIA5292E</p>
4	V	Combination switch input 3	Input	ON	Lighting, turn, wiper OFF Wiper dial position 4	<p style="text-align: right; font-size: small;">SKIA5291E</p>
5	L	Combination switch input 2	Input	ON	Lighting, turn, wiper OFF Wiper dial position 4	<p style="text-align: right; font-size: small;">SKIA5292E</p>
6	R	Combination switch input 1				
9	Y	Rear window defogger switch	Input	ON	Rear window defogger switch ON	0V
					Rear window defogger switch OFF	5V
11	G/B	Ignition switch (ACC or ON)	Input	ACC or ON	Ignition switch ACC or ON	Battery voltage
12	LG	Front door switch RH	Input	OFF	ON (open)	0V
					OFF (closed)	Battery voltage
13	L	Rear door switch RH	Input	OFF	ON (open)	0V
					OFF (closed)	Battery voltage
15	W	Tire pressure warning check connector	Input	OFF	—	5V
18	BR	Remote keyless entry receiver and optical sensor (ground)	Output	OFF	—	0V

A  
B  
C  
D  
E  
F  
G  
H  
I  
J  
L  
M  
N  
O  
P

RF

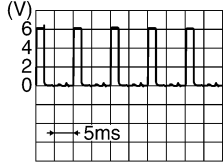

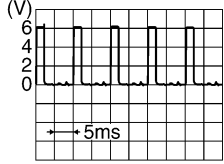
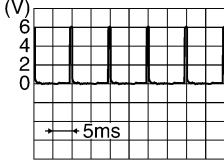
# BCM (BODY CONTROL MODULE)

## < ECU DIAGNOSIS INFORMATION >

Terminal	Wire color	Signal name	Signal input/output	Measuring condition		Reference value or waveform (Approx.)
				Ignition switch	Operation or condition	
19	V	Remote keyless entry receiver (power supply)	Output	OFF	Ignition switch OFF	<p style="text-align: right;">LI1A1893E</p>
20	G	Remote keyless entry receiver (signal)	Input	OFF	Stand-by (keyfob buttons released)	<p style="text-align: right;">LI1A1894E</p>
					When remote keyless entry receiver receives signal from keyfob (keyfob buttons pressed)	<p style="text-align: right;">LI1A1895E</p>
21	GR	NATS antenna amp.	Input	OFF → ON	Ignition switch (OFF → ON)	Just after turning ignition switch ON: Pointer of tester should move for approx. 1 second, then return to battery voltage.
22	V	BUS	—	—	Ignition switch ON or power window timer operates	<p style="text-align: right;">PI1A2344E</p>
23	G	Security indicator lamp	Output	OFF	Goes OFF → illuminates (Every 2.4 seconds)	Battery voltage → 0V
25	BR	NATS antenna amp.	Input	OFF → ON	Ignition switch (OFF → ON)	Just after turning ignition switch ON: Pointer of tester should move for approx. 1 second, then return to battery voltage.
27	W	Compressor ON signal	Input	ON	A/C switch OFF	5V
					A/C switch ON	0V
28	R	Front blower monitor	Input	ON	Front blower motor OFF	Battery voltage
					Front blower motor ON	0V
29	G	Hazard switch	Input	OFF	ON	0V
					OFF	5V
30 <sup>1</sup>	G	Back door opener switch	Input	OFF	ON (open)	0V
					OFF (closed)	Battery voltage
30 <sup>2</sup>	SB	Back door opener switch	Input	OFF	ON (open)	0V
					OFF (closed)	Battery voltage

# BCM (BODY CONTROL MODULE)

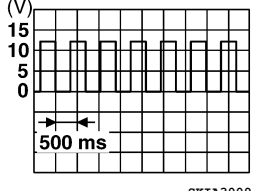
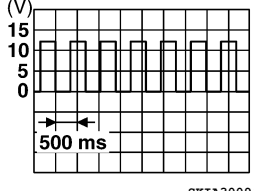
## < ECU DIAGNOSIS INFORMATION >

Terminal	Wire color	Signal name	Signal input/output	Measuring condition		Reference value or waveform (Approx.)
				Ignition switch	Operation or condition	
32	O	Combination switch output 5	Output	ON	Lighting, turn, wiper OFF Wiper dial position 4	 <p style="text-align: right; font-size: small;">SKIA5291E</p>
33	GR	Combination switch output 4	Output	ON	Lighting, turn, wiper OFF Wiper dial position 4	 <p style="text-align: right; font-size: small;">SKIA5292E</p>
34	G	Combination switch output 3	Output	ON	Lighting, turn, wiper OFF Wiper dial position 4	 <p style="text-align: right; font-size: small;">SKIA5291E</p>
35	BR	Combination switch output 2	Output	ON	Lighting, turn, wiper OFF Wiper dial position 4	 <p style="text-align: right; font-size: small;">SKIA5292E</p>
36	LG	Combination switch output 1				
37 <sup>1</sup>	B	Key switch and key lock solenoid	Input	OFF	Key inserted	Battery voltage
					Key removed	0V
37 <sup>2</sup>	B	Key switch and ignition knob switch	Input	OFF	Intelligent Key inserted	Battery voltage
					Intelligent Key removed	0V
38	W/R	Ignition switch (ON)	Input	ON	—	Battery voltage
39	L	CAN-H	—	—	—	—
40	P	CAN-L	—	—	—	—
42	LG	Glass hatch ajar switch	Input	ON	Glass hatch open	0V
					Glass hatch closed	Battery voltage
43	P	Back door latch switch	Input	OFF	ON (open)	0V
					OFF (closed)	Battery voltage

A  
B  
C  
D  
E  
F  
G  
H  
I  
J  
RF  
L  
M  
N  
O  
P

# BCM (BODY CONTROL MODULE)

## < ECU DIAGNOSIS INFORMATION >

Terminal	Wire color	Signal name	Signal input/output	Measuring condition		Reference value or waveform (Approx.)
				Ignition switch	Operation or condition	
44	O	Rear wiper auto stop switch	Input	ON	Rise up position (rear wiper arm on stopper)	0V
					A Position (full clockwise stop position)	Battery voltage
					Forward sweep (counterclockwise direction)	Fluctuating
					B Position (full counterclockwise stop position)	0V
					Reverse sweep (clockwise direction)	Fluctuating
47	GR	Front door switch LH	Input	OFF	ON (open)	0V
					OFF (closed)	Battery voltage
48	P	Rear door switch LH	Input	OFF	ON (open)	0V
					OFF (closed)	Battery voltage
49	L	Cargo lamp	Output	OFF	Any door open (ON)	0V
					All doors closed (OFF)	Battery voltage
51	O	Trailer turn signal (right)	Output	ON	Turn right ON	
52	LG	Trailer turn signal (left)	Output	ON	Turn left ON	
53	L	Back door latch actuator	Output	OFF	OFF	0
					ON	Battery voltage
55	W	Rear wiper output circuit 1	Output	ON	OFF	0
					ON	Battery voltage
56	R/Y	Battery saver output	Output	OFF	15 minutes after ignition switch is turned OFF	0V
				ON	—	Battery voltage
57	R/Y	Battery power supply	Input	OFF	—	Battery voltage
58	W	Optical sensor	Input	ON	When optical sensor is illuminated	3.1V or more
					When optical sensor is not illuminated	0.6V or less
59	GR	Front door lock assembly LH actuator (unlock)	Output	OFF	OFF (neutral)	0V
					ON (unlock)	Battery voltage



# BCM (BODY CONTROL MODULE)

## < ECU DIAGNOSIS INFORMATION >

Terminal	Wire color	Signal name	Signal input/output	Measuring condition		Reference value or waveform (Approx.)				
				Ignition switch	Operation or condition					
60	LG	Turn signal (left)	Output	ON	Turn left ON	<p>SKIA3009J</p>				
61	G	Turn signal (right)	Output	ON	Turn right ON	<p>SKIA3009J</p>				
63	BR	Interior room/map lamp	Output	OFF	Any door switch	<table border="1"> <tr> <td>ON (open)</td> <td>0V</td> </tr> <tr> <td>OFF (closed)</td> <td>Battery voltage</td> </tr> </table>	ON (open)	0V	OFF (closed)	Battery voltage
ON (open)	0V									
OFF (closed)	Battery voltage									
65	V	All door lock actuators (lock)	Output	OFF	OFF (neutral)	0V				
					ON (lock)	Battery voltage				
66	L	Front door lock actuator RH, rear door lock actuators LH/RH and glass hatch lock actuator (unlock)	Output	OFF	OFF (neutral)	0V				
					ON (unlock)	Battery voltage				
67	B	Ground	Input	ON	—	0V				
68	O	Power window power supply (RAP)	Output	—	Ignition switch ON	Battery voltage				
					Within 45 seconds after ignition switch OFF	Battery voltage				
					More than 45 seconds after ignition switch OFF	0V				
					When front door LH or RH is open or power window timer operates	0V				
69	L	Power window power supply	Output	—	—	Battery voltage				
70	W	Battery power supply	Input	OFF	—	Battery voltage				

1: With remote keyless entry system

2: With Intelligent Key system

## Fail Safe

INFOID:000000006698826

### Fail-safe index

BCM performs fail-safe control when any DTC listed below is detected.

Display contents of CONSULT	Fail-safe	Cancellation
U1000: CAN COMM CIRCUIT	Inhibit engine cranking	When the BCM re-establishes communication with the other modules.

## DTC Inspection Priority Chart

INFOID:000000006698827

If some DTCs are displayed at the same time, perform inspections one by one based on the following priority chart.

# BCM (BODY CONTROL MODULE)

## < ECU DIAGNOSIS INFORMATION >

Priority	DTC
1	<ul style="list-style-type: none"> <li>• U1000: CAN COMM CIRCUIT</li> </ul>
2	<ul style="list-style-type: none"> <li>• B2190: NATS ANTENNA AMP</li> <li>• B2191: DIFFERENCE OF KEY</li> <li>• B2192: ID DISCORD BCM-ECM</li> <li>• B2193: CHAIN OF BCM-ECM</li> <li>• B2013: STRG COMM 1</li> <li>• B2552: INTELLIGENT KEY</li> <li>• B2590: NATS MALFUNCTION</li> </ul>
3	<ul style="list-style-type: none"> <li>• C1729: VHCL SPEED SIG ERR</li> <li>• C1735: IGNITION SIGNAL</li> </ul>
4	<ul style="list-style-type: none"> <li>• C1704: LOW PRESSURE FL</li> <li>• C1705: LOW PRESSURE FR</li> <li>• C1706: LOW PRESSURE RR</li> <li>• C1707: LOW PRESSURE RL</li> <li>• C1708: [NO DATA] FL</li> <li>• C1709: [NO DATA] FR</li> <li>• C1710: [NO DATA] RR</li> <li>• C1711: [NO DATA] RL</li> <li>• C1712: [CHECKSUM ERR] FL</li> <li>• C1713: [CHECKSUM ERR] FR</li> <li>• C1714: [CHECKSUM ERR] RR</li> <li>• C1715: [CHECKSUM ERR] RL</li> <li>• C1716: [PRESSDATA ERR] FL</li> <li>• C1717: [PRESSDATA ERR] FR</li> <li>• C1718: [PRESSDATA ERR] RR</li> <li>• C1719: [PRESSDATA ERR] RL</li> <li>• C1720: [CODE ERR] FL</li> <li>• C1721: [CODE ERR] FR</li> <li>• C1722: [CODE ERR] RR</li> <li>• C1723: [CODE ERR] RL</li> <li>• C1724: [BATT VOLT LOW] FL</li> <li>• C1725: [BATT VOLT LOW] FR</li> <li>• C1726: [BATT VOLT LOW] RR</li> <li>• C1727: [BATT VOLT LOW] RL</li> </ul>

## DTC Index

INFOID:00000000698828

### NOTE:

- Details of time display
- CRNT: Displays when there is a malfunction now or after returning to the normal condition until turning ignition switch OFF → ON again.
- 1 - 39: Displayed if any previous malfunction is present when current condition is normal. It increases like 1 → 2 → 3...38 → 39 after returning to the normal condition whenever ignition switch OFF → ON. The counter remains at 39 even if the number of cycles exceeds it. It is counted from 1 again when turning ignition switch OFF → ON after returning to the normal condition if the malfunction is detected again.

CONSULT display	Fail-safe	Intelligent Key warning lamp ON	Tire pressure monitor warning lamp ON	Reference page
No DTC is detected. Further testing may be required.	—	—	—	—
U1000: CAN COMM CIRCUIT	—	—	—	<a href="#">BCS-29</a>
B2013: STRG COMM 1	—	—	—	<a href="#">SEC-30</a>
B2190: NATS ANTENNA AMP	—	—	—	<a href="#">SEC-33</a> (with I-Key) <a href="#">SEC-131</a> (without I-Key)
B2191: DIFFERENCE OF KEY	—	—	—	<a href="#">SEC-36</a> (with I-Key) <a href="#">SEC-134</a> (without I-Key)

## BCM (BODY CONTROL MODULE)

### < ECU DIAGNOSIS INFORMATION >

CONSULT display	Fail-safe	Intelligent Key warning lamp ON	Tire pressure monitor warning lamp ON	Reference page	
B2192: ID DISCORD BCM-ECM	—	—	—	<a href="#">SEC-37</a> (with I-Key) <a href="#">SEC-135</a> (without I-Key)	A B
B2193: CHAIN OF BCM-ECM	—	—	—	<a href="#">SEC-39</a> (with I-Key) <a href="#">SEC-137</a> (without I-Key)	C
B2552: INTELLIGENT KEY	—	—	—	<a href="#">SEC-41</a>	
B2590: NATS MALFUNCTION	—	—	—	<a href="#">SEC-42</a>	D
C1708: [NO DATA] FL	—	—	—	<a href="#">WT-14</a>	E
C1709: [NO DATA] FR	—	—	—	<a href="#">WT-14</a>	
C1710: [NO DATA] RR	—	—	—	<a href="#">WT-14</a>	F
C1711: [NO DATA] RL	—	—	—	<a href="#">WT-14</a>	G
C1712: [CHECKSUM ERR] FL	—	—	—	<a href="#">WT-16</a>	
C1713: [CHECKSUM ERR] FR	—	—	—	<a href="#">WT-16</a>	H
C1714: [CHECKSUM ERR] RR	—	—	—	<a href="#">WT-16</a>	
C1715: [CHECKSUM ERR] RL	—	—	—	<a href="#">WT-16</a>	I
C1716: [PRESSDATA ERR] FL	—	—	—	<a href="#">WT-18</a>	J
C1717: [PRESSDATA ERR] FR	—	—	—	<a href="#">WT-18</a>	
C1718: [PRESSDATA ERR] RR	—	—	—	<a href="#">WT-18</a>	RF
C1719: [PRESSDATA ERR] RL	—	—	—	<a href="#">WT-18</a>	
C1720: [CODE ERR] FL	—	—	—	<a href="#">WT-16</a>	L
C1721: [CODE ERR] FR	—	—	—	<a href="#">WT-16</a>	
C1722: [CODE ERR] RR	—	—	—	<a href="#">WT-16</a>	M
C1723: [CODE ERR] RL	—	—	—	<a href="#">WT-16</a>	N
C1724: [BATT VOLT LOW] FL	—	—	—	<a href="#">WT-16</a>	
C1725: [BATT VOLT LOW] FR	—	—	—	<a href="#">WT-16</a>	O
C1726: [BATT VOLT LOW] RR	—	—	—	<a href="#">WT-16</a>	
C1727: [BATT VOLT LOW] RL	—	—	—	<a href="#">WT-16</a>	P
C1729: VHCL SPEED SIG ERR	—	—	—	<a href="#">WT-20</a>	
C1735: IGNITION SWITCH	—	—	—	—	

# SUNROOF MOTOR ASSEMBLY

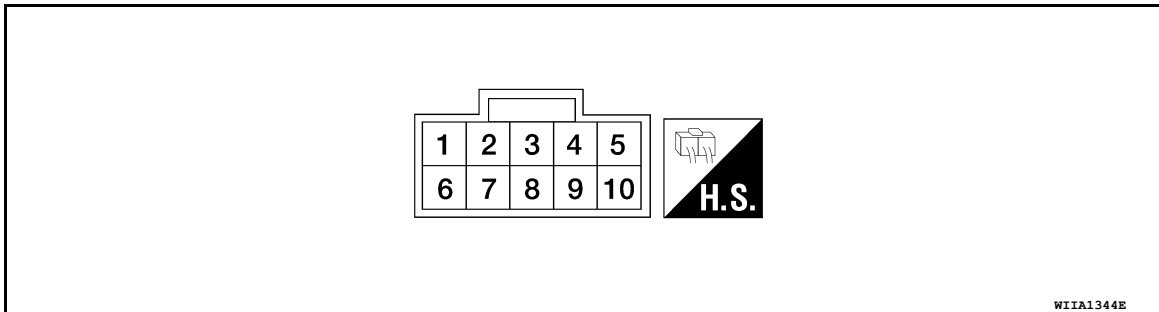
< ECU DIAGNOSIS INFORMATION >

## SUNROOF MOTOR ASSEMBLY

Reference Value

INFOID:000000006247129

### TERMINAL LAYOUT



### PHYSICAL VALUES

Terminal No. (Wire color)		Description		Condition	Voltage (V) (Approx.)
+	-	Signal name	Input/ Output		
1 (SB)	Ground	Sunroof switch (UP/ CLOSE) signal	Input	Ignition switch ON and sun- roof switch in UP/CLOSE po- sition	0V
				Ignition switch ON and sun- roof switch in OFF position	Battery voltage
5 (R)	Ground	Sunroof switch (DOWN/ OPEN) signal	Input	Ignition switch ON and sun- roof switch in DOWN/OPEN position	0V
				Ignition switch ON and sun- roof switch in OFF position	Battery voltage
7 (P)	Ground	BAT power supply	Input	—	Battery voltage
8 (W)	Ground	Vehicle speed signal	Input	Speedometer operated [when vehicle speed is approx. 40 km/h (25 MPH)]	
9 (SB)	Ground	RAP signal	Input	Ignition switch ON	Battery voltage
				Within 45 seconds after igni- tion switch turned OFF	Battery voltage
				When front door LH or RH is opened while retained power is operating	0V
10 (B)	Ground	Ground	Input	—	0V

# SUNROOF

< WIRING DIAGRAM >

## WIRING DIAGRAM

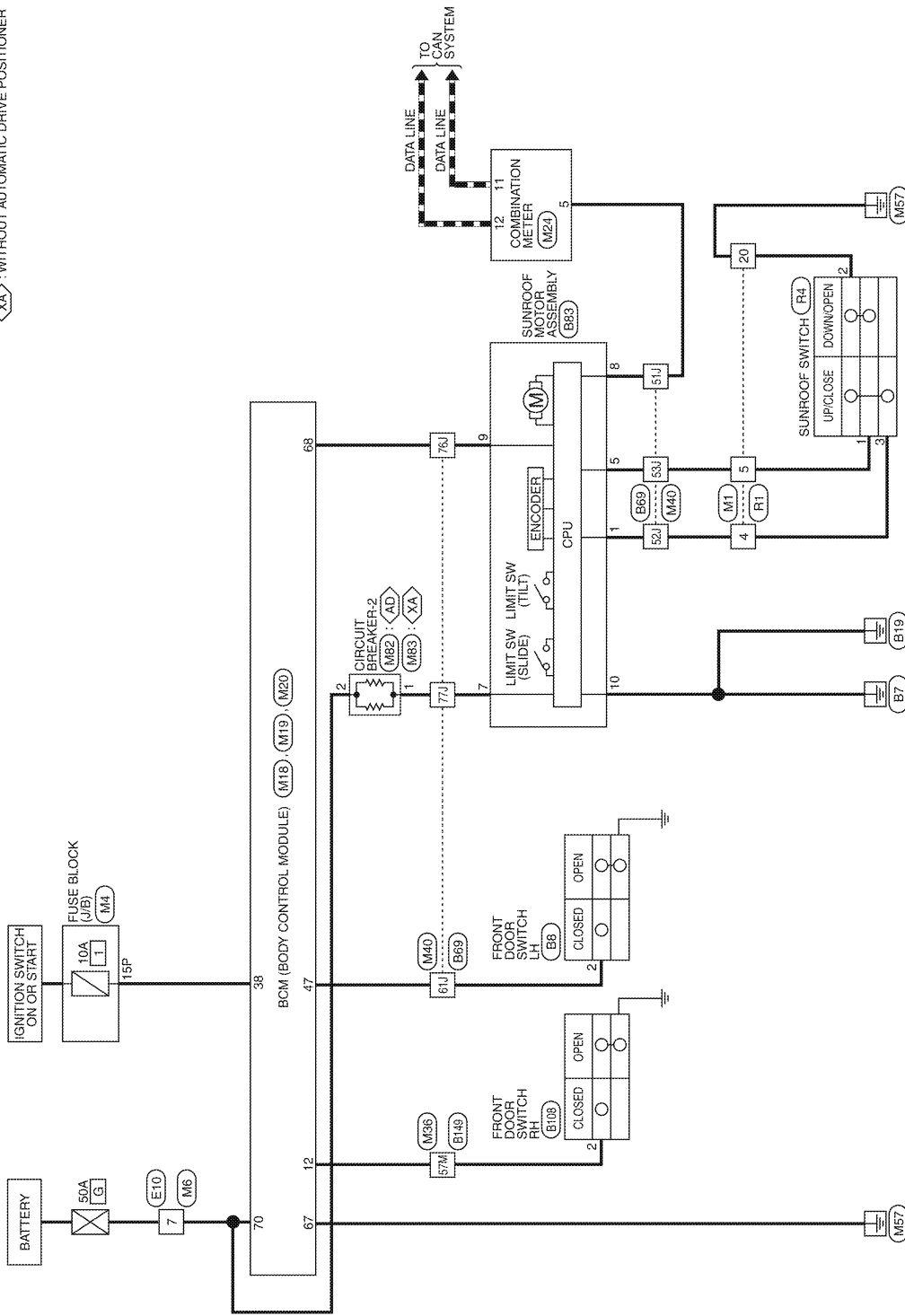
### SUNROOF

#### Wiring Diagram

INFOID:000000006546171

◊AD◊ : WITH AUTOMATIC DRIVE POSITIONER  
 ◊XA◊ : WITHOUT AUTOMATIC DRIVE POSITIONER

SUNROOF



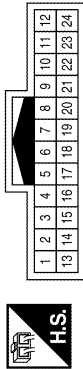
ABKWA0606GB

A  
B  
C  
D  
E  
F  
G  
H  
I  
J  
K  
L  
M  
N  
O  
P

RF

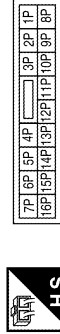
SUNROOF CONNECTORS

Connector No.	M1
Connector Name	WIRE TO WIRE
Connector Color	WHITE



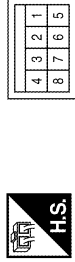
Terminal No.	Color of Wire	Signal Name
4	SB	--
5	R	--
20	B	--

Connector No.	M4
Connector Name	FUSE BLOCK (J/B)
Connector Color	WHITE



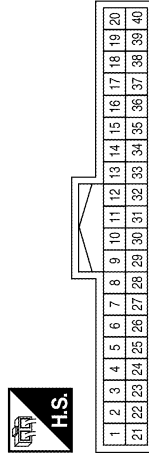
Terminal No.	Color of Wire	Signal Name
15P	W/R	--

Connector No.	M6
Connector Name	WIRE TO WIRE
Connector Color	WHITE



Terminal No.	Color of Wire	Signal Name
7	W	--

Connector No.	M18
Connector Name	BCM (BODY CONTROL MODULE)
Connector Color	WHITE



Terminal No.	Color of Wire	Signal Name
12	LG	DOOR SW (AS)
38	W/R	IGN SW

Connector No.	M19
Connector Name	BCM (BODY CONTROL MODULE)
Connector Color	WHITE



Terminal No.	Color of Wire	Signal Name
47	GR	DOOR SW (DR)

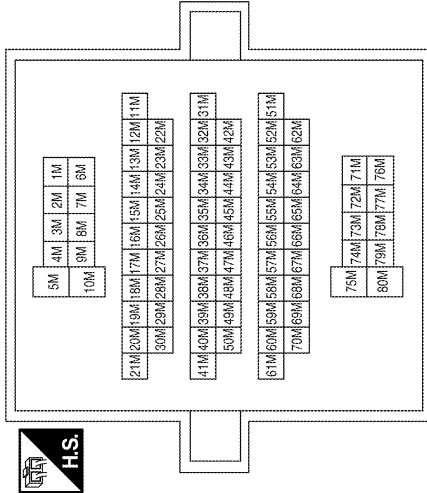
Connector No.	M20
Connector Name	BCM (BODY CONTROL MODULE)
Connector Color	BLACK



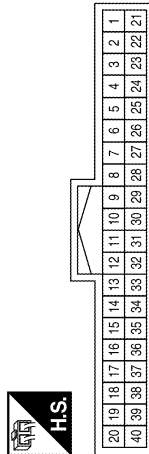
Terminal No.	Color of Wire	Signal Name
67	B	GND (POWER)
68	O	POWER WINDOW POWER SUPPLY OUTPUT (LINKED TO RAP)
70	W	BAT (F/L)

Terminal No.	Color of Wire	Signal Name
57M	LG	-

Connector No.	M36
Connector Name	WIRE TO WIRE
Connector Color	WHITE



Connector No.	M24
Connector Name	COMBINATION METER
Connector Color	WHITE



Terminal No.	Color of Wire	Signal Name
5	W	SPEED OUT 2
11	P	CAN-L
12	L	CAN-H

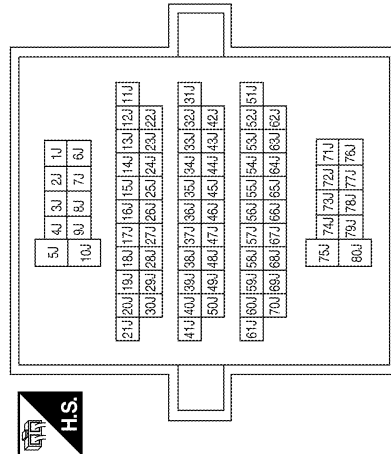
Connector No.	M82
Connector Name	CIRCUIT BREAKER-2 (WITH AUTOMATIC DRIVE POSITIONER)
Connector Color	WHITE



Terminal No.	Color of Wire	Signal Name
1	SB	-
2	P	-

Terminal No.	Color of Wire	Signal Name
51J	W	-
52J	SB	-
53J	R	-
61J	GR	-
76J	SB	-
77J	P	-

Connector No.	M40
Connector Name	WIRE TO WIRE
Connector Color	WHITE



ABK1A1773GB

A  
B  
C  
D  
E  
F  
G  
H  
I  
J  
L  
M  
N  
O  
P

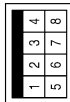
RF

Connector No.	M83
Connector Name	CIRCUIT BREAKER-2 (WITHOUT AUTOMATIC DRIVE POSITIONER)
Connector Color	WHITE



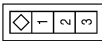
Terminal No.	Color of Wire	Signal Name
1	W	-
2	P	-

Connector No.	E10
Connector Name	WIRE TO WIRE
Connector Color	WHITE



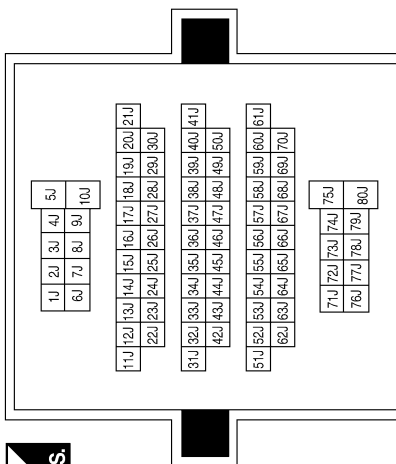
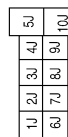
Terminal No.	Color of Wire	Signal Name
7	W	-

Connector No.	B8
Connector Name	FRONT DOOR SWITCH LH
Connector Color	WHITE



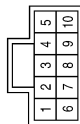
Terminal No.	Color of Wire	Signal Name
2	GR	-

Connector No.	B69
Connector Name	WIRE TO WIRE
Connector Color	WHITE



Terminal No.	Color of Wire	Signal Name
51J	W	-
52J	SB	-
53J	R	-
61J	GR	-
76J	SB	-
77J	P	-

Connector No.	B83
Connector Name	SUNROOF MOTOR ASSEMBLY
Connector Color	GRAY



Terminal No.	Color of Wire	Signal Name
1	SB	SW_BIT1
5	R	SW_BIT0
7	P	+B
8	W	2P
9	SB	IGN
10	B	GND

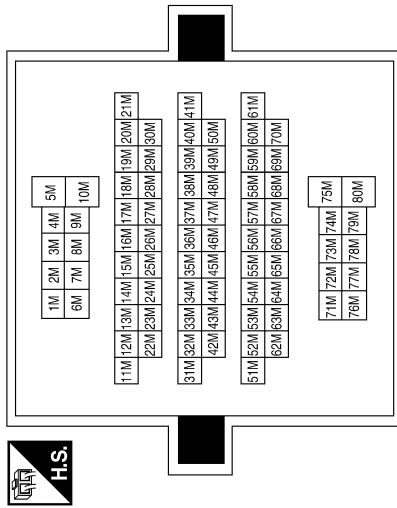


# SUNROOF

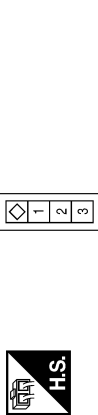
< WIRING DIAGRAM >

Terminal No.	Color of Wire	Signal Name
57M	LG	-

Connector No.	B149
Connector Name	WIRE TO WIRE
Connector Color	WHITE



Connector No.	B108
Connector Name	FRONT DOOR SWITCH RH
Connector Color	WHITE



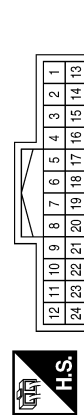
Terminal No.	Color of Wire	Signal Name
2	LG	-

Connector No.	R4
Connector Name	SUNROOF SWITCH
Connector Color	WHITE



Terminal No.	Color of Wire	Signal Name
1	R	-
2	B	-
3	SB	-

Connector No.	R1
Connector Name	WIRE TO WIRE
Connector Color	WHITE



Terminal No.	Color of Wire	Signal Name
4	SB	-
5	R	-
20	B	-

ABKIA0005GB

A  
B  
C  
D  
E  
F  
G  
H  
I  
J  
L  
M  
N  
O  
P

RF

# SUNROOF DOES NOT OPERATE PROPERLY

< SYMPTOM DIAGNOSIS >

---

## SYMPTOM DIAGNOSIS

### SUNROOF DOES NOT OPERATE PROPERLY

#### Diagnosis Procedure

INFOID:000000006247131

#### 1. CHECK BCM POWER SUPPLY AND GROUND CIRCUIT

---

Check BCM power supply and ground circuit.  
Refer to [BCS-30, "Diagnosis Procedure"](#).

>> GO TO 2

#### 2. CHECK SUNROOF MOTOR ASSEMBLY POWER SUPPLY AND GROUND CIRCUIT

---

Check sunroof motor assembly power supply and ground circuit.  
Refer to [RF-10, "SUNROOF MOTOR ASSEMBLY : Diagnosis Procedure"](#).

>> GO TO 3

#### 3. CHECK SUNROOF SWITCH CIRCUIT

---

Check sunroof switch circuit.  
Refer to [RF-12, "Description"](#).  
Is the inspection result normal?

YES >> GO TO 4.  
NO >> Repair or replace malfunctioning parts.

#### 4. CHECK VEHICLE SPEED SIGNAL CIRCUIT

---

Check vehicle speed signal circuit. Refer to [RF-14, "Component Function Check"](#).  
Is the inspection result normal?

YES >> Check intermittent incident. Refer to [GI-37, "Intermittent Incident"](#).  
NO >> Repair or replace malfunctioning parts.

# AUTO OPERATION DOES NOT OPERATE

< SYMPTOM DIAGNOSIS >

## AUTO OPERATION DOES NOT OPERATE

### Diagnosis Procedure

INFOID:000000006247132

#### 1. PERFORM INITIALIZATION PROCEDURE

Perform initialization procedure.

Refer to [RF-5. "ADDITIONAL SERVICE WHEN REPLACING CONTROL UNIT : Special Repair Requirement"](#).

Is the inspection result normal?

YES >> Inspection End.

NO >> Perform basic inspection. Refer to [RF-3. "Work Flow"](#).

A  
B  
C  
D  
E  
F  
G  
H  
I  
J  
RF  
L  
M  
N  
O  
P

## DOES NOT STOP FULLY-OPEN OR FULLY-CLOSED POSITION

< SYMPTOM DIAGNOSIS >

---

## DOES NOT STOP FULLY-OPEN OR FULLY-CLOSED POSITION

### Diagnosis Procedure

INFOID:000000006247133

#### 1. PERFORM INITIALIZATION PROCEDURE

---

Perform initialization procedure.

Refer to [RF-5, "ADDITIONAL SERVICE WHEN REPLACING CONTROL UNIT : Special Repair Requirement"](#).

Is the inspection result normal?

YES >> Inspection End.

NO >> Perform basic inspection. Refer to [RF-3, "Work Flow"](#).

# RETAINED POWER OPERATION DOES NOT OPERATE PROPERLY

< SYMPTOM DIAGNOSIS >

---

## RETAINED POWER OPERATION DOES NOT OPERATE PROPERLY

### Diagnosis Procedure

INFOID:000000006247134

#### 1. CHECK FRONT DOOR SWITCH

---

Check front door switch.

Refer to [RF-15. "Component Function Check"](#).

Is the inspection result normal?

YES >> Check intermittent incident. Refer to [RF-3. "Work Flow"](#).

NO >> Repair or replace malfunctioning parts.

A  
B  
C  
D  
E  
F  
G  
H  
I  
J  
RF  
L  
M  
N  
O  
P

# SUNROOF DOES NOT OPERATE ANTI-PINCH FUNCTION

< SYMPTOM DIAGNOSIS >

---

## SUNROOF DOES NOT OPERATE ANTI-PINCH FUNCTION

### Diagnosis Procedure

INFOID:000000006247135

#### 1. PERFORM INITIALIZATION PROCEDURE

---

Perform initialization procedure.

Refer to [RF-5, "ADDITIONAL SERVICE WHEN REPLACING CONTROL UNIT : Special Repair Requirement"](#).

Is the inspection result normal?

YES >> Inspection End.

NO >> Perform basic inspection. Refer to [RF-3, "Work Flow"](#).

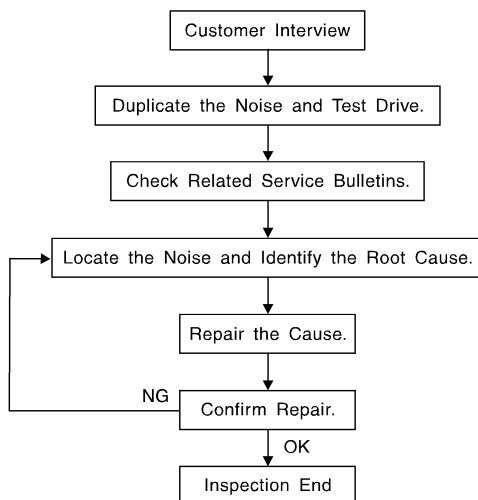
# SQUEAK AND RATTLE TROUBLE DIAGNOSES

< SYMPTOM DIAGNOSIS >

## SQUEAK AND RATTLE TROUBLE DIAGNOSES

### Work Flow

INFOID:000000006827757



SBT842

### CUSTOMER INTERVIEW

Interview the customer if possible, to determine the conditions that exist when the noise occurs. Use the Diagnostic Worksheet during the interview to document the facts and conditions when the noise occurs and any customer's comments; refer to [RF-43, "Diagnostic Worksheet"](#). This information is necessary to duplicate the conditions that exist when the noise occurs.

- The customer may not be able to provide a detailed description or the location of the noise. Attempt to obtain all the facts and conditions that exist when the noise occurs (or does not occur).
- If there is more than one noise in the vehicle, be sure to diagnose and repair the noise that the customer is concerned about. This can be accomplished by test driving the vehicle with the customer.
- After identifying the type of noise, isolate the noise in terms of its characteristics. The noise characteristics are provided so the customer, service adviser and technician are all speaking the same language when defining the noise.
- Squeak —(Like tennis shoes on a clean floor)  
Squeak characteristics include the light contact/fast movement/brought on by road conditions/hard surfaces = higher pitch noise/softer surfaces = lower pitch noises/edge to surface = chirping.
- Creak—(Like walking on an old wooden floor)  
Creak characteristics include firm contact/slow movement/twisting with a rotational movement/pitch dependent on materials/often brought on by activity.
- Rattle—(Like shaking a baby rattle)  
Rattle characteristics include the fast repeated contact/vibration or similar movement/loose parts/missing clip or fastener/incorrect clearance.
- Knock —(Like a knock on a door)  
Knock characteristics include hollow sounding/sometimes repeating/often brought on by driver action.
- Tick—(Like a clock second hand)  
Tick characteristics include gentle contacting of light materials/loose components/can be caused by driver action or road conditions.
- Thump—(Heavy, muffled knock noise)  
Thump characteristics include softer knock/dead sound often brought on by activity.
- Buzz—(Like a bumble bee)  
Buzz characteristics include high frequency rattle/firm contact.
- Often the degree of acceptable noise level will vary depending upon the person. A noise that you may judge as acceptable may be very irritating to the customer.
- Weather conditions, especially humidity and temperature, may have a great effect on noise level.

### DUPLICATE THE NOISE AND TEST DRIVE

If possible, drive the vehicle with the customer until the noise is duplicated. Note any additional information on the Diagnostic Worksheet regarding the conditions or location of the noise. This information can be used to duplicate the same conditions when you confirm the repair.

# SQUEAK AND RATTLE TROUBLE DIAGNOSES

## < SYMPTOM DIAGNOSIS >

If the noise can be duplicated easily during the test drive, to help identify the source of the noise, try to duplicate the noise with the vehicle stopped by doing one or all of the following:

- 1) Close a door.
  - 2) Tap or push/pull around the area where the noise appears to be coming from.
  - 3) Rev the engine.
  - 4) Use a floor jack to recreate vehicle "twist".
  - 5) At idle, apply engine load (electrical load, half-clutch on M/T model, drive position on CVT and A/T models).
  - 6) Raise the vehicle on a hoist and hit a tire with a rubber hammer.
- Drive the vehicle and attempt to duplicate the conditions the customer states exist when the noise occurs.
  - If it is difficult to duplicate the noise, drive the vehicle slowly on an undulating or rough road to stress the vehicle body.

## CHECK RELATED SERVICE BULLETINS

After verifying the customer concern or symptom, check ASIST for Technical Service Bulletins (TSBs) related to that concern or symptom.

If a TSB relates to the symptom, follow the procedure to repair the noise.

## LOCATE THE NOISE AND IDENTIFY THE ROOT CAUSE

1. Narrow down the noise to a general area. To help pinpoint the source of the noise, use a listening tool (Chassis Ear: J-39570, Engine Ear: J-39565 and mechanic's stethoscope).
2. Narrow down the noise to a more specific area and identify the cause of the noise by:
  - removing the components in the area that you suspect the noise is coming from.  
Do not use too much force when removing clips and fasteners, otherwise clips and fasteners can be broken or lost during the repair, resulting in the creation of new noise.
  - tapping or pushing/pulling the component that you suspect is causing the noise.  
Do not tap or push/pull the component with excessive force, otherwise the noise will be eliminated only temporarily.
  - feeling for a vibration with your hand by touching the component(s) that you suspect is (are) causing the noise.
  - placing a piece of paper between components that you suspect are causing the noise.
  - looking for loose components and contact marks.Refer to [RF-41. "Generic Squeak and Rattle Troubleshooting"](#).

## REPAIR THE CAUSE

- If the cause is a loose component, tighten the component securely.
- If the cause is insufficient clearance between components:
  - separate components by repositioning or loosening and retightening the component, if possible.
  - insulate components with a suitable insulator such as urethane pads, foam blocks, felt cloth tape or urethane tape. A NISSAN Squeak and Rattle Kit (J-43980) is available through your authorized NISSAN Parts Department.

### **CAUTION:**

**Do not use excessive force as many components are constructed of plastic and may be damaged.**

**Always check with the Parts Department for the latest parts information.**

**The following materials are contained in the NISSAN Squeak and Rattle Kit (J-43980). Each item can be ordered separately as needed.**

#### **URETHANE PADS [1.5 mm (0.059 in) thick]**

**Insulates connectors, harness, etc.**

**76268-9E005: 100×135 mm (3.94×5.31 in)/76884-71L01: 60×85 mm (2.36×3.35 in)/76884-71L02: 15×25 mm (0.59×0.98 in)**

#### **INSULATOR (Foam blocks)**

**Insulates components from contact. Can be used to fill space behind a panel.**

**73982-9E000: 45 mm (1.77 in) thick, 50×50 mm (1.97×1.97 in)/73982-50Y00: 10 mm (0.39 in) thick, 50×50 mm (1.97×1.97 in)**

#### **INSULATOR (Light foam block)**

**80845-71L00: 30 mm (1.18 in) thick, 30×50 mm (1.18×1.97 in)**

#### **FELT CLOTH TAPE**

**Used to insulate where movement does not occur. Ideal for instrument panel applications.**

**68370-4B000: 15×25 mm (0.59×0.98 in) pad/68239-13E00: 5 mm (0.20 in) wide tape roll. The following materials not found in the kit can also be used to repair squeaks and rattles.**

#### **UHMW (TEFLON) TAPE**

**Insulates where slight movement is present. Ideal for instrument panel applications.**

#### **SILICONE GREASE**



# SQUEAK AND RATTLE TROUBLE DIAGNOSES

## < SYMPTOM DIAGNOSIS >

Used instead of UHMW tape that will be visible or not fit.

Note: Will only last a few months.

### SILICONE SPRAY

Use when grease cannot be applied.

### DUCT TAPE

Use to eliminate movement.

### CONFIRM THE REPAIR

Confirm that the cause of a noise is repaired by test driving the vehicle. Operate the vehicle under the same conditions as when the noise originally occurred. Refer to the notes on the Diagnostic Worksheet.

## Generic Squeak and Rattle Troubleshooting

INFOID:000000006827758

Refer to Table of Contents for specific component removal and installation information.

### INSTRUMENT PANEL

Most incidents are caused by contact and movement between:

1. Cluster lid A and the instrument panel
2. Acrylic lens and combination meter housing
3. Instrument panel to front pillar finisher
4. Instrument panel to windshield
5. Instrument panel pins
6. Wiring harnesses behind the combination meter
7. A/C defroster duct and duct joint

These incidents can usually be located by tapping or moving the components to duplicate the noise or by pressing on the components while driving to stop the noise. Most of these incidents can be repaired by applying felt cloth tape or silicone spray (in hard to reach areas). Urethane pads can be used to insulate wiring harness.

### CAUTION:

Do not use silicone spray to isolate a squeak or rattle. If you saturate the area with silicone, you will not be able to recheck the repair.

### CENTER CONSOLE

Components to pay attention to include:

1. Shift selector assembly cover to finisher
2. A/C control unit and cluster lid C
3. Wiring harnesses behind audio and A/C control unit

The instrument panel repair and isolation procedures also apply to the center console.

### DOORS

Pay attention to the:

1. Finisher and inner panel making a slapping noise
2. Inside handle escutcheon to door finisher
3. Wiring harnesses tapping
4. Door striker out of alignment causing a popping noise on starts and stops

Tapping or moving the components or pressing on them while driving to duplicate the conditions can isolate many of these incidents. You can usually insulate the areas with felt cloth tape or insulator foam blocks from the NISSAN Squeak and Rattle Kit (J-43980) to repair the noise.

### TRUNK

Trunk noises are often caused by a loose jack or loose items put into the trunk by the owner.

In addition look for:

1. Trunk lid bumpers out of adjustment
2. Trunk lid striker out of adjustment
3. The trunk lid torsion bars knocking together
4. A loose license plate or bracket

A  
B  
C  
D  
E  
F  
G  
H  
I  
J  
RF  
L  
M  
N  
O  
P

# SQUEAK AND RATTLE TROUBLE DIAGNOSES

## < SYMPTOM DIAGNOSIS >

---

Most of these incidents can be repaired by adjusting, securing or insulating the item(s) or component(s) causing the noise.

### SUNROOF/HEADLINING

Noises in the sunroof/headlining area can often be traced to one of the following:

1. Sunroof lid, rail, linkage or seals making a rattle or light knocking noise
2. Sun visor shaft shaking in the holder
3. Front or rear windshield touching headliner and squeaking

Again, pressing on the components to stop the noise while duplicating the conditions can isolate most of these incidents. Repairs usually consist of insulating with felt cloth tape.

### OVERHEAD CONSOLE (FRONT AND REAR)

Overhead console noises are often caused by the console panel clips not being engaged correctly. Most of these incidents are repaired by pushing up on the console at the clip locations until the clips engage.

In addition look for:

1. Loose harness or harness connectors.
2. Front console map/reading lamp lens loose.
3. Loose screws at console attachment points.

### SEATS

When isolating seat noise it's important to note the position the seat is in and the load placed on the seat when the noise is present. These conditions should be duplicated when verifying and isolating the cause of the noise.

Cause of seat noise include:

1. Headrest rods and holder
2. A squeak between the seat pad cushion and frame
3. The rear seatback lock and bracket

These noises can be isolated by moving or pressing on the suspected components while duplicating the conditions under which the noise occurs. Most of these incidents can be repaired by repositioning the component or applying urethane tape to the contact area.

### UNDERHOOD

Some interior noise may be caused by components under the hood or on the engine wall. The noise is then transmitted into the passenger compartment.

Causes of transmitted underhood noise include:

1. Any component installed to the engine wall
2. Components that pass through the engine wall
3. Engine wall mounts and connectors
4. Loose radiator installation pins
5. Hood bumpers out of adjustment
6. Hood striker out of adjustment

These noises can be difficult to isolate since they cannot be reached from the interior of the vehicle. The best method is to secure, move or insulate one component at a time and test drive the vehicle. Also, engine rpm or load can be changed to isolate the noise. Repairs can usually be made by moving, adjusting, securing, or insulating the component causing the noise.

# SQUEAK AND RATTLE TROUBLE DIAGNOSES

< SYMPTOM DIAGNOSIS >

## Diagnostic Worksheet

INFOID:000000006827759

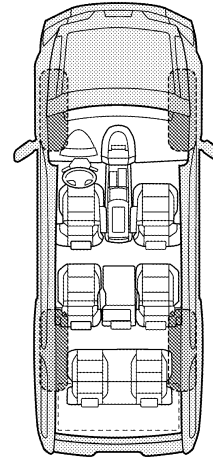
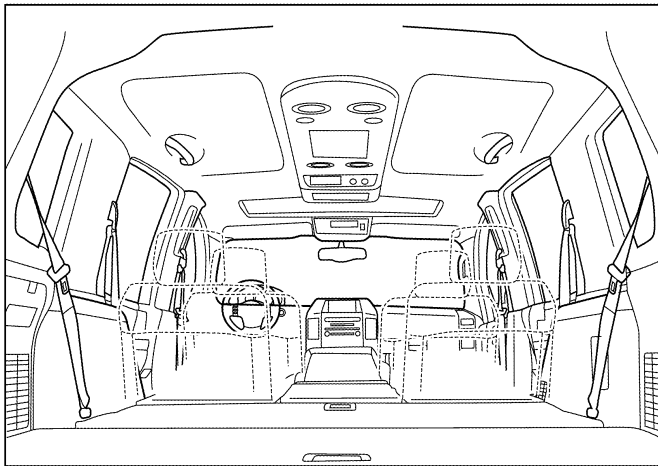
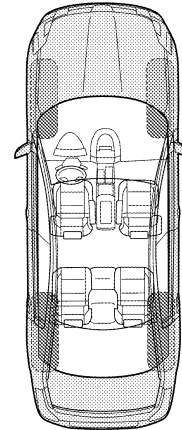
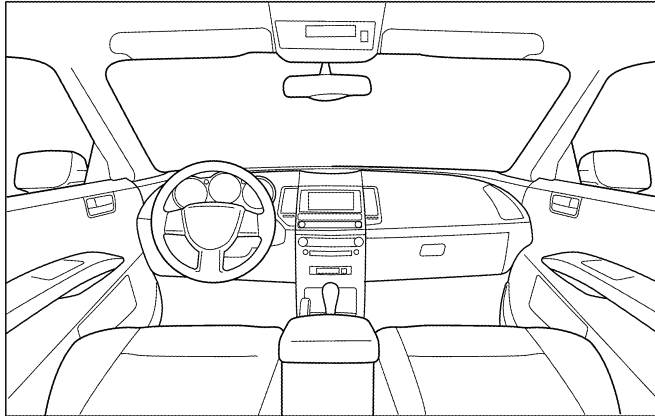
Dear Customer:

We are concerned about your satisfaction with your vehicle. Repairing a squeak or rattle sometimes can be very difficult. To help us fix your vehicle right the first time, please take a moment to note the area of the vehicle where the squeak or rattle occurs and under what conditions. You may be asked to take a test drive with a service advisor or technician to ensure we confirm the noise you are hearing.

### SQUEAK & RATTLE DIAGNOSTIC WORKSHEET

#### I. WHERE DOES THE NOISE COME FROM? (circle the area of the vehicle)

The illustrations are for reference only, and may not reflect the actual configuration of your vehicle.



Continue to page 2 of the worksheet and briefly describe the location of the noise or rattle. In addition, please indicate the conditions which are present when the noise occurs.

A  
B  
C  
D  
E  
F  
G  
H  
I  
J  
RF  
L  
M  
N  
O  
P

# SQUEAK AND RATTLE TROUBLE DIAGNOSES

< SYMPTOM DIAGNOSIS >

## SQUEAK & RATTLE DIAGNOSTIC WORKSHEET - page 2

Briefly describe the location where the noise occurs:

---

---

### II. WHEN DOES IT OCCUR? (please check the boxes that apply)

- |   |  |
|---|--|
| <input type="checkbox"/> Anytime                      | <input type="checkbox"/> After sitting out in the rain |
| <input type="checkbox"/> 1st time in the morning      | <input type="checkbox"/> When it is raining or wet     |
| <input type="checkbox"/> Only when it is cold outside | <input type="checkbox"/> Dry or dusty conditions       |
| <input type="checkbox"/> Only when it is hot outside  | <input type="checkbox"/> Other:                        |

### III. WHEN DRIVING:

- Through driveways
- Over rough roads
- Over speed bumps
- Only about \_\_\_\_ mph
- On acceleration
- Coming to a stop
- On turns: left, right or either (circle)
- With passengers or cargo
- Other: \_\_\_\_\_
- After driving \_\_\_\_ miles or \_\_\_\_ minutes

### IV. WHAT TYPE OF NOISE

- Squeak (like tennis shoes on a clean floor)
- Creak (like walking on an old wooden floor)
- Rattle (like shaking a baby rattle)
- Knock (like a knock at the door)
- Tick (like a clock second hand)
- Thump (heavy muffled knock noise)
- Buzz (like a bumble bee)

## TO BE COMPLETED BY DEALERSHIP PERSONNEL

### Test Drive Notes:

---

---

---

	YES	NO	Initials of person performing
Vehicle test driven with customer	<input type="checkbox"/>	<input type="checkbox"/>	_____
- Noise verified on test drive	<input type="checkbox"/>	<input type="checkbox"/>	_____
- Noise source located and repaired	<input type="checkbox"/>	<input type="checkbox"/>	_____
- Follow up test drive performed to confirm repair	<input type="checkbox"/>	<input type="checkbox"/>	_____

VIN: \_\_\_\_\_ Customer Name \_\_\_\_\_  
W.O.# \_\_\_\_\_ Date: \_\_\_\_\_

This form must be attached to Work Order

LATA0071E

# PRECAUTIONS

< PRECAUTION >

## PRECAUTION

### PRECAUTIONS

#### Precaution for Supplemental Restraint System (SRS) "AIR BAG" and "SEAT BELT PRE-TENSIONER"

INFOID:000000006247139

The Supplemental Restraint System such as "AIR BAG" and "SEAT BELT PRE-TENSIONER", used along with a front seat belt, helps to reduce the risk or severity of injury to the driver and front passenger for certain types of collision. This system includes seat belt switch inputs and dual stage front air bag modules. The SRS system uses the seat belt switches to determine the front air bag deployment, and may only deploy one front air bag, depending on the severity of a collision and whether the front occupants are belted or unbelted. Information necessary to service the system safely is included in the SR and SB section of this Service Manual.

#### **WARNING:**

- To avoid rendering the SRS inoperative, which could increase the risk of personal injury or death in the event of a collision which would result in air bag inflation, all maintenance must be performed by an authorized NISSAN/INFINITI dealer.
- Improper maintenance, including incorrect removal and installation of the SRS, can lead to personal injury caused by unintentional activation of the system. For removal of Spiral Cable and Air Bag Module, see the SR section.
- Do not use electrical test equipment on any circuit related to the SRS unless instructed to in this Service Manual. SRS wiring harnesses can be identified by yellow and/or orange harnesses or harness connectors.

#### PRECAUTIONS WHEN USING POWER TOOLS (AIR OR ELECTRIC) AND HAMMERS

#### **WARNING:**

- When working near the Airbag Diagnosis Sensor Unit or other Airbag System sensors with the Ignition ON or engine running, DO NOT use air or electric power tools or strike near the sensor(s) with a hammer. Heavy vibration could activate the sensor(s) and deploy the air bag(s), possibly causing serious injury.
- When using air or electric power tools or hammers, always switch the Ignition OFF, disconnect the battery, and wait at least 3 minutes before performing any service.

#### Precaution Necessary for Steering Wheel Rotation After Battery Disconnect

INFOID:000000006247140

#### **NOTE:**

- This Procedure is applied only to models with Intelligent Key system and NATS (NISSAN ANTI-THEFT SYSTEM).
- Remove and install all control units after disconnecting both battery cables with the ignition knob in the "LOCK" position.
- Always use CONSULT-III to perform self-diagnosis as a part of each function inspection after finishing work. If DTC is detected, perform trouble diagnosis according to self-diagnostic results.

For models equipped with the Intelligent Key system and NATS, an electrically controlled steering lock mechanism is adopted on the key cylinder.

For this reason, if the battery is disconnected or if the battery is discharged, the steering wheel will lock and steering wheel rotation will become impossible.

If steering wheel rotation is required when battery power is interrupted, follow the procedure below before starting the repair operation.

#### OPERATION PROCEDURE

1. Connect both battery cables.

#### **NOTE:**

Supply power using jumper cables if battery is discharged.

2. Use the Intelligent Key or mechanical key to turn the ignition switch to the "ACC" position. At this time, the steering lock will be released.
3. Disconnect both battery cables. The steering lock will remain released and the steering wheel can be rotated.
4. Perform the necessary repair operation.

A  
B  
C  
D  
E  
F  
G  
H  
I  
J  
RF  
L  
M  
N  
O  
P

## PRECAUTIONS

### < PRECAUTION >

---

5. When the repair work is completed, return the ignition switch to the "LOCK" position before connecting the battery cables. (At this time, the steering lock mechanism will engage.)
6. Perform a self-diagnosis check of all control units using CONSULT-III.

### Precaution for Work

INFOID:000000006827760

- When removing or disassembling each component, be careful not to damage or deform it. If a component may be subject to interference, be sure to protect it with a shop cloth.
- When removing (disengaging) components with a screwdriver or similar tool, be sure to wrap the component with a shop cloth or vinyl tape to protect it.
- Protect the removed parts with a shop cloth and prevent them from being dropped.
- Replace a deformed or damaged clip.
- If a part is specified as a non-reusable part, always replace it with new one.
- Be sure to tighten bolts and nuts securely to the specified torque.
- After installation is complete, be sure to check that each part works properly.
- Follow the steps below to clean components.
  - Water soluble dirt: Dip a soft cloth into lukewarm water, and wring the water out of the cloth to wipe the dirty area.  
Then rub with a soft and dry cloth.
  - Oily dirt: Dip a soft cloth into lukewarm water with mild detergent (concentration: within 2 to 3%), and wipe the dirty area.  
Then dip a cloth into fresh water, and wring the water out of the cloth to wipe the detergent off. Then rub with a soft and dry cloth.
- Do not use organic solvent such as thinner, benzene, alcohol, or gasoline.
- For genuine leather seats, use a genuine leather seat cleaner.

# PREPARATION

< PREPARATION >

## PREPARATION

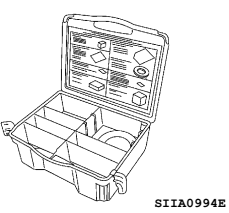
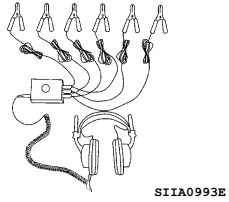
### PREPARATION

#### Special Service Tool

INFOID:000000006247142

The actual shapes of Kent-Moore tools may differ from those of special service tools illustrated here.

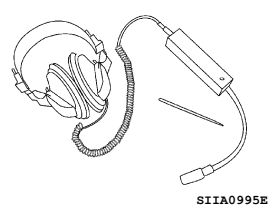
Tool number (Kent-Moore No.) Tool name	Description
— (J-39570) Chassis ear	Locating the noise
— (J-43980) NISSAN Squeak and Rattle Kit	Repairing the cause of noise



#### Commercial Service Tool

INFOID:000000006247143

(Kent-Moore No.) Tool name	Description
(J-39565) Engine ear	Locating the noise



# SUNROOF SYSTEM

< REMOVAL AND INSTALLATION >

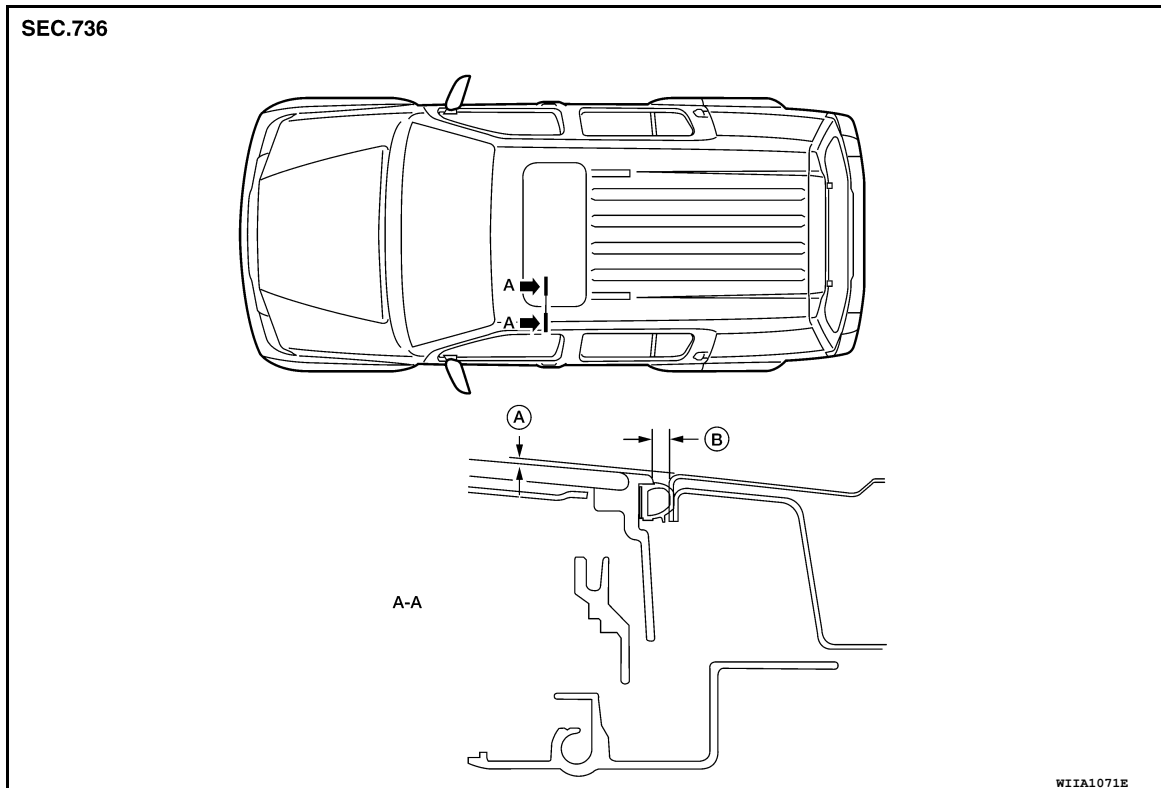
## REMOVAL AND INSTALLATION

### SUNROOF SYSTEM

#### Adjustment

INFOID:000000006247144

Inspect then measure the gap and height difference between the glass lid assembly and roof panel; compare to specifications. Determine which procedure to follow based on results of measurements.



A.  $0.8 \pm 1.5\text{mm}$  ( $0.03 \pm 0.06$  in.)

B.  $5.4$  mm ( $0.21$  in.)

#### GAP ADJUSTMENT

If a gap or minor height difference between glass lid assembly and roof panel is found, adjust in the following manner:

1. Open sunshade assembly and tilt glass lid assembly up.
2. Loosen glass lid assembly screws (two each on left and right sides), then tilt glass lid assembly down.
3. Manually adjust glass lid assembly from outside of vehicle so it is within specification "A-A" as shown.
4. After adjustment, tilt glass lid assembly up and tighten screws.
5. Tilt glass lid assembly up and down several times to check that it moves and seals properly.

#### HEIGHT DIFFERENCE ADJUSTMENT

If an excessive height difference between glass lid assembly and roof panel is found, adjust in the following manner:

1. Remove headlining. Refer to [INT-22, "Removal and Installation"](#).
2. Loosen sunroof unit assembly nuts and sunroof bracket bolts.
3. Add shims until gap is within specification "A-A" as shown.

**NOTE:**

Temporarily snug nuts and bolts to prevent movement between each adjustment.

4. Tilt glass lid assembly up and down several times to check that it moves and seals properly.
5. Tighten sunroof unit assembly nuts and sunroof bracket bolts.

**NOTE:**



# SUNROOF SYSTEM

## < REMOVAL AND INSTALLATION >

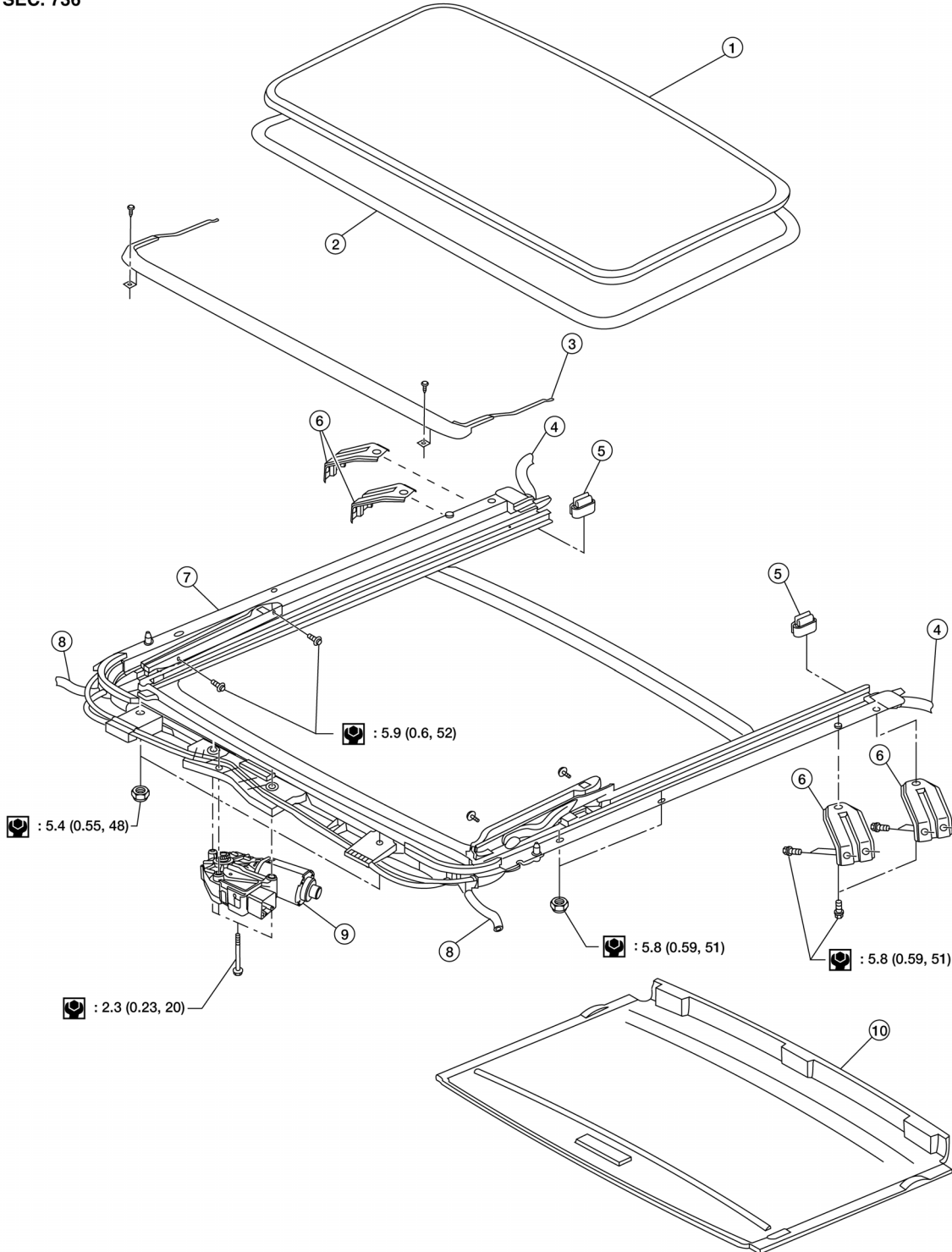
First tighten left front then right rear sunroof frame assembly nuts to prevent uneven torque while tightening remaining sunroof bracket bolts.

6. Install headlining. Refer to [INT-22, "Removal and Installation"](#).

### Removal and Installation

INFOID:000000006247145

SEC. 736



A  
B  
C  
D  
E  
F  
G  
H  
I  
J  
RF  
L  
M  
N  
O  
P

ALKIA1899GB

# SUNROOF SYSTEM

## < REMOVAL AND INSTALLATION >

---

- |                       |                       |                           |
|-----------------------|-----------------------|---------------------------|
| 1. Glass lid assembly | 2. Sunroof lid seal   | 3. Wind deflector         |
| 4. Rear drain hoses   | 5. Sun shade stoppers | 6. Sunroof bracket        |
| 7. Sunroof unit       | 8. Front drain hoses  | 9. Sunroof motor assembly |
| 10. Sunshade assembly |                       |                           |

### CAUTION:

- Always work with a helper.
- Handle glass lid assembly with care so not to cause damage.
- Before removal, fully close the glass lid assembly. Then, after removal, do not move the motor assembly.
- After installing the sunroof and glass lid assembly, check gap adjustment to ensure there is no malfunction.

### NOTE:

- After any adjustment, check sunroof operation and glass lid assembly alignment.
- For easier installation, mark each point before removal.

## SUNROOF UNIT

### Removal

#### CAUTION:

- Always work with a helper.
- When taking sunroof unit out, use shop cloths to protect the seats and trim from damage.
- After installing the sunroof unit and glass lid assembly, be sure to check gap adjustment to ensure there is no malfunction.

1. Remove headlining. Refer to [INT-22, "Removal and Installation"](#).
2. Remove the glass lid assembly. Refer to GLASS LID ASSEMBLY REMOVAL AND INSTALLATION procedure in this section.
3. Disconnect sunroof motor assembly, and remove the front roof console bracket.
4. Disconnect the drain hoses.
5. Remove front sunroof unit nuts.
6. Remove the rear sunroof bracket bolts.
7. Remove the side nuts, then lower the sunroof unit from the roof panel opening.
8. Remove the sunshade assembly from the rear end of the sunroof unit. Refer to SUNSHADE ASSEMBLY REMOVAL AND INSTALLATION procedure in this section

### Installation

1. Install the sunshade assembly to the rear end of the sunroof unit. Refer to SUNSHADE ASSEMBLY REMOVAL AND INSTALLATION procedure in this section
2. Position the sunroof unit and install the side nuts.
3. Install the rear sunroof brackets and bolts.
4. Install front sunroof unit nuts.
5. Connect the drain hoses.
6. Install the front roof console bracket, then connect the sunroof motor assembly.
7. Install the glass lid assembly. Refer to GLASS LID ASSEMBLY REMOVAL AND INSTALLATION procedure in this section.
8. Install headlining. Refer to [INT-22, "Removal and Installation"](#).

## GLASS LID ASSEMBLY

### Removal

1. Open sunshade assembly.
2. Ensure glass lid assembly is closed.
3. Remove the screws securing glass lid assembly to the sunroof unit.
4. Remove the glass lid assembly.

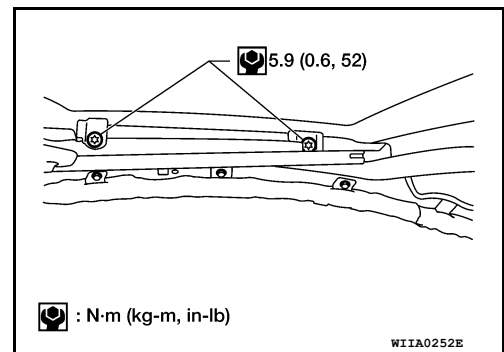
### Installation

1. Position glass lid assembly to sunroof unit.

# SUNROOF SYSTEM

## < REMOVAL AND INSTALLATION >

2. Install the glass lid assembly screws. (First tighten left front bolt, then tighten right rear bolt on glass lid assembly to prevent lid from moving while tightening other bolts.)
3. Adjust the sunroof glass. Refer to [RF-48. "Adjustment"](#).



## SUNROOF LID SEAL

### Removal

1. Remove glass lid, refer to GLASS LID ASSEMBLY REMOVAL AND INSTALLATION in this section
2. Inspect rubber edge of glass lid.  
**NOTE:**  
If rubber edge is deformed or damaged, entire glass lid must be replaced.
3. Remove sunroof lid seal from the rubber edge of glass lid by pulling it outward.

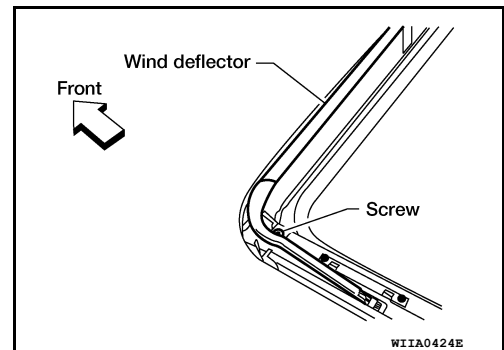
### Installation

1. Inspect and clean the ditch groove of the rubber edge for dirt or debris.
2. Stretch sunroof lid seal around glass lid and push the tongue edge into the ditch groove.  
**NOTE:**  
If needed, very light taps with a rubber hammer can be used to press the seal into place.
3. Place glass lid into sunroof assembly and install, refer to GLASS LID ASSEMBLY REMOVAL AND INSTALLATION in this section.

## WIND DEFLECTOR

### Removal

1. Open the sunroof.
2. Remove screws from the left, center, and right side wind deflector holders.
3. Remove the wind deflector from the sunroof unit.



### Installation

Installation is in the reverse order of removal.

## SUNSHADE ASSEMBLY

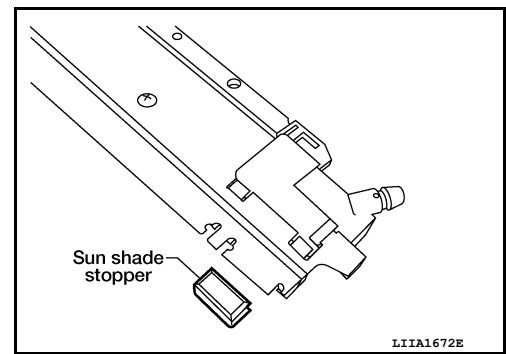
### Removal

1. Remove the sunroof unit. Refer to [RF-49. "Removal and Installation"](#).

# SUNROOF SYSTEM

## < REMOVAL AND INSTALLATION >

2. Remove the sunshade assembly stoppers (two points) from the rear end of the sunroof unit.
3. Remove the sunshade assembly from the rear end of the sunroof unit.



### Installation

Installation is in the reverse order of removal.

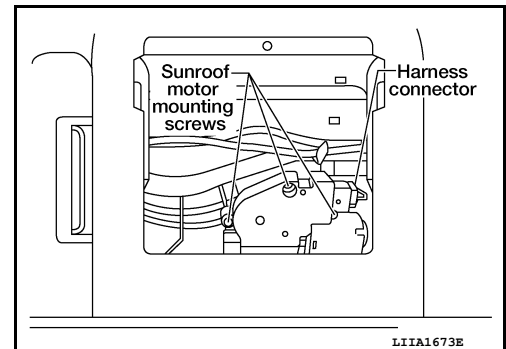
## SUNROOF MOTOR ASSEMBLY

### Removal

#### **CAUTION:**

- When removing the sunroof motor assembly, be sure that the sunroof is in the fully closed position.
- Never run the removed motor as a single unit.

1. Position the sunroof assembly in the fully closed position.
2. Remove the front roof console assembly. Refer to [INT-22, "Removal and Installation"](#).
3. Disconnect the harness connector from the sunroof motor assembly.
4. Remove the mounting screws and the sunroof motor assembly.

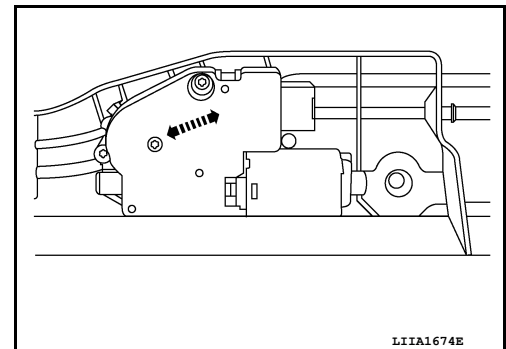


### Installation

#### **CAUTION:**

**Before installing the sunroof motor assembly, be sure to place the link and wire assembly in the symmetrical and fully closed position.**

1. Move the sunroof motor assembly laterally little by little so that the gear is completely engaged into the wire on the sunroof unit and the mounting surface becomes parallel. Then secure the motor with the screws.
2. Connect the harness connector to the sunroof motor assembly.



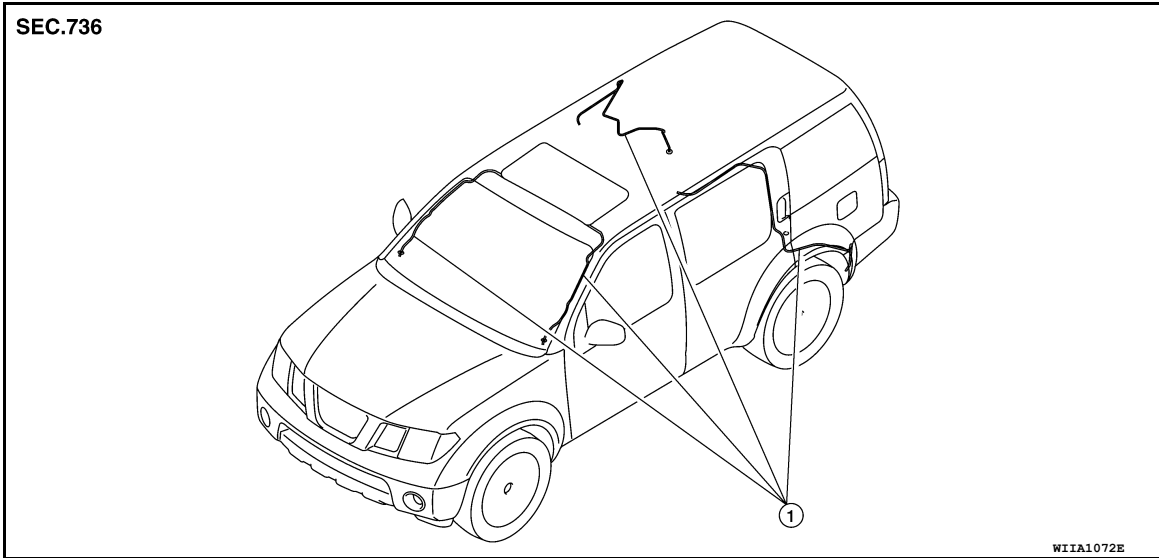
3. Install the front roof console assembly. Refer to [INT-22, "Removal and Installation"](#).
4. Reset the sunroof motor assembly memory. Refer to [RF-5, "ADDITIONAL SERVICE WHEN REPLACING CONTROL UNIT : Special Repair Requirement"](#).

## DRAIN HOSES

### Removal

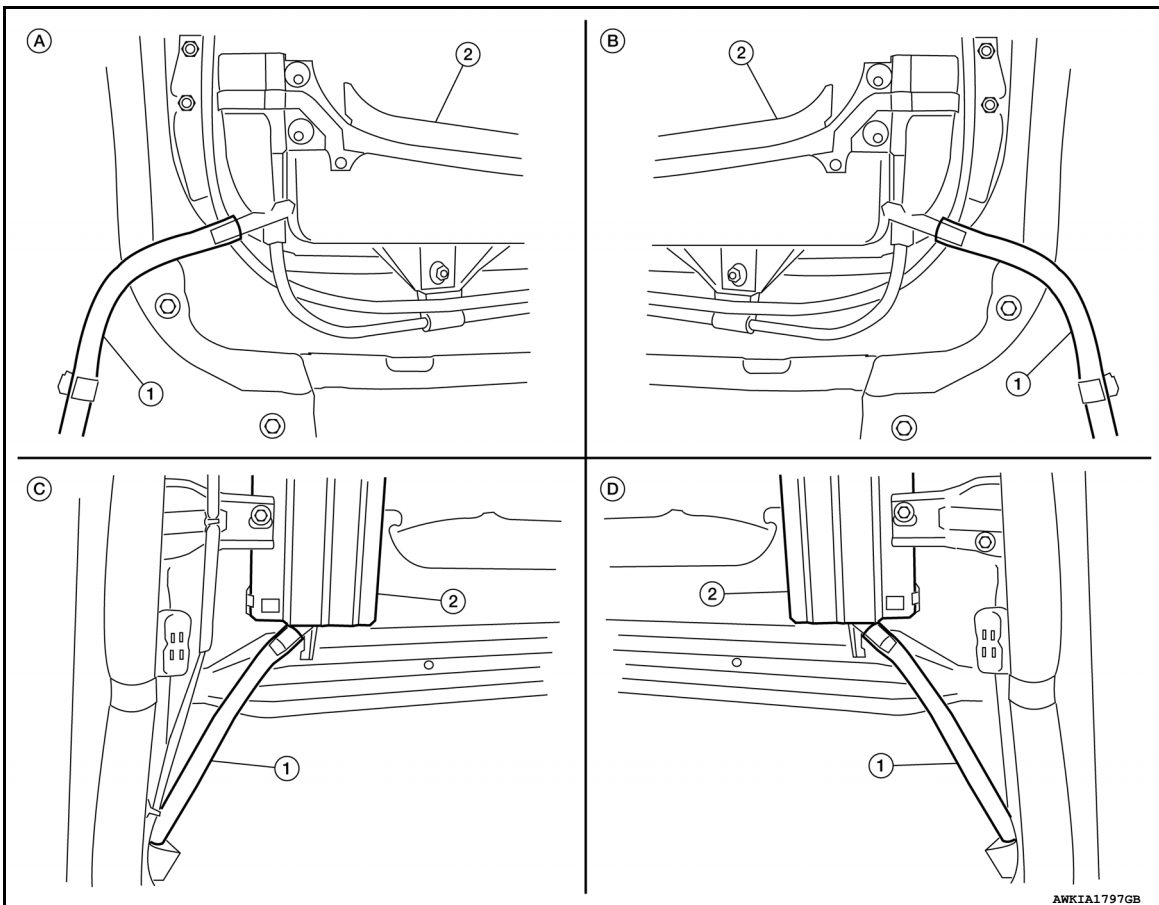
# SUNROOF SYSTEM

## < REMOVAL AND INSTALLATION >



1. Drain hoses

1. Remove the headlining. Refer to [INT-22. "Removal and Installation"](#).



1. Drain hose

2. Sunroof unit

A. Front LH

B. Front RH

C. Rear LH

D. Rear RH

2. Visually check the drain hoses for proper connections, damage or deterioration.
3. Remove each drain hose and check visually for damage, cracks or deterioration.
4. Pour water through the drain hose to check for damage.

A  
B  
C  
D  
E  
F  
G  
H  
I  
J  
RF  
L  
M  
N  
O  
P

## SUNROOF SYSTEM

### < REMOVAL AND INSTALLATION >

---

- If any damage is found, replace the drain hose.

#### Installation

Installation is in the reverse order of removal.

#### SUNROOF LID SEAL

Visually check sunroof lid seal for any damage, deterioration, or flattening.

- In the case of leakage around glass lid assembly, close glass lid assembly and pour water around it to find the damaged or gaped portion, remove glass lid assembly. Refer to: [RF-49, "Removal and Installation"](#).
- If any damage is found, inspect and repair the body sealing surface, replace sunroof lid seal, or replace glass lid assembly. Refer to GLASS LID ASSEMBLY in this section.

#### **CAUTION:**

**Do not remove weatherstrip from glass lid assembly, replace glass lid assembly instead.**