

SECTION **SRC**

SRS AIRBAG CONTROL SYSTEM

A
B
C
D
E
F
G
H
I
J
K
L
M
N
O
P

CONTENTS

<p>BASIC INSPECTION 3</p> <p>DIAGNOSIS AND REPAIR WORK FLOW 3</p> <p style="padding-left: 20px;">Work Flow3</p> <p>INTERMITTENTS INCIDENT 5</p> <p style="padding-left: 20px;">Inspection Procedure5</p> <p style="padding-left: 20px;">Trouble Diagnosis with CONSULT5</p> <p>SYSTEM DESCRIPTION 6</p> <p>SRS AIR BAG SYSTEM 6</p> <p style="padding-left: 20px;">SRS Configuration6</p> <p style="padding-left: 20px;">SRS Component Parts Location7</p> <p style="padding-left: 20px;">Driver Air Bag Module7</p> <p style="padding-left: 20px;">Front Passenger Air Bag Module8</p> <p style="padding-left: 20px;">Front Side Air Bag8</p> <p style="padding-left: 20px;">Side Curtain Air Bag8</p> <p style="padding-left: 20px;">Front Seat Belt Pre-tensioner with Load Limiter8</p> <p style="padding-left: 20px;">Direct-connect SRS Component Connectors9</p> <p>OCCUPANT CLASSIFICATION SYSTEM10</p> <p style="padding-left: 20px;">System Diagram10</p> <p style="padding-left: 20px;">Occupant Classification System (OCS)10</p> <p>PASSENGER SEAT BELT WARNING SYSTEM12</p> <p style="padding-left: 20px;">System Diagram12</p> <p style="padding-left: 20px;">System Description12</p> <p style="padding-left: 20px;">Component Parts Location12</p> <p>ON BOARD DIAGNOSTIC (OBD) SYSTEM13</p> <p style="padding-left: 20px;">Trouble Diagnosis Introduction13</p> <p style="padding-left: 20px;">SRS Operation Check13</p> <p style="padding-left: 20px;">Trouble Diagnosis without CONSULT15</p> <p style="padding-left: 20px;">CONSULT Function (AIR BAG)15</p> <p style="padding-left: 20px;">Self-Diagnosis Function (Without CONSULT)15</p> <p>DTC/CIRCUIT DIAGNOSIS17</p> <p>B1049 – B1052, B1054 – B1057 DRIVER AIR-BAG MODULE17</p>	<p style="padding-left: 20px;">Description17</p> <p style="padding-left: 20px;">DTC Logic17</p> <p style="padding-left: 20px;">Diagnosis Procedure (Component Diagnosis)18</p> <p>B1065 – B1068, B1070 – B1073 PASSENGER AIRBAG MODULE20</p> <p style="padding-left: 20px;">Description20</p> <p style="padding-left: 20px;">DTC Logic20</p> <p style="padding-left: 20px;">Diagnosis Procedure (Component Diagnosis)21</p> <p>B1134 – B1137 SIDE AIRBAG MODULE LH ...23</p> <p style="padding-left: 20px;">Description23</p> <p style="padding-left: 20px;">DTC Logic23</p> <p style="padding-left: 20px;">Diagnosis Procedure (Component Diagnosis)24</p> <p>B1129 – B1132 SIDE AIRBAG MODULE RH ...26</p> <p style="padding-left: 20px;">Description26</p> <p style="padding-left: 20px;">DTC Logic26</p> <p style="padding-left: 20px;">Diagnosis Procedure (Component Diagnosis)27</p> <p>B1198 – B1201 SIDE CURTAIN AIR BAG MODULE LH (FRONT)29</p> <p style="padding-left: 20px;">Description29</p> <p style="padding-left: 20px;">DTC Logic29</p> <p style="padding-left: 20px;">Diagnosis Procedure (Component Diagnosis)30</p> <p>B1193 – B1196 SIDE CURTAIN AIR BAG MODULE RH (FRONT)32</p> <p style="padding-left: 20px;">Description32</p> <p style="padding-left: 20px;">DTC Logic32</p> <p style="padding-left: 20px;">Diagnosis Procedure (Component Diagnosis)33</p> <p>B1150 – B1153 SIDE CURTAIN AIR BAG MODULE LH (REAR)35</p> <p style="padding-left: 20px;">Description35</p> <p style="padding-left: 20px;">DTC Logic35</p> <p style="padding-left: 20px;">Diagnosis Procedure (Component Diagnosis)36</p> <p>B1145 – B1148 SIDE CURTAIN AIR BAG MODULE RH (REAR)38</p> <p style="padding-left: 20px;">Description38</p> <p style="padding-left: 20px;">DTC Logic38</p>
-----------------------------------------------------------------------------------------------------------------------------------------------------------------------------------------------------------------------------------------------------------------------------------------------------------------------------------------------------------------------------------------------------------------------------------------------------------------------------------------------------------------------------------------------------------------------------------------------------------------------------------------------------------------------------------------------------------------------------------------------------------------------------------------------------------------------------------------------------------------------------------------------------------------------------------------------------------------------------------------------------------------------------------------------------------------------------------------------------------------------------------------------------------------------------------------------------------------------------------------------------------------------------------------------------------------------------------------------------------------------------------------------------------------------------------------------------------------------------------------------------------------------------------------------------------------------------------------------------------------------------------------------------------------------------------------------------------------------------------------------------------------------------------------------------------------------------------------------------------------------------------------------------------------------------------------------------------------------------------------------------------------------------	-------------------------------------------------------------------------------------------------------------------------------------------------------------------------------------------------------------------------------------------------------------------------------------------------------------------------------------------------------------------------------------------------------------------------------------------------------------------------------------------------------------------------------------------------------------------------------------------------------------------------------------------------------------------------------------------------------------------------------------------------------------------------------------------------------------------------------------------------------------------------------------------------------------------------------------------------------------------------------------------------------------------------------------------------------------------------------------------------------------------------------------------------------------------------------------------------------------------------------------------------------------------------------------------------------------------------------------------------------------------------------------------------------------------------------------------------------------------------------------------------------------------------------------------------------------------------------------------------------------------------------------------------------------------------------------------------------------------------------------------------------------------------------------------------------------------------------------------------------------------------------------------------------------------------------------------------------------------------------------------------------------------------



Diagnosis Procedure (Component Diagnosis)	39	Description	61
B1086 – B1089 SEAT BELT PRE-TENSION- ER LH	41	DTC Logic	61
Description	41	Diagnosis Procedure (Component Diagnosis)	62
DTC Logic	41	B1209 – B1211 COLLISION DETECTION	65
Diagnosis Procedure (Component Diagnosis)	42	Description	65
B1081 – B1084 SEAT BELT PRE-TENSION- ER RH	44	DTC Logic	65
Description	44	Diagnosis Procedure (Component Diagnosis)	65
DTC Logic	44	ECU DIAGNOSIS INFORMATION	66
Diagnosis Procedure (Component Diagnosis)	45	DIAGNOSIS SENSOR UNIT	66
B1033 – B1035 CRASH ZONE SENSOR	47	Trouble Diagnosis with CONSULT	66
Description	47	Trouble Diagnosis without CONSULT	69
DTC Logic	47	WIRING DIAGRAM	73
Diagnosis Procedure (Component Diagnosis)	48	SRS AIR BAG CONTROL SYSTEM	73
B1118 – B1120 SATELLITE SENSOR LH	50	Wiring Diagram	73
Description	50	SYMPTOM DIAGNOSIS	84
DTC Logic	50	SRS AIR BAG SYSTEM	84
Diagnosis Procedure (Component Diagnosis)	51	"AIR BAG" Warning Lamp Does Not Turn Off	84
B1113 – B1115 SATELLITE SENSOR RH	53	"AIR BAG" Warning Lamp Does Not Turn On	84
Description	53	PASSENGER SEAT BELT WARNING SYS- TEM	86
DTC Logic	53	Seat Belt Warning System Does Not Function	86
Diagnosis Procedure (Component Diagnosis)	54	PRECAUTION	87
B1XXX AIR BAG DIAGNOSIS SENSOR UNIT... 56	56	PRECAUTIONS	87
Description	56	Precaution for Supplemental Restraint System (SRS) "AIR BAG" and "SEAT BELT PRE-TEN- SIONER"	87
DTC Logic	56	Precaution for SRS "AIR BAG" and "SEAT BELT PRE-TENSIONER" Service	87
Diagnosis Procedure (Component Diagnosis)	57	Occupant Classification System Precaution	87
B1023 PASSENGER AIR BAG OFF INDICA- TOR	58	Precaution Necessary for Steering Wheel Rota- tion After Battery Disconnect	87
Description	58		
DTC Logic	58		
Diagnosis Procedure (Component Diagnosis)	59		
B1017 – B1022 OCCUPANT CLASSIFICA- TION SYSTEM	61		

DIAGNOSIS AND REPAIR WORK FLOW

< BASIC INSPECTION >

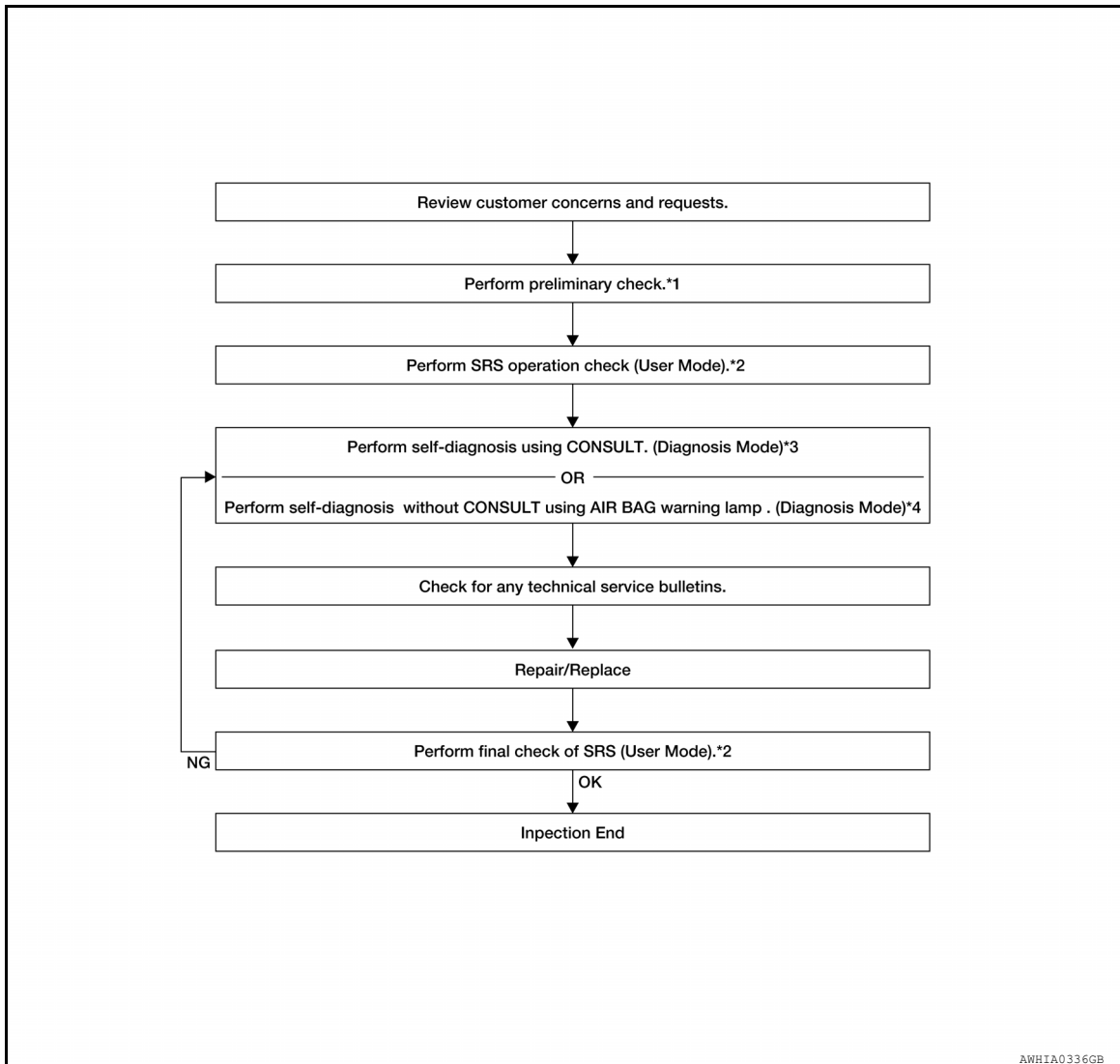
BASIC INSPECTION

DIAGNOSIS AND REPAIR WORK FLOW

Work Flow

INFOID:000000007829399

OVERALL SEQUENCE



*1 [SRC-13. "Trouble Diagnosis Introduction"](#)

*2 [SRC-13. "SRS Operation Check"](#)

*3 [SRC-15. "CONSULT Function \(AIR BAG\)"](#)

*4 [SRC-15. "Self-Diagnosis Function \(Without CONSULT\)"](#)

DETAILED WORK FLOW

1. CUSTOMER INFORMATION

Get detailed information from the customer about the symptom.

>> GO TO 2

2. PRELIMINARY CHECK

Perform preliminary check. Refer to [SRC-13. "Trouble Diagnosis Introduction"](#).

DIAGNOSIS AND REPAIR WORK FLOW

< BASIC INSPECTION >

>> GO TO 3

3. USER MODE

Perform self-diagnosis using the "AIR BAG" warning lamp in User mode. Refer to [SRC-13. "SRS Operation Check"](#).

>> GO TO 4

4. SELF-DIAGNOSIS

Perform SELF-DIAGNOSIS. Refer to [SRC-15. "CONSULT Function \(AIR BAG\)"](#) (with CONSULT) or [SRC-15. "Self-Diagnosis Function \(Without CONSULT\)"](#).

>> GO TO 5

5. TECHNICAL SERVICE BULLETINS

Check for technical service bulletins.

>> GO TO 6

6. REPLACE PART

Replace the malfunctioning part.

>> GO TO 7

7. FINAL CHECK

Check SRS using Diagnosis mode and User mode.

Does Diagnosis mode and User mode indicate SRS normal?

YES >> Inspection end.

NO >> GO TO 4

INTERMITTENTS INCIDENT

< BASIC INSPECTION >

INTERMITTENTS INCIDENT

Inspection Procedure

INFOID:000000007356487

INTERMITTENT TROUBLE

An intermittent incident may have occurred in the past but is not being detected currently. This DTC will not be detected on SELF DIAG [CURRENT], but may be viewed on SELF DIAG [PAST] using CONSULT.

Trouble Diagnosis with CONSULT

INFOID:000000007356488

DIAGNOSTIC PROCEDURE 4

Check SRS Repair History

1.CONSIDER POSSIBILITY THAT SELF-DIAGNOSTIC RESULT WAS NOT ERASED AFTER REPAIR

Check repair history of the SRS.

Have any previous repairs been made to the SRS?

YES >> Self-diagnostic result "SELF-DIAG [PAST]" (previously stored in the memory) might not be erased after repair. Go to "DIAGNOSTIC PROCEDURE 3". Refer to [SRC-15, "Self-Diagnosis Function \(Without CONSULT\)"](#).

NO >> Go to "DIAGNOSTIC PROCEDURE 2". Refer to [SRC-13, "SRS Operation Check"](#).

A
B
C
D
E
F
G
I
J
K
L
M
N
O
P

SRC

SRS AIR BAG SYSTEM

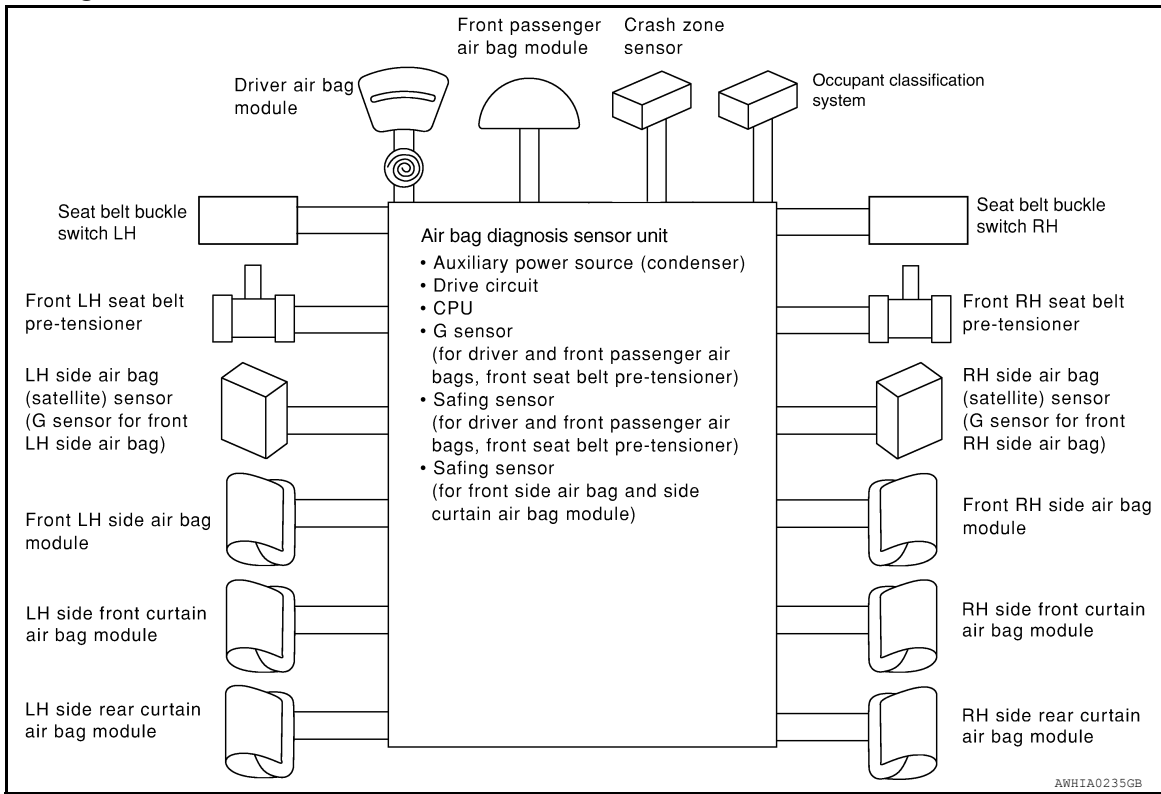
< SYSTEM DESCRIPTION >

SYSTEM DESCRIPTION

SRS AIR BAG SYSTEM

SRS Configuration

INFOID:000000007356489



The air bag deploys if the air bag diagnosis sensor unit is activated while the ignition switch is in the ON or START position.

The collision modes for which supplemental restraint systems are activated are different among the SRS systems. For example, the driver air bag module, front passenger air bag module and front seat belt pre-tensioners are activated in a frontal collision but not in a side collision.

SRS configurations for some collision modes are as follows:

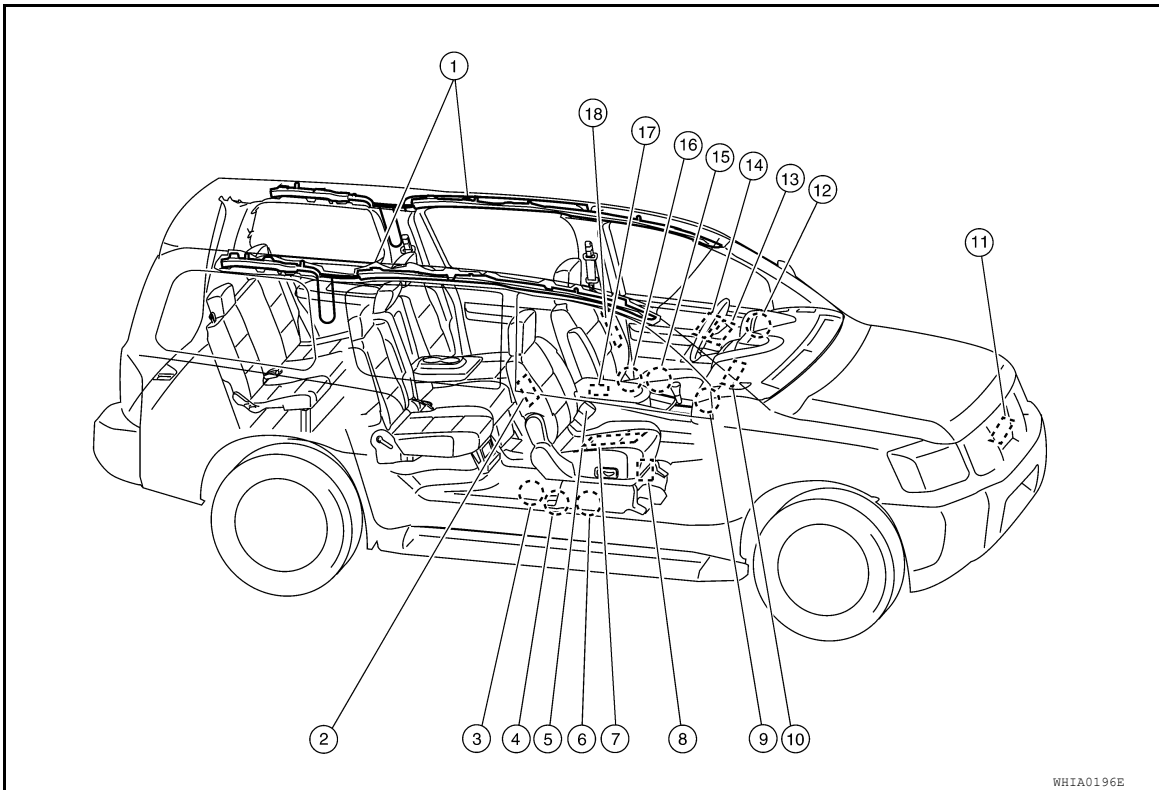
SRS configuration	Frontal collision	Left side collision	Right side collision	Rollover
Driver air bag module	x	—	—	—
Front passenger air bag module	x	—	—	—
Front LH seat belt pre-tensioner	x	—	—	x
Front RH seat belt pre-tensioner	x	—	—	x
Front LH side air bag module	—	x	—	—
Front RH side air bag module	—	—	x	—
LH side curtain air bag module	—	x	—	x
RH side curtain air bag module	—	—	x	x

SRS AIR BAG SYSTEM

< SYSTEM DESCRIPTION >

SRS Component Parts Location

INFOID:000000007356490

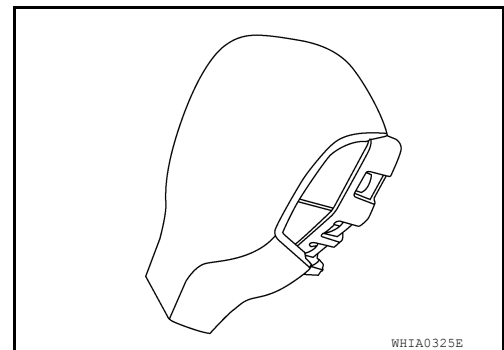


- | | | |
|------------------------------------------|------------------------------------------------|------------------------------------------|
| 1. Side curtain air bag modules | 2. Front RH side air bag module | 3. Front RH seat belt pre-tensioner |
| 4. Belt tension sensor | 5. Seat belt buckle switch RH | 6. RH side air bag (satellite) sensor |
| 7. Occupant classification system sensor | 8. Occupant classification system control unit | 9. Front passenger air bag off indicator |
| 10. Front passenger air bag module | 11. Crash zone sensor | 12. Air bag warning lamp |
| 13. Spiral cable | 14. Driver air bag module | 15. LH side air bag (satellite) sensor |
| 16. Front LH seat belt pre-tensioner | 17. Air bag diagnosis sensor unit | 18. Front LH side air bag module |

Driver Air Bag Module

INFOID:000000007356491

The driver air bag module is dual stage and located in the steering wheel assembly. It operates with the SRS system in a frontal collision exceeding a specified level.



A
B
C
D
E
F
G
SRC
I
J
K
L
M
N
O
P

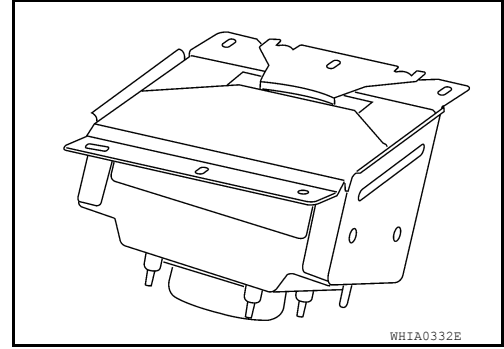
SRS AIR BAG SYSTEM

< SYSTEM DESCRIPTION >

Front Passenger Air Bag Module

INFOID:000000007356492

The front passenger air bag module is located behind the instrument panel assembly. It operates with the SRS system in a frontal collision exceeding a specified level. Refer to [SRC-10, "Occupant Classification System \(OCS\)"](#) for more information.

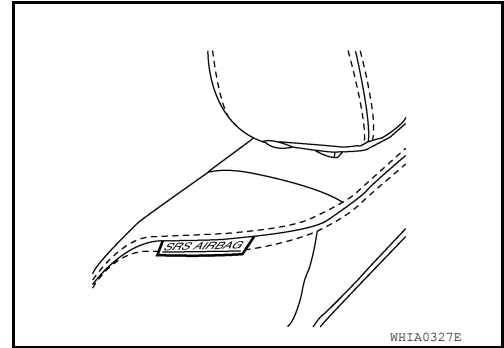


WHIA0332E

Front Side Air Bag

INFOID:000000007356493

Front side air bag modules are built into the front seatback assemblies. Vehicles with side air bags are equipped with labels as shown.



WHIA0327E

Side Curtain Air Bag

INFOID:000000007356494

Side curtain air bag modules are located above the vehicle headlining. Vehicles with side curtain air bags are equipped with labels as shown.



WHIA0041E

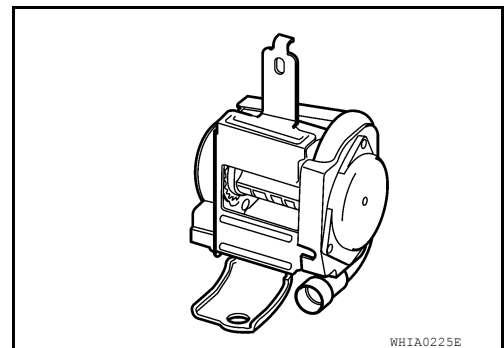
Front Seat Belt Pre-tensioner with Load Limiter

INFOID:000000007356495

The seat belt pre-tensioner system with load limiter is installed for both the driver's seat and the front passenger's seat. It operates simultaneously with the SRS air bag system in the event of a frontal collision with an impact exceeding a specified level.

When the frontal collision with an impact exceeding a specified level occurs, seat belt slack resulting from clothing or other factors is immediately taken up by the pre-tensioner. Vehicle passengers are securely restrained.

When passengers in a vehicle are thrown forward in a collision and the restraining force of the seat belt exceeds a specified level, the load limiter permits the specified extension of the seat belt by the twisting of the ELR shaft, and a relaxation of the chest-area seat belt web tension while maintaining force.



WHIA0225E

SRS AIR BAG SYSTEM

< SYSTEM DESCRIPTION >

Direct-connect SRS Component Connectors

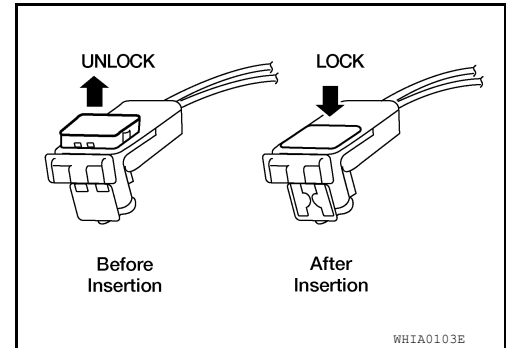
INFOID:000000007356496

The following SRS components use direct-connect style harness connectors.

- Driver air bag module
- Front passenger air bag module
- LH side front curtain air bag module
- LH side rear curtain air bag module
- RH side front curtain air bag module
- RH side rear curtain air bag module
- Front LH seat belt pre-tensioner
- Front RH seat belt pre-tensioner

Always pull up to release locking tab prior to removing connector from SRS component.

Always push down to lock locking tab after installing connector to SRS component. When locked, the locking tab is level with the connector housing.



A

B

C

D

E

F

G

SRC

I

J

K

L

M

N

O

P

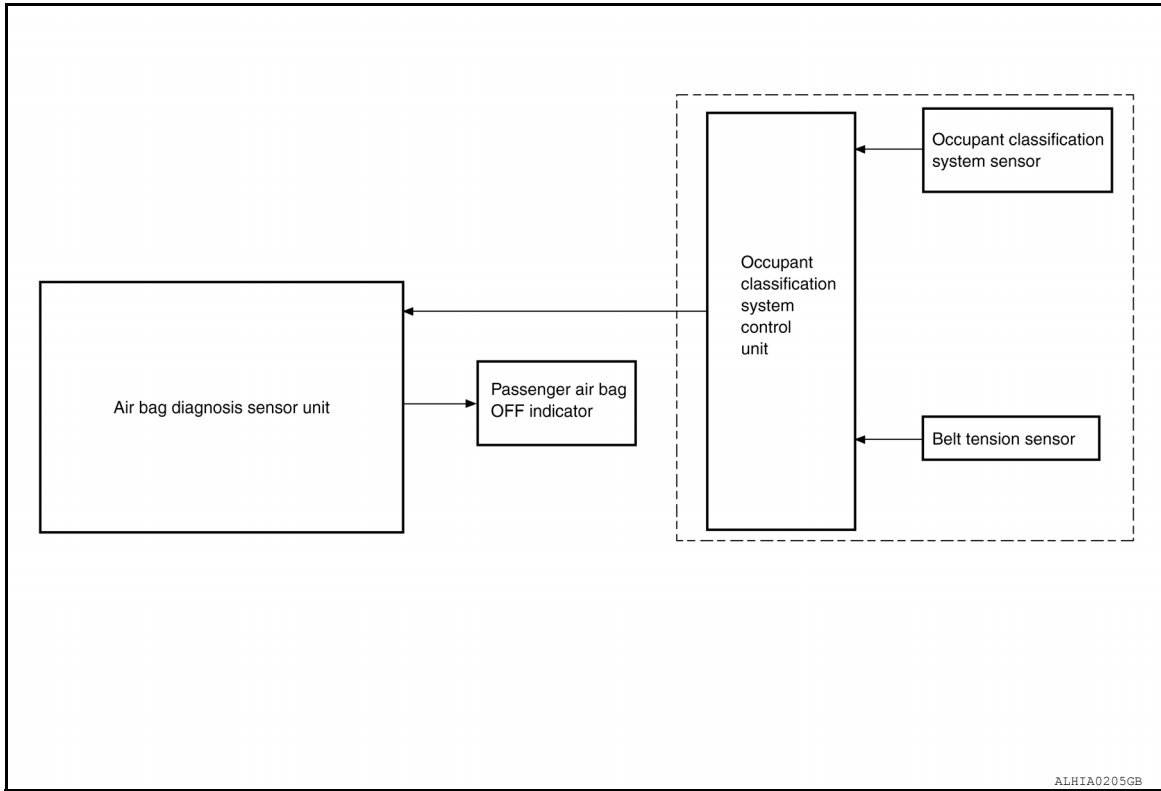
OCCUPANT CLASSIFICATION SYSTEM

< SYSTEM DESCRIPTION >

OCCUPANT CLASSIFICATION SYSTEM

System Diagram

INFOID:000000007829400



ALHIA0205GB

Occupant Classification System (OCS)

INFOID:000000007356498

The occupant classification system (OCS) identifies different size occupants, out of position occupants, and detects if child seat is present in the front passenger seat. The OCS receives inputs from the occupant classification sensor (located inside the passenger seat cushion assembly) and belt tension sensor (part of the passenger front seat belt assembly and located at the belt anchor location). Depending on classification of the passenger, the OCS sends a signal to the air bag diagnosis sensor unit. The air bag diagnosis sensor unit uses this signal and the seat belt buckle switch RH signal to determine deployment or non deployment of the passenger front air bag in the event of a collision. Depending on the signals received, the air bag diagnosis sensor unit can disable the passenger front air bag completely.

NOTE:

In case of customer concern, CONSULT can be used to confirm the passenger air bag status (readiness).

Passenger Air Bag Status Conditions

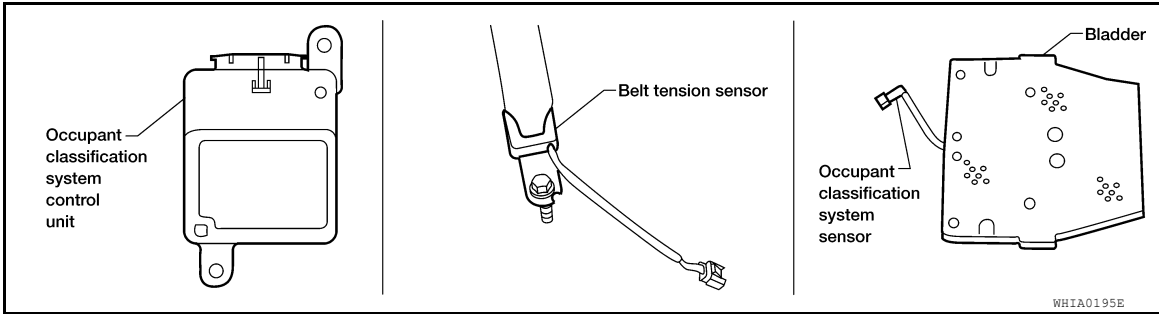
Front Passenger Seat (Condition)	PASS AIR BAG OFF Indicator (Status)	Passenger Air Bag Status (Readiness)	CONSULT Display
Seat occupied	OFF	Active (enabled)	ON
Seat occupied ^{NOTE}	ON	Deactivated (disabled)	OFF
Seat empty	OFF	Deactivated (disabled)	OFF

NOTE:

OCCUPANT CLASSIFICATION SYSTEM

< SYSTEM DESCRIPTION >

Passenger does not meet Occupant Classification System specifications for passenger air bag activation.



- A
- B
- C
- D
- E
- F
- G
- SRC**
- I
- J
- K
- L
- M
- N
- O
- P

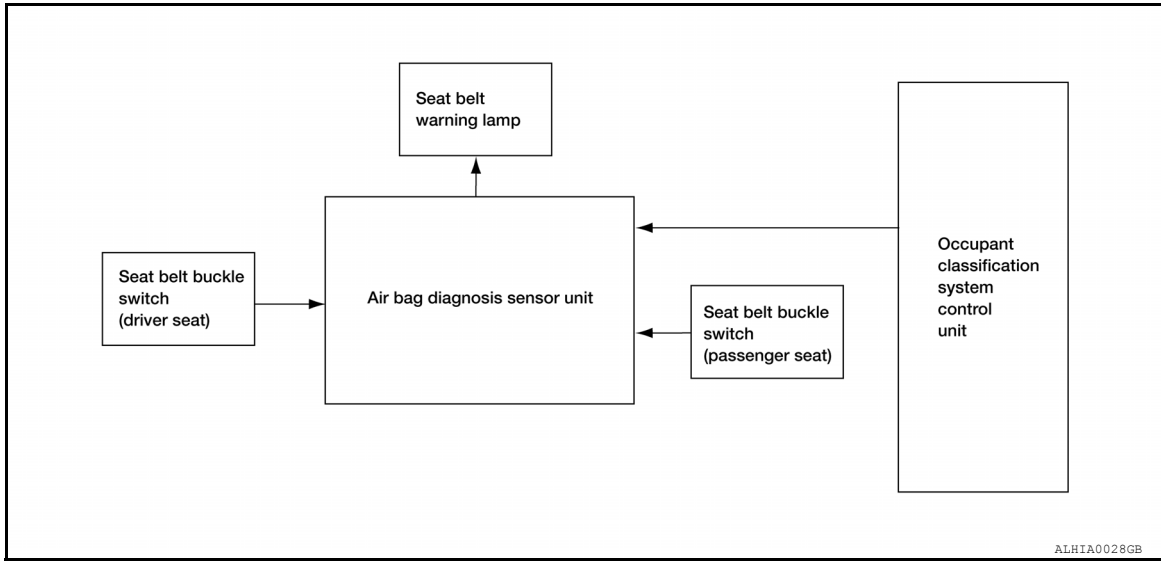
PASSENGER SEAT BELT WARNING SYSTEM

< SYSTEM DESCRIPTION >

PASSENGER SEAT BELT WARNING SYSTEM

System Diagram

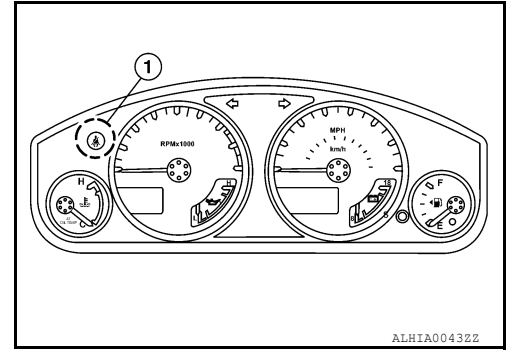
INFOID:000000007356499



System Description

INFOID:000000007356500

The passenger seat belt warning system will remind the driver if the driver or front passenger seat belt should be buckled by turning on the seat belt warning light (1). The system works in conjunction with the occupant classification system. Refer to [SRC-10, "Occupant Classification System \(OCS\)"](#).



Passenger Seat Belt Warning System Operation

Driver seat status (Ignition switch ON)	Passenger seat status	Seat belt buckle switch LH status	Seat belt buckle switch RH status	Seat belt warning lamp
Seat occupied	Seat occupied	Buckled	Buckled	Off
			Unbuckled	On
	Seat unoccupied	Unbuckled	—	Off
—	On			

Component Parts Location

INFOID:000000007356501

Refer to [SRC-7, "SRS Component Parts Location"](#).

ON BOARD DIAGNOSTIC (OBD) SYSTEM

< SYSTEM DESCRIPTION >

ON BOARD DIAGNOSTIC (OBD) SYSTEM

Trouble Diagnosis Introduction

INFOID:000000007356502

CAUTION:

- Do not use electrical test equipment on any circuit related to the SRS unless instructed to do so in this Service Manual. SRS wiring harnesses can be identified by yellow and/or orange harness connectors.
- Do not attempt to repair, splice or modify SRS wiring harnesses. If a harness is damaged, replace it with a new one.
- Keep ground connections clean.

DIAGNOSIS FUNCTION

The SRS self-diagnosis results can be read by using “AIR BAG” warning lamp and/or CONSULT.

The User mode is exclusively prepared for the customer (driver). This mode warns the driver of a system malfunction through the operation of the “AIR BAG” warning lamp.

The Diagnosis mode allows the technician to locate and inspect the malfunctioning part.

The mode applications for the “AIR BAG” warning lamp and CONSULT are as follows:

	User mode	Diagnosis mode	Display type
“AIR BAG” warning lamp	X	X	ON-OFF operation
CONSULT	—	X	Monitoring

HOW TO PERFORM TROUBLE DIAGNOSES FOR QUICK AND ACCURATE REPAIR

A good understanding of the malfunction conditions can make troubleshooting faster and more accurate.

In general, each customer feels differently about a malfunction. It is important to fully understand the symptoms or conditions for a customer complaint.

Information From Customer

WHAT - Vehicle model

WHEN - Date, Frequencies

WHERE - Road conditions

HOW - Operating conditions, Symptoms

Preliminary Check

Check that the following parts are in good order.

- Battery
- Fuses
- System component-to-harness connections

SRS Operation Check

INFOID:000000007356503

DIAGNOSTIC PROCEDURE 1

Checking SRS Operation Using “AIR BAG” Warning Lamp—User Mode

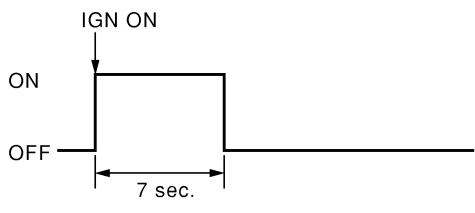
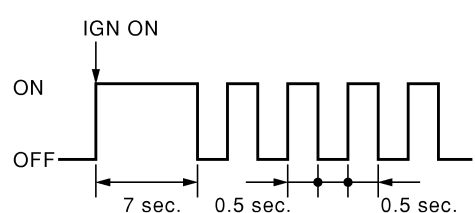
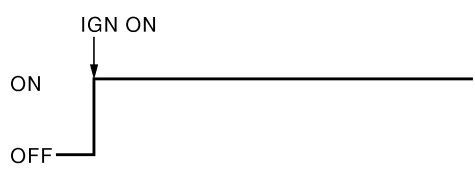
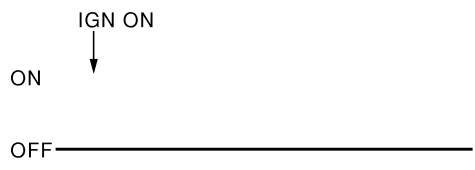
1. Turn the ignition switch from OFF to ON, and check that the air bag warning lamp blinks.
2. Compare the SRS air bag warning lamp blinking pattern with the examples.



ON BOARD DIAGNOSTIC (OBD) SYSTEM

< SYSTEM DESCRIPTION >

SRS Air bag warning lamp examples

"AIR BAG" warning lamp (User mode)	SRS condition	Reference item
 <p>SHIA0011E</p>	<ul style="list-style-type: none"> No malfunction is detected. No further action is necessary. 	—
 <p>SHIA0012E</p>	The system is malfunctioning and needs to be repaired as indicated.	Go to DIAGNOSTIC PROCEDURE 2 that follows (with CONSULT) or SRC-15, "Trouble Diagnosis without CONSULT" (without CONSULT).
 <p>SHIA0013E</p>	<ul style="list-style-type: none"> Air bag is deployed. Seat belt pre-tensioner is deployed. Air bag diagnosis sensor unit is malfunctioning. Air bag power supply circuit is malfunctioning. SRS air bag warning lamp circuit is malfunctioning. 	Go to COLLISION DIAGNOSIS SR-19, "For Frontal Collision" or SR-21, "For Side and Rollover Collision" .
 <p>SHIA0014E</p>	<ul style="list-style-type: none"> Air bag diagnosis sensor unit is malfunctioning. Air bag warning lamp circuit is malfunctioning. 	Go to SRC-84, ""AIR BAG" Warning Lamp Does Not Turn On" .

DIAGNOSTIC PROCEDURE 2

- Connect CONSULT.
- Diagnostic code is displayed on "SELF-DIAG [CURRENT]".
If no malfunction is detected on "SELF-DIAG [CURRENT]", but malfunction is detected in "SRS Operation Check" using the "AIR BAG" warning lamp, the following cases may exist:
 - "SELF-DIAG [PAST]" memory might not be erased.
 - The SRS system malfunctions intermittently.
 Perform DIAGNOSTIC PROCEDURE 4. Refer to [SRC-15, "Self-Diagnosis Function \(Without CONSULT\)"](#).

ON BOARD DIAGNOSTIC (OBD) SYSTEM

< SYSTEM DESCRIPTION >

Trouble Diagnosis without CONSULT

INFOID:000000007356504

DIAGNOSTIC PROCEDURE 6

Inspect SRS Malfunction Using "AIR BAG" Warning Lamp—Diagnosis Mode

NOTE:

SRS will not enter Diagnosis mode if no malfunction is detected in User mode.

1. Turn ignition switch ON.
2. After "AIR BAG" warning lamp lights for 7 seconds, turn ignition switch OFF within 1 second.
3. Wait more than 3 seconds.
4. Repeat steps 1 to 3 two more times (3 times total).
5. Turn ignition switch ON.

SRS is now in Diagnosis mode. Refer to [SRC-69, "Trouble Diagnosis without CONSULT"](#).

CONSULT Function (AIR BAG)

INFOID:000000007829401

CONSULT can display each diagnostic item using the diagnostic test modes shown following.

AIR BAG diagnostic mode	Description
SELF-DIAG [CURRENT]	A current Self-diagnosis result (also indicated by the number of warning lamp flashes in the Diagnosis mode) is displayed on the CONSULT screen in real time. This refers to a malfunctioning part requiring repairs.
SELF-DIAG [PAST]	Diagnosis results previously stored in the memory are displayed on the CONSULT screen. The stored results will remain until memory erasing is executed.
TROUBLE DIAG RECORD	With TROUBLE DIAG RECORD, diagnosis results previously erased by a reset operation can be displayed on the CONSULT screen.
ECU DISCRIMINATED NO.	Air bag diagnosis sensor unit ECU discriminated number (identification number) or part number is displayed. Air bag diagnosis sensor unit has individual ECU discriminated number (identification number) or part number based on model and equipment.
PASSENGER AIR BAG	The STATUS (readiness) of the front passenger air bag module is displayed. The STATUS displayed (ON/OFF) depends on the signals supplied to the occupant classification system control module and air bag diagnosis sensor unit. Refer to SRC-10, "Occupant Classification System (OCS)" for more information.

Self-Diagnosis Function (Without CONSULT)

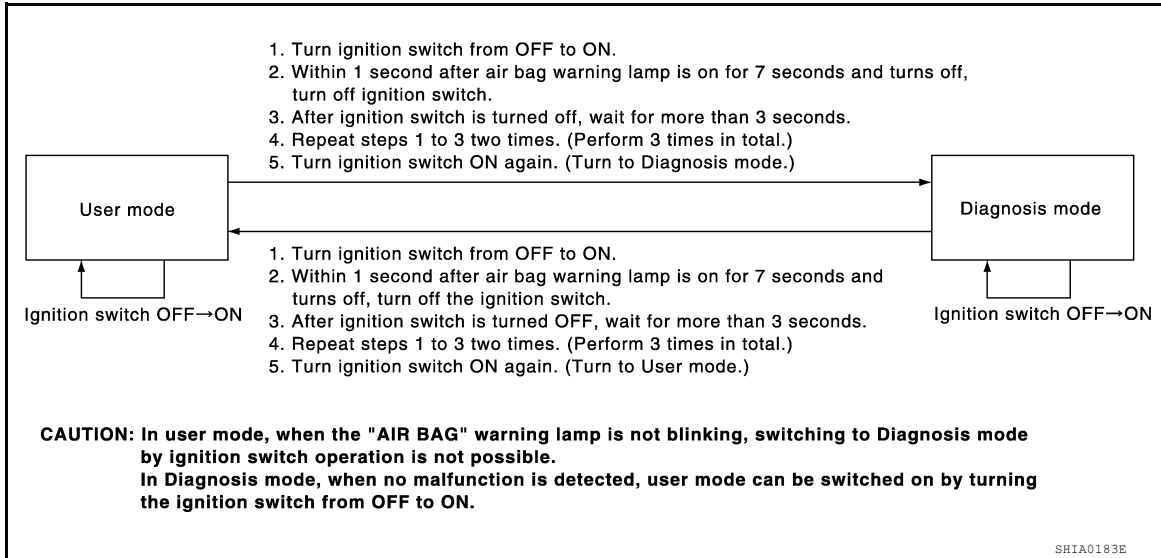
INFOID:000000007356506

- The reading of these results is accomplished using one of two modes —“User mode” and “Diagnosis mode”.
- After a malfunction is repaired, turn the ignition switch OFF for at least one second, then back ON. Diagnosis mode returns to the User mode. At that time, the self-diagnostic result is cleared.

ON BOARD DIAGNOSTIC (OBD) SYSTEM

< SYSTEM DESCRIPTION >

HOW TO CHANGE SELF-DIAGNOSIS MODE



DIAGNOSTIC PROCEDURE 3

Final Check of SRS Using CONSULT—Diagnosis Mode

1. Connect CONSULT.
2. If no DTC is detected on "SELF-DIAG [CURRENT]", repair of SRS is completed. Go to step 3.
If any DTC is detected on "SELF-DIAG [CURRENT]", the malfunctioning part has not been repaired completely or another malfunctioning part is being detected. Perform DIAGNOSTIC PROCEDURE 2. Refer to [SRC-13, "SRS Operation Check"](#).
3. Touch "ERASE".
NOTE:
Touch "ERASE" to clear the memory of the malfunction ("SELF-DIAG [PAST]").
If the memory of the malfunction in "SELF-DIAG [PAST]" is not erased, the User mode shows the system malfunction by the operation of the warning lamp even if the malfunction is repaired completely.
4. Touch "BACK" key of CONSULT. Touch "SELF-DIAG [PAST]".
5. Check that no malfunction is detected on "SELF-DIAG [PAST]".
6. Touch "BACK" key of CONSULT to return to User mode from Diagnosis mode.
7. Turn ignition switch OFF and then turn off and disconnect CONSULT.
8. Go to [SRC-13, "SRS Operation Check"](#).

DIAGNOSTIC PROCEDURE 4

Check SRS Repair History

1. CONSIDER POSSIBILITY THAT SELF-DIAGNOSTIC RESULT WAS NOT ERASED AFTER REPAIR

Check repair history of the SRS.

Have any previous repairs been made to the SRS?

- YES >> Self-diagnostic result "SELF-DIAG [PAST]" (previously stored in the memory) might not be erased after repair. Perform DIAGNOSTIC PROCEDURE 3. Refer to [SRC-15, "Self-Diagnosis Function \(Without CONSULT\)"](#).
- NO >> Perform DIAGNOSTIC PROCEDURE 2. Refer to [SRC-13, "SRS Operation Check"](#).

B1049 – B1052, B1054 – B1057 DRIVER AIRBAG MODULE

< DTC/CIRCUIT DIAGNOSIS >

DTC/CIRCUIT DIAGNOSIS

B1049 – B1052, B1054 – B1057 DRIVER AIRBAG MODULE

Description

INFOID:000000007829402

DTC B1049 – B1052, B1054 – B1057 DRIVER AIRBAG MODULE

The driver air bag module is dual stage and wired to the air bag diagnosis sensor unit through the spiral cable. The air bag diagnosis sensor unit will monitor for opens and shorts in detected lines to the driver air bag module including the spiral cable.

PART LOCATION

Refer to [SRC-7, "SRS Component Parts Location"](#).

DTC Logic

INFOID:000000007829403

DTC DETECTION LOGIC

With CONSULT

CONSULT name	DTC	DTC detecting condition	Repair order
DRIVER AIRBAG MODULE [OPEN]	B1049	Driver air bag module circuit (DR1) is open (including the spiral cable).	<ol style="list-style-type: none"> 1. Visually check the wiring harness connection. 2. Replace the harness if it has visible damage. 3. Inspect the spiral cable circuit. 4. Replace the air bag diagnosis sensor unit. 5. Replace the driver air bag module. 6. Replace the related harness.
	B1054	Driver air bag module circuit (DR2) is open (including the spiral cable).	
DRIVER AIRBAG MODULE [VB-SHORT]	B1050	Driver air bag module circuit (DR1) is shorted to a power supply circuit (including the spiral cable).	
	B1055	Driver air bag module circuit (DR2) is shorted to a power supply circuit (including the spiral cable).	
DRIVER AIRBAG MODULE [GND-SHORT]	B1051	Driver air bag module circuit (DR1) is shorted to ground (including the spiral cable).	
	B1056	Driver air bag module circuit (DR2) is shorted to ground (including the spiral cable).	
DRIVER AIRBAG MODULE [SHORT]	B1052	Driver air bag module circuits (DR1) are shorted to each other (including the spiral cable).	
	B1057	Driver air bag module circuits (DR2) are shorted to each other (including the spiral cable).	

Without CONSULT

<Driver air bag module>	
Flash pattern	Repair order
<p>a through d are repeated. d: Two flashes indicate malfunctioning driver air bag module circuits.</p>	<ol style="list-style-type: none"> 1. Visually check the wiring harness connection. 2. Replace the harness if it has visible damage. 3. Inspect the spiral cable circuit. 4. Replace the air bag diagnosis sensor unit. 5. Replace driver air bag module. 6. Replace the related harness.

AWHIA0306GB

DTC CONFIRMATION PROCEDURE (With CONSULT)

B1049 – B1052, B1054 – B1057 DRIVER AIRBAG MODULE

< DTC/CIRCUIT DIAGNOSIS >

1.INSPECTION START

Turn ignition switch ON.

>> GO TO 2.

2.CHECK SELF-DIAG RESULT

Check for the DTC on CONSULT.

Is the DTC detected?

- YES >> Refer to [SRC-18. "Diagnosis Procedure \(Component Diagnosis\)".](#)
- NO >> Inspection End.

DTC CONFIRMATION PROCEDURE (Without CONSULT)

NOTE:

SRS will not enter diagnosis mode if no malfunction is detected in user mode.

1.IGNITION SWITCH

Turn ignition switch ON.

>> GO TO 2

2.IGNITION SWITCH

After air bag warning lamp lights for 7 seconds, turn ignition switch OFF within 1 second.

>> GO TO 3

3.WAIT TIME

Wait more than 3 seconds.

>> GO TO 4

4.REPEAT STEPS

Repeat steps 1 to 3 twice.

>> GO TO 5

5.IGNITION SWITCH

Turn ignition switch ON.

>> GO TO 6

6.DIAGNOSTIC MODE

SRS system is now in diagnostic mode and AIR BAG warning lamp flashes. Refer to [SRC-69. "Trouble Diagnosis without CONSULT".](#)

>> **END**

Diagnosis Procedure (Component Diagnosis)

INFOID:000000007829404

Recheck SRS after each replacement.

1.HARNES CONNECTOR

Is there any visible damage to the connector?

YES or NO

- YES >> Replace the harness.
- NO >> GO TO 2

B1049 – B1052, B1054 – B1057 DRIVER AIRBAG MODULE

< DTC/CIRCUIT DIAGNOSIS >

2. WIRING HARNESS

Is there any visible damage to the harness?

YES or NO

YES >> Replace the harness.

NO >> GO TO 3

3. CHECK SPIRAL CABLE CIRCUIT

1. Turn ignition switch OFF.
2. Disconnect driver air bag module harness connectors and spiral cable harness connector.
3. Check continuity between driver air bag module harness connector and spiral cable connector.

Driver air bag module		Spiral cable		Continuity
Connector	Terminal	Connector	Terminal	
M101	1	M29	30	Yes
	2		23	
M103	3		28	
	4		23	

4. Check continuity between driver air bag module harness connector and ground.

Driver air bag module		Ground	Continuity
Connector	Terminal		
M101	1	Ground	No
	2		
M103	3		
	4		

Is the inspection result normal?

YES >> GO TO 4.

NO >> Replace the spiral cable. Refer to [SR-7, "Removal and Installation"](#).

4. AIR BAG DIAGNOSIS SENSOR UNIT

Replace the air bag diagnosis sensor unit. Refer to [SR-16, "Removal and Installation"](#).

>> GO TO 5

5. DRIVER AIR BAG MODULE

Replace the driver air bag module. Refer to [SR-5, "Removal and Installation"](#).

>> GO TO 6

6. RELATED HARNESS

Replace the related harness.

>> **END**

B1065 – B1068, B1070 – B1073 PASSENGER AIRBAG MODULE

< DTC/CIRCUIT DIAGNOSIS >

B1065 – B1068, B1070 – B1073 PASSENGER AIRBAG MODULE

Description

INFOID:000000007829405

DTC B1065 – B1068, B1070 – B1073 PASSENGER AIR BAG MODULE

The passenger air bag module is dual stage and wired to the air bag diagnosis sensor unit. The air bag diagnosis sensor unit will monitor for opens and shorts in detected lines to the passenger air bag module.

PART LOCATION

Refer to [SRC-7, "SRS Component Parts Location"](#).

DTC Logic

INFOID:000000007829406

DTC DETECTION LOGIC

With CONSULT

CONSULT name	DTC	DTC detecting condition	Repair order
ASSIST A/B MODULE [OPEN]	B1065	Front passenger air bag module circuit (AS1) is open.	<ol style="list-style-type: none"> 1. Visually check the wiring harness connection. 2. Replace the harness if it has visible damage. 3. Replace the air bag diagnosis sensor unit. 4. Replace the front passenger air bag module. 5. Replace the related harness.
	B1070	Front passenger air bag module circuit (AS2) is open.	
ASSIST A/B MODULE [VB-SHORT]	B1066	Front passenger air bag module circuit (AS1) is shorted to a power supply circuit.	
	B1071	Front passenger air bag module circuit (AS2) is shorted to a power supply circuit.	
ASSIST A/B MODULE [GND-SHORT]	B1067	Front passenger air bag module circuit (AS1) is shorted to ground.	
	B1072	Front passenger air bag module circuit (AS2) is shorted to ground.	
ASSIST A/B MODULE [SHORT]	B1068	Front passenger air bag module circuits (AS1) are shorted to each other.	
	B1073	Front passenger air bag module circuits (AS2) are shorted to each other.	

Without CONSULT

<Front passenger air bag module>	
Flash pattern	Repair order
<p>a through d are repeated. d: Eight flashes indicate malfunctioning front passenger air bag module circuit.</p>	<ol style="list-style-type: none"> 1. Visually check the wiring harness connection. 2. Replace the harness if it has visible damage. 3. Replace the air bag diagnosis sensor unit. 4. Replace front passenger air bag module. 5. Replace the related harness.

ANHIA0307GB

DTC CONFIRMATION PROCEDURE (With CONSULT)

1. INSPECTION START

Turn ignition switch ON.

>> GO TO 2.

2. CHECK SELF-DIAG RESULT

Check for the DTC on CONSULT.

B1065 – B1068, B1070 – B1073 PASSENGER AIRBAG MODULE

< DTC/CIRCUIT DIAGNOSIS >

Is the DTC detected?

- YES >> Refer to [SRC-21, "Diagnosis Procedure \(Component Diagnosis\)"](#).
NO >> Inspection End.

DTC CONFIRMATION PROCEDURE (Without CONSULT)

NOTE:

SRS will not enter diagnosis mode if no malfunction is detected in user mode.

1.IGNITION SWITCH

Turn ignition switch ON.

>> GO TO 2

2.IGNITION SWITCH

After air bag warning lamp lights for 7 seconds, turn ignition switch OFF within 1 second.

>> GO TO 3

3.WAIT TIME

Wait more than 3 seconds.

>> GO TO 4

4.REPEAT STEPS

Repeat steps 1 to 3 twice.

>> GO TO 5

5.IGNITION SWITCH

Turn ignition switch ON.

>> GO TO 6

6.DIAGNOSTIC MODE

SRS system is now in diagnostic mode and AIR BAG warning lamp flashes. Refer to [SRC-69, "Trouble Diagnosis without CONSULT"](#).

>> **END**

Diagnosis Procedure (Component Diagnosis)

INFOID:000000007829407

Recheck SRS after each replacement.

1.HARNESS CONNECTOR

Is there any visible damage to the connector?

YES or NO

- YES >> Replace the harness.
NO >> GO TO 2

2.WIRING HARNESS

Is there any visible damage to the harness?

YES or NO

- YES >> Replace the harness.
NO >> GO TO 3

3.AIR BAG DIAGNOSIS SENSOR UNIT

Replace the air bag diagnosis sensor unit. Refer to [SR-16, "Removal and Installation"](#).

B1065 – B1068, B1070 – B1073 PASSENGER AIRBAG MODULE

< DTC/CIRCUIT DIAGNOSIS >

>> GO TO 4

4.FRONT PASSENGER AIR BAG MODULE

Replace the front passenger air bag module. Refer to [SR-9, "Removal and Installation"](#).

>> GO TO 5

5.RELATED HARNESS

Replace the related harness.

>> **END**

B1134 – B1137 SIDE AIRBAG MODULE LH

< DTC/CIRCUIT DIAGNOSIS >

B1134 – B1137 SIDE AIRBAG MODULE LH

Description

INFOID:000000007829408

DTC B1134 – B1137 FRONT LH SIDE AIR BAG MODULE

The front LH side air bag module is wired to the air bag diagnosis sensor unit. The air bag diagnosis sensor unit will monitor for opens and shorts in detected lines to the front LH side air bag module.

PART LOCATION

Refer to [SRC-7, "SRS Component Parts Location"](#).

DTC Logic

INFOID:000000007829409

DTC DETECTION LOGIC

With CONSULT

CONSULT name	DTC	DTC detecting condition	Repair order
SIDE MODULE LH [OPEN]	B1134	Front LH side air bag module circuit is open.	<ol style="list-style-type: none"> 1. Visually check the wiring harness connection. 2. Replace the harness if it has visible damage. 3. Replace the air bag diagnosis sensor unit. 4. Replace the front LH side air bag module. 5. Replace the related harness.
SIDE MODULE LH [VB-SHORT]	B1135	Front LH side air bag module circuit is shorted to a power supply circuit.	
SIDE MODULE LH [GND-SHORT]	B1136	Front LH side air bag module circuit is shorted to ground.	
SIDE MODULE LH [SHORT]	B1137	Front LH side air bag module circuits are shorted to each other.	

Without CONSULT

<Front LH side air bag module>	
Flash pattern	Repair order
<p>a through f are repeated. f: Two flashes indicate malfunctioning front LH side air bag module circuit.</p>	<ol style="list-style-type: none"> 1. Visually check the wiring harness connection. 2. Replace the harness if it has visible damage. 3. Replace the air bag diagnosis sensor unit. 4. Replace the front LH side air bag module. 5. Replace the related harness.

DTC CONFIRMATION PROCEDURE (With CONSULT)

1.INSPECTION START

Turn ignition switch ON.

>> GO TO 2.

2.CHECK SELF-DIAG RESULT

Check for the DTC on CONSULT.

Is the DTC detected?

- YES >> Refer to [SRC-24, "Diagnosis Procedure \(Component Diagnosis\)"](#).
NO >> Inspection End.

DTC CONFIRMATION PROCEDURE (Without CONSULT)

NOTE:

SRS will not enter diagnosis mode if no malfunction is detected in user mode.

1.IGNITION SWITCH

B1134 – B1137 SIDE AIRBAG MODULE LH

< DTC/CIRCUIT DIAGNOSIS >

Turn ignition switch ON.

>> GO TO 2

2.IGNITION SWITCH

After air bag warning lamp lights for 7 seconds, turn ignition switch OFF within 1 second.

>> GO TO 3

3.WAIT TIME

Wait more than 3 seconds.

>> GO TO 4

4.REPEAT STEPS

Repeat steps 1 to 3 twice.

>> GO TO 5

5.IGNITION SWITCH

Turn ignition switch ON.

>> GO TO 6

6.DIAGNOSTIC MODE

SRS system is now in diagnostic mode and AIR BAG warning lamp flashes. Refer to [SRC-69, "Trouble Diagnosis without CONSULT"](#).

>> **END**

Diagnosis Procedure (Component Diagnosis)

INFOID:000000007829410

Recheck SRS after each replacement.

1.HARNESS CONNECTOR

Is there any visible damage to the connector?

YES or NO

YES >> Replace the harness.

NO >> GO TO 2

2.WIRING HARNESS

Is there any visible damage to the harness?

YES or NO

YES >> Replace the harness.

NO >> GO TO 3

3.AIR BAG DIAGNOSIS SENSOR UNIT

Replace the air bag diagnosis sensor unit. Refer to [SR-16, "Removal and Installation"](#).

>> GO TO 4

4.FRONT LH SIDE AIR BAG MODULE

Replace the front LH side air bag module.

>> GO TO 5

5.RELATED HARNESS

B1134 – B1137 SIDE AIRBAG MODULE LH

< DTC/CIRCUIT DIAGNOSIS >

Replace the related harness.

>> END

A

B

C

D

E

F

G

SRC

I

J

K

L

M

N

O

P

B1129 – B1132 SIDE AIRBAG MODULE RH

< DTC/CIRCUIT DIAGNOSIS >

B1129 – B1132 SIDE AIRBAG MODULE RH

Description

INFOID:000000007829411

DTC B1129 – B1132 FRONT RH SIDE AIR BAG MODULE

The front RH side air bag module is wired to the air bag diagnosis sensor unit. The air bag diagnosis sensor unit will monitor for opens and shorts in detected lines to the front RH side air bag module.

PART LOCATION

Refer to [SRC-7, "SRS Component Parts Location"](#).

DTC Logic

INFOID:000000007829412

DTC DETECTION LOGIC

With CONSULT

CONSULT name	DTC	DTC detecting condition	Repair order
SIDE MODULE RH [OPEN]	B1129	Front RH side air bag module circuit is open.	<ol style="list-style-type: none"> 1. Visually check the wiring harness connection. 2. Replace the harness if it has visible damage. 3. Replace the air bag diagnosis sensor unit. 4. Replace the front RH side air bag module. 5. Replace the related harness.
SIDE MODULE RH [VB-SHORT]	B1130	Front RH side air bag module circuit is shorted to a power supply circuit.	
SIDE MODULE RH [GND-SHORT]	B1131	Front RH side air bag module circuit is shorted to ground.	
SIDE MODULE RH [SHORT]	B1132	Front RH side air bag module circuits are shorted to each other.	

Without CONSULT

<Front RH side air bag module>	
Flash pattern	Repair order
<p>a through f are repeated. f: One flash indicate malfunctioning front RH side air bag module circuit.</p>	<ol style="list-style-type: none"> 1. Visually check the wiring harness connection. 2. Replace the harness if it has visible damage. 3. Replace the air bag diagnosis sensor unit. 4. Replace the front RH side air bag module. 5. Replace the related harness.

AWHIA0305GB

DTC CONFIRMATION PROCEDURE (With CONSULT)

1.INSPECTION START

Turn ignition switch ON.

>> GO TO 2.

2.CHECK SELF-DIAG RESULT

Check for the DTC on CONSULT.

Is the DTC detected?

YES >> Refer to [SRC-27, "Diagnosis Procedure \(Component Diagnosis\)"](#).

NO >> Inspection End.

DTC CONFIRMATION PROCEDURE (Without CONSULT)

NOTE:

SRS will not enter diagnosis mode if no malfunction is detected in user mode.

1.IGNITION SWITCH

B1129 – B1132 SIDE AIRBAG MODULE RH

< DTC/CIRCUIT DIAGNOSIS >

Turn ignition switch ON.

>> GO TO 2

2.IGNITION SWITCH

After air bag warning lamp lights for 7 seconds, turn ignition switch OFF within 1 second.

>> GO TO 3

3.WAIT TIME

Wait more than 3 seconds.

>> GO TO 4

4.REPEAT STEPS

Repeat steps 1 to 3 twice.

>> GO TO 5

5.IGNITION SWITCH

Turn ignition switch ON.

>> GO TO 6

6.DIAGNOSTIC MODE

SRS system is now in diagnostic mode and AIR BAG warning lamp flashes. Refer to [SRC-69, "Trouble Diagnosis without CONSULT"](#).

>> **END**

Diagnosis Procedure (Component Diagnosis)

INFOID:000000007829413

Recheck SRS after each replacement.

1.HARNES CONNECTOR

Is there any visible damage to the connector?

YES or NO

YES >> Replace the harness.

NO >> GO TO 2

2.WIRING HARNESS

Is there any visible damage to the harness?

YES or NO

YES >> Replace the harness.

NO >> GO TO 3

3.AIR BAG DIAGNOSIS SENSOR UNIT

Replace the air bag diagnosis sensor unit. Refer to [SR-16, "Removal and Installation"](#).

>> GO TO 4

4.FRONT RH SIDE AIR BAG MODULE

Replace the front RH side air bag module.

>> GO TO 5

5.RELATED HARNESS

A

B

C

D

E

F

G

SRC

I

J

K

L

M

N

O

P

B1129 – B1132 SIDE AIRBAG MODULE RH

< DTC/CIRCUIT DIAGNOSIS >

Replace the related harness.

>> **END**

B1198 – B1201 SIDE CURTAIN AIR BAG MODULE LH (FRONT)

< DTC/CIRCUIT DIAGNOSIS >

B1198 – B1201 SIDE CURTAIN AIR BAG MODULE LH (FRONT)

Description

INFOID:000000007356519

DTC B1198 – B1201 LH SIDE CURTAIN AIR BAG MODULE (FRONT)

The LH side curtain air bag module (front) is wired to the air bag diagnosis sensor unit. The air bag diagnosis sensor unit will monitor for opens and shorts in detected lines to the LH side curtain air bag module (front).

PART LOCATION

Refer to [SRC-7, "SRS Component Parts Location"](#).

DTC Logic

INFOID:000000007356520

DTC DETECTION LOGIC

With CONSULT

CONSULT name	DTC	DTC detecting condition	Repair order
FR CURTN MODULE LH [OPEN]	B1198	LH side curtain air bag module (front) circuit is open.	<ol style="list-style-type: none"> 1. Visually check the wiring harness connection. 2. Replace the harness if it has visible damage. 3. Replace the air bag diagnosis sensor unit. 4. Replace the LH side curtain air bag module. 5. Replace the related harness.
FR CURTN MODULE LH [VB-SHORT]	B1199	LH side curtain air bag module (front) circuit is shorted to a power supply circuit.	
FR CURTN MODULE LH [GND-SHORT]	B1200	LH side curtain air bag module (front) circuit is shorted to ground.	
FR CURTN MODULE LH [SHORT]	B1201	LH side curtain air bag module (front) circuits are shorted to each other.	

Without CONSULT

<LH side curtain air bag module (front)>	
Flash pattern	Repair order
<p>a through f are repeated. f: Eight flashes indicate malfunctioning LH side curtain air bag module (front) circuit.</p>	<ol style="list-style-type: none"> 1. Visually check the wiring harness connection. 2. Replace the harness if it has visible damage. 3. Replace the air bag diagnosis sensor unit. 4. Replace LH side curtain air bag module. 5. Replace the related harness.

DTC CONFIRMATION PROCEDURE (With CONSULT)

1.INSPECTION START

Turn ignition switch ON.

>> GO TO 2.

2.CHECK SELF-DIAG RESULT

Check for the DTC on CONSULT.

Is the DTC detected?

- YES >> Refer to [SRC-30, "Diagnosis Procedure \(Component Diagnosis\)"](#).
 NO >> Inspection End.

DTC CONFIRMATION PROCEDURE (Without CONSULT)

NOTE:

SRS will not enter diagnosis mode if no malfunction is detected in user mode.

1.IGNITION SWITCH

B1198 – B1201 SIDE CURTAIN AIR BAG MODULE LH (FRONT)

< DTC/CIRCUIT DIAGNOSIS >

Turn ignition switch ON.

>> GO TO 2

2.IGNITION SWITCH

After air bag warning lamp lights for 7 seconds, turn ignition switch OFF within 1 second.

>> GO TO 3

3.WAIT TIME

Wait more than 3 seconds.

>> GO TO 4

4.REPEAT STEPS

Repeat steps 1 to 3 twice.

>> GO TO 5

5.IGNITION SWITCH

Turn ignition switch ON.

>> GO TO 6

6.DIAGNOSTIC MODE

SRS system is now in diagnostic mode and AIR BAG warning lamp flashes. Refer to [SRC-15, "Trouble Diagnosis without CONSULT"](#).

>> **END**

Diagnosis Procedure (Component Diagnosis)

INFOID:000000007356521

Recheck SRS after each replacement.

1.HARNESS CONNECTOR

Is there any visible damage to the connector?

YES or NO

YES >> Replace the harness.

NO >> GO TO 2

2.WIRING HARNESS

Is there any visible damage to the harness?

YES or NO

YES >> Replace the harness.

NO >> GO TO 3

3.AIR BAG DIAGNOSIS SENSOR UNIT

Replace the air bag diagnosis sensor unit. Refer to [SR-16, "Removal and Installation"](#).

>> GO TO 4

4.LH SIDE CURTAIN AIR BAG MODULE

Replace the LH side curtain air bag module. Refer to [SR-12, "Removal and Installation"](#).

>> GO TO 5

5.RELATED HARNESS

B1198 – B1201 SIDE CURTAIN AIR BAG MODULE LH (FRONT)

< DTC/CIRCUIT DIAGNOSIS >

Replace the related harness.

>> END

A

B

C

D

E

F

G

SRC

I

J

K

L

M

N

O

P

B1193 – B1196 SIDE CURTAIN AIR BAG MODULE RH (FRONT)

< DTC/CIRCUIT DIAGNOSIS >

B1193 – B1196 SIDE CURTAIN AIR BAG MODULE RH (FRONT)

Description

INFOID:000000007356522

DTC B1193 – B1196 RH SIDE CURTAIN AIR BAG MODULE (FRONT)

The RH side curtain air bag module (front) is wired to the air bag diagnosis sensor unit. The air bag diagnosis sensor unit will monitor for opens and shorts in detected lines to the RH side curtain air bag module (front).

PART LOCATION

Refer to [SRC-7, "SRS Component Parts Location"](#).

DTC Logic

INFOID:000000007356523

DTC DETECTION LOGIC

With CONSULT

CONSULT name	DTC	DTC detecting condition	Repair order
FR CURTN MODULE RH [OPEN]	B1193	RH side curtain air bag module (front) circuit is open.	<ol style="list-style-type: none"> 1. Visually check the wiring harness connection. 2. Replace the harness if it has visible damage. 3. Replace the air bag diagnosis sensor unit. 4. Replace the RH side curtain air bag module. 5. Replace the related harness.
FR CURTN MODULE RH [VB-SHORT]	B1194	RH side curtain air bag module (front) circuit is shorted to a power supply circuit.	
FR CURTN MODULE RH [GND-SHORT]	B1195	RH side curtain air bag module (front) circuit is shorted to ground.	
FR CURTN MODULE RH [SHORT]	B1196	RH side curtain air bag module (front) circuits are shorted to each other.	

Without CONSULT

<RH side curtain air bag module (front)>	
Flash pattern	Repair order
<p>a through f are repeated. f: Seven flashes indicate malfunctioning RH side curtain air bag module (front) circuit.</p>	<ol style="list-style-type: none"> 1. Visually check the wiring harness connection. 2. Replace the harness if it has visible damage. 3. Replace the air bag diagnosis sensor unit. 4. Replace RH side curtain air bag module. 5. Replace the related harness.

ALHIA0202GB

DTC CONFIRMATION PROCEDURE (With CONSULT)

1.INSPECTION START

Turn ignition switch ON.

>> GO TO 2.

2.CHECK SELF-DIAG RESULT

Check for the DTC on CONSULT.

Is the DTC detected?

YES >> Refer to [SRC-33, "Diagnosis Procedure \(Component Diagnosis\)"](#).

NO >> Inspection End.

DTC CONFIRMATION PROCEDURE (Without CONSULT)

NOTE:

SRS will not enter diagnosis mode if no malfunction is detected in user mode.

1.IGNITION SWITCH

B1193 – B1196 SIDE CURTAIN AIR BAG MODULE RH (FRONT)

< DTC/CIRCUIT DIAGNOSIS >

Turn ignition switch ON.

>> GO TO 2

2.IGNITION SWITCH

After air bag warning lamp lights for 7 seconds, turn ignition switch OFF within 1 second.

>> GO TO 3

3.WAIT TIME

Wait more than 3 seconds.

>> GO TO 4

4.REPEAT STEPS

Repeat steps 1 to 3 twice.

>> GO TO 5

5.IGNITION SWITCH

Turn ignition switch ON.

>> GO TO 6

6.DIAGNOSTIC MODE

SRS system is now in diagnostic mode and AIR BAG warning lamp flashes. Refer to [SRC-15, "Trouble Diagnosis without CONSULT"](#).

>> **END**

Diagnosis Procedure (Component Diagnosis)

INFOID:000000007356524

Recheck SRS after each replacement.

1.HARNES CONNECTOR

Is there any visible damage to the connector?

YES or NO

YES >> Replace the harness.

NO >> GO TO 2

2.WIRING HARNESS

Is there any visible damage to the harness?

YES or NO

YES >> Replace the harness.

NO >> GO TO 3

3.AIR BAG DIAGNOSIS SENSOR UNIT

Replace the air bag diagnosis sensor unit. Refer to [SR-16, "Removal and Installation"](#).

>> GO TO 4

4.RH SIDE CURTAIN AIR BAG MODULE

Replace the RH side curtain air bag module. Refer to [SR-12, "Removal and Installation"](#).

>> GO TO 5

5.RELATED HARNESS

A
B
C
D
E
F
G

SRC

I
J
K
L
M
N
O
P

B1193 – B1196 SIDE CURTAIN AIR BAG MODULE RH (FRONT)

< DTC/CIRCUIT DIAGNOSIS >

Replace the related harness.

>> **END**

B1150 – B1153 SIDE CURTAIN AIR BAG MODULE LH (REAR)

< DTC/CIRCUIT DIAGNOSIS >

B1150 – B1153 SIDE CURTAIN AIR BAG MODULE LH (REAR)

Description

INFOID:000000007356525

DTC B1150 – B1153 LH SIDE CURTAIN AIR BAG MODULE (REAR)

The LH side curtain air bag module (rear) is wired to the air bag diagnosis sensor unit. The air bag diagnosis sensor unit will monitor for opens and shorts in detected lines to the LH side curtain air bag module (rear).

PART LOCATION

Refer to [SRC-7, "SRS Component Parts Location"](#).

DTC Logic

INFOID:000000007356526

DTC DETECTION LOGIC

With CONSULT

CONSULT name	DTC	DTC detecting condition	Repair order
CURTAIN MODULE LH [OPEN]	B1150	LH side curtain air bag module (rear) circuit is open.	<ol style="list-style-type: none"> 1. Visually check the wiring harness connection. 2. Replace the harness if it has visible damage. 3. Replace the air bag diagnosis sensor unit. 4. Replace the LH side curtain air bag module. 5. Replace the related harness.
CURTAIN MODULE LH [VB-SHORT]	B1151	LH side curtain air bag module (rear) circuit is shorted to a power supply circuit.	
CURTAIN MODULE LH [GND-SHORT]	B1152	LH side curtain air bag module (rear) circuit is shorted to ground.	
CURTAIN MODULE LH [SHORT]	B1153	LH side curtain air bag module (rear) circuits are shorted to each other.	

Without CONSULT

<LH side curtain air bag module (rear)>	
Flash pattern	Repair order
<p>a through f are repeated. f: Six flashes indicate malfunctioning LH side curtain air bag module (rear) circuit.</p> <p>ON OFF</p> <p>7 sec. 1.5 sec. 1.5 sec. 7 0.5 sec. 0.5 sec. 2 sec. 2 sec. 2 sec. 2 sec.</p> <p>6 flashes</p> <p>a b c d e f a b c d</p>	<ol style="list-style-type: none"> 1. Visually check the wiring harness connection. 2. Replace the harness if it has visible damage. 3. Replace the air bag diagnosis sensor unit. 4. Replace LH side curtain air bag module. 5. Replace the related harness.

ALHIA0203GB

DTC CONFIRMATION PROCEDURE (With CONSULT)

1.INSPECTION START

Turn ignition switch ON.

>> GO TO 2.

2.CHECK SELF-DIAG RESULT

Check for the DTC on CONSULT.

Is the DTC detected?

YES >> Refer to [SRC-36, "Diagnosis Procedure \(Component Diagnosis\)"](#).

NO >> Inspection End.

DTC CONFIRMATION PROCEDURE (Without CONSULT)

NOTE:

SRS will not enter diagnosis mode if no malfunction is detected in user mode.

1.IGNITION SWITCH

B1150 – B1153 SIDE CURTAIN AIR BAG MODULE LH (REAR)

< DTC/CIRCUIT DIAGNOSIS >

Turn ignition switch ON.

>> GO TO 2

2.IGNITION SWITCH

After air bag warning lamp lights for 7 seconds, turn ignition switch OFF within 1 second.

>> GO TO 3

3.WAIT TIME

Wait more than 3 seconds.

>> GO TO 4

4.REPEAT STEPS

Repeat steps 1 to 3 twice.

>> GO TO 5

5.IGNITION SWITCH

Turn ignition switch ON.

>> GO TO 6

6.DIAGNOSTIC MODE

SRS system is now in diagnostic mode and AIR BAG warning lamp flashes. Refer to [SRC-15, "Trouble Diagnosis without CONSULT"](#).

>> **END**

Diagnosis Procedure (Component Diagnosis)

INFOID:000000007356527

Recheck SRS after each replacement.

1.HARNES CONNECTOR

Is there any visible damage to the connector?

YES or NO

YES >> Replace the harness.

NO >> GO TO 2

2.WIRING HARNESS

Is there any visible damage to the harness?

YES or NO

YES >> Replace the harness.

NO >> GO TO 3

3.AIR BAG DIAGNOSIS SENSOR UNIT

Replace the air bag diagnosis sensor unit. Refer to [SR-16, "Removal and Installation"](#).

>> GO TO 4

4.LH SIDE CURTAIN AIR BAG MODULE

Replace the LH side curtain air bag module. Refer to [SR-12, "Removal and Installation"](#).

>> GO TO 5

5.RELATED HARNESS

B1150 – B1153 SIDE CURTAIN AIR BAG MODULE LH (REAR)

< DTC/CIRCUIT DIAGNOSIS >

Replace the related harness.

>> END

A

B

C

D

E

F

G

SRC

I

J

K

L

M

N

O

P

B1145 – B1148 SIDE CURTAIN AIR BAG MODULE RH (REAR)

< DTC/CIRCUIT DIAGNOSIS >

B1145 – B1148 SIDE CURTAIN AIR BAG MODULE RH (REAR)

Description

INFOID:000000007356528

DTC B1145 – B1148 RH SIDE CURTAIN AIR BAG MODULE (REAR)

The RH side curtain air bag module (rear) is wired to the air bag diagnosis sensor unit. The air bag diagnosis sensor unit will monitor for opens and shorts in detected lines to the RH side curtain air bag module (rear).

PART LOCATION

Refer to [SRC-7, "SRS Component Parts Location"](#).

DTC Logic

INFOID:000000007356529

DTC DETECTION LOGIC

With CONSULT

CONSULT name	DTC	DTC detecting condition	Repair order
CURTAIN MODULE RH [OPEN]	B1145	RH side curtain air bag module (rear) circuit is open.	<ol style="list-style-type: none"> 1. Visually check the wiring harness connection. 2. Replace the harness if it has visible damage. 3. Replace the air bag diagnosis sensor unit. 4. Replace the RH side curtain air bag module. 5. Replace the related harness.
CURTAIN MODULE RH [VB-SHORT]	B1146	RH side curtain air bag module (rear) circuit is shorted to a power supply circuit.	
CURTAIN MODULE RH [GND-SHORT]	B1147	RH side curtain air bag module (rear) circuit is shorted to ground.	
CURTAIN MODULE RH [SHORT]	B1148	RH side curtain air bag module (rear) circuits are shorted to each other.	

Without CONSULT

<RH side curtain air bag module (rear)>	
Flash pattern	Repair order
<p>a through f are repeated. f: Five flashes indicate malfunctioning RH side curtain air bag module (rear) circuit.</p>	<ol style="list-style-type: none"> 1. Visually check the wiring harness connection. 2. Replace the harness if it has visible damage. 3. Replace the air bag diagnosis sensor unit. 4. Replace RH side curtain air bag module. 5. Replace the related harness.

ALHIA0204GB

DTC CONFIRMATION PROCEDURE (With CONSULT)

1.INSPECTION START

Turn ignition switch ON.

>> GO TO 2.

2.CHECK SELF-DIAG RESULT

Check for the DTC on CONSULT.

Is the DTC detected?

- YES >> Refer to [SRC-39, "Diagnosis Procedure \(Component Diagnosis\)"](#).
NO >> Inspection End.

DTC CONFIRMATION PROCEDURE (Without CONSULT)

NOTE:

SRS will not enter diagnosis mode if no malfunction is detected in user mode.

1.IGNITION SWITCH

B1145 – B1148 SIDE CURTAIN AIR BAG MODULE RH (REAR)

< DTC/CIRCUIT DIAGNOSIS >

Turn ignition switch ON.

>> GO TO 2

2.IGNITION SWITCH

After air bag warning lamp lights for 7 seconds, turn ignition switch OFF within 1 second.

>> GO TO 3

3.WAIT TIME

Wait more than 3 seconds.

>> GO TO 4

4.REPEAT STEPS

Repeat steps 1 to 3 twice.

>> GO TO 5

5.IGNITION SWITCH

Turn ignition switch ON.

>> GO TO 6

6.DIAGNOSTIC MODE

SRS system is now in diagnostic mode and AIR BAG warning lamp flashes. Refer to [SRC-15, "Trouble Diagnosis without CONSULT"](#).

>> **END**

Diagnosis Procedure (Component Diagnosis)

INFOID:000000007356530

Recheck SRS after each replacement.

1.HARNES CONNECTOR

Is there any visible damage to the connector?

YES or NO

YES >> Replace the harness.

NO >> GO TO 2

2.WIRING HARNESS

Is there any visible damage to the harness?

YES or NO

YES >> Replace the harness.

NO >> GO TO 3

3.AIR BAG DIAGNOSIS SENSOR UNIT

Replace the air bag diagnosis sensor unit. Refer to [SR-16, "Removal and Installation"](#).

>> GO TO 4

4.RH SIDE CURTAIN AIR BAG MODULE

Replace the RH side curtain air bag module. Refer to [SR-12, "Removal and Installation"](#).

>> GO TO 5

5.RELATED HARNESS

A

B

C

D

E

F

G

SRC

I

J

K

L

M

N

O

P

B1145 – B1148 SIDE CURTAIN AIR BAG MODULE RH (REAR)

< DTC/CIRCUIT DIAGNOSIS >

Replace the related harness.

>> **END**

B1086 – B1089 SEAT BELT PRE-TENSIONER LH

< DTC/CIRCUIT DIAGNOSIS >

B1086 – B1089 SEAT BELT PRE-TENSIONER LH

Description

INFOID:000000007356531

DTC B1086 – B1089 SEAT BELT PRE-TENSIONER LH

The seat belt pre-tensioner LH is wired to the air bag diagnosis sensor unit. The air bag diagnosis sensor unit will monitor for opens and shorts in detected lines to the seat belt pre-tensioner LH.

PART LOCATION

Refer to [SRC-7, "SRS Component Parts Location"](#).

DTC Logic

INFOID:000000007356532

DTC DETECTION LOGIC

With CONSULT

CONSULT name	DTC	DTC detecting condition	Repair order
PRE-TEN FRONT LH [OPEN]	B1086	LH seat belt pre-tensioner circuit is open.	<ol style="list-style-type: none"> 1. Visually check the wiring harness connection. 2. Replace the harness if it has visible damage. 3. Replace the front LH seat belt pre-tensioner. 4. Replace the air bag diagnosis sensor unit. 5. Replace the related harness.
PRE-TEN FRONT LH [VB-SHORT]	B1087	LH seat belt pre-tensioner circuit is shorted to a power supply circuit.	
PRE-TEN FRONT LH [GND-SHORT]	B1088	LH seat belt pre-tensioner circuit is shorted to ground.	
PRE-TEN FRONT LH [SHORT]	B1089	LH seat belt pre-tensioner circuits are shorted to each other.	

Without CONSULT

<Front LH seat belt pre-tensioner>	
Flash pattern	Repair order
<p>a through d are repeated. d: Three flashes indicate malfunctioning front LH seat belt pre-tensioner circuit.</p>	<ol style="list-style-type: none"> 1. Visually check the wiring harness connections. 2. Replace the harness if it has visible damage. 3. Replace front LH seat belt pre-tensioner. 4. Replace the air bag diagnosis sensor unit. 5. Replace the related harness.

DTC CONFIRMATION PROCEDURE (With CONSULT)

1.INSPECTION START

Turn ignition switch ON.

>> GO TO 2.

2.CHECK SELF-DIAG RESULT

Check for the DTC on CONSULT.

Is the DTC detected?

- YES >> Refer to [SRC-42, "Diagnosis Procedure \(Component Diagnosis\)"](#).
- NO >> Inspection End.

DTC CONFIRMATION PROCEDURE (Without CONSULT)

NOTE:

SRS will not enter diagnosis mode if no malfunction is detected in user mode.

1.IGNITION SWITCH

B1086 – B1089 SEAT BELT PRE-TENSIONER LH

< DTC/CIRCUIT DIAGNOSIS >

Turn ignition switch ON.

>> GO TO 2

2.IGNITION SWITCH

After air bag warning lamp lights for 7 seconds, turn ignition switch OFF within 1 second.

>> GO TO 3

3.WAIT TIME

Wait more than 3 seconds.

>> GO TO 4

4.REPEAT STEPS

Repeat steps 1 to 3 twice.

>> GO TO 5

5.IGNITION SWITCH

Turn ignition switch ON.

>> GO TO 6

6.DIAGNOSTIC MODE

SRS system is now in diagnostic mode and AIR BAG warning lamp flashes. Refer to [SRC-15, "Trouble Diagnosis without CONSULT"](#).

>> **END**

Diagnosis Procedure (Component Diagnosis)

INFOID:0000000007356533

Recheck SRS after each replacement.

1.HARNES CONNECTOR

Is there any visible damage to the connector?

YES or NO

YES >> Replace the harness.

NO >> GO TO 2

2.WIRING HARNESS

Is there any visible damage to the harness?

YES or NO

YES >> Replace the harness.

NO >> GO TO 3

3.FRONT LH SEAT BELT PRE-TENSIONER

Replace the front LH seat belt pre-tensioner. Refer to [SR-15, "Removal and Installation"](#).

>> GO TO 4

4.AIR BAG DIAGNOSIS SENSOR UNIT

Replace the air bag diagnosis sensor unit. Refer to [SR-16, "Removal and Installation"](#).

>> GO TO 5

5.RELATED HARNESS

B1086 – B1089 SEAT BELT PRE-TENSIONER LH

< DTC/CIRCUIT DIAGNOSIS >

Replace the related harness.

>> END

A

B

C

D

E

F

G

SRC

I

J

K

L

M

N

O

P

B1081 – B1084 SEAT BELT PRE-TENSIONER RH

< DTC/CIRCUIT DIAGNOSIS >

B1081 – B1084 SEAT BELT PRE-TENSIONER RH

Description

INFOID:000000007356534

DTC B1081 – B1084 SEAT BELT PRE-TENSIONER RH

The seat belt pre-tensioner RH is wired to the air bag diagnosis sensor unit. The air bag diagnosis sensor unit will monitor for opens and shorts in detected lines to the seat belt pre-tensioner RH.

PART LOCATION

Refer to [SRC-7, "SRS Component Parts Location"](#).

DTC Logic

INFOID:000000007356535

DTC DETECTION LOGIC

With CONSULT

CONSULT name	DTC	DTC detecting condition	Repair order
PRE-TEN FRONT RH [OPEN]	B1081	RH seat belt pre-tensioner circuit is open.	<ol style="list-style-type: none"> 1. Visually check the wiring harness connection. 2. Replace the harness if it has visible damage. 3. Replace the front RH seat belt pre-tensioner. 4. Replace the air bag diagnosis sensor unit. 5. Replace the related harness.
PRE-TEN FRONT RH [VB-SHORT]	B1082	RH seat belt pre-tensioner circuit is shorted to a power supply circuit.	
PRE-TEN FRONT RH [GND-SHORT]	B1083	RH seat belt pre-tensioner circuit is shorted to ground.	
PRE-TEN FRONT RH [SHORT]	B1084	RH seat belt pre-tensioner circuits are shorted to each other.	

Without CONSULT

<Front RH seat belt pre-tensioner>	
Flash pattern	Repair order
<p>a through d are repeated. d: One flash indicates malfunctioning front RH seat belt pre-tensioner circuit.</p>	<ol style="list-style-type: none"> 1. Visually check the wiring harness connections. 2. Replace the harness if it has visible damage. 3. Replace front RH seat belt pre-tensioner. 4. Replace the air bag diagnosis sensor unit. 5. Replace the related harness.

DTC CONFIRMATION PROCEDURE (With CONSULT)

1.INSPECTION START

Turn ignition switch ON.

>> GO TO 2.

2.CHECK SELF-DIAG RESULT

Check for the DTC on CONSULT.

Is the DTC detected?

- YES >> Refer to [SRC-45, "Diagnosis Procedure \(Component Diagnosis\)"](#).
NO >> Inspection End.

DTC CONFIRMATION PROCEDURE (Without CONSULT)

NOTE:

SRS will not enter diagnosis mode if no malfunction is detected in user mode.

1.IGNITION SWITCH

B1081 – B1084 SEAT BELT PRE-TENSIONER RH

< DTC/CIRCUIT DIAGNOSIS >

Turn ignition switch ON.

>> GO TO 2

2.IGNITION SWITCH

After air bag warning lamp lights for 7 seconds, turn ignition switch OFF within 1 second.

>> GO TO 3

3.WAIT TIME

Wait more than 3 seconds.

>> GO TO 4

4.REPEAT STEPS

Repeat steps 1 to 3 twice.

>> GO TO 5

5.IGNITION SWITCH

Turn ignition switch ON.

>> GO TO 6

6.DIAGNOSTIC MODE

SRS system is now in diagnostic mode and AIR BAG warning lamp flashes. Refer to [SRC-15, "Trouble Diagnosis without CONSULT"](#).

>> **END**

Diagnosis Procedure (Component Diagnosis)

INFOID:000000007356536

Recheck SRS after each replacement.

1.HARNES CONNECTOR

Is there any visible damage to the connector?

YES or NO

YES >> Replace the harness.

NO >> GO TO 2

2.WIRING HARNESS

Is there any visible damage to the harness?

YES or NO

YES >> Replace the harness.

NO >> GO TO 3

3.FRONT RH SEAT BELT PRE-TENSIONER

Replace the front RH seat belt pre-tensioner. Refer to [SR-15, "Removal and Installation"](#).

>> GO TO 4

4.AIR BAG DIAGNOSIS SENSOR UNIT

Replace the air bag diagnosis sensor unit. Refer to [SR-16, "Removal and Installation"](#).

>> GO TO 5

5.RELATED HARNESS

A

B

C

D

E

F

G

SRC

I

J

K

L

M

N

O

P

B1081 – B1084 SEAT BELT PRE-TENSIONER RH

< DTC/CIRCUIT DIAGNOSIS >

Replace the related harness.

>> **END**

B1033 – B1035 CRASH ZONE SENSOR

< DTC/CIRCUIT DIAGNOSIS >

B1033 – B1035 CRASH ZONE SENSOR

Description

INFOID:000000007356537

DTC B1033 – B1035 CRASH ZONE SENSOR

The crash zone sensor is wired to the air bag diagnosis sensor unit. The air bag diagnosis sensor unit will monitor for opens and shorts in detected lines to the crash zone sensor.

PART LOCATION

Refer to [SRC-7, "SRS Component Parts Location"](#).

DTC Logic

INFOID:000000007356538

DTC DETECTION LOGIC

With CONSULT

CONSULT name	DTC	DTC detecting condition	Repair order
CRASH ZONE SEN [UNIT FAIL]	B1033	Crash zone sensor has malfunctioned.	<ol style="list-style-type: none"> 1. Visually check the wiring harness connection. 2. Replace the harness if it has visible damage. 3. Replace the crash zone sensor.
	B1034		
CRASH ZONE SEN [COMM FAIL]	B1035	Crash zone sensor communication error.	<ol style="list-style-type: none"> 4. Replace the air bag diagnosis sensor unit. 5. Replace the related harness.

Without CONSULT

<Crash zone sensor>	
Flash pattern	Repair order
<p>a through d are repeated. d: Six flashes indicate malfunctioning crash zone sensor circuit.</p>	<ol style="list-style-type: none"> 1. Visually check the wiring harness connection. 2. Replace the harness if it has visible damage. 3. Replace the crash zone sensor. 4. Replace the air bag diagnosis sensor unit. 5. Replace the related harness.

DTC CONFIRMATION PROCEDURE (With CONSULT)

1.INSPECTION START

Turn ignition switch ON.

>> GO TO 2.

2.CHECK SELF-DIAG RESULT

Check for the DTC on CONSULT.

Is the DTC detected?

- YES >> Refer to [SRC-48, "Diagnosis Procedure \(Component Diagnosis\)"](#).
 NO >> Inspection End.

DTC CONFIRMATION PROCEDURE (Without CONSULT)

NOTE:

SRS will not enter diagnosis mode if no malfunction is detected in user mode.

1.IGNITION SWITCH

Turn ignition switch ON.

>> GO TO 2

B1033 – B1035 CRASH ZONE SENSOR

< DTC/CIRCUIT DIAGNOSIS >

2.IGNITION SWITCH

After air bag warning lamp lights for 7 seconds, turn ignition switch OFF within 1 second.

>> GO TO 3

3.WAIT TIME

Wait more than 3 seconds.

>> GO TO 4

4.REPEAT STEPS

Repeat steps 1 to 3 twice.

>> GO TO 5

5.IGNITION SWITCH

Turn ignition switch ON.

>> GO TO 6

6.DIAGNOSTIC MODE

SRS system is now in diagnostic mode and AIR BAG warning lamp flashes. Refer to [SRC-15. "Trouble Diagnosis without CONSULT"](#).

>> **END**

Diagnosis Procedure (Component Diagnosis)

INFOID:000000007356539

Recheck SRS after each replacement.

1.HARNESS CONNECTOR

Is there any visible damage to the connector?

YES or NO

YES >> Replace the harness.

NO >> GO TO 2

2.WIRING HARNESS

Is there any visible damage to the harness?

YES or NO

YES >> Replace the harness.

NO >> GO TO 3

3.CRASH ZONE SENSOR

Replace the crash zone sensor. Refer to [SR-13. "Removal and Installation"](#).

>> GO TO 4

4.AIR BAG DIAGNOSIS SENSOR UNIT

Replace the air bag diagnosis sensor unit. Refer to [SR-16. "Removal and Installation"](#).

>> GO TO 5

5.RELATED HARNESS

Replace the related harness.

B1033 – B1035 CRASH ZONE SENSOR

< DTC/CIRCUIT DIAGNOSIS >

>> END

A

B

C

D

E

F

G

SRC

I

J

K

L

M

N

O

P

B1118 – B1120 SATELLITE SENSOR LH

< DTC/CIRCUIT DIAGNOSIS >

B1118 – B1120 SATELLITE SENSOR LH

Description

INFOID:000000007356540

DTC B1118 – B1120 SATELLITE SENSOR LH

The satellite sensor LH is wired to the air bag diagnosis sensor unit. The air bag diagnosis sensor unit will monitor the satellite sensor LH for internal failures and it's circuits for communication errors.

PART LOCATION

Refer to [SRC-7, "SRS Component Parts Location"](#).

DTC Logic

INFOID:000000007356541

DTC DETECTION LOGIC

With CONSULT

CONSULT name	DTC	DTC detecting condition	Repair order
SATELLITE SENS LH [UNIT FAIL]	B1118	LH side air bag satellite sensor has mal- functioned.	1. Visually check the wiring harness connection. 2. Replace the harness if it has visible damage. 3. Replace the LH side air bag satellite sensor.
	B1119		
SATELLITE SENS LH [COMM FAIL]	B1120	LH side air bag satellite sensor communi- cation error.	4. Replace the air bag diagnosis sensor unit. 5. Replace the related harness.

Without CONSULT

<LH side air bag (Satellite) sensor>	
Flash pattern	Repair order
<p>a through f are repeated. f: Four flashes indicate malfunctioning LH side air bag (Satellite) sensor.</p> <p>ON OFF</p> <p>7 sec. 2 sec. 1.5 sec. 1.5 sec. 0.5 sec. 4 flashes a b c d e f a b c d</p>	<ol style="list-style-type: none"> 1. Visually check the wiring harness connection. 2. Replace the harness if it has visible damage. 3. Replace the LH side air bag (Satellite) sensor. 4. Replace the air bag diagnosis sensor unit. 5. Replace the related harness.

WHIA0204E

DTC CONFIRMATION PROCEDURE (With CONSULT)

1.INSPECTION START

Turn ignition switch ON.

>> GO TO 2.

2.CHECK SELF-DIAG RESULT

Check for the DTC on CONSULT.

Is the DTC detected?

- YES >> Refer to [SRC-51, "Diagnosis Procedure \(Component Diagnosis\)"](#).
NO >> Inspection End.

DTC CONFIRMATION PROCEDURE (Without CONSULT)

NOTE:

SRS will not enter diagnosis mode if no malfunction is detected in user mode.

1.IGNITION SWITCH

Turn ignition switch ON.

>> GO TO 2

B1118 – B1120 SATELLITE SENSOR LH

< DTC/CIRCUIT DIAGNOSIS >

2.IGNITION SWITCH

After air bag warning lamp lights for 7 seconds, turn ignition switch OFF within 1 second.

>> GO TO 3

3.WAIT TIME

Wait more than 3 seconds.

>> GO TO 4

4.REPEAT STEPS

Repeat steps 1 to 3 twice.

>> GO TO 5

5.IGNITION SWITCH

Turn ignition switch ON.

>> GO TO 6

6.DIAGNOSTIC MODE

SRS system is now in diagnostic mode and AIR BAG warning lamp flashes. Refer to [SRC-15, "Trouble Diagnosis without CONSULT"](#).

>> **END**

Diagnosis Procedure (Component Diagnosis)

INFOID:000000007356542

Recheck SRS after each replacement.

1.HARNESS CONNECTOR

Is there any visible damage to the connector?

YES or NO

YES >> Replace the harness.

NO >> GO TO 2

2.WIRING HARNESS

Is there any visible damage to the harness?

YES or NO

YES >> Replace the harness.

NO >> GO TO 3

3.LH SIDE AIR BAG SATELLITE SENSOR

Replace the LH side air bag satellite sensor. Refer to [SR-14, "Removal and Installation"](#).

>> GO TO 4

4.AIR BAG DIAGNOSIS SENSOR UNIT

Replace the air bag diagnosis sensor unit. Refer to [SR-16, "Removal and Installation"](#).

>> GO TO 5

5.RELATED HARNESS

Replace the related harness.

A

B

C

D

E

F

G

SRC

I

J

K

L

M

N

O

P

B1118 – B1120 SATELLITE SENSOR LH

< DTC/CIRCUIT DIAGNOSIS >

>> **END**

B1113 – B1115 SATELLITE SENSOR RH

< DTC/CIRCUIT DIAGNOSIS >

B1113 – B1115 SATELLITE SENSOR RH

Description

INFOID:000000007356543

DTC B1113 – B1115 SATELLITE SENSOR RH

The satellite sensor RH is wired to the air bag diagnosis sensor unit. The air bag diagnosis sensor unit will monitor the satellite sensor RH for internal failures and it's circuits for communication errors.

PART LOCATION

Refer to [SRC-7, "SRS Component Parts Location"](#).

DTC Logic

INFOID:000000007356544

DTC DETECTION LOGIC

With CONSULT

CONSULT name	DTC	DTC detecting condition	Repair order
SATELLITE SENS RH [UNIT FAIL]	B1113	RH side air bag satellite sensor has mal- functioned.	1. Visually check the wiring harness connection. 2. Replace the harness if it has visible damage. 3. Replace the RH side air bag satellite sensor.
	B1114		
SATELLITE SENS RH [COMM FAIL]	B1115	RH side air bag satellite sensor communi- cation error.	4. Replace the air bag diagnosis sensor unit. 5. Replace the related harness.

Without CONSULT

SRC

<RH side air bag (Satellite) sensor>	
Flash pattern	Repair order
<p>a through f are repeated. f: Three flashes indicate malfunctioning RH side air bag (Satellite) sensor circuit.</p>	<ol style="list-style-type: none"> 1. Visually check the wiring harness connection. 2. Replace the harness if it has visible damage. 3. Replace the RH side air bag (Satellite) sensor. 4. Replace the air bag diagnosis sensor unit. 5. Replace the related harness.

DTC CONFIRMATION PROCEDURE (With CONSULT)

1.INSPECTION START

Turn ignition switch ON.

>> GO TO 2.

2.CHECK SELF-DIAG RESULT

Check for the DTC on CONSULT.

Is the DTC detected?

- YES >> Refer to [SRC-54, "Diagnosis Procedure \(Component Diagnosis\)"](#).
NO >> Inspection End.

DTC CONFIRMATION PROCEDURE (Without CONSULT)

NOTE:

SRS will not enter diagnosis mode if no malfunction is detected in user mode.

1.IGNITION SWITCH

Turn ignition switch ON.

>> GO TO 2

B1113 – B1115 SATELLITE SENSOR RH

< DTC/CIRCUIT DIAGNOSIS >

2.IGNITION SWITCH

After air bag warning lamp lights for 7 seconds, turn ignition switch OFF within 1 second.

>> GO TO 3

3.WAIT TIME

Wait more than 3 seconds.

>> GO TO 4

4.REPEAT STEPS

Repeat steps 1 to 3 twice.

>> GO TO 5

5.IGNITION SWITCH

Turn ignition switch ON.

>> GO TO 6

6.DIAGNOSTIC MODE

SRS system is now in diagnostic mode and AIR BAG warning lamp flashes. Refer to [SRC-15. "Trouble Diagnosis without CONSULT"](#).

>> **END**

Diagnosis Procedure (Component Diagnosis)

INFOID:000000007356545

Recheck SRS after each replacement.

1.HARNES CONNECTOR

Is there any visible damage to the connector?

YES or NO

YES >> Replace the harness.

NO >> GO TO 2

2.WIRING HARNESS

Is there any visible damage to the harness?

YES or NO

YES >> Replace the harness.

NO >> GO TO 3

3.RH SIDE AIR BAG SATELLITE SENSOR

Replace the RH side air bag satellite sensor. Refer to [SR-14. "Removal and Installation"](#).

>> GO TO 4

4.AIR BAG DIAGNOSIS SENSOR UNIT

Replace the air bag diagnosis sensor unit. Refer to [SR-16. "Removal and Installation"](#).

>> GO TO 5

5.RELATED HARNESS

Replace the related harness.

B1113 – B1115 SATELLITE SENSOR RH

< DTC/CIRCUIT DIAGNOSIS >

>> END

A

B

C

D

E

F

G

SRC

I

J

K

L

M

N

O

P

B1XXX AIR BAG DIAGNOSIS SENSOR UNIT

< DTC/CIRCUIT DIAGNOSIS >

B1XXX AIR BAG DIAGNOSIS SENSOR UNIT

Description

INFOID:000000007356546

DTC B1XXX AIR BAG DIAGNOSIS SENSOR UNIT

The air bag diagnosis sensor unit will run self diagnostics when the ignition switch is turned ON. It has the potential to set many diagnostic trouble codes which will conform to the B1XXX format, but will not match any other SRS diagnostic trouble codes. Refer to [SRC-15. "CONSULT Function \(AIR BAG\)"](#).

PART LOCATION

Refer to [SRC-7. "SRS Component Parts Location"](#).

DTC Logic

INFOID:000000007356547

DTC DETECTION LOGIC

With CONSULT

CONSULT name	DTC	DTC detecting condition	Repair order
CONTROL UNIT	B1XXX	Air bag diagnosis sensor unit is malfunctioning.	<ol style="list-style-type: none"> 1. Visually check the wiring harness connection. 2. Replace the harness if it has visible damage. 3. Replace the air bag diagnosis sensor unit. 4. Replace the related harness.

Without CONSULT

<Air bag diagnosis sensor unit>	
Flash pattern	Repair order
<p>a through d are repeated. d: Seven flashes indicate malfunctioning diagnosis sensor unit circuit.</p>	<ol style="list-style-type: none"> 1. Visually check the wiring harness connections. 2. Replace the harness if it has visible damage. 3. Replace the air bag diagnosis sensor unit. 4. Replace the related harness.

WHIA0198E

DTC CONFIRMATION PROCEDURE (With CONSULT)

1.INSPECTION START

Turn ignition switch ON.

>> GO TO 2.

2.CHECK SELF-DIAG RESULT

Check for the DTC on CONSULT.

Is the DTC detected?

- YES >> Refer to [SRC-57. "Diagnosis Procedure \(Component Diagnosis\)"](#).
NO >> Inspection End.

DTC CONFIRMATION PROCEDURE (Without CONSULT)

NOTE:

SRS will not enter diagnosis mode if no malfunction is detected in user mode.

1.IGNITION SWITCH

Turn ignition switch ON.

>> GO TO 2

B1XXX AIR BAG DIAGNOSIS SENSOR UNIT

< DTC/CIRCUIT DIAGNOSIS >

2.IGNITION SWITCH

After air bag warning lamp lights for 7 seconds, turn ignition switch OFF within 1 second.

>> GO TO 3

3.WAIT TIME

Wait more than 3 seconds.

>> GO TO 4

4.REPEAT STEPS

Repeat steps 1 to 3 twice.

>> GO TO 5

5.IGNITION SWITCH

Turn ignition switch ON.

>> GO TO 6

6.DIAGNOSTIC MODE

SRS system is now in diagnostic mode and AIR BAG warning lamp flashes. Refer to [SRC-15, "Trouble Diagnosis without CONSULT"](#).

>> **END**

Diagnosis Procedure (Component Diagnosis)

INFOID:000000007356548

Recheck SRS after each replacement.

1.HARNESS CONNECTOR

Is there any visible damage to the connector?

YES or NO

YES >> Replace the harness.

NO >> GO TO 2

2.WIRING HARNESS

Is there any visible damage to the harness?

YES or NO

YES >> Replace the harness.

NO >> GO TO 3

3.AIR BAG DIAGNOSIS SENSOR UNIT

Replace the air bag diagnosis sensor unit. Refer to [SR-16, "Removal and Installation"](#).

>> GO TO 4

4.RELATED HARNESS

Replace the related harness.

>> **END**

A
B
C
D
E
F
G
I
J
K
L
M
N
O
P

SRC

B1023 PASSENGER AIR BAG OFF INDICATOR

< DTC/CIRCUIT DIAGNOSIS >

B1023 PASSENGER AIR BAG OFF INDICATOR

Description

INFOID:000000007356549

DTC B1023 FRONT PASSENGER AIR BAG OFF INDICATOR

The front passenger air bag off indicator is wired to the air bag diagnosis sensor unit. The air bag diagnosis sensor unit monitors the front passenger air bag off indicator and circuit for failures.

PART LOCATION

Refer to [SRC-7, "SRS Component Parts Location"](#).

DTC Logic

INFOID:000000007356550

DTC DETECTION LOGIC

With CONSULT

CONSULT name	DTC	DTC detecting condition	Repair order
PASS A/B INDCTR CKT	B1023	Front passenger air bag off indicator is malfunctioning.	<ol style="list-style-type: none"> 1. Visually check the wiring harness connection. 2. Replace the harness if it has visible damage. 3. Replace the front passenger air bag off indicator. 4. Replace the air bag diagnosis sensor unit. 5. Replace the related harness.

Without CONSULT

<Front passenger air bag off indicator>	
Flash pattern	Repair order
<p>a through d are repeated. d: Eleven flashes indicate malfunctioning front passenger air bag off indicator.</p>	<ol style="list-style-type: none"> 1. Visually check the wiring harness connection. 2. Replace the harness if it has visible damage. 3. Replace front passenger air bag off indicator. 4. Replace the air bag diagnosis sensor unit. 5. Replace the related harness.

WHIA0212E

DTC CONFIRMATION PROCEDURE (With CONSULT)

1.INSPECTION START

Turn ignition switch ON.

>> GO TO 2.

2.CHECK SELF-DIAG RESULT

Check for the DTC on CONSULT.

Is the DTC detected?

- YES >> Refer to [SRC-59, "Diagnosis Procedure \(Component Diagnosis\)"](#).
 NO >> Inspection End.

DTC CONFIRMATION PROCEDURE (Without CONSULT)

NOTE:

SRS will not enter diagnosis mode if no malfunction is detected in user mode.

1.IGNITION SWITCH

Turn ignition switch ON.

B1023 PASSENGER AIR BAG OFF INDICATOR

< DTC/CIRCUIT DIAGNOSIS >

>> GO TO 2

2.IGNITION SWITCH

After air bag warning lamp lights for 7 seconds, turn ignition switch OFF within 1 second.

>> GO TO 3

3.WAIT TIME

Wait more than 3 seconds.

>> GO TO 4

4.REPEAT STEPS

Repeat steps 1 to 3 twice.

>> GO TO 5

5.IGNITION SWITCH

Turn ignition switch ON.

>> GO TO 6

6.DIAGNOSTIC MODE

SRS system is now in diagnostic mode and AIR BAG warning lamp flashes. Refer to [SRC-15. "Trouble Diagnosis without CONSULT"](#).

>> **END**

Diagnosis Procedure (Component Diagnosis)

INFOID:000000007356551

Recheck SRS after each replacement.

1.HARNES CONNECTOR

Is there any visible damage to the connector?

YES or NO

YES >> Replace the harness.

NO >> GO TO 2

2.WIRING HARNESS

Is there any visible damage to the harness?

YES or NO

YES >> Replace the harness.

NO >> GO TO 3

3.FRONT PASSENGER AIR BAG OFF INDICATOR

Replace the front passenger air bag off indicator. Refer to [IP-12. "Removal and Installation"](#).

>> GO TO 4

4.AIR BAG DIAGNOSIS SENSOR UNIT

Replace the air bag diagnosis sensor unit. Refer to [SR-16. "Removal and Installation"](#).

>> GO TO 5

5.RELATED HARNESS

Replace the related harness.

A

B

C

D

E

F

G

SRC

I

J

K

L

M

N

O

P

B1023 PASSENGER AIR BAG OFF INDICATOR

< DTC/CIRCUIT DIAGNOSIS >

>> **END**

B1017 – B1022 OCCUPANT CLASSIFICATION SYSTEM

< DTC/CIRCUIT DIAGNOSIS >

B1017 – B1022 OCCUPANT CLASSIFICATION SYSTEM

Description

INFOID:000000007356552

DTC B1017 – B1022 OCCUPANT CLASSIFICATION SYSTEM (OCS)

The OCS control unit is wired to the air bag diagnosis sensor unit. The air bag diagnosis sensor unit will monitor the OCS for failures and interruptions in communication between the OCS control unit and the air bag diagnosis sensor unit.

PART LOCATION

Refer to [SRC-7, "SRS Component Parts Location"](#).

DTC Logic

INFOID:000000007356553

DTC DETECTION LOGIC

With CONSULT

CONSULT name	DTC	DTC detecting condition	Repair order
OCCUPANT SENS C/U [UNIT FAIL]	B1017	The OCS control unit is malfunctioning.	1. Replace the RH front seat cushion assembly. Do not disassemble the seat cushion assembly.
	B1021		
	B1020	The OCS control unit is malfunctioning.	1. Replace the harness if it has visible damage. 2. Replace the RH front seat cushion assembly. Do not disassemble the seat cushion assembly. 3. Replace the RH front seat belt assembly.
OCCUPANT SENS [UNIT FAIL]	B1018	The OCS sensor is malfunctioning.	1. Visually check the wiring harness connection to the OCS sensor. 2. Replace the RH front seat cushion assembly. Do not disassemble the seat cushion assembly.
BELT TENSION SENS [UNIT FAIL]	B1019	The belt tension sensor is malfunctioning.	1. Visually check the wiring harness connection. 2. Replace the harness if it has visible damage. 3. Replace the RH front seat belt assembly. 4. Replace the RH front seat cushion assembly. Do not disassemble the seat cushion assembly. 5. Replace the related harness.
OCCUPANT SENS C/U [COMM FAIL]	B1022	Communication between the OCS control unit and the air bag diagnosis sensor unit is interrupted.	1. Visually check the wiring harness connection. 2. Replace the harness if it has visible damage. 3. Replace the RH front seat cushion assembly. Do not disassemble the seat cushion assembly. 4. Replace the air bag diagnosis sensor unit. 5. Replace the related harness.

Without CONSULT

<Occupant classification system>	
Flash pattern	Repair order
<p>a through d are repeated. d: Five flashes indicate malfunctioning occupant classification system control unit.</p>	<ol style="list-style-type: none"> 1. Visually check the wiring harness connection. 2. Replace the harness if it has visible damage. 3. Replace the RH front seat cushion occupant classification system control unit assembly. 4. Replace the air bag diagnosis sensor unit.

WHIA0211E

B1017 – B1022 OCCUPANT CLASSIFICATION SYSTEM

< DTC/CIRCUIT DIAGNOSIS >

DTC CONFIRMATION PROCEDURE (With CONSULT)

1.INSPECTION START

Turn ignition switch ON.

>> GO TO 2.

2.CHECK SELF-DIAG RESULT

Check for the DTC on CONSULT.

Is the DTC detected?

YES >> Refer to [SRC-62, "Diagnosis Procedure \(Component Diagnosis\)"](#).

NO >> Inspection End.

DTC CONFIRMATION PROCEDURE (Without CONSULT)

NOTE:

SRS will not enter diagnosis mode if no malfunction is detected in user mode.

1.IGNITION SWITCH

Turn ignition switch ON.

>> GO TO 2

2.IGNITION SWITCH

After air bag warning lamp lights for 7 seconds, turn ignition switch OFF within 1 second.

>> GO TO 3

3.WAIT TIME

Wait more than 3 seconds.

>> GO TO 4

4.REPEAT STEPS

Repeat steps 1 to 3 twice.

>> GO TO 5

5.IGNITION SWITCH

Turn ignition switch ON.

>> GO TO 6

6.DIAGNOSTIC MODE

SRS system is now in diagnostic mode and AIR BAG warning lamp flashes. Refer to [SRC-7, "SRS Component Parts Location"](#).

>> **END**

Diagnosis Procedure (Component Diagnosis)

INFOID:000000007356554

Recheck SRS after each corrective action.

1.CHECK CURRENT DTC

Does CONSULT indicate B1018, B1019, B1020 or B1022?

YES or NO

YES >> GO TO 2

NO >> GO TO 13

B1017 – B1022 OCCUPANT CLASSIFICATION SYSTEM

< DTC/CIRCUIT DIAGNOSIS >

2. HARNESS CONNECTOR

Is there any visible damage to the OCS sub-harness connector (DTC B1022) or to the belt tension sensor connector (DTC B1019)?

YES or NO

YES >> Replace the harness.

NO >> GO TO 3

3. WIRING HARNESS

Is there any visible damage to the body or seat sub harness?

YES or NO

YES >> Replace the harness.

NO >> GO TO 4

4. CHECK CURRENT DTC

Does CONSULT indicate B1022?

YES or NO

YES >> GO TO 5

NO >> GO TO 6

5. OCS CONTROL UNIT HARNESS CONNECTOR

Is the OCS control unit or body harness connector disconnected?

YES or NO

YES >> Connect the harness. Clear the DTC.

NO >> GO TO 13

6. CHECK CURRENT DTC

Does CONSULT indicate B1018?

YES or NO

YES >> GO TO 7

NO >> GO TO 8

7. OCS SENSOR HARNESS CONNECTOR

Is the OCS sensor harness connector disconnected?

YES or NO

YES >> Connect the harness. Clear the DTC.

NO >> GO TO 8

8. CHECK CURRENT DTC

Does CONSULT indicate B1020?

YES or NO

YES >> GO TO 9

NO >> GO TO 10

9. BELT TENSION SENSOR

Inspect the belt tension sensor, belt tension sensor connector and harness.

Are the inspection results normal?

YES >> GO TO 10

NO >> GO TO 12

10. CHECK CURRENT DTC

Does CONSULT indicate B1019?

YES or NO

YES >> GO TO 11

NO >> GO TO 12

11. BELT TENSION SENSOR HARNESS CONNECTOR

A
B
C
D
E
F
G
I
J
K
L
M
N
O
P

SRC

B1017 – B1022 OCCUPANT CLASSIFICATION SYSTEM

< DTC/CIRCUIT DIAGNOSIS >

Is the belt tension sensor harness connector disconnected?

YES or NO

YES >> Connect the harness. Clear the DTC.

NO >> GO TO 12

12.REPLACE RH FRONT SEAT BELT ASSEMBLY

Replace the RH front seat belt assembly.

>> GO TO 13

13.REPLACE RH FRONT SEAT CUSHION ASSEMBLY

Replace the RH front seat cushion assembly. Refer to [SE-33, "Removal and Installation"](#).

>> GO TO 14

14.AIR BAG DIAGNOSIS SENSOR UNIT

Replace the air bag diagnosis sensor unit. Refer to [SR-16, "Removal and Installation"](#).

>> **END.**

B1209 – B1211 COLLISION DETECTION

< DTC/CIRCUIT DIAGNOSIS >

B1209 – B1211 COLLISION DETECTION

Description

INFOID:000000007356555

DTC B1209 - B1211 COLLISION DETECTION

The air bag diagnosis sensor unit will set this DTC if it has detected a collision or rollover which has resulted in a deployment of one or more air bags or pre-tensioners. If this DTC is detected after a SRS repair, the air bag diagnosis sensor unit has not yet been replaced. This DTC can not be erased.

PART LOCATION

Refer to [SRC-7, "SRS Component Parts Location"](#).

DTC Logic

INFOID:000000007356556

DTC DETECTION LOGIC

With CONSULT

CONSULT name	DTC	DTC detecting condition	Repair order
FRONTAL COLLISION DETECTION	B1209	Driver and/or front passenger air bag modules are deployed.	Refer to SR-19, "For Frontal Collision" .
SIDE COLLISION DETECTION	B1210	Side and/or curtain air bag modules are deployed.	Refer to SR-21, "For Side and Rollover Collision" .
ROLLOVER DETECTION	B1211	Curtain air bag module and seat belt pretensioner are deployed.	

A

B

C

D

E

F

G

SRC

DTC CONFIRMATION PROCEDURE (With CONSULT)

1.INSPECTION START

Turn ignition switch ON.

>> GO TO 2.

2.CHECK SELF-DIAG RESULT

Check for the DTC on CONSULT.

Is the DTC detected?

YES >> Refer to [SRC-65, "Diagnosis Procedure \(Component Diagnosis\)"](#).

NO >> Inspection End.

Diagnosis Procedure (Component Diagnosis)

INFOID:000000007356557

Refer to [SR-19, "For Frontal Collision"](#) or [SR-21, "For Side and Rollover Collision"](#).

I

J

K

L

M

N

O

P

DIAGNOSIS SENSOR UNIT

< ECU DIAGNOSIS INFORMATION >

ECU DIAGNOSIS INFORMATION

DIAGNOSIS SENSOR UNIT

Trouble Diagnosis with CONSULT

INFOID:000000007356558

DIAGNOSTIC CODE CHART

NOTE:

Follow the procedures in numerical order when repairing malfunctioning parts. Confirm whether malfunction is eliminated using air bag warning lamp or CONSULT each time repair is finished. If malfunction is still observed, proceed to the next step. When malfunction is eliminated, further repair work is not required.

CONSULT name	DTC	DTC detecting condition	Repair order
DRIVER AIRBAG MODULE [OPEN]	B1049	Driver air bag module circuit (DR1) is open (including the spiral cable).	<ol style="list-style-type: none"> 1. Visually check the wiring harness connection. 2. Replace the harness if it has visible damage. 3. Inspect the spiral cable circuit. 4. Replace the air bag diagnosis sensor unit. 5. Replace the driver air bag module. 6. Replace the related harness.
	B1054	Driver air bag module circuit (DR2) is open (including the spiral cable).	
DRIVER AIRBAG MODULE [VB-SHORT]	B1050	Driver air bag module circuit (DR1) is shorted to a power supply circuit (including the spiral cable).	
	B1055	Driver air bag module circuit (DR2) is shorted to a power supply circuit (including the spiral cable).	
DRIVER AIRBAG MODULE [GND-SHORT]	B1051	Driver air bag module circuit (DR1) is shorted to ground (including the spiral cable).	
	B1056	Driver air bag module circuit (DR2) is shorted to ground (including the spiral cable).	
DRIVER AIRBAG MODULE [SHORT]	B1052	Driver air bag module circuits (DR1) are shorted to each other (including the spiral cable).	
	B1057	Driver air bag module circuits (DR2) are shorted to each other (including the spiral cable).	
ASSIST A/B MODULE [OPEN]	B1065	Front passenger air bag module circuit (AS1) is open.	
	B1070	Front passenger air bag module circuit (AS2) is open.	
ASSIST A/B MODULE [VB-SHORT]	B1066	Front passenger air bag module circuit (AS1) is shorted to a power supply circuit.	
	B1071	Front passenger air bag module circuit (AS2) is shorted to a power supply circuit.	
ASSIST A/B MODULE [GND-SHORT]	B1067	Front passenger air bag module circuit (AS1) is shorted to ground.	
	B1072	Front passenger air bag module circuit (AS2) is shorted to ground.	
ASSIST A/B MODULE [SHORT]	B1068	Front passenger air bag module circuits (AS1) are shorted to each other.	
	B1073	Front passenger air bag module circuits (AS2) are shorted to each other.	

DIAGNOSIS SENSOR UNIT

< ECU DIAGNOSIS INFORMATION >

CONSULT name	DTC	DTC detecting condition	Repair order	
SIDE MODULE LH [OPEN]	B1134	Front LH side air bag module circuit is open.	<ol style="list-style-type: none"> 1. Visually check the wiring harness connection. 2. Replace the harness if it has visible damage. 3. Replace the air bag diagnosis sensor unit. 4. Replace the front LH side air bag module. 5. Replace the related harness. 	A
SIDE MODULE LH [VB-SHORT]	B1135	Front LH side air bag module circuit is shorted to a power supply circuit.		B
SIDE MODULE LH [GND-SHORT]	B1136	Front LH side air bag module circuit is shorted to ground.		C
SIDE MODULE LH [SHORT]	B1137	Front LH side air bag module circuits are shorted to each other.		
SIDE MODULE RH [OPEN]	B1129	Front RH side air bag module circuit is open.	<ol style="list-style-type: none"> 1. Visually check the wiring harness connection. 2. Replace the harness if it has visible damage. 3. Replace the air bag diagnosis sensor unit. 4. Replace the front RH side air bag module. 5. Replace the related harness. 	D
SIDE MODULE RH [VB-SHORT]	B1130	Front RH side air bag module circuit is shorted to a power supply circuit.		E
SIDE MODULE RH [GND-SHORT]	B1131	Front RH side air bag module circuit is shorted to ground.		F
SIDE MODULE RH [SHORT]	B1132	Front RH side air bag module circuits are shorted to each other.		
FR CURTN MODULE LH [OPEN]	B1198	LH side curtain air bag module (front) circuit is open.	<ol style="list-style-type: none"> 1. Visually check the wiring harness connection. 2. Replace the harness if it has visible damage. 3. Replace the air bag diagnosis sensor unit. 4. Replace the LH side curtain air bag module. 5. Replace the related harness. 	G
FR CURTN MODULE LH [VB-SHORT]	B1199	LH side curtain air bag module (front) circuit is shorted to a power supply circuit.		
FR CURTN MODULE LH [GND-SHORT]	B1200	LH side curtain air bag module (front) circuit is shorted to ground.		SRC
FR CURTN MODULE LH [SHORT]	B1201	LH side curtain air bag module (front) circuits are shorted to each other.		I
FR CURTN MODULE RH [OPEN]	B1193	RH side curtain air bag module (front) circuit is open.	<ol style="list-style-type: none"> 1. Visually check the wiring harness connection. 2. Replace the harness if it has visible damage. 3. Replace the air bag diagnosis sensor unit. 4. Replace the RH side curtain air bag module. 5. Replace the related harness. 	J
FR CURTN MODULE RH [VB-SHORT]	B1194	RH side curtain air bag module (front) circuit is shorted to a power supply circuit.		K
FR CURTN MODULE RH [GND-SHORT]	B1195	RH side curtain air bag module (front) circuit is shorted to ground.		L
FR CURTN MODULE RH [SHORT]	B1196	RH side curtain air bag module (front) circuits are shorted to each other.		
CURTAIN MODULE LH [OPEN]	B1150	LH side curtain air bag module (rear) circuit is open.	<ol style="list-style-type: none"> 1. Visually check the wiring harness connection. 2. Replace the harness if it has visible damage. 3. Replace the air bag diagnosis sensor unit. 4. Replace the LH side curtain air bag module. 5. Replace the related harness. 	M
CURTAIN MODULE LH [VB-SHORT]	B1151	LH side curtain air bag module (rear) circuit is shorted to a power supply circuit.		N
CURTAIN MODULE LH [GND-SHORT]	B1152	LH side curtain air bag module (rear) circuit is shorted to ground.		
CURTAIN MODULE LH [SHORT]	B1153	LH side curtain air bag module (rear) circuits are shorted to each other.		
CURTAIN MODULE RH [OPEN]	B1145	RH side curtain air bag module (rear) circuit is open.	<ol style="list-style-type: none"> 1. Visually check the wiring harness connection. 2. Replace the harness if it has visible damage. 3. Replace the air bag diagnosis sensor unit. 4. Replace the RH side curtain air bag module. 5. Replace the related harness. 	O
CURTAIN MODULE RH [VB-SHORT]	B1146	RH side curtain air bag module (rear) circuit is shorted to a power supply circuit.		P
CURTAIN MODULE RH [GND-SHORT]	B1147	RH side curtain air bag module (rear) circuit is shorted to ground.		
CURTAIN MODULE RH [SHORT]	B1148	RH side curtain air bag module (rear) circuits are shorted to each other.		

DIAGNOSIS SENSOR UNIT

< ECU DIAGNOSIS INFORMATION >

CONSULT name	DTC	DTC detecting condition	Repair order
PRE-TEN FRONT LH [OPEN]	B1086	LH seat belt pre-tensioner circuit is open.	<ol style="list-style-type: none"> 1. Visually check the wiring harness connection. 2. Replace the harness if it has visible damage. 3. Replace the front LH seat belt pre-tensioner. 4. Replace the air bag diagnosis sensor unit. 5. Replace the related harness.
PRE-TEN FRONT LH [VB-SHORT]	B1087	LH seat belt pre-tensioner circuit is shorted to a power supply circuit.	
PRE-TEN FRONT LH [GND-SHORT]	B1088	LH seat belt pre-tensioner circuit is shorted to ground.	
PRE-TEN FRONT LH [SHORT]	B1089	LH seat belt pre-tensioner circuits are shorted to each other.	
PRE-TEN FRONT RH [OPEN]	B1081	RH seat belt pre-tensioner circuit is open.	<ol style="list-style-type: none"> 1. Visually check the wiring harness connection. 2. Replace the harness if it has visible damage. 3. Replace the front RH seat belt pre-tensioner. 4. Replace the air bag diagnosis sensor unit. 5. Replace the related harness.
PRE-TEN FRONT RH [VB-SHORT]	B1082	RH seat belt pre-tensioner circuit is shorted to a power supply circuit.	
PRE-TEN FRONT RH [GND-SHORT]	B1083	RH seat belt pre-tensioner circuit is shorted to ground.	
PRE-TEN FRONT RH [SHORT]	B1084	RH seat belt pre-tensioner circuits are shorted to each other.	
CRASH ZONE SEN [UNIT FAIL]	B1033	Crash zone sensor has malfunctioned.	<ol style="list-style-type: none"> 1. Visually check the wiring harness connection. 2. Replace the harness if it has visible damage. 3. Replace the crash zone sensor. 4. Replace the air bag diagnosis sensor unit. 5. Replace the related harness.
	B1034		
CRASH ZONE SEN [COMM FAIL]	B1035	Crash zone sensor communication error.	<ol style="list-style-type: none"> 4. Replace the air bag diagnosis sensor unit. 5. Replace the related harness.
SATELLITE SENS LH [UNIT FAIL]	B1118	LH side air bag satellite sensor has malfunctioned.	<ol style="list-style-type: none"> 1. Visually check the wiring harness connection. 2. Replace the harness if it has visible damage. 3. Replace the LH side air bag satellite sensor. 4. Replace the air bag diagnosis sensor unit. 5. Replace the related harness.
	B1119		
SATELLITE SENS LH [COMM FAIL]	B1120	LH side air bag satellite sensor communication error.	<ol style="list-style-type: none"> 4. Replace the air bag diagnosis sensor unit. 5. Replace the related harness.
SATELLITE SENS RH [UNIT FAIL]	B1113	RH side air bag satellite sensor has malfunctioned.	<ol style="list-style-type: none"> 1. Visually check the wiring harness connection. 2. Replace the harness if it has visible damage. 3. Replace the RH side air bag satellite sensor. 4. Replace the air bag diagnosis sensor unit. 5. Replace the related harness.
	B1114		
SATELLITE SENS RH [COMM FAIL]	B1115	RH side air bag satellite sensor communication error.	<ol style="list-style-type: none"> 4. Replace the air bag diagnosis sensor unit. 5. Replace the related harness.
CONTROL UNIT	B1XXX	Air bag diagnosis sensor unit is malfunctioning.	<ol style="list-style-type: none"> 1. Visually check the wiring harness connection. 2. Replace the harness if it has visible damage. 3. Replace the air bag diagnosis sensor unit. 4. Replace the related harness.
OCCUPANT SENS C/U [UNIT FAIL]	B1017	The OCS control unit is malfunctioning.	<ol style="list-style-type: none"> 1. Replace the RH front seat cushion assembly. Do not disassemble the seat cushion assembly.
	B1021		
	B1020	The OCS control unit is malfunctioning.	<ol style="list-style-type: none"> 1. Replace the harness if it has visible damage. 2. Replace the RH front seat cushion assembly. Do not disassemble the seat cushion assembly. 3. Replace the RH front seat belt assembly.
OCCUPANT SENS [UNIT FAIL]	B1018	The OCS sensor is malfunctioning.	<ol style="list-style-type: none"> 1. Visually check the wiring harness connection to the OCS sensor. 2. Replace the RH front seat cushion assembly. Do not disassemble the seat cushion assembly.
BELT TENSION SENS [UNIT FAIL]	B1019	The belt tension sensor is malfunctioning.	<ol style="list-style-type: none"> 1. Visually check the wiring harness connection. 2. Replace the harness if it has visible damage. 3. Replace the RH front seat belt assembly. 4. Replace the RH front seat cushion assembly. Do not disassemble the seat cushion assembly. 5. Replace the related harness.

DIAGNOSIS SENSOR UNIT

< ECU DIAGNOSIS INFORMATION >

CONSULT name	DTC	DTC detecting condition	Repair order
OCCUPANT SENS C/U [COMM FAIL]	B1022	Communication between the OCS control unit and the air bag diagnosis sensor unit is interrupted.	<ol style="list-style-type: none"> 1. Visually check the wiring harness connection. 2. Replace the harness if it has visible damage. 3. Replace the RH front seat cushion assembly. Do not disassemble the seat cushion assembly. 4. Replace the air bag diagnosis sensor unit. 5. Replace the related harness.
PASS A/B INDCTR CKT	B1023	Front passenger air bag OFF indicator is malfunctioning.	<ol style="list-style-type: none"> 1. Visually check the wiring harness connection. 2. Replace the harness if it has visible damage. 3. Replace the front passenger air bag OFF indicator. 4. Replace the air bag diagnosis sensor unit. 5. Replace the related harness.
FRONTAL COLLISION DETECTION	B1209	Driver and/or front passenger air bag modules are deployed.	Refer to SR-19, "For Frontal Collision" .
SIDE COLLISION DETECTION	B1210	Side and/or curtain air bag modules are deployed.	Refer to SR-21, "For Side and Rollover Collision" .
ROLLOVER DETECTION	B1211	Curtain air bag module and seat belt pre-tensioner are deployed.	

Trouble Diagnosis without CONSULT

INFOID:000000007356559

WARNING LAMP FLASH CODE CHART

NOTE:

Follow the procedures in numerical order when repairing malfunctioning parts. Confirm whether malfunction is eliminated using air bag warning lamp each time repair is finished. If malfunction is still observed, proceed to the next step. When malfunction is eliminated, further repair work is not required.

<Diagnosis results (previously stored in the memory) might not be erased after repair or intermittent malfunctions have been detected in the past.>	
Flash pattern	Repair order
a through b are repeated.	1. Go to DIAGNOSTIC PROCEDURES 2 and 3.
<p>IGN ON ON OFF</p> <p>7 sec. 3 sec. 2 sec. 2 sec.</p>	

SWIA0026E

<Driver air bag module>	
Flash pattern	Repair order
a through d are repeated. d: Two flashes indicate malfunctioning driver air bag module circuits.	<ol style="list-style-type: none"> 1. Visually check the wiring harness connection. 2. Replace the harness if it has visible damage. 3. Inspect the spiral cable circuit. 4. Replace the air bag diagnosis sensor unit. 5. Replace driver air bag module. 6. Replace the related harness.
<p>ON OFF</p> <p>7 sec. 3 sec. 2 sec. 2 sec. 0.5 sec. 2 sec.</p> <p>2 flashes</p>	

AWHIA0306GB

DIAGNOSIS SENSOR UNIT

< ECU DIAGNOSIS INFORMATION >

<Air bag diagnosis sensor unit>	
Flash pattern	Repair order
<p>a through d are repeated. d: Seven flashes indicate malfunctioning diagnosis sensor unit circuit.</p>	<ol style="list-style-type: none"> 1. Visually check the wiring harness connections. 2. Replace the harness if it has visible damage. 3. Replace the air bag diagnosis sensor unit. 4. Replace the related harness.

WHIA0198E

<Front passenger air bag module>	
Flash pattern	Repair order
<p>a through d are repeated. d: Eight flashes indicate malfunctioning front passenger air bag module circuit.</p>	<ol style="list-style-type: none"> 1. Visually check the wiring harness connection. 2. Replace the harness if it has visible damage. 3. Replace the air bag diagnosis sensor unit. 4. Replace front passenger air bag module. 5. Replace the related harness.

ANHIA0307GB

<Crash zone sensor>	
Flash pattern	Repair order
<p>a through d are repeated. d: Six flashes indicate malfunctioning crash zone sensor circuit.</p>	<ol style="list-style-type: none"> 1. Visually check the wiring harness connection. 2. Replace the harness if it has visible damage. 3. Replace the crash zone sensor. 4. Replace the air bag diagnosis sensor unit. 5. Replace the related harness.

WHIA0200E

<Front RH seat belt pre-tensioner>	
Flash pattern	Repair order
<p>a through d are repeated. d: One flash indicates malfunctioning front RH seat belt pre-tensioner circuit.</p>	<ol style="list-style-type: none"> 1. Visually check the wiring harness connections. 2. Replace the harness if it has visible damage. 3. Replace front RH seat belt pre-tensioner. 4. Replace the air bag diagnosis sensor unit. 5. Replace the related harness.

WHIA0262E

<Front LH seat belt pre-tensioner>	
Flash pattern	Repair order
<p>a through d are repeated. d: Three flashes indicate malfunctioning front LH seat belt pre-tensioner circuit.</p>	<ol style="list-style-type: none"> 1. Visually check the wiring harness connections. 2. Replace the harness if it has visible damage. 3. Replace front LH seat belt pre-tensioner. 4. Replace the air bag diagnosis sensor unit. 5. Replace the related harness.

WHIA0263E

DIAGNOSIS SENSOR UNIT

< ECU DIAGNOSIS INFORMATION >

<RH side air bag (Satellite) sensor>	
Flash pattern	Repair order
<p>a through f are repeated. f: Three flashes indicate malfunctioning RH side air bag (Satellite) sensor circuit.</p>	<ol style="list-style-type: none"> 1. Visually check the wiring harness connection. 2. Replace the harness if it has visible damage. 3. Replace the RH side air bag (Satellite) sensor. 4. Replace the air bag diagnosis sensor unit. 5. Replace the related harness.

WHIA0203E

<LH side air bag (Satellite) sensor>	
Flash pattern	Repair order
<p>a through f are repeated. f: Four flashes indicate malfunctioning LH side air bag (Satellite) sensor.</p>	<ol style="list-style-type: none"> 1. Visually check the wiring harness connection. 2. Replace the harness if it has visible damage. 3. Replace the LH side air bag (Satellite) sensor. 4. Replace the air bag diagnosis sensor unit. 5. Replace the related harness.

WHIA0204E

<Front RH side air bag module>	
Flash pattern	Repair order
<p>a through f are repeated. f: One flash indicate malfunctioning front RH side air bag module circuit.</p>	<ol style="list-style-type: none"> 1. Visually check the wiring harness connection. 2. Replace the harness if it has visible damage. 3. Replace the air bag diagnosis sensor unit. 4. Replace the front RH side air bag module. 5. Replace the related harness.

AWHIA0305GB

<Front LH side air bag module>	
Flash pattern	Repair order
<p>a through f are repeated. f: Two flashes indicate malfunctioning front LH side air bag module circuit.</p>	<ol style="list-style-type: none"> 1. Visually check the wiring harness connection. 2. Replace the harness if it has visible damage. 3. Replace the air bag diagnosis sensor unit. 4. Replace the front LH side air bag module. 5. Replace the related harness.

AWHIA0304GB

<LH side curtain air bag module (front)>	
Flash pattern	Repair order
<p>a through f are repeated. f: Eight flashes indicate malfunctioning LH side curtain air bag module (front) circuit.</p>	<ol style="list-style-type: none"> 1. Visually check the wiring harness connection. 2. Replace the harness if it has visible damage. 3. Replace the air bag diagnosis sensor unit. 4. Replace LH side curtain air bag module. 5. Replace the related harness.

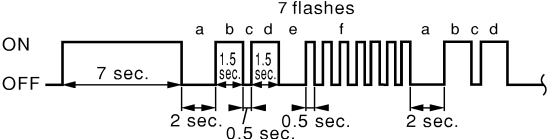
ALHIA0201GB

A
B
C
D
E
F
G
I
J
K
L
M
N
O
P

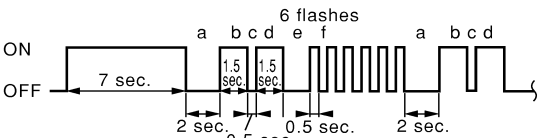
SRC

DIAGNOSIS SENSOR UNIT

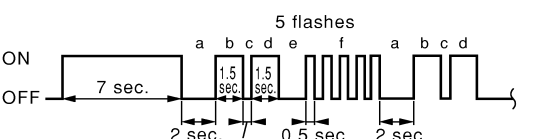
< ECU DIAGNOSIS INFORMATION >

<RH side curtain air bag module (front)>	
Flash pattern	Repair order
<p>a through f are repeated. f: Seven flashes indicate malfunctioning RH side curtain air bag module (front) circuit.</p> 	<ol style="list-style-type: none"> 1. Visually check the wiring harness connection. 2. Replace the harness if it has visible damage. 3. Replace the air bag diagnosis sensor unit. 4. Replace RH side curtain air bag module. 5. Replace the related harness.

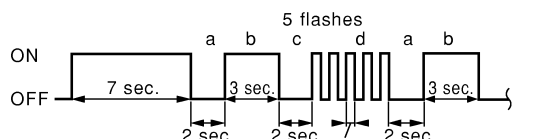
ALHIA0202GB

<LH side curtain air bag module (rear)>	
Flash pattern	Repair order
<p>a through f are repeated. f: Six flashes indicate malfunctioning LH side curtain air bag module (rear) circuit.</p> 	<ol style="list-style-type: none"> 1. Visually check the wiring harness connection. 2. Replace the harness if it has visible damage. 3. Replace the air bag diagnosis sensor unit. 4. Replace LH side curtain air bag module. 5. Replace the related harness.

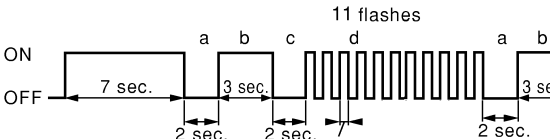
ALHIA0203GB

<RH side curtain air bag module (rear)>	
Flash pattern	Repair order
<p>a through f are repeated. f: Five flashes indicate malfunctioning RH side curtain air bag module (rear) circuit.</p> 	<ol style="list-style-type: none"> 1. Visually check the wiring harness connection. 2. Replace the harness if it has visible damage. 3. Replace the air bag diagnosis sensor unit. 4. Replace RH side curtain air bag module. 5. Replace the related harness.

ALHIA0204GB

<Occupant classification system>	
Flash pattern	Repair order
<p>a through d are repeated. d: Five flashes indicate malfunctioning occupant classification system control unit.</p> 	<ol style="list-style-type: none"> 1. Visually check the wiring harness connection. 2. Replace the harness if it has visible damage. 3. Replace the RH front seat cushion occupant classification system control unit assembly. 4. Replace the air bag diagnosis sensor unit.

WHIA0211E

<Front passenger air bag off indicator>	
Flash pattern	Repair order
<p>a through d are repeated. d: Eleven flashes indicate malfunctioning front passenger air bag off indicator.</p> 	<ol style="list-style-type: none"> 1. Visually check the wiring harness connection. 2. Replace the harness if it has visible damage. 3. Replace front passenger air bag off indicator. 4. Replace the air bag diagnosis sensor unit. 5. Replace the related harness.

WHIA0212E

SRS AIR BAG CONTROL SYSTEM

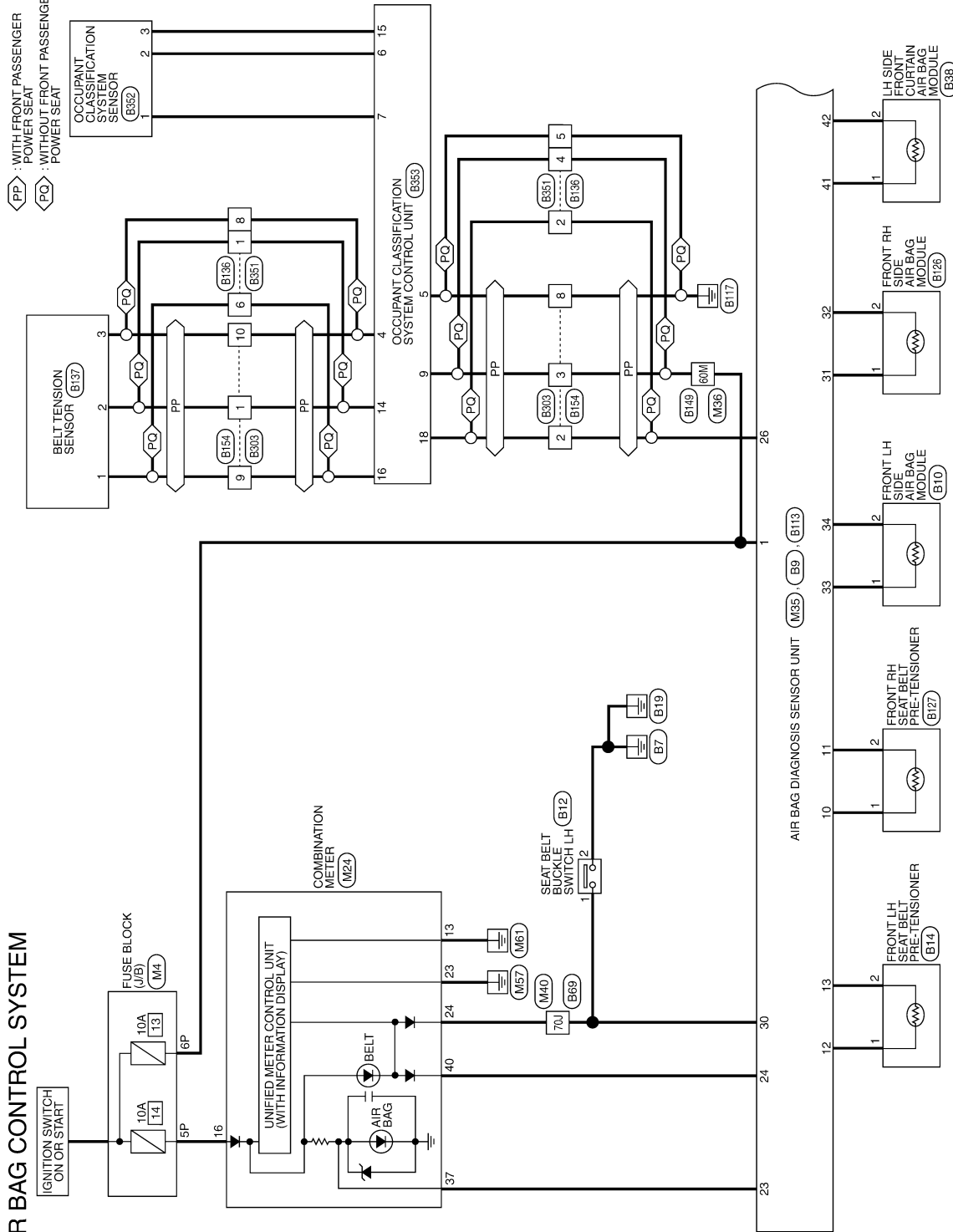
< WIRING DIAGRAM >

WIRING DIAGRAM

SRS AIR BAG CONTROL SYSTEM

Wiring Diagram

INFOID:000000007356560



SRS AIR BAG CONTROL SYSTEM

ABHWA0180GB

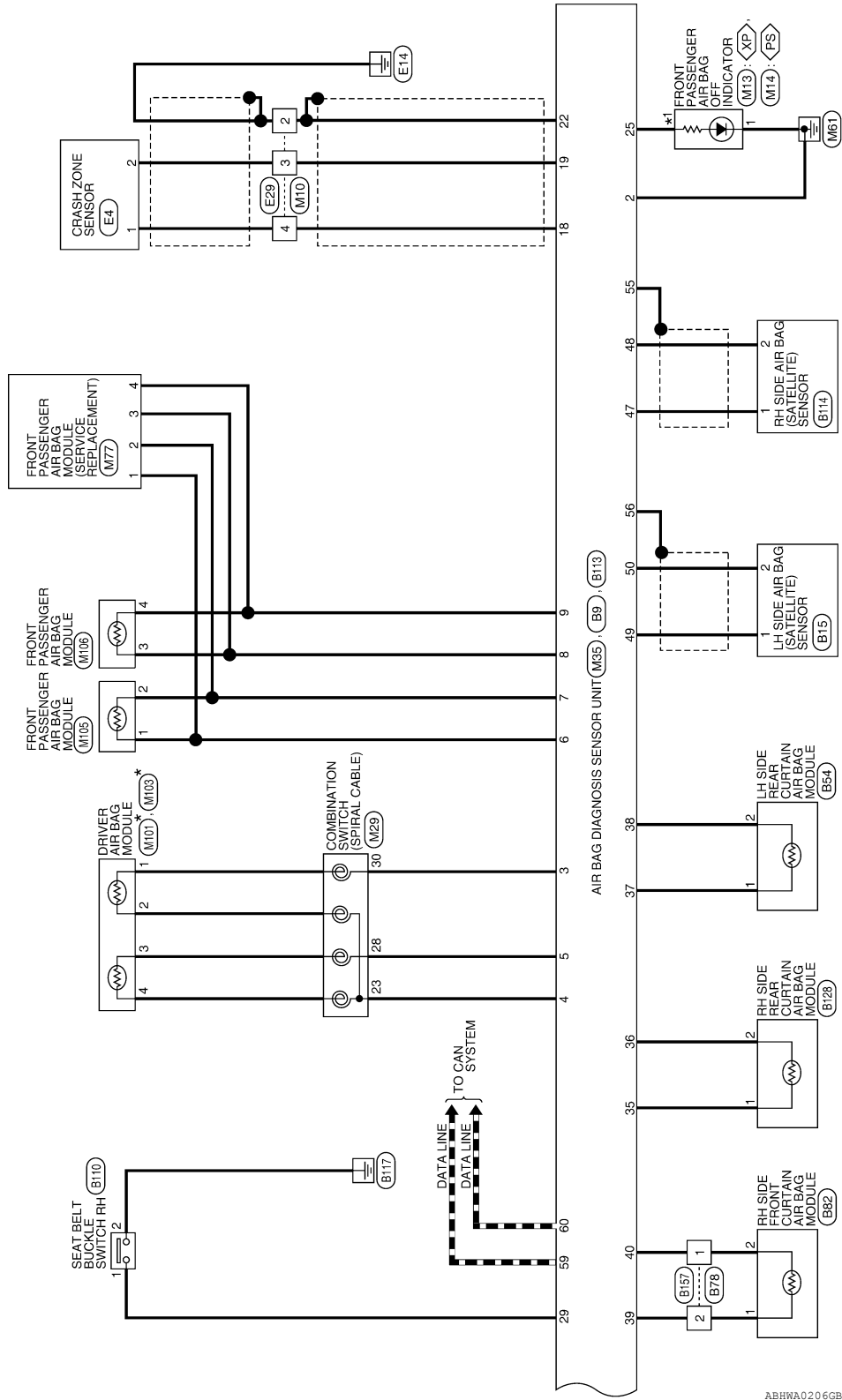
A
B
C
D
E
F
G
H
I
J
K
L
M
N
O
P

SRC

SRS AIR BAG CONTROL SYSTEM

< WIRING DIAGRAM >

PS : WITH POWER SEATS *1
XP : WITHOUT POWER SEATS



ABHWA0206GB

* : THIS CONNECTOR IS NOT SHOWN IN "HARNES LAYOUT" OF PG SECTION.

SRS AIR BAG CONTROL SYSTEM

< WIRING DIAGRAM >

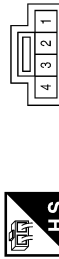
SRS AIR BAG CONTROL SYSTEM CONNECTORS

Connector No.	M4
Connector Name	FUSE BLOCK (J/B)
Connector Color	WHITE



Terminal No.	Color of Wire	Signal Name
5P	W/G	-
6P	W/R	-

Connector No.	M10
Connector Name	WIRE TO WIRE
Connector Color	YELLOW



Terminal No.	Color of Wire	Signal Name
2	SHIELD	-
3	B	-
4	W	-

Connector No.	M13
Connector Name	FRONT PASSENGER AIR BAG OFF INDICATOR (WITHOUT POWER SEATS)
Connector Color	BROWN



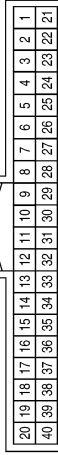
Terminal No.	Color of Wire	Signal Name
1	B	-
3	O	-

Connector No.	M14
Connector Name	FRONT PASSENGER AIR BAG OFF INDICATOR (WITH POWER SEATS)
Connector Color	BROWN



Terminal No.	Color of Wire	Signal Name
1	B	-
2	O	-

Connector No.	M24
Connector Name	COMBINATION METER
Connector Color	WHITE



Terminal No.	Color of Wire	Signal Name
13	GR	GROUND
16	W/G	RUN START
23	B	POWER GROUND
24	V	BUCKLE (SEATBELT) SW
37	SB	AIRBAG CONT
40	LG	PASS SEATBELT

Connector No.	M29
Connector Name	COMBINATION SWITCH
Connector Color	YELLOW



Terminal No.	Color of Wire	Signal Name
23	Y	-
28	Y/G	-
30	Y/R	-

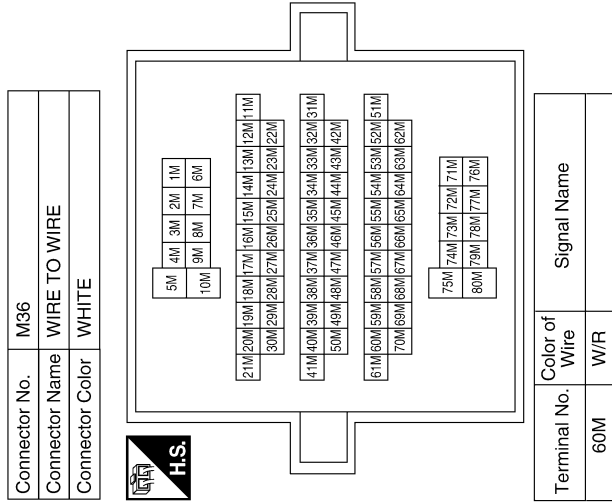
ABHIA0430GB

A
B
C
D
E
F
G
H
I
J
K
L
M
N
O
P



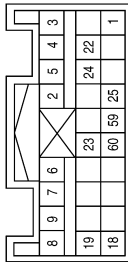
SRS AIR BAG CONTROL SYSTEM

< WIRING DIAGRAM >



Terminal No.	Color of Wire	Signal Name
5	Y/G	INFLATOR DR2 (+)
6	Y/R	INFLATOR AS1+
7	Y/G	INFLATOR AS1-
8	Y/B	INFLATOR AS2 (+)
9	Y	INFLATOR AS2 (-)
18	W	ECZS+
19	B	ECZS-
22	SHIELD	GND
23	SB	WARN LP
24	LG	SEATBELT REMINDER AS
25	O	CUT OFF TELLTALE
59	L	CAN-H
60	P	CAN-L

Connector No.	M35
Connector Name	AIR BAG DIAGNOSIS SENSOR UNIT
Connector Color	YELLOW



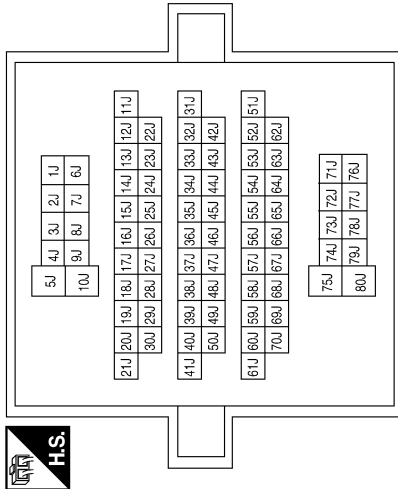
Terminal No.	Color of Wire	Signal Name
1	W/R	IGN
2	B	GND
3	Y/R	INFLATOR DR1+
4	Y	INFLATOR DR1 (-), DR2 (-)

ABHIA0431GB

SRS AIR BAG CONTROL SYSTEM

< WIRING DIAGRAM >

Connector No.	M40
Connector Name	WIRE TO WIRE
Connector Color	WHITE



Terminal No.	Color of Wire	Signal Name
70J	V	-

Connector No.	M77
Connector Name	FRONT PASSENGER AIR BAG MODULE (SERVICE REPLACEMENT)
Connector Color	YELLOW



Terminal No.	Color of Wire	Signal Name
1	Y/R	AS1+
2	Y/G	AS1-
3	Y/B	AS2+
4	Y	AS2-

Connector No.	M101
Connector Name	DRIVER AIR BAG MODULE
Connector Color	YELLOW



Terminal No.	Color of Wire	Signal Name
1	Y	-
2	L	-

Connector No.	M103
Connector Name	DRIVER AIR BAG MODULE
Connector Color	ORANGE



Terminal No.	Color of Wire	Signal Name
3	R	-
4	W	-

Connector No.	M105
Connector Name	FRONT PASSENGER AIR BAG MODULE
Connector Color	YELLOW



Terminal No.	Color of Wire	Signal Name
1	Y/R	-
2	Y/G	-

Connector No.	M106
Connector Name	FRONT PASSENGER AIR BAG MODULE
Connector Color	ORANGE



Terminal No.	Color of Wire	Signal Name
3	Y/B	-
4	Y	-

ABHIA0432GB

A
B
C
D
E
F
G
SRC
I
J
K
L
M
N
O
P

SRS AIR BAG CONTROL SYSTEM

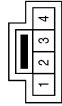
< WIRING DIAGRAM >

Connector No.	E4
Connector Name	CRASH ZONE SENSOR
Connector Color	YELLOW



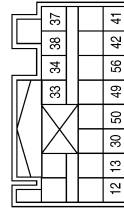
Terminal No.	Color of Wire	Signal Name
1	W	-
2	B	-

Connector No.	E29
Connector Name	WIRE TO WIRE
Connector Color	YELLOW



Terminal No.	Color of Wire	Signal Name
2	SHIELD	-
3	B	-
4	W	-

Connector No.	B9
Connector Name	AIR BAG DIAGNOSIS SENSOR UNIT
Connector Color	YELLOW



Terminal No.	Color of Wire	Signal Name
12	Y	P-LH1(+)
13	Y/B	P-LH1(-)

Terminal No.	Color of Wire	Signal Name
30	O	BUCKLE SW LH
33	Y	S-LH1(+)
34	Y/B	S-LH1(-)
37	Y	C-LH1(+)
38	Y/G	C-LH1(-)
41	Y/B	C-LH2(+)
42	Y/R	C-LH2(-)
49	BR	SATELLITE LH(+)
50	Y	SATELLITE LH(-)
56	SHIELD	GND

Connector No.	B10
Connector Name	FRONT LH SIDE AIR BAG MODULE
Connector Color	YELLOW

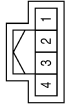


Terminal No.	Color of Wire	Signal Name
1	Y	+
2	Y/B	-

SRS AIR BAG CONTROL SYSTEM

< WIRING DIAGRAM >

Connector No.	B12
Connector Name	SEAT BELT BUCKLE SWITCH LH
Connector Color	WHITE



Terminal No.	Color of Wire	Signal Name
1	O	-
2	B	-

Connector No.	B14
Connector Name	FRONT LH SEAT BELT PRE-TENSIONER
Connector Color	YELLOW



Terminal No.	Color of Wire	Signal Name
1	Y	-
2	Y/B	-

Connector No.	B15
Connector Name	LH SIDE AIR BAG (SATELLITE) SENSOR
Connector Color	YELLOW



Terminal No.	Color of Wire	Signal Name
1	BR	AGR (+)
2	Y	AGR (-)

Connector No.	B38
Connector Name	LH SIDE FRONT CURTAIN AIR BAG MODULE
Connector Color	YELLOW



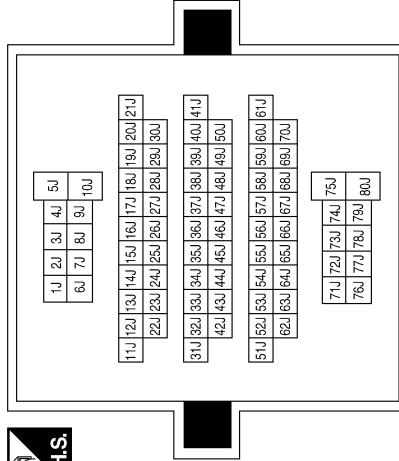
Terminal No.	Color of Wire	Signal Name
1	Y/B	-
2	Y/R	-

Connector No.	B54
Connector Name	LH SIDE REAR CURTAIN AIR BAG MODULE
Connector Color	YELLOW



Terminal No.	Color of Wire	Signal Name
1	Y	-
2	Y/G	-

Connector No.	B69
Connector Name	WIRE TO WIRE
Connector Color	WHITE



Terminal No.	Color of Wire	Signal Name
70J	V	-

ABHIA0434GB

A
B
C
D
E
F
G
H
I
J
K
L
M
N
O
P

SRC

SRS AIR BAG CONTROL SYSTEM

< WIRING DIAGRAM >

Connector No.	B78
Connector Name	WIRE TO WIRE
Connector Color	YELLOW



Terminal No.	Color of Wire	Signal Name
1	Y/R	-
2	Y/G	-

Connector No.	B82
Connector Name	RH SIDE FRONT CURTAIN AIR BAG MODULE
Connector Color	YELLOW



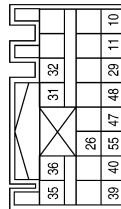
Terminal No.	Color of Wire	Signal Name
1	Y/G	-
2	Y/R	-

Connector No.	B110
Connector Name	SEAT BELT BUCKLE SWITCH RH
Connector Color	WHITE



Terminal No.	Color of Wire	Signal Name
1	L	-
2	B	-

Connector No.	B113
Connector Name	AIR BAG DIAGNOSIS SENSOR UNIT
Connector Color	YELLOW



Terminal No.	Color of Wire	Signal Name
10	Y	P-RH1 (+)
11	Y/G	P-RH1 (-)

Terminal No.	Color of Wire	Signal Name
26	Y/B	ODS INPUT
29	L	BUCKLE SW AS
31	Y/B	S-RH1 (+)
32	Y	S-RH1 (-)
35	Y	C-RH1 (+)
36	Y/B	C-RH1 (-)
39	Y/G	C-RH2 (+)
40	Y/R	C-RH2 (-)
47	W	SATELLITE RH (+)
48	B	SATELLITE RH (-)
55	SHIELD	GND

Connector No.	B114
Connector Name	RH SIDE AIR BAG (SATELLITE) SENSOR
Connector Color	YELLOW



Terminal No.	Color of Wire	Signal Name
1	W	DGR (+)
2	B	DGR (-)

ABHIA0435GB

SRS AIR BAG CONTROL SYSTEM

< WIRING DIAGRAM >

Connector No.	B128
Connector Name	RH SIDE REAR CURTAIN AIR BAG MODULE
Connector Color	YELLOW



Terminal No.	Color of Wire	Signal Name
1	Y	-
2	Y/B	-

Connector No.	B127
Connector Name	FRONT RH SEAT BELT PRE-TENSIONER
Connector Color	YELLOW



Terminal No.	Color of Wire	Signal Name
1	Y	-
2	Y/G	-

Connector No.	B126
Connector Name	FRONT RH SIDE AIR BAG MODULE
Connector Color	YELLOW



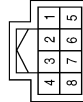
Terminal No.	Color of Wire	Signal Name
1	Y/B	+
2	Y	-

Connector No.	B137
Connector Name	BELT TENSION SENSOR
Connector Color	WHITE



Terminal No.	Color of Wire	Signal Name
1	LG	-
2	G	-
3	L	-

Connector No.	B136
Connector Name	WIRE TO WIRE
Connector Color	WHITE



Terminal No.	Color of Wire	Signal Name
1	G	-
2	Y/B	-
4	W/R	-
5	B	-
6	LG	-
8	L	-

ABHIA0436GB

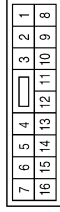
A
B
C
D
E
F
G
H
I
J
K
L
M
N
O
P

SRC

SRS AIR BAG CONTROL SYSTEM

< WIRING DIAGRAM >

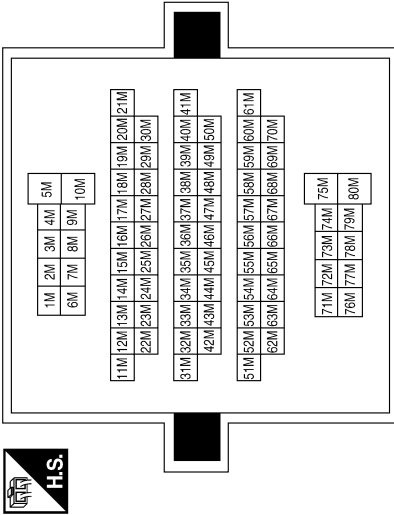
Connector No.	B154
Connector Name	WIRE TO WIRE
Connector Color	WHITE



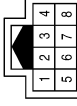
Terminal No.	Color of Wire	Signal Name
1	G	-
2	Y/B	-
3	W/R	-
8	B	-
9	LG	-
10	L	-

Terminal No.	Color of Wire	Signal Name
60M	W/R	-
61M	Y/B	-

Connector No.	B149
Connector Name	WIRE TO WIRE
Connector Color	WHITE

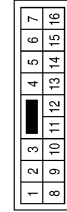


Connector No.	B351
Connector Name	WIRE TO WIRE
Connector Color	WHITE



Terminal No.	Color of Wire	Signal Name
1	G	-
2	Y/B	-
4	W/R	-
5	B	-
6	LG	-
8	L	-

Connector No.	B303
Connector Name	WIRE TO WIRE
Connector Color	WHITE



Terminal No.	Color of Wire	Signal Name
1	B/Y	-
2	O	-
3	V/W	-
8	B	-
9	Y/W	-
10	Y/B	-

Connector No.	B157
Connector Name	WIRE TO WIRE
Connector Color	YELLOW



Terminal No.	Color of Wire	Signal Name
1	Y/R	-
2	Y/G	-

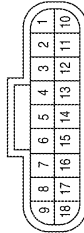
ABHIA0437GB

SRS AIR BAG CONTROL SYSTEM

< WIRING DIAGRAM >

Terminal No.	Color of Wire	Signal Name
8	--	--
9	W/R	--
10	--	--
11	--	--
12	--	--
13	--	--
14	G	--
15	O	--
16	LG	--
17	--	--
18	Y/B	--

Connector No.	B353
Connector Name	OCCUPANT CLASSIFICATION SYSTEM CONTROL UNIT
Connector Color	BLACK



Terminal No.	Color of Wire	Signal Name
1	--	--
2	--	--
3	--	--
4	L	--
5	B	--
6	Y	--
7	SB	--

Connector No.	B352
Connector Name	OCCUPANT CLASSIFICATION SYSTEM SENSOR
Connector Color	BLACK



Terminal No.	Color of Wire	Signal Name
1	SB	--
2	Y	--
3	O	--

A
B
C
D
E
F
G
SRC
I
J
K
L
M
N
O
P

ABHIA0205GB

SRS AIR BAG SYSTEM

< SYMPTOM DIAGNOSIS >

SYMPTOM DIAGNOSIS

SRS AIR BAG SYSTEM

"AIR BAG" Warning Lamp Does Not Turn Off

INFOID:000000007356561

DIAGNOSTIC PROCEDURE 7

1. CHECK CONDITION OF AIR BAG MODULE

Inspect for any deployed air bag modules or seat belt pre-tensioners.

Are any air bag modules or seat belt pre-tensioners deployed?

- YES >> Refer to [SR-19. "For Frontal Collision"](#) or [SR-21. "For Side and Rollover Collision"](#).
- NO >> GO TO 2

2. CHECK THE AIR BAG FUSE

Check 10A fuse [No. 13, located in the fuse block (J/B)].

Is the fuse blown?

- YES >> GO TO 3
- NO >> GO TO 4

3. CHECK AIR BAG FUSE AGAIN

Replace 10A fuse [No. 13, located in the fuse block (J/B)] and turn ignition switch ON.

Does the fuse blow again?

- YES >> Replace harness.
- NO >> Inspection End.

4. CHECK AIR BAG DIAGNOSIS SENSOR UNIT

Connect CONSULT.

Is "AIR BAG" displayed on CONSULT?

- YES >> GO TO 5
- NO >> Visually inspect the air bag diagnosis sensor unit harness connections. If the connections are OK, replace the air bag diagnosis sensor unit. Refer to [SR-16. "Removal and Installation"](#).

5. CHECK HARNESS CONNECTION

Check for loose connections between the combination meter and the air bag diagnosis sensor unit.

Are there any loose connections?

- YES >> Properly connect the combination meter and air bag diagnosis sensor unit harness connectors. If "AIR BAG" warning lamp still does not turn off, replace the wiring harness.
- NO >> Replace air bag diagnosis sensor unit.

"AIR BAG" Warning Lamp Does Not Turn On

INFOID:000000007356562

DIAGNOSTIC PROCEDURE 8

1. CHECK METER FUSE

Check the 10A fuse [No. 14, located in the fuse block (J/B)].

Is the fuse blown?

- YES >> GO TO 2
- NO >> GO TO 3

2. REPLACE METER FUSE AND CHECK AGAIN

Replace 10A fuse [No. 14, located in the fuse block (J/B)] and turn ignition switch ON.

Does the fuse blow again?

- YES >> Replace harness.
- NO >> Inspection End.

3. CHECK HARNESS CONNECTIONS BETWEEN AIR BAG DIAGNOSIS SENSOR UNIT AND COMBINA-

SRS AIR BAG SYSTEM

< SYMPTOM DIAGNOSIS >

COMBINATION METER

Inspect the harness and connectors between the air bag diagnosis sensor unit and the combination meter.

Do the harness or connectors have any visible damage?

YES >> Replace harness.

NO >> GO TO 4

4. CHECK COMBINATION METER

Disconnect the air bag diagnosis sensor unit harness connectors and turn ignition switch ON.

Does "AIR BAG" warning lamp turn on?

YES >> Replace the air bag diagnosis sensor unit. Refer to [SR-16, "Removal and Installation"](#).

NO >> Replace the combination meter. Refer to [MWI-89, "Removal and Installation"](#).

A
B
C
D
E
F
G
I
J
K
L
M
N
O
P

SRC

PASSENGER SEAT BELT WARNING SYSTEM

< SYMPTOM DIAGNOSIS >

PASSENGER SEAT BELT WARNING SYSTEM

Seat Belt Warning System Does Not Function

INFOID:000000007356563

1. SEAT BELT WARNING LIGHT

Turn ignition switch ON.

Does the seat belt warning lamp come ON?

- YES >> GO TO 2
NO >> • Check 10A fuse [No. 14, located in the fuse block (J/B)].
• Check seat belt buckle switch LH.
• Check harness between combination meter and seat belt buckle switch LH.
• Check combination meter. Refer to [MWI-39, "Fail Safe"](#).

2. SEAT BELT BUCKLE LH

Fasten the seat belt buckle LH.

Does the seat belt warning lamp go OFF?

- YES >> GO TO 3
NO >> • Check seat belt buckle switch LH.
• Check harness between combination meter and seat belt buckle switch LH.

3. OCCUPANT CLASSIFICATION SYSTEM

Have a helper sit in the passenger seat.

Does the seat belt warning lamp go ON?

- YES >> GO TO 4
NO >> • Check occupant classification system. Refer to [SRC-10, "Occupant Classification System \(OCS\)"](#).
• Check harness between occupant classification control unit and air bag diagnosis sensor unit.

4. SEAT BELT BUCKLE RH

Fasten the seat belt buckle RH.

Does the seat belt warning lamp go OFF?

- YES >> System OK.
NO >> • Check seat belt buckle switch RH.
• Check harness between seat belt buckle switch RH and air bag diagnosis sensor unit.
• Replace air bag diagnosis sensor unit. Refer to [SR-16, "Removal and Installation"](#).

PRECAUTIONS

< PRECAUTION >

PRECAUTION

PRECAUTIONS

Precaution for Supplemental Restraint System (SRS) "AIR BAG" and "SEAT BELT PRE-TENSIONER"

INFOID:000000007829414

The Supplemental Restraint System such as "AIR BAG" and "SEAT BELT PRE-TENSIONER", used along with a front seat belt, helps to reduce the risk or severity of injury to the driver and front passenger for certain types of collision. This system includes seat belt switch inputs and dual stage front air bag modules. The SRS system uses the seat belt switches to determine the front air bag deployment, and may only deploy one front air bag, depending on the severity of a collision and whether the front occupants are belted or unbelted. Information necessary to service the system safely is included in the SR and SB section of this Service Manual.

WARNING:

- To avoid rendering the SRS inoperative, which could increase the risk of personal injury or death in the event of a collision which would result in air bag inflation, all maintenance must be performed by an authorized NISSAN/INFINITI dealer.
- Improper maintenance, including incorrect removal and installation of the SRS, can lead to personal injury caused by unintentional activation of the system. For removal of Spiral Cable and Air Bag Module, see the SR section.
- Do not use electrical test equipment on any circuit related to the SRS unless instructed to in this Service Manual. SRS wiring harnesses can be identified by yellow and/or orange harnesses or harness connectors.

PRECAUTIONS WHEN USING POWER TOOLS (AIR OR ELECTRIC) AND HAMMERS

WARNING:

- When working near the Airbag Diagnosis Sensor Unit or other Airbag System sensors with the Ignition ON or engine running, DO NOT use air or electric power tools or strike near the sensor(s) with a hammer. Heavy vibration could activate the sensor(s) and deploy the air bag(s), possibly causing serious injury.
- When using air or electric power tools or hammers, always switch the Ignition OFF, disconnect the battery and wait at least 3 minutes before performing any service.

Precaution for SRS "AIR BAG" and "SEAT BELT PRE-TENSIONER" Service

INFOID:000000007356565

- Do not use electrical test equipment to check SRS circuits unless instructed to in this Service Manual.
- Before servicing the SRS, turn ignition switch OFF, disconnect both battery cables and wait at least 3 minutes.
For approximately 3 minutes after the cables are removed, it is still possible for the air bag and seat belt pretensioner to deploy. Therefore, do not work on any SRS connectors or wires until at least 3 minutes have passed.
- The air bag diagnosis sensor unit must always be installed with the arrow mark "←" pointing toward the front of the vehicle for proper operation. Also check air bag diagnosis sensor unit for cracks, deformities or rust before installation and replace as required.
- The spiral cable must be aligned with the neutral position since its rotations are limited. Do not attempt to turn steering wheel or column after removal of steering gear.
- Handle air bag module carefully. Always place driver and front passenger air bag modules with the pad side facing upward and seat mounted front side air bag module standing with the stud bolt side facing down.
- Conduct self-diagnosis to check entire SRS for proper function after replacing any components.
- After air bag inflates, the front instrument panel assembly should be replaced if damaged.

Occupant Classification System Precaution

INFOID:000000007356566

Replace occupant classification system control unit and passenger front seat cushion as an assembly.

Precaution Necessary for Steering Wheel Rotation After Battery Disconnect

INFOID:000000007356567

NOTE:

A
B
C
D
E
F
G
SRC
I
J
K
L
M
N
O
P

PRECAUTIONS

< PRECAUTION >

- This Procedure is applied only to models with Intelligent Key system and NATS (NISSAN ANTI-THEFT SYSTEM).
- Remove and install all control units after disconnecting both battery cables with the ignition knob in the "LOCK" position.
- Always use CONSULT to perform self-diagnosis as a part of each function inspection after finishing work. If DTC is detected, perform trouble diagnosis according to self-diagnostic results.

For models equipped with the Intelligent Key system and NATS, an electrically controlled steering lock mechanism is adopted on the key cylinder.

For this reason, if the battery is disconnected or if the battery is discharged, the steering wheel will lock and steering wheel rotation will become impossible.

If steering wheel rotation is required when battery power is interrupted, follow the procedure below before starting the repair operation.

OPERATION PROCEDURE

1. Connect both battery cables.

NOTE:

Supply power using jumper cables if battery is discharged.

2. Use the Intelligent Key or mechanical key to turn the ignition switch to the "ACC" position. At this time, the steering lock will be released.
3. Disconnect both battery cables. The steering lock will remain released and the steering wheel can be rotated.
4. Perform the necessary repair operation.
5. When the repair work is completed, return the ignition switch to the "LOCK" position before connecting the battery cables. (At this time, the steering lock mechanism will engage.)
6. Perform a self-diagnosis check of all control units using CONSULT.