

A  
B  
C  
D  
E  
F  
G  
H  
I  
J  
K  
L  
M  
N  
O  
P

# VTL

## SECTION

## VENTILATION SYSTEM

### CONTENTS

<b>PRECAUTION</b> .....	<b>FRONT FLOOR DUCT : Removal and Installation</b>	
	- Front Floor Connecting Duct .....	10
<b>PRECAUTIONS</b> .....	<b>FRONT FLOOR DUCT : Removal and Installation</b>	
Precaution for Supplemental Restraint System (SRS) "AIR BAG" and "SEAT BELT PRE-TENSIONER" .....	- Front Floor Duct .....	10
Precaution for Work .....	<b>ADAPTOR DUCT</b> .....	11
<b>PREPARATION</b> .....	ADAPTOR DUCT : Removal and Installation .....	11
	Exploded View .....	11
<b>PREPARATION</b> .....	<b>REAR CENTER VENTILATOR DUCT</b> .....	11
Special Service Tool .....	REAR CENTER VENTILATOR DUCT : Removal and Installation .....	11
Commercial Service Tool .....	<b>CENTER FLOOR DUCT</b> .....	12
<b>PERIODIC MAINTENANCE</b> .....	CENTER FLOOR DUCT : Removal and Installation - Center Floor Connecting Duct .....	12
<b>IN-CABIN MICROFILTER</b> .....	CENTER FLOOR DUCT : Removal and Installation - Center Floor Duct .....	12
Removal and Installation .....	Exploded View .....	12
<b>SYSTEM DESCRIPTION</b> .....	<b>REAR VENTILATOR DUCT UPPER</b> .....	13
<b>VENTILATION SYSTEM</b> .....	REAR VENTILATOR DUCT UPPER : Removal and Installation .....	13
System Description .....	<b>REAR VENTILATOR DUCT LOWER</b> .....	13
<b>REMOVAL AND INSTALLATION</b> .....	REAR VENTILATOR DUCT LOWER : Removal and Installation .....	13
<b>DUCTS AND GRILLES</b> .....	<b>REAR VENTILATOR DUCT 1</b> .....	13
Exploded View .....	REAR VENTILATOR DUCT 1 : Removal and Installation .....	14
<b>DEFROSTER NOZZLE</b> .....	<b>REAR VENTILATOR DUCT 2</b> .....	14
DEFROSTER NOZZLE : Removal and Installation .....	REAR VENTILATOR DUCT 2 : Removal and Installation .....	14
		10
<b>CENTER VENTILATOR DUCT</b> .....	<b>REAR VENTILATOR DUCT 3</b> .....	14
CENTER VENTILATOR DUCT : Removal and Installation .....	REAR VENTILATOR DUCT 3 : Removal and Installation .....	14
	Exploded View .....	15
<b>SIDE DEFROSTER DUCT</b> .....	<b>CENTER VENTILATOR GRILLE</b> .....	15
SIDE DEFROSTER DUCT : Removal and Installation .....		
		10
<b>FRONT FLOOR DUCT</b> .....		

CENTER VENTILATOR GRILLE : Removal and Installation .....	15	<b>FRONT BLOWER UNIT</b> .....	<b>18</b>
<b>SIDE VENTILATOR GRILLE</b> .....	<b>16</b>	FRONT BLOWER UNIT : Removal and Installation .....	19
SIDE VENTILATOR GRILLE : Removal and Installation .....	16	<b>FRONT BLOWER MOTOR</b> .....	<b>19</b>
<b>SIDE DEFROSTER GRILLE</b> .....	<b>16</b>	FRONT BLOWER MOTOR : Removal and Installation .....	19
SIDE DEFROSTER GRILLE : Removal and Installation .....	16	<b>CENTER BLOWER UNIT</b> .....	<b>19</b>
<b>REAR CENTER VENTILATOR GRILLE</b> .....	<b>16</b>	CENTER BLOWER UNIT : Removal and Installation .....	19
REAR CENTER VENTILATOR GRILLE : Removal and Installation .....	16	<b>CENTER BLOWER MOTOR</b> .....	<b>20</b>
<b>REAR VENTILATOR GRILLE</b> .....	<b>17</b>	CENTER BLOWER MOTOR : Removal and Installation .....	20
REAR VENTILATOR GRILLE : Removal and Installation .....	17	<b>REAR BLOWER MOTOR</b> .....	<b>20</b>
<b>BLOWER UNIT</b> .....	<b>18</b>	REAR BLOWER MOTOR : Removal and Installation .....	21
Exploded View .....	18		

# PRECAUTIONS

< PRECAUTION >

## PRECAUTION

### PRECAUTIONS

#### Precaution for Supplemental Restraint System (SRS) "AIR BAG" and "SEAT BELT PRE-TENSIONER"

INFOID:000000008931667

The Supplemental Restraint System such as "AIR BAG" and "SEAT BELT PRE-TENSIONER", used along with a front seat belt, helps to reduce the risk or severity of injury to the driver and front passenger for certain types of collision. Information necessary to service the system safely is included in the SR and SB section of this Service Manual.

#### **WARNING:**

- To avoid rendering the SRS inoperative, which could increase the risk of personal injury or death in the event of a collision which would result in air bag inflation, all maintenance must be performed by an authorized NISSAN/INFINITI dealer.
- Improper maintenance, including incorrect removal and installation of the SRS, can lead to personal injury caused by unintentional activation of the system. For removal of Spiral Cable and Air Bag Module, see the SR section.
- Do not use electrical test equipment on any circuit related to the SRS unless instructed to in this Service Manual. SRS wiring harnesses can be identified by yellow and/or orange harnesses or harness connectors.

#### PRECAUTIONS WHEN USING POWER TOOLS (AIR OR ELECTRIC) AND HAMMERS

#### **WARNING:**

- When working near the Airbag Diagnosis Sensor Unit or other Airbag System sensors with the Ignition ON or engine running, DO NOT use air or electric power tools or strike near the sensor(s) with a hammer. Heavy vibration could activate the sensor(s) and deploy the air bag(s), possibly causing serious injury.
- When using air or electric power tools or hammers, always switch the Ignition OFF, disconnect the battery and wait at least 3 minutes before performing any service.

#### Precaution for Work

INFOID:000000008966029

- When removing or disassembling each component, be careful not to damage or deform it. If a component may be subject to interference, be sure to protect it with a shop cloth.
- When removing (disengaging) components with a screwdriver or similar tool, be sure to wrap the component with a shop cloth or vinyl tape to protect it.
- Protect the removed parts with a shop cloth and prevent them from being dropped.
- Replace a deformed or damaged clip.
- If a part is specified as a non-reusable part, always replace it with a new one.
- Be sure to tighten bolts and nuts securely to the specified torque.
- After installation is complete, be sure to check that each part works properly.
- Follow the steps below to clean components:
  - Water soluble dirt:
    - Dip a soft cloth into lukewarm water, wring the water out of the cloth and wipe the dirty area.
    - Then rub with a soft, dry cloth.
  - Oily dirt:
    - Dip a soft cloth into lukewarm water with mild detergent (concentration: within 2 to 3%) and wipe the dirty area.
    - Then dip a cloth into fresh water, wring the water out of the cloth and wipe the detergent off.
    - Then rub with a soft, dry cloth.
  - Do not use organic solvent such as thinner, benzene, alcohol or gasoline.
  - For genuine leather seats, use a genuine leather seat cleaner.

# PREPARATION

< PREPARATION >

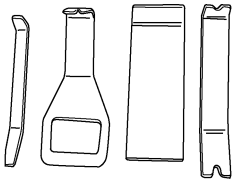
## PREPARATION

### PREPARATION

#### Special Service Tool

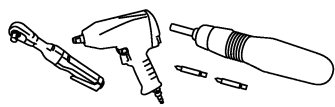
INFOID:000000008507433

The actual shapes of Kent-Moore tools may differ from those of special service tools illustrated here.

Tool number (Kent-Moore No.) Tool name	Description
— (J-46534) Trim tool set  AWJIA0483ZZ	Removing trim components

#### Commercial Service Tool

INFOID:000000008507434

(Kent-Moore No.) Tool name	Description
( — ) Power tool  PIIB1407E	Loosening nuts, screws and bolts

# IN-CABIN MICROFILTER

< PERIODIC MAINTENANCE >

## PERIODIC MAINTENANCE

### IN-CABIN MICROFILTER

#### Removal and Installation

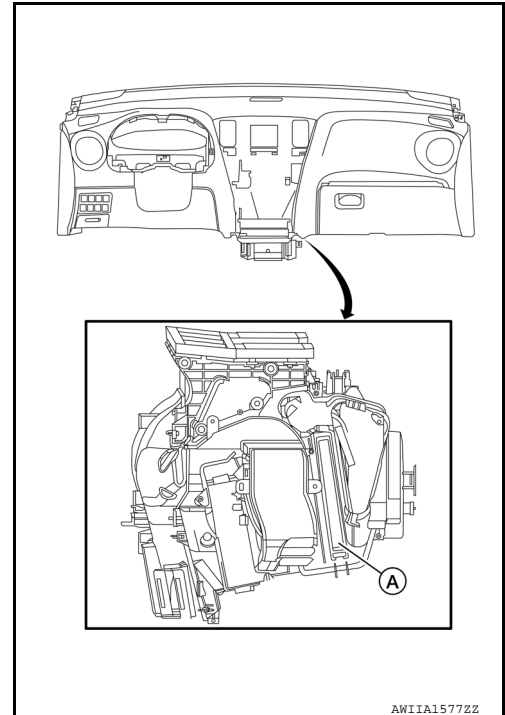
INFOID:000000008507435

#### REMOVAL

1. Release the in-cabin microfilter cover tab (A) and remove the cover from under the RH side of the instrument panel.

**CAUTION:**

Use care when lifting up on the tab to avoid damaging it.



2. Remove the in-cabin microfilter.

**CAUTION:**

If the filter is deformed/damaged when removing, replace it with a new one. A deformed or damaged filter may affect the dust collecting performance.

#### INSTALLATION

Installation is in the reverse order of removal.

**CAUTION:**

When installing, handle the filter with extreme care to avoid deforming or damaging the filter.

**NOTE:**

The in-cabin microfilter is marked with an air flow arrow. The end of the microfilter with the arrow should face the passenger side of the vehicle. The arrow should point towards the rear of the vehicle.

# VENTILATION SYSTEM

< SYSTEM DESCRIPTION >

## SYSTEM DESCRIPTION

### VENTILATION SYSTEM

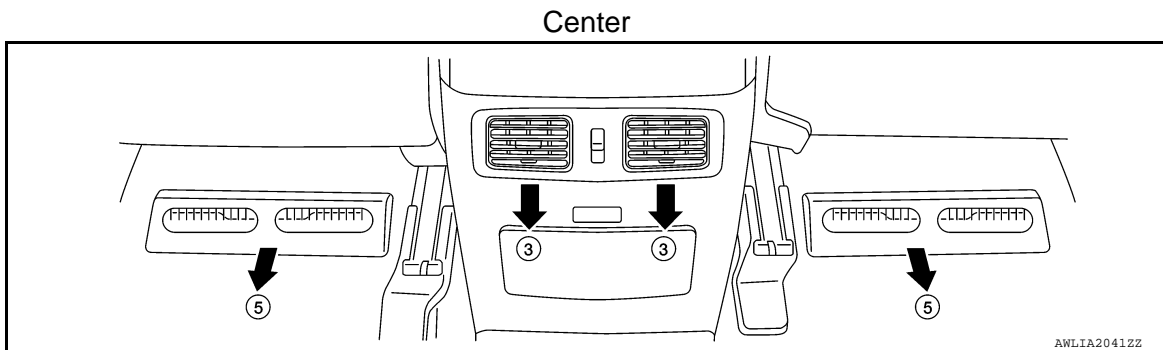
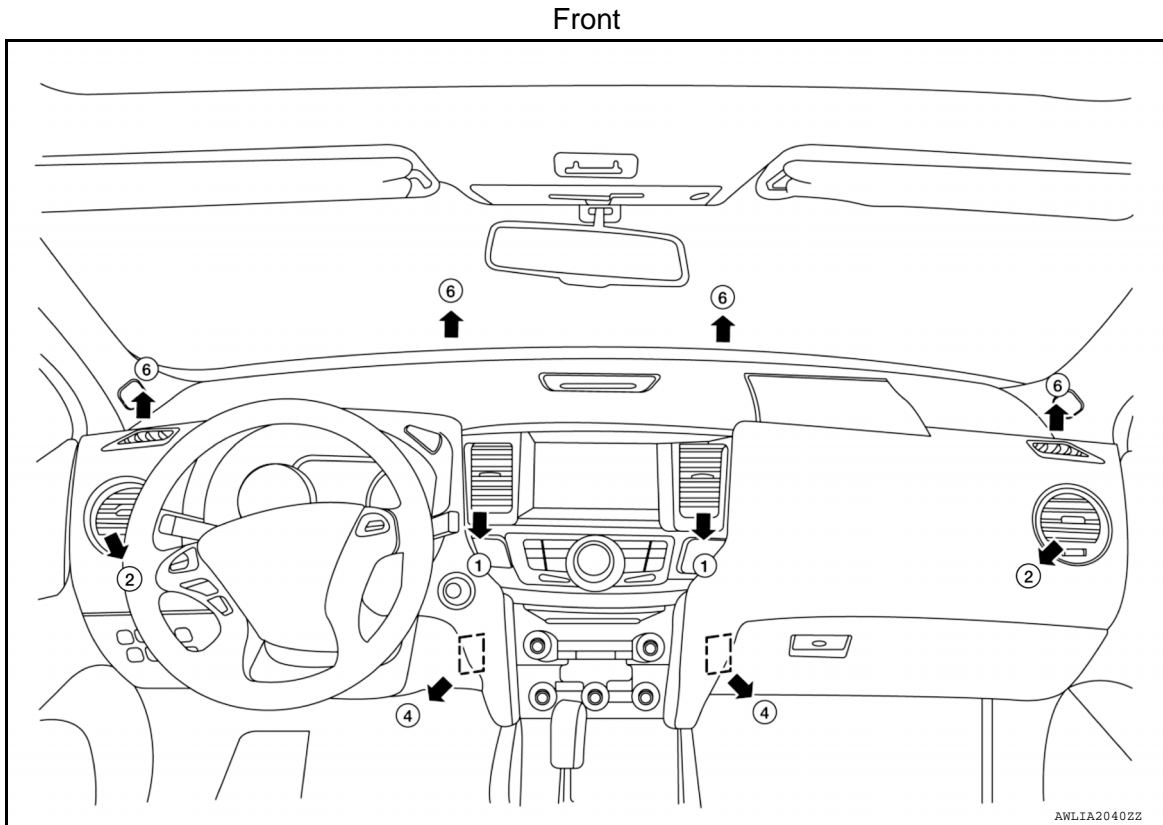
#### System Description

INFOID:000000008507436

#### OUTLINE

Ventilation system is controlled by A/C auto amp. For details of automatic air conditioner system, refer to [HAC-13. "FRONT AUTOMATIC AIR CONDITIONING SYSTEM : Component Description"](#).

#### AIR FLOW



Front Air Control

Discharge air flow

Mode position	Condition	Air outlet / distribution					
		VENT			FOOT		DEF (6)
		Center (1)	Side (2)	Rear (3)	Front (4)	Center (5)	

# VENTILATION SYSTEM

## < SYSTEM DESCRIPTION >

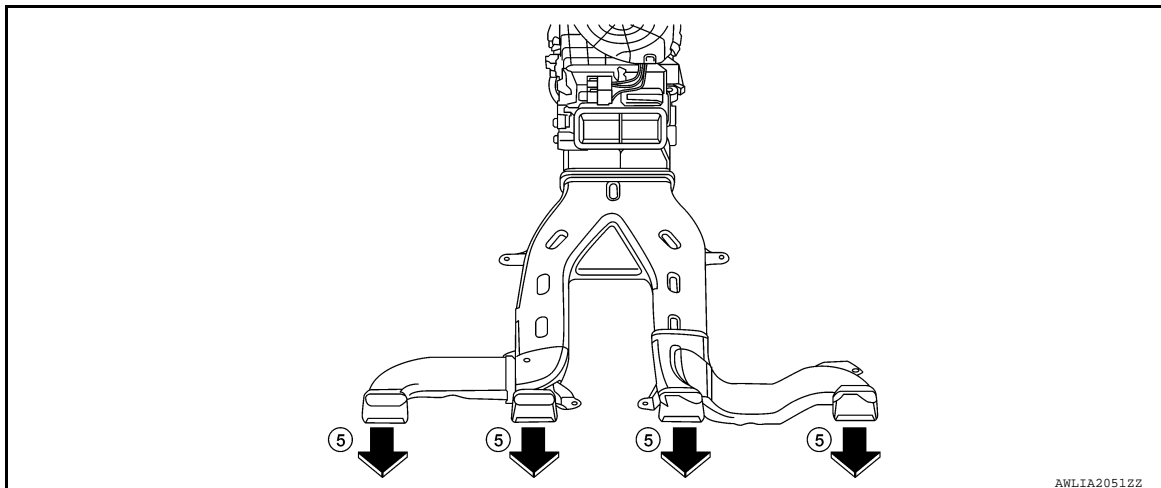
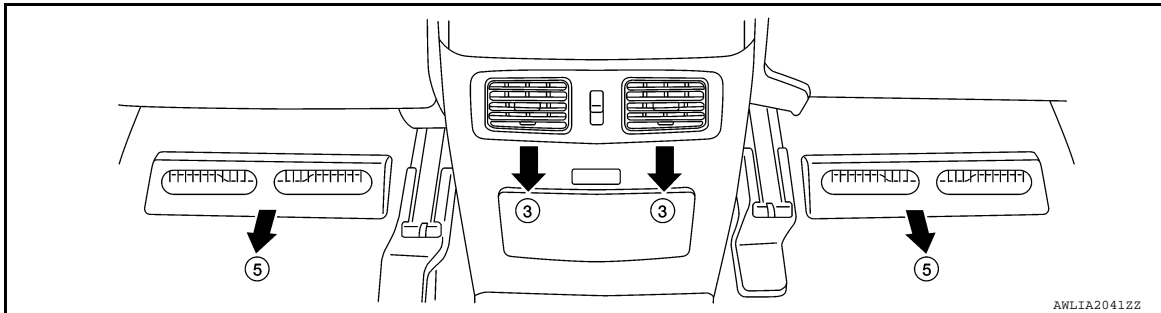
<ul style="list-style-type: none"> <li>• DUAL: OFF</li> <li>• Rear ventilator: Close</li> </ul>	Upper Vent : ON	Temperature control switch	18°C (60°)	x	x	—	—	—	—
			Other than 18°C (60°F)	x	x	—	—	—	—
		—	—	x	x	—	x	x	—
		—	—	—	—	—	x	x	—
		—	—	—	—	—	x	x	x
		—	—	—	—	—	—	—	x
		—	—	—	—	—	—	—	x

Front Air Control

### Discharge air flow

Mode position	Condition			Air outlet / distribution						
				VENT			FOOT		DEF (6)	
				Center (1)	Side (2)	Rear (3)	Front (4)	Center (5)		
	Upper Vent: ON	Temperature control switch	18°C (60°F)	x	x	—	—	—	—	
			Other than 18°C (60°F)*1	x	x	—	—	—	—	
<ul style="list-style-type: none"> <li>• DUAL: OFF</li> <li>• Rear ventilator: Close</li> </ul>		—	—	x	x	—	x	x	—	
		—	—	—	—	—	x	x	—	
		—	—	—	—	—	x	x	x	
		—	—	—	—	—	—	—	—	x
		—	—	—	—	—	—	—	—	x

### Rear

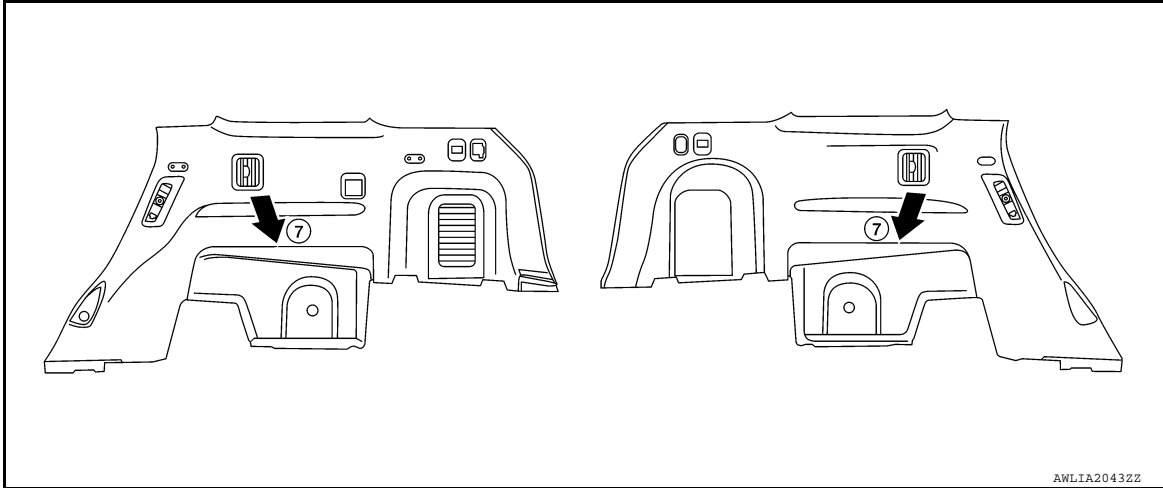


A  
B  
C  
D  
E  
F  
G  
H  
J  
K  
L  
M  
N  
O  
P

VTL

# VENTILATION SYSTEM

## < SYSTEM DESCRIPTION >



Rear Air Control

### Discharge air flow

Mode position	Condition			Air outlet / distribution			
				VENT		FOOT	
				Center (3)	Side (7)	Center (5)	Rear (8)
<ul style="list-style-type: none"> <li>DUAL: OFF</li> <li>Rear ventilator: Close</li> </ul>	Upper Vent: ON	Temperature control switch	18°C (60°F)	×	×	—	—
			Other than 18°C (60°F) <sup>*1</sup>	×	×	—	—
		—		×	×	—	×
		—		—	—	—	×

- \*1: Air blow is also supplied to front foot until passenger room temperature stabilizes when temperature setting is other than 18°C (60°F). At that time, air blowing is the same as 18°C (60°F) setting.
- \*2: During automatic defogging control. (Forest air system)



# DUCTS AND GRILLES

< REMOVAL AND INSTALLATION >

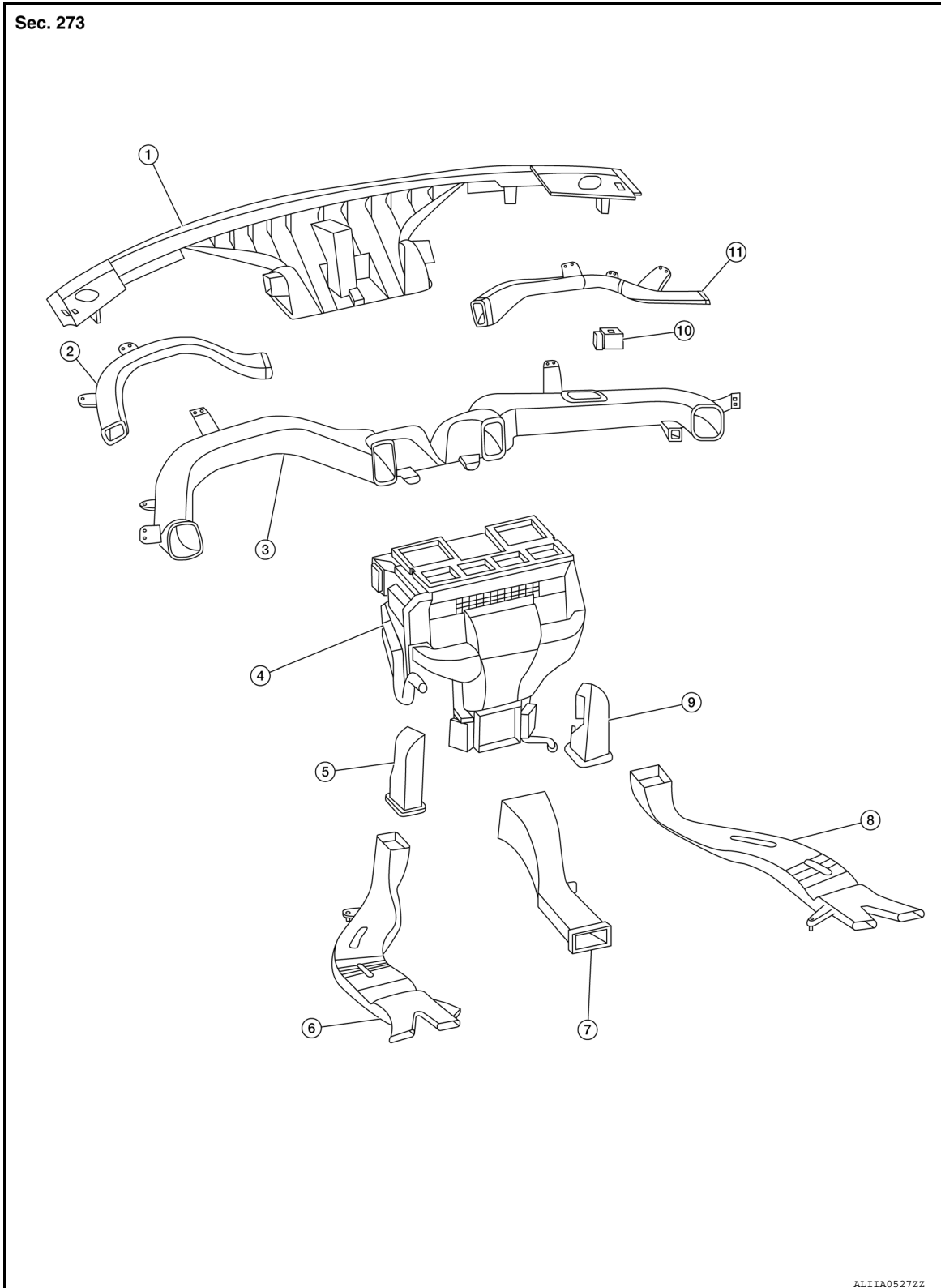
## REMOVAL AND INSTALLATION

### DUCTS AND GRILLES

Exploded View

INFOID:000000008507437

Front



A  
B  
C  
D  
E  
F  
G  
H  
VTL  
J  
K  
L  
M  
N  
O  
P

# DUCTS AND GRILLES

## < REMOVAL AND INSTALLATION >

---

- |  |                                     |                                     |
|--|-------------------------------------|-------------------------------------|
| 1. Defroster nozzle                        | 2. Side defroster duct (LH)         | 3. Center ventilator duct           |
| 4. Front heating and cooling unit assembly | 5. Front floor connecting duct (LH) | 6. Front floor duct (LH)            |
| 7. Adaptor duct (to center blower unit)    | 8. Front floor duct (RH)            | 9. Front floor connecting duct (RH) |
| 10. Ionizer (if equipped)                  | 11. Side defroster duct (RH)        |                                     |

## DEFROSTER NOZZLE

### DEFROSTER NOZZLE : Removal and Installation

INFOID:000000008507438

#### REMOVAL

1. Remove the side defroster ducts (LH/RH). Refer to [VTL-10, "SIDE DEFROSTER DUCT : Removal and Installation"](#).
2. Remove the screws and the defroster nozzle.

#### INSTALLATION

Installation is in the reverse order of removal.

## CENTER VENTILATOR DUCT

### CENTER VENTILATOR DUCT : Removal and Installation

INFOID:000000008507439

#### REMOVAL

1. Remove the side defroster ducts (LH/RH). Refer to [VTL-10, "SIDE DEFROSTER DUCT : Removal and Installation"](#).
2. Remove the screws and the center ventilator duct.

#### INSTALLATION

Installation is in the reverse order of removal.

## SIDE DEFROSTER DUCT

### SIDE DEFROSTER DUCT : Removal and Installation

INFOID:000000008507440

#### REMOVAL

1. Remove the instrument panel assembly. Refer to [IP-15, "Removal and Installation"](#).
2. Disconnect the harness connector from the ionizer (if equipped).
3. Remove the screws from the side defroster duct.
4. Remove the side defroster duct.

#### INSTALLATION

Installation is in the reverse order of removal.

## FRONT FLOOR DUCT

### FRONT FLOOR DUCT : Removal and Installation - Front Floor Connecting Duct

INFOID:000000008507441

#### REMOVAL

1. Remove the center console side finisher. Refer to [IP-18, "Exploded View"](#).
2. Unclip the harness wiring from the front floor connecting duct (RH).
3. Remove the front floor connecting duct.

#### INSTALLATION

Installation is in the reverse order of removal.

### FRONT FLOOR DUCT : Removal and Installation - Front Floor Duct

INFOID:000000008507442

#### REMOVAL

1. Remove front floor trim. Refer to [INT-21, "Removal and Installation"](#).

# DUCTS AND GRILLES

## < REMOVAL AND INSTALLATION >

2. Remove the front floor duct screws.
3. Remove the front floor duct.

### INSTALLATION

Installation is in the reverse order of removal.

### ADAPTOR DUCT

#### ADAPTOR DUCT : Removal and Installation

INFOID:000000008507443

### REMOVAL

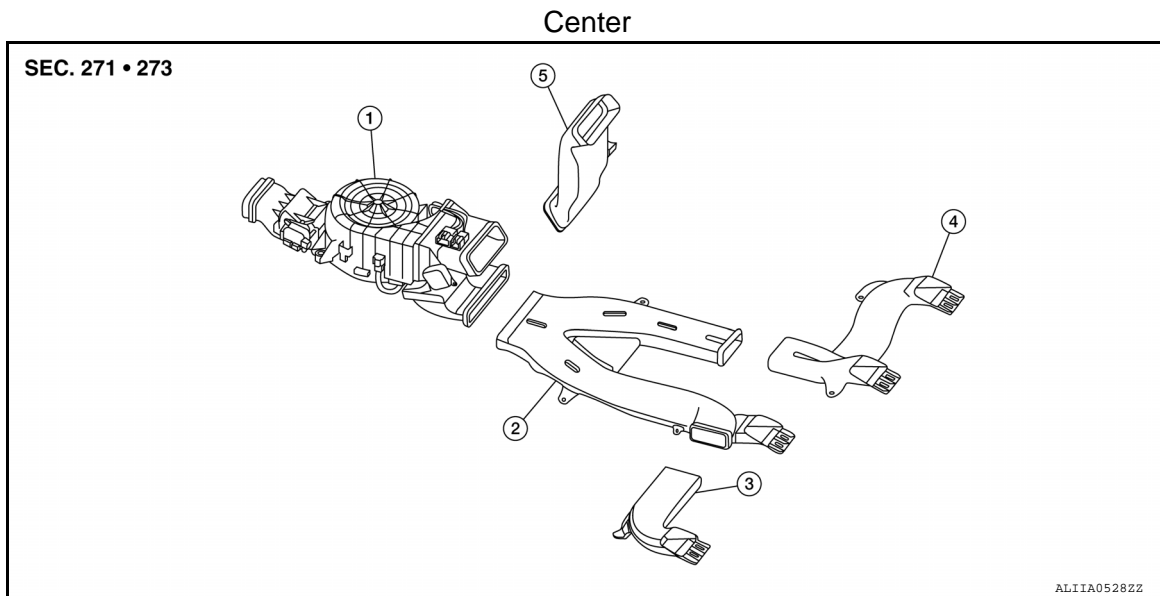
1. Remove the center console assembly. Refer to [IP-18. "Removal and Installation"](#).
2. Release the adaptor duct clip.
3. Remove the center console bracket.
4. Remove the adaptor duct (to center blower unit).

### INSTALLATION

Installation is in the reverse order of removal.

### Exploded View

INFOID:000000008507444



- |                           |                                 |                           |
|---------------------------|---------------------------------|---------------------------|
| 1. Center blower unit     | 2. Center floor connecting duct | 3. Center floor duct (LH) |
| 4. Center floor duct (RH) | 5. Rear center ventilator duct  |                           |

### REAR CENTER VENTILATOR DUCT

#### REAR CENTER VENTILATOR DUCT : Removal and Installation

INFOID:000000008507445

### REMOVAL

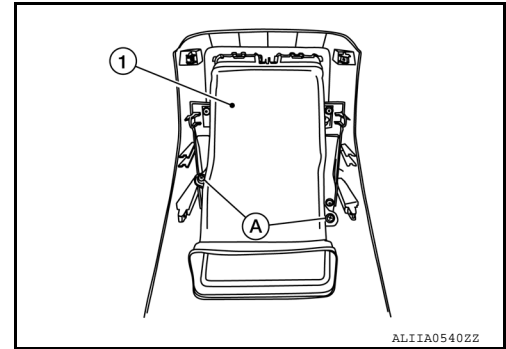
1. Remove center console rear finisher. Refer to [IP-18. "Exploded View"](#).

A  
B  
C  
D  
E  
F  
G  
H  
VTL  
J  
K  
L  
M  
N  
O  
P

## DUCTS AND GRILLES

### < REMOVAL AND INSTALLATION >

2. Remove the two screws (A) from the rear center ventilator duct (1).



3. Remove the rear center ventilator duct.

### INSTALLATION

Installation is in the reverse order of removal.

### CENTER FLOOR DUCT

#### CENTER FLOOR DUCT : Removal and Installation - Center Floor Connecting Duct

INFOID:000000008507446

### REMOVAL

1. Remove the rear floor trim. Refer to [INT-21, "Removal and Installation"](#).
2. Remove the center floor connecting duct screws.
3. Remove the center floor connecting duct.

### INSTALLATION

Installation is in the reverse order of removal.

#### CENTER FLOOR DUCT : Removal and Installation - Center Floor Duct

INFOID:000000008507447

### REMOVAL

1. Remove the rear floor trim. Refer to [INT-21, "Removal and Installation"](#).
2. Remove the center floor duct screws.
3. Remove the center floor duct.

### INSTALLATION

Installation is in the reverse order of removal.

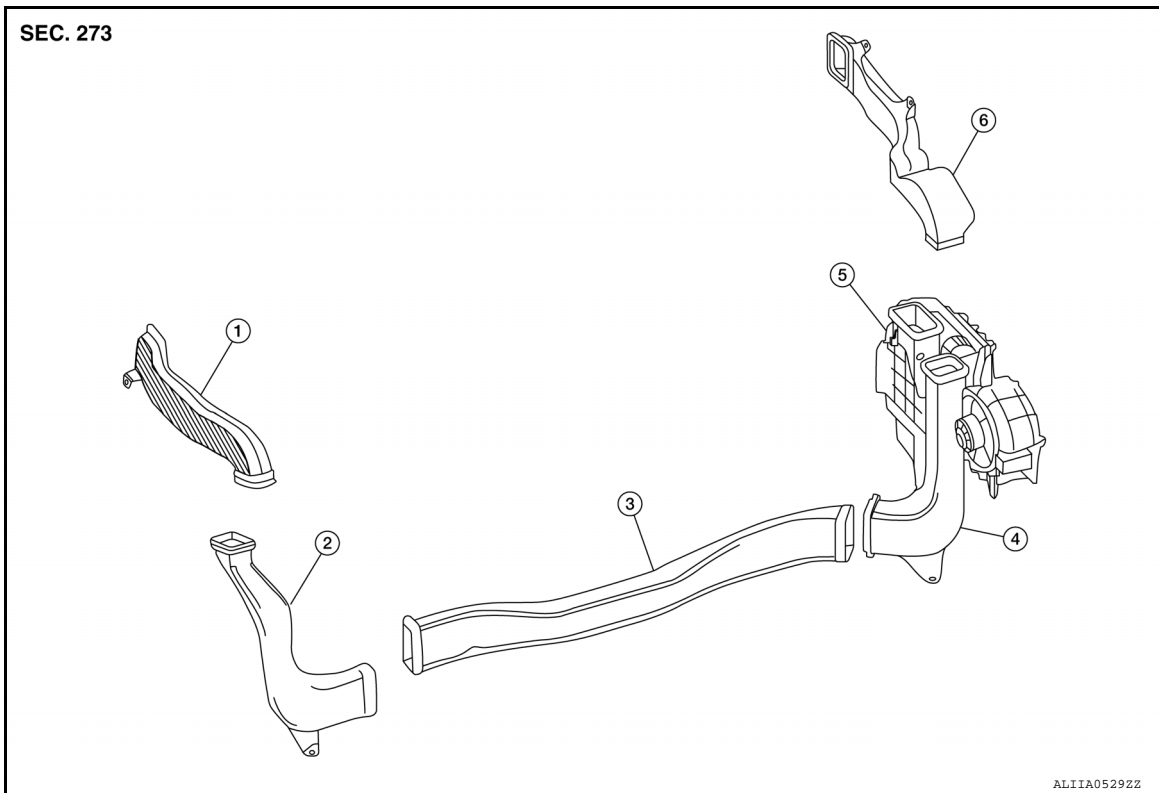
### Exploded View

INFOID:000000008507448

# DUCTS AND GRILLES

< REMOVAL AND INSTALLATION >

Rear



1. Rear ventilator duct 1
2. Rear ventilator duct 2
3. Rear ventilator duct 3
4. Rear ventilator duct lower
5. Rear heating and cooling unit assembly
6. Rear ventilator duct upper

## REAR VENTILATOR DUCT UPPER

### REAR VENTILATOR DUCT UPPER : Removal and Installation

INFOID:0000000008507449

#### REMOVAL

1. Remove the luggage side lower finisher (RH). Refer to [INT-28, "LUGGAGE SIDE LOWER FINISHER : Removal and Installation"](#).
2. Remove the clips that retain the rear ventilator duct upper.
3. Remove the rear ventilator duct upper.

#### INSTALLATION

Installation is in the reverse order of removal.

## REAR VENTILATOR DUCT LOWER

### REAR VENTILATOR DUCT LOWER : Removal and Installation

INFOID:0000000008507450

#### REMOVAL

1. Remove the rear ventilator duct upper. Refer to [VTL-13, "REAR VENTILATOR DUCT UPPER : Removal and Installation"](#).
2. Remove the rear ventilator duct lower screw.
3. Remove the rear ventilator duct lower.

#### INSTALLATION

Installation is in the reverse order of removal.

## REAR VENTILATOR DUCT 1

A  
B  
C  
D  
E  
F  
G  
H

VTL

J  
K  
L  
M  
N

O  
P

# DUCTS AND GRILLES

< REMOVAL AND INSTALLATION >

---

## REAR VENTILATOR DUCT 1 : Removal and Installation

INFOID:000000008507451

### REMOVAL

1. Remove the luggage side lower finisher (LH). Refer to [INT-28, "LUGGAGE SIDE LOWER FINISHER : Removal and Installation"](#).
2. Remove the clips that retain the rear ventilator duct 1.
3. Remove the rear ventilator duct 1.

### INSTALLATION

Installation is in the reverse order of removal.

## REAR VENTILATOR DUCT 2

## REAR VENTILATOR DUCT 2 : Removal and Installation

INFOID:000000008507452

### REMOVAL

1. Remove rear ventilator duct 1. Refer to [VTL-14, "REAR VENTILATOR DUCT 1 : Removal and Installation"](#).
2. Remove rear ventilator duct 2 screw.
3. Remove rear ventilator duct 2.

### INSTALLATION

Installation is in the reverse order of removal.

## REAR VENTILATOR DUCT 3

## REAR VENTILATOR DUCT 3 : Removal and Installation

INFOID:000000008507453

### REMOVAL

1. Remove the storage box. Refer to [INT-30, "STORAGE BOX : Removal and Installation"](#).
2. Remove the car jack bracket.
3. Remove rear ventilator duct 2. Refer to [VTL-14, "REAR VENTILATOR DUCT 2 : Removal and Installation"](#).
4. Remove the two screws that retain rear ventilator duct 3.
5. Remove rear ventilator duct 3.

### INSTALLATION

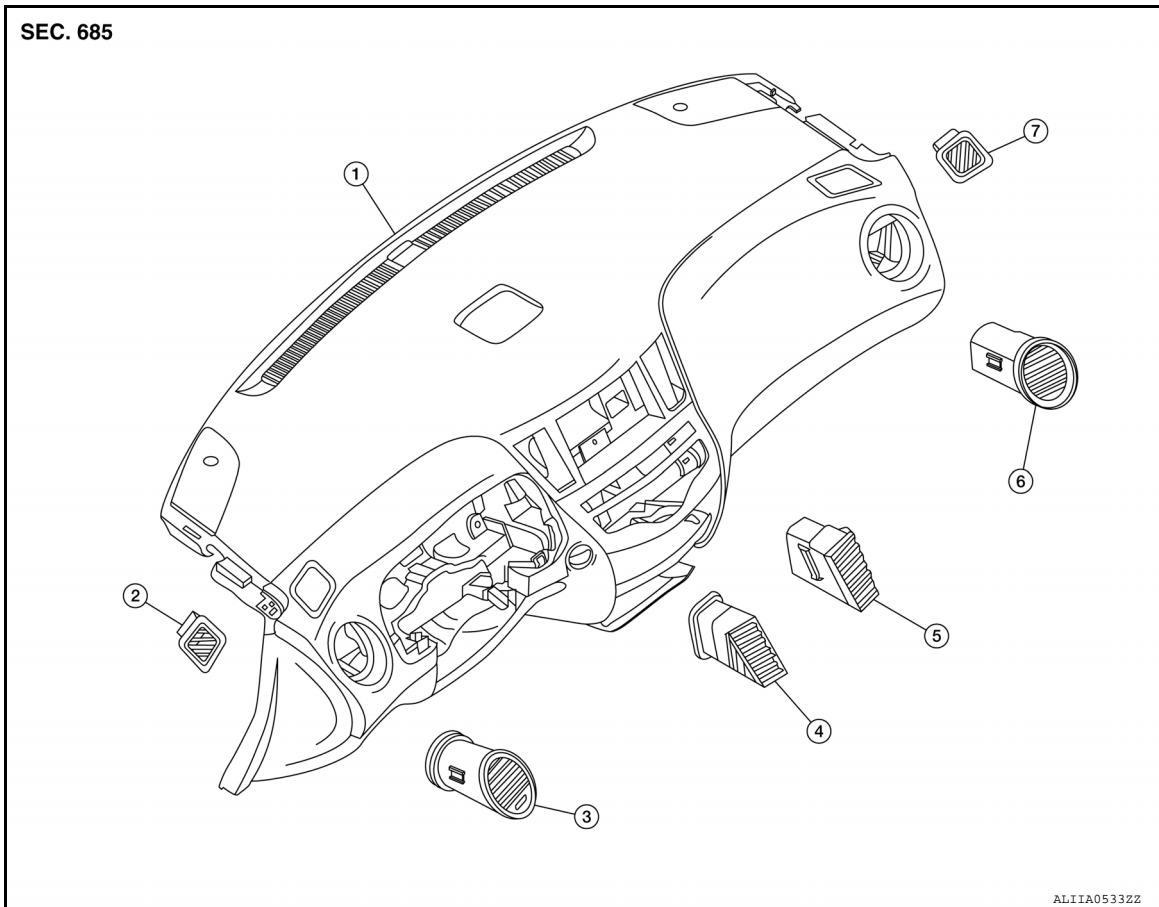
Installation is in the reverse order of removal.

# DUCTS AND GRILLES

< REMOVAL AND INSTALLATION >

Exploded View

INFOID:000000008507454



- |                                  |                                  |                                |
|----------------------------------|----------------------------------|--------------------------------|
| 1. Instrument panel              | 2. Side defroster grille (LH)    | 3. Side ventilator grille (LH) |
| 4. Center ventilator grille (LH) | 5. Center ventilator grille (RH) | 6. Side ventilator grille (RH) |
| 7. Side defroster grille (RH)    |                                  |                                |

## CENTER VENTILATOR GRILLE

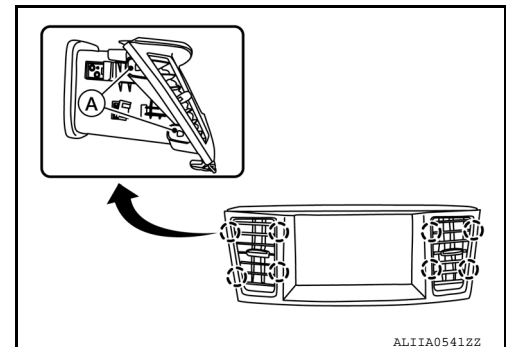
### CENTER VENTILATOR GRILLE : Removal and Installation

INFOID:000000008507455

#### REMOVAL

1. Remove cluster lid D. Refer to [IP-24, "Removal and Installation"](#).
2. Release the center ventilator grille pawls (A) from cluster lid D using a suitable tool.

⊖: Pawl



3. Remove the center ventilator grille.

#### INSTALLATION

Installation is in the reverse order of removal.

A  
B  
C  
D  
E  
F  
G  
H  
VTL  
J  
K  
L  
M  
N  
O  
P

# DUCTS AND GRILLES

< REMOVAL AND INSTALLATION >

## SIDE VENTILATOR GRILLE

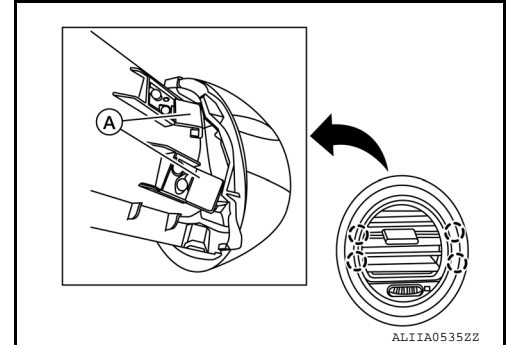
### SIDE VENTILATOR GRILLE : Removal and Installation

INFOID:000000008507456

#### REMOVAL

1. Remove the instrument lower panel LH (LH only). Refer to [IP-25. "Removal and Installation"](#).
2. Remove the glove box assembly (RH only). Refer to [IP-26. "Removal and Installation"](#).
3. Release the side ventilator grille pawls (A) using a suitable tool.

○: Pawl



4. Remove the side ventilator grille.

#### INSTALLATION

Installation is in the reverse order of removal.

## SIDE DEFROSTER GRILLE

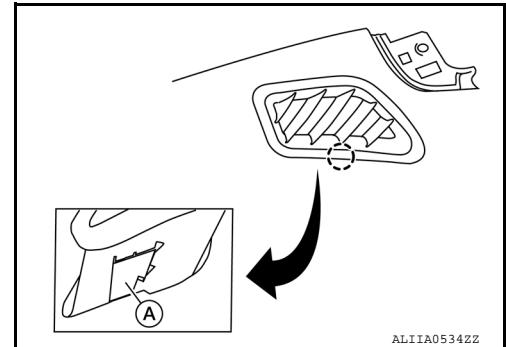
### SIDE DEFROSTER GRILLE : Removal and Installation

INFOID:000000008507457

#### REMOVAL

1. Release the side defroster grille pawl (A) using a suitable tool.

○: Pawl



2. Remove the side defroster grille (LH/RH).

#### INSTALLATION

Installation is in the reverse order of removal.

## REAR CENTER VENTILATOR GRILLE

### REAR CENTER VENTILATOR GRILLE : Removal and Installation

INFOID:000000008507458

#### REMOVAL

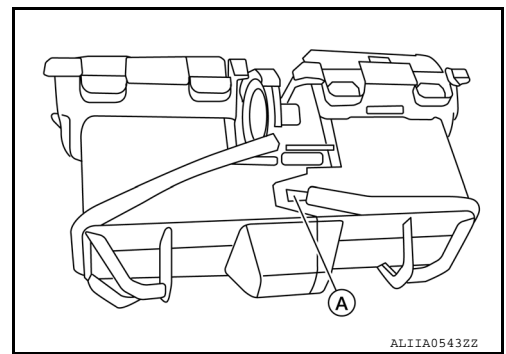
1. Remove center console rear finisher. Refer to [IP-18. "Exploded View"](#).
2. Remove the rear center ventilator duct from the center console rear finisher.
3. Release the clips, then remove the rear center ventilator grille.



# DUCTS AND GRILLES

## < REMOVAL AND INSTALLATION >

4. Release the pawl (A) to separate the rear center ventilator grille (if necessary).



## INSTALLATION

Installation is in the reverse order of removal.

## REAR VENTILATOR GRILLE

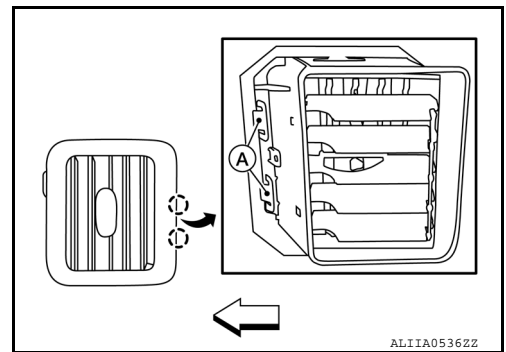
### REAR VENTILATOR GRILLE : Removal and Installation

INFOID:000000008507459

## REMOVAL

1. Release the rear ventilator grille pawls (A) using a suitable tool.

- : Pawl
- ⇐: Front



2. Remove the rear ventilator grille.

## INSTALLATION

Installation is in the reverse order of removal.

A  
B  
C  
D  
E  
F  
G  
H  
VTL  
J  
K  
L  
M  
N  
O  
P

# BLOWER UNIT

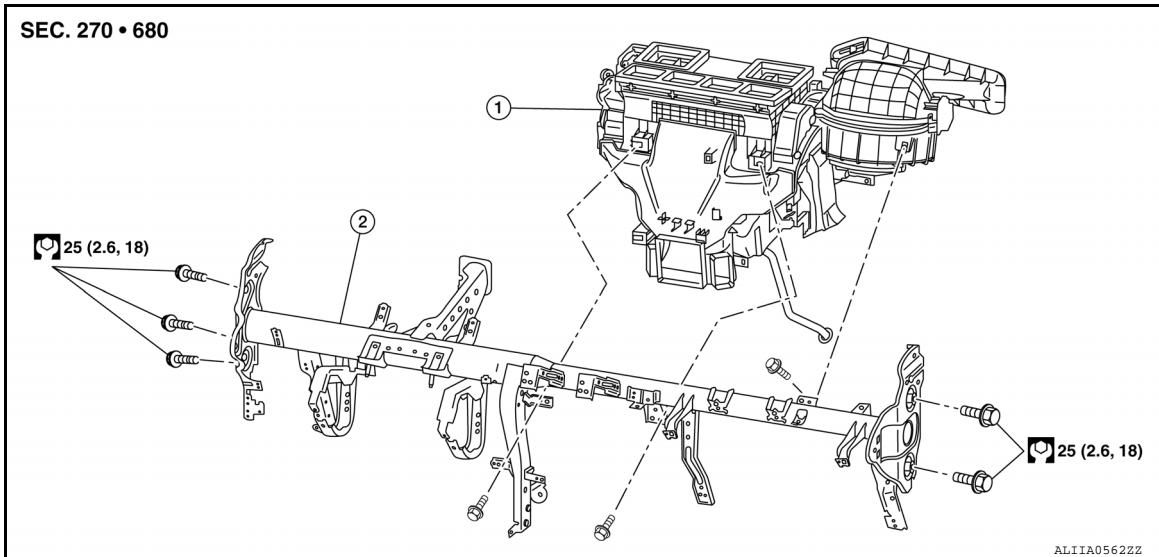
< REMOVAL AND INSTALLATION >

## BLOWER UNIT

Exploded View

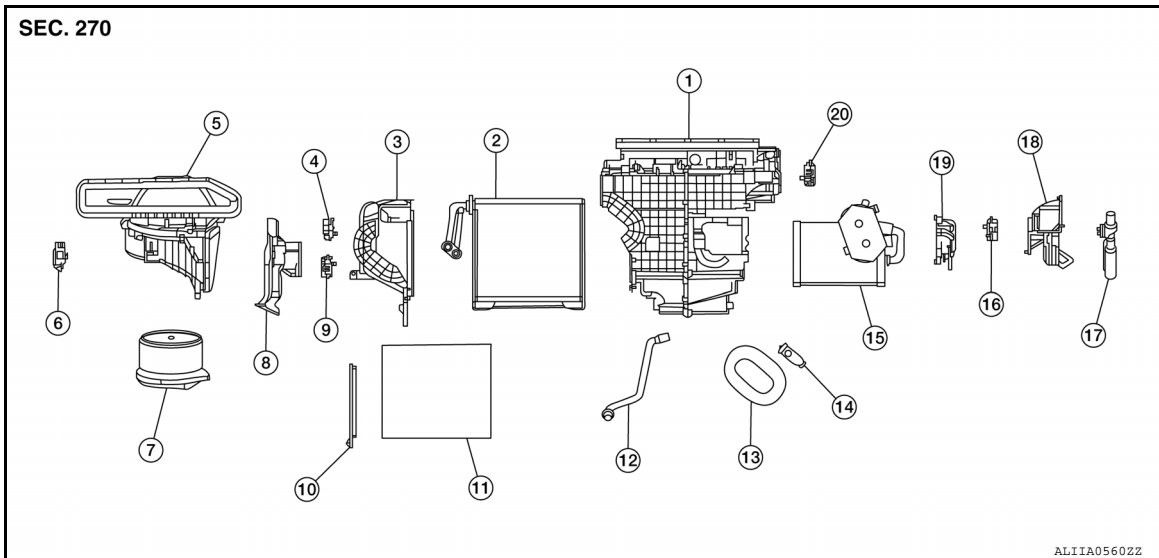
INFOID:000000008507460

### REMOVAL



1. Front heating and cooling unit assembly 2. Steering member

### DISASSEMBLY



- |  |                                     |                                      |
|--|-------------------------------------|--------------------------------------|
| 1. Front heating and cooling unit assembly | 2. Front evaporator                 | 3. Heater case side cover            |
| 4. Air mix door motor (driver)             | 5. Distribution module              | 6. Intake door motor                 |
| 7. Front blower motor                      | 8. Upper floor connecting duct (RH) | 9. Air mix door motor (rear)         |
| 10. In-cabin microfilter cover             | 11. In-cabin microfilter            | 12. Drain hose                       |
| 13. Expansion valve grommet                | 14. Expansion valve                 | 15. Front heater core                |
| 16. Air mix door motor (passenger)         | 17. Aspirator hose                  | 18. Upper floor connecting duct (LH) |
| 19. Heater core pipe cover                 | 20. Mode door motor                 |                                      |

### FRONT BLOWER UNIT

# BLOWER UNIT

< REMOVAL AND INSTALLATION >

## FRONT BLOWER UNIT : Removal and Installation

INFOID:000000008507461

### REMOVAL

1. Remove the front heating and cooling unit assembly. Refer to [HA-41. "HEATING AND COOLING UNIT ASSEMBLY : Removal and Installation - Front Heating and Cooling Unit Assembly"](#)
2. Remove front blower unit screws.
3. Remove the front blower unit from the front heating and cooling unit assembly.

### INSTALLATION

Installation is in the reverse order of removal.

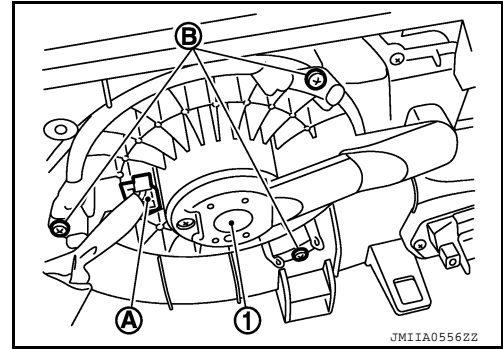
## FRONT BLOWER MOTOR

## FRONT BLOWER MOTOR : Removal and Installation

INFOID:000000008507462

### REMOVAL

1. Remove glove box assembly. Refer to [IP-26. "Removal and Installation"](#).
2. Disconnect the harness connector (A) from the front blower motor.
3. Remove front blower motor screws (B) and the front blower motor (1).



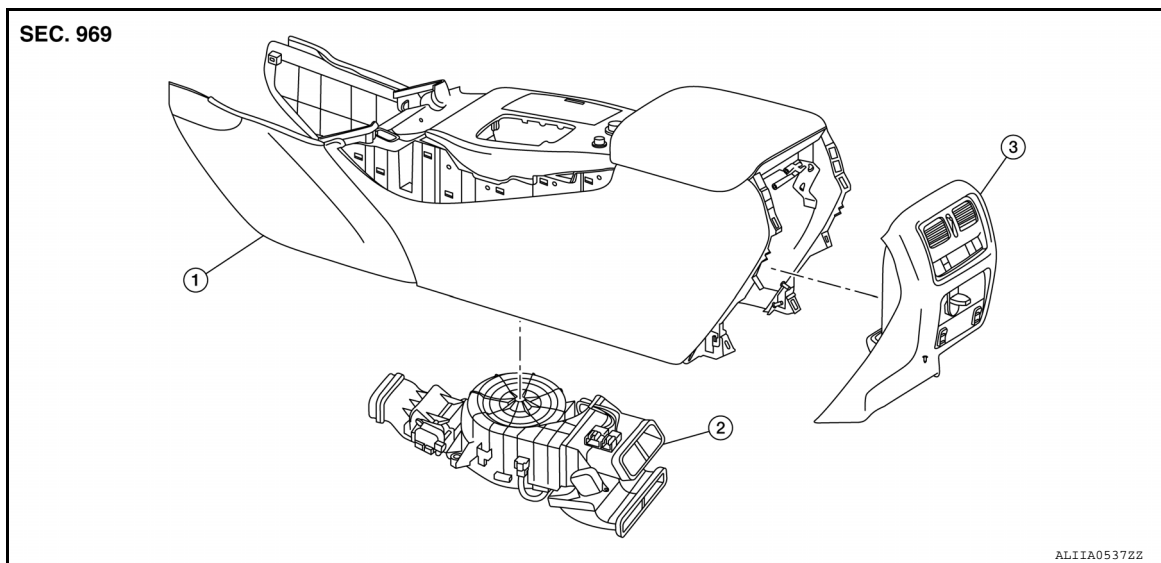
### INSTALLATION

Installation is in the reverse order of removal.

## CENTER BLOWER UNIT

## CENTER BLOWER UNIT : Removal and Installation

INFOID:000000008507463



1. Center console assembly
2. Center blower unit
3. Center console rear finisher

### REMOVAL

1. Remove the center console assembly. Refer to [IP-18. "Removal and Installation"](#).

# BLOWER UNIT

## < REMOVAL AND INSTALLATION >

2. Remove the center console bracket.
3. Disconnect the harness connectors from the center blower unit.
4. Remove the center blower unit bolts and the center blower unit.

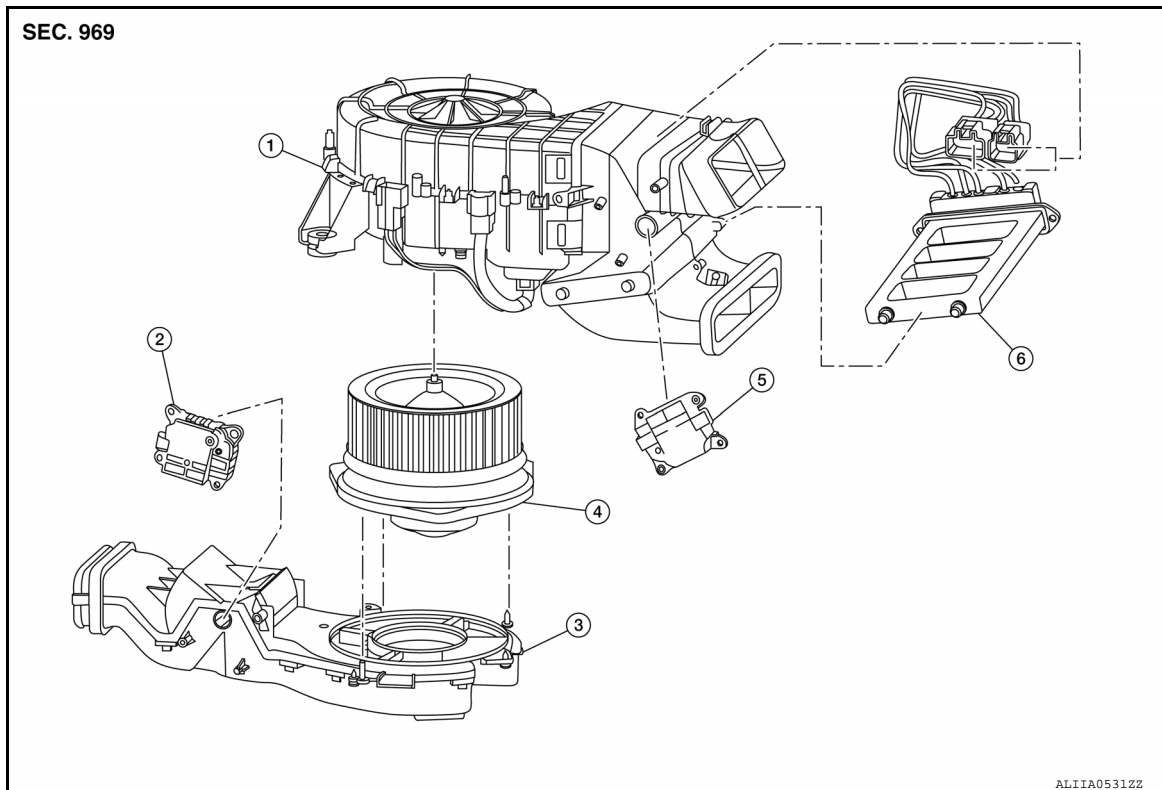
## INSTALLATION

Installation is in the reverse order of removal.

## CENTER BLOWER MOTOR

### CENTER BLOWER MOTOR : Removal and Installation

INFOID:000000008507464



- |                                  |                             |                                  |
|----------------------------------|-----------------------------|----------------------------------|
| 1. Center blower unit upper case | 2. Rear shut-off door motor | 3. Center blower unit lower case |
| 4. Center blower motor           | 5. Rear air mix door motor  | 6. PTC elements heater           |

## REMOVAL

1. Remove the center blower unit. Refer to [VTL-19. "CENTER BLOWER UNIT : Removal and Installation"](#).
2. Disconnect the harness connector from the center blower motor.
3. Remove the center blower motor screws.
4. Remove the center blower motor.

## INSTALLATION

Installation is in the reverse order of removal.

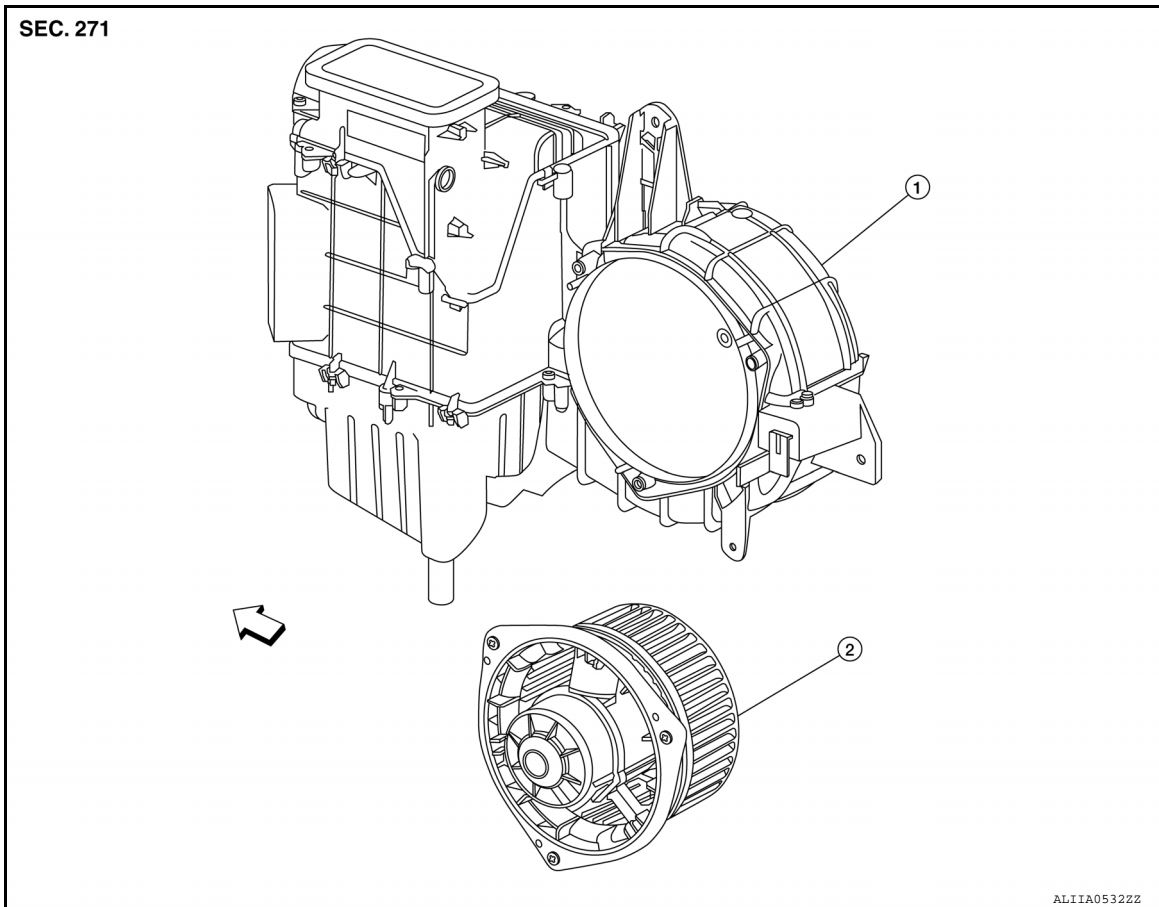
## REAR BLOWER MOTOR

# BLOWER UNIT

< REMOVAL AND INSTALLATION >

## REAR BLOWER MOTOR : Removal and Installation

INFOID:000000008507465



1. Rear heating and cooling unit assembly 2. Rear blower motor

⇐ Front

### REMOVAL

1. Remove the rear heating and cooling unit assembly. Refer to [HA-43, "HEATING AND COOLING UNIT ASSEMBLY : Removal and Installation - Rear Heating and Cooling Unit Assembly"](#).
2. Disconnect the harness connector from the rear blower motor.
3. Remove the rear blower motor screws and rear blower motor.

### INSTALLATION

Installation is in the reverse order of removal.

A  
B  
C  
D  
E  
F  
G  
H  
VTL  
J  
K  
L  
M  
N  
O  
P