

SECTION **EX**
EXHAUST SYSTEM

A
EX
C
D
E
F
G
H
I
J
K
L
M
N
O
P

CONTENTS

PRECAUTION	2	PERIODIC MAINTENANCE	4
PRECAUTIONS	2	EXHAUST SYSTEM	4
Precaution for Supplemental Restraint System (SRS) "AIR BAG" and "SEAT BELT PRE-TENSIONER"	2	Checking Exhaust System	4
PREPARATION	3	REMOVAL AND INSTALLATION	5
PREPARATION	3	EXHAUST SYSTEM	5
Commercial Service Tool	3	Exploded View	5
		Removal and Installation	5

PRECAUTIONS

< PRECAUTION >

PRECAUTION

PRECAUTIONS

Precaution for Supplemental Restraint System (SRS) "AIR BAG" and "SEAT BELT PRE-TENSIONER"

INFOID:000000009178416

The Supplemental Restraint System such as "AIR BAG" and "SEAT BELT PRE-TENSIONER", used along with a front seat belt, helps to reduce the risk or severity of injury to the driver and front passenger for certain types of collision. Information necessary to service the system safely is included in the SR and SB section of this Service Manual.

WARNING:

- To avoid rendering the SRS inoperative, which could increase the risk of personal injury or death in the event of a collision which would result in air bag inflation, all maintenance must be performed by an authorized NISSAN/INFINITI dealer.
- Improper maintenance, including incorrect removal and installation of the SRS, can lead to personal injury caused by unintentional activation of the system. For removal of Spiral Cable and Air Bag Module, see the SR section.
- Do not use electrical test equipment on any circuit related to the SRS unless instructed to in this Service Manual. SRS wiring harnesses can be identified by yellow and/or orange harnesses or harness connectors.

PRECAUTIONS WHEN USING POWER TOOLS (AIR OR ELECTRIC) AND HAMMERS

WARNING:

- When working near the Airbag Diagnosis Sensor Unit or other Airbag System sensors with the Ignition ON or engine running, DO NOT use air or electric power tools or strike near the sensor(s) with a hammer. Heavy vibration could activate the sensor(s) and deploy the air bag(s), possibly causing serious injury.
- When using air or electric power tools or hammers, always switch the Ignition OFF, disconnect the battery and wait at least three minutes before performing any service.

PREPARATION

< PREPARATION >

PREPARATION

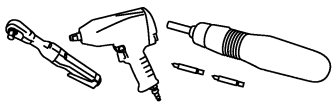
PREPARATION

Commercial Service Tool

INFOID:000000009178417

A

EX

Tool name	Description
Power tool  PIIB1407E	Loosening nuts, screws and bolts

C

D

E

F

G

H

I

J

K

L

M

N

O

P

EXHAUST SYSTEM

< PERIODIC MAINTENANCE >

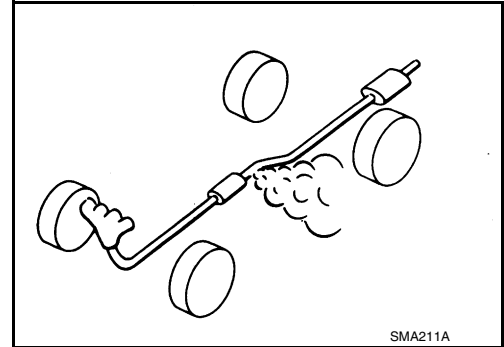
PERIODIC MAINTENANCE

EXHAUST SYSTEM

Checking Exhaust System

INFOID:000000009178418

Check exhaust pipes, muffler and mounts for improper attachment, leaks, cracks, damage or deterioration. Repair or replace as necessary.



EXHAUST SYSTEM

< REMOVAL AND INSTALLATION >

REMOVAL AND INSTALLATION

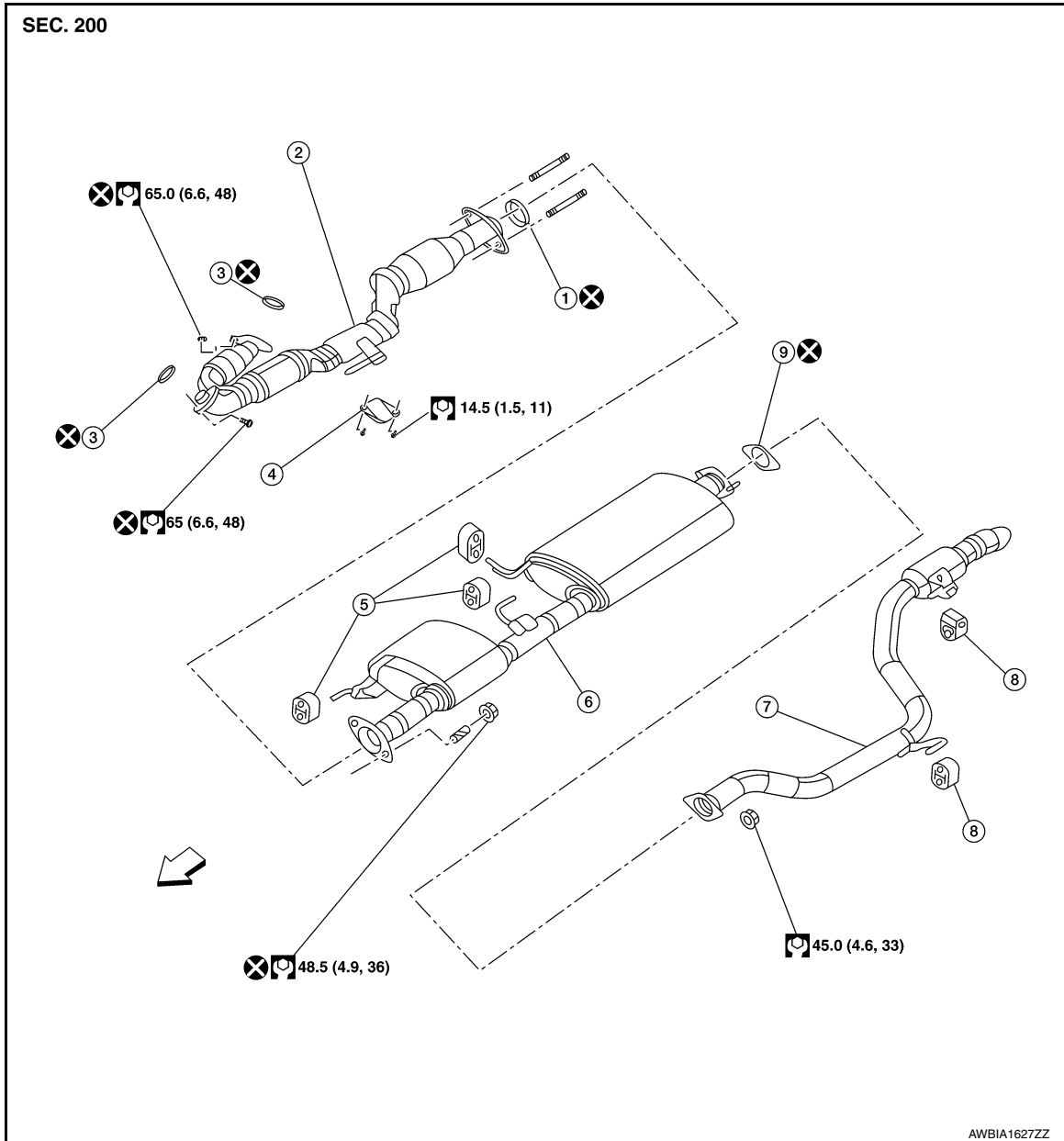
EXHAUST SYSTEM

Exploded View

INFOID:000000009178419

A

EX



C

D

E

F

G

H

I

J

K

L

M

N

- | | | |
|-------------------------------|--------------------------------------|------------------------|
| 1. Seal bearing | 2. Front exhaust tube | 3. Ring gasket |
| 4. Front exhaust tube bracket | 5. Center exhaust tube rubber hanger | 6. Center exhaust tube |
| 7. Rear exhaust tube | 8. Rear exhaust tube rubber hanger | 9. Gasket |

↩ Front

Removal and Installation

INFOID:000000009178420

WARNING:

- Perform the procedures with the exhaust system fully cooled down to avoid injury from the hot exhaust system.

P

EXHAUST SYSTEM

< REMOVAL AND INSTALLATION >

- Be careful not to cut your hand on the insulator edge.

CAUTION:

Use genuine NISSAN exhaust system parts or equivalent, which are specifically designed for heat resistance, corrosion resistance, and shape.

REMOVAL

Remove exhaust system components using power tool.

INSTALLATION

Installation is in the reverse order of removal.

Exhaust Manifold to Front Exhaust Tube

- Install the seal bearing (2) into the front exhaust tube (1).
- When installing the spring (3) and nut (4), check the following:
 - Make sure the spring (3) sits properly on the flange surface by aligning it to the locator dimples (A).
 - Make sure the stud (5) does not contact the inside of the flange bolt hole.

CAUTION:

Be careful not to damage seal bearing surface when installing.

- Compact spring by tightening nut.

CAUTION:

- Make sure springs are seated correctly on the flange and not sitting on locator dimples (A).
- Assemble the seal bearing so that the nut is located in the center of the flare flange hole without contact with the flange.

CAUTION:

- Always replace exhaust gaskets with new ones when reassembling.
- If any insulator is badly deformed, repair or replace it. If deposits such as mud pile up on the insulator, clean and inspect them.
- Temporarily tighten the nuts on the exhaust manifold side and the bolts on the vehicle side. Check each part for interference with other components, and then tighten the nuts and bolts to specification.

INSPECTION AFTER INSTALLATION

- With the engine running, check the exhaust tube joints for exhaust gas leaks and unusual noises.
- Check that the mount brackets and mount insulators are installed properly and free from excessive stress. Improper installation could result in excessive noise, leaks, and vibration.

