

SECTION **BRM**
BODY REPAIR

A
B
C
D
E
F
G
H
I
J
K
L
M
N
O
P

CONTENTS

VEHICLE INFORMATION	2	BODY SEALING	19
BODY EXTERIOR PAINT COLOR	2	Description	19
Body Exterior Paint Color	2	BODY CONSTRUCTION	22
PRECAUTION	3	Body Construction	22
PRECAUTIONS	3	REPLACEMENT OPERATIONS	24
Precaution for Supplemental Restraint System (SRS) "AIR BAG" and "SEAT BELT PRE-TEN- SIONER"	3	Description	24
HANDLING PRECAUTIONS FOR PLASTICS	4	Hoodledge	27
Precautions For Plastics	4	Front Side Member (Partial Replacement)	28
REPAIRING HIGH STRENGTH STEEL	8	Front Pillar	29
High Strength Steel (HSS)	8	Dash Side	32
Handling of Ultra High Strength Steel Plate Parts...	10	Center Pillar	33
PREPARATION	11	Outer Sill Reinforcement	34
REPAIRING MATERIAL	11	Rear Fender	36
Foam Repair	11	Rear Body Side Inner Assembly	37
BODY COMPONENT PARTS	12	Rear Floor Rear	38
Underbody Component Parts	12	Rear Panel Assembly	40
Body Component Parts	14	Roof	41
REMOVAL AND INSTALLATION	16	Rear Side Member Extension	42
CORROSION PROTECTION	16	SERVICE DATA AND SPECIFICATIONS (SDS)	43
Description	16	BODY ALIGNMENT	43
Anti-Corrosive Wax	16	Body Center Marks	43
Undercoating	17	Description	44
		Engine Compartment	44
		Underbody	45
		Passenger Compartment	48
		Rear Body	50

BRM

BODY EXTERIOR PAINT COLOR

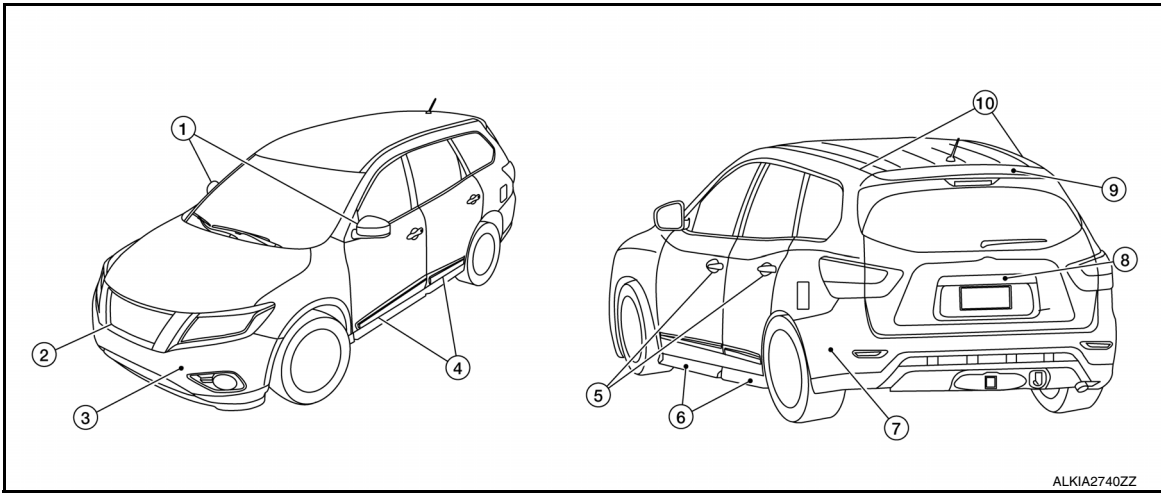
< VEHICLE INFORMATION >

VEHICLE INFORMATION

BODY EXTERIOR PAINT COLOR

Body Exterior Paint Color

INFOID:000000011152205



ALKIA2740ZZ

Component	Color code	CAJ	EAN	K23	KAD	G41	NAH	RBG	QAB	
	Description	Brown	Olive	Silver	Gray	Black	Red	Blue	White	
	Paint type	M	PM	M	M	S	PM	PM	3P	
	Hard clear coat	t	t	t	t	t	t	t	t	
1	Door mirror	Body color	CAJ	EAN	K23	KAD	G41	NAH	RBG	QAB
2	Front grille	Chromium Plate	Cr2P	Cr2P	Cr2P	Cr2P	Cr2P	Cr2P	Cr2P	Cr2P
3	Front bumper fascia	Body color	CAJ	EAN	K23	KAD	G41	NAH	RBG	QAB
4	Side guard molding	Chromium Plate	Cr2P	Cr2P	Cr2P	Cr2P	Cr2P	Cr2P	Cr2P	Cr2P
5	Door outside handle	Chromium Plate	Cr2P	Cr2P	Cr2P	Cr2P	Cr2P	Cr2P	Cr2P	Cr2P
6	Sill molding	Black	G41	G41	G41	G41	G41	G41	G41	G41
7	Rear bumper fascia	Body color	CAJ	EAN	K23	KAD	G41	NAH	RBG	QAB
8	Back door outer finisher	Chromium Plate	Cr2P	Cr2P	Cr2P	Cr2P	Cr2P	Cr2P	Cr2P	Cr2P
9	Rear spoiler	Body color	CAJ	EAN	K23	KAD	G41	NAH	RBG	QAB
10	Roof side molding	Black	G41	G41	G41	G41	G41	G41	G41	G41

M = Metallic, S = Solid, 2S = Solid and Clear, 2 P = 2-coat Pearl, 3P = 3-coat pearl, P = Pearl, Black is solvent based, all others are water based, t = TMAC clear coat

PRECAUTIONS

< PRECAUTION >

PRECAUTION

PRECAUTIONS

Precaution for Supplemental Restraint System (SRS) "AIR BAG" and "SEAT BELT PRE-TENSIONER"

INFOID:000000011152206

The Supplemental Restraint System such as "AIR BAG" and "SEAT BELT PRE-TENSIONER", used along with a front seat belt, helps to reduce the risk or severity of injury to the driver and front passenger for certain types of collision. Information necessary to service the system safely is included in the SR and SB section of this Service Manual.

WARNING:

- To avoid rendering the SRS inoperative, which could increase the risk of personal injury or death in the event of a collision which would result in air bag inflation, all maintenance must be performed by an authorized NISSAN/INFINITI dealer.
- Improper maintenance, including incorrect removal and installation of the SRS, can lead to personal injury caused by unintentional activation of the system. For removal of Spiral Cable and Air Bag Module, see the SR section.
- Do not use electrical test equipment on any circuit related to the SRS unless instructed to in this Service Manual. SRS wiring harnesses can be identified by yellow and/or orange harnesses or harness connectors.

PRECAUTIONS WHEN USING POWER TOOLS (AIR OR ELECTRIC) AND HAMMERS

WARNING:

- When working near the Airbag Diagnosis Sensor Unit or other Airbag System sensors with the Ignition ON or engine running, DO NOT use air or electric power tools or strike near the sensor(s) with a hammer. Heavy vibration could activate the sensor(s) and deploy the air bag(s), possibly causing serious injury.
- When using air or electric power tools or hammers, always switch the Ignition OFF, disconnect the battery and wait at least three minutes before performing any service.

A
B
C
D
E
F
G
H
I
J
L
M
N
O
P

BRM

HANDLING PRECAUTIONS FOR PLASTICS

< PRECAUTION >

HANDLING PRECAUTIONS FOR PLASTICS

Precautions For Plastics

INFOID:0000000011152207

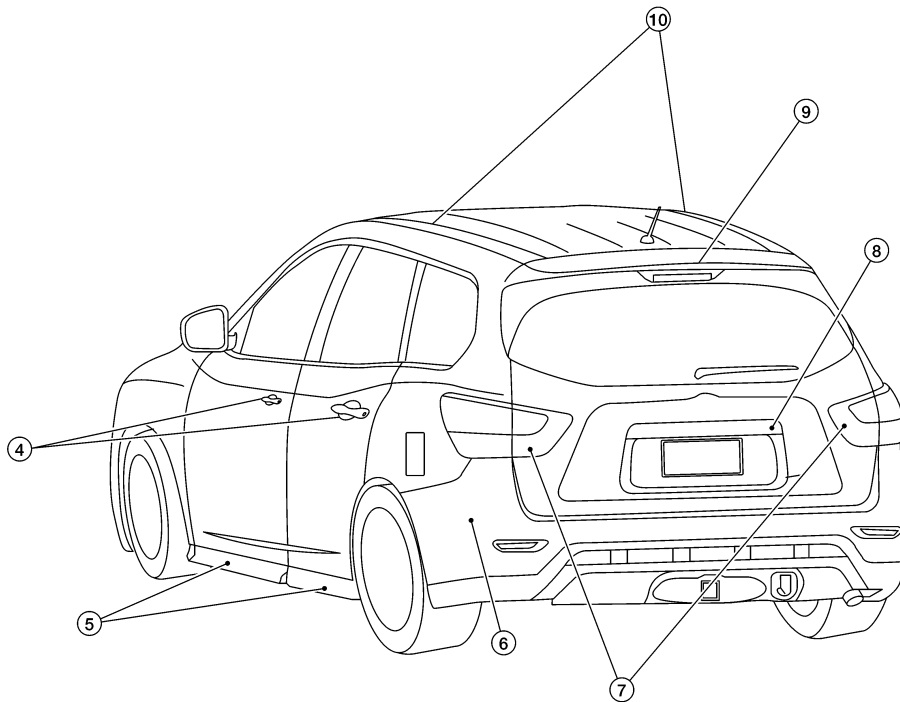
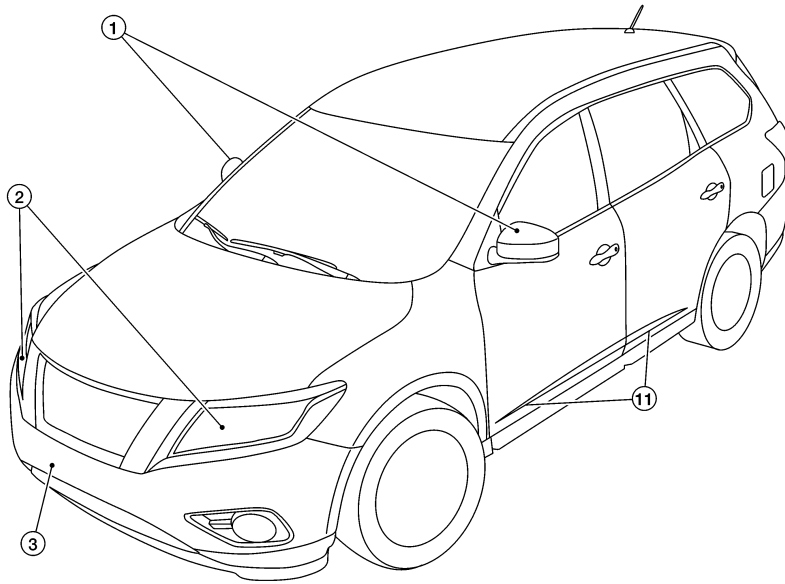
Abbreviation	Material name	Heatresisting temperature °C (°F)	Resistance to gasoline and solvents	Other cautions
PE	Polyethylene	60(140)	Gasoline and most solvents are harmless if applied for a very short time (wipe up quickly).	Flammable
PVC	Poly Vinyl Chloride	80(176)	Same as above.	Poison gas is emitted when burned.
EPM/EPDM	Ethylene Propylene (Diene) copolymer	80(176)	Same as above.	Flammable
TPO/TPR	Thermoplastic Olefine/ Thermoplastic rubber	80(176)	Same as above.	Flammable
PP	Polypropylene	90(194)	Same as above.	Flammable, avoid battery acid.
UP	Unsaturated Polyester	90(194)	Same as above.	Flammable
PS	Polystyrene	80(176)	Avoid solvents.	Flammable
ABS	Acrylonitrile Butadiene Styrene	80(176)	Avoid gasoline and solvents.	—
PMMA	Poly Methyl Methacrylate	85(185)	Same as above.	—
EVAC	Ethylene Vinyl Acetate	90(194)	Same as above.	—
ASA	Acrylonitrile Styrene Acrylate	100(222)	Same as above.	Flammable
PPE	Poly Phenylene Ether	110(230)	Same as above.	—
PC	Polycarbonate	120(248)	Same as above.	—
PAR	Polyarylate	180(356)	Same as above.	—
PUR	Polyurethane	90(194)	Same as above.	—
PPC	Polypropylene Composite	115 (239)	Same as above	Flammable
POM	Poly Oxymethylene	120(248)	Same as above.	Avoid battery acid.
PBT+PC	Poly Butylene Terephthalate + Polycarbonate	120(248)	Same as above.	Flammable
PA	Polyamide (Nylon)	140(284)	Same as above.	Avoid immersing in water.
PBT	Poly Butylene Terephthalate	140(284)	Same as above.	—
PET	Polyester	180(356)	Same as above.	—
PEI	Polyetherimide	200(392)	Same as above.	—

1. When repairing and painting a portion of the body adjacent to plastic parts, consider their characteristics (influence of heat and solvent) and remove them if necessary or take suitable measures to protect them.
2. Plastic parts should be repaired and painted using methods suiting the materials' characteristics.

HANDLING PRECAUTIONS FOR PLASTICS

< PRECAUTION >

LOCATION OF PLASTIC PARTS



A
B
C
D
E
F
G
H
I
J
K
L
M
N
O
P

BRM

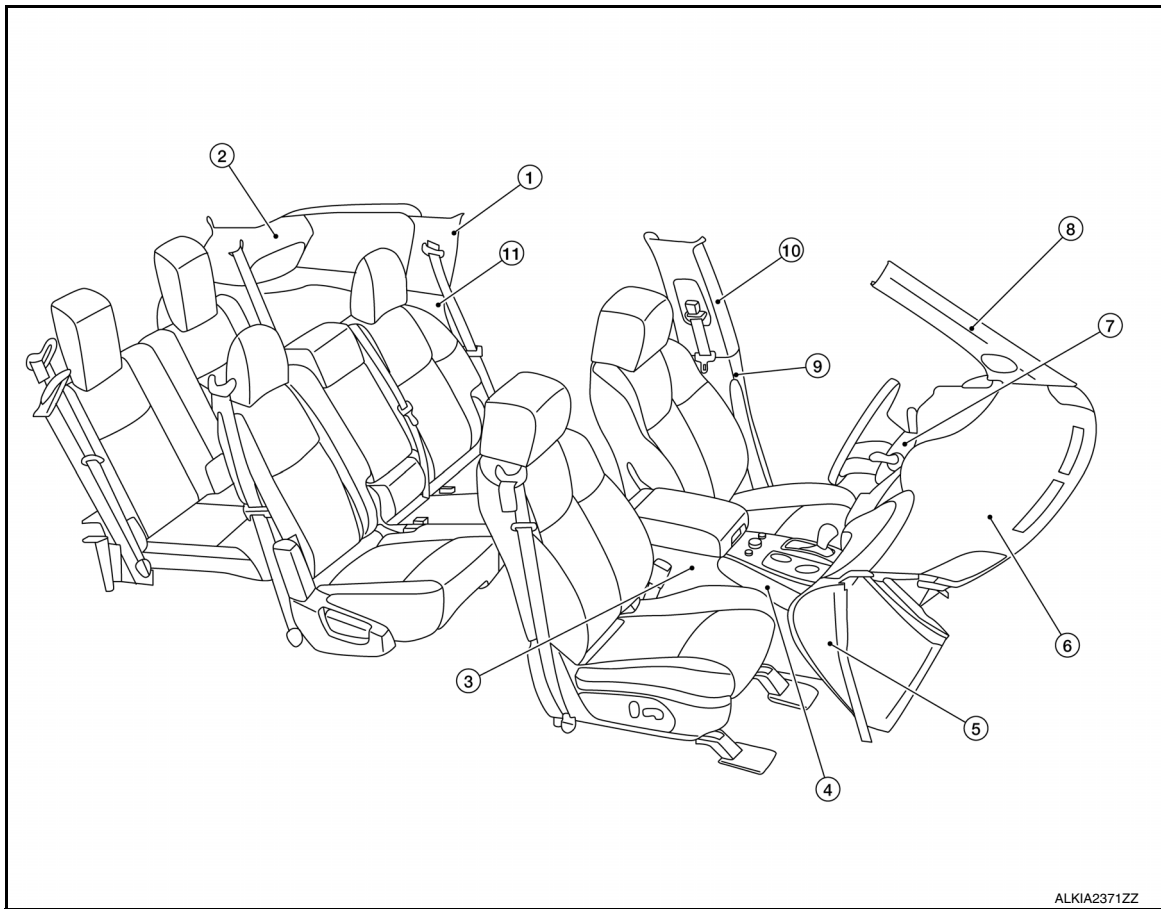
ALKIA2823ZZ

Item	Component	Abbreviation	Material
1.	Door mirror	Base	PA Polyamide (Nylon)
		Housing	ABS Acrylonitrile Butadiene Styrene
2.	Front combination lamp	Lens	PC Polycarbonate
		Housing	PP Polypropylene
3.	Front bumper fascia	PP	Polypropylene

HANDLING PRECAUTIONS FOR PLASTICS

< PRECAUTION >

Item	Component	Abbreviation	Material
4.	Outside door handle	Grip	PC Polycarbonate
		Escutcheon	PA Polyamide (Nylon)
5.	Sill molding	TPO	Thermoplastic Olefine
6.	Rear bumper fascia	PP	Polypropylene
7.	Rear combination lamp	Lens	PMMA Poly Methyl Methacrylate
		Housing	ASA Acrylonitrile Styrene Acrylate
8.	Back door outer finisher (upper/lower)	ABS + PC	Acrylonitrile Butadiene Styrene + Polycarbonate
9.	Rear spoiler	ABS + PC	Acrylonitrile Butadiene Styrene + Polycarbonate
10.	Roof side molding	ABS + PC	Acrylonitrile Butadiene Styrene + Polycarbonate
11.	Body side molding	PC	Polycarbonate



Item	Component	Abbreviation	Material
1.	Rear pillar finisher	PP	Polypropylene
2.	Back pillar finisher	PP	Polypropylene
3.	Center console assembly	Base	PP + EPDM Polypropylene + Ethylene Propylene (Diene) copolymer
		Box	ABS + PC Acrylonitrile Butadiene Styrene + Polycarbonate
4.	Shift selector finisher	ABS + PC	Acrylonitrile Butadiene Styrene + Polycarbonate
5.	Instrument panel side finisher	PP + EPDM	Polypropylene + Ethylene Propylene (Diene) copolymer
6.	Instrument panel	Base	PPC Polypropylene Composite
		Skin	PET Polyester

HANDLING PRECAUTIONS FOR PLASTICS

< PRECAUTION >

Item	Component	Abbreviation	Material
7.	Steering column covers	PP	Polypropylene
8.	Front pillar finisher	Core	Polypropylene
		Skin	Polyester
9.	Center pillar lower finisher	PP	Polypropylene
10.	Center pillar upper finisher	Core	Polypropylene
11.	Luggage side finisher	PP	Polypropylene

A
B
C
D
E
F
G
H
I
J
L
M
N
O
P

BRM

REPAIRING HIGH STRENGTH STEEL

< PRECAUTION >

REPAIRING HIGH STRENGTH STEEL

High Strength Steel (HSS)

INFOID:000000011152208

High strength steel is used for body panels in order to reduce vehicle weight.

Accordingly, precautions in repairing automotive bodies made of high strength steel are described below:

Tensile strength	Major applicable parts
370 - 590 MPa	<ul style="list-style-type: none"> • Lower front and rear hoodledge • Upper hoodledge • Side dash • Roof bow No. 2 and No.4 • 3rd, crossmember (Front floor component part) • Inner sill • Rear side member assembly • Lower dash • 2nd, 4th, 5th, and 7th crossmember • Front side member outrigger • 2nd crossmember extension • Seatbelt anchor reinforcement • Center pillar reinforcement • Front seat inner and outer mounting bracket • Side member outrigger • Rear floor front extension • Other reinforcements
780 - 1350 MPa	<ul style="list-style-type: none"> • Front side member assembly • Front side member closing plate assembly • Front side member extension • Front side member extension front • Outer roof rail reinforcement (Side body assembly component part) • Front suspension inner and outer mounting bracket • Inner sill • Front pillar upper reinforcement • Center pillar outer reinforcement • Front side member stiffener

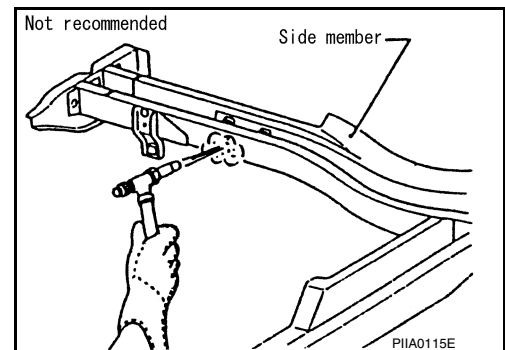
Read the following precautions when repairing HSS:

1. Additional points to consider:

- The repair of reinforcements (such as side members) by heating is not recommended since it may weaken the component. When heating is unavoidable, do not heat HSS parts above 550°C (1,022°F).

Verify heating temperature with a thermometer.

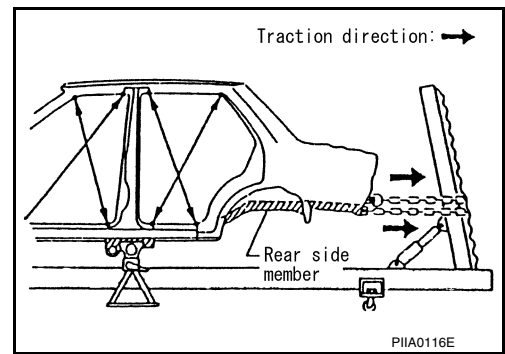
(Crayon-type and other similar type thermometers are appropriate.)



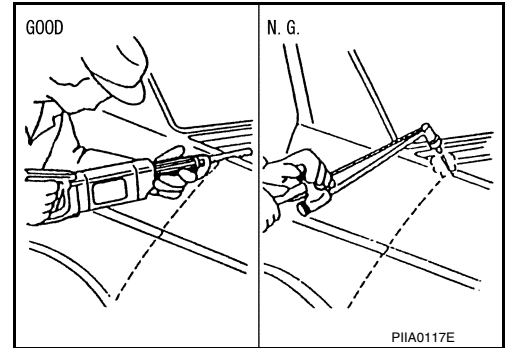
REPAIRING HIGH STRENGTH STEEL

< PRECAUTION >

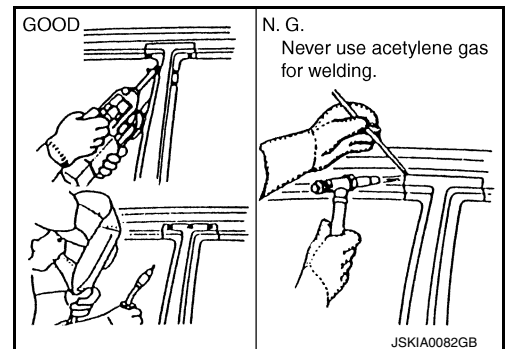
- When straightening body panels, use caution in pulling any HSS panel. Because HSS is very strong, pulling may cause deformation in adjacent portions of the body. In this case, increase the number of measuring points and carefully pull the HSS panel.



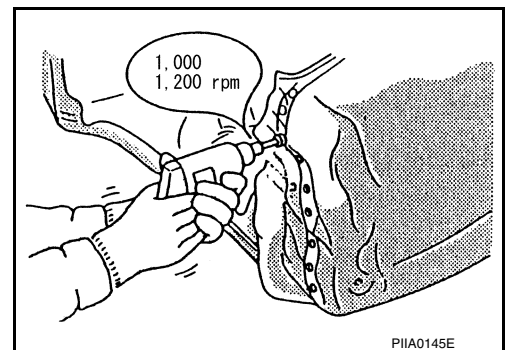
- When cutting HSS panels, avoid gas (torch) cutting if possible. Instead, use a saw to avoid weakening surrounding areas due to heat. If gas (torch) cutting is unavoidable, allow a minimum margin of 50 mm (1.97 in).



- When welding HSS panels, use spot welding whenever possible in order to minimize weakening surrounding areas due to heat. If spot welding is impossible, use MIG. welding. Do not use gas (torch) for welding because it is inferior in welding strength.



- The spot weld on HSS panels is harder than that of an ordinary steel panel. Therefore, when cutting spot welds on a HSS panel, use a low speed high torque drill (1,000 to 1,200 rpm) to increase drill bit durability and facilitate the operation.



A
B
C
D
E
F
G
H
I
J
BRM
L
M
N
O
P

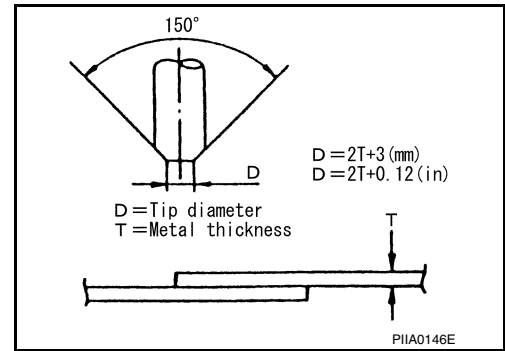
REPAIRING HIGH STRENGTH STEEL

< PRECAUTION >

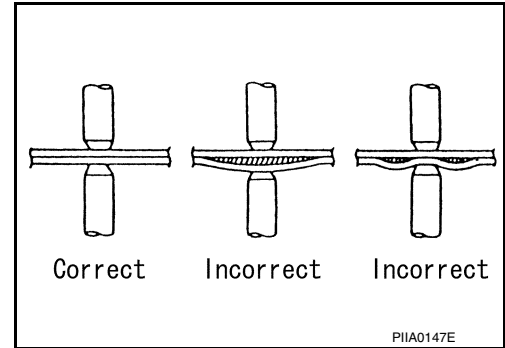
2. Precautions in spot welding HSS

This work should be performed under standard working conditions. Always note the following when spot welding HSS:

- The electrode tip diameter must be sized properly according to the metal thickness.



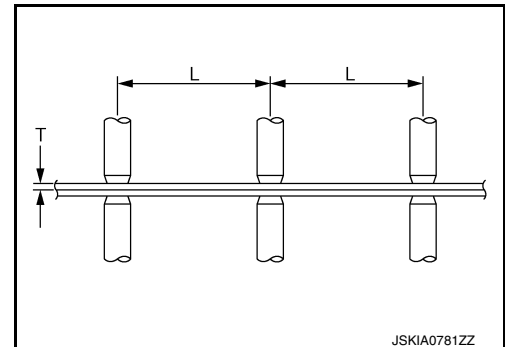
- The panel surfaces must fit flush to each other, leaving no gaps.



- Follow the specifications for the proper welding pitch.

Unit: mm (in)

Thickness (T)	Minimum pitch (L)
0.6 (0.024)	10 (0.39) or over
0.8 (0.031)	12 (0.47) or over
1.0 (0.039)	18 (0.71) or over
1.2 (0.047)	20 (0.79) or over
1.6 (0.063)	27 (1.06) or over
1.8 (0.071)	31 (1.22) or over



Handling of Ultra High Strength Steel Plate Parts

INFOID:0000000011152209

PROHIBITION OF CUT AND CONNECTION

Do not cut and join the lower lock pillar reinforcement (center pillar reinforcement inside frame parts) because its material is high strength steel plate (ultra high strength steel plate).

The center pillar reinforcement must be replaced if this part is damaged.

REPAIRING MATERIAL

< PREPARATION >

PREPARATION

REPAIRING MATERIAL

Foam Repair

INFOID:000000011152210

During factory body assembly, foam insulators are installed in certain body panels and locations around the vehicle. Use the following procedure(s) to replace any factory-installed foam insulators.

URETHANE FOAM APPLICATIONS

Use commercially available urethane foam for sealant (foam material) repair of material used on vehicle.

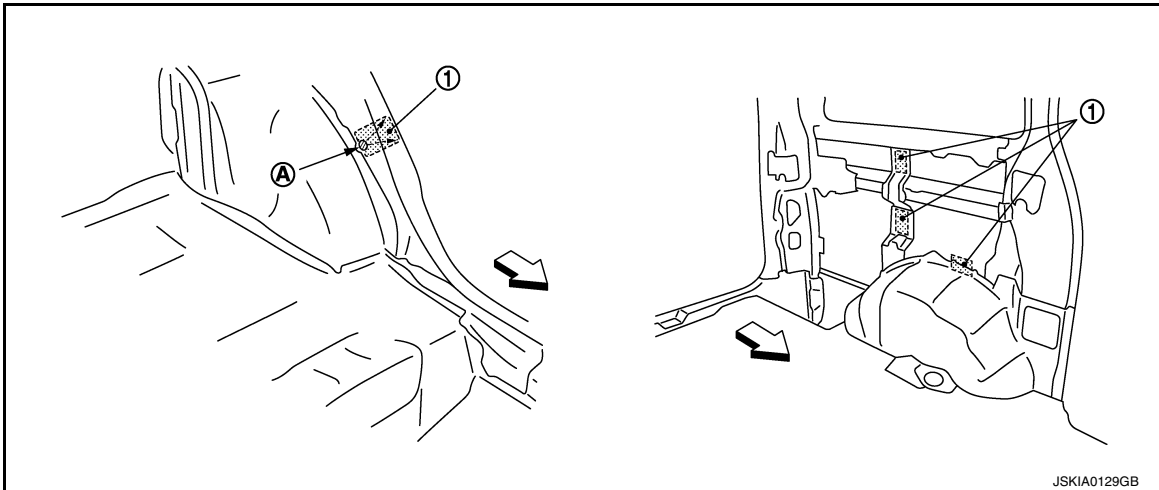
<Urethane foam for foaming agent>

3M™ Automix™ Flexible Foam 08463 or equivalent

Read instructions on product for fill procedures.

Example of foaming agent filling operation procedure:

1. Fill procedures after installation of service part.
 - a. Eliminate foam material remaining on vehicle side.
 - b. Clean area after eliminating form insulator and foam material.
 - c. Install service part.
 - d. Insert nozzle into hole near fill area and fill foam material or fill enough to close gap with the service part.



1. Urethane foam

A. Nozzle insert hole

← Front

2. Fill procedures before installation of service part:
 - a. Eliminate foam material remaining on vehicle side.
 - b. Clean area after eliminating foam insulator and foam material.
 - c. Fill with enough foam material on the wheelhouse outer side to close the gap with the service part while avoiding the flange area.

1. Urethane foam

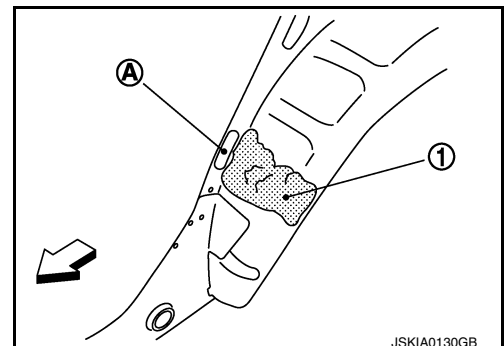
A. Fill while avoiding flange area

← Front

- d. Install service part.

NOTE:

Refer to the label on the urethane foam container for information on working times.



A
B
C
D
E
F
G
H
I
J
L
M
N
O
P

BRM

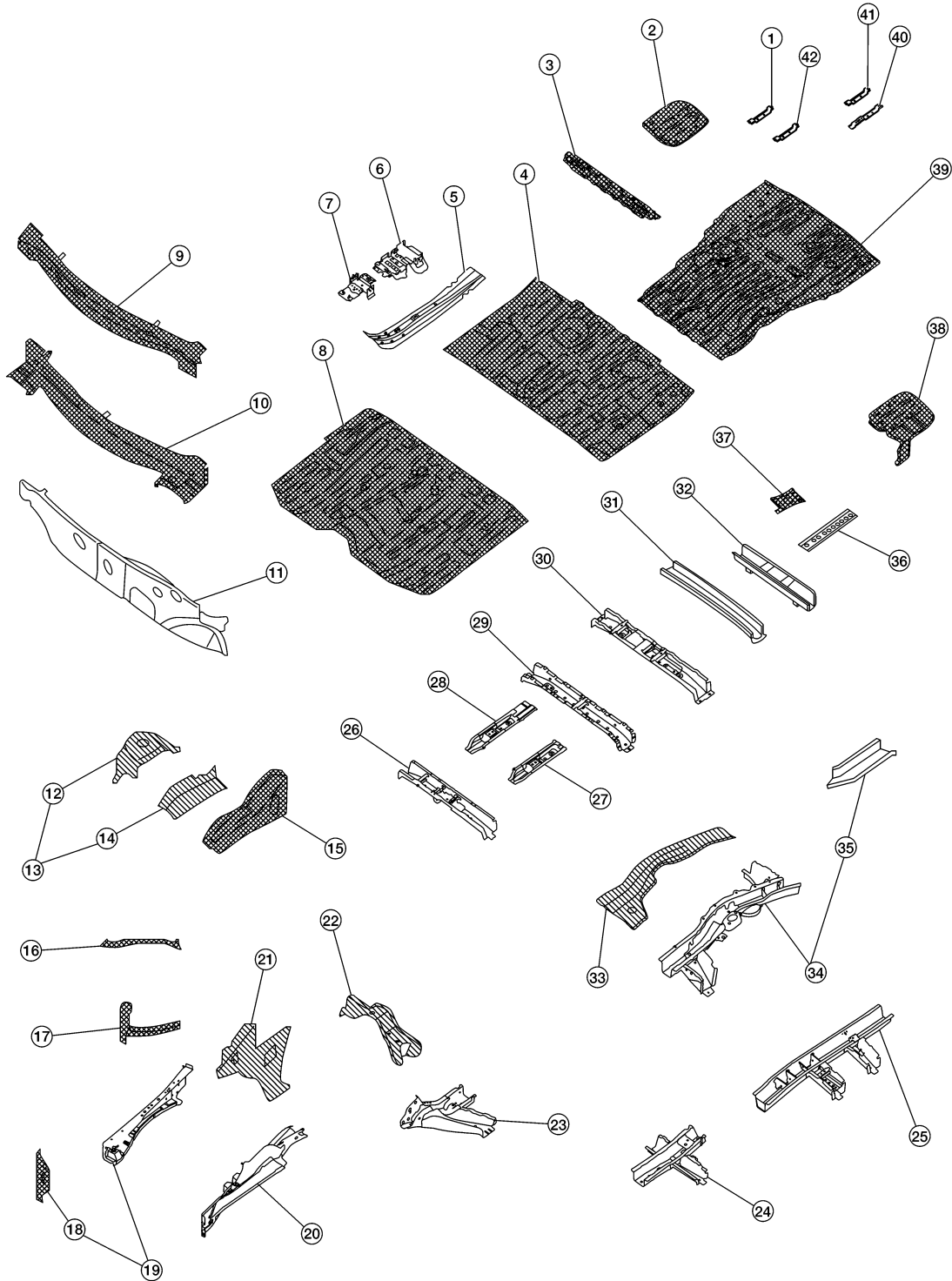
BODY COMPONENT PARTS


< PREPARATION >

BODY COMPONENT PARTS

Underbody Component Parts

INFOID:000000011152211




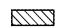
 : Both sided anti-corrosive pre-coated steel portions

AWKIA324ZZ

BODY COMPONENT PARTS

< PREPARATION >

 : High strength steel (HSS) portions

 : Both sided anti-corrosive steel and HSS portions

FLOOR, UNDERBODY AND ENGINE COMPARTMENT

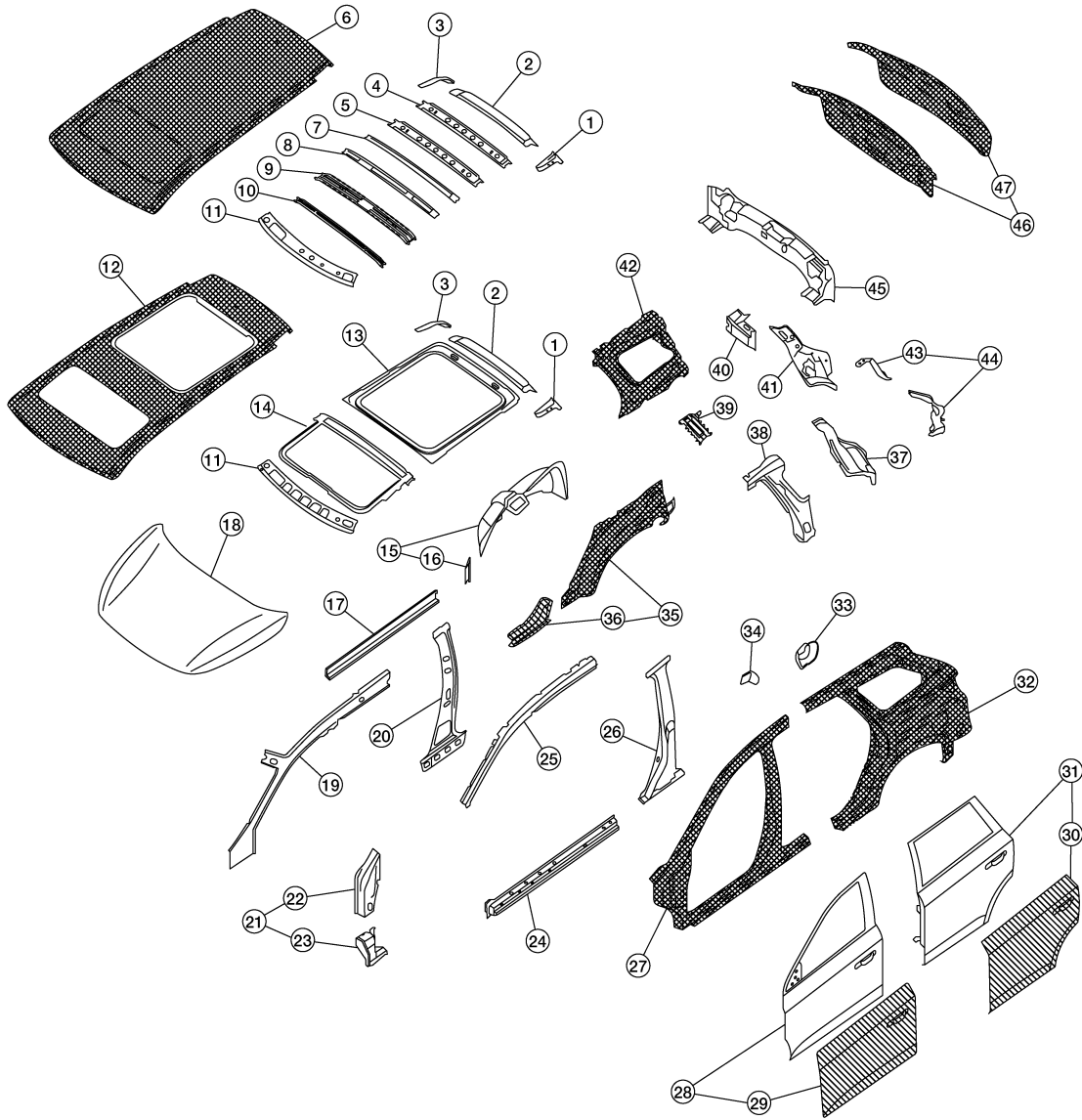
Item	Part name	Material	
1.	Front woofer bracket (LH)	—	A
2.	Rear floor side assembly (RH)	SP781B	B
3.	Lower seatback support assembly	SP123B	C
4.	Rear floor front	—	
5.	Front side member stiffener (RH)	SP151-1350Hv	D
6.	Trim mounting bracket assembly	SP121B	
7.	Instrument stay bracket assembly	—	
8.	Front floor front	SP781B	E
9.	Cowl assembly	—	
10.	Upper dash assembly	SP781B	
11.	Lower dash assembly	—	F
12.	Hoodledge lower assembly (LH)	—	
13.	Hoodledge assembly (LH)	—	
14.	Upper hoodledge (LH)	SP781-390B	G
15.	Hoodledge extension (LH)	SP781B	
16.	Upper radiator core support (LH)	SP781B	
17.	Radiator core support (LH)	SP782B	H
18.	Front side member connector (LH)	SP781B	
19.	Front side member assembly (LH)	—	
20.	Front side member closing plate assembly (LH)	—	I
21.	Dash side assembly (LH)	—	
22.	Front suspension member lower mounting assembly	SP781-440	J
23.	Front side member assembly (LH)	—	
24.	Front side member extension assembly (LH)	—	
25.	Front side member rear extension assembly (LH)	—	
26.	3rd crossmember assembly	—	BRM
27.	Rear inner belt anchor reinforcement assembly (LH)	—	
28.	Rear inner belt anchor reinforcement assembly (RH)	—	
29.	4th crossmember assembly	—	L
30.	5th crossmember assembly	—	
31.	6th crossmember assembly	—	
32.	7th crossmember assembly	—	M
33.	Rear floor front extension assembly (LH)	—	
34.	Rear side member assembly (LH)	—	N
35.	Rear side member extension assembly (LH)	—	
36.	Rear member center assembly	SP781B	
37.	Spare tire mounting bracket	SP781B	O
38.	Rear floor side assembly (LH)	SP781B	
39.	Rear floor rear	SP781B	
40.	Rear woofer bracket (LH)	—	P
41.	Rear woofer bracket (RH)	—	
42.	Front woofer bracket (RH)	—	



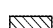
BODY COMPONENT PARTS

< PREPARATION >

Body Component Parts

INFOID:000000011152212



-  : Both sided anti-corrosive pre-coated steel portions
-  : High strength steel (HSS) portions
-  : Both sided anti-corrosive steel and HSS portions

AWKIA3240ZZ

BODY COMPONENT PARTS

< PREPARATION >

Item	Part name	Material	
1.	Roof corner reinforcement (LH)	SP781B	A
2.	Rear roof rail assembly	SP121B	
3.	Roof corner reinforcement (RH)	SP781B	B
4.	6th roof bow, standard roof	SP129B	
5.	5th roof bow, standard roof	SP129B	
6.	Standard roof	SP121A	C
7.	4th roof bow, standard roof	SP129B	
8.	3rd roof bow, standard roof	SP123B	
9.	2nd roof bow, standard roof	SP783-590	D
10.	1st roof bow, standard roof	SP129-BQ	
11.	Front roof rail assembly	SP153-590B	
12.	Panoramic roof	SP121A	E
13.	Rear roof reinforcement assembly	SP121BQ	
14.	Roof reinforcement assembly	SP121BQ	
15.	Rear wheel inner assembly (RH, LH)	—	F
16.	Rear wheel inner front extension	SP781B	
17.	Inner sill (RH, LH)	—	
18.	Hood assembly	—	G
19.	Inner roof side rail complete (RH, LH)	—	
20.	Center pillar inner (RH, LH)	—	
21.	Front hinge pillar reinforcement assembly (RH, LH)	—	H
22.	Front pillar upper hinge brace (RH, LH)	SP153-590	
23.	Front pillar lower hinge brace (RH, LH)	SP152-440	
24.	Outer sill reinforcement assembly (RH, LH)	—	I
25.	Roof side outer reinforcement assembly (RH, LH)	—	
26.	Center pillar reinforcement (RH, LH)	—	
27.	Front body side outer (RH, LH)	SP781AZ	J
28.	Front door assembly (RH, LH)	—	
29.	Front door outer (RH, LH)	SP785-340	
30.	Rear door outer (RH, LH)	SP785-340	BRM
31.	Rear door assembly (RH, LH)	—	
32.	Rear body side outer	SP782AMJQ	
33.	Fuel filler base	SP123	L
34.	Striker retainer (RH, LH)	SP121B	
35.	Rear wheel outer assembly	—	
36.	Rear outer sill reinforcement assembly (RH, LH)	SP782-440Q	M
37.	Outer back pillar assembly (RH, LH)	—	
38.	Rear pillar inner reinforcement assembly (RH, LH)	SP132-370BQ	
39.	Rear pillar seat belt anchor assembly (RH, LH)	SP131-370	N
40.	Rear fender brace (RH, LH)	SP123BQ	
41.	Inner back pillar assembly (RH, LH)	—	
42.	Inner rear pillar (RH, LH)	—	O
43.	Main back pillar assembly (RH, LH)	SP121BQ	
44.	Rear combination lamp base assembly (RH, LH)	—	P
45.	Rear panel assembly	—	
46.	Back door inner assembly	—	
47.	Back door outer assembly	—	

CORROSION PROTECTION

< REMOVAL AND INSTALLATION >

REMOVAL AND INSTALLATION

CORROSION PROTECTION

Description

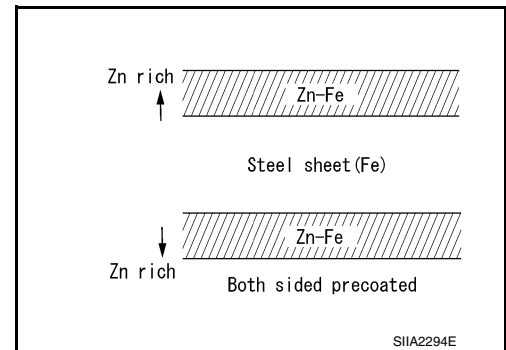
INFOID:000000011152213

To provide improved corrosion prevention, the following anti-corrosive measures have been implemented in NISSAN production plants. When repairing or replacing body panels, it is necessary to use the same anti-corrosive measures.

Anti-Corrosive Precoated Steel (Galvannealed Steel)

To improve repairability and corrosion resistance, a new type of anti-corrosive precoated steel sheet has been adopted, replacing conventional zinc-coated steel sheet.

Galvannealed steel is electroplated and heated to form zinc-iron alloy, which provides excellent and long term corrosion resistance with cationic electrodeposition primer.



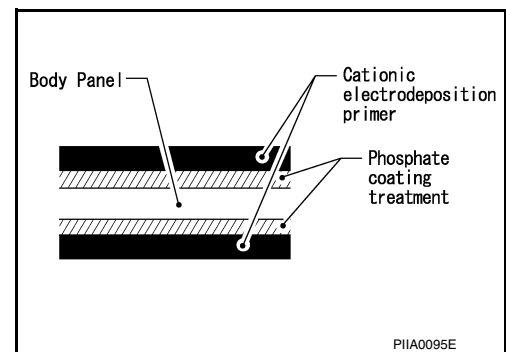
Nissan Genuine Service Parts are fabricated from galvannealed steel. Therefore, it is recommended that GENUINE NISSAN PARTS or equivalent be used for panel replacement to maintain the anti-corrosive performance built into the vehicle at the factory.

Phosphate Coating Treatment and Cationic Electrodeposition Primer

A phosphate coating treatment and a cationic electrodeposition primer, which provide excellent corrosion protection, are employed on all body components.

CAUTION:

Confine paint removal during welding operations to an absolute minimum.



Nissan Genuine Service Parts are also treated in the same manner. Therefore, it is recommended that GENUINE NISSAN PARTS or equivalent be used for panel replacement to maintain anti-corrosive performance built into the vehicle at the factory.

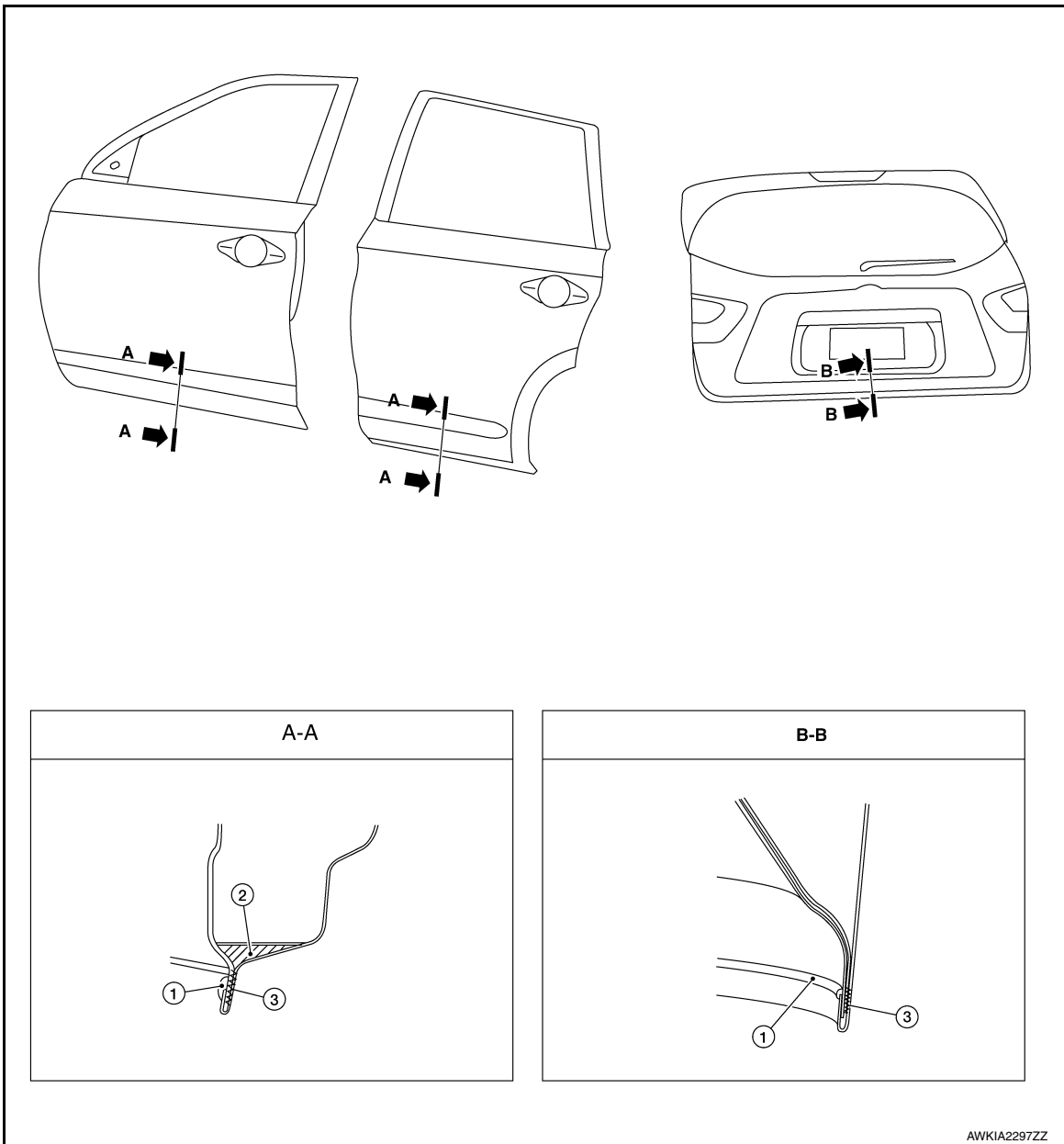
Anti-Corrosive Wax

INFOID:000000011152214

To improve corrosion resistance, anti-corrosive wax is applied inside the body sill and inside other closed sections. Accordingly, when replacing these parts, be sure to apply anti-corrosive wax to the appropriate areas of the new parts. Select an excellent anti-corrosive wax which will penetrate after application and has a long shelf life.

CORROSION PROTECTION

< REMOVAL AND INSTALLATION >



1. Body caulk

2. Anti-corrosive wax

3. Panel adhesive

Undercoating

INFOID:000000011152215

The underside of the floor and wheelhouse are undercoated to prevent rust, vibration, noise and stone chipping. Therefore, when such a panel is replaced or repaired, apply undercoating to that part. Use an undercoating which is rust preventive, soundproof, vibration-proof, shock-resistant, adhesive, and durable.

Precautions in Undercoating

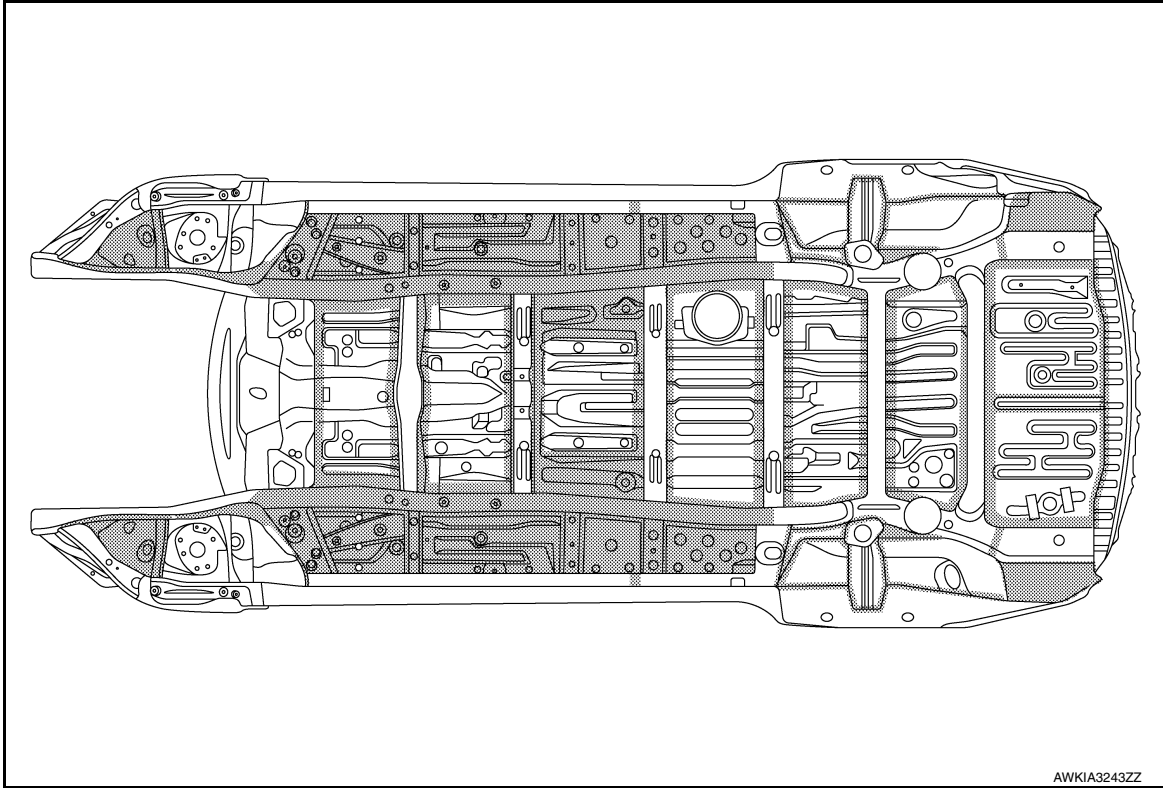
1. Do not apply undercoating unless specified. Avoid areas such as the areas above the muffler and three-way catalyst which are subjected to heat.
2. Do not undercoat the exhaust pipe or other parts which become hot.
3. Do not undercoat rotating parts.
4. Apply bitumen wax after applying undercoating.
5. After putting seal on the vehicle, put undercoating on it.

A
B
C
D
E
F
G
H
I
J
K
L
M
N
O
P

BRM

CORROSION PROTECTION

< REMOVAL AND INSTALLATION >



Undercoated areas are shaded.

BODY SEALING

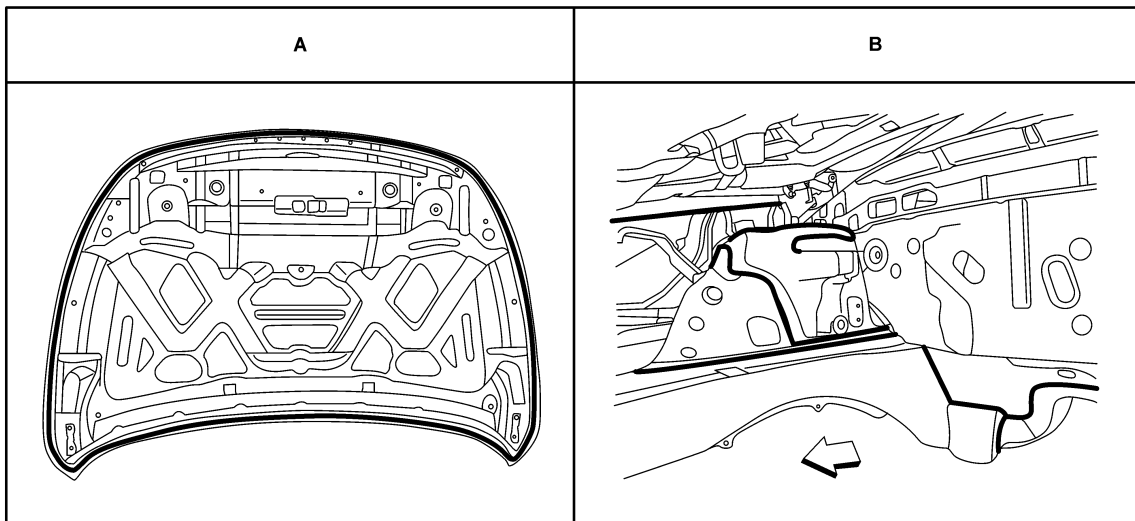
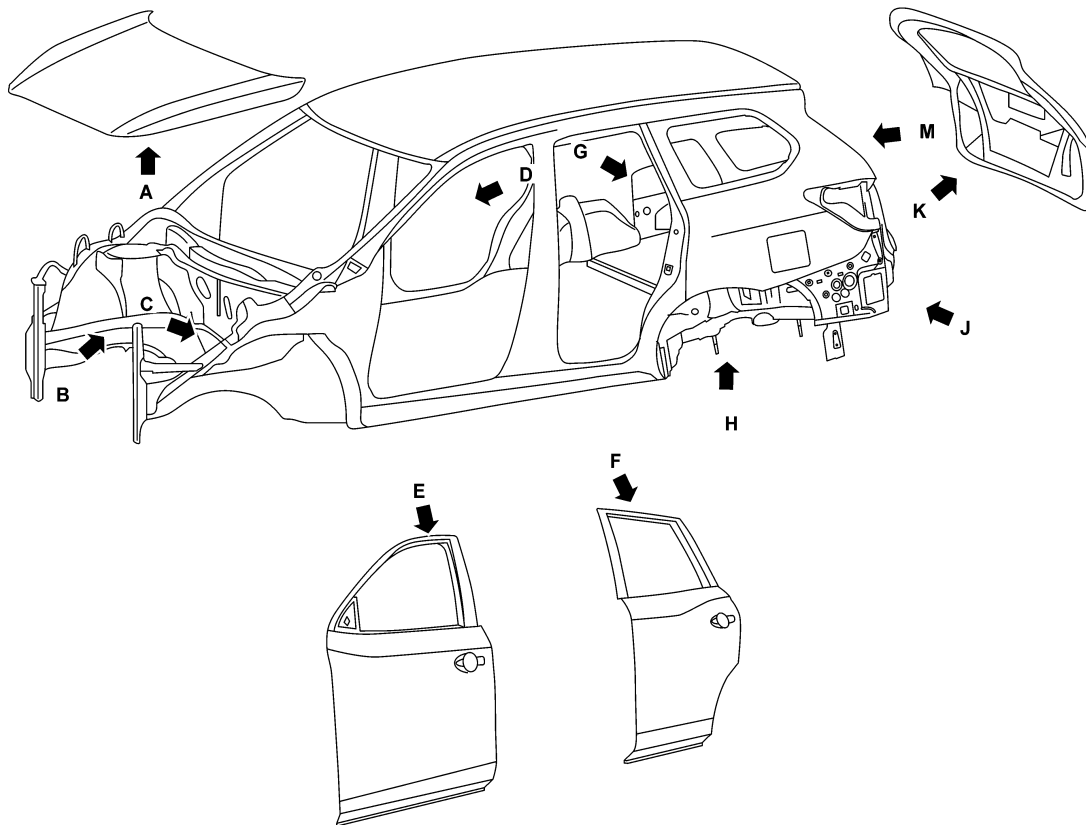
< REMOVAL AND INSTALLATION >

BODY SEALING

Description

INFOID:000000011152216

The following figure shows the areas which are sealed at the factory. Sealant which has been applied to these areas should be smooth and free from cuts or gaps. Care should be taken not to apply an excess amount of sealant and not to allow other unaffected parts to come into contact with the sealant.



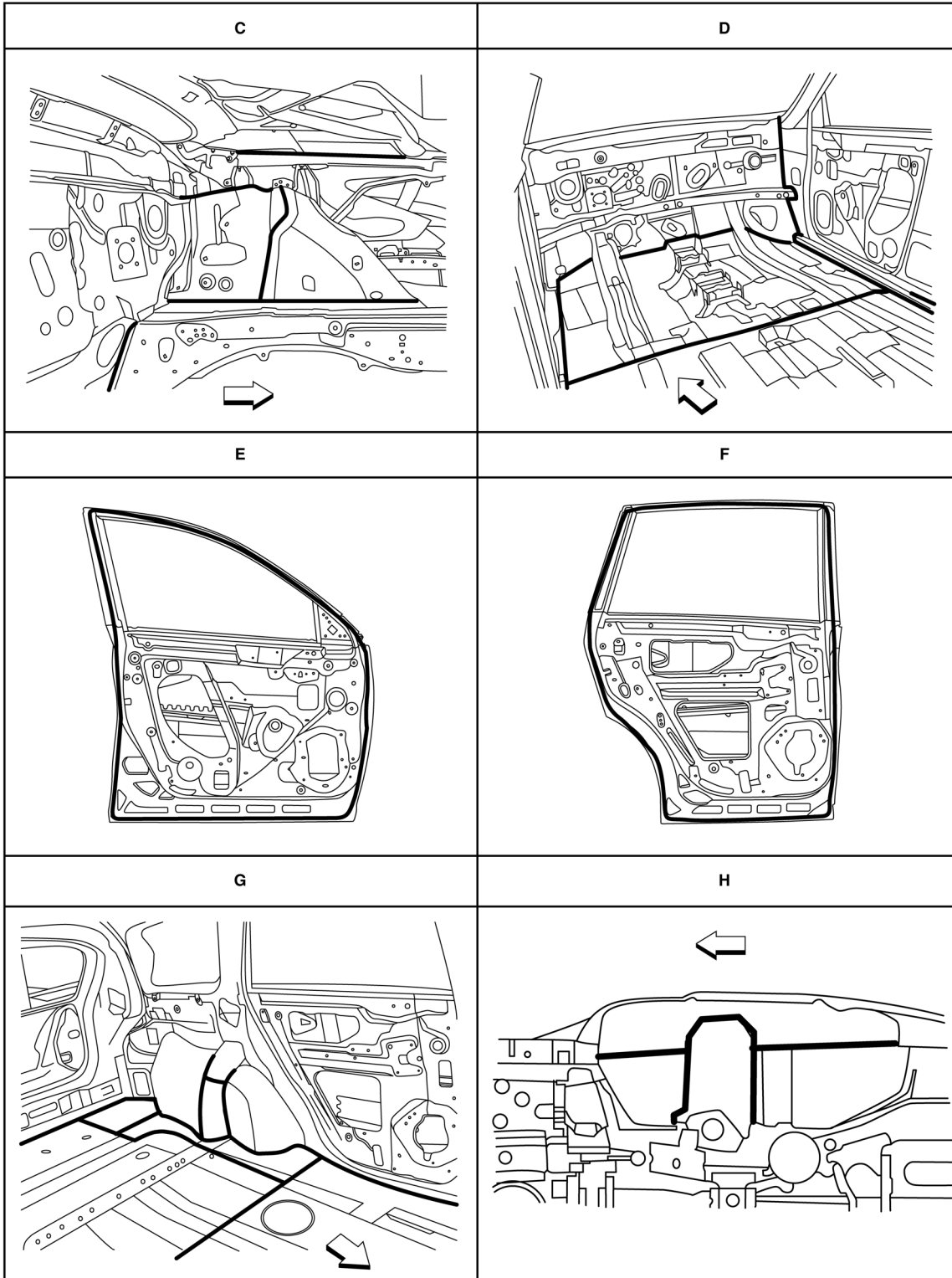
ALKIA2749ZZ

A
B
C
D
E
F
G
H
I
J
L
M
N
O
P

BRM

BODY SEALING

< REMOVAL AND INSTALLATION >

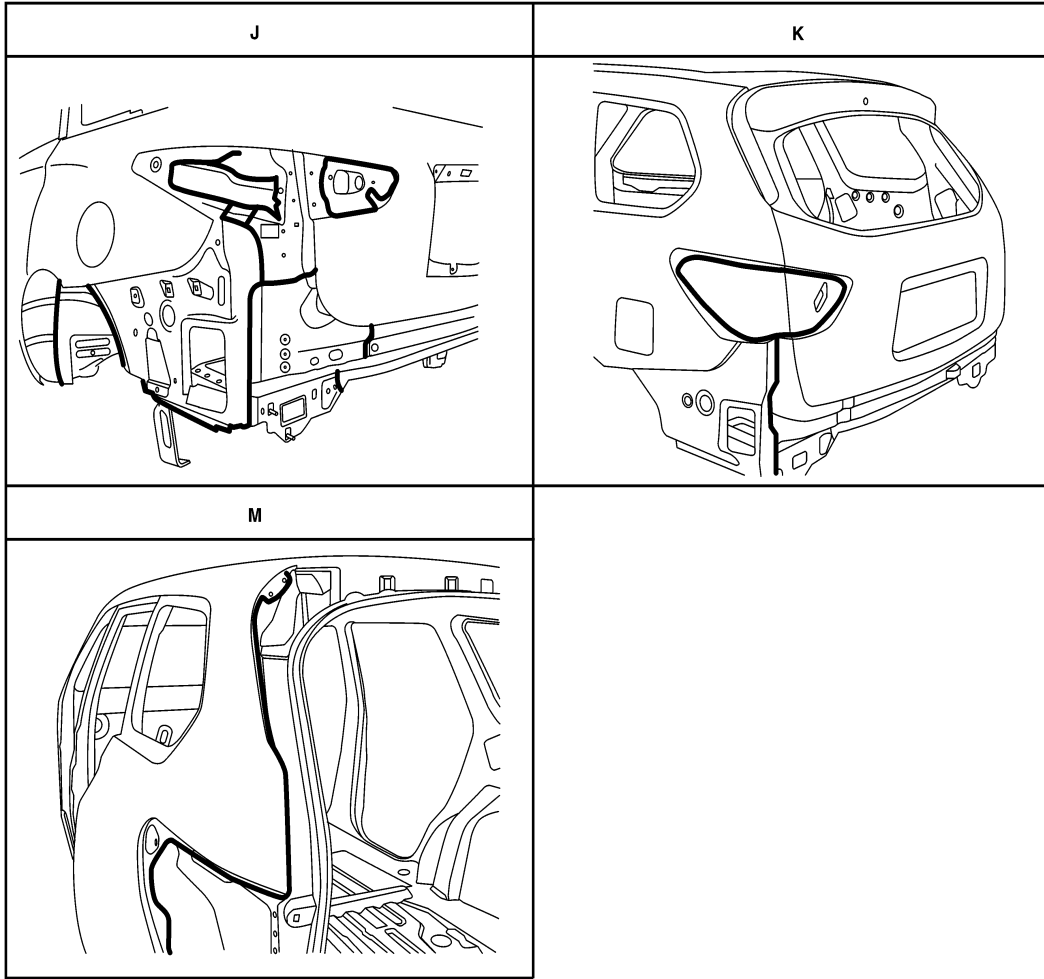


AWKIA2086ZZ

⇐ Front

BODY SEALING

< REMOVAL AND INSTALLATION >



A
B
C
D
E
F
G
H
I
J

BRM

L
M
N
O
P

ALKIA2878ZZ

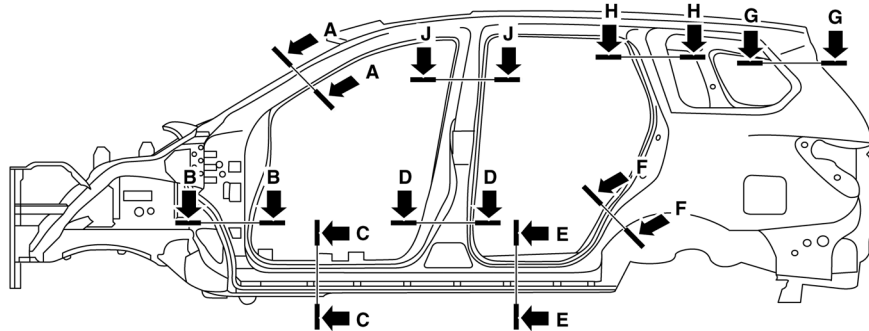
BODY CONSTRUCTION

< REMOVAL AND INSTALLATION >

BODY CONSTRUCTION

Body Construction

INFOID:000000011152217



<p style="text-align: center;">A-A</p>	<p style="text-align: center;">B-B</p>	<p style="text-align: center;">C-C</p>
<p style="text-align: center;">D-D</p>	<p style="text-align: center;">E-E</p>	<p style="text-align: center;">F-F</p>
<p style="text-align: center;">G-G</p>	<p style="text-align: center;">H-H</p>	<p style="text-align: center;">J-J</p>

ALKIA2748ZZ

- | | | |
|--------------------|---|-------------------------------------|
| 1. Body side outer | 2. Front pillar inner upper | 3. Upper front pillar reinforcement |
| 4. Dash side inner | 5. Front hinge pillar lower reinforcement | 6. Outer sill reinforcement |
| 7. Inner sill | 8. Center pillar reinforcement | 9. Inner center pillar |

BODY CONSTRUCTION

< REMOVAL AND INSTALLATION >

- | | | |
|------------------------------|---------------------------------|-------------------------------------|
| 10. Rear sill assembly | 11. Rear wheel housing assembly | 12. Back pillar inner reinforcement |
| 13. Roof rail brace assembly | 14. Back pillar inner | 15. Rear pillar inner reinforcement |

A

B

C

D

E

F

G

H

I

J

BRM

L

M

N

O

P

REPLACEMENT OPERATIONS

< REMOVAL AND INSTALLATION >

REPLACEMENT OPERATIONS

Description

INFOID:0000000011152218

This section is prepared for technicians who have attained a high level of skill and experience in repairing collision-damaged vehicles and also use modern service tools and equipment. Persons unfamiliar with body repair techniques should not attempt to repair collision-damaged vehicles by using this section.


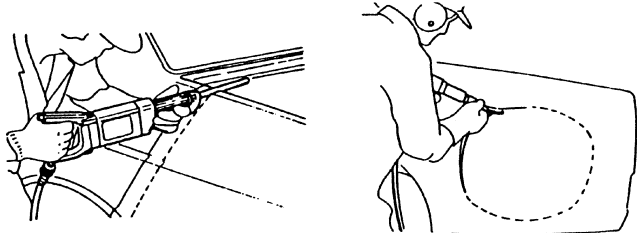


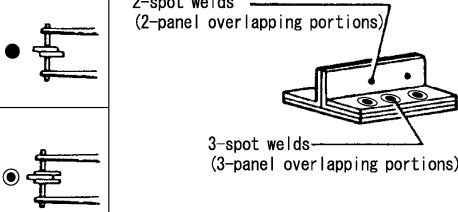
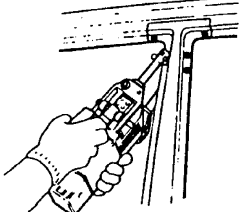


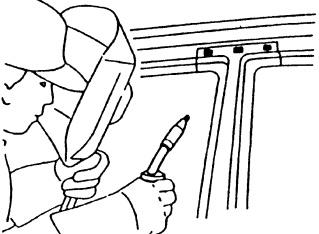
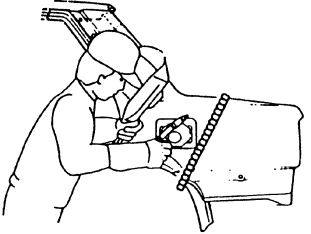

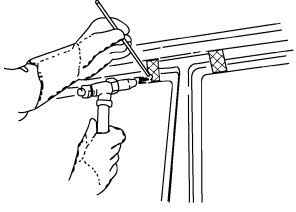

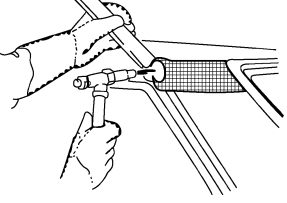

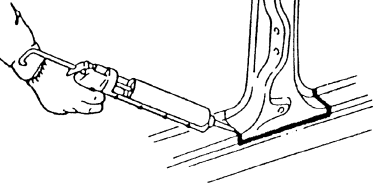
Technicians are also encouraged to read Body Repair Manual (Fundamentals) in order to ensure that the original functions and quality of the vehicle can be maintained. The Body Repair Manual (Fundamentals) contains additional information, including cautions and warnings, that are not including in this manual. Technicians should refer to both manuals to ensure proper repairs.

Please note that this information is prepared for worldwide usage, and as such, certain procedures might not apply in some regions or countries.

REPLACEMENT OPERATIONS

< REMOVAL AND INSTALLATION >

The symbols used in this section for cutting and welding / brazing operations are shown below.

 Saw cut or air chisel cut		
Spot weld  2-spot welds  3-spot welds	 2-spot welds (2-panel overlapping portions) 3-spot welds (3-panel overlapping portions)	
MIG plug weld  MIG seam weld/ Point weld 		
Brazing 		
Soldering 		
Sealing 		

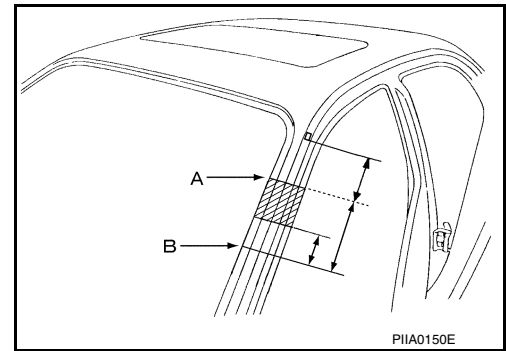
A
B
C
D
E
F
G
H
I
J
BRM
L
M
N
O
P

PIIA0149E

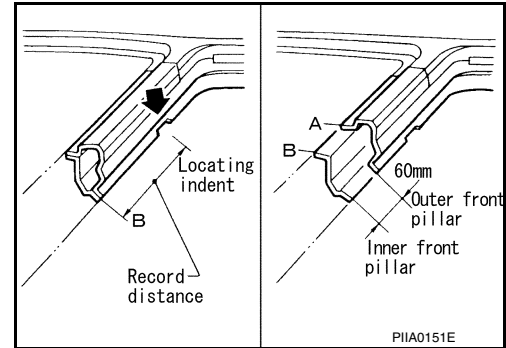
REPLACEMENT OPERATIONS

< REMOVAL AND INSTALLATION >

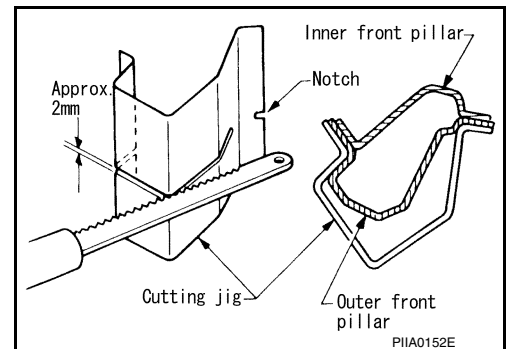
- Front pillar butt joint can be determined anywhere within shaded area as shown in the figure. The best location for the butt joint is at position A due to the construction of the vehicle. Refer to the front pillar section.



- Determine cutting position and record distance from the locating indent. Use this distance when cutting the service part. Cut outer front pillar over 60 mm (2.4 in) above inner front pillar cut position.

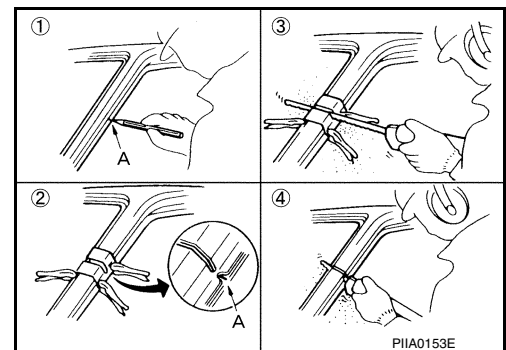


- Prepare a cutting jig to make the outer pillar easier to cut. Also, this will permit the service part to be accurately cut at the joint position.



- An example of cutting operation using a cutting jig is as follows:

1. Mark cutting lines.
A: Cut position of outer pillar
2. Align cutting line with notch on jig. Clamp jig to pillar.
3. Cut outer pillar along groove of jig. (At position A)
4. Remove jig and cut remaining portions.



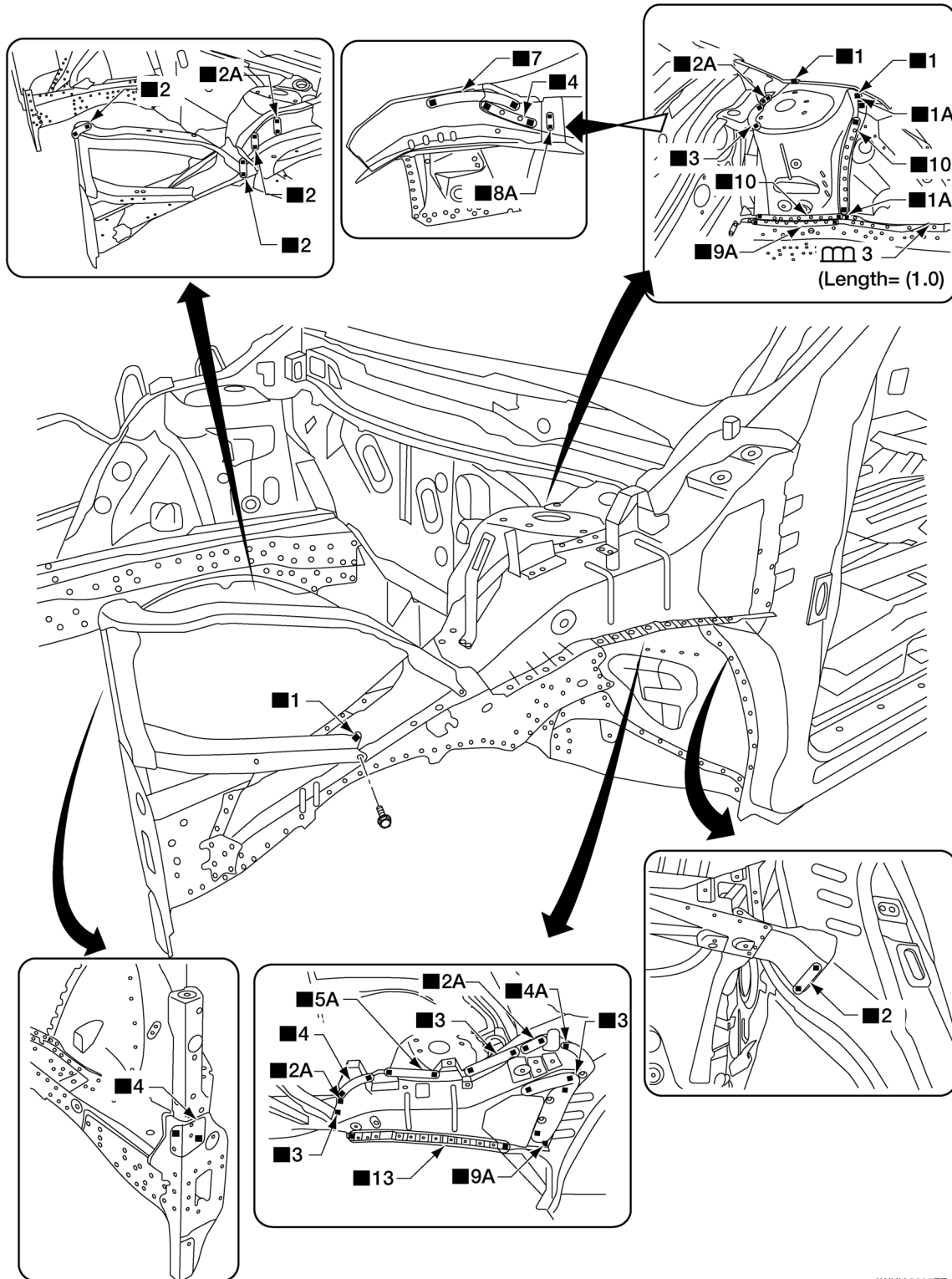
REPLACEMENT OPERATIONS

< REMOVAL AND INSTALLATION >

Hoodledge

INFOID:000000011152219

A
B
C
D
E
F
G
H
I
J
K
L
M
N
O
P



BRM

AWKIA3235ZZ

Unit: mm (in)

Replacement parts

- Front suspension spring support
- Hoodledge reinforcement
- Upper radiator core support
- A. Bolt
- ⇐ Front

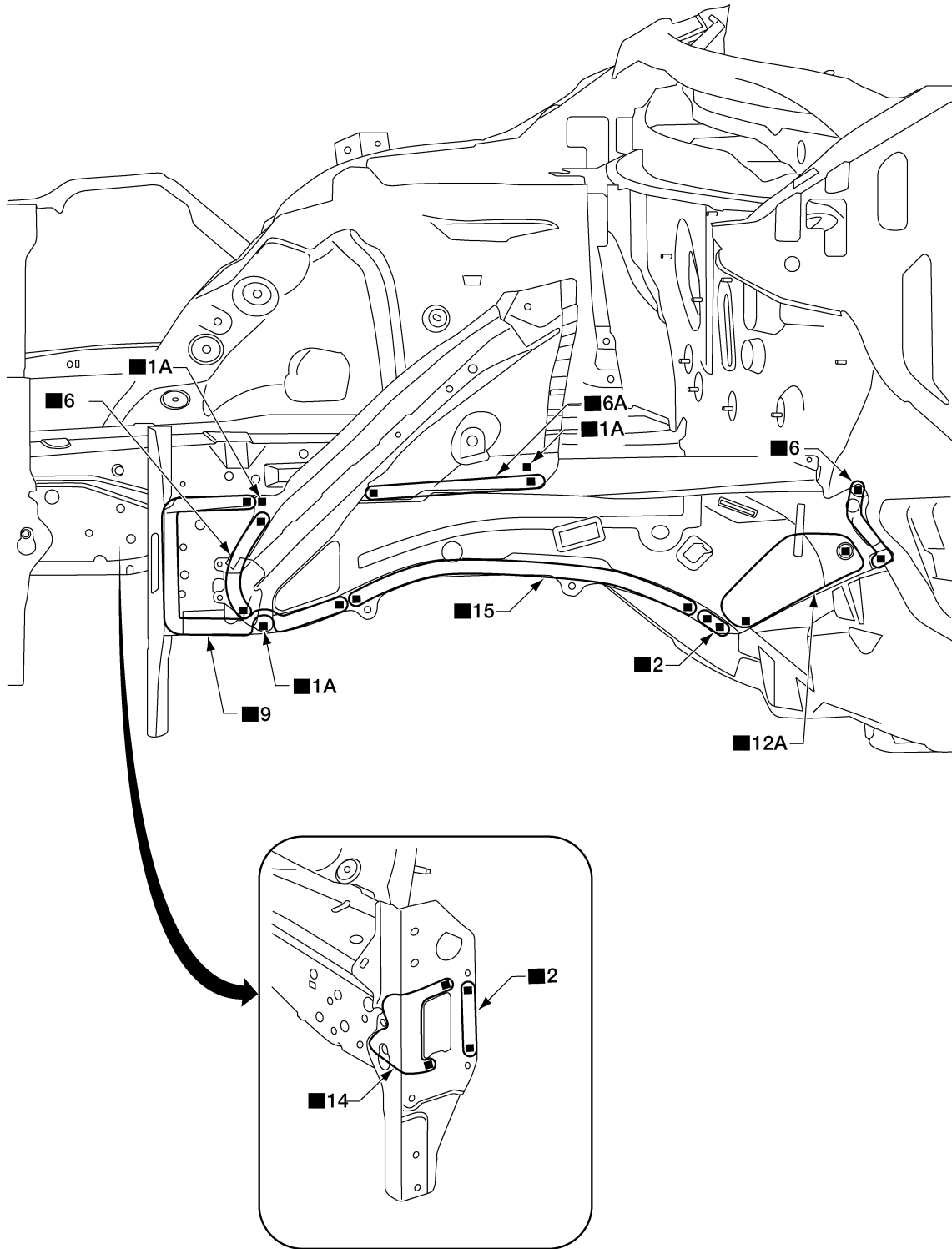
REPLACEMENT OPERATIONS

< REMOVAL AND INSTALLATION >

Front Side Member (Partial Replacement)

INFOID:000000011152220

Work after the hoodledge has been removed.



AWKIA3236ZZ

Unit: mm (in)

Replacement parts

- Front side member
- Closing plate assembly
- Radiator core side support

REPLACEMENT OPERATIONS

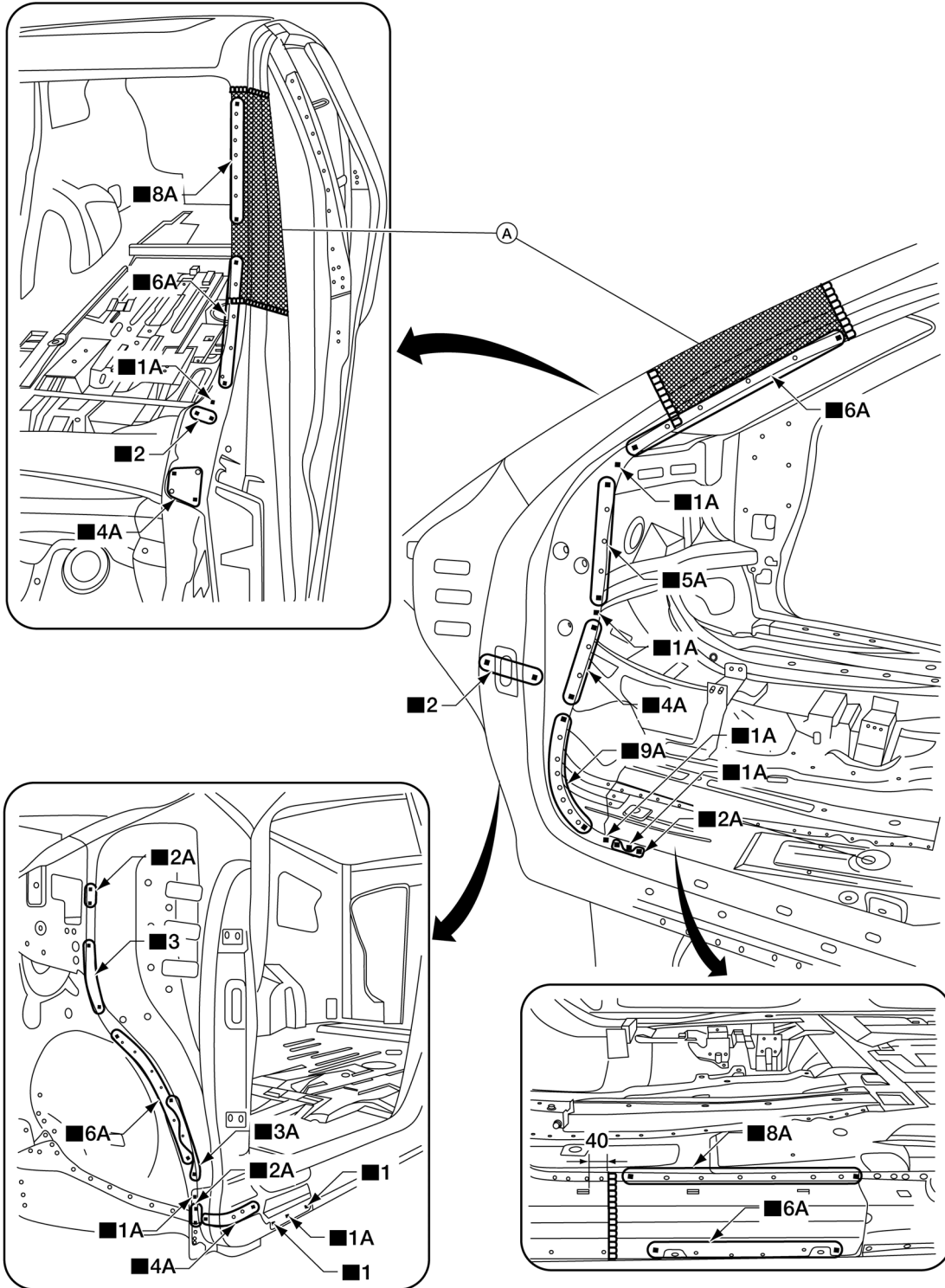
< REMOVAL AND INSTALLATION >

Front Pillar

INFOID:000000011152221

OUTER

- Work after the upper hoodledge has been removed.



A
B
C
D
E
F
G
H
I
J
K
L
M
N
O
P

BRM

Replacement parts

- Front pillar section of front body side outer A. Recommended sectioning location

ALKIA2752ZZ

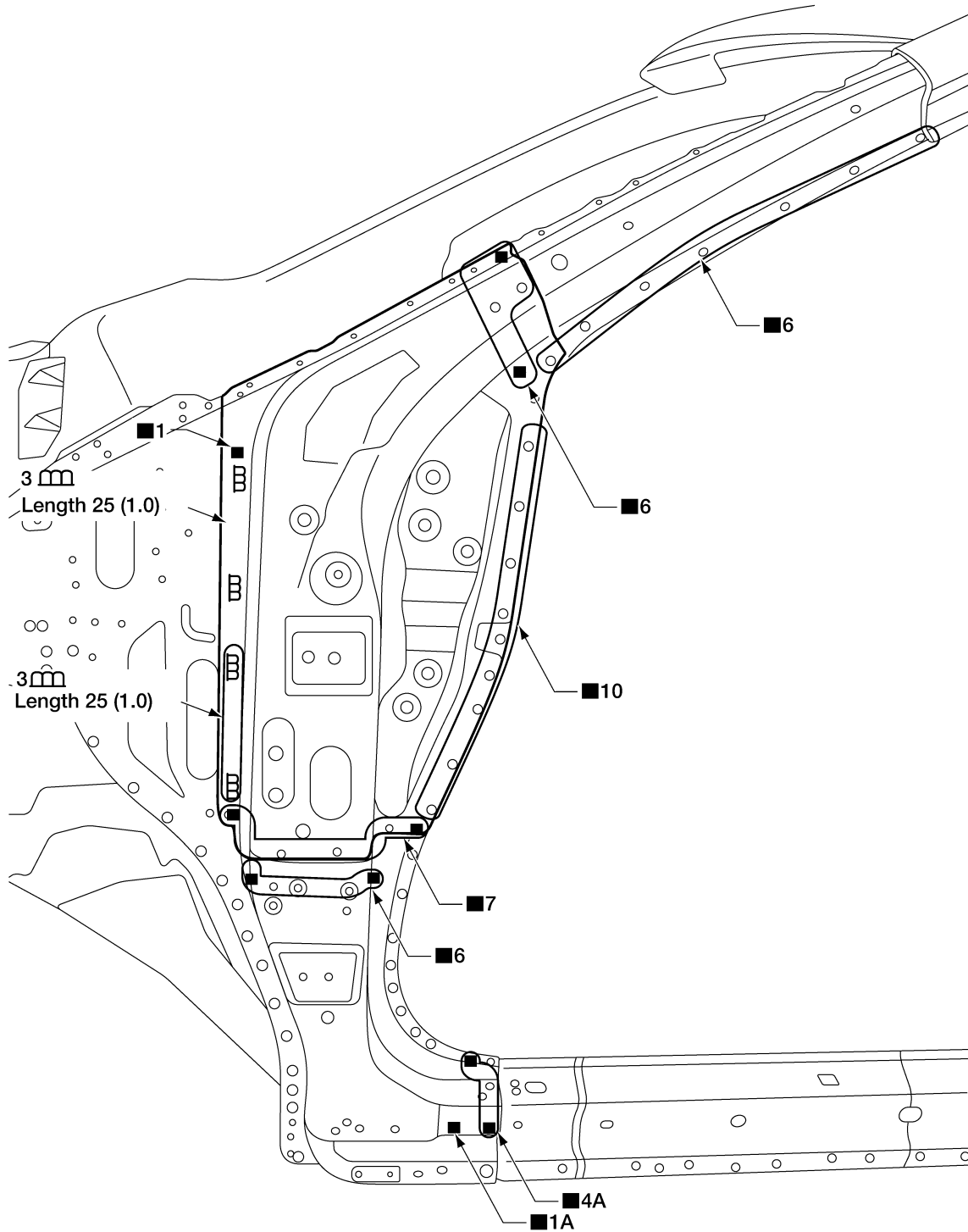
REPLACEMENT OPERATIONS

< REMOVAL AND INSTALLATION >

HINGE PILLAR BRACE

Upper

- Work after front pillar outer has been removed.



AWKIA2144ZZ

Unit: mm (in)

Replacement parts

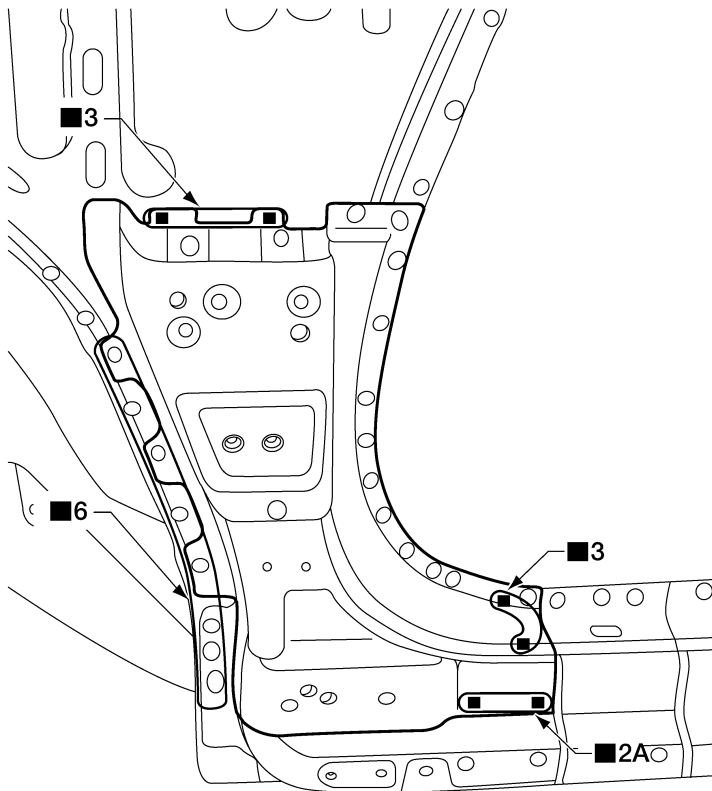
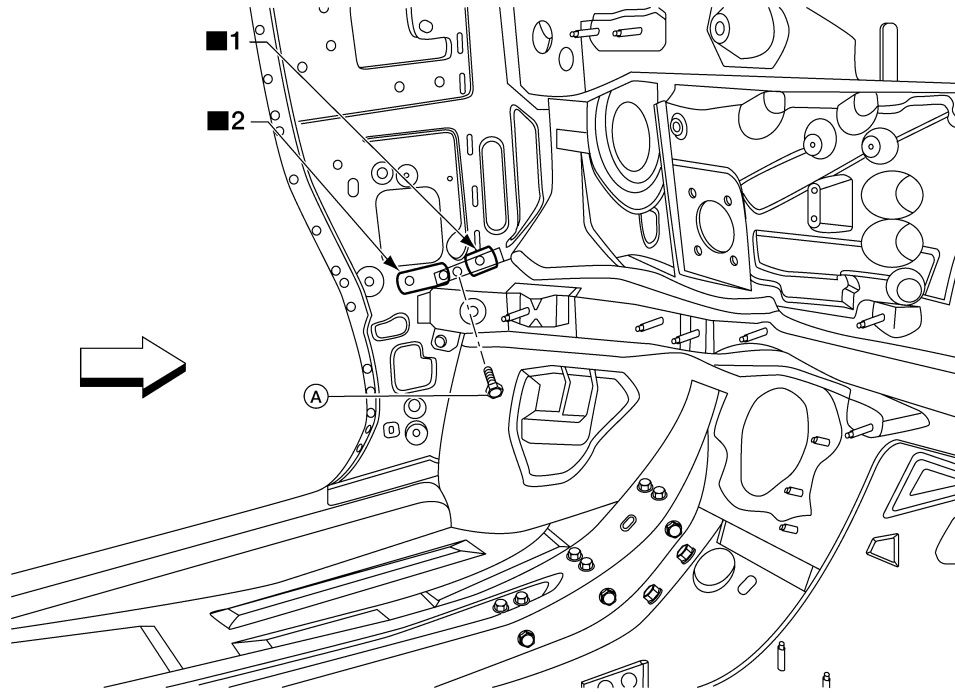
- Front pillar upper hinge brace

Lower

REPLACEMENT OPERATIONS

< REMOVAL AND INSTALLATION >

- Work after hinge pillar upper has been removed.



Replacement parts

- Front pillar lower hinge brace

A. Bolt

← Front

ALKIA2756ZZ

A
B
C
D
E
F
G
H
I
J
BRM
L
M
N
O
P

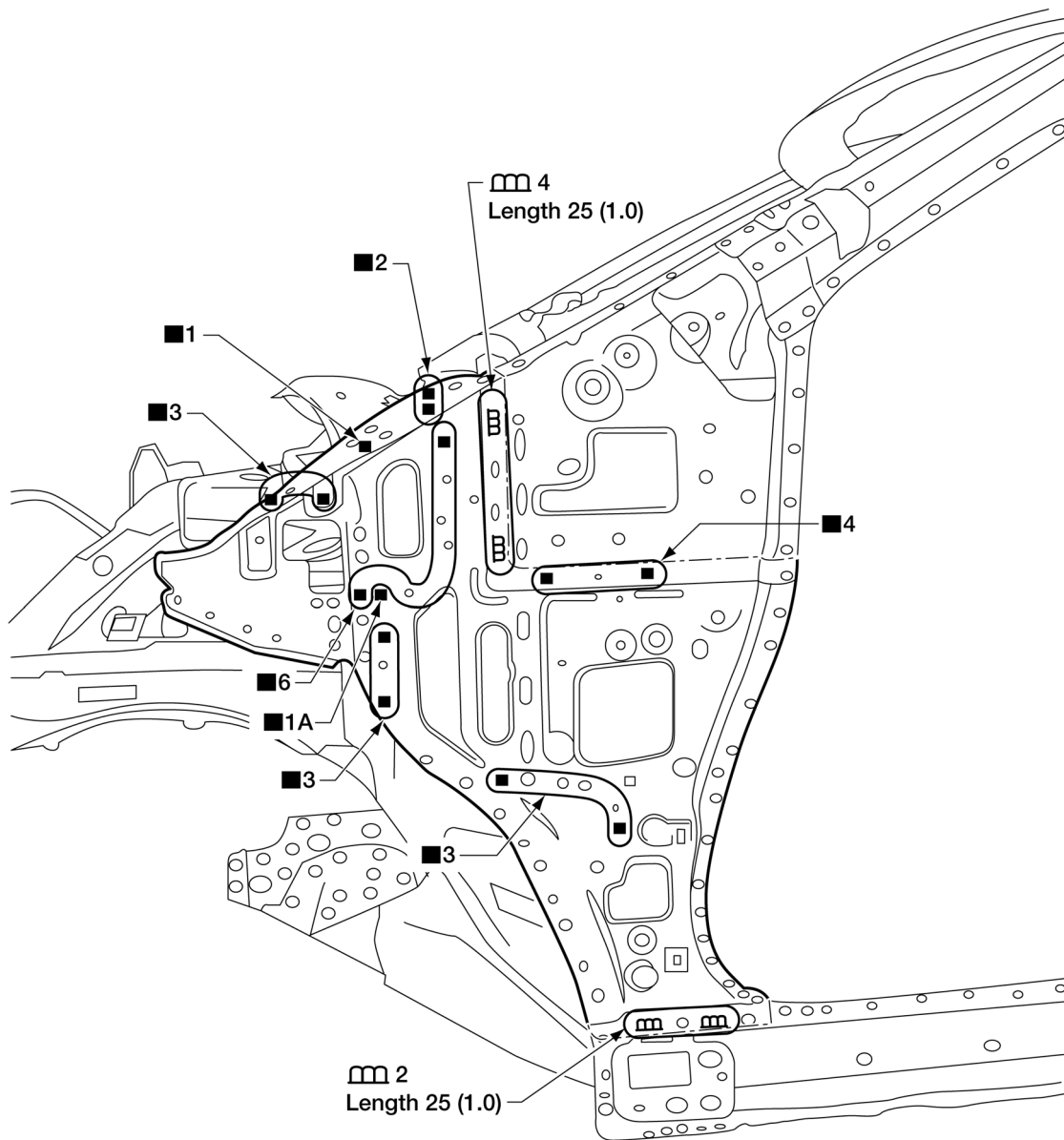
REPLACEMENT OPERATIONS

< REMOVAL AND INSTALLATION >

Dash Side

INFOID:000000011152222

Work after the front pillar portion of body side inner reinforcement and the front pillar lower hinge brace have been removed.



ALKIA2522ZZ

Unit: mm (in)

Replacement parts

- Dash side

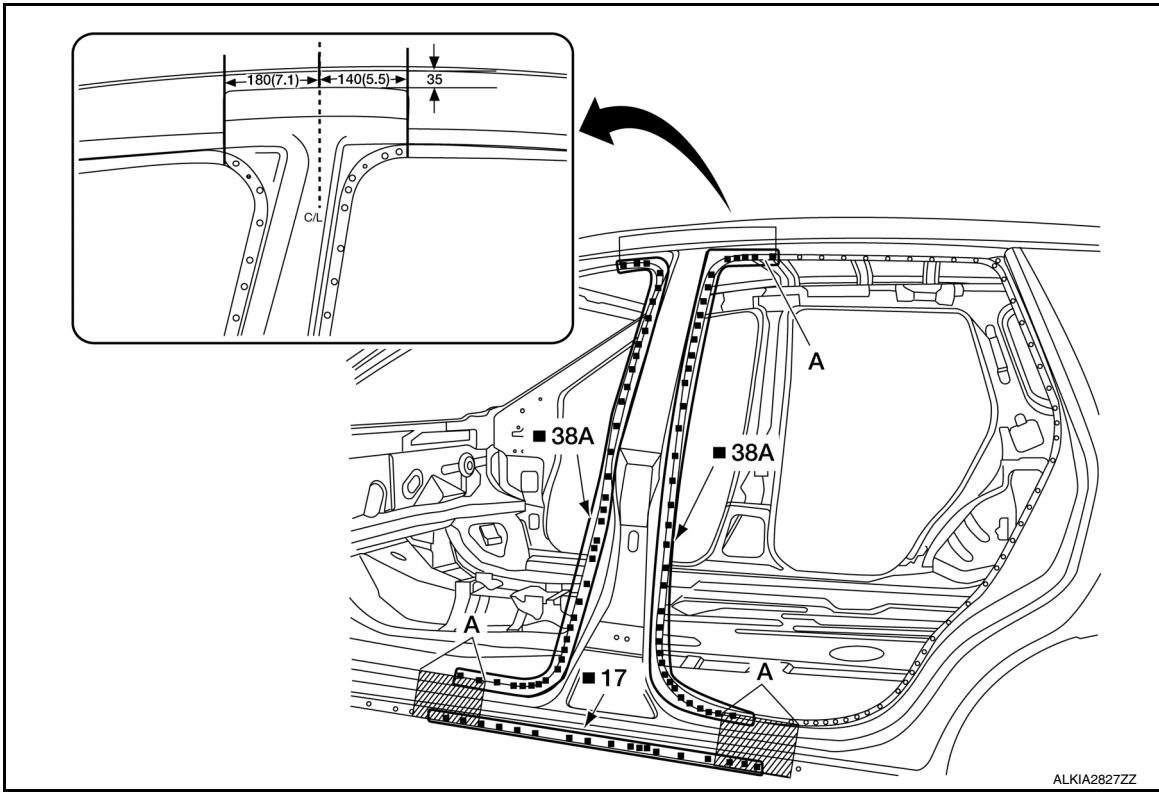
REPLACEMENT OPERATIONS

< REMOVAL AND INSTALLATION >

Center Pillar

INFOID:000000011152223

OUTER



Unit: mm (in)

Replacement parts

- Center pillar portion of front body side outer A. Recommended sectioning area

REINFORCEMENT

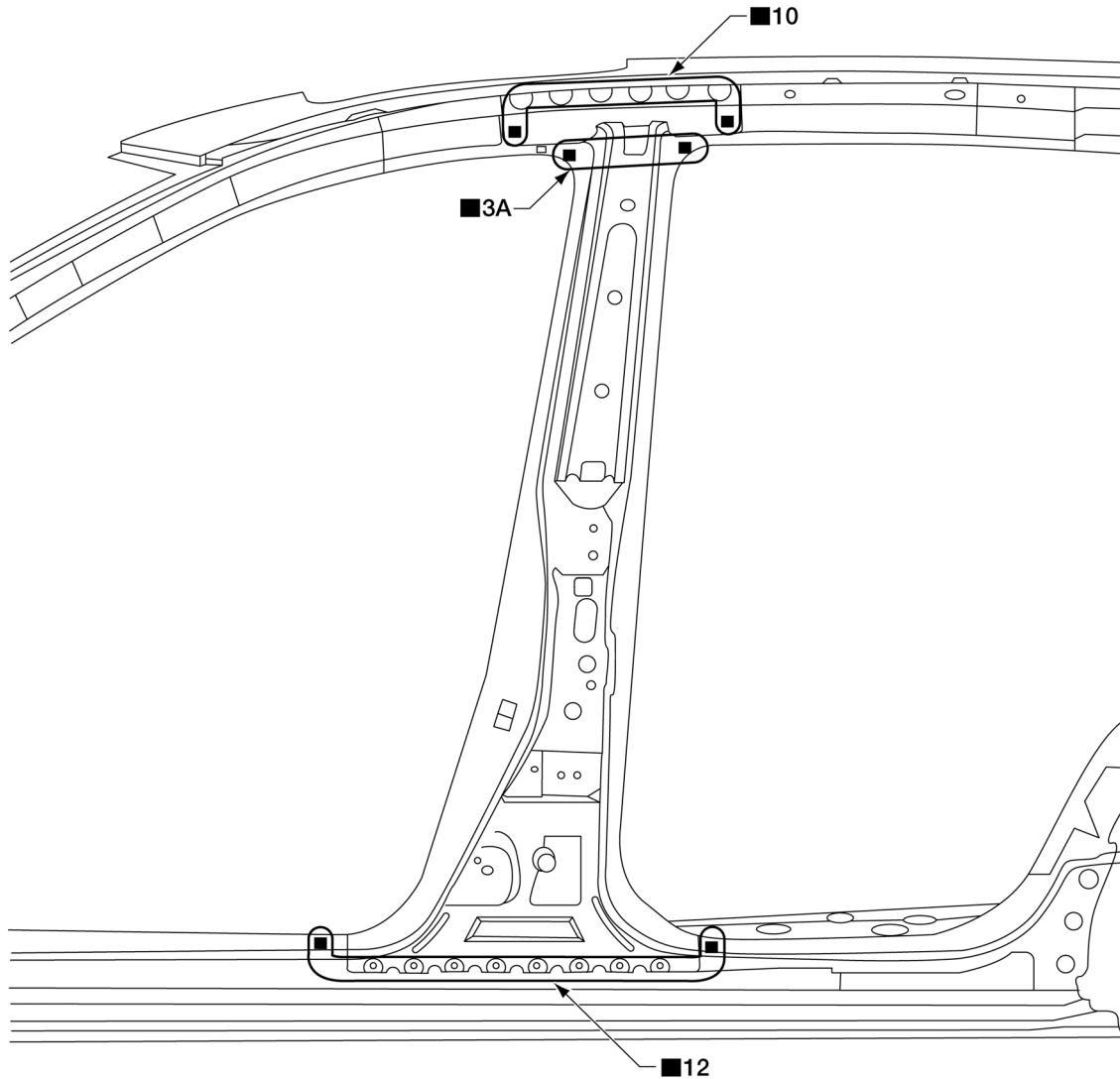
Work after center pillar portion of front body side outer has been removed.

A
B
C
D
E
F
G
H
I
J
L
M
N
O
P

BRM

REPLACEMENT OPERATIONS

< REMOVAL AND INSTALLATION >



ALKIA2452ZZ

Replacement parts

- Center pillar reinforcement

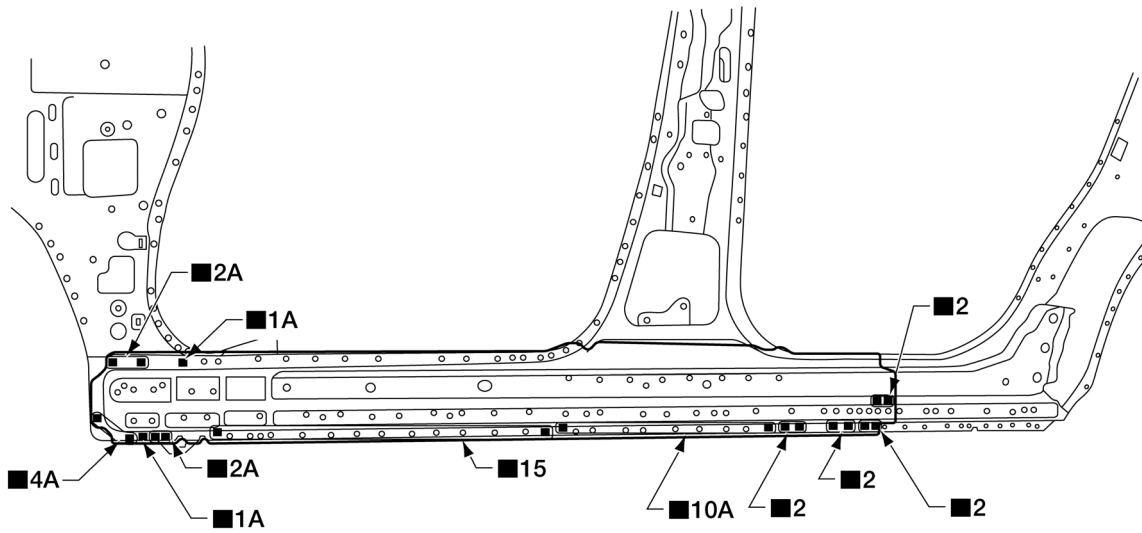
Outer Sill Reinforcement

INFOID:00000001115224

Work after front pillar lower hinge brace, center pillar reinforcement and outer sill reinforcement extension have been removed.

REPLACEMENT OPERATIONS

< REMOVAL AND INSTALLATION >



Replacement parts

- Outer sill reinforcement

ALKIA2453ZZ

A
B
C
D
E
F
G
H
I
J
L
M
N
O
P

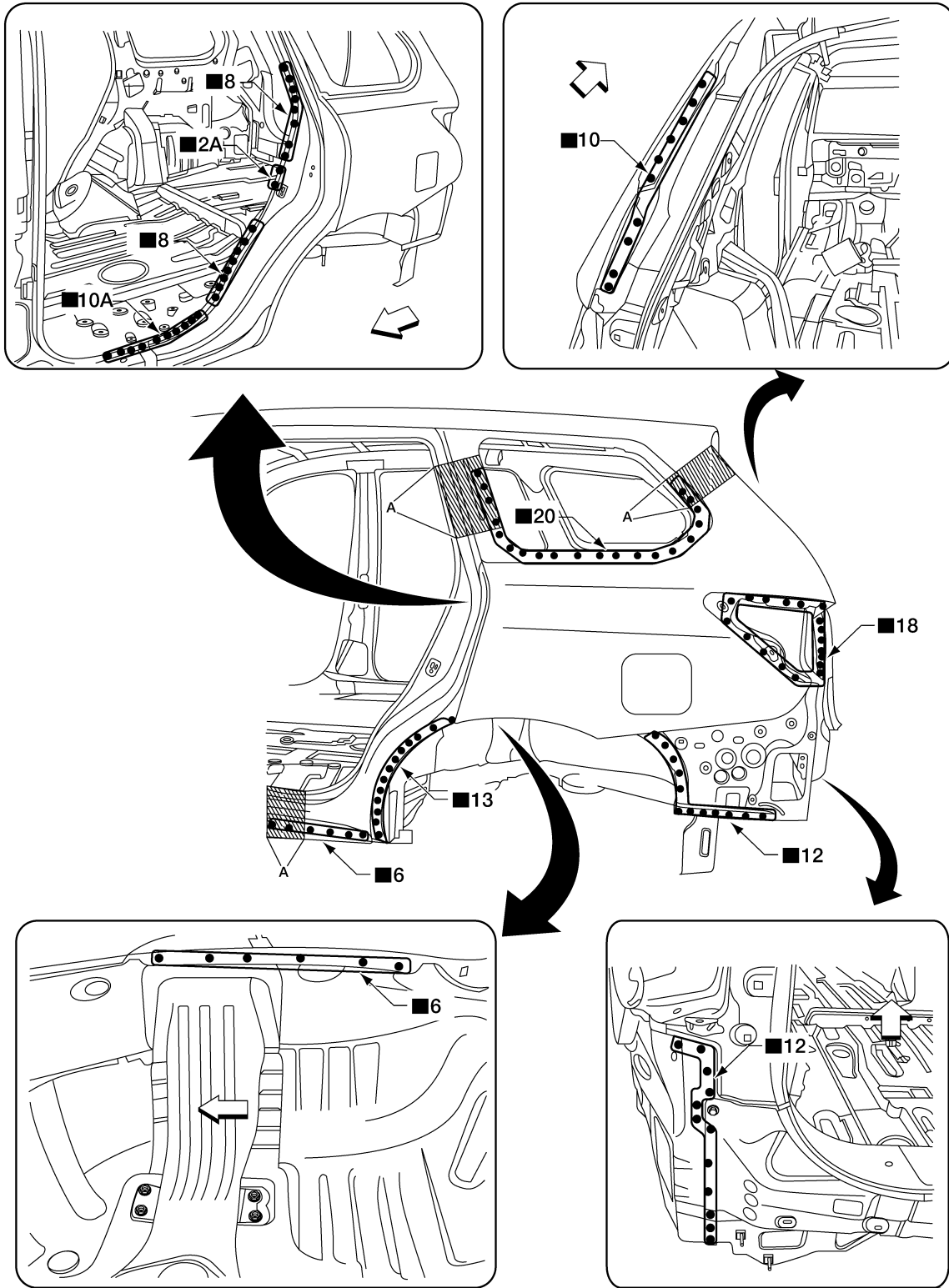
BRM

REPLACEMENT OPERATIONS

< REMOVAL AND INSTALLATION >

Rear Fender

INFOID:00000001115225



ALKIA2831ZZ

Replacement parts

- Rear fender

A. Recommended sectioning location

↩ Front

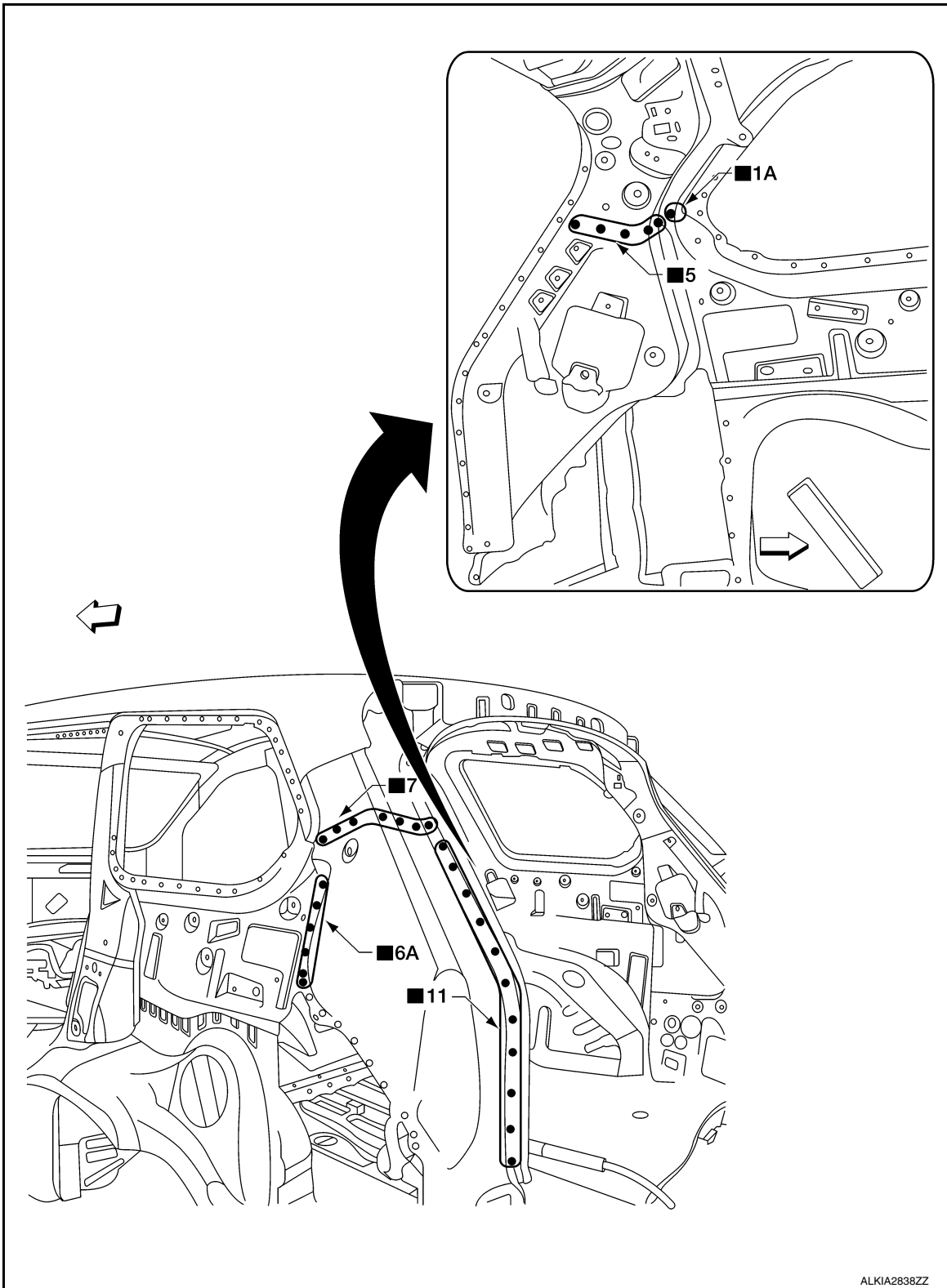
REPLACEMENT OPERATIONS

< REMOVAL AND INSTALLATION >

Rear Body Side Inner Assembly

INFOID:000000011152226

- Work after rear body side outer has been removed.



Replacement parts

- Rear pillar assembly

← Front

A
B
C
D
E
F
G
H
I
J
BRM
L
M
N
O
P

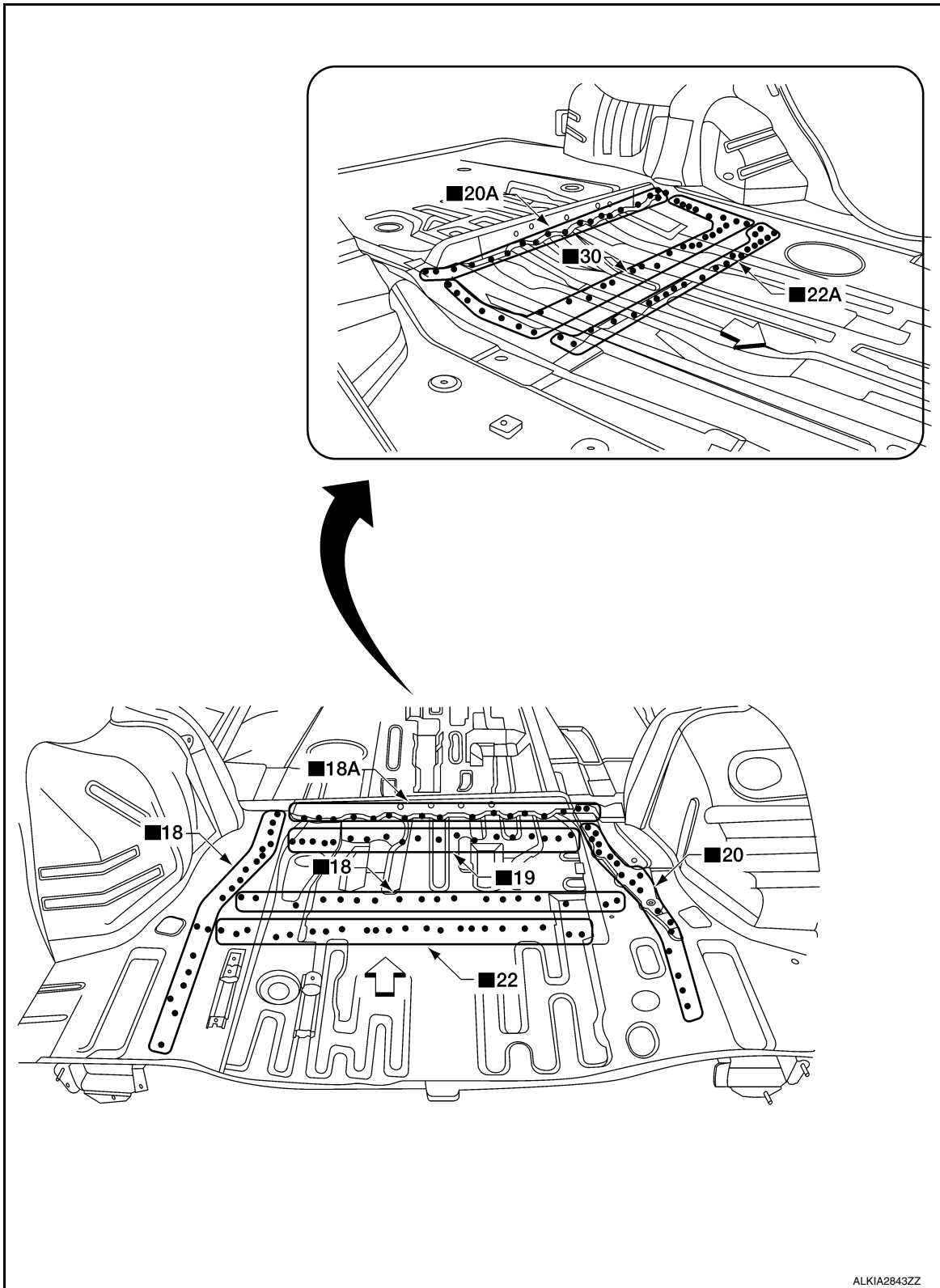
REPLACEMENT OPERATIONS

< REMOVAL AND INSTALLATION >

Rear Floor Rear

INFOID:00000001115227

- Work after rear panel assembly has been removed.



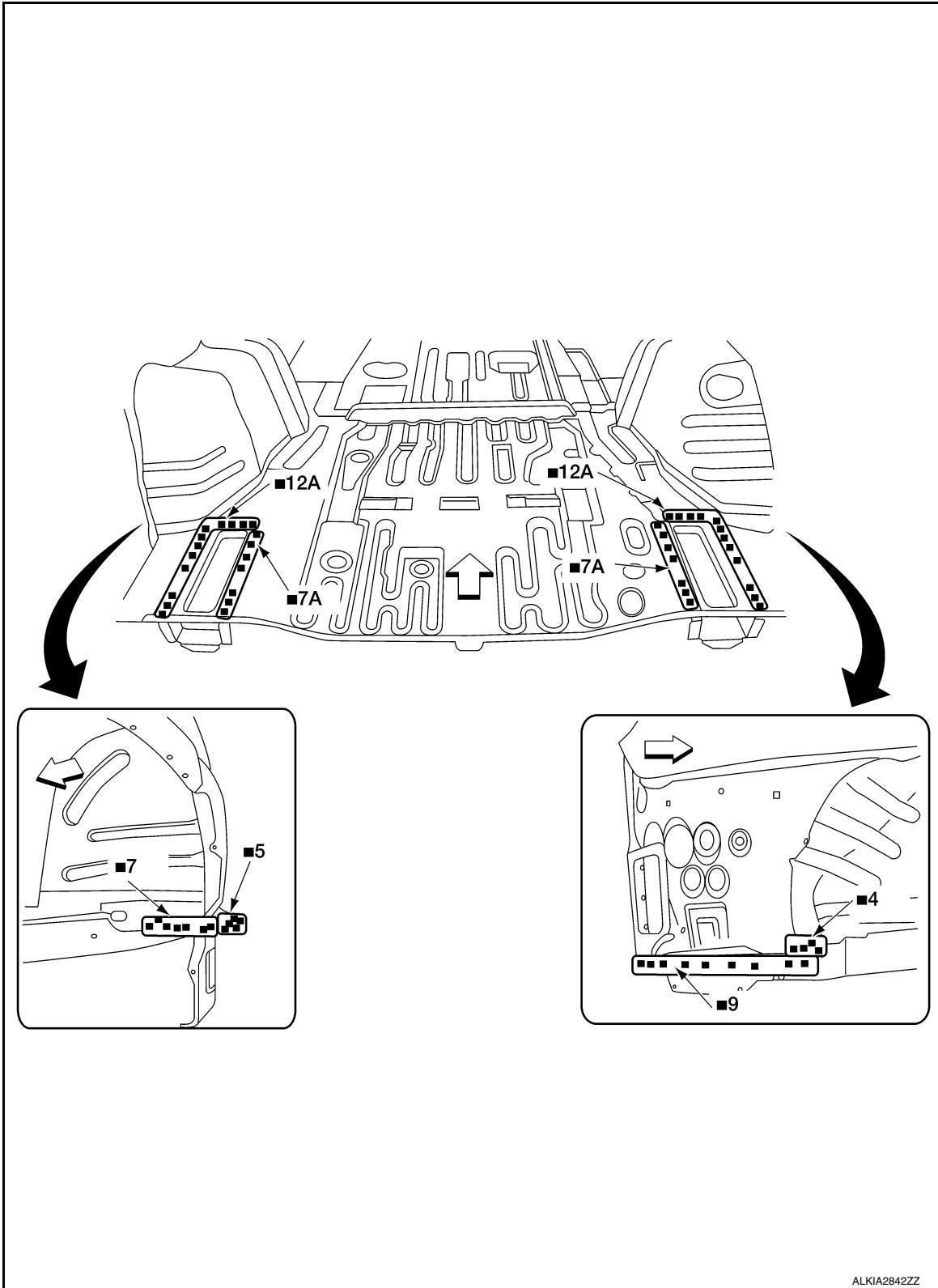
Replacement parts

- Rear floor rear

◁ Front

REPLACEMENT OPERATIONS

< REMOVAL AND INSTALLATION >



ALKIA2842ZZ

Replacement parts

- Rear side floor (RH, LH)
- Rear floor side assembly (LH/RH) ← Front

A
B
C
D
E
F
G
H
I
J
K
L
M
N
O
P

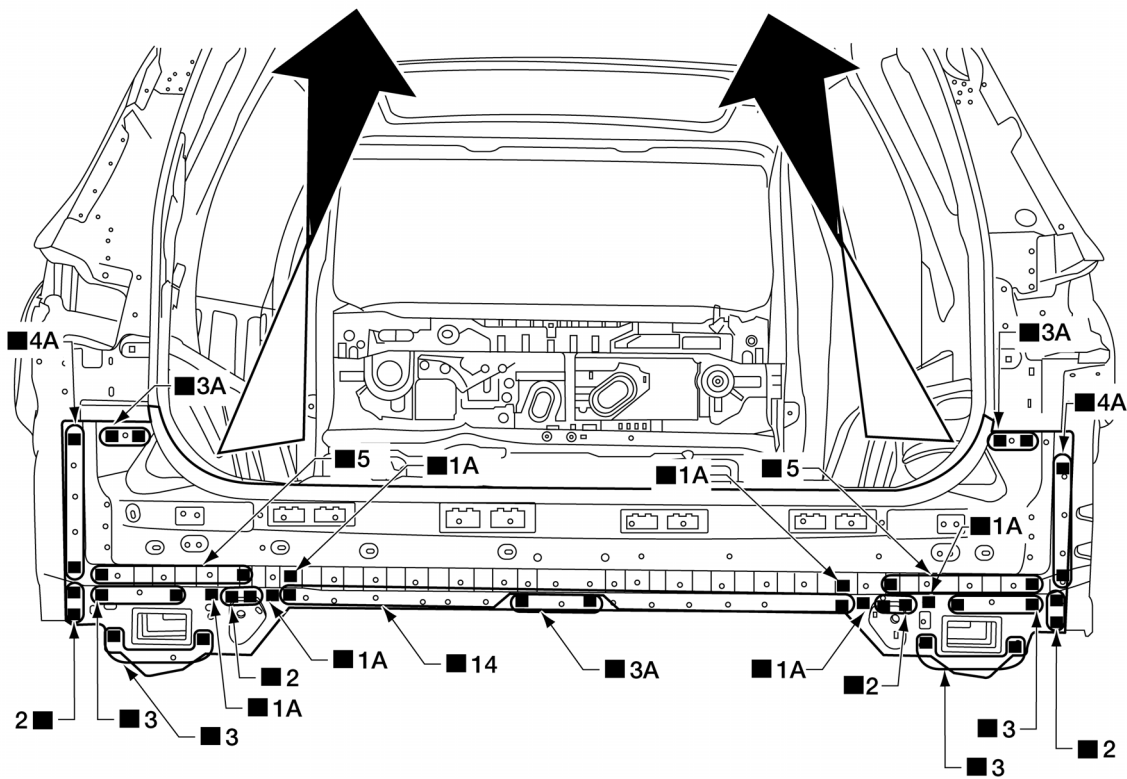
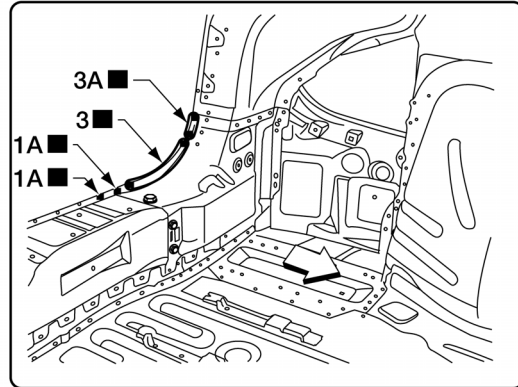
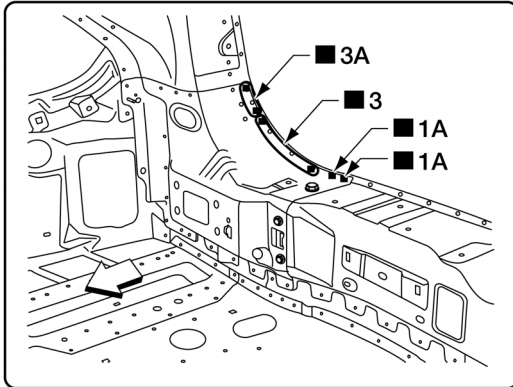
BRM

REPLACEMENT OPERATIONS

< REMOVAL AND INSTALLATION >

Rear Panel Assembly

INFOID:000000011152228



ALKIA2388ZZ

Replacement parts

- Rear panel assembly

← Front

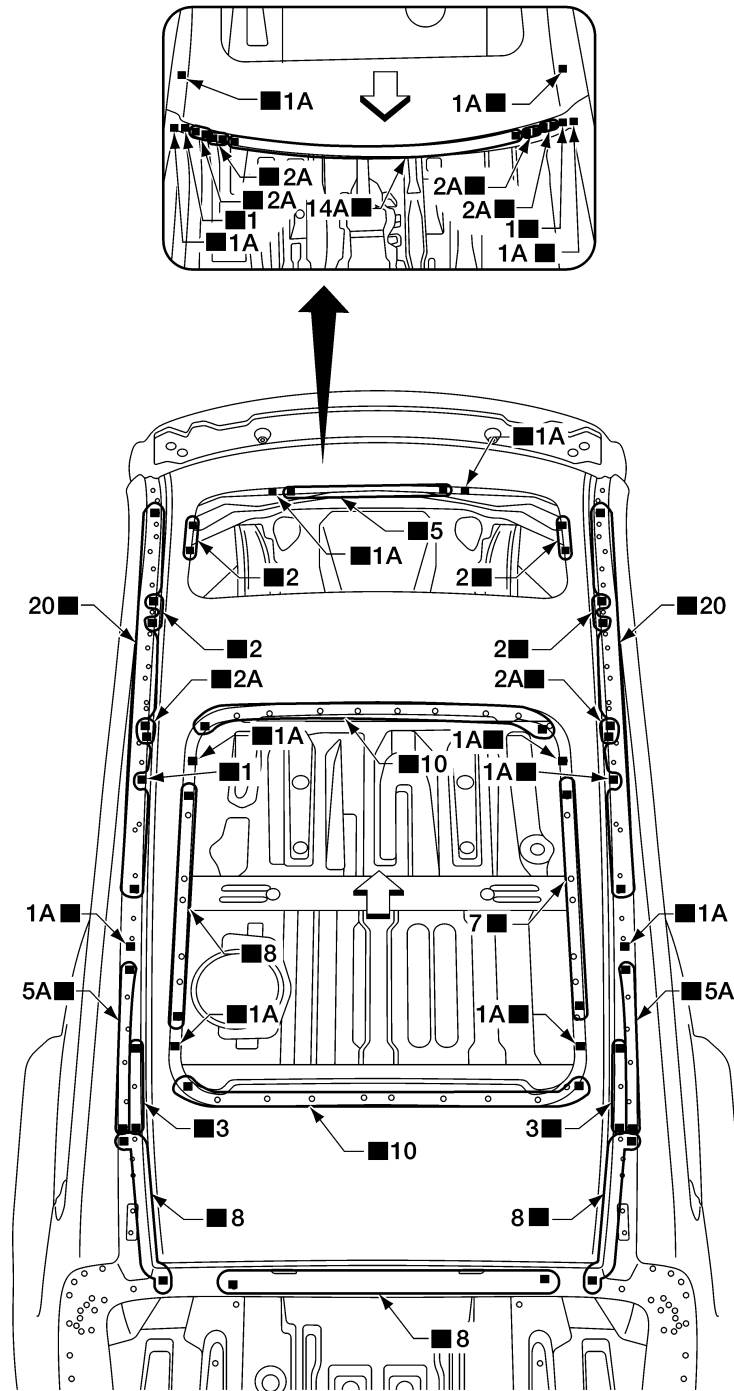
REPLACEMENT OPERATIONS

< REMOVAL AND INSTALLATION >

Roof

INFOID:000000011152229

A
B
C
D
E
F
G
H
I
J
K
L
M
N
O
P



BRM

Replacement parts

- Roof panel, panoramic roof shown ← Front

ALKIA2847ZZ

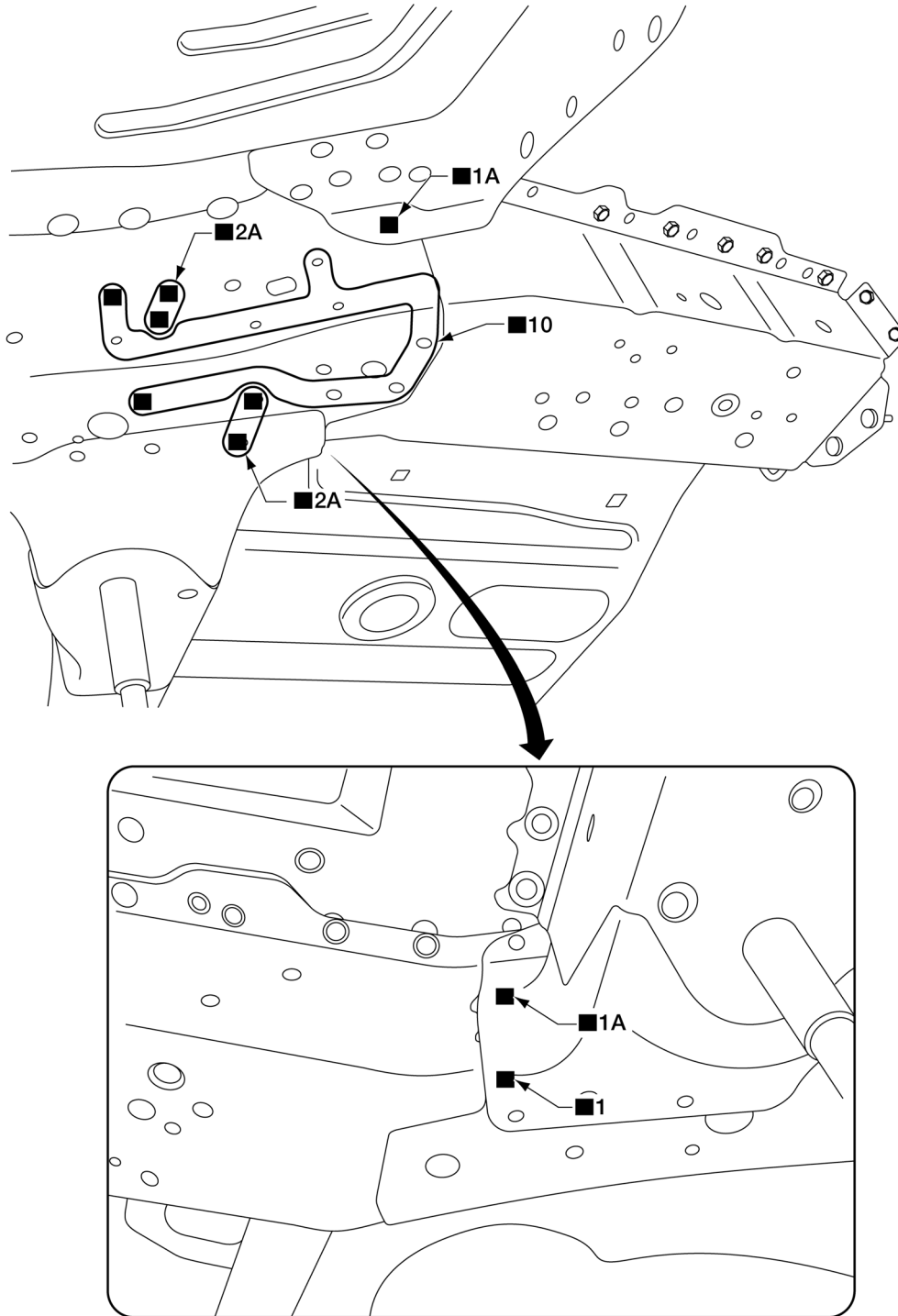
REPLACEMENT OPERATIONS

< REMOVAL AND INSTALLATION >

Rear Side Member Extension

INFOID:000000011152230

- Work after rear panel assembly has been removed.



ALKIA2459ZZ

Replacement parts

- Rear side member extension

BODY ALIGNMENT

< SERVICE DATA AND SPECIFICATIONS (SDS)

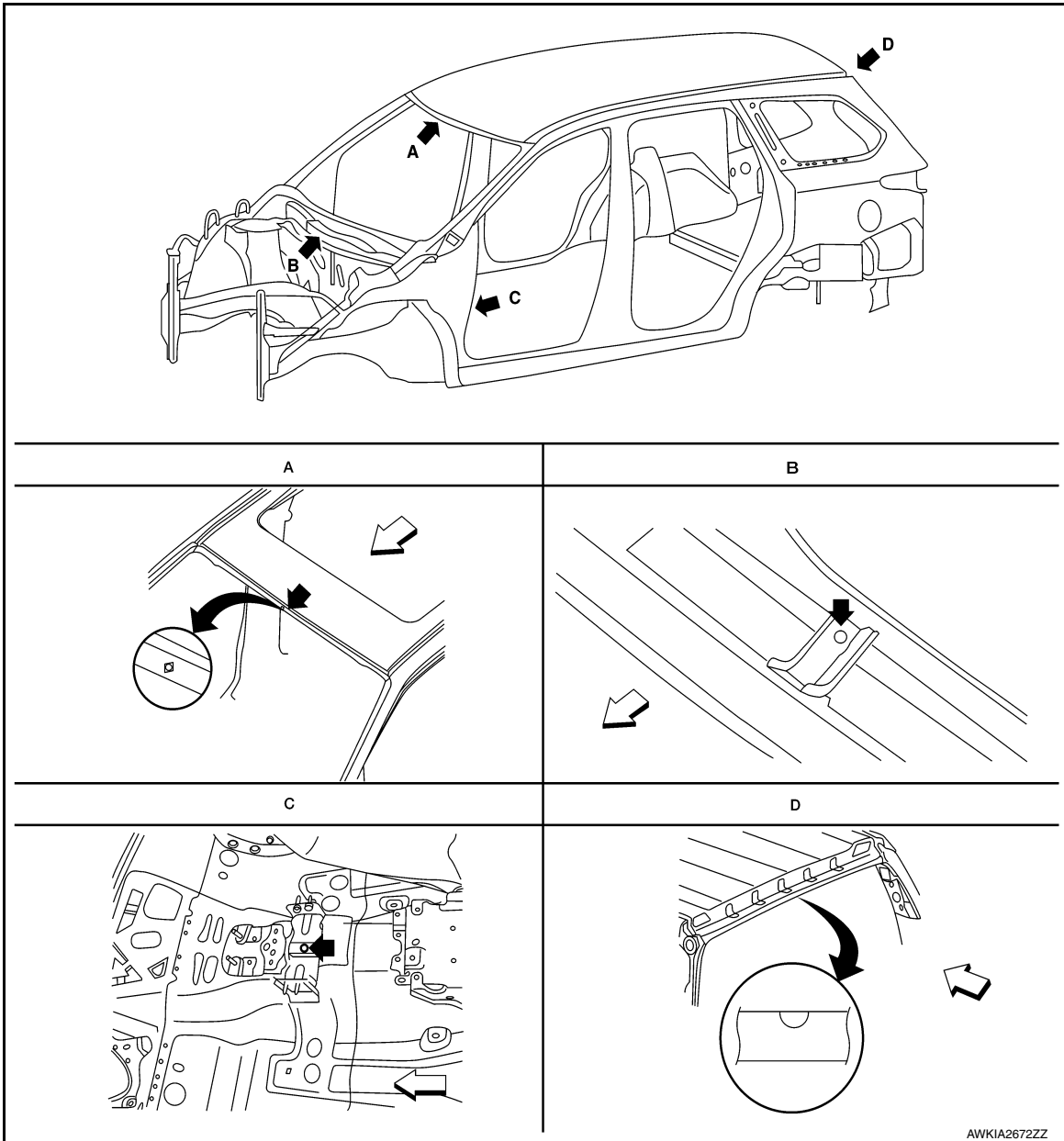
SERVICE DATA AND SPECIFICATIONS (SDS)

BODY ALIGNMENT

Body Center Marks

INFOID:000000011152231

A mark is placed on each part of the body to indicate the vehicle center. When repairing the vehicle frame (members, pillars, etc.) damaged in an accident the most accurate and effective repair will be achieved by using these marks together with body alignment specifications.



↶ Front

Points	Portion	Marks
A	Front roof	Embossment
B	Center cowl top	Hole
C	Front floor	Hole
D	Rear roof	Notch

A
B
C
D
E
F
G
H
I
J
BRM
L
M
N
O
P

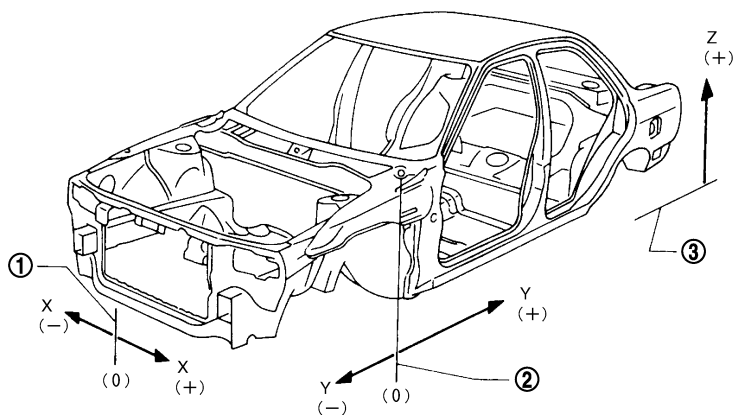
BODY ALIGNMENT

< SERVICE DATA AND SPECIFICATIONS (SDS)

Description

INFOID:000000011152232

- All dimensions indicated in the figures are actual.
- When using a tracking gauge, adjust both pointers to equal length. Then check the pointers and gauge itself to make sure there is no free play.
- When a measuring tape is used, check to be sure there is no elongation, twisting or bending.
- Measurements should be taken at the center of the mounting holes.
- An asterisk (*) following the value at the measuring point indicates that the measuring point on the other side is symmetrically the same value.
- The coordinates of the measurement points are the distances measured from the standard line of "X", "Y" and "Z".
- "Z": Imaginary base line [200 mm (7.87 in) below datum line ("0Z" at design plan)]



JSKIA0073GB

1. Vehicle center

2. Front axle center

3. Imaginary base line

Engine Compartment

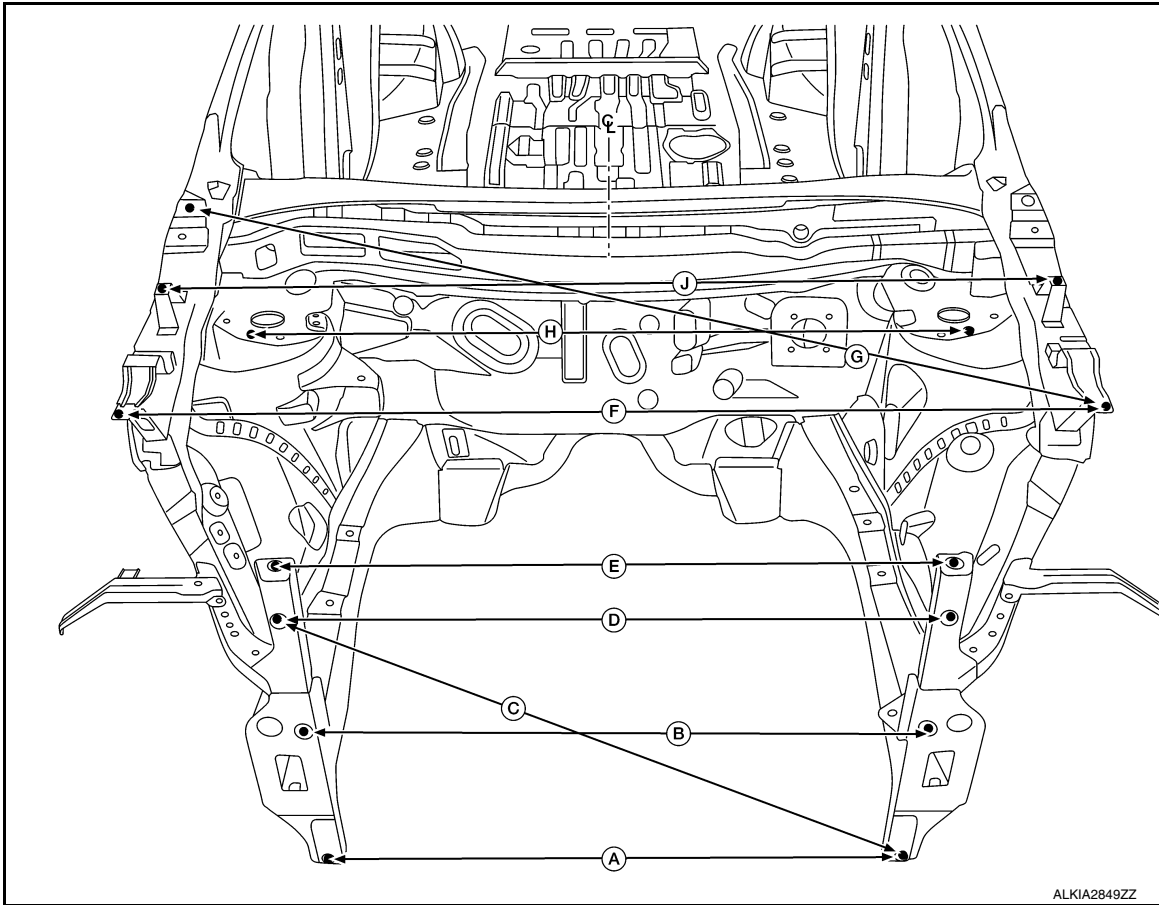
INFOID:000000011152233

MEASUREMENT

Dimensions are symmetrically identical on both the LH and RH sides of the vehicle.

BODY ALIGNMENT

< SERVICE DATA AND SPECIFICATIONS (SDS)



Unit: mm (in)

Position	Description	Measurement
A	Lower radiator support retaining hole 10 (0.4)	980 (38.6)
B	Upper inner bumper reinforcement retaining hole 10 (0.4)	973 (38.3)
C	Upper front radiator support retaining hole to lower radiator support retaining hole 10 (0.4)	1110 (43.7)
D	Upper front radiator support retaining hole 10 (0.4)	970 (38.2)
E	Top radiator support retaining hole 10 (0.4)	970 (38.2)
F	Front fender mounting bracket hole 8 (0.3)	1610 (63.4)
G	Rear hinge retaining hole 10 (0.4) to front fender bracket retaining hole 8 (0.3)	1590 (62.6)
H	Strut tower locator hole 12 (0.5)	1293 (50.9)
J	Center fender bracket retaining hole 8 (0.3)	1645 (64.8)

Underbody

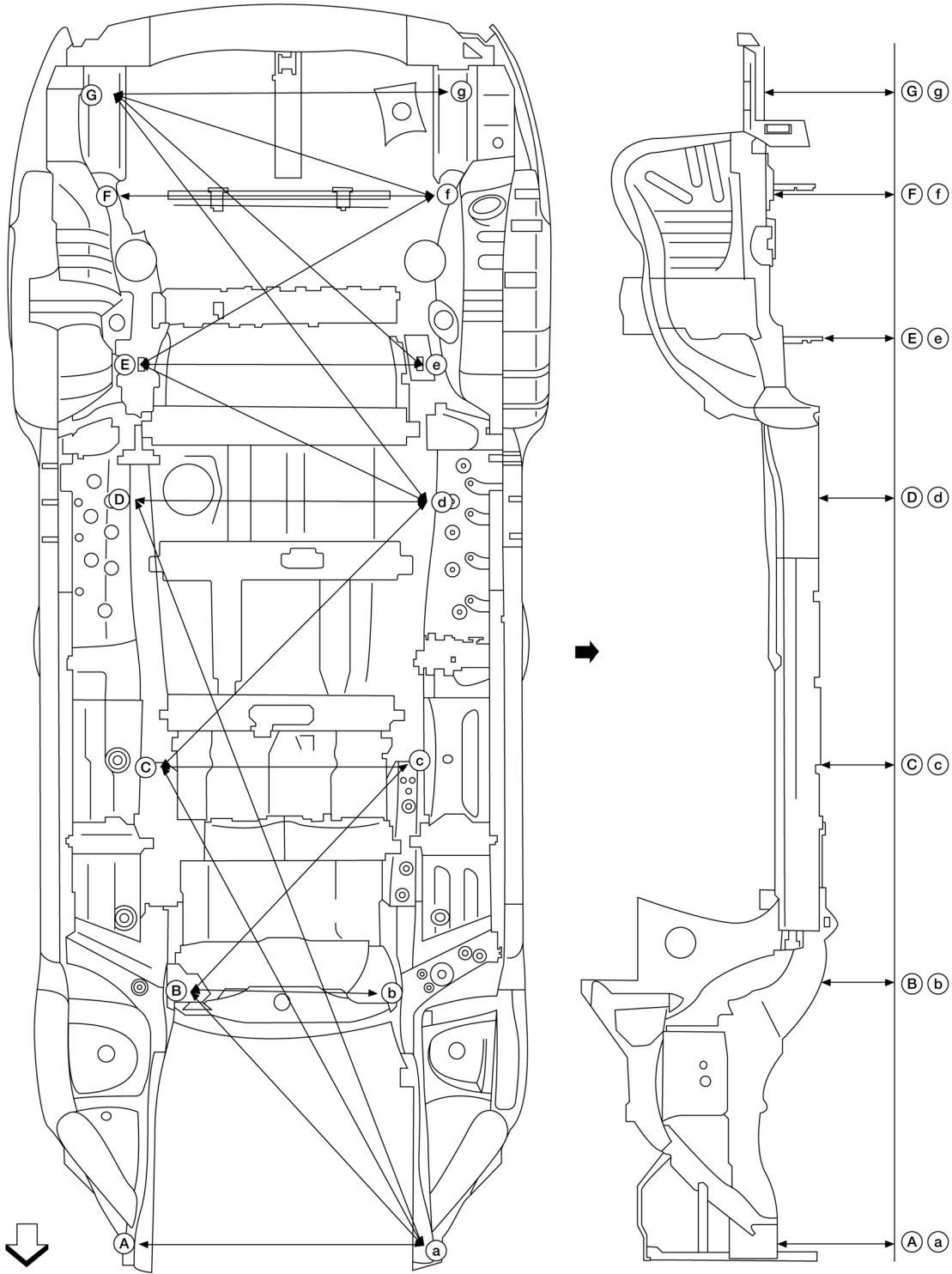
INFOID:0000000011152234

MEASUREMENT

The following shows a bottom view and a side view of the vehicle.

BODY ALIGNMENT

< SERVICE DATA AND SPECIFICATIONS (SDS)



ALKIA2435ZZ

⇐ Front

← Vehicle left side

Unit: mm (in)

Coordinates	Measurement	Coordinates	Measurement	Coordinates	Measurement
A-a	994.10 (39.14)	a-B*	1271.61 (50.00)	a-C*	2005.56 (78.96)
A-d*	2908.27 (114.50)	B-b	654.04 (25.75)	B-c*	1119.19 (44.06)
C-c	847.12 (33.35)	C-d*	1351.85 (53.22)	D-d	1027.90 (40.47)

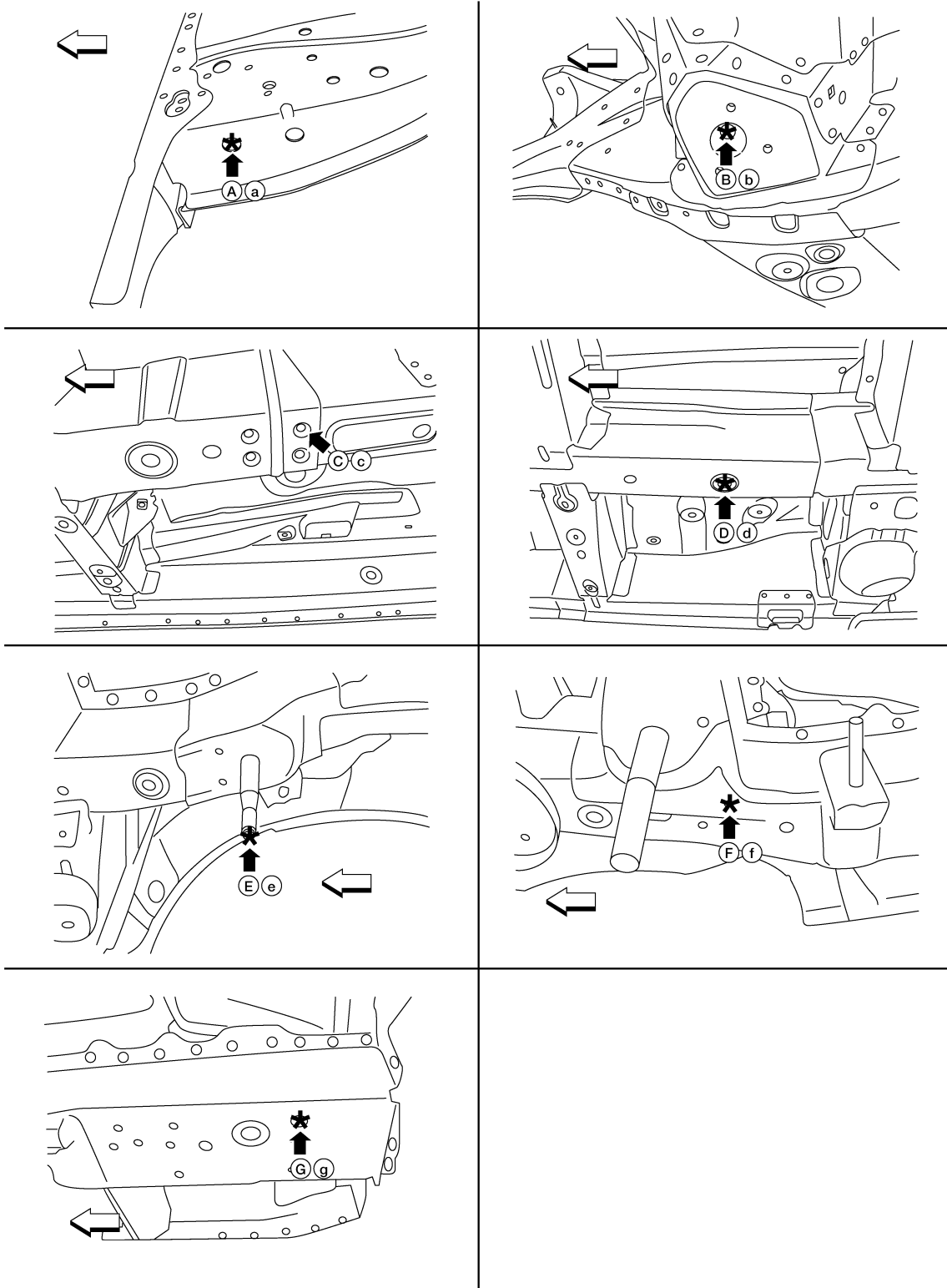
BODY ALIGNMENT

< SERVICE DATA AND SPECIFICATIONS (SDS)

Coordinates	Measurement	Coordinates	Measurement	Coordinates	Measurement
d-E*	1142.51 (44.98)	D-g*	1845.85 (72.67)	E-e	1002.00 (39.45)
E-f*	1235.80 (48.65)	e-G*	1470.80 (57.91)	F-f	1130.19 (44.50)
F-f	1130.19 (44.50)	f-G*	1216.41 (47.89)	G-g	1187.54 (46.76)

Dimensions marked with "*" indicate symmetrically identical dimensions on both the LH and RH sides of the vehicle.

MEASUREMENT POINTS



A
B
C
D
E
F
G
H
I
J
L
M
N
O
P

BRM

AWKIA2670ZZ

BODY ALIGNMENT

< SERVICE DATA AND SPECIFICATIONS (SDS)

↶ Front

Unit: mm (in)

Points	Coordinates			Remarks
	X	Y	Z	
A, a	±497.00 (±19.57)	±-555.50 (-12.87)	330.00 (12.99)	Hole 12.00 (0.47)
B, b	±327.00 (±12.87)	395.89 (15.59)	143.80 (5.66)	Hole 12.00 (0.47)
C, c	±437.06 (±17.21)	1212.19 (47.72)	171.93 (6.77)	Hole 9.00 (0.35)
D, d	±513.95 (±20.23)	1270.09 (50.00)	154.00 (6.06)	Hole 18.00×16.00 (0.71×0.63)
E, e	±501.0 (±19.72)	2683.00 (105.63)	135.90 (5.35)	Center of stud end
F, f	±556.09 (±21.89)	3273.92 (128.89)	336.33 (13.24)	Hole 10.00 ×8.00 (0.36 x 0.31)
G, g	±593.79 (±23.38)	3643.54 (143.45)	340.93 (13.42)	Hole 11 (0.43)

Passenger Compartment

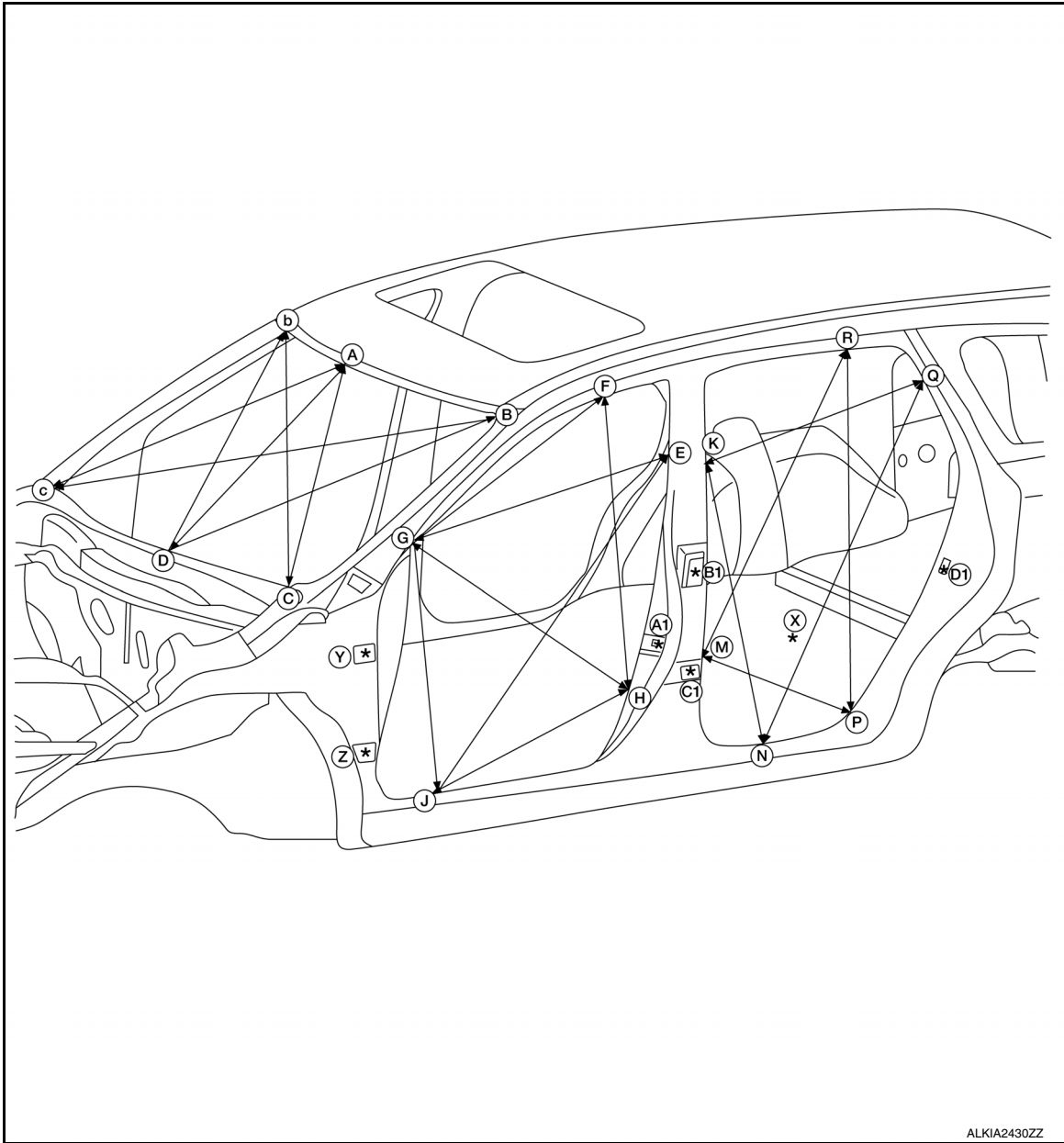
INFOID:0000000011152235

MEASUREMENT

Dimensions are symmetrically identical on both the LH and RH side of the vehicle.

BODY ALIGNMENT

< SERVICE DATA AND SPECIFICATIONS (SDS)



ALKIA2430ZZ

Unit: mm (in)

Coordinates	Measurement	Coordinates	Measurement	Coordinates	Measurement
A-C*	1070.63 (42.15)	A-D	855.50 (34.86)	C-b*	1611.94 (63.46)
D-B*	1138.82 (44.84)	E-J*	1256.45 (49.47)	F-H*	898.75 (35.38)
G-E*	910.84 (35.86)	G-F*	753.15 (29.65)	G-H*	932.50 (36.71)
G-J*	807.46 (31.79)	J-H*	686.20 (27.02)	K-N*	987.80 (38.89)
K-Q*	765.81 (30.15)	M-P*	593.58 (23.37)	M-R*	1095.30 (43.12)
Q-N*	1221.00 (48.07)	R-P*	1100.00 (43.31)	Y-D1*	2101.67 (82.74)
A1-D1*	1044.44 (41.12)	A1-Y*	1079.32 (42.49)	A1-Z*	1074.80 (42.31)
B1-D1*	912.80 (33.94)	C1-D1	986.90 (38.85)	R-X	1260.00 (49.61)
r-X	1305.40 (51.39)	K-X	1355.65 (53.37)	k-X	1305.74 (51.41)
Q-X	1249.05 (49.18)	q-X	1197.86 (47.16)*	W-F*	1474.34 (58.04)
W-E*	2443.60 (96.20)*	W-G	3259.90 (128.34)		

A
B
C
D
E
F
G
H
I
J

BRM

L
M
N
O
P

BODY ALIGNMENT

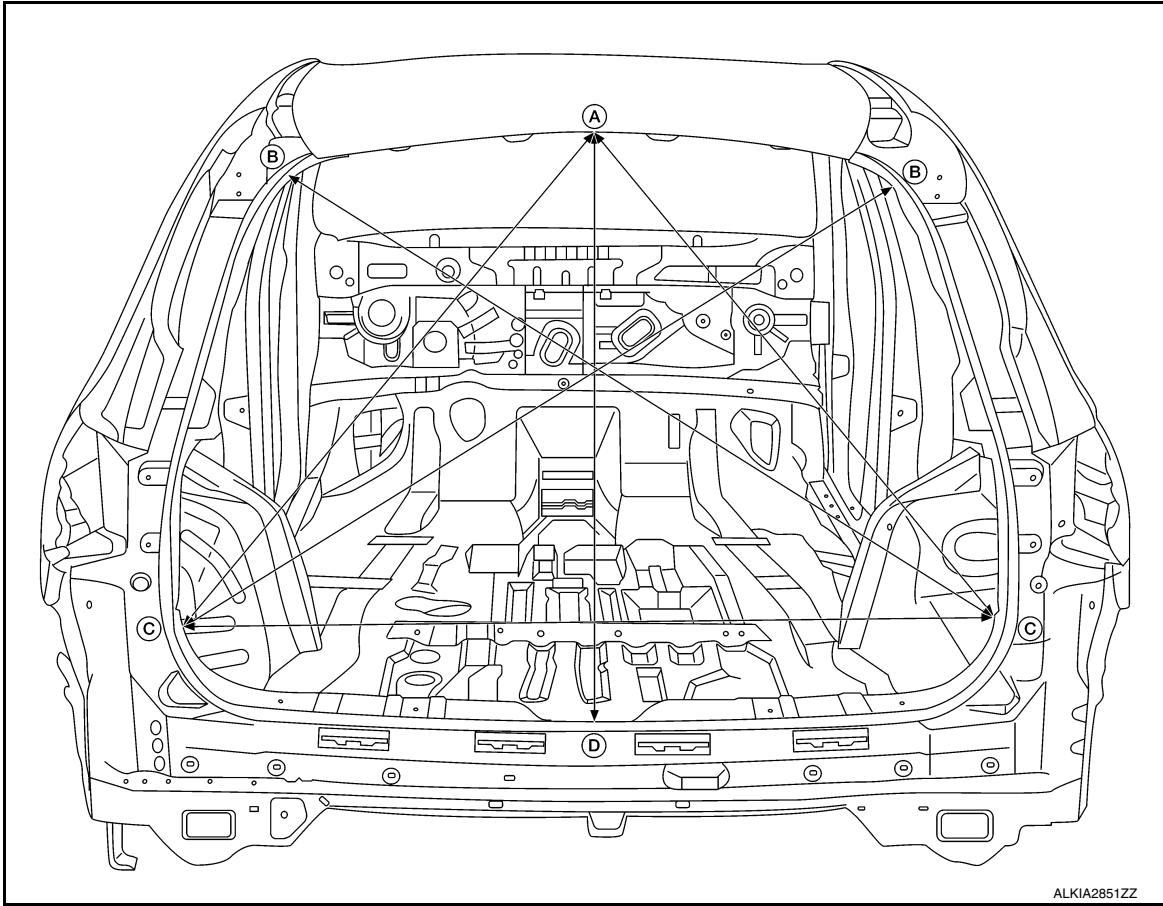
< SERVICE DATA AND SPECIFICATIONS (SDS)

Rear Body

INFOID:000000011152236

MEASUREMENT

Dimensions marked with "*" indicate symmetrically identical dimensions on both the RH and LH side of the vehicle.



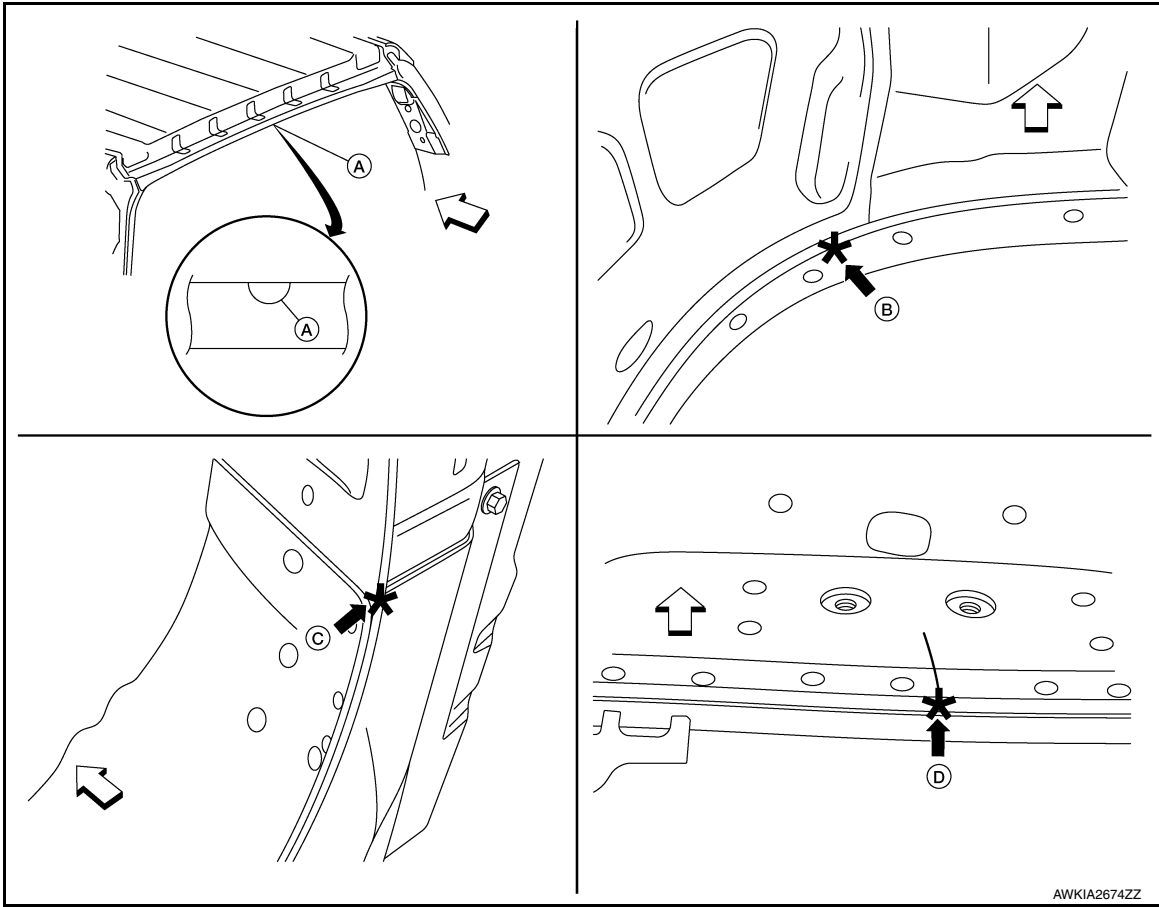
Unit: mm (in)

Point	Measurements	Point	Measurements
*A - C	1066 (41.9)	*B - C	1408 (55.4)
A - D	980 (38.5)	C - C	1308 (51.5)

MEASUREMENT POINTS

BODY ALIGNMENT

< SERVICE DATA AND SPECIFICATIONS (SDS)



← Front

Point	Description	Point	Description
A	Roof flange end of center positioning mark	B	Back pillar main joggle
C	Upper rear panel joggle	D	Edge of rear panel between back door striker installing holes

A
B
C
D
E
F
G
H
I
J
L
M
N
O
P

BRM