

SECTION **PG**

POWER SUPPLY, GROUND & CIRCUIT ELEMENTS

CONTENTS

PRECAUTION	3	IPDM E/R (INTELLIGENT POWER DISTRIBUTION MODULE ENGINE ROOM)	85
PRECAUTIONS	3	IPDM E/R Terminal Arrangement	85
Precaution for Supplemental Restraint System (SRS) "AIR BAG" and "SEAT BELT PRE-TENSIONER"	3	BASIC INSPECTION	86
PREPARATION	4	BATTERY	86
PREPARATION	4	How to Handle Battery	86
Special Service Tools	4	Work Flow	86
Commercial Service Tool	4	INSPECTION AND ADJUSTMENT	89
SYSTEM DESCRIPTION	5	ADDITIONAL SERVICE WHEN REMOVING BATTERY NEGATIVE TERMINAL	89
ELECTRICAL UNITS LOCATION	5	ADDITIONAL SERVICE WHEN REMOVING BATTERY NEGATIVE TERMINAL : Special Repair Requirement	89
Electrical Units Location	5	FUSE INSPECTION	90
COMPONENT PARTS	10	How To Check	90
Circuit Breaker (Built Into BCM)	10	FUSIBLE LINK INSPECTION	94
Circuit Breaker (External to BCM)	10	Fusible Link	94
Harness Connector	10	REMOVAL AND INSTALLATION	95
Standardized Relay	13	BATTERY	95
WIRING DIAGRAM	16	Exploded View	95
POWER SUPPLY ROUTING CIRCUIT	16	Removal and Installation	95
Wiring Diagram - BATTERY POWER SUPPLY -	16	BATTERY TRAY	97
Wiring Diagram - ACCESSORY POWER SUPPLY -	25	Removal and Installation	97
Wiring Diagram - IGNITION POWER SUPPLY -	29	BATTERY TERMINAL WITH FUSIBLE LINK ...	98
GROUND	41	Exploded View	98
Ground Distribution	41	Removal and Installation	98
HARNESS	56	BATTERY CURRENT SENSOR	99
Harness Layout	56	Exploded View	99
FUSE BLOCK - JUNCTION BOX (J/B)	80	Removal and Installation	99
Terminal Arrangement	80	SERVICE DATA AND SPECIFICATIONS (SDS)	100
FUSE, FUSIBLE LINK AND RELAY BOX	81		
Terminal Arrangement	81		

A
B
C
D
E
F
G
H
I
J
K
L
PG
N
O
P

SERVICE DATA AND SPECIFICATIONS

(SDS) 100

Battery 100

PRECAUTIONS

< PRECAUTION >

PRECAUTION

PRECAUTIONS

Precaution for Supplemental Restraint System (SRS) "AIR BAG" and "SEAT BELT PRE-TENSIONER"

INFOID:0000000011151100

The Supplemental Restraint System such as "AIR BAG" and "SEAT BELT PRE-TENSIONER", used along with a front seat belt, helps to reduce the risk or severity of injury to the driver and front passenger for certain types of collision. Information necessary to service the system safely is included in the SR and SB section of this Service Manual.

WARNING:

- To avoid rendering the SRS inoperative, which could increase the risk of personal injury or death in the event of a collision which would result in air bag inflation, all maintenance must be performed by an authorized NISSAN/INFINITI dealer.
- Improper maintenance, including incorrect removal and installation of the SRS, can lead to personal injury caused by unintentional activation of the system. For removal of Spiral Cable and Air Bag Module, see the SR section.
- Do not use electrical test equipment on any circuit related to the SRS unless instructed to in this Service Manual. SRS wiring harnesses can be identified by yellow and/or orange harnesses or harness connectors.

PRECAUTIONS WHEN USING POWER TOOLS (AIR OR ELECTRIC) AND HAMMERS

WARNING:

- When working near the Airbag Diagnosis Sensor Unit or other Airbag System sensors with the Ignition ON or engine running, DO NOT use air or electric power tools or strike near the sensor(s) with a hammer. Heavy vibration could activate the sensor(s) and deploy the air bag(s), possibly causing serious injury.
- When using air or electric power tools or hammers, always switch the Ignition OFF, disconnect the battery and wait at least three minutes before performing any service.

A
B
C
D
E
F
G
H
I
J
K
L
N
O
P

PG

PREPARATION

< PREPARATION >

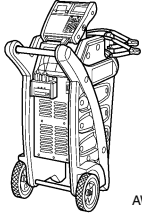
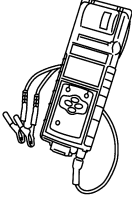
PREPARATION

PREPARATION

Special Service Tools


INFOID:000000011151101

The actual shape of the tools may differ from those illustrated here.

Tool number (TechMate No.) Tool name	Description
<p>— (—) Model GR8-1200 NI Multitasking battery and electrical diagnostic station</p>  <p style="text-align: right;">AWI1A1239ZZ</p>	<p>Tests batteries, starting and charging systems and charges batteries. For operating instructions, refer to diagnostic station instruction manual.</p>
<p>— (—) Model EXP-800 NI Battery and electrical diagnostic analyzer</p>  <p style="text-align: right;">JSMIA0806ZZ</p>	<p>Tests batteries and charging systems. For operating instructions, refer to diagnostic analyzer instruction manual.</p>

Commercial Service Tool

INFOID:000000011151102

Tool name	Description
<p>Power tool</p>  <p style="text-align: right;">PIIB1407E</p>	<p>Loosening nuts, screws and bolts</p>

ELECTRICAL UNITS LOCATION

< SYSTEM DESCRIPTION >

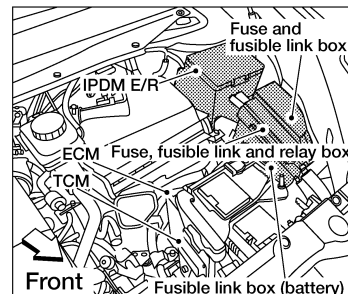
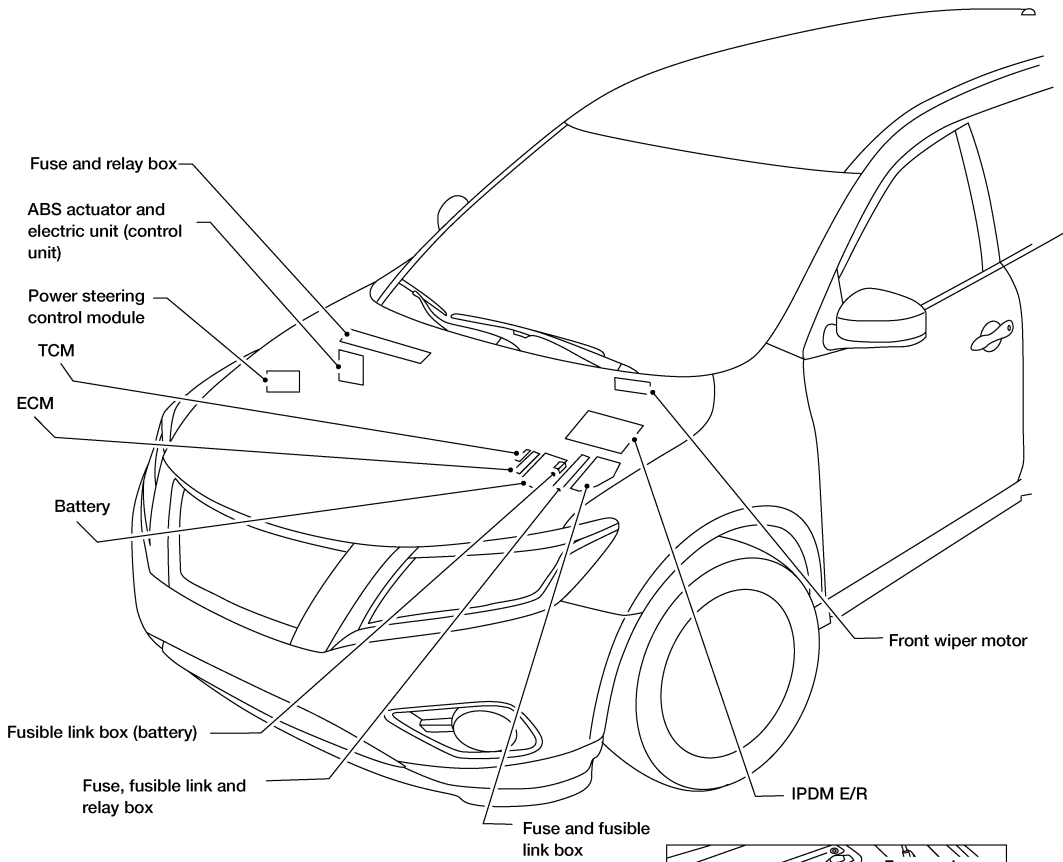
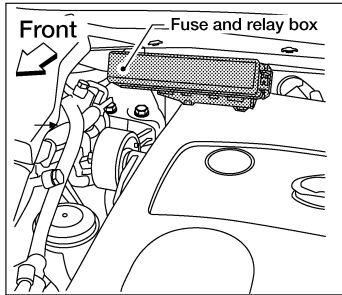
SYSTEM DESCRIPTION

ELECTRICAL UNITS LOCATION

Electrical Units Location

INFOID:000000011151112

ENGINE COMPARTMENT

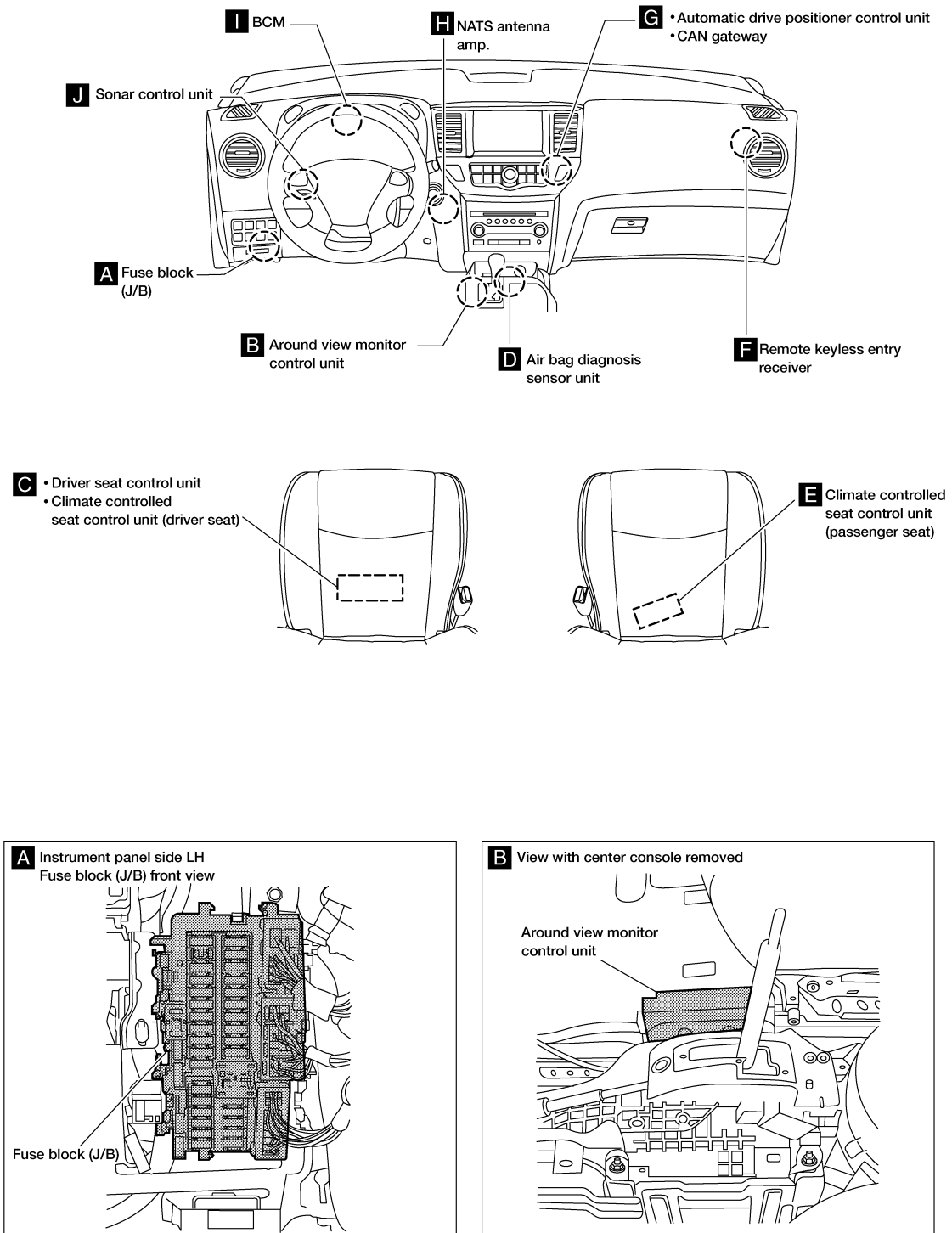


ABMIA6938GB

ELECTRICAL UNITS LOCATION

< SYSTEM DESCRIPTION >

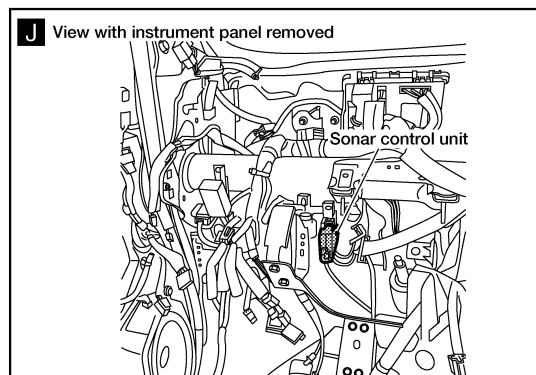
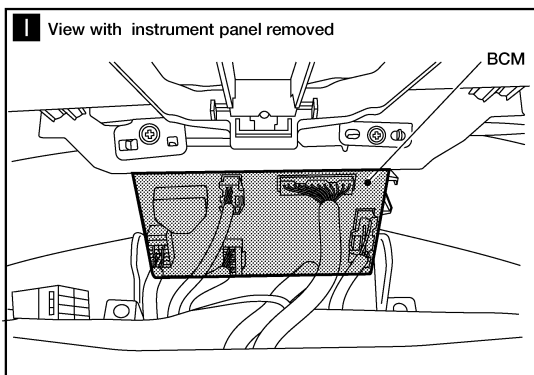
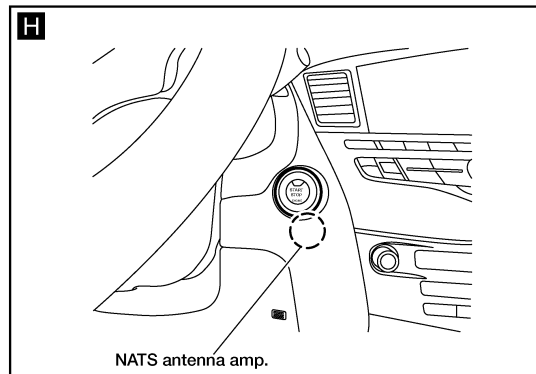
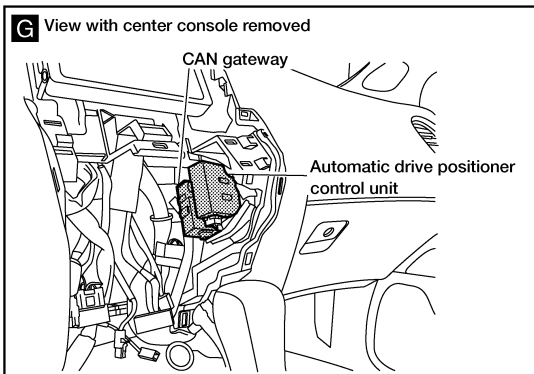
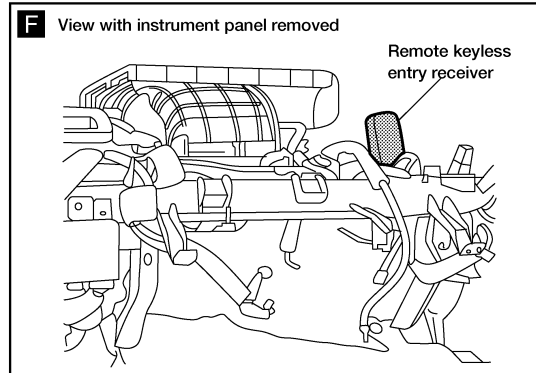
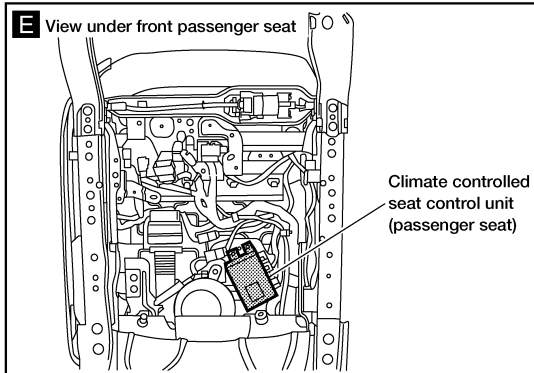
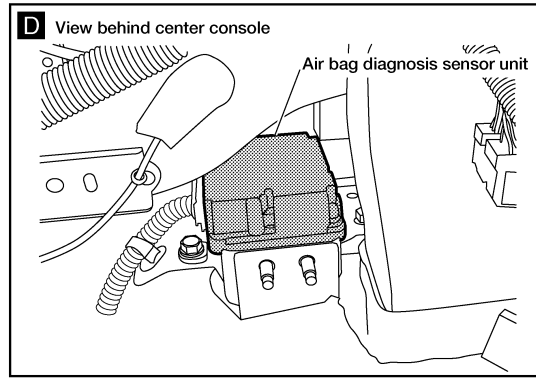
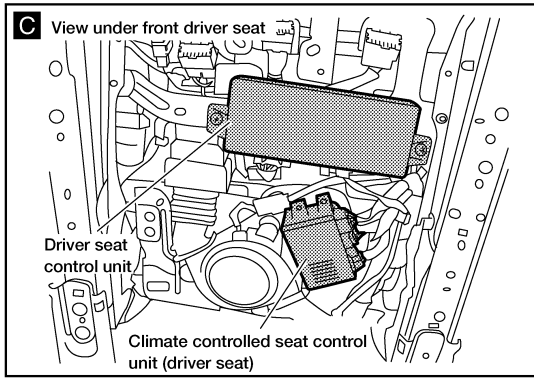
PASSENGER COMPARTMENT



ABMIA6939GB

ELECTRICAL UNITS LOCATION

< SYSTEM DESCRIPTION >



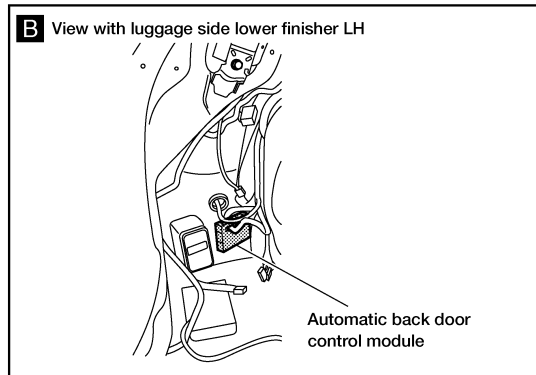
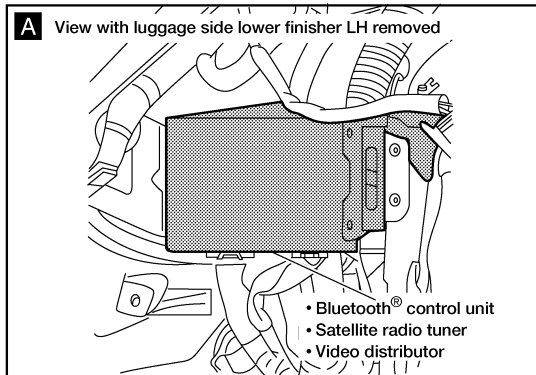
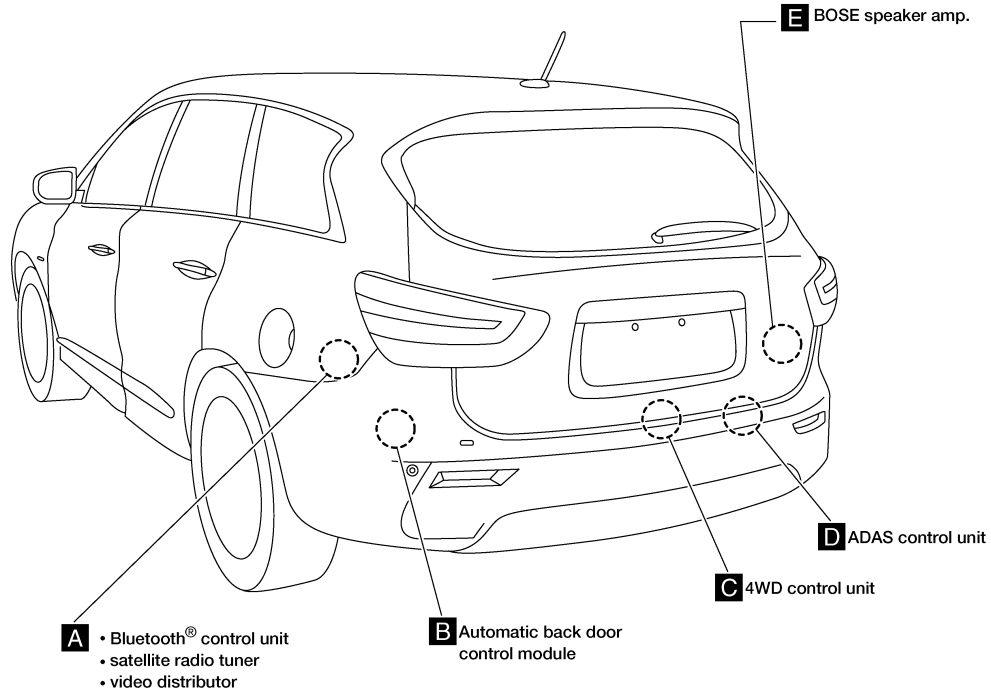
ABMIA6940GB

A
B
C
D
E
F
G
H
I
J
K
L
PG
N
O
P

ELECTRICAL UNITS LOCATION

< SYSTEM DESCRIPTION >

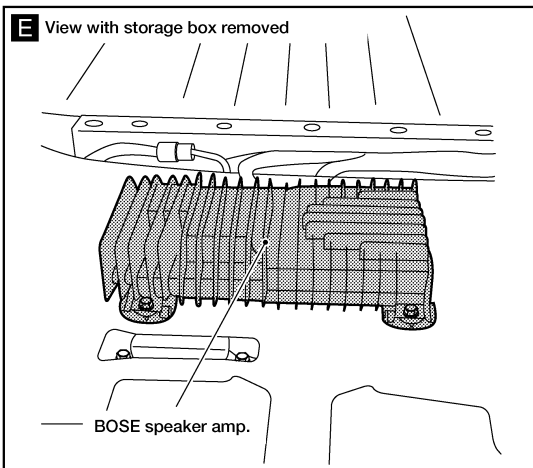
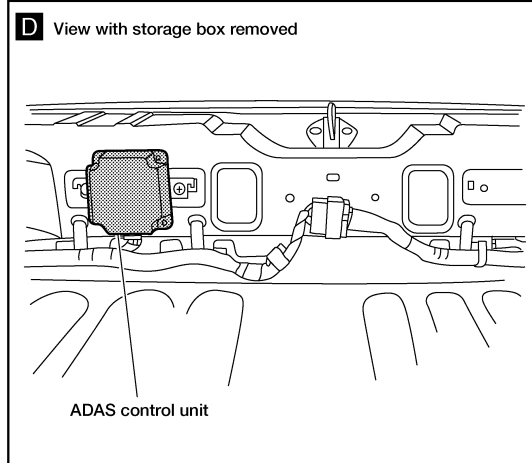
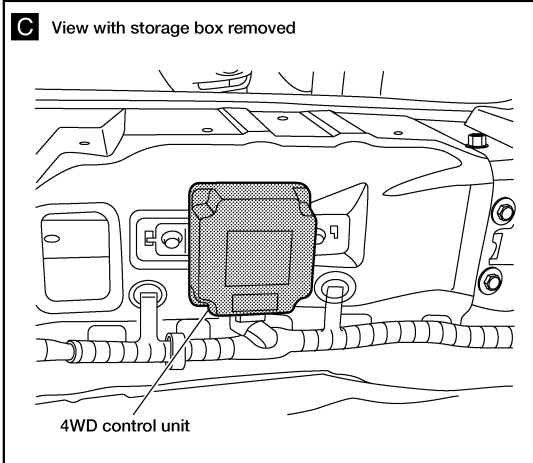
LUGGAGE COMPARTMENT



ABMIA6941GB

ELECTRICAL UNITS LOCATION

< SYSTEM DESCRIPTION >



A
B
C
D
E
F
G
H
I
J
K
L
PG
N
O
P

ABMIA6942GB

COMPONENT PARTS

< SYSTEM DESCRIPTION >

COMPONENT PARTS

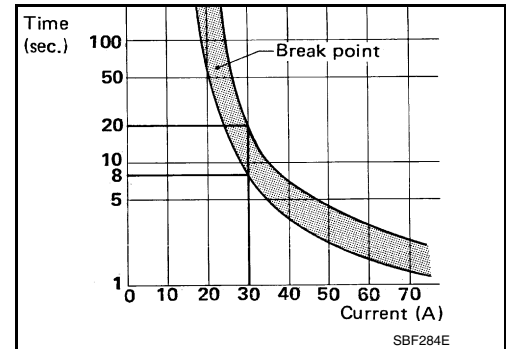
Circuit Breaker (Built Into BCM)

INFOID:000000011241180

For example, when current is 30A, the circuit is broken within 8 to 20 seconds.

This circuit breaker is used for the following systems:

- Power windows
- Power moonroof



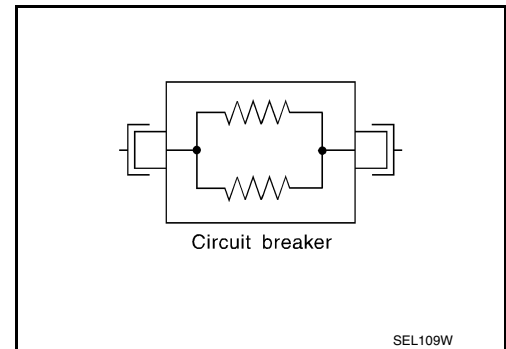
Circuit Breaker (External to BCM)

INFOID:000000011241181

The PTC thermistor generates heat in response to current flow. The temperature (and resistance) of the thermistor element varies with current flow. Excessive current flow will cause the element's temperature to rise. When the temperature reaches a specified level, the electrical resistance will rise sharply to control the circuit current. Reduced current flow will cause the element to cool. Resistance falls accordingly and normal circuit current flow is allowed to resume.

This circuit breaker is used for the following systems:

- Power seats
- Power moonroof



Harness Connector

INFOID:000000011151113

HARNESS CONNECTOR (TAB-LOCKING TYPE)

- The tab-locking type connectors help prevent accidental looseness or disconnection.
- The tab-locking type connectors are disconnected by pushing or lifting the locking tab(s). Refer to the figure below.

Refer to the next page for description of the slide-locking type connector.

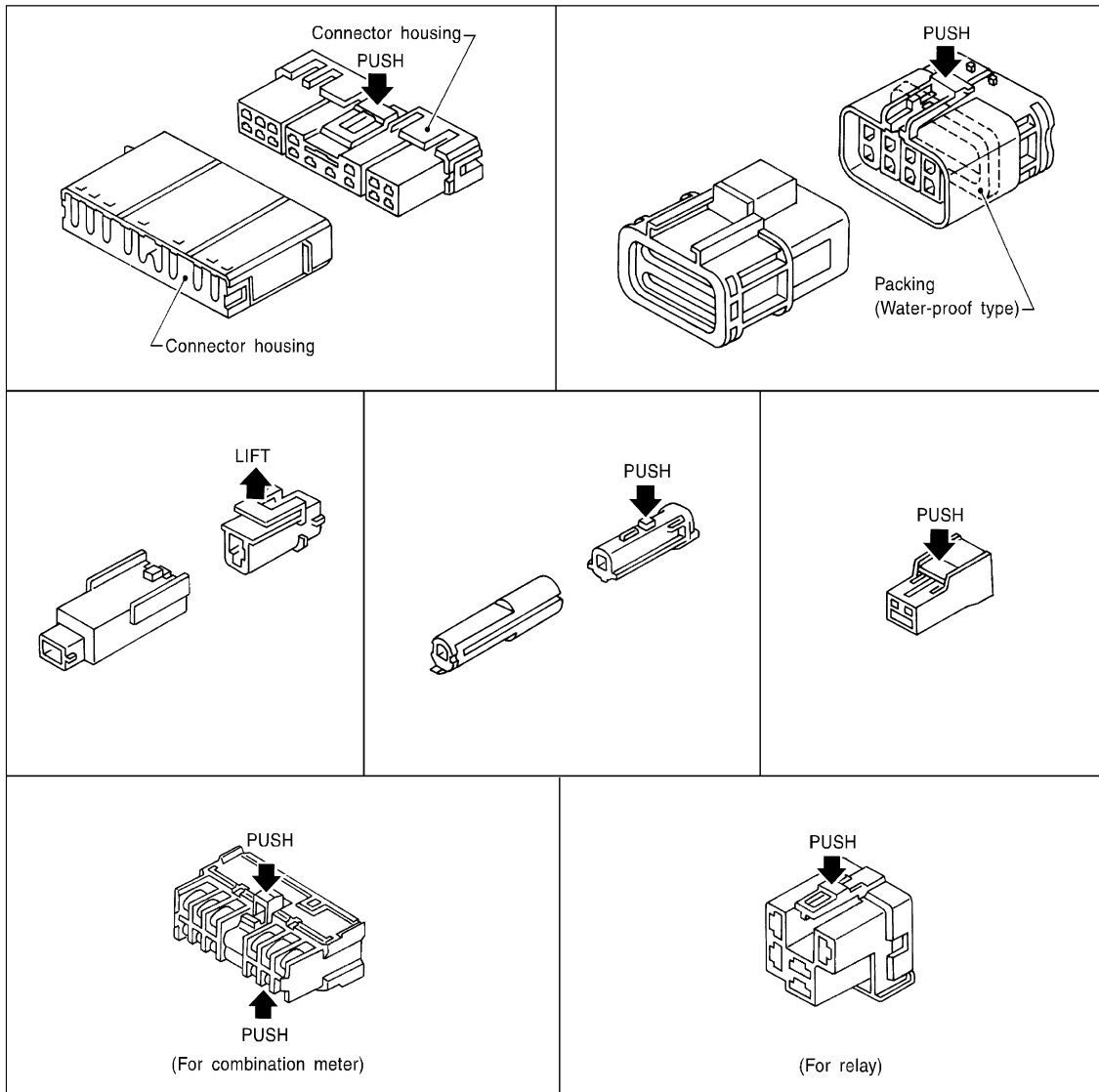
CAUTION:

Do not pull the harness or wires when disconnecting the connector.

COMPONENT PARTS

< SYSTEM DESCRIPTION >

[Example]



A
B
C
D
E
F
G
H
I
J
K
L

SEL769DA

HARNESS CONNECTOR (SLIDE-LOCKING TYPE)

- A new style slide-locking type connector is used on certain systems and components, especially those related to OBD.
- The slide-locking type connectors help prevent incomplete locking and accidental looseness or disconnection.
- The slide-locking type connectors are disconnected by pushing or pulling the slider. Refer to the figure below.

CAUTION:

- **Do not pull the harness or wires when disconnecting the connector.**
- **Be careful not to damage the connector support bracket when disconnecting the connector.**

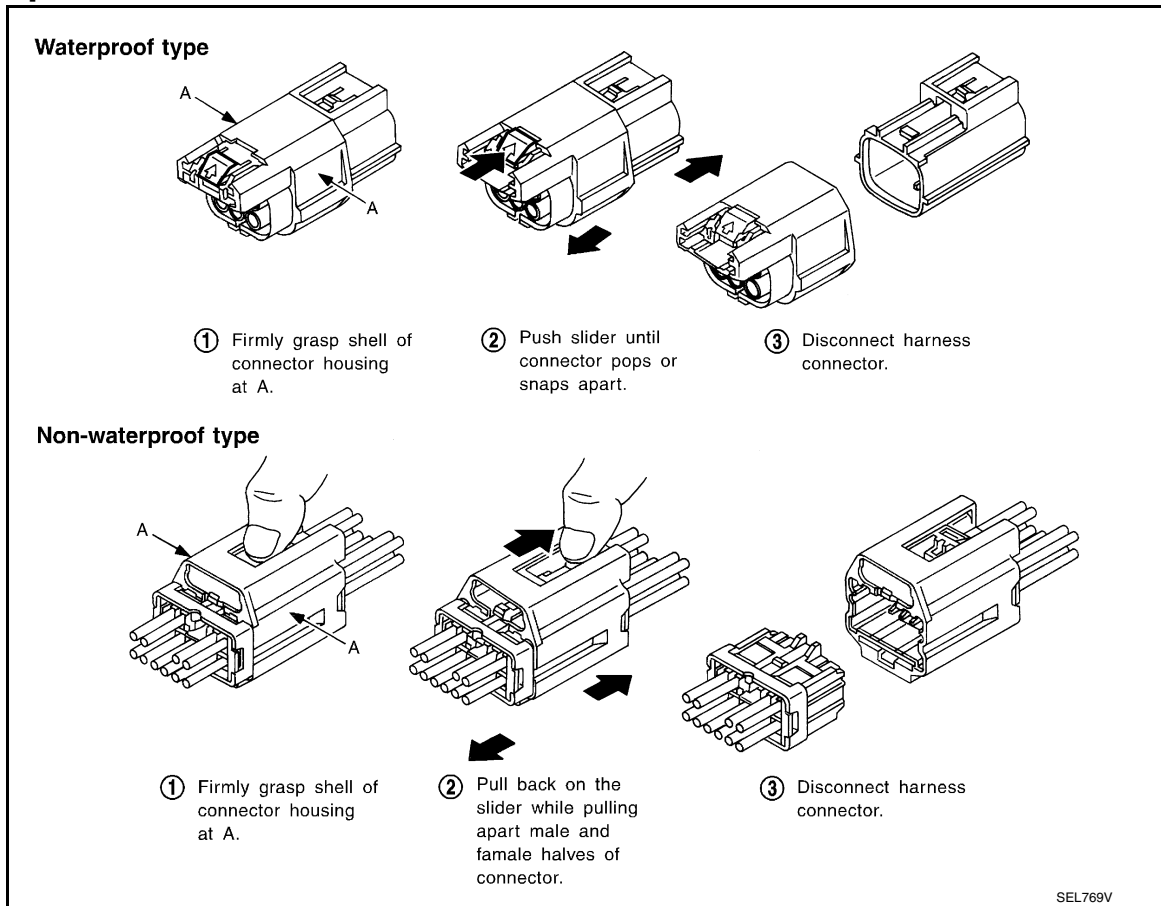
PG

N
O
P

COMPONENT PARTS

< SYSTEM DESCRIPTION >

[Example]



HARNESS CONNECTOR (LEVER LOCKING TYPE)

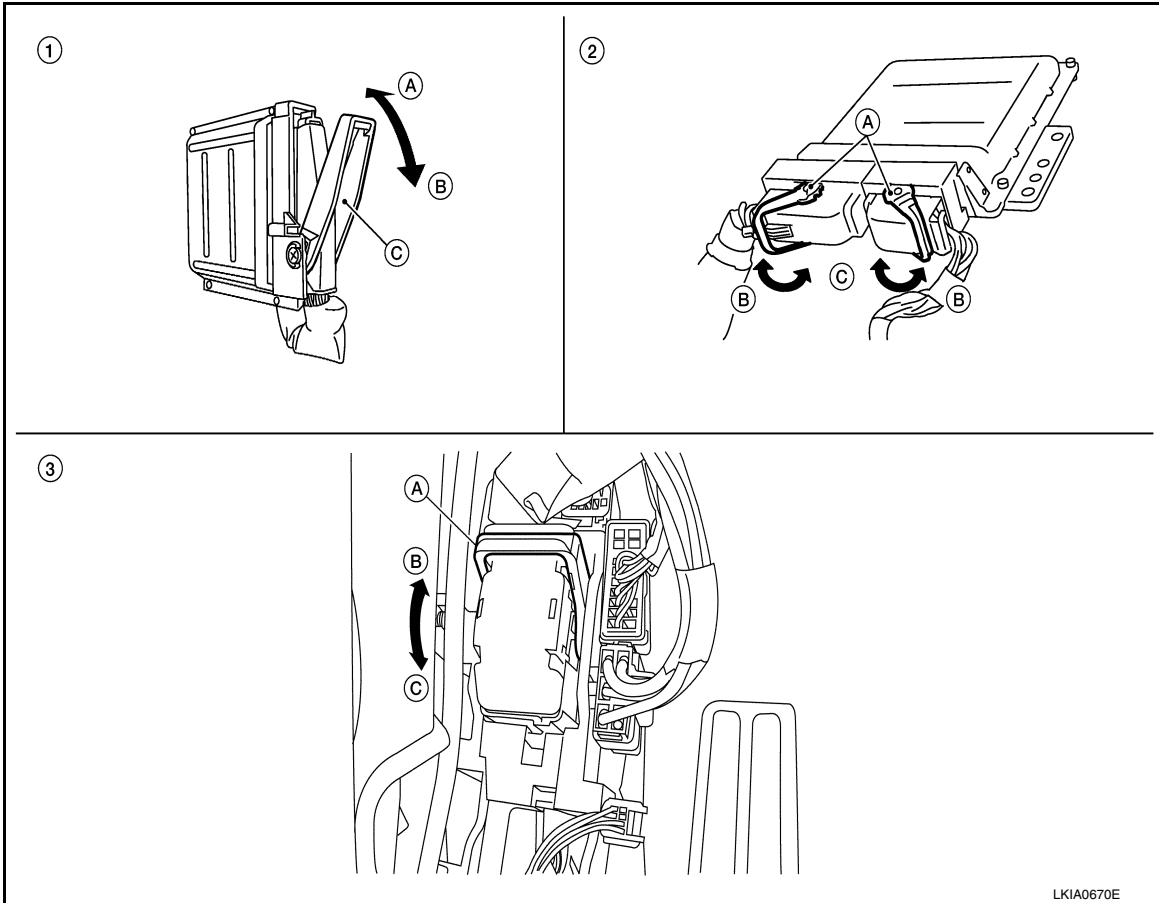
- Lever locking type harness connectors are used on certain control units and control modules such as ECM, ABS actuator and electric unit (control unit), etc.
- Lever locking type harness connectors are also used on super multiple junction (SMJ) connectors.
- Always confirm the lever is fully locked in place by moving the lever as far as it will go to ensure full connection.

CAUTION:

COMPONENT PARTS

< SYSTEM DESCRIPTION >

- Always confirm the lever is fully released (loosened) before attempting to disconnect or connect these connectors to avoid damage to the connector housing or terminals.



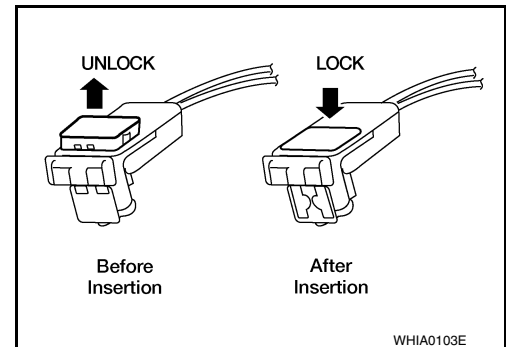
- | | | |
|-----------------------------------|---------------------------------|------------------|
| 1. Control unit with single lever | 2. Control unit with dual lever | 3. SMJ connector |
| A. Fasten | A. Lever | A. Lever |
| B. Loosen | B. Fasten | B. Fasten |
| C. Lever | C. Loosen | C. Loosen |

HARNESS CONNECTOR (DIRECT-CONNECT SRS COMPONENT TYPE)

- SRS direct-connect type harness connectors are used on certain SRS components such as air bag modules and seat belt pre-tensioners.
- Always pull up to release black locking tab prior to removing connector from SRS components.
- Always push down to lock black locking tab after installing connector to SRS components. When locked, the black locking tab is level with the connector housing.

CAUTION:

- Do not pull the harness or wires when removing connectors from SRS components.



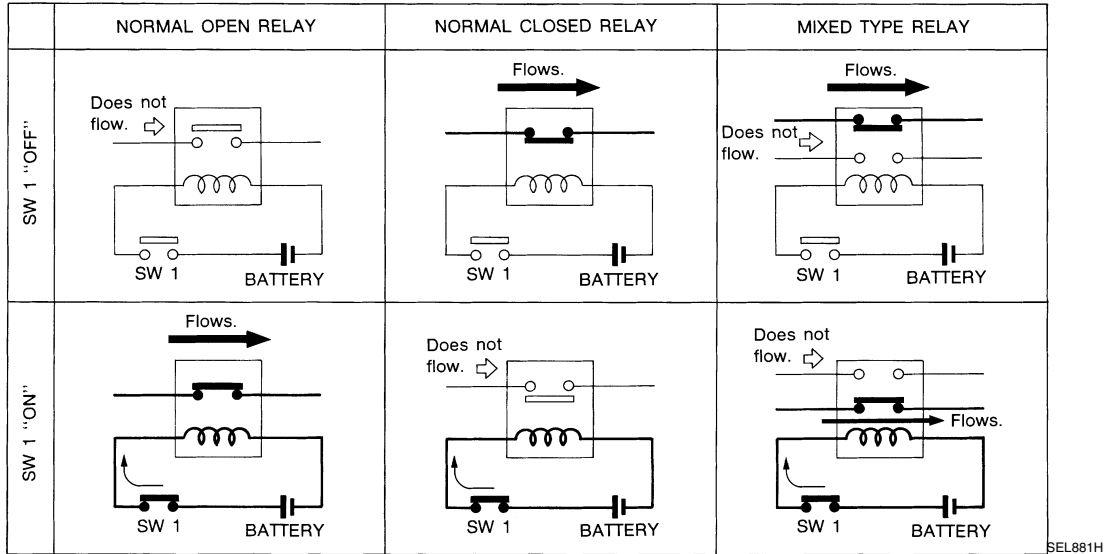
Standardized Relay

NORMAL OPEN, NORMAL CLOSED AND MIXED TYPE RELAYS

COMPONENT PARTS

< SYSTEM DESCRIPTION >

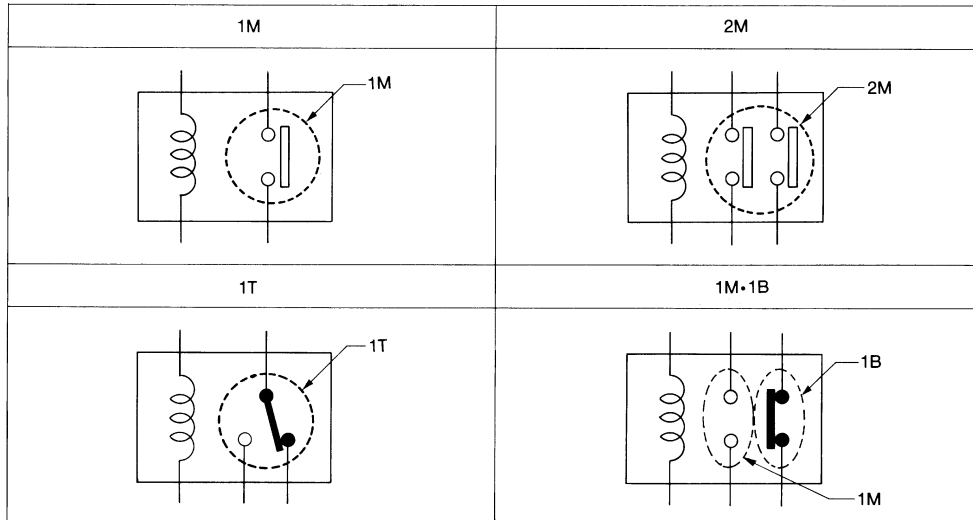
Relays can mainly be divided into three types: normal open, normal closed and mixed type relays.



SEL881H

TYPE OF STANDARDIZED RELAYS

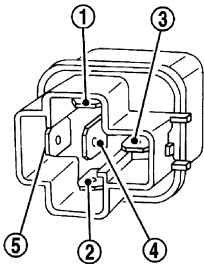
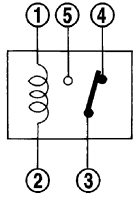
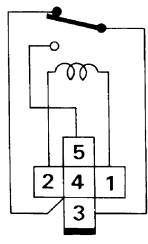
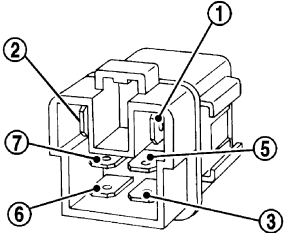
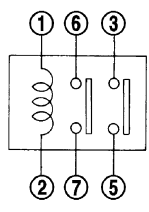
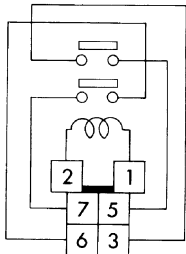
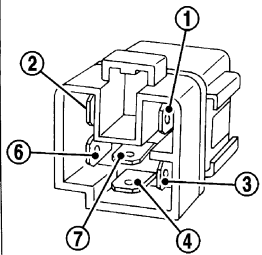
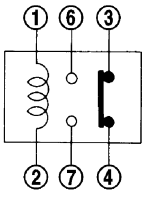
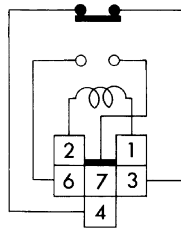
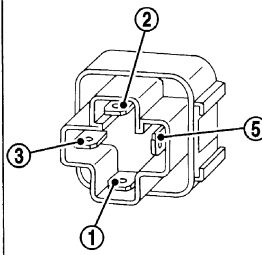
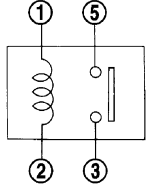
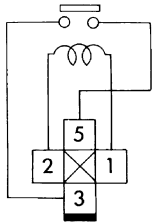
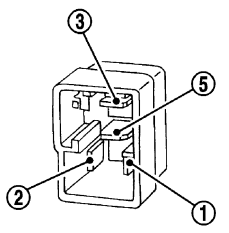
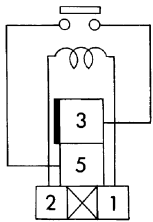
- 1M 1 Make
- 1T 1 Transfer
- 2M 2 Make
- 1M·1B 1 Make 1 Break



SEL882H

COMPONENT PARTS

< SYSTEM DESCRIPTION >

Type	Outer view	Circuit	Connector symbol and connection	Case color
1T				BLACK
2M				BROWN
1M•1B				GRAY
1M				BLUE
				

The arrangement of terminal numbers on the actual relays may differ from those shown above.

SEL188W

A
B
C
D
E
F
G
H
I
J
K
L
PG
N
O
P

POWER SUPPLY ROUTING CIRCUIT

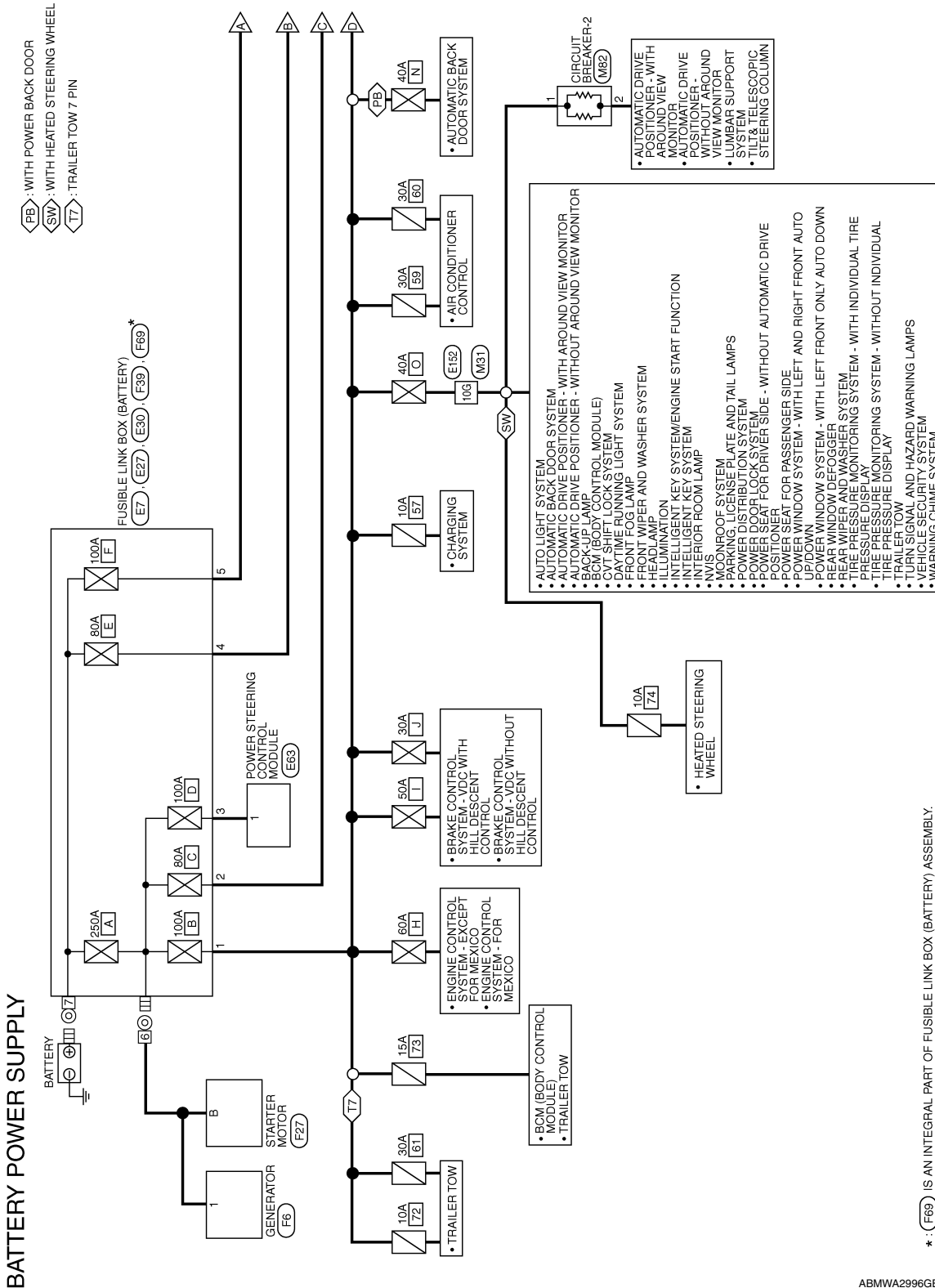
< WIRING DIAGRAM >

WIRING DIAGRAM

POWER SUPPLY ROUTING CIRCUIT

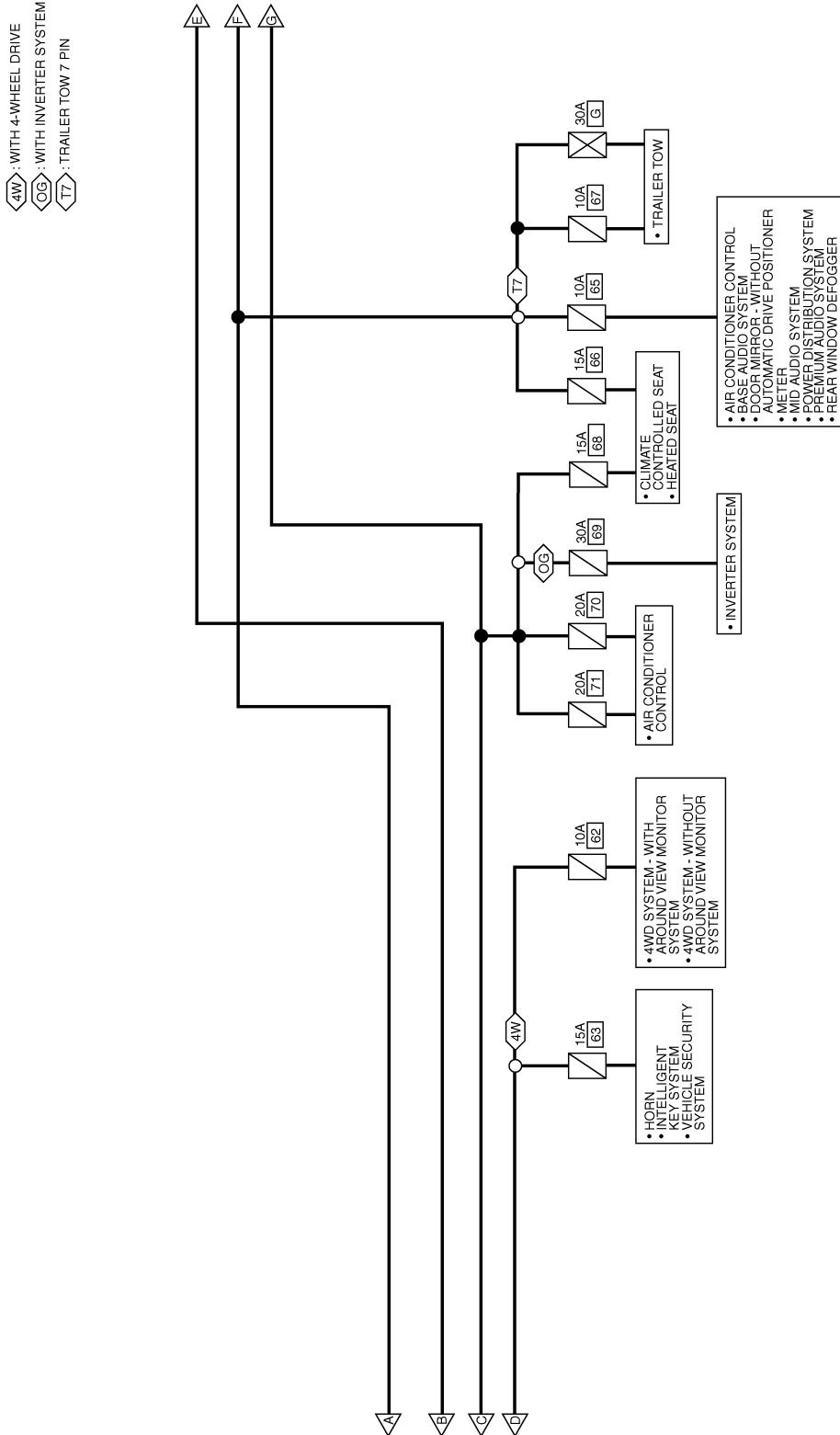
Wiring Diagram - BATTERY POWER SUPPLY -

INFOID:000000011151107



POWER SUPPLY ROUTING CIRCUIT

< WIRING DIAGRAM >

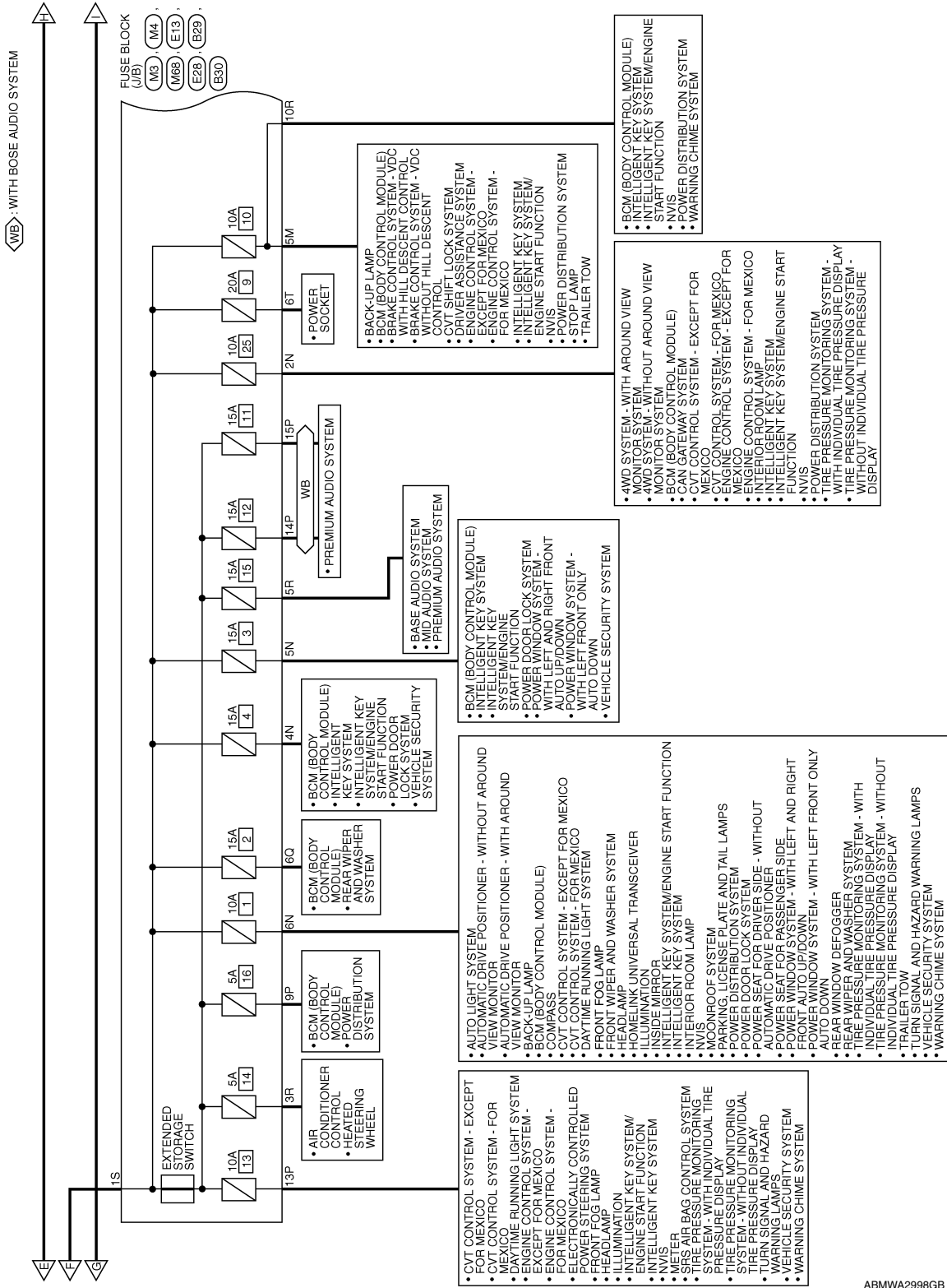


A
B
C
D
E
F
G
H
I
J
K
L
PG
N
O
P

ABMWA2997GB

POWER SUPPLY ROUTING CIRCUIT

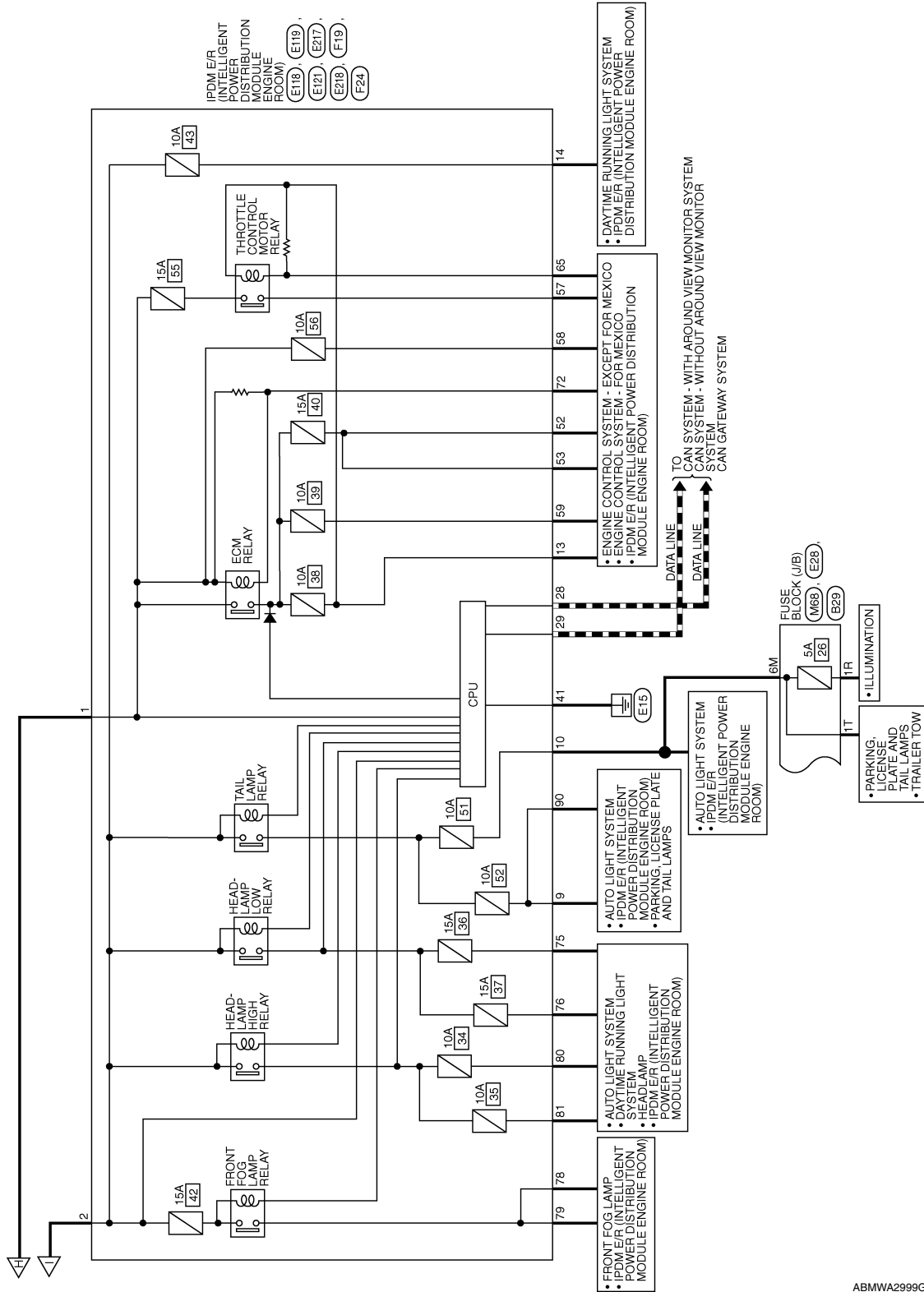
< WIRING DIAGRAM >



ABMWA2998GB

POWER SUPPLY ROUTING CIRCUIT

< WIRING DIAGRAM >



ABMWA2999GB

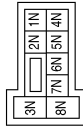
A
B
C
D
E
F
G
H
I
J
K
L
PG
N
O
P

POWER SUPPLY ROUTING CIRCUIT

< WIRING DIAGRAM >

BATTERY POWER SUPPLY CONNECTORS

Connector No.	M3
Connector Name	FUSE BLOCK (J/B)
Connector Color	WHITE



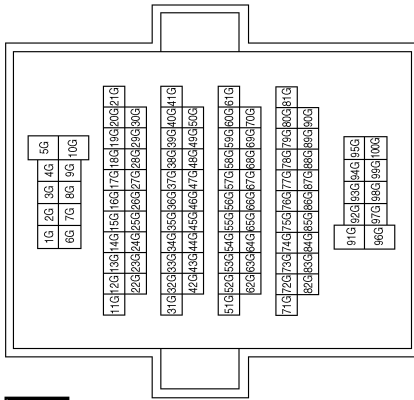
Terminal No.	Color of Wire	Signal Name
2N	BG	-
4N	V	-
5N	Y	-
6N	W	-

Connector No.	M4
Connector Name	FUSE BLOCK (J/B)
Connector Color	WHITE



Terminal No.	Color of Wire	Signal Name
9P	L	-
13P	W	-
14P	Y	-
15P	L	-

Connector No.	M31
Connector Name	WIRE TO WIRE
Connector Color	WHITE



Terminal No.	Color of Wire	Signal Name
10G	W	-

Connector No.	M68
Connector Name	FUSE BLOCK (J/B)
Connector Color	BROWN



Terminal No.	Color of Wire	Signal Name
1R	R	-
3R	G	-
5R	Y	-
10R	W	-

Connector No.	M82
Connector Name	CIRCUIT BREAKER-2
Connector Color	WHITE



Terminal No.	Color of Wire	Signal Name
1	W	-
2	L	-

Connector No.	E7
Connector Name	FUSIBLE LINK BOX (BATTERY)
Connector Color	GRAY

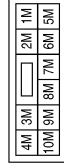


Terminal No.	Color of Wire	Signal Name
3	W	-
4	R	-

POWER SUPPLY ROUTING CIRCUIT

< WIRING DIAGRAM >

Connector No.	E28
Connector Name	FUSE BLOCK (J/B)
Connector Color	WHITE



Terminal No.	Color of Wire	Signal Name
5M	Y	-
6M	L	-

Connector No.	E27
Connector Name	FUSIBLE LINK BOX (BATTERY)
Connector Color	BROWN



Terminal No.	Color of Wire	Signal Name
1	W	-
2	L	-

Connector No.	E13
Connector Name	FUSE BLOCK (J/B)
Connector Color	WHITE



Terminal No.	Color of Wire	Signal Name
1S	W	-

Connector No.	E118
Connector Name	IPDM E/R (INTELLIGENT POWER DISTRIBUTION MODULE ENGINE ROOM)
Connector Color	BLACK



Terminal No.	Color of Wire	Signal Name
1	R	F/L MAIN
2	L	F/L USM

Connector No.	E63
Connector Name	POWER STEERING CONTROL MODULE
Connector Color	BLACK



Terminal No.	Color of Wire	Signal Name
1	W	+B

Connector No.	E30
Connector Name	FUSIBLE LINK BOX (BATTERY)
Connector Color	BLACK



Terminal No.	Color of Wire	Signal Name
5	W	-

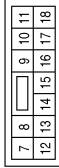
ABMIA6911GB

A
B
C
D
E
F
G
H
I
J
K
L
PG
N
O
P

POWER SUPPLY ROUTING CIRCUIT

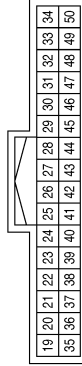
< WIRING DIAGRAM >

Connector No.	E121
Connector Name	IPDM E/R (INTELLIGENT POWER DISTRIBUTION MODULE ENGINE ROOM)
Connector Color	WHITE



Terminal No.	Color of Wire	Signal Name
9	G	TAIL RH
10	L	TAIL LH
13	L	ECM VB
14	LG	DTRL

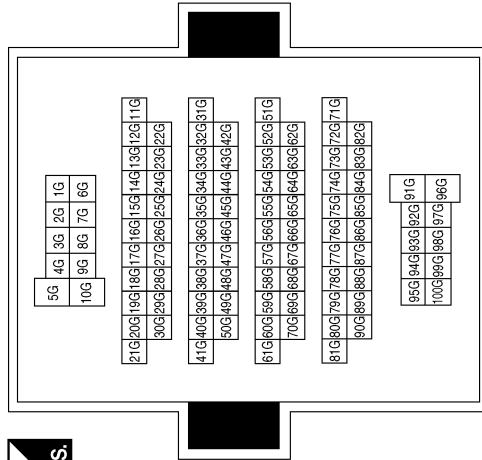
Connector No.	E119
Connector Name	IPDM E/R (INTELLIGENT POWER DISTRIBUTION MODULE ENGINE ROOM)
Connector Color	WHITE



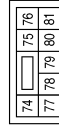
Terminal No.	Color of Wire	Signal Name
28	P	CAN-L
29	L	CAN-H
41	B	GND (SIGNAL)

Terminal No.	10G	Color of Wire	P	Signal Name	-
--------------	-----	---------------	---	-------------	---

Connector No.	E152
Connector Name	WIRE TO WIRE
Connector Color	WHITE



Connector No.	E217
Connector Name	IPDM E/R (INTELLIGENT POWER DISTRIBUTION MODULE ENGINE ROOM)
Connector Color	WHITE




Terminal No.	Color of Wire	Signal Name
75	R	HEADLAMP LO RH
76	L	HEADLAMP LO LH
78	W	FR FOG LAMP RH
79	L	FR FOG LAMP LH
80	W	HEADLAMP HI RH
81	G	HEADLAMP HI LH

POWER SUPPLY ROUTING CIRCUIT

< WIRING DIAGRAM >

Connector No.	F19
Connector Name	IPDM E/R (INTELLIGENT POWER DISTRIBUTION MODULE ENGINE ROOM)
Connector Color	WHITE



92	93	94	95	96	97
56	57	58	59	60	61


Terminal No.	Color of Wire	Signal Name
52	W	O2SENS #2
53	W	O2SENS #1
57	R	ETC
58	GR	ECM BAT
59	L	ENG SOL (FOR MEXICO)
59	LG	ENG SOL (EXCEPT FOR MEXICO)

Connector No.	F6
Connector Name	GENERATOR
Connector Color	-



Terminal No.	Color of Wire	Signal Name
1	B/R	-

Connector No.	E218
Connector Name	IPDM E/R (INTELLIGENT POWER DISTRIBUTION MODULE ENGINE ROOM)
Connector Color	WHITE



82	83	84	85	86	87	88	89
90	91	92	93	94	95	96	97

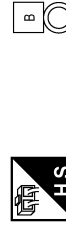
Terminal No.	Color of Wire	Signal Name
90	LG	CLEARANCE

Connector No.	F39
Connector Name	FUSIBLE LINK BOX (BATTERY)
Connector Color	-




Terminal No.	Color of Wire	Signal Name
6	B/R	-

Connector No.	F27
Connector Name	STARTER MOTOR
Connector Color	-



Terminal No.	Color of Wire	Signal Name
B	B/R	-

Connector No.	F24
Connector Name	IPDM E/R (INTELLIGENT POWER DISTRIBUTION MODULE ENGINE ROOM)
Connector Color	WHITE



62	63	64	65	66	67
68	69	70	71	72	73

Terminal No.	Color of Wire	Signal Name
65	G	ETC RLY CONT
72	V	SSOFF

ABMIA6913GB

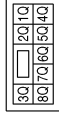
A
B
C
D
E
F
G
H
I
J
K
L
M
N
O
P

PG

POWER SUPPLY ROUTING CIRCUIT

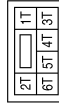
< WIRING DIAGRAM >

Connector No.	B30
Connector Name	FUSE BLOCK (J/B)
Connector Color	WHITE



Terminal No.	6Q	Color of Wire	P	Signal Name	-
--------------	----	---------------	---	-------------	---

Connector No.	B29
Connector Name	FUSE BLOCK (J/B)
Connector Color	WHITE



Terminal No.	1T	Color of Wire	W	Signal Name	-
6T	L				

Connector No.	F69
Connector Name	FUSIBLE LINK BOX (BATTERY)
Connector Color	-



Terminal No.	7	Color of Wire	R	Signal Name	-
--------------	---	---------------	---	-------------	---

ABMIA6914GB

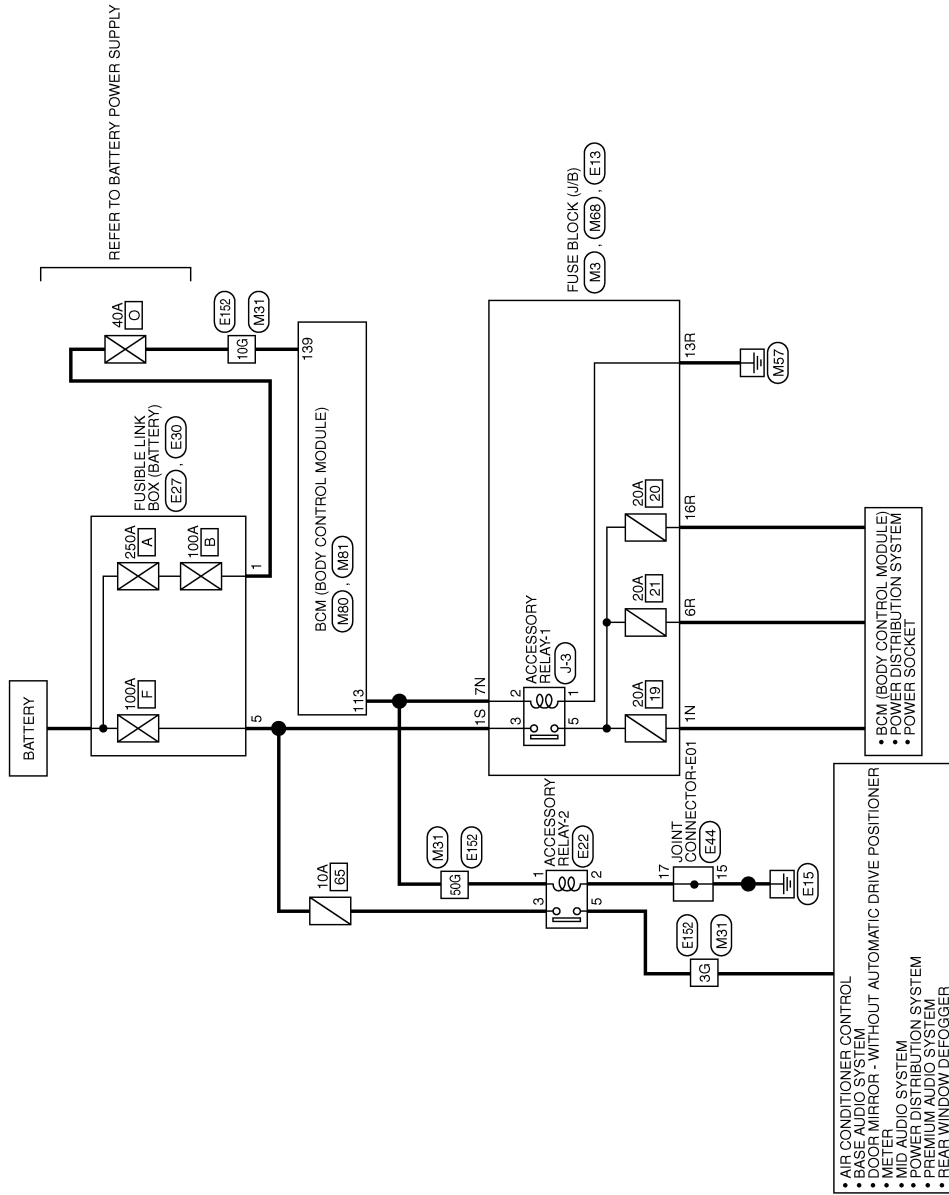
POWER SUPPLY ROUTING CIRCUIT

< WIRING DIAGRAM >

Wiring Diagram - ACCESSORY POWER SUPPLY -

INFOID:0000000011151108

ACCESSORY POWER SUPPLY



ABMWA3000GB

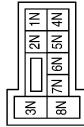
A
B
C
D
E
F
G
H
I
J
K
L
PG
N
O
P

POWER SUPPLY ROUTING CIRCUIT

< WIRING DIAGRAM >

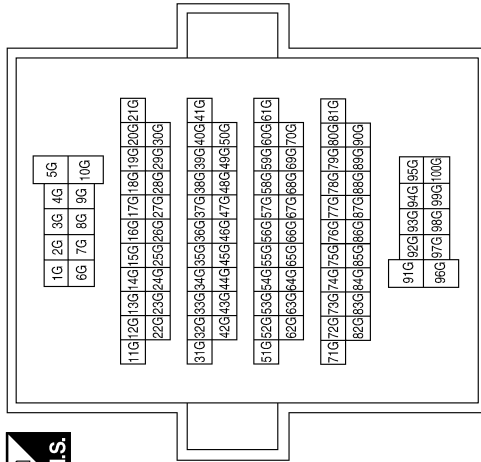
ACCESSORY POWER SUPPLY CONNECTORS

Connector No.	M3
Connector Name	FUSE BLOCK (J/B)
Connector Color	WHITE



Terminal No.	Color of Wire	Signal Name
1N	LG	-
7N	L	-

Connector No.	M31
Connector Name	WIRE TO WIRE
Connector Color	WHITE



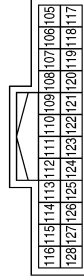
Terminal No.	Color of Wire	Signal Name
3G	P	-
10G	W	-
50G	L	-

Connector No.	M68
Connector Name	FUSE BLOCK (J/B)
Connector Color	BROWN



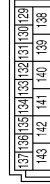
Terminal No.	Color of Wire	Signal Name
6R	Y	-
13R	GR	-
16R	BG	-

Connector No.	M80
Connector Name	BCM (BODY CONTROL MODULE)
Connector Color	BLACK



Terminal No.	Color of Wire	Signal Name
113	L	ACC RELAY OUT

Connector No.	M81
Connector Name	BCM (BODY CONTROL MODULE)
Connector Color	WHITE



Terminal No.	Color of Wire	Signal Name
139	W	BAT POWER F/L

POWER SUPPLY ROUTING CIRCUIT

< WIRING DIAGRAM >

Connector No.	E27
Connector Name	FUSIBLE LINK BOX (BATTERY)
Connector Color	BROWN



Terminal No.	Color of Wire	Signal Name
1	W	-

Connector No.	E22
Connector Name	ACCESSORY RELAY-2
Connector Color	BLUE



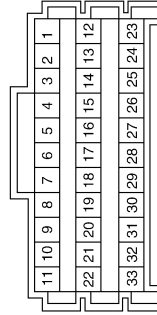
Terminal No.	Color of Wire	Signal Name
1	G	-
2	B	-
3	R	-
5	P	-

Connector No.	E13
Connector Name	FUSE BLOCK (J/B)
Connector Color	WHITE



Terminal No.	Color of Wire	Signal Name
1S	W	-

Connector No.	E44
Connector Name	JOINT CONNECTOR-E01
Connector Color	WHITE



Terminal No.	Color of Wire	Signal Name
15	GR	-
17	B	-

Connector No.	E30
Connector Name	FUSIBLE LINK BOX (BATTERY)
Connector Color	BLACK



Terminal No.	Color of Wire	Signal Name
5	W	-

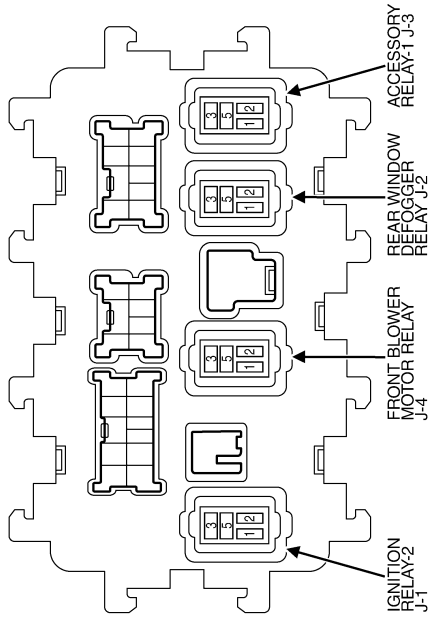
ABMIA4884GB

A
B
C
D
E
F
G
H
I
J
K
L
PG
N
O
P

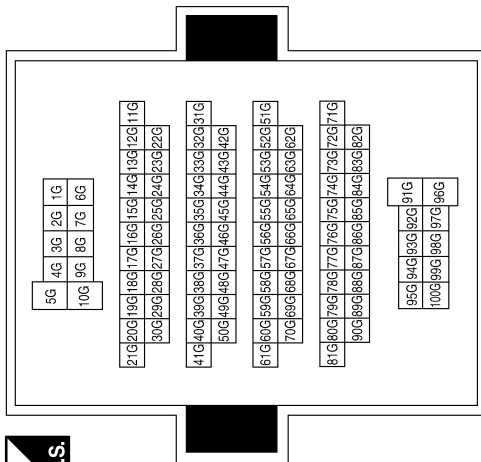
POWER SUPPLY ROUTING CIRCUIT

< WIRING DIAGRAM >

Connector No.	J-3
Connector Name	FUSE BLOCK (J/B) (ACCESSORY RELAY-1)
Connector Color	-



Connector No.	E152
Connector Name	WIRE TO WIRE
Connector Color	WHITE



Terminal No.	Color of Wire	Signal Name
3G	P	-
10G	P	-
50G	G	-

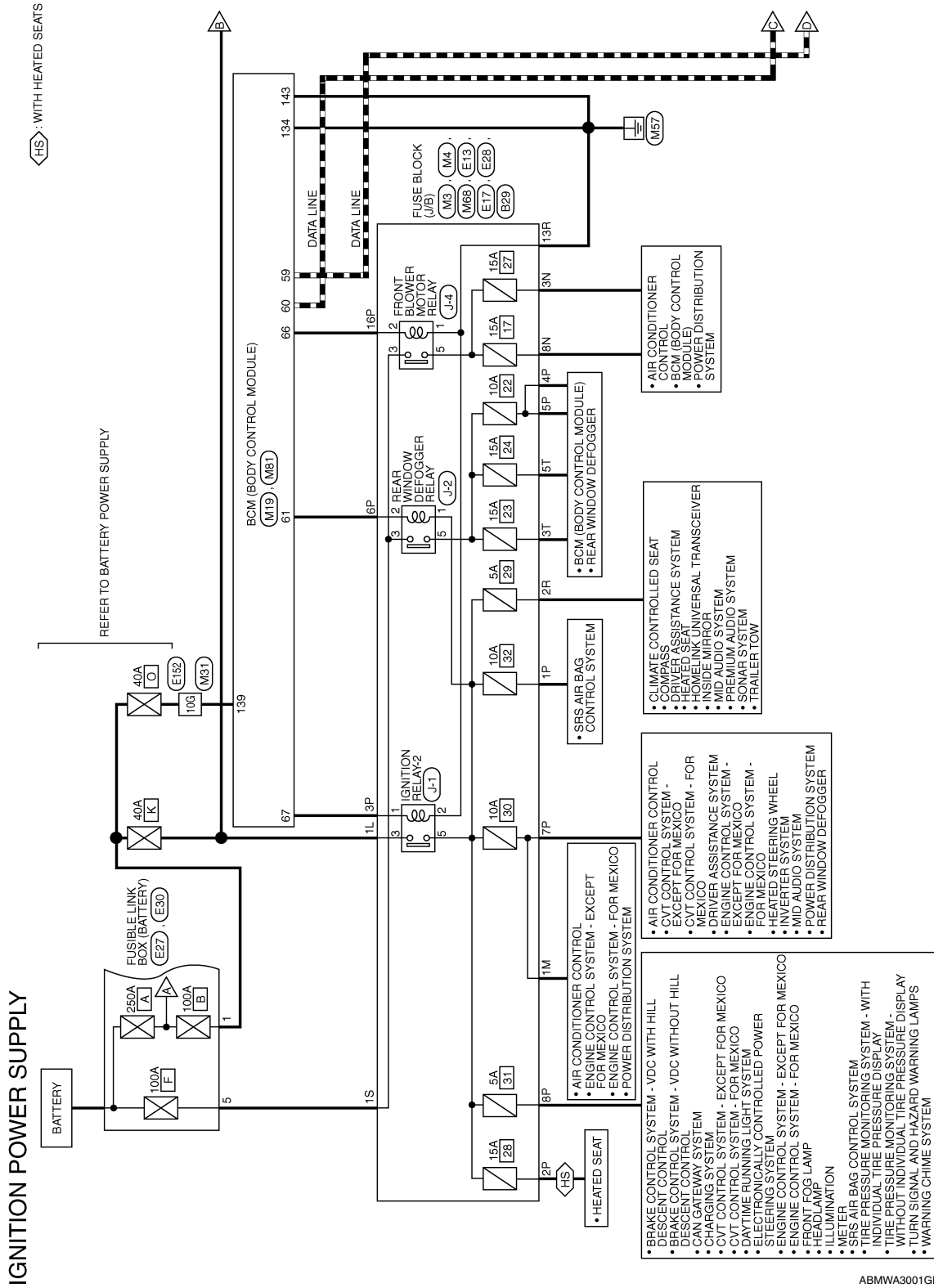
ABMIA4885GB

POWER SUPPLY ROUTING CIRCUIT

< WIRING DIAGRAM >

Wiring Diagram - IGNITION POWER SUPPLY -

INFOID:000000011151109



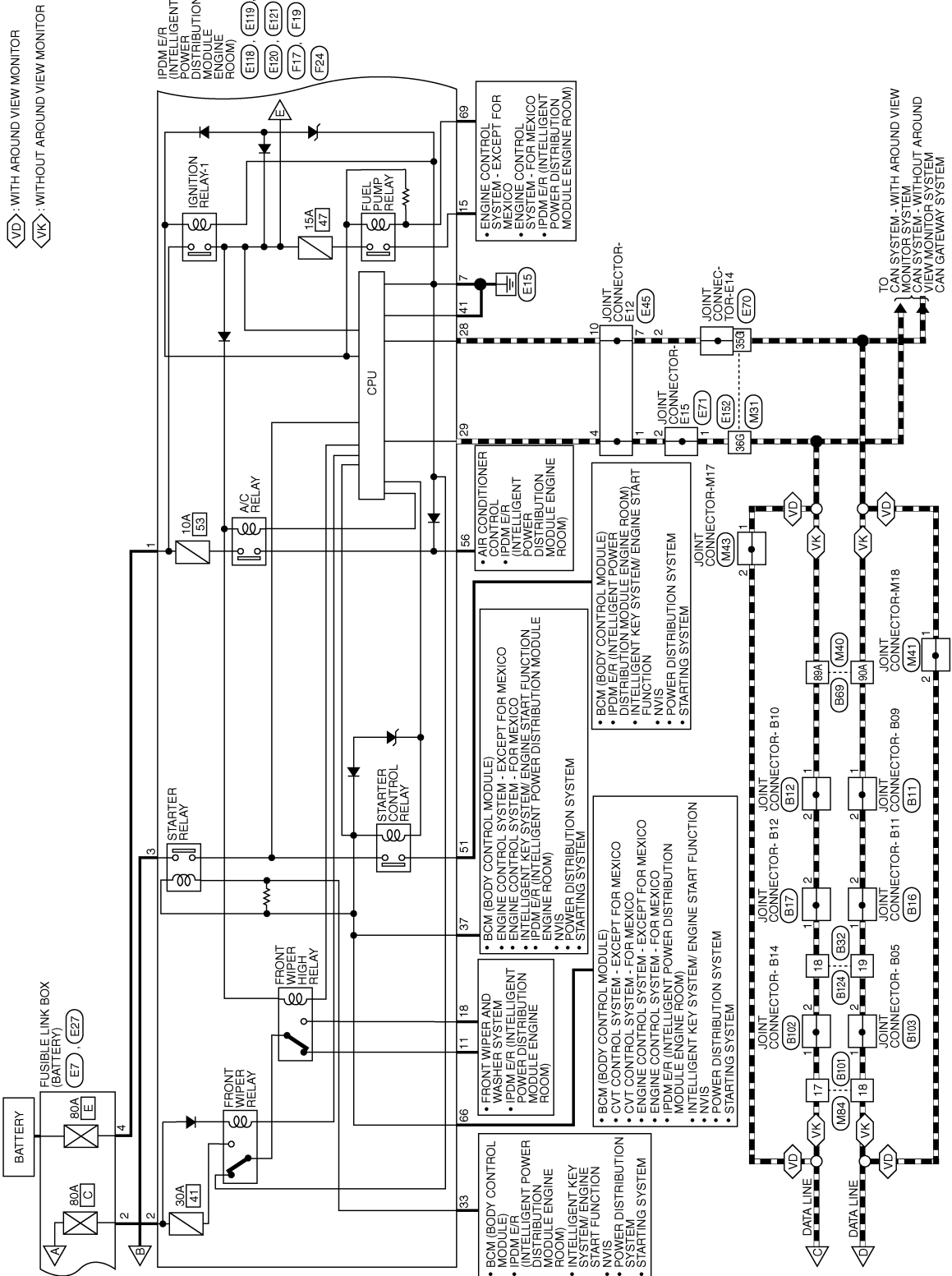
ABMWA3001GB

A
B
C
D
E
F
G
H
I
J
K
L
M
N
O
P

PG

POWER SUPPLY ROUTING CIRCUIT

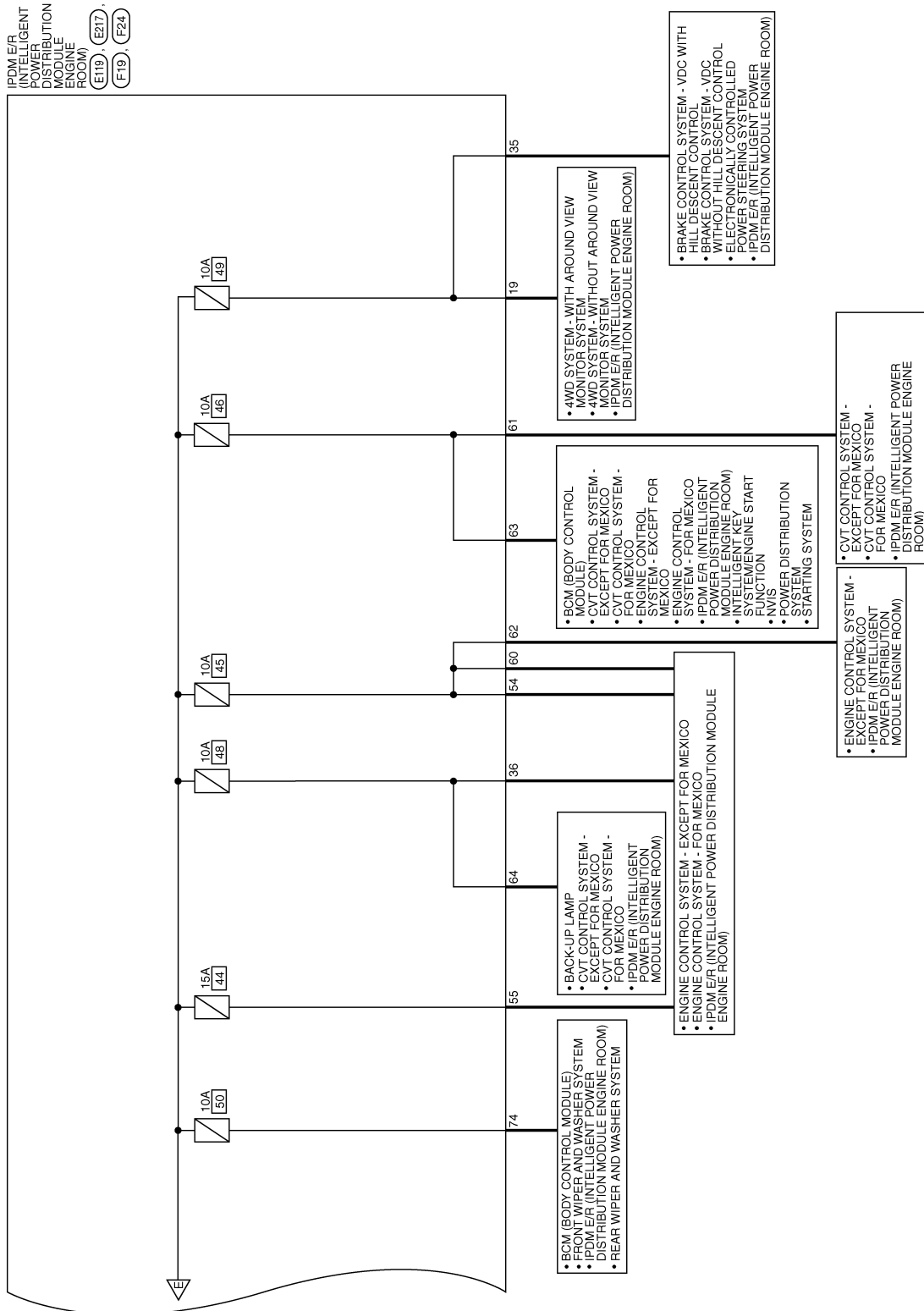
< WIRING DIAGRAM >



ABMWA3002GB

POWER SUPPLY ROUTING CIRCUIT

< WIRING DIAGRAM >



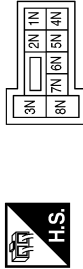
ABMWA3003GB

A
B
C
D
E
F
G
H
I
J
K
L
N
O
P

PG

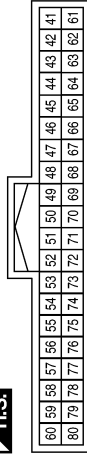
IGNITION POWER SUPPLY CONNECTORS

Connector No.	M3
Connector Name	FUSE BLOCK (J/B)
Connector Color	WHITE



Connector No.	M4
Connector Name	FUSE BLOCK (J/B)
Connector Color	WHITE

Connector No.	M19
Connector Name	BCM (BODY CONTROL MODULE)
Connector Color	BLACK



Terminal No.	Color of Wire	Signal Name
3N	L	-
8N	L	-

Terminal No.	Color of Wire	Signal Name
1P	R	-
2P	LG	-
3P	G	-
4P	LG	-
5P	BR	-
6P	BG	-
7P	LG	-
8P	BG	-
16P	W	-

Terminal No.	Color of Wire	Signal Name
59	P	CAN-L
60	L	CAN-H
61	BG	REAR DEFOGGER RELAY OUT
66	W	BLOWER FAN RELAY OUT
67	G	IGN ELEC RELAY OUT 2

POWER SUPPLY ROUTING CIRCUIT

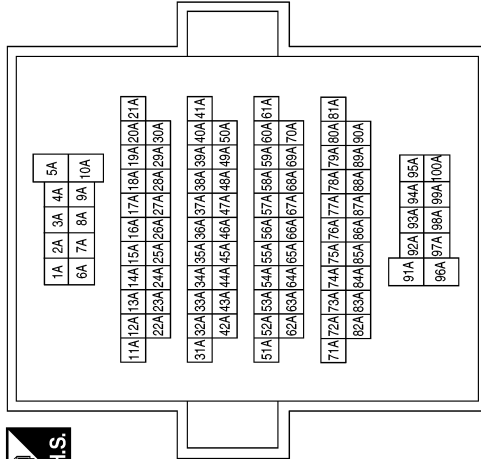
< WIRING DIAGRAM >

Connector No.	M41
Connector Name	JOINT CONNECTOR-M18
Connector Color	WHITE



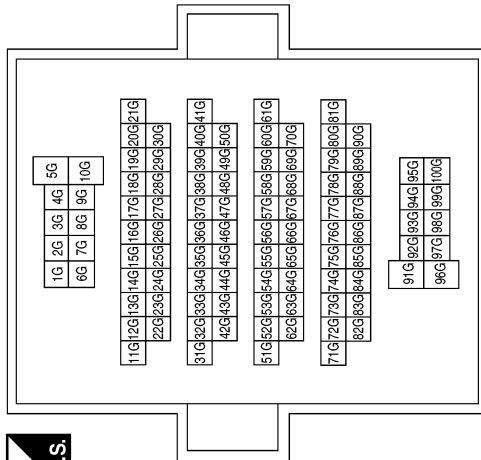
Terminal No.	Color of Wire	Signal Name
1	P	-
2	P	-

Connector No.	M40
Connector Name	WIRE TO WIRE
Connector Color	GRAY



Terminal No.	Color of Wire	Signal Name
89A	L	-
90A	P	-

Connector No.	M31
Connector Name	WIRE TO WIRE
Connector Color	WHITE



Terminal No.	Color of Wire	Signal Name
10G	W	-
35G	P	-
36G	L	-

A
B
C
D
E
F
G
H
I
J
K
L
PG
N
O
P

ABMIA4887GB

POWER SUPPLY ROUTING CIRCUIT

< WIRING DIAGRAM >

Connector No.	M81
Connector Name	BCM (BODY CONTROL MODULE)
Connector Color	WHITE



137	138	139	140	141	142	143	133	131	130	129
-----	-----	-----	-----	-----	-----	-----	-----	-----	-----	-----

Terminal No.	Color of Wire	Signal Name
134	B	GND 2
139	W	BAT POWER F/L
143	B	GND 1

Connector No.	M68
Connector Name	FUSE BLOCK (J/B)
Connector Color	BROWN



7R	6R	5R	4R	3R	2R	1R
16F	15F	14F	13F	12F	11F	10F

Terminal No.	Color of Wire	Signal Name
2R	LG	-
13R	GR	-

Connector No.	M43
Connector Name	JOINT CONNECTOR-M17
Connector Color	WHITE



4	3	2	1
---	---	---	---

Terminal No.	Color of Wire	Signal Name
1	L	-
2	L	-

Connector No.	E13
Connector Name	FUSE BLOCK (J/B)
Connector Color	WHITE



1S

Connector No.	E7
Connector Name	FUSIBLE LINK BOX (BATTERY)
Connector Color	GRAY



4	3
---	---

Terminal No.	Color of Wire	Signal Name
1S	W	-

Connector No.	M84
Connector Name	WIRE TO WIRE
Connector Color	WHITE



16	15	14	13	12	11	10	9	8	7	6	5	4	3	2	1
32	31	30	29	28	27	26	25	24	23	22	21	20	19	18	17

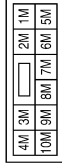
Terminal No.	Color of Wire	Signal Name
17	L	-
18	P	-

AAMIA1319GB

POWER SUPPLY ROUTING CIRCUIT

< WIRING DIAGRAM >

Connector No.	E28
Connector Name	FUSE BLOCK (J/B)
Connector Color	WHITE



Terminal No.	1M	Color of Wire	R	Signal Name	-
--------------	----	---------------	---	-------------	---

Connector No.	E27
Connector Name	FUSIBLE LINK BOX (BATTERY)
Connector Color	BROWN



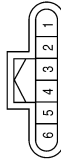
Terminal No.	1	Color of Wire	W	Signal Name	-
2	L	-	-	-	-

Connector No.	E17
Connector Name	FUSE BLOCK (J/B)
Connector Color	WHITE



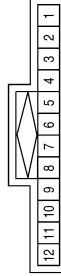
Terminal No.	1L	Color of Wire	G	Signal Name	-
--------------	----	---------------	---	-------------	---

Connector No.	E70
Connector Name	JOINT CONNECTOR-E14
Connector Color	BLACK



Terminal No.	1	Color of Wire	P	Signal Name	-
2	P	-	-	-	-

Connector No.	E45
Connector Name	JOINT CONNECTOR-E12
Connector Color	BLUE



Terminal No.	1	Color of Wire	L	Signal Name	-
4	L	-	-	-	-
7	P	-	-	-	-
10	P	-	-	-	-

Connector No.	E30
Connector Name	FUSIBLE LINK BOX (BATTERY)
Connector Color	BLACK



Terminal No.	5	Color of Wire	W	Signal Name	-
--------------	---	---------------	---	-------------	---

AAMIA1320GB

A
B
C
D
E
F
G
H
I
J
K
L
N
O
P

PG

POWER SUPPLY ROUTING CIRCUIT

< WIRING DIAGRAM >

Connector No.	E119
Connector Name	IPDM E/R (INTELLIGENT POWER DISTRIBUTION MODULE ENGINE ROOM)
Connector Color	WHITE



19	20	21	22	23	24	25	26	27	28	29	30	31	32	33	34
35	36	37	38	39	40	41	42	43	44	45	46	47	48	49	50

Terminal No.	Color of Wire	Signal Name
19	SB	SUB ECU
28	P	CAN-L
29	L	CAN-H
33	R	START CONT
35	BR	ABS ECU
36	W	START IG-E/R
37	W	CLUTCH I/L SW
41	B	GND (SIGNAL)

Connector No.	E118
Connector Name	IPDM E/R (INTELLIGENT POWER DISTRIBUTION MODULE ENGINE ROOM)
Connector Color	BLACK



1	2
---	---

Terminal No.	Color of Wire	Signal Name
1	R	F/L MAIN
2	L	F/L USM

Connector No.	E71
Connector Name	JOINT CONNECTOR-E15
Connector Color	BLACK



6	5	4	3	2	1
---	---	---	---	---	---

Terminal No.	Color of Wire	Signal Name
1	L	-
2	L	-

Connector No.	E121
Connector Name	IPDM E/R (INTELLIGENT POWER DISTRIBUTION MODULE ENGINE ROOM)
Connector Color	WHITE



7	8	9	10	11		
12	13	14	15	16	17	18

Terminal No.	Color of Wire	Signal Name
7	B	GND (POWER)
11	Y	FR WIPER LO
15	R	FUEL PUMP
18	L	FR WIPER HI

Connector No.	E120
Connector Name	IPDM E/R (INTELLIGENT POWER DISTRIBUTION MODULE ENGINE ROOM)
Connector Color	WHITE



3	4	5	6
---	---	---	---

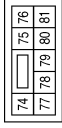
Terminal No.	Color of Wire	Signal Name
3	G	F/L GNSW

ABMIA6915GB

POWER SUPPLY ROUTING CIRCUIT

< WIRING DIAGRAM >

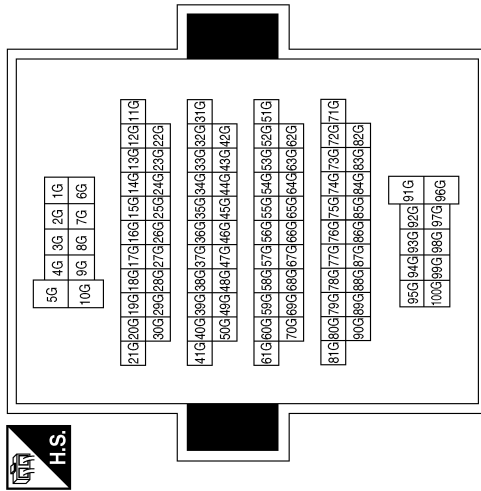
Connector No.	E217
Connector Name	IPDM E/R (INTELLIGENT POWER DISTRIBUTION MODULE ENGINE ROOM)
Connector Color	WHITE



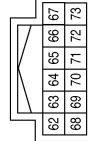
Terminal No.	74	R	Signal Name	WASH MTR
--------------	----	---	-------------	----------

Terminal No.	Color of Wire	Signal Name
10G	P	-
35G	P	-
36G	L	-

Connector No.	E152
Connector Name	WIRE TO WIRE
Connector Color	WHITE

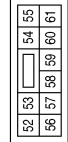


Connector No.	F24
Connector Name	IPDM E/R (INTELLIGENT POWER DISTRIBUTION MODULE ENGINE ROOM)
Connector Color	WHITE



Terminal No.	Color of Wire	Signal Name
62	W	ECM IGN SW
63	L	INHIBIT SW
64	LG	START IG EGI
66	G	NP SW
69	W	FPR

Connector No.	F19
Connector Name	IPDM E/R (INTELLIGENT POWER DISTRIBUTION MODULE ENGINE ROOM)
Connector Color	WHITE



Terminal No.	Color of Wire	Signal Name
54	L	INJECTOR #1
55	W	IGN COIL
56	SB	A/C COMP
60	LG	INJECTOR #2
61	Y	AT ECU

Connector No.	F17
Connector Name	IPDM E/R (INTELLIGENT POWER DISTRIBUTION MODULE ENGINE ROOM)
Connector Color	BLACK



Terminal No.	Color of Wire	Signal Name
51	W	STARTER MOTOR

ABMIA6916GB

A
B
C
D
E
F
G
H
I
J
K
L
N
O
P

PG

POWER SUPPLY ROUTING CIRCUIT

< WIRING DIAGRAM >

Connector No.	B16
Connector Name	JOINT CONNECTOR-B11
Connector Color	WHITE



Terminal No.	Color of Wire	Signal Name
1	P	-
2	P	-

Connector No.	B12
Connector Name	JOINT CONNECTOR-B10
Connector Color	WHITE



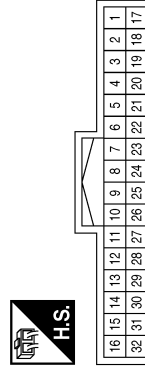
Terminal No.	Color of Wire	Signal Name
1	L	-
2	L	-

Connector No.	B11
Connector Name	JOINT CONNECTOR-B09
Connector Color	WHITE



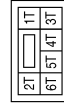
Terminal No.	Color of Wire	Signal Name
1	P	-
2	P	-

Connector No.	B32
Connector Name	WIRE TO WIRE
Connector Color	WHITE



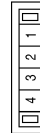
Terminal No.	Color of Wire	Signal Name
18	L	-
19	P	-

Connector No.	B29
Connector Name	FUSE BLOCK (J/B)
Connector Color	WHITE



Terminal No.	Color of Wire	Signal Name
3T	W	-
5T	G	-

Connector No.	B17
Connector Name	JOINT CONNECTOR-B12
Connector Color	WHITE



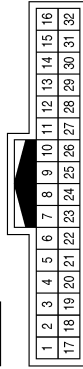
Terminal No.	Color of Wire	Signal Name
1	L	-
2	L	-

ABMIA6917GB

POWER SUPPLY ROUTING CIRCUIT

< WIRING DIAGRAM >

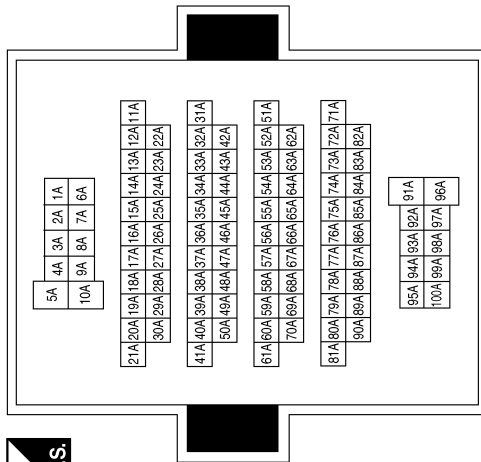
Connector No.	B101
Connector Name	WIRE TO WIRE
Connector Color	WHITE



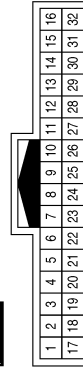
Terminal No.	Color of Wire	Signal Name
17	L	-
18	P	-

Terminal No.	Color of Wire	Signal Name
89A	L	-
90A	P	-

Connector No.	B69
Connector Name	WIRE TO WIRE
Connector Color	GRAY

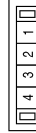


Connector No.	B124
Connector Name	WIRE TO WIRE
Connector Color	WHITE



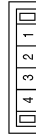
Terminal No.	Color of Wire	Signal Name
18	L	-
19	P	-

Connector No.	B103
Connector Name	JOINT CONNECTOR-B05
Connector Color	WHITE



Terminal No.	Color of Wire	Signal Name
1	P	-
2	P	-

Connector No.	B102
Connector Name	JOINT CONNECTOR-B14
Connector Color	WHITE



Terminal No.	Color of Wire	Signal Name
1	L	-
2	L	-

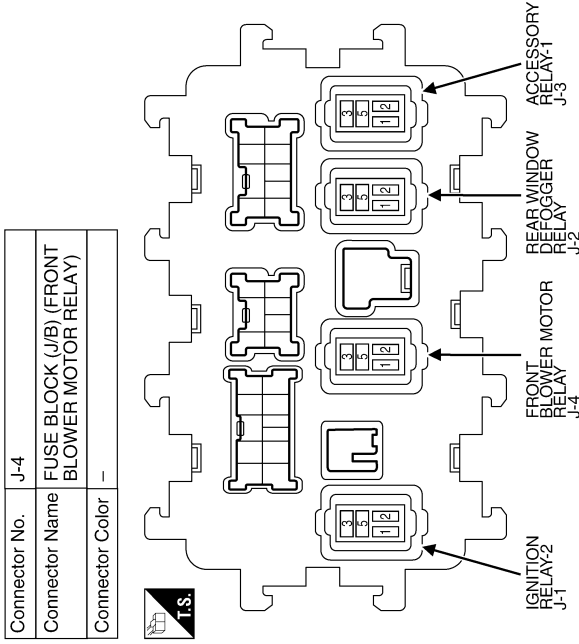
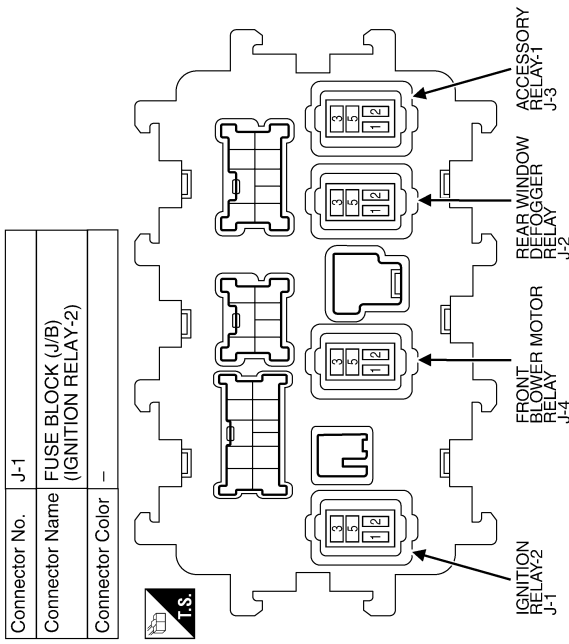
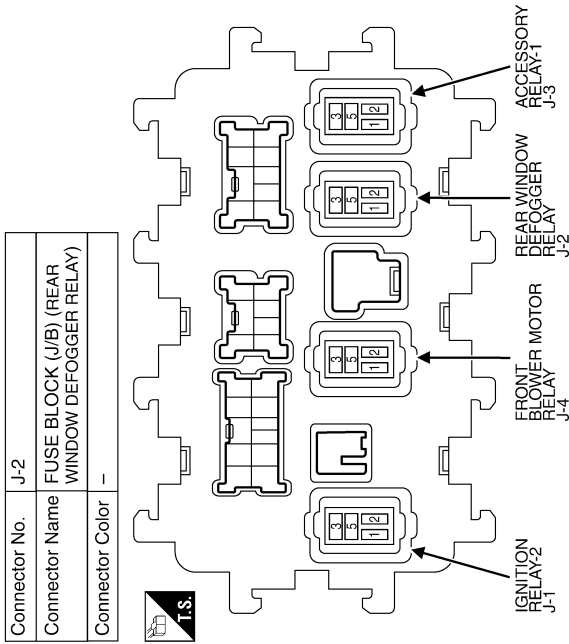
ABMIA6918GB

A
B
C
D
E
F
G
H
I
J
K
L
N
O
P

PG

POWER SUPPLY ROUTING CIRCUIT

< WIRING DIAGRAM >



AAMIA1325GB

GROUND

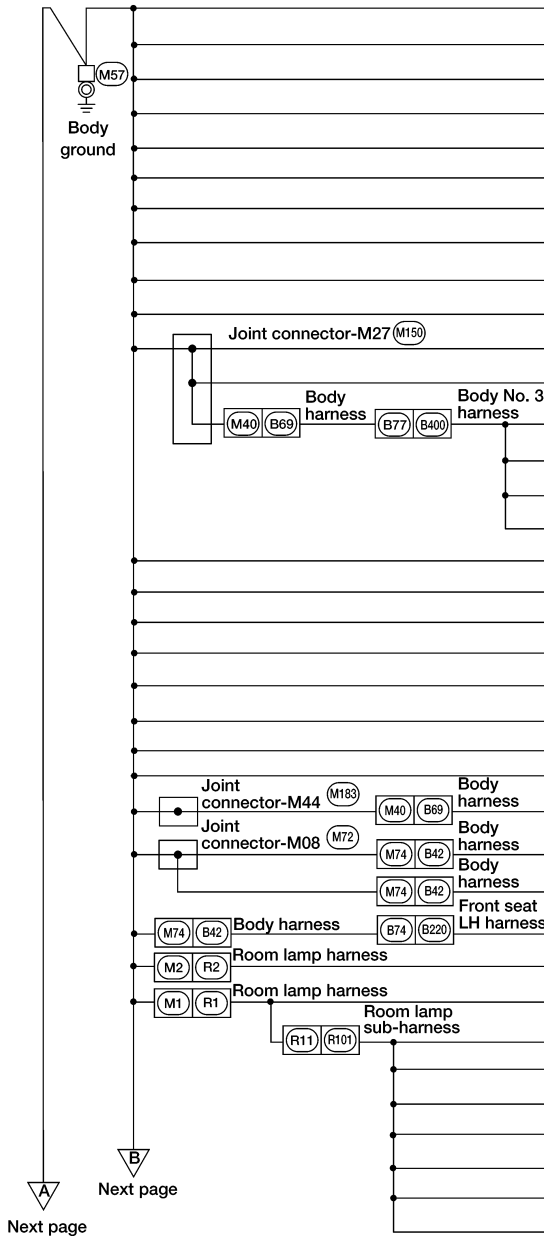
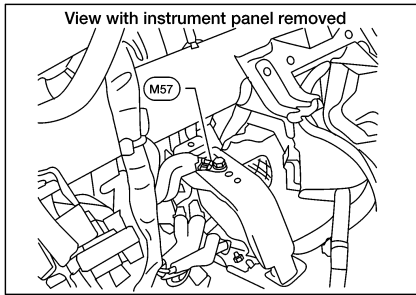
< WIRING DIAGRAM >

GROUND

Ground Distribution

INFOID:000000011151110

MAIN HARNESS



CONNECTOR NUMBER	CONNECT TO
M16	ADP steering switch
M22	Data link connector (Terminal No. 4)
M22	Data link connector (Terminal No. 5)
M24	Combination meter (Terminal No. 1)
M24	Combination meter (Terminal No. 2)
M28	Combination switch
M48	Heated steering wheel switch (Terminal No. 2)
M48	Heated steering wheel switch (Terminal No. 6)
M54	Steering angle sensor
M68	Fuse block (J/B)
M70	Sonar control unit (Terminal No. 15)
M70	Sonar control unit shield
B455	Rear sonar sensor LH outer shield
B456	Rear sonar sensor RH outer shield
B457	Rear sonar sensor LH inner shield
B458	Rear sonar sensor RH inner shield
M71	VDC OFF switch
M81	BCM (body control module) (Terminal No. 134)
M81	BCM (body control module) (Terminal No. 143)
M88	A/C 120V outlet main switch
M98	A/C and AV switch assembly
M117	PTC heater (Terminal No. 2)
M185	Automatic back door main switch
M186	Automatic back door switch
B56	Automatic back door control module shield
B82	Inverter unit shield
B82	Inverter unit (Terminal No. 8)
B205	Climate controlled seat control unit (driver seat) (Terminal No. 30) (with rear entertainment system)
R4	Moonroof motor assembly (Terminal No. 10)
R10	Auto anti-dazzling inside mirror
R102	Vanity lamp RH
R103	Vanity lamp LH
R104	Cargo lamp
R106	Personal lamps 2nd row
R107	Front room/map lamp assembly
R108	Moonroof switch
R110	Sunshade switch

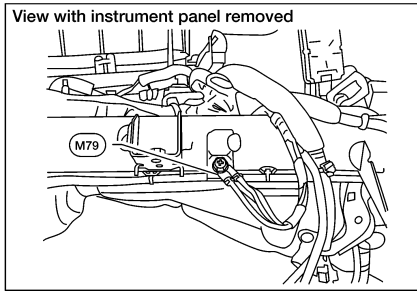
AAMIA3125GB

A
B
C
D
E
F
G
H
I
J
K
L
N
O
P

PG

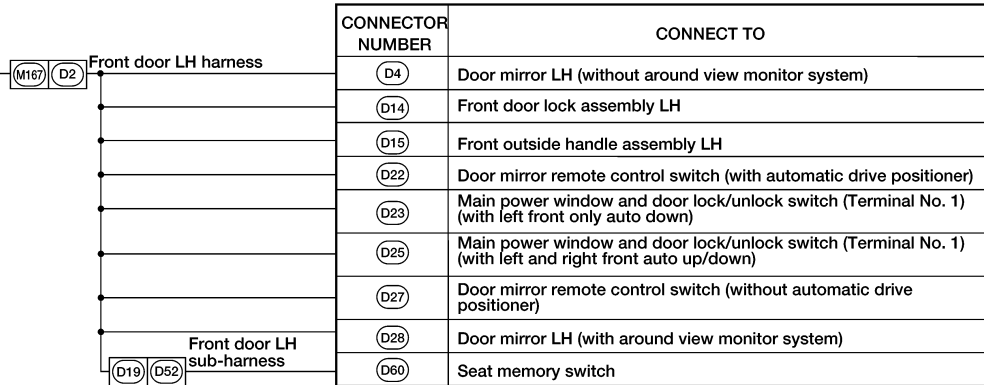
GROUND

< WIRING DIAGRAM >



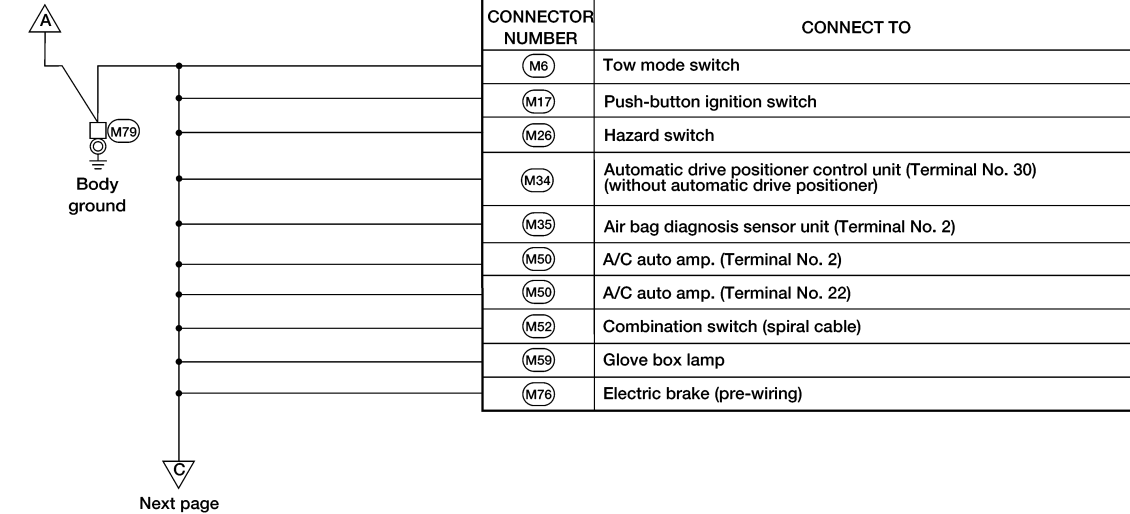
Preceding page

▲ B



Preceding page

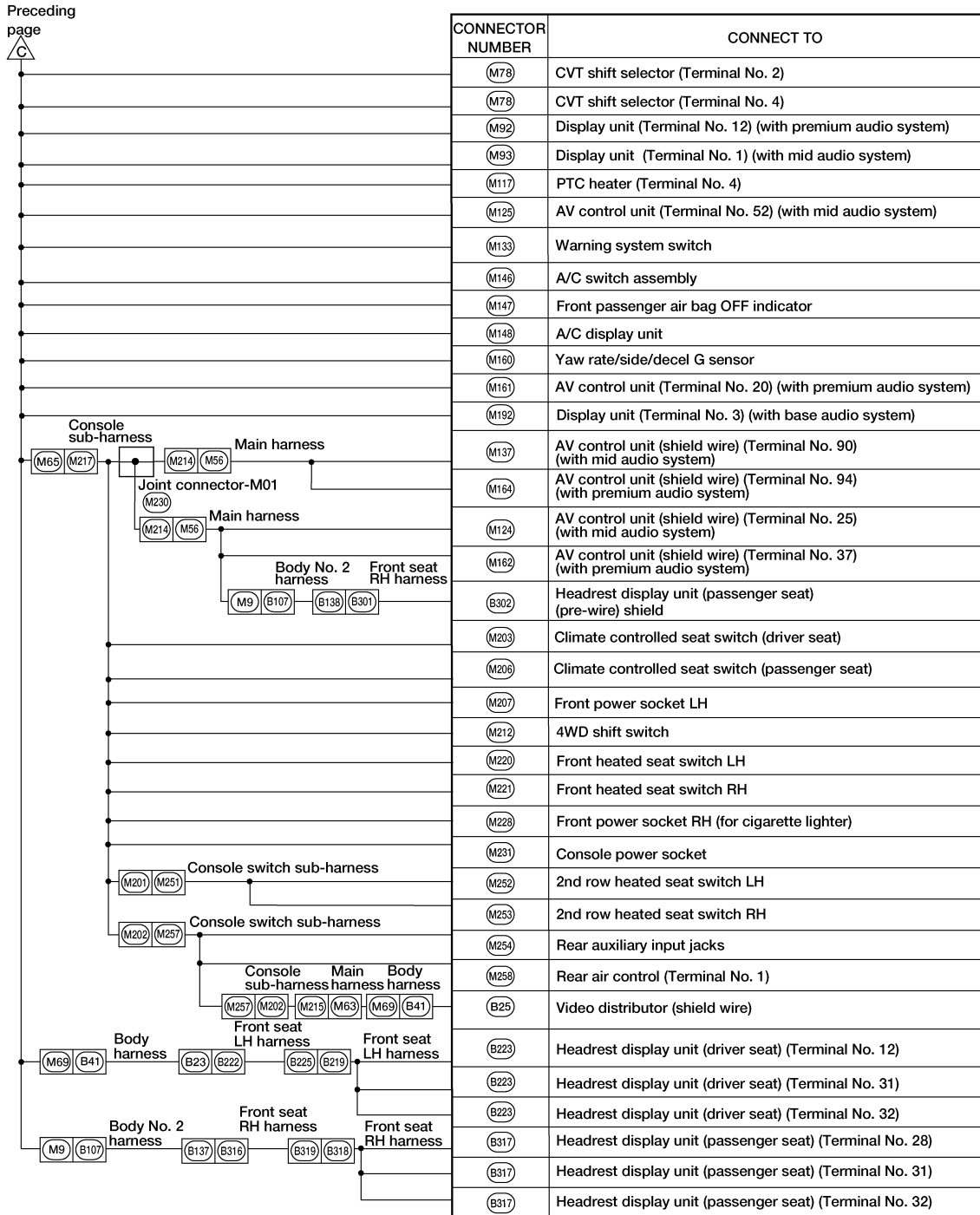
▲ A



ABMIA6920GB

GROUND

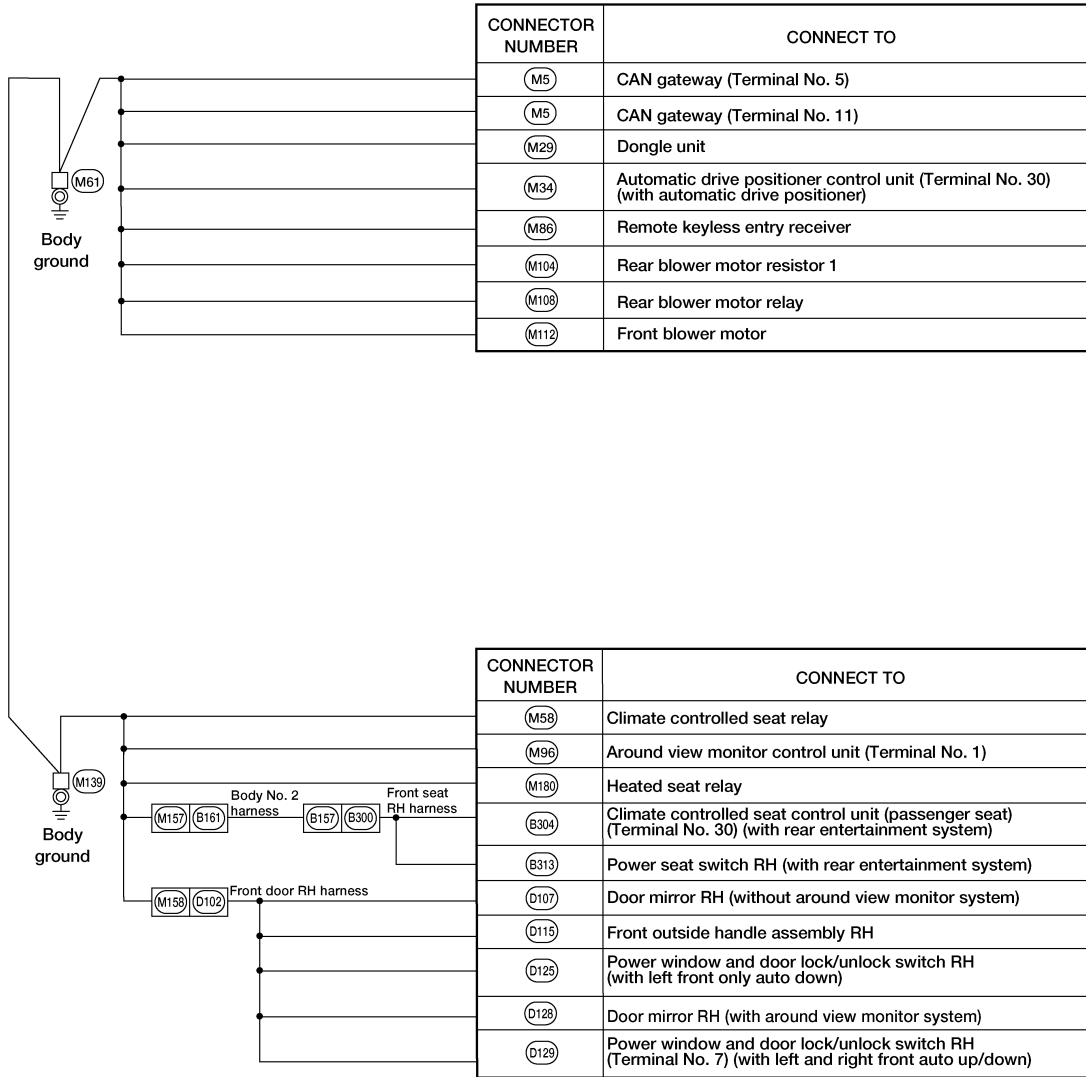
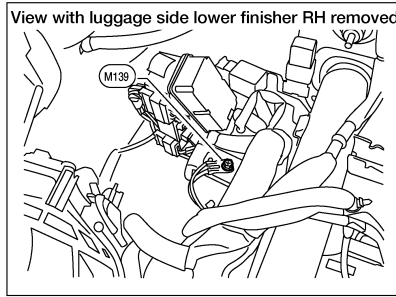
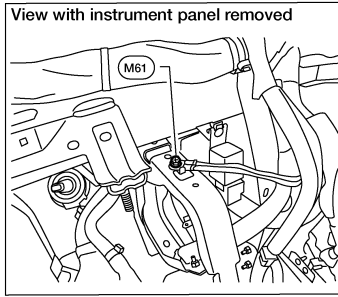
< WIRING DIAGRAM >



ABMIA6921GB

GROUND

< WIRING DIAGRAM >

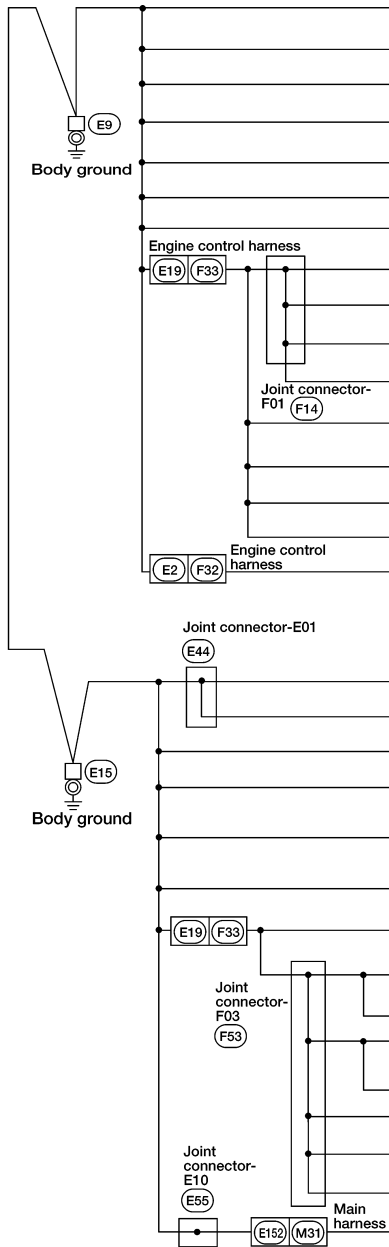
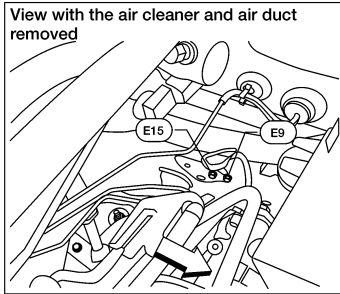


ABMIA6428GB

GROUND

< WIRING DIAGRAM >

ENGINE ROOM HARNESS



CONNECTOR NUMBER	CONNECT TO
E16	ECM (Terminal No. 123) (for Mexico)
E16	ECM (Terminal No. 124) (for Mexico)
E16	ECM (Terminal No. 127) (for Mexico)
E16	ECM (Terminal No. 128) (for Mexico)
E32	ECM (Terminal No. 147) (except for Mexico)
E32	ECM (Terminal No. 149) (except for Mexico)
E32	ECM (Terminal No. 152) (except for Mexico)
F5	Air fuel ratio (A/F) sensor 1 (bank 1) shield
F50	Electric throttle control actuator shield
F51	ECM (Terminal No. 12) (for Mexico)
F65	Air fuel ratio (A/F) sensor 1 (bank 2) shield
F51	ECM (Terminal No. 16) (for Mexico)
F78	ECM (Terminal No. 10) (except for Mexico)
F78	ECM (Terminal No. 55) (except for Mexico)
F79	ECM (Terminal No. 105) (except for Mexico)
F79	ECM (Terminal No. 110) (except for Mexico)

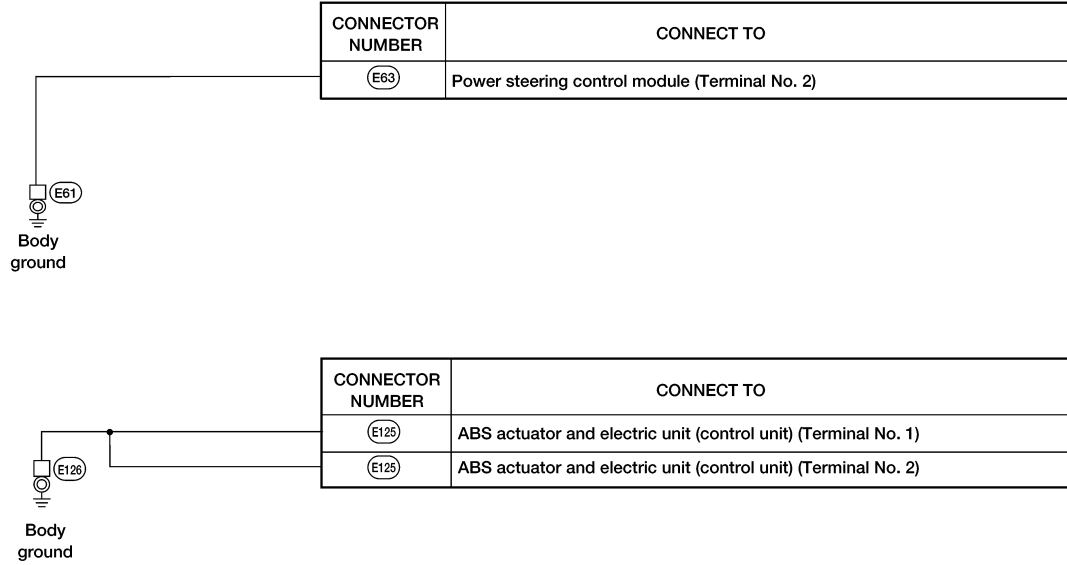
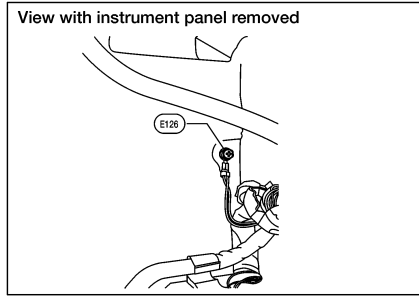
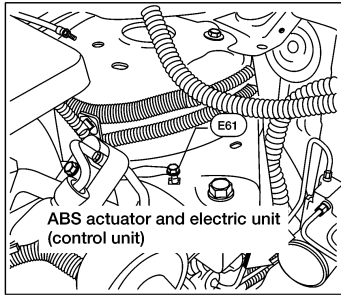
CONNECTOR NUMBER	CONNECT TO
E22	Accessory relay-2
E23	Front wiper motor
E21	Brake fluid level switch
E39	Stop lamp relay
E119	IPDM E/R (intelligent power distribution module engine room) (Terminal No. 41)
E121	IPDM E/R (intelligent power distribution module engine room) (Terminal No. 7)
F3	A/C compressor
F15	TCM (transmission control module) (Terminal No. 41) (for Mexico)
F89	TCM (transmission control module) (Terminal No. 41) (except for Mexico)
F15	TCM (transmission control module) (Terminal No. 42) (for Mexico)
F89	TCM (transmission control module) (Terminal No. 42) (except for Mexico)
F23	Output speed sensor
F25	Primary speed sensor
F29	Input speed sensor
M187	Circuit breaker shield

ABMIA6922GB

A
B
C
D
E
F
G
H
I
J
K
L
PG
N
O
P

GROUND

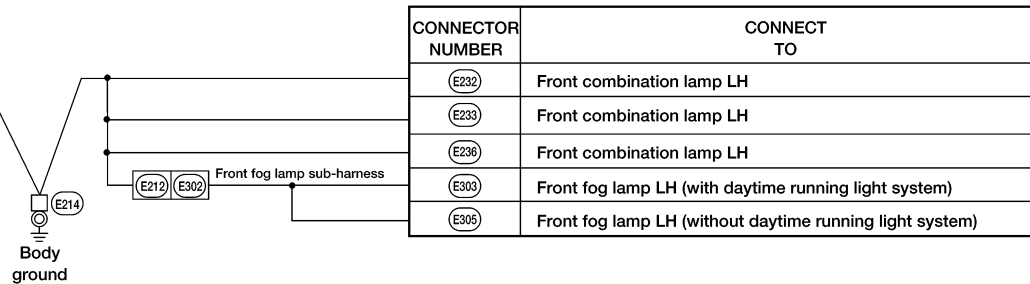
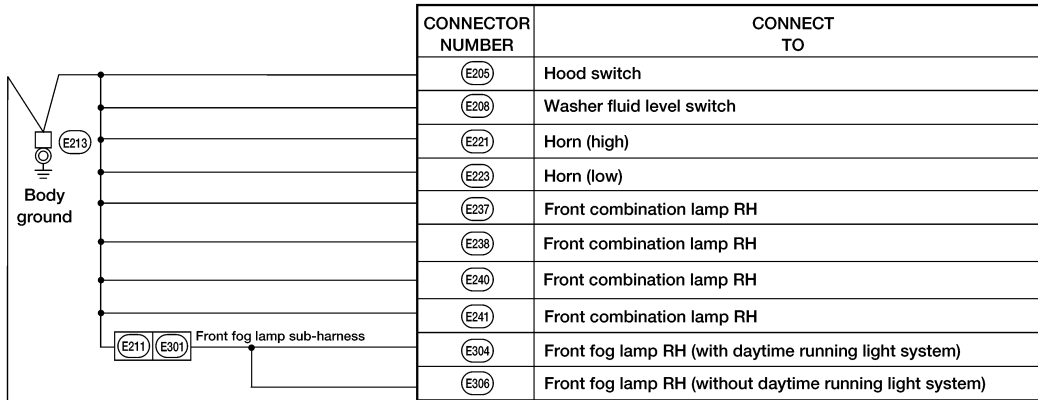
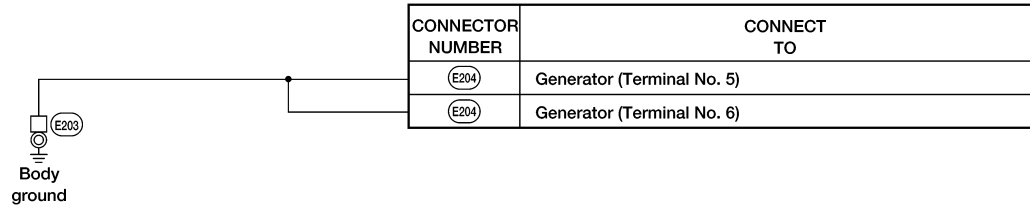
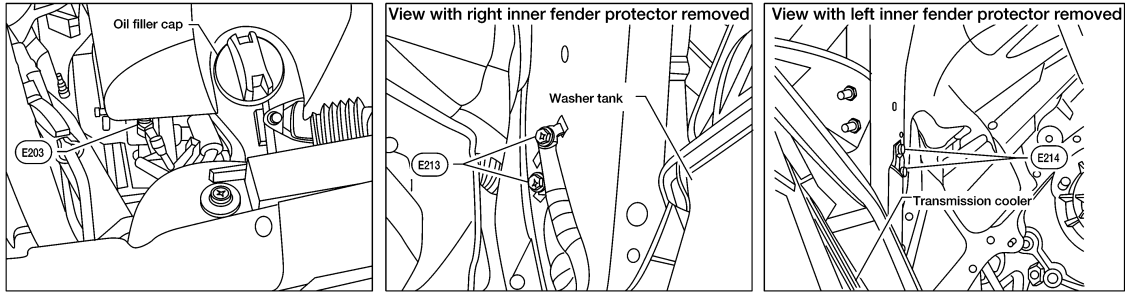
< WIRING DIAGRAM >



ABMIA6943GB

GROUND

< WIRING DIAGRAM > FRONT END MODULE HARNESS

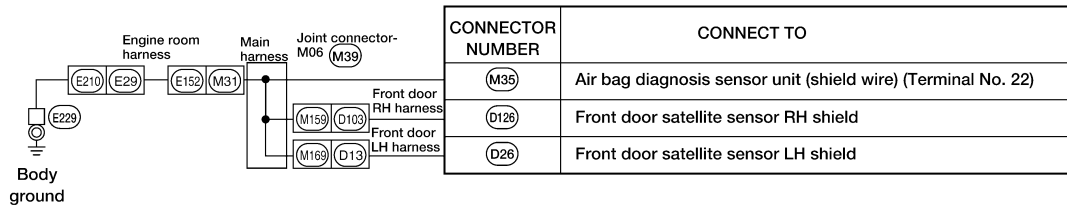
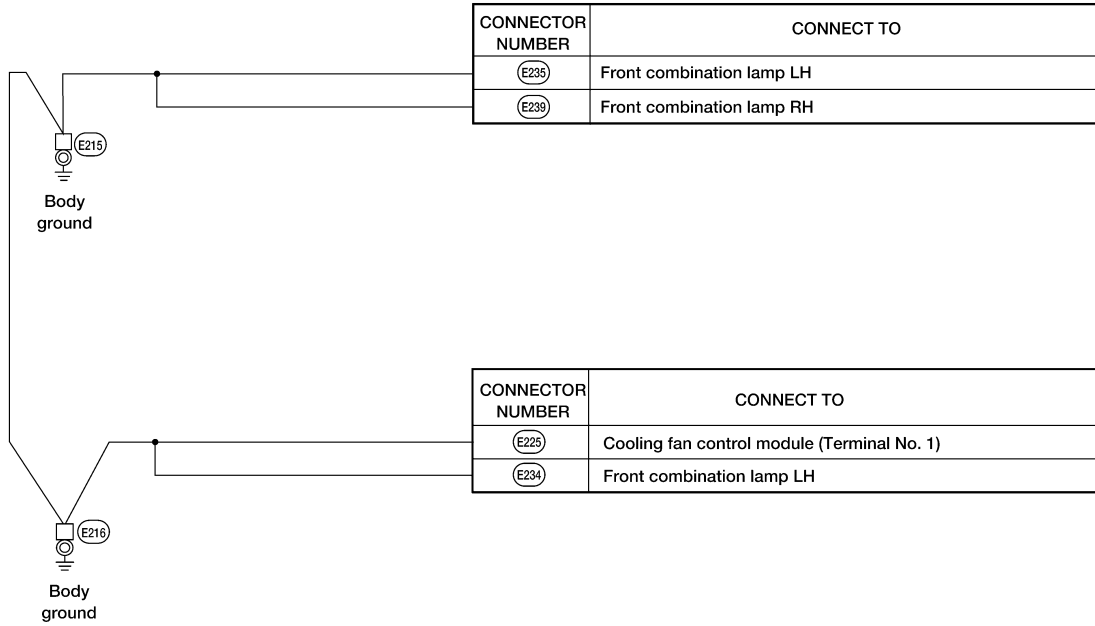
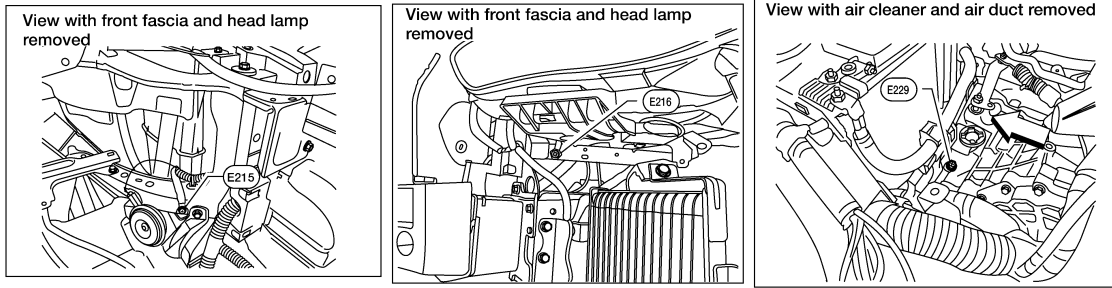


ABMIA6923GB

A
B
C
D
E
F
G
H
I
J
K
L
PG
N
O
P

GROUND

< WIRING DIAGRAM >

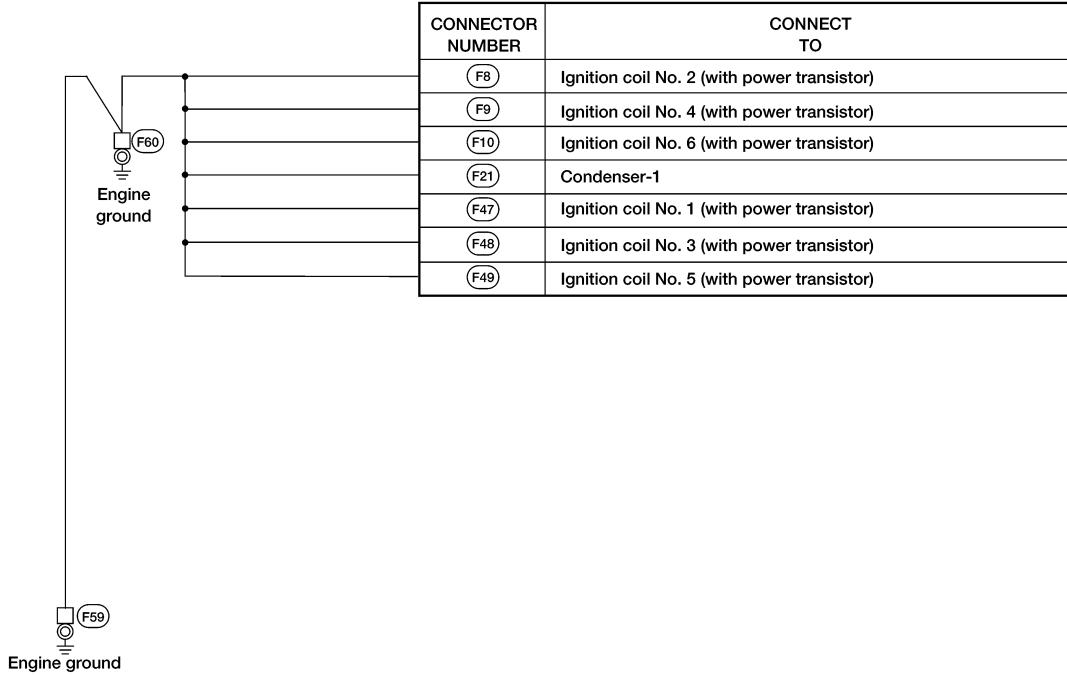
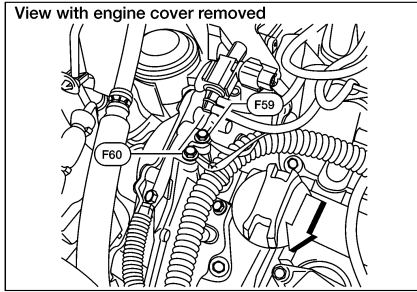


ABMIA4895GB

GROUND

< WIRING DIAGRAM >

ENGINE CONTROL HARNESS



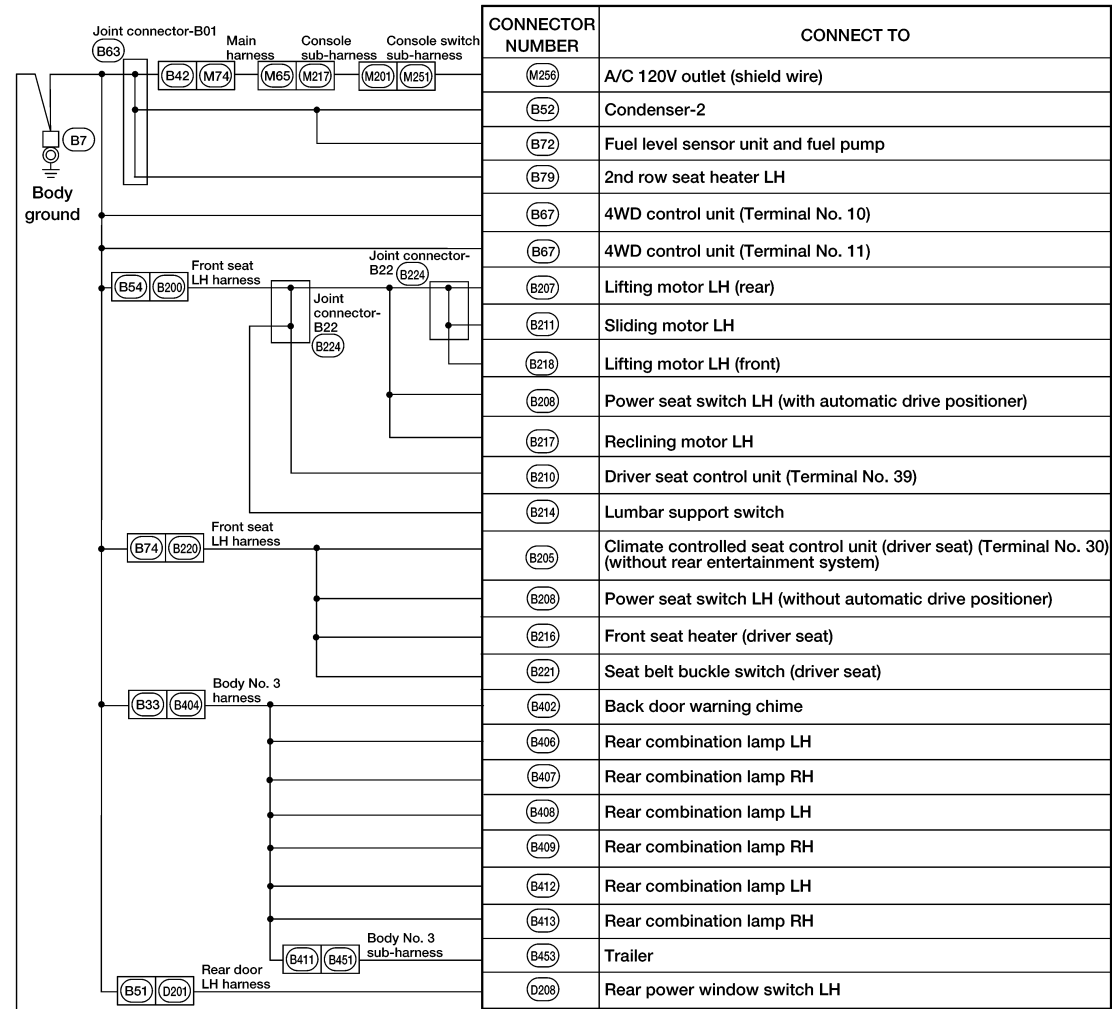
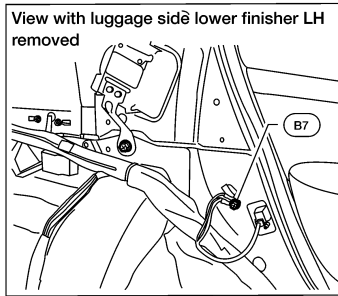
A
B
C
D
E
F
G
H
I
J
K
L
PG
N
O
P

ABMIA6924GB

GROUND

< WIRING DIAGRAM >

BODY HARNESS

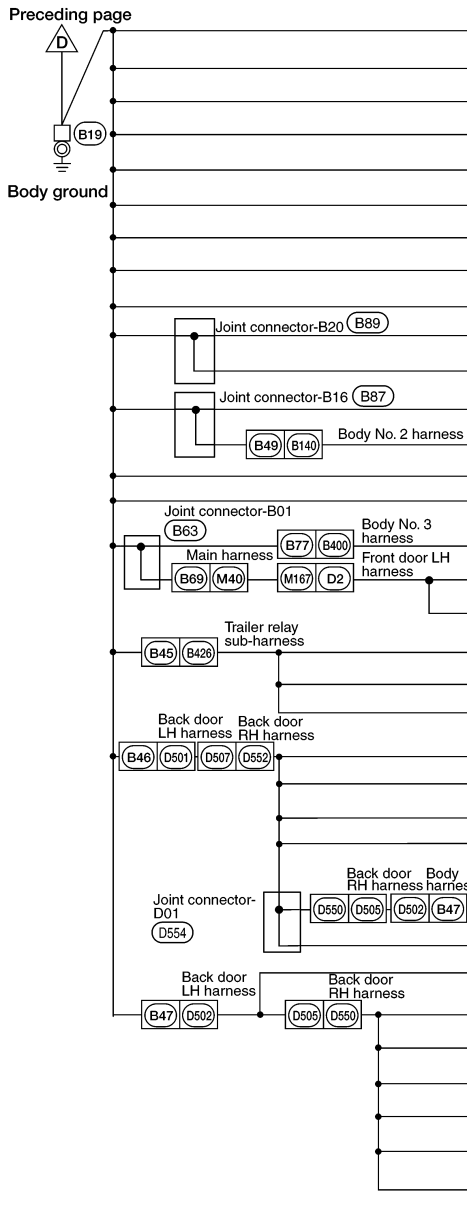
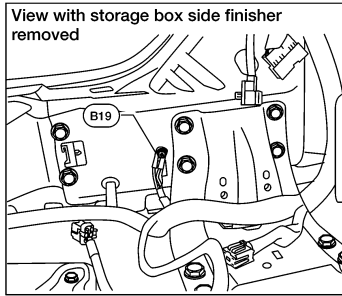


D
Next page

ABMIA6925GB

GROUND

< WIRING DIAGRAM >



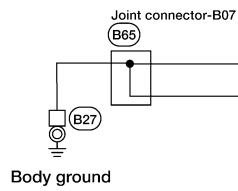
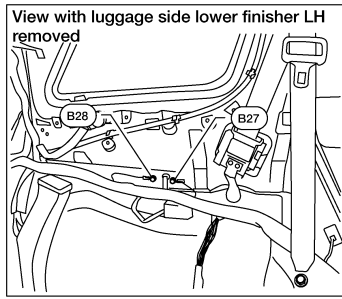
CONNECTOR NUMBER	CONNECT TO
(B2)	Satellite radio tuner (Terminal No. 35)
(B3)	Bluetooth® control unit (Terminal No. 4)
(B3)	Bluetooth® control unit (Terminal No. 20)
(B3)	Bluetooth® control unit (Terminal No. 22)
(B3)	Bluetooth® control unit (Terminal No. 24)
(B3)	Bluetooth® control unit (Terminal No. 27)
(B24)	Video distributor (Terminal No. 1)
(B24)	Video distributor (Terminal No. 3)
(B55)	Automatic back door control module (Terminal No. 4)
(B56)	Automatic back door control module (Terminal No. 32)
(B56)	Automatic back door control module shield
(B70)	Spindle unit LH (shield wire)
(B162)	Spindle unit RH (shield wire)
(B81)	Rear cargo power socket
(B85)	Sunshade motor assembly
(B416)	Side radar LH
(D21)	Blind spot warning indicator LH
(D21)	Blind spot warning indicator LH shield
(B427)	Trailer tow relay 1
(B428)	Trailer tow relay 2
(B431)	Trailer back-up relay
(D557)	Back door lock assembly (with power back door)
(D559)	Back door opener switch (Terminal No. 2)
(D559)	Back door opener switch (Terminal No. 3)
(D565)	Back door lock assembly (Terminal No. 4) (without power back door)
(B56)	Automatic back door control module (shield wire) (Terminal No. 28)
(D566)	Automatic back door close switch
(D503)	High-mounted stop lamp
(D553)	Rear wiper motor
(D561)	License plate lamp LH
(D562)	License plate lamp RH
(D563)	Back-up lamp RH
(D564)	Back-up lamp LH
(D565)	Back door lock assembly (Terminal No. 2) (without power back door)

ABMIA6926GB

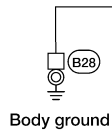
A
B
C
D
E
F
G
H
I
J
K
L
PG
N
O
P

GROUND

< WIRING DIAGRAM >



CONNECTOR NUMBER	CONNECT TO
B9	Air bag diagnosis sensor unit (shield wire) (Terminal No. 55)
B71	Rear side air bag satellite sensor LH shield



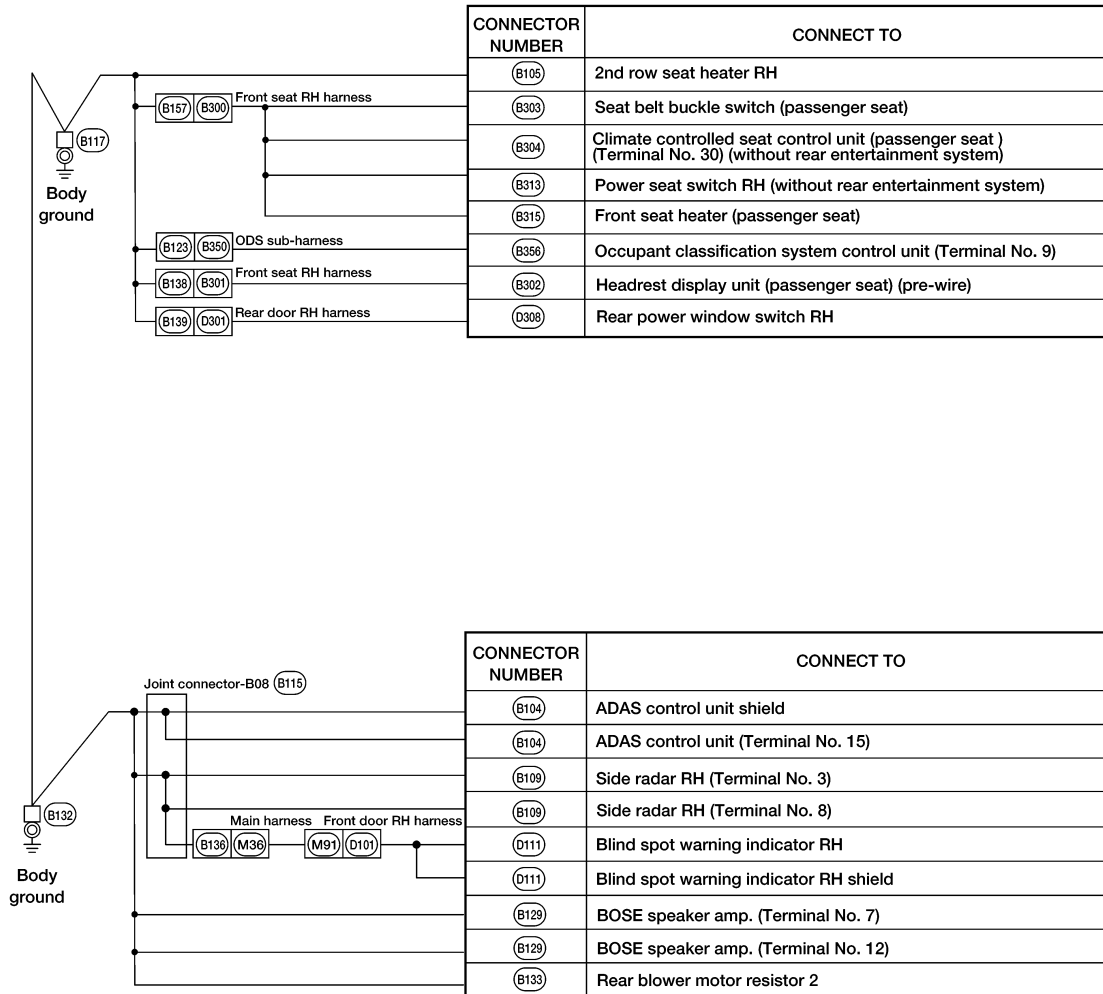
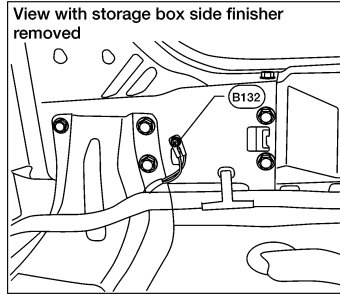
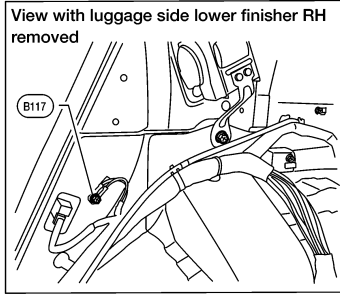
CONNECTOR NUMBER	CONNECT TO
B38	LH side curtain air bag module shield

ABMIA4899GB

GROUND

< WIRING DIAGRAM >

BODY NO. 2 HARNESS



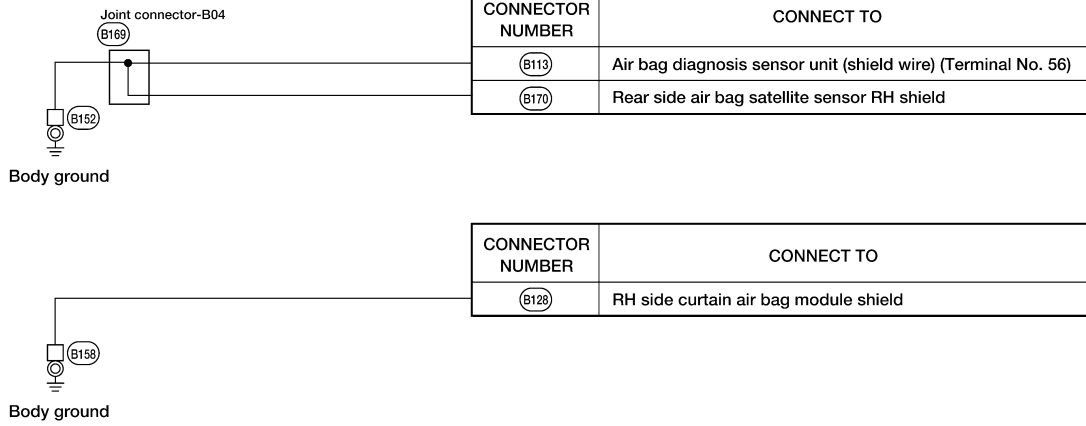
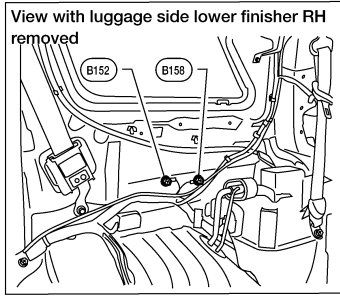
ABMIA6927GB

A
B
C
D
E
F
G
H
I
J
K
L
N
O
P

PG

GROUND

< WIRING DIAGRAM >

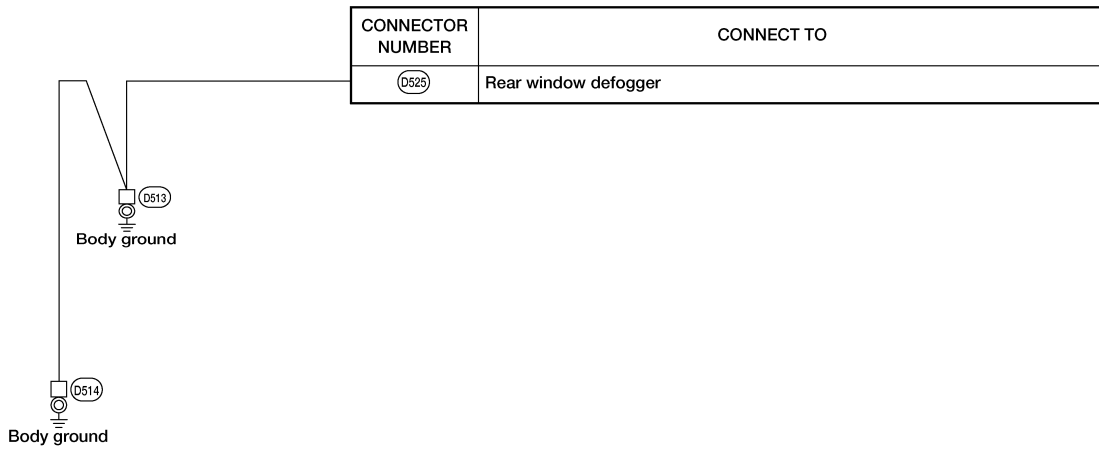
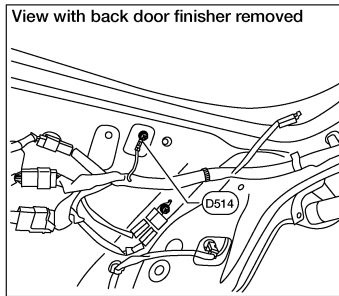
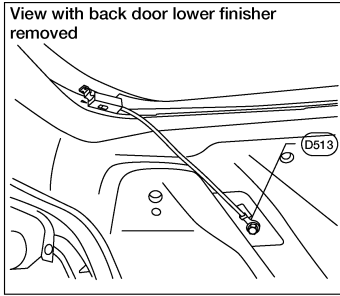


ABMIA4920GB

GROUND

< WIRING DIAGRAM >

BACK DOOR HARNESS



A
B
C
D
E
F
G
H
I
J
K
L
PG
N
O
P

AAMIA1340GB

HARNESS

< WIRING DIAGRAM >

HARNESS

Harness Layout

INFOID:000000011151111

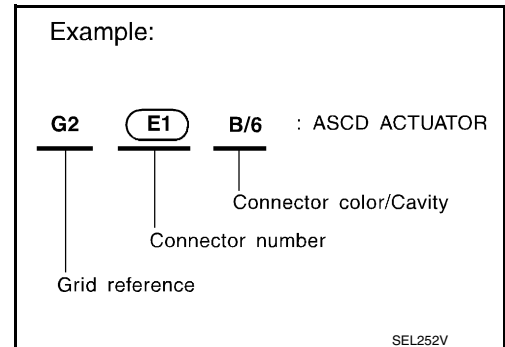
HOW TO READ HARNESS LAYOUT

The following Harness Layouts use a map style grid to help locate connectors on the drawings:

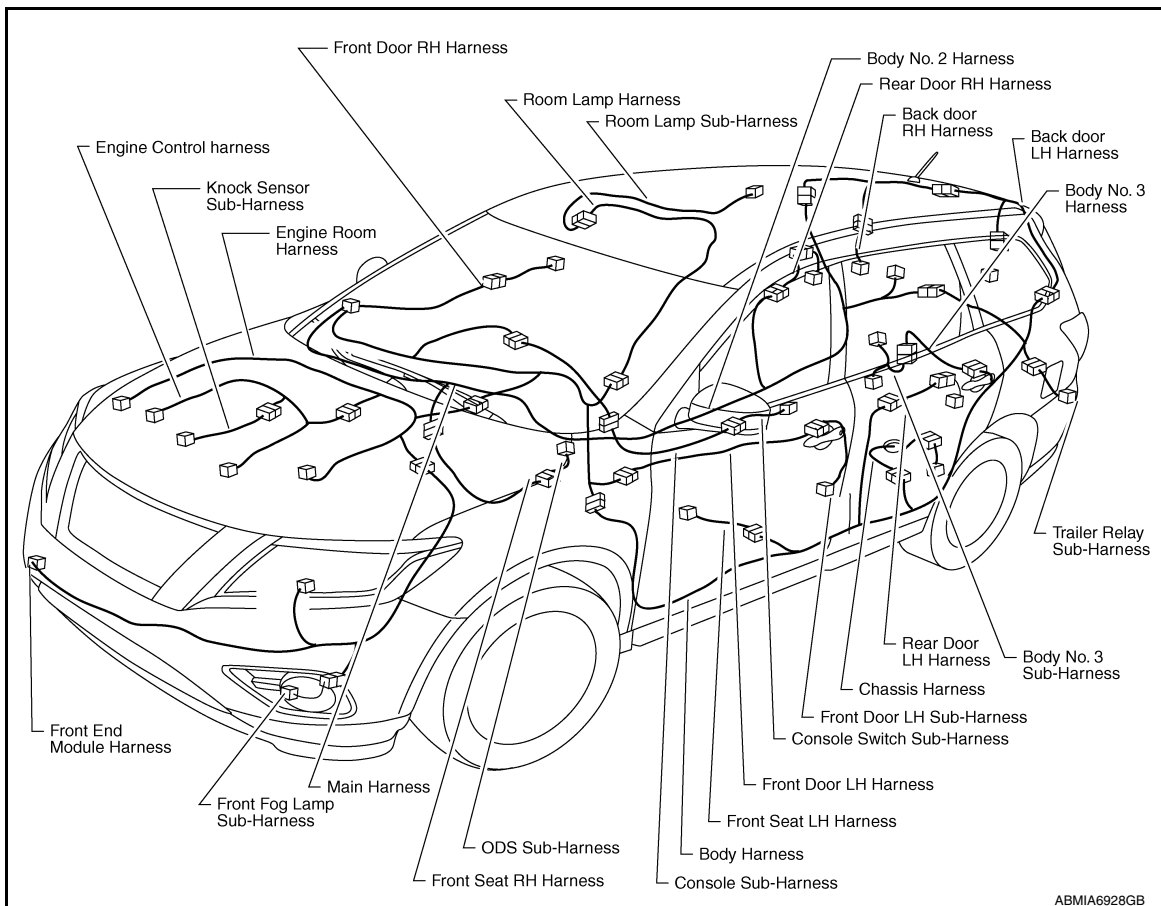
- Main Harness 1, Main Harness 2, Console Sub-harness and Console Switch Sub-harness
- Engine Room Harness
- Engine Room Harness (Passenger Compartment)
- Front End Module Harness and Front Fog Lamp Sub-harness
- Engine Control Harness, Knock Sensor Sub-harness
- Body Harness, Front Seat LH Harness, Body No. 3 Harness, Body No. 3 Sub-harness, Trailer Relay Sub-harness and Chassis Harness
- Body No. 2 Harness and Front Seat RH Harness and ODS sub-harness
- Room Lamp Harness and Room Lamp Sub-harness
- Back Door LH Harness and Back Door RH Harness

To use the grid reference

1. Find the desired connector number on the connector list.
2. Find the grid reference.
3. On the drawing, find the crossing of the grid reference letter column and number row.
4. Find the connector number in the crossing zone.
5. Follow the line (if used) to the connector.



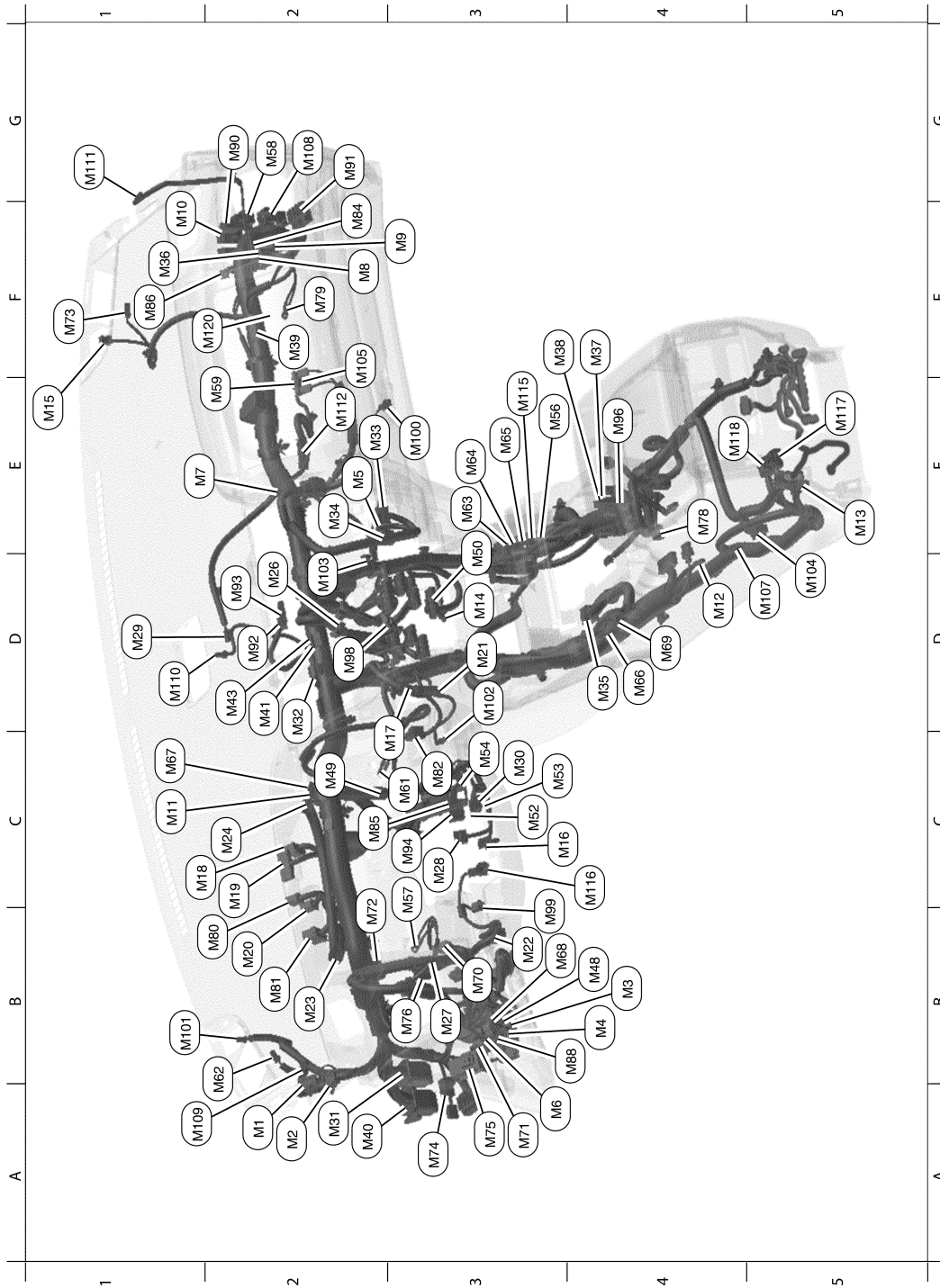
OUTLINE



HARNESS

< WIRING DIAGRAM >

MAIN HARNESS 1



ABMIA6929ZZ

A2	M1	W/24	: To R1	C3	M61	—	: Body ground
A2	M2	W/6	: To R2	B2	M62	BR/2	: Instrument panel tweeter LH
B4	M3	W/8	: Fuse block (J/B)	E3	M63	W/40	: To M215
B4	M4	W/16	: Fuse block (J/B)	E3	M64	W/6	: To M216
E2	M5	W/12	: CAN gateway	E3	M65	W/16	: To M217

HARNESS

< WIRING DIAGRAM >

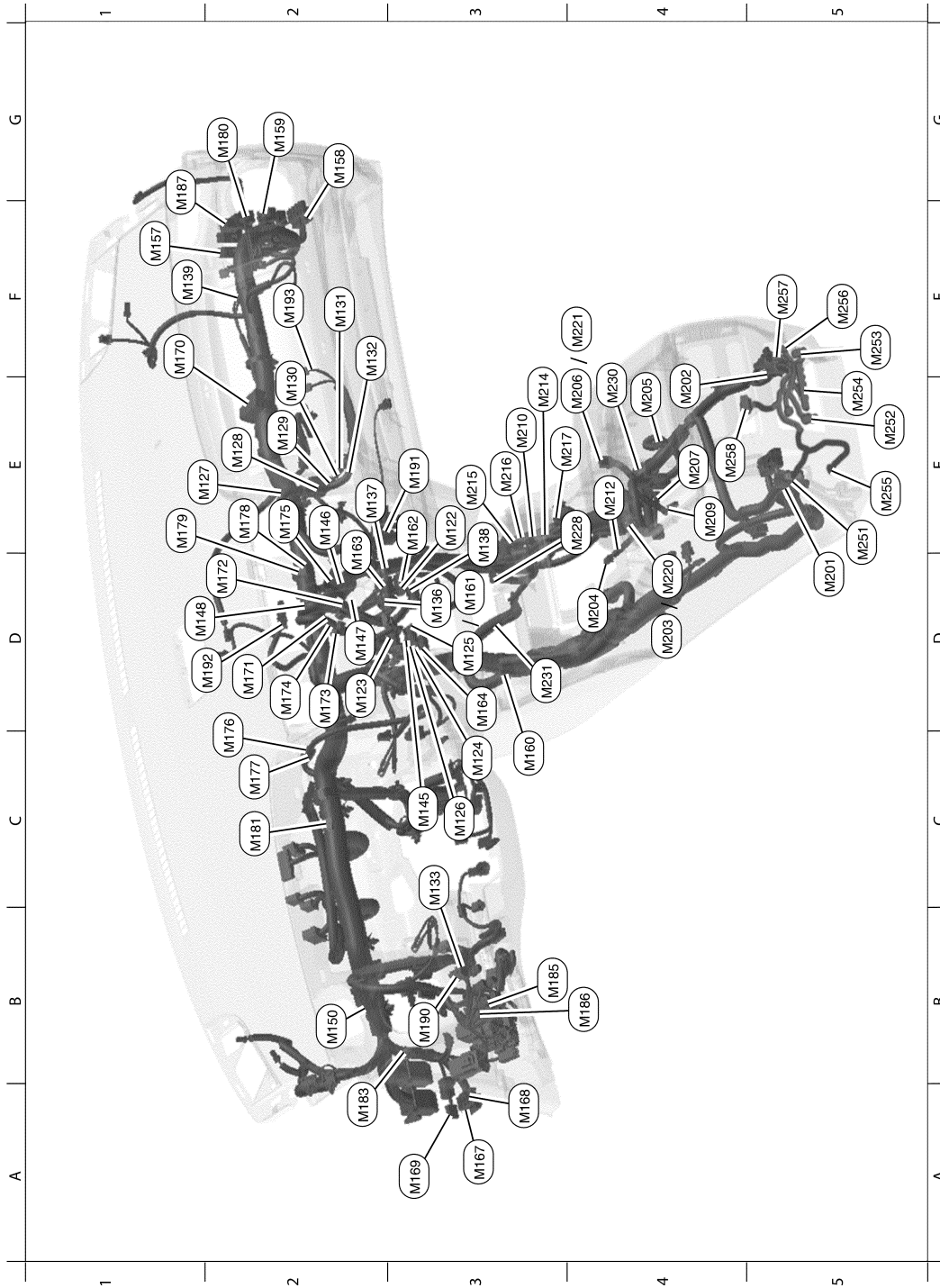
A3	M6	GR/4	: Tow mode switch	D4	M66	W/24	: To B6
E1	M7	W/3	: To M127	C1	M67	W/4	: Joint connector-M04
F2	M8	GR/1	: To B106	B3	M68	BR/16	: Fuse block (J/B)
F3	M9	W/24	: To B107	D4	M69	W/32	: To B41
F1	M10	BR/16	: To B111	B3	M70	W/24	: Sonar control unit
C1	M11	W/4	: Joint connector-M03	A3	M71	B/8	: VDC OFF switch
D4	M12	W/3	: Rear shut-off door motor	B2	M72	W/6	: Joint connector-M08
E5	M13	W/3	: Mode door motor (Rear)	F1	M73	BR/2	: Instrument panel tweeter RH
D3	M14	GR/2	: Inside key antenna (Instrument center)	A3	M74	BR/12	: To B42
E1	M15	W/3	: Optical sensor	A3	M75	W/3	: To E36
C3	M16	GR/6	: ADP steering switch	B3	M76	W/6	: Electric brake (Pre-wiring)
C3	M17	W/8	: Push-button ignition switch	E4	M78	W/12	: CVT shift selector
C1	M18	G/40	: BCM (Body control module)	F2	M79	—	: Body ground
C2	M19	B/40	: BCM (Body control module)	B2	M80	B/24	: BCM (Body control module)
B2	M20	GR/24	: BCM (Body control module)	B2	M81	W/15	: BCM (Body control module)
D3	M21	W/3	: NATS antenna amp.	C3	M82	W/2	: Circuit breaker-2
B3	M22	W/16	: Data link connector	F2	M84	W/32	: To B101
B2	M23	W/12	: Combination meter	C2	M85	W/6	: Tilt motor
C2	M24	W/40	: Combination meter	F1	M86	B/4	: Remote keyless entry receiver
D2	M26	W/4	: Hazard switch	B4	M88	B/10	: A/C 120V outlet main switch
B3	M27	W/8	: To M55	G2	M90	L/4	: Heated steering relay
C3	M28	W/16	: Combination switch	G2	M91	W/32	: To D101
D1	M29	W/4	: Dongle unit	D2	M92	W/24	: Display unit (With premium audio system)
C3	M30	GR/8	: Combination switch (Spiral cable)	D2	M93	W/24	: Display unit (With mid audio system)
A2	M31	SMJ	: To E152	C3	M94	BR/6	: Telescopic motor
D2	M32	B/2	: Diode-3	E4	M96	W/40	: Around view monitor control unit
E2	M33	W/24	: Automatic drive positioner control unit	D2	M98	W/16	: A/C and AV switch assembly
E2	M34	W/6	: Automatic drive positioner control unit	B3	M99	B/2	: Foot lamp LH
D4	M35	Y/28	: Air bag diagnosis sensor unit	E3	M100	B/2	: Foot lamp RH
F1	M36	W/40	: To B136	B1	M101	B/2	: Sunload sensor
F4	M37	W/4	: Joint connector-M28	D3	M102	W/2	: In-vehicle sensor
F3	M38	W/4	: Joint connector-M29	D2	M103	W/2	: Intake sensor
F2	M39	W/4	: Joint connector-M06	D5	M104	W/4	: Rear blower motor resistor 1
A2	M40	SMJ	: To B69	F2	M105	Y/4	: Front passenger air bag module
D2	M41	W/4	: Joint connector-M18	D5	M107	W/2	: Rear blower motor 1
D2	M43	W/4	: Joint connector-M17	G2	M108	BR/6	: Rear blower motor relay
B4	M48	L/8	: Heated steering wheel switch	A1	M109	BR/2	: Front tweeter LH
C2	M49	W/4	: To M83	D1	M110	BR/2	: Center speaker
E3	M50	W/40	: A/C auto amp.	G1	M111	BR/2	: Front tweeter RH
C3	M52	W/2	: Combination switch (Spiral cable)	E2	M112	W/6	: Front blower motor
C3	M53	Y/6	: Combination switch (Spiral cable)	E3	M115	GR/7	: To M210
C3	M54	W/8	: Steering angle sensor	C4	M116	W/8	: Calibration control
E3	M56	W/24	: To M214	E5	M117	W/2	: PTC heater
C3	M57	—	: Body ground	E4	M118	W/3	: PTC heater

HARNESS

< WIRING DIAGRAM >

G2	M58	BR/6	: Climate controlled seat relay	F2	M120	W/4	: Joint connector-M21
E2	M59	B/2	: Glove box lamp				

MAIN HARNESS 2



ABMIA6930ZZ

E3	M122	W/12	: Audio unit	E1	M179	W/4	: Joint connector-M59
D2	M123	W/20	: Audio unit	G2	M180	BR/6	: Heated seat relay
C3	M124	W/32	: AV control unit (With mid audio system)	C2	M181	W/4	: Joint connector-M36

HARNESS

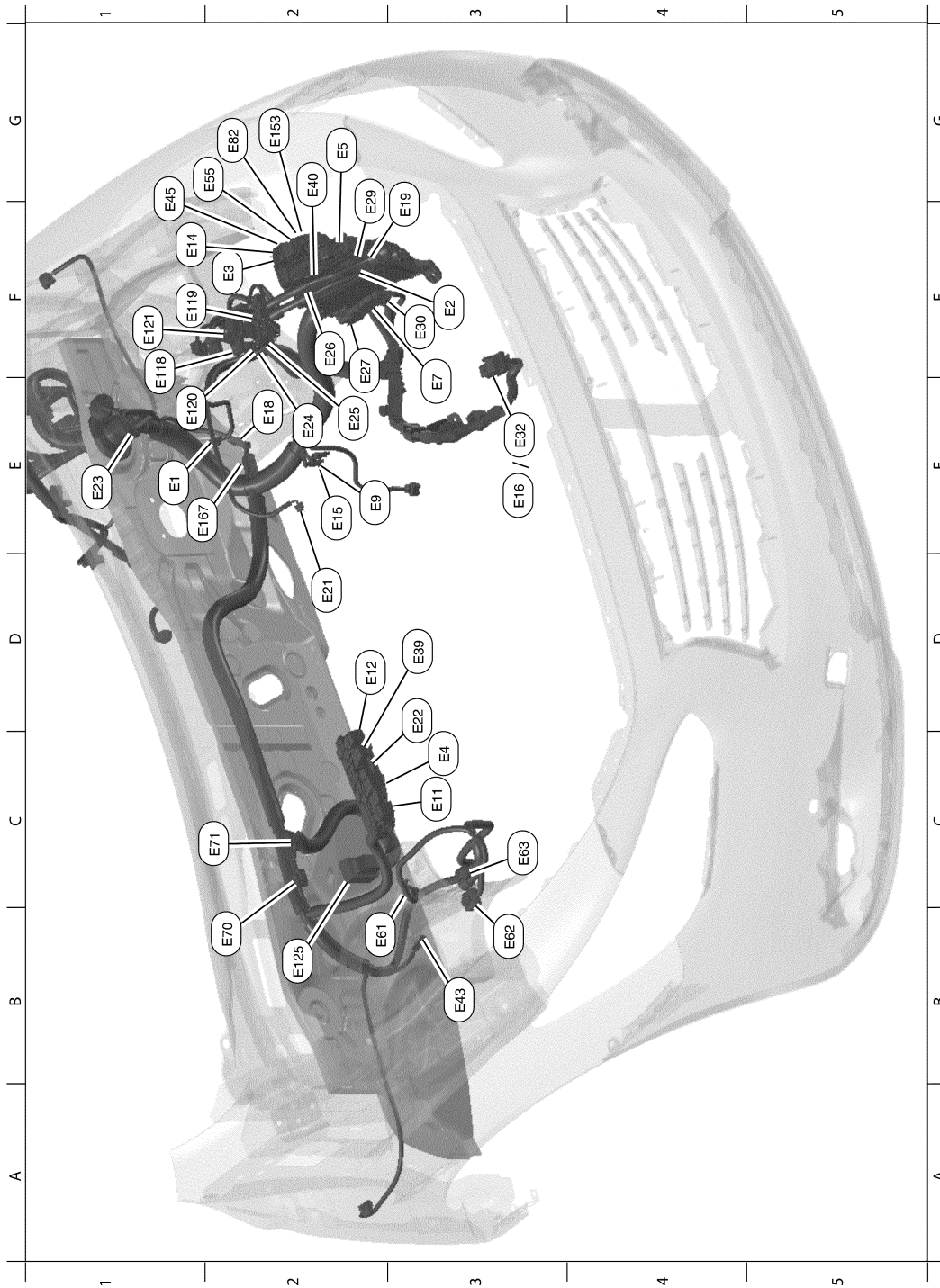
< WIRING DIAGRAM >

D3	M125	W/20	: AV control unit (With mid audio system)	A2	M183	W/4	: Joint connector-M44
C3	M126	L/5	: AV Control unit (With premium audio system)	B3	M185	W/10	: Automatic back door main switch
E1	M127	W/3	: To M7	B4	M186	G/8	: Automatic back door switch
E2	M128	W/3	: Intake door motor	G1	M187	W/2	: Circuit breaker-1
E2	M129	W/3	: Mode door motor (Front)	B3	M190	W/12	: Accessory prewire LH
E2	M130	W/3	: Air mix door motor driver side	E3	M191	W/12	: Accessory prewire RH
F2	M131	W/3	: Air mix door motor passenger side	D2	M192	W/12	: Display unit (With base audio system)
F2	M132	W/3	: Air mix door motor (Rear)	F2	M193	Y/2	: Front passenger air bag module
C3	M133	W/8	: Warning system switch	Console sub-harness			
D3	M136	W/24	: AV control unit (With mid audio system)	D5	M201	W/16	: To M251
E2	M137	W/16	: AV control unit (With mid audio system)	E4	M202	W/40	: To M257
E3	M138	W/12	: AV control unit (With mid audio system)	D4	M203	W/10	: Climate controlled seat switch (Driver seat)
F1	M139	—	: Body ground	D4	M204	BR/2	: CVT shift selector indicator lamp
C3	M145	L/5	: AV control unit (With mid audio system)	E4	M205	W/8	: Front auxiliary input jacks
E2	M146	W/12	: A/C switch assembly	E4	M206	BR/8	: Climate controlled seat switch (Passenger seat)
D2	M147	W/3	: Front passenger air bag off indicator	E4	M207	GR/3	: Front power socket LH
D1	M148	B/10	: A/C display unit	E4	M209	G/5	: USB interface
B2	M150	W/33	: Joint connector-M27	E3	M210	GR/7	: To M115
F1	M157	W/16	: To B161	E4	M212	W/8	: 4WD shift switch
G2	M158	W/10	: To D102	E3	M214	W/24	: To M56
G2	M159	Y/4	: To D103	E3	M215	W/40	: To M63
C3	M160	B/6	: Yaw rate/side/decel G sensor	E3	M216	W/6	: To M64
D3	M161	W/20	: AV control unit (With premium audio system)	E3	M217	W/16	: To M65
E3	M162	W/28	: AV control unit (With premium audio system)	D4	M220	W/6	: Front heated seat switch LH
E2	M163	W/32	: AV control unit (With premium audio system)	F4	M221	BR/6	: Front heated seat switch RH
D3	M164	W/40	: AV control unit (With premium audio system)	E4	M228	GR/3	: Front power socket RH (For cigarette lighter)
A3	M167	W/16	: To D2	E4	M230	GR/6	: Joint connector-M01
A3	M168	W/40	: To D3	D3	M231	GR/3	: Console power socket
A3	M169	Y/4	: To D103	Console switch sub-harness			
F1	M170	W/33	: Joint connector-M09	E5	M251	W/16	: To M201
D2	M171	W/4	: Joint connector-M10	E5	M252	W/6	: 2nd row heated seat switch LH
D2	M172	W/4	: Joint connector-M11	F5	M253	BR/6	: 2nd row heated seat switch RH
D2	M173	W/4	: Joint connector-M12	E5	M254	W/40	: Rear auxiliary input jacks
D2	M174	W/4	: Joint connector-M13	E5	M255	GR/2	: Inside key antenna (Console)
E2	M175	W/33	: Joint connector-M22	F5	M256	W/4	: A/C 120V outlet
C2	M176	W/4	: Joint connector-M56	F5	M257	W/40	: To M202
C2	M177	W/4	: Joint connector-M57	E4	M258	W/12	: Rear air control
E2	M178	W/4	: Joint connector-M58				

HARNESS

< WIRING DIAGRAM >

ENGINE ROOM HARNESS



ABMIA6931ZZ

E1	E1	BR/3	: Intelligent Key warning buzzer	G2	E29	Y/4	: To E210
F3	E2	W/16	: To F32	F3	E30	B/1	: Fusible link box (Battery)
F2	E3	B/2	: Anti theft diode	E3	E32	B/32	: ECM (Except for Mexico)
C3	E4	BR/6	: Daytime running light relay	D3	E39	L/4	: Stop lamp relay
G2	E5	W/16	: To E207	G2	E40	B/2	: To E201

HARNES

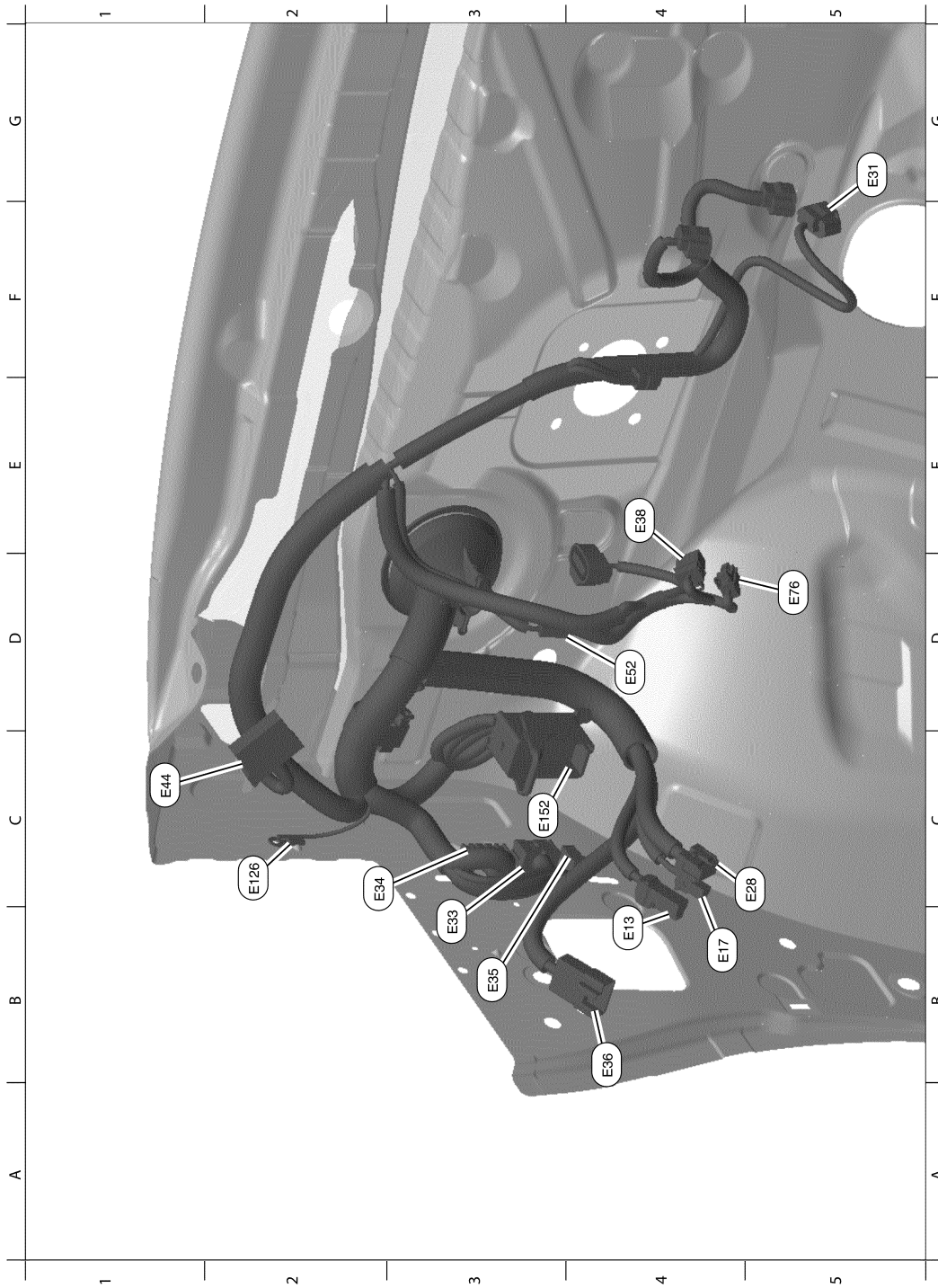
< WIRING DIAGRAM >

E3	E7	GR/2	: Fusible link box (Battery)	B3	E43	B/2	: Front wheel sensor RH
E2	E9	—	: Body ground	G1	E45	L/12	: Joint connector-E12
C3	E11	L/5	: PTC relay-1	G2	E55	W/4	: Joint connector-E10
D2	E12	L/5	: PTC relay-2	B2	E61	—	: Body ground
F1	E14	B/12	: Joint connector-E05	B3	E62	B/6	: Power steering control module
E2	E15	—	: Body ground	C3	E63	B/2	: Power steering control module
E3	E16	GR/32	: ECM (For Mexico)	B2	E70	B/6	: Joint connector-E14
E2	E18	B/2	: Front wheel sensor LH	C2	E71	B/6	: Joint connector-E15
F3	E19	W/10	: To F33	G2	E82	BR/4	: Cooling fan relay
D2	E21	GR/2	: Brake fluid level switch	F1	E118	B/2	: IPDM E/R (Intelligent power distribution module engine room)
D3	E22	L/4	: Accessory relay-2	F1	E119	W/32	: IPDM E/R (Intelligent power distribution module engine room)
E1	E23	GR/5	: Front wiper motor	E1	E120	W/4	: IPDM E/R (Intelligent power distribution module engine room)
E2	E24	L/4	: Trailer turn relay LH	F1	E121	W/12	: IPDM E/R (Intelligent power distribution module engine room)
E2	E25	L/4	: Trailer turn relay RH	B2	E125	B/34	: ABS actuator and electric unit (Control unit)
F2	E26	W/24	: To E209	G2	E153	L/4	: Hill descent control relay
F2	E27	BR/2	: Fusible link box (Battery)	E1	E167	B/3	: Vacuum sensor

HARNESS

< WIRING DIAGRAM >

ENGINE ROOM HARNESS (PASSENGER VIEW)



AAMIA0062ZZ

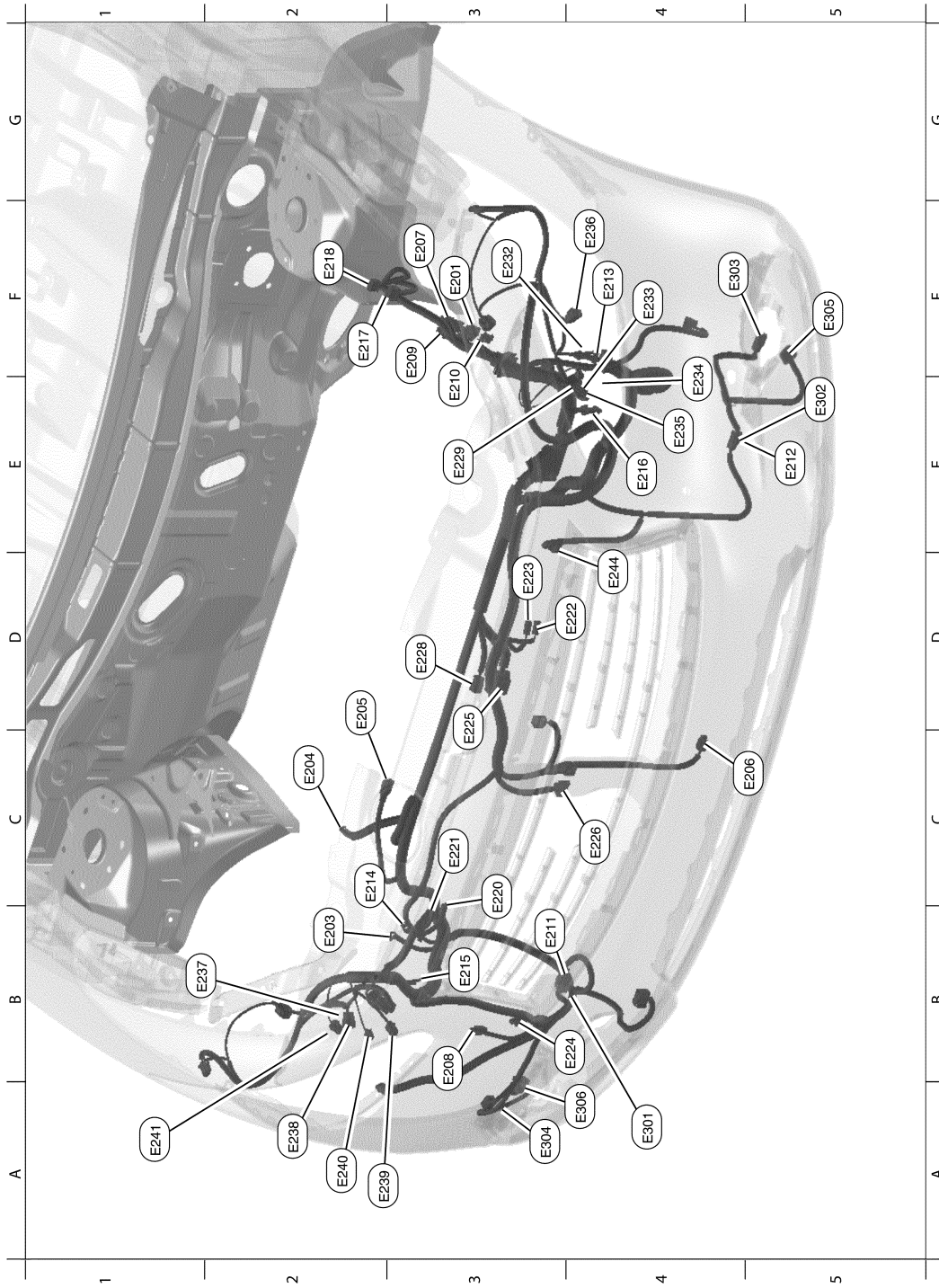
B4	E13	W/1	: Fuse block (J/B)	B4	E36	W/3	: To M75
B4	E17	W/1	: Fuse block (J/B)	E4	E38	W/4	: Stop lamp switch
C5	E28	W/10	: Fuse block (J/B)	C1	E44	W/33	: Joint connector-E01
G5	E31	B/6	: Accelerator pedal position sensor	D4	E52	B/1	: Parking brake switch
B3	E33	W/12	: To B43	D5	E76	BR/2	: Brake pedal position switch

HARNESS

< WIRING DIAGRAM >

C2	E34	W/24	: To B40	C2	E126	—	: Body ground
B3	E35	GR/1	: To B48	C3	E152	SMJ	:To M31

FRONT END MODULE HARNESS



AAMIA0063ZZ

F3	E201	B/2	: To E40	D3	E225	GR/3	: Cooling fan control module
B2	E203	—	: Body ground	C4	E226	B/4	: Front camera
C2	E204	-/2	: Generator	D3	E228	Y/2	: Crash zone sensor

HARNESSES

< WIRING DIAGRAM >

D2	E205	BR/3	: Hood switch	E3	E229	—	: Body ground	A	
C5	E206	B/2	: Ambient sensor	F3	E232	B/2	: Front combination lamp LH	B	
F3	E207	W/16	: To E5	F4	E233	B/2	: Front combination lamp LH	C	
B3	E208	B/2	: Washer fluid level switch	E4	E234	GR/2	: Front combination lamp LH	D	
F3	E209	W/24	: To E26	E4	E235	GR/2	: Front combination lamp LH	E	
E3	E210	Y/4	: To E29	F4	E236	GR/2	: Front combination lamp LH	F	
B3	E211	GR/4	: To E301	B1	E237	B/2	: Front combination lamp RH	G	
E5	E212	GR/4	: To E302	A2	E238	B/2	: Front combination lamp RH	H	
F4	E213	—	: Body ground	A2	E239	GR/2	: Front combination lamp RH	I	
C2	E214	—	: Body ground	A2	E240	GR/2	: Front combination lamp RH	J	
B3	E215	—	: Body ground	A1	E241	GR/2	: Front combination lamp RH	K	
E4	E216	—	: Body ground	D4	E244	B/3	: Refrigerant pressure sensor	L	
F2	E217	W/8	: IPDM E/R (Intelligent power distribution module engine room)	Front fog lamp sub-harness					
F2	E218	W/16	: IPDM E/R (Intelligent power distribution module engine room)	A4	E301	GR/4	: To E211		
C3	E220	B/1	: Horn (High)	E5	E302	GR/4	: To E212		
C3	E221	B/1	: Horn (High)	F4	E303	GR/2	: Front fog lamp LH		
D4	E222	B/1	: Horn (Low)	A3	E304	GR/2	: Front fog lamp RH		
D3	E223	B/1	: Horn (Low)	F5	E305	B/2	: Front fog lamp LH		
B4	E224	B/2	: Front and rear washer motor	A4	E306	B/2	: Front fog lamp RH		

PG

HARNESS

< WIRING DIAGRAM >

ENGINE CONTROL HARNESS



ABMIA6932ZZ

B4	F3	B/2	: A/C compressor	D2	F49	GR/3	: Ignition coil No. 5 (With power transistor)
C2	F5	BR/4	: Air fuel ratio (A/F) sensor 1 (Bank 1) (For Mexico)	E2	F50	B/6	: Electric throttle control actuator
C5	F6	-/1	: Generator	E5	F51	B/48	: ECM (For Mexico)
C4	F7	B/3	: Generator	F4	F52	BR/48	: ECM (For Mexico)

HARNESS

< WIRING DIAGRAM >

C4	F8	GR/3	: Ignition coil No. 2 (With power transistor)	E5	F53	B/10	: Joint connector-F03	A
D4	F9	GR/3	: Ignition coil No. 4 (With power transistor)	B3	F54	B/3	: Engine oil pressure sensor	B
D4	F10	GR/3	: Ignition coil No. 6 (With power transistor)	F5	F55	B/10	: Joint connector-F04	C
D4	F11	B/3	: Crankshaft position sensor (POS)	G4	F56	W/4	: Joint connector-F07	D
D5	F12	B/4	: Heated oxygen sensor 2 (Bank 2) (For Mexico)	G4	F57	W/4	: Joint connector-F08	E
B1	F13	B/4	: Heated oxygen sensor 2 (Bank 1) (For Mexico)	C1	F58	G/6	: Joint connector-F09	F
F5	F14	B/10	: Joint connector-F01	B4	F59	—	: Engine ground	G
E5	F15	B/48	: TCM (Transmission control module) (For Mexico)	B3	F60	—	: Engine ground	H
D3	F16	GR/2	: EVAP canister purge volume control solenoid valve	E3	F61	GR/2	: Engine coolant temperature sensor	I
F3	F17	B/1	: IPDM E/R (Intelligent power distribution module engine room)	B2	F62	GR/2	: Intake valve timing control solenoid valve (Bank 1) (For Mexico)	J
C3	F18	GR/2	: Fuel injector No. 2	B3	F63	GR/2	: Intake valve timing control solenoid valve (Bank 2) (For Mexico)	K
G3	F19	W/10	: IPDM E/R (Intelligent power distribution module engine room)	B3	F64	BR/2	: Electronic controlled engine mount control solenoid valve	L
C4	F20	GR/2	: Fuel injector No. 4	C5	F65	BR/4	: Air fuel ratio (A/F) sensor 1 (Bank 2) (For Mexico)	PG
D3	F21	GR/2	: Condenser-1	C3	F66	B/2	: VIAS control solenoid valve 1	N
D3	F22	GR/2	: Fuel injector No. 6	C3	F67	B/2	: VIAS control solenoid valve 2	O
E2	F23	B/3	: Output speed sensor	C2	F68	GR/2	: Engine oil temperature sensor	P
G2	F24	W/12	: IPDM E/R (Intelligent power distribution module engine room)	D2	F72	GR/4	: Air fuel ratio (A/F) sensor 1 (Bank 1) (Except for Mexico)	
E3	F25	B/3	: Primary speed sensor	D5	F73	GR/4	: Air fuel ratio (A/F) sensor 1 (Bank 2) (Except for Mexico)	
E3	F26	L/4	: To F201	F3	F74	B/4	: Mass air flow sensor (Except for Mexico)	
F4	F27	—	: Starter motor	1	F75	GR/4	: Heated oxygen sensor 2 (Bank 1) (Except for Mexico)	
E4	F28	GR/1	: Starter motor	5	F76	GR/4	: Heated oxygen sensor 2 (Bank 2) (Except for Mexico)	
F4	F29	B/3	: Input speed sensor	B2	F77	GR/2	: Intake valve timing control solenoid valve (Bank 1) (Except for Mexico)	
C3	F30	GR/2	: Fuel injector No. 1	E5	F78	B/55	: ECM (Except for Mexico)	
F3	F31	B/6	: Mass air flow sensor (For Mexico)	F4	F79	B/65	: ECM (Except for Mexico)	
G3	F32	W/16	: To E2	3	F80	GR/2	: Intake valve timing control solenoid valve (Bank 2) (Except for Mexico)	
F4	F33	W/10	: To E19	C2	F81	GR/2	: Intake valve timing intermediate lock control solenoid valve (Bank 1)	
F4	F34	GR/4	: Battery current sensor	B5	F82	GR/2	: Intake valve timing intermediate lock control solenoid valve (Bank 2)	
G5	F35	B/10	: Joint connector-F02	D2	F83	B/3	: Exhaust valve timing control position sensor (PHASE) (Bank 1)	
E4	F36	B/10	: Transmission range switch	D5	F84	B/3	: Exhaust valve timing control position sensor (PHASE) (Bank 2)	
F5	F38	B/10	: Joint connector-F02	B4	F85	GR/2	: Exhaust valve timing control solenoid valve (Bank 2)	

HARNESSES

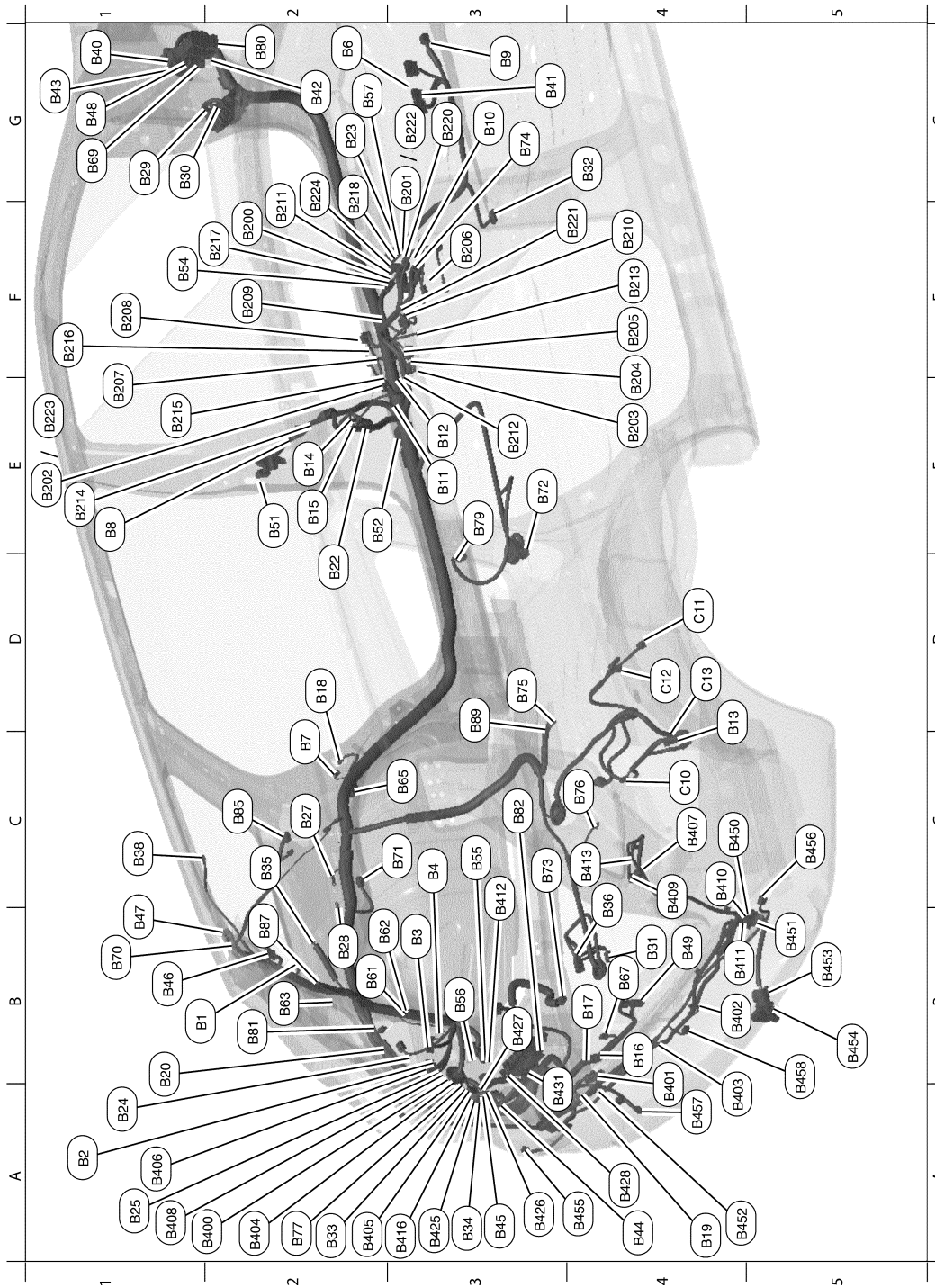
< WIRING DIAGRAM >

F3	F39	-/1	: Fusible link box (Battery)	B2	F86	GR/2	: Exhaust valve timing control solenoid valve (Bank 1)
C3	F41	GR/2	: Fuel injector No. 3	D2	F87	B/3	: Camshaft position sensor (PHASE) (Bank 1) (Except for Mexico)
D3	F42	GR/2	: Fuel injector No. 5	D4	F88	B/3	: Camshaft position sensor (PHASE) (Bank 2) (Except for Mexico)
D2	F44	B/3	: Camshaft position sensor (PHASE) (Bank1) (For Mexico)	E5	F89	B/48	: TCM (Transmission control module) (Except for Mexico)
D4	F45	B/3	: Camshaft position sensor (PHASE) (Bank2) (For Mexico)	Knock sensor sub-harness			
F4	F46	GR/22	: CVT unit	D3	F201	L/4	: To F26
C2	F47	GR/3	: Ignition coil No. 1 (With power transistor)	D3	F202	GR/2	: Knock sensor (Bank 1)
C2	F48	GR/3	: Ignition coil No. 3 (With power transistor)	C3	F204	GR/2	: Knock sensor (Bank 2)

HARNESS

< WIRING DIAGRAM >

BODY HARNESS



ABMIA6933ZZ

B1	B1	BR/2	: Rear side speaker LH	C2	B85	W/10	: Sunshade motor assembly
A1	B2	W/16	: Satellite radio tuner	B2	B87	W/4	: Joint connector-B16
B3	B3	W/32	: Bluetooth® control unit	D3	B89	W/4	: Joint connector-B20
C3	B4	W/8	: Bluetooth® control unit	Front seat LH harness			
G2	B6	W/24	: To M66	G2	B200	BR/12	: To B54

HARNESSES

< WIRING DIAGRAM >

C2	B7	—	: Body ground	G3	B201	W/16	: To B57	
E1	B8	W/4	: Front door switch LH	E1	B202	W/24	: Headrest display unit (Driver seat) (Pre-wire)	
G3	B9	Y/22	: Air bag diagnosis sensor unit	E4	B203	B/16	: Climate controlled seat control unit (Driver seat)	
G3	B10	Y/2	: Front LH side air bag module	F4	B204	B/8	: Climate controlled seat control unit (Driver seat)	
E3	B11	W/4	: Joint connector-B09	F4	B205	B/6	: Climate controlled seat control unit (Driver seat)	
E3	B12	W/4	: Joint connector-B10	F3	B206	W/4	: Seat cushion thermal electric device (Driver seat)	
D4	B13	B/14	: To C13	E1	B207	W/6	: Lifting motor LH (Rear)	
E2	B14	Y/2	: Front LH seat belt pre-tensioner	F1	B208	W/10	: Power seat switch LH	
E2	B15	Y/2	: Front side air bag satellite sensor LH	F2	B209	W/32	: Driver seat control unit	
B4	B16	W/4	: Joint connector-B11	F4	B210	W/12	: Driver seat control unit	
B4	B17	W/4	: Joint connector-B12	G2	B211	GR/5	: Sliding motor LH	
D2	B18	W/4	: Rear door switch LH	E3	B212	W/4	: Seat back thermal electric device (Driver seat)	
A4	B19	—	: Body ground	F4	B213	W/5	: Climate controlled seat blower motor (Driver seat)	
B1	B20	W/4	: Fuel lid door lock actuator	E1	B214	BR/4	: Lumbar support switch	
D2	B22	O/2	: Front LH seat belt pre-tensioner	E1	B215	B/2	: Lumbar support motor	
G2	B23	W/24	: To B222	F1	B216	W/3	: Front seat heater (Driver seat)	
A1	B24	W/32	: Video distributor	F2	B217	W/6	: Reclining motor LH	
A1	B25	W/24	: Video distributor	G2	B218	W/6	: Lifting motor LH (Front)	
C2	B27	—	: Body ground	G3	B220	W/12	: To B74	
B2	B28	—	: Body ground	F4	B221	W/4	: Seat belt buckle switch (Driver seat)	
G1	B29	W/6	: Fuse block (J/B)	G3	B222	W/24	: To B23	
G1	B30	W/8	: Fuse block (J/B)	E1	B223	W/32	: Headrest display unit (Driver seat)	
B4	B31	B/2	: EVAP canister vent control valve	G3	B222	W/24	: To B23	
G4	B32	W/32	: To B124	E1	B223	W/32	: Headrest display unit (Driver seat)	
A2	B33	B/2	: To B404	G2	B224	P/20	: Joint connector-B22	
A3	B34	W/8	: To B405	Body No. 3 harness				
C2	B35	W/4	: Sonar buzzer	A2	B400	W/32	: To B77	
C4	B36	GR/3	: EVAP control system pressure sensor	A4	B401	B/12	: To B452	
C1	B38	Y/2	: LH side curtain air bag module	B4	B402	BR/2	: Back door warning chime	
G1	B40	W/24	: To E34	A4	B403	GR/2	: Outside key antenna (Rear bumper)	
G3	B41	W/32	: To M69	A2	B404	B/2	: To B33	
G2	B42	BR/12	: To M74	A2	B405	W/8	: To B34	
G1	B43	W/12	: To E33	A1	B406	GR/3	: Rear combination lamp LH	
A4	B44	B/2	: To B425	C4	B407	GR/3	: Rear combination lamp RH	
A3	B45	W/16	: To B426	A1	B408	GR/2	: Rear combination lamp LH	
B1	B46	W/24	: To D501	C4	B409	GR/2	: Rear combination lamp RH	
B1	B47	GR/8	: To D502	C4	B410	GR/6	: To B450	
G1	B48	GR/1	: To E35	B4	B411	B/2	: To B451	
B4	B49	W/16	: To B140	C3	B412	W/2	: Rear combination lamp LH	
E2	B51	W/12	: To D201	C4	B413	W/2	: Rear combination lamp RH	
E2	B52	W/2	: Condenser-2	A3	B416	B/8	: Side radar LH	

HARNESS

< WIRING DIAGRAM >

F1	B54	BR/12	: To B200	Trailer relay sub-harness				A
C3	B55	B/24	: Automatic back door control module	A3	B425	B/2	: To B44	B
B3	B56	GR/14	: Automatic back door control module	A3	B426	W/16	: To B45	B
G2	B57	W/16	: To B201	B3	B427	L/4	: Trailer tow relay 1	B
B2	B61	W/4	: Joint connector-B18	A4	B428	BR/6	: Trailer tow relay 2	B
B2	B62	W/4	: Joint connector-B19	A3	B431	L/4	: Trailer back-up relay	C
B2	B63	W/33	: Joint connector-B01	Body No. 3 sub-harness				C
C3	B65	W/4	: Joint connector-B07	C4	B450	GR/6	: To B410	D
B4	B67	W/16	: 4WD control unit	B5	B451	B/2	: To B411	D
G1	B69	SMJ	: To M40	A4	B452	B/12	: To B401	E
B1	B70	B/10	: Spindle unit LH	B5	B453	B/7	: Trailer	E
C3	B71	Y/2	: Rear side air bag satellite sensor LH	B5	B454	B/7	: Trailer receptacle	F
E3	B72	GR/6	: Fuel level sensor unit and fuel pump	A4	B455	B/3	: Rear sonar sensor LH outer	F
B3	B73	GR/4	: Subwoofer	C5	B456	B/3	: Rear sonar sensor RH outer	F
G3	B74	W/12	: To B220	A4	B457	B/3	: Rear sonar sensor LH inner	G
D3	B75	W/16	: To B145	B5	B458	B/3	: Rear sonar sensor RH inner	G
C4	B76	GR/2	: Inside key antenna (Luggage room)	Chassis harness				H
A2	B77	W/32	: To B400	C4	C10	B/2	: Rear wheel sensor LH	H
E3	B79	W/6	: 2nd row seat heater LH	D4	C11	GR/2	: Rear wheel sensor RH	I
G2	B80	W/4	: Joint connector-B15	D4	C12	GR/2	: 4WD solenoid	I
B2	B81	GR/3	: Rear cargo power socket	D4	C13	B/14	: To B13	J
C3	B82	B/8	: Inverter unit					J

PG

N

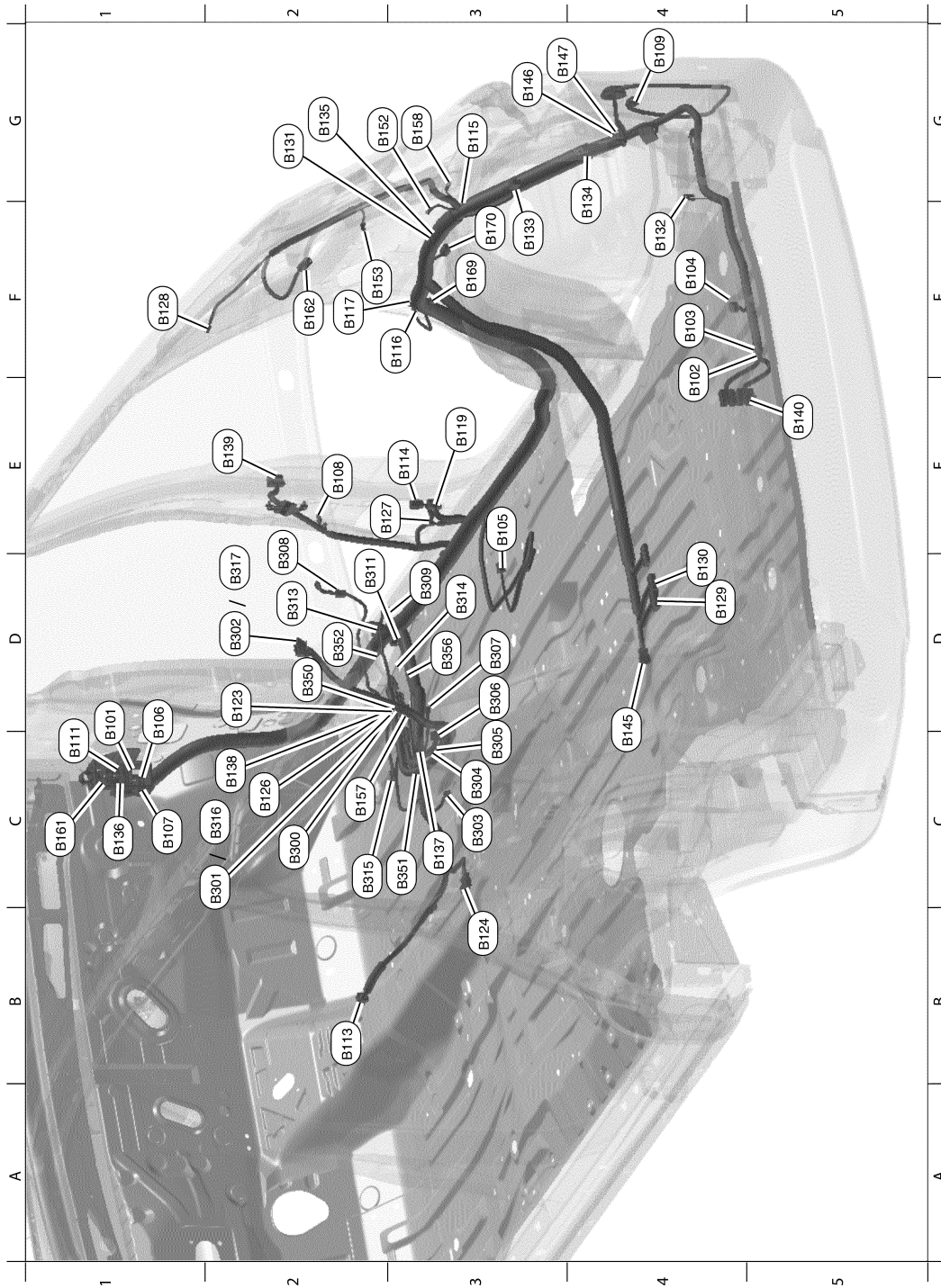
O

P

HARNESS

< WIRING DIAGRAM >

BODY NO. 2 HARNESS



ABMIA6934ZZ

D1	B101	W/32	: To M84	D4	B145	W/16	: To B75
E4	B102	W/4	: Joint connector-B14	G3	B146	W/4	: Joint connector-B12
F4	B103	W/4	: Joint connector-B05	G3	B147	W/4	: Joint connector-B13
F4	B104	W/24	: ADAS control unit	F3	B152	—	: Body ground
E2	B105	W/6	: 2nd row seat heater RH	F2	B153	BR/2	: Rear side speaker RH

HARNESS

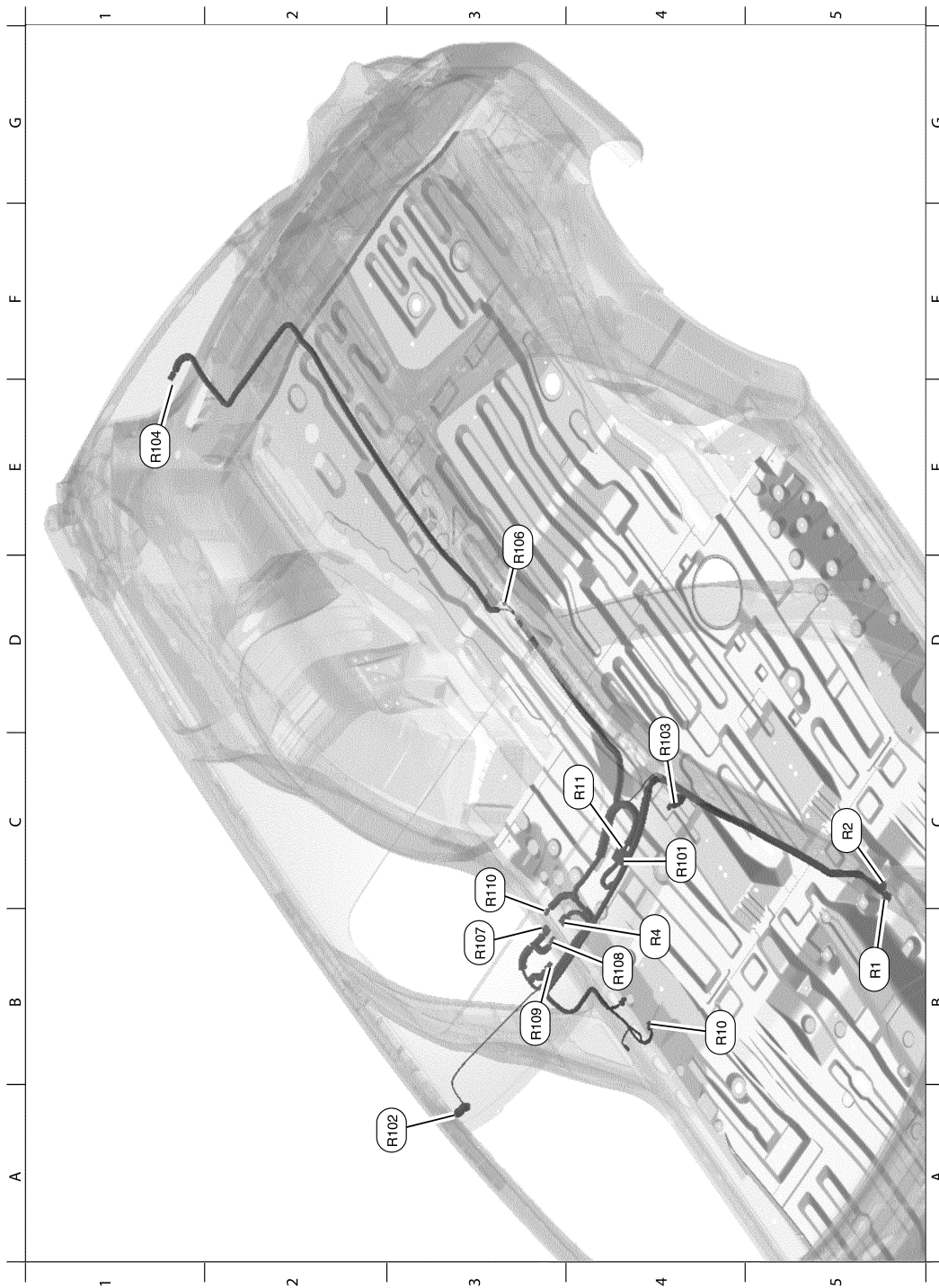
< WIRING DIAGRAM >

D1	B106	GR/1	: To M8	C2	B157	W/12	: To B300	A
C1	B107	W/24	: To M9	G3	B158	—	: Body ground	B
E2	B108	W/4	: Front door switch RH	C1	B161	W/16	: To M157	C
G4	B109	B/8	: Side radar RH	F2	B162	B/10	: Spindle unit RH	D
C1	B111	BR/16	: To M10	F3	B169	W/4	: Joint connector-B04	E
B2	B113	Y/22	: Air bag diagnosis sensor unit	F3	B170	Y/2	: Rear side air bag satellite sensor RH	F
E3	B114	Y/2	: Front side air bag satellite sensor RH	Front seat RH harness				G
G3	B115	W/33	: Joint connector-B08	C2	B300	W/12	: To B157	H
F3	B116	W/4	: Rear door switch RH	C2	B301	W/24	: To B138	I
F2	B117	—	: Body ground	D2	B302	W/24	: Headrest display unit (Passenger seat) (Pre-wire)	J
E3	B119	O/2	: Front RH seat belt pre-tensioner	C3	B303	W/4	: Seat belt buckle switch (Passenger seat)	K
D2	B123	W/4	: To B350	C3	B304	B/6	: Climate controlled seat control unit (Passenger seat)	L
B3	B124	W/32	: To B32	C3	B305	B/8	: Climate controlled seat control unit (Passenger seat)	M
C2	B126	Y/2	: Front RH side air bag module	D3	B306	B/16	: Climate controlled seat control unit (Passenger seat)	N
E2	B127	Y/2	: Front RH seat belt pre-tensioner	D3	B307	W/5	: Climate controlled seat blower motor (Passenger seat)	O
F1	B128	Y/2	: RH side curtain air bag module	E2	B308	W/4	: Seat cushion thermal electric device (Passenger seat)	P
D4	B129	BR/14	: BOSE speaker amp.	D3	B309	W/4	: Seat back thermal electric device (Passenger seat)	PG
D4	B130	BR/23	: BOSE speaker amp.	D2	B311	W/6	: Reclining motor RH	
G2	B131	W/4	: Joint connector-B25	D2	B313	W/10	: Power seat switch RH	
F4	B132	—	: Body ground	D3	B314	W/5	: Sliding motor RH	
F3	B133	W/4	: Rear blower motor resistor 2	C2	B315	W/3	: Front seat heater (Passenger seat)	
G4	B134	W/2	: Rear blower motor 2	C2	B316	W/24	: To B137	
G2	B135	W/4	: Joint connector-B17	D2	B317	W/32	: Headrest display unit (Passenger seat)	
C1	B136	W/40	: To M36	ODS sub-harness				
C3	B137	W/24	: To B316	D2	B350	W/4	: To B123	
C2	B138	W/24	: To B301	C3	B351	P/3	: Occupant classification system sensor FI	
E2	B139	W/12	: To D301	D2	B352	P/3	: Occupant classification system sensor RI	
E5	B140	W/16	: To B49	D3	B356	B/20	: Occupant classification system control unit	

HARNESS

< WIRING DIAGRAM >

ROOM LAMP HARNESS



AAMIA0067ZZ

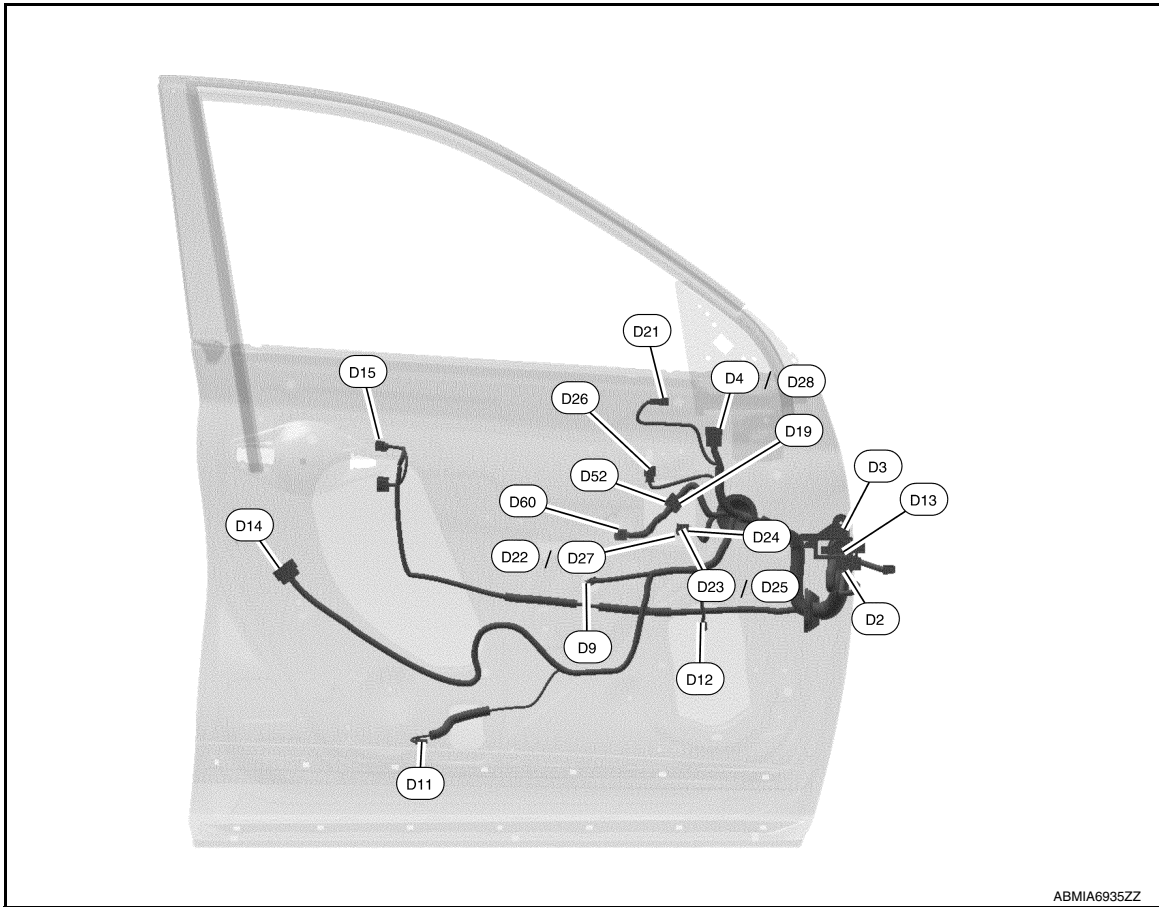
B5	R1	W/24	: To M1	C4	R103	W/2	: Vanity lamp LH
C5	R2	W/6	: To M2	E1	R104	W/3	: Cargo lamp
B4	R4	GR/10	: Moonroof motor assembly	E3	R106	W/4	: Personal lamps 2nd row
B4	R10	B/10	: Auto anti-dazzling inside mirror	B3	R107	W/8	: Front room/map lamp assembly
C4	R11	W/24	: To R101	B4	R108	W/12	: Moonroof switch

HARNESS

< WIRING DIAGRAM >

Room lamp sub harness				B3	R109	W/6	: Microphone
C4	R101	W/24	: To R11	C3	R110	W/4	: Sunshade switch
A3	R102	W/2	: Vanity lamp RH				

FRONT DOOR LH HARNESS



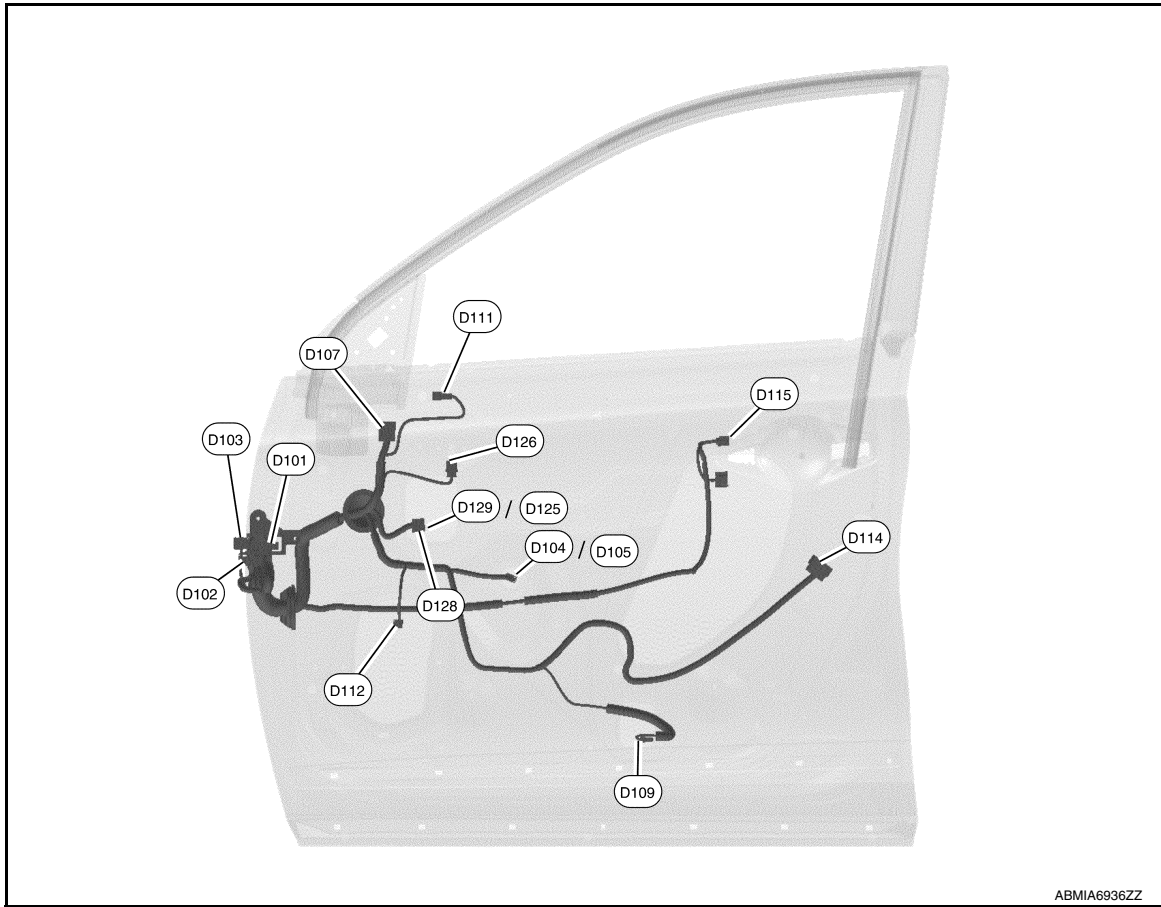
ABMIA6935ZZ

D2	W/16	: To M167	D22	GR/16	: Door mirror remote control switch (With automatic drive positioner)
D3	W/40	: To M168	D23	W/16	: Main power window and door lock/unlock switch (With left front only auto down)
D4	W/12	: Door mirror LH (Without around view monitor system)	D24	W/3	: Main power window and door lock/unlock switch
D9	W/6	: Front power window motor LH	D25	W/16	: Main power window and door lock/unlock switch (With left and right front auto up/down)
D11	W/2	: Front step lamp LH	D26	Y/2	: Front door satellite sensor LH
D12	W/2	: Front door speaker LH	D27	B/16	: Door mirror remote control switch (Without automatic drive positioner)
D13	Y/4	:To M169	D28	W/24	: Door mirror LH (With around view monitor system)
D14	GR/6	: Front door lock assembly LH	Front door LH sub-harness		
D15	B/4	: Front outside handle assembly LH	D52	W/16	: To D19
D19	W/16	: To D52	D60	W/16	: Seat memory switch
D21	W/4	: Blind spot warning indicator LH			

HARNESS

< WIRING DIAGRAM >

FRONT DOOR RH HARNESS

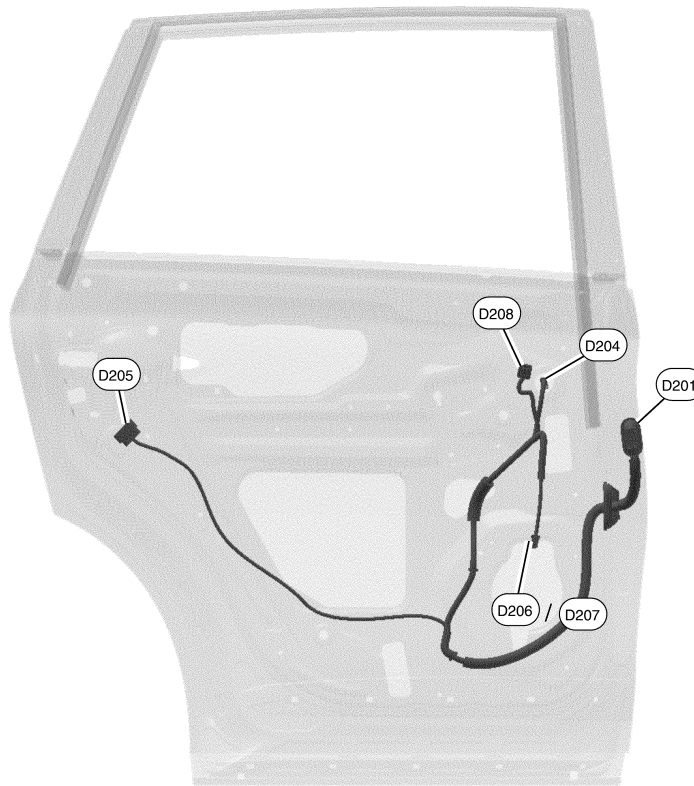


D101	W/32	: To M91	D112	W/2	: Front door speaker RH
D102	W/10	: To M158	D114	GR/6	: Front door lock actuator RH
D103	Y/4	: To M159	D115	B/4	: Front outside handle assembly RH
D104	W/6	: Front power window motor RH (With left front only auto down)	D125	W/12	: Power window and door lock/unlock switch RH (With left front only auto down)
D105	W/6	: Front power window motor RH (With left and right front auto up/down)	D126	Y/2	: Front door satellite sensor RH
D107	W/12	: Door mirror RH (Without around view monitor system)	D128	W/24	: Door mirror RH (With around view monitor system)
D109	W/2	: Front step lamp RH	D129	W/12	: Power window and door lock/unlock switch RH (With left and right auto up/down)
D111	W/4	: Blind spot warning indicator RH			

HARNESS

< WIRING DIAGRAM >

REAR DOOR LH HARNESS



AAMIA0070ZZ

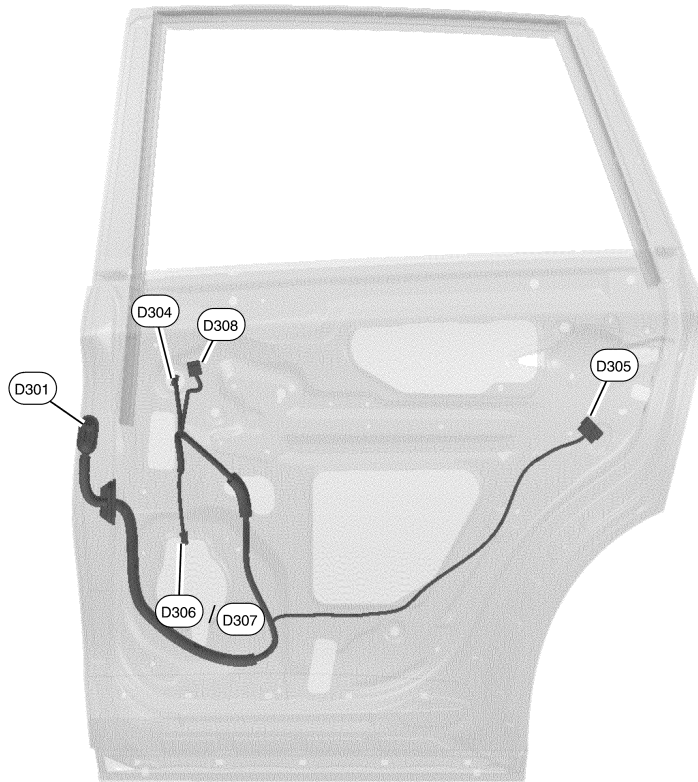
D201	W/12	: To B51	D206	W/2	: Rear door speaker LH
D204	W/6	: Rear power window motor LH	D207	BR/2	: Rear door speaker LH
D205	GR/6	: Rear door lock actuator LH	D208	W/8	: Rear power window switch LH

A
B
C
D
E
F
G
H
I
J
K
L
PG
N
O
P

HARNESS

< WIRING DIAGRAM >

REAR DOOR RH HARNESS



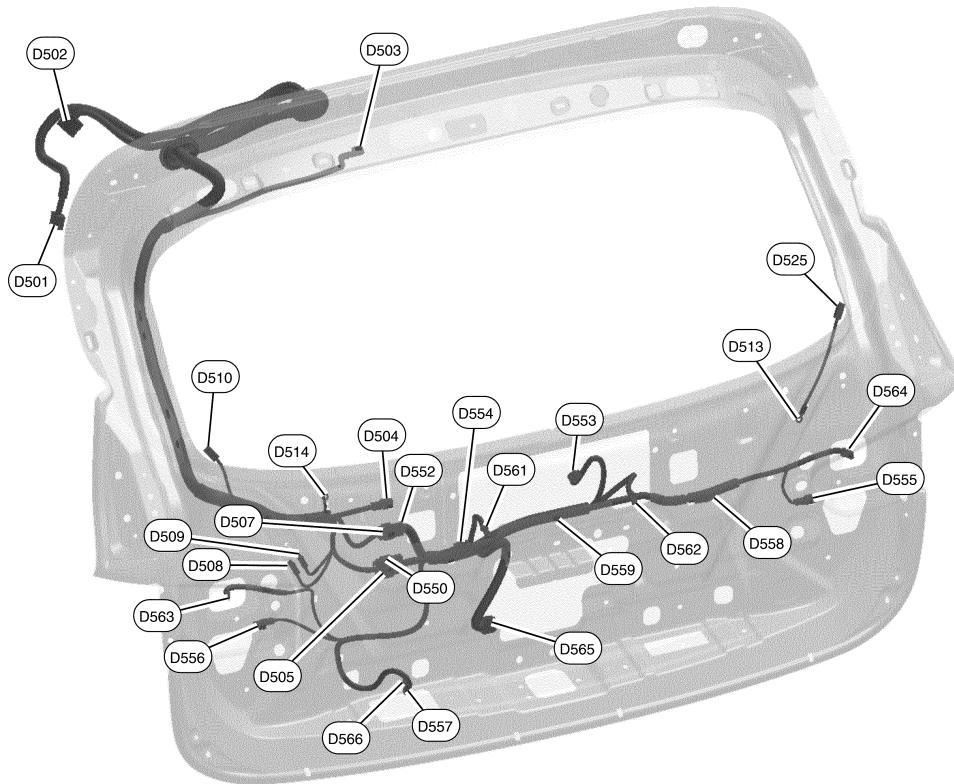
AAMIA0071ZZ

D301	W/12	: To B139	D306	W/2	: Rear door speaker RH
D304	W/6	: Rear power window motor RH	D307	BR/2	: Rear door speaker RH
D305	GR/6	: Rear door lock actuator RH	D308	W/8	: Rear power window switch RH

HARNESS

< WIRING DIAGRAM >

BACK DOOR



AAMIA0072ZZ

D501	W/24	: To B46	D552	W/16	: To D507
D502	GR/8	: To B47	D553	W/3	: Rear wiper motor
D503	BR/2	: High-mounted stop lamp	D554	W/4	: Joint connector-D01
D504	W/4	: Rear view camera	D555	GR/2	: Touch sensor RH
D505	W/6	: To D550	D556	W/2	: Touch sensor LH
D507	W/16	: To D552	D557	W/8	: Back door lock assembly (With power back door)
D508	B/1	: Rear window defogger condenser	D558	B/2	: Diode-2
D509	B/1	: Rear window defogger condenser	D559	W/4	: Back door opener switch
D510	B/1	: Rear window defogger	D561	BR/2	: License plate lamp LH
D513	—	: Body ground	D562	BR/2	: License plate lamp RH
D514	—	: Body ground	D563	W/2	: Back-up lamp RH
D525	B/1	: Rear window defogger	D564	W/2	: Back-up lamp LH
Back door RH harness			D565	W/4	: Back door lock assembly (Without power back door)
D550	W/6	: To D505	D566	G/8	: Automatic back door close switch

A
B
C
D
E
F
G
H
I
J
K
L
PG
N
O
P

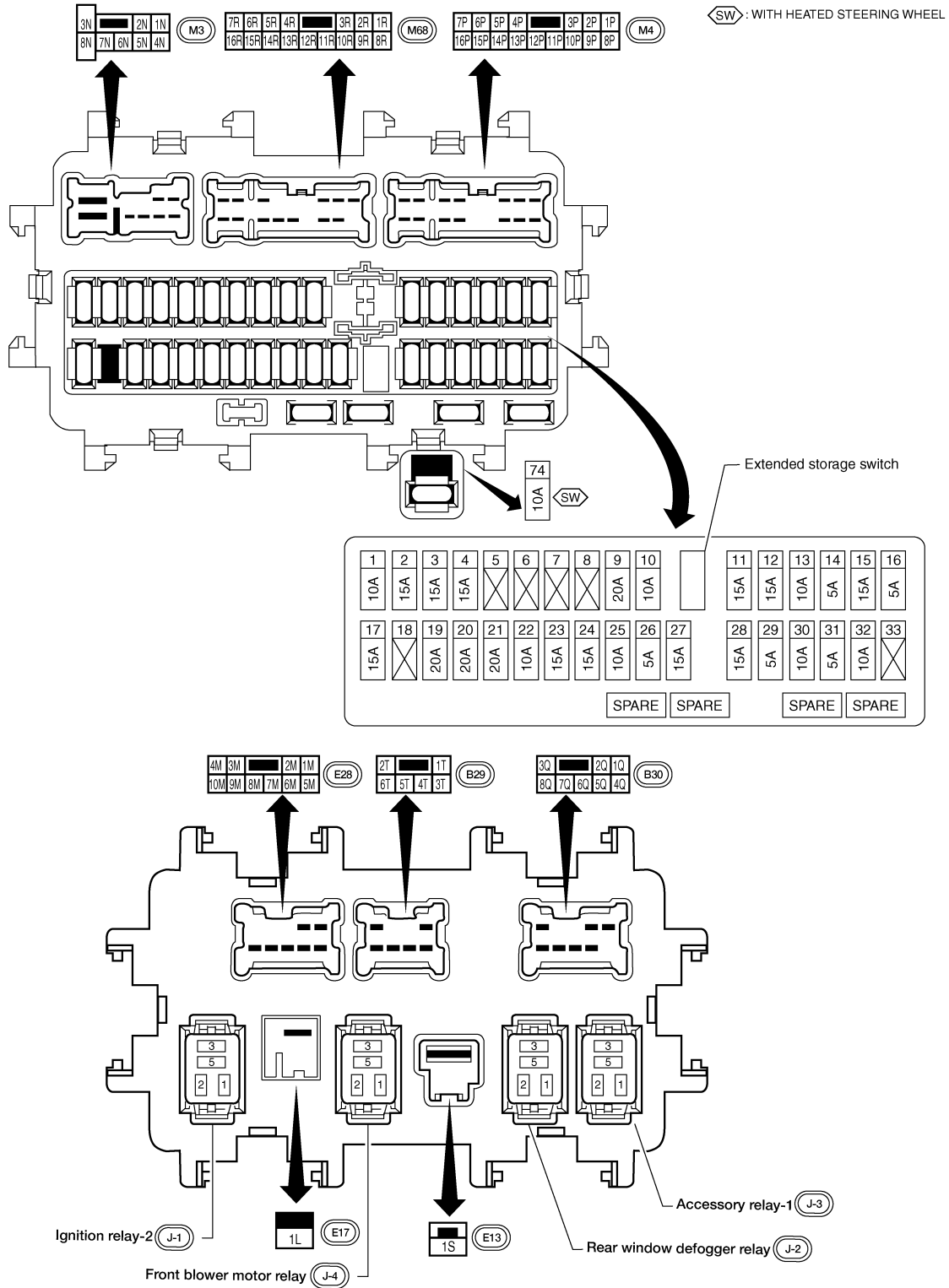
FUSE BLOCK - JUNCTION BOX (J/B)

< WIRING DIAGRAM >

FUSE BLOCK - JUNCTION BOX (J/B)

Terminal Arrangement

INFOID:000000011151115



ABMIA6987GB

FUSE, FUSIBLE LINK AND RELAY BOX

< WIRING DIAGRAM >

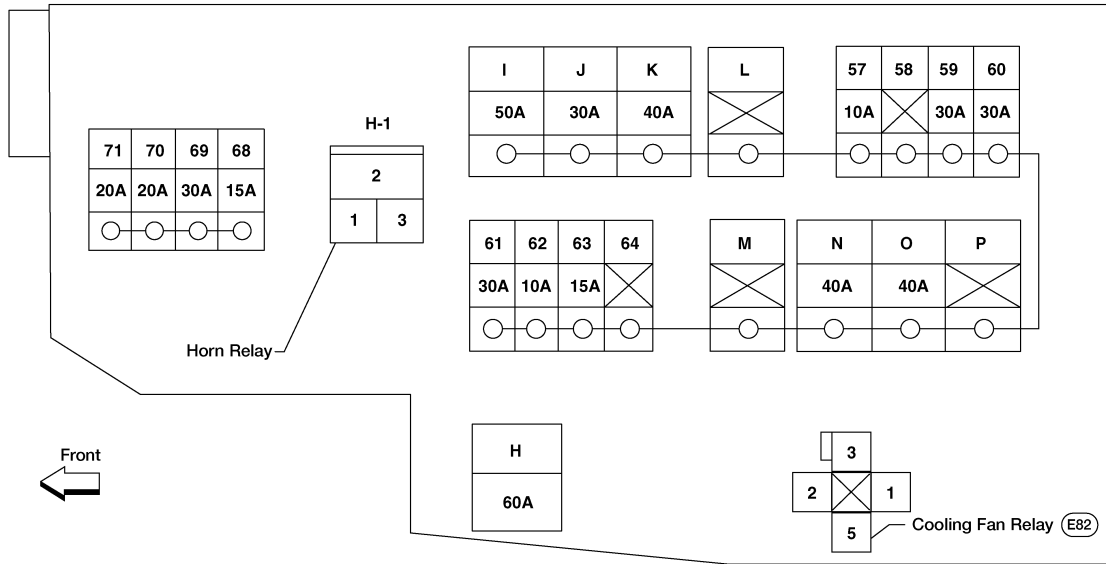
FUSE, FUSIBLE LINK AND RELAY BOX

Terminal Arrangement

INFOID:000000011151116

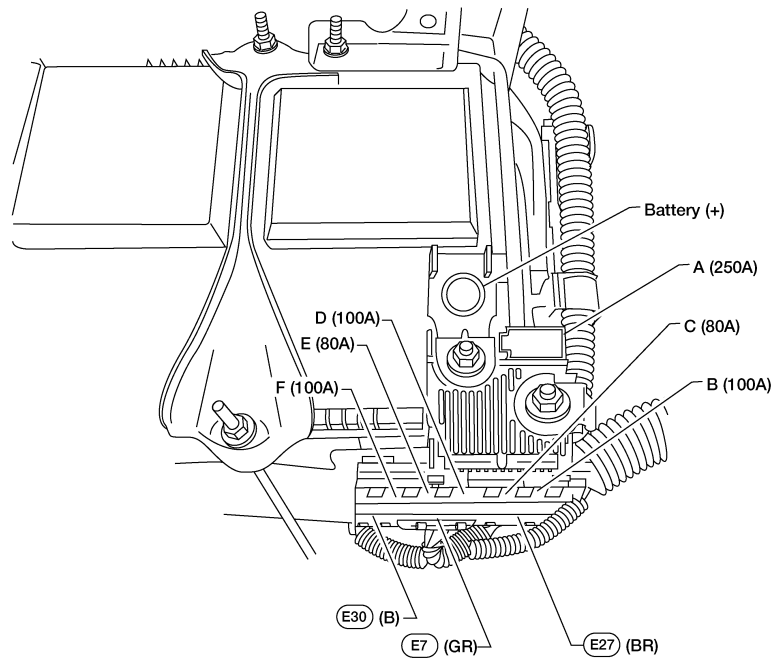
FUSE, FUSIBLE LINK AND RELAY BOX 1

FUSE AND FUSIBLE LINK BOX



NO. 57 - 71 : FUSE H - P : FUSIBLE LINK

FUSIBLE LINK BOX (BATTERY)



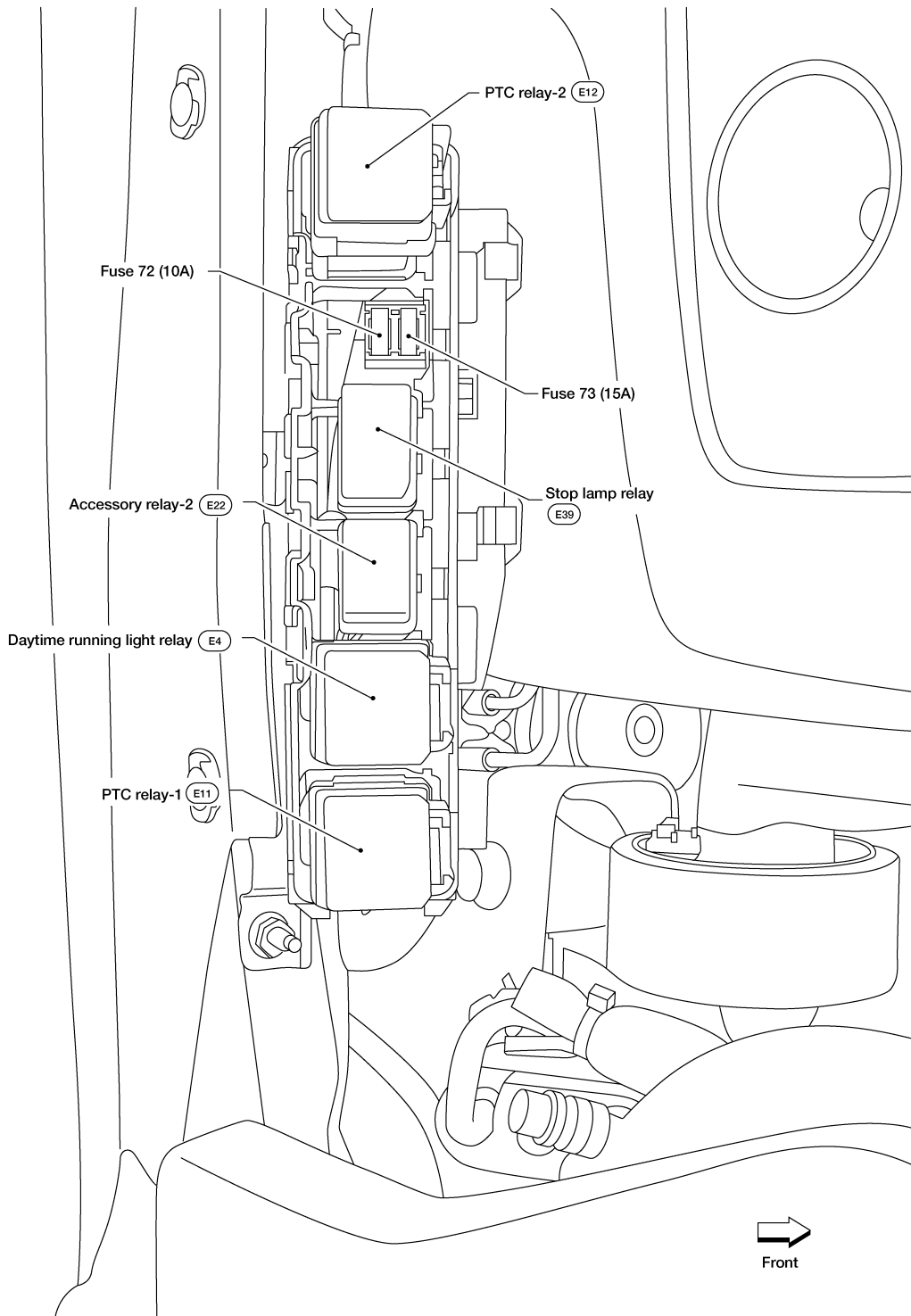
ABMIA6937GB

A
B
C
D
E
F
G
H
I
J
K
L
PG
N
O
P

FUSE, FUSIBLE LINK AND RELAY BOX

< WIRING DIAGRAM >

FUSE AND RELAY BOX

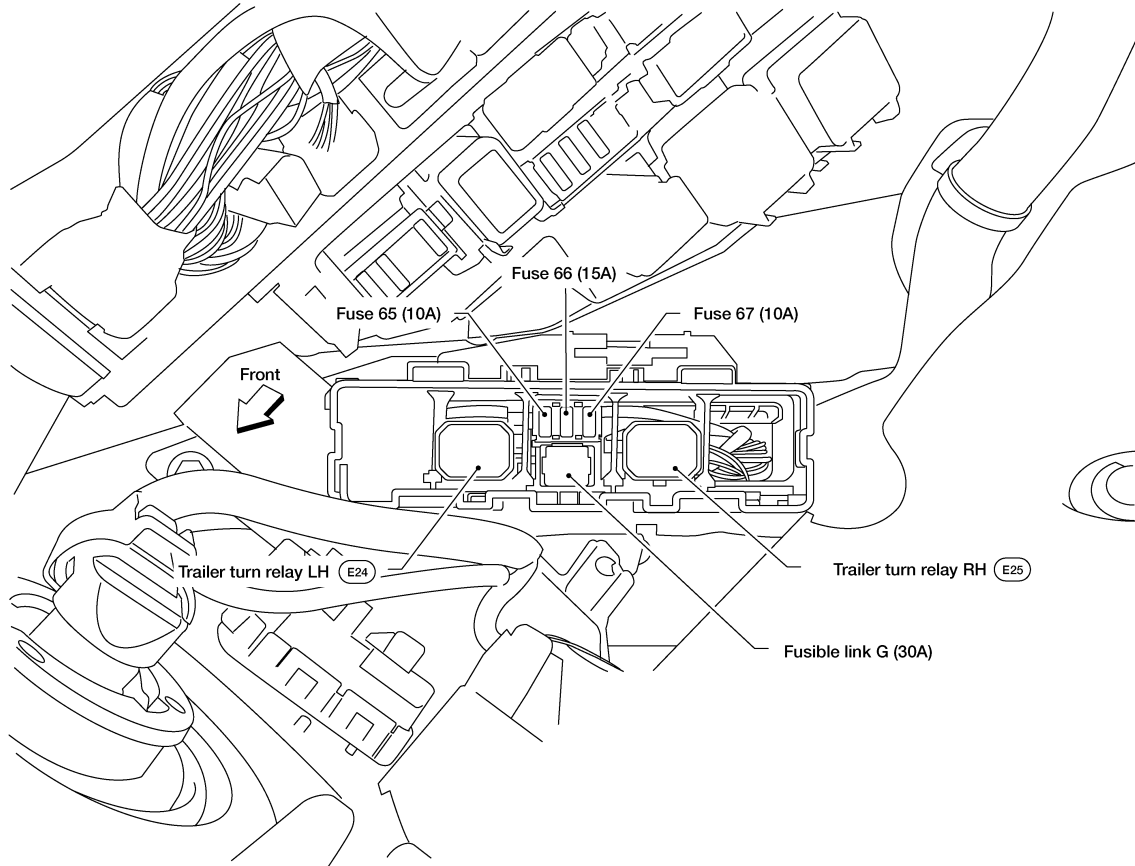


ABMIA6988GB

FUSE, FUSIBLE LINK AND RELAY BOX

< WIRING DIAGRAM >

FUSE, FUSIBLE LINK AND RELAY BOX 2



A
B
C
D
E
F
G
H
I
J
K
L
PG
N
O
P

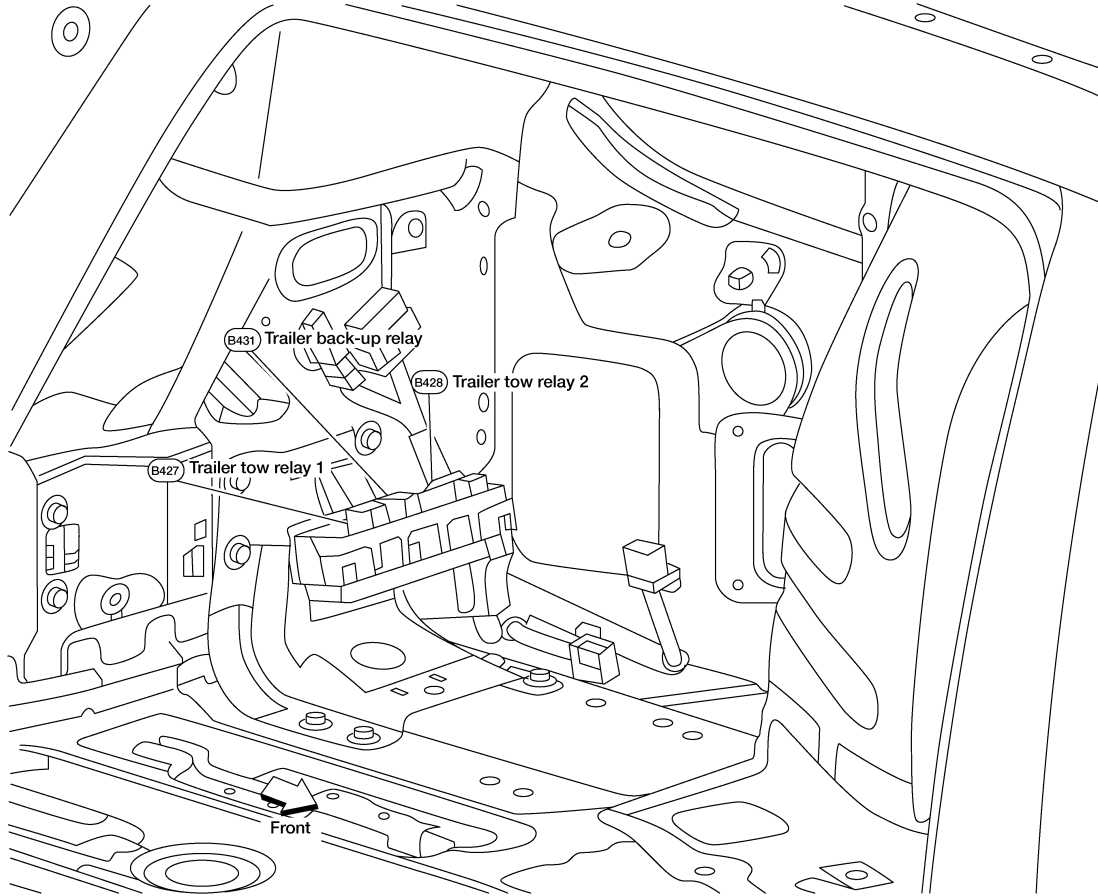
ABMIA6989GB

FUSE, FUSIBLE LINK AND RELAY BOX

< WIRING DIAGRAM >

TRAILER RELAY BOX

View with luggage side lower finisher LH removed



ABMIA6990GB

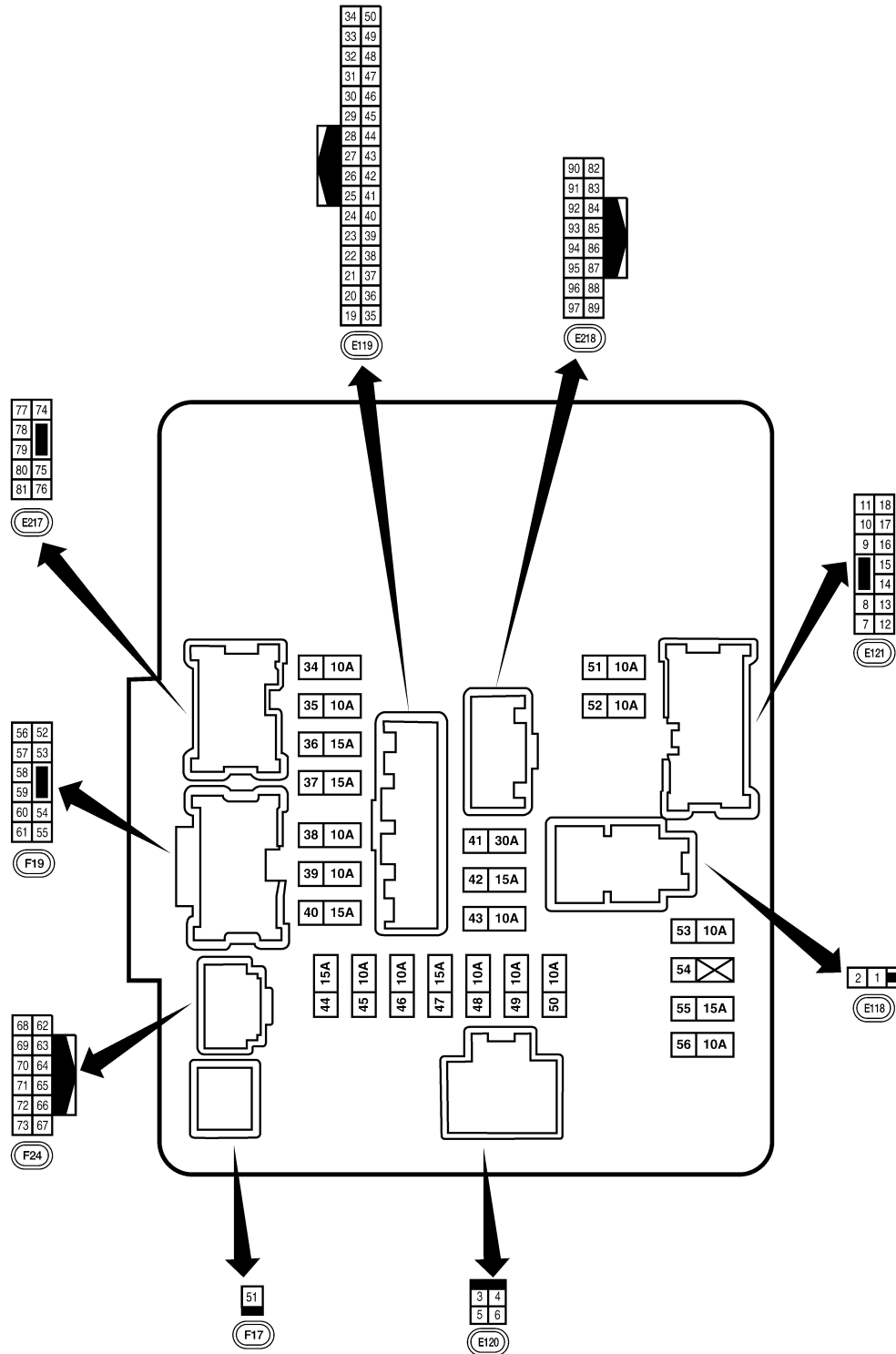
IPDM E/R (INTELLIGENT POWER DISTRIBUTION MODULE ENGINE ROOM)

< WIRING DIAGRAM >

IPDM E/R (INTELLIGENT POWER DISTRIBUTION MODULE ENGINE ROOM)

IPDM E/R Terminal Arrangement

INFOID:000000011151117



AAMIA0058ZZ

BATTERY

< BASIC INSPECTION >

BASIC INSPECTION

BATTERY

How to Handle Battery

INFOID:000000011151118

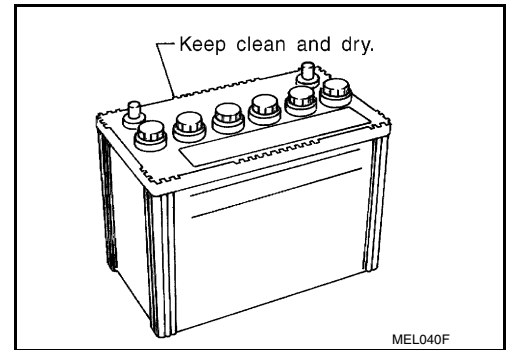
CAUTION:

- If it becomes necessary to start the engine with a booster battery and jumper cables, use a 12-volt booster battery.
- After connecting battery cables, ensure that they are tightly clamped to battery terminals for good contact.
- Never add distilled water through the hole used to check specific gravity.

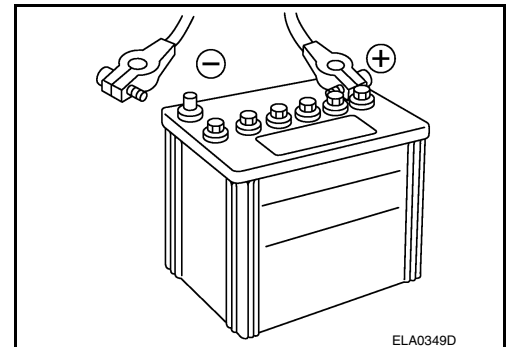
METHODS OF PREVENTING OVER-DISCHARGE

The following precautions must be taken to prevent over-discharging a battery.

- The battery surface (particularly its top) should always be kept clean and dry.
- The terminal connections should be clean and tight.
- At every routine maintenance, check the electrolyte level.
This also applies to batteries designated as "low maintenance" and "maintenance-free".



- When the vehicle is not going to be used over a long period of time, disconnect the battery cable from the negative terminal. (If the vehicle has an extended storage switch, turn it off.)



Work Flow

INFOID:000000011151119

BATTERY DIAGNOSIS WITH EXP-800 NI OR GR8-1200 NI

To diagnose and confirm the condition of the battery, use the following special service tools:

- EXP-800 NI Battery and electrical diagnostic analyzer
- GR8-1200 NI Multitasking battery and electrical diagnostic station

NOTE:

Refer to the applicable instruction manual for proper battery diagnosis procedures.

BATTERY DIAGNOSIS WITHOUT EXP-800 NI OR GR8-1200 NI

Check Electrolyte Level

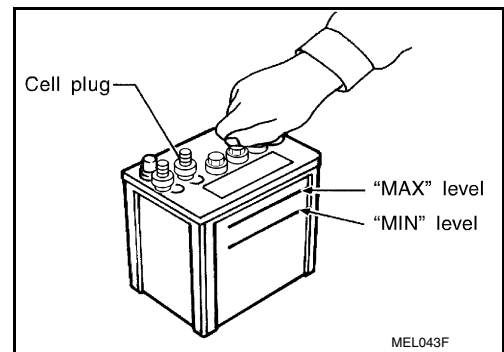
WARNING:

Never allow battery fluid to come in contact with skin, eyes, fabrics, or painted surfaces. After touching a battery, never touch or rub your eyes until you have thoroughly washed your hands. If acid contacts eyes, skin or clothing, immediately flush with water for 15 minutes and seek medical attention. Failure to do this may cause personal injury or damage to clothing or the painted surfaces.

BATTERY

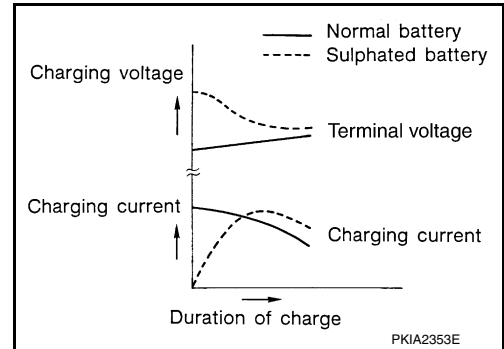
< BASIC INSPECTION >

- Remove the cell plug using a suitable tool.
- Add distilled water up to the MAX level.



SULFATION

- **A battery will be completely discharged if it is left unattended for a long time and the specific gravity will become less than 1.100. This may result in sulfation on the cell plates.**
- **To determine if a battery has been “sulfated”, note its voltage and current when charging it. As shown in the figure, less current and higher voltage are observed in the initial stage of charging sulfated batteries.**
- **A sulfated battery may sometimes be brought back into service by means of a long, slow charge, 12 hours or more, followed by a battery capacity test.**



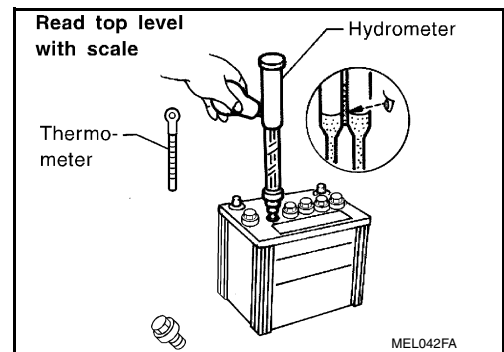
Specific Gravity Check

NOTE:

Check the charge condition of the battery.

Periodically check the specific gravity of the electrolyte. Keep a close check on charge condition to prevent over-discharge.

1. Read hydrometer and thermometer indications at eye level.
2. Use the chart below to correct your hydrometer reading according to electrolyte temperature.



Hydrometer Temperature Correction

Battery electrolyte temperature [°C (°F)]	Add to specific gravity reading
71 (160)	0.032
66 (150)	0.028
60 (140)	0.024
54 (130)	0.020
49 (120)	0.016
43 (110)	0.012
38 (100)	0.008
32 (90)	0.004
27 (80)	0
21 (70)	-0.004
16 (60)	-0.008
10 (50)	-0.012

A
B
C
D
E
F
G
H
I
J
K
L
N
O
P

BATTERY

< BASIC INSPECTION >

Battery electrolyte temperature [°C (°F)]	Add to specific gravity reading
4 (40)	-0.016
-1 (30)	-0.020
-7 (20)	-0.024
-12 (10)	-0.028
-18 (0)	-0.032

Corrected specific gravity	Approximate charge condition
1.260 - 1.280	Fully charged
1.230 - 1.250	3/4 charged
1.200 - 1.220	1/2 charged
1.170 - 1.190	1/4 charged
1.140 - 1.160	Almost discharged
1.110 - 1.130	Completely discharged

Charging The Battery

CAUTION:

- Never “quick charge” a fully discharged battery.
- Keep the battery away from open flame while it is being charged.
- When connecting the charger, connect the leads first, then turn on the charger. Never turn on the charger first, as this may cause a spark.
- If battery electrolyte temperature rises above 55 °C (131 °F), stop charging. Always charge battery at a temperature below 55 °C (131 °F).

Charging Rates (Standard Charge)

Approximate charge condition	Charge current (A)	Charge time (h)
Fully charged	7	2
3/4 charged		2.5
1/2 charged		5
1/4 charged		7.5
Almost discharged		9
Completely discharged		10

Charging Rates (Quick Charge)

Approximate charge condition	Charge current (A)	Charge time (h)
Fully charged	—	—
3/4 charged	16	0.5
1/2 charged	33	
1/4 charged		
Almost discharged	—	—
Completely discharged	—	—

NOTE:

The ammeter reading on your battery charger will automatically decrease as the battery charges. This indicates that the voltage of the battery is increasing normally as the state of charge improves. The charging amps indicated above refer to initial charge rate.

- If, after charging, the specific gravity of any two cells varies more than 0.050, the battery should be replaced.

INSPECTION AND ADJUSTMENT

< BASIC INSPECTION >

INSPECTION AND ADJUSTMENT

ADDITIONAL SERVICE WHEN REMOVING BATTERY NEGATIVE TERMINAL

ADDITIONAL SERVICE WHEN REMOVING BATTERY NEGATIVE TERMINAL : Special Repair Requirement

INFOID:0000000011151120

Required Procedure After Battery Disconnection

System	Item	Reference
Engine Control System	Idle Air Volume Learning	EC-160 (USA and Canada) EC-661 (Mexico)
Brake Control System	Steering Angle Sensor Neutral Position	BRC-61 (Type 1) BRC-190 (Type 2)
Door & Lock	Calibration Of Automatic Back Door Position Information	DLK-116
Power Window Control System	Power Window System Initialization	PWC-93
Roof	Moonroof Memory Reset/Initialization Sunshade Memory Reset/Initialization	RF-24
Automatic Drive Positioner	Automatic Drive Positioner System Initialization	Refer to Owner's Manual.
Heater & Air Conditioning Control System	Temperature Setting Trimmer (front)	HAC-78
	Temperature Setting Trimmer (rear)	HAC-79
	Foot Position Setting Trimmer	HAC-78
	Inlet Port Memory Function (FRE)	HAC-79
	Inlet Port Memory Function (REC)	HAC-79
Audio, Visual & Navigation System	Audio (Radio Preset)	Refer to Owner's Manual.
	Navigation System	Refer to Owner's Manual.

A
B
C
D
E
F
G
H
I
J
K
L

PG

FUSE INSPECTION

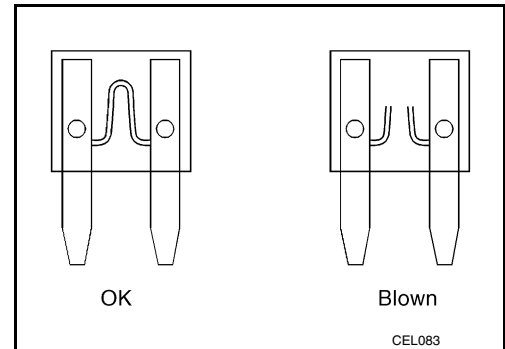
< BASIC INSPECTION >

FUSE INSPECTION

How To Check

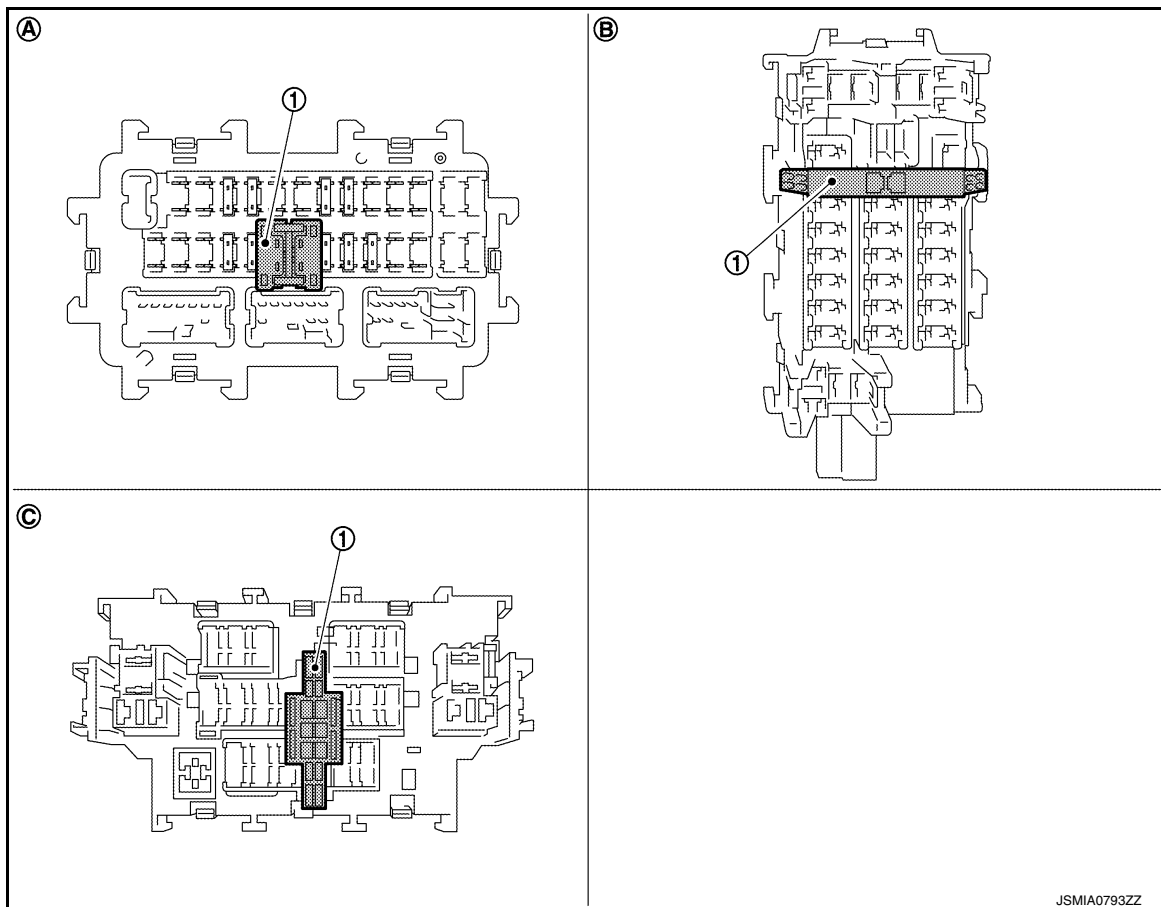
INFOID:000000011240698

- If fuse is blown, be sure to eliminate cause of malfunction before installing new fuse.
- Use fuse of specified rating. Never use fuse of more than specified rating.
- Do not partially install fuse; always insert it into fuse holder properly.
- Remove fuse for "ELECTRICAL PARTS (BAT)" if vehicle is not used for a long period of time.



EXTENDED STORAGE FUSE SWITCH (IF EQUIPPED)

The following switch may be mounted on the fuse block (Junction Box) for transportation and storage.



① Extended storage fuse switch

Ⓐ Type A

Ⓑ Type B

Ⓒ Type C

Remove the extended storage fuse switch if it causes the interference when checking fuses.

How To Extended Storage Fuse Switch ON/OFF

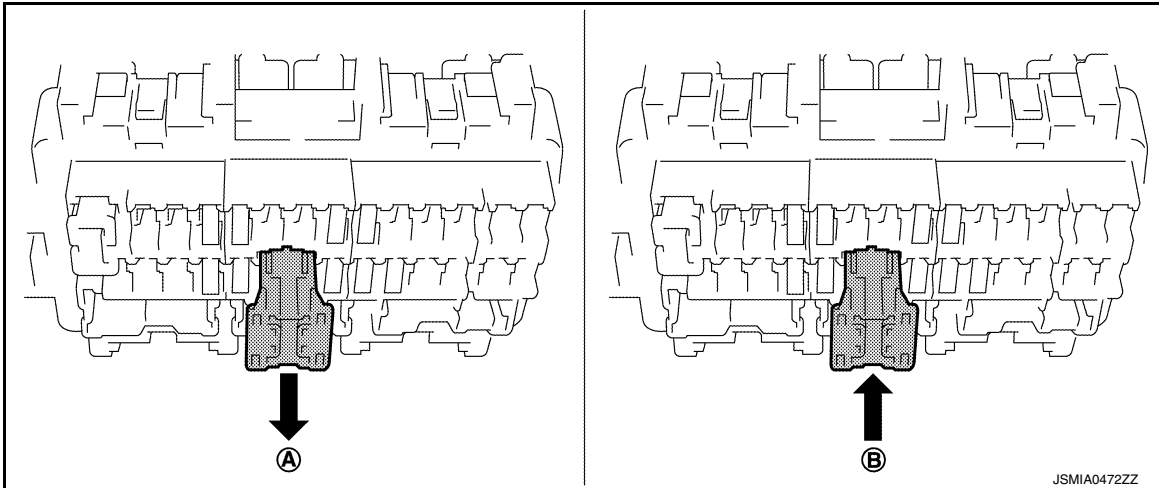
CAUTION:

- Turn the ignition switch OFF when operating the extended storage fuse switch.
- Under normal conditions, keep the extended storage fuse switch in ON state. Never operate the extended storage fuse switch except when necessary.

FUSE INSPECTION

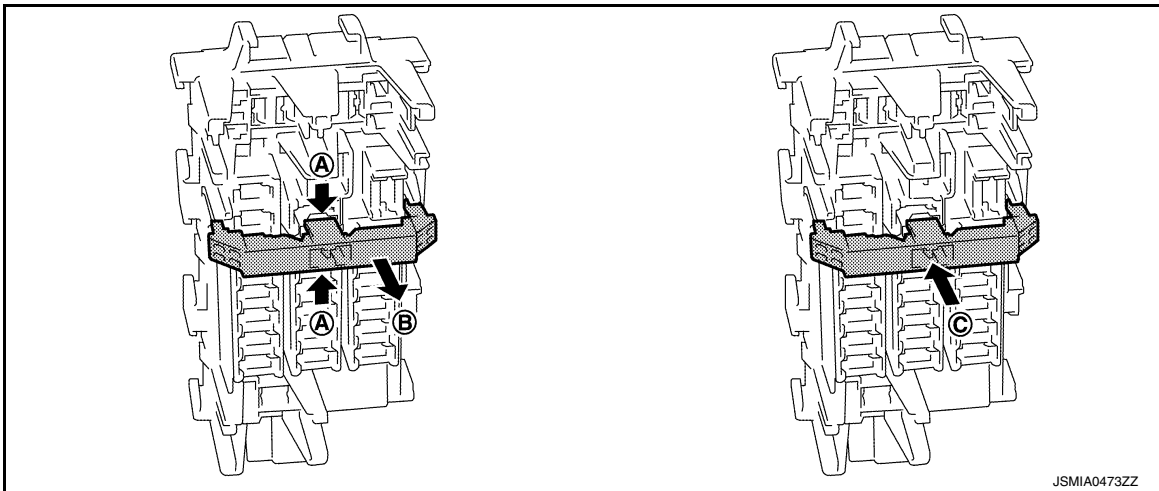
< BASIC INSPECTION >

• Type A



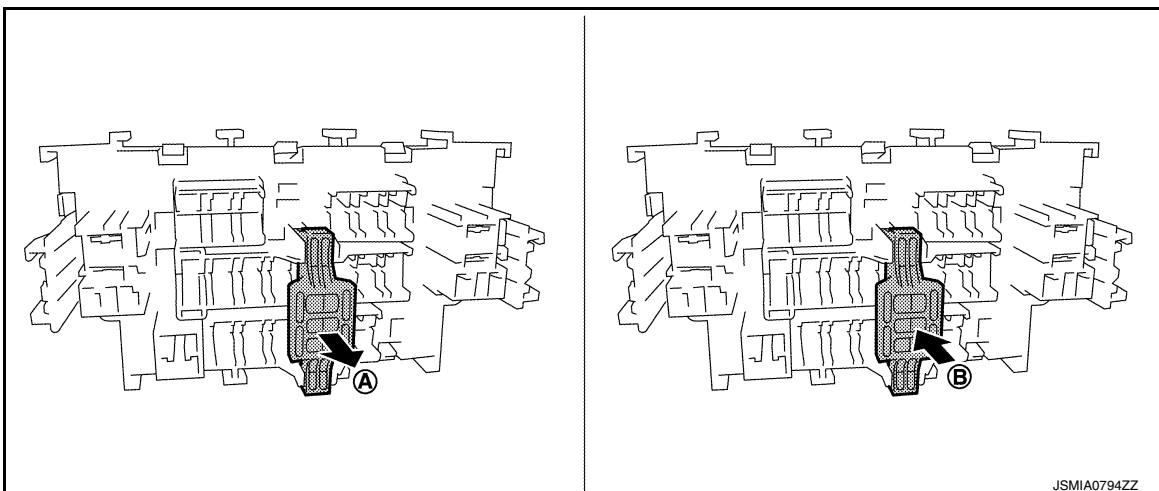
- To turn the extended storage fuse switch OFF, pull it up in (A) direction as shown in the figure.
- To turn the extended storage fuse switch ON, press it in (B) direction as shown in the figure.

• Type B



- To turn the extended storage fuse switch OFF, hold (A) of the switch and pull up in (B) direction as shown in the figure.
- To turn the extended storage fuse switch ON, press it in (C) direction as shown in the figure.

• Type C



- To turn the extended storage fuse switch OFF, pull it up in (A) direction as shown in the figure.
- To turn the extended storage fuse switch ON, press it in (B) direction as shown in the figure.

How To Remove Extended Storage Fuse Switch

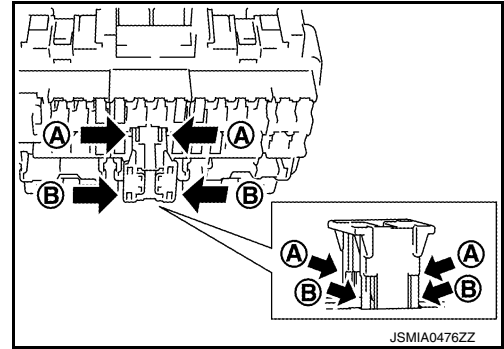
Type A

A
B
C
D
E
F
G
H
I
J
K
L
PG
N
O
P

FUSE INSPECTION

< BASIC INSPECTION >

1. Turn the ignition switch OFF.
2. Turn the extended storage fuse switch OFF.
3. Press pawl (A) and tilt to disengage the extended storage fuse switch. Press pawl (B) and tilt to remove the extended storage fuse switch.



CAUTION:

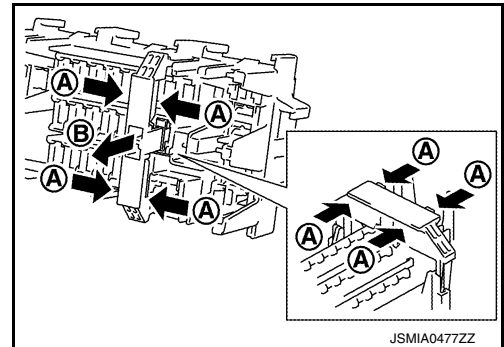
Never use fuse for bus bar.

NOTE:

- Extended storage fuse switch and bus bar are removed together. Remove bus bar from extended storage fuse switch, if necessary.
- Install removed bus bar to fuse block.
- Extended storage fuse switch is for transportation and storage. Reinstallation is not required after the removal.

Type B

1. Turn the ignition switch OFF.
2. Turn the extended storage fuse switch OFF.
3. Hold (A) and pull up the extended storage fuse switch hard in (B) direction.



CAUTION:

Never use fuse for bus bar.

NOTE:

- Extended storage fuse switch and bus bar may be removed together. Remove bus bar from extended storage fuse switch, if necessary.
- Install removed bus bar to fuse block.
- Extended storage fuse switch is for transportation and storage. Reinstallation is not required after the removal.

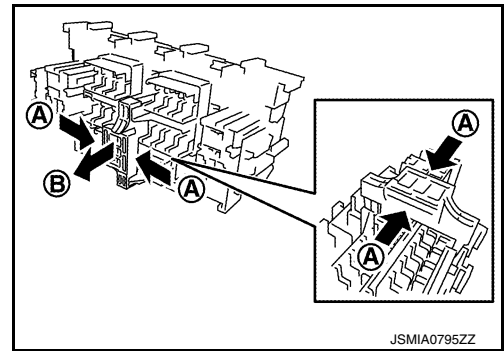
Type C

1. Turn the ignition switch OFF.
2. Turn the extended storage fuse switch OFF.

FUSE INSPECTION

< BASIC INSPECTION >

3. Hold (A) and pull up the extended storage fuse switch hard in (B) direction.



CAUTION:

Never use fuse for bus bar.

NOTE:

- Extended storage fuse switch and bus bar are removed together. Remove bus bar from extended storage fuse switch, if necessary.
- Install removed bus bar to fuse block.
- Extended storage fuse switch is for transportation and storage. Reinstallation is not required after the removal.

A
B
C
D
E
F
G
H
I
J
K
L

PG

N
O
P

FUSIBLE LINK INSPECTION

< BASIC INSPECTION >

FUSIBLE LINK INSPECTION

Fusible Link

INFOID:000000011240699

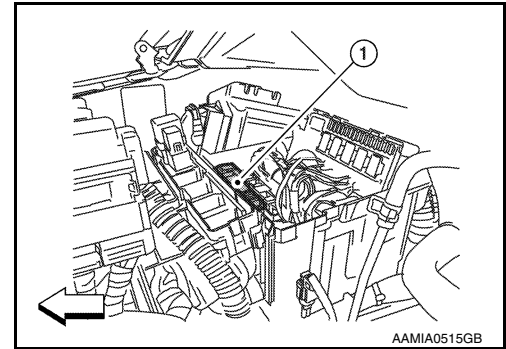
A melted fusible link can be detected either by visual inspection or by feeling with finger tip. If its condition is questionable, use circuit tester or test lamp.

1 : Fusible link

←: Vehicle front

CAUTION:

- If fusible link should melt, it is possible that critical circuit (power supply or large current carrying circuit) is shorted. In such a case, carefully check and eliminate cause of malfunction.
- Never wrap outside of fusible link with vinyl tape. Important: Never let fusible link touch any other wiring harness, vinyl or rubber parts.



AAMIA0515GB

BATTERY

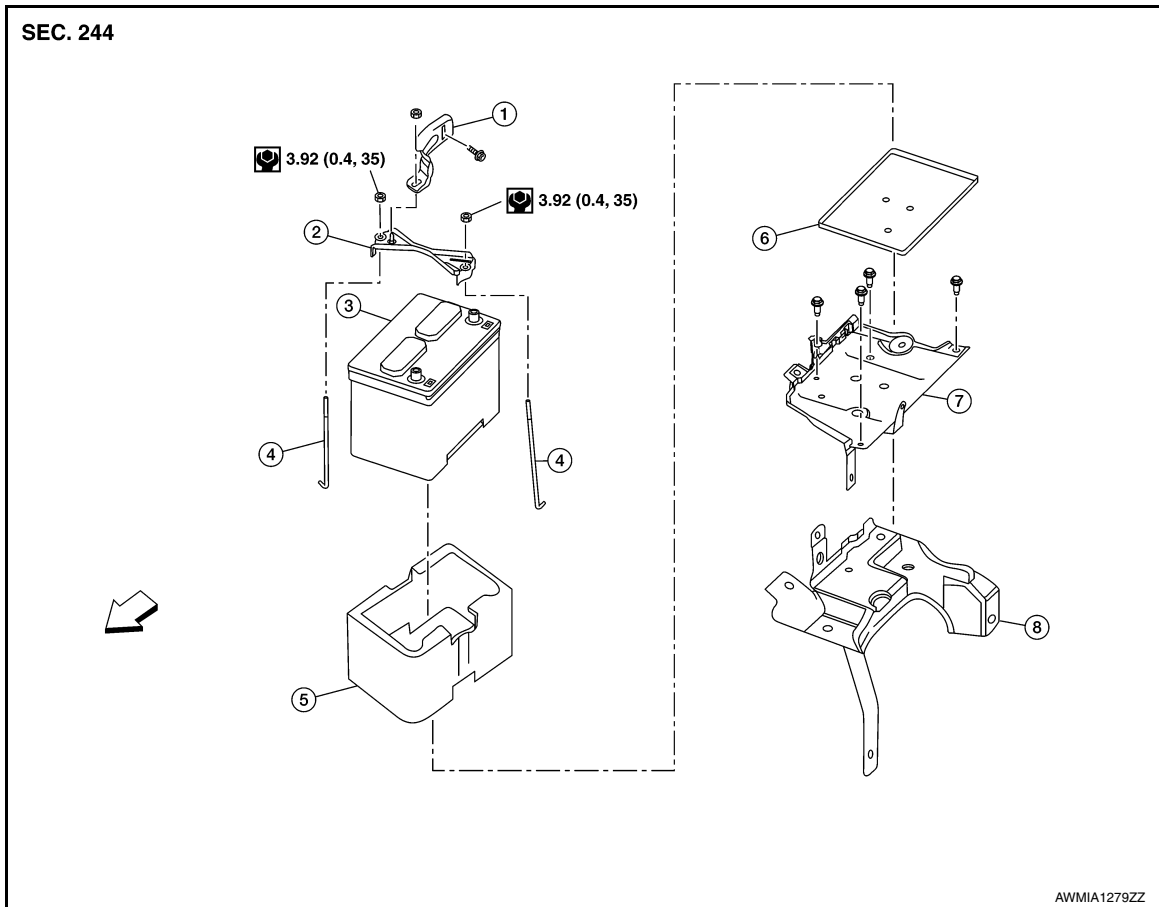
< REMOVAL AND INSTALLATION >

REMOVAL AND INSTALLATION

BATTERY

Exploded View

INFOID:0000000011151121



- | | | |
|----------------------|-------------------------|-----------------------|
| 1. Upper ECM bracket | 2. Battery frame | 3. Battery |
| 4. Battery rods | 5. Battery cover | 6. Battery tray liner |
| 7. Battery tray | 8. Battery tray support | ← Front |

Removal and Installation

INFOID:0000000011151122

PG

REMOVAL

1. Remove cover of battery positive terminal.
2. Loosen battery terminal nuts and disconnect both battery negative and positive terminals.
CAUTION:
When disconnecting, disconnect the battery negative terminal first.
3. Remove upper ECM bracket bolts and upper ECM bracket.
4. Remove battery frame nuts and battery frame and battery rods.
5. Remove battery cover.
6. Remove battery.

INSTALLATION

Installation is in the reverse order of removal.

CAUTION:

Replace the battery if it has been dropped or sustained an impact.

To install the battery, carefully read the following instructions:

BATTERY

< REMOVAL AND INSTALLATION >

- To prevent damage to the parts, connect the battery cable to the positive terminal first.
- After connecting battery cables, to securely supply battery voltage, ensure that they are tightly clamped to battery terminals for good contact.
- To securely supply battery voltage, check battery terminal for poor connection caused by corrosion. Reset electronic systems as necessary. Refer to [PG-89, "ADDITIONAL SERVICE WHEN REMOVING BATTERY NEGATIVE TERMINAL : Special Repair Requirement"](#).

BATTERY TRAY

< REMOVAL AND INSTALLATION >

BATTERY TRAY

Removal and Installation

INFOID:0000000011151123

REMOVAL

1. Remove battery and battery tray liner. Refer to [PG-95, "Removal and Installation"](#). A
2. Remove air cleaner assembly. Refer to [EM-24, "Removal and Installation"](#). B
3. Disconnect harness connector and then remove ECM. C
4. Disconnect the harness connector from the transmission control module (TCM). Refer to [TM-198, "Removal and Installation"](#). D
5. Remove the ECM bracket. E
6. Remove the battery tray bolts and battery tray. E
7. Remove the battery tray support bolts and battery tray support. E

INSTALLATION

Installation is in the reverse order of removal.

Reset electronic systems as necessary. Refer to [PG-89, "ADDITIONAL SERVICE WHEN REMOVING BATTERY NEGATIVE TERMINAL : Special Repair Requirement"](#). F

A
B
C
D
E
F
G
H
I
J
K
L
N
O
P

PG

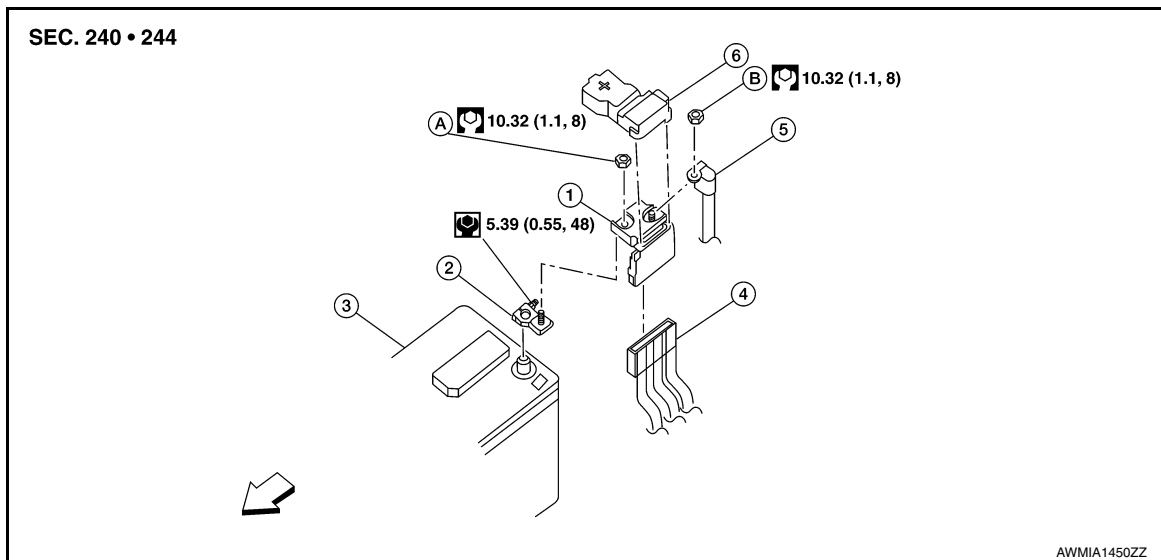
BATTERY TERMINAL WITH FUSIBLE LINK

< REMOVAL AND INSTALLATION >

BATTERY TERMINAL WITH FUSIBLE LINK

Exploded View

INFOID:0000000011151124



- | | | |
|-----------------------------------|-----------------------|------------|
| 1. Fusible link box (battery) | 2. Terminal | 3. Battery |
| 4. Harness connectors | 5. Positive cable | 6. Cover |
| A. Fusible link box (battery) nut | B. Positive cable nut | ⇐ Front |

Removal and Installation

INFOID:0000000011151125

REMOVAL

1. Disconnect both battery negative and positive terminals. Refer to [PG-95, "Exploded View"](#).
CAUTION:
To prevent damage to the parts, disconnect the battery negative terminal first.
2. Disconnect positive cable from fusible link box (battery).
3. Disconnect harness connectors and separate positive terminal from fusible link box (battery).

INSTALLATION

Installation is in the reverse order of removal.

CAUTION:

Replace the fusible link box battery if it has been dropped or sustained and impact.

To install the battery, carefully read the following instructions:

- To prevent damage to the parts, connect the battery cable to the positive terminal first.
- After connecting battery cables, to securely supply battery voltage, ensure that they are tightly clamped to battery terminals for good contact.
- To securely supply battery voltage, check battery terminal for poor connection caused by corrosion.

Reset electronic systems as necessary. Refer to [PG-89, "ADDITIONAL SERVICE WHEN REMOVING BATTERY NEGATIVE TERMINAL : Special Repair Requirement"](#).

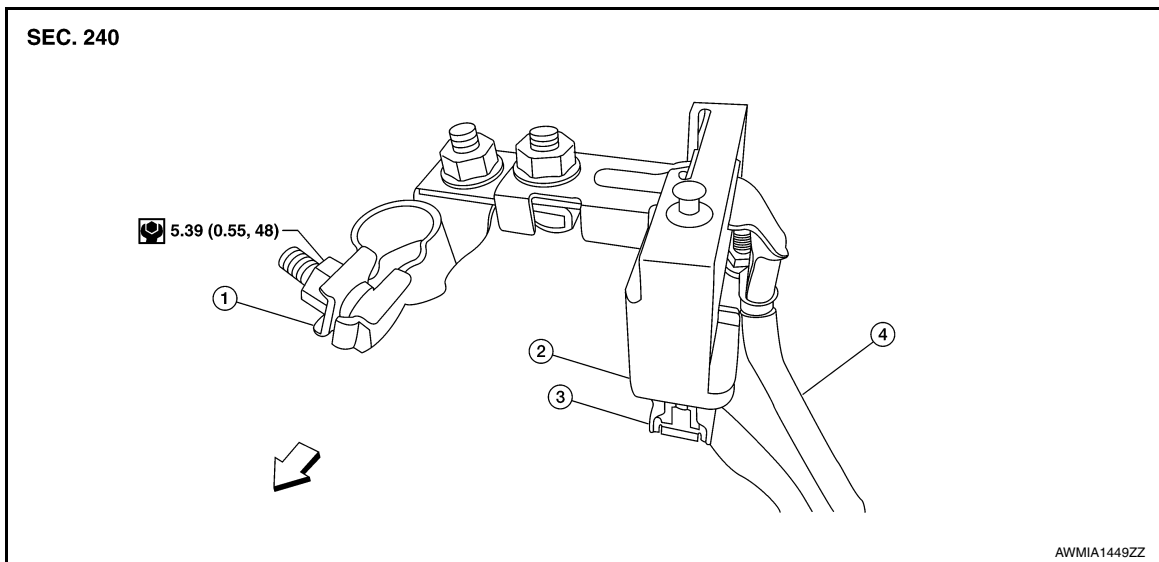
BATTERY CURRENT SENSOR

< REMOVAL AND INSTALLATION >

BATTERY CURRENT SENSOR

Exploded View

INFOID:0000000011151126



1. Terminal
2. Current sensor
3. Harness connector
4. Negative cable
⇐ Front

Removal and Installation

INFOID:0000000011151127

REMOVAL

1. Disconnect negative terminal from the battery. Refer to [PG-95, "Exploded View"](#).
2. Disconnect harness connector from current sensor.
3. Remove nut and separate current sensor from the negative terminal.
4. Remove nut and separate negative cable from the current sensor and remove the current sensor.

INSTALLATION

Installation is in the reverse order of removal.

CAUTION:

Replace the battery current sensor if it has been dropped or sustained and impact.

To install the battery, carefully read the following instructions:

- To prevent damage to the parts, connect the battery cable to the positive terminal first.
 - After connecting battery cables, to securely supply battery voltage, ensure that they are tightly clamped to battery terminals for good contact.
 - To securely supply battery voltage, check battery terminal for poor connection caused by corrosion.
- Reset electronic systems as necessary. Refer to [PG-89, "ADDITIONAL SERVICE WHEN REMOVING BATTERY NEGATIVE TERMINAL : Special Repair Requirement"](#).

PG

N

O

P

SERVICE DATA AND SPECIFICATIONS (SDS)

< SERVICE DATA AND SPECIFICATIONS (SDS)

SERVICE DATA AND SPECIFICATIONS (SDS)

SERVICE DATA AND SPECIFICATIONS (SDS)

Battery

INFOID:000000011151128

Type		GR35
20 hour rate capacity	[V-Ah]	12-60
Cold cranking current (For reference value)	[A]	550