

SECTION **BT**

GI
MA
EM
LC
EC
FE
AT
PD
FA
RA
BR
ST
RS
BT
HA
EL
IDX

CONTENTS

PRECAUTIONS	2	Roof Trim	21
Service Notice.....	2	Trunk Room Trim.....	23
Supplemental Restraint System (SRS) "AIR BAG" and "SEAT BELT PRE-TENSIONER".....	2	EXTERIOR	24
GENERAL SERVICING	3	SEAT	32
Clip and Fastener	3	Front Seat.....	32
BODY END	5	Heated Seat.....	34
Body Front End.....	5	Rear Seat.....	35
Body Rear End and Opener.....	8	SUNROOF	36
DOOR	11	Trouble Diagnoses.....	40
Front Door.....	11	WINDSHIELD AND WINDOWS	44
Rear Door.....	12	Windshield and Rear Window	45
INSTRUMENT PANEL	13	MIRROR	46
INTERIOR TRIM	17	Door Mirror.....	46
Side and Floor Trim.....	17	BODY ALIGNMENT	47
Door Trim.....	19	Engine Compartment.....	47
		Underbody	49

- ★ For seat belt, refer to MA and RS section.
- ★ For wiring diagrams of body electrical systems, refer to EL section.

PRECAUTIONS

Service Notice

- When removing or installing various parts, place a cloth or padding onto the vehicle body to prevent scratches.
- Handle trim, molding, instruments, grille, etc. carefully during removing or installing. Be careful not to soil or damage them.
- Apply sealing compound where necessary when installing parts.
- When applying sealing compound, be careful that the sealing compound does not protrude from parts.
- When replacing any metal parts (for example body outer panel, members, etc.), be sure to take rust prevention measures.

Supplemental Restraint System (SRS) “AIR BAG” and “SEAT BELT PRE-TENSIONER”

The Supplemental Restraint System “Air Bag” and “Seat Belt Pre-tensioner”, used along with a seat belt, help to reduce the risk or severity of injury to the driver and front passenger in a frontal collision. The Supplemental Restraint System consists of air bag modules (located in the center of the steering wheel and on the instrument panel on the passenger side), seat belt pre-tensioners, a diagnosis sensor unit, warning lamp, wiring harness and spiral cable.

In addition to the supplemental air bag modules for a frontal collision, the supplemental side air bag used along with the seat belt help to reduce the risk or severity of injury to the driver and front passenger in a side collision. The supplemental side air bag consists of air bag modules (located in the outer side of front seats), satellite sensor, diagnosis sensor unit (which is one of components of supplemental air bags for a frontal collision), wiring harness, warning lamp (which is one of components of supplemental air bags for a frontal collision). Information necessary to service the system safely is included in the **RS section** of this Service Manual.


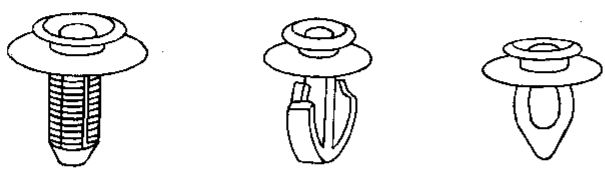
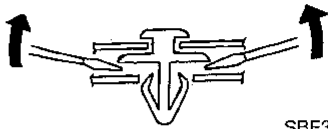

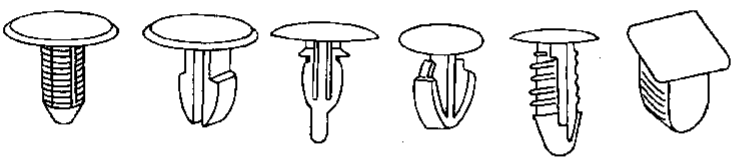
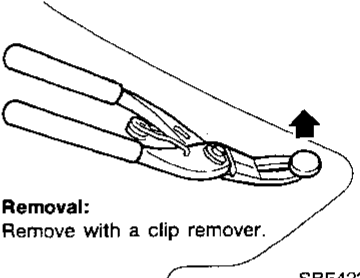

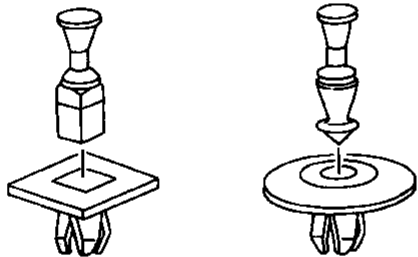
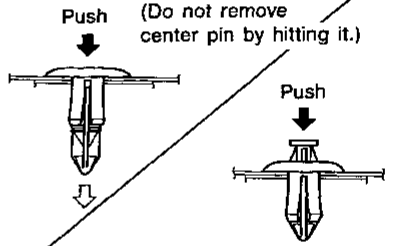

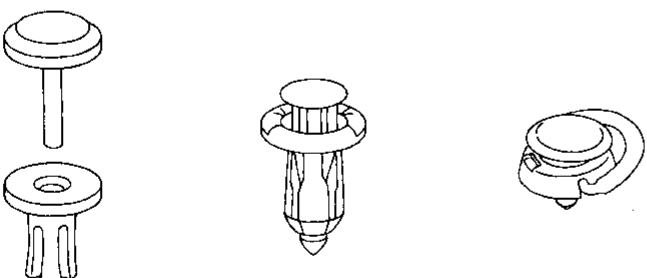
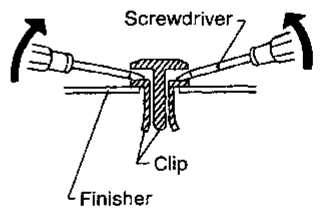

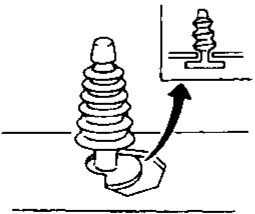
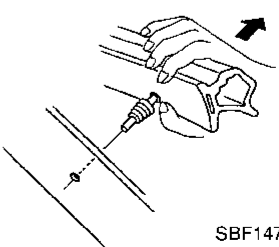
WARNING:

- **To avoid rendering the SRS inoperative, which could increase the risk of personal injury or death in the event of a collision which would result in air bag inflation, all maintenance must be performed by an authorized INFINITI dealer.**
- **Improper maintenance, including incorrect removal and installation of the SRS, can lead to personal injury caused by unintentional activation of the system.**
- **Do not use electrical test equipment on any circuit related to the SRS unless instructed to in this Service Manual. SRS wiring harnesses (except “Seat Belt Pre-tensioner” connector) can be identified with yellow harness connector (and with yellow harness protector or yellow insulation tape before the harness connectors).**

GENERAL SERVICING

Clip and Fastener


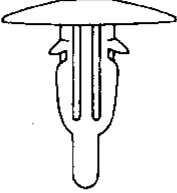
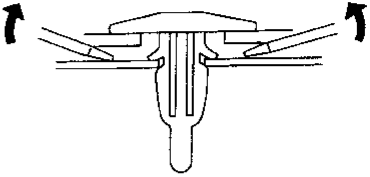

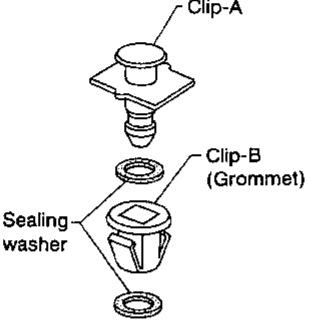
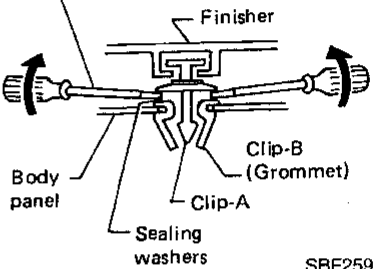

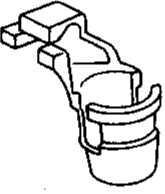
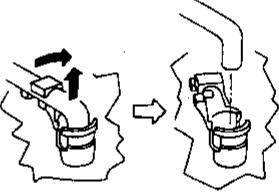

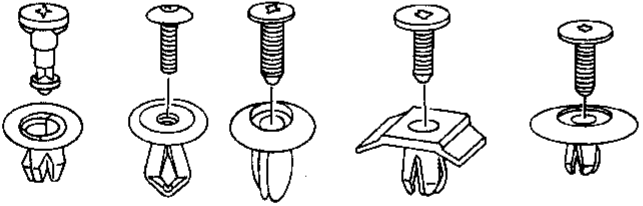
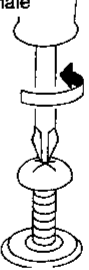
- Clips and fasteners in BT section correspond to the following numbers and symbols.
- Replace any clips and/or fasteners which are damaged during removal or installation.

Symbol No.	Shapes	Removal & Installation
	 <p style="text-align: right;">SBF302H</p>	<p>Removal: Remove by bending up with flat-bladed screwdrivers or clip remover.</p>  <p style="text-align: right;">SBF367BA</p>
	 <p style="text-align: right;">SBT095</p>	 <p>Removal: Remove with a clip remover.</p> <p style="text-align: right;">SBF423H</p>
	 <p style="text-align: right;">SBF258G</p>	<p>Push center pin to catching position. (Do not remove center pin by hitting it.)</p>  <p>Installation:</p> <p style="text-align: right;">SBF708E</p>
	 <p style="text-align: right;">MBT080A</p>	<p>Removal:</p>  <p style="text-align: right;">SBF638C</p>
	 <p style="text-align: right;">SBF104B</p>	<p>Removal:</p>  <p style="text-align: right;">SBF147B</p>

GI
MA
EM
LC
EC
FE
AT
PD
FA
RA
BR
ST
RS
BT
HA
EL
IDX

GENERAL SERVICING

Clip and Fastener (Cont'd)

Symbol No.	Shapes	Removal & Installation
		<p>Removal: Remove by bending up with a flat-bladed screwdriver or pliers.</p>  <p style="text-align: right;">SBF174D SBF175DA</p>
		<p>Removal: Flat-bladed screwdriver Finisher</p>  <p style="text-align: right;">SBF151D SBF259G</p>
		<p>Removal: Holder portion of clip must be spread out to remove rod.</p>  <p style="text-align: right;">SBF768B SBF770B</p>
		<p>Removal:</p> <ol style="list-style-type: none"> 1. Screw out with a Phillips screwdriver. 2. Remove female portion with flat-bladed screwdriver.  <p style="text-align: right;">SBF078B SBF992G</p>

BODY END

Body Front End

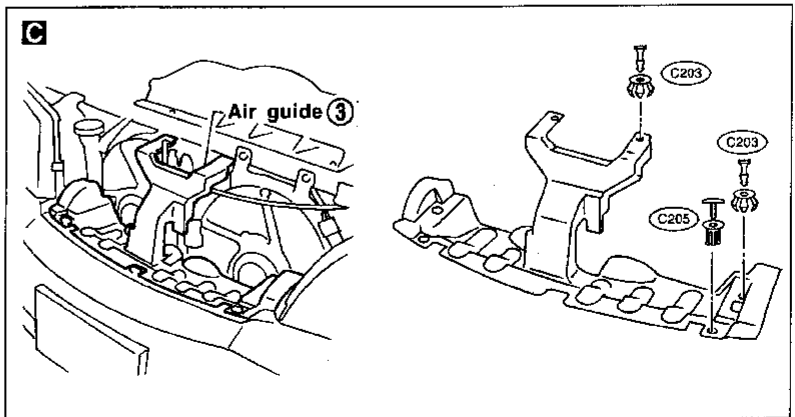
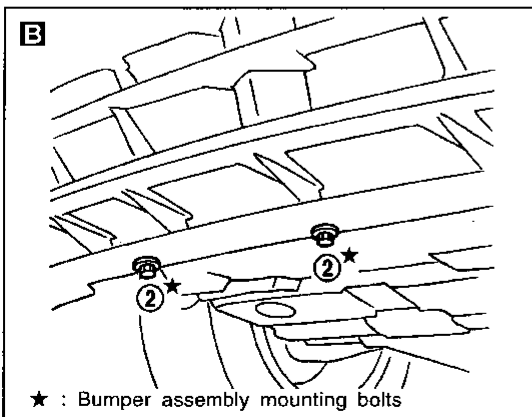
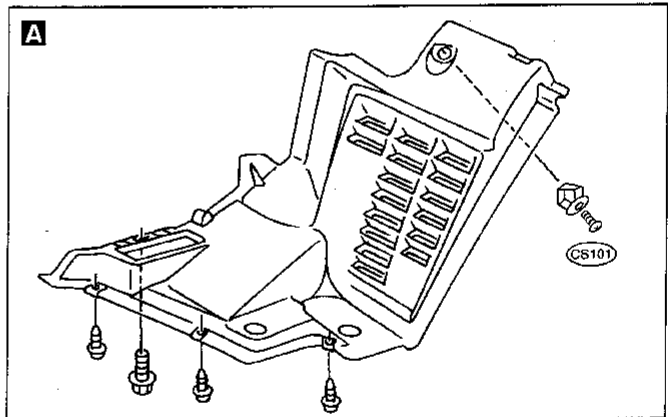
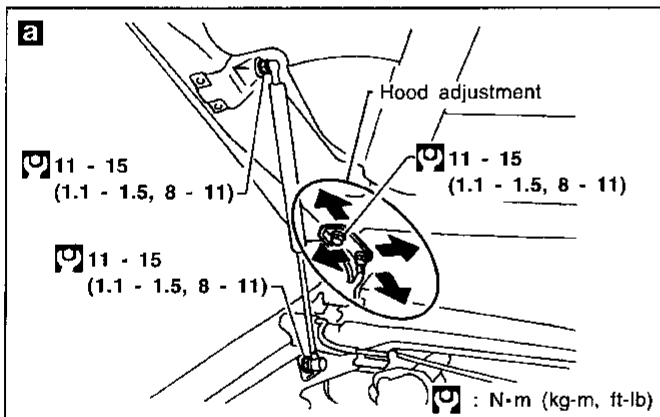
- When removing or installing hood, place a cloth or other padding on the front fender panels and cowl top. This prevents vehicle body from being scratched.
- Bumper fascia is made of plastic. Do not use excessive force and be sure to keep oil away from it.
- Hood adjustment: Adjust at hinge portion.
- Hood lock adjustment: After adjusting, check hood lock control operation. Apply a coat of grease to hood locks engaging mechanism.
- Hood opener: Do not attempt to bend cable forcibly. Doing so increases effort required to unlock hood.

WARNING:

- Be careful not to scratch hood stay when installing hood. A scratched stay may cause gas leakage.
- The contents of the hood stay are under pressure. Do not take apart, puncture, apply heat or allow fire near it.

REMOVAL — Front bumper assembly

- ① Remove screws and clips (CS101) securing left and right sides of front fender protector. **A**
- ② Remove bolts securing bumper fascia to engine undercover. **B**
- ③ Remove clips (C203) and (C205) securing air guide. **C**
- ④ Remove bolts securing left and right front fenders to bumper fascia. **D**
- ⑤ Remove clip (C205) securing bumper fascia to upper center bumper retainer. **E**
- ⑥ Remove bolts securing upper center bumper retainer to left and right upper bumper retainer. **F**
- ⑦ Extract bumper fascia assembly. Then disconnect fog lamp connector.
- ⑧ Remove bolts securing upper center bumper retainer to left and right bumper side stay. **G**
- ⑨ Remove nuts securing bumper reinforcement to left and right bumper stay. **H**
- ⑩ Remove bolts and clips (CS101) securing bumper side stay to bumper stay. **I**
- ⑪ Remove bolts and nuts securing bumper stay. **J**
- ⑫ Remove bolts securing bumper bracket to bumper stay. **K**
- ⑬ Remove fog lamp bracket cover. **L**
- ⑭ Remove nuts securing fog lamp assembly. **M**



★ : Bumper assembly mounting bolts

SBT324

GI

MA

EM

LC

EC

FE

AT

PD

FA

RA

BR

ST

RS

BT

HA

EL

IDX

BODY END

Body Front End (Cont'd)

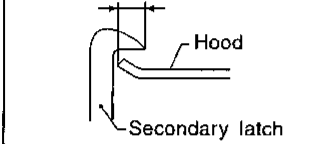
SEC. 263•620•630•650

Hood lock adjustment

- Adjust hood so that hood primary lock meshes at a position 1 to 1.5 mm (0.039 to 0.059 in) lower than fender.
- After hood lock adjustment, adjust bumper rubber.
- When securing hood lock, ensure it does not tilt. Striker must be positioned at the center of hood primary lock.
- After adjustment, ensure that hood primary and secondary lock operate properly.

Hood lock secondary latch hooking length

More than 5.0 mm (0.197 in)



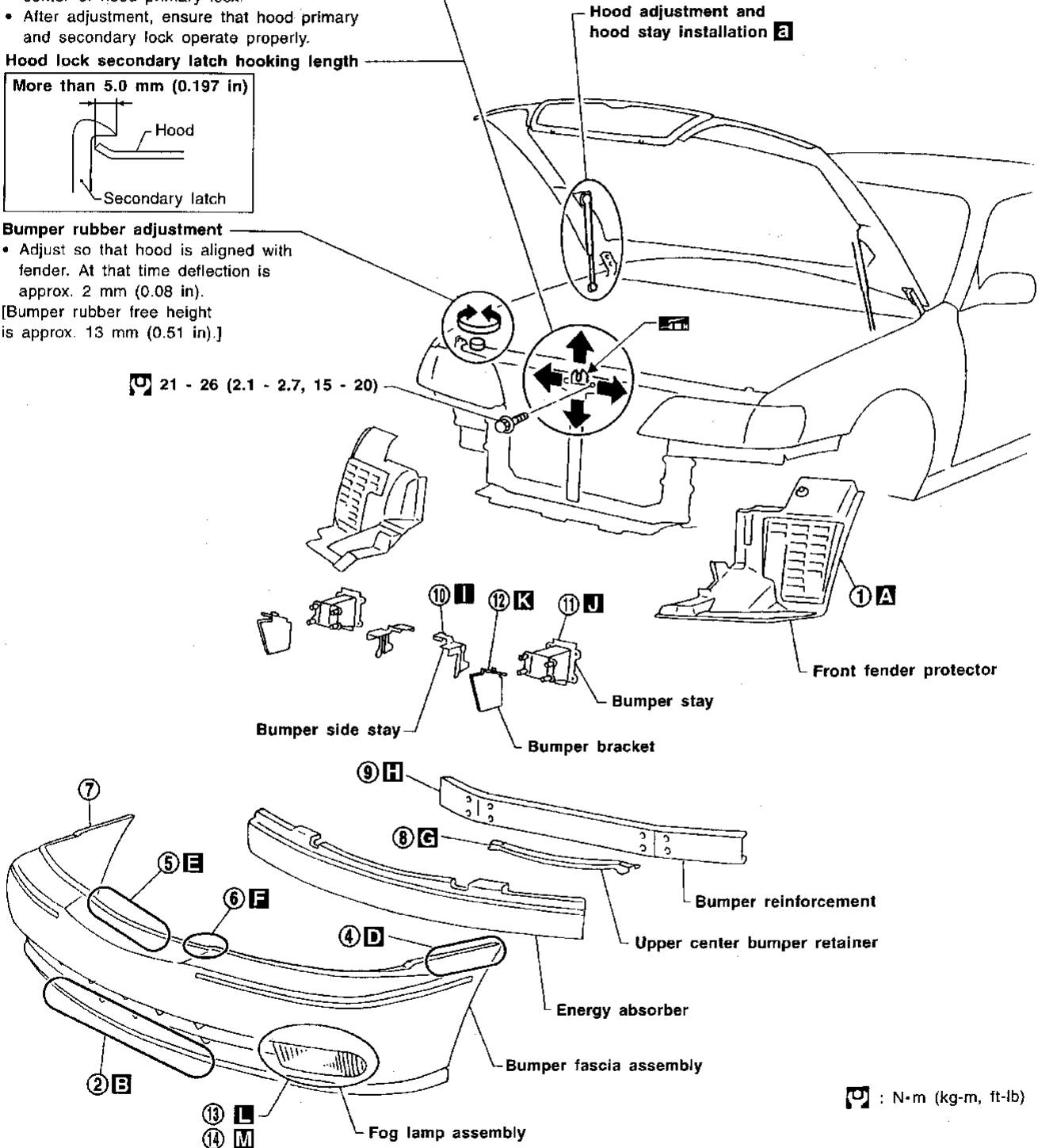
Bumper rubber adjustment

- Adjust so that hood is aligned with fender. At that time deflection is approx. 2 mm (0.08 in).

[Bumper rubber free height is approx. 13 mm (0.51 in).]

Hood adjustment and hood stay installation **E**

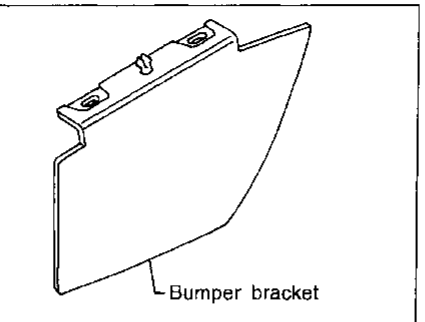
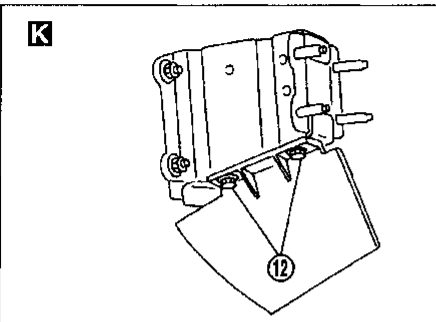
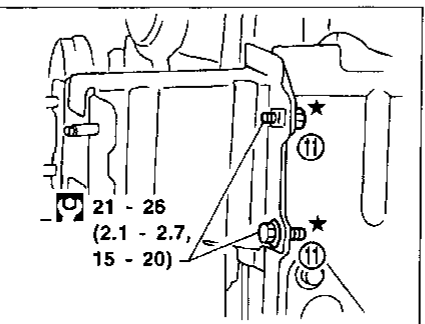
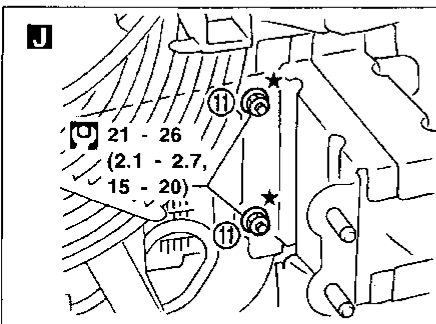
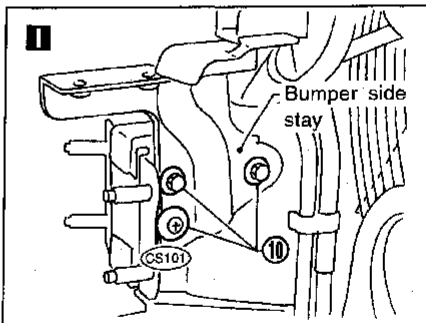
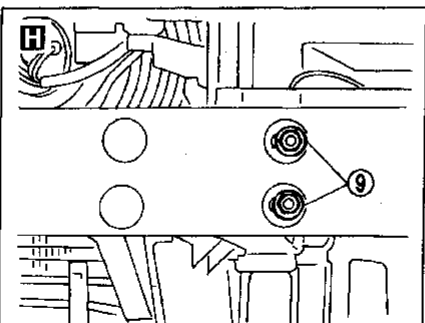
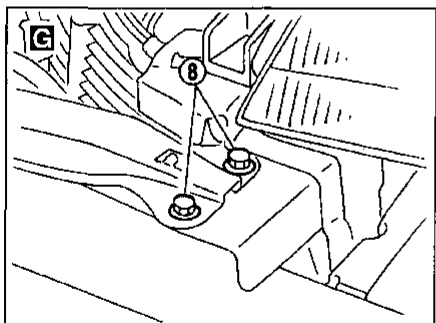
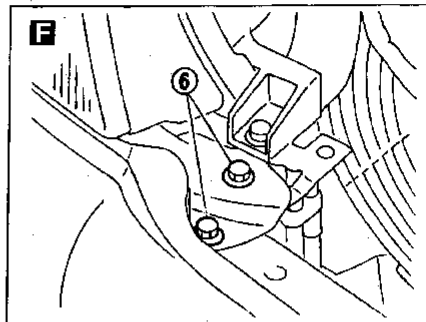
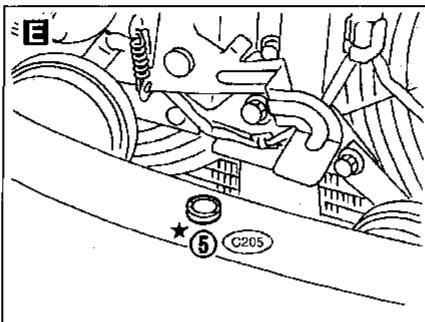
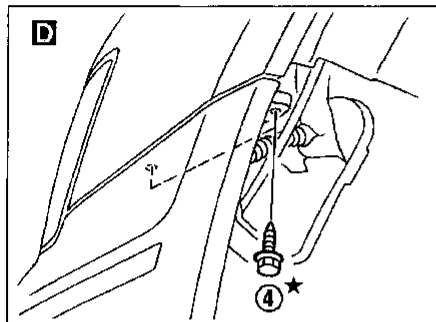
U 21 - 26 (2.1 - 2.7, 15 - 20)



U : N·m (kg·m, ft·lb)

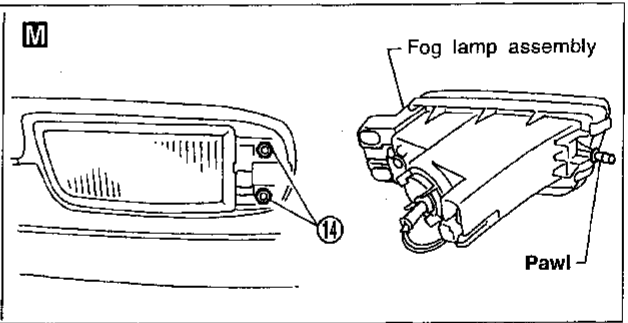
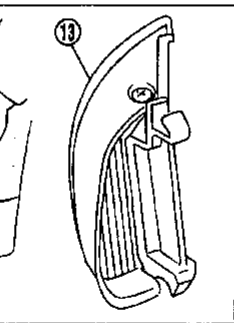
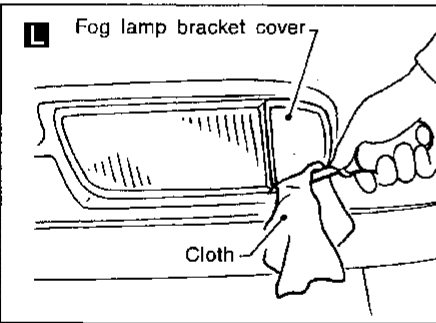
BODY END

Body Front End (Cont'd)



9 : N-m (kg-m, ft-lb)

★ : Bumper assembly mounting bolts, nuts and clips



GI
MA
EM
LC
EC
FE
AT
PD
FA
RA
BR
ST
RS
BT
HA
EL
IDX

BODY END

Body Rear End and Opener

- When removing or installing trunk lid, place a cloth or other padding on the rear fender panels. This prevents vehicle body from being scratched.
- Bumper fascia is made of plastic. Do not use excessive force and be sure to keep oil away from it.
- Trunk lid adjustment: Adjust at hinge-trunk lid portion for proper trunk lid fit.
- Trunk lid lock system adjustment: Adjust striker so that it is in the center of the lock. After adjustment, check trunk lid lock operation.
- After installation, make sure that trunk lid and fuel filler lid open smoothly.
- ★ For Wiring Diagram, refer to "TRUNK LID OPENER" in EL section.

REMOVAL — Rear bumper assembly

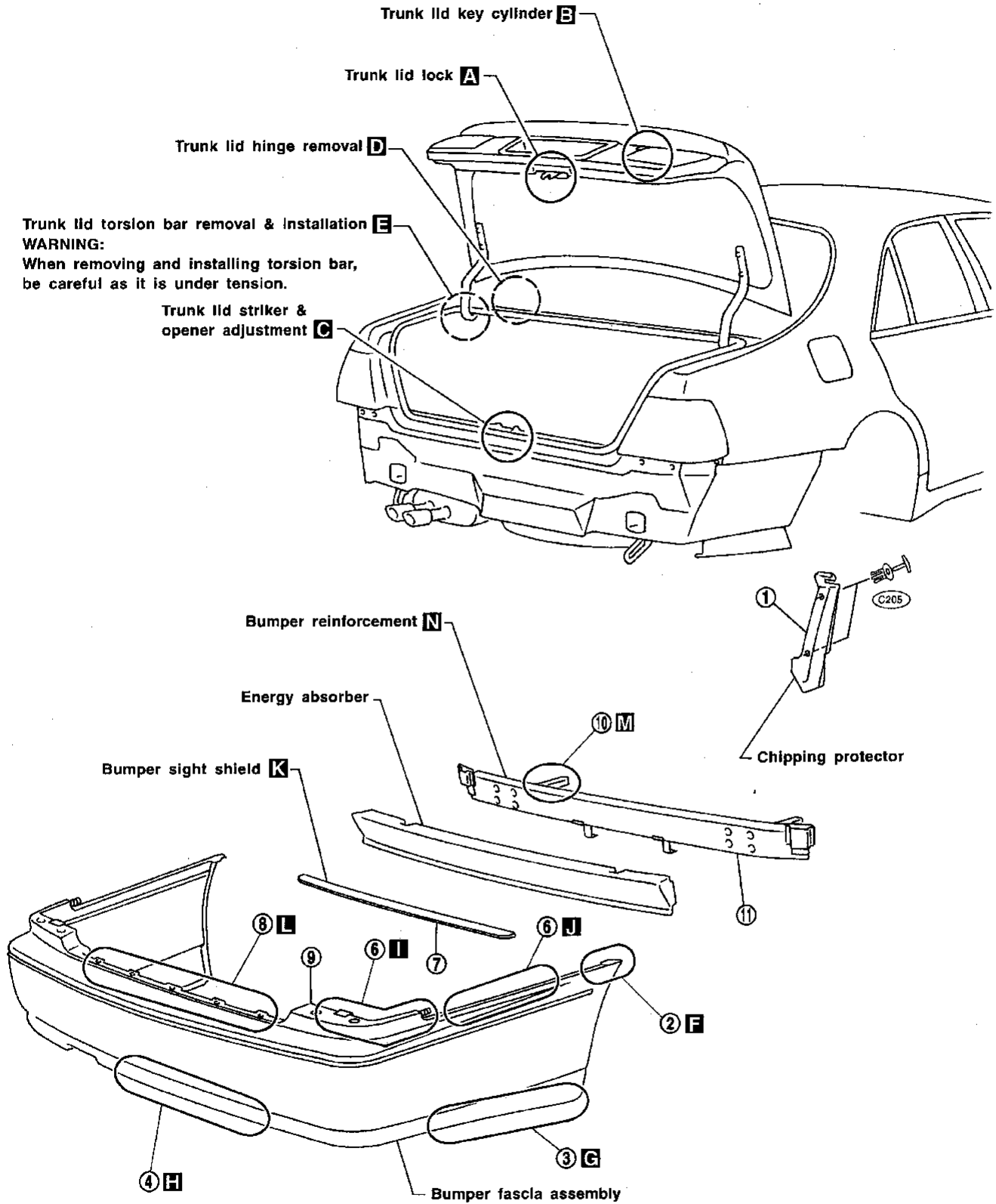
- ① Remove clips (C205) securing left and right chipping protectors.
- ② Remove bolts securing left and right rear fenders to bumper fascia. **F**
- ③ Remove bolts securing bumper side stay to bumper fascia. **G**
- ④ Remove clips (C205) securing bumper fascia bracket to bumper fascia. **H**
- ⑤ Remove trunk room trim. Refer to "Trunk Room Trim" in "INTERIOR TRIM" for details, BT-23.
- ⑥ Working from inside trunk, remove bolts and nuts securing left and right rear fenders to bumper fascia. **I**, **J**
- ⑦ Remove bumper sight shield assembly. **K**
- ⑧ Remove clips (C205) securing bumper fascia. **L**
- ⑨ Extract bumper fascia assembly.
- ⑩ Working from inside trunk, remove left and right plugs from floor and then remove bumper reinforcement mounting bolts. **M**
- ⑪ Extract bumper reinforcement. **N**

BODY END

Body Rear End and Opener (Cont'd)

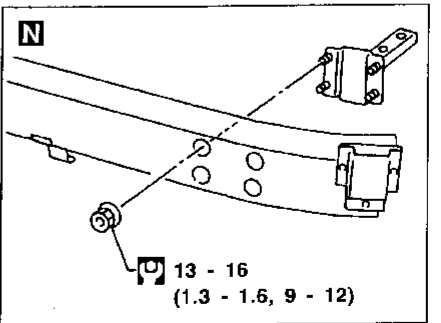
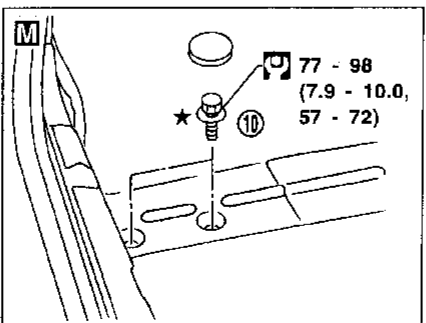
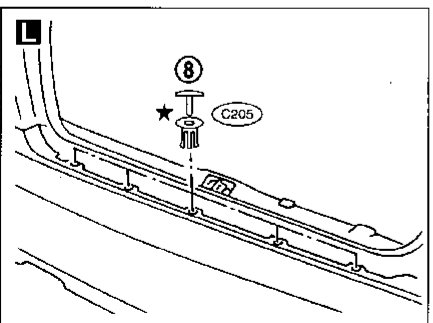
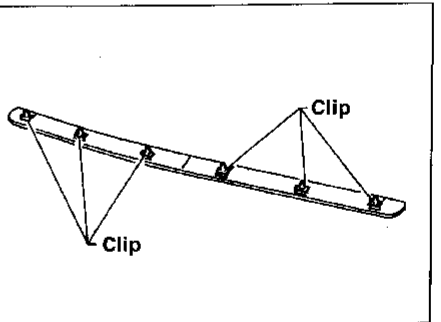
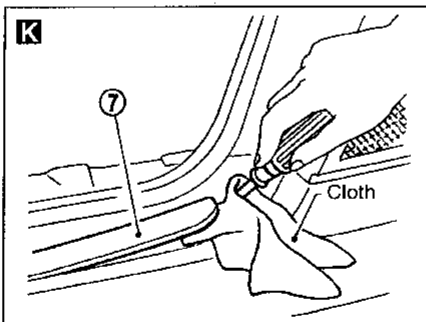
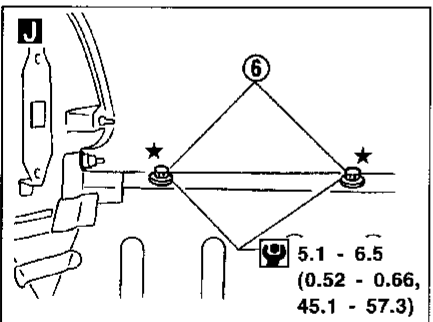
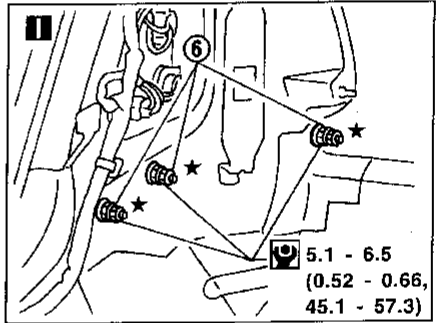
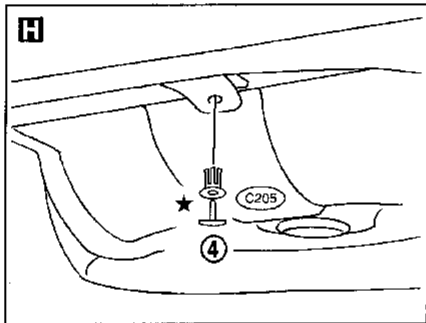
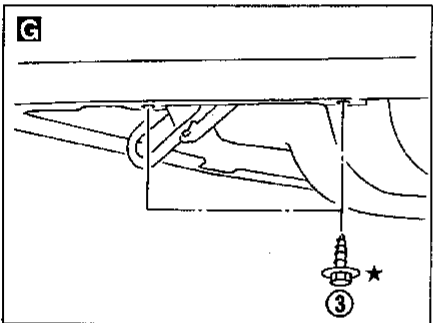
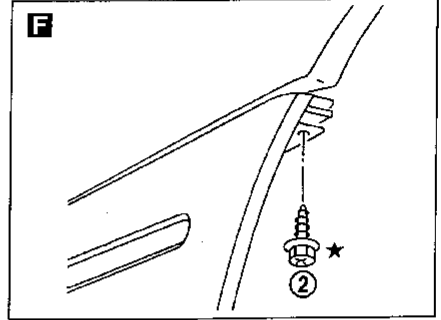
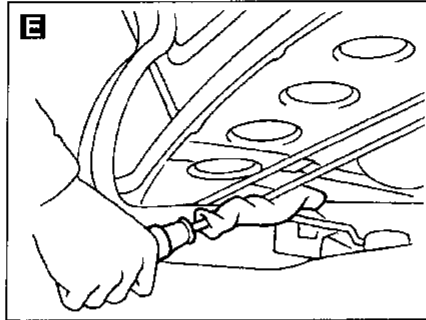
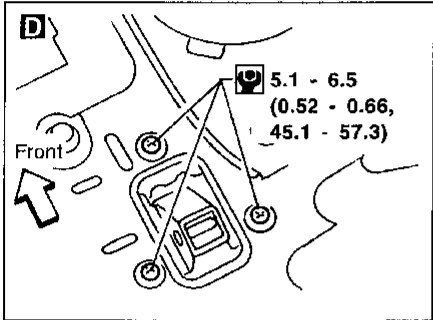
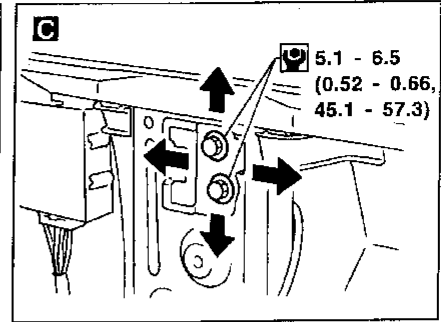
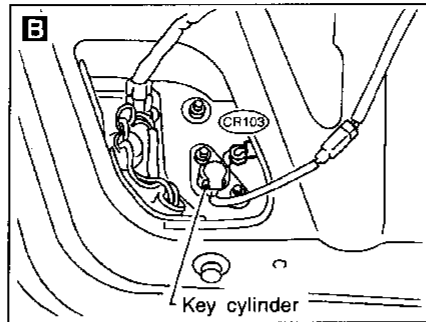
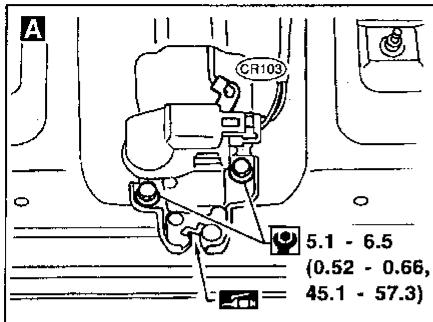
SEC. 767•843•850

GI
 MA
 EM
 LC
 EC
 FE
 AT
 PD
 FA
 RA
 BR
 ST
 RS
BT
 HA
 EL
 IDX



BODY END

Body Rear End and Opener (Cont'd)



N·m : N·m (kg-m, in-lb)
ft-lb : N·m (kg-m, ft-lb)

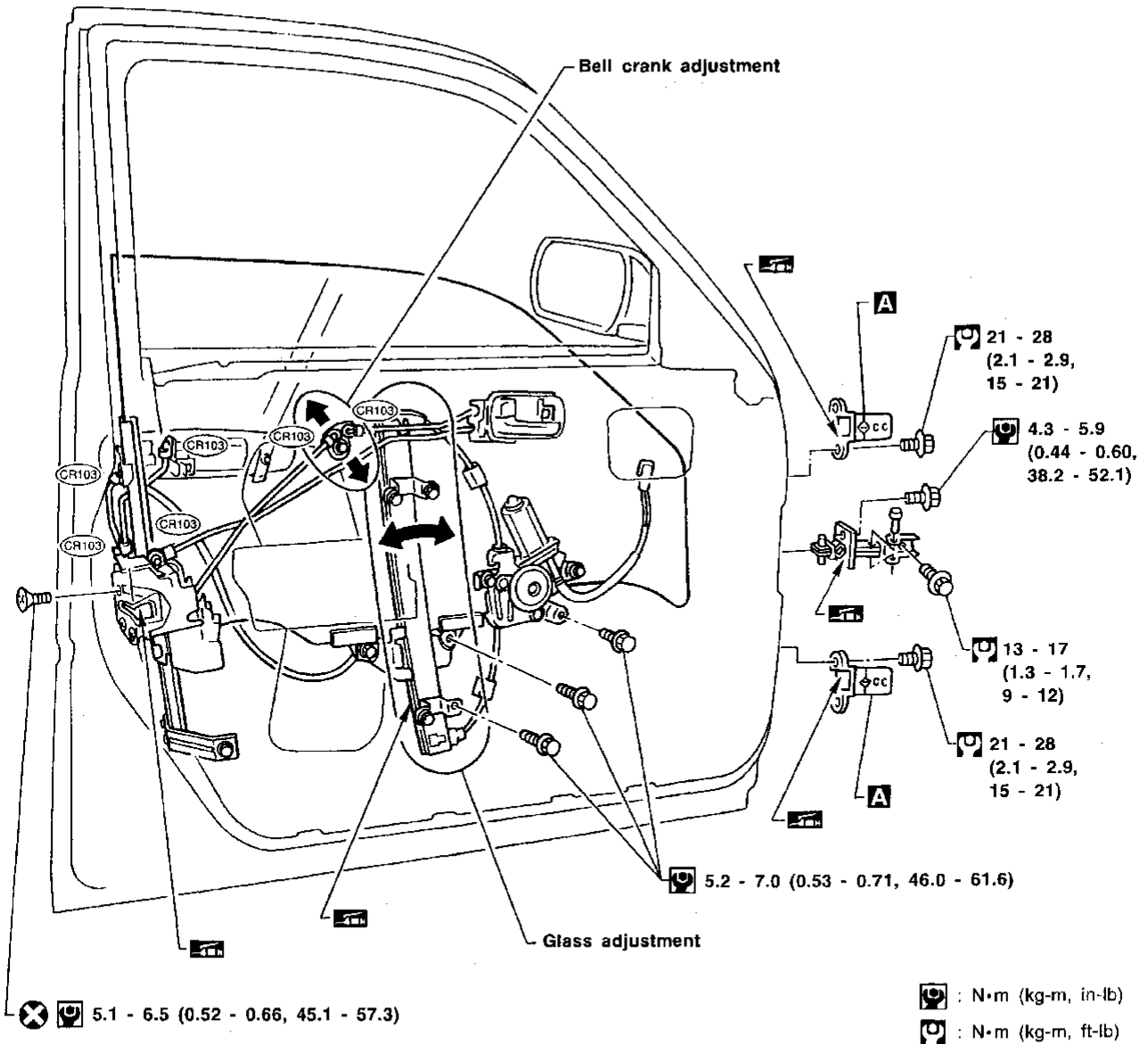
★ : Bumper assembly mounting bolts, nuts and clips

DOOR

Front Door

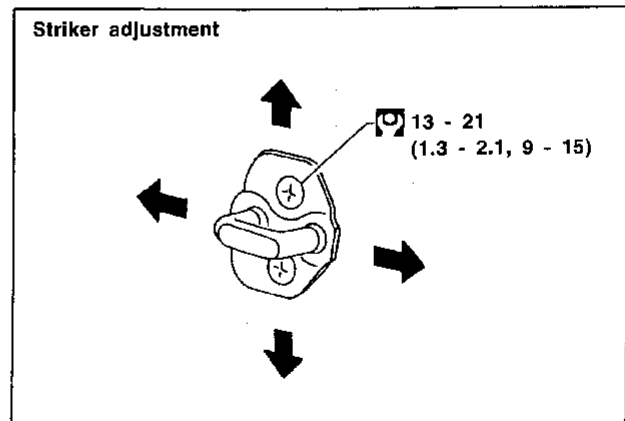
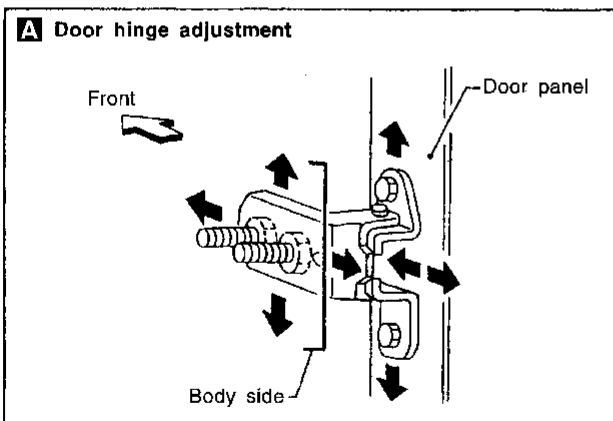
- For removal of door trim, refer to "Door Trim" in "INTERIOR TRIM" (BT-19).
- After adjusting door or door lock, check door lock operation.

SEC. 800•803•805



GI
MA
EM
LC
EC
FE
AT
PD
FA
RA
BR
ST
RS

BT



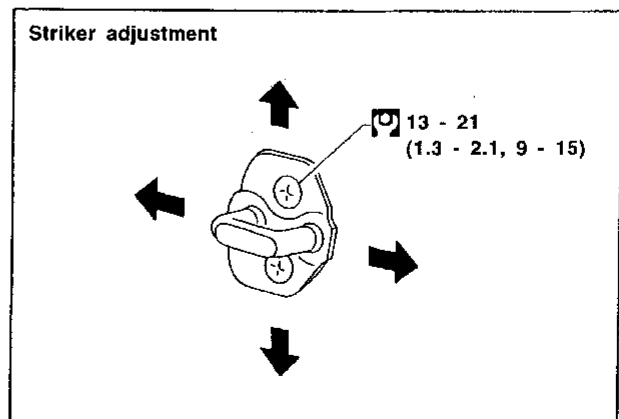
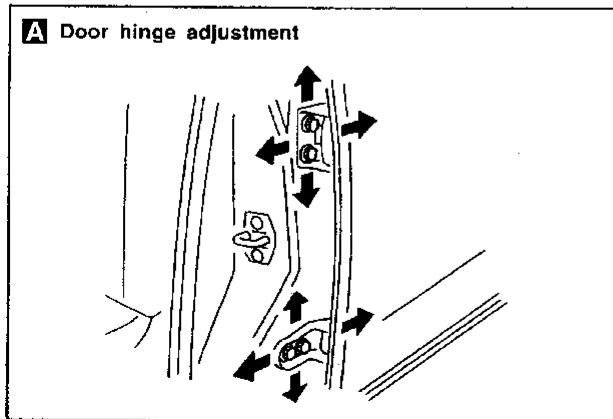
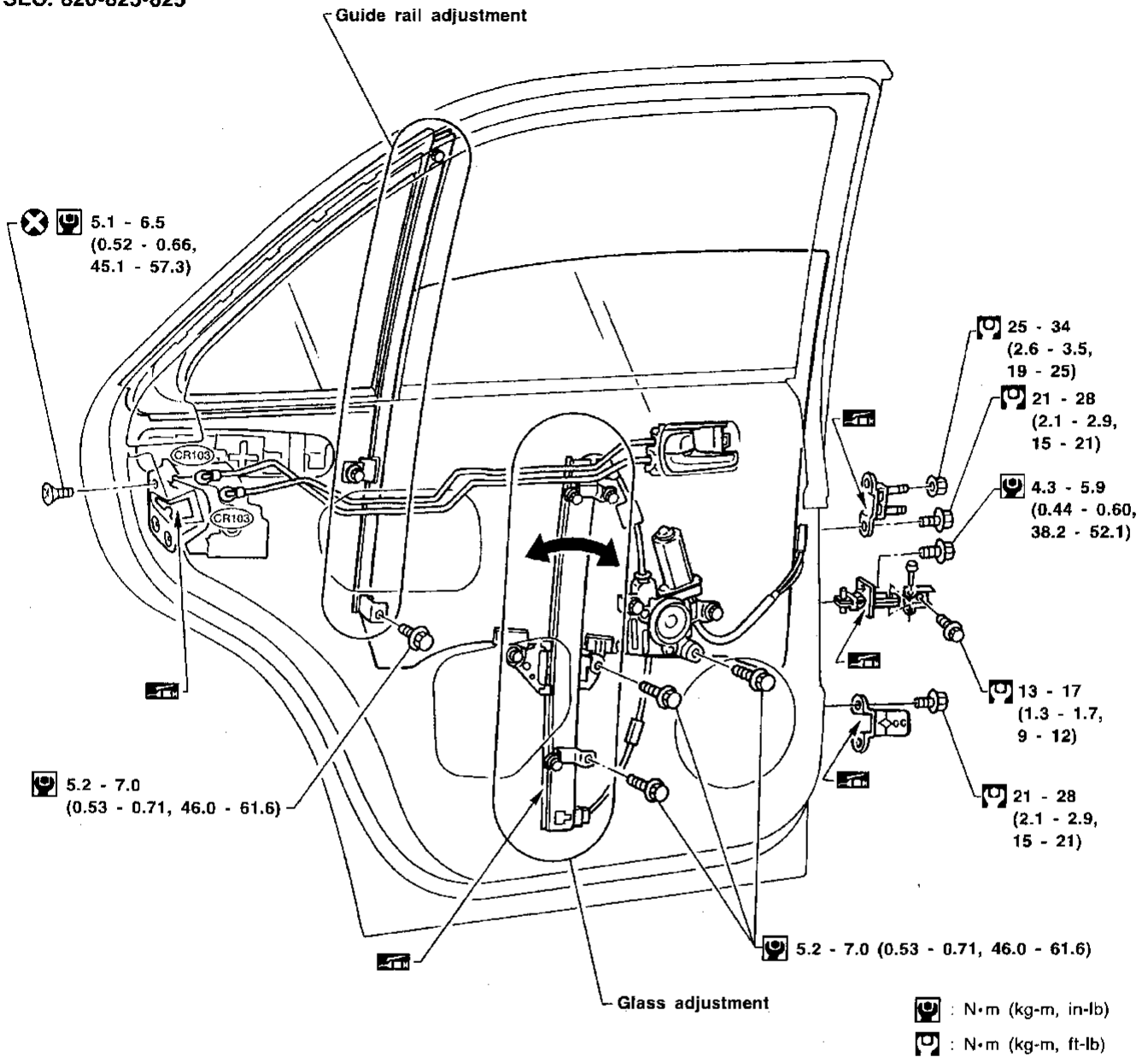
HA
EL
IDX

SBT283-A

DOOR

Rear Door

SEC. 820•823•825



INSTRUMENT PANEL

CAUTION:

- Disconnect both battery cables in advance.
- Disconnect air bag system line in advance.
- Never tamper with or force air bag lid open, as this may adversely affect air bag performance.
- Be careful not to scratch pad and other parts.

GI

MA

EM

LC

EC

FE

AT

PD

FA

RA

BR

ST

RS

BT

HA

EL

IDX

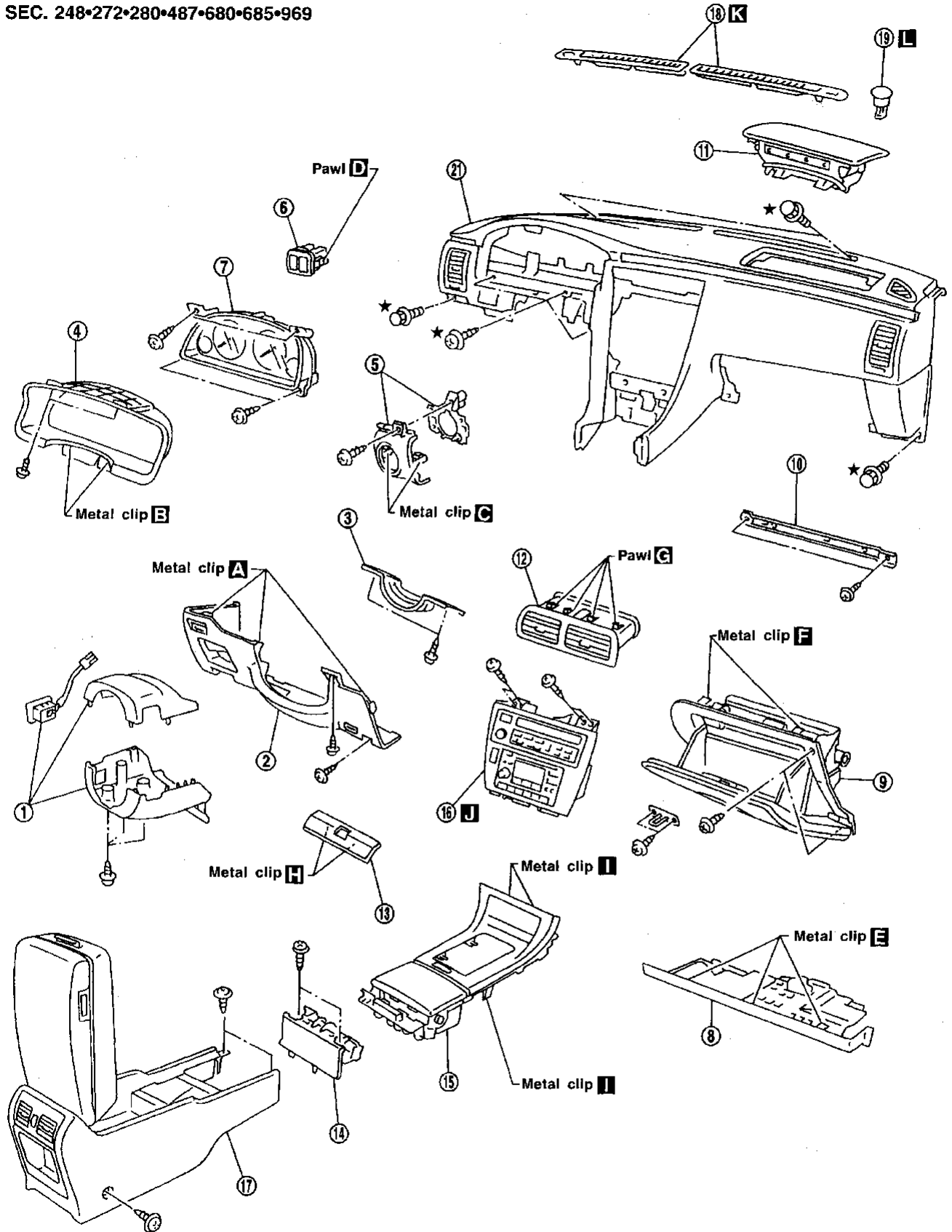
INSTRUMENT PANEL

REMOVAL — Instrument panel assembly

Instrument panel assembly	Combination meter	Audio & A/C control	Console box
Remove air bag module (driver) and steering wheel. Refer to "SUPPLEMENTAL RESTRAINT SYSTEM" in RS section for details.			
Remove dash side lower finishers. Refer to "Side and Floor Trim" in "INTERIOR TRIM" for details, BT-17.			
① Steering column cover and combination switch • Remove screws.			
② Instrument lower panel on driver side • Remove screws and bolts then disconnect harness connectors and in-vehicle sensor duct.			A
③ Instrument lower reinforcement • Remove bolts.			
④ Cluster lid A • Remove screws.			B
⑤ Steering lock escutcheon • Remove screws.			C
⑥ Cluster lid D D			
⑦ Combination meter • Remove screws then disconnect harness connectors.			
⑧ Instrument lower cover on passenger side • Then disconnect passenger air bag module connector.			E
⑨ Glove box assembly • Remove screws. • Then disconnect harness connectors.			F
⑩ Instrument panel reinforcement • Remove screws.			
⑪ Passenger air bag module • Refer to "SUPPLEMENTAL RESTRAINT SYSTEM" in RS section for details.			
⑫ Center ventilation grille • Pull out with a miniature flat-bladed screwdriver.			G
⑬ Lock console H			
⑭ Card pocket assembly • Remove screws.			
⑮ Console A/T finisher I			
⑯ Audio, cluster lid C and A/C control unit • Remove screws from the instrument panel.			J
⑰ Console box assembly • Remove screws then disconnect harness connectors.			
⑱ Defroster grille • Then remove sunload sensor.			K
⑲ Sunload sensor • Then disconnect harness connector.			L
⑳ Front pillar garnish • Refer to "Side and Floor Trim" in "INTERIOR TRIM" for details, BT-17.			
㉑ Instrument panel and pads • Remove bolts. • Disconnect SMJ of instrument harness. Note: Remove instrument panel and pads with instrument harness.			

INSTRUMENT PANEL

SEC. 248•272•280•487•680•685•969

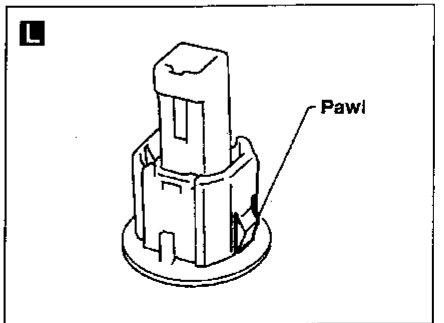
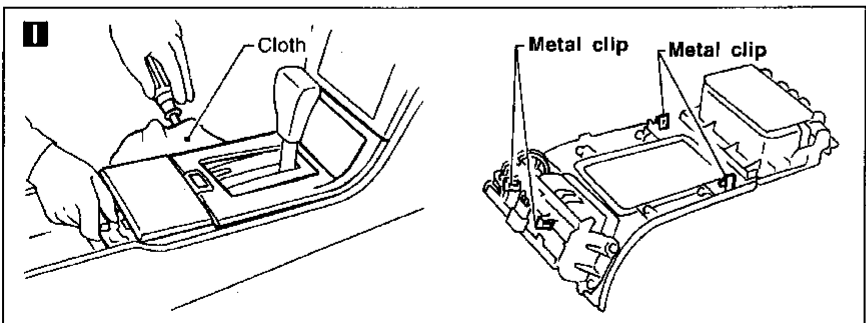
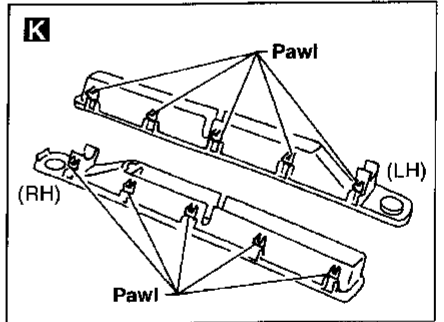
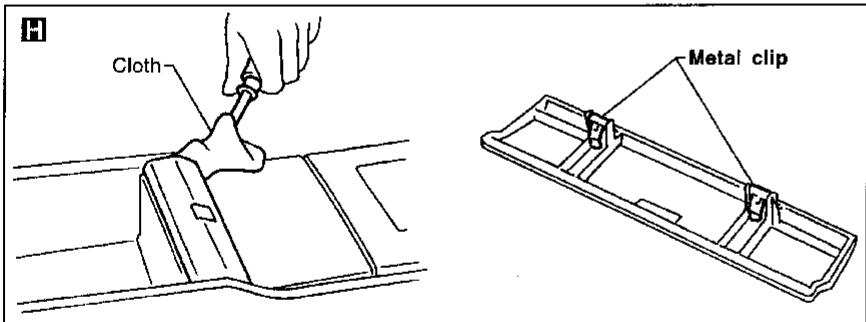
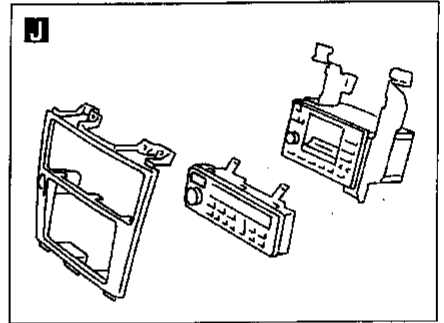
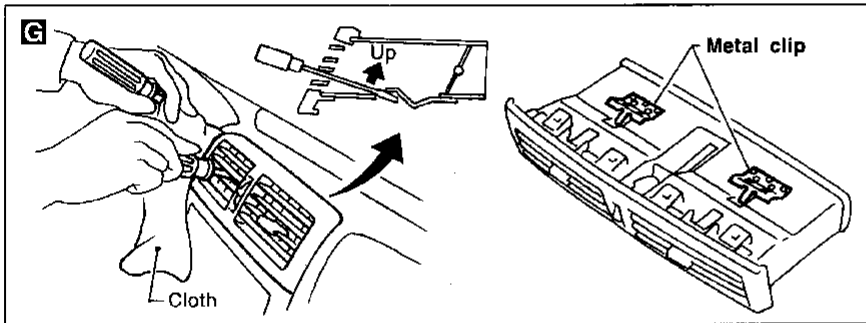
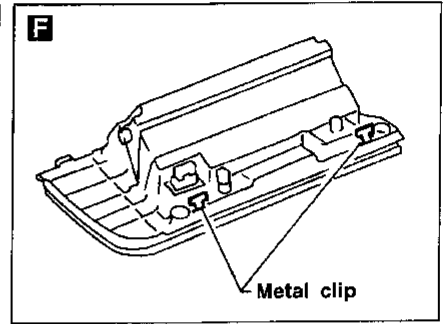
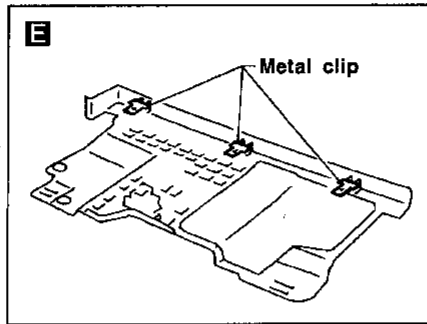
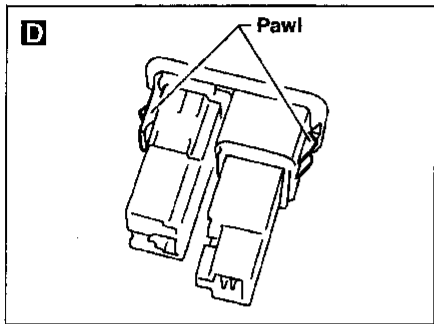
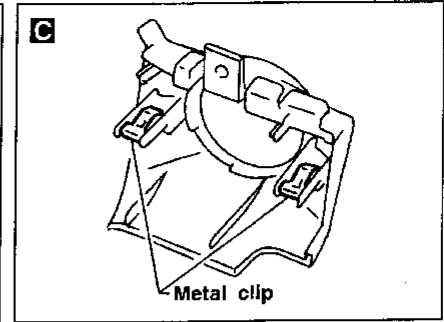
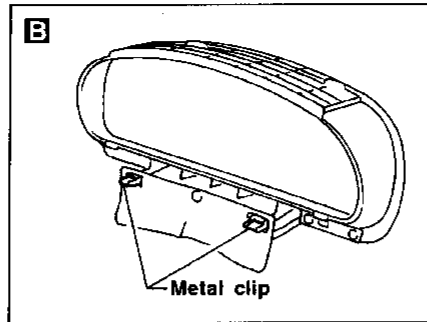
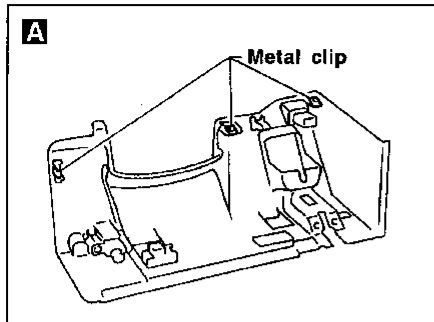


GI
MA
EM
LC
EC
FE
AT
PD
FA
RA
BR
ST
RS
BT
HA
EL
IDX

★ : Instrument panel assembly mounting bolts and screws

SBT285-A

INSTRUMENT PANEL



INTERIOR TRIM

Side and Floor Trim

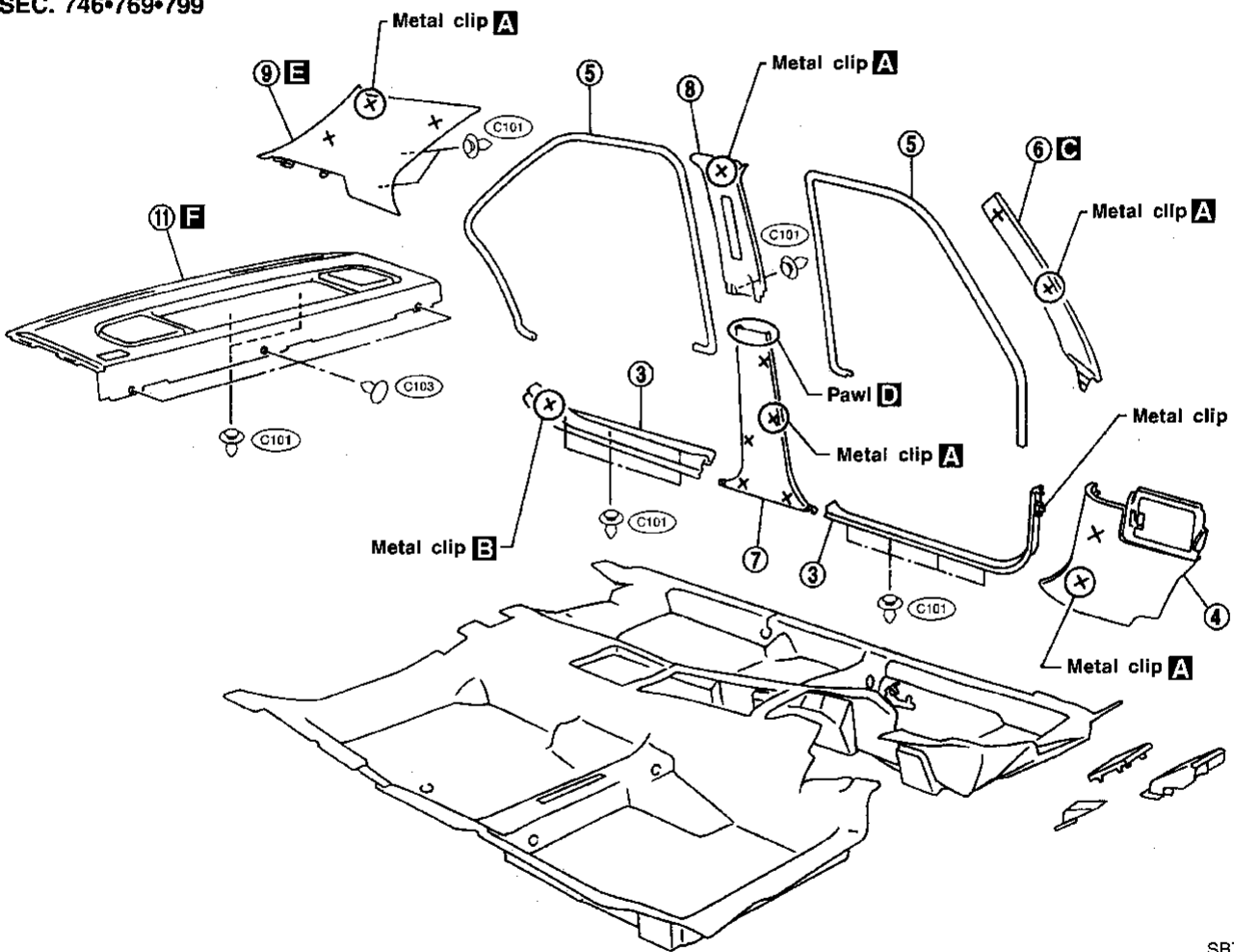
CAUTION:

Wrap the tip of flat-bladed screwdriver with a cloth when removing metal clips from garnishes.

REMOVAL — Body side trim

- ① Remove front and rear seats. Refer to "SEAT" for details, BT-32.
- ② Remove front and rear seat belts. Refer to "SEAT BELTS" in RS section for details.
- ③ Remove front and rear kicking plates.
- ④ Remove dash side lower finishers.
- ⑤ Remove front and rear body side welts.
- ⑥ Remove front pillar garnishes.
- ⑦ Remove center pillar lower garnishes.
- ⑧ Remove center pillar upper garnishes.
- ⑨ Remove rear pillar garnishes.
- ⑩ Remove high-mounted stop lamp cover and high-mounted stop lamp. (Model without rear air spoiler)
- ⑪ Remove rear parcel shelf.

SEC. 746•769•799



GI

MA

EM

LC

EC

FE

AT

PD

FA

RA

BR

ST

RS

BT

HA

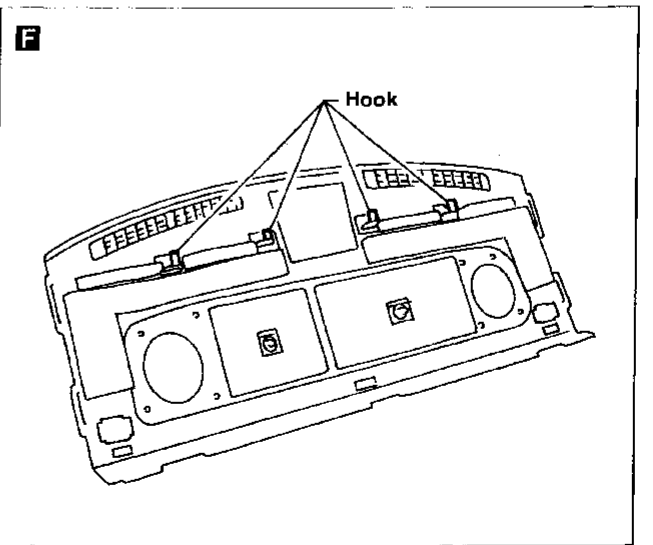
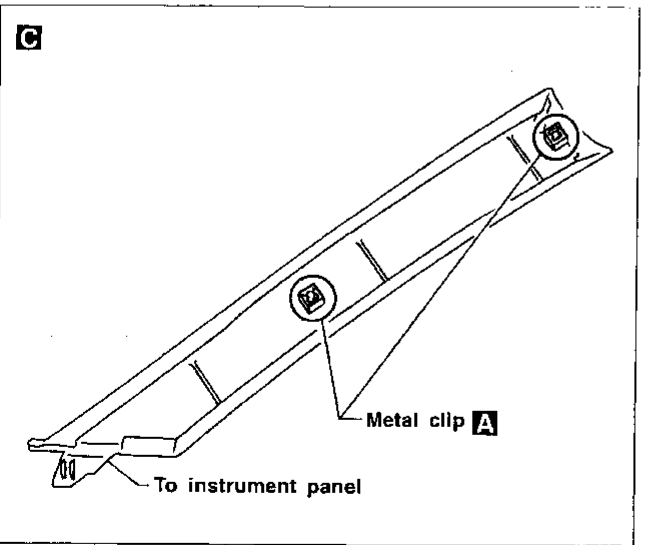
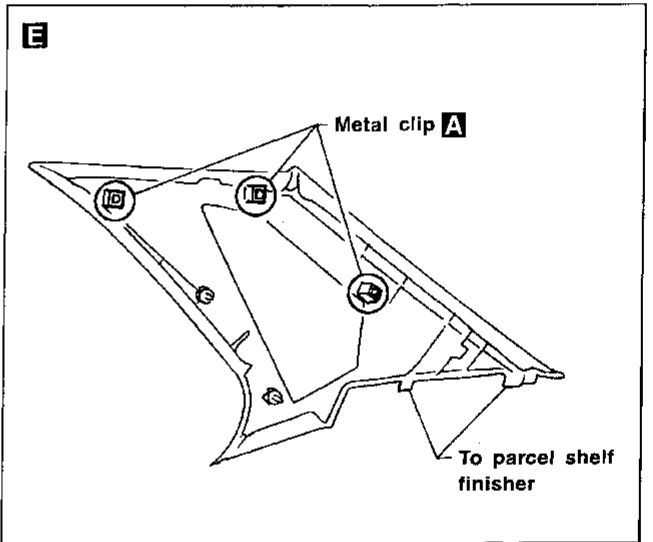
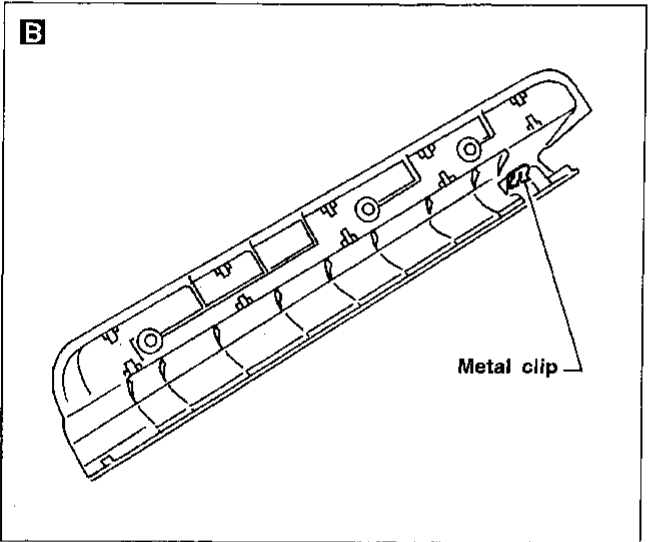
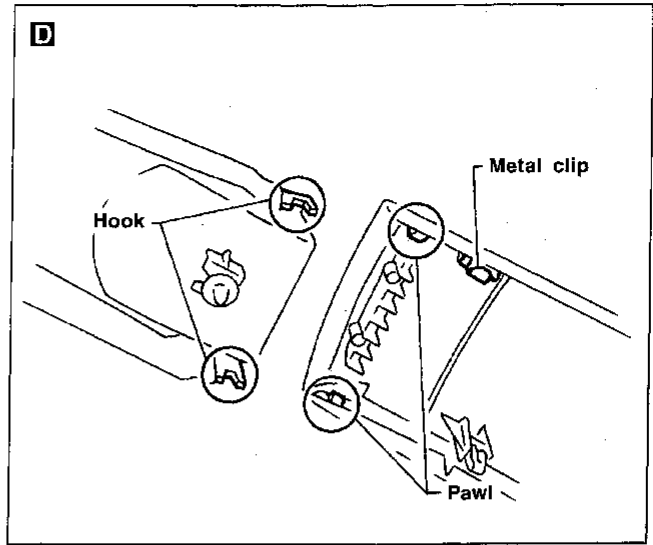
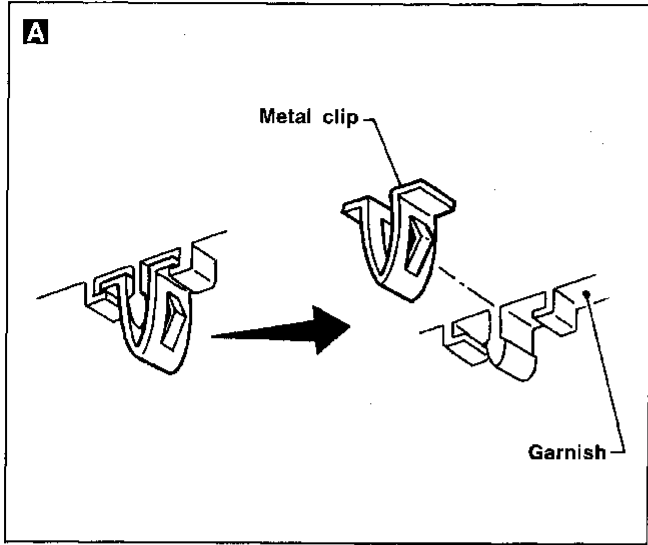
EL

IDX

SBT287

INTERIOR TRIM

Side and Floor Trim (Cont'd)



INTERIOR TRIM

Door Trim

REMOVAL — Door trim

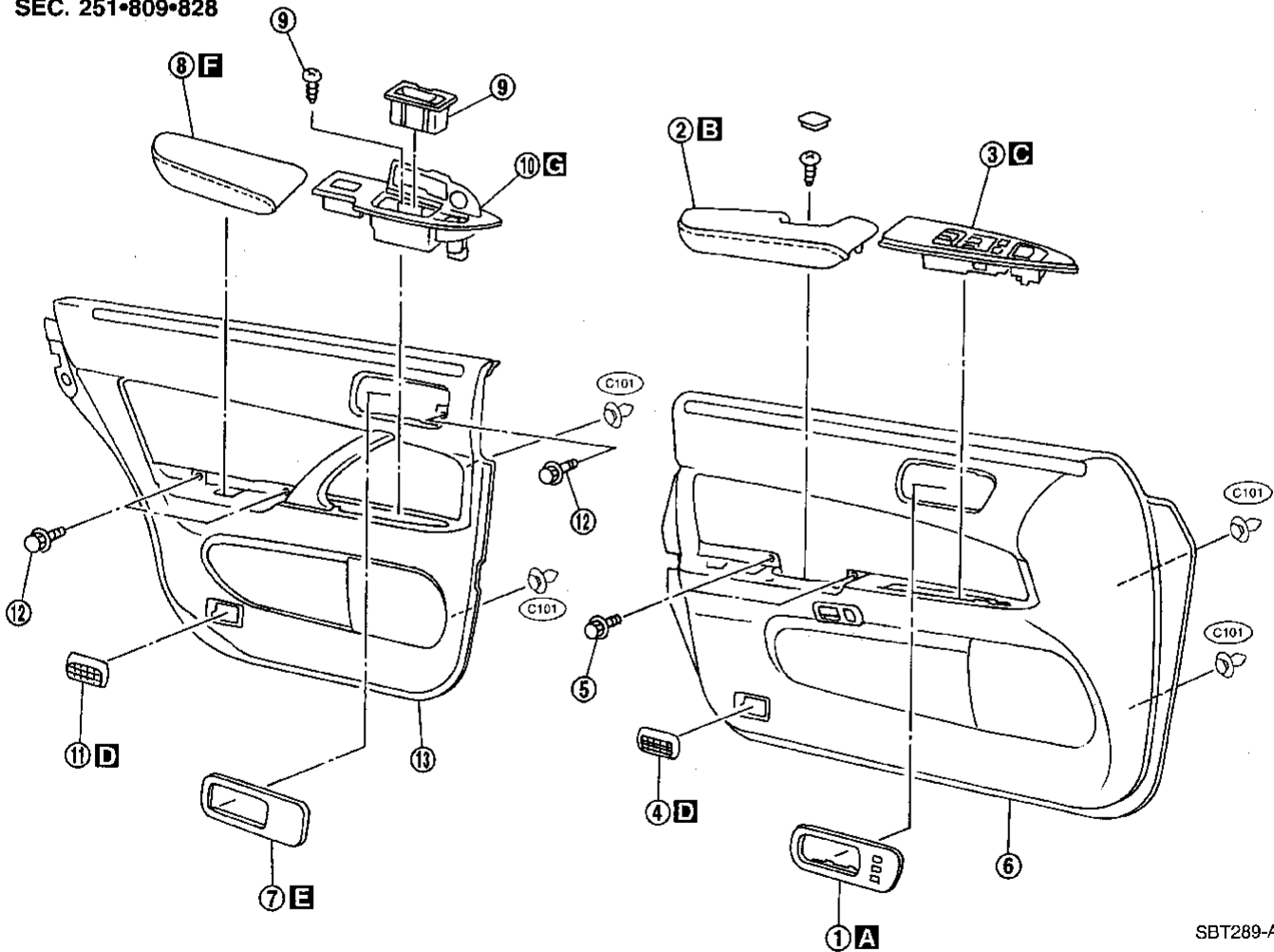
Front door trim

- ① Remove inside handle escutcheon, then disconnect auto drive positioner connector. **A**
- ② Remove door armrest. **B**
- ③ Remove power window switches, then disconnect the connectors. **C**
- ④ Remove door step lamp, then disconnect step lamp connector. **D**
- ⑤ Remove bolts securing door finisher.
- ⑥ Pull on door finisher to remove clip **(C101)** from door panel and remove door finisher, then disconnect trunk lid and fuel lid opener switch connector.

Rear door trim

- ⑦ Remove inside handle escutcheon. **E**
- ⑧ Remove door armrest. **F**
- ⑨ Remove ash tray, then remove screw securing power window switch. **G**
- ⑩ Remove power window switch, then disconnect power window switch connector. **D**
- ⑪ Remove door step lamp, then disconnect step lamp connector.
- ⑫ Remove bolts securing door finisher.
- ⑬ Pull on door finisher to remove clips **(C101)** from door panel and remove door finisher.

SEC. 251•809•828

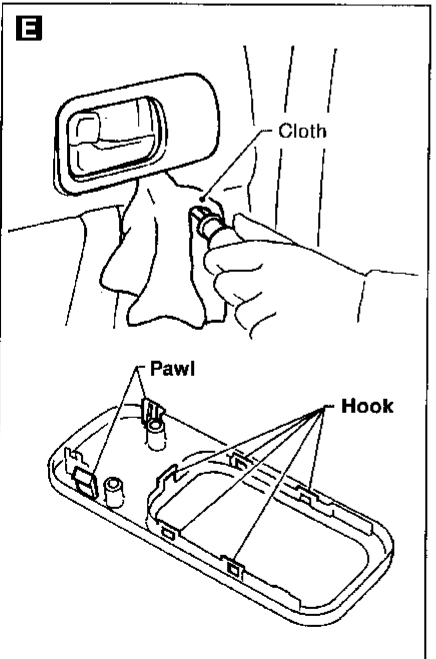
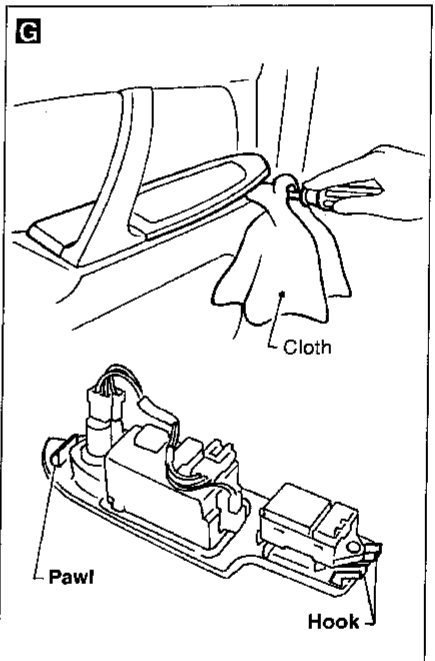
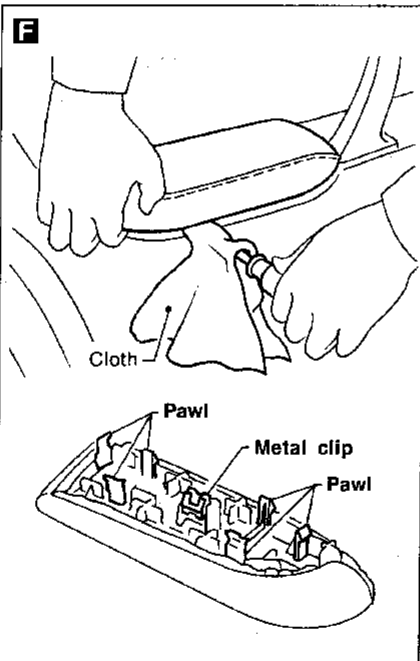
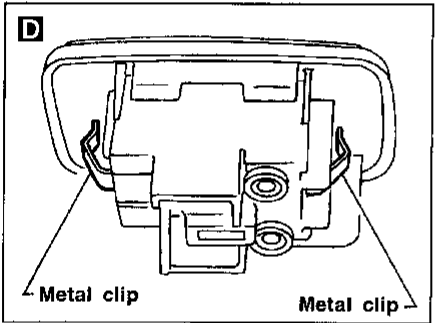
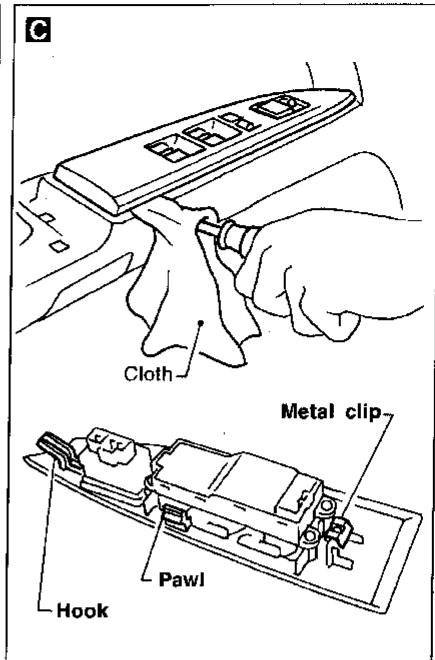
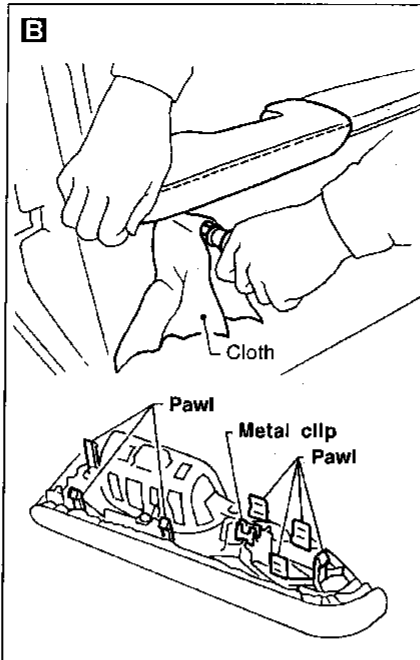
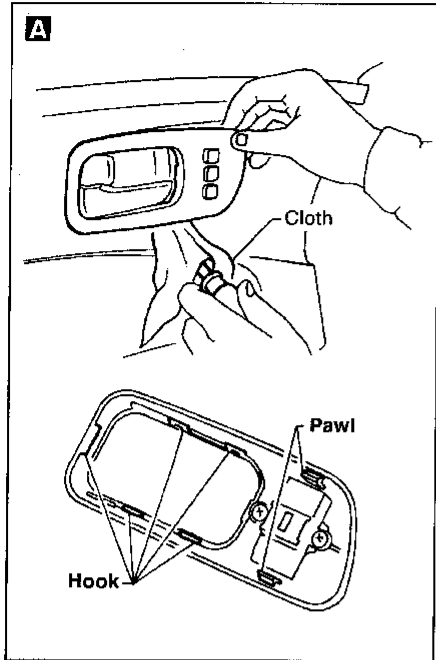


SBT289-A

GI
MA
EM
LC
EC
FE
AT
PD
FA
RA
BR
ST
RS
BT
HA
EL
IDX

INTERIOR TRIM

Door Trim (Cont'd)



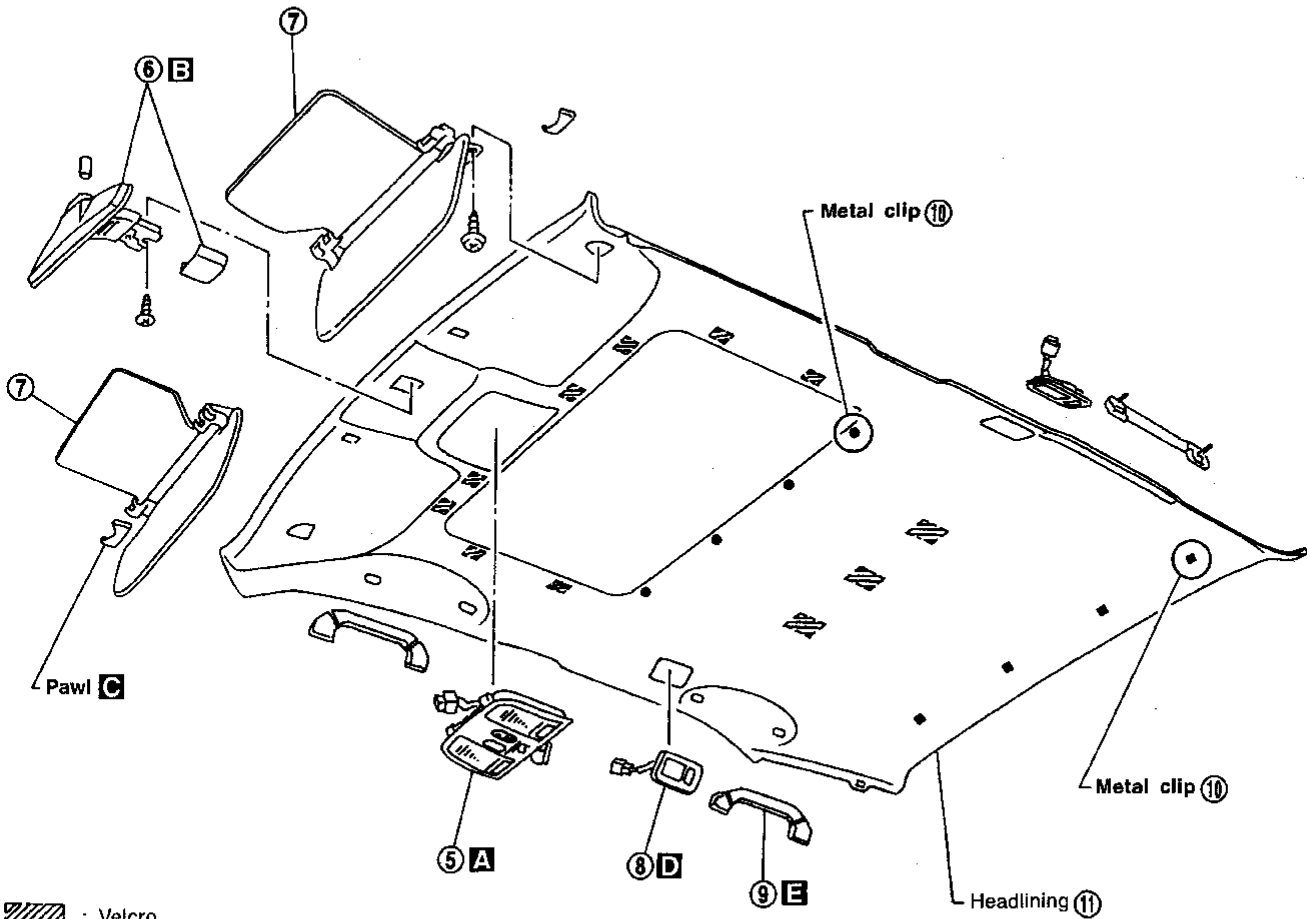
INTERIOR TRIM

Roof Trim

REMOVAL — Headlining

- ① Remove front and rear seats. Refer to "SEAT" for details, BT-32.
- ② Remove instrument panel. Refer to "INSTRUMENT PANEL" for details, BT-13.
- ③ Remove front and rear seat belts. Refer to "SEAT BELTS" in RS section for details.
- ④ Remove body side trim. Refer to "Side and Floor Trim" in "INTERIOR TRIM" for details, BT-17.
- ⑤ Remove sunroof switch or spot lamp switch. **A**
- ⑥ Remove inside mirror assembly. **B**
- ⑦ Remove sun visors. **C**
- ⑧ Remove personal lamps. **D**
- ⑨ Remove assist grips. **E**
- ⑩ Remove metal clips securing headlining.
- ⑪ Remove headlining.

SEC. 264-728-963-964



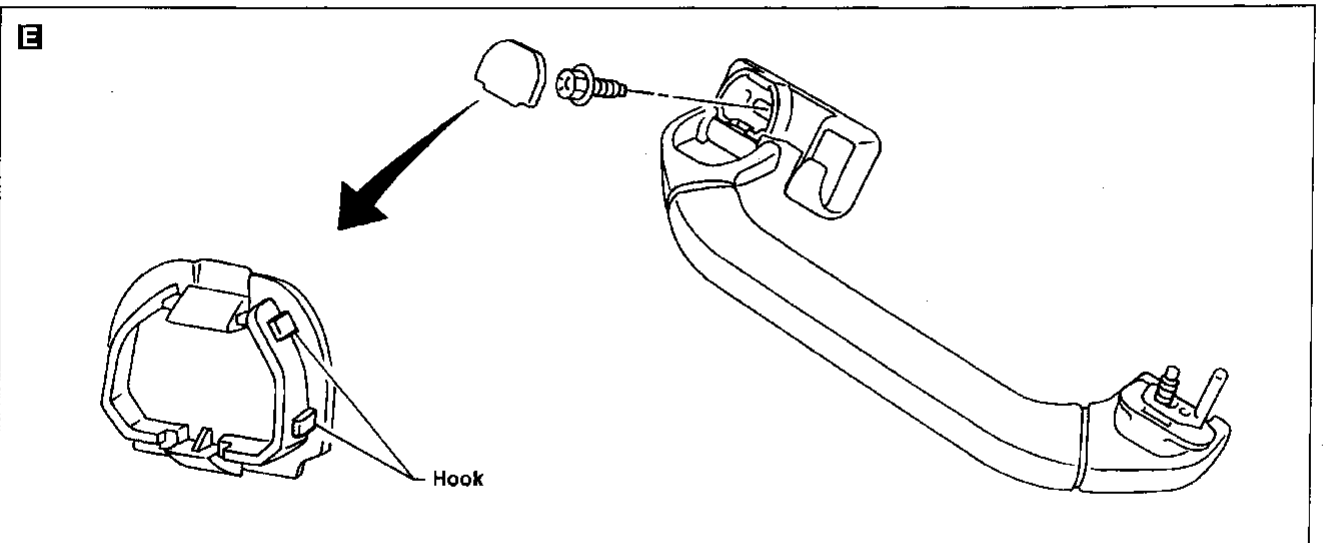
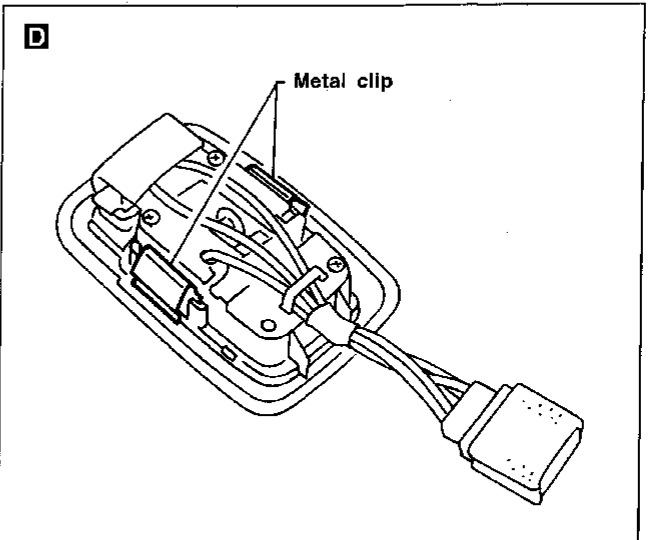
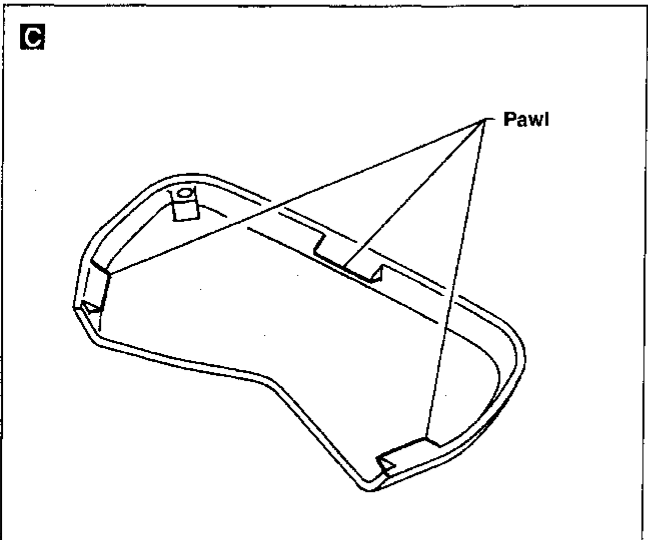
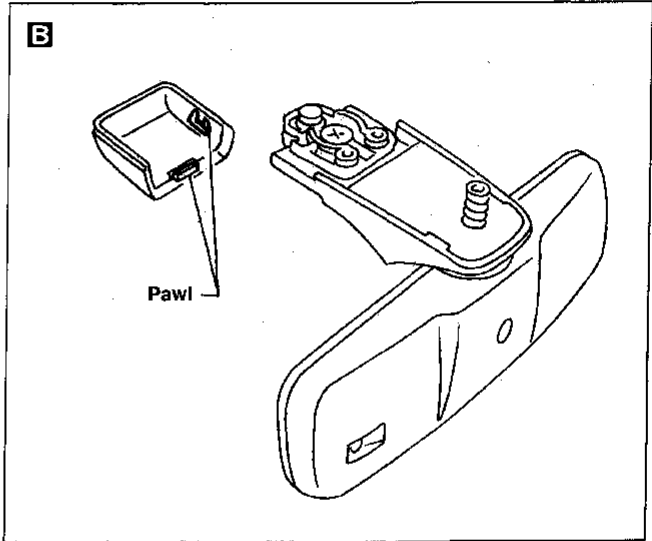
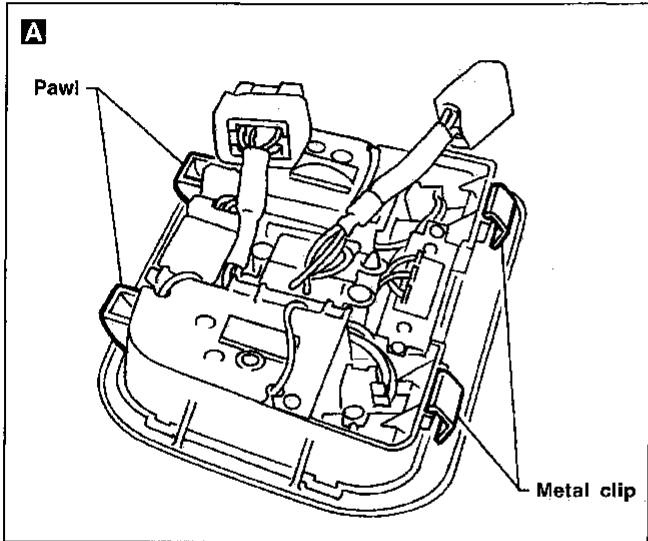
 : Velcro

SBT291-B

GI
MA
EM
LC
EC
FE
AT
PD
FA
RA
BR
ST
RS
BT
HA
EL
IDX

INTERIOR TRIM

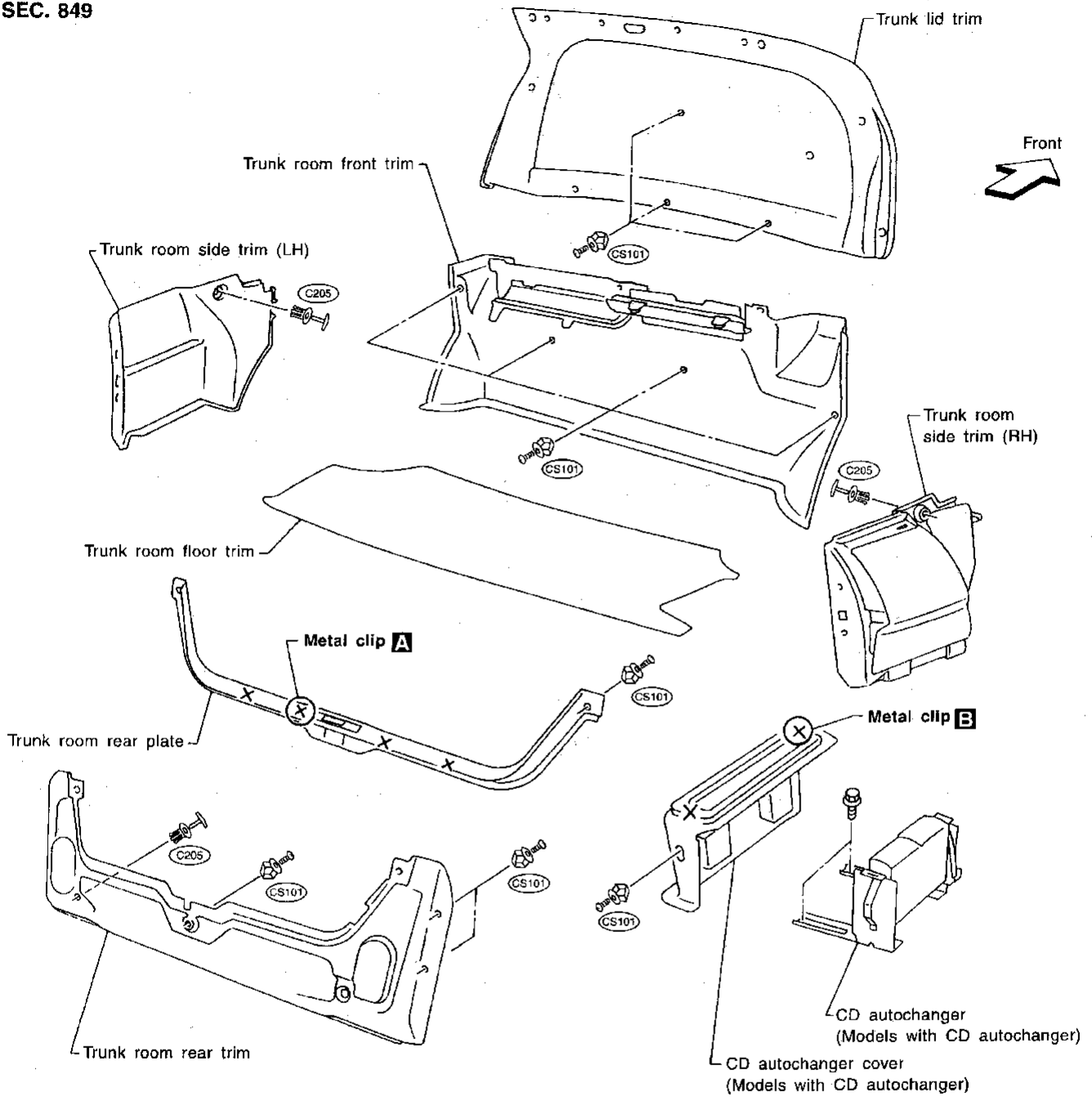
Roof Trim (Cont'd)



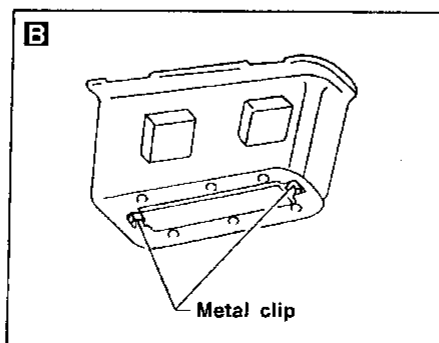
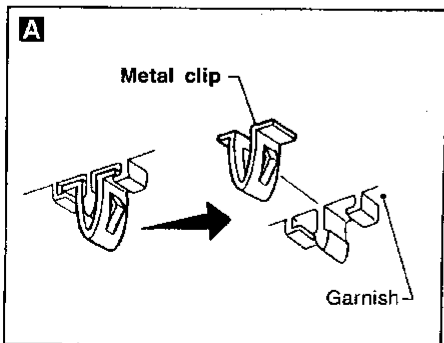
INTERIOR TRIM

Trunk Room Trim

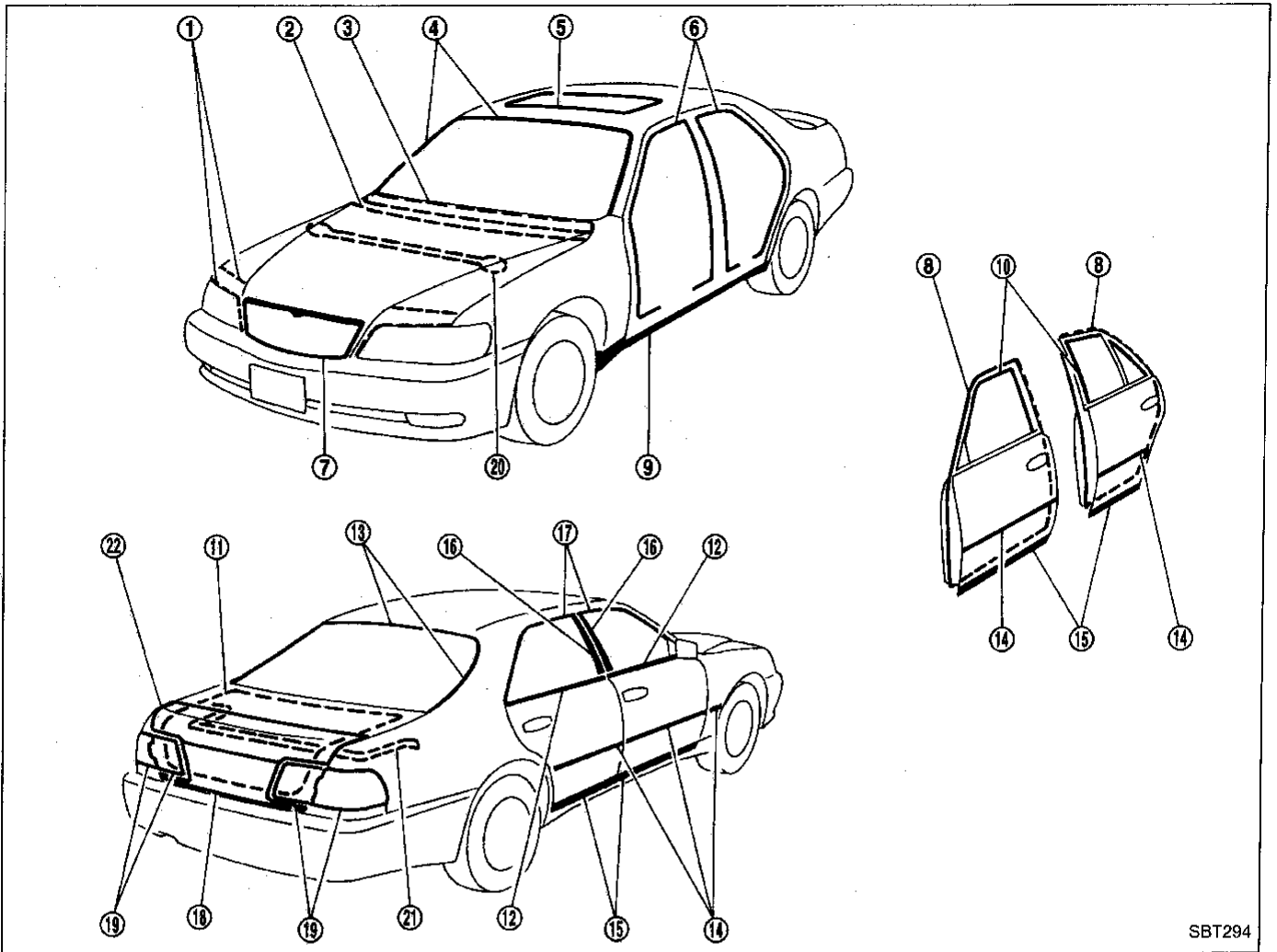
SEC. 849



GI
MA
EM
LC
EC
FE
AT
PD
FA
RA
BR
ST
RS
BT
HA
EL
IDX



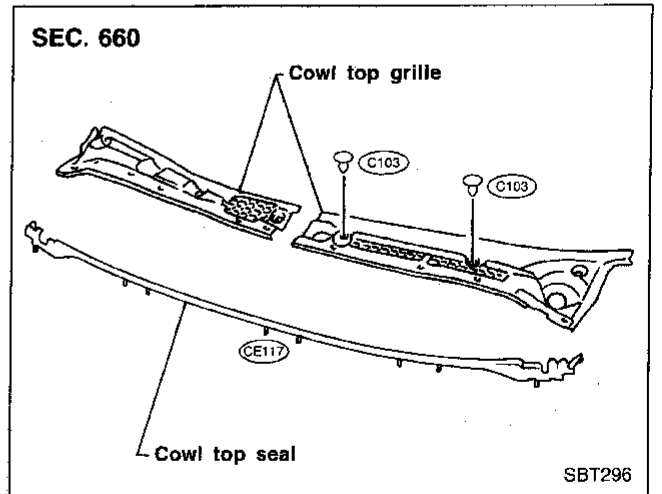
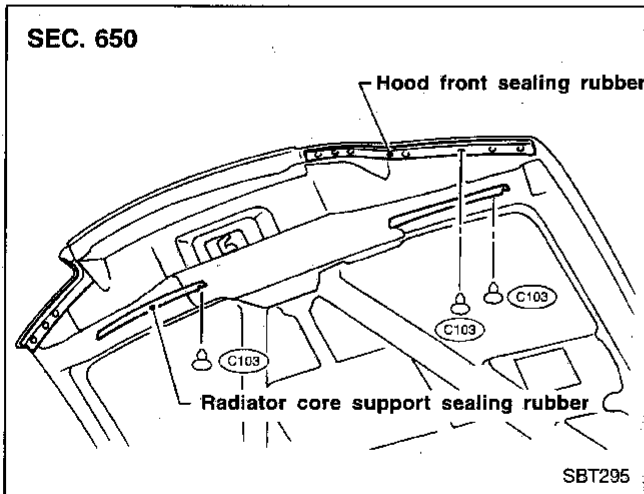
EXTERIOR



SBT294

① Hood front sealing rubber

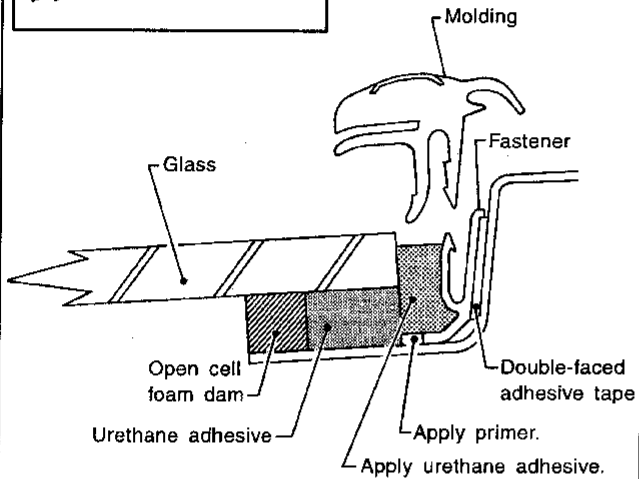
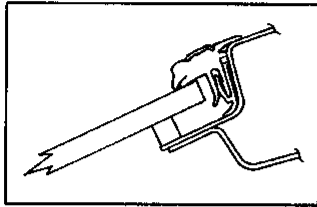
② ③ Cowl top seal and cowl top grille



④ Front windshield molding

SEC. 720

1. Cut off urethane adhesive at glass end.
2. Remove old urethane adhesive from panel surface.
3. Set molding fastener and apply primer to body panel, and apply urethane adhesive to body.

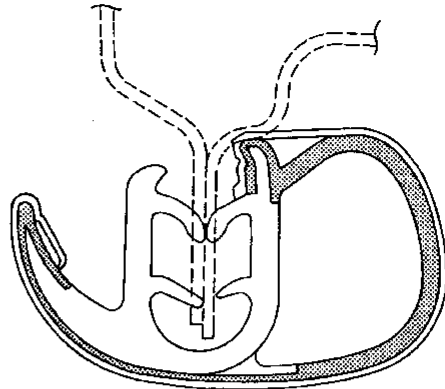


4. Install molding by aligning the molding mark located on center with vehicle center. Be sure to install tightly so that there is no gap around the corner.

SBT297-C

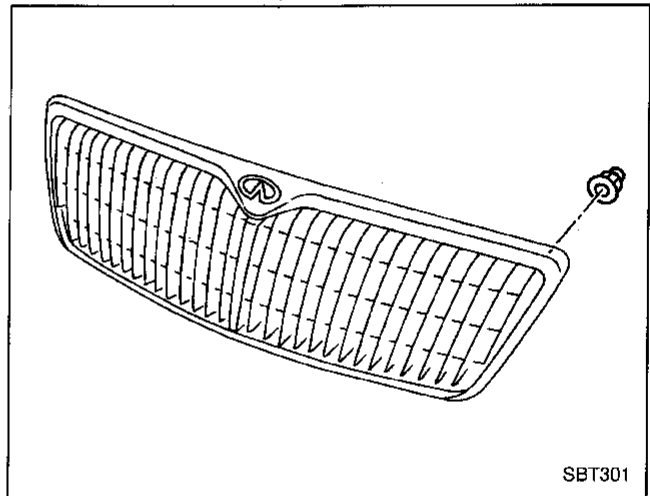
⑥ Body side welt

SEC. 769



SBT299

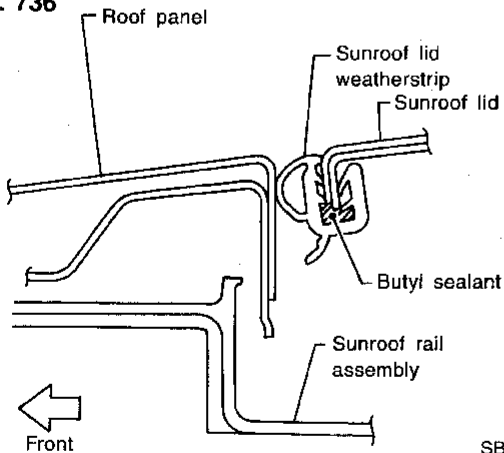
⑦ Front hood grille



SBT301

⑤ Sunroof lid weatherstrip

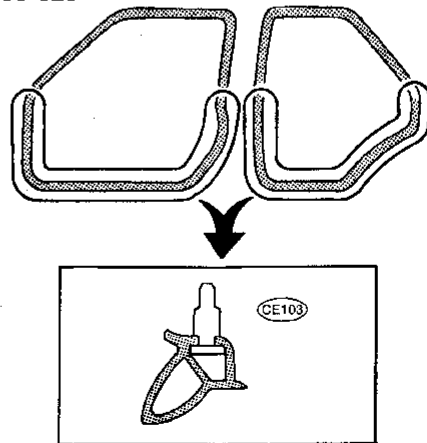
SEC. 736



SBT298

⑧ Door weatherstrip

SEC. 800•820

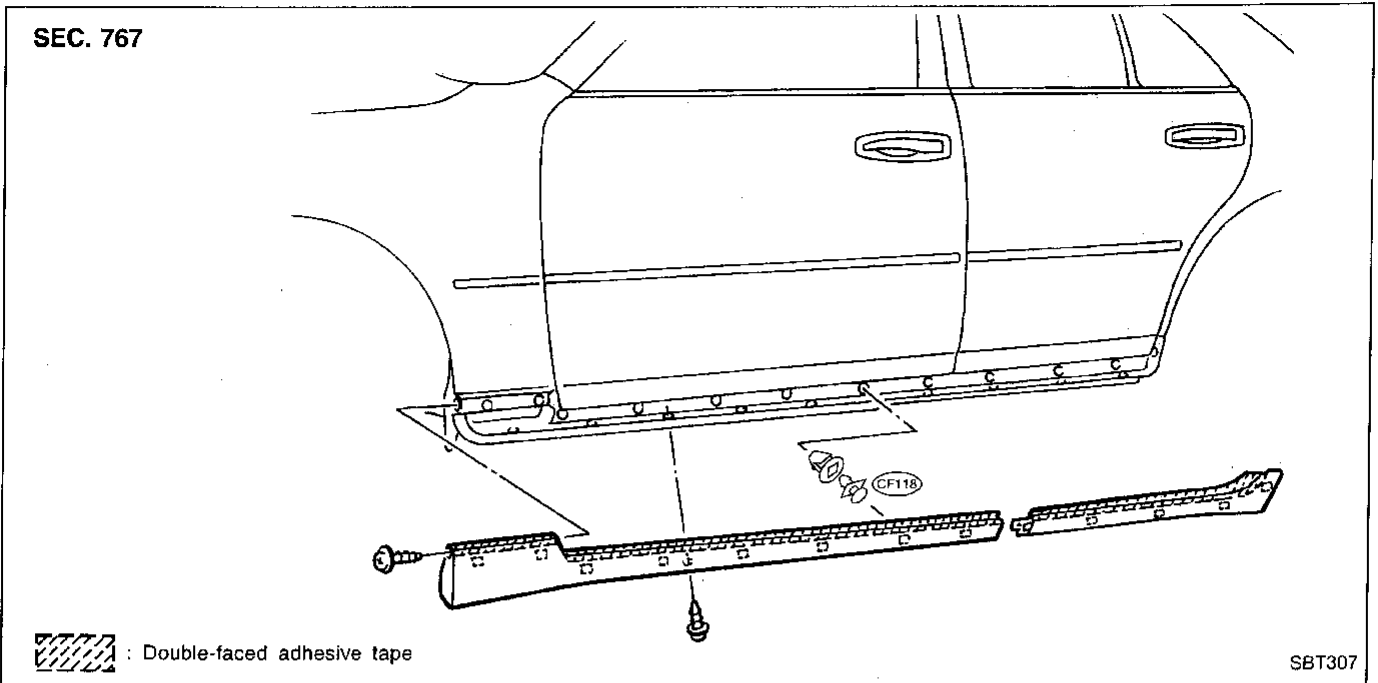


SBT300-A

GI
MA
EM
LC
EC
FE
AT
PD
FA
RA
BR
ST
RS
BT
HA
EL
IDX

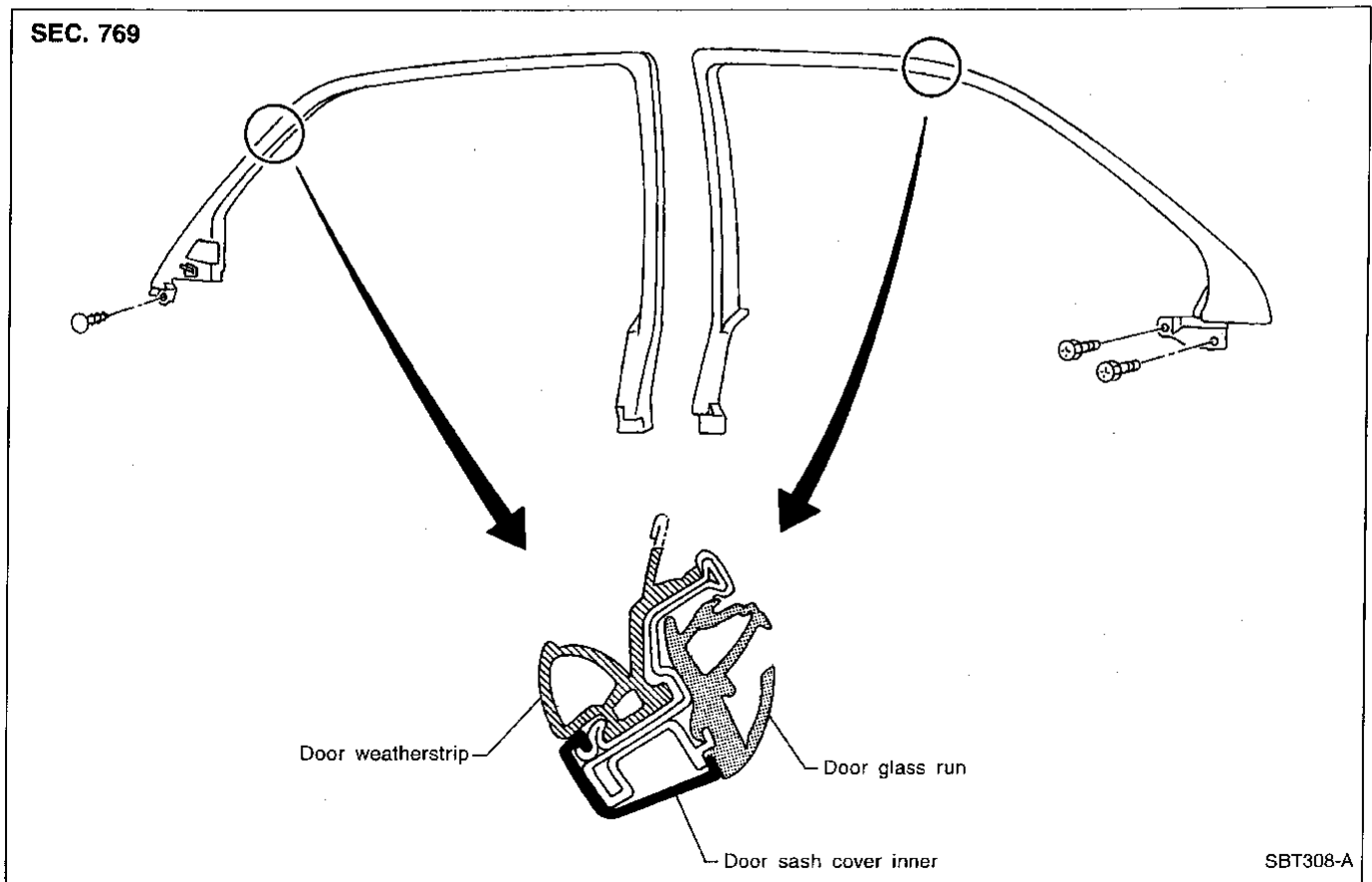
EXTERIOR

⑨ Mudguard center

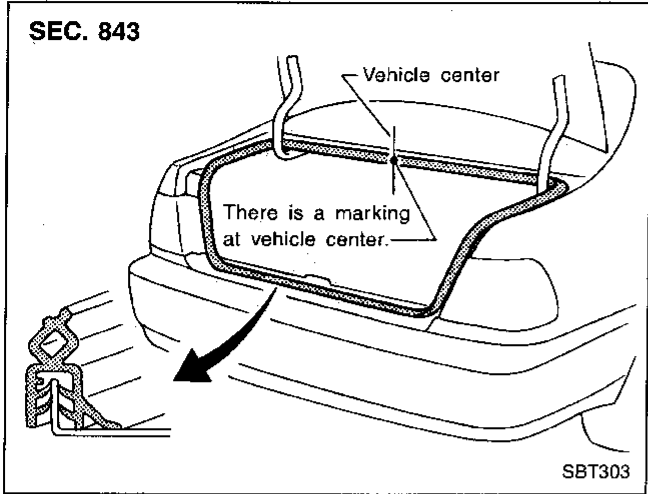


- With a vehicle coated with Hard Clear Coat, use double-faced 3M adhesive tape Product No. 4210 or equivalent, after priming with 3M primer Product No. N-200 or C-100 or equivalent.

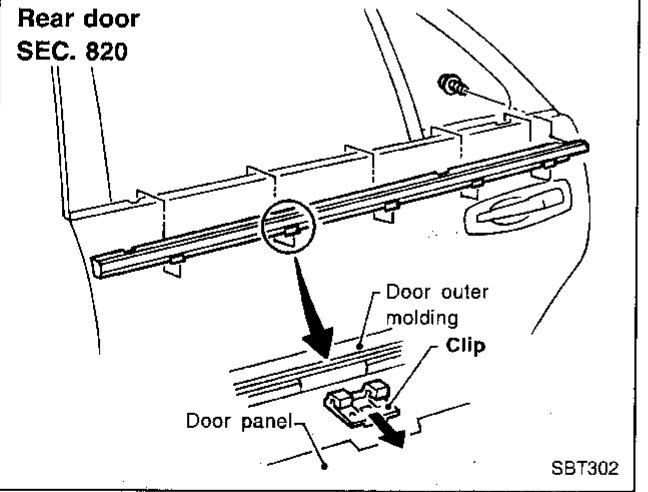
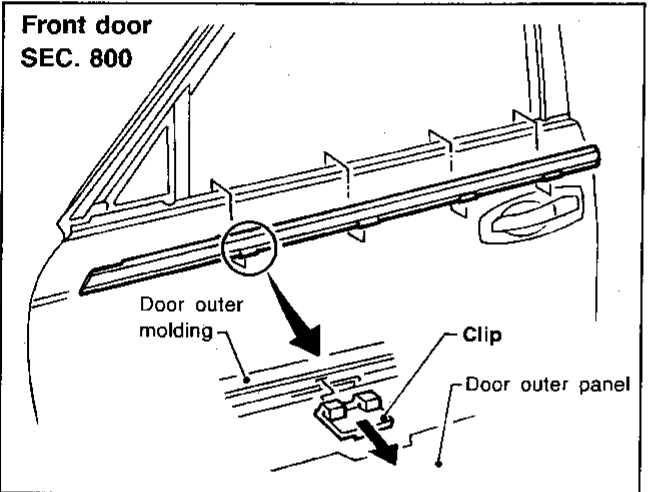
⑩ Sash cover inner



11 Trunk lid weatherstrip



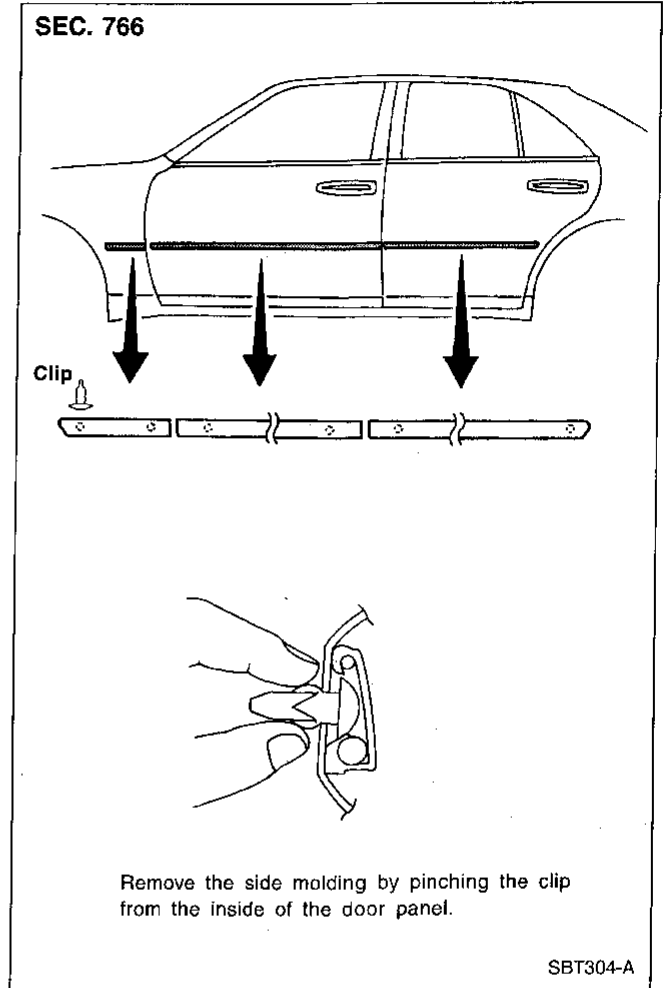
12 Door outside molding



13 Rear window molding

Basically the same as front windshield molding. Refer to 4 Front windshield molding.

14 Side guard molding

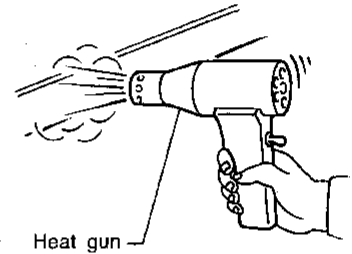
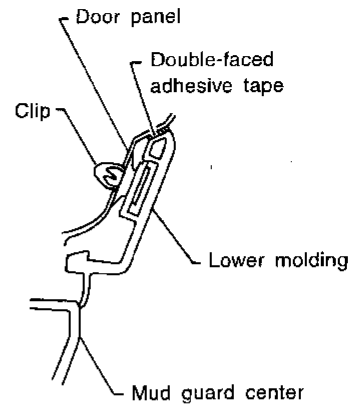
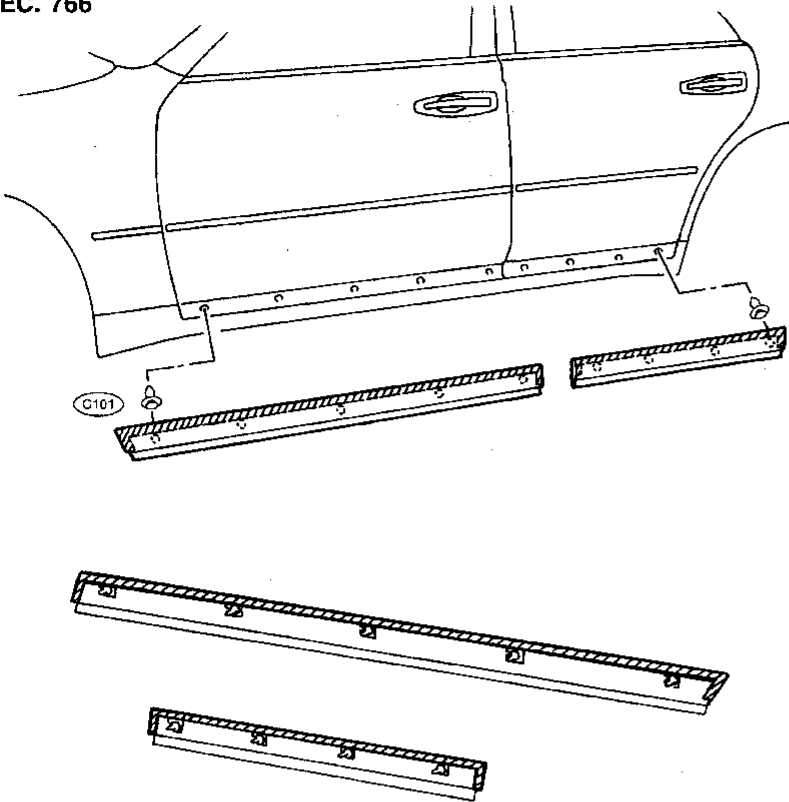



GI
MA
EM
LC
EC
FE
AT
PD
FA
RA
BR
ST
RS
BT
HA
EL
IDX

EXTERIOR

15 Lower molding

SEC. 766



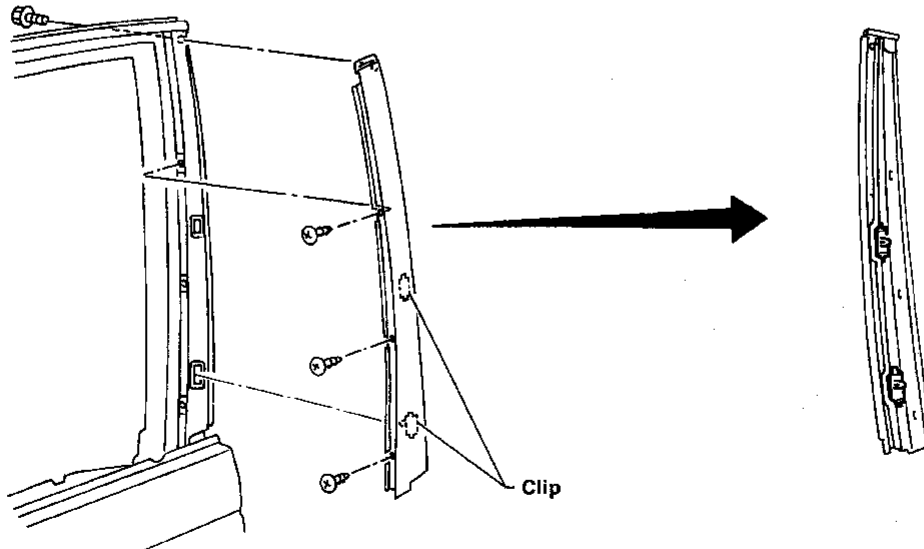
 : Double-faced adhesive tape

SBT306-A

- With a vehicle coated with Hard Clear Coat, use double-faced 3M adhesive tape Product No. 4210 or equivalent, after priming with 3M primer Product No. N-200 or C-100 or equivalent.

16 Center sash molding

SEC. 800•820

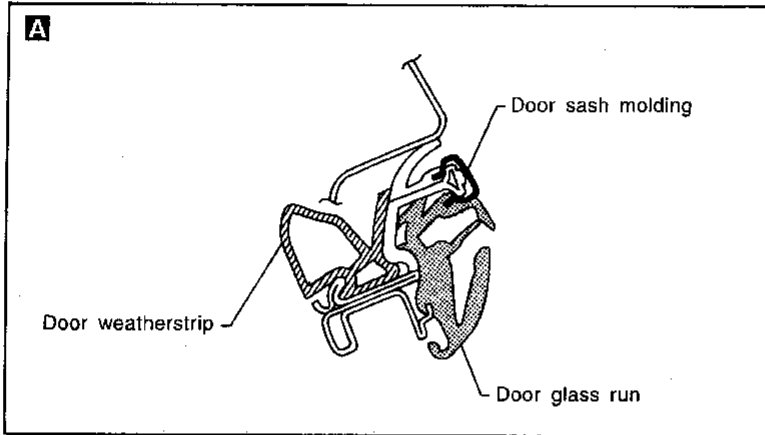
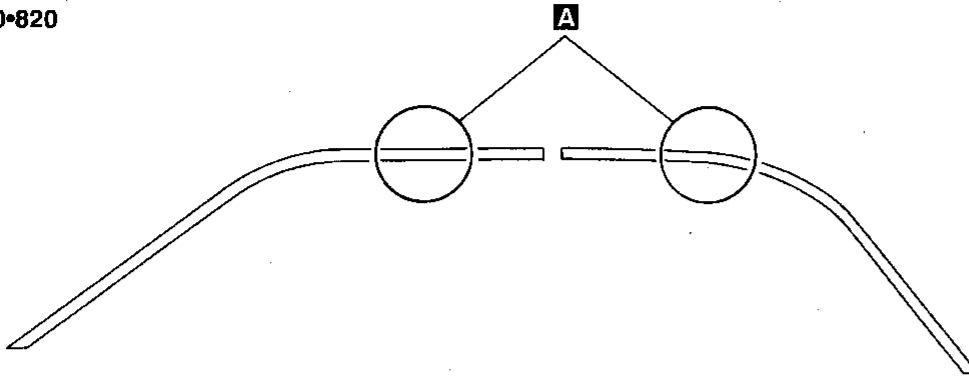


SBT309-A

EXTERIOR

17 Door sash molding

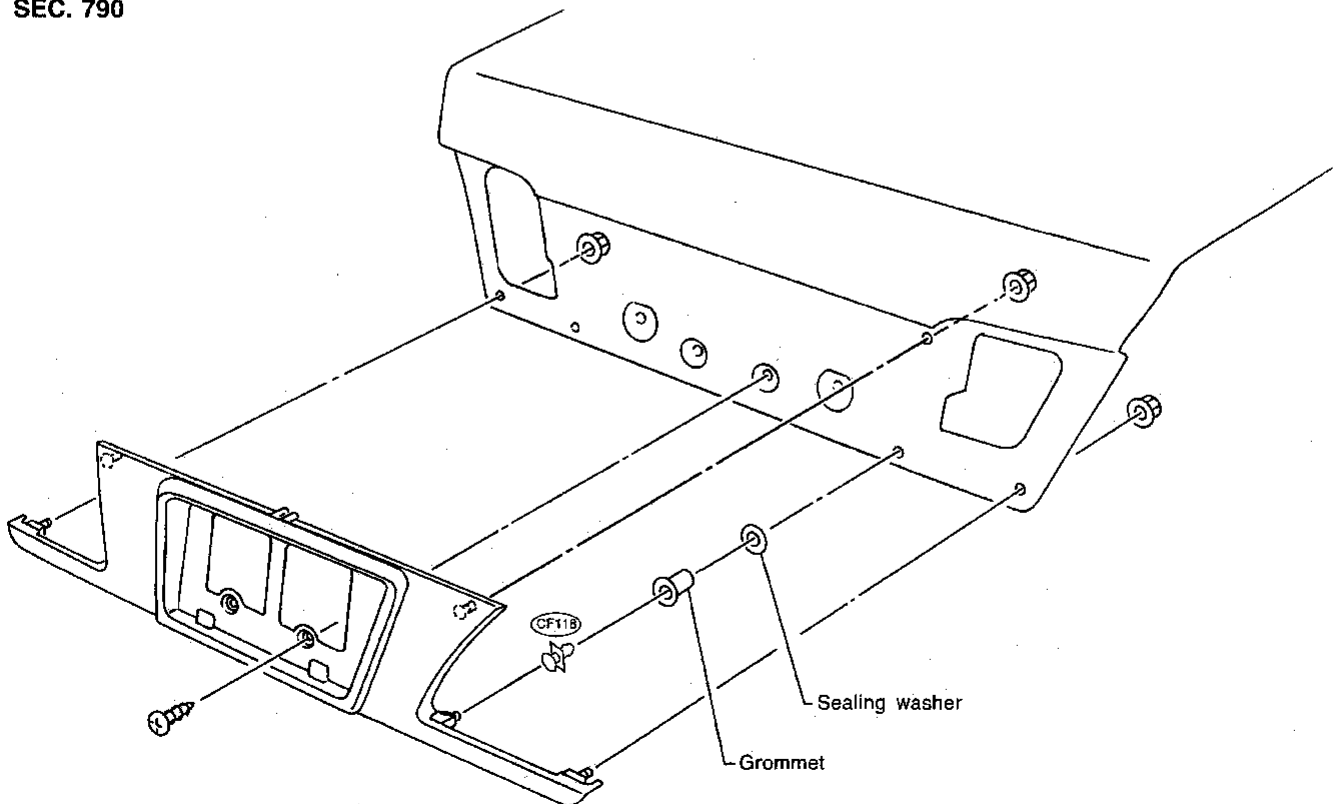
SEC. 800-820



SBT305-A

18 License plate finisher

SEC. 790



SBT310

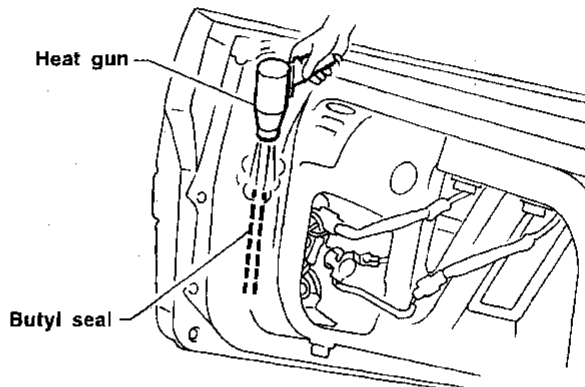
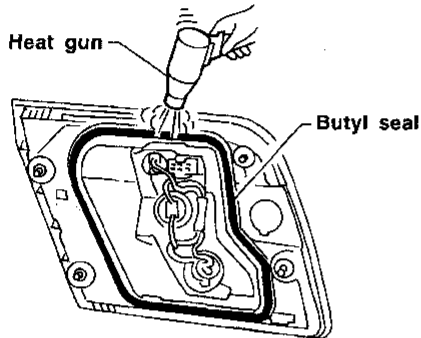
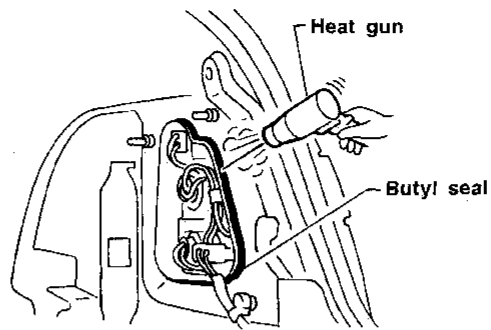
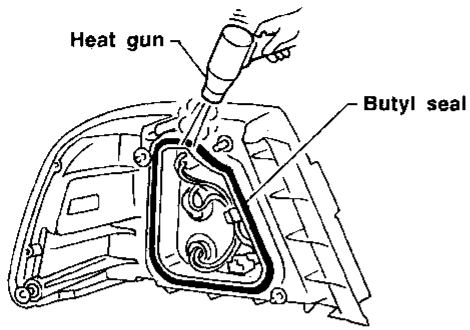
GI
MA
EM
LC
EC
FE
AT
PD
FA
RA
BR
ST
RS
BT
HA
EL
IDX

EXTERIOR

19 Rear combination lamp

- Rear combination lamps are installed with nuts and butyl seal.

SEC. 265



- Warm up lamp assembly area to a temperature of a little below 60°C (140°F).

- Apply butyl seal evenly as it tends to become thin in the corners.
- Warm up lamp assembly area to a temperature of a little below 60°C (140°F).

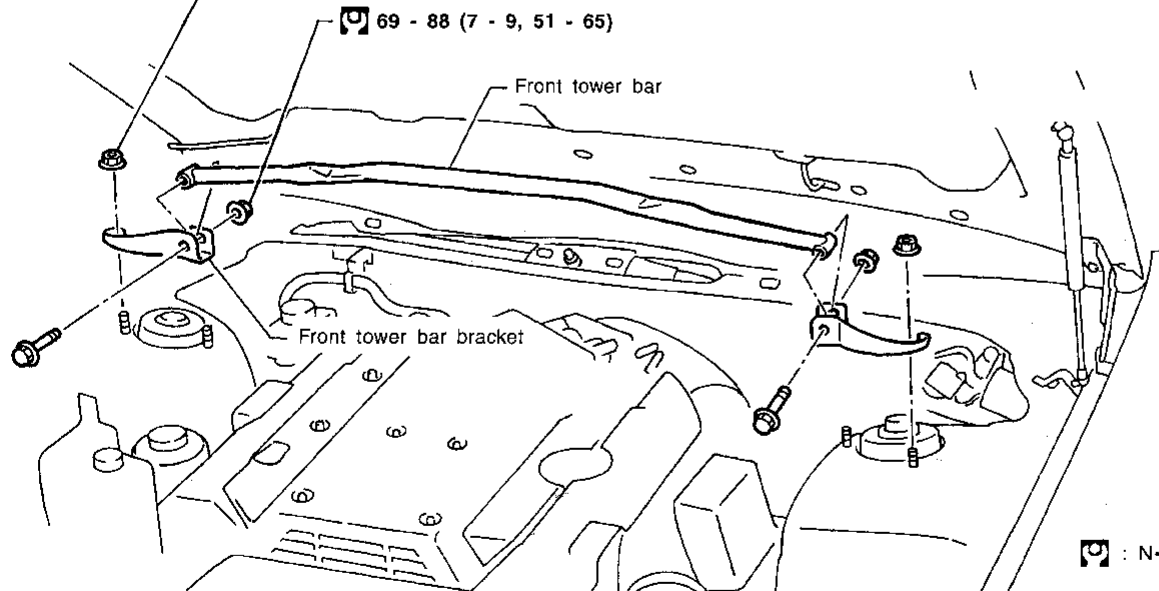
SBT311

20 Front tower bar

SEC. 401

41 - 48 (4.2 - 4.9, 30 - 35)

69 - 88 (7 - 9, 51 - 65)



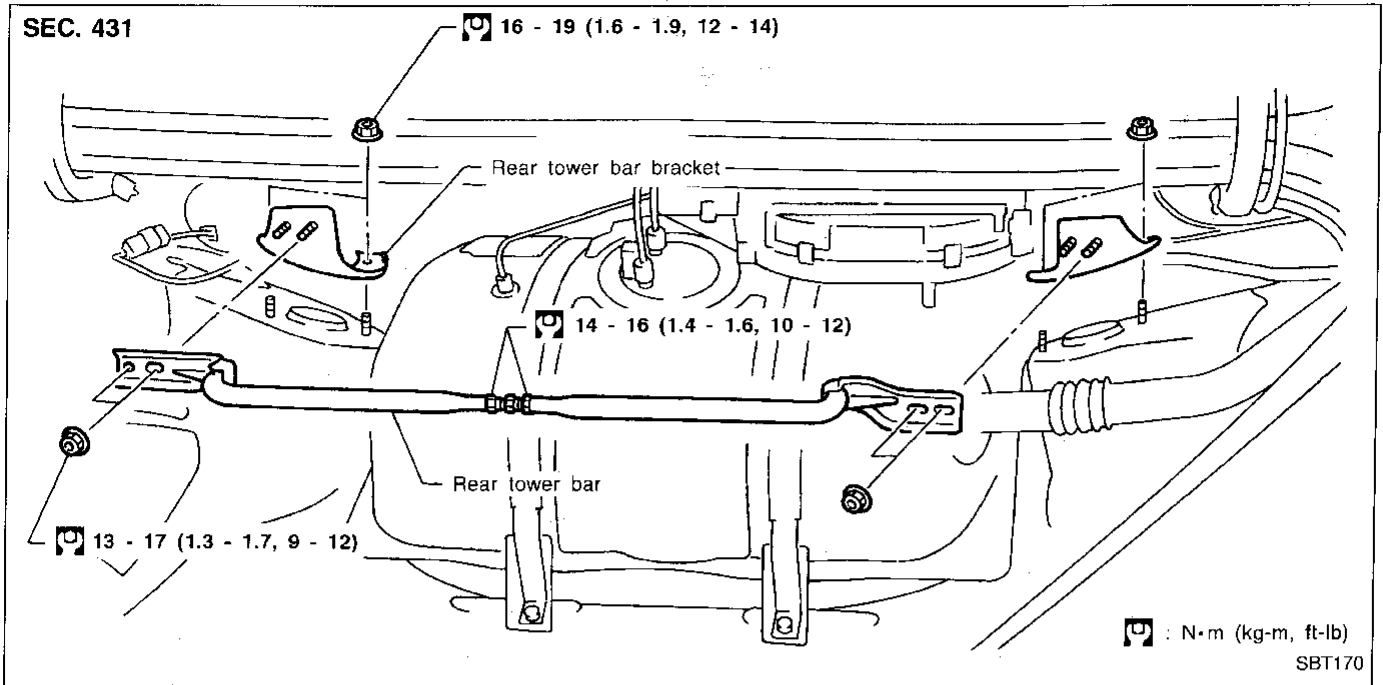
SBT378

CAUTION:

Do not remove front tower bar assembly while vehicle is jacked up with wheels on.

EXTERIOR

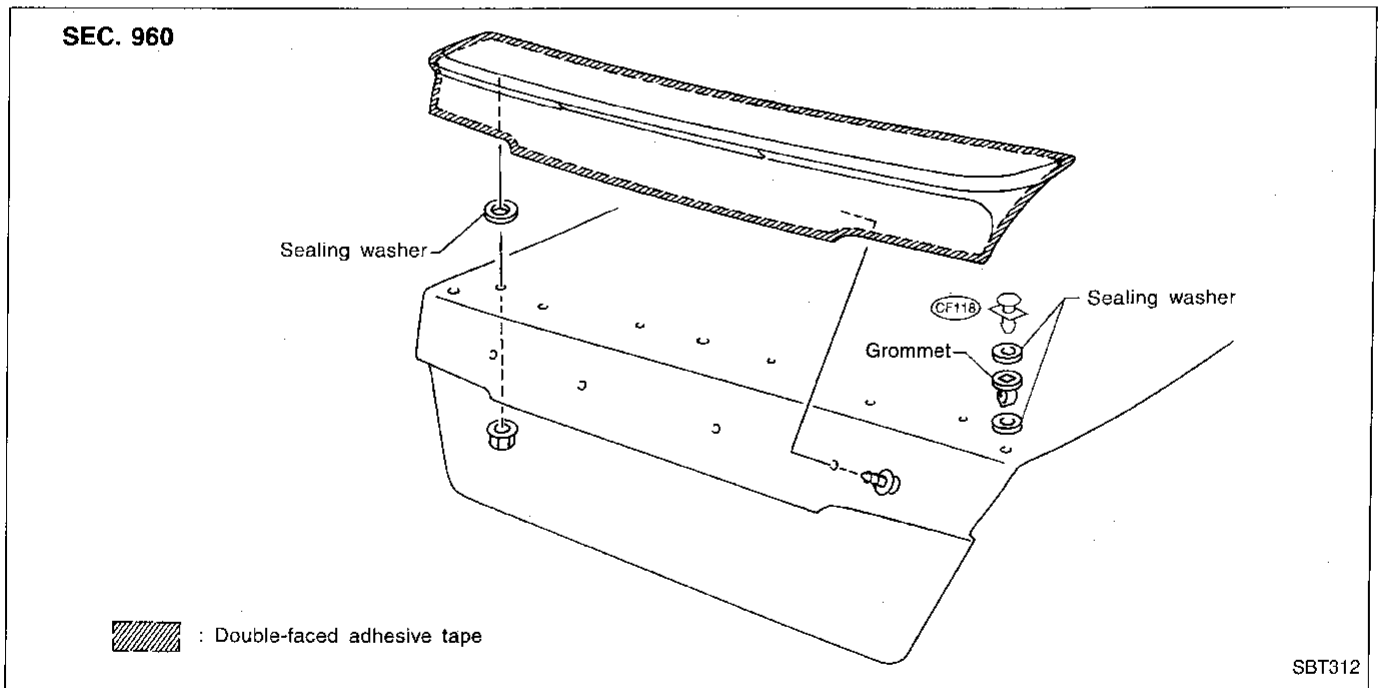
21 Rear tower bar



CAUTION:

Do not remove rear tower bar assembly while vehicle is jacked up with wheels on.

22 Rear air spoiler



- With a vehicle coated with Hard Clear Coat, use double-faced 3M adhesive tape Product No. 4210 or equivalent, after priming with 3M primer Product No. N-200 or C-100 or equivalent.

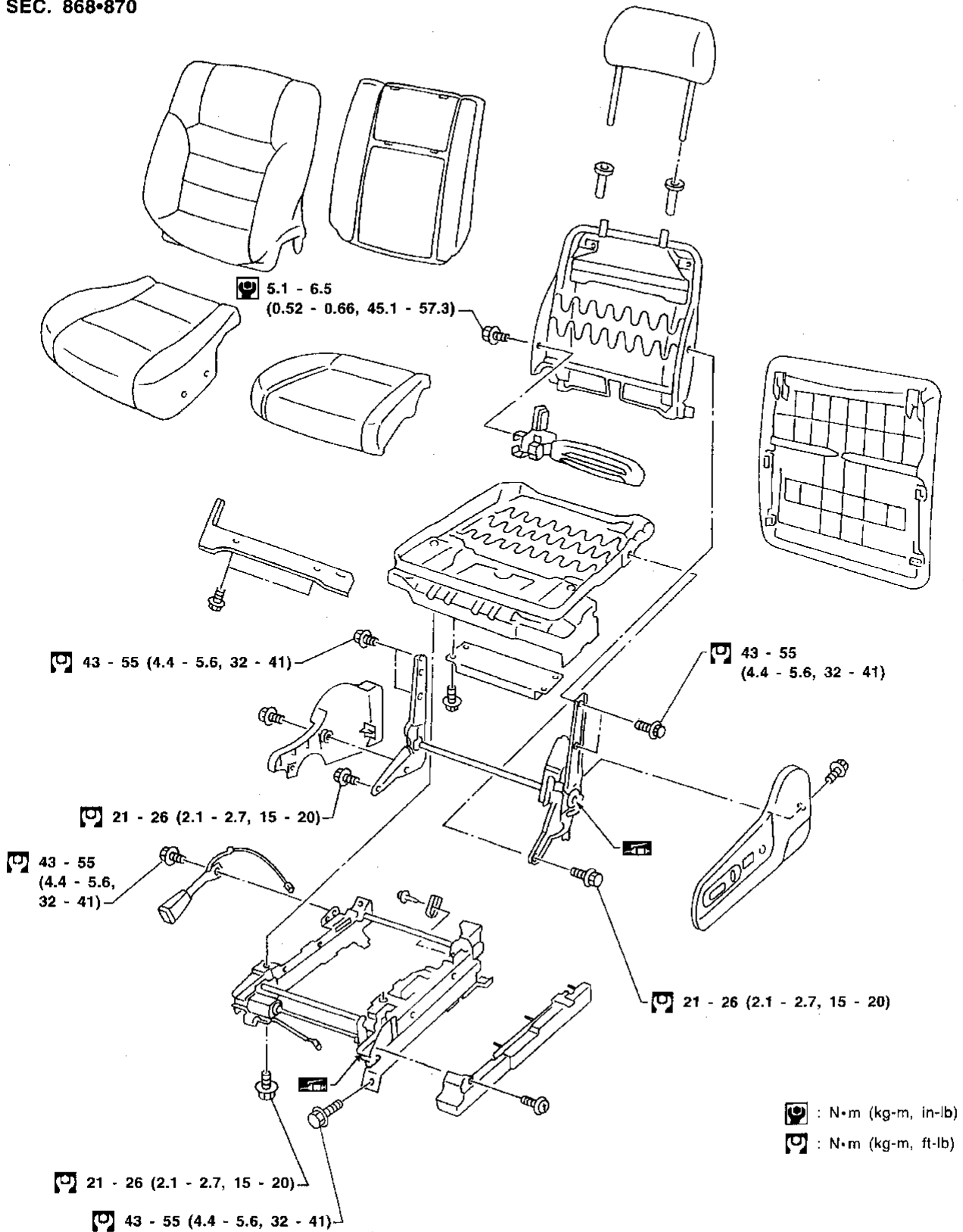
GI
MA
EM
LC
EC
FE
AT
PD
FA
RA
BR
ST
RS
BT
HA
EL
IDX

SEAT

- When removing or installing the seat trim, carefully handle it to keep dirt out and avoid damage.
- ★ For Wiring Diagram, refer to "POWER SEAT" in EL section.

Front Seat

POWER SEAT SEC. 868•870



SBT470

SEAT

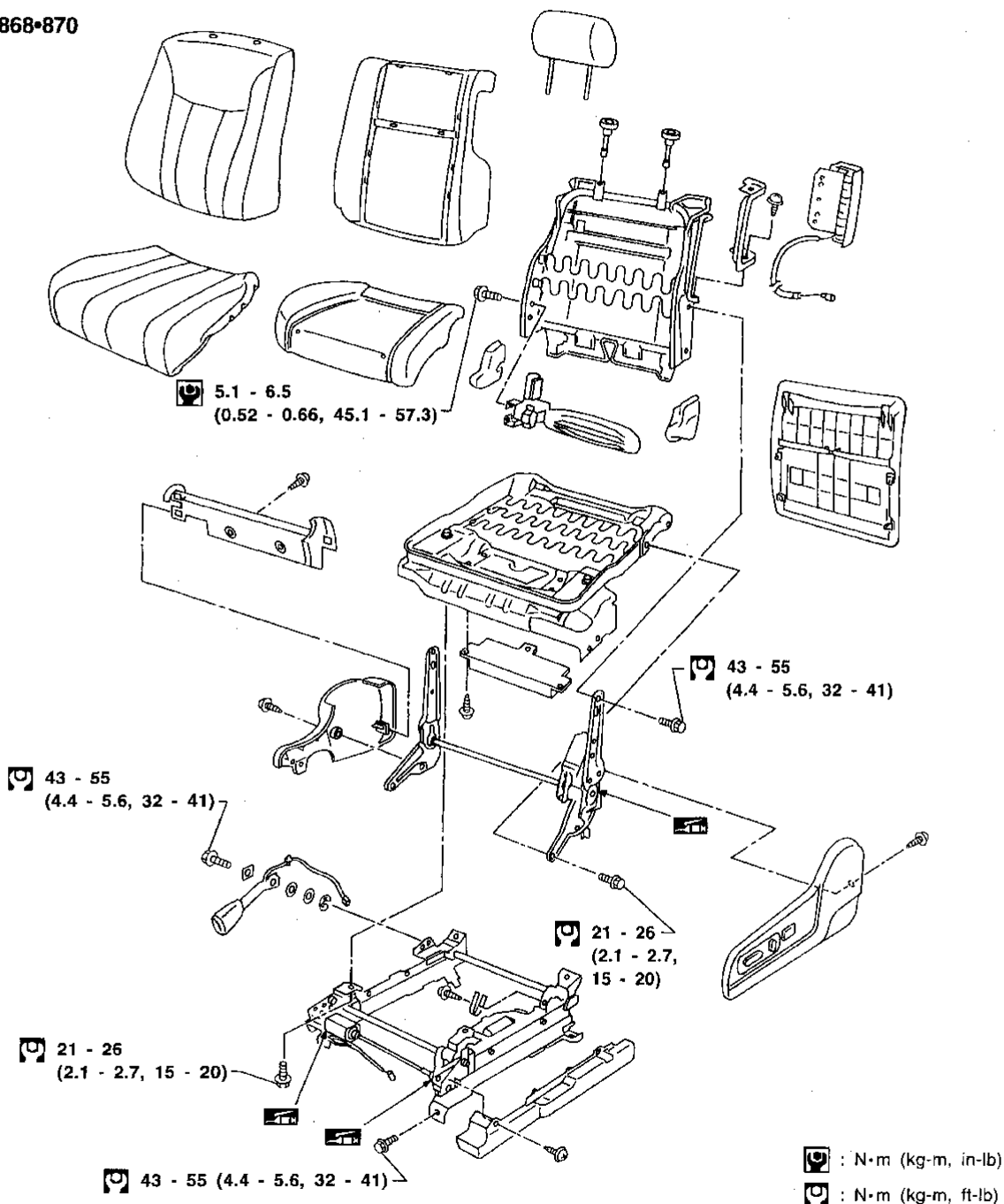
Front Seat (Cont'd)

CAUTION:

- Before removing the front seat, turn the ignition switch off, disconnect both battery cables and wait at least 3 minutes.
- When checking the power seat circuit for continuity using a circuit tester, do not confuse its connector with the side air bag module connector. Such an error may cause the air bag to deploy.
- Do not drop, tilt, or bump the side air bag module installed in the seat. Always handle it with care.

POWER SEAT (WITH SIDE AIR BAG MODULE)

SEC. 868-870



GI
MA
EM
LC
EC
FE
AT
PD
FA
RA
BR
ST
RS
BT
HA
EL
IDX

SBT468

Heated Seat

- When handling seat, be extremely careful not to scratch heating unit.
- To replace heating unit, seat trim and pad should be separated.
- Do not use any organic solvent, such as thinner, benzene, alcohol, gasoline, etc. to clean trims.

Seatback heating unit removal & installation

Trim temperature °C (°F)	Increasing to 35 - 45 (95 - 113)	Decreasing to 25 - 35 (77 - 95)
Thermostat operation	OFF	ON

SBT314

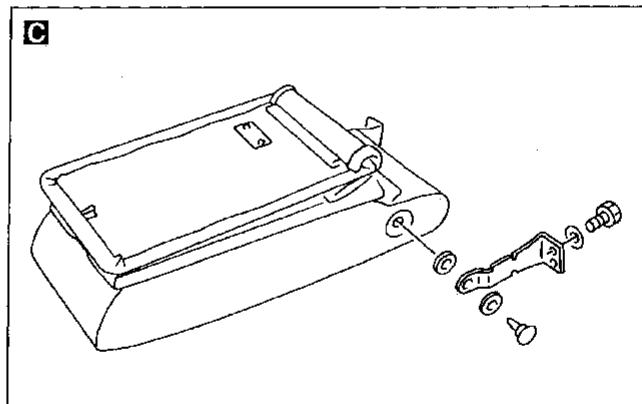
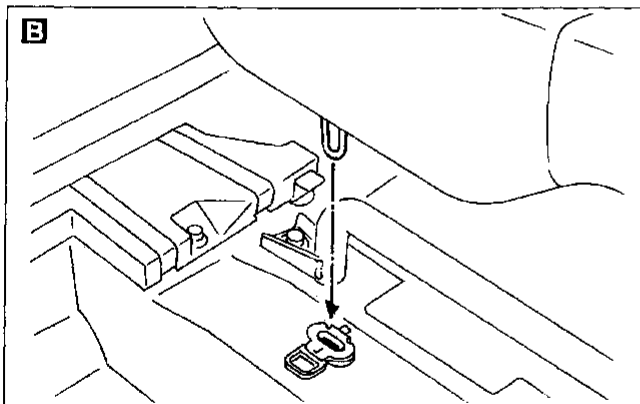
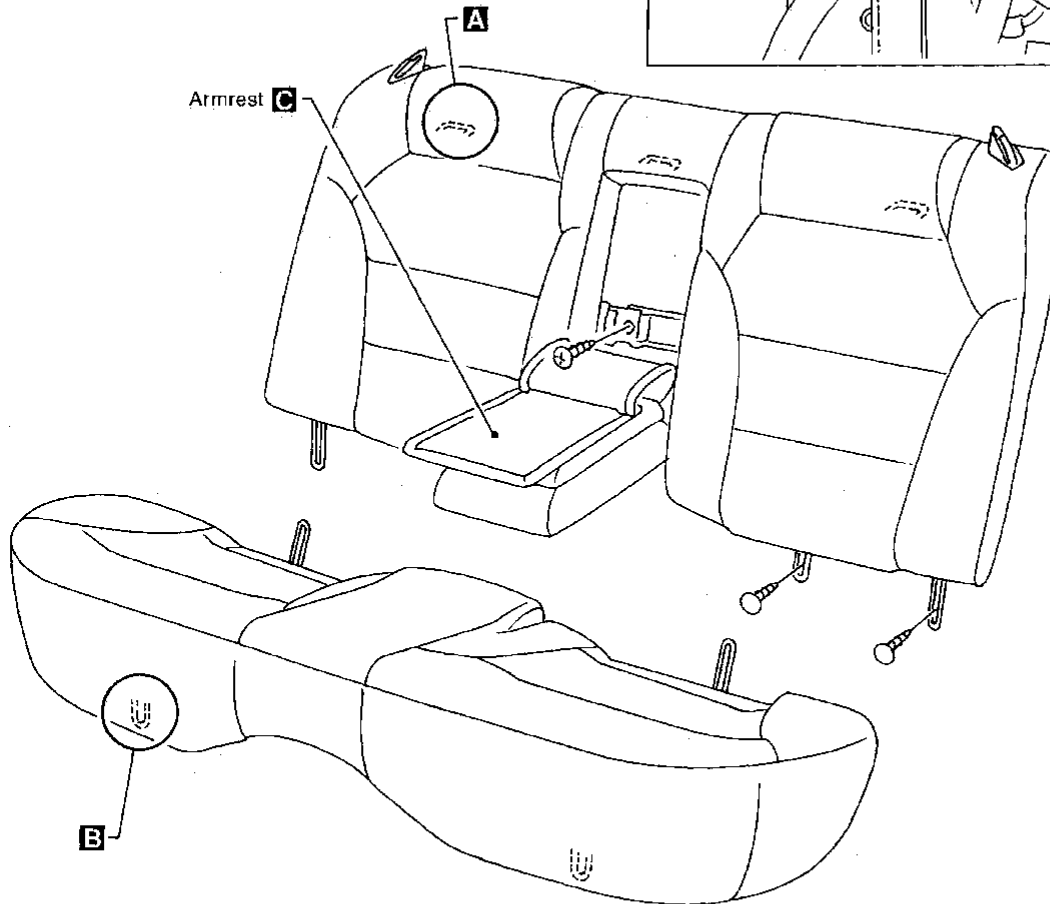
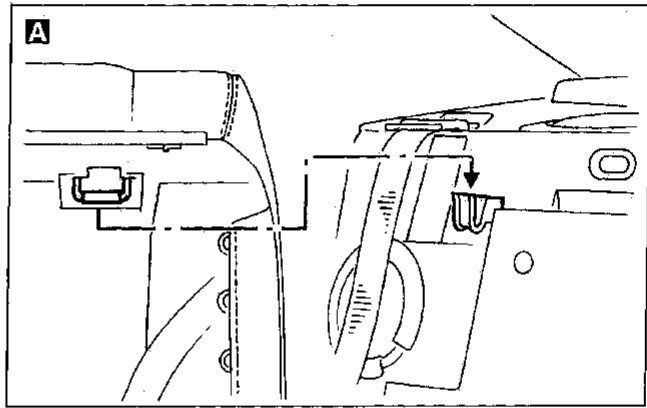
★ For Wiring Diagram, refer to "HEATED SEAT" in EL section.

SEAT

- When removing or installing the seat trim, carefully handle it to keep dirt out and avoid damage.

Rear Seat

SEC. 880



GI
MA
EM
LC
EC
FE
AT
PD
FA
RA
BR
ST
RS
BT
HA
EL
IDX

SBT315-A

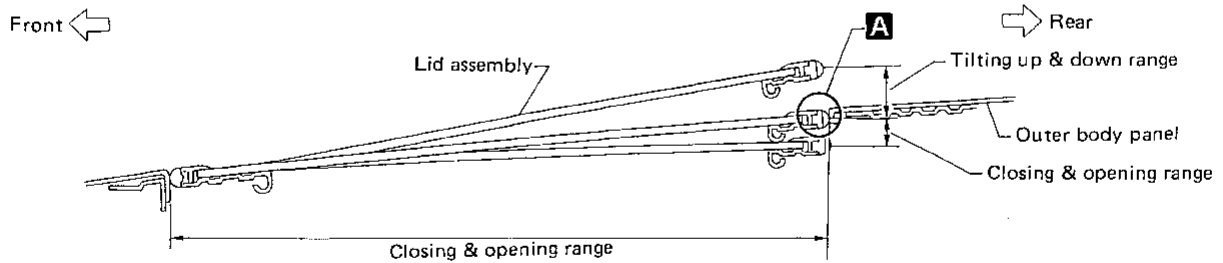
BT-35

SUNROOF

ADJUSTMENT

Install motor & limit SW assembly and sunroof rail assembly in the following sequence:

1. Arrange equal lengths of link and wire assemblies on both sides of sunroof opening.
2. Connect sunroof connector to sunroof switch and positive (+) power supply.
3. Set lid assembly to fully closed position **A** by operating OPEN switch and TILT switch.
4. Fit outer side of lid assembly to the surface of roof on body outer panel.
5. Remove motor, and keep OPEN switch pressed until motor pinion gear reaches the end of its rotating range.
6. Install motor.
7. Check that motor drive gear fits properly in wires.
8. Press TILT-UP switch to check lid assembly for normal tilting.
9. Check sunroof lid assembly for normal operations (tilt-up, tilt-down, open, and close).



SBF920F

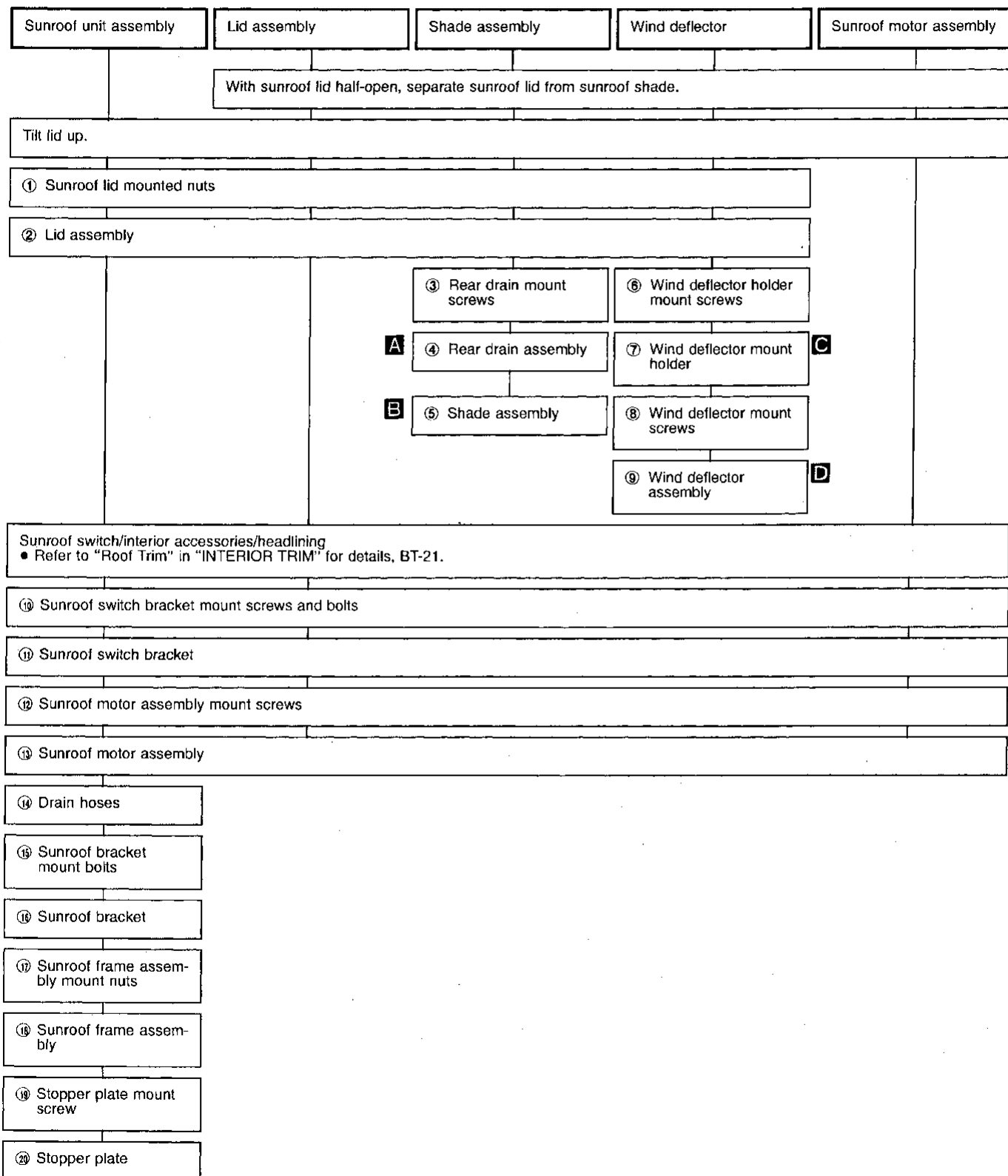
SUNROOF

REMOVAL

- After any adjustment, check sunroof operation and lid alignment.
- Handle finisher plate and glass lid with care so not to cause damage.
- It is desirable for easy installation to mark each point before removal.

CAUTION:

Always work with a helper.

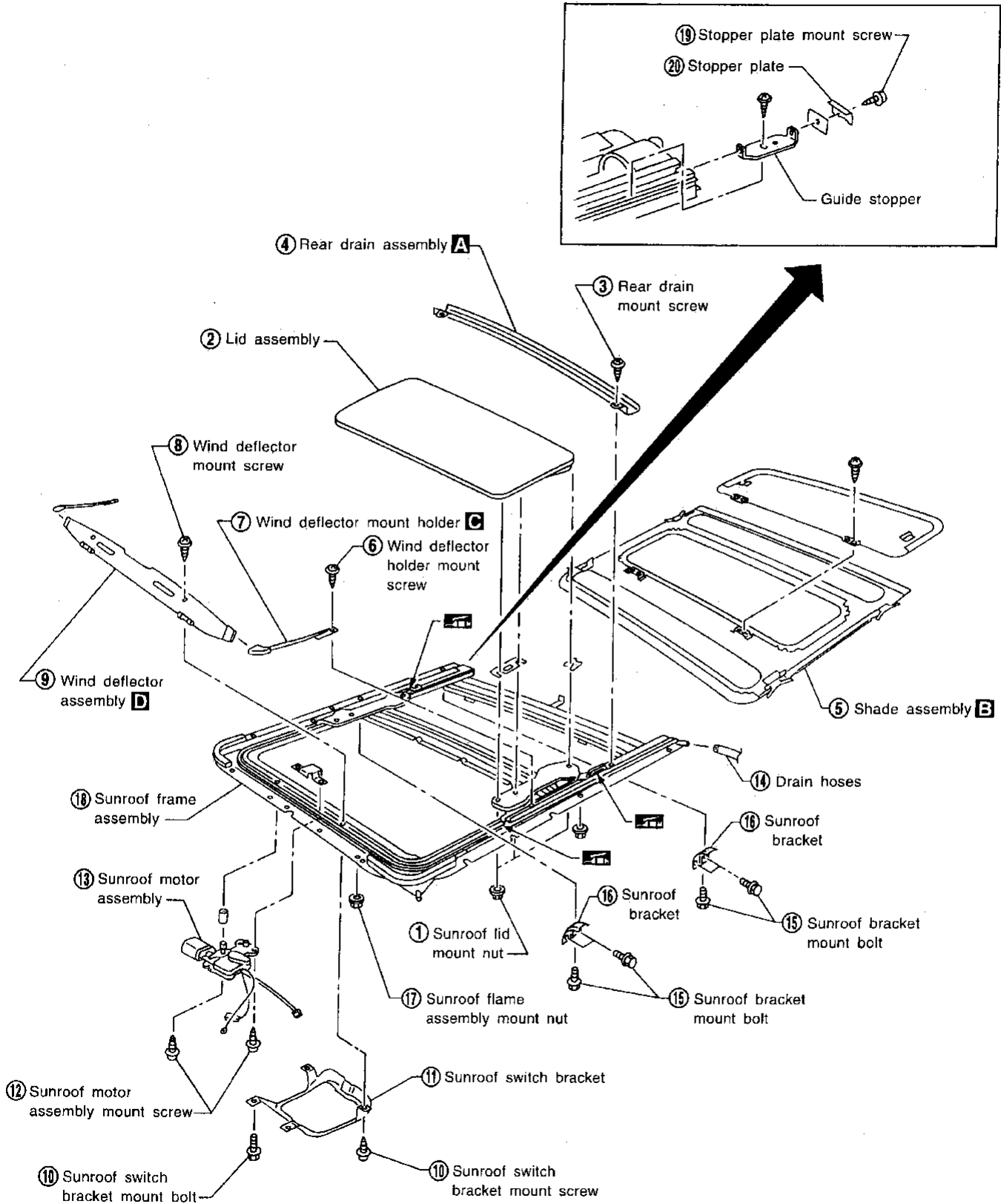


GI
MA
EM
LC
EC
FE
AT
PD
FA
RA
BR
ST
RS
BT
HA
EL
IDX

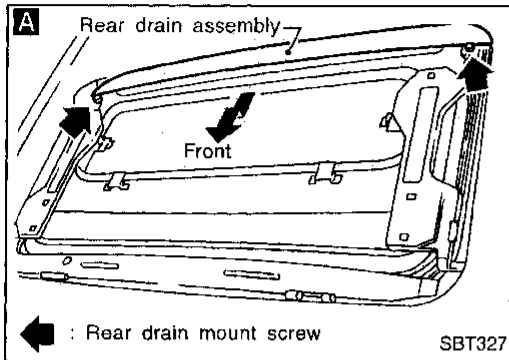
SUNROOF

★ For Wiring Diagram, refer to "ELECTRIC SUNROOF" in EL section.

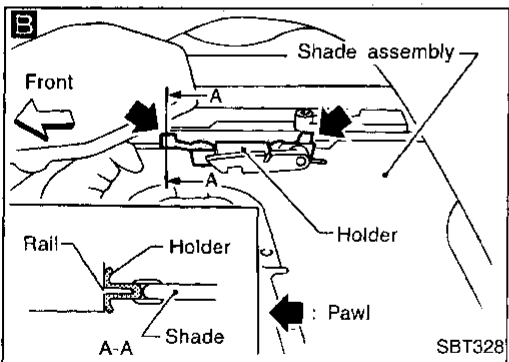
SEC. 736



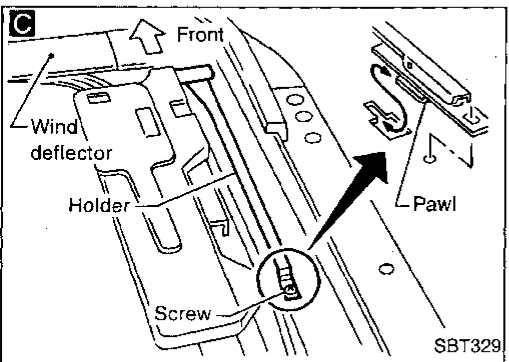
SUNROOF



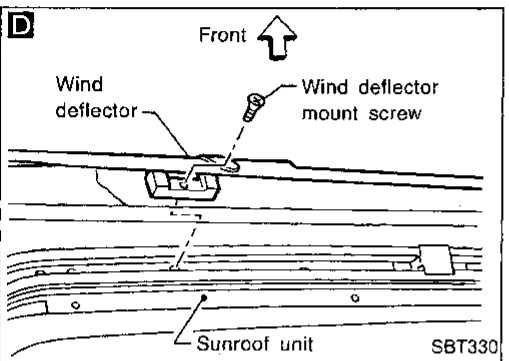
- A** Remove rear drain mount screws. Disengage rear drain assembly by moving it forward. Remove rear drain assembly.



- B** Using flat-bladed screwdriver, pry shade assembly holder from rail. Remove shade assembly by slowly moving it forward.



- C** Remove wind deflector mount screws. Pry off pawls with flat-bladed screwdriver inserted through rail hole. Remove wind deflector holder.



- D** Remove wind deflector mount screws from front end of sunroof unit. Remove wind deflector assembly from sunroof frame assembly.

GI

MA

EM

LC

EC

FE

AT

PD

FA

RA

BR

ST

RS

BT

HA

EL

IDX

SUNROOF

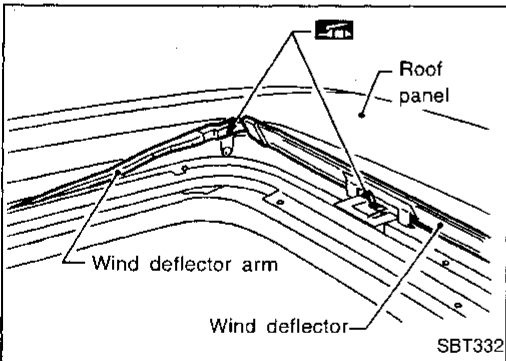
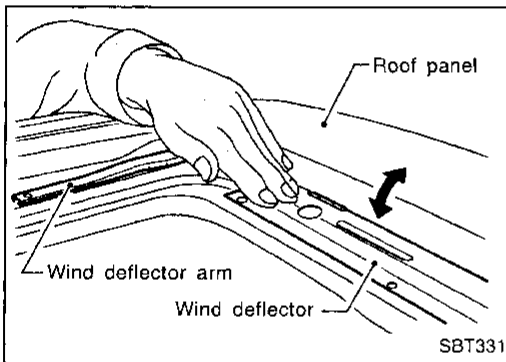
Trouble Diagnoses

DIAGNOSTIC TABLE

NOTE: For diagnosing electric problem, refer to "ELECTRIC SUNROOF" in EL section.

		Check items (Components)				
		Wind deflector	Adjustment	Drain hoses	Weatherstrip	Link and wire assembly
	Reference page	BT-40	BT-41	BT-42	BT-42	BT-43
Symptom	Excessive wind noise	1	2		3	
	Water leaks		1	2	3	
	Sunroof rattles		1	4	2	3
	Excessive operation noise		1		2	3

The numbers in this table mean checking order.



WIND DEFLECTOR

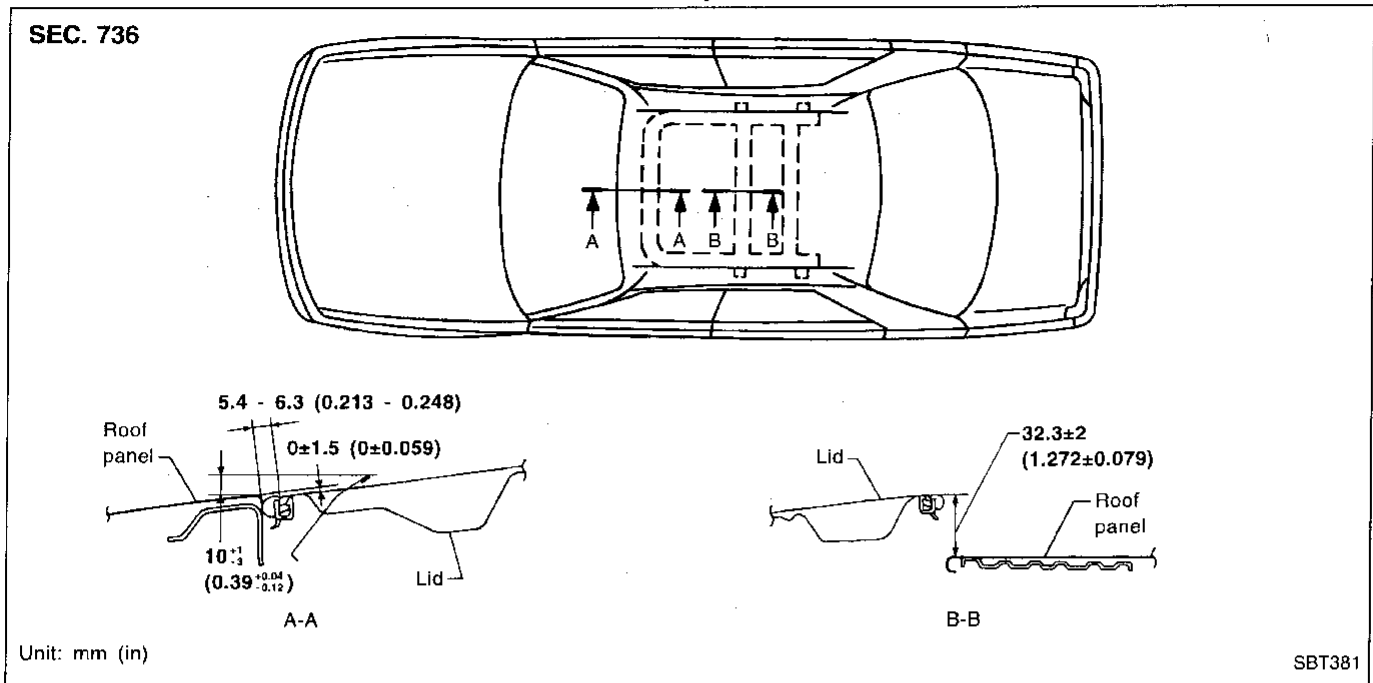
1. Open lid.
2. Check visually for proper installation.
3. Check to ensure a proper amount of petroleum jelly has been applied to wind deflector connection points; apply if necessary.
4. Check that wind deflector is properly retracted by hand. If it is not, remove and visually check condition. (Refer to removal procedures, BT-37.) If wind deflector is damaged, replace with new one. If wind deflector is not damaged, re-install properly.

SUNROOF

Trouble Diagnoses (Cont'd)

ADJUSTMENT

If any gap or height difference between lid and roof is found, check lid fit and adjust as follows:



Gap adjustment

1. Remove shade assembly. (Refer to removal procedures BT-37, for details.)
2. Tilt lid up.
3. Loosen lid securing nuts (3 each on left and right sides), then tilt lid down.
4. Adjust lid from outside of vehicle so it resembles "A-A" as shown in the figure above.
5. Tilt lid up and down until it is adjusted to "B-B" as shown in the figure above.
6. After adjusting lid, tilt lid up and tighten nuts.
7. Tilt lid up and down several times to check that it moves smoothly.

Height difference adjustment

1. Tilt lid up and down.
2. Check height difference between roof panel and lid to see if it is as "A-A" as shown in the figure above.
3. If necessary, adjust it by using one of following procedures.
 - Adjust by adding or removing adjustment shim(s) between lid and link assembly.
 - If lid protrudes above roof panel, add shim(s) or plain washer(s) at sunroof mounting bracket or stud bolt locations to adjust sunroof installation as required.

GI
MA
EM
LC
EC
FE
AT
PD

FA
RA
BR
ST
RS

BT

HA

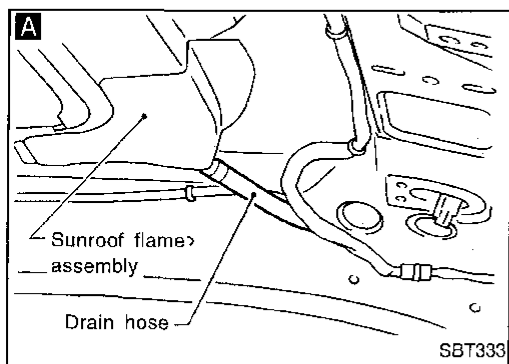
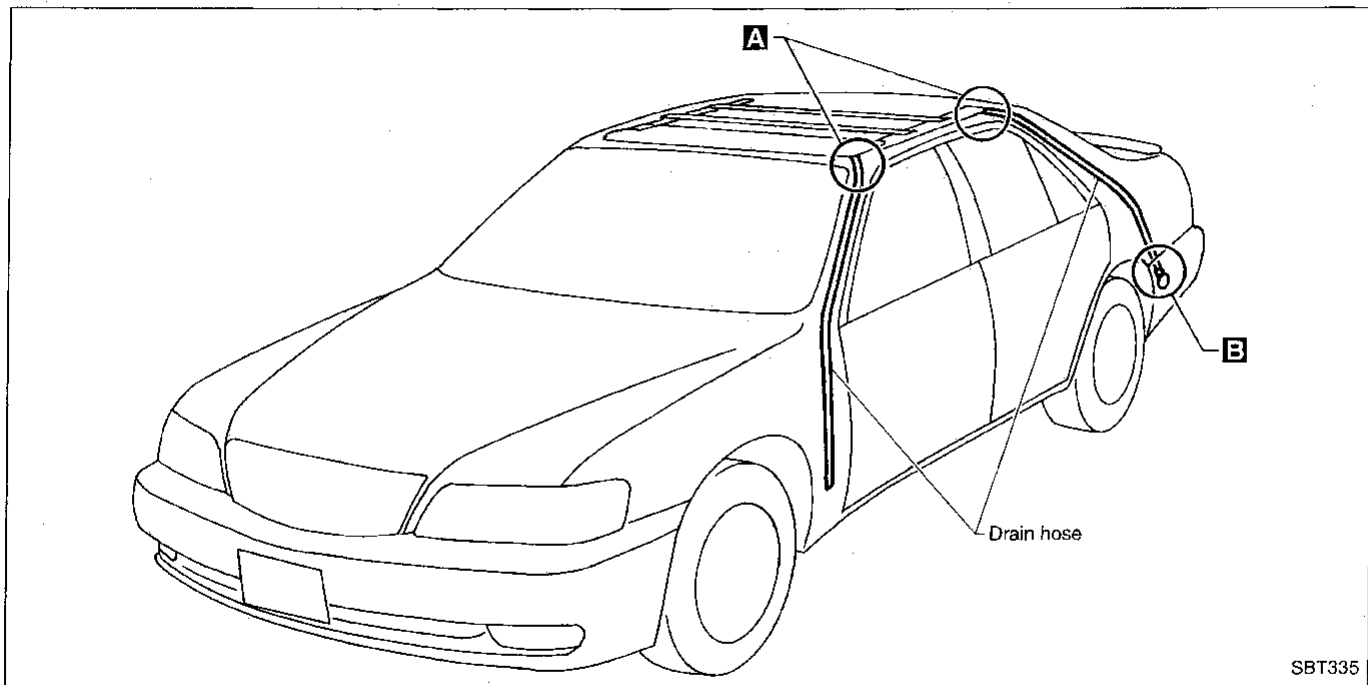
EL

IDX

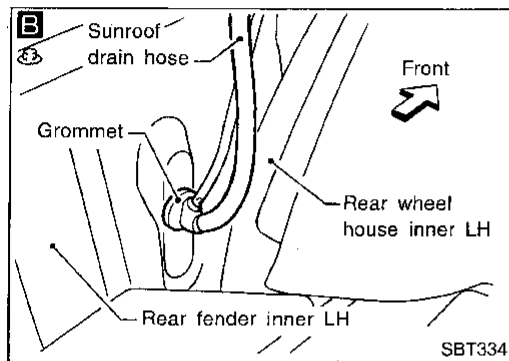
SUNROOF

Trouble Diagnoses (Cont'd)

DRAIN HOSES



1. Remove headlining to access drain hose connections. (Refer to "REMOVAL — Headlining" in "INTERIOR TRIM", BT-21, for detail.)
2. Check visually for proper connections, damage or deterioration. **A** (The figure shows only the front side.)



3. If leakage occurs around trunk room, remove trunk room side trim and check connecting area. Check for proper connection, damage or tear. **B**
4. Remove drain hoses and check visually for any damage, cracks, or deterioration.
5. Pour water into drain hoses and find damaged portion.
 - If any damaged portion is found at each step, replace the damaged part.

WEATHERSTRIP

- In the case of leakage around lid, close lid and pour water over lid to find damaged or gap portion.
1. Remove lid assembly. (Refer to removal procedures, BT-37, for details.)
 2. Visually check weatherstrip for proper installation. If a gap exists between lid and weatherstrip, check for sufficient amount of butyl seal. If required, remove weatherstrip and apply butyl seal.
Refer to "EXTERIOR" (BT-25), for details.

SUNROOF

Trouble Diagnoses (Cont'd)

3. Check weatherstrip visually for any damage, deterioration, or flattening.

- If any damage is found, replace weatherstrip.

CAUTION:

Do not remove weatherstrip except when replacing, or filling up butyl seal.

GI

LINK AND WIRE ASSEMBLY

NOTE:

Before replacing a suspect part, carefully ensure it is the source of noise being experienced.

MA

1. Check link to determine if coating film has peeled off to such an extent that substrate is visible. Check also to determine if link is the source of noise. If it is, replace it.

EM

2. Visually check to determine if a sufficient amount of petroleum jelly has been applied to wire or rail groove. If not, add petroleum jelly as required.

LC

3. Check wire for any damage or deterioration. If any damage is found, replace wire.

EC

FE

AT

PD

FA

RA

BR

ST

RS

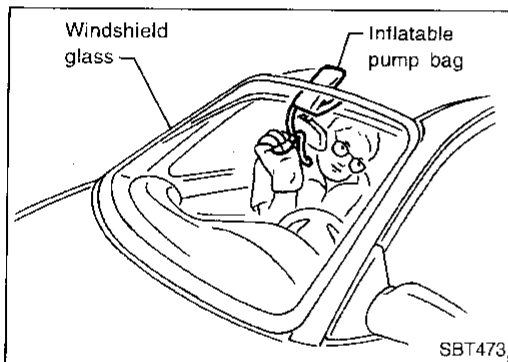
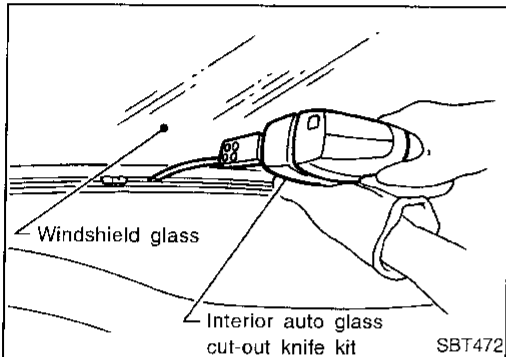
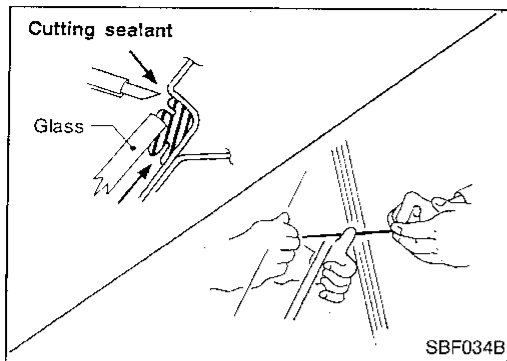
BT

HA

EL

IDX

WINDSHIELD AND WINDOWS



REMOVAL

After removing moldings, remove glass using piano wire or power cutting tool and an inflatable pump bag.

WARNING:

When cutting the glass from the vehicle, always wear safety glasses and heavy gloves to help prevent glass splinters from entering your eyes or cutting your hands.

CAUTION:

- Be careful not to scratch the glass when removing.
- Do not set or stand the glass on its edge. Small chips may develop into cracks.

INSTALLATION

- Use a genuine Nissan Urethane Adhesive Kit or equivalent and follow the instructions furnished with it.
- While the urethane adhesive is curing, open a door window. This will prevent the glass from being forced out by passenger compartment air pressure when a door is closed.
- The molding must be installed securely so that it is in position and leaves no gap.
- Inform the customer that the vehicle should remain stationary until the urethane adhesive has completely cured (preferably 24 hours). Curing time varies with temperature and humidity.

WARNING:

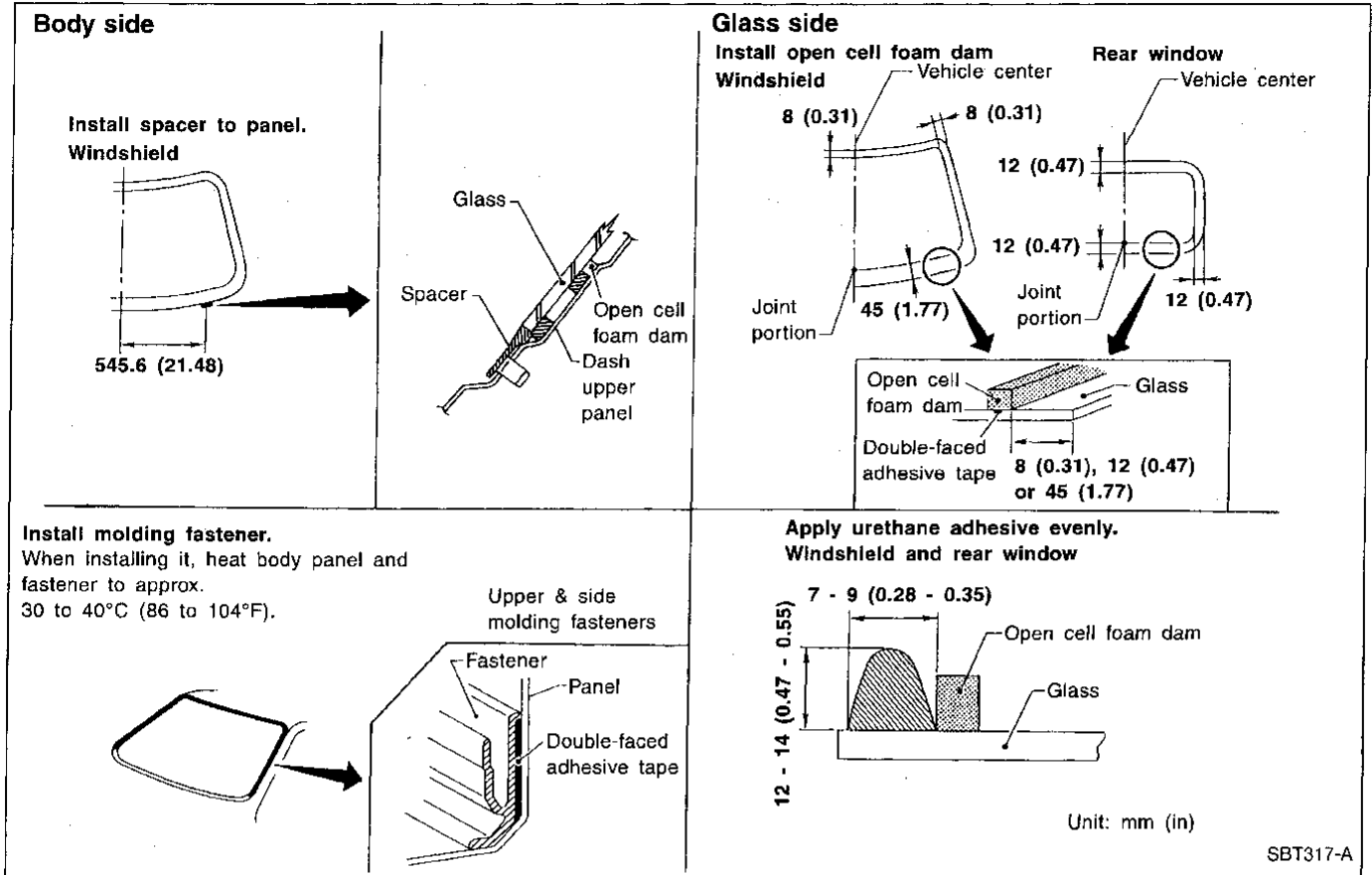
- Keep heat and open flames away as primers and adhesive are flammable.
- The materials contained in the kit are harmful if swallowed, and may irritate skin and eyes. Avoid contact with the skin and eyes.
- Use in an open, well ventilated location. Avoid breathing the vapors. They can be harmful if inhaled. If affected by vapor inhalation, immediately move to an area with fresh air.
- Driving the vehicle before the urethane adhesive has completely cured may affect the performance of the windshield in case of an accident.

CAUTION:

- Do not use an adhesive which is past its usable term. Shelf life of this product is limited to six months after the date of manufacture. Carefully adhere to the expiration or manufacture date printed on the box.
- Keep primers and adhesive in a cool, dry place. Ideally, they should be stored in a refrigerator.
- Do not leave primers or adhesive cartridge unattended with their caps open or off.
- The vehicle should not be driven for at least 24 hours or until the urethane adhesive has completely cured. Curing time varies depending on temperature and humidities. The curing time will increase under higher temperatures and lower humidities.

WINDSHIELD AND WINDOWS

Windshield and Rear Window



REPAIRING WATER LEAKS FOR WINDSHIELD

Leaks can be repaired without removing and reinstalling glass.

If water is leaking between urethane adhesive material and body or glass, determine the extent of leakage. This can be done by applying water to the windshield area while pushing glass outward.

To stop the leak, apply primer (if necessary) and then urethane adhesive to the leak point.

GI

MA

EM

LC

EC

FE

AT

PD

FA

RA

BR

ST

RS

BT

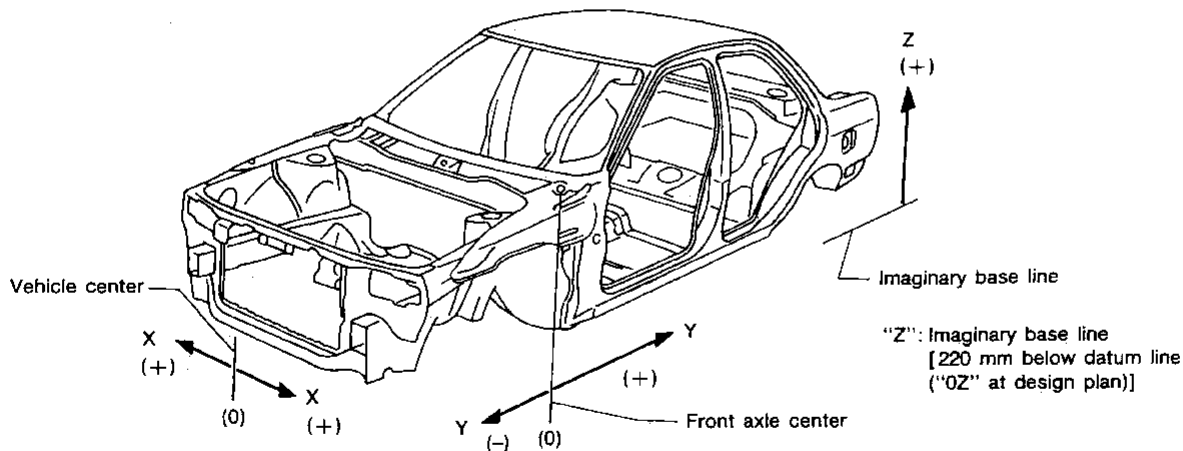
HA

EL

IDX

BODY ALIGNMENT

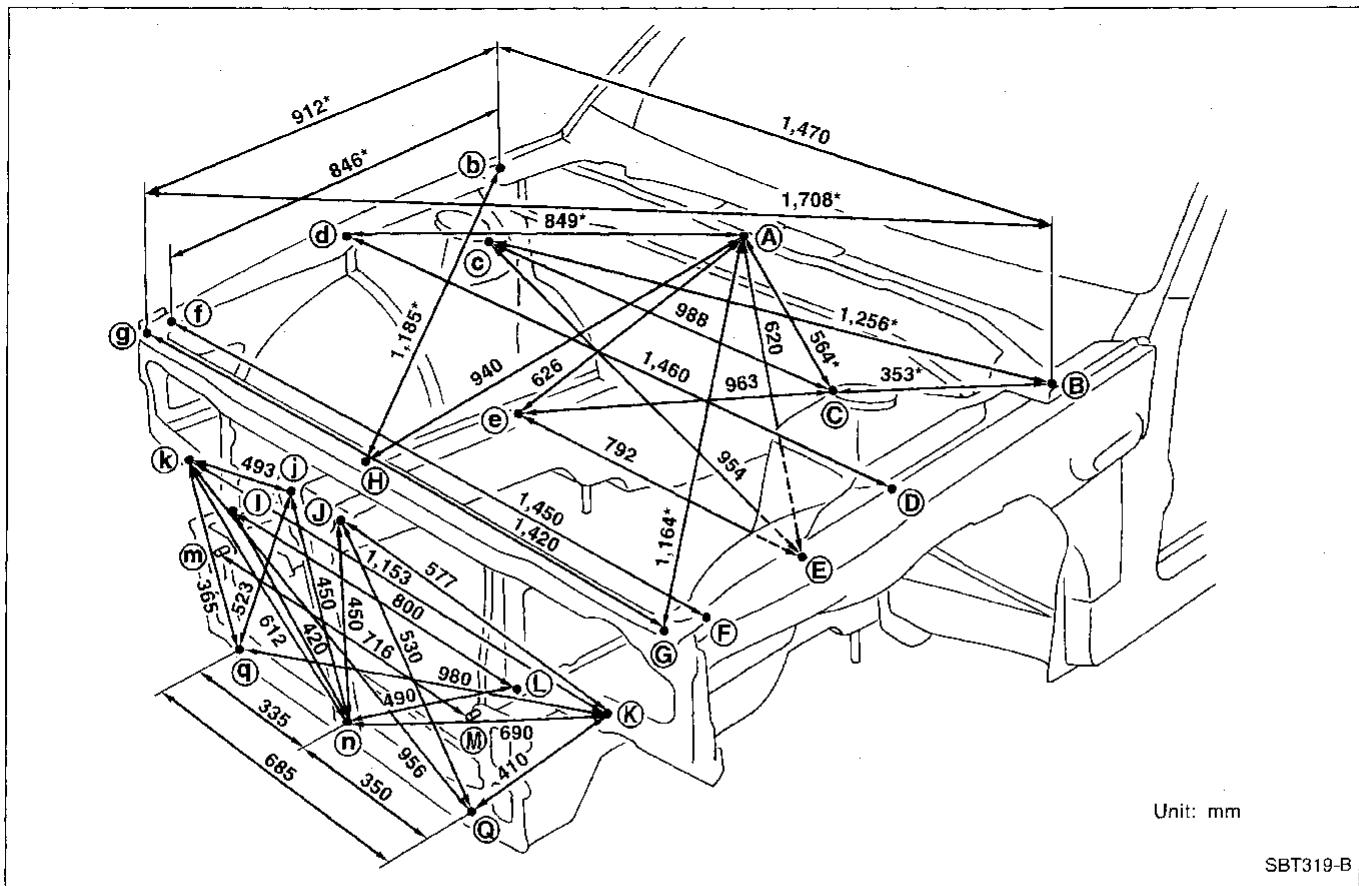
- All dimensions indicated in figures are actual ones.
- When using a tracking gauge, adjust both pointers to equal length. Then check the pointers and gauge itself to make sure there is no free play.
- When a measuring tape is used, check to be sure there is no elongation, twisting or bending.
- Measurements should be taken at the center of the mounting holes.
- An asterisk (*) following the value at the measuring point indicates that the measuring point on the other side is symmetrically the same value.
- The coordinates of the measurement points are the distances measured from the standard line of "X", "Y" and "Z".



SBF874GE

Engine Compartment

MEASUREMENT



GI

MA

EM

LC

EC

FE

AT

PD

FA

RA

BR

ST

RS

BT

HA

EL

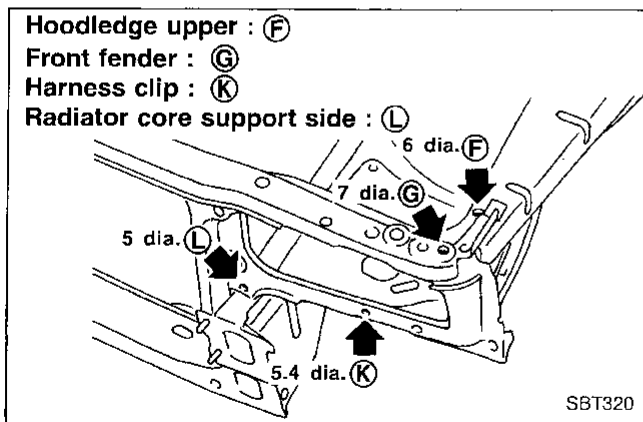
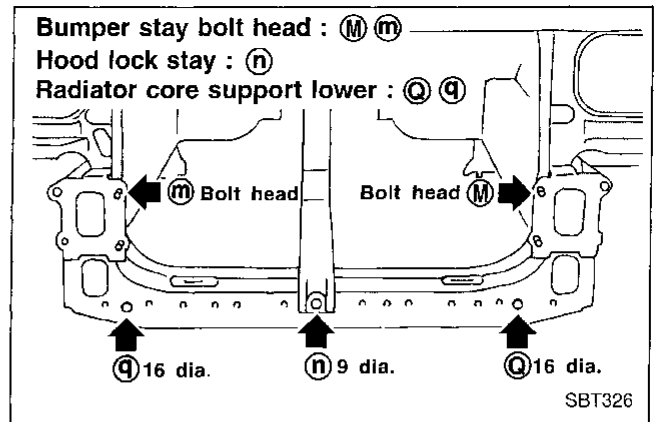
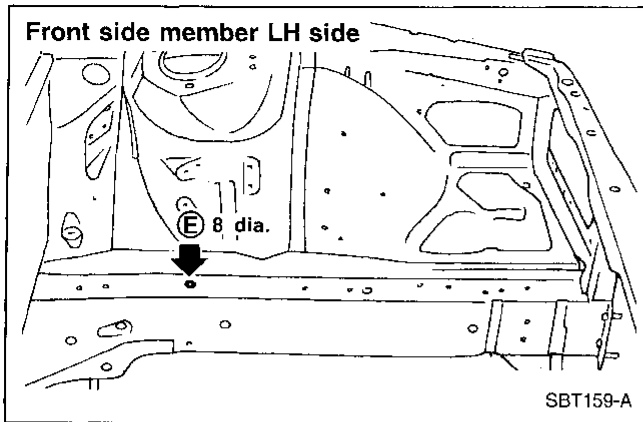
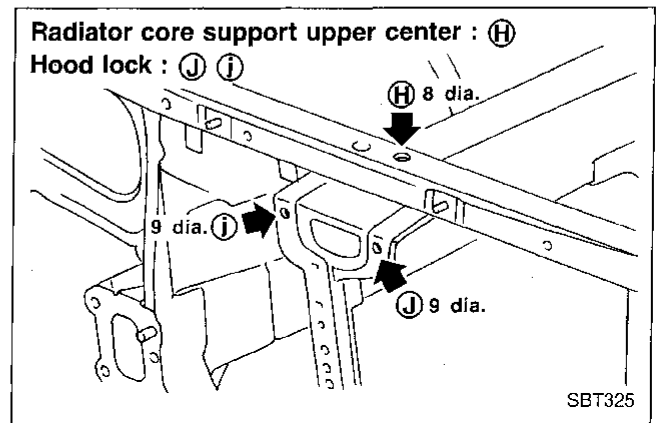
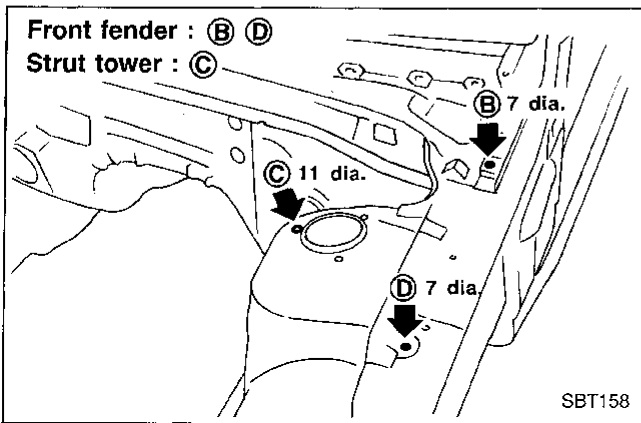
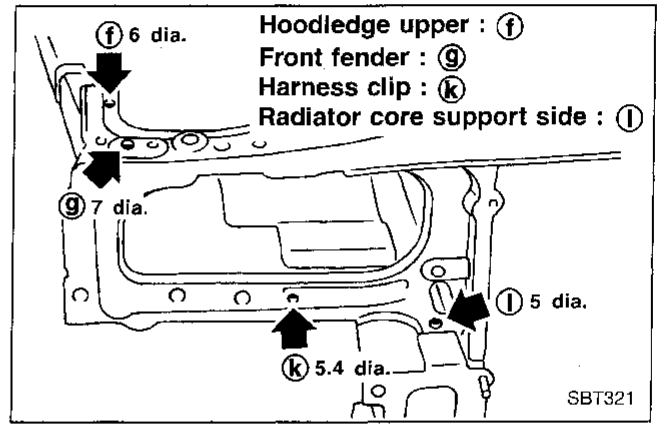
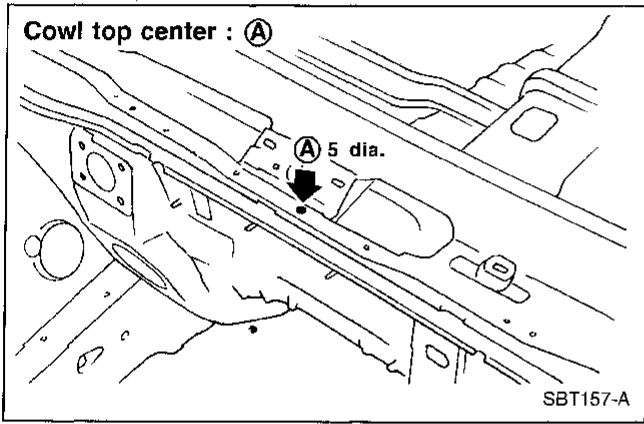
IDX

BODY ALIGNMENT

Engine Compartment (Cont'd)

MEASUREMENT POINTS

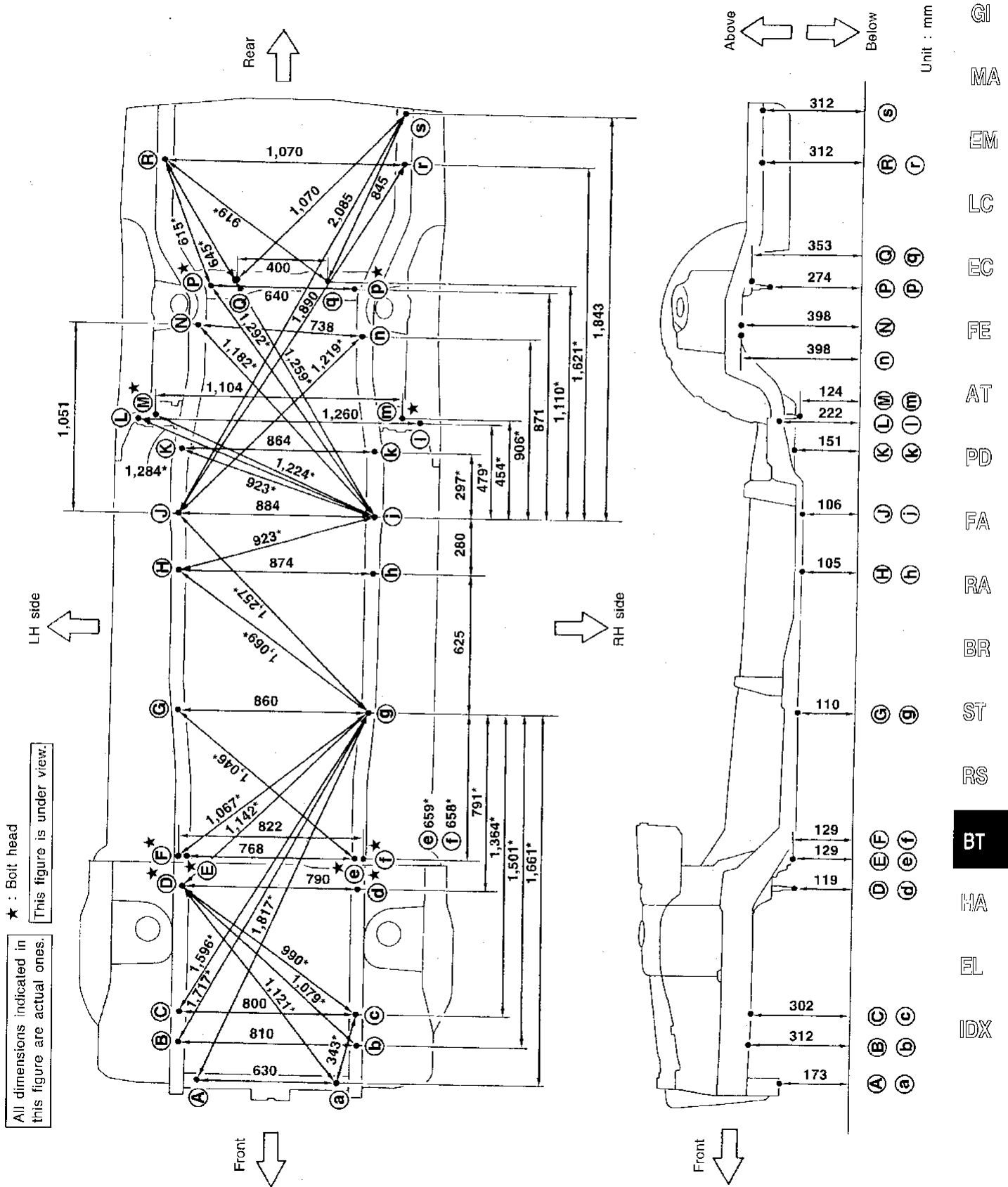
Unit: mm



BODY ALIGNMENT

Underbody

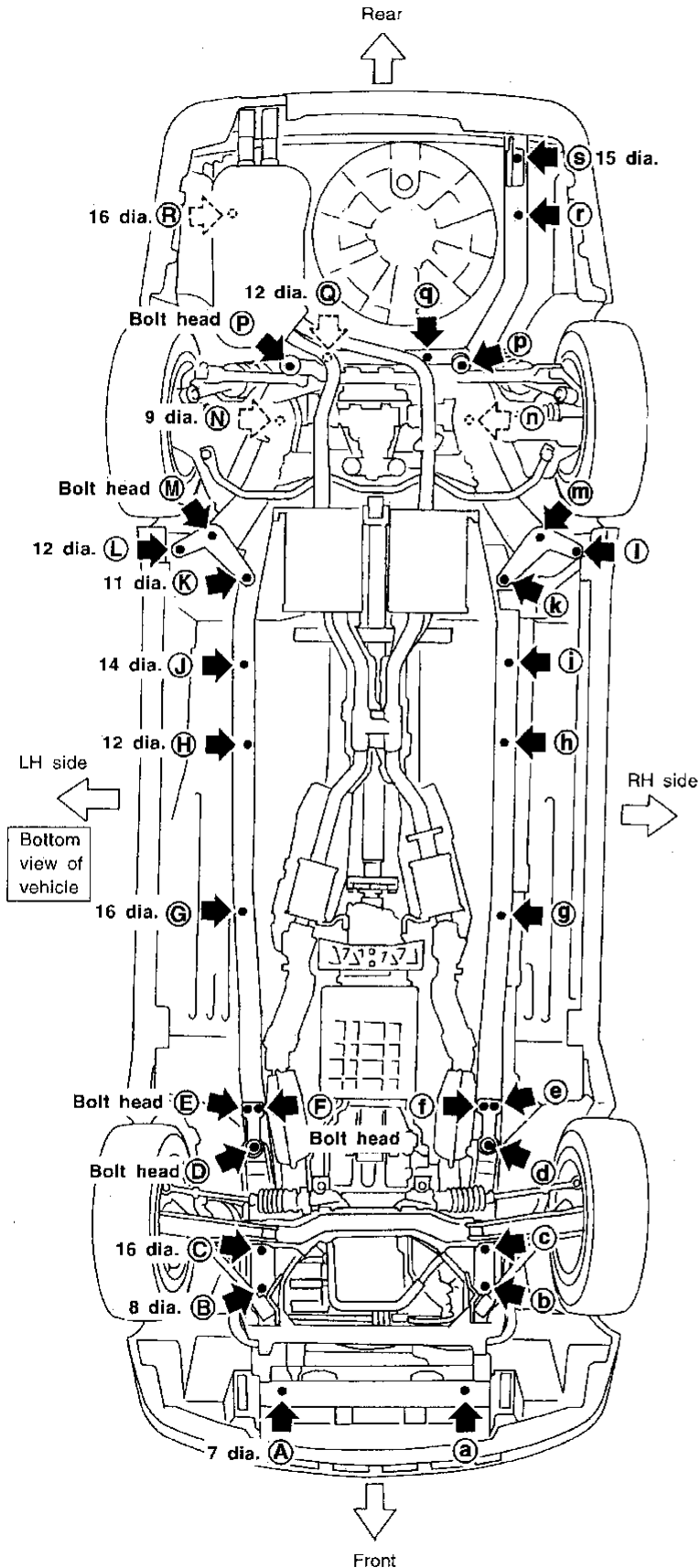
MEASUREMENT



BODY ALIGNMENT

Underbody (Cont'd)

MEASUREMENT POINTS

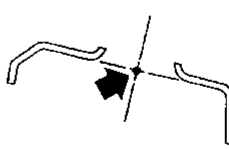


Coordinates:

A, a X: 315 Y: -596 Z: 173	G, g X: 430 Y: 1,060 Z: 110.4	N X: 376 Y: 2,820 Z: 397.7
B, b X: 405 Y: -427 Z: 311.9	H, h X: 437 Y: 1,685 Z: 104.8	n X: 361 Y: 2,782 Z: 397.7
C, c X: 400 Y: -290 Z: 302	J, j X: 442 Y: 1,965 Z: 106.2	P, p X: 320 Y: 2,995 Z: 274.1
D, d X: 395 Y: 270 Z: 119	K, k X: 432 Y: 2,258 Z: 151.2	Q, q X: 200 Y: 3,020 Z: 352.9
E, e X: 384 Y: 403.2 Z: 128.8	L, l X: 630 Y: 2,390 Z: 221.5	R, r X: 535 Y: 3,570 Z: 311.6
F, f X: 411 Y: 402.7 Z: 128.8	M, m X: 552 Y: 2,375 Z: 124.2	S X: 537.7 Y: 3,794 Z: 311.6

Front and rear strut tower centers

Coordinates:

T, t X: 543 Y: 71.5 Z: 800	
U, u X: 454 Y: 2,877.2 Z: 667.7	

Front: **T, t** 106 dia.
Rear: **U, u** 84 dia.

Unit: mm