

RESTRAINT SYSTEM

SECTION **RS**

GI
MA
EM
LG
EC
FE
AT
PD
FA
RA
ST
RS
BT
HA
EL
IDX

CONTENTS

PRECAUTION2	Removal - Front Passenger Air Bag Module19
Supplemental Restraint System (SRS) "AIR BAG" and "SEAT BELT PRE-TENSIONER".....2	Removal - Side Air Bag Module (Built-in type)20
SEAT BELTS3	Installation - Driver Air Bag Module and Spiral Cable.....22
Front Seat Belt.....4	Installation - Front Passenger Air Bag Module23
Rear Seat Belt5	Installation - Side Air Bag Module (Built-in type)23
Seat Belt Inspection.....7	Disposal of Air Bag Module and Seat Belt Pre-tensioner24
Tether Anchor Plate10	TROUBLE DIAGNOSES - Supplemental Restraint System (SRS)30
SUPPLEMENTAL RESTRAINT SYSTEM (SRS) 11	Trouble Diagnoses Introduction.....30
Precautions for SRS "AIR BAG" and "SEAT BELT PRE-TENSIONER" Service..... 11	How to Perform Trouble Diagnoses for Quick and Accurate Repair32
Special Service Tools 11	Schematic34
Description12	Wiring Diagram - SRS -35
Seat Belt Pre-tensioner with Load Limiter.....13	Self-diagnosis38
Built-in Type Side Air Bag.....13	Trouble Diagnoses for Air Bag Warning Lamp.....56
SRS Component Parts Location14	Trouble Diagnosis for Seat Belt Pre-tensioner Warning Lamp58
Maintenance Items14	COLLISION DIAGNOSIS60
Removal and Installation - Diagnosis Sensor Unit, Seat Belt Pre-tensioner and Satellite Sensor.....16	
Removal - Driver Air Bag Module and Spiral Cable.....18	

PRECAUTION

Supplemental Restraint System (SRS) “AIR BAG” and “SEAT BELT PRE-TENSIONER”

The Supplemental Restraint System such as “AIR BAG” and “SEAT BELT PRE-TENSIONER” used along with a seat belt, helps to reduce the risk or severity of injury to the driver and front passenger for certain types of collision. The SRS composition which is available to INFINITI Q45 is as follows:

- For a frontal collision
The Supplemental Restraint System consists of driver air bag module (located in the center of the steering wheel), front passenger air bag module (located on the instrument panel on passenger side), seat belt pre-tensioners, a diagnosis sensor unit, warning lamp, wiring harness and spiral cable.
- For a side collision
The Supplemental Restraint System consists of front side air bag module (located in the outer side of front seat), satellite sensor, diagnosis sensor unit (one of components of air bags for a frontal collision), wiring harness, warning lamp (one of components of air bags for a frontal collision).

WARNING:

- **To avoid rendering the SRS inoperative, which could increase the risk of personal injury or death in the event of a collision which would result in air bag inflation, all maintenance should be performed by an authorized INFINITI dealer.**
- **Improper maintenance, including incorrect removal and installation of the SRS, can lead to personal injury caused by unintentional activation of the system.**
- **Do not use electrical test equipment on any circuit related to the SRS unless instructed to in this Service Manual. Spiral cable and wiring harnesses (except satellite sensor and side air bag module) covered with yellow insulation tape either just before the harness connectors or for the complete harness are related to the SRS.**

SEAT BELTS

CAUTION:

- Before removing the seat belt pre-tensioner assembly, turn the ignition switch off, disconnect both battery cables and wait at least 3 minutes.
- Do not use electrical test equipment for seat belt pre-tensioner connector.
- After replacing or reinstalling seat belt pre-tensioner assembly, or reconnecting seat belt pre-tensioner connector, check the system function. Refer to “Self-diagnosis” (RS-39) for details.
- Do not use disassemble buckle or seat belt assembly.
- Replace anchor bolts if they are deformed or worn out.
- Never oil tongue and buckle.
- If any component of seat belt assembly is questionable, do not repair. Replace the whole seat belt assembly.
- If webbing is cut, frayed, or damaged, replace seat belt assembly.
- When replacing seat belt assembly, use a genuine seat belt assembly.

GI

MA

EM

LC

AFTER A COLLISION

WARNING:

Inspect all seat belt assemblies including retractors and attaching hardware after any collision. NISSAN recommends that all seat belt assemblies in use during a collision be replaced unless the collision was minor and the belts show no damage and continue to operate properly. Failure to do so could result in serious personal injury in an accident. Seat belt assemblies not in use during a collision should also be replaced if either damage or improper operation is noted. Seat belt pre-tensioner should be replaced even if the seat belts are not in use during a frontal collision in which the air bags are deployed.

EC

FE

AT

Replace any seat belt assembly if:

- The seat belt was in use at the time of a collision (except for minor collisions and the belts, retractors and buckles show no damage and continue to operate properly).
- The seat belt was damaged in an accident. (i.e. torn webbing, bent retractor or guide, etc.)
- The seat belt attaching point was damaged in an accident. Inspect the seat belt attaching area for damage or distortion and repair as necessary before installing a new seat belt assembly.
- Anchor bolts are deformed or worn out.
- The seat belt pre-tensioner should be replaced even if the seat belts are not in use during the collision in which the air bags are deployed.

PD

FA

RA

BR

ST

RS

BT

HA

EL

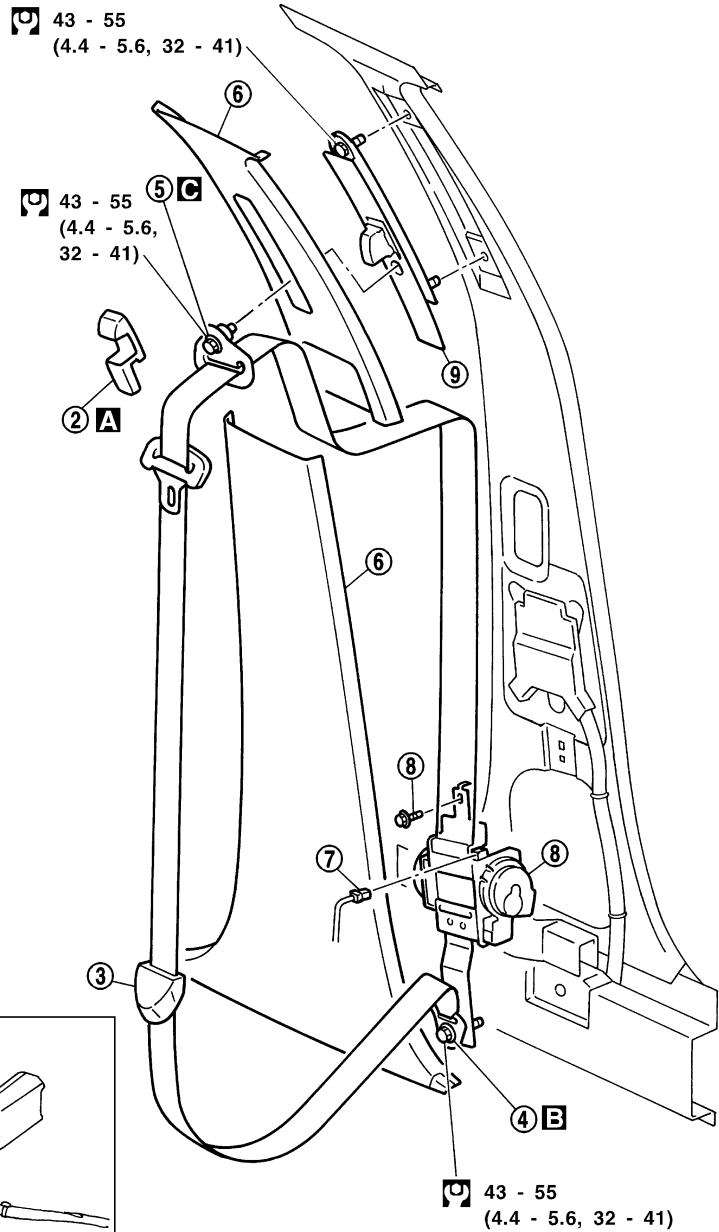
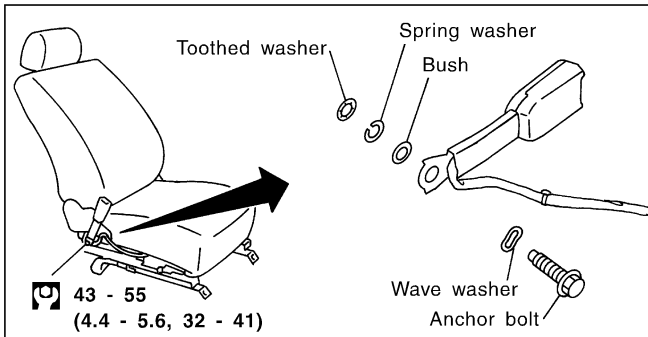
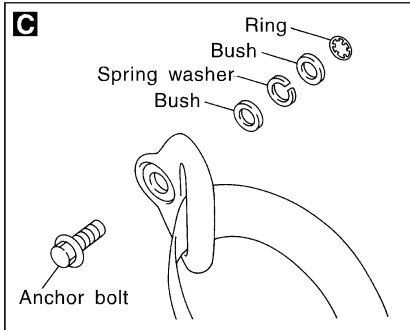
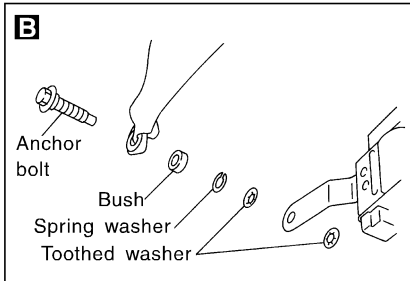
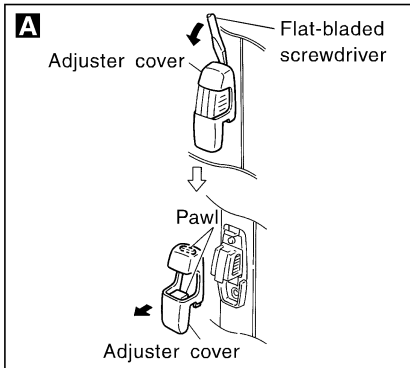
IDX

SEAT BELTS

Front Seat Belt

- ① Slide the seat all the way forward and tilt the seatback toward the front.
- ② Remove adjuster cover. **A**
- ③ Slide the anchor cover.
- ④ Remove outer anchor bolt. **B**
- ⑤ Remove shoulder anchor bolt. **C**
- ⑥ Remove center pillar upper and lower garnish. Refer to BT section, "SIDE AND FLOOR TRIM" for details.
- ⑦ Disconnect seat belt pre-tensioner connector.
- ⑧ Remove the bolt securing seat belt pre-tensioner retractor, then remove seat belt and seat belt pre-tensioner retractor.
- ⑨ Remove bolt securing seat belt adjuster, then remove seat belt adjuster.

SEC. 769•868



43 - 55 : N•m (kg-m, ft-lb)

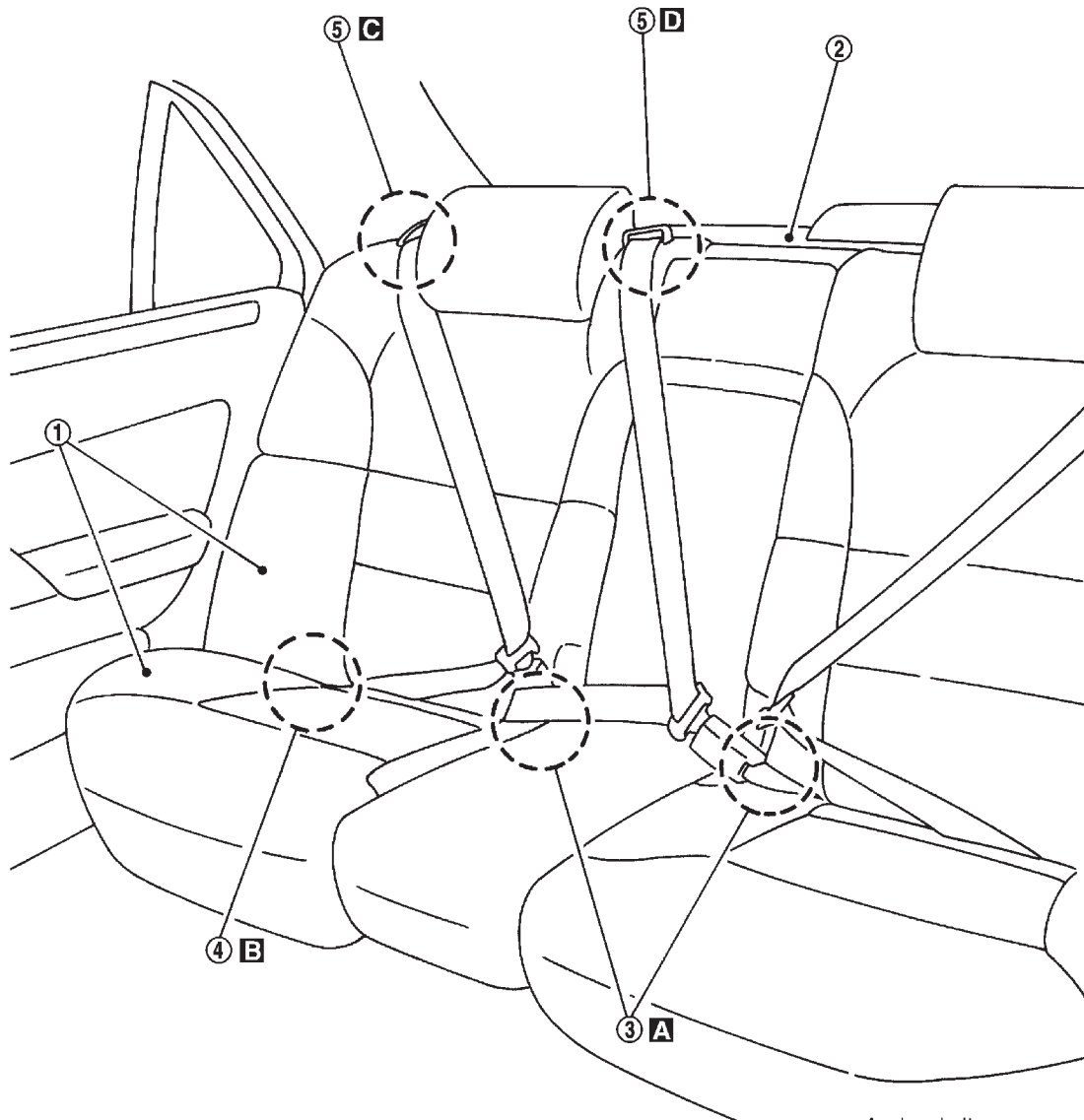
SRS751

SEAT BELTS


Rear Seat Belt


- ① Remove rear seat. Refer to BT section, "REAR SEAT" for details.
- ② Remove rear parcel shelf finisher. Refer to BT section, "SIDE AND FLOOR TRIM" for details.
- ③ Remove inner anchor bolt. **A**
- ④ Remove outer anchor bolt. **B**
- ⑤ Remove bolt and anchor bolt securing rear seat belt retractor. **C D**

SEC. 869



Anchor bolt

 43 - 55 (4.4 - 5.6, 32 - 41)

 : N·m (kg-m, ft-lb)

SRS595

GI

MA

EM

LC

EC

FE

AT

PD

FA

RA

BR

ST

RS

BT

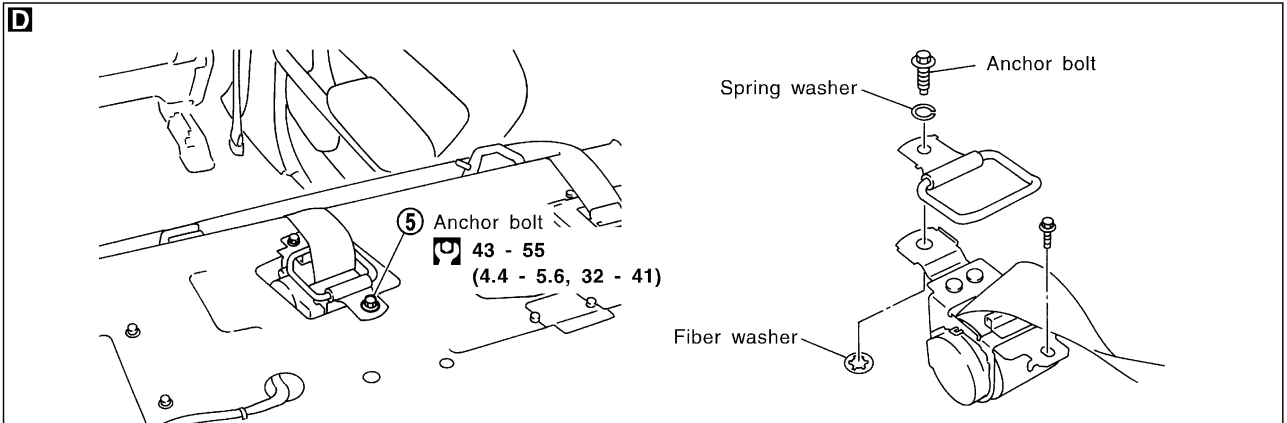
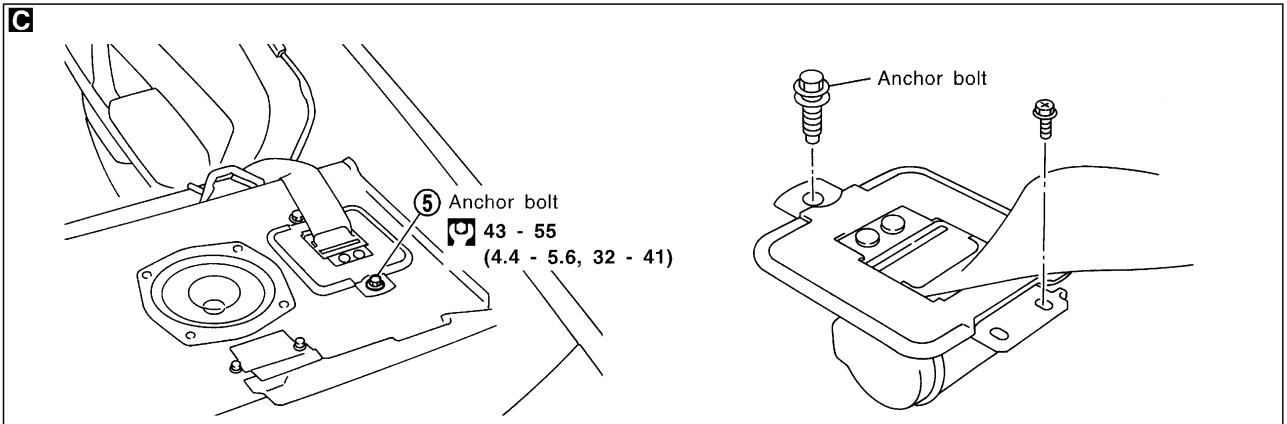
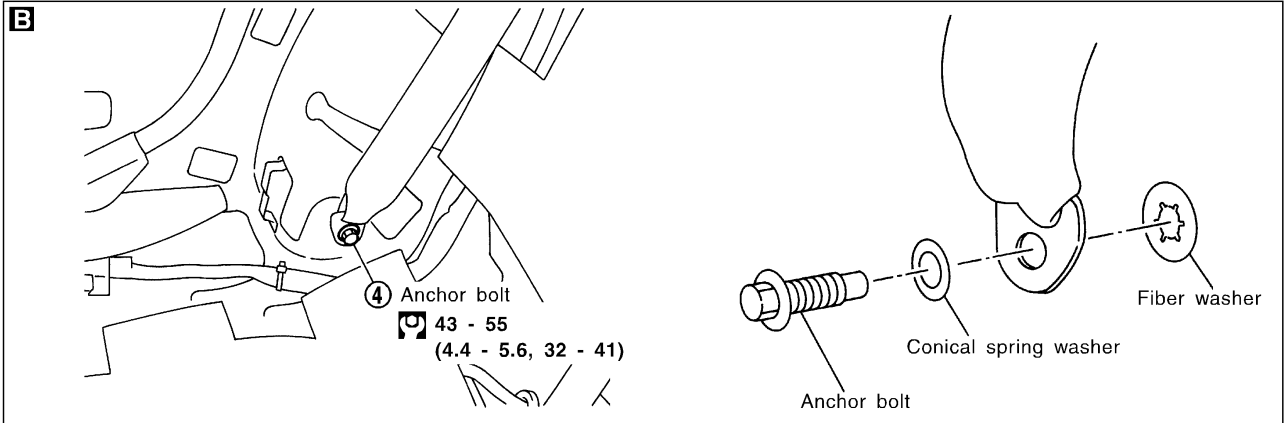
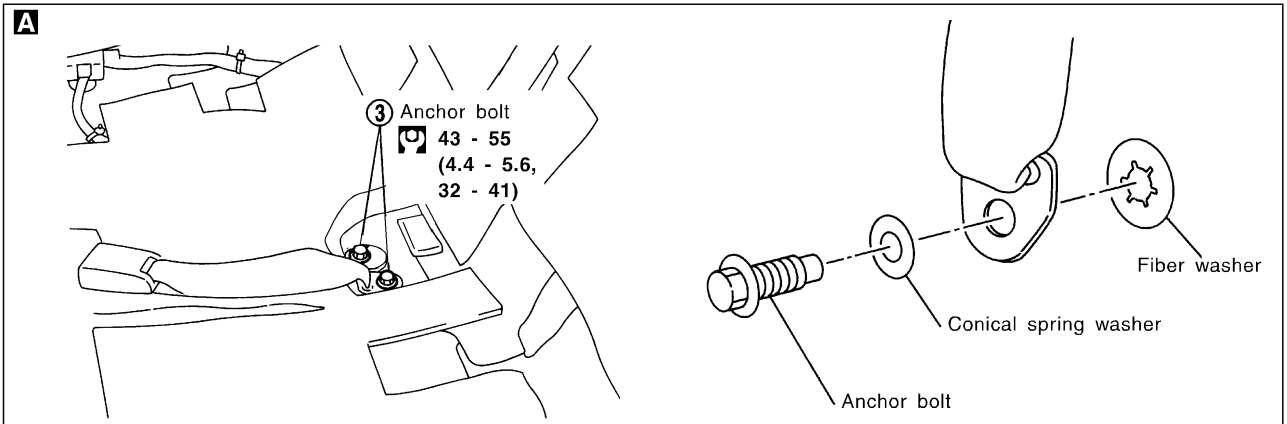
HA

EL

IDX

SEAT BELTS

Rear Seat Belt (Cont'd)



: N·m (kg-m, ft-lb)

SEAT BELTS

Seat Belt Inspection

AFTER A COLLISION

WARNING:

Inspect all seat belt assemblies including retractors and attaching hardware after any collision. NISSAN recommends that all seat belt assemblies in use during a collision be replaced unless the collision was minor and the belts show no damage and continue to operate properly. Failure to do so could result in serious personal injury in an accident. Seat belt assemblies not in use during a collision should also be replaced if either damage or improper operation is noted. Seat belt pre-tensioner should be replaced even if the seat belts are not in use during a frontal collision in which the air bags are deployed.

GI
MA
EM

Replace any seat belt assembly if:

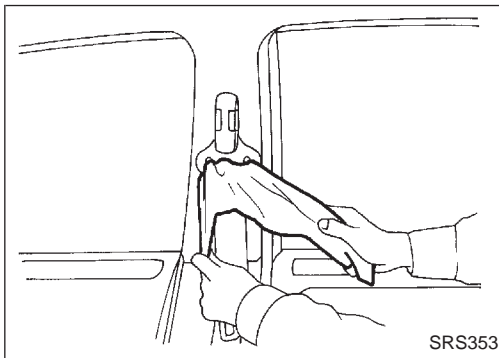
- The seat belt was in use at the time of a collision (except for minor collisions and the belts, retractors and buckles show no damage and continue to operate properly).
- The seat belt was damaged in an accident (i.e. torn webbing, bent retractor or guide, etc.).
- The seat belt attaching point was damaged in an accident. Inspect the seat belt attaching area for damage or distortion and repair as necessary before installing a new seat belt assembly.
- Anchor bolts are deformed or worn out.
- The seat belt pre-tensioner should be replaced even if the seat belts are not in use during the collision in which the air bags are deployed.

LC
EC
FE

PRELIMINARY CHECKS

1. Check the seat belt warning lamp/chime for proper operation as follows:
 - a. Switch ignition ON. The seat belt warning lamp should illuminate. Also, the seat belt warning chime should sound for about seven seconds.
 - b. Fasten driver's seat belt. The seat belt warning lamp should go out and the chime (if sounding) should stop.
 - c. If the seat belt warning lamp is blinking, conduct self-diagnosis using CONSULT-II, and seat belt warning lamp. Refer to "Self-diagnosis", "TROUBLE DIAGNOSES — Supplemental Restraint System (SRS)", RS-39.
2. Check that the seat belt retractor, seat belt anchor and buckle bolts are securely attached.
3. Check the shoulder seat belt guide and shoulder belt height adjuster for front seats. Ensure guide swivels freely and that belt lays flat and does not bind in guide. Ensure height adjuster operates properly and holds securely.

AT
PD
FA
RA
BR



4. Check retractor operation:
 - a. Fully extend the seat belt webbing and check for twists, tears or other damage.
 - b. Allow the seat belt to retract. Ensure that belt returns smoothly and completely into the retractor. If the seat belt does not return smoothly, wipe the inside of the loops with a clean paper cloth etc. because dirt built up in the loops of the upper anchors can cause the seat belts to retract slowly.
 - c. Fasten the seat belt. Pull firmly on belt and buckle to ensure belt remains latched. Unfasten seat belt. Ensure belt releases freely and buckle button returns to original position.
5. Repeat steps above as necessary to check the other seat belts.

ST
RS
BT
HA
EL
IDX

SEAT BELTS

Seat Belt Inspection (Cont'd)

SEAT BELT RETRACTOR ON-VEHICLE CHECK

Emergency Locking Retractors (ELR) and Automatic Locking Retractors (ALR)

NOTE:

All seat belt retractors are of the Emergency Locking Retractors (ELR) type. In an emergency (sudden stop) the retractor will lock and prevent the belt from extending any further. All 3-point type seat belt retractors except the driver's seat belt also have an Automatic Locking Retractors (ALR) mode. The ALR mode (also called child restraint mode) is used when installing child seats. The ALR mode is activated when the seat belt is fully extended. When the belt is then retracted partially, the ALR mode automatically locks the seat belt in a specific position so the belt cannot be extended any further. To cancel the ALR mode, allow the seat belt to fully wind back into the retractor.

Check the seat belt retractors using the following test(s) to determine if a retractor assembly is operating properly.

ELR function stationary check

Grasp the shoulder belt and pull forward quickly. The retractor should lock and prevent the belt from extending further.

ALR function stationary check

1. Pull out entire length of seat belt from retractor until a click is heard.
2. Retract the belt partially. A clicking noise should be heard as the belt retracts indicating retractor is in the Automatic Locking Retractors (ALR) mode.
3. Grasp the seat belt and try to pull out of retractor. Belt must lock and not extend further. If NG, replace the retractor assembly.
4. Allow the entire length of belt to retract to cancel the ALR mode.

ELR function moving check

WARNING:

Perform the following test in a safe, open area clear of other vehicles and obstructions (for example, a large, empty parking lot). Road surface must be paved and dry. DO NOT perform the following test on wet or gravel roads or on public streets and highways. This could result in an accident and serious personal injury. The driver and passenger must be prepared to brace themselves in the event the retractor does not lock.

1. Fasten driver's seat belt. Buckle a passenger into the seat for the belt.
2. Proceed to the designated safe area.
3. Drive the vehicle at approximately 16 km/h (10 MPH). Notify any passengers of the pending sudden stop and the driver and passenger must be prepared to brace themselves in the event the retractor does not lock. Apply brakes firmly and make a very hard stop.

During the stop, seat belts should lock and not extend. If the seat belt retractor assembly does not lock, perform the retractor off-vehicle check.

SEAT BELTS

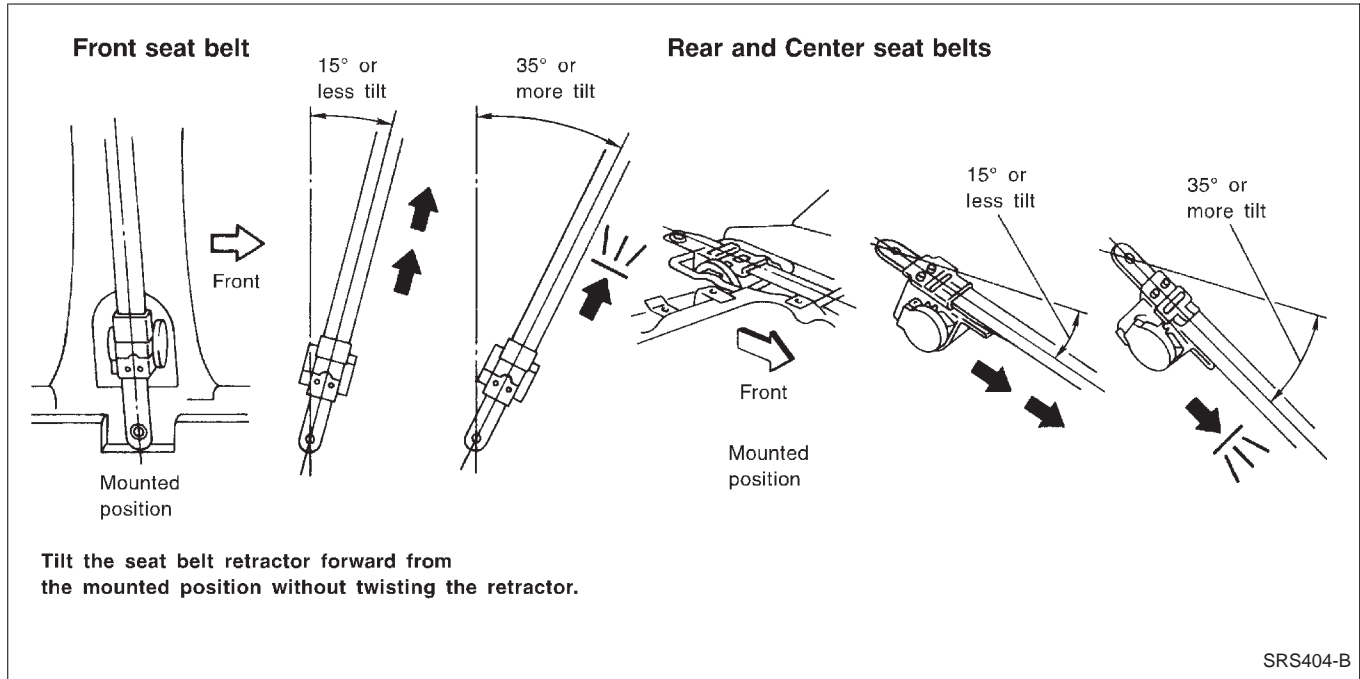
Seat Belt Inspection (Cont'd)

SEAT BELT RETRACTOR OFF-VEHICLE CHECK

1. Remove the seat belt retractor assembly.
2. Slowly pull out belt while tilting the retractor assembly forward from the mounted position without twisting the retractor as shown in the illustration.

15 degrees or less tilt: Belt can be pulled out.

35 degrees or more tilt: Belt locks and cannot be pulled out.



If NG, replace the retractor assembly.

GI

MA

EM

LC

EC

FE

AT

PD

FA

RA

BR

ST

RS

BT

HA

EL

IDX

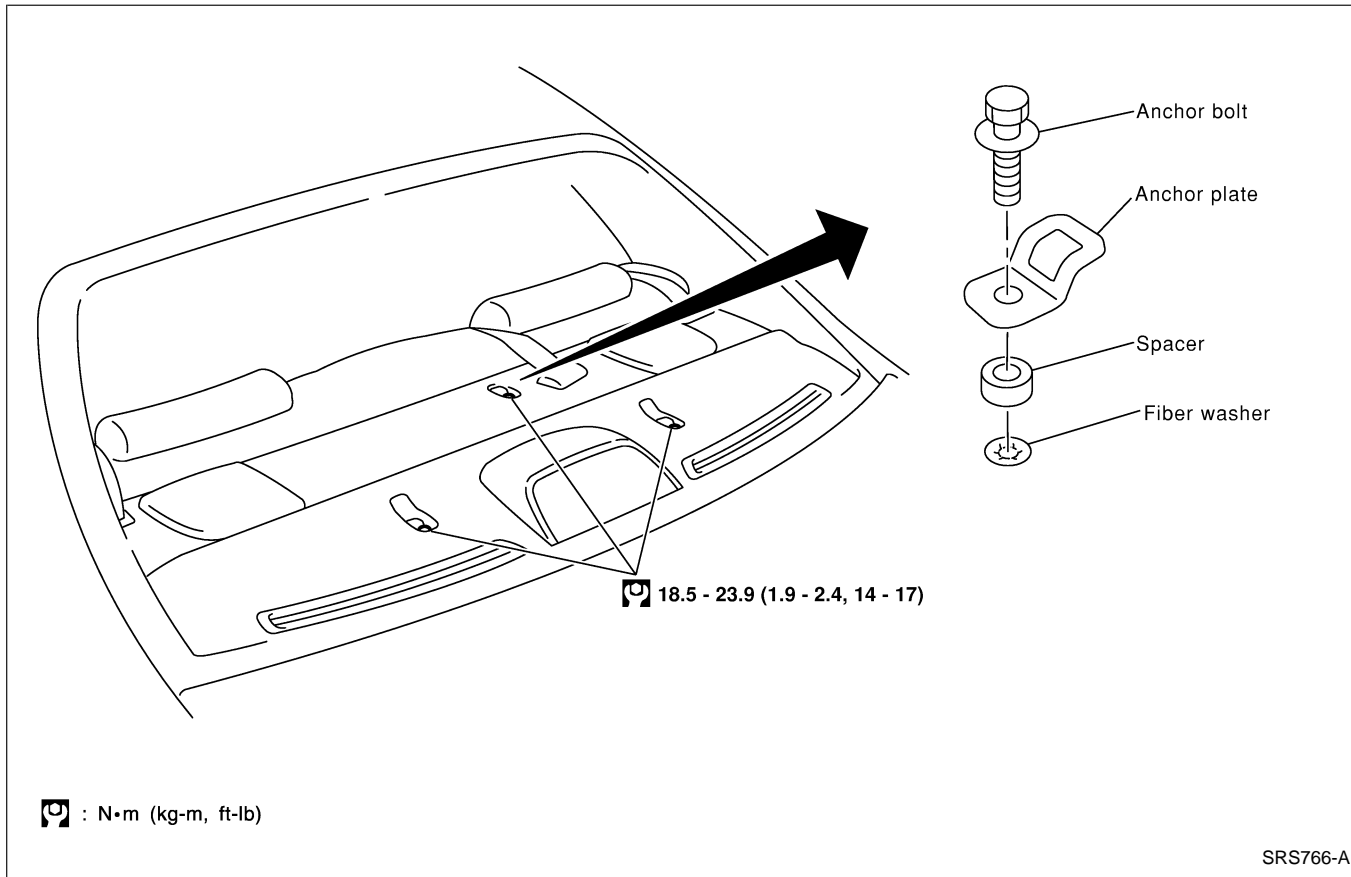
SEAT BELTS

Tether Anchor Plate

REMOVAL AND INSTALLATION

CAUTION:

Replace anchor bolts if they are deformed or worn out.



1. Remove tether anchor plate cover.
2. Remove tether anchor plate.

NOTE:

- To install, reverse the removal procedure sequence.

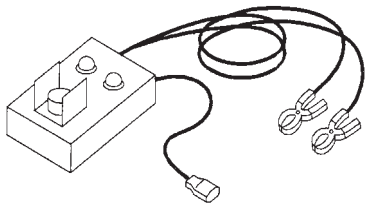
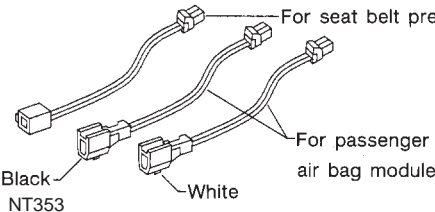
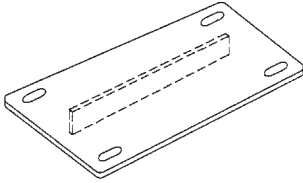
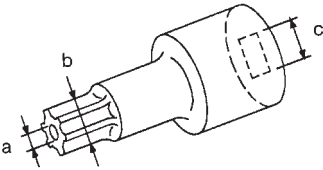
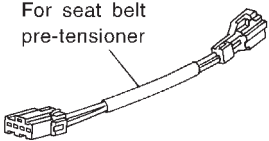
SUPPLEMENTAL RESTRAINT SYSTEM (SRS)

Precautions for SRS “AIR BAG” and “SEAT BELT PRE-TENSIONER” Service

- Do not use electrical test equipment to check SRS circuits unless instructed to in this Service Manual.
- Before servicing the SRS, turn ignition switch “OFF”, disconnect both battery cables and wait at least 3 minutes.
For approximately 3 minutes after the cables are removed, it is still possible for the air bag and seat belt pre-tensioner to deploy. Therefore, do not work on any SRS connectors or wires until at least 3 minutes have passed.
- Diagnosis sensor unit must always be installed with their arrow marks “↖” pointing towards the front of the vehicle for proper operation. Also check diagnosis sensor unit for cracks, deformities or rust before installation and replace as required.
- The spiral cable must be aligned with the neutral position since its rotations are limited. Do not attempt to turn steering wheel or column after removal of steering gear.
- Handle air bag module carefully. Always place driver and passenger air bag modules with the pad side facing upward and side air bag module (built-in type) with the stud bolt side facing down.
- Conduct self-diagnosis to check entire SRS for proper function after replacing any components.
- After air bag inflates, the front instrument panel assembly should be replaced if damaged.

Special Service Tools

The actual shapes of Kent-Moore tools may differ from those of special service tools illustrated here.

Tool number (Kent-Moore No.) Tool name	Description	
KV991072S0 (J38381-KIT) Air bag deployment kit	 NT357	Disposing of air bag module
KV99106400 (J38381) Deployment tool		
KV991065S0 (J38381-30) Deployment tool adapters	 NT353	*Deployment tool adapters for seat belt pre-tensioner and for passenger air bag module with black connector are not necessary for servicing INFINITI Q45.
KV99105300 (J41246) Air bag module bracket	 NT354	Anchoring air bag module
HT61961000 and HT62152000 combined (J38219) *Special torx bit	 NT361	Use for special bolts [TAMPER RESISTANT TORX (Size T50)] a: 3.5 (0.138) dia. b: 8.5 - 8.6 (0.335 - 0.339) dia. c: approx. 10 (0.39) sq. Unit: mm (in)
KV99108200 (J38381-50) Deployment tool adapters for seat belt pre-tensioner	 NT721	

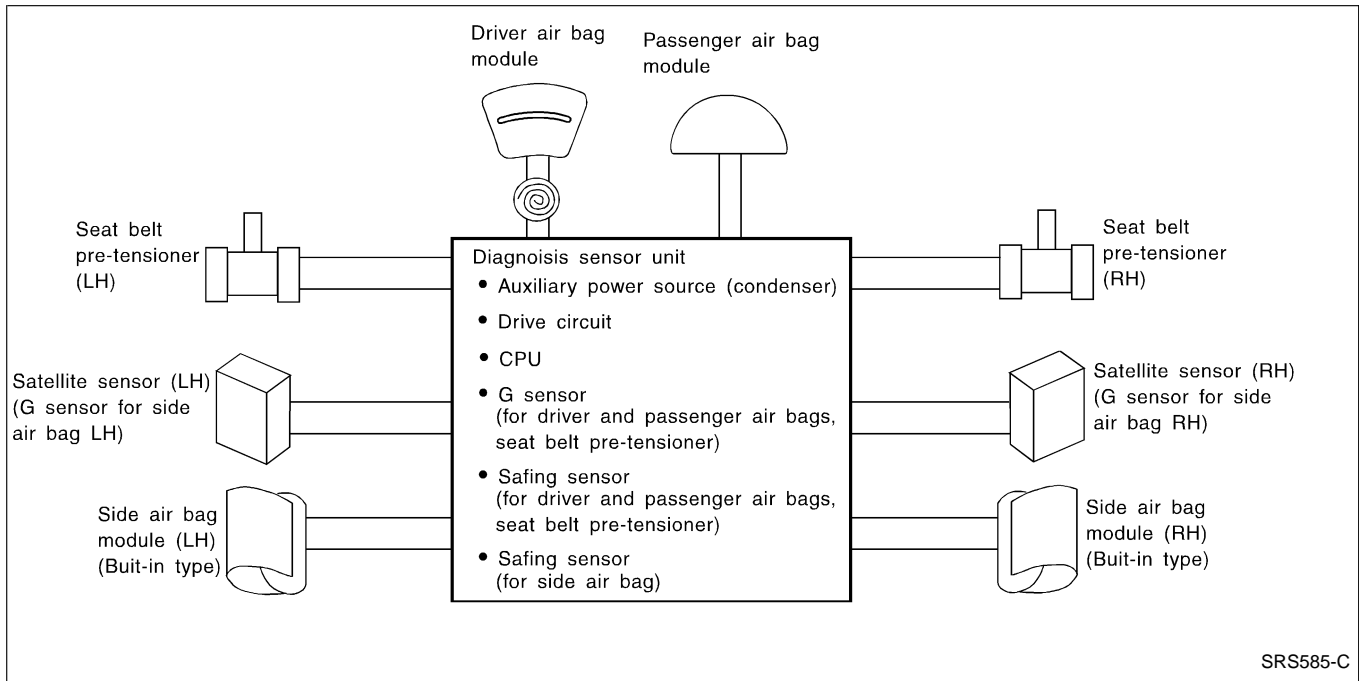
*: Special tool or commercial equivalent

GI
MA
EM
LC
EC
FE
AT
PD
FA
RA
BR
ST
RS
BT
HA
EL
IDX

SUPPLEMENTAL RESTRAINT SYSTEM (SRS)

Description

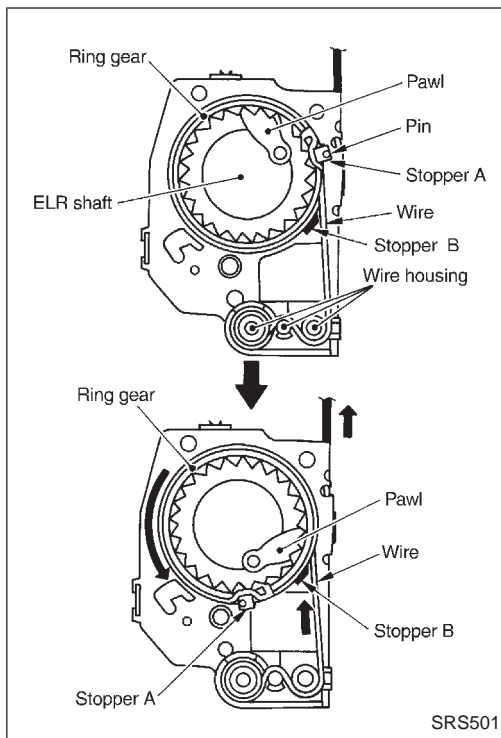
The air bag deploys if the diagnosis sensor unit activates while the ignition switch is in “ON” or “START” position.



The collision modes for which supplemental restraint systems are activated are different among the SRS systems. For example, the driver air bag module and passenger air bag module are activated in a frontal collision but not in a side collision.

SRS configurations which are activated for some collision modes are as follows;

SRS configuration	Frontal collision	Left side collision	Right side collision
Driver air bag module	○	—	—
Passenger air bag module	○	—	—
Seat belt pre-tensioner (LH)	○	—	—
Seat belt pre-tensioner (RH)	○	—	—
Side air bag module (LH)	—	○	—
Side air bag module (RH)	—	—	○

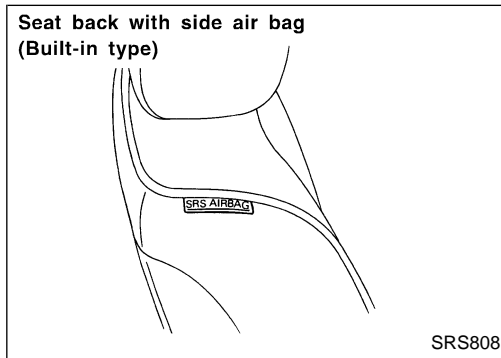


Seat Belt Pre-tensioner with Load Limiter

The seat belt pre-tensioner system with load limiter is installed to both the driver's seat and the front passenger's seat. It operates simultaneously with the SRS air bag system in the event of a frontal collision with an impact exceeding a specified level.

When the frontal collision with an impact exceeding a specified level occurs, seat belt slack resulting from clothing or other factors is immediately taken up by the pre-tensioner. Vehicle passengers are securely restrained.

When passengers in a vehicle are thrown forward in a collision and the restraining force of the seat belt exceeds a specified level, the stopper-A pin will break, allowing the ring gear to rotate. At this point, resistance force from the belt housing is applied to the wire attached to the ring gear so that the wire keeps a constant level of tension (resistance against further rotation of the ring gear in the normal direction). As the ring gear stopper-A rotates and reaches the stopper-B position, it will cease rotation, causing the seat belt webbing to stop extending. By the mechanism, the load limiter permits the specified extension of the seat belt, and a relaxation of the chest-area seat belt web tension while maintaining force.



Built-in Type Side Air Bag

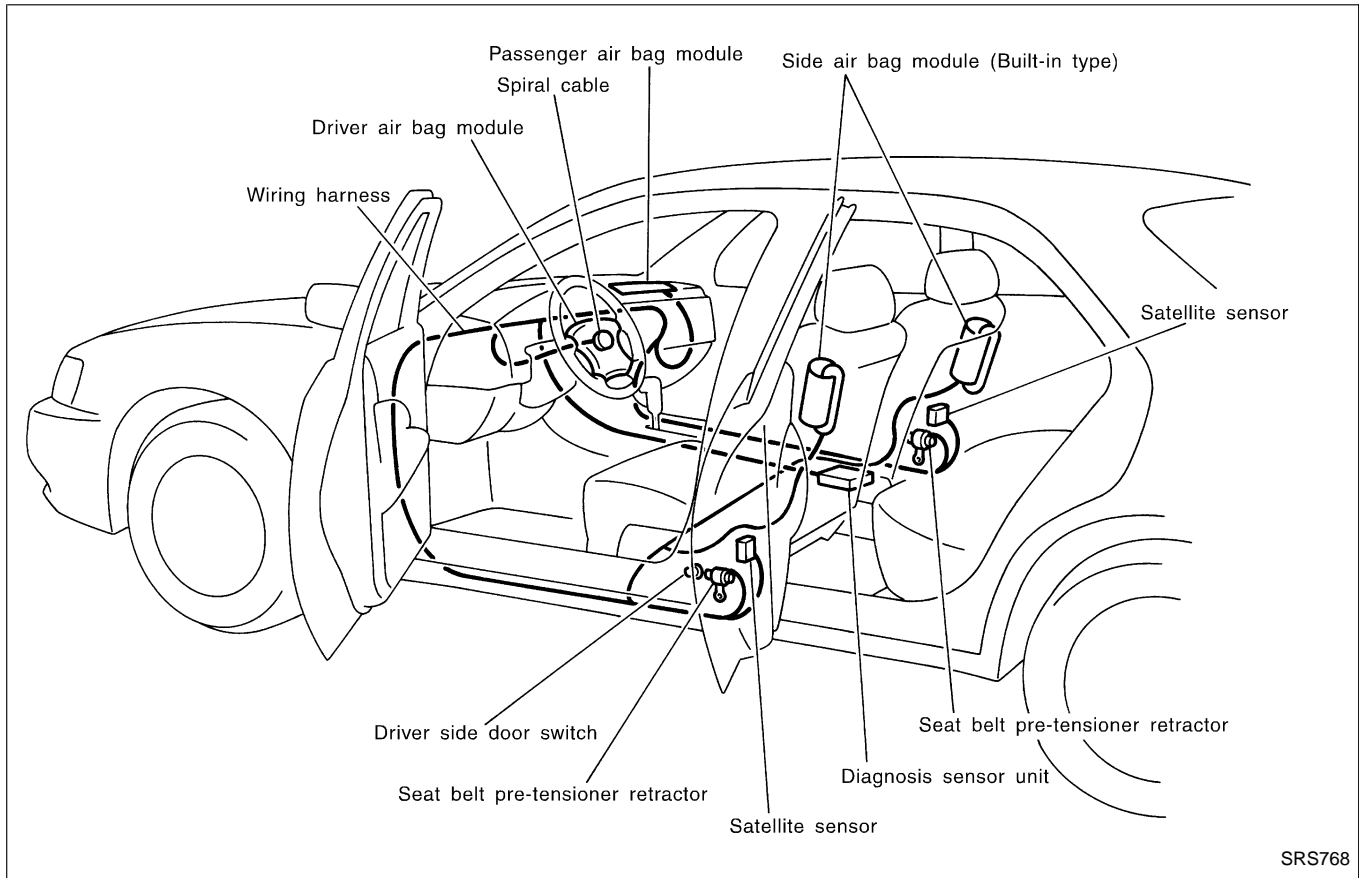
Side air bag is built-in type.

The front seat back with built-in type side air bag has the label shown in the figure at left.

GI
MA
EM
LC
EC
FE
AT
PD
FA
RA
BR
ST
RS
BT
HA
EL
IDX

SUPPLEMENTAL RESTRAINT SYSTEM (SRS)

SRS Component Parts Location



Maintenance Items

CAUTION:

Do not use a circuit tester to check SRS circuit.

1. Check operation of "AIR BAG" and "SEAT BELT" warning lamps.

After turning ignition key to "ON" position, both warning lamps illuminate. The "AIR BAG" warning lamp will go off after about 7 seconds if no malfunction is detected. The "SEAT BELT" warning lamp will also go off after about 7 seconds after seat belt has been fastened and no malfunction is detected. (When seat belt has not been fastened, the warning lamp continues to illuminate until seat belt is fastened.)

If any of the following warning lamp conditions occur, immediately check the air bag or seat belt pre-tensioner system. Refer to RS-38 or RS-39 for details.

- The "AIR BAG" or "SEAT BELT" warning lamp does not illuminate when the ignition switch is turned "ON".
- The "AIR BAG" or "SEAT BELT" (with seat belt fastened) warning lamp does not go off about 7 seconds after the ignition switch is turned "ON".
- The "AIR BAG" or "SEAT BELT" (with seat belt fastened) warning lamp blinks after about 7 seconds after the ignition switch is turned "ON".

SUPPLEMENTAL RESTRAINT SYSTEM (SRS)

Maintenance Items (Cont'd)

2. Visually check SRS components.
 - (1) Diagnosis sensor unit
 - Check diagnosis sensor unit and bracket for dents, cracks and deformities.
 - Check connectors for damage and terminals for deformities.
 - (2) Air bag module and steering wheel
 - Remove air bag module from steering wheel, instrument panel or seatback. Check harness cover and connectors for damage, terminals for deformities, and harness for binding.
 - Install driver air bag module to steering wheel to check fit or alignment with the wheel.
 - Check steering wheel for excessive free play.
 - Install passenger air bag module to instrument panel to check fit or alignment with the instrument panel.
 - Install side air bag module to seatback to check fit and alignment with the seat.
 - (3) Spiral cable
 - Check spiral cable for dents, cracks and deformities.
 - Check connectors and protective tape for damage.
 - Check steering wheel for noise, binding and heavy operation.
 - (4) Main harness, air bag harness, body harness, side air bag module sub-harness
 - Check connectors for poor connections, damage, and terminals for deformities.
 - Check harnesses for binding, chafing and cuts.
 - (5) Seat belt pre-tensioner
 - Check harness cover and connectors for damage, terminals for deformities, and harness for binding.
 - Check belts for damage and anchors for loose mounting.
 - Check retractor for smooth operation.
 - Perform self-diagnosis for seat belt pre-tensioner using seat belt warning lamp or CONSULT-II. Refer to "Self-diagnosis" for details. (RS-39)
 - (6) Satellite sensor
 - Check satellite sensor (including bracket portion) for dents, cracks or deformities.
 - Check connectors for damage, and terminals for deformities.

CAUTION:

Replace previously used special bolts and ground bolt with new ones.

GI

MA

EM

LC

EC

FE

AT

PD

FA

RA

BR

ST

RS

BT

HA

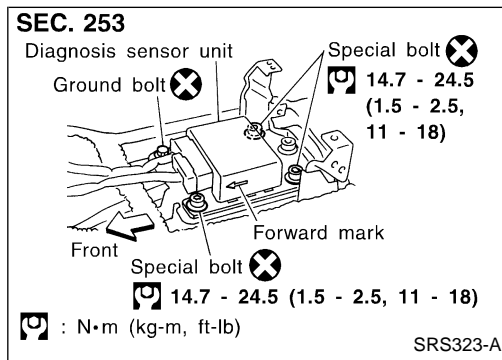
EL

IDX

Removal and Installation — Diagnosis Sensor Unit, Seat Belt Pre-tensioner and Satellite Sensor

CAUTION:

- Before servicing SRS, turn the ignition switch off, disconnect both battery cables and wait at least 3 minutes.
- The special bolts are coated with bonding agent while the other bolt is for ground. Do not use old bolts after removal; replace with new ones.
- Check diagnosis sensor unit, seat belt pre-tensioner and satellite sensor for proper installation.
- Check diagnosis sensor unit and satellite sensor to ensure they are free of deformities, dents, cracks or rust. If they show any visible signs of damage, replace them with new ones.
- Check diagnosis sensor unit brackets to ensure they are free of deformities and rust.
- After replacement of diagnosis sensor unit, seat belt pre-tensioner and satellite sensor, check SRS function and perform self-diagnosis for SRS. Refer to “Self-diagnosis” for details. (RS-38)
- Do not attempt to disassemble diagnosis sensor unit, seat belt pre-tensioner and satellite sensor.
- Replace diagnosis sensor unit, seat belt pre-tensioner and satellite sensor if it has been dropped or sustained an impact.
- Do not expose seat belt pre-tensioner to temperatures exceeding 80°C (176°F).

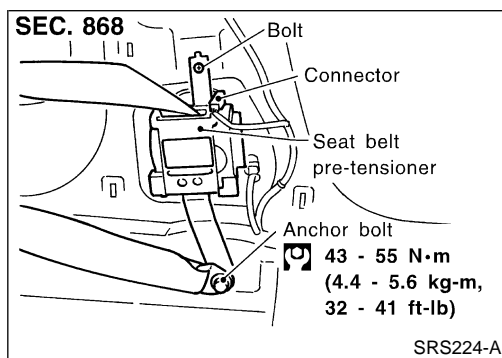


REMOVAL OF DIAGNOSIS SENSOR UNIT

1. Disconnect driver, passenger and side air bag module connectors. Also, disconnect seat belt pre-tensioner connector.
2. Remove console box. Refer to BT section, “INSTRUMENT PANEL”.
3. Disconnect diagnosis sensor unit connector.
4. Remove ground bolt and also remove special bolts using the TAMPER RESISTANT TORX (Size T50), from diagnosis sensor unit.
Then remove the diagnosis sensor unit.

NOTE:

- To install, reverse the removal procedure sequence.



REMOVAL OF SEAT BELT PRE-TENSIONER

For removal of seat belt pre-tensioner, refer to “Front Seat Belt” for details. (RS-4)

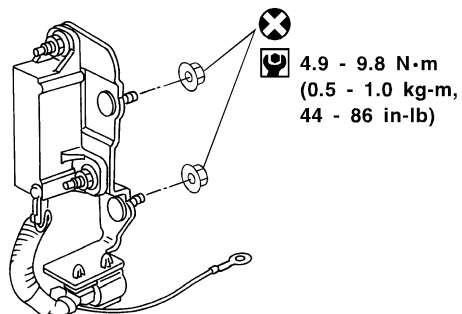
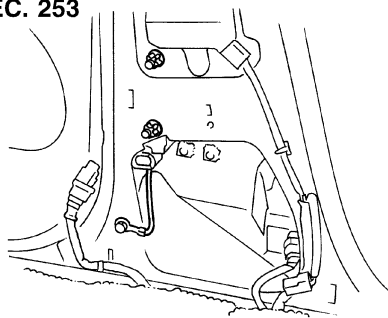
NOTE:

- To install, reverse the removal procedure sequence.

SUPPLEMENTAL RESTRAINT SYSTEM (SRS)

Removal and Installation — Diagnosis Sensor Unit, Seat Belt Pre-tensioner and Satellite Sensor (Cont'd)

SEC. 253



SRS324-B

REMOVAL OF SATELLITE SENSOR

1. Remove seat belt pre-tensioner. Refer to "REMOVAL OF SEAT BELT PRE-TENSIONER" for details. (RS-16)
2. Disconnect satellite sensor connector.
3. Remove bolt and nuts from satellite sensor unit. Then remove the satellite sensor.

NOTE:

- To install, reverse the removal procedure sequence.

GI

MA

EM

LC

EC

FE

AT

PD

FA

RA

BR

ST

RS

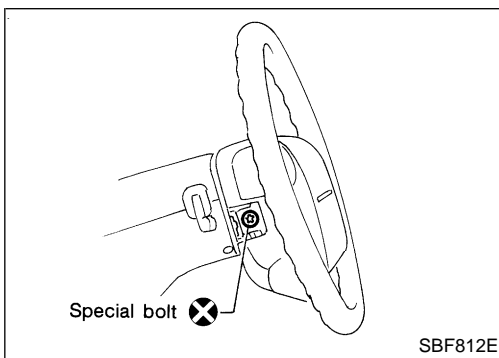
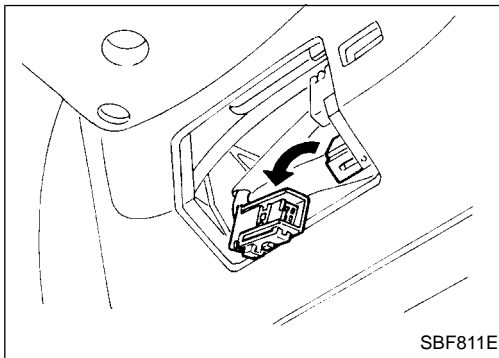
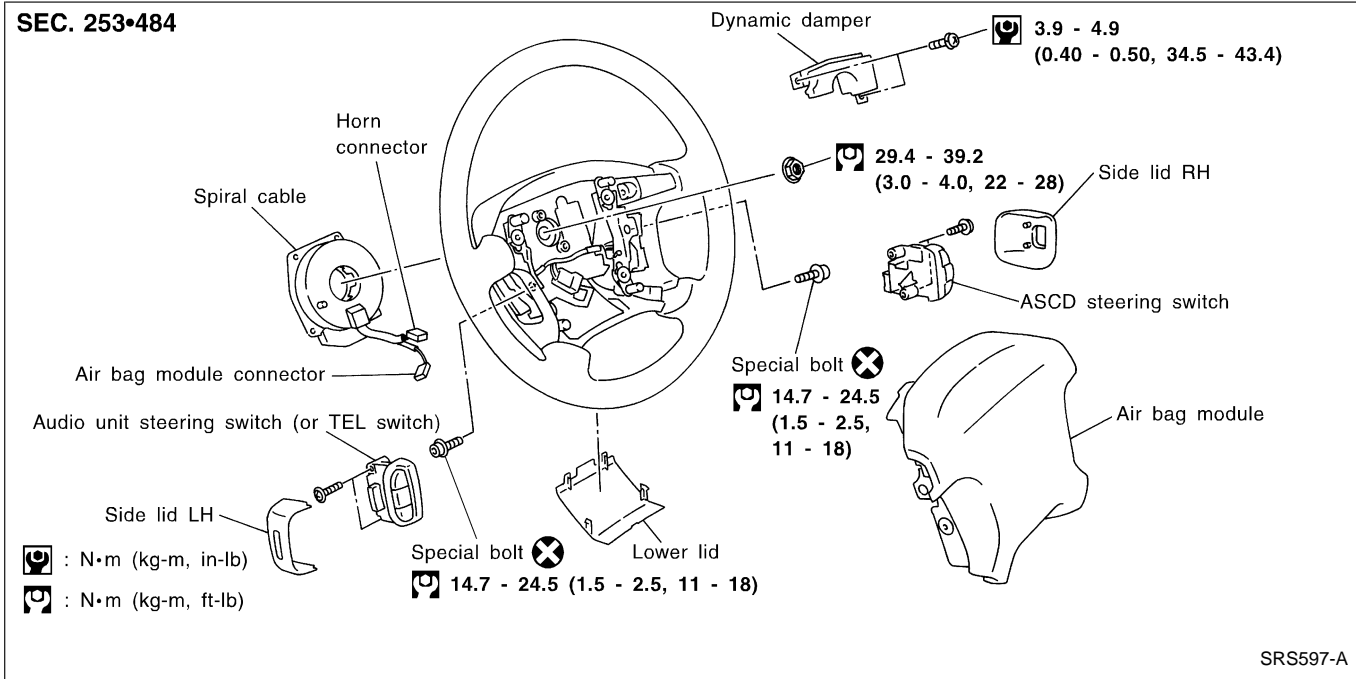
BT

HA

EL

IDX

Removal — Driver Air Bag Module and Spiral Cable



CAUTION:

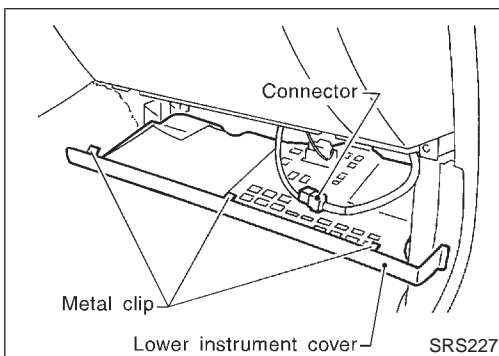
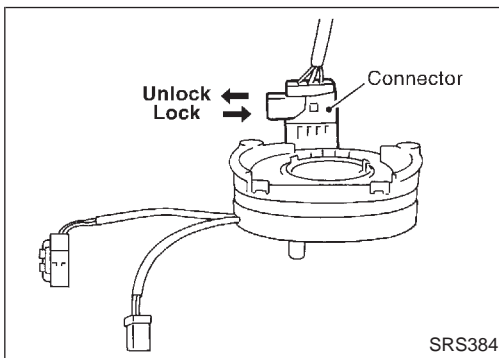
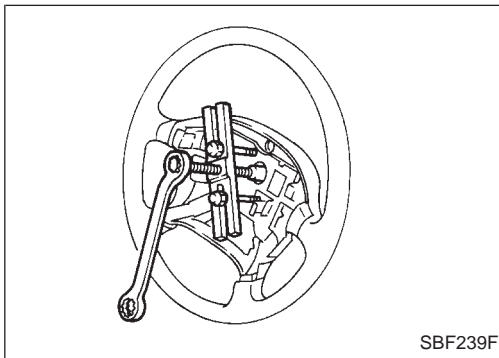
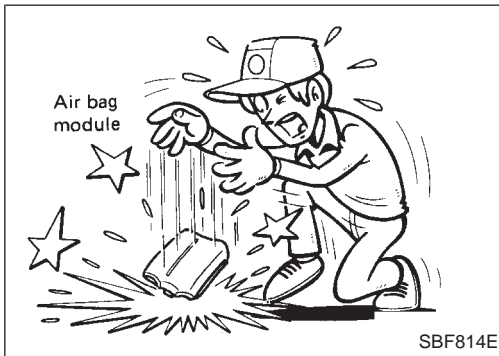
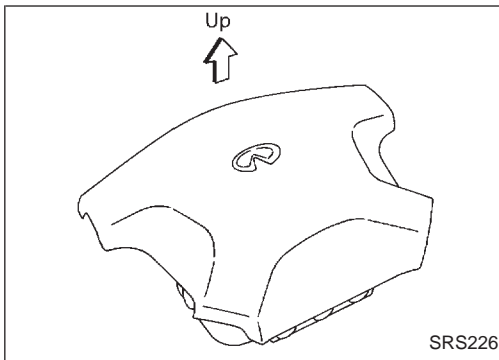
- Before servicing SRS, turn the ignition switch off, disconnect both battery cables and wait at least 3 minutes.
- Always work from the side of air bag module.

1. Remove lower lid from steering wheel, and disconnect air bag module connector.
2. Remove side lids, and remove ASCD switch and audio unit steering switch (or TEL switch).

3. Using the TAMPER RESISTANT TORX (Size T50), remove left and right special bolts. Air bag module can then be removed.

SUPPLEMENTAL RESTRAINT SYSTEM (SRS)

Removal — Driver Air Bag Module and Spiral Cable (Cont'd)



CAUTION:

- Always place air bag module with pad side facing upward.
- Do not attempt to disassemble air bag module.
- The special bolts are coated with bonding agent. Do not use old bolts after removal; replace with new ones.
- Do not insert any foreign objects (screwdriver, etc.) into air bag module connector.

- Replace air bag module if it has been dropped or sustained an impact.
- Do not expose the air bag module to temperatures exceeding 90°C (194°F).
- Do not allow oil, grease or water to come in contact with the air bag module.

4. Set steering wheel in the neutral position.
5. Disconnect horn connector and remove nuts.
6. Remove dynamic damper. Then using steering wheel puller, remove steering wheel. Be careful not to over-tighten puller bolt on steering wheel.

CAUTION:

- Do not tap or bump the steering wheel.
7. Remove steering column cover.

8. Unlock the spiral cable connector. Then disconnect connector and remove the four screws. The spiral cable can then be removed.

CAUTION:

- Do not attempt to disassemble spiral cable.
- Do not apply lubricant to the spiral cable.

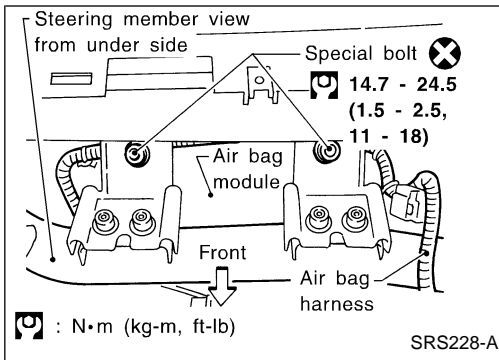
Removal — Front Passenger Air Bag Module

CAUTION:

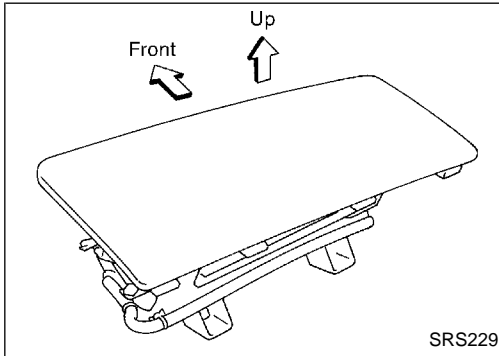
- Before servicing SRS, turn the ignition switch off, disconnect both battery cables and wait at least 3 minutes.
 - Always work from the side of or under air bag module.
1. Remove lower instrument cover.
 2. Remove connector bracket from air bag module and disconnect inflator connector from body harness air bag connector.
 3. Remove glove box assembly. Refer to BT section, "INSTRUMENT PANEL" for details.

SUPPLEMENTAL RESTRAINT SYSTEM (SRS)

Removal — Front Passenger Air Bag Module (Cont'd)

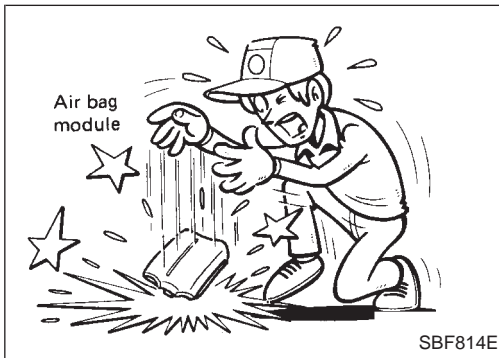


4. Remove special bolts from air bag module using TAMPER RESISTANT TORX (Size T50).
 5. Remove mounting bolts from back of instrument assembly.
 6. Move air bag module upward, and remove it from instrument assembly.
- The air bag module is heavy and should be supported using both hands during removal.



CAUTION:

- Always place air bag module with pad side facing upward.
- Do not attempt to disassemble air bag module.
- The special bolts are coated with bonding agent. Do not use old bolts after removal; replace with new coated bolts.
- Do not insert any foreign objects (screwdriver, etc.) into air bag module connector.

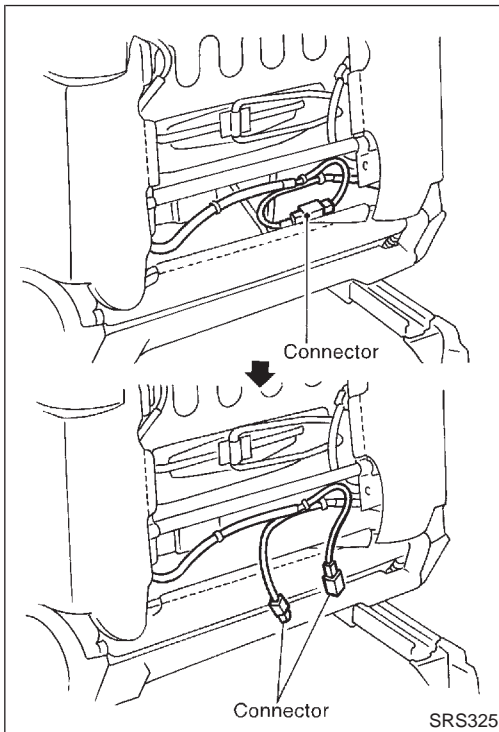


- Replace air bag module if it has been dropped or sustained an impact.
- Do not expose the air bag module to temperatures exceeding 90°C (194°F).
- Do not allow oil, grease or water to come in contact with the air bag module.
- After air bag inflates, the front instrument panel assembly should be replaced if damaged.

Removal — Side Air Bag Module (Built-in type)

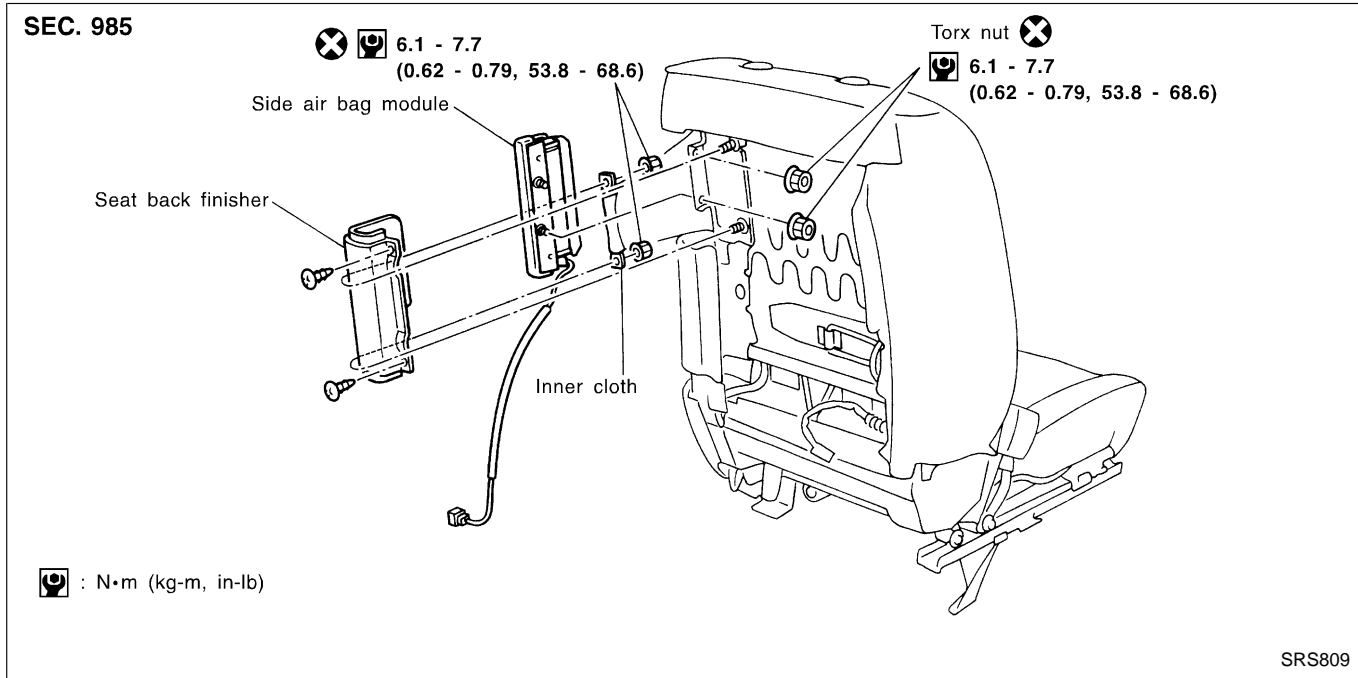
CAUTION:

- Before servicing SRS, turn the ignition switch off, disconnect both battery cables and wait at least 3 minutes.
 - Always work from the rear of air bag module.
1. Remove seat back board.
 - When using a clip removal tool to remove the seat back board, take care not to damage the air bag harness.
 2. Disconnect side air bag module connector.

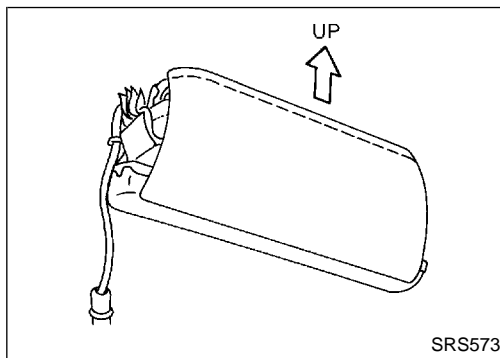


SUPPLEMENTAL RESTRAINT SYSTEM (SRS)

Removal — Side Air Bag Module (Built-in type) (Cont'd)

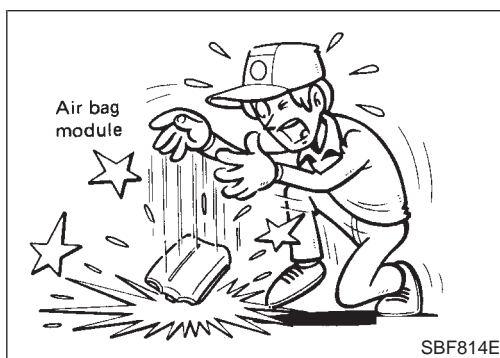


3. Pull up the seat back trim.
4. Remove the nuts securing the inner cloth which covers side air bag module. Then pull up the inner cloth.
5. Remove the screws securing the seat back finisher. Then remove the seat back finisher.
6. Remove the torx nuts coated with bonding agent from side air bag module.
7. Remove harness clips. Side air bag module can then be removed.



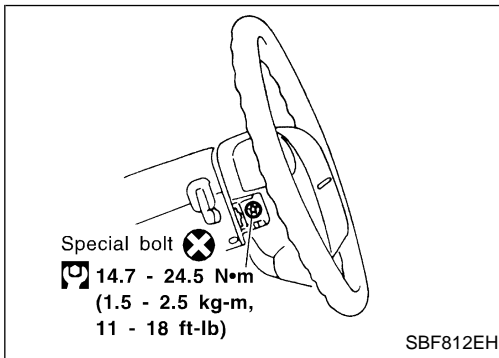
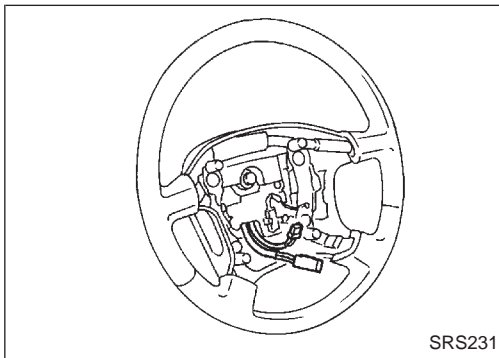
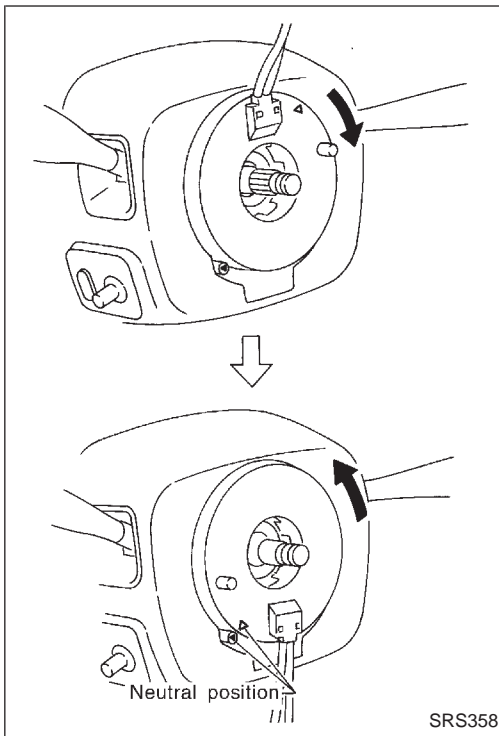
CAUTION:

- Always place the air bag module with the stud bolt side facing down.
- Do not attempt to disassemble air bag module.
- The torx nuts are coated with bonding agent. Do not use old nuts after removal; replace with new coated nuts.
- Do not insert any foreign objects (screwdriver, etc.) into air bag module connector.



- Replace air bag module if it has been dropped or sustained an impact.
- Do not expose the air bag module to temperatures exceeding 90°C (194°F).
- Do not allow oil, grease or water to come in contact with the air bag module.
- After air bag inflates, all parts of front seat back (including front seat back frame) should be replaced.

SUPPLEMENTAL RESTRAINT SYSTEM (SRS)



Installation — Driver Air Bag Module and Spiral Cable


1. Set the front wheels in the straight-ahead position.
2. Make sure that the spiral cable is in the neutral position.
The neutral position is detected by turning left about 2.5 revolutions from the right end position. Align the two marks (X).

CAUTION:

- The spiral cable may snap due to steering operation if the cable is installed in an improper position.
Also, with the steering linkage disconnected, the cable may snap by turning the steering wheel beyond the limited number of turns.

The spiral cable can be turned up to about 2.5 turns from the neutral position to both the right and left.

3. Connect and lock spiral cable connector and tighten with screws. Install steering column cover.

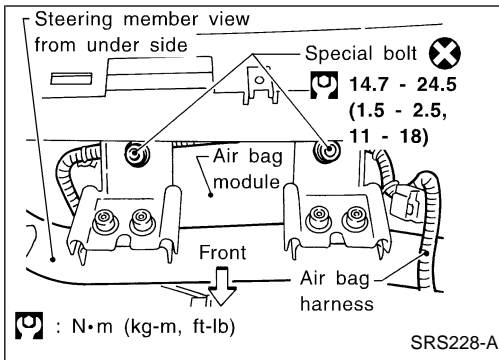
4. Install steering, wheel setting spiral cable pin guide, and pull spiral cable through.
5. Connect horn connector and engage spiral cable with pawls in steering wheel. Move air bag module connector away from steering wheel lower lid opening.
6. Tighten nut.
: 29.4 - 39.2 N•m (3.0 - 4.0 kg-m, 22 - 28 ft-lb)
7. Install dynamic damper.

8. Position air bag module and tighten with new special bolts.
 - **Always service the air bag module from the side.**
9. Connect air bag module connector.
10. Install steering switches and lid.
11. Go to "Self-diagnosis", RS-38 and perform self-diagnosis to ensure entire SRS operates properly. (Use CONSULT-II or warning lamp check.)
Before performing self-diagnosis, connect both battery cables.
12. Turn steering wheel to the left end and then to the right end fully to make sure that spiral cable is set in the neutral position.

If air bag warning lamp blinks or stays ON (at the User mode), it shows the spiral cable may be snapped due to its improper position. Perform self-diagnosis again (use CONSULT-II or warning lamp). If a malfunction is detected, replace the spiral cable with a new one.

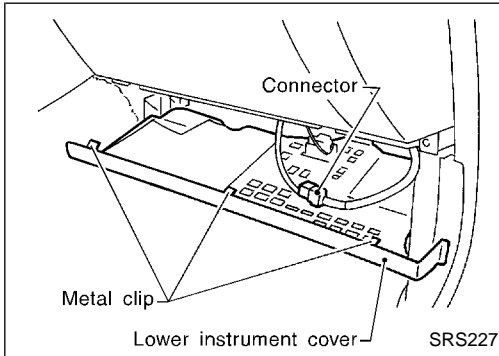
13. Perform self-diagnosis again to check that no malfunction is detected.

SUPPLEMENTAL RESTRAINT SYSTEM (SRS)



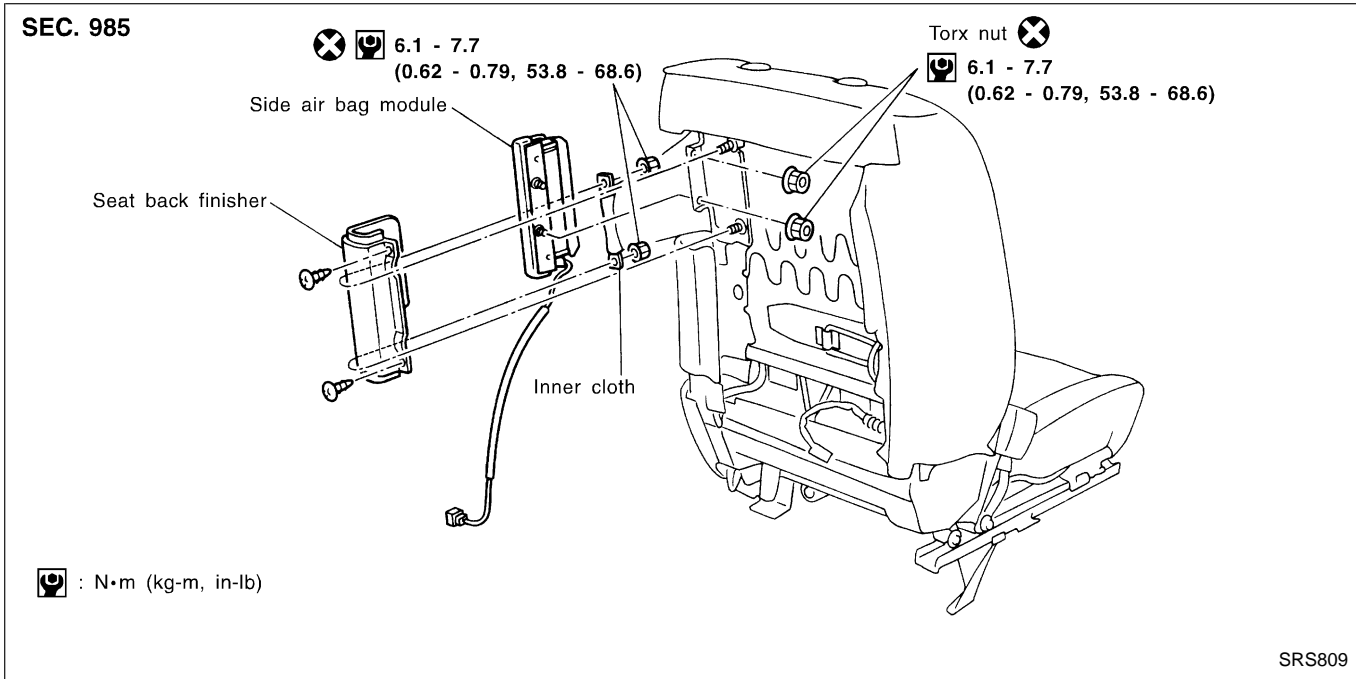
Installation — Front Passenger Air Bag Module

- **Always work from the side of or under air bag module.**
- 1. Install front passenger air bag module on steering member.
- Ensure harness is not caught between rear of air bag module and steering member.
- 2. Install glove box assembly. (Glove box lid is open.)



- 3. Connect air bag module connector to body harness connector.
- 4. Install lower instrument cover on instrument panel assembly.
- 5. Connect both battery cables.
- 6. Go to "Self-diagnosis", RS-38 and perform self-diagnosis to ensure entire SRS operates properly. (Use CONSULT-II or warning lamp.)

Installation — Side Air Bag Module (Built-in type)

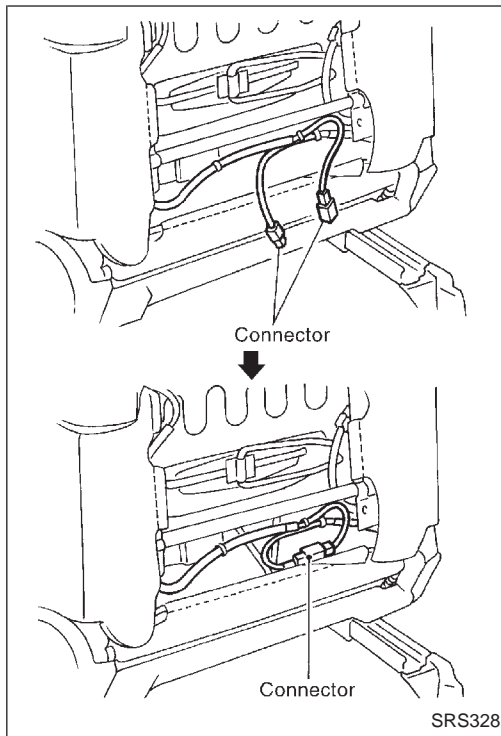


1. Install side air bag module on front seat with new torx nuts coated with bonding agent.
2. Secure the side air bag module harness with new harness clips.
3. Install the seat back finisher with screws.
4. Secure the inner cloth which covers the side air bag module and seat back finisher with nuts.

GI
MA
EM
LC
EC
FE
AT
PD
FA
RA
BR
ST
RS
BT
HA
EL
IDX

SUPPLEMENTAL RESTRAINT SYSTEM (SRS)

Installation — Side Air Bag Module (Built-in type) (Cont'd)



5. Connect side air bag module connector.
6. Install seat back board with new clips.
 - **Ensure harness is not caught between seat back board and seat back.**
7. Connect both battery cables.
8. Go to “Self-diagnosis”, RS-38 and perform self-diagnosis to ensure entire SRS operates properly. (Use CONSULT-II or air bag warning lamp.)

Disposal of Air Bag Module and Seat Belt Pre-tensioner

- Before disposing of air bag module and seat belt pre-tensioner, or vehicles equipped with such systems, deploy the systems. If such systems have already been deployed due to an accident, dispose of them as indicated in “DISPOSING OF AIR BAG MODULE AND SEAT BELT PRE-TENSIONER” (RS-29).
- When deploying the air bag module and seat belt pre-tensioner, always use the Special Service Tool; Deployment tool KV99106400 (Kent-Moore No. J38381).
- When deploying the air bag module and seat belt pre-tensioner, stand at least 5 m (16 ft) away from the deployment component.
- When deploying air bag module and seat belt pre-tensioner, a fairly loud noise is made, followed by smoke being released. The smoke is not poisonous, however, be careful not to inhale smoke since it irritates the throat and can cause choking.
- Always activate one air bag module at a time.
- Due to heat, leave air bag module unattended for more than 30 minutes after deployment. Also leave seat belt pre-tensioner unattended for more than 10 minutes after deployment.
- Be sure to wear gloves when handling a deployed air bag module and seat belt pre-tensioner.
- Never apply water to the deployed air bag module and seat belt pre-tensioner.
- Wash your hands clean after finishing work.
- Place the vehicle outdoors with an open space of at least 6 m (20 ft) on all sides when deploying air bag module and seat belt pre-tensioner while mounted in vehicle.
- Use a voltmeter to make sure the vehicle battery is fully charged.
- Do not dispose of the air bag module and seat belt pre-tensioner un-deployed.

SUPPLEMENTAL RESTRAINT SYSTEM (SRS)

Disposal of Air Bag Module and Seat Belt Pre-tensioner (Cont'd)

CHECKING DEPLOYMENT TOOL

Connecting to battery

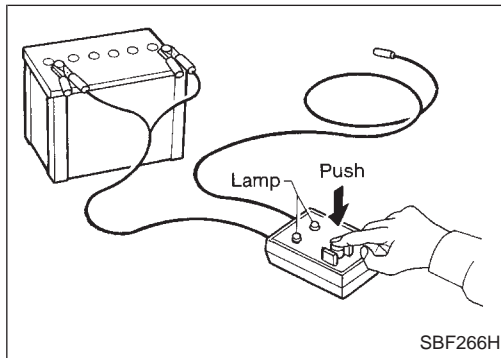
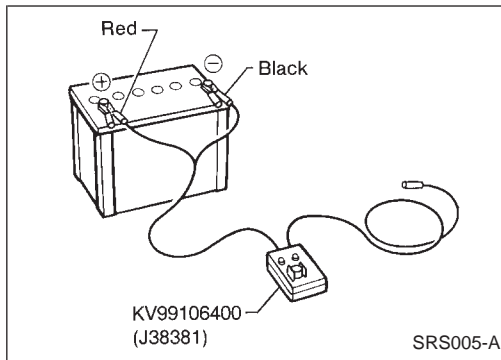
CAUTION:

The battery must show voltage of 9.6V or more.

Remove the battery from the vehicle and place it on dry wood blocks approximately 5 m (16 ft) away from the vehicle.

- Wait 3 minutes after the vehicle battery is disconnected before proceeding.
- Connect red clip of deployment tool to battery positive terminal and black clip to negative terminal.

Make sure the polarity is correct. The right side lamp in the tool, marked "deployment tool power", should glow with a green light. If the right side lamp glows red, reverse the connections to the battery.



Deployment tool check

Press the deployment tool switch to the "ON" position. The left side lamp in the tool, marked "air bag connector voltage" should illuminate. If it does not illuminate, replace the tool.

Air bag deployment tool lamp illumination chart (Battery connected)

Switch operation	Left side lamp, green* "AIR BAG CONNECTOR VOLTAGE"	Right side lamp, green* "DEPLOYMENT TOOL POWER"
OFF	OFF	ON
ON	ON	ON

*: If this lamp glows red, the tool is connected to the battery incorrectly. Reverse the connections and make sure the lamp glows green.

GI

MA

EM

LC

EC

FE

AT

PD

FA

RA

BR

ST

RS

BT

HA

EL

IDX

SUPPLEMENTAL RESTRAINT SYSTEM (SRS)

Disposal of Air Bag Module and Seat Belt Pre-tensioner (Cont'd)

DEPLOYMENT PROCEDURES FOR AIR BAG MODULE (OUTSIDE OF VEHICLE)

Unless the vehicle is being scrapped, deploying the air bag in the vehicle is not recommended. This may cause damage to the vehicle interior.

Anchor air bag module bracket [KV99105300 (J41246)] in a vise secured to a firm foundation during deployment.

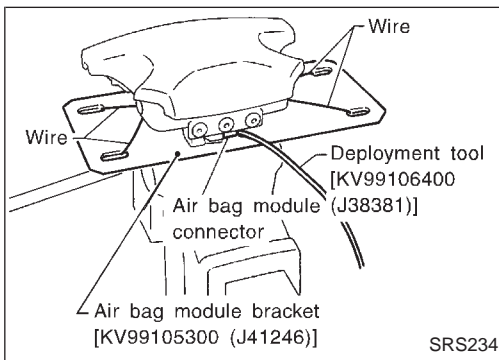
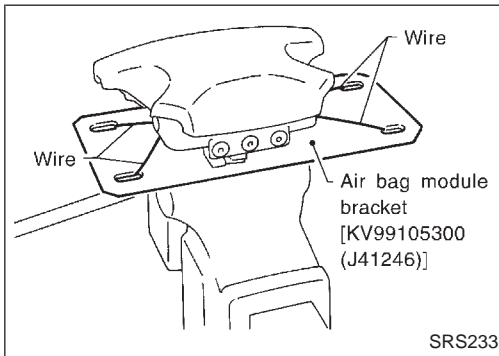
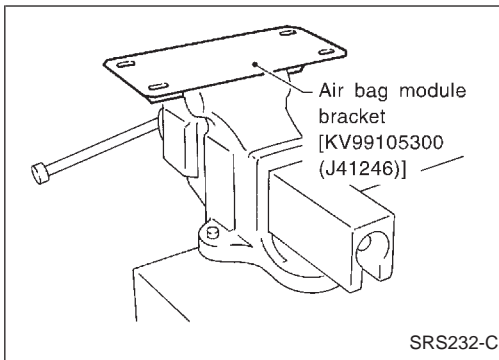
Deployment of driver's air bag module (outside of vehicle)

1. Using wire, secure air bag module to air bag module bracket [SST: KV99105300 (J41246)] at two places.

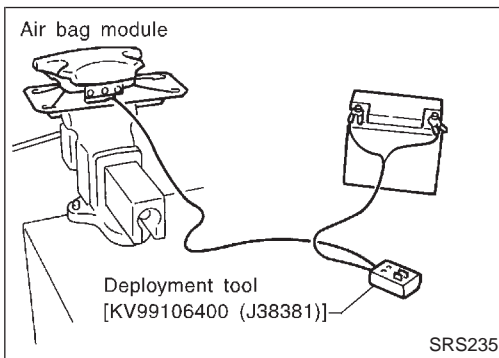
CAUTION:

Use wire of at least 1 mm (0.04 in) diameter.

2. Firmly secure air bag module bracket [SST: KV99105300 (J41246)] with air bag module attached, in a vise.



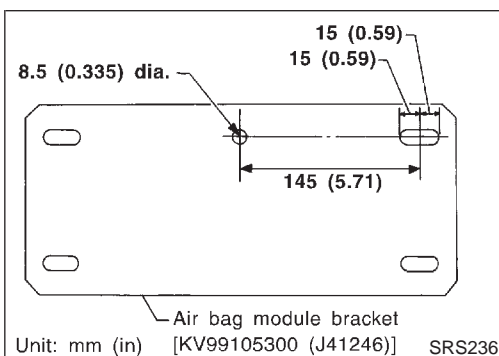
3. Connect deployment tool [SST: KV99106400 (J38381)] to air bag module connector.



4. Connect red clip of deployment tool to battery positive terminal and black clip to negative terminal.
5. The lamp on the right side of the tool, marked "deployment tool power", should glow green, not red.
6. Press the button on the deployment tool. The left side lamp on the tool, marked "air bag connector voltage", will illuminate and the air bag module will deploy.

CAUTION:

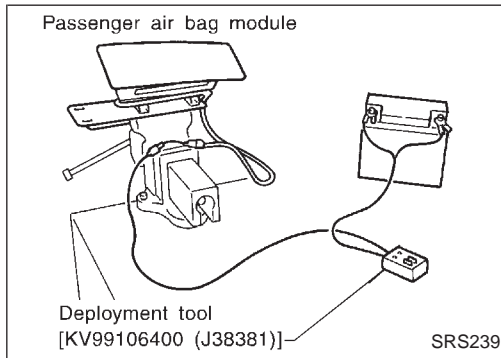
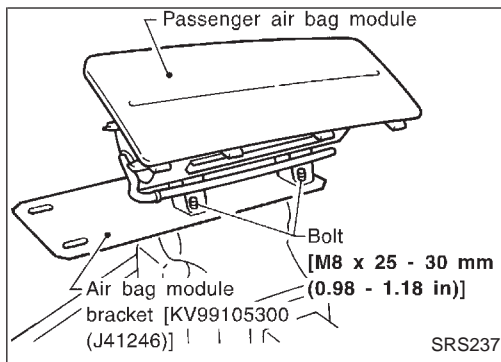
When deploying the air bag module, stand at least 5 m (16 ft) away from the air bag module.



Deployment of passenger air bag module (outside of vehicle)

1. Make an 8.5 mm (0.335 in) diameter hole in air bag module bracket [SST: KV99105300 (J41246)] at the position shown in figure at left.

SUPPLEMENTAL RESTRAINT SYSTEM (SRS)



Disposal of Air Bag Module and Seat Belt Pre-tensioner (Cont'd)

2. Firmly secure air bag module bracket [SST: KV99105300 (J41246)] in a vise.
3. Match the two holes in air bag module bracket (held in vise) and passenger air bag module and fix them with two bolts [M8 x 25 - 30 mm (0.98 - 1.18 in)].

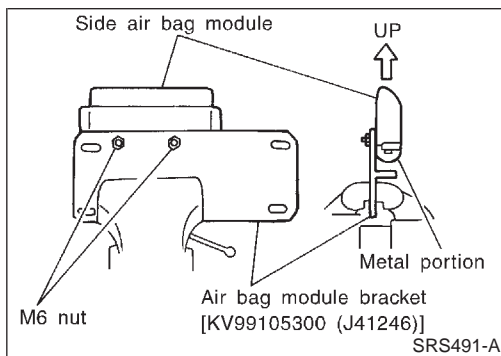
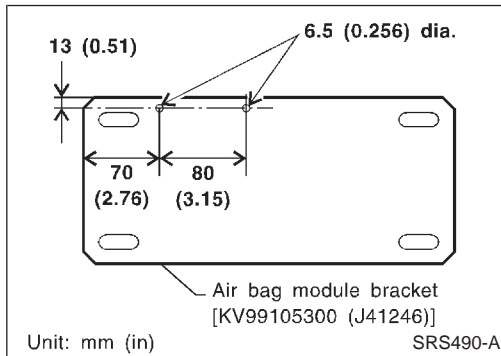
CAUTION:

If a gap exists between passenger air bag module and air bag module bracket, use a piece of wood inserted in the gap to stabilize the air bag module.

4. Connect deployment tool adapter [SST: KV991065S0 (J38381-30)] to deployment tool [SST: KV99106400 (J38381)] connector and connector of air bag module.
5. Connect red clip of deployment tool to battery positive terminal and black clip to negative terminal.
6. The lamp on the right side of the tool, marked "deployment tool power", should glow green, not red.
7. Press the button on the deployment tool. The left side lamp on the tool, marked "air bag connector voltage", will illuminate and the air bag module will deploy.

CAUTION:

When deploying the air bag module, stand at least 5 m (16 ft) away from the air bag module.



Deployment of side air bag module (Built-in type) (outside of vehicle)

1. Make 6.5 mm (0.256 in) diameter holes in air bag module bracket [SST: KV99105300 (J41246)] at the position shown in figure at left.

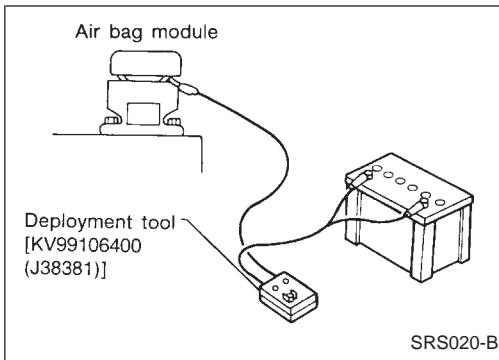
2. Firmly secure air bag module bracket [SST: KV99105300 (J41246)] in a vise.
3. Insert the stud bolts of side air bag module (built-in type) into the two holes in air bag module bracket (held in vise) and fix them with two M6 nuts.

CAUTION:

Side air bag module should be secured to air bag module bracket [SST: KV99105300 (J41246)] in a vise with metal portion facing down.

SUPPLEMENTAL RESTRAINT SYSTEM (SRS)

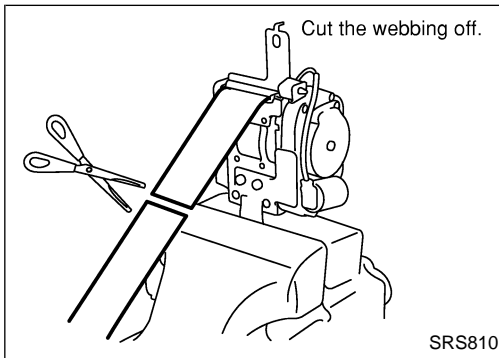
Disposal of Air Bag Module and Seat Belt Pre-tensioner (Cont'd)



4. Connect deployment tool [SST: KV99106400 (J38381)] to side air bag module connector.
5. Connect red clip of deployment tool to battery positive terminal and black clip to negative terminal.
6. The lamp on the right side of the tool, marked "deployment tool power", should glow green, not red.
7. Press the button on the deployment tool. The left side lamp on the tool, marked "air bag connector voltage", will illuminate and the air bag module will deploy.

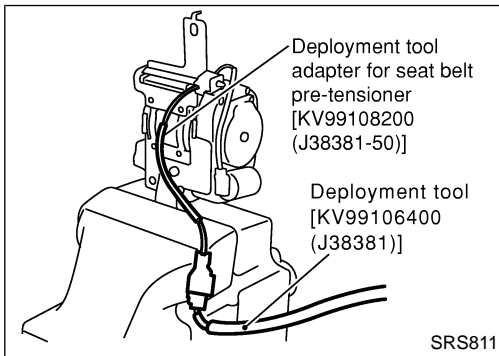
CAUTION:

When deploying the air bag module, stand at least 5 m (16 ft) away from the air bag module.

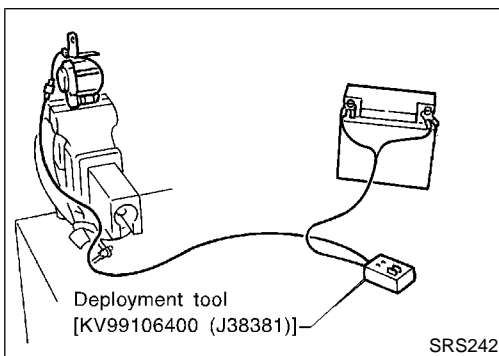


Deployment of seat belt pre-tensioner (outside of vehicle)

1. Firmly grip pre-tensioner in a vise and cut the webbing off.



2. Connect deployment tool adapter [SST: KV99108200 (J38381-50)] to deployment tool [SST: KV99106400 (J38381)] connector and seat belt pre-tensioner connector.



3. Connect red clip of deployment tool to battery positive terminal and black clip to negative terminal.
4. The lamp on the right side of the tool, marked "deployment tool power", should glow green, not red.
5. Press the button on the deployment tool. The left side lamp on the tool, marked "seat belt pre-tensioner connector voltage", will illuminate and the seat belt pre-tensioner will deploy.

CAUTION:

When deploying the seat belt pre-tensioner, stand at least 5 m (16 ft) away from the seat belt pre-tensioner.

SUPPLEMENTAL RESTRAINT SYSTEM (SRS)

Disposal of Air Bag Module and Seat Belt Pre-tensioner (Cont'd)

DEPLOYMENT OF AIR BAG MODULE AND SEAT BELT PRE-TENSIONER WHILE MOUNTED IN VEHICLE

When disposing of a vehicle, deploy air bag modules and seat belt pre-tensioners while they are mounted in vehicle.

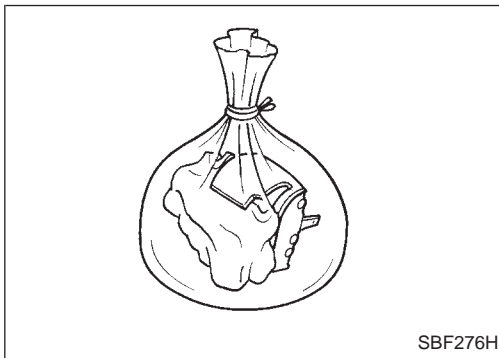
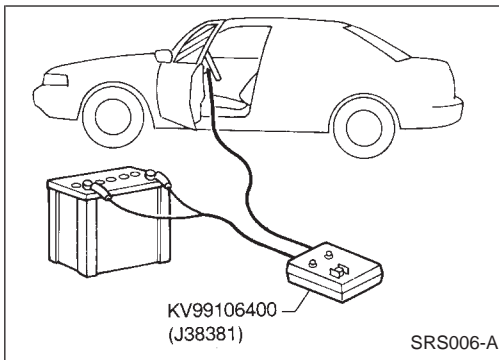
CAUTION:

When deploying air bag module or seat belt pre-tensioner, ensure vehicle is empty.

1. Disconnect both vehicle battery cables and wait 3 minutes.
2. Disconnect air bag modules and seat belt pre-tensioners connector.
3. Connect deployment tool [SST: KV99106400 (J38381)] to air bag module or seat belt pre-tensioner.
For front passenger air bag module, attach deployment tool adapter [SST: KV991065S0 (J38381-30)] to the tool connector.
For seat belt pre-tensioner, attach deployment tool adapter [SST: KV99108200 (J38381-50)] to the tool connector.
4. Connect red clip of deployment tool to battery positive terminal and black clip to negative terminal.
5. The lamp on the right side of the tool, marked "deployment tool power", should glow green, not red.
6. Press the button on the deployment tool. The left side lamp on the tool, marked "air bag connector voltage", will illuminate and the air bag module or seat belt pre-tensioner will deploy.

CAUTION:

Activate only one air bag module or seat belt pre-tensioner at a time.



DISPOSING OF AIR BAG MODULE AND SEAT BELT PRE-TENSIONER

Deployed air bag modules and seat belt pre-tensioners are very hot. Before disposing of air bag module, and seat belt pre-tensioner, wait at least 30 minutes, and 10 minutes, respectively. Seal them in a plastic bag before disposal.

CAUTION:

- Never apply water to a deployed air bag module and seat belt pre-tensioner.
- Be sure to wear gloves when handling a deployed air bag module and seat belt pre-tensioner.
- No poisonous gas is produced upon air bag module deployment. However, be careful not to inhale gas since it irritates throat and can cause choking.
- Do not attempt to disassemble air bag module and seat belt pre-tensioner.
- Air bag module and seat belt pre-tensioner cannot be re-used.
- Wash your hands clean after finishing work.

GI

MA

EM

LC

EC

FE

AT

PD

FA

RA

BR

ST

RS

BT

HA

EL

IDX

Trouble Diagnoses Introduction

CAUTION:

- Do not use electrical test equipment to check SRS harness connectors unless instructed to in this Service Manual. Spiral cable and wiring harnesses (except satellite sensor and side air bag module) covered with yellow insulation tape either just before the harness connectors or for the complete harness are related to the SRS.
- Do not attempt to repair, splice or modify the SRS wiring harness. If the harness is damaged, replace it with a new one.
- Keep ground portion clean.

DIAGNOSIS FUNCTION

The SRS self-diagnosis results can be read by using “AIR BAG” warning lamp, “SEAT BELT” warning lamp and/or CONSULT-II. The reading of these results is accomplished using one of two modes — “User mode” and “Diagnosis mode”.

The User mode is exclusively prepared for the customer (driver). This mode warns the driver of a system malfunction through the operation of the “AIR BAG” warning lamp and/or “SEAT BELT” warning lamp.

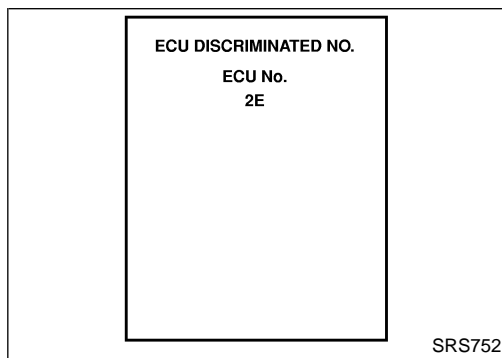
The Diagnosis mode allows the technician to locate and inspect the malfunctioning part.

The mode applications for the “AIR BAG” warning lamp, “SEAT BELT” warning lamp and CONSULT-II are as follows:

	User mode	Diagnosis mode	Display type
“AIR BAG” warning lamp	X	X	ON-OFF operation
“SEAT BELT” warning lamp	X	—	ON-OFF operation
CONSULT-II	—	X	Monitoring

DIAGNOSIS MODE FOR CONSULT-II

- “SELF-DIAG [CURRENT]”
A current Self-diagnosis result (also indicated by the warning lamp flashes in the Diagnosis mode) is displayed on the CONSULT-II screen in real time. This refers to a malfunctioning part requiring repairs.
- “SELF-DIAG [PAST]”
Diagnosis results previously stored in the memory (also indicated by the warning lamp flashes in the Diagnosis mode) are displayed on the CONSULT-II screen. The stored results are not erased until memory erasing is executed.
- “TROUBLE DIAG RECORD”
With TROUBLE DIAG RECORD, diagnosis results previously erased by a reset operation can be displayed on the CONSULT-II screen.



- “ECU DISCRIMINATED NO.”
The diagnosis sensor unit for each vehicle model is assigned with its own, individual classification number. This number will be displayed on the CONSULT-II screen, as shown at left. When replacing the diagnosis sensor unit, refer to the part number for the compatibility. After installation, replacement with a correct unit can be checked by confirming this classification number on the CONSULT-II screen.

For INFINITI Q45, the diagnosis sensor unit classification number assigned is 2E.

TROUBLE DIAGNOSES — Supplemental Restraint System (SRS)

Trouble Diagnoses Introduction (Cont'd)

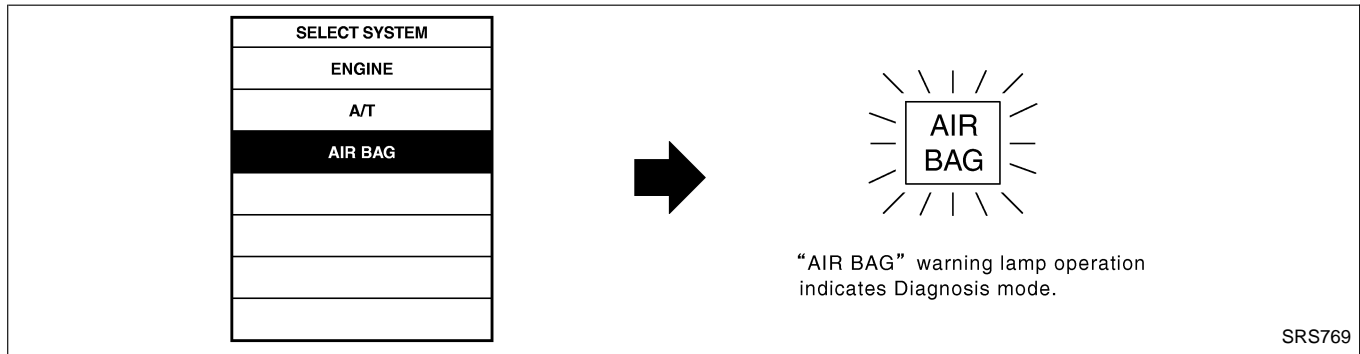
HOW TO CHANGE SELF-DIAGNOSIS MODE



With CONSULT-II

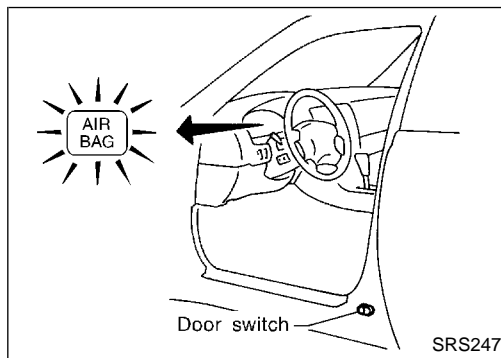
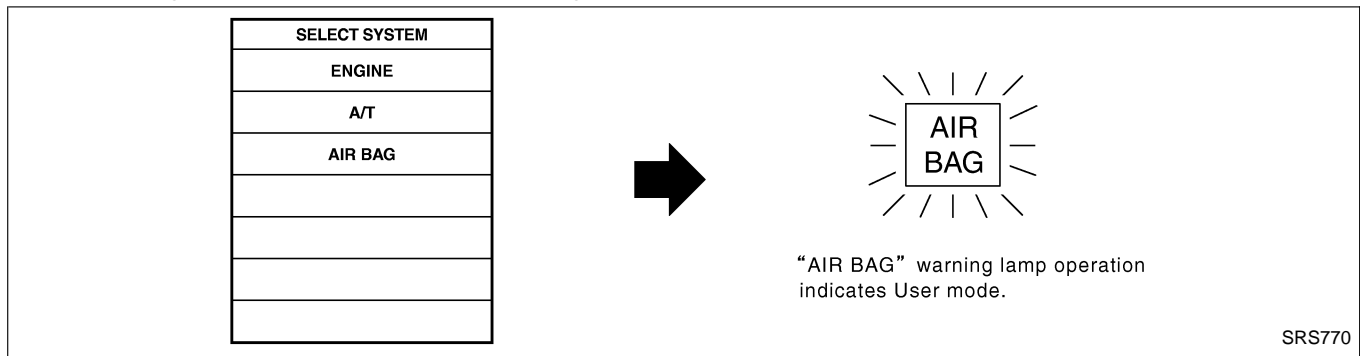
From User mode to Diagnosis mode

After selecting AIR BAG on the “SELECT SYSTEM” screen, User mode automatically changes to Diagnosis mode.



From Diagnosis mode to User mode

To return to User mode from Diagnosis mode, touch “BACK” key of CONSULT-II until “SELECT SYSTEM” appears, Diagnosis mode automatically changes to User mode.



Without CONSULT-II

From User mode to Diagnosis mode

Diagnosis mode activates only when a malfunction is detected, by pressing the driver's door switch at least 5 times within 7 seconds after turning the ignition “ON”. SRS will not enter Diagnosis mode if no malfunction is detected.

From Diagnosis mode to User mode

After a malfunction is repaired, switch the ignition “OFF” for at least 1 second, then back “ON”. Diagnosis mode returns to User mode.

If switching from Diagnosis mode to User mode is required while malfunction is being detected, switch the ignition “OFF”, then back “ON” and press the driver's door switch at least 5 times within 7 seconds.

GI

MA

EM

LC

EC

FE

AT

PD

FA

RA

BR

ST

RS

BT

HA

EL

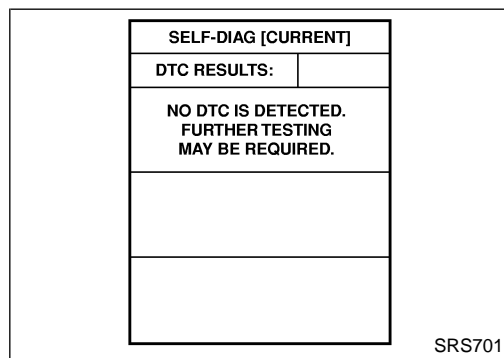
IDX

HOW TO ERASE SELF-DIAGNOSIS RESULTS



With CONSULT-II

- “SELF-DIAG [CURRENT]”
A current self-diagnosis result is displayed on the CONSULT-II screen in real time. After the malfunction is repaired completely, no malfunction is detected on “SELF-DIAG [CURRENT]”.



- “SELF-DIAG [PAST]”
Return to the “SELF-DIAG [CURRENT]” CONSULT-II screen by pushing “BACK” key of CONSULT-II and select “SELF-DIAG [CURRENT]” in “SELECT DIAG MODE”. Touch “ERASE” in “SELF-DIAG [CURRENT]” mode.

NOTE:

If the memory of the malfunction in “SELF-DIAG [PAST]” is not erased, the User mode shows the system malfunction by the operation of the warning lamp even if the malfunction is repaired completely.

- “TROUBLE DIAG RECORD”
The memory of TROUBLE DIAG RECORD cannot be erased.



Without CONSULT-II

After a malfunction is repaired, return from Diagnosis mode to User mode by switching the ignition “OFF” for at least 1 second, then back “ON”. At that time, the self-diagnosis result is cleared.

How to Perform Trouble Diagnoses for Quick and Accurate Repair

A good understanding of the malfunction conditions can make troubleshooting faster and more accurate. In general, each customer feels differently about a malfunction. It is important to fully understand the symptoms or conditions for a customer complaint.

INFORMATION FROM CUSTOMER

WHAT Vehicle model
WHEN Date, Frequencies
WHERE Road conditions
HOW Operating conditions, Symptoms

PRELIMINARY CHECK

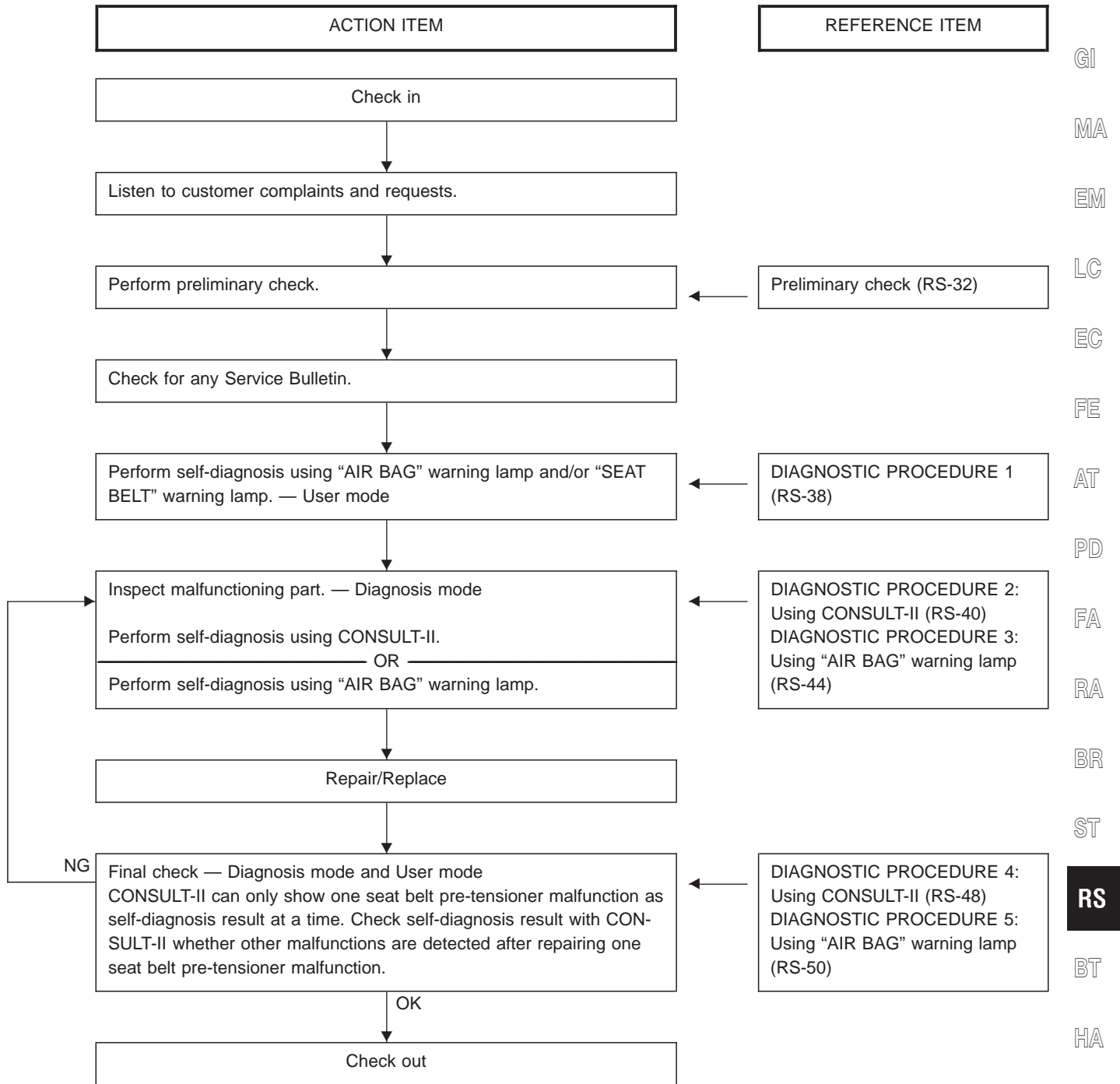
Check that the following parts are in good order.

- Battery (Refer to EL section, “BATTERY”.)
- Fuse (Refer to EL section, “Fuse”, “POWER SUPPLY ROUTING”.)
- System component-to-harness connections

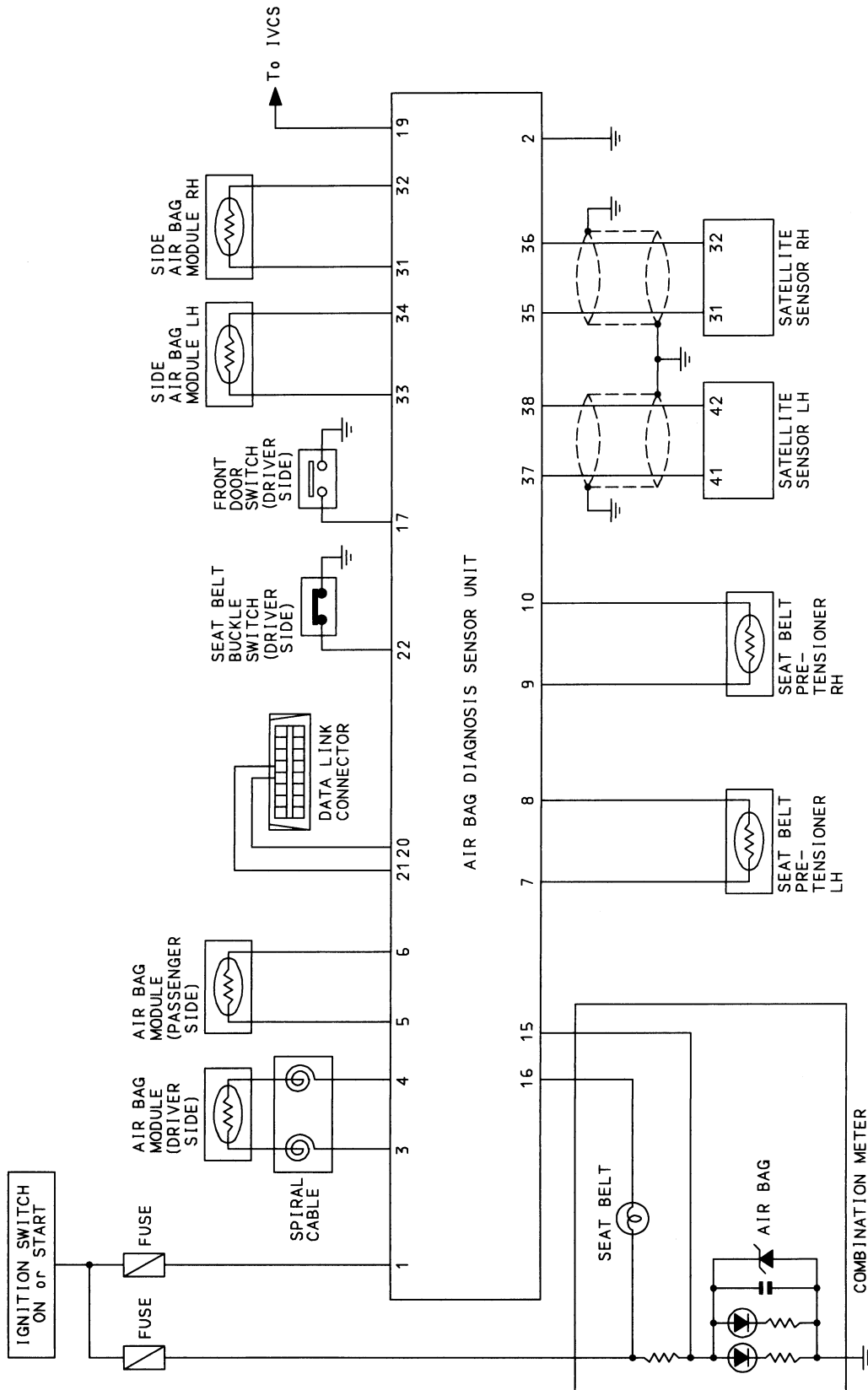
TROUBLE DIAGNOSES — Supplemental Restraint System (SRS)

How to Perform Trouble Diagnoses for Quick and Accurate Repair (Cont'd)

WORK FLOW



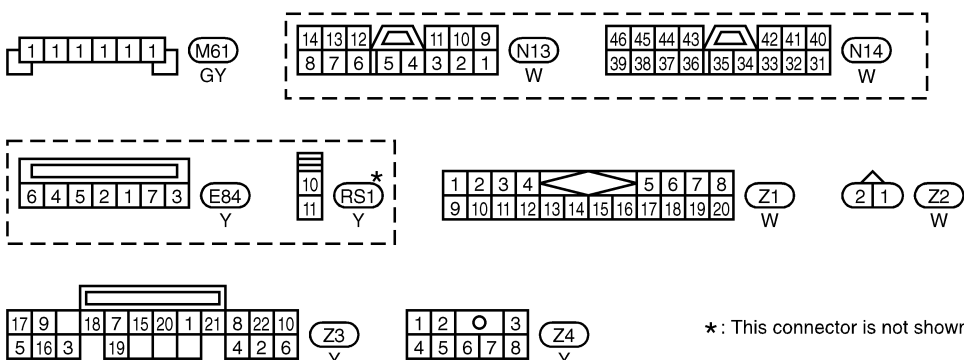
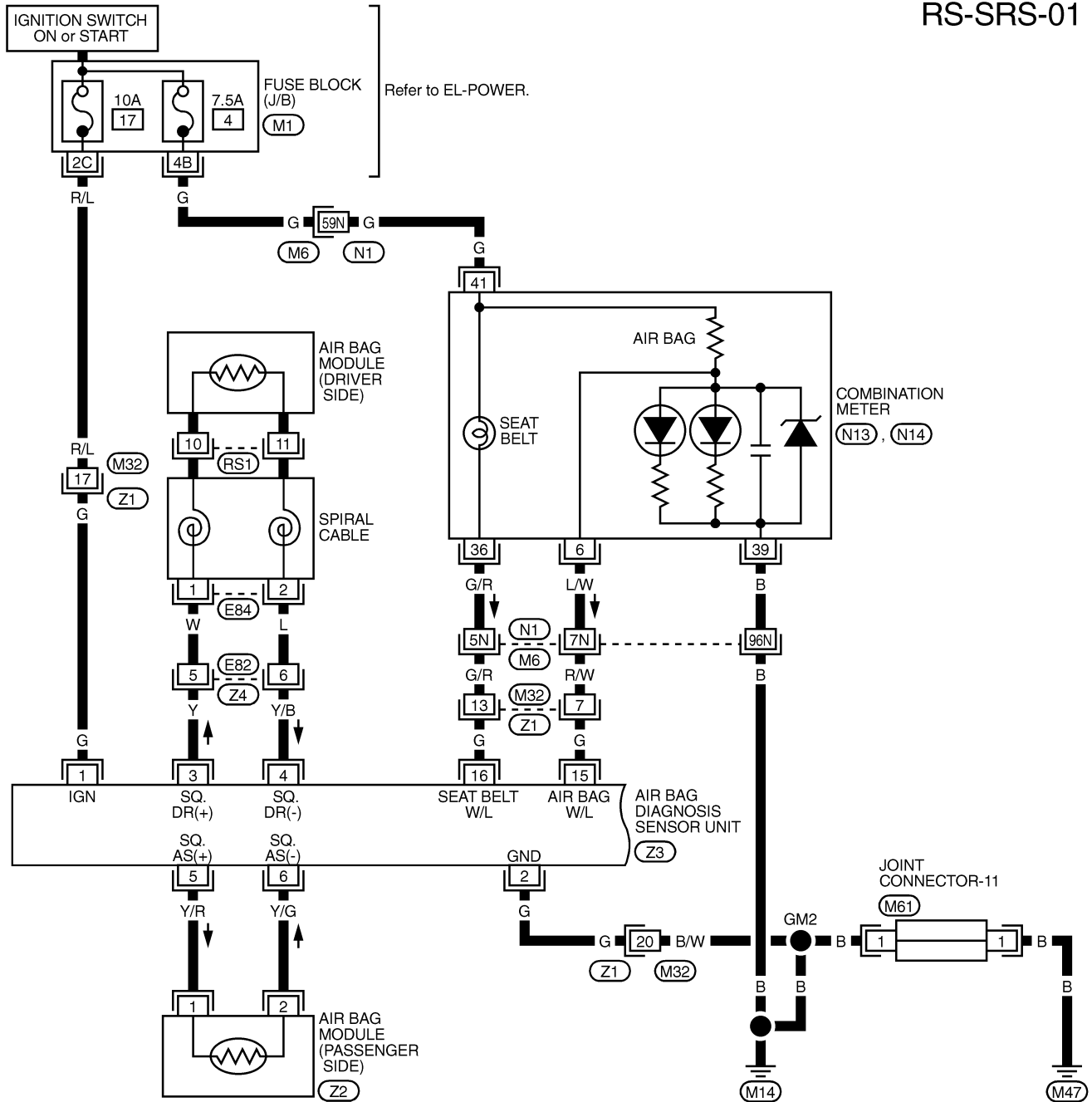
Schematic



Wiring Diagram — SRS —

RS-SRS-01

GI
MA
EM
LC
EC
FE
AT
PD
FA
RA
BR
ST
RS
BT
HA
EL
IDX



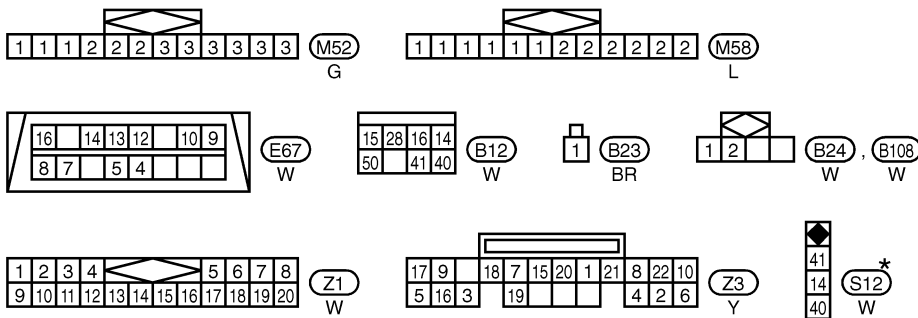
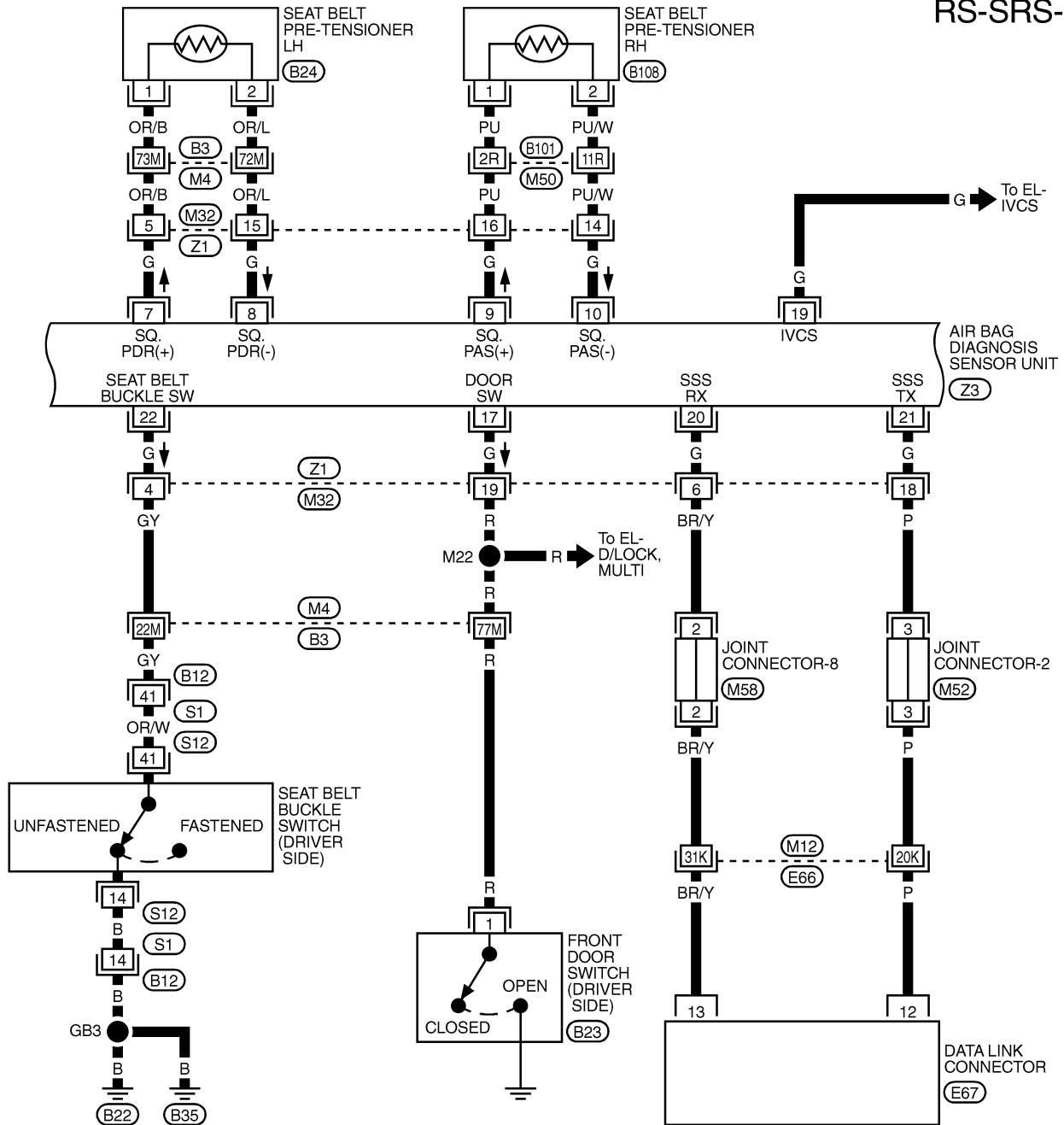
REFER TO THE FOLLOWING.
(M6) -SUPER MULTIPLE JUNCTION (SMJ)
(M1) -FUSE BLOCK-JUNCTION BOX (J/B)

*: This connector is not shown in "HARNESS LAYOUT", EL section.

TROUBLE DIAGNOSES — Supplemental Restraint System (SRS)

Wiring Diagram — SRS — (Cont'd)

RS-SRS-02



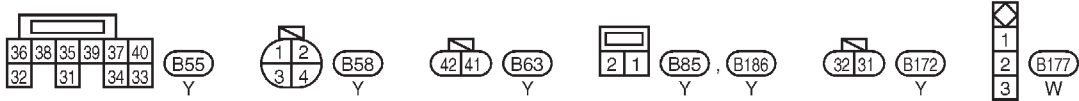
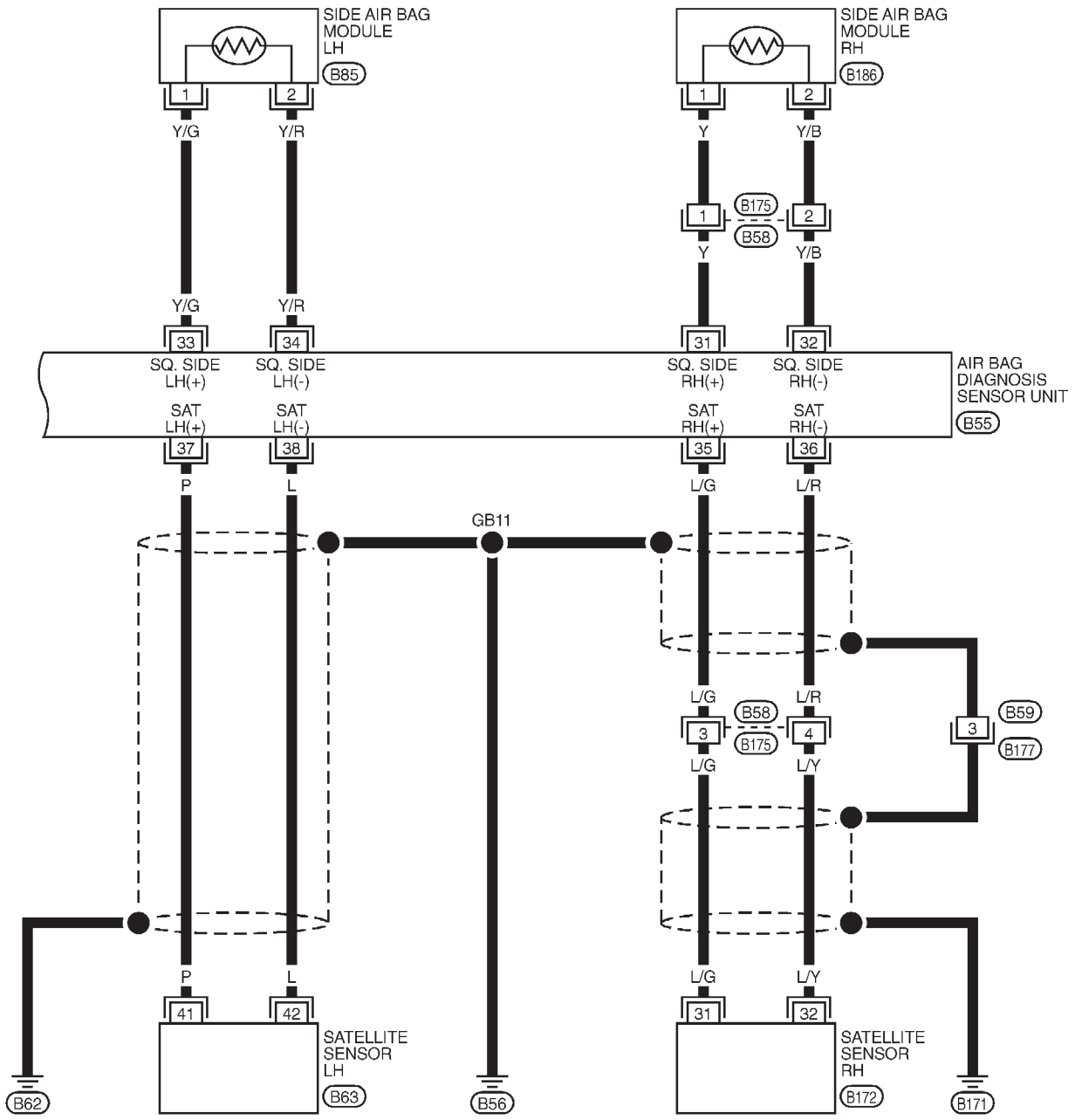
REFER TO THE FOLLOWING.
 (M4), (M50), (E66) -SUPER
 MULTIPLE JUNCTION (SMJ)

*: This connector is not shown in "HARNESS LAYOUT", EL section.

TROUBLE DIAGNOSES — Supplemental Restraint System (SRS)

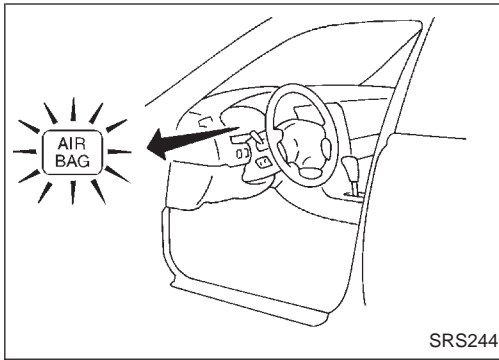
Wiring Diagram — SRS — (Cont'd)

RS-SRS-03



GI
 MA
 EM
 LC
 EC
 FE
 AT
 PD
 FA
 RA
 BR
 ST
RS
 BT
 HA
 EL
 IDX

TROUBLE DIAGNOSES — Supplemental Restraint System (SRS)



Self-diagnosis

DIAGNOSTIC PROCEDURE 1

Checking SRS operation by using "AIR BAG" warning lamp — User mode

1. After turning ignition switch from "OFF" to "ON", "AIR BAG" warning lamp operates.
2. Compare "AIR BAG" warning lamp operation to the chart below.

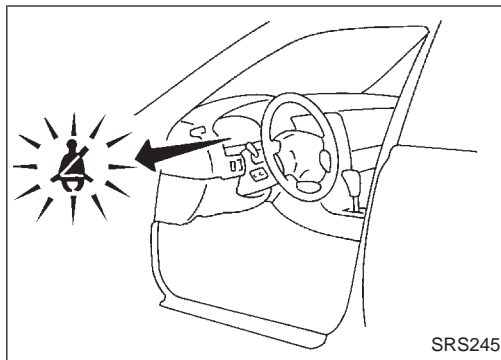
"AIR BAG" warning lamp operation — User mode —	SRS condition	Reference item
<p>MRS095A</p>	No malfunction is detected. No further action is necessary.	—
<p>MRS096A</p>	The system is malfunctioning and needs to be repaired as indicated.	Go to DIAGNOSTIC PROCEDURE 2 or 3 (RS-40 or 44).
<p>MRS097A</p>	Air bag (and seat belt pretensioner) is deployed. Air bag fuse, diagnosis sensor unit or harness is malfunctioning and needs to be repaired.	Go to COLLISION DIAGNOSIS (RS-60). Go to DIAGNOSTIC PROCEDURE 9 (RS-56).
<p>MRS098A</p>	One of the following has occurred and needs to be repaired. <ul style="list-style-type: none"> • Meter fuse is blown. • "AIR BAG" warning lamp circuit has open or short. • Diagnosis sensor unit is malfunctioning. 	Go to DIAGNOSTIC PROCEDURE 10 (RS-56).

NOTE:

If "AIR BAG" warning lamp operates differently from the operations shown above, refer to "AIR BAG" warning lamp operation — Diagnosis mode —, DIAGNOSTIC PROCEDURE 3 (step 4), RS-44.

TROUBLE DIAGNOSES — Supplemental Restraint System (SRS)

Self-diagnosis (Cont'd)



Checking seat belt pre-tensioner operation by using “SEAT BELT” warning lamp — User mode

1. After turning ignition switch from “OFF” to “ON”, “SEAT BELT” warning lamp operates.
2. Compare “SEAT BELT” warning lamp operation to the chart below.

“SEAT BELT” warning lamp operation	SRS condition	Reference item
<ul style="list-style-type: none"> • After driver's seat belt has been fastened. <p>MRS095A</p>	No malfunction is detected. No further action is necessary.	
<ul style="list-style-type: none"> • When driver's seat belt has not been fastened. <p>SRS086</p>		
<ul style="list-style-type: none"> • After driver's seat belt has been fastened. <p>MRS096A</p>	<ul style="list-style-type: none"> • Seat belt pre-tensioner circuit is opened, or • Seat belt pre-tensioner power supply or ground circuit is shorted. 	<ul style="list-style-type: none"> • If CONSULT-II is available, go to DIAGNOSTIC PROCEDURE 2 (RS-40). • If CONSULT-II is not available, repair the system as follows.* <ol style="list-style-type: none"> 1. Visually check the wiring harness connections. 2. Replace the harness if it has visible damage. 3. Replace driver's and front passenger seat belt assemblies. (Before disposing, they must be deactivated.) 4. Replace diagnosis sensor unit.
<ul style="list-style-type: none"> • When driver's seat belt has not been fastened. <p>SRS344</p>		
<ul style="list-style-type: none"> • When driver's seat belt is fastened. <p>MRS097A</p>	Seat belt pre-tensioner (and air bag) is deployed.	Go to COLLISION DIAGNOSIS (RS-60).
	Seat belt buckle switch, harness, combination meter assembly, diagnosis sensor unit are malfunctioning and need to be repaired.	Go to DIAGNOSTIC PROCEDURE 12 (RS-58).
<ul style="list-style-type: none"> • When driver's seat belt is not fastened. <p>MRS098A</p>	Meter fuse, diagnosis sensor unit or “SEAT BELT” warning lamp circuit is shorted or open and needs to be repaired.	Go to DIAGNOSTIC PROCEDURE 13 (RS-59).

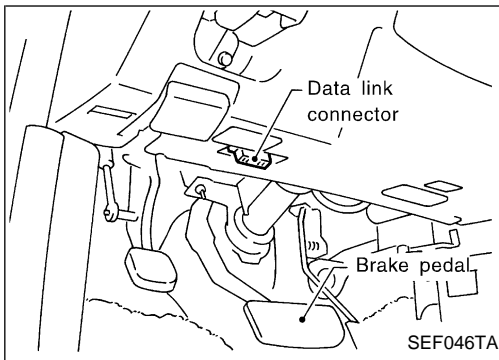
* Follow the procedures in numerical order when repairing malfunctioning parts. Confirm whether malfunction is eliminated using the seat belt warning lamp each time repair is finished. If malfunction is still observed, proceed to the next step. When malfunction is eliminated, further repair work is not required.

TROUBLE DIAGNOSES — Supplemental Restraint System (SRS)

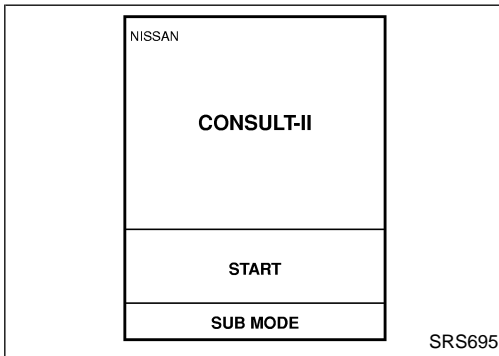
Self-diagnosis (Cont'd)

DIAGNOSTIC PROCEDURE 2 (with CONSULT-II)

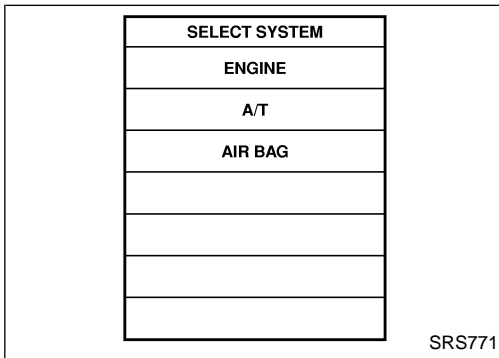
Inspecting SRS malfunctioning parts by using CONSULT-II — Diagnosis mode



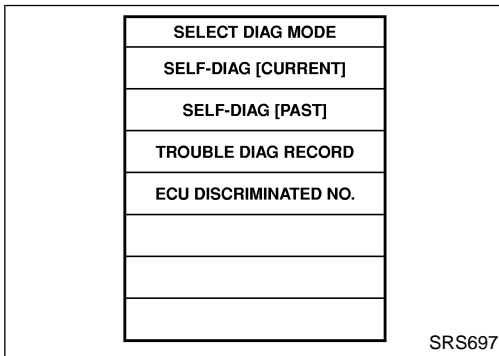
1. Turn ignition switch "OFF".
2. Connect "CONSULT-II" to Data link connector.



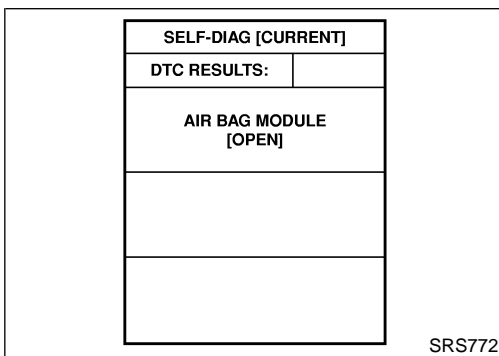
3. Turn ignition switch "ON".
4. Touch "START".



5. Touch "AIR BAG".



6. Touch "SELF-DIAG [CURRENT]".



7. Diagnostic codes are displayed on "SELF-DIAG [CURRENT]".

TROUBLE DIAGNOSES — Supplemental Restraint System (SRS)

Self-diagnosis (Cont'd)

SELF-DIAG [CURRENT]	
DTC RESULTS:	
NO DTC IS DETECTED. FURTHER TESTING MAY BE REQUIRED.	

SRS701

If no malfunction is detected on “SELF-DIAG [CURRENT]” but malfunction is indicated by the “AIR BAG” warning lamp, go to DIAGNOSTIC PROCEDURE 6, page RS-52, to diagnose the following situations:

- Self-diagnostic result “SELF-DIAG [PAST]” (previously stored in the memory) might not be erased after repair.
- The SRS system malfunctions intermittently.

8. Touch “PRINT”.
9. Compare diagnostic codes to the CONSULT-II DIAGNOSTIC CODE CHART, page RS-41.
10. Touch “BACK” key of CONSULT-II until “SELECT SYSTEM” appears in order to return to User mode from Diagnosis mode.
11. Turn ignition switch “OFF”, then turn off and disconnect CONSULT-II and disconnect both battery cables.
12. Repair the system as outlined by the “Repair order” in CONSULT-II DIAGNOSTIC CODE CHART, that corresponds to the self-diagnosis result. For replacement procedure of component parts, refer to RS-16.
13. After repairing the system, go to DIAGNOSTIC PROCEDURE 4 for final checking, page RS-48.

CONSULT-II can only show one seat belt pre-tensioner malfunction as self-diagnosis result at a time. Check self-diagnosis result with CONSULT-II whether other malfunctions are detected after repairing one seat belt pre-tensioner malfunction.

CONSULT-II DIAGNOSTIC CODE CHART (“SELF-DIAG [CURRENT]”)

Diagnostic item	Explanation	Repair order Recheck SRS at each replacement.
NO DTC IS DETECTED	When malfunction is indicated by the “AIR BAG” warning lamp in User mode <ul style="list-style-type: none"> ● Self-diagnostic result “SELF-DIAG [PAST]” (previously stored in the memory) might not be erased after repair. ● Intermittent malfunction has been detected in the past. 	● Go to DIAGNOSTIC PROCEDURE 6 (RS-52).
	● No malfunction is detected.	● Go to DIAGNOSTIC PROCEDURE 4 (RS-48).
AIRBAG MODULE [OPEN]	● Driver’s air bag module circuit is open. (including the spiral cable)	1. Visually check the wiring harness connection. 2. Replace the harness if it has visible damage.
AIRBAG MODULE [VB-SHORT]	● Driver’s air bag module circuit is shorted to some power supply circuit. (including the spiral cable)	3. Replace the spiral cable. 4. Replace driver’s air bag module.
AIRBAG MODULE [GND-SHORT]	● Driver’s air bag module circuit is shorted to ground. (including the spiral cable)	(Before disposal of it, it must be deployed.)
AIRBAG MODULE [SHORT]	● Driver’s air bag module circuits are shorted to each other.	5. Replace the diagnosis sensor unit. 6. Replace the related harness.

TROUBLE DIAGNOSES — Supplemental Restraint System (SRS)

Self-diagnosis (Cont'd)

Diagnostic item	Explanation	Repair order Recheck SRS at each replacement.
ASSIST A/B MODULE [VB-SHORT]	● Front passenger air bag module circuit is shorted to some power supply circuit.	<ol style="list-style-type: none"> 1. Visually check the wiring harness connection. 2. Replace the harness if it has visible damage. 3. Replace front passenger air bag module. (Before disposal of it, it must be deployed.) 4. Replace the diagnosis sensor unit. 5. Replace the related harness.
ASSIST A/B MODULE [OPEN]	● Front passenger air bag module circuit is open.	
ASSIST A/B MODULE [GND-SHORT]	● Front passenger air bag module circuit is shorted to ground.	
ASSIST A/B MODULE [SHORT]	● Front passenger air bag module circuits are shorted to each other.	
SIDE MODULE LH [OPEN]	● Side air bag module (LH) circuit is open.	<ol style="list-style-type: none"> 1. Visually check the wiring harness connection. 2. Replace the harness if it has visible damage. 3. Replace side air bag module (LH). (Before disposal, it must be deployed.) 4. Replace the diagnosis sensor unit. 5. Replace the related harness.
SIDE MODULE LH [VB-SHORT]	● Side air bag module (LH) circuit is shorted to some power supply circuits.	
SIDE MODULE LH [GND-SHORT]	● Side air bag module (LH) circuit is shorted to ground.	
SIDE MODULE LH [SHORT]	● Side air bag module (LH) circuits are shorted to each other.	
SIDE MODULE RH [OPEN]	● Side air bag module (RH) circuit is open.	<ol style="list-style-type: none"> 1. Visually check the wiring harness connection. 2. Replace the harness if it has visible damage. 3. Replace side air bag module (RH). (Before disposal, it must be deployed.) 4. Replace the diagnosis sensor unit. 5. Replace the related harness.
SIDE MODULE RH [VB-SHORT]	● Side air bag module (RH) circuit is shorted to some power supply circuits.	
SIDE MODULE RH [GND-SHORT]	● Side air bag module (RH) circuit is shorted to ground.	
SIDE MODULE RH [SHORT]	● Side air bag module (RH) circuits are shorted to each other.	
SATELLITE SENS LH [UNIT FAIL] SATELLITE SENS LH [COMM FAIL]	● Satellite sensor (LH)	<ol style="list-style-type: none"> 1. Visually check the wiring harness connection. 2. Replace the harness if it has visible damage. 3. Replace the satellite sensor (LH). 4. Replace the diagnosis sensor unit. 5. Replace the related harness.
SATELLITE SENS RH [UNIT FAIL] SATELLITE SENS RH [COMM FAIL]	● Satellite sensor (RH)	<ol style="list-style-type: none"> 1. Visually check the wiring harness connection. 2. Replace the harness if it has visible damage. 3. Replace the satellite sensor (RH). 4. Replace the diagnosis sensor unit. 5. Replace the related harness.
DRIVE PRE-TENSIONER [OPEN/VB-SHORT]	● The circuit for the front LH pre-tensioner is open or shorted to some power supply circuit.	<ol style="list-style-type: none"> 1. Visually check the wiring harness connections. 2. Replace the harness if it has visible damage. 3. Replace the front LH seat belt. (Before disposing, it must be deactivated.) 4. Replace the diagnosis sensor unit. 5. Replace the related harness.
DRIVE PRE-TENSIONER [GND-SHORT]	● The circuit for the front LH pre-tensioner is shorted to ground.	

TROUBLE DIAGNOSES — Supplemental Restraint System (SRS)

Self-diagnosis (Cont'd)

Diagnostic item	Explanation	Repair order Recheck SRS at each replacement.
ASSIST PRE-TENSIONER [OPEN/VB-SHORT]	<ul style="list-style-type: none"> The circuit for the front RH pre-tensioner is open or shorted to some power supply circuit. 	<ol style="list-style-type: none"> Visually check the wiring harness connections. Replace the harness if it has visible damage. Replace the front RH seat belt.
ASSIST PRE-TENSIONER [GND-SHORT]	<ul style="list-style-type: none"> The circuit for the front RH pre-tensioner is shorted to ground. 	<ol style="list-style-type: none"> Replace the front RH seat belt. (Before disposing, it must be deactivated.) Replace the diagnosis sensor unit. Replace the related harness.
CONTROL UNIT	<ul style="list-style-type: none"> Low battery voltage (Less than 9V) 	<ul style="list-style-type: none"> Go to DIAGNOSTIC PROCEDURE 4 (RS-48) after charging battery.
	<ul style="list-style-type: none"> Diagnosis sensor unit is malfunctioning. 	<ol style="list-style-type: none"> Visually check wiring harness connections. Replace the harness if it has visible damage. Replace diagnosis sensor unit. Replae the related harness.

* Follow the procedures in numerical order when repairing malfunctioning parts. Confirm whether malfunction is eliminated using the air bag or seat belt warning lamp or CONSULT-II each time repair is finished. If malfunction is still observed, proceed to the next step. When malfunction is eliminated, further repair work is not required.

* CONSULT-II can only show one seat belt pre-tensioner malfunction as self-diagnosis result at a time. Check self-diagnosis result with CONSULT-II whether other malfunctions are detected after repairing one seat belt pre-tensioner malfunction.

GI

MA

EM

LC

EC

FE

AT

PD

FA

RA

BR

ST

RS

BT

HA

EL

IDX

TROUBLE DIAGNOSES — Supplemental Restraint System (SRS)

Self-diagnosis (Cont'd)

DIAGNOSTIC PROCEDURE 3 (without CONSULT-II)

Inspecting SRS malfunctioning parts by using "AIR BAG" warning lamp — Diagnosis mode

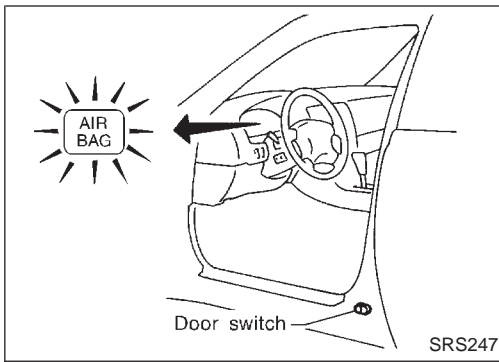
NOTE:

SRS will not enter Diagnosis mode if no malfunction is detected in User mode.

1. Open driver's door.
2. Turn ignition switch from "OFF" to "ON".
3. Press driver's door switch at least 5 times within 7 seconds after turning ignition switch "ON".
SRS is now in Diagnosis mode.
4. "AIR BAG" warning lamp operates in Diagnosis mode as follows:

NOTE:

If SRS does not enter Diagnosis mode even though malfunction is detected in User mode, go to DIAGNOSTIC PROCEDURE 11, page RS-57.



No.	"AIR BAG" warning lamp flash pattern — Diagnosis mode —	SRS condition
1	<p style="text-align: right;">(a) through (b) are repeated.</p> <p style="text-align: right;">SRS333</p>	<ul style="list-style-type: none"> ● Diagnosis results (previously stored in the memory) might not be erased after repair. ● Intermittent malfunction has been detected in the past. Go to DIAGNOSTIC PROCEDURE 7 (RS-52).
2	<p style="text-align: right;">(a) through (d) are repeated.</p> <p style="text-align: right;">(b) — Driver and passenger air bag marker (For identifying driver and/or passenger air bag malfunctioning)</p> <p style="text-align: right;">(d) — Indicates malfunctioning part. The number of flash varies with malfunctioning part (0.5 sec. ON and 0.5 sec. OFF is counted as one flash.)</p> <p style="text-align: right;">SRS341</p>	<p>The system is malfunctioning and needs to be repaired.</p>
3	<p style="text-align: right;">(a) through (f) are repeated.</p> <p style="text-align: right;">(b), (c), (d) — Side air bag marker (For identifying side air bag malfunctioning)</p> <p style="text-align: right;">(f) — Indicates malfunctioning part. The number of flash varies with malfunctioning part (0.5 sec. ON and 0.5 sec. OFF is counted as one flash.)</p> <p style="text-align: right;">SRS342-A</p>	

TROUBLE DIAGNOSES — Supplemental Restraint System (SRS)

Self-diagnosis (Cont'd)

5. Malfunctioning part is indicated by the number of flashes (part ④ or ⑤). Compare the number of flashes to AIR BAG WARNING LAMP FLASH CODE CHART, page RS-45, and locate malfunctioning part.
6. Turn ignition switch "OFF", and disconnect both battery cables.
7. Repair the system as outlined by the "Repair order" in AIR BAG WARNING LAMP FLASH CODE CHART that corresponds to the flash code. For replacement procedure of component parts, refer to RS-16.
8. After repairing the system, go to DIAGNOSTIC PROCEDURE 5, page RS-50.

AIR BAG WARNING LAMP FLASH CODE CHART (DIAGNOSIS MODE)

<ul style="list-style-type: none"> ● Diagnosis results (previously stored in the memory) might not be erased after repair. ● Intermittent malfunction has been detected in the past. 	<p style="text-align: center;">Flash pattern</p> <p style="text-align: right;">① through ② are repeated.</p> <p style="text-align: right;">SRS333</p> <p>Repair order</p> <ul style="list-style-type: none"> ● Go to DIAGNOSTIC PROCEDURE 7 (RS-52).
<p>The driver's air bag module circuit is out of order. (④: 2 flashes)</p>	<p style="text-align: center;">Flash pattern</p> <p style="text-align: right;">① through ④ are repeated. ④ — Two flashes indicate malfunctioning driver's air bag module circuit.</p> <p style="text-align: right;">SRS334</p> <p>Repair order ("Recheck SRS at each replacement.")</p> <ol style="list-style-type: none"> 1. Visually check the wiring harness connection. 2. Replace the harness if it has visible damage. 3. Replace driver's air bag module. (Before disposal, it must be deployed.) 4. Replace the spiral cable. 5. Replace the diagnosis sensor unit. 6. Replace the related harness.

TROUBLE DIAGNOSES — Supplemental Restraint System (SRS)

Self-diagnosis (Cont'd)

<p>The diagnosis sensor unit is out of order. (Ⓓ: 7 flashes)</p>	<div style="text-align: center; border-bottom: 1px solid black; margin-bottom: 5px;">Flash pattern</div> <p style="text-align: right;">Ⓐ through Ⓓ are repeated. Ⓓ — Seven flashes indicate malfunctioning diagnosis sensor unit.</p> <p style="text-align: right;">SRS335</p>
<p>Repair order ("Recheck SRS at each replacement.")</p> <ol style="list-style-type: none"> 1. Visually check the wiring harness connections. 2. Replace the diagnosis sensor unit. 3. Replace the related harness. 	
<p>The front passenger air bag module circuit is out of order. (Ⓓ: 8 flashes)</p>	<div style="text-align: center; border-bottom: 1px solid black; margin-bottom: 5px;">Flash pattern</div> <p style="text-align: right;">Ⓐ through Ⓓ are repeated. Ⓓ — Eight flashes indicate malfunctioning front passenger air bag module circuit.</p> <p style="text-align: right;">SRS336</p>
<p>Repair order ("Recheck SRS at each replacement.")</p> <ol style="list-style-type: none"> 1. Visually check the wiring harness connection. 2. Replace the harness if it has visible damage. 3. Replace front passenger air bag module. (Before disposal, it must be deployed.) 4. Replace the diagnosis sensor unit. 5. Replace the related harness. 	
<p>The side air bag module (RH) circuit is out of order. (Ⓕ: 1 flash)</p>	<div style="text-align: center; border-bottom: 1px solid black; margin-bottom: 5px;">Flash pattern</div> <p style="text-align: right;">Ⓐ through Ⓕ are repeated. Ⓕ — One flash indicates malfunctioning side air bag module (RH) circuit.</p> <p style="text-align: right;">SRS338</p>
<p>Repair order ("Recheck SRS at each replacement.")</p> <ol style="list-style-type: none"> 1. Visually check the wiring harness connection. 2. Replace the harness if it has visible damage. 3. Replace side air bag module (RH). (Before disposal, it must be deployed.) 4. Replace the diagnosis sensor unit. 5. Replace the related harness. 	

TROUBLE DIAGNOSES — Supplemental Restraint System (SRS)

Self-diagnosis (Cont'd)

<p>The side air bag module (LH) circuit is out of order. (f): 2 flashes)</p>	<p style="text-align: center;">Flash pattern</p> <p style="text-align: right;"> a through f are repeated. f — Two flashes indicate malfunctioning side air bag module (LH) circuit. </p> <p style="text-align: right;">SRS337</p>	GI MA EM
Repair order ("Recheck SRS at each replacement.")		
<ol style="list-style-type: none"> 1. Visually check the wiring harness connection. 2. Replace the harness if it has visible damage. 3. Replace side air bag module (LH). (Before disposal, it must be deployed.) 4. Replace the diagnosis sensor unit. 5. Replace the related harness. 		
<p>The satellite sensor (RH) is out of order. (f): 3 flashes)</p>	<p style="text-align: center;">Flash pattern</p> <p style="text-align: right;"> a through f are repeated. f — Three flashes indicate malfunctioning satellite sensor (RH) circuit. </p> <p style="text-align: right;">SRS340</p>	AT PD FA RA
Repair order ("Recheck SRS at each replacement.")		
<ol style="list-style-type: none"> 1. Visually check the wiring harness connection. 2. Replace the harness if it has visible damage. 3. Replace the satellite sensor (RH). 4. Replace the diagnosis sensor unit. 5. Replace the related harness. 		
<p>The satellite sensor (LH) is out of order. (f): 4 flashes)</p>	<p style="text-align: center;">Flash pattern</p> <p style="text-align: right;"> a through f are repeated. f — Four flashes indicate malfunctioning satellite sensor (LH) circuit. </p> <p style="text-align: right;">SRS339-A</p>	RS BT HA EL
Repair order ("Recheck SRS at each replacement.")		
<ol style="list-style-type: none"> 1. Visually check the wiring harness connection. 2. Replace the harness if it has visible damage. 3. Replace the satellite sensor (LH). 4. Replace the diagnosis sensor unit. 5. Replace the related harness. 		

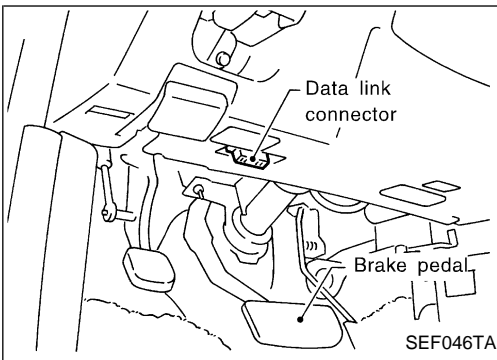
* Follow the procedures in numerical order when repairing malfunctioning parts. Confirm whether malfunction is eliminated using the air bag warning lamp (in User mode) or CONSULT-II each time repair is finished. If malfunction is still observed, proceed to the next step. When malfunction is eliminated, further repair work is not required.

TROUBLE DIAGNOSES — Supplemental Restraint System (SRS)

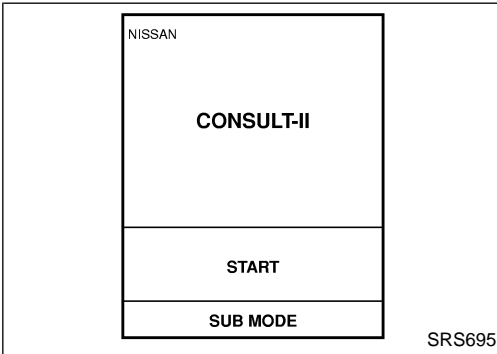
Self-diagnosis (Cont'd)

DIAGNOSTIC PROCEDURE 4 (CONSULT-II with CONSULT-II)

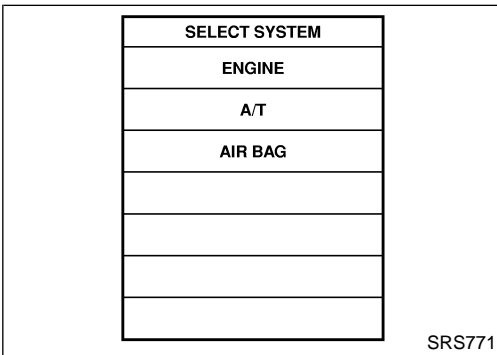
Final checking after repairing SRS by using CONSULT-II — Diagnosis mode



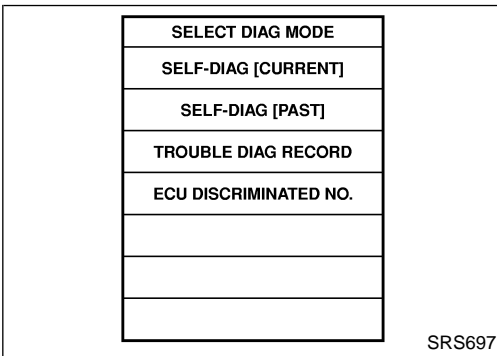
1. After repairing SRS, connect both battery cables.
2. Connect CONSULT-II to Data link connector.
3. Turn ignition switch from "OFF" to "ON".



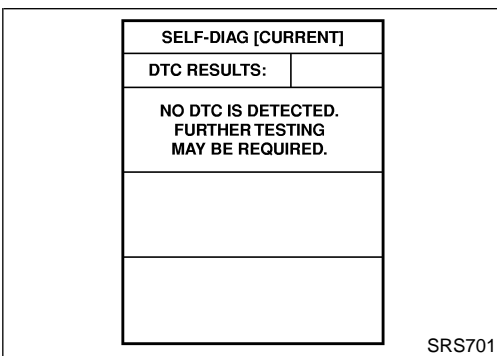
4. Touch "START".



5. Touch "AIR BAG".



6. Touch "SELF-DIAG [CURRENT]".



7. If no malfunction is detected on "SELF-DIAG [CURRENT]", repair of SRS is completed. Go to step 8.
(When the malfunction was only in seat belt pre-tensioner system, go to step 11.)
If any malfunction is detected on "SELF-DIAG [CURRENT]", the malfunctioning part is not repaired completely or another malfunctioning part is detected. Go to DIAGNOSTIC PROCEDURE 2, page RS-40, and repair malfunctioning part completely.

Self-diagnosis (Cont'd)

SELF-DIAG [CURRENT]	
DTC RESULTS:	
AIR BAG MODULE [OPEN]	
ERASE	

SRS773

SELECT SYSTEM	
ENGINE	
A/T	
AIR BAG	

SRS771

SELF-DIAG [PAST]	
DTC RESULTS:	
NO DTC IS DETECTED. FURTHER TESTING MAY BE REQUIRED.	

SRS702

8. Touch "ERASE".

NOTE:

Touch "ERASE" to clear the memory of the malfunction ("SELF-DIAG [PAST]").

If the memory of the malfunction is "SELF-DIAG [PAST]" is not erased, the User mode shows the system malfunction by the operation of the warning lamp even if the malfunction is repaired completely.

9. Touch "BACK" key of CONSULT-II to select "SELF-DIAG [PAST]" in the "SELECT DIAG MODE" screen. Touch "SELF-DIAG [PAST]".

10. Check that no malfunction is detected on "SELF-DIAG [PAST]".

NOTE:

Past malfunction for seat belt pre-tensioner system will not be displayed on "SELF-DIAG [PAST]".

11. Touch "BACK" key of CONSULT-II until SELECT SYSTEM appears in order to return to User mode from Diagnosis mode.

12. Turn ignition switch "OFF" then turn off and disconnect CONSULT-II.

13. Go to DIAGNOSTIC PROCEDURE 1, page RS-38 to check SRS operation by using "AIR BAG" warning lamp with User mode.

GI
MA
EM
LC
EC
FE
AT
PD
FA
RA
BR
ST
BT
HA
EL
IDX

RS

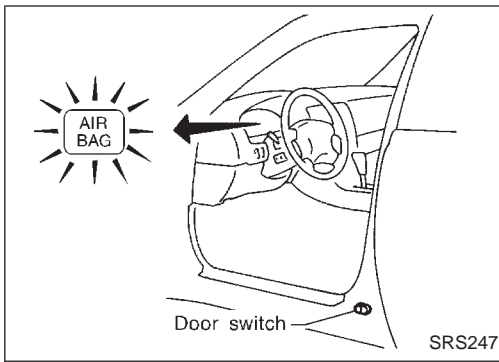
TROUBLE DIAGNOSES — Supplemental Restraint System (SRS)

Self-diagnosis (Cont'd)

DIAGNOSTIC PROCEDURE 5 (without CONSULT-II)

Final checking after repairing SRS by using "AIR BAG" warning lamp — Diagnosis mode and User mode

1. After repairing SRS connect both battery cables.
2. Open driver's door.
3. Turn ignition switch from "OFF" to "ON".
4. "AIR BAG" warning lamp operates in Diagnosis mode as follows:



No.	"AIR BAG" warning lamp flash pattern — Diagnosis mode —	SRS condition
1		<p>Ⓐ through Ⓑ are repeated.</p> <p>No malfunction is detected or repair is completed. No further action is necessary.</p>
2		<p>Ⓐ through Ⓓ are repeated.</p> <p>Ⓑ — Driver and passenger air bag marker (For identifying driver and/or passenger air bag malfunctioning)</p> <p>Ⓓ — Indicates malfunctioning part. The number of flashes varies with malfunctioning part (0.5 sec. ON and 0.5 sec. OFF is counted as one flash.)</p> <p>The system is malfunctioning and needs to be repaired.</p>
3		<p>Ⓐ through Ⓕ are repeated.</p> <p>Ⓑ, Ⓒ, Ⓓ — Side air bag marker (For identifying side air bag malfunctioning)</p> <p>Ⓕ — Indicates malfunctioning part. The number of flashes varies with malfunctioning part (0.5 sec. ON and 0.5 sec. OFF is counted as one flash.)</p>

NOTE:

When diagnosis sensor unit is replaced with new one, "AIR BAG" warning lamp will operate in User mode. Checking "AIR BAG" warning lamp operation in Diagnosis mode is not required. Go to step 6.

TROUBLE DIAGNOSES — Supplemental Restraint System (SRS)

Self-diagnosis (Cont'd)

- If "AIR BAG" warning lamp operates as shown in No. 1 in chart above, turn ignition switch "OFF" to reset from Diagnosis mode to User mode and to erase the memory of the malfunction. Then go to step 6.

If "AIR BAG" warning lamp operates as shown in No. 2 or No. 3 in chart above, the malfunctioning part is not repaired completely, or another malfunctioning part is detected. Go to DIAGNOSTIC PROCEDURE 3, page RS-44, and repair malfunctioning part completely.

- Turn ignition switch "ON". "AIR BAG" warning lamp operates in User mode. Compare "AIR BAG" warning lamp operation to the chart below.

NOTE:

If switching Diagnosis mode to User mode is required while malfunction is being detected, turn ignition switch from "OFF" to "ON". Then press driver's door switch at least 5 times within 7 seconds after turning ignition switch "ON". SRS is now in User mode.

"AIR BAG" warning lamp operation — User mode —	SRS condition	Reference item
<p>MRS095A</p>	No malfunction is detected. No further action is necessary.	—
<p>MRS096A</p>	The system is malfunctioning and needs to be repaired as indicated.	Go to DIAGNOSTIC PROCEDURE 3 (RS-44).
<p>MRS097A</p>	Air bag is deployed. Air bag fuse, diagnosis sensor unit or harness is malfunctioning and needs to be repaired.	Go to COLLISION DIAGNOSIS (RS-60). Go to DIAGNOSTIC PROCEDURE 9 (RS-56).
<p>MRS098A</p>	One of the following has occurred and needs to be repaired. <ul style="list-style-type: none"> ● Meter fuse is blown. ● "AIR BAG" warning lamp circuit has open or short. ● Diagnosis sensor unit is malfunctioning. 	Go to DIAGNOSTIC PROCEDURE 10 (RS-56).

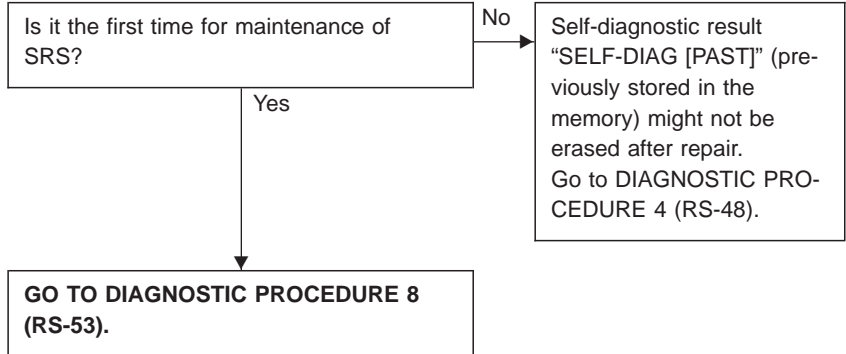
GI
MA
EM
LC
EC
FE
AT
PD
FA
RA
BR
ST
RS
BT
HA
EL
IDX

TROUBLE DIAGNOSES — Supplemental Restraint System (SRS)

Self-diagnosis (Cont'd)

DIAGNOSTIC PROCEDURE 6 (Continued from DIAGNOSTIC PROCEDURE 2) (with CONSULT-II)

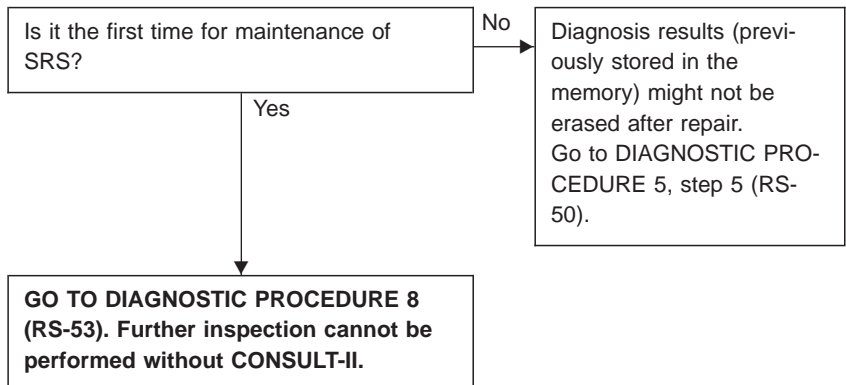
Inspecting SRS malfunctioning record



DIAGNOSTIC PROCEDURE 7 (Continued from

DIAGNOSTIC PROCEDURE 3) (without CONSULT-II)

Inspecting SRS malfunctioning record



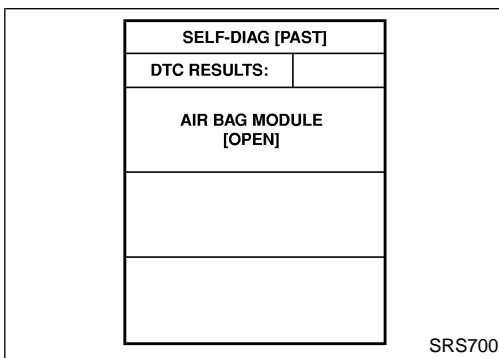
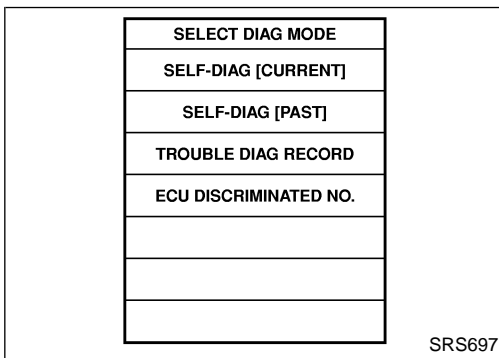
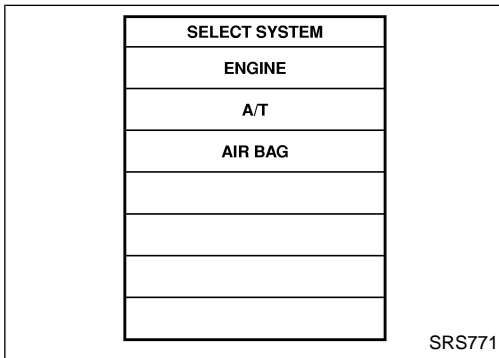
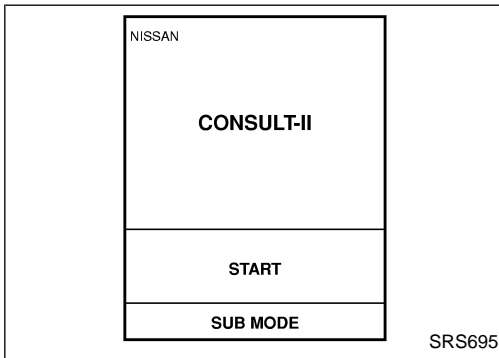
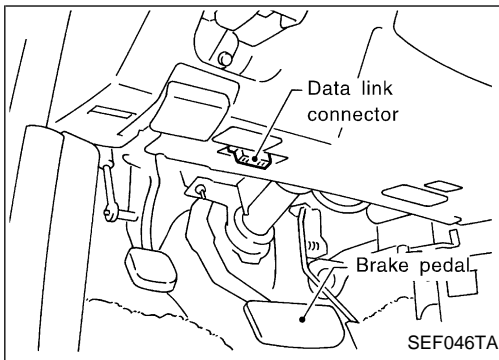
TROUBLE DIAGNOSES — Supplemental Restraint System (SRS)

Self-diagnosis (Cont'd)

DIAGNOSTIC PROCEDURE 8 (CONSULT-II) with CONSULT-II

Inspecting SRS intermittent malfunction by using CONSULT-II — Diagnosis mode

1. Turn ignition switch "OFF".
2. Connect "CONSULT-II" to Data link connector.
3. Turn ignition switch "ON".
4. Touch "START".



5. Touch "AIR BAG".

6. Touch "SELF-DIAG [PAST]".

7. If diagnostic codes are displayed on "SELF-DIAG [PAST]", go to step 10.

GI

MA

EM

LC

EC

FE

AT

PD

FA

RA

BR

ST

RS

BT

HA

EL

IDX

TROUBLE DIAGNOSES — Supplemental Restraint System (SRS)

Self-diagnosis (Cont'd)

If no malfunction is detected on “SELF-DIAG [PAST]”, touch “BACK” and go back to “SELECT DIAG MODE”.

NOTE:

Past malfunction for seat belt pre-tensioner system will not be displayed on “SELF-DIAG [PAST]”.

SELF-DIAG [PAST]	
DTC RESULTS:	
NO DTC IS DETECTED. FURTHER TESTING MAY BE REQUIRED.	

SRS702

SELECT DIAG MODE
SELF-DIAG [CURRENT]
SELF-DIAG [PAST]
TROUBLE DIAG RECORD
ECU DISCRIMINATED NO.

SRS697

TROUBLE DIAG RECORD	
DTC RESULTS:	
AIR BAG MODULE [OPEN]	

SRS704

8. Touch “TROUBLE DIAG RECORD”.

NOTE:

With TROUBLE DIAG RECORD, diagnosis results previously erased by a reset operation can be displayed.

9. Diagnostic code is displayed on “TROUBLE DIAG RECORD”.

10. Touch “PRINT”.
11. Compare diagnostic codes to the INTERMITTENT MALFUNCTION DIAGNOSTIC CODE CHART, page RS-55.
12. Touch “BACK” key of CONSULT-II until SELECT SYSTEM appears.
13. Turn ignition switch “OFF”, then turn off and disconnect CONSULT-II and disconnect both battery cables.
14. Repair the system as outlined by the “Repair order” in INTERMITTENT MALFUNCTION DIAGNOSTIC CODE CHART, that corresponds to the self-diagnosis result. For replacement procedure of component parts, refer to RS-16.
15. Go to DIAGNOSTIC PROCEDURE 4, page RS-48, for final checking.

TROUBLE DIAGNOSES — Supplemental Restraint System (SRS)

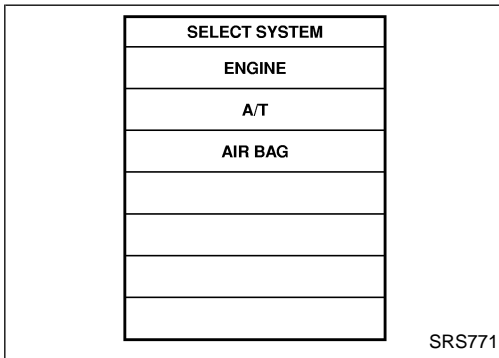
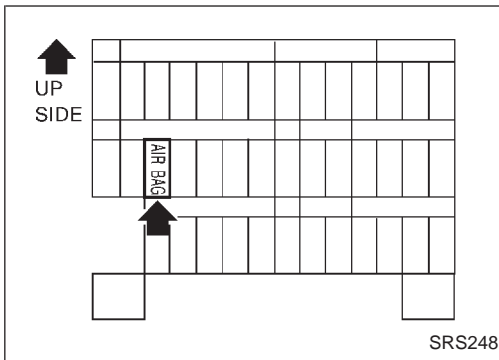
Self-diagnosis (Cont'd)

INTERMITTENT MALFUNCTION DIAGNOSTIC CODE CHART (“SELF-DIAG [PAST] or TROUBLE DIAG RECORD”)

Diagnostic item	Explanation	Repair order	
NO DTC IS DETECTED	<ul style="list-style-type: none"> No malfunction is detected. 	<ul style="list-style-type: none"> Go to DIAGNOSTIC PROCEDURE 4 (RS-48). 	
AIRBAG MODULE [OPEN]	<ul style="list-style-type: none"> Driver's air bag module circuit is open. (including the spiral cable) 	<ol style="list-style-type: none"> Visually check the wiring harness connection. Replace the harness if it has visible damage. If the harness check is OK, replace the spiral cable, diagnosis sensor unit and driver air bag module. (Before disposing the driver air bag module, it must be deployed.) 	
AIRBAG MODULE [VB-SHORT]	<ul style="list-style-type: none"> Driver's air bag module circuit is shorted to some power supply circuit. (including the spiral cable) 		
AIRBAG MODULE [GND-SHORT]	<ul style="list-style-type: none"> Driver's air bag module circuit is shorted to ground. (including the spiral cable) 		
AIRBAG MODULE [SHORT]	<ul style="list-style-type: none"> Driver's air bag module circuits are shorted to each other. 		
ASSIST A/B MODULE [VB-SHORT]	<ul style="list-style-type: none"> Front passenger air bag module circuit is shorted to some power supply circuit. 		
ASSIST A/B MODULE [OPEN]	<ul style="list-style-type: none"> Front passenger air bag module circuit is open. 	<ol style="list-style-type: none"> Visually check the wiring harness connection. Replace the harness if it has visible damage. If the harness check is OK, replace the diagnosis sensor unit and passenger air bag module. (Before disposing the passenger air bag module, it must be deployed.) 	
ASSIST A/B MODULE [GND-SHORT]	<ul style="list-style-type: none"> Front passenger air bag module circuit is shorted to ground. 		
ASSIST A/B MODULE [SHORT]	<ul style="list-style-type: none"> Front passenger air bag module circuits are shorted to each other. 		
SIDE MODULE LH [OPEN]	<ul style="list-style-type: none"> Side air bag module (LH) circuit is open. 		
SIDE MODULE LH [VB-SHORT]	<ul style="list-style-type: none"> Side air bag module (LH) circuit is shorted to some power supply circuits. 		
SIDE MODULE LH [GND-SHORT]	<ul style="list-style-type: none"> Side air bag module (LH) circuit is shorted to ground. 	<ol style="list-style-type: none"> Visually check the wiring harness connection. Replace the harness if it has visible damage. If the harness check is OK, replace the diagnosis sensor unit and side air bag module (LH). (Before disposing the side air bag module (LH), it must be deployed.) 	
SIDE MODULE LH [SHORT]	<ul style="list-style-type: none"> Side air bag module (LH) circuits are shorted to each other. 		
SIDE MODULE RH [OPEN]	<ul style="list-style-type: none"> Side air bag module (RH) circuit is open. 		
SIDE MODULE RH [VB-SHORT]	<ul style="list-style-type: none"> Side air bag module (RH) circuit is shorted to some power supply circuits. 		
SIDE MODULE RH [GND-SHORT]	<ul style="list-style-type: none"> Side air bag module (RH) circuit is shorted to ground. 		
SIDE MODULE RH [SHORT]	<ul style="list-style-type: none"> Side air bag module (RH) circuits are shorted to each other. 	<ol style="list-style-type: none"> Visually check the wiring harness connection. Replace the harness if it has visible damage. If the harness check is OK, replace the diagnosis sensor unit and side air bag module (RH). (Before disposing the side air bag module (RH), it must be deployed.) 	
SATELLITE SENS LH [UNIT FAIL] SATELLITE SENS LH [COMM FAIL]	<ul style="list-style-type: none"> Satellite sensor (LH) 		
SATELLITE SENS RH [UNIT FAIL] SATELLITE SENS RH [COMM FAIL]	<ul style="list-style-type: none"> Satellite sensor (RH) 		
CONTROL UNIT	<ul style="list-style-type: none"> Diagnosis sensor unit is malfunctioning. 		<ol style="list-style-type: none"> Visually check the wiring harness connection. Replace the harness if it has visible damage. If the harness check is OK, replace the diagnosis sensor unit.

* Follow the procedures in numerical order when repairing malfunctioning parts, then make the final system check.

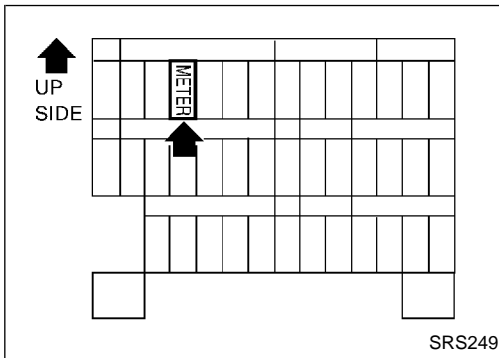
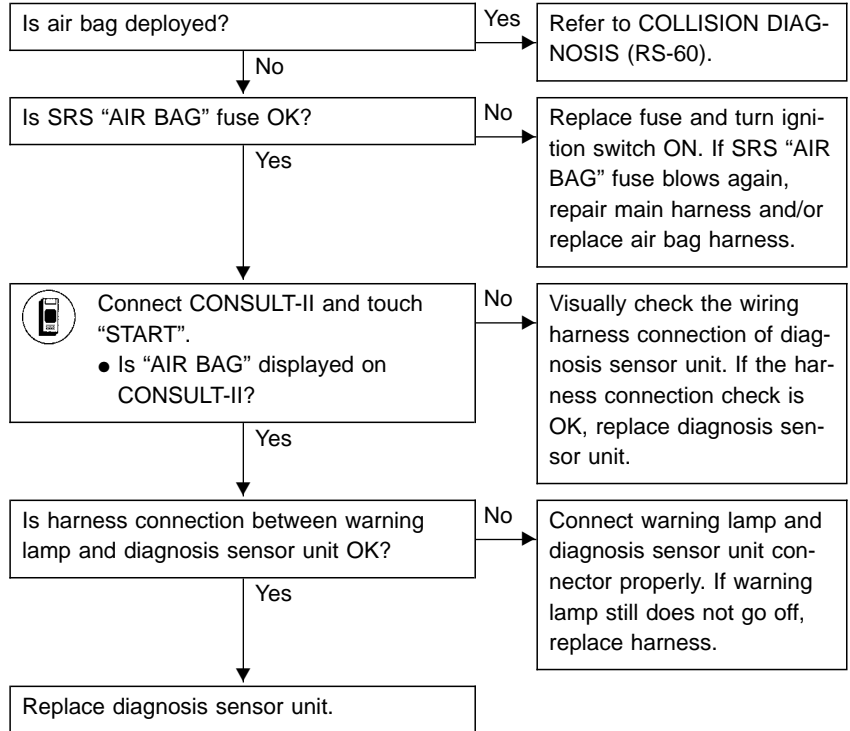
GI
MA
EM
LC
EC
FE
AT
PD
FA
RA
BR
ST
RS
BT
HA
EL
IDX



Trouble Diagnoses for Air Bag Warning Lamp

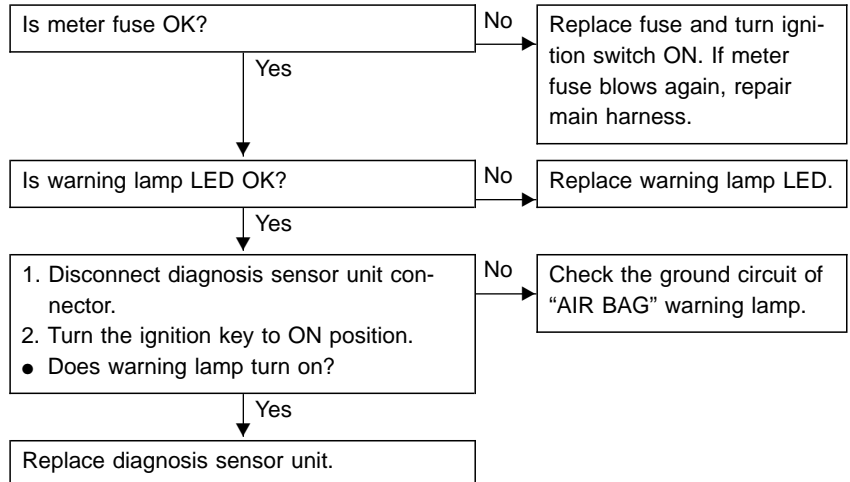
DIAGNOSTIC PROCEDURE 9

SYMPTOM: "AIR BAG" warning lamp does not turn off.



DIAGNOSTIC PROCEDURE 10

SYMPTOM: "AIR BAG" warning lamp does not turn on.

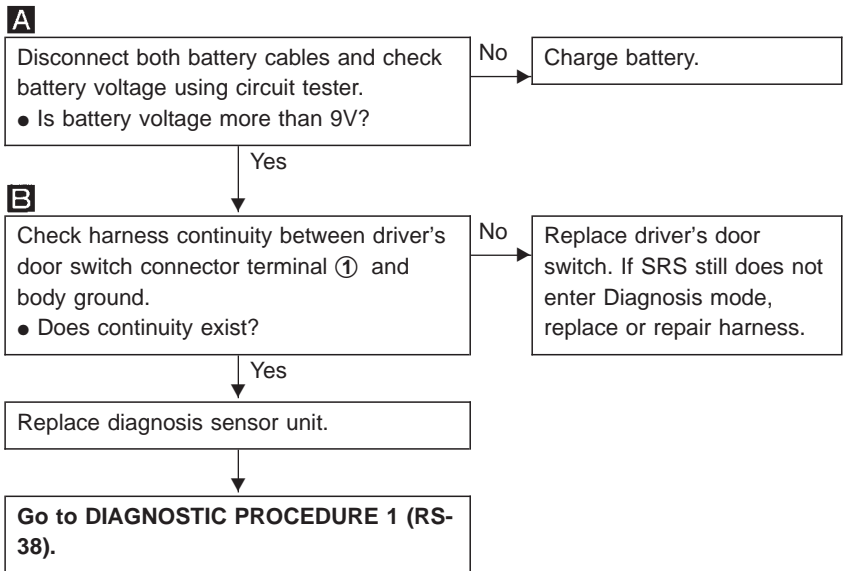
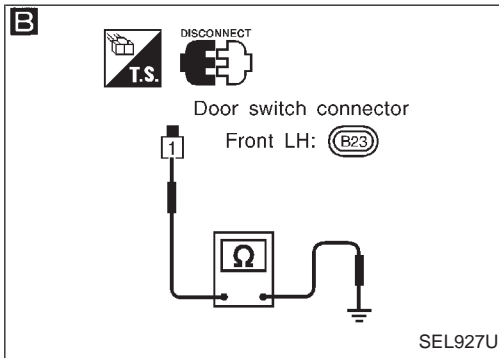
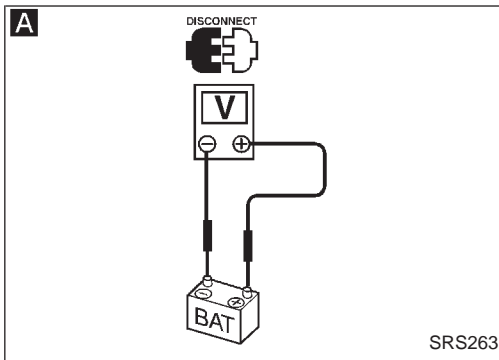


TROUBLE DIAGNOSES — Supplemental Restraint System (SRS)

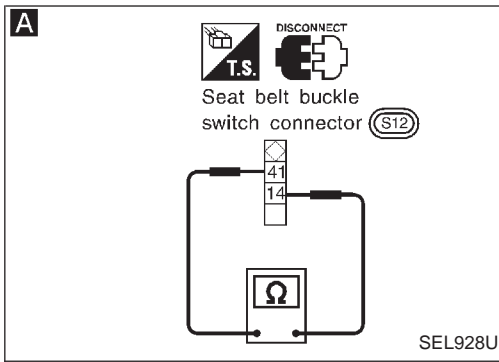
Trouble Diagnoses for Air Bag Warning Lamp (Cont'd)

DIAGNOSTIC PROCEDURE 11

SYMPTOM: SRS does not enter Diagnosis mode using door switch.



GI
MA
EM
LC
EC
FE
AT
PD
FA
RA
BR
ST
RS
BT
HA
EL
IDX



Trouble Diagnosis for Seat Belt Pre-tensioner Warning Lamp

DIAGNOSTIC PROCEDURE 12

SYMPTOM: "SEAT BELT" warning lamp does not turn off.

Is the seat belt pre-tensioner (and driver's and passenger's air bags) deployed? Yes

Refer to COLLISION DIAGNOSIS (RS-60).

No

Is driver's seat belt fastened? No

Check "SEAT BELT" warning lamp operation after the seat belt is fastened.

Yes

A

Check driver's seat belt buckle switch.

1. Disconnect the seat belt buckle switch connector.
2. Check continuity between terminals ④1 and ④4.

NG

Replace the seat belt buckle switch.

Condition of seat belt	Continuity
Unfastened	Yes
Fastened	No

WARNING:

Do not measure resistance with harness side connector.

OK

1. Visually check the wiring harness connection.
2. Replace the diagnosis unit.
3. Fasten the seat belt.
4. Turn ignition switch to ON position.
5. Does the "SEAT BELT" warning lamp illuminate for about 7 seconds and then turn off?

Yes

System is OK.

No

1. Replace combination meter assembly.
2. Fasten the seat belt.
3. Turn ignition switch to ON position.
4. Does the "SEAT BELT" warning lamp illuminate for about 7 seconds and then turn off?

Yes

System is OK.

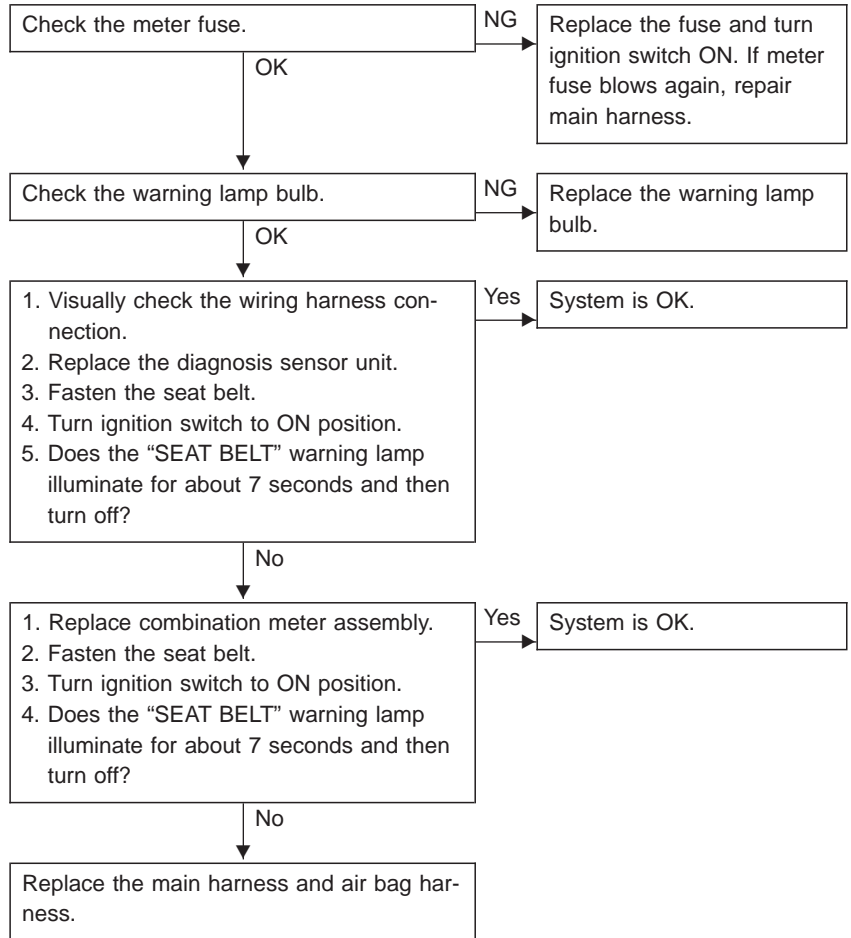
No

Replace the main harness and air bag harness.

Trouble Diagnosis for Seat Belt Pre-tensioner Warning Lamp (Cont'd)

DIAGNOSTIC PROCEDURE 13

SYMPTOM: “SEAT BELT” warning lamp does not turn on.



GI

MA

EM

LC

EC

FE

AT

PD

FA

RA

BR

ST

RS

BT

HA

EL

IDX

COLLISION DIAGNOSIS

FOR FRONTAL COLLISION

To repair the SRS for a frontal collision, perform the following steps.

When SRS (except the side air bag) is activated in a collision:

- ① Replace the diagnosis sensor unit.
- ② Remove the air bag modules (except the side air bag module) and seat belt pre-tensioner assemblies.
- ③ Check the SRS components using the table shown below:
 - Replace any SRS components showing visible signs of damage (dents, cracks, deformation).
- ④ Install new air bag modules (except the side air bag module) and seat belt pre-tensioner assemblies.
- ⑤ Conduct self-diagnosis using CONSULT-II, "AIR BAG" and "SEAT BELT" warning lamps. Refer to "Self-diagnosis" for details (RS-38). Ensure entire SRS operates properly.

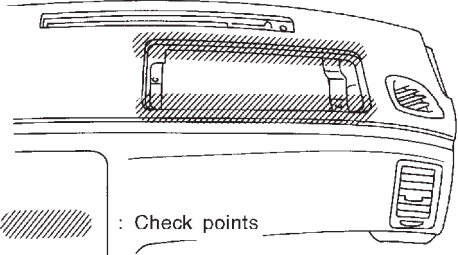
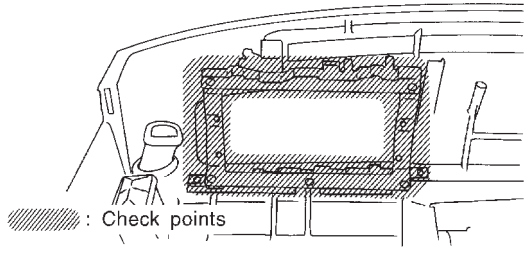
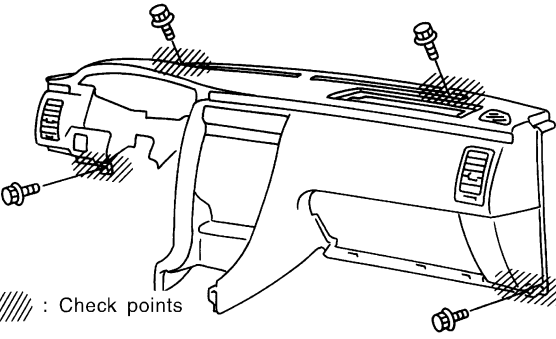
When SRS is not activated in a collision:

- ① Check the SRS components using the table shown below:
 - Replace any SRS components showing visible signs of damage (dents, cracks, deformation).
- ② Conduct self-diagnosis using CONSULT-II, "AIR BAG" and "SEAT BELT" warning lamps. Refer to "Self-diagnosis" for details (RS-38). Ensure entire SRS operates properly.

SRS inspection

Part	SRS (except the side air bag) is activated	SRS is NOT activated
Air bag module (driver and passenger side)	REPLACE Install air bag module with new bolts.	1. Remove air bag module. Check harness cover and connectors for damage, terminals for deformities, and harness for binding. 2-1. Install driver air bag module into the steering wheel to check fit and alignment with the wheel. 2-2. Install passenger air bag module into the instrument panel to check fit with the instrument panel. 3. No damage found, reinstall with new bolts. 4. If damaged—REPLACE. Air bag must be deployed before discarding.
Seat belt pre-tensioner assembly	REPLACE Install seat belt pre-tensioner with new bolts.	1. Remove seat belt pre-tensioners. Check harness cover and connectors for damage, terminals for deformities, and harness for binding. 2. Check belts for damage and anchors for loose mounting. 3. Check retractor for smooth operation. 4. If no damage is found, reinstall with new bolts. 5. If damaged—REPLACE. Seat belt pre-tensioners must be deployed before discarding.
Diagnosis sensor unit	REPLACE Install diagnosis sensor unit with new bolts.	1. Check case and bracket for dents, cracks or deformities. 2. Check connectors for damage, and terminals for deformities. 3. If no damage is found, reinstall with new bolts. 4. If damaged—REPLACE. Install diagnosis sensor unit with new bolts.
Steering wheel		1. Visually check steering wheel for deformities. 2. Check harness (built into steering wheel) and connectors for damage, and terminals for deformities. 3. Install air bag module to check fit or alignment with steering wheel. 4. Check steering wheel for excessive free play. 5. If no damage is found, reinstall. 6. If damaged—REPLACE.
Spiral cable		1. Visually check spiral cable and combination switch for damage. 2. Check connectors, flat cable and protective tape for damage. 3. Check steering wheel for noise, binding or heavy operation. 4. If no damage is found, reinstall with new bolts. 5. If damaged—REPLACE.
Harness and Connectors		1. Check connectors for poor connection, damage, and terminals for deformities. 2. Check harness for binding, chafing, cuts, or deformities. 3. If no damage is found, reinstall harness and connectors. 4. Damaged—REPLACE damaged section of harness. Do not attempt to repair, splice or modify any SRS harness.
Instrument panel		Refer to the table on next page.

COLLISION DIAGNOSIS

Part	SRS (except the side air bag) is activated	SRS is NOT activated
Instrument panel	<p>1. When passenger air bag inflates, check the following points for bending, deformities or cracks.</p> <ul style="list-style-type: none"> ● Opening portion for passenger air bag  <p style="text-align: center;">: Check points</p> <ul style="list-style-type: none"> ● Passenger air bag module brackets <p style="text-align: center;">Back face of instrument panel</p>  <p style="text-align: center;">: Check points</p> <ul style="list-style-type: none"> ● The portions securing the instrument panel  <p style="text-align: center;">: Check points</p> <p>2. If no damage is found, reinstall the instrument panel. 3. If damaged—REPLACE the instrument panel with bolts.</p>	<p>GI</p> <p>MA</p> <p>EM</p> <p>LC</p> <p>SRS350</p> <p>EC</p> <p>FE</p> <p>AT</p> <p>PD</p> <p>FA</p> <p>SRS351</p> <p>RA</p> <p>BR</p> <p>ST</p> <p>RS</p> <p>SRS753</p> <p>BT</p> <p>HA</p> <p>EL</p> <p>IDX</p>

COLLISION DIAGNOSIS

FOR SIDE COLLISION

To repair the SRS for a side collision, perform the following steps.

When the built-in type side air bag is activated in the side collision:

- ① Replace the following components:
 - All parts of seat back with side air bag module (on the side on which side air bag is activated)
 - Diagnosis sensor unit
 - Satellite sensor (on the side on which side air bag is activated)
- ② Check the SRS components and the related parts using the table shown below.
 - Replace any SRS components and the related parts showing visible signs of damage (dents, cracks, deformation).
- ③ Conduct self-diagnosis using CONSULT-II, and “AIR BAG” warning lamp and “SEAT BELT” warning lamp. Refer to “Self-diagnosis” for details (RS-38). Ensure entire SRS operates properly.

When SRS is not activated in the side collision:

- ① Check the SRS components and the related parts using the table shown below.
 - Replace any SRS components and the related parts showing visible signs of damage (dents, cracks, deformation).
- ② Conduct self-diagnosis using CONSULT-II, and “AIR BAG” warning lamp and “SEAT BELT” warning lamp. Refer to “Self-diagnosis” for details (RS-38). Ensure entire SRS operates properly.

In the case of the side collision

Part	Side air bag is activated	SRS is NOT activated
Built-in type side air bag module (LH or RH)	REPLACE all parts of seat back with deployed side air bag module.	<ol style="list-style-type: none"> 1. Check for visible signs of damage (dents, tears, deformation) of the seat back on the collision side. 2. If damaged—REPLACE the damaged seat parts with new bolts and remove the side air bag module. 3. Check for visible signs of damage (tears etc.) of the side air bag module. 4. Check harness and connectors for damage, and terminals for deformities. 5. If no damage is found, reinstall the side air bag module with new torx nuts coated with bonding agent. 6. If damaged—REPLACE the side air bag module with new torx nuts coated with bonding agent. Air bag must be deployed before disposing of it.
Satellite sensor (LH or RH)	REPLACE the satellite sensor on the collision side with new nuts. (Repair the center pillar inner, etc. before installing new one if damaged.)	<ol style="list-style-type: none"> 1. Remove the satellite sensor on the collision side. Check harness connectors for damage, terminals for deformities, and harness for binding. 2. Check for visible signs of damage (dents, cracks, deformation) of the satellite sensor. 3. Install the satellite sensor to check fit. 4. If no damage is found, reinstall the satellite sensor with new nuts coated with bonding agent. 5. If damaged—REPLACE the satellite sensor with new nuts coated with bonding agent.
Diagnosis sensor unit	REPLACE the diagnosis sensor unit with the new bolts.	<ol style="list-style-type: none"> 1. Check case and bracket for dents, cracks or deformities. 2. Check connectors for damage, and terminals for deformities. 3. If no damage is found, reinstall the diagnosis sensor unit with new special bolts and ground bolt coated with bonding agent. 4. If damaged—REPLACE the diagnosis sensor unit with new special bolts and ground bolt coated with bonding agent.

COLLISION DIAGNOSIS

Part	Side air bag is activated	SRS is NOT activated	
Seat belt pre-tensioner assembly	<ol style="list-style-type: none"> 1. Check if the seat belt can be extended smoothly. If the seat belt cannot be extended smoothly. - Check for deformities of the center pillar inner. - If the center pillar inner has no damage, REPLACE the seat belt pre-tensioner assembly. 2. Remove the seat belt pre-tensioner assembly on the collision side. Check harness cover and connectors for damage, terminals for deformities, and harness for binding. 3. Check for visible signs of damage (dents, cracks, deformation) of the seat belt pre-tensioner assembly. 4. If no damage is found, reinstall the seat belt pre-tensioner assembly with new bolts coated with bonding agent. 5. If damaged—REPLACE the seat belt pre-tensioner assembly with new bolts coated with bonding agent. The seat belt pre-tensioner assembly must be deployed before disposing of it. 		<p>GI</p> <p>MA</p> <p>EM</p> <p>LC</p>
Seat with built-in type side air bag	REPLACE all parts of seat back (including seat back frame)	<ol style="list-style-type: none"> 1. Visually check the seat on the collision side. 2. Remove the seat on the collision side and check the following for damage and deformities. <ul style="list-style-type: none"> ● Harness, connectors and terminals ● Frame and recliner, and also adjuster and slides 3. If no damage is found, reinstall the seat. 4. If damaged—REPLACE the damaged seat parts with new bolts. 	<p>EC</p> <p>FE</p>
Center pillar inner	<ol style="list-style-type: none"> 1. Check the center pillar inner on the collision side for damage (dents, cracks, deformation). 2. If damaged—REPAIR the center pillar inner. 		<p>AT</p>
Trim	<ol style="list-style-type: none"> 1. Check for visible signs of damage (dents, cracks, deformation) of the interior trim on the collision side. 2. If damaged—REPLACE the damaged trim parts. 		<p>PD</p> <p>FA</p> <p>RA</p> <p>BR</p> <p>ST</p> <p>RS</p> <p>BT</p> <p>HA</p> <p>EL</p> <p>IDX</p>

NOTES