

SECTION **IP**
INSTRUMENT PANEL

A
B
C
D
E
F
G
H
IP
J
K
L
M

CONTENTS

PRECAUTIONS	2	WORK STEPS	11
Precautions for Supplemental Restraint System (SRS) "AIR BAG" and "SEAT BELT PRE-TENSIONER"	2	STEERING LOCK ESCUTCHEON	12
Precautions	2	CLUSTER LID D	12
PREPARATION	3	CLUSTER LID A	12
Special Service Tools	3	COMBINATION METER	13
Commercial Service Tools	3	CLUSTER LID C	13
SQUEAK AND RATTLE TROUBLE DIAGNOSES	4	CLOCK	13
Work Flow	4	CLUSTER LID CENTER LOWER	14
CUSTOMER INTERVIEW	4	A/T FINISHER	14
DUPLICATE THE NOISE AND TEST DRIVE	5	ASHTRAY	14
CHECK RELATED SERVICE BULLETINS	5	CUP HOLDER	14
LOCATE THE NOISE AND IDENTIFY THE ROOT CAUSE	5	CONSOLE BOX ASSEMBLY	14
REPAIR THE CAUSE	5	CD AUTO CHANGER	15
CONFIRM THE REPAIR	6	INSTRUMENT LOWER COVER	15
Generic Squeak and Rattle Troubleshooting	6	GLOVE BOX ASSEMBLY	15
INSTRUMENT PANEL	6	INSTRUMENT FINISHER	15
CENTER CONSOLE	6	GLOVE BOX COVER	16
DOORS	6	CD AUTO CHANGER	16
TRUNK	7	INSTRUMENT REINFORCEMENT	16
SUNROOF/HEADLINER	7	PASSENGER AIR BAG MODULE	16
SEATS	7	INSTRUMENT LOWER DRIVER PANEL	16
UNDERHOOD	7	INSTRUMENT MASK	16
Diagnostic Worksheet	8	FRONT PILLAR GARNISH	16
INSTRUMENT PANEL ASSEMBLY	10	INSTRUMENT PANEL BRACKET	16
Removal and Installation	10	INSTRUMENT PANEL	16
		Disassembly and Assembly	17
		CONSOLE BOX ASSEMBLY	17

PRECAUTIONS

PRECAUTIONS

PFP:00001

Precautions for Supplemental Restraint System (SRS) “AIR BAG” and “SEAT BELT PRE-TENSIONER”

EIS00330

The Supplemental Restraint System such as “AIR BAG” and “SEAT BELT PRE-TENSIONER”, used along with a front seat belt, helps to reduce the risk or severity of injury to the driver and front passenger for certain types of collision. Information necessary to service the system safely is included in the SRS and SB section of this Service Manual.

WARNING:

- **To avoid rendering the SRS inoperative, which could increase the risk of personal injury or death in the event of a collision which would result in air bag inflation, all maintenance must be performed by an authorized NISSAN/INFINITI dealer.**
- **Improper maintenance, including incorrect removal and installation of the SRS, can lead to personal injury caused by unintentional activation of the system. For removal of Spiral Cable and Air Bag Module, see the SRS section.**
- **Do not use electrical test equipment on any circuit related to the SRS unless instructed to in this Service Manual. SRS wiring harnesses can be identified by yellow and/or orange harnesses or harness connectors.**

Precautions

EIS0014Z

- Disconnect both battery cables in advance.
- Disconnect air bag system line in advance.
- Never tamper with or force air bag lid open, as this may adversely affect air bag performance.
- Be careful not to scratch pad and other parts.
- When removing or disassembling any part, be careful not to damage or deform it. Protect parts, which may get in the way with cloth.
- When removing parts with a screwdriver or other tool, protect parts by wrapping them with vinyl or tape.
- Keep removed parts protected with cloth.
- If a clip is deformed or damaged, replace it.
- If an unreusable part is removed, replace it with a new one.
- Tighten bolts and nuts firmly to the specified torque.
- After re-assembly has been completed, make sure each part functions correctly.
- Remove stains in the following way.

Water-soluble stains:

Dip a soft cloth in warm water, and then squeeze it tightly. After wiping the stain, wipe with a soft dry cloth.

Oil stain:

Dissolve a synthetic detergent in warm water (density of 2 to 3% or less), dip the cloth, then clean off the stain with the cloth. Next, dip the cloth in fresh water and squeeze it tightly. Then clean off the detergent completely. Then wipe the area with a soft dry cloth.

- Do not use any organic solvent, such as thinner or benzene.

PREPARATION

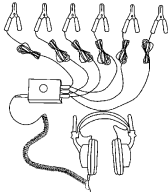
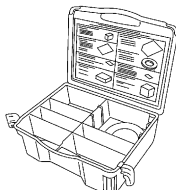
PREPARATION

PPF:00002

Special Service Tools

EIS000S6

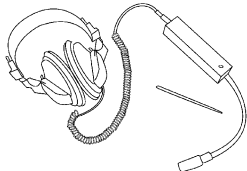
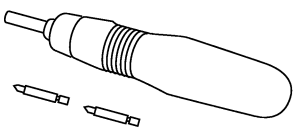
The actual shapes of Kent-Moore tools may differ from those of special service tools illustrated here.

Tool number (Kent-Moore No.) Tool name	Description
<p>(J-39570) Chassis ear</p>  <p style="text-align: right;">SIIA0993E</p>	<p>Location the noise</p>
<p>(J-43980) NISSAN Squeak and Rattle Kit</p>  <p style="text-align: right;">SIIA0994E</p>	<p>Repairing the cause of noise</p>

A
B
C
D
E
F
G
H
IP

Commercial Service Tools

EIS000S7

Tool name	Description
<p>Engine ear</p>  <p style="text-align: right;">SIIA0995E</p>	<p>Location the noise</p>
<p>Power tool</p>  <p style="text-align: right;">PBIC0191E</p>	

J
K
L
M

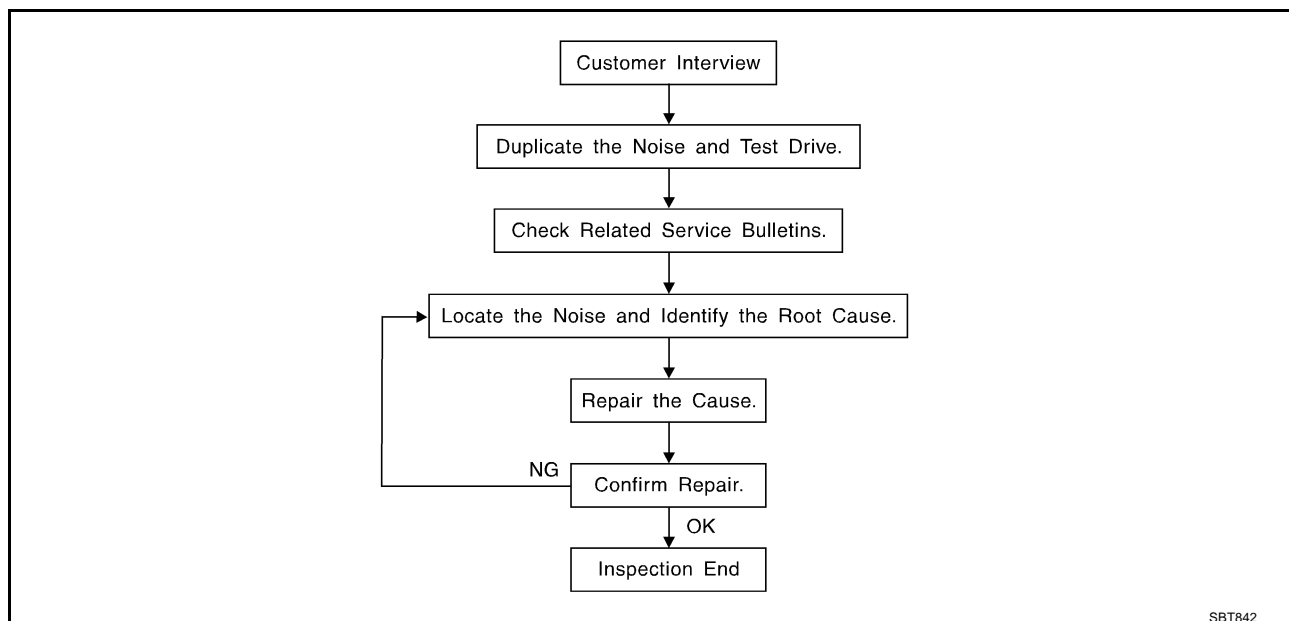
SQUEAK AND RATTLE TROUBLE DIAGNOSES

SQUEAK AND RATTLE TROUBLE DIAGNOSES

PFP:00000

Work Flow

EIS0007P



CUSTOMER INTERVIEW

Interview the customer if possible, to determine the conditions that exist when the noise occurs. Use the Diagnostic Worksheet during the interview to document the facts and conditions when the noise occurs and any customer's comments; refer to [IP-8, "Diagnostic Worksheet"](#). This information is necessary to duplicate the conditions that exist when the noise occurs.

- The customer may not be able to provide a detailed description or the location of the noise. Attempt to obtain all the facts and conditions that exist when the noise occurs (or does not occur).
- If there is more than one noise in the vehicle, be sure to diagnose and repair the noise that the customer is concerned about. This can be accomplished by test driving the vehicle with the customer.
- After identifying the type of noise, isolate the noise in terms of its characteristics. The noise characteristics are provided so the customer, service adviser and technician are all speaking the same language when defining the noise.
- Squeak —(Like tennis shoes on a clean floor)
Squeak characteristics include the light contact/fast movement/brought on by road conditions/hard surfaces=higher pitch noise/softer surfaces=lower pitch noises/edge to surface=chirping
- Creak—(Like walking on an old wooden floor)
Creak characteristics include firm contact/slow movement/twisting with a rotational movement/pitch dependent on materials/often brought on by activity.
- Rattle—(Like shaking a baby rattle)
Rattle characteristics include the fast repeated contact/vibration or similar movement/loose parts/missing clip or fastener/incorrect clearance.
- Knock —(Like a knock on a door)
Knock characteristics include hollow sounding/sometimes repeating/often brought on by driver action.
- Tick—(Like a clock second hand)
Tick characteristics include gentle contacting of light materials/loose components/can be caused by driver action or road conditions.
- Thump—(Heavy, muffled knock noise)
Thump characteristics include softer knock/dead sound often brought on by activity.
- Buzz—(Like a bumble bee)
Buzz characteristics include high frequency rattle/firm contact.
- Often the degree of acceptable noise level will vary depending upon the person. A noise that you may judge as acceptable may be very irritating to the customer.
- Weather conditions, especially humidity and temperature, may have a great effect on noise level.

SQUEAK AND RATTLE TROUBLE DIAGNOSES

DUPLICATE THE NOISE AND TEST DRIVE

If possible, drive the vehicle with the customer until the noise is duplicated. Note any additional information on the Diagnostic Worksheet regarding the conditions or location of the noise. This information can be used to duplicate the same conditions when you confirm the repair.

If the noise can be duplicated easily during the test drive, to help identify the source of the noise, try to duplicate the noise with the vehicle stopped by doing one or all of the following:

- 1) Close a door.
 - 2) Tap or push/pull around the area where the noise appears to be coming from.
 - 3) Rev the engine.
 - 4) Use a floor jack to recreate vehicle "twist".
 - 5) At idle, apply engine load (electrical load, half-clutch on M/T model, drive position on A/T model).
 - 6) Raise the vehicle on a hoist and hit a tire with a rubber hammer.
- Drive the vehicle and attempt to duplicate the conditions the customer states exist when the noise occurs.
 - If it is difficult to duplicate the noise, drive the vehicle slowly on an undulating or rough road to stress the vehicle body.

CHECK RELATED SERVICE BULLETINS

After verifying the customer concern or symptom, check ASIST for Technical Service Bulletins (TSBs) related to that concern or symptom.

If a TSB relates to the symptom, follow the procedure to repair the noise.

LOCATE THE NOISE AND IDENTIFY THE ROOT CAUSE

1. Narrow down the noise to a general area. To help pinpoint the source of the noise, use a listening tool (Chassis Ear: J-39570, Engine Ear: J-39565 and mechanics stethoscope).
2. Narrow down the noise to a more specific area and identify the cause of the noise by:
 - removing the components in the area that you suspect the noise is coming from.
Do not use too much force when removing clips and fasteners, otherwise clips and fastener can be broken or lost during the repair, resulting in the creation of new noise.
 - tapping or pushing/pulling the component that you suspect is causing the noise.
Do not tap or push/pull the component with excessive force, otherwise the noise will be eliminated only temporarily.
 - feeling for a vibration with your hand by touching the component(s) that you suspect is (are) causing the noise.
 - placing a piece of paper between components that you suspect are causing the noise.
 - looking for loose components and contact marks.
Refer to [IP-6, "Generic Squeak and Rattle Troubleshooting"](#).

REPAIR THE CAUSE

- If the cause is a loose component, tighten the component securely.
- If the cause is insufficient clearance between components:
 - separate components by repositioning or loosening and retightening the component, if possible.
 - insulate components with a suitable insulator such as urethane pads, foam blocks, felt cloth tape or urethane tape. A NISSAN Squeak and Rattle Kit (J-43980) is available through your authorized NISSAN Parts Department.

CAUTION:

Do not use excessive force as many components are constructed of plastic and may be damaged.

Always check with the Parts Department for the latest parts information.

The following materials are contained in the NISSAN Squeak and Rattle Kit (J-43980). Each item can be ordered separately as needed.

URETHANE PADS [1.5mm(0.059 in) thick]

Insulates connectors, harness, etc.

76268-9E005: 100×135mm(3.94×5.31 in)/76884-71L01: 60×85mm(2.36×3.35 in)/76884-71L02: 15×25mm(0.59×0.98 in)

INSULATOR (Foam blocks)

Insulates components from contact. Can be used to fill space behind a panel.

73982-9E000: 45mm(1.77 in) thick, 50×50mm(1.97×1.97 in)/73982-50Y00: 10mm(0.39 in) thick, 50×50mm(1.97×1.97 in)

SQUEAK AND RATTLE TROUBLE DIAGNOSES

INSULATOR (Light foam block)

80845-71L00: 30mm(1.18 in) thick, 30×50mm(1.18×1.97 in)

FELT CLOTHTAPE

Used to insulate where movement does not occur. Ideal for instrument panel applications.

68370-4B000: 15×25mm(0.59×0.98 in) pad/68239-13E00: 5mm(0.20 in) wide tape roll The following materials, not found in the kit, can also be used to repair squeaks and rattles.

UHMW(TEFLON) TAPE

Insulates where slight movement is present. Ideal for instrument panel applications.

SILICONE GREASE

Used in of UHMW tape that will be visible or not fit.

Note: Will only last a few months.

SILICONE SPRAY

Use when grease cannot be applied.

DUCT TAPE

Use to eliminate movement.

CONFIRM THE REPAIR

Confirm that the cause of a noise is repaired by test driving the vehicle. Operate the vehicle under the same conditions as when the noise originally occurred. Refer to the notes on the Diagnostic Worksheet.

Generic Squeak and Rattle Troubleshooting

EIS0007Q

Refer to Table of Contents for specific component removal and installation information.

INSTRUMENT PANEL

Most incidents are caused by contact and movement between:

1. The cluster lid A and instrument panel
2. Acrylic lens and combination meter housing
3. Instrument panel to front pillar garnish
4. Instrument panel to windshield
5. Instrument panel mounting pins
6. Wiring harnesses behind the combination meter
7. A/C defroster duct and duct joint

These incidents can usually be located by tapping or moving the components to duplicate the noise or by pressing on the components while driving to stop the noise. Most of these incidents can be repaired by applying felt cloth tape or silicon spray (in hard to reach areas). Urethane pads can be used to insulate wiring harness.

CAUTION:

Do not use silicone spray to isolate a squeak or rattle. If you saturate the area with silicone, you will not be able to recheck the repair.

CENTER CONSOLE

Components to pay attention to include:

1. Shifter assembly cover to finisher
2. A/C control unit and cluster lid C
3. Wiring harnesses behind audio and A/C control unit

The instrument panel repair and isolation procedures also apply to the center console.

DOORS

Pay attention to the:

1. Finisher and inner panel making a slapping noise
2. Inside handle escutcheon to door finisher
3. Wiring harnesses tapping
4. Door striker out of alignment causing a popping noise on starts and stops

Tapping or moving the components or pressing on them while driving to duplicate the conditions can isolate many of these incidents. You can usually insulate the areas with felt cloth tape or insulator foam blocks from the NISSAN Squeak and Rattle Kit (J-43980) to repair the noise.

SQUEAK AND RATTLE TROUBLE DIAGNOSES

TRUNK

Trunk noises are often caused by a loose jack or loose items put into the trunk by the owner. In addition look for:

1. Trunk lid dumpers out of adjustment
2. Trunk lid striker out of adjustment
3. The trunk lid torsion bars knocking together
4. A loose license plate or bracket

Most of these incidents can be repaired by adjusting, securing or insulating the item(s) or component(s) causing the noise.

SUNROOF/HEADLINER

Noises in the sunroof/headliner area can often be traced to one of the following:

1. Sunroof lid, rail, linkage or seals making a rattle or light knocking noise
2. Sunvisor shaft shaking in the holder
3. Front or rear windshield touching headliner and squeaking

Again, pressing on the components to stop the noise while duplicating the conditions can isolate most of these incidents. Repairs usually consist of insulating with felt cloth tape.

SEATS

When isolating seat noise it's important to note the position the seat is in and the load placed on the seat when the noise is present. These conditions should be duplicated when verifying and isolating the cause of the noise.

Cause of seat noise include:

1. Headrest rods and holder
2. A squeak between the seat pad cushion and frame
3. The rear seat back lock and bracket

These noises can be isolated by moving or pressing on the suspected components while duplicating the conditions under which the noise occurs. Most of these incidents can be repaired by repositioning the component or applying urethane tape to the contact area.

UNDERHOOD

Some interior noise may be caused by components under the hood or on the engine wall. The noise is then transmitted into the passenger compartment.

Causes of transmitted underhood noise include:

1. Any component mounted to the engine wall
2. Components that pass through the engine wall
3. Engine wall mounts and connectors
4. Loose radiator mounting pins
5. Hood bumpers out of adjustment
6. Hood striker out of adjustment

These noise can be difficult to isolate since they cannot be reached from the interior of the vehicle. The best method is to secure, move or insulate one component at a time and test drive the vehicle. Also, engine RPM or load can be changed to isolate the noise. Repairs can usually be made by moving, adjusting securing, or insulating the component causing the noise.

A

B

C

D

E

F

G

H

IP

J

K

L

M

SQUEAK AND RATTLE TROUBLE DIAGNOSES

Diagnostic Worksheet

EIS000TR



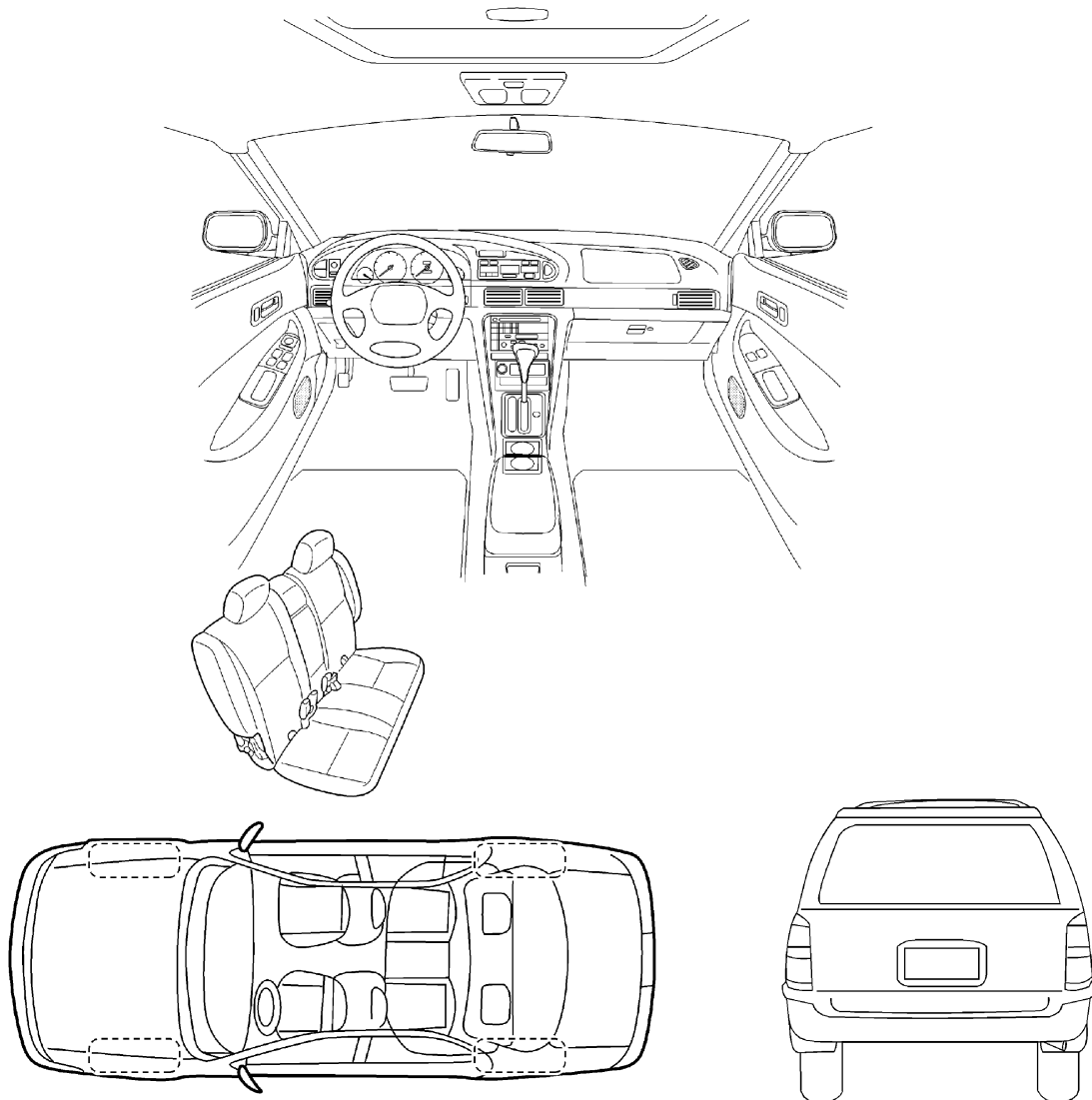
SQUEAK & RATTLE DIAGNOSTIC WORKSHEET

Dear Infiniti Customer:

We are concerned about your satisfaction with your Infiniti vehicle. Repairing a squeak or rattle sometimes can be very difficult. To help us fix your Infiniti right the first time, please take a moment to note the area of the vehicle where the squeak or rattle occurs and under what conditions. You may be asked to take a test drive with a service advisor or technician to ensure we confirm the noise you are hearing.

I. WHERE DOES THE NOISE COME FROM? (circle the area of the vehicle)

The illustrations are for reference only, and may not reflect the actual configuration of your vehicle.



Continue to the back of the worksheet and briefly describe the location of the noise or rattle. In addition, please indicate the conditions which are present when the noise occurs.

SBT860

SQUEAK AND RATTLE TROUBLE DIAGNOSES

SQUEAK & RATTLE DIAGNOSTIC WORKSHEET- page 2

Briefly describe the location where the noise occurs:

II. WHEN DOES IT OCCUR? (check the boxes that apply)

- | | |
|--|---|
| <input type="checkbox"/> anytime | <input type="checkbox"/> after sitting out in the sun |
| <input type="checkbox"/> 1 st time in the morning | <input type="checkbox"/> when it is raining or wet |
| <input type="checkbox"/> only when it is cold outside | <input type="checkbox"/> dry or dusty conditions |
| <input type="checkbox"/> only when it is hot outside | <input type="checkbox"/> other: _____ |

III. WHEN DRIVING:

- through driveways
- over rough roads
- over speed bumps
- only at about ____ mph
- on acceleration
- coming to a stop
- on turns : left, right or either (circle)
- with passengers or cargo
- other: _____
- after driving ____ miles or ____ minutes

IV. WHAT TYPE OF NOISE?

- squeak (like tennis shoes on a clean floor)
- creak (like walking on an old wooden floor)
- rattle (like shaking a baby rattle)
- knock (like a knock on a door)
- tick (like a clock second hand)
- thump (heavy, muffled knock noise)
- buzz (like a bumble bee)

TO BE COMPLETED BY DEALERSHIP PERSONNEL

Test Drive Notes:

	YES	NO	Initials of person performing
Vehicle test driven with customer	<input type="checkbox"/>	<input type="checkbox"/>	_____
- Noise verified on test drive	<input type="checkbox"/>	<input type="checkbox"/>	_____
- Noise source located and repaired	<input type="checkbox"/>	<input type="checkbox"/>	_____
- Follow up test drive performed to confirm repair	<input type="checkbox"/>	<input type="checkbox"/>	_____

VIN: _____ Customer Name: _____

W.O. #: _____ Date: _____

SBT844

This form must be attached to Work Order

INSTRUMENT PANEL ASSEMBLY

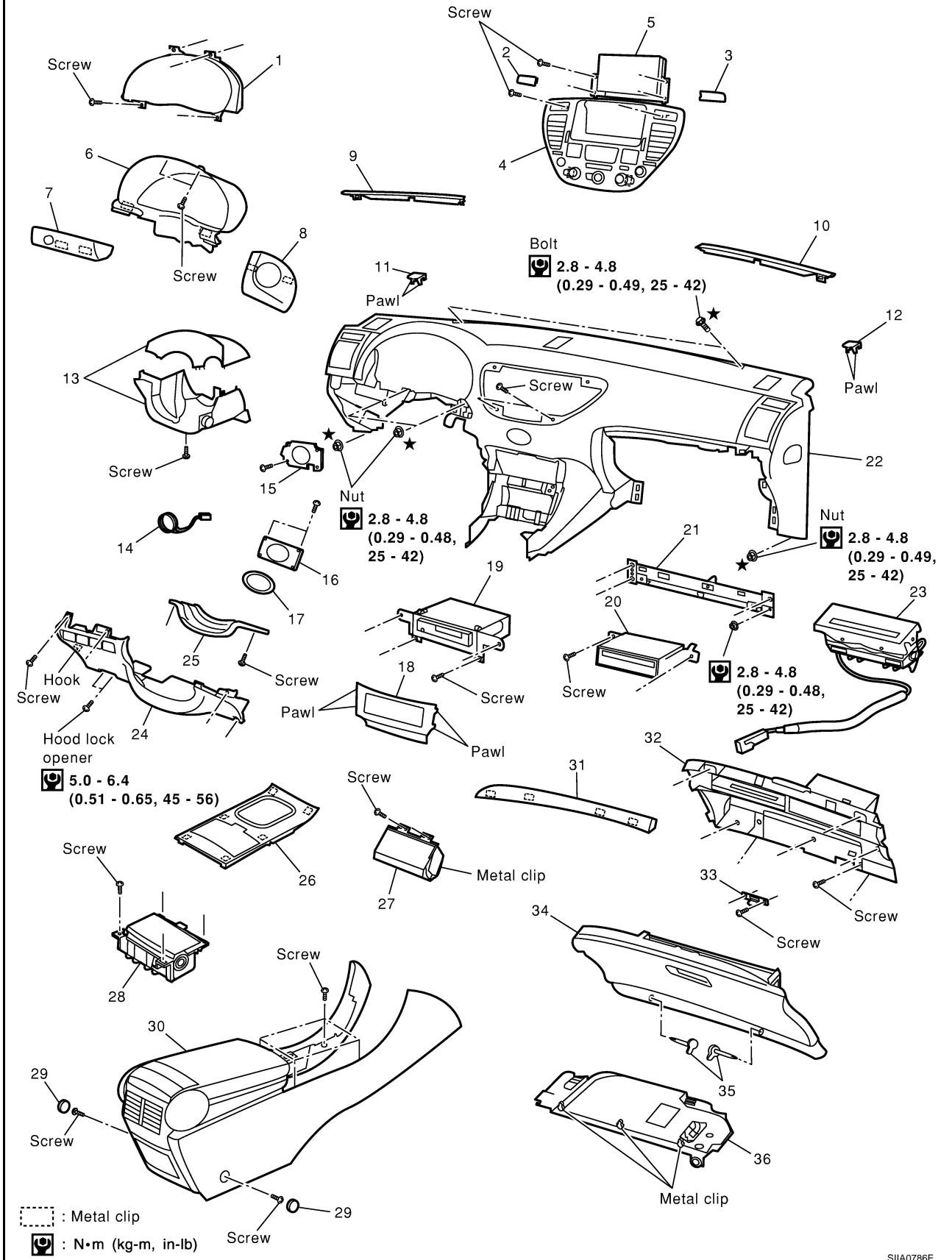
PFP:68200

INSTRUMENT PANEL ASSEMBLY

Removal and Installation

EIS000DS

SEC. 251•280•487•680•969



SIA0786E

INSTRUMENT PANEL ASSEMBLY

- | | | |
|---------------------------------------|------------------------------------|-------------------------------------|
| 1. Combination meter | 2. Ventilation mask (left) | 3. Ventilation mask (right) |
| 4. Cluster lid C | 5. Display unit | 6. Cluster lid A |
| 7. Cluster lid D | 8. Steering lock escutcheon | 9. Front defroster grille (left) |
| 10. Front defroster grille (right) | 11. Instrument panel mask (left) | 12. Instrument panel mask (right) |
| 13. Steering column cover | 14. Ignition key lamp assembly | 15. Instrument panel bracket |
| 16. Clock | 17. Cluster lid C lower | 18. Cluster lid lower center |
| 19. Cassette player | 20. CD auto changer | 21. Instrument panel bracket |
| 22. Instrument panel and pad assembly | 23. Front passenger air bag module | 24. Instrument panel on driver side |
| 25. Knee protector lower | 26. A/T console finisher | 27. Ashtray |
| 28. Cup holder | 29. Bolt cap | 30. Console box assembly |
| 31. Instrument finisher | 32. Glove box cover | 33. Glove box striker |
| 34. Glove box assembly | 35. Glove box pin | 36. Instrument lower cover |

A
B
C
D
E
F
G
H
IP
J
K
L
M

WORK STEPS

When removing instrument panel and pad, combination meter, display unit or console assembly, take steps in the order shown by () numbers below.

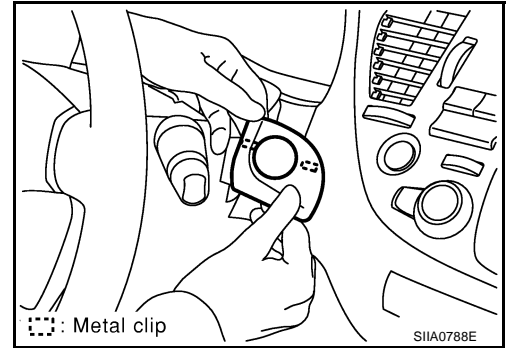
Parts	Instrument panel and pad	Combination meter	Display unit	Console box assembly
Steering lock escutcheon	(1)	(1)		
Steering column cover	(2)	(2)		
Cluster lid D	(3)	(3)		
Cluster lid A	(4)	(4)		
Combination meter	(5)	(5)		
Ventilation mask	(6)		(1)	
Cluster lid C	(7)		(2)	
Display unit	(8)		(3)	
Clock	(9)			
Cluster lid lower center	(10)			(1)
A/T finisher	(11)			(2)
Ashtray	(12)			(3)
Cup holder	(13)			(4)
Console box assembly	(14)			(5)
Audio unit	(15)			
Instrument lower cover	(16)			
Glove box assembly	(17)			
Instrument finisher	(18)			
Glove box cover	(19)			
CD auto changer	(20)			
Instrument reinforcement	(21)			
Passenger air bag module	(22)			
Instrument panel lower on driver side	(23)			
Knee protector lower	(24)			
Instrument mask	(25)			
Front pillar garnish	(26)			
Instrument panel bracket	(27)			
Instrument panel and pad assembly	(28)			

():number indicates step in removal procedures.

INSTRUMENT PANEL ASSEMBLY

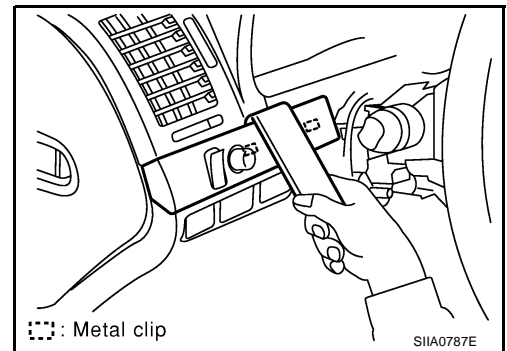
STEERING LOCK ESCUTCHEON

- Pull steering lock escutcheon back to your side, and disconnect metal clips.



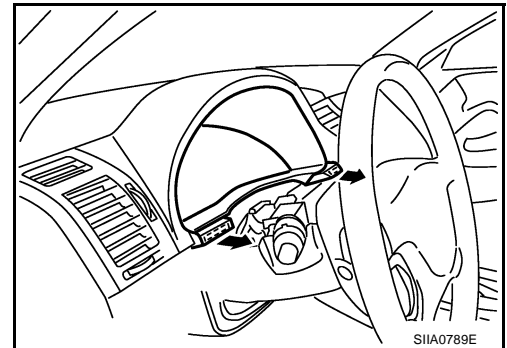
CLUSTER LID D

- Pull cluster lid D back to your side, disconnect metal clips and connectors, and remove it.

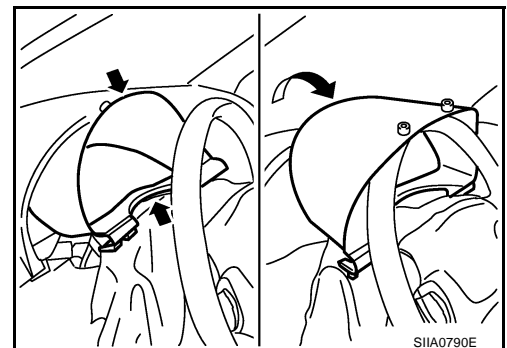


CLUSTER LID A

1. Remove screws.
2. Pull cluster lid A back to your side, and disconnect metal clips.



3. Make upper and lower side of cluster lid A narrower, and pull it back to your side.
4. Remove it as covering steering wheel.



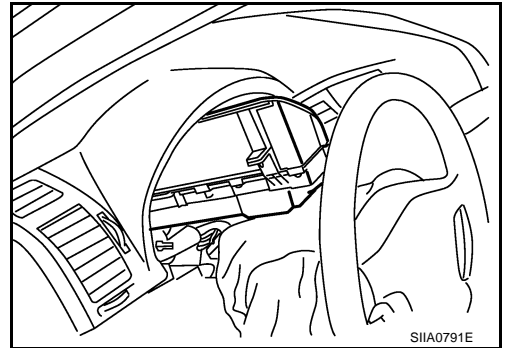
INSTRUMENT PANEL ASSEMBLY

COMBINATION METER

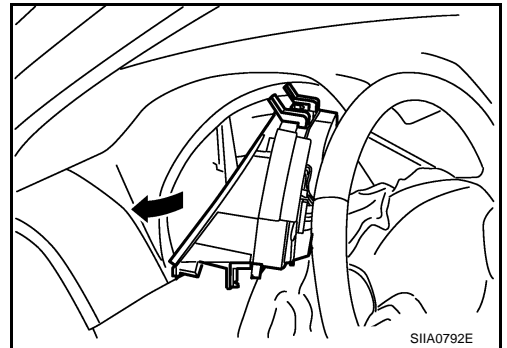
1. Remove screws with power tool, and disconnect connectors.
2. Turn to have right part of meter come to your side. Push down to have front face of meter up.

CAUTION:

Cover meter with cloth avoid contact with meter bracket that may cause scratches or damages.

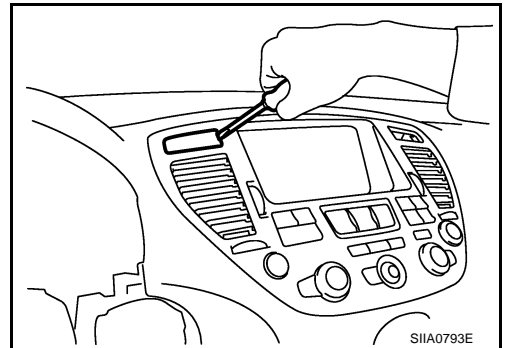


3. Pull meter to your side, then left side (Confirm the back of meter faces you).



CLUSTER LID C

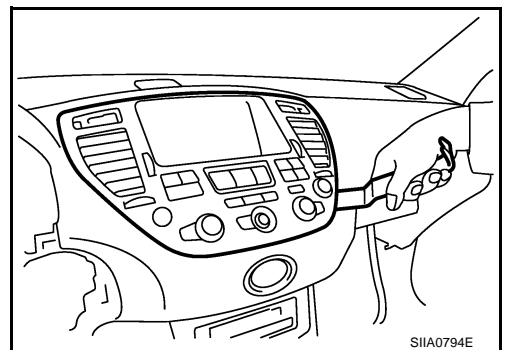
1. Remove ventilation mask, and remove screws with power tool.



2. Insert a cloth-covered screwdriver, or thin spatula into dip between instrument panel, pull cluster lid C back to your side, and disengage metal clips below.
3. Disconnect connectors, and remove.

CAUTION:

Cover surroundings with cloth to avoid scratches or damages.



CLOCK

1. Remove screws, push to frontward clock, and remove clock.
2. Push tips of cluster lid C lower from back of instrument panel, and remove.

A

B

C

D

E

F

G

H

IP

J

K

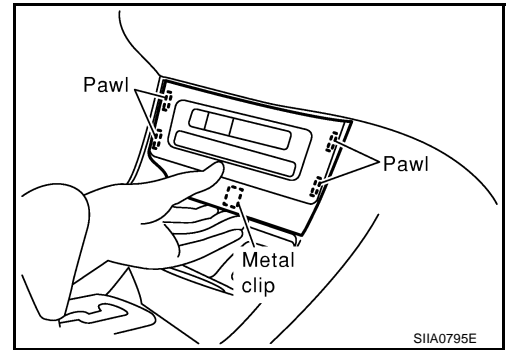
L

M

INSTRUMENT PANEL ASSEMBLY

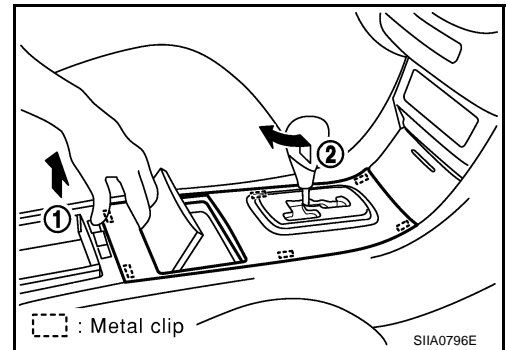
CLUSTER LID CENTER LOWER

- Open lid of ashtray. Hold lower part of cluster lid center lower, and pull it back to your side. Disconnect both right/left pawls and metal clips, and remove cluster lid center lower.



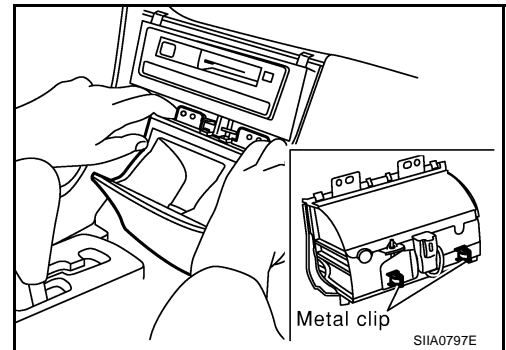
A/T FINISHER

1. Open console lid and cup holder lid. Hold rear part of A/T finisher, lift it up, and disconnect metal clips at its rear end.
2. Hold side of A/T finisher, and disconnect metal clips in front. Pull it backward, remove it, and disconnect connectors.



ASHTRAY

1. Remove screws, pull ashtray back to your side, and disconnect metal clips.
2. Disconnect connectors, and remove ashtray.

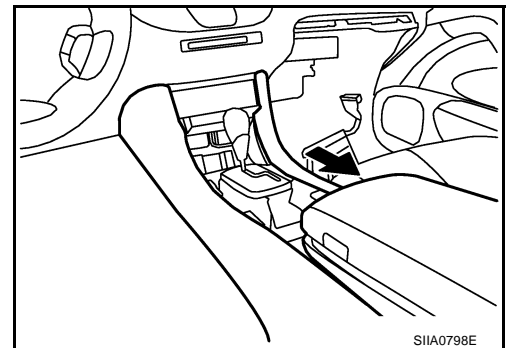


CUP HOLDER

- Remove screws, lift cup holder up, disconnect metal clips at its rear end, and remove it.

CONSOLE BOX ASSEMBLY

1. Remove screws with power tool.
2. Pull center console rearward of vehicle, and remove it from instrument panel and rear cooler duct.



3. Disconnect connectors, and remove console box assembly.

INSTRUMENT PANEL ASSEMBLY

NOTE:

For easier installation, remove console finisher, console rear cover, center ventilator grille and console box finisher first.

CD AUTO CHANGER

- Remove screws with power tool, disconnect connectors, and remove CD auto changer.

NOTE:

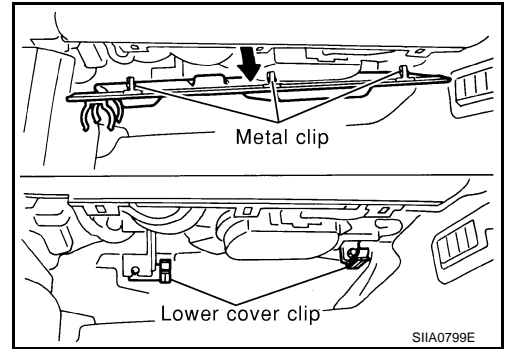
To remove CD auto changer alone, slide console backward, open front of console outward, then remove it.

INSTRUMENT LOWER COVER

- Push down front of instrument lower cover, and disconnect metal clips.
- Pull instrument lower cover horizontally, and remove it from lower cover clips.

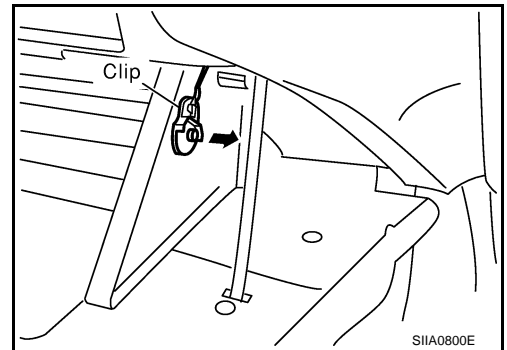
CAUTION:

Remove connectors of air bag (as connected) from instrument lower cover.

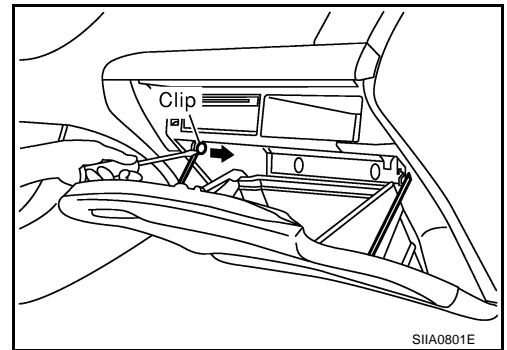


GLOVE BOX ASSEMBLY

- Pull clips of dumper to right side of vehicle, and remove it.

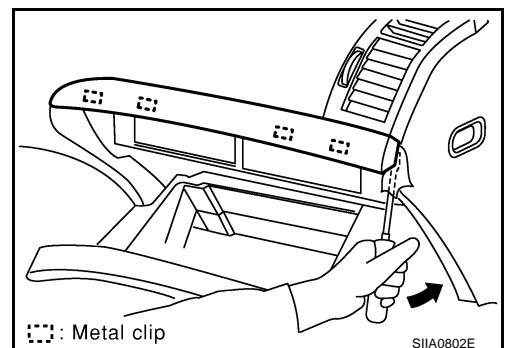


- Disconnect clips of strap.
- Remove glove box pins, and remove glove box.



INSTRUMENT FINISHER

- Insert cloth-covered screw driver into gaps between instrument finisher and instrument panel on left side of instrument finisher, and disconnect metal clips.



A
B
C
D
E
F
G
H
IP
J
K
L
M

INSTRUMENT PANEL ASSEMBLY

GLOVE BOX COVER

- Remove screws with power tool and glove box striker, disconnect connectors, and remove glove box cover.

CD AUTO CHANGER

- Remove bolts with power tool, disconnect connectors, and remove CD auto changer.

INSTRUMENT REINFORCEMENT

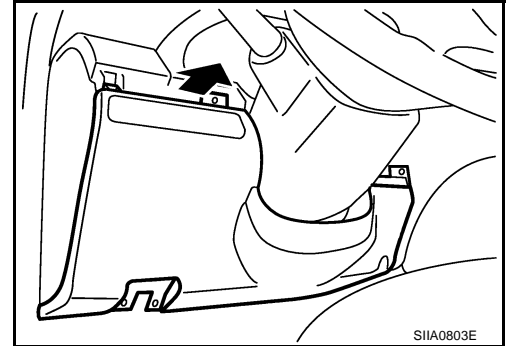
- Remove four nuts, and remove instrument reinforce.

PASSENGER AIR BAG MODULE

- Remove bolts, and remove front passenger air bag module. Refer to [SRS-39, "Removal and Installation"](#).

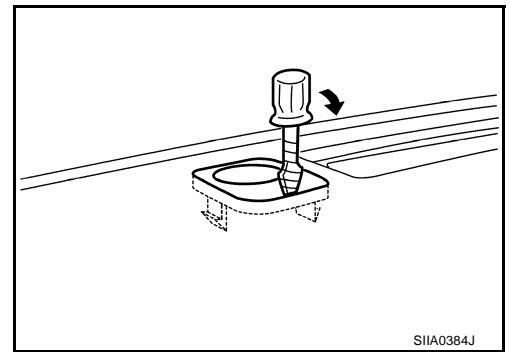
INSTRUMENT LOWER DRIVER PANEL

1. Remove hood lock opener lever, and screws.
2. Pull instrument lower straight to your side, disconnect connectors, and remove instrument lower driver panel.



INSTRUMENT MASK

- Insert cloth-covered screw driver into gaps between instrument mask and instrument panel, lift instrument up, and remove instrument mask.



FRONT PILLAR GARNISH

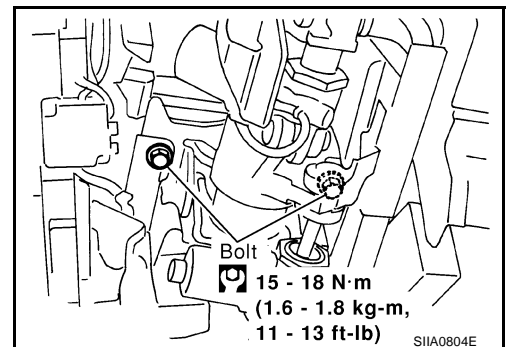
- Pull front pillar garnish straight inside of vehicle, disengage metal clips, and remove front pillar garnish. Refer to [EI-38, "Removal and Installation"](#)

INSTRUMENT PANEL BRACKET

- Remove ignition key lamp, remove screws, and remove instrument panel bracket.

INSTRUMENT PANEL

1. Remove bolts, and lower steering column.



2. Remove bolts, nuts and screws securing instrument panel with power tool, and remove instrument panel.

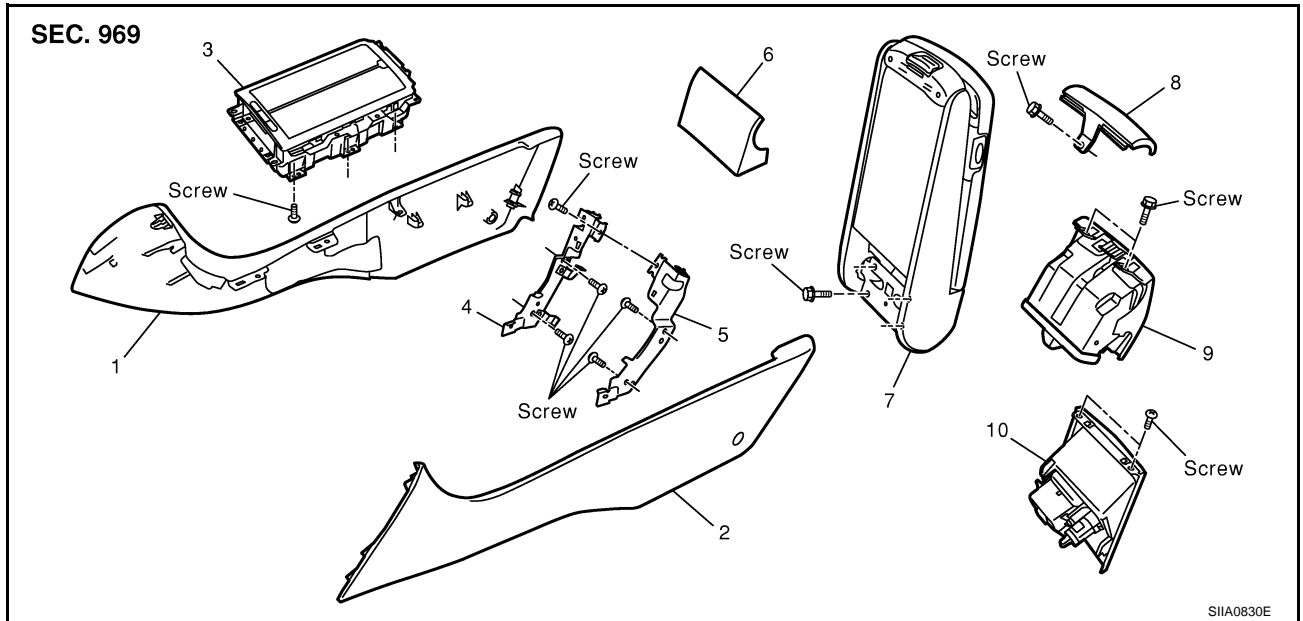
INSTRUMENT PANEL ASSEMBLY

CAUTION:

- To install, confirm locating pins on back of instrument panel are completely inserted into holes on vehicle.
- Do not leave harness stuck when installing.

Disassembly and Assembly CONSOLE BOX ASSEMBLY

EIS000DT



- | | | |
|----------------------------------|---------------------------------|-----------------------------|
| 1. Pad A | 2. Pad B | 3. Console pocket |
| 4. Console reinforcement (right) | 5. Console reinforcement (left) | 6. Console finisher |
| 7. Console lid | 8. Console rear cover | 9. Center ventilator grille |
| 10. Console box finisher | | |

1. Remove console finisher.
2. Remove console rear cover.
3. Remove console lid.
4. Remove center ventilator grille.
5. Remove console box finisher.
6. Remove console box.
7. Remove bracket.

INSTRUMENT PANEL ASSEMBLY
