

SECTION **PG**

POWER SUPPLY, GROUND & CIRCUIT ELEMENTS

CONTENTS

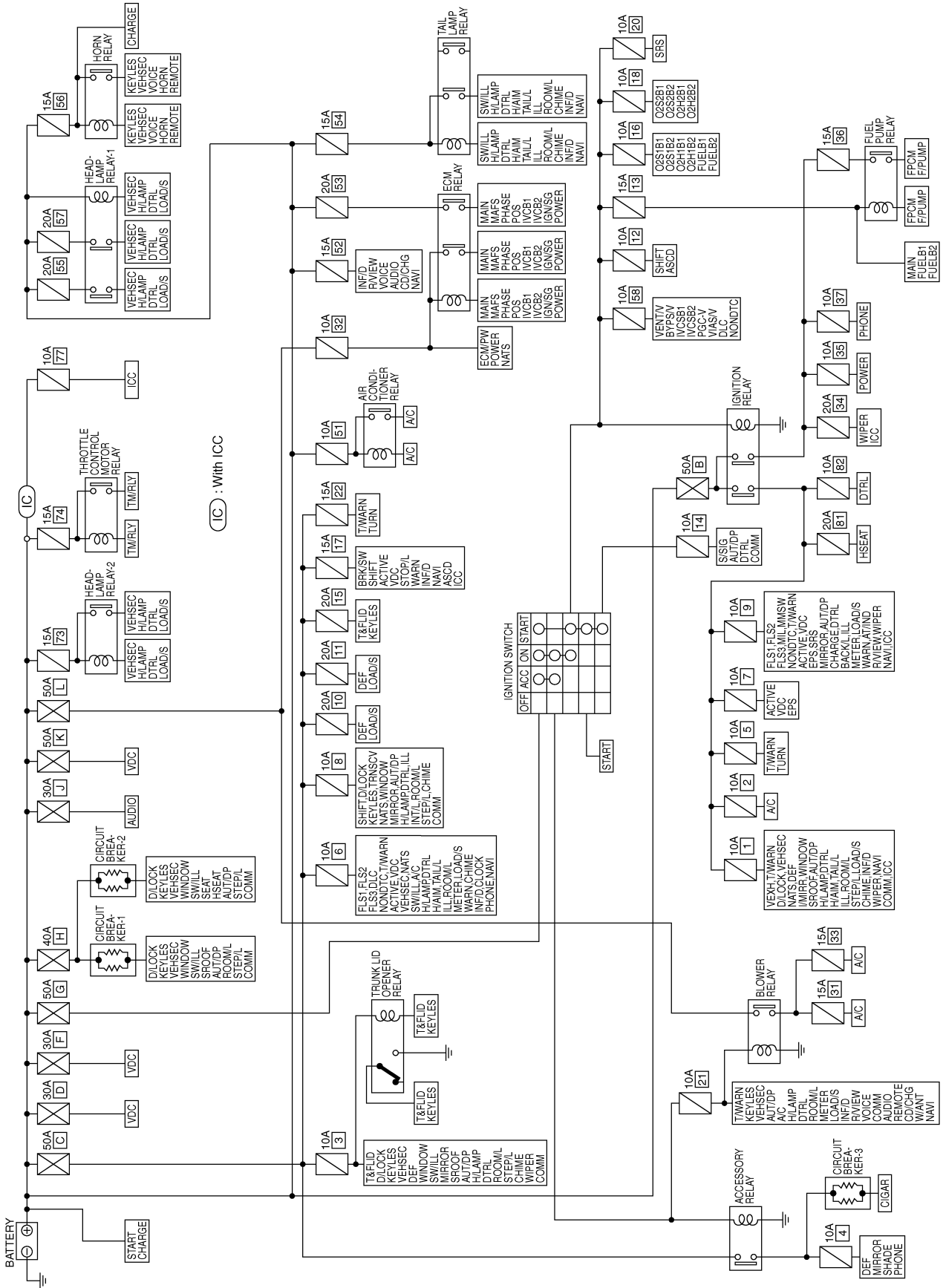
POWER SUPPLY ROUTING	2	BODY NO.2 HARNESS	51
Schematic	2	ROOM LAMP HARNESS	52
Wiring Diagram — POWER —	3	FRONT DOOR HARNESS	53
BATTERY POWER SUPPLY—IGNITION SW. IN		REAR DOOR HARNESS	54
ANY POSITION	3	Wiring Diagram Codes (Cell Codes)	55
ACCESSORY POWER SUPPLY — IGNITION		ELECTRICAL UNITS LOCATION	58
SW. IN “ACC” OR “ON”	7	Electrical Units Location	58
IGNITION POWER SUPPLY — IGNITION SW.		ENGINE COMPARTMENT	59
IN “ON” AND/OR “START”	9	PASSENGER COMPARTMENT	60
GROUND	13	LUGGAGE COMPARTMENT	63
Ground Distribution	13	Fuse	64
MAIN HARNESS	13	Fusible Link	64
ENGINE ROOM HARNESS	16	Circuit Breaker	64
ENGINE HARNESS	19	HARNESS CONNECTOR	65
ENGINE CONTROL HARNESS	20	Description	65
BODY HARNESS	22	HARNESS CONNECTOR (TAB-LOCKING	
BODY NO.2 HARNESS	24	TYPE)	65
HARNESS	26	HARNESS CONNECTOR (SLIDE-LOCKING	
Harness Layout	26	TYPE)	66
HOW TO READ HARNESS LAYOUT	26	JOINT CONNECTOR (J/C)	67
OUTLINE	27	Terminal Arrangement	67
MAIN HARNESS	28	ELECTRICAL UNITS	68
ENGINE ROOM HARNESS	31	Terminal Arrangement	68
ENGINE HARNESS	34	SMJ (SUPER MULTIPLE JUNCTION)	70
ENGINE CONTROL HARNESS	35	Terminal Arrangement	70
BODY HARNESS AND REAR CONTROL HAR-		STANDARDIZED RELAY	73
NESS	37	Description	73
BODY NO. 2 HARNESS	39	NORMAL OPEN, NORMAL CLOSED AND	
ROOM LAMP HARNESS	41	MIXED TYPE RELAYS	73
FRONT DOOR HARNESS	42	TYPE OF STANDARDIZED RELAYS	73
REAR DOOR HARNESS	43	FUSE BLOCK - JUNCTION BOX (J/B) NO.1	75
Splice Location	44	Terminal Arrangement	75
HOW TO READ SPLICE LOCATION	44	FUSE BLOCK - JUNCTION BOX (J/B) NO.2	76
MAIN HARNESS	45	Terminal Arrangement	76
ENGINE ROOM HARNESS	46	FUSE, FUSIBLE LINK AND RELAY BLOCK (J/B)..	77
ENGINE HARNESS	48	Terminal Arrangement	77
ENGINE CONTROL HARNESS	49	FUSE, FUSIBLE LINK AND RELAY BOX	78
BODY HARNESS AND REAR CONTROL HAR-		Terminal Arrangement	78
NESS	50		

POWER SUPPLY ROUTING

PFP:00011

Schematic

EKS000DP



TKWM0220E

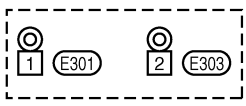
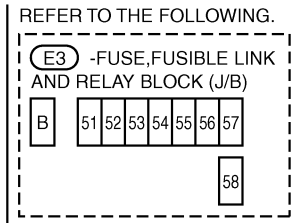
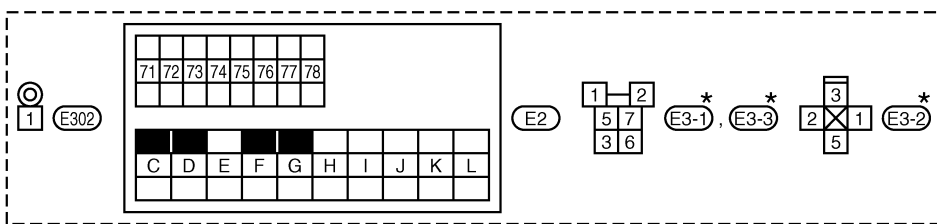
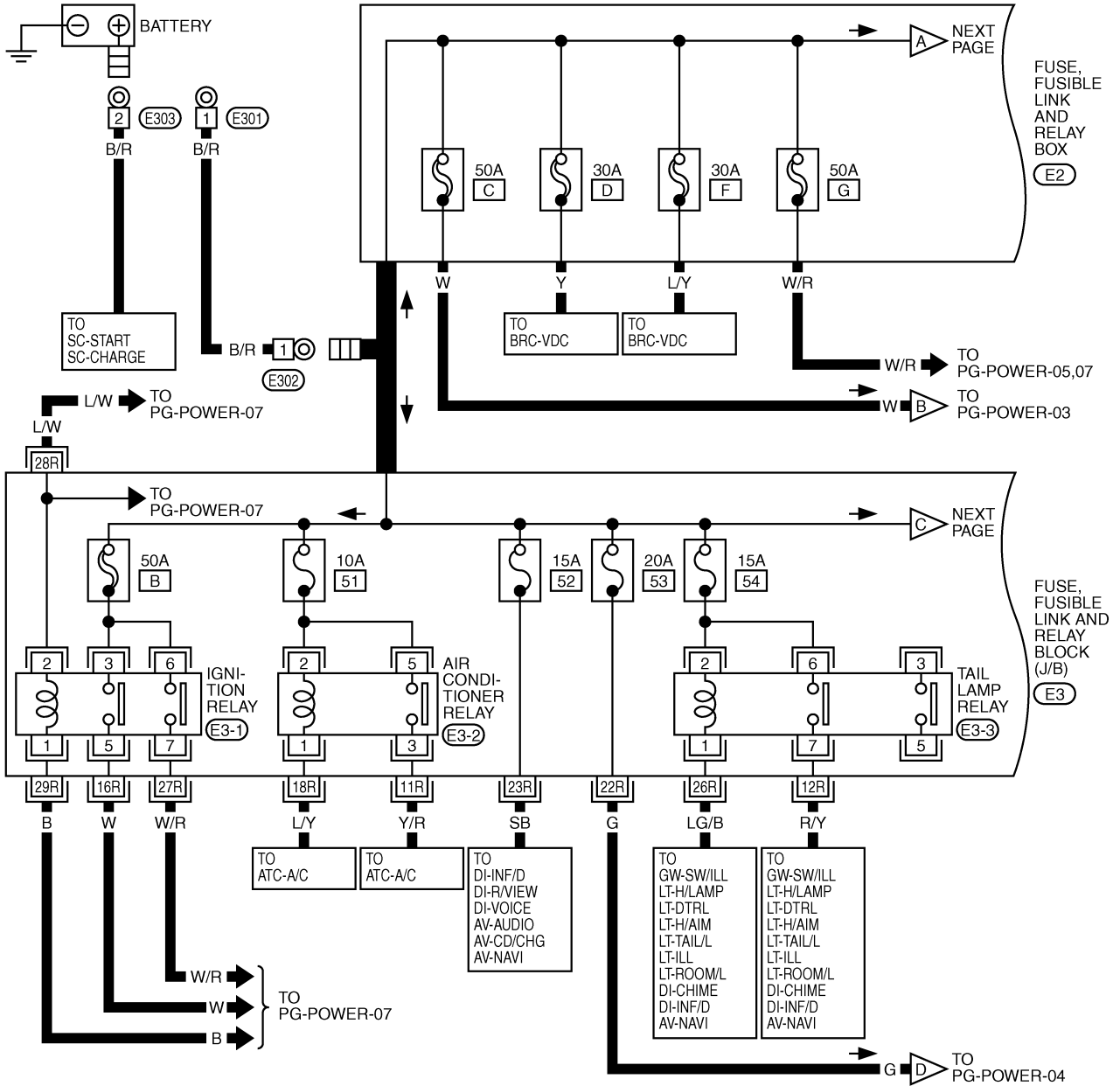
POWER SUPPLY ROUTING

EKS000DQ

Wiring Diagram — POWER — BATTERY POWER SUPPLY— IGNITION SW. IN ANY POSITION

A
B
C
D
E
F
G
H
I
J
PG
L
M

PG-POWER-01



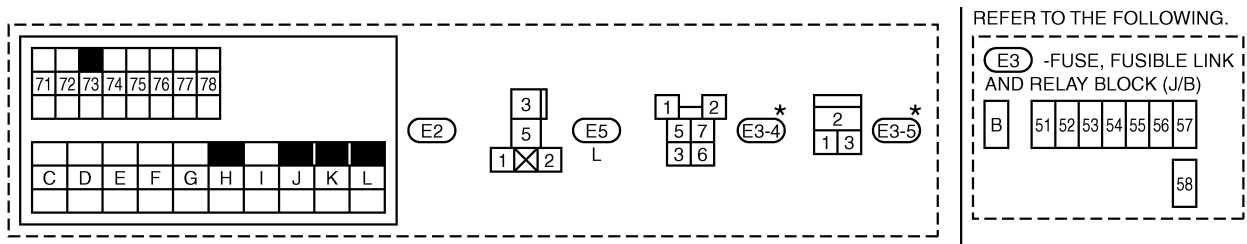
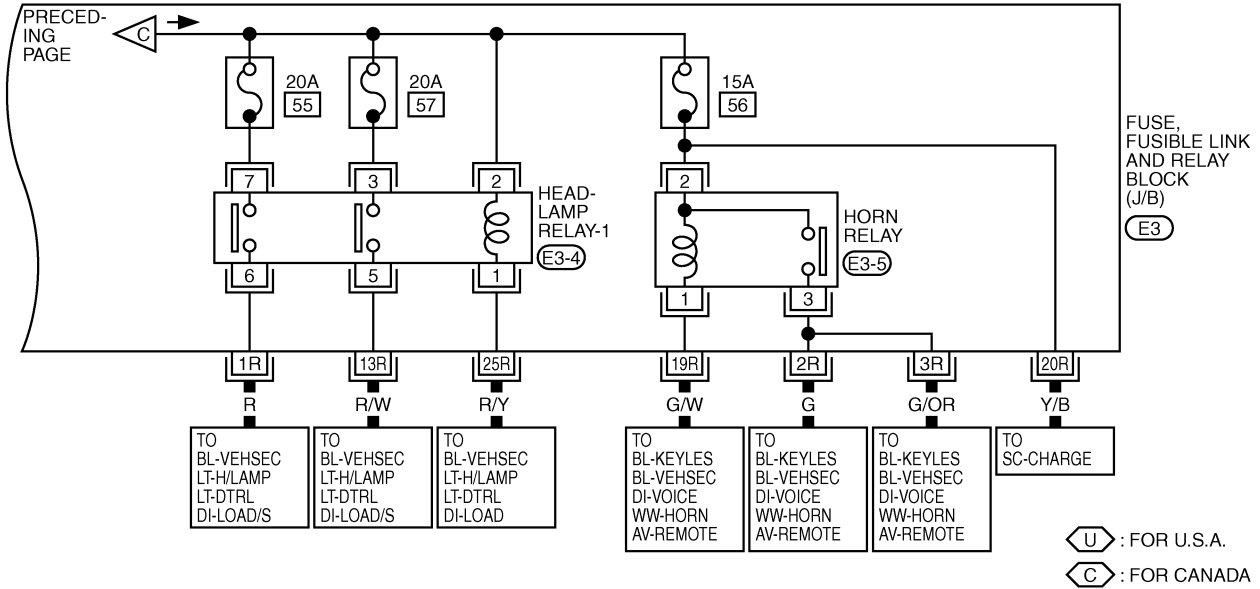
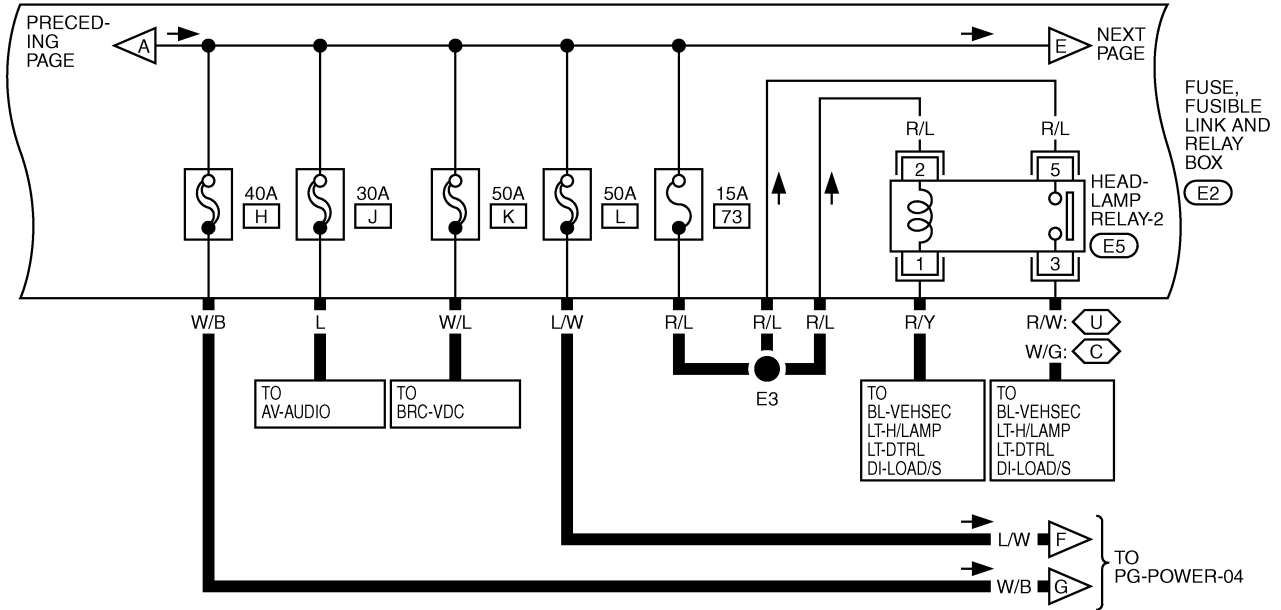
*: THIS CONNECTOR IS NOT SHOWN IN "HARNESS LAYOUT".

REFER TO THE FOLLOWING.
E3 - FUSE, FUSIBLE LINK AND RELAY BLOCK (J/B)

TKWM0143E

POWER SUPPLY ROUTING

PG-POWER-02

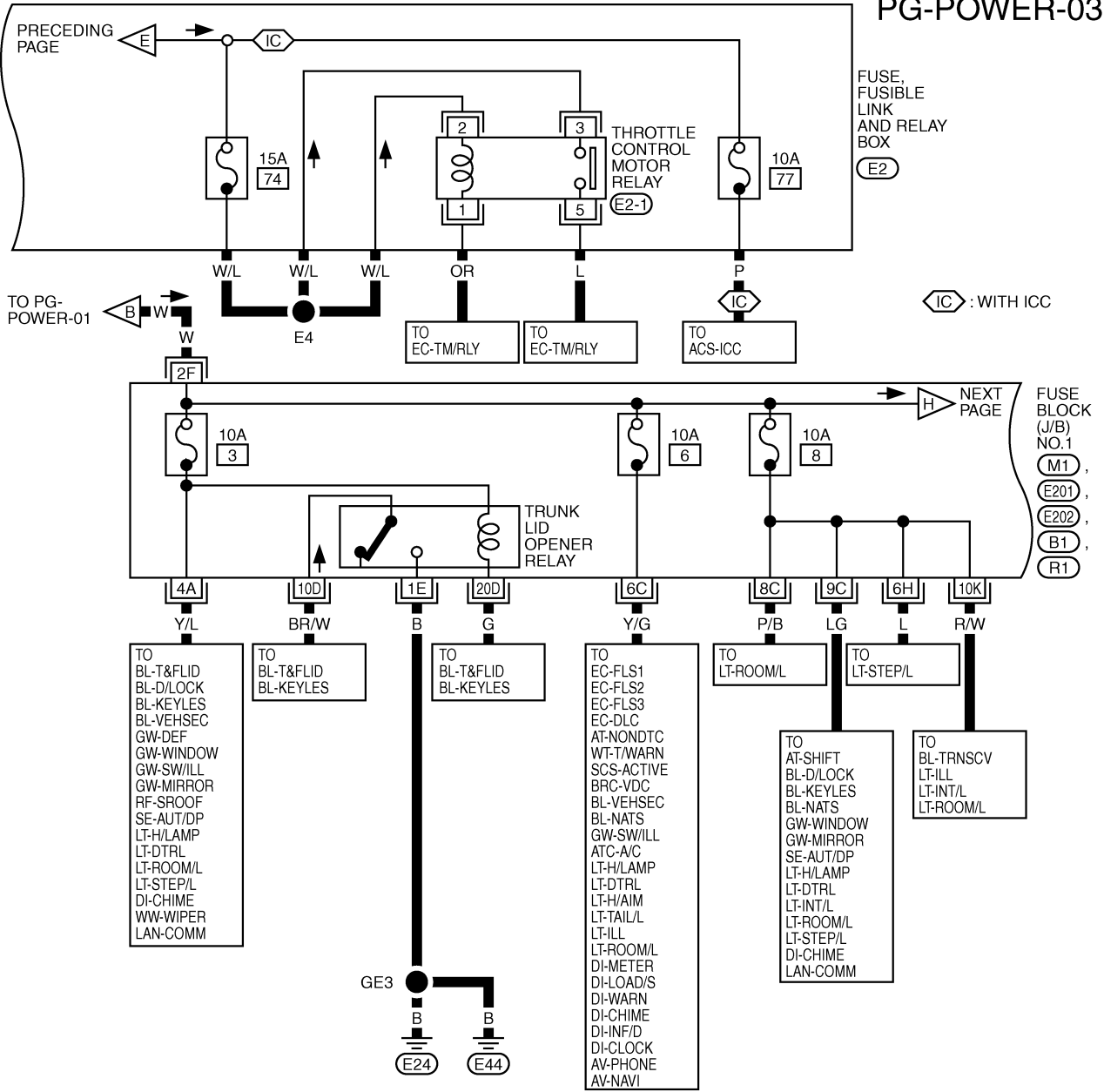


*: THIS CONNECTOR IS NOT SHOWN IN "HARNESS LAYOUT".

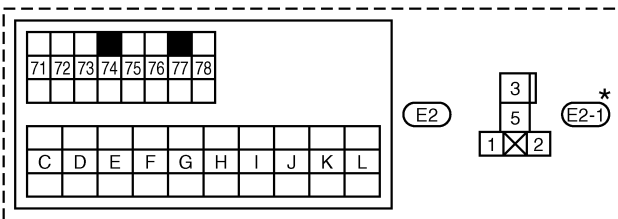
TKWM0238E

POWER SUPPLY ROUTING

PG-POWER-03



A
B
C
D
E
F
G
H
I
J
PG
L
M



*: THIS CONNECTOR IS NOT SHOWN IN "HARNESS LAYOUT".

REFER TO THE FOLLOWING.

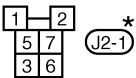
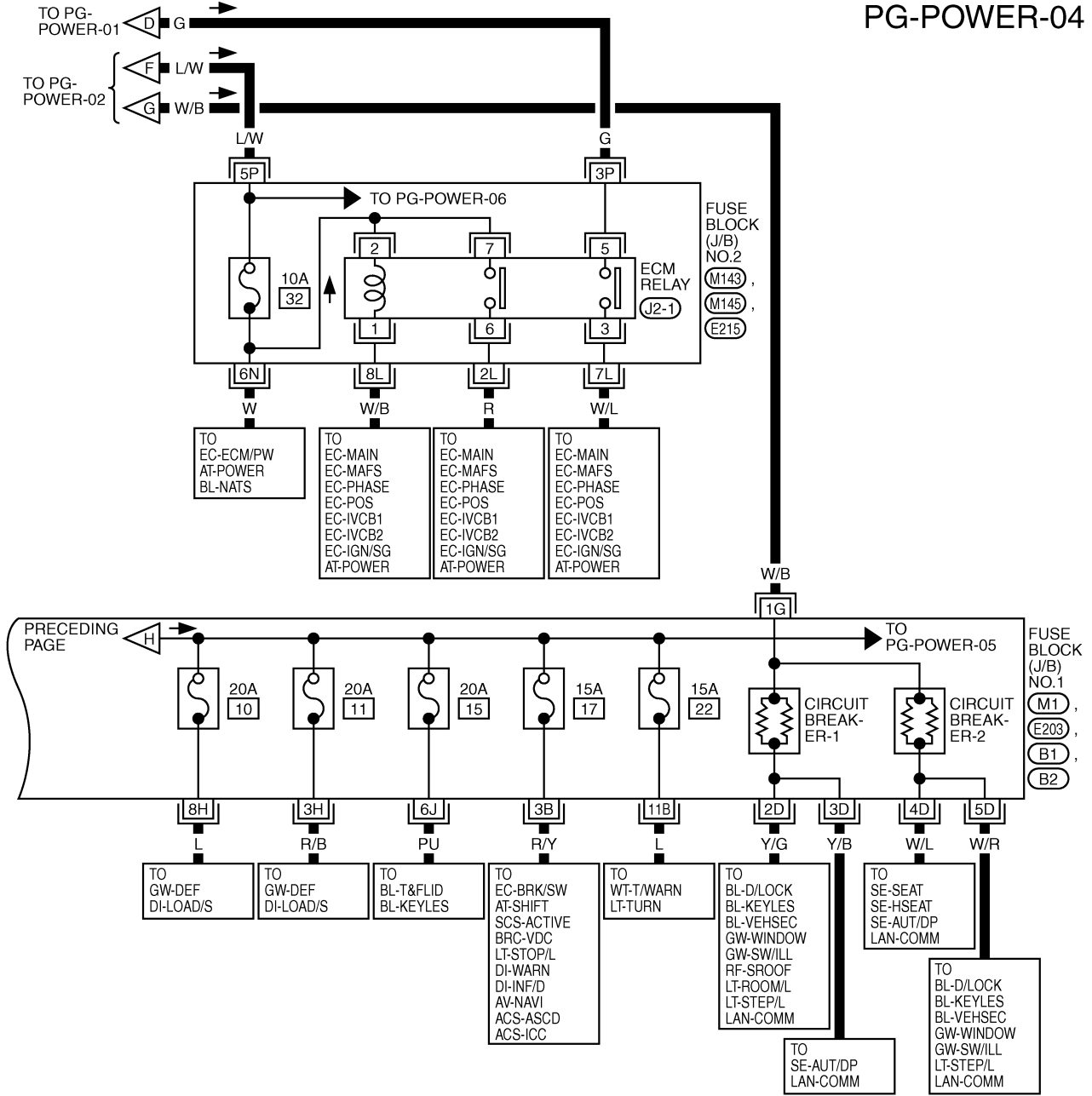
(M1), (E201), (E202), (B1),
(R1) - FUSE BLOCK-
JUNCTION BOX (J/B) NO.1

1	2	3	4	5	6	7	8	9	10	11
12	13	14	15	16	17	18	19	20	21	22

TKWM0221E

POWER SUPPLY ROUTING

PG-POWER-04



*: THIS CONNECTOR IS NOT SHOWN IN "HARNESS LAYOUT".

REFER TO THE FOLLOWING.

(M1), (E203), (B1), (B2)
- FUSE BLOCK-JUNCTION BOX (J/B) NO.1

1	2	3	4	5	6	7	8	9	10	11
12	13	14	15	16	17	18	19	20	21	22

(M143), (M145), (E215) - FUSE BLOCK-JUNCTION BOX (J/B) NO.2

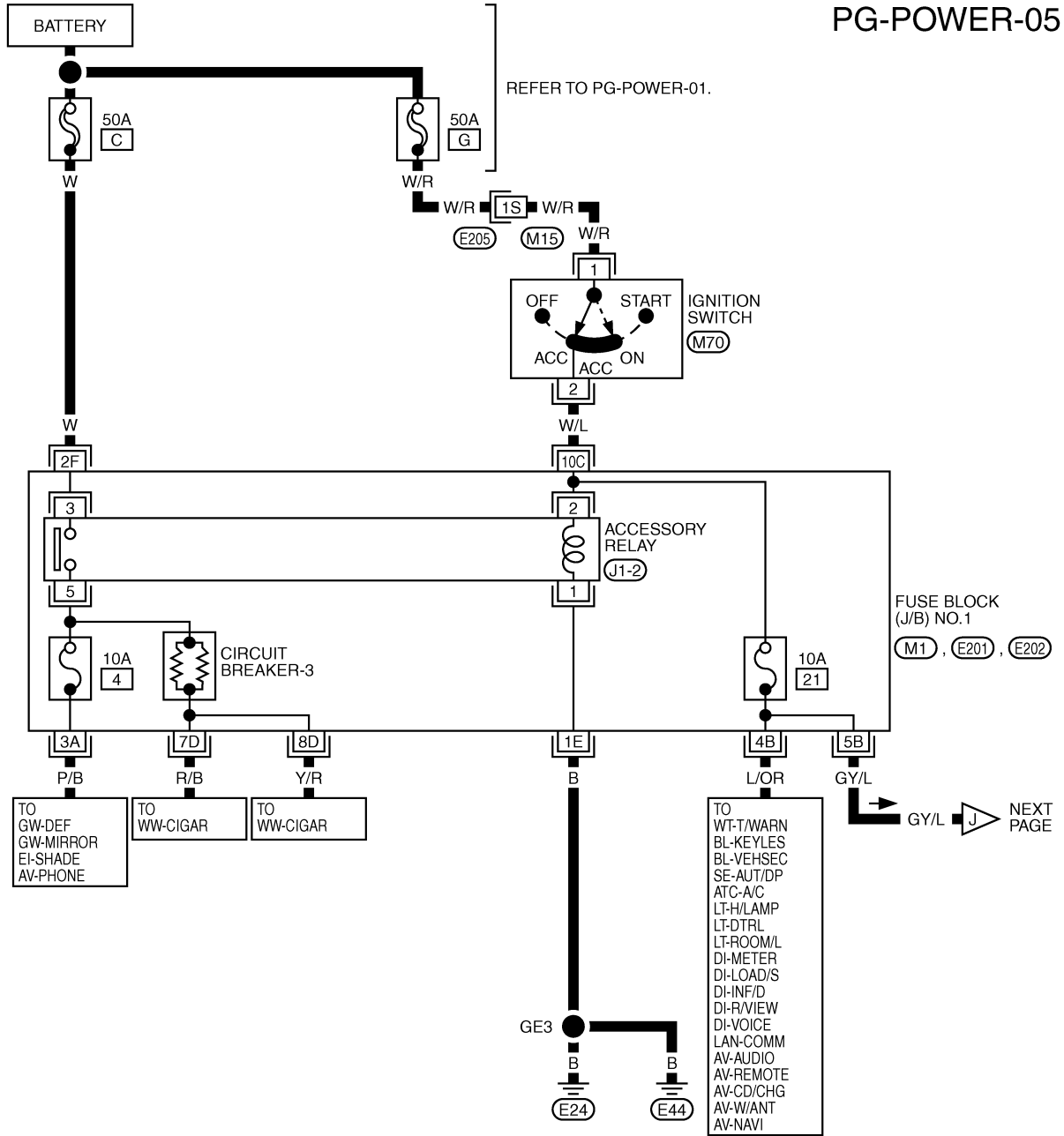
31	32	33	34	35	36	37	38
----	----	----	----	----	----	----	----

TKWM0222E

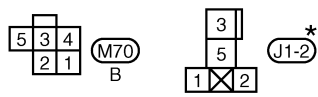
POWER SUPPLY ROUTING

ACCESSORY POWER SUPPLY — IGNITION SW. IN "ACC" OR "ON"

PG-POWER-05



A
B
C
D
E
F
G
H
I
J
PG
L
M



*: THIS CONNECTOR IS NOT SHOWN IN "HARNESS LAYOUT".

REFER TO THE FOLLOWING.

(E205) -SUPER MULTIPLE JUNCTION (SMJ)

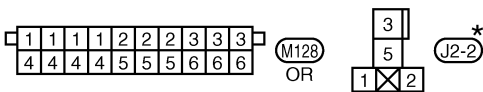
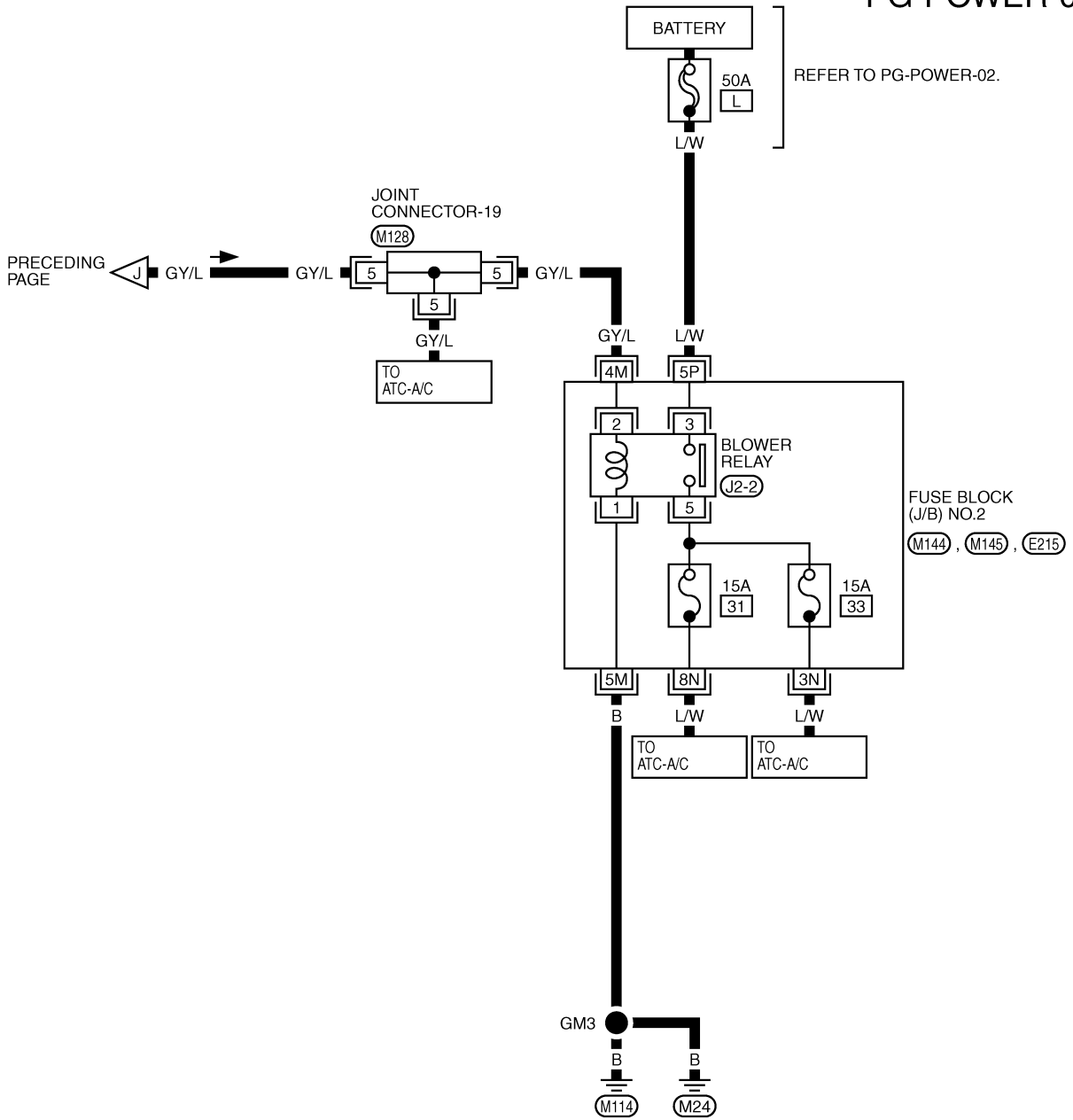
(M1), (E201), (E202) -FUSE BLOCK-JUNCTION BOX (J/B) NO.1

1	2	3	4	5	6	7	8	9	10	11
12	13	14	15	16	17	18	19	20	21	22

TKWM0239E

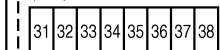
POWER SUPPLY ROUTING

PG-POWER-06



REFER TO THE FOLLOWING.

(M144), (M145), (E215) - FUSE BLOCK-JUNCTION BOX (J/B) NO.2



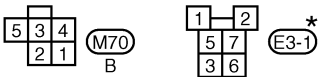
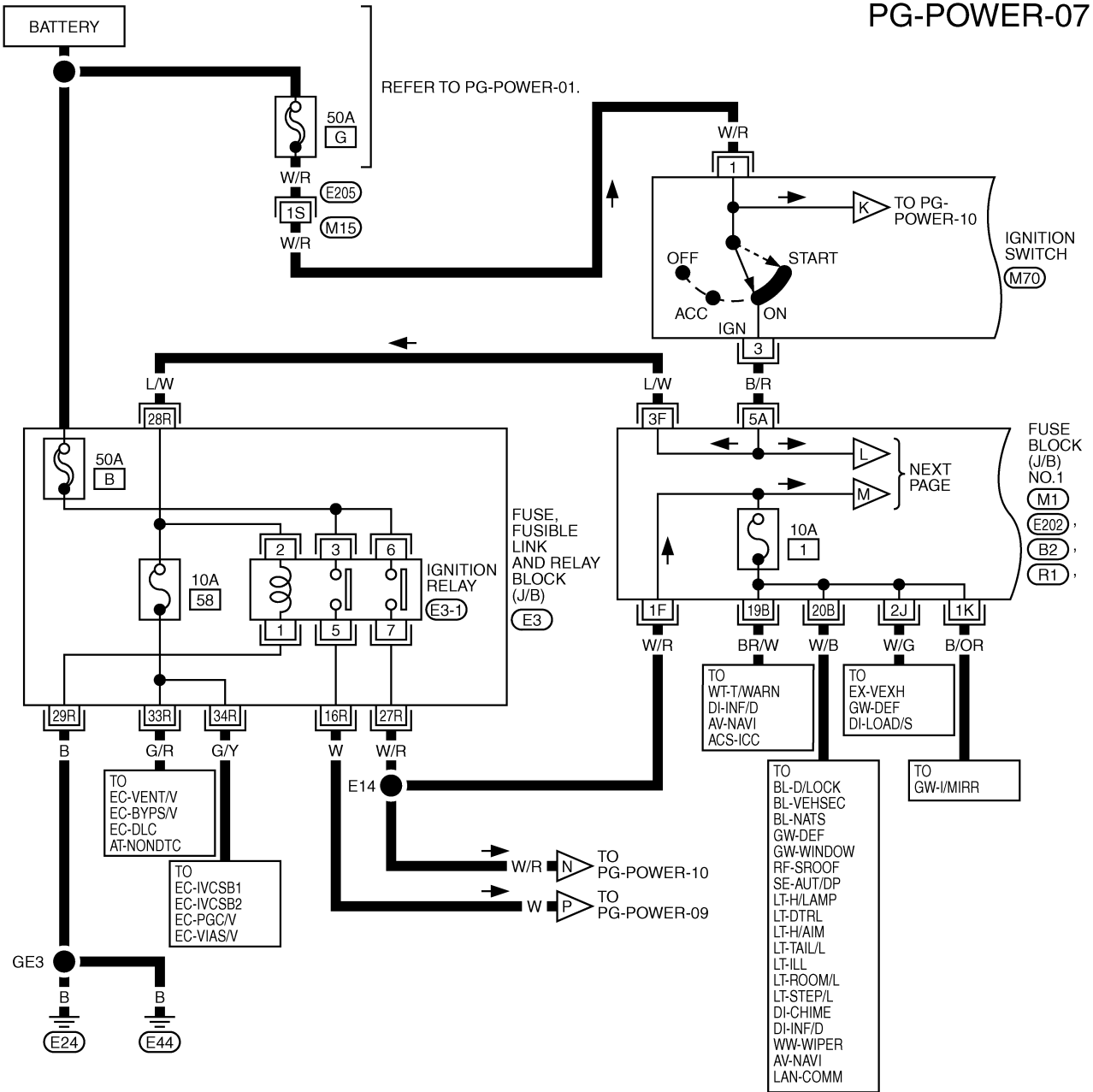
*: THIS CONNECTOR IS NOT SHOWN IN "HARNESS LAYOUT".

TKWM0148E

POWER SUPPLY ROUTING

IGNITION POWER SUPPLY — IGNITION SW. IN “ON” AND/OR “START”

PG-POWER-07



*: THIS CONNECTOR IS NOT SHOWN IN "HARNESS LAYOUT".

REFER TO THE FOLLOWING.

(E205) -SUPER MULTIPLE JUNCTION (SMJ)

(M1), (E202), (B2), (R1) -FUSE BLOCK-JUNCTION BOX (J/B) NO.1

1	2	3	4	5	6	7	8	9	10	11
12	13	14	15	16	17	18	19	20	21	22

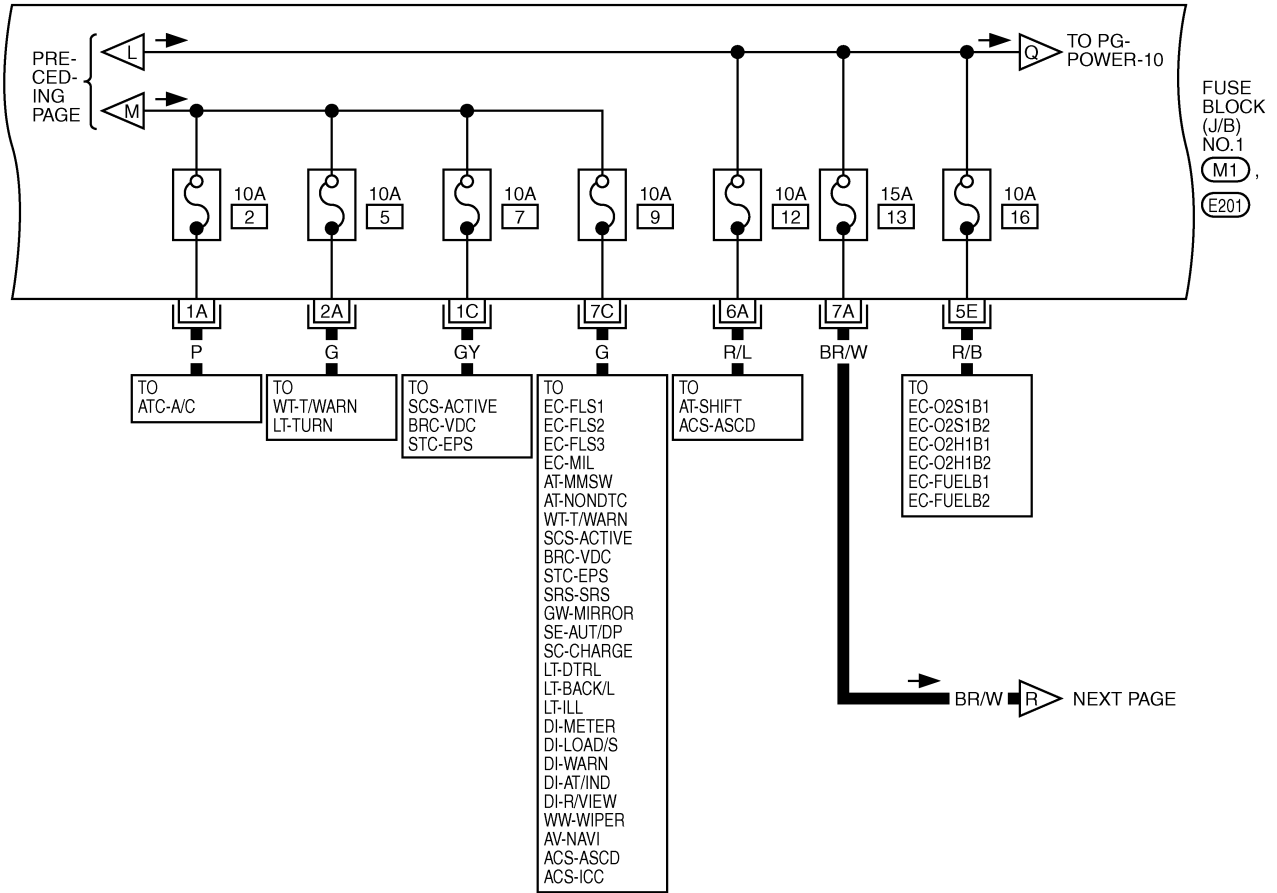
(E3) -FUSE, FUSIBLE LINK AND RELAY BLOCK (J/B)

B	51	52	53	54	55	56	57
							58

TKWM0223E

POWER SUPPLY ROUTING

PG-POWER-08



REFER TO THE FOLLOWING.

(M1), (E201)

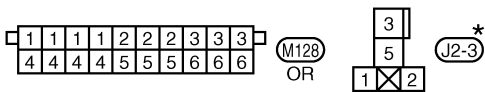
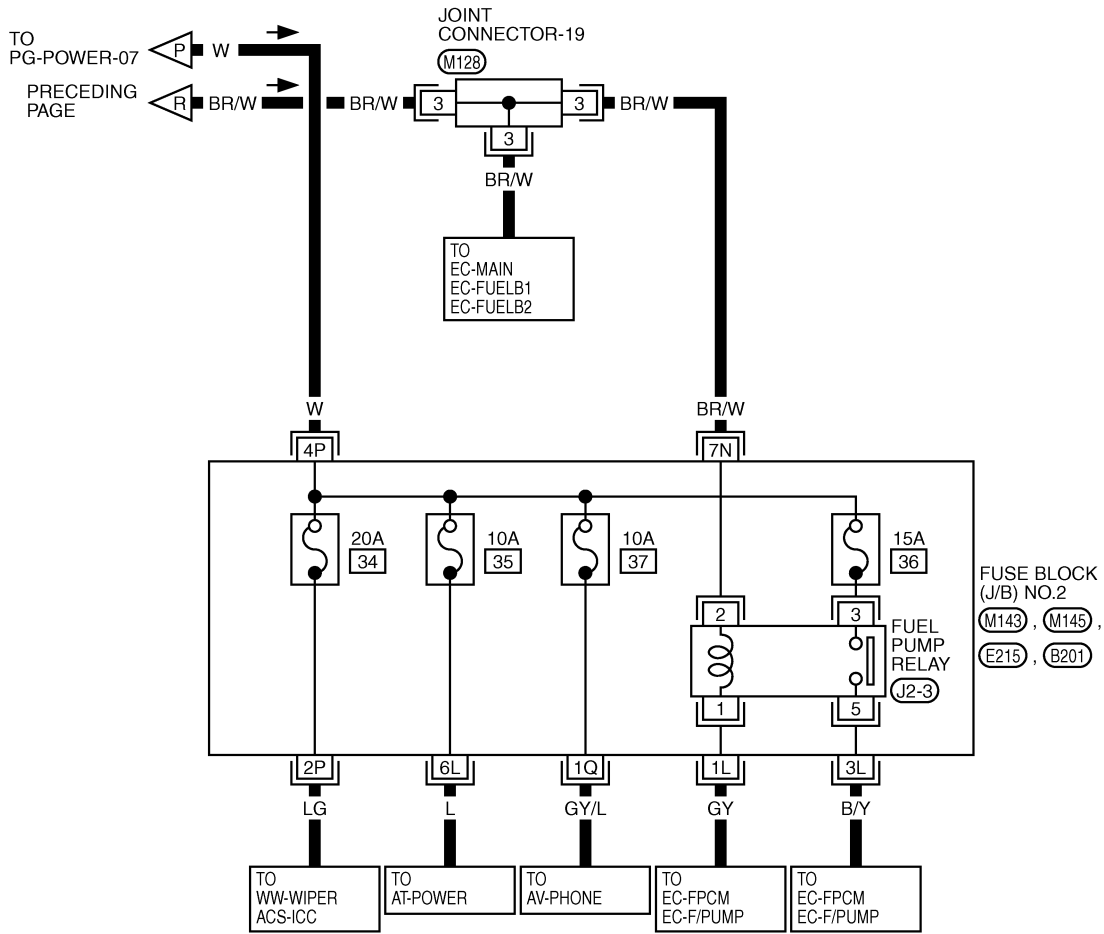
-FUSE BLOCK-JUNCTION
BOX (J/B) NO.1

1	2	3	4	5	6	7	8	9	10	11
12	13	14	15	16	17	18	19	20	21	22

TKWM0224E

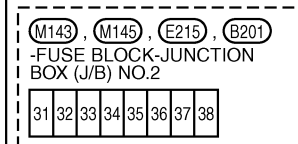
POWER SUPPLY ROUTING

PG-POWER-09



*: THIS CONNECTOR IS NOT SHOWN IN "HARNESS LAYOUT".

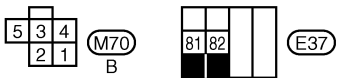
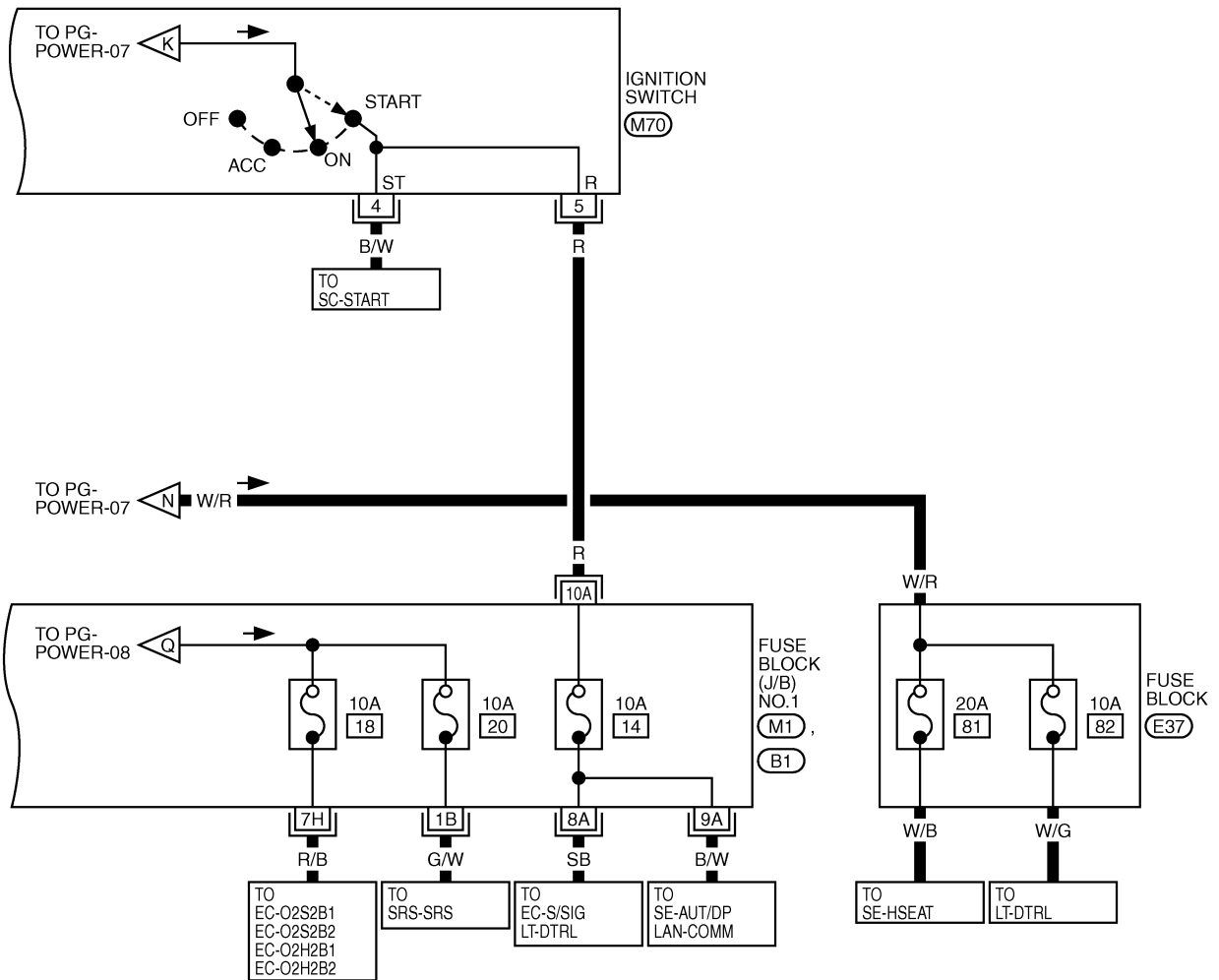
REFER TO THE FOLLOWING.



TKWM0225E

POWER SUPPLY ROUTING

PG-POWER-10



REFER TO THE FOLLOWING.

(M1), (B1) - FUSE BLOCK - JUNCTION BOX (J/B) NO.1

1	2	3	4	5	6	7	8	9	10	11
12	13	14	15	16	17	18	19	20	21	22

TKWM0152E

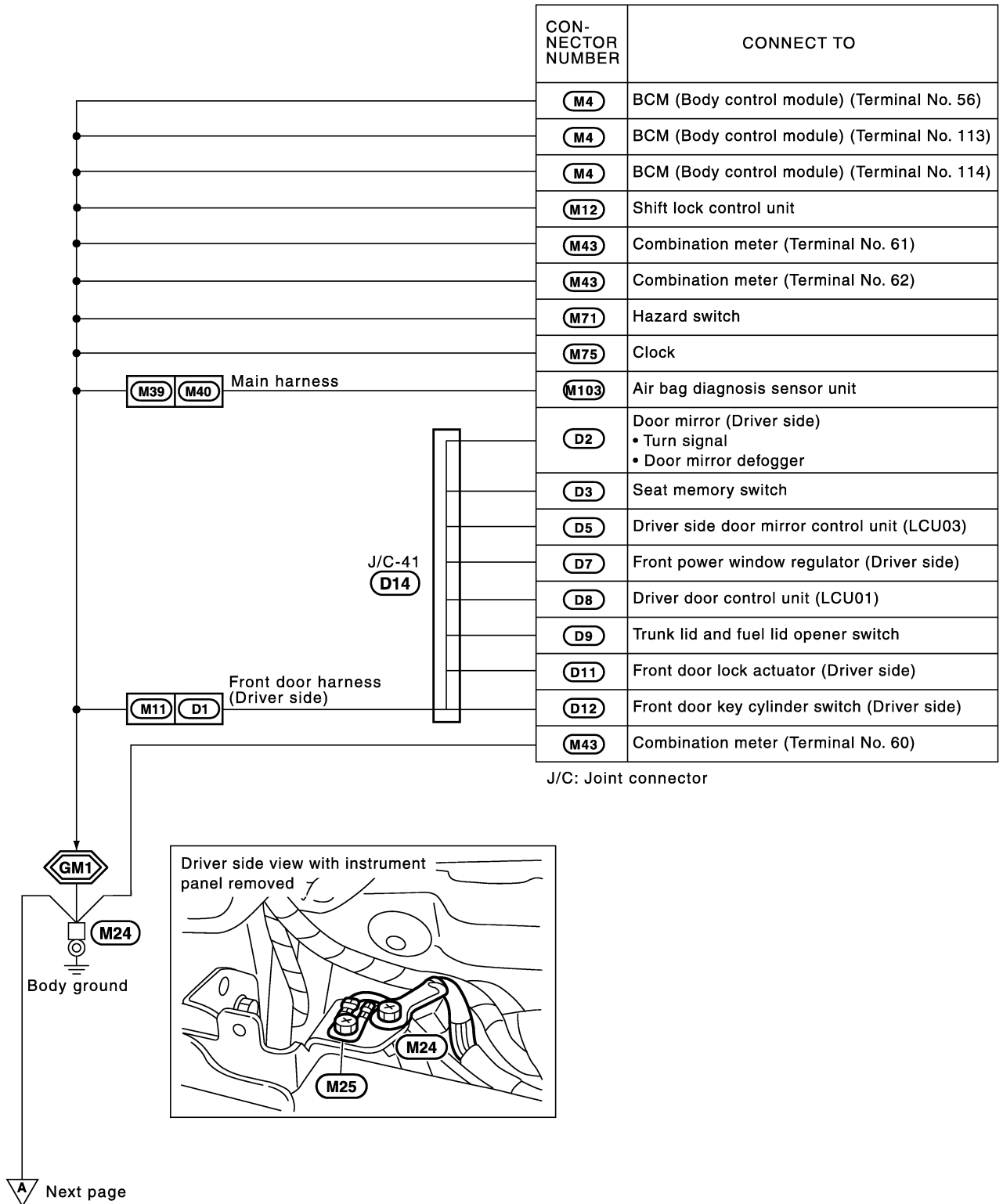
GROUND

GROUND

PFP:00011

Ground Distribution MAIN HARNESS

EKS000DR

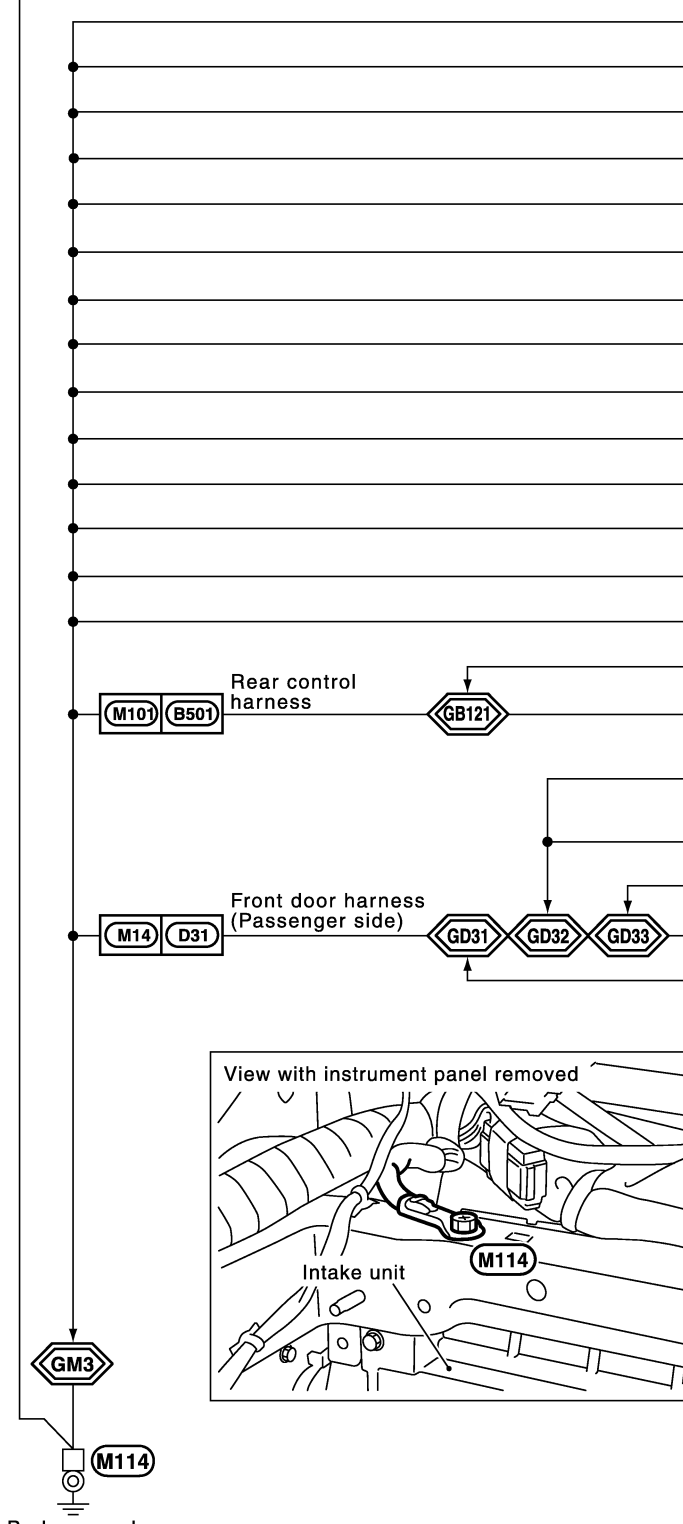


A
B
C
D
E
F
G
H
I
J
PG
L
M

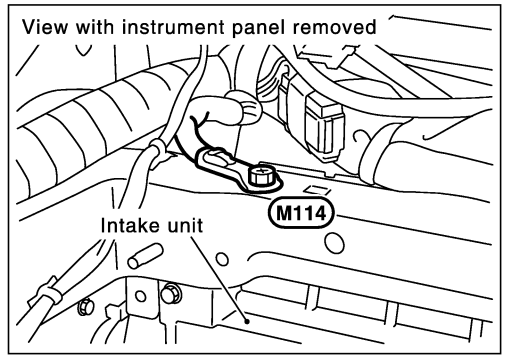
PG

GROUND

A Preceding page

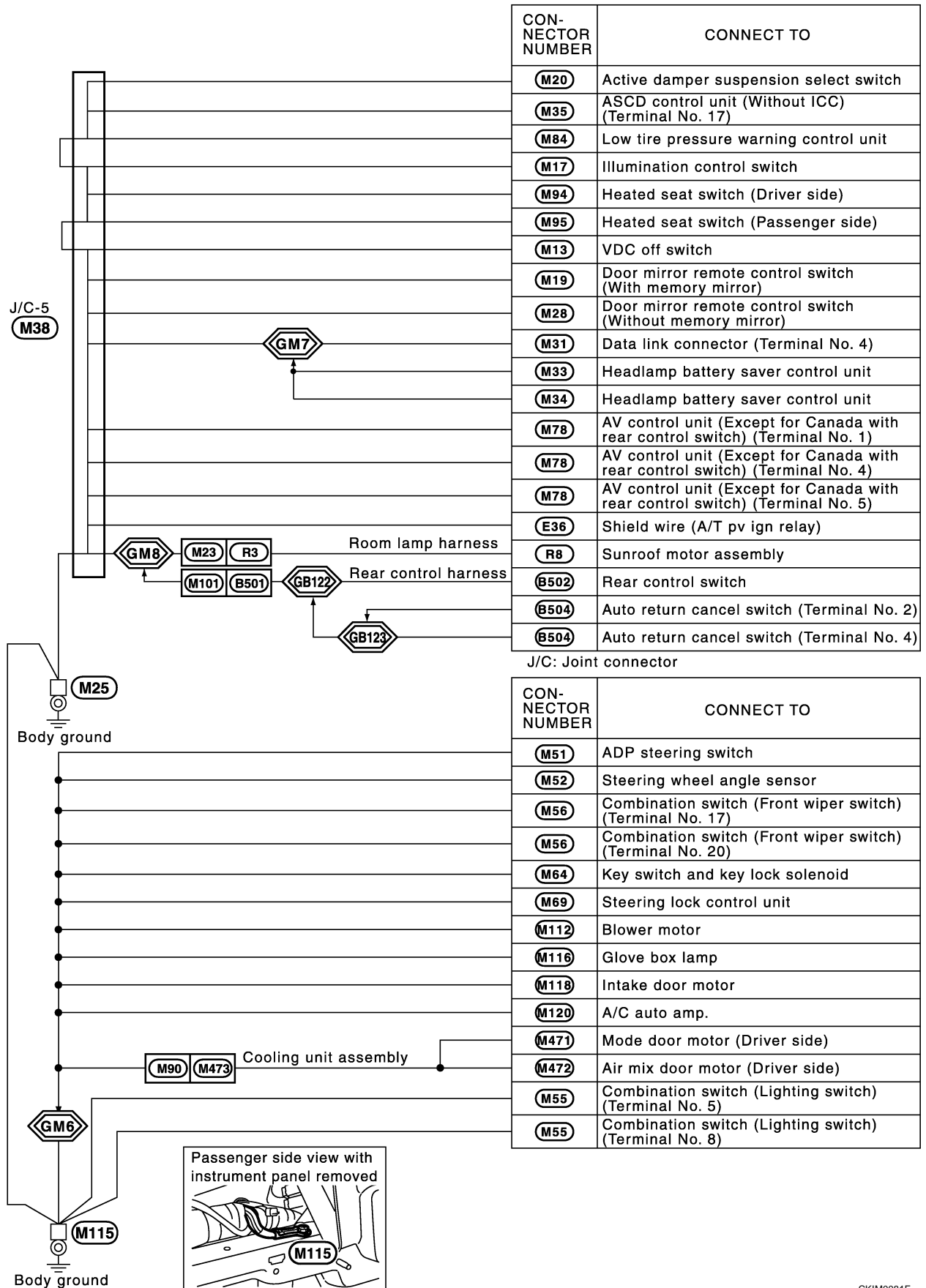


CON-NECTOR NUMBER	CONNECT TO
M82	Display (Terminal No. 22)
M82	Display (Terminal No. 24)
M83	Multifunction switch
M91	Combination flasher unit
M92	Front cigarette lighter socket
M96	Handset (Option)
M97	A/T device
M100	Front power socket
M102	Console box lamp
M106	Mode door motor (Passenger side)
M107	Air mix door motor (Passenger side)
M108	Power steering control unit
M109	CD auto changer
M144	Fuse block (J/B) No. 2 • Blower relay
B503	Rear sunshade rear switch (Terminal No. 5)
B503	Rear sunshade rear switch (Terminal No. 3)
D32	Door mirror (Passenger side) • Turn signal • Door mirror defogger
D35	Passenger side door mirror control unit (LCU04)
D37	Front power window regulator (Passenger side)
D39	Passenger door control unit
D41	Front door lock actuator (Passenger side)



CKIM0080E

GROUND

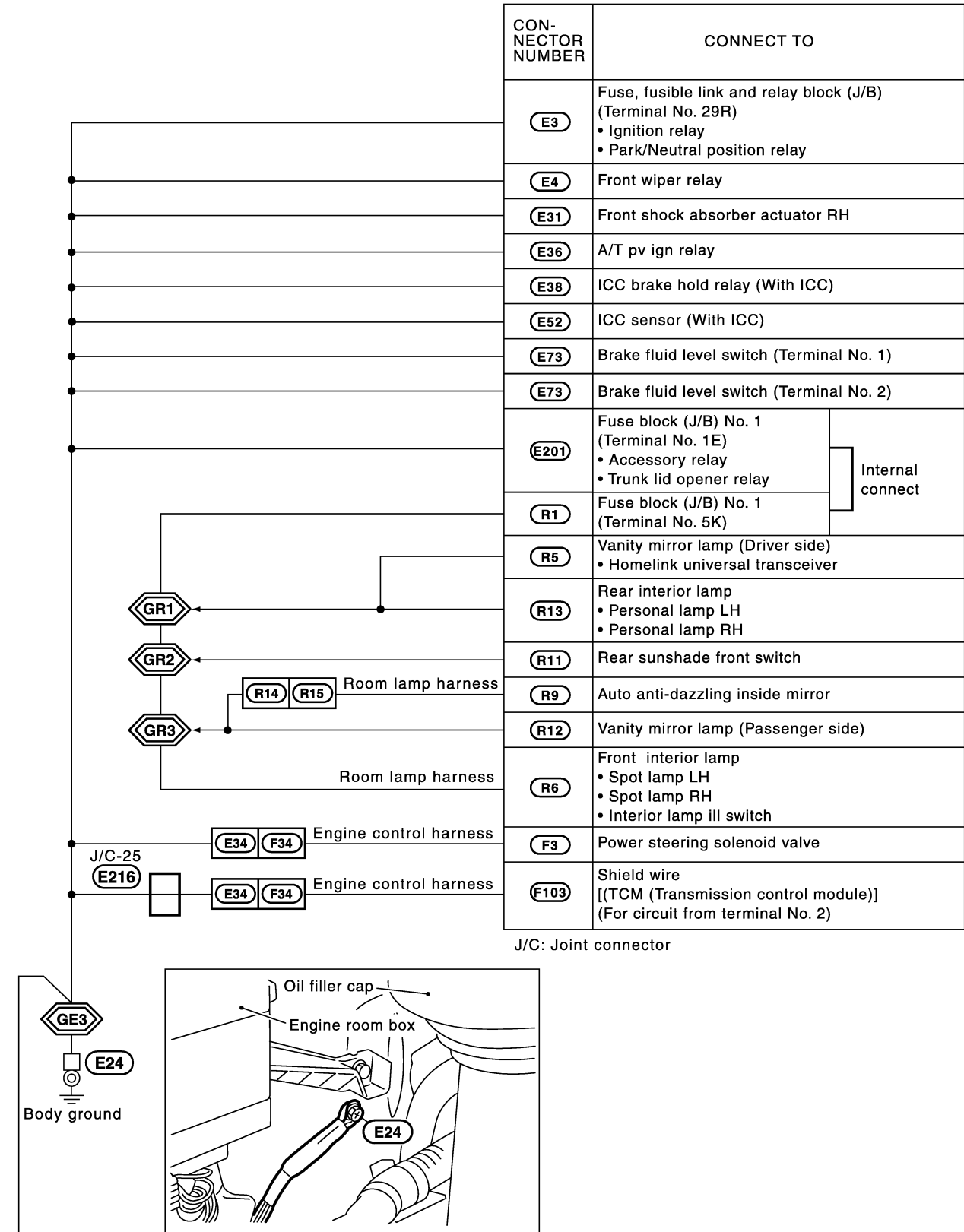


A
B
C
D
E
F
G
H
I
J
PG
L
M

CKIM0081E

GROUND

ENGINE ROOM HARNESS

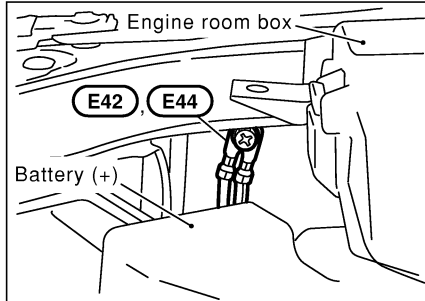


Next page

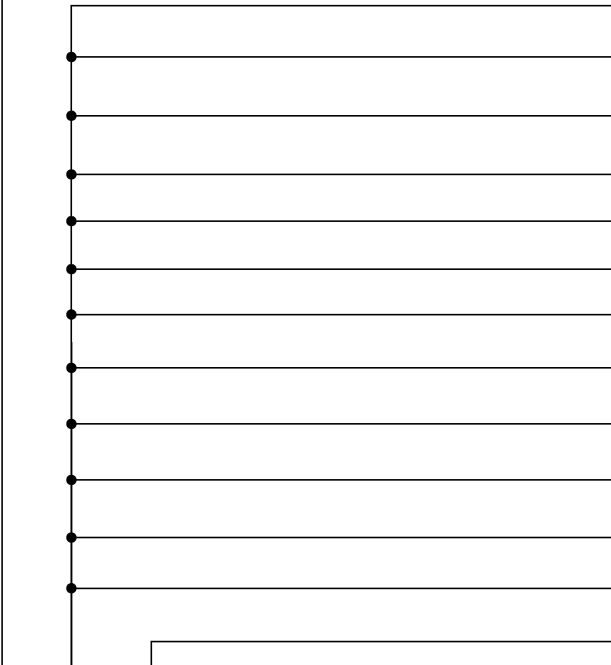
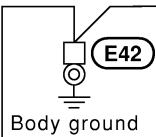
CKIM0082E

GROUND

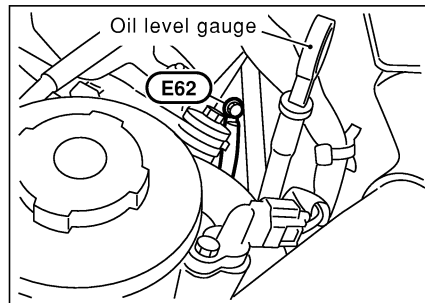
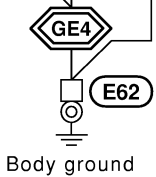
A Preceding page



CON-NECTOR NUMBER	CONNECT TO
E65	Front combination lamp LH (Terminal No. 6) • Parking



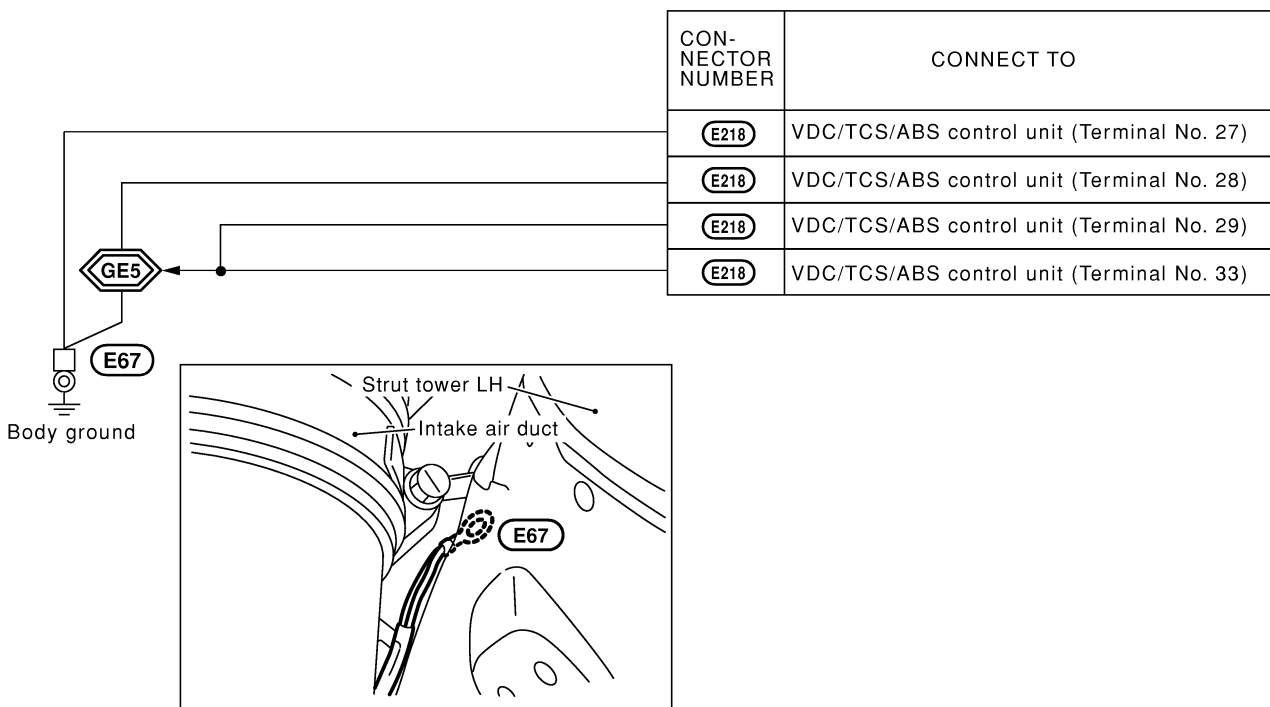
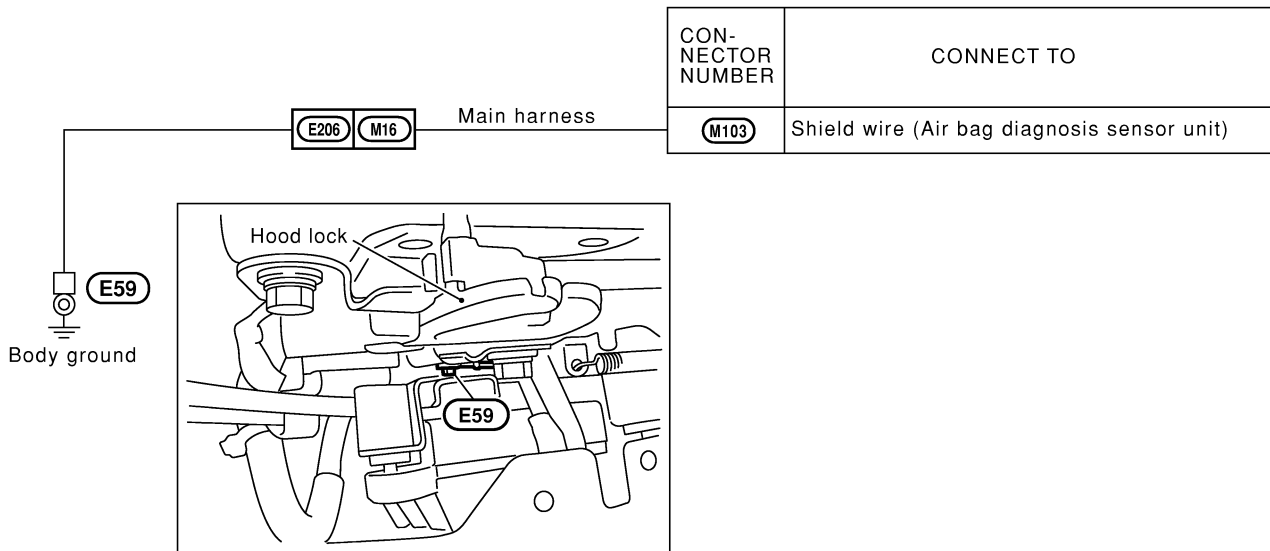
CON-NECTOR NUMBER	CONNECT TO
E45	Front combination lamp RH (Terminal No. 8) • Headlamp
E26	Daytime light control unit
E45	Front combination lamp RH (Terminal No. 2) • Turn signal
E46	Front combination lamp RH (Terminal No. 10) • Headlamp aiming motor
E46	Front combination lamp RH (Terminal No. 16) • Side marker
E47	Washer level switch
E54	Hood switch
E61	Front shock absorber actuator LH
E65	Front combination lamp LH (Terminal No. 2) • Turn signal
E65	Front combination lamp LH (Terminal No. 8) • Headlamp
E66	Front combination lamp LH (Terminal No. 10) • Headlamp aiming motor
E66	Front combination lamp LH (Terminal No. 16) • Side marker
E75	Front wiper motor
E45	Front combination lamp RH (Terminal No. 6) • Parking



A
B
C
D
E
F
G
H
I
J
PG
L
M

CKIM0016E

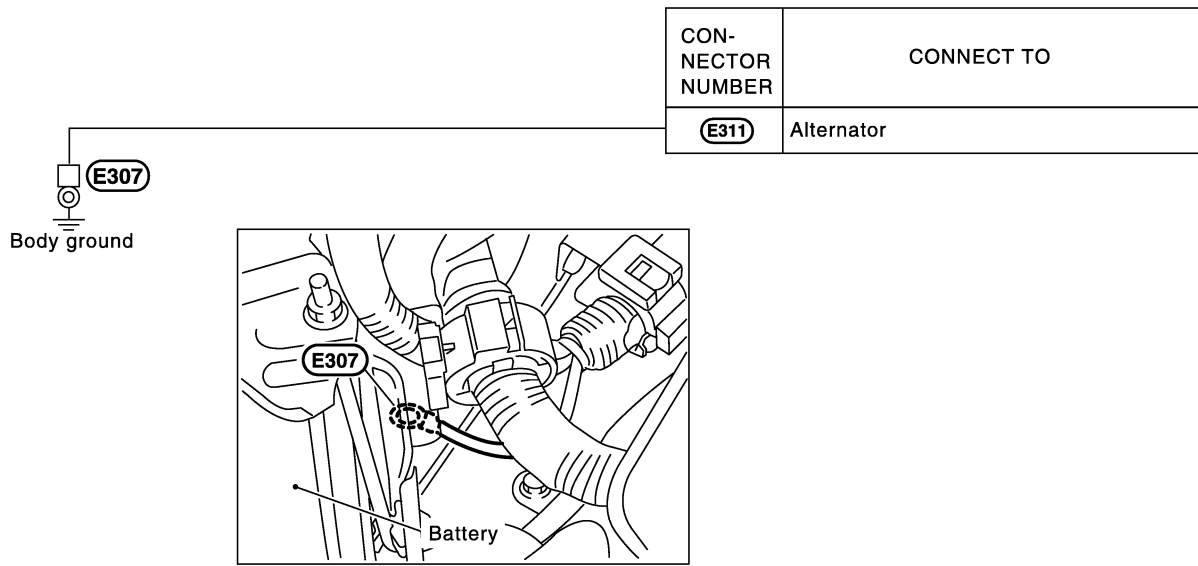
GROUND



CKIM0017E

GROUND

ENGINE HARNESS

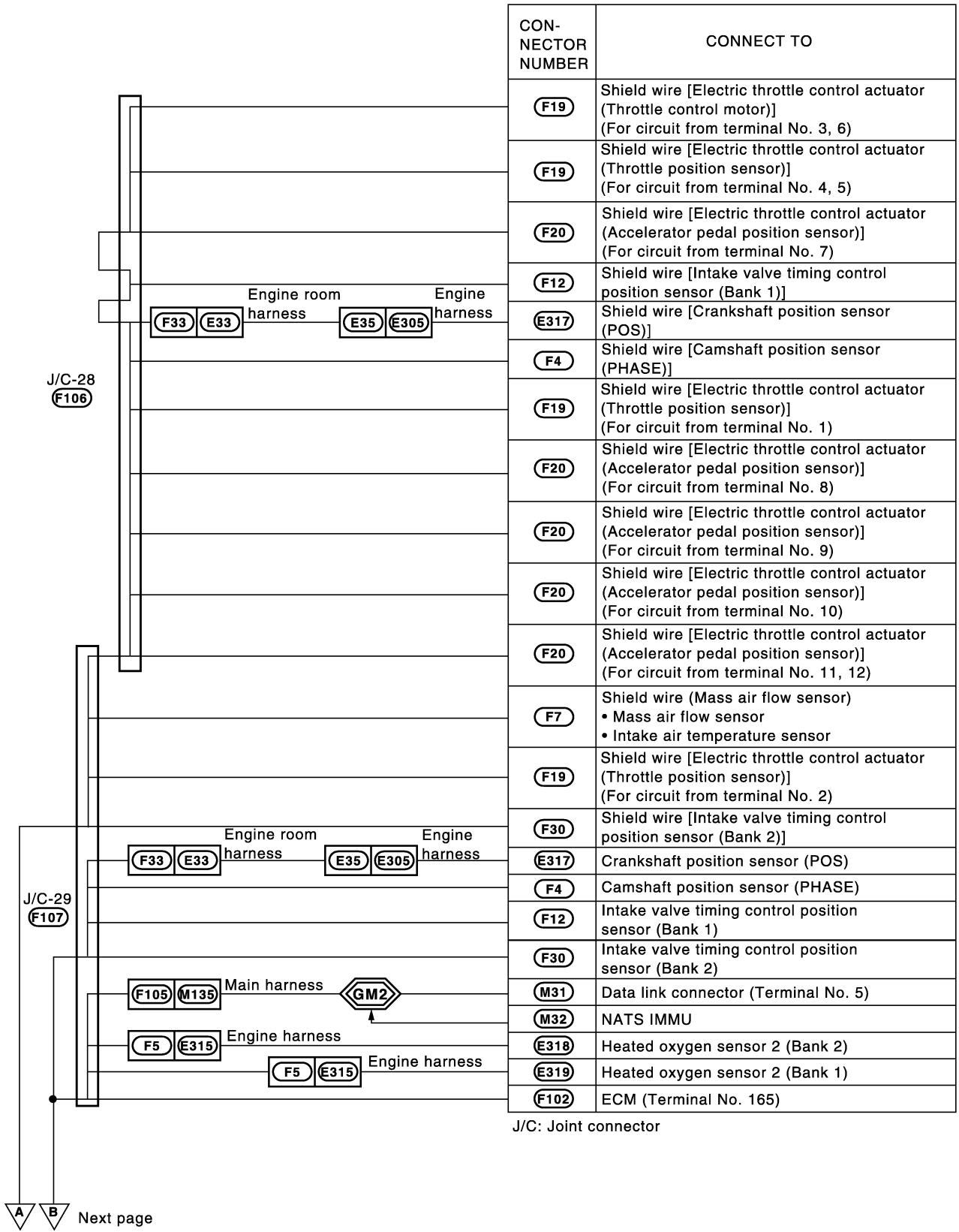


A
B
C
D
E
F
G
H
I
J
PG
L
M

CKIM0018E

GROUND

ENGINE CONTROL HARNESS



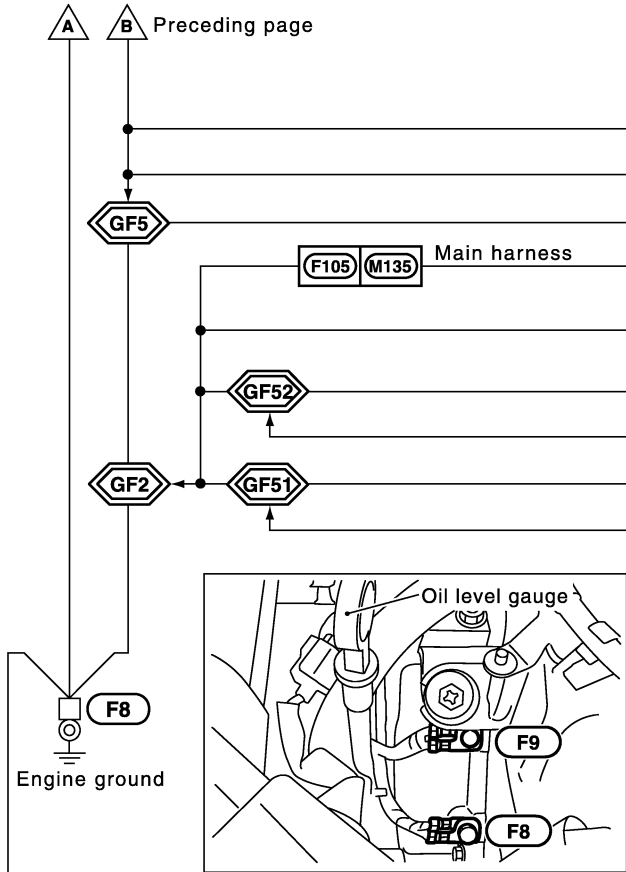
CON-NECTOR NUMBER	CONNECT TO
(F19)	Shield wire [Electric throttle control actuator (Throttle control motor)] (For circuit from terminal No. 3, 6)
(F19)	Shield wire [Electric throttle control actuator (Throttle position sensor)] (For circuit from terminal No. 4, 5)
(F20)	Shield wire [Electric throttle control actuator (Accelerator pedal position sensor)] (For circuit from terminal No. 7)
(F12)	Shield wire [Intake valve timing control position sensor (Bank 1)]
(E317)	Shield wire [Crankshaft position sensor (POS)]
(F4)	Shield wire [Camshaft position sensor (PHASE)]
(F19)	Shield wire [Electric throttle control actuator (Throttle position sensor)] (For circuit from terminal No. 1)
(F20)	Shield wire [Electric throttle control actuator (Accelerator pedal position sensor)] (For circuit from terminal No. 8)
(F20)	Shield wire [Electric throttle control actuator (Accelerator pedal position sensor)] (For circuit from terminal No. 9)
(F20)	Shield wire [Electric throttle control actuator (Accelerator pedal position sensor)] (For circuit from terminal No. 10)
(F20)	Shield wire [Electric throttle control actuator (Accelerator pedal position sensor)] (For circuit from terminal No. 11, 12)
(F7)	Shield wire (Mass air flow sensor) • Mass air flow sensor • Intake air temperature sensor
(F19)	Shield wire [Electric throttle control actuator (Throttle position sensor)] (For circuit from terminal No. 2)
(F30)	Shield wire [Intake valve timing control position sensor (Bank 2)]
(E317)	Crankshaft position sensor (POS)
(F4)	Camshaft position sensor (PHASE)
(F12)	Intake valve timing control position sensor (Bank 1)
(F30)	Intake valve timing control position sensor (Bank 2)
(M31)	Data link connector (Terminal No. 5)
(M32)	NATS IMMU
(E318)	Heated oxygen sensor 2 (Bank 2)
(E319)	Heated oxygen sensor 2 (Bank 1)
(F102)	ECM (Terminal No. 165)

J/C: Joint connector

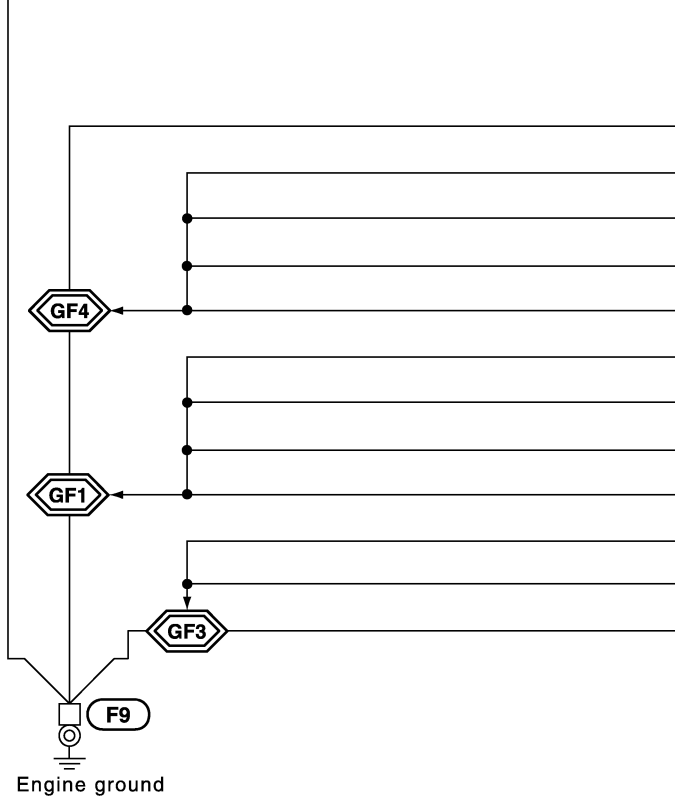
Next page

CKIM0083E

GROUND



CON-NECTOR NUMBER	CONNECT TO
F22	Heated oxygen sensor 1 (Bank 1)
F42	Heated oxygen sensor 1 (Bank 2)
F102	ECM (Terminal No. 168)
M35	ASCD control unit (Without ICC) (Terminal No. 4)
F103	Shield wire [TCM (Transmission control module)] (For circuit from terminal No. 5)
F103	TCM (Transmission control module) (Terminal No. 5)
F103	TCM (Transmission control module) (Terminal No. 14)
F103	TCM (Transmission control module) (Terminal No. 24)
F104	TCM (Transmission control module) (Terminal No. 46)



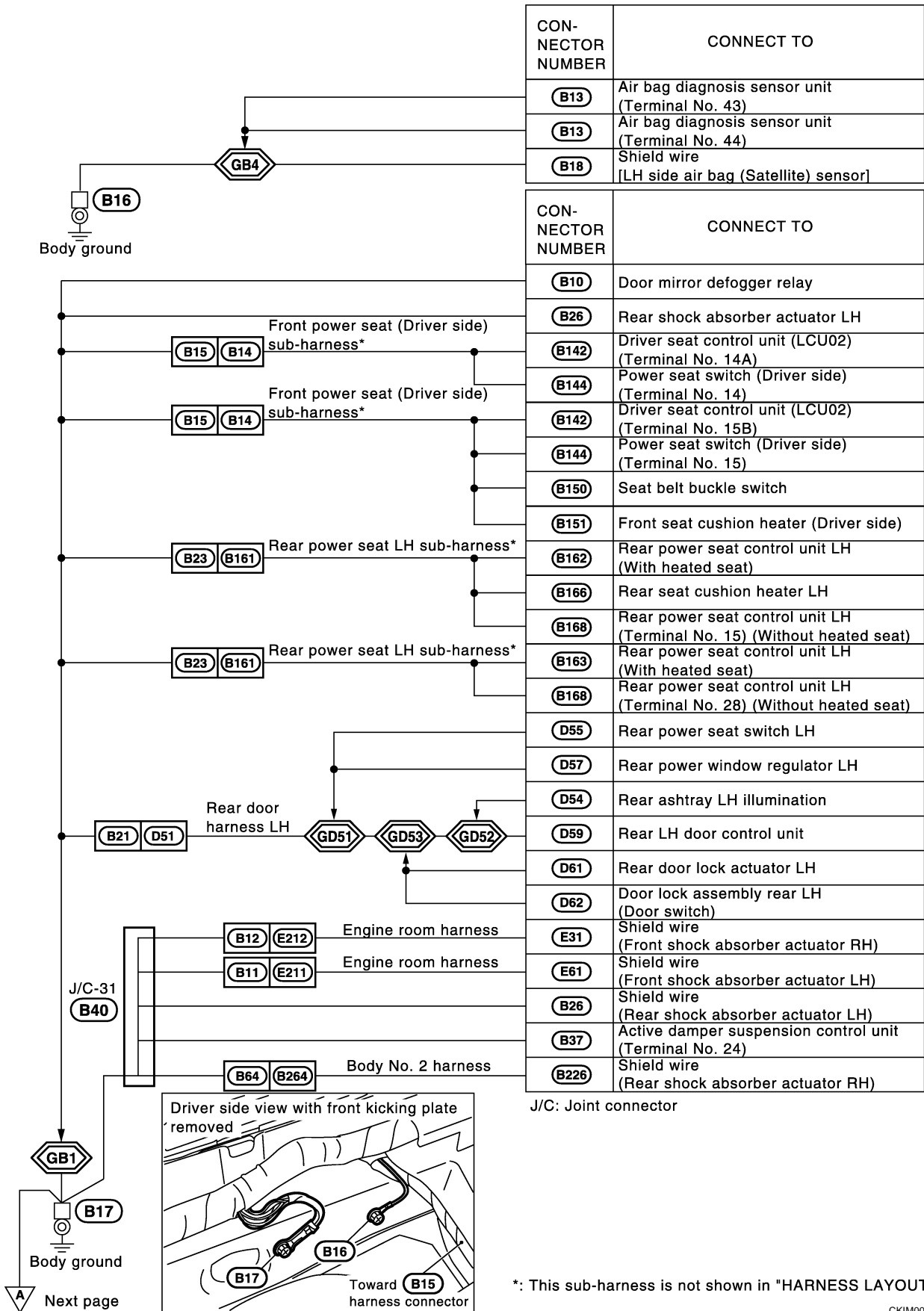
CON-NECTOR NUMBER	CONNECT TO
F15	Ignition coil (With power transistor) No. 1
F35	Ignition coil (With power transistor) No. 2
F36	Ignition coil (With power transistor) No. 4
F37	Ignition coil (With power transistor) No. 6
F38	Ignition coil (With power transistor) No. 8
F16	Ignition coil (With power transistor) No. 3
F17	Ignition coil (With power transistor) No. 5
F18	Ignition coil (With power transistor) No. 7
F23	Condenser
F101	ECM (Terminal No. 153)
F101	ECM (Terminal No. 156)
F101	ECM (Terminal No. 159)

A
B
C
D
E
F
G
H
I
J
PG
L
M

CKIM0084E

GROUND

BODY HARNESS

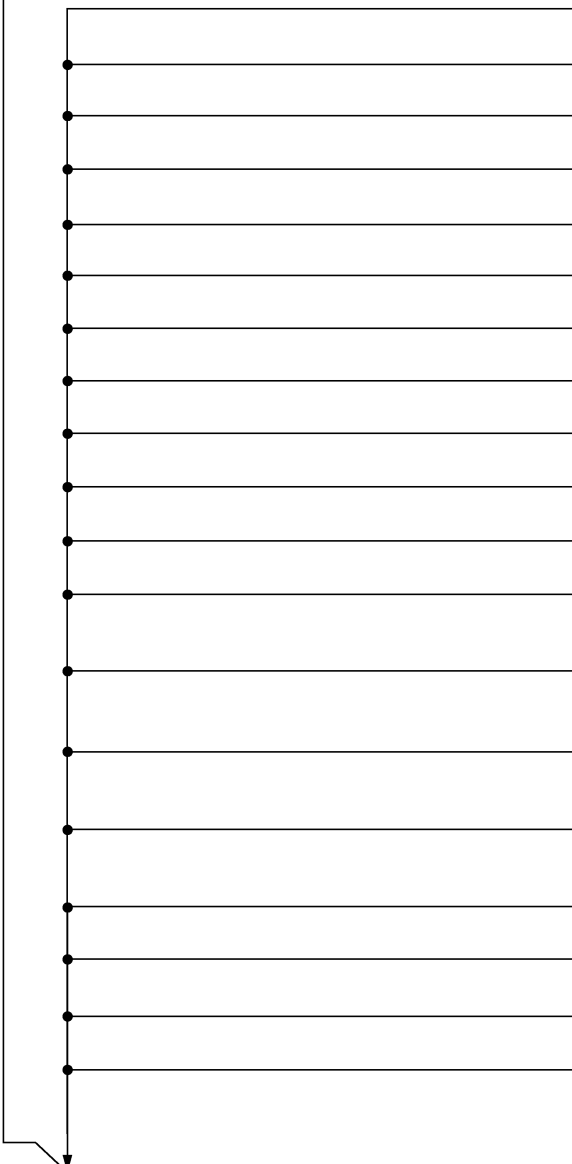


CKIM0021E

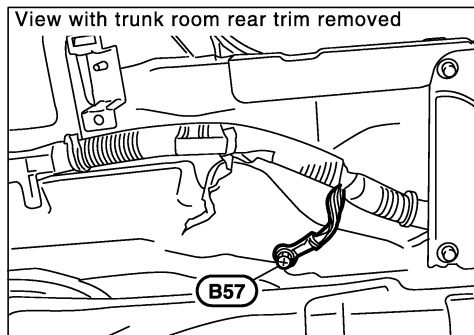
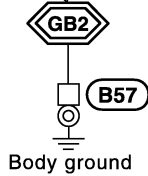
GROUND

A Preceding page

GB3



CON-NECTOR NUMBER	CONNECT TO
B45	Dropping resistor
B30	AV and NAVI control unit (With NAVI) (Terminal No. 1)
B30	AV and NAVI control unit (With NAVI) (Terminal No. 4)
B30	AV and NAVI control unit (With NAVI) (Terminal No. 5)
B33	AV control unit (For Canada with rear control switch) (Terminal No. 1)
B33	AV control unit (For Canada with rear control switch) (Terminal No. 4)
B33	AV control unit (For Canada with rear control switch) (Terminal No. 5)
B37	Active damper suspension control unit (Terminal No. 8)
B37	Active damper suspension control unit (Terminal No. 23)
B46	Trunk lid key cylinder switch (Unlock switch)
B47	License lamp LH
B48	License lamp RH
B50	Rear view camera
B53	Rear combination lamp LH • Stop/Tail • Back-up • Turn signal
B54	Trunk room lamp switch
B58	Rear combination lamp RH • Stop/Tail • Back-up • Turn signal
B69	Voice activated control module
B72	Option connector-1 for voice activated system (Terminal No. 1)
B72	Option connector-1 for voice activated system (Terminal No. 2)
B73	Dual mode muffler control unit



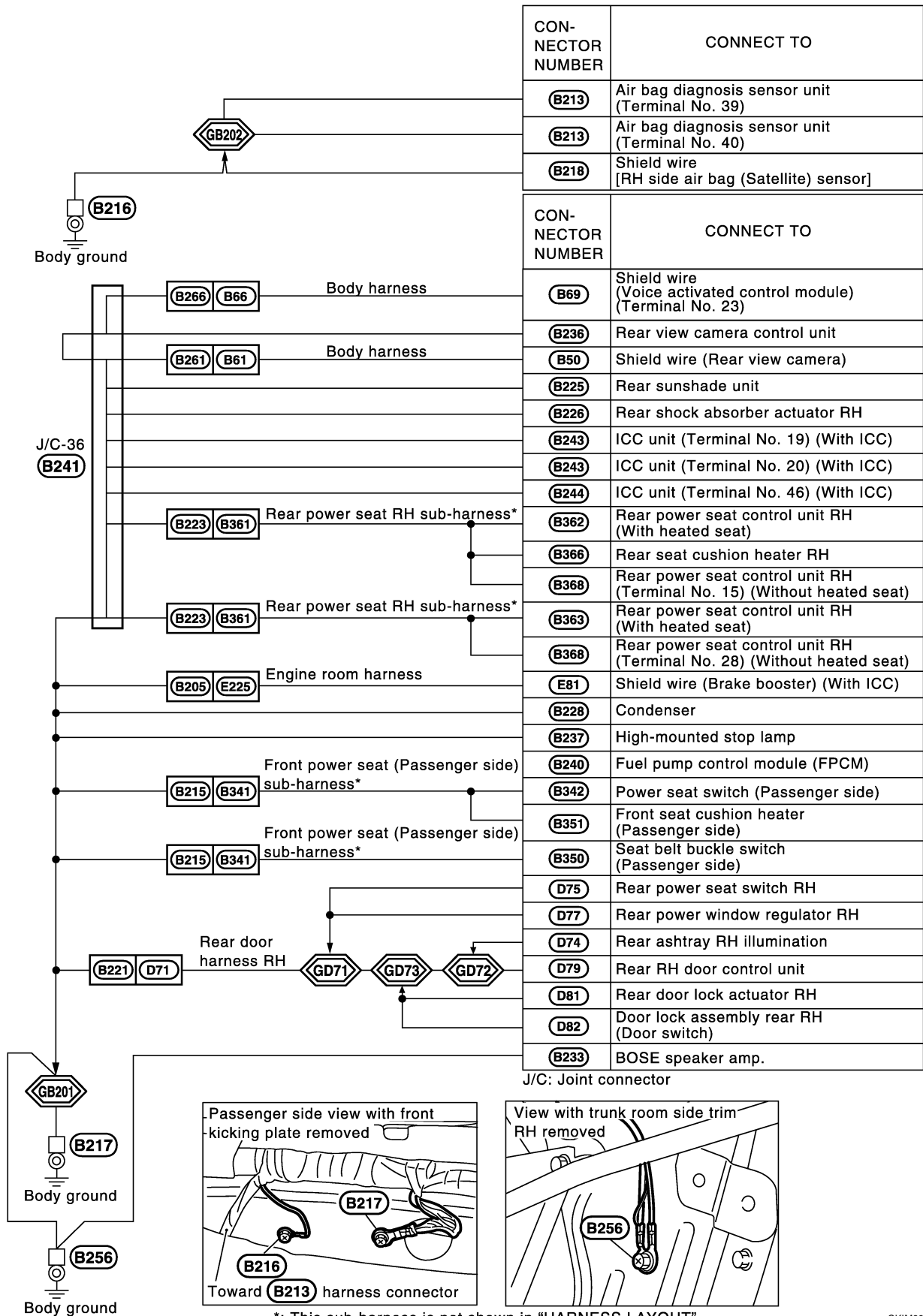
A
B
C
D
E
F
G
H
I
J
PG
L
M

PG

CKIM0085E

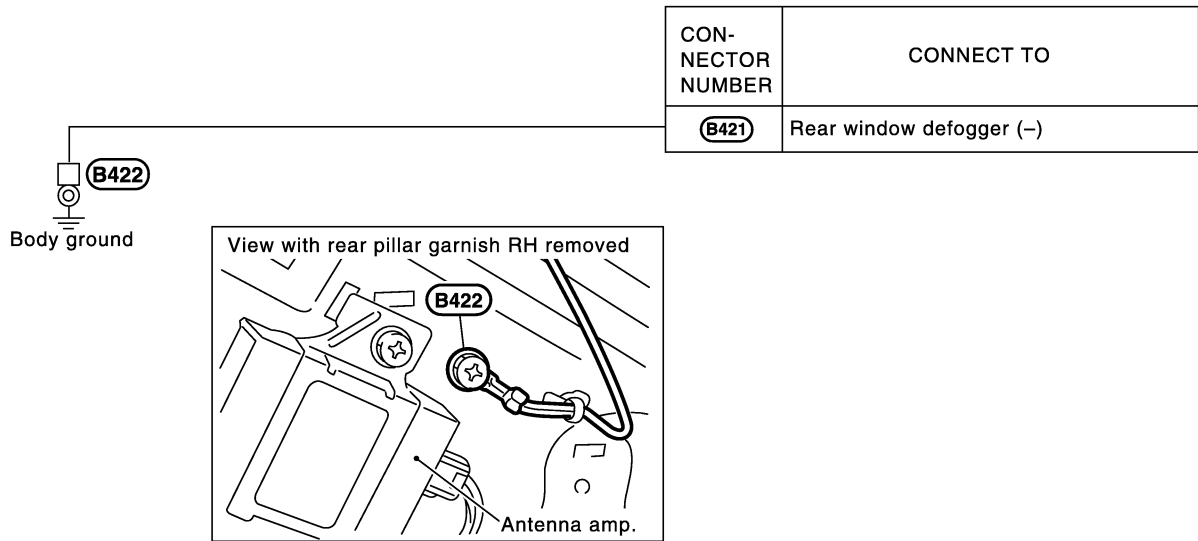
GROUND

BODY NO.2 HARNESS



CKIM0086E

GROUND



CKIM0024E

A
B
C
D
E
F
G
H
I
J
PG
L
M

HARNESS

PFP:00011

Harness Layout HOW TO READ HARNESS LAYOUT

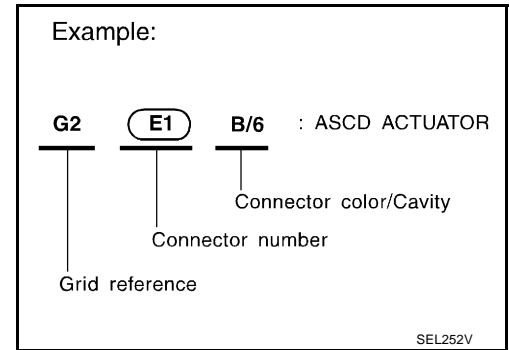
EKS000DS

The following Harness Layouts use a map style grid to help locate connectors on the drawings:

- Main Harness
- Engine Room Harness (Engine Compartment)
- Engine Control Harness
- Body Harness and Rear Control Harness
- Body No.2 Harness












To use the grid reference

1. Find the desired connector number on the connector list.
2. Find the grid reference.
3. On the drawing, find the crossing of the grid reference letter column and number row.
4. Find the connector number in the crossing zone.
5. Follow the line (if used) to the connector.



CONNECTOR SYMBOL

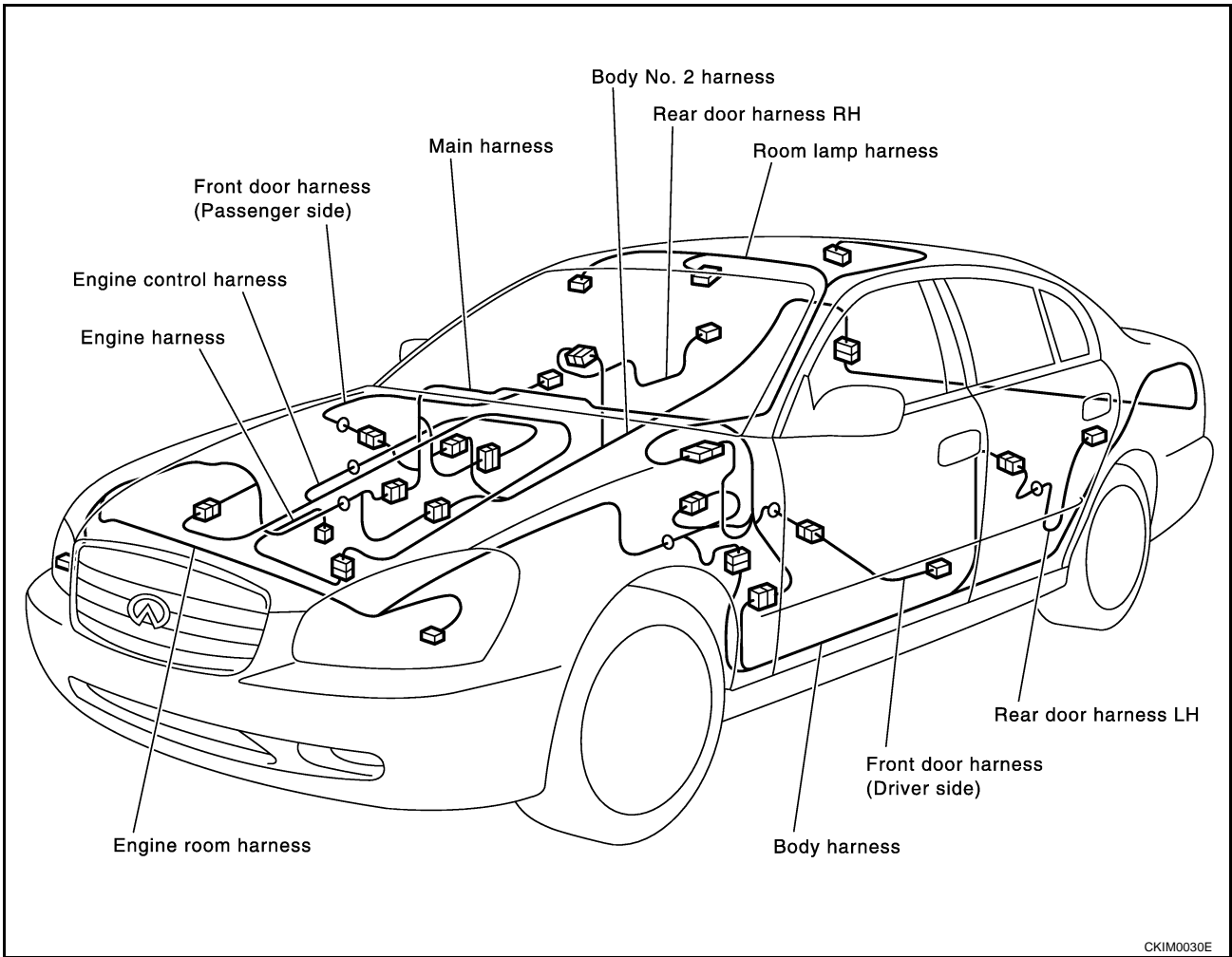
Main symbols of connector (in Harness Layout) are indicated in the below.

Connector type	Water proof type		Standard type	
	Male	Female	Male	Female
<ul style="list-style-type: none"> • Cavity: Less than 4 • Relay connector 				
<ul style="list-style-type: none"> • Cavity: From 5 to 8 				
<ul style="list-style-type: none"> • Cavity: More than 9 	—	—		
<ul style="list-style-type: none"> • Ground terminal etc. 	—			

SKIA0404E

HARNESS

OUTLINE



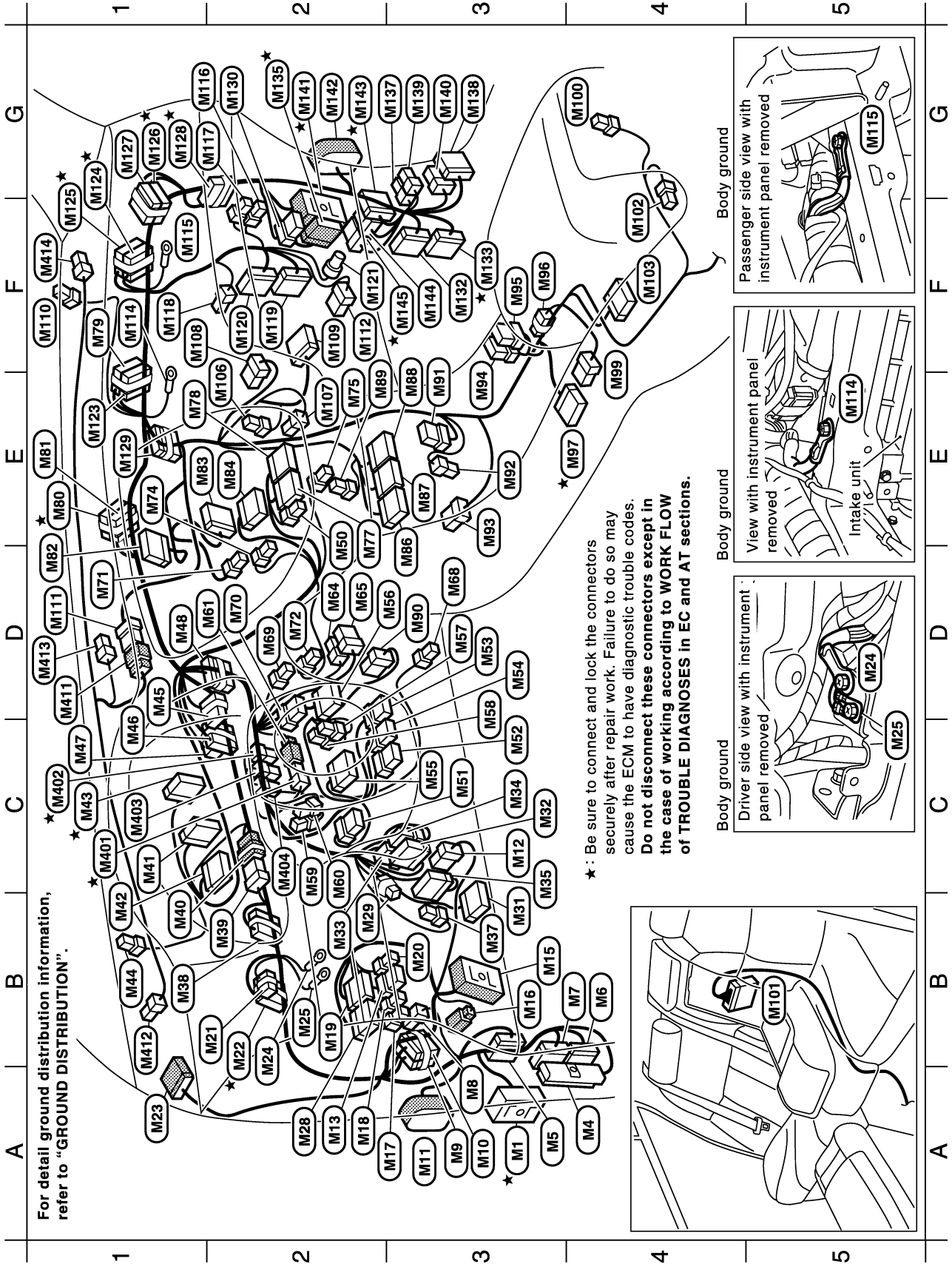
A
B
C
D
E
F
G
H
I
J

PG

L
M

HARNESS

MAIN HARNESS



CKIM0090E

★ A3	(M1)	SMJ : Fuse block (J/B) No. 1	C1	(M47)	GY/20 : Joint connector-8
A4	(M4)	SMJ : BCM (Body control module)	D1	(M48)	B/20 : Joint connector-9
A3	(M5)	SMJ : To (B5)	E2	(M50)	GY/3 : AV control unit (Except for Canada with rear control switch)
B4	(M6)	GY/24 : To (B6)	C3	(M51)	GY/6 : ADP steering switch
B4	(M7)	W/24 : To (B7) (With NAVI and for Canada with rear control switch)	C3	(M52)	W/8 : Steering wheel angle sensor
A3	(M8)	B/1 : Parking brake switch	D3	(M53)	GY/8 : Combination switch (Spiral cable)
A3	(M9)	P/20 : Joint connector-1	D3	(M54)	Y/6 : Combination switch (Spiral cable)
A3	(M10)	B/20 : Joint connector-2	C3	(M55)	W/12 : Combination switch (Lighting switch)
A3	(M11)	SMJ : To (D1)	D2	(M56)	GY/12 : Combination switch (Front wiper switch)
C3	(M12)	W/8 : Shift lock control unit	D3	(M57)	W/3 : Tilt sensor
A2	(M13)	GY/6 : VDC off switch	D3	(M58)	W/2 : Tilt motor
B3	(M15)	SMJ : To (E205)	C2	(M59)	W/3 : Telescopic sensor
B3	(M16)	Y/4 : To (E206)	C2	(M60)	W/2 : Telescopic motor
A3	(M17)	W/3 : Illumination control switch	D2	★ (M61)	W/4 : To (M40)
A2	(M18)	W/4 : Headlamp aiming switch	D2	(M64)	W/4 : Key switch and key lock solenoid
B2	(M19)	W/10 : Door mirror remote control switch (With memory mirror)	D2	(M65)	W/6 : NATS antenna amp.
B3	(M20)	GY/4 : Active damper suspension select switch	D3	(M68)	W/2 : In-vehicle sensor
B2	(M21)	GY/20 : Joint connector-3	D2	(M69)	GY/4 : Steering lock control unit
B2	★ (M22)	L/20 : Joint connector-4	D2	(M70)	B/5 : Ignition switch
A1	(M23)	W/18 : To (R3)	D1	(M71)	W/4 : Hazard switch
B2	(M24)	- : Body ground	D2	(M72)	W/2 : Ignition key hole illumination
B2	(M25)	- : Body ground	E1	(M74)	W/3 : Warning chime
A2	(M28)	W/10 : Door mirror remote control switch (Without memory mirror)	E2	(M75)	W/4 : Clock
B3	(M29)	W/2 : Low tire pressure warning check switch	E2	(M77)	GY/24 : AV control unit (Except for Canada with rear control switch)
B3	(M31)	W/16 : Data link connector	E1	(M78)	W/24 : AV control unit
C3	(M32)	W/16 : NATS IMMU	F1	(M79)	G/20 : Joint connector-11
B2	(M33)	W/6 : Headlamp battery saver control unit	E1	★ (M80)	R/20 : Joint connector-12
C3	(M34)	W/8 : Headlamp battery saver control unit			
C3	(M35)	BR/24 : ASCD control unit (Without ICC)			
B3	(M37)	W/3 : ICC warning chime (With ICC)			
B1	(M38)	P/20 : Joint connector-5			
B2	(M39)	W/8 : To (M40)			
B1	(M40)	W/8 : To (M39)			
C1	(M41)	BR/20 : Combination meter			
B1	★ (M42)	BR/24 : Combination meter			
C1	★ (M43)	W/24 : Combination meter			
B1	(M44)	B/2 : Sunload sensor			
D1	(M45)	W/6 : Joint connector-6			
C1	★ (M46)	B/20 : Joint connector-7			

★ : Be sure to connect and lock the connectors securely after repair work.
 Failure to do so may cause the ECM to have diagnostic trouble codes.
Do not disconnect these connectors except in the case of working according to WORK FLOW of TROUBLE DIAGNOSES in EC and AT sections.

A
B
C
D
E
F
G
H
I
J
L
M
PG

E1	(M81)	P/20 : Joint connector-13
D1	(M82)	GY/24 : Display
E1	(M83)	W/20 : Multifunction switch
E2	(M84)	W/16 : Low tire pressure warning control unit
D3	(M86)	W/12 : Audio unit
E3	(M87)	W/16 : Audio unit
E3	(M88)	W/12 : Audio unit
E2	(M89)	BR/2 : Antenna amp. (Via sub-harness)
D3	(M90)	W/6 : Cooling unit assembly
E3	(M91)	W/8 : Combination flasher unit
E3	(M92)	W/3 : Front cigarette lighter socket
E3	(M93)	B/6 : Rear vent door motor
E3	(M94)	W/6 : Heated seat switch (Driver side)
F3	(M95)	BR/6 : Heated seat switch (Passenger side)
F3	(M96)	W/4 : Handset (Option)
E4	(M97)	W/12 : A/T device
E4	(M99)	B/6 : Yaw rate and side G sensor
G4	(M100)	B/2 : Front power socket
B5	(M101)	W/24 : To (B501)
F4	(M102)	W/2 : Console box lamp
F4	(M103)	Y/28 : Air bag diagnosis sensor unit
E2	(M106)	W/3 : Mode door motor (Passenger side)
E2	(M107)	W/3 : Air mix door motor (Passenger side)
F1	(M108)	W/8 : Power steering control unit
F2	(M109)	W/16 : CD auto changer
F1	(M110)	W/3 : Optical sensor
D1	(M111)	W/6 : To (M411)
F2	(M112)	W/6 : Blower motor
E1	(M114)	- : Body ground
F1	(M115)	- : Body ground
G1	(M116)	W/2 : Glove box lamp
G1	(M117)	W/2 : Trunk lid opener cancel switch
F1	(M118)	W/3 : Intake door motor
F2	(M119)	GY/20 : A/C auto amp.
F2	(M120)	GY/16 : A/C auto amp.
F2	(M121)	Y/4 : Front passenger air bag module
E1	(M123)	L/20 : Joint connector-14
G1	(M124)	B/20 : Joint connector-15
F1	(M125)	B/20 : Joint connector-16

G1	(M126)	B/20 : Joint connector-17
G1	(M127)	OR/20 : Joint connector-18
G1	(M128)	OR/20 : Joint connector-19
E1	(M129)	B/20 : Joint connector-20
G1	(M130)	W/6 : Joint connector-21
F3	(M132)	W/24 : To (E222)
F3	(M133)	W/12 : To (E223)
G2	(M135)	SMJ : To (F105)
G3	(M137)	W/3 : To (B207) (With rear view camera)
G3	(M138)	BR/24 : To (B208) (With ICC)
G3	(M139)	W/4 : To (B209) (With rear view camera or rear heated seat)
G3	(M140)	GY/6 : To (B210)
G2	(M141)	SMJ : To (B211)
G2	(M142)	SMJ : To (D31)
G2	(M143)	W/10 : Fuse block (J/B) No. 2
F3	(M144)	W/8 : Fuse block (J/B) No. 2
F3	(M145)	W/8 : Fuse block (J/B) No. 2

Main sub-harness-1

C1	(M401)	W/4 : To (M61)
C1	(M402)	B/2 : Stop lamp switch
C1	(M403)	BR/2 : ASCD brake switch (Without ICC)
C2	(M404)	BR/2 : ICC brake switch (With ICC)

Main sub-harness-2

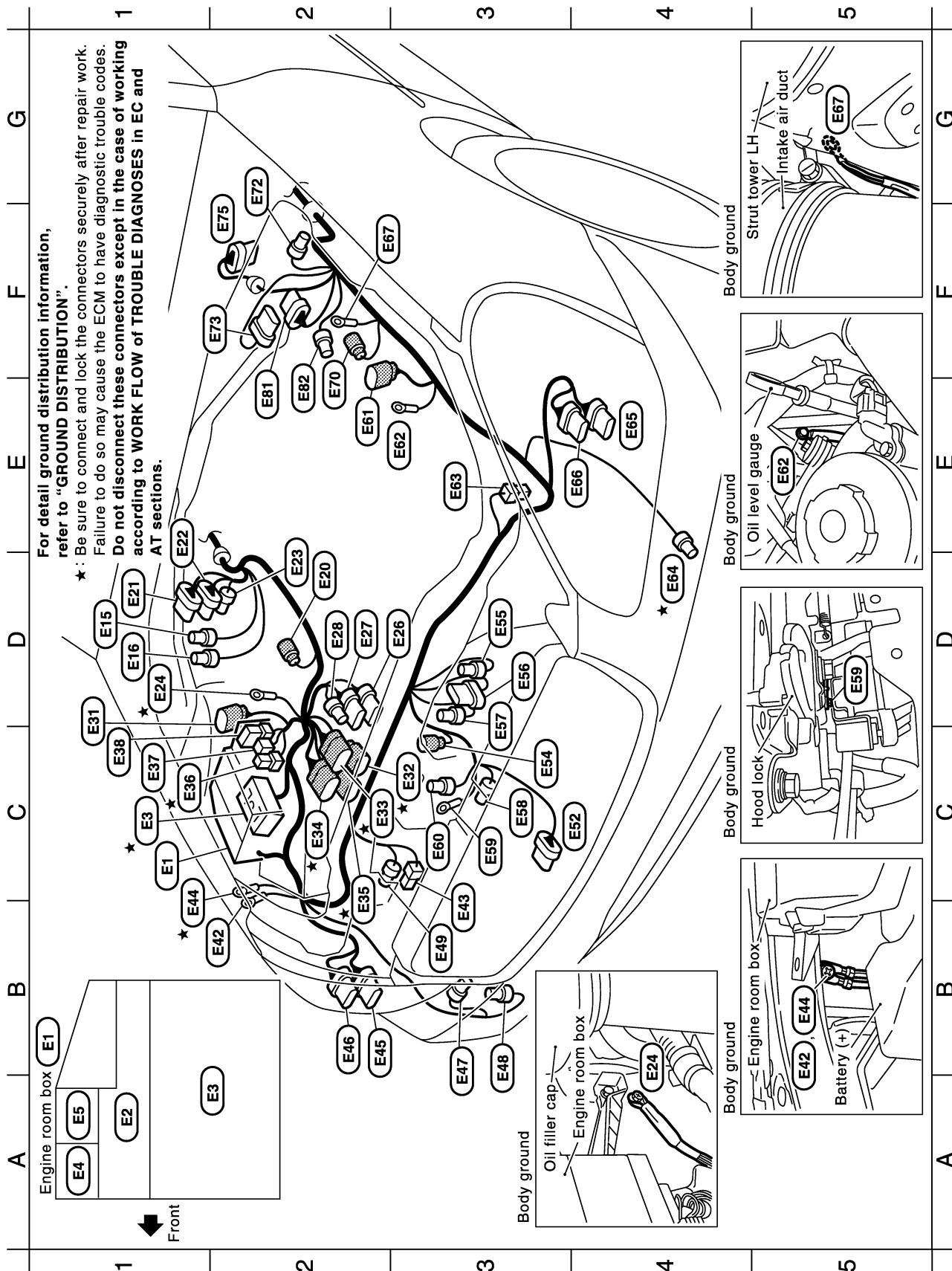
D1	(M411)	W/6 : To (M111)
B1	(M412)	BR/2 : Instrument speaker LH
D1	(M413)	BR/2 : Instrument speaker CENTER
F1	(M414)	BR/2 : Instrument speaker RH

★ : Be sure to connect and lock the connectors securely after repair work.
 Failure to do so may cause the ECM to have diagnostic trouble codes.
Do not disconnect these connectors except in the case of working according to WORK FLOW of TROUBLE DIAGNOSES in EC and AT sections.

HARNESS

ENGINE ROOM HARNESS

Engine Compartment



A
B
C
D
E
F
G
H
I
J
K
L
M
N
O
P
Q
R
S
T
U
V
W
X
Y
Z

PG

HARNESSES

C3	(E60)	Y/2	: Crash zone sensor
E2	(E61)	GY/6	: Front shock absorber actuator LH
E3	(E62)	-	: Body ground
E3	(E63)	B/1	: Horn high
E4	★ (E64)	GY/2	: Radiator coolant temperature sensor
E4	(E65)	DGY/8	: Front combination lamp LH
E4	(E66)	SB/8	: Front combination lamp LH
F2	(E67)	-	: Body ground
F2	(E70)	GY/2	: Front wheel sensor LH
F2	(E72)	B/2	: Precharge pump
F2	(E73)	L/5	: Brake fluid level switch
F2	(E75)	SB/6	: Front wiper motor
E2	(E81)	GY/6	: Brake booster
E2	(E82)	-/3	: Brake pressure sensor

} (With ICC)

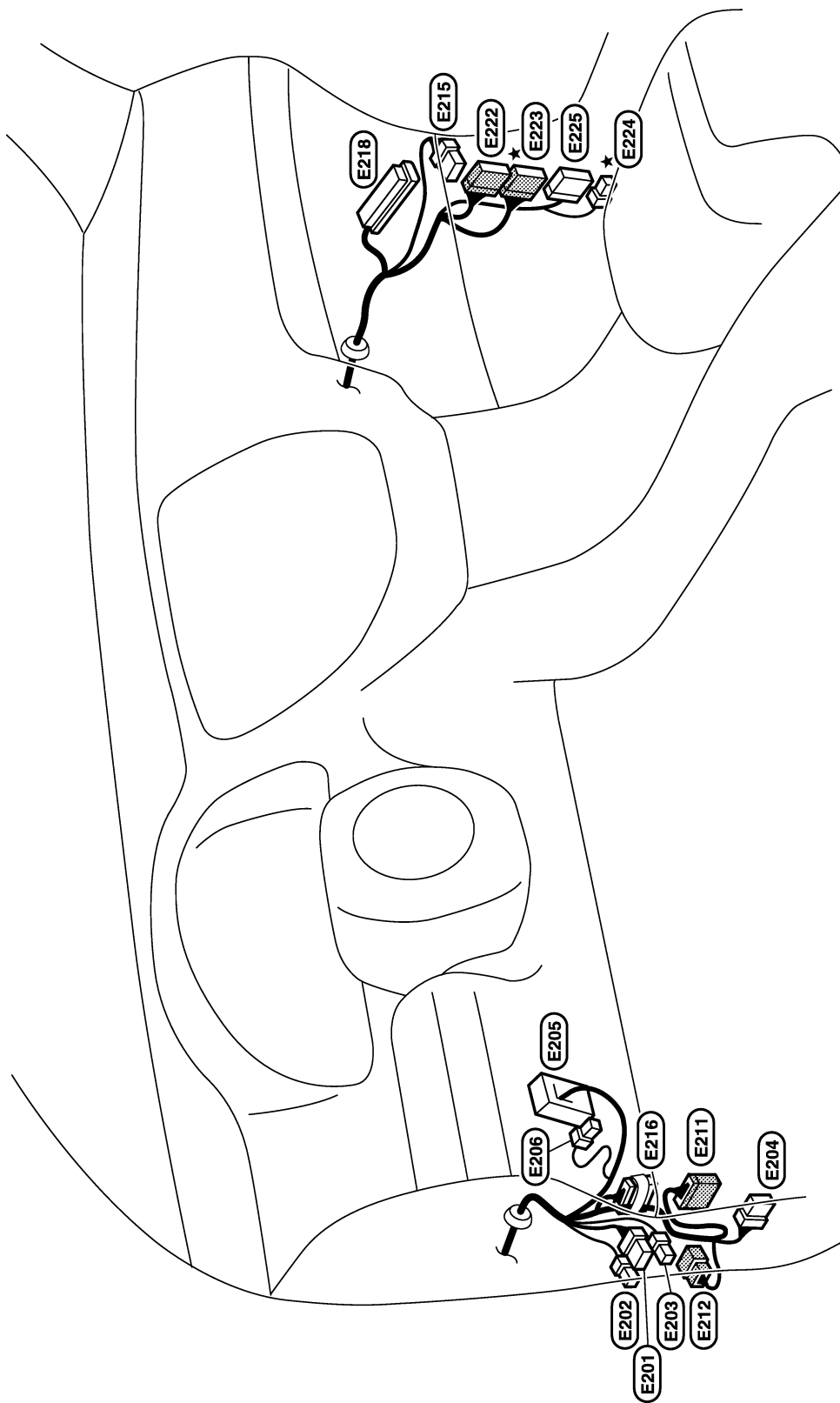
C1	(E1)	-	: Engine room box
A1	(E2)	-	: Fuse, fusible link and relay box
C1	★ (E3)	SMJ	: Fuse, fusible link and relay block (J/B)
A1	(E4)	B/5	: Front wiper relay
A1	(E5)	L/4	: Headlamp relay-2
D1	(E15)	SB/4	: ASCD pump (With ICC)
D1	(E16)	SB/4	: ASCD pump (Without ICC)
D2	(E20)	GY/2	: Front wheel sensor RH
D1	(E21)	DGY/8	: VDC actuator
D1	(E22)	SB/8	: VDC actuator
D2	(E23)	B/2	: VDC actuator
D2	★ (E24)	-	: Body ground
D3	(E26)	SB/8	: Daytime light control unit
D2	(E27)	SB/6	: Daytime light control unit
D2	(E28)	SB/4	: Daytime light control unit
D1	(E31)	GY/6	: Front shock absorber actuator RH
C3	★ (E32)	SB/8	To (F32)
C2	★ (E33)	GY/10	To (F33)
C2	★ (E34)	G/10	To (F34)
C2	★ (E35)	GY/9	To (E305)
C1	★ (E36)	L/4	: A/T pv ign relay
C1	(E37)	-	: Fuse block
C1	(E38)	GY/6	: ICC brake hold relay (With ICC)
B2	(E42)	-	: Body ground
C3	(E43)	B/1	: Horn low
B2	★ (E44)	-	: Body ground
B2	(E45)	DGY/8	: Front combination lamp RH
B2	(E46)	SB/8	: Front combination lamp RH
B3	(E47)	BR/2	: Washer level switch
B3	(E48)	GY/2	: Front washer motor
B3	(E49)	B/3	: Refrigerant pressure sensor
C3	(E52)	-/6	: ICC sensor (With ICC)
C3	(E54)	GY/2	: Hood switch
D3	(E55)	GY/2	: VDC relay box
D3	(E56)	DGY/8	: VDC relay box
D3	(E57)	B/2	: VDC relay box
C3	(E58)	B/2	: Ambient sensor
C3	(E59)	-	: Body ground

} (For Canada)

★ : Be sure to connect and lock the connectors securely after repair work.
 Failure to do so may cause the ECM to have diagnostic trouble codes.
Do not disconnect these connectors except in the case of working according to WORK FLOW of TROUBLE DIAGNOSES in EC and AT sections.

HARNESS

Passenger Compartment



- E216** : Fuse block (J/B) No. 1
 - E219** : Fuse block (J/B) No. 1
 - E222** : Fuse block (J/B) No. 1
 - E223** : BCM (Body control module)
 - E224** : To **M15**
 - E225** : To **M16**
- ★ : Be sure to connect and lock the connectors securely after repair work. Failure to do so may cause the ECM to have diagnostic trouble codes. Do not disconnect these connectors except in the case of working according to **WORK FLOW** of **TROUBLE DIAGNOSES** in **EC** and **AT** sections.

- P/20** : Joint connector-25
- SMJ** : VDC/TCS/ABS control unit
- W/24** : To **M132**
- W/12** : To **M133**
- BR/4** : To **E204**
- W/20** : To **E205** (With ICC)

- W/8** : Fuse block (J/B) No. 1
- W/4** : Fuse block (J/B) No. 1
- W/4** : Fuse block (J/B) No. 1
- BR/8** : BCM (Body control module)
- SMJ** : To **M15**
- Y/4** : To **M16**
- W/20** : To **B11**
- BR/6** : To **B12** (With active damper suspension)
- W/6** : Fuse block (J/B) No. 2

A
B
C
D
E
F
G
H
I
J
L
M

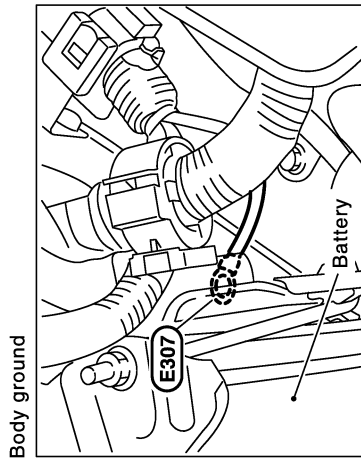
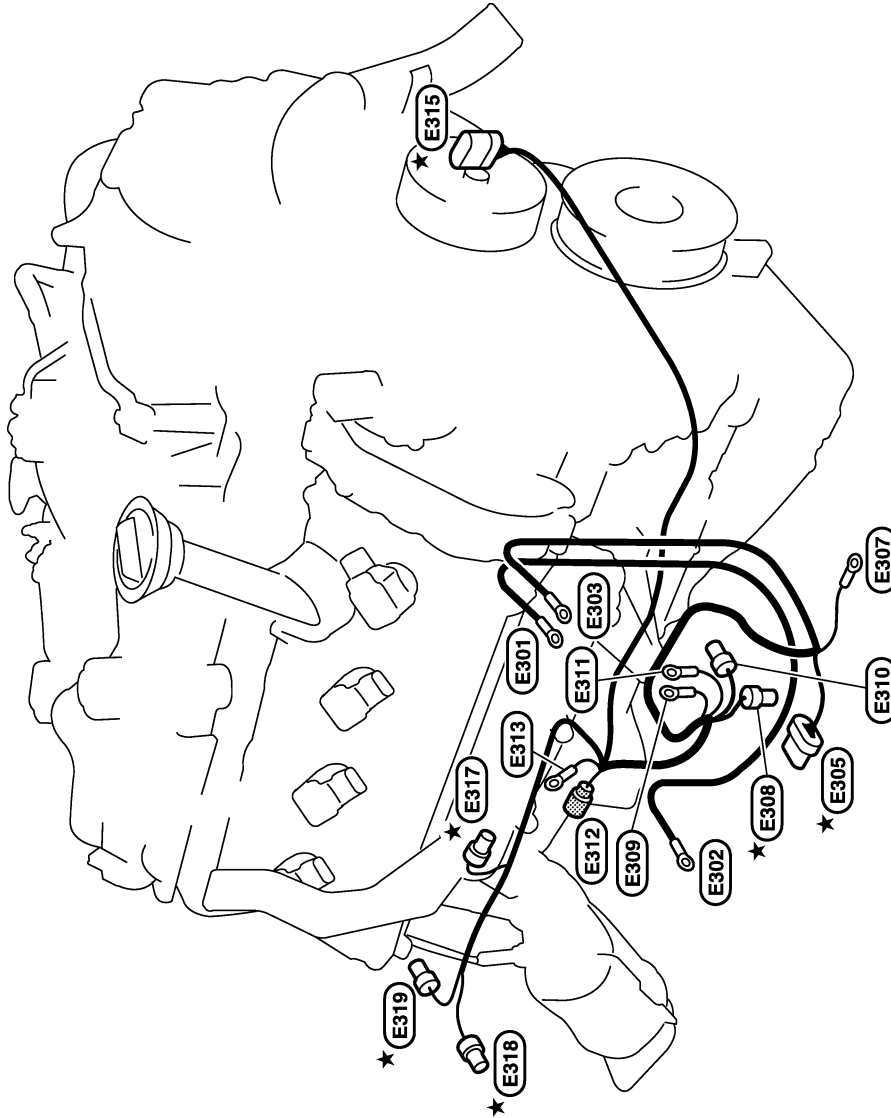
PG

CKIM0095E

HARNESS

ENGINE HARNESS

- (E301) - : Battery (+)
- (E302) - : Fuse, fusible link and relay box and fuse, fusible link and relay block (J/B)
- (E303) - : Battery (+)
- ★ (E305) GY/9 : To (E35)
- (E307) - : Body ground
- ★ (E308) B/3 : Power steering pressure sensor
- (E309) - : Alternator
- (E310) GY/2 : Alternator
- (E311) - : Alternator
- (E312) GY/1 : Starter motor
- (E313) - : Starter motor
- ★ (E315) GY/10 : To (F5)
- ★ (E317) B/3 : Crankshaft position sensor (POS)
- ★ (E318) L/4 : Heated oxygen sensor 2 (Bank 2)
- ★ (E319) G/4 : Heated oxygen sensor 2 (Bank 1)



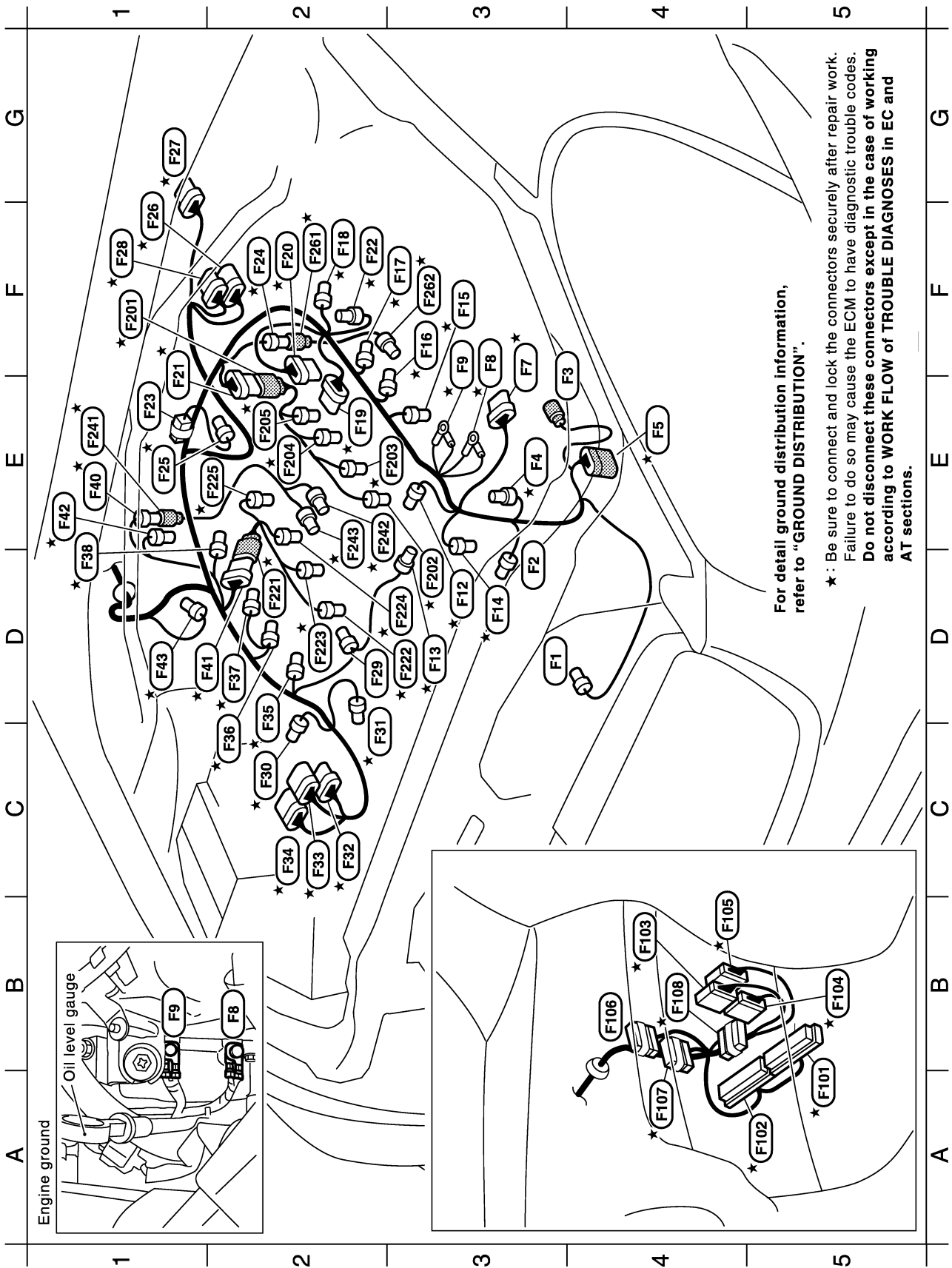
For detail ground distribution information, refer to "GROUND DISTRIBUTION".

★ : Be sure to connect and lock the connectors securely after repair work. Failure to do so may cause the ECM to have diagnostic trouble codes. Do not disconnect these connectors except in the case of working according to WORK FLOW of TROUBLE DIAGNOSES in EC and AT sections.

CKIM0096E

HARNESS

ENGINE CONTROL HARNESS



For detail ground distribution information, refer to "GROUND DISTRIBUTION".

★ : Be sure to connect and lock the connectors securely after repair work. Failure to do so may cause the ECM to have diagnostic trouble codes. Do not disconnect these connectors except in the case of working according to WORK FLOW of TROUBLE DIAGNOSES in EC and AT sections.

A B C D E F G
1 2 3 4 5

PG

CKIM0097E

Engine control harness

D3	★ (F1)	GY/1	: Oil pressure switch
D3	★ (F2)	B/1	: Compressor
E3	★ (F3)	BR/2	: Power steering solenoid valve
E3	★ (F4)	B/3	: Camshaft position sensor (PHASE)
E4	★ (F5)	GY/10	: To (E315)
F3	★ (F7)	GY/5	: Mass air flow sensor
F3	★ (F8)	-	: Engine ground
F3	★ (F9)	-	: Engine ground
D3	★ (F12)	B/3	: Intake valve timing control position sensor (Bank 1)
D3	★ (F13)	G/2	: Intake valve timing control solenoid valve (Bank 1)
D3	★ (F14)	GY/2	: Cooling fan speed control solenoid valve
F3	★ (F15)	GY/3	: Ignition coil (With power transistor) No. 1
F3	★ (F16)	GY/3	: Ignition coil (With power transistor) No. 3
F3	★ (F17)	GY/3	: Ignition coil (With power transistor) No. 5
F2	★ (F18)	GY/3	: Ignition coil (With power transistor) No. 7
E2	★ (F19)	G/6	: Electric throttle control actuator
F2	★ (F20)	L/6	: Electric throttle control actuator
F1	★ (F21)	G/6	: To (F201)
F2	★ (F22)	G/4	: Heated oxygen sensor 1 (Bank 1)
E1	★ (F23)	GY/2	: Condenser
F2	★ (F24)	SB/2	: To (F261)
E1	★ (F25)	L/2	: EVAP canister purge volume control solenoid valve
F1	★ (F26)	G/10	: A/T unit assembly
G1	★ (F27)	G/8	: A/T unit assembly
F1	★ (F28)	B/8	: A/T unit assembly
D2	★ (F29)	B/2	: VIAS control solenoid valve
C2	★ (F30)	B/3	: Intake valve timing control position sensor (Bank 2)
C2	★ (F31)	G/2	: Intake valve timing control solenoid valve (Bank 2)
C2	★ (F32)	SB/8	: To (E32)
C2	★ (F33)	GY/10	: To (E33)
C2	★ (F34)	G/10	: To (E34)
D2	★ (F35)	GY/3	: Ignition coil (With power transistor) No. 2
C2	★ (F36)	GY/3	: Ignition coil (With power transistor) No. 4
D2	★ (F37)	GY/3	: Ignition coil (With power transistor) No. 6
D1	★ (F38)	GY/3	: Ignition coil (With power transistor) No. 8
E1	★ (F40)	DGY/4	: To (F241)

D1	★ (F41)	G/6	: To (F221)
E1	★ (F42)	G/4	: Heated oxygen sensor 1 (Bank 2)
D1	★ (F43)	GY/3	: Absolute pressure sensor
A5	★ (F101)	SMJ	: ECM
A5	★ (F102)	SMJ	: ECM
B4	★ (F103)	W/24	: TCM (Transmission control module)
B5	★ (F104)	GY/24	: TCM (Transmission control module)
B4	★ (F105)	SMJ	: To (M135)
B4	★ (F106)	P/20	: Joint connector-28
A4	★ (F107)	P/20	: Joint connector-29
B4	★ (F108)	L/12	: Joint connector-30

Engine control sub-harness-1

F1	★ (F201)	G/6	: To (F21)
D3	★ (F202)	GY/2	: Injector No. 1
E3	★ (F203)	GY/2	: Injector No. 3
E2	★ (F204)	GY/2	: Injector No. 5
E2	★ (F205)	GY/2	: Injector No. 7

Engine control sub-harness-2

D2	★ (F221)	G/6	: To (F41)
D3	★ (F222)	GY/2	: Injector No. 2
D2	★ (F223)	GY/2	: Injector No. 4
D3	★ (F224)	GY/2	: Injector No. 6
E2	★ (F225)	GY/2	: Injector No. 8

Engine control sub-harness-3

E1	★ (F241)	B/4	: To (F40)
E2	★ (F242)	GY/2	: Knock sensor (Bank 1)
E2	★ (F243)	GY/2	: Knock sensor (Bank 2)

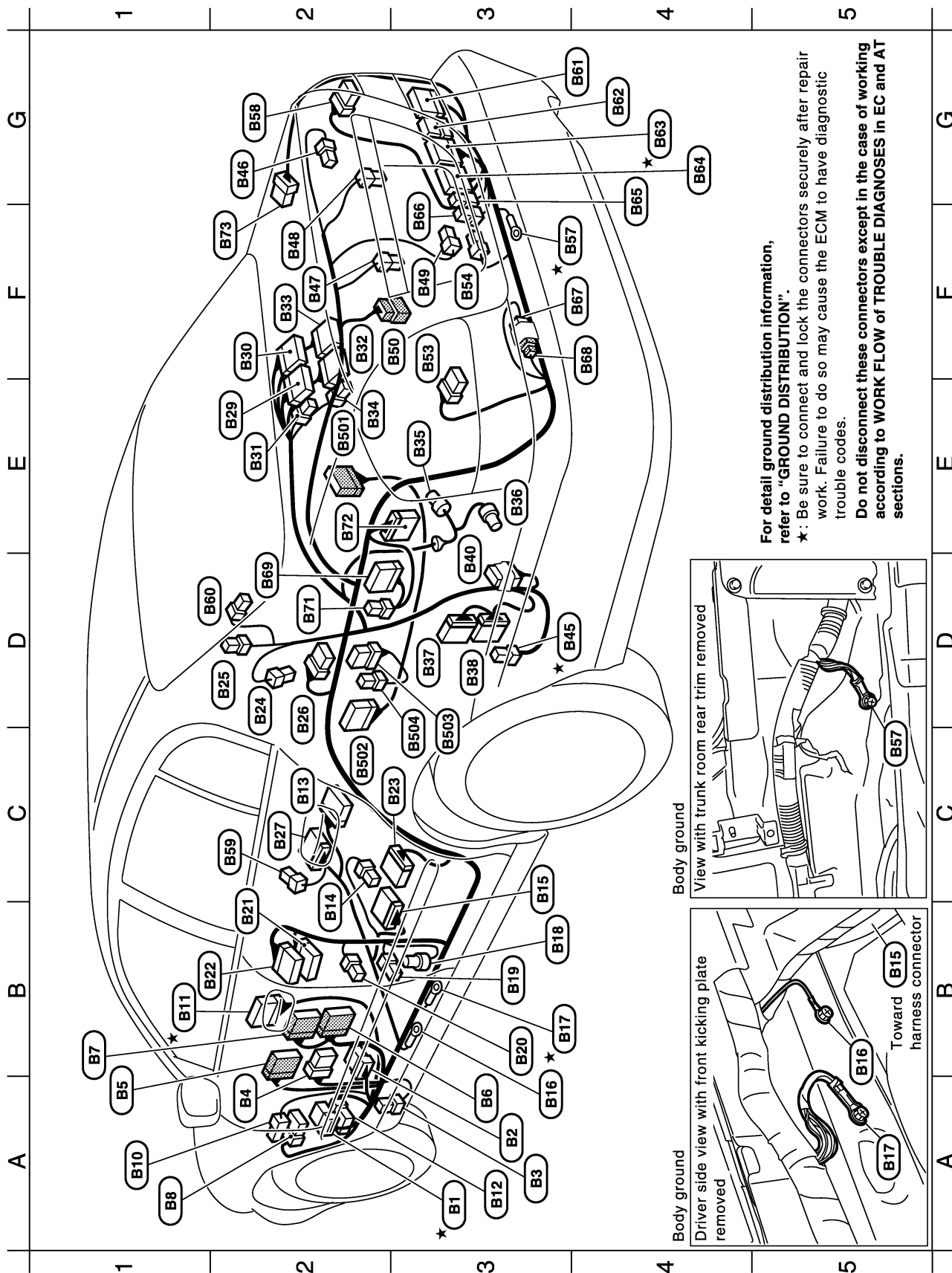
Engine control sub-harness-4

F2	★ (F261)	SB/2	: To (F24)
F3	★ (F262)	GY/2	: Engine coolant temperature sensor

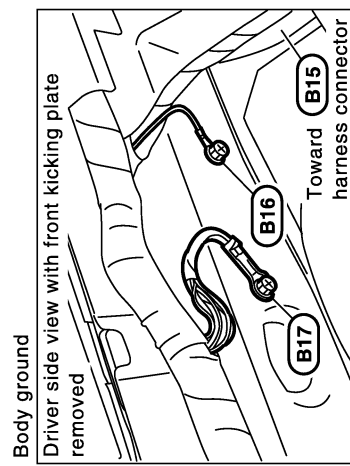
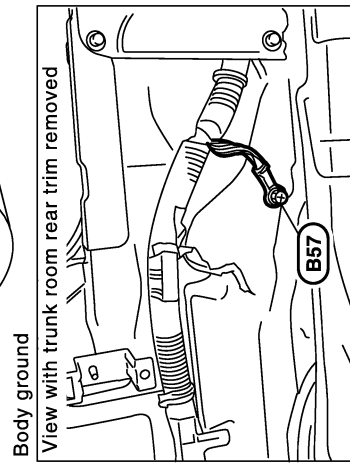
★ : Be sure to connect and lock the connectors securely after repair work.
 Failure to do so may cause the ECM to have diagnostic trouble codes.
Do not disconnect these connectors except in the case of working according to WORK FLOW of TROUBLE DIAGNOSES in EC and AT sections.

HARNESS

BODY HARNESS AND REAR CONTROL HARNESS



For detail ground distribution information, refer to "GROUND DISTRIBUTION".
 ★: Be sure to connect and lock the connectors securely after repair work. Failure to do so may cause the ECM to have diagnostic trouble codes.
 Do not disconnect these connectors except in the case of working according to WORK FLOW of TROUBLE DIAGNOSES in EC and AT sections.



A B C D E F G H I J K L M N O P Q R S T U V W X Y Z

PG

CKIM0099E

Body harness

A3	★	B1	W/8	: Fuse block (J/B) No. 1	G2	B46	W/3	: Trunk lid key cylinder switch (Unlock switch)
A3		B2	W/6	: Fuse block (J/B) No. 1	F2	B47	BR/2	: License lamp LH
A3		B3	W/3	: Front vertical G sensor	F2	B48	BR/2	: License lamp RH
A2		B4	W/8	: BCM (Body control module)	F3	B49	B/2	: Trunk lid opener actuator
A1		B5	SMJ	: To M5	F3	B50	W/6	: Rear view camera
A3		B6	GY/24	: To M6	F3	B53	W/6	: Rear combination lamp LH
B1		B7	W/24	: To M7 (With NAVI and for Canada with rear control switch)	F3	B54	W/2	: Trunk room lamp switch
A1		B8	BR/6	: Rear window defogger and door mirror defogger relay	F3	★ B57	-	: Body ground
A1		B10	L/4	: Door mirror defogger relay	G2	B58	W/6	: Rear combination lamp RH
B1	★	B11	W/20	: To E211	C2	B59	-/1	: Option connector-2 for voice activated system
A3		B12	BR/6	: To E212	D2	B60	-/1	: Option connector-3 for voice activated system
C2		B13	Y/12	: Air bag diagnosis sensor unit	G4	B61	W/12	: To B261
B2		B14	Y/2	: Front LH side air bag module	G4	B62	BR/8	: To B262
C3		B15	W/10	: Front power seat (Driver side) (Via sub-harness)	G4	★ B63	W/10	: To B263
A3		B16	-	: Body ground	G4	B64	W/16	: To B264
B3	★	B17	-	: Body ground	G4	B65	W/2	: To B265 (With ICC)
B3		B18	Y/2	: LH side air bag (Satellite) sensor	F3	B66	W/3	: To B266
B3		B19	W/4	: Front LH seat belt pre-tensioner	F4	B67	Y/2	: To B68
B3		B20	W/3	: Front door switch (Driver side)	F4	B68	Y/2	: To B67
B2		B21	W/15	: To D51	D2	B69	W/22	: Voice activated control module
B1		B22	GY/15	: To D51 (With rear power seat)	D2	B71	GY/3	: Voice activated control module
C3		B23	W/18	: Rear power seat LH (Via sub-harness)	E2	B72	W/24	: Option connector-1 for voice activated system
D2		B24	Y/2	: LH side curtain air bag module	F1	B73	W/6	: Dual mode muffler control unit
D2		B25	W/1	: Condenser (Rear window defogger)				
D2		B26	W/6	: Rear shock absorber actuator LH				
C2		B27	W/16	: Option connector-2 for voice activated system				
E2		B29	GY/24	: AV and NAVI control unit				
F2		B30	W/24	: AV and NAVI control unit (With NAVI)				
E2		B31	GY/3	: AV and NAVI control unit				
E2		B32	GY/24	: AV control unit				
F2		B33	W/24	: AV control unit (For Canada with rear control switch)				
E2		B34	GY/3	: AV control unit				
E3		B35	SB/4	: Rear wheel sensor				
E3		B36	GY/2	: Dual mode muffler actuator				
D3		B37	W/24	: Active damper suspension control unit				
D3		B38	GY/24	: Active damper suspension control unit				
E3		B40	GY/6	: Joint connector-31				
D4	★	B45	W/2	: Dropping resistor				

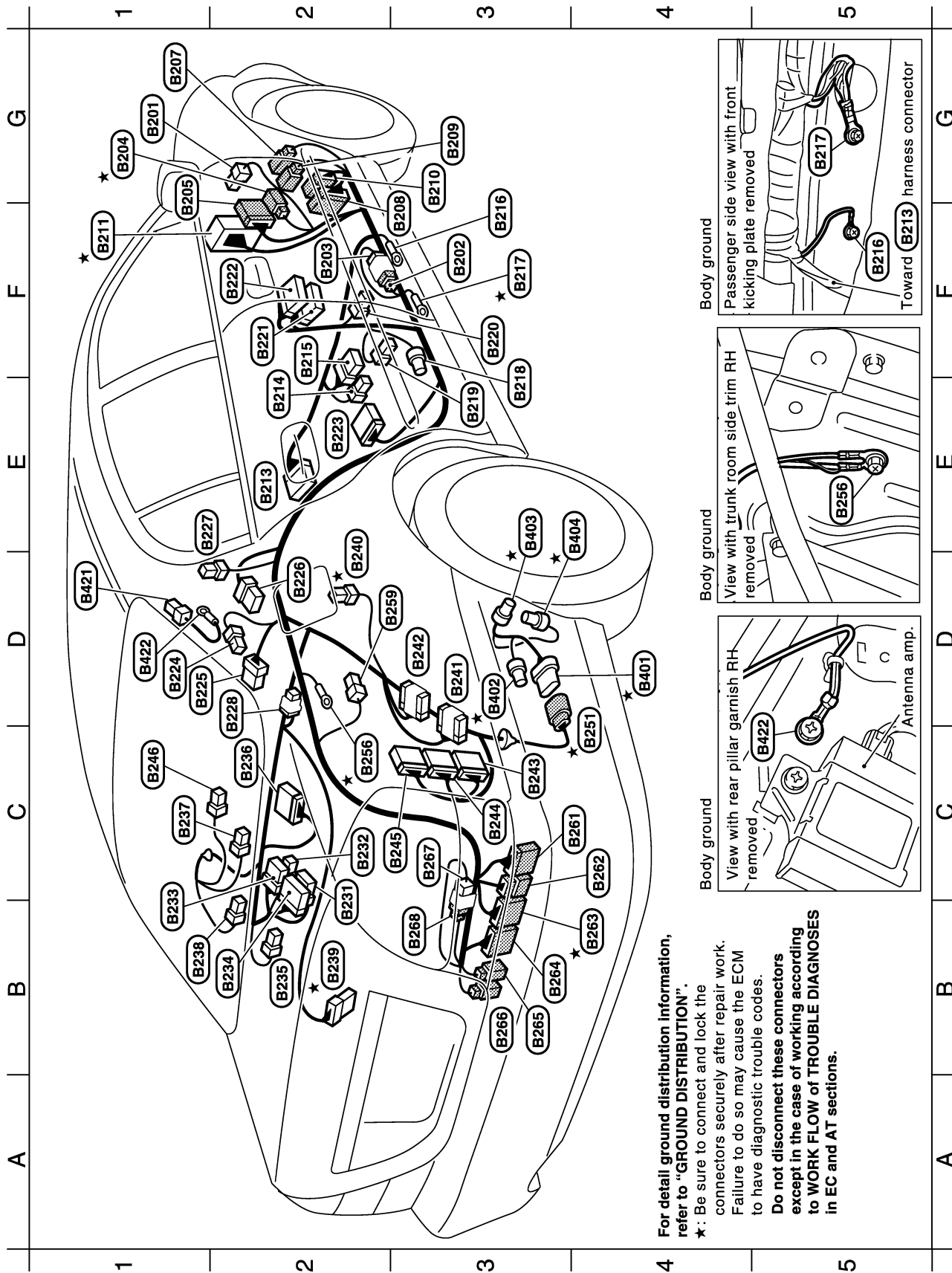
Rear control harness

E2	B501	W/24	: To M101
C2	B502	W/12	: Rear control switch
C3	B503	W/6	: Rear sunshade rear switch
C3	B504	W/4	: Auto return cancel switch

★ : Be sure to connect and lock the connectors securely after repair work.
 Failure to do so may cause the ECM to have diagnostic trouble codes.
Do not disconnect these connectors except in the case of working according to WORK FLOW of TROUBLE DIAGNOSES in EC and AT sections.

HARNESS

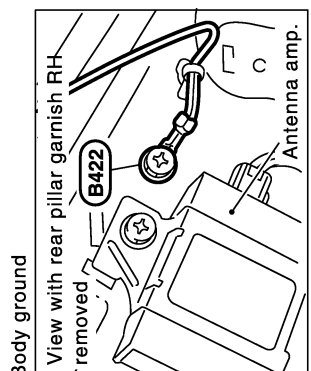
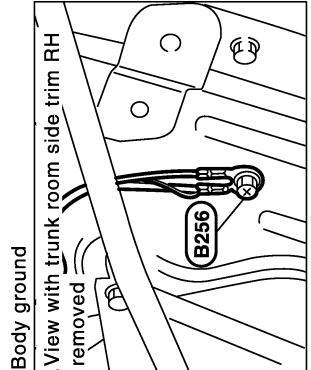
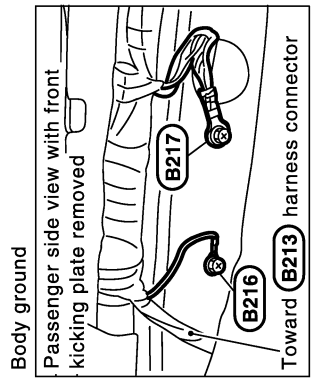
BODY NO. 2 HARNESS



For detail ground distribution information, refer to "GROUND DISTRIBUTION".

★: Be sure to connect and lock the connectors securely after repair work. Failure to do so may cause the ECM to have diagnostic trouble codes.

Do not disconnect these connectors except in the case of working according to WORK FLOW of TROUBLE DIAGNOSES in EC and AT sections.



A B C D E F G H I J K L M N O P Q R S T U V W X Y Z

PG

CKIM0101E

Body No. 2 harness

G1	(B201)	W/4 : Fuse block (J/B) No. 2
F3	(B202)	W/4 : To (E203)
F2	(B203)	W/4 : To (E202)
G1	(B204)	BR/4 : To (E224)
G1	(B205)	W/20 : To (E225) (With ICC)
G1	(B207)	W/3 : To (M137) (With rear view camera)
F3	(B208)	BR/24 : To (M138) (With ICC)
G3	(B209)	W/4 : To (M139) (With rear view camera or rear heated seat)
F3	(B210)	GY/6 : To (M140) (With rear sunshade)
F1	(B211)	SMJ : To (M141)
E2	(B213)	Y/12 : Air bag diagnosis sensor unit
E2	(B214)	Y/2 : Front RH side air bag module
F2	(B215)	W/8 : Front power seat (Passenger side) (Via sub-harness)
F3	(B216)	- : Body ground
F3	(B217)	- : Body ground
E3	(B218)	Y/2 : RH side air bag (Satellite) sensor
E3	(B219)	W/4 : Front RH seat belt pre-tensioner
F3	(B220)	W/3 : Front door switch (Passenger side)
F2	(B221)	W/15 : To (D71)
F2	(B222)	GY/15 : To (D71) (With rear power seat)
E2	(B223)	W/18 : Rear power seat RH (Via sub-harness)
D1	(B224)	Y/2 : RH side curtain air bag module
D1	(B225)	W/6 : Rear sunshade unit
D2	(B226)	W/6 : Rear shock absorber actuator RH
E1	(B227)	W/3 : Rear vertical G sensor
D2	(B228)	GY/2 : Condenser
B2	(B231)	B/6 : BOSE speaker amp.
C2	(B232)	W/4 : BOSE speaker amp.
B1	(B233)	LGY/8 : BOSE speaker amp.
B2	(B234)	B/24 : BOSE speaker amp.
B2	(B235)	W/2 : Woofer
C2	(B236)	GY/24 : Rear view camera control unit
C1	(B237)	W/2 : High-mounted stop lamp
B1	(B238)	W/2 : Trunk room lamp
B2	(B239)	W/6 : Fuel level sensor unit and fuel pump
D2	(B240)	W/4 : Fuel pump control module (FPCM)

D3	(B241)	P/20 : Joint connector-36
D3	(B242)	OR/20 : Joint connector-37
C3	(B243)	W/24 : ICC unit
C3	(B244)	GY/24 : ICC unit
C3	(B245)	G/24 : ICC unit
C1	(B246)	W/4 : Remote keyless entry receiver
C4	(B251)	SB/8 : To (B401)
C2	(B256)	- : Body ground
D2	(B259)	W/4 : Fuel lid opener actuator
C4	(B261)	W/12 : To (B61)
C4	(B262)	BR/8 : To (B62)
B4	(B263)	W/10 : To (B63)
B3	(B264)	W/16 : To (B64)
B3	(B265)	W/2 : To (B65) (With ICC)
B3	(B266)	W/3 : To (B66)
C3	(B267)	Y/2 : To (B269)
B3	(B268)	Y/2 : To (B267)

Body No. 2 sub-harness-1

D4	(B401)	SB/8 : To (B251)
D3	(B402)	B/2 : EVAP canister vent control valve
E3	(B403)	GY/3 : EVAP control system pressure sensor
E4	(B404)	G/2 : Vacuum cut valve bypass valve

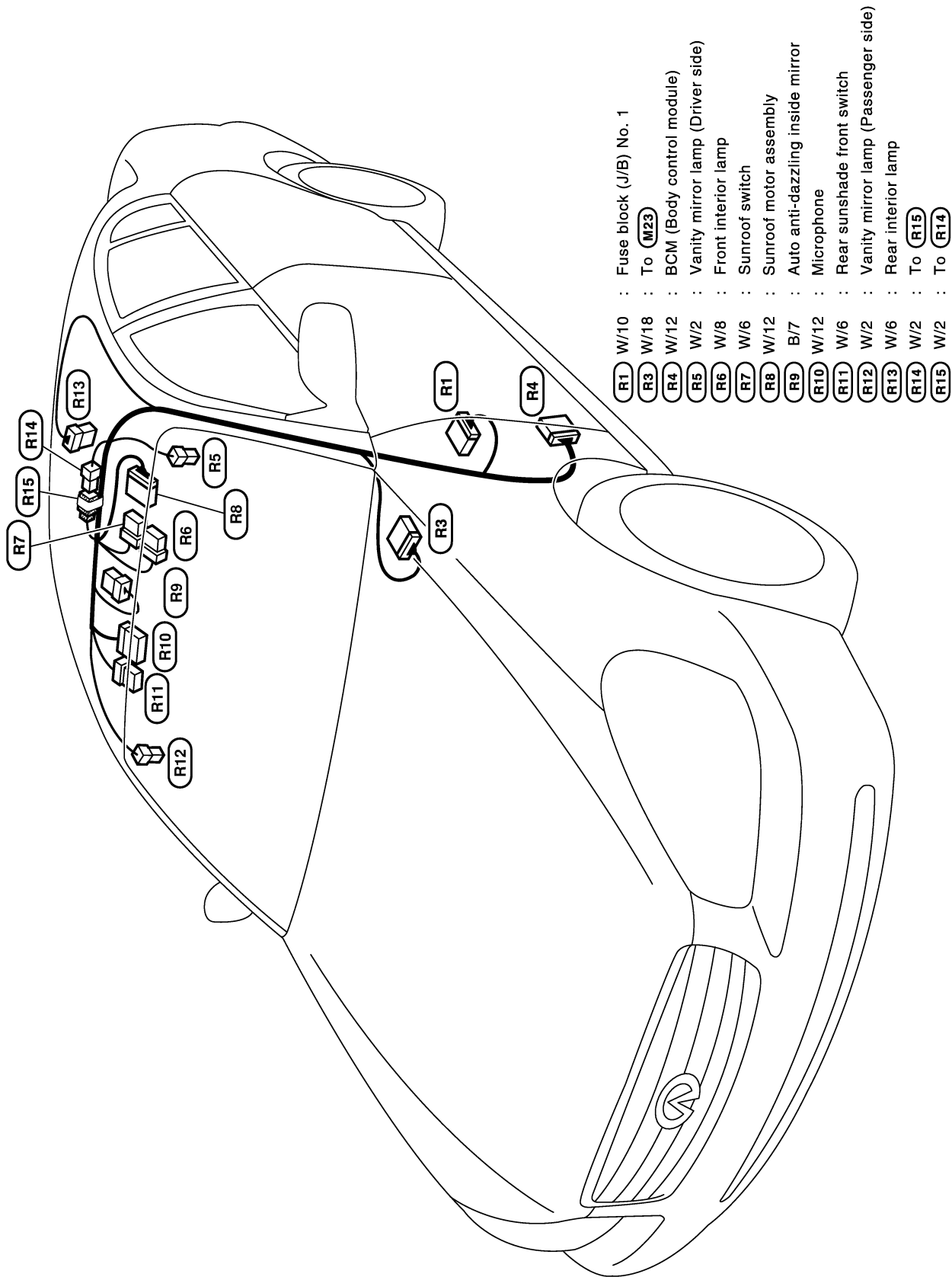
Body No. 2 sub-harness-2

D1	(B421)	B/1 : Rear window defogger (-)
D1	(B422)	- : Body ground

★ : Be sure to connect and lock the connectors securely after repair work.
 Failure to do so may cause the ECM to have diagnostic trouble codes.
Do not disconnect these connectors except in the case of working according to WORK FLOW of TROUBLE DIAGNOSES in EC and AT sections.

HARNESS

ROOM LAMP HARNESS



A
B
C
D
E
F
G
H
I
J
PG
L
M

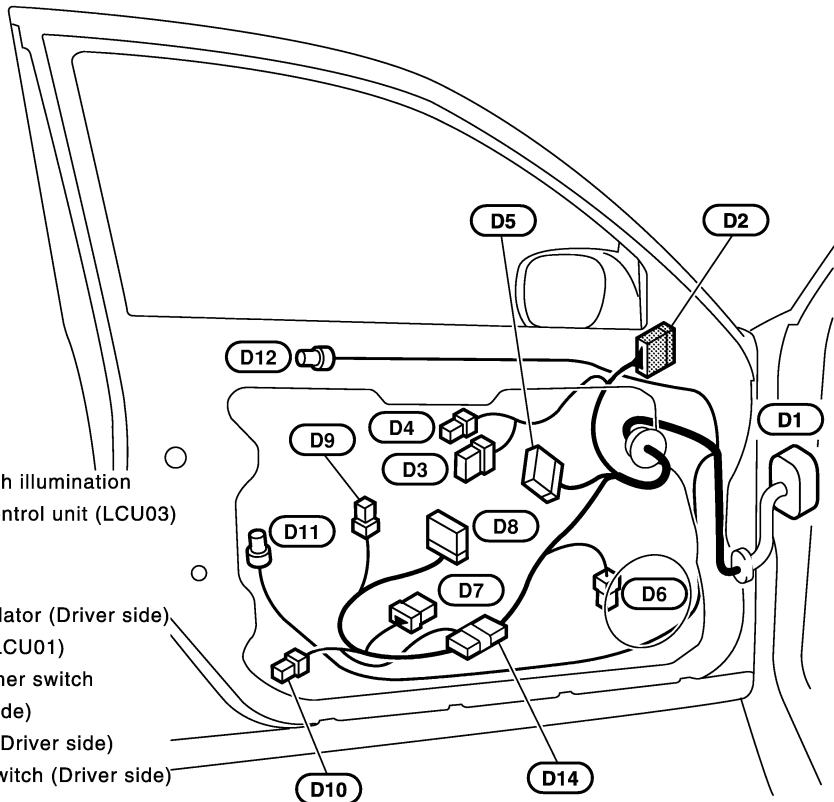
CKIM0103E

HARNESS

FRONT DOOR HARNESS

LH Side

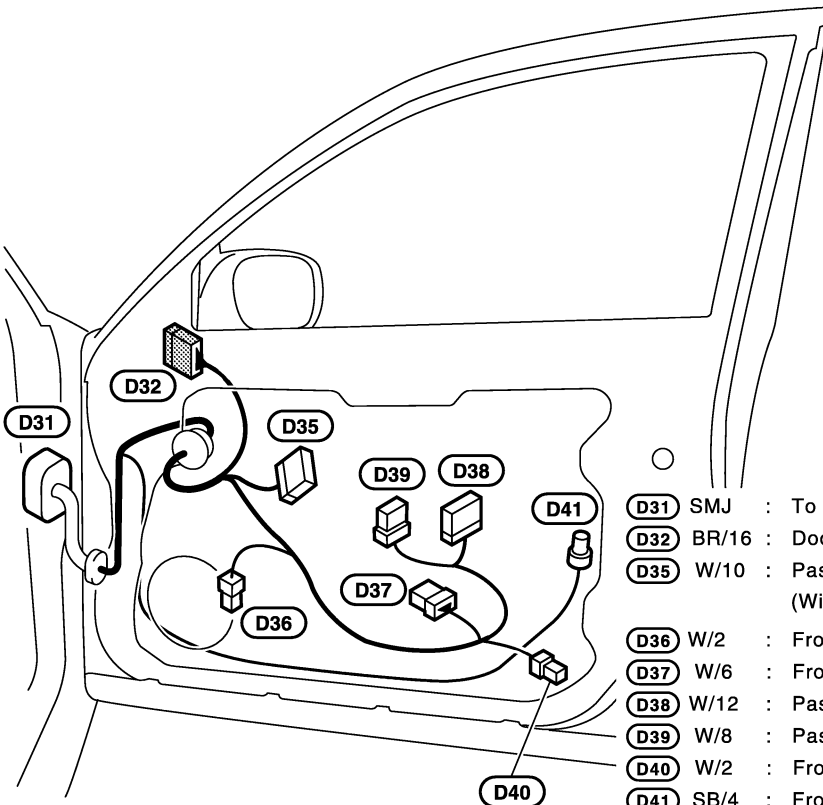
- (D1)** SMJ : To **(M11)**
- (D2)** BR/16 : Door mirror (Driver side)
- (D3)** W/8 : Seat memory switch
- (D4)** GY/2 : Power window main switch illumination
- (D5)** W/10 : Driver side door mirror control unit (LCU03)
(With memory mirror)
- (D6)** W/2 : Front door speaker LH
- (D7)** W/6 : Front power window regulator (Driver side)
- (D8)** W/18 : Driver door control unit (LCU01)
- (D9)** W/3 : Trunk lid and fuel lid opener switch
- (D10)** W/2 : Front step lamp (Driver side)
- (D11)** SB/4 : Front door lock actuator (Driver side)
- (D12)** BR/3 : Front door key cylinder switch (Driver side)
- (D14)** P/20 : Joint connector-41



CKIM0045E

RH Side

- (D31)** SMJ : To **(M142)**
- (D32)** BR/16 : Door mirror (Passenger side)
- (D35)** W/10 : Passenger side door mirror control unit (LCU04)
(With memory mirror)
- (D36)** W/2 : Front door speaker RH
- (D37)** W/6 : Front power window regulator (Passenger side)
- (D38)** W/12 : Passenger door control unit
- (D39)** W/8 : Passenger door control unit
- (D40)** W/2 : Front step lamp (Passenger side)
- (D41)** SB/4 : Front door lock actuator (Passenger side)

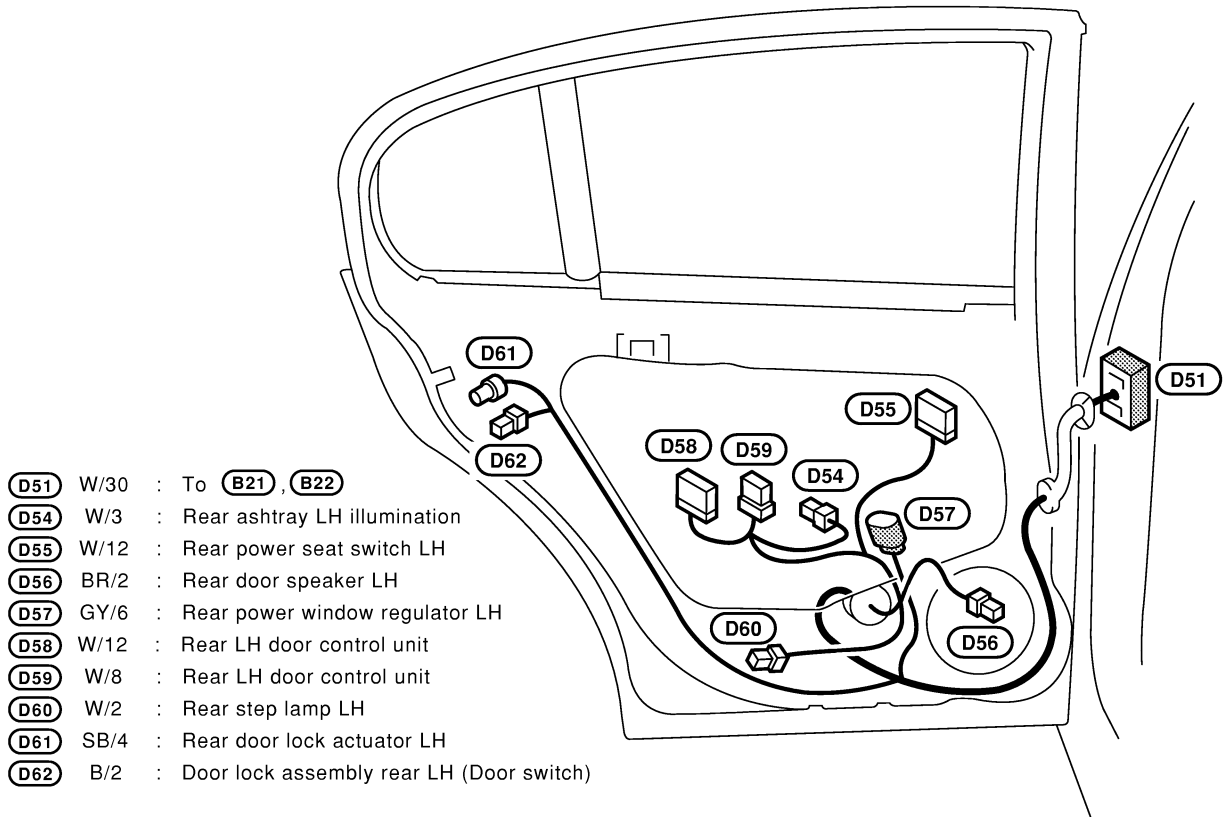


CKIM0046E

HARNESS

REAR DOOR HARNESS

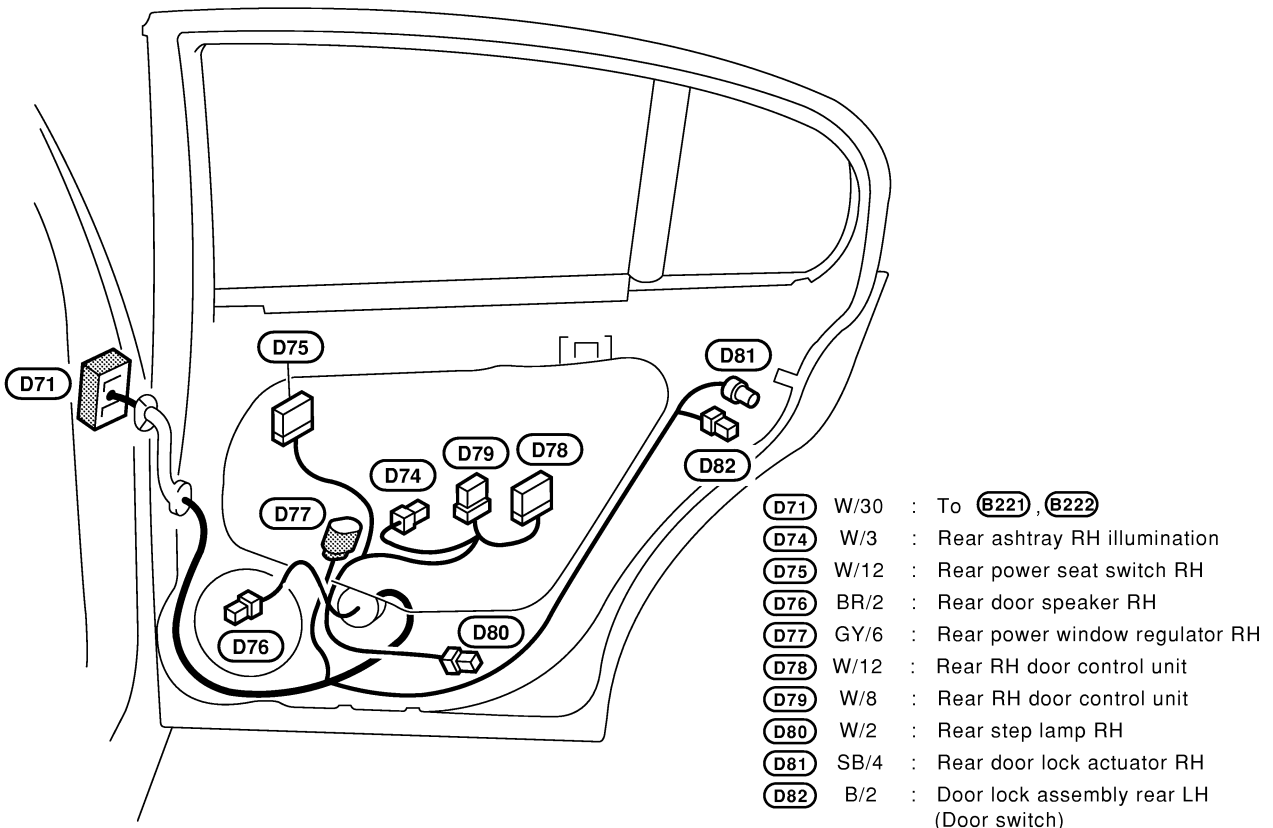
LH Side



- (D51)** W/30 : To **(B21)**, **(B22)**
- (D54)** W/3 : Rear ashtray LH illumination
- (D55)** W/12 : Rear power seat switch LH
- (D56)** BR/2 : Rear door speaker LH
- (D57)** GY/6 : Rear power window regulator LH
- (D58)** W/12 : Rear LH door control unit
- (D59)** W/8 : Rear LH door control unit
- (D60)** W/2 : Rear step lamp LH
- (D61)** SB/4 : Rear door lock actuator LH
- (D62)** B/2 : Door lock assembly rear LH (Door switch)

CKIM0047E

RH Side



- (D71)** W/30 : To **(B221)**, **(B222)**
- (D74)** W/3 : Rear ashtray RH illumination
- (D75)** W/12 : Rear power seat switch RH
- (D76)** BR/2 : Rear door speaker RH
- (D77)** GY/6 : Rear power window regulator RH
- (D78)** W/12 : Rear RH door control unit
- (D79)** W/8 : Rear RH door control unit
- (D80)** W/2 : Rear step lamp RH
- (D81)** SB/4 : Rear door lock actuator RH
- (D82)** B/2 : Door lock assembly rear LH (Door switch)

CKIM0048E

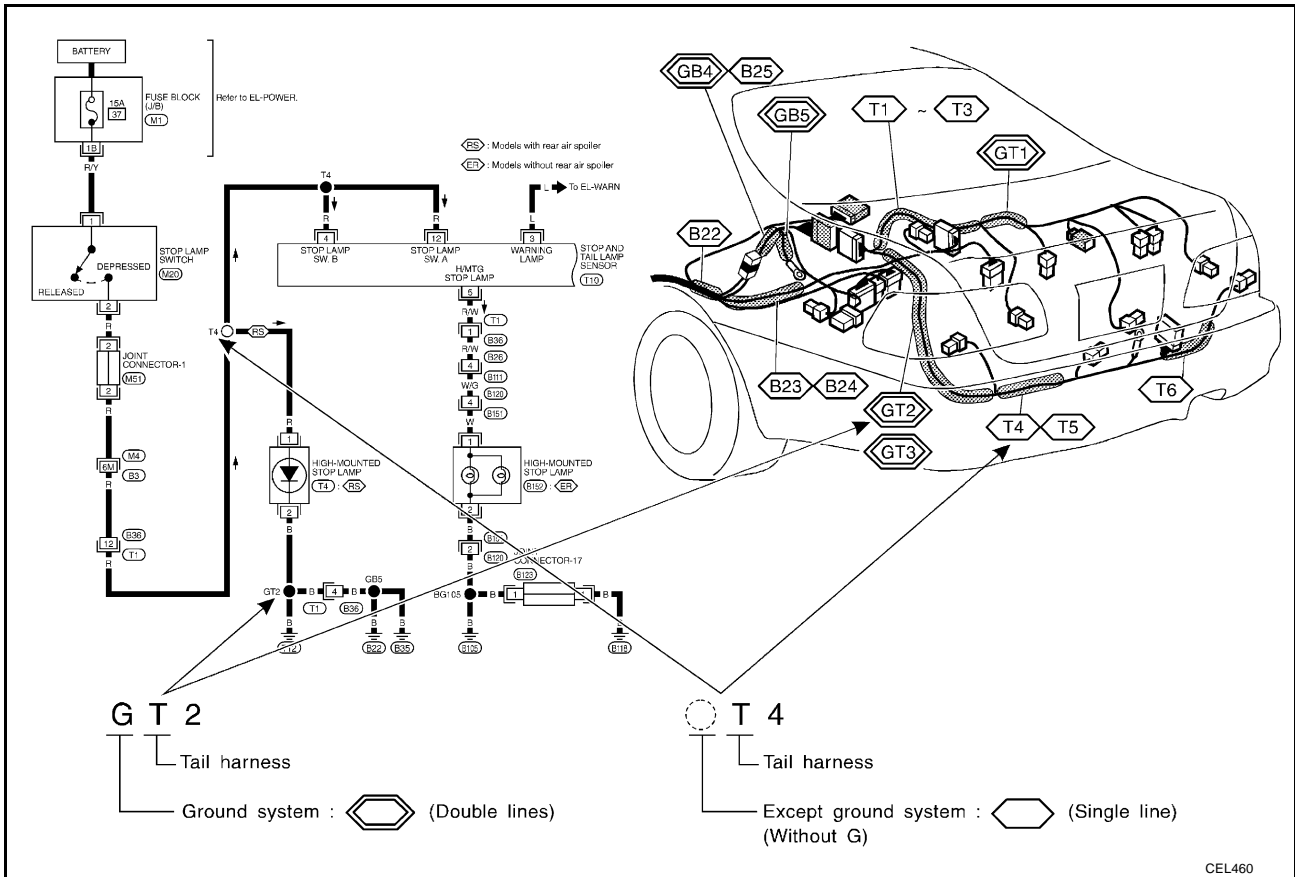
A
B
C
D
E
F
G
H
I
J
PG
L
M

HARNESS

EKS0014G

Splice Location HOW TO READ SPLICE LOCATION

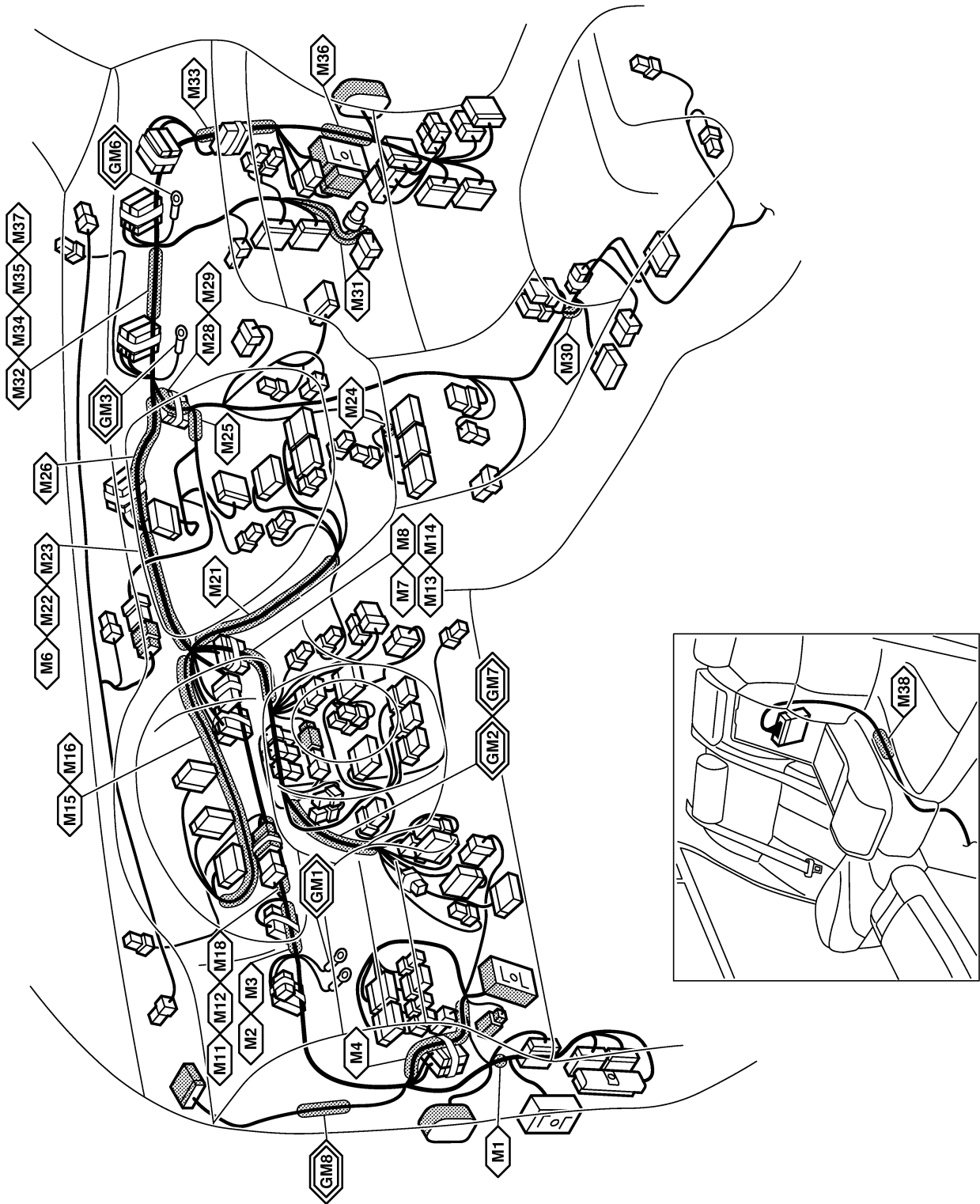
- "GT2", "T4" etc., which are shown in the wiring diagram, refer to wiring harness splice points. These points are located in shaded areas "GT2", "T4", etc. in illuminations under the title "Splice Location".
- Wiring harness splice points are subject to change without prior notice.



CEL460

HARNESS

MAIN HARNESS

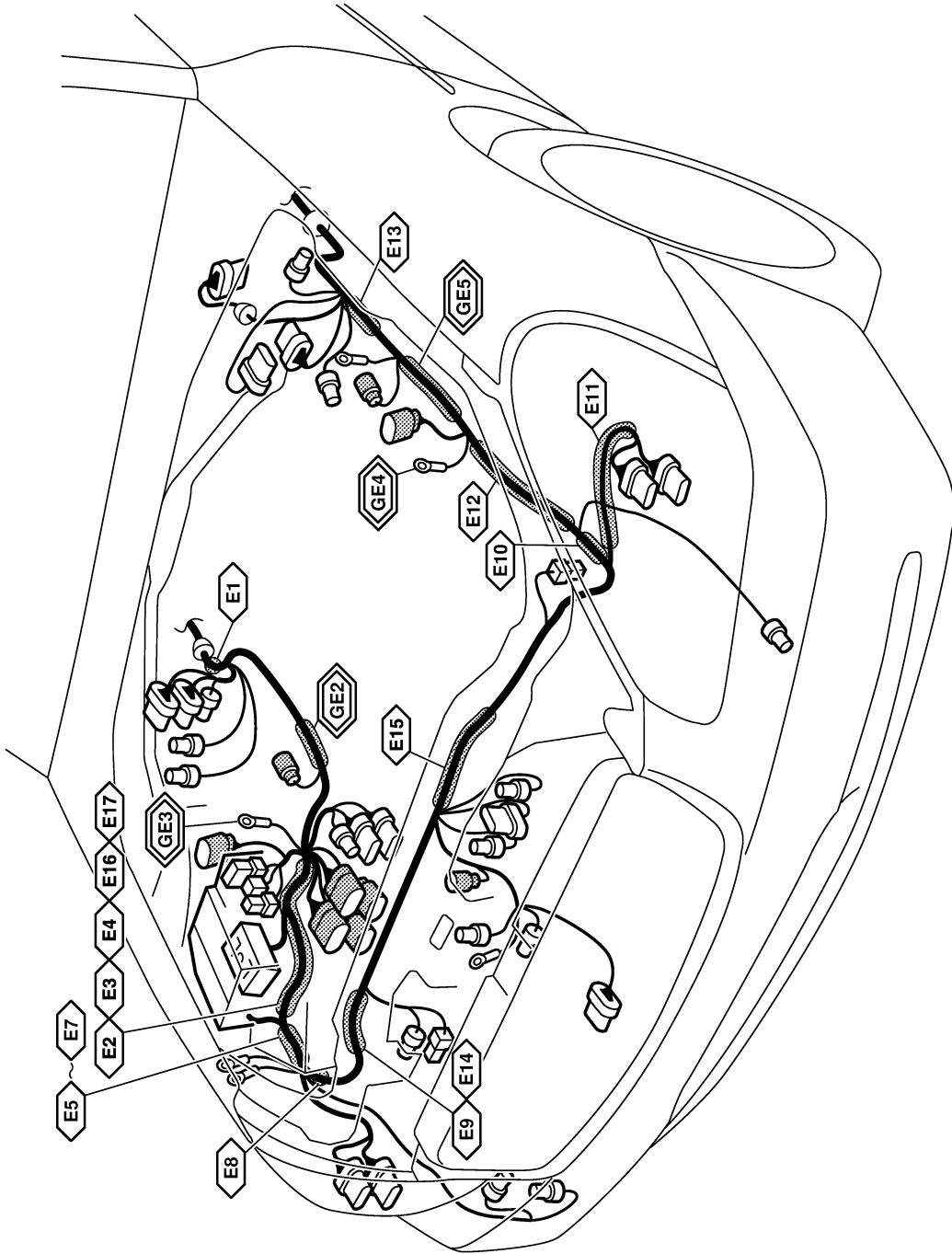


A
B
C
D
E
F
G
H
I
J
PG
L
M

CKIM0105E

HARNESS

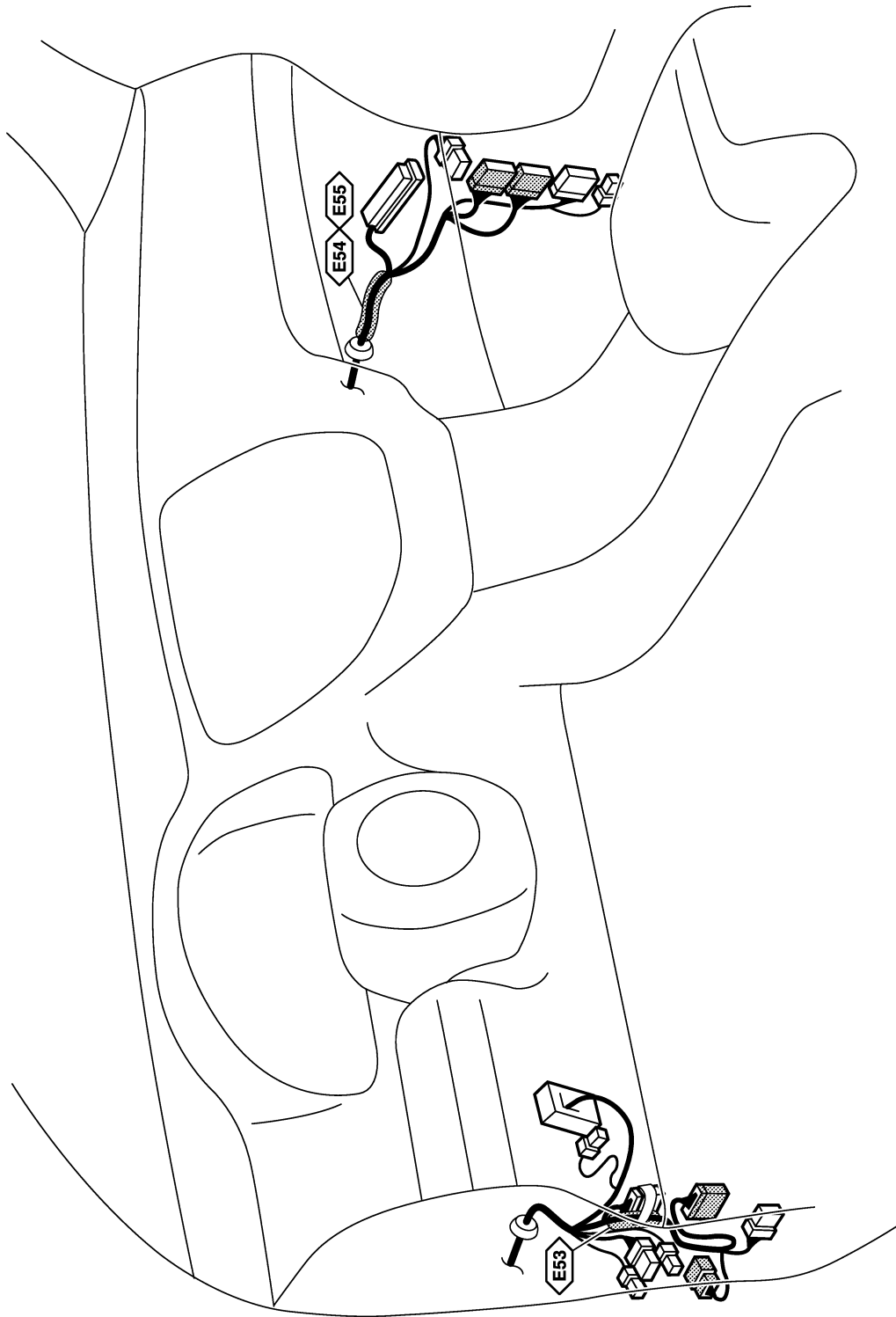
ENGINE ROOM HARNESS Engine Compartment



CKIM0106E

HARNESS

Passenger Compartment

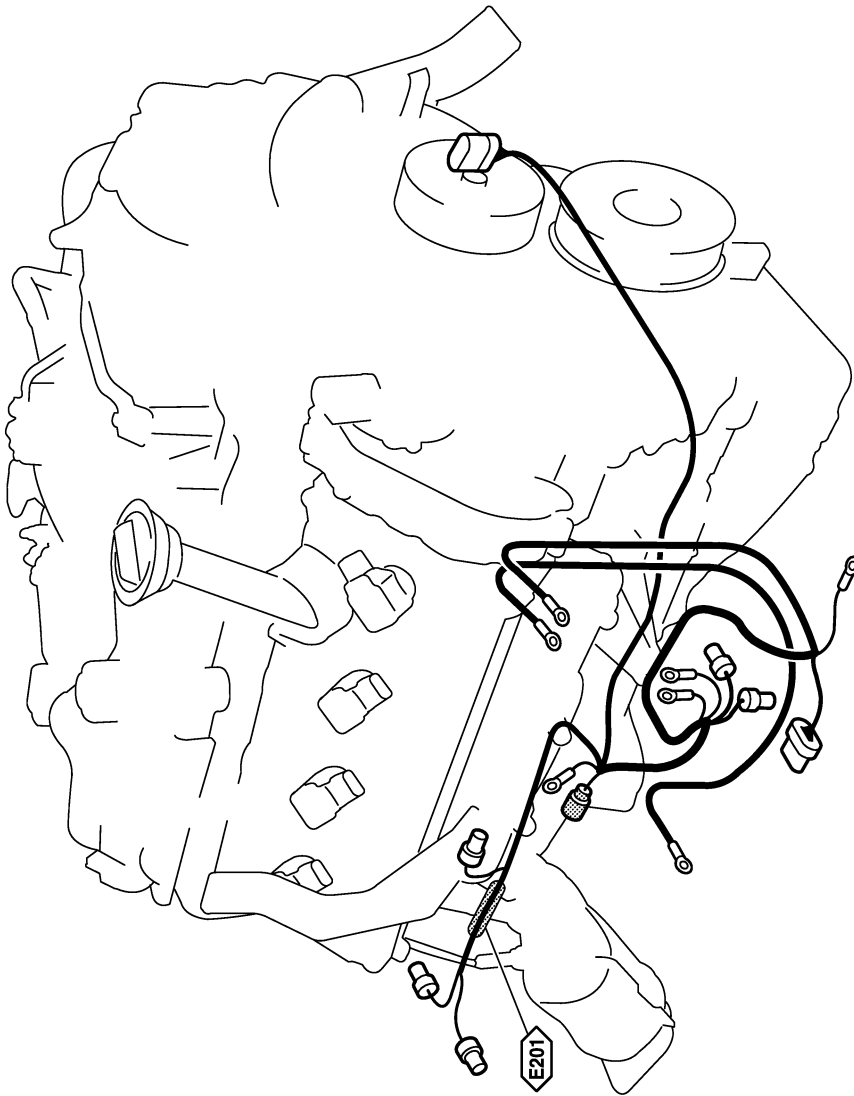


A
B
C
D
E
F
G
H
I
J
PG
L
M

CKIM0107E

HARNESS

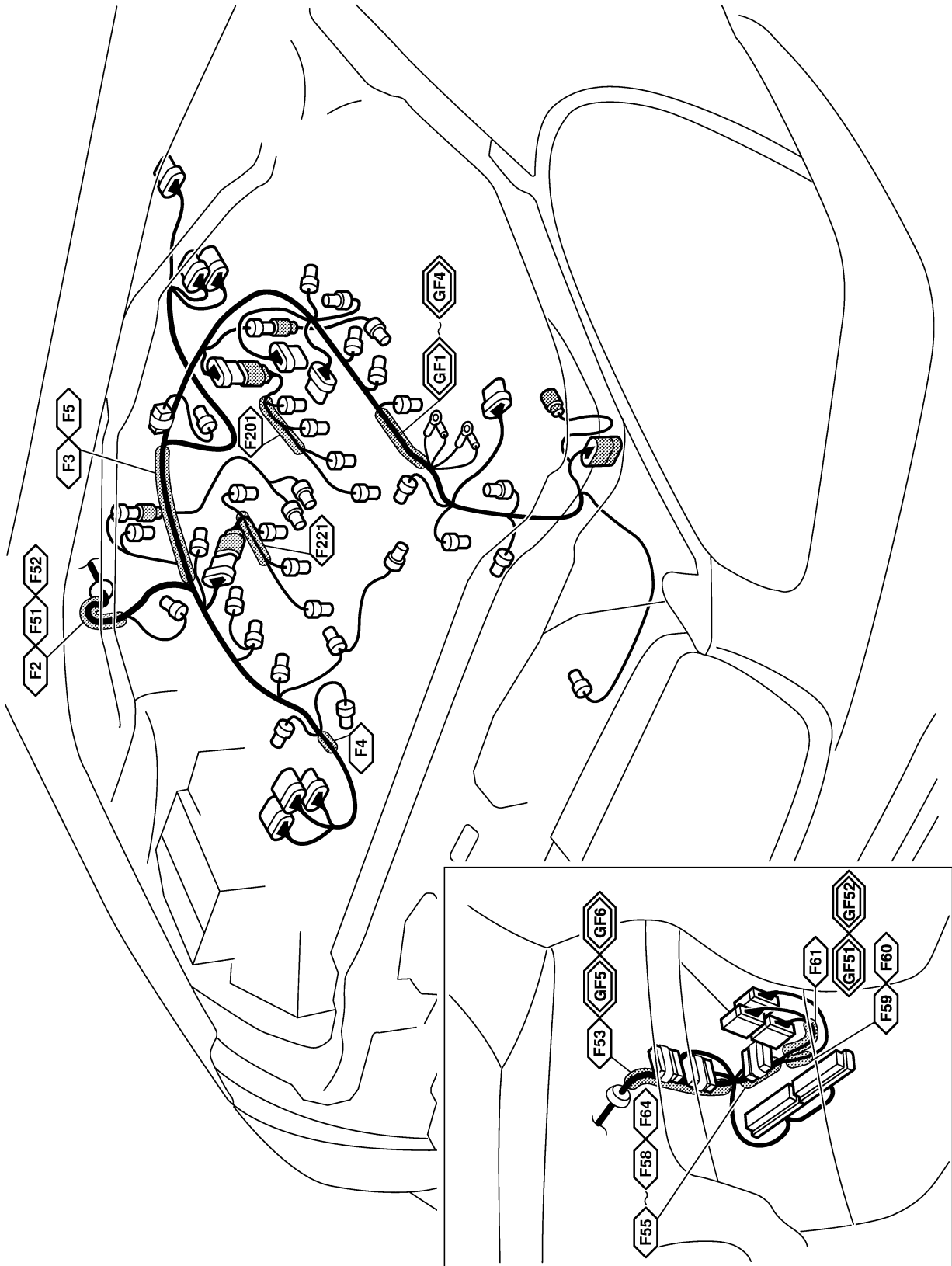
ENGINE HARNESS



CKIM0108E

HARNESS

ENGINE CONTROL HARNESS

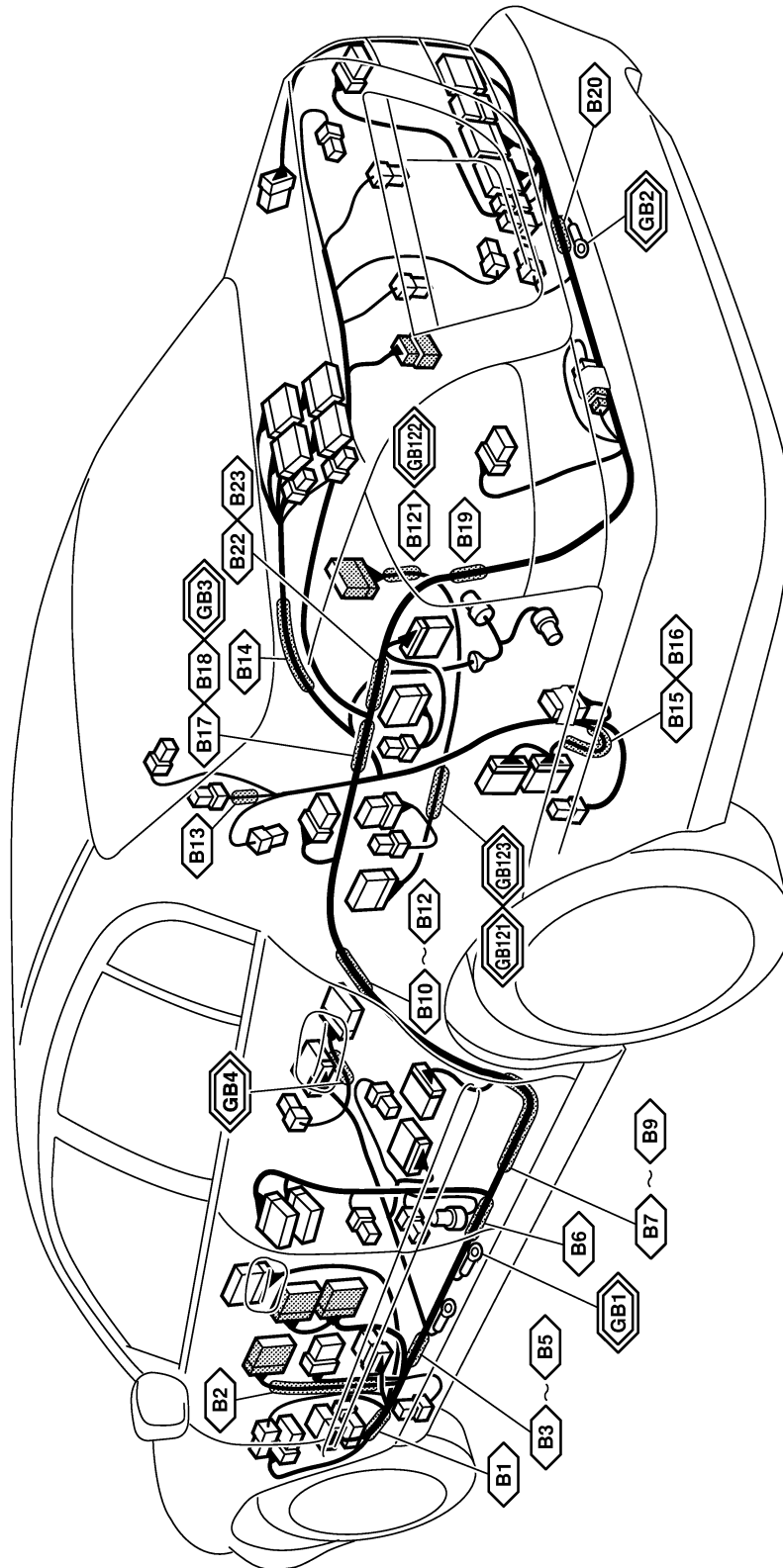


A
B
C
D
E
F
G
H
I
J
PG
L
M

CKIM0109E

HARNESS

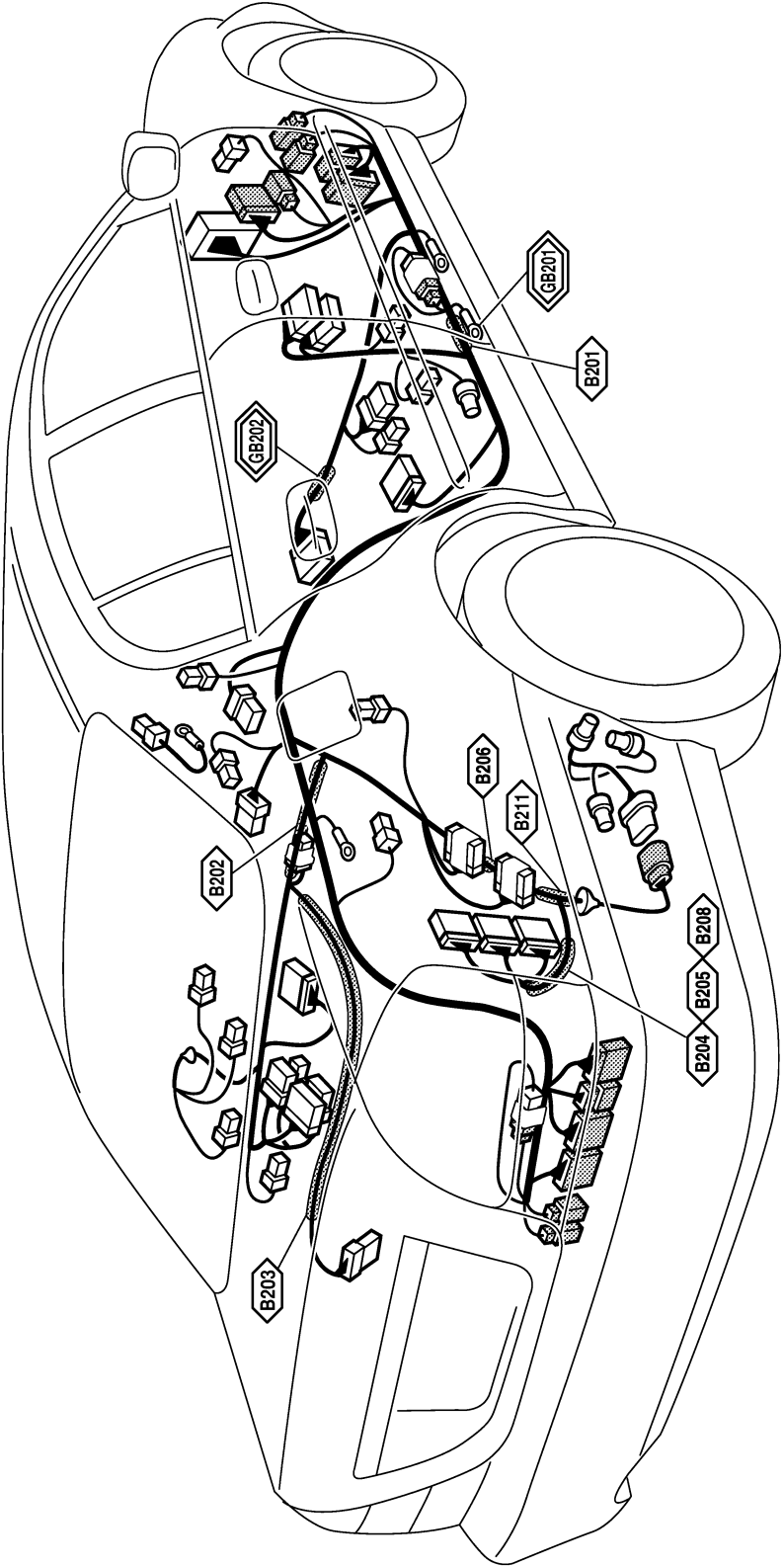
BODY HARNESS AND REAR CONTROL HARNESS



CKIM0110E

HARNESS

BODY NO.2 HARNESS

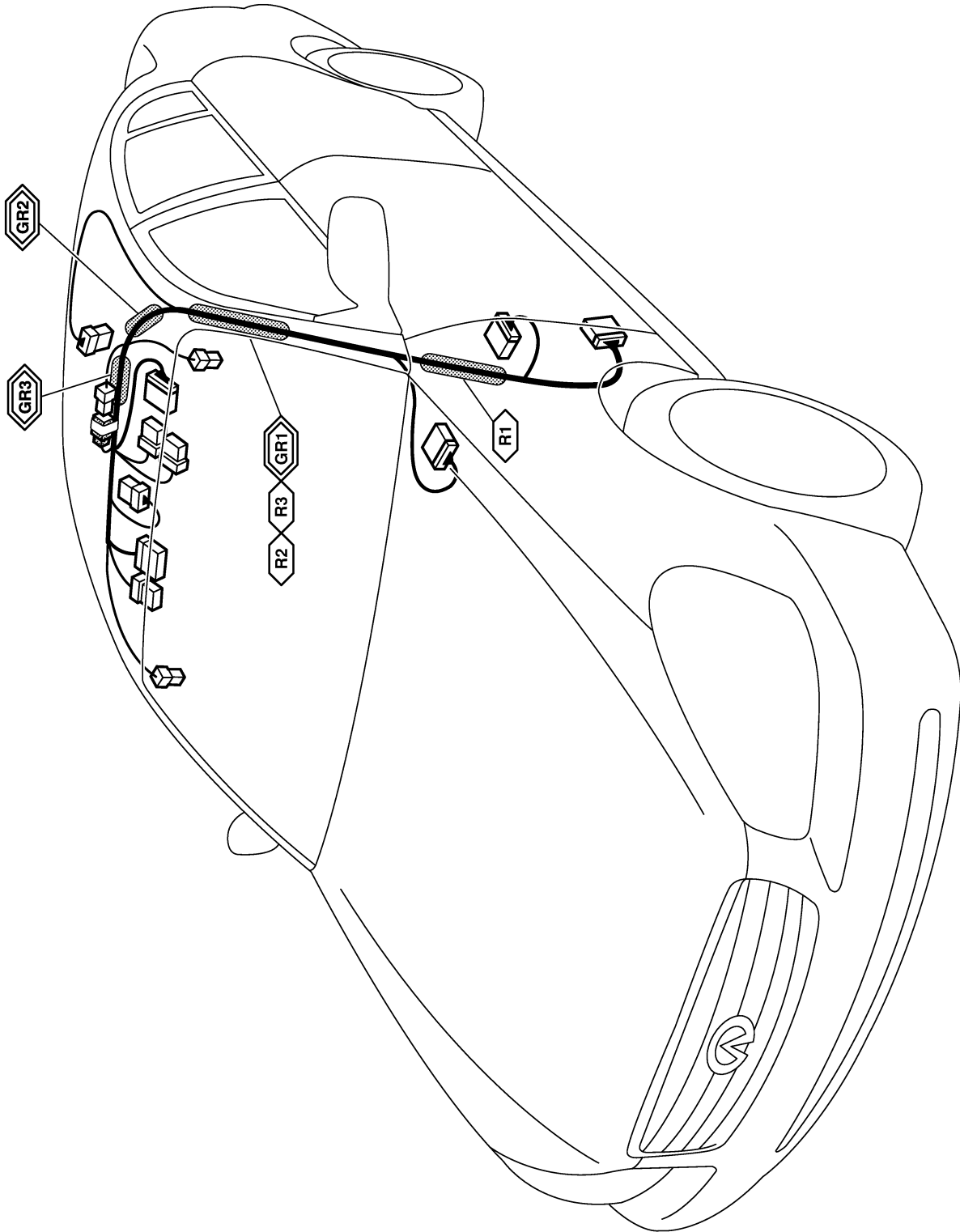


A
B
C
D
E
F
G
H
I
J
PG
L
M

CKIM0111E

HARNESS

ROOM LAMP HARNESS

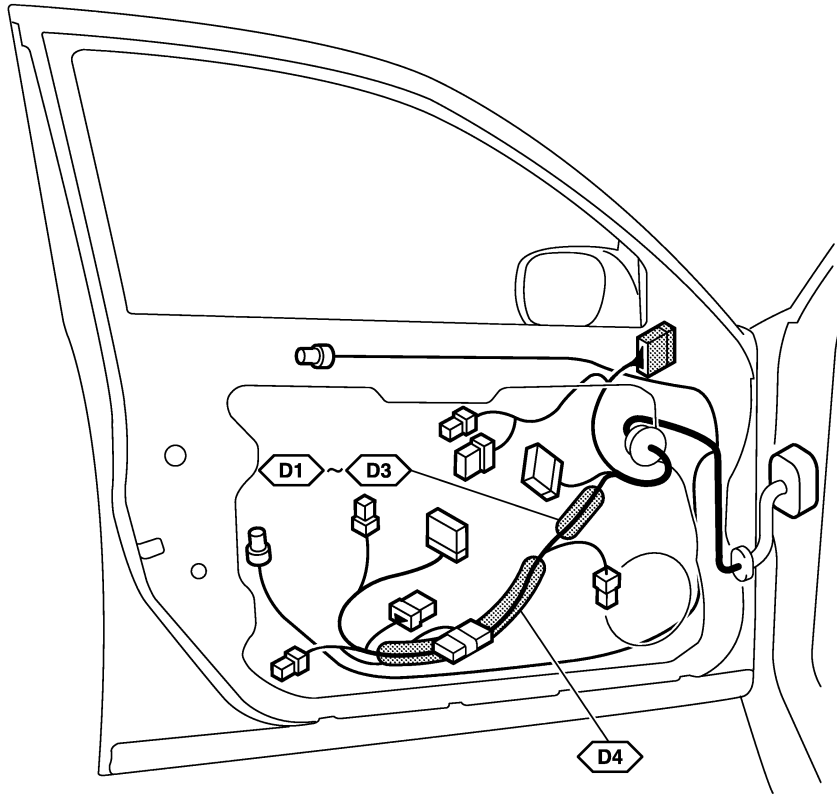


CKIM0112E

HARNESS

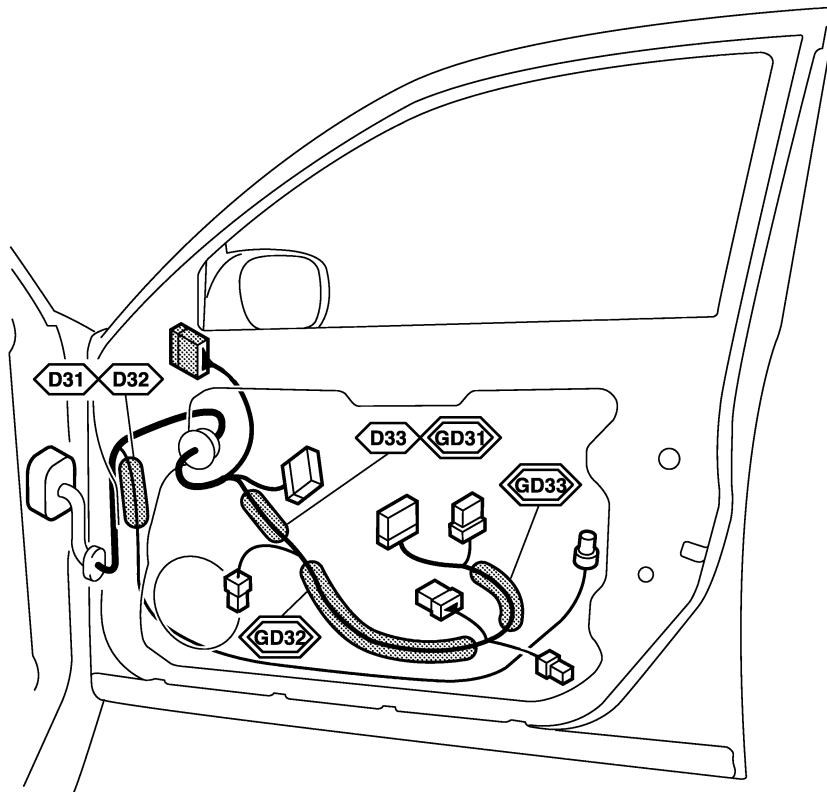
FRONT DOOR HARNESS

LH Side



CKIM0057E

RH Side



CKIM0058E

A

B

C

D

E

F

G

H

I

J

PG

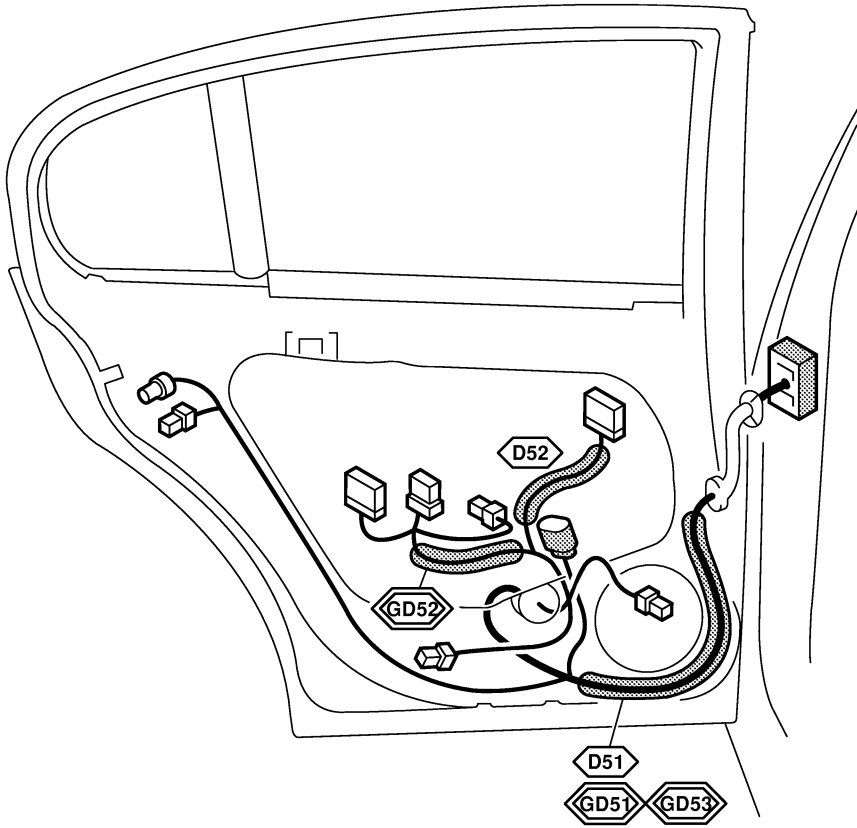
L

M

HARNESS

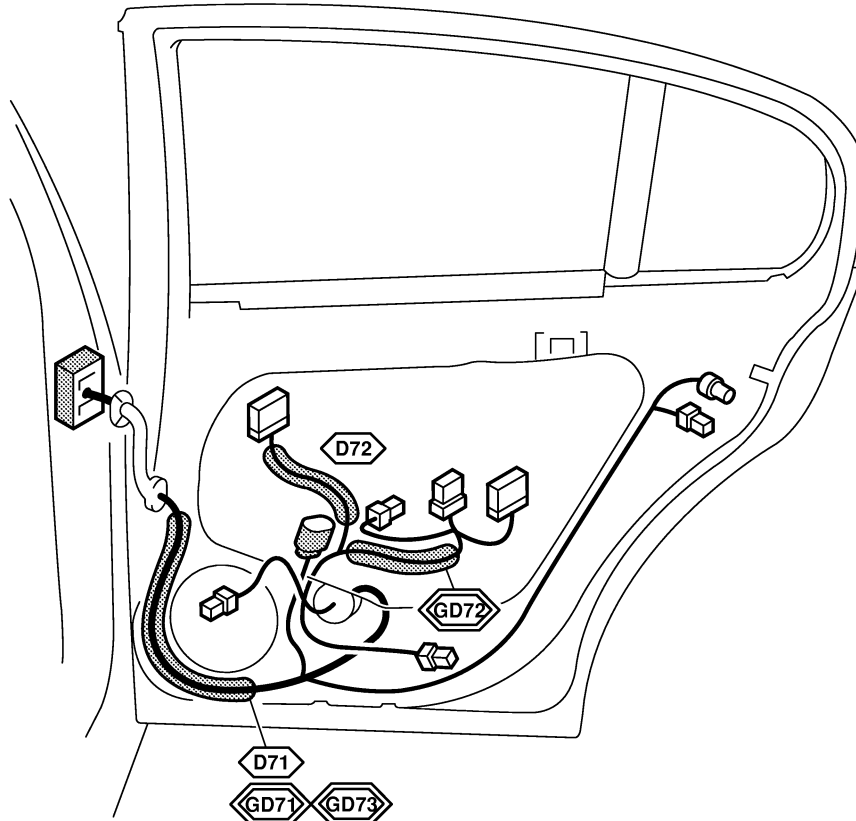
REAR DOOR HARNESS

LH Side



CKIM0059E

RH Side



CKIM0060E

HARNESS

Wiring Diagram Codes (Cell Codes)

EKS000DT

Use the chart below to find out what each wiring diagram code stands for. Refer to the wiring diagram code in the alphabetical index to find the location (page number) of each wiring diagram.

Code	Section	Wiring Diagram Name
A/C	ATC	Air Conditioner
ACTIVE	SCS	Active Damper Suspension System
AP/SEN	EC	Absolute Pressure Sensor
APPS	EC	Accelerator Pedal Position Sensor
ASCD	ACS	Automatic Speed Control Device
AT/IND	DI	A/T Indicator
AUDIO	AV	Audio
AUT/DP	SE	Automatic Drive Positioner - IVMS
BACK/L	LT	Back-up Lamp
BRK/SW	EC	Brake Switch
BYPS/V	EC	Vacuum Cut Valve Bypass Valve
CAN	AT	CAN Communication Line
CAN	EC	CAN Communication Line
CAN	LAN	CAN System
CD/CHG	AV	CD Auto Changer
CHARGE	SC	Charging System
CHIME	DI	Warning Chime
CIGAR	WW	Cigarette Lighter
CLOCK	DI	Clock
COMM	LAN	IVMS - Communication Check, Power Supply & Ground
COOL/V	EC	Cooling Fan Speed Control Solenoid Valve
D/C	AT	Direct Clutch Solenoid Valve
D/CF	AT	Direct Clutch Solenoid Valve Function
D/LOCK	BL	Power Door Lock - IVMS
DEF	GW	Rear Window Defogger
DLC	EC	Data Link Connectors
DTRL	LT	Headlamp - With Daytime Light System
E/BRE	AT	Low Coast Brake Solenoid Valve
ECTS	EC	Engine Coolant Temperature Sensor
EPS	STC	Electronic Controlled Power Steering System
F/PUMP	EC	Fuel Pump
FR/B	AT	Front Brake Solenoid Valve
FR/BF	AT	Front Brake Solenoid Valve Function
FLS1	EC	Fuel Level Sensor Function (SLOSH)
FLS2	EC	Fuel Level Sensor Circuit
FLS3	EC	Fuel Level Sensor Circuit (Ground Signal)
FPCM	EC	Fuel Pump Control Module
FPSW1	AT	Pressure Switch 1 (FR/B)
FPSW3	AT	Pressure Switch 3 (I/C)
FPSW5	AT	Pressure Switch 5 (D/C)
FPSW6	AT	Pressure Switch 6 (HLR/C)
FTS	AT	A/T Fluid Temperature Sensor
FTTS	EC	Fuel tank Temperature Sensor
FUELB1	EC	Fuel Injection System Function (Bank 1)
FUELB2	EC	Fuel Injection System Function (Bank 2)
H/AIM	LT	Headlamp Aiming Control System
H/LAMP	LT	Headlamp

HARNESSES

HLR/C	AT	High and Low Reverse Clutch Solenoid Valve
HLR/CF	AT	High and Low Reverse Clutch Solenoid Valve Function
HORN	WW	Horn
HSEAT	SE	Heated Seat
I/C	AT	Input Clutch Solenoid Valve
I/CF	AT	Input Clutch Solenoid Valve
I/LOCK	AT	Solenoid Valve and Pressure Switch
I/MIRR	GW	Inside Mirror (Auto-anti dazzling mirror)
IATS	EC	Intake Air Temperature Sensor
ICC	ACS	Intelligent Cruise Control System
IGN/SG	EC	Ignition Signal
ILL	LT	Illumination
INF/D	DI	Information Display (With Navi and For Canada With Rear Control Switch)
INF/D	DI	Information Display (Without Navi and For Canada Without Rear Control Switch)
INJECT	EC	Injector
INT/L	LT	Vanity Mirror and Trunk Room Lamps
IVCB1	EC	Intake Valve Timing Control Solenoid Valve Bank 1
IVCB2	EC	Intake Valve Timing Control Solenoid Valve Bank 2
IVCSB1	EC	Intake Valve Timing Control Position Sensor Bank 1
IVCSB2	EC	Intake Valve Timing Control Position Sensor Bank 2
KEYLES	BL	Remote Keyless Entry System-VMS
KS	EC	Knock Sensor
LC/B	AT	Low Coast Break Solenoid Valve
LC/BF	AT	Low Coast Break Solenoid Valve Function
LOAD/S	DI	Load Signal
LPSV	AT	Line Pressure Solenoid Valve
MAFS	EC	Mass Air Flow Sensor
METER	DI	Speedometer, Tachometer, Temp., Oil and Fuel Gauges
MIL	EC	Malfunction Indicator Lamp
MIRROR	GW	Door Mirror
MMSW	AT	Manual Mode Switch
NATS	BL	IVIS (Infiniti Vehicle Immobilizer System - NATS)
NAVI	AV	Navigation System
NONDTC	AT	Non-detective Items
O2H1B1	EC	Heated Oxygen Sensor 1 Heater Bank 1
O2H1B2	EC	Heated Oxygen Sensor 1 Heater Bank 2
O2H2B1	EC	Rear Heated Oxygen Sensor 2 Heater Bank 1
O2H2B2	EC	Rear Heated Oxygen Sensor 2 Heater Bank 2
O2S1B1	EC	Heated Oxygen Sensor 1 Bank 1
O2S1B2	EC	Heated Oxygen Sensor 1 Bank 2
O2S2B1	EC	Rear Heated Oxygen Sensor 2 Bank 1
O2S2B2	EC	Rear Heated Oxygen Sensor 2 Bank 2
PGC/V	EC	EVAP Canister Purge Volume Control Solenoid Valve
PHASE	EC	Camshaft Position Sensor (PHASE)
PHONE	AV	Telephone
PNP/SW	EC	Park/Neutral Position Switch
PNP/SW	AT	Park/Neutral Position Switch
POS	EC	Crankshaft Position Sensor (CKPS)(POS)
POWER	AT	Transmission Control Module Power Supply
POWER	EC	ECM Power Supply For Back-up Lamp
POWER	PG	Power Supply Routing
PRE/SE	EC	EVAP Control System Pressure Sensor

HARNESSES

PS/SEN	EC	Power Steering Pressure Sensor	A
R/VIEW	DI	Rear View Camera Control System	
RCTS	EC	Radiator Coolant Temperature Sensor	B
REMOTE	AV	Audio (Remote Control Switch)	
ROOM/L	LT	Interior Room Lamp - IVMS	
RP/SEN	EC	Refrigerant Pressure Sensor	C
S/SIG	EC	Start Signal	
SEAT	SE	Power Seat	
SHADE	EI	Rear Sunshade	D
SHIFT	AT	A/T Shift Lock System	
SROOF	BL	Sunroof	
SRS	SRS	Supplemental Restraint System	E
START	SC	Starting System	
STEP/L	LT	Step Lamp - IVMS	
STOP/L	LT	Stop Lamp	F
STSIG	AT	Start Signal	
SW/ILL	GW	Power Window Switch Illumination - IVMS	
T&FLID	BL	Trunk Lid and Fuel Lid Opener	G
T/MTR	EC	Throttle Control Motor	
T/WARN	WT	Low Tire Pressure Warning System	
TAIL/L	LT	Parking, License and Tail Lamps	H
TCCSIG	AT	A/T TCC Signal (Lock Up)	
TCV	AT	Torque Converter Clutch Solenoid Valve	I
TM/RLY	EC	Throttle Control Motor Relay	
TPS	EC	Throttle Position Sensor	
TRNSMT	BL	Integrated HOMELINK (TM) Transmitter	J
TRSA/T	AT	Turbine Revolution Sensor	
TURN	LT	Turn Signal and Hazard Warning Lamps	
VDC	BRC	Vehicle Dynamics Control System	PG
VEHSEC	BL	Vehicle Security System - IVMS	
VENT/V	EC	EVAP Canister Vent Control Valve	
VEXH	EX	Variable Exhaust Muffler Control System	L
VIAS/V	EC	Variable Air Induction Control System	
VOICE	DI	Voice Activated Control System	
VSSAT	AT	Vehicle Speed Sensor A/T (Revolution Sensor)	M
W/ANT	AV	Audio Antenna	
WARN	DI	Warning Lamps	
WINDOW	GW	Power Window - IVMS	
WIPER	WW	Wiper and Washer	

ELECTRICAL UNITS LOCATION

ELECTRICAL UNITS LOCATION

PFP:25230

Electrical Units Location

EKS003SA

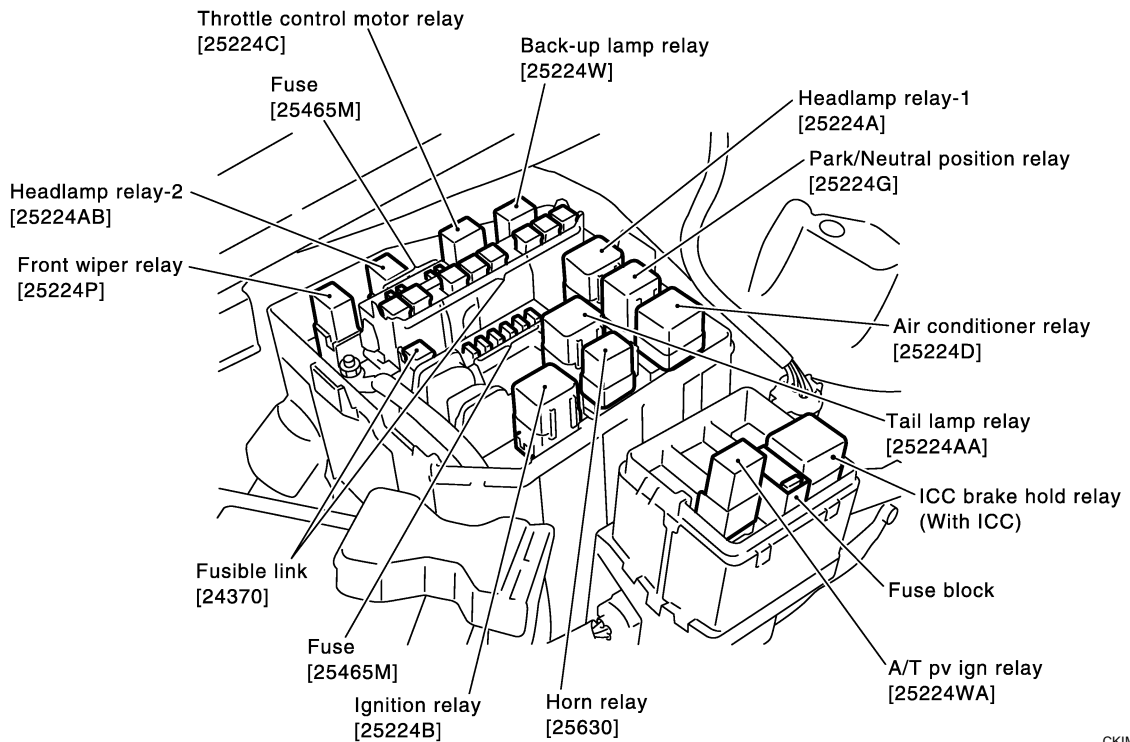
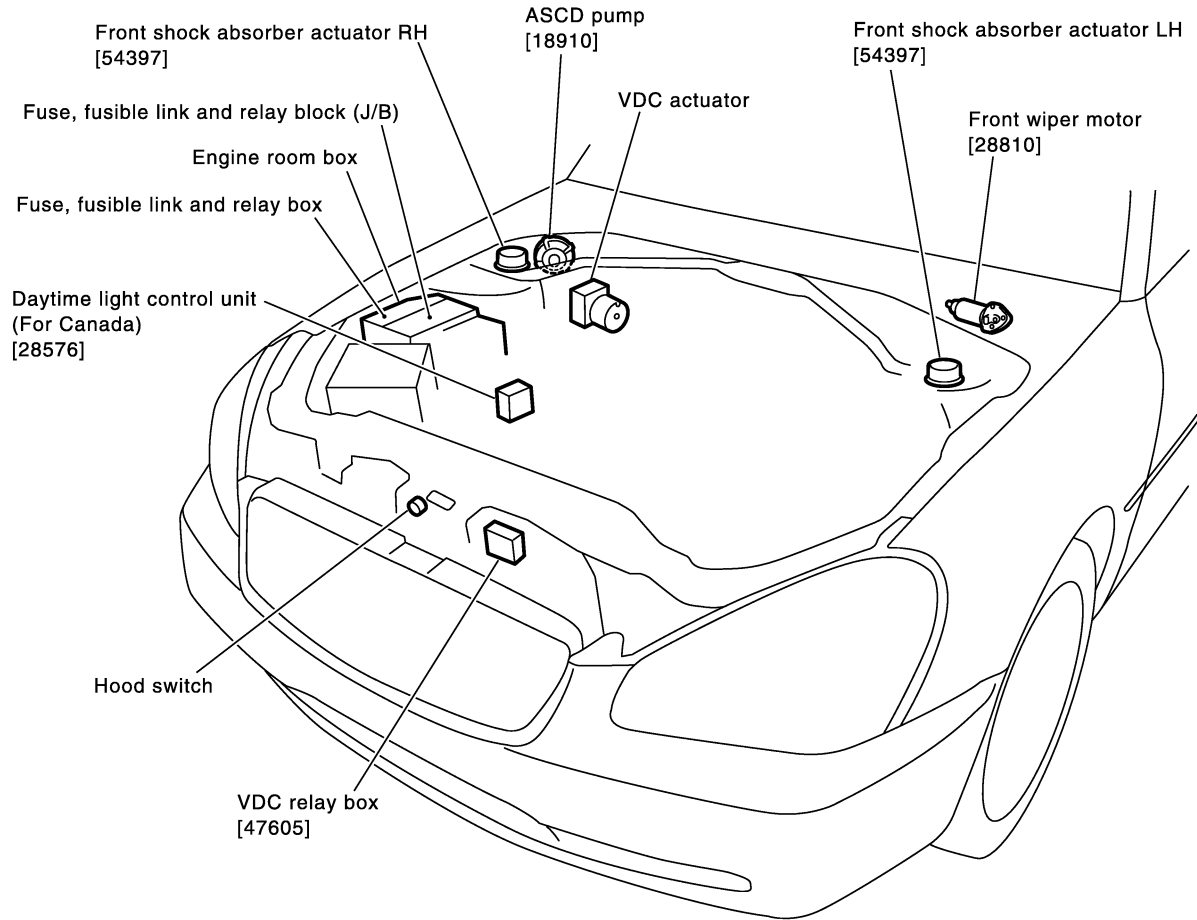
Use parts code, if applicable, and chassis number to find correct parts number in parts catalog. Parts codes are shown in illustration.

NOTICE:

Parts codes in illustration are those in effect at the time of the first service manual edition. Information might not be maintained in the timely manner. Always confirm correct parts code using appropriate parts catalog.

ELECTRICAL UNITS LOCATION

ENGINE COMPARTMENT



CKIM0087E

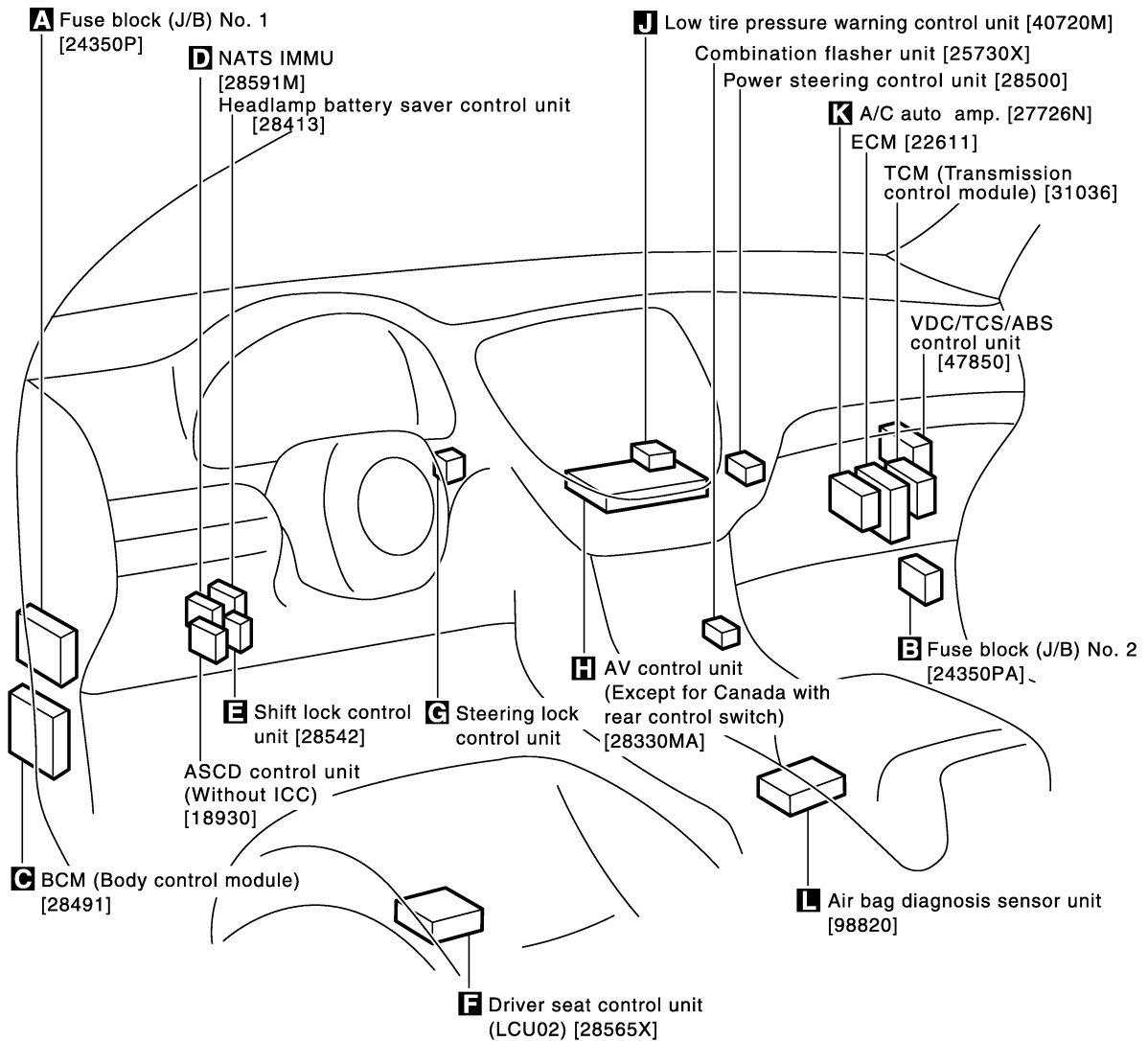
A
B
C
D
E
F
G
H
I
J

PG

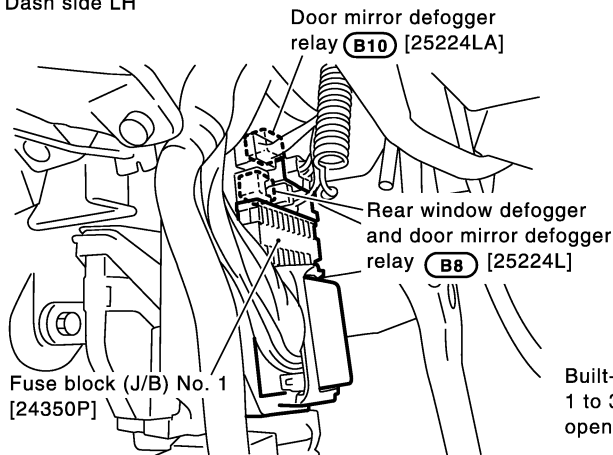
L
M

ELECTRICAL UNITS LOCATION

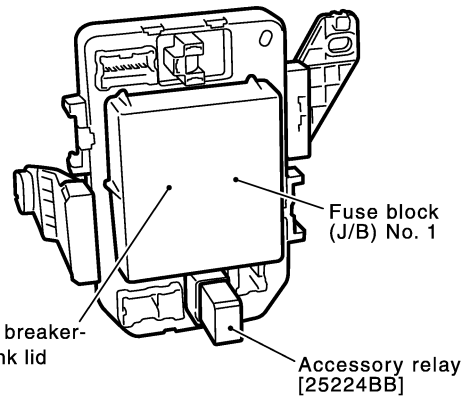
PASSENGER COMPARTMENT



A Dash side LH



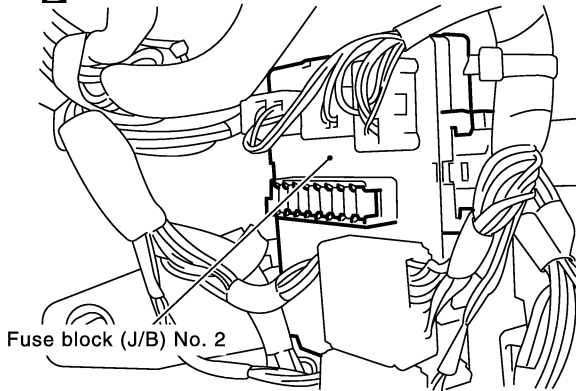
In back of the fuse block (J/B) No. 1



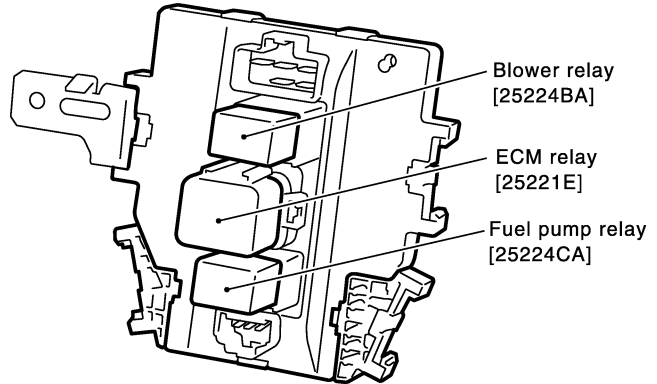
CKIM0088E

ELECTRICAL UNITS LOCATION

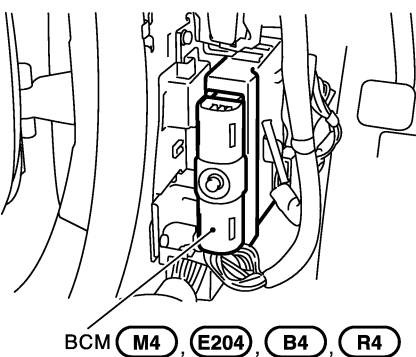
B Dash side RH



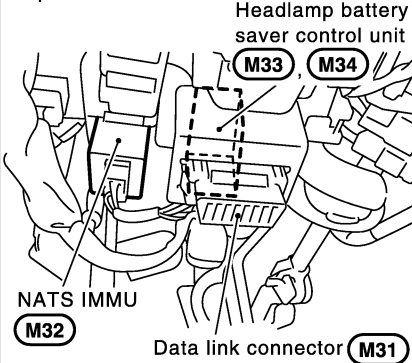
In back of the fuse block (J/B) No. 2



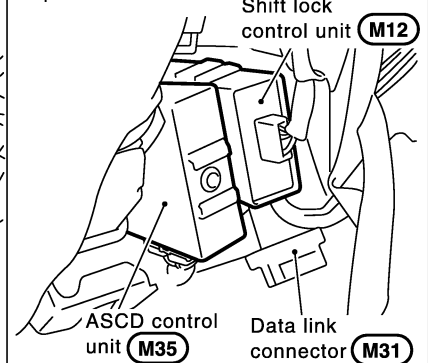
C Dash side LH



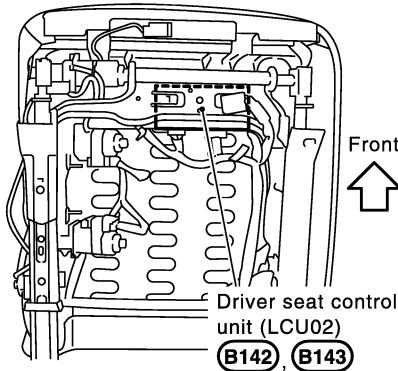
D Driver side view with lower instrument panel removed



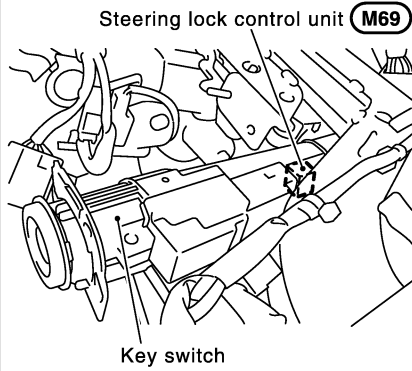
E Driver side view with lower instrument panel removed



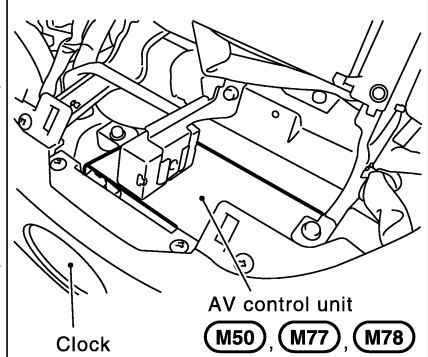
F Under driver seat



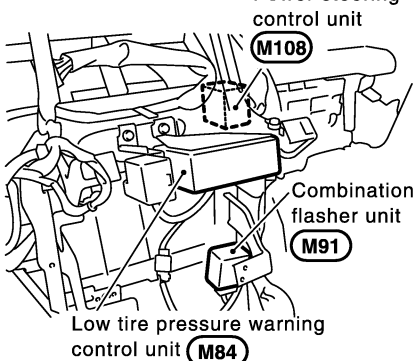
G



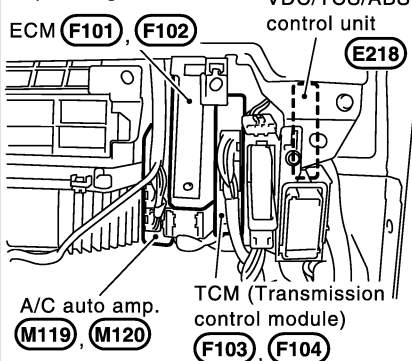
H View with instrument panel center removed



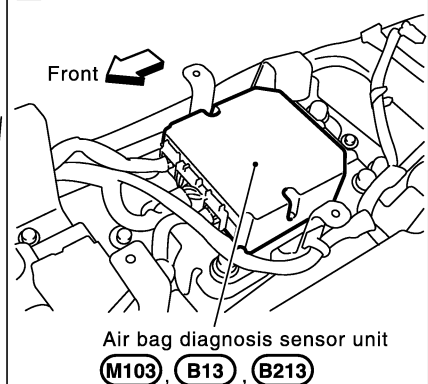
J View with instrument panel center removed



K Behind lower instrument panel on passenger side



L View with console box removed



CKIM0027E

A
B
C
D
E
F
G
H
I
J
K
L
M

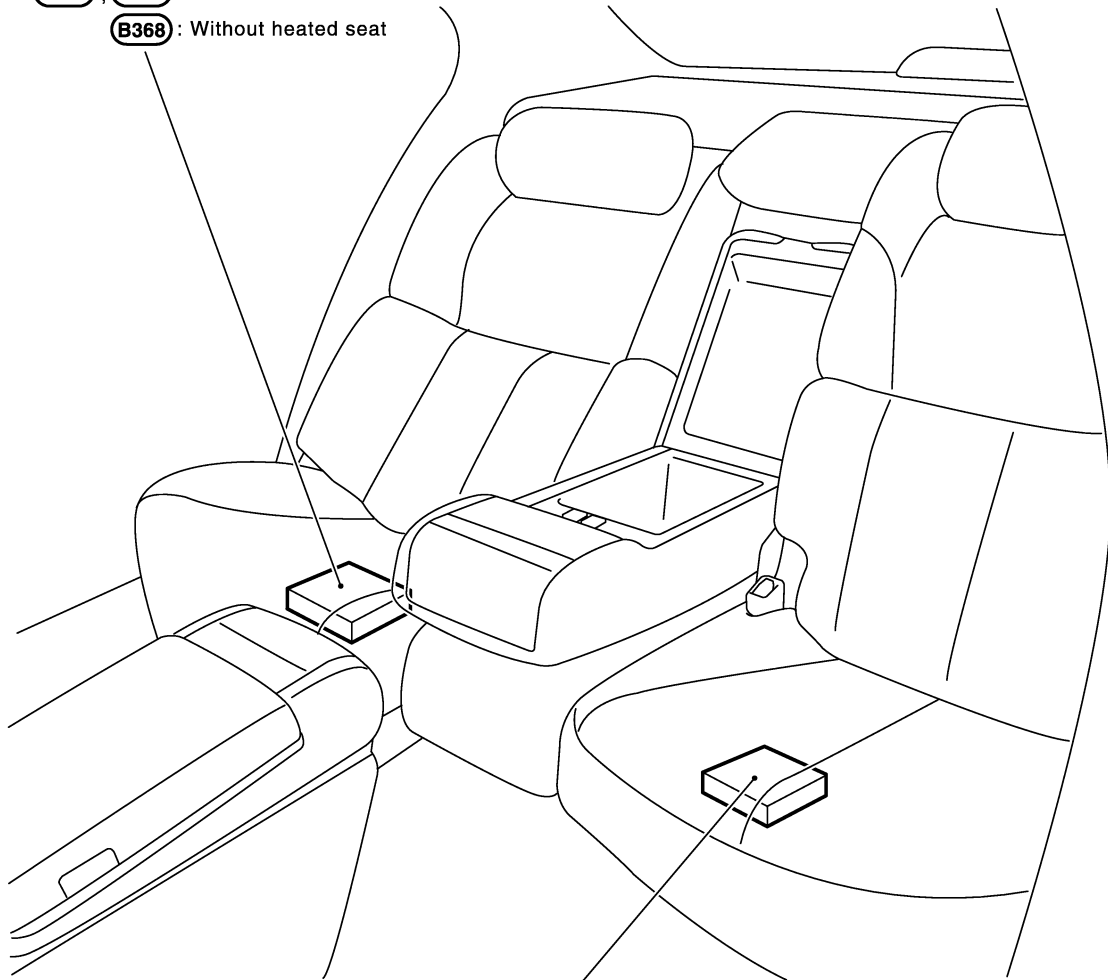
PG

ELECTRICAL UNITS LOCATION

Rear power seat control unit RH [28565]

B362, **B363** : With heated seat

B368 : Without heated seat



Rear power seat control unit LH [28565X]

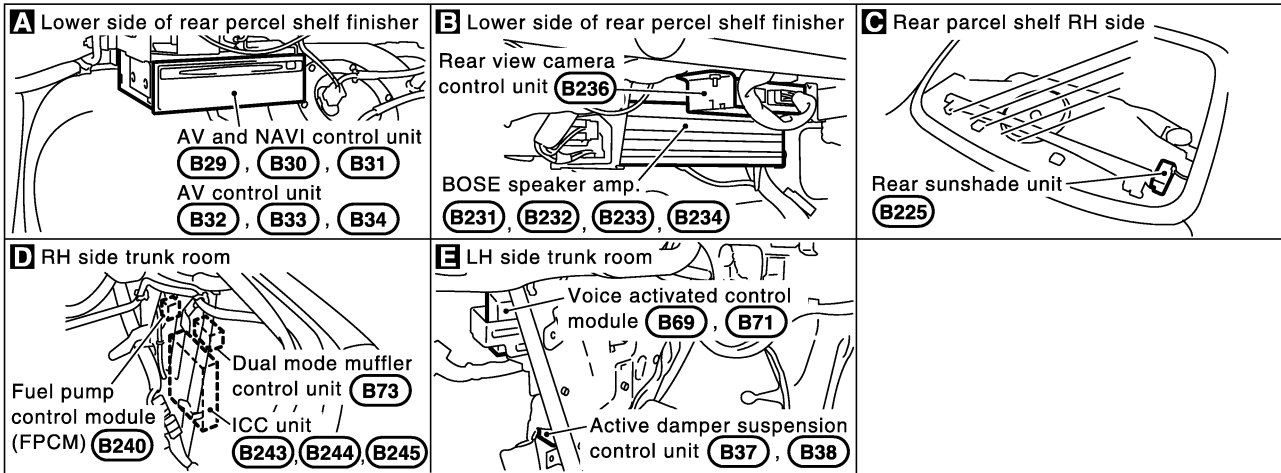
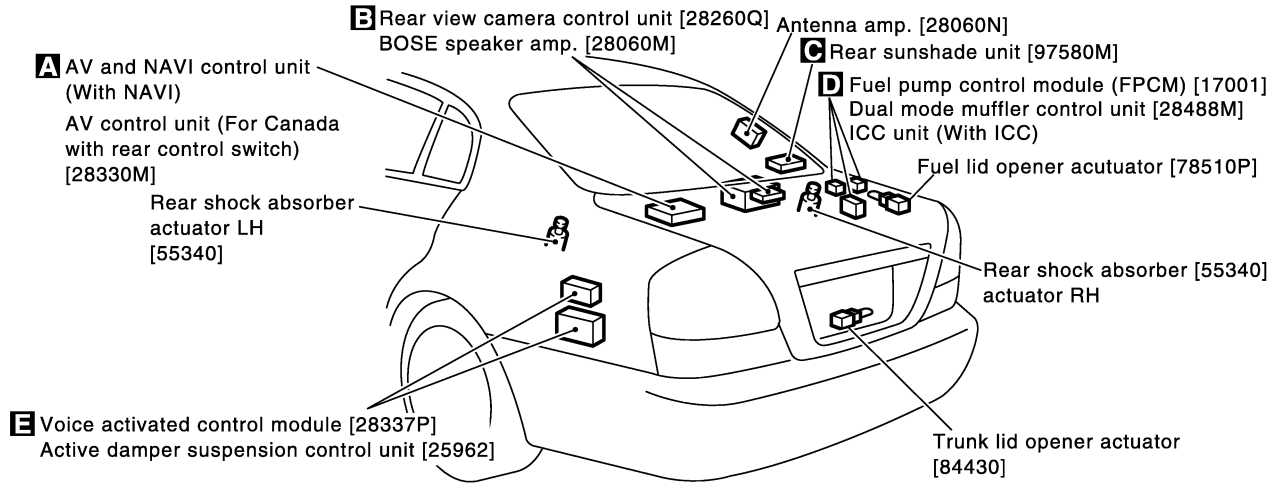
B162, **B163** : With heated seat

B168 : Without heated seat

CKIM0028E

ELECTRICAL UNITS LOCATION

LUGGAGE COMPARTMENT



A
B
C
D
E
F
G
H
I
J
PG
L
M

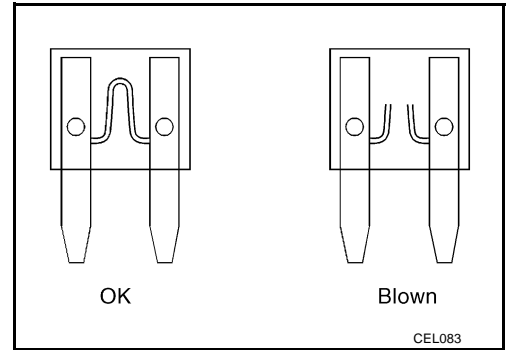
CKIM0089E

ELECTRICAL UNITS LOCATION

Fuse

EKS003SB

- If fuse is blown, be sure to eliminate cause of incident before installing new fuse.
- Use fuse of specified rating. Never use fuse of more than specified rating.
- Do not partially install fuse; always insert it into fuse holder properly.
- Remove fuse for "ELECTRICAL PARTS (BAT)" if vehicle is not used for a long period of time.



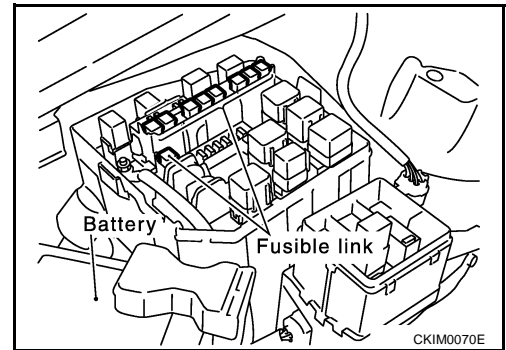
Fusible Link

EKS003SC

A melted fusible link can be detected either by visual inspection or by feeling with finger tip. If its condition is questionable, use circuit tester or test lamp.

CAUTION:

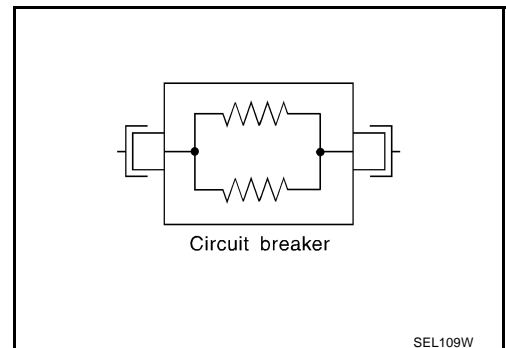
- If fusible link should melt, it is possible that critical circuit (power supply or large current carrying circuit) is shorted. In such a case, carefully check and eliminate cause of incident.
- Never wrap outside of fusible link with vinyl tape. Important: Never let fusible link touch any other wiring harness, vinyl or rubber parts.



Circuit Breaker

EKS003SD

The PTC thermistor generates heat in response to current flow. The temperature (and resistance) of the thermistor element varies with current flow. Excessive current flow will cause the element's temperature to rise. When the temperature reaches a specified level, the electrical resistance will rise sharply to control the circuit current. Reduced current flow will cause the element to cool. Resistance falls accordingly and normal circuit current flow is allowed to resume.



HARNESS CONNECTOR

HARNESS CONNECTOR

PFP:00011

Description

HARNESS CONNECTOR (TAB-LOCKING TYPE)

EKS000DY

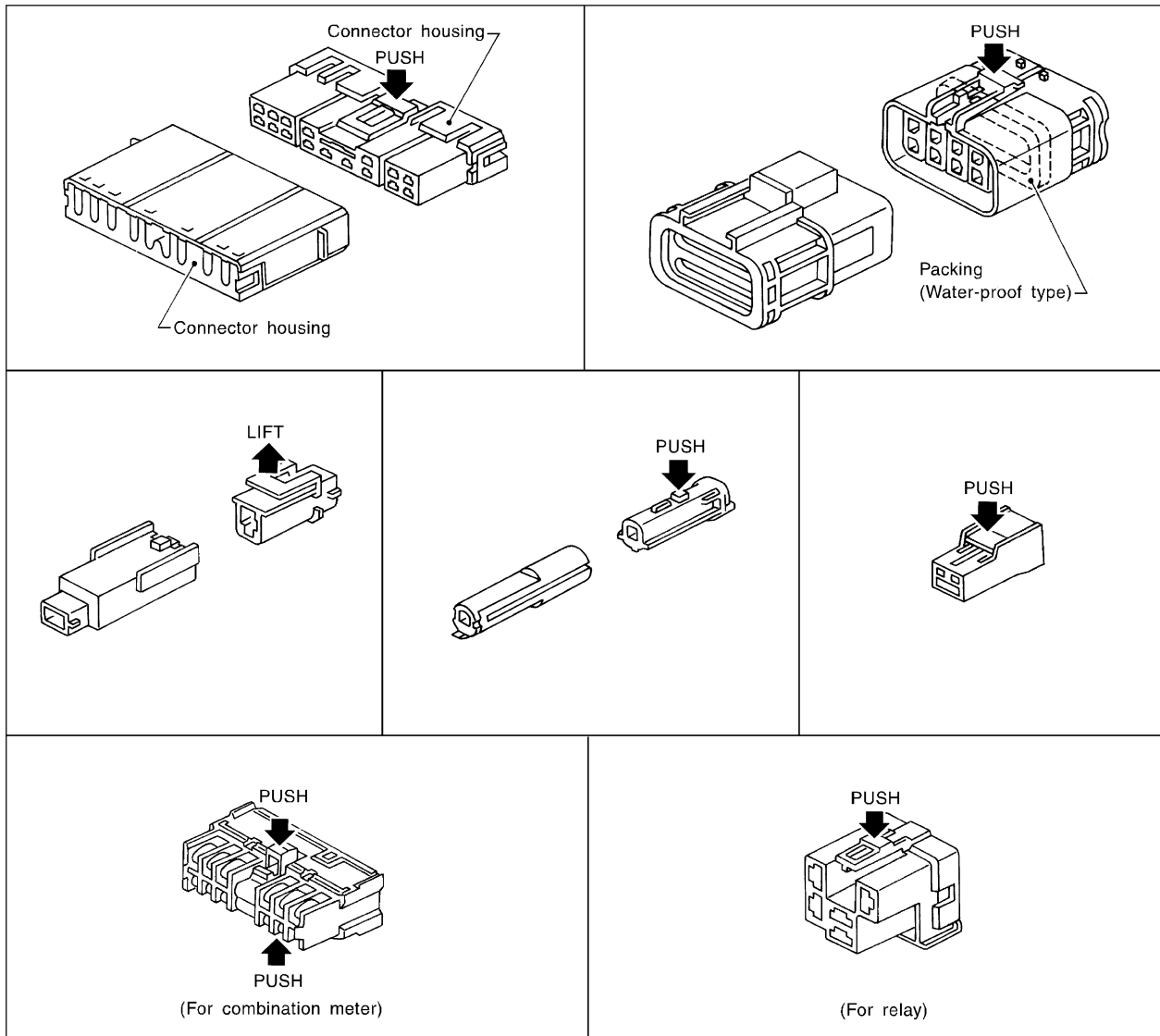
- The tab-locking type connectors help prevent accidental looseness or disconnection.
- The tab-locking type connectors are disconnected by pushing or lifting the locking tab(s). Refer to the illustration below.

Refer to the next page for description of the slide-locking type connector.

CAUTION:

Do not pull the harness or wires when disconnecting the connector.

[Example]



A
B
C
D
E
F
G
H
I
J
PG
L
M

PG

SEL769DA

HARNESS CONNECTOR

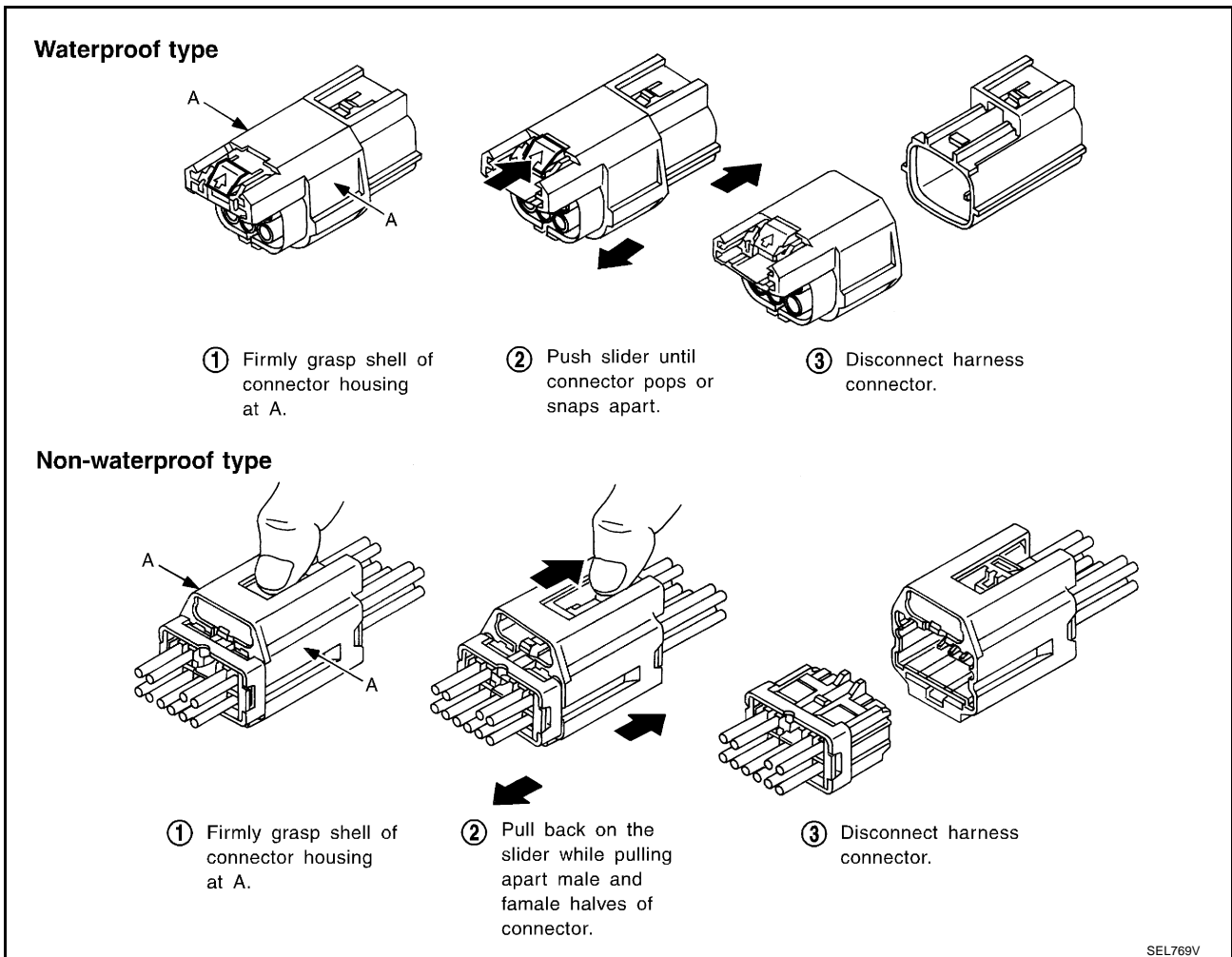
HARNESS CONNECTOR (SLIDE-LOCKING TYPE)

- A new style slide-locking type connector is used on certain systems and components, especially those related to OBD.
- The slide-locking type connectors help prevent incomplete locking and accidental looseness or disconnection.
- The slide-locking type connectors are disconnected by pushing or pulling the slider. Refer to the illustration below.

CAUTION:

- **Do not pull the harness or wires when disconnecting the connector.**
- **Be careful not to damage the connector support bracket when disconnecting the connector.**

[Example]



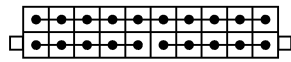
JOINT CONNECTOR (J/C)

PFP:B4341

EKS001B1

JOINT CONNECTOR (J/C)

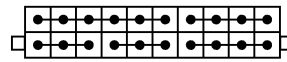
Terminal Arrangement



J/C-1 **M9**

J/C-5 **M38**

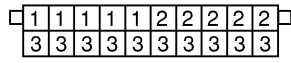
J/C-13 **M81**



J/C-2 **M10**

J/C-7 **M46**

J/C-9 **M48**



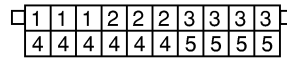
J/C-25 **E216**

J/C-28 **F106**

J/C-29 **F107**

J/C-36 **B241**

J/C-41 **D14**



J/C-15 **M124**

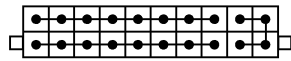
J/C-16 **M125**

J/C-17 **M126**

J/C-20 **M129**

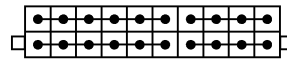
(Pink)

(Black)



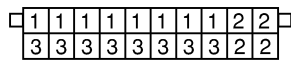
J/C-3 **M21**

J/C-8 **M47**

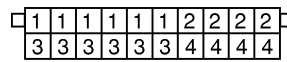


J/C-4 **M22**

J/C-14 **M123**



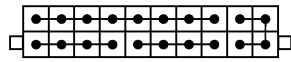
J/C-11 **M79**



J/C-12 **M80**

(Gary)

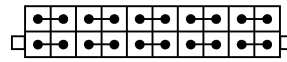
(Blue)



J/C-18 **M127**

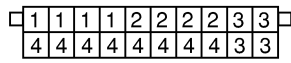
J/C-19 **M128**

J/C-37 **B242**

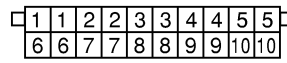


J/C-6 **M45**

J/C-21 **M130**



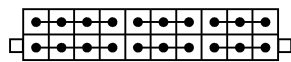
J/C-30 **F108**



J/C-31 **B40**

(Green)

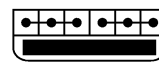
(Red)



J/C-18 **M127**

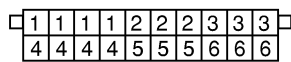
J/C-19 **M128**

J/C-37 **B242**

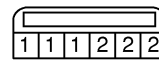


J/C-6 **M45**

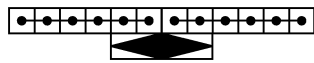
J/C-21 **M130**



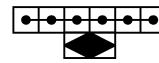
(Orange)



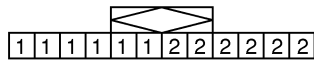
(White)



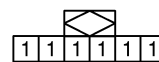
J/C-30 **F108**



J/C-31 **B40**



(Blue)



(Gray)

A
B
C
D
E
F
G
H
I
J
PG
L
M

ELECTRICAL UNITS

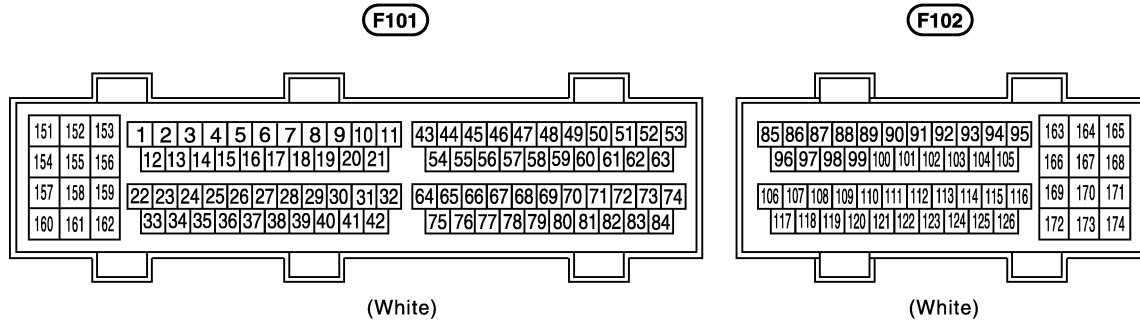
ELECTRICAL UNITS

PFP:23710

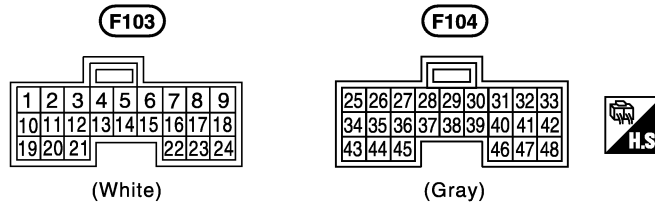
Terminal Arrangement

EKS003SE

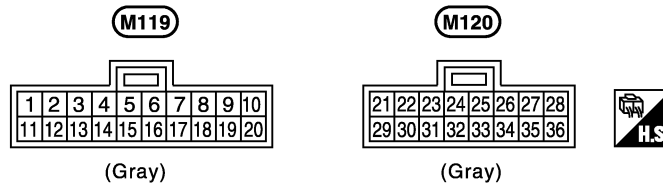
ECM



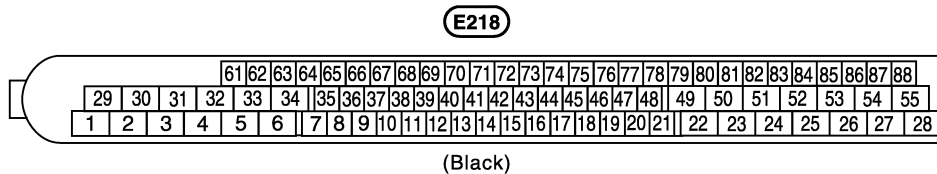
TCM (TRANSMISSION CONTROL MODULE)



A/C AUTO AMP.



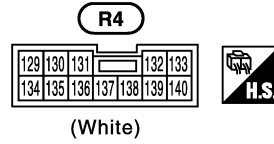
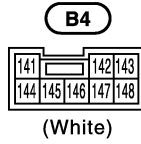
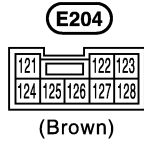
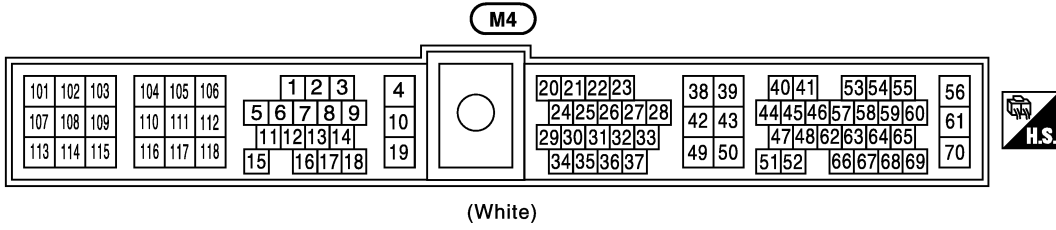
VDC/TCS/ABS CONTROL UNIT



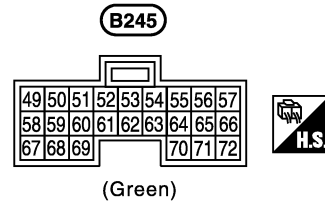
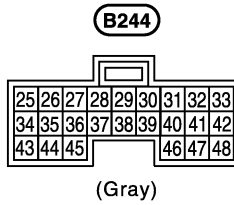
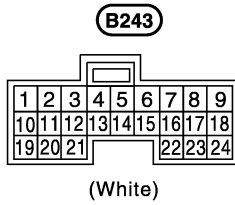
CKIM0114E

ELECTRICAL UNITS

BCM (BODY CONTROL MODULE)



ICC UNIT



A
B
C
D
E
F
G
H
I
J
PG
L
M

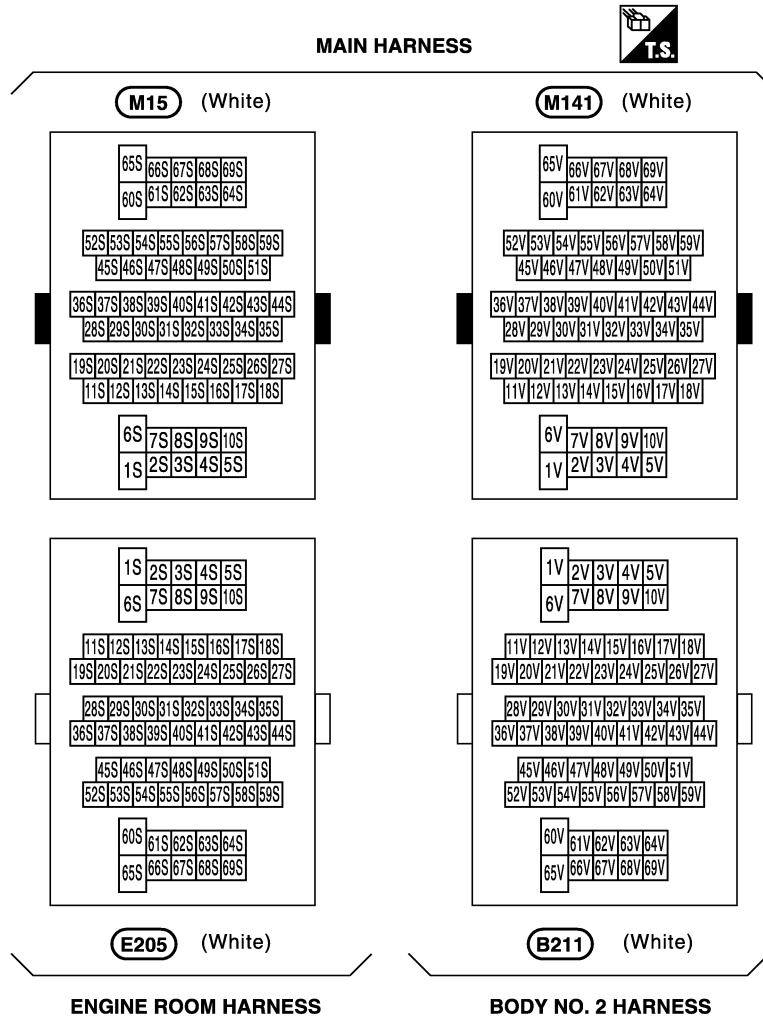
SMJ (SUPER MULTIPLE JUNCTION)

SMJ (SUPER MULTIPLE JUNCTION)

PF: B4341

Terminal Arrangement

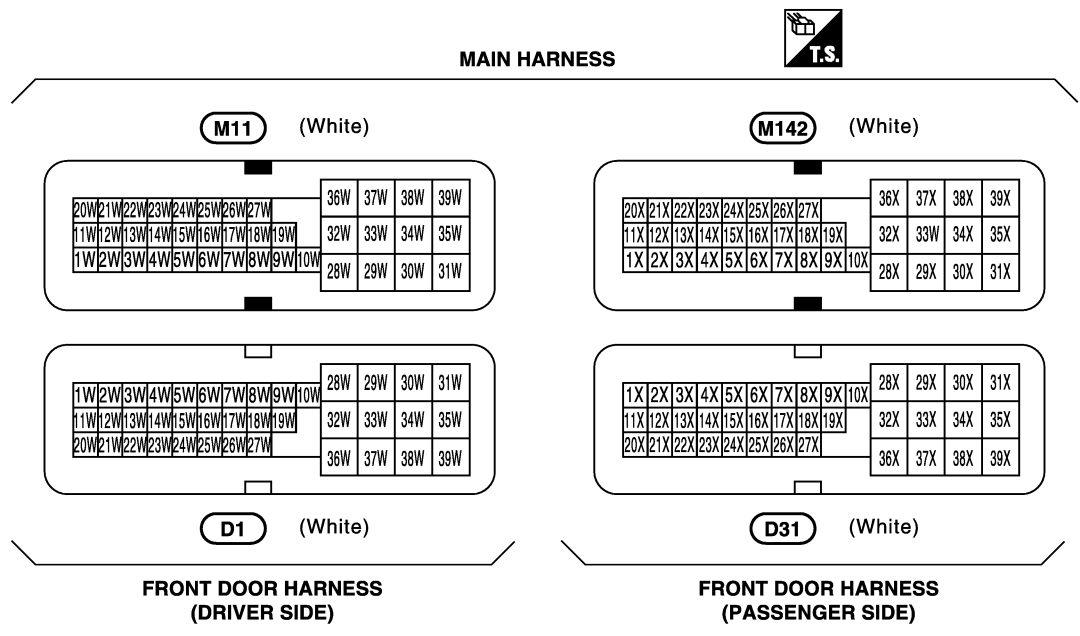
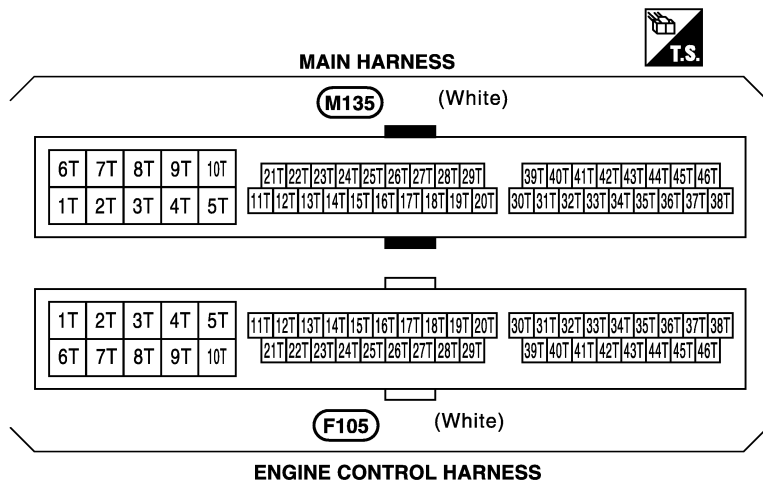
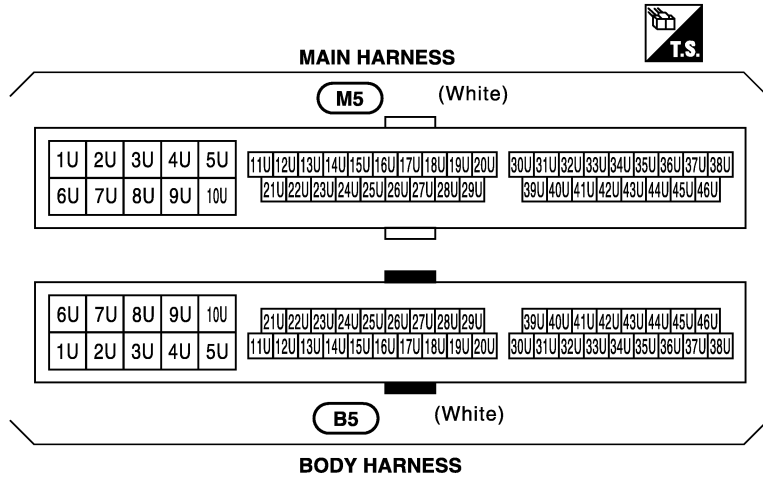
EKS001B2



CKIM0061E

SMJ (SUPER MULTIPLE JUNCTION)

A
B
C
D
E
F
G
H
I
J

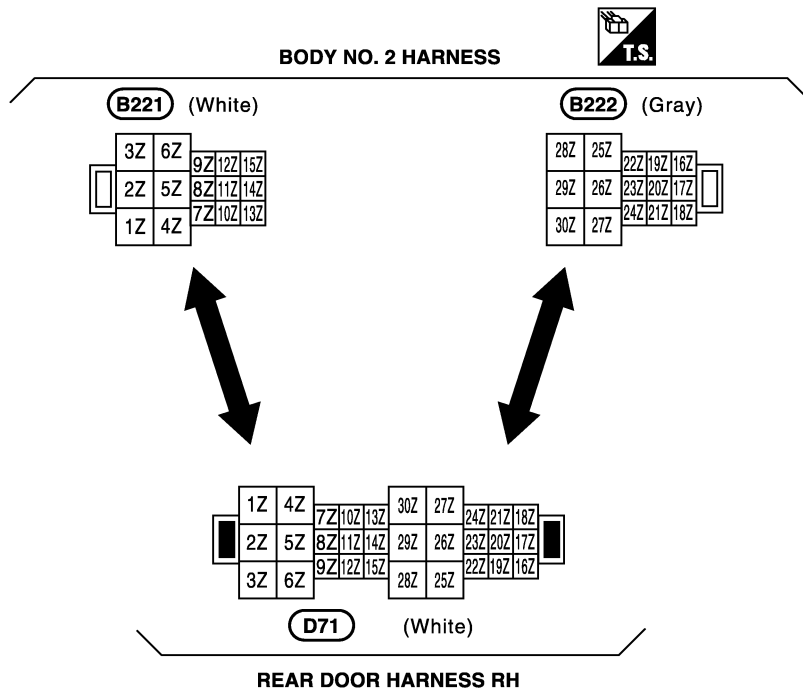
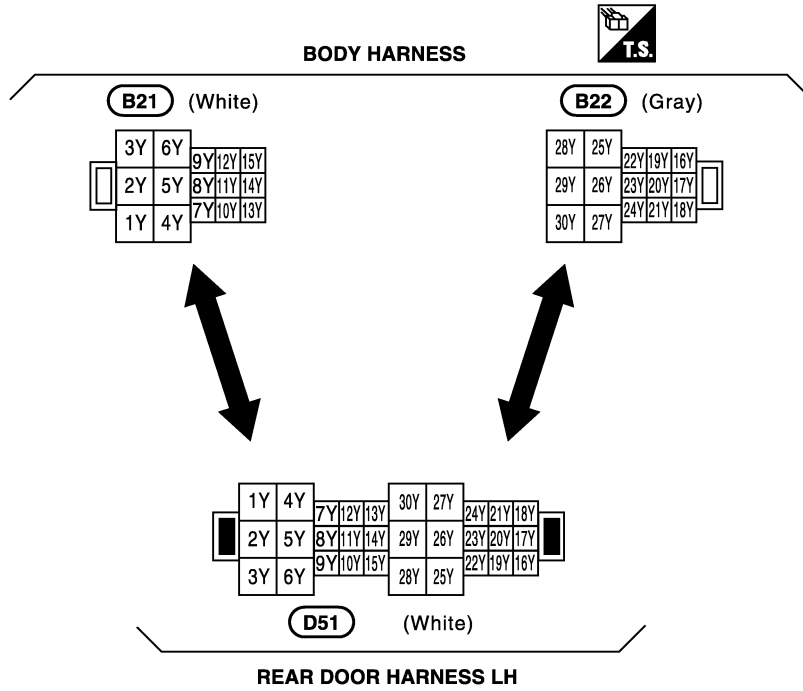


PG

L
M

CKIM0062E

SMJ (SUPER MULTIPLE JUNCTION)



CKIM0063E

STANDARDIZED RELAY

PPF:00011

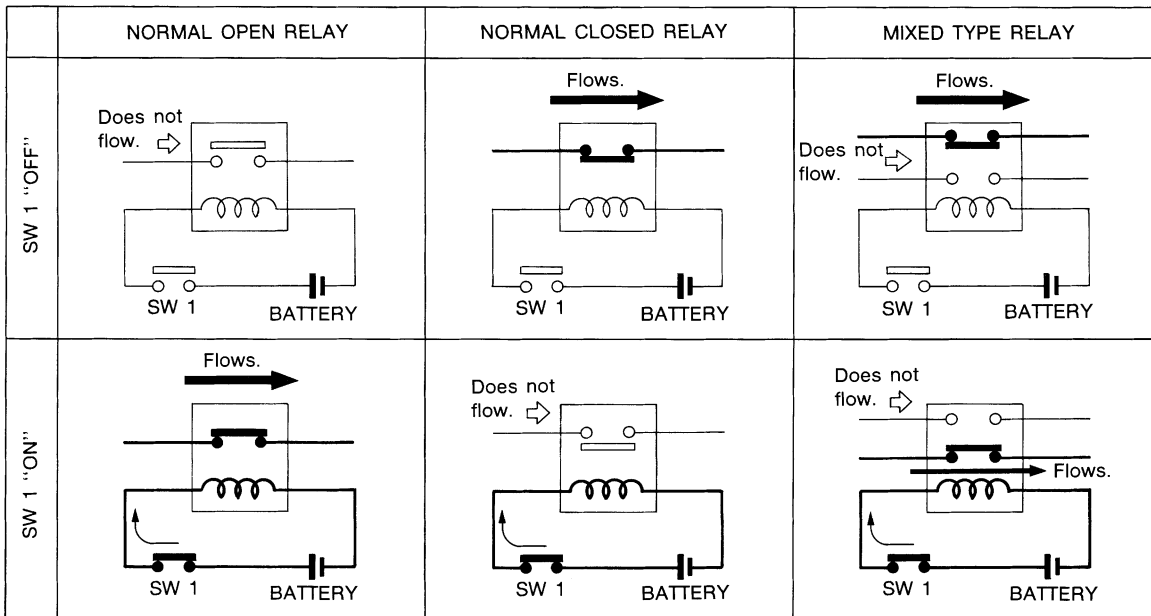
EKS000E4

STANDARDIZED RELAY

Description

NORMAL OPEN, NORMAL CLOSED AND MIXED TYPE RELAYS

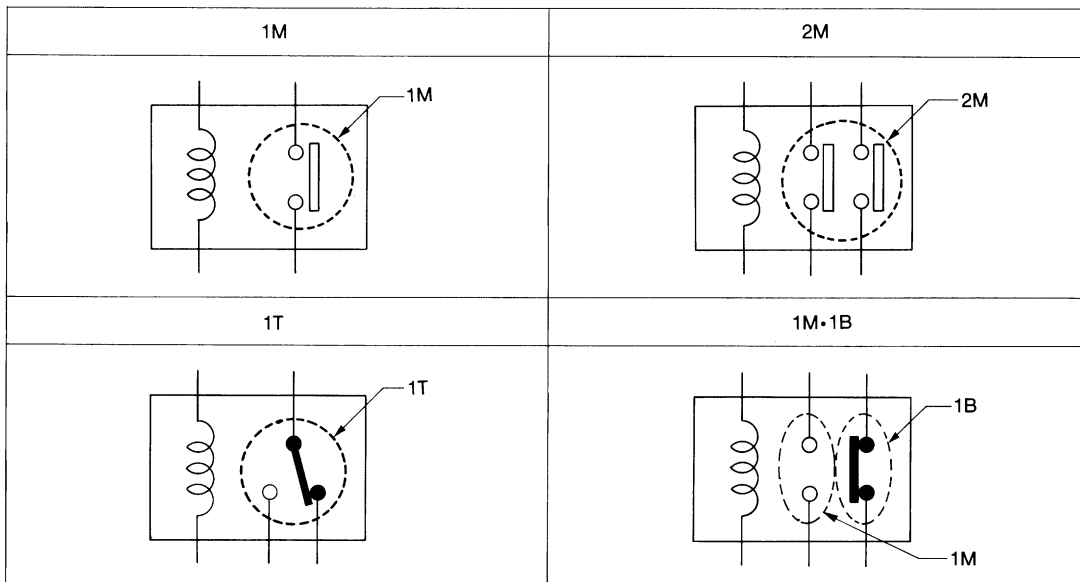
Relays can mainly be divided into three types: normal open, normal closed and mixed type relays.



SEL881H

TYPE OF STANDARDIZED RELAYS

- 1M 1 Make
- 2M 2 Make
- 1T 1 Transfer
- 1M·1B 1 Make 1 Break



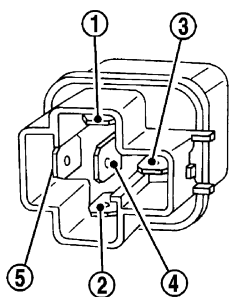
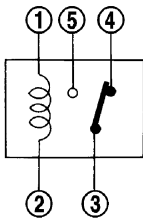
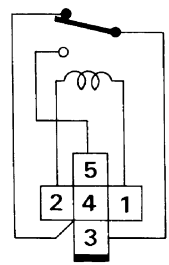
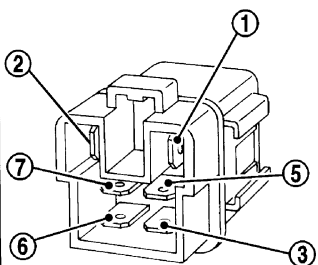
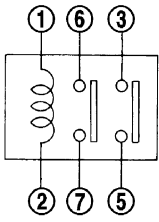
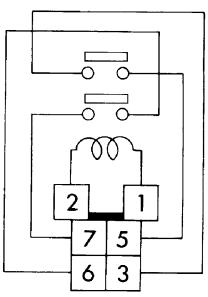
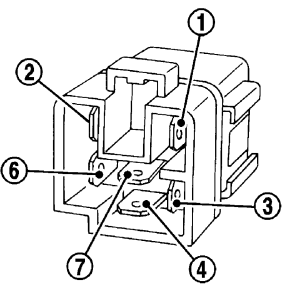
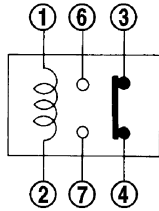
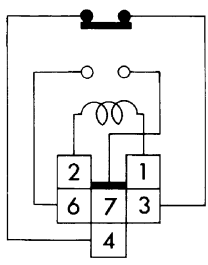
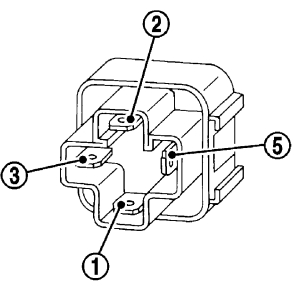
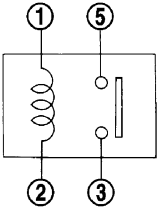
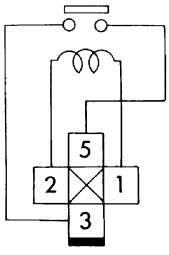
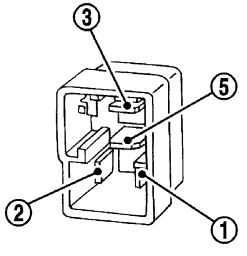
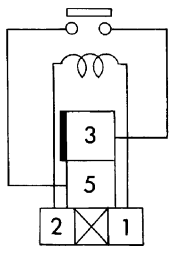
SEL882H

A
B
C
D
E
F
G
H
I
J

PG

L
M

STANDARDIZED RELAY

Type	Outer view	Circuit	Connector symbol and connection	Case color
1T				BLACK
2M				BROWN
1M•1B				GRAY
1M				BLUE
				

The arrangement of terminal numbers on the actual relays may differ from those shown above.

SEL188W

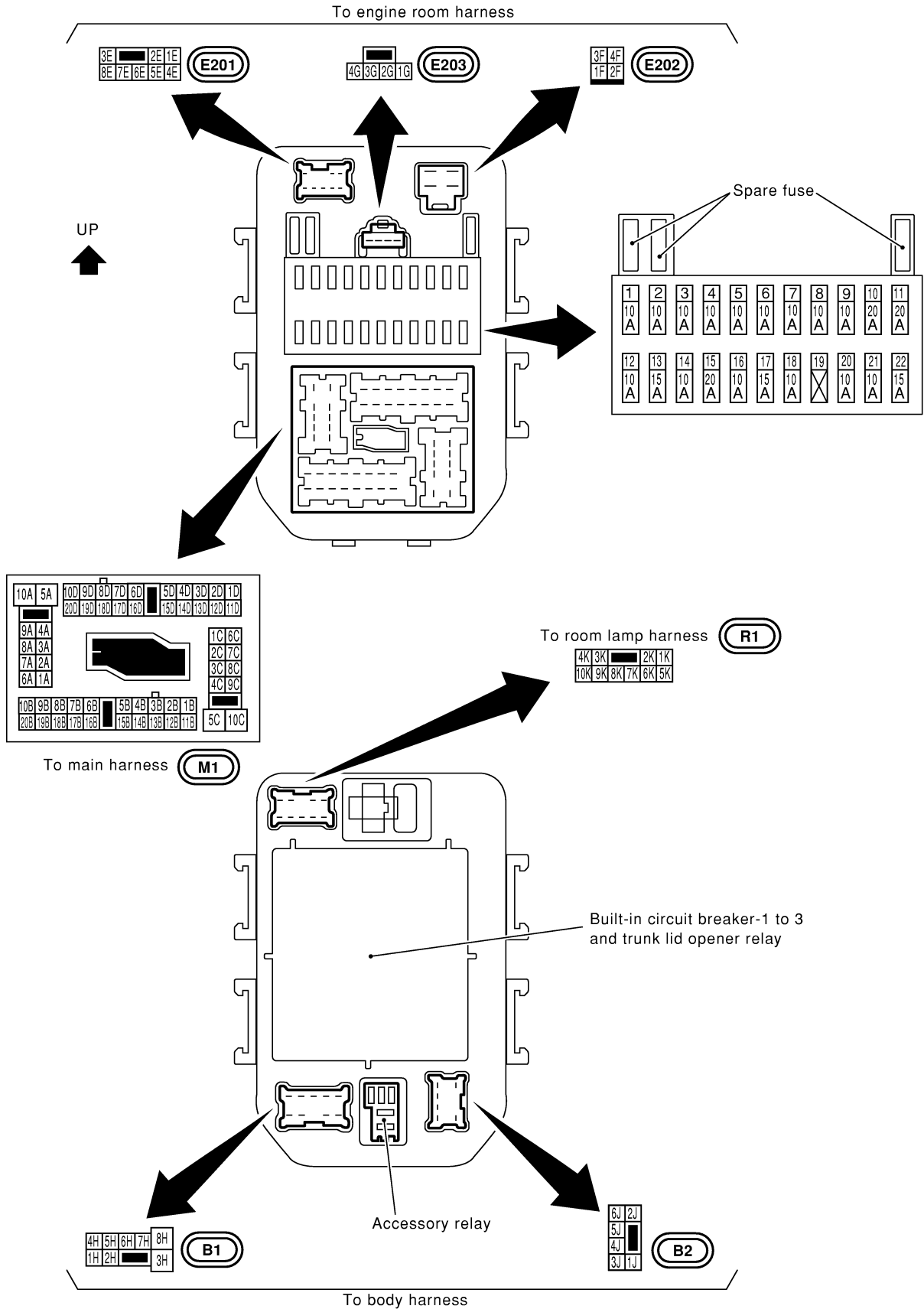
FUSE BLOCK - JUNCTION BOX (J/B) NO.1

FUSE BLOCK - JUNCTION BOX (J/B) NO.1

PPF:24350

Terminal Arrangement

EKS00178



A
B
C
D
E
F
G
H
I
J
PG
L
M

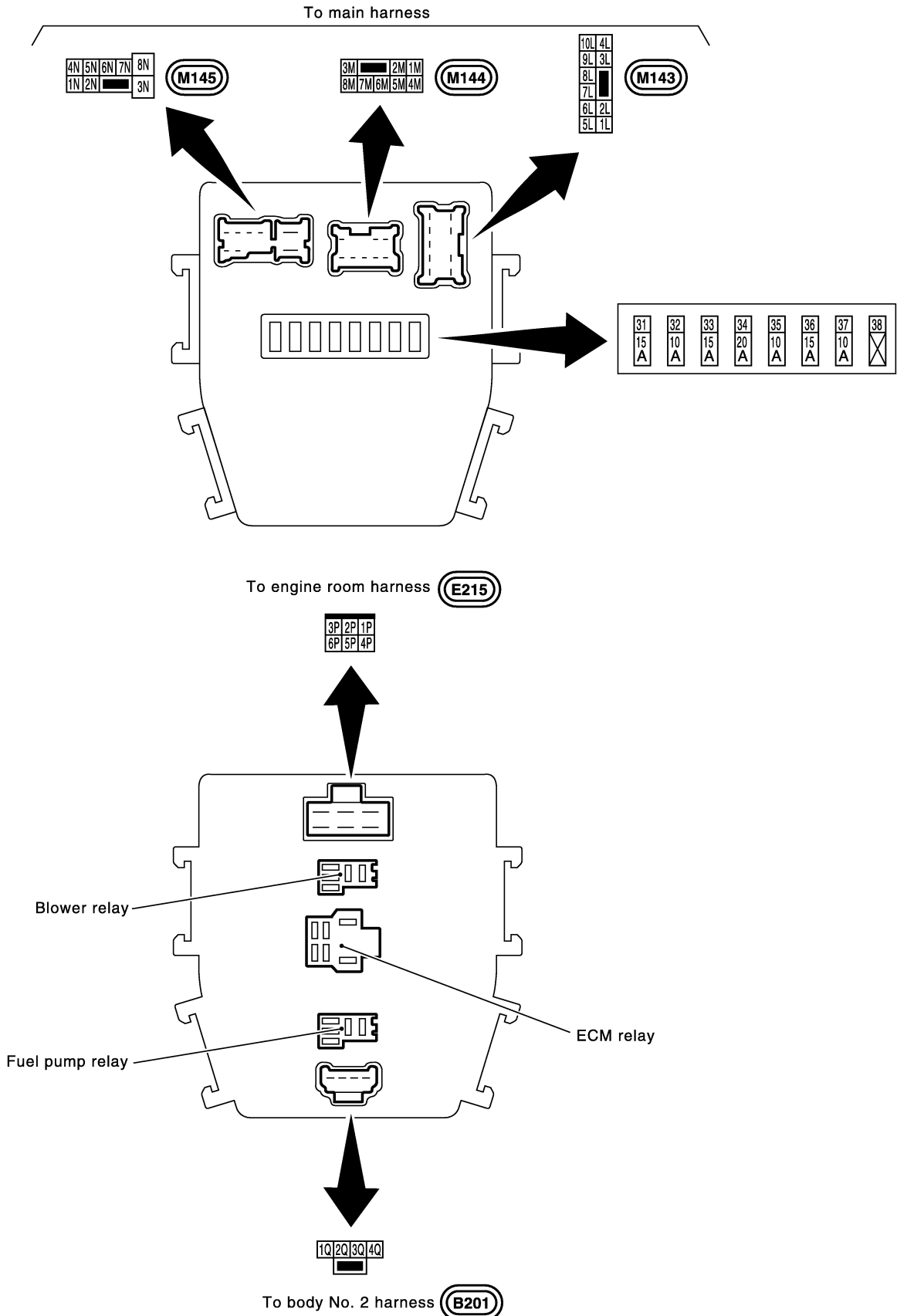
FUSE BLOCK - JUNCTION BOX (J/B) NO.2

PFP:24350

EKS00175

FUSE BLOCK - JUNCTION BOX (J/B) NO.2

Terminal Arrangement



CKIM0065E

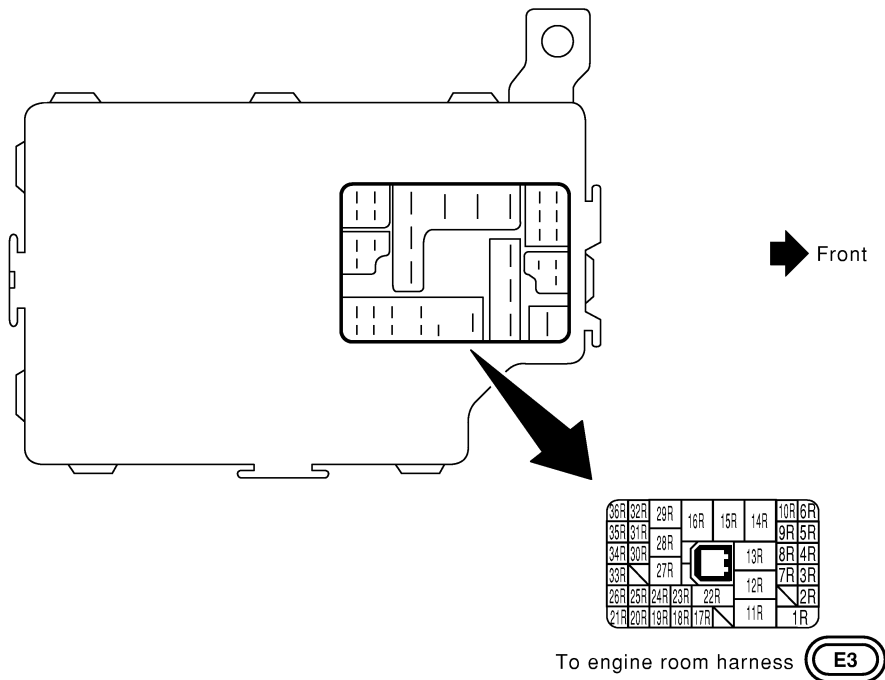
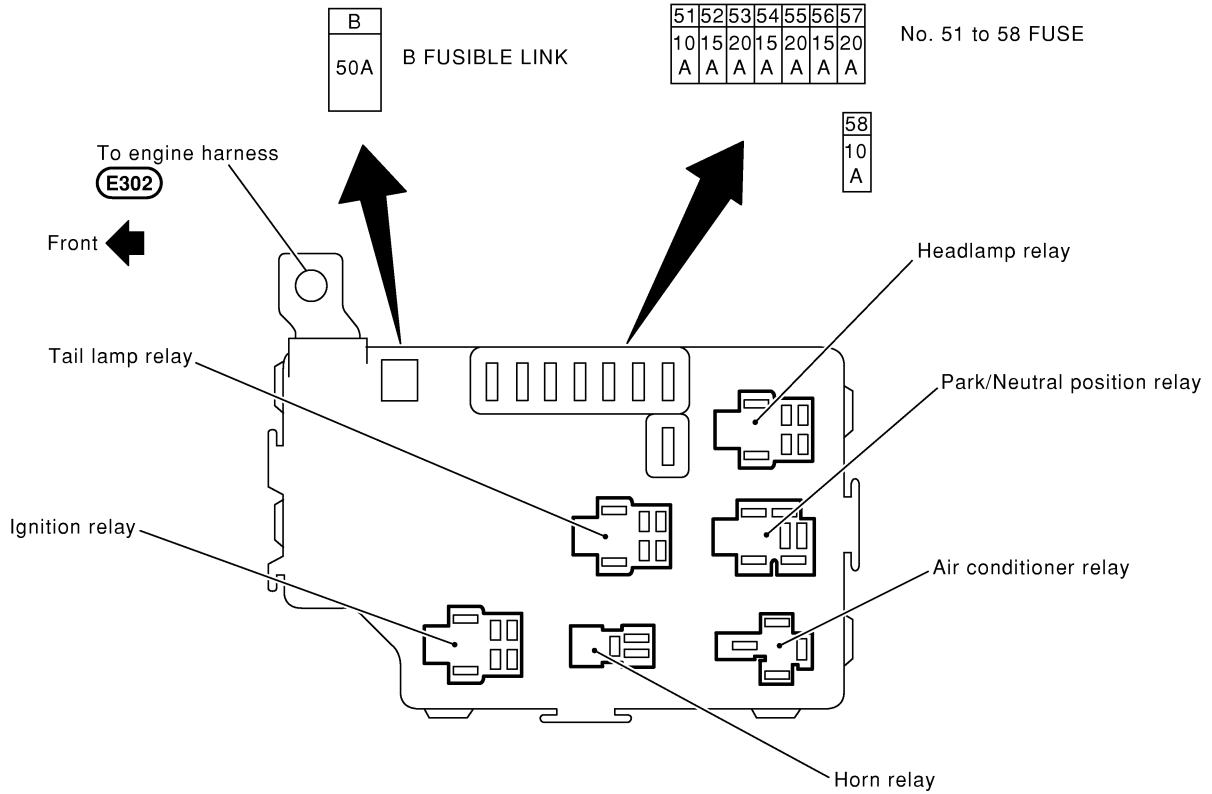
FUSE, FUSIBLE LINK AND RELAY BLOCK (J/B)

FUSE, FUSIBLE LINK AND RELAY BLOCK (J/B)

PFP:24382

Terminal Arrangement

EKS00176



A
B
C
D
E
F
G
H
I
J
PG
L
M

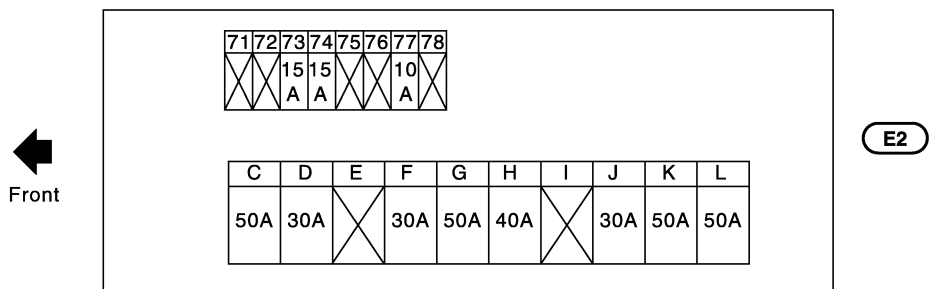
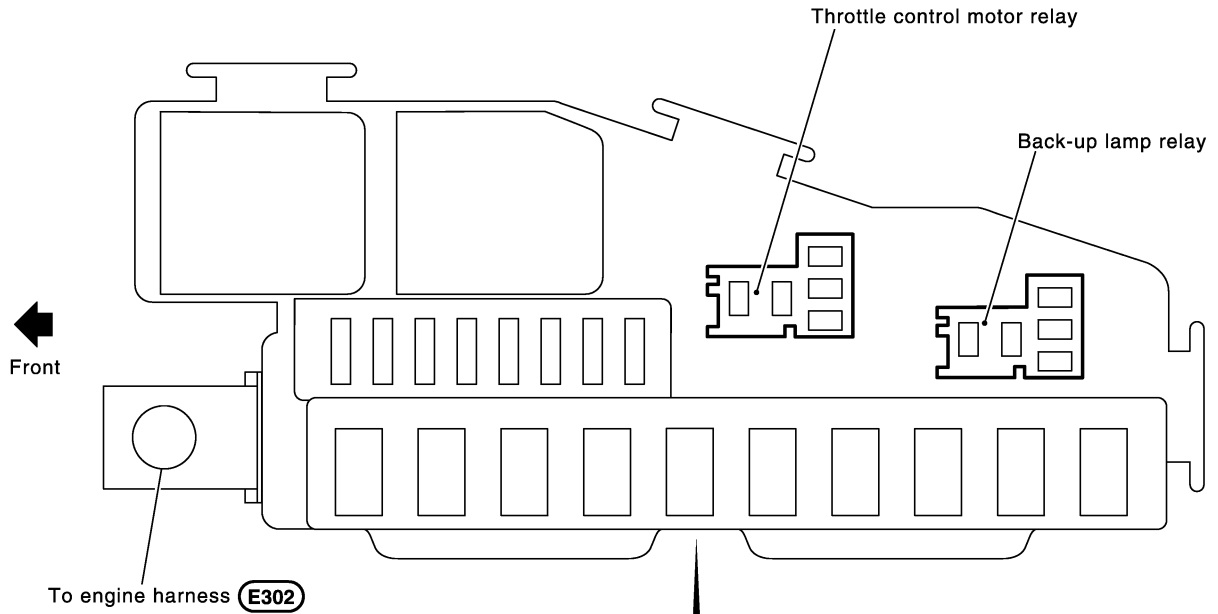
FUSE, FUSIBLE LINK AND RELAY BOX

PFPP:24382

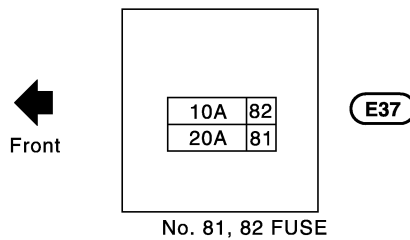
EKS00177

FUSE, FUSIBLE LINK AND RELAY BOX

Terminal Arrangement



C to L FUSIBLE LINK
No. 71 to 78 FUSE



No. 81, 82 FUSE

CKIM0113E