

SECTION **PWO**
POWER OUTLET

A
B
C
D
E
F
G
H
I
J
K
L
N
O
P

CONTENTS

PRECAUTION	2	WIRING DIAGRAM	4
PRECAUTIONS	2	POWER SOCKET	4
Precaution for Supplemental Restraint System (SRS) "AIR BAG" and "SEAT BELT PRE-TENSIONER"	2	Wiring Diagram	4
SYSTEM DESCRIPTION	3	REMOVAL AND INSTALLATION	6
COMPONENT PARTS	3	POWER SOCKET	6
Component Parts Location	3	Exploded View	6
Power Socket	3	Removal and Installation	6

PWO

PRECAUTIONS

< PRECAUTION >

PRECAUTION

PRECAUTIONS

Precaution for Supplemental Restraint System (SRS) "AIR BAG" and "SEAT BELT PRE-TENSIONER"

INFOID:000000009238976

The Supplemental Restraint System such as "AIR BAG" and "SEAT BELT PRE-TENSIONER", used along with a front seat belt, helps to reduce the risk or severity of injury to the driver and front passenger for certain types of collision. This system includes seat belt switch inputs and dual stage front air bag modules. The SRS system uses the seat belt switches to determine the front air bag deployment, and may only deploy one front air bag, depending on the severity of a collision and whether the front occupants are belted or unbelted. Information necessary to service the system safely is included in the "SRS AIR BAG" and "SEAT BELT" of this Service Manual.

WARNING:

Always observe the following items for preventing accidental activation.

- To avoid rendering the SRS inoperative, which could increase the risk of personal injury or death in the event of a collision that would result in air bag inflation, all maintenance must be performed by an authorized NISSAN/INFINITI dealer.
- Improper maintenance, including incorrect removal and installation of the SRS, can lead to personal injury caused by unintentional activation of the system. For removal of Spiral Cable and Air Bag Module, see "SRS AIR BAG".
- Never use electrical test equipment on any circuit related to the SRS unless instructed to in this Service Manual. SRS wiring harnesses can be identified by yellow and/or orange harnesses or harness connectors.

PRECAUTIONS WHEN USING POWER TOOLS (AIR OR ELECTRIC) AND HAMMERS

WARNING:

Always observe the following items for preventing accidental activation.

- When working near the Air Bag Diagnosis Sensor Unit or other Air Bag System sensors with the ignition ON or engine running, never use air or electric power tools or strike near the sensor(s) with a hammer. Heavy vibration could activate the sensor(s) and deploy the air bag(s), possibly causing serious injury.
- When using air or electric power tools or hammers, always switch the ignition OFF, disconnect the battery, and wait at least 3 minutes before performing any service.

COMPONENT PARTS

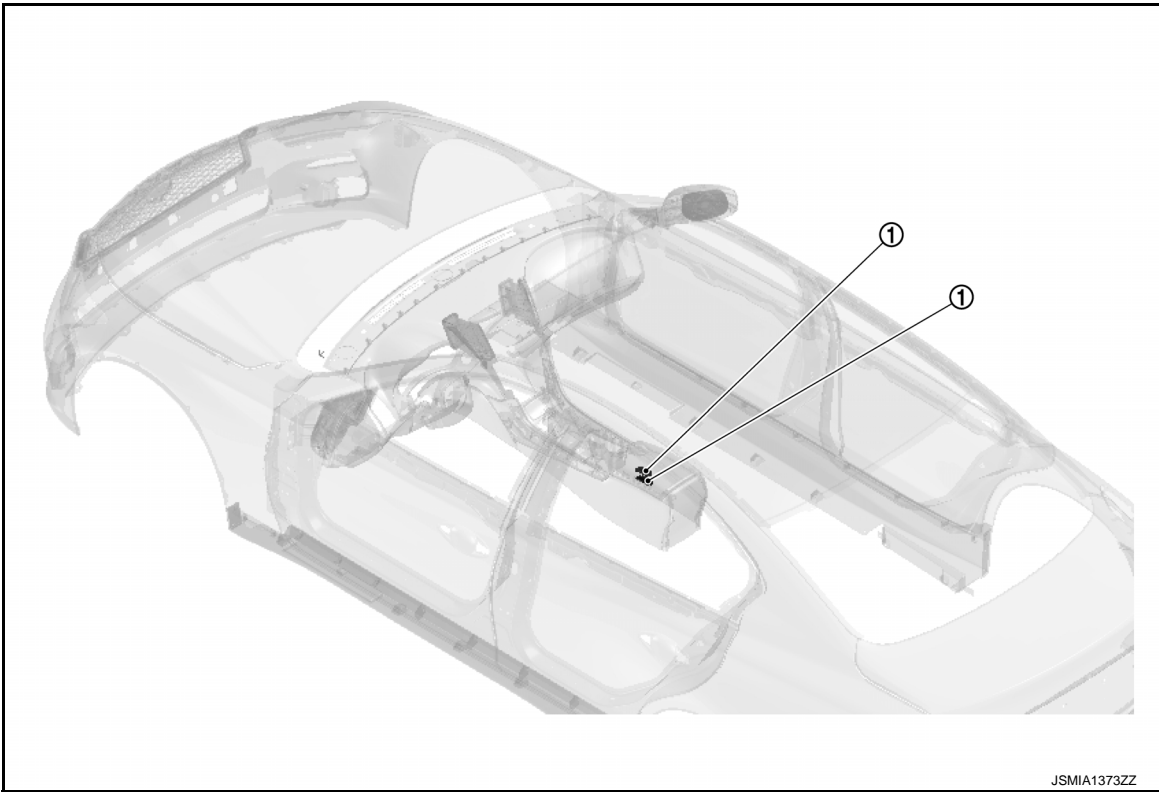
< SYSTEM DESCRIPTION >

SYSTEM DESCRIPTION

COMPONENT PARTS

Component Parts Location

INFOID:000000009337794



JSMIA1373ZZ

No.	Component	Function
①	Power socket	Refer to PWO-3, "Power Socket" .

Power Socket

INFOID:000000009337796

Rated voltage	DC 12 V
Maximum electric capacity	120 W or less (Total)
Maximum current	10 A or less (Total)

PWO

A
B
C
D
E
F
G
H
I
J
K
L
N
O
P

POWER SOCKET

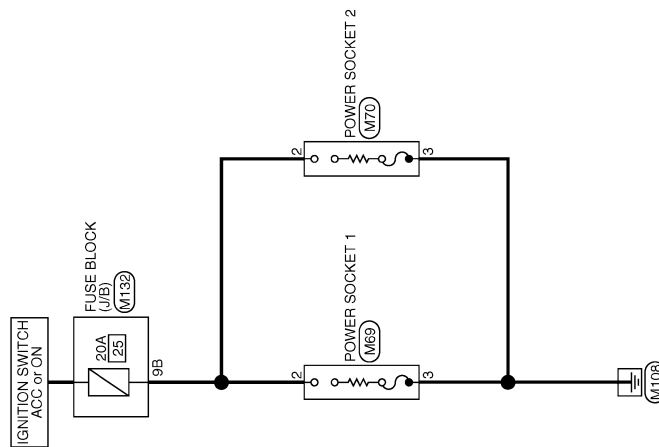
< WIRING DIAGRAM >

WIRING DIAGRAM

POWER SOCKET

Wiring Diagram

INFOID:000000009238978



POWER SOCKET

2013/05/17

JRMWD9931GB



POWER SOCKET

< WIRING DIAGRAM >

A
B
C
D
E
F
G
H
I
J
K
L
N
O
P


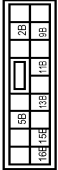
POWER SOCKET

Connector No.	M89
Connector Name	POWER SOCKET 1
Connector Type	CEA01FB-CHAZ

Terminal No.	Color Of Wire	Signal Name [Specification]
1	Y	-
2	-	-
3	B	-



Connector No.	M132
Connector Name	FUSE BLOCK (J/B)
Connector Type	NS16FW-GS

Terminal No.	Color Of Wire	Signal Name [Specification]
1B	LG	-
1BB	Y	-
1BB	Y	-
2B	B	-
5B	R	-
6B	Y	-

POWER SOCKET

Connector No.	M70
Connector Name	POWER SOCKET 2
Connector Type	CEA01FB-CHAZ

Terminal No.	Color Of Wire	Signal Name [Specification]
1	Y	-
2	Y	-
3	B	-

PWO

JRMWD9932GB

POWER SOCKET

< REMOVAL AND INSTALLATION >

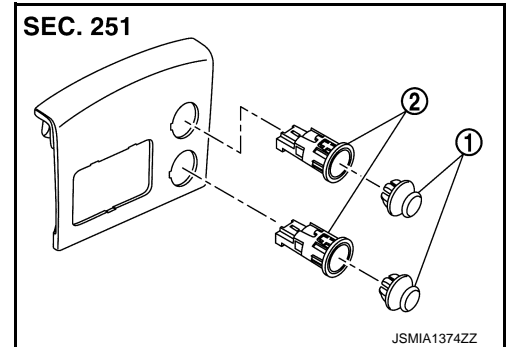
REMOVAL AND INSTALLATION

POWER SOCKET

Exploded View

INFOID:000000009238981

- ① : Cap
- ② : Power socket



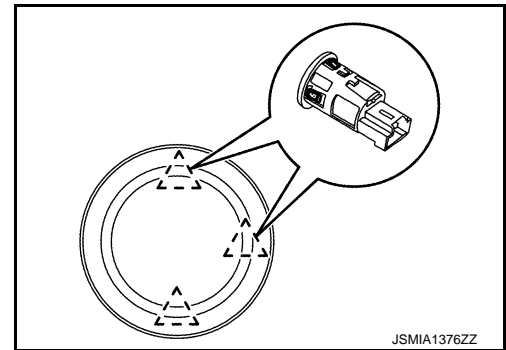
Removal and Installation

INFOID:000000009238982

REMOVAL

1. Remove center console finisher. Refer to [IP-23, "Removal and Installation"](#).
2. Remove cap of power socket.
3. Press the power socket pawl from the back of the center console finisher to remove the power socket.

- △ : Pawl



INSTALLATION

Note the following, and install in the reverse order of removal.
Align the cut outs of power socket and center console finisher.

- Ⓐ : Cut out

