

SECTION **SRC**

SRS AIRBAG CONTROL SYSTEM

A
B
C
D
E
F
G
H
I
J
K
L
M
N
O
P

CONTENTS

PRECAUTION	BASIC INSPECTION	4	36	F
PRECAUTIONS	DIAGNOSIS AND REPAIR WORK FLOW	4	36	G
Precaution for Supplemental Restraint System (SRS) "AIR BAG" and "SEAT BELT PRE-TENSIONER" Service	Work Flow	4 4 4	36	
SYSTEM DESCRIPTION	INSPECTION AND ADJUSTMENT	5	39	
COMPONENT PARTS	ADDITIONAL SERVICE WHEN REPLACING CONTROL UNIT	5	39	SRC
Component Parts Location	ADDITIONAL SERVICE WHEN REPLACING CONTROL UNIT : Description	5	39	I
Front Passenger Air Bag Off Indicator	ADDITIONAL SERVICE WHEN REPLACING CONTROL UNIT : Special Repair Requirement	9	39	
SYSTEM	ZERO POINT RESET	10	39	J
SRS AIR BAG SYSTEM	ZERO POINT RESET : Description	10	39	
SRS AIR BAG SYSTEM : System Description	ZERO POINT RESET : Special Repair Requirement	13	39	K
SRS AIR BAG SYSTEM : Circuit Diagram	DTC/CIRCUIT DIAGNOSIS	13	41	
WARNING/INDICATOR/CHIME LIST	U1000 CAN COMM CIRCUIT	14	41	L
WARNING/INDICATOR/CHIME LIST : Warning Lamp/Indicator Lamp	DTC Description	14	41	
DIAGNOSIS SYSTEM (AIR BAG)	Diagnosis Procedure	15	41	
Description	U1010 CONTROL UNIT (CAN)	15	42	M
On Board Diagnosis Function	DTC Description	15	42	
CONSULT Function	Diagnosis Procedure	20	42	
DIAGNOSIS SYSTEM (OCCUPANT DETECTION SYSTEM)	B0001 DRIVER AIR BAG MODULE	21	43	
CONSULT Function	DTC Description	21	43	
ECU DIAGNOSIS INFORMATION	Diagnosis Procedure	22	43	O
DIAGNOSIS SENSOR UNIT	B0002 DRIVER AIR BAG MODULE	22	46	
DTC Index	DTC Description	22	46	
WIRING DIAGRAM	Diagnosis Procedure	26	46	P
SRS AIR BAG SYSTEM	B0010 PASSENGER AIR BAG MODULE	26	49	
Wiring Diagram	DTC Description	26	49	
	Diagnosis Procedure	26	49	
	B0011 PASSENGER AIR BAG MODULE		51	
	DTC Description		51	

Diagnosis Procedure	51	B1406, B1407, B1408, B1409, B1410 AIR BAG DIAGNOSIS SENSOR UNIT	81
B0020 SIDE AIR BAG MODULE	53	DTC Description	81
DTC Description	53	Diagnosis Procedure	81
Diagnosis Procedure	53	B1411, B1412, B1413, B1414, B1415 AIR BAG DIAGNOSIS SENSOR UNIT	83
B0021 CURTAIN AIR BAG MODULE	55	DTC Description	83
DTC Description	55	Diagnosis Procedure	83
Diagnosis Procedure	55	B1416, B1417, B1418, B1419, B1420 AIR BAG DIAGNOSIS SENSOR UNIT	85
B0028 SIDE AIR BAG MODULE	57	DTC Description	85
DTC Description	57	Diagnosis Procedure	85
Diagnosis Procedure	57	B1421 FRONTAL COLLISION DETECTION ...	87
B0029 CURTAIN AIR BAG MODULE	59	DTC Description	87
DTC Description	59	Diagnosis Procedure	87
Diagnosis Procedure	59	B1422 SIDE COLLISION DETECTION	88
B0091 B-PILLAR SATELLITE SENSOR	61	DTC Description	88
DTC Description	61	Diagnosis Procedure	88
Diagnosis Procedure	62	B1425 REAR COLLISION DETECTION	89
B0092 C-PILLAR SATELLITE SENSOR	63	DTC Description	89
DTC Description	63	Diagnosis Procedure	89
Diagnosis Procedure	64	B142A IGN VOLTAGE	90
B0093 FRONT DOOR SATELLITE SENSOR LH	65	DTC Description	90
DTC Description	65	Diagnosis Procedure	90
Diagnosis Procedure	66	B1430 SEAT BELT PRE-TENSIONER	92
B0094 CRASH ZONE SENSOR	67	DTC Description	92
DTC Description	67	Diagnosis Procedure	93
Diagnosis Procedure	68	B1431 SEAT BELT PRE-TENSIONER	94
B0096 B-PILLAR SATELLITE SENSOR	69	DTC Description	94
DTC Description	69	Diagnosis Procedure	95
Diagnosis Procedure	70	B1432 LAP PRE-TENSIONER	96
B0097 C-PILLAR SATELLITE SENSOR	71	DTC Description	96
DTC Description	71	Diagnosis Procedure	97
Diagnosis Procedure	72	B1433 LAP PRE-TENSIONER	98
B0098 FRONT DOOR SATELLITE SENSOR RH	73	DTC Description	98
DTC Description	73	Diagnosis Procedure	99
Diagnosis Procedure	74	B1436 ACTIVE VENT	100
B00A0 OCCUPANT DETECTION SYSTEM CONTROL UNIT	75	DTC Description	100
DTC Description	75	Diagnosis Procedure	101
Diagnosis Procedure	76	B1500 DOOR SATELLITE SENSOR	102
B00D5 FRONT PASSENGER AIR BAG OFF INDICATOR	77	DTC Description	102
DTC Description	77	Diagnosis Procedure	102
Diagnosis Procedure	78	SYMPTOM DIAGNOSIS	104
B1400, B1401, B1402, B1403, B1404, B1405 AIR BAG DIAGNOSIS SENSOR UNIT	79	SRS AIR BAG WARNING LAMP DOES NOT TURN OFF	104
DTC Description	79	Diagnosis Procedure	104
Diagnosis Procedure	79		

**SRS AIR BAG WARNING LAMP DOES NOT
TURN ON 105**

Diagnosis Procedure 105

A

B

C

D

E

F

G

SRC

I

J

K

L

M

N

O

P

PRECAUTIONS

< PRECAUTION >

PRECAUTION

PRECAUTIONS

Precaution for Supplemental Restraint System (SRS) "AIR BAG" and "SEAT BELT PRE-TENSIONER"

INFOID:000000009237284

The Supplemental Restraint System such as "AIR BAG" and "SEAT BELT PRE-TENSIONER", used along with a front seat belt, helps to reduce the risk or severity of injury to the driver and front passenger for certain types of collision. This system includes seat belt switch inputs and dual stage front air bag modules. The SRS system uses the seat belt switches to determine the front air bag deployment, and may only deploy one front air bag, depending on the severity of a collision and whether the front occupants are belted or unbelted. Information necessary to service the system safely is included in the "SRS AIR BAG" and "SEAT BELT" of this Service Manual.

WARNING:

Always observe the following items for preventing accidental activation.

- **To avoid rendering the SRS inoperative, which could increase the risk of personal injury or death in the event of a collision that would result in air bag inflation, all maintenance must be performed by an authorized NISSAN/INFINITI dealer.**
- **Improper maintenance, including incorrect removal and installation of the SRS, can lead to personal injury caused by unintentional activation of the system. For removal of Spiral Cable and Air Bag Module, see "SRS AIR BAG".**
- **Never use electrical test equipment on any circuit related to the SRS unless instructed to in this Service Manual. SRS wiring harnesses can be identified by yellow and/or orange harnesses or harness connectors.**

PRECAUTIONS WHEN USING POWER TOOLS (AIR OR ELECTRIC) AND HAMMERS

WARNING:

Always observe the following items for preventing accidental activation.

- **When working near the Air Bag Diagnosis Sensor Unit or other Air Bag System sensors with the ignition ON or engine running, never use air or electric power tools or strike near the sensor(s) with a hammer. Heavy vibration could activate the sensor(s) and deploy the air bag(s), possibly causing serious injury.**
- **When using air or electric power tools or hammers, always switch the ignition OFF, disconnect the battery, and wait at least 3 minutes before performing any service.**

Service

INFOID:000000009237285

- Never use electrical test equipment to check SRS circuits unless instructed to in this Service Manual.
- Before servicing the SRS, turn ignition switch OFF, disconnect battery negative terminal and wait 3 minutes or more.
For approximately 3 minutes after the cables are removed, it is still possible for the air bag and seat belt pretensioner to deploy. Therefore, never work on any SRS connectors or wires until at least 3 minutes have passed.
- Diagnosis sensor unit must always be installed with their arrow marks "←" pointing towards the front of the vehicle for proper operation. Also check diagnosis sensor unit for cracks, deformities or rust before installation and replace as required.
- The spiral cable must be aligned with the neutral position since its rotations are limited. Never turn steering wheel and column after removal of steering gear.
- Handle air bag module carefully. Always place driver and front passenger air bag modules with the pad side facing upward and seat mounted front side air bag module standing with the stud bolt side facing down.
- Conduct self-diagnosis to check entire SRS for proper function after replacing any components.
- After air bag inflates, the front instrument panel assembly should be replaced if damaged.
- Always replace instrument panel pad following front passenger air bag deployment.
- Never solder the harness when making repairs. Check that harness is not pinched and that there is no contact with other components.
- Never allow harness to come in contact with oil, grease, waste oil, or water.
- Never insert foreign materials, such as a screwdriver, into the harness connector. (This is to prevent accidental activation caused by static electricity.)
- Always use CONSULT or SRS air bag warning lamp to perform the circuit diagnosis. (Never use an electric tester such as a circuit tester.)

COMPONENT PARTS

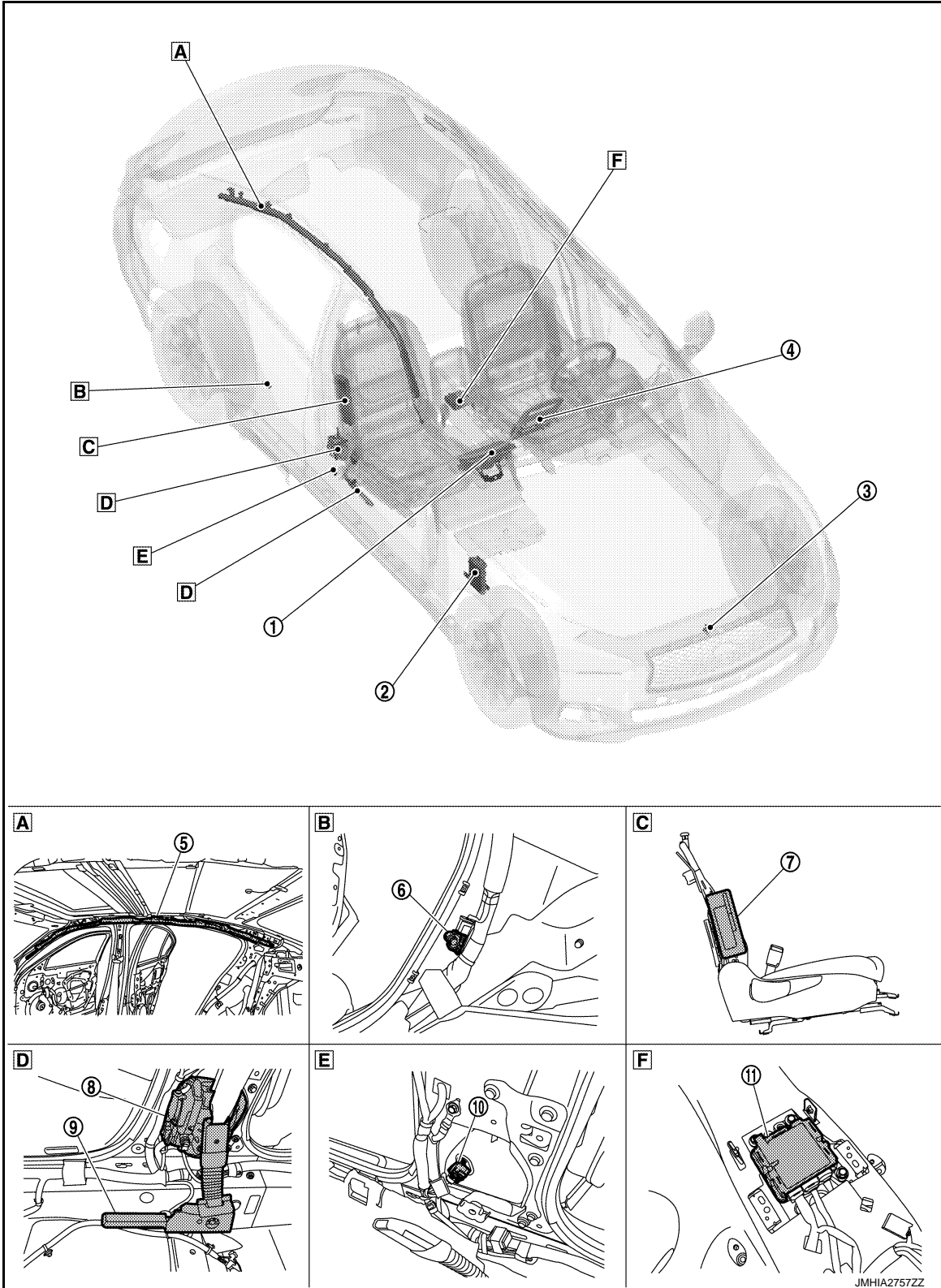
< SYSTEM DESCRIPTION >

SYSTEM DESCRIPTION

COMPONENT PARTS

Component Parts Location

INFOID:000000009667041



A
B
C
D
E
F
G
H
I
J
K
L
M
N
O
P

SRC

COMPONENT PARTS

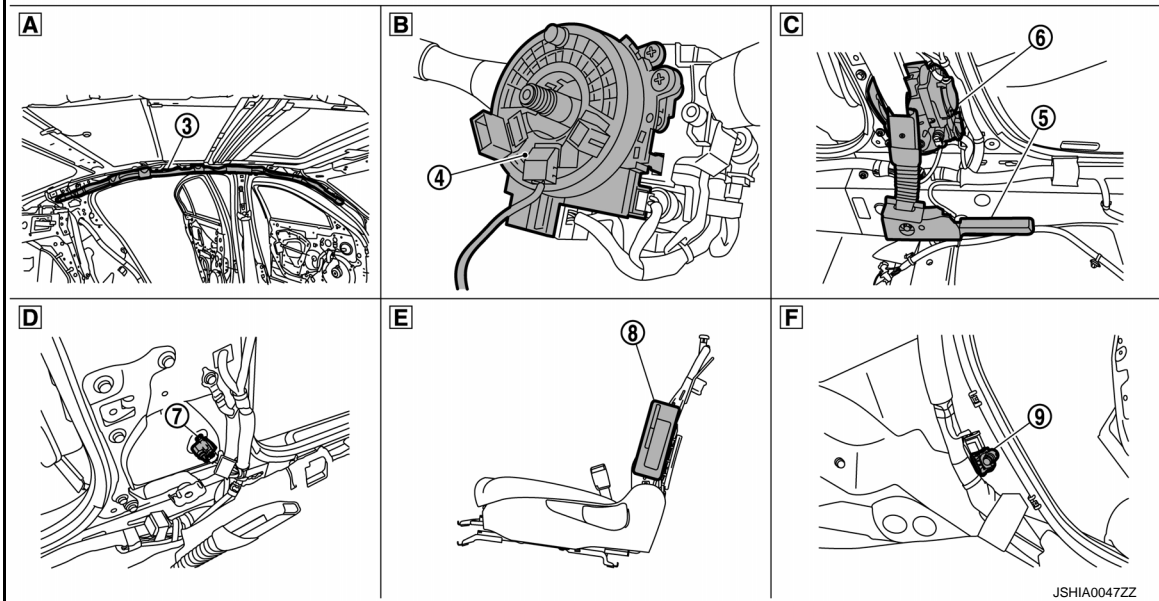
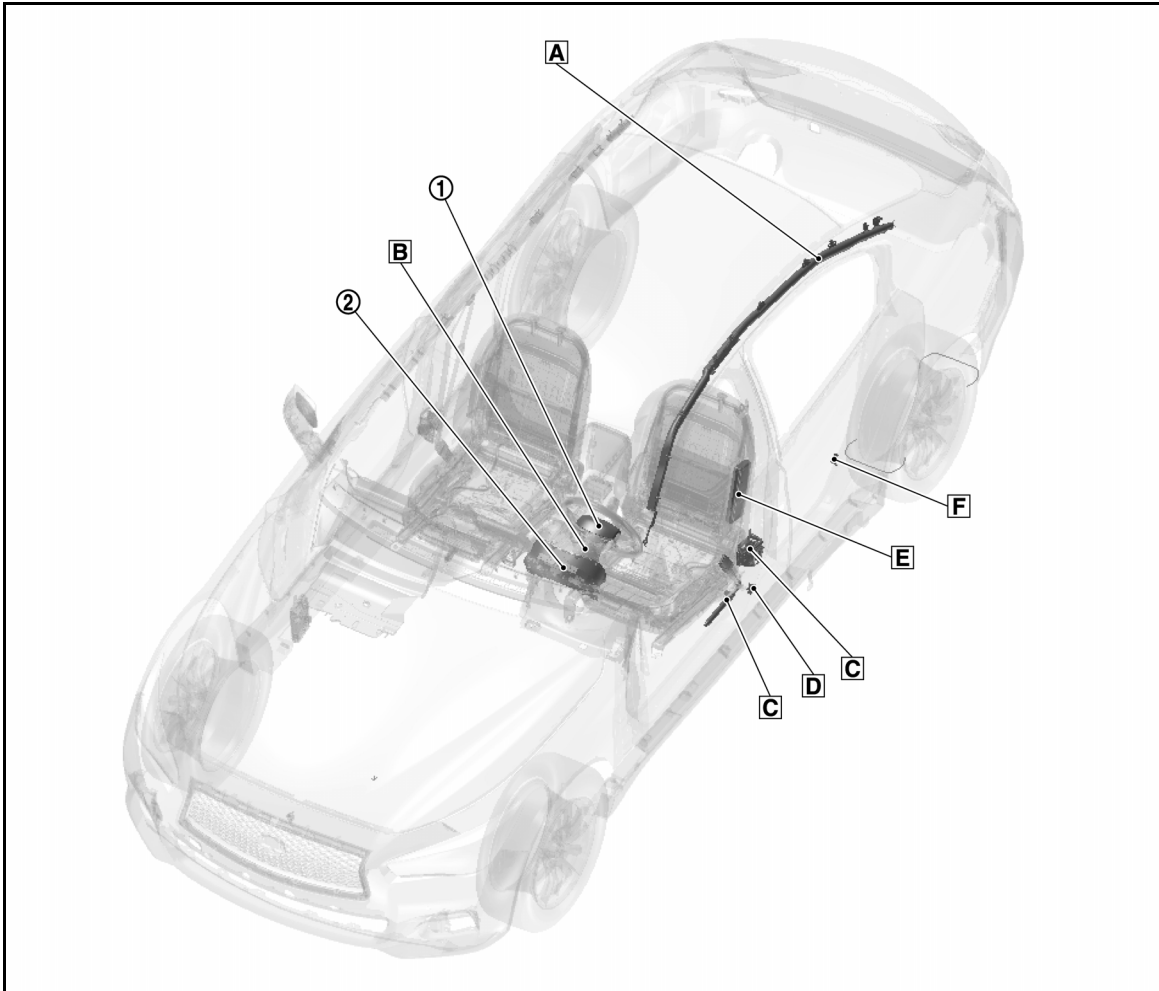
< SYSTEM DESCRIPTION >

- A** View with headlining assembly removed
B Behind rear wheel house garnish
C View with seatback pad removed
D Behind center pillar lower garnish
E View with seat belt pre-tensioner retractor removed
F View with center console assembly removed

No.	Component	Function
①	Passenger air bag module	Refer to SR-4, "AIR BAG MODULE : Passenger air bag module" .
②	BCM	Receive the collision detection signal when air bag diagnosis sensor unit detects collision. Refer to BCS-4, "BODY CONTROL SYSTEM : Component Parts Location" for detailed installation location.
③	Crash zone sensor	Refer to SR-7, "MAIN COMPONENT PARTS AND FUNCTIONS : Crash zone sensor" .
④	Integral switch (Front passenger air bag OFF indicator)	Refer to SRC-9, "Front Passenger Air Bag Off Indicator" .
⑤	Curtain air bag module RH	Refer to SR-5, "AIR BAG MODULE : Curtain air bag module" .
⑥	C-pillar satellite sensor RH	Refer to SR-7, "MAIN COMPONENT PARTS AND FUNCTIONS : Satellite sensor" .
⑦	Side air bag module RH	Refer to SR-5, "AIR BAG MODULE : Side air bag module" .
⑧	Seat belt pre-tensioner RH	Refer to SB-4, "Seat belt pre-tensioner with Load limiter" .
⑨	Lap pre-tensioner RH	Refer to SB-5, "Double pre-tensioner seat belt" .
⑩	B-pillar satellite sensor RH	Refer to SR-7, "MAIN COMPONENT PARTS AND FUNCTIONS : Satellite sensor" .
⑪	Air bag diagnosis sensor unit	Refer to SR-8, "MAIN COMPONENT PARTS AND FUNCTIONS : Air bag diagnosis sensor unit" .

COMPONENT PARTS

< SYSTEM DESCRIPTION >



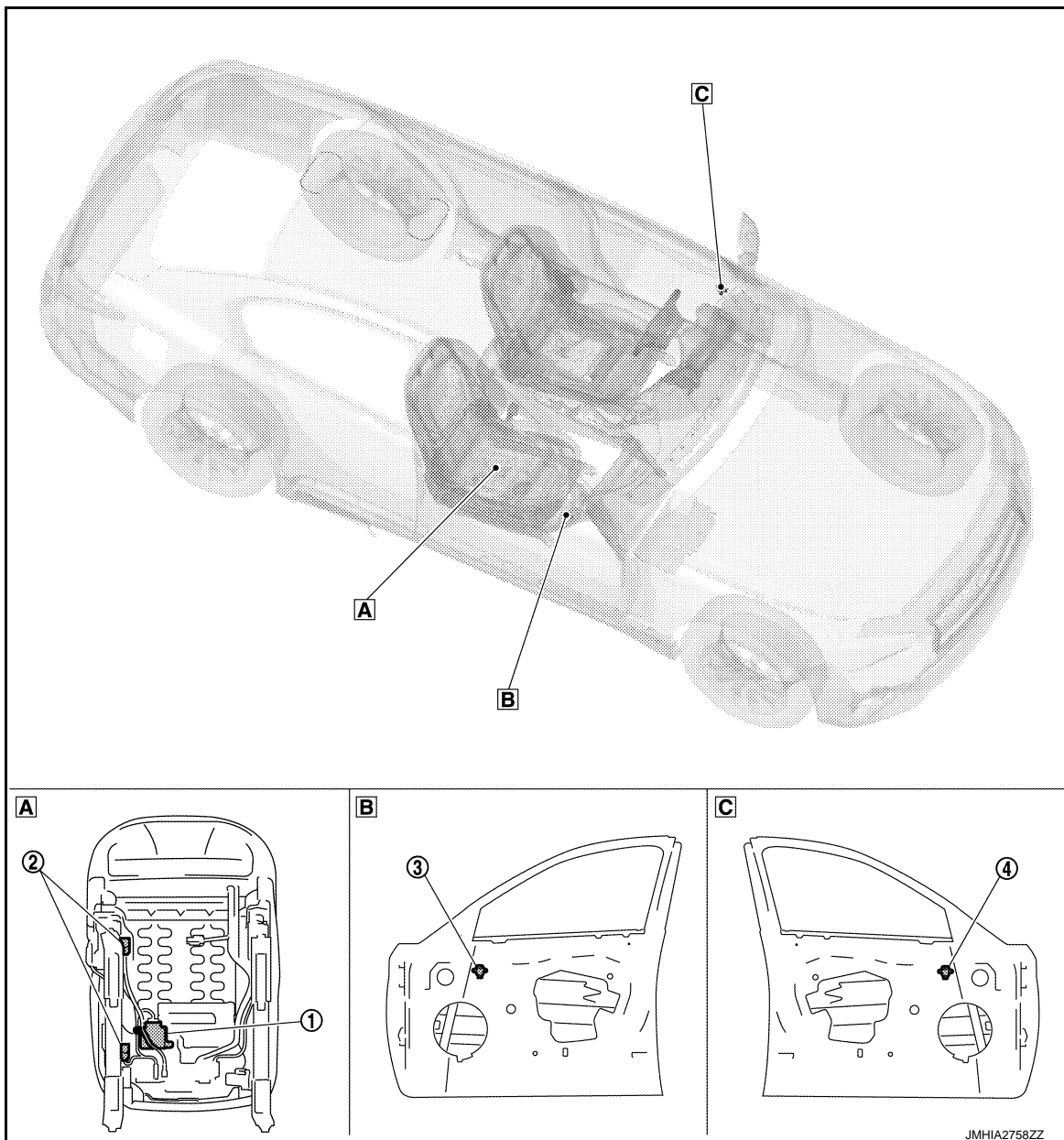
- A** View with headlining assembly removed
- B** View with steering wheel removed
- C** Behind center pillar lower garnish
- D** View with seat belt pre-tensioner retractor removed
- E** View with seatback pad removed
- F** Behind rear wheel house garnish

A
B
C
D
E
F
G
SRC
I
J
K
L
M
N
O
P

COMPONENT PARTS

< SYSTEM DESCRIPTION >

No.	Component	Function
①	Driver air bag module	Refer to SR-4, "AIR BAG MODULE : Driver air bag module" .
②	Combination meter (air bag warning lamp)	Indicates air bag malfunctioning and deployment by blinking and illuminating air bag warning lamp.
③	Curtain air bag module LH	Refer to SR-5, "AIR BAG MODULE : Curtain air bag module" .
④	Spiral cable	Refer to SR-7, "MAIN COMPONENT PARTS AND FUNCTIONS : Spiral cable" .
⑤	Lap pre-tensioner LH	Refer to SB-5, "Double pre-tensioner seat belt" .
⑥	Seat belt pre-tensioner LH	Refer to SB-4, "Seat belt pre-tensioner with Load limiter" .
⑦	B-pillar satellite sensor LH	Refer to SR-7, "MAIN COMPONENT PARTS AND FUNCTIONS : Satellite sensor" .
⑧	Side air bag module LH	Refer to SR-5, "AIR BAG MODULE : Side air bag module" .
⑨	C-pillar satellite sensor LH	Refer to SR-7, "MAIN COMPONENT PARTS AND FUNCTIONS : Satellite sensor" .



JMHIA2758ZZ

COMPONENT PARTS

< SYSTEM DESCRIPTION >

A Backside passenger seat cushion frame

B View with front door finisher RH removed

C View with front door finisher LH removed

No.	Component	Function
①	Occupant detection system control unit	Refer to SR-9, "MAIN COMPONENT PARTS AND FUNCTIONS : Occupant detection system control unit" .
②	Occupant detection system sensor	Refer to SR-9, "MAIN COMPONENT PARTS AND FUNCTIONS : Occupant detection system sensor" .
③	Front door satellite sensor RH	Refer to SR-7, "MAIN COMPONENT PARTS AND FUNCTIONS : Satellite sensor" .
④	Front door satellite sensor LH	Refer to SR-7, "MAIN COMPONENT PARTS AND FUNCTIONS : Satellite sensor" .

Front Passenger Air Bag Off Indicator

INFOID:000000009667042

Front passenger air bag OFF indicator indicates whether or not passenger air bag is in the activation mode based on the judgement of occupant detection system.



A
B
C
D
E
F
G
I
J
K
L
M
N
O
P

SRC

SYSTEM

< SYSTEM DESCRIPTION >

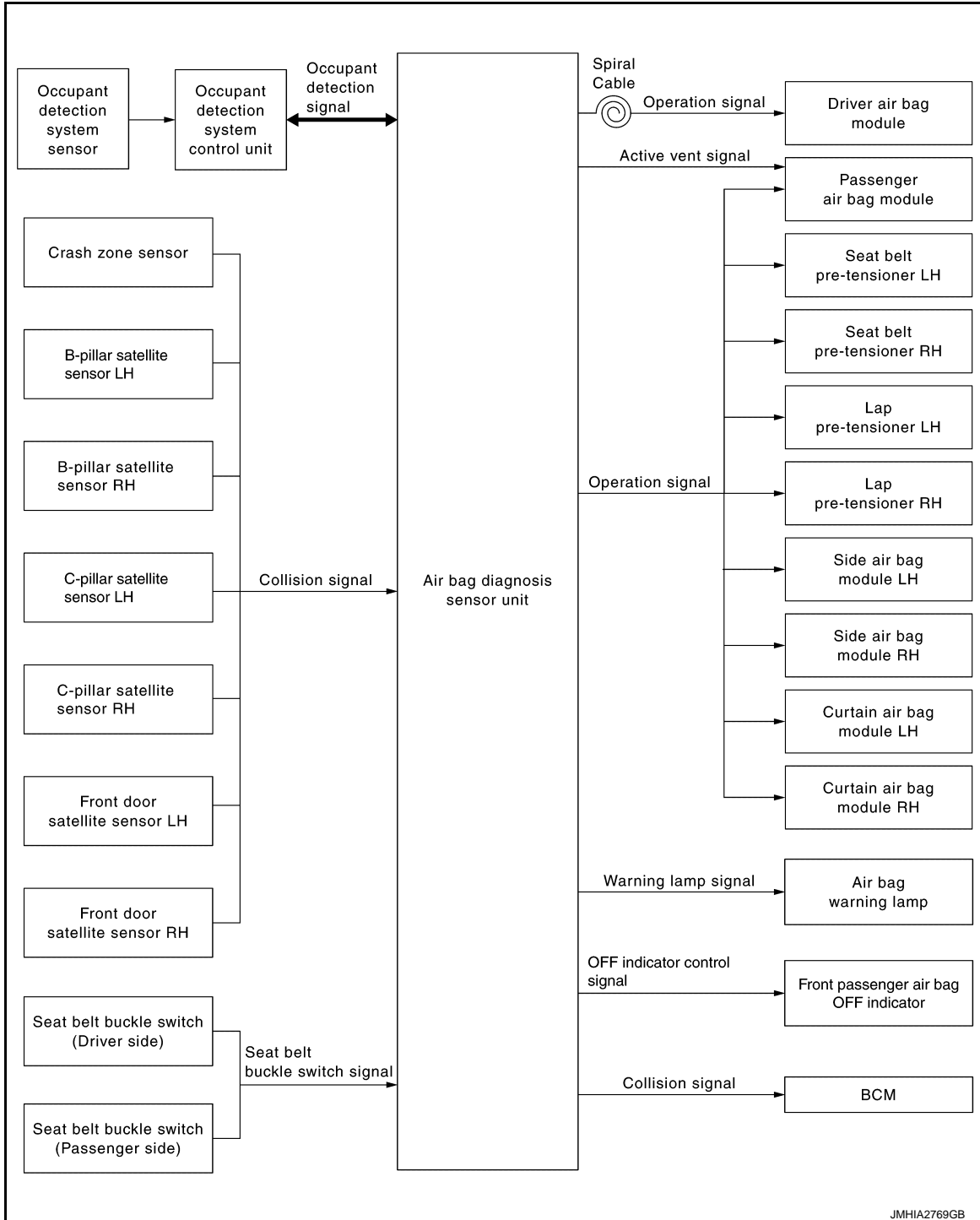
SYSTEM

SRS AIR BAG SYSTEM

SRS AIR BAG SYSTEM : System Description

INFOID:000000009667044

SYSTEM DIAGRAM



NOTE:

For models for Mexico, front door satellite sensors and active vent signal are not applied.

SYSTEM DESCRIPTION

Supplemental Restraint System (SRS) activates air bag module and seat belt pre-tensioner when it detects a frontal collision or a side collision that is more than the specified limit.

Together with other safety devices, it reduces the impact that occupant receives when vehicle collision occurs.

SYSTEM

< SYSTEM DESCRIPTION >

Air bag diagnosis sensor unit supplies power supply to air bag module and pre-tensioner seat belt when deceleration that is more than the specified limit is detected by G sensor in air bag diagnosis sensor unit, crash zone sensor, satellite sensor.

Air bag module is composed of electric igniter (squib), filter, pyrotechnic material, and gas generating material. When air bag module receives a signal from air bag diagnosis sensor unit, air bag module ignites pyrotechnic material using electric igniter (squib) so that gas generating material generates high temperature nitrogen gas. The gas through filter activates air bag. At the same time, pre-tensioner seat belt receives power supply from air bag diagnosis sensor unit, gas generator is activated, and then gas is generated.

Balls in pipe are moved according to generated gas pressure and strike pinion gear on ELR shaft. ELR shaft rotates and retracts seat belt.

AIR BAG DIAGNOSIS SENSOR UNIT FUNCTIONS

Air bag diagnosis sensor unit has the following functions.

- Detects a collision and supplies the energy for deploying air bag and seat belt pre-tensioner.
- Detects and records electrical malfunction in air bag system and seat belt pre-tensioner system, and turns air bag warning lamp ON.
- Detects and records the deployment of air bag and seat belt pre-tensioner, and turns ON air bag warning lamp.
- Indicates malfunctioning portion via the number of blinks from the air bag warning lamp in the diagnosis mode.
- Indicates the malfunction record via CONSULT.
- Transmits collision detection signal to BCM and other ECU when a collision is detected (collision detection output function).

COLLISION MODES

The operation of SRS is different depending on the collision modes applications. For example, the driver air bag module, passenger air bag module, seat belt pre-tensioner and lap pre-tensioner are activated in a frontal collision.

SRS configurations that are activated for the following collision modes.

×: Apply —: Not apply

SRS configuration	Frontal collision	Rear collision	Left side collision	Right side collision
Driver air bag module	×	—	—*1	—*1
Passenger air bag module	×	—	—*1	—*1
Seat belt pre-tensioner LH	×	—*1	×	—*1
Seat belt pre-tensioner RH	×	—*1	—*1	×
Lap pre-tensioner LH	×	—*1	—*1	—*1
Lap pre-tensioner RH	×	—*1	—*1	—*1
Side air bag module LH	—*2	—	×	—*2
Side air bag module RH	—*3	—	—*3	×
Curtain air bag module LH	—*2	—	×	—*2
Curtain air bag module RH	—*3	—	—*3	×
Collision detection output function	×	×	×	×

*1: SRS may be activated when an excessive impact is applied toward the front of the vehicle.

*2: SRS may be activated when an excessive impact is applied toward the left of the vehicle.

*3: SRS may be activated when an excessive impact is applied toward the right of the vehicle.

OCCUPANT DETECTION SYSTEM

This Occupant Detection System has the following functions.

1. Suppress the deployment of front passenger air bag when front passenger seat is empty, or when occupied by child and child-seat. Turns ON front passenger air bag OFF indicator when front passenger seat is occupied by child-seat and child.
2. Indicates malfunction portion with blinking times of air bag warning lamp in diagnosis mode.
3. Indicates the malfunctioning record by CONSULT.

SYSTEM

< SYSTEM DESCRIPTION >

4. When “zero point reset” for occupant detection system is incomplete, CONSULT indicates that “zero point reset” is incomplete.
This function is applied to NISSAN genuine parts only.

NOTE:

- Operation of air bag diagnosis sensor unit when air bag diagnosis sensor unit receives information from Occupant Detection System.
- Even if zero point reset is “complete”, always perform zero point reset after the removal and installation of seat or the removal of control unit harness connector.

Status (front passenger seat)	Passenger air bag	Front passenger air bag OFF indicator	Air bag warning lamp
Empty	Suppress	OFF	OFF
An object	Suppress	ON	OFF
Child/ child-seat	Suppress	ON	OFF
Adult	Enable to deploy	OFF	OFF
Malfunction	Suppress	ON	ON
Zero point reset Not yet performed (NISSAN genuine parts only)	Suppress	ON	ON

Active Vent Function

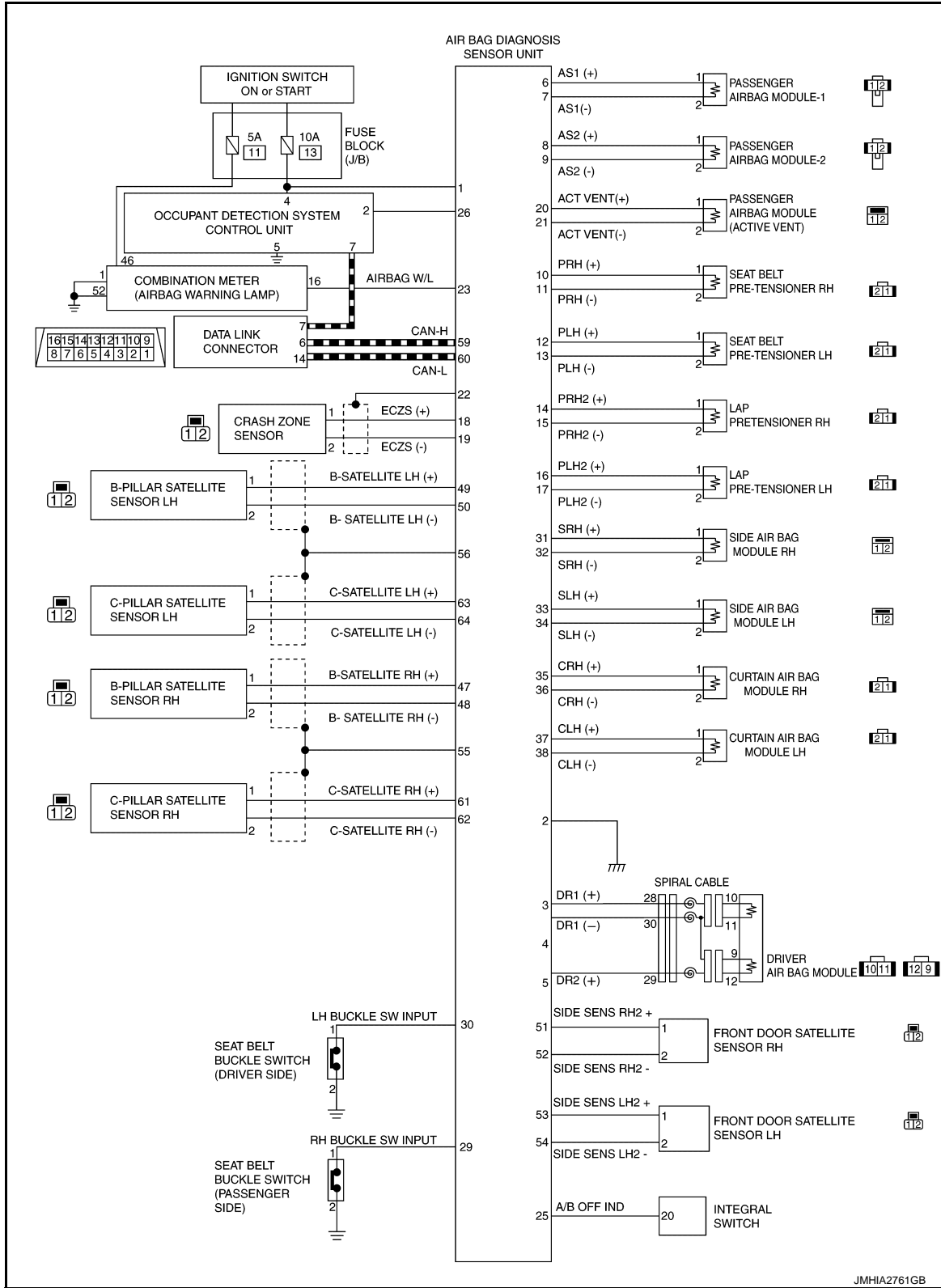
Air bag diagnosis sensor module opens vent of passenger side air bag module by passenger side occupant detecting condition if necessary. The pressure of the developed air bag falls, and the passenger side occupant is take care of appropriately.

SYSTEM

< SYSTEM DESCRIPTION >

SRS AIR BAG SYSTEM : Circuit Diagram

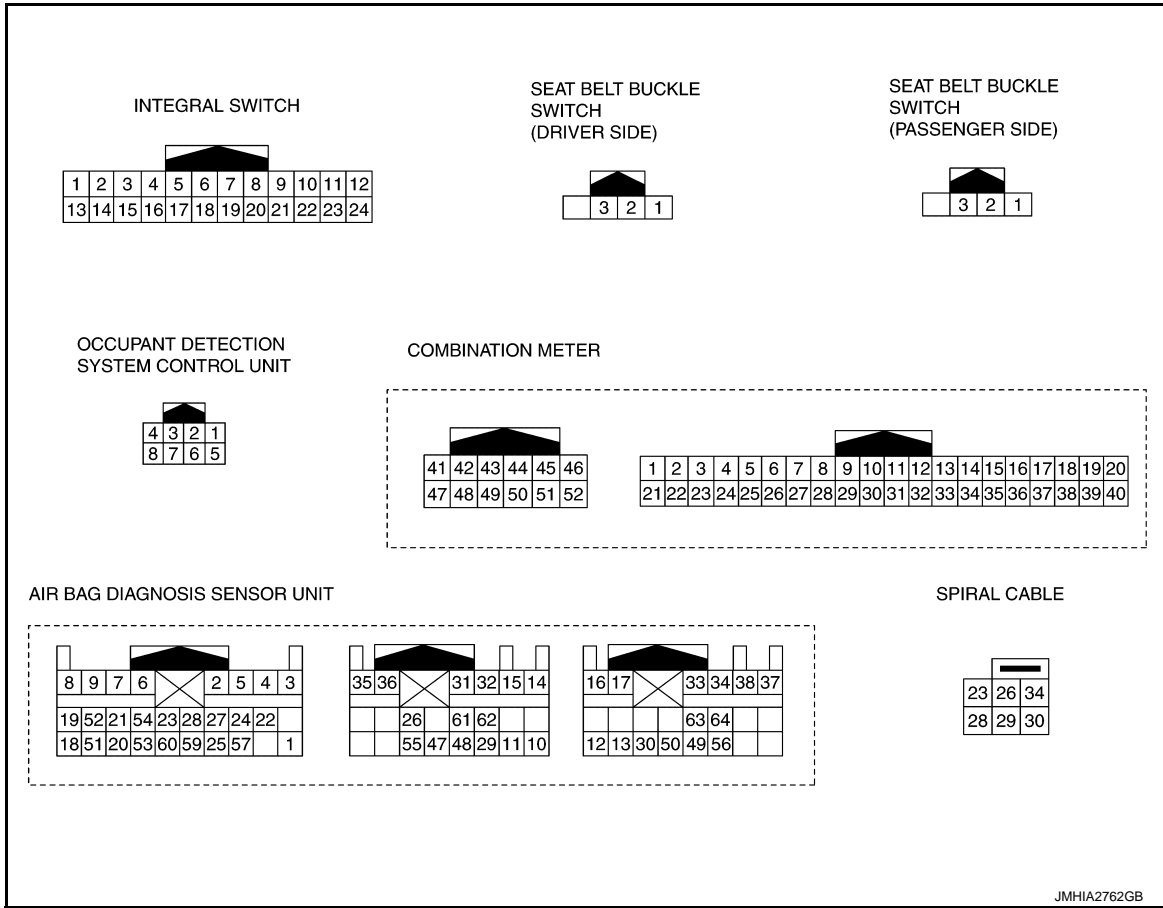
INFOID:000000009667045



A
B
C
D
E
F
G
SRC
I
J
K
L
M
N
O
P

SYSTEM

< SYSTEM DESCRIPTION >



WARNING/INDICATOR/CHIME LIST

WARNING/INDICATOR/CHIME LIST : Warning Lamp/Indicator Lamp

INFOID:000000009667046

Item	Design	Reference
SRS air bag warning lamp		For layout, refer to MWI-8. "METER SYSTEM : Design" .
		For function, refer to MWI-43. "WARNING LAMPS/INDICATOR LAMPS : SRS Air Bag Warning Lamp" .

DIAGNOSIS SYSTEM (AIR BAG)

< SYSTEM DESCRIPTION >

DIAGNOSIS SYSTEM (AIR BAG)

Description

INFOID:000000009667047

CAUTION:

- **Never use electrical test equipment on any circuit related to the SRS unless instructed in this Service Manual. SRS wiring harnesses can be identified by yellow and/or orange harnesses or harness connectors.**
- **Never repair, splice or modify the SRS wiring harness. If the harness is damaged, replace it with a new one.**
- **Keep ground portion clean.**

DIAGNOSIS FUNCTION

- The SRS self-diagnostic results can be read with air bag warning lamp and/or CONSULT.
- The user mode is exclusively prepared for the customer (driver). This mode warns the driver of a system malfunction through the operation of the air bag warning lamp.
- The diagnosis mode allows the technician to locate and inspect the malfunctioning part.

On Board Diagnosis Function

INFOID:000000009667048

ON-BOARD DIAGNOSIS

There are two self diagnosis functions with air bag warning lamp as per the following items.

- USER MODE
- DIAGNOSIS MODE

METHOD OF STARTING

- User mode is a mode for ordinary use. When a malfunction of SRS air bag is detected, SRS air bag warning lamp turns ON to warn the user.
- Diagnosis mode enables malfunctioning system to be checked according to the number of blinks.
- User mode or Diagnosis mode changes from diagnosis mode when changing operation is performed.
- In user mode, when SRS air bag warning lamp is not illuminating, changing to diagnosis mode by ignition switch operation is not possible.
- In diagnosis mode, SRS air bag warning lamp may turn ON after ignition switch operation more than 7 seconds, but it is possible to change the status from diagnosis mode to user mode by ignition switch operation after 7 seconds.
- When multiple systems malfunction is detected, all of the malfunctions are displayed in Diagnosis mode.

Procedure to Change Diagnosis Mode

1. Turn ignition switch from OFF to ON.
2. SRS air bag lamp turns ON for 7 seconds, then turn ignition switch OFF within 2 seconds after the lamp turns OFF.
3. After turning ignition switch OFF, wait for 3 seconds or more.
4. Repeat operation 1 to 3 for 2 times so that operation 1 to 3 is repeated for 3 times in total.
5. Turn ignition switch from OFF to ON. Diagnosis mode changes.

CAUTION:

In Diagnosis mode, if the system is normal and “PAST” of “Self Diagnostic Result” is indicated, always perform “ERASE” of “Self Diagnostic Result” using CONSULT.

USER MODE

In USER MODE, air bag warning lamp on combination meter turning ON when a malfunction is detected and warns the customer (driver).

How to Read Air Bag Warning Lamp

1. Turn the ignition switch from OFF to ON, and check that the air bag warning lamp turns ON.
2. Compare the air bag warning lamp operation pattern with the examples.

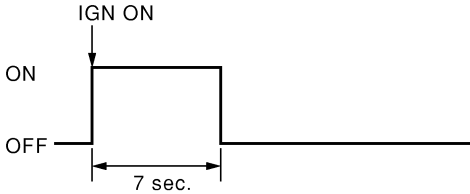
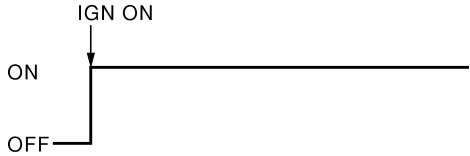

Air Bag Warning Lamp Examples

A
B
C
D
E
F
G
I
J
K
L
M
N
O
P

SRC

DIAGNOSIS SYSTEM (AIR BAG)

< SYSTEM DESCRIPTION >

Air bag warning lamp operation (user mode)	SRS condition	Reference item
 <p style="text-align: right;">SHIA0011E</p>	<ul style="list-style-type: none"> No malfunction is detected No further action is necessary 	<p>Change to Diagnosis mode is not possible when the system is normal.</p>
 <p style="text-align: right;">SHIA0013E</p>	<p>The system is malfunctioning</p> <ul style="list-style-type: none"> Air bag is deployed Seat belt pre-tensioner is deployed Air bag diagnosis sensor unit is malfunctioning Air bag power supply circuit is malfunctioning Air bag warning lamp circuit is malfunctioning Combination meter is malfunctioning <p>Battery voltage is low (less than 9 V) or high battery voltage (more than 16 V)</p>	<p>Refer to SRC-20, "CONSULT Function" or "Diagnosis mode"</p> <p>Refer to SRC-87, "Diagnosis Procedure" or SRC-88, "Diagnosis Procedure"</p> <p>Refer to SRC-104, "Diagnosis Procedure"</p> <p>Refer to "BATTERY LOW VOLTAGE DETECTION" or "BATTERY HIGH VOLTAGE DETECTION"</p>
 <p style="text-align: right;">SHIA0014E</p>	<ul style="list-style-type: none"> Air bag diagnosis sensor unit is malfunctioning Air bag warning lamp circuit is malfunctioning 	<p>Refer to SRC-105, "Diagnosis Procedure"</p>

Occurrence Of Intermittent Malfunction

Air bag warning lamp turns ON in user mode when an intermittent malfunction occurs. Air bag warning lamp turns OFF when system returns to normal status.

Battery Low Voltage Detection

Air bag diagnosis sensor unit warns the driver by turning air bag warning lamp ON when air bag diagnosis sensor unit detects battery low voltage. Air bag warning lamp turns ON when a voltage value at which air bag diagnosis sensor unit cannot operate normally (9 V or less) is detected. After starting to turn ON, air bag warning lamp turns OFF when air bag diagnosis sensor unit detects the normal value of battery voltage.

The mode cannot be switched to diagnosis mode by ignition switch while air bag warning lamp turns ON due to this cause.

Battery High Voltage Detection

Air bag diagnosis sensor unit warns the driver by turning air bag warning lamp ON when air bag diagnosis sensor unit detects battery high voltage. Air bag warning lamp turns ON when a voltage value at which air bag diagnosis sensor unit cannot operate normally (16 V or more) is detected. After starting to turn ON, air bag warning lamp turns OFF when air bag diagnosis sensor unit detects the normal value of battery voltage.

The mode cannot be switched to diagnosis mode by ignition switch while air bag warning lamp turns ON due to this cause.

DIAGNOSIS SYSTEM (AIR BAG)

< SYSTEM DESCRIPTION >

DIAGNOSIS MODE

The diagnosis mode can only be switched when a malfunction is detected in the user mode. Malfunctioning system is indicated according to blinking pattern of air bag warning lamp.

How to Read Air Bag Warning Lamp

1. Follow the procedures of "PROCEDURE TO CHANGE DIAGNOSIS MODE", and switch to the diagnosis mode.
2. Turn ignition switch ON. Check the blinking pattern of air bag warning lamp.
There are 4 blinking patterns for the air bag warning lamp as per the following items.
 - Air bag control unit system: 3 seconds blink followed by a 0.5 seconds blink repeated.
 - Sensor system: Two 3 seconds blinks followed by a 0.5 seconds blink repeated.
 - Front air bag system: Two 1.5 seconds blinks followed by a 0.5 seconds blink repeated.
 - Side air bag system: Three 1.5 seconds blinks followed by a 0.5 seconds blink repeated.

Air bag control unit system

Number of 0.5 seconds blinks	Malfunctioning items
1	Collision detection
2	Air bag diagnosis sensor unit
3	Front passenger air bag OFF indicator
4	Occupant detection system control unit

Sensor system

Number of 0.5 seconds blinks	Malfunctioning items
1	Crash zone sensor
2	B-pillar satellite sensor LH
3	B-pillar satellite sensor RH
4	C-pillar satellite sensor LH
5	C-pillar satellite sensor RH
6	Front door satellite sensor LH or RH
7	Front door satellite sensor RH

Front air bag system

Number of 0.5 seconds blinks	Malfunctioning items
1	Driver air bag module
2	Passenger air bag module
3	Seat belt pre-tensioner LH
4	Seat belt pre-tensioner RH
5	Lap pre-tensioner LH
6	Lap pre-tensioner RH
13	Active vent

Side air bag system

Number of 0.5-seconds blinks	Malfunctioning items
1	Side air bag module LH
2	Side air bag module RH
3	Curtain air bag module LH
4	Curtain air bag module RH

How to Erase Self-diagnostic Result

After completing the indicated repair, check the system condition in Diagnosis mode and perform "ERASE" of "Self Diagnostic Result" using CONSULT.

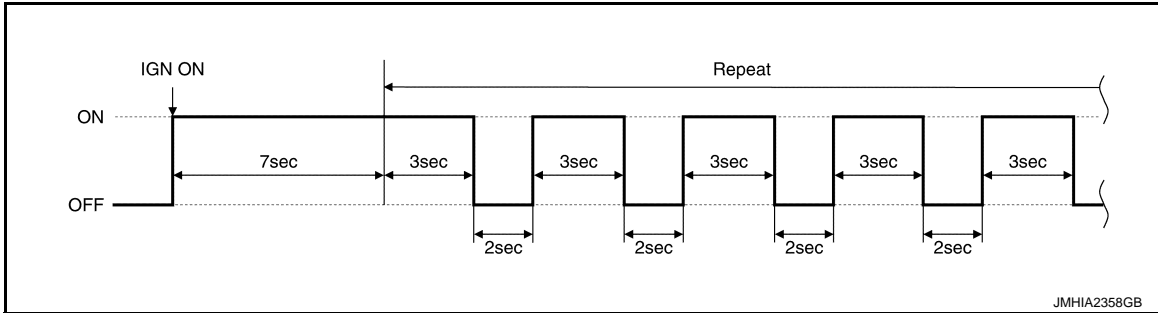
EXAMPLE OF AIR BAG WARNING LAMP OPERATION IN THE DIAGNOSIS MODE

System Normal

DIAGNOSIS SYSTEM (AIR BAG)

< SYSTEM DESCRIPTION >

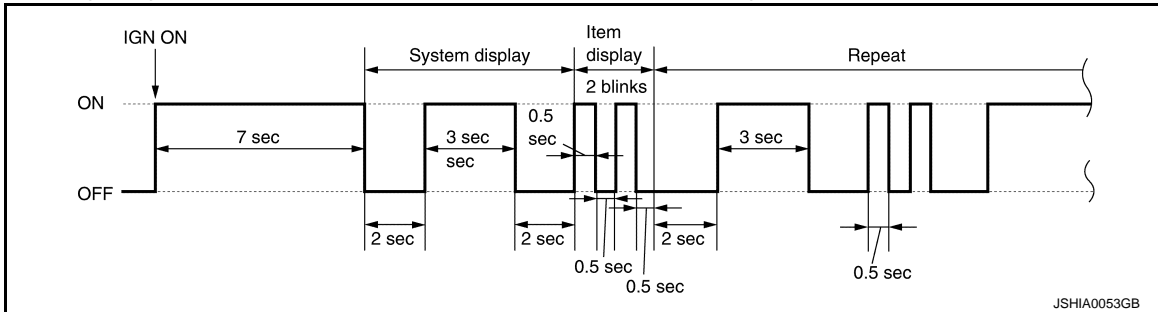
When the system is normal and "PAST" displayed in "Self Diagnostic Result".



Single System Malfunction

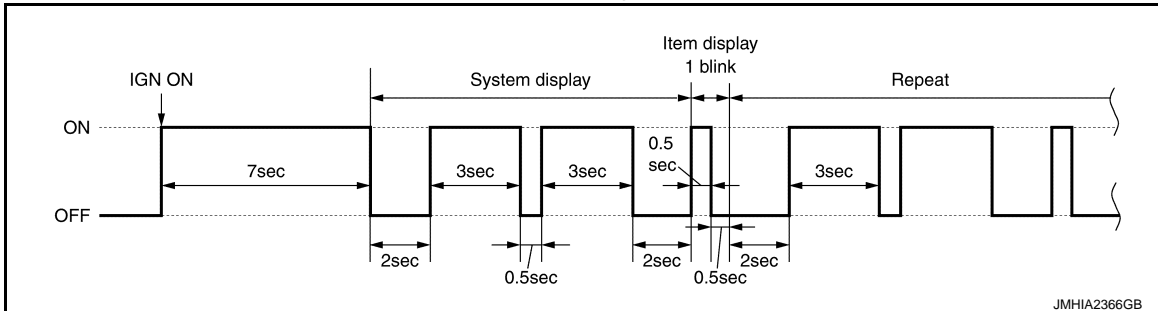
- Air bag control unit system

When air bag diagnosis sensor unit (Item display) is malfunctioning.



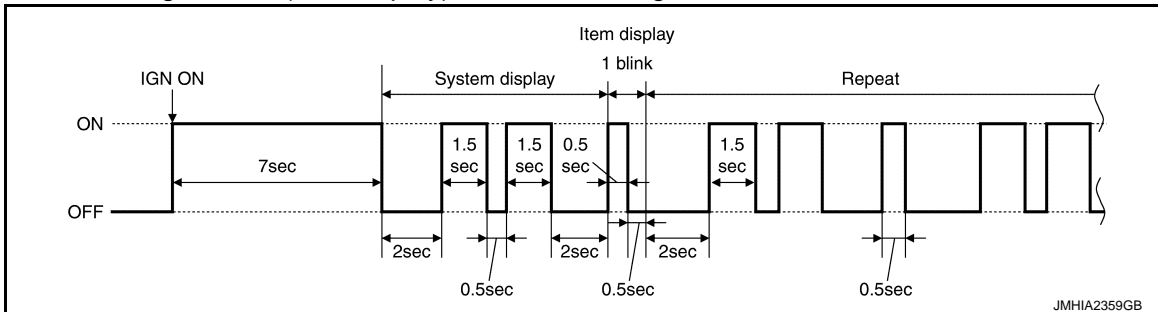
- Sensor system

When crash zone sensor (Item display) is malfunctioning.



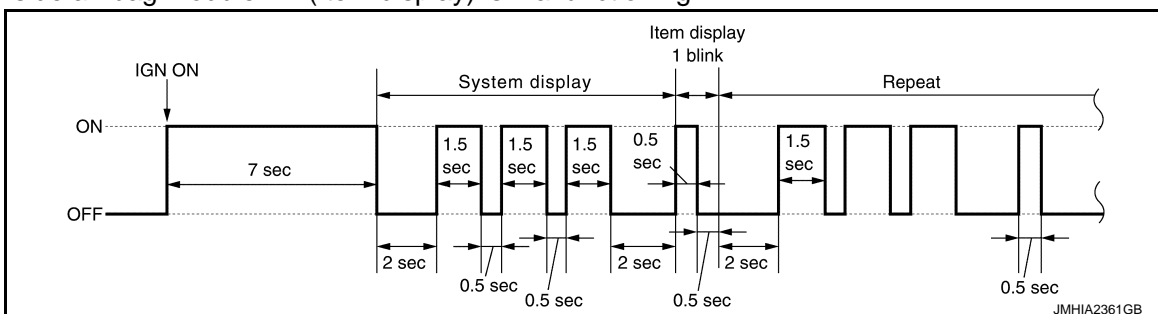
- Front air bag system

When driver air bag module (Item display) is malfunctioning.



- Side air bag system

When side air bag module LH (Item display) is malfunctioning.

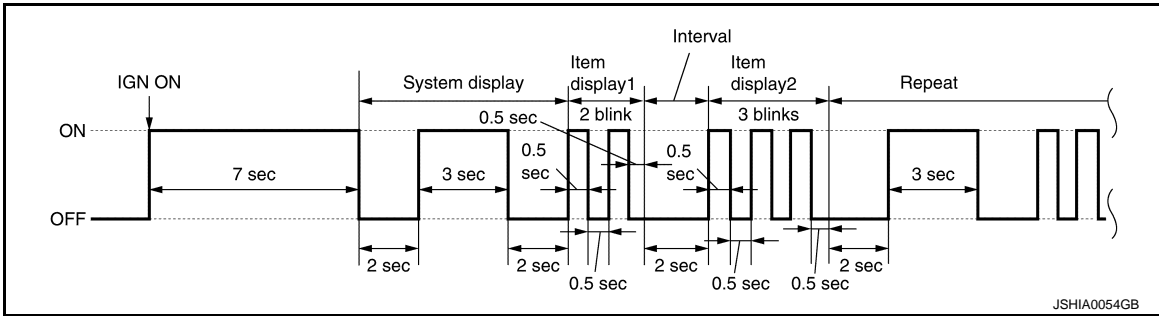


DIAGNOSIS SYSTEM (AIR BAG)

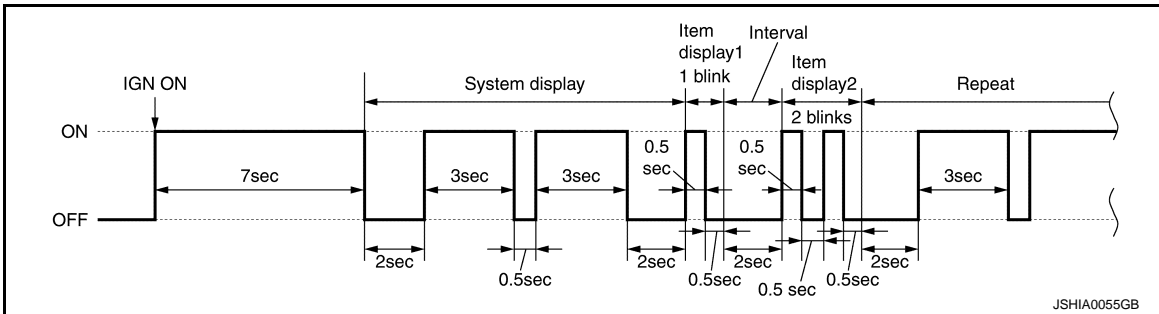
< SYSTEM DESCRIPTION >

Multiple Systems Malfunction

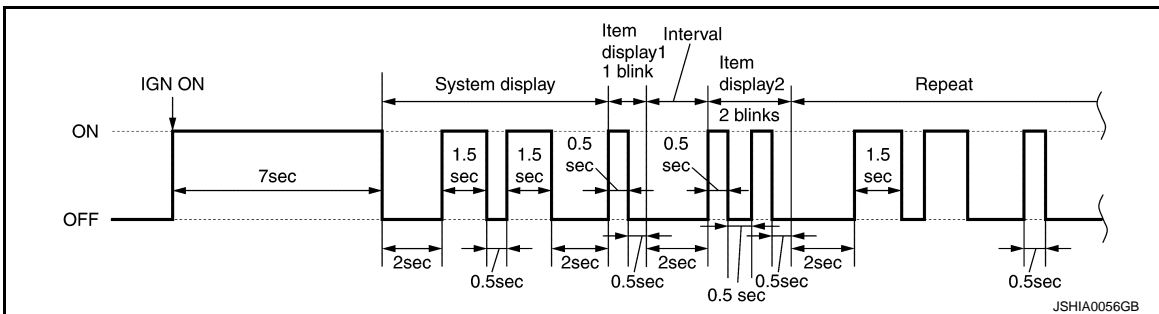
- Air bag control unit system
When collision detection (Item display 1) and air bag diagnosis sensor unit (Item display 2) are malfunctioning.



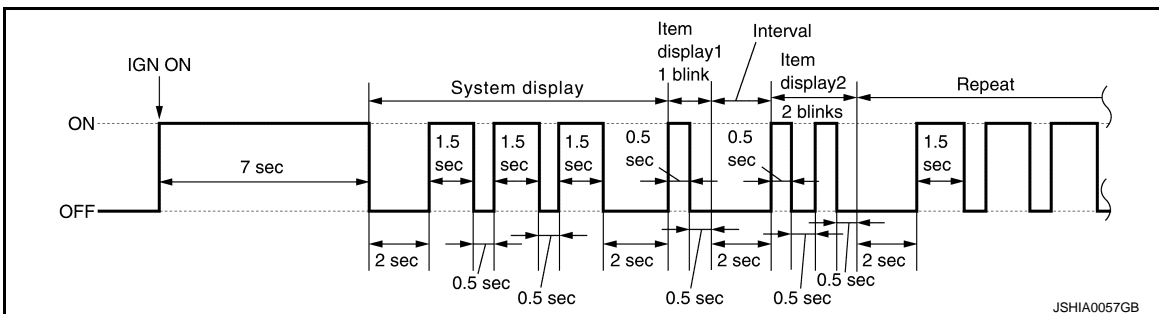
- Sensor system
When crash zone sensor (Item display 1) and B-pillar satellite sensor LH (Item display 2) are malfunctioning.



- Front air bag system
When driver air bag module (Item display 1) and passenger air bag module (Item display 2) are malfunctioning.



- Side air bag system
When side air bag module LH (Item display 1) and side air bag module RH (Item display 2) are malfunctioning.



- Sensor system and front air bag system

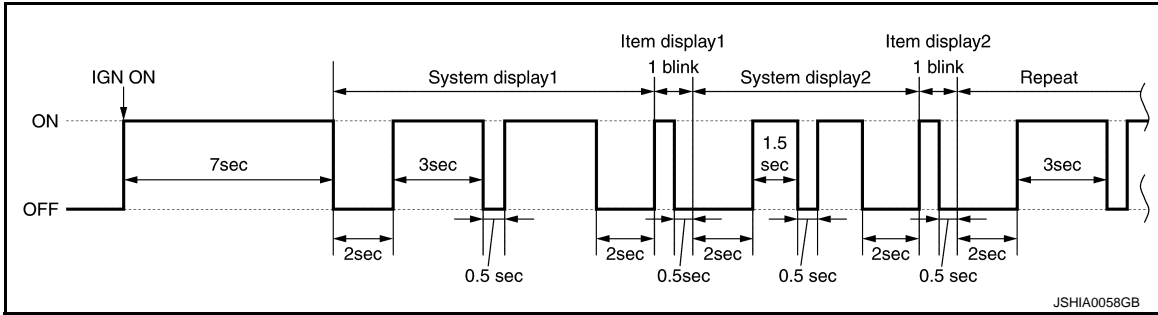
A
B
C
D
E
F
G
H
I
J
K
L
M
N
O
P

SRC

DIAGNOSIS SYSTEM (AIR BAG)

< SYSTEM DESCRIPTION >

When crash zone sensor system (Item display 1) and driver air bag module (Item display 2) are malfunctioning.



CONSULT Function

INFOID:000000009667049

APPLICATION ITEM

CONSULT performs the following functions.

Diagnosis mode	Description
Self Diagnostic Result	<ul style="list-style-type: none"> Self-diagnosis result is displayed. "No DTC" is displayed when repair is completed by part replacement or other operations. "SELF-DIAG RESULT [MEMORY]" is displayed until "Erase" performed.
Data Monitor	This item is displayed, but do not use.
ECU Identification	Air bag diagnosis sensor unit ECU discriminated number (identification number) or part number is displayed. Air bag diagnosis sensor unit has individual ECU discriminated number (identification number) or part number based on model and equipment.
TROUBLE DIAG RECORD	With TROUBLE DIAG RECORD, diagnosis results previously erased by a reset operation can be displayed on CONSULT screen.

SELF-DIAG RESULT

Refer to [SRC-22, "DTC Index"](#).

DIAGNOSIS SYSTEM (OCCUPANT DETECTION SYSTEM)

< SYSTEM DESCRIPTION >

DIAGNOSIS SYSTEM (OCCUPANT DETECTION SYSTEM)

CONSULT Function

INFOID:000000009672873

ZERO POINT RESET DESCRIPTION

This vehicle adopts occupant detection system with a weight detecting method. When replacing, or removing and installing passenger seat, always perform "zero point reset" so that the vehicle recognizes zero point. If zero point reset is incomplete, occupant detection seat sensor does not operate normally.

WORK SUPPORT

Monitor item	Description
Zero point reset function	Perform zero point reset. Refer to SRC-39, "ZERO POINT RESET : Special Repair Requirement" .

A
B
C
D
E
F
G
I
J
K
L
M
N
O
P

SRC

DIAGNOSIS SENSOR UNIT

< ECU DIAGNOSIS INFORMATION >

ECU DIAGNOSIS INFORMATION

DIAGNOSIS SENSOR UNIT

DTC Index

INFOID:000000009667050

DTC	Diagnostic item		Number of times of warning lamp blinking in diagnosis mode		Reference page
			System display	Item display	
U1000	CAN COMM CIRCUIT	—	—	—	SRC-41, "DTC Description"
U1010	CONTROL UNIT (CAN)	—	—	—	SRC-42, "DTC Description"
B0001	DRIVER AIRBAG MODULE	[OPEN]	Front air bag system	1	SRC-43, "DTC Description"
		[VB-SHORT]			
		[GND-SHORT]			
		[SHORT]			
B0002	DRIVER AIRBAG MODULE 2	[OPEN]	Front air bag system	1	SRC-46, "DTC Description"
		[VB-SHORT]			
		[GND-SHORT]			
		[SHORT]			
B0010	ASSIST A/B MODULE	[OPEN]	Front air bag system	2	SRC-49, "DTC Description"
		[VB-SHORT]			
		[GND-SHORT]			
		[SHORT]			
B0011	ASSIST A/B MODULE 2	[OPEN]	Front air bag system	2	SRC-51, "DTC Description"
		[VB-SHORT]			
		[GND-SHORT]			
		[SHORT]			
B0020	SIDE A/B MODULE LH	[OPEN]	Side air bag system	1	SRC-53, "DTC Description"
		[VB-SHORT]			
		[GND-SHORT]			
		[SHORT]			
B0021	CURTAIN A/B MODULE LH	[OPEN]	Side air bag system	3	SRC-55, "DTC Description"
		[VB-SHORT]			
		[GND-SHORT]			
		[SHORT]			
B0028	SIDE A/B MODULE RH	[OPEN]	Side air bag system	2	SRC-57, "DTC Description"
		[VB-SHORT]			
		[GND-SHORT]			
		[SHORT]			
B0029	CURTAIN A/B MODULE RH	[OPEN]	Side air bag system	4	SRC-59, "DTC Description"
		[VB-SHORT]			
		[GND-SHORT]			
		[SHORT]			

DIAGNOSIS SENSOR UNIT

< ECU DIAGNOSIS INFORMATION >

DTC	Diagnostic item		Number of times of warning lamp blinking in diagnosis mode		Reference page
			System display	Item display	
B0091	B-PILLAR SAT SEN LH	[RESET]	Sensor system	2	SRC-61. "DTC Description"
		[COMM ERR]			
		[OPEN]			
		[UNMATCH]			
		[OFFSET ERR]			
		[SELF-DIAG ERR]			
		[LOWER LIMIT ERR]			
		[UPPER LIMIT ERR]			
[GND-SHORT]					
B0092	C-PILLAR SAT SEN LH	[RESET]	Sensor system	4	SRC-63. "DTC Description"
		[COMM ERR]			
		[OPEN]			
		[UNMATCH]			
		[OFFSET ERR]			
		[SELF-DIAG ERR]			
		[LOWER LIMIT ERR]			
		[UPPER LIMIT ERR]			
[GND-SHORT]					
B0093	DOOR SATEL SENS LH	[RESET]	Sensor system	6	SRC-65. "DTC Description"
		[COMM ERR]			
		[OPEN]			
		[UNMATCH]			
		[OFFSET ERR]			
		[SELF-DIAG ERR]			
		[LOWER LIMIT ERR]			
		[UPPER LIMIT ERR]			
[GND-SHORT]					
B0094	CRASH ZONE SENS	[RESET]	Sensor system	1	SRC-67. "DTC Description"
		[COMM ERR]			
		[OPEN]			
		[UNMATCH]			
		[OFFSET ERR]			
		[SELF-DIAG ERR]			
		[LOWER LIMIT ERR]			
		[UPPER LIMIT ERR]			
[GND-SHORT]					

A
B
C
D
E
F
G
I
J
K
L
M
N
O
P

SRC

DIAGNOSIS SENSOR UNIT

< ECU DIAGNOSIS INFORMATION >

DTC	Diagnostic item		Number of times of warning lamp blinking in diagnosis mode		Reference page
			System display	Item display	
B0096	B-PILLAR SAT SEN RH	[RESET]	Sensor system	3	SRC-69, "DTC Description"
		[COMM ERR]			
		[OPEN]			
		[UNMATCH]			
		[OFFSET ERR]			
		[SELF-DIAG ERR]			
		[LOWER LIMIT ERR]			
		[UPPER LIMIT ERR]			
		[GND-SHORT]			
B0097	C-PILLAR SAT SEN RH	[RESET]	Sensor system	5	SRC-71, "DTC Description"
		[COMM ERR]			
		[OPEN]			
		[UNMATCH]			
		[OFFSET ERR]			
		[SELF-DIAG ERR]			
		[LOWER LIMIT ERR]			
		[UPPER LIMIT ERR]			
		[GND-SHORT]			
B0098	DOOR SATEL SENS RH	[RESET]	Sensor system	7	SRC-73, "DTC Description"
		[COMM ERR]			
		[OPEN]			
		[UNMATCH]			
		[OFFSET ERR]			
		[SELF-DIAG ERR]			
		[LOWER LIMIT ERR]			
		[UPPER LIMIT ERR]			
		[GND-SHORT]			
B00A0	OCCUPANT SENS	[ABNOMAL VOLT-AGE]	Air bag control unit system	4	SRC-75, "DTC Description"
		[UNIT MALFUNC]			
	OCCUPANT SENS C/U	[UNIT MALFUNC]			
		[RESET]			
		[COMM ERR]			
		[UNDEFINED]			
B00D5	PASS A/B INDCTR CKT	[UNIT MALFUNC]	Air bag control unit system	3	SRC-77, "DTC Description"
		[PWR-SHORT/OPEN]			
		[OPEN]			
		[VB-SHORT]			
		[GND-SHORT]			
B1400-B1405	CONTROL UNIT	[UNIT MALFUNC]	Air bag control unit system	2	SRC-79, "DTC Description"
B1406-B1410	CONTROL UNIT	[UNIT MALFUNC]	Air bag control unit system	2	SRC-81, "DTC Description"

DIAGNOSIS SENSOR UNIT

< ECU DIAGNOSIS INFORMATION >

DTC	Diagnostic item		Number of times of warning lamp blinking in diagnosis mode		Reference page
			System display	Item display	
B1411-B1415	CONTROL UNIT	[UNIT MALFUNC]	Air bag control unit system	2	SRC-83. "DTC Description"
B1416-B1420	CONTROL UNIT	[UNIT MALFUNC]	Air bag control unit system	2	SRC-85. "DTC Description"
B1421	FRONTAL COLLISION	—	Air bag control unit system	1	SRC-87. "DTC Description"
B1422	SIDE COLLISION	—	Air bag control unit system	1	SRC-88. "DTC Description"
B1425	REAR COLLISION	—	Air bag control unit system	1	SRC-89. "DTC Description"
B142A	IGNITION VOLTAGE	[VB-LOW]	—	—	SRC-90. "DTC Description"
		[VB-HIGH]	—	—	
B1430	PRE-TEN FRONT LH	[OPEN]	Front air bag system	3	SRC-92. "DTC Description"
		[VB-SHORT]			
		[GND-SHORT]			
		[SHORT]			
B1431	PRE-TEN FRONT RH	[OPEN]	Front air bag system	4	SRC-94. "DTC Description"
		[VB-SHORT]			
		[GND-SHORT]			
		[SHORT]			
B1432	PRE-TEN FRONT LH 2	[OPEN]	Front air bag system	5	SRC-96. "DTC Description"
		[VB-SHORT]			
		[GND-SHORT]			
		[SHORT]			
B1433	PRE-TEN FRONT RH 2	[OPEN]	Front air bag system	6	SRC-98. "DTC Description"
		[VB-SHORT]			
		[GND-SHORT]			
		[SHORT]			
B1436	ACTIVE VENT CIRCUIT	[OPEN]	Front air bag system	13	SRC-100. "DTC Description"
		[VB-SHORT]			
		[GND-SHORT]			
		[SHORT]			
B1500	DOOR SATELLITE SENSOR	[LOWER LIMIT ERR]	Sensor system	6	SRC-102. "DTC Description"
		[UPPER LIMIT ERR]			
		[PERFRM ERR/IN-CRCT OPE]			

A
B
C
D
E
F
G
I
J
K
L
M
N
O
P

SRC

SRS AIR BAG SYSTEM

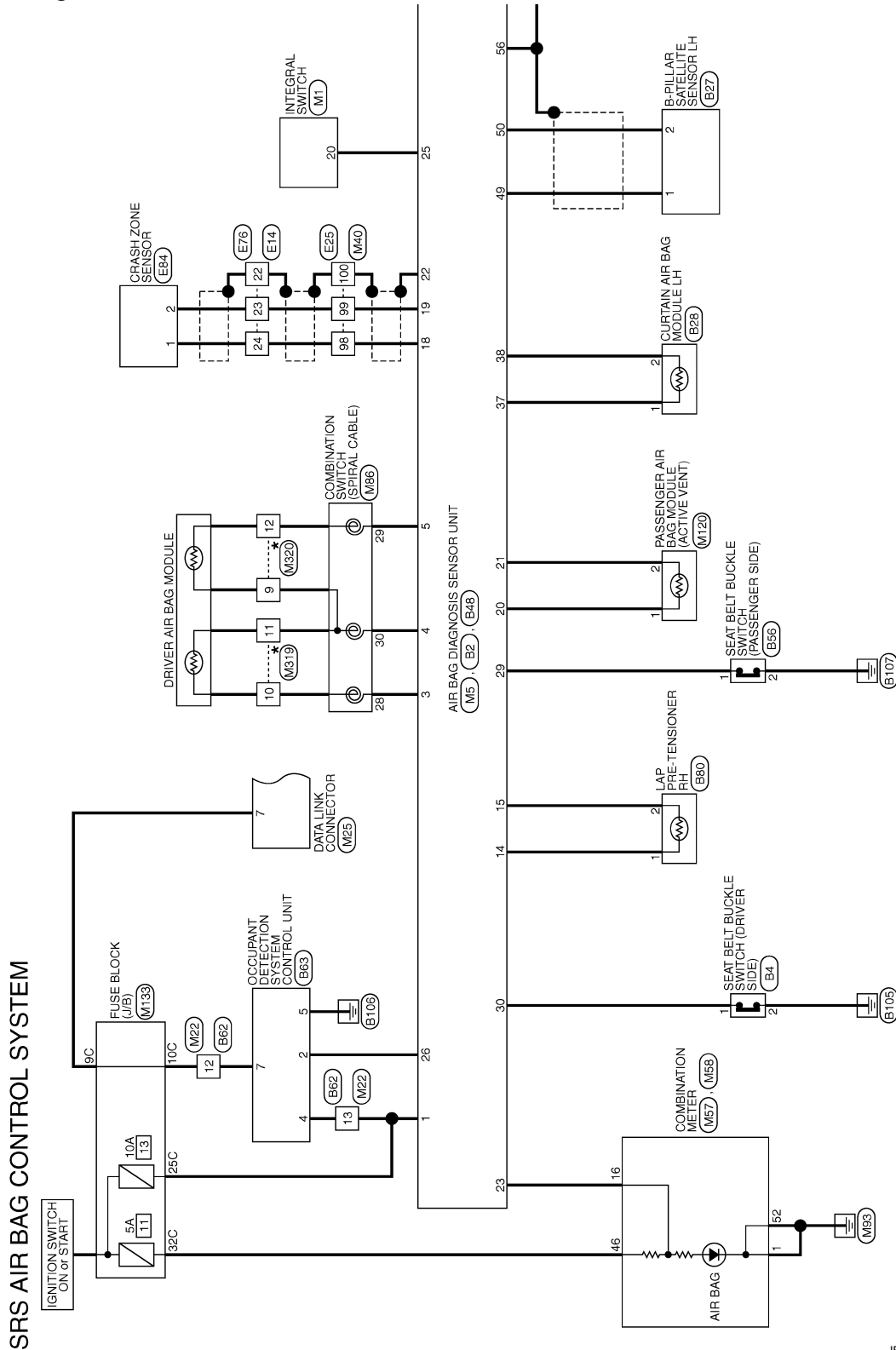
< WIRING DIAGRAM >

WIRING DIAGRAM

SRS AIR BAG SYSTEM

Wiring Diagram

INFOID:000000009667051



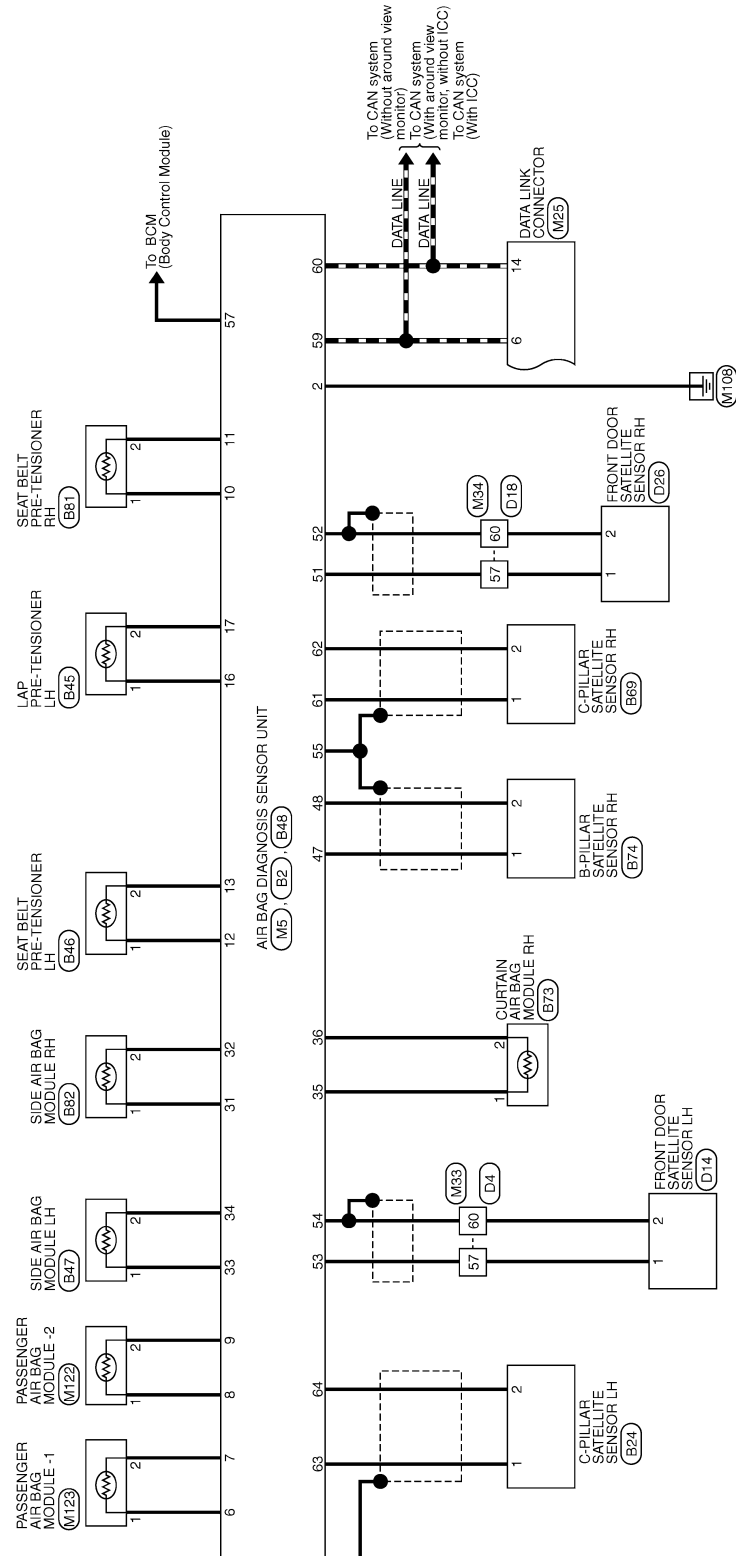
*: This connector is not shown in "Harness Layout".

2013/05/17

JRHWC0605GB

SRS AIR BAG SYSTEM

< WIRING DIAGRAM >



JRHWC0606GB

A
B
C
D
E
F
G
H
I
J
K
L
M
N
O
P

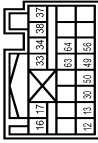
SRC

SRS AIR BAG SYSTEM

< WIRING DIAGRAM >

SRS AIR BAG CONTROL SYSTEM

Connector No.	B2
Connector Name	AIR BAG DIAGNOSIS SENSOR UNIT
Connector Type	NH22FY-2V-EX



Terminal No.	Color Of Wire	Signal Name [Specification]
16	Y/B	RLH (+)
17	Y/B	RLH (-)
18	Y/B	ELB LH*
17	Y	ELB LH*
30	W	LH BUCKLE SW INPUT
33	Y/R	SLH (+)
34	Y/B	SLH (-)
37	Y	CLH (+)
38	L	CLH (-)
49	W	SATELLITE LH (+)
50	B	SATELLITE LH (-)
56	B	GND
63	W	SATELLITE LH (+)
64	B	SATELLITE LH (-)

Connector No.	B4
Connector Name	SEAT BELT BUCKLE SWITCH (DRIVER SIDE)
Connector Type	TH04FW-NH



Terminal No.	Color Of Wire	Signal Name [Specification]
1	W	-
2	B	-
3	W	-

Connector No.	B24
Connector Name	C-PILLAR SATELLITE SENSOR LH
Connector Type	HR02FY-1V-EX-LC



Terminal No.	Color Of Wire	Signal Name [Specification]
1	B	-
2	B	-

Connector No.	B27
Connector Name	B-PILLAR SATELLITE SENSOR LH
Connector Type	HR02FY-1V-EX-LC



Terminal No.	Color Of Wire	Signal Name [Specification]
1	W	-
2	B	-

Connector No.	B28
Connector Name	CURTAIN AIR BAG MODULE LH
Connector Type	ACB02FY



Terminal No.	Color Of Wire	Signal Name [Specification]
1	Y	-
2	L	-

Connector No.	B45
Connector Name	LAP PRE-TENSIONER LH
Connector Type	ACB02FOR



Terminal No.	Color Of Wire	Signal Name [Specification]
1	Y/B	-
2	Y	-

Connector No.	B48
Connector Name	SEAT BELT PRE-TENSIONER LH
Connector Type	ACB02FY



Terminal No.	Color Of Wire	Signal Name [Specification]
1	Y/B	-
2	Y/B	-

Connector No.	B47
Connector Name	SIDE AIR BAG MODULE LH
Connector Type	TK02FY-EX-TV



Terminal No.	Color Of Wire	Signal Name [Specification]
1	Y/R	-
2	Y/B	-

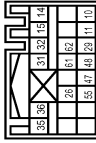
JRHWC0607GB

SRS AIR BAG SYSTEM

< WIRING DIAGRAM >

SRS AIR BAG CONTROL SYSTEM

Connector No.	B48
Connector Name	AIR BAG DIAGNOSIS SENSOR UNIT
Connector Type	NIJZ2Y-IV-EX



Terminal No.	Color Of Wire	Signal Name [Specification]
10	Y/R	PRH (+)
11	Y/B	PRH (-)
14	Y/B	ELG RH2A
15	Y	ELG RH2B
26	V	ODS INPUT
29	LG	RH BUCKLE SW INPUT
31	Y/R	SRH (+)
32	Y/B	SRH (-)
35	Y	CRH (+)
36	L	CRH (-)
47	R	SIDE SENS RH+
48	L	SIDE SENS RH-
55	B	SMD
61	G	SATELLITE RH (+)
62	R	SATELLITE RH (-)

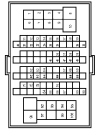
Connector No.	B56
Connector Name	SEAT BELT BUCKLE SWITCH (PASSENGER SIDE)
Connector Type	THD0FW-NH



Terminal No.	Color Of Wire	Signal Name [Specification]
1	LG	-
2	B	-
3	LG	-

SRS AIR BAG CONTROL SYSTEM

Connector No.	B62
Connector Name	WIRE TO WIRE
Connector Type	THD0FW-GS16-TM4



Terminal No.	Color Of Wire	Signal Name [Specification]
1	R	-
2	R	-
3	R	- [With BOSE system]
3	W	- [Without BOSE system]
4	SHIELD	-
5	G	-
6	W	-
7	BR	- [Without BOSE system]
7	W	- [With BOSE system]
8	B	- [With BOSE system]
8	Y	- [Without BOSE system]
9	SHIELD	-
10	V	-
11	GR	-
12	R	-
14	RG	-
15	GR	-
16	V	-
17	P	-
18	L	-
19	R	-
20	GR	-
21	R	-
22	P	-
23	W	-
24	V	-
25	SB	-
26	G	-
27	LG	-
36	LG	-
37	R	-
38	W	-
39	W	-
45	G	-

SRS AIR BAG CONTROL SYSTEM

Terminal No.	48	SHIELD
49	LG	-
49	CG	-
49	CG	-
52	Y	-
53	R	-
54	GR	-
57	R	-
58	P	-
59	LG	-
62	P	-
63	L	-
64	W	-
66	LG	-
68	L	-
71	R	-
72	G	-
73	SHIELD	-
76	GR	-
84	BR	-
85	BG	-
86	W	-
87	LG	-
89	LG	-
90	V	-
92	W	-
93	R	-
94	R	-
96	W	-
98	L	-
97	L	-
99	BR	-
100	BR	-

Connector No.	B83
Connector Name	OCCUPANT DETECTION SYSTEM CONTROL UNIT
Connector Type	THD0FW-NH



Terminal No.	Color Of Wire	Signal Name [Specification]
2	V	COMMUNICATION
4	R	SMD
5	R	SMD
7	Y	K-LINE

Connector No.	B89
Connector Name	C-PILLAR SATELLITE SENSOR RH
Connector Type	HR02FY-IV-EX-LG



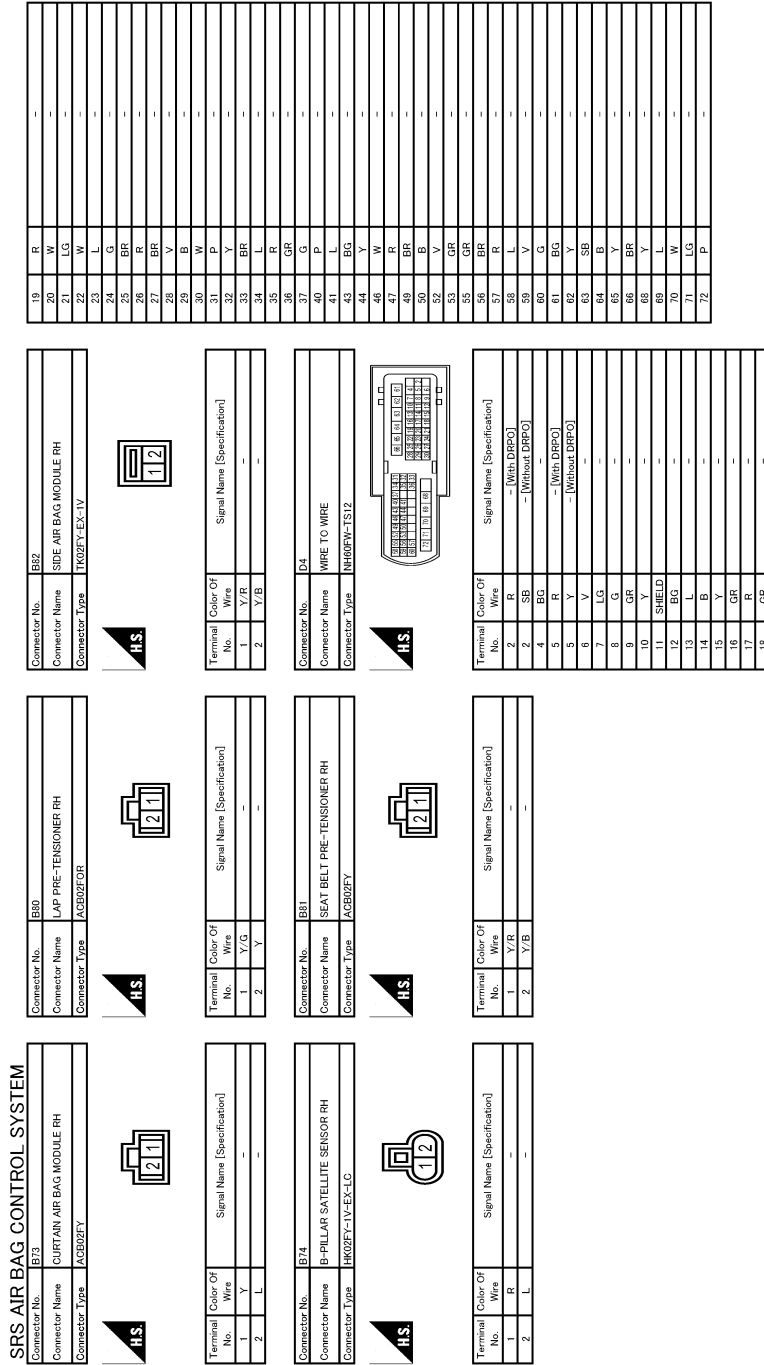
Terminal No.	Color Of Wire	Signal Name [Specification]
1	G	-
2	R	-

A
B
C
D
E
F
G
H
I
J
K
L
M
N
O
P

SRC

SRS AIR BAG SYSTEM

< WIRING DIAGRAM >



18	R	--
19	W	--
20	LG	--
21	W	--
22	W	--
23	L	--
24	G	--
25	BR	--
26	R	--
27	BR	--
28	V	--
29	B	--
30	W	--
31	P	--
32	Y	--
33	BR	--
34	R	--
35	R	--
36	GR	--
37	G	--
40	P	--
41	L	--
43	BG	--
44	Y	--
46	W	--
47	R	--
49	BR	--
50	B	--
52	V	--
53	GR	--
56	BR	--
57	R	--
58	L	--
59	V	--
60	G	--
61	BG	--
62	Y	--
63	SB	--
64	B	--
65	Y	--
66	BR	--
68	Y	--
69	W	--
70	W	--
71	LG	--
72	P	--

JRHWC0609GB

SRS AIR BAG SYSTEM

< WIRING DIAGRAM >

SRS AIR BAG CONTROL SYSTEM

Connector No.	D14
Connector Name	FRONT DOOR SATELLITE SENSOR LH
Connector Type	HK02FY-1V-EK-LG



Terminal No.	Color Of Wire	Signal Name [Specification]
1	R	-
2	G	-

Connector No.	D18
Connector Name	WIRE TO WIRE
Connector Type	NH06FW-TS1Z



Terminal No.	Color Of Wire	Signal Name [Specification]
1	GR	-
2	P	-
4	SB	-
5	BR	-
6	Y	-
7	LG	-
8	W	-
9	L	-
10	L	-
11	GR	-
13	Y	-
14	B	-
17	B	-
18	W	-
19	B	-
20	G	-
21	SHIELD	-

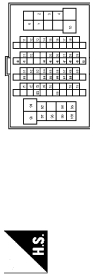
22	GR	-
23	G	-
24	BR	-
25	BR	-
26	V	-
27	G	-
28	Y	-
29	Y	-
30	R	-
49	LG	-
52	P	-
55	L	-
56	Y	-
57	R	-
58	SB	-
59	G	-
63	B	-
64	Y	-
65	BR	-
66	GR	-
69	W	-
70	L	-
71	BG	-
72	Y	-

Connector No.	D26
Connector Name	FRONT DOOR SATELLITE SENSOR RH
Connector Type	HK02FY-1V-EK-LG



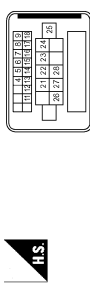
Terminal No.	Color Of Wire	Signal Name [Specification]
1	R	-
2	G	-

Connector No.	E25
Connector Name	WIRE TO WIRE
Connector Type	TH08FW-CS16-TM4



Terminal No.	Color Of Wire	Signal Name [Specification]
2	W	-
3	L	-
4	BR	-
6	V	-
7	L	-
10	BR	-
11	L	-
12	GR	-
13	W	-
14	B	-
15	SB	-
16	Y	-
17	BR	-
18	P	-
31	GR	-
35	GR	-
36	R	-
37	V	-
38	L	-
39	Y	-
40	SB	-
41	LG	-
44	Y	-
45	W	-
46	B	-
47	G	-
48	SHIELD	-
49	R	-
50	BR	-
52	W	-
53	V	-
54	P	-
55	W	-
56	SB	-

Connector No.	E14
Connector Name	WIRE TO WIRE
Connector Type	SA118MB-RS10-SJZZ



Terminal No.	Color Of Wire	Signal Name [Specification]
4	Y	-
5	B	-
6	BR	-
7	BR	-
8	LG	-
9	W	-
11	V	-
12	R	-
13	B	-
14	P	-
15	GR	-
16	V	-
17	B	-
18	P	-
21	SHIELD	-
23	L	-
24	L	-
25	V	-
26	B	-
27	B	-
28	B	-

A
B
C
D
E
F
G
SRC
I
J
K
L
M
N
O
P

JRHWC0610GB

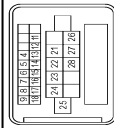
SRS AIR BAG SYSTEM

< WIRING DIAGRAM >

SRS AIR BAG CONTROL SYSTEM

Terminal No.	Color Of Wire	Signal Name [Specification]
82	BG	-
83	B	-
84	W	-
85	R	-
86	Y	-
87	SB	-
88	GR	-
89	LG	-
90	BG	-
91	Y	-
92	GR	-
93	W	-
94	LG	-
95	BG	-
96	W	-
97	LG	-
98	L	-
99	P	-
100	SHIELD	-

Connector No.	E78
Connector Name	WIRE TO WIRE
Connector Type	SAAI8FB-RS1P-S4Z2



Terminal No.	Color Of Wire	Signal Name [Specification]
1	Y	-
2	L	-
3	B	-
4	W	-
5	R	-
6	Y	-
7	V	-
8	LG	-
9	GR	-
10	LG	-

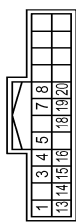
Terminal No.	Color Of Wire	Signal Name [Specification]
12	BG	-
13	B	-
14	R	-
15	G	-
16	V	-
17	B	-
18	P	-
21	B	-
22	SHIELD	-
23	P	-
24	L	-
25	V	-
26	B	-
27	B	-
28	B	-

Connector No.	E84
Connector Name	CRASH ZONE SENSOR
Connector Type	HR02FY-1V-EX-LG



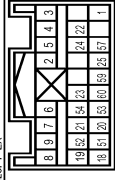
Terminal No.	Color Of Wire	Signal Name [Specification]
1	L	-
2	P	-

Connector No.	M1
Connector Name	INTEGRAL SWITCH
Connector Type	TI124FW-N1



Terminal No.	Color Of Wire	Signal Name [Specification]
1	W	BAT
2	SR	AV COMM(L)
3	SR	AV COMM(H)
4	LG	DOOR LOCK STATUS INDICATOR LAMP SIGNAL
5	G	DISK EJECT SIGNAL
7	W/B	HAZARD SIGNAL
8	G	ACC
13	B	ILLUMINATION CONTROL SIGNAL
14	V	DISK EJECT SIGNAL GROUND
15	B	IGN
16	BG	CAMERA SWITCH SIGNAL
18	R	-
19	BR	AIR BAG INDICATOR OFF SIGNAL
20	LG	-

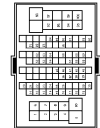
Connector No.	M5
Connector Name	AIR BAG DIAGNOSIS SENSOR UNIT
Connector Type	IN128FY-EX



Terminal No.	Color Of Wire	Signal Name [Specification]
1	LG	IGN
2	B	GND
3	Y/R	DR1(+)
4	Y/B	DR1(-)
5	Y	DR2(+)
6	Y/R	AS1(+)
7	Y/B	AS1(-)
8	Y/G	AS2(+)
9	Y	AS2(-)
18	Y	EGZS+
19	BR	EGZS-
20	Y/B	ACT VENT+
21	Y/B	ACT VENT-
22	SHIELD	GND
23	V	ARBAGS W/L
24	G	-
25	GR	A B OFF IND
51	G	SATELLITE RH2(+)
52	R	SIDE SENS RH2-

Terminal No.	Color Of Wire	Signal Name [Specification]
53	Y	SIDE SENS LHP+
54	L	SIDE SENS LHP-
57	LG	WCS
58	L	CAN-H
60	P	CAN-L

Connector No.	M22
Connector Name	WIRE TO WIRE
Connector Type	TH180MM-CST1P-TM4



Terminal No.	Color Of Wire	Signal Name [Specification]
1	LG	-
2	L	-
3	R	-
4	SHIELD	-
5	G	-
6	BG	-
7	LG	-
8	SHIELD	-
10	V	-
11	GR	-
12	V	-
13	LG	-
14	LG	-
15	P	-
16	SB	- [With DDM]
17	V	- [Without DDM]
18	L	-
19	G	-
20	GR	-
21	W	-
22	W	-
23	V	-
24	V	-
25	LG	-
26	GR	-
29	SB	-
30	LG	-

JRHWC0611GB

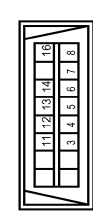
SRS AIR BAG SYSTEM

< WIRING DIAGRAM >

SRS AIR BAG CONTROL SYSTEM

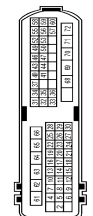
36	R	--
37	R	--
38	W	--
39	V	--
40	V	--
41	G	--
42	SHIELD	--
43	G	--
44	BR	--
45	SB	--
46	Y	--
47	R	--
48	GR	--
49	R	--
50	SB	--
51	Y	--
52	V	--
53	L	--
54	W	--
55	R	--
56	L	--
57	W	--
58	R	--
59	P	--
60	R	--
61	R	--
62	G	--
63	G	--
64	SHIELD	--
65	V	--
66	BR	--
67	BR	--
68	Y	--
69	LG	--
70	EP	--
71	W	--
72	W	--
73	W	--
74	W	--
75	W	--
76	W	--
77	W	--
78	W	--
79	W	--
80	W	--
81	W	--
82	W	--
83	R	--
84	R	--
85	Y	--
86	W	--
87	L	--
88	BR	--
89	BR	--
90	BR	--
91	BR	--
92	BR	--
93	BR	--
94	BR	--
95	BR	--
96	BR	--
97	BR	--
98	BR	--
99	BR	--
100	BR	--

Connector No.	M25
Connector Name	DATA LINK CONNECTOR
Connector Type	BD16FW



Terminal No.	Color	Wire	Signal Name [Specification]
3	SB	B	AV COMM (L)
4	B	B	AV COMM (R)
5	L	L	EXCH
6	L	L	CAN-H
7	W	W	CAN-L
8	V	V	IGN SW
11	LG	V	AV COMM (P)
12	R	R	CAN-L
13	L	L	CAN-H
14	P	P	CAN-L
16	W	W	POWER

Connector No.	M23
Connector Name	WIRE TO WIRE
Connector Type	NH60MM-TS12



Terminal No.	Color	Wire	Signal Name [Specification]
2	W	W	--
4	G	G	-- [With DRPO]
5	SB	SB	-- [Without DRPO]
6	R	R	--
7	R	R	--
8	GR	GR	--
9	GR	GR	--
10	W	W	--

Terminal No.	Color	Wire	Signal Name [Specification]
11	SHIELD	--	--
12	SB	SB	--
13	SB	SB	--
14	LG	LG	--
15	Y	Y	--
16	Y	Y	--
17	P	P	--
18	W/B	W/B	--
19	LG	LG	-- [With DRPO]
20	Y	Y	-- [Without DRPO]
21	B	B	--
22	EG	EG	-- [Without DRPO]
23	G	G	-- [With DRPO]
24	L	L	--
25	EG	EG	-- [Without DRPO]
26	Y	Y	-- [With DRPO]
27	GR	GR	--
28	V	V	--
29	B	B	--
30	W	W	--
31	B	B	--
32	SB	SB	--
33	L	L	--
34	BR	BR	--
35	LG	LG	--
36	W	W	--
37	W	W	--
38	P	P	--
39	P	P	--
40	P	P	--
41	SB	SB	--
42	Y	Y	--
43	Y	Y	--
44	EG	EG	--
46	BR	BR	--
47	G	G	--
49	V	V	--
50	B	B	--
52	BR	BR	--
53	B	B	--
55	EG	EG	--
56	LG	LG	--
57	V	V	--
58	C	C	--
59	C	C	--
60	L	L	--
61	G	G	--
62	R	R	--
63	V	V	-- [Without DRPO]
64	B	B	-- [With DRPO]

65	R	--
66	BR	--
67	BR	--
68	V	--
69	V	--
70	W	--
71	LG	--
72	V	--

Connector No.	M24
Connector Name	WIRE TO WIRE
Connector Type	NH60MM-TS12



Terminal No.	Color	Wire	Signal Name [Specification]
1	V	V	--
2	R	R	--
4	G	G	-- [With DRPO]
4	SB	SB	-- [Without DRPO]
5	L	L	--
6	R	R	--
7	W	W	--
8	W	W	--
9	GR	GR	--
10	V	V	--
11	Y	Y	--
13	LG	LG	--
14	W	W	--
16	G	G	--
17	B	B	--
18	W	W	--
19	B	B	--
20	SB	SB	-- [With DRPO]
20	SB	SB	-- [Without DRPO]
21	SHIELD	--	--
22	Y	Y	--
23	EG	EG	-- [Without DRPO]
23	P	P	-- [With DRPO]
24	G	G	--
25	LG	LG	--
26	EG	EG	-- [Without DRPO]
26	BR	BR	-- [With DRPO]

JRHWC0612GB

A
B
C
D
E
F
G
H
I
J
K
L
M
N
O
P

SRC

SRS AIR BAG SYSTEM

< WIRING DIAGRAM >

SRS AIR BAG CONTROL SYSTEM

27	-	-	-
28	SB	-	-
29	EG	-	-
30	W/B	-	-
31	L	-	-
32	P	-	-
33	V	-	-
34	B	-	-
35	SB	-	-
36	G	-	-
37	LG	-	-
38	R	-	-
39	B	-	-
40	SB	-	-
41	G	-	-
42	BR	-	-
43	W	-	-
44	G	-	-
45	R	-	-
46	B	-	-
47	SHIELD	-	-
48	BR	-	-
49	Y	-	-
50	BR	-	-
51	Y	-	-
52	SB	-	-
53	W	-	-
54	Y	-	-
55	SB	-	-
56	W	-	-

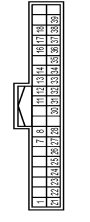
Connector No.	M40
Connector Name	WIPE TO WIRE
Connector Type	TH88MP-C51E-TM4



Terminal No.	Color Of Wire	Signal Name [Specification]
2	GR	-
3	L	-
4	V	-
5	W/B	-
6	W	-
7	W	-
8	W	-
9	B	-
10	W	-
11	W	-
12	B	-
13	GR	-
14	B	-
15	SB	-
16	B	-
17	LG	-

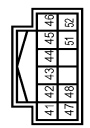
18	B	-	-
19	W	-	-
20	V	-	-
21	EG	-	-
22	B	-	-
23	L	-	-
24	Y	-	-
25	GR	-	-
26	L	-	-
27	W	-	-
28	G	-	-
29	SHIELD	-	-
30	BR	-	-
31	L	-	-
32	W	-	-
33	G	-	-
34	Y	-	-
35	BR	-	-
36	V	-	-
37	G	-	-
38	L	-	-
39	BR	-	-
40	GR	-	-
41	L	-	-
42	BR	-	-
43	W	-	-
44	G	-	-
45	R	-	-
46	G	-	-
47	SHIELD	-	-
48	BR	-	-
49	Y	-	-
50	BR	-	-
51	L	-	-
52	W	-	-
53	G	-	-
54	Y	-	-
55	P	-	-
56	EG	-	-
57	GR	-	-
58	B	-	-
59	SB	-	-
60	W/B	-	-
61	R	-	-
62	Y	-	-
63	W	-	-
64	V	-	-
65	LG	-	-
66	BR	-	-
67	LG	-	-
68	BR	-	-
69	V	-	-
70	V	-	-
71	LG	-	-
72	LG	-	-
73	R	-	-
74	BR	-	-
75	B	-	-
76	G	-	-
77	R	-	-
78	R	-	-
79	R	-	-
80	R	-	-
81	V	-	-
82	R	-	-
83	EG	-	-
84	BR	-	-
85	W	-	-
86	W	-	-
87	LG	-	-
88	W	-	-
89	BR	-	-
90	Y	-	-
91	BR	-	-
92	BR	-	-
93	BR	-	-
94	BR	-	-
95	Y	-	-
96	Y	-	-
97	LG	-	-
98	BR	-	-
99	BR	-	-
100	SHIELD	-	-

Connector No.	M57
Connector Name	COMBINATION METER
Connector Type	TH88PW-NH



Terminal No.	Color Of Wire	Signal Name [Specification]
1	G	GROUND
2	G	SECURITY SIGNAL
3	B	-
4	W	-
5	W	ALTERNATOR SIGNAL
6	BR	LED HEADLAMP (RH) WARNING SIGNAL
7	BR	LED HEADLAMP (LH) WARNING SIGNAL
8	V	ACC POWER SUPPLY
9	V	AIR BAG SIGNAL
10	BR	METER CONTROL SWITCH GROUND
11	BR	TRIP/RESET SIGNAL
12	B	STEERING SWITCH SIGNAL A
13	P	STEERING SWITCH SIGNAL B
14	W/B	WASHER LEVEL SWITCH SIGNAL
15	L	CRUISE CONTROL SWITCH SIGNAL
16	V	BRAKING BRAKE SWITCH SIGNAL
17	G	PASSENGER SEAT BELT WARNINGS SIGNAL
18	W	SEAT BELT BUCKLE SWITCH SIGNAL (DRIVER SEAT)
19	W	SEAT BELT BUCKLE SWITCH SIGNAL (PASSENGER SEAT)
20	SB	MANUAL MODE SIGNAL
21	G	NON-MANUAL MODE SIGNAL
22	EG	MANUAL MODE SHIFT UP SIGNAL
23	EG	MANUAL MODE SHIFT DOWN SIGNAL
24	EG	PADDLE SHIFTER UP SIGNAL
25	G	PADDLE SHIFTER DOWN SIGNAL
26	V	ILLUMINATION CONTROL SWITCH SIGNAL (-)
27	GR	ILLUMINATION CONTROL SWITCH SIGNAL (+)
28	R	VEHICLE SPEED SIGNAL (8-PULSE)
29	L	VEHICLE SPEED SIGNAL (2-PULSE)

Connector No.	M68
Connector Name	COMBINATION METER
Connector Type	TH12EW-NH



Terminal No.	Color Of Wire	Signal Name [Specification]
1	B	IGN-1
2	B	IGN-1
3	B	IGN-1
4	B	ILLUMINATION CONTROL SIGNAL
5	Y	FUEL LEVEL SENSOR GROUND
6	W	BATTERY POWER SUPPLY
7	R	IGNITION SIGNAL
8	LG	AV COMMUNICATION SIGNAL (H)
9	SB	AV COMMUNICATION SIGNAL (L)
10	BR	FUEL LEVEL SENSOR SIGNAL
11	B	GROUND

Connector No.	M68
Connector Name	COMBINATION SWITCH (SPIRAL CABLE)
Connector Type	TH88Y-EX-IV



Terminal No.	Color Of Wire	Signal Name [Specification]
23	R	-
24	B	-
25	Y	-
26	Y	-
27	Y	-
28	Y/B	-
29	LG	-
30	Y/B	-
31	LG	-
32	LG	-

SRS AIR BAG SYSTEM

< WIRING DIAGRAM >

SRS AIR BAG CONTROL SYSTEM

Connector No.	M120
Connector Name	PASSENGER AIR BAG MODULE (ACTIVE VENT)
Connector Type	TK02FY-EX-1V



Terminal No.	Color Of Wire	Signal Name [Specification]
1	Y/R	-
2	Y/B	-

Connector No.	M122
Connector Name	PASSENGER AIR BAG MODULE-2
Connector Type	JCA02FOR



Terminal No.	Color Of Wire	Signal Name [Specification]
1	Y/G	-
2	Y	-

Connector No.	M123
Connector Name	PASSENGER AIR BAG MODULE-1
Connector Type	JCA02EB



Terminal No.	Color Of Wire	Signal Name [Specification]
1	Y/R	-
2	Y/B	-

Connector No.	M133
Connector Name	FUSE BLOCK (J/B)
Connector Type	TH40FW-4H



Terminal No.	Color Of Wire	Signal Name [Specification]
10C	V	-
11C	V	-
13C	L	-
14C	Y	-
15C	R	-
16C	R	-
17C	L	-
18C	B/C	- [Without DRPO]
18C	P	- [With DRPO]
19C	B	-
20C	W	-
21C	L	-
22C	L	-
23C	L	-
24C	L/G	-
26C	S/B	-
27C	P	-
28C	W	-

Terminal No.	Color Of Wire	Signal Name [Specification]
29C	W	-
30C	R	-
31C	W	-
32C	R	-
33C	B	-
34C	W/B	-
35C	S/B	-
36C	R	-
37C	W	-
38C	S/B	-
39C	V	-
40C	P	-
41C	G	-
42C	P	-
43C	G	-
44C	G	-
45C	V	-

Connector No.	M319
Connector Name	COMBINATION SWITCH (SPIRAL CABLE)
Connector Type	ACA02FY-2V



Terminal No.	Color Of Wire	Signal Name [Specification]
10	-	-
11	-	-

Connector No.	M320
Connector Name	COMBINATION SWITCH (SPIRAL CABLE)
Connector Type	ACA02FOR



Terminal No.	Color Of Wire	Signal Name [Specification]
9	-	-
12	-	-

A
B
C
D
E
F
G
H
I
J
K
L
M
N
O
P

SRC

DIAGNOSIS AND REPAIR WORK FLOW

< BASIC INSPECTION >

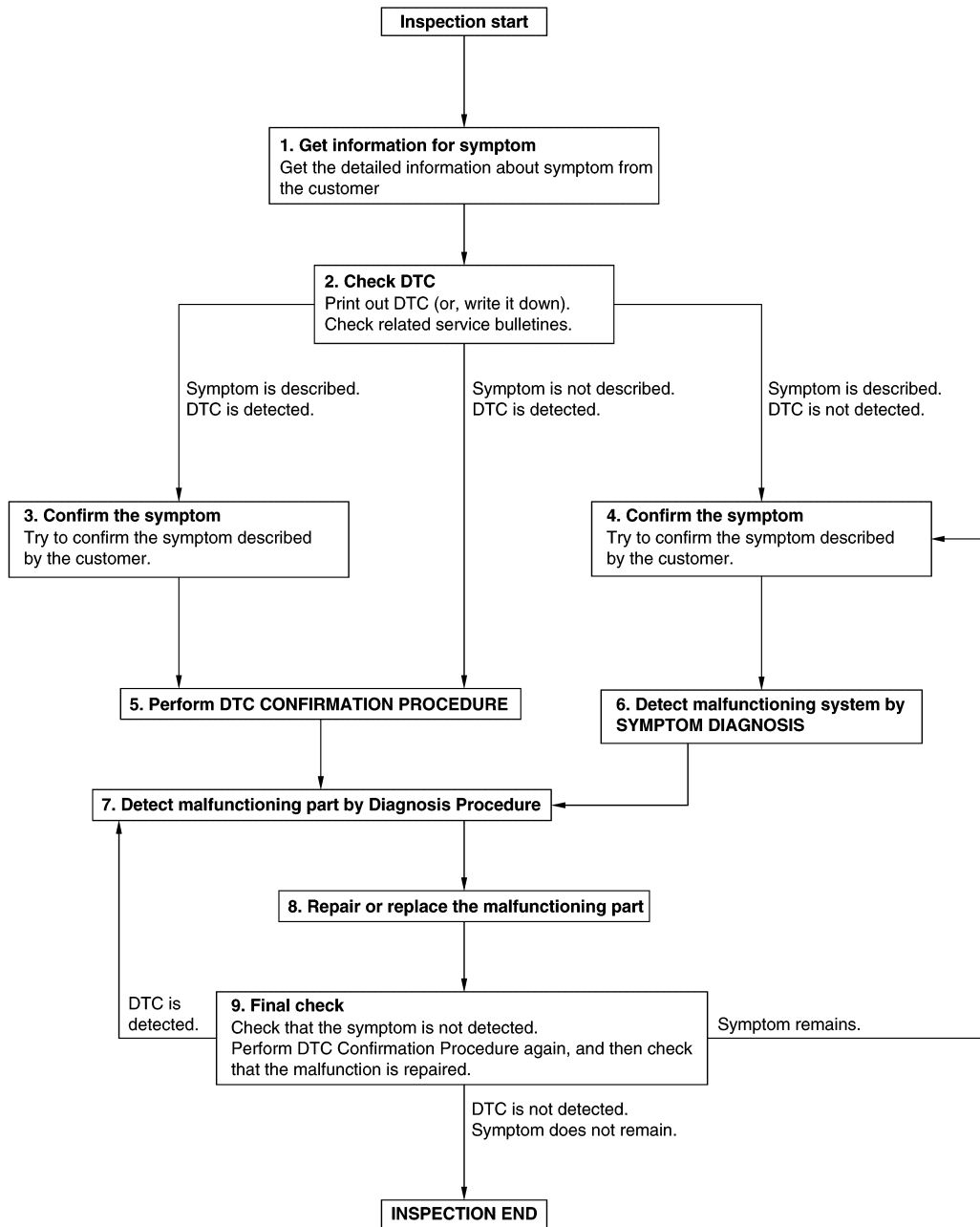
BASIC INSPECTION

DIAGNOSIS AND REPAIR WORK FLOW

Work Flow

INFOID:000000009667053

OVERALL SEQUENCE



JMHIA2620GB

DETAILED FLOW

DIAGNOSIS AND REPAIR WORK FLOW

< BASIC INSPECTION >

1.GET INFORMATION FOR SYMPTOM

1. Get detailed information from the customer about the symptom (the condition and the environment when the incident/malfunction occurs).
2. Check operation condition of the function that is malfunctioning.

>> GO TO 2.

2.CHECK DTC

1. Check DTC.
2. Perform the following procedure if DTC is detected.
 - Record DTC (Print them out using CONSULT).
 - Erase DTC.
 - Study the relationship between the cause detected by DTC and the symptom described by the customer.
3. Check related service bulletins for information.

Are any symptoms described and any DTC detected?

Symptom is described, DTC is detected>>GO TO 3.

Symptom is described, DTC is not detected>>GO TO 4.

Symptom is not described, DTC is detected>>GO TO 5.

3.CONFIRM THE SYMPTOM

Try to confirm the symptom described by the customer.

Verify relation between the symptom and the condition when the symptom is detected.

>> GO TO 5.

4.CONFIRM THE SYMPTOM

Try to confirm the symptom described by the customer.

Verify relation between the symptom and the condition when the symptom is detected.

>> GO TO 6.

5.PERFORM DTC CONFIRMATION PROCEDURE

Perform DTC CONFIRMATION PROCEDURE for the detected DTC, and then check that DTC is detected again.

Is DTC detected?

YES >> GO TO 7.

NO >> Check according to [GI-43, "Intermittent Incident"](#).

6.DETECT MALFUNCTIONING SYSTEM BY SYMPTOM DIAGNOSIS

Detect malfunctioning system according to SYMPTOM DIAGNOSIS based on the confirmed symptom in step 4, and determine the trouble diagnosis order based on possible causes and symptom.

>> GO TO 7.

7.DETECT MALFUNCTIONING PART BY DIAGNOSIS PROCEDURE

Inspect according to Diagnosis Procedure of the system.

Is malfunctioning part detected?

YES >> GO TO 8.

NO >> Check according to [GI-43, "Intermittent Incident"](#).

8.REPAIR OR REPLACE THE MALFUNCTIONING PART

1. Repair or replace the malfunctioning part.
2. Reconnect parts or connectors disconnected during Diagnosis Procedure again after repair and replacement.
3. Check DTC. If DTC is detected, erase it.

A
B
C
D
E
F
G
I
J
K
L
M
N
O
P

SRC

DIAGNOSIS AND REPAIR WORK FLOW

< BASIC INSPECTION >

>> GO TO 9.

9. FINAL CHECK

When DTC is detected in step 2, perform DTC CONFIRMATION PROCEDURE again, and then check that the malfunction is repaired securely.

When symptom is described by the customer, refer to confirmed symptom in step 3 or 4, and check that the symptom is not detected.

Is DTC detected and does symptom remain?

YES-1 >> DTC is detected: GO TO 7.

YES-2 >> Symptom remains: GO TO 4.

NO >> Before returning the vehicle to the customer, always erase DTC.

INSPECTION AND ADJUSTMENT

< BASIC INSPECTION >

INSPECTION AND ADJUSTMENT

ADDITIONAL SERVICE WHEN REPLACING CONTROL UNIT

ADDITIONAL SERVICE WHEN REPLACING CONTROL UNIT : Description

INFOID:000000009672874

When replacing or removing and installing passenger seat, always perform zero point reset so that Occupant Detection System is activated normally.

ADDITIONAL SERVICE WHEN REPLACING CONTROL UNIT : Special Repair Requirement

INFOID:000000009672875

WORK PROCEDURE WHEN REPLACING CONTROL UNIT

1.PERFORM ZERO POINT RESET

Perform zero point reset. Refer to [SRC-39, "ZERO POINT RESET : Special Repair Requirement"](#).

>> END

ZERO POINT RESET

ZERO POINT RESET : Description

INFOID:000000009672876

Zero point reset is an initializing procedure for occupant detection sensor that must be performed when replacing or removing and installing passenger seat.

If zero point reset is not performed, the initialization is incomplete and Occupant Detection System does not operate normally.

NOTE:

- When replacing passenger seat with a NISSAN genuine part, air bag warning lamp blinks if zero point reset is incomplete.
- When zero point reset is performed once after removal and installation of passenger seat, CONSULT displays "complete" and air bag warning does not blink.
- When reinstalling passenger seat after removal, the initial value for occupant detection sensor changes, and Occupant Detection System does not operate normally.
- Always perform zero point reset after performing the work as per the following.
 - Reinstallation of passenger seat
 - Replacement of passenger seat with a seat that is zero point reset complete.

ZERO POINT RESET : Special Repair Requirement

INFOID:000000009672877

1.PERFORM ZERO POINT RESET

1. Perform zero point reset.

NOTE:

When performing zero point reset, be careful of the items described as per the following.

- Perform zero point reset after installing passenger seat to the vehicle
 - Do not put any objects on passenger seat
 - Do not apply excessive vibration to the vehicle
 - Do not touch the vehicle
 - Do not tilt the vehicle
2. Select start on "Zero point reset function" screen from, WORK SUPPORT of CONSULT "OCCUPANT DETECTION".
 3. "Zero point reset" starts.

>> GO TO 2.

2.CONFIRMATION OF SETTING

1. Proceed to "Zero point reset function" screen from work support of CONSULT "OCCUPANT DETECTION".
2. Check that "Complete" or "Incomplete" is displayed on "Zero point reset status".

CAUTION:

INSPECTION AND ADJUSTMENT

< BASIC INSPECTION >

- **“Complete” is displayed on “zero point reset current status” if the seat is reinstalled by seat removal and installation, or “zero point reset” is already performed.**
- **“Zero point reset current status” displays “Incomplete” if a new seat is installed. When turning key switch ON without performing zero point reset, air bag warning lamp blinks. When zero point reset is performed, air bag warning lamp turns OFF.**
- **Air bag warning lamp blinks in user mode only.**
- **Air bag sensor unit does not record whether or not zero point reset is performed.**

Is condition “ALREADY PERFORMED”?

YES >> Print out “ZERO POINT RESET CURRENT STATUS” screen, and inspection end.

NO >> Check condition as per the following, and perform zero point reset again.

- Passenger seat is occupied by an object.
- Excessive vibration is applied while performing zero point reset.
- Occupant detection system is malfunctioning.

NOTE:

If “Incomplete” is displayed on “zero point reset current status”, zero point reset is not completed normally. Check the condition as per the following and perform zero point reset again.

- Passenger seat is occupied by an object.
- Excessive vibration is applied while performing zero point reset.
- Occupant detection system is malfunctioning.

U1000 CAN COMM CIRCUIT

< DTC/CIRCUIT DIAGNOSIS >

DTC/CIRCUIT DIAGNOSIS

U1000 CAN COMM CIRCUIT

DTC Description

INFOID:000000009667055

CAN (Controller Area Network) is a serial communication line for real time applications. It is an on-vehicle multiplex communication line with high data communication speed and excellent error detection ability. Modern vehicle is equipped with many electronic control unit, and each control unit shares information and links with other control units during operation (not independent). In CAN communication, control units are connected with 2 communication lines (CAN H-line, CAN L-line) allowing a high rate of information transmission with less wiring. Each control unit transmits/receives data but selectively reads required data only.

CAN Communication Signal Chart. Refer to [LAN-42. "CAN COMMUNICATION SYSTEM : CAN System Specification Chart"](#).

DTC DETECTION LOGIC

DTC	CONSULT screen items (Trouble diagnosis content)	DTC Detection Condition
U1000	CAN COMM CIRCUIT (CAN communication circuit)	When air bag diagnosis sensor unit cannot communicate CAN communication signal continuously for 2 seconds or more.

POSSIBLE CAUSE

CAN communication system

FAIL-SAFE

—

Diagnosis Procedure

INFOID:000000009667056

1.PERFORM SELF DIAGNOSTIC

1. Turn ignition switch ON and wait for 2 seconds or more.
2. Check "SELF-DIAG RESULT [CAN]".

Is DTC "U1000" displayed?

YES >> Refer to [LAN-26. "Trouble Diagnosis Flow Chart"](#).

NO >> Refer to [GI-43. "Intermittent Incident"](#).

A
B
C
D
E
F
G
I
J
K
L
M
N
O
P

SRC

U1010 CONTROL UNIT (CAN)

< DTC/CIRCUIT DIAGNOSIS >

U1010 CONTROL UNIT (CAN)

DTC Description

INFOID:000000009667057

DTC DETECTION LOGIC

DTC	CONSULT screen items (Trouble diagnosis content)	DTC Detection Condition
U1010	CONTROL UNIT (CAN) [Control unit (CAN)]	Air bag diagnosis sensor unit detected internal CAN communication circuit malfunction.

POSSIBLE CAUSE

Air bag diagnosis sensor unit

FAIL-SAFE

—

Diagnosis Procedure

INFOID:000000009667058

1. REPLACE AIR BAG DIAGNOSIS SENSOR UNIT

When DTC "U1010" is detected, replace Air bag diagnosis sensor unit.

>> Replace Air bag diagnosis sensor unit. Refer to [SR-35, "Removal and Installation"](#).

B0001 DRIVER AIR BAG MODULE

< DTC/CIRCUIT DIAGNOSIS >

B0001 DRIVER AIR BAG MODULE

DTC Description

INFOID:000000009667059

DTC DETECTION LOGIC

DTC	CONSULT screen items (Trouble diagnosis content)	DTC detecting condition
B0001	DRIVER AIRBAG MODULE [Driver Frontal Stage 1 Deployment Control (Subfault)]	[OPEN] Driver air bag module circuit is open (including the spiral cable)
		[VB-SHORT] Driver air bag module circuit is shorted to power supply circuit (including the spiral cable)
		[GND-SHORT] Driver air bag module circuit is shorted to ground (including the spiral cable)
		[SHORT] Driver air bag module circuits are shorted to each other (including the spiral cable)

POSSIBLE CAUSE

[OPEN]

- Connection malfunction or open circuit of harness and connector
- Internal malfunction of driver air bag module
- Internal malfunction of air bag diagnosis sensor unit

[VB-SHORT]

- Connection malfunction or short circuit to power supply of harness and connector
- Internal malfunction of driver air bag module
- Internal malfunction of air bag diagnosis sensor unit

[GND-SHORT]

- Connection malfunction or short circuit to ground of harness and connector
- Internal malfunction of driver air bag module
- Internal malfunction of air bag diagnosis sensor unit

[SHORT]

- Connection malfunction or short circuit of harness and connector
- Internal malfunction of driver air bag module
- Internal malfunction of air bag diagnosis sensor unit

FAIL-SAFE

—

DTC CONFIRMATION PROCEDURE

1. CHECK SELF-DIAG RESULT

With CONSULT

1. Turn ignition switch ON.
2. Perform "Self Diagnostic Result" mode of "AIR BAG" using CONSULT.

Without CONSULT

1. Turn ignition switch ON.
2. Check the air bag warning lamp status. Refer to [SRC-15, "On Board Diagnosis Function"](#).

NOTE:

SRS does not enter the diagnosis mode if no malfunction is detected in the user mode.

Is malfunctioning part detected?

YES >> Refer to [SRC-43, "Diagnosis Procedure"](#).

NO-1 >> To check malfunction symptom before repair: Refer to [GI-43, "Intermittent Incident"](#).

NO-2 >> Confirmation after repair: INSPECTION END

Diagnosis Procedure

INFOID:000000009667060

WARNING:

B0001 DRIVER AIR BAG MODULE

< DTC/CIRCUIT DIAGNOSIS >

- Before servicing, turn ignition switch OFF, disconnect battery negative terminal, and wait at least 3 minutes or more. (To discharge backup capacitor.)
- Never use unspecified tester or other measuring device.

1. CHECK HARNESS CONNECTOR

Check the harness connector.

Is the inspection result normal?

YES >> GO TO 2.

NO >> Replace harness connector.

2. CHECK WIRING HARNESS

Check the wiring harness externals.

Is the inspection result normal?

YES >> GO TO 3.

NO >> Replace wiring harness.

3. CHECK DTC

Perform each inspection according to the displayed DTC.

Which DTC is displayed?

[OPEN] >> GO TO 4.

[VB-SHORT] >> GO TO 8.

[GND-SHORT] >> GO TO 5.

[SHORT] >> GO TO 6.

4. CHECK SPIRAL CABLE CIRCUIT 1

1. Turn ignition switch OFF.
2. Disconnect driver air bag module connector and combination switch (spiral cable) connector.
3. Check continuity between spiral cable terminals.

Terminal		Continuity
10	28	Existed
11	30	

Is the inspection result normal?

YES >> GO TO 9.

NO >> Replace spiral cable. Refer to [SR-20. "Removal and Installation"](#).

5. CHECK SPIRAL CABLE CIRCUIT 2

1. Turn ignition switch OFF.
2. Disconnect driver air bag module connector and combination switch (spiral cable) connector.
3. Check continuity between spiral cable terminal and ground.

Terminal	Ground	Continuity
10		Not existed
11		

Is the inspection result normal?

YES >> GO TO 9.

NO >> Replace spiral cable. Refer to [SR-20. "Removal and Installation"](#).

6. CHECK SPIRAL CABLE CIRCUIT 3

1. Turn ignition switch OFF.
2. Disconnect driver air bag module harness connector and combination switch (spiral cable) harness connector.
3. Check continuity between spiral cable terminals.

B0001 DRIVER AIR BAG MODULE

< DTC/CIRCUIT DIAGNOSIS >

Terminal		Continuity
10	11	Not existed

Is the inspection result normal?

YES >> GO TO 7.

NO >> Replace spiral cable. Refer to [SR-20, "Removal and Installation"](#).

7. CHECK SPIRAL CABLE CIRCUIT 4

Check continuity between spiral cable terminals.

Terminal		Continuity
28	30	Not existed

Is the inspection result normal?

YES >> GO TO 9.

NO >> Replace spiral cable. Refer to [SR-20, "Removal and Installation"](#).

8. REPLACE SPIRAL CABLE

1. Replace spiral cable. Refer to [SR-20, "Removal and Installation"](#).
2. Perform DTC confirmation procedure. Refer to [SRC-43, "DTC Description"](#).

Is DTC detected?

YES >> GO TO 9.

NO >> INSPECTION END

9. REPLACE DRIVER AIR BAG MODULE

1. Replace driver air bag module. Refer to [SR-16, "Removal and Installation"](#).
2. Perform DTC confirmation procedure. Refer to [SRC-43, "DTC Description"](#).

Is DTC detected?

YES >> GO TO 10.

NO >> INSPECTION END

10. REPLACE AIR BAG DIAGNOSIS SENSOR UNIT

1. Replace air bag diagnosis sensor unit. Refer to [SR-35, "Removal and Installation"](#).
2. Perform DTC confirmation procedure. Refer to [SRC-43, "DTC Description"](#).

Is DTC detected?

YES >> GO TO 1.

NO >> INSPECTION END

A
B
C
D
E
F
G
I
J
K
L
M
N
O
P

SRC

B0002 DRIVER AIR BAG MODULE

< DTC/CIRCUIT DIAGNOSIS >

B0002 DRIVER AIR BAG MODULE

DTC Description

INFOID:000000009789309

DTC DETECTION LOGIC

DTC	CONSULT screen items (Trouble diagnosis content)	DTC detecting condition
B0002	DRIVER AIRBAG MODULE 2 [Driver Frontal Stage 2 De- ployment Control (Subfault)]	[OPEN] Driver air bag module circuit is open (including the spiral cable)
		[VB-SHORT] Driver air bag module circuit is shorted to power supply circuit (including the spiral cable)
		[GND-SHORT] Driver air bag module circuit is shorted to ground (including the spiral cable)
		[SHORT] Driver air bag module circuits are shorted to each other (including the spiral cable)

POSSIBLE CAUSE

[OPEN]

- Connection malfunction or open circuit of harness and connector
- Internal malfunction of driver air bag module
- Internal malfunction of air bag diagnosis sensor unit

[VB-SHORT]

- Connection malfunction or short circuit to power supply of harness and connector
- Internal malfunction of driver air bag module
- Internal malfunction of air bag diagnosis sensor unit

[GND-SHORT]

- Connection malfunction or short circuit to ground of harness and connector
- Internal malfunction of driver air bag module
- Internal malfunction of air bag diagnosis sensor unit

[SHORT]

- Connection malfunction or short circuit of harness and connector
- Internal malfunction of driver air bag module
- Internal malfunction of air bag diagnosis sensor unit

FAIL-SAFE

—

DTC CONFIRMATION PROCEDURE

1. CHECK SELF-DIAG RESULT

With CONSULT

1. Turn ignition switch ON.
2. Perform "Self Diagnostic Result" mode of "AIR BAG" using CONSULT.

Without CONSULT

1. Turn ignition switch ON.
2. Check the air bag warning lamp status. Refer to [SRC-15, "On Board Diagnosis Function"](#).

NOTE:

SRS does not enter the diagnosis mode if no malfunction is detected in the user mode.

Is malfunctioning part detected?

YES >> Refer to [SRC-46, "Diagnosis Procedure"](#).

NO-1 >> To check malfunction symptom before repair: Refer to [GI-43, "Intermittent Incident"](#).

NO-2 >> Confirmation after repair: INSPECTION END

Diagnosis Procedure

INFOID:000000009789310

WARNING:

B0002 DRIVER AIR BAG MODULE

< DTC/CIRCUIT DIAGNOSIS >

- Before servicing, turn ignition switch OFF, disconnect battery negative terminal, and wait at least 3 minutes or more. (To discharge backup capacitor.)
- Never use unspecified tester or other measuring device.

1.CHECK HARNESS CONNECTOR

Check the harness connector.

Is the inspection result normal?

YES >> GO TO 2.

NO >> Replace harness connector.

2.CHECK WIRING HARNESS

Check the wiring harness externals.

Is the inspection result normal?

YES >> GO TO 3.

NO >> Replace wiring harness.

3.CHECK DTC

Perform each inspection according to the displayed DTC.

Which DTC is displayed?

[OPEN] >> GO TO 4.

[VB-SHORT] >> GO TO 8.

[GND-SHORT]>> GO TO 5.

[SHORT] >> GO TO 6.

4.CHECK SPIRAL CABLE CIRCUIT 1

1. Turn ignition switch OFF.
2. Disconnect driver air bag module connector and combination switch (spiral cable) connector.
3. Check continuity between spiral cable terminals.

Terminal		Continuity
12	29	Existed
9	30	

Is the inspection result normal?

YES >> GO TO 9.

NO >> Replace spiral cable. Refer to [SR-20. "Removal and Installation"](#).

5.CHECK SPIRAL CABLE CIRCUIT 2

1. Turn ignition switch OFF.
2. Disconnect driver air bag module connector and combination switch (spiral cable) connector.
3. Check continuity between spiral cable terminal and ground.

Terminal	Ground	Continuity
12		Not existed
9		

Is the inspection result normal?

YES >> GO TO 9.

NO >> Replace spiral cable. Refer to [SR-20. "Removal and Installation"](#).

6.CHECK SPIRAL CABLE CIRCUIT 3

1. Turn ignition switch OFF.
2. Disconnect driver air bag module harness connector and combination switch (spiral cable) harness connector.
3. Check continuity between spiral cable terminals.

A

B

C

D

E

F

G

SRC

I

J

K

L

M

N

O

P

B0002 DRIVER AIR BAG MODULE

< DTC/CIRCUIT DIAGNOSIS >

Terminal		Continuity
12	9	Not existed

Is the inspection result normal?

YES >> GO TO 7.

NO >> Replace spiral cable. Refer to [SR-20, "Removal and Installation"](#).

7. CHECK SPIRAL CABLE CIRCUIT 4

Check continuity between spiral cable terminals.

Terminal		Continuity
29	30	Not existed

Is the inspection result normal?

YES >> GO TO 9.

NO >> Replace spiral cable. Refer to [SR-20, "Removal and Installation"](#).

8. REPLACE SPIRAL CABLE

1. Replace spiral cable. Refer to [SR-20, "Removal and Installation"](#).
2. Perform DTC confirmation procedure. Refer to [SRC-46, "DTC Description"](#).

Is DTC detected?

YES >> GO TO 9.

NO >> INSPECTION END

9. REPLACE DRIVER AIR BAG MODULE

1. Replace driver air bag module. Refer to [SR-16, "Removal and Installation"](#).
2. Perform DTC confirmation procedure. Refer to [SRC-46, "DTC Description"](#).

Is DTC detected?

YES >> GO TO 10.

NO >> INSPECTION END

10. REPLACE AIR BAG DIAGNOSIS SENSOR UNIT

1. Replace air bag diagnosis sensor unit. Refer to [SR-35, "Removal and Installation"](#).
2. Perform DTC confirmation procedure. Refer to [SRC-46, "DTC Description"](#).

Is DTC detected?

YES >> GO TO 1.

NO >> INSPECTION END

B0010 PASSENGER AIR BAG MODULE

< DTC/CIRCUIT DIAGNOSIS >

B0010 PASSENGER AIR BAG MODULE

DTC Description

INFOID:000000009667061

DTC DETECTION LOGIC

DTC	CONSULT screen items (Trouble diagnosis content)	DTC detecting condition
B0010	ASSIST A/B MODULE [Passenger Frontal Stage 1 Deployment Control (Subfault)]	[OPEN] Passenger air bag module circuit is open
		[VB-SHORT] Passenger air bag module circuit is shorted to power supply circuit
		[GND-SHORT] Passenger air bag module circuit is shorted to ground
		[SHORT] Passenger air bag module circuits are shorted to each other

POSSIBLE CAUSE

[OPEN]

- Connection malfunction or open circuit of harness and connector
- Internal malfunction of passenger air bag module
- Internal malfunction of air bag diagnosis sensor unit

[VB-SHORT]

- Connection malfunction or short circuit to power supply of harness and connector
- Internal malfunction of passenger air bag module
- Internal malfunction of air bag diagnosis sensor unit

[GND-SHORT]

- Connection malfunction or short circuit to ground of harness and connector
- Internal malfunction of passenger air bag module
- Internal malfunction of air bag diagnosis sensor unit

[SHORT]

- Connection malfunction or short circuit of harness and connector
- Internal malfunction of passenger air bag module
- Internal malfunction of air bag diagnosis sensor unit

FAIL-SAFE

—

DTC CONFIRMATION PROCEDURE

1. CHECK SELF-DIAG RESULT

With CONSULT

1. Turn ignition switch ON.
2. Perform "Self Diagnostic Result" mode of "AIR BAG" using CONSULT.

Without CONSULT

1. Turn ignition switch ON.
2. Check the air bag warning lamp status. Refer to [SRC-15, "On Board Diagnosis Function"](#).

NOTE:

SRS does not enter the diagnosis mode if no malfunction is detected in the user mode.

Is malfunctioning part detected?

YES >> Refer to [SRC-49, "Diagnosis Procedure"](#).

NO-1 >> To check malfunction symptom before repair: Refer to [GI-43, "Intermittent Incident"](#).

NO-2 >> Confirmation after repair: INSPECTION END

Diagnosis Procedure

INFOID:000000009667062

WARNING:

- Before servicing, turn ignition switch OFF, disconnect battery negative terminal, and wait at least 3 minutes or more. (To discharge backup capacitor.)
- Never use unspecified tester or other measuring device.

B0010 PASSENGER AIR BAG MODULE

< DTC/CIRCUIT DIAGNOSIS >

1.CHECK HARNESS CONNECTOR

Check the harness connector.

Is the inspection result normal?

YES >> GO TO 2.

NO >> Replace harness connector.

2.CHECK WIRING HARNESS

Check the wiring harness externals.

Is the inspection result normal?

YES >> GO TO 3.

NO >> Replace wiring harness.

3.REPLACE PASSENGER AIR BAG MODULE

1. Replace passenger air bag module. Refer to [SR-23, "Removal and Installation"](#)

2. Perform DTC confirmation procedure. Refer to [SRC-49, "DTC Description"](#).

Is DTC detected?

YES >> GO TO 4.

NO >> INSPECTION END

4.REPLACE AIR BAG DIAGNOSIS SENSOR UNIT

1. Replace air bag diagnosis sensor unit. Refer to [SR-35, "Removal and Installation"](#).

2. Perform DTC confirmation procedure. Refer to [SRC-49, "DTC Description"](#).

Is DTC detected?

YES >> GO TO 1.

NO >> INSPECTION END

B0011 PASSENGER AIR BAG MODULE

< DTC/CIRCUIT DIAGNOSIS >

B0011 PASSENGER AIR BAG MODULE

DTC Description

INFOID:000000009789311

DTC DETECTION LOGIC

DTC	CONSULT screen items (Trouble diagnosis content)	DTC detecting condition	
B0011	ASSIST A/B MODULE 2 [Passenger Frontal Stage 2 Deployment Control (Subfault)]	[OPEN]	Passenger air bag module circuit is open
		[VB-SHORT]	Passenger air bag module circuit is shorted to power supply circuit
		[GND-SHORT]	Passenger air bag module circuit is shorted to ground
		[SHORT]	Passenger air bag module circuits are shorted to each other

POSSIBLE CAUSE

[OPEN]

- Connection malfunction or open circuit of harness and connector
- Internal malfunction of passenger air bag module
- Internal malfunction of air bag diagnosis sensor unit

[VB-SHORT]

- Connection malfunction or short circuit to power supply of harness and connector
- Internal malfunction of passenger air bag module
- Internal malfunction of air bag diagnosis sensor unit

[GND-SHORT]

- Connection malfunction or short circuit to ground of harness and connector
- Internal malfunction of passenger air bag module
- Internal malfunction of air bag diagnosis sensor unit

[SHORT]

- Connection malfunction or short circuit of harness and connector
- Internal malfunction of passenger air bag module
- Internal malfunction of air bag diagnosis sensor unit

FAIL-SAFE

—

DTC CONFIRMATION PROCEDURE

1. CHECK SELF-DIAG RESULT

With CONSULT

1. Turn ignition switch ON.
2. Perform "Self Diagnostic Result" mode of "AIR BAG" using CONSULT.

Without CONSULT

1. Turn ignition switch ON.
2. Check the air bag warning lamp status. Refer to [SRC-15, "On Board Diagnosis Function"](#).

NOTE:

SRS does not enter the diagnosis mode if no malfunction is detected in the user mode.

Is malfunctioning part detected?

YES >> Refer to [SRC-51, "Diagnosis Procedure"](#).

NO-1 >> To check malfunction symptom before repair: Refer to [GI-43, "Intermittent Incident"](#).

NO-2 >> Confirmation after repair: INSPECTION END

Diagnosis Procedure

INFOID:000000009789312

WARNING:

- Before servicing, turn ignition switch OFF, disconnect battery negative terminal, and wait at least 3 minutes or more. (To discharge backup capacitor.)
- Never use unspecified tester or other measuring device.

B0011 PASSENGER AIR BAG MODULE

< DTC/CIRCUIT DIAGNOSIS >

1.CHECK HARNESS CONNECTOR

Check the harness connector.

Is the inspection result normal?

YES >> GO TO 2.

NO >> Replace harness connector.

2.CHECK WIRING HARNESS

Check the wiring harness externals.

Is the inspection result normal?

YES >> GO TO 3.

NO >> Replace wiring harness.

3.REPLACE PASSENGER AIR BAG MODULE

1. Replace passenger air bag module. Refer to [SR-23, "Removal and Installation"](#)

2. Perform DTC confirmation procedure. Refer to [SRC-51, "DTC Description"](#).

Is DTC detected?

YES >> GO TO 4.

NO >> INSPECTION END

4.REPLACE AIR BAG DIAGNOSIS SENSOR UNIT

1. Replace air bag diagnosis sensor unit. Refer to [SR-35, "Removal and Installation"](#).

2. Perform DTC confirmation procedure. Refer to [SRC-51, "DTC Description"](#).

Is DTC detected?

YES >> GO TO 1.

NO >> INSPECTION END

B0020 SIDE AIR BAG MODULE

< DTC/CIRCUIT DIAGNOSIS >

B0020 SIDE AIR BAG MODULE

DTC Description

INFOID:000000009667063

DTC DETECTION LOGIC

DTC	CONSULT screen items (Trouble diagnosis content)	DTC detecting condition	
B0020	SIDE A/B MODULE LH [Left Side Airbag Deployment Control (Subfault)]	[OPEN]	Side air bag module LH circuit is open
		[VB-SHORT]	Side air bag module LH circuit is shorted to power supply circuit
		[GND-SHORT]	Side air bag module LH circuit is shorted to ground
		[SHORT]	Side air bag module LH circuits are shorted to each other

POSSIBLE CAUSE

[OPEN]

- Connection malfunction or open circuit of harness and connector
- Internal malfunction of side air bag module LH
- Internal malfunction of air bag diagnosis sensor unit

[VB-SHORT]

- Connection malfunction or short circuit to power supply of harness and connector
- Internal malfunction of side air bag module LH
- Internal malfunction of air bag diagnosis sensor unit

[GND-SHORT]

- Connection malfunction or short circuit to ground of harness and connector
- Internal malfunction of side air bag module LH
- Internal malfunction of air bag diagnosis sensor unit

[SHORT]

- Connection malfunction or short circuit of harness and connector
- Internal malfunction of side air bag module LH
- Internal malfunction of air bag diagnosis sensor unit

FAIL-SAFE

—

DTC CONFIRMATION PROCEDURE

1. CHECK SELF-DIAG RESULT

With CONSULT

1. Turn ignition switch ON.
2. Perform "Self Diagnostic Result" mode of "AIR BAG" using CONSULT.

Without CONSULT

1. Turn ignition switch ON.
2. Check the air bag warning lamp status. Refer to [SRC-15, "On Board Diagnosis Function"](#).

NOTE:

SRS does not enter the diagnosis mode if no malfunction is detected in the user mode.

Is malfunctioning part detected?

YES >> Refer to [SRC-53, "Diagnosis Procedure"](#).

NO-1 >> To check malfunction symptom before repair: Refer to [GI-43, "Intermittent Incident"](#).

NO-2 >> Confirmation after repair: INSPECTION END

Diagnosis Procedure

INFOID:000000009667064

WARNING:

- Before servicing, turn ignition switch OFF, disconnect battery negative terminal, and wait at least 3 minutes or more. (To discharge backup capacitor.)
- Never use unspecified tester or other measuring device.

B0020 SIDE AIR BAG MODULE

< DTC/CIRCUIT DIAGNOSIS >

1. CHECK HARNESS CONNECTOR

Check the harness connector.

Is the inspection result normal?

YES >> GO TO 2.

NO >> Replace harness connector.

2. CHECK WIRING HARNESS

Check the wiring harness externals.

Is the inspection result normal?

YES >> GO TO 3.

NO >> Replace wiring harness.

3. REPLACE SIDE AIR BAG MODULE LH

1. Replace side air bag module LH. Refer to [SE-78, "Removal and Installation"](#).

2. Perform DTC confirmation procedure. Refer to [SRC-53, "DTC Description"](#).

Is DTC detected?

YES >> GO TO 4.

NO >> INSPECTION END

4. REPLACE AIR BAG DIAGNOSIS SENSOR UNIT

1. Replace air bag diagnosis sensor unit. Refer to [SR-35, "Removal and Installation"](#).

2. Perform DTC confirmation procedure. Refer to [SRC-53, "DTC Description"](#).

Is DTC detected?

YES >> GO TO 1.

NO >> INSPECTION END

B0021 CURTAIN AIR BAG MODULE

< DTC/CIRCUIT DIAGNOSIS >

B0021 CURTAIN AIR BAG MODULE

DTC Description

INFOID:000000009667065

DTC DETECTION LOGIC

DTC	CONSULT screen items (Trouble diagnosis content)	DTC detecting condition	
B0021	CURTAIN A/B MODULE LH [Left Curtain Deployment Control 1 (Subfault)]	[OPEN]	Curtain air bag module LH circuit is open
		[VB-SHORT]	Curtain air bag module LH circuit is shorted to power supply circuit
		[GND-SHORT]	Curtain air bag module LH circuit is shorted to ground
		[SHORT]	Curtain air bag module LH circuits are shorted to each other

POSSIBLE CAUSE

[OPEN]

- Connection malfunction or open circuit of harness and connector
- Internal malfunction of curtain air bag module LH
- Internal malfunction of air bag diagnosis sensor unit

[VB-SHORT]

- Connection malfunction or short circuit to power supply of harness and connector
- Internal malfunction of curtain air bag module LH
- Internal malfunction of air bag diagnosis sensor unit

[GND-SHORT]

- Connection malfunction or short circuit to ground of harness and connector
- Internal malfunction of curtain air bag module LH
- Internal malfunction of air bag diagnosis sensor unit

[SHORT]

- Connection malfunction or short circuit of harness and connector
- Internal malfunction of curtain air bag module LH
- Internal malfunction of air bag diagnosis sensor unit

FAIL-SAFE

—

DTC CONFIRMATION PROCEDURE

1. CHECK SELF-DIAG RESULT

With CONSULT

1. Turn ignition switch ON.
2. Perform "Self Diagnostic Result" mode of "AIR BAG" using CONSULT.

Without CONSULT

1. Turn ignition switch ON.
2. Check the air bag warning lamp status. Refer to [SRC-15, "On Board Diagnosis Function"](#).

NOTE:

SRS does not enter the diagnosis mode if no malfunction is detected in the user mode.

Is malfunctioning part detected?

YES >> Refer to [SRC-55, "Diagnosis Procedure"](#).

NO-1 >> To check malfunction symptom before repair: Refer to [GI-43, "Intermittent Incident"](#).

NO-2 >> Confirmation after repair: INSPECTION END

Diagnosis Procedure

INFOID:000000009667066

WARNING:

- Before servicing, turn ignition switch OFF, disconnect battery negative terminal, and wait at least 3 minutes or more. (To discharge backup capacitor.)
- Never use unspecified tester or other measuring device.

B0021 CURTAIN AIR BAG MODULE

< DTC/CIRCUIT DIAGNOSIS >

1. CHECK HARNESS CONNECTOR

Check the harness connector.

Is the inspection result normal?

YES >> GO TO 2.

NO >> Replace harness connector.

2. CHECK WIRING HARNESS

Check the wiring harness externals.

Is the inspection result normal?

YES >> GO TO 3.

NO >> Replace wiring harness.

3. REPLACE CURTAIN AIR BAG MODULE LH

1. Replace curtain air bag module LH. Refer to [SR-26, "Removal and Installation"](#).

2. Perform DTC confirmation procedure. Refer to [SRC-55, "DTC Description"](#).

Is DTC detected?

YES >> GO TO 4.

NO >> INSPECTION END

4. REPLACE AIR BAG DIAGNOSIS SENSOR UNIT

1. Replace air bag diagnosis sensor unit. Refer to [SR-35, "Removal and Installation"](#).

2. Perform DTC confirmation procedure. Refer to [SRC-55, "DTC Description"](#).

Is DTC detected?

YES >> GO TO 1.

NO >> INSPECTION END

B0028 SIDE AIR BAG MODULE

< DTC/CIRCUIT DIAGNOSIS >

B0028 SIDE AIR BAG MODULE

DTC Description

INFOID:000000009667067

DTC DETECTION LOGIC

DTC	CONSULT screen items (Trouble diagnosis content)	DTC detecting condition	
B0028	SIDE A/B MODULE RH [Right Side Airbag Deployment Control (Subfault)]	[OPEN]	Side air bag module RH circuit is open
		[VB-SHORT]	Side air bag module RH circuit is shorted to power supply circuit
		[GND-SHORT]	Side air bag module RH circuit is shorted to ground
		[SHORT]	Side air bag module RH circuits are shorted to each other

POSSIBLE CAUSE

[OPEN]

- Connection malfunction or open circuit of harness and connector
- Internal malfunction of side air bag module RH
- Internal malfunction of air bag diagnosis sensor unit

[VB-SHORT]

- Connection malfunction or short circuit to power supply of harness and connector
- Internal malfunction of side air bag module RH
- Internal malfunction of air bag diagnosis sensor unit

[GND-SHORT]

- Connection malfunction or short circuit to ground of harness and connector
- Internal malfunction of side air bag module RH
- Internal malfunction of air bag diagnosis sensor unit

[SHORT]

- Connection malfunction or short circuit of harness and connector
- Internal malfunction of side air bag module RH
- Internal malfunction of air bag diagnosis sensor unit

FAIL-SAFE

—

DTC CONFIRMATION PROCEDURE

1. CHECK SELF-DIAG RESULT

With CONSULT

1. Turn ignition switch ON.
2. Perform "Self Diagnostic Result" mode of "AIR BAG" using CONSULT.

Without CONSULT

1. Turn ignition switch ON.
2. Check the air bag warning lamp status. Refer to [SRC-15, "On Board Diagnosis Function"](#).

NOTE:

SRS does not enter the diagnosis mode if no malfunction is detected in the user mode.

Is malfunctioning part detected?

YES >> Refer to [SRC-57, "Diagnosis Procedure"](#).

NO-1 >> To check malfunction symptom before repair: Refer to [GI-43, "Intermittent Incident"](#).

NO-2 >> Confirmation after repair: INSPECTION END

Diagnosis Procedure

INFOID:000000009667068

WARNING:

- Before servicing, turn ignition switch OFF, disconnect battery negative terminal, and wait at least 3 minutes or more. (To discharge backup capacitor.)
- Never use unspecified tester or other measuring device.

B0028 SIDE AIR BAG MODULE

< DTC/CIRCUIT DIAGNOSIS >

1. CHECK HARNESS CONNECTOR

Check the harness connector.

Is the inspection result normal?

YES >> GO TO 2.

NO >> Replace harness connector.

2. CHECK WIRING HARNESS

Check the wiring harness externals.

Is the inspection result normal?

YES >> GO TO 3.

NO >> Replace wiring harness.

3. REPLACE SIDE AIR BAG MODULE RH

1. Replace side air bag module RH. Refer to [SE-78, "Removal and Installation"](#).

2. Perform DTC confirmation procedure. Refer to [SRC-57, "DTC Description"](#).

Is DTC detected?

YES >> GO TO 4.

NO >> INSPECTION END

4. REPLACE AIR BAG DIAGNOSIS SENSOR UNIT

1. Replace air bag diagnosis sensor unit. Refer to [SR-35, "Removal and Installation"](#).

2. Perform DTC confirmation procedure. Refer to [SRC-57, "DTC Description"](#).

Is DTC detected?

YES >> GO TO 1.

NO >> INSPECTION END

B0029 CURTAIN AIR BAG MODULE

< DTC/CIRCUIT DIAGNOSIS >

B0029 CURTAIN AIR BAG MODULE

DTC Description

INFOID:000000009667069

DTC DETECTION LOGIC

DTC	CONSULT screen items (Trouble diagnosis content)	DTC detecting condition	
B0029	CURTAIN A/B MODULE RH [Right Curtain Deployment Control 1 (Subfault)]	[OPEN]	Curtain air bag module RH circuit is open
		[VB-SHORT]	Curtain air bag module RH circuit is shorted to power supply circuit
		[GND-SHORT]	Curtain air bag module RH circuit is shorted to ground
		[SHORT]	Curtain air bag module RH circuits are shorted to each other

POSSIBLE CAUSE

[OPEN]

- Connection malfunction or open circuit of harness and connector
- Internal malfunction of curtain air bag module RH
- Internal malfunction of air bag diagnosis sensor unit

[VB-SHORT]

- Connection malfunction or short circuit to power supply of harness and connector
- Internal malfunction of curtain air bag module RH
- Internal malfunction of air bag diagnosis sensor unit

[GND-SHORT]

- Connection malfunction or short circuit to ground of harness and connector
- Internal malfunction of curtain air bag module RH
- Internal malfunction of air bag diagnosis sensor unit

[SHORT]

- Connection malfunction or short circuit of harness and connector
- Internal malfunction of curtain air bag module RH
- Internal malfunction of air bag diagnosis sensor unit

FAIL-SAFE

—

DTC CONFIRMATION PROCEDURE

1. CHECK SELF-DIAG RESULT

With CONSULT

1. Turn ignition switch ON.
2. Perform "Self Diagnostic Result" mode of "AIR BAG" using CONSULT.

Without CONSULT

1. Turn ignition switch ON.
2. Check the air bag warning lamp status. Refer to [SRC-15, "On Board Diagnosis Function"](#).

NOTE:

SRS does not enter the diagnosis mode if no malfunction is detected in the user mode.

Is malfunctioning part detected?

YES >> Refer to [SRC-59, "Diagnosis Procedure"](#).

NO-1 >> To check malfunction symptom before repair: Refer to [GI-43, "Intermittent Incident"](#).

NO-2 >> Confirmation after repair: INSPECTION END

Diagnosis Procedure

INFOID:000000009667070

WARNING:

- Before servicing, turn ignition switch OFF, disconnect battery negative terminal, and wait at least 3 minutes or more. (To discharge backup capacitor.)
- Never use unspecified tester or other measuring device.

B0029 CURTAIN AIR BAG MODULE

< DTC/CIRCUIT DIAGNOSIS >

1. CHECK HARNESS CONNECTOR

Check the harness connector.

Is the inspection result normal?

YES >> GO TO 2.

NO >> Replace harness connector.

2. CHECK WIRING HARNESS

Check the wiring harness externals.

Is the inspection result normal?

YES >> GO TO 3.

NO >> Replace wiring harness.

3. REPLACE CURTAIN AIR BAG MODULE RH

1. Replace curtain air bag module RH. Refer to [SR-26, "Removal and Installation"](#).

2. Perform DTC confirmation procedure. Refer to [SRC-59, "DTC Description"](#).

Is DTC detected?

YES >> GO TO 4.

NO >> INSPECTION END

4. REPLACE AIR BAG DIAGNOSIS SENSOR UNIT

1. Replace air bag diagnosis sensor unit. Refer to [SR-35, "Removal and Installation"](#).

2. Perform DTC confirmation procedure. Refer to [SRC-59, "DTC Description"](#).

Is DTC detected?

YES >> GO TO 1.

NO >> INSPECTION END

B0091 B-PILLAR SATELLITE SENSOR

< DTC/CIRCUIT DIAGNOSIS >

B0091 B-PILLAR SATELLITE SENSOR

DTC Description

INFOID:000000009667071

DTC DETECTION LOGIC

DTC	CONSULT screen items (Trouble diagnosis content)	DTC detecting condition	
B0091	B-PILLAR SAT SEN LH [Left Side Restraints Sensor 1 (Subfault)]	[RESET]	Reset malfunction of B-pillar satellite sensor LH
		[COMM ERR]	Communication malfunction of B-pillar satellite sensor LH
		[OPEN]	B-pillar satellite sensor LH circuit is open
		[UNMATCH]	B-pillar satellite sensor LH is out of the specified specification
		[OFFSET ERR]	Offset malfunction of B-pillar satellite sensor LH
		[SELF-DIAG ERR]	Diagnosis malfunction of B-pillar satellite sensor LH
		[LOWER LIMIT ERR]	Lower limit value malfunction of B-pillar satellite sensor LH
		[UPPER LIMIT ERR]	Upper limit value malfunction of B-pillar satellite sensor LH
		[GND-SHORT]	B-pillar satellite sensor LH circuit is shorted to ground

POSSIBLE CAUSE

[RESET], [COMM ERR]

- Connection malfunction of harness or connector
- Internal malfunction of B-pillar satellite sensor LH
- Internal malfunction of air bag diagnosis sensor unit

[OPEN]

- Connection malfunction or open circuit of harness and connector
- Internal malfunction of B-pillar satellite sensor LH
- Internal malfunction of air bag diagnosis sensor unit

[UNMATCH]

- Air bag diagnosis sensor unit and B-pillar satellite sensor LH is different from the part specified

[OFFSET ERR], [SELF-DIAG ERR], [LOWER LIMIT ERR], [UPPER LIMIT ERR]

- Internal malfunction of B-pillar satellite sensor LH
- Internal malfunction of air bag diagnosis sensor unit

[GND-SHORT]

- Connection malfunction or short circuit to ground of harness and connector
- Internal malfunction of B-pillar satellite sensor LH
- Internal malfunction of air bag diagnosis sensor unit

FAIL-SAFE

—

DTC CONFIRMATION PROCEDURE

1. CHECK SELF-DIAG RESULT

 With CONSULT

1. Turn ignition switch ON.
2. Perform "Self Diagnostic Result" mode of "AIR BAG" using CONSULT.

 Without CONSULT

1. Turn ignition switch ON.
2. Check the air bag warning lamp status. Refer to [SRC-15, "On Board Diagnosis Function"](#).

NOTE:

SRS does not enter the diagnosis mode if no malfunction is detected in the user mode.

Is malfunctioning part detected?

YES >> Refer to [SRC-62, "Diagnosis Procedure"](#).

NO-1 >> To check malfunction symptom before repair: Refer to [GI-43, "Intermittent Incident"](#).

B0091 B-PILLAR SATELLITE SENSOR

< DTC/CIRCUIT DIAGNOSIS >

NO-2 >> Confirmation after repair: INSPECTION END

Diagnosis Procedure

INFOID:000000009667072

WARNING:

- Before servicing, turn ignition switch OFF, disconnect battery negative terminal, and wait at least 3 minutes or more. (To discharge backup capacitor.)
- Never use unspecified tester or other measuring device.

1. CHECK DTC

Perform each inspection according to the displayed DTC.

Which DTC is displayed?

- [UNMATCH] >> GO TO 4.
Other than the above >> GO TO 2.

2. CHECK HARNESS CONNECTOR

Check the harness connector.

Is the inspection result normal?

- YES >> GO TO 3.
NO >> Replace harness connector.

3. CHECK WIRING HARNESS

Check the wiring harness externals.

Is the inspection result normal?

- YES >> GO TO 4.
NO >> Replace wiring harness.

4. REPLACE B-PILLAR SATELLITE SENSOR LH

1. Replace B-pillar satellite sensor LH. Refer to [SR-30. "Removal and Installation"](#).
2. Perform DTC confirmation procedure. Refer to [SRC-61. "DTC Description"](#).

Is DTC detected?

- YES >> GO TO 5.
NO >> INSPECTION END

5. REPLACE AIR BAG DIAGNOSIS SENSOR UNIT

1. Replace air bag diagnosis sensor unit. Refer to [SR-35. "Removal and Installation"](#).
2. Perform DTC confirmation procedure. Refer to [SRC-61. "DTC Description"](#).

Is DTC detected?

- YES >> GO TO 1.
NO >> INSPECTION END

B0092 C-PILLAR SATELLITE SENSOR

< DTC/CIRCUIT DIAGNOSIS >

B0092 C-PILLAR SATELLITE SENSOR

DTC Description

INFOID:000000009667073

DTC DETECTION LOGIC

DTC	CONSULT screen items (Trouble diagnosis content)	DTC detecting condition	
B0092	C-PILLAR SAT SEN LH [Left Side Restraints Sensor 2 (Subfault)]	[RESET]	Reset malfunction of C-pillar satellite sensor LH
		[COMM ERR]	Communication malfunction of C-pillar satellite sensor LH
		[OPEN]	C-pillar satellite sensor LH circuit is open
		[UNMATCH]	C-pillar satellite sensor LH is out of the specified specification
		[OFFSET ERR]	Offset malfunction of C-pillar satellite sensor LH
		[SELF-DIAG ERR]	Diagnosis malfunction of C-pillar satellite sensor LH
		[LOWER LIMIT ERR]	Lower limit value malfunction of C-pillar satellite sensor LH
		[UPPER LIMIT ERR]	Upper limit value malfunction of C-pillar satellite sensor LH
	[GND-SHORT]	C-pillar satellite sensor LH circuit is shorted to ground	

POSSIBLE CAUSE

[RESET], [COMM ERR]

- Connection malfunction of harness or connector
- Internal malfunction of C-pillar satellite sensor LH
- Internal malfunction of air bag diagnosis sensor unit

[OPEN]

- Connection malfunction or open circuit of harness and connector
- Internal malfunction of C-pillar satellite sensor LH
- Internal malfunction of air bag diagnosis sensor unit

[UNMATCH]

- Air bag diagnosis sensor unit and C-pillar satellite sensor LH is different from the part specified

[OFFSET ERR], [SELF-DIAG ERR], [LOWER LIMIT ERR], [UPPER LIMIT ERR]

- Internal malfunction of C-pillar satellite sensor LH
- Internal malfunction of air bag diagnosis sensor unit

[GND-SHORT]

- Connection malfunction or short circuit to ground of harness and connector
- Internal malfunction of C-pillar satellite sensor LH
- Internal malfunction of air bag diagnosis sensor unit

FAIL-SAFE

—

DTC CONFIRMATION PROCEDURE

1. CHECK SELF-DIAG RESULT

With CONSULT

1. Turn ignition switch ON.
2. Perform "Self Diagnostic Result" mode of "AIR BAG" using CONSULT.

Without CONSULT

1. Turn ignition switch ON.
2. Check the air bag warning lamp status. Refer to [SRC-15, "On Board Diagnosis Function"](#).

NOTE:

SRS does not enter the diagnosis mode if no malfunction is detected in the user mode.

Is malfunctioning part detected?

YES >> Refer to [SRC-64, "Diagnosis Procedure"](#).

NO-1 >> To check malfunction symptom before repair: Refer to [GI-43, "Intermittent Incident"](#).

B0092 C-PILLAR SATELLITE SENSOR

< DTC/CIRCUIT DIAGNOSIS >

NO-2 >> Confirmation after repair: INSPECTION END

Diagnosis Procedure

INFOID:000000009667074

WARNING:

- Before servicing, turn ignition switch OFF, disconnect battery negative terminal, and wait at least 3 minutes or more. (To discharge backup capacitor.)
- Never use unspecified tester or other measuring device.

1. CHECK DTC

Perform each inspection according to the displayed DTC.

Which DTC is displayed?

[UNMATCH] >> GO TO 4.
Other than the above >> GO TO 2.

2. CHECK HARNESS CONNECTOR

Check the harness connector.

Is the inspection result normal?

YES >> GO TO 3.
NO >> Replace harness connector.

3. CHECK WIRING HARNESS

Check the wiring harness externals.

Is the inspection result normal?

YES >> GO TO 4.
NO >> Replace wiring harness.

4. REPLACE C-PILLAR SATELLITE SENSOR LH

1. Replace C-pillar satellite sensor LH. Refer to [SR-30. "Removal and Installation"](#).
2. Perform DTC confirmation procedure. Refer to [SRC-63. "DTC Description"](#).

Is DTC detected?

YES >> GO TO 5.
NO >> INSPECTION END

5. REPLACE AIR BAG DIAGNOSIS SENSOR UNIT

1. Replace air bag diagnosis sensor unit. Refer to [SR-35. "Removal and Installation"](#).
2. Perform DTC confirmation procedure. Refer to [SRC-63. "DTC Description"](#).

Is DTC detected?

YES >> GO TO 1.
NO >> INSPECTION END

B0093 FRONT DOOR SATELLITE SENSOR LH

< DTC/CIRCUIT DIAGNOSIS >

B0093 FRONT DOOR SATELLITE SENSOR LH

DTC Description

INFOID:000000009667155

DTC DETECTION LOGIC

DTC	CONSULT screen items (Trouble diagnosis content)	DTC detecting condition	
B0093	DOOR SATEL SENS LH [Left Side Restraints Sensor 3 (Subfault)]	[RESET]	Reset malfunction of front door satellite sensor LH
		[COMM ERR]	Communication malfunction of front door satellite sensor LH
		[OPEN]	Front door satellite sensor LH circuit is open
		[UNMATCH]	Front door satellite sensor LH is out of the specified specification
		[OFFSET ERR]	Offset malfunction of front door satellite sensor LH
		[SELF-DIAG ERR]	Diagnosis malfunction of front door satellite sensor LH
		[LOWER LIMIT ERR]	Lower limit value malfunction of front door satellite sensor LH
		[UPPER LIMIT ERR]	Upper limit value malfunction of front door satellite sensor LH
		[GND-SHORT]	Front door satellite sensor LH circuit is shorted to ground

POSSIBLE CAUSE

[RESET], [COMM ERR]

- Connection malfunction of harness or connector
- Internal malfunction of front door satellite sensor LH
- Internal malfunction of air bag diagnosis sensor unit

[OPEN]

- Connection malfunction or open circuit of harness and connector
- Internal malfunction of front door satellite sensor LH
- Internal malfunction of air bag diagnosis sensor unit

[UNMATCH]

- Air bag diagnosis sensor unit and front door satellite sensor LH is different from the part specified

[OFFSET ERR], [SELF-DIAG ERR], [LOWER LIMIT ERR], [UPPER LIMIT ERR]

- Internal malfunction of front door satellite sensor LH
- Internal malfunction of air bag diagnosis sensor unit

[GND-SHORT]


- Connection malfunction or short circuit to ground of harness and connector
- Internal malfunction of front door satellite sensor LH
- Internal malfunction of air bag diagnosis sensor unit

FAIL-SAFE

—

DTC CONFIRMATION PROCEDURE

1. CHECK SELF-DIAG RESULT

 With CONSULT

1. Turn ignition switch ON.
2. Perform "Self Diagnostic Result" mode of "AIR BAG" using CONSULT.

 Without CONSULT

1. Turn ignition switch ON.
2. Check the air bag warning lamp status. Refer to [SRC-15, "On Board Diagnosis Function"](#).

NOTE:

SRS does not enter the diagnosis mode if no malfunction is detected in the user mode.

Is malfunctioning part detected?

YES >> Refer to [SRC-66, "Diagnosis Procedure"](#).

NO-1 >> To check malfunction symptom before repair: Refer to [GI-43, "Intermittent Incident"](#).

B0093 FRONT DOOR SATELLITE SENSOR LH

< DTC/CIRCUIT DIAGNOSIS >

NO-2 >> Confirmation after repair: INSPECTION END

Diagnosis Procedure

INFOID:000000009667156

WARNING:

- Before servicing, turn ignition switch OFF, disconnect battery negative terminal, and wait at least 3 minutes or more. (To discharge backup capacitor.)
- Never use unspecified tester or other measuring device.

1. CHECK DTC

Perform each inspection according to the displayed DTC.

Which DTC is displayed?

[UNMATCH] >> GO TO 4.
Other than the above >> GO TO 2.

2. CHECK HARNESS CONNECTOR

Check the harness connector.

Is the inspection result normal?

YES >> GO TO 3.
NO >> Replace harness connector.

3. CHECK WIRING HARNESS

Check the wiring harness externals.

Is the inspection result normal?

YES >> GO TO 4.
NO >> Replace wiring harness.

4. REPLACE FRONT DOOR SATELLITE SENSOR LH

1. Replace front door satellite sensor LH. Refer to [SR-30. "Removal and Installation"](#).
2. Perform DTC confirmation procedure. Refer to [SRC-65. "DTC Description"](#)

Is DTC detected?

YES >> GO TO 5.
NO >> INSPECTION END

5. REPLACE AIR BAG DIAGNOSIS SENSOR UNIT

1. Replace air bag diagnosis sensor unit. Refer to [SR-35. "Removal and Installation"](#).
2. Perform DTC confirmation procedure. Refer to [SRC-65. "DTC Description"](#).

Is DTC detected?

YES >> GO TO 1.
NO >> INSPECTION END

B0094 CRASH ZONE SENSOR

< DTC/CIRCUIT DIAGNOSIS >

B0094 CRASH ZONE SENSOR

DTC Description

INFOID:000000009667075

DTC DETECTION LOGIC

DTC	CONSULT screen items (Trouble diagnosis content)	DTC detecting condition	
B0094	CRASH ZONE SENS [Center Frontal Restraints Sensor (Subfault)]	[RESET]	Reset malfunction of crash zone sensor
		[COMM ERR]	Communication malfunction of crash zone sensor
		[OPEN]	Crash zone sensor circuit is open
		[UNMATCH]	Crash zone sensor is out of the specified specification
		[OFFSET ERR]	Offset malfunction of crash zone sensor
		[SELF-DIAG ERR]	Diagnosis malfunction of crash zone sensor
		[LOWER LIMIT ERR]	Lower limit value malfunction of crash zone sensor
		[UPPER LIMIT ERR]	Upper limit value malfunction of crash zone sensor
		[GND-SHORT]	Crash zone sensor circuit is shorted to ground

POSSIBLE CAUSE

[RESET], [COMM ERR]

- Connection malfunction of harness or connector
- Internal malfunction of crash zone sensor
- Internal malfunction of air bag diagnosis sensor unit

[OPEN]

- Connection malfunction or open circuit of harness and connector
- Internal malfunction of crash zone sensor
- Internal malfunction of air bag diagnosis sensor unit

[UNMATCH]

- Air bag diagnosis sensor unit and crash zone sensor is different from the part specified

[OFFSET ERR], [SELF-DIAG ERR], [LOWER LIMIT ERR], [UPPER LIMIT ERR]

- Internal malfunction of crash zone sensor
- Internal malfunction of air bag diagnosis sensor unit

[GND-SHORT]


- Connection malfunction or short circuit to ground of harness and connector
- Internal malfunction of crash zone sensor
- Internal malfunction of air bag diagnosis sensor unit

FAIL-SAFE

—

DTC CONFIRMATION PROCEDURE

1. CHECK SELF-DIAG RESULT

 With CONSULT

1. Turn ignition switch ON.
2. Perform "Self Diagnostic Result" mode of "AIR BAG" using CONSULT.

 Without CONSULT

1. Turn ignition switch ON.
2. Check the air bag warning lamp status. Refer to [SRC-15, "On Board Diagnosis Function"](#).

NOTE:

SRS does not enter the diagnosis mode if no malfunction is detected in the user mode.

Is malfunctioning part detected?

YES >> Refer to [SRC-68, "Diagnosis Procedure"](#).

NO-1 >> To check malfunction symptom before repair: Refer to [GI-43, "Intermittent Incident"](#).

B0094 CRASH ZONE SENSOR

< DTC/CIRCUIT DIAGNOSIS >

NO-2 >> Confirmation after repair: INSPECTION END

Diagnosis Procedure

INFOID:000000009667076

WARNING:

- Before servicing, turn ignition switch OFF, disconnect battery negative terminal, and wait at least 3 minutes or more. (To discharge backup capacitor.)
- Never use unspecified tester or other measuring device.

1. CHECK DTC

Perform each inspection according to the displayed DTC.

Which DTC is displayed?

[UNMATCH] >> GO TO 4.
Other than the above >> GO TO 2.

2. CHECK HARNESS CONNECTOR

Check the harness connector.

Is the inspection result normal?

YES >> GO TO 3.
NO >> Replace harness connector.

3. CHECK WIRING HARNESS

Check the wiring harness externals.

Is the inspection result normal?

YES >> GO TO 4.
NO >> Replace wiring harness.

4. REPLACE CRASH ZONE SENSOR

1. Replace crash zone. Refer to [SR-28. "Removal and Installation"](#).
2. Perform DTC confirmation procedure. Refer to [SRC-67. "DTC Description"](#).

Is DTC detected?

YES >> GO TO 5.
NO >> INSPECTION END

5. REPLACE AIR BAG DIAGNOSIS SENSOR UNIT

1. Replace air bag diagnosis sensor unit. Refer to [SR-35. "Removal and Installation"](#).
2. Perform DTC confirmation procedure. Refer to [SRC-67. "DTC Description"](#).

Is DTC detected?

YES >> GO TO 1.
NO >> INSPECTION END

B0096 B-PILLAR SATELLITE SENSOR

< DTC/CIRCUIT DIAGNOSIS >

B0096 B-PILLAR SATELLITE SENSOR

DTC Description

INFOID:000000009667077

DTC DETECTION LOGIC

DTC	CONSULT screen items (Trouble diagnosis content)	DTC detecting condition	
B0096	B-PILLAR SAT SEN RH [Right Frontal Restraints Sensor 1(Subfault)]	[RESET]	Reset malfunction of B-pillar satellite sensor RH
		[COMM ERR]	Communication malfunction of B-pillar satellite sensor RH
		[OPEN]	B-pillar satellite sensor RH circuit is open
		[UNMATCH]	B-pillar satellite sensor RH is out of the specified specification
		[OFFSET ERR]	Offset malfunction of B-pillar satellite sensor RH
		[SELF-DIAG ERR]	Diagnosis malfunction of B-pillar satellite sensor RH
		[LOWER LIMIT ERR]	Lower limit value malfunction of B-pillar satellite sensor RH
		[UPPER LIMIT ERR]	Upper limit value malfunction of B-pillar satellite sensor RH
	[GND-SHORT]	B-pillar satellite sensor RH circuit is shorted to ground	

POSSIBLE CAUSE

[RESET], [COMM ERR]

- Connection malfunction of harness or connector
- Internal malfunction of B-pillar satellite sensor RH
- Internal malfunction of air bag diagnosis sensor unit

[OPEN]

- Connection malfunction or open circuit of harness and connector
- Internal malfunction of B-pillar satellite sensor RH
- Internal malfunction of air bag diagnosis sensor unit

[UNMATCH]

- Air bag diagnosis sensor unit and B-pillar satellite sensor RH is different from the part specified

[OFFSET ERR], [SELF-DIAG ERR], [LOWER LIMIT ERR], [UPPER LIMIT ERR]

- Internal malfunction of B-pillar satellite sensor RH
- Internal malfunction of air bag diagnosis sensor unit

[GND-SHORT]

- Connection malfunction or short circuit to ground of harness and connector
- Internal malfunction of B-pillar satellite sensor RH
- Internal malfunction of air bag diagnosis sensor unit

FAIL-SAFE

—

DTC CONFIRMATION PROCEDURE

1. CHECK SELF-DIAG RESULT

 With CONSULT

1. Turn ignition switch ON.
2. Perform "Self Diagnostic Result" mode of "AIR BAG" using CONSULT.

 Without CONSULT

1. Turn ignition switch ON.
2. Check the air bag warning lamp status. Refer to [SRC-15, "On Board Diagnosis Function"](#).

NOTE:

SRS does not enter the diagnosis mode if no malfunction is detected in the user mode.

Is malfunctioning part detected?

YES >> Refer to [SRC-70, "Diagnosis Procedure"](#).

NO-1 >> To check malfunction symptom before repair: Refer to [GI-43, "Intermittent Incident"](#).

B0096 B-PILLAR SATELLITE SENSOR

< DTC/CIRCUIT DIAGNOSIS >

NO-2 >> Confirmation after repair: INSPECTION END

Diagnosis Procedure

INFOID:000000009667078

WARNING:

- Before servicing, turn ignition switch OFF, disconnect battery negative terminal, and wait at least 3 minutes or more. (To discharge backup capacitor.)
- Never use unspecified tester or other measuring device.

1. CHECK DTC

Perform each inspection according to the displayed DTC.

Which DTC is displayed?

[UNMATCH] >> GO TO 4.
Other than the above >> GO TO 2.

2. CHECK HARNESS CONNECTOR

Check the harness connector.

Is the inspection result normal?

YES >> GO TO 3.
NO >> Replace harness connector.

3. CHECK WIRING HARNESS

Check the wiring harness externals.

Is the inspection result normal?

YES >> GO TO 4.
NO >> Replace wiring harness.

4. REPLACE B-PILLAR SATELLITE SENSOR RH

1. Replace B-pillar satellite sensor RH. Refer to [SR-30. "Removal and Installation"](#).
2. Perform DTC confirmation procedure. Refer to [SRC-69. "DTC Description"](#).

Is DTC detected?

YES >> GO TO 5.
NO >> INSPECTION END

5. REPLACE AIR BAG DIAGNOSIS SENSOR UNIT

1. Replace air bag diagnosis sensor unit. Refer to [SR-35. "Removal and Installation"](#).
2. Perform DTC confirmation procedure. Refer to [SRC-69. "DTC Description"](#).

Is DTC detected?

YES >> GO TO 1.
NO >> INSPECTION END

B0097 C-PILLAR SATELLITE SENSOR

< DTC/CIRCUIT DIAGNOSIS >

B0097 C-PILLAR SATELLITE SENSOR

DTC Description

INFOID:000000009667079

DTC DETECTION LOGIC

DTC	CONSULT screen items (Trouble diagnosis content)	DTC detecting condition	
B0097	C-PILLAR SAT SEN RH [Right Frontal Restraints Sensor 2 (Subfault)]	[RESET]	Reset malfunction of C-pillar satellite sensor RH
		[COMM ERR]	Communication malfunction of C-pillar satellite sensor RH
		[OPEN]	C-pillar satellite sensor RH circuit is open
		[UNMATCH]	C-pillar satellite sensor RH is out of the specified specification
		[OFFSET ERR]	Offset malfunction of C-pillar satellite sensor RH
		[SELF-DIAG ERR]	Diagnosis malfunction of C-pillar satellite sensor RH
		[LOWER LIMIT ERR]	Lower limit value malfunction of C-pillar satellite sensor RH
		[UPPER LIMIT ERR]	Upper limit value malfunction of C-pillar satellite sensor RH
		[GND-SHORT]	C-pillar satellite sensor RH circuit is shorted to ground

POSSIBLE CAUSE

[RESET], [COMM ERR]

- Connection malfunction of harness or connector
- Internal malfunction of C-pillar satellite sensor RH
- Internal malfunction of air bag diagnosis sensor unit

[OPEN]

- Connection malfunction or open circuit of harness and connector
- Internal malfunction of C-pillar satellite sensor RH
- Internal malfunction of air bag diagnosis sensor unit

[UNMATCH]

- Air bag diagnosis sensor unit and C-pillar satellite sensor RH is different from the part specified

[OFFSET ERR], [SELF-DIAG ERR], [LOWER LIMIT ERR], [UPPER LIMIT ERR]

- Internal malfunction of C-pillar satellite sensor RH
- Internal malfunction of air bag diagnosis sensor unit

[GND-SHORT]

- Connection malfunction or short circuit to ground of harness and connector
- Internal malfunction of C-pillar satellite sensor RH
- Internal malfunction of air bag diagnosis sensor unit

FAIL-SAFE

—

DTC CONFIRMATION PROCEDURE

1. CHECK SELF-DIAG RESULT

 With CONSULT

1. Turn ignition switch ON.
2. Perform "Self Diagnostic Result" mode of "AIR BAG" using CONSULT.

 Without CONSULT

1. Turn ignition switch ON.
2. Check the air bag warning lamp status. Refer to [SRC-15, "On Board Diagnosis Function"](#).

NOTE:

SRS does not enter the diagnosis mode if no malfunction is detected in the user mode.

Is malfunctioning part detected?

YES >> Refer to [SRC-72, "Diagnosis Procedure"](#).

NO-1 >> To check malfunction symptom before repair: Refer to [GI-43, "Intermittent Incident"](#).

B0097 C-PILLAR SATELLITE SENSOR

< DTC/CIRCUIT DIAGNOSIS >

NO-2 >> Confirmation after repair: INSPECTION END

Diagnosis Procedure

INFOID:000000009667080

WARNING:

- Before servicing, turn ignition switch OFF, disconnect battery negative terminal, and wait at least 3 minutes or more. (To discharge backup capacitor.)
- Never use unspecified tester or other measuring device.

1. CHECK DTC

Perform each inspection according to the displayed DTC.

Which DTC is displayed?

[UNMATCH] >> GO TO 4.
Other than the above >> GO TO 2.

2. CHECK HARNESS CONNECTOR

Check the harness connector.

Is the inspection result normal?

YES >> GO TO 3.
NO >> Replace harness connector.

3. CHECK WIRING HARNESS

Check the wiring harness externals.

Is the inspection result normal?

YES >> GO TO 4.
NO >> Replace wiring harness.

4. REPLACE C-PILLAR SATELLITE SENSOR RH

1. Replace C-pillar satellite sensor RH. Refer to [SR-30. "Removal and Installation"](#).
2. Perform DTC confirmation procedure. Refer to [SRC-71. "DTC Description"](#).

Is DTC detected?

YES >> GO TO 5.
NO >> INSPECTION END

5. REPLACE AIR BAG DIAGNOSIS SENSOR UNIT

1. Replace air bag diagnosis sensor unit. Refer to [SR-35. "Removal and Installation"](#).
2. Perform DTC confirmation procedure. Refer to [SRC-71. "DTC Description"](#).

Is DTC detected?

YES >> GO TO 1.
NO >> INSPECTION END

B0098 FRONT DOOR SATELLITE SENSOR RH

< DTC/CIRCUIT DIAGNOSIS >

B0098 FRONT DOOR SATELLITE SENSOR RH

DTC Description

INFOID:000000009667157

DTC DETECTION LOGIC

DTC	CONSULT screen items (Trouble diagnosis content)	DTC detecting condition	
B0098	DOOR SATEL SENS RH [Right Frontal Restraints Sensor 3 (Subfault)]	[RESET]	Reset malfunction of front door satellite sensor RH
		[COMM ERR]	Communication malfunction of front door satellite sensor RH
		[OPEN]	Front door satellite sensor RH circuit is open
		[UNMATCH]	Front door satellite sensor RH is out of the specified specification
		[OFFSET ERR]	Offset malfunction of front door satellite sensor RH
		[SELF-DIAG ERR]	Diagnosis malfunction of front door satellite sensor RH
		[LOWER LIMIT ERR]	Lower limit value malfunction of front door satellite sensor RH
		[UPPER LIMIT ERR]	Upper limit value malfunction of front door satellite sensor RH
	[GND-SHORT]	Front door satellite sensor RH circuit is shorted to ground	

POSSIBLE CAUSE

[RESET], [COMM ERR]

- Connection malfunction of harness or connector
- Internal malfunction of front door satellite sensor RH
- Internal malfunction of air bag diagnosis sensor unit

[OPEN]

- Connection malfunction or open circuit of harness and connector
- Internal malfunction of front door satellite sensor RH
- Internal malfunction of air bag diagnosis sensor unit

[UNMATCH]

- Air bag diagnosis sensor unit and front door satellite sensor RH is different from the part specified

[OFFSET ERR], [SELF-DIAG ERR], [LOWER LIMIT ERR], [UPPER LIMIT ERR]

- Internal malfunction of front door satellite sensor RH
- Internal malfunction of air bag diagnosis sensor unit

[GND-SHORT]

- Connection malfunction or short circuit to ground of harness and connector
- Internal malfunction of front door satellite sensor RH
- Internal malfunction of air bag diagnosis sensor unit

FAIL-SAFE

—

DTC CONFIRMATION PROCEDURE

1. CHECK SELF-DIAG RESULT

 With CONSULT

1. Turn ignition switch ON.
2. Perform "Self Diagnostic Result" mode of "AIR BAG" using CONSULT.

 Without CONSULT

1. Turn ignition switch ON.
2. Check the air bag warning lamp status. Refer to [SRC-15, "On Board Diagnosis Function"](#).

NOTE:

SRS does not enter the diagnosis mode if no malfunction is detected in the user mode.

Is malfunctioning part detected?

YES >> Refer to [SRC-74, "Diagnosis Procedure"](#).

NO-1 >> To check malfunction symptom before repair: Refer to [GI-43, "Intermittent Incident"](#).

B0098 FRONT DOOR SATELLITE SENSOR RH

< DTC/CIRCUIT DIAGNOSIS >

NO-2 >> Confirmation after repair: INSPECTION END

Diagnosis Procedure

INFOID:000000009667158

WARNING:

- Before servicing, turn ignition switch OFF, disconnect battery negative terminal, and wait at least 3 minutes or more. (To discharge backup capacitor.)
- Never use unspecified tester or other measuring device.

1. CHECK DTC

Perform each inspection according to the displayed DTC.

Which DTC is displayed?

[UNMATCH] >> GO TO 4.
Other than the above >> GO TO 2.

2. CHECK HARNESS CONNECTOR

Check the harness connector.

Is the inspection result normal?

YES >> GO TO 3.
NO >> Replace harness connector.

3. CHECK WIRING HARNESS

Check the wiring harness externals.

Is the inspection result normal?

YES >> GO TO 4.
NO >> Replace wiring harness.

4. REPLACE FRONT DOOR SATELLITE SENSOR RH

1. Replace front door satellite sensor RH. Refer to [SR-30. "Removal and Installation"](#).
2. Perform DTC confirmation procedure. Refer to [SRC-73. "DTC Description"](#).

Is DTC detected?

YES >> GO TO 5.
NO >> INSPECTION END

5. REPLACE AIR BAG DIAGNOSIS SENSOR UNIT

1. Replace air bag diagnosis sensor unit. Refer to [SR-35. "Removal and Installation"](#).
2. Perform DTC confirmation procedure. Refer to [SRC-73. "DTC Description"](#).

Is DTC detected?

YES >> GO TO 1.
NO >> INSPECTION END

B00A0 OCCUPANT DETECTION SYSTEM CONTROL UNIT

< DTC/CIRCUIT DIAGNOSIS >

B00A0 OCCUPANT DETECTION SYSTEM CONTROL UNIT

DTC Description

INFOID:000000009667152

DTC DETECTION LOGIC

DTC	CONSULT screen items (Trouble diagnosis content)		DTC detecting condition
B00A0	OCCUPANT SENS [Occupant Classification System (Subfault)]	[ABNORMAL VOLTAGE]	Power supply malfunction of occupant detection sensor
		[UNIT MALFUNC]	Malfunction of occupant detection sensor
	OCCUPANT SENS C/U [Occupant Classification System (Subfault)]	[RESET]	Reset malfunction of occupant detection sensor control unit
		[UNIT MALFUNC]	Malfunction of occupant detection sensor control unit
		[COMM ERR]	<ul style="list-style-type: none">Communication malfunction of occupant detection sensor control unitCommunication blank of occupant detection sensor control unit
		[UNDEFINED]	Undefined status of occupant detection sensor control unit

POSSIBLE CAUSE

OCCUPANT SENS

- [ABNORMAL VOLTAGE]
 - Connection malfunction or short circuit to power supply of harness or connector
 - Internal malfunction of occupant detection sensor
 - Internal malfunction of air bag diagnosis sensor unit
- [UNIT MALFUNC]
 - Connection malfunction of harness and connector
 - Internal malfunction of occupant detection sensor
 - Internal malfunction of air bag diagnosis sensor unit

[OCCUPANT SENS C/U

- [RESET]
 - Connection malfunction of harness and connector
 - Internal malfunction of occupant detection sensor control unit
 - Internal malfunction of air bag diagnosis sensor unit
- [UNIT MALFUNC], [COMM ERR], [UNDEFINED]
 - Connection malfunction or open circuit of harness and connector
 - Internal malfunction of occupant detection sensor control unit
 - Internal malfunction of air bag diagnosis sensor unit

FAIL-SAFE

—

DTC CONFIRMATION PROCEDURE

1. CHECK SELF-DIAG RESULT

With CONSULT

1. Turn ignition switch ON.
2. Perform "Self Diagnostic Result" mode of "AIR BAG" using CONSULT.

Without CONSULT

1. Turn ignition switch ON.
2. Check the air bag warning lamp status. Refer to [SRC-15. "On Board Diagnosis Function"](#).

NOTE:

SRS does not enter the diagnosis mode if no malfunction is detected in the user mode.

Is malfunctioning part detected?

- YES >> Refer to [SRC-76. "Diagnosis Procedure"](#).
- NO-1 >> To check malfunction symptom before repair: Refer to [GI-43. "Intermittent Incident"](#).
- NO-2 >> Confirmation after repair: INSPECTION END

B00A0 OCCUPANT DETECTION SYSTEM CONTROL UNIT

< DTC/CIRCUIT DIAGNOSIS >

Diagnosis Procedure

INFOID:00000009667153

WARNING:

- Before servicing, turn ignition switch OFF, disconnect battery negative terminal, and wait at least 3 minutes or more. (To discharge backup capacitor.)
- Never use unspecified tester or other measuring device.

DIAGNOSTIC PROCEDURE

1. CHECK HARNESS CONNECTOR

Check the connection of harness connector.

Is the inspection result normal?

- YES >> GO TO 2.
- NO >> Replace harness connectors.

2. CHECK WIRING HARNESS

Check the wiring harness externals.

Is the inspection result normal?

- YES >> GO TO 3.
- NO >> Replace wiring harness.

3. REPLACE OCCUPANT DETECTION SYSTEM CONTROL UNIT

1. Replace occupant detection system control unit. Refer to [SR-37, "Removal and Installation"](#).
2. Perform DTC confirmation procedure. Refer to [SRC-75, "DTC Description"](#).

Is DTC detected?

- YES >> GO TO 4.
- NO >> INSPECTION END

4. REPLACE OCCUPANT DETECTION SYSTEM SEAT SENSOR

1. Replace seat frame. Refer to [SE-78, "Removal and Installation"](#).
2. Perform DTC confirmation procedure. Refer to [SRC-75, "DTC Description"](#).

Is DTC detected?

- YES >> GO TO 5.
- NO >> INSPECTION END

5. REPLACE AIR BAG DIAGNOSIS SENSOR UNIT

1. Replace air bag diagnosis sensor unit. Refer to [SR-35, "Removal and Installation"](#).
2. Perform DTC confirmation procedure. Refer to [SRC-75, "DTC Description"](#).

Is DTC detected?

- YES >> GO TO 1.
- NO >> INSPECTION END

B00D5 FRONT PASSENGER AIR BAG OFF INDICATOR

< DTC/CIRCUIT DIAGNOSIS >

B00D5 FRONT PASSENGER AIR BAG OFF INDICATOR

DTC Description

INFOID:000000009667081

DTC DETECTION LOGIC

DTC	CONSULT screen items (Trouble diagnosis content)	DTC detecting condition	
B00D5	PASS A/B INDCTR CKT [Restraint System Passenger Disable Indicator (Sub-fault)]	[UNIT MALFUNC]	Malfunction in front passenger air bag OFF indicator circuit
		[PWE-SHORT/OPEN]	Front passenger air bag OFF indicator circuit is open or shorted to power supply circuit
		[OPEN]	Front passenger air bag OFF indicator circuit is open
		[VB-SHORT]	Front passenger air bag OFF indicator circuit is shorted to power supply circuit
		[GND-SHORT]	Front passenger air bag OFF indicator circuit is shorted to ground

POSSIBLE CAUSE

[UNIT MALFUNC]

- Internal malfunction of front passenger air bag OFF indicator
- Internal malfunction of air bag diagnosis sensor unit

[PWE-SHORT/OPEN]

- Connection malfunction or short circuit to power supply of harness and connector
- Connection malfunction or open circuit of harness and connector
- Internal malfunction of front passenger air bag OFF indicator
- Internal malfunction of air bag diagnosis sensor unit

[OPEN]

- Connection malfunction or open circuit of harness and connector
- Internal malfunction of front passenger air bag OFF indicator
- Internal malfunction of air bag diagnosis sensor unit

[VB-SHORT]

- Connection malfunction or short circuit to power supply of harness and connector
- Internal malfunction of front passenger air bag OFF indicator
- Internal malfunction of air bag diagnosis sensor unit

[GND-SHORT]

- Connection malfunction or short circuit to ground of harness and connector
- Internal malfunction of front passenger air bag OFF indicator
- Internal malfunction of air bag diagnosis sensor unit

FAIL-SAFE

—

DTC CONFIRMATION PROCEDURE

1. CHECK SELF-DIAG RESULT

With CONSULT

1. Turn ignition switch ON.
2. Perform "Self Diagnostic Result" mode of "AIR BAG" using CONSULT.

Without CONSULT

1. Turn ignition switch ON.
2. Check the air bag warning lamp status. Refer to [SRC-15, "On Board Diagnosis Function"](#).

NOTE:

SRS does not enter the diagnosis mode if no malfunction is detected in the user mode.

Is malfunctioning part detected?

YES >> Refer to [SRC-78, "Diagnosis Procedure"](#).

NO-1 >> To check malfunction symptom before repair: Refer to [GI-43, "Intermittent Incident"](#).

B00D5 FRONT PASSENGER AIR BAG OFF INDICATOR

< DTC/CIRCUIT DIAGNOSIS >

NO-2 >> Confirmation after repair: INSPECTION END

Diagnosis Procedure

INFOID:000000009667082

WARNING:

- Before servicing, turn ignition switch OFF, disconnect battery negative terminal, and wait 3 minutes or more. (To discharge backup capacitor.)
- Never use unspecified tester or other measuring device.

DIAGNOSTIC PROCEDURE

1. CHECK HARNESS CONNECTOR

Check the connection of harness connector.

Is the inspection result normal?

YES >> GO TO 2.

NO >> Replace harness connectors.

2. CHECK WIRING HARNESS

Check the wiring harness externals.

Is the inspection result normal?

YES >> GO TO 3.

NO >> Replace wiring harness.

3. CHECK FRONT PASSENGER AIR BAG OFF INDICATOR

1. Replace integral switch. Refer to [AV-280, "Removal and Installation"](#).
2. Perform DTC confirmation procedure. Refer to [SRC-77, "DTC Description"](#).

Is DTC detected?

YES >> GO TO 4.

NO >> INSPECTION END

4. REPLACE AIR BAG DIAGNOSIS SENSOR UNIT

1. Replace air bag diagnosis sensor unit. Refer to [SR-35, "Removal and Installation"](#).
2. Perform DTC confirmation procedure. Refer to [SRC-77, "DTC Description"](#).

Is DTC detected?

YES >> GO TO 1.

NO >> INSPECTION END

B1400, B1401, B1402, B1403, B1404, B1405 AIR BAG DIAGNOSIS SENSOR UNIT

< DTC/CIRCUIT DIAGNOSIS >

B1400, B1401, B1402, B1403, B1404, B1405 AIR BAG DIAGNOSIS SENSOR UNIT

DTC Description

INFOID:000000009667085

DTC DETECTION LOGIC

DTC	CONSULT screen items (Trouble diagnosis content)	DTC detecting condition
B1400	CONTROL UNIT (airbag control unit)	Air bag diagnosis sensor unit is malfunctioning
B1401	CONTROL UNIT (airbag control unit internal trouble, sensor2)	
B1402	CONTROL UNIT (airbag control unit internal trouble, sensor3)	
B1403	CONTROL UNIT (airbag control unit internal trouble, sensor4)	
B1404	CONTROL UNIT (airbag control unit internal trouble, sensor5)	
B1405	CONTROL UNIT (airbag control unit internal trouble, sensor6)	

POSSIBLE CAUSE

Malfunction in air bag diagnosis sensor unit

FAIL-SAFE

—

DTC CONFIRMATION PROCEDURE

1.CHECK SELF-DIAG RESULT

With CONSULT

1. Turn ignition switch ON.
2. Perform "Self Diagnostic Result" mode of "AIR BAG" using CONSULT.

Without CONSULT

1. Turn ignition switch ON.
2. Check the air bag warning lamp status. Refer to [SRC-15. "On Board Diagnosis Function"](#).

NOTE:

SRS does not enter the diagnosis mode if no malfunction is detected in the user mode.

Is malfunctioning part detected?

YES >> Refer to [SRC-79. "Diagnosis Procedure"](#).

NO-1 >> To check malfunction symptom before repair: Refer to [GI-43. "Intermittent Incident"](#).

NO-2 >> Confirmation after repair: INSPECTION END

Diagnosis Procedure

INFOID:000000009667086

WARNING:

- Before servicing, turn ignition switch OFF, disconnect battery negative terminal, and wait at least 3 minutes or more. (To discharge backup capacitor.)
- Never use unspecified tester or other measuring device.

1.CHECK HARNESS CONNECTOR

Check the harness connector.

Is the inspection result normal?

YES >> GO TO 2.

NO >> Replace harness connectors.

2.CHECK WIRING HARNESS

B1400, B1401, B1402, B1403, B1404, B1405 AIR BAG DIAGNOSIS SENSOR UNIT

< DTC/CIRCUIT DIAGNOSIS >

Check the wiring harness externals.

Is the inspection result normal?

YES >> GO TO 3.

NO >> Replace wiring harness.

3.REPLACE AIR BAG DIAGNOSIS SENSOR UNIT

1. Replace air bag diagnosis sensor unit. Refer to [SR-35. "Removal and Installation"](#).

2. Perform DTC confirmation procedure. Refer to [SRC-79. "DTC Description"](#).

Is DTC detected?

YES >> GO TO 1.

NO >> INSPECTION END

B1406, B1407, B1408, B1409, B1410 AIR BAG DIAGNOSIS SENSOR UNIT

< DTC/CIRCUIT DIAGNOSIS >

B1406, B1407, B1408, B1409, B1410 AIR BAG DIAGNOSIS SENSOR UNIT

DTC Description

INFOID:000000009667087

DTC DETECTION LOGIC

DTC	CONSULT screen items (Trouble diagnosis content)	DTC detecting condition
B1406	CONTROL UNIT (airbag control unit internal trouble, Energy Reserver)	Air bag diagnosis sensor unit is malfunctioning
B1407	CONTROL UNIT (airbag control unit internal trouble, driver IC1)	
B1408	CONTROL UNIT (airbag control unit internal trouble, driver IC2)	
B1409	CONTROL UNIT (airbag control unit internal trouble, driver IC3)	
B1410	CONTROL UNIT (airbag control unit internal trouble, Power IC)	

POSSIBLE CAUSE

Malfunction in air bag diagnosis sensor unit

FAIL-SAFE

—

DTC CONFIRMATION PROCEDURE

1. CHECK SELF-DIAG RESULT

With CONSULT

1. Turn ignition switch ON.
2. Perform "Self Diagnostic Result" mode of "AIR BAG" using CONSULT.

Without CONSULT

1. Turn ignition switch ON.
2. Check the air bag warning lamp status. Refer to [SRC-15, "On Board Diagnosis Function"](#).

NOTE:

SRS does not enter the diagnosis mode if no malfunction is detected in the user mode.

Is malfunctioning part detected?

YES >> Refer to [SRC-81, "Diagnosis Procedure"](#).

NO-1 >> To check malfunction symptom before repair: Refer to [GI-43, "Intermittent Incident"](#).

NO-2 >> Confirmation after repair: INSPECTION END

Diagnosis Procedure

INFOID:000000009667088

WARNING:

- Before servicing, turn ignition switch OFF, disconnect battery negative terminal, and wait at least 3 minutes or more. (To discharge backup capacitor.)
- Never use unspecified tester or other measuring device.

1. CHECK HARNESS CONNECTOR

Check the harness connector.

Is the inspection result normal?

YES >> GO TO 2.

NO >> Replace harness connectors.

2. CHECK WIRING HARNESS

Check the wiring harness externals.

Is the inspection result normal?

YES >> GO TO 3.

B1406, B1407, B1408, B1409, B1410 AIR BAG DIAGNOSIS SENSOR UNIT

< DTC/CIRCUIT DIAGNOSIS >

NO >> Replace wiring harness.

3.REPLACE AIR BAG DIAGNOSIS SENSOR UNIT

1. Replace air bag diagnosis sensor unit. Refer to [SR-35. "Removal and Installation"](#).
2. Perform DTC confirmation procedure. Refer to [SRC-81. "DTC Description"](#).

Is DTC detected?

YES >> GO TO 1.

NO >> INSPECTION END

B1411, B1412, B1413, B1414, B1415 AIR BAG DIAGNOSIS SENSOR UNIT

< DTC/CIRCUIT DIAGNOSIS >

B1411, B1412, B1413, B1414, B1415 AIR BAG DIAGNOSIS SENSOR UNIT

DTC Description

INFOID:000000009667089

DTC DETECTION LOGIC

DTC	CONSULT screen items (Trouble diagnosis content)	DTC detecting condition
B1411	CONTROL UNIT (airbag control unit internal trouble, SUB IC)	Air bag diagnosis sensor unit is malfunctioning
B1412	CONTROL UNIT (airbag control unit internal trouble, communication IC1)	
B1413	CONTROL UNIT (airbag control unit internal trouble, communication IC2)	
B1414	CONTROL UNIT [airbag control unit internal trouble, Main micro controller (CPU)]	
B1415	CONTROL UNIT [airbag control unit internal trouble, Sub microcontroller (CPU)]	

POSSIBLE CAUSE

Malfunction in air bag diagnosis sensor unit

FAIL-SAFE

—

DTC CONFIRMATION PROCEDURE

1. CHECK SELF-DIAG RESULT

④ With CONSULT

1. Turn ignition switch ON.
2. Perform "Self Diagnostic Result" mode of "AIR BAG" using CONSULT.

④ Without CONSULT

1. Turn ignition switch ON.
2. Check the air bag warning lamp status. Refer to [SRC-15, "On Board Diagnosis Function"](#).

NOTE:

SRS does not enter the diagnosis mode if no malfunction is detected in the user mode.

Is malfunctioning part detected?

YES >> Refer to [SRC-83, "Diagnosis Procedure"](#).

NO-1 >> To check malfunction symptom before repair: Refer to [GI-43, "Intermittent Incident"](#).

NO-2 >> Confirmation after repair: INSPECTION END

Diagnosis Procedure

INFOID:000000009667090

WARNING:

- Before servicing, turn ignition switch OFF, disconnect battery negative terminal, and wait at least 3 minutes or more. (To discharge backup capacitor.)
- Never use unspecified tester or other measuring device.

1. CHECK HARNESS CONNECTOR

Check the harness connector.

Is the inspection result normal?

YES >> GO TO 2.

NO >> Replace harness connectors.

2. CHECK WIRING HARNESS

Check the wiring harness externals.

Is the inspection result normal?

B1411, B1412, B1413, B1414, B1415 AIR BAG DIAGNOSIS SENSOR UNIT

< DTC/CIRCUIT DIAGNOSIS >

- YES >> GO TO 3.
- NO >> Replace wiring harness.

3.REPLACE AIR BAG DIAGNOSIS SENSOR UNIT

1. Replace air bag diagnosis sensor unit. Refer to [SR-35. "Removal and Installation"](#).
2. Perform DTC confirmation procedure. Refer to [SRC-83. "DTC Description"](#).

Is DTC detected?

- YES >> GO TO 1.
- NO >> INSPECTION END

B1416, B1417, B1418, B1419, B1420 AIR BAG DIAGNOSIS SENSOR UNIT

< DTC/CIRCUIT DIAGNOSIS >

B1416, B1417, B1418, B1419, B1420 AIR BAG DIAGNOSIS SENSOR UNIT

DTC Description

INFOID:000000009667091

DTC DETECTION LOGIC

DTC	CONSULT screen items (Trouble diagnosis content)	DTC detecting condition
B1416	CONTROL UNIT (airbag control unit internal trouble, EEPROM)	Air bag diagnosis sensor unit is malfunctioning
B1417	CONTROL UNIT (airbag control unit internal trouble, Algorithm)	
B1418	CONTROL UNIT (airbag control unit internal trouble, Configuration)	
B1419	CONTROL UNIT (airbag control unit internal trouble, other component)	
B1420	CONTROL UNIT (airbag control unit internal trouble, other)	

POSSIBLE CAUSE

Malfunction in air bag diagnosis sensor unit

FAIL-SAFE

—

DTC CONFIRMATION PROCEDURE

1. CHECK SELF-DIAG RESULT

With CONSULT

1. Turn ignition switch ON.
2. Perform "Self Diagnostic Result" mode of "AIR BAG" using CONSULT.

Without CONSULT

1. Turn ignition switch ON.
2. Check the air bag warning lamp status. Refer to [SRC-15. "On Board Diagnosis Function"](#).

NOTE:

SRS does not enter the diagnosis mode if no malfunction is detected in the user mode.

Is malfunctioning part detected?

- YES >> Refer to [SRC-85. "Diagnosis Procedure"](#).
NO-1 >> To check malfunction symptom before repair: Refer to [GI-43. "Intermittent Incident"](#).
NO-2 >> Confirmation after repair: INSPECTION END

Diagnosis Procedure

INFOID:000000009667092

WARNING:

- Before servicing, turn ignition switch OFF, disconnect battery negative terminal, and wait at least 3 minutes or more. (To discharge backup capacitor.)
- Never use unspecified tester or other measuring device.

1. CHECK HARNESS CONNECTOR

Check the harness connector.

Is the inspection result normal?

- YES >> GO TO 2.
NO >> Replace harness connectors.

2. CHECK WIRING HARNESS

Check the wiring harness externals.

Is the inspection result normal?

- YES >> GO TO 3.

B1416, B1417, B1418, B1419, B1420 AIR BAG DIAGNOSIS SENSOR UNIT

< DTC/CIRCUIT DIAGNOSIS >

NO >> Replace wiring harness.

3.REPLACE AIR BAG DIAGNOSIS SENSOR UNIT

1. Replace air bag diagnosis sensor unit. Refer to [SR-35. "Removal and Installation"](#).
2. Perform DTC confirmation procedure. Refer to [SRC-85. "DTC Description"](#).

Is DTC detected?

YES >> GO TO 1.

NO >> INSPECTION END

B1421 FRONTAL COLLISION DETECTION

< DTC/CIRCUIT DIAGNOSIS >

B1421 FRONTAL COLLISION DETECTION

DTC Description

INFOID:000000009667093

DTC DETECTION LOGIC

DTC	CONSULT screen items (Trouble diagnosis content)	DTC detecting condition
B1421	FRONTAL COLLISION (Firing Record, Frontal)	Driver air bag, passenger air bag, seat belt pre-tensioner and lap pre-tensioner are deployed

POSSIBLE CAUSE

- Malfunction of frontal-related parts
- Internal malfunction of air bag diagnosis sensor unit

FAIL-SAFE

—

DTC CONFIRMATION PROCEDURE

1. CHECK SELF-DIAG RESULT

With CONSULT

1. Turn ignition switch ON.
2. Perform "Self Diagnostic Result" mode of "AIR BAG" using CONSULT.

Without CONSULT

1. Turn ignition switch ON.
2. Check the air bag warning lamp status. Refer to [SRC-15, "On Board Diagnosis Function"](#).

NOTE:

SRS does not enter the diagnosis mode if no malfunction is detected in the user mode.

Is malfunctioning part detected?

YES >> Refer to [SRC-87, "Diagnosis Procedure"](#).

NO-1 >> To check malfunction symptom before repair: Refer to [GI-43, "Intermittent Incident"](#).

NO-2 >> Confirmation after repair: INSPECTION END

Diagnosis Procedure

INFOID:000000009667094

WARNING:

- Before servicing, turn ignition switch OFF, disconnect battery negative terminal, and wait at least 3 minutes or more. (To discharge backup capacitor.)
- Never use unspecified tester or other measuring device.

1. PERFORM COLLISION DIAGNOSIS

Perform collision diagnosis. Refer to [SR-10, "FOR FRONTAL COLLISION : When SRS is activated in a collision"](#) or [SR-11, "FOR FRONTAL COLLISION : When SRS is not activated in a collision"](#).

>> GO TO 2.

2. FINAL INSPECTION

Perform "AIR BAG" Self Diagnostic Result.

Is the inspection result normal?

YES >> INSPECTION END

NO >> Perform diagnosis of applicable DTC. Refer to [SRC-22, "DTC Index"](#).

B1422 SIDE COLLISION DETECTION

< DTC/CIRCUIT DIAGNOSIS >

B1422 SIDE COLLISION DETECTION

DTC Description

INFOID:000000009667095

DTC DETECTION LOGIC

DTC	CONSULT screen items (Trouble diagnosis content)	DTC detecting condition
B1422	SIDE COLLISION (Firing Record, Side)	Side air bag and curtain air bag are deployed

POSSIBLE CAUSE

- Malfunction of side-related parts
- Internal malfunction of air bag diagnosis sensor unit

FAIL-SAFE

—

DTC CONFIRMATION PROCEDURE

1. CHECK SELF-DIAG RESULT

With CONSULT

1. Turn ignition switch ON.
2. Perform "Self Diagnostic Result" mode of "AIR BAG" using CONSULT.

Without CONSULT

1. Turn ignition switch ON.
2. Check the air bag warning lamp status. Refer to [SRC-15, "On Board Diagnosis Function"](#).

NOTE:

SRS does not enter the diagnosis mode if no malfunction is detected in the user mode.

Is malfunctioning part detected?

- YES >> Refer to [SRC-88, "Diagnosis Procedure"](#).
NO-1 >> To check malfunction symptom before repair: Refer to [GI-43, "Intermittent Incident"](#).
NO-2 >> Confirmation after repair: INSPECTION END

Diagnosis Procedure

INFOID:000000009667096

WARNING:

- Before servicing, turn ignition switch OFF, disconnect battery negative terminal, and wait at least 3 minutes or more. (To discharge backup capacitor.)
- Never use unspecified tester or other measuring device.

1. PERFORM COLLISION DIAGNOSIS

Perform collision diagnosis. Refer to [SR-12, "FOR SIDE AND ROLLOVER COLLISION : When SRS is activated in a collision"](#) or [SR-13, "FOR SIDE AND ROLLOVER COLLISION : When SRS is not activated in a collision"](#).

>> GO TO 2.

2. FINAL INSPECTION

Perform "AIR BAG" Self Diagnostic Result.

Is the inspection result normal?

- YES >> INSPECTION END
NO >> Perform diagnosis of applicable DTC. Refer to [SRC-22, "DTC Index"](#).

B1425 REAR COLLISION DETECTION

< DTC/CIRCUIT DIAGNOSIS >

B1425 REAR COLLISION DETECTION

DTC Description

INFOID:000000009667097

DTC DETECTION LOGIC

DTC	CONSULT screen items (Trouble diagnosis content)	DTC detecting condition
B1425	REAR COLLISION (Rear Crash Detect)	Rear collision detected

POSSIBLE CAUSE

- Malfunction of rear crash-related parts
- Internal malfunction of air bag diagnosis sensor unit

DTC CONFIRMATION PROCEDURE

1. CHECK SELF-DIAG RESULT

With CONSULT

1. Turn ignition switch ON.
2. Perform "Self Diagnostic Result" mode of "AIR BAG" using CONSULT.

Without CONSULT

1. Turn ignition switch ON.
2. Check the air bag warning lamp status. Refer to [SRC-15, "On Board Diagnosis Function"](#).

NOTE:

SRS does not enter the diagnosis mode if no malfunction is detected in the user mode.

Is malfunctioning part detected?

- YES >> Refer to [SRC-89, "Diagnosis Procedure"](#).
NO-1 >> To check malfunction symptom before repair: Refer to [GI-43, "Intermittent Incident"](#).
NO-2 >> Confirmation after repair: INSPECTION END

Diagnosis Procedure

INFOID:000000009667098

WARNING:

- Before servicing, turn ignition switch OFF, disconnect battery negative terminal, and wait at least 3 minutes or more. (To discharge backup capacitor.)
- Never use unspecified tester or other measuring device.

1. PERFORM COLLISION DIAGNOSIS

Perform collision diagnosis. Refer to [SR-11, "FOR FRONTAL COLLISION : When SRS is not activated in a collision"](#) or [SR-13, "FOR SIDE AND ROLLOVER COLLISION : When SRS is not activated in a collision"](#).

>> GO TO 2.

2. FINAL INSPECTION

Perform "AIR BAG" Self Diagnostic Result.

Is the inspection result normal?

- YES >> INSPECTION END
NO >> Perform diagnosis of applicable DTC. Refer to [SRC-22, "DTC Index"](#).

B142A IGN VOLTAGE

< DTC/CIRCUIT DIAGNOSIS >

B142A IGN VOLTAGE

DTC Description

INFOID:000000009667099

DTC DETECTION LOGIC

DTC	CONSULT screen items (Trouble diagnosis content)		DTC detecting condition
B142A	IGNITION VOLTAGE (Ignition voltage Low)	[VB-LOW]	Power supply malfunction (low voltage) of air bag diagnosis sensor unit
	IGNITION VOLTAGE (Ignition voltage High)	[VB-HIGH]	Power supply malfunction (high voltage) of air bag diagnosis sensor unit

POSSIBLE CAUSE

[VB-LOW]

- Malfunction of battery voltage (low voltage)
- Connection malfunction of harness or connector
- Internal malfunction of air bag diagnosis sensor unit

[VB-HIGH]

- Malfunction of battery voltage (high voltage)
- Connection malfunction of harness or connector
- Internal malfunction of air bag diagnosis sensor unit

FAIL-SAFE

—

DTC CONFIRMATION PROCEDURE

1. CHECK SELF-DIAG RESULT

With CONSULT

1. Turn ignition switch ON.
2. Perform "Self Diagnostic Result" mode of "AIR BAG" using CONSULT.

Without CONSULT

1. Turn ignition switch ON.
2. Check the air bag warning lamp status. Refer to [SRC-15, "On Board Diagnosis Function"](#).

NOTE:

SRS does not enter the diagnosis mode if no malfunction is detected in the user mode.

Is malfunctioning part detected?

YES >> Refer to [SRC-90, "Diagnosis Procedure"](#).

NO-1 >> To check malfunction symptom before repair: Refer to [GI-43, "Intermittent Incident"](#).

NO-2 >> Confirmation after repair: INSPECTION END

Diagnosis Procedure

INFOID:000000009667100

WARNING:

- Before servicing, turn ignition switch OFF, disconnect battery negative terminal, and wait at least 3 minutes or more. (To discharge backup capacitor.)
- Never use unspecified tester or other measuring device.

1. CHECK BATTERY VOLTAGE

Check battery voltage. Refer to [PG-98, "How to Handle Battery"](#).

Is the inspection result normal?

YES >> GO TO 2.

NO >> Replace battery. Refer to [PG-106, "Removal and Installation"](#).

2. CHECK HARNESS CONNECTOR

Check the harness connector.

Is the inspection result normal?

B142A IGN VOLTAGE

< DTC/CIRCUIT DIAGNOSIS >

- YES >> GO TO 3.
- NO >> Replace harness connectors.

3.CHECK WIRING HARNESS

Check the wiring harness externals.

Is the inspection result normal?

- YES >> GO TO 4.
- NO >> Replace wiring harness.

4.REPLACE AIR BAG DIAGNOSIS SENSOR UNIT

1. Replace air bag diagnosis sensor unit. Refer to [SR-35, "Removal and Installation"](#).
2. Perform DTC confirmation procedure. Refer to [SRC-90, "DTC Description"](#).

Is DTC detected?

- YES >> GO TO 1.
- NO >> INSPECTION END

A
B
C
D
E
F
G
I
J
K
L
M
N
O
P

SRC

B1430 SEAT BELT PRE-TENSIONER

< DTC/CIRCUIT DIAGNOSIS >

B1430 SEAT BELT PRE-TENSIONER

DTC Description

INFOID:000000009667101

DTC DETECTION LOGIC

DTC	CONSULT screen items (Trouble diagnosis content)		DTC detecting condition
B1430	PRE-TEN FRONT LH (front seat belt pre-tensioner squib left hand circuit)	[OPEN]	Seat belt pre-tensioner LH circuit is open
	PRE-TEN FRONT LH (front seat belt pre-tensioner squib left hand circuit short to battery)	[VB-SHORT]	Seat belt pre-tensioner LH circuit is shorted to power supply circuit
	PRE-TEN FRONT LH (front seat belt pre-tensioner squib left hand circuit short to GND)	[GND-SHORT]	Seat belt pre-tensioner LH circuit is shorted to ground
	PRE-TEN FRONT LH (front seat belt pre-tensioner squib left hand circuit resistance below threshold)	[SHORT]	Seat belt pre-tensioner LH circuits are shorted to each other
	PRE-TEN FRONT LH [front seat belt pre-tensioner squib left hand component failures (cross connection)]		

POSSIBLE CAUSE

[OPEN]

- Connection malfunction or open circuit of harness and connector
- Internal malfunction of seat belt pre-tensioner LH
- Internal malfunction of air bag diagnosis sensor unit

[VB-SHORT]

- Connection malfunction or short circuit to power supply of harness and connector
- Internal malfunction of seat belt pre-tensioner LH
- Internal malfunction of air bag diagnosis sensor unit

[GND-SHORT]

- Connection malfunction or short circuit to ground of harness and connector
- Internal malfunction of seat belt pre-tensioner LH
- Internal malfunction of air bag diagnosis sensor unit

[SHORT]

- Connection malfunction or short circuit of harness and connector
- Internal malfunction of seat belt pre-tensioner LH
- Internal malfunction of air bag diagnosis sensor unit

FAIL-SAFE

—

DTC CONFIRMATION PROCEDURE

1. CHECK SELF-DIAG RESULT

With CONSULT

1. Turn ignition switch ON.
2. Perform "Self Diagnostic Result" mode of "AIR BAG" using CONSULT.

Without CONSULT

1. Turn ignition switch ON.
2. Check the air bag warning lamp status. Refer to [SRC-15, "On Board Diagnosis Function"](#).

B1430 SEAT BELT PRE-TENSIONER

< DTC/CIRCUIT DIAGNOSIS >

NOTE:

SRS does not enter the diagnosis mode if no malfunction is detected in the user mode.

Is malfunctioning part detected?

YES >> Refer to [SRC-93, "Diagnosis Procedure"](#).

NO-1 >> To check malfunction symptom before repair: Refer to [GI-43, "Intermittent Incident"](#).

NO-2 >> Confirmation after repair: INSPECTION END

Diagnosis Procedure

INFOID:000000009667102

WARNING:

- Before servicing, turn ignition switch OFF, disconnect battery negative terminal, and wait at least 3 minutes or more. (To discharge backup capacitor.)
- Never use unspecified tester or other measuring device.

1. CHECK HARNESS CONNECTOR

Check the harness connector.

Is the inspection result normal?

YES >> GO TO 2.

NO >> Replace harness connector.

2. CHECK WIRING HARNESS

Check the wiring harness externals.

Is the inspection result normal?

YES >> GO TO 3.

NO >> Replace wiring harness.

3. REPLACE SEAT BELT PRE-TENSIONER LH

1. Replace seat belt pre-tensioner LH. Refer to [SR-33, "Removal and Installation"](#).

2. Perform DTC confirmation procedure. Refer to [SRC-92, "DTC Description"](#).

Is DTC detected?

YES >> GO TO 4.

NO >> INSPECTION END

4. REPLACE AIR BAG DIAGNOSIS SENSOR UNIT

1. Replace air bag diagnosis sensor unit. Refer to [SR-35, "Removal and Installation"](#).

2. Perform DTC confirmation procedure. Refer to [SRC-92, "DTC Description"](#).

Is DTC detected?

YES >> GO TO 1.

NO >> INSPECTION END

A
B
C
D
E
F
G
I
J
K
L
M
N
O
P

SRC

B1431 SEAT BELT PRE-TENSIONER

< DTC/CIRCUIT DIAGNOSIS >

B1431 SEAT BELT PRE-TENSIONER

DTC Description

INFOID:000000009667103

DTC DETECTION LOGIC

DTC	CONSULT screen items (Trouble diagnosis content)		DTC detecting condition
B1431	PRE-TEN FRONT RH (front seat belt pre-tensioner squib right hand circuit)	[OPEN]	Seat belt pre-tensioner RH circuit is open
	PRE-TEN FRONT RH (front seat belt pre-tensioner squib right hand circuit short to battery)	[VB-SHORT]	Seat belt pre-tensioner RH circuit is shorted to power supply circuit
	PRE-TEN FRONT RH (front seat belt pre-tensioner squib right hand circuit short to GND)	[GND-SHORT]	Seat belt pre-tensioner RH circuit is shorted to ground
	PRE-TEN FRONT RH (front seat belt pre-tensioner squib right hand circuit resistance below threshold)	[SHORT]	Seat belt pre-tensioner RH circuits are shorted to each other
	PRE-TEN FRONT RH [front seat belt pre-tensioner squib right hand component failures (cross connection)]		

POSSIBLE CAUSE

[OPEN]

- Connection malfunction or open circuit of harness and connector
- Internal malfunction of seat belt pre-tensioner RH
- Internal malfunction of air bag diagnosis sensor unit

[VB-SHORT]

- Connection malfunction or short circuit to power supply of harness and connector
- Internal malfunction of seat belt pre-tensioner RH
- Internal malfunction of air bag diagnosis sensor unit

[GND-SHORT]

- Connection malfunction or short circuit to ground of harness and connector
- Internal malfunction of seat belt pre-tensioner RH
- Internal malfunction of air bag diagnosis sensor unit

[SHORT]

- Connection malfunction or short circuit of harness and connector
- Internal malfunction of seat belt pre-tensioner RH
- Internal malfunction of air bag diagnosis sensor unit

FAIL-SAFE

—

DTC CONFIRMATION PROCEDURE

1. CHECK SELF-DIAG RESULT

With CONSULT

1. Turn ignition switch ON.
2. Perform "Self Diagnostic Result" mode of "AIR BAG" using CONSULT.

Without CONSULT

1. Turn ignition switch ON.

B1431 SEAT BELT PRE-TENSIONER

< DTC/CIRCUIT DIAGNOSIS >

2. Check the air bag warning lamp status. Refer to [SRC-15, "On Board Diagnosis Function"](#).

NOTE:

SRS does not enter the diagnosis mode if no malfunction is detected in the user mode.

Is malfunctioning part detected?

YES >> Refer to [SRC-95, "Diagnosis Procedure"](#).

NO-1 >> To check malfunction symptom before repair: Refer to [GI-43, "Intermittent Incident"](#).

NO-2 >> Confirmation after repair: INSPECTION END

Diagnosis Procedure

INFOID:000000009667104

WARNING:

- Before servicing, turn ignition switch OFF, disconnect battery negative terminal, and wait at least 3 minutes or more. (To discharge backup capacitor.)
- Never use unspecified tester or other measuring device.

1. CHECK HARNESS CONNECTOR

Check the harness connector.

Is the inspection result normal?

YES >> GO TO 2.

NO >> Replace harness connector.

2. CHECK WIRING HARNESS

Check the wiring harness externals.

Is the inspection result normal?

YES >> GO TO 3.

NO >> Replace wiring harness.

3. REPLACE SEAT BELT PRE-TENSIONER RH

1. Replace seat belt pre-tensioner RH. Refer to [SR-33, "Removal and Installation"](#).

2. Perform DTC confirmation procedure. Refer to [SRC-94, "DTC Description"](#).

Is DTC detected?

YES >> GO TO 4.

NO >> INSPECTION END

4. REPLACE AIR BAG DIAGNOSIS SENSOR UNIT

1. Replace air bag diagnosis sensor unit. Refer to [SR-35, "Removal and Installation"](#).

2. Perform DTC confirmation procedure. Refer to [SRC-94, "DTC Description"](#).

Is DTC detected?

YES >> GO TO 1.

NO >> INSPECTION END

A
B
C
D
E
F
G
I
J
K
L
M
N
O
P

SRC

B1432 LAP PRE-TENSIONER

< DTC/CIRCUIT DIAGNOSIS >

B1432 LAP PRE-TENSIONER

DTC Description

INFOID:000000009667105

DTC	CONSULT screen items (Trouble diagnosis content)		DTC detecting condition
B1432	PRE-TEN FRONT LH 2 (front lap seat belt pre-tensioner squib left hand circuit)	[OPEN]	Lap pre-tensioner LH circuit is open
	PRE-TEN FRONT LH 2 (front lap seat belt pre-tensioner squib left hand circuit short to battery)	[VB-SHORT]	Lap pre-tensioner LH circuit is shorted to power supply circuit
	PRE-TEN FRONT LH 2 (front lap seat belt pre-tensioner squib left hand circuit short to GND)	[GND-SHORT]	Lap pre-tensioner LH circuit is shorted to ground
	PRE-TEN FRONT LH 2 (front lap seat belt pre-tensioner squib left hand circuit resistance below threshold)	[SHORT]	Lap pre-tensioner LH circuits are shorted to each other
	PRE-TEN FRONT LH 2 [front lap seat belt pre-tensioner squib left hand component failures (cross connection)]		

POSSIBLE CAUSE

[OPEN]

- Connection malfunction or open circuit of harness and connector
- Internal malfunction of lap pre-tensioner LH
- Internal malfunction of air bag diagnosis sensor unit

[VB-SHORT]

- Connection malfunction or short circuit to power supply of harness and connector
- Internal malfunction of lap pre-tensioner LH
- Internal malfunction of air bag diagnosis sensor unit

[GND-SHORT]

- Connection malfunction or short circuit to ground of harness and connector
- Internal malfunction of lap pre-tensioner LH
- Internal malfunction of air bag diagnosis sensor unit

[SHORT]

- Connection malfunction or short circuit of harness and connector
- Internal malfunction of lap pre-tensioner LH
- Internal malfunction of air bag diagnosis sensor unit

FAIL-SAFE

—

DTC CONFIRMATION PROCEDURE

1. CHECK SELF-DIAGNOSTIC RESULT

With CONSULT

1. Turn ignition switch ON.
2. Perform "Self Diagnostic Result" mode of "AIR BAG" using CONSULT.

Without CONSULT

1. Turn ignition switch ON.
2. Check the air bag warning lamp status. Refer to [SRC-15, "On Board Diagnosis Function"](#).

NOTE:

B1432 LAP PRE-TENSIONER

< DTC/CIRCUIT DIAGNOSIS >

SRS does not enter diagnosis mode if no malfunction is detected in user mode.

Is malfunctioning part detected?

- YES >> Refer to [SRC-97. "Diagnosis Procedure"](#).
- NO-1 >> To check malfunction symptom before repair: Refer to [GI-43. "Intermittent Incident"](#).
- NO-2 >> Confirmation after repair: INSPECTION END

Diagnosis Procedure

INFOID:000000009667106

WARNING:

- Before servicing, turn ignition switch OFF, disconnect battery negative terminal and wait at least 3 minutes. (To discharge backup capacitor.)
- Never use unspecified tester or other measuring device.

1. CHECK HARNESS CONNECTOR

Check the harness connector.

Is the inspection result normal?

- YES >> GO TO 2.
- NO >> Replace harness connector.

2. CHECK WIRING HARNESS

Check the wiring harness externals.

Is the inspection result normal?

- YES >> GO TO 3.
- NO >> Replace wiring harness.

3. REPLACE LAP PRE-TENSIONER LH

1. Replace lap pre-tensioner LH. Refer to [SR-34. "Removal and Installation"](#).
2. Perform DTC confirmation procedure. Refer to [SRC-96. "DTC Description"](#).

Is DTC detected?

- YES >> GO TO 4.
- NO >> INSPECTION END

4. REPLACE AIR BAG DIAGNOSIS SENSOR UNIT

1. Replace air bag diagnosis sensor unit. Refer to [SR-35. "Removal and Installation"](#).
2. Perform DTC confirmation procedure. Refer to [SRC-96. "DTC Description"](#).

Is DTC detected?

- YES >> GO TO 1.
- NO >> INSPECTION END

A
B
C
D
E
F
G
I
J
K
L
M
N
O
P

SRC

B1433 LAP PRE-TENSIONER

< DTC/CIRCUIT DIAGNOSIS >

B1433 LAP PRE-TENSIONER

DTC Description

INFOID:000000009667107

DTC	CONSULT screen items (Trouble diagnosis content)		DTC detecting condition
B1433	PRE-TEN FRONT RH 2 (front lap seat belt pre-tensioner squib right hand circuit)	[OPEN]	Lap pre-tensioner RH circuit is open
	PRE-TEN FRONT RH 2 (front lap seat belt pre-tensioner squib right hand circuit short to battery)	[VB-SHORT]	Lap pre-tensioner RH circuit is shorted to power supply circuit
	PRE-TEN FRONT RH 2 (front lap seat belt pre-tensioner squib right hand circuit short to GND)	[GND-SHORT]	Lap pre-tensioner RH circuit is shorted to ground
	PRE-TEN FRONT RH 2 (front lap seat belt pre-tensioner squib right hand circuit resistance below threshold)	[SHORT]	Lap pre-tensioner RH circuits are shorted to each other
	PRE-TEN FRONT RH 2 (front lap seat belt pre-tensioner squib right hand component failures (cross connection))		

POSSIBLE CAUSE

[OPEN]

- Connection malfunction or open circuit of harness and connector
- Internal malfunction of lap pre-tensioner RH
- Internal malfunction of air bag diagnosis sensor unit

[VB-SHORT]

- Connection malfunction or short circuit to power supply of harness and connector
- Internal malfunction of lap pre-tensioner RH
- Internal malfunction of air bag diagnosis sensor unit

[GND-SHORT]

- Connection malfunction or short circuit to ground of harness and connector
- Internal malfunction of lap pre-tensioner RH
- Internal malfunction of air bag diagnosis sensor unit

[SHORT]

- Connection malfunction or short circuit of harness and connector
- Internal malfunction of lap pre-tensioner RH
- Internal malfunction of air bag diagnosis sensor unit

FAIL-SAFE

—

DTC CONFIRMATION PROCEDURE

1. CHECK SELF-DIAGNOSTIC RESULT

 With CONSULT

1. Turn ignition switch ON.
2. Perform "Self Diagnostic Result" mode of "AIR BAG" using CONSULT.

 Without CONSULT

1. Turn ignition switch ON.
2. Check the air bag warning lamp status. Refer to [SRC-15, "On Board Diagnosis Function"](#).

NOTE:

B1433 LAP PRE-TENSIONER

< DTC/CIRCUIT DIAGNOSIS >

SRS does not enter diagnosis mode if no malfunction is detected in user mode.

Is malfunctioning part detected?

- YES >> Refer to [SRC-99. "Diagnosis Procedure"](#).
- NO-1 >> To check malfunction symptom before repair: Refer to [GI-43. "Intermittent Incident"](#).
- NO-2 >> Confirmation after repair: INSPECTION END

Diagnosis Procedure

INFOID:000000009667108

WARNING:

- Before servicing, turn ignition switch OFF, disconnect battery negative terminal and wait at least 3 minutes. (To discharge backup capacitor.)
- Never use unspecified tester or other measuring device.

1. CHECK HARNESS CONNECTOR

Check the harness connector.

Is the inspection result normal?

- YES >> GO TO 2.
- NO >> Replace harness connector.

2. CHECK WIRING HARNESS

Check the wiring harness externals.

Is the inspection result normal?

- YES >> GO TO 3.
- NO >> Replace wiring harness.

3. REPLACE LAP PRE-TENSIONER RH

1. Replace lap pre-tensioner RH. Refer to [SB-9. "SEAT BELT RETRACTOR : Removal and Installation"](#).
2. Perform DTC confirmation procedure. Refer to [SRC-98. "DTC Description"](#).

Is DTC detected?

- YES >> GO TO 4.
- NO >> INSPECTION END

4. REPLACE AIR BAG DIAGNOSIS SENSOR UNIT

1. Replace air bag diagnosis sensor unit. Refer to [SR-35. "Removal and Installation"](#).
2. Perform DTC confirmation procedure. Refer to [SRC-98. "DTC Description"](#).

Is DTC detected?

- YES >> GO TO 1.
- NO >> INSPECTION END

A
B
C
D
E
F
G
I
J
K
L
M
N
O
P

SRC

B1436 ACTIVE VENT

< DTC/CIRCUIT DIAGNOSIS >

B1436 ACTIVE VENT

DTC Description

INFOID:000000009667150

DTC DETECTION LOGIC

DTC	CONSULT screen items (Trouble diagnosis content)		DTC detecting condition
B1436	ACTIVE VENT CIRCUIT (active vent squib for assist side circuit)	[OPEN]	Active vent circuit is open
	ACTIVE VENT CIRCUIT (active vent squib for assist side circuit short to battery)	[VB-SHORT]	Active vent circuit is shorted to power supply circuit
	ACTIVE VENT CIRCUIT (active vent squib for assist side circuit short to GND)	[GND-SHORT]	Active vent circuit is shorted to ground
	ACTIVE VENT CIRCUIT (active vent squib for assist side circuit resistance below threshold)	[SHORT]	Active vent circuits are shorted to each other
	ACTIVE VENT CIRCUIT [active vent squib for assist side component failures (cross connection)]		

POSSIBLE CAUSE

[OPEN]

- Connection malfunction or open circuit of harness and connector
- Internal malfunction of passenger air bag module (active vent)
- Internal malfunction of air bag diagnosis sensor unit

[VB-SHORT]

- Connection malfunction or short circuit to power supply of harness and connector
- Internal malfunction of passenger air bag module (active vent)
- Internal malfunction of air bag diagnosis sensor unit

[GND-SHORT]

- Connection malfunction or short circuit to ground of harness and connector
- Internal malfunction of passenger air bag module (active vent)
- Internal malfunction of air bag diagnosis sensor unit

[SHORT]

- Connection malfunction or short circuit of harness and connector
- Internal malfunction of passenger air bag module (active vent)
- Internal malfunction of air bag diagnosis sensor unit

FAIL-SAFE

—

DTC CONFIRMATION PROCEDURE

1. CHECK SELF-DIAG RESULT

Ⓟ With CONSULT

1. Turn ignition switch ON.
2. Perform "Self Diagnostic Result" mode of "AIR BAG" using CONSULT.

ⓧ Without CONSULT

1. Turn ignition switch ON.
2. Check the air bag warning lamp status. Refer to [SRC-15, "On Board Diagnosis Function"](#).

NOTE:

SRS does not enter the diagnosis mode if no malfunction is detected in the user mode.

B1436 ACTIVE VENT

< DTC/CIRCUIT DIAGNOSIS >

Is malfunctioning part detected?

- YES >> Refer to [SRC-101, "Diagnosis Procedure"](#).
- NO-1 >> To check malfunction symptom before repair: Refer to [GI-43, "Intermittent Incident"](#).
- NO-2 >> Confirmation after repair: INSPECTION END

Diagnosis Procedure

INFOID:000000009667151

WARNING:

- Before servicing, turn ignition switch OFF, disconnect battery negative terminal, and wait at least 3 minutes or more. (To discharge backup capacitor.)
- Never use unspecified tester or other measuring device.

1. CHECK HARNESS CONNECTOR

Check the harness connector.

Is the inspection result normal?

- YES >> GO TO 2.
- NO >> Replace harness connector.

2. CHECK WIRING HARNESS

Check the wiring harness externals.

Is the inspection result normal?

- YES >> GO TO 3.
- NO >> Replace wiring harness.

3. REPLACE PASSENGER AIR BAG MODULE

1. Replace passenger air bag module. Refer to [SR-23, "Removal and Installation"](#).
2. Perform DTC confirmation procedure. Refer to [SRC-100, "DTC Description"](#).

Is DTC detected?

- YES >> GO TO 4.
- NO >> INSPECTION END

4. REPLACE AIR BAG DIAGNOSIS SENSOR UNIT

1. Replace air bag diagnosis sensor unit. Refer to [SR-35, "Removal and Installation"](#).
2. Perform DTC confirmation procedure. Refer to [SRC-100, "DTC Description"](#).

Is DTC detected?

- YES >> GO TO 1.
- NO >> INSPECTION END

A
B
C
D
E
F
G
I
J
K
L
M
N
O
P

SRC

B1500 DOOR SATELLITE SENSOR

< DTC/CIRCUIT DIAGNOSIS >

B1500 DOOR SATELLITE SENSOR

DTC Description

INFOID:000000009763314

DTC DETECTION LOGIC

DTC	CONSULT screen items (Trouble diagnosis content)		DTC detecting condition
B1500	DOOR SATELLITE SENSOR (Door-SAT signal stuck low)	[LOWER LIMIT ERR]	Lower limit value malfunction of front door satellite sensor LH or RH
	DOOR SATELLITE SENSOR (Door-SAT signal stuck High)	[UPPER LIMIT ERR]	Upper limit value malfunction of front door satellite sensor LH or RH
	DOOR SATELLITE SENSOR [Door-SAT performance or incorrect operation]	[PERFRM ERR/IN-CRCT OPE]	Malfunction of front door satellite sensor LH or RH

POSSIBLE CAUSE

- Connection malfunction or open circuit of harness and connector
- Internal malfunction of front door satellite sensor LH or RH
- Internal malfunction of air bag diagnosis sensor unit

FAIL-SAFE

—

DTC CONFIRMATION PROCEDURE

1. CHECK SELF-DIAG RESULT

With CONSULT

1. Turn ignition switch ON.
2. Perform "Self Diagnostic Result" mode of "AIR BAG" using CONSULT.

Without CONSULT

1. Turn ignition switch ON.
2. Check the air bag warning lamp status. Refer to [SRC-15, "On Board Diagnosis Function"](#).

NOTE:

SRS does not enter the diagnosis mode if no malfunction is detected in the user mode.

Is malfunctioning part detected?

YES >> Refer to [SRC-102, "Diagnosis Procedure"](#).

NO-1 >> To check malfunction symptom before repair: Refer to [GI-43, "Intermittent Incident"](#).

NO-2 >> Confirmation after repair: INSPECTION END

Diagnosis Procedure

INFOID:000000009763315

WARNING:

- Before servicing, turn ignition switch OFF, disconnect battery negative terminal, and wait at least 3 minutes or more. (To discharge backup capacitor.)
- Never use unspecified tester or other measuring device.

1. CHECK DTC

Perform each inspection according to the displayed DTC.

Which DTC is displayed?

[UNMATCH] >> GO TO 4.

Other than the above >> GO TO 2.

2. CHECK HARNESS CONNECTOR

Check the harness connector.

Is the inspection result normal?

B1500 DOOR SATELLITE SENSOR

< DTC/CIRCUIT DIAGNOSIS >

- YES >> GO TO 3.
NO >> Replace harness connector.

A

3.CHECK WIRING HARNESS

Check the wiring harness externals.

B

Is the inspection result normal?

- YES >> GO TO 4.
NO >> Replace wiring harness.

C

4.REPLACE FRONT DOOR SATELLITE SENSOR LH AND RH

1. Replace front door satellite sensor LH and RH. Refer to [SR-30, "Removal and Installation"](#).
2. Perform DTC confirmation procedure. Refer to [SRC-102, "DTC Description"](#).

D

Is DTC detected?

- YES >> GO TO 5.
NO >> INSPECTION END

E

5.REPLACE AIR BAG DIAGNOSIS SENSOR UNIT

1. Replace air bag diagnosis sensor unit. Refer to [SR-35, "Removal and Installation"](#).
2. Perform DTC confirmation procedure. Refer to [SRC-102, "DTC Description"](#).

F

Is DTC detected?

- YES >> GO TO 1.
NO >> INSPECTION END

G

SRC

I

J

K

L

M

N

O

P

SRS AIR BAG WARNING LAMP DOES NOT TURN OFF

< SYMPTOM DIAGNOSIS >

SYMPTOM DIAGNOSIS

SRS AIR BAG WARNING LAMP DOES NOT TURN OFF

Diagnosis Procedure

INFOID:000000009667109

1. CHECK AIR BAG MODULE AND SEAT BELT PRE-TENSIONER

Check the deployment of air bag module.

Is air bag module deployed?

YES >> Replace the malfunctioning parts.

NO >> GO TO 2.

2. CHECK AIR BAG FUSE

Check 10 A fuse [No. 13, located in fuse block (J/B)].

Is the inspection result normal?

YES >> GO TO 3.

NO >> Replace the fuse.

3. CHECK HARNESS CONNECTOR

Check the harness connector.

Is the inspection result normal?

YES >> GO TO 4.

NO >> Replace harness connectors.

4. CHECK WIRING HARNESS

Check the wiring harness externals.

Is the inspection result normal?

YES >> GO TO 5.

NO >> Replace wiring harness.

5. REPLACE AIR BAG DIAGNOSIS SENSOR UNIT

1. Replace air bag diagnosis sensor unit. Refer to [SR-35, "Removal and Installation"](#).

2. Check air bag warning lamp operation.

Is the inspection result normal?

YES >> INSPECTION END

NO >> GO TO 6.

6. REPLACE COMBINATION METER

1. Replace combination meter. Refer to [MWI-126, "Removal and Installation"](#).

2. Check air bag warning lamp operation.

Is the inspection result normal?

YES >> INSPECTION END

NO >> GO TO 1.

SRS AIR BAG WARNING LAMP DOES NOT TURN ON

< SYMPTOM DIAGNOSIS >

SRS AIR BAG WARNING LAMP DOES NOT TURN ON

Diagnosis Procedure

INFOID:000000009667110

1.CHECK COMBINATION METER POWER SUPPLY AND GROUND CIRCUIT

Check combination meter unit power supply and ground circuit. Refer to [MWI-104, "COMBINATION METER : Diagnosis Procedure"](#).

Is the inspection result normal?

YES >> GO TO 2.

NO >> Repair or replace the malfunctioning parts.

2.CHECK HARNESS CONNECTOR

Check the harness connector.

Is the inspection result normal?

YES >> GO TO 3.

NO >> Replace harness connectors.

3.CHECK WIRING HARNESS

Check the wiring harness externals.

Is the inspection result normal?

YES >> GO TO 4.

NO >> Replace wiring harness.

4.CHECK AIR BAG DIAGNOSIS SENSOR UNIT

Disconnect air bag diagnosis sensor unit connector and turn ignition switch ON.

Does air bag warning lamp turn ON?

YES >> Replace air bag diagnosis sensor unit. Refer to [SR-35, "Removal and Installation"](#).

NO >> Replace combination meter. Refer to [MWI-126, "Removal and Installation"](#).

A
B
C
D
E
F
G
I
J
K
L
M
N
O
P

SRC