

SECTION BR
BRAKE SYSTEM

A
B
C
D
E

CONTENTS

PRECAUTION	3	BRAKE BOOSTER	16	BR
PRECAUTIONS	3	Inspection	16	
Precaution for Supplemental Restraint System (SRS) "AIR BAG" and "SEAT BELT PRE-TEN- SIONER"	3	FRONT DISC BRAKE	17	G
Precaution for Procedure without Cowl Top Cover.....	3	BRAKE PAD	17	
Precautions for Removing Battery Terminal	4	BRAKE PAD : Inspection and Adjustment	17	H
Precaution for Brake System	4	DISC ROTOR	17	
PREPARATION	5	DISC ROTOR : Inspection and Adjustment	17	I
PREPARATION	5	REAR DISC BRAKE	19	
Commercial Service Tools	5	BRAKE PAD	19	J
Lubricant or/and Sealant	5	BRAKE PAD : Inspection and Adjustment	19	
SYSTEM DESCRIPTION	7	DISC ROTOR	19	K
SYSTEM	7	DISC ROTOR : Inspection and Adjustment	19	
WARNING/INDICATOR/CHIME LIST	7	REMOVAL AND INSTALLATION	21	L
WARNING/INDICATOR/CHIME LIST : Warning Lamp/Indicator Lamp	7	BRAKE PEDAL	21	
SYMPTOM DIAGNOSIS	8	Exploded View	21	M
NOISE, VIBRATION AND HARSHNESS (NVH) TROUBLESHOOTING	8	Removal and Installation	21	
NVH Troubleshooting Chart	8	Inspection and Adjustment	22	N
PERIODIC MAINTENANCE	9	BRAKE PIPING	23	
BRAKE PEDAL	9	FRONT	23	O
Inspection and Adjustment	9	FRONT : Exploded View	23	
BRAKE FLUID	13	FRONT : Hydraulic Piping	24	P
Inspection	13	FRONT : Removal and Installation	25	
Draining	13	FRONT : Inspection	31	
Refilling	13	REAR	31	
Bleeding Brake System	14	REAR : Exploded View	31	
BRAKE MASTER CYLINDER	15	REAR : Hydraulic Piping	32	
Inspection	15	REAR : Removal and Installation	33	
		REAR : Inspection	38	
		BRAKE MASTER CYLINDER	39	
		Exploded View	39	
		Removal and Installation	39	
		Disassembly and Assembly	40	

Inspection	41	REAR DISC BRAKE	62
BRAKE BOOSTER	42	BRAKE PAD (1 PISTON TYPE)	62
Exploded View	42	BRAKE PAD (1 PISTON TYPE) : Exploded View...	62
Removal and Installation	42	BRAKE PAD (1 PISTON TYPE) : Removal and In-	
Inspection and Adjustment	43	stallation	62
VACUUM LINES	45	BRAKE PAD (1 PISTON TYPE) : Inspection	64
Exploded View	45	BRAKE PAD (2 PISTON TYPE)	64
Removal and Installation	45	BRAKE PAD (2 PISTON TYPE) : Exploded View...	65
Inspection	46	BRAKE PAD (2 PISTON TYPE) : Removal and In-	
FRONT DISC BRAKE	47	stallation	65
BRAKE PAD (2 PISTON TYPE)	47	BRAKE PAD (2 PISTON TYPE) : Inspection	67
BRAKE PAD (2 PISTON TYPE) : Exploded View...	47	BRAKE CALIPER ASSEMBLY (1 PISTON TYPE)...	67
BRAKE PAD (2 PISTON TYPE) : Removal and In-		BRAKE CALIPER ASSEMBLY (1 PISTON TYPE)	
stallation	47	: Exploded View	67
BRAKE PAD (2 PISTON TYPE) : Inspection	49	BRAKE CALIPER ASSEMBLY (1 PISTON TYPE)	
BRAKE PAD (4 PISTON TYPE)	50	: Removal and Installation	68
BRAKE PAD (4 PISTON TYPE) : Exploded View...	50	BRAKE CALIPER ASSEMBLY (1 PISTON TYPE)	
BRAKE PAD (4 PISTON TYPE) : Removal and In-		: Disassembly and Assembly	69
stallation	50	BRAKE CALIPER ASSEMBLY (1 PISTON TYPE)	
BRAKE PAD (4 PISTON TYPE) : Inspection	52	: Inspection	72
BRAKE CALIPER ASSEMBLY (2 PISTON TYPE)..	52	BRAKE CALIPER ASSEMBLY (2 PISTON TYPE)...	73
BRAKE CALIPER ASSEMBLY (2 PISTON TYPE)		BRAKE CALIPER ASSEMBLY (2 PISTON TYPE)	
: Exploded View	52	: Exploded View	73
BRAKE CALIPER ASSEMBLY (2 PISTON TYPE)		BRAKE CALIPER ASSEMBLY (2 PISTON TYPE)	
: Removal and Installation	53	: Removal and Installation	74
BRAKE CALIPER ASSEMBLY (2 PISTON TYPE)		BRAKE CALIPER ASSEMBLY (2 PISTON TYPE)	
: Disassembly and Assembly	54	: Disassembly and Assembly	75
BRAKE CALIPER ASSEMBLY (2 PISTON TYPE)		BRAKE CALIPER ASSEMBLY (2 PISTON TYPE)	
: Inspection	56	: Inspection	76
BRAKE CALIPER ASSEMBLY (4 PISTON TYPE)..	57	SERVICE DATA AND SPECIFICATIONS	
BRAKE CALIPER ASSEMBLY (4 PISTON TYPE)		(SDS)	78
: Exploded View	57	SERVICE DATA AND SPECIFICATIONS	
BRAKE CALIPER ASSEMBLY (4 PISTON TYPE)		(SDS)	78
: Removal and Installation	58	General Specifications	78
BRAKE CALIPER ASSEMBLY (4 PISTON TYPE)		Brake Pedal	78
: Disassembly and Assembly	59	Brake Booster	79
BRAKE CALIPER ASSEMBLY (4 PISTON TYPE)		Front Disc Brake	79
: Inspection	61	Rear Disc Brake	79

PRECAUTIONS

< PRECAUTION >

PRECAUTION

PRECAUTIONS

Precaution for Supplemental Restraint System (SRS) "AIR BAG" and "SEAT BELT PRE-TENSIONER"

INFOID:000000011285601

The Supplemental Restraint System such as "AIR BAG" and "SEAT BELT PRE-TENSIONER", used along with a front seat belt, helps to reduce the risk or severity of injury to the driver and front passenger for certain types of collision. This system includes seat belt switch inputs and dual stage front air bag modules. The SRS system uses the seat belt switches to determine the front air bag deployment, and may only deploy one front air bag, depending on the severity of a collision and whether the front occupants are belted or unbelted. Information necessary to service the system safely is included in the "SRS AIR BAG" and "SEAT BELT" of this Service Manual.

WARNING:

Always observe the following items for preventing accidental activation.

- To avoid rendering the SRS inoperative, which could increase the risk of personal injury or death in the event of a collision that would result in air bag inflation, all maintenance must be performed by an authorized NISSAN/INFINITI dealer.
- Improper maintenance, including incorrect removal and installation of the SRS, can lead to personal injury caused by unintentional activation of the system. For removal of Spiral Cable and Air Bag Module, see "SRS AIR BAG".
- Never use electrical test equipment on any circuit related to the SRS unless instructed to in this Service Manual. SRS wiring harnesses can be identified by yellow and/or orange harnesses or harness connectors.

PRECAUTIONS WHEN USING POWER TOOLS (AIR OR ELECTRIC) AND HAMMERS

WARNING:

Always observe the following items for preventing accidental activation.

- When working near the Air Bag Diagnosis Sensor Unit or other Air Bag System sensors with the ignition ON or engine running, never use air or electric power tools or strike near the sensor(s) with a hammer. Heavy vibration could activate the sensor(s) and deploy the air bag(s), possibly causing serious injury.
- When using air or electric power tools or hammers, always switch the ignition OFF, disconnect the battery, and wait at least 3 minutes before performing any service.

Precaution for Procedure without Cowl Top Cover

INFOID:000000011285602

When performing the procedure after removing cowl top cover, cover the lower end of windshield with urethane, etc to prevent damage to windshield.



PRECAUTIONS

< PRECAUTION >

Precautions for Removing Battery Terminal

INFOID:000000011459863

- When removing the 12V battery terminal, turn OFF the ignition switch and wait at least 30 seconds.

NOTE:

ECU may be active for several tens of seconds after the ignition switch is turned OFF. If the battery terminal is removed before ECU stops, then a DTC detection error or ECU data corruption may occur.

- For vehicles with the 2-batteries, be sure to connect the main battery and the sub battery before turning ON the ignition switch.

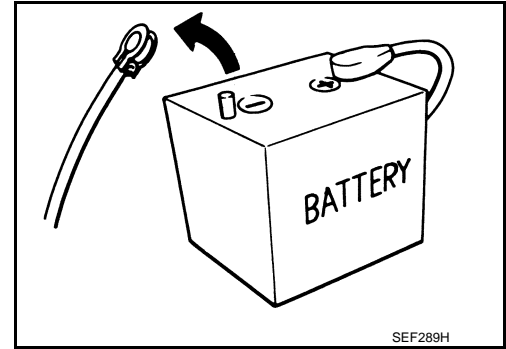
NOTE:

If the ignition switch is turned ON with any one of the terminals of main battery and sub battery disconnected, then DTC may be detected.

- After installing the 12V battery, always check "Self Diagnosis Result" of all ECUs and erase DTC.

NOTE:

The removal of 12V battery may cause a DTC detection error.



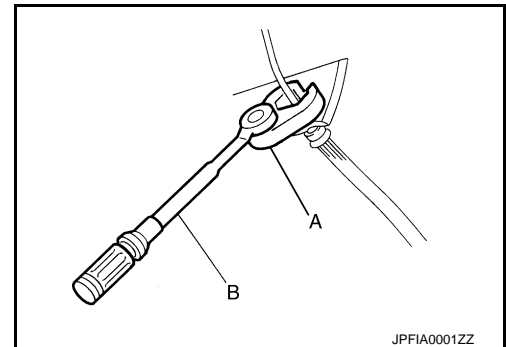
Precaution for Brake System

INFOID:000000011285603

WARNING:

Since dust covering the front and rear brakes has an affect on human body, the dust must be removed with a dust collector. Never splatter the dust with an air blow gun.

- Brake fluid use refer to [MA-10. "Fluids and Lubricants"](#).
 - Never reuse drained brake fluid.
 - Never spill or splash brake fluid on painted surfaces. Brake fluid may seriously damage paint. Wipe it off immediately and wash with water if it gets on a painted surface.
 - Always confirm the specified tightening torque when installing the brake pipes.
 - After pressing the brake pedal more deeply or harder than normal driving, such as air bleeding, check each item of brake pedal. Adjust brake pedal if it is outside the standard value.
 - Always clean with new brake fluid when cleaning the master cylinder, brake caliper and other components.
 - Never use mineral oils such as gasoline or light oil to clean. They may damage rubber parts and cause improper operation.
 - Never damage caliper (made by aluminum).
 - Always loosen the brake tube flare nut with a flare nut wrench.
 - Tighten the brake tube flare nut to the specified torque with a crow-foot (A) and torque wrench (B).
 - Brake system is an important safety part. If a brake fluid leak is detected, always disassemble the affected part. If a malfunction is detected, replace part with a new one.
 - Turn the ignition switch OFF and disconnect the ABS actuator and electric unit (control unit) harness connector or the battery negative terminal before performing the work.
 - Check that no brake fluid leakage is present after replacing the parts.
 - Burnish the brake contact surfaces after refinishing or replacing rotors, after replacing pads, or if a soft pedal occurs at very low mileage.
- Front brake pad: Refer to [BR-17. "BRAKE PAD : Inspection and Adjustment"](#).
 - Front disc rotor: Refer to [BR-17. "DISC ROTOR : Inspection and Adjustment"](#).
 - Rear brake pad: Refer to [BR-19. "BRAKE PAD : Inspection and Adjustment"](#).
 - Rear disc rotor: Refer to [BR-19. "DISC ROTOR : Inspection and Adjustment"](#).



PREPARATION

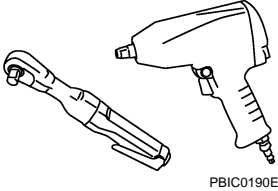
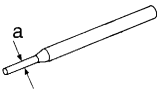

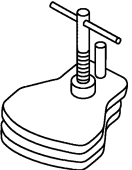
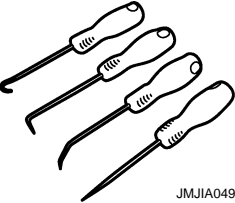
< PREPARATION >

PREPARATION

PREPARATION

Commercial Service Tools

INFOID:0000000011285604

Tool name	Description
Power tool 	Loosening bolts and nuts
Pin punch a: 4 mm (0.16 in) 	Removing and installing reservoir tank
Handy vacuum pump 	Checking air tight
Brake caliper wrench 	Returning the piston for brake caliper
Pick tool 	Removing piston seal and piston boot

Lubricant or/and Sealant

INFOID:0000000011285605

Name	Description	Note
Multi-purpose grease	Clevis pin of brake pedal	—
Silicone grease	<ul style="list-style-type: none"> • Master cylinder assembly • Brake booster 	—
MOLYKOTE® AS880N or silicone-based grease	<ul style="list-style-type: none"> • Front brake • Rear brake 	Molykote is a registered of Dow Corning Corporation

PREPARATION

< PREPARATION >

Name	Description	Note
MOLYKOTE [®] 7439 or equivalent	<ul style="list-style-type: none">• Front brake• Rear brake	Molykote is a registered of Dow Corning Corporation
Rubber grease	<ul style="list-style-type: none">• Front brake• Rear brake	—

SYSTEM

< SYSTEM DESCRIPTION >

SYSTEM DESCRIPTION

SYSTEM

WARNING/INDICATOR/CHIME LIST


WARNING/INDICATOR/CHIME LIST : Warning Lamp/Indicator Lamp

INFOID:000000011285606

FOR U.S.A.

Name	Design	Layout/Function
Brake warning lamp	BRAKE	For layout: Refer to MWI-8, "METER SYSTEM : Design" .
		For function: Refer to MWI-21, "WARNING LAMPS/INDICATOR LAMPS : Brake Warning Lamp" .

FOR CANADA

Name	Design	Layout/Function
Brake warning lamp		For layout: Refer to MWI-8, "METER SYSTEM : Design" .
		For function: Refer to MWI-21, "WARNING LAMPS/INDICATOR LAMPS : Brake Warning Lamp" .

A
B
C
D
E
BR
G
H
I
J
K
L
M
N
O
P

BRAKE PEDAL

< PERIODIC MAINTENANCE >

PERIODIC MAINTENANCE

BRAKE PEDAL

Inspection and Adjustment

INFOID:000000011285608

INSPECTION

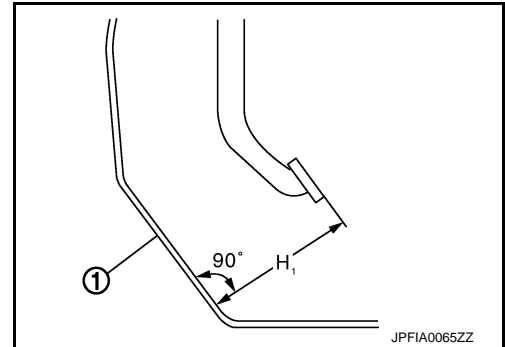
Brake Pedal Height

Check the brake pedal height (H_1) between the dash lower panel ① and the brake pedal upper surface.

H_1 : Refer to [BR-78, "Brake Pedal"](#).

CAUTION:

Perform it with the floor trim removed.



Stop Lamp Switch and Brake Pedal Position Switch

• Check the clearance (C_1) between the stopper rubber ③ and the brake pedal position switch ① threaded end.

C_1 : Refer to [BR-78, "Brake Pedal"](#).

• Check the clearance (C_2) between the stopper rubber ③ and the stop lamp switch ② threaded end.

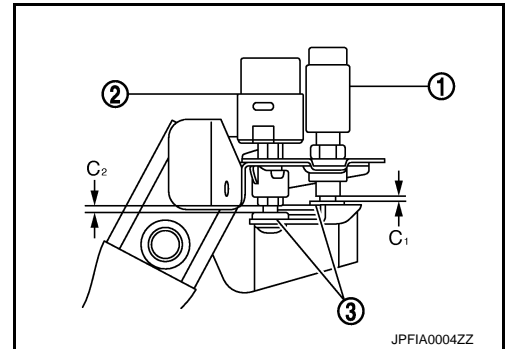
C_2 : Refer to [BR-78, "Brake Pedal"](#).

CAUTION:

The stop lamp must turn off when the brake pedal is released.

NOTE:

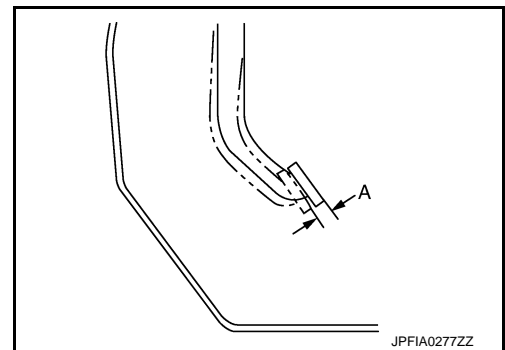
Pull the brake pedal pad to make the clearance between the stop lamp switch and brake pedal position switch threaded end and the stopper rubber.



Brake Pedal Play

Press the brake pedal. Check the brake pedal play (A) (stroke until fluid pressure occurs).

A : Refer to [BR-78, "Brake Pedal"](#).



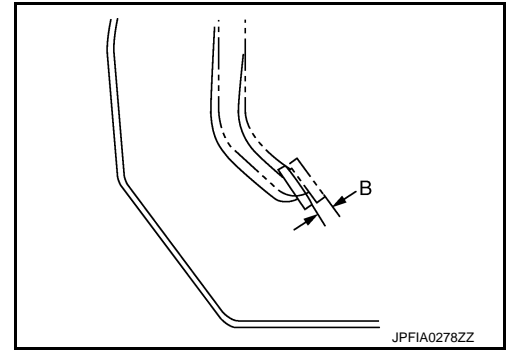
Brake Pedal Shaky Fitting

BRAKE PEDAL

< PERIODIC MAINTENANCE >

Check the brake pedal shaky fitting (B) (the stroke when pulling the brake pedal pad slightly the free play).

B : Refer to [BR-78, "Brake Pedal"](#).



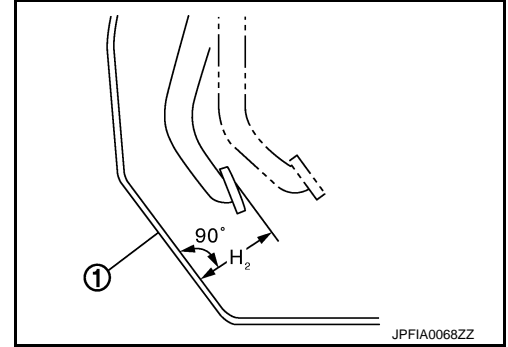
Depressed Brake Pedal Height

Check the height between the dash lower panel ① and the brake pedal upper surface (H₂) when depressing the brake pedal with a force of 490 N (50 kg, 110 lb) while the engine is running.

H₂ : Refer to [BR-78, "Brake Pedal"](#).

CAUTION:

Perform it with the floor trim removed.



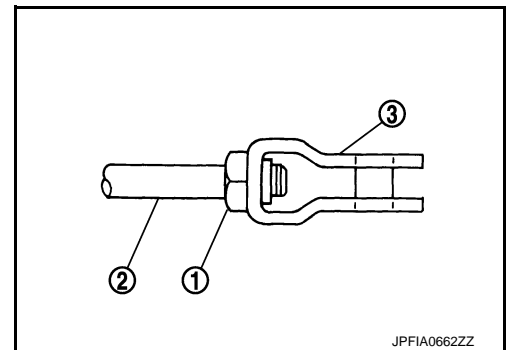
ADJUSTMENT

Brake Pedal Height

1. Remove instrument lower panel. Refer to [IP-13, "Removal and Installation"](#).
2. Disconnect the stop lamp switch harness connector and the brake pedal position switch harness connector.
3. Loosen the stop lamp switch by turning it 45° counterclockwise.
4. Loosen the brake pedal position switch lock nut and turn the brake pedal position switch counterclockwise.
5. Loosen the input rod lock nut ①.
6. Rotate the input rod ②, and adjust the brake pedal to the specified height.

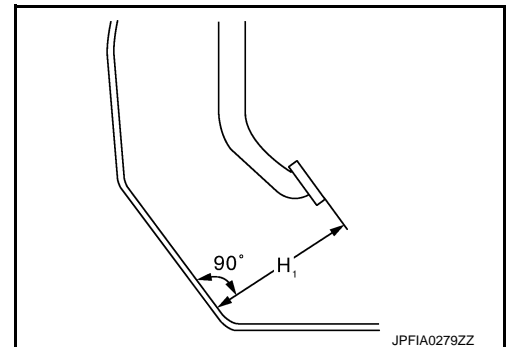
CAUTION:

The threaded end of the input rod must project to the inner side of the clevis ③.



H₁ : Refer to [BR-78, "Brake Pedal"](#).

7. Tighten the lock nut. Refer to [BR-42, "Exploded View"](#).
8. Adjust the clearance between the stopper rubber and the stop lamp switch and brake pedal position switch threaded end after adjusting the brake pedal height.



Stop Lamp Switch and Brake Pedal Position Switch

BRAKE PEDAL

< PERIODIC MAINTENANCE >

1. Remove instrument lower panel. Refer to [IP-13, "Removal and Installation"](#).
2. Disconnect the stop lamp switch harness connector and the brake pedal position switch harness connector.
3. Loosen the stop lamp switch by turning it 45° counterclockwise.
4. Loosen the brake pedal position switch lock nut and turn the brake pedal position switch counterclockwise.
5. Press the brake pedal pad slightly. Release the brake pedal and turn the brake pedal position switch ① until brake pedal position switch threaded end hits to the stopper rubber ② clockwise.

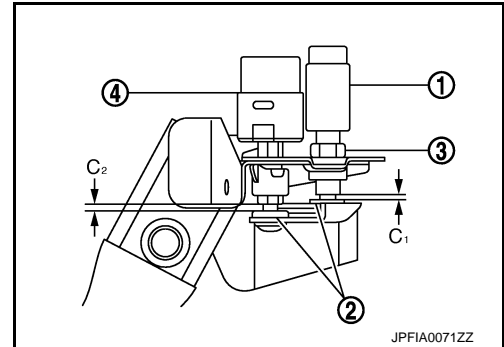
CAUTION:

- Never press-fit the input rod.

6. Tighten the brake pedal position switch lock nut ③. Refer to [BR-21, "Exploded View"](#).

CAUTION:

The clearance (C₁) between the stopper rubber and brake pedal position switch threaded end and must be the specified value.



C₁ : Refer to [BR-78, "Brake Pedal"](#).

7. Press-fit the stop lamp switch ④ until the stop lamp switch hits the stopper rubber 45° clockwise while pulling the brake pedal pad slightly. (Stop lamp switch threaded end hits the stopper rubber.)

CAUTION:

- The clearance (C₂) between the stopper rubber and stop lamp switch threaded end and must be the specified value.

C₂ : Refer to [BR-78, "Brake Pedal"](#).

- The stop lamp must turn off when the brake pedal is released.

Brake Pedal Play

1. Remove instrument lower panel. Refer to [IP-13, "Removal and Installation"](#).
2. Disconnect the stop lamp switch harness connector and the brake pedal position switch harness connector.
3. Loosen the stop lamp switch by turning it 45° counterclockwise.
4. Loosen the brake pedal position switch lock nut and turn the brake pedal position switch counterclockwise.
5. Press the brake pedal pad slightly. Release the brake pedal and turn the brake pedal position switch ① until brake pedal position switch threaded end hits to the stopper rubber ② clockwise.

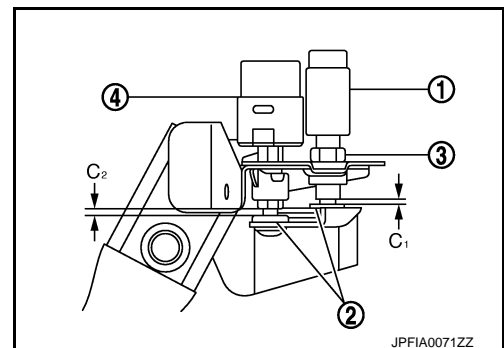
CAUTION:

- Never press-fit the input rod.

6. Tighten the brake pedal position switch lock nut ③. Refer to [BR-21, "Exploded View"](#).

CAUTION:

The clearance (C₁) between the stopper rubber and brake pedal position switch threaded end and must be the specified value.



C₁ : Refer to [BR-78, "Brake Pedal"](#).

7. Press-fit the stop lamp switch ④ until the stop lamp switch hits the stopper rubber 45° clockwise while pulling the brake pedal pad slightly. (Stop lamp switch threaded end hits the stopper rubber.)

CAUTION:

- The clearance (C₂) between the stopper rubber and stop lamp switch threaded end and must be the specified value.

C₂ : Refer to [BR-78, "Brake Pedal"](#).

BRAKE PEDAL

< PERIODIC MAINTENANCE >

- The stop lamp must turn off when the brake pedal is released.

Brake Pedal Shaky Fitting

1. Remove instrument lower panel. Refer to [IP-13, "Removal and Installation"](#).
2. Disconnect the stop lamp switch harness connector and the brake pedal position switch harness connector.
3. Loosen the stop lamp switch by turning it 45° counterclockwise.
4. Loosen the brake pedal position switch lock nut and turn the brake pedal position switch counterclockwise.
5. Press the brake pedal pad slightly. Release the brake pedal and turn the brake pedal position switch ① until brake pedal position switch threaded end hits to the stopper rubber ② clockwise.

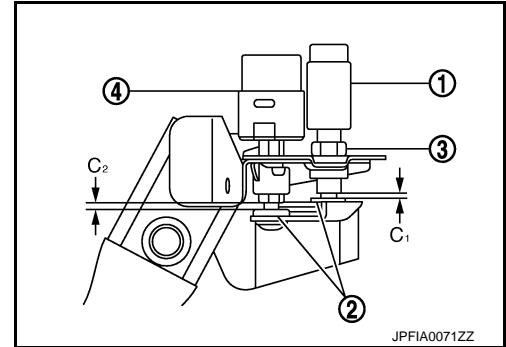
CAUTION:

- Never press-fit the input rod.

6. Tighten the brake pedal position switch lock nut ③. Refer to [BR-21, "Exploded View"](#).

CAUTION:

The clearance (C₁) between the stopper rubber and stop lamp switch and brake pedal position switch threaded end and must be the specified value.



C₁ : Refer to [BR-78, "Brake Pedal"](#).

7. Press-fit the stop lamp switch ④ until the stop lamp switch hits the stopper rubber 45° clockwise while pulling the brake pedal pad slightly. (Stop lamp switch threaded end hits the stopper rubber.)

CAUTION:

- The clearance (C₂) between the stopper rubber and stop lamp switch threaded end and must be the specified value.

C₂ : Refer to [BR-78, "Brake Pedal"](#).

- The stop lamp must turn off when the brake pedal is released.

Depressed Brake Pedal Height

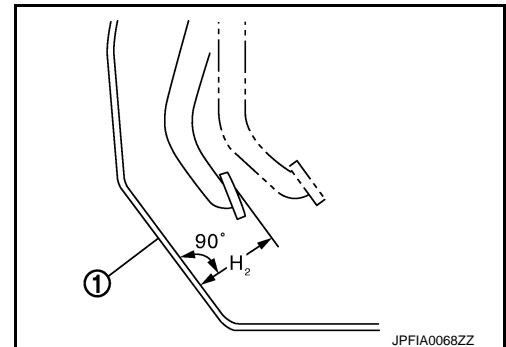
1. Perform the air bleeding. Refer to [BR-14, "Bleeding Brake System"](#).
2. Check the height between the dash lower panel ① and the brake pedal upper surface (H₂) when depressing the brake pedal with a force of 490 N (50 kg, 110 lb) while the engine is running.

H₂ : Refer to [BR-78, "Brake Pedal"](#).

CAUTION:

Perform it with the floor trim removed.

3. Adjust the brake pedal play after adjusting the brake pedal height, clearance between the stopper rubber and the stop lamp switch and brake pedal position switch threaded end.



BRAKE FLUID

< PERIODIC MAINTENANCE >

BRAKE FLUID

Inspection

INFOID:000000011285609

BRAKE FLUID LEVEL

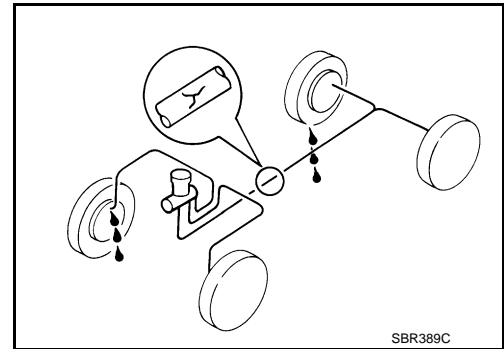
- Check that the fluid level in the reservoir tank is within the specified range (MAX – MIN lines).
- Visually check for any brake fluid leakage around the reservoir tank.
- Check the brake system for any leakage if the fluid level is extremely low (lower than MIN).
- Check the brake system for fluid leakage if the warning lamp remains illuminated even after the parking brake is released.
- Check the reservoir tank for the mixing of foreign matter (e.g. dust) and oils other than brake fluid.

BRAKE LINE

1. Check brake line (tubes and hoses) for cracks, deterioration or other damage. Replace any damaged parts.
2. Depress the brake pedal with a force of 785 N (80 kg, 176 lb) and hold down the pedal for approx. 5 seconds with the engine running. Check for any fluid leakage.

CAUTION:

Retighten the applicable connection to the specified torque and repair any abnormal (damaged, worn or deformed) part if any brake fluid leakage is present.



Draining

INFOID:000000011285610

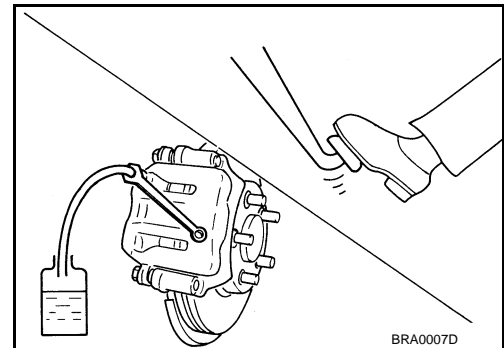
CAUTION:

- **Never spill or splash brake fluid on painted surfaces. Brake fluid may seriously damage paint. Wipe it off immediately and wash with water if it gets on a painted surface.**
- **Turn the ignition switch OFF and disconnect the ABS actuator and electric unit (control unit) connector or the battery negative terminal before performing work.**
- **If the brake fluid adheres to the brake caliper assembly and disc rotor, quickly wipe it off.**

1. Connect a vinyl tube to the bleed valve.
2. Depress the brake pedal and loosen the bleeder valve to gradually discharge brake fluid.

CAUTION:

Cover flare nut wrench with a cloth as not to damage the brake caliper assembly.



Refilling

INFOID:000000011285611

CAUTION:

- **Turn the ignition switch OFF and disconnect the ABS actuator and electric unit (control unit) connector or the battery negative terminal before performing work.**
- **If the brake fluid adheres to the brake caliper assembly and disc rotor, quickly wipe it off.**

1. Check that there is no foreign material in the reservoir tank, and refill with new brake fluid.

CAUTION:

- **Never reuse drained brake fluid.**
- **Never allow oils other than brake fluid to enter the reservoir tank.**

A
B
C
D
E
BR
G
H
I
J
K
L
M
N
O
P

BRAKE FLUID

< PERIODIC MAINTENANCE >

2. Loosen the bleeder valve, slowly depress the brake pedal to the full stroke, and then release the pedal. Repeat this operation at intervals of 2 or 3 seconds until all brake fluid is discharged. Then close the bleeder valve with the brake pedal depressed. Repeat the same work on each wheel.

CAUTION:

Cover flare nut wrench with a cloth as not to damage the brake caliper assembly.

3. Perform the air bleeding. Refer to [BR-14, "Bleeding Brake System"](#).

Bleeding Brake System

INFOID:000000011285612

CAUTION:

- Turn the ignition switch OFF and disconnect the ABS actuator and electric unit (control unit) connector or the battery negative terminal before performing work.
- Monitor the fluid level in the reservoir tank while performing the air bleeding.
- If the brake fluid adheres to the brake caliper assembly and disc rotor, quickly wipe it off.

1. Check that there is no foreign material in the reservoir tank, and refill with new brake fluid.

CAUTION:

- Never reuse drained brake fluid.
- Never allow oils other than brake fluid to enter the reservoir tank.

2. Connect a vinyl tube to the bleeder valve of the rear right brake.
3. Fully depress the brake pedal 4 to 5 times.
4. Loosen the bleeder valve and bleed air with the brake pedal depressed, and then quickly tighten the bleeder valve.

CAUTION:

Cover flare nut wrench with a cloth as not to damage the brake caliper assembly.

5. Repeat steps 3 and 4 until all of the air is out of the brake line.
6. Tighten the bleeder valve to the specified torque.
 - Front disc brake
 - 2 piston type: Refer to [BR-52, "BRAKE CALIPER ASSEMBLY \(2 PISTON TYPE\) : Exploded View"](#).
 - 4 piston type: Refer to [BR-57, "BRAKE CALIPER ASSEMBLY \(4 PISTON TYPE\) : Exploded View"](#).
 - Rear disc brake
 - 1 piston type: Refer to [BR-67, "BRAKE CALIPER ASSEMBLY \(1 PISTON TYPE\) : Exploded View"](#).
 - 2 piston type: Refer to [BR-73, "BRAKE CALIPER ASSEMBLY \(2 PISTON TYPE\) : Exploded View"](#).
7. Repeat steps 1 to 6. Occasionally fill with the brake fluid in order to keep the reservoir tank at least half full. Bleed air in the following order: rear right brake → front left brake → rear left brake → and front right brake.
8. Check that the fluid level in the reservoir tank is within the specified range after air bleeding.
9. Check each item of brake pedal. Adjust it if the measurement value is not the standard. Refer to [BR-9, "Inspection and Adjustment"](#).

BRAKE MASTER CYLINDER

< PERIODIC MAINTENANCE >

BRAKE MASTER CYLINDER

Inspection

INFOID:000000011285613

FLUID LEAK

Check for brake fluid leakage from the brake tube connections, master cylinder mounting face and reservoir tank mounting face.

A

B

C

D

E

BR

G

H

I

J

K

L

M

N

O

P

BRAKE BOOSTER

< PERIODIC MAINTENANCE >

BRAKE BOOSTER

Inspection

INFOID:000000011285614

OPERATION

Depress the brake pedal several times at 5-second intervals with the engine stopped. Start the engine with the brake pedal fully depressed. Check that the clearance between brake pedal and dash lower panel decreases.

AIR TIGHT

1. Run the engine for 1 minute to apply vacuum to the brake booster, and stop the engine. Then depress the brake pedal several times at 5-second intervals until the accumulated vacuum is released to atmospheric pressure. Check that the clearance between brake pedal and dash lower panel gradually increases each time the brake pedal is depressed when performing this operation.
2. Depress the brake pedal with the engine running. Then stop the engine while holding down the brake pedal. Check that the brake pedal stroke does not change after holding down the brake pedal for 30 seconds or more.

FRONT DISC BRAKE

< PERIODIC MAINTENANCE >

FRONT DISC BRAKE

BRAKE PAD

BRAKE PAD : Inspection and Adjustment

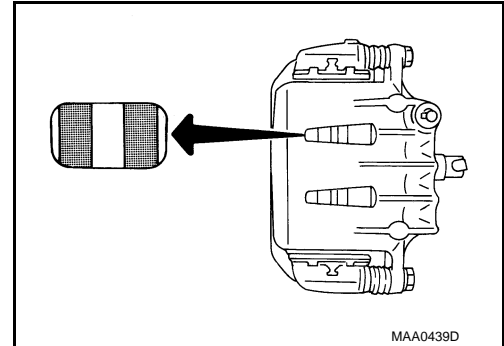
INFOID:000000011285615

INSPECTION

2 Piston Type

Check the brake pad wear thickness from an inspection hole on cylinder body. Check using a scale if necessary.

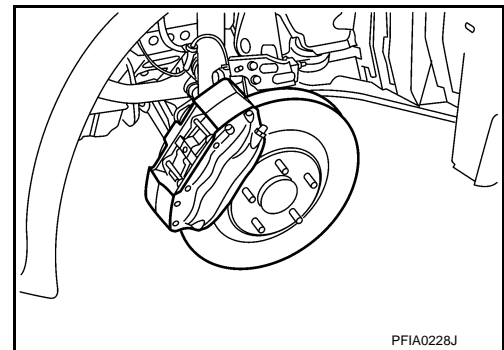
Wear thickness : Refer to [BR-79, "Front Disc Brake"](#).



4 Piston Type

Check the thickness of brake pad from the inspection hole on caliper. Check use a scale if necessary.

Wear thickness : Refer to [BR-79, "Front Disc Brake"](#).



ADJUSTMENT

CAUTION:

- Burnish contact surfaces between pads according to the following procedure after refinishing or replacing brake pads, or if a soft pedal occurs at very low mileage.
- Be careful of vehicle speed because the brake does not operate firmly/securely until pads and disc rotor are securely fitted.
- Only perform this procedure under safe road and traffic conditions. Use extreme caution.

1. Drive vehicle on straight, flat road.
2. Depress brake pedal with the power to stop vehicle within 3 to 5 seconds until the vehicle stops.
3. Drive without depressing brake for a few minutes to cool the brake.
4. Repeat steps 1 to 3 until pad and disc rotor are securely fitted.

DISC ROTOR

DISC ROTOR : Inspection and Adjustment

INFOID:000000011285616

INSPECTION

Appearance

Check surface of disc rotor for uneven wear, cracks, and serious damage. Replace it if necessary.

- 2WD: Refer to [FAX-7, "Removal and Installation"](#).
- AWD: Refer to [FAX-18, "Removal and Installation"](#).

Runout

1. Fix the disc rotor to the wheel hub and bearing assembly with wheel nuts (2 points at least).
2. Check the wheel bearing axial end play before the inspection.

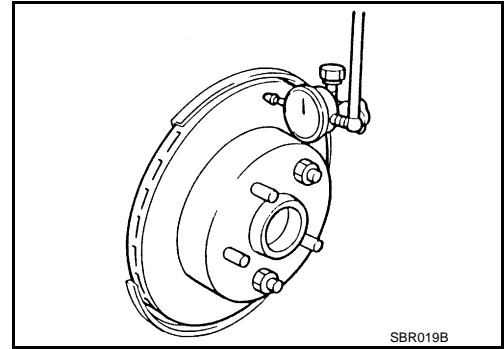
FRONT DISC BRAKE

< PERIODIC MAINTENANCE >

- 2WD: Refer to [FAX-6, "Inspection"](#).
 - AWD: Refer to [FAX-16, "Inspection"](#).
3. Inspect the runout with a dial indicator to measure at 10 mm (0.39 in) inside the disc edge.

Runout : Refer to [BR-79, "Front Disc Brake"](#).

4. Find the installation position that has a minimum runout by shifting the disc rotor-to-wheel hub and bearing assembly installation position by one hole at a time if the runout exceeds the limit value.
5. Refinish the disc rotor if the runout is outside the limit even after performing the above operation. [When refinishing, use the Pro-Cut PEM On-Car brake Lathe (Tool No. 38-PFM90.5) or equivalent.]



CAUTION:

- Check in advance that the thickness of the disc rotor is wear thickness + 0.3 mm (0.012 in) or more.
- If the thickness is less than wear thickness + 0.3 mm (0.012 in), replace the disc rotor.
 - 2WD: Refer to [FAX-7, "Removal and Installation"](#).
 - AWD: Refer to [FAX-18, "Removal and Installation"](#).

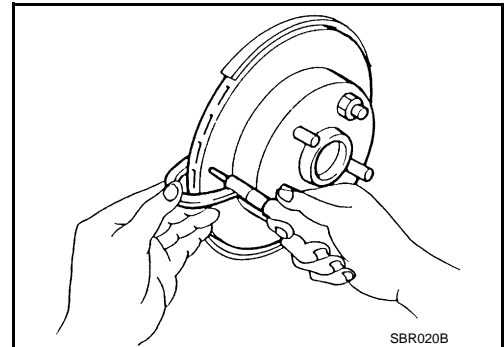
Wear thickness : Refer to [BR-79, "Front Disc Brake"](#).

Thickness

Check the thickness of the disc rotor using a micrometer. Replace the disc rotor if the thickness is below the wear limit.

- 2WD: Refer to [FAX-7, "Removal and Installation"](#).
- AWD: Refer to [FAX-18, "Removal and Installation"](#).

Wear thickness : Refer to [BR-79, "Front Disc Brake"](#).



ADJUSTMENT

CAUTION:

- Burnish contact surfaces between pads according to the following procedure after refinishing or replacing pads, or if a soft pedal occurs at very low mileage.
 - Be careful of vehicle speed because the brake does not operate firmly/securely until pads and disc rotor are securely fitted.
 - Only perform this procedure under safe road and traffic conditions. Use extreme caution.
1. Drive vehicle on straight, flat road.
 2. Depress brake pedal with the power to stop vehicle within 3 to 5 seconds until the vehicle stops.
 3. Drive without depressing brake for a few minutes to cool the brake.
 4. Repeat steps 1 to 3 until pad and disc rotor are securely fitted.

REAR DISC BRAKE

< PERIODIC MAINTENANCE >

REAR DISC BRAKE

BRAKE PAD

BRAKE PAD : Inspection and Adjustment

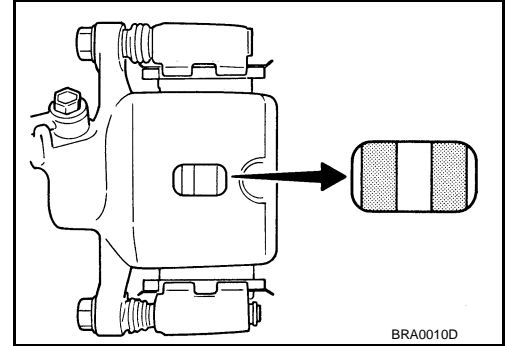
INFOID:000000011285617

INSPECTION

1 Piston Type

Check the brake pad wear thickness from an inspection hole on cylinder body. Check using a scale if necessary.

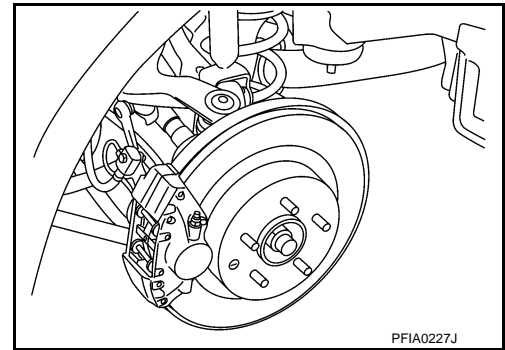
Wear thickness : Refer to [BR-79, "Rear Disc Brake"](#).



2 Piston Type

Check the thickness of brake pad from the inspection hole on caliper. Check use a scale if necessary.

Wear thickness : Refer to [BR-79, "Rear Disc Brake"](#).



ADJUSTMENT

CAUTION:

- **Burnish contact surfaces between pads according to the following procedure after refinishing or replacing brake pads, or if a soft pedal occurs at very low mileage.**
- **Be careful of vehicle speed because the brake does not operate firmly/securely until pads and disc rotor are securely fitted.**
- **Only perform this procedure under safe road and traffic conditions. Use extreme caution.**

1. Drive vehicle on straight, flat road.
2. Depress brake pedal with the power to stop vehicle within 3 to 5 seconds until the vehicle stops.
3. Drive without depressing brake for a few minutes to cool the brake.
4. Repeat steps 1 to 3 until pad and disc rotor are securely fitted.

DISC ROTOR

DISC ROTOR : Inspection and Adjustment

INFOID:000000011285618

INSPECTION

Appearance

Check surface of disc rotor for uneven wear, cracks, and serious damage. Replace it if necessary. Refer to [RAX-8, "Removal and Installation"](#).

Runout

1. Fix the disc rotor to the wheel hub and bearing assembly with wheel nuts (2 points at least).
2. Check the wheel bearing axial end play before the inspection. Refer to [RAX-6, "Inspection"](#).

REAR DISC BRAKE

< PERIODIC MAINTENANCE >

3. Inspect the runout with a dial indicator to measure at 10 mm (0.39 in) inside the disc edge.

Runout : Refer to [BR-79, "Rear Disc Brake"](#).

4. Find the installation position that has a minimum runout by shifting the disc rotor-to-wheel hub and bearing assembly installation position by one hole at a time if the runout exceeds the limit value.
5. Refinish the disc rotor if the runout is outside the limit even after performing the above operation. [When refinishing, use the Pro-Cut PEM On-Car brake Lathe (Tool No. 38-PFM90.5) or equivalent.]

CAUTION:

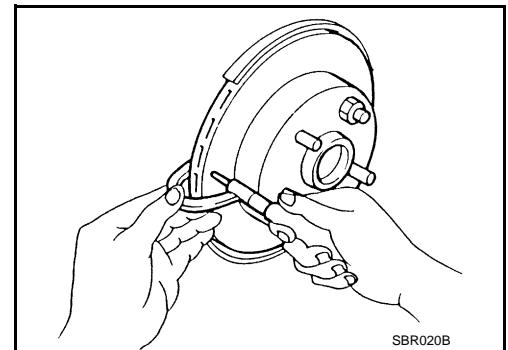
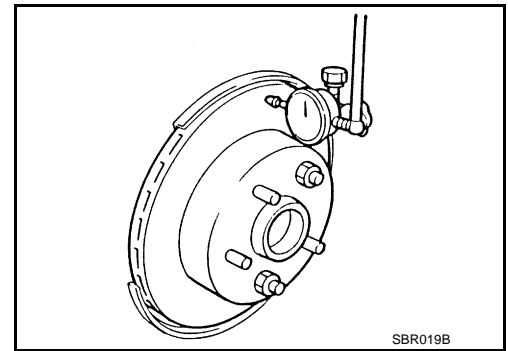
- Check in advance that the thickness of the disc rotor is wear thickness + 0.3 mm (0.012 in) or more.
- If the thickness is less than wear thickness + 0.3 mm (0.012 in), replace the disc rotor. Refer to [RAX-8, "Removal and Installation"](#).

Wear thickness : Refer to [BR-79, "Rear Disc Brake"](#).

Thickness

Check the thickness of the disc rotor using a micrometer. Replace the disc rotor if the thickness is below the wear limit. Refer to [RAX-8, "Removal and Installation"](#).

Wear thickness : Refer to [BR-79, "Rear Disc Brake"](#).



ADJUSTMENT

CAUTION:

- Burnish contact surfaces between pads according to the following procedure after refinishing or replacing pads, or if a soft pedal occurs at very low mileage.
 - Be careful of vehicle speed because the brake does not operate firmly/securely until pads and disc rotor are securely fitted.
 - Only perform this procedure under safe road and traffic conditions. Use extreme caution.
1. Drive vehicle on straight, flat road.
 2. Depress brake pedal with the power to stop vehicle within 3 to 5 seconds until the vehicle stops.
 3. Drive without depressing brake for a few minutes to cool the brake.
 4. Repeat steps 1 to 3 until pad and disc rotor are securely fitted.

BRAKE PEDAL

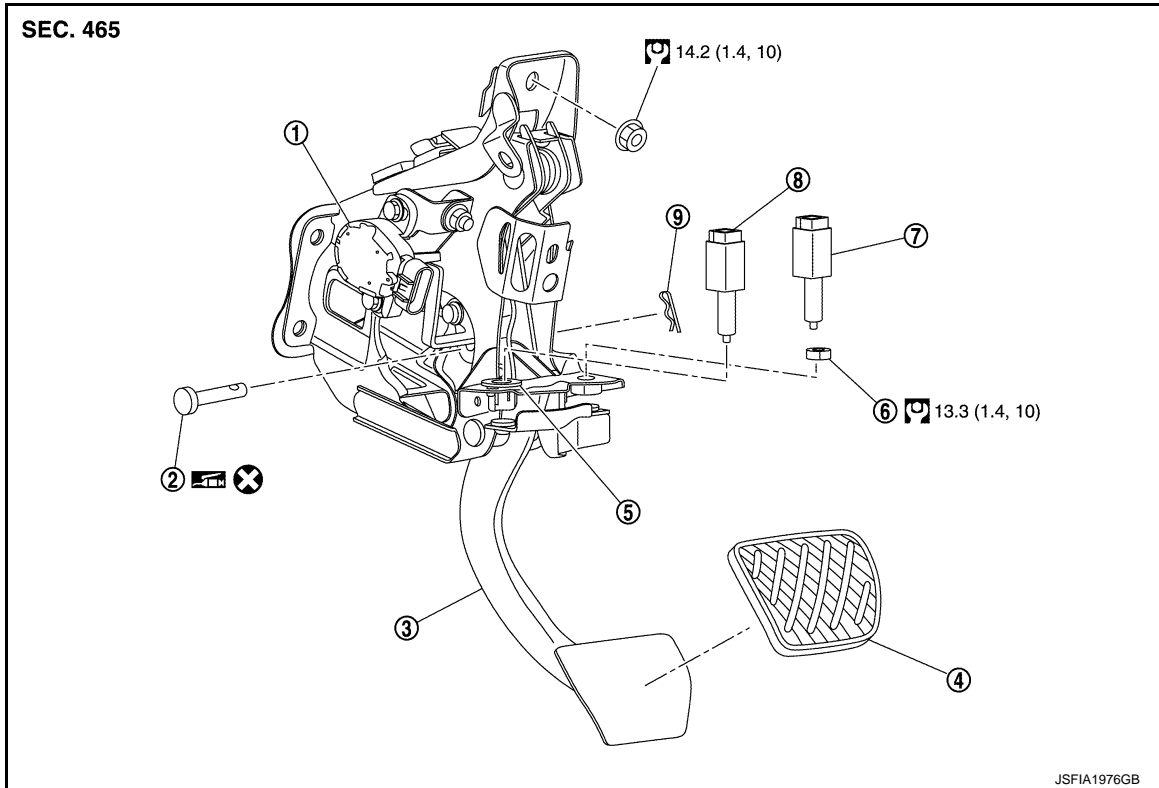
< REMOVAL AND INSTALLATION >

REMOVAL AND INSTALLATION

BRAKE PEDAL

Exploded View

INFOID:0000000011285619



- | | | |
|--|--------------------|------------------------|
| ① Stroke sensor (With pre-crash seat belt) | ② Clevis pin | ③ Brake pedal assembly |
| ④ Brake pedal pad | ⑤ Clip | ⑥ Lock nut |
| ⑦ Brake pedal position switch | ⑧ Stop lamp switch | ⑨ Snap pin |

: Apply multi-purpose grease.

: N·m (kg-m, ft-lb)

: Always replace after every disassembly.

Removal and Installation

INFOID:0000000011285620

REMOVAL

CAUTION:

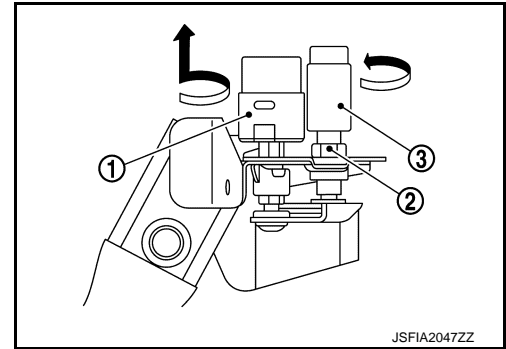
Never removing stroke sensor. (With pre-crash seat belt)

1. Remove the instrument lower panel. Refer to [IP-13. "Removal and Installation"](#).
2. Disconnect the stroke sensor harness connector. (With pre-crash seat belt)
3. Disconnect the stop lamp switch harness connector and brake pedal position switch harness connectors.

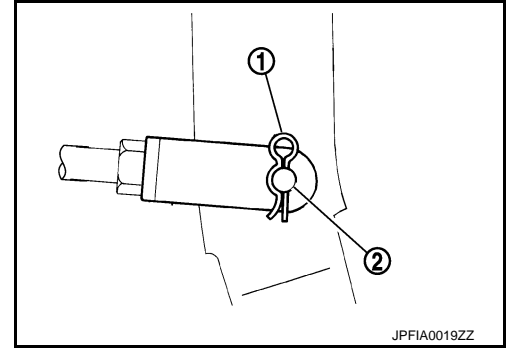
BRAKE PEDAL

< REMOVAL AND INSTALLATION >

4. Rotate the stop lamp switch ① counterclockwise to remove.
5. Loosen brake pedal position switch lock nut ②, and brake pedal position switch ③ clockwise to remove.



6. Remove the snap pin ①, and then remove the clevis pin ② from the clevis of brake booster.
7. Remove the brake pedal assembly.
CAUTION:
Hold the brake booster and master cylinder so as not to drop out or contact them other parts.
8. Perform inspection after removal. Refer to [BR-22. "Inspection and Adjustment"](#).



INSTALLATION

Note the following, and install in the reverse order of removal.

- Brake pedal assembly must be replaced after an impact.
- Apply the multi-purpose grease to the clevis pin and the matching faces.

CAUTION:

Never reuse the clevis pin.

NOTE:

The clevis pin may be inserted in either direction.

- Perform adjustment after installation. Refer to [BR-22. "Inspection and Adjustment"](#).

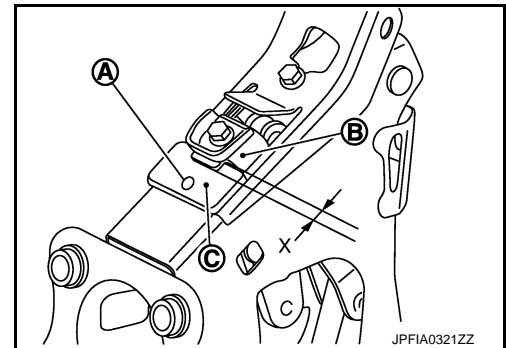
Inspection and Adjustment

INFOID:000000011285621

INSPECTION AFTER REMOVAL

- Check for the following items and replace the brake pedal assembly if necessary.
 - Check the brake pedal upper rivet (made by aluminum) ① for deformation.
 - Check the brake pedal for bend, damage, and cracks on the welded parts.
 - Check the lapping length (X) of sub-bracket ② and slide plate ③.

X : 5.5 mm (0.217 in) or more



ADJUSTMENT AFTER INSTALLATION

Perform the brake pedal adjustment after installing the brake pedal assembly. Refer to [BR-9. "Inspection and Adjustment"](#).

BRAKE PIPING

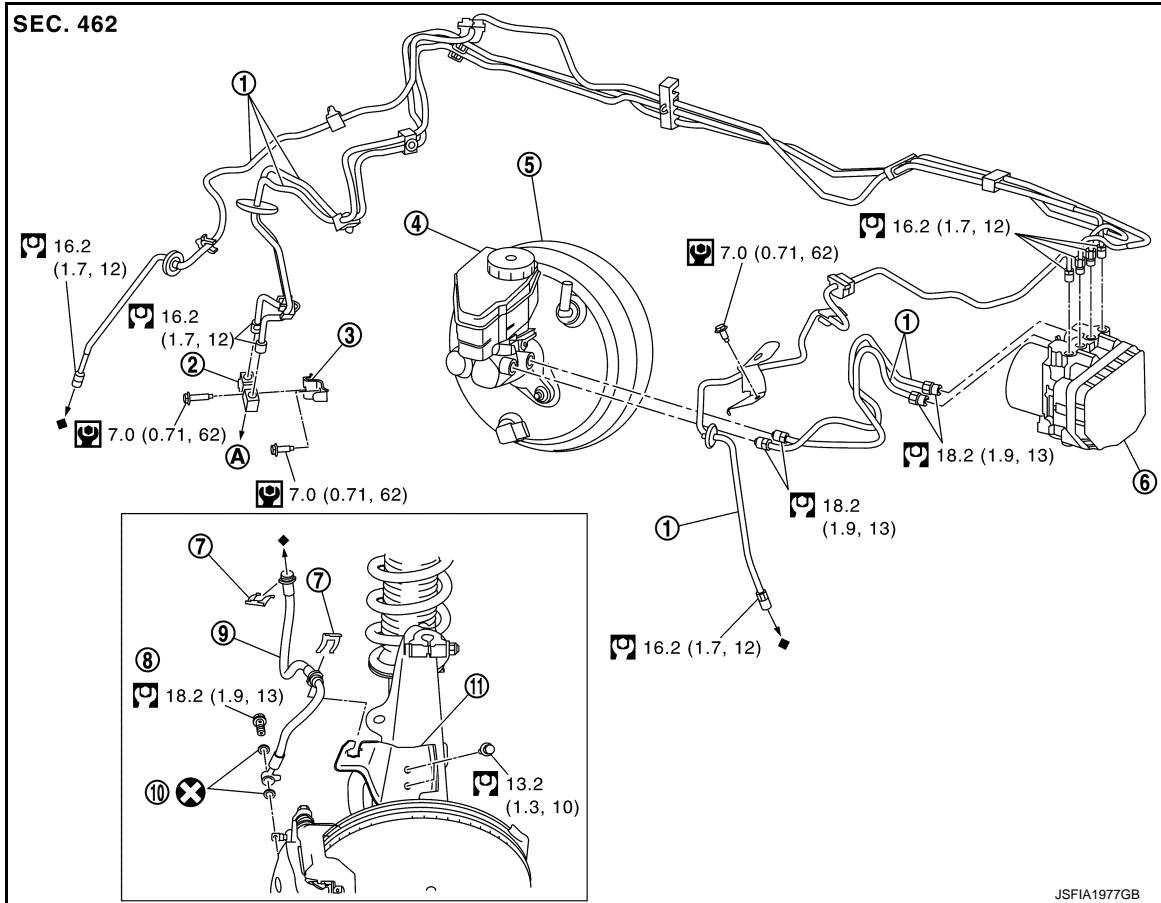
< REMOVAL AND INSTALLATION >

BRAKE PIPING FRONT

FRONT : Exploded View

INFOID:000000011285622

BRAKE CALIPER 2 PISTON TYPE



- | | | |
|----------------------------|----------------------|---|
| ① Brake tube | ② Connector | ③ Connector bracket |
| ④ Master cylinder assembly | ⑤ Brake booster | ⑥ ABS actuator and electric unit (control unit) |
| ⑦ Lock plate | ⑧ Union bolt | ⑨ Brake hose |
| ⑩ Copper washer | ⑪ Brake hose bracket | |
| Ⓐ To rear brake tube | | |

◆: Indicates that the part is connected at points with same symbol in actual vehicle.

Ⓜ: N·m (kg-m, ft-lb)

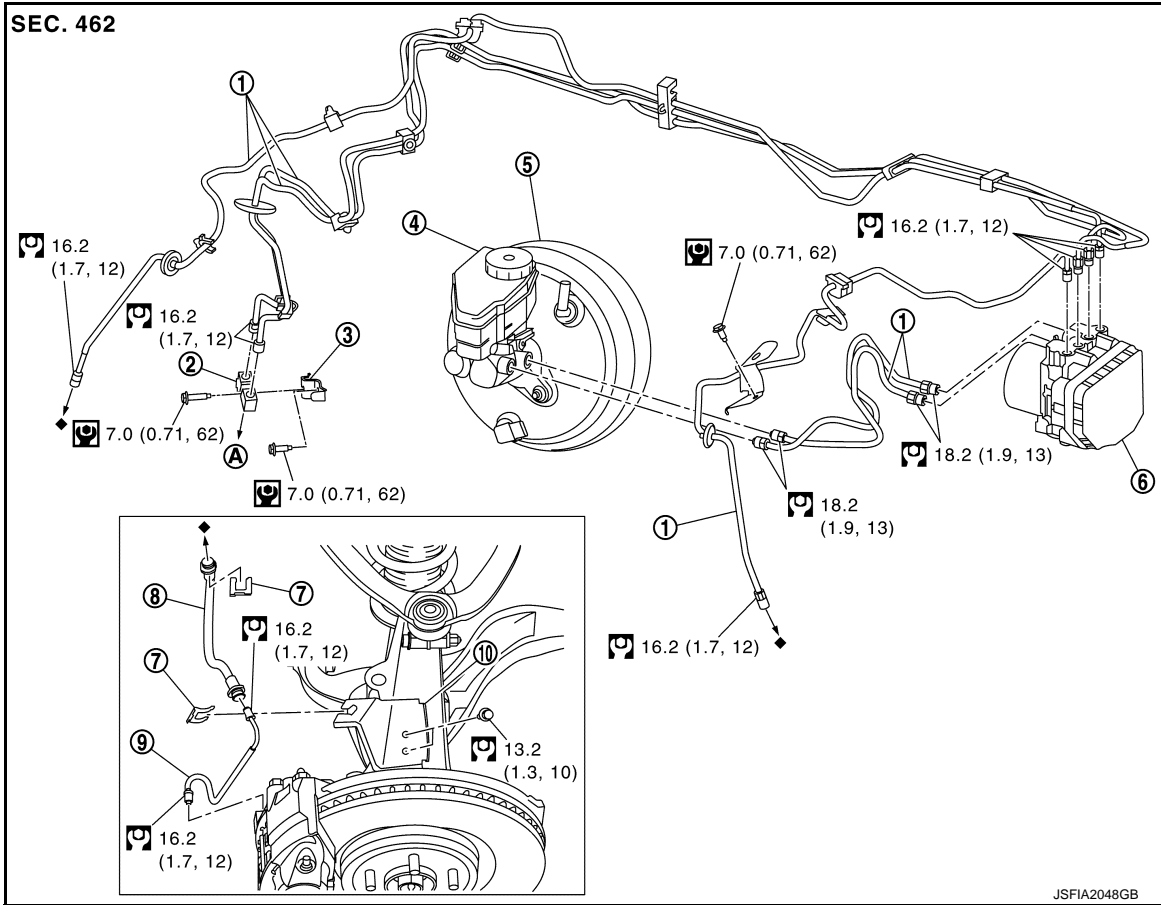
Ⓝ: N·m (kg-m, in-lb)

ⓧ: Always replace after every disassembly.

BRAKE CALIPER 4 PISTON TYPE

BRAKE PIPING

< REMOVAL AND INSTALLATION >



JSFIA2048GB

- ① Brake tube
- ② Connector
- ③ Connector bracket
- ④ Master cylinder assembly
- ⑤ Brake booster
- ⑥ ABS actuator and electric unit (control unit)
- ⑦ Lock plate
- ⑧ Brake hose
- ⑨ Brake tube
- ⑩ Brake hose bracket
- Ⓐ To rear brake tube

◆: Indicates that the part is connected at points with same symbol in actual vehicle.

☐: N-m (kg-m, ft-lb)

Ⓢ: N-m (kg-m, in-lb)

⊗: Always replace after every disassembly.

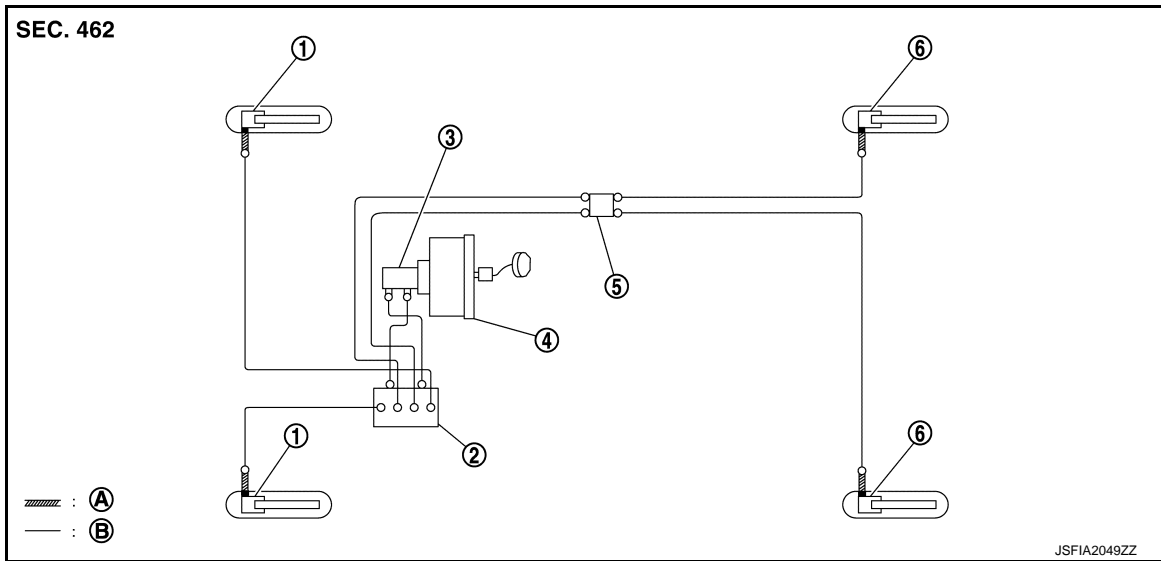
FRONT : Hydraulic Piping

INFOID:000000011285623

BRAKE CALIPER 2 PISTON TYPE

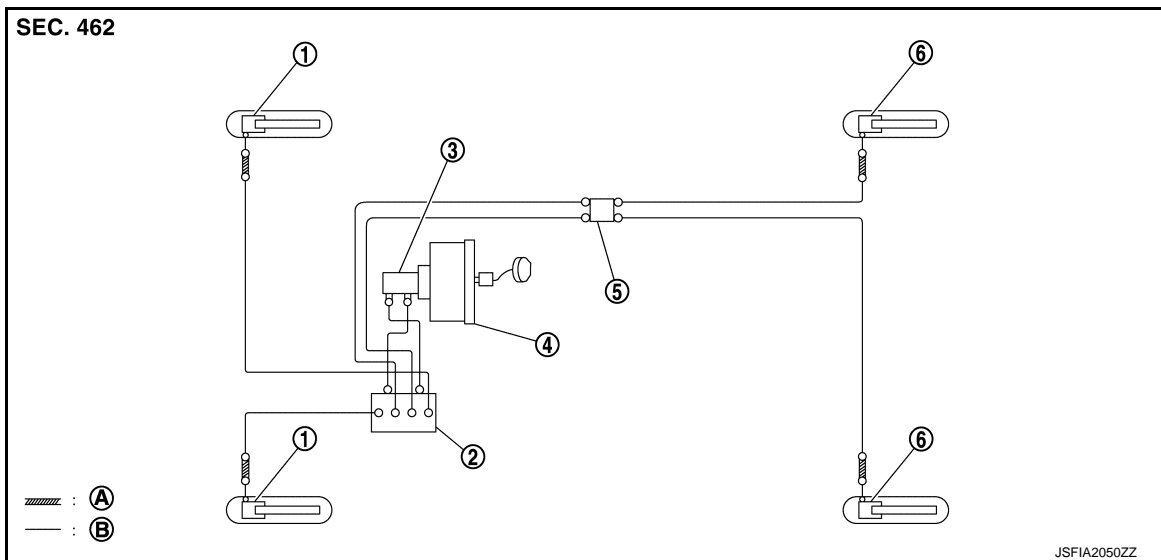
BRAKE PIPING

< REMOVAL AND INSTALLATION >



- ① Front disc brake
- ② ABS actuator and electric unit (control unit)
- ③ Master cylinder assembly
- ④ Brake booster
- ⑤ Connector
- ⑥ Rear disc brake
- Ⓐ Brake hose
- Ⓑ Brake tube
- : Flare nut
- : Union bolt

BRAKE CALIPER 4 PISTON TYPE



- ① Front disc brake
- ② ABS actuator and electric unit (control unit)
- ③ Master cylinder assembly
- ④ Brake booster
- ⑤ Connector
- ⑥ Rear disc brake
- Ⓐ Brake hose
- Ⓑ Brake tube
- : Flare nut

FRONT : Removal and Installation

INFOID:000000011285624

REMOVAL

BRAKE PIPING

< REMOVAL AND INSTALLATION >

Brake Caliper 2 Piston Type

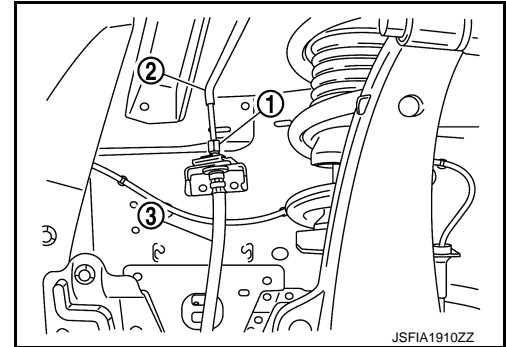
CAUTION:

- Never spill or splash brake fluid on painted surfaces. Brake fluid may seriously damage paint. Wipe it off immediately and wash with water if it gets on a painted surface. However avoid washing brake components with water.
- Never depress the brake pedal. Brake fluid may splash while removing the brake hose or brake tube.
- If the brake fluid adheres to the brake caliper assembly and disc rotor, quickly wipe it off.

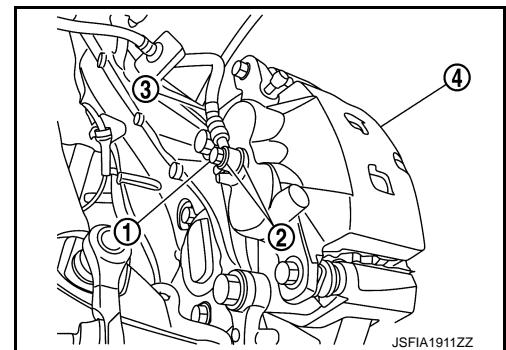
1. Remove tires with power tool.
2. Drain brake fluid. Refer to [BR-13, "Draining"](#).
3. Loosen the flare nut ① with a flare nut wrench and separate the brake tube ② from the brake hose ③.

CAUTION:

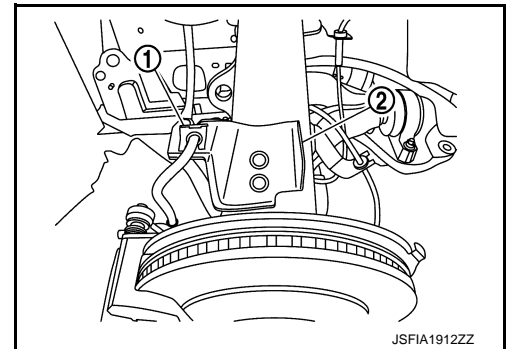
- Never scratch the flare nut and the brake tube.
- Never bend sharply, twist or strongly pull out the brake hose or brake tube.
- Cover open end of brake hose or brake tube when disconnecting to prevent entrance of dirt.



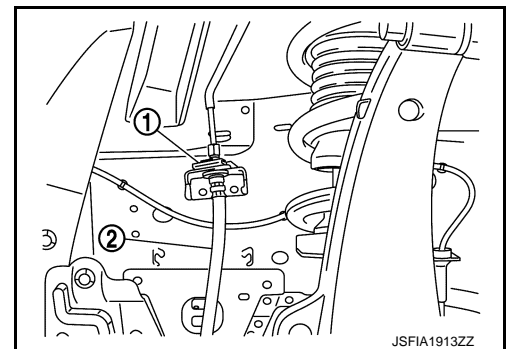
4. Remove the union bolt ① and copper washers ②, and remove the brake hose ③ from the brake caliper assembly ④.



5. Remove the lock plate ① from the brake hose bracket ②.



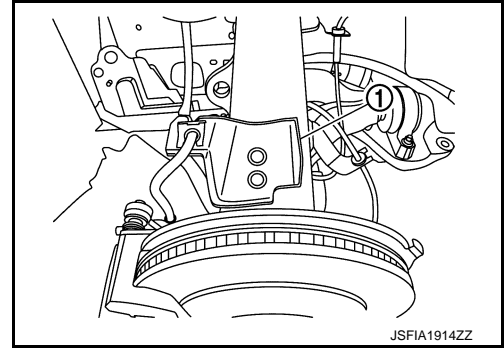
6. Remove the lock plate ①, and remove brake hose ②.



BRAKE PIPING

< REMOVAL AND INSTALLATION >

7. Remove the brake hose bracket ①.



Brake Caliper 4 Piston Type

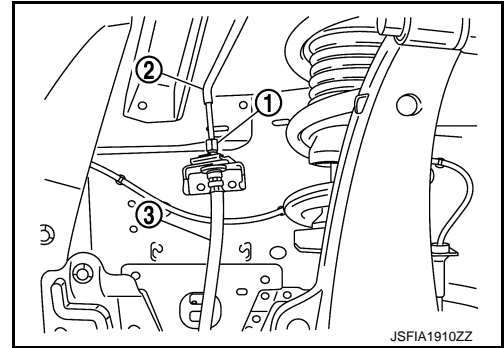
CAUTION:

- Never spill or splash brake fluid on painted surfaces. Brake fluid may seriously damage paint. Wipe it off immediately and wash with water if it gets on a painted surface. However avoid washing brake components with water.
- Never depress the brake pedal. Brake fluid may splash while removing the brake hose or brake tube.
- If the brake fluid adheres to the brake caliper assembly and disc rotor, quickly wipe it off.

1. Remove tires with power tool.
2. Drain brake fluid. Refer to [BR-13. "Draining"](#).
3. Loosen the flare nut ① with a flare nut wrench and separate the brake tube ② from the brake hose ③.

CAUTION:

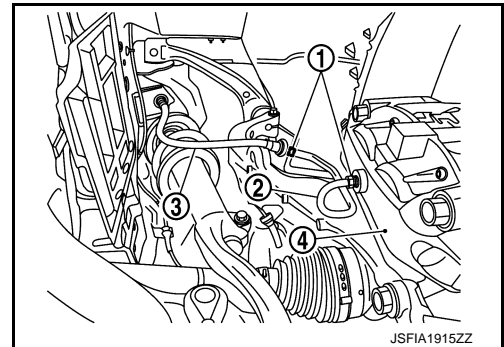
- Never scratch the flare nut and the brake tube.
- Never bend sharply, twist or strongly pull out the brake hose or brake tube.
- Cover open end of brake hose or brake tube when disconnecting to prevent entrance of dirt.



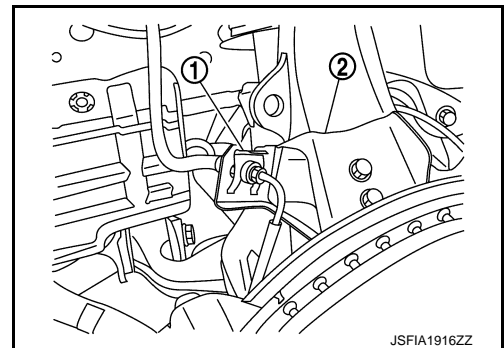
4. Loosen the flare nut ①, and remove the brake tube ② from the brake hose ③ and brake caliper assembly ④.

CAUTION:

- Cover flare nut wrench with a cloth as not to damage the brake caliper assembly.
- Cover open end of brake hose or brake tube when disconnecting to prevent entrance of dirt.



5. Remove the lock plate ① from the brake hose bracket ②.

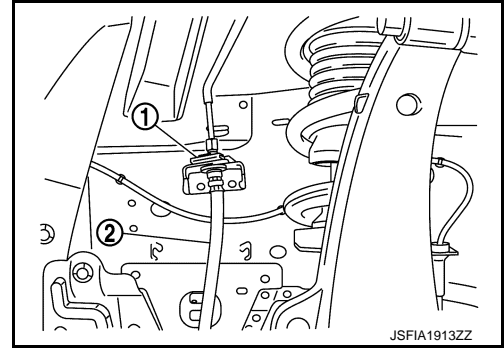


A
B
C
D
E
BR
G
H
I
J
K
L
M
N
O
P

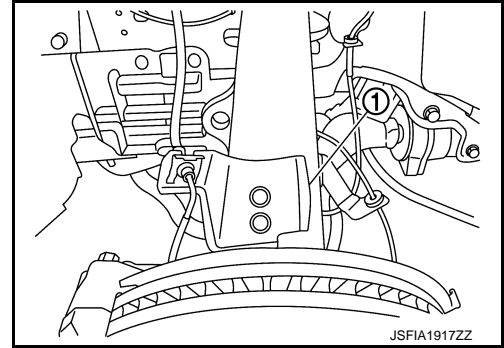
BRAKE PIPING

< REMOVAL AND INSTALLATION >

6. Remove the lock plate ①, and remove brake hose ②.



7. Remove the brake hose bracket ①.



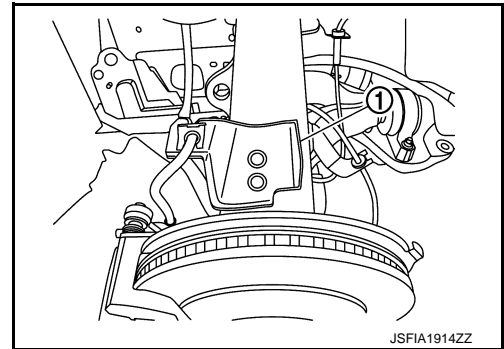
INSTALLATION

Brake Caliper 2 Piston Type

CAUTION:

- Never spill or splash brake fluid on painted surfaces. Brake fluid may seriously damage paint. Wipe it off immediately and wash with water if it gets on a painted surface. However avoid washing brake components with water.
- Never depress the brake pedal. Brake fluid may splash while removing the brake hose or brake tube.
- If the brake fluid adheres to the brake caliper assembly and disc rotor, quickly wipe it off.

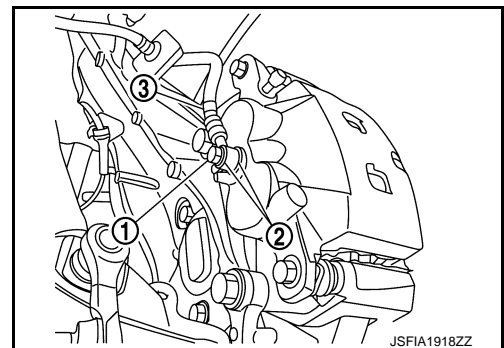
1. Install the brake hose bracket ①.



2. Assemble the union bolt ① and the copper washers ② to the brake hose ③.

CAUTION:

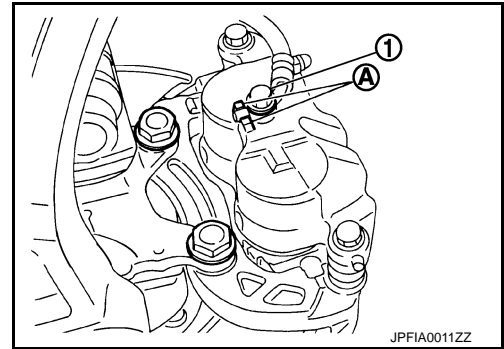
Never reuse the copper washer.



BRAKE PIPING

< REMOVAL AND INSTALLATION >

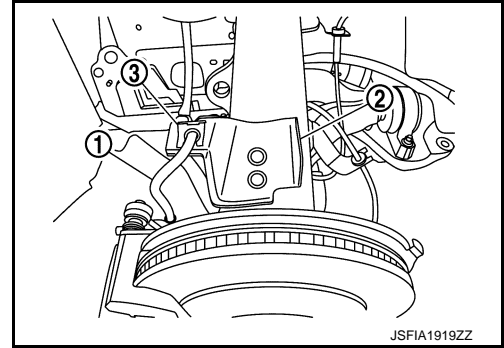
3. Align the brake hose pin to the projection (A) of the brake caliper assembly and tighten the union bolt (1) to the specified torque.



4. Fix the brake hose (1) to the brake hose bracket (2) with the lock plate (3).

CAUTION:

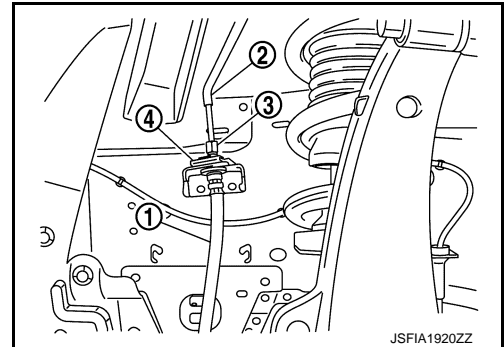
- Insert lock plate, according to the following instructions:
 - Face the opening toward the downward of vehicle.
 - Check that brake hose is not twisted and bent.
 - Securely insert the lock plate all the way to the end.
 - When installing the lock plate, never damage the brake hose and wheel sensor harness.



5. Install the brake hose (1) to brake tube (2), temporarily tighten the flare nut (3) by hand until it does not rotate further, and fix the brake hose with the lock plate (4).

CAUTION:

- Insert lock plate, according to the following instructions:
 - Face the opening toward the inside of vehicle.
 - Check that brake hose is not twisted and bent.
 - Securely insert the lock plate all the way to the end.
 - When installing the lock plate, never damage the brake hose and wheel sensor harness.

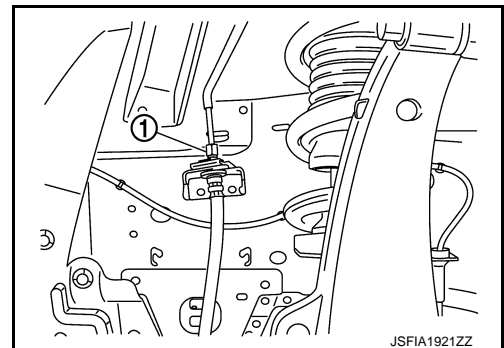


6. Tighten the flare nut (1) to the specified torque with a crowfoot and torque wrench.

CAUTION:

Never scratch the flare nut and the brake tube.

7. Refill with new brake fluid and perform the air bleeding. Refer to [BR-14. "Bleeding Brake System"](#).
8. Install tires.
9. Perform inspection after installation. Refer to [BR-31. "FRONT : Inspection"](#).



Brake Caliper 4 Piston Type

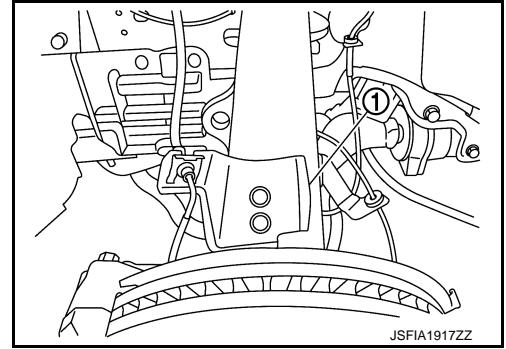
CAUTION:

- Never spill or splash brake fluid on painted surfaces. Brake fluid may seriously damage paint. Wipe it off immediately and wash with water if it gets on a painted surface. However avoid washing brake components with water.
- Never depress the brake pedal. Brake fluid may splash while removing the brake hose or brake tube.
- If the brake fluid adheres to the brake caliper assembly and disc rotor, quickly wipe it off.

BRAKE PIPING

< REMOVAL AND INSTALLATION >

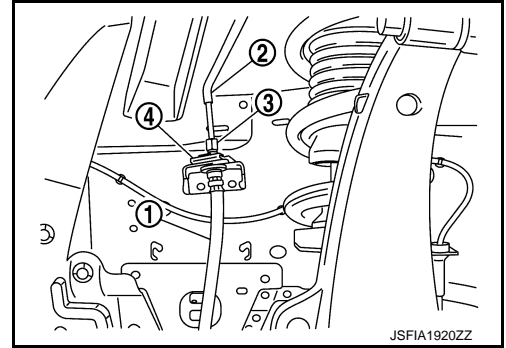
1. Install the brake hose bracket ①.



2. Install the brake hose ① to brake tube ②, temporarily tighten the flare nut ③ by hand until it does not rotate further, and fix the brake hose with the lock plate ④.

CAUTION:

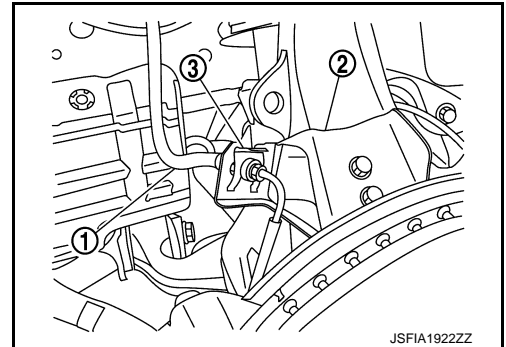
- Insert lock plate, according to the following instructions:
 - Face the opening toward the inside of vehicle.
- Check that brake hose is not twisted and bent.
- Securely insert the lock plate all the way to the end.
- When installing the lock plate, never damage the brake hose and wheel sensor harness.



3. Fix the brake hose ① to the brake hose bracket ② with the lock plate ③.

CAUTION:

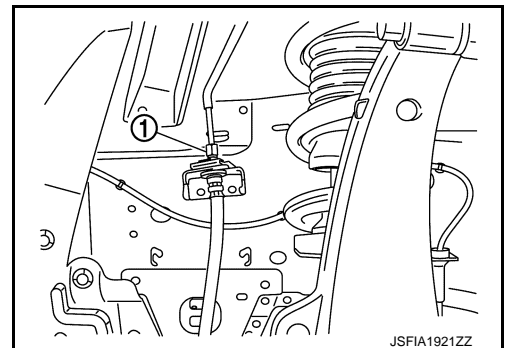
- Insert lock plate, according to the following instructions:
 - Face the opening toward the downward of vehicle.
- Check that brake hose is not twisted and bent.
- Securely insert the lock plate all the way to the end.
- When installing the lock plate, never damage the brake hose and wheel sensor harness.



4. Tighten the flare nut ① to the specified torque with a crowfoot and torque wrench.

CAUTION:

Never scratch the flare nut and the brake tube.



BRAKE PIPING

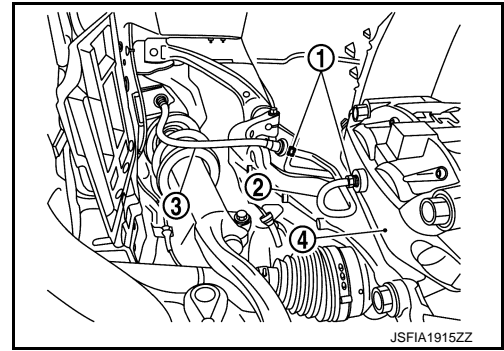
< REMOVAL AND INSTALLATION >

5. Install the brake tube ② to brake hose ③ and brake caliper assembly ④, temporarily tighten the flare nut ① by hand until it does not rotate further, and tighten the flare nut to the specified torque with a crowfoot and torque wrench.

CAUTION:

- Never scratch the flare nut and the brake tube.
- Cover flare nut wrench with a cloth as not to damage the brake caliper assembly.

6. Refill with new brake fluid and perform the air bleeding. Refer to [BR-14, "Bleeding Brake System"](#).
7. Install tires.
8. Perform inspection after installation. Refer to [BR-31, "FRONT : Inspection"](#).



FRONT : Inspection

INFOID:000000011285625

INSPECTION AFTER INSTALLATION

1. Check the brake hoses and tubes for the following: no scratches; no twist and deformation; no interference with other components when steering the steering wheel; no looseness at connections.
2. Depress the brake pedal with a force of 785 N (80 kg, 176 lb) and hold down the pedal for approx. 5 seconds with the engine running. Check for any fluid leakage.

CAUTION:

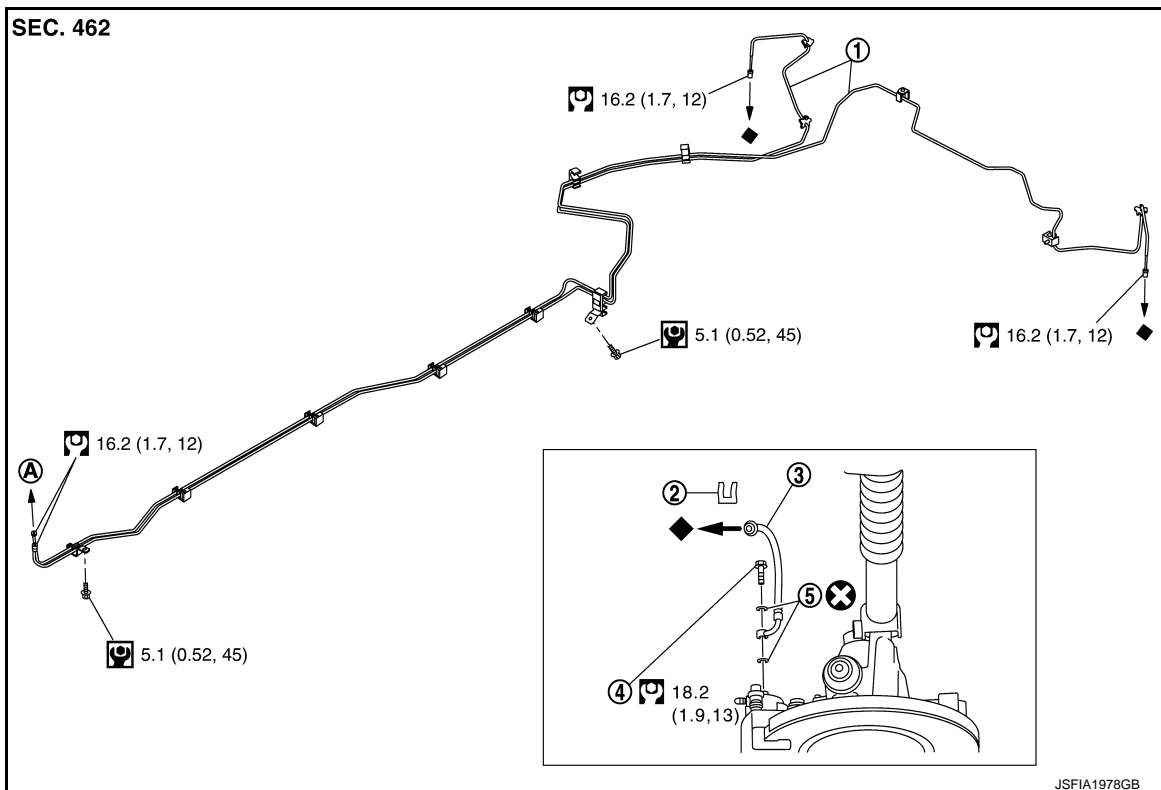
Retighten the applicable connection to the specified torque and repair any abnormal (damaged, worn or deformed) part if any brake fluid leakage is present.

REAR

REAR : Exploded View

INFOID:000000011285626

Brake Caliper 1 Piston Type



- ① Brake tube
- ④ Union bolt

- ② Lock plate
- ⑤ Copper washer

- ③ Brake hose

BRAKE PIPING

< REMOVAL AND INSTALLATION >

(A) To connector

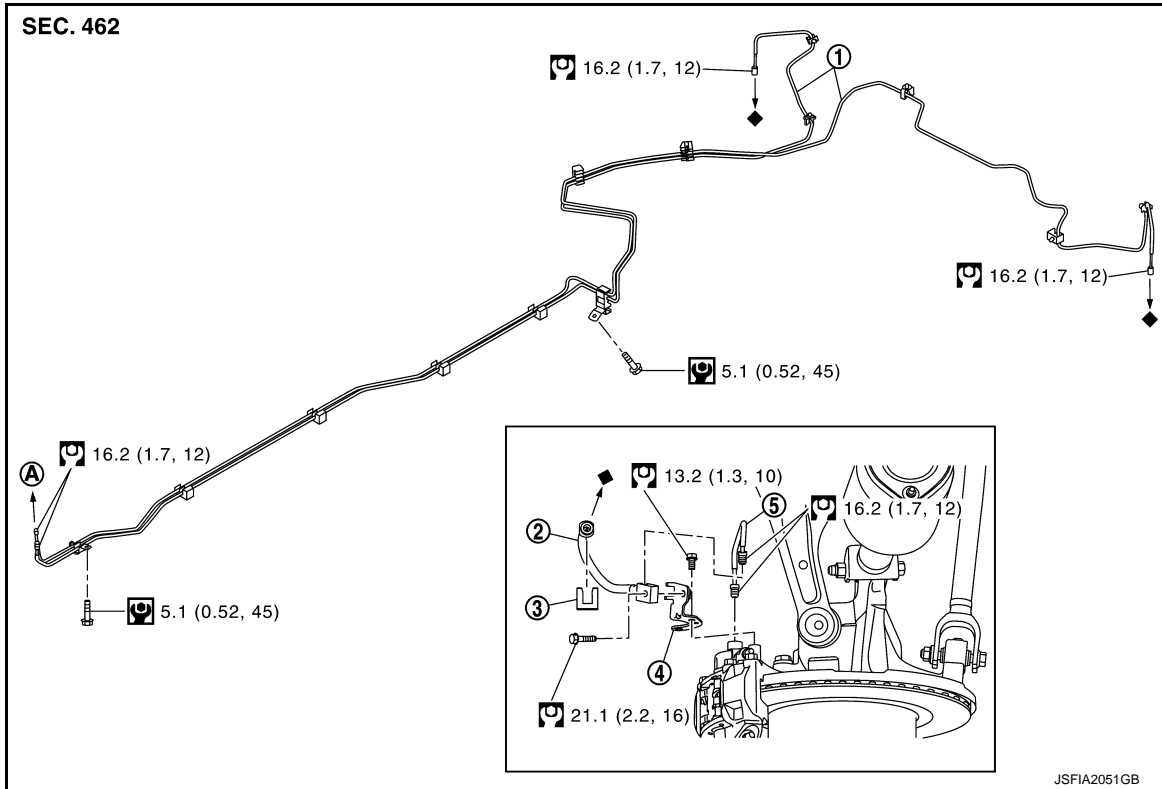
◆: Indicates that the part is connected at points with same symbol in actual vehicle.

: N-m (kg-m, ft-lb)

: N-m (kg-m, in-lb)

: Always replace after every disassembly.

Brake Caliper 2 Piston Type



① Brake tube

② Brake hose

③ Lock plate

④ Brake hose bracket

⑤ Brake tube

(A) To connector

◆: Indicates that the part is connected at points with same symbol in actual vehicle.

: N-m (kg-m, ft-lb)

: N-m (kg-m, in-lb)

: Always replace after every disassembly.

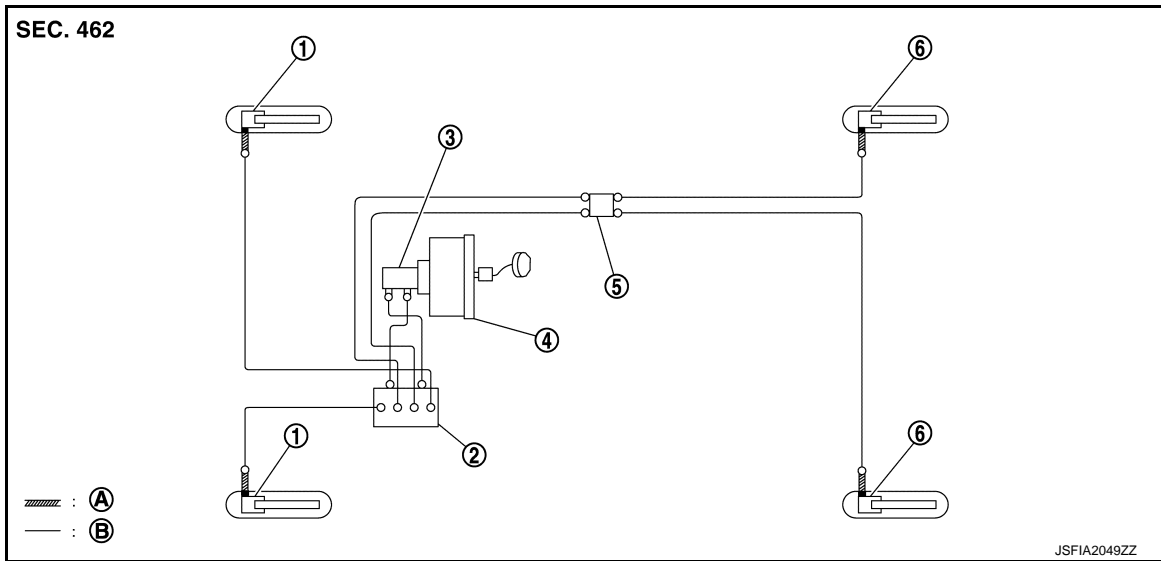
REAR : Hydraulic Piping

INFOID:000000011285627

BRAKE CALIPER 1 PISTON TYPE

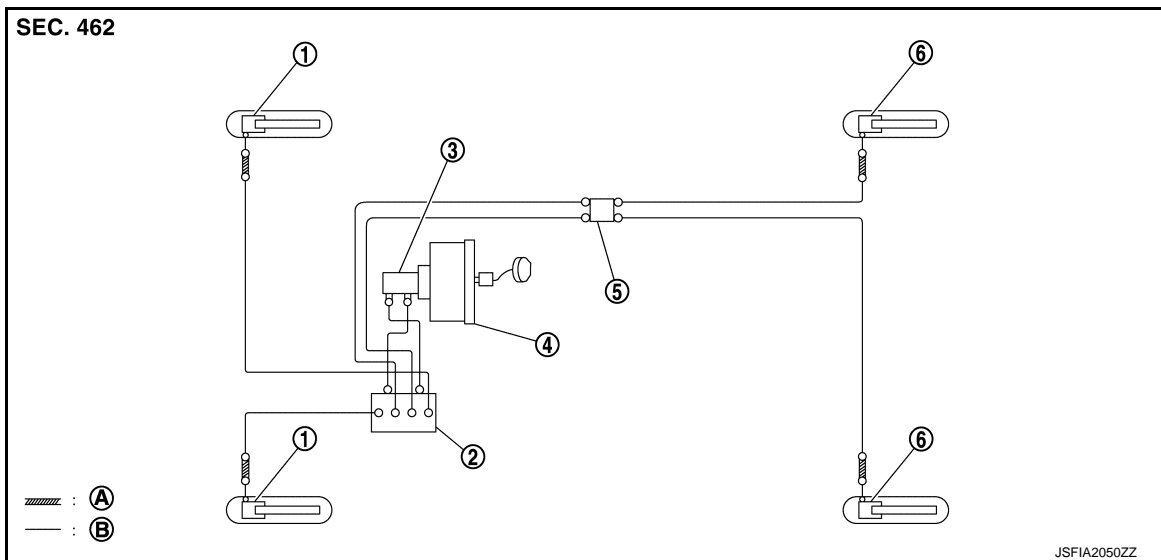
BRAKE PIPING

< REMOVAL AND INSTALLATION >



- ① Front disc brake
- ② ABS actuator and electric unit (control unit)
- ③ Master cylinder assembly
- ④ Brake booster
- ⑤ Connector
- ⑥ Rear disc brake
- Ⓐ Brake hose
- Ⓑ Brake tube
- : Flare nut
- : Union bolt

BRAKE CALIPER 2 PISTON TYPE



- ① Front disc brake
- ② ABS actuator and electric unit (control unit)
- ③ Master cylinder assembly
- ④ Brake booster
- ⑤ Connector
- ⑥ Rear disc brake
- Ⓐ Brake hose
- Ⓑ Brake tube
- : Flare nut

REAR : Removal and Installation

INFOID:000000011285628

REMOVAL

BRAKE PIPING

< REMOVAL AND INSTALLATION >

Brake Caliper 1 Piston Type

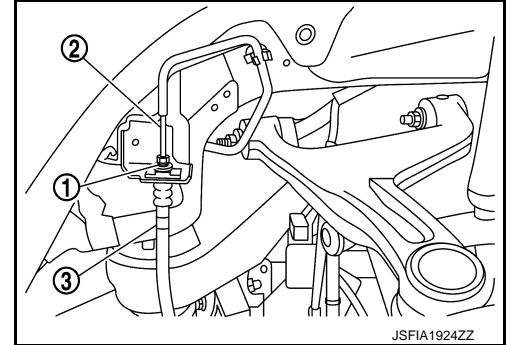
CAUTION:

- Never spill or splash brake fluid on painted surfaces. Brake fluid may seriously damage paint. Wipe it off immediately and wash with water if it gets on a painted surface. However avoid washing brake components with water.
- Never depress the brake pedal. Brake fluid may splash while removing the brake hose or brake tube.
- If the brake fluid adheres to the brake caliper assembly and disc rotor, quickly wipe it off.

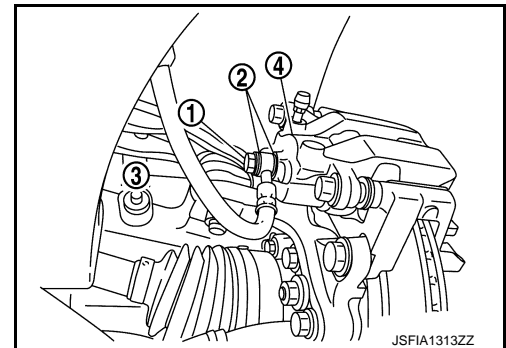
1. Remove tires with power tool.
2. Drain brake fluid. Refer to [BR-13, "Draining"](#).
3. Loosen the flare nut with a flare ① nut wrench and separate the brake tube ② from the hose ③, and remove the brake tube.

CAUTION:

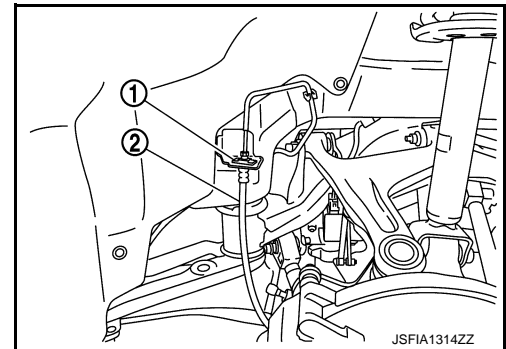
- Never scratch the flare nut and the brake tube.
- Never bend sharply, twist or strongly pull out the brake hose or brake tube.
- Cover open end of brake hose or brake tube when disconnecting to prevent entrance of dirt.



4. Remove the union bolt ① and copper washers ②, and remove the brake hose ③ from the brake caliper assembly ④.



5. Remove the lock plate ① and remove the brake hose ②.



Brake Caliper 2 Piston Type

CAUTION:

- Never spill or splash brake fluid on painted surfaces. Brake fluid may seriously damage paint. Wipe it off immediately and wash with water if it gets on a painted surface. However avoid washing brake components with water.
- Never depress the brake pedal. Brake fluid may splash while removing the brake hose or brake tube.
- If the brake fluid adheres to the brake caliper assembly and disc rotor, quickly wipe it off.

1. Remove tires with power tool.
2. Drain brake fluid. Refer to [BR-13, "Draining"](#).

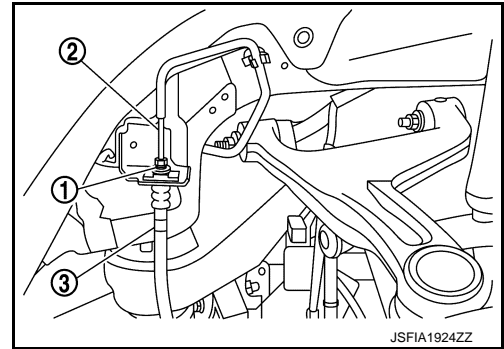
BRAKE PIPING

< REMOVAL AND INSTALLATION >

3. Loosen the flare nut with a flare ① nut wrench and separate the brake tube ② from the hose ③, and remove the brake tube.

CAUTION:

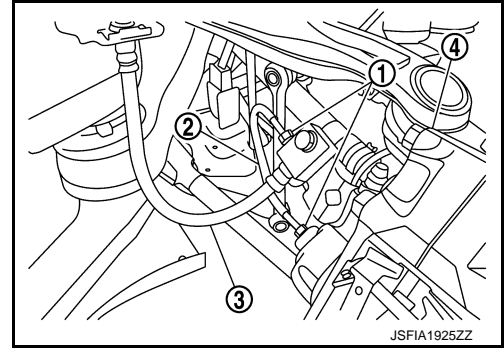
- Never scratch the flare nut and the brake tube.
- Never bend sharply, twist or strongly pull out the brake hose or brake tube.
- Cover open end of brake hose or brake tube when disconnecting to prevent entrance of dirt.



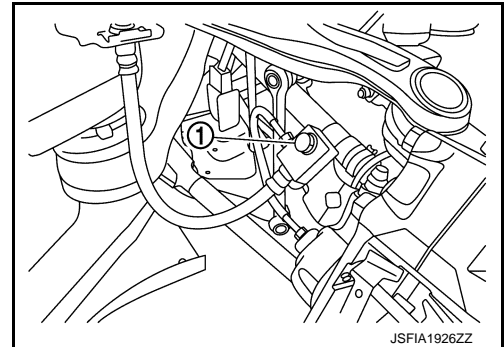
4. Loosen the flare nut with a flare ① nut wrench and separate the brake tube ② from the hose ③ and brake caliper ④, and remove the brake tube.

CAUTION:

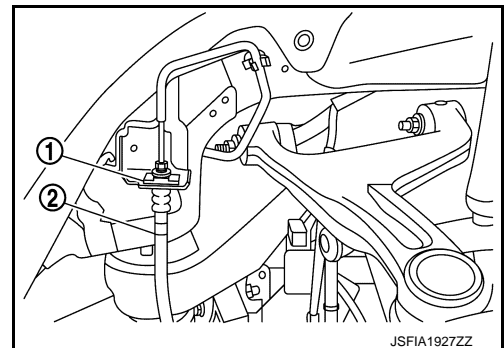
- Never scratch the flare nut and the brake tube.
- Never bend sharply, twist or strongly pull out the brake hose or brake tube.
- Cover flare nut wrench with a cloth as not to damage the brake caliper assembly.
- Cover open end of brake hose or brake tube when disconnecting to prevent entrance of dirt.



5. Remove brake hose mounting bolt ①.



6. Remove the lock plate ① and remove the brake hose ②.

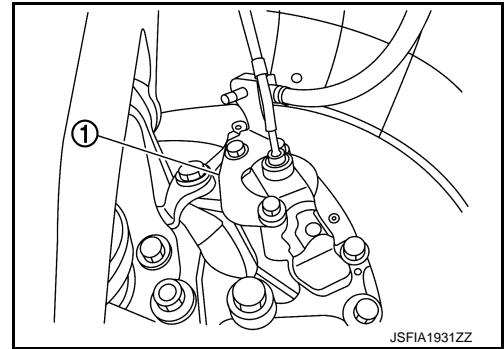


A
B
C
D
E
BR
G
H
I
J
K
L
M
N
O
P

BRAKE PIPING

< REMOVAL AND INSTALLATION >

7. Remove brake hose bracket ①.



INSTALLATION

Brake Caliper 1 Piston Type

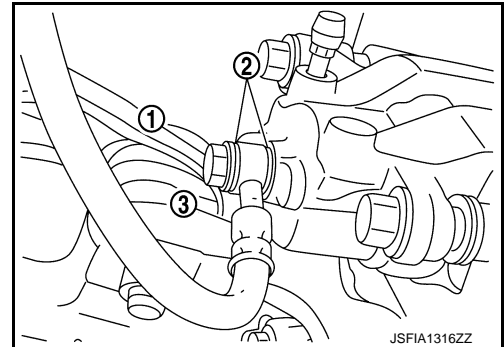
CAUTION:

- Never spill or splash brake fluid on painted surfaces. Brake fluid may seriously damage paint. Wipe it off immediately and wash with water if it gets on a painted surface. However avoid washing brake components with water.
- Never depress the brake pedal. Brake fluid may splash while removing the brake hose or brake tube.
- If the brake fluid adheres to the brake caliper assembly and disc rotor, quickly wipe it off.

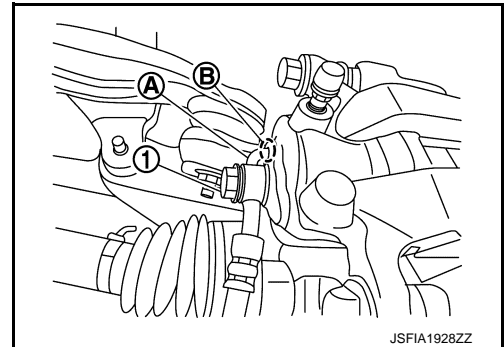
1. Assemble the union bolt ① and the copper washers ② to the brake hose ③.

CAUTION:

Never reuse the copper washer.



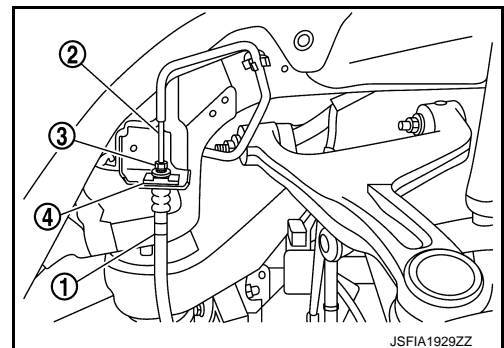
2. Install the brake hose L-pin (A) by aligning it with the brake caliper assembly positioning hole (B), and tighten the union bolt (1) to the specified torque.



3. Install the brake hose (1) to the brake tube (2), temporarily tighten the flare nut (3) by hand until it does not rotate further, and fix the brake hose to the bracket with the lock plate (4).

CAUTION:

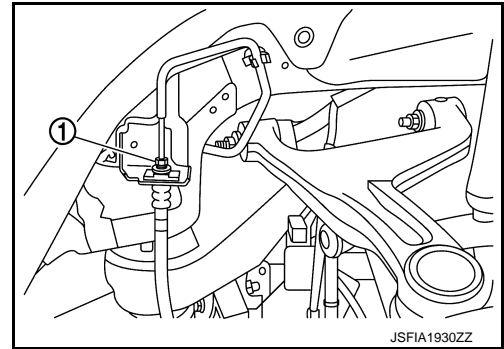
- Insert lock plate, according to the following instructions:
 - Face the opening toward the inside of vehicle.
 - Check that all brake hose or brake tube are not twisted and bent.
 - Securely insert the lock plate all the way to the end.
 - When installing the lock plate, never damage the brake hose and brake tube.



BRAKE PIPING

< REMOVAL AND INSTALLATION >

4. Tighten the flare nut ① to the specified torque with a crowfoot and torque wrench.
CAUTION:
Never scratch the flare nut and the brake tube.
5. Refill with new brake fluid and perform the air bleeding. Refer to [BR-14. "Bleeding Brake System"](#).
6. Install tires.
7. Perform inspection after installation. Refer to [BR-38. "REAR : Inspection"](#).

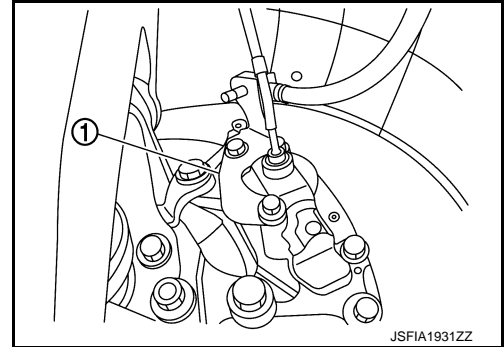


Brake Caliper 2 Piston Type

CAUTION:

- Never spill or splash brake fluid on painted surfaces. Brake fluid may seriously damage paint. Wipe it off immediately and wash with water if it gets on a painted surface. However avoid washing brake components with water.
- Never depress the brake pedal. Brake fluid may splash while removing the brake hose or brake tube.
- If the brake fluid adheres to the brake caliper assembly and disc rotor, quickly wipe it off.

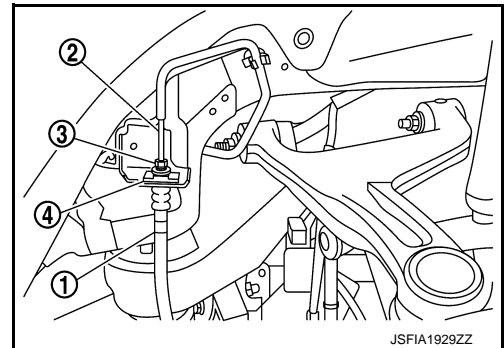
1. Install brake hose bracket ①.



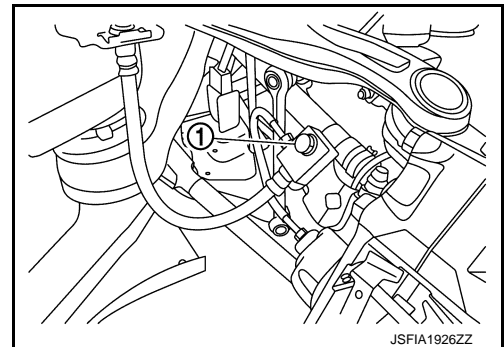
2. Install the brake hose ① to the brake tube ②, temporarily tighten the flare nut ③ by hand until it does not rotate further, and fix the brake hose to the bracket with the lock plate ④.

CAUTION:

- Insert lock plate, according to the following instructions:
 - Face the opening toward the inside of vehicle.
 - Check that all brake hose or brake tube are not twisted and bent.
 - Securely insert the lock plate all the way to the end.
 - When installing the lock plate, never damage the brake hose and brake tube.



3. Install brake hose mounting bolt ①, and tighten the brake hose mounting bolt to the specified torque.



A
B
C
D
E
BR
G
H
I
J
K
L
M
N
O
P

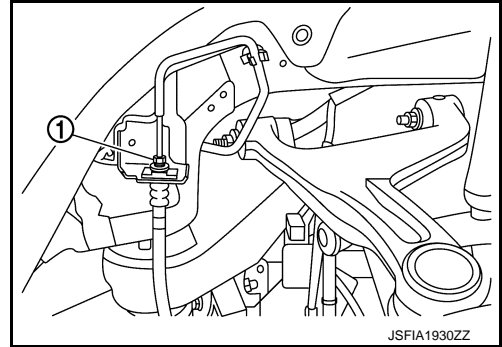
BRAKE PIPING

< REMOVAL AND INSTALLATION >

4. Tighten the flare nut ① to the specified torque with a crowfoot and torque wrench.

CAUTION:

Never scratch the flare nut and the brake tube.



5. Install the brake tube ① to brake hose ② and brake caliper assembly ③, temporarily tighten the flare nut ④ by hand until it does not rotate further, and tighten the flare nut to the specified torque with a crowfoot and torque wrench.

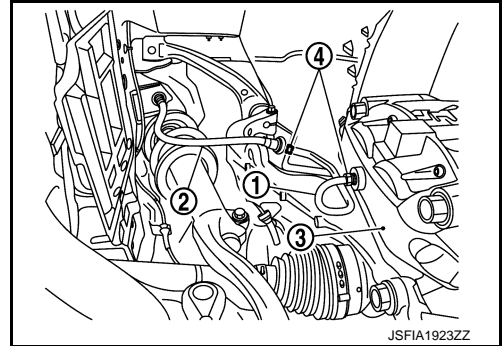
CAUTION:

- **Never scratch the flare nut and the brake tube.**
- **Cover flare nut wrench with a cloth as not to damage the brake caliper assembly.**

6. Refill with new brake fluid and perform the air bleeding. Refer to [BR-14. "Bleeding Brake System"](#).

7. Install tires.

8. Perform inspection after installation. Refer to [BR-38. "REAR : Inspection"](#).



REAR : Inspection

INFOID:000000011285629

INSPECTION AFTER INSTALLATION

1. Check the brake hoses and tubes for the following: no scratches; no twist and deformation; no interference with other components when steering the steering wheel; no looseness at connections.
2. Depress the brake pedal with a force of 785 N (80 kg, 176 lb) and hold down the pedal for approx. 5 seconds with the engine running. Check for any fluid leakage.

CAUTION:

Retighten the applicable connection to the specified torque and repair any abnormal (damaged, worn or deformed) part if any brake fluid leakage is present.

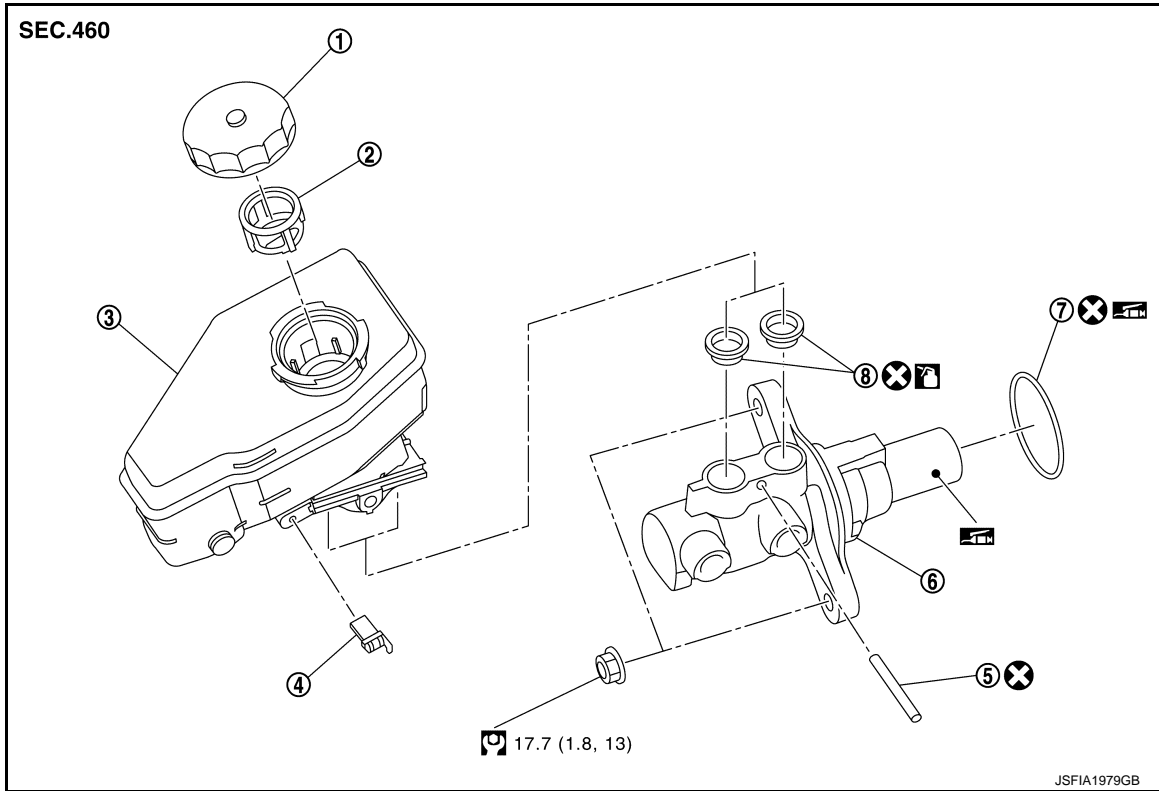
BRAKE MASTER CYLINDER

< REMOVAL AND INSTALLATION >

BRAKE MASTER CYLINDER

Exploded View

INFOID:000000011285630



- | | | |
|--------------------------------------|----------------|------------------|
| ① Reservoir cap | ② Oil strainer | ③ Reservoir tank |
| ④ Brake fluid level switch connector | ⑤ Pin | ⑥ Cylinder body |
| ⑦ O-ring | ⑧ Grommet | |

: Apply silicone grease.

: Apply brake fluid.

: N·m (kg-m, ft-lb)

: Always replace after every disassembly.

Removal and Installation

INFOID:000000011285631

REMOVAL

CAUTION:

- Never spill or splash brake fluid on painted surfaces. Brake fluid may seriously damage paint. Wipe it off immediately and wash with water if it gets on a painted surface. For brake component parts, never wash them with water.
- Depress the brake pedal several times to release the vacuum pressure from the brake booster. Then remove the master cylinder assembly.
- Never depress brake pedal while removing the brake tube. If this is not complied with, brake fluid may splash.

1. Perform inspection before removal. Refer to [BR-41, "Inspection"](#).
2. Remove the brake master cylinder cover and hoodledge cover. Refer to [EXT-27, "Removal and Installation"](#).
3. Drain brake fluid. Refer to [BR-13, "Draining"](#).
4. Disconnect the brake fluid level switch harness connector.

BRAKE MASTER CYLINDER

< REMOVAL AND INSTALLATION >

5. Separate the brake tube ① from between master cylinder assembly ② and ABS actuator and electric unit (control unit) ③ with a flare nut wrench.

CAUTION:

Never scratch the flare nut ④ and the brake tube.

6. Remove the master cylinder assembly from brake booster.

CAUTION:

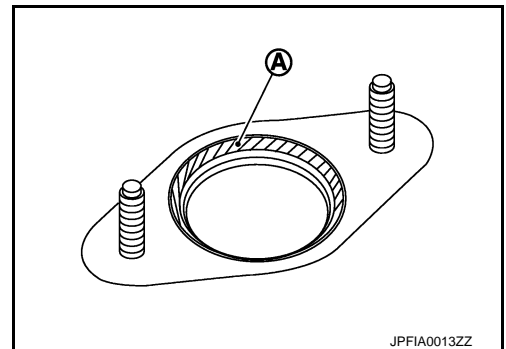
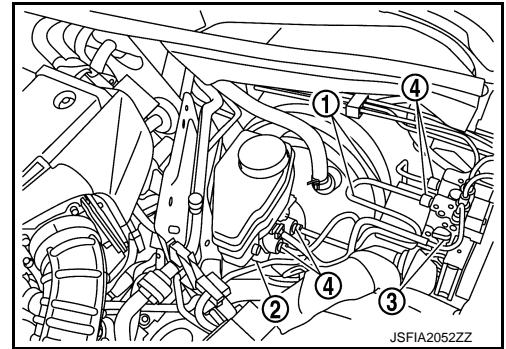
- Never depress the brake pedal after the master cylinder assembly is removed.
- The piston of the master cylinder assembly is exposed. Never damage it when removing the master cylinder.
- The piston may drop off when pulled out strongly. Never hold the piston. Hold the cylinder body when handling the master cylinder assembly.

7. Remove the O-ring.

INSTALLATION

Note the following, and install in the reverse order of removal.

- Never spill or splash brake fluid on painted surfaces. Brake fluid may seriously damage paint. Wipe it off immediately and wash with water if it gets on a painted surface. For brake component parts, never wash them with water.
- Never depress brake pedal while removing the brake tube. If this is not complied with, brake fluid may splash.
- Never depress the brake pedal after the master cylinder assembly is removed.
- Apply silicone grease to the brake booster [see (A) in the figure] when installing the master cylinder assembly to the brake booster.
- The piston of the master cylinder assembly is exposed. Never damage it when removing the master cylinder.
- Check that no dirt and dust are present on the piston before installation. Clean it with new brake fluid if necessary.
- The piston may drop off when pulled out strongly. Never hold the piston. Hold the cylinder body when handling the master cylinder assembly.
- Never reuse the O-ring.

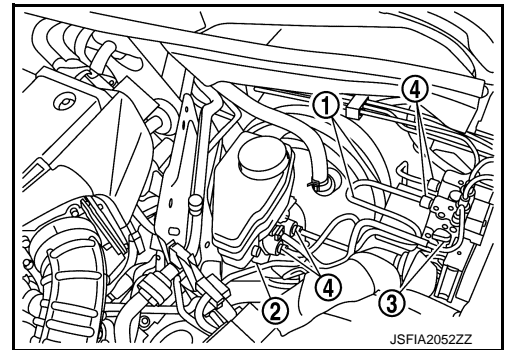


- Temporarily tighten the brake tube flare nut ④ of brake tube ① to the master cylinder assembly ② and ABS actuator and electric unit (control unit) ③ by hand. Then tighten it to the specified torque with a crowfoot and torque wrench. Refer to [BR-23, "FRONT : Exploded View"](#).

CAUTION:

Never scratch the flare nut and the brake tube.

- Perform the air bleeding. Refer to [BR-14, "Bleeding Brake System"](#).
- Perform inspection after installation. Refer to [BR-41, "Inspection"](#).



Disassembly and Assembly

INFOID:000000011285632

DISASSEMBLY

CAUTION:

- Never disassemble the cylinder body.
- Remove the reservoir tank only when necessary.

1. Fix the master cylinder assembly to a vise.

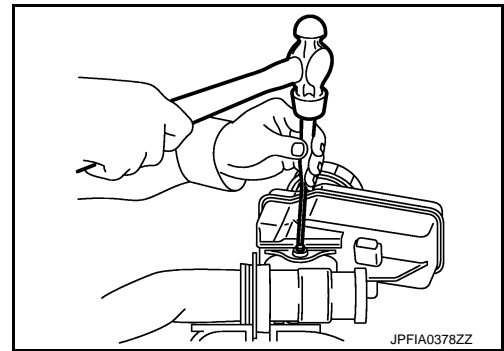
CAUTION:

- Always set copper plates or cloth between vise grips when fixing the cylinder body to a vise.
- Never overtighten the vise.

BRAKE MASTER CYLINDER

< REMOVAL AND INSTALLATION >

- Remove the reservoir tank mounting pin with a pin punch [4 mm (0.157 in)].
- Remove the reservoir tank and grommet from the cylinder body.
CAUTION:
Never drop the removed parts. The parts must not be reused if they are dropped.



ASSEMBLY

CAUTION:

- Never use mineral oils such as kerosene or gasoline and rubber grease during the cleaning and assembly process.
- Never drop the removed parts when installing. The parts must not be reused if they are dropped.
- Never allow foreign matter (e.g. dust) and oils other than brake fluid to enter the reservoir tank.

- Apply new brake fluid to the grommet and install it to the cylinder body.

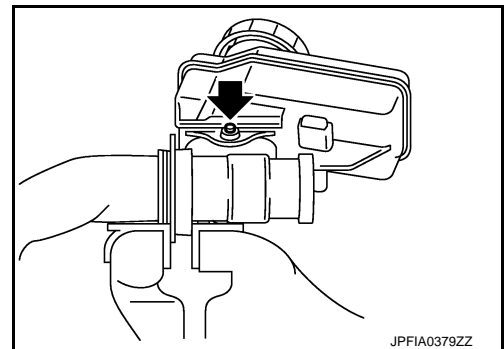
CAUTION:

Never reuse the grommets.

- Install the reservoir tank to the cylinder body.
- Fix the master cylinder assembly to a vise.

CAUTION:

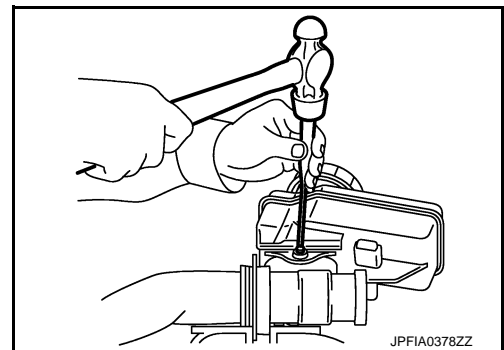
- Place the reservoir tank with the chamfered pin hole (←) facing up.
- Always set copper plates or cloth between vise grips when fixing the cylinder body to a vise.
- Never overtighten the vise.



- Tilt the reservoir tank so that a mounting pin can be inserted. Insert a mounting pin. Return the reservoir tank to the horizontal position. Insert another mounting pin into the pin hole on the opposite side in the same manner after the mounting pin passes through the cylinder body pin hole.

CAUTION:

Never reuse the mounting pin.



Inspection

INFOID:000000011285633

INSPECTION BEFORE REMOVAL

Check the brake fluid level switch. Refer to [BRC-132, "Component Inspection"](#).

INSPECTION AFTER INSTALLATION

Check the following items and replace if necessary.

- Check the master cylinder for deformation, twist, contact with other parts or looseness of connection.
- Check for fluid leakage from connection. Refer to [BR-13, "Inspection"](#).

CAUTION:

If the fluid leakage is present, retighten to the specified torque. Replace if necessary.

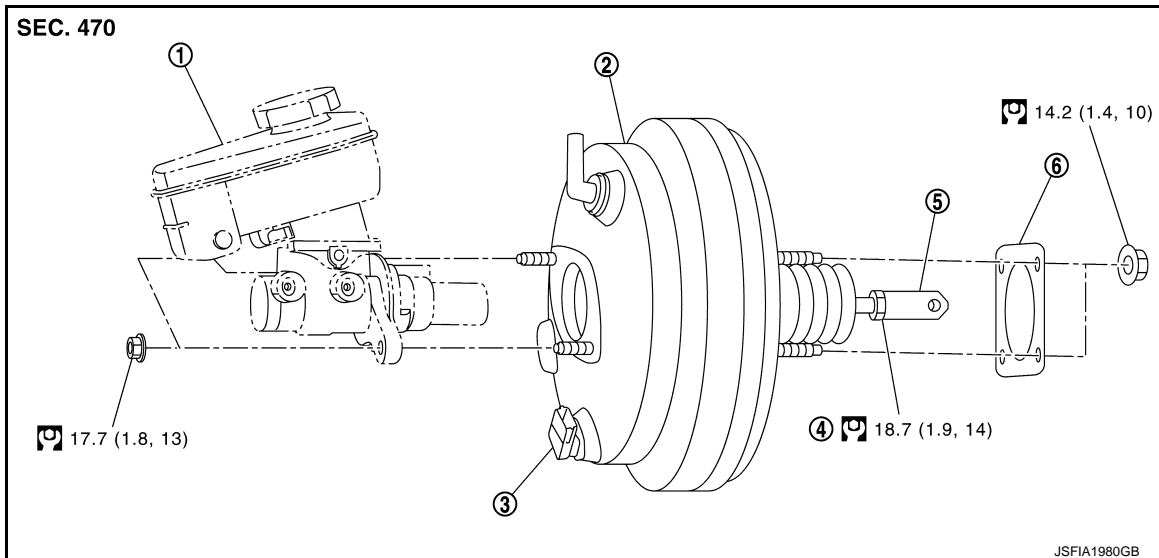
BRAKE BOOSTER

< REMOVAL AND INSTALLATION >

BRAKE BOOSTER

Exploded View

INFOID:000000011285634



- | | | |
|----------------------------|-----------------|-----------------|
| ① Master cylinder assembly | ② Brake booster | ③ Vacuum sensor |
| ④ Lock nut | ⑤ Clevis | ⑥ Gasket |

: N·m (kg·m, ft·lb)

Removal and Installation

INFOID:000000011285635

REMOVAL

CAUTION:

Never remove vacuum sensor from brake booster. Replace vacuum sensor and brake booster as a set.

1. Perform inspection before removal. Refer to [BR-43, "Inspection and Adjustment"](#).
2. Remove the cowl top cover. Refer to [EXT-27, "Removal and Installation"](#).
3. Disconnect the vacuum sensor harness connector.
4. Remove brake master cylinder assembly from brake booster. Refer to [BR-39, "Removal and Installation"](#).
5. Separate vacuum hose from brake booster. Refer to [BR-45, "Removal and Installation"](#).
6. Remove low-pressure pipe. Refer to [HA-32, "LOW-PRESSURE FLEXIBLE HOSE : Removal and Installation"](#).
7. Remove high-pressure pipe. Refer to [HA-35, "HIGH-PRESSURE PIPE : Removal and Installation"](#).
8. Remove snap pin ① and clevis pin ②.
9. Remove nuts on brake booster and brake pedal assembly. Refer to [BR-21, "Exploded View"](#).

CAUTION:

Hold the brake booster so as to avoid dropping out.

10. Remove brake tube between ABS actuator and electric unit (control unit) and brake master cylinder. Refer to [BR-23, "FRONT : Exploded View"](#).
11. Remove the brake booster.

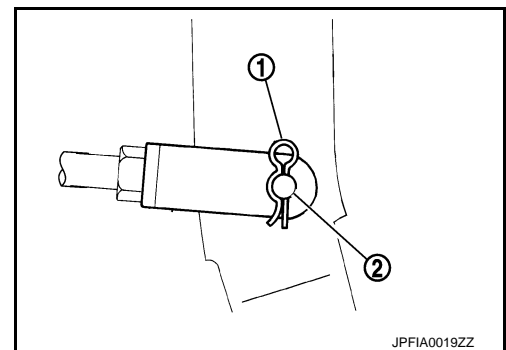
CAUTION:

Never deform or bend the brake tubes.

NOTE:

If removing brake booster is difficult, remove clevis from brake booster.

12. Perform adjustment after removal. Refer to [BR-43, "Inspection and Adjustment"](#).



BRAKE BOOSTER

< REMOVAL AND INSTALLATION >

INSTALLATION

CAUTION:

Never reuse the clevis pin.

Note the following, and install in the reverse order of removal.

- Be careful not to damage brake booster stud bolt threads. If brake booster is tilted during installation, the dash panel may damage the threads.
- Never deform or bend the brake tubes when installing the brake booster.
- Always use a gasket between the brake booster and the dash panel.
- Install the brake pedal assembly and brake booster mounting nuts, and tighten it to the specified torque. Refer to [BR-21, "Exploded View"](#).
- After installation, perform the air bleeding. Refer to [BR-14, "Bleeding Brake System"](#).
- Perform inspection after installation. Refer to [BR-43, "Inspection and Adjustment"](#).

Inspection and Adjustment

INFOID:000000011285636

INSPECTION BEFORE REMOVAL

Air Tight

CAUTION:

Check the air tight condition when the master cylinder and the brake booster is installed.

1. With a handy vacuum pump, apply vacuum pressure of -66.7 kPa (-500 mmHg, -19.70 inHg) to the brake booster.
2. If the air tight condition cannot be maintained, perform the following operation.
 - a. Check the no dirt and dust are present on the brake booster and brake master cylinder matching faces. Clean it if necessary.
 - b. Check O-ring on the master cylinder. If anything is found, replace the O-ring. Refer to [BR-39, "Removal and Installation"](#).
 - c. Check the air tight condition again. If the condition still cannot be maintained, replace the brake booster.

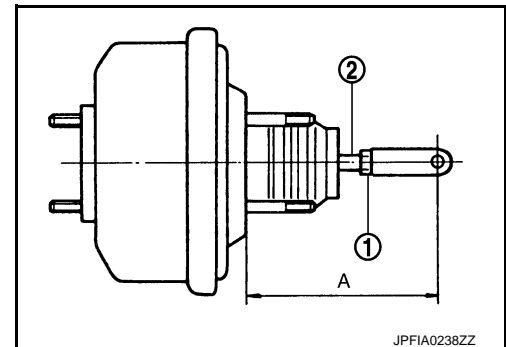
ADJUSTMENT AFTER REMOVAL

Input Rod Length adjustment

1. Loosen the lock nut ① and adjust the input rod ② to the specified length (A).

A : [BR-79, "Brake Booster"](#).

2. Tighten the lock nut to the specified torque.



INSPECTION AFTER INSTALLATION

Operation

Depress the brake pedal several times at 5-second intervals with the engine stopped. Start the engine with the brake pedal fully depressed. Check that the clearance between brake pedal and dash lower panel decreases.

Air Tight

1. Run the engine for 1 minute to apply vacuum to the brake booster, and stop the engine. Then depress the brake pedal several times at 5-second intervals until the accumulated vacuum is released to atmospheric pressure. Check that the clearance between brake pedal and dash lower panel gradually increases each time the brake pedal is depressed when performing this operation.
2. Depress the brake pedal with the engine running. Then stop the engine while holding down the brake pedal. Check that the brake pedal stroke does not change after holding down the brake pedal for 30 seconds or more.

Brake Pedal

BRAKE BOOSTER

< REMOVAL AND INSTALLATION >

Perform the brake pedal adjustment after installing the brake pedal assembly. Refer to [BR-9. "Inspection and Adjustment"](#).

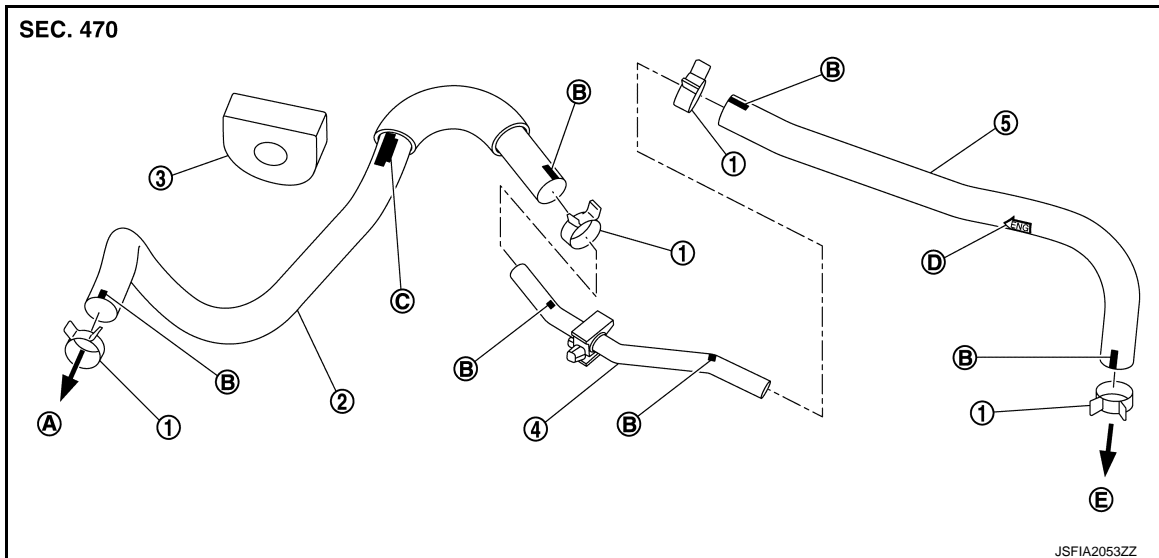
VACUUM LINES

< REMOVAL AND INSTALLATION >

VACUUM LINES

Exploded View

INFOID:000000011285637



- | | | |
|-------------------------------------|--------------------------------------|--|
| ① Clamp | ② Vacuum hose | ③ Grommet |
| ④ Vacuum piping | ⑤ Vacuum hose (built-in check valve) | |
| A To vacuum pump | B Paint mark | C Stamp indicating grommet installation position |
| D Stamp indicating engine direction | E To brake booster | |

Removal and Installation

INFOID:000000011285638

REMOVAL

1. Remove the engine cover. Refer to [EM-27, "Removal and Installation"](#).
2. Remove the cowl top cover. Refer to [EXT-27, "Removal and Installation"](#).
3. Remove the vacuum hose and vacuum piping.
4. Perform inspection after removal. Refer to [BR-46, "Inspection"](#).

INSTALLATION

Note the following, install in the reverse order of removal.

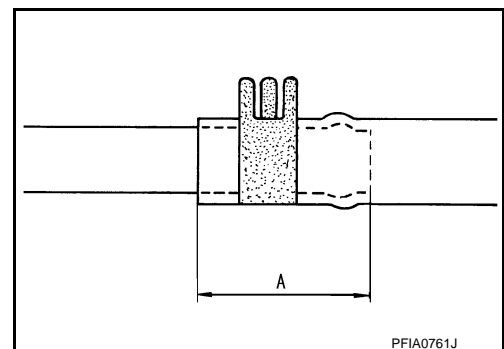
- Because vacuum hose contains a check valve, it must be installed in the correct position. Refer to the stamp to confirm correct installation. Brake booster will not operate normally if the hose is installed in the wrong direction.
- When installing vacuum hose, insert it until its tip reaches the back-end of length (A) or further as shown in the figure.

CAUTION:

Never use lubricating oil during assembly.

A : 24 mm (0.95 in) or more

- Face the paint marks of vacuum hose [built-in check valve (brake booster side)] to the vehicle front side to assemble.
- Face the paint marks of vacuum hose [built-in check valve (intake manifold side)] to the vehicle upward to assemble.
- Face the paint marks of vacuum piping to the vehicle upward to assemble.
- Face the paint marks of vacuum hose to the vehicle upward to assemble.
- For clamp mounting direction (the orientation of pawl), refer to [BR-45, "Exploded View"](#).



VACUUM LINES

< REMOVAL AND INSTALLATION >

Inspection

INFOID:000000011285639

INSPECTION AFTER REMOVAL

Appearance

Check for correct assembly, damage and deterioration.

Check Valve Airtightness

- Use a handy vacuum pump (A) to check.

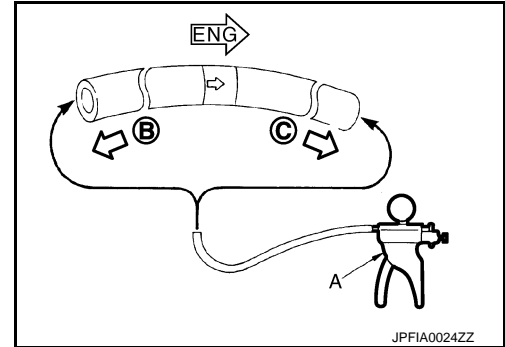
When connected to the booster side (B):

Vacuum should decrease within 1.3 kPa (9.8 mmHg, 0.38 inHg) for 15 seconds under a vacuum of -66.7 kPa (-500 mmHg, -19.70 inHg).

When connected to the engine side (C):

Vacuum should not exist.

- Replace vacuum hose assembly if vacuum hose and check valve are malfunctioning.



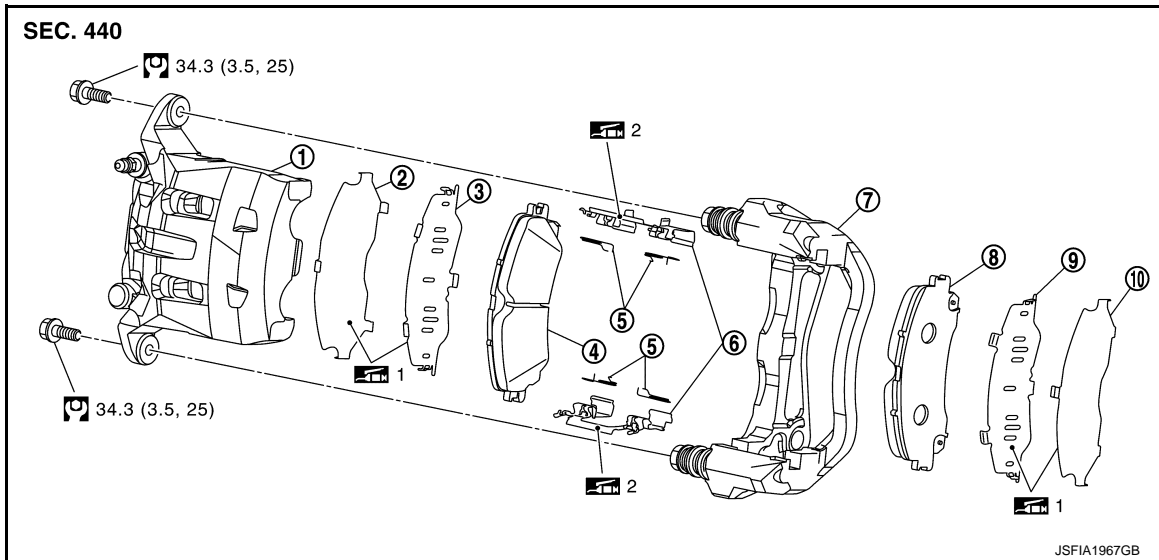
FRONT DISC BRAKE

< REMOVAL AND INSTALLATION >

FRONT DISC BRAKE BRAKE PAD (2 PISTON TYPE)

BRAKE PAD (2 PISTON TYPE) : Exploded View

INFOID:0000000011285640



- | | | |
|------------------------------------|--------------------|----------------|
| ① Cylinder body | ② Inner shim cover | ③ Inner shim |
| ④ Inner pad (with pad wear sensor) | ⑤ Return spring | ⑥ Pad retainer |
| ⑦ Torque member | ⑧ Outer pad | ⑨ Outer shim |
| ⑩ Outer shim cover | | |

1: Apply MOLYKOTE® AS 880N or silicone-based grease.

2: Apply MOLYKOTE® 7439 or equivalent.

: N·m (kg·m, ft·lb)

Molykote is a registered trademark of Dow Corning Corporation.

BRAKE PAD (2 PISTON TYPE) : Removal and Installation

INFOID:0000000011285641

REMOVAL

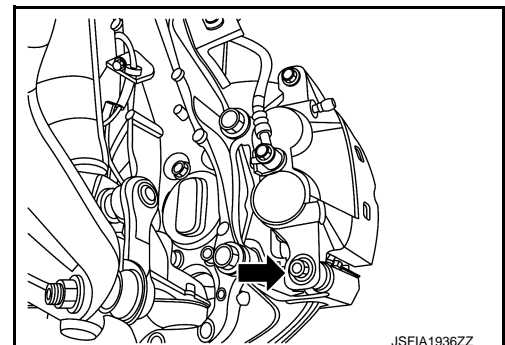
WARNING:

Since dust covering the front and rear brakes has an affect on human body, the dust must be removed with a dust collector. Never splatter the dust with an air blow gun.

CAUTION:

- Never depress the brake pedal while removing the brake pads because the piston may pop out.
- If the brake fluid or grease adheres to the brake caliper assembly and disc rotor, quickly wipe it off.

1. Remove tires with power tool.
2. Remove lower sliding pin bolt.
3. Suspend the cylinder body with suitable wire so that the brake hose will not stretch.



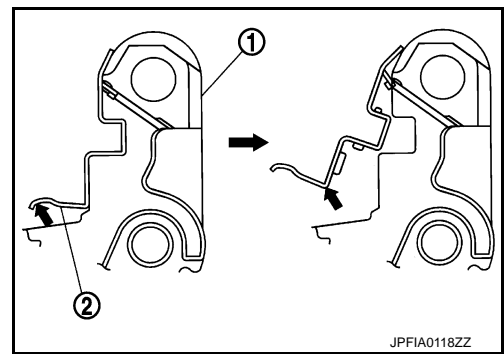
FRONT DISC BRAKE

< REMOVAL AND INSTALLATION >

- Remove the brake pads, shims, shim covers and pad retainer (upper side with pad return spring) ① from the torque member ②.

CAUTION:

- Remove upper side of pad retainer together with pad return springs.
- Never deform the pad return springs and pad retainer when removing the pad retainer from the torque member.
- Never damage the piston boots.
- Never drop the brake pads, shims and shim covers.
- Remember each position of the removed brake pads.



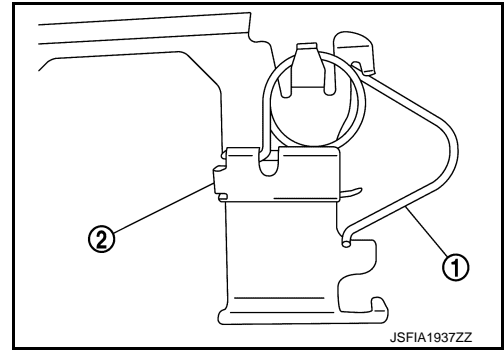
JPFIA0118ZZ

- Remove the pad return springs ① from the pad retainer ②.

CAUTION:

Never deform the pad return springs when removing the pad return springs from the pad retainer.

- Perform inspection after removal. Refer to [BR-49. "BRAKE PAD \(2 PISTON TYPE\) : Inspection"](#).



JSFIA1937ZZ

INSTALLATION

WARNING:

Since dust covering the front and rear brakes has an affect on human body, the dust must be removed with a dust collector. Never splatter the dust with an air blow gun.

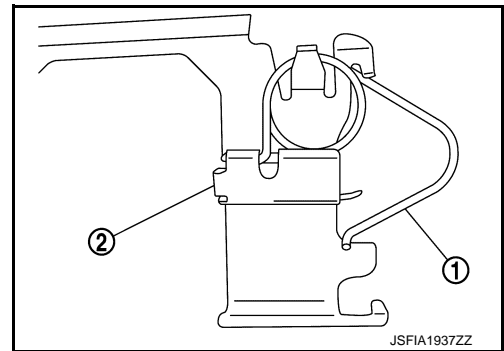
CAUTION:

- Never depress the brake pedal while removing the brake pads because the piston may pop out.
- If the brake fluid or grease adheres to the brake caliper assembly and disc rotor, quickly wipe it off.

- Install the pad return springs ① to pad retainer (upper side) ② if the pad return springs has been removed.

CAUTION:

Never deform the pad return springs.



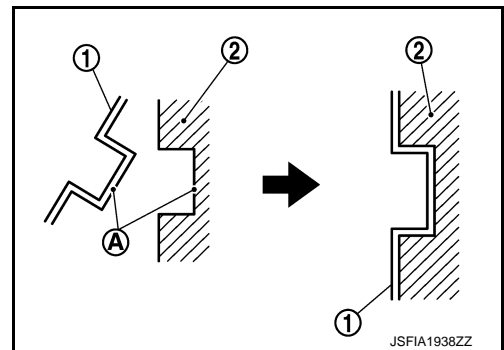
JSFIA1937ZZ

- Apply MOLYKOTE® 7439 or equivalent to the match face (A) between the pad retainers ① and torque member ② if the pad retainers has been removed. Molykote is a registered trademark of Dow Corning Corporation.

- Install the pad retainer (upper side with pad return spring) to torque member if the pad retainers has been removed.

CAUTION:

- Securely assemble the pad retainers so that it will not be lifted up from the torque member.
- Never deform the pad retainers and pad return springs.



JSFIA1938ZZ

FRONT DISC BRAKE

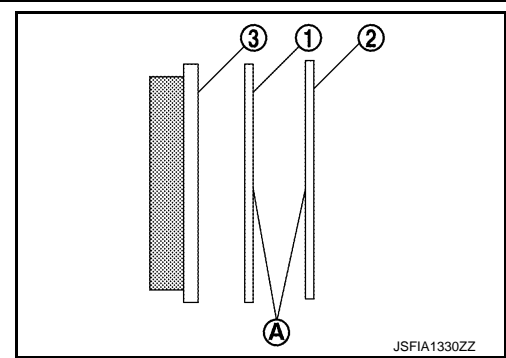
< REMOVAL AND INSTALLATION >

4. Apply MOLYKOTE® AS880N or silicone-based grease to the matching faces (A) between the shim (1) and the shim cover (2), and install the shim and the shim covers to the brake pad (3).

CAUTION:

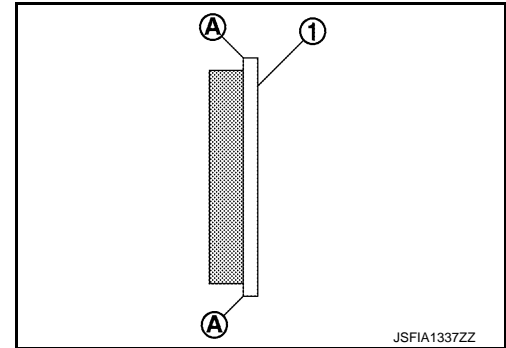
Always replace the shims and shim covers when replacing the brake pad.

Molykote is a registered trademark of Dow Corning Corporation.



5. Apply MOLYKOTE® 7439 or equivalent to the match face (A) between the brake pad (1) and torque member (2).

Molykote is a registered trademark of Dow Corning Corporation.



6. Install the brake pads to the torque member.

CAUTION:

Both inner and outer pads have a pad return system. Securely push the pad return spring (1) into the disc rotor side with brake pad (2).

7. Install cylinder body to torque member.

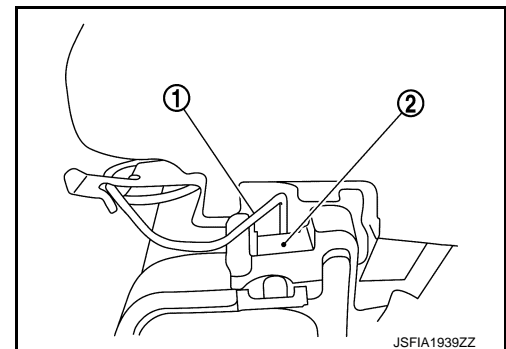
CAUTION:

- Never damage the piston boot.
- When replacing brake pad with new one, check a brake fluid level in the reservoir tank because brake fluid returns to reservoir tank when pressing piston in.

NOTE:

Use a disc brake piston tool to easily press piston.

8. Install the lower sliding pin bolt and tighten it to the specified torque.
9. Depress the brake pedal several times to check that no drag feel is present for the front disc brake. Refer to [BR-49. "BRAKE PAD \(2 PISTON TYPE\) : Inspection"](#).
10. Install tires.



BRAKE PAD (2 PISTON TYPE) : Inspection

INFOID:0000000011285642

INSPECTION AFTER REMOVAL

- Replace the shims and shim covers if rust is excessively attached.
- Eliminate rust on the pad return spring, pad retainers and the torque member. Replace them if rust is excessively attached.

INSPECTION AFTER INSTALLATION

- Check a drag of front disc brake. If any drag is found, follow the procedure described below.
 1. Remove brake pads. Refer to [BR-47. "BRAKE PAD \(2 PISTON TYPE\) : Removal and Installation"](#).
 2. Press the pistons. Refer to [BR-47. "BRAKE PAD \(2 PISTON TYPE\) : Removal and Installation"](#).
 3. Install brake pads. Refer to [BR-47. "BRAKE PAD \(2 PISTON TYPE\) : Removal and Installation"](#).
 4. Depress the brake pedal several times.
 5. Check a drag of front disc brake again. If any drag is found, disassemble the cylinder body. Refer to [BR-54. "BRAKE CALIPER ASSEMBLY \(2 PISTON TYPE\) : Disassembly and Assembly"](#).

FRONT DISC BRAKE

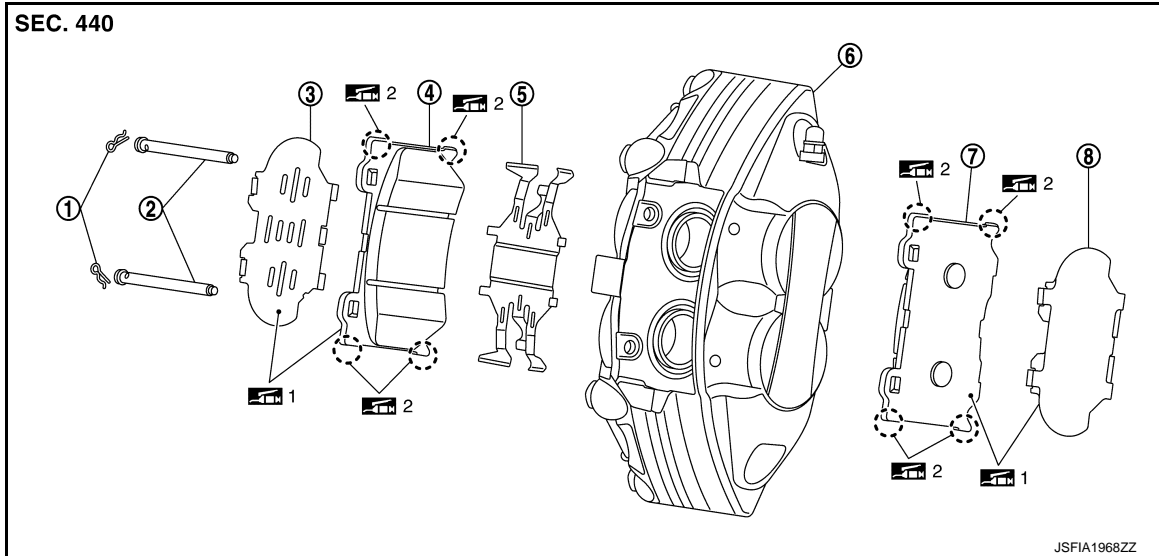
< REMOVAL AND INSTALLATION >

- Burnish contact surfaces brake pads and disc rotor after refinishing or replacing brake pads, or if a soft pedal occurs at very low mileage. Refer to [BR-17, "BRAKE PAD : Inspection and Adjustment"](#).

BRAKE PAD (4 PISTON TYPE)

BRAKE PAD (4 PISTON TYPE) : Exploded View

INFOID:000000011285643



- | | | |
|------------------------------------|----------------|--------------|
| ① Clip | ② Pad pin | ③ Inner shim |
| ④ Inner pad (with pad wear sensor) | ⑤ Cross spring | ⑥ Caliper |
| ⑦ Outer pad | ⑧ Outer shim | |

1: Apply MOLYKOTE® AS 880N or silicone-based grease.

2: Apply MOLYKOTE® 7439 or equivalent.

Molykote is a registered trademark of Dow Corning Corporation.

BRAKE PAD (4 PISTON TYPE) : Removal and Installation

INFOID:000000011285644

REMOVAL

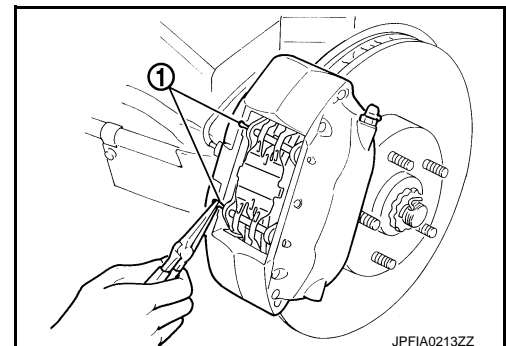
WARNING:

Since dust covering the front brake has an affect on human body, the dust must be removed with a dust collector. Never splatter the dust with an air blow gun.

CAUTION:

- Never depress the brake pedal while removing the brake pads because the piston may pop out.
- If the brake fluid or grease adheres to the brake caliper assembly and disc rotor, quickly wipe it off.

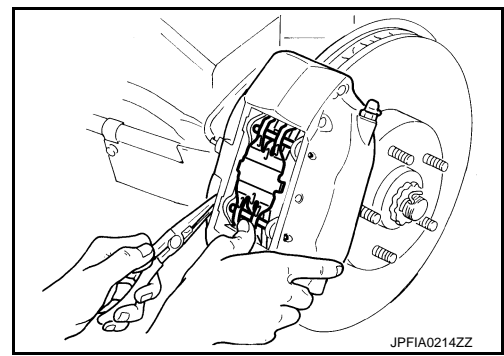
1. Remove tires with power tool.
2. Remove clips ① from pad pins with pliers.



FRONT DISC BRAKE

< REMOVAL AND INSTALLATION >

3. Remove pad pins with pliers, while holding down cross spring, then remove cross spring from caliper.

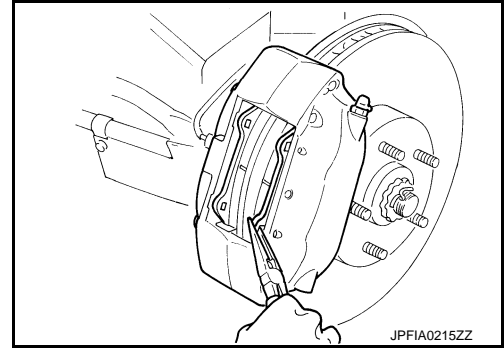


4. Remove brake pads and shims from caliper with pliers.

CAUTION:

- Never damage the piston boot.
- Never drop the brake pads and shims.
- Remember each position of the removed brake pads.

5. Perform inspection after removal. Refer to [BR-52, "BRAKE PAD \(4 PISTON TYPE\) : Inspection"](#).



INSTALLATION

WARNING:

Since dust covering the front brake has an affect on human body, the dust must be removed with a dust collector. Never splatter the dust with an air blow gun.

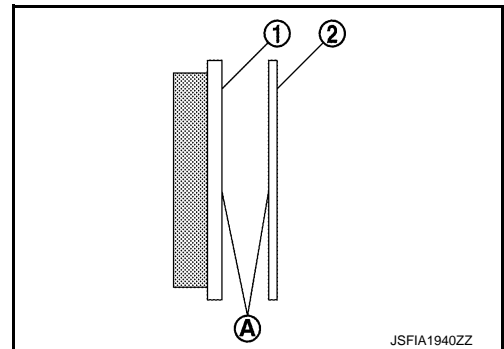
CAUTION:

- Never depress the brake pedal while removing the brake pads because the piston may pop out.
- If the brake fluid or grease adheres to the brake caliper assembly and disc rotor, quickly wipe it off.

1. Apply MOLYKOTE® AS880N or silicone-based grease to the matching faces (A) between the brake pad (1) and shim (2), and install shim to the brake pad.

CAUTION:

Always replace the shims when replacing the brake pad.



2. Apply MOLYKOTE® 7439 or equivalent to the matching faces (A) between the brake pad (1) and caliper.
3. Install the brake pads to the caliper.

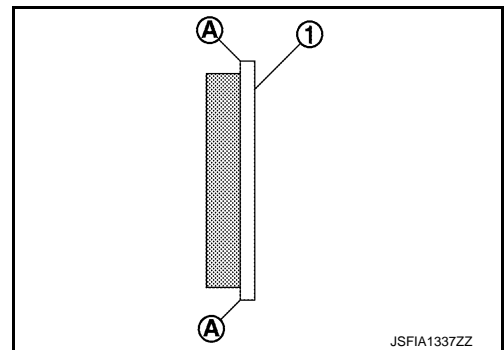
CAUTION:

- Never damage the piston boot.
- When replacing brake pad with new one, check a brake fluid level in the reservoir tank because brake fluid returns to master cylinder reservoir tank when pressing piston in.

NOTE:

Use a disc brake piston tool to easily press piston.

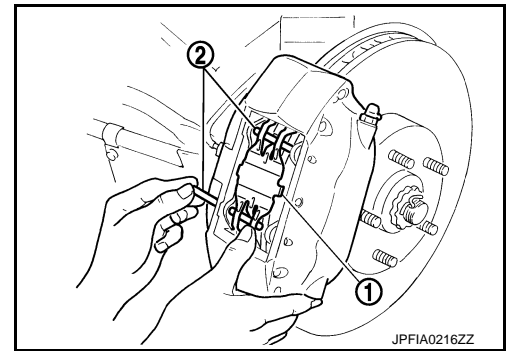
4. Install upper pad pin from the inner side, then install firmly to the outer side through the hole in the top of brake pad.



FRONT DISC BRAKE

< REMOVAL AND INSTALLATION >

- Place the top of cross spring ① over the upper pad pin ②, press in the cross spring, install lower pad pin from the inner side to the outer side, and secure cross spring.
- Install clips to the pad pins.
CAUTION:
If clip is not fully attached, pad pin or brake pad could fall out while vehicle is in motion.
- Depress the brake pedal several times to check that no drag feel is present for the front disc brake. Refer to [BR-52. "BRAKE PAD \(4 PISTON TYPE\) : Inspection"](#).
- Install tires.



BRAKE PAD (4 PISTON TYPE) : Inspection

INFOID:000000011285645

INSPECTION AFTER REMOVAL

Replace the shims if rust is excessively attached.

INSPECTION AFTER INSTALLATION

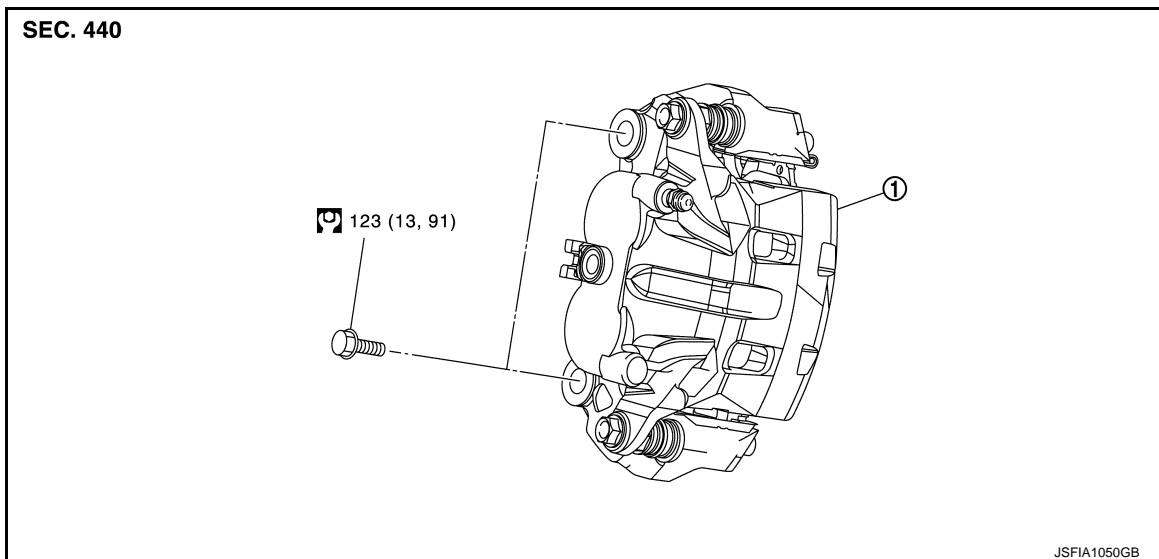
- Check a drag of front disc brake. If any drag is found, follow the procedure described below.
 - Remove brake pads. Refer to [BR-50. "BRAKE PAD \(4 PISTON TYPE\) : Removal and Installation"](#).
 - Press the pistons. Refer to [BR-50. "BRAKE PAD \(4 PISTON TYPE\) : Removal and Installation"](#).
 - Install brake pads. Refer to [BR-50. "BRAKE PAD \(4 PISTON TYPE\) : Removal and Installation"](#).
 - Depress the brake pedal several times.
 - Check a drag of front disc brake again. If any drag is found, disassemble the cylinder body. Refer to [BR-59. "BRAKE CALIPER ASSEMBLY \(4 PISTON TYPE\) : Disassembly and Assembly"](#).
- Burnish contact surfaces brake pads and disc rotor after refinishing or replacing brake pads, or if a soft pedal occurs at very low mileage. Refer to [BR-17. "BRAKE PAD : Inspection and Adjustment"](#).

BRAKE CALIPER ASSEMBLY (2 PISTON TYPE)

BRAKE CALIPER ASSEMBLY (2 PISTON TYPE) : Exploded View

INFOID:000000011285646

REMOVAL



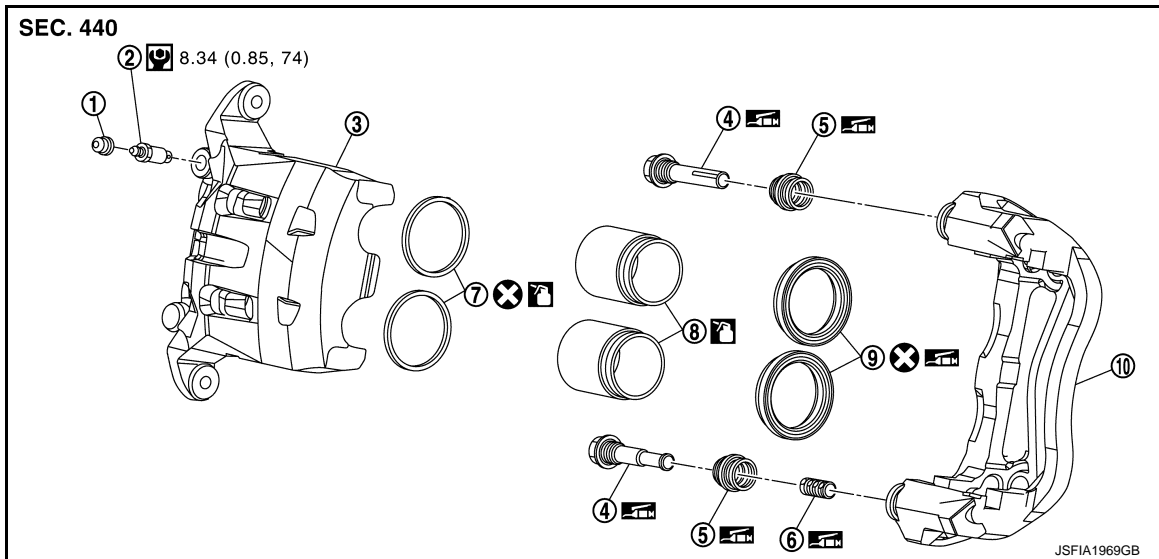
① Brake caliper assembly

🔧: N·m (kg·m, ft·lb)

DISASSEMBLY

FRONT DISC BRAKE

< REMOVAL AND INSTALLATION >



- | | | |
|-----------------|--------------------|-----------------|
| ① Cap | ② Bleeder valve | ③ Cylinder body |
| ④ Sliding pin | ⑤ Sliding pin boot | ⑥ Bushing |
| ⑦ Piston seal | ⑧ Piston | ⑨ Piston boot |
| ⑩ Torque member | | |

: Apply rubber grease.

: Apply brake fluid.

: N·m (kg-m, in-lb)

: Always replace after every disassembly.

BRAKE CALIPER ASSEMBLY (2 PISTON TYPE) : Removal and Installation

INFOID:000000011285647

REMOVAL

WARNING:

Since dust covering the front and rear brakes has an affect on human body, the dust must be removed with a dust collector. Never splatter the dust with an air blow gun.

CAUTION:

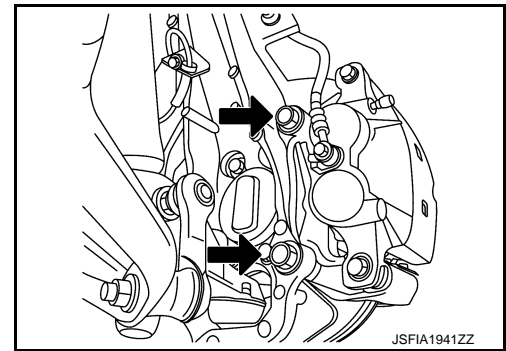
- Never spill or splash brake fluid on painted surfaces. Brake fluid may seriously damage paint. Wipe it off immediately and wash with water if it gets on a painted surface. However avoid washing brake components with water.
- Never depress the brake pedal while removing the brake pads because the piston may pop out.
- If the brake fluid or grease adheres to the brake caliper assembly and disc rotor, quickly wipe it off.

1. Remove tires with power tool.
2. Fix the disc rotor using wheel nuts.
3. Drain brake fluid. Refer to [BR-13, "Draining"](#).
4. Remove union bolt and copper washer, and separate brake hose from brake caliper assembly. Refer to [BR-25, "FRONT : Removal and Installation"](#).

FRONT DISC BRAKE

< REMOVAL AND INSTALLATION >

5. Remove torque member mounting bolts, and remove brake caliper assembly.
CAUTION:
Never drop brake pad and brake caliper assembly.
6. Remove disc rotor.
 - 2WD: Refer to [FAX-7, "Removal and Installation"](#).
 - AWD: Refer to [FAX-18, "Removal and Installation"](#).



INSTALLATION

WARNING:

Since dust covering the front and rear brakes has an effect on human body, the dust must be removed with a dust collector. Never splatter the dust with an air blow gun.

CAUTION:

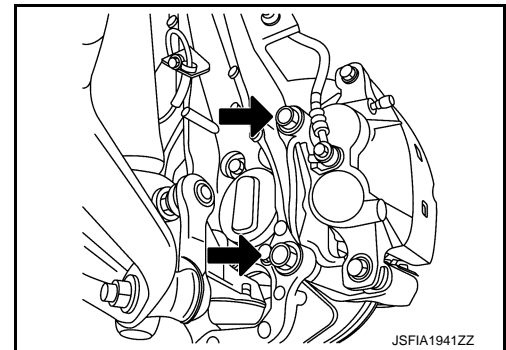
- Never spill or splash brake fluid on painted surfaces. Brake fluid may seriously damage paint. Wipe it off immediately and wash with water if it gets on a painted surface. However avoid washing brake components with water.
- Never depress the brake pedal while removing the brake pads because the piston may pop out.
- If the brake fluid or grease adheres to the brake caliper assembly and disc rotor, quickly wipe it off.

1. Install disc rotor.
 - 2WD: Refer to [FAX-7, "Removal and Installation"](#).
 - AWD: Refer to [FAX-18, "Removal and Installation"](#).
2. Install the brake caliper assembly to the steering knuckle and tighten the torque member mounting bolts to the specified torque.

CAUTION:

Never spill or splash any grease and moisture on the brake caliper assembly mounting face, threads, mounting bolts and washers. Wipe out any grease and moisture.

3. Install brake hose and copper washers to brake caliper assembly. Refer to [BR-25, "FRONT : Removal and Installation"](#).
4. Refill with new brake fluid and perform the air bleeding. Refer to [BR-14, "Bleeding Brake System"](#).
5. Check a drag of front disc brake. If any drag is found, refer to [BR-56, "BRAKE CALIPER ASSEMBLY \(2 PISTON TYPE\) : Inspection"](#).
6. Install tires.



BRAKE CALIPER ASSEMBLY (2 PISTON TYPE) : Disassembly and Assembly

INFOID:000000011285648

DISASSEMBLY

NOTE:

Never remove the torque member, brake pad and pad retainers when disassembling and assembling the cylinder body.

1. Remove the sliding pin bolt, and remove the cylinder body from the torque member. Refer to [BR-47, "BRAKE PAD \(2 PISTON TYPE\) : Removal and Installation"](#).

CAUTION:

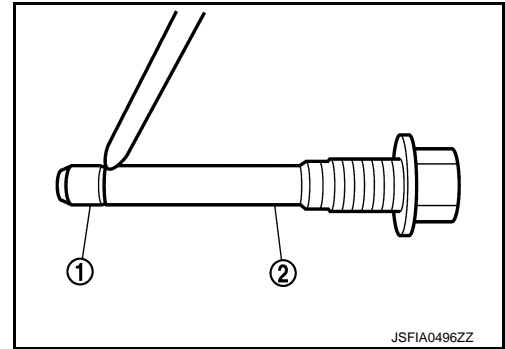
Fix the brake pad at suitable tape so that the brake pad will not drop.

2. Remove sliding pins and sliding pin boots from torque member.

FRONT DISC BRAKE

< REMOVAL AND INSTALLATION >

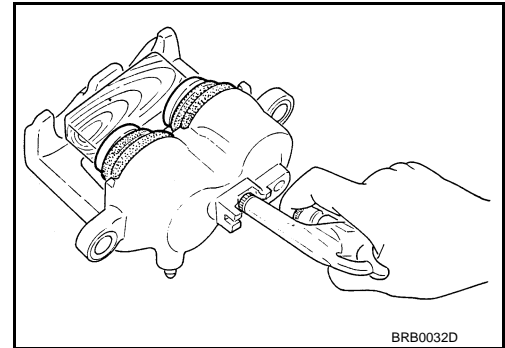
3. Remove bushing ① from sliding pin ②.



4. Place a wooden block as shown in the figure, and blow air from union bolt mounting hole to remove pistons and piston boots.

CAUTION:

Never get fingers caught in the pistons.

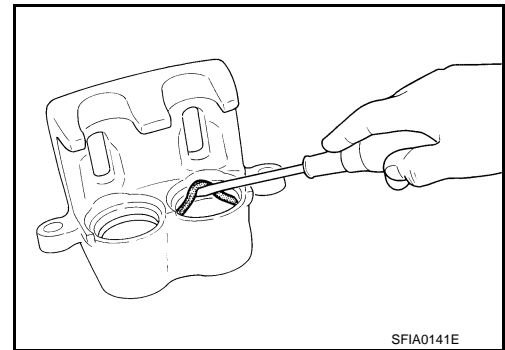


5. Remove piston seals from cylinder body using seal pick tool.

CAUTION:

Be careful not to damage a cylinder inner wall.

6. Remove bleeder valve and cap.
7. Perform inspection after disassembly. Refer to [BR-56. "BRAKE CALIPER ASSEMBLY \(2 PISTON TYPE\) : Inspection"](#).

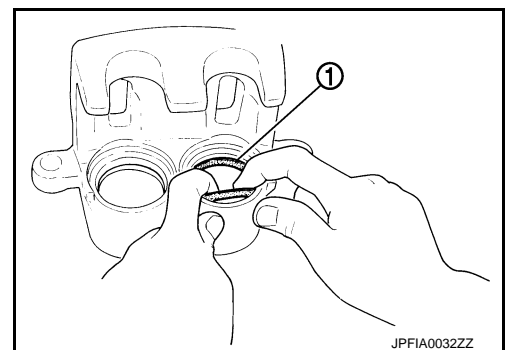


ASSEMBLY

1. Install bleeder valve and cap.
2. Apply new brake fluid to piston seals ①, and install them to cylinder body.

CAUTION:

Never reuse piston seals.



A
B
C
D
E
BR
G
H
I
J
K
L
M
N
O
P

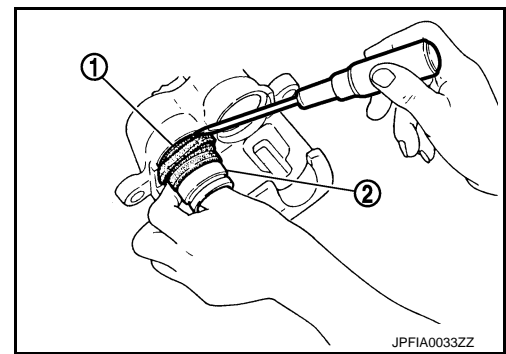
FRONT DISC BRAKE

< REMOVAL AND INSTALLATION >

3. Apply rubber grease to piston boots ①. Cover the piston ② end with piston boot, and then install cylinder side lip on piston boot securely into a groove on cylinder body.

CAUTION:

Never reuse piston boots.

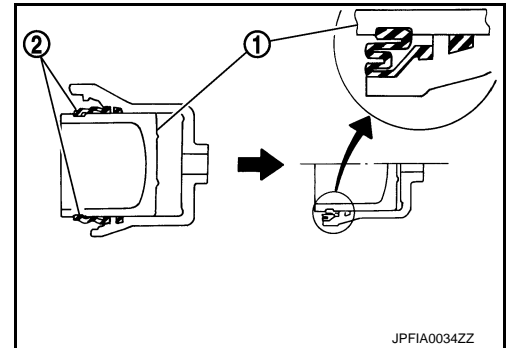


JPFIA0033ZZ

4. apply new brake fluid to pistons ①. Push piston into cylinder body by hand and push piston boot ② piston-side lip into the piston groove.

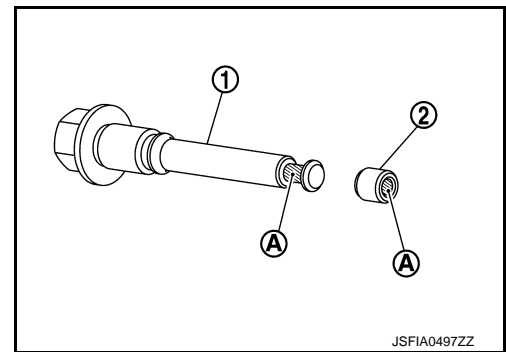
CAUTION:

Press the pistons evenly and vary the pressing point to prevent cylinder inner wall from being rubbed.



JPFIA0034ZZ

5. Apply rubber grease to mating faces (A) between sliding pin ① and bushing ②, and install bushing to sliding pin.

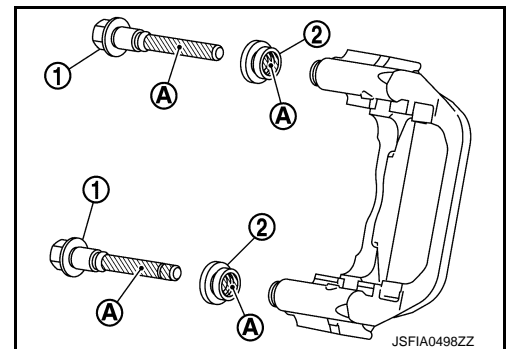


JSFIA0497ZZ

6. Apply rubber grease to mating faces (A) between sliding pins ① and sliding pin boots ②, and install sliding pins and sliding pin boots to torque member.

7. Install the cylinder body to tighten sliding pin bolts to the specified torque.

8. Install the cylinder body to tighten cylinder body mounting bolts to the specified torque.



JSFIA0498ZZ

BRAKE CALIPER ASSEMBLY (2 PISTON TYPE) : Inspection

INFOID:000000011285649

INSPECTION AFTER DISASSEMBLY

Check the following items and replace if necessary.

Cylinder Body

Check the cylinder inner wall for rust, wear, cracks or damage.

CAUTION:

Always clean with new brake fluid. Never clean with mineral oil such as gasoline and light oil.

Torque Member

Check the torque member for rust, wear, cracks or damage.

FRONT DISC BRAKE

< REMOVAL AND INSTALLATION >

Pistons

Check the surface of the piston for rust, wear, cracks or damage.

CAUTION:

A piston sliding surface is plated. Never polish with sandpaper.

Sliding Pin, Sliding Pin Boot and Bushing

Check the sliding pins, sliding pin boots and bushing for rust, wear, cracks or damage.

INSPECTION AFTER INSTALLATION

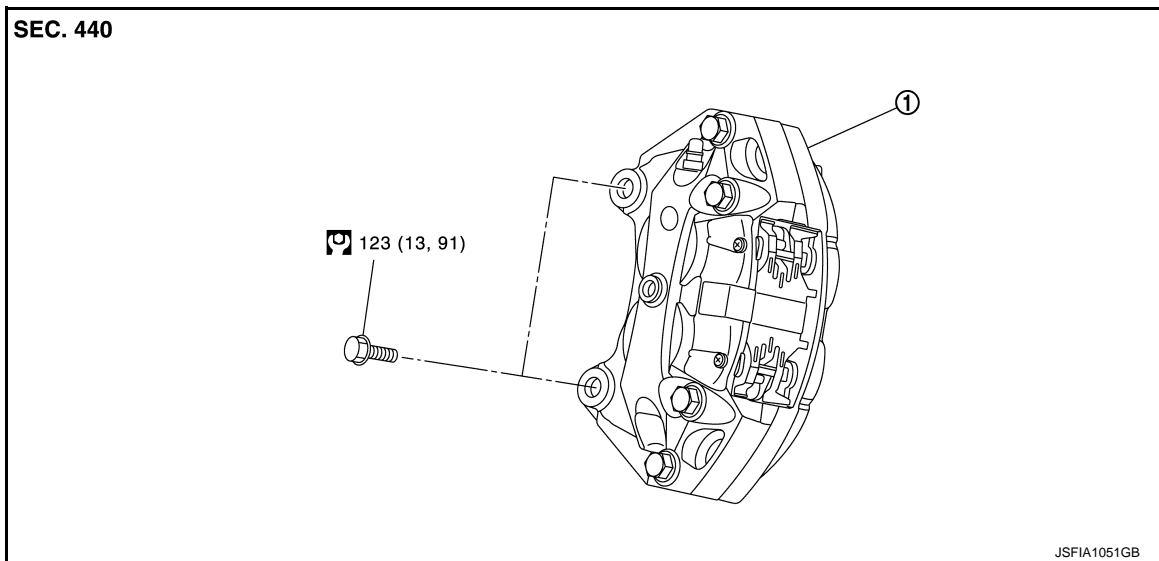
- Check a drag of front disc brake. If any drag is found, follow the procedure described below.
 1. Remove brake pads. Refer to [BR-47, "BRAKE PAD \(2 PISTON TYPE\) : Removal and Installation"](#).
 2. Press the pistons. Refer to [BR-47, "BRAKE PAD \(2 PISTON TYPE\) : Removal and Installation"](#).
 3. Install brake pads. Refer to [BR-47, "BRAKE PAD \(2 PISTON TYPE\) : Removal and Installation"](#).
 4. Depress the brake pedal several times.
 5. Check a drag of front disc brake again. If any drag is found, disassemble the cylinder body. Refer to [BR-54, "BRAKE CALIPER ASSEMBLY \(2 PISTON TYPE\) : Disassembly and Assembly"](#).
- Burnish contact surfaces brake pads and disc rotor after refinishing or replacing disc rotor, or if a soft pedal occurs at very low mileage. Refer to [BR-17, "DISC ROTOR : Inspection and Adjustment"](#).

BRAKE CALIPER ASSEMBLY (4 PISTON TYPE)

BRAKE CALIPER ASSEMBLY (4 PISTON TYPE) : Exploded View

INFOID:000000011285650

REMOVAL



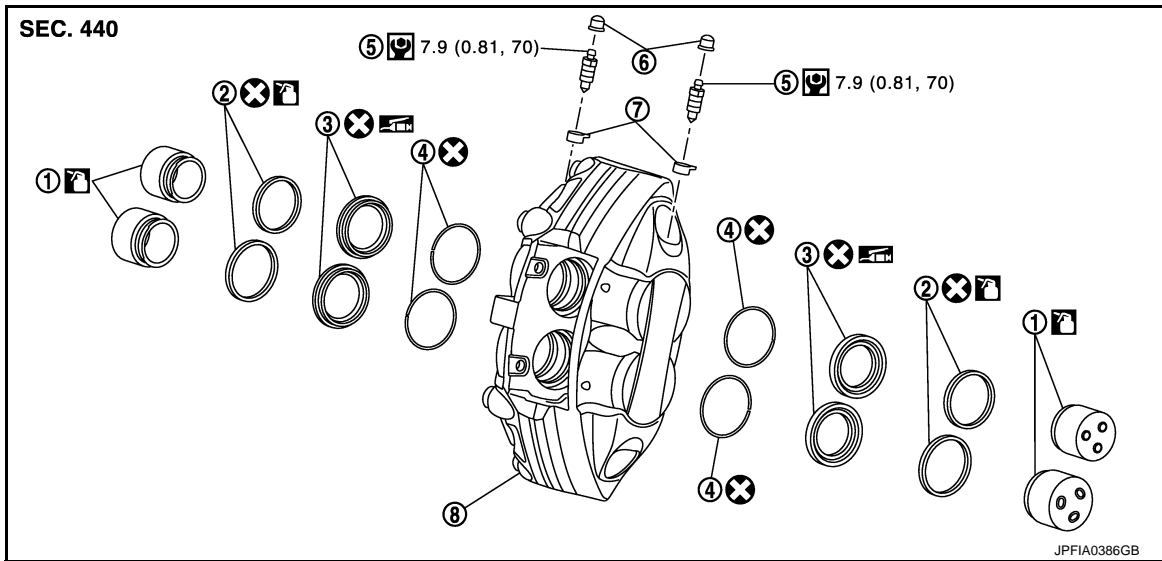
① Brake caliper assembly

: N·m (kg·m, ft·lb)

DISASSEMBLY

FRONT DISC BRAKE

< REMOVAL AND INSTALLATION >



- | | | |
|------------------|-----------------|---------------|
| ① Piston | ② Piston seal | ③ Piston boot |
| ④ Retaining ring | ⑤ Bleeder valve | ⑥ Cap |
| ⑦ Cap | ⑧ Caliper | |

: Apply rubber grease.

: Apply brake fluid.

: N-m (kg-m, ft-lb)

: Always replace after every disassembly

BRAKE CALIPER ASSEMBLY (4 PISTON TYPE) : Removal and Installation

INFOID:000000011285651

REMOVAL

WARNING:

Since dust covering the front brake has an affect on human body, the dust must be removed with a dust collector. Never splatter the dust with an air blow gun.

CAUTION:

- Never spill or splash brake fluid on painted surfaces. Brake fluid may seriously damage paint. Wipe it off immediately and wash with water if it gets on a painted surface.
- Never depress the brake pedal while removing the brake pads because the piston may pop out.
- If the brake fluid or grease adheres to the brake caliper assembly and disc rotor, quickly wipe it off.
- Cover flare nut wrench with a cloth as not to damage the brake caliper assembly.

1. Remove tires with power tool.
2. Fix the disc rotor using wheel nuts.
3. Drain brake fluid. Refer to [BR-13, "Draining"](#).
4. Loosen the flare nut with a flare nut wrench and separate the brake tube from caliper. Refer to [BR-25, "FRONT : Removal and Installation"](#).

FRONT DISC BRAKE

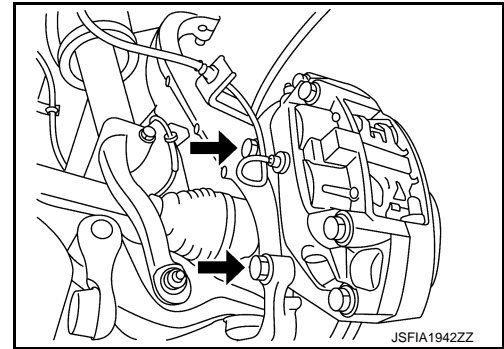
< REMOVAL AND INSTALLATION >

5. Remove brake caliper assembly mounting bolts, and remove brake caliper assembly.

CAUTION:

Never drop brake pad and caliper assembly.

6. Remove disc rotor.
 - 2WD: Refer to [FAX-7, "Removal and Installation"](#).
 - AWD: Refer to [FAX-18, "Removal and Installation"](#).



INSTALLATION

WARNING:

Since dust covering the front brake has an affect on human body, the dust must be removed with a dust collector. Never splatter the dust with an air blow gun.

CAUTION:

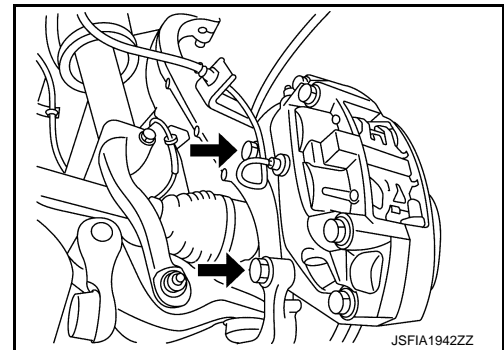
- Never spill or splash brake fluid on painted surfaces. Brake fluid may seriously damage paint. Wipe it off immediately and wash with water if it gets on a painted surface.
- Never depress the brake pedal while removing the brake pads because the piston may pop out.
- If the brake fluid or grease adheres to the brake caliper assembly and disc rotor, quickly wipe it off.
- Cover flare nut wrench with a cloth as not to damage the brake caliper assembly.

1. Install disc rotor.
 - 2WD: Refer to [FAX-7, "Removal and Installation"](#).
 - AWD: Refer to [FAX-18, "Removal and Installation"](#).
2. Install the brake caliper assembly to the steering knuckle and tighten the brake caliper assembly mounting bolts to the specified torque.

CAUTION:

Never spill or splash any grease and moisture on the brake caliper assembly mounting face, threads, mounting bolts and washers. Wipe out any grease and moisture.

3. Install brake tube to brake caliper assembly. Refer to [BR-25, "FRONT : Removal and Installation"](#).
4. Refill with new brake fluid and perform the air bleeding. Refer to [BR-14, "Bleeding Brake System"](#).
5. Check a drag of front disc brake. If any drag is found, refer to [BR-61, "BRAKE CALIPER ASSEMBLY \(4 PISTON TYPE\) : Inspection"](#).
6. Install tires.



BRAKE CALIPER ASSEMBLY (4 PISTON TYPE) : Disassembly and Assembly

INFOID:000000011285652

DISASSEMBLY

CAUTION:

- Never damage a caliper.
 - Never tighten or loosen inner and outer mounting bolts of caliper.
1. Remove the brake pads. Refer to [BR-50, "BRAKE PAD \(4 PISTON TYPE\) : Removal and Installation"](#).

CAUTION:
Never drop brake pads, shims, pad pins and clips.
 2. Remove the caliper.
 3. Remove the retaining ring.

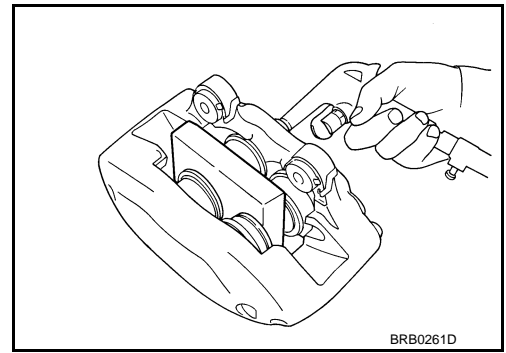
FRONT DISC BRAKE

< REMOVAL AND INSTALLATION >

- Place a wooden block as shown in the figure, and blow air from brake tube mounting hole to remove pistons and piston boots.

CAUTION:

Never get fingers caught in the pistons.

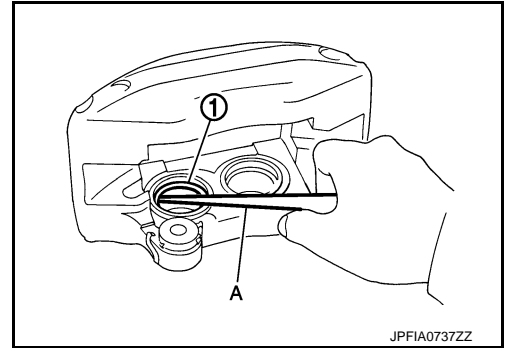


- Remove piston seals ① from cylinder body using seal pick tool (A).

CAUTION:

Be careful not to damage a cylinder inner wall.

- Remove bleeder valve and cap.
- Perform inspection after disassembly. Refer to [BR-61, "BRAKE CALIPER ASSEMBLY \(4 PISTON TYPE\) : Inspection"](#).



ASSEMBLY

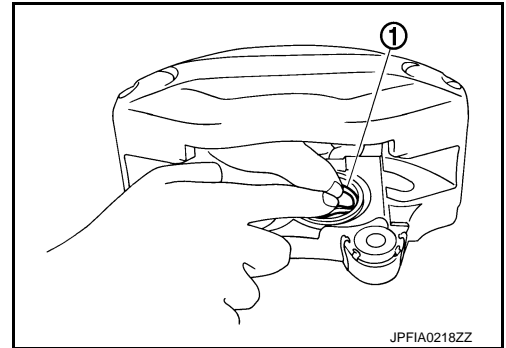
CAUTION:

- **Never damage a caliper.**
- **Never tighten or loosen inner and outer mounting bolts of caliper.**

- Install bleeder valve and cap.
- Apply new brake fluid to piston seals ①, and install them to cylinder body.

CAUTION:

Never reuse piston seals.



FRONT DISC BRAKE

< REMOVAL AND INSTALLATION >

3. Apply rubber grease to piston boots ①. Cover the piston ② end with piston boot, and then install cylinder side lip on piston boot securely into a groove on caliper.

CAUTION:

Never reuse piston boots.

4. Apply new brake fluid to pistons. Push piston into caliper by hand and push piston boot piston-side lip into the piston groove.

CAUTION:

Press the pistons evenly and vary the pressing point to prevent cylinder inner wall from being rubbed.

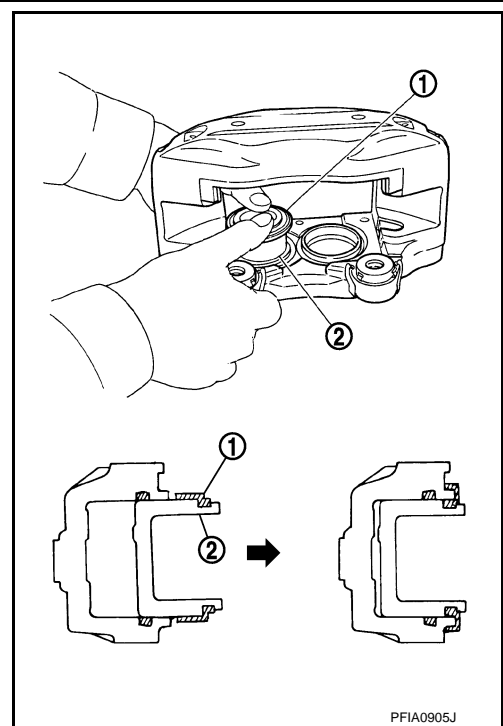
5. Install the retaining ring.

CAUTION:

- Make sure that boot is securely engaged in the groove on caliper.
- Never reuse retaining ring.

6. Install the caliper to tighten brake caliper assembly mounting bolts to the specified torque.

7. Install the brake pads. Refer to [BR-50, "BRAKE PAD \(4 PISTON TYPE\) : Removal and Installation"](#).



BRAKE CALIPER ASSEMBLY (4 PISTON TYPE) : Inspection

INFOID:000000011285653

INSPECTION AFTER DISASSEMBLY

Check the following items and replace if necessary.

Caliper

Check the caliper inner wall for rust, wear, cracks or damage.

CAUTION:

Always clean with new brake fluid. Never clean with mineral oil such as gasoline and light oil.

Pistons

Check the surface of the piston for rust, wear, cracks or damage.

CAUTION:

A piston sliding surface is plated. Never polish with sandpaper.

INSPECTION AFTER INSTALLATION

- Check a drag of front disc brake. If any drag is found, follow the procedure described below.
 1. Remove brake pads. Refer to [BR-50, "BRAKE PAD \(4 PISTON TYPE\) : Removal and Installation"](#).
 2. Press the pistons. Refer to [BR-50, "BRAKE PAD \(4 PISTON TYPE\) : Removal and Installation"](#).
 3. Install brake pads. Refer to [BR-50, "BRAKE PAD \(4 PISTON TYPE\) : Removal and Installation"](#).
 4. Depress the brake pedal several times.
 5. Check a drag of front disc brake again. If any drag is found, disassemble the cylinder body. Refer to [BR-59, "BRAKE CALIPER ASSEMBLY \(4 PISTON TYPE\) : Disassembly and Assembly"](#).
- Burnish contact surfaces brake pads and disc rotor after refinishing or replacing disc rotor, or if a soft pedal occurs at very low mileage. Refer to [BR-17, "DISC ROTOR : Inspection and Adjustment"](#).

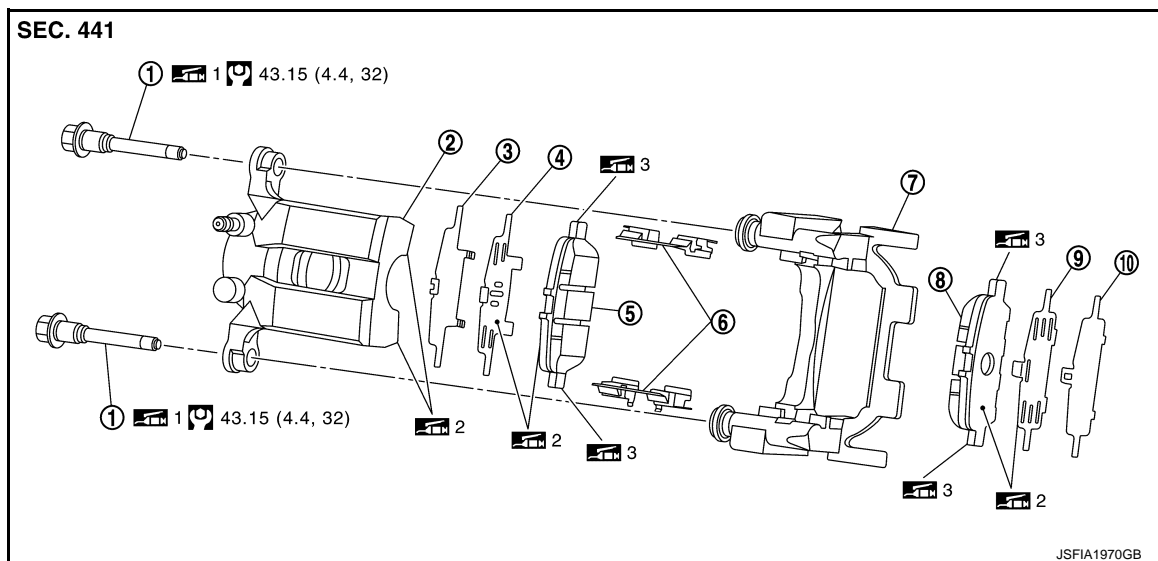
REAR DISC BRAKE

< REMOVAL AND INSTALLATION >


REAR DISC BRAKE BRAKE PAD (1 PISTON TYPE)

BRAKE PAD (1 PISTON TYPE) : Exploded View

INFOID:000000011285654




- | | | |
|--------------------|------------------------------------|--------------------|
| ① Sliding pin bolt | ② Cylinder body | ③ Inner shim cover |
| ④ Inner shim | ⑤ Inner pad (with pad wear sensor) | ⑥ Pad retainer |
| ⑦ Torque member | ⑧ Outer pad | ⑨ Outer shim |
| ⑩ Outer shim cover | | |

 1: Apply rubber grease.

 2: Apply MOLYKOTE® AS880N or silicone-based grease.

 3: Apply MOLYKOTE® 7439 or equivalent.

 : N·m (kg·m, ft·lb)

Molykote is a registered trademark of Dow Corning Corporation.

BRAKE PAD (1 PISTON TYPE) : Removal and Installation

INFOID:000000011285655

REMOVAL

WARNING:

Since dust covering the front and rear brakes has an affect on human body, the dust must be removed with a dust collector. Never splatter the dust with an air blow gun.

CAUTION:

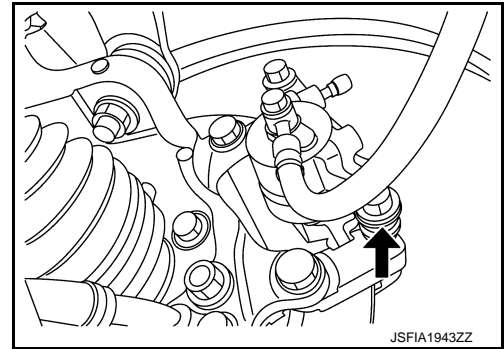
- Never depress the brake pedal while removing the brake pads because the piston may pop out.
- If the brake fluid or grease adheres to the brake caliper assembly and disc rotor, quickly wipe it off.

1. Remove tires with power tool.

REAR DISC BRAKE

< REMOVAL AND INSTALLATION >

2. Remove upper sliding pin bolt.
3. Suspend the cylinder body with suitable wire so that the brake hose will not stretch.

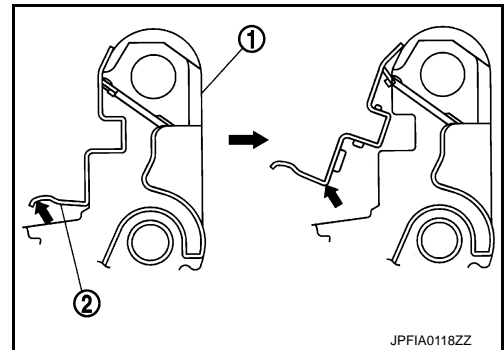


4. Remove the brake pads, shims, shim covers and pad retainers from the torque member.

CAUTION:

- Never deform the pad retainer when removing the pad retainer ② from the torque member ①.
- Never damage the piston boot.
- Never drop the brake pads, shims and shim covers.
- Remember each position of the removed brake pads.

5. Perform inspection after removal. Refer to [BR-64. "BRAKE PAD \(1 PISTON TYPE\) : Inspection"](#).



INSTALLATION

WARNING:

Since dust covering the front and rear brakes has an affect on human body, the dust must be removed with a dust collector. Never splatter the dust with an air blow gun.

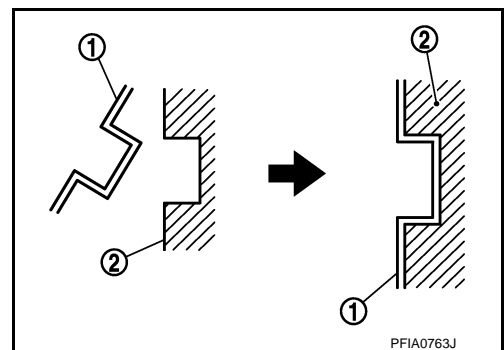
CAUTION:

- Never depress the brake pedal while removing the brake pads because the piston may pop out.
- If the brake fluid or grease adheres to the brake caliper assembly and disc rotor, quickly wipe it off.

1. Install the torque member ② if the pad retainers ① has been removed.

CAUTION:

- Securely assemble the pad retainers so that it will not be lifted up from the torque member.
- Never deform the pad retainers.

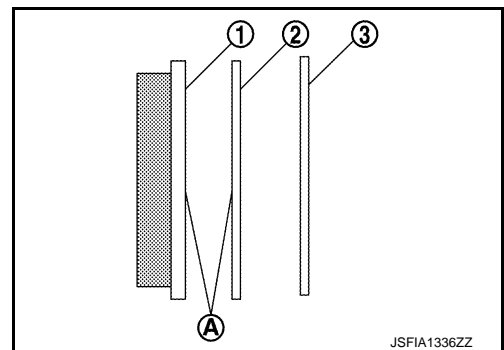


2. Apply MOLYKOTE® AS880N or silicone-based grease to the matching faces (A) between the brake pad ① and shim ②, and install shim and shim cover ③ to the brake pad.

CAUTION:

Always replace the shims and shim covers when replacing the brake pad.

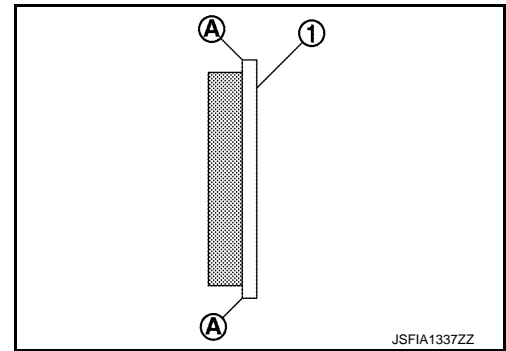
Molykote is a registered trademark of Dow Corning Corporation.



REAR DISC BRAKE

< REMOVAL AND INSTALLATION >

3. Apply MOLYKOTE® 7439 or equivalent to the matching faces (A) between the brake pad (1) and pad retainer, and install brake pad to the torque member.
Molykote is a registered trademark of Dow Corning Corporation.



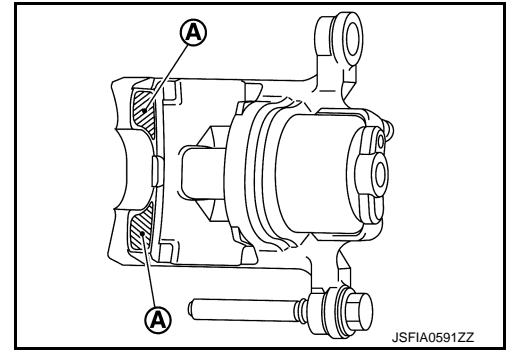
4. Apply MOLYKOTE® AS880N or silicone-based grease to the pawls part (A) of cylinder body.
Molykote is a registered trademark of Dow Corning Corporation.
5. Install cylinder body to the torque member.

CAUTION:

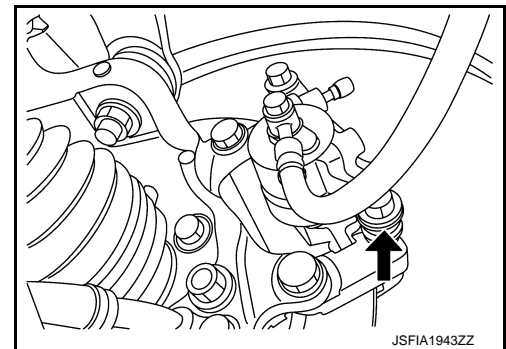
- Never damage the piston boot.
- When replacing brake pad with new one, check a brake fluid level in the reservoir tank because brake fluid returns to reservoir tank when pressing piston in.

NOTE:

Use a disc brake piston tool to easily press piston.



6. Apply rubber grease to the sliding pin bolt, install the upper sliding pin bolt and tighten it to the specified torque.
7. Depress the brake pedal several times to check that no drag feel is present for the rear disc brake. Refer to [BR-64. "BRAKE PAD \(1 PISTON TYPE\) : Inspection"](#).
8. Install tires.



BRAKE PAD (1 PISTON TYPE) : Inspection

INFOID:000000011285656

INSPECTION AFTER REMOVAL

- Replace the shims and shim covers if rust is excessively attached.
- Eliminate rust on the pad retainers and the torque member. Replace them if rust is excessively attached.

INSPECTION AFTER INSTALLATION

- Check a drag of rear disc brake. If any drag is found, follow the procedure described below.
 1. Remove brake pads. Refer to [BR-62. "BRAKE PAD \(1 PISTON TYPE\) : Removal and Installation"](#).
 2. Press the pistons. Refer to [BR-62. "BRAKE PAD \(1 PISTON TYPE\) : Removal and Installation"](#).
 3. Install brake pads. Refer to [BR-62. "BRAKE PAD \(1 PISTON TYPE\) : Removal and Installation"](#).
 4. Depress the brake pedal several times.
 5. Check a drag of rear disc brake again. If any drag is found, disassemble the cylinder body. Refer to [BR-69. "BRAKE CALIPER ASSEMBLY \(1 PISTON TYPE\) : Disassembly and Assembly"](#).
- Burnish contact surfaces brake pads and disc rotor after refinishing or replacing brake pads, or if a soft pedal occurs at very low mileage. Refer to [BR-19. "BRAKE PAD : Inspection and Adjustment"](#).

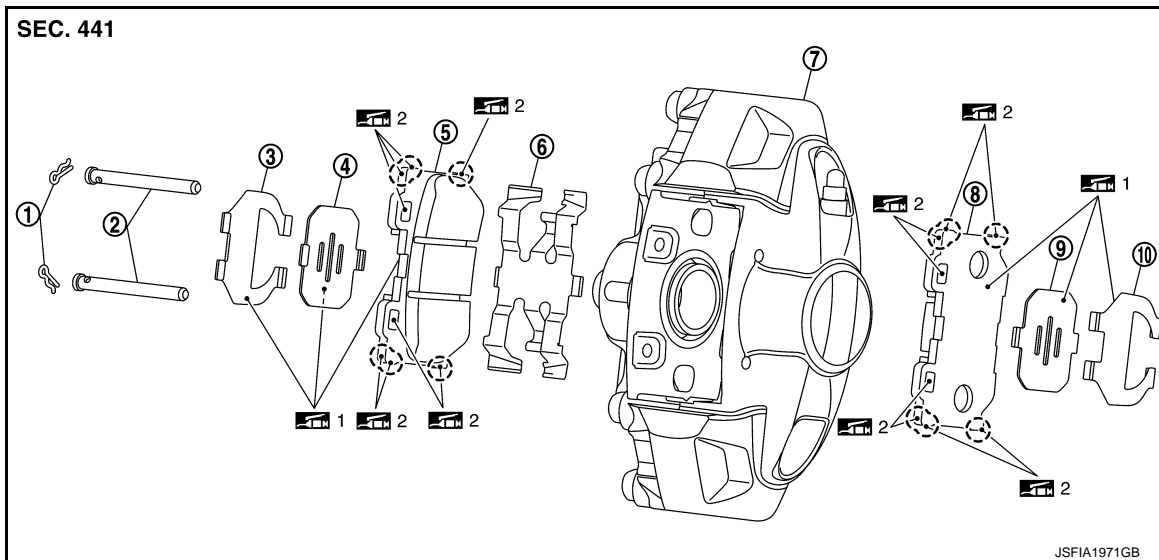
BRAKE PAD (2 PISTON TYPE)

REAR DISC BRAKE

< REMOVAL AND INSTALLATION >

BRAKE PAD (2 PISTON TYPE) : Exploded View

INFOID:000000011285657



- | | | |
|--------------------|------------------------------------|--------------------|
| ① Clip | ② Pad pin | ③ Inner shim cover |
| ④ Inner shim | ⑤ Inner pad (with pad wear sensor) | ⑥ Cross spring |
| ⑦ Caliper | ⑧ Outer pad | ⑨ Outer shim |
| ⑩ Outer shim cover | | |

1: Apply MOLYKOTE® AS880N or silicone-based grease.

2: Apply MOLYKOTE® 7439 or equivalent.

Molykote is a registered trademark of Dow Corning Corporation.

BRAKE PAD (2 PISTON TYPE) : Removal and Installation

INFOID:000000011285658

REMOVAL

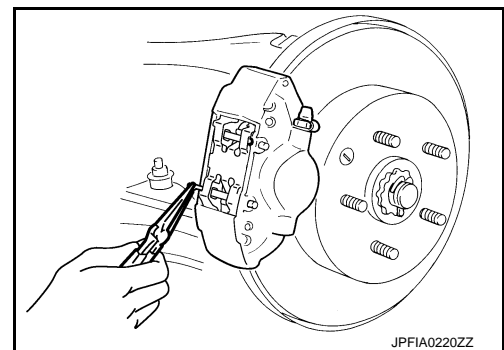
WARNING:

Since dust covering the rear brake has an affect on human body, the dust must be removed with a dust collector. Never splatter the dust with an air blow gun.

CAUTION:

- Never depress the brake pedal while removing the brake pads because the piston may pop out.
- If the brake fluid or grease adheres to the brake caliper assembly and disc rotor, quickly wipe it off.

1. Remove tires with power tool.
2. Remove clips from pad pins with pliers.



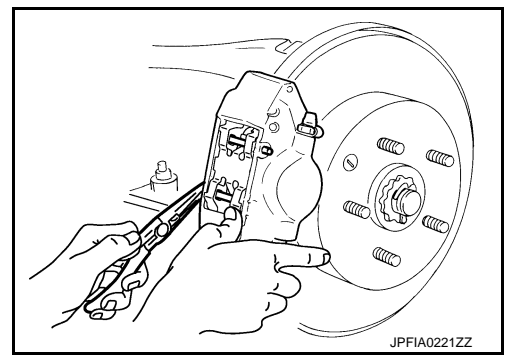
JPFIA0220ZZ

A
B
C
D
E
BR
G
H
I
J
K
L
M
N
O
P

REAR DISC BRAKE

< REMOVAL AND INSTALLATION >

3. Remove pad pins with pliers, while holding down cross spring, then remove cross spring from caliper.

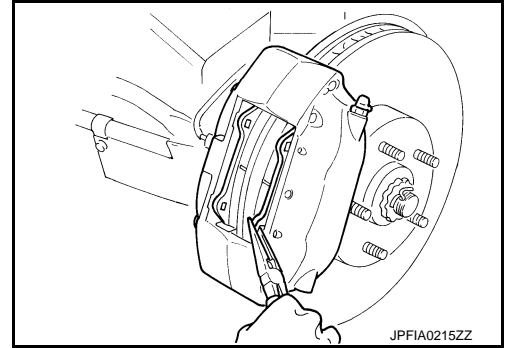


4. Remove brake pads, shims and shim covers from caliper with pliers.

CAUTION:

- Never damage the piston boot.
- Never drop the brake pads and shims.
- Remember each position of the removed brake pads.

5. Perform inspection after removal. Refer to [BR-67, "BRAKE PAD \(2 PISTON TYPE\) : Inspection"](#).



INSTALLATION

WARNING:

Since dust covering the rear brake has an affect on human body, the dust must be removed with a dust collector. Never splatter the dust with an air blow gun.

CAUTION:

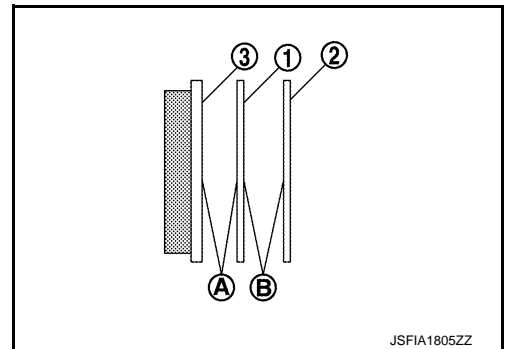
- Never depress the brake pedal while removing the brake pads because the piston may pop out.
- If the brake fluid or grease adheres to the brake caliper assembly and disc rotor, quickly wipe it off.

1. Apply MOLYKOTE® AS880N or silicone-based grease to the matching faces (A) between the brake pad (3) and shim (1), matching faces (B) between shim and shim cover (2), and install shim and shim cover to the brake pad.

CAUTION:

Always replace the shims and shim covers when replacing the brake pad.

Molykote is a registered trademark of Dow Corning Corporation.



2. Apply MOLYKOTE® 7439 or equivalent to the following matching faces:

- (A): Between the brake pad and caliper.
- (B): Between the brake pad and pad pin.
- (C): Between the brake pad and cross spring.

Molykote is a registered trademark of Dow Corning Corporation.

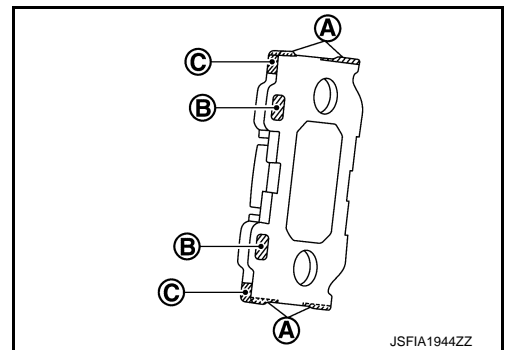
3. Install the brake pads to the caliper.

CAUTION:

- Never damage the piston boot.
- When replacing brake pad with new one, check a brake fluid level in the reservoir tank because brake fluid returns to master cylinder reservoir tank when pressing piston in.

NOTE:

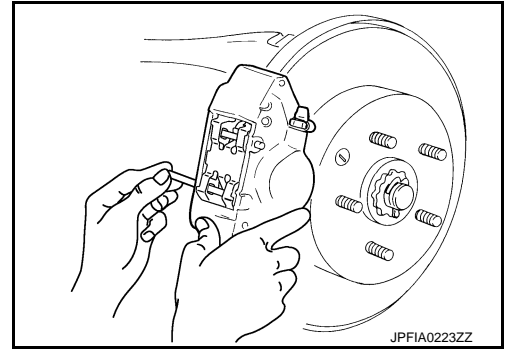
Use a disc brake piston tool to easily press piston.



REAR DISC BRAKE

< REMOVAL AND INSTALLATION >

4. Install upper pad pin from the inner side, then install firmly to the outer side through the hole in the top of brake pad.
5. Place the top of cross spring over the upper pad pin, press in the cross spring, install lower pad pin from the inner side to the outer side, and secure cross spring.
6. Install clips to the pad pins.
CAUTION:
If clip is not fully attached, pad pin or brake pad could fall out while vehicle is in motion.
7. Depress the brake pedal several times to check that no drag feel is present for the rear disc brake. Refer to [BR-67, "BRAKE PAD \(2 PISTON TYPE\) : Inspection"](#).
8. Install tires.



INFOID:000000011285659

BRAKE PAD (2 PISTON TYPE) : Inspection

INSPECTION AFTER REMOVAL

Replace the shims and shim covers if rust is excessively attached.

INSPECTION AFTER INSTALLATION

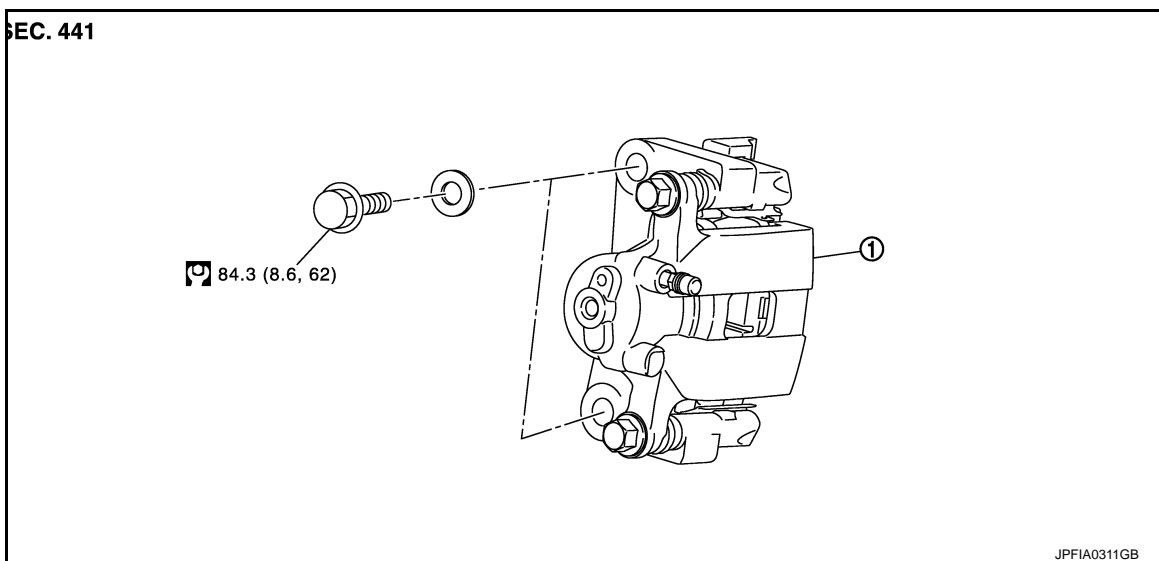
- Check a drag of rear disc brake. If any drag is found, follow the procedure described below.
 1. Remove brake pads. Refer to [BR-65, "BRAKE PAD \(2 PISTON TYPE\) : Removal and Installation"](#).
 2. Press the pistons. Refer to [BR-65, "BRAKE PAD \(2 PISTON TYPE\) : Removal and Installation"](#).
 3. Install brake pads. Refer to [BR-65, "BRAKE PAD \(2 PISTON TYPE\) : Removal and Installation"](#).
 4. Depress the brake pedal several times.
 5. Check a drag of rear disc brake again. If any drag is found, disassemble the cylinder body. Refer to [BR-75, "BRAKE CALIPER ASSEMBLY \(2 PISTON TYPE\) : Disassembly and Assembly"](#).
- Burnish contact surfaces brake pads and disc rotor after refinishing or replacing brake pads, or if a soft pedal occurs at very low mileage. Refer to [BR-19, "BRAKE PAD : Inspection and Adjustment"](#).

BRAKE CALIPER ASSEMBLY (1 PISTON TYPE)

BRAKE CALIPER ASSEMBLY (1 PISTON TYPE) : Exploded View

INFOID:000000011285660

REMOVAL



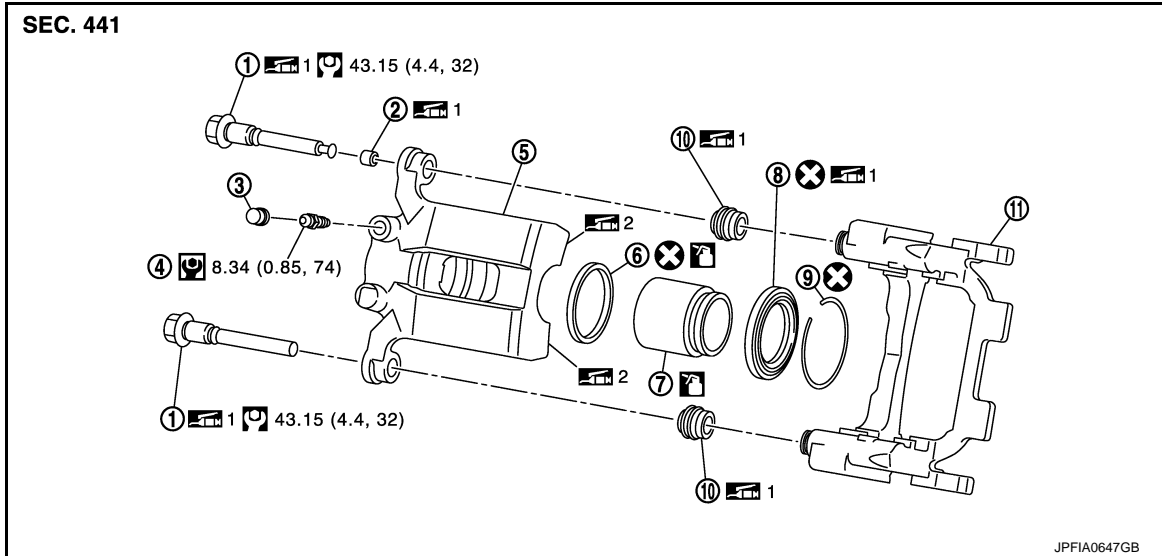
① Brake caliper assembly

: N·m (kg-m, ft-lb)

REAR DISC BRAKE

< REMOVAL AND INSTALLATION >

DISASSEMBLY



- | | | |
|--------------------|-----------------|------------------|
| ① Sliding pin bolt | ② Bushing | ③ Cap |
| ④ Bleeder valve | ⑤ Cylinder body | ⑥ Piston seal |
| ⑦ Piston | ⑧ Piston boot | ⑨ Retaining ring |
| ⑩ Sliding pin boot | ⑪ Torque member | |

1: Apply rubber grease.

2: Apply MOLYKOTE® AS880N or silicone-based grease.

: Apply brake fluid.

: N·m (kg·m, ft·lb)

: N·m (kg·m, in·lb)

: Always replace after every disassembly.

Molykote is a registered trademark of Dow Corning Corporation.

BRAKE CALIPER ASSEMBLY (1 PISTON TYPE) : Removal and Installation

INFOID:000000011285661

REMOVAL

WARNING:

Since dust covering the front and rear brakes has an affect on human body, the dust must be removed with a dust collector. Never splatter the dust with an air blow gun.

CAUTION:

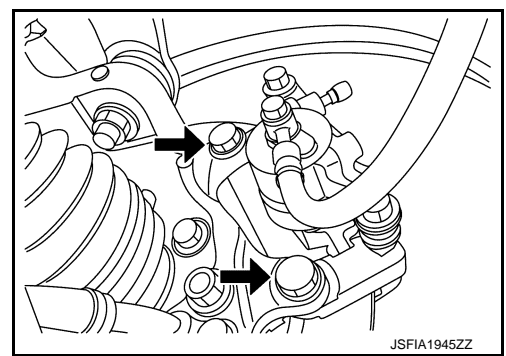
- Never spill or splash brake fluid on painted surfaces. Brake fluid may seriously damage paint. Wipe it off immediately and wash with water if it gets on a painted surface. However avoid washing brake components with water.
- Never depress the brake pedal while removing the brake pads because the piston may pop out.
- If the brake fluid or grease adheres to the brake caliper assembly and disc rotor, quickly wipe it off.

1. Remove tires with power tool.
2. Fix the disc rotor using wheel nuts.
3. Drain brake fluid. Refer to [BR-13, "Draining"](#).
4. Remove union bolt and copper washer, and separate brake hose from caliper assembly. Refer to [BR-33, "REAR : Removal and Installation"](#).

REAR DISC BRAKE

< REMOVAL AND INSTALLATION >

- Remove torque member mounting bolts, and remove brake caliper assembly.
CAUTION:
Never drop brake pad and caliper assembly.
- Remove disc rotor. Refer to [RAX-8, "Removal and Installation"](#).



INSTALLATION

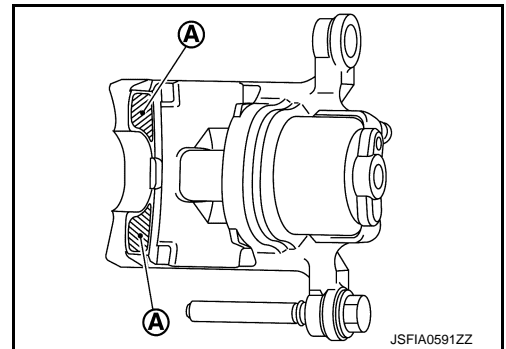
WARNING:

Since dust covering the front and rear brakes has an affect on human body, the dust must be removed with a dust collector. Never splatter the dust with an air blow gun.

CAUTION:

- Never spill or splash brake fluid on painted surfaces. Brake fluid may seriously damage paint. Wipe it off immediately and wash with water if it gets on a painted surface. However avoid washing brake components with water.
- Never depress the brake pedal while removing the brake pads because the piston may pop out.
- If the brake fluid or grease adheres to the brake caliper assembly and disc rotor, quickly wipe it off.

- Install disc rotor. Refer to [RAX-8, "Removal and Installation"](#).
- Apply MOLYKOTE® AS880N or silicone-based grease to the pawls part **A** of cylinder body. Molykote is a registered trademark of Dow Corning Corporation.

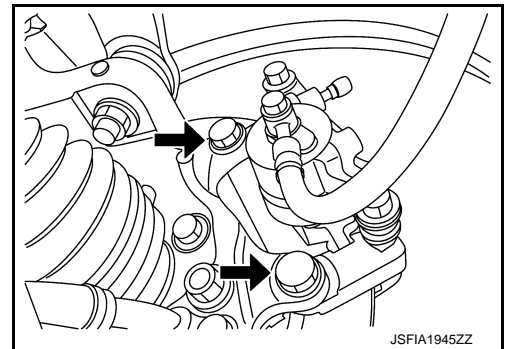


- Install the brake caliper assembly to the axle housing and tighten the torque member mounting bolts to the specified torque.

CAUTION:

Never spill or splash any grease and moisture on the brake caliper assembly mounting face, threads, mounting bolts and washers. Wipe out any grease and moisture.

- Install brake hose and copper washers to brake caliper assembly. Refer to [BR-33, "REAR : Removal and Installation"](#).
- Refill with new brake fluid and perform the air bleeding. Refer to [BR-14, "Bleeding Brake System"](#).
- Check a drag of rear disc brake. If any drag is found, refer to [BR-72, "BRAKE CALIPER ASSEMBLY \(1 PISTON TYPE\) : Inspection"](#).
- Install tires.



BRAKE CALIPER ASSEMBLY (1 PISTON TYPE) : Disassembly and Assembly

INFOID:0000000011285662

DISASSEMBLY

NOTE:

Never remove the torque member, brake pad and pad retainers when disassembling and assembling the cylinder body.

- Remove the sliding pin bolt, and remove the cylinder body from the torque member.

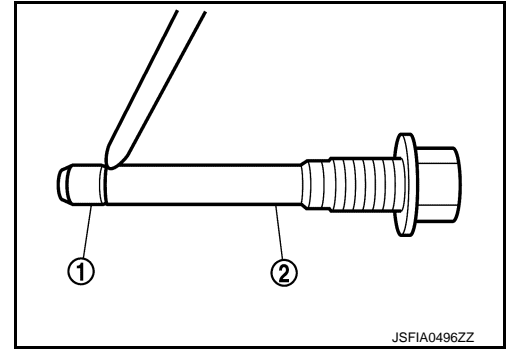
REAR DISC BRAKE

< REMOVAL AND INSTALLATION >

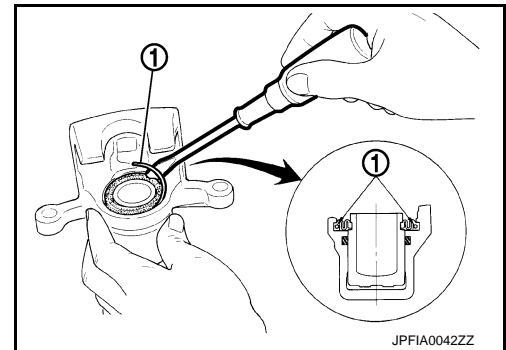
CAUTION:

Fix the brake pad at suitable tape so that the brake pad will not drop.

2. Remove sliding pin boots from torque member.
3. Remove bushing ① from sliding pin bolt ②.



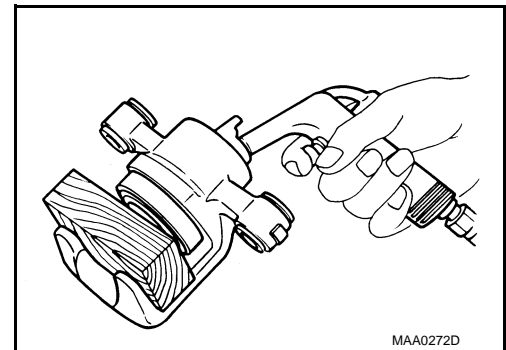
4. Remove the retaining ring ①.



5. Place a wooden block as shown in the figure, and blow air from union bolt mounting hole to remove pistons and piston boot.

CAUTION:

Never get fingers caught in the pistons.

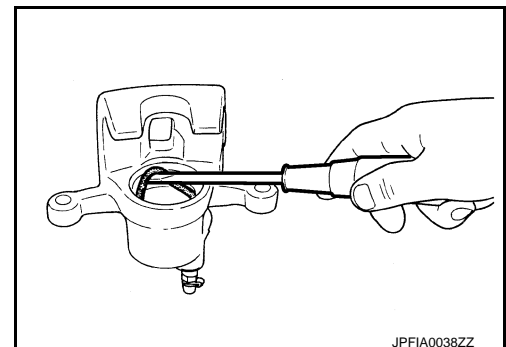


6. Remove piston seal from cylinder body using suitable tool.

CAUTION:

Be careful not to damage a cylinder inner wall.

7. Remove bleeder valve and cap.
8. Perform inspection after disassembly. Refer to [BR-72, "BRAKE CALIPER ASSEMBLY \(1 PISTON TYPE\) : Inspection"](#).



ASSEMBLY

1. Install bleeder valve and cap.

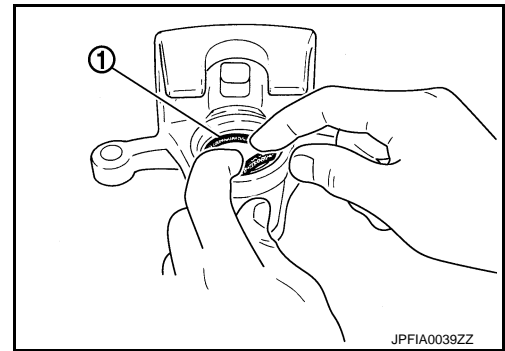
REAR DISC BRAKE

< REMOVAL AND INSTALLATION >

2. Apply new brake fluid to piston seal ①, and install them to cylinder body.

CAUTION:

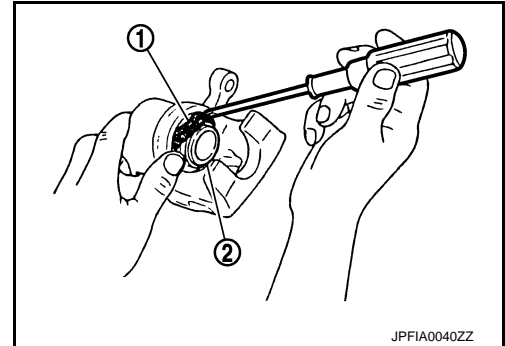
Never reuse piston seal.



3. Apply rubber grease to piston boot ①. Cover the piston ② end with piston boot, and then install cylinder side lip on piston boot securely into a groove on cylinder body.

CAUTION:

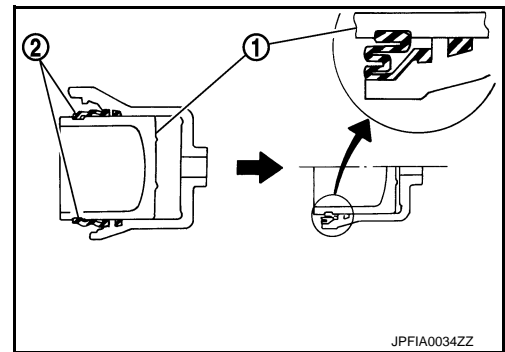
Never reuse piston boots.



4. Apply new brake fluid to piston ①. Push piston into cylinder body by hand and push piston boot ② piston-side lip into the piston groove.

CAUTION:

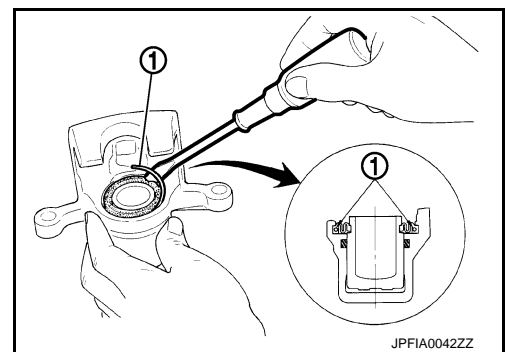
Press the pistons evenly and vary the pressing point to prevent cylinder inner wall from being rubbed.



5. Install the retaining ring ①.

CAUTION:

- Make sure that boot is securely engaged in the groove on caliper.
- Never reuse retaining ring.

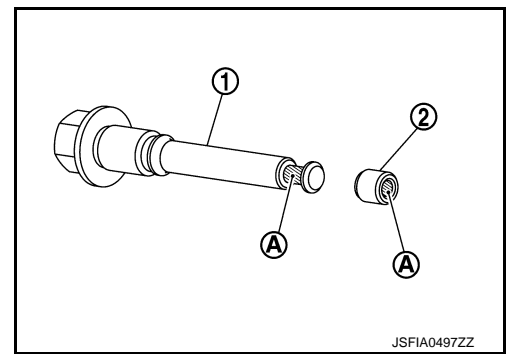


A
B
C
D
E
BR
G
H
I
J
K
L
M
N
O
P

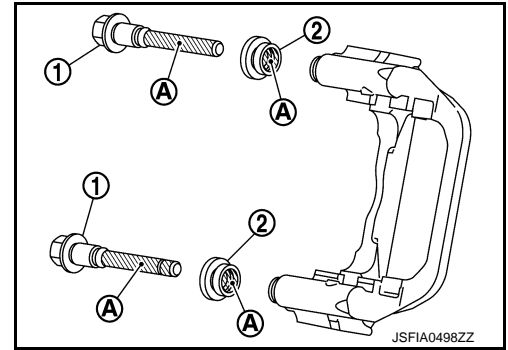
REAR DISC BRAKE

< REMOVAL AND INSTALLATION >

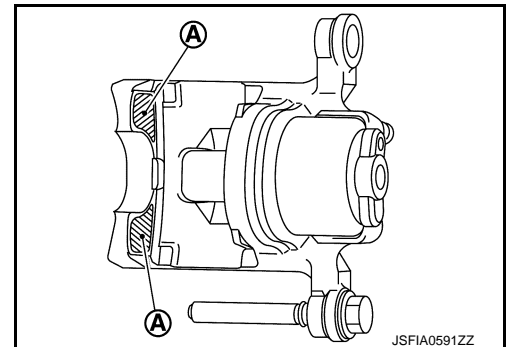
6. Apply rubber grease to matching faces (A) between sliding pin bolt (1) and bushing (2), and install bushing to sliding pin bolt.



7. Apply rubber grease to matching faces between sliding pin boots (1) and sliding pin boots (2), and install sliding pin boots to torque member.



8. Apply MOLYKOTE® AS880N or silicone-based grease to the pawls part (A) of cylinder body.
Molykote is a registered trademark of Dow Corning Corporation.
9. Install the cylinder body to tighten sliding pin bolts to the specified torque.



BRAKE CALIPER ASSEMBLY (1 PISTON TYPE) : Inspection

INFOID:000000011285663

INSPECTION AFTER DISASSEMBLY

Check the following items and replace if necessary.

Cylinder Body

Check the cylinder inner wall for rust, wear, cracks or damage.

CAUTION:

Always clean with new brake fluid. Never clean with mineral oil such as gasoline and light oil.

Torque Member

Check the torque member for rust, wear, cracks or damage.

Piston

Check the surface of the piston for rust, wear, cracks or damage.

CAUTION:

A piston sliding surface is plated. Never polish with sandpaper.

Sliding Pin Bolt, Sliding Pin Boot and Bushing

Check the sliding pin bolts, sliding pin boots and bushing for rust, wear, cracks or damage.

INSPECTION AFTER INSTALLATION

- Check a drag of rear disc brake. If any drag is found, follow the procedure described below.

1. Remove brake pads. Refer to [BR-62. "BRAKE PAD \(1 PISTON TYPE\) : Removal and Installation"](#).
2. Press the pistons. Refer to [BR-62. "BRAKE PAD \(1 PISTON TYPE\) : Removal and Installation"](#).

REAR DISC BRAKE

< REMOVAL AND INSTALLATION >

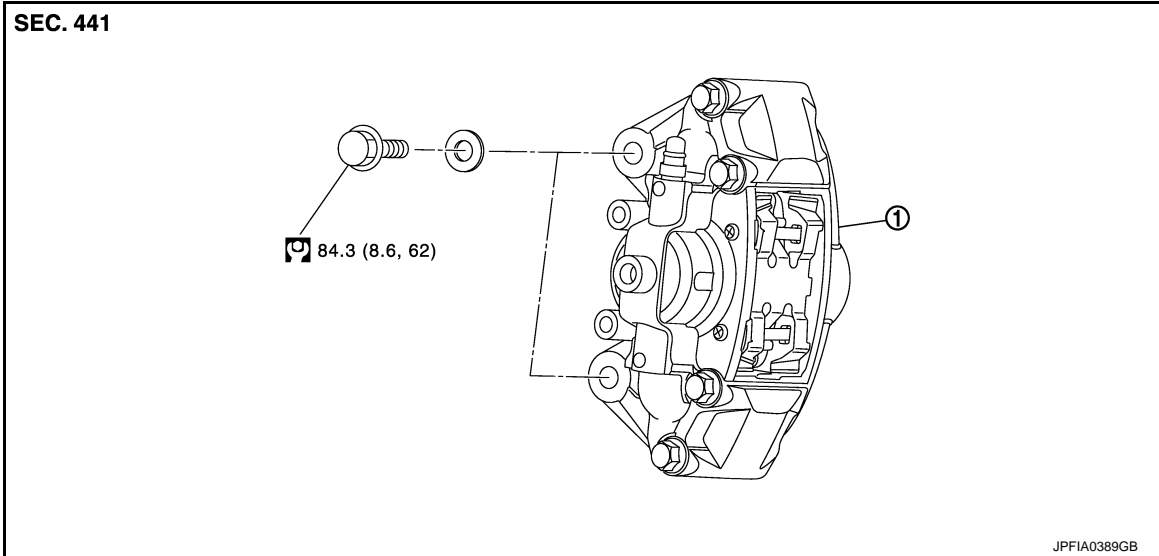
3. Install brake pads. Refer to [BR-62. "BRAKE PAD \(1 PISTON TYPE\) : Removal and Installation"](#).
 4. Depress the brake pedal several times.
 5. Check a drag of rear disc brake again. If any drag is found, disassemble the cylinder body. Refer to [BR-69. "BRAKE CALIPER ASSEMBLY \(1 PISTON TYPE\) : Disassembly and Assembly"](#).
- Burnish contact surfaces brake pads and disc rotor after refinishing or replacing disc rotor, or if a soft pedal occurs at very low mileage. Refer to [BR-19. "DISC ROTOR : Inspection and Adjustment"](#).

BRAKE CALIPER ASSEMBLY (2 PISTON TYPE)

BRAKE CALIPER ASSEMBLY (2 PISTON TYPE) : Exploded View

INFOID:000000011285664

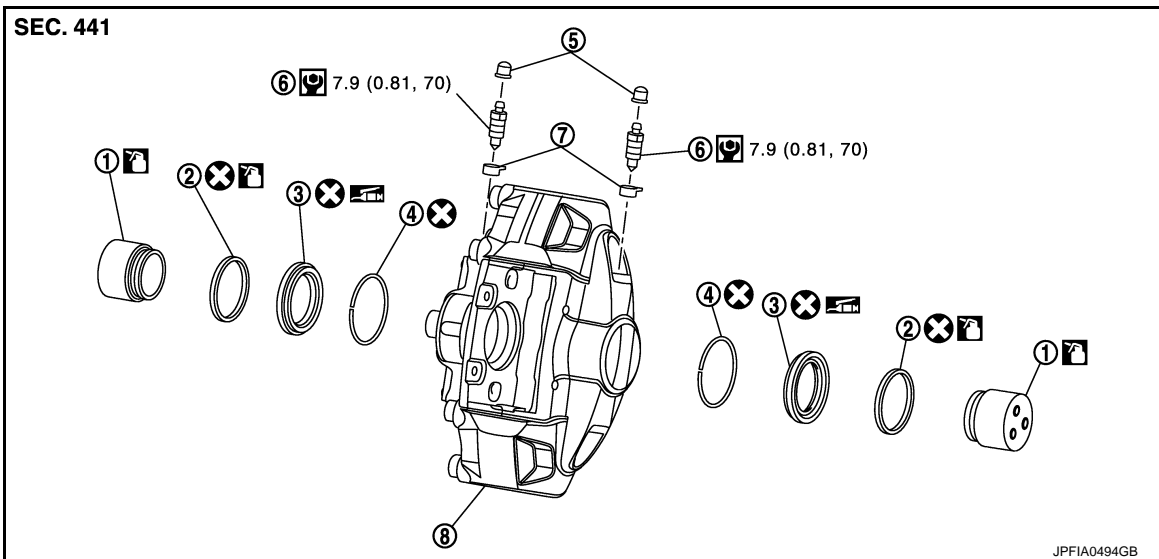
REMOVAL



① Brake caliper assembly

: N·m (kg-m, ft-lb)

DISASSEMBLY



① Piston

② Piston seal

③ Piston boot

④ Retaining ring

⑤ Cap


⑥ Bleeder valve


REAR DISC BRAKE


< REMOVAL AND INSTALLATION >


⑦ Cap

⑧ Caliper

: Apply rubber grease.

: Apply brake fluid.

: N·m (kg·m, in·lb)

: Always replace after every disassembly.

BRAKE CALIPER ASSEMBLY (2 PISTON TYPE) : Removal and Installation

INFOID:000000011285665

REMOVAL

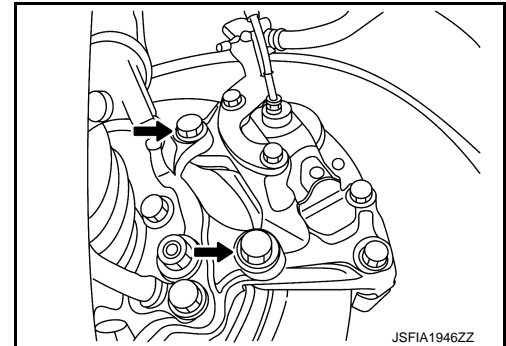
WARNING:

Since dust covering the rear brake has an affect on human body, the dust must be removed with a dust collector. Never splatter the dust with an air blow gun.

CAUTION:

- Never spill or splash brake fluid on painted surfaces. Brake fluid may seriously damage paint. Wipe it off immediately and wash with water if it gets on a painted surface.
- Never depress the brake pedal while removing the brake pads because the piston may pop out.
- If the brake fluid or grease adheres to the brake caliper assembly and disc rotor, quickly wipe it off.
- Cover flare nut wrench with a cloth as not to damage the brake caliper assembly.

1. Remove tires with power tool.
2. Fix the disc rotor using wheel nuts.
3. Drain brake fluid. Refer to [BR-13, "Draining"](#).
4. Loosen the flare nut with a flare nut wrench and separate the brake tube from caliper. Refer to [BR-33, "REAR : Removal and Installation"](#).
5. Remove the brake hose bracket. Refer to [BR-33, "REAR : Removal and Installation"](#).
6. Remove brake caliper assembly mounting bolts, and remove brake caliper assembly.
CAUTION:
Never drop brake pad and caliper assembly.
7. Remove disc rotor. Refer to [RAX-8, "Removal and Installation"](#).



INSTALLATION

WARNING:

Since dust covering the rear brake has an affect on human body, the dust must be removed with a dust collector. Never splatter the dust with an air blow gun.

CAUTION:

- Never spill or splash brake fluid on painted surfaces. Brake fluid may seriously damage paint. Wipe it off immediately and wash with water if it gets on a painted surface.
- Never depress the brake pedal while removing the brake pads because the piston may pop out.
- If the brake fluid or grease adheres to the brake caliper assembly and disc rotor, quickly wipe it off.
- Cover flare nut wrench with a cloth as not to damage the brake caliper assembly.

1. Install disc rotor. Refer to [RAX-8, "Removal and Installation"](#).

REAR DISC BRAKE

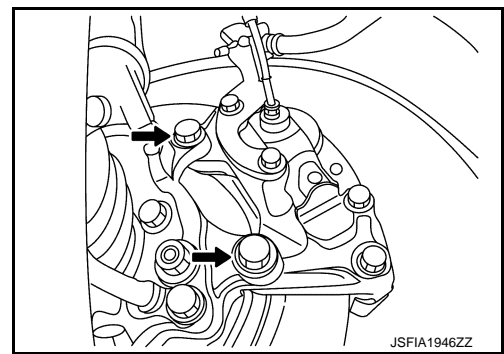
< REMOVAL AND INSTALLATION >

2. Install the brake caliper assembly to the axle housing and tighten the brake caliper assembly mounting bolts to the specified torque.

CAUTION:

Never spill or splash any grease and moisture on the brake caliper assembly mounting face, threads, mounting bolts and washers. Wipe out any grease and moisture.

3. Install brake hose bracket (caliper side). Refer to [BR-33, "REAR : Removal and Installation"](#).
4. Install brake tube to brake caliper assembly. Refer to [BR-33, "REAR : Removal and Installation"](#).
5. Refill with new brake fluid and perform the air bleeding. Refer to [BR-14, "Bleeding Brake System"](#).
6. Check a drag of rear disc brake. If any drag is found, refer to [BR-76, "BRAKE CALIPER ASSEMBLY \(2 PISTON TYPE\) : Inspection"](#).
7. Install tires.



BRAKE CALIPER ASSEMBLY (2 PISTON TYPE) : Disassembly and Assembly

INFOID:000000011285666

DISASSEMBLY

CAUTION:

- Never damage a caliper.
- Never tighten or loosen inner and outer mounting bolts of caliper.

1. Remove the brake pads. Refer to [BR-65, "BRAKE PAD \(2 PISTON TYPE\) : Removal and Installation"](#).

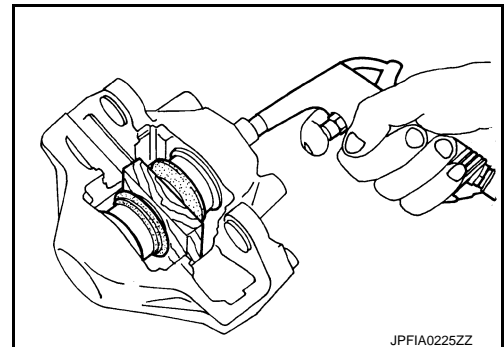
CAUTION:

Never drop brake pads, shims, shim covers, pad pins and clips.

2. Remove the caliper.
3. Remove the retaining ring.
4. Place a wooden block as shown in the figure, and blow air from brake tube mounting hole to remove pistons and piston boots.

CAUTION:

Never get fingers caught in the pistons.

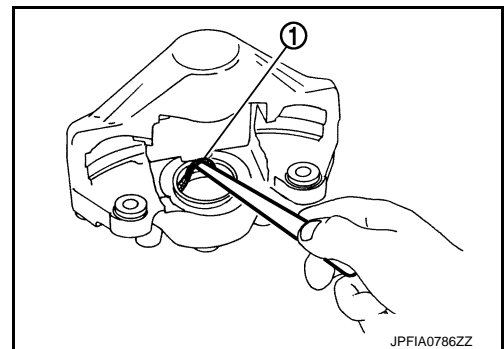


5. Remove piston seals ① from cylinder body using suitable tool.

CAUTION:

Be careful not to damage a cylinder inner wall.

6. Remove bleeder valve and cap.
7. Perform inspection after disassembly. Refer to [BR-76, "BRAKE CALIPER ASSEMBLY \(2 PISTON TYPE\) : Inspection"](#).



ASSEMBLY

CAUTION:

- Never damage a caliper.
- Never tighten or loosen inner and outer mounting bolts of caliper.

1. Install bleeder valve and cap.

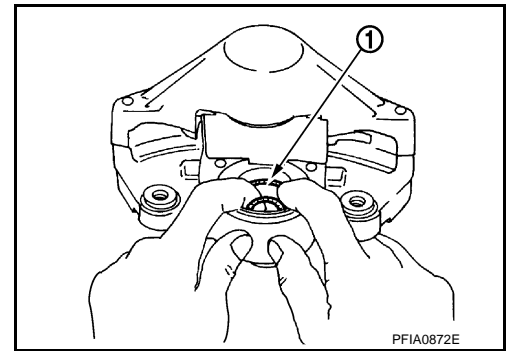
REAR DISC BRAKE

< REMOVAL AND INSTALLATION >

2. Apply new brake fluid to piston seals ①, and install them to cylinder body.

CAUTION:

Never reuse piston seals.



3. Apply rubber grease to piston boots ①. Cover the piston ② end with piston boot, and then install cylinder side lip on piston boot securely into a groove on caliper.

CAUTION:

Never reuse piston boots.

4. Apply new brake fluid to pistons. Push piston into caliper by hand and push piston boot piston-side lip into the piston groove.

CAUTION:

Press the pistons evenly and vary the pressing point to prevent cylinder inner wall from being rubbed.

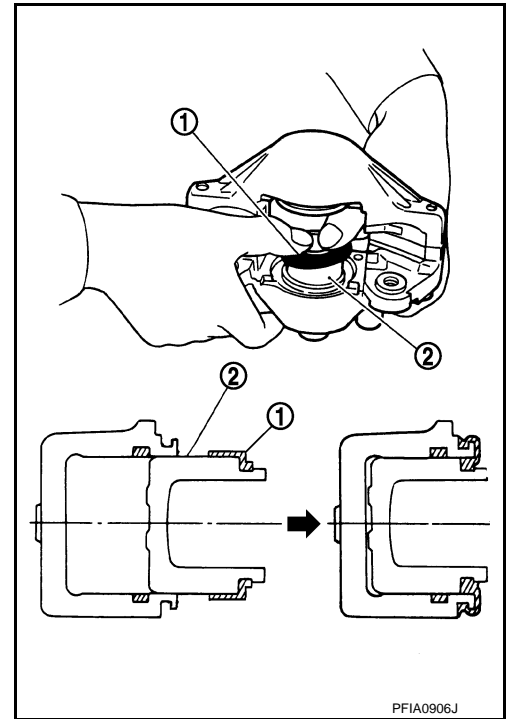
5. Install the retaining ring.

CAUTION:

- Make sure that boot is securely engaged in the groove on caliper.
- Never reuse retaining ring.

6. Install the caliper to tighten brake caliper assembly mounting bolts to the specified torque.

7. Install the brake pads. Refer to [BR-65, "BRAKE PAD \(2 PISTON TYPE\) : Removal and Installation"](#).



BRAKE CALIPER ASSEMBLY (2 PISTON TYPE) : Inspection

INFOID:000000011285667

INSPECTION AFTER DISASSEMBLY

Check the following items and replace if necessary.

Caliper

Check the caliper inner wall for rust, wear, cracks or damage.

CAUTION:

Always clean with new brake fluid. Never clean with mineral oil such as gasoline and light oil.

Pistons

Check the surface of the piston for rust, wear, cracks or damage.

CAUTION:

A piston sliding surface is plated. Never polish with sandpaper.

INSPECTION AFTER INSTALLATION

- Check a drag of rear disc brake. If any drag is found, follow the procedure described below.
1. Remove brake pads. Refer to [BR-65, "BRAKE PAD \(2 PISTON TYPE\) : Removal and Installation"](#).
 2. Press the pistons. Refer to [BR-65, "BRAKE PAD \(2 PISTON TYPE\) : Removal and Installation"](#).
 3. Install brake pads. Refer to [BR-65, "BRAKE PAD \(2 PISTON TYPE\) : Removal and Installation"](#).
 4. Depress the brake pedal several times.
 5. Check a drag of rear disc brake again. If any drag is found, disassemble the cylinder body. Refer to [BR-75, "BRAKE CALIPER ASSEMBLY \(2 PISTON TYPE\) : Disassembly and Assembly"](#).

REAR DISC BRAKE

< REMOVAL AND INSTALLATION >

- Burnish contact surfaces brake pads and disc rotor after refinishing or replacing disc rotor, or if a soft pedal occurs at very low mileage. Refer to [BR-19, "DISC ROTOR : Inspection and Adjustment"](#).

A

B

C

D

E

BR

G

H

I

J

K

L

M

N

O

P

SERVICE DATA AND SPECIFICATIONS (SDS)

< SERVICE DATA AND SPECIFICATIONS (SDS)

SERVICE DATA AND SPECIFICATIONS (SDS)

SERVICE DATA AND SPECIFICATIONS (SDS)

General Specifications

INFOID:0000000011285668

FRONT BRAKE CALIPER 2 PISTON TYPE, REAR BRAKE CALIPER 1 PISTON TYPE

Unit: mm (in)

Front brake	Cylinder bore diameter	44.45 (1.7500) × 2
	Pad length × width × thickness	133.6 × 48.5 × 11.0 (5.26 × 1.909 × 0.433)
	Rotor outer diameter × thickness	320 × 28.0 (12.60 × 1.102)
Rear brake	Cylinder bore diameter	42.86 (1.687)
	Pad length × width × thickness	83.0 × 31.9 × 8.5 (3.268 × 1.256 × 0.335)
	Rotor outer diameter × thickness	308 × 16.0 (12.13 × 0.630)
Master cylinder	Cylinder bore diameter	27.0 (17/16)
Control valve	Valve type	Electric brake force distribution
Brake booster	Diaphragm diameter	Primary: 205.5 (8)
		Secondary: 230 (9)
Recommended brake fluid		Refer to MA-10, "Fluids and Lubricants" .

FRONT 4 PISTON, REAR 2 PISTON TYPE

Unit: mm (in)

Front brake	Cylinder bore diameter	41.3 (1.626) × 2 + 44.45 (1.750) × 2
	Pad length × width × thickness	123.2 × 55.0 × 11.0 (4.85 × 2.165 × 0.433)
	Rotor outer diameter × thickness	355 × 32.0 (13.98 × 1.260)
Rear brake	Cylinder bore diameter	41.3 (1.626) × 2
	Pad length × width × thickness	95.8 × 41.5 × 8.5 (3.772 × 1.634 × 0.335)
	Rotor outer diameter × thickness	350 × 20.0 (13.78 × 0.787)
Master cylinder	Cylinder bore diameter	27.0 (17/16)
Control valve	Valve type	Electric brake force distribution
Brake booster	Diaphragm diameter	Primary: 205.5 (8)
		Secondary: 230 (9)
Recommended brake fluid		Refer to MA-10, "Fluids and Lubricants" .

Brake Pedal

INFOID:0000000011285669

Unit: mm (in)

Item	Standard
Brake pedal height	183.0 – 193.0 (7.20 – 7.60)
Depressed brake pedal height [Depressing 490 N (50 kg, 110 lb) while turning the engine ON]	126.0 (4.96) or more
Clearance between stop lamp switch threaded end and the stopper rubber	0.74 – 1.96 (0.0291 – 0.0772)
Clearance between brake pedal position switch threaded end and the stopper rubber	0 – 0.6 (0 – 0.024)
Brake pedal play	2.0 – 8.0 (0.079 – 0.315)
Brake pedal shaky fitting	0 – 1.4 (0 – 0.055)

SERVICE DATA AND SPECIFICATIONS (SDS)

< SERVICE DATA AND SPECIFICATIONS (SDS)

Brake Booster

INFOID:0000000011285670

Unit: mm (in)

Item	Standard
Input rod length	130.2 – 131.2 (5.13 – 5.17)

Front Disc Brake

INFOID:0000000011285671

BRAKE CALIPER 2 PISTON TYPE

Unit: mm (in)

Item	Limit	
Brake pad	Wear thickness	1.5 (0.059)
	Wear thickness	26.0 (1.024)
Disc rotor	Thickness variation (measured at 8 positions)	0.015 (0.0006)
	Runout (with it attached to the vehicle)	0.035 (0.0014)

BRAKE CALIPER 4 PISTON TYPE

Unit: mm (in)

Item	Limit	
Brake pad	Wear thickness	2.0 (0.079)
	Wear thickness	30.0 (1.181)
Disc rotor	Thickness variation (measured at 8 positions)	0.015 (0.0006)
	Runout (with it attached to the vehicle)	0.035 (0.0014)

Rear Disc Brake

INFOID:0000000011285672

BRAKE CALIPER 1 PISTON TYPE

Unit: mm (in)

Item	Limit	
Brake pad	Wear thickness	2.0 (0.079)
	Wear thickness	14.0 (0.551)
Disc rotor	Thickness variation (measured at 8 positions)	0.015 (0.0006)
	Runout (with it attached to the vehicle)	0.055 (0.0022)

BRAKE CALIPER 2 PISTON TYPE

Unit: mm (in)

Item	Limit	
Brake pad	Wear thickness	2.0 (0.079)
	Wear thickness	18.0 (0.709)
Disc rotor	Thickness variation (measured at 8 positions)	0.015 (0.0006)
	Runout (with it attached to the vehicle)	0.055 (0.0022)