

SECTION **IP**  
INSTRUMENT PANEL

A  
B  
C  
D  
E  
F  
G  
H  
I  
IP  
K  
L  
M  
N  
O  
P

CONTENTS

<b>PRECAUTION</b> .....	2	<b>SYMPTOM DIAGNOSIS</b> .....	6
<b>PRECAUTIONS</b> .....	2	<b>SQUEAK AND RATTLE TROUBLE DIAG- NOSES</b> .....	6
Precaution for Supplemental Restraint System (SRS) "AIR BAG" and "SEAT BELT PRE-TEN- SIONER" .....	2	Work Flow .....	6
Precautions for Removing Battery Terminal .....	2	Inspection Procedure .....	8
Precaution .....	2	Diagnostic Worksheet .....	10
<b>PREPARATION</b> .....	4	<b>REMOVAL AND INSTALLATION</b> .....	12
<b>PREPARATION</b> .....	4	<b>INSTRUMENT PANEL ASSEMBLY</b> .....	12
Special Service Tools .....	4	Exploded View .....	12
Commercial Service Tools .....	4	Removal and Installation .....	13
<b>CLIP LIST</b> .....	5	<b>CENTER CONSOLE ASSEMBLY</b> .....	23
Clip List .....	5	Exploded View .....	23
		Removal and Installation .....	24
		Disassembly and Assembly .....	27

# PRECAUTIONS

< PRECAUTION >

## PRECAUTION

### PRECAUTIONS

#### Precaution for Supplemental Restraint System (SRS) "AIR BAG" and "SEAT BELT PRE-TENSIONER"

INFOID:000000011284765

The Supplemental Restraint System such as "AIR BAG" and "SEAT BELT PRE-TENSIONER", used along with a front seat belt, helps to reduce the risk or severity of injury to the driver and front passenger for certain types of collision. This system includes seat belt switch inputs and dual stage front air bag modules. The SRS system uses the seat belt switches to determine the front air bag deployment, and may only deploy one front air bag, depending on the severity of a collision and whether the front occupants are belted or unbelted. Information necessary to service the system safely is included in the "SRS AIR BAG" and "SEAT BELT" of this Service Manual.

#### **WARNING:**

Always observe the following items for preventing accidental activation.

- To avoid rendering the SRS inoperative, which could increase the risk of personal injury or death in the event of a collision that would result in air bag inflation, all maintenance must be performed by an authorized NISSAN/INFINITI dealer.
- Improper maintenance, including incorrect removal and installation of the SRS, can lead to personal injury caused by unintentional activation of the system. For removal of Spiral Cable and Air Bag Module, see "SRS AIR BAG".
- Never use electrical test equipment on any circuit related to the SRS unless instructed to in this Service Manual. SRS wiring harnesses can be identified by yellow and/or orange harnesses or harness connectors.

#### PRECAUTIONS WHEN USING POWER TOOLS (AIR OR ELECTRIC) AND HAMMERS

#### **WARNING:**

Always observe the following items for preventing accidental activation.

- When working near the Air Bag Diagnosis Sensor Unit or other Air Bag System sensors with the ignition ON or engine running, never use air or electric power tools or strike near the sensor(s) with a hammer. Heavy vibration could activate the sensor(s) and deploy the air bag(s), possibly causing serious injury.
- When using air or electric power tools or hammers, always switch the ignition OFF, disconnect the battery, and wait at least 3 minutes before performing any service.

#### Precautions for Removing Battery Terminal

INFOID:000000011552606

- When removing the 12V battery terminal, turn OFF the ignition switch and wait at least 30 seconds.

#### **NOTE:**

ECU may be active for several tens of seconds after the ignition switch is turned OFF. If the battery terminal is removed before ECU stops, then a DTC detection error or ECU data corruption may occur.

- For vehicles with the 2-batteries, be sure to connect the main battery and the sub battery before turning ON the ignition switch.

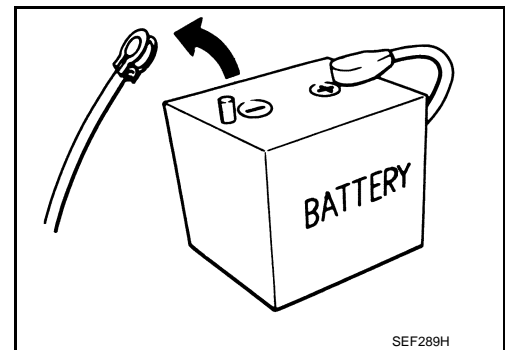
#### **NOTE:**

If the ignition switch is turned ON with any one of the terminals of main battery and sub battery disconnected, then DTC may be detected.

- After installing the 12V battery, always check "Self Diagnosis Result" of all ECUs and erase DTC.

#### **NOTE:**

The removal of 12V battery may cause a DTC detection error.



#### Precaution

INFOID:000000011284766

- Disconnect battery negative terminal in advance.
- Disconnect air bag system line in advance.
- Never tamper with or force air bag lid open, as this may adversely affect air bag performance.
- Be careful not to scratch pad and other parts.

# PRECAUTIONS

## < PRECAUTION >

- When removing or disassembling any part, be careful not to damage or deform it. Protect parts, that may get in the way with a shop cloth. A
- When removing parts with a screwdriver or other tool, cover the tool surface with vinyl tape to protect parts.
- Keep removed parts protected with a shop cloth.
- If a clip is deformed or damaged, replace it. B
- If an un reusable part is removed, replace it with a new one.
- Tighten bolts and nuts firmly to the specified torque.
- After reassembly is complete, check that each part functions correctly.
- Remove stains via the following procedure. C

Water-soluble stains:

Dip a soft cloth in warm water, and then squeeze it tightly. After wiping off the stain, wipe with a soft dry cloth.

Oil stain: D

Dissolve a synthetic detergent in warm water (density of 2 to 3%), dip the cloth, then wipe off the stain with the cloth. Next, dip the cloth in fresh water and squeeze it tightly. Then wipe off the detergent completely. Then wipe the area with a soft dry cloth.

- Never use any organic solvent, such as thinner or benzine. E

F

G

H

I

IP

K

L

M

N

O

P

# PREPARATION

< PREPARATION >

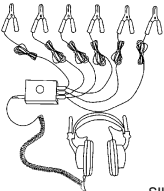
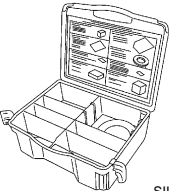
## PREPARATION

### PREPARATION

#### Special Service Tools

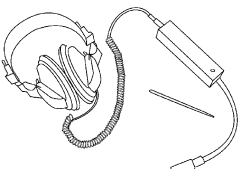
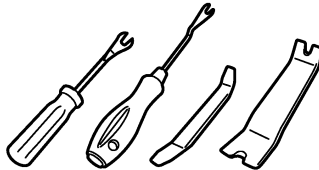
INFOID:000000011284767

The actual shapes of Kent-Moore tools may differ from those of special service tools illustrated here.

Tool number (Kent-Moore No.) Tool name	Description
(J-39570) Chassis ear   SIIA0993E	Locates the noise
(J-50397) NISSAN Squeak and Rattle Kit   SIIA0994E	Repairs the cause of noise

#### Commercial Service Tools

INFOID:000000011284768

Tool name	Description
Engine ear   SIIA0995E	Locates the noise
Remover tool   JMKIA3050ZZ	Removes clips, pawls, and metal clips

# CLIP LIST

< PREPARATION >

## CLIP LIST

### Clip List

INFOID:000000011284769

Shapes	Removal & Installation	Shapes	Removal & Installation
	<p><b>Removal:</b> Remove by bending up with flat-bladed screwdrivers or clip remover.</p>		<p><b>Removal:</b></p>
	<p><b>Removal:</b> Remove with a clip remover.</p>		<p><b>Removal:</b></p>
	<p><b>Removal:</b> Push center pin to catching position. (Do not remove center pin by hitting it.)</p> <p><b>Installation:</b></p>		<p><b>Removal:</b> Holder portion of clip must be spread out to remove rod.</p>
	<p><b>Removal:</b> Remove by bending up with flat-bladed screwdrivers or clip remover.</p>		<p><b>Removal:</b></p> <ol style="list-style-type: none"> <li>Screw out with a Phillips screwdriver.</li> <li>Remove female portion with flat-bladed screwdriver.</li> </ol>
	<p><b>Removal:</b></p>		<p><b>Removal:</b></p> <p>Rotate 45° to remove.</p> <p><b>Installation:</b></p>
	<p><b>Removal:</b></p>		<p><b>Removal:</b></p>

JMJIA3734GB

A  
B  
C  
D  
E  
F  
G  
H  
I  
IP  
K  
L  
M  
N  
O  
P

# SQUEAK AND RATTLE TROUBLE DIAGNOSES

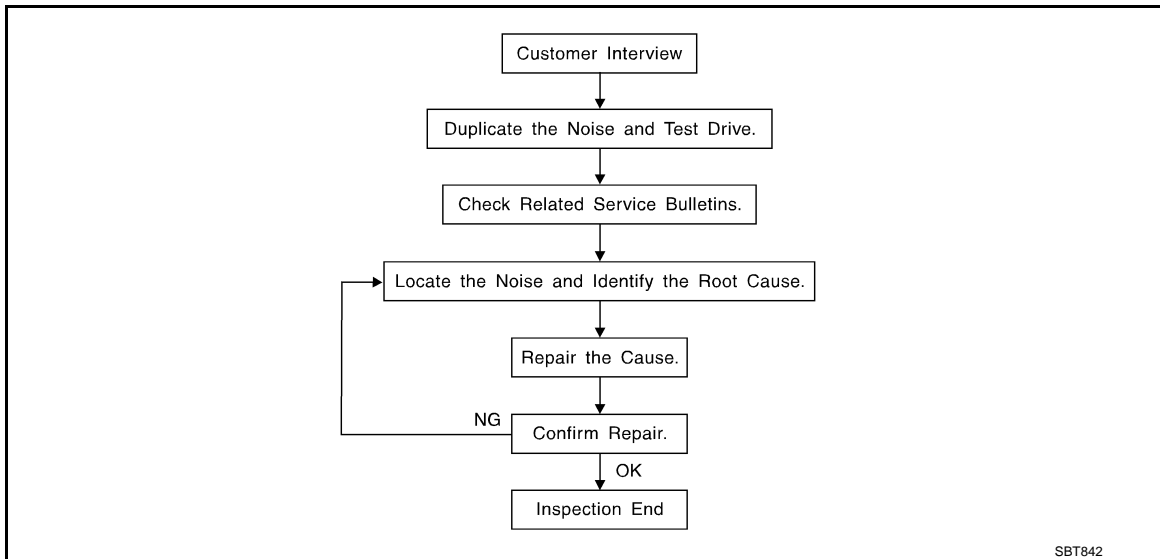
< SYMPTOM DIAGNOSIS >

## SYMPTOM DIAGNOSIS

### SQUEAK AND RATTLE TROUBLE DIAGNOSES

#### Work Flow

INFOID:000000011284770



#### CUSTOMER INTERVIEW

Interview the customer if possible, to determine the conditions that exist when the noise occurs. Use the Diagnostic Worksheet during the interview to document the facts and conditions when the noise occurs and any customer comments. Refer to [IP-10, "Diagnostic Worksheet"](#). This information is necessary to duplicate the conditions that exist when the noise occurs.

- The customer may not be able to provide a detailed description or the location of the noise. Attempt to obtain all the facts and conditions that exist when the noise occurs (or does not occur).
- If there is more than one noise in the vehicle, perform a diagnosis and repair the noise that the customer is concerned about. This can be accomplished by performing a test drive with the customer.
- After identifying the type of noise, isolate the noise in terms of its characteristics. The noise characteristics are provided so that the customer, service adviser, and technician use the same language when describing the noise.
- Squeak – (Like tennis shoes on a clean floor)  
Squeak characteristics include the light contact / fast movement / brought on by road conditions / hard surfaces = high-pitched noise / softer surfaces = low-pitched noises / edge to surface = chirping
- Creak – (Like walking on an old wooden floor)  
Creak characteristics include firm contact / slow movement/twisting with a rotational movement / pitch dependent on materials / often brought on by activity.
- Rattle – (Like shaking a baby rattle)  
Rattle characteristics include fast repeated contact / vibration or similar movement / loose parts/missing clip or fastener / incorrect clearance.
- Knock – (Like a knock on a door)  
Knock characteristics include hollow sounds / sometimes repeating / often brought on by driver action.
- Tick – (Like a clock second hand)  
Tick characteristics include gentle contacting of light materials / loose components / can be caused by driver action or road conditions.
- Thump – (Heavy, muffled knock noise)  
Thump characteristics include softer knock / dull sounds often brought on by activity.
- Buzz – (Like a bumblebee)  
Buzz characteristics include high frequency rattle / firm contact.
- Often the degree of acceptable noise level varies depending upon the person. A noise that a technician may judge as acceptable may be very irritating to a customer.
- Weather conditions, especially humidity and temperature, may have a great effect on noise level.

#### DUPLICATE THE NOISE AND TEST DRIVE

# SQUEAK AND RATTLE TROUBLE DIAGNOSES

## < SYMPTOM DIAGNOSIS >

If possible, drive the vehicle with the customer until the noise is duplicated. Note any additional information on the Diagnostic Worksheet regarding the conditions or location of the noise. This information can be used to duplicate the same conditions when the repair is reconfirmed.

If the noise can be duplicated easily during the test drive, to help identify the source of the noise, try to duplicate the noise with the vehicle stopped by doing one or all of the following items:

- 1) Close a door.
  - 2) Tap or push/pull around the area where the noise appears to be coming from.
  - 3) Rev the engine.
  - 4) Use a floor jack to recreate vehicle "twist".
  - 5) At idle, apply engine load (electrical load, half-clutch on M/T models, drive position on A/T models).
  - 6) Raise the vehicle on a hoist and hit a tire with a rubber hammer.
- Drive the vehicle and attempt to duplicate the conditions the customer states exist when the noise occurs.
  - If it is difficult to duplicate the noise, drive the vehicle slowly on an undulating or rough road to stress the vehicle body.

## CHECK RELATED SERVICE BULLETINS

After verifying the customer concern or symptom, check ASIST for Technical Service Bulletins (TSBs) related to the concern or symptom.

If a TSB relates to the symptom, follow the procedure to repair the noise.

## LOCATE THE NOISE AND IDENTIFY THE ROOT CAUSE

1. Narrow down the noise to a general area. To help pinpoint the source of the noise, use a listening tool (Chassis ear: J-39570, engine ear, and mechanics stethoscope).
2. Narrow down the noise to a more specific area and identify the cause of the noise by:
  - Removing the component(s) in the area that is / are suspected to be the cause of the noise. Do not use too much force when removing clips and fasteners, otherwise clips and fasteners can be broken or lost during the repair, resulting in the creation of new noise.
  - Tapping or pushing/pulling the component(s) that is / are suspected to be the cause of the noise. Do not tap or push/pull the component(s) with excessive force, otherwise the noise is eliminated only temporarily.
  - Feeling for a vibration by hand by touching the component(s) that is / are suspected to be the cause of the noise.
  - Placing a piece of paper between components that are suspected to be the cause of the noise.
  - Looking for loose components and contact marks.  
Refer to [IP-8, "Inspection Procedure"](#).

## REPAIR THE CAUSE

- If the cause is a loose component, tighten the component securely.
- If the cause is insufficient clearance between components:
  - Separate components by repositioning or loosening and retightening the components, if possible.
  - Insulate components with a suitable insulator such as urethane pads, foam blocks, felt cloth tape, or urethane tape. A NISSAN Squeak and Rattle Kit (J-50397) is available through the authorized NISSAN Parts Department.

### **CAUTION:**

**Never use excessive force as many components are constructed of plastic and may be damaged.**

### **NOTE:**

Always check with the Parts Department for the latest parts information.

The following materials are contained in the NISSAN Squeak and Rattle Kit (J-50397) are listed on the inside cover of the kits; and can be ordered separately as needed.

URETHANE PADS [1.5 mm (0.059 in) thick]

Insulates connectors, harness, etc.

- 76268-9E005: 100 × 135 mm (3.937 × 5.315 in)
- 76884-71L01: 60 × 85 mm (2.362 × 3.346 in)
- 76884-71L02: 15 × 25 mm (0.591 × 0.984 in)

INSULATOR (Foam blocks)

Insulates components from contact. Can be used to fill space behind a panel.

- 73982-9E000: 45 mm (1.772 in) thick, 50 × 50 mm (1.969 × 1.969 in)
- 73982-50Y00: 10 mm (0.394 in) thick, 50 × 50 mm (1.969 × 1.969 in)

INSULATOR (Light foam block)

80845-71L00: 30 mm (1.181 in) thick, 30 × 50 mm (1.181 × 1.969 in)

FELT CLOTHTAPE

# SQUEAK AND RATTLE TROUBLE DIAGNOSES

## < SYMPTOM DIAGNOSIS >

---

Used to insulate where movement does not occur. Ideal for instrument panel applications.

- 68370-4B000: 15 × 25 mm (0.591 × 0.984 in) pad
- 68239-13E00: 5 mm (0.197 in) wide tape roll

The following materials, not found in the kit, can also be used to repair squeaks and rattles.

### UHMW (TEFLON) TAPE

Insulates where slight movement is present. Ideal for instrument panel applications.

### SILICONE GREASE

Used in place of UHMW tape that is visible or does not fit. Only lasts a few months.

### SILICONE SPRAY

Used when grease cannot be applied.

### DUCT TAPE

Used to eliminate movement.

## CONFIRM THE REPAIR

After repair is complete, test drive the vehicle to confirm that the cause of noise is repaired by test driving the vehicle. Operate the vehicle under the same conditions as when the noise originally occurred. Refer to the notes on the Diagnostic Worksheet.

## Inspection Procedure

INFOID:000000011284771

Refer to Table of Contents for specific component removal and installation information.

## INSTRUMENT PANEL

Most incidents are caused by contact and movement between:

1. The cluster lid A and instrument panel
2. Acrylic lens and combination meter housing
3. Instrument panel to front pillar garnish
4. Instrument panel to windshield
5. Instrument panel mounting pins
6. Wiring harnesses behind the combination meter
7. A/C defroster duct and duct joint

These incidents can usually be located by tapping or moving the components to duplicate the noise or by pressing on the components while driving to stop the noise. Most of these incidents can be repaired by applying felt cloth tape or silicon spray (in hard to reach areas). Urethane pads can be used to insulate wiring harness.

### **CAUTION:**

**Never use silicone spray to isolate a squeak or rattle. If the area is saturated with silicone, the recheck of repair becomes impossible.**

## CENTER CONSOLE

Components to check include:

1. Shifter assembly cover to finisher
2. A/C control unit and cluster lid C
3. Wiring harnesses behind audio and A/C control unit

The instrument panel repair and isolation procedures also apply to the center console.

## DOORS

Check the following items:

1. Finisher and inner panel making a slapping noise
2. Inside handle escutcheon connection to door finisher
3. Wiring harnesses tapping
4. Door striker out of alignment causing a popping noise on starts and stops

Tapping, moving the components, or pressing on them while driving to duplicate the conditions can isolate many of these incidents. The areas can usually be insulated with felt cloth tape or insulator foam blocks from the NISSAN Squeak and Rattle Kit (J-50397) to repair the noise.

## TRUNK

Trunk noises are often caused by a loose jack or loose items put into the trunk by the customer.

In addition check for the following items:



# SQUEAK AND RATTLE TROUBLE DIAGNOSES

## < SYMPTOM DIAGNOSIS >

---

1. Trunk lid dumpers out of adjustment
2. Trunk lid striker out of adjustment
3. Trunk lid torsion bars knocking together
4. A loose license plate or bracket

Most of these incidents can be repaired by adjusting, securing, or insulating the item(s) or component(s) causing the noise.

## SUNROOF/HEADLINING

Noises in the sunroof / headlining area can often be traced to one of the following items:

1. Sunroof lid, rail, linkage, or seals making a rattle or light knocking noise
2. Sunvisor shaft shaking in the holder
3. Front or rear windshield touching headlining and squeaking

Again, pressing on the components to stop the noise while duplicating the conditions can isolate most of these incidents. Repairs usually consist of insulating with felt cloth tape.

## SEATS

When isolating seat noise it is important to note the position the seat is in and the load placed on the seat when the noise occurs. These conditions should be duplicated when verifying and isolating the cause of the noise.

Causes of seat noise include:

1. Headrest rods and holder
2. A squeak between the seat pad cushion and frame
3. The rear seatback lock and bracket

These noises can be isolated by moving or pressing on the suspected components while duplicating the conditions under which the noise occurs. Most of these incidents can be repaired by repositioning the component or applying urethane tape to the contact area.

## UNDERHOOD

Some interior noise may be caused by components under the hood or on the engine wall. The noise is then transmitted into the passenger compartment.

Causes of transmitted underhood noise include:

1. Any component mounted to the engine wall
2. Components that pass through the engine wall
3. Engine wall mounts and connectors
4. Loose radiator mounting pins
5. Hood bumpers out of adjustment
6. Hood striker out of adjustment

These noises can be difficult to isolate since they cannot be reached from the interior of the vehicle. The best method is to secure, move, or insulate one component at a time and test drive the vehicle. Also, engine RPM or load can be changed to isolate the noise. Repairs can usually be made by moving, adjusting, securing, or insulating the component causing the noise.

A  
B  
C  
D  
E  
F  
G  
H  
I  
IP  
K  
L  
M  
N  
O  
P

# SQUEAK AND RATTLE TROUBLE DIAGNOSES

< SYMPTOM DIAGNOSIS >

## Diagnostic Worksheet

INFOID:000000011284772



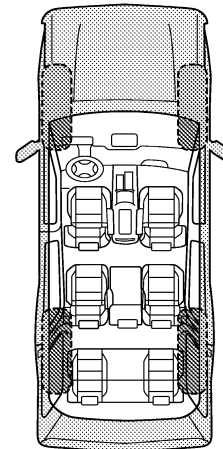
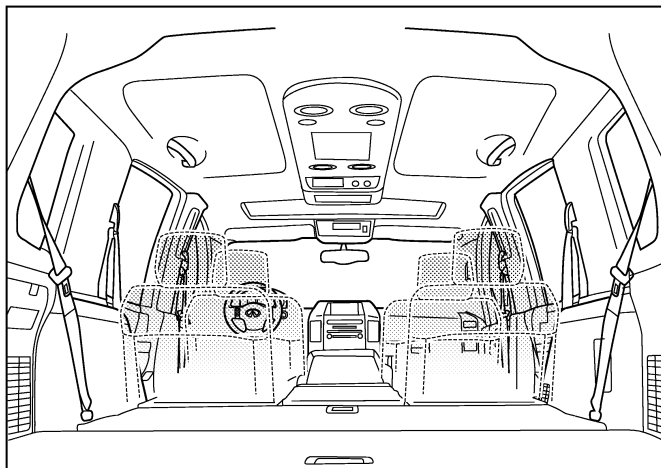
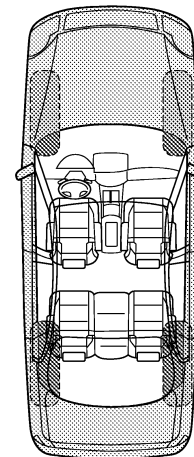
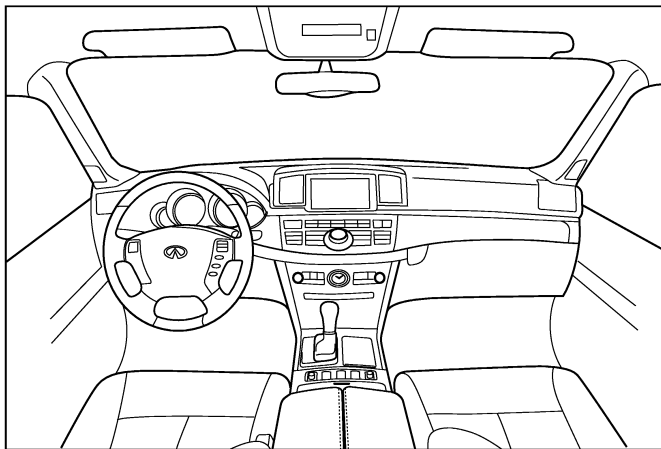
### SQUEAK & RATTLE DIAGNOSTIC WORKSHEET

Dear Infiniti Customer:

We are concerned about your satisfaction with your Infiniti vehicle. Repairing a squeak or rattle sometimes can be very difficult. To help us fix your Infiniti right the first time, please take a moment to note the area of the vehicle where the squeak or rattle occurs and under what conditions. You may be asked to take a test drive with a service consultant or technician to ensure we confirm the noise you are hearing.

#### I. WHERE DOES THE NOISE COME FROM? (circle the area of the vehicle)

The illustrations are for reference only, and may not reflect the actual configuration of your vehicle.



Continue to page 2 of the worksheet and briefly describe the location of the noise or rattle. In addition, please indicate the conditions which are present when the noise occurs.

PIIB8741E

# SQUEAK AND RATTLE TROUBLE DIAGNOSES

< SYMPTOM DIAGNOSIS >

## SQUEAK & RATTLE DIAGNOSTIC WORKSHEET - page 2

Briefly describe the location where the noise occurs:

---

---

### II. WHEN DOES IT OCCUR? (please check the boxes that apply)

- |   |  |
|---|--|
| <input type="checkbox"/> anytime                      | <input type="checkbox"/> after sitting out in the rain |
| <input type="checkbox"/> 1st time in the morning      | <input type="checkbox"/> when it is raining or wet     |
| <input type="checkbox"/> only when it is cold outside | <input type="checkbox"/> dry or dusty conditions       |
| <input type="checkbox"/> only when it is hot outside  | <input type="checkbox"/> other:                        |

### III. WHEN DRIVING:

- through driveways
- over rough roads
- over speed bumps
- only about \_\_\_\_ mph
- on acceleration
- coming to a stop
- on turns: left, right or either (circle)
- with passengers or cargo
- other: \_\_\_\_\_
- after driving \_\_\_\_ miles or \_\_\_\_ minutes

### IV. WHAT TYPE OF NOISE

- squeak (like tennis shoes on a clean floor)
- creak (like walking on an old wooden floor)
- rattle (like shaking a baby rattle)
- knock (like a knock at the door)
- tick (like a clock second hand)
- thump (heavy, muffled knock noise)
- buzz (like a bumble bee)

### TO BE COMPLETED BY DEALERSHIP PERSONNEL

#### Test Drive Notes:

---

---

---

	YES	NO	Initials of person performing
Vehicle test driven with customer	<input type="checkbox"/>	<input type="checkbox"/>	_____
- Noise verified on test drive	<input type="checkbox"/>	<input type="checkbox"/>	_____
- Noise source located and repaired	<input type="checkbox"/>	<input type="checkbox"/>	_____
- Follow up test drive performed to confirm repair	<input type="checkbox"/>	<input type="checkbox"/>	_____

VIN: \_\_\_\_\_ Customer Name: \_\_\_\_\_  
W.O.# \_\_\_\_\_ Date: \_\_\_\_\_

This form must be attached to Work Order

PIIB8742E

A  
B  
C  
D  
E  
F  
G  
H  
I  
IP  
K  
L  
M  
N  
O  
P

# INSTRUMENT PANEL ASSEMBLY

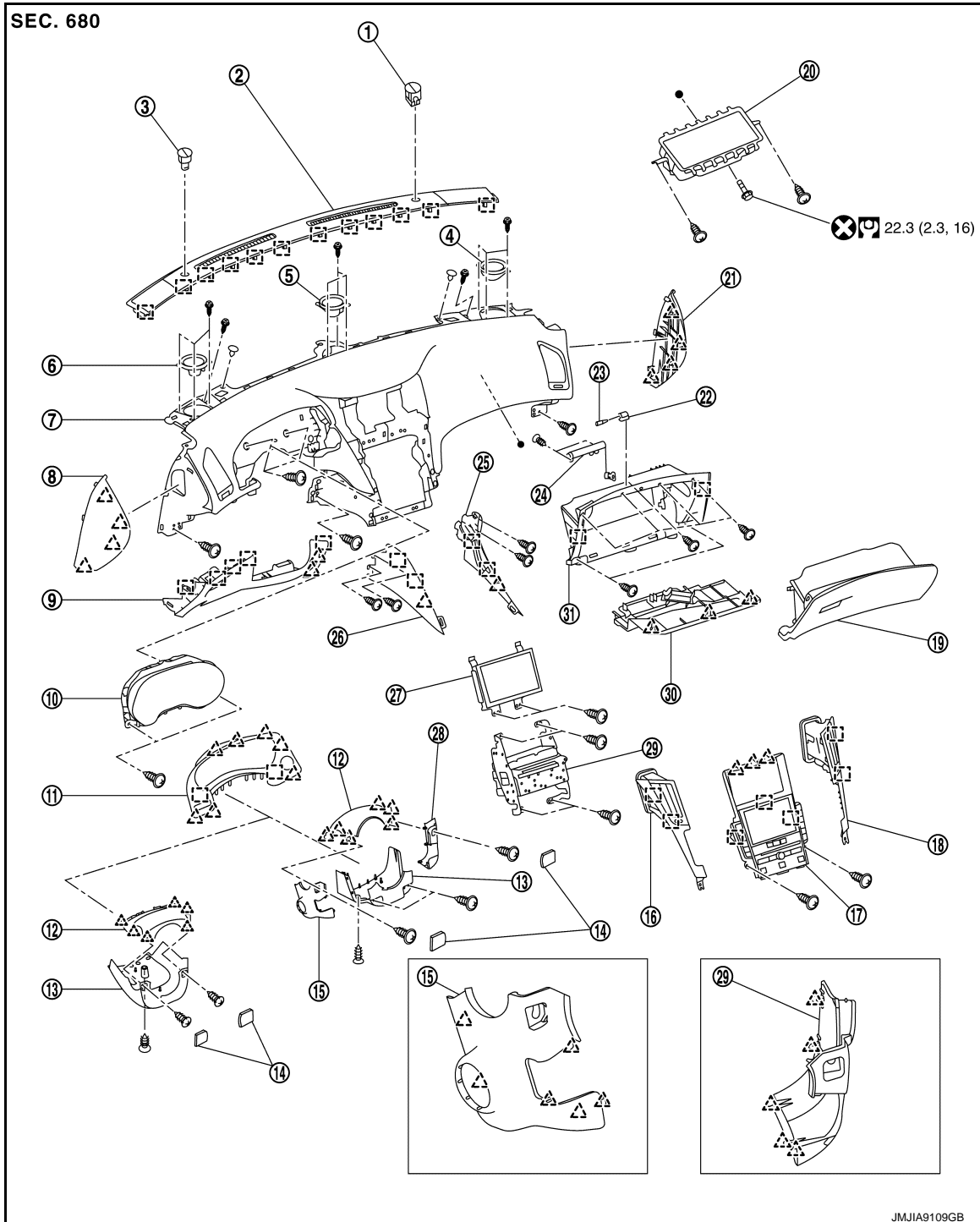
< REMOVAL AND INSTALLATION >

## REMOVAL AND INSTALLATION

### INSTRUMENT PANEL ASSEMBLY

Exploded View

INFOID:000000011284773

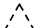


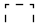
- |                               |                                   |                               |
|-------------------------------|-----------------------------------|-------------------------------|
| ① Optical sensor              | ② Front speaker grille            | ③ Sunload sensor              |
| ④ Squawker RH (with squawker) | ⑤ Center squawker (with squawker) | ⑥ Squawker LH (with squawker) |
| ⑦ Instrument panel assembly   | ⑧ Instrument side finisher LH     | ⑨ Instrument lower panel LH   |
| ⑩ Combination meter           | ⑪ Cluster lid A                   | ⑫ Steering column upper cover |


# INSTRUMENT PANEL ASSEMBLY


## < REMOVAL AND INSTALLATION >

- |   |                            |   |
|---|----------------------------|---|
| ⑬ Steering column lower cover                       | ⑭ Steering column mask     | ⑮ Steering column cover LH<br>(with paddle shifter) |
| ⑯ Instrument finisher D                             | ⑰ Integral switch          | ⑱ Instrument finisher C                             |
| ⑲ Glove box assembly                                | ⑳ Passenger airbag module  | ㉑ Instrument side finisher RH                       |
| ㉒ Bulb & socket housing                             | ㉓ Bulb & socket            | ㉔ Glove box damper                                  |
| ㉕ Instrument side panel RH                          | ㉖ Instrument side panel LH | ㉗ Display control unit                              |
| ㉘ Steering column cover RH<br>(with paddle shifter) | ㉙ AV & NAVI control unit   | ㉚ Instrument lower cover                            |
| ㉛ Instrument lower panel RH                         |                            |   |

 : Pawl

 : Metal clip

 Always replace after every disassembly.

 : N·m (kg-m, ft-lb)

●: Indicates that the part is connected at points with same symbol in actual vehicle.

## Removal and Installation

INFOID:0000000011284774

### WORK STEP

When removing instrument panel assembly, combination meter and display control unit or AV & NAVI control unit take steps in the order shown by the numbers below.

PARTS	INSTRUMENT PANEL ASSEMBLY	COMBINATION METER	DISPLAY CONTROL UNIT OR AV & NAVI CONTROL UNIT
Front body side welt LH	[1]		
Instrument side finisher LH	[2]		
Front pillar garnish LH	[3]		
Instrument lower panel LH	[4]		
Center console assembly	[5]		[1] 1. Center console side finisher LH an RH 2. Console upper finisher 3. Console finisher assembly
Instrument side panel LH	[6]		
Driver air bag module	[7]		
Steering wheel	[8]		
Steering column covers	[9]	[1] Set Steering column to re- armost and lowest position	
Spiral cable	[10]		
Combination switch	[11]		
Cluster lid A	[12]	[2]	
Combination meter	[13]	[3]	
Instrument finisher C and D	[14]		[2]
Integral switch	[15]		[3]
Display control unit	[16]		[4]
AV & Navi control unit	[17]		[5]
Front body side welt RH	[18]		

# INSTRUMENT PANEL ASSEMBLY

## < REMOVAL AND INSTALLATION >

Instrument side finisher RH	[19]		
Front pillar garnish RH	[20]		
Glove box assembly	[21]		
Instrument lower cover	[22]		
Instrument lower panel RH	[23]		
Instrument side panel RH	[24]		
Front speaker grille	[25]		
Squawker LH (with squawker)	[26]		
Center squawker (with squawker)	[27]		
Squawker RH (with squawker)	[28]		
Passenger air bag module harness connector	[29]		
Passenger air bag module mounting bolt	[30]		
Instrument panel assembly	[31]		

[ ]: Number indicates step in removal procedure.

### WARNING:

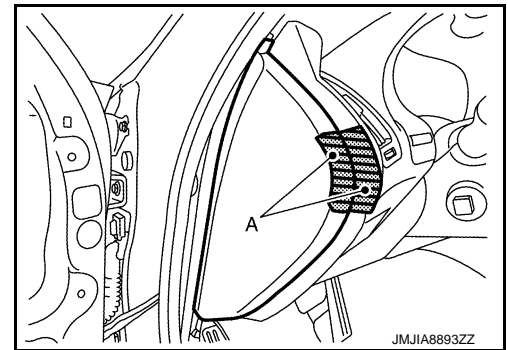
Before servicing, turn ignition switch OFF, disconnect battery negative terminal and wait for 3 minutes or more.

### REMOVAL


#### CAUTION:

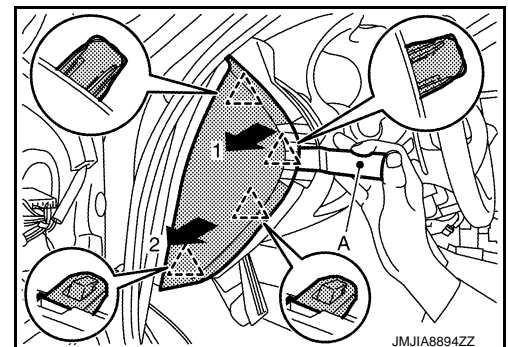
When removing, always use a remover tool that is made of plastic.

1. Release front pillar portion of front body side welt LH. Refer to [INT-28, "BODY SIDE WELT : Removal and Installation"](#).
2. Remove instrument side finisher LH.
  - a. Apply protective tape (A) on the part to protect it from damage.



- b. Pull instrument side finisher LH, and then disengage pawls using a remover tool (A) according to the numerical order 1→2 as shown in the figure.

 : Pawl

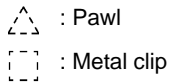


3. Remove front pillar garnish LH. Refer to [INT-24, "FRONT PILLAR GARNISH : Removal and Installation"](#).
4. Remove instrument lower panel LH.
  - a. Disconnect hood lock control cable. Refer to [DLK-219, "HOOD LOCK CONTROL CABLE : Removal and Installation"](#).

# INSTRUMENT PANEL ASSEMBLY

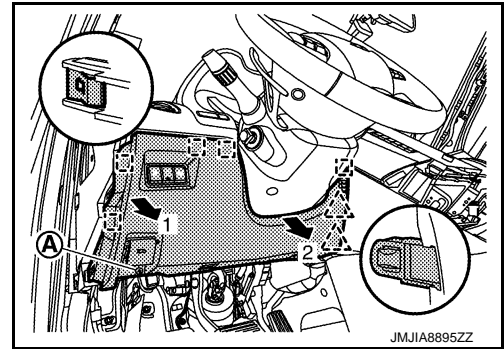
## < REMOVAL AND INSTALLATION >

- b. Remove fixing screw (A).
- c. Pull back instrument lower panel LH, and then disengage pawls and metal clips according to the numerical order 1→2 as shown in the figure.

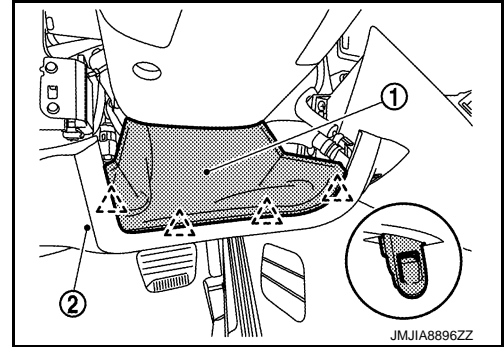
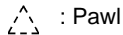


**CAUTION:**

Remove the pawls and metal clips slowly so that they are not damaged.



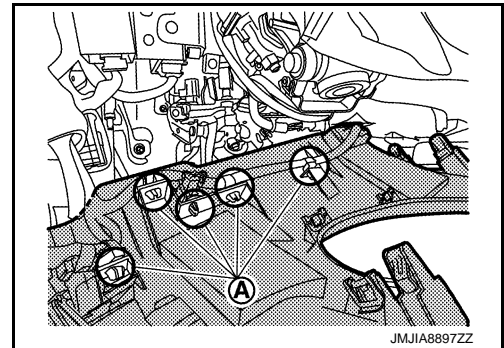
- d. Disengage steering column lower cover apron portion (1) fixing pawls from instrument lower panel LH (2).



- e. Disconnect harness fixing clips, and then remove harness connectors and aspirator duct.

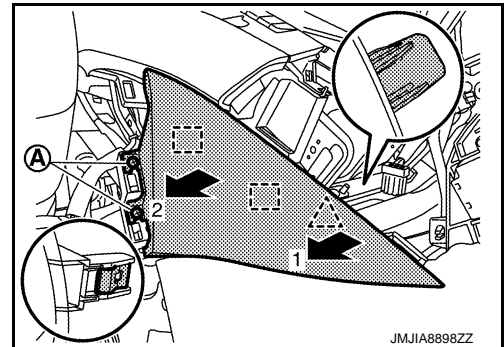
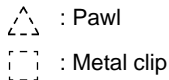
**CAUTION:**

Harness is installed on the back side of instrument lower panel LH using clips (A) as shown in the figure. Remove instrument lower panel LH slowly without pulling it strongly.



5. Remove center console assembly. Refer to [IP-24. "Removal and Installation"](#).
6. Remove instrument side panel LH.

- a. Remove fixing screws (A).
- b. Pull instrument side panel LH, and then disengage pawls and metal clips according to the numerical order 1→2 as shown in the figure.



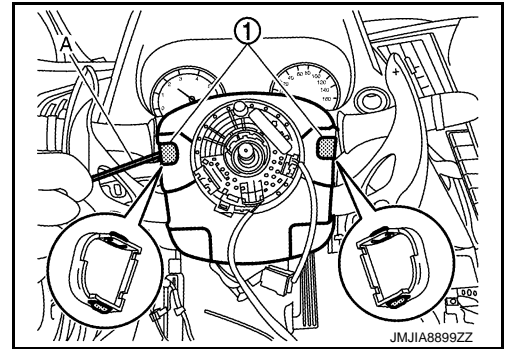
7. Remove driver air bag module. Refer to [SR-17. "Removal and Installation"](#).
8. Remove steering wheel. Refer to the followings:
  - VEHICLE SPEED SENSITIVE P/S: Refer to [ST-31. "Removal and Installation"](#).
  - DIRECT ADAPTIVE STEERING: Refer to [ST-91. "Removal and Installation"](#).
9. Remove steering column covers.
  - a. With paddle shifter.

A  
B  
C  
D  
E  
F  
G  
H  
I  
IP  
K  
L  
M  
N  
O  
P

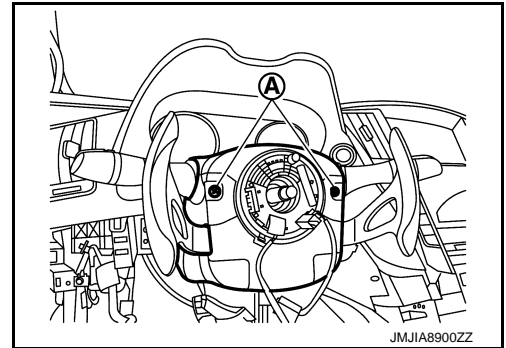
# INSTRUMENT PANEL ASSEMBLY

## < REMOVAL AND INSTALLATION >

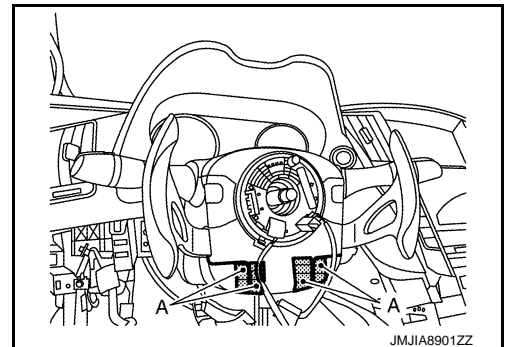
- Remove steering column masks ① with a small flat-bladed screwdriver (A).



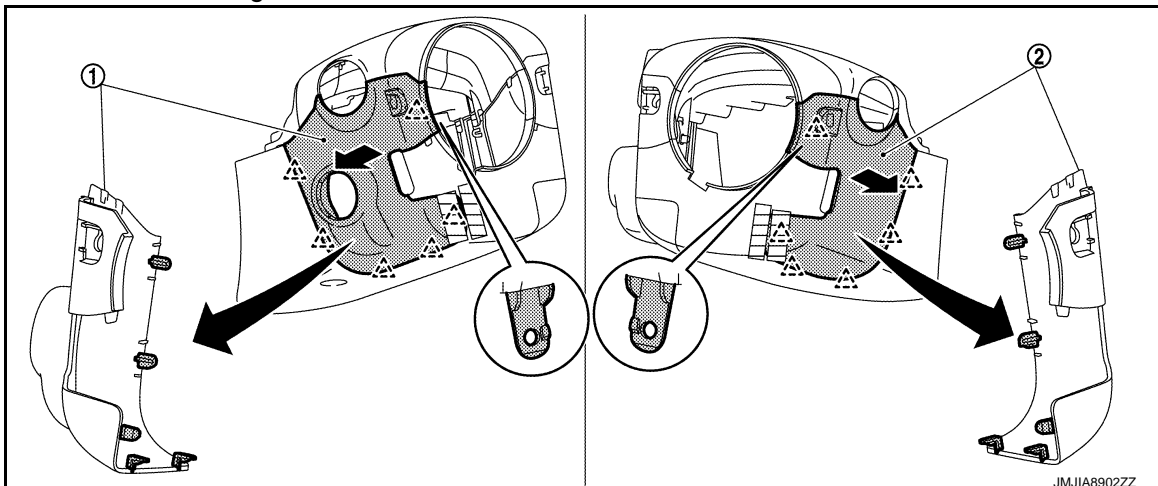
- Remove fixing screws ①.



- Apply protective tape (A) on the part to protect it from damage.



- Disengage pawls of steering column cover LH ① and steering column cover RH ② using a flat-bladed screwdriver.
- Pull up steering column upper cover, and remove steering column cover LH and steering column cover RH as shown in the figure.




△ : Pawl

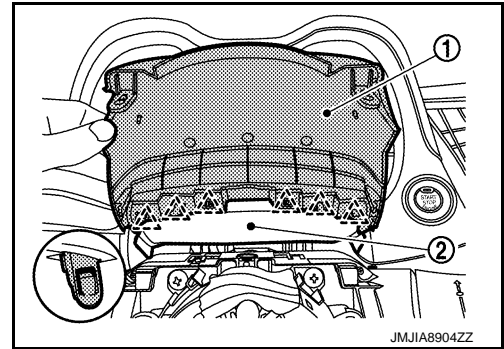


# INSTRUMENT PANEL ASSEMBLY

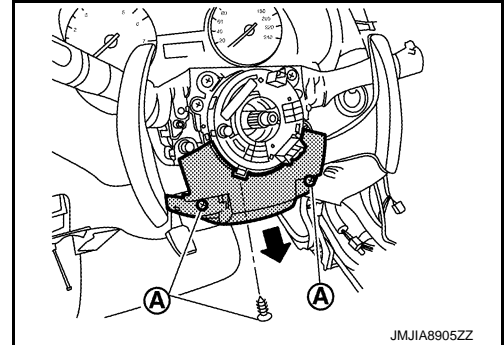
## < REMOVAL AND INSTALLATION >

- Disengage pawls of cluster lid A apron portion ② and remove steering column upper cover ①.

 : Pawl

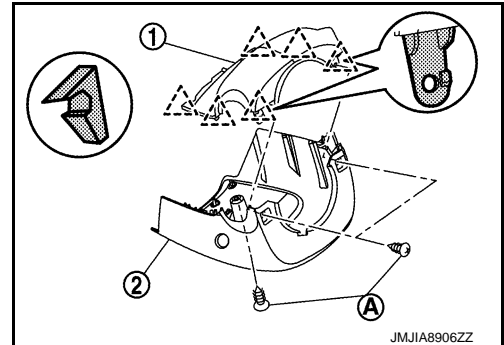


- Remove fixing screws (A) and pull down steering column lower cover.




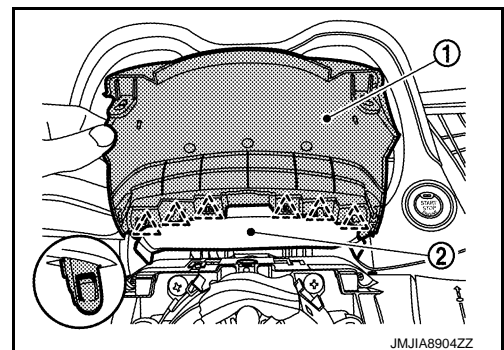
### b. Without paddle shifter.

- Remove steering column masks with a small flat-bladed screwdriver.
- Remove fixing screws (A) from steering column upper cover ① and steering column lower cover ②.



- Disengage pawls of cluster lid A apron portion ② and remove steering column upper cover ①.

 : Pawl



- Pull down steering column lower cover ②, remove harness connector and then remove steering column lower cover.

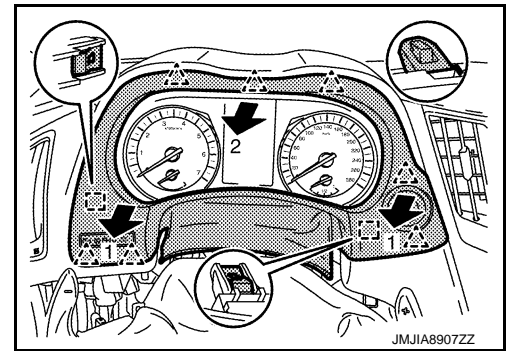
- Remove spiral cable. Refer to [SR-22. "Removal and Installation"](#).
- Remove combination switch. Refer to [BCS-99. "Removal and Installation"](#).
- Remove cluster lid A.
  - Cover steering shaft with a shop cloth to prevent damage.

# INSTRUMENT PANEL ASSEMBLY

## < REMOVAL AND INSTALLATION >

- b. Pull back cluster lid A, and then disengage pawls and metal clips according to the numerical order 1→2 as shown in the figure.

- △ : Pawl  
□ : Metal clip

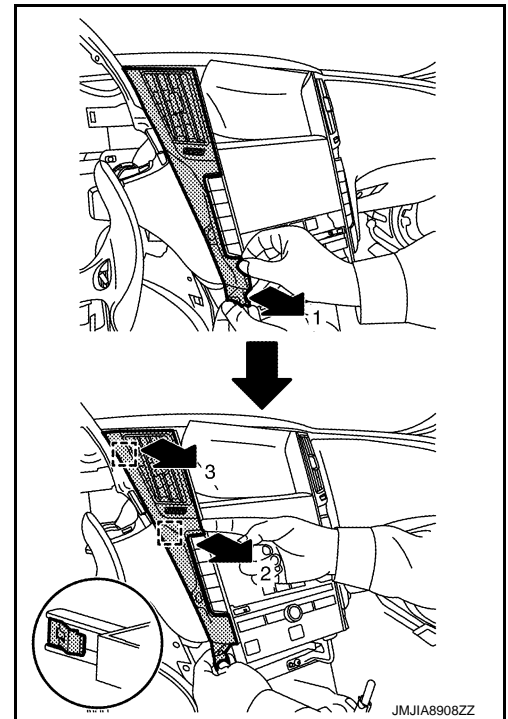


13. Remove combination meter. Refer to [MWI-126. "Removal and Installation"](#).

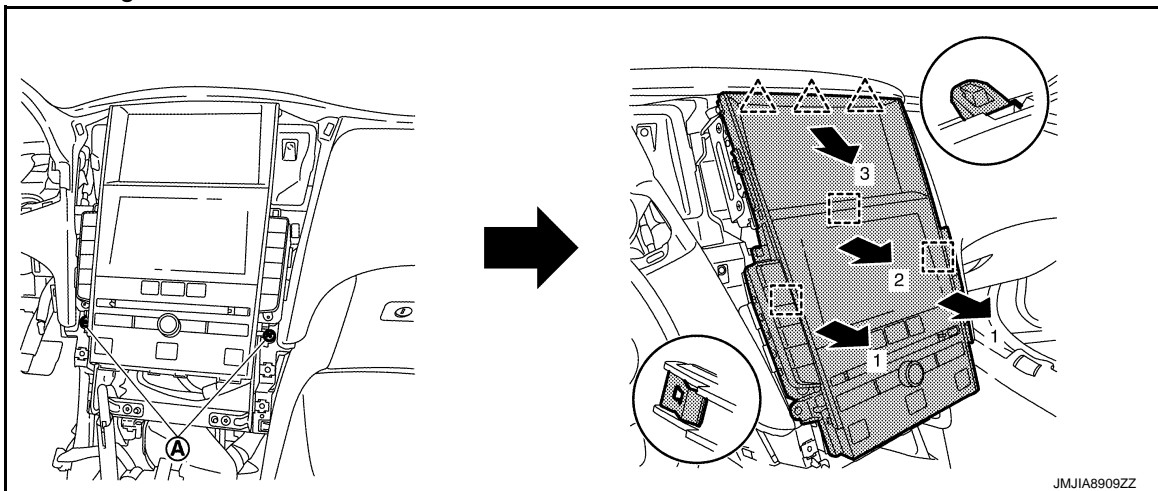
14. Remove instrument finisher C and D.

- a. Pull back instrument finisher, and then disengage the fixing metal clips according to the numerical order 1→3 as shown in the figure.

- : Metal clip



15. Remove integral switch.



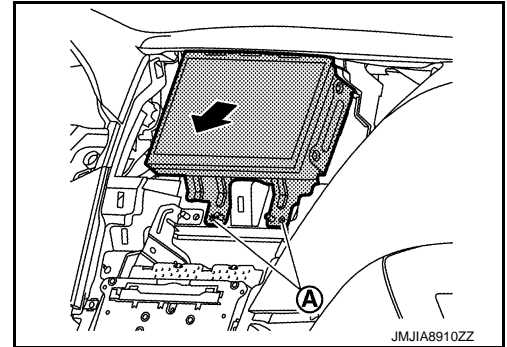
- △ : Pawl  
□ : Metal clip

- a. Remove fixing screw (A).

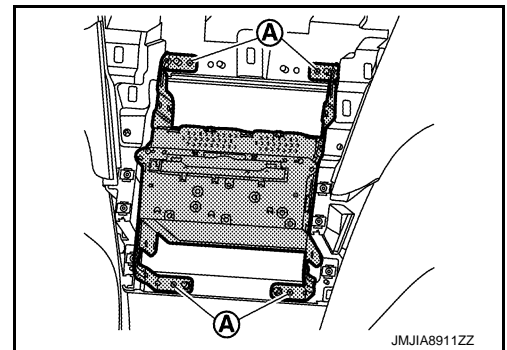
# INSTRUMENT PANEL ASSEMBLY

## < REMOVAL AND INSTALLATION >

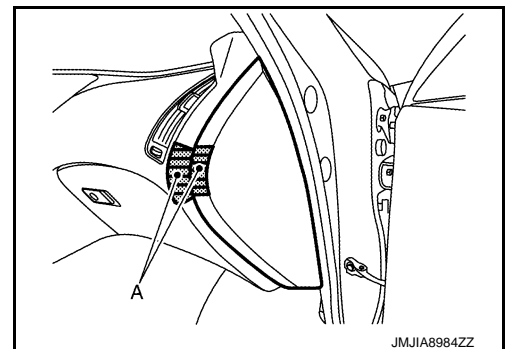
- b. Disengage integral switch pawls and metal clips according to the numerical order 1→3 as shown in the figure above.
- c. Disconnect harness connectors and remove integral switch.
- 16. Remove display control unit.
  - a. Remove fixing screws (A).
  - b. Pull back display control unit to remove.




- c. Disconnect harness connectors and remove display control unit.
- 17. Remove AV & NAVI control unit.
  - a. Remove fixing screws (A).

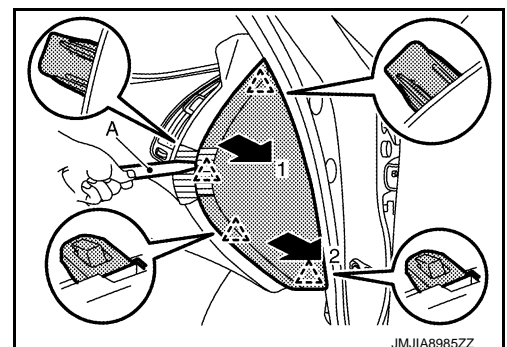


- b. Pull back AV & NAVI control unit to remove.
- c. Disconnect harness connector.
- 18. Release front pillar portion of front body side welt RH. Refer to [INT-28. "BODY SIDE WELT : Removal and Installation"](#).
- 19. Remove instrument side finisher RH.
  - a. Apply protective tape (A) on the part to protect it from damage.



- b. Pull instrument side finisher RH, and then disengage pawls using a remover tool (A) according to the numerical order 1→2 as shown in the figure.

 : Pawl

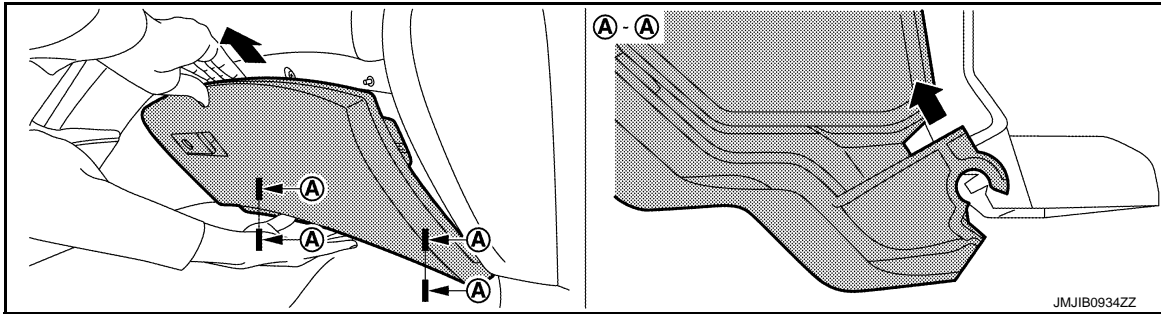


A  
B  
C  
D  
E  
F  
G  
H  
I  
IP  
K  
L  
M  
N  
O  
P

# INSTRUMENT PANEL ASSEMBLY

## < REMOVAL AND INSTALLATION >

20. Remove front pillar garnish RH. Refer to [INT-24, "FRONT PILLAR GARNISH : Removal and Installation"](#).
21. Remove glove box assembly.
  - a. Open glove box assembly approximately 50 mm.
  - b. Pull glove box assembly toward the direction of the arrow as shown in the figure to disengage joint from instrument lower panel RH.



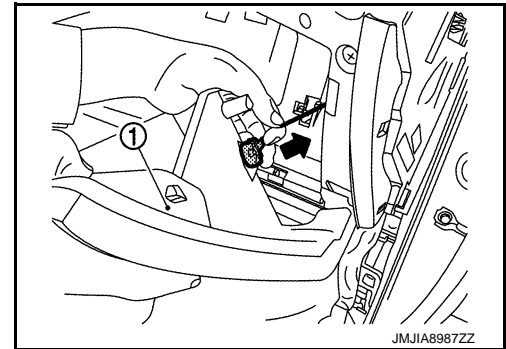
**CAUTION:**

If working in a state that fully opened glove box assembly, parts may be damaged due mating strong. Pull glove box assembly diagonally upward in a state that opened it approximately 50 mm.

- c. Pull glove box assembly damper string and remove it from glove box assembly ①.

**CAUTION:**

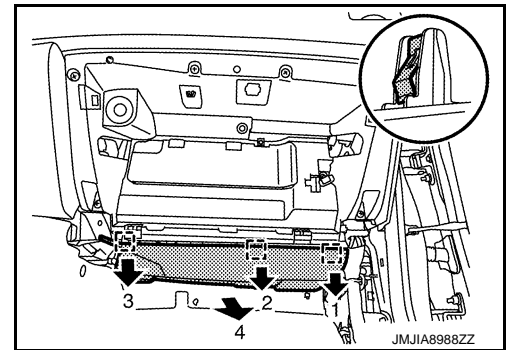
Never excessively pull damper string.



22. Remove instrument lower cover.

- a. Pull downward to disengage the fixing metals clips in the numerical order 1→4 as shown in the figure.

 : Metal clip

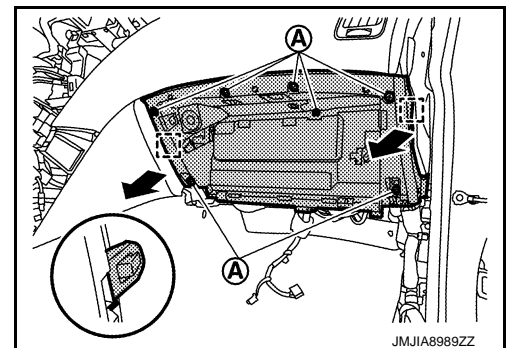


- b. Pull back instrument lower cover.
  - c. Disconnect harness connectors.

23. Remove instrument lower panel RH.

- a. Remove instrument lower panel RH fixing screws (A).
  - b. Pull back instrument lower panel RH, and then disengage the fixing metal clips.

 : Metal clip



# INSTRUMENT PANEL ASSEMBLY

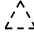
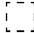
## < REMOVAL AND INSTALLATION >

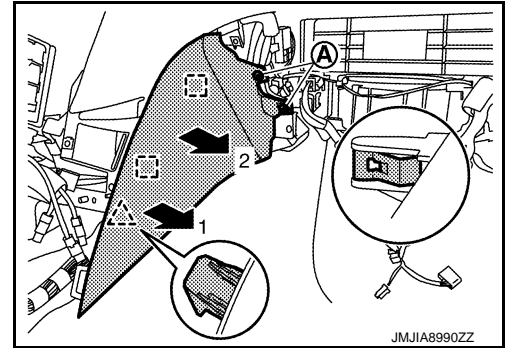
c. Disconnect harness connector.

24. Remove instrument side panel RH

a. Remove fixing screws (A).

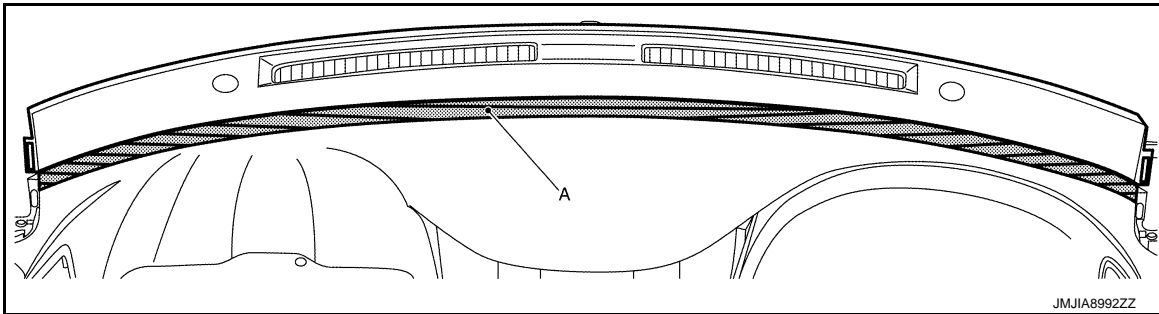
b. Pull instrument side panel RH, and then disengage pawls and metal clips according to the numerical order 1→2 as shown in the figure.

 : Pawl  
 : Metal clip

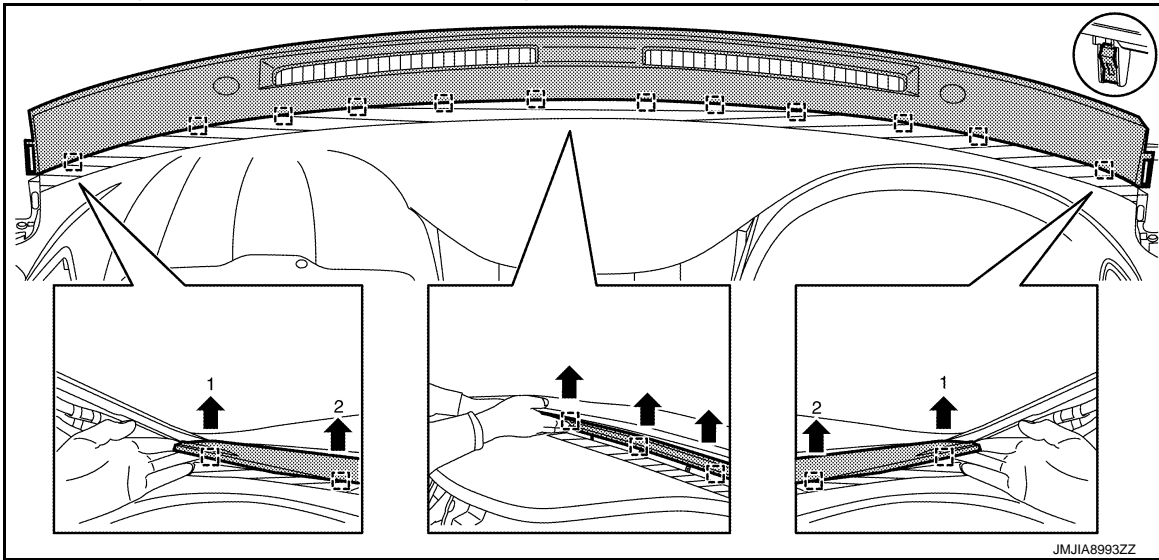


25. Remove front speaker grille.

a. Apply protective tape (A) on the part to protect it from damage.



b. Disengage front speaker grille fixing metal clips starting from both sides and work toward the center of the front speaker grille as 1→2 as shown in the figure.



 : Metal clip

c. Disconnect optical sensor and sunload sensor harness connector.

26. Remove front squawker LH. Refer to [AV-277, "Removal and Installation"](#).

27. Remove center squawker. Refer to [AV-278, "Removal and Installation"](#).

28. Remove front squawker RH. Refer to [AV-277, "Removal and Installation"](#).

29. Disconnect passenger air bag module harness connector. Refer to [SR-25, "Removal and Installation"](#).

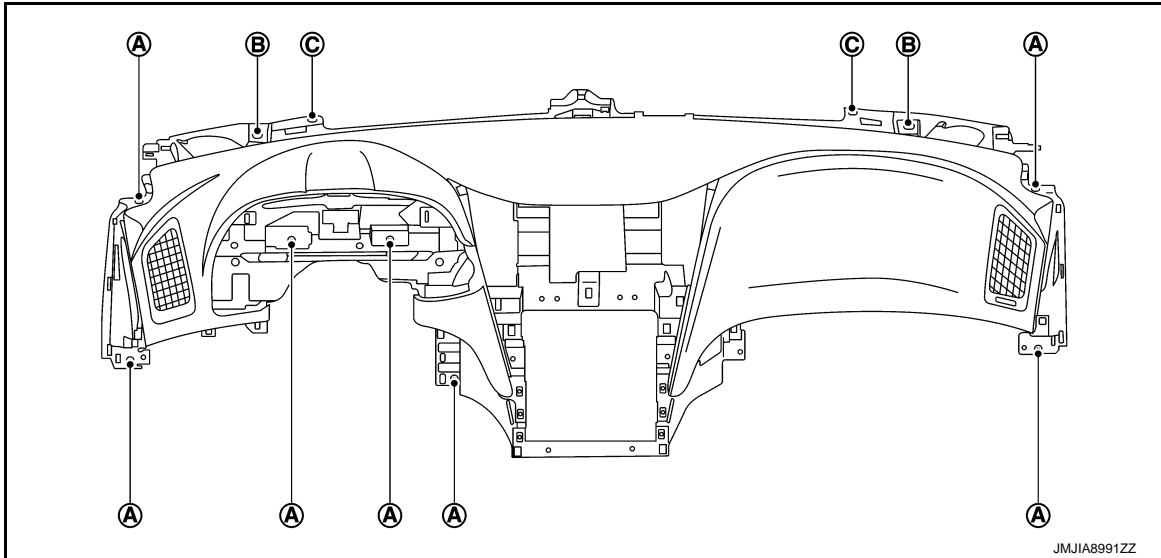
30. Remove passenger air bag module mounting bolt.

31. Remove instrument panel assembly.

# INSTRUMENT PANEL ASSEMBLY

## < REMOVAL AND INSTALLATION >

- a. Remove instrument panel assembly fixing screws (A), mounting bolt (B) and clip (C).



- b. Disengage harness of front pillar LH and RH portions from instrument panel assembly.  
c. Remove harness fixing clips and disengage harness from instrument panel assembly.  
d. Remove instrument panel assembly from passenger door opening portion.
- CAUTION:**
- Cover shift selector upper surface with a shop cloth to prevent it from being damaged.
  - When removing instrument panel assembly, 2 workers are required to prevent it from dropping.
32. Remove the following parts after removing instrument panel assembly.
- Passenger air bag module: Refer to [SR-25, "Removal and Installation"](#).
  - Side ventilator grille (LH and RH): Refer to [VTL-8, "SIDE VENTILATOR GRILLE : Removal and Installation"](#).

## INSTALLATION

Note the following items, and then install in the reverse order of removal.

### **CAUTION:**

- Never use the steering wheel mounting nut after removal, replace with the new nut.
- Never use the driver air bag module mounting bolts after removal, replace with the new bolts.
- Never use the passenger air bag module mounting bolts after removal, replace with the new bolts.

# CENTER CONSOLE ASSEMBLY

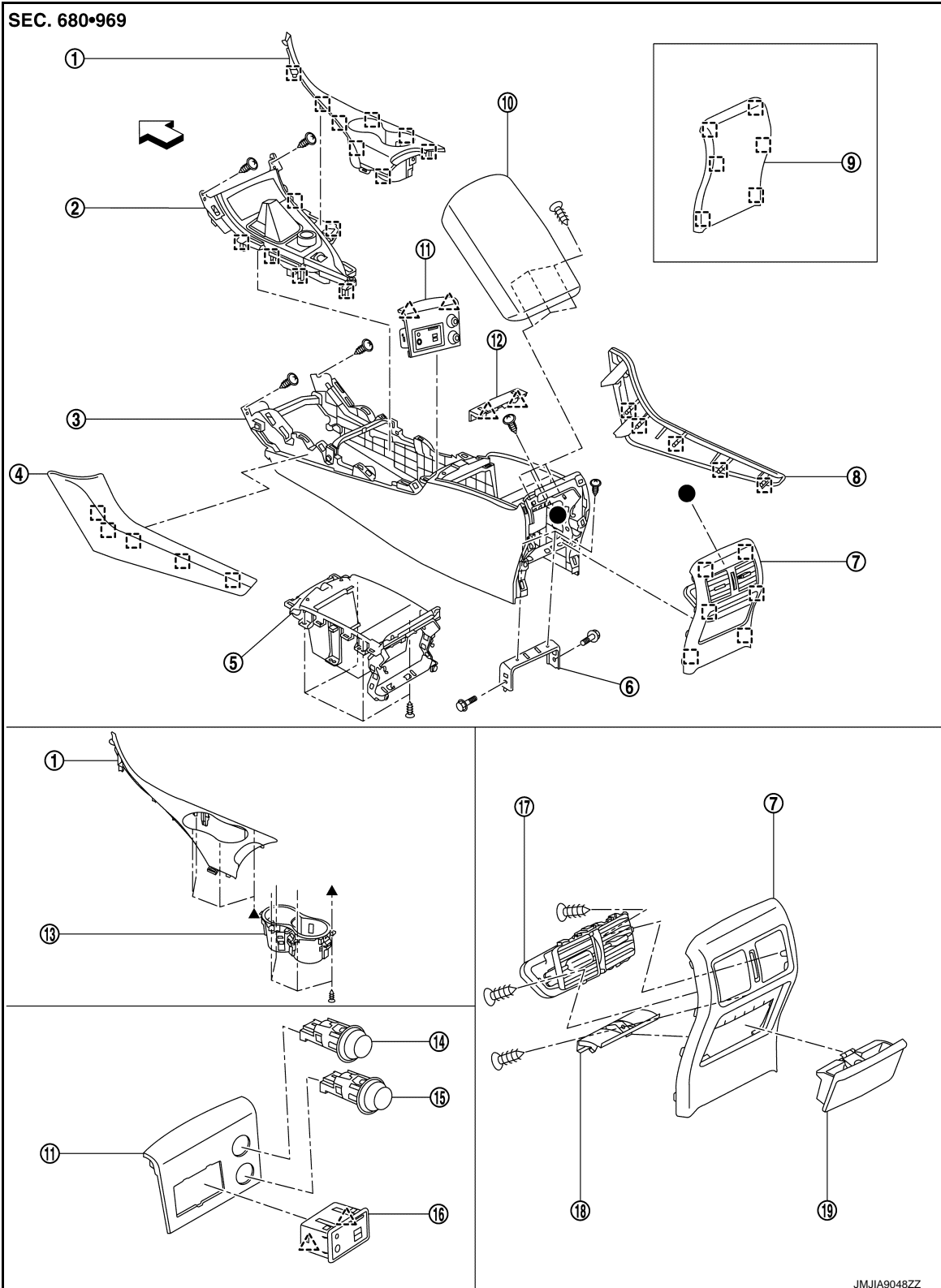
< REMOVAL AND INSTALLATION >

## CENTER CONSOLE ASSEMBLY

Exploded View

INFOID:000000011284775

### CENTER CONSOLE ASSEMBLY



- |                                   |                                 |                           |
|-----------------------------------|---------------------------------|---------------------------|
| ① Console upper finisher          | ② Console finisher assembly     | ③ Center console assembly |
| ④ Center console side finisher LH | ⑤ Console reinforcement bracket | ⑥ Console rear bracket    |

A  
B  
C  
D  
E  
F  
G  
H  
I  
IP  
K  
L  
M  
N  
O  
P

# CENTER CONSOLE ASSEMBLY

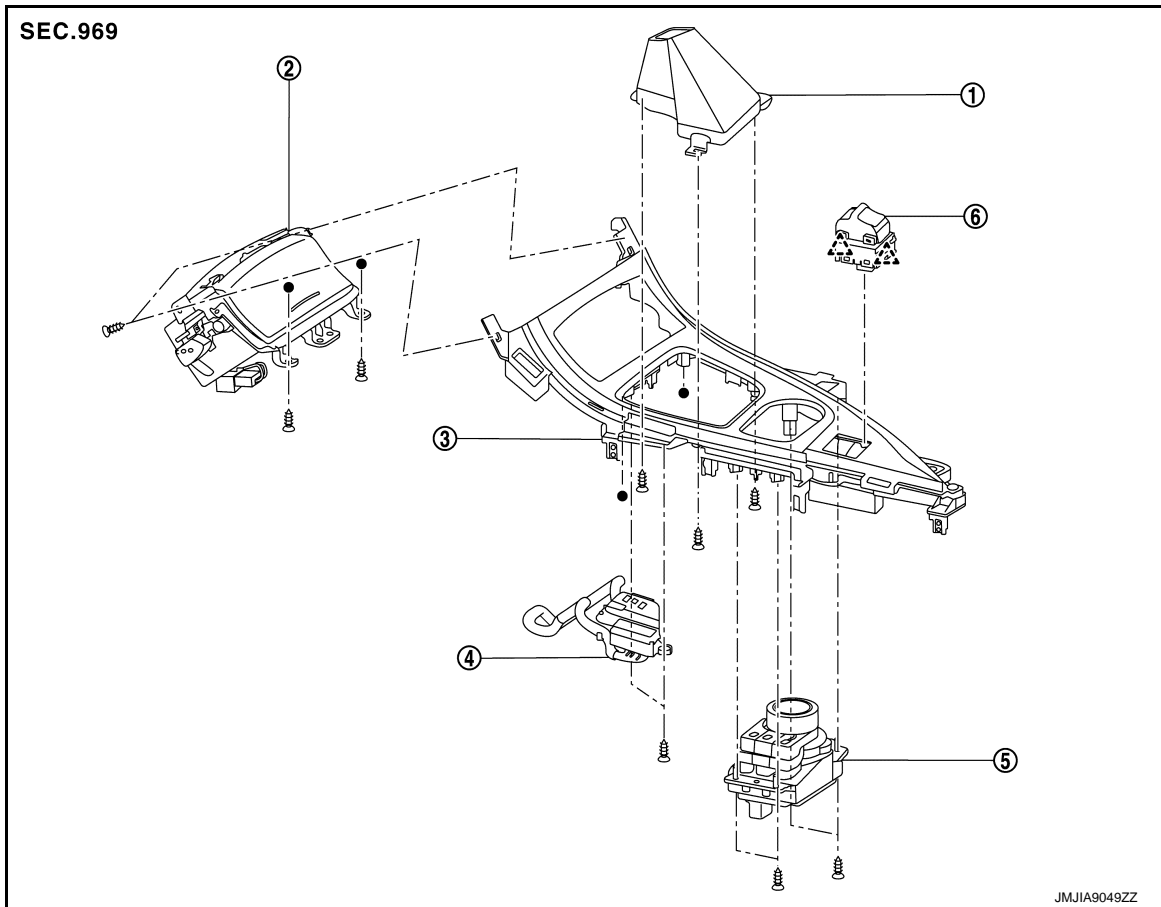
## < REMOVAL AND INSTALLATION >

- |   |                                   |  |
|---|-----------------------------------|--|
| ⑦ Console rear finisher assembly (with rear ventilator) | ⑧ Center console side finisher RH | ⑨ Console rear finisher assembly (without rear ventilator) |
| ⑩ Console lid assembly                                  | ⑪ Center console finisher         | ⑫ Console mask   |
| ⑬ Cup holder assembly                                   | ⑭ Power socket assembly           | ⑮ Power socket assembly                                    |
| ⑯ External data input box                               | ⑰ Rear ashtray console bracket    | ⑱ Rear ashtray console                                     |
| ⑲ Rear ventilator grille (with rear ventilator)         |                                   |  |

- △ : Pawl  
 □ : Metal clip  
 ← : Vehicle front

●, ▲: Indicates that the part is connected at points with same symbol in actual vehicle.

### CONSOLE FINISHER ASSEMBLY



- |                                     |                                 |                             |
|-------------------------------------|---------------------------------|-----------------------------|
| ① Console finisher boot             | ② Console front pocket assembly | ③ Console finisher assembly |
| ④ Selector lever position indicator | ⑤ Multifunction switch          | ⑥ Drive mode select switch  |

△ : Pawl

●: Indicates that the part is connected at points with same symbol in actual vehicle.

## Removal and Installation

INFOID:0000000011284776

### **WARNING:**

**Before servicing, turn ignition switch OFF, disconnect battery negative terminal and wait for 3 minutes or more.**

### REMOVAL

### **CAUTION:**

**When removing, always use a remover tool that is made of plastic.**

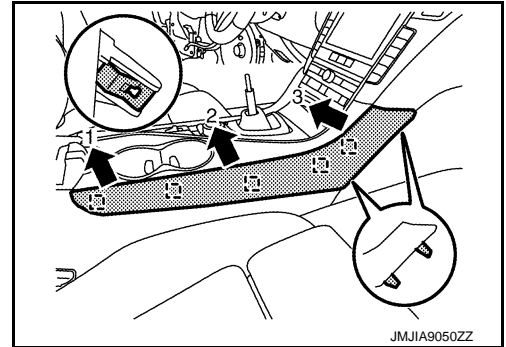


# CENTER CONSOLE ASSEMBLY

## < REMOVAL AND INSTALLATION >

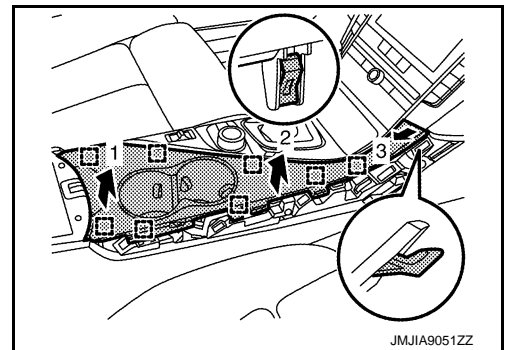
1. Put selector lever in "N" position.
2. Remove selector lever knob. Refer to [TM-207, "Removal and Installation"](#).
3. Remove center console side finisher LH and RH.
  - a. Put front seat assembly LH and RH to rearmost position.
  - b. Pull instrument center console side finisher and then disengage metal clips according to the numerical order 1→3 as shown in the figure.

 : Metal clip

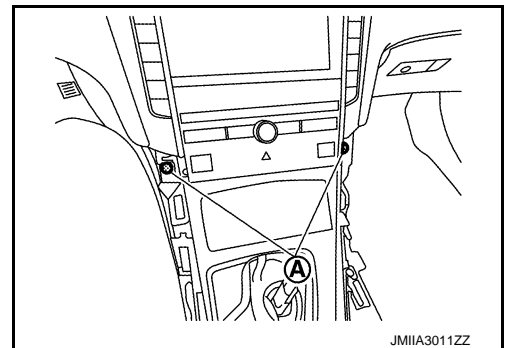


4. Remove console upper finisher
  - a. Pull up console upper finisher, and then disengage the fixing metal clips according to the numerical order 1→2 as shown in the figure.
  - b. Pull out the front part of console upper finisher to remove the guide as shown by the arrow 3 and remove console upper finisher.

 : Metal clip

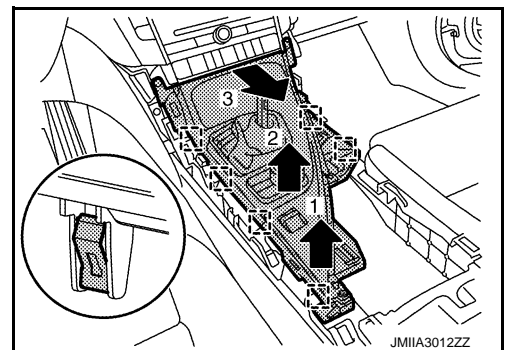


5. Remove console finisher assembly.
  - a. Remove console finisher assembly fixing screws (A).



- b. Pull up console finisher assembly, and then disengage metal clips according to the numerical order 1→3 as shown in the figure.

 : Metal clip




- c. Disconnect all the harness connectors and remove console finisher assembly.
6. Remove console mask.

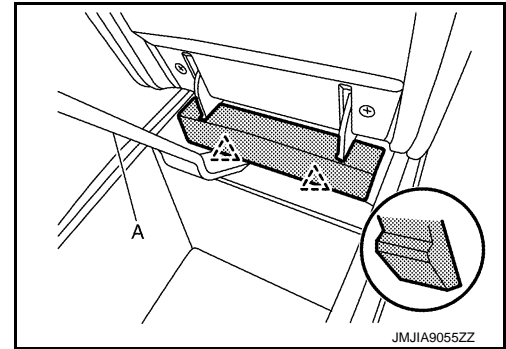
A  
B  
C  
D  
E  
F  
G  
H  
I  
IP  
K  
L  
M  
N  
O  
P

# CENTER CONSOLE ASSEMBLY

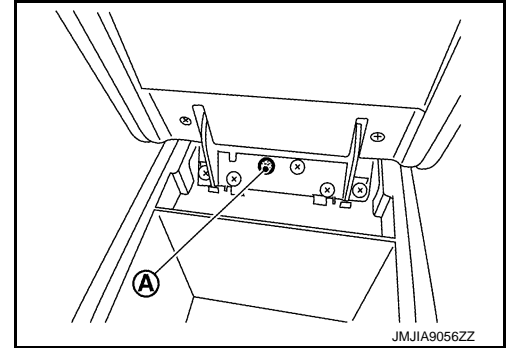
## < REMOVAL AND INSTALLATION >

- a. Open the console lid.
- b. Disengage console mask fixing pawl with a remover tool (A).

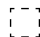
 : Pawl

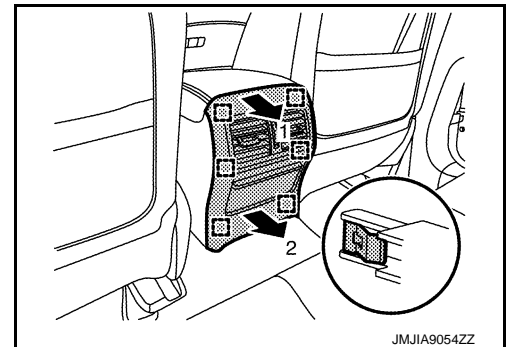


7. Remove console rear finisher assembly.
  - a. Remove console rear finisher assembly fixing screw (A).

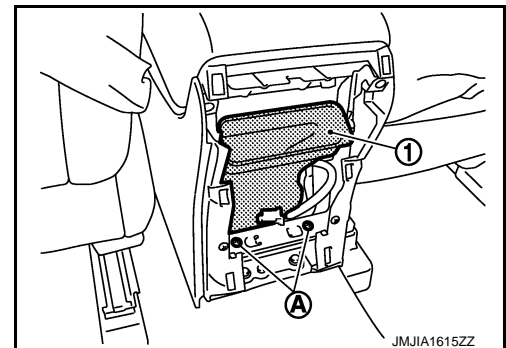


- b. Pull back console rear finisher assembly, and then disengage metal clips according to the numerical order 1→2 as shown in the figure.

 : Metal clip



8. Remove rear floor duct 3 (1). Refer to [VTL-14. "REAR FLOOR DUCT 3 : Removal and Installation"](#).
9. Remove center console assembly fixing screws (A).

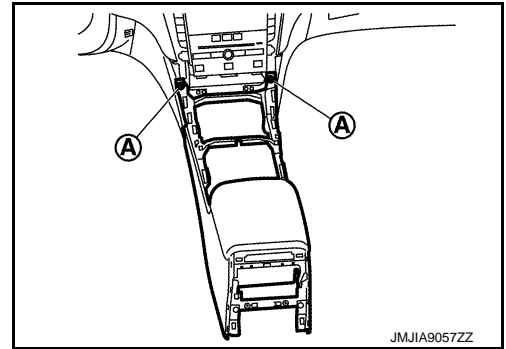


10. Remove center console assembly.

# CENTER CONSOLE ASSEMBLY

## < REMOVAL AND INSTALLATION >

- a. Remove center console assembly fixing screws (A).
- b. Lift up center console assembly back side.
- c. Disconnect harness connector.



11. Remove the following part after removing center console assembly.  
Rear ventilator grille. Refer to [VTL-12, "REAR VENTILATOR GRILLE : Removal and Installation"](#).

## INSTALLATION

Install in the reverse order of removal.

## Disassembly and Assembly

INFOID:000000011284777

## Disassembly and Assembly of Center Console Assembly

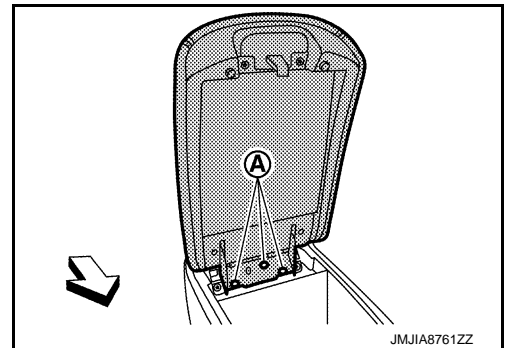
### **CAUTION:**

**When disassembling, always use a remover tool that is made of plastic.**

## DISASSEMBLY

1. Remove console lid fixing screws (A).

← : Vehicle front

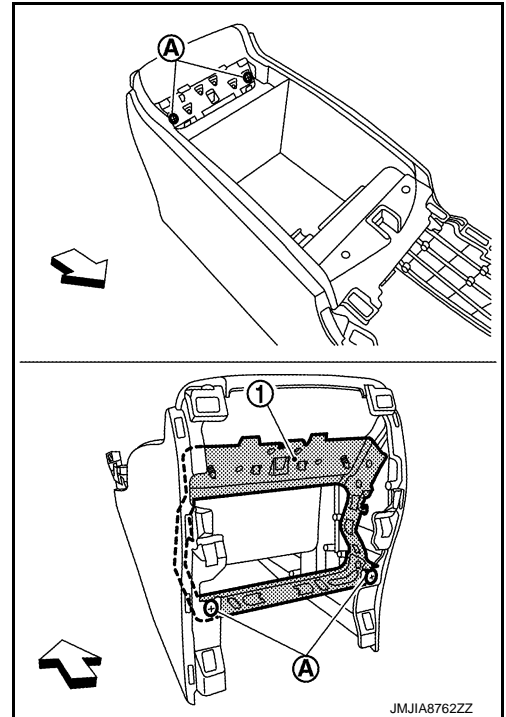


# CENTER CONSOLE ASSEMBLY

## < REMOVAL AND INSTALLATION >

2. Remove console reinforcement ① fixing screws ①.

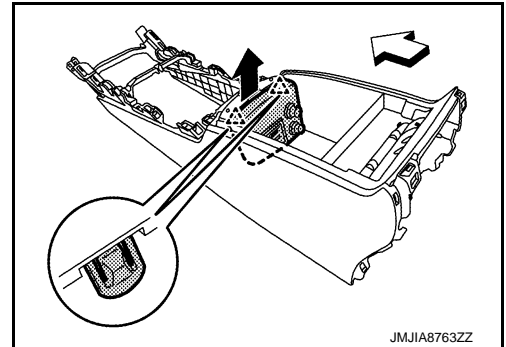
↔ : Vehicle front



3. Disengage center console finisher fixing pawls and remove center console finisher.

△ : Pawl

↔ : Vehicle front



## ASSEMBLY

Assemble in the reverse order of disassembly.