

SECTION **MIR**
MIRRORS

A
B
C
D
E
F
G
H
I
J
K
MIR
M
N
O
P

CONTENTS

	WITH ADP	List of ECU Reference	14
PRECAUTION	3	WIRING DIAGRAM	15
PRECAUTIONS	3	DOOR MIRROR SYSTEM (WITH AUTOMAT- IC DRIVE POSITIONER)	15
Precaution for Supplemental Restraint System (SRS) "AIR BAG" and "SEAT BELT PRE-TEN- SIONER"	3	Wiring Diagram	15
Precautions for Removing Battery Terminal	3	AUTO ANTI-DAZZLING MIRROR SYSTEM	23
PREPARATION	4	Wiring Diagram	23
PREPARATION	4	BASIC INSPECTION	27
Commercial Service Tools	4	DIAGNOSIS AND REPAIR WORK FLOW	27
SYSTEM DESCRIPTION	5	Work Flow	27
COMPONENT PARTS	5	DTC/CIRCUIT DIAGNOSIS	28
Component Parts Location	5	DOOR MIRROR REMOTE CONTROL SWITCH	28
Power Window Main Switch (Door Mirror Remote Control Switch)	5	MIRROR SWITCH	28
SYSTEM	7	MIRROR SWITCH : Component Function Check....	28
DOOR MIRROR SYSTEM	7	MIRROR SWITCH : Diagnosis Procedure	28
DOOR MIRROR SYSTEM : System Description	7	MIRROR SWITCH : Component Inspection	29
DOOR MIRROR SYSTEM : Circuit Diagram	8	CHANGEOVER SWITCH	30
AUTO ANTI-DAZZLING INSIDE MIRROR SYS- TEM	8	CHANGEOVER SWITCH : Component Function Check	30
AUTO ANTI-DAZZLING INSIDE MIRROR SYS- TEM : System Description	8	CHANGEOVER SWITCH : Diagnosis Procedure....	30
AUTO ANTI-DAZZLING INSIDE MIRROR SYS- TEM : Component Description	9	CHANGEOVER SWITCH : Component Inspec- tion	31
DIAGNOSIS SYSTEM (DRIVER SEAT CON- TROL UNIT)	10	SYMPTOM DIAGNOSIS	33
CONSULT Function	10	DOOR MIRROR DOES NOT OPERATE	33
ECU DIAGNOSIS INFORMATION	14	Diagnosis Procedure	33
DRIVER SEAT CONTROL UNIT, AUTOMAT- IC DRIVE POSITIONER CONTROL UNIT	14	AUTO ANTI-DAZZLING OUTSIDE MIRROR DOES NOT OPERATE	34
		Diagnosis Procedure	34

SQUEAK AND RATTLE TROUBLE DIAG- NOSES	35	AUTO ANTI-DAZZLING INSIDE MIRROR SYS- TEM	55
Work Flow	35	AUTO ANTI-DAZZLING INSIDE MIRROR SYS- TEM : System Description	55
Inspection Procedure	37	AUTO ANTI-DAZZLING INSIDE MIRROR SYS- TEM : Component Description	55
Diagnostic Worksheet	39	WIRING DIAGRAM	56
REMOVAL AND INSTALLATION	41	DOOR MIRROR SYSTEM (WITHOUT AUTO- MATIC DRIVE POSITIONER)	56
INSIDE MIRROR	41	Wiring Diagram	56
Exploded View	41	DTC/CIRCUIT DIAGNOSIS	60
Removal and Installation	42	DOOR MIRROR REMOTE CONTROL SWITCH (MIRROR SWITCH/CHANGEVER SWITCH)	60
DOOR MIRROR	45	Component Inspection	60
Exploded View	45	SYMPTOM DIAGNOSIS	61
DOOR MIRROR	45	SQUEAK AND RATTLE TROUBLE DIAG- NOSES	61
DOOR MIRROR : Removal and Installation	45	Work Flow	61
DOOR MIRROR : Disassembly and Assembly	46	Inspection Procedure	63
DOOR MIRROR BASE	51	Diagnostic Worksheet	65
DOOR MIRROR BASE : Removal and Installation..	51	REMOVAL AND INSTALLATION	67
WITHOUT ADP		INSIDE MIRROR	67
PRECAUTION	53	Exploded View	67
PRECAUTIONS	53	Removal and Installation	68
Precaution for Supplemental Restraint System (SRS) "AIR BAG" and "SEAT BELT PRE-TEN- SIONER"	53	DOOR MIRROR	71
Precautions for Removing Battery Terminal	53	Exploded View	71
PREPARATION	54	DOOR MIRROR	71
PREPARATION	54	DOOR MIRROR : Removal and Installation	71
Commercial Service Tools	54	DOOR MIRROR : Disassembly and Assembly	72
SYSTEM DESCRIPTION	55	DOOR MIRROR BASE	76
SYSTEM	55	DOOR MIRROR BASE : Removal and Installation..	77
DOOR MIRROR SYSTEM	55		
DOOR MIRROR SYSTEM : Component Descrip- tion	55		

PRECAUTION

PRECAUTIONS

Precaution for Supplemental Restraint System (SRS) "AIR BAG" and "SEAT BELT PRE-TENSIONER"

INFOID:000000011285717

The Supplemental Restraint System such as "AIR BAG" and "SEAT BELT PRE-TENSIONER", used along with a front seat belt, helps to reduce the risk or severity of injury to the driver and front passenger for certain types of collision. This system includes seat belt switch inputs and dual stage front air bag modules. The SRS system uses the seat belt switches to determine the front air bag deployment, and may only deploy one front air bag, depending on the severity of a collision and whether the front occupants are belted or unbelted. Information necessary to service the system safely is included in the "SRS AIR BAG" and "SEAT BELT" of this Service Manual.

WARNING:

Always observe the following items for preventing accidental activation.

- To avoid rendering the SRS inoperative, which could increase the risk of personal injury or death in the event of a collision that would result in air bag inflation, all maintenance must be performed by an authorized NISSAN/INFINITI dealer.
- Improper maintenance, including incorrect removal and installation of the SRS, can lead to personal injury caused by unintentional activation of the system. For removal of Spiral Cable and Air Bag Module, see "SRS AIR BAG".
- Never use electrical test equipment on any circuit related to the SRS unless instructed to in this Service Manual. SRS wiring harnesses can be identified by yellow and/or orange harnesses or harness connectors.

PRECAUTIONS WHEN USING POWER TOOLS (AIR OR ELECTRIC) AND HAMMERS

WARNING:

Always observe the following items for preventing accidental activation.

- When working near the Air Bag Diagnosis Sensor Unit or other Air Bag System sensors with the ignition ON or engine running, never use air or electric power tools or strike near the sensor(s) with a hammer. Heavy vibration could activate the sensor(s) and deploy the air bag(s), possibly causing serious injury.
- When using air or electric power tools or hammers, always switch the ignition OFF, disconnect the battery, and wait at least 3 minutes before performing any service.

Precautions for Removing Battery Terminal

INFOID:000000011584050

- When removing the 12V battery terminal, turn OFF the ignition switch and wait at least 30 seconds.

NOTE:

ECU may be active for several tens of seconds after the ignition switch is turned OFF. If the battery terminal is removed before ECU stops, then a DTC detection error or ECU data corruption may occur.

- For vehicles with the 2-batteries, be sure to connect the main battery and the sub battery before turning ON the ignition switch.

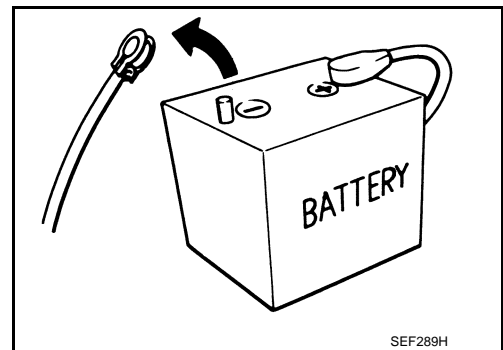
NOTE:

If the ignition switch is turned ON with any one of the terminals of main battery and sub battery disconnected, then DTC may be detected.

- After installing the 12V battery, always check "Self Diagnosis Result" of all ECUs and erase DTC.

NOTE:

The removal of 12V battery may cause a DTC detection error.



A
B
C
D
E
F
G
H
I
J
K
M
N
O
P

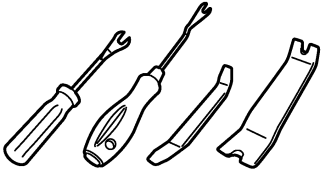
MIR

PREPARATION

PREPARATION

Commercial Service Tools

INFOID:0000000011285718

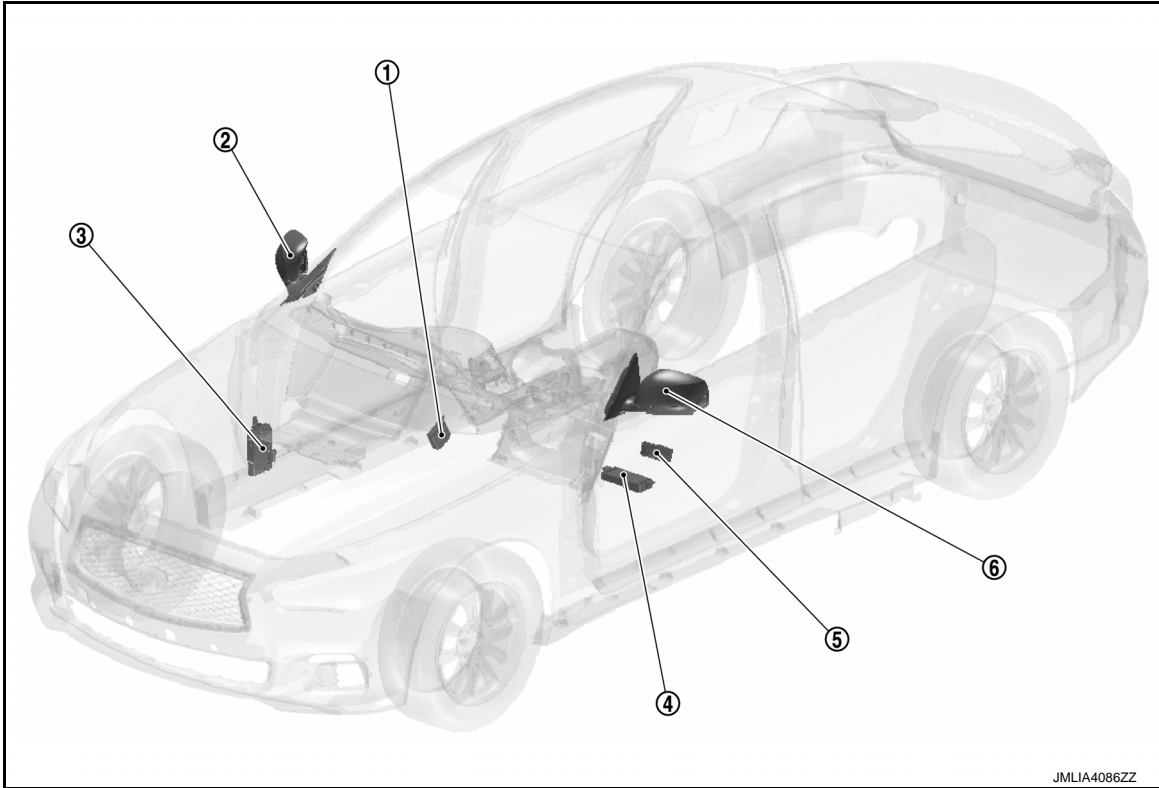
Tool name	Description
Remover tool  JKMIA3050ZZ	Removes the clips, pawls and metal clips

SYSTEM DESCRIPTION

COMPONENT PARTS

Component Parts Location

INFOID:0000000011285719



No.	Component	Function
①	Automatic drive positioner control unit	Perform the control of door mirror. Refer to ADP-9, "Automatic Drive Positioner Control Unit" .
②	Door mirror RH	<ul style="list-style-type: none"> Door mirror integrates door mirror motor and folding motor. Door mirror motor operates door mirror face when mirror switch is operated.
③	BCM	It communicates with driver seat control unit via CAN communication. Refer to BCS-4, "BODY CONTROL SYSTEM : Component Parts Location" .
④	Driver seat control unit	Requests the operation of door mirror to automatic drive positioner control unit. Refer to ADP-10, "Driver Seat Control Unit" .
⑤	Power window main switch (door mirror remote control switch)	Refer to MIR-5, "Power Window Main Switch (Door Mirror Remote Control Switch)" .
⑥	Door mirror LH	<ul style="list-style-type: none"> Door mirror integrates door mirror motor and folding motor. Door mirror motor operates door mirror face when mirror switch is operated.

Power Window Main Switch (Door Mirror Remote Control Switch)

INFOID:0000000011285720

- Power window main switch (door mirror remote control switch) transmits mirror switch signal and change over switch signal to automatic drive positioner control unit.

A
B
C
D
E
F
G
H
I
J
K
M
N
O
P

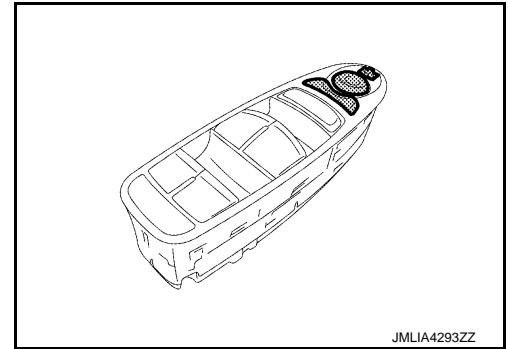
MIR

COMPONENT PARTS

[WITH ADP]

< SYSTEM DESCRIPTION >

- Door mirror remote control switch is integrated with power window main switch.
- The power window main switch (door mirror remote control switch) integrates the mirror switch and change over switch.
- Door mirror retraction operation is performed when open/close switch is operated.
- Mirror face angle adjustment is performed when mirror switch is operated.
- The door mirror for which angle adjustment is performed is switch by operating the change over switch.



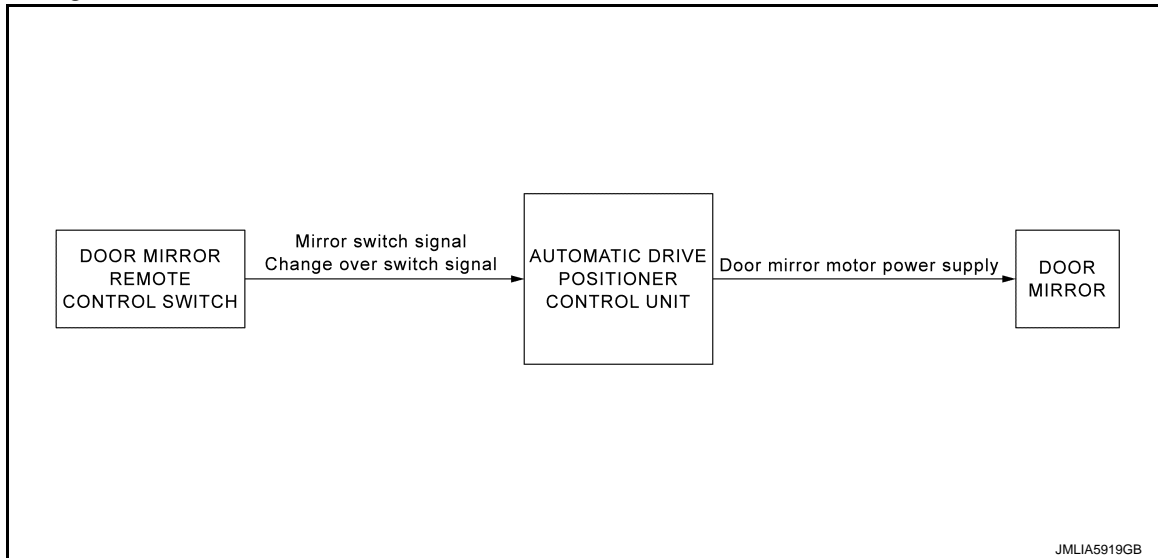
SYSTEM

DOOR MIRROR SYSTEM

DOOR MIRROR SYSTEM : System Description

INFOID:0000000011285721

System Diagram



Manual operation

- Door mirror system is composed of automatic drive positioner, door mirror remote control switch and door mirror.
- Automatic drive positioner control unit controls door mirror.
- Automatic drive positioner control unit receives changeover switch signal and perform the LH/RH control of door mirror motor that supplies electric power when changeover switch is operated.
- Automatic drive positioner control unit receives mirror switch signal and supplies electric power to door mirror motor when mirror switch is operated.
- The door mirrors can be operated manually when ignition switch is in either ACC or ON position. The ignition switch signal (ACC/ON) is transmitted from BCM to the driver seat control unit via CAN communication and from the driver seat control unit to the automatic drive positioner control unit via UART communication.

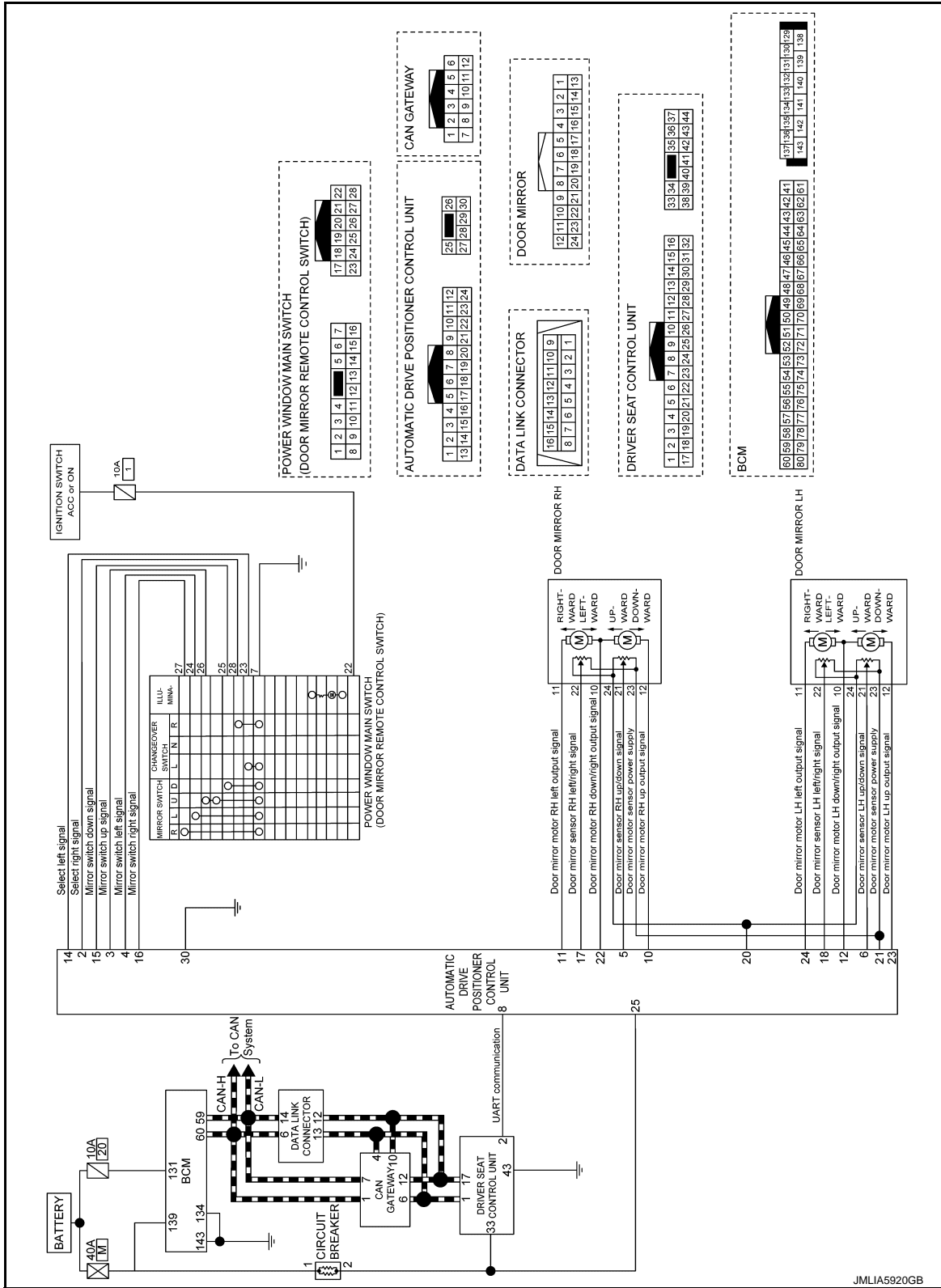
Automatic drive positioner linked operation

Door mirror control is included in automatic drive positioner system. Refer to automatic drive positioner system for more details.

Refer to [ADP-12, "AUTOMATIC DRIVE POSITIONER SYSTEM : System Description"](#).

DOOR MIRROR SYSTEM : Circuit Diagram

INFOID:000000011285722



AUTO ANTI-DAZZLING INSIDE MIRROR SYSTEM

AUTO ANTI-DAZZLING INSIDE MIRROR SYSTEM : System Description

INFOID:000000011285723

- The sensor built inside the mirror detects the brightness of the vehicle behind and automatically changes the light transmission to decrease the brightness.
- Auto anti-dazzling outside mirror is linked with auto anti-dazzling inside mirror system.

SYSTEM

< SYSTEM DESCRIPTION >

[WITH ADP]

AUTO ANTI-DAZZLING INSIDE MIRROR SYSTEM : Component Description

INFOID:000000011285724

Component	Function
Auto anti-dazzling inside mirror	It automatically changes the light transmittance according to the brightness of the light from the headlights of the vehicle behind.

A

B

C

D

E

F

G

H

I

J

K

MIR

M

N

O

P

DIAGNOSIS SYSTEM (DRIVER SEAT CONTROL UNIT)

< SYSTEM DESCRIPTION >

[WITH ADP]

DIAGNOSIS SYSTEM (DRIVER SEAT CONTROL UNIT)

CONSULT Function

INFOID:000000011552042

The auto drive positioner system can be checked and diagnosed for component operation with CONSULT.

APPLICATION ITEMS

Diagnostic mode [AUTO DRIVE POS.]	Description
WORK SUPPORT	Changes the setting of each function.
SELF-DIAG RESULTS	Performs self-diagnosis for the auto drive positioner system and displays the results.
DATA MONITOR	Displays input signals transmitted from various switches and sensors to driver seat control unit in real time.
CAN DIAG SUPPORT MNTR	The result of transmit/receive diagnosis of CAN communication can be read.
ACTIVE TEST	Drive each output device.
ECU IDENTIFICATION	Displays part numbers of driver seat control unit parts.

SELF-DIAGNOSIS RESULTS

Refer to [ADP-40, "DTC Index"](#).

DATA MONITOR

NOTE:

The following table includes information (items) inapplicable to this vehicle. For information (items) applicable to this vehicle, refer to CONSULT display items.

Monitor Item	Unit	Main Signals	Selection From Menu	Contents
SET SW	"On/Off"	×	×	ON/OFF status judged from the setting switch signal.
MEMORY SW 1	"On/Off"	×	×	ON/OFF status judged from the seat memory switch 1 signal.
MEMORY SW 2	"On/Off"	×	×	ON/OFF status judged from the seat memory switch 2 signal.
SLIDE SW-FR	"On/Off"	×	×	ON/OFF status judged from the sliding switch (forward) signal.
SLIDE SW-RR	"On/Off"	×	×	ON/OFF status judged from the sliding switch (backward) signal.
RECLN SW-FR	"On/Off"	×	×	ON/OFF status judged from the reclining switch (forward) signal.
RECLN SW-RR	"On/Off"	×	×	ON/OFF status judged from the reclining switch (backward) signal.
LIFT FR SW-UP	"On/Off"	×	×	ON/OFF status judged from the lifting switch front (up) signal.
LIFT FR SW-DN	"On/Off"	×	×	ON/OFF status judged from the lifting switch front (down) signal.
LIFT RR SW-UP	"On/Off"	×	×	ON/OFF status judged from the lifting switch rear (up) signal.
LIFT RR SW-DN	"On/Off"	×	×	ON/OFF status judged from the lifting switch rear (down) signal.
MIR CON SW-UP	"On/Off"	×	×	ON/OFF status judged from the mirror switch (up) signal.
MIR CON SW-DN	"On/Off"	×	×	ON/OFF status judged from the mirror switch (down) signal.
MIR CON SW-RH	"On/Off"	×	×	ON/OFF status judged from the door mirror remote control switch (passenger side) signal.

DIAGNOSIS SYSTEM (DRIVER SEAT CONTROL UNIT)

< SYSTEM DESCRIPTION >

[WITH ADP]

Monitor Item	Unit	Main Signals	Selection From Menu	Contents
MIR CON SW-LH	"On/Off"	×	×	ON/OFF status judged from the door mirror remote control switch (driver side) signal.
MIR CHNG SW-R	"On/Off"	×	×	ON/OFF status judged from the door mirror remote control switch (switching to right) signal.
MIR CHNG SW-L	"On/Off"	×	×	ON/OFF status judged from the door mirror remote control switch (switching to left) signal.
TILT SW-UP	"On/Off"	×	×	ON/OFF status judged from the tilt switch (up) signal.
TILT SW-DOWN	"On/Off"	×	×	ON/OFF status judged from the tilt switch (down) signal.
TELESCO SW-FR	"On/Off"	×	×	ON/OFF status judged from the telescoping switch (forward) signal.
TELESCO SW-RR	"On/Off"	×	×	ON/OFF status judged from the telescoping switch (backward) signal.
DETENT SW	"On/Off"	×	×	The selector lever position "OFF (P position) / ON (other than P position)" judged from the detention switch signal.
STARTER SW	"On/Off"	×	×	Ignition key switch ON (START, ON) /OFF (ACC, OFF) status judged from the ignition switch signal.
SLIDE PULSE	—	—	×	Value (32768) when battery connections are standard. If it moves backward, the value increases. If it moves forward, the value decreases.
RECLN PULSE	—	—	×	Value (32768) when battery connections are standard. If it moves backward, the value increases. If it moves forward, the value decreases.
LIFT FR PULSE	—	—	×	Value (32768) when battery connections are standard. If it moves DOWN, the value increases. If it moves UP, the value decreases.
LIFT RR PULSE	—	—	×	Value (32768) when battery connections are standard. If it moves DOWN, the value increases. If it moves UP, the value decreases.
MIR/SEN RH U-D	"V"	—	×	Voltage input from door mirror sensor (passenger side) up/down is displayed.
MIR/SEN RH R-L	"V"	—	×	Voltage input from door mirror sensor (passenger side) left/right is displayed.
MIR/SEN LH U-D	"V"	—	×	Voltage input from door mirror sensor (driver side) up/down is displayed.
MIR/SEN LH R-L	"V"	—	×	Voltage input from door mirror sensor (driver side) left/right is displayed.
TILT PULSE	—	—	×	Value (32768) when battery connections are standard. If it moves DOWN, the value increases. If it moves UP, the value decreases.
TELESCO PULSE	—	—	×	Value (32768) when battery connections are standard. If it moves backward, the value increases. If it moves forward, the value decreases.
VEHICLE SPEED	—	×	×	Display the vehicle speed signal received from combination meter by numerical value [km/h].
P RANG SW CAN	"On/Off"	×	×	ON/OFF status judged from the P range switch signal.
R RANGE (CAN)	"On/Off"	×	×	ON/OFF status judged from the R range switch signal.
DOOR SW-FL	"On/Off"	×	×	ON/OFF status judged from the door switch (front driver side) signal.
DOOR SW-FR	"On/Off"	×	×	ON/OFF status judged from the door switch (front passenger side) signal.
IGN ON SW	"On/Off"	×	×	ON/OFF status judged from the ignition switch signal.

A

B

C

D

E

F

G

H

I

J

K

MIR

M

N

O

P

DIAGNOSIS SYSTEM (DRIVER SEAT CONTROL UNIT)

< SYSTEM DESCRIPTION >

[WITH ADP]

Monitor Item	Unit	Main Signals	Selection From Menu	Contents
ACC ON SW	"On/Off"	×	×	ON/OFF status judged from the ACC switch signal.
KEY ON SW	"On/Off"	×	×	ON/OFF status judged from the key on switch signal.
KEYLESS ID	—	×	×	Key ID status judged from the key ID signal.
KYLS DR UNLK	"On/Off"	×	×	ON/OFF status judged from the driver side door unlock actuator output switch signal.
VHCL SPEED (ABS)	"On/Off"	×	×	ON/OFF status judged from vehicle speed signal.
HANDLE	"LHD"	×	×	RHD/LHD status judged from handle position signal.
TRANSMISSION	"AT/MT"	×	×	AT/MT status judged from transmission.
STEERING STATUS	"LOCK/UNLOCK"	×	×	LOCK/UNLOCK status judged from steering lock unit.
INITIAL STATE	DONE/YET	×	×	Displays the default status of the log-in function.
USER1 REGIST	DONE/YET	×	×	Displays the USER1 registration or non-registration status of the log-in function.
USER2 REGIST	DONE/YET	×	×	Displays the USER2 registration or non-registration status of the log-in function.
USER3 REGIST	DONE/YET	×	×	Displays the USER3 registration or non-registration status of the log-in function.
USER4 REGIST	DONE/YET	×	×	Displays the USER4 registration or non-registration status of the log-in function.
LOGIN USER	USER1/ USER2/ USER3/ USER4	×	×	Displays the current log-in user with the log-in function.
USER1 SW	On/Off	×	×	ON/OFF status judged from user1 change switch signal.
USER2 SW	On/Off	×	×	ON/OFF status judged from user2 change switch signal.
USER3 SW	On/Off	×	×	ON/OFF status judged from user3 change switch signal.
USER4 SW	On/Off	×	×	ON/OFF status judged from user4 change switch signal.
LOGIN USER CHANGE	PRBT/PRMT	×	×	Display the user change permission or inhibition status of the log-in function.
KEY LINK FUNCTION	On/Off	×	×	Displays the ON/OFF status of the Intelligent Key interlock function.

ACTIVE TEST

CAUTION:

When driving vehicle, do not perform active test.

Test item	Description
SEAT SLIDE	Activates/deactivates the sliding motor.
SEAT RECLINING	Activates/deactivates the reclining motor.
SEAT LIFTER FR	Activates/deactivates the lifting motor (front).
SEAT LIFTER RR	Activates/deactivates the lifting motor (rear).
TILT MOTOR	Activates/deactivates the tilt motor.
TELESCO MOTOR	Activates/deactivates the telescopic motor.
MIRROR MOTOR RH	Activates/deactivates the mirror motor (passenger side).
MIRROR MOTOR LH	Activates/deactivates the mirror motor (driver side).
MEMORY SW INDCTR	Turns ON/OFF the memory indicator.

WORK SUPPORT

DIAGNOSIS SYSTEM (DRIVER SEAT CONTROL UNIT)

< SYSTEM DESCRIPTION >

[WITH ADP]

Work item	Content	Item
SEAT SLIDE VOLUME SET	The amount of seat sliding for entry/exit assist can be selected from 3 items.	40 mm
		80 mm
		150 mm
EXIT TILT SETTING	Entry/exit assist (steering column) can be selected: ON (operated) – OFF (not operated)	ON
		OFF
EXIT SEAT SLIDE SETTING	Entry/exit assist (seat) can be selected: ON (operated) – OFF (not operated)	ON
		OFF

A
B
C
D
E
F
G
H
I
J
K
M
N
O
P

MIR

DRIVER SEAT CONTROL UNIT, AUTOMATIC DRIVE POSITIONER CONTROL UNIT

< ECU DIAGNOSIS INFORMATION >

[WITH ADP]

ECU DIAGNOSIS INFORMATION

DRIVER SEAT CONTROL UNIT, AUTOMATIC DRIVE POSITIONER CONTROL UNIT

List of ECU Reference

INFOID:0000000011285726

ECU	Reference
DRIVER SEAT CONTROL UNIT	ADP-34, "Reference Value"
	ADP-40, "Fail-Safe"
	ADP-40, "DTC Index"
AUTOMATIC DRIVE POSITIONER CONTROL UNIT	ADP-42, "Reference Value"

DOOR MIRROR SYSTEM (WITH AUTOMATIC DRIVE POSITIONER)

< WIRING DIAGRAM >

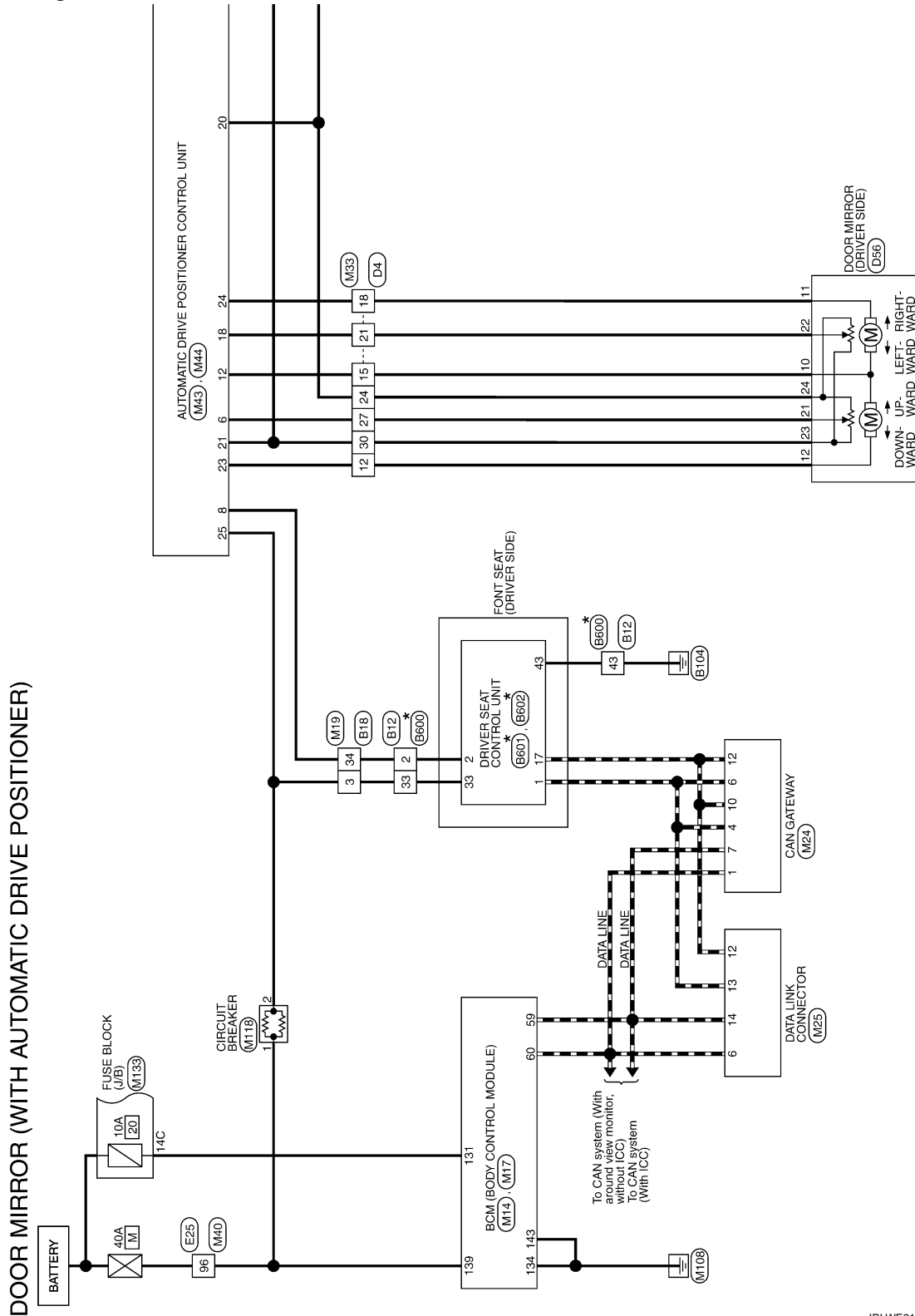
[WITH ADP]

WIRING DIAGRAM

DOOR MIRROR SYSTEM (WITH AUTOMATIC DRIVE POSITIONER)

Wiring Diagram

INFOID:000000011285727



*: This connector is not shown in "Harness Layout".

2014/07/28

JRLWE2144GB

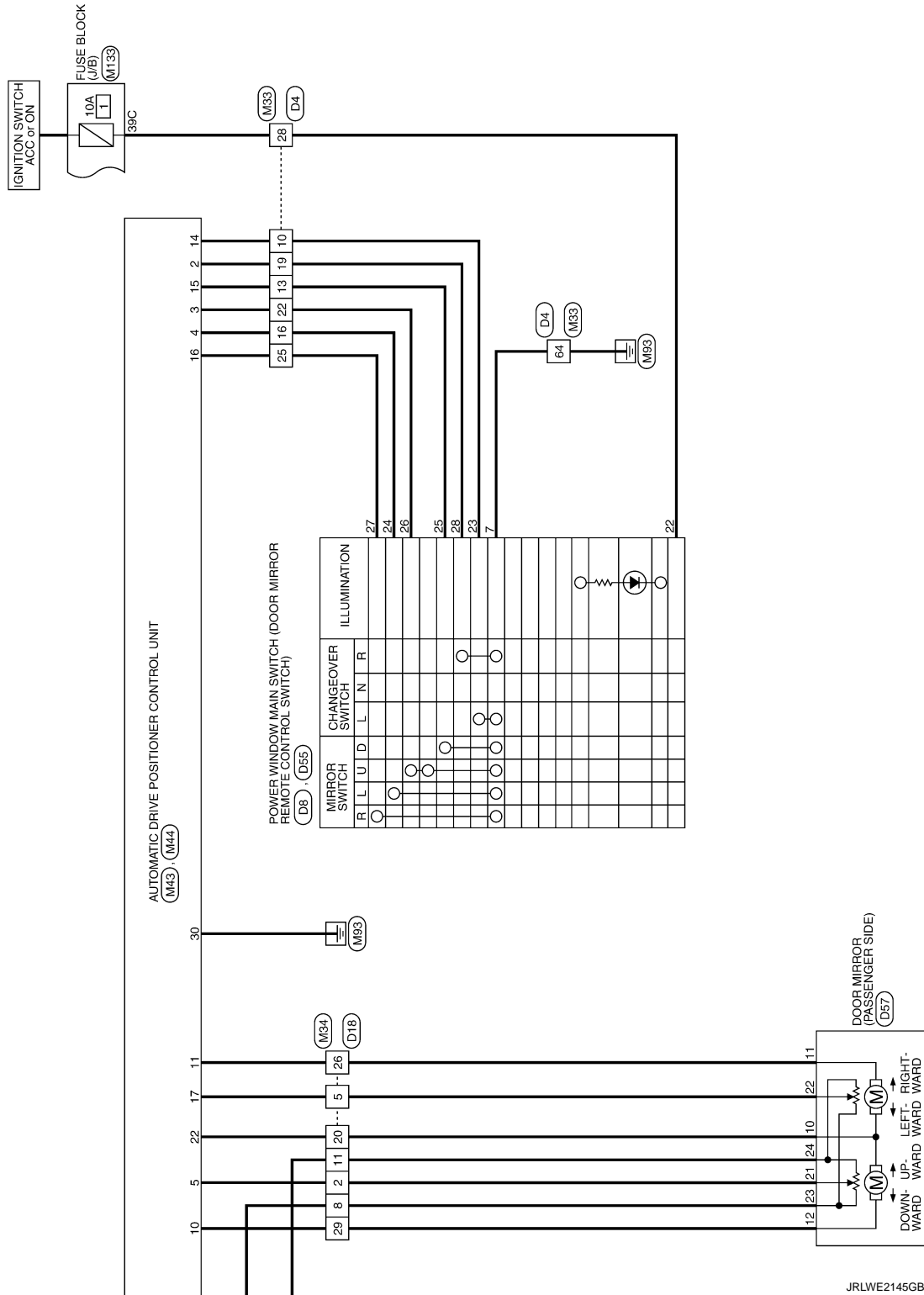
A
B
C
D
E
F
G
H
I
J
K
L
M
N
O
P

MIR

DOOR MIRROR SYSTEM (WITH AUTOMATIC DRIVE POSITIONER)

< WIRING DIAGRAM >

[WITH ADP]



JRLWE2145GB

DOOR MIRROR SYSTEM (WITH AUTOMATIC DRIVE POSITIONER)

< WIRING DIAGRAM >

[WITH ADP]

DOOR MIRROR (WITH AUTOMATIC DRIVE POSITIONER)

Connector No.	B12
Connector Name	WIRE TO WIRE
Connector Type	NS16FW-CS



28	21	5	2	43	1	17		
23	7	13	22	45	6	47	48	46

Terminal No.	Color Of Wire	Signal Name [Specification]
1	L	-
2	LG	-
3	P	-
4	V	-
5	P	-
6	P	-
7	R	-
17	R	- [Without Gateway]
21	EG	- [With Gateway]
22	BR	-
23	EG	-
28	R	-
33	L	-
43	B	-
45	G	-
46	EG	-
47	R	-
48	GR	-

Connector No.	B18
Connector Name	WIRE TO WIRE
Connector Type	TH80FW-CS16-TM4



Terminal No.	Color Of Wire	Signal Name [Specification]
1	Y	-
2	G	-
3	L	-
4	LG	-
6	R	-
7	V	-
8	LG	-
9	BR	-
10	P	-
11	BG	-
12	LG	-
13	GR	-
24	Y	-
25	W	-
31	B	-
32	B	-
33	B	-
34	LG	-
35	P	-
36	W	-
37	SB	-
38	LG	-
40	P	-
41	SB	-
42	BR	-
43	BG	-
44	BG	-
46	R	-
51	SB	-
52	V	-
54	R	-
55	R	-
57	W	-
58	V	-
59	GR	-
62	BG	-
63	BR	-
64	Y	-
65	W	-
70	R	-
71	W	-
72	B	-
74	L	-
75	R	-
76	BR	-
77	B	-
81	B	-

83	BG	-
84	L	-
85	R	-
86	B	-
88	G	-
91	GR	-
94	GR	-
96	Y	-
97	V	-
98	BR	-

Connector No.	B600
Connector Name	WIRE TO WIRE
Connector Type	NS16MW-CS



17	1	43					
46	48	47	6	45	23	37	23

Terminal No.	Color Of Wire	Signal Name [Specification]
1	-	-
2	-	-
5	-	-
6	-	-
7	-	-
17	-	-
21	-	-
22	-	-
23	-	-
28	-	-
33	-	-
43	-	-
45	-	-
46	-	-
47	-	-
48	-	-

Connector No.	B601
Connector Name	DRIVER SEAT CONTROL UNIT
Connector Type	TH32FM-NH



1	2	3	4	5	6	7	8	9	10	11	12
17	18	19	20	21	22	23	24	25	26	27	28

Terminal No.	Color Of Wire	Signal Name [Specification]
1	L	CANH
2	BR	LMPT (TXRX)
3	R	START SW
4	P	PULSE (RECLINER)
5	V	PULSE (TELESCOPIC)
6	GY	ADDRESS 2
7	G	IND 2
8	V	SLIDE SW (BACKWARD)
9	W	RECLINER SW (BACKWARD)
10	O	TILT SW (DOWNWARD)
11	G	TILT SW (UPWARD)
12	SB	POWER SUPPLY (ENCODER)
17	P	CANL
18	LG	PULSE (SLIDE SENSOR)
19	W	PULSE (LIFTER FRONT)
20	GY	PULSE (LIFTER REAR)
21	SB	PULSE (TILT SENSOR)
22	O	ADDRESS 1
23	W	IND 1
24	P	SLIDE SW (FORWARD)
25	Y	RECLINER SW (FORWARD)
26	GY	TILT SW (UPWARD)
27	L	LIFTER SW (UPWARD)
28	Y	SET SW

A
B
C
D
E
F
G
H
I
J
K
M
N
O
P

MIR

DOOR MIRROR SYSTEM (WITH AUTOMATIC DRIVE POSITIONER)

< WIRING DIAGRAM >

[WITH ADP]

DOOR MIRROR (WITH AUTOMATIC DRIVE POSITIONER)

Connector No.	I8602
Connector Name	DRIVER SEAT CONTROL UNIT
Connector Type	NS12FW-CS



33	34	35	36	38	39	40	41	42	43
33	34	35	36	38	39	40	41	42	43

Terminal No.	Color Of Wire	Signal Name [Specification]
33	R	BAL (PTC)
34	V	SLIDE MOTOR (BACKWARD)
35	Y	RECLINER MOTOR (FORWARD)
36	O	TILT MOTOR (DOWNWARD)
38	P	SLIDE MOTOR (FORWARD)
39	W	RECLINER MOTOR (BACKWARD)
40	GY	TILT MOTOR (UPWARD)
41	L	REAR LIFTER MOTOR (UPWARD)
42	G	REAR LIFTER MOTOR (DOWNWARD)
43	B	GND

Connector No.	D4
Connector Name	WIRE TO WIRE
Connector Type	NR80FW-TS12



Terminal No.	Color Of Wire	Signal Name [Specification]
6	V	-
8	G	-
9	GR	-
10	Y	-
11	SHIELD	-
12	EG	-
13	L	-
14	B	-
15	Y	-
16	GR	-

DOOR MIRROR (WITH AUTOMATIC DRIVE POSITIONER)

Connector No.	D8
Connector Name	POWER WINDOW MAIN SWITCH
Connector Type	NS18FW-CS



3	4	5	6	7	8	9	10	11	12	13	15	16
3	4	5	6	7	8	9	10	11	12	13	15	16

Terminal No.	Color Of Wire	Signal Name [Specification]
3	V	ENCODER +
4	Y	-R
5	G	DN
6	L	UP
7	B	IGN
8	BR	ENCODER GND
9	B	ENCODER SIG1
10	GR	ENCODER SIG2
11	BR	COM
12	SB	LOCK SW
13	SB	UNLOCK SW
15	V	-
16	Y	-

Connector No.	D18
Connector Name	WIRE TO WIRE
Connector Type	NR80FW-TS12



Terminal No.	Color Of Wire	Signal Name [Specification]
1	GR	-
2	P	-
5	BR	-
6	V	-
8	W	-
9	L	-
10	L	-
11	GR	-

Connector No.	D55
Connector Name	DOOR MIRROR REMOTE CONTROL SWITCH
Connector Type	TH12FW-NH



13	14	16	17	18	19	20	21	22	23	24	25	26	27	28
13	14	16	17	18	19	20	21	22	23	24	25	26	27	28

JRLWE2147GB

DOOR MIRROR SYSTEM (WITH AUTOMATIC DRIVE POSITIONER)

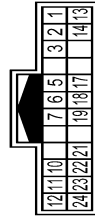
< WIRING DIAGRAM >

[WITH ADP]

DOOR MIRROR (WITH AUTOMATIC DRIVE POSITIONER)

Terminal No.	Wire	Signal Name (Specification)
22	V	-
23	Y	-
24	GR	-
25	L	-
26	W	-
27	BR	-
28	R	-

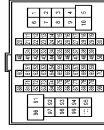
Connector No.	D56
Connector Name	DOOR MIRROR (DRIVER SIDE)
Connector Type	TH24MW-NH



Terminal No.	Wire	Signal Name (Specification)
1	GR	-
2	R	-
3	G	-
5	B	-
6	W	-
7	L	-
10	Y	-
11	GR	-
12	EG	-
13	V	-
14	B	-
17	SHIELD	-
18	R	-
19	B	-
21	BR	-
22	LG	-
23	W	-
24	G	-

Terminal No.	Wire	Signal Name (Specification)
1	L	-
2	W	-
5	B	-
6	R	-
7	EG	-
10	G	-
11	V	-
12	Y	-
13	Y	-
14	B	-
17	SHIELD	-
18	G	-
19	B	-
21	P	-
22	BR	-
23	W	-
24	GR	-

Connector No.	E25
Connector Name	WIRE TO WIRE
Connector Type	TH80FW-GS16-TM4

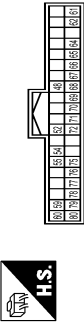


Terminal No.	Wire	Signal Name (Specification)
2	W	-
3	LG	-
4	BR	-

6	V	-
7	L	-
10	BR	-
11	L	-
12	GR	-
13	W	-
14	B	-
15	SB	-
16	Y	-
17	BR	-
18	P	-
31	Y	-
32	GR	-
35	GR	-
36	R	-
37	V	-
38	L	-
39	Y	-
40	SB	-
41	LG	-
44	Y	-
45	W	-
46	B	-
47	G	-
48	SHIELD	-
49	R	-
50	BR	-
51	L	-
52	W	-
53	V	-
54	P	-
55	W	-
56	SB	-
57	EG	-
58	B	-
59	W	-
61	R	-
62	SB	-
63	LG	-
64	Y	-
65	SB	-
66	GR	-
67	LG	-
68	EG	-
71	L	-
72	V	-
73	G	-
74	BR	-
75	V	-
78	P	-

79	SB	-
83	R	-
86	BG	-
91	G	-
92	Y	-
94	GR	-
95	BG	-
96	W	-
97	LG	-
98	L	-
99	P	-
100	SHIELD	-

Connector No.	M14
Connector Name	BCM (BODY CONTROL MODULE)
Connector Type	TH40FB-NH



Terminal No.	Wire	Signal Name (Specification)
48	R	PUSHBTN IGN SW ILL PWR
52	G	DONGLE LINK
54	V	COMM LINE
55	R	RAIN SENSOR
59	P	CAN-L
60	L	CAN-H
61	G	REAR WINDOW DEF RLY CONT
62	R	STARTER RLY CONT
64	V	L-KEY WARN BUZZER
65	B	OUTS HD LAMP CONT
66	B	BLOWER FAN RLY CONT
67	W/B	IGN RLYAY (F/B) CONT
68	R	DIMMER
69	GR	A/T SHFT SELECT PWR SPRAY
70	B	IGN RLYAY (IPM) E/R1 CONT
71	G	DR DOOR REQ SW
72	SB	PASS DOOR REQ SW
73	BR	COMBI SW INPUT 5
76	BG	COMBI SW INPUT 4
77	V	COMBI SW INPUT 3
78	Y	COMBI SW INPUT 2
79	LG	COMBI SW INPUT 1

A
B
C
D
E
F
G
H
I
J
K
L
M
N
O
P

MIR

DOOR MIRROR SYSTEM (WITH AUTOMATIC DRIVE POSITIONER)

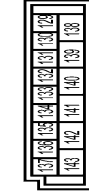
< WIRING DIAGRAM >

[WITH ADP]

DOOR MIRROR (WITH AUTOMATIC DRIVE POSITIONER)

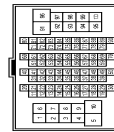
80	L	TR LID OPNR SW
----	---	----------------

Connector No.	M17
Connector Name	BCH (BODY CONTROL MODULE)
Connector Type	FEA09FW-FHAG-SA



Terminal No.	Color Of Wire	Signal Name [Specification]
129	LG	INT ROOM LAMP PWR SPLY
130	P	PASS DOOR UNLK OUTPUT
131	V	BAT (PUSE)
132	V	RR, RL DOOR LK OUTPUT
133	BR	RR, RL DOOR UNLK OUTPUT
134	B	GND
135	V	FRONT DOOR, FL LID LK OUTPUT
136	V	INT ROOM LAMP COINT
137	LG	FRONT DOOR, FL LID UNLK OUTPUT
138	P	REAR DOORS ACT PWR SPLY
139	W	BAT (FL)
140	BR	IGN ON
141	R	PWR SPLY (BAT)
142	R	FRONT DOORS, FL LID ACT PWR SPLY
143	B	GND

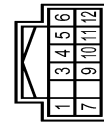
Connector No.	M19
Connector Name	WIRE TO WIRE
Connector Type	TH80MW-CS16-TM4



Terminal No.	Color Of Wire	Signal Name [Specification]
1	Y	-
2	G	-
3	SB	-
4	BR	-
6	R	-
7	W	-
8	V	-
9	BR	-
10	P	-
11	BR	-
12	LG	-
13	GR	-
24	Y	-
25	W	-
31	BR	-
32	B	-
33	B	-
34	V	-
35	P	-
36	W	-
37	SB	-
38	LG	-
40	P	-
41	G	-
42	BR	-
43	BR	-
44	BR	-
46	BG	-
51	Y	-
52	V	-
54	R	-
55	R	-
57	W	-
58	V	-
59	BG	-
62	BG	-
63	BR	-
64	Y	-
65	W	-
70	LG	-
71	W	-
72	B	-
74	L	-
74	W	-
75	W	-
76	BR	-
77	B	-
81	B	-
83	BG	-

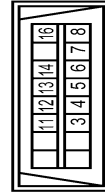
84	L	-
85	W	-
86	B	-
88	G	-
91	GR	-
94	GR	-
96	W	-
97	V	-
98	BR	-

Connector No.	M24
Connector Name	CAN GATEWAY
Connector Type	TH12FW-NH



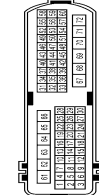
Terminal No.	Color Of Wire	Signal Name [Specification]
1	L	CANH
3	W	BATTERY
4	L	CANH
5	B	GND
6	L	CANH
7	P	CAN-L
9	R	IGN
10	R	CAN-L
11	B	GND
12	R	CAN-L

Connector No.	M25
Connector Name	DATA LINK CONNECTOR
Connector Type	BD18FW



Terminal No.	Color Of Wire	Signal Name [Specification]
3	SB	AV COMM (L)
4	B	EARTH
5	B	EARTH
6	L	CANH
7	V	KLINE
8	W	IGN SW
11	LG	AV COMM (H)
12	R	CAN-L
13	L	CANH
14	P	CAN-L
16	W	POWER

Connector No.	M33
Connector Name	WIRE TO WIRE
Connector Type	NH80MW-TS12



Terminal No.	Color Of Wire	Signal Name [Specification]
6	R	-
8	GR	-
9	GR	-
10	W	-
11	SHIELD	-
12	P	-
13	SB	-
14	LG	-
15	Y	-

DOOR MIRROR SYSTEM (WITH AUTOMATIC DRIVE POSITIONER)

< WIRING DIAGRAM >

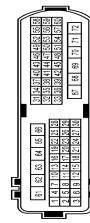
[WITH ADP]

DOOR MIRROR (WITH AUTOMATIC DRIVE POSITIONER)

16	Y	-	-
17	P	-	-
18	W/B	-	-
19	LG	- [With DRPO]	-
20	Y	- [Without DRPO]	-
21	B	-	-
22	BG	- [Without DRPO]	-
23	L	- [With DRPO]	-
24	Y	-	-
25	BG	- [Without DRPO]	-
26	L	- [With DRPO]	-
27	GR	-	-
28	V	-	-
29	B	-	-
30	W	-	-
31	B	-	-
32	SB	-	-
33	L	-	-
34	BR	-	-
35	LG	-	-
36	W	-	-
37	B	-	-
40	P	-	-
41	SB	-	-
43	Y	-	-
44	BG	-	-
46	BR	-	-
47	G	-	-
49	V	-	-
50	B	-	-
52	BR	-	-
53	B	-	-
55	BG	-	-
56	LG	-	-
57	V	-	-
58	R	-	-
59	G	-	-
60	L	-	-
61	G	-	-
62	R	-	-
63	V	-	-
64	B	-	-
65	R	-	-
66	BR	-	-
68	P	-	-
69	V	-	-
70	W	-	-

71	LG	-	-
72	V	-	-


Connector No. M34
Connector Name WIRE TO WIRE
Connector Type N-FROM-W-TS12



56	SB	-	-
57	G	-	-
58	G	-	-
59	LG	-	-
60	R	-	-
63	B	-	-
64	R	-	-
65	BR	-	-
66	Y	-	-
69	BR	-	-
70	Y	-	-
71	SB	-	-
72	W	-	-

Terminal No.	Color Of Wire	Signal Name [Specification]
1	V	-
2	R	-
5	L	-
6	R	- [With DRPO]
8	W	- [Without DRPO]
9	GR	-
10	V	-
11	Y	-
13	LG	-
14	W	-
16	G	-
17	B	-
18	W	-
19	B	-
20	SB	- [With DRPO]
21	Y	- [Without DRPO]
21	SHIELD	-
22	B	- [Without DRPO]
23	BG	- [With DRPO]
24	P	-
25	LG	-
26	BG	- [Without DRPO]
26	BR	- [With DRPO]
27	R	-
28	SB	-
29	BG	- [Without DRPO]
29	W/B	- [With DRPO]
30	L	-
49	P	-
52	V	-
55	B	-

Connector No. M40
Connector Name WIRE TO WIRE
Connector Type T-FROM-W-CS16-TM4



Terminal No.	Color Of Wire	Signal Name [Specification]
2	GR	-
3	L	-
4	V	-
6	W/B	-
7	V	-
10	W	-
11	W	-
12	B	-
13	GR	-
14	B	-
15	SB	-
16	B	-
17	LG	-
18	B	-
31	W	-
32	V	-
35	BG	-
36	G	-
37	B	-
38	L	-
39	Y	-

40	GR	-	-
41	L	-	-
44	BR	-	-
45	W	-	-
46	G	-	-
47	R	-	-
48	SHIELD	-	-
49	B	-	-
50	BR	-	-
51	L	-	-
52	W	-	-
53	G	-	-
54	Y	-	-
55	P	-	-
56	BG	-	-
57	GR	-	-
58	B	-	-
59	SB	-	-
61	W/B	-	-
62	SB	-	-
63	LG	-	-
64	Y	-	-
65	R	-	-
66	V	-	-
67	LG	-	-
68	BG	-	-
71	V	-	-
72	LG	-	-
73	R	-	-
74	BR	-	-
75	B	-	-
78	G	-	-
79	R	-	-
83	R	-	-
86	V	-	-
91	W	-	-
92	R	-	-
94	BG	-	-
95	BR	-	-
96	W	-	-
97	LG	-	-
98	Y	-	-
99	BR	-	-
100	SHIELD	-	-

A
B
C
D
E
F
G
H
I
J
K
M
N
O
P

MIR

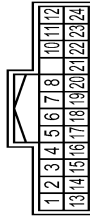
DOOR MIRROR SYSTEM (WITH AUTOMATIC DRIVE POSITIONER)

< WIRING DIAGRAM >

[WITH ADP]

DOOR MIRROR (WITH AUTOMATIC DRIVE POSITIONER)

Connector No.	M43
Connector Name	AUTOMATIC DRIVE POSITIONER CONTROL UNIT
Connector Type	TH40FW-NH



Terminal No.	Color Of Wire	Signal Name [Specification]
1	Y	LEFTWARD
2	LG	MIRROR SELECT SW RH
3	G	LEFTWARD
4	Y	RIGHTWARD
5	R	MIRROR SENSOR
6	GR	MIRROR SENSOR
7	GR	FRONTWARD
8	V	ROVIX
10	WB	MIRROR MOTOR
11	BR	MIRROR MOTOR
12	Y	MIRROR MOTOR
13	LG	DOWNWARD
14	W	MIRROR SELECT SW LH
15	SB	DOWNWARD
16	L	RIGHTWARD
17	L	MIRROR SENSOR
18	B	MIRROR SENSOR
19	G	BACKWARD
20	Y	SENS GND
21	W	POWER SUPPLY
22	SB	MIRROR MOTOR
23	P	MIRROR MOTOR
24	WB	MIRROR MOTOR

Connector No.	M44
Connector Name	AUTOMATIC DRIVE POSITIONER CONTROL UNIT
Connector Type	NS08FW-CS



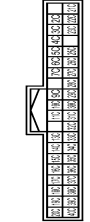
Terminal No.	Color Of Wire	Signal Name [Specification]
25	SB	BAT
26	G	BACKWARD
27	W	POWER SUPPLY SENSOR for 16V
28	BR	DOWNWARD
29	L	UPWARD/FORWARD
30	B	GND(POWER SYSTEM)

Connector No.	M18
Connector Name	CIRCUIT BREAKER
Connector Type	M02FW-LC



Terminal No.	Color Of Wire	Signal Name [Specification]
1	W	
2	SB	

Connector No.	M133
Connector Name	FUSE BLOCK (J/B)
Connector Type	TH40FW-NH



Terminal No.	Color Of Wire	Signal Name [Specification]
10C	V	
11C	V	
13C	L	
14C	Y	
15C	R	
16C	R	
17C	L	
18C	BG	- [Without DRPO]
19C	P	- [With DRPO]
20C	W	
21C	L	
22C	L	
23C	L	
24C	LG	
25C	SB	
26C	SB	
27C	P	
28C	W	
29C	W	
30C	R	
31C	W	
32C	R	
33C	B	
34C	WB	
35C	SB	
36C	R	
37C	W	
38C	SB	
39C	V	
40C	G	
41C	G	
42C	P	
43C	P	
44C	G	
45C	P	
46C	G	
47C	G	

9C	V
----	---

AUTO ANTI-DAZZLING MIRROR SYSTEM

[WITH ADP]

< WIRING DIAGRAM >

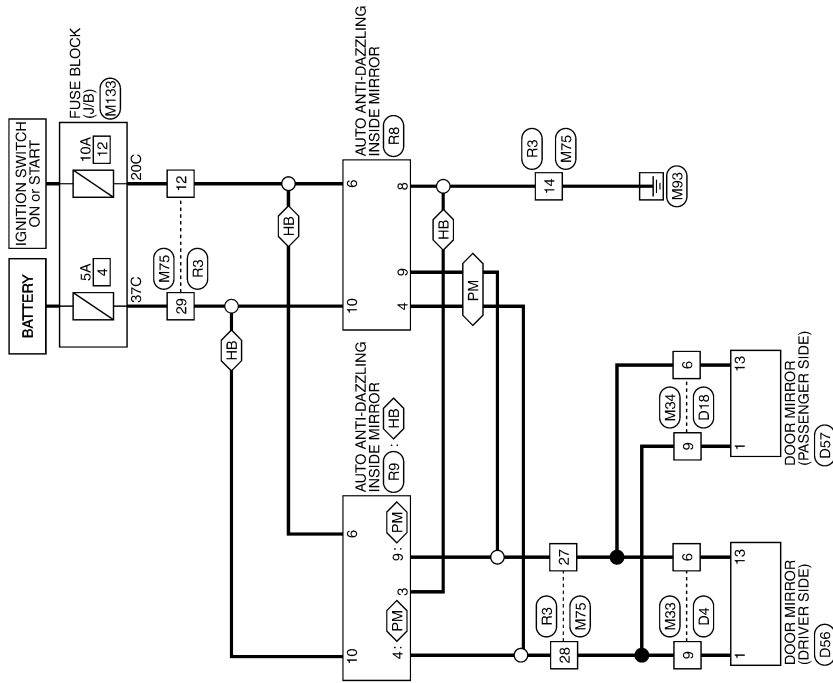
AUTO ANTI-DAZZLING MIRROR SYSTEM

Wiring Diagram

INFOID:000000011285728

AUTO ANTI-DAZZLING MIRROR SYSTEM

PM : With automatic drive positioner
HB : With high beam assist system



2014/07/28

JRLWE2156GB

A
B
C
D
E
F
G
H
I
J
K
L
M
N
O
P

MIR

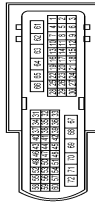
AUTO ANTI-DAZZLING MIRROR SYSTEM

< WIRING DIAGRAM >

[WITH ADP]

AUTO ANTI-DAZZLING MIRROR SYSTEM

Connector No.	D4
Connector Name	WIRE TO WIRE
Connector Type	NH80FW-TS12



Terminal No.	Color Of Wire	Signal Name [Specification]
6	V	-
8	G	-
9	GR	-
10	Y	-
11	SHIELD	-
12	BG	-
13	L	-
14	B	-
15	Y	-
16	GR	-
17	R	-
18	GR	-
19	R	-
20	W	-
21	LG	-
22	W	-
23	L	-
24	G	-
25	BR	-
26	R	-
27	BR	-
28	V	-
29	B	-
30	W	-
31	P	-
32	Y	-
33	BR	-
34	L	-
35	R	-
36	GR	-
37	G	-
40	P	-
41	L	-
43	BG	-
44	Y	-

Connector No.	D18
Connector Name	WIRE TO WIRE
Connector Type	NH80FW-TS12



Terminal No.	Color Of Wire	Signal Name [Specification]
1	GR	-
2	P	-
5	BR	-
6	Y	-
8	W	-
9	L	-
10	L	-
11	GR	-
13	Y	-
14	R	-

16	R	-
17	B	-
18	W	-
19	B	-
20	G	-
21	SHIELD	-
22	GR	-
23	BG	-
24	B	-
25	BR	-
26	V	-
27	G	-
28	V	-
29	Y	-
30	R	-
39	LG	-
48	P	-
52	L	-
55	Y	-
56	Y	-
57	R	-
58	SB	-
59	R	-
60	G	-
63	B	-
64	Y	-
65	BR	-
66	GR	-
69	W	-
70	L	-
71	BG	-
72	Y	-

Connector No.	D58
Connector Name	DOOR MIRROR (DRIVER SIDE)
Connector Type	TH24MW-NH



Terminal No.	Color Of Wire	Signal Name [Specification]
1	GR	-
2	R	-
3	G	-
5	B	-
6	W	-
7	L	-
10	Y	-
11	GR	-
12	BG	-
13	V	-
14	B	-
17	SHIELD	-
18	R	-
19	B	-
21	BR	-
22	LG	-
23	W	-
24	G	-

Connector No.	D57
Connector Name	DOOR MIRROR (PASSENGER SIDE)
Connector Type	TH24MW-NH



Terminal No.	Color Of Wire	Signal Name [Specification]
1	L	-
3	W	-
5	B	-
6	R	-
7	BG	-
10	G	-
11	V	-
12	Y	-
13	Y	-
14	B	-
17	SHIELD	-
18	G	-
19	B	-

AUTO ANTI-DAZZLING MIRROR SYSTEM

< WIRING DIAGRAM >

[WITH ADP]

AUTO ANTI-DAZZLING MIRROR SYSTEM

21	P	-
22	BR	-
23	W	-
24	GR	-

Connector No.	M33
Connector Name	WIRE TO WIRE
Connector Type	NF60MW-TS12



Terminal No.	Color Of Wire	Signal Name (Specification)
6	R	-
8	GR	-
9	GR	-
10	W	-
11	SHIELD	-
12	P	-
13	SB	-
14	LG	-
15	Y	-
16	Y	-
17	P	-
18	W/B	-
19	LG	- [With DRPO]
20	V	- [Without DRPO]
21	B	-
22	BG	- [Without DRPO]
23	L	- [With DRPO]
24	Y	-
25	BG	- [Without DRPO]
26	L	- [With DRPO]
27	GR	-
28	V	-
29	B	-
30	W	-
31	B	-
32	SB	-
33	L	-

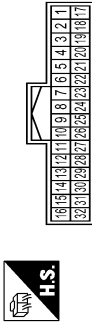
34	BR	-
35	LG	-
36	W	-
37	B	-
40	P	-
41	SB	-
43	Y	-
44	BG	-
46	BR	-
47	G	-
49	V	-
50	B	-
52	BR	-
53	B	-
55	BG	-
56	LG	-
57	V	-
58	R	-
59	G	-
60	L	-
61	G	-
62	R	-
63	V	-
64	B	-
65	R	-
66	BR	-
68	P	-
69	V	-
70	W	-
71	LG	-
72	V	-

Connector No.	M34
Connector Name	WIRE TO WIRE
Connector Type	NF60MW-TS12



Terminal No.	Color Of Wire	Signal Name (Specification)
1	V	-
2	R	-
5	L	-

Connector No.	M75
Connector Name	WIRE TO WIRE
Connector Type	TH32FM-NH



Terminal No.	Color Of Wire	Signal Name (Specification)
1	R	-
2	W	-
3	W	-
4	BR	-
5	R	-
6	R	-
7	G	-
8	B	-
10	V	-
11	LG	-
12	W	-
14	B	-
16	R	-
17	SHIELD	-
18	G	-
19	L	-
20	W	-
21	B	-
22	R	-
23	V	-
25	W	-
26	B	-
27	R	-
28	GR	-
29	W	-
31	W	-
32	L	-

6	R	-
8	W	-
9	GR	-
10	V	-
11	Y	-
13	LG	-
14	W	-
16	G	-
17	B	-
18	W	-
19	B	-
20	SB	- [With DRPO]
21	Y	- [Without DRPO]
21	SHIELD	-
22	B	-
23	BG	- [Without DRPO]
23	P	- [With DRPO]
24	G	-
25	LG	-
26	BG	- [Without DRPO]
26	BR	- [With DRPO]
27	R	-
28	SB	-
29	BG	-
29	W/B	- [Without DRPO]
30	L	-
49	P	-
52	V	-
55	B	-
56	SB	-
57	G	-
58	G	-
59	LG	-
60	R	-
63	V	-
63	B	-
64	R	-
65	BR	-
66	Y	-
69	BR	-
70	Y	-
71	SB	-
72	W	-

A B C D E F G H I J K M N O P

MIR

AUTO ANTI-DAZZLING MIRROR SYSTEM

< WIRING DIAGRAM >

[WITH ADP]

AUTO ANTI-DAZZLING MIRROR SYSTEM

Connector No.	M133
Connector Name	FUSE BLOCK (JIB)
Connector Type	TH40FW-NH



Terminal No.	Color Of Wire	Signal Name [Specification]
10C	V	-
11C	V	-
13C	L	-
14C	Y	-
15C	R	-
16C	R	-
17C	L	-
18C	BG	- [Without DRPO]
18C	P	- [With DRPO]
19C	B	-
20C	W	-
21C	L	-
22C	L	-
23C	L	-
25C	LG	-
26C	SB	-
27C	P	-
28C	W	-
29C	W	-
30C	R	-
31C	W	-
32C	R	-
33C	B	-
34C	W/B	-
35C	SB	-
36C	R	-
37C	W	-
38C	SB	-
39C	V	-
3C	P	-
40C	G	-
4C	P	-
5C	P	-
6C	P	-
9C	G	-
7C	G	-

9C	V	-
----	---	---



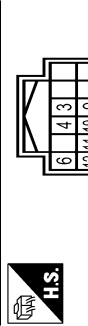
Terminal No.	Color Of Wire	Signal Name [Specification]
1	R	-
2	GR	-
3	W	-
4	BR	-
5	R	-
6	G	-
7	B	-
10	BR	-
11	SB	-
12	GR	-
14	B	-
16	V	-
17	SHIELD	-
18	R	-
19	L	-
20	Y	-
21	LG	-
22	V	-
23	GR	-
25	W	-
26	B	-
27	BR	-
28	BG	-
29	BG	-
31	W	-
32	L	-

Connector No.	R3
Connector Name	AUTO ANTI-DAZZLING INSIDE MIRROR
Connector Type	TH10FB-NH



Terminal No.	Color Of Wire	Signal Name [Specification]
4	BG	-
6	GR	-
8	SI	-
9	BR	-
10	BG	-

Connector No.	R3
Connector Name	AUTO ANTI-DAZZLING INSIDE MIRROR
Connector Type	TH12FW-NHB



Terminal No.	Color Of Wire	Signal Name [Specification]
3	B	GROUND
4	BG	AUTO ANTI-DAZZLING OUTSIDE MIRROR CONTROL SIGNAL
6	GR	IGNITION POWER SUPPLY
9	BR	AUTO ANTI-DAZZLING OUTSIDE MIRROR GROUND
10	BG	BATTERY POWER SUPPLY
11	GR	CANH
12	BR	CANH

BASIC INSPECTION

DIAGNOSIS AND REPAIR WORK FLOW

Work Flow

INFOID:0000000011285729

DETAILED FLOW

1.OBTAIN INFORMATION ABOUT SYMPTOM

Interview the customer to obtain as much malfunction information (conditions and environment when the malfunction occurred) as possible when the customer brings the vehicle in.

>> GO TO 2.

2.REPRODUCE THE MALFUNCTION INFORMATION

Check the malfunction on the vehicle that the customer describes.
Inspect the relation of the symptoms and the condition when the symptoms occur.

>> GO TO 3.

3.IDENTIFY THE MALFUNCTIONING SYSTEM WITH "SYMPTOM DIAGNOSIS"

Use "Symptom diagnosis" from the symptom inspection result in step 2. Then identify where to start the diagnosis based on possible causes and symptoms.

>> GO TO 4.

4.IDENTIFY MALFUNCTIONING PARTS WITH "DTC/CIRCUIT DIAGNOSIS"

Perform the diagnosis with "DTC/CIRCUIT DIAGNOSIS" of the applicable system.

>> GO TO 5.

5.REPAIR OR REPLACE THE MALFUNCTIONING PARTS

Repair or replace the specified malfunctioning parts.

>> GO TO 6.

6.FINAL CHECK

Check that malfunctions are not reproduced when obtaining the malfunction information from the customer, referring to the symptom inspection result in step 2.

Is the malfunctioning part repaired or replaced?

YES >> Trouble diagnosis is completed.

NO >> GO TO 3.

A
B
C
D
E
F
G
H
I
J
K
M
N
O
P

MIR

DOOR MIRROR REMOTE CONTROL SWITCH

< DTC/CIRCUIT DIAGNOSIS >

[WITH ADP]

DTC/CIRCUIT DIAGNOSIS

DOOR MIRROR REMOTE CONTROL SWITCH MIRROR SWITCH

MIRROR SWITCH : Component Function Check

INFOID:0000000011285730

1. CHECK MIRROR SWITCH FUNCTION

1. Select "MIR CON SW-UP/DN", "MIR CON SW-RH/LH" in "Data Monitor" mode with CONSULT.
2. Check mirror switch signal under the following conditions.

Monitor item	Condition
MIR CON SW-UP/DN	When operating the mirror switch toward the up or down side. : ON
	Other than above. : OFF
MIR CON SW-RH/LH	When operating the mirror switch toward the right or left side. : ON
	Other than above. : OFF

Is the inspection result normal?

YES >> Mirror switch function is OK.

NO >> Refer to [MIR-28, "MIRROR SWITCH : Diagnosis Procedure"](#).

MIRROR SWITCH : Diagnosis Procedure

INFOID:0000000011285731

1. CHECK MIRROR SWITCH INPUT SIGNAL

1. Turn ignition switch OFF.
2. Disconnect power window main switch (door mirror remote control switch) connector.
3. Turn ignition switch ON.
4. Check voltage between power window main switch (door mirror remote control switch) harness connector and ground.

(+)		(-)	Voltage (V)
Power window main switch (door mirror remote control switch)			
Connector	Terminal	Ground	4 - 6
D55	24		
	25		
	26		
	27		

Is the inspection result normal?

YES >> GO TO 3.

NO >> GO TO 2.

2. CHECK MIRROR SWITCH CIRCUIT

1. Turn ignition switch OFF.
2. Disconnect automatic drive positioner control unit connector.
3. Check continuity between automatic drive positioner control unit harness connector and power window main switch (door mirror remote control switch) harness connector.

DOOR MIRROR REMOTE CONTROL SWITCH

< DTC/CIRCUIT DIAGNOSIS >

[WITH ADP]

Automatic drive positioner control unit		Power window main switch (door mirror remote control switch)		Continuity
Connector	Terminal	Connector	Terminal	
M43	3	D55	26	Existed
	4		24	
	15		25	
	16		27	

4. Check continuity between automatic drive positioner control unit harness connector and ground.

Automatic drive positioner control unit		Ground	Continuity
Connector	Terminal		
M43	3	Ground	Not existed
	4		
	15		
	16		

Is the inspection result normal?

- YES >> Replace automatic drive positioner control unit. Refer to [ADP-146. "Removal and Installation"](#).
- NO >> Repair or replace harness.

3.CHECK DOOR MIRROR REMOTE CONTROL SWITCH GROUND CIRCUIT

1. Turn ignition switch OFF.
2. Check continuity between power window main switch (door mirror remote control switch) harness connector and ground.

Power window main switch (door mirror remote control switch)		Ground	Continuity
Connector	Terminal		
D8	7	Ground	Existed

Is the inspection result normal?

- YES >> GO TO 4.
- NO >> Repair or replace harness.

4.CHECK MIRROR SWITCH

Check power window main switch (door mirror remote control switch).
Refer to [MIR-29. "MIRROR SWITCH : Component Inspection"](#).

Is the inspection result normal?

- YES >> GO TO 5.
- NO >> Replace power window main switch (door mirror remote control switch). Refer to [PWC-78. "Removal and Installation"](#).

5.CHECK INTERMITTENT INCIDENT

Check intermittent incident.
Refer to [GI-42. "Intermittent Incident"](#).

>> INSPECTION END

MIRROR SWITCH : Component Inspection

INFOID:000000011285732

1.CHECK MIRROR SWITCH

1. Turn ignition switch OFF.
2. Disconnect power window main switch (door mirror remote control switch) connector.
3. Check continuity between power window main switch (door mirror remote control switch) terminals.

DOOR MIRROR REMOTE CONTROL SWITCH

< DTC/CIRCUIT DIAGNOSIS >

[WITH ADP]

Power window main switch (door mirror remote control switch)				Condition	Continuity	
Connector	Terminal	Connector	Terminal			
D55	27	D8	7	Mirror switch	RIGHT	Existed
					Other than above	Not existed
	24				LEFT	Existed
					Other than above	Not existed
	26				UP	Existed
					Other than above	Not existed
	25				DOWN	Existed
					Other than above	Not existed

Is the inspection result normal?

YES >> INSPECTION END

NO >> Replace power window main switch (door mirror remote control switch). Refer to [PWC-78](#).
["Removal and Installation"](#).

CHANGEOVER SWITCH

CHANGEOVER SWITCH : Component Function Check

INFOID:000000011285733

1. CHECK CHANGEOVER SWITCH FUNCTION

1. Select "MIR CHNG SW-R", "MIR CHNG SW-L" in "Data Monitor" mode with CONSULT.
2. Check change over switch signal under the following condition.

Monitor item	Condition
MIR CHNG SW-R/L	When operating the changeover toward the right or left side. : ON
	Other than above. : OFF

Is the inspection result normal?

YES >> Changeover switch function is OK.

NO >> Refer to [MIR-30](#). ["CHANGEOVER SWITCH : Diagnosis Procedure"](#).

CHANGEOVER SWITCH : Diagnosis Procedure

INFOID:000000011285734

1. CHECK CHANGEOVER SWITCH INPUT SIGNAL

1. Turn ignition switch OFF.
2. Disconnect power window main switch (door mirror remote control switch) connector.
3. Turn ignition switch ON.
4. Check voltage between power window main switch (door mirror remote control switch) harness connector and ground.

(+)		(-)	Voltage (V)
Power window main switch (door mirror remote control switch)			
Connector	Terminal	Ground	4 - 6
D55	23		
	28		

Is the inspection result normal?

YES >> GO TO 3.

NO >> GO TO 2.

2. CHECK CHANGEOVER SWITCH CIRCUIT

DOOR MIRROR REMOTE CONTROL SWITCH

[WITH ADP]

< DTC/CIRCUIT DIAGNOSIS >

1. Turn ignition switch OFF.
2. Disconnect automatic drive positioner control unit connector.
3. Check continuity between automatic drive positioner control unit harness connector and power window main switch (door mirror remote control switch) harness connector.

Automatic drive positioner control unit		Power window main switch (door mirror remote control switch)		Continuity
Connector	Terminal	Connector	Terminal	
M43	2	D55	28	Existed
	14		23	

4. Check continuity between automatic drive positioner control unit harness connector and ground.

Automatic drive positioner control unit		Ground	Continuity
Connector	Terminal		
M43	2		Not existed
	14		

Is the inspection result normal?

- YES >> Replace automatic drive positioner control unit. Refer to [ADP-146, "Removal and Installation"](#) .
NO >> Repair or replace harness.

3.CHECK DOOR MIRROR REMOTE CONTROL SWITCH GROUND CIRCUIT

1. Turn ignition switch OFF.
2. Check continuity between power window main switch (door mirror remote control switch) harness connector and ground.

Power window main switch (door mirror remote control switch)		Ground	Continuity
Connector	Terminal		
D8	7		Existed

Is the inspection result normal?

- YES >> GO TO 4.
NO >> Repair or replace harness.

4.CHECK CHANGEOVER SWITCH

Check power window main switch (door mirror remote control switch).
Refer to [MIR-31, "CHANGEOVER SWITCH : Component Inspection"](#).

Is the inspection result normal?

- YES >> GO TO 5.
NO >> Replace power window main switch (door mirror remote control switch). Refer to [PWC-78, "Removal and Installation"](#).

5.CHECK INTERMITTENT INCIDENT

Check intermittent incident.
Refer to [GI-42, "Intermittent Incident"](#).

>> INSPECTION END

CHANGEOVER SWITCH : Component Inspection

INFOID:000000011285735

1.CHECK CHANGEOVER SWITCH

1. Turn ignition switch OFF.
2. Disconnect power window main switch (door mirror remote control switch) connector.
3. Check continuity between power window main switch (door mirror remote control switch) terminals.

DOOR MIRROR REMOTE CONTROL SWITCH

< DTC/CIRCUIT DIAGNOSIS >

[WITH ADP]

Power window main switch (door mirror remote control switch)				Condition	Continuity	
Connector	Terminal	Connector	Terminal			
D55	23	D8	7	Changeover switch	LEFT	Existed
	28			Other than above	Not existed	
				RIGHT	Existed	
				Other than above	Not existed	

Is the inspection result normal?

YES >> INSPECTION END

NO >> Replace power window main switch (door mirror remote control switch). Refer to [PWC-78](#), "[Removal and Installation](#)".

DOOR MIRROR DOES NOT OPERATE

[WITH ADP]

< SYMPTOM DIAGNOSIS >

SYMPTOM DIAGNOSIS

DOOR MIRROR DOES NOT OPERATE

Diagnosis Procedure

INFOID:0000000011285739

1. CHECK AUTOMATIC DRIVE POSITIONER SYSTEM

Check door mirror operate with automatic drive positioner system.

Is the inspection result normal?

YES >> GO TO 2.

NO >> Check automatic drive positioner system operation. Refer to [ADP-12. "AUTOMATIC DRIVE POSITIONER SYSTEM : System Description"](#).

2. CHECK MIRROR SWITCH

Check door mirror remote control switch (mirror switch).

Refer to [MIR-28. "MIRROR SWITCH : Component Function Check"](#).

Is the inspection result normal?

YES >> GO TO 3.

NO >> Repair or replace the malfunctioning parts.

3. CHECK CHANGEOVER SWITCH

Check door mirror remote control switch (changeover switch).

Refer to [MIR-30. "CHANGEOVER SWITCH : Component Function Check"](#).

Is the inspection result normal?

YES >> GO TO 4.

NO >> Repair or replace the malfunctioning parts.

4. CONFIRM THE OPERATION

Confirm the operation again.

Is the result normal?

YES >> Check intermittent incident. Refer to [GI-42. "Intermittent Incident"](#).

NO >> GO TO 1.

A
B
C
D
E
F
G
H
I
J
K
M
N
O
P

MIR

AUTO ANTI-DAZZLING OUTSIDE MIRROR DOES NOT OPERATE

< SYMPTOM DIAGNOSIS >

[WITH ADP]

AUTO ANTI-DAZZLING OUTSIDE MIRROR DOES NOT OPERATE

Diagnosis Procedure

INFOID:000000011285741

1. CHECK AUTO-ANTI DAZZLING INSIDE MIRROR SYSTEM

Check auto anti-dazzling inside mirror system.

Is the inspection result normal?

YES >> GO TO 2.

NO >> Repair or replace the malfunctioning parts.

2. REPLACE GLASS MIRROR

1. Replace glass mirror. Refer to [MIR-46. "DOOR MIRROR : Disassembly and Assembly"](#).

2. Confirm the operation after replacement.

Is the result normal?

YES >> INSPECTION END

NO >> Check intermittent incident. Refer to [GI-42. "Intermittent Incident"](#).

SQUEAK AND RATTLE TROUBLE DIAGNOSES

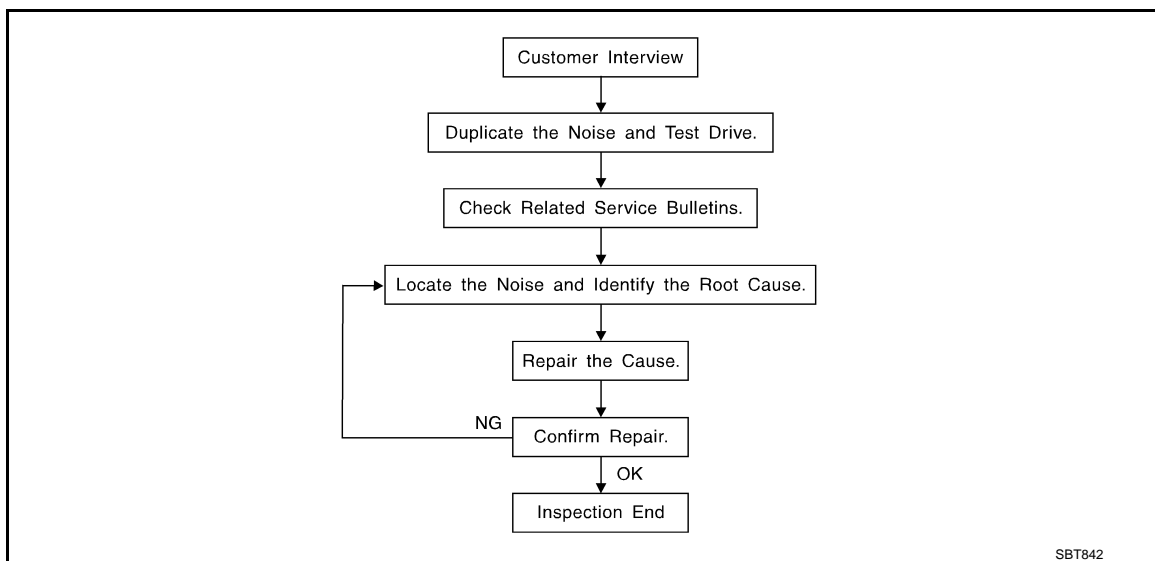
< SYMPTOM DIAGNOSIS >

[WITH ADP]

SQUEAK AND RATTLE TROUBLE DIAGNOSES

Work Flow

INFOID:0000000011285742



CUSTOMER INTERVIEW

Interview the customer if possible, to determine the conditions that exist when the noise occurs. Use the Diagnostic Worksheet during the interview to document the facts and conditions when the noise occurs and any customer comments. Refer to [MIR-39, "Diagnostic Worksheet"](#). This information is necessary to duplicate the conditions that exist when the noise occurs.

- The customer may not be able to provide a detailed description or the location of the noise. Attempt to obtain all the facts and conditions that exist when the noise occurs (or does not occur).
- If there is more than one noise in the vehicle, perform a diagnosis and repair the noise that the customer is concerned about. This can be accomplished by performing a test drive with the customer.
- After identifying the type of noise, isolate the noise in terms of its characteristics. The noise characteristics are provided so that the customer, service adviser, and technician use the same language when describing the noise.
- Squeak – (Like tennis shoes on a clean floor)
Squeak characteristics include the light contact / fast movement / brought on by road conditions / hard surfaces = high-pitched noise / softer surfaces = low-pitched noises / edge to surface = chirping
- Creak – (Like walking on an old wooden floor)
Creak characteristics include firm contact / slow movement/twisting with a rotational movement / pitch dependent on materials / often brought on by activity.
- Rattle – (Like shaking a baby rattle)
Rattle characteristics include fast repeated contact / vibration or similar movement / loose parts/missing clip or fastener / incorrect clearance.
- Knock – (Like a knock on a door)
Knock characteristics include hollow sounds / sometimes repeating / often brought on by driver action.
- Tick – (Like a clock second hand)
Tick characteristics include gentle contacting of light materials / loose components / can be caused by driver action or road conditions.
- Thump – (Heavy, muffled knock noise)
Thump characteristics include softer knock / dull sounds often brought on by activity.
- Buzz – (Like a bumblebee)
Buzz characteristics include high frequency rattle / firm contact.
- Often the degree of acceptable noise level varies depending upon the person. A noise that a technician may judge as acceptable may be very irritating to a customer.
- Weather conditions, especially humidity and temperature, may have a great effect on noise level.

DUPLICATE THE NOISE AND TEST DRIVE

If possible, drive the vehicle with the customer until the noise is duplicated. Note any additional information on the Diagnostic Worksheet regarding the conditions or location of the noise. This information can be used to duplicate the same conditions when the repair is reconfirmed.

SQUEAK AND RATTLE TROUBLE DIAGNOSES

[WITH ADP]

< SYMPTOM DIAGNOSIS >

If the noise can be duplicated easily during the test drive, to help identify the source of the noise, try to duplicate the noise with the vehicle stopped by doing one or all of the following items:

- 1) Close a door.
 - 2) Tap or push/pull around the area where the noise appears to be coming from.
 - 3) Rev the engine.
 - 4) Use a floor jack to recreate vehicle "twist".
 - 5) At idle, apply engine load (electrical load, half-clutch on M/T models, drive position on A/T models).
 - 6) Raise the vehicle on a hoist and hit a tire with a rubber hammer.
- Drive the vehicle and attempt to duplicate the conditions the customer states exist when the noise occurs.
 - If it is difficult to duplicate the noise, drive the vehicle slowly on an undulating or rough road to stress the vehicle body.

CHECK RELATED SERVICE BULLETINS

After verifying the customer concern or symptom, check ASIST for Technical Service Bulletins (TSBs) related to the concern or symptom.

If a TSB relates to the symptom, follow the procedure to repair the noise.

LOCATE THE NOISE AND IDENTIFY THE ROOT CAUSE

1. Narrow down the noise to a general area. To help pinpoint the source of the noise, use a listening tool (Chassis ear: J-39570, engine ear, and mechanics stethoscope).
2. Narrow down the noise to a more specific area and identify the cause of the noise by:
 - Removing the component(s) in the area that is / are suspected to be the cause of the noise.
Do not use too much force when removing clips and fasteners, otherwise clips and fasteners can be broken or lost during the repair, resulting in the creation of new noise.
 - Tapping or pushing/pulling the component(s) that is / are suspected to be the cause of the noise.
Do not tap or push/pull the component(s) with excessive force, otherwise the noise is eliminated only temporarily.
 - Feeling for a vibration by hand by touching the component(s) that is / are suspected to be the cause of the noise.
 - Placing a piece of paper between components that are suspected to be the cause of the noise.
 - Looking for loose components and contact marks.
Refer to [MIR-37. "Inspection Procedure"](#).

REPAIR THE CAUSE

- If the cause is a loose component, tighten the component securely.
- If the cause is insufficient clearance between components:
 - Separate components by repositioning or loosening and retightening the components, if possible.
 - Insulate components with a suitable insulator such as urethane pads, foam blocks, felt cloth tape, or urethane tape. A NISSAN Squeak and Rattle Kit (J-43980) is available through the authorized NISSAN Parts Department.

CAUTION:

Never use excessive force as many components are constructed of plastic and may be damaged.

NOTE:

Always check with the Parts Department for the latest parts information.

The following materials are contained in the NISSAN Squeak and Rattle Kit (J-43980). Each item can be ordered separately as needed.

URETHANE PADS [1.5 mm (0.059 in) thick]

Insulates connectors, harness, etc.

- 76268-9E005: 100 × 135 mm (3.937 × 5.315 in)
- 76884-71L01: 60 × 85 mm (2.362 × 3.346 in)
- 76884-71L02: 15 × 25 mm (0.591 × 0.984 in)

INSULATOR (Foam blocks)

Insulates components from contact. Can be used to fill space behind a panel.

- 73982-9E000: 45 mm (1.772 in) thick, 50 × 50 mm (1.969 × 1.969 in)
- 73982-50Y00: 10 mm (0.394 in) thick, 50 × 50 mm (1.969 × 1.969 in)

INSULATOR (Light foam block)

80845-71L00: 30 mm (1.181 in) thick, 30 × 50 mm (1.181 × 1.969 in)

FELT CLOTH TAPE

Used to insulate where movement does not occur. Ideal for instrument panel applications.

- 68370-4B000: 15 × 25 mm (0.591 × 0.984 in) pad
- 68239-13E00: 5 mm (0.197 in) wide tape roll

SQUEAK AND RATTLE TROUBLE DIAGNOSES

[WITH ADP]

< SYMPTOM DIAGNOSIS >

The following materials, not found in the kit, can also be used to repair squeaks and rattles.

UHMW (TEFLON) TAPE

Insulates where slight movement is present. Ideal for instrument panel applications.

SILICONE GREASE

Used in place of UHMW tape that is visible or does not fit. Only lasts a few months.

SILICONE SPRAY

Used when grease cannot be applied.

DUCT TAPE

Used to eliminate movement.

CONFIRM THE REPAIR

After repair is complete, test drive the vehicle to confirm that the cause of noise is repaired by test driving the vehicle. Operate the vehicle under the same conditions as when the noise originally occurred. Refer to the notes on the Diagnostic Worksheet.

Inspection Procedure

INFOID:000000011285743

Refer to Table of Contents for specific component removal and installation information.

INSTRUMENT PANEL

Most incidents are caused by contact and movement between:

1. The cluster lid A and instrument panel
2. Acrylic lens and combination meter housing
3. Instrument panel to front pillar garnish
4. Instrument panel to windshield
5. Instrument panel mounting pins
6. Wiring harnesses behind the combination meter
7. A/C defroster duct and duct joint

These incidents can usually be located by tapping or moving the components to duplicate the noise or by pressing on the components while driving to stop the noise. Most of these incidents can be repaired by applying felt cloth tape or silicon spray (in hard to reach areas). Urethane pads can be used to insulate wiring harness.

CAUTION:

Never use silicone spray to isolate a squeak or rattle. If the area is saturated with silicone, the recheck of repair becomes impossible.

CENTER CONSOLE

Components to check include:

1. Shifter assembly cover to finisher
2. A/C control unit and cluster lid C
3. Wiring harnesses behind audio and A/C control unit

The instrument panel repair and isolation procedures also apply to the center console.

DOORS

Check the following items:

1. Finisher and inner panel making a slapping noise
2. Inside handle escutcheon connection to door finisher
3. Wiring harnesses tapping
4. Door striker out of alignment causing a popping noise on starts and stops

Tapping, moving the components, or pressing on them while driving to duplicate the conditions can isolate many of these incidents. The areas can usually be insulated with felt cloth tape or insulator foam blocks from the NISSAN Squeak and Rattle Kit (J-43980) to repair the noise.

TRUNK

Trunk noises are often caused by a loose jack or loose items put into the trunk by the customer.

In addition check for the following items:

1. Trunk lid dumpers out of adjustment
2. Trunk lid striker out of adjustment

A
B
C
D
E
F
G
H
I
J
K

MIR

M
N
O
P

SQUEAK AND RATTLE TROUBLE DIAGNOSES

[WITH ADP]

< SYMPTOM DIAGNOSIS >

3. Trunk lid torsion bars knocking together
4. A loose license plate or bracket

Most of these incidents can be repaired by adjusting, securing, or insulating the item(s) or component(s) causing the noise.

SUNROOF/HEADLINING

Noises in the sunroof / headlining area can often be traced to one of the following items:

1. Sunroof lid, rail, linkage, or seals making a rattle or light knocking noise
2. Sunvisor shaft shaking in the holder
3. Front or rear windshield touching headlining and squeaking

Again, pressing on the components to stop the noise while duplicating the conditions can isolate most of these incidents. Repairs usually consist of insulating with felt cloth tape.

SEATS

When isolating seat noise it is important to note the position the seat is in and the load placed on the seat when the noise occurs. These conditions should be duplicated when verifying and isolating the cause of the noise.

Causes of seat noise include:

1. Headrest rods and holder
2. A squeak between the seat pad cushion and frame
3. The rear seatback lock and bracket

These noises can be isolated by moving or pressing on the suspected components while duplicating the conditions under which the noise occurs. Most of these incidents can be repaired by repositioning the component or applying urethane tape to the contact area.

UNDERHOOD

Some interior noise may be caused by components under the hood or on the engine wall. The noise is then transmitted into the passenger compartment.

Causes of transmitted underhood noise include:

1. Any component mounted to the engine wall
2. Components that pass through the engine wall
3. Engine wall mounts and connectors
4. Loose radiator mounting pins
5. Hood bumpers out of adjustment
6. Hood striker out of adjustment

These noises can be difficult to isolate since they cannot be reached from the interior of the vehicle. The best method is to secure, move, or insulate one component at a time and test drive the vehicle. Also, engine RPM or load can be changed to isolate the noise. Repairs can usually be made by moving, adjusting, securing, or insulating the component causing the noise.

SQUEAK AND RATTLE TROUBLE DIAGNOSES

< SYMPTOM DIAGNOSIS >

[WITH ADP]

Diagnostic Worksheet

INFOID:000000011285744



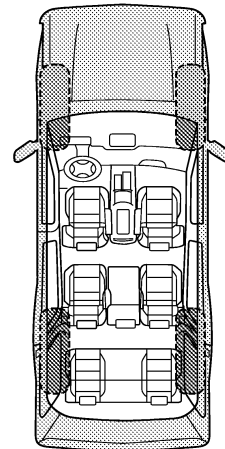
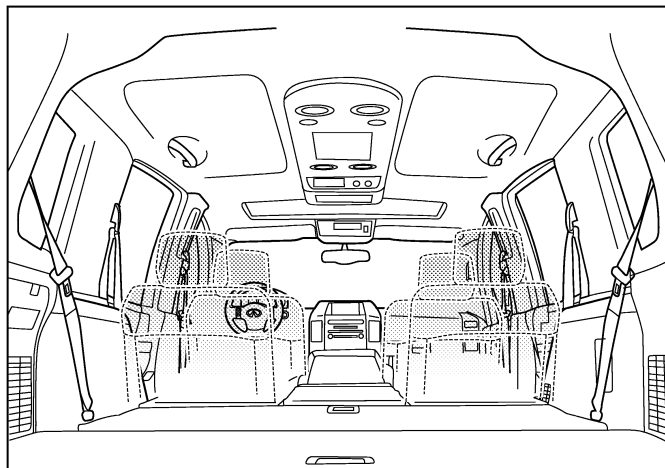
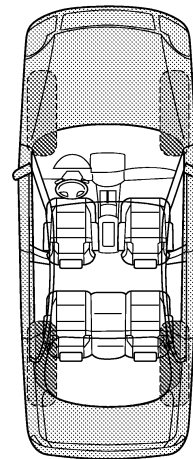
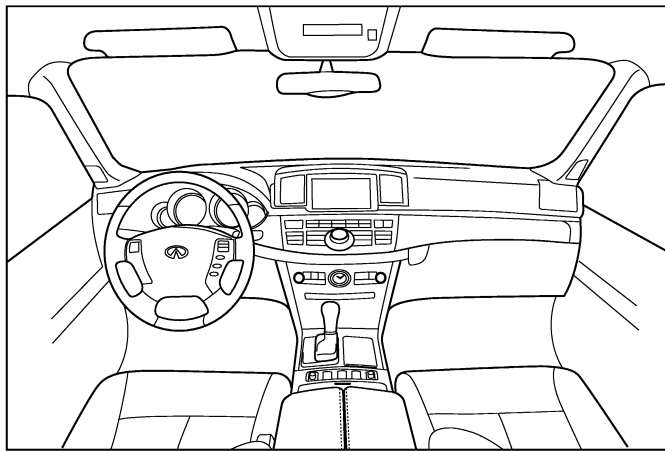
SQUEAK & RATTLE DIAGNOSTIC WORKSHEET

Dear Infiniti Customer:

We are concerned about your satisfaction with your Infiniti vehicle. Repairing a squeak or rattle sometimes can be very difficult. To help us fix your Infiniti right the first time, please take a moment to note the area of the vehicle where the squeak or rattle occurs and under what conditions. You may be asked to take a test drive with a service consultant or technician to ensure we confirm the noise you are hearing.

I. WHERE DOES THE NOISE COME FROM? (circle the area of the vehicle)

The illustrations are for reference only, and may not reflect the actual configuration of your vehicle.



Continue to page 2 of the worksheet and briefly describe the location of the noise or rattle. In addition, please indicate the conditions which are present when the noise occurs.

PIIB8741E

A
B
C
D
E
F
G
H
I
J
K
M
N
O
P

MIR

SQUEAK AND RATTLE TROUBLE DIAGNOSES

< SYMPTOM DIAGNOSIS >

[WITH ADP]

SQUEAK & RATTLE DIAGNOSTIC WORKSHEET - page 2

Briefly describe the location where the noise occurs:

II. WHEN DOES IT OCCUR? (please check the boxes that apply)

- | | |
|---|--|
| <input type="checkbox"/> anytime | <input type="checkbox"/> after sitting out in the rain |
| <input type="checkbox"/> 1st time in the morning | <input type="checkbox"/> when it is raining or wet |
| <input type="checkbox"/> only when it is cold outside | <input type="checkbox"/> dry or dusty conditions |
| <input type="checkbox"/> only when it is hot outside | <input type="checkbox"/> other: |

III. WHEN DRIVING:

- through driveways
- over rough roads
- over speed bumps
- only about ____ mph
- on acceleration
- coming to a stop
- on turns: left, right or either (circle)
- with passengers or cargo
- other: _____
- after driving ____ miles or ____ minutes

IV. WHAT TYPE OF NOISE

- squeak (like tennis shoes on a clean floor)
- creak (like walking on an old wooden floor)
- rattle (like shaking a baby rattle)
- knock (like a knock at the door)
- tick (like a clock second hand)
- thump (heavy, muffled knock noise)
- buzz (like a bumble bee)

TO BE COMPLETED BY DEALERSHIP PERSONNEL

Test Drive Notes:

	YES	NO	Initials of person performing
Vehicle test driven with customer	<input type="checkbox"/>	<input type="checkbox"/>	_____
- Noise verified on test drive	<input type="checkbox"/>	<input type="checkbox"/>	_____
- Noise source located and repaired	<input type="checkbox"/>	<input type="checkbox"/>	_____
- Follow up test drive performed to confirm repair	<input type="checkbox"/>	<input type="checkbox"/>	_____

VIN: _____ Customer Name: _____

W.O.# _____ Date: _____

This form must be attached to Work Order

PIIB8742E

INSIDE MIRROR

< REMOVAL AND INSTALLATION >

[WITH ADP]

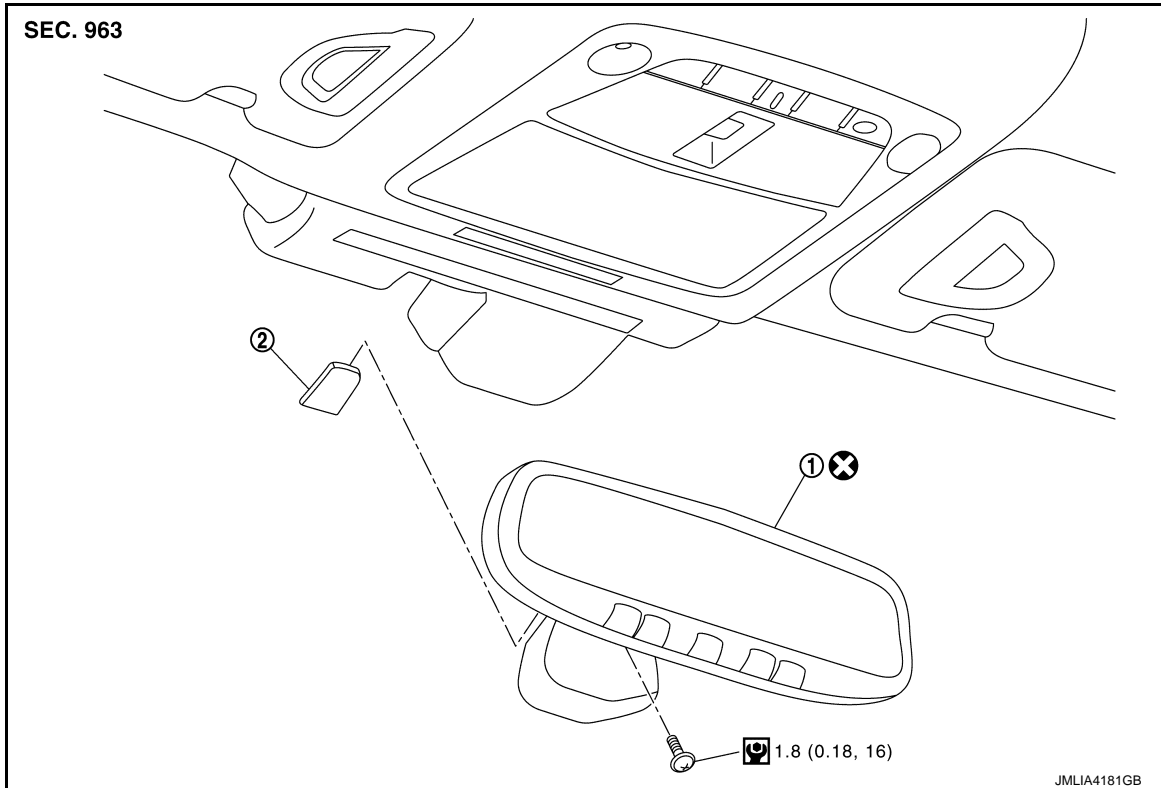
REMOVAL AND INSTALLATION

INSIDE MIRROR

Exploded View

INFOID:000000011285745

WITH HIGH BEAM ASSIST SYSTEM



- ① Inside mirror assembly
- ② Inside mirror base
- ⊗ : Always replace after every disassembly.
- 🔧 : N·m (kg·m, in·lb)

WITHOUT HIGH BEAM ASSIST SYSTEM

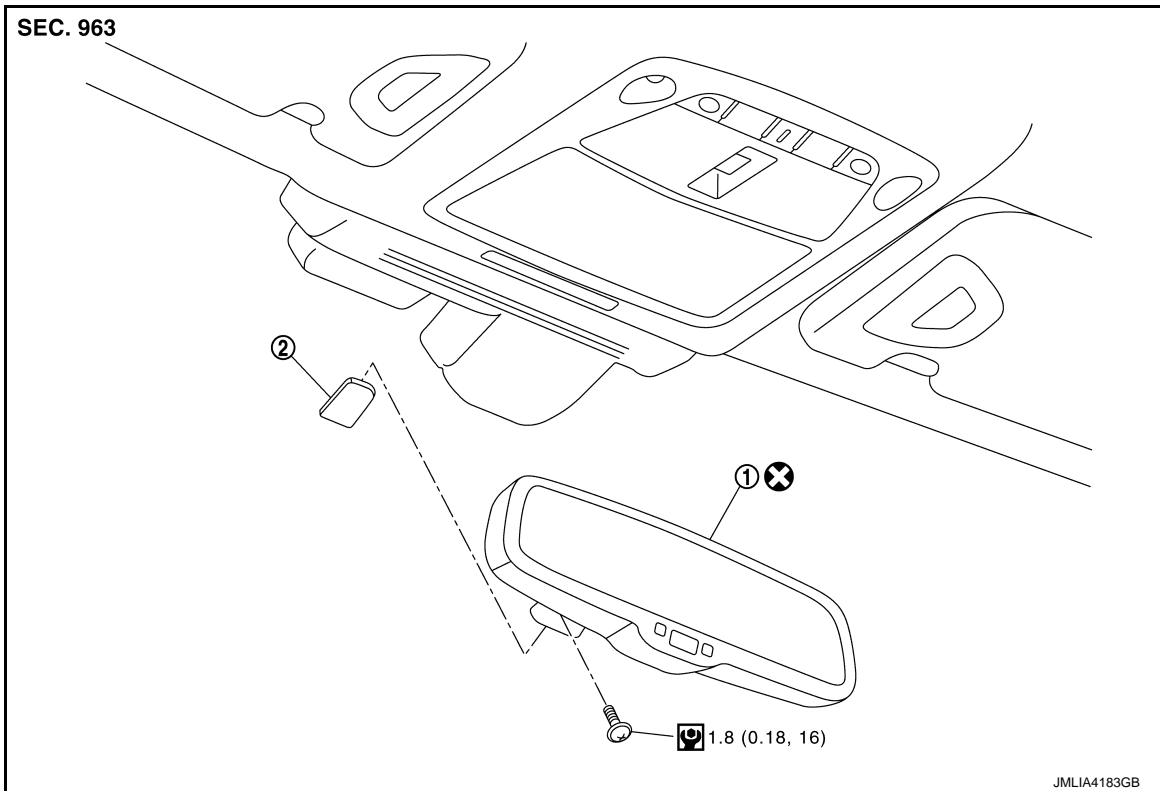
A
B
C
D
E
F
G
H
I
J
K
M
N
O
P

MIR

INSIDE MIRROR

< REMOVAL AND INSTALLATION >

[WITH ADP]



① Inside mirror assembly ② Inside mirror base

⊗ : Always replace after every disassembly.

🔧 : N·m (kg·m, in·lb)

Removal and Installation

INFOID:000000011285746

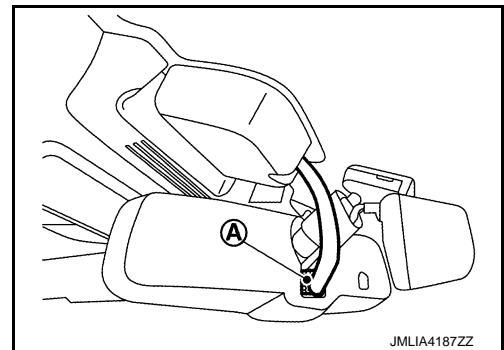
REMOVAL

CAUTION:

- Never damage the windshield glass.
- Replace inside mirror assembly with a new part after removal. Never reuse inside mirror assembly.

With High Beam Assist System

1. Disconnect inside mirror harness connector (A).

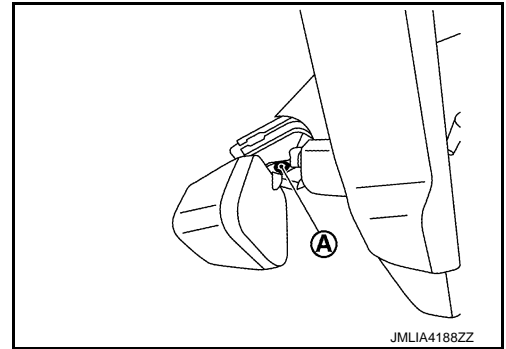


INSIDE MIRROR

< REMOVAL AND INSTALLATION >

[WITH ADP]

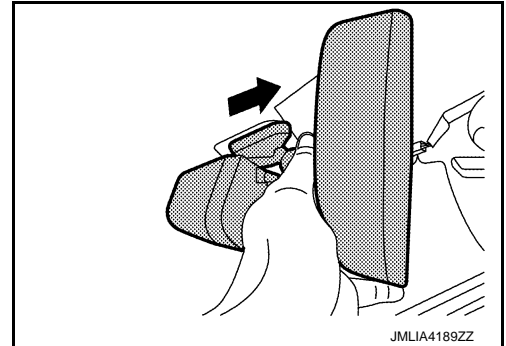
2. Remove inside mirror assembly fixing TORX screw (A).



3. Remove inside mirror assembly as shown in the arrow in the figure.

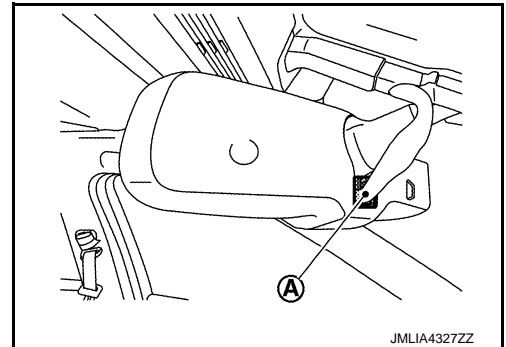
CAUTION:

Never use excessive force to remove the inside mirror assembly because it is inserted tightly into the inside mirror base.

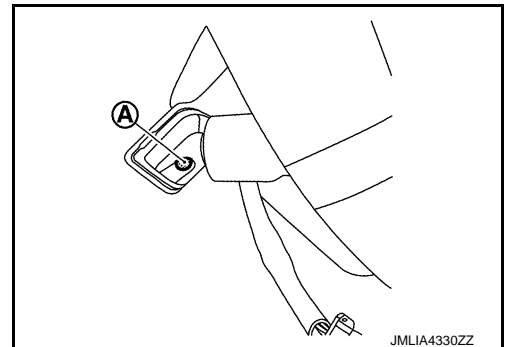


Without High Beam Assist System

1. Disconnect inside mirror harness connector (A).



2. Remove inside mirror assembly fixing TORX screw (A).



A
B
C
D
E
F
G
H
I
J
K
M
N
O
P

MIR

INSIDE MIRROR

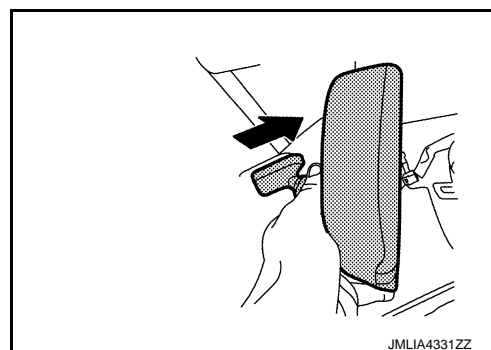
< REMOVAL AND INSTALLATION >

[WITH ADP]

3. Remove inside mirror assembly as shown in the arrow in the figure.

CAUTION:

Never use excessive force to remove the inside mirror assembly because it is inserted tightly into the inside mirror base.



INSTALLATION

Note the following items, and then install in the reverse order of removal.

With High Beam Assist System

CAUTION:

- Replace inside mirror assembly with a new part after removal. Never reuse inside mirror assembly.
- Tighten inside mirror assembly fixing TORX screw to the specified torque. Refer to [MIR-41, "Exploded View"](#).
- Be sure to perform "WRITE CONFIGURATION" when replacing inside mirror assembly (high beam assist control module). Or not doing so, high beam assist control function does not operate normally. Refer to [EXL-95, "Work Procedure"](#).

Without High Beam Assist System

CAUTION:

- Replace inside mirror assembly with a new part after removal. Never reuse inside mirror assembly.
- Tighten inside mirror assembly fixing TORX screw to the specified torque. Refer to [MIR-41, "Exploded View"](#).

DOOR MIRROR

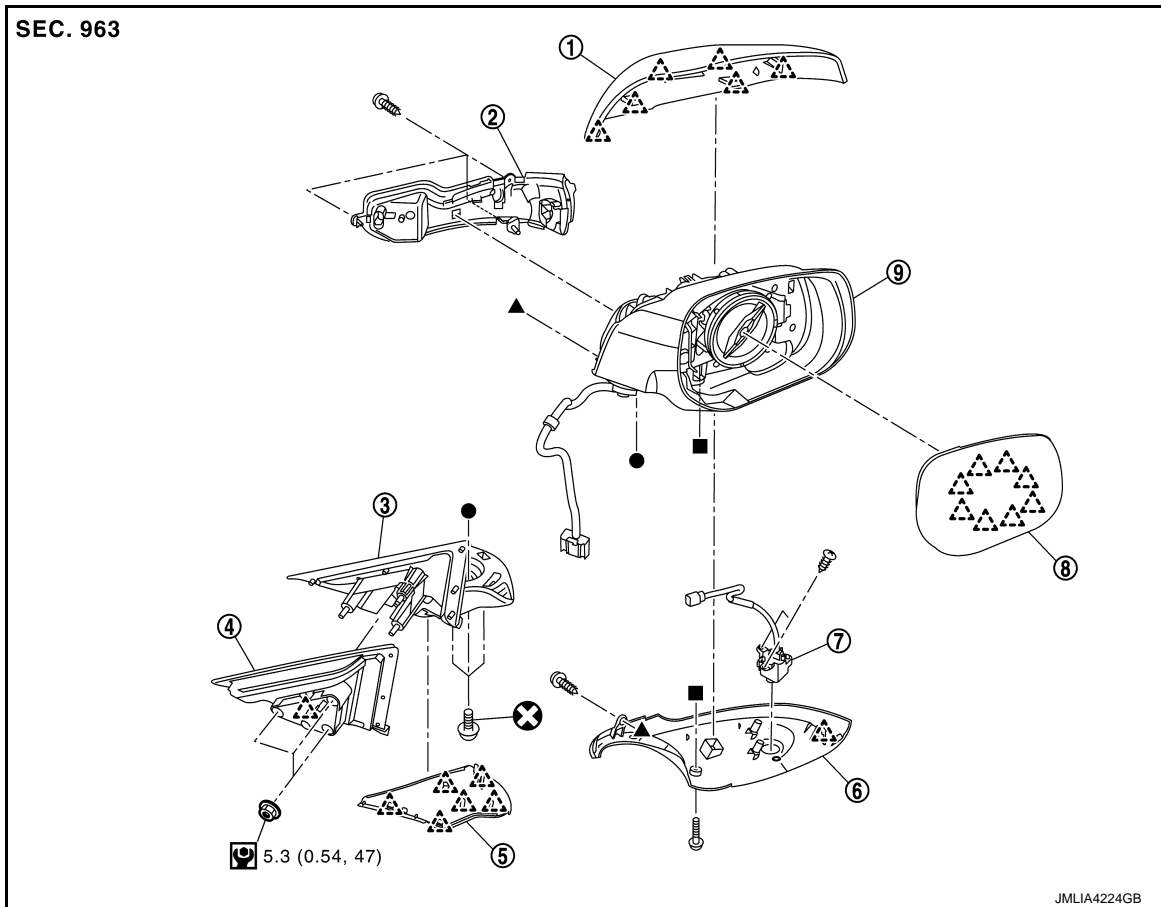
< REMOVAL AND INSTALLATION >

[WITH ADP]

DOOR MIRROR

Exploded View

INFOID:000000011285747



- | | | |
|-----------------------------|--------------------------|------------------------|
| ① Door mirror cover | ② Side turn signal lamp | ③ Door mirror base |
| ④ Door mirror gasket | ⑤ Door mirror base cover | ⑥ Door mirror finisher |
| ⑦ Side view camera assembly | ⑧ Glass mirror | ⑨ Door mirror housing |

△ : Pawl

⊗ : Always replace after every disassembly.

Ⓜ : N·m (kg·m, in·lb)

●, ▲, ■ : Indicates that the part is connected at points with same symbol in actual vehicle.

DOOR MIRROR

DOOR MIRROR : Removal and Installation

INFOID:000000011285748

REMOVAL

CAUTION:

Never damage the door mirror assembly and body panel.

1. Remove front door sash inner cover. Refer to [INT-16. "FRONT DOOR SASH INNER COVER : Removal and Installation"](#).

A
B
C
D
E
F
G
H
I
J
K
L
M
N
O
P

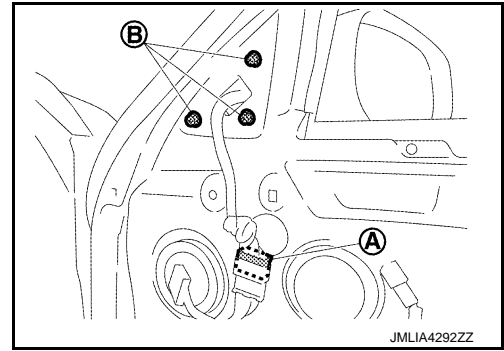
MIR

DOOR MIRROR

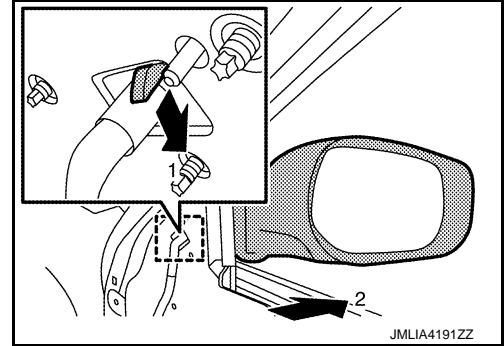
< REMOVAL AND INSTALLATION >

[WITH ADP]

2. Disconnect harness connector (A), and then remove door mirror assembly mounting nuts (B).



3. Disengage door mirror assembly fixing pawl according to numerical order 1→2 indicated by arrows as shown in the figure, and then remove door mirror assembly.



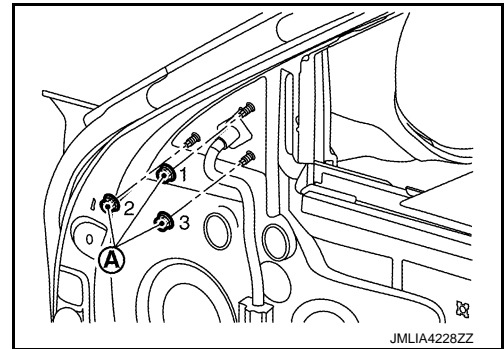
INSTALLATION

Note the following item, and then install in the reverse order of removal.

CAUTION:

Temporarily tighten the mounting nuts (A), and then tighten mounting nuts to the specified torque according to the numerical order 1→3 as shown in the figure.

 : 5.3 N·m (0.54 kg·m, 47 in·lb)

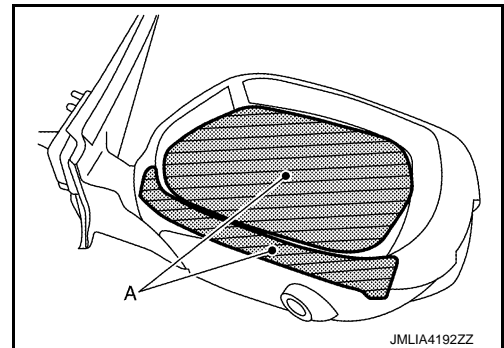


DOOR MIRROR : Disassembly and Assembly

INFOID:000000011285749

DISASSEMBLY

1. Remove door mirror assembly. Refer to [MIR-45, "DOOR MIRROR : Removal and Installation"](#).
2. Apply protective tapes (A) on surface of glass mirror and door mirror housing to protect it from damage.

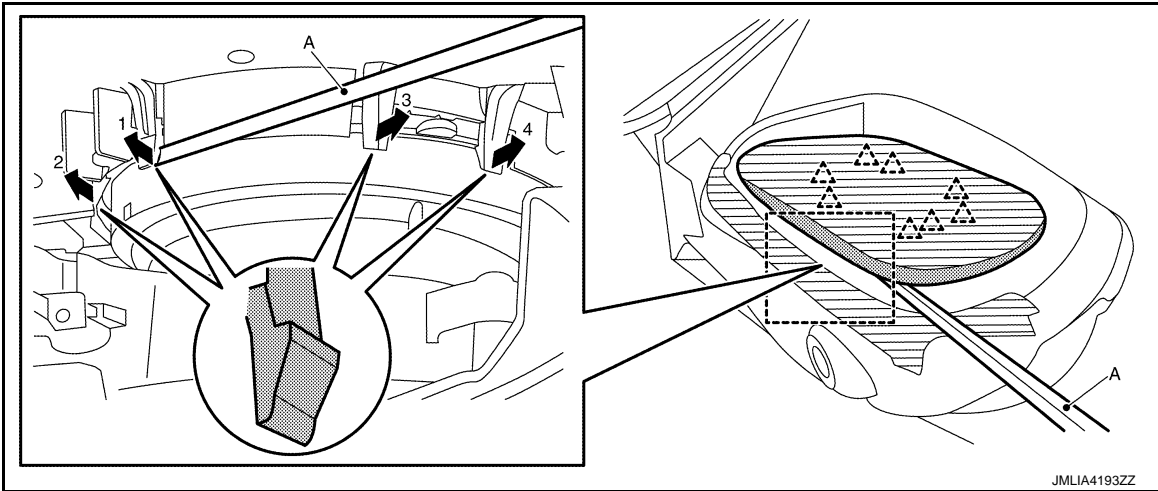


DOOR MIRROR


< REMOVAL AND INSTALLATION >

[WITH ADP]

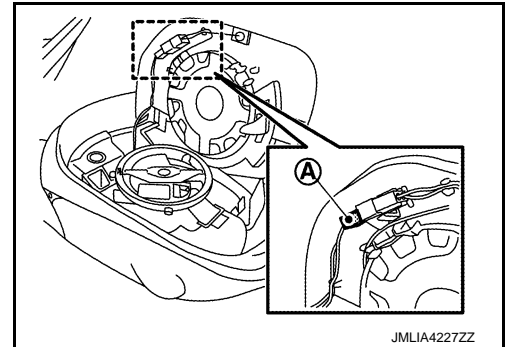
3. Insert remover tool (A) into the recess at lower side between glass mirror and actuator. And then disengage the door mirror fixing pawls by pushing up while rotating (twisting) the remover tool according to numerical order 1→4 indicated by arrows as shown in the figure.



CAUTION:
Use a remover tool wrapped in tape.

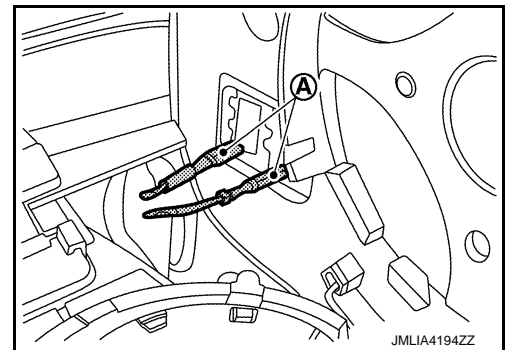
 : Pawl

4. Disconnect harness connector (A). (With auto anti-dazzling)

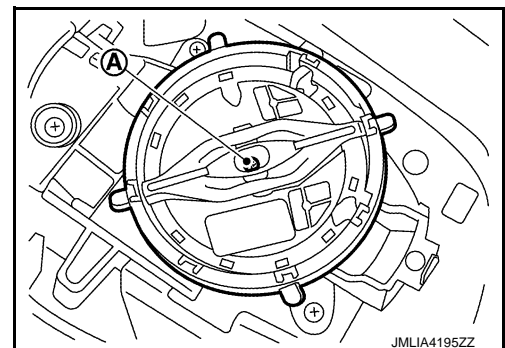


5. Disconnect heater mirror terminals (A), and then remove glass mirror.

CAUTION:
Make a mark (short note, photo, etc.) of terminals layout, before disassembly.



6. Remove door mirror actuator fixing screw (A).



A
B
C
D
E
F
G
H
I
J
K
L
M
N
O
P

MIR

DOOR MIRROR


< REMOVAL AND INSTALLATION >

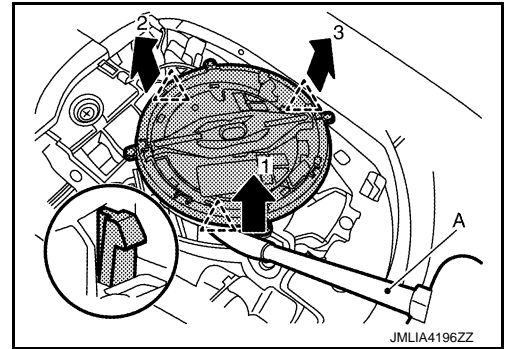
[WITH ADP]

7. Disengage door mirror actuator fixing pawls using a remover tool (A) according to numerical order 1→3 indicated by arrows as shown in the figure.

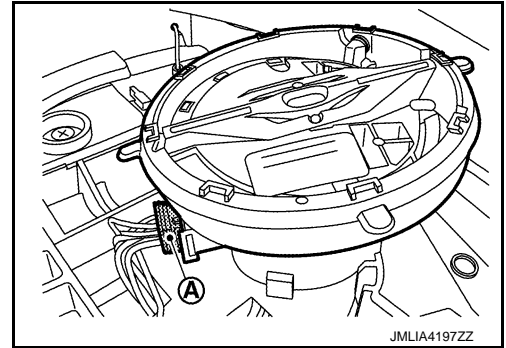
CAUTION:

Use a remover tool wrapped in tape.

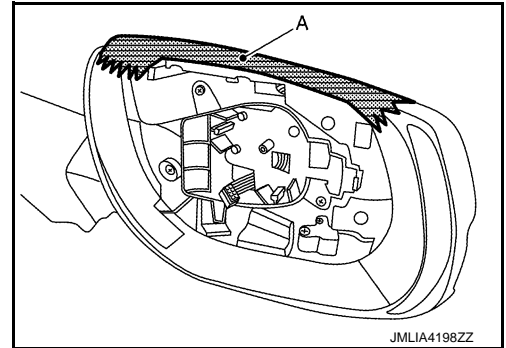
 : Pawl



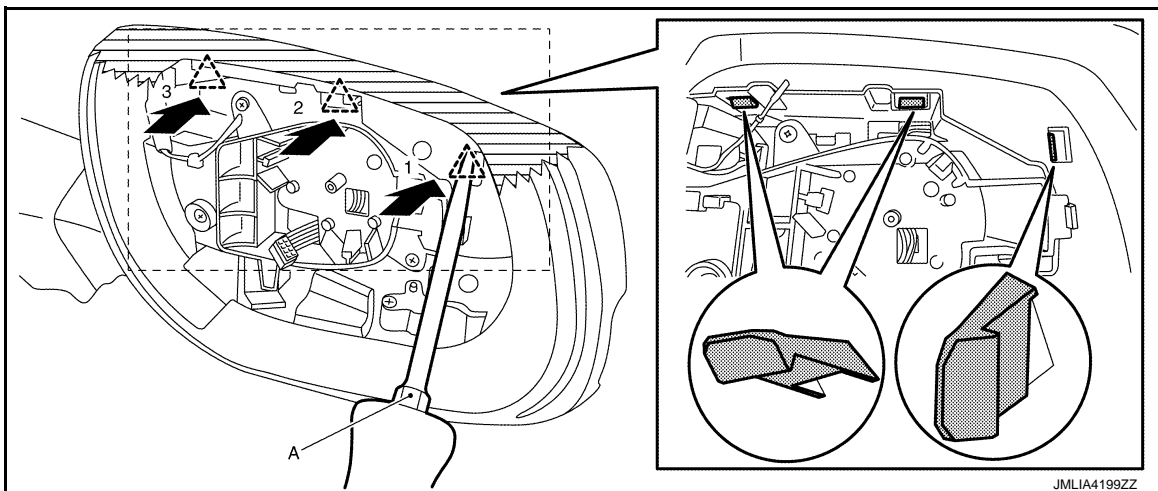
8. Disconnect door mirror actuator harness connector (A), and then remove door mirror actuator.



9. Apply protective tape (A) on door mirror housing to protect it from damage.




10. Disengage door mirror cover fixing pawls using a remover tool (A) according to numerical order 1→3 indicated by arrows as shown in the figure, and then make a space between door mirror housing and door mirror cover.



CAUTION:

Use a remover tool wrapped in tape.

 : Pawl

DOOR MIRROR


< REMOVAL AND INSTALLATION >

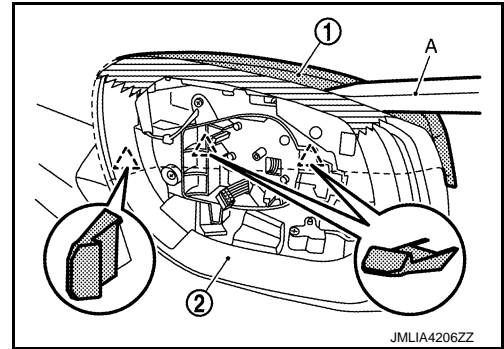
[WITH ADP]

11. Disengage door mirror cover ① fixing pawls using a remover tool (A), and then remove door mirror cover from door mirror housing ②.

CAUTION:

When removing, always use a remover tool that is made of plastic to prevent damage to the parts.

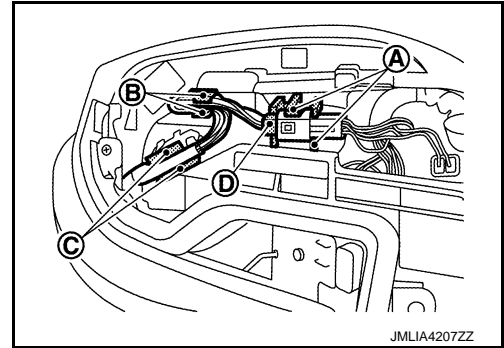
 : Pawl



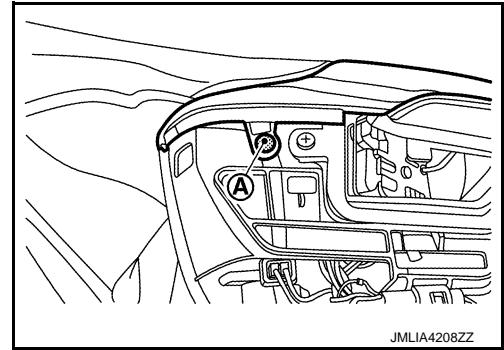
12. Remove harness connector and each harness from clamp portion (A), (B) and (C), and then disconnect harness connector (D).

CAUTION:

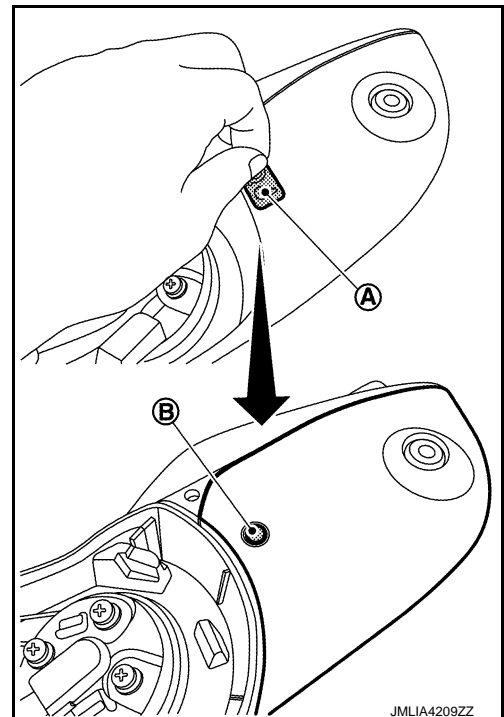
Make a mark (short note, photo, etc.) of harness layout, before disassembly.



13. Remove door mirror finisher fixing screw (A).



14. Peel off seal (A), and then remove door mirror finisher fixing screw (B).



A
B
C
D
E
F
G
H
I
J
K
M
N
O
P

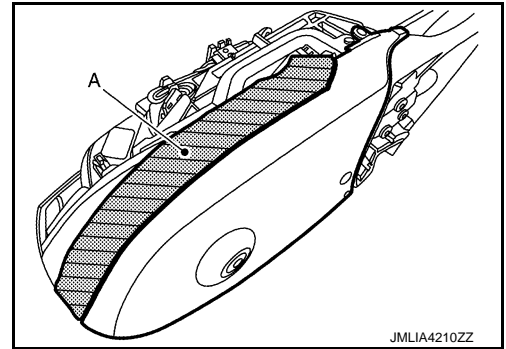
MIR

DOOR MIRROR

< REMOVAL AND INSTALLATION >

[WITH ADP]


15. Apply protective tape (A) on side turn signal lamp to protect it from damage.

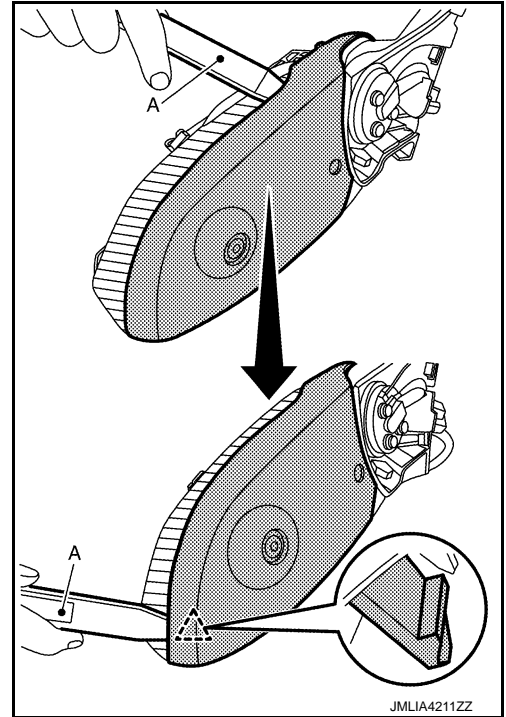


16. Insert a remover tool (A) between side turn signal lamp and door mirror finisher, and then disengage side turn signal lamp, door mirror finisher and pawl while sliding remover tool.

CAUTION:

When removing, always use a remover tool that is made of plastic to prevent damage to the parts.

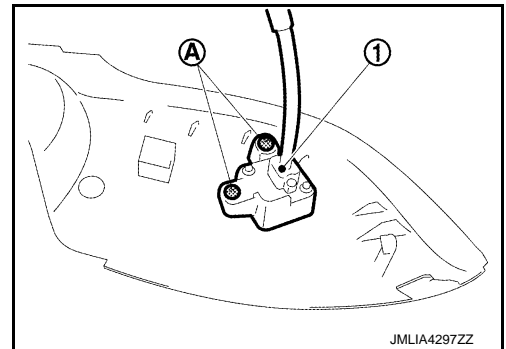
 : Pawl



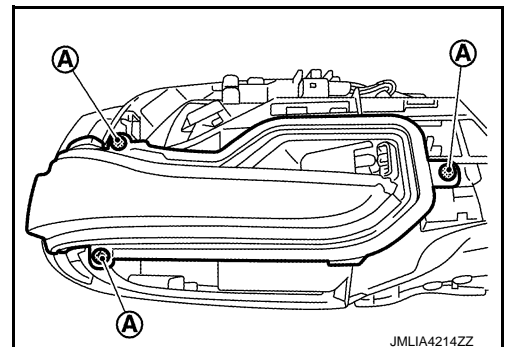
17. Remove door mirror finisher from door mirror housing.

NOTE:

Remove side view camera assembly ① fixing screws (A), and then remove side view camera assembly. After removing door mirror finisher.



18. Remove side turn signal lamp fixing screws (A).

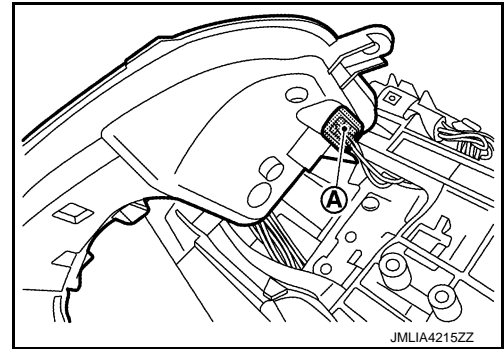


DOOR MIRROR

< REMOVAL AND INSTALLATION >

[WITH ADP]

19. Disconnect side turn signal lamp harness connector (A), and then remove side turn signal lamp.



20. Remove door mirror base. Refer to [MIR-51, "DOOR MIRROR BASE : Removal and Installation"](#).

ASSEMBLY

Note the following items, and then assemble in the reverse order of disassembly.

CAUTION:

Never connect terminals and harness connectors incorrect position. A malfunction may occur if connect terminals and harness connectors incorrect position.

DOOR MIRROR BASE

DOOR MIRROR BASE : Removal and Installation

INFOID:000000011285750

REMOVAL

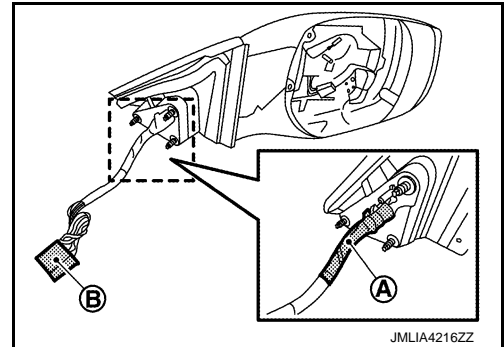
CAUTION:

Never damage the door mirror parts.

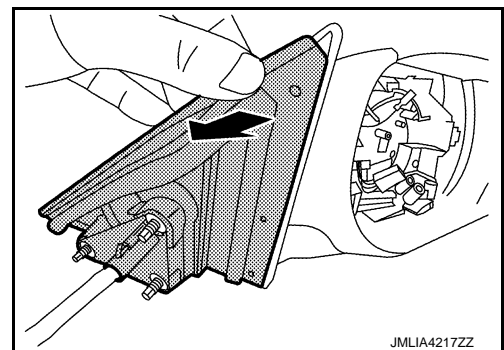
1. Remove door mirror assembly. Refer to [MIR-45, "DOOR MIRROR : Removal and Installation"](#).
2. Remove vinyl tape (A) of door mirror gasket and door mirror harness, and then disconnect all terminals from harness connector (B).

CAUTION:

Make a mark (short note, photo, etc.) of terminals layout, before disassembly.



3. Remove door mirror gasket.



A
B
C
D
E
F
G
H
I
J
K
M
N
O
P

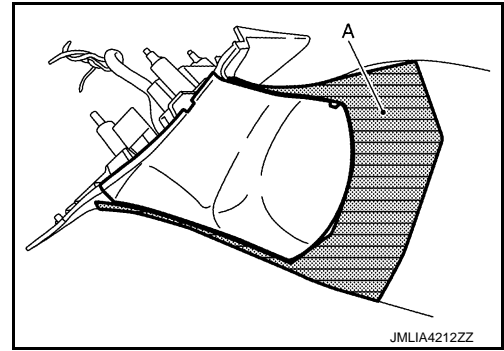
MIR

DOOR MIRROR

< REMOVAL AND INSTALLATION >

[WITH ADP]


4. Apply protective tape (A) on door mirror housing to protect it from damage.

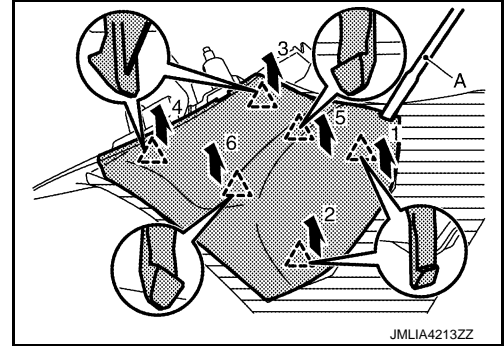


5. Disengage door mirror base cover fixing pawls using a remover tool (A) according to numerical order 1→6 indicated by arrows as shown in the figure, and then remove door mirror base cover.

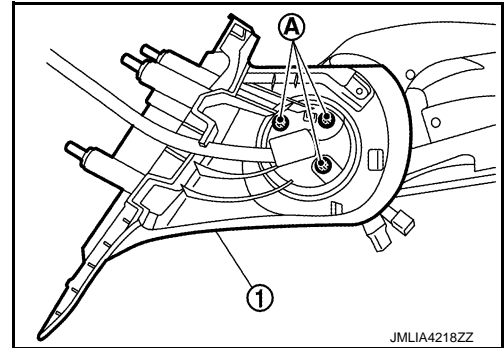
CAUTION:

Use a remover tool wrapped in tape.

 : Pawl



6. Remove door mirror base fixing screws (A), and then remove door mirror base (1).



INSTALLATION

Note the following items, and then install in the reverse order of removal.

CAUTION:

- When assembly power folding unit, check that harness layout is securely to prevent the damage.
- Never connect terminals incorrect position. A malfunction may occur if connect terminals incorrect position.
- Replace door mirror base fixing screws with a new part after removal. Never reuse door mirror base fixing screws.

PRECAUTION

PRECAUTIONS

Precaution for Supplemental Restraint System (SRS) "AIR BAG" and "SEAT BELT PRE-TENSIONER"

INFOID:000000011285751

The Supplemental Restraint System such as "AIR BAG" and "SEAT BELT PRE-TENSIONER", used along with a front seat belt, helps to reduce the risk or severity of injury to the driver and front passenger for certain types of collision. This system includes seat belt switch inputs and dual stage front air bag modules. The SRS system uses the seat belt switches to determine the front air bag deployment, and may only deploy one front air bag, depending on the severity of a collision and whether the front occupants are belted or unbelted. Information necessary to service the system safely is included in the "SRS AIR BAG" and "SEAT BELT" of this Service Manual.

WARNING:

Always observe the following items for preventing accidental activation.

- To avoid rendering the SRS inoperative, which could increase the risk of personal injury or death in the event of a collision that would result in air bag inflation, all maintenance must be performed by an authorized NISSAN/INFINITI dealer.
- Improper maintenance, including incorrect removal and installation of the SRS, can lead to personal injury caused by unintentional activation of the system. For removal of Spiral Cable and Air Bag Module, see "SRS AIR BAG".
- Never use electrical test equipment on any circuit related to the SRS unless instructed to in this Service Manual. SRS wiring harnesses can be identified by yellow and/or orange harnesses or harness connectors.

PRECAUTIONS WHEN USING POWER TOOLS (AIR OR ELECTRIC) AND HAMMERS

WARNING:

Always observe the following items for preventing accidental activation.

- When working near the Air Bag Diagnosis Sensor Unit or other Air Bag System sensors with the ignition ON or engine running, never use air or electric power tools or strike near the sensor(s) with a hammer. Heavy vibration could activate the sensor(s) and deploy the air bag(s), possibly causing serious injury.
- When using air or electric power tools or hammers, always switch the ignition OFF, disconnect the battery, and wait at least 3 minutes before performing any service.

Precautions for Removing Battery Terminal

INFOID:000000011584053

- When removing the 12V battery terminal, turn OFF the ignition switch and wait at least 30 seconds.

NOTE:

ECU may be active for several tens of seconds after the ignition switch is turned OFF. If the battery terminal is removed before ECU stops, then a DTC detection error or ECU data corruption may occur.

- For vehicles with the 2-batteries, be sure to connect the main battery and the sub battery before turning ON the ignition switch.

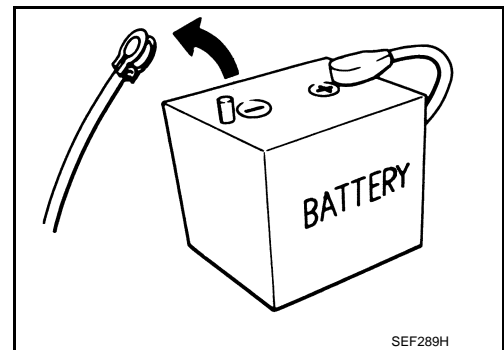
NOTE:

If the ignition switch is turned ON with any one of the terminals of main battery and sub battery disconnected, then DTC may be detected.

- After installing the 12V battery, always check "Self Diagnosis Result" of all ECUs and erase DTC.

NOTE:

The removal of 12V battery may cause a DTC detection error.



A
B
C
D
E
F
G
H
I
J
K
M
N
O
P

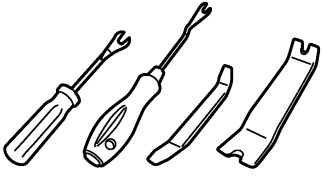
MIR

PREPARATION

PREPARATION

Commercial Service Tools

INFOID:000000011285752

Tool name	Description
Remover tool  JKMIA3050ZZ	Removes the clips, pawls and metal clips

SYSTEM DESCRIPTION

SYSTEM

DOOR MIRROR SYSTEM

DOOR MIRROR SYSTEM : Component Description

INFOID:0000000011285753

Component	Function
Power window main switch (door mirror remote control switch)	It supplies power to mirror motor through mirror switch and changeover switch.
Door mirror	It operates mirror face from side to side and up and down using the mirror control switch operation.

AUTO ANTI-DAZZLING INSIDE MIRROR SYSTEM

AUTO ANTI-DAZZLING INSIDE MIRROR SYSTEM : System Description

INFOID:0000000011285754

The sensor built inside the mirror detects the brightness of headlights of the vehicle behind and automatically changes the light transmission to decrease the brightness.

AUTO ANTI-DAZZLING INSIDE MIRROR SYSTEM : Component Description

INFOID:0000000011285755

Component	Function
Auto anti-dazzling inside mirror	It automatically changes the light transmittance according to the brightness of the light from the headlights of the vehicle behind.

A
B
C
D
E
F
G
H
I
J
K

MIR

M
N
O
P

DOOR MIRROR SYSTEM (WITHOUT AUTOMATIC DRIVE POSITIONER)

< WIRING DIAGRAM >

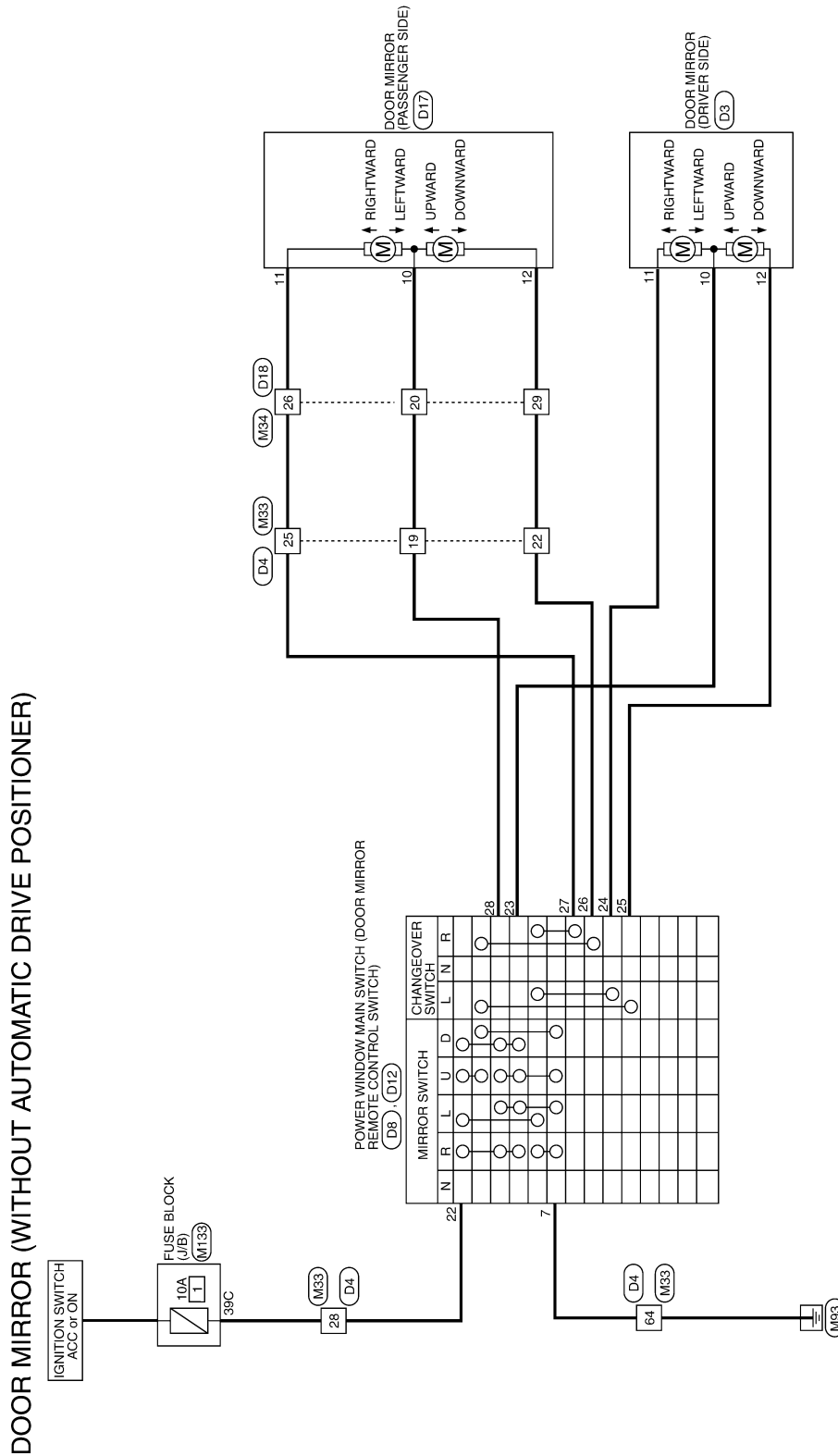
[WITHOUT ADP]

WIRING DIAGRAM

DOOR MIRROR SYSTEM (WITHOUT AUTOMATIC DRIVE POSITIONER)

Wiring Diagram

INFOID:000000011285756



2014/07/28

JRLWE2152GB

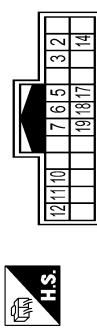
DOOR MIRROR SYSTEM (WITHOUT AUTOMATIC DRIVE POSITIONER)

< WIRING DIAGRAM >

[WITHOUT ADP]

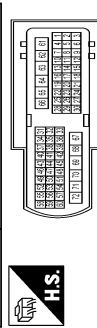
DOOR MIRROR (WITHOUT AUTOMATIC DRIVE POSITIONER)

Connector No.	D3
Connector Name	DOOR MIRROR (DRIVER SIDE)
Connector Type	TH24MW-NH



Terminal No.	Color Of Wire	Signal Name [Specification]
2	R	-
3	G	-
5	B	-
6	W	-
7	L	-
10	Y	-
11	GR	-
12	L	-
14	B	-
17	SHIELD	-
18	R	-
19	B	-

Connector No.	D4
Connector Name	WIRE TO WIRE
Connector Type	NH30FW-TS12

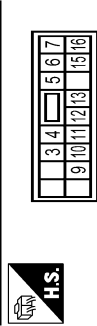


Terminal No.	Color Of Wire	Signal Name [Specification]
6	V	-
8	G	-
9	GR	-
10	Y	-
11	SHIELD	-
12	BG	-
13	L	-

14	B	-
15	Y	-
16	GR	-
17	R	-
18	GR	-
19	R	-
20	W	-
21	LG	-
22	W	-
23	L	-
24	G	-
25	BR	-
26	R	-
27	BR	-
28	V	-
29	B	-
30	W	-
31	P	-
32	Y	-
33	BR	-
34	L	-
35	R	-
36	GR	-
37	G	-
40	P	-
41	L	-
43	BG	-
44	Y	-
46	W	-
47	R	-
49	BR	-
50	B	-
52	V	-
53	GR	-
55	GR	-
56	BR	-
57	R	-
58	L	-
59	V	-
60	G	-
61	BG	-
62	Y	-
63	SB	-
64	B	-
65	Y	-
66	BR	-
68	Y	-
69	L	-
70	W	-

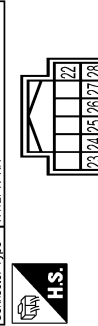
71	LG	-
72	P	-

Connector No.	D6
Connector Name	POWER WINDOW MAIN SWITCH
Connector Type	NS16FW-GS



Terminal No.	Color Of Wire	Signal Name [Specification]
3	V	ENCODER +
4	Y	+B
5	G	DN
6	L	UP
7	B	-
9	BR	IGN
10	B	ENCODER GND
11	GR	ENCODER SIG1
12	BR	ENCODER SIG2
13	SB	COM
15	V	LOCK SW
16	Y	UNLOCK SW

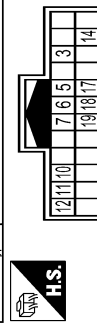
Connector No.	D12
Connector Name	DOOR MIRROR REMOTE CONTROL SWITCH
Connector Type	TH12FW-NH



Terminal No.	Color Of Wire	Signal Name [Specification]
22	V	-
23	Y	-
24	GR	-

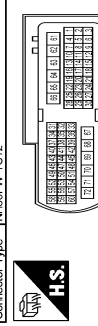
25	L	-
26	W	-
27	BR	-
28	R	-

Connector No.	D17
Connector Name	DOOR MIRROR (PASSENGER SIDE)
Connector Type	TH24MW-NH



Terminal No.	Color Of Wire	Signal Name [Specification]
3	W	-
5	B	-
6	R	-
7	BG	-
10	G	-
11	V	-
12	Y	-
14	B	-
17	SHIELD	-
18	G	-
19	B	-

Connector No.	D18
Connector Name	WIRE TO WIRE
Connector Type	NH30FW-TS12



JRLWE2153GB

A
B
C
D
E
F
G
H
I
J
K
L
M
N
O
P

MIR

DOOR MIRROR SYSTEM (WITHOUT AUTOMATIC DRIVE POSITIONER)

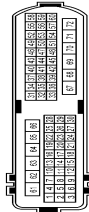
< WIRING DIAGRAM >

[WITHOUT ADP]

DOOR MIRROR (WITHOUT AUTOMATIC DRIVE POSITIONER)

Terminal No.	Color Of Wire	Signal Name (Specification)
1	GR	-
2	P	-
5	BR	-
6	Y	-
8	W	-
9	L	-
10	L	-
11	GR	-
13	Y	-
14	R	-
16	R	-
17	B	-
18	W	-
19	B	-
20	G	-
21	SHIELD	-
22	GR	-
23	BG	-
24	B	-
25	BR	-
26	V	-
27	G	-
28	V	-
29	Y	-
30	R	-
49	LG	-
52	P	-
55	L	-
56	Y	-
57	R	-
58	SB	-
59	R	-
60	G	-
63	B	-
64	Y	-
65	BR	-
66	GR	-
69	W	-
70	L	-
71	BG	-
72	Y	-

Connector No.	Signal Name (Specification)
M33	WIRE TO WIRE



Terminal No.	Color Of Wire	Signal Name (Specification)
6	R	-
8	GR	-
9	GR	-
10	W	-
11	SHIELD	-
12	P	-
13	SB	-
14	LG	-
15	Y	-
16	Y	-
17	P	-
18	WB	-
19	LG	- [With DRPO]
19	Y	- [Without DRPO]
20	V	-
21	B	-
22	BG	- [Without DRPO]
22	G	- [With DRPO]
23	L	-
24	Y	-
25	BG	- [Without DRPO]
25	L	- [With DRPO]
26	Y	-
27	GR	-
28	V	-
29	B	-
30	W	-
31	B	-
32	SB	-
33	L	-
34	BR	-
35	LG	-
36	W	-
37	B	-
40	P	-
41	SB	-

43	Y	-
44	BG	-
46	BR	-
47	G	-
49	V	-
50	B	-
52	BR	-
53	B	-
55	BG	-
56	LG	-
57	V	-
58	R	-
59	G	-
60	L	-
61	G	-
62	R	-
63	Y	-
64	B	-
65	R	-
66	BR	-
68	P	-
69	V	-
70	W	-
71	LG	-
72	V	-

Connector No.	Signal Name (Specification)
M34	WIRE TO WIRE



Terminal No.	Color Of Wire	Signal Name (Specification)
1	V	-
2	R	-
5	L	-
6	R	-
8	W	-
9	GR	-
10	V	-
11	Y	-
13	LG	-

14	W	-
16	G	-
17	B	-
18	W	-
19	B	-
20	SB	- [With DRPO]
20	Y	- [Without DRPO]
21	SHIELD	-
22	B	-
23	BG	- [Without DRPO]
23	P	- [With DRPO]
24	G	-
25	LG	-
26	BG	- [Without DRPO]
26	BR	- [With DRPO]
27	R	-
28	SB	-
28	BG	- [Without DRPO]
29	WB	- [With DRPO]
30	L	-
49	P	-
52	V	-
55	B	-
56	SB	-
57	G	-
58	G	-
59	LG	-
60	R	-
63	B	-
64	R	-
65	BR	-
66	Y	-
69	BR	-
70	Y	-
71	SB	-
72	W	-

JRLWE2154GB

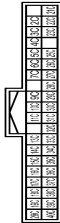
DOOR MIRROR SYSTEM (WITHOUT AUTOMATIC DRIVE POSITIONER)

< WIRING DIAGRAM >

[WITHOUT ADP]

DOOR MIRROR (WITHOUT AUTOMATIC DRIVE POSITIONER)

Connector No.	M133
Connector Name	FUSE BLOCK (JIB)
Connector Type	TH40FW-NH



Terminal No.	Color Of Wire	Signal Name [Specification]
10C	V	-
11C	V	-
13C	Y	-
14C	Y	-
15C	R	-
16C	R	-
17C	L	-
18C	BG	- [Without DRPO]
18C	P	- [With DRPO]
19C	B	-
20C	W	-
21C	L	-
22C	L	-
23C	L	-
25C	LG	-
26C	SB	-
27C	P	-
28C	W	-
29C	W	-
2C	R	-
30C	R	-
31C	W	-
32C	R	-
33C	B	-
34C	W/B	-
35C	SB	-
36C	R	-
37C	W	-
38C	SB	-
39C	V	-
3C	P	-
40C	G	-
4C	P	-
5C	P	-
6C	G	-
7C	G	-

A
B
C
D
E
F
G
H
I
J
K
M
N
O
P

MIR

JRLWE2155GB

DOOR MIRROR REMOTE CONTROL SWITCH (MIRROR SWITCH/ CHANGEOVER SWITCH)

< DTC/CIRCUIT DIAGNOSIS >

[WITHOUT ADP]

DTC/CIRCUIT DIAGNOSIS

DOOR MIRROR REMOTE CONTROL SWITCH (MIRROR SWITCH/ CHANGEOVER SWITCH)

Component Inspection

INFOID:0000000011285757

1. CHECK MIRROR SWITCH & CHANGEOVER SWITCH

1. Turn ignition switch OFF.
2. Disconnect power window main switch (door mirror remote control switch) connector.
3. Check power window main switch (door mirror remote control switch).

Door mirror LH

Power window main switch (door mirror remote control switch)				Condition		Continuity	
Connector	Terminal	Connector	Terminal	Change over switch	Mirror switch		
D12	22	D12	23	LEFT	RIGHT	Existed	
D8	7		24		LEFT		LEFT
D12	22		24				
D8	7		23				UP
D12	22		25				
D8	7		23				DOWN
D12	22		23				
D8	7		25				

Door mirror RH

Power window main switch (door mirror remote control switch)				Condition		Continuity	
Connector	Terminal	Connector	Terminal	Change over switch	Mirror switch		
D12	22	D12	28	RIGHT	RIGHT	Existed	
D8	7		27		RIGHT		LEFT
D12	22		27				
D8	7		28				UP
D12	22		26				
D8	7		28				DOWN
D12	22		28				
D8	7		26				

Is the inspection result normal?

YES >> INSPECTION END

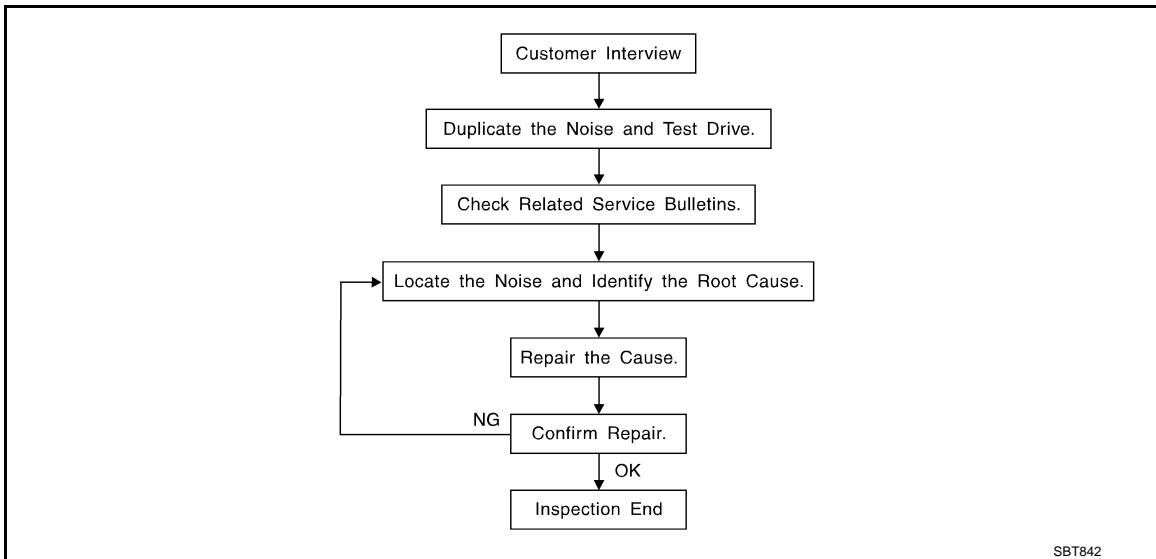
NO >> Replace power window main switch (door mirror remote control switch). Refer to [PWC-78](#), "[Removal and Installation](#)".

SYMPTOM DIAGNOSIS

SQUEAK AND RATTLE TROUBLE DIAGNOSES

Work Flow

INFOID:0000000011285759



CUSTOMER INTERVIEW

Interview the customer if possible, to determine the conditions that exist when the noise occurs. Use the Diagnostic Worksheet during the interview to document the facts and conditions when the noise occurs and any customer comments. Refer to [MIR-65. "Diagnostic Worksheet"](#). This information is necessary to duplicate the conditions that exist when the noise occurs.

- The customer may not be able to provide a detailed description or the location of the noise. Attempt to obtain all the facts and conditions that exist when the noise occurs (or does not occur).
- If there is more than one noise in the vehicle, perform a diagnosis and repair the noise that the customer is concerned about. This can be accomplished by performing a test drive with the customer.
- After identifying the type of noise, isolate the noise in terms of its characteristics. The noise characteristics are provided so that the customer, service adviser, and technician use the same language when describing the noise.
- Squeak – (Like tennis shoes on a clean floor)
Squeak characteristics include the light contact / fast movement / brought on by road conditions / hard surfaces = high-pitched noise / softer surfaces = low-pitched noises / edge to surface = chirping
- Creak – (Like walking on an old wooden floor)
Creak characteristics include firm contact / slow movement/twisting with a rotational movement / pitch dependent on materials / often brought on by activity.
- Rattle – (Like shaking a baby rattle)
Rattle characteristics include fast repeated contact / vibration or similar movement / loose parts/missing clip or fastener / incorrect clearance.
- Knock – (Like a knock on a door)
Knock characteristics include hollow sounds / sometimes repeating / often brought on by driver action.
- Tick – (Like a clock second hand)
Tick characteristics include gentle contacting of light materials / loose components / can be caused by driver action or road conditions.
- Thump – (Heavy, muffled knock noise)
Thump characteristics include softer knock / dull sounds often brought on by activity.
- Buzz – (Like a bumblebee)
Buzz characteristics include high frequency rattle / firm contact.
- Often the degree of acceptable noise level varies depending upon the person. A noise that a technician may judge as acceptable may be very irritating to a customer.
- Weather conditions, especially humidity and temperature, may have a great effect on noise level.

DUPLICATE THE NOISE AND TEST DRIVE

SQUEAK AND RATTLE TROUBLE DIAGNOSES

< SYMPTOM DIAGNOSIS >

[WITHOUT ADP]

If possible, drive the vehicle with the customer until the noise is duplicated. Note any additional information on the Diagnostic Worksheet regarding the conditions or location of the noise. This information can be used to duplicate the same conditions when the repair is reconfirmed.

If the noise can be duplicated easily during the test drive, to help identify the source of the noise, try to duplicate the noise with the vehicle stopped by doing one or all of the following items:

- 1) Close a door.
 - 2) Tap or push/pull around the area where the noise appears to be coming from.
 - 3) Rev the engine.
 - 4) Use a floor jack to recreate vehicle "twist".
 - 5) At idle, apply engine load (electrical load, half-clutch on M/T models, drive position on A/T models).
 - 6) Raise the vehicle on a hoist and hit a tire with a rubber hammer.
- Drive the vehicle and attempt to duplicate the conditions the customer states exist when the noise occurs.
 - If it is difficult to duplicate the noise, drive the vehicle slowly on an undulating or rough road to stress the vehicle body.

CHECK RELATED SERVICE BULLETINS

After verifying the customer concern or symptom, check ASIST for Technical Service Bulletins (TSBs) related to the concern or symptom.

If a TSB relates to the symptom, follow the procedure to repair the noise.

LOCATE THE NOISE AND IDENTIFY THE ROOT CAUSE

1. Narrow down the noise to a general area. To help pinpoint the source of the noise, use a listening tool (Chassis ear: J-39570, engine ear, and mechanics stethoscope).
2. Narrow down the noise to a more specific area and identify the cause of the noise by:
 - Removing the component(s) in the area that is / are suspected to be the cause of the noise.
Do not use too much force when removing clips and fasteners, otherwise clips and fasteners can be broken or lost during the repair, resulting in the creation of new noise.
 - Tapping or pushing/pulling the component(s) that is / are suspected to be the cause of the noise.
Do not tap or push/pull the component(s) with excessive force, otherwise the noise is eliminated only temporarily.
 - Feeling for a vibration by hand by touching the component(s) that is / are suspected to be the cause of the noise.
 - Placing a piece of paper between components that are suspected to be the cause of the noise.
 - Looking for loose components and contact marks.
Refer to [MIR-63, "Inspection Procedure"](#).

REPAIR THE CAUSE

- If the cause is a loose component, tighten the component securely.
- If the cause is insufficient clearance between components:
 - Separate components by repositioning or loosening and retightening the components, if possible.
 - Insulate components with a suitable insulator such as urethane pads, foam blocks, felt cloth tape, or urethane tape. A NISSAN Squeak and Rattle Kit (J-43980) is available through the authorized NISSAN Parts Department.

CAUTION:

Never use excessive force as many components are constructed of plastic and may be damaged.

NOTE:

Always check with the Parts Department for the latest parts information.

The following materials are contained in the NISSAN Squeak and Rattle Kit (J-43980). Each item can be ordered separately as needed.

URETHANE PADS [1.5 mm (0.059 in) thick]

Insulates connectors, harness, etc.

- 76268-9E005: 100 × 135 mm (3.937 × 5.315 in)
- 76884-71L01: 60 × 85 mm (2.362 × 3.346 in)
- 76884-71L02: 15 × 25 mm (0.591 × 0.984 in)

INSULATOR (Foam blocks)

Insulates components from contact. Can be used to fill space behind a panel.

- 73982-9E000: 45 mm (1.772 in) thick, 50 × 50 mm (1.969 × 1.969 in)
- 73982-50Y00: 10 mm (0.394 in) thick, 50 × 50 mm (1.969 × 1.969 in)

INSULATOR (Light foam block)

80845-71L00: 30 mm (1.181 in) thick, 30 × 50 mm (1.181 × 1.969 in)

FELT CLOTHTAPE

SQUEAK AND RATTLE TROUBLE DIAGNOSES

< SYMPTOM DIAGNOSIS >

[WITHOUT ADP]

Used to insulate where movement does not occur. Ideal for instrument panel applications.

- 68370-4B000: 15 × 25 mm (0.591 × 0.984 in) pad
- 68239-13E00: 5 mm (0.197 in) wide tape roll

The following materials, not found in the kit, can also be used to repair squeaks and rattles.

UHMW (TEFLON) TAPE

Insulates where slight movement is present. Ideal for instrument panel applications.

SILICONE GREASE

Used in place of UHMW tape that is visible or does not fit. Only lasts a few months.

SILICONE SPRAY

Used when grease cannot be applied.

DUCT TAPE

Used to eliminate movement.

CONFIRM THE REPAIR

After repair is complete, test drive the vehicle to confirm that the cause of noise is repaired by test driving the vehicle. Operate the vehicle under the same conditions as when the noise originally occurred. Refer to the notes on the Diagnostic Worksheet.

Inspection Procedure

INFOID:000000011285760

Refer to Table of Contents for specific component removal and installation information.

INSTRUMENT PANEL

Most incidents are caused by contact and movement between:

1. The cluster lid A and instrument panel
2. Acrylic lens and combination meter housing
3. Instrument panel to front pillar garnish
4. Instrument panel to windshield
5. Instrument panel mounting pins
6. Wiring harnesses behind the combination meter
7. A/C defroster duct and duct joint

These incidents can usually be located by tapping or moving the components to duplicate the noise or by pressing on the components while driving to stop the noise. Most of these incidents can be repaired by applying felt cloth tape or silicon spray (in hard to reach areas). Urethane pads can be used to insulate wiring harness.

CAUTION:

Never use silicone spray to isolate a squeak or rattle. If the area is saturated with silicone, the recheck of repair becomes impossible.

CENTER CONSOLE

Components to check include:

1. Shifter assembly cover to finisher
2. A/C control unit and cluster lid C
3. Wiring harnesses behind audio and A/C control unit

The instrument panel repair and isolation procedures also apply to the center console.

DOORS

Check the following items:

1. Finisher and inner panel making a slapping noise
2. Inside handle escutcheon connection to door finisher
3. Wiring harnesses tapping
4. Door striker out of alignment causing a popping noise on starts and stops

Tapping, moving the components, or pressing on them while driving to duplicate the conditions can isolate many of these incidents. The areas can usually be insulated with felt cloth tape or insulator foam blocks from the NISSAN Squeak and Rattle Kit (J-43980) to repair the noise.

TRUNK

Trunk noises are often caused by a loose jack or loose items put into the trunk by the customer.

In addition check for the following items:

A
B
C
D
E
F
G
H
I
J
K
MIR
M
N
O
P

SQUEAK AND RATTLE TROUBLE DIAGNOSES

[WITHOUT ADP]

< SYMPTOM DIAGNOSIS >

1. Trunk lid dumpers out of adjustment
2. Trunk lid striker out of adjustment
3. Trunk lid torsion bars knocking together
4. A loose license plate or bracket

Most of these incidents can be repaired by adjusting, securing, or insulating the item(s) or component(s) causing the noise.

SUNROOF/HEADLINING

Noises in the sunroof / headlining area can often be traced to one of the following items:

1. Sunroof lid, rail, linkage, or seals making a rattle or light knocking noise
2. Sunvisor shaft shaking in the holder
3. Front or rear windshield touching headlining and squeaking

Again, pressing on the components to stop the noise while duplicating the conditions can isolate most of these incidents. Repairs usually consist of insulating with felt cloth tape.

SEATS

When isolating seat noise it is important to note the position the seat is in and the load placed on the seat when the noise occurs. These conditions should be duplicated when verifying and isolating the cause of the noise.

Causes of seat noise include:

1. Headrest rods and holder
2. A squeak between the seat pad cushion and frame
3. The rear seatback lock and bracket

These noises can be isolated by moving or pressing on the suspected components while duplicating the conditions under which the noise occurs. Most of these incidents can be repaired by repositioning the component or applying urethane tape to the contact area.

UNDERHOOD

Some interior noise may be caused by components under the hood or on the engine wall. The noise is then transmitted into the passenger compartment.

Causes of transmitted underhood noise include:

1. Any component mounted to the engine wall
2. Components that pass through the engine wall
3. Engine wall mounts and connectors
4. Loose radiator mounting pins
5. Hood bumpers out of adjustment
6. Hood striker out of adjustment

These noises can be difficult to isolate since they cannot be reached from the interior of the vehicle. The best method is to secure, move, or insulate one component at a time and test drive the vehicle. Also, engine RPM or load can be changed to isolate the noise. Repairs can usually be made by moving, adjusting, securing, or insulating the component causing the noise.

SQUEAK AND RATTLE TROUBLE DIAGNOSES

< SYMPTOM DIAGNOSIS >

[WITHOUT ADP]

Diagnostic Worksheet

INFOID:000000011285761



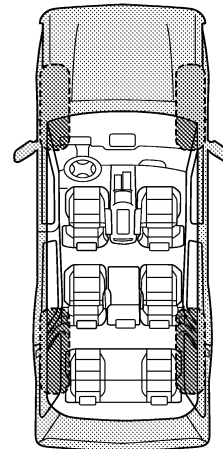
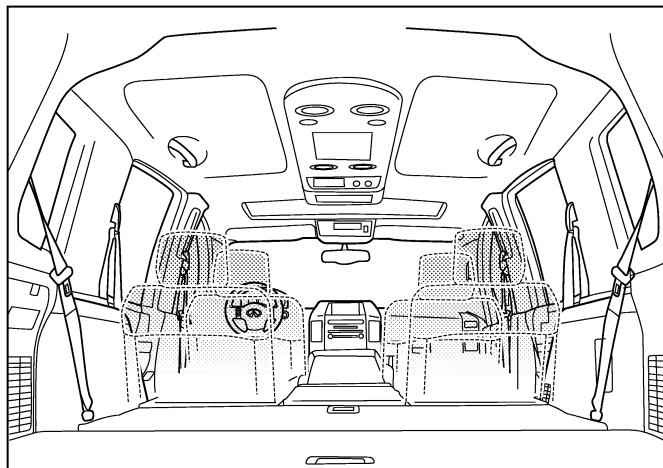
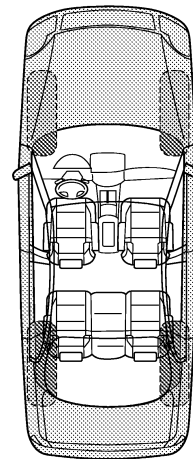
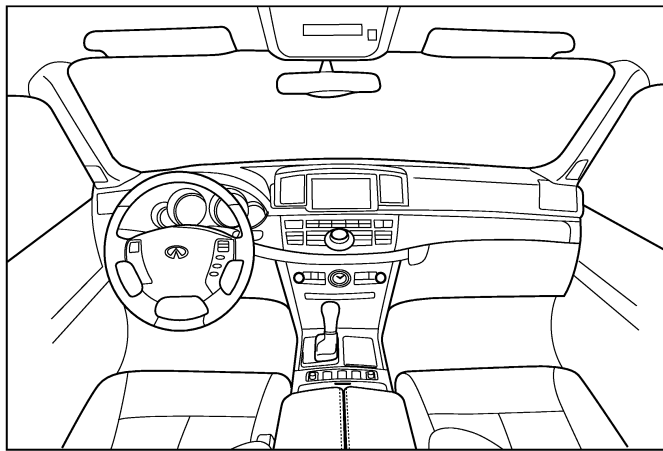
SQUEAK & RATTLE DIAGNOSTIC WORKSHEET

Dear Infiniti Customer:

We are concerned about your satisfaction with your Infiniti vehicle. Repairing a squeak or rattle sometimes can be very difficult. To help us fix your Infiniti right the first time, please take a moment to note the area of the vehicle where the squeak or rattle occurs and under what conditions. You may be asked to take a test drive with a service consultant or technician to ensure we confirm the noise you are hearing.

I. WHERE DOES THE NOISE COME FROM? (circle the area of the vehicle)

The illustrations are for reference only, and may not reflect the actual configuration of your vehicle.



Continue to page 2 of the worksheet and briefly describe the location of the noise or rattle. In addition, please indicate the conditions which are present when the noise occurs.

PIIB8741E

A
B
C
D
E
F
G
H
I
J
K
M
N
O
P

MIR

SQUEAK AND RATTLE TROUBLE DIAGNOSES

< SYMPTOM DIAGNOSIS >

[WITHOUT ADP]

SQUEAK & RATTLE DIAGNOSTIC WORKSHEET - page 2

Briefly describe the location where the noise occurs:

II. WHEN DOES IT OCCUR? (please check the boxes that apply)

- | | |
|---|--|
| <input type="checkbox"/> anytime | <input type="checkbox"/> after sitting out in the rain |
| <input type="checkbox"/> 1st time in the morning | <input type="checkbox"/> when it is raining or wet |
| <input type="checkbox"/> only when it is cold outside | <input type="checkbox"/> dry or dusty conditions |
| <input type="checkbox"/> only when it is hot outside | <input type="checkbox"/> other: |

III. WHEN DRIVING:

- through driveways
- over rough roads
- over speed bumps
- only about ____ mph
- on acceleration
- coming to a stop
- on turns: left, right or either (circle)
- with passengers or cargo
- other: _____
- after driving ____ miles or ____ minutes

IV. WHAT TYPE OF NOISE

- squeak (like tennis shoes on a clean floor)
- creak (like walking on an old wooden floor)
- rattle (like shaking a baby rattle)
- knock (like a knock at the door)
- tick (like a clock second hand)
- thump (heavy, muffled knock noise)
- buzz (like a bumble bee)

TO BE COMPLETED BY DEALERSHIP PERSONNEL

Test Drive Notes:

	YES	NO	Initials of person performing
Vehicle test driven with customer	<input type="checkbox"/>	<input type="checkbox"/>	_____
- Noise verified on test drive	<input type="checkbox"/>	<input type="checkbox"/>	_____
- Noise source located and repaired	<input type="checkbox"/>	<input type="checkbox"/>	_____
- Follow up test drive performed to confirm repair	<input type="checkbox"/>	<input type="checkbox"/>	_____

VIN: _____ Customer Name: _____
W.O.# _____ Date: _____

This form must be attached to Work Order

PIIB8742E

INSIDE MIRROR

< REMOVAL AND INSTALLATION >

[WITHOUT ADP]

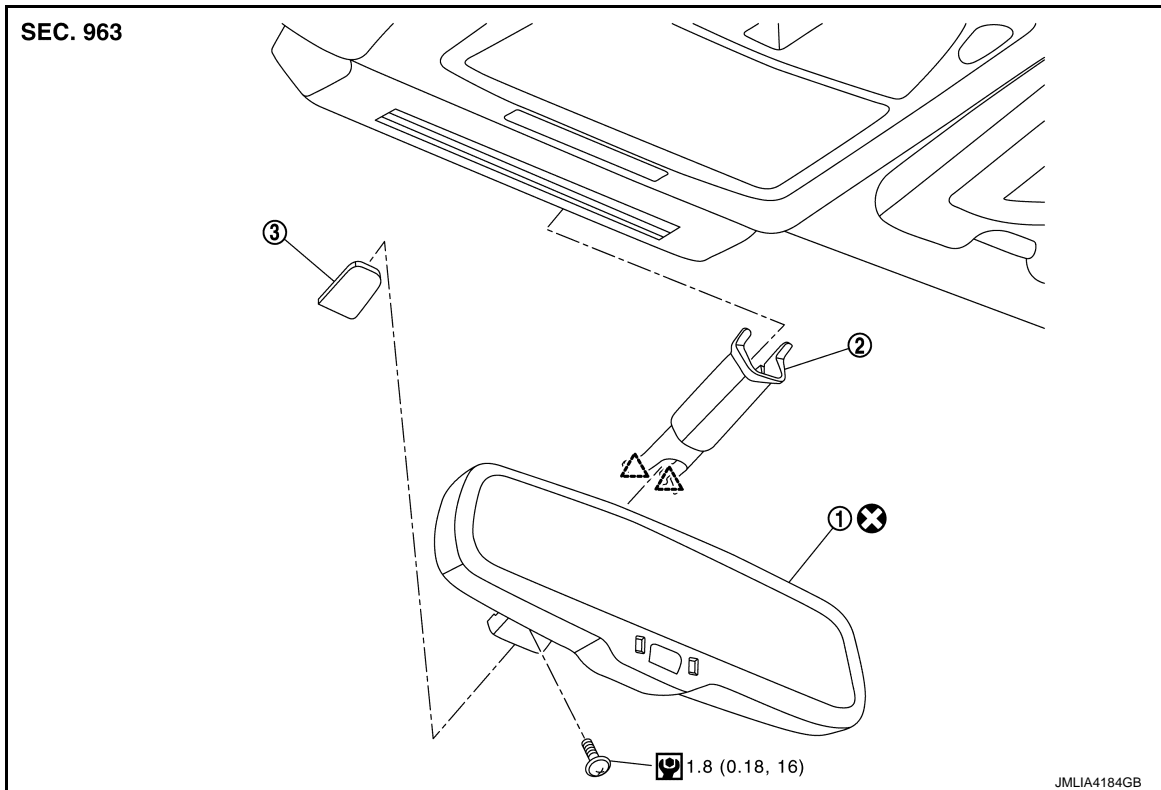
REMOVAL AND INSTALLATION

INSIDE MIRROR

Exploded View

INFOID:0000000011285762

WITH AUTO ANTI-DAZZLING



- ① Inside mirror assembly ② Inside mirror harness cover ③ Inside mirror base
- △ : Pawl
- ⊗ : Always replace after every disassembly.
- 🔧 : N·m (kg-m, in-lb)

WITHOUT AUTO ANTI-DAZZLING

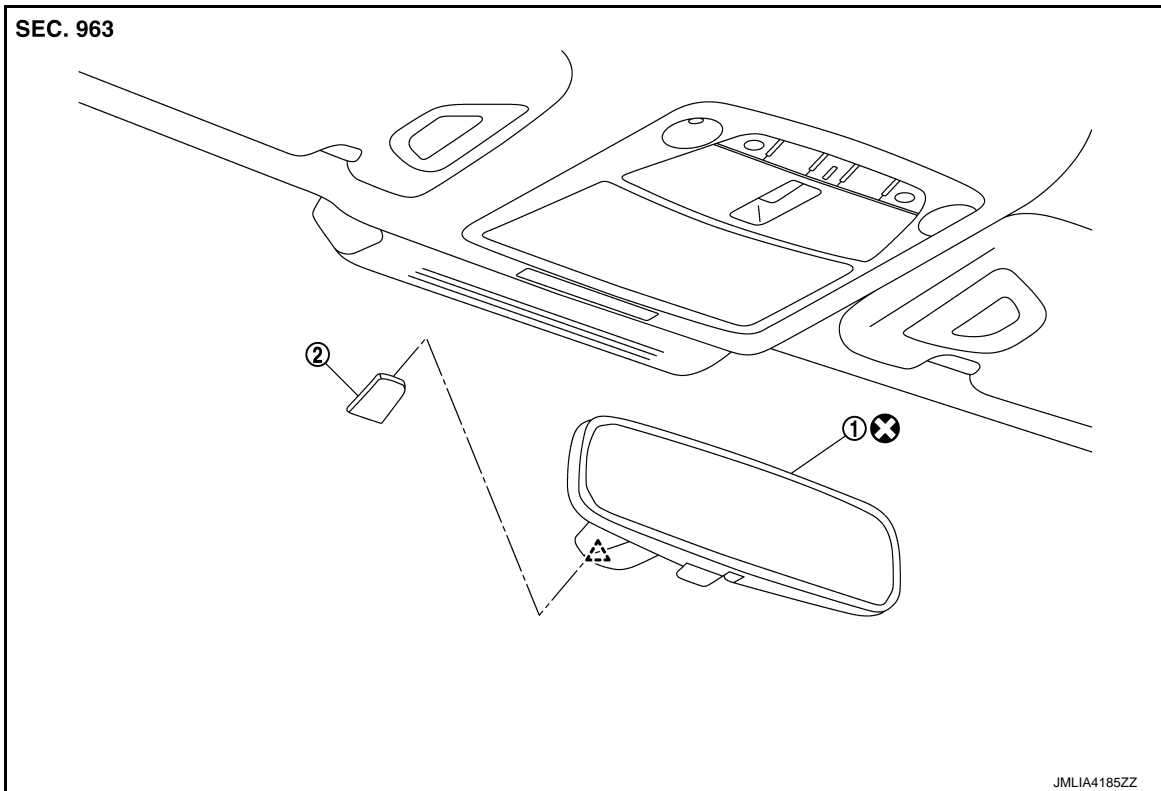
A
B
C
D
E
F
G
H
I
J
K
M
N
O
P

MIR

INSIDE MIRROR

< REMOVAL AND INSTALLATION >

[WITHOUT ADP]



① Inside mirror assembly ② Inside mirror base

△ : Pawl

⊗ : Always replace after every disassembly.

Removal and Installation

INFOID:000000011285763

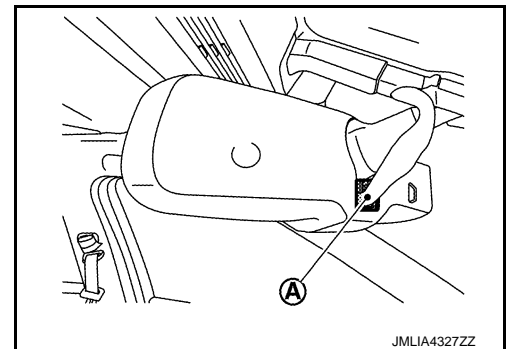
REMOVAL

CAUTION:

- Never damage the windshield glass.
- Replace inside mirror assembly with a new part after removal. Never reuse inside mirror assembly.

With Auto Anti-Dazzling

1. Disconnect inside mirror harness connector (A).



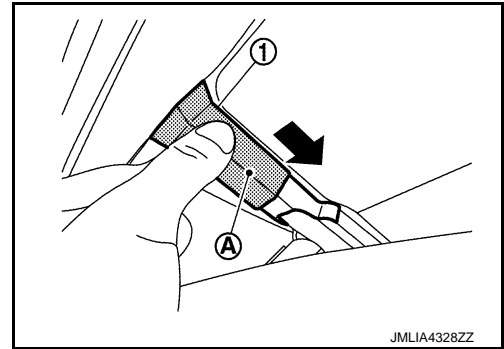
2. Remove inside mirror harness cover.

INSIDE MIRROR


< REMOVAL AND INSTALLATION >

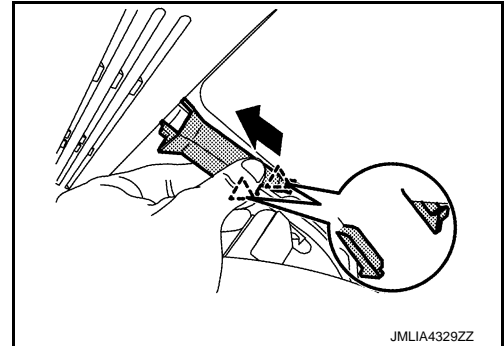
[WITHOUT ADP]

- a. Slide part ① of inside mirror harness cover ① in the direction of the arrow in the figure.

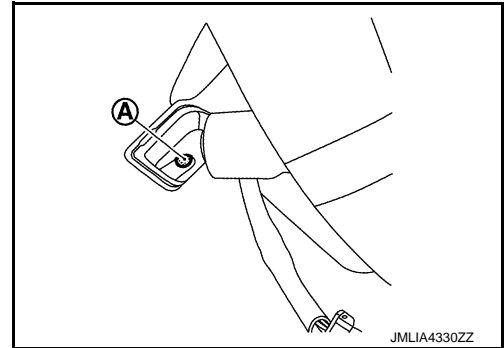


- b. Disengage inside mirror harness cover fixing pawls, and then remove inside mirror harness cover.

 : Pawl



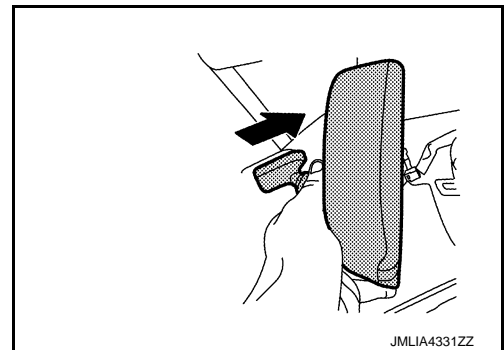
3. Remove inside mirror assembly fixing TORX screw ①.



4. Remove inside mirror assembly as shown by the arrow in the figure.

CAUTION:

Never use excessive force to remove the inside mirror assembly because it is inserted tightly into the inside mirror base.



Without Auto Anti-Dazzling

A
B
C
D
E
F
G
H
I
J
K
M
N
O
P

MIR

INSIDE MIRROR

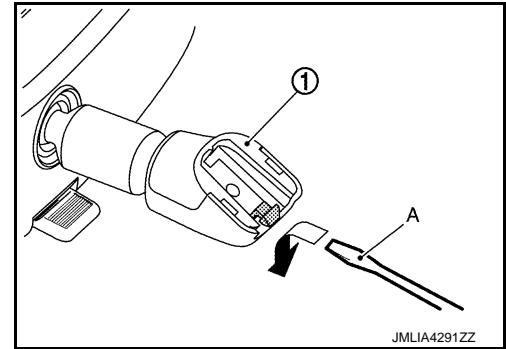
< REMOVAL AND INSTALLATION >

[WITHOUT ADP]

Disengage inside mirror assembly ① fixing pawl using a remover tool (A), and then remove inside mirror assembly.

CAUTION:

- Use a remover tool wrapped in tape.
- Never use excessive force to remove the inside mirror assembly because it is inserted tightly into the inside mirror base.



INSTALLATION

Note the following items, and then install in the reverse order of removal.

With Auto Anti-Dazzling

CAUTION:

- Replace inside mirror assembly with a new part after removal. Never reuse inside mirror assembly.
- Tighten inside mirror assembly fixing TORX screw to the specified torque. Refer to [MIR-67](#), "[Exploded View](#)".

Without Auto Anti-Dazzling

CAUTION:

Replace inside mirror assembly with a new part after removal. Never reuse inside mirror assembly.

DOOR MIRROR

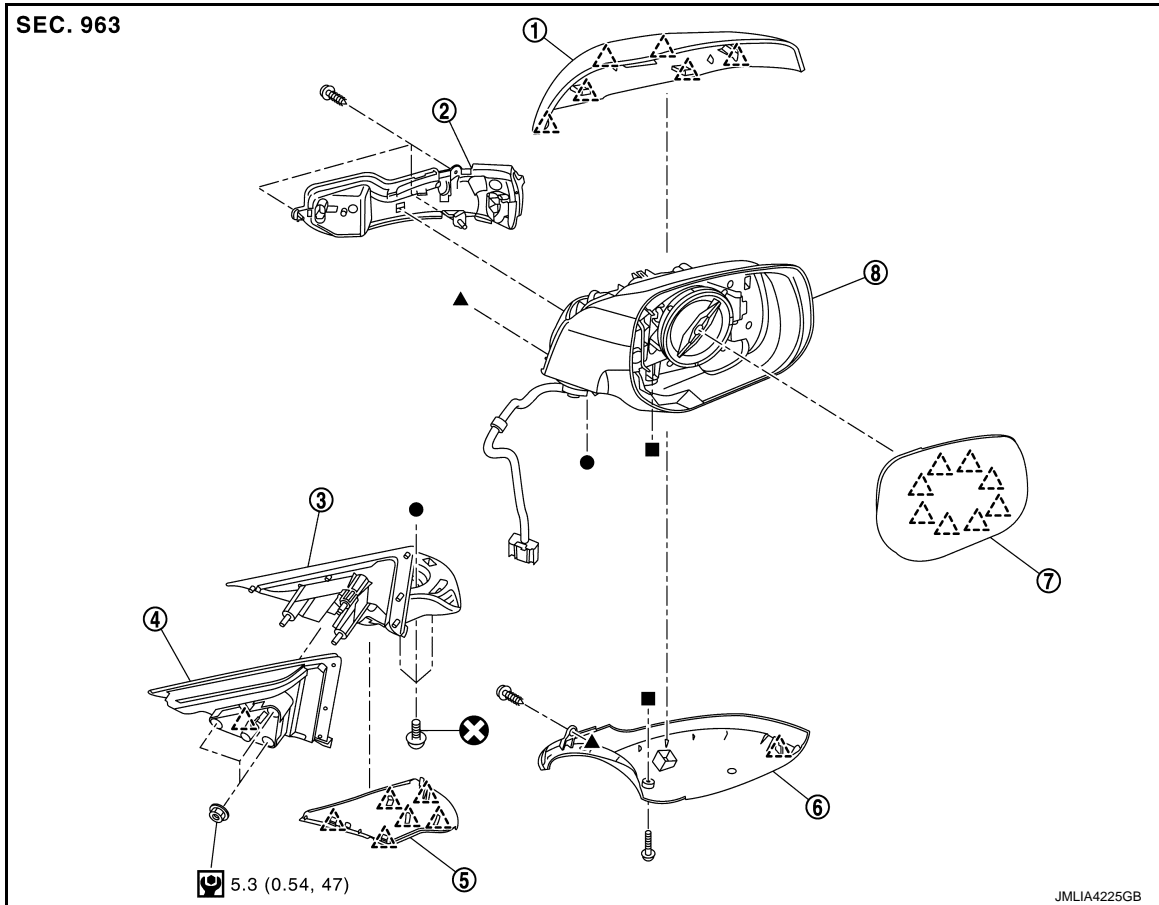
< REMOVAL AND INSTALLATION >

[WITHOUT ADP]

DOOR MIRROR

Exploded View

INFOID:000000011285764



- | | | |
|----------------------|--------------------------|------------------------|
| ① Door mirror cover | ② Side turn signal lamp | ③ Door mirror base |
| ④ Door mirror gasket | ⑤ Door mirror base cover | ⑥ Door mirror finisher |
| ⑦ Glass mirror | ⑧ Door mirror housing | |

△ : Pawl

⊗ : Always replace after every disassembly.

Ⓜ : N·m (kg-m, in-lb)

●, ▲, ■ : Indicates that the part is connected at points with same symbol in actual vehicle.

DOOR MIRROR

DOOR MIRROR : Removal and Installation

INFOID:000000011285765

REMOVAL

CAUTION:

Never damage the door mirror assembly and body panel.

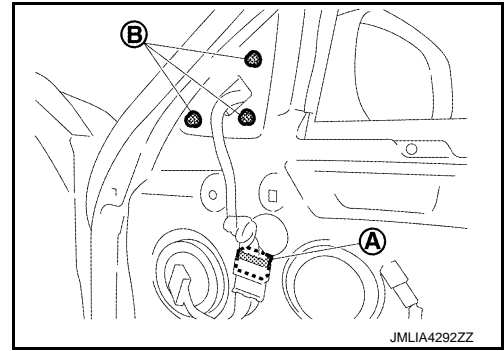
1. Remove front door sash inner cover. Refer to [INT-16. "FRONT DOOR SASH INNER COVER : Removal and Installation"](#).

DOOR MIRROR

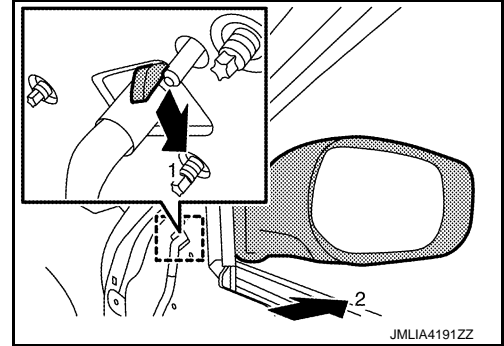
< REMOVAL AND INSTALLATION >

[WITHOUT ADP]

2. Disconnect harness connector (A), and then remove door mirror assembly mounting nuts (B).



3. Disengage door mirror assembly fixing pawl according to numerical order 1→2 indicated by arrows as shown in the figure, and then remove door mirror assembly.



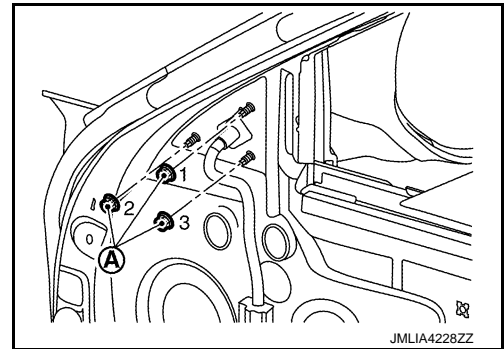
INSTALLATION

Note the following item, and then install in the reverse order of removal.

CAUTION:

Temporarily tighten the mounting nuts (A), and then tighten mounting nuts to the specified torque according to the numerical order 1→3 as shown in the figure.

 : 5.3 N·m (0.54 kg-m, 47 in-lb)

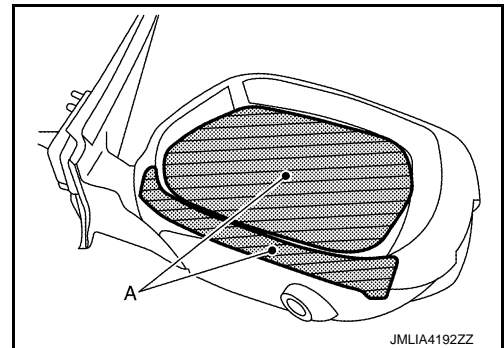


DOOR MIRROR : Disassembly and Assembly

INFOID:000000011285766

DISASSEMBLY

1. Remove door mirror assembly. Refer to [MIR-71, "DOOR MIRROR : Removal and Installation"](#).
2. Apply protective tapes (A) on surface of glass mirror and door mirror housing to protect it from damage.

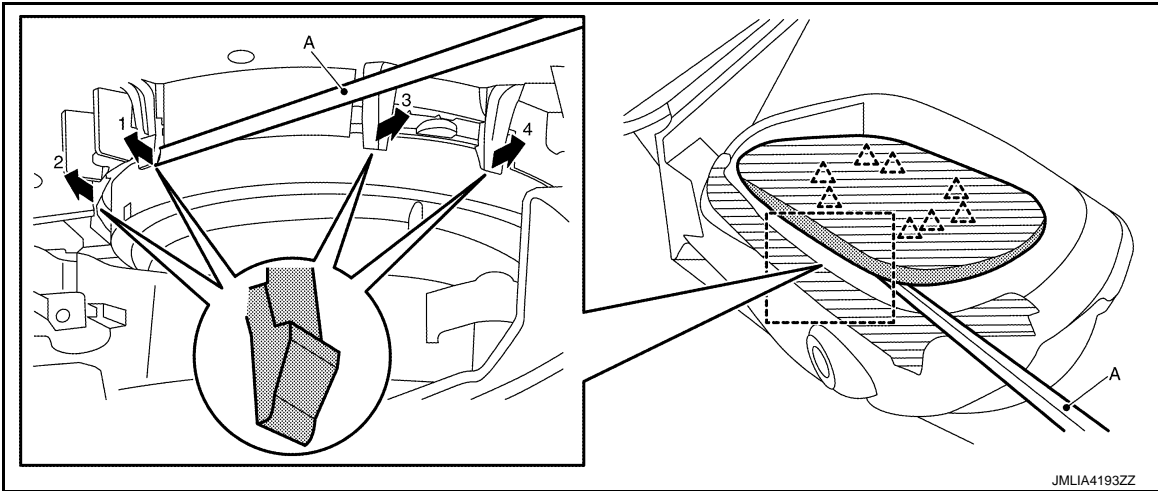


DOOR MIRROR


< REMOVAL AND INSTALLATION >

[WITHOUT ADP]

3. Insert remover tool (A) into the recess at lower side between glass mirror and actuator. And then disengage the door mirror fixing pawls by pushing up while rotating (twisting) the remover tool according to numerical order 1→4 indicated by arrows as shown in the figure.

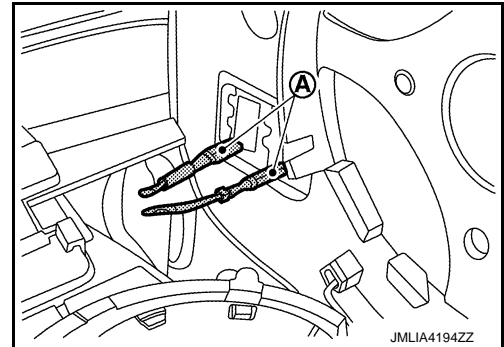


CAUTION:
Use a remover tool wrapped in tape.

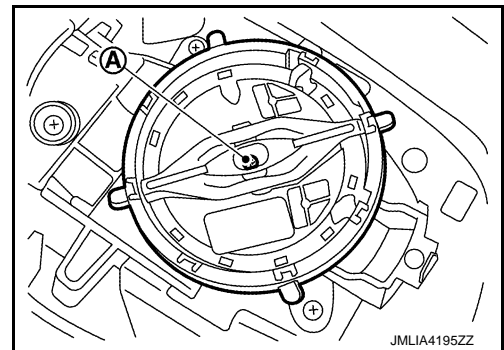
 : Pawl

4. Disconnect heater mirror terminals (A), and then remove glass mirror.

CAUTION:
Make a mark (short note, photo, etc.) of terminals layout, before disassembly.




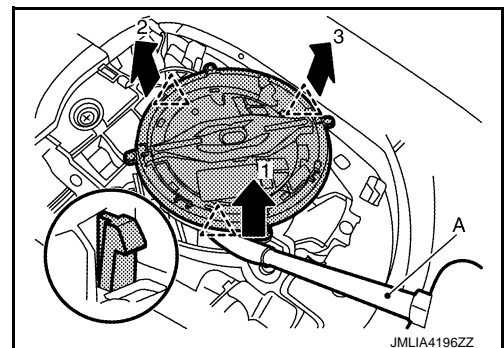
5. Remove door mirror actuator fixing screw (A).



6. Disengage door mirror actuator fixing pawls using a remover tool (A) according to numerical order 1→3 indicated by arrows as shown in the figure.

CAUTION:
Use a remover tool wrapped in tape.

 : Pawl



A
B
C
D
E
F
G
H
I
J
K
L
M
N
O
P

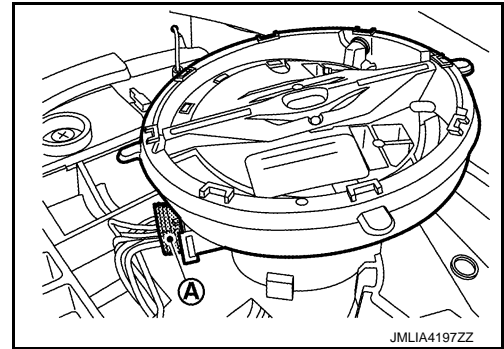
MIR

DOOR MIRROR

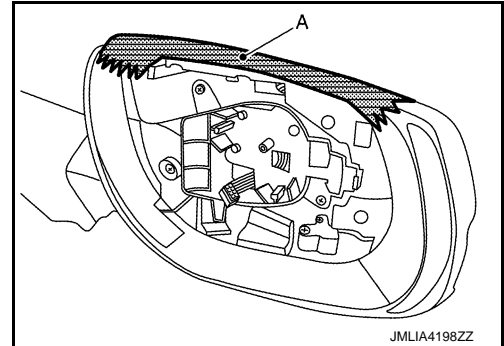
< REMOVAL AND INSTALLATION >

[WITHOUT ADP]

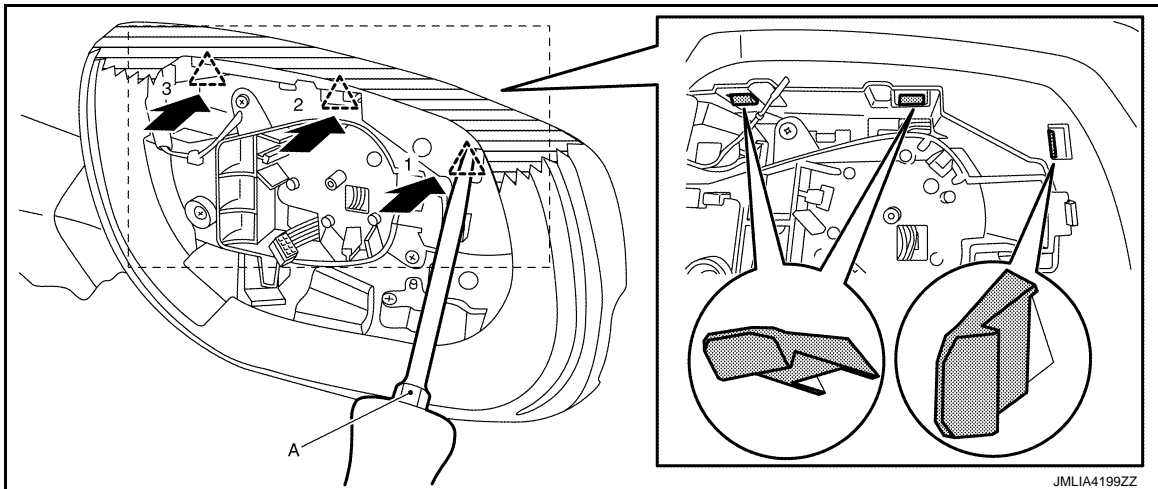
7. Disconnect door mirror actuator harness connector (A), and then remove door mirror actuator.




8. Apply protective tape (A) on door mirror housing to protect it from damage.



9. Disengage door mirror cover fixing pawls using a remover tool (A) according to numerical order 1→3 indicated by arrows as shown in the figure, and then make a space between door mirror housing and door mirror cover.




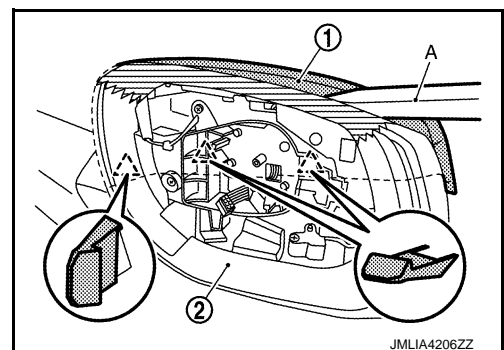
CAUTION:
Use a remover tool wrapped in tape.

 : Pawl

10. Disengage door mirror cover (1) fixing pawls using a remover tool (A), and then remove door mirror cover from door mirror housing (2).

CAUTION:
When removing, always use a remover tool that is made of plastic to prevent damage to the parts.

 : Pawl

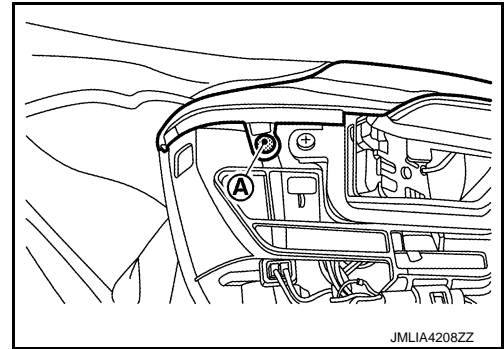


DOOR MIRROR

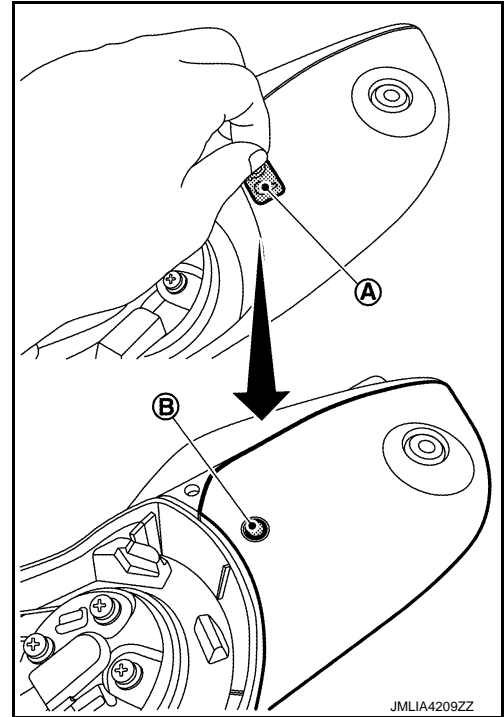
< REMOVAL AND INSTALLATION >

[WITHOUT ADP]

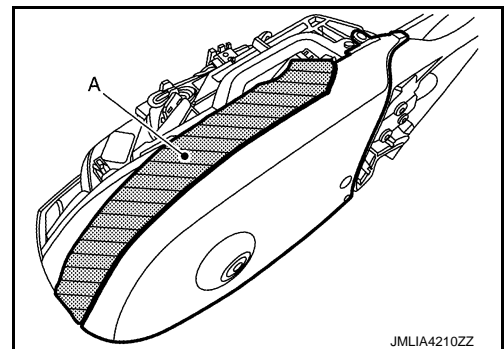
11. Remove door mirror finisher fixing screw (A).



12. Peel off seal (A), and then remove door mirror finisher fixing screw (B).



13. Apply protective tape (A) on side turn signal lamp to protect it from damage.



A
B
C
D
E
F
G
H
I
J
K
M
N
O
P

MIR

DOOR MIRROR


< REMOVAL AND INSTALLATION >

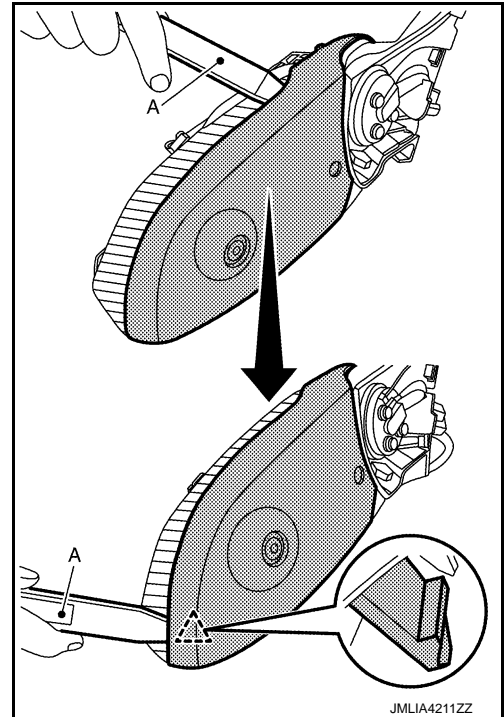
[WITHOUT ADP]

14. Insert a remover tool (A) between side turn signal lamp and door mirror finisher, and then disengage side turn signal lamp, door mirror finisher and pawl while sliding remover tool.

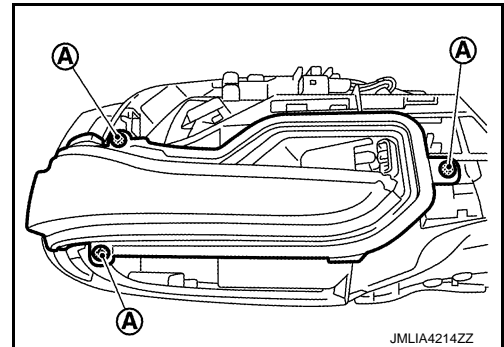
CAUTION:

When removing, always use a remover tool that is made of plastic to prevent damage to the parts.

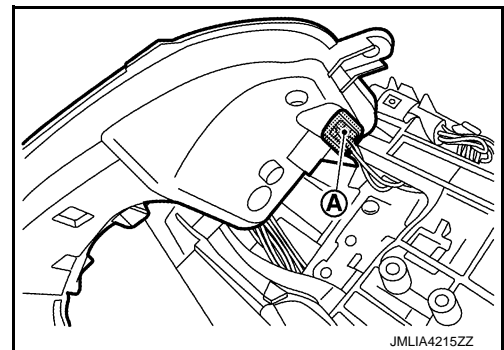
 : Pawl



15. Remove door mirror finisher from door mirror housing.
16. Remove side turn signal lamp fixing screws (A).



17. Disconnect side turn signal lamp harness connector (A), and then remove side turn signal lamp.



18. Remove door mirror base. Refer to [MIR-77, "DOOR MIRROR BASE : Removal and Installation"](#).

ASSEMBLY

Note the following items, and then assemble in the reverse order of disassembly.

CAUTION:

Never connect terminals and harness connectors incorrect position. A malfunction may occur if connect terminals and harness connectors incorrect position.

DOOR MIRROR BASE

DOOR MIRROR

< REMOVAL AND INSTALLATION >

[WITHOUT ADP]

DOOR MIRROR BASE : Removal and Installation

INFOID:000000011285767

REMOVAL

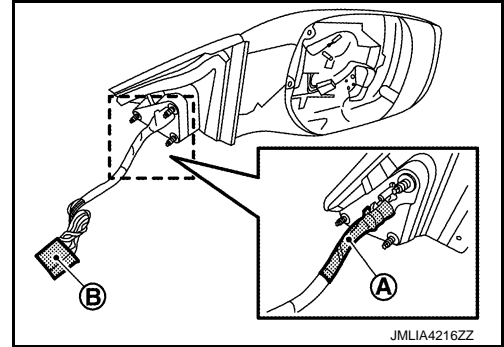
CAUTION:

Never damage the door mirror parts.

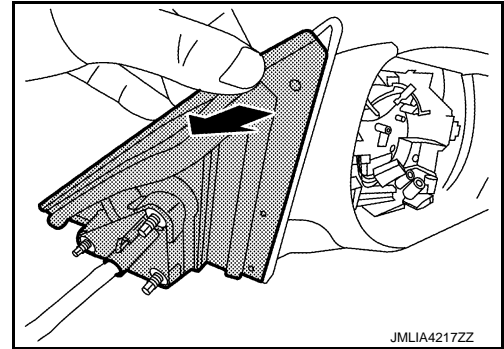
1. Remove door mirror assembly. Refer to [MIR-71, "DOOR MIRROR : Removal and Installation"](#).
2. Remove vinyl tape (A) of door mirror gasket and door mirror harness, and then disconnect all terminals from harness connector (B).

CAUTION:

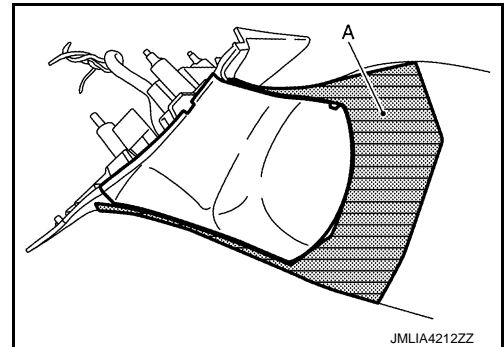
Make a mark (short note, photo, etc.) of terminals layout, before disassembly.



3. Remove door mirror gasket.




4. Apply protective tape (A) on door mirror housing to protect it from damage.

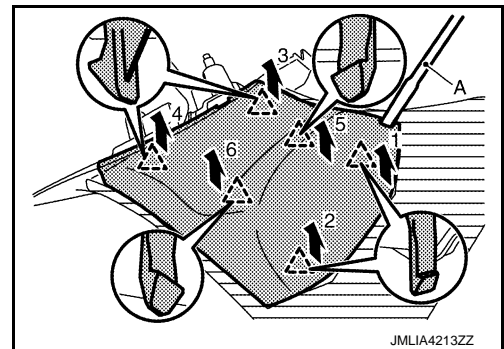


5. Disengage door mirror base cover fixing pawls using a remover tool (A) according to numerical order 1→6 indicated by arrows as shown in the figure, and then remove door mirror base cover.

CAUTION:

Use a remover tool wrapped in tape.

 : Pawl



A
B
C
D
E
F
G
H
I
J
K
M
N
O
P

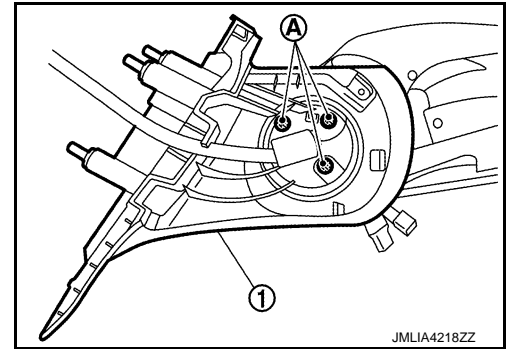
MIR

DOOR MIRROR

< REMOVAL AND INSTALLATION >

[WITHOUT ADP]

6. Remove door mirror base fixing screws (A), and then remove door mirror base (1).



INSTALLATION

Note the following items, and then install in the reverse order of removal.

CAUTION:

- When assembly power folding unit, check that harness layout is securely to prevent the damage.
- Never connect terminals incorrect position. A malfunction may occur if connect terminals incorrect position.
- Replace door mirror base fixing screws with a new part after removal. Never reuse door mirror base fixing screws.