

SECTION **PWO**
POWER OUTLET

A
B
C
D
E
F
G
H
I
J
K
L
N
O
P

CONTENTS

PRECAUTION	2	POWER SOCKET	5
PRECAUTIONS	2	Wiring Diagram	5
Precaution for Supplemental Restraint System (SRS) "AIR BAG" and "SEAT BELT PRE-TEN- SIONER"	2	REMOVAL AND INSTALLATION	7
Precautions for Removing Battery Terminal	2	POWER SOCKET	7
SYSTEM DESCRIPTION	4	FRONT POWER SOCKET	7
COMPONENT PARTS	4	FRONT POWER SOCKET : Exploded View	7
Component Parts Location	4	FRONT POWER SOCKET : Removal and Instal- lation	7
Power Socket	4	CONSOLE POWER SOCKET	7
WIRING DIAGRAM	5	CONSOLE POWER SOCKET : Removal and In- stallation	7

PWO

PRECAUTIONS

< PRECAUTION >

PRECAUTION

PRECAUTIONS

Precaution for Supplemental Restraint System (SRS) "AIR BAG" and "SEAT BELT PRE-TENSIONER"

INFOID:000000012793671

The Supplemental Restraint System such as "AIR BAG" and "SEAT BELT PRE-TENSIONER", used along with a front seat belt, helps to reduce the risk or severity of injury to the driver and front passenger for certain types of collision. This system includes seat belt switch inputs and dual stage front air bag modules. The SRS system uses the seat belt switches to determine the front air bag deployment, and may only deploy one front air bag, depending on the severity of a collision and whether the front occupants are belted or unbelted. Information necessary to service the system safely is included in the "SRS AIR BAG" and "SEAT BELT" of this Service Manual.

WARNING:

Always observe the following items for preventing accidental activation.

- To avoid rendering the SRS inoperative, which could increase the risk of personal injury or death in the event of a collision that would result in air bag inflation, it is recommended that all maintenance and repair be performed by an authorized NISSAN/INFINITI dealer.
- Improper repair, including incorrect removal and installation of the SRS, can lead to personal injury caused by unintentional activation of the system. For removal of Spiral Cable and Air Bag Module, see "SRS AIR BAG".
- Never use electrical test equipment on any circuit related to the SRS unless instructed to in this Service Manual. SRS wiring harnesses can be identified by yellow and/or orange harnesses or harness connectors.

PRECAUTIONS WHEN USING POWER TOOLS (AIR OR ELECTRIC) AND HAMMERS

WARNING:

Always observe the following items for preventing accidental activation.

- When working near the Air Bag Diagnosis Sensor Unit or other Air Bag System sensors with the ignition ON or engine running, never use air or electric power tools or strike near the sensor(s) with a hammer. Heavy vibration could activate the sensor(s) and deploy the air bag(s), possibly causing serious injury.
- When using air or electric power tools or hammers, always switch the ignition OFF, disconnect the battery or batteries, and wait at least 3 minutes before performing any service.

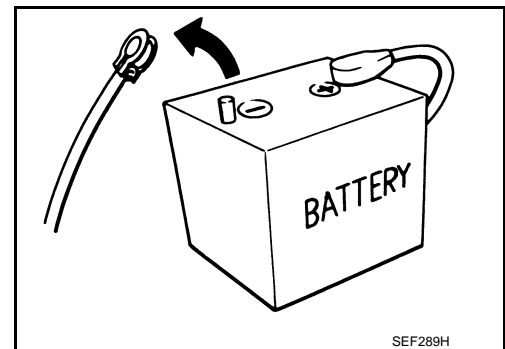
Precautions for Removing Battery Terminal

INFOID:000000013493947

When disconnecting the battery terminal, pay attention to the following.

- Always use a 12V battery as power source.
- Never disconnect battery terminal while engine is running.
- When removing the 12V battery terminal, turn OFF the ignition switch and wait at least 30 seconds.
- For vehicles with the engine listed below, remove the battery terminal after a lapse of the specified time:

BR08DE	: 4 minutes	V9X engine	: 4 minutes
D4D engine	: 20 minutes	YD25DDTi	: 2 minutes
HR09DET	: 12 minutes	YS23DDT	: 4 minutes
HRA2DDT	: 12 minutes	YS23DDTT	: 4 minutes
K9K engine	: 4 minutes	ZD30DDTi	: 60 seconds
M9R engine	: 4 minutes	ZD30DDTT	: 60 seconds
R9M engine	: 4 minutes		



SEF289H

NOTE:

ECU may be active for several tens of seconds after the ignition switch is turned OFF. If the battery terminal is removed before ECU stops, then a DTC detection error or ECU data corruption may occur.

- After high-load driving, if the vehicle is equipped with the V9X engine, turn the ignition switch OFF and wait for at least 15 minutes to remove the battery terminal.

NOTE:

PRECAUTIONS

< PRECAUTION >

- Turbocharger cooling pump may operate in a few minutes after the ignition switch is turned OFF.
- Example of high-load driving
 - Driving for 30 minutes or more at 140 km/h (86 MPH) or more.
 - Driving for 30 minutes or more on a steep slope.
- For vehicles with the 2-batteries, be sure to connect the main battery and the sub battery before turning ON the ignition switch.

A

B

C

NOTE:

If the ignition switch is turned ON with any one of the terminals of main battery and sub battery disconnected, then DTC may be detected.

- After installing the 12V battery, always check "Self Diagnosis Result" of all ECUs and erase DTC.

D

E

F

G

H

I

J

K

L

PWO

N

O

P

COMPONENT PARTS

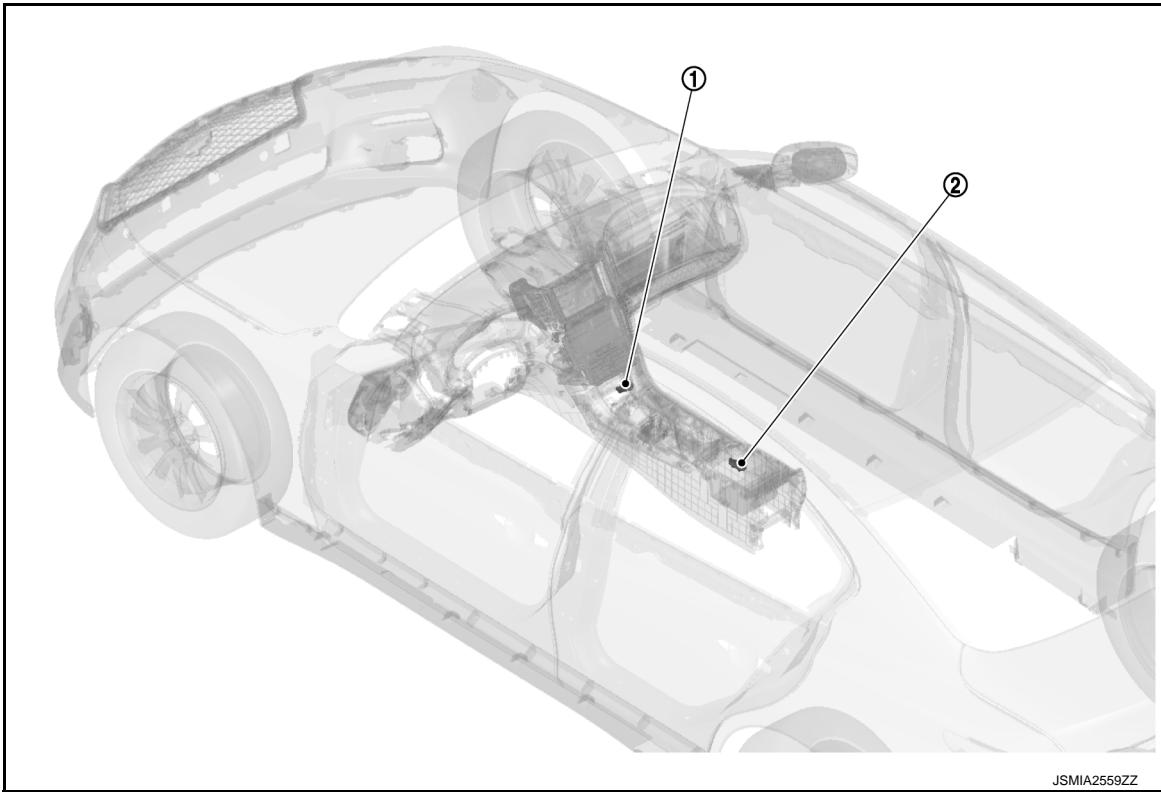
< SYSTEM DESCRIPTION >

SYSTEM DESCRIPTION

COMPONENT PARTS

Component Parts Location

INFOID:000000012793673



No.	Component	Function
①	Front power socket	Refer to PWO-4, "Power Socket" .
②	Console power socket	Refer to PWO-4, "Power Socket" .

Power Socket

INFOID:000000012793674

Rated voltage	DC 12 V
Maximum electric capacity	120 W or less (Total)
Maximum current	10 A or less (Total)

POWER SOCKET

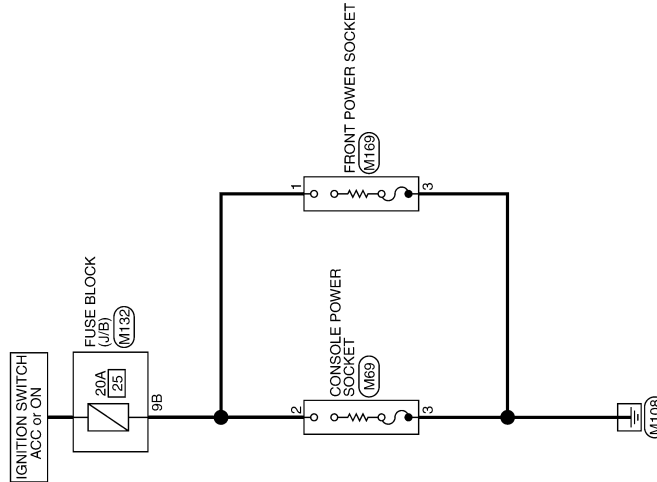
< WIRING DIAGRAM >

WIRING DIAGRAM

POWER SOCKET

Wiring Diagram

INFOID:000000012793675



POWER SOCKET

PWO

2016/02/15

JRMWJ4643GB

POWER SOCKET

< WIRING DIAGRAM >

POWER SOCKET

Connector No.	M169
Connector Name	CONSOLE POWER SOCKET
Connector Type	CEA01FB-CHAZ



Connector No.	M169
Connector Name	FRONT POWER SOCKET
Connector Type	NS03FW-CS



Terminal No.	Color Of Wire	Signal Name [Specification]
1	Y	-
2	B	-
3	B	-

Connector No.	M132
Connector Name	FUSE BLOCK (J/B)
Connector Type	NS16FW-CS



Terminal No.	Color Of Wire	Signal Name [Specification]
1	Y	+ACC
2	R	TAIL LAMP RELY
3	B	GND

Terminal No.	Color Of Wire	Signal Name [Specification]
11B	LG	-
13B	P	-
14B	G	-
15B	Y	-
16B	B	-
2B	W	-
5B	R	-
9B	Y	-

JRMWJ4644GB

POWER SOCKET

< REMOVAL AND INSTALLATION >

REMOVAL AND INSTALLATION

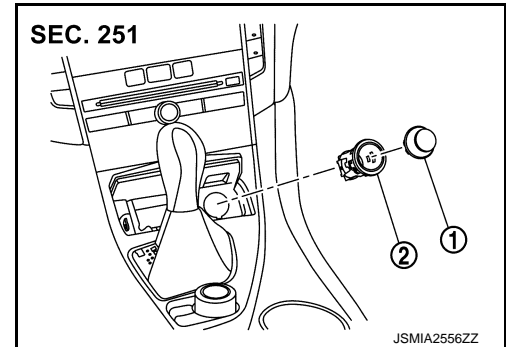
POWER SOCKET

FRONT POWER SOCKET

FRONT POWER SOCKET : Exploded View

INFOID:000000013405177

- ① : Cap
- ② : Front power socket



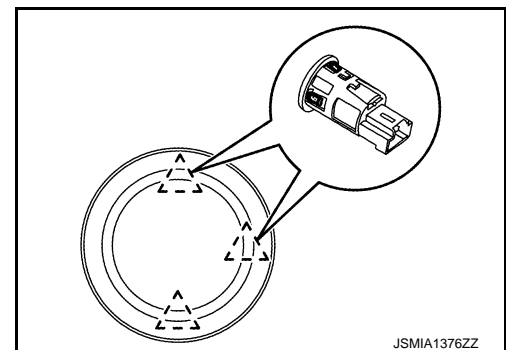
FRONT POWER SOCKET : Removal and Installation

INFOID:000000013405178

REMOVAL

1. Remove console finisher assembly. Refer to [IP-13. "Removal and Installation"](#).
2. Remove cap of front power socket.
3. Press the front power socket pawl from the back of the console finisher assembly to remove the front power socket.

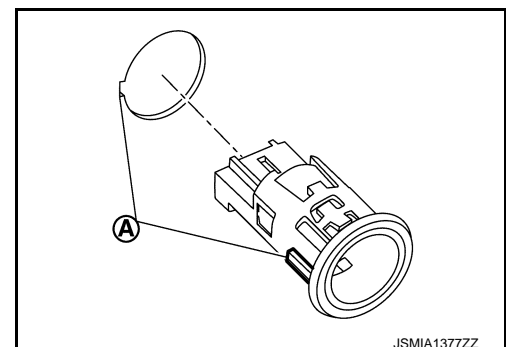
- △ : Pawl



INSTALLATION

Note the following, and install in the reverse order of removal.
Align the cut outs of front power socket and console finisher assembly.

- Ⓐ : Cut out



CONSOLE POWER SOCKET

CONSOLE POWER SOCKET : Removal and Installation

INFOID:000000013405180

REMOVAL


1. Remove center console assembly. Refer to [IP-24. "Removal and Installation"](#).

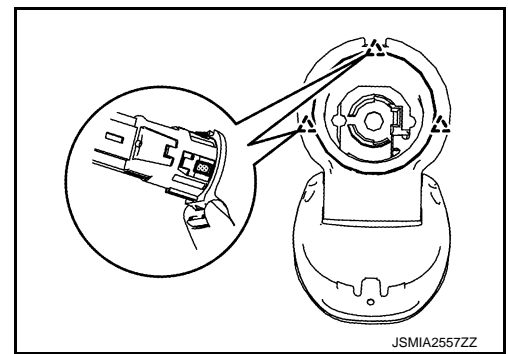
A
B
C
D
E
F
G
H
I
J
K
L
PWO
N
O
P

POWER SOCKET

< REMOVAL AND INSTALLATION >


2. Press the console power socket fixing pawl from the back of the center console assembly to remove the power socket.

 : Pawl



INSTALLATION

Note the following, and install in the reverse order of removal.
Align the cut outs of console power socket and center console assembly.

 : Cut out

