

SECTION **BRM**  
BODY REPAIR

A  
B  
C  
D  
E  
F  
G  
H  
I  
J  
L  
M  
N  
O  
P

CONTENTS

**FOR USA AND CANADA**

<b>VEHICLE INFORMATION</b> .....	2	Front Pillar .....	33
<b>BODY EXTERIOR PAINT COLOR</b> .....	2	Side Body .....	35
Body Exterior Paint Color .....	2	Center Pillar .....	39
<b>PRECAUTION</b> .....	3	Outer Sill (Partial Replacement) .....	43
<b>REPAIRING HIGH STRENGTH STEEL</b> .....	3	Outer Sill .....	44
High Strength Steel (HSS) .....	3	Rear Fender .....	49
Handling of Ultra High Strength Steel Plate Parts.....	5	Rear Fender Extension .....	52
<b>PREPARATION</b> .....	6	Outer Rear Wheelhouse .....	52
<b>REPAIRING MATERIAL</b> .....	6	Rear Panel .....	58
Foam Repair .....	6	Rear Floor Rear .....	58
<b>BODY COMPONENT PARTS</b> .....	8	Rear Side Member Extension .....	59
Underbody Component Parts .....	8	<b>SERVICE DATA AND SPECIFICATIONS</b>	
Body Component Parts .....	10	<b>(SDS)</b> .....	61
<b>REMOVAL AND INSTALLATION</b> .....	13	<b>BODY ALIGNMENT</b> .....	61
<b>CORROSION PROTECTION</b> .....	13	Body Center Marks .....	61
Description .....	13	Description .....	62
Undercoating .....	13	Engine Compartment .....	62
Body Sealing .....	14	Underbody (2WD) .....	64
<b>BODY CONSTRUCTION</b> .....	18	Underbody (AWD) .....	67
Body Construction .....	18	Passenger Compartment .....	70
Rear Fender Hemming Process .....	19	Rear Body .....	73
<b>REPLACEMENT OPERATIONS</b> .....	21	<b>LOCATION OF PLASTIC PARTS</b> .....	75
Description .....	21	Precautions for Plastics .....	75
Radiator Core Support .....	23	Location of Plastic Parts .....	76
Hoodledge .....	23	<b>FOR MEXICO</b>	
Front Side Member (2WD) .....	26	<b>SERVICE DATA AND SPECIFICATIONS</b>	
Front Side Member (AWD) .....	29	<b>(SDS)</b> .....	78
Front Side Member (Partial Replacement) .....	32	<b>BODY ALIGNMENT</b> .....	78
		Description .....	78
		Engine Compartment .....	78
		Underbody (2WD) .....	80
		Passenger Compartment .....	83
		Rear Body .....	86

BRM

# BODY EXTERIOR PAINT COLOR

< VEHICLE INFORMATION >

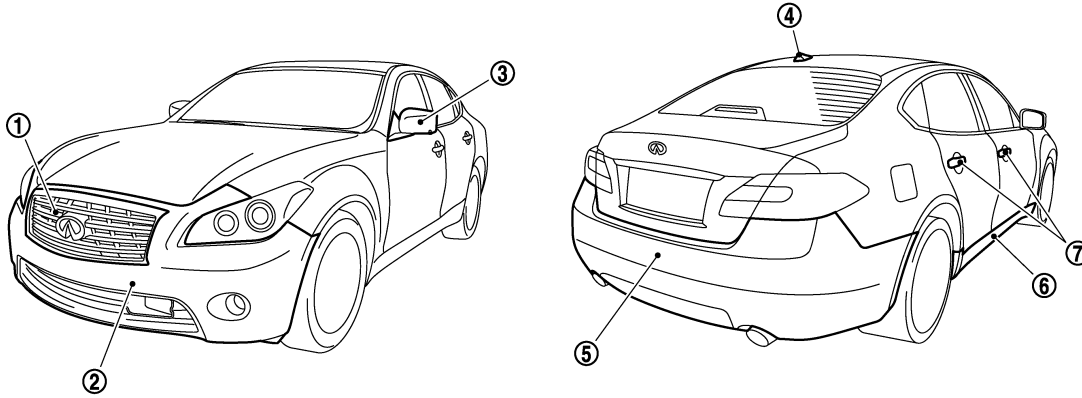
[FOR USA AND CANADA]

## VEHICLE INFORMATION

### BODY EXTERIOR PAINT COLOR

#### Body Exterior Paint Color

INFOID:000000010098565



JSKIA1870ZZ

Component		Color code	BQAA	BK23	BKH3	BK51	BGAC	BKAT
		Description	White	Silver	Black	Gray	Black	Gray
		Paint type <sup>note</sup>	3P	M	2S	M	P	TPM
		Anti scratch advanced paint	-	-	×	-	×	×
1	Front grille	Chromium plate	Cr	Cr	Cr	Cr	Cr	Cr
2	Front bumper fascia	Body color	BQAA	BK23	BKH3	BK51	BGAC	BKAT
3	Door outside mirror cover	Body color	BQAA	BK23	BKH3	BK51	BGAC	BKAT
4	Antenna base cover	Body color	BQAA	BK23	BKH3	BK51	BGAC	BKAT
5	Rear bumper fascia	Body color	BQAA	BK23	BKH3	BK51	BGAC	BKAT
6	Sill cover	Body color	BQAA	BK23	BKH3	BK51	BGAC	BKAT
7	Door outside handle	Chromium plate	Cr	Cr	Cr	Cr	Cr	Cr

**NOTE:**

- S: Solid
- 2S: Solid + Clear
- CS: Color clear solid
- M: Metallic
- P: 2-Coat pearl
- 3P: 3-Coat pearl
- FPM: Iron oxide pearl
- RM, RPM: Multi flex color
- TPM: Titanium pearl metallic
- TM: Micro titanium metallic
- PM: Pearl metallic

# REPAIRING HIGH STRENGTH STEEL

< PRECAUTION >

[FOR USA AND CANADA]

## PRECAUTION

### REPAIRING HIGH STRENGTH STEEL

#### High Strength Steel (HSS)

INFOID:0000000010098566

High strength steel is used for body panels in order to reduce vehicle weight. Accordingly, precautions in repairing automotive bodies made of high strength steel are described below:

Tensile strength	Major applicable parts
440 - 780 MPa	<ul style="list-style-type: none"> <li>• Hoodledge reinforcement</li> <li>• Upper front hoodledge</li> <li>• Front strut housing</li> <li>• Rear floor seat belt anchor reinforcement</li> <li>• Rear seat crossmember reinforcement assembly</li> <li>• 2nd and 3rd crossmember (Front floor component part)</li> <li>• Inner sill</li> <li>• Center front floor</li> <li>• Lower dash</li> <li>• Lower dash crossmember assembly</li> <li>• Front side member assembly</li> <li>• Front side member closing plate assembly</li> <li>• Front side member outrigger assembly</li> <li>• Rear seat crossmember</li> <li>• Rear tie down hook</li> <li>• Rear side member assembly</li> <li>• Rear side member extension</li> <li>• Inner front roof side rail (Side body assembly component part)</li> <li>• Outer front pillar reinforcement (Lower) (Side body assembly component part)</li> <li>• Outer sill reinforcement</li> <li>• Center pillar reinforcement</li> <li>• Outer rear wheelhouse extension (Upper)</li> <li>• Outer rear wheelhouse extension (Lower rear)</li> <li>• Front roof rail</li> <li>• Rear roof rail</li> <li>• Other reinforcements</li> </ul>
980 - 1350 MPa	<ul style="list-style-type: none"> <li>• Front side member stiffener (Front floor component part)</li> <li>• Front side member rear extension</li> <li>• Inner roof side rail (Front) (Side body assembly component part)</li> <li>• Outer roof side rail (Side body assembly component part)</li> <li>• Inner center pillar (Side body assembly component part)</li> <li>• Outer front pillar reinforcement (Upper) (Side body assembly component part)</li> <li>• Outer sill extension (Outer sill reinforcement component part)</li> <li>• Center pillar reinforcement (Upper)</li> <li>• Center pillar seat belt reinforcement (Center pillar reinforcement component part)</li> <li>• Outer rear wheelhouse extension (Lower front)</li> </ul>

Read the following precautions when repairing HSS:

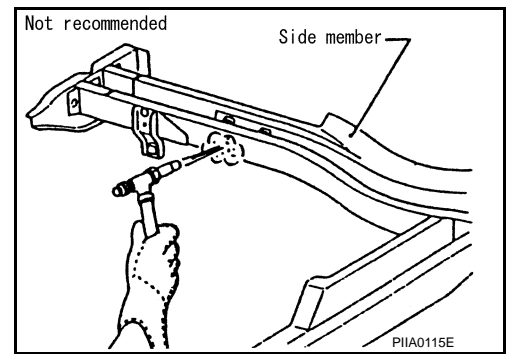
1. Additional points to consider

# REPAIRING HIGH STRENGTH STEEL

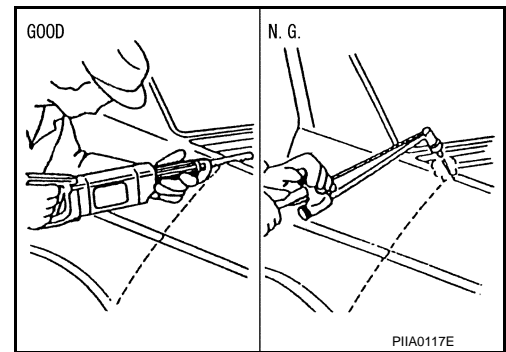
[FOR USA AND CANADA]

## < PRECAUTION >

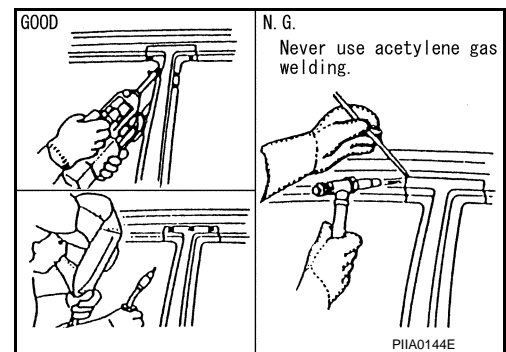
- The repair of reinforcements (such as side members) by heating is not recommended, because it may weaken the component. When heating is unavoidable, never heat HSS parts above 550°C (1,022°F). Verify heating temperature with a thermometer. (Crayon-type and other similar type thermometer are appropriate.)



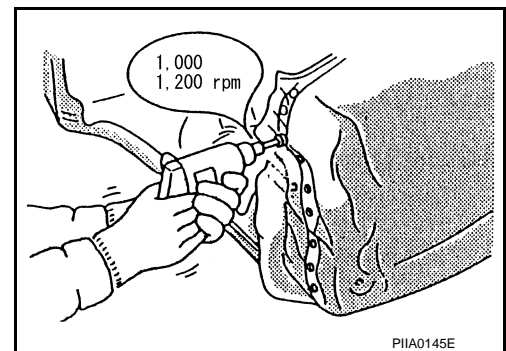
- When straightening body panels, use caution in pulling any HSS panel. Because HSS is very strong, pulling may cause deformation in adjacent sections of the body. In this case, increase the number of measuring points, and carefully pull the HSS panel.
- When cutting HSS panels, avoid gas (torch) cutting if possible. Instead, use a saw to avoid weakening surrounding areas due to heat. If gas (torch) cutting is unavoidable, allow a minimum margin of 50 mm (1.97 in).



- When welding HSS panels, use spot welding whenever possible in order to minimize weakening surrounding areas due to heat. If spot welding is impossible, use MIG. welding. Do not use gas (torch) for welding because it is inferior in welding strength.



- Spot welding on HSS panels is harder than that of an ordinary steel panel. Therefore, when cutting spot welds on a HSS panel, use a low speed high torque drill (1,000 to 1,200 rpm) to increase drill bit durability and facilitate the operation.



# REPAIRING HIGH STRENGTH STEEL

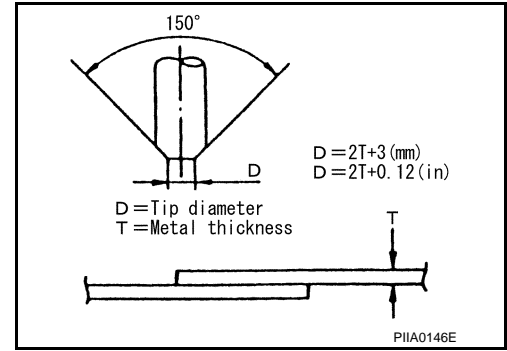
[FOR USA AND CANADA]

## < PRECAUTION >

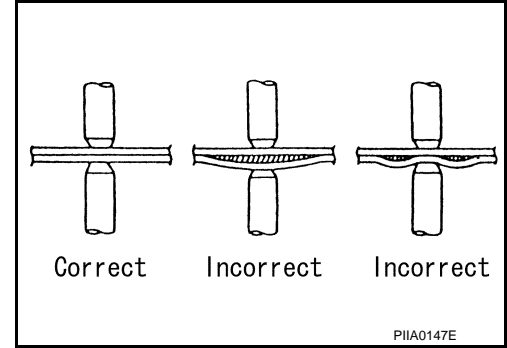
### 2. Precautions in spot welding HSS

This work should be performed under standard working conditions. Always note the following when spot welding HSS:

- The electrode tip diameter must be sized properly according to the metal thickness.



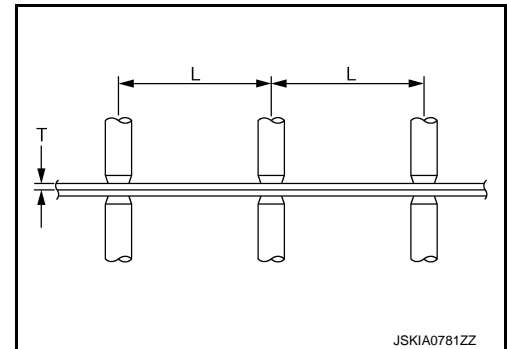
- The panel surfaces must fit flush to each other, leaving no gaps.



- Follow the specifications for the proper welding pitch.

Unit: mm (in)

Thickness (T)	Minimum pitch (L)
0.6 (0.024)	10 (0.39) or more
0.8 (0.031)	12 (0.47) or more
1.0 (0.039)	18 (0.71) or more
1.2 (0.047)	20 (0.79) or more
1.6 (0.063)	27 (1.06) or more
1.8 (0.071)	31 (1.22) or more



## Handling of Ultra High Strength Steel Plate Parts

INFOID:000000010098567

### PROHIBITION OF CUT AND CONNECTION

Never cut and joint the lower lock pillar reinforcement (center pillar reinforcement inside frame parts) because its material is high strength steel plate (ultra high strength steel plate).

The center pillar reinforcement must be replaced if this part is damaged.

A  
B  
C  
D  
E  
F  
G  
H  
I  
J  
L  
M  
N  
O  
P

BRM

PREPARATION

REPAIRING MATERIAL

Foam Repair

INFOID:000000010098568

During factory body assembly, foam insulators are installed in certain body panels and locations around the vehicle. Use the following procedure(s) to replace any factory-installed foam insulators.

URETHANE FOAM APPLICATIONS

Use commercially available Urethane foam for sealant (foam material) repair of material used on vehicle.

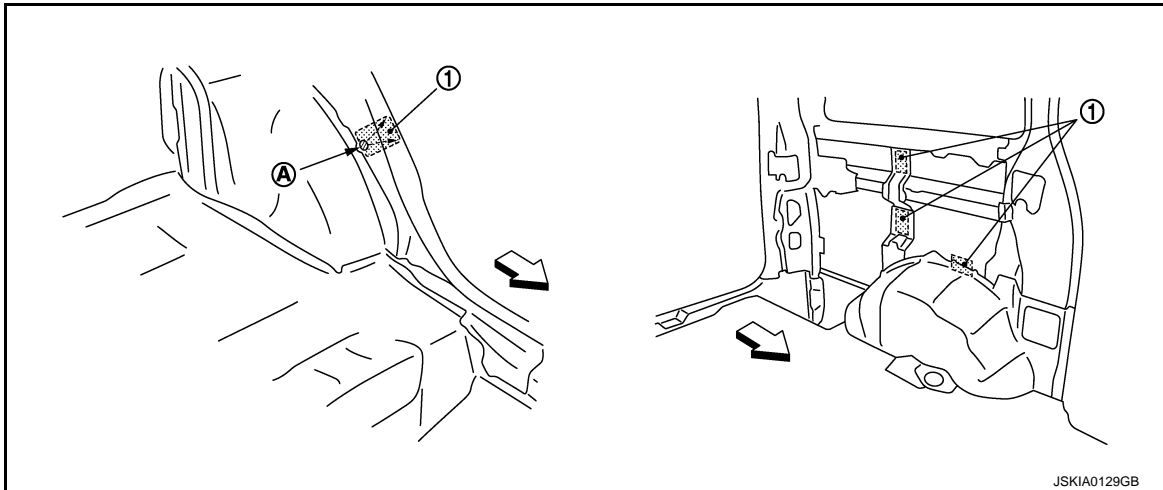
<Urethane foam for foaming agent>

3M™ Automix™ Flexible Foam 08463 or equivalent

Read instructions on product for fill procedures.

Example of foaming agent filling operation procedure

1. Fill procedures after installation of service part.
  - a. Eliminate foam material remaining on vehicle side.
  - b. Clean area after eliminating form insulator and foam material.
  - c. Install service part.
  - d. Insert nozzle into hole near fill area and fill foam material or fill enough to close gap with the service part.



- 1. Urethane foam
- A. Nozzle insert hole
- ↙: Vehicle front

2. Fill procedures before installation of service part.
  - a. Eliminate foam material remaining on vehicle side.
  - b. Clean area after eliminating foam insulator and foam material.
  - c. Fill foam material on wheelhouse outer side.

# REPAIRING MATERIAL

< PREPARATION >

[FOR USA AND CANADA]

- 1. Urethane foam
- A. Fill while avoiding flange area

←: Vehicle front

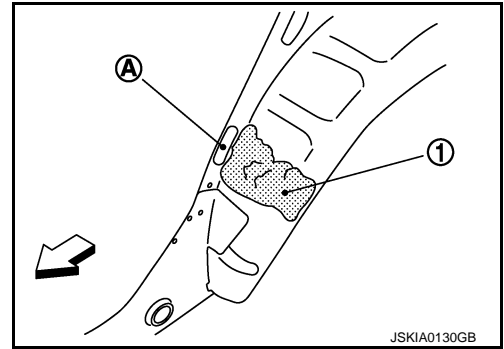
**NOTE:**

Fill enough to close gap with service part while avoiding flange area.

- d. Install service part.

**NOTE:**

Refer to label for information on working times.



A  
B  
C  
D  
E  
F  
G  
H  
I  
J  
L  
M  
N  
O  
P

BRM

# BODY COMPONENT PARTS

< PREPARATION >



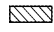
[FOR USA AND CANADA]

## BODY COMPONENT PARTS

### Underbody Component Parts

INFOID:000000010098569



-  Both sided anti-corrosive pre-coated steel sections
-  High strength steel (HSS) sections
-  Both sided anti-corrosive steel and HSS sections

JSKIA1871ZZ



# BODY COMPONENT PARTS

< PREPARATION >

[FOR USA AND CANADA]

No.	Parts name		Tensile strength (MPa)	Both sided anti-corrosive precoated steel sections
1.	Hoodledge reinforcement (RH & LH)		440	×
2.	Upper front hoodledge (RH & LH)		440	×
3.	Side radiator core support (RH & LH)		Under 440	×
4.	Front strut housing (RH & LH)		440	×
5.	Lower rear hoodledge (RH & LH)		Under 440	×
6.	Upper side cowl top (RH & LH)		Under 440	×
7.	Upper rear hoodledge (RH & LH)		Under 440	×
8.	Rear floor rear		440	×
9.	Rear floor side (RH & LH)		Under 440	×
10.	Rear floor front		Under 440	×
11.	Rear floor seat belt anchor reinforcement (RH & LH)		590	×
12.	Rear seat crossmember reinforcement assembly		590	×
13.	Front floor (RH & LH)	a. T=1.6 mm (0.063 in)	1350 <sup>caution</sup>	×
14.	Inner sill (RH & LH)		590	×
15.	Center front floor		440	×
16.	Lower dash		440	×
17.	Upper dash		Under 440	×
18.	Lower dash crossmember assembly		590	×
19.	Front cowl top		Under 440	×
20.	Front side member assembly (RH & LH)		590	×
21.	Front side member connector assembly (RH & LH)		Under 440	×
22.	Front side member front extension (RH & LH)		440	×
23.	Front side member closing plate assembly (RH & LH)		590	×
24.	Front side member center closing plate (RH & LH)		440	×
25.	Front side member front closing plate (RH & LH)		590	×
26.	Front side member outrigger assembly (RH & LH)		590	×
27.	Front side member rear extension (RH & LH)	T=1.2 mm (0.047 in)	980 <sup>caution</sup>	×
28.	Rear seat crossmember		590	×
29.	2nd rear crossmember		590	—
30.	Rear crossmember		Under 440	×
31.	Rear tie down hook		440	×
32.	Rear side member assembly (RH & LH)		780	×
33.	Rear side member extension (RH & LH)		780	×

**NOTE:**

- For the parts without a number described in the figure, it is supplied only with the assembly part that the part is included with.
- Tensile strength column shows the largest strength value of a part in the component part.

**CAUTION:**

**If the high strength steel (ultra high strength steel) of this is broken, replace by assembly for the supply part.**

A  
B  
C  
D  
E  
F  
G  
H  
I  
J  
L  
M  
N  
O  
P

BRM

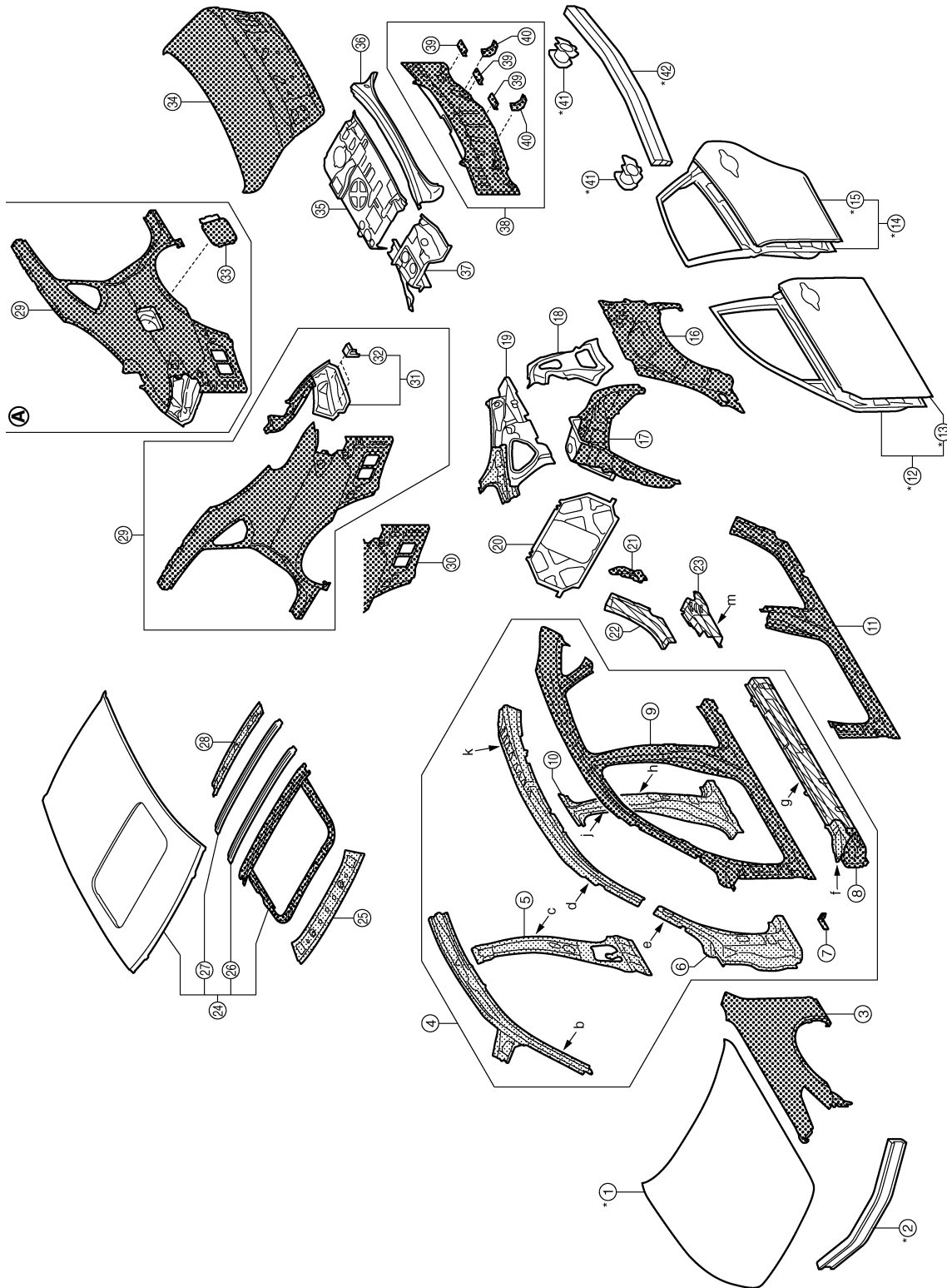
# BODY COMPONENT PARTS

< PREPARATION >

[FOR USA AND CANADA]

## Body Component Parts

INFOID:000000010098570



JSKIA1872ZZ

A. Right side

Both sided anti-corrosive pre-coated steel sections

High strength steel (HSS) sections

Both sided anti-corrosive steel and HSS sections

\*: Aluminum portion

# BODY COMPONENT PARTS

< PREPARATION >

[FOR USA AND CANADA]

No.	Parts name	Tensile strength (MPa)	Both sided anti-corrosive pre-coated steel sections	Aluminum portion			
1.	Hood	—	—	×			
2.	Front bumper armature assembly	—	—	×			
3.	Front fender (RH & LH)	Under 440	×	—			
4.	Side body assembly (RH & LH)	Refer to No.5-10					
		b.	T=1.2mm (0.047 in)	980 <sup>caution</sup>			
		d.	T=1.6mm (0.063 in)	1350 <sup>caution</sup>	—	—	
		k.	T=1.2mm (0.047 in)	980 <sup>caution</sup>			
	5.	Inner center pillar (RH & LH)	c.	T=1.0mm (0.039 in)	1350 <sup>caution</sup>	—	—
	6.	Outer front pillar reinforcement (RH & LH)	e.	T=1.2mm (0.047 in)	980 <sup>caution</sup>	—	—
	7.	Front fender bracket (RH & LH)			Under 440	×	—
	8.	Outer sill reinforcement (RH & LH)	f.	T=1.2mm (0.047 in)	980 <sup>caution</sup>	×	—
			g.	T=1.2mm (0.047 in)	980 <sup>caution</sup>		
	9.	Outer front side body (RH & LH)			Under 440	×	—
10.	Center pillar reinforcement (RH & LH)	h.	T=1.2mm (0.047 in)	980 <sup>caution</sup>	—	—	
		j.	T=1.6mm (0.063 in)	1350 <sup>caution</sup>			
11.	Outer sill (RH & LH)			Under 440	×	—	
12.	Front door assembly (RH & LH)			—	—	×	
13.	Outer front door panel (RH & LH)			—	—	×	
14.	Rear door assembly (RH & LH)			—	—	×	
15.	Outer rear door panel (RH & LH)			—	—	×	
16.	Outer rear wheelhouse (RH & LH)			Under 440	×	—	
17.	Inner rear wheelhouse (RH & LH)			Under 440	×	—	
18.	Inner rear pillar reinforcement (RH & LH)			Under 440	—	—	
19.	Inner rear pillar (RH & LH)			590	—	—	
20.	Seat back support			Under 440	—	—	
21.	Inner rear wheelhouse front extension (RH & LH)			Under 440	×	—	
22.	Outer rear wheelhouse extension (RH & LH Upper)			590	×	—	
23.	Outer rear wheelhouse extension (RH & LH Lower)	m.	T=1.2mm (0.047 in)	980 <sup>caution</sup>	×	—	
24.	Roof			Under 440	×	—	
25.	Front roof rail			Under 440	—	—	
26.	Roof bow No. 3			Under 440	—	—	
27.	Roof bow No. 4			Under 440	—	—	
28.	Rear roof rail			Under 440	—	—	
29.	Rear fender assembly (RH & LH)			Under 440	×	—	
30.	Rear fender extension (RH & LH)			Under 440	×	—	

A  
B  
C  
D  
E  
F  
G  
H  
I  
J

BRM

L  
M  
N  
O  
P

## BODY COMPONENT PARTS

< PREPARATION >

[FOR USA AND CANADA]

No.	Parts name	Tensile strength (MPa)	Both sided anti-corrosive precoated steel sections	Aluminum portion
31.	Rear fender extension assembly (RH & LH)	Under 440	—	—
32.	Rear bumper side bracket (RH & LH)	Under 440	—	—
33.	Fuel filler lid	Under 440	×	—
34.	Trunk lid	Under 440	×	—
35.	Parcel shelf with rear waist	Under 440	—	—
36.	Rear waist	Under 440	—	—
37.	Parcel shelf side (RH & LH)	Under 440	—	—
38.	Rear panel assembly	Under 440	×	—
39.	Rear bumper bracket	Under 440	×	—
40.	Rear side bumper bracket	Under 440	×	—
41.	Rear bumper stay (RH & LH)	Under 440	—	×
42.	Inner center rear bumper reinforcement assembly	Under 440	—	×

**NOTE:**

- For the parts without a number described in the figure, it is supplied only with the assembly part that the part is included with.
- Tensile strength column shows the largest strength value of a part in the component part.

**CAUTION:**

**If the high strength steel (ultra high strength steel) of this is broken, replace by assembly for the supply part.**

# REMOVAL AND INSTALLATION

## CORROSION PROTECTION

### Description

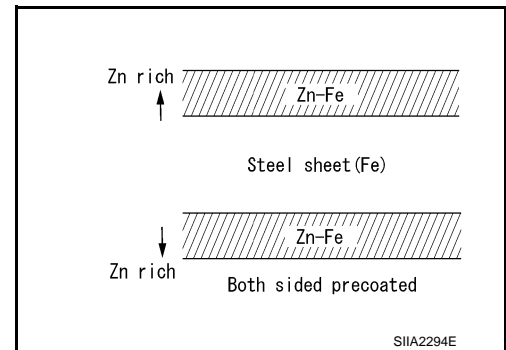
INFOID:0000000010098571

To provide improved corrosion prevention, the following anti-corrosive measures have been implemented in NISSAN production plants. When repairing or replacing body panels, it is necessary to use the same anti-corrosive measures.

#### Anti-Corrosive Precoated Steel (Galvannealed Steel)

To improve repairability and corrosion resistance, a new type of anti-corrosive precoated steel sheet is adopted replacing conventional zinc-coated steel sheet.

Galvannealed steel is electroplated and heated to form Zinc-iron alloy, which provides excellent and long term corrosion resistance with cationic electrodeposition primer.



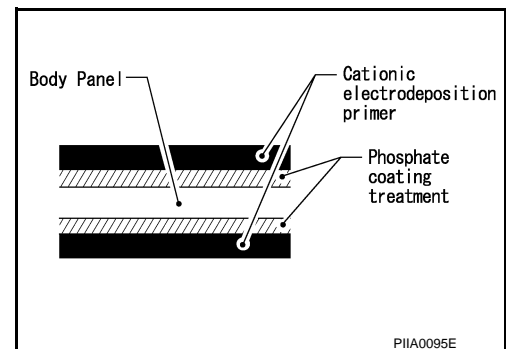
NISSAN genuine parts are fabricated from galvannealed steel. Therefore, it is recommended that NISSAN genuine parts or an equivalent be used for panel replacement to maintain the anti-corrosive performance built into the vehicle at the factory.

#### Phosphate Coating Treatment and Cationic Electrodeposition Primer

A phosphate coating treatment and a cationic electrodeposition primer, which provide excellent corrosion protection, are applied to all body components.

#### **CAUTION:**

**Confine paint removal during welding operation to an absolute minimum.**



NISSAN genuine parts are also treated in the same manner. Therefore, it is recommended that NISSAN genuine parts or an equivalent be used for panel replacement to maintain anti-corrosive performance built into the vehicle at the factory.

### Undercoating

INFOID:0000000010098572

The underside of the floor and wheelhouse are undercoated to prevent rust, vibration, noise and stone chipping. Therefore, when such a panel is replaced or repaired, apply undercoating to that part. Use an undercoating which is rust resistant, soundproof, vibration-proof, shock-resistant, adhesive, and durable.

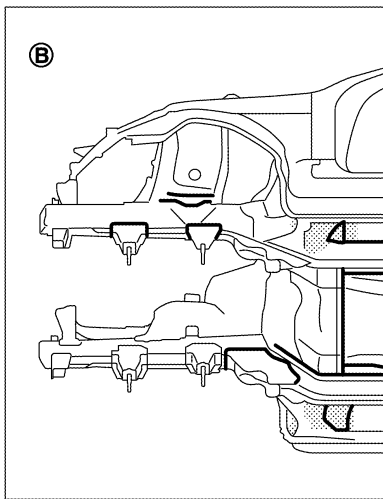
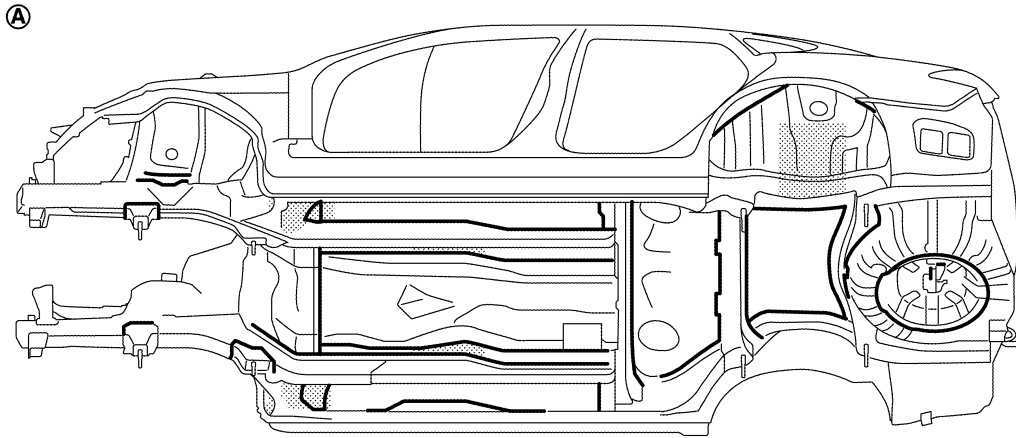
#### Precautions in Undercoating

1. Never apply undercoating to any place unless specified (such as the areas above the muffler and three way catalyst that are subjected to heat).
2. Never undercoat the exhaust pipe or other parts that become hot.
3. Never undercoat rotating parts.
4. Apply bitumen wax after applying undercoating.
5. After putting seal on the vehicle, put undercoating on it.

# CORROSION PROTECTION

< REMOVAL AND INSTALLATION >


[FOR USA AND CANADA]




JSKIA1677ZZ

A. 2WD

B. AWD

 Undercoated areas

 Sealed portions

## Body Sealing

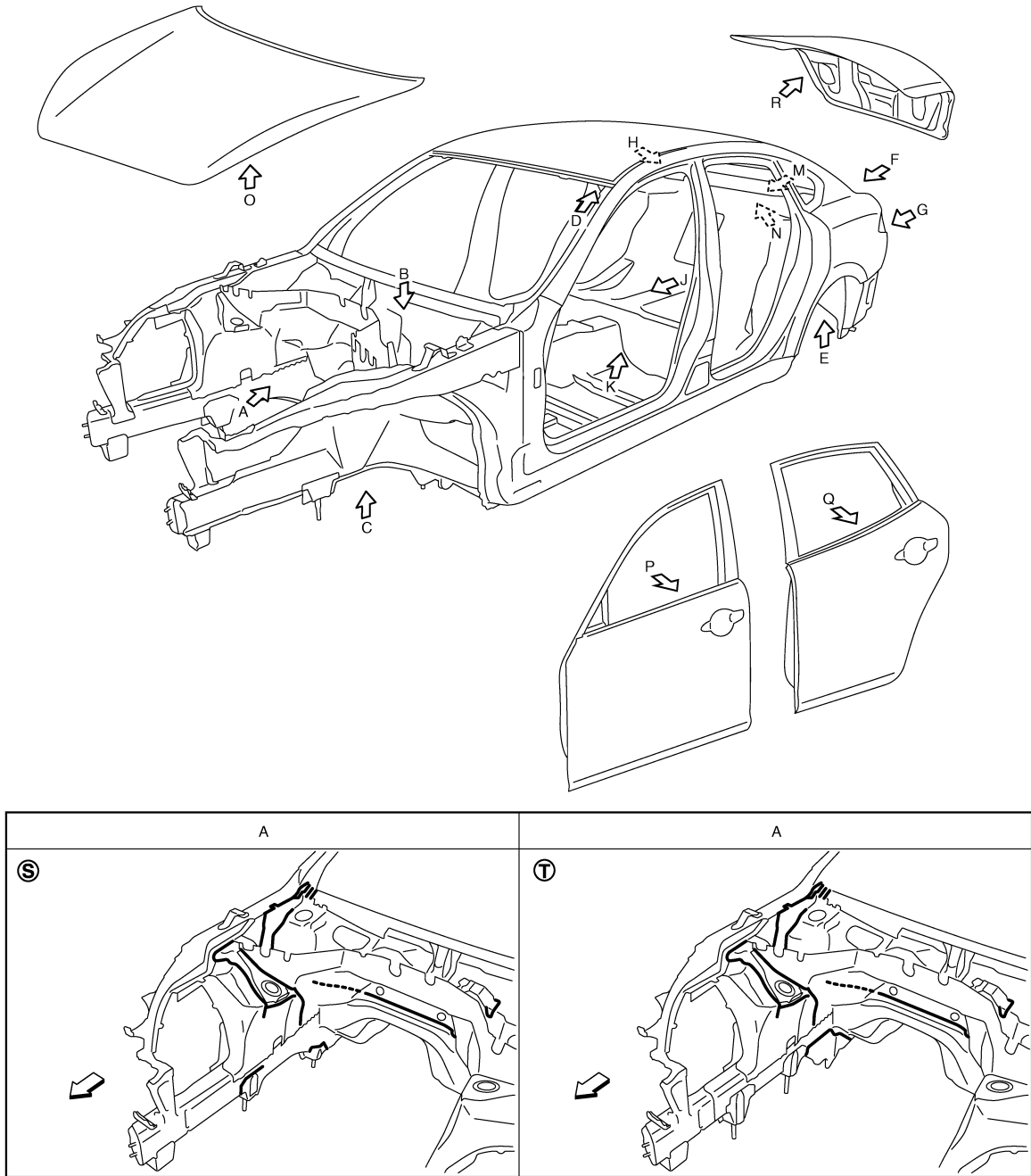
INFOID:000000010098573

The following figure shows the areas that are sealed at the factory. Sealant that is applied to these areas should be smooth and free from cuts or gaps. Care should be taken not to apply an excess amount of sealant and not to allow other unaffected parts to come into contact with the sealant.

# CORROSION PROTECTION

< REMOVAL AND INSTALLATION >

[FOR USA AND CANADA]



A  
B  
C  
D  
E  
F  
G  
H  
I  
J  
L  
M  
N  
O  
P

BRM

S. 2WD

T. AWD

↔: Vehicle front

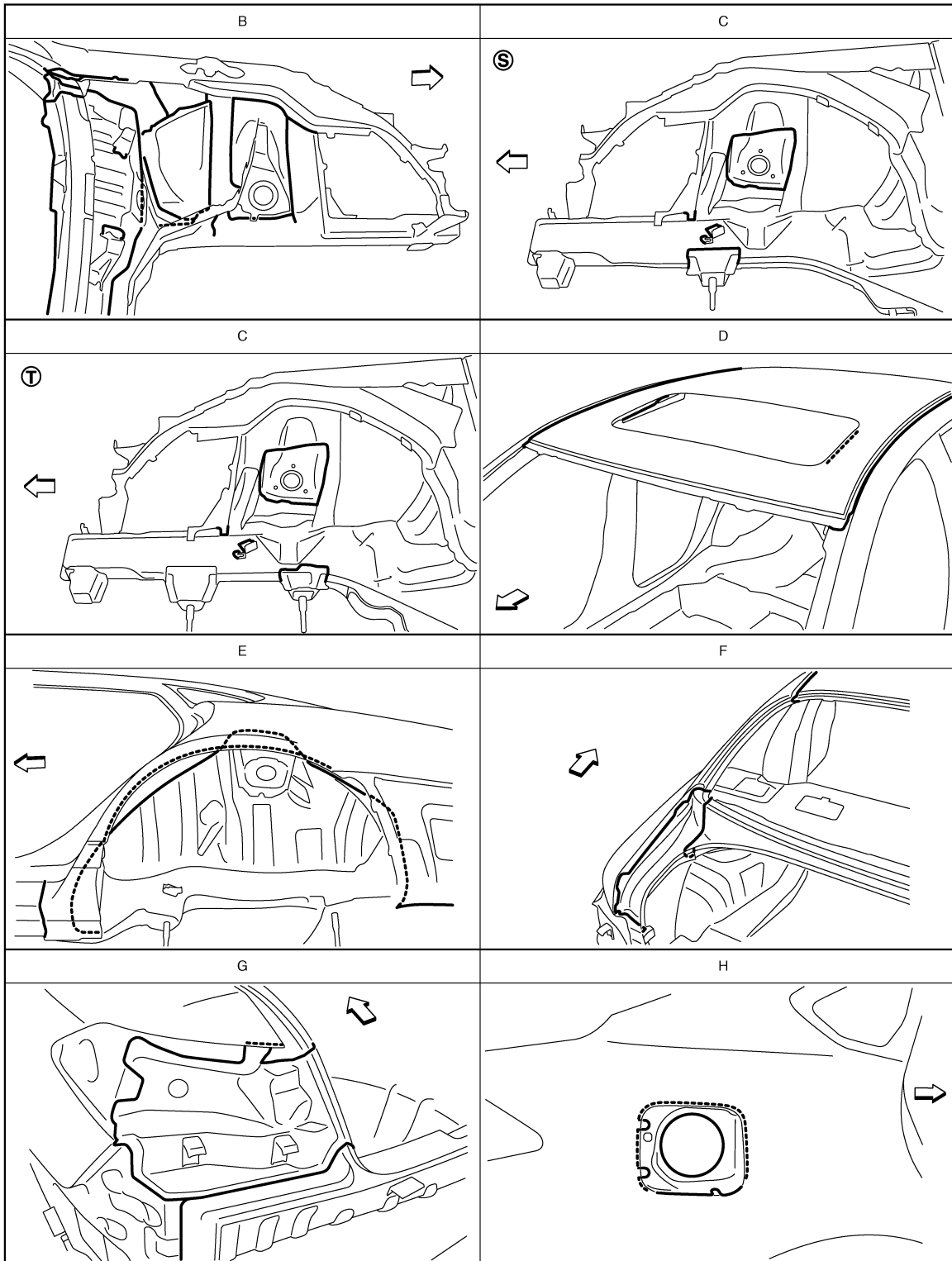
—: Sealed portions

JSKIA1873ZZ

# CORROSION PROTECTION

< REMOVAL AND INSTALLATION >

[FOR USA AND CANADA]



JSKIA1874ZZ

S. 2WD

T. AWD

↔: Vehicle front

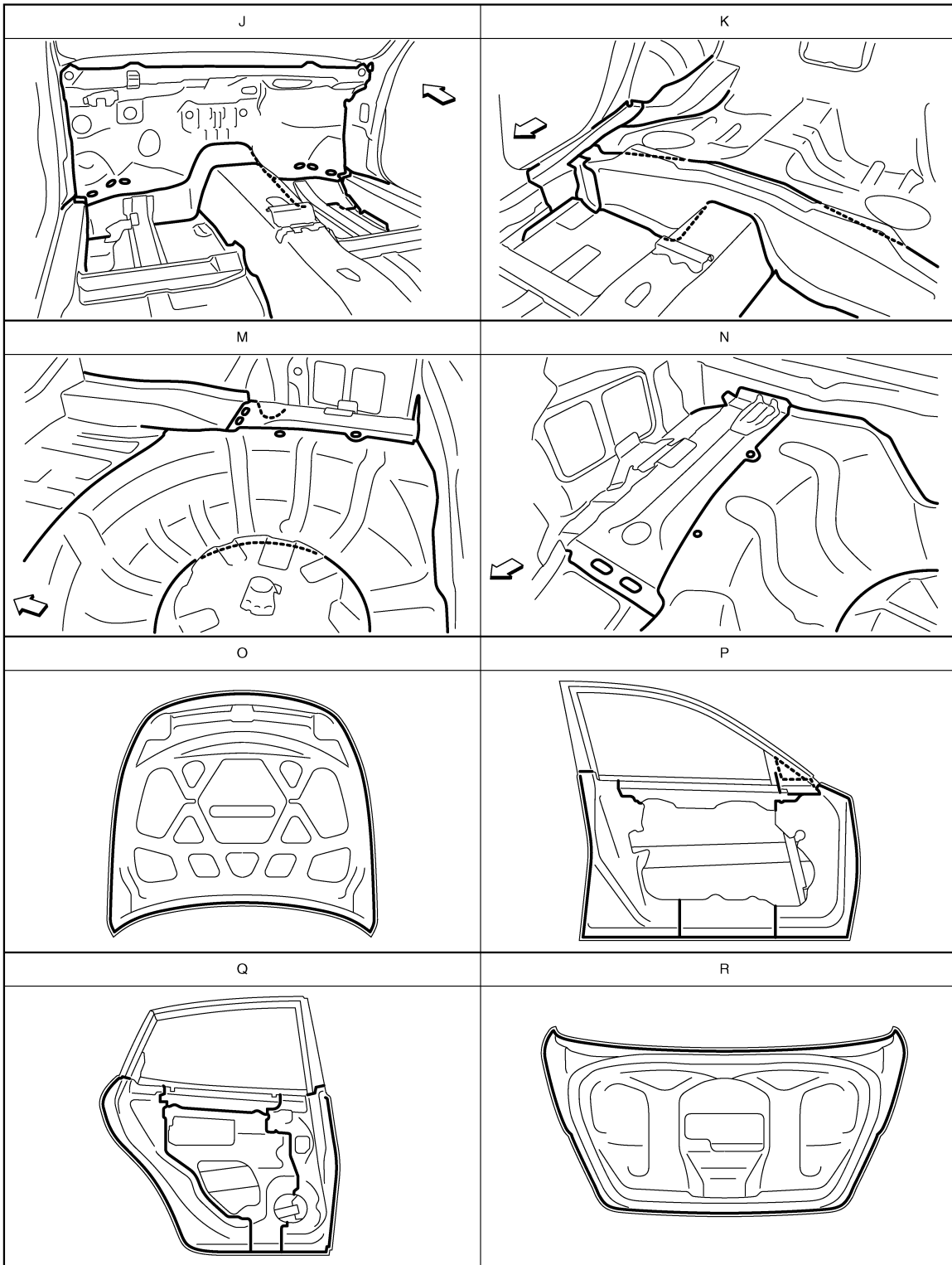
—: Sealed portions



# CORROSION PROTECTION

< REMOVAL AND INSTALLATION >

[FOR USA AND CANADA]



A  
B  
C  
D  
E  
F  
G  
H  
I  
J  
K  
L  
M  
N  
O  
P

**BRM**

JSKIA1875ZZ

←: Vehicle front  
—: Sealed portions

# BODY CONSTRUCTION

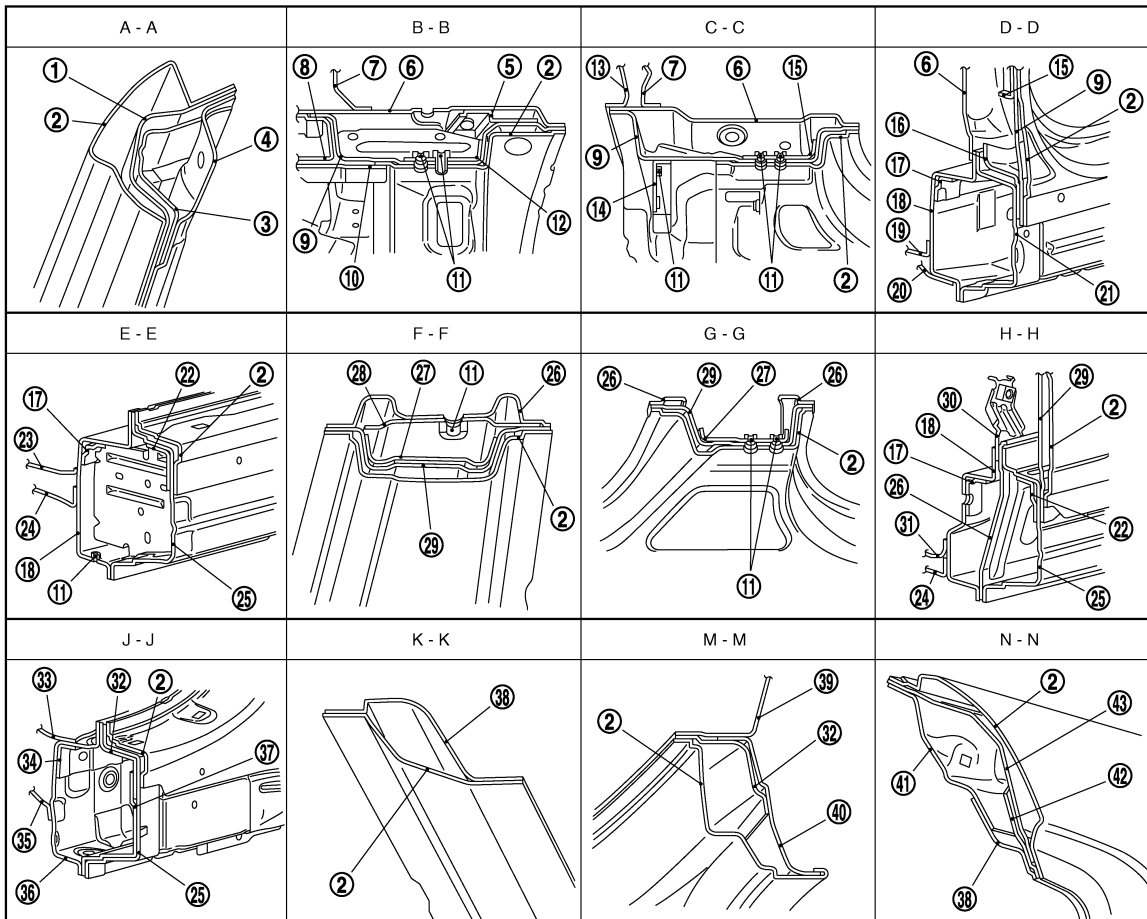
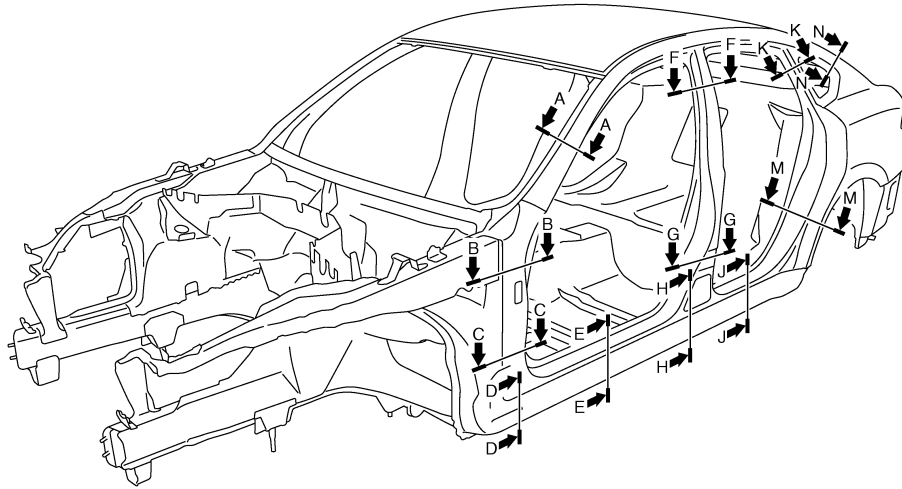
< REMOVAL AND INSTALLATION >

[FOR USA AND CANADA]

## BODY CONSTRUCTION

### Body Construction

INFOID:000000010098574



- |                         |                                   |                                     |
|-------------------------|-----------------------------------|-------------------------------------|
| 1. Outer roof side rail | 2. Outer side body                | 3. Outer front pillar reinforcement |
| 4. Inner roof side rail | 5. Outer front pillar bracket     | 6. Upper rear hoodledge             |
| 7. Upper dash           | 8. Hoodledge reinforcement gusset | 9. Front pillar hinge brace         |

JSKIA1626ZZ

# BODY CONSTRUCTION

## < REMOVAL AND INSTALLATION >

[FOR USA AND CANADA]

- |  |                                     |   |
|--|-------------------------------------|---|
| 10. Hoodledge reinforcement              | 11. Weld nut                        | 12. Upper hinge plate                     |
| 13. Lower dash crossmember               | 14. Front pillar bracket            | 15. Lower hinge plate                     |
| 16. Lower front pillar gusset            | 17. Center sill reinforcement       | 18. Inner sill                            |
| 19. Lower dash                           | 20. Front side member outrigger     | 21. Outer front sill brace                |
| 22. Outer sill extension                 | 23. 2nd crossmember                 | 24. Front floor                           |
| 25. Outer sill reinforcement             | 26. Inner center pillar             | 27. Center pillar seat belt reinforcement |
| 28. Inner center pillar reinforcement    | 29. Center pillar reinforcement     | 30. Seat belt anchor                      |
| 31. 3rd crossmember                      | 32. Outer rear wheelhouse extension | 33. Rear seat crossmember reinforcement   |
| 34. Rear side member front reinforcement | 35. Rear seat crossmember           | 36. Rear side member front                |
| 37. Outer sill rear reinforcement        | 38. Inner rear pillar               | 39. Inner rear wheelhouse                 |
| 40. Outer rear wheelhouse                | 41. Rear roof rail brace            | 42. Inner rear pillar reinforcement       |
| 43. Outer roof side rail reinforcement   |                                     |   |

## Rear Fender Hemming Process

INFOID:000000010098575

1. A wheel arch is to be installed and hemmed over the left and right outer wheel houses.
2. In order to hem the wheel arch, it is necessary to repair any damaged or defaced parts around outer wheel house.

### CAUTION:

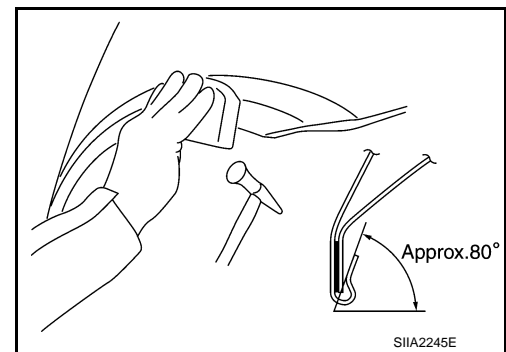
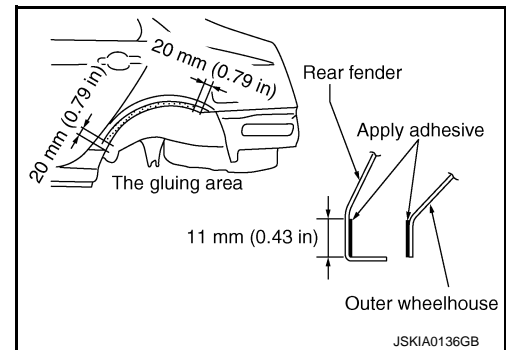
**Ensure that the area that is to be glued around the outer wheelhouse is undamaged or defaced.**

### PROCEDURE OF THE HEMMING PROCESS

- Peel off old bonding material on the surface of the outer wheelhouse and clean thoroughly.
- Peel off a primer coat in the specified area where new adhesive is to be applied on rear fender (the replacing part).
- Apply new adhesive to both specified areas of the outer wheelhouse and rear fender.

**<Adhesive> 3M™ Automix™ Panel Bonding Adhesive 08115 or equivalent**

- Attach rear fender to the body of the car, and weld the required part except the hemming part.
- Bend the welded part starting from the center of the wheel arch gradually with a hammer and a dolly. (Also hem the end of the flange.)
- Hemming with a hammer is conducted to an approximate angle of 80 degrees.



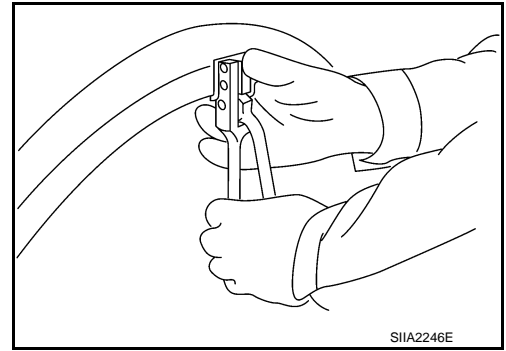
A  
B  
C  
D  
E  
F  
G  
H  
I  
J  
BRM  
L  
M  
N  
O  
P

## BODY CONSTRUCTION

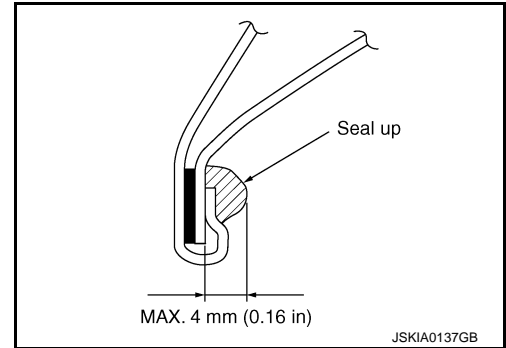
### < REMOVAL AND INSTALLATION >

[FOR USA AND CANADA]

- Starting from the center, hem the wheel arch gradually, using slight back and forth motion with a hemming tool.



- Seal up the area around the hemmed end of the flange.



# REPLACEMENT OPERATIONS

< REMOVAL AND INSTALLATION >

[FOR USA AND CANADA]

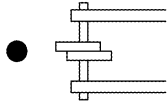
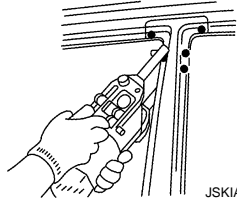
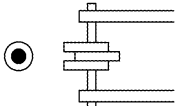
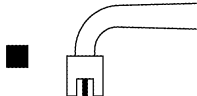



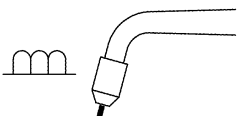
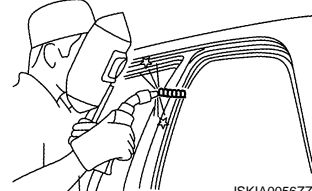
## REPLACEMENT OPERATIONS

### Description

INFOID:0000000110098576

- This section is prepared for technicians who have attained a high level of skill and experience in repairing collision-damaged vehicles and also use modern service tools and equipment. Persons unfamiliar with body repair techniques should not attempt to repair collision-damaged vehicles by using this section.
- Technicians are also encouraged to read the Body Repair Manual (Fundamentals) in order to ensure that the original functions and quality of the vehicle are maintained. The Body Repair Manual (Fundamentals) contains additional information, including cautions and warnings, that are not including in this manual. Technicians should refer to both manuals to ensure proper repair.
- Please note that this information is prepared for worldwide usage, and as such, certain procedures might not apply in some regions or countries.

The symbols used in this section for welding operations are shown below.

Symbol marks	Description	
 <p>JSKIA0049ZZ</p>	2-spot welds	 <p>JSKIA0053ZZ</p>
 <p>JSKIA0050ZZ</p>	3-spot welds	
 <p>JSKIA0051ZZ</p>	MIG plug weld	 <p>JSKIA0054ZZ</p> <p>For 3 panels plug weld method</p> <div style="display: flex; flex-direction: column; align-items: center;"> <div data-bbox="1136 1438 1299 1480"> <p>■ A </p> </div> <div data-bbox="1136 1533 1299 1575"> <p>■ B </p> </div> </div> <p>JSKIA0055ZZ</p>
 <p>JSKIA0052ZZ</p>	MIG seam weld / Point weld	 <p>JSKIA0056ZZ</p>

A  
B  
C  
D  
E  
F  
G  
H  
I  
J  
L  
M  
N  
O  
P

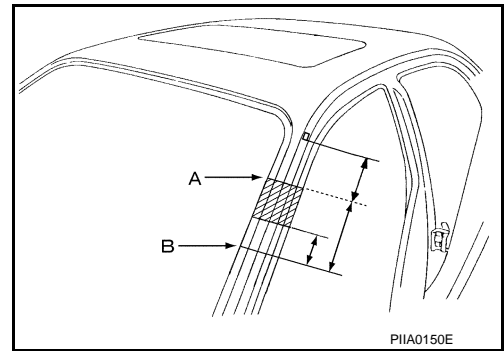
BRM

# REPLACEMENT OPERATIONS

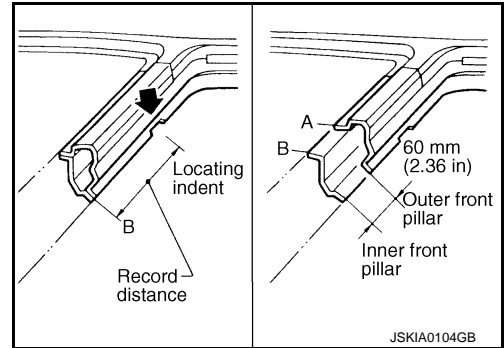
[FOR USA AND CANADA]

## < REMOVAL AND INSTALLATION >

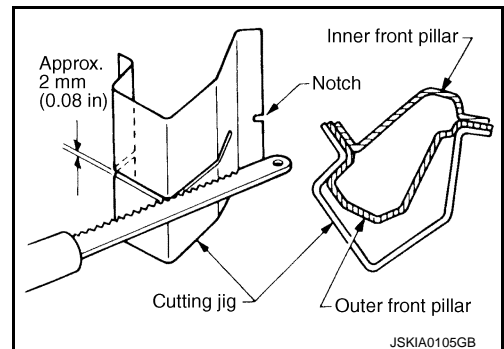
- Front pillar butt joint can be determined anywhere within shaded area as shown in the figure. The best location for the butt joint is at position A due to the construction of the vehicle.



- Determine cutting position and record distance from the locating indent. Use this distance when cutting the service part. Cut outer front pillar over 60 mm (2.36 in) above the inner front pillar cut position.

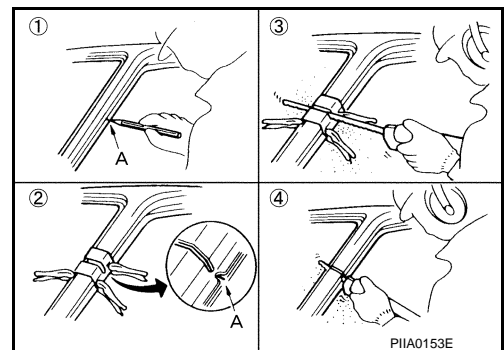


- Prepare a cutting jig to make outer pillar easier to cut. Also, this will permit the service part to be accurately cut at the joint position.



- An example of cutting operation using a cutting jig is as per the following.

1. Mark cutting lines.  
A: Cut position of outer pillar  
B: Cut position of inner pillar
2. Align cutting line with notch on jig. Clamp jig to pillar.
3. Cut outer pillar along groove of jig (at position A).
4. Remove jig and cut remaining portions.
5. Cut inner pillar at position B in same manner.



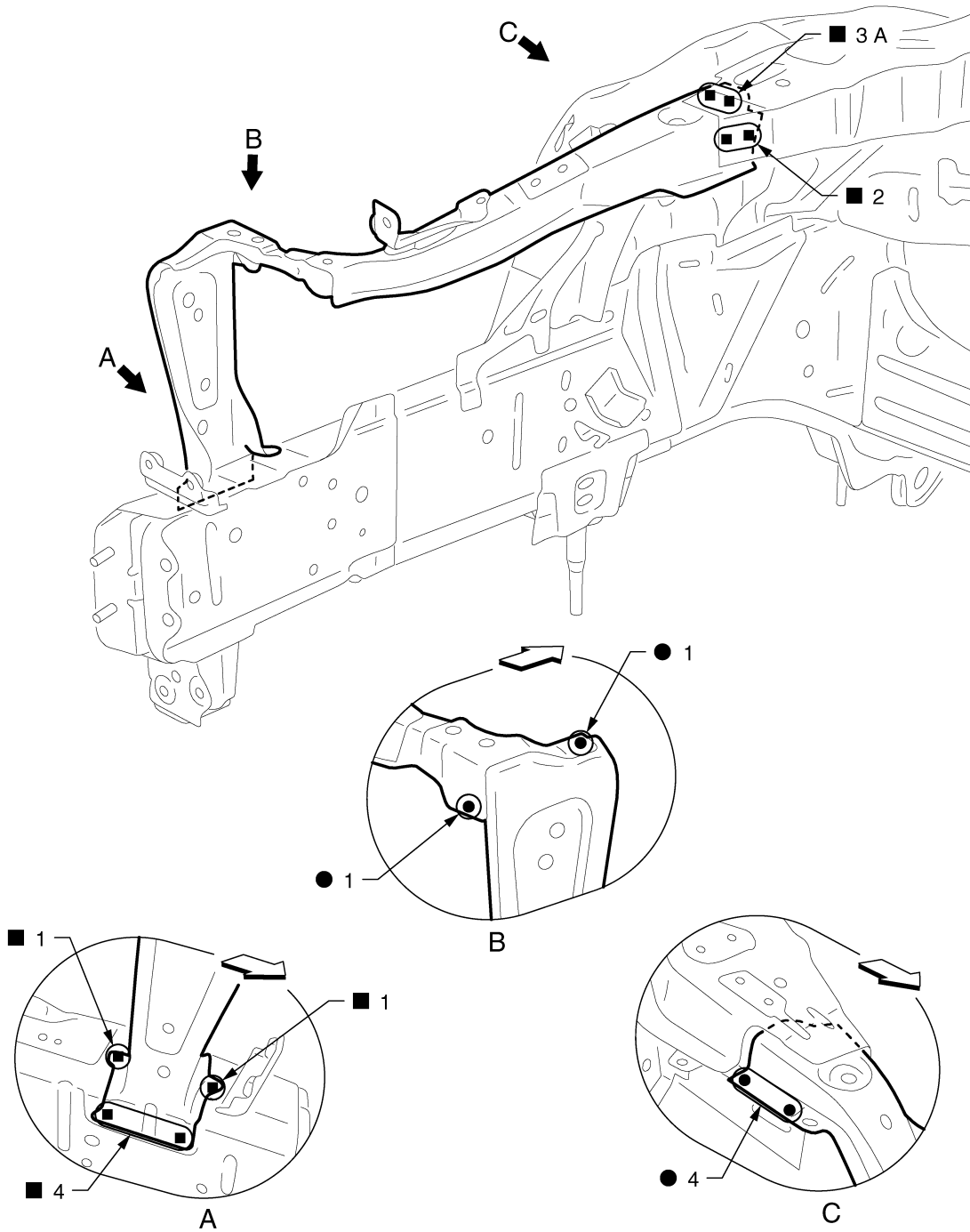
# REPLACEMENT OPERATIONS

< REMOVAL AND INSTALLATION >

[FOR USA AND CANADA]

## Radiator Core Support

INFOID:000000010098577



A  
B  
C  
D  
E  
F  
G  
H  
I  
J  
K  
L  
M  
N  
O  
P

BRM

←: Vehicle front

Replacement parts

- Radiator core support assembly (LH)
- Front side member connector assembly (LH)

## Hoodledge

INFOID:000000010098578

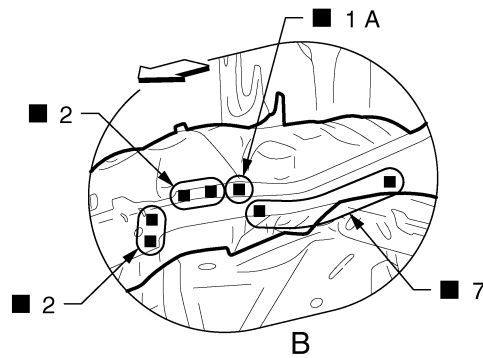
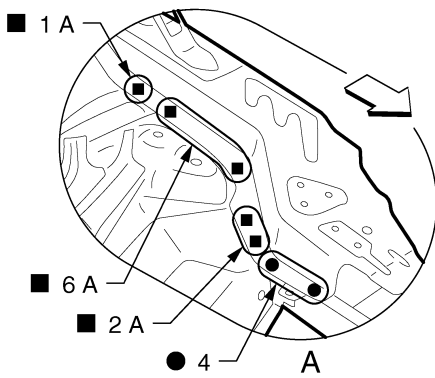
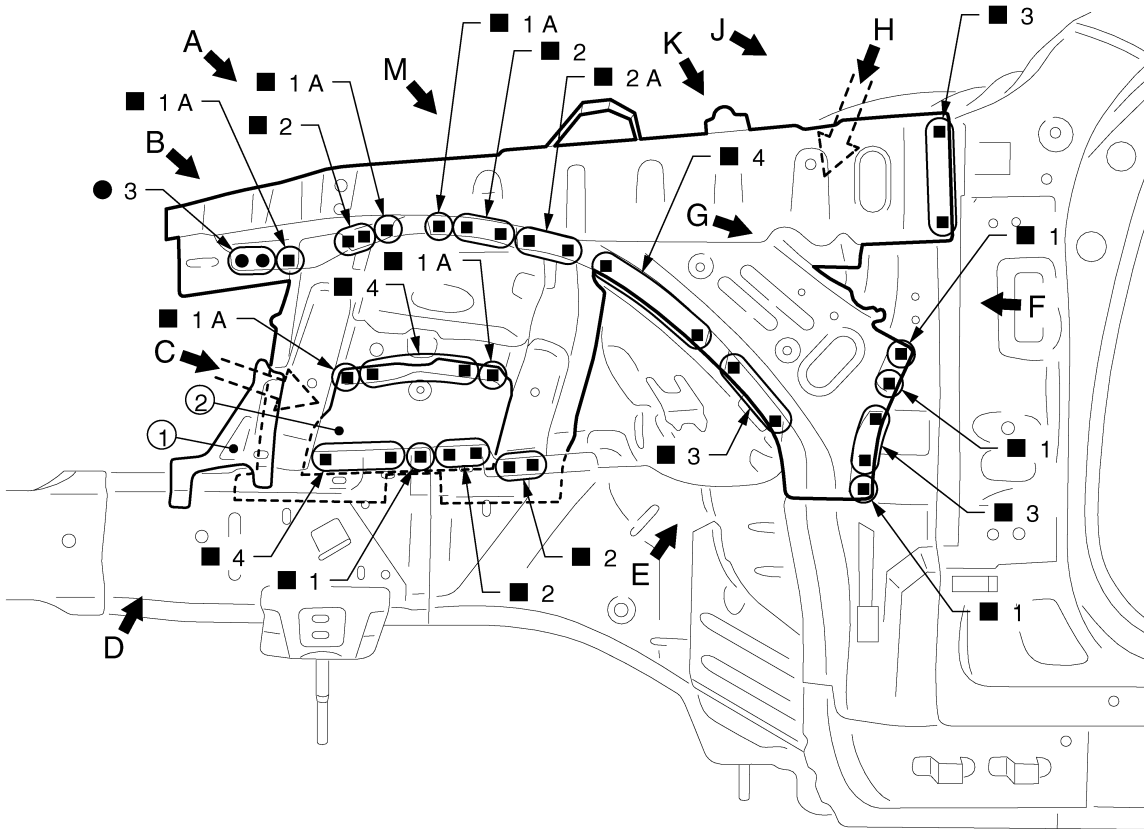
Work after radiator core support is removed.

# REPLACEMENT OPERATIONS

< REMOVAL AND INSTALLATION >

[FOR USA AND CANADA]

Remove the front side member extension front reinforcement (reusable) and front side member center closing plate (reusable).



JSKIA1629ZZ

1. Front side member extension front reinforcement

2. Front side member center closing plate

←: Vehicle front

Replacement parts

● Upper front hoodledge (LH)

● Hoodledge reinforcement (LH)

● Front strut housing (LH)

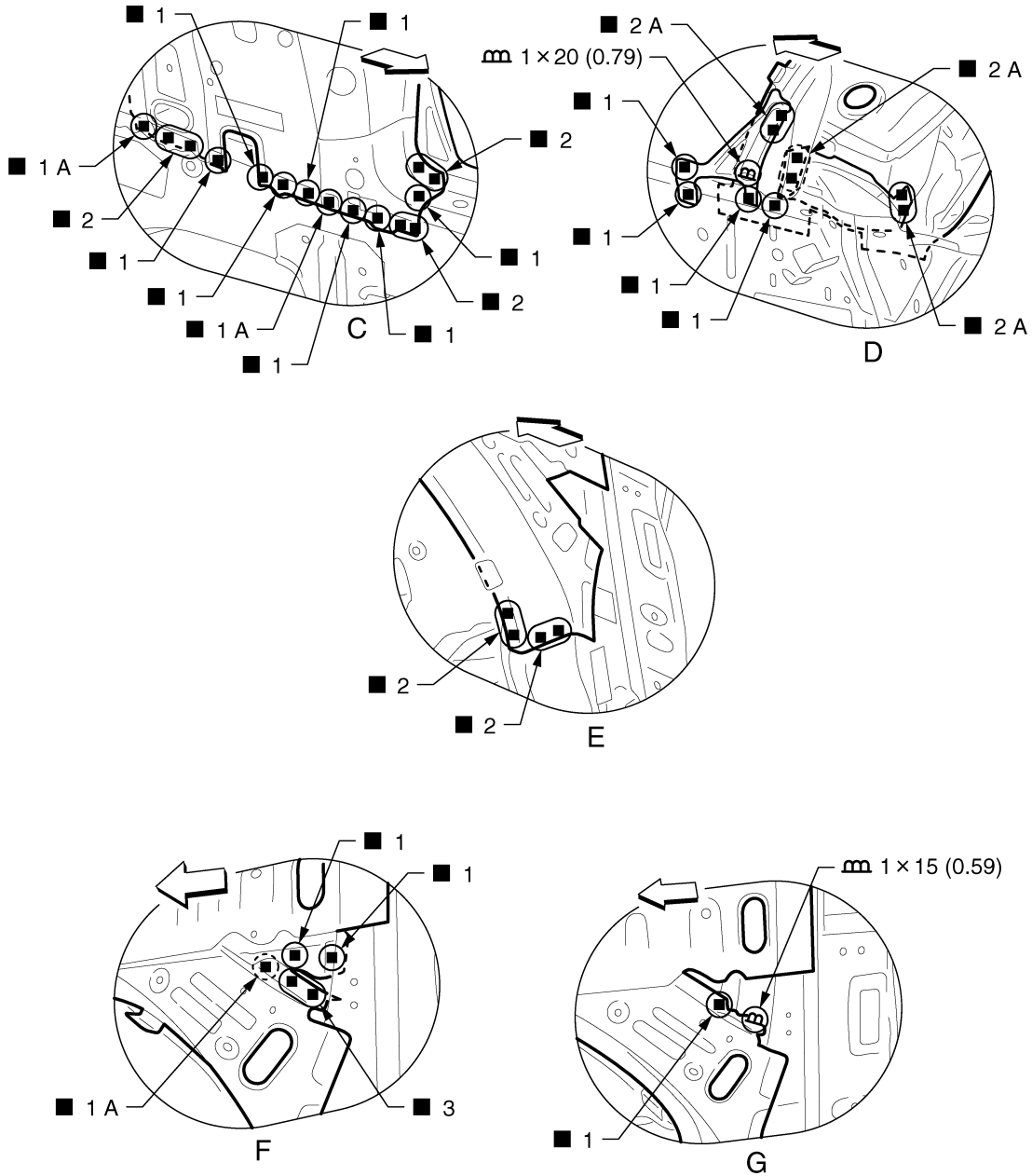
View B: Before installing hoodledge reinforcement



# REPLACEMENT OPERATIONS

< REMOVAL AND INSTALLATION >

[FOR USA AND CANADA]



Unit: mm (in)

← Vehicle front

○: Weld the parts onto the back of the component part.

A  
B  
C  
D  
E  
F  
G  
H  
I  
J  
K  
L  
M  
N  
O  
P

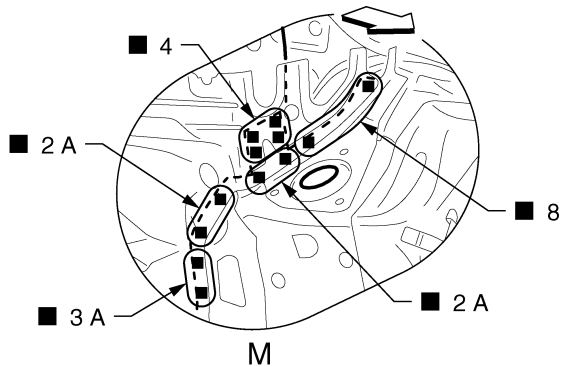
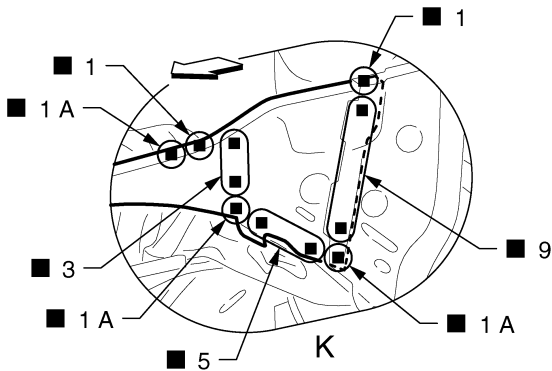
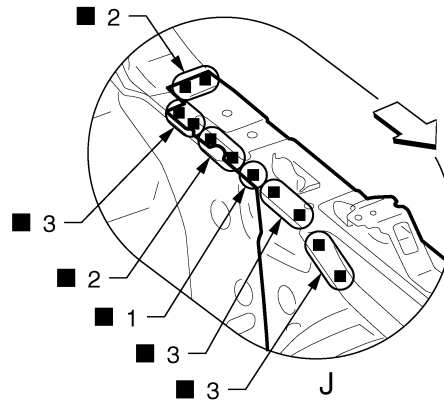
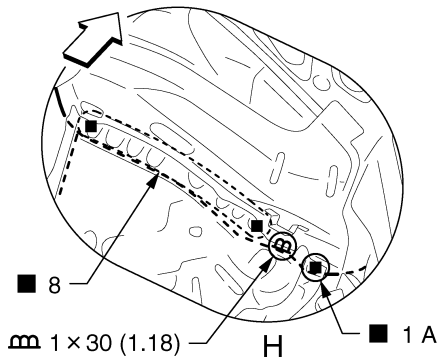
BRM

JSKIA1630GB

# REPLACEMENT OPERATIONS

< REMOVAL AND INSTALLATION >

[FOR USA AND CANADA]



JSKIA1631GB

Unit: mm (in)

↔: Vehicle front

○: Weld the parts onto the back of the component part.

View K: Before installing hoodledge reinforcement

## Front Side Member (2WD)

INFOID:000000010098579

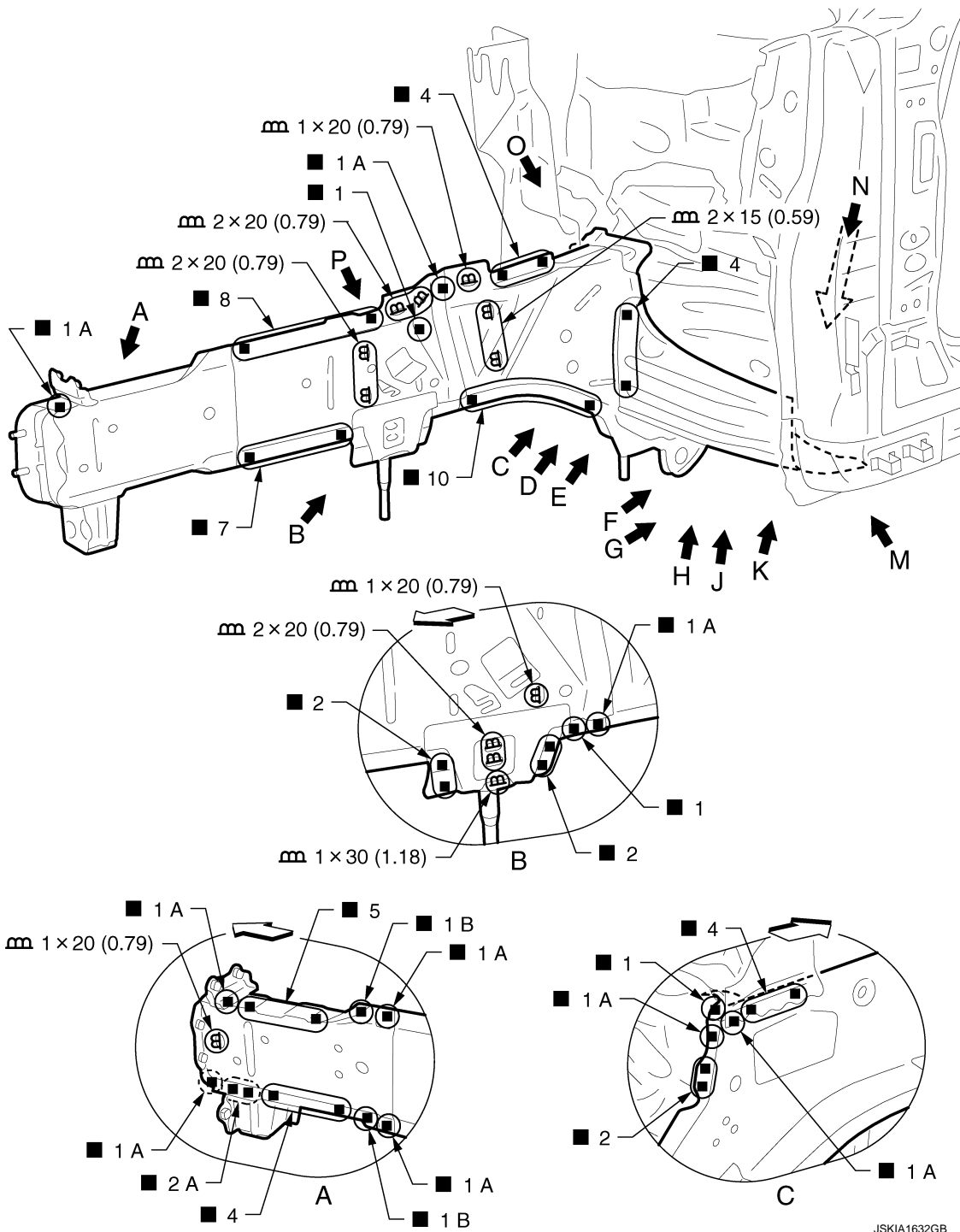
Work after radiator core support and hoodledge are removed.

Remove the front side member extension front reinforcement (reusable) and front side member center closing plate (reusable) from the service part "front side member closing plate assembly" for easier installation of hoodledge.

# REPLACEMENT OPERATIONS

< REMOVAL AND INSTALLATION >

[FOR USA AND CANADA]



JSKIA1632GB

Unit: mm (in)

⇐: Vehicle front

⊙: Weld the parts onto the back of the component part.

Replacement parts

- Front side member assembly (LH)
- Front side member closing plate assembly (LH)
- Front side member outrigger assembly (LH)

A  
B  
C  
D  
E  
F  
G  
H  
I  
J  
K  
L  
M  
N  
O  
P

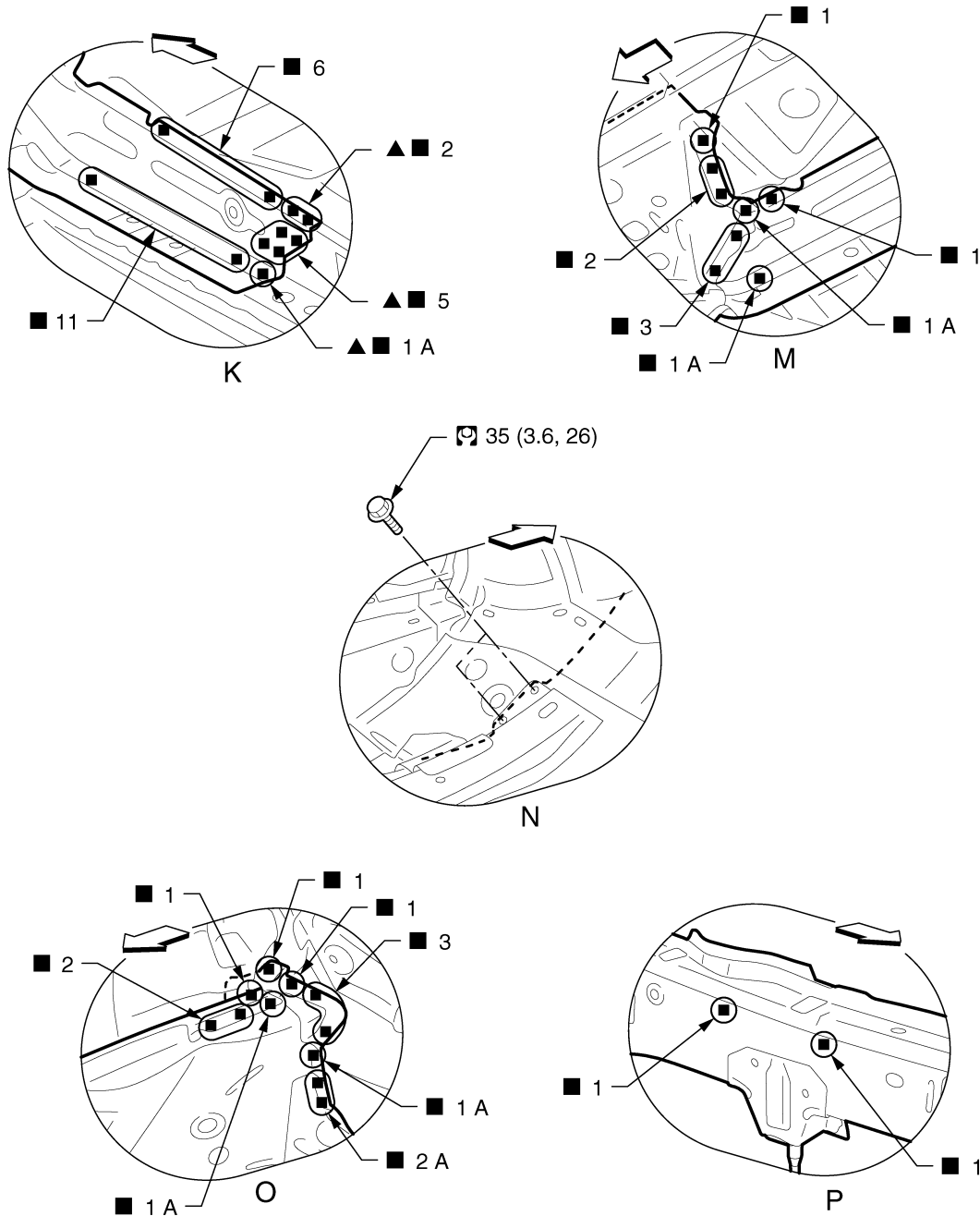
BRM



# REPLACEMENT OPERATIONS

< REMOVAL AND INSTALLATION >

[FOR USA AND CANADA]



←: Vehicle front

▲: Drill  $\phi 8$  mm (0.31 in) hole for the plug welding hole (ultra high strength steel plate). Refer to [GI-4, "Components"](#) for symbols in the figure.

View K: Before installing front side member outrigger assembly

## Front Side Member (AWD)

INFOID:000000010098580

Work after radiator core support and hoodledge are removed.  
Remove the front side member extension front reinforcement (reusable) and front side member center closing plate (reusable) from the service part "front side member closing plate assembly" for easier installation of hoodledge.

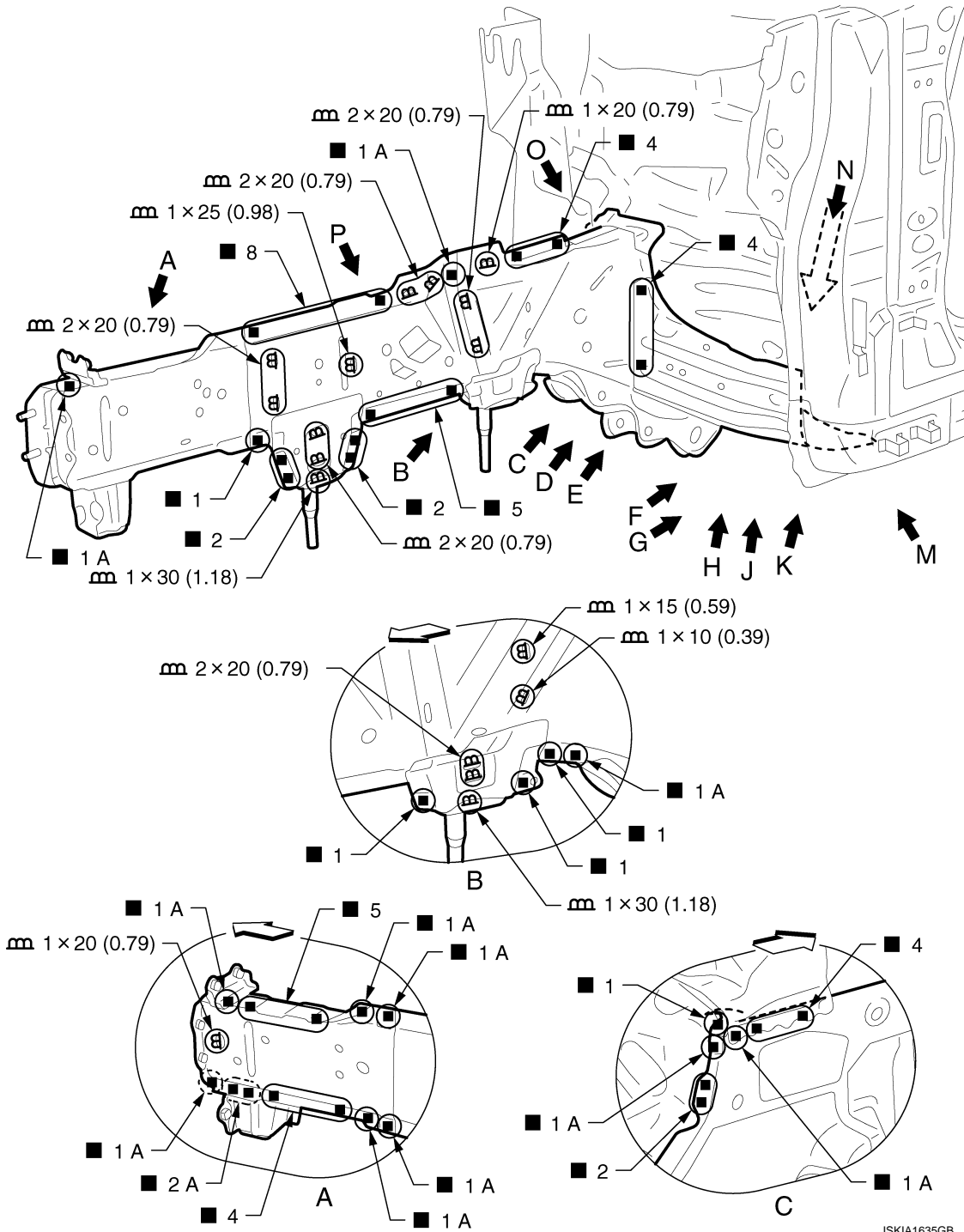
A  
B  
C  
D  
E  
F  
G  
H  
I  
J  
K  
L  
M  
N  
O  
P

BRM

# REPLACEMENT OPERATIONS

< REMOVAL AND INSTALLATION >

[FOR USA AND CANADA]



JSKIA1635GB

Unit: mm (in)

◀: Vehicle front

⊕: Weld the parts onto the back of the component part.

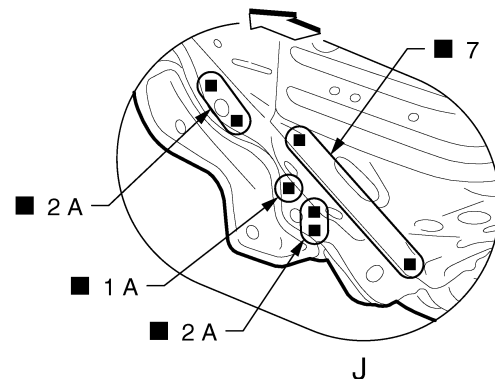
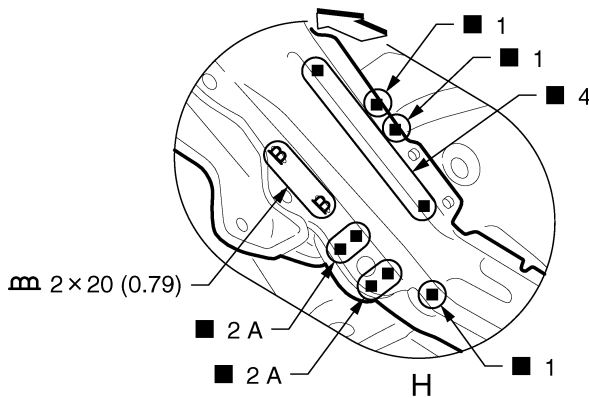
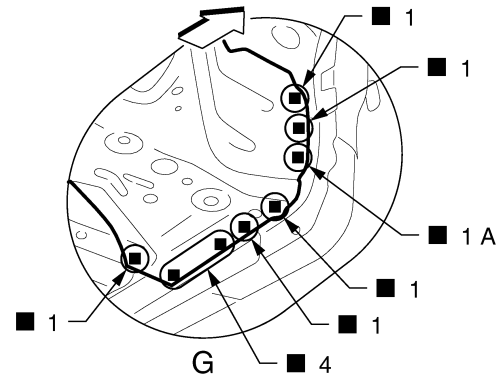
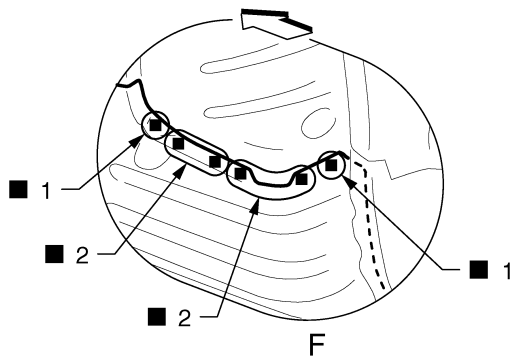
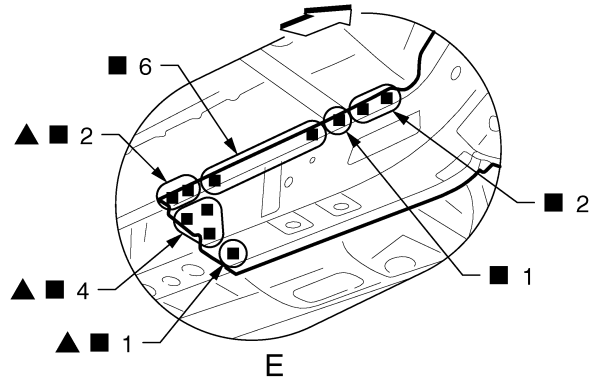
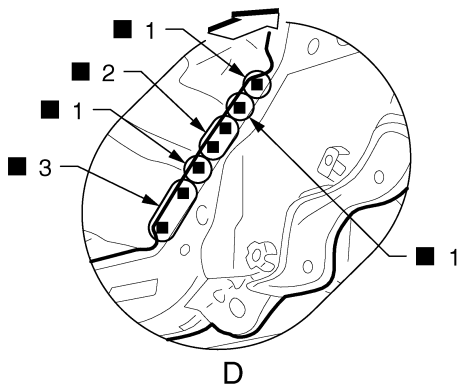
Replacement parts

- Front side member assembly (LH)
- Front side member closing plate assembly (LH)
- Front side member outrigger assembly (LH)

# REPLACEMENT OPERATIONS

< REMOVAL AND INSTALLATION >

[FOR USA AND CANADA]



JSKIA1636GB

Unit: mm (in)

↔: Vehicle front

▲: Drill  $\phi 8$  mm (0.31 in) hole for the plug welding hole (ultra high strength steel plate).

View H: Before installing front side member outrigger assembly

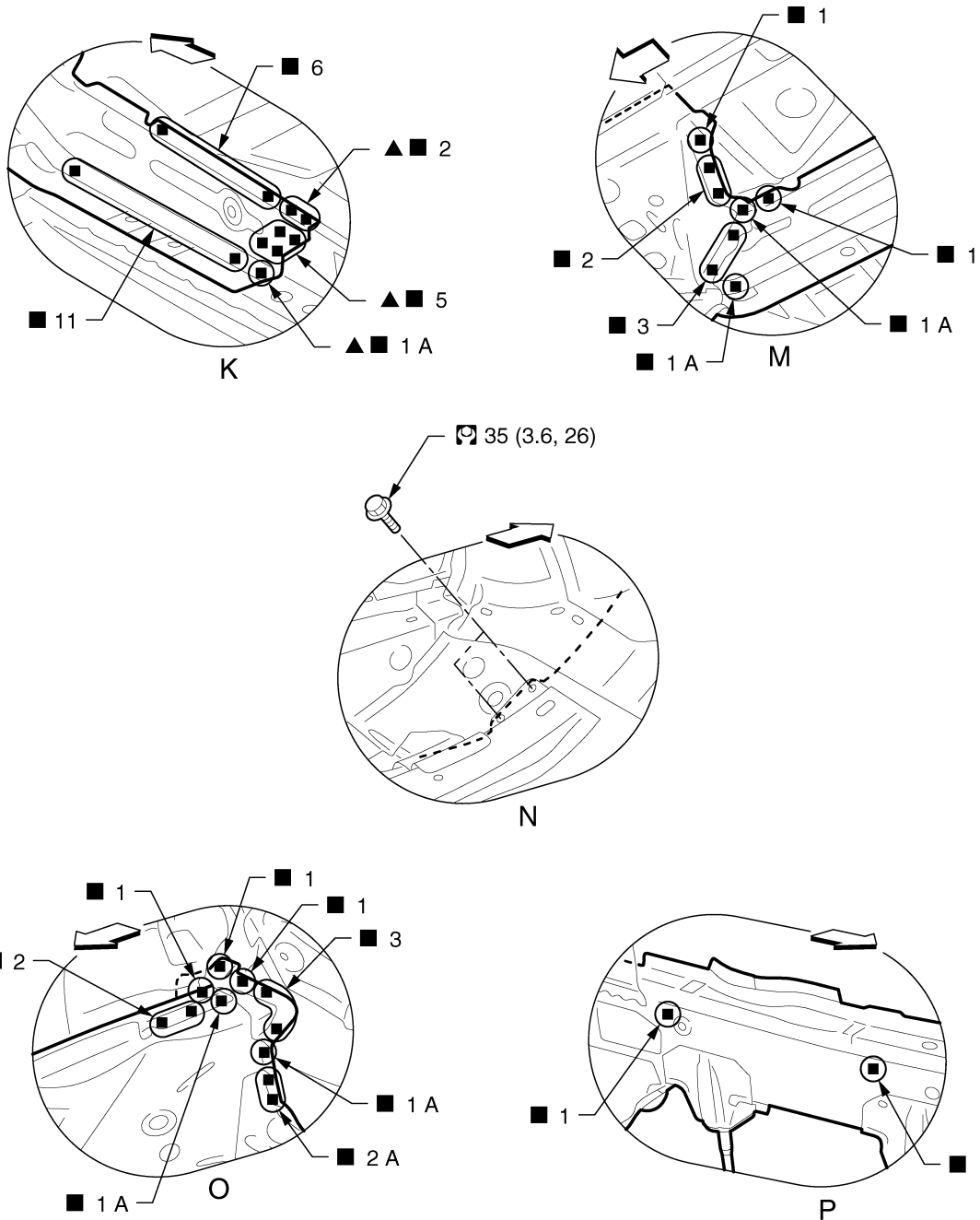
A  
B  
C  
D  
E  
F  
G  
H  
I  
J  
L  
M  
N  
O  
P

BRM

# REPLACEMENT OPERATIONS

< REMOVAL AND INSTALLATION >

[FOR USA AND CANADA]



JSKIA1637GB

← Vehicle front

▲: Drill  $\phi 8$  mm (0.31 in) hole for the plug welding hole (ultra high strength steel plate).  
Refer to [GI-4. "Components"](#) for symbols in the figure.

## View K: Before installing front side member outrigger assembly Front Side Member (Partial Replacement)

INFOID:000000010098581

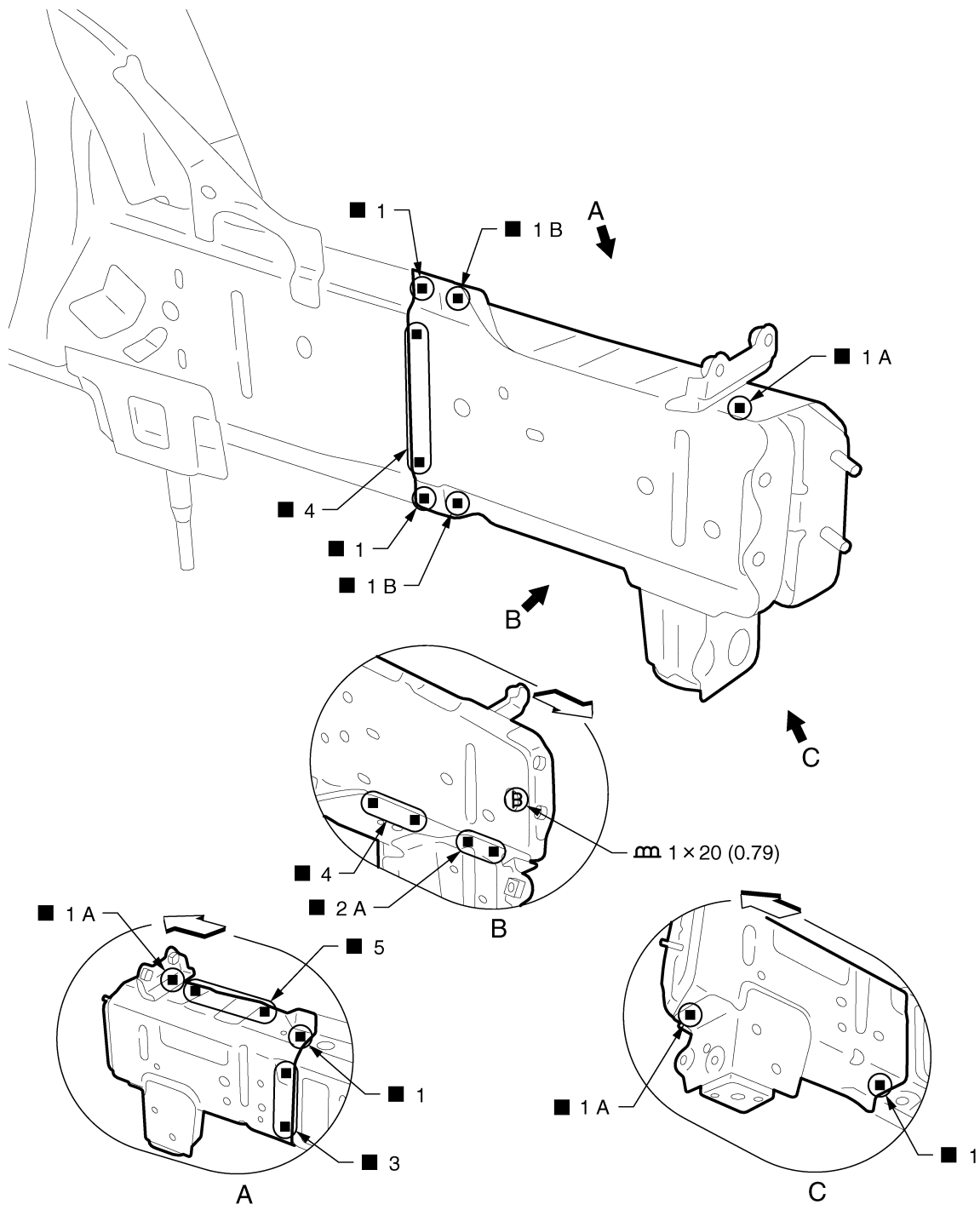
Work after radiator core support is removed.



# REPLACEMENT OPERATIONS

< REMOVAL AND INSTALLATION >

[FOR USA AND CANADA]



A  
B  
C  
D  
E  
F  
G  
H  
I  
J  
BRM  
L  
M  
N  
O  
P

Unit: mm (in)

↔: Vehicle front

Replacement parts

- Front side member front extension (LH)
- Front side member front closing plate (LH)

## Front Pillar

Work after hoodledge reinforcement and roof are removed.

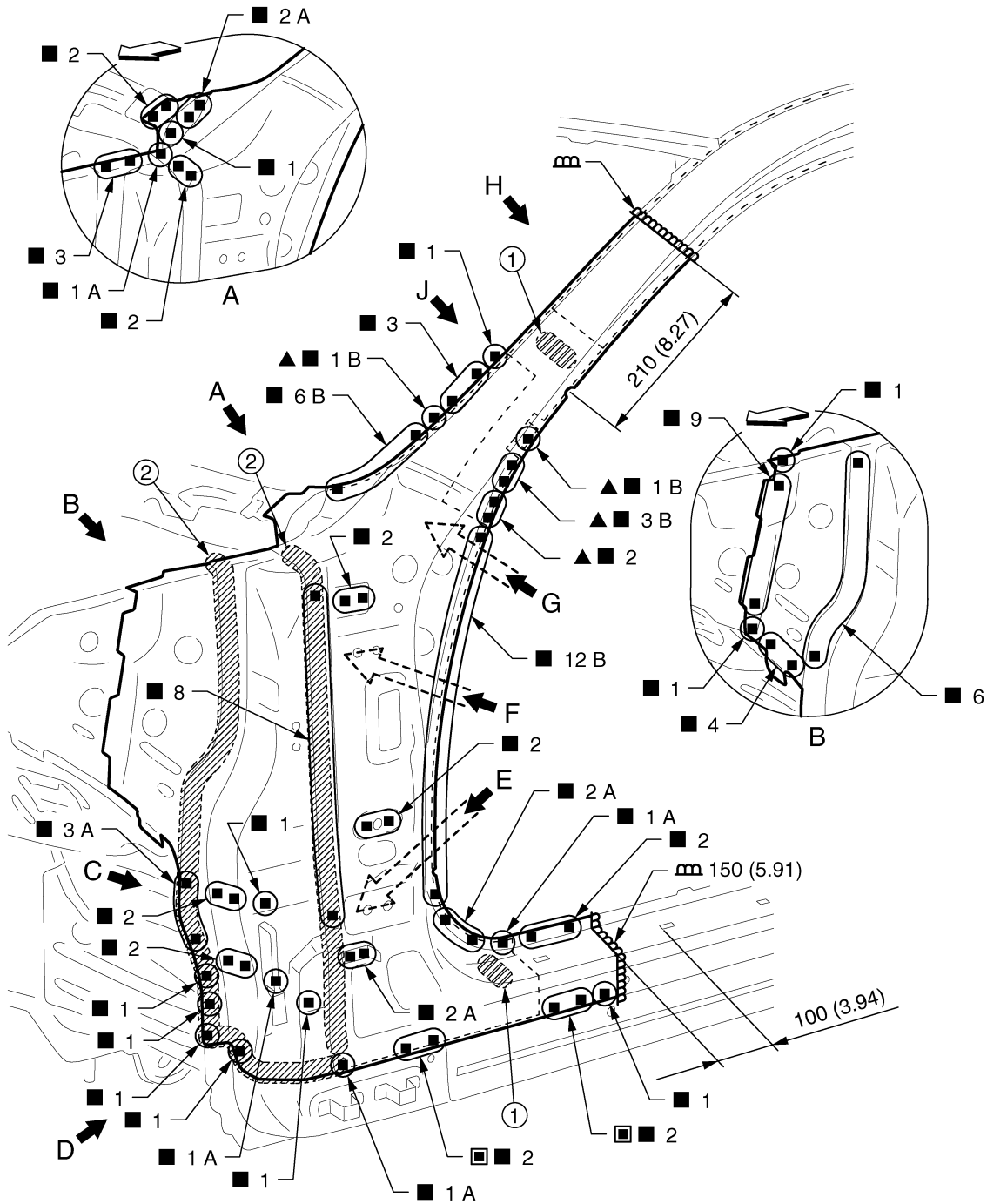
JSKIA1638GB

INFOID:0000000010098582

# REPLACEMENT OPERATIONS

< REMOVAL AND INSTALLATION >

[FOR USA AND CANADA]



JSKIA1639GB

1. Urethane foam

2. Body sealing

Unit: mm (in)

◁: Vehicle front

■: Perform the plug welding instead of the laser welding.

▲: Drill  $\phi 8$  mm (0.31 in) hole for the plug welding hole (ultra high strength steel plate).

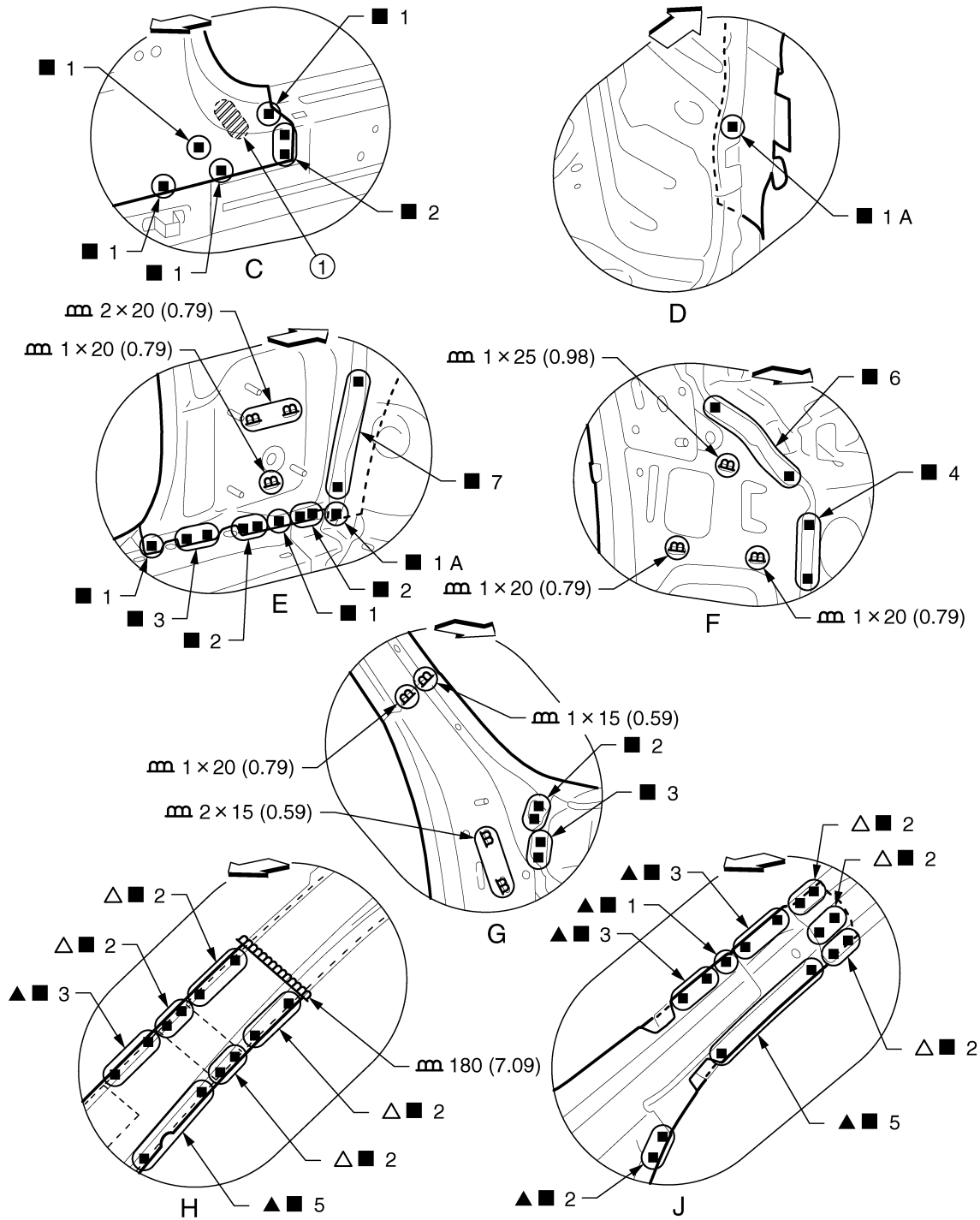
Replacement parts

- Outer front side body (LH)
- Outer front pillar reinforcement (LH)
- Upper rear hoodledge (LH)
- Front fender bracket

# REPLACEMENT OPERATIONS

< REMOVAL AND INSTALLATION >

[FOR USA AND CANADA]



1. Urethane foam

Unit: mm (in)

↔: Vehicle front

▲: Drill  $\phi 8$  mm (0.31 in) hole for the plug welding hole (ultra high strength steel plate).

△: Drill  $\phi 10$  mm (0.39 in) hole for the plug welding hole (ultra high strength steel plate).

View C and J: Before installing outer front side body

## Side Body

Work after hoodledge reinforcement and roof are removed.

JSKIA1868GB

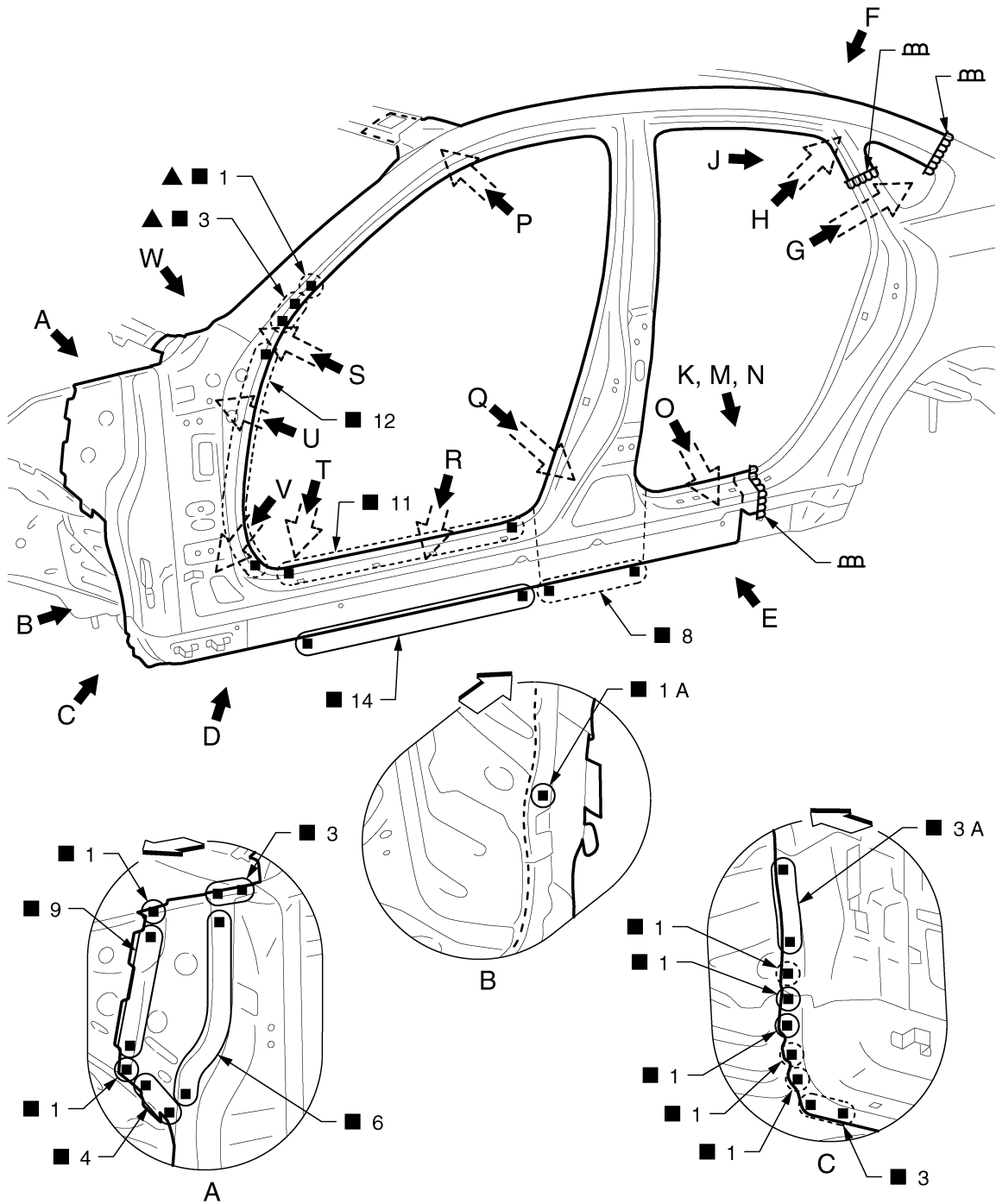
A  
B  
C  
D  
E  
F  
G  
H  
I  
J  
L  
M  
N  
O  
P

BRM

# REPLACEMENT OPERATIONS

< REMOVAL AND INSTALLATION >

[FOR USA AND CANADA]



JSKIA1641ZZ

← Vehicle front

▲: Drill  $\phi 8$  mm (0.31 in) hole for the plug welding hole (ultra high strength steel plate).

○: Weld the parts onto the back of the component part.

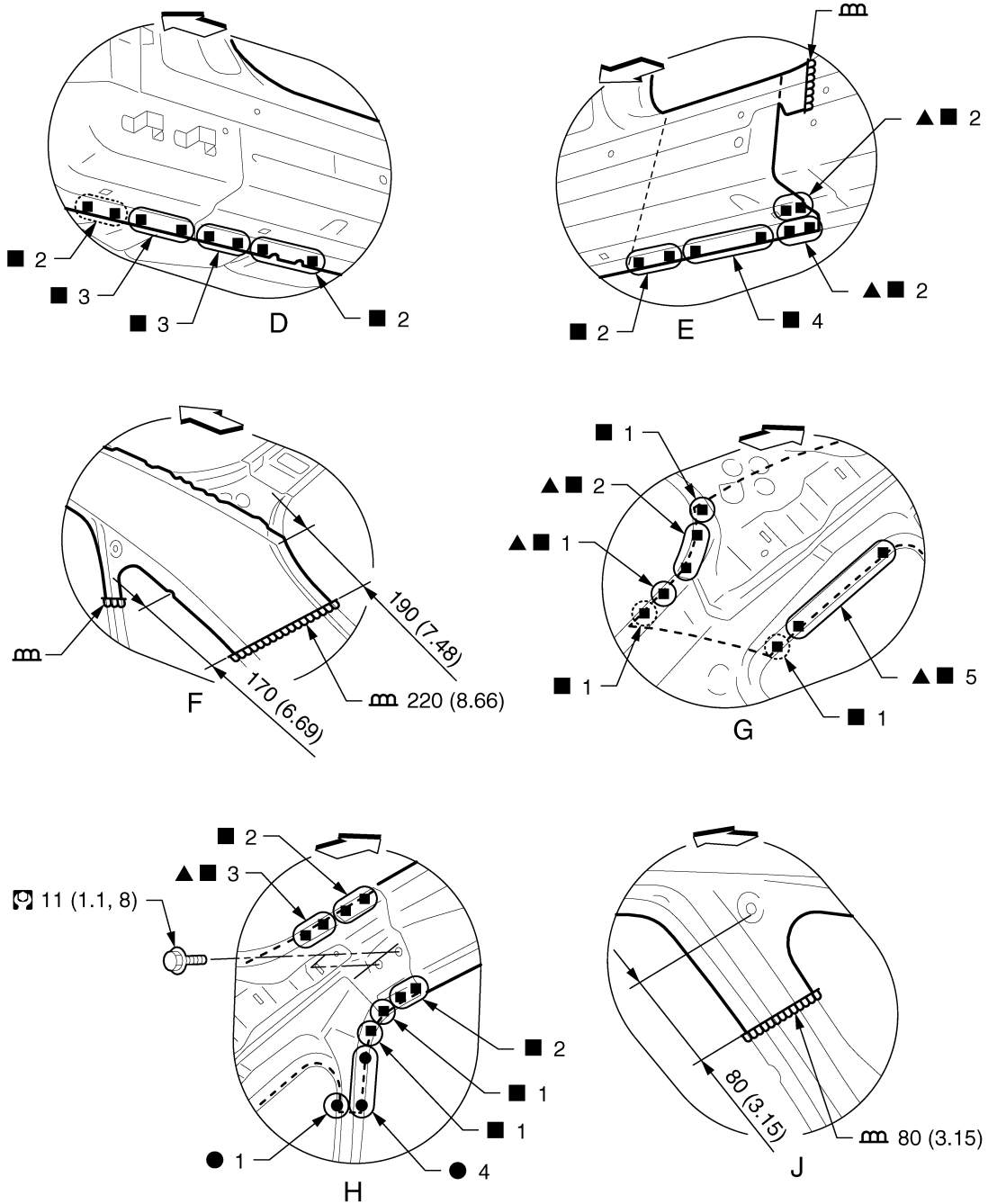
Replacement parts

- Side body assembly (LH)
- Upper rear hoodledge (LH)

# REPLACEMENT OPERATIONS

< REMOVAL AND INSTALLATION >

[FOR USA AND CANADA]



Unit: mm (in)

↔: Vehicle front

▲: Drill  $\phi 8$  mm (0.31 in) hole for the plug welding hole (ultra high strength steel plate).

○: Weld the parts onto the back of the component part.

Refer to [GI-4, "Components"](#) for symbols in the figure.

A  
B  
C  
D  
E  
F  
G  
H  
I  
J  
L  
M  
N  
O  
P

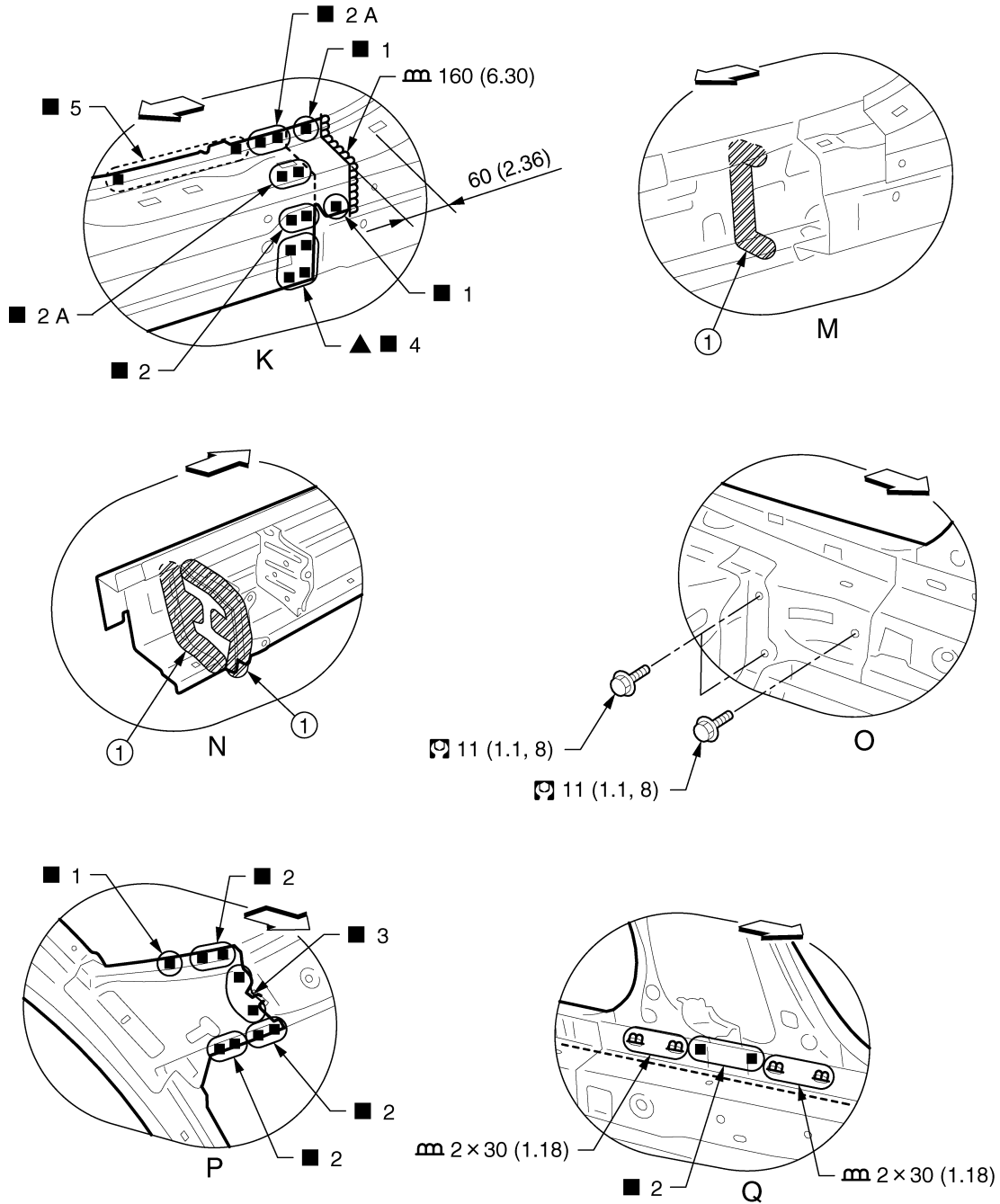
BRM

JSKIA1642GB

# REPLACEMENT OPERATIONS

< REMOVAL AND INSTALLATION >

[FOR USA AND CANADA]



JSKIA1643GB

1. Urethane foam

Unit: mm (in)

↔: Vehicle front

▲: Drill  $\phi 8$  mm (0.31 in) hole for the plug welding hole (ultra high strength steel plate).

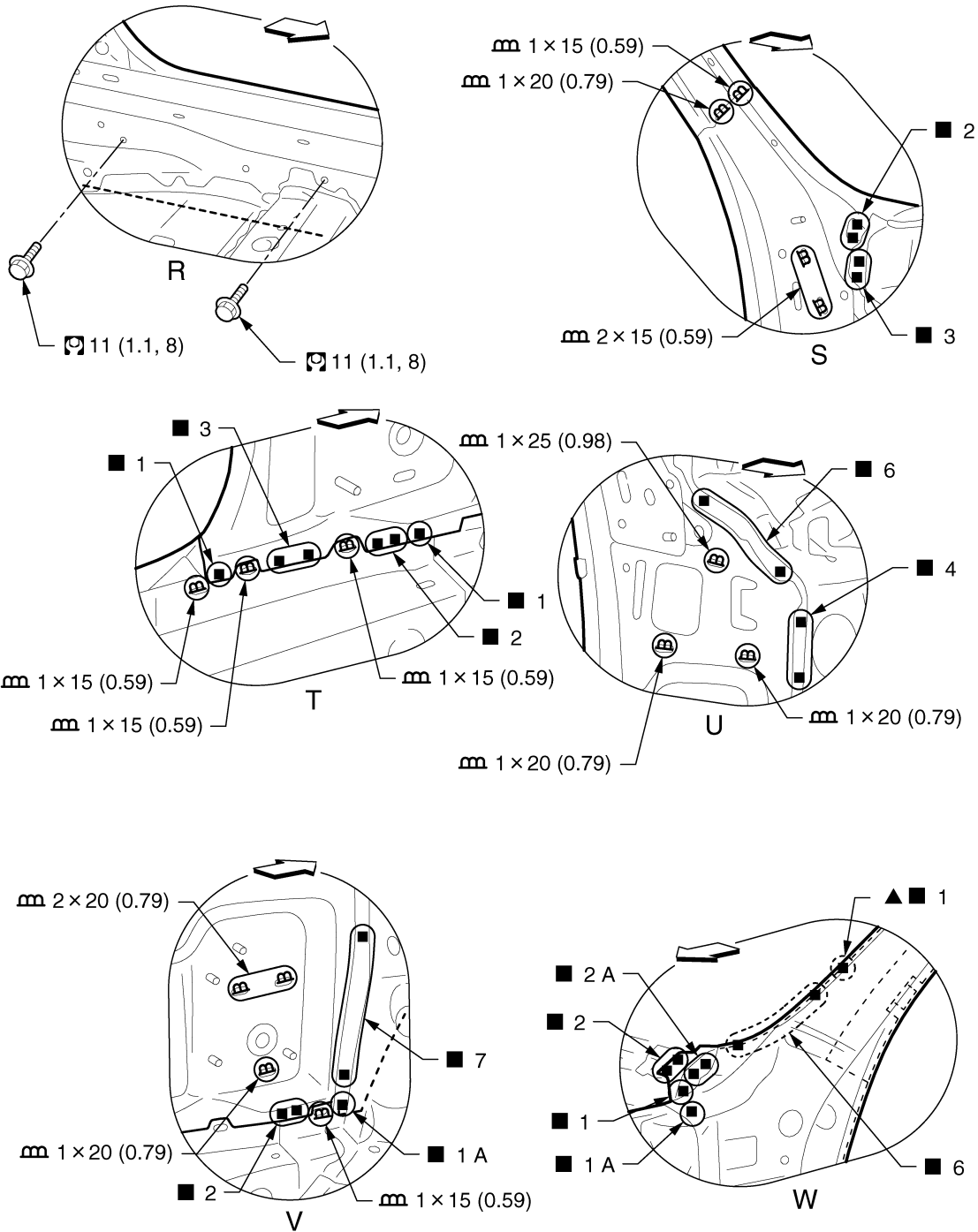
⊕: Weld the parts onto the back of the component part.  
Refer to [GI-4, "Components"](#) for symbols in the figure.

View M: Before installing side body assembly  
View N: Side body assembly (replacement parts)

# REPLACEMENT OPERATIONS

< REMOVAL AND INSTALLATION >

[FOR USA AND CANADA]



Unit: mm (in)

↔: Vehicle front

▲: Drill  $\phi 8$  mm (0.31 in) hole for the plug welding hole (ultra high strength steel plate).

○: Weld the parts onto the back of the component part.  
Refer to [GI-4, "Components"](#) for symbols in the figure.

## Center Pillar

Work after roof is removed.

JSKIA1869GB

INFOID:0000000010098584

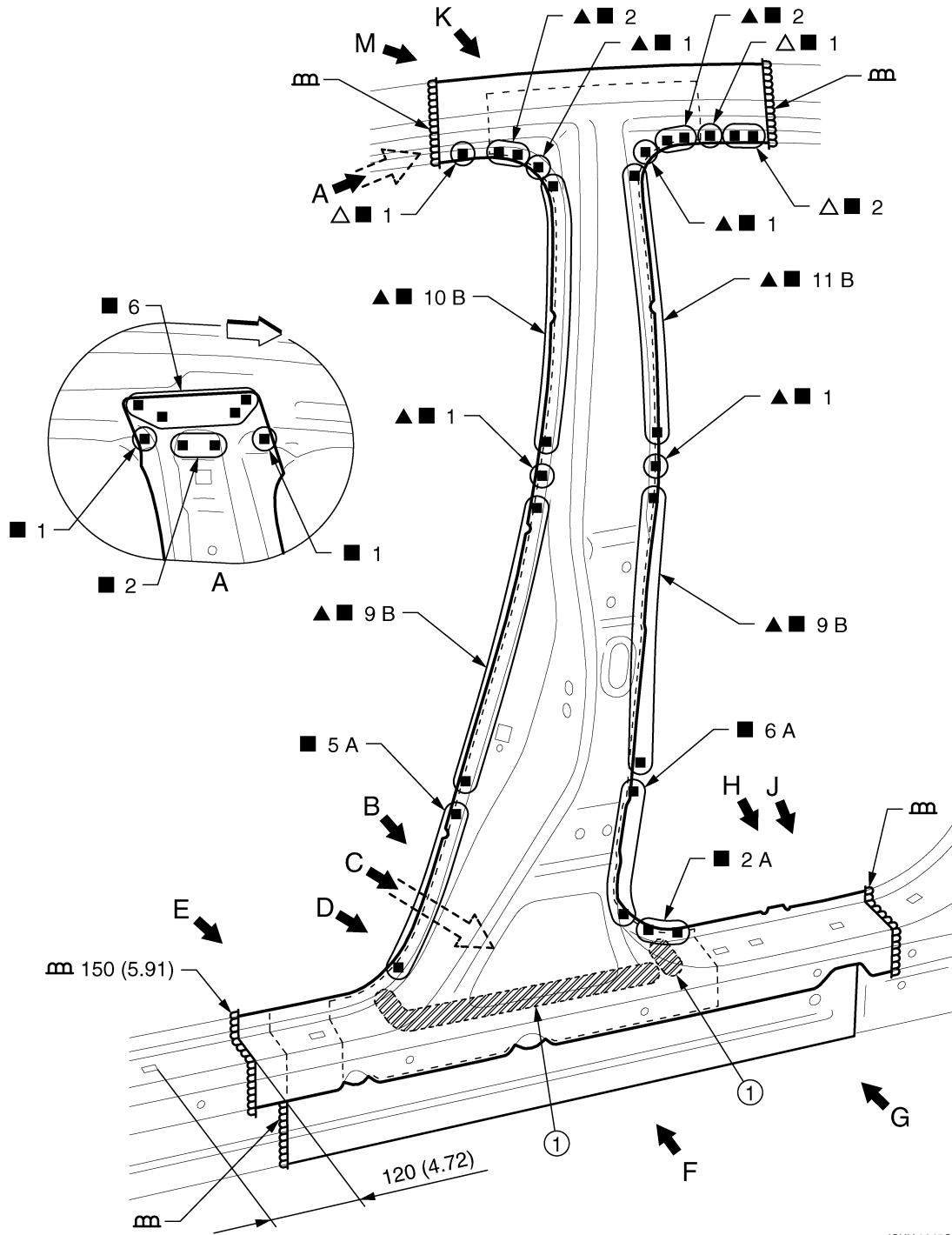
A  
B  
C  
D  
E  
F  
G  
H  
I  
J  
K  
L  
M  
N  
O  
P

BRM

# REPLACEMENT OPERATIONS

< REMOVAL AND INSTALLATION >

[FOR USA AND CANADA]



JSKIA1645GB

1. Urethane foam

Unit: mm (in)

↔: Vehicle front

▲: Drill  $\phi 8$  mm (0.31 in) hole for the plug welding hole (ultra high strength steel plate).

△: Drill  $\phi 10$  mm (0.39 in) hole for the plug welding hole (ultra high strength steel plate).

Replacement parts

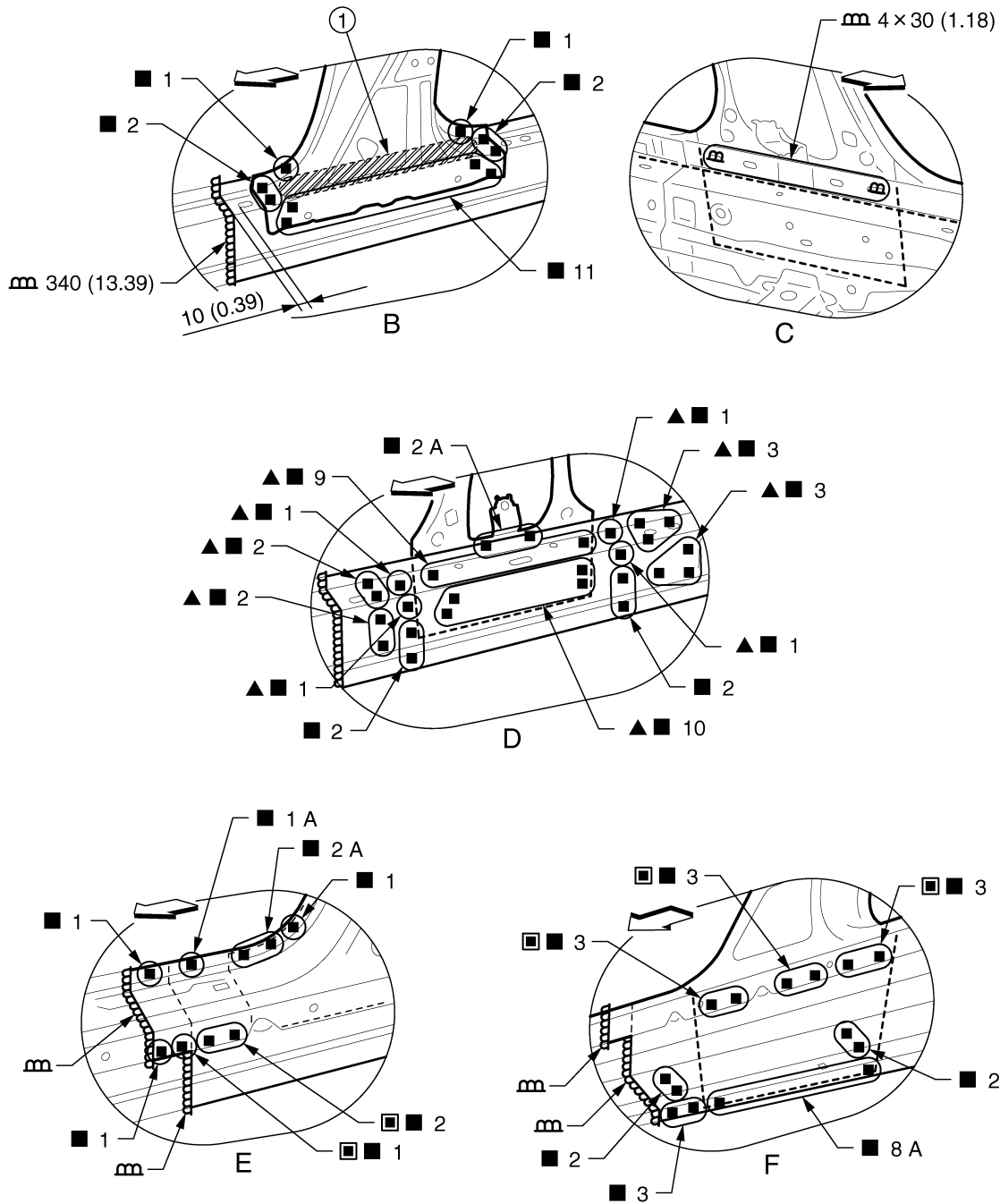
- Outer front side body (LH)
- Center pillar reinforcement (LH)
- Inner center pillar (LH)



# REPLACEMENT OPERATIONS

< REMOVAL AND INSTALLATION >

[FOR USA AND CANADA]



JSKIA1646GB

1. Urethane foam

Unit: mm (in)

◁: Vehicle front

■: Perform the plug welding instead of the laser welding.

▲: Drill  $\phi 8$  mm (0.31 in) hole for the plug welding hole (ultra high strength steel plate).

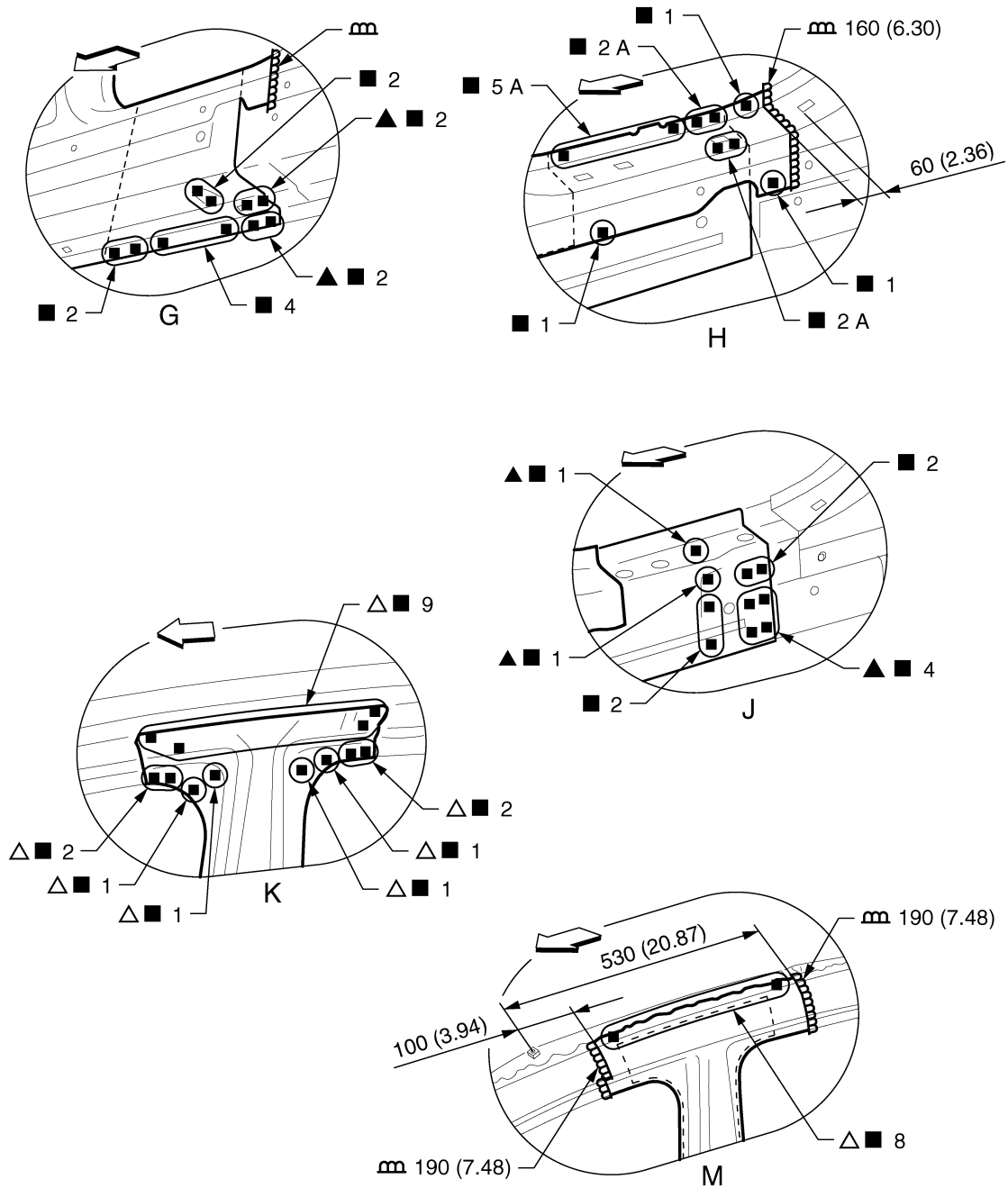
View B: Before installing outer front side body

View D: Before installing outer front side body and center pillar reinforcement

# REPLACEMENT OPERATIONS

< REMOVAL AND INSTALLATION >

[FOR USA AND CANADA]



JSKIA1647GB

Unit: mm (in)

↔: Vehicle front

▲: Drill  $\phi 8$  mm (0.31 in) hole for the plug welding hole (ultra high strength steel plate).

△: Drill  $\phi 10$  mm (0.39 in) hole for the plug welding hole (ultra high strength steel plate).

View J and K: Before installing outer front side body

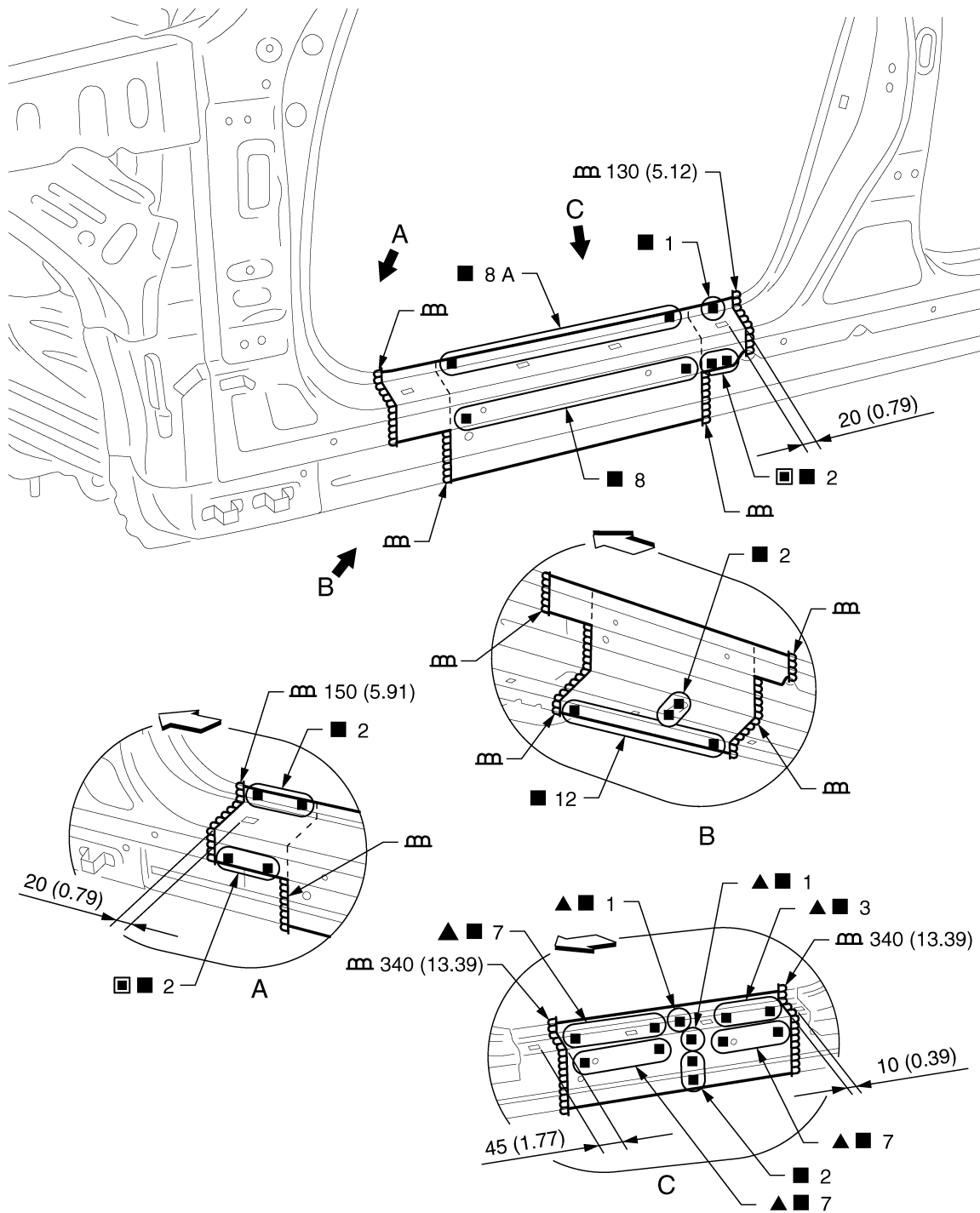
# REPLACEMENT OPERATIONS

< REMOVAL AND INSTALLATION >

[FOR USA AND CANADA]

INFOID:000000011098585

## Outer Sill (Partial Replacement)



A  
B  
C  
D  
E  
F  
G  
H  
I  
J  
K  
L  
M  
N  
O  
P

BRM

Unit: mm (in)

↔: Vehicle front

■: Perform the plug welding instead of the laser welding.

▲: Drill  $\phi 8$  mm (0.31 in) hole for the plug welding hole (ultra high strength steel plate).

Replacement parts

- Outer sill (LH)
- Outer sill reinforcement (LH)

View C: Before installing outer sill

JSKIA1648GB

# REPLACEMENT OPERATIONS

< REMOVAL AND INSTALLATION >

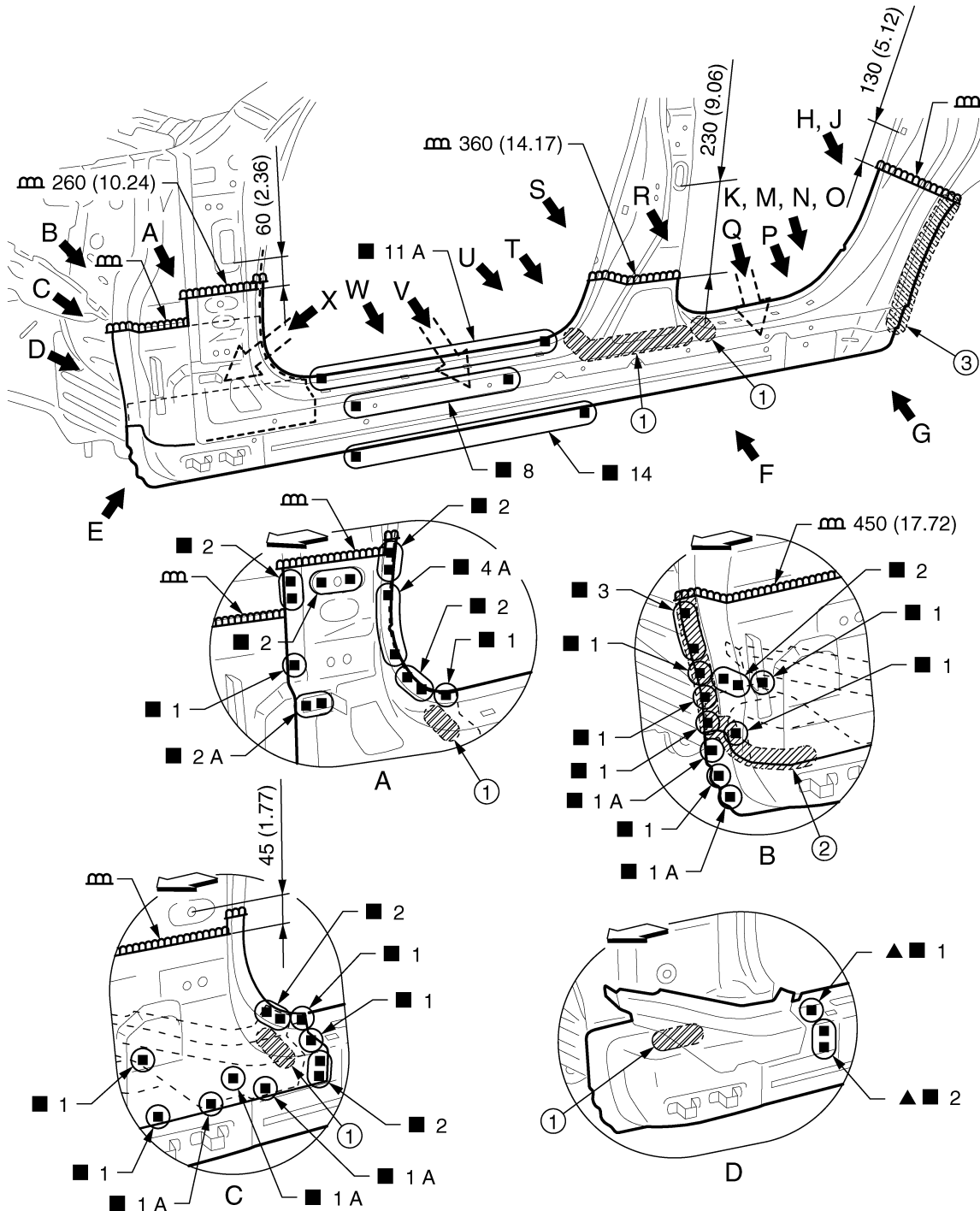
[FOR USA AND CANADA]

INFOID:0000000110098586

## Outer Sill

Work after hoodledge reinforcement is removed.

Remove the outer front pillar reinforcement (reusable) and center pillar reinforcement (reusable) for easier installation.



JSKIA1649GB

1. Urethane foam

2. Body sealing

3. Adhesive

Unit: mm (in)

◁: Vehicle front

▲: Drill  $\phi 8$  mm (0.31 in) hole for the plug welding hole (ultra high strength steel plate).

Replacement parts

# REPLACEMENT OPERATIONS

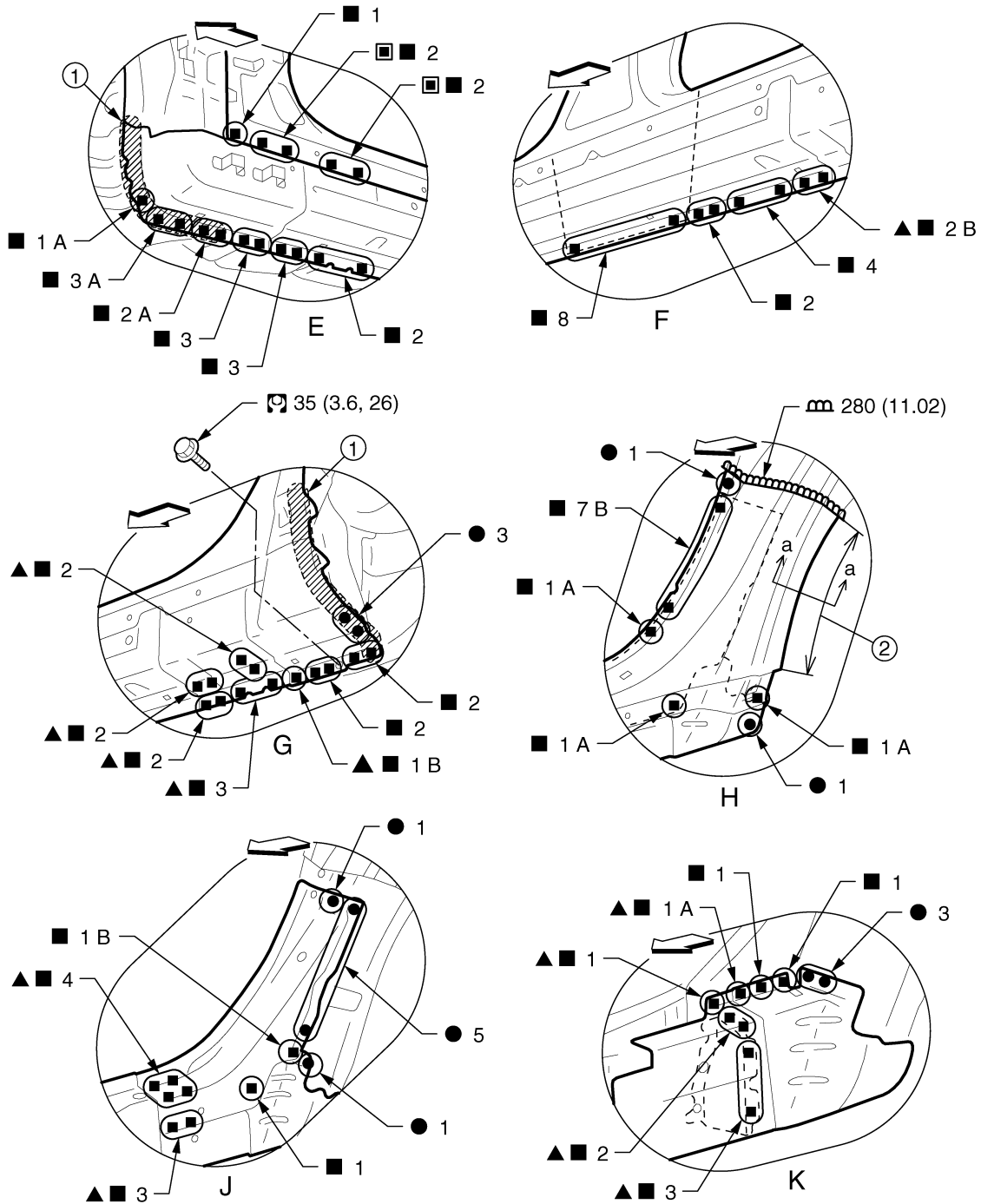
## < REMOVAL AND INSTALLATION >

[FOR USA AND CANADA]

- Outer sill (LH)
- Outer sill reinforcement (LH)
- Outer rear wheelhouse extension (LH, Upper)
- Outer rear wheelhouse extension (LH, Lower)
- Front fender bracket

View B and C: Before installing outer sill

View D: Before installing outer sill and outer front pillar reinforcement



1. Body sealing

2. Hemming portion

JSKIA1650ZZ

A  
B  
C  
D  
E  
F  
G  
H  
I  
J  
K  
L  
M  
N  
O  
P

BRM

# REPLACEMENT OPERATIONS

< REMOVAL AND INSTALLATION >

[FOR USA AND CANADA]

Unit: mm (in)

↔: Vehicle front

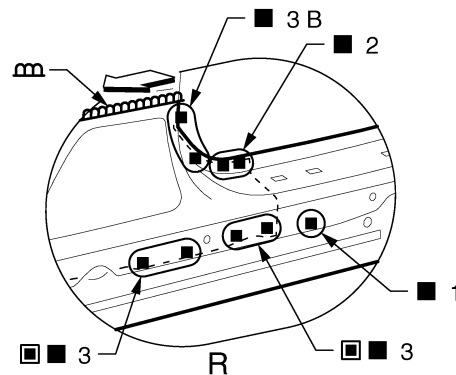
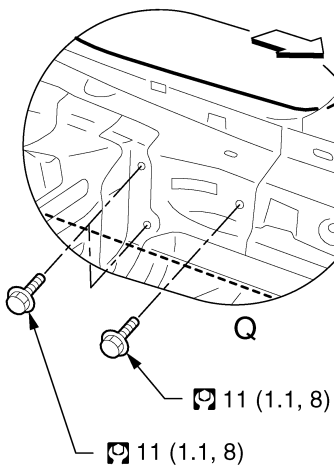
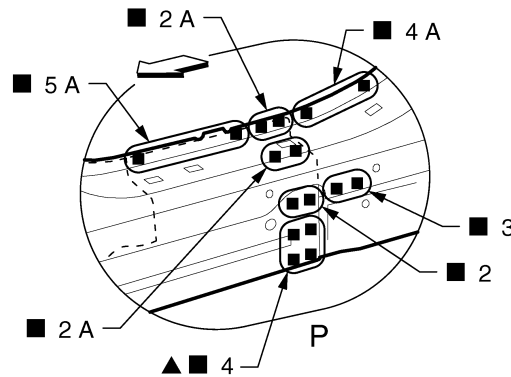
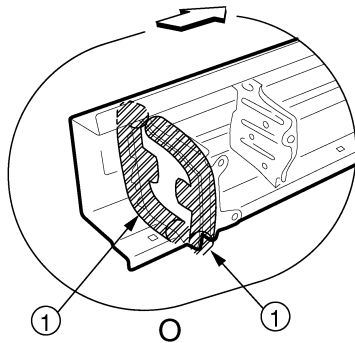
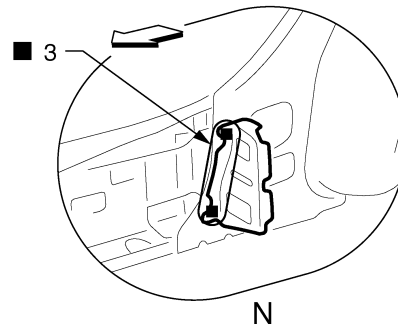
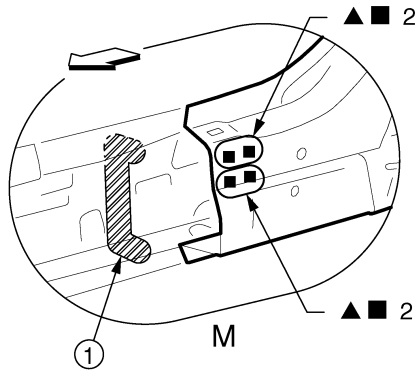
■: Perform the plug welding instead of the laser welding.

▲: Drill  $\phi 8$  mm (0.31 in) hole for the plug welding hole (ultra high strength steel plate).

Refer to [GI-4. "Components"](#) for symbols in the figure.

View J: Before installing outer sill

View K: Before installing outer sill, outer sill reinforcement, and outer rear wheelhouse extension (upper)



JSKIA1651GB

# REPLACEMENT OPERATIONS

< REMOVAL AND INSTALLATION >

[FOR USA AND CANADA]

1. Urethane foam

⇐: Vehicle front

■: Perform the plug welding instead of the laser welding.

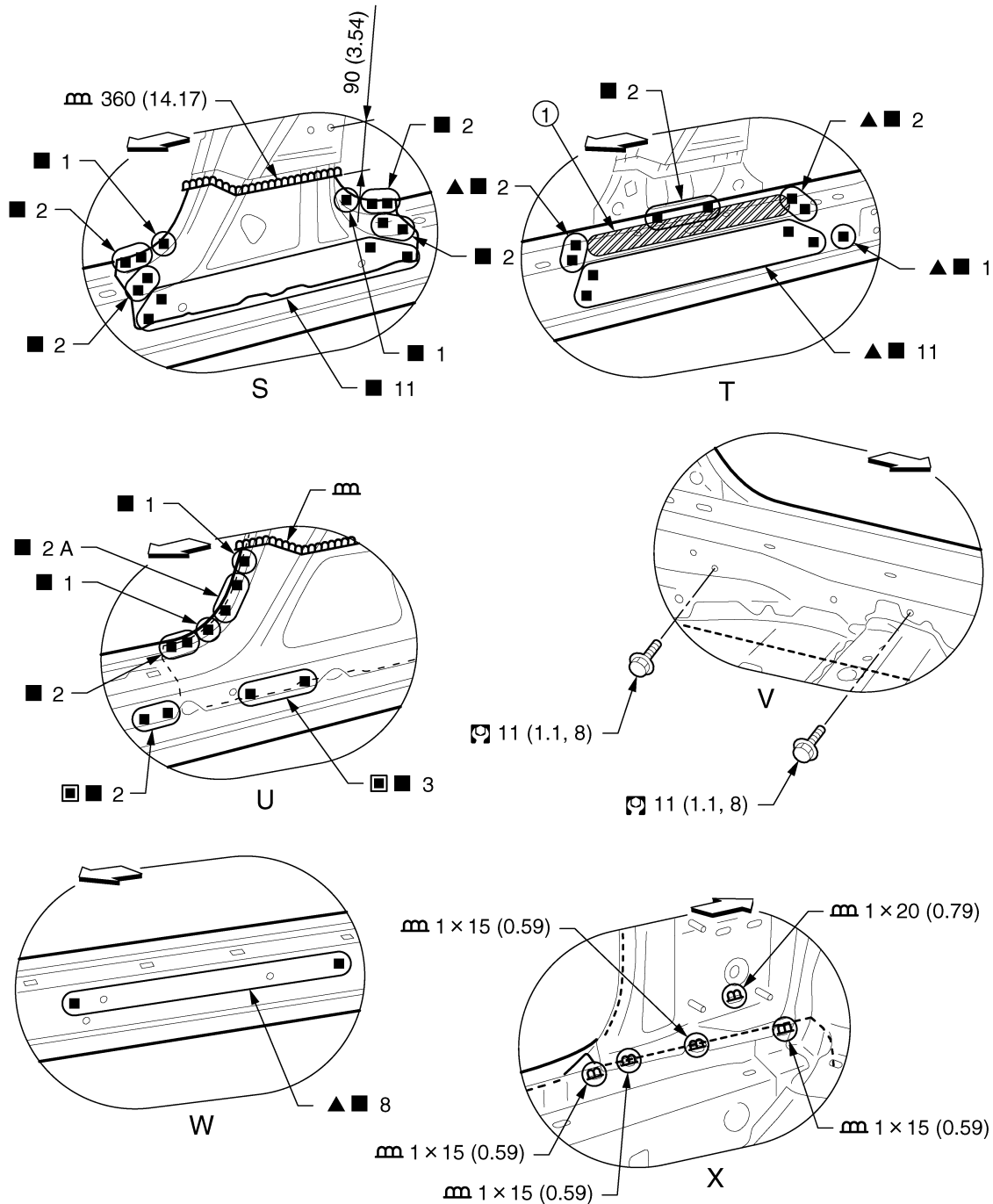
▲: Drill  $\phi 8$  mm (0.31 in) hole for the plug welding hole (ultra high strength steel plate).

Refer to [GI-4, "Components"](#) for symbols in the figure.

View M: Before installing outer sill and outer sill reinforcement

View N: Before installing outer sill, outer sill reinforcement, outer rear wheelhouse extension (upper), and outer rear wheelhouse extension (lower)

View O: Outer sill reinforcement (replacement parts)



A  
B  
C  
D  
E  
F  
G  
H  
I  
J  
L  
M  
N  
O  
P

BRM

JSKIA1652GB

# REPLACEMENT OPERATIONS

< REMOVAL AND INSTALLATION >

[FOR USA AND CANADA]

1. Urethane foam

Unit: mm (in)

↩: Vehicle front

■: Perform the plug welding instead of the laser welding.

▲: Drill  $\phi 8$  mm (0.31 in) hole for the plug welding hole (ultra high strength steel plate).

Refer to [GI-4, "Components"](#) for symbols in the figure.

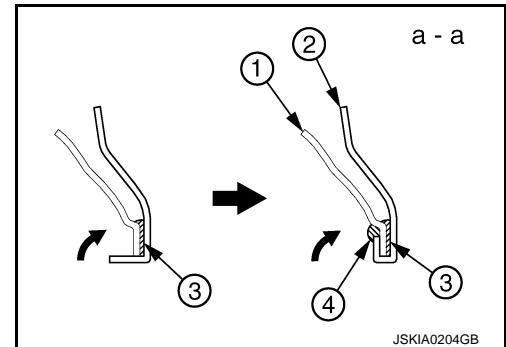
View S and W: Before installing outer sill

View T: Before installing outer sill and center pillar reinforcement

## POINT

- Perform the hemming to the flange of wheelarch after applying the adhesive.
- Apply the sealing to the flange end.
- Refer to [BRM-19, "Rear Fender Hemming Process"](#).

1. Outer rear wheelhouse
2. Rear fender
3. Adhesive
4. Sealant





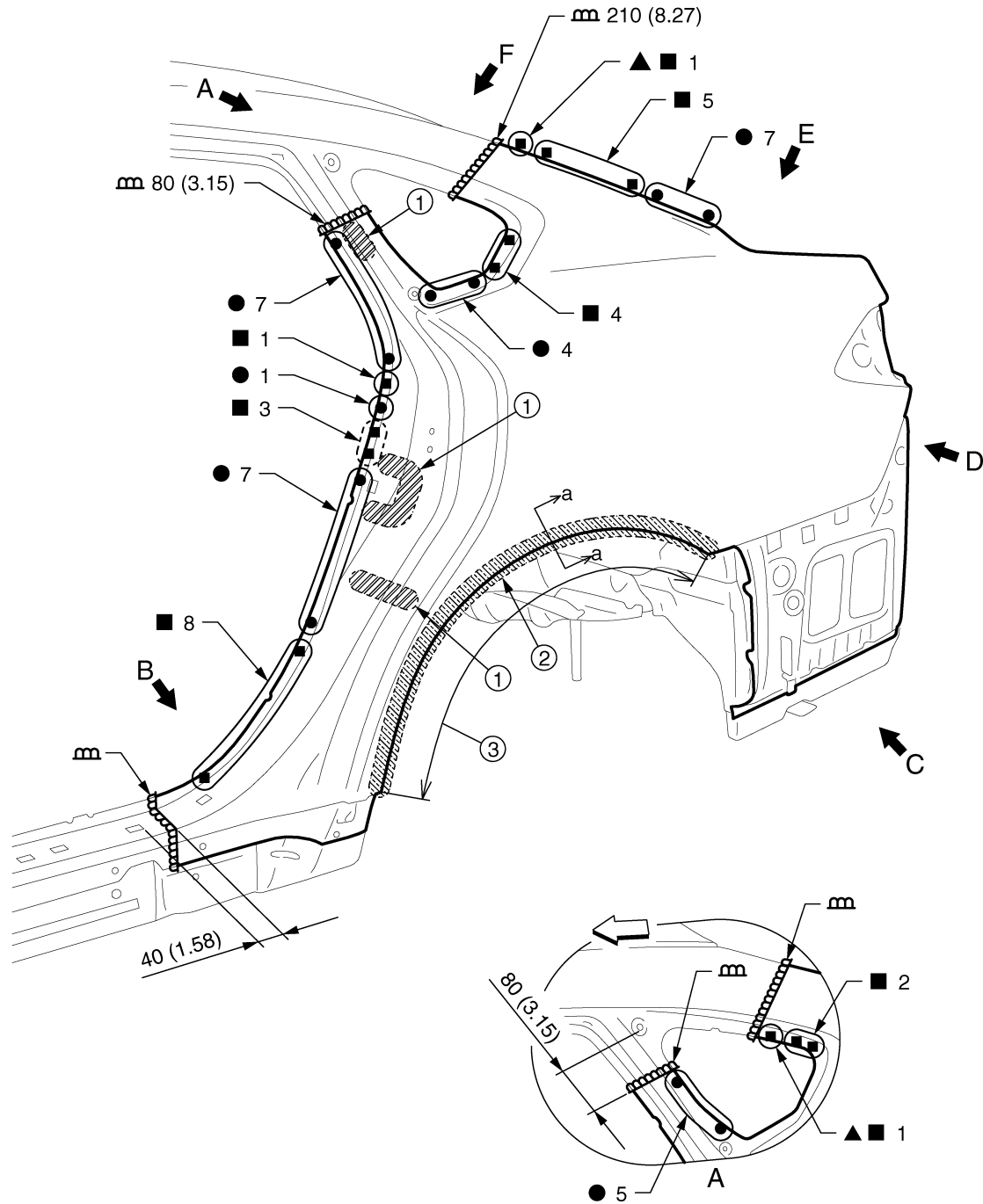
# REPLACEMENT OPERATIONS

< REMOVAL AND INSTALLATION >

[FOR USA AND CANADA]

## Rear Fender

INFOID:000000011098587



A  
B  
C  
D  
E  
F  
G  
H  
I  
J  
K  
L  
M  
N  
O  
P

BRM

1. Urethane foam

2. Adhesive

3. Hemming portion

Unit: mm (in)

◁: Vehicle front

▲: Drill  $\phi 8$  mm (0.31 in) hole for the plug welding hole (ultra high strength steel plate).

○: Weld the parts onto the back of the component part.

Replacement parts

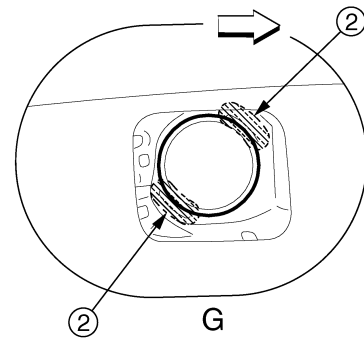
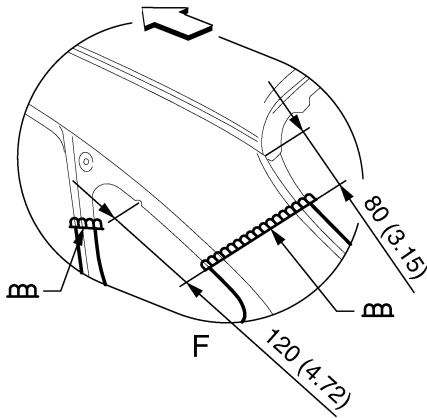
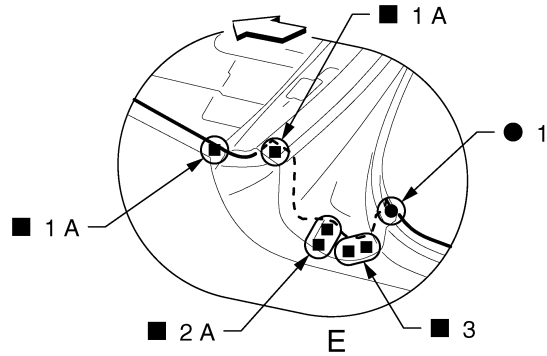
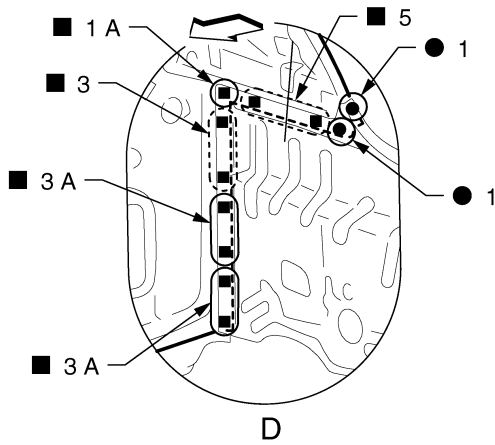
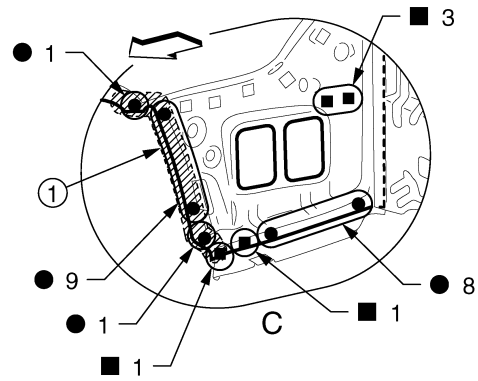
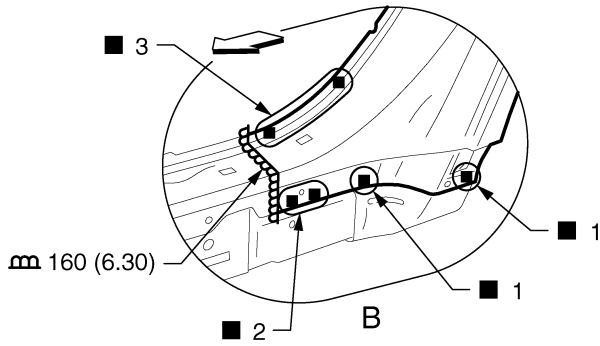
- Rear fender assembly (LH)

JSKIA1653GB

# REPLACEMENT OPERATIONS

< REMOVAL AND INSTALLATION >

[FOR USA AND CANADA]



JSKIA1654GB

- 1. Body sealing
  - 2. Adhesive
- Unit: mm (in)
- ◀: Vehicle front
- ⊙: Weld the parts onto the back of the component part.

View G: Right side rear fender  
POINT

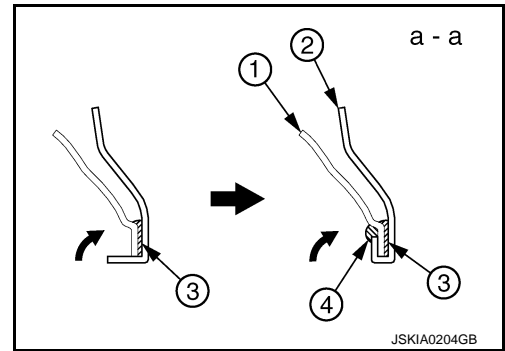
# REPLACEMENT OPERATIONS

< REMOVAL AND INSTALLATION >

[FOR USA AND CANADA]

- Perform the hemming to the flange of wheelarch after applying the adhesive.
- Apply the sealing to the flange end.
- Refer to [BRM-19. "Rear Fender Hemming Process"](#).

1. Outer rear wheelhouse
2. Rear fender
3. Adhesive
4. Sealant



A  
B  
C  
D  
E  
F  
G  
H  
I  
J  
L  
M  
N  
O  
P

BRM

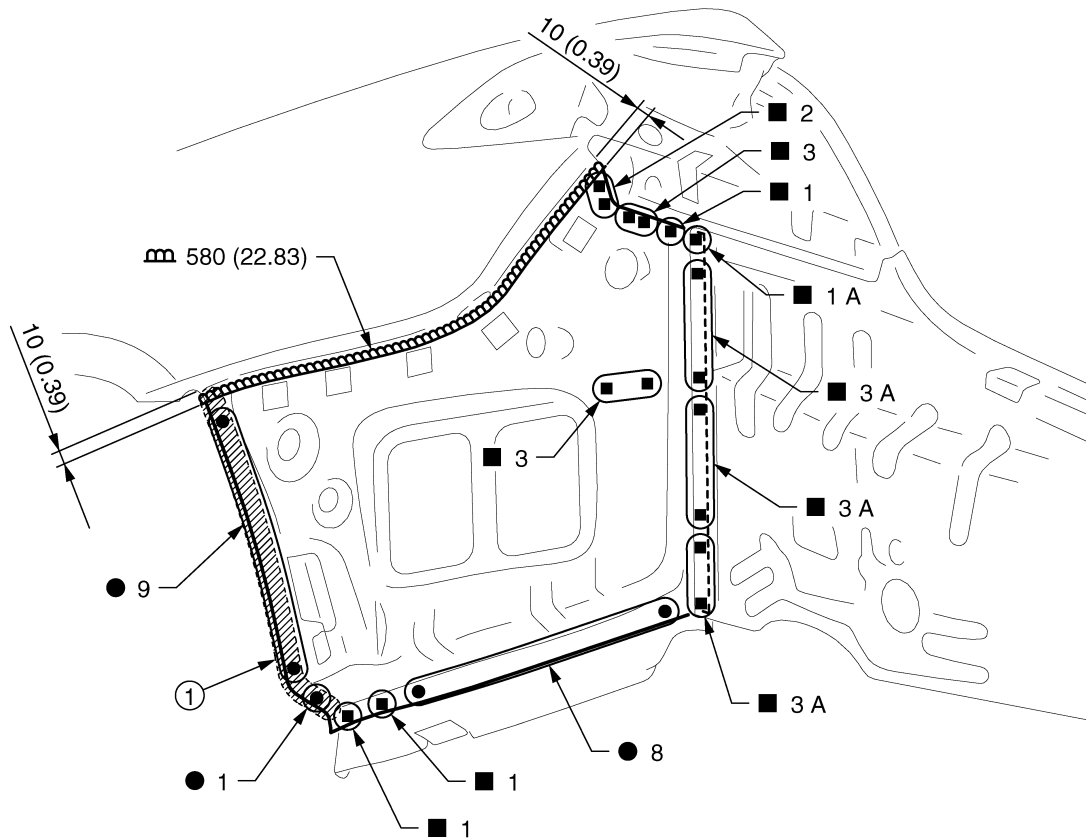
# REPLACEMENT OPERATIONS

< REMOVAL AND INSTALLATION >

[FOR USA AND CANADA]

## Rear Fender Extension

INFOID:000000010098588



JSKIA1655GB

1. Body sealing

Unit: mm (in)

Replacement parts

- Rear fender extension (LH)

## Outer Rear Wheelhouse

INFOID:000000010098589

Work after rear fender is removed.

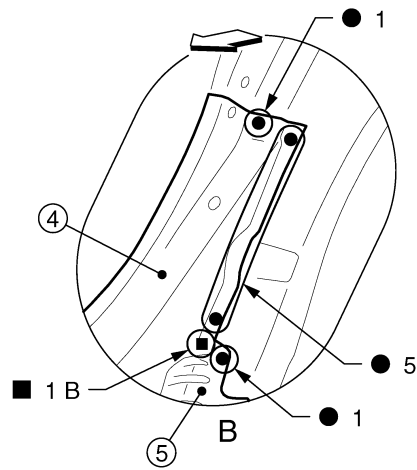
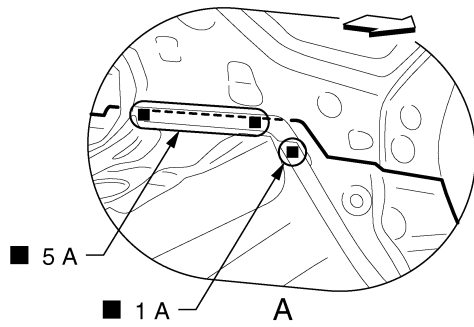
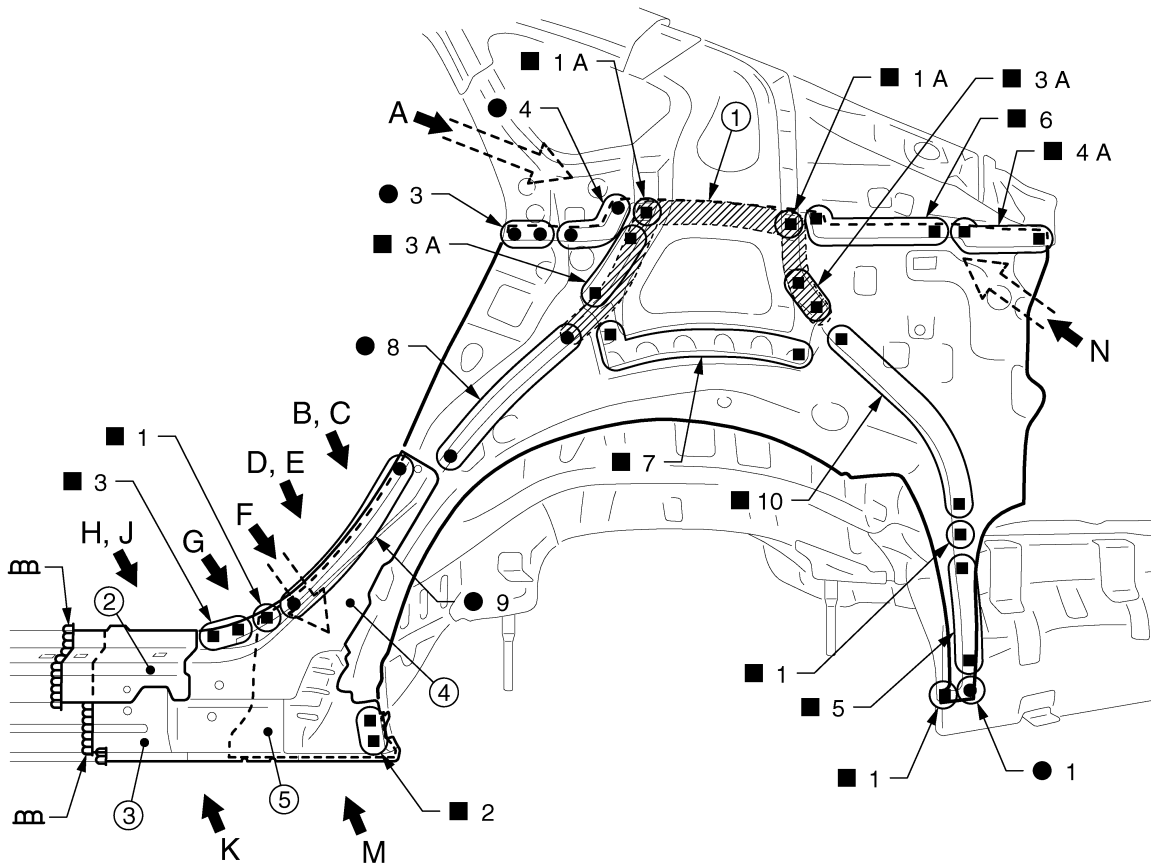
**CAUTION:**

# REPLACEMENT OPERATIONS

< REMOVAL AND INSTALLATION >

[FOR USA AND CANADA]

Refer to **SUPPLEMENTARY WORK** to replace or reuse outer rear wheelhouse.



- |  |  |                             |
|--|--|-----------------------------|
| 1. Body sealing                            | 2. Outer front side body                   | 3. Outer sill reinforcement |
| 4. Outer rear wheelhouse extension (Upper) | 5. Outer rear wheelhouse extension (Lower) |                             |

← Vehicle front

Replacement parts

- Outer rear wheelhouse (LH)

A  
B  
C  
D  
E  
F  
G  
H  
I  
J  
K  
L  
M  
N  
O  
P

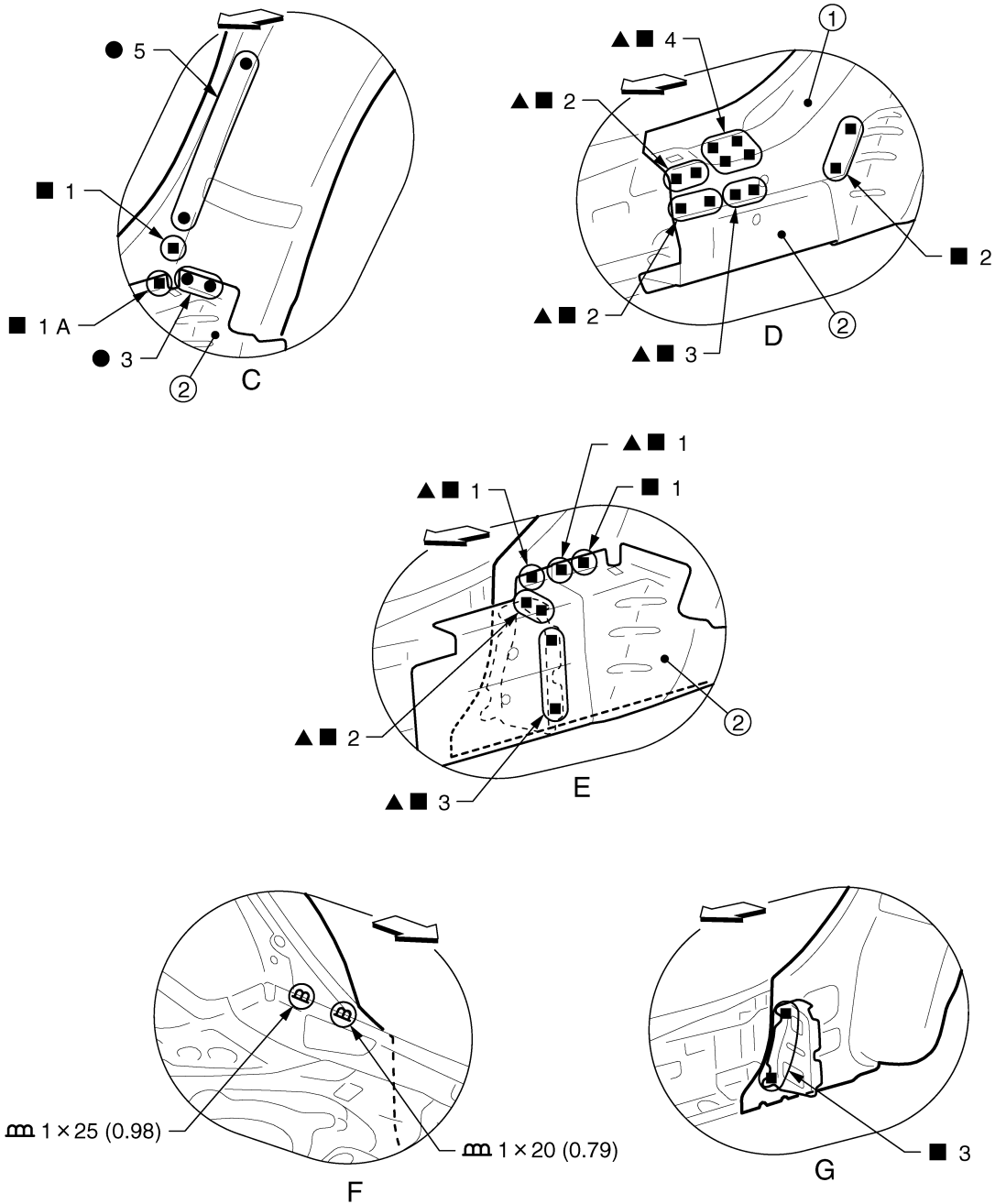
BRM

JSKIA1656ZZ

# REPLACEMENT OPERATIONS

< REMOVAL AND INSTALLATION >

[FOR USA AND CANADA]



JSKIA1657GB

- 1. Outer rear wheelhouse extension (Upper)
- 2. Outer rear wheelhouse extension (Lower)

Unit: mm (in)

↔: Vehicle front

▲: Drill  $\phi 8$  mm (0.31 in) hole for the plug welding hole (ultra high strength steel plate).

View C and E: Before installing outer front side body, outer sill reinforcement, and outer rear wheelhouse extension (Upper)

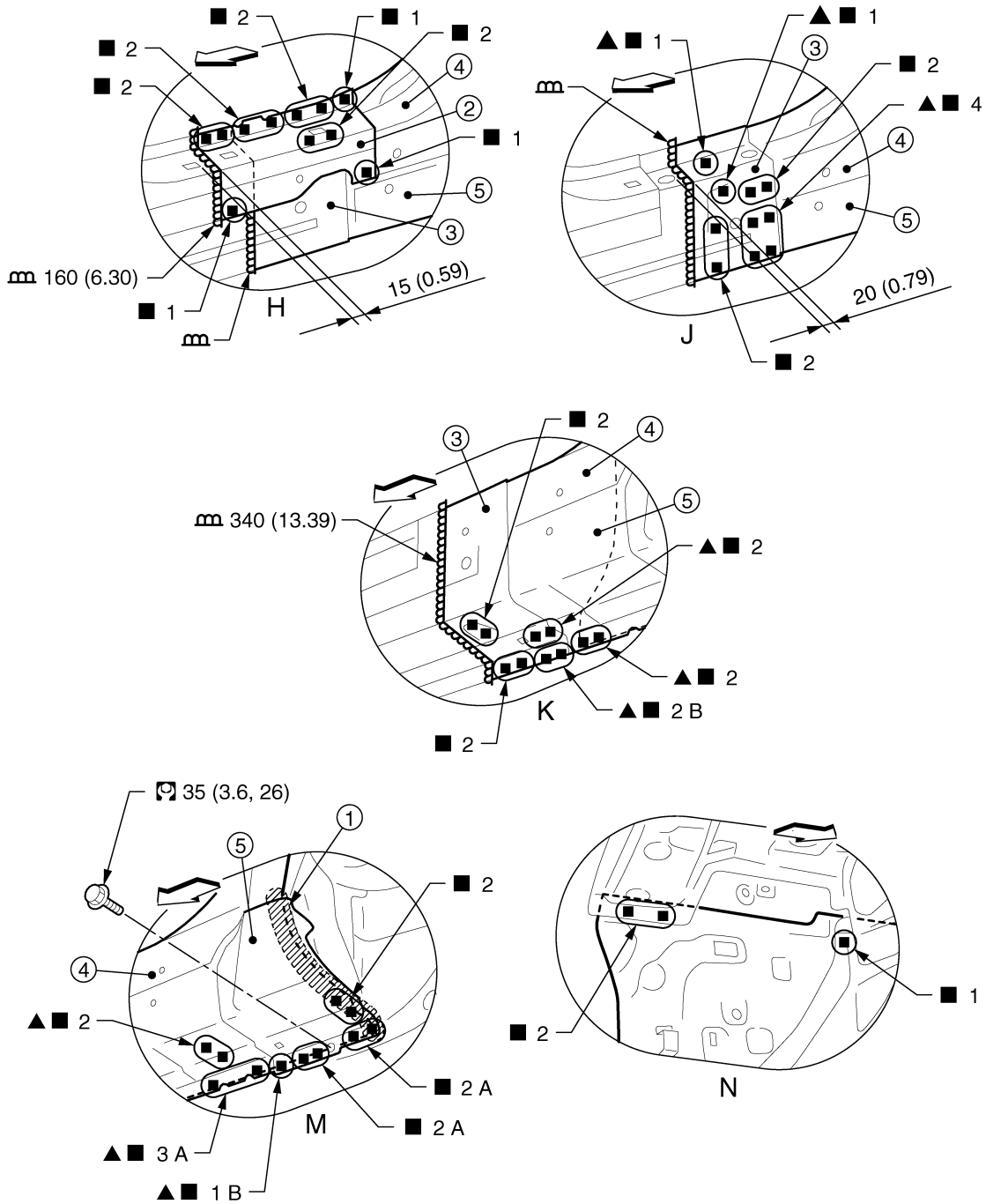
View D: Before installing outer front side body and outer sill reinforcement

View G: Before installing outer front side body, outer sill reinforcement, outer rear wheelhouse extension (upper), and outer rear wheelhouse extension (Lower)

# REPLACEMENT OPERATIONS

< REMOVAL AND INSTALLATION >

[FOR USA AND CANADA]



- |  |  |                             |
|--|--|-----------------------------|
| 1. Body sealing                            | 2. Outer front side body                   | 3. Outer sill reinforcement |
| 4. Outer rear wheelhouse extension (Upper) | 5. Outer rear wheelhouse extension (Lower) |                             |

Unit: mm (in)

← Vehicle front

▲: Drill  $\phi 8$  mm (0.31 in) hole for the plug welding hole (ultra high strength steel plate). Refer to [GI-4, "Components"](#) for symbols in the figure.

View J and K: Before installing outer front side body

## SUPPLEMENTARY WORK

JSKIA1658GB

A  
B  
C  
D  
E  
F  
G  
H  
I  
J  
K  
L  
M  
N  
O  
P

BRM

# REPLACEMENT OPERATIONS

## < REMOVAL AND INSTALLATION >

[FOR USA AND CANADA]

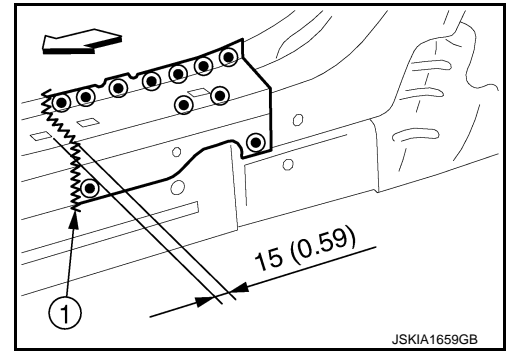
Remove the following parts first according to the instruction because the outer rear wheelhouse cannot be removed due to the existence of hidden welding points.

1. Cut the outer front side body as shown in the figure.

1. Cut position

Unit: mm (in)

←: Vehicle front

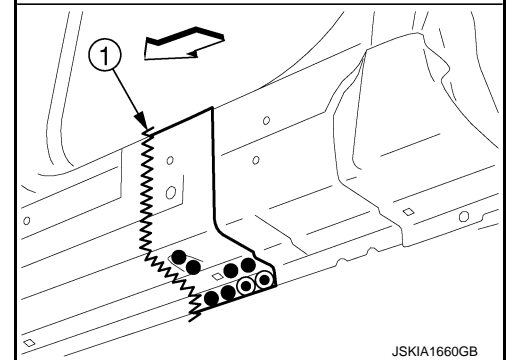
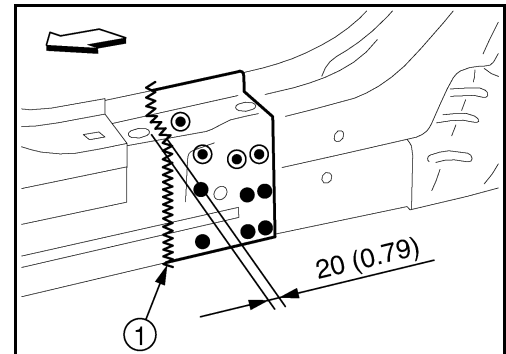


2. Cut the outer sill reinforcement as shown in the figure.

1. Cut position

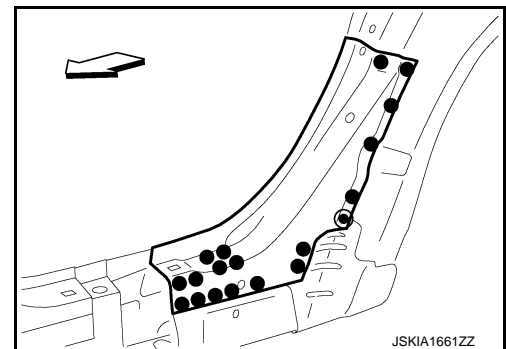
Unit: mm (in)

←: Vehicle front



3. Remove the outer rear wheelhouse extension (Upper).

←: Vehicle front





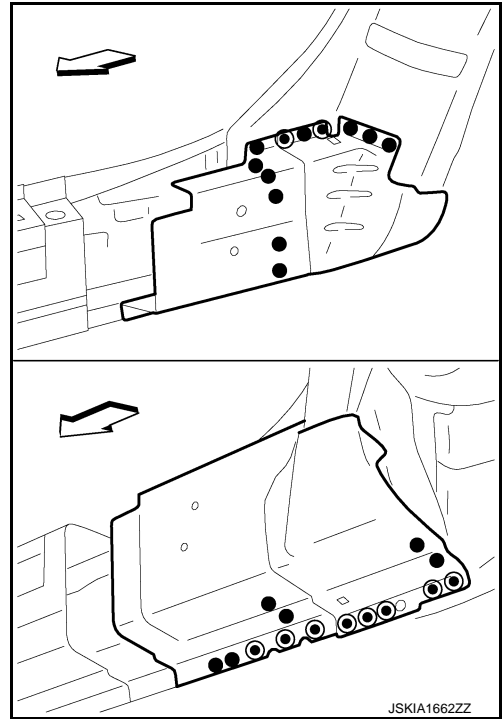
# REPLACEMENT OPERATIONS

< REMOVAL AND INSTALLATION >

[FOR USA AND CANADA]

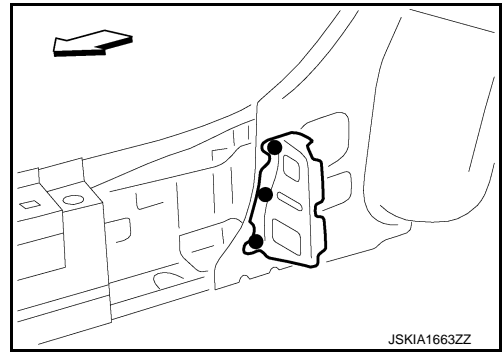
4. Remove the outer rear wheelhouse extension (Lower).

←: Vehicle front



5. Remove the outer rear wheelhouse brace.

←: Vehicle front



BRM

L

M

N

O

P

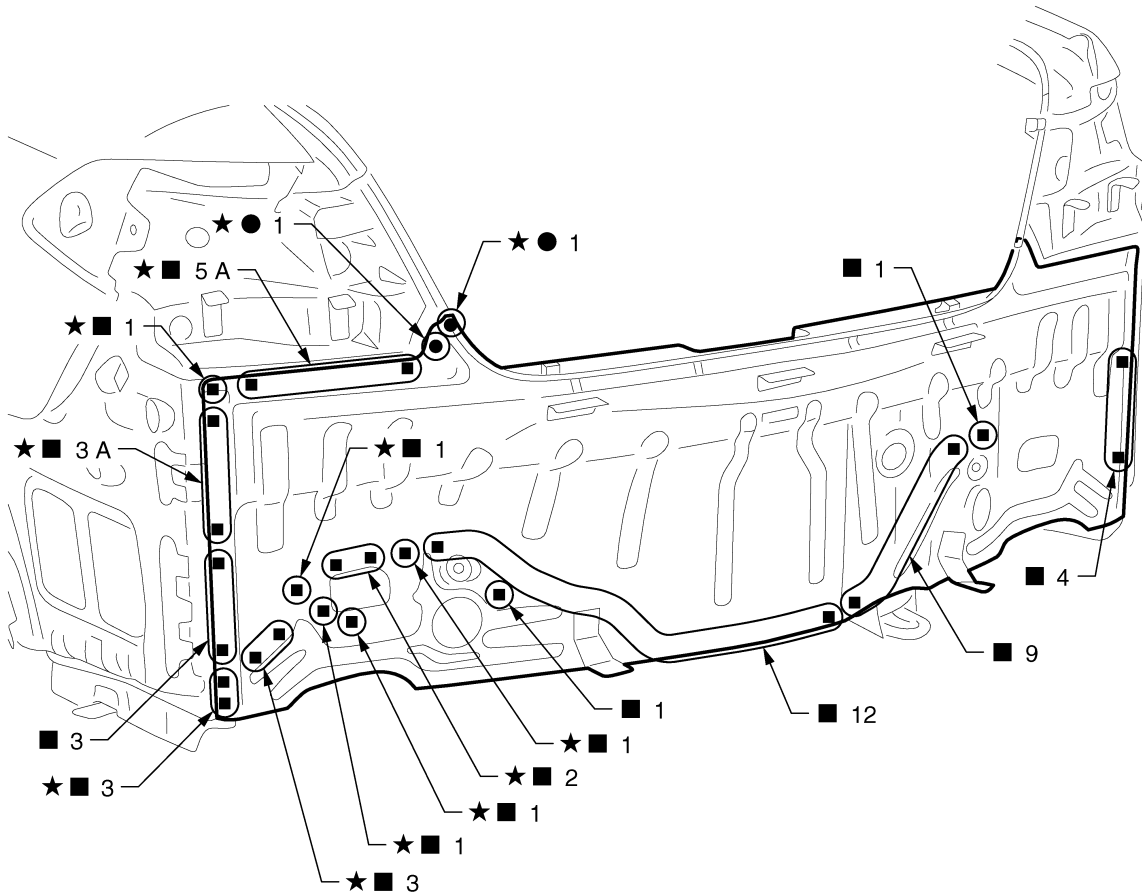
# REPLACEMENT OPERATIONS

< REMOVAL AND INSTALLATION >

[FOR USA AND CANADA]

## Rear Panel

INFOID:000000010098590



JSKIA1664ZZ

★: Welding method and the number of welding points apply to both side of the vehicle.

Replacement parts

- Rear panel assembly

## Rear Floor Rear

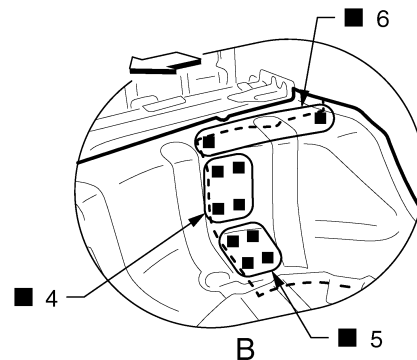
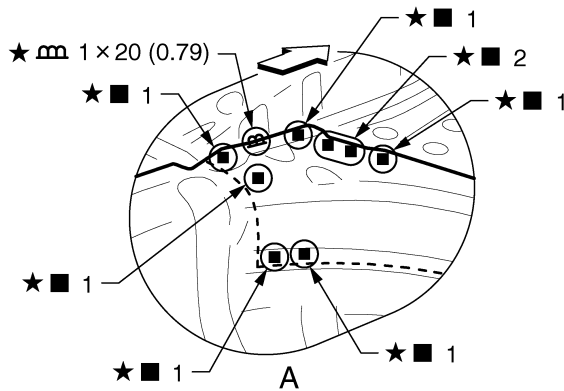
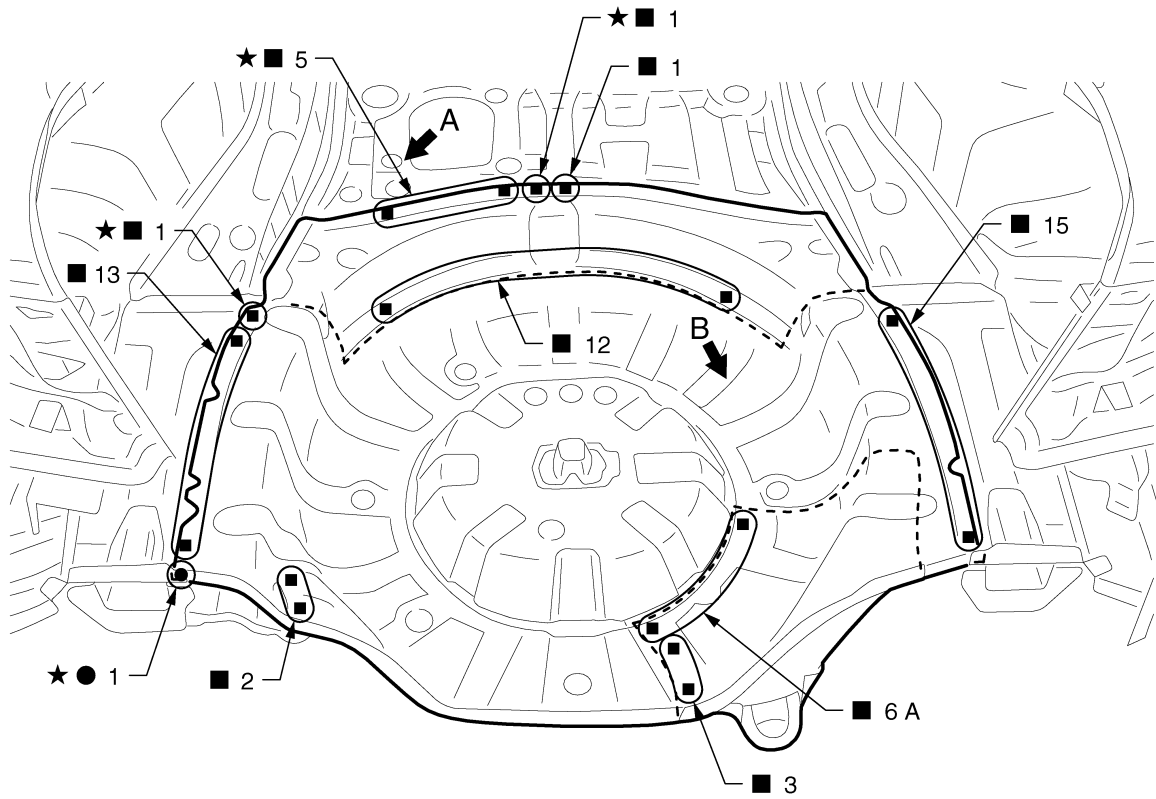
INFOID:000000010098591

Work after rear panel is removed.

# REPLACEMENT OPERATIONS

< REMOVAL AND INSTALLATION >

[FOR USA AND CANADA]



Unit: mm (in)

↔: Vehicle front

★: Welding method and the number of welding points apply to both side of the vehicle.

Replacement parts

● Rear floor rear

● Rear tie down hook

## Rear Side Member Extension

Work after rear panel is removed.

JSKIA1665GB

INFOID:000000010098592

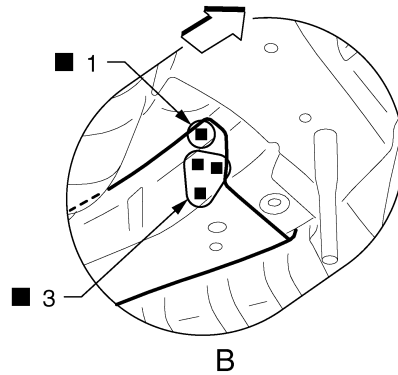
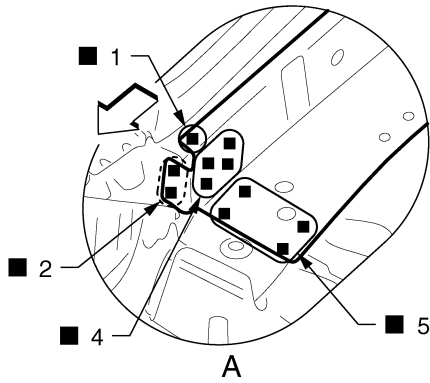
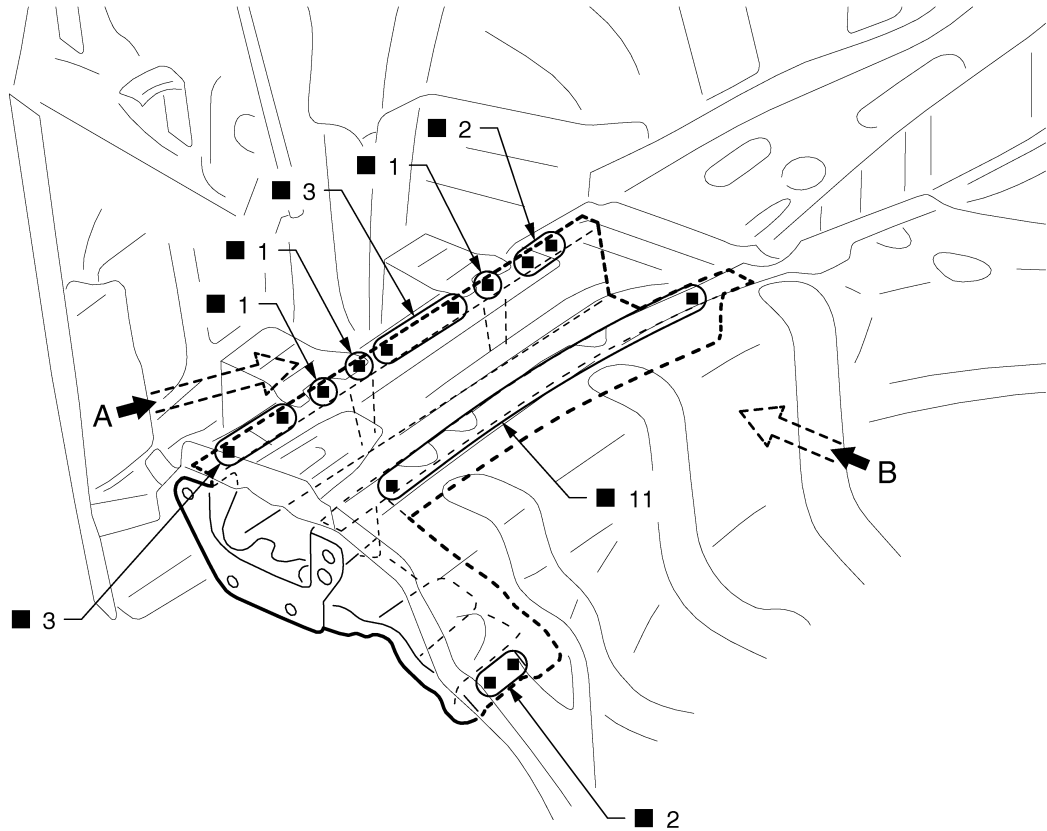
A  
B  
C  
D  
E  
F  
G  
H  
I  
J  
K  
L  
M  
N  
O  
P

BRM

# REPLACEMENT OPERATIONS

< REMOVAL AND INSTALLATION >

[FOR USA AND CANADA]



JSKIA1668ZZ

←: Vehicle front

(○): Weld the parts onto the back of the component part.

Replacement parts

- Rear side member extension assembly (LH)

# BODY ALIGNMENT

< SERVICE DATA AND SPECIFICATIONS (SDS)

[FOR USA AND CANADA]

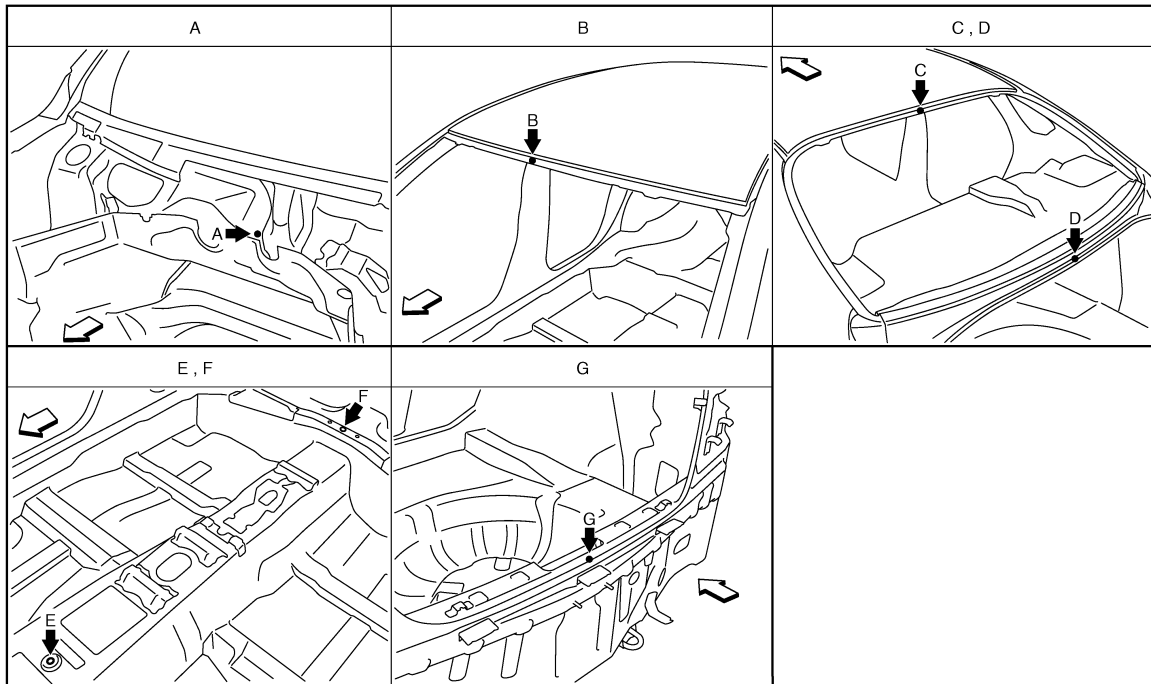
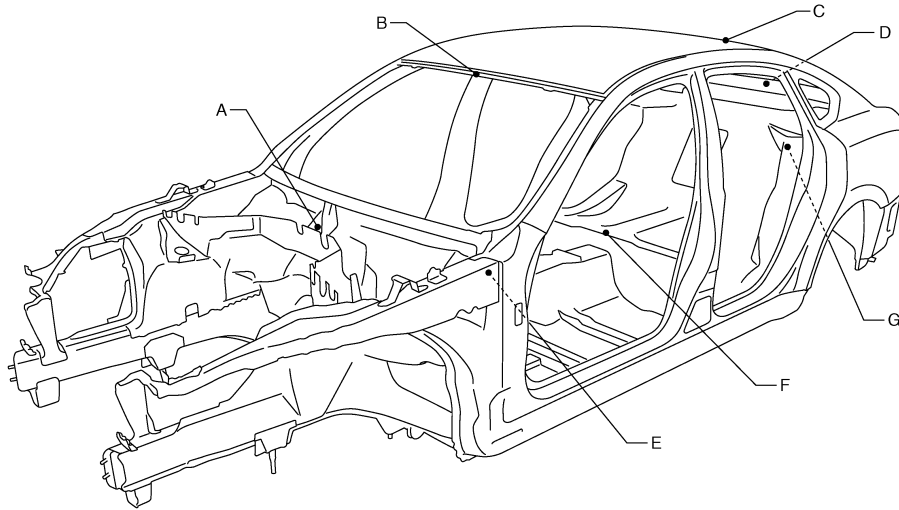
## SERVICE DATA AND SPECIFICATIONS (SDS)

### BODY ALIGNMENT

#### Body Center Marks

INFOID:000000010098593

A mark is placed on each part of the body to indicate the vehicle center. When repairing the vehicle frame (members, pillars, etc.) damaged by an accident which it enables more accurate and effective repair by using these marks together with body alignment specifications.



JSKIA1876ZZ

↶: Vehicle front

Unit: mm (in)

Points	Portion	Marks
A	Upper dash	Embossment
B	Front roof	Embossment
C	Rear roof	Embossment
D	Rear waist	Bead

A  
B  
C  
D  
E  
F  
G  
H  
I  
J  
K  
L  
M  
N  
O  
P

BRM

# BODY ALIGNMENT

< SERVICE DATA AND SPECIFICATIONS (SDS)

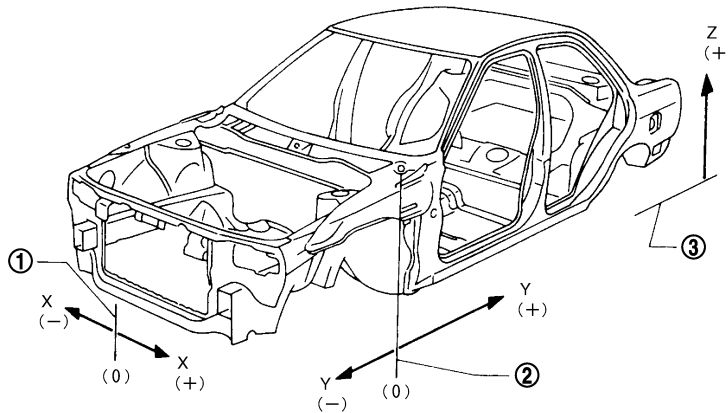
[FOR USA AND CANADA]

Points	Portion	Marks
E	Trans control reinforcement	Hole 14×12 (0.55×0.47)
F	Rear seat crossmember reinforcement	Hole φ5 (0.20)
G	Rear panel	Indent

## Description

INFOID:0000000010098594

- All dimensions indicated in the figures are actual.
- When using a tracking gauge, adjust both pointers to equal length. Then check the pointers and gauge itself to make sure there is no free play.
- When a measuring tape is used, check to be sure there is no elongation, twisting or bending.
- Measurements should be taken at the center of the mounting holes.
- An asterisk (\*) following the value at the measuring point indicates that the measuring point on the other side is symmetrically the same value.
- The coordinates of the measurement points are the distances measured from the standard line of "X", "Y" and "Z".
- "Z": Imaginary base line [200 mm (7.87 in) below datum line ("0Z" at design plan)]



JSKIA0073GB

1. Vehicle center

2. Front axle center

3. Imaginary base line

## Engine Compartment

INFOID:0000000010098595

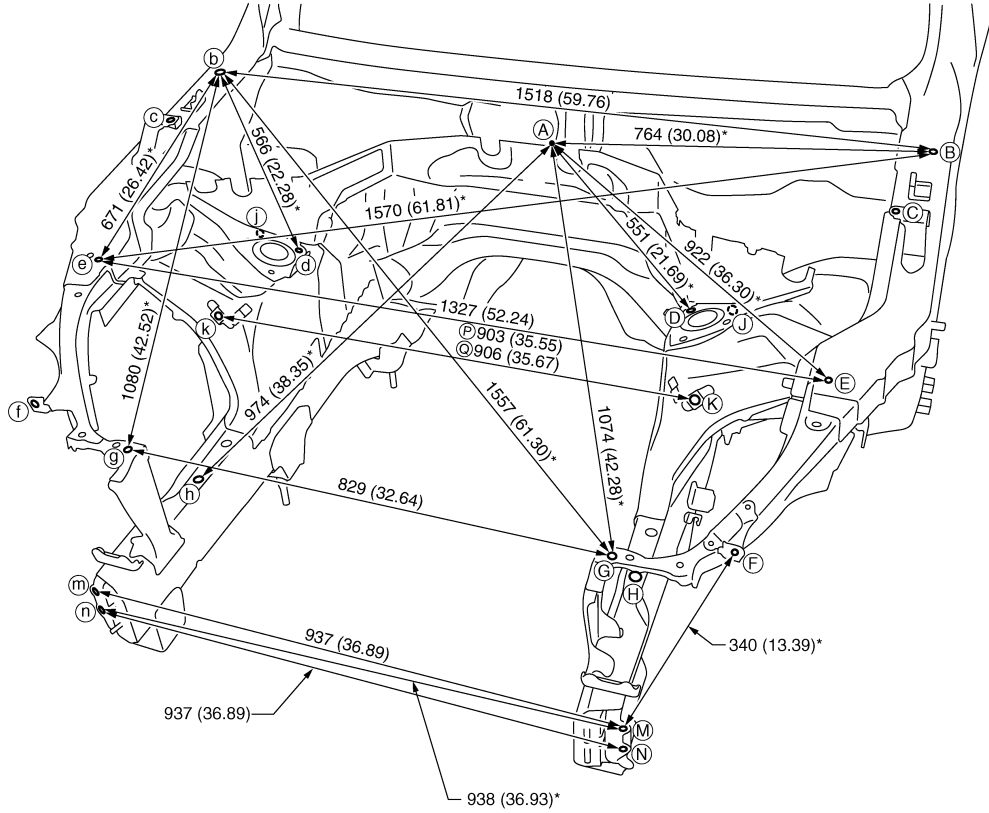
### MEASUREMENT

Dimensions marked with "\*" indicate symmetrically identical dimensions on both the right and left hand of the vehicle.

# BODY ALIGNMENT

< SERVICE DATA AND SPECIFICATIONS (SDS)

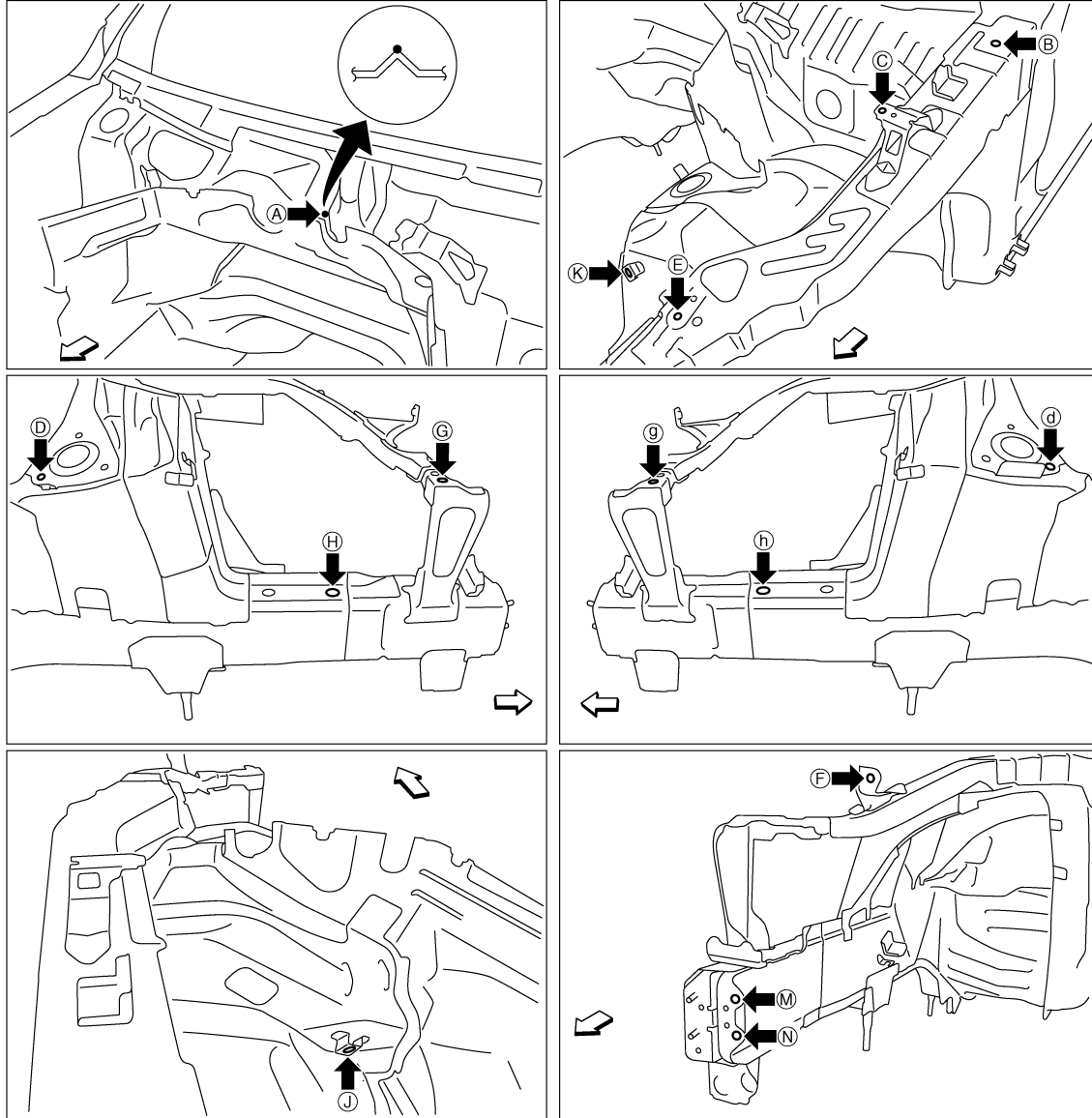
[FOR USA AND CANADA]



# BODY ALIGNMENT

< SERVICE DATA AND SPECIFICATIONS (SDS)

[FOR USA AND CANADA]



JSKIA1878ZZ

↶: Vehicle front

Unit: mm (in)

Point	Material	Point	Material
A	Upper dash positioning mark of center positioning mark	G, g	Side radiator core stay hole center $\phi 12$ (0.47)
B, b	Hood hinge installing hole center $\phi 12$ (0.47)	H, h	Front side member hole center $\phi 20$ (0.79)
C, c, F, f	Front fender installing hole center $\phi 7$ (0.28)	J, j, K, k	Nut holder hole center $\phi 16$ (0.63)
D, d	Front strut installing hole center $\phi 11$ (0.43)	M, m, N, n	Front bumper reinforcement installing hole center $\phi 11$ (0.43)
E, e	Hoodledge reinforcement hole center $\phi 7$ (0.28)		

## Underbody (2WD)

INFOID:000000010098596

### MEASUREMENT

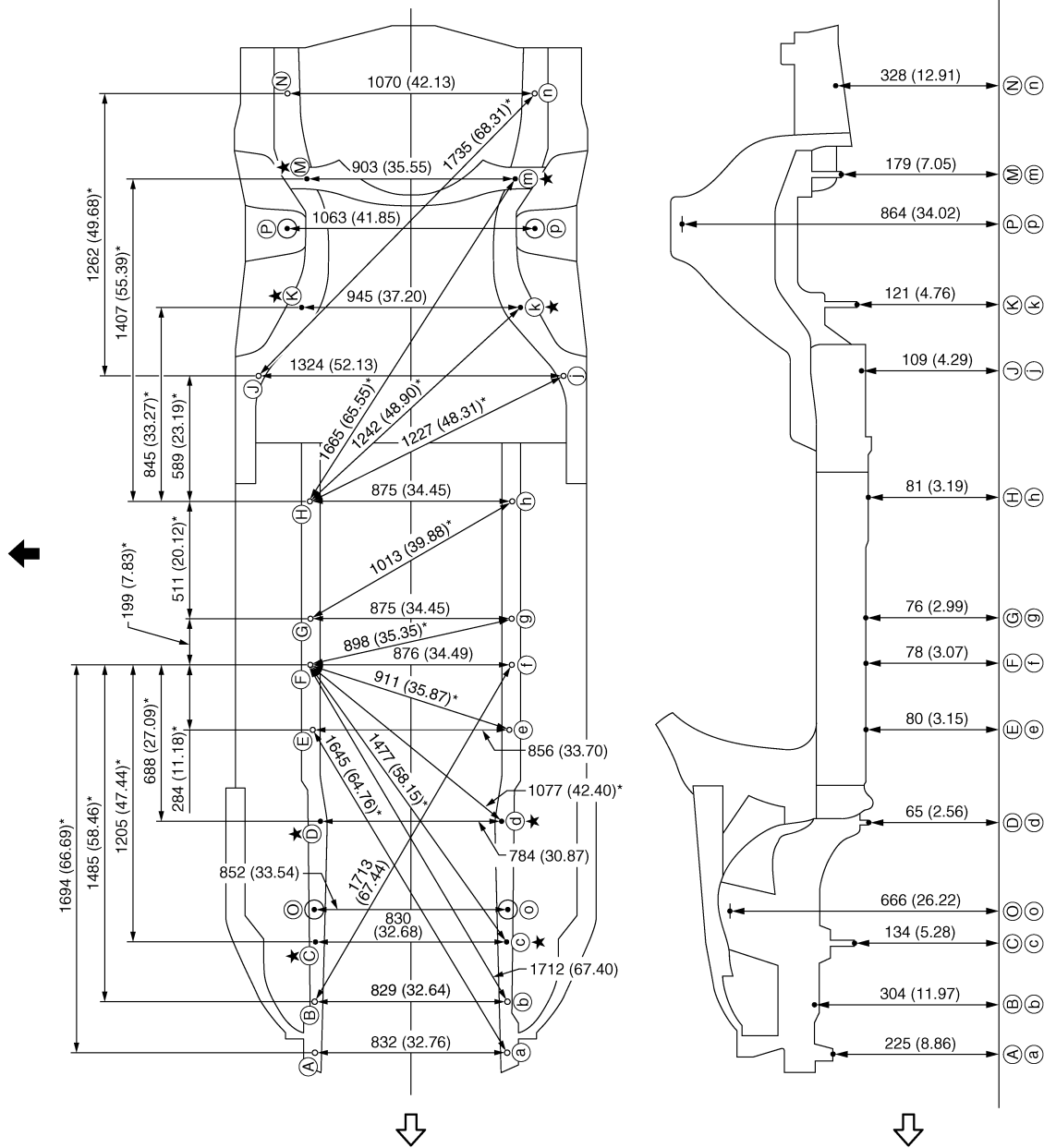
Dimensions marked with "\*" indicate symmetrically identical dimensions on both the right and left hand of the vehicle.



# BODY ALIGNMENT

< SERVICE DATA AND SPECIFICATIONS (SDS)

[FOR USA AND CANADA]



- Unit: mm (in)
- ↳: Vehicle front
- ←: Vehicle left side
- ★: Bolt head

## MEASUREMENT POINTS

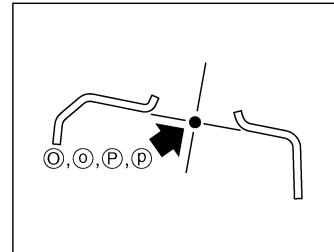
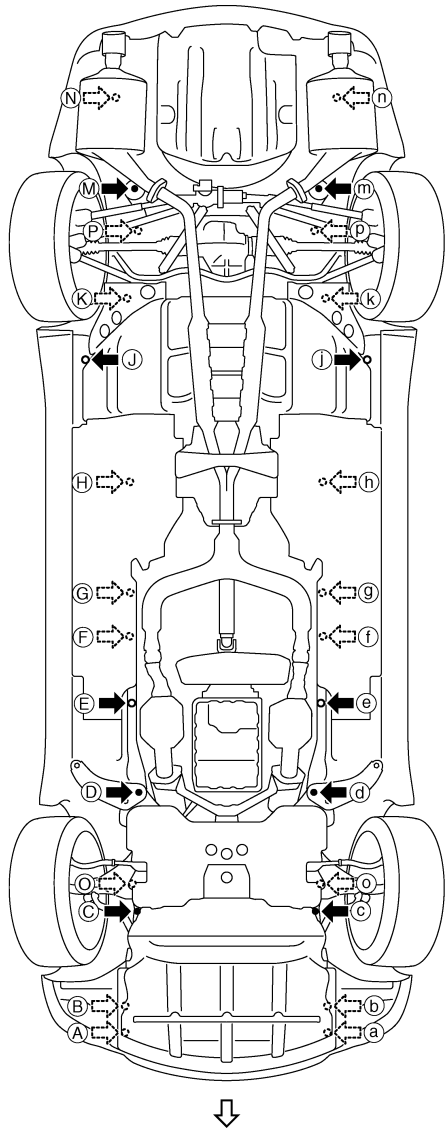
A  
B  
C  
D  
E  
F  
G  
H  
I  
J  
K  
L  
M  
N  
O  
P

BRM

# BODY ALIGNMENT

< SERVICE DATA AND SPECIFICATIONS (SDS)

[FOR USA AND CANADA]



JSKIA1879ZZ

←: Vehicle front

# BODY ALIGNMENT

< SERVICE DATA AND SPECIFICATIONS (SDS)

[FOR USA AND CANADA]

Unit: mm (in)

Points	Coordinates			Remarks	Points	Coordinates			Remarks
	X	Y	Z			X	Y	Z	
A, a	±415.8 (±16.370)	-588.0 (-23.150)	224.6 (8.843)	Hole φ13 (0.51)	H, h	±437.5 (±17.224)	1810.0 (71.260)	81.2 (3.197)	Hole φ16 (0.63)
B	416.2 (16.386)	-368.0 (-14.488)	303.5 (11.949)	Hole φ16 (0.63)	J, j	±662.0 (±26.063)	2354.0 (92.677)	108.5 (4.272)	Hole φ8 (0.31)
b	-413.0 (-16.260)	-368.0 (-14.488)	303.5 (11.949)	Hole φ16 (0.63)	K, k	±472.6 (±18.606)	2653.8 (104.480)	120.8 (4.756)	Bolt head
C, c	±415.0 (±16.339)	-104.0 (-4.094)	133.5 (5.256)	Bolt head	M, m	±451.5 (±17.776)	3213.9 (126.531)	179.0 (7.047)	Bolt head
D, d	±392.0 (±15.433)	414.0 (16.299)	64.5 (2.539)	Bolt head	N, n	±535.0 (±21.063)	3590.0 (141.338)	328.3 (12.925)	Hole 18×16 (0.71×0.63)
E, e	±428.0 (±16.850)	816.6 (32.150)	80.0 (3.150)	Hole 18×16 (0.71×0.63)	O, o	±426.1 (±16.776)	37.1 (1.461)	665.8 (26.213)	Hole φ50.1 (1.972)
F, f	±438.0 (±17.244)	1100.0 (43.307)	78.0 (3.071)	Hole φ16 (0.63)	P, p	±531.3 (±20.917)	2995.8 (117.945)	864.1 (34.020)	Hole φ68 (2.677)
G, g	±437.5 (±17.224)	1299.0 (51.142)	76.0 (2.992)	Hole φ16 (0.63)					

## Underbody (AWD)

INFOID:0000000110098597

### MEASUREMENT

Dimensions marked with "\*" indicate symmetrically identical dimensions on both the right and left hand of the vehicle.

A  
B  
C  
D  
E  
F  
G  
H  
I  
J

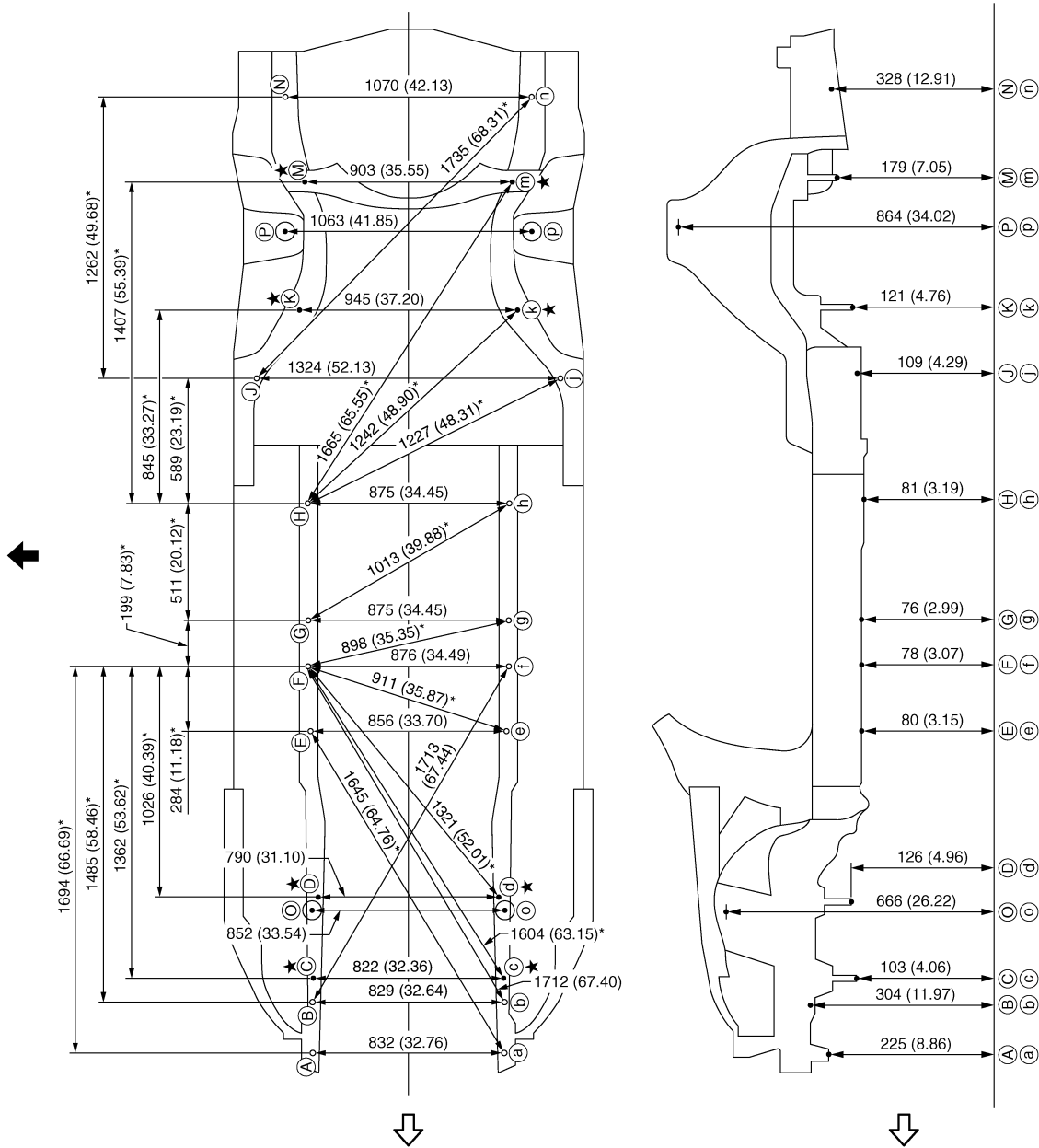
BRM

L  
M  
N  
O  
P

# BODY ALIGNMENT

< SERVICE DATA AND SPECIFICATIONS (SDS)

[FOR USA AND CANADA]



JSKIA1617GB

Unit: mm (in)

◁: Vehicle front

◀: Vehicle left side

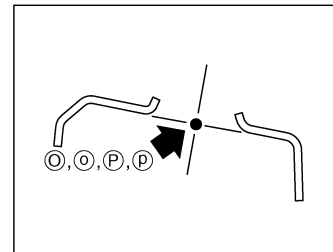
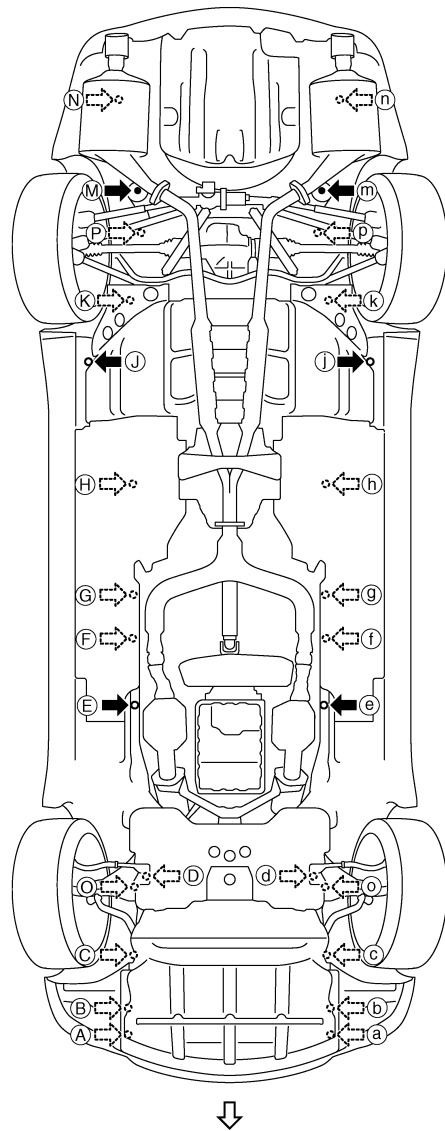
★: Bolt head

## MEASUREMENT POINTS

# BODY ALIGNMENT

< SERVICE DATA AND SPECIFICATIONS (SDS)

[FOR USA AND CANADA]



←: Vehicle front

JSKIA1880ZZ

A  
B  
C  
D  
E  
F  
G  
H  
I  
J  
K  
L  
M  
N  
O  
P

BRM

# BODY ALIGNMENT

< SERVICE DATA AND SPECIFICATIONS (SDS)

[FOR USA AND CANADA]

Unit: mm (in)

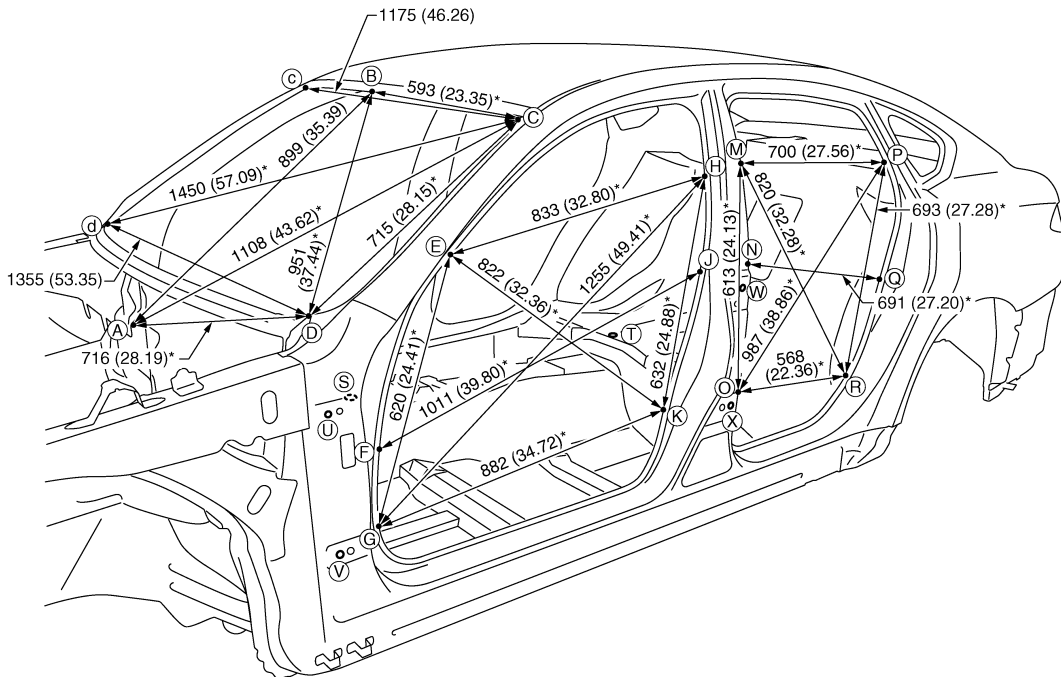
Points	Coordinates			Remarks	Points	Coordinates			Remarks
	X	Y	Z			X	Y	Z	
A, a	±415.8 (±16.370)	-588.0 (-23.150)	224.6 (8.843)	Hole φ13 (0.51)	H, h	±437.5 (±17.224)	1810.0 (71.260)	81.2 (3.197)	Hole φ16 (0.63)
B	416.2 (16.386)	-368.0 (-14.488)	303.5 (11.949)	Hole φ16 (0.63)	J, j	±662.0 (±26.063)	2354.0 (92.677)	108.5 (4.272)	Hole φ8 (0.31)
b	-413.0 (-16.260)	-368.0 (-14.488)	303.5 (11.949)	Hole φ16 (0.63)	K, k	±472.6 (±18.606)	2653.8 (104.480)	120.8 (4.756)	Bolt head
C, c	±411.0 (±16.181)	-261.0 (-10.276)	103.3 (4.067)	Bolt head	M, m	±451.5 (±17.776)	3213.9 (126.531)	179.0 (7.047)	Bolt head
D, d	±395.0 (±15.551)	76.0 (2.992)	126.3 (4.972)	Bolt head	N, n	±535.0 (±21.063)	3590.0 (141.338)	328.3 (12.925)	Hole 18×16 (0.71×0.63)
E, e	±428.0 (±16.850)	816.6 (32.150)	80.0 (3.150)	Hole 18×16 (0.71×0.63)	O, o	±426.1 (±16.776)	37.1 (1.461)	665.8 (26.213)	Hole φ50.1 (1.972)
F, f	±438.0 (±17.244)	1100.0 (43.307)	78.0 (3.071)	Hole φ16 (0.63)	P, p	±531.3 (±20.917)	2995.8 (117.945)	864.1 (34.020)	Hole φ68 (2.677)
G, g	±437.5 (±17.224)	1299.0 (51.142)	76.0 (2.992)	Hole φ16 (0.63)					

## Passenger Compartment

INFOID:000000010098598

### MEASUREMENT

Dimensions marked with "\*" indicate symmetrically identical dimensions on both the right and left hand of the vehicle.



JSKIA1622GB

Unit: mm (in)

# BODY ALIGNMENT

< SERVICE DATA AND SPECIFICATIONS (SDS)

[FOR USA AND CANADA]

«The others»

Unit: mm (in)

Point	Dimension	Memo	Point	Dimension	Memo	Point	Dimension	Memo	Point	Dimension	Memo
E - e	1431 (56.34)		K - k	1501 (59.09)		Q - q	1468 (57.80)		T - Q	923 (36.34)*	
E - g	1597 (62.87)*		M - m	1361 (53.58)		R - r	1522 (59.92)		T - R	821 (32.32)*	
E - h	1627 (64.05)*		M - o	1555 (61.22)*		S - E	930 (36.61)*		U - u	1609 (63.35)	
E - k	1681 (66.18)*		M - p	1521 (59.88)*		S - F	766 (30.16)*		U - W	1220 (48.03)*	
F - f	1494 (58.82)		M - r	1657 (65.24)*		S - G	758 (29.84)*		U - X	1206 (47.48)*	
F - j	1800 (70.87)*		N - n	1485 (58.46)		S - H	1390 (54.72)*		V - v	1631 (64.21)	
G - g	1513 (59.57)		N - q	1630 (64.17)*		S - J	1279 (50.35)*		V - W	1278 (50.31)*	
G - h	1908 (75.12)*		O - o	1501 (59.09)		S - K	1125 (44.29)*		V - X	1183 (46.57)*	
G - k	1746 (68.74)*		O - p	1727 (67.99)*		T - M	968 (38.11)*		W - w	1614 (63.54)	
H - h	1365 (53.74)		O - r	1614 (63.54)*		T - N	871 (34.29)*		X - x	1654 (65.12)	
H - k	1565 (61.61)*		P - p	1338 (52.68)		T - O	796 (31.34)*				
J - j	1485 (58.46)		P - r	1586 (62.44)*		T - P	1076 (42.36)*				

## MEASUREMENT POINTS

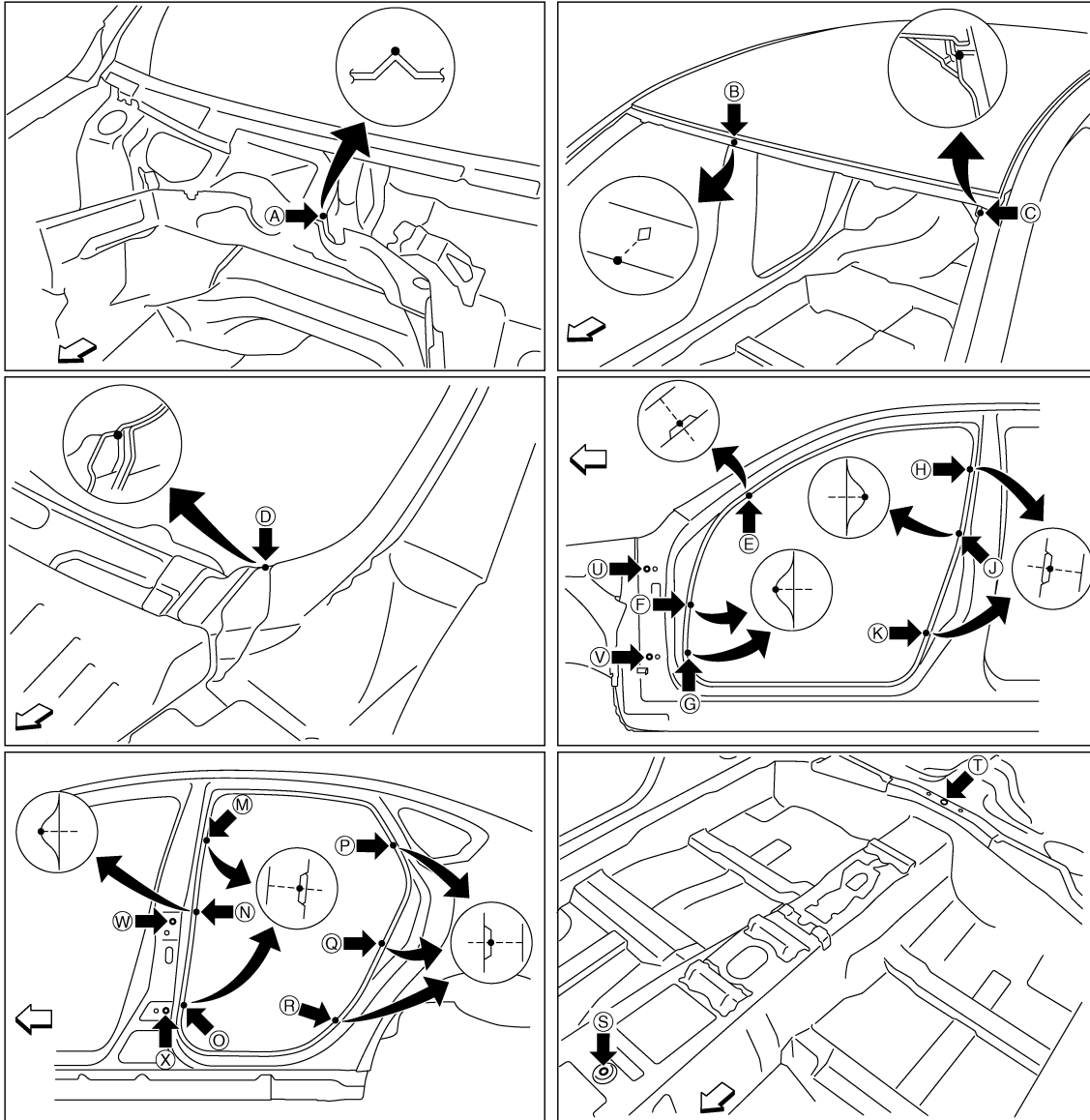
A  
B  
C  
D  
E  
F  
G  
H  
I  
J  
L  
M  
N  
O  
P

BRM

# BODY ALIGNMENT

< SERVICE DATA AND SPECIFICATIONS (SDS)

[FOR USA AND CANADA]



JSKIA1881ZZ

↶: Vehicle front

Unit: mm (in)

Point	Material	Point	Material
A	Upper dash positioning mark of center positioning mark	H, h, J, j, K, k, M, m, N, n, O, o	Center pillar indent
B	Roof flange end of center positioning mark	P, p, Q, q, R, r	Rear fender indent
C, c	Front pillar joggle	S	Trans control reinforcement hole center of center positioning mark 14×12 (0.55×0.47)
D, d	Front pillar hinge brace joggle	T	Rear seat crossmember reinforcement hole center of center positioning mark $\phi 5$ (0.20)
E, e, F, f, G, g	Front pillar indent	U, u, V, v, W, w, X, x	Door hinge installing hole center U, u, V, v, X, x: $\phi 12$ (0.47) W, w: 11×9 (0.43×0.35)



# BODY ALIGNMENT

< SERVICE DATA AND SPECIFICATIONS (SDS)

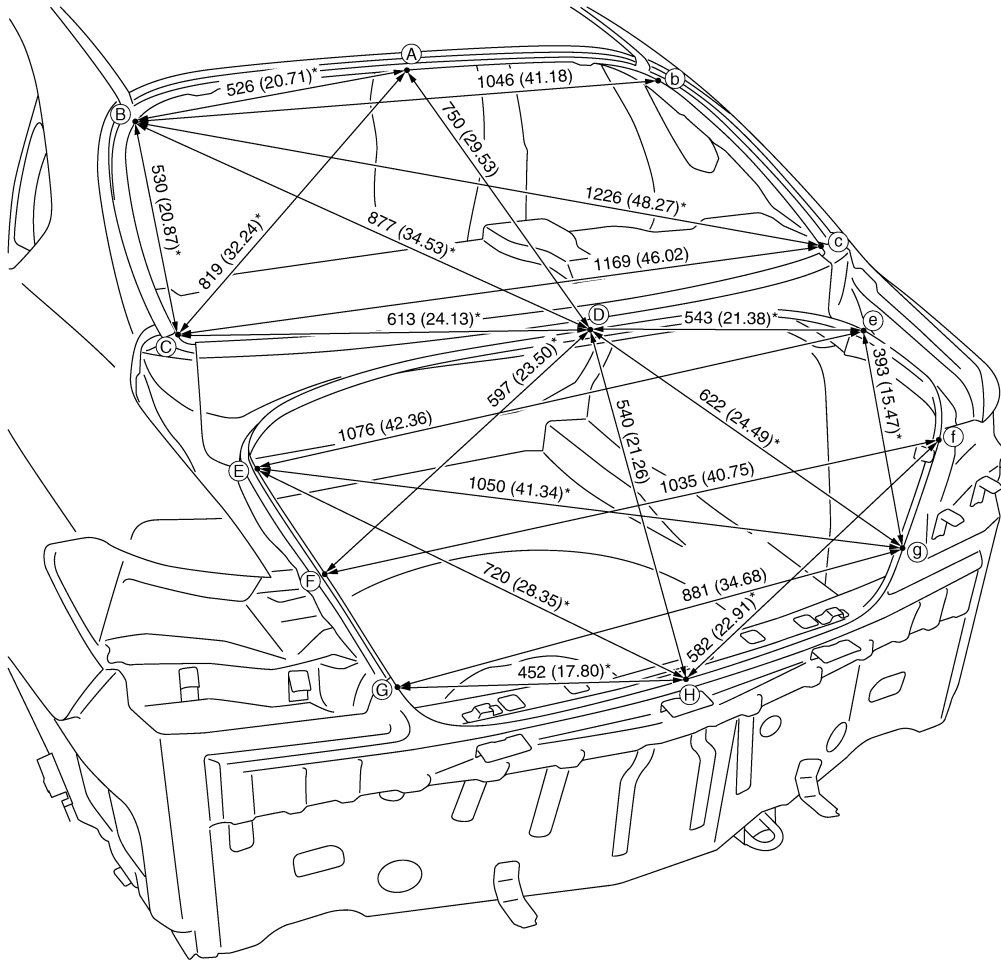
[FOR USA AND CANADA]

## Rear Body

INFOID:0000000110098599

### MEASUREMENT

Dimensions marked with "\*" indicate symmetrically identical dimensions on both the right and left hand of the vehicle.



A  
B  
C  
D  
E  
F  
G  
H  
I  
J  
BRM  
L  
M  
N  
O  
P

Unit: mm (in)

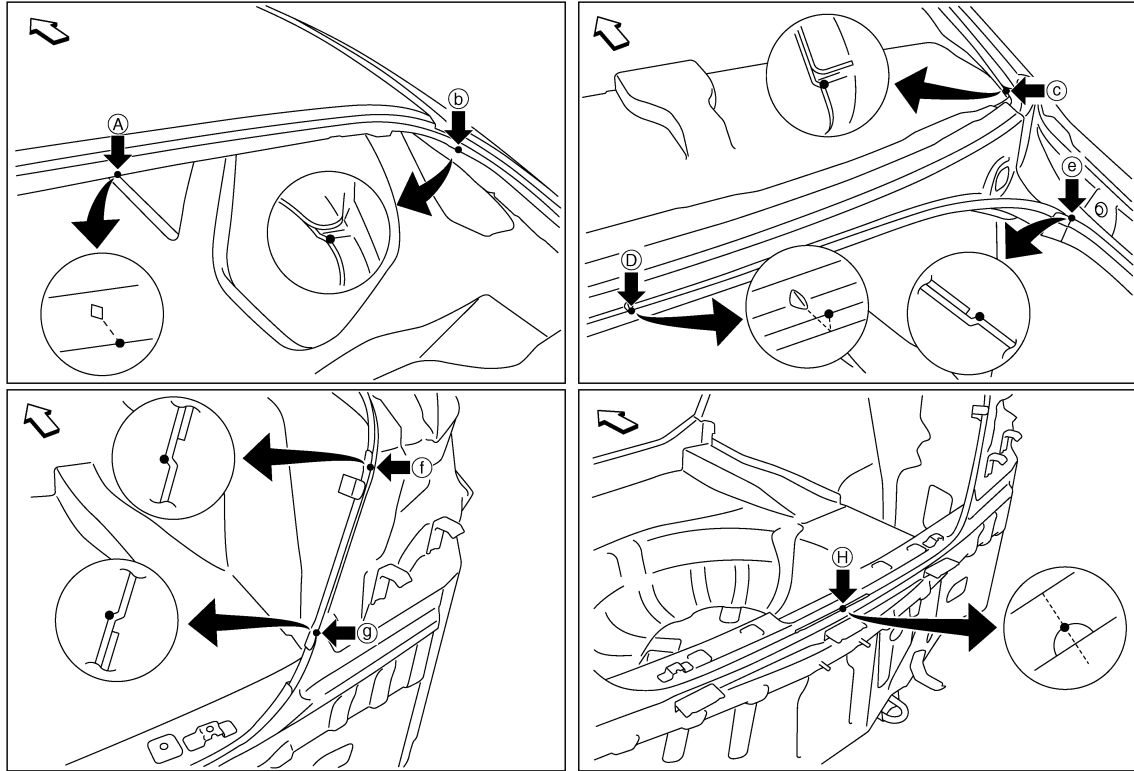
### MEASUREMENT POINTS

JSKIA1624GB

# BODY ALIGNMENT

< SERVICE DATA AND SPECIFICATIONS (SDS)

[FOR USA AND CANADA]



JSKIA1625ZZ

↶: Vehicle front

Point	Material	Point	Material
A	Roof flange end of center positioning mark	D	Rear waist flange end of center positioning mark
B, b	Outer side body joggle	F, f, G, g	Rear combination lamp base joggle
C, c, E, e	Rear fender corner joggle	H	Upper rear panel indent of center positioning mark

# LOCATION OF PLASTIC PARTS

< SERVICE DATA AND SPECIFICATIONS (SDS)

[FOR USA AND CANADA]

## LOCATION OF PLASTIC PARTS

### Precautions for Plastics

INFOID:000000010098600

Abbreviation	Material name	Heatresisting temperature °C (°F)	Resistance to gasoline and solvents	Other cautions
PE	Polyethylene	60 (140)	Gasoline and most solvents are harmless if applied for a very short time (wipe out quickly).	Flammable
ABS	Acrylonitrile Butadiene Styrene	80 (176)	Avoid gasoline and solvents.	—
EPM/EPDM	Ethylene Propylene (Diene) co-polymer	80 (176)	Gasoline and most solvents are harmless if applied for a very short time (wipe out quickly).	Flammable
PS	Polystyrene	80 (176)	Avoid solvents.	Flammable
PVC	Poly Vinyl Chloride	80 (176)	Gasoline and most solvents are harmless if applied for a very short time (wipe out quickly).	Poisonous gas is emitted when burned.
TPO	Thermoplastic Olefine	80 (176)	↑	Flammable
AAS	Acrylonitrile Acrylic Styrene	85 (185)	Avoid gasoline and solvents.	—
PMMA	Poly Methyl Methacrylate	85 (185)	↑	—
EVAC	Ethylene Vinyl Acetate	90 (194)	↑	—
PP	Polypropylene	90 (194)	Gasoline and most solvents are harmless if applied for a very short time (wipe out quickly).	Flammable, avoid battery acid.
PUR	Polyurethane	90 (194)	Avoid gasoline and solvents.	—
UP	Unsaturated Polyester	90 (194)	↑	Flammable
ASA	Acrylonitrile Styrene Acrylate	100 (212)	↑	Flammable
PPE	Poly Phenylene Ether	110 (230)	↑	—
TPU	Thermoplastic Urethane	110 (230)	↑	—
PBT+PC	Poly Butylene Terephthalate + Polycarbonate	120 (248)	↑	Flammable
PC	Polycarbonate	120 (248)	↑	—
POM	Poly Oxymethylene	120 (248)	↑	Avoid battery acid.
PA	Polyamide	140 (284)	↑	Avoid immersing in water.
PBT	Poly Butylene Terephthalate	140 (284)	↑	—
PAR	Polyarylate	180 (356)	↑	—
PET	Polyethylene terephthalate	180 (356)	↑	—
PEI	Polyetherimide	200 (392)	↑	—

**CAUTION:**

- When repairing and painting a portion of the body adjacent to plastic parts, consider their characteristics (influence of heat and solvent) and remove them if necessary or take suitable measures to protect them.
- Plastic parts should be repaired and painted using methods suiting the materials' characteristics.

A  
B  
C  
D  
E  
F  
G  
H  
I  
J  
BRM  
L  
M  
N  
O  
P

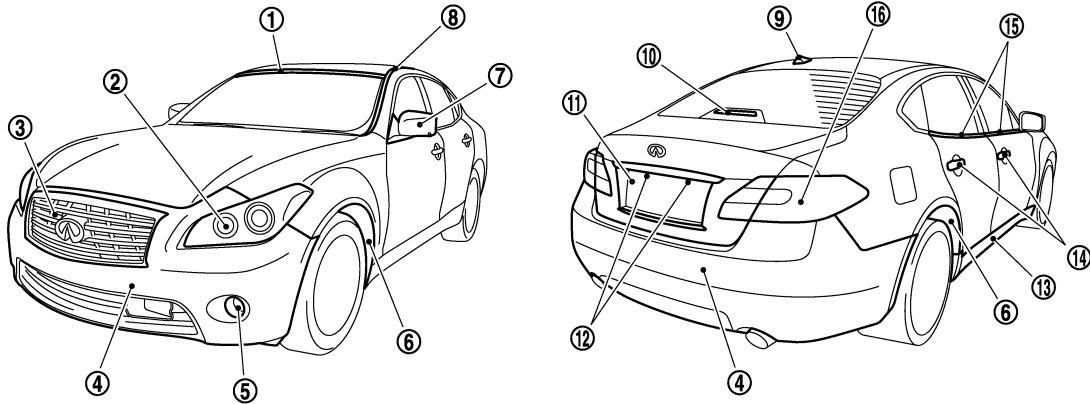
# LOCATION OF PLASTIC PARTS

< SERVICE DATA AND SPECIFICATIONS (SDS)

[FOR USA AND CANADA]

## Location of Plastic Parts

INFOID:000000010098601



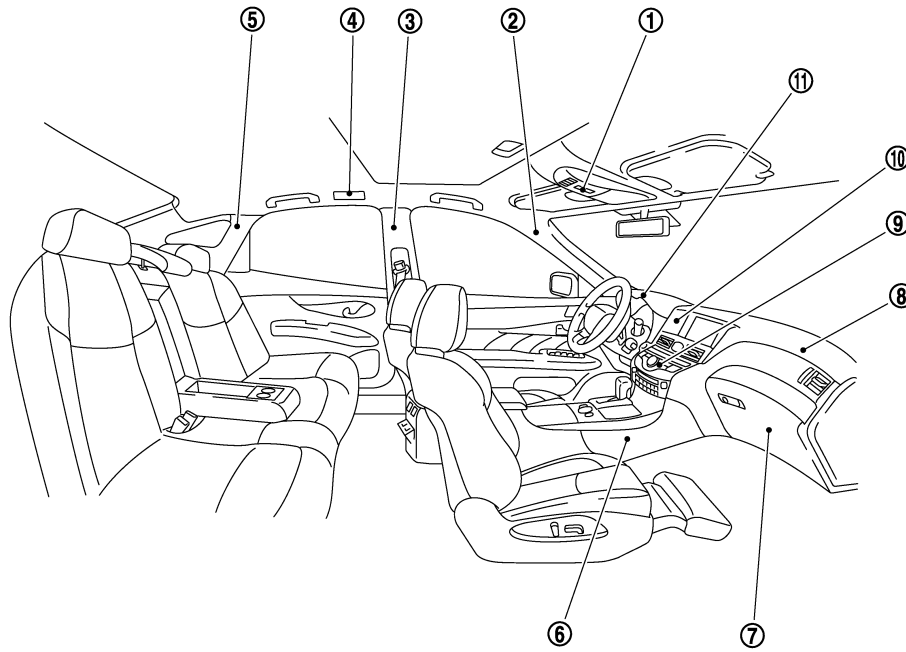
JSKIA1882ZZ

Component		Material	Component		Material		
1	Upper windshield molding	TPO	11	Trunk lid finisher	Base	ABS	
2	Front combination lamp	Lens			PC	Upper finisher molding	ABS
		Housing			PP	Lower finisher molding	ABS
3	Front grille	ABS	12	License plate lamp	Lens	PC	
4	Bumper fascia	PP + EPM			Housing	PA	
5	Front fog lamp	Lens	Glass	13	Sill cover	PP + EPDM	
		Housing	PBT + ASA + Glass fiber	14	Door outside handle	PC + ABS	
6	Fender protector	Front	PP	15	Door outside molding	PVC + Stainless	
		Rear	PUR	16	Rear combination lamp (Rear fender)	Lens	PMMA
7	Door outside mirror	Housing	ABS			Housing	ASA
		Base	PA		Rear combination lamp (Trunk lid)	Lens	PMMA
8	Roof side molding	PVC + Stainless			Housing	ASA	
9	Antenna base cover	ASA + PC					
10	High mount stop lamp	Lens	PC				
		Housing	PA				

# LOCATION OF PLASTIC PARTS

< SERVICE DATA AND SPECIFICATIONS (SDS)

[FOR USA AND CANADA]



JSKIA1883ZZ

Component		Material	Component		Material		
1	Map lamp	Lens	PC	7	Glove box	Core	ABS
		Housing	PP			Pad	PUR
						Skin	PVC
2	Front pillar garnish		PP	8	Instrument panel		PP
3	Center pillar garnish		PP	9	Cluster lid D		ABS + Glass fiber
4	Personal lamp	Lens	PC	10	Center ventilator ASSY		PC + ABS
		Housing	PP	11	Cluster lid A		ABS
5	Rear pillar garnish		PP				
6	Center console		ABS				

A  
B  
C  
D  
E  
F  
G  
H  
I  
J  
K  
L  
M  
N  
O  
P

BRM

# BODY ALIGNMENT

< SERVICE DATA AND SPECIFICATIONS (SDS)

[FOR MEXICO]

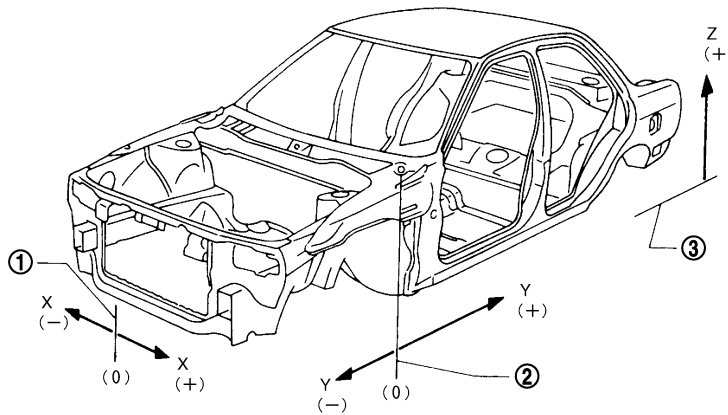
## SERVICE DATA AND SPECIFICATIONS (SDS)

### BODY ALIGNMENT

#### Description

INFOID:000000010098602

- All dimensions indicated in the figures are actual.
- When using a tracking gauge, adjust both pointers to equal length. Then check the pointers and gauge itself to make sure there is no free play.
- When a measuring tape is used, check to be sure there is no elongation, twisting or bending.
- Measurements should be taken at the center of the mounting holes.
- An asterisk (\*) following the value at the measuring point indicates that the measuring point on the other side is symmetrically the same value.
- The coordinates of the measurement points are the distances measured from the standard line of "X", "Y" and "Z".
- "Z": Imaginary base line [200 mm (7.87 in) below datum line ("0Z" at design plan)]



JSKIA0073GB

1. Vehicle center

2. Front axle center

3. Imaginary base line

#### Engine Compartment

INFOID:000000010098603

#### MEASUREMENT

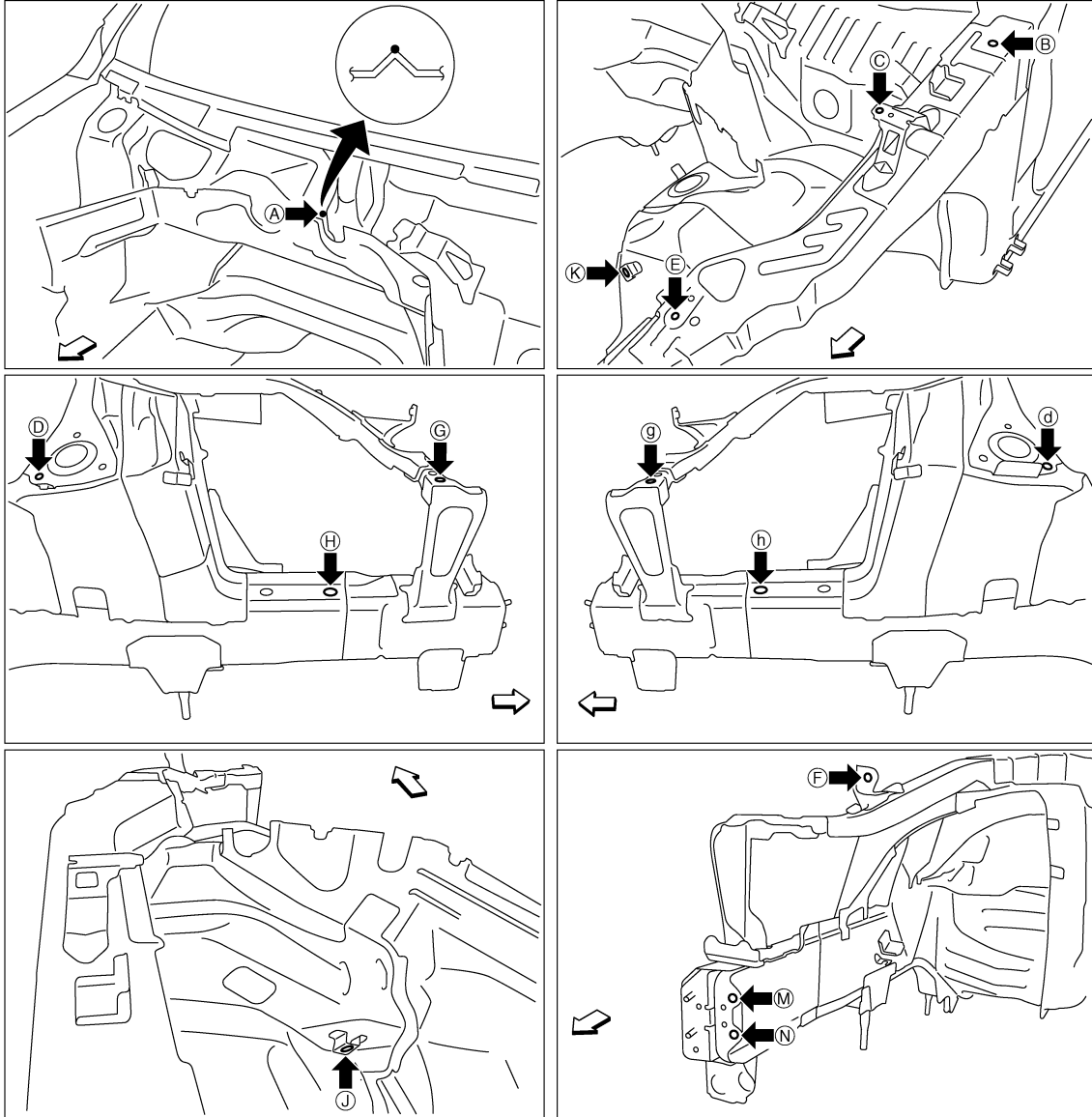
Dimensions marked with "\*" indicate symmetrically identical dimensions on both the right and left hand of the vehicle.



# BODY ALIGNMENT

< SERVICE DATA AND SPECIFICATIONS (SDS)

[FOR MEXICO]



JSKIA1878ZZ

↔: Vehicle front

Unit: mm (in)

Point	Material	Point	Material
A	Upper dash positioning mark of center positioning mark	G, g	Side radiator core stay hole center $\phi 12$ (0.47)
B, b	Hood hinge installing hole center $\phi 12$ (0.47)	H, h	Front side member hole center $\phi 20$ (0.79)
C, c, F, f	Front fender installing hole center $\phi 7$ (0.28)	J, j, K, k	Nut holder hole center $\phi 16$ (0.63)
D, d	Front strut installing hole center $\phi 11$ (0.43)	M, m, N, n	Front bumper reinforcement installing hole center $\phi 11$ (0.43)
E, e	Hoodledge reinforcement hole center $\phi 7$ (0.28)		

## Underbody (2WD)

INFOID:000000010098604

### MEASUREMENT

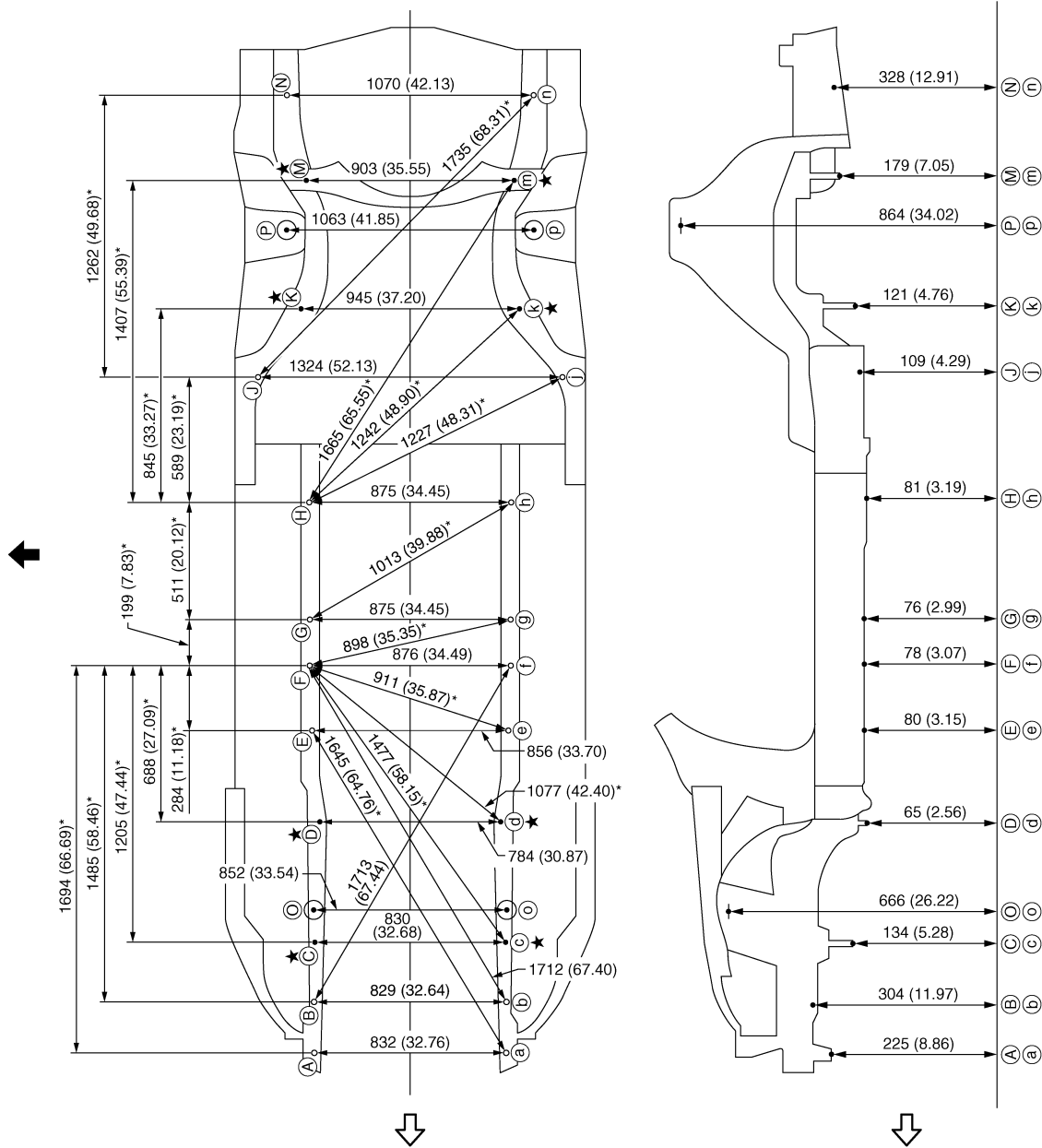
Dimensions marked with "\*" indicate symmetrically identical dimensions on both the right and left hand of the vehicle.



# BODY ALIGNMENT

< SERVICE DATA AND SPECIFICATIONS (SDS)

[FOR MEXICO]



A  
B  
C  
D  
E  
F  
G  
H  
I  
J  
K  
L  
M  
N  
O  
P

BRM

- Unit: mm (in)
- ↔: Vehicle front
- ←: Vehicle left side
- ★: Bolt head

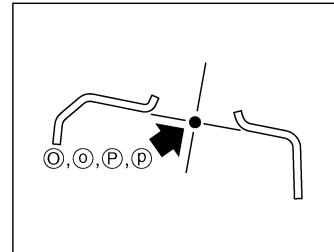
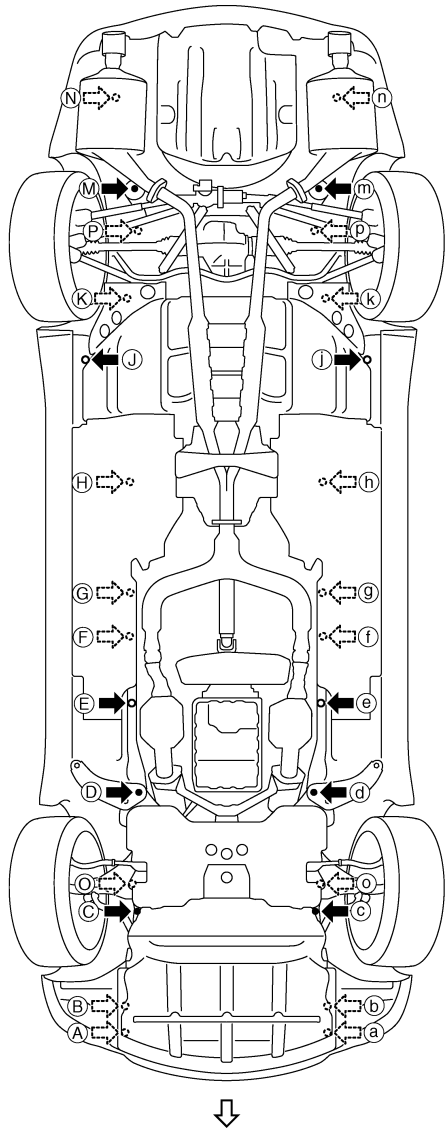
## MEASUREMENT POINTS

JSKIA1616GB

# BODY ALIGNMENT

< SERVICE DATA AND SPECIFICATIONS (SDS)

[FOR MEXICO]



JSKIA1879ZZ

←: Vehicle front

# BODY ALIGNMENT

< SERVICE DATA AND SPECIFICATIONS (SDS)

[FOR MEXICO]

Unit: mm (in)

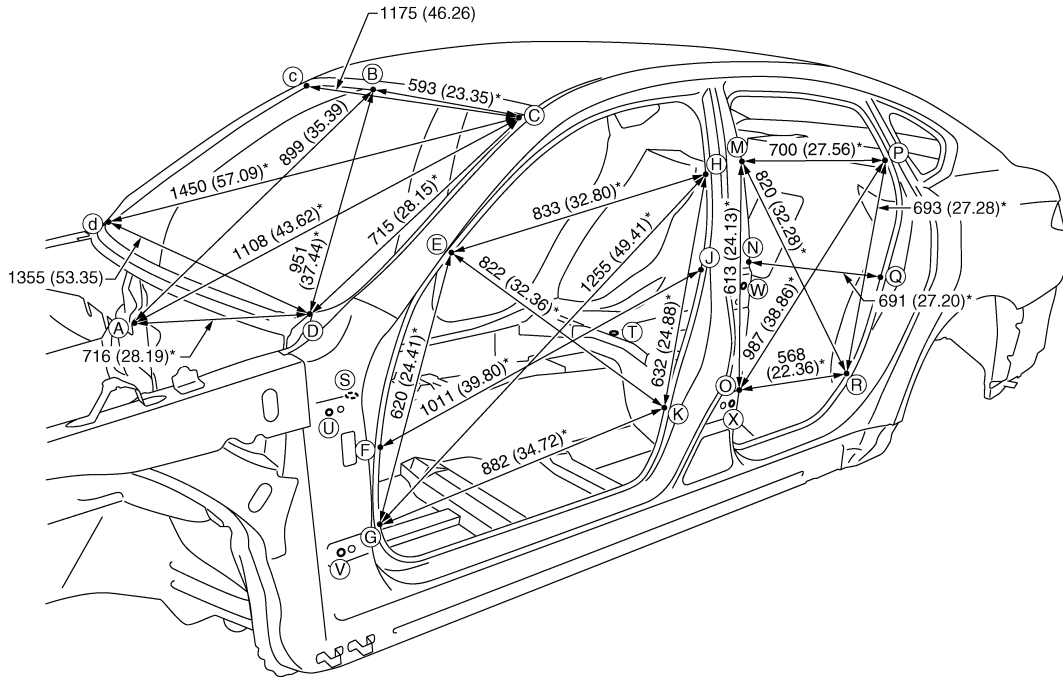
Points	Coordinates			Remarks	Points	Coordinates			Remarks
	X	Y	Z			X	Y	Z	
A, a	±415.8 (±16.370)	-588.0 (-23.150)	224.6 (8.843)	Hole φ13 (0.51)	H, h	±437.5 (±17.224)	1810.0 (71.260)	81.2 (3.197)	Hole φ16 (0.63)
B	416.2 (16.386)	-368.0 (-14.488)	303.5 (11.949)	Hole φ16 (0.63)	J, j	±662.0 (±26.063)	2354.0 (92.677)	108.5 (4.272)	Hole φ8 (0.31)
b	-413.0 (-16.260)	-368.0 (-14.488)	303.5 (11.949)	Hole φ16 (0.63)	K, k	±472.6 (±18.606)	2653.8 (104.480)	120.8 (4.756)	Bolt head
C, c	±415.0 (±16.339)	-104.0 (-4.094)	133.5 (5.256)	Bolt head	M, m	±451.5 (±17.776)	3213.9 (126.531)	179.0 (7.047)	Bolt head
D, d	±392.0 (±15.433)	414.0 (16.299)	64.5 (2.539)	Bolt head	N, n	±535.0 (±21.063)	3590.0 (141.338)	328.3 (12.925)	Hole 18×16 (0.71×0.63)
E, e	±428.0 (±16.850)	816.6 (32.150)	80.0 (3.150)	Hole 18×16 (0.71×0.63)	O, o	±426.1 (±16.776)	37.1 (1.461)	665.8 (26.213)	Hole φ50.1 (1.972)
F, f	±438.0 (±17.244)	1100.0 (43.307)	78.0 (3.071)	Hole φ16 (0.63)	P, p	±531.3 (±20.917)	2995.8 (117.945)	864.1 (34.020)	Hole φ68 (2.677)
G, g	±437.5 (±17.224)	1299.0 (51.142)	76.0 (2.992)	Hole φ16 (0.63)					

## Passenger Compartment

INFOID:000000010098605

### MEASUREMENT

Dimensions marked with "\*" indicate symmetrically identical dimensions on both the right and left hand of the vehicle.



JSKIA1622GB

Unit: mm (in)

# BODY ALIGNMENT

< SERVICE DATA AND SPECIFICATIONS (SDS)

[FOR MEXICO]

«The others»

Unit: mm (in)

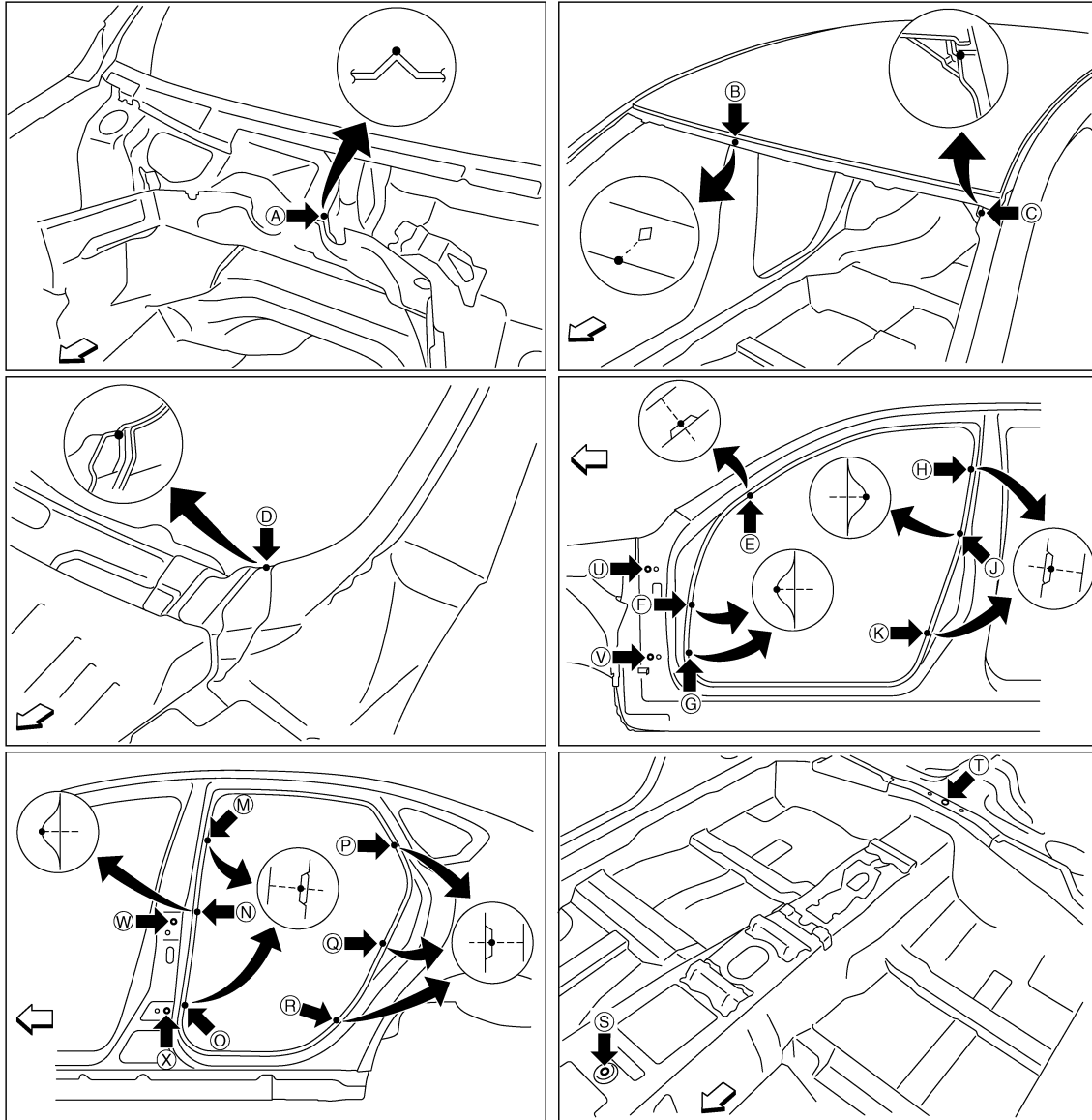
Point	Dimension	Memo	Point	Dimension	Memo	Point	Dimension	Memo	Point	Dimension	Memo
E - e	1431 (56.34)		K - k	1501 (59.09)		Q - q	1468 (57.80)		T - Q	923 (36.34)*	
E - g	1597 (62.87)*		M - m	1361 (53.58)		R - r	1522 (59.92)		T - R	821 (32.32)*	
E - h	1627 (64.05)*		M - o	1555 (61.22)*		S - E	930 (36.61)*		U - u	1609 (63.35)	
E - k	1681 (66.18)*		M - p	1521 (59.88)*		S - F	766 (30.16)*		U - W	1220 (48.03)*	
F - f	1494 (58.82)		M - r	1657 (65.24)*		S - G	758 (29.84)*		U - X	1206 (47.48)*	
F - j	1800 (70.87)*		N - n	1485 (58.46)		S - H	1390 (54.72)*		V - v	1631 (64.21)	
G - g	1513 (59.57)		N - q	1630 (64.17)*		S - J	1279 (50.35)*		V - W	1278 (50.31)*	
G - h	1908 (75.12)*		O - o	1501 (59.09)		S - K	1125 (44.29)*		V - X	1183 (46.57)*	
G - k	1746 (68.74)*		O - p	1727 (67.99)*		T - M	968 (38.11)*		W - w	1614 (63.54)	
H - h	1365 (53.74)		O - r	1614 (63.54)*		T - N	871 (34.29)*		X - x	1654 (65.12)	
H - k	1565 (61.61)*		P - p	1338 (52.68)		T - O	796 (31.34)*				
J - j	1485 (58.46)		P - r	1586 (62.44)*		T - P	1076 (42.36)*				

## MEASUREMENT POINTS

# BODY ALIGNMENT

< SERVICE DATA AND SPECIFICATIONS (SDS)

[FOR MEXICO]



A  
B  
C  
D  
E  
F  
G  
H  
I  
J  
L  
M  
N  
O  
P

BRM

JSKIA1881ZZ

↶: Vehicle front

Unit: mm (in)

Point	Material	Point	Material
A	Upper dash positioning mark of center positioning mark	H, h, J, j, K, k, M, m, N, n, O, o	Center pillar indent
B	Roof flange end of center positioning mark	P, p, Q, q, R, r	Rear fender indent
C, c	Front pillar joggle	S	Trans control reinforcement hole center of center positioning mark 14×12 (0.55×0.47)
D, d	Front pillar hinge brace joggle	T	Rear seat crossmember reinforcement hole center of center positioning mark $\phi 5$ (0.20)
E, e, F, f, G, g	Front pillar indent	U, u, V, v, W, w, X, x	Door hinge installing hole center U, u, V, v, X, x: $\phi 12$ (0.47) W, w: 11×9 (0.43×0.35)

# BODY ALIGNMENT

< SERVICE DATA AND SPECIFICATIONS (SDS)

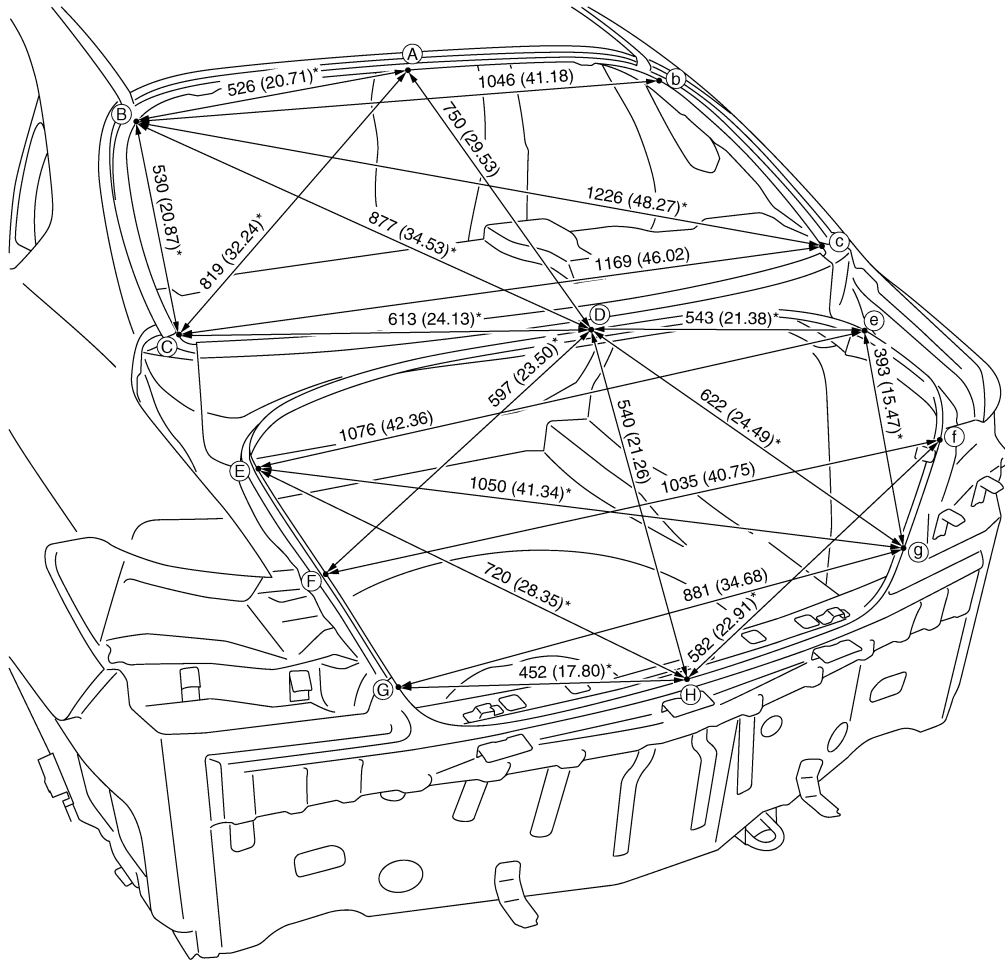
[FOR MEXICO]

## Rear Body

INFOID:000000010098606

### MEASUREMENT

Dimensions marked with "\*" indicate symmetrically identical dimensions on both the right and left hand of the vehicle.



JSKIA1624GB

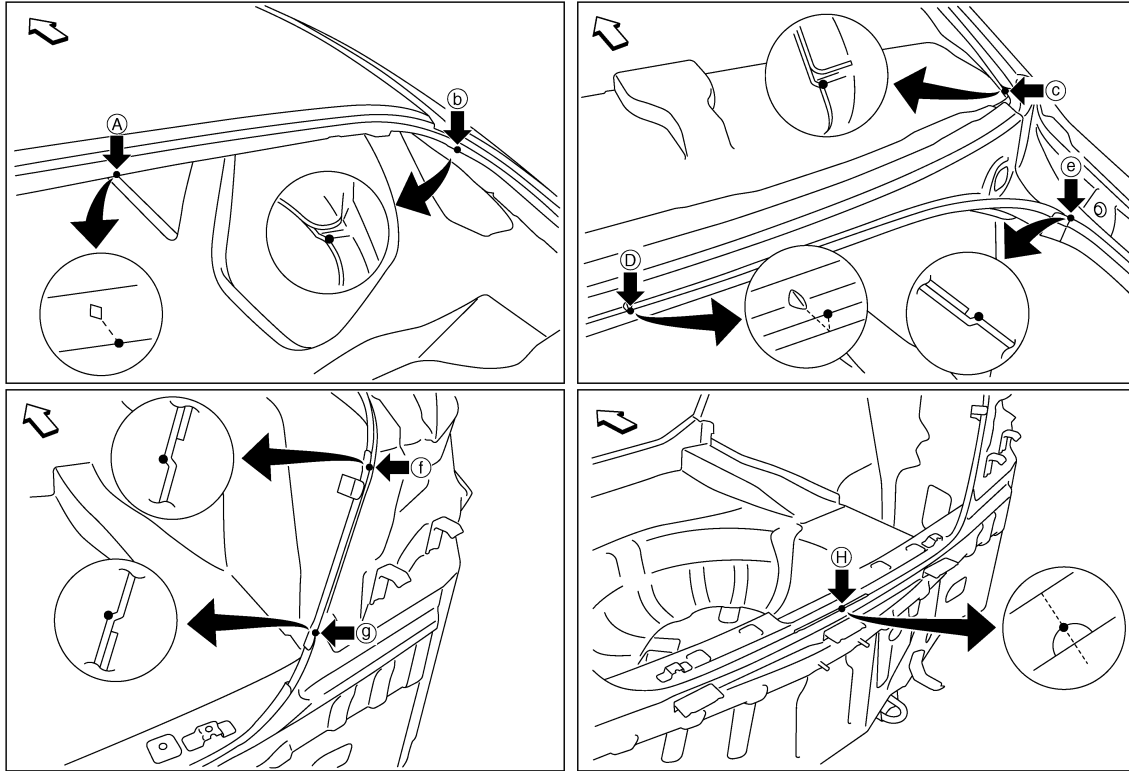
Unit: mm (in)

### MEASUREMENT POINTS

# BODY ALIGNMENT

< SERVICE DATA AND SPECIFICATIONS (SDS)

[FOR MEXICO]



JSKIA1625ZZ

↔: Vehicle front

Point	Material	Point	Material
A	Roof flange end of center positioning mark	D	Rear waist flange end of center positioning mark
B, b	Outer side body joggle	F, f, G, g	Rear combination lamp base joggle
C, c, E, e	Rear fender corner joggle	H	Upper rear panel indent of center positioning mark

A  
B  
C  
D  
E  
F  
G  
H  
I  
J  
L  
M  
N  
O  
P

BRM