

SECTION **PG**

POWER SUPPLY, GROUND & CIRCUIT ELEMENTS

CONTENTS

PRECAUTION	3	Wiring Diagram - ACCESSORY POWER SUPPLY -	49	A
PRECAUTIONS	3	Wiring Diagram - ACCESSORY POWER SUPPLY FUSE No. 18 -	56	B
Precaution for Supplemental Restraint System (SRS) "AIR BAG" and "SEAT BELT PRE-TENSIONER"	3	Wiring Diagram - IGNITION POWER SUPPLY -	57	C
Precaution for Procedure without Cowl Top Cover.....	3	Wiring Diagram - IGNITION POWER SUPPLY FUSE No. 3 -	83	D
Precautions for Removing of Battery Terminal	4	Wiring Diagram - IGNITION POWER SUPPLY FUSE No. 4 -	85	E
PREPARATION	5	Wiring Diagram - IGNITION POWER SUPPLY FUSE No. 44 -	86	F
PREPARATION	5	Wiring Diagram - IGNITION POWER SUPPLY FUSE No. 46 -	87	G
Special Service Tools	5	OPTION HARNESS	88	H
SYSTEM DESCRIPTION	6	Wiring Diagram	88	I
COMPONENT PARTS	6	FUSE BLOCK - JUNCTION BOX (J/B)	100	J
Circuit Breaker	6	Fuse, Connector and Terminal Arrangement	100	K
Battery	6	FUSE, FUSIBLE LINK AND RELAY BOX	101	L
Harness Connector	6	Fuse and Fusible Link Arrangement	101	
Standardized Relay	9	IPDM E/R (INTELLIGENT POWER DISTRIBUTION MODULE ENGINE ROOM)	102	PG
WIRING DIAGRAM	12	Fuse, Connector and Terminal Arrangement	102	
POWER SUPPLY ROUTING CIRCUIT	12	PCB HARNESS	103	N
Wiring Diagram - BATTERY POWER SUPPLY -	12	Connector and Terminal Arrangement	103	O
Wiring Diagram - BATTERY POWER SUPPLY FUSIBLE LINK No. L -	39	HARNESS LAYOUT	104	P
Wiring Diagram - BATTERY POWER SUPPLY FUSE No. 6 -	40	Outline	104	
Wiring Diagram - BATTERY POWER SUPPLY FUSE No. 7 -	41	Engine Room Harness	105	
Wiring Diagram - BATTERY POWER SUPPLY FUSE No. 9 -	42	Engine Control Harness	106	
Wiring Diagram - BATTERY POWER SUPPLY FUSE No. 11 -	43	Main Harness	111	
Wiring Diagram - BATTERY POWER SUPPLY FUSE No. 34 -	44	Body Harness	112	
Wiring Diagram - BATTERY POWER SUPPLY FUSE No. 51 -	45	Door Harness	114	
Wiring Diagram - BATTERY POWER SUPPLY FUSE No. 53 -	47	Room Lamp Harness	118	
		Tail Harness	119	
		BASIC INSPECTION	120	

BATTERY INSPECTION	120	Removal and Installation	127
How to Handle Battery	120	BATTERY TERMINAL WITH FUSIBLE LINK..	128
Work Flow	120	Exploded View	128
FUSE INSPECTION	123	Removal and Installation	128
How To Check	123	SERVICE DATA AND SPECIFICATIONS	
FUSIBLE LINK INSPECTION	126	(SDS)	129
How To Check	126	SERVICE DATA AND SPECIFICATIONS	
REMOVAL AND INSTALLATION	127	(SDS)	129
BATTERY	127	Battery	129
Exploded View	127		

PRECAUTIONS

< PRECAUTION >

PRECAUTION

PRECAUTIONS

Precaution for Supplemental Restraint System (SRS) "AIR BAG" and "SEAT BELT PRE-TENSIONER"

INFOID:000000010098701

The Supplemental Restraint System such as "AIR BAG" and "SEAT BELT PRE-TENSIONER", used along with a front seat belt, helps to reduce the risk or severity of injury to the driver and front passenger for certain types of collision. This system includes seat belt switch inputs and dual stage front air bag modules. The SRS system uses the seat belt switches to determine the front air bag deployment, and may only deploy one front air bag, depending on the severity of a collision and whether the front occupants are belted or unbelted. Information necessary to service the system safely is included in the "SRS AIR BAG" and "SEAT BELT" of this Service Manual.

WARNING:

Always observe the following items for preventing accidental activation.

- To avoid rendering the SRS inoperative, which could increase the risk of personal injury or death in the event of a collision that would result in air bag inflation, all maintenance must be performed by an authorized NISSAN/INFINITI dealer.
- Improper maintenance, including incorrect removal and installation of the SRS, can lead to personal injury caused by unintentional activation of the system. For removal of Spiral Cable and Air Bag Module, see "SRS AIR BAG".
- Never use electrical test equipment on any circuit related to the SRS unless instructed to in this Service Manual. SRS wiring harnesses can be identified by yellow and/or orange harnesses or harness connectors.

PRECAUTIONS WHEN USING POWER TOOLS (AIR OR ELECTRIC) AND HAMMERS

WARNING:

Always observe the following items for preventing accidental activation.

- When working near the Air Bag Diagnosis Sensor Unit or other Air Bag System sensors with the ignition ON or engine running, never use air or electric power tools or strike near the sensor(s) with a hammer. Heavy vibration could activate the sensor(s) and deploy the air bag(s), possibly causing serious injury.
- When using air or electric power tools or hammers, always switch the ignition OFF, disconnect the battery, and wait at least 3 minutes before performing any service.

Precaution for Procedure without Cowl Top Cover

INFOID:000000010098702

When performing the procedure after removing cowl top cover, cover the lower end of windshield with urethane, etc to prevent damage to windshield.



PRECAUTIONS

< PRECAUTION >

Precautions for Removing of Battery Terminal

INFOID:000000010286205

- When removing the 12V battery terminal, turn OFF the ignition switch and wait at least 30 seconds.

NOTE:

ECU may be active for several tens of seconds after the ignition switch is turned OFF. If the battery terminal is removed before ECU stops, then a DTC detection error or ECU data corruption may occur.

- For vehicles with the 2-batteries, be sure to connect the main battery and the sub battery before turning ON the ignition switch.

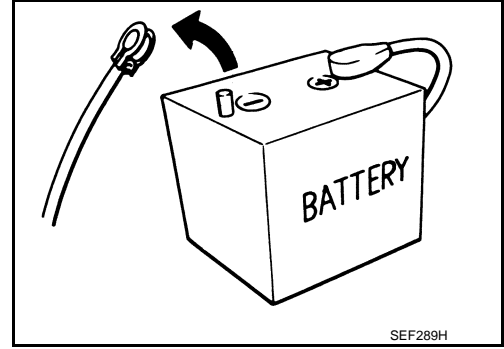
NOTE:

If the ignition switch is turned ON with any one of the terminals of main battery and sub battery disconnected, then DTC may be detected.

- After installing the 12V battery, always check "Self Diagnosis Result" of all ECUs and erase DTC.

NOTE:

The removal of 12V battery may cause a DTC detection error.



PREPARATION

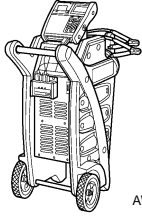
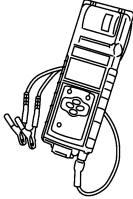
< PREPARATION >

PREPARATION

PREPARATION

Special Service Tools

INFOID:0000000010098703

Tool number (Kent-Moore No.) Tool name	Description
<p>— (—) Model GR8-1200 NI Multitasking battery and electrical diagnostic station</p>  <p style="text-align: right; font-size: small;">AWI1A1239ZZ</p>	<p>Tests batteries, starting and charging systems and charges batteries. For operating instructions, refer to diagnostic station instruction manual.</p>
<p>— (—) Model EXP-800 NI Battery and electrical diagnostic analyzer</p>  <p style="text-align: right; font-size: small;">JSMIA0806ZZ</p>	<p>Tests batteries and charging systems. For operating instructions, refer to diagnostic analyzer instruction manual.</p>

A
B
C
D
E
F
G
H
I
J
K
L
PG
N
O
P

PG

COMPONENT PARTS

< SYSTEM DESCRIPTION >

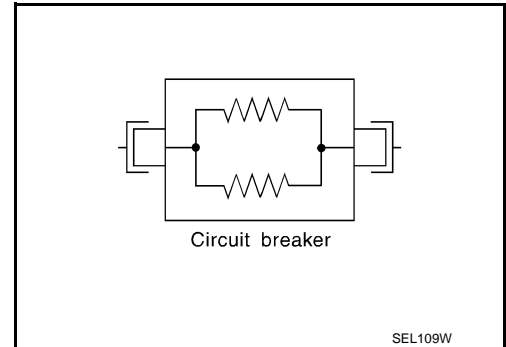
SYSTEM DESCRIPTION

COMPONENT PARTS

Circuit Breaker

INFOID:0000000010098704

The PTC thermistor generates heat in response to current flow. The temperature (and resistance) of the thermistor element varies with current flow. Excessive current flow will cause the element's temperature to rise. When the temperature reaches a specified level, the electrical resistance will rise sharply to control the circuit current. Reduced current flow will cause the element to cool. Resistance falls accordingly and normal circuit current flow is allowed to resume.



Battery

INFOID:0000000010098705

Application	VQ37VHR engine models	VK56VD engine models
Type	110D26L-HR*	110D26L-HP*
20 hour rate capacity [V - Ah]	12 - 75	12 - 75
Cold cranking current (For reference value) [A]	720	720

HR* and HP*: Because of the frequent battery charge/discharge performed according to a driving condition and a battery condition, this model uses a charge/discharge capacity-enhanced battery. Therefore, it is recommended to use a genuine battery when replacement is needed.

Harness Connector

INFOID:0000000010098706

HARNESS CONNECTOR (TAB-LOCKING TYPE)

- The tab-locking type connectors help prevent accidental looseness or disconnection.
- The tab-locking type connectors are disconnected by pushing or lifting the locking tab(s). Refer to the figure below.

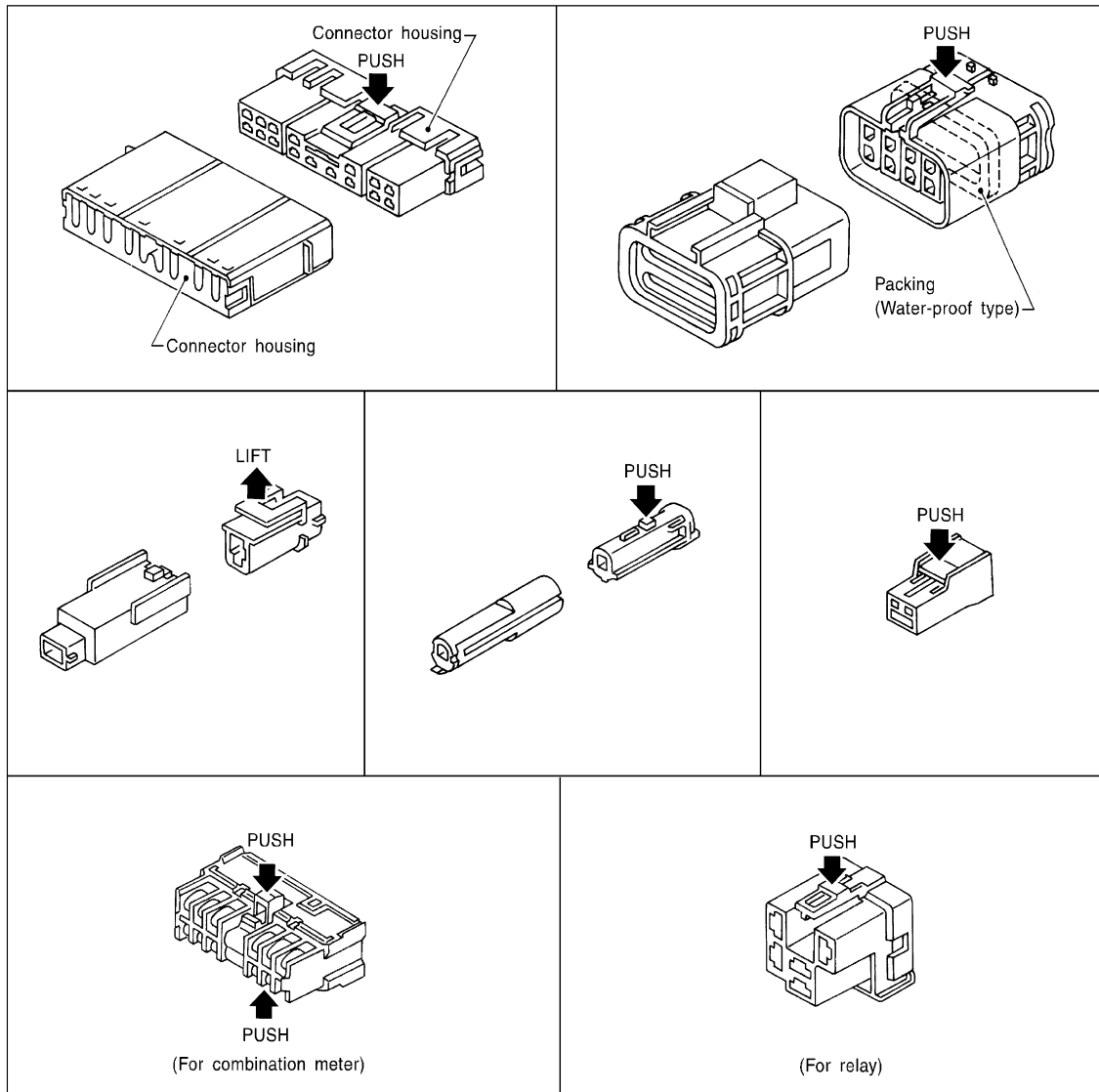
CAUTION:

Never pull the harness or wires when disconnecting the connector.

COMPONENT PARTS

< SYSTEM DESCRIPTION >

[Example]



SEL769DA

HARNESS CONNECTOR (SLIDE-LOCKING TYPE)

- A new style slide-locking type connector is used on certain systems and components, especially those related to OBD.
- The slide-locking type connectors help prevent incomplete locking and accidental looseness or disconnection.
- The slide-locking type connectors are disconnected by pushing or pulling the slider. Refer to the figure below.

CAUTION:

- **Never pull the harness or wires when disconnecting the connector.**
- **Be careful not to damage the connector support bracket when disconnecting the connector.**

A
B
C
D
E
F
G
H
I
J
K
L

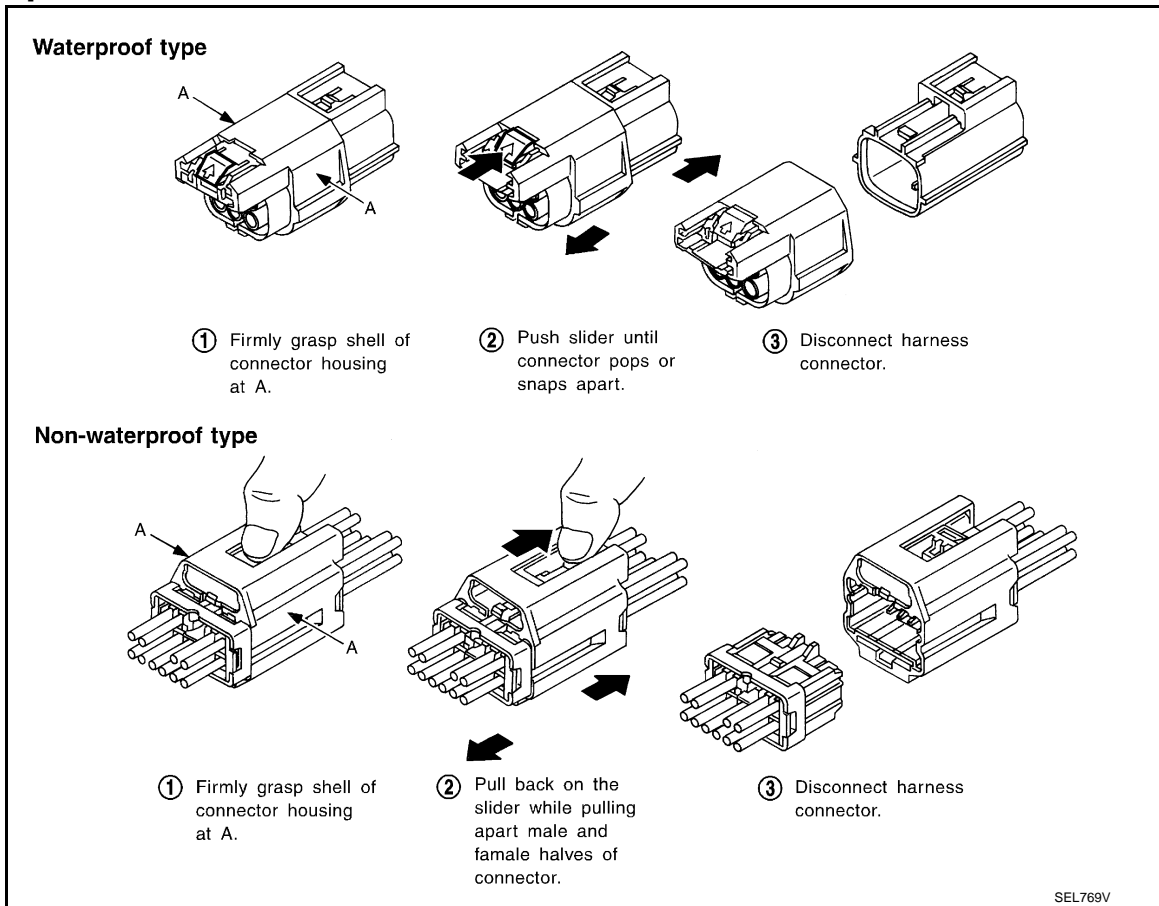
PG

N
O
P

COMPONENT PARTS

< SYSTEM DESCRIPTION >

[Example]



HARNESS CONNECTOR (LEVER LOCKING TYPE)

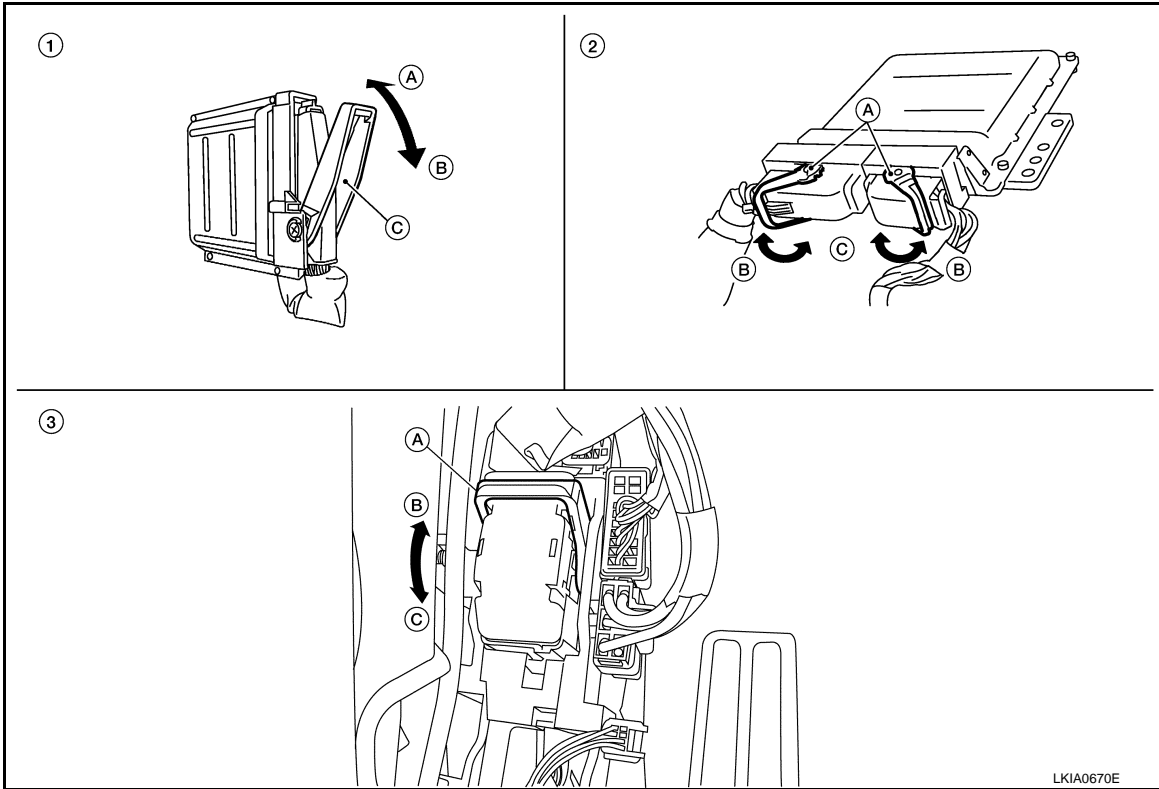
- Lever locking type harness connectors are used on certain control units and control modules such as ECM, ABS actuator and electric unit (control unit), etc.
- Lever locking type harness connectors are also used on super multiple junction (SMJ) connectors.
- Always confirm the lever is fully locked in place by moving the lever as far as it will go to ensure full connection.

CAUTION:

COMPONENT PARTS

< SYSTEM DESCRIPTION >

Always confirm the lever is fully released (loosened) before attempting to disconnect or connect these connectors to avoid damage to the connector housing or terminals.



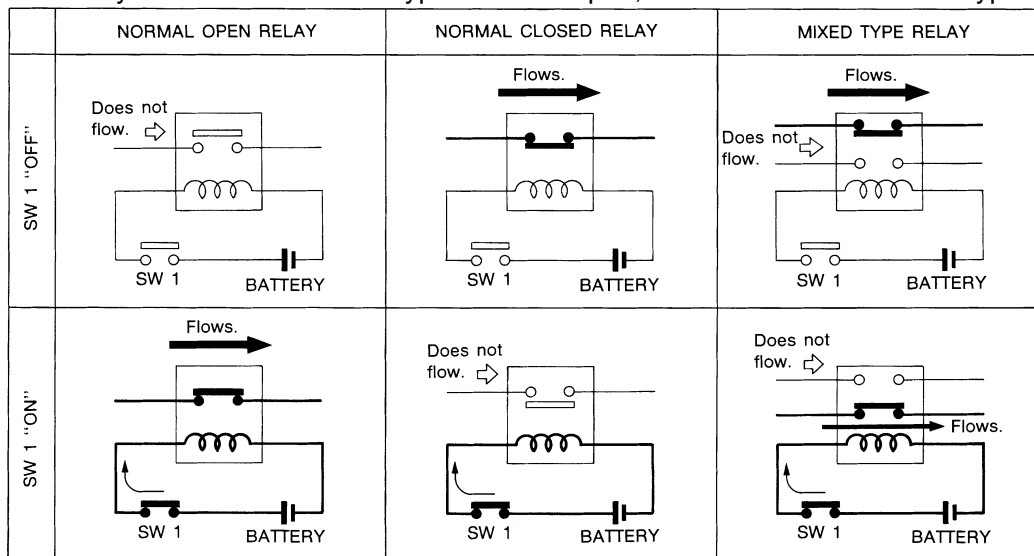
- | | | |
|--|--|---|
| <p>1. Control unit with single lever</p> <p>A. Fasten</p> <p>B. Loosen</p> <p>C. Lever</p> | <p>2. Control unit with dual levers</p> <p>A. Levers</p> <p>B. Fasten</p> <p>C. Loosen</p> | <p>3. SMJ connector</p> <p>A. Lever</p> <p>B. Fasten</p> <p>C. Loosen</p> |
|--|--|---|

Standardized Relay

INFOID:000000010098707

NORMAL OPEN, NORMAL CLOSED AND MIXED TYPE RELAYS

Relays can mainly be divided into three types: normal open, normal closed and mixed type relays.



SEL881H

TYPE OF STANDARDIZED RELAYS

A
B
C
D
E
F
G
H
I
J
K
L

PG

N
O
P

COMPONENT PARTS

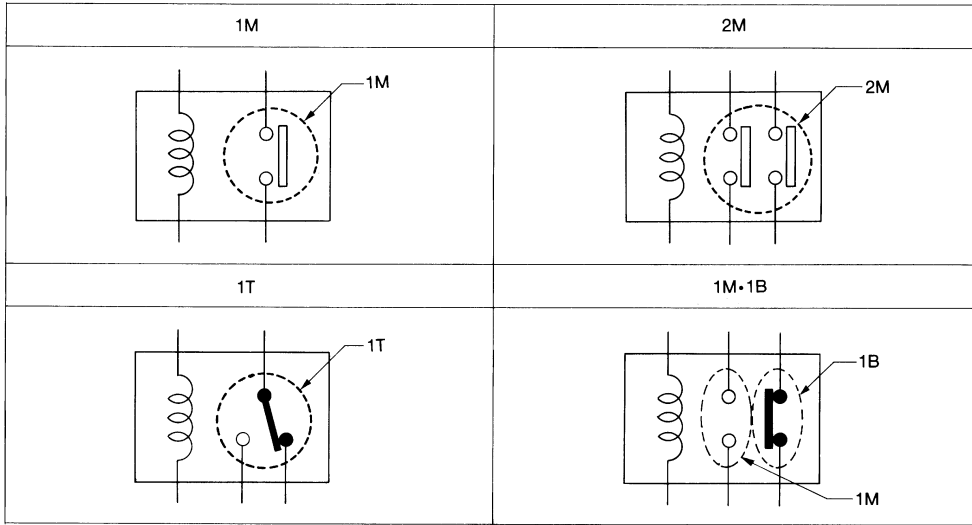
< SYSTEM DESCRIPTION >

1M 1 Make

2M 2 Make

1T 1 Transfer

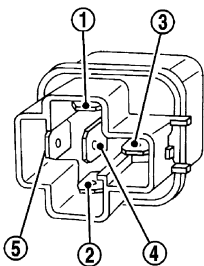
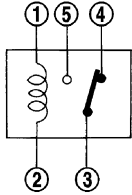
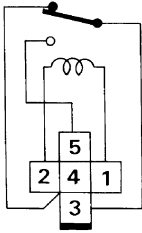
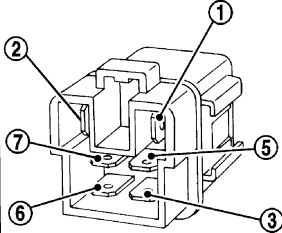
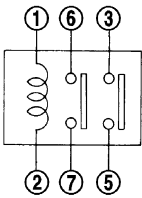
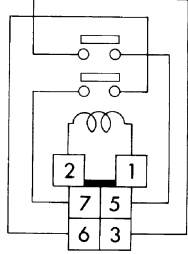
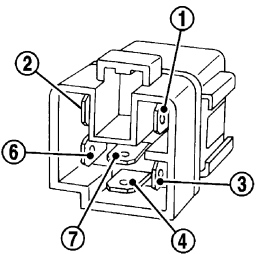
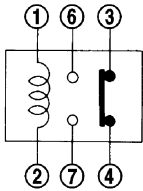
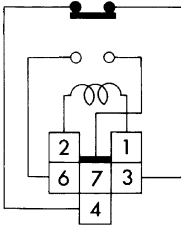
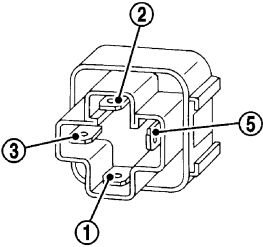
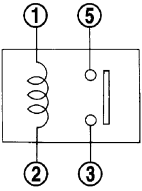
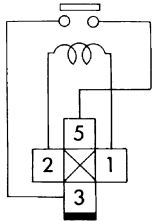
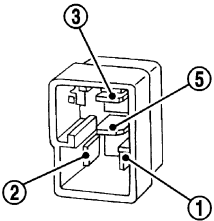
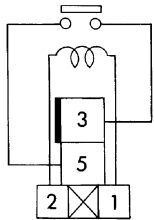
1M·1B 1 Make 1 Break



SEL882H

COMPONENT PARTS

< SYSTEM DESCRIPTION >

Type	Outer view	Circuit	Connector symbol and connection	Case color
1T				BLACK
2M				BROWN
1M•1B				GRAY
1M				BLUE
				

The arrangement of terminal numbers on the actual relays may differ from those shown above.

SEL188W

A
B
C
D
E
F
G
H
I
J
K
L
PG
N
O
P

POWER SUPPLY ROUTING CIRCUIT

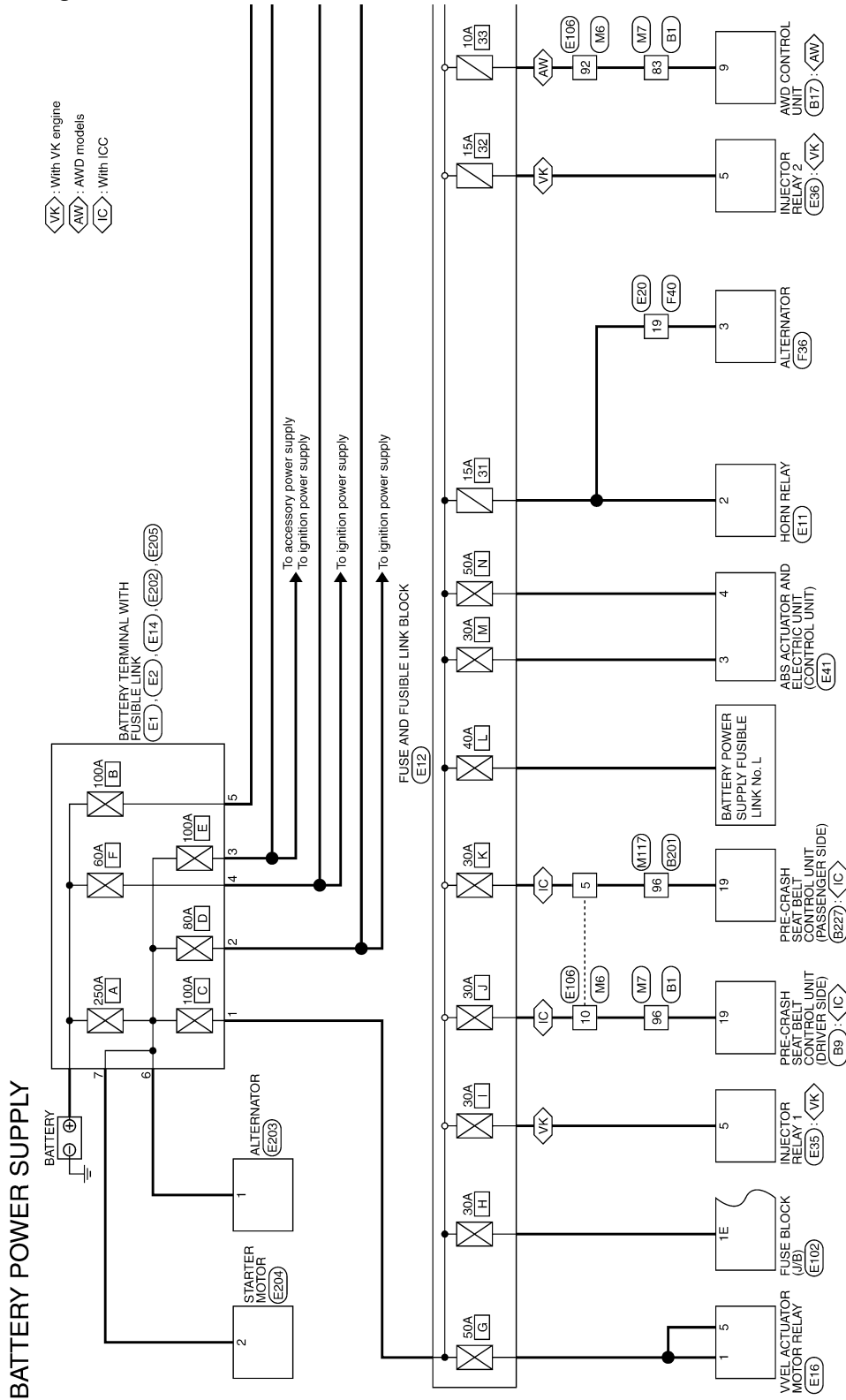
< WIRING DIAGRAM >

WIRING DIAGRAM

POWER SUPPLY ROUTING CIRCUIT

Wiring Diagram - BATTERY POWER SUPPLY -

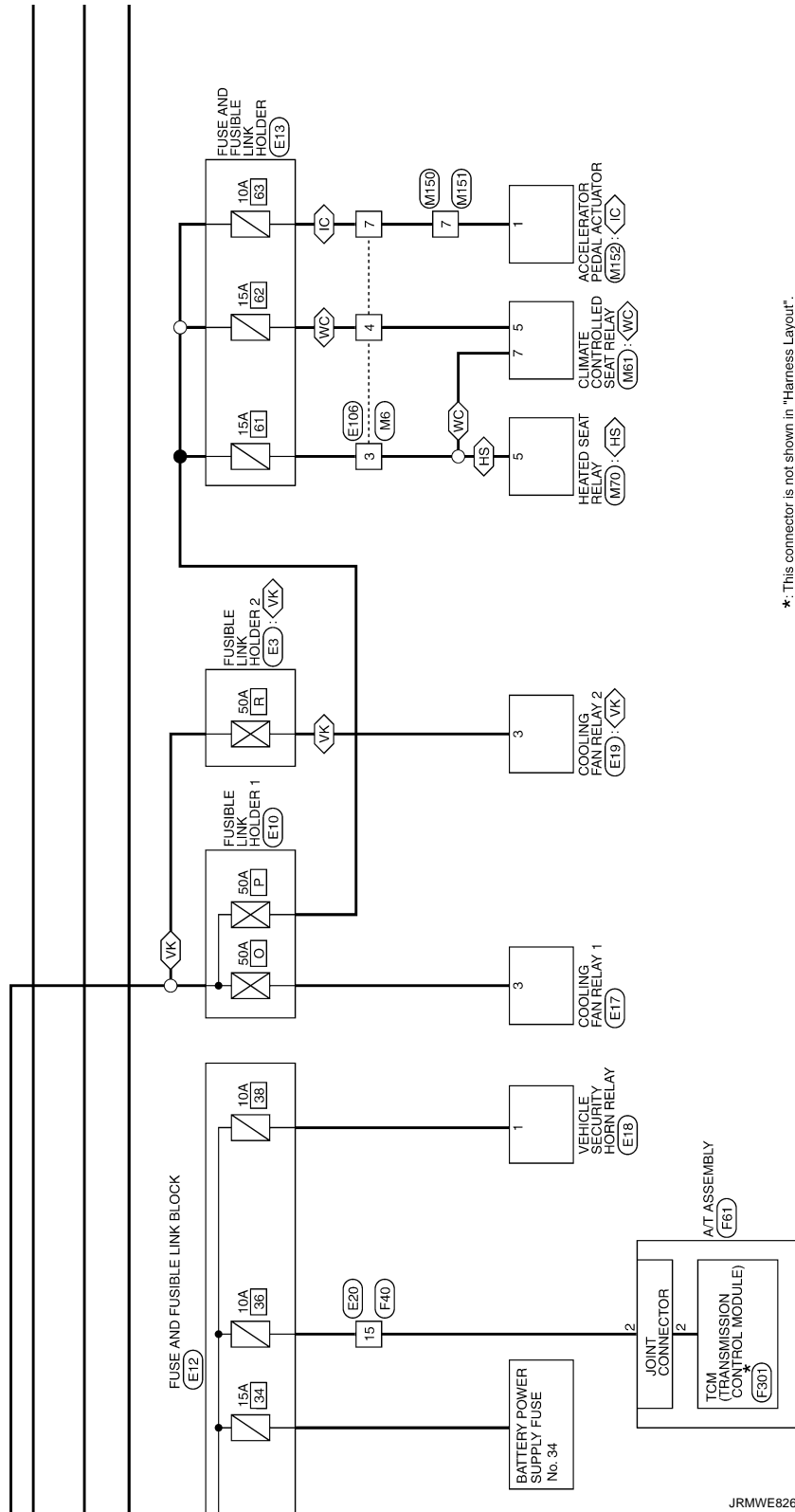
INFOID:000000010098708



POWER SUPPLY ROUTING CIRCUIT

< WIRING DIAGRAM >

- <VK> : With VK engine
- <IC> : With ICC
- <WC> : With climate controlled seat
- <HS> : With heated seat



*: This connector is not shown in "Harness Layout".

JRMWE8264GB

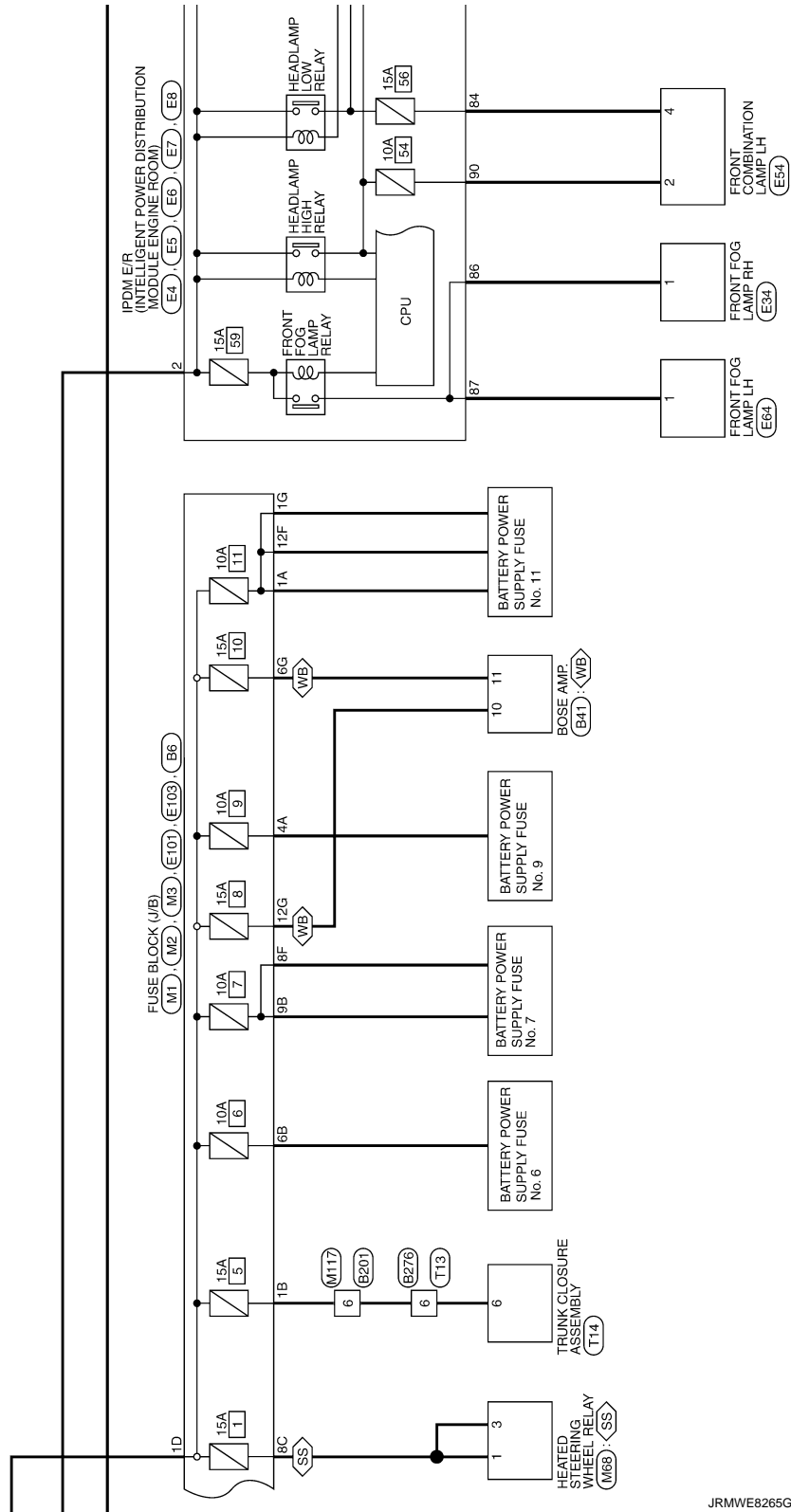
A
B
C
D
E
F
G
H
I
J
K
L
N
O
P

PG

POWER SUPPLY ROUTING CIRCUIT

< WIRING DIAGRAM >

WB : With BOSE system
SS : With heated steering

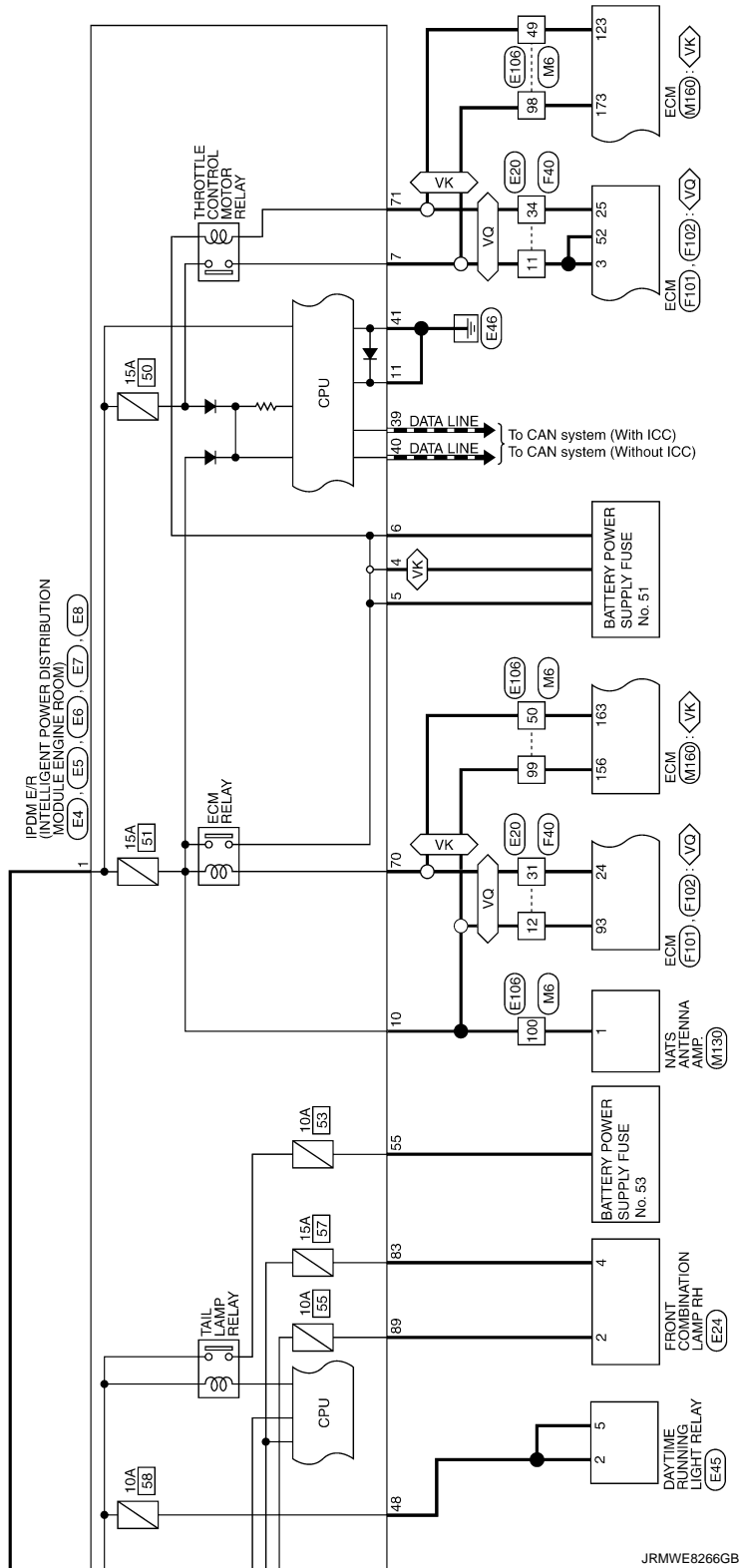


JRMWE8265GB

POWER SUPPLY ROUTING CIRCUIT

< WIRING DIAGRAM >

: With VK engine
 : With VQ engine



JRMWE8266GB

A
B
C
D
E
F
G
H
I
J
K
L
M
N
O
P

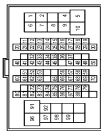
PG

POWER SUPPLY ROUTING CIRCUIT

< WIRING DIAGRAM >

BATTERY POWER SUPPLY

Connector No.	B1
Connector Name	WIRE TO WIRE
Connector Type	TH88FW-C516-TM4

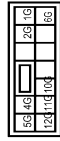


Terminal No.	Color	Wire	Signal Name [Specification]
1	R	W	
2	W	W	
3	W	W	
4	LG	W	
5	P	V	
6	V	GR	
7	GR	Y	
8	Y	LG	
9	LG	V	
10	V	GR	
11	GR		[With climate controlled seat]
11	L		[With heated seat]
12	GR		[With heated seat]
12	P		[With climate controlled seat]
13	BR		
14	G		
15	V		
16	V		
17	B		
18	R		
19	W		
20	R		
21	B		
22	LG		
23	V		
24	Y		
25	G		
26	G		
27	SB		
28	W		
29	W		
30	W		
30	SHIELD		
32			
33	R		
34	L		
35	R		

36	G		
37	SB		
38	SHIELD		
40			
41	GR/V		
42	W/L		
43	L		
44	B		
45	W		
47	O		
48	Y		
49	BR		
50	SB		
51	V		
52	LG		
53	G		
54	BR		
55	LG		
56	Y		
60	W		
61	B		
62	LG		
63	V		
65	O		
66	BR		
67	V		
68	LG		
69	GR		
70	R		
72	L		
73	P		
74	L		
75	P		
76	Y		
77	R		
78	W		
79	G		
80	L		
81	LG		
82	BR		
83	SB		
84	W		
85	W		
86	R		
87	G		
88	GR		
91	SB		
92	G		
96	Y		

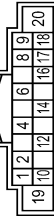
07	O		
08	SB		
09	LG		

Connector No.	B6
Connector Name	FUSE BLOCK (J/B)
Connector Type	NS12FBR-C5



Terminal No.	Color	Wire	Signal Name [Specification]
10C	W		
11G	W		
12C	GR		
13G	GR		
14G	O/R		
15G	L		
16G	P/L		
17G	G		

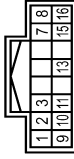
Connector No.	B8
Connector Name	PRE-CRASH SEAT BELT CONTROL UNIT DRIVER SIDE
Connector Type	TH88FW-C52



Terminal No.	Color	Wire	Signal Name [Specification]
1	V		SIG BAT
2	G		OUT 1
4	R		CAN L0
6	LG		BUCKLE SW LH NO
8	BR		LOCAL COMM 2
9	SHIELD		SHIELD GND

10	R		SENS POWER 1
12	B		OUT 2
14	Y		CAN LH
16	Y		LOCAL COMM 1
17	W		SENS GND 1
18	B		SIG GND
19	Y		MOTOR BAT
20	B		MOTOR GND

Connector No.	B17
Connector Name	AWD CONTROL UNIT
Connector Type	TH88FW-NH



Terminal No.	Color	Wire	Signal Name [Specification]
1	BR		AWD SOL (+)
2	R		AWD SOL (-)
3	W		FLUID TEMP (-)
7	Y		IGN
8	Y		CAN L
9	SB		AWD SOL BAT
10	B/Y		GND
11	B/Y		GND
13	LG		FLUID TEMP (+)
15	G		BATTERY POWER SUPPLY
16	P		CAN-L

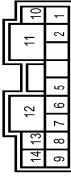
JRMWE8267GB

POWER SUPPLY ROUTING CIRCUIT

< WIRING DIAGRAM >

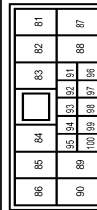
BATTERY POWER SUPPLY

Connector No.	B41
Connector Name	BOSE AMP.
Connector Type	SGA12BR-SJ42



Terminal No.	Color Of Wire	Signal Name [Specification]
1	O	SOUND SIGNAL FRONT DOOR WOOFER RH (+)
2	G	SOUND SIGNAL FRONT DOOR WOOFER LH (-)
3	R	SOUND SIGNAL FRONT DOOR WOOFER RH (+)
4	L	SOUND SIGNAL FRONT DOOR WOOFER LH (-)
5	G	GND
6	P/L	SOUND SIGNAL REAR WOOFER (-)
7	W	SOUND SIGNAL FRONT DOOR SPEAKER & TWEETER RH (+)
8	V	BATTERY
9	G	BATTERY
10	B/R	GND
11	R/L	SOUND SIGNAL REAR WOOFER (+)
12	B	SOUND SIGNAL FRONT DOOR SPEAKERS & TWEETER RH (+)
13	W	SOUND SIGNAL FRONT DOOR SPEAKERS & TWEETER LH (-)
14	P	BATTERY

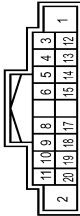
Connector No.	B46
Connector Name	BOSE AMP.
Connector Type	NH0FW-CSS0



Terminal No.	Color Of Wire	Signal Name [Specification]
86	P	SOUND SIGNAL PASSENGER SEAT SPEAKER RH (+)
87	G	SOUND SIGNAL PASSENGER SEAT SPEAKER LH (-)
88	B/R	GND
89	Y	BATTERY
90	O	SOUND SIGNAL SATELLITE SPEAKER RH (+)
81	G	SOUND SIGNAL SATELLITE SPEAKER LH (-)
82	R	SOUND SIGNAL SATELLITE SPEAKER RH (+)
83	L	SOUND SIGNAL SATELLITE SPEAKER LH (-)

88	B/R	GND
89	G	BATTERY
90	G	AMP. CH. SIGNAL
91	G	AMP. CH. SIGNAL
92	GR	SOUND SIGNAL SATELLITE SPEAKER RH (+)
93	GR	SOUND SIGNAL SATELLITE SPEAKER LH (-)
94	B/R	SHIELD
95	O	SOUND SIGNAL PASSENGER SEAT SPEAKER RH (+)
96	W/L	SOUND SIGNAL PASSENGER SEAT SPEAKER LH (-)
97	SHIELD	SHIELD
98	O/L	SOUND SIGNAL SATELLITE SPEAKER LH (-)
99	W	SOUND SIGNAL SATELLITE SPEAKER RH (+)
100	W	SOUND SIGNAL SATELLITE SPEAKER LH (-)

Connector No.	B57
Connector Name	ACTIVE NOISE CONTROL UNIT
Connector Type	TH18FW-GS2



Terminal No.	Color Of Wire	Signal Name [Specification]
1	B/R	GND
2	Y	BATTERY
3	Y	SOUND SIGNAL FRONT LH+
4	V	SOUND SIGNAL FRONT RH+
5	LG	SOUND SIGNAL REAR LH+
6	O	SOUND SIGNAL REAR RH+
7	W	SOUND SIGNAL FRONT DOOR SPEAKER & SUBWOOFER LH
8	B	SOUND SIGNAL FRONT DOOR SPEAKER & SUBWOOFER RH
9	G	SOUND SIGNAL REAR DOOR SPEAKER LH
10	R	SOUND SIGNAL REAR DOOR SPEAKER RH
11	R	SOUND SIGNAL FRONT DOOR SPEAKER LH
12	L	SOUND SIGNAL FRONT DOOR SPEAKER RH
13	GR	SOUND SIGNAL FRONT LH-
14	W	SOUND SIGNAL FRONT RH-
15	SB	SOUND SIGNAL REAR LH-
16	B	SOUND SIGNAL REAR RH-
17	R	SOUND SIGNAL FRONT DOOR SPEAKER LH
18	R	SOUND SIGNAL FRONT DOOR SPEAKER RH
19	R	SOUND SIGNAL REAR DOOR SPEAKER LH
20	G	SOUND SIGNAL REAR DOOR SPEAKER RH

Connector No.	B74
Connector Name	EVAP CANISTER VENT CONTROL VALVE
Connector Type	EDCFB-RS



Terminal No.	Color Of Wire	Signal Name [Specification]
1	W	POWER
2	G	GND

Connector No.	B201
Connector Name	WIRE TO WIRE
Connector Type	THBDMW-GS16-TM4



Terminal No.	Color Of Wire	Signal Name [Specification]
3	R	SHIELD
6	R	SHIELD
13	Y	SHIELD
17	GR	SHIELD
18	P	SHIELD
19	BR	SHIELD
20	GR	SHIELD
21	Y	SHIELD
22	GR	SHIELD
23	R	SHIELD
24	V	SHIELD
25	W	SHIELD
26	W	SHIELD
27	O	SHIELD
28	V	SHIELD
29	P	SHIELD
30	O	SHIELD
31	B/R	SHIELD

32	Y	SHIELD
40	SHIELD	SHIELD
41	SHIELD	SHIELD
42	Y	SHIELD
44	P	SHIELD
45	SB	SHIELD
46	R	SHIELD
46	Y	SHIELD
47	G	SHIELD
47	GR	SHIELD
48	V	SHIELD
49	O	SHIELD
50	R	SHIELD
51	GR	SHIELD
52	LG	SHIELD
53	P	SHIELD
54	W	SHIELD
57	W	SHIELD
58	O	SHIELD
59	Y	SHIELD
61	SB	SHIELD
62	L	SHIELD
63	W	SHIELD
66	L	SHIELD
67	Y	SHIELD
68	SB	SHIELD
69	B	SHIELD
70	R	SHIELD
71	L	SHIELD
72	B	SHIELD
75	SHIELD	SHIELD
76	SHIELD	SHIELD
77	G	SHIELD
78	R	SHIELD
79	P	SHIELD
80	G	SHIELD
81	O	SHIELD
82	BR	SHIELD
83	GR	SHIELD
84	Y	SHIELD
85	LG	SHIELD
86	W	SHIELD
87	O	SHIELD
88	Y	SHIELD
89	BR	SHIELD
90	SHIELD	SHIELD
91	BR	SHIELD
93	O	SHIELD
93	Y	SHIELD
94	GR	SHIELD

A B C D E F G H I J K L N O P

PG

JRMWE8268GB

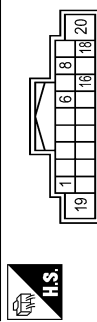
POWER SUPPLY ROUTING CIRCUIT

< WIRING DIAGRAM >

BATTERY POWER SUPPLY

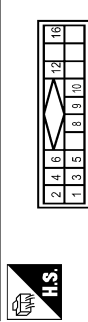
8	W	
9	B	
10	W	
12	LG	
16	Y	

Connector No.	B227
Connector Name	PRE-CRASH SEAT BELT CONTROL UNIT (PASSENGER SIDE)
Connector Type	TH18FW-CSZ



Terminal No.	Color Of Wire	Signal Name [Specification]
1	P	SIG BAT
2	G	BUICKLE SW RH NO
3	V	LOCAL COMM 2
4	LG	LOCAL COMM 1
5	B	SIG GND
6	W	MOTOR BAT
7	W	MOTOR GND
8	B	SIG
9	W	SIG
10	W	SIG
11	W	SIG
12	W	SIG
13	W	SIG
14	W	SIG
15	W	SIG
16	W	SIG
17	W	SIG
18	W	SIG
19	W	SIG

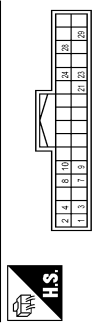
Connector No.	B228
Connector Name	SATELLITE RADIO TUNER
Connector Type	A18FW



Terminal No.	Color Of Wire	Signal Name [Specification]
1	G	SATELLITE RADIO SOUND SIGNAL LH (-)
2	R	SATELLITE RADIO SOUND SIGNAL LH (+)
3	W	SATELLITE RADIO SOUND SIGNAL RH (-)
4	B	SATELLITE RADIO SOUND SIGNAL RH (+)
5	SHIELD	SHIELD
6	SHIELD	SHIELD

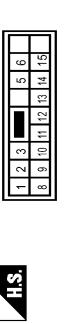
8	R	REQUEST (SAT->CONT)
9	B	COMM (SAT->CONT)
10	W	COMM (CONT->SAT)
12	Y	BATTERY
16	V	ACC

Connector No.	B237
Connector Name	TEL ADAPTER UNIT
Connector Type	TH32FW-NH



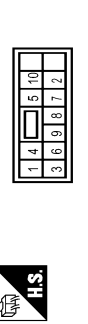
Terminal No.	Color Of Wire	Signal Name [Specification]
1	LG	BATTERY
2	L	ACC
3	P	IGNITION
4	B/R	MICROPHONE SIGNAL
5	SHIELD	MICROPHONE GND
6	W/L	TEL VOICE SIGNAL (+)
7	B/R	TEL VOICE SIGNAL (-)
8	B/R	CONTROL SIGNAL
9	B/R	CONTROL SIGNAL
10	W	VEHICLE SPEED SIGNAL (8-PULSE)
11	B/R	MICROPHONE VCC
12	B/R	MICROPHONE VCC
13	B/R	MICROPHONE VCC
14	B/R	MICROPHONE VCC
15	B/R	MICROPHONE VCC
16	B/R	MICROPHONE VCC

Connector No.	B276
Connector Name	WIRE TO WIRE
Connector Type	NS18MW-CS



Terminal No.	Color Of Wire	Signal Name [Specification]
1	CS	WIRE TO WIRE
2	CS	WIRE TO WIRE
3	V	WIRE TO WIRE
5	W	WIRE TO WIRE
6	R	WIRE TO WIRE
8	B	WIRE TO WIRE
9	O	WIRE TO WIRE
10	B/R	WIRE TO WIRE
11	L	WIRE TO WIRE
12	L/W	WIRE TO WIRE
13	L/R	WIRE TO WIRE
14	B/R	WIRE TO WIRE
15	Y	WIRE TO WIRE

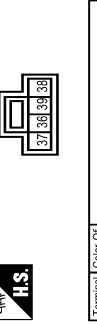
Connector No.	B513
Connector Name	DRIVER SEAT CONTROL UNIT
Connector Type	NS12FW-CS



Terminal No.	Color Of Wire	Signal Name [Specification]
1	R	BAT (PTC)
2	B	GND
3	G	SLIDE MOTOR (FORWARD)
4	G/R	SLIDE MOTOR (BACKWARD)
5	V	RECLINER MOTOR (FORWARD)
6	R/L	RECLINER MOTOR (BACKWARD)
7	L	REAR LIFTER MOTOR (DOWNWARD)

8	L/W	REAR LIFTER MOTOR (UPWARD)
9	L/B	FRONT LIFTER MOTOR (UPWARD)
10	L/B	FRONT LIFTER MOTOR (DOWNWARD)

Connector No.	B516
Connector Name	LUMBAR SUPPORT SWITCH
Connector Type	NS2MFV-CS



Terminal No.	Color Of Wire	Signal Name [Specification]
36	R	LUMBAR SUPPORT SWITCH
37	LG	LUMBAR SUPPORT SWITCH
38	Y/W	LUMBAR SUPPORT SWITCH
39	Y	LUMBAR SUPPORT SWITCH

Connector No.	D5
Connector Name	SEAT MEMORY SWITCH
Connector Type	TH18FW-NH



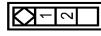
Terminal No.	Color Of Wire	Signal Name [Specification]
1	R	SEAT MEMORY SWITCH
2	V	SEAT MEMORY SWITCH
3	W	SEAT MEMORY SWITCH
4	B	SEAT MEMORY SWITCH
5	LG	SEAT MEMORY SWITCH
6	GR	SEAT MEMORY SWITCH
7	O	SEAT MEMORY SWITCH
8	Y	SEAT MEMORY SWITCH
9	B/W	SEAT MEMORY SWITCH

POWER SUPPLY ROUTING CIRCUIT

< WIRING DIAGRAM >

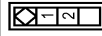
BATTERY POWER SUPPLY

Connector No.	D78
Connector Name	ASHTRAY ILLUMINATION (REAR LH)
Connector Type	A03FW



Terminal No.	Color Of Wire	Signal Name [Specification]
1	L	
2	B	

Connector No.	D78
Connector Name	ASHTRAY ILLUMINATION (REAR RH)
Connector Type	A03FW



Terminal No.	Color Of Wire	Signal Name [Specification]
1	L	
2	B	

Connector No.	E1
Connector Name	BATTERY TERMINAL WITH FUSIBLE LINK
Connector Type	LOGFBR-MC



Terminal No.	Color Of Wire	Signal Name [Specification]
1	R	
2	W	

Connector No.	E2
Connector Name	BATTERY TERMINAL WITH FUSIBLE LINK
Connector Type	LOGFSY-MC



Terminal No.	Color Of Wire	Signal Name [Specification]
3	R	
4	L	

Connector No.	E3
Connector Name	FUSIBLE LINK HOLDER 2
Connector Type	24390-LJ00A



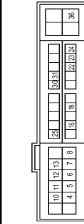
Terminal No.	Color Of Wire	Signal Name [Specification]
R	GR	

Connector No.	E4
Connector Name	FRAME INTELLIGENT POWER DISTRIBUTION MODULE SHIELD
Connector Type	LOGFB-MC



Terminal No.	Color Of Wire	Signal Name [Specification]
1	W	F/L MAIN
2	L	F/L USM

Connector No.	E5
Connector Name	FRAME INTELLIGENT POWER DISTRIBUTION MODULE ENGINE
Connector Type	TH02FW-CSTZ-M4-1V



Terminal No.	Color Of Wire	Signal Name [Specification]
5	P	ENG SOL
6	R	IGN COIL
7	R	ECM V2 [With VQ engine]
8	R	ETC [With VK engine]
9	Y	ETC [With VQ engine]
10	P	A/C COMP [With VK engine]
11	V	A/C COMP [With VQ engine]
12	B	ECM BAT
13	G	P-GND
14	GR	ABS ECU
15	GR	FUEL PUMP [With VQ engine]
16	W	FUEL PUMP [With VK engine]
17	Y	WATER STOP
18	Y	IGN SIGNAL
19	Y	IGN SIGNAL
20	Y	IGN SIGNAL
21	Y	IGN SIGNAL
22	BR	ALTC
23	P	DTRL RLY [With VQ engine]
24	SB	DTRL RLY [With VK engine]
25	O	HOOD SW
26	O	HOOD SW
27	LG	SUB ECU
28	LG	SUB ECU
29	BR	PUSH START SW
30	BR	PUSH START SW
31	BR	NP SW [With VK engine]
32	W	NP SW [With VQ engine]
33	W	NP SW [With VQ engine]
34	GR	F/L IGN SW

Connector No.	E6
Connector Name	FRAME INTELLIGENT POWER DISTRIBUTION MODULE ENGINE
Connector Type	TH03FW-NH



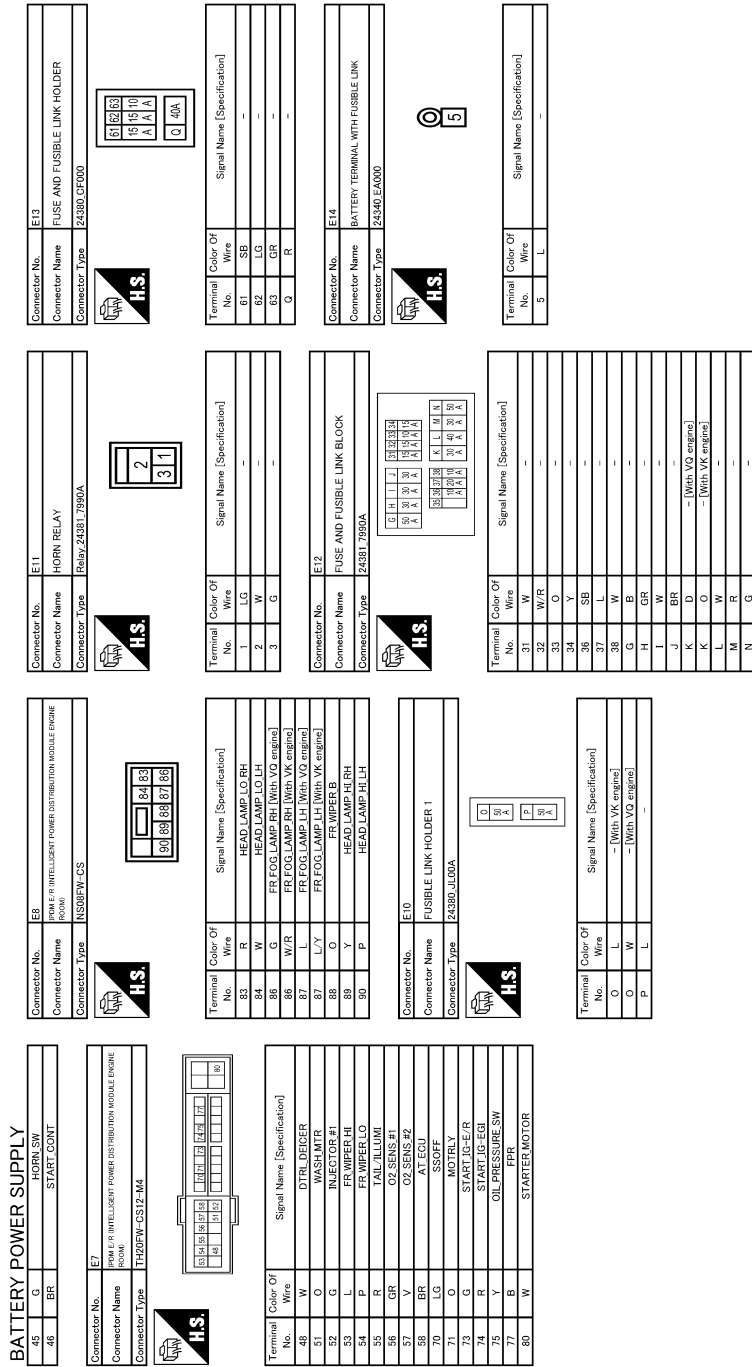
Terminal No.	Color Of Wire	Signal Name [Specification]
39	P	IGN-L
40	P	IGN-L
41	B	IGN-L
42	B	IGN-L
43	Y	MOTOR FAN RLY GOAT [With VQ engine]
44	Y	MOTOR FAN RLY GOAT [With VK engine]
45	SB	DETENT SW
46	GR	HORN RLY [With VK engine]
47	GR	HORN RLY [With VQ engine]

JRMWE8270GB

A
B
C
D
E
F
G
H
I
J
K
L
PG
N
O
P

POWER SUPPLY ROUTING CIRCUIT

< WIRING DIAGRAM >



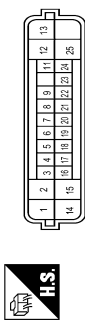
JRMWE8271GB

POWER SUPPLY ROUTING CIRCUIT

< WIRING DIAGRAM >

BATTERY POWER SUPPLY

Connector No.	E15
Connector Name	VVEL CONTROL MODULE
Connector Type	RH18ED-AJ28-LH



Connector No.	E16
Connector Name	VVEL ACTUATOR MOTOR RELAY
Connector Type	24347-9F900



Connector No.	E18
Connector Name	VEHICLE SECURITY HORN RELAY
Connector Type	MOBFW-R-LC



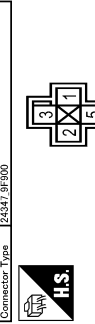
Connector No.	E20
Connector Name	WIRE TO WIRE
Connector Type	SAA38MB-FSS-SLZB



Terminal No.	Color Of Wire	Signal Name [Specification]
1	W	MGT-B2
2	B	MGT-B2
3	Y	VVEL/S1-B1 (With VQ engine)
4	W	VVEL/S1-B1 (With VK engine)
5	L	VVEL/S1-B2 (With VK engine)
6	W	VVEL/S1-B2 (With VQ engine)
7	B	ENGINE STOPPED VVEL CONTROL SHUNT POSITION SENSOR (BANK L)
8	Y	AVCC3 (With VK engine)
9	B	POWER SUPPLY FOR VVEL CONTROL MODULE
10	B	AVCC1 (With VK engine)
11	L	AVCC1 (With VQ engine)
12	GR	ENGINE COMMUNICATION LINE
13	VB	VVEL ACTUATOR MOTOR (HIGH LIFT) (BANK L)
14	L/R	VVEL CONTROL MODULE GROUND
15	L/W	MOTOR-S2
16	G	VVEL/S2-B1 (With VK engine)
17	R	VVEL/S2-B1 (With VQ engine)
18	G	AGND2 (With VQ engine)
19	Y	AGND2 (With VK engine)
20	G	VVEL/S2-B2 (With VQ engine)
21	R	VVEL/S2-B2 (With VK engine)
22	L	AGND4 (With VK engine)
23	R	AGND4 (With VQ engine)
24	L	AVCC4 (With VQ engine)
25	V	VVEL ACTUATOR MOTOR RELAY ABSORT SIGNAL
26	G	AVCC2 (With VK engine)
27	Y	AVCC2 (With VQ engine)
28	P	VVEL ACTUATOR MOTOR RELAY
29	L	CAN L
30	L/W	MOTOR-S2-B1

Terminal No.	Color Of Wire	Signal Name [Specification]
1	B	V
2	V	G
3	L	L
4	R	R
5	R	R

Connector No.	E17
Connector Name	COOLING FAN RELAY 1
Connector Type	24347-9F900



Terminal No.	Color Of Wire	Signal Name [Specification]
1	W	W
2	SHLD	SHIELD
3	SHLD	SHIELD
4	SHLD	SHIELD
5	L/W	L/W
6	W	W
7	L/B	L/B
8	P	P
9	P	P
10	G	G
11	W	W
12	Y	Y
13	L	L
14	LG	LG
15	V	V
16	GR	GR
17	GR	GR
18	GR	GR
19	BR	BR
20	BR	BR
21	G	G
22	O	O
23	L	L
24	GR	GR
25	Y	Y
26	V	V
27	Y	Y
28	B	B
29	B	B
30	B	B
31	LG	LG
32	W	W
33	GR	GR
34	GR	GR
35	GR	GR
36	GR	GR
37	SHLD	SHIELD
38	G	G
39	Y	Y
40	R	R
41	W	W

Connector No.	E19
Connector Name	COOLING FAN RELAY 2
Connector Type	24347-9F500



Terminal No.	Color Of Wire	Signal Name [Specification]
1	B/W	V
2	R	G
3	GR	L
4	L	L
5	L	R

JRMWE8272GB

A
B
C
D
E
F
G
H
I
J
K
L
M
N
O
P

PG

POWER SUPPLY ROUTING CIRCUIT

< WIRING DIAGRAM >

BATTERY POWER SUPPLY

42	B	-
46	SHIELD	-
47	R	-
48	L	-
49	G	-
50	B	-
51	Y	-
52	W	-

Connector No.	E24
Connector Name	FRONT COMBINATION LAMP RH
Connector Type	RS02FE-PR



Terminal No.	Color Of Wire	Signal Name [Specification]
1	O	-
2	Y	-
3	V	-
4	B/W	-
5	B/W	-
6	B/W	-

Connector No.	E34
Connector Name	FRONT FOG LAMP RH
Connector Type	FIH02FB



Terminal No.	Color Of Wire	Signal Name [Specification]
1	G	-
2	B/W	-

Connector No.	E55
Connector Name	INJECTOR RELAY 1
Connector Type	MS02FL-M2-LG



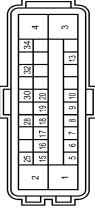
Terminal No.	Color Of Wire	Signal Name [Specification]
1	O	-
2	B	-
3	W	-
5	W	-

Connector No.	E56
Connector Name	INJECTOR RELAY 2
Connector Type	MS02FL-M2-LG



Terminal No.	Color Of Wire	Signal Name [Specification]
1	B/W	-
2	P	-
3	P	-
5	V	-

Connector No.	E41
Connector Name	ABS ACTUATOR AND ELECTRIC BART (CONTROL UNIT)
Connector Type	SAZ02FB-SJ24-U



Terminal No.	Color Of Wire	Signal Name [Specification]
1	B/W	ECU(GND)
2	B/W	MOTOR(GND)
3	Y	SOLENOID(POWER)
4	G	MOTOR(POWER)
5	SR	STOP LAMP SW
6	Y	CANM2(-)
7	W	R-LH SENS(SIGNAL)
8	G	R-LH SENS(POWER)
9	BR	F-RH SENS(SIGNAL)
10	B	F-RH SENS(POWER)
13	LG	VAC SENS(SIGNAL)
15	P	CAN-L
16	B	CANM2(0)
17	SR	R-RH SENS(SIGNAL)
18	SR	R-RH SENS(POWER)
19	SR	F-LH SENS(SIGNAL)
20	O	F-LH SENS(POWER)
25	L	CAN-H
26	V	VAC SENS(POWER)
30	R	VDO OFF SW
32	SHIELD	VAC SENS(GND)
34	G	IGN(POWER)

Connector No.	E45
Connector Name	DAYTIME RUNNING LIGHT RELAY
Connector Type	MS02FL-M2-LC



Terminal No.	Color Of Wire	Signal Name [Specification]
2	SR	-
3	O	-
5	O	-
5	W	-

Connector No.	E54
Connector Name	FRONT COMBINATION LAMP LH
Connector Type	RS02FE-PR



Terminal No.	Color Of Wire	Signal Name [Specification]
1	O	-
2	P	-
3	G	-
4	W	-
5	B/Y	-
6	B/Y	-

JRMWE8273GB

POWER SUPPLY ROUTING CIRCUIT

< WIRING DIAGRAM >

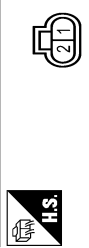
BATTERY POWER SUPPLY

Connector No.	E37
Connector Name	INTELLIGENT KEY WARNING BUZZER (ENGINE ROOM)
Connector Type	HK02FER



Terminal No.	Color Of Wire	Signal Name [Specification]
1	Y	G/BAT
2	V	BUZZER SIGNAL
3	V	

Connector No.	E64
Connector Name	FRONT FOG LAMP LH
Connector Type	FHZ02FB



Terminal No.	Color Of Wire	Signal Name [Specification]
1	L	
2	B/Y	

Connector No.	E82
Connector Name	IGG BRAKE HOLD RELAY
Connector Type	MS02FL-M2-LC



Terminal No.	Color Of Wire	Signal Name [Specification]
1	V	
2	G	
3	V	
4	V	
5	W	

Connector No.	E101
Connector Name	FUSE BLOCK (J/B)
Connector Type	LO11FW-MC



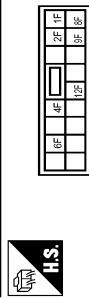
Terminal No.	Color Of Wire	Signal Name [Specification]
1D	R	

Connector No.	E102
Connector Name	FUSE BLOCK (J/B)
Connector Type	MG02FL-LC



Terminal No.	Color Of Wire	Signal Name [Specification]
1E	GR	

Connector No.	E103
Connector Name	FUSE BLOCK (J/B)
Connector Type	NS18FW-GS



Terminal No.	Color Of Wire	Signal Name [Specification]
10F	Y	
11F	SB	
12F	LG	
13F	G	
14F	O	
15F	BR	
16F	R	

Connector No.	E106
Connector Name	WIRE TO WIRE
Connector Type	TH88FW-CS16-TM4

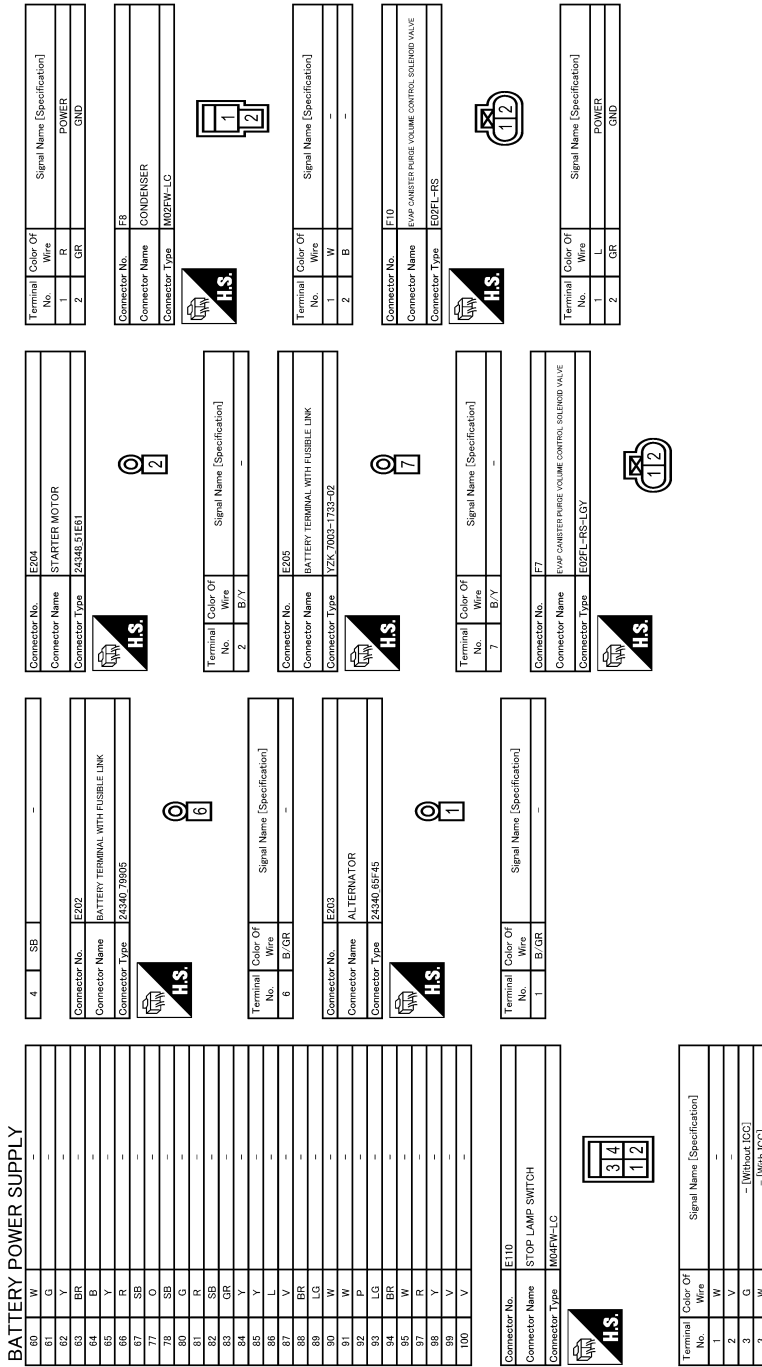


Terminal No.	Color Of Wire	Signal Name [Specification]
1	P	
2	B	
3	SB	
4	LG	
5	O	
6	GR	
7	G	
8	Y	
9	Y	
10	BR	
11	SB	
12	V	
13	GR	
14	GR	
15	V	
16	V	
17	GR	
18	GR	
19	Y	
20	BR	
21	P	
22	L	
23	P	
24	L	
25	SHIELD	
26	L/O	
27	W/L	
28	W/L	
29	BR	
30	G	
31	O	
32	O	
33	Y	
34	BR	
35	W	
36	GR	
37	V	
38	G	
39	O	
40	LG	

A
B
C
D
E
F
G
H
I
J
K
L
PG
N
O
P

POWER SUPPLY ROUTING CIRCUIT

< WIRING DIAGRAM >



JRMWE8275GB

POWER SUPPLY ROUTING CIRCUIT

< WIRING DIAGRAM >

BATTERY POWER SUPPLY

Connector No.	F21
Connector Name	INTAKE VALVE TIMING CONTROL SOLENOID VALVE (BANK 2)
Connector Type	EDDFG-RS



Connector No.	F15
Connector Name	IGNITION COIL No. 5 (WITH POWER TRANSISTOR)
Connector Type	EDDFCY-RS



Connector No.	F13
Connector Name	IGNITION COIL No. 3 (WITH POWER TRANSISTOR)
Connector Type	EDDFCY-RS



Connector No.	F11
Connector Name	IGNITION COIL No. 1 (WITH POWER TRANSISTOR)
Connector Type	EDDFCY-RS



Terminal No.	Color Of Wire	Signal Name [Specification]
1	GR	-
2	G	-

Terminal No.	Color Of Wire	Signal Name [Specification]
1	LG	-
2	B	-
3	W	-

Terminal No.	Color Of Wire	Signal Name [Specification]
1	L	-
2	B	-
3	W	-

Terminal No.	Color Of Wire	Signal Name [Specification]
1	Y	-
2	B	-
3	WB	-

Connector No.	F22
Connector Name	INTAKE VALVE TIMING CONTROL SOLENOID VALVE (BANK 1)
Connector Type	EDDFG-RS



Connector No.	F16
Connector Name	IGNITION COIL No. 6 (WITH POWER TRANSISTOR)
Connector Type	EDDFCY-RS



Connector No.	F14
Connector Name	IGNITION COIL No. 4 (WITH POWER TRANSISTOR)
Connector Type	EDDFCY-RS



Connector No.	F12
Connector Name	IGNITION COIL No. 2 (WITH POWER TRANSISTOR)
Connector Type	EDDFCY-RS



Terminal No.	Color Of Wire	Signal Name [Specification]
1	SB	-
2	G	-

Terminal No.	Color Of Wire	Signal Name [Specification]
1	V	-
2	B	-
3	W	-

Terminal No.	Color Of Wire	Signal Name [Specification]
1	GR	-
2	B	-
3	W	-

Terminal No.	Color Of Wire	Signal Name [Specification]
1	G	-
2	B	-
3	W	-

A
B
C
D
E
F
G
H
I
J
K
L
PG
N
O
P

JRMWE8276GB

POWER SUPPLY ROUTING CIRCUIT

< WIRING DIAGRAM >

BATTERY POWER SUPPLY

Connector No.	F25
Connector Name	EXHAUST VALVE TIMING CONTROL SOLENOID VALVE (BANK 2)
Connector Type	EDZEG-RS



Terminal No.	Color Of Wire	Signal Name [Specification]
1	V	-
2	G	-

Connector No.	F26
Connector Name	EXHAUST VALVE TIMING CONTROL SOLENOID VALVE (BANK 1)
Connector Type	EDZEG-RS



Terminal No.	Color Of Wire	Signal Name [Specification]
1	R	-
2	G	-

Connector No.	F28
Connector Name	INTAKE VALVE TIMING CONTROL SOLENOID VALVE (BANK 1)
Connector Type	EDZEG-RS-LGY



Terminal No.	Color Of Wire	Signal Name [Specification]
2	W	-

Connector No.	F29
Connector Name	INTAKE VALVE TIMING CONTROL SOLENOID VALVE (BANK 2)
Connector Type	EDZEG-RS-LGY



Terminal No.	Color Of Wire	Signal Name [Specification]
1	Y	-
2	W	-

Connector No.	F31
Connector Name	MASS AIR FLOW SENSOR (BANK 1)
Connector Type	RHD6FB



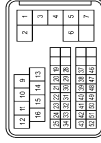
Terminal No.	Color Of Wire	Signal Name [Specification]
2	Y	-
3	O	-
4	V	-
5	SB	-

Connector No.	F36
Connector Name	ALTERNATOR
Connector Type	HSD3FB



Terminal No.	Color Of Wire	Signal Name [Specification]
2	G	-
3	L	-
4	P	-

Connector No.	F49
Connector Name	WIRE TO WIRE
Connector Type	SAA38FB-RS-SUZ8



Terminal No.	Color Of Wire	Signal Name [Specification]
2	SHIELD	-
3	L/B	-
4	SHIELD	-
5	L/W	-
6	R	- [With VK engine]
7	W	- [With VG engine]
9	W	-
10	G	-
11	G	- [With VK engine]
11	R	- [With VG engine]
12	W	-
13	P	-
14	Y	-
15	B	-
16	O	- [With VK engine]
16	Y	- [With VG engine]
19	L	-
20	GR	-
21	G	-
22	W	-
23	L	-
24	Y	-
25	L/G	-
28	R	-
29	W	-
30	B	-
31	Y	-
32	BR	- [With VG engine]
32	L/G	- [With VK engine]
33	P	- [With VK engine]
33	Y	- [With VG engine]
34	O	-
37	SHIELD	-
38	L/G	- [With VK engine]

JRMWE8277GB

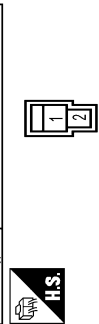
POWER SUPPLY ROUTING CIRCUIT

< WIRING DIAGRAM >

BATTERY POWER SUPPLY

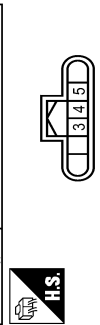
38	O/L	- [With VK engine]
39	P	- [With VK engine]
40	W/L	- [With VK engine]
41	O/L	- [With VK engine]
41	W	- [With VK engine]
42	LG	- [With VK engine]
42	O	- [With VK engine]
43	O	- [With VK engine]
43	W	- [With VK engine]
46	SHIELD	-
47	L/G	- [With VK engine]
47	W	- [With VK engine]
48	BR	- [With VK engine]
48	G/Y	- [With VK engine]
49	W/L	- [With VK engine]
50	O/L	- [With VK engine]
50	W/L	- [With VK engine]
51	O	- [With VK engine]
51	SB	- [With VK engine]
52	O	- [With VK engine]
52	W	- [With VK engine]

Connector No.	F41
Connector Name	CONDENSER
Connector Type	MOZFW-GY-LG



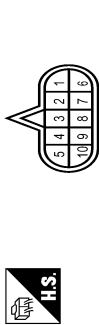
Terminal No.	Color Of Wire	Signal Name [Specification]
1	W	-
2	B	-

Connector No.	F42
Connector Name	MASS AIR FLOW SENSOR (BANK 2)
Connector Type	RH06FB



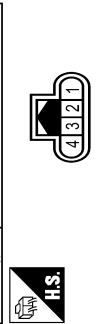
Terminal No.	Color Of Wire	Signal Name [Specification]
3	BR	-
4	G	-
5	Y	-

Connector No.	F61
Connector Name	A/T ASSEMBLY
Connector Type	RR0DFG-DCY



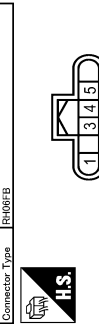
Terminal No.	Color Of Wire	Signal Name [Specification]
1	Y	POWER SUPPLY (BACK UP)
2	R	POWER SUPPLY (BACK UP)
3	L	HEV SYSTEM CAN-H
4	V	K-LINE
5	B	GND
6	G	POWER SUPPLY (IGN)
7	SB	BACK-UP LAMP RELAY
8	P	HEV SYSTEM CAN-L
9	BR	P/N SIGNAL (Without saddle shifter)
9	LG	P/N SIGNAL (With saddle shifter)
10	B	GROUND

Connector No.	F74
Connector Name	AIR FUEL RATIO (A/F) SENSOR 1 (BANK 2)
Connector Type	RH04DGY-BR



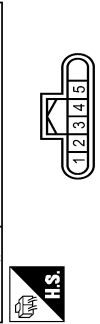
Terminal No.	Color Of Wire	Signal Name [Specification]
1	O	-
2	W/L	-
3	Y	-
4	Y	-

Connector No.	F85
Connector Name	MASS AIR FLOW SENSOR (BANK 2)
Connector Type	RH06FB



Terminal No.	Color Of Wire	Signal Name [Specification]
1	O	-
3	B	-
4	O	-
5	BR	-

Connector No.	F86
Connector Name	MASS AIR FLOW SENSOR (BANK 1)
Connector Type	RH06FB



Terminal No.	Color Of Wire	Signal Name [Specification]
1	P	-
2	GR	-
4	P	-
5	BR	-

Connector No.	F91
Connector Name	IGNITION coil No. 1 (with power transistor)
Connector Type	EQ0JFY-RS



Terminal No.	Color Of Wire	Signal Name [Specification]
1	O	-
2	B	-
3	W/B	-

A
B
C
D
E
F
G
H
I
J
K
L
N
O
P

PG

JRMWE8278GB

POWER SUPPLY ROUTING CIRCUIT

< WIRING DIAGRAM >

BATTERY POWER SUPPLY

Connector No.	F98
Connector Name	IGNITION COIL No. 8 (WITH POWER TRANSISTOR)
Connector Type	EDBFY-RS



Connector No.	F96
Connector Name	IGNITION COIL No. 8 (WITH POWER TRANSISTOR)
Connector Type	EDBFY-RS



Connector No.	F94
Connector Name	IGNITION COIL No. 4 (WITH POWER TRANSISTOR)
Connector Type	EDBFY-RS



Connector No.	F92
Connector Name	IGNITION COIL No. 2 (WITH POWER TRANSISTOR)
Connector Type	EDBFY-RS



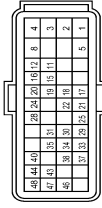
Terminal No.	Color Of Wire	Signal Name [Specification]
1	G	--
2	B	--
3	W	--

Terminal No.	Color Of Wire	Signal Name [Specification]
1	L	--
2	B	--
3	W	--

Terminal No.	Color Of Wire	Signal Name [Specification]
1	LG	--
2	B	--
3	W	--

Terminal No.	Color Of Wire	Signal Name [Specification]
1	G	--
2	B	--
3	W	--

Connector No.	F101
Connector Name	ECM
Connector Type	RHMBE-R28-L-PH-Z



Connector No.	F97
Connector Name	IGNITION COIL No. 7 (WITH POWER TRANSISTOR)
Connector Type	EDBFY-RS



Connector No.	F95
Connector Name	IGNITION COIL No. 5 (WITH POWER TRANSISTOR)
Connector Type	EDBFY-RS



Connector No.	F93
Connector Name	IGNITION COIL No. 3 (WITH POWER TRANSISTOR)
Connector Type	EDBFY-RS



Terminal No.	Color Of Wire	Signal Name [Specification]
1	W	A/F SENSOR 1 HEATER (BANK 1)
2	G	THROTTLE CONTROL MOTOR (BANK 1) (OPEN)
3	R	THROTTLE CONTROL MOTOR (POWER SUPPLY) (BANK 1)
4	BR	THROTTLE CONTROL MOTOR (BANK 1) (CLOSE)
5	L	A/F SENSOR 1 HEATER (BANK 2)
8	B	ECM GROUND
11	GR	IGNITION SIGNAL No. 4
12	L	IGNITION SIGNAL No. 3
15	LG	IGNITION SIGNAL No. 3
16	G	HEATED OXYGEN SENSOR 2 HEATER (BANK 1)
17	Y	HEATED OXYGEN SENSOR 2 HEATER (BANK 1)
18	Y	HEATED OXYGEN SENSOR 2 HEATER (BANK 1)
19	V	IGNITION SIGNAL No. 6
20	Y	IGNITION SIGNAL No. 1
21	GR	EVAP CANISTER PURGE VOLUME CONTROL SOLENOID VALVE
22	B	FUEL PUMP RELAY
24	V	ECM RELAY (SELF SHUT-OFF)

Terminal No.	Color Of Wire	Signal Name [Specification]
1	L	--
2	B	--
3	W	--

Terminal No.	Color Of Wire	Signal Name [Specification]
1	LG	--
2	B	--
3	W	--

Terminal No.	Color Of Wire	Signal Name [Specification]
1	G	--
2	B	--
3	W	--

JRMWE8279GB

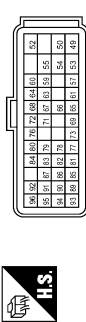
POWER SUPPLY ROUTING CIRCUIT

< WIRING DIAGRAM >

BATTERY POWER SUPPLY

25	O	THROTTLE CONTROL MOTOR RELAY
26	Y	THROTTLE CONTROL MOTOR RELAY POWER SUPPLY (BANK 2)
27	Y	THROTTLE CONTROL MOTOR RELAY POWER SUPPLY (BANK 1)
30	O	THROTTLE POSITION SENSOR 1 (BANK 1)
31	O/L	THROTTLE POSITION SENSOR 1 (BANK 2)
33	LG	HEATED OXYGEN SENSOR 2 (HEATER BANK 2)
34	W/L	THROTTLE POSITION SENSOR 2 (BANK 1)
35	W	THROTTLE POSITION SENSOR 2 (BANK 2)
37	L	CRANKSHAFT POSITION SENSOR
38	W	MANIFOLD ABSOLUTE PRESSURE SENSOR
40	O/L	SENSOR GROUND
44	W	SENSOR POWER SUPPLY 1 (THROTTLE POSITION SENSOR BANK 1)
46	R	AVCC POS
47	B	AVCC POS
48	O	SENSOR GROUND

Connector No.	F102
Connector Name	ECM
Connector Type	RH4PFR-R2E-LRH-Z



Terminal No.	Color Of Wire	Signal Name (Specification)
49	LG	THROTTLE CONTROL MOTOR (BANK 2) (CLOSE)
50	V	THROTTLE CONTROL MOTOR (BANK 2) (OPEN)
52	R	THROTTLE CONTROL MOTOR RELAY POWER SUPPLY (BANK 2)
53	G	IGNITION SWITCH
54	L	CAN COMMUNICATION LINE (LEVEL CONTROL MODULE)
55	Y	CAN COMMUNICATION LINE (LEVEL CONTROL MODULE)
57	L	A/F SENSOR 1 (BANK 1)
59	L	CAMSHAFT POSITION SENSOR (BANK 1)
60	G	AVCC PHST-E PHST/PS
61	B/W	A/F SENSOR 1 (BANK 1)
63	BR	CAMSHAFT POSITION SENSOR (BANK 2)
64	Y	A/F SENSOR 2 (BANK 2)
65	L/O	A/F SENSOR 1 (BANK 2)
66	W/L	A/F SENSOR 1 (BANK 2)
67	Y	INTAKE AIR TEMPERATURE SENSOR (BANK 1)
68	V	GNDA OA1/7A1
69	GR	KNOCK SENSOR (BANK 2)
71	SB	ENGINE COOLANT TEMPERATURE SENSOR

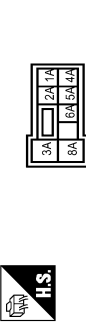
72	SHIELD	SENSOR GROUND (KNOCK SENSOR)
73	BR	HEATED OXYGEN SENSOR 1 (BANK 1)
74	O	MASS AIR FLOW SENSOR (BANK 1)
76	G	ENGINE OIL TEMPERATURE SENSOR
78	BR	MASS AIR FLOW SENSOR (BANK 2)
80	L	HEATED OXYGEN SENSOR 2 (BANK 2)
81	Y	FUEL INJECTOR No. 3
82	V	FUEL INJECTOR No. 6
83	GR	BATT TEMP
84	B/W	SENSOR GROUND
85	BR	FUEL INJECTOR No. 2
87	V	POWER STEERING PRESSURE SENSOR
89	GR	FUEL INJECTOR No. 1
90	O	FRESH CURRENT SENSOR
92	R	GNDA PHASE#2
93	W	POWER SUPPLY FOR ECM (BACK-UP)
94	B	GNDA OA2
95	W	GNDA PHASE#1/PS
96	O	GNDA PHASE#1/PS

Connector No.	F501
Connector Name	TCM (TRANSMISSION CONTROL MODULE)
Connector Type	ISP-0FG



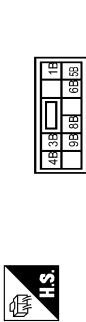
Terminal No.	Color Of Wire	Signal Name (Specification)
1	-	VIGN
2	-	BATT
3	-	CAN-H
4	-	K LINE
6	-	GND
7	-	RELY LAMP RLY
8	-	CAN-L
9	-	START RLY
10	-	GND

Connector No.	M1
Connector Name	FUSE BLOCK (J/B)
Connector Type	NSBFW-HZ



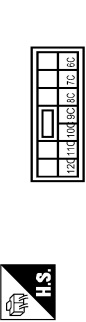
Terminal No.	Color Of Wire	Signal Name (Specification)
1A	R	-
2A	Y	-
3A	W	-
4A	W	-
5A	V	-
6A	Y	-
8A	Y	-

Connector No.	M2
Connector Name	FUSE BLOCK (J/B)
Connector Type	NS10FW-CS



Terminal No.	Color Of Wire	Signal Name (Specification)
1B	R	-
3B	P	-
4B	G	-
5B	SB	-
6B	W	-
7B	W	-
8B	W	-
9B	R	-

Connector No.	M3
Connector Name	FUSE BLOCK (J/B)
Connector Type	NS12FW-CS



Terminal No.	Color Of Wire	Signal Name (Specification)
10C	LG	-
11C	LG	-
12C	G	-
6C	R	-
7C	B	-
8C	B	-
9C	L	-

Connector No.	M8
Connector Name	WIRE TO WIRE
Connector Type	TH8DMM-051E-TM4



Terminal No.	Color Of Wire	Signal Name (Specification)
1	W	-
2	W	-
3	SB	-
4	LG	-
5	W	-
6	W	-
7	EG	-
8	O	-
9	W	-
10	W	-
11	R	-
12	V	-
13	LG	-
14	L	-

A
B
C
D
E
F
G
H
I
J
K
L
N
O
P



JRMWE8280GB

POWER SUPPLY ROUTING CIRCUIT

< WIRING DIAGRAM >

BATTERY POWER SUPPLY

16	V				
17	B				
18	GR				
19	V				
20	SB				
21	BR				
22	L				
23	P				
27	SHIELD				
28	V				
29	SB				
31	BG				
32	P				
33	R				
34	BR				
41	BG				
44	BR				
45	Y				
46	BG				
47	V				
48	G				
49	BG				
50	W				
60	GR				
61	B				
62	LG				
63	BR				
64	L				
65	R				
66	P				
67	L				
77	B				
78	V				
80	G				
81	L				
82	B				
83	BG				
84	SB				
85	Y				
86	L				
87	V				
88	V				
89	LG				
90	BG				
91	W				
92	BG				
93	G				
94	Y				
95	W				
97	SB				

98	R				
99	W				
100	L				

Connector No. M7
 Connector Name WIRE TO WIRE
 Connector Type TH80MW-CS16-TM4

Terminal No.	Color Of Wire	Signal Name [Specification]
1	G	
2	Y	
4	BR	
5	P	
6	W	
7	G	
8	Y	
9	G	
10	V	
11	V	[With heater seat] - [With climate controlled seat]
12	GR	[With heater seat] - [With climate controlled seat]
13	BR	
14	GR	
15	BG	
16	V	
17	BG	
18	L	
19	W	
20	R	
21	B	
22	LG	
23	V	
24	V	
25	G	
26	BR	
27	SB	
28	P	
29	L	
30	SHIELD	

31	L				
32	P				
33	L				
34	L				
35	P				
36	BG				
37	SB				
41	SB				
42	V				
43	L				
44	B				
45	W				
47	L				
48	LG				
49	BR				
51	V				
52	P				
53	BG				
56	SB				
57	P				
58	LG				
59	Y				
60	GR				
61	B				
62	LG				
63	BR				
65	W				
66	Y				
68	LG				
69	SB				
70	V				
72	L				
73	P				
74	L				
75	P				
76	G				
77	Y				
78	SB				
79	W				
80	BR				
81	LG				
82	V				
83	BG				
84	B				
85	W				
86	G				
87	R				
88	G				
89	G				
91	W				

92	G				
96	W				
97	BG				
98	Y				
99	LG				

Connector No. M23
 Connector Name POB HARNESS
 Connector Type TH40PW-NH

Terminal No.	Color Of Wire	Signal Name [Specification]
121	R	
122	V	
123	BG	
124	BG	
128	BR	
130	B	
131	SB	
132	LG	
133	L	
135	P	
137	Y	
138	L	
139	P	
140	L	
141	W	
142	W	
144	P	
145	B	
146	B	
147	B	
148	L	
149	B	
150	B	
151	L	
152	B	
153	W	
154	W	
155	W	
157	W	

POWER SUPPLY ROUTING CIRCUIT

< WIRING DIAGRAM >

BATTERY POWER SUPPLY

198	R	-
199	R	-

Connector No.	M24
Connector Name	PCB HARNESS
Connector Type	TH40FW-NH



Terminal No.	Color Of Wire	Signal Name [Specification]
161	BG	-
162	BG	-
163	G	-
164	V	-
165	V	-
166	R	-
167	LG	-
168	R	-
169	R	-
170	B	-
172	B	-
173	W	-
174	B	-
175	B	-
176	B	-
177	P	-
178	Y	-
179	L	-
180	LG	-
182	BR	- [With VO engine or with VK engine without ICC]
183	R	- [With VK engine with ICC]
184	V	-
185	P	- [With BOSE system]
186	R	- [Without BOSE system]
187	R	-
188	B	-
189	V	-
190	V	-
191	G	-
192	B	-
193	SB	-

184	BR	-
185	SB	-
186	R	-
187	L	-
188	B	-
189	SB	-
200	-	-

Connector No.	M25
Connector Name	PCB HARNESS
Connector Type	TH40FB-NH



Terminal No.	Color Of Wire	Signal Name [Specification]
201	L	-
207	Y	-
208	G	-
209	G	- [Without BOSE system]
209	L	- [With BOSE system]
210	L	- [Without BOSE system]
210	P	- [With BOSE system]
211	SHIELD	-
212	GR	- [With BOSE system]
212	G	- [Without BOSE system]
213	R	-
214	SHIELD	-
215	GR	- [Without BOSE system]
215	V	- [With BOSE system]
216	G	- [Without BOSE system]
216	LG	- [With BOSE system]
217	SHIELD	-
218	BR	- [With BOSE system]
218	P	- [Without BOSE system]
219	GR	- [With BOSE system]
219	V	- [Without BOSE system]
220	SHIELD	-
221	V	-
222	LG	-
223	SB	-
224	SB	-
225	LG	-
226	R	-
229	V	-

230	BR	-
231	SB	-
232	L	-
233	L	-
235	B	-
240	W	-

Connector No.	M26
Connector Name	PCB HARNESS
Connector Type	TH40FW-NH



Terminal No.	Color Of Wire	Signal Name [Specification]
241	L	-
242	L	-
243	R	-
244	L	-
245	B	-
246	B	-
247	B	-
248	B	-
249	B	-
250	B	-
252	B	-
254	B	-
254	W	- [With heated seat]
254	W	- [Without heated seat]
255	B	-
258	B	-
259	L	-
259	L	-
300	W	-
301	R	-
302	R	-
302	P	-
303	R	-
303	R	-
306	V	-
307	Y	-
307	GR	-
308	SB	-
308	SB	-
311	W	-
311	W	-
312	B	-
313	B	-
319	V	-
320	G	-
278	R	-

279	R	-
280	Y	-

Connector No.	M27
Connector Name	PCB HARNESS
Connector Type	TH40FB-NH



Terminal No.	Color Of Wire	Signal Name [Specification]
281	O	-
282	BG	-
283	BG	-
284	BG	-
285	W	-
287	Y	-
288	W	-
289	SHIELD	-
290	B	-
291	SHIELD	-
292	B	-
293	B	-
294	B	-
295	B	-
297	B	-
298	B	-
299	L	-
300	W	-
301	R	-
302	R	-
303	R	-
306	V	-
307	LG	-
308	SB	-
309	G	-
311	W	-
311	W	-
312	B	-
313	B	-
319	V	-
320	W	-

A
B
C
D
E
F
G
H
I
J
K
L
N
O
P

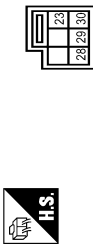
PG

POWER SUPPLY ROUTING CIRCUIT

< WIRING DIAGRAM >

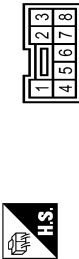
BATTERY POWER SUPPLY

Connector No.	M53
Connector Name	COMBINATION SWITCH (SERIAL CABLE)
Connector Type	TK0BFY-EX-IV



Terminal No.	Color Of Wire	Signal Name [Specification]
28	R	—
29	Y	—
30	Y	—

Connector No.	M50
Connector Name	PUSH-BUTTON (IGNITION SWITCH)
Connector Type	TK0BFBR



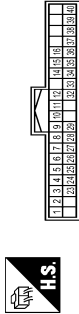
Terminal No.	Color Of Wire	Signal Name [Specification]
1	B	—
2	B	—
3	R	—
4	BR	—
5	GR	—
6	Y	—
7	V	—
8	W	—

Connector No.	M52
Connector Name	AUTOMATIC DRIVE POSITIONER CONTROL UNIT
Connector Type	NS06FW-GS



Terminal No.	Color Of Wire	Signal Name [Specification]
26	Y	BAT (G/B)
27	P	TELESCOPIC MOTOR (BACKWARD)
28	P	POWER SUPPLY (SENSOR)
29	LG	TILT MOTOR (DOWNWARD)
30	B	GND

Connector No.	M53
Connector Name	COMBINATION METER
Connector Type	TH40FW-NH



Terminal No.	Color Of Wire	Signal Name [Specification]
1	W	BATTERY POWER SUPPLY
2	BG	IGNITION SIGNAL
3	GR	VEHICLE SPEED SIGNAL (2-PULSE)
4	R	VEHICLE SPEED SIGNAL (3-PULSE)
5	B	ILLUMINATION CONTROL SIGNAL
6	B	METER CONTROL SWITCH GROUND
7	B	SELECT SWITCH SIGNAL
8	CS	ILLUMINATION CONTROL SWITCH SIGNAL (+)
9	CS	ILLUMINATION CONTROL SWITCH SIGNAL (-)
10	L	TRIP RESET SWITCH SIGNAL
12	B	GROUND
14	L	CAN-H
15	P	CAN-L

15	B	ABS RAG SIGNAL
23	B	GND
24	B	FUEL LEVEL SENSOR GROUND
25	W	ALTERNATOR SIGNAL
26	V	PARKING BRAKE SWITCH SIGNAL
27	V	BRAKE FLUID LEVEL SWITCH SIGNAL
28	G	SECURITY SIGNAL
29	L	WASHER LEVEL SWITCH SIGNAL
32	G	PADDLE SHIFTER SHIF UP SIGNAL
33	BG	PADDLE SHIFTER SHIF DOWN SIGNAL
34	G	FUEL LEVEL SENSOR SIGNAL
35	W	SEAT BELT BUCKLE SWITCH SIGNAL (DRIVER SIDE)
36	G	PASSENGER SEAT BELT WARNING SIGNAL
37	G	NON-MANUAL MODE SIGNAL
38	Y	MANUAL MODE SHIF UP SIGNAL
39	Y	MANUAL MODE SHIF DOWN SIGNAL
40	W	MANUAL MODE SIGNAL



Connector No.	M54
Connector Name	METER CONTROL SWITCH
Connector Type	TH12MW-NH



Terminal No.	Color Of Wire	Signal Name [Specification]
1	SB	—
2	B	—
3	GR	—
4	R	—
5	W	—
6	G	—
9	BG	—
10	GR	—
11	LG	—
12	L	—

Connector No.	M61
Connector Name	CLIMATE CONTROLLED SEAT RELAY
Connector Type	M06FB-R-LC



Terminal No.	Color Of Wire	Signal Name [Specification]
2	B	—
3	W	—
5	LG	—
6	G	—
7	SB	—

Connector No.	M65
Connector Name	CIRCUIT BREAKER
Connector Type	M02FW-LC



Terminal No.	Color Of Wire	Signal Name [Specification]
1	W	—
2	W	—

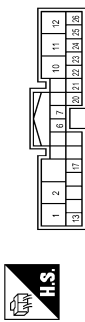
JRMWE8283GB

POWER SUPPLY ROUTING CIRCUIT

< WIRING DIAGRAM >

BATTERY POWER SUPPLY

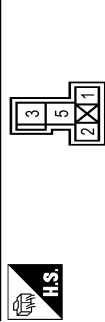
Connector No.	M66
Connector Name	A/C AUTO AMP.
Connector Type	TH20PW-TB6



Terminal No.	Color Of Wire	Signal Name [Specification]
1	L	BATTERY POWER SUPPLY
2	W	IGNITION (+)
3	R	BLOWER MOTOR FB SIGNAL
4	L	POWER TRANSDUCER CONTROL SIGNAL
10	B	GROUND
11	P	CAN-L
12	L	CAN-H
13	V	ACC POWER SUPPLY
17	BG	ECU CONTROL SIGNAL
20	R	HUMIDITY SENSOR (SCK) SIGNAL
21	Y	HUMIDITY SENSOR (DATA) SIGNAL
22	B	HUMIDITY SENSOR GROUND
23	W	DRIVE MODE SELECT SW (ECU)
24	L	DRIVE MODE SELECT SW (STANDARD)
25	G	DRIVE MODE SELECT SW (SPORT)
26	Y	DRIVE MODE SELECT SW (SPORT)



Connector No.	M68
Connector Name	HEATED STEERING WHEEL RELAY
Connector Type	MS20FL-M2-LC



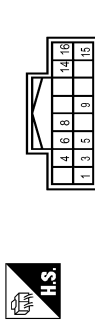
Terminal No.	Color Of Wire	Signal Name [Specification]
1	B	-
2	L	-
3	B	-
5	BR	-

Connector No.	M70
Connector Name	HEATED SEAT RELAY
Connector Type	MS20FL-M2-LC



Terminal No.	Color Of Wire	Signal Name [Specification]
1	B	-
2	W	-
3	G	-
4	SB	-

Connector No.	M72
Connector Name	MULTIFUNCTION SWITCH
Connector Type	TH18FW-NH



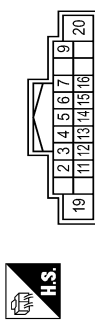
Terminal No.	Color Of Wire	Signal Name [Specification]
1	B	GROUND
3	V	ACC
4	R	ILL
5	B	ILL CONT
6	SB	AV COMM (H)
8	LG	AV COMM (L)
9	BR	SW GND
14	SB	DISK EJECT SIGNAL
16	R	AIR BAG CUT OFF
18	G	TRIP/STOP ON

Connector No.	M74
Connector Name	CLOCK
Connector Type	TH24FW-NH



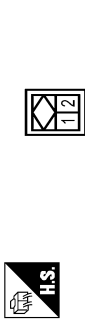
Terminal No.	Color Of Wire	Signal Name [Specification]
1	W	BATTERY POWER SUPPLY
2	B	ILLUMINATION (+)
3	B	ILLUMINATION (+)
4	B	ILLUMINATION (-)

Connector No.	M81
Connector Name	AV CONTROL UNIT
Connector Type	TH18FW-GSZ



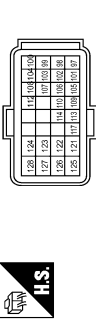
Terminal No.	Color Of Wire	Signal Name [Specification]
2	G	SOUND SIGNAL FRONT LH (+)
3	L	SOUND SIGNAL FRONT LH (-)
4	GR	SOUND SIGNAL REAR LH (-)
5	G	SOUND SIGNAL REAR LH (-)
6	P	STRG SW A
7	V	ACC
9	SB	ILLUMINATION
11	BR	SOUND SIGNAL FRONT RH (+)
12	R	SOUND SIGNAL FRONT RH (-)
13	V	SOUND SIGNAL REAR RH (+)
14	V	SOUND SIGNAL REAR RH (-)
15	B	STRG SW GND
16	L	STRG SW B
19	Y	BATTERY
20	B	GND

Connector No.	M83
Connector Name	GLOVE BOX LAMP
Connector Type	A02FW



Terminal No.	Color Of Wire	Signal Name [Specification]
1	R	-
2	B	-

Connector No.	M107
Connector Name	ECM
Connector Type	RH24FY-RZ8-RH-Z



Terminal No.	Color Of Wire	Signal Name [Specification]
97	R	ACCELERATOR PEDAL POSITION SENSOR 1
98	Y	ACCELERATOR PEDAL POSITION SENSOR 2
99	G	SENSOR POWER SUPPLY (ACCELERATOR PEDAL POSITION SENSOR 1)
100	W	SENSOR GROUND (ACCELERATOR PEDAL POSITION SENSOR 1)
101	SB	ASC2 STEERING SWITCH
102	P	FUEL TANK PRESSURE SENSOR
103	L	SENSOR POWER SUPPLY (ACCELERATOR PEDAL POSITION SENSOR 2)
104	B	SENSOR GROUND (WITHOUT ECU)
104	BR	SENSOR GROUND (WITH ECU)
105	LG	REFRIGERANT PRESSURE SENSOR
106	P	FUEL TANK TEMPERATURE SENSOR
107	BR	AV COMM (H)
108	Y	AV COMM (L)
109	BR	TRANSMISSION RANGE SWITCH
110	V	ENGINE SPEED SIGNAL OUTPUT
112	V	IGNA FOPRES/FTPRES
113	P	CAN COMMUNICATION LINE
114	L	CAN COMMUNICATION LINE

A
B
C
D
E
F
G
H
I
J
K
L
N
O
P

PG

JRMWE8284GB

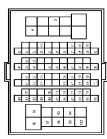
POWER SUPPLY ROUTING CIRCUIT

< WIRING DIAGRAM >

BATTERY POWER SUPPLY

121	V	MAX. WIRE CONNECTOR
121	G	EVAP CANISTER VAPOR CONTROL VALVE
122	B	STOP LAMP SWITCH
123	B	ECM GROUND
124	B	ECM GROUND
125	SB	POWER SUPPLY FOR ECM
126	BR	ASSD BRAKE SWITCH
127	B	ECM GROUND
128	B	ECM GROUND

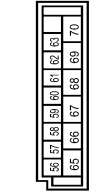
Connector No.	IM117
Connector Name	WIRE TO WIRE
Connector Type	TH88PFI-C516-TM4



Terminal No.	Color Of Wire	Signal Name [Specification]
3	Y	-
5	R	-
13	W	-
17	GR	-
18	B	-
19	BR	-
20	GR	-
21	Y	-
22	LG	-
23	R	-
24	BG	-
25	BG	-
26	W	-
27	R	-
28	V	-
29	P	-
30	B	-
31	G	-
32	Y	-
40	SHIELD	-
41	R	-
42	V	-
44	W	-
45	SB	-
46	BG	- [With heated seat]

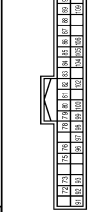
Terminal No.	Color Of Wire	Signal Name [Specification]
46	L	- [With climate controlled seat]
47	G	- [With climate controlled seat]
47	GR	- [With heated seat]
48	BG	-
49	V	-
50	LG	-
51	SB	-
52	Y	-
53	W	-
56	B	-
57	G	-
58	R	-
61	LG	-
61	V	-
62	V	-
63	L	-
63	BG	-
63	GR	-
63	BR	-
63	GR	-
64	V	-
85	LG	-
86	V	-
87	R	-
88	Y	-
89	BR	-
90	L	-
91	Y	-
93	G	- [With climate controlled seat]
93	V	- [With climate controlled seat]
94	W	-
96	W	-
97	Y	-
98	BR	-
99	G	-
100	Y	-

Connector No.	M122
Connector Name	BCM (BODY CONTROL MODULE)
Connector Type	FEARREW-FH46-SA



Terminal No.	Color Of Wire	Signal Name [Specification]
56	L	INT ROOM LAMP PWR SPLY
57	R	BLT FUSEL
58	L	SENS CANCEL SW
59	G	PASS DOOR UNLK OUTPUT
60	G	TURN SIG LH OUTPUT
61	V	TURN SIG RH OUTPUT
62	V	STEP LAMP CONT
63	L	ROOM LAMP TIMER CONT
65	V	ALL DOOR FL LID LOCK OUTPUT
66	LG	GND
67	B	PW PWR SPLY (IGN)
68	O	PW PWR SPLY (BAT)
69	Y	BAT (F/L)
70	W	BAT (R/L)

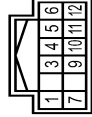
Connector No.	M123
Connector Name	BCM (BODY CONTROL MODULE)
Connector Type	TH88PFI-NH



Terminal No.	Color Of Wire	Signal Name [Specification]
72	B	OUTS HD LAMP OUTPUT
73	V	IGN IND
75	G	DR DOOR REG SW
76	BR	PUSH SW
78	BR	DRIVER DOOR ANT+
79	SB	DRIVER DOOR ANT-

Terminal No.	Color Of Wire	Signal Name [Specification]
80	LG	PASSENGER DOOR ANT+
81	V	PASSENGER DOOR ANT-
82	V	REAR EMER ANT+
83	SB	REAR EMER ANT-
84	BR	ROOM ANTI+
85	Y	ROOM ANTI-
86	R	ROOM ANTI+
87	G	ROOM ANTI-
88	V	TRUNK ROOM ANTI+
89	SB	TRUNK ROOM ANTI-
90	R	PUSH-BTN IGN SW ILL PWR
91	GR	LOCK IND
92	B	PUSH-BTN IGN SW ILL GND
93	V	FUEL WARN BUZZER
94	SB	STARTER RELAY CONT
95	SB	STARTER RELAY CONT
96	B	IGN RELAY (TRM F/R) CONT
98	R	IGN RELAY (F/B) CONT
100	SB	PASS DOOR REG SW
102	BR	P/N POSITION
104	GR	A/T SHIFT SELECT PWR SPLY
105	R	STOP LAMP SW 2
106	B	BLWR RELAY CONT
109	Y	ACC IND

Connector No.	M125
Connector Name	CAN GATEWAY
Connector Type	TH88PFI-NH



Terminal No.	Color Of Wire	Signal Name [Specification]
1	L	CAN-H
3	GR	BATTERY
4	B	IGN
5	B	IGN
6	L	CAN-H
7	P	CAN-L
9	W	IGNITION
10	P	CAN-L
11	B	GND
12	P	CAN-L

POWER SUPPLY ROUTING CIRCUIT

< WIRING DIAGRAM >

BATTERY POWER SUPPLY

Connector No.	M130
Connector Name	NATS ANTENNA AMP.
Connector Type	TH06FW-NH



Terminal No.	Color	Wire	Signal Name [Specification]
1	L	B	BAT
2	P	G	DATA
3	G	B	GND
4	B	-	-

Connector No.	M132
Connector Name	CIGARETTE LIGHTER SOCKET
Connector Type	INS08PW-CS



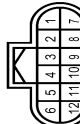
Terminal No.	Color	Wire	Signal Name [Specification]
1	B	-	-
2	R	-	-
3	Y	-	-

Connector No.	M134
Connector Name	OPTION CONNECTOR
Connector Type	TH08FW-NH



Terminal No.	Color	Wire	Signal Name [Specification]
1	BG	-	-
2	Y	-	-
3	L	-	-
4	P	-	-
5	B	-	-
6	B	-	-
7	LG	-	-
8	GR	-	-

Connector No.	M150
Connector Name	WIPE TO WIRE
Connector Type	RH12FB



Terminal No.	Color	Wire	Signal Name [Specification]
1	Y	-	-
2	BR	-	-
3	R	-	-
4	L	-	-
5	W	-	-
6	G	-	-
7	LG	-	-
8	LG	-	-
9	G	-	-
10	Y	-	-
11	L	-	-
12	SHIELD	-	-

Connector No.	M151
Connector Name	WIPE TO WIRE
Connector Type	RH12MB



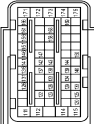
Terminal No.	Color	Wire	Signal Name [Specification]
1	Y	-	-
2	B	-	-
3	L	-	-
4	L	-	-
5	W	-	-
6	G	-	-
7	O	-	-
8	B	-	-
9	R	-	-
10	Y	-	-
11	L	-	-
12	SHIELD	-	-

Connector No.	M152
Connector Name	ACCELERATOR PEDAL ACTUATOR
Connector Type	RH06FLY



Terminal No.	Color	Wire	Signal Name [Specification]
1	G	-	BATTERY
2	B	-	IGNITION
3	Y	-	ITS COMM-F
4	B	-	ITS COMM-H
5	L	-	-

Connector No.	M160
Connector Name	ECM
Connector Type	MA055FB-MAE10-LH

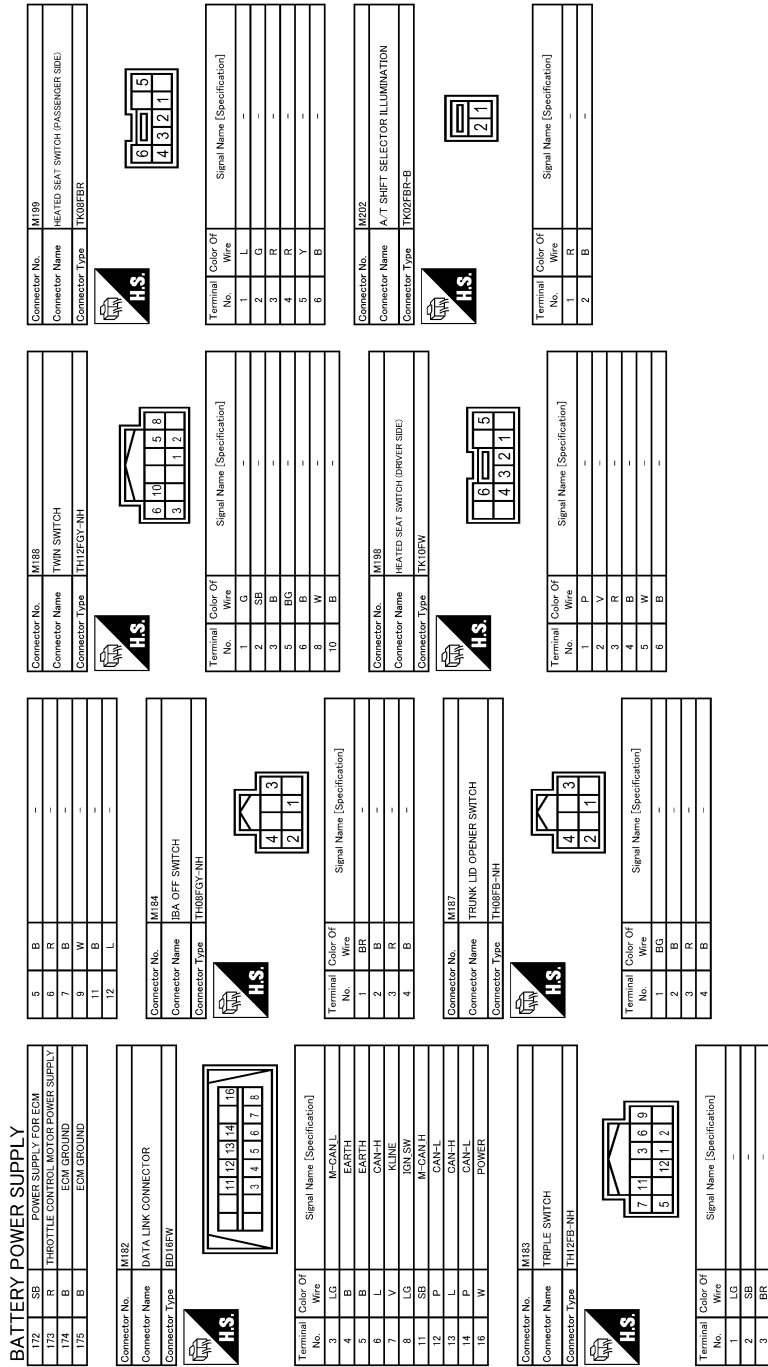


Terminal No.	Color	Wire	Signal Name [Specification]
111	W	-	FUEL INJECTOR DRIVER POWER SUPPLY
112	W	-	FUEL INJECTOR DRIVER POWER SUPPLY
113	B	-	ECM GROUND
114	B	-	ECM GROUND
115	B	-	ECM GROUND
120	G	-	EVAP CANISTER VENT CONTROL VALVE
122	V	-	VEHICLE SPEED SENSOR RELAY (SPEED SIGNAL LEVEL CONTROL MODULE)
123	BG	-	THROTTLE CONTROL MOTOR RELAY
125	P	-	FUEL PUMP CONTROL MODULE (FPCM)
126	Y	-	ACCELERATOR PEDAL POSITION SENSOR 2
128	SB	-	ASC&D STEERING SWITCH
129	B	-	SENSOR GROUND (Without ICG)
129	BR	-	SENSOR GROUND (With ICG)
130	Y	-	SENSOR GROUND
131	L	-	SENSOR POWER SUPPLY
133	BG	-	SENSOR POWER SUPPLY
134	B	-	FUEL INJECTOR DRIVER POWER SUPPLY
136	R	-	ACCELERATOR PEDAL POSITION SENSOR 1
137	G	-	SENSOR POWER SUPPLY
138	P	-	BATTERY CURRENT SENSOR
139	BG	-	BATTERY TEMPERATURE SENSOR
140	W	-	SENSOR GROUND
141	G	-	IGNITION SWITCH
142	GR	-	FUEL PUMP CONTROL MODULE (FPCM) CHECK
143	P	-	FUEL TANK PRESSURE SENSOR
144	LG	-	REFRIGERANT PRESSURE SENSOR
146	L	-	CAN COMMUNICATION LINE
147	BR	-	ASC&D BRAKE SWITCH
150	V	-	SENSOR GROUND
151	P	-	CAN COMMUNICATION LINE
152	B	-	POWER WINDOW LOCK-UP
153	B	-	STOP LAMP SWITCH
161	Y	-	ENG COMMUNICATION LINE
163	W	-	ECM RELAY (SELF SHUT-OFF)
166	BG	-	ENG COMMUNICATION LINE
169	V	-	ENGINE SPEED SIGNAL OUTPUT
171	SB	-	POWER SUPPLY FOR ECM

A
B
C
D
E
F
G
H
I
J
K
L
PG
N
O
P

POWER SUPPLY ROUTING CIRCUIT

< WIRING DIAGRAM >



JRMWE8287GB

POWER SUPPLY ROUTING CIRCUIT

< WIRING DIAGRAM >

BATTERY POWER SUPPLY

Connector No.	M203
Connector Name	DRIVE MODE SELECT SWITCH
Connector Type	TK10P5B-NH



1	2	3	4
6	7	9	

Terminal No.	Color Of Wire	Signal Name [Specification]
1	W	-
2	L	-
3	G	-
4	Y	-
6	B	-
7	B	-
9	R	-

Connector No.	M204
Connector Name	CLIMATE CONTROLLED SEAT SWITCH (DRIVER SIDE)
Connector Type	TK10P7W



1	2	3
4	5	6
7	8	

Terminal No.	Color Of Wire	Signal Name [Specification]
1	BG	-
2	V	-
3	P	-
4	BR	-
5	GR	-
6	B	-
7	R	-
8	B	-

Connector No.	M205
Connector Name	CLIMATE CONTROLLED SEAT SWITCH (PASSENGER SIDE)
Connector Type	TK08P5B



1	2	3
4	5	6
7	8	

Terminal No.	Color Of Wire	Signal Name [Specification]
1	SB	-
2	U	-
3	G	-
4	BG	-
5	V	-
6	B	-
7	R	-
8	B	-

Connector No.	M208
Connector Name	AV CONTROL UNIT
Connector Type	TH18P7W-CSZ



19	20
10	11
12	13
14	15
16	17
18	

Terminal No.	Color Of Wire	Signal Name [Specification]
2	L	SOUND SIGNAL FRONT LH (+)
3	P	SOUND SIGNAL FRONT LH (-)
4	V	SOUND SIGNAL REAR LH (+)
5	LG	SOUND SIGNAL REAR LH (-)
7	V	STRG SW A
8	Y	STRG SW B
10	B	SHIELD (With teletraffic system)
11	G	SHIELD (Without teletraffic system)
12	R	SOUND SIGNAL FRONT RH (+)
13	BR	SOUND SIGNAL REAR RH (+)
14	GR	SOUND SIGNAL REAR RH (-)

15	B
19	Y
20	B

Connector No.	R3
Connector Name	AUTO ANTI-OZZELING INSIDE MIRROR
Connector Type	SAK10P5B



Terminal No.	Color Of Wire	Signal Name [Specification]
1	R	IGN
2	B	GND
4	L	DEC+
5	B	DEC-
6	G	BAT

Connector No.	R8
Connector Name	RAIN SENSOR
Connector Type	AA800P5B



Terminal No.	Color Of Wire	Signal Name [Specification]
1	W	+B
2	R	SG
3	B	GND

Connector No.	RT5
Connector Name	MAP LAMP
Connector Type	TK08P5Y



1	2	3	4
5	6	7	8

Terminal No.	Color Of Wire	Signal Name [Specification]
1	Y	-
2	SB	-
3	Y	-
4	Y	-
5	B/Y	-
6	G	-

Connector No.	T13
Connector Name	WIRE TO WIRE
Connector Type	INS18P7W-CS



1	2	3	4
5	6	7	8
9	10	11	12
13	14	15	

Terminal No.	Color Of Wire	Signal Name [Specification]
1	Y	-
2	G	-
3	P	-
5	W	-
6	R	-
8	O	-
9	V	-
10	W	-
12	B	-
13	R	-
14	L	-
15	P	-

JRMWE8288GB

A
B
C
D
E
F
G
H
I
J
K
L
N
O
P


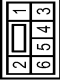
PG

POWER SUPPLY ROUTING CIRCUIT

< WIRING DIAGRAM >

BATTERY POWER SUPPLY

Connector No.	T14
Connector Name	TRUNK CLOSURE CONTROL UNIT
Connector Type	NSDBEM-CS

Terminal No.	Color Of Wire	Signal Name [Specification]
2	G	-
3	L	-
4	P	-
5	Y	-
6	R	-

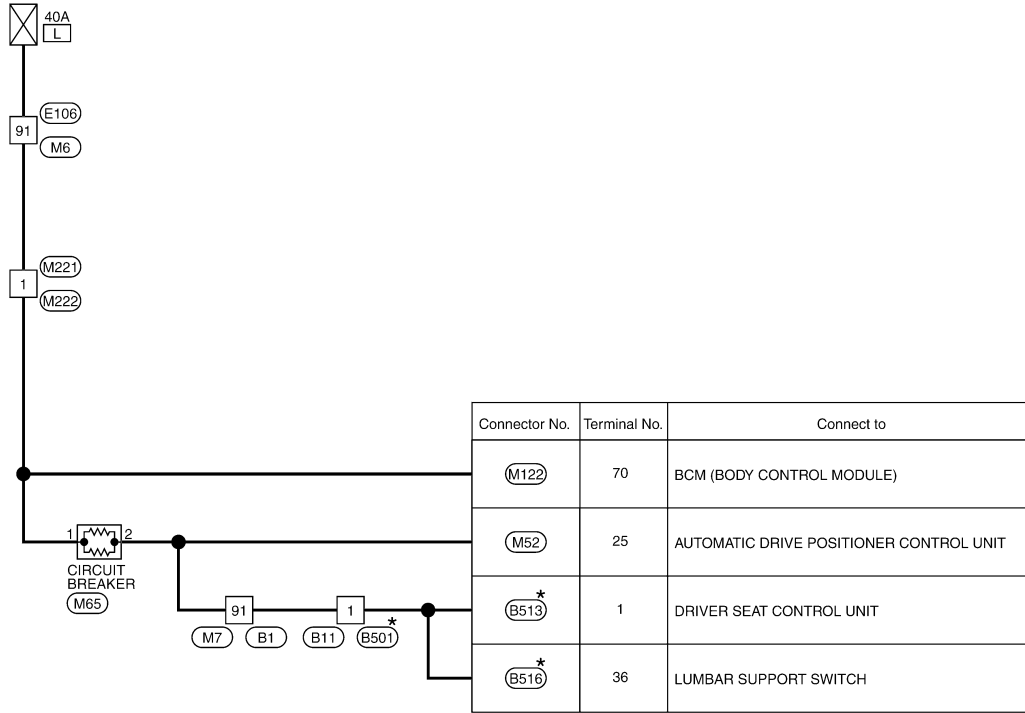
JRMWE8289GB

POWER SUPPLY ROUTING CIRCUIT

< WIRING DIAGRAM >

Wiring Diagram - BATTERY POWER SUPPLY FUSIBLE LINK No. L - BATTERY POWER SUPPLY FUSIBLE LINK No. L

INFOID:000000010098709



* : This connector is not shown in "Harness Layout".

2013/10/22

JRMWE8290GB

A
B
C
D
E
F
G
H
I
J
K
L
PG
N
O
P

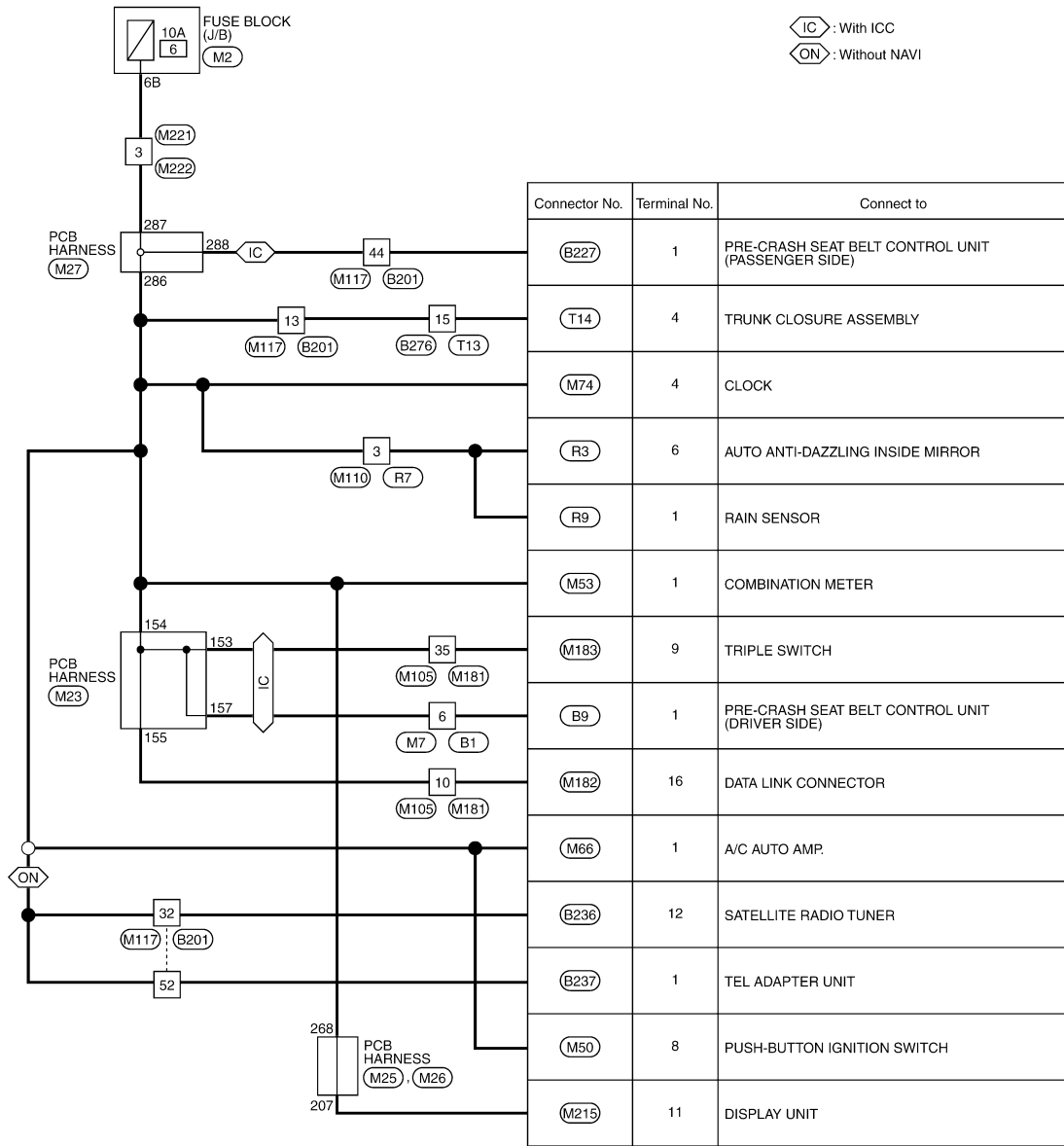
POWER SUPPLY ROUTING CIRCUIT

< WIRING DIAGRAM >

Wiring Diagram - BATTERY POWER SUPPLY FUSE No. 6 -

INFOID:000000010098710

BATTERY POWER SUPPLY FUSE No. 6



2013/10/22

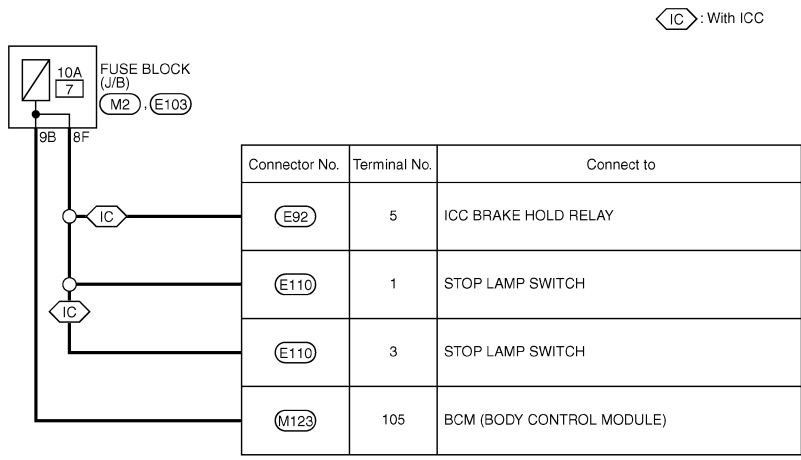
JRMWE8291GB

POWER SUPPLY ROUTING CIRCUIT

< WIRING DIAGRAM >

Wiring Diagram - BATTERY POWER SUPPLY FUSE No. 7 - BATTERY POWER SUPPLY FUSE No. 7

INFOID:000000010098711



⬡ : With ICC

A
B
C
D
E
F
G
H
I
J
K
L
PG
N
O
P

2010/02/03

JCMWA5615GB

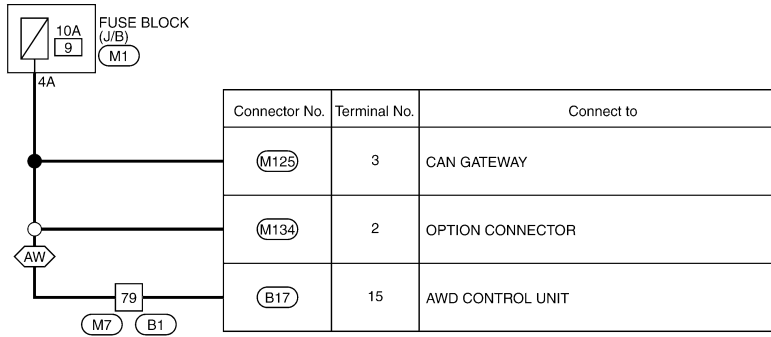
POWER SUPPLY ROUTING CIRCUIT

< WIRING DIAGRAM >

Wiring Diagram - BATTERY POWER SUPPLY FUSE No. 9 - BATTERY POWER SUPPLY FUSE No. 9

INFOID:000000010098712

AW : AWD models



2013/10/22

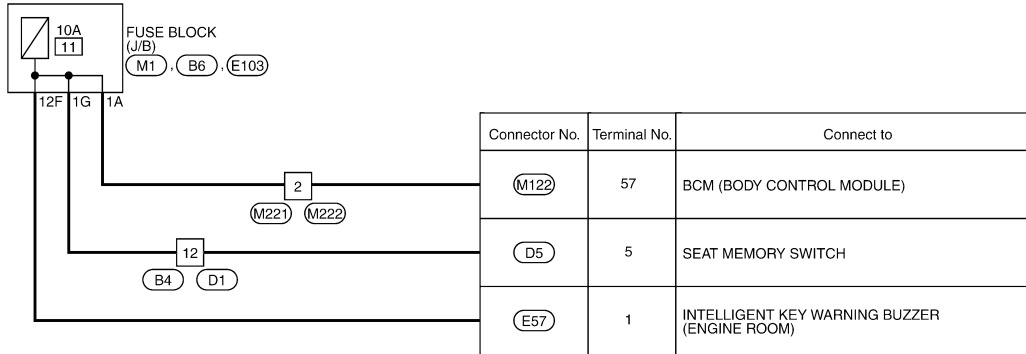
JRMWE8292GB

POWER SUPPLY ROUTING CIRCUIT

< WIRING DIAGRAM >

Wiring Diagram - BATTERY POWER SUPPLY FUSE No. 11 - BATTERY POWER SUPPLY FUSE No. 11

INFOID:000000010098713



A
B
C
D
E
F
G
H
I
J
K
L
N
O
P

PG

2013/10/22

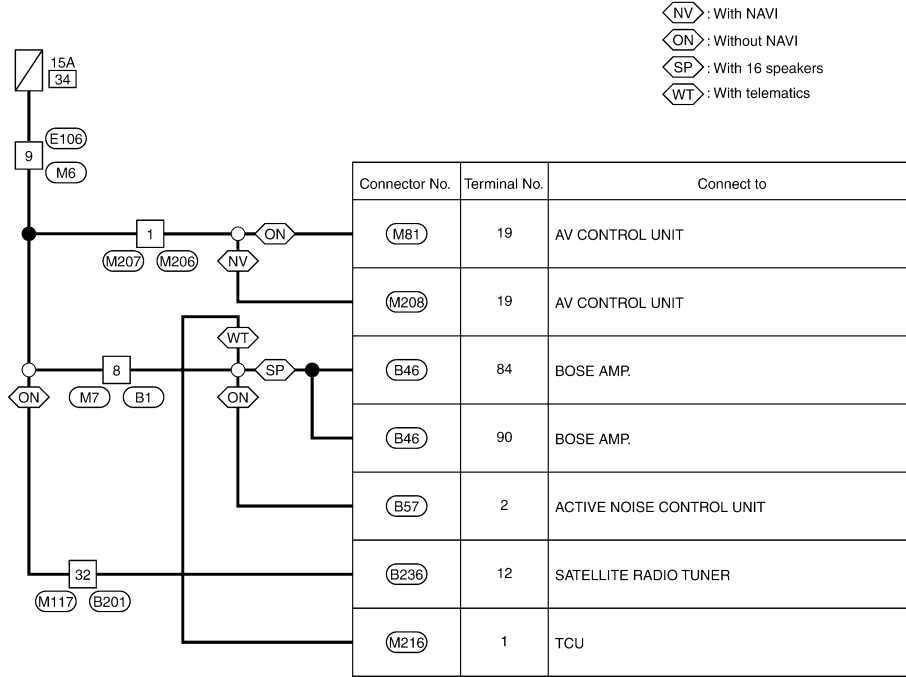
JRMWE8293GB

POWER SUPPLY ROUTING CIRCUIT

< WIRING DIAGRAM >

Wiring Diagram - BATTERY POWER SUPPLY FUSE No. 34 - BATTERY POWER SUPPLY FUSE No. 34

INFOID:000000010098714



2013/10/22

JRMWE8294GB

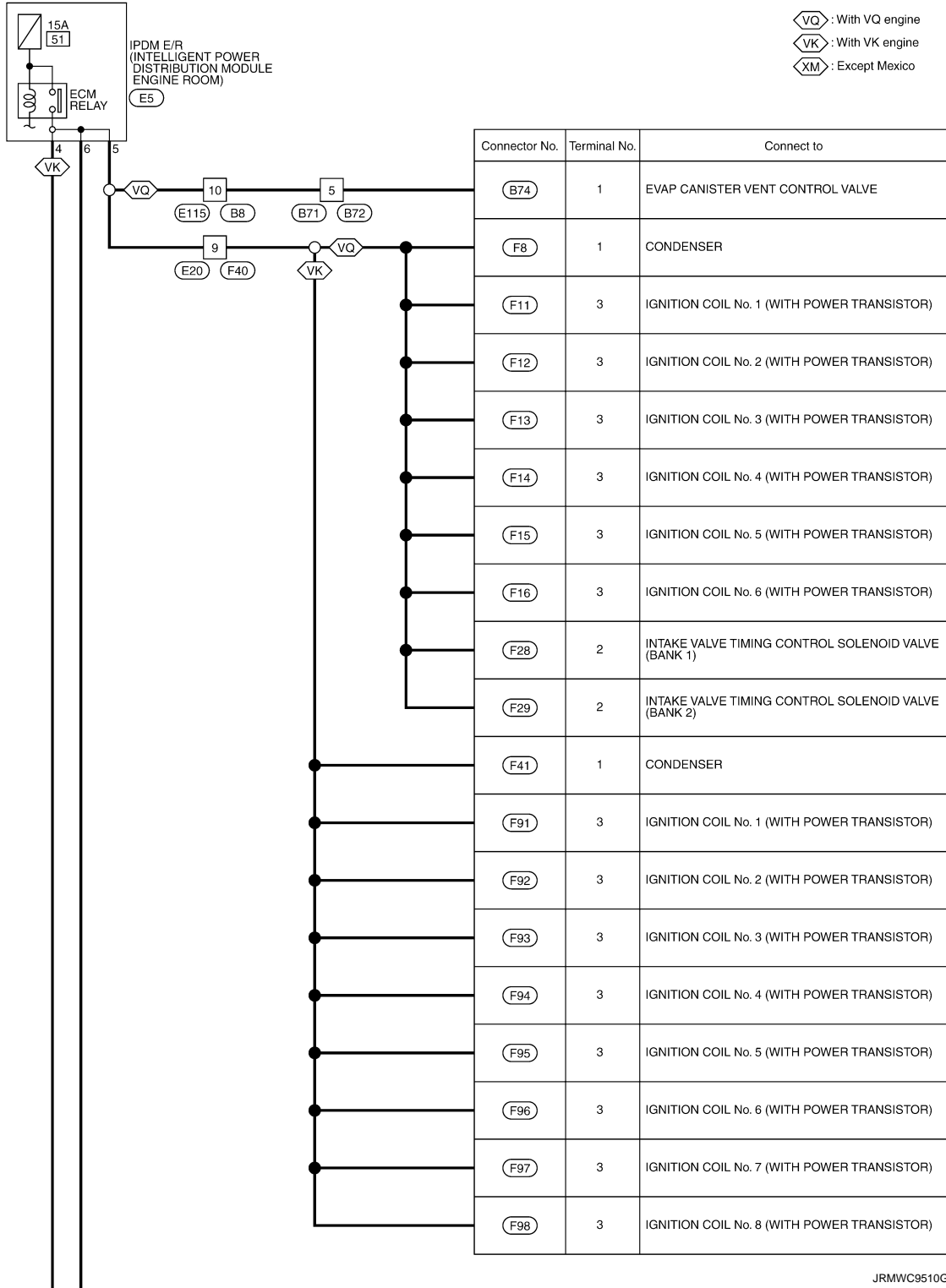
POWER SUPPLY ROUTING CIRCUIT

< WIRING DIAGRAM >

Wiring Diagram - BATTERY POWER SUPPLY FUSE No. 51 -

INFOID:000000010098715

BATTERY POWER SUPPLY FUSE No. 51

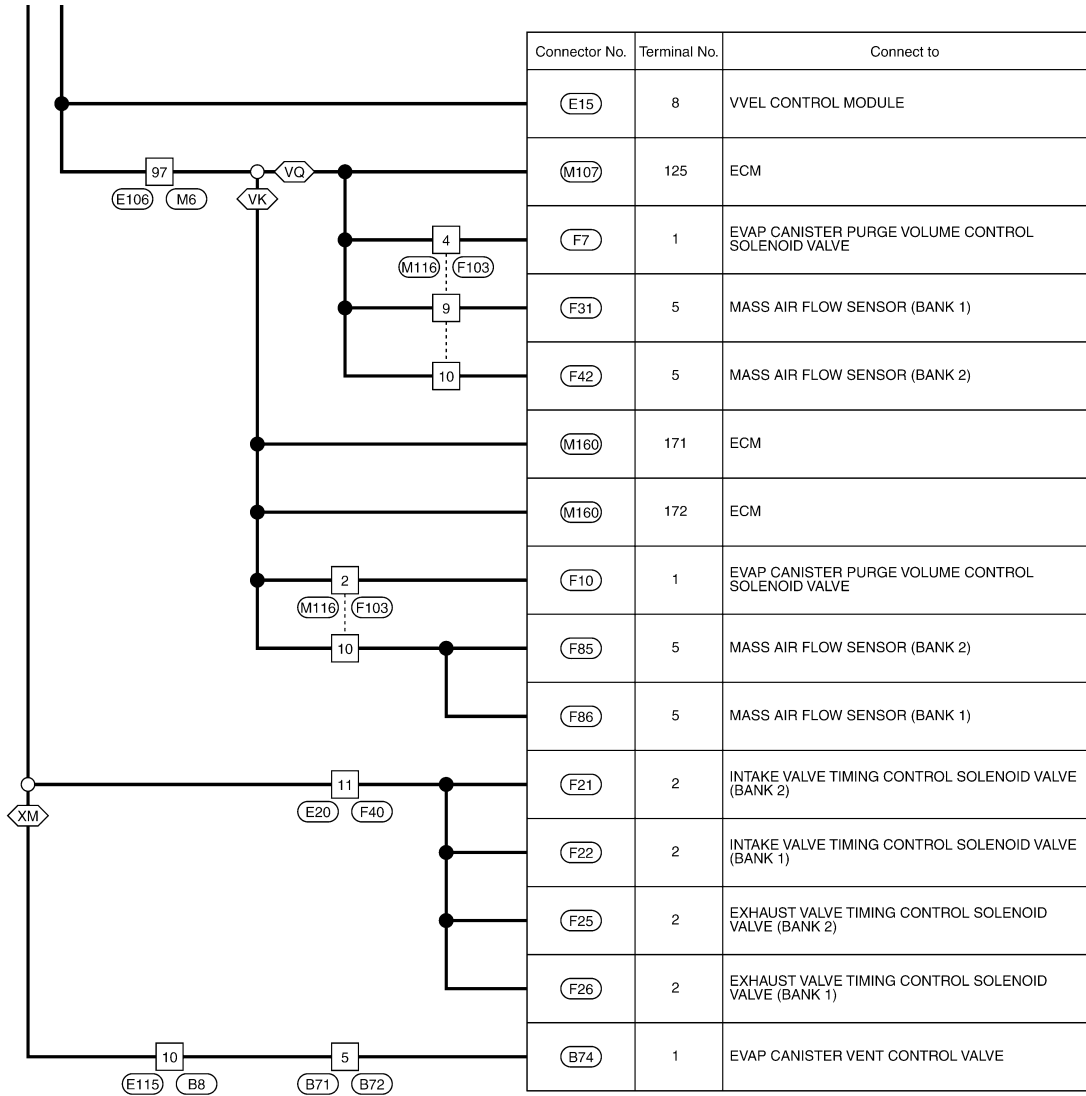


JRMWC9510GB

A
B
C
D
E
F
G
H
I
J
K
L
PG
N
O
P

POWER SUPPLY ROUTING CIRCUIT

< WIRING DIAGRAM >



2012/02/27

JRMWC9511GB

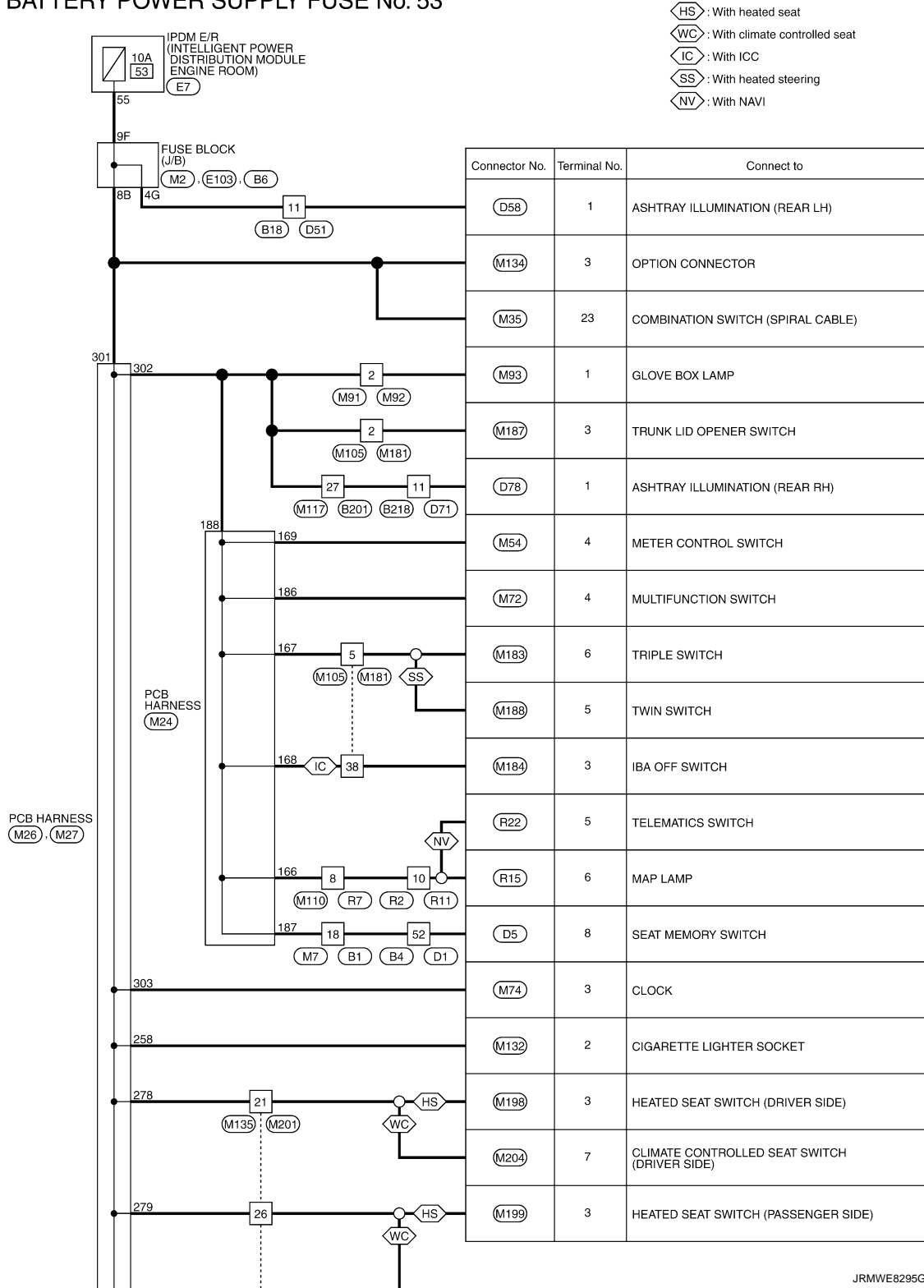
POWER SUPPLY ROUTING CIRCUIT

< WIRING DIAGRAM >

Wiring Diagram - BATTERY POWER SUPPLY FUSE No. 53 -

INFOID:0000000110098716

BATTERY POWER SUPPLY FUSE No. 53

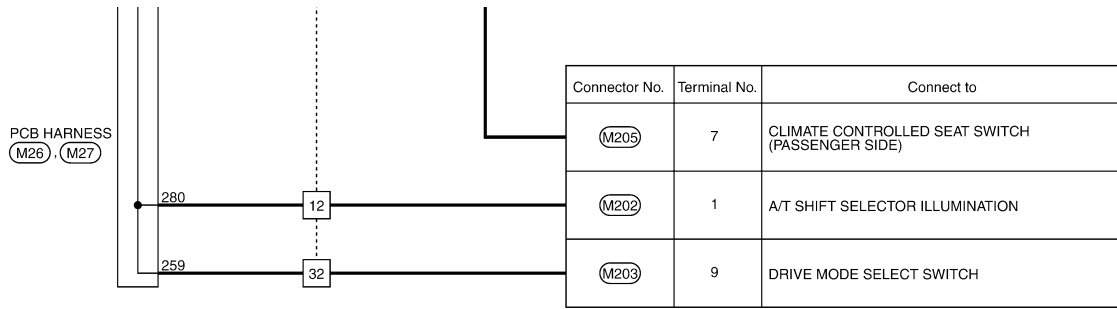


JRMWE8295GB

A
B
C
D
E
F
G
H
I
J
K
L
PG
N
O
P

POWER SUPPLY ROUTING CIRCUIT

< WIRING DIAGRAM >



2013/10/22

JRMWE8296GB

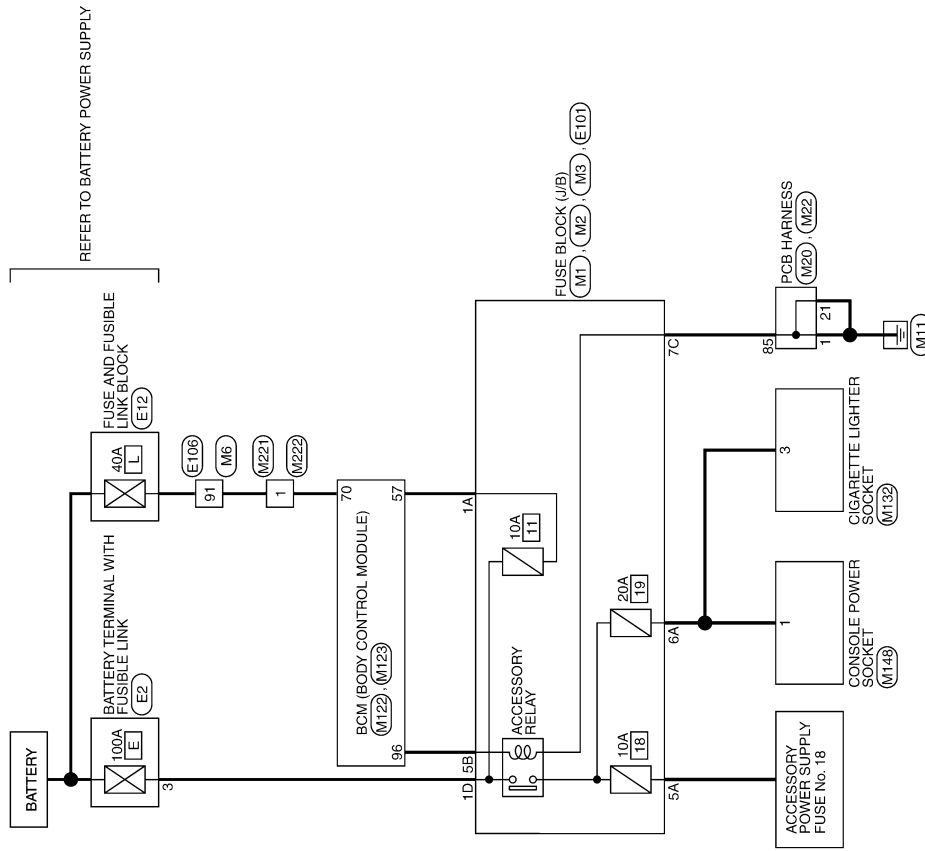
POWER SUPPLY ROUTING CIRCUIT

< WIRING DIAGRAM >

Wiring Diagram - ACCESSORY POWER SUPPLY -

INFOID:0000000110098717

ACCESSORY POWER SUPPLY



REFER TO BATTERY POWER SUPPLY

A
B
C
D
E
F
G
H
I
J
K
L
PG
N
O
P

2013/10/22

JRMWE8297GB

POWER SUPPLY ROUTING CIRCUIT

< WIRING DIAGRAM >

ACCESSORY POWER SUPPLY

Connector No.	B43
Connector Name	BOSE AMP.
Connector Type	TH40FT-NH



Terminal No.	Color Of Wire	Signal Name [Specification]
41	B/R	SOUND SIGNAL SATELLITE SPEAKER RH (-)
43	LG	REAR MICROPHONE SIGNAL (-)
44	B/Y	REAR MICROPHONE - FOR ACTIVE NOISE CONTROL SYSTEM
44	R	STEP LAMP CONT.
45	B	SOUND SIGNAL FRONT LH (-)
46	L	SOUND SIGNAL FRONT RH (-)
47	Y	SOUND SIGNAL REAR LH (-)
48	P	SOUND SIGNAL REAR RH (-)
49	W/R	SOUND SIGNAL CENTER (-)
50	V	SOUND SIGNAL REAR WOOFER (-)
52	BR	FRONT MICROPHONE SIGNAL (-)
54	LG	AV COMM L1 [Except for UK engine models with 10-speakers]
54	R	AV COMM L1 [Except for UK engine models with 10-speakers]
55	LG	AV COMM L2 [Except for UK engine models with 10-speakers]
55	R	AV COMM L2 [Except for UK engine models with 10-speakers]
56	V	ENGINE NOISE
58	OR	SOUND SIGNAL SATELLITE SPEAKER RH (+)
60	R	REAR MICROPHONE SIGNAL (+)
63	B	REAR MICROPHONE - FOR ACTIVE NOISE CONTROL SYSTEM
64	G	STEP LAMP CONT.
64	LG	SOUND SIGNAL FRONT LH (+)
65	W	SOUND SIGNAL FRONT RH (+)
66	R	SOUND SIGNAL REAR LH (+)
67	BR	SOUND SIGNAL REAR RH (+)
69	L	SOUND SIGNAL CENTER (+)
70	LG	SOUND SIGNAL REAR WOOFER (+)
72	Y	FRONT MICROPHONE SIGNAL (+)
74	G	AV COMM RH [Except for UK engine models with 10-speakers]
74	SB	AV COMM RH [Except for UK engine models with 10-speakers]
75	G	AV COMM LH [Except for UK engine models with 10-speakers]
75	SB	AV COMM LH [Except for UK engine models with 10-speakers]
76	P	STEP LAMP CONT.
78	SB	TACHO
79	SHIELD	SHIELD

Connector No.	B58
Connector Name	ACTIVE NOISE CONTROL UNIT
Connector Type	TH18FT-NH



Terminal No.	Color Of Wire	Signal Name [Specification]
23	Y	FRONT MICROPHONE - FOR ACTIVE NOISE CONTROL SYSTEM
24	L	REAR MICROPHONE - FOR ACTIVE NOISE CONTROL SYSTEM
25	P	STEP LAMP CONT.
27	O	ENGINE TYPE
31	BR	FRONT MICROPHONE - FOR ACTIVE NOISE CONTROL SYSTEM
32	LG	REAR MICROPHONE - FOR ACTIVE NOISE CONTROL SYSTEM
33	SB	ENGINE SPEED OUTPUT SIGNAL
38	V	ACC

Connector No.	B23B
Connector Name	SATELLITE RADIO TUNER
Connector Type	A16FW



Terminal No.	Color Of Wire	Signal Name [Specification]
1	G	SATELLITE RADIO SOUND SIGNAL LH (-)
2	R	SATELLITE RADIO SOUND SIGNAL LH (+)
3	W	SATELLITE RADIO SOUND SIGNAL RH (-)
4	B	SATELLITE RADIO SOUND SIGNAL RH (+)
5	SHIELD	SHIELD
8	R	REQUEST (SAT->CONT)
9	B	COMM (SAT->CONT)
10	W	COMM (CONT->SAT)
12	Y	BATTERY
16	V	ACC

Connector No.	B237
Connector Name	TEL ADAPTER UNIT
Connector Type	TH22FT-NH



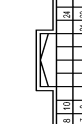
Terminal No.	Color Of Wire	Signal Name [Specification]
1	LG	BATTERY
2	L	ACC
3	P	IGNITION
4	B/R	GND
7	W/R	MICROPHONE SIGNAL
8	SHIELD	MICROPHONE GND
9	W/L	TEL VOICE SIGNAL (+)
10	GR/V	TEL VOICE SIGNAL (-)
21	B/R	CONTROL SIGNAL
23	B/R	CONTROL SIGNAL
24	B/R	CONTROL SIGNAL
28	W	VEHICLE SPEED SIGNAL (8-PULSE)
29	B/R	MICROPHONE VCC

Connector No.	B23
Connector Name	POWER WINDOW MAIN SWITCH
Connector Type	TH12FT-CS



Terminal No.	Color Of Wire	Signal Name [Specification]
17	SB	L OPEN
18	LG	R OPEN
20	R	L CLOSE
21	SB	R CLOSE
22	V	ACC
23	O	*SELECT L

Connector No.	E2
Connector Name	BATTERY TERMINAL WITH FUSIBLE LINK
Connector Type	L02FGY-MC



Terminal No.	Color Of Wire	Signal Name [Specification]
3	R	Signal Name [Specification]
4	L	Signal Name [Specification]

Connector No.	E12
Connector Name	FUSE AND FUSIBLE LINK BLOCK
Connector Type	Z43S1_2989A



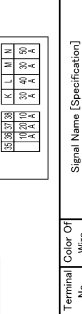
Terminal No.	Color Of Wire	Signal Name [Specification]
31	W	Signal Name [Specification]
32	W/R	Signal Name [Specification]
33	O	Signal Name [Specification]
34	Y	Signal Name [Specification]
35	SB	Signal Name [Specification]
37	L	Signal Name [Specification]
38	W	Signal Name [Specification]
G	B	Signal Name [Specification]
H	GR	Signal Name [Specification]
I	W	Signal Name [Specification]

24	V/W	*MIRROR SW L
25	V/R	*MIRROR SW DOWN
26	V/B	*MIRROR SW UP
28	V/W	*SELECT R



24	V/W	*MIRROR SW L
25	V/R	*MIRROR SW DOWN
26	V/B	*MIRROR SW UP
28	V/W	*SELECT R

24	V/W	*MIRROR SW L
25	V/R	*MIRROR SW DOWN
26	V/B	*MIRROR SW UP
28	V/W	*SELECT R



24	V/W	*MIRROR SW L
25	V/R	*MIRROR SW DOWN
26	V/B	*MIRROR SW UP
28	V/W	*SELECT R

POWER SUPPLY ROUTING CIRCUIT

< WIRING DIAGRAM >

ACCESSORY POWER SUPPLY

J	BR	--	GR
K	O	--	GR
L	W	--	Y
M	R	--	CR
N	G	--	BR

Connector No.	E101
Connector Name	FUSE BLOCK (J/B)
Connector Type	L01FW-MC



Terminal No.	ID	R	
--------------	----	---	--

Connector No.	E108
Connector Name	WIRE TO WIRE
Connector Type	TH8BFW-C51P-TM4

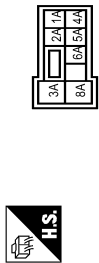


Terminal No.	Color Of Wire	Signal Name [Specification]
1	P	
2	W	
3	SB	
4	LG	
5	O	
7	GR	
8	G	
9	Y	
10	BR	
11	SB	
12	V	

13	GR		
14	GR		
16	Y		
17	CR		
18	CR		
20	BR		
21	P		
22	L		
23	P		
27	SHIELD		
28	L/O		
29	W/L		
31	BR		
32	G		
33	O		
34	Y		
41	BR		
44	W		
45	L		
46	GR		
47	V		
48	G		
49	O		
50	LG		
60	W		
61	G		
62	Y		
63	BR		
64	B		
65	R		
66	SB		
71	SB		
72	SB		
76	SB		
80	G		
81	R		
82	SB		
83	GR		
84	Y		
85	Y		
86	L		
87	V		
88	BR		
89	LG		
90	W		
91	W		
92	P		
93	LG		
94	BR		

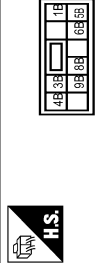
95	W	--	
97	R	--	
98	Y	--	
99	V	--	
100	V	--	

Connector No.	M1
Connector Name	FUSE BLOCK (J/B)
Connector Type	NSG6FW-M2



Terminal No.	Color Of Wire	Signal Name [Specification]
1A	R	
2A	W	
3A	Y	
4A	W	
5A	V	
6A	Y	
8A	Y	

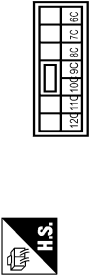
Connector No.	M2
Connector Name	FUSE BLOCK (J/B)
Connector Type	NS10FW-CS



Terminal No.	Color Of Wire	Signal Name [Specification]
1B	R	
2B	P	
3B	P	
4B	G	
5B	SB	
6B	W	
8B	Y	

8B	R	--	
9B	R	--	

Connector No.	M3
Connector Name	FUSE BLOCK (J/B)
Connector Type	NS12FW-CS



Terminal No.	Color Of Wire	Signal Name [Specification]
10C	LG	
11C	LG	
12C	O	
6C	R	
7C	B	
8C	B	
9C	L	

Connector No.	M6
Connector Name	WIRE TO WIRE
Connector Type	TH8BFW-C51P-TM4



Terminal No.	Color Of Wire	Signal Name [Specification]
1	W	
2	W	
3	SB	
4	LG	
5	W	
7	BG	
8	G	
9	Y	
10	W	

A
B
C
D
E
F
G
H
I
J
K
L
PG
N
O
P

POWER SUPPLY ROUTING CIRCUIT

< WIRING DIAGRAM >

ACCESSORY POWER SUPPLY

11	R	--
12	V	--
13	LG	--
14	V	--
15	SB	--
16	R	--
17	GR	--
18	V	--
20	SB	--
21	BR	--
22	L	--
23	P	--
27	SHIELD	--
28	V	--
29	SB	--
31	EG	--
32	P	--
33	R	--
34	BG	--
41	BR	--
44	BR	--
45	Y	--
46	BG	--
47	V	--
48	G	--
49	BG	--
50	W	--
60	GR	--
61	B	--
62	LG	--
63	BR	--
65	B	--
66	P	--
67	L	--
77	B	--
78	V	--
80	G	--
81	L	--
82	B	--
83	BG	--
84	SB	--
85	Y	--
86	L	--
87	V	--
88	V	--
89	LG	--
90	BG	--
91	W	--
92	BG	--

93	G	--
94	W	--
95	SB	--
96	R	--
98	W	--
100	L	--

Connector No.	M20
Connector Name	PCB HARNESS
Connector Type	TH40FB-NH



1	2	3	4	5	6	7	8	9	10	11	12	13	14	15	16	17	18	19	20
---	---	---	---	---	---	---	---	---	----	----	----	----	----	----	----	----	----	----	----

Terminal No.	Color Of Wire	Signal Name [Specification]
1	B	--
11	BR	--
12	R	--
14	L	--
15	B	--
17	R	--
18	W	--
20	B	--
21	B	--
22	R	--
23	L	--
24	L	--
27	P	--
31	V	--
33	V	--
35	L	--
38	L	--
40	Y	--

Connector No.	M22
Connector Name	PCB HARNESS
Connector Type	TH40FB-NH



1	2	3	4	5	6	7	8	9	10	11	12	13	14	15	16	17	18	19	20
---	---	---	---	---	---	---	---	---	----	----	----	----	----	----	----	----	----	----	----

Terminal No.	Color Of Wire	Signal Name [Specification]
81	L	--
82	P	--
84	B	--
85	B	--
86	B	--
87	B	--
88	B	--
89	Y	--
91	V	--
92	V	--
93	B	--
94	B	--
95	LG	--
96	BR	--
97	G	--
98	R	--
99	G	--
100	L	--
102	L	--
103	P	--
104	B	--
105	R	--
107	Y	--
108	Y	--
109	BR	--
110	Y	--
112	B	--
113	P	--
114	L	--
116	B	--
117	B	--
118	B	--
119	G	--
120	V	--

Connector No.	M24
Connector Name	PCB HARNESS
Connector Type	TH40FB-NH



1	2	3	4	5	6	7	8	9	10	11	12	13	14	15	16	17	18	19	20
---	---	---	---	---	---	---	---	---	----	----	----	----	----	----	----	----	----	----	----

Terminal No.	Color Of Wire	Signal Name [Specification]
181	BG	--
182	BG	--
183	G	--
184	V	--
185	V	--
186	R	--
168	R	--
167	LG	--
168	R	--
169	R	--
170	B	--
172	B	--
174	W	--
175	B	--
176	L	--
177	P	--
178	Y	--
179	L	--
182	BR	-- [With VQ engine or with VK engine without ECU]
182	R	-- [With VK engine with ECU]
183	R	--
184	V	--
185	P	-- [With BOSE system]
185	V	-- [Without BOSE system]
186	R	--
187	L	--
188	Y	--
189	B	--
190	V	--
191	G	--
192	B	--
193	SB	--
194	BR	--
195	SB	--
198	R	--
199	B	--

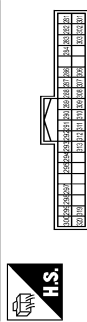
JRMWE8300GB

POWER SUPPLY ROUTING CIRCUIT

< WIRING DIAGRAM >

ACCESSORY POWER SUPPLY

Connector No.	M27
Connector Name	PCB HARNESS
Connector Type	TH40BP-NH



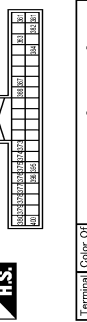
Terminal No.	Color Of Wire	Signal Name [Specification]
281	O	-
282	BG	-
283	BG	-
284	BG	-
286	W	-
287	Y	-
288	W	-
289	SHIELD	-
290	B	-
291	SHIELD	-
292	B	-
293	B	-
294	B	-
295	B	-
297	B	-
298	L	-
300	W	-
301	R	-
302	R	-
303	R	-
306	V	-
307	LG	-
308	SB	-
309	G	-
310	R	-
311	W	-
312	B	-
313	B	-
319	V	-
320	W	-

Connector No.	M28
Connector Name	PCB HARNESS
Connector Type	TH40FPW-NH



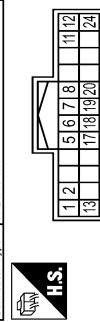
Terminal No.	Color Of Wire	Signal Name [Specification]
321	V	-
322	V	-
324	B	-
325	L	-
326	L	-
327	P	-
328	P	-
330	B	-
331	V	-
332	V	-
337	W	-
338	W	-
343	L	-
344	B	-
345	Y	-
346	L	-
347	L	-
348	GR	-
349	LG	-
350	LG	-
351	P	-
352	R	-
353	P	-
358	W	-
359	W	-
360	G	-

Connector No.	M29
Connector Name	PCB HARNESS
Connector Type	TH40FB-NH



Terminal No.	Color Of Wire	Signal Name [Specification]
361	W	-
363	Y	-
367	B	-
368	G	-
373	BR	-
374	BC	-
375	BG	-
376	V	-
377	V	-
378	B	-
379	R	-
380	R	-
381	G	-
382	V	-
384	GR	-
395	P	-
396	L	-
400	V	-

Connector No.	M47
Connector Name	SOMAR CONTROL UNIT
Connector Type	TH24FW-NH



Terminal No.	Color Of Wire	Signal Name [Specification]
1	W	BATTERY POWER SUPPLY
2	W	IGNITION POWER SUPPLY
3	R	BLOWER MOTOR F/B SIGNAL
7	L	POWER TRANSISTOR CONTROL SIGNAL
10	B	GROUND
11	P	CAN-L
12	L	CAN-H
13	V	ACC POWER SUPPLY
17	BG	ECV CONTROL SIGNAL
20	R	HUMIDITY SENSOR (SCO) SIGNAL
21	Y	HUMIDITY SENSOR (DATA) SIGNAL
22	B	HUMIDITY SENSOR GROUND
23	W	DRIVE MODE SELECT SW (SNOW)
24	L	DRIVE MODE SELECT SW (ECO)
25	G	DRIVE MODE SELECT SW (STANDARD)
26	Y	DRIVE MODE SELECT SW (SPORT)

Connector No.	M68
Connector Name	A/C AUTO AMP
Connector Type	TH20FPW-TBB

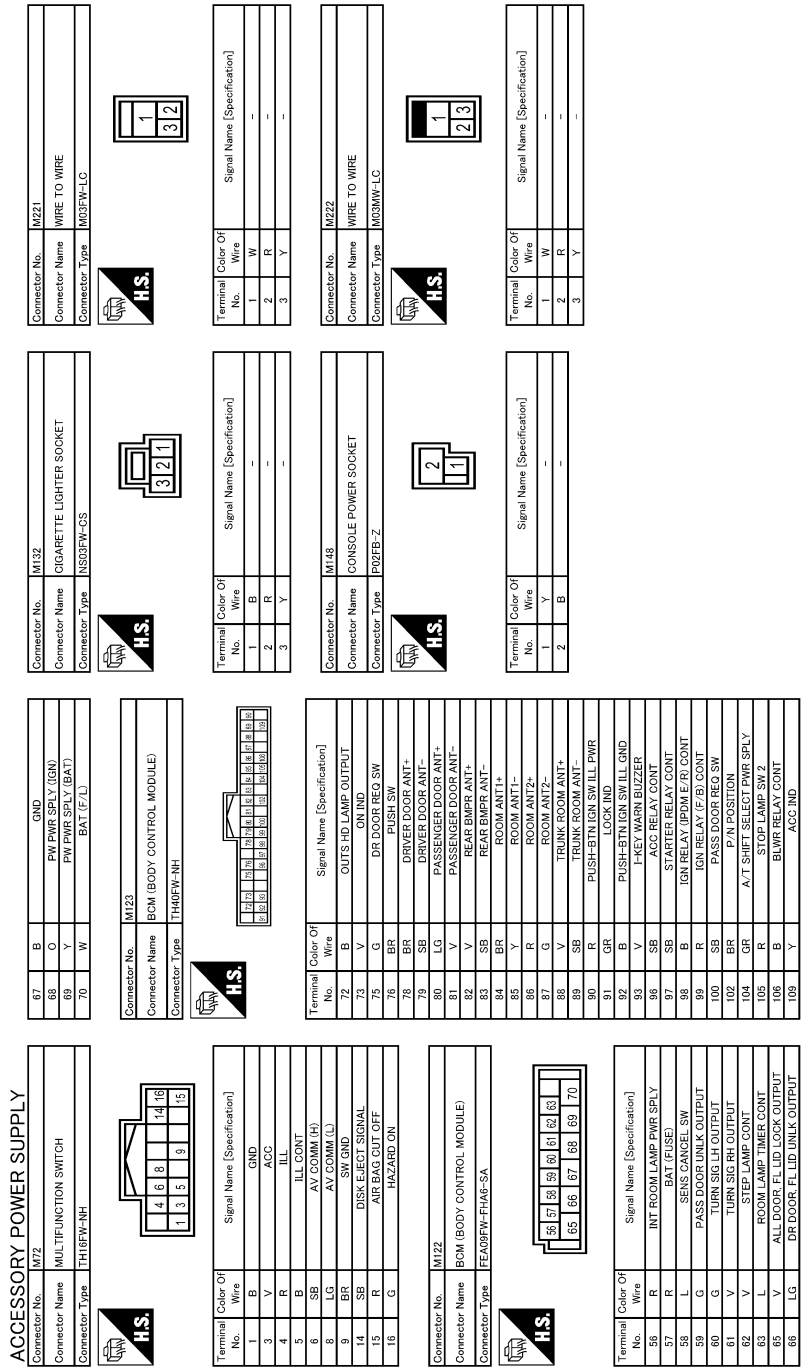


Terminal No.	Color Of Wire	Signal Name [Specification]
1	LG	IGN
2	SB	CANCEL SW
3	W	CORNER SENSOR REAR LH
4	B	CORNER SENSOR REAR RH
5	B	CORNER SENSOR REAR LH
6	G	CORNER SENSOR REAR RH
8	R	CENTER SENSOR REAR RH
11	B	CANCEL SW INDICATOR
12	B	SENSOR GND
13	L	ACC
17	BG	REVERSE
18	V	K-LINE
19	SB	AV COMM (H)
20	LG	AV COMM (L)
24	B	GND

A
B
C
D
E
F
G
H
I
J
K
L
PG
N
O
P

POWER SUPPLY ROUTING CIRCUIT

< WIRING DIAGRAM >



JRMWE8302GB

POWER SUPPLY ROUTING CIRCUIT

< WIRING DIAGRAM >

A
B
C
D
E
F
G
H
I
J
K
L
N
O
P

ACCESSORY POWER SUPPLY

Connector No.	R18
Connector Name	FRONT MICROPHONE (ACTIVE NOISE CONTROL)
Connector Type	TH08FPV-NH



Terminal No.	Color Of Wire	Signal Name [Specification]
1	LG	-
2	W	-
3	B	-
4	P	-

Connector No.	R20
Connector Name	REAR MICROPHONE (ACTIVE NOISE CONTROL)
Connector Type	TH08FPV-NH



Terminal No.	Color Of Wire	Signal Name [Specification]
1	BR	-
2	GR	-
3	B	-
4	P	-

Connector No.	R22
Connector Name	TELEMATICS SWITCH
Connector Type	TH08FPV-NH



Terminal No.	Color Of Wire	Signal Name [Specification]
1	V	-
2	BR	-
3	G	-
5	SB	-
6	B	-
7	B	-

JRMWE8303GB

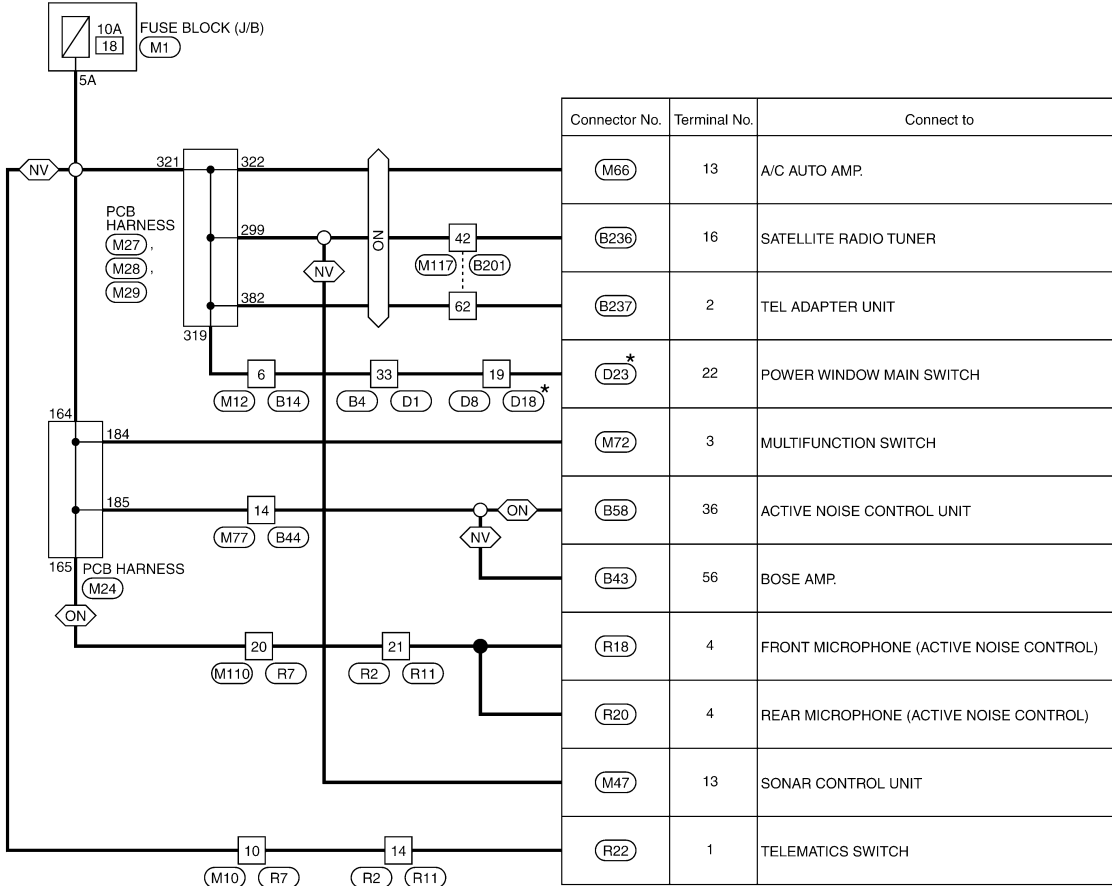
POWER SUPPLY ROUTING CIRCUIT

< WIRING DIAGRAM >

Wiring Diagram - ACCESSORY POWER SUPPLY FUSE No. 18 - ACCESSORY POWER SUPPLY FUSE No. 18

INFOID:000000010098718

◊NV◊ : With NAVI
◊ON◊ : Without NAVI



*: This connector is not shown in "Harness Layout".

2013/10/22

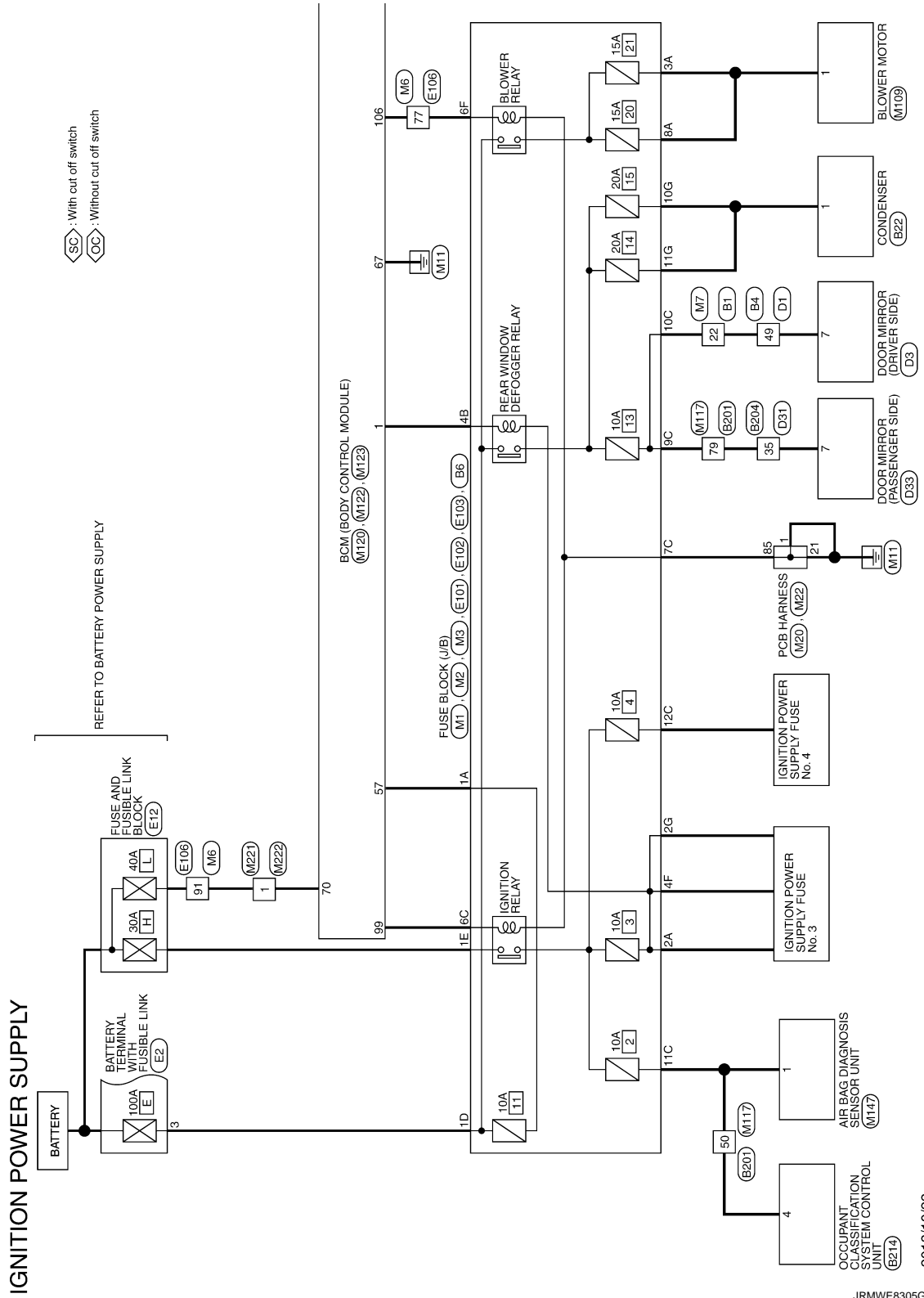
JRMWE8304GB

POWER SUPPLY ROUTING CIRCUIT

< WIRING DIAGRAM >

Wiring Diagram - IGNITION POWER SUPPLY -

INFOID:0000000110098719

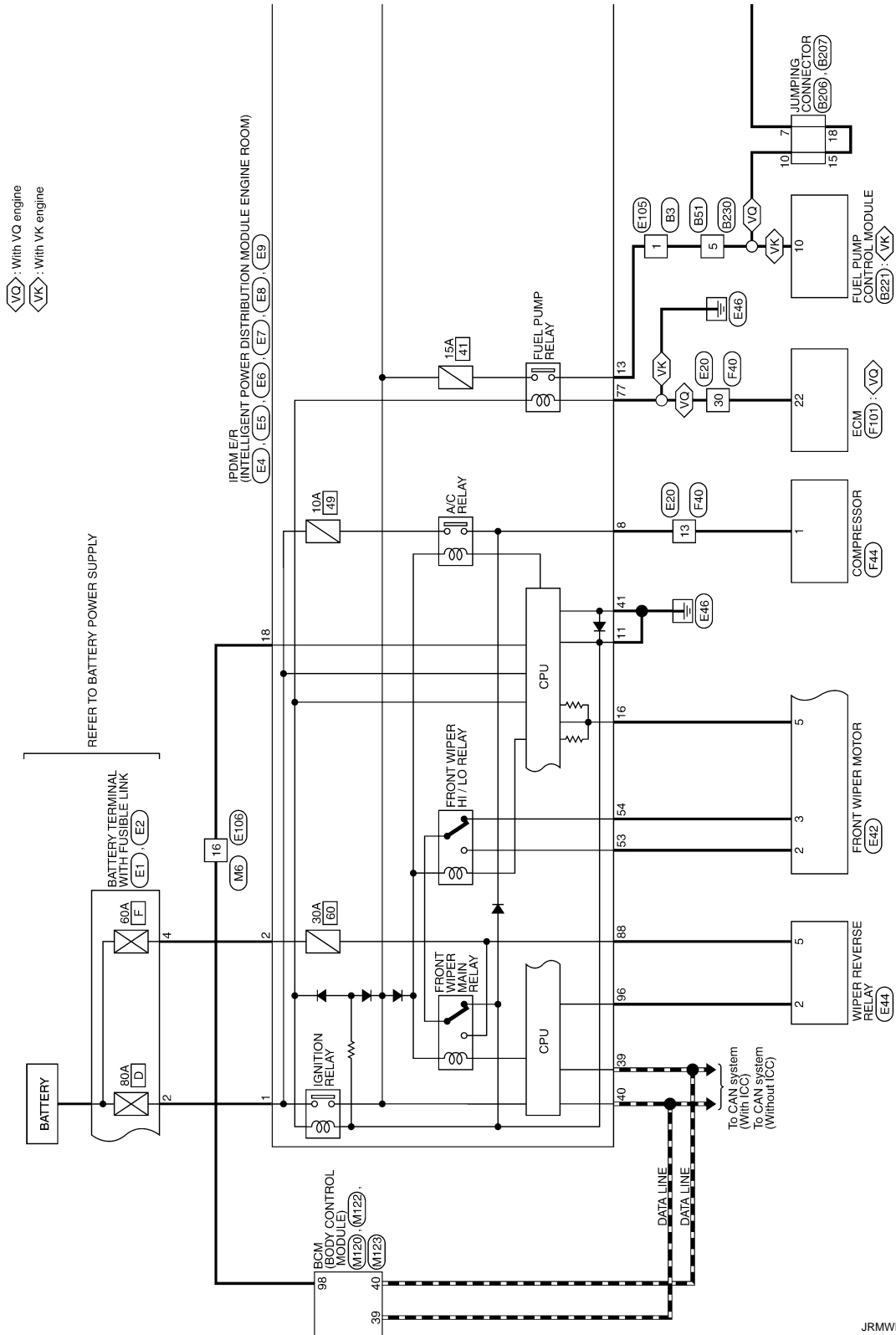


A
B
C
D
E
F
G
H
I
J
K
L
M
N
O
P

PG

POWER SUPPLY ROUTING CIRCUIT

< WIRING DIAGRAM >



JRMWE8306GB

POWER SUPPLY ROUTING CIRCUIT

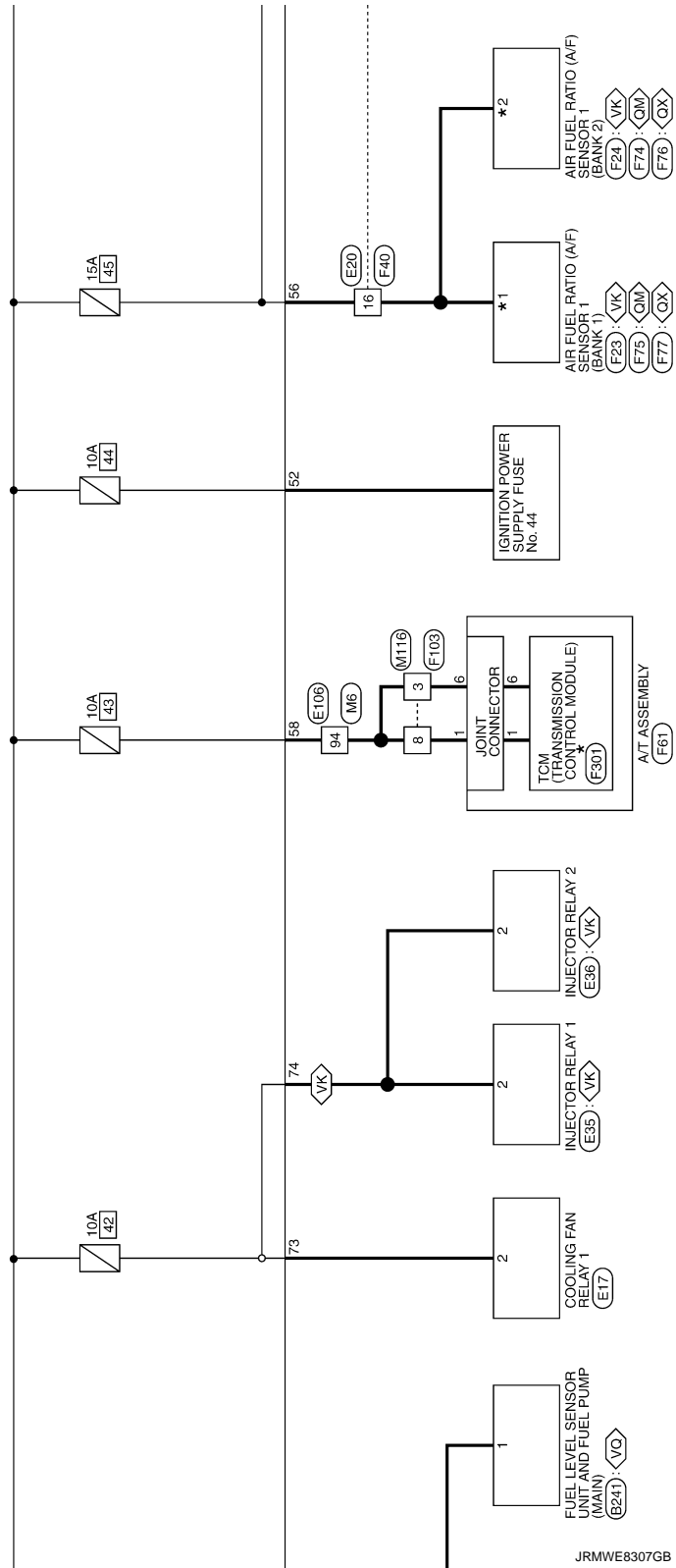
< WIRING DIAGRAM >

◊QM◊ : With VQ engine for Mexico
 ◊OX◊ : With VQ engine except for Mexico

*1 4 : ◊VQ◊
 5 : ◊VK◊
 *2 4 : ◊VQ◊
 5 : ◊VK◊

*: This connector is not shown in "Harness Layout".

IPDM E/R
 (INTELLIGENT POWER DISTRIBUTION MODULE ENGINE ROOM)
 (E4) (E5) (E6) (E7) (E8) (E9)



JRMWE8307GB

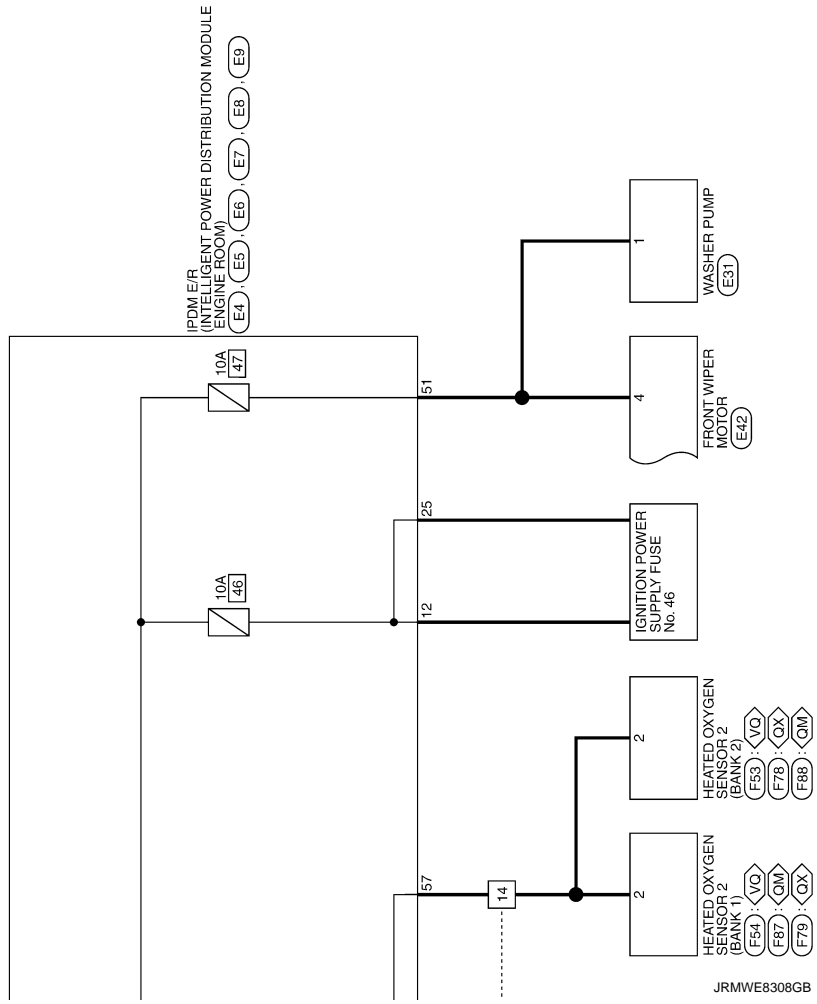
A
B
C
D
E
F
G
H
I
J
K
L
N
O
P

PG

POWER SUPPLY ROUTING CIRCUIT

< WIRING DIAGRAM >

VQ : With VQ engine
VK : With VK engine



POWER SUPPLY ROUTING CIRCUIT

< WIRING DIAGRAM >

IGNITION POWER SUPPLY

Connector No.	B1
Connector Name	WIRE TO WIRE
Connector Type	TH80FW-CS16-TM4



Terminal No.	Color Of Wire	Signal Name [Specification]
1	R	
2	W	
3	LG	
4	LG	
5	P	
6	V	
7	GR	
8	Y	
9	LG	
10	V	
11	GR	[With climate controlled seat]
12	GR	[With heated seat]
13	P	[With climate controlled seat]
14	R	
15	O	
16	V	
17	B	
18	R	
19	W	
20	R	
21	B	
22	LG	
23	V	
24	Y	
25	G	
26	GR	
27	SB	
28	W	
29	W	
30	W	
31	SHIELD	
32	SHIELD	
33	R	
34	L	
35	R	

36	G	
37	SB	
38	SHIELD	
39	SB	
40	SB	
41	GR	
42	W/L	
43	L	
44	B	
45	W	
46	O	
47	Y	
48	BR	
49	SB	
50	SB	
51	V	
52	LG	
53	G	
54	BR	
55	LG	
56	Y	
57	W	
58	Y	
59	W	
60	Y	
61	B	
62	LG	
63	V	
64	O	
65	BR	
66	V	
67	V	
68	LG	
69	GR	
70	R	
71	O	
72	P	
73	L	
74	L	
75	P	
76	Y	
77	R	
78	W	
79	G	
80	L	
81	LG	
82	BR	
83	SB	
84	Y	
85	R	
86	W	
87	C	
88	GR	
89	GR	
90	SB	
91	SB	
92	G	
93	Y	

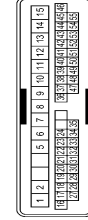
37	O	
38	SB	
39	SB	

Connector No.	B3
Connector Name	WIRE TO WIRE
Connector Type	MG2FW-LC



Terminal No.	Color Of Wire	Signal Name [Specification]
1	W	

Connector No.	B4
Connector Name	WIRE TO WIRE
Connector Type	TH40MW-CS15



Terminal No.	Color Of Wire	Signal Name [Specification]
1	B	
2	L	
3	B/W	
4	L	
5	R	
6	B	
7	R	
8	B	
9	W	
10	L	
11	GR	
12	GR	
13	B/W	
14	SB	
15	O	

16	G	
17	Y	
18	BR	
19	GR	
20	O	
21	LG	
22	L	
23	SB	
24	V	
27	V	
28	W	
29	SB	
30	L	
31	LG	
32	O	
33	V	
34	BR	
35	B/R	
36	P	
37	BR	
38	W	
39	O	
40	L	
41	SHIELD	
42	W/L	
43	L/O	
44	R	
45	Y	
46	V	
47	SB	
48	GR	
49	LG	
50	B	
51	G	
52	R	
53	B	
54	V	
55	W	

A
B
C
D
E
F
G
H
I
J
K
L
N
O
P

PG

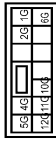
JRMWE8309GB

POWER SUPPLY ROUTING CIRCUIT

< WIRING DIAGRAM >

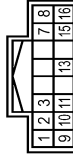
IGNITION POWER SUPPLY

Connector No.	B6
Connector Name	FUSE BLOCK (J/B)
Connector Type	NS12PBR-GS



Terminal No.	Color Of Wire	Signal Name [Specification]
1	W	-
2	W	-
3	GR	-
4	GR	-
5	G/R	-
6	L	-

Connector No.	B17
Connector Name	AWD CONTROL UNIT
Connector Type	TH16FW-NH



Terminal No.	Color Of Wire	Signal Name [Specification]
1	BR	AWD SOL (-)
2	R	AWD SOL (-)
3	W	FLUID TEMP (-)
4	Y	IGN CAN-L
5	SB	AWD SOL BAT
6	L	GND
7	B/Y	GND
8	W	GND
9	B/Y	GND
10	B/Y	GND
11	B/Y	GND
12	LG	FLUID TEMP (+)
13	LG	FLUID TEMP (+)
14	G	BATTERY POWER SUPPLY
15	G	BATTERY POWER SUPPLY
16	P	CAN-L

Connector No.	B22
Connector Name	CONDENSER
Connector Type	M01FW-LC



Terminal No.	Color Of Wire	Signal Name [Specification]
1	W	-
2	W	-

Connector No.	B50
Connector Name	ADAS CONTROL UNIT
Connector Type	TH16FW-NH



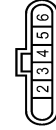
Terminal No.	Color Of Wire	Signal Name [Specification]
1	Y	WARNING SYSTEMS SW
2	BR	IEA OFF SW
3	O	WARNING SYSTEMS ON IND
4	SB	BRAKE HOLD RLY DREVE SIGNAL
5	B/R	GND
6	L	ITS COMM-H
7	P	ITS COMM-L
8	W	WARNING BUZZER
9	L	CAN-H
10	L	CAN-L
11	R	CAN-L
12	GR	IGNITION

Connector No.	B51
Connector Name	WIRE TO WIRE
Connector Type	M03MB-LC



Terminal No.	Color Of Wire	Signal Name [Specification]
3	W	-
4	W	-

Connector No.	B52
Connector Name	SIDE RADAR LH
Connector Type	AA00DFB-WP-9P



Terminal No.	Color Of Wire	Signal Name [Specification]
2	B/Y	GND
3	Y	ITS COMM-L
4	L	ITS COMM-H
5	GR	IGNITION
6	BR	BSW/BSI INDICATOR

Connector No.	B82
Connector Name	REAR SUNSHADE CONTROL UNIT
Connector Type	AMP-174823-1



Terminal No.	Color Of Wire	Signal Name [Specification]
1	W	IGN PWR SPLY
2	BR	GND
3	BR	RR SUNSHADE SW
4	P	REVERSE

Connector No.	B201
Connector Name	WIRE TO WIRE
Connector Type	TH80MM-CSS16-1M4



Terminal No.	Color Of Wire	Signal Name [Specification]
3	R	-
6	R	-
13	Y	-
17	GR	-
18	P	-
19	BR	-
20	GR	-
21	Y	-
22	GR	-
24	V	-
25	B	-
26	W	-
27	O	-
28	V	-
29	P	-

POWER SUPPLY ROUTING CIRCUIT

< WIRING DIAGRAM >

IGNITION POWER SUPPLY

30	O	-	-	-	-
31	Y	-	-	-	-
32	GR	-	-	-	-
33	W	-	-	-	-
40	SHIELD	-	-	-	-
41	W/R	-	-	-	-
42	V	-	-	-	-
44	P	-	-	-	-
45	SB	-	-	-	-
46	R	-	-	-	-
47	Y	-	-	-	-
48	GR	-	-	-	-
49	O	-	-	-	-
50	R	-	-	-	-
51	GR	-	-	-	-
52	LG	-	-	-	-
53	P	-	-	-	-
56	P	-	-	-	-
57	W	-	-	-	-
58	O	-	-	-	-
59	Y	-	-	-	-
61	SB	-	-	-	-
62	L	-	-	-	-
63	W	-	-	-	-
66	L	-	-	-	-
67	Y	-	-	-	-
68	SB	-	-	-	-
69	R	-	-	-	-
70	R	-	-	-	-
71	L	-	-	-	-
74	B	-	-	-	-
75	L	-	-	-	-
76	SHIELD	-	-	-	-
77	G	-	-	-	-
78	R	-	-	-	-
79	P	-	-	-	-
80	G	-	-	-	-
81	O	-	-	-	-
82	BR	-	-	-	-
83	GR	-	-	-	-
84	V	-	-	-	-
85	LG	-	-	-	-
87	W	-	-	-	-
88	O	-	-	-	-
89	Y	-	-	-	-
90	L	-	-	-	-
91	BR	-	-	-	-
93	O	-	-	-	-

83	Y	-	-	-	-
84	GR	-	-	-	-
86	W	-	-	-	-
87	P	-	-	-	-
88	LG	-	-	-	-
89	LG	-	-	-	-
90	Y	-	-	-	-

Connector No.	BZ04
Connector Name	WIRE TO WIRE
Connector Type	TH-40MW-C315

Terminal No.	Color Of Wire	Signal Name [Specification]
2	B/W	-
3	B/W	-
5	Y	-
9	R	-
10	P	-
11	Y	-
12	Y	-
14	LG	-
15	GR	-
16	G	-
17	O	-
18	BR	-
19	GR	-
20	V	-
21	LG	-
22	W	-
23	O	-
24	Y	-
25	BR	-
26	L	-
32	G	-
33	R	-
34	SHIELD	-
35	P	-
36	B/R	-
37	BR	-

38	SB	-	-	-	-
39	SB	-	-	-	-
44	SB	-	-	-	-
45	R	-	-	-	-
46	B	-	-	-	-
53	L	-	-	-	-
54	B	-	-	-	-

Connector No.	BZ05
Connector Name	JUMPING CONNECTOR
Connector Type	TM10FB

Terminal No.	Color Of Wire	Signal Name [Specification]
5	B/R	-
6	B	-
7	W	-
10	BR	-

Connector No.	BZ27
Connector Name	JUMPING CONNECTOR
Connector Type	TM10MB

Terminal No.	Color Of Wire	Signal Name [Specification]
2	Y	COMMUNICATION
4	R	IGN
5	B	GRD

Connector No.	BZ21
Connector Name	FUEL PUMP CONTROL MODULE
Connector Type	TM10FB

Terminal No.	Color Of Wire	Signal Name [Specification]
5	B/R	-
6	B	-
7	W	-
8	P	-
9	GR	-
10	BR	-

Connector No.	BZ21
Connector Name	FUEL PUMP CONTROL MODULE
Connector Type	TM10FB

Connector No.	BZ14
Connector Name	OCCUPANT CLASSIFICATION SYSTEM CONTROL UNIT
Connector Type	TH08FW-NH

Terminal No.	Color Of Wire	Signal Name [Specification]
2	Y	COMMUNICATION
4	R	IGN
5	B	GRD

Terminal No.	Color Of Wire	Signal Name [Specification]
5	B/R	-
6	B	-
7	W	-
8	P	-
9	GR	-
10	BR	-

JRMWE8311GB

A B C D E F G H I J K L N O P



POWER SUPPLY ROUTING CIRCUIT

< WIRING DIAGRAM >

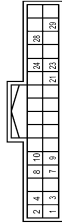
IGNITION POWER SUPPLY

Connector No.	B23D
Connector Name	WIRE TO WIRE
Connector Type	M08FB-LC



Terminal No.	Color Of Wire	Signal Name [Specification]
5	BR	--

Connector No.	B237
Connector Name	TEL ADAPTER UNIT
Connector Type	TH32FW-NH



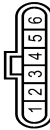
Terminal No.	Color Of Wire	Signal Name [Specification]
1	LG	BATTERY
2	L	ACC
3	P	IGNITION
4	B/R	GND
7	W/R	MICROPHONE SIGNAL
8	SHIELD	MICROPHONE GND
9	W/L	TEL VOICE SIGNAL (+)
10	GF/V	TEL VOICE SIGNAL (-)
21	B/R	CONTROL SIGNAL
23	B/R	CONTROL SIGNAL
24	BR	CONTROL SIGNAL (PULSE)
28	BR	VEHICLE SPEED SIGNAL (PULSE)
29	B/R	MICROPHONE VCC

Connector No.	B241
Connector Name	FUEL LEVEL SENSOR UNIT AND FUEL PUMP (MAIN)
Connector Type	EG8FBY-RS



Terminal No.	Color Of Wire	Signal Name [Specification]
1	O	--
2	B	--
3	B	--
4	P	--
5	B	--

Connector No.	B232
Connector Name	SIDE RADAR RH
Connector Type	FAAC08FB-WP



Terminal No.	Color Of Wire	Signal Name [Specification]
1	B/R	RIGHT/LEFT SWITCHING SIGNAL
2	B/R	GND
3	Y	ITS COMM-L
4	L	ITS COMM-H
5	G	IGNITION
8	BR	#SW/SSI INDICATOR

Connector No.	D1
Connector Name	WIRE TO WIRE
Connector Type	TH48FW-GS15



Terminal No.	Color Of Wire	Signal Name [Specification]
1	B	--
2	B	--
5	B	--
6	L	--
7	R	--
8	GR	--
9	G	--
10	LG	--
11	P	--
12	LG	--
13	B/Y	--
14	Y	--
15	O	--
16	X	--
18	BR	--
19	W	--
20	O	--
21	GR	--
22	G	--
23	LG	--
24	B	--
27	V	--
28	W	--
29	GR	--
30	G	--
31	Y	--
32	O	--
34	UL	--
35	P	--
36	V	--
37	GR	--
38	O	--
39	W	--
40	R	--

41	SHIELD	--
42	P	--
43	P	--
44	V	--
45	LG	--
46	BR	--
47	L	--
48	Y	--
49	P	--
50	B/W	--
51	G	--
52	Y	--
53	B/W	--
54	W	--
55	W	--

Connector No.	D3
Connector Name	DOOR MIRROR (DRIVER SIDE)
Connector Type	TH24MM-NH



Terminal No.	Color Of Wire	Signal Name [Specification]
1	L	--
7	P	--
8	R	--
9	V	--
10	G	--
11	GR	--
12	O	--
13	B	--
19	B	--
21	BR	--
22	R	--
23	W	--
24	Y	--

POWER SUPPLY ROUTING CIRCUIT

< WIRING DIAGRAM >

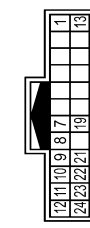
IGNITION POWER SUPPLY

Connector No.	D31
Connector Name	WIRE TO WIRE
Connector Type	1140PW-CS15



Terminal No.	Color	Wire	Signal Name [Specification]
2	B	-	-
3	GR	-	-
4	W	-	-
5	GR	-	-
6	W	-	-
7	Y	-	-
8	BR	-	-
9	G	-	-
10	R	-	-
11	L	-	-
12	Y	-	-
13	BR	-	-
14	G	-	-
15	SB	-	-
16	G	-	-
17	P	-	-
18	BR	-	-
19	GR	-	-
20	V	-	-
21	L	-	-
22	SB	-	-
23	G	-	-
24	Y	-	-
25	BR	-	-
26	L	-	-
32	L/O	-	-
33	W/L	-	-
34	SHIELD	-	-
35	W	-	-
36	L	-	-
37	P	-	-
38	SB	-	-
39	O	-	-
40	SB	-	-
41	SB	-	-
42	SB	-	-
43	SB	-	-
44	SB	-	-
45	SB	-	-
46	B/W	-	-
53	L	-	-
54	B	-	-

Connector No.	D33
Connector Name	DOOR MIRROR (PASSENGER SIDE)
Connector Type	1124MW-NH



Terminal No.	Color	Wire	Signal Name [Specification]
1	V	-	-
2	W	-	-
3	R	-	-
4	L	-	-
5	SB	-	-
6	O	-	-
7	Y	-	-
8	L	-	-
9	BR	-	-
10	B	-	-
11	B	-	-
12	B	-	-
13	B	-	-
14	B	-	-
15	BR	-	-
16	G	-	-
17	G	-	-
18	GR	-	-
19	P	-	-
20	P	-	-
21	P	-	-
22	G	-	-
23	GR	-	-
24	P	-	-

Connector No.	E1
Connector Name	BATTERY TERMINAL WITH FUSIBLE LINK
Connector Type	LOZFBR-MC



Terminal No.	Color	Wire	Signal Name [Specification]
1	W	-	-
2	L	-	-

Connector No.	E2
Connector Name	BATTERY TERMINAL WITH FUSIBLE LINK
Connector Type	LOZFSY-MC



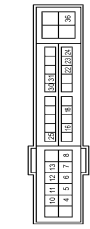
Terminal No.	Color	Wire	Signal Name [Specification]
3	R	-	-
4	L	-	-

Connector No.	E4
Connector Name	SOLE IN INTELLIGENT POWER DISTRIBUTION MODULE ENGINE ROOM
Connector Type	LOZFB-MC



Terminal No.	Color	Wire	Signal Name [Specification]
1	W	-	-
2	L	-	-

Connector No.	E5
Connector Name	SOLE IN INTELLIGENT POWER DISTRIBUTION MODULE ENGINE ROOM
Connector Type	1120FW-CS12-M4-1V



Terminal No.	Color	Wire	Signal Name [Specification]
4	W	-	ENG SOL
5	R	-	ECM A/B [With VQ engine]
6	R	-	ECM A/B [With VQ engine]
7	R	-	ECM A/B [With VK engine]
8	SB	-	ETC [With VQ engine]
9	Y	-	ETC [With VK engine]
10	L/Y	-	A/C COMP [With VQ engine]
11	L/Y	-	A/C COMP [With VK engine]
12	P	-	A/C COMP [With VQ engine]
13	P	-	A/C COMP [With VK engine]
14	V	-	ECM BAT
15	B	-	P-GND
16	G	-	ABS ECU
17	GR	-	FUEL PUMP [With VQ engine]
18	W	-	FUEL PUMP [With VK engine]
19	Y	-	WIPER AUTOSTOP
20	V	-	IGN SIGNAL
21	ES	-	IGN SIGNAL
22	ES	-	IGN SIGNAL
23	SB	-	DTR-RLY [With VQ engine]
24	SB	-	DTR-RLY [With VK engine]
25	LG	-	HOOD SW
26	LG	-	HOOD SW
27	LG	-	HOOD SW
28	LG	-	HOOD SW
29	LG	-	HOOD SW
30	BR	-	PUSH START SW
31	BR	-	NP SW [With VK engine]
32	BR	-	NP SW [With VQ engine]
33	W	-	NP SW [With VK engine]
34	W	-	NP SW [With VQ engine]
35	GR	-	F-L IGN SW

A
B
C
D
E
F
G
H
I
J
K
L
N
O
P

PG

POWER SUPPLY ROUTING CIRCUIT

< WIRING DIAGRAM >

IGNITION POWER SUPPLY

Connector No.	E6
Connector Name	ROOM INTELLIGENT POWER DISTRIBUTION MODULE ENGINE ROOM
Connector Type	TH8BFW-NH



Terminal No.	Color Of Wire	Signal Name [Specification]
38	P	IGN-L
39	L	IGN-H
40	B	IGN-H
41	B	SGND
42	V	MOTOR FAN RLY CONT [With VK engine]
43	Y	MOTOR FAN RLY CONT [With VQ engine]
43	SB	DETENT SW
44	GR	HORN RLY [With VK engine]
44	LG	HORN RLY [With VQ engine]
45	G	HORN SW
46	BR	START CONT

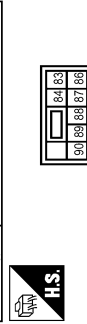
Connector No.	E7
Connector Name	ROOM INTELLIGENT POWER DISTRIBUTION MODULE ENGINE ROOM
Connector Type	TH8BFW-CS12-AM



Terminal No.	Color Of Wire	Signal Name [Specification]
48	W	DTRL DEICER
51	O	WASH WTR
52	G	WASH WTR
53	L	FR WIPER LH
54	P	FR WIPER LH
55	R	TAIL ILLUMI
56	GR	O2 SEAS #1
57	V	O2 SEAS #2
58	BR	AT ECU
70	LG	SSOFF

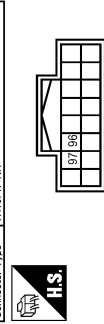
71	O	MOTRLY
72	G	START CLC-R
74	R	START CLC-L
75	Y	OIL PRESSURE SW
77	B	FR
80	W	STARTER MOTOR

Connector No.	E8
Connector Name	ROOM INTELLIGENT POWER DISTRIBUTION MODULE ENGINE ROOM
Connector Type	NS8BFW-CS



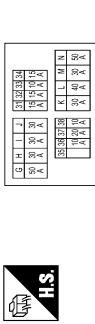
Terminal No.	Color Of Wire	Signal Name [Specification]
83	R	HEAD LAMP LO RH
84	W	HEAD LAMP LO LH
86	G	FR FOG LAMP RH [With VQ engine]
86	W/R	FR FOG LAMP RH [With VK engine]
87	L/Y	FR FOG LAMP LH [With VQ engine]
87	O	FR FOG LAMP LH [With VK engine]
88	Y	HEAD LAMP LH
89	P	HEAD LAMP LH LT

Connector No.	E9
Connector Name	ROOM INTELLIGENT POWER DISTRIBUTION MODULE ENGINE ROOM
Connector Type	TH18BFW-NH



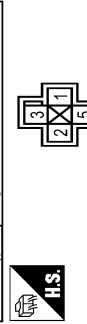
Terminal No.	Color Of Wire	Signal Name [Specification]
96	R	WIPER REV RLY
97	V	MOTOR FAN PWM

Connector No.	E12
Connector Name	FUSE AND FUSIBLE LINK BLOCK
Connector Type	24381-7890A



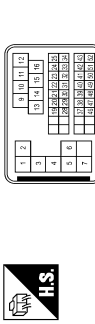
Terminal No.	Color Of Wire	Signal Name [Specification]
32	W/R	-
33	O	-
34	O	-
35	SB	-
37	L	-
38	W	-
G	B	-
H	GR	-
I	W	-
J	BR	-
K	D	- [With VQ engine]
K	D	- [With VK engine]
L	W	-
N	C	-
N	G	-

Connector No.	E17
Connector Name	COOLING FAN RELAY 1
Connector Type	24247-8F000



Terminal No.	Color Of Wire	Signal Name [Specification]
1	V	-
2	G	-
3	L	-
5	R	-

Connector No.	E20
Connector Name	WIRE TO WIRE
Connector Type	SAAS38MB-RSS-SHZB



Terminal No.	Color Of Wire	Signal Name [Specification]
2	SHIELD	-
3	L/B	-
4	SHIELD	-
5	L/W	-
6	W	-
7	L/B	-
9	P	-
10	G	-
11	W	- [With VK engine]
11	Y	- [With VQ engine]
12	V	-
13	L	- [With VK engine]
13	LG	- [With VQ engine]
14	W	-
15	SB	-
16	GR	-
19	W	-
20	BR	-
21	G	-
22	O	-
23	L	-
24	GR	-
25	Y	-
28	V	-
29	Y	-
30	B	-
31	LG	-
32	W	-
32	BR	-
34	O	-
37	SHIELD	-
38	G	-
39	Y	-
40	R	-
41	W	-

POWER SUPPLY ROUTING CIRCUIT

< WIRING DIAGRAM >

IGNITION POWER SUPPLY

42	L	-
43	B	-
44	SHIELD	-
47	T	-
48	L	-
49	G	-
50	B	-
51	Y	-
52	W	-

Connector No.	E28
Connector Name	HEADLAMP AIMING MOTOR RH
Connector Type	HSDPGCY



Terminal No.	Color Of Wire	Signal Name [Specification]
1	G	AMER VCC
2	B/W	AMER GND
3	W	AMER SIG

Connector No.	E31
Connector Name	WASHER PUMP
Connector Type	EIQDFGY-RS



Terminal No.	Color Of Wire	Signal Name [Specification]
1	G	-
2	W	-

Connector No.	E35
Connector Name	INJECTOR RELAY 1
Connector Type	MS02FL-M2-LC



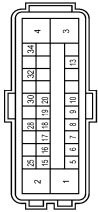
Terminal No.	Color Of Wire	Signal Name [Specification]
1	B	-
2	W	-
3	W	-
4	W	-
5	W	-

Connector No.	E36
Connector Name	INJECTOR RELAY 2
Connector Type	MS02FL-M2-LC



Terminal No.	Color Of Wire	Signal Name [Specification]
1	B/W	-
2	P	-
3	P	-
5	V	-

Connector No.	E41
Connector Name	ABS ACTUATOR AND ELECTRIC PART (CONTROL UNIT)
Connector Type	SAZ20FB-SJ24-U



Terminal No.	Color Of Wire	Signal Name [Specification]
1	B/W	ECU(GND)
2	W	ECU(SIGNAL)
3	Y	SOLENOID(POWER)
4	G	MOTOR(POWER)
5	SB	STOP LAMP SW
6	Y	CAN(M2-C)
7	W	R-LH SEN(SIGNAL)
8	G	R-LH SEN(POWER)
9	BR	F-RH SEN(SIGNAL)
10	B	F-RH SEN(POWER)
13	LG	VAC SEN(SIGNAL)
15	P	CAN-L
16	B	CAN(M2-C)
17	Y	R-RH SEN(SIGNAL)
18	BR	R-RH SEN(POWER)
19	W	F-LH SEN(SIGNAL)
20	SB	F-LH SEN(POWER)
24	L	CAN-H
26	V	VAC SEN(POWER)
30	R	VDS OFF SW
32	SHIELD	VAC SEN(GND)
34	G	IGN(POWER)

Connector No.	E42
Connector Name	FRONT WIPER MOTOR
Connector Type	RS08FCY-PR



Terminal No.	Color Of Wire	Signal Name [Specification]
1	SB	-
2	B	-
3	D	-
4	O	-
5	V	-
6	B	-

Connector No.	E44
Connector Name	WIPER REVERSE RELAY
Connector Type	MS08FE-M2-LC



Terminal No.	Color Of Wire	Signal Name [Specification]
1	G	-
2	R	-
3	SB	-
4	B	-
5	O	-

JRMWE8315GB

A
B
C
D
E
F
G
H
I
J
K
L
N
O
P

PG

POWER SUPPLY ROUTING CIRCUIT

< WIRING DIAGRAM >

IGNITION POWER SUPPLY

Connector No.	E52
Connector Name	SHIFT LOCK RELAY
Connector Type	MS02FL-M2-LC



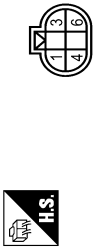
Terminal No.	Color Of Wire	Signal Name [Specification]
1	B	-
2	Y	-
3	Y	-
5	G	-

Connector No.	E56
Connector Name	HEADLAMP AIMING MOTOR LH
Connector Type	HS02BQY



Terminal No.	Color Of Wire	Signal Name [Specification]
1	G	AMER VCC
2	B/Y	AMER GND
3	GR	AMER SIG

Connector No.	E67
Connector Name	ICC SENSOR
Connector Type	RS06FEB-PR



Terminal No.	Color Of Wire	Signal Name [Specification]
1	LG	IGNITION
2	LG	ITS COMM-H
4	B/Y	GND
6	Y	ITS COMM-L

Connector No.	E74
Connector Name	POWER CDS - W/BACK LIGHTING SENSOR
Connector Type	RH03FEB



Terminal No.	Color Of Wire	Signal Name [Specification]
1	G	AGS POWER
2	B/Y	AGS S. GND
3	R	AGS S OUTPUT

Connector No.	E82
Connector Name	ICC BRAKE HOLD RELAY
Connector Type	MS02FL-M2-LC



Terminal No.	Color Of Wire	Signal Name [Specification]
1	LG	-
2	LG	-
3	V	-
5	W	-

Connector No.	E101
Connector Name	FUSE BLOCK (J/B)
Connector Type	LOTFW-MC



Terminal No.	Color Of Wire	Signal Name [Specification]
ID	R	-

Connector No.	E102
Connector Name	FUSE BLOCK (J/B)
Connector Type	M02FEB-LC



Terminal No.	Color Of Wire	Signal Name [Specification]
1E	GR	-

Connector No.	E103
Connector Name	FUSE BLOCK (J/B)
Connector Type	NS18FV-GS



Terminal No.	Color Of Wire	Signal Name [Specification]
12F	Y	-
1F	SB	-
2F	LG	-
4F	G	-
6F	O	-
8F	BR	-
9F	R	-

JRMWE8316GB

POWER SUPPLY ROUTING CIRCUIT

< WIRING DIAGRAM >

IGNITION POWER SUPPLY

Connector No.	E104
Connector Name	AFS CONTROL UNIT
Connector Type	TH40FW-NH



Terminal No.	Color Of Wire	Signal Name [Specification]
1	G	IGN
2	GR	PSR-R
3	GR	SMR
4	BR	PSV-R
6	V	HSV-R
7	P	CAN-L
8	B	HSG-R
9	Y	PS-R
11	R	SMR-L (-)
13	B	SMR-Z (-)
15	W	SML-L (+)
17	G	SML-Z (+)
19	W	AMDS-R
24	LG	PSV-L
25	B	GND
26	BR	PSR-L
28	SB	HS-R
29	P	PS-L
30	L	CAN-H
32	G	SMR-Z (+)
34	W	SMR-L (+)
36	R	SML-Z (-)
38	B	SML-L (-)
40	GR	AMDS-L

Connector No.	E105
Connector Name	WIRE TO WIRE
Connector Type	M02MW-LC



Terminal No.	Color Of Wire	Signal Name [Specification]
1	GR	-

Connector No.	E106
Connector Name	WIRE TO WIRE
Connector Type	TH40FW-CS16-TM4



Terminal No.	Color Of Wire	Signal Name [Specification]
1	P	-
2	W	-
3	SB	-
4	LG	-
5	O	-
7	GR	-
8	G	-
9	Y	-
10	BR	-
11	SB	-
12	V	-
13	GR	-
14	GR	-
15	V	-
16	Y	-
17	GR	-
18	V	-
20	BR	-
21	P	-

22	L	-
23	S	-
27	SHIELD	-
28	W/O	-
29	W/L	-
31	BR	-
32	G	-
33	O	-
34	Y	-
41	BR	-
44	W	-
45	L	-
46	GR	-
47	V	-
48	G	-
50	LG	-
52	LG	-
60	W	-
61	G	-
62	Y	-
63	BR	-
64	B	-
65	Y	-
66	R	-
67	SB	-
77	O	-
78	SB	-
80	G	-
81	S	-
82	SB	-
84	Y	-
85	Y	-
86	L	-
87	V	-
88	BR	-
89	LG	-
90	W	-
91	W	-
92	P	-
93	LG	-
94	BR	-
95	W	-
96	Y	-
98	V	-
100	V	-

Connector No.	E109
Connector Name	ASCOD BRAKE SWITCH
Connector Type	M02FBP-LC



Terminal No.	Color Of Wire	Signal Name [Specification]
1	G	-
2	P	-

Connector No.	E110
Connector Name	STOP LAMP SWITCH
Connector Type	M04FW-LC



Terminal No.	Color Of Wire	Signal Name [Specification]
1	W	-
2	V	-
3	G	- [Without ICG]
4	SB	- [With ICG]

A
B
C
D
E
F
G
H
I
J
K
L
N
O
P

PG

JRMWE8317GB

POWER SUPPLY ROUTING CIRCUIT

< WIRING DIAGRAM >

IGNITION POWER SUPPLY

Connector No.	E114
Connector Name	ICC BRAKE SWITCH
Connector Type	MU2FBF-LC



Terminal No.	Color Of Wire	Signal Name [Specification]
1	G	-
2	P	-

Connector No.	F23
Connector Name	AIR FUEL RATIO (A/F) SENSOR (BANK 1)
Connector Type	AFZ0FBF



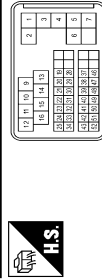
Terminal No.	Color Of Wire	Signal Name [Specification]
2	Y	-
3	L/W	-
4	L/R	-
5	O	-
6	L	-

Connector No.	F24
Connector Name	AIR FUEL RATIO (A/F) SENSOR (BANK 2)
Connector Type	AFZ0FBF



Terminal No.	Color Of Wire	Signal Name [Specification]
2	L/R	-
3	L	-
4	L	-
5	O	-
6	L/W	-

Connector No.	F40
Connector Name	WIRE TO WIRE
Connector Type	ISA33FBF-RSS-SH2B



Terminal No.	Color Of Wire	Signal Name [Specification]
1	L/W	-
2	SHIELD	-
3	L/B	-
4	SHIELD	-
5	L/W	-
6	R	- [With VK engine]
7	W	- [With V2 engine]
8	W	-
9	W	-
10	G	-
11	R	- [With VK engine]
12	W	- [With V2 engine]
13	P	-
14	V	-

15	R	-
16	O	- [With V2 engine]
17	Y	- [With V2 engine]
18	L	-
19	L	-
20	GR	-
21	G	-
22	W	-
23	L	-
24	Y	-
25	LG	-
26	R	-
27	W	-
28	B	-
29	W	-
30	W	-
31	W	-
32	LG	- [With V2 engine]
33	LG	- [With V2 engine]
34	P	- [With V2 engine]
35	Y	- [With V2 engine]
36	O	- [With V2 engine]
37	SHIELD	-
38	L/G	- [With VK engine]
39	O/L	- [With V2 engine]
40	L/Y	- [With VK engine]
41	P	- [With V2 engine]
42	W/L	-
43	O/L	- [With VK engine]
44	W	- [With V2 engine]
45	O	- [With V2 engine]
46	SHIELD	- [With VK engine]
47	L/G	- [With V2 engine]
48	W	- [With V2 engine]
49	BR	- [With V2 engine]
50	L/Y	- [With VK engine]
51	O/L	- [With V2 engine]
52	W/L	- [With VK engine]
53	O/L	- [With V2 engine]
54	W/L	- [With VK engine]
55	O	- [With V2 engine]
56	SHIELD	- [With V2 engine]
57	W	- [With VK engine]
58	W	- [With V2 engine]
59	W	- [With V2 engine]
60	W	- [With V2 engine]
61	W	- [With V2 engine]
62	W	- [With V2 engine]
63	W	- [With V2 engine]
64	W	- [With V2 engine]
65	W	- [With V2 engine]
66	W	- [With V2 engine]
67	W	- [With V2 engine]
68	W	- [With V2 engine]
69	W	- [With V2 engine]
70	W	- [With V2 engine]
71	W	- [With V2 engine]
72	W	- [With V2 engine]
73	W	- [With V2 engine]
74	W	- [With V2 engine]
75	W	- [With V2 engine]
76	W	- [With V2 engine]
77	W	- [With V2 engine]
78	W	- [With V2 engine]
79	W	- [With V2 engine]
80	W	- [With V2 engine]
81	W	- [With V2 engine]
82	W	- [With V2 engine]
83	W	- [With V2 engine]
84	W	- [With V2 engine]
85	W	- [With V2 engine]
86	W	- [With V2 engine]
87	W	- [With V2 engine]
88	W	- [With V2 engine]
89	W	- [With V2 engine]
90	W	- [With V2 engine]
91	W	- [With V2 engine]
92	W	- [With V2 engine]
93	W	- [With V2 engine]
94	W	- [With V2 engine]
95	W	- [With V2 engine]
96	W	- [With V2 engine]
97	W	- [With V2 engine]
98	W	- [With V2 engine]
99	W	- [With V2 engine]
100	W	- [With V2 engine]

Connector No.	F44
Connector Name	COMPRESSOR
Connector Type	RS01EB



Terminal No.	Color Of Wire	Signal Name [Specification]
1	P	-

Connector No.	F53
Connector Name	HEATED OXYGEN SENSOR 2 (BANK 2)
Connector Type	AFZ0FBF



Terminal No.	Color Of Wire	Signal Name [Specification]
1	B/W	-
2	V	-
3	LG	-
4	L	-

POWER SUPPLY ROUTING CIRCUIT

< WIRING DIAGRAM >

IGNITION POWER SUPPLY

Connector No.	F37
Connector Name	HEATED OXYGEN SENSOR 2 (BANK 1)
Connector Type	AZ24AFB



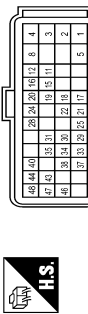
Terminal No.	Color	Wire	Signal Name [Specification]
1	P	V	HEATED OXYGEN SENSOR 2 (BANK 1)
2	V	V	HEATED OXYGEN SENSOR 2 (BANK 2)
3	BR	Y	HEATED OXYGEN SENSOR 2 (BANK 1)
4	Y	-	HEATED OXYGEN SENSOR 2 (BANK 2)

Connector No.	F38
Connector Name	HEATED OXYGEN SENSOR 2 (BANK 2)
Connector Type	AZ24AFB



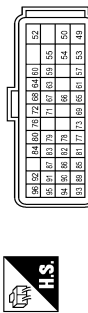
Terminal No.	Color	Wire	Signal Name [Specification]
1	P	-	HEATED OXYGEN SENSOR 2 (BANK 2)
2	V	-	HEATED OXYGEN SENSOR 2 (BANK 1)
3	G	-	HEATED OXYGEN SENSOR 2 (BANK 2)
4	BR	-	HEATED OXYGEN SENSOR 2 (BANK 1)

Connector No.	F101
Connector Name	ECM
Connector Type	RH40FB-RZ8-L-RH-Z



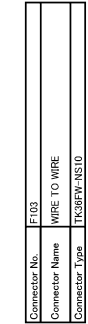
Terminal No.	Color	Wire	Signal Name [Specification]
1	P	G	A/F SENSOR 1 HEATER (BANK 1)
2	G	V	THROTTLE CONTROL MOTOR (BANK 1) (OPEN)
3	R	R	THROTTLE CONTROL MOTOR (BANK 1) (CLOSE)
4	BR	L	THROTTLE CONTROL MOTOR (BANK 2)
5	L	L	A/F SENSOR 1 HEATER (BANK 2)
6	B	B	ECM GROUND
7	B	B	IGNITION SIGNAL No. 4
8	B	B	IGNITION SIGNAL No. 3
9	L	L	IGNITION SIGNAL No. 5
10	L	L	IGNITION SIGNAL No. 2
11	G	G	HEATED OXYGEN SENSOR 2 HEATER (BANK 1)
12	P	Y	INTAKE VALVE TRIMMING CONTROL SOLENOID VALVE (BANK 1)
13	Y	V	IGNITION SIGNAL No. 6
14	V	V	IGNITION SIGNAL No. 1
15	V	V	FUEL PUMP RELAY
16	GR	GR	ECM RELAY (SELF-SHUT-OFF)
17	GR	GR	THROTTLE CONTROL MOTOR RELAY
18	V	V	VEIL (VALVE POSITION) RELAY (BANK 1) (LEVEL CONTROL MODULE)
19	O	O	THROTTLE CONTROL MOTOR (BANK 2)
20	O	O	INTAKE VALVE TRIMMING CONTROL SOLENOID VALVE (BANK 2)
21	O	O	THROTTLE POSITION SENSOR 1 (BANK 1)
22	O	O	THROTTLE POSITION SENSOR 1 (BANK 2)
23	O	O	HEATED OXYGEN SENSOR 2 HEATER (BANK 2)
24	O	O	THROTTLE POSITION SENSOR 2 (BANK 1)
25	O	O	THROTTLE POSITION SENSOR 2 (BANK 2)
26	O	O	CRANKSHAFT POSITION SENSOR
27	O	O	MANIFOLD ABSOLUTE PRESSURE SENSOR
28	O	O	SENSOR GROUND
29	O	O	SENSOR GROUND
30	O	O	SENSOR GROUND
31	O/L	O	THROTTLE POSITION SENSOR 1 (BANK 1)
32	O/L	O	THROTTLE POSITION SENSOR 1 (BANK 2)
33	LG	LG	HEATED OXYGEN SENSOR 2 HEATER (BANK 2)
34	W/L	W	THROTTLE POSITION SENSOR 2 (BANK 1)
35	W	W	THROTTLE POSITION SENSOR 2 (BANK 2)
36	L	L	CRANKSHAFT POSITION SENSOR
37	L	L	MANIFOLD ABSOLUTE PRESSURE SENSOR
38	W	W	SENSOR GROUND
39	O/L	O	THROTTLE POSITION SENSOR 1 (BANK 1)
40	O/L	O	THROTTLE POSITION SENSOR 1 (BANK 2)
41	W	W	HEATED OXYGEN SENSOR 2 HEATER (BANK 1)
42	W	W	HEATED OXYGEN SENSOR 2 HEATER (BANK 2)
43	W	W	CRANKSHAFT POSITION SENSOR
44	W	W	MANIFOLD ABSOLUTE PRESSURE SENSOR
45	W	W	SENSOR GROUND
46	R	R	AVCC POS
47	B	B	AVCC POS
48	O	O	SENSOR GROUND

Connector No.	F102
Connector Name	ECM
Connector Type	RH40FB-RZ8-L-RH-Z



Terminal No.	Color	Wire	Signal Name [Specification]
1	V	V	THROTTLE CONTROL MOTOR (BANK 2) (OPEN)
2	V	V	THROTTLE CONTROL MOTOR (BANK 2) (CLOSE)
3	R	R	IGNITION SWITCH
4	G	G	CAN COMMUNICATION LINE (LEVEL CONTROL MODULE)
5	L	L	CAN COMMUNICATION LINE (LEVEL CONTROL MODULE)
6	Y	Y	A/F SENSOR 1 (BANK 1)
7	L	L	CAMSHAFT POSITION SENSOR (BANK 1)
8	G	G	AVCC PHIS-E (PHIS1/PS)
9	B/W	B/W	A/F SENSOR 1 (BANK 1)
10	B	B	CAMSHAFT POSITION SENSOR (BANK 2)
11	W	W	AVCC PHIS-E (PHIS2/CS)
12	W	W	A/F SENSOR 1 (BANK 2)
13	W/L	W/L	A/F SENSOR 2 (BANK 2)
14	W	W	INTAKE AIR FLOW SENSOR (BANK 1)
15	V	V	INTAKE AIR FLOW SENSOR (BANK 2)
16	GR	GR	GND (CAN L/A)
17	GR	GR	ENGINE COOLANT TEMPERATURE SENSOR
18	GR	GR	SENSOR GROUND (KNOCK SENSOR)
19	SHIELD	SHIELD	KNOCK SENSOR (BANK 1)
20	SHIELD	SHIELD	KNOCK SENSOR (BANK 2)
21	SHIELD	SHIELD	HEATED OXYGEN SENSOR 2 (BANK 1)
22	SHIELD	SHIELD	HEATED OXYGEN SENSOR 2 (BANK 2)
23	SHIELD	SHIELD	MASS AIR FLOW SENSOR (BANK 1)
24	SHIELD	SHIELD	ENGINE OIL TEMPERATURE SENSOR
25	SHIELD	SHIELD	MASS AIR FLOW SENSOR (BANK 2)
26	SHIELD	SHIELD	HEATED OXYGEN SENSOR 2 (BANK 2)
27	SHIELD	SHIELD	FUEL INJECTOR No. 3
28	SHIELD	SHIELD	FUEL INJECTOR No. 6
29	SHIELD	SHIELD	BATT TEMP
30	SHIELD	SHIELD	SENSOR GROUND
31	SHIELD	SHIELD	FUEL INJECTOR No. 2
32	SHIELD	SHIELD	FUEL INJECTOR No. 5
33	SHIELD	SHIELD	FUEL INJECTOR No. 4
34	SHIELD	SHIELD	FUEL INJECTOR No. 1
35	SHIELD	SHIELD	FUEL INJECTOR No. 3
36	SHIELD	SHIELD	BATTERY CURRENT SENSOR
37	SHIELD	SHIELD	GND (AVCC)
38	SHIELD	SHIELD	AVCC POS
39	SHIELD	SHIELD	AVCC POS
40	SHIELD	SHIELD	SENSOR GROUND
41	SHIELD	SHIELD	SENSOR GROUND
42	SHIELD	SHIELD	SENSOR GROUND
43	SHIELD	SHIELD	SENSOR GROUND
44	SHIELD	SHIELD	SENSOR GROUND
45	SHIELD	SHIELD	SENSOR GROUND
46	SHIELD	SHIELD	SENSOR GROUND
47	SHIELD	SHIELD	SENSOR GROUND
48	SHIELD	SHIELD	SENSOR GROUND

Connector No.	F103
Connector Name	WIRE TO WIRE
Connector Type	TK3BFW-NS10



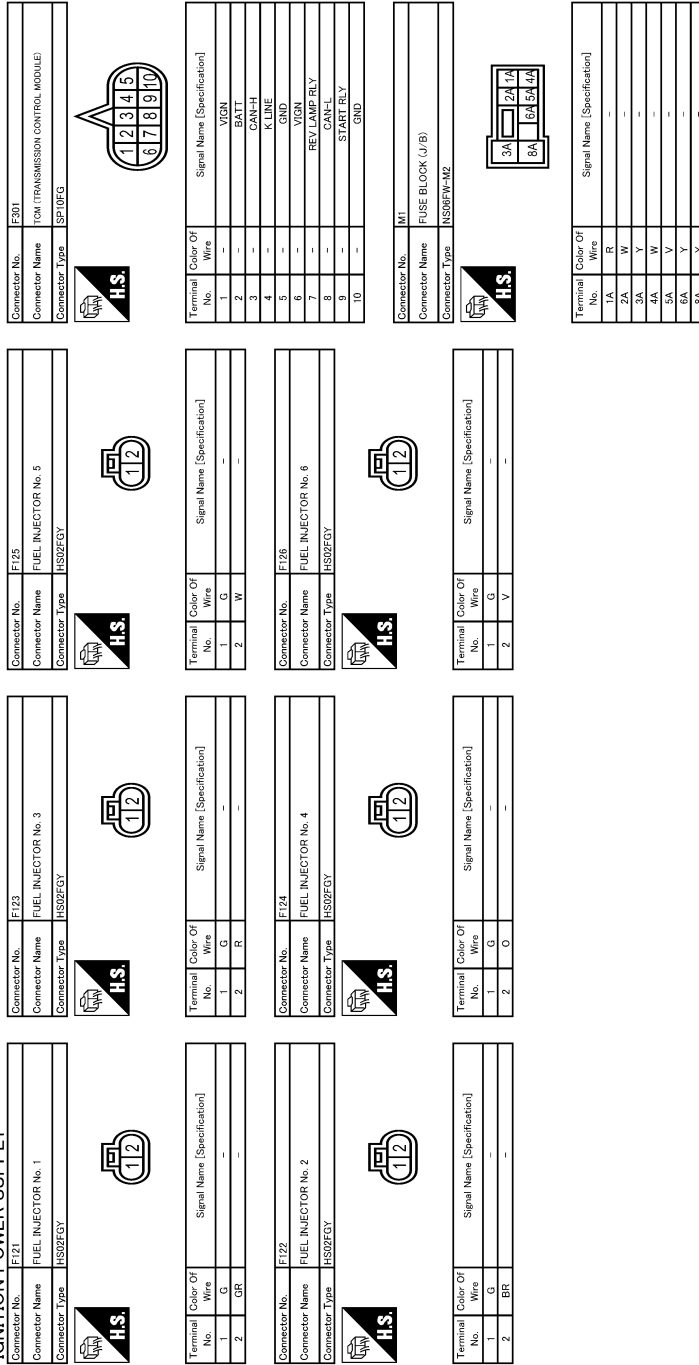
Terminal No.	Color	Wire	Signal Name [Specification]
1	L	L	WIRE TO WIRE
2	L	L	WIRE TO WIRE
3	G	G	WIRE TO WIRE
4	B	B	WIRE TO WIRE
5	R	R	WIRE TO WIRE
6	B	B	WIRE TO WIRE
7	GR	GR	WIRE TO WIRE
8	LG	LG	WIRE TO WIRE
9	LG	LG	WIRE TO WIRE
10	BR	BR	WIRE TO WIRE
11	L	L	WIRE TO WIRE
12	P	P	WIRE TO WIRE
13	V	V	WIRE TO WIRE
14	SB	SB	WIRE TO WIRE
15	R	R	WIRE TO WIRE
16	W	W	WIRE TO WIRE
17	GR	GR	WIRE TO WIRE
18	LG	LG	WIRE TO WIRE
19	B	B	WIRE TO WIRE
20	B	B	WIRE TO WIRE
21	B	B	WIRE TO WIRE
22	B	B	WIRE TO WIRE
23	BR	BR	WIRE TO WIRE
24	BR	BR	WIRE TO WIRE
25	O	O	WIRE TO WIRE

JRMWE8320GB

POWER SUPPLY ROUTING CIRCUIT

< WIRING DIAGRAM >

IGNITION POWER SUPPLY



JRMWE8321GB

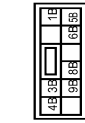
A
B
C
D
E
F
G
H
I
J
K
L
PG
N
O
P

POWER SUPPLY ROUTING CIRCUIT

< WIRING DIAGRAM >

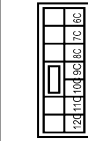
IGNITION POWER SUPPLY

Connector No.	M2
Connector Name	FUSE BLOCK (J/B)
Connector Type	NSIDPW-CS



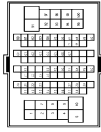
Terminal No.	Color Of Wire	Signal Name [Specification]
1B	W	
2B	R	
3B	G	
4B	G	
5B	SB	
6B	W	- [With V6 engine]
7B	Y	- [With VK engine]
8B	R	
9B	R	

Connector No.	M3
Connector Name	FUSE BLOCK (J/B)
Connector Type	NSIDPW-CS



Terminal No.	Color Of Wire	Signal Name [Specification]
10C	LG	
11C	LG	
12C	O	
13C	R	
14C	B	
15C	B	
16C	L	

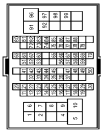
Connector No.	M6
Connector Name	WIRE TO WIRE
Connector Type	TH80MW-CS16-TM4



Terminal No.	Color Of Wire	Signal Name [Specification]
17	W	
18	W	
19	SB	
20	L	
21	LG	
22	W	
23	B	
24	G	
25	Y	
26	Y	
27	R	
28	V	
29	LG	
30	L	
31	G	
32	P	
33	R	
34	B	
35	B	
36	Y	
37	V	
38	B	
39	G	
40	G	
41	W	
42	W	
43	W	
44	V	
45	SB	
46	B	
47	V	
48	G	
49	B	
50	W	

Terminal No.	Color Of Wire	Signal Name [Specification]
51	B	
52	Y	
53	G	
54	V	
55	L	
56	L	
57	V	
58	GR	- [With heated seat]
59	GR	- [With heated seat]
60	GR	- [With heated seat]
61	GR	
62	GR	
63	BR	
64	BR	
65	R	
66	P	
67	L	
68	B	
69	V	
70	G	
71	G	
72	L	
73	L	
74	L	
75	L	
76	L	
77	L	
78	L	
79	L	
80	L	
81	L	
82	B	
83	B	
84	B	
85	SB	
86	W	
87	L	
88	L	
89	V	
90	V	
91	W	
92	W	
93	B	
94	G	
95	W	
96	SB	
97	SB	
98	R	
99	V	
100	L	

Connector No.	M7
Connector Name	WIRE TO WIRE
Connector Type	TH80MW-CS16-TM4



Terminal No.	Color Of Wire	Signal Name [Specification]
1	G	
2	Y	
4	BR	
5	P	

JRMWE8322GB

POWER SUPPLY ROUTING CIRCUIT

< WIRING DIAGRAM >

IGNITION POWER SUPPLY

Terminal No.	Color Of Wire	Signal Name [Specification]
81	B	-
82	BR	-
83	G	-
84	W	-
85	R	-
86	V	-
87	LG	-
88	SB	-
89	V	-
90	W	-
91	P	-
92	L	-
93	P	-
94	G	-
95	W	-
96	Y	-
97	W	-
98	W	-
99	LG	-

Connector No.	M20
Connector Name	PCB HARNESS
Connector Type	TH40FB-NH



Terminal No.	Color Of Wire	Signal Name [Specification]
11	BR	-
12	R	-
14	L	-
15	B	-
17	R	-
19	W	-
20	R	-
21	B	-
22	R	-
23	L	-
24	L	-
27	P	-
28	W	-
29	Y	-
32	Y	-
35	L	-
36	P	-
38	L	-
40	Y	-

Connector No.	M22
Connector Name	PCB HARNESS
Connector Type	TH40FB-NH



Terminal No.	Color Of Wire	Signal Name [Specification]
86	BR	-
88	G	-
89	W	-
90	G	-
91	L	-
92	P	-
93	B	-
94	BR	-
95	R	-
97	Y	-
98	Y	-
99	BR	-
100	Y	-
101	Y	-
102	Y	-
103	B	-
104	BR	-
105	R	-
107	B	-
108	Y	-
109	BR	-
110	Y	-
112	B	-
113	W	-
114	L	-
116	B	-
117	B	-
118	B	-
119	G	-
120	V	-

Connector No.	M23
Connector Name	PCB HARNESS
Connector Type	TH40FW-NH



Terminal No.	Color Of Wire	Signal Name [Specification]
138	L	-
139	P	-
140	W	-
141	W	-
142	W	-
144	P	-
145	B	-
146	B	-
147	B	-
148	L	-
149	B	-
150	P	-
151	L	-
152	B	-
153	W	-
154	W	-
155	W	-
157	W	-
158	R	-
159	R	-

Connector No.	M24
Connector Name	PCB HARNESS
Connector Type	TH40FW-NH



Terminal No.	Color Of Wire	Signal Name [Specification]
161	BR	-
162	BR	-
163	G	-
164	V	-
165	V	-
166	R	-
167	LG	-
168	R	-
170	B	-
172	B	-
174	W	-
175	B	-
176	L	-

A
B
C
D
E
F
G
H
I
J
K
L
N
O
P

PG

JRMWE8323GB

POWER SUPPLY ROUTING CIRCUIT

< WIRING DIAGRAM >

IGNITION POWER SUPPLY

177	P	---	---
178	Y	---	---
179	L	---	---
180	LG	---	---
182	BR	---	---
183	G	---	---
184	V	---	---
185	P	---	---
186	R	---	---
187	L	---	---
188	Y	---	---
189	B	---	---
190	V	---	---
191	G	---	---
192	B	---	---
193	SB	---	---
194	BR	---	---
195	SB	---	---
198	R	---	---
199	B	---	---
200	SB	---	---

Connector No.	M25
Connector Name	PCB HARNESS
Connector Type	TH40PW-NH



Terminal No.	Color Of Wire	Signal Name [Specification]
201	L	---
207	Y	---
208	G	---
209	G	---
210	L	---
210	P	---
211	SHIELD	---
212	BR	---
212	G	---
213	R	---

214	SHIELD	---	---
215	GR	---	---
215	V	---	---
216	G	---	---
216	LG	---	---
217	SHIELD	---	---
218	BR	---	---
218	P	---	---
219	GR	---	---
219	V	---	---
220	SHIELD	---	---
221	P	---	---
222	LG	---	---
223	SB	---	---
224	SB	---	---
225	G	---	---
226	B	---	---
228	R	---	---
228	V	---	---
230	BR	---	---
231	SB	---	---
232	V	---	---
233	L	---	---
235	B	---	---
240	W	---	---

Connector No.	M26
Connector Name	PCB HARNESS
Connector Type	TH40PW-NH



Terminal No.	Color Of Wire	Signal Name [Specification]
241	L	---
242	L	---
242	B	---
243	L	---
244	L	---
245	B	---
246	B	---
247	B	---
252	B	---
253	B	---
254	B	---

254	W	---	---
255	B	---	---
255	R	---	---
258	L	---	---
259	L	---	---
260	BG	---	---
261	P	---	---
262	P	---	---
268	Y	---	---
269	GR	---	---
270	Y	---	---
271	BR	---	---
272	G	---	---
273	R	---	---
274	R	---	---
275	B	---	---
276	B	---	---
277	G	---	---
278	R	---	---
279	R	---	---
280	Y	---	---

Connector No.	M27
Connector Name	PCB HARNESS
Connector Type	TH40PB-NH



Terminal No.	Color Of Wire	Signal Name [Specification]
281	O	---
282	BG	---
283	BG	---
284	BG	---
284	W	---
285	W	---
286	W	---
288	SHIELD	---
289	SHIELD	---
290	B	---
291	SHIELD	---
292	B	---
293	B	---
294	B	---
295	B	---

297	B	---	---
298	B	---	---
299	B	---	---
300	W	---	---
301	R	---	---
302	R	---	---
303	R	---	---
306	V	---	---
307	LG	---	---
308	SB	---	---
309	G	---	---
310	R	---	---
311	W	---	---
312	W	---	---
313	D	---	---
313	Y	---	---
320	W	---	---

Connector No.	M28
Connector Name	PCB HARNESS
Connector Type	TH40PW-NH



Terminal No.	Color Of Wire	Signal Name [Specification]
321	V	---
322	V	---
324	B	---
325	L	---
326	L	---
327	P	---
328	P	---
330	B	---
331	V	---
332	W	---
333	W	---
334	L	---
344	B	---
345	Y	---
346	L	---
347	P	---

POWER SUPPLY ROUTING CIRCUIT

< WIRING DIAGRAM >

IGNITION POWER SUPPLY

388	GR	-	
389	LG	-	
390	LG	-	
391	P	-	
392	R	-	
393	P	-	
394	W	-	
399	W	-	
390	G	-	

Connector No.	M29
Connector Name	PCB HARNESS
Connector Type	TH402P-NH

Terminal No.	Color	Wire	Signal Name [Specification]
1	L	G	CAN-H
2	L	G	CAN-L
3	B	G	GND
4	G	BN	ESN

Terminal No.	Color	Wire	Signal Name [Specification]
381	W	-	
383	Y	-	
387	B	-	
388	G	-	
389	EC	-	
374	EC	-	
375	EG	-	
376	V	-	
377	V	-	
378	B	-	
379	R	-	
380	R	-	
381	G	-	
382	V	-	
384	GR	-	
395	P	-	
396	L	-	
400	V	-	

Connector No.	M27
Connector Name	STEERING ANGLE SENSOR
Connector Type	TH08FW-NH

Terminal No.	Color	Wire	Signal Name [Specification]
1	L	G	CAN-H
2	L	G	CAN-L
3	B	G	GND
4	G	BN	ESN

Connector No.	M43
Connector Name	LOW TIRE PRESSURE WARNING CONTROL UNIT
Connector Type	TH32FW-NH

Terminal No.	Color	Wire	Signal Name [Specification]
1	P	-	CAN-L
2	L	-	CAN-H
3	B	-	RR TUNER (SIG)
4	B	-	RL TUNER (SIG)
5	B	-	FR TUNER (SIG)
6	G	-	FL TUNER (SIG)
7	R	-	RR TUNER (VCC)
8	W	-	RL TUNER (VCC)
9	W	-	FR TUNER (VCC)
10	W	-	FL TUNER (VCC)
11	Y	-	ESN
12	G	-	RR TUNER (RSSI)
13	G	-	RL TUNER (RSSI)
14	G	-	FR TUNER (RSSI)
15	R	-	FL TUNER (RSSI)
16	W	-	RR TUNER (GND)

Terminal No.	Color	Wire	Signal Name [Specification]
1	W	-	BATTERY POWER SUPPLY
2	EG	-	IGNITION SIGNAL
3	GR	-	VEHICLE SPEED SIGNAL (2-PULSE)
4	GR	-	VEHICLE SPEED SIGNAL (1-PULSE)
5	B	-	ILLUMINATION CONTROL SIGNAL
6	B	-	METER CONTROL SWITCH GROUND
7	SB	-	ENTER SWITCH SIGNAL
8	LG	-	SELECT SWITCH SIGNAL
9	G	-	ILLUMINATION CONTROL SWITCH SIGNAL (+)
10	GR	-	ILLUMINATION CONTROL SWITCH SIGNAL (-)

24	R	RL TUNER (GND)
25	R	FL TUNER (GND)
26	B	EDM FLASHER
27	G	GND
28	B	GND

Connector No.	M45
Connector Name	WARNING BUZZER
Connector Type	NS46FR-GS

Terminal No.	Color	Wire	Signal Name [Specification]
1	G	-	
2	W	-	
3	B	-	

Connector No.	M53
Connector Name	COMBINATION METER
Connector Type	TH46FW-NH

Terminal No.	Color	Wire	Signal Name [Specification]
1	G	-	
2	W	-	
3	B	-	

Terminal No.	Color	Wire	Signal Name [Specification]
1	W	-	BATTERY POWER SUPPLY
2	EG	-	IGNITION SIGNAL
3	GR	-	VEHICLE SPEED SIGNAL (2-PULSE)
4	GR	-	VEHICLE SPEED SIGNAL (1-PULSE)
5	B	-	ILLUMINATION CONTROL SIGNAL
6	B	-	METER CONTROL SWITCH GROUND
7	SB	-	ENTER SWITCH SIGNAL
8	LG	-	SELECT SWITCH SIGNAL
9	G	-	ILLUMINATION CONTROL SWITCH SIGNAL (+)
10	GR	-	ILLUMINATION CONTROL SWITCH SIGNAL (-)

11	L	TRIP RESET SWITCH SIGNAL
12	B	TRIP RESET SWITCH SIGNAL
13	B	TRIP RESET SWITCH SIGNAL
14	P	CAN-L
15	P	CAN-L
16	R	AIR BAG SIGNAL
23	B	GROUND
24	B	FUEL LEVEL SENSOR GROUND
25	W	ALTERNATOR SIGNAL
26	V	PARKING BRAKE SWITCH SIGNAL
27	V	BRAKE FLUID LEVEL SWITCH SIGNAL
28	G	SECURITY SIGNAL
29	L	WASHER LEVEL SWITCH SIGNAL
30	L	PADDLE SHIFTER SHIFT DOWN SIGNAL
31	L	PADDLE SHIFTER SHIFT UP SIGNAL
32	G	FUEL LEVEL SENSOR SIGNAL
33	EG	FUEL LEVEL SENSOR SIGNAL
34	G	WASHER FLUID LEVEL SIGNAL (RES)
35	W	WASHER FLUID LEVEL SIGNAL (RES)
36	W	PASSENGER SEAT BELT UNLATCHING SIGNAL
37	G	NON-MANUAL MODE SIGNAL
38	V	MANUAL MODE SHIFT DOWN SIGNAL
39	L	MANUAL MODE SHIFT UP SIGNAL
40	W	MANUAL MODE SIGNAL

Connector No.	M54
Connector Name	METER CONTROL SWITCH
Connector Type	TH12MW-NH

Terminal No.	Color	Wire	Signal Name [Specification]
1	SB	-	
2	B	-	
3	GR	-	
4	R	-	
5	W	-	
6	B	-	
7	EG	-	
8	EG	-	
9	GR	-	
10	GR	-	
11	LG	-	
12	L	-	

Terminal No.	Color	Wire	Signal Name [Specification]
1	SB	-	
2	B	-	
3	GR	-	
4	R	-	
5	W	-	
6	B	-	
7	EG	-	
8	EG	-	
9	GR	-	
10	GR	-	
11	LG	-	
12	L	-	

A
B
C
D
E
F
G
H
I
J
K
L
PG
N
O
P

POWER SUPPLY ROUTING CIRCUIT

< WIRING DIAGRAM >

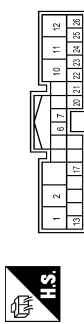
IGNITION POWER SUPPLY

Connector No.	M61
Connector Name	CLIMATE CONTROLLED SEAT RELAY
Connector Type	M06FER-R-LG



Terminal No.	Color Of Wire	Signal Name [Specification]
1	B	-
2	W	-
3	W	-
4	W	-
5	LG	-
6	G	-
7	SB	-

Connector No.	M65
Connector Name	A/C AUTO AMP.
Connector Type	TH20PW-TB8



Terminal No.	Color Of Wire	Signal Name [Specification]
1	L	BATTERY POWER SUPPLY
2	W	IGNITION POWER SUPPLY
3	R	BLOWER MOTOR F/B SIGNAL
4	L	POWER TRANSDUCER CONTROL SIGNAL
5	B	GROUND
6	P	CAN-L
7	V	ACC POWER SUPPLY
8	V	ECV CONTROL SIGNAL
9	R	HUMIDITY SENSOR (SCK) SIGNAL
10	Y	HUMIDITY SENSOR (DATA) SIGNAL
11	B	HUMIDITY SENSOR GROUND
12	W	DRIVE MODE SELECT SW (SNOW)
13	L	DRIVE MODE SELECT SW (ECO)

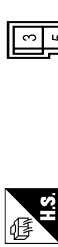
2B	G	DRIVE MODE SELECT SW (STANDARD)
2B	Y	DRIVE MODE SELECT SW (SPORT)

Connector No.	M69
Connector Name	BACK-UP LAMP RELAY
Connector Type	M50ZFL-MZ-LG



Terminal No.	Color Of Wire	Signal Name [Specification]
1	LG	-
2	R	-
3	BR	-
4	BG	-
5	-	-

Connector No.	M70
Connector Name	HEATED SEAT RELAY
Connector Type	M50ZFL-MZ-LG



Terminal No.	Color Of Wire	Signal Name [Specification]
1	B	-
2	W	-
3	G	-
4	SB	-

Connector No.	M73
Connector Name	INSIDE ODOR DETECTING SENSOR
Connector Type	TH46FW-NH



Terminal No.	Color Of Wire	Signal Name [Specification]
1	B	SENSE SIG
2	B	SENSE GND
3	B	GND
4	LG	IGN

Connector No.	M84
Connector Name	AV CONTROL UNIT
Connector Type	TH22FW-NH



Terminal No.	Color Of Wire	Signal Name [Specification]
76	LG	AV COMM (L)
77	SB	AV COMM (H)
78	SB	AV COMM (H)
79	LG	AV COMM (L)
80	P	CAN-L
81	L	CAN-H
82	BR	SW GND
83	SHIELD	SHIELD
84	P	TEL VOICE SIGNAL (S)
85	P	TEL VOICE SIGNAL (L)
86	R	VEHICLE SPEED (R-SUBSET)
87	V	PARKING BRAKE REVERSE
88	BG	IGNITION
89	W	DISK EJECT SIGNAL
90	SB	-

Connector No.	M88
Connector Name	IONIZER
Connector Type	TH46FW-NH



Terminal No.	Color Of Wire	Signal Name [Specification]
1	B	IGN
2	B	IGN
3	B	GND
4	W	IGN ON / OFF

Connector No.	M108
Connector Name	POWER STEERING CONTROL UNIT
Connector Type	TH46FW-NH



Terminal No.	Color Of Wire	Signal Name [Specification]
1	LG	EPS SOL-
2	G	IGN
3	B	EPS SOL-
4	B	GND
5	GR	VEHICLE SPEED (SP)
6	V	ENG TACHO

POWER SUPPLY ROUTING CIRCUIT

< WIRING DIAGRAM >

IGNITION POWER SUPPLY

Connector No.	M109
Connector Name	BLOWER MOTOR
Connector Type	SNM02FW



Terminal No.	Color Of Wire	Signal Name [Specification]
1	Y	
2	R	

Connector No.	M116
Connector Name	WIRE TO WIRE
Connector Type	TK38MW-NS10



Terminal No.	Color Of Wire	Signal Name [Specification]
2	SB	
3	Y	
4	B	- [With VK engine]
4	SB	- [With VG engine]
5	B	
7	W	
8	Y	
9	SB	- [With VG engine]
9	W	- [With VK engine]
10	SB	
11	L	
12	R	
13	V	
14	R	
15	Y	- [With heated seat]
16	SB	- [With climate controlled seat]
17	BR	- [With heated seat]
18	LG	

21	LG	
22	G	
23	W	
24	W	
25	BG	

Connector No.	M117
Connector Name	WIRE TO WIRE
Connector Type	TH80FW-CS16-TM4



Terminal No.	Color Of Wire	Signal Name [Specification]
3	Y	
6	R	
13	W	
17	GR	
18	P	
19	BR	
20	GR	
21	G	
22	R	
24	BG	
25	BG	
26	W	
27	R	
28	V	
29	P	
30	B	
31	G	
32	Y	
40	SHIELD	
41	R	
42	W	
43	W	
45	SB	
46	BG	- [With heated seat]
46	L	- [With climate controlled seat]
47	G	- [With climate controlled seat]
47	GR	- [With heated seat]
48	V	

49	BG	
51	SB	
52	Y	
53	W	
56	B	
57	G	
59	R	
59	W	
61	LG	
62	V	
63	R	
66	L	
67	Y	
68	SB	
69	B	
70	R	
71	BR	
74	B	
75	L	
76	SHIELD	
77	G	
78	R	
79	L	
80	G	
81	BG	
82	BR	
83	GR	
84	V	
85	L	
86	V	
87	R	
88	Y	
89	BR	
90	L	
91	Y	
93	G	
93	W	- [With heated seat]
94	V	
96	W	
97	Y	
98	BR	
99	G	
100	Y	

Connector No.	M120
Connector Name	BCM (BODY CONTROL MODULE)
Connector Type	TH48BE-NH



Terminal No.	Color Of Wire	Signal Name [Specification]
1	G	RR WINDOW DEFGRPLY CONT
2	BR	RR WINDOW DEFGRPLY CONT
2	SB	COMBI SW INPUT 3
3	B	COMBI SW INPUT 3
4	SB	COMBI SW INPUT 3
5	G	COMBI SW INPUT 2
6	P	COMBI SW INPUT 1
6	V	POWER WINDOW SW COMM
9	P	STOP LAMP SW 1
11	R	RAIN SENSOR SERIAL LINK
14	W	OPTICAL SENSOR
16	SB	DIMMER SIGNAL
17	Y	SENSOR PWR SPLY
18	B	RECEIVER / SENSOR GND
19	R	RECEIVER PWR SPLY
20	BR	KYLS ENT RECEIVER COMM
21	GR	KYLS ENT RECEIVER BSSI
22	GR	SECURITY IND CONT
23	G	DONGLE LINK
24	L	DONGLE LINK
25	G	NATS ANT AMP
26	G	F-KEY IDENTIFICATION
29	G	HAZARD SW
30	O	TR LID OPNE SW
31	W	DR DOOR UNLK SENSOR
32	BR	COMBI SW OUTPUT 5
33	R	COMBI SW OUTPUT 4
34	V	COMBI SW OUTPUT 3
35	Y	COMBI SW OUTPUT 2
36	LG	COMBI SW OUTPUT 1
38	R	POWER WINDOW PWR SPLY
39	L	POWER WINDOW PWR SPLY
40	P	CAN-L

A
B
C
D
E
F
G
H
I
J
K
L
N
O
P

PG

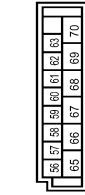
JRMWE8327GB

POWER SUPPLY ROUTING CIRCUIT

< WIRING DIAGRAM >

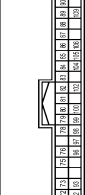
IGNITION POWER SUPPLY

Connector No.	M122
Connector Name	ECM (BODY CONTROL MODULE)
Connector Type	FEARBEW-FH46-SA



Terminal No.	Color Of Wire	Signal Name [Specification]
1	R	INT ROOM LAMP PWR SPPLY
2	R	BAT GENSEL SW
3	L	SENS CANCEL SW
4	L	PASS DOOR UNLK OUTPUT
5	G	TURN SIG LH OUTPUT
6	G	TURN SIG RH OUTPUT
7	V	STEER LAMP CONT
8	V	ROOM LAMP TIMER CONT
9	L	ALL DOOR FL LID LOCK OUTPUT
10	V	DR DOOR FL LID UNLK OUTPUT
11	B	GND
12	B	PW PWR SPPLY (IGN)
13	O	PW PWR SPPLY (BAT)
14	Y	BAT (7/1)
15	W	

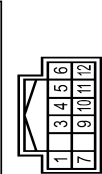
Connector No.	M123
Connector Name	ECM (BODY CONTROL MODULE)
Connector Type	TH46FW-NH



Terminal No.	Color Of Wire	Signal Name [Specification]
72	B	OUTS HD LAMP OUTPUT
73	V	ON IND
75	G	DR DOOR REG SW
76	BR	PUSH SW
78	BR	DRIVER DOOR ANT+
79	SB	DRIVER DOOR ANT-

80	LG	PASSENGER DOOR ANT+
81	V	PASSENGER DOOR ANT-
82	V	REAR EMPEL ANT+
83	SB	REAR EMPEL ANT-
84	BR	ROOM ANT+
85	Y	ROOM ANT-
86	R	ROOM ANT+
87	G	ROOM ANT-
88	V	TRUNK ROOM ANT+
89	SB	TRUNK ROOM ANT-
90	R	PUSH BTN IGN SW ALL PWR
91	GR	LOCK IND
92	B	PUSH BTN IGN SW ALL GND
93	B	PKET WARN BUZZER
94	SB	STATER RELAY CONT
95	R	IGN RELAY (J/DMLE /R) CONT
96	B	IGN RELAY (F/BI) CONT
97	R	PASS DOOR REG SW
98	R	P/N POSITION
99	SB	A/T SHIFT SELECT PWR SPPLY
100	GR	STOP LAMP SW 2
101	B	BLWR RELAY CONT
102	B	ACC IND
103	Y	

Connector No.	M125
Connector Name	CAN GATEWAY
Connector Type	TH12FPW-NH



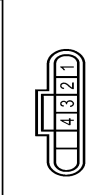
Terminal No.	Color Of Wire	Signal Name [Specification]
1	L	CAN-H
3	GR	BATTERY
4	GR	CAN-H
5	B	GND
6	L	CAN-H
7	P	CAN-L
9	W	IGNITION
10	P	CAN-L
11	B	GND
12	P	CAN-L

Connector No.	M134
Connector Name	OPTION CONNECTOR
Connector Type	TH86FW-NH



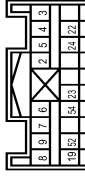
Terminal No.	Color Of Wire	Signal Name [Specification]
1	GR	
2	GR	
3	L	
5	P	
6	B	
7	LG	
8	GR	

Connector No.	M143
Connector Name	YAW RATE / SIDE / DECEL G SENSOR
Connector Type	SA206FB



Terminal No.	Color Of Wire	Signal Name [Specification]
1	B	
2	R	
3	L	
4	G	

Connector No.	M147
Connector Name	AIR BAG DIAGNOSIS SENSOR UNIT
Connector Type	NH28CY-EX



Terminal No.	Color Of Wire	Signal Name [Specification]
1	W	IGN
2	GR	GND
3	B	DB1 (+)
4	Y	DB1 (-)
5	Y	DR2 (+)
6	Y	AS1 (+)
7	Y	AS1 (-)
8	Y	AS2 (+)
9	Y	AS2 (-)
18	SB	EGZS (+)
19	V	EGZS (-)
22	SHIELD	GND
23	R	AIR BAG W/L
24	G	AIR BAG W/L
25	R	OUTER BELT
51	R	SATELLITE RH2 (+)
52	R	SATELLITE RH2 (-)
53	P	SATELLITE RH2 (+)
54	L	SATELLITE RH2 (-)
57	L	IVCS
59	L	CAN-H
60	P	CAN-L

JRMWE8328GB

POWER SUPPLY ROUTING CIRCUIT

< WIRING DIAGRAM >

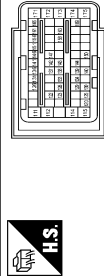
IGNITION POWER SUPPLY

Connector No.	M152
Connector Name	ACCELERATOR PEDAL ACTUATOR
Connector Type	HR08LELY



Terminal No.	Color Of Wire	Signal Name [Specification]
1	O	BATTERY
2	B	IGNITION
3	E	ITS COMM-L
4	Y	ITS COMM-H
5	L	—

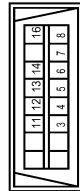
Connector No.	M160
Connector Name	ECM
Connector Type	IMB55FB-MEB10-LH



Terminal No.	Color Of Wire	Signal Name [Specification]
111	W	FUEL INJECTOR DRIVER POWER SUPPLY
112	W	FUEL INJECTOR DRIVER POWER SUPPLY
114	B	ECM GROUND
115	B	ECM GROUND
120	G	EVAP CANISTER VENT CONTROL VALVE
122	V	VEHICLE SPEED SIGNAL (8-PULSE)
123	BG	THROTTLE CONTROL MOTOR RELAY
124	P	FUEL PUMP CONTROL MODULE (FPOM)
125	V	VEHICLE SPEED SIGNAL (8-PULSE)
128	SB	ACCELERATOR PEDAL PRESSURE SENSOR Z
129	B	ASD STEERING SWITCH
129	B	SENSOR GROUND (Without ICC)
129	BR	SENSOR GROUND (With ICC)
130	Y	SENSOR GROUND
131	L	SENSOR POWER SUPPLY
133	BG	SENSOR POWER SUPPLY

134	P	FUEL TANK TEMPERATURE SENSOR
135	R	ACCELERATOR PEDAL PRESSURE SENSOR L
137	G	SENSOR POWER SUPPLY
138	P	SENSOR POWER SUPPLY
138	BG	BATTERY CURRENT SENSOR
140	W	SENSOR GROUND
141	G	IGNITION SWITCH
142	GR	FUEL PUMP CONTROL MODULE (FPOM) CHECK
143	P	FUEL TANK PRESSURE SENSOR
144	LG	REFRIGERANT PRESSURE SENSOR
146	L	CAN COMMUNICATION LINE
147	BR	ASD BRAKE SWITCH
150	V	SENSOR GROUND
151	P	CAN COMMUNICATION LINE
156	W	POWER SUPPLY FOR ECM (BACK-UP)
158	Y	CAN COMMUNICATION LINE
163	W	ENG COMMUNICATION LINE
166	BG	ENG RELAY (SEAT SWITCH-OFF)
169	V	ENGINE SPEED SIGNAL OUTPUT
171	SB	POWER SUPPLY FOR ECM
172	SB	POWER SUPPLY FOR ECM
173	R	THROTTLE CONTROL MOTOR POWER SUPPLY
174	B	ECM GROUND
175	B	ECM GROUND

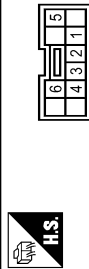
Connector No.	M182
Connector Name	DATA LINK CONNECTOR
Connector Type	BD16FW



Terminal No.	Color Of Wire	Signal Name [Specification]
3	LG	M-CAN-L
4	B	EARTH
5	L	CAN-H
6	V	KLINE
7	V	IGN SW
8	LG	M-CAN-H
11	SB	M-CAN-H
12	P	CAN-L
13	L	CAN-H

14	P	CAN-L
16	W	POWER

Connector No.	M188
Connector Name	HEATED SEAT SWITCH (DRIVER SIDE)
Connector Type	TK10FW



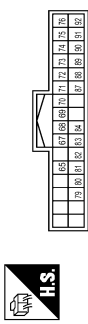
Terminal No.	Color Of Wire	Signal Name [Specification]
1	P	—
2	V	—
3	R	—
4	B	—
5	W	—
6	B	—

Connector No.	M199
Connector Name	HEATED SEAT SWITCH (PASSENGER SIDE)
Connector Type	TK08FB



Terminal No.	Color Of Wire	Signal Name [Specification]
1	L	—
2	G	—
3	R	—
4	Y	—
5	V	—
6	B	—

Connector No.	M210
Connector Name	AV CONTROL UNIT
Connector Type	TR32FW-NH



Terminal No.	Color Of Wire	Signal Name [Specification]
65	V	PARKING BRAKE SIGNAL
66	W	COMPOSITE IMAGE SIGNAL
68	W	COMPOSITE IMAGE SIGNAL
69	G	1-KEY IDENTIFICATION SIGNAL
70	P	—
71	SHIELD	MICROPHONE SHIELD
72	G	MICROPHONE VCC
73	BR	COMM (CONT->DISP)
74	P	CAN-L
75	LG	AV COMM (L)
76	LG	AV COMM (L)
79	SB	DIMMER SIGNAL
80	W	IGNITION SIGNAL
81	EG	REVERSE SIGNAL
82	R	VEHICLE SPEED SIGNAL (8-PULSE)
83	SHIELD	—
84	R	COMPOSITE IMAGE SYNC SIGNAL
87	B	MICROPHONE SIGNAL
88	SHIELD	—
89	Y	COMM (DISP->CONT)
90	L	CAN-H
91	SB	AV COMM (H)
92	SB	AV COMM (H)

A
B
C
D
E
F
G
H
I
J
K
L
PG
N
O
P

POWER SUPPLY ROUTING CIRCUIT

< WIRING DIAGRAM >

IGNITION POWER SUPPLY

Connector No.	M221
Connector Name	WIRE TO WIRE
Connector Type	M03FEW-LC



Terminal No.	Color Of Wire	Signal Name [Specification]
1	W	-
2	R	-
3	Y	-

Connector No.	M222
Connector Name	WIRE TO WIRE
Connector Type	M03MW-LC



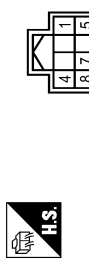
Terminal No.	Color Of Wire	Signal Name [Specification]
1	W	-
2	R	-
3	Y	-

Connector No.	RS
Connector Name	AUTO ANTI-DAZZLING INSIDE MIRROR
Connector Type	SAC10EB



Terminal No.	Color Of Wire	Signal Name [Specification]
1	B	IGN
2	B	GND
4	L	OECA-
5	B	OECA-
6	G	BAT

Connector No.	RS
Connector Name	LANE CAMERA UNIT
Connector Type	TH08FV-NH



Terminal No.	Color Of Wire	Signal Name [Specification]
1	B	GND
4	L	ITS COMM-H
5	B	GND
7	G	IGNITION
8	Y	ITS COMM-L

JRMWE8330GB

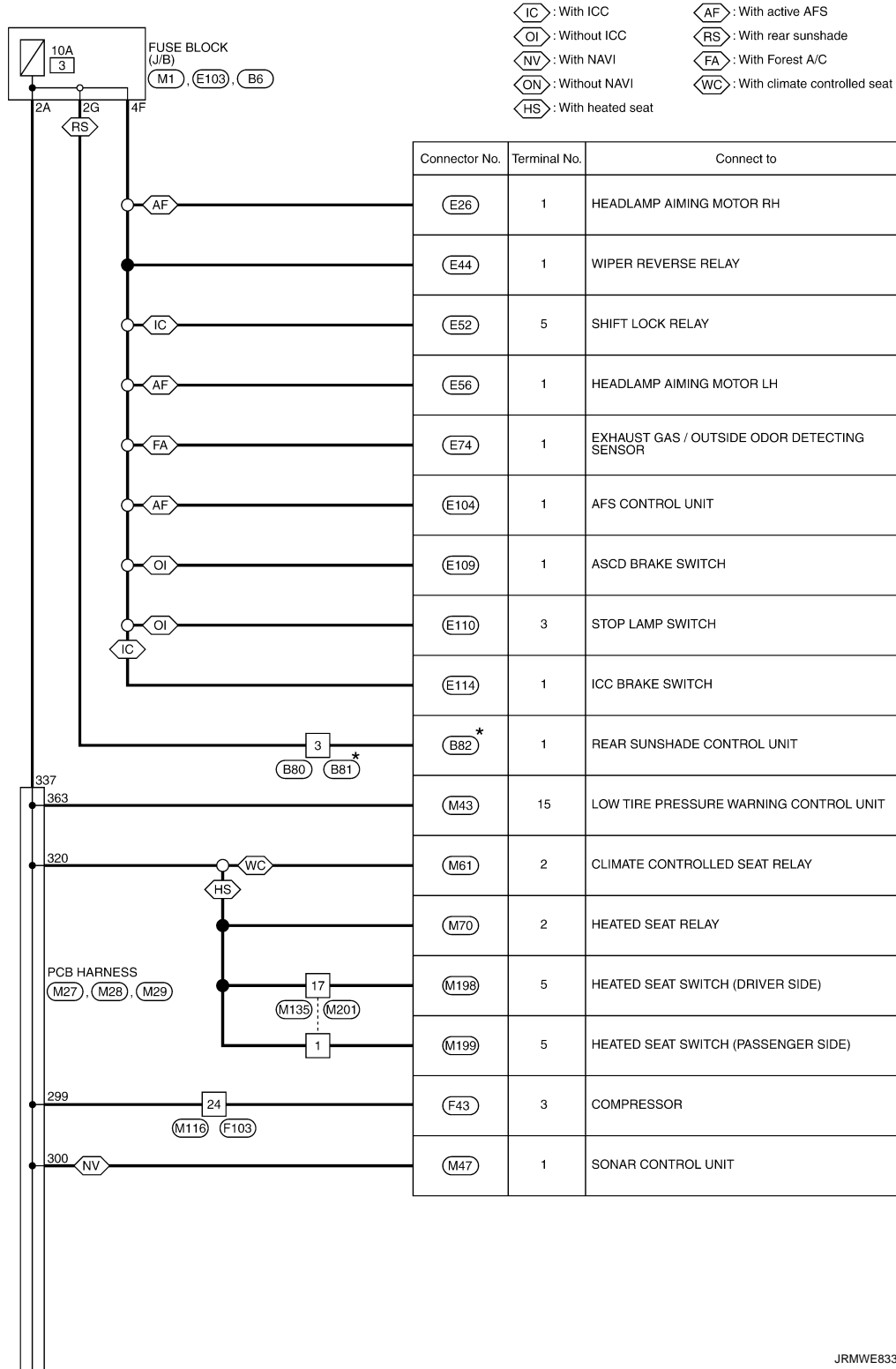
POWER SUPPLY ROUTING CIRCUIT

< WIRING DIAGRAM >

Wiring Diagram - IGNITION POWER SUPPLY FUSE No. 3 -

INFOID:0000000110098720

IGNITION POWER SUPPLY FUSE No. 3

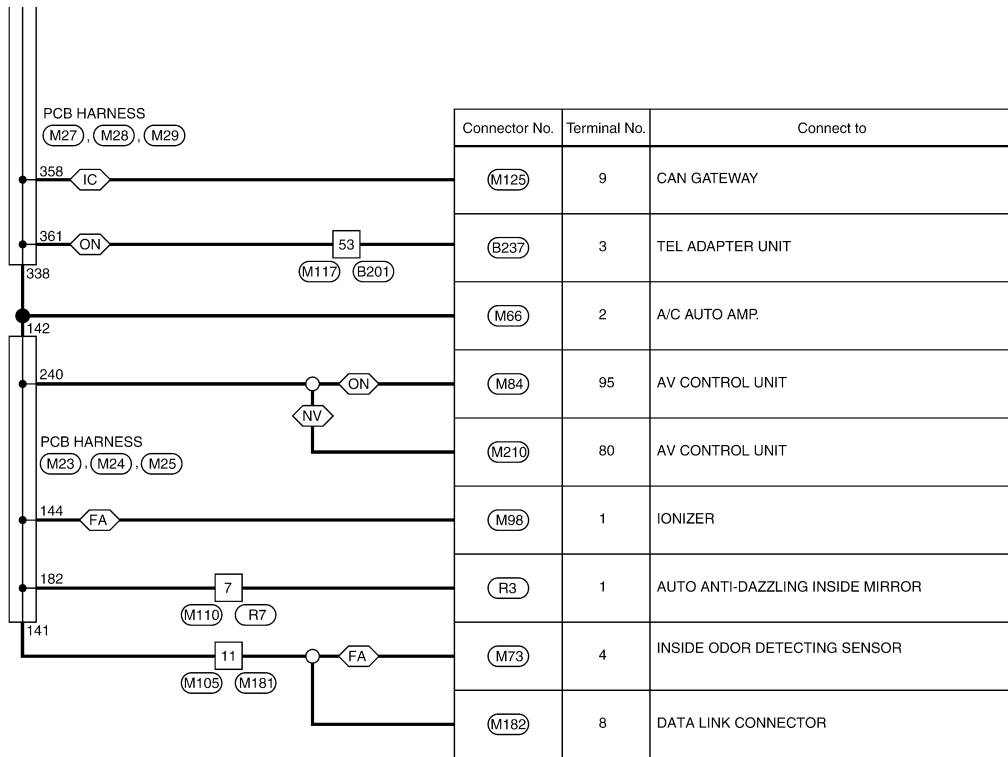


A
B
C
D
E
F
G
H
I
J
K
L
PG
N
O
P

JRMWE8331GB

POWER SUPPLY ROUTING CIRCUIT

< WIRING DIAGRAM >



*: This connector is not shown in "Harness Layout".

2013/10/22


JRMWE8332GB

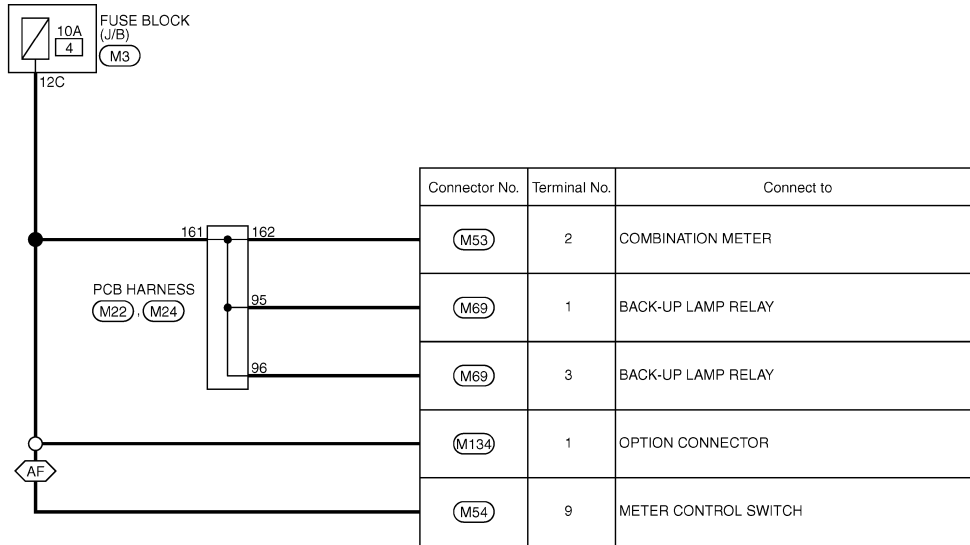
POWER SUPPLY ROUTING CIRCUIT

< WIRING DIAGRAM >

Wiring Diagram - IGNITION POWER SUPPLY FUSE No. 4 - IGNITION POWER SUPPLY FUSE No. 4

INFOID:000000010098721

: With active AFS



2010/02/03

JCMWA5688GB

A
B
C
D
E
F
G
H
I
J
K
L
PG
N
O
P



POWER SUPPLY ROUTING CIRCUIT

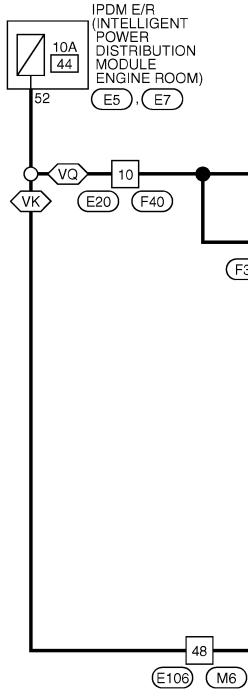
< WIRING DIAGRAM >

Wiring Diagram - IGNITION POWER SUPPLY FUSE No. 44 -

INFOID:000000010098722

IGNITION POWER SUPPLY FUSE No. 44

 : With VQ engine
 : With VK engine



Connector No.	Terminal No.	Connect to
(F102)	53	ECM
(F121)	1	FUEL INJECTOR No. 1
(F122)	1	FUEL INJECTOR No. 2
(F123)	1	FUEL INJECTOR No. 3
(F124)	1	FUEL INJECTOR No. 4
(F125)	1	FUEL INJECTOR No. 5
(F126)	1	FUEL INJECTOR No. 6
(M180)	141	ECM

2010/02/03

JCMWA5691GB

POWER SUPPLY ROUTING CIRCUIT

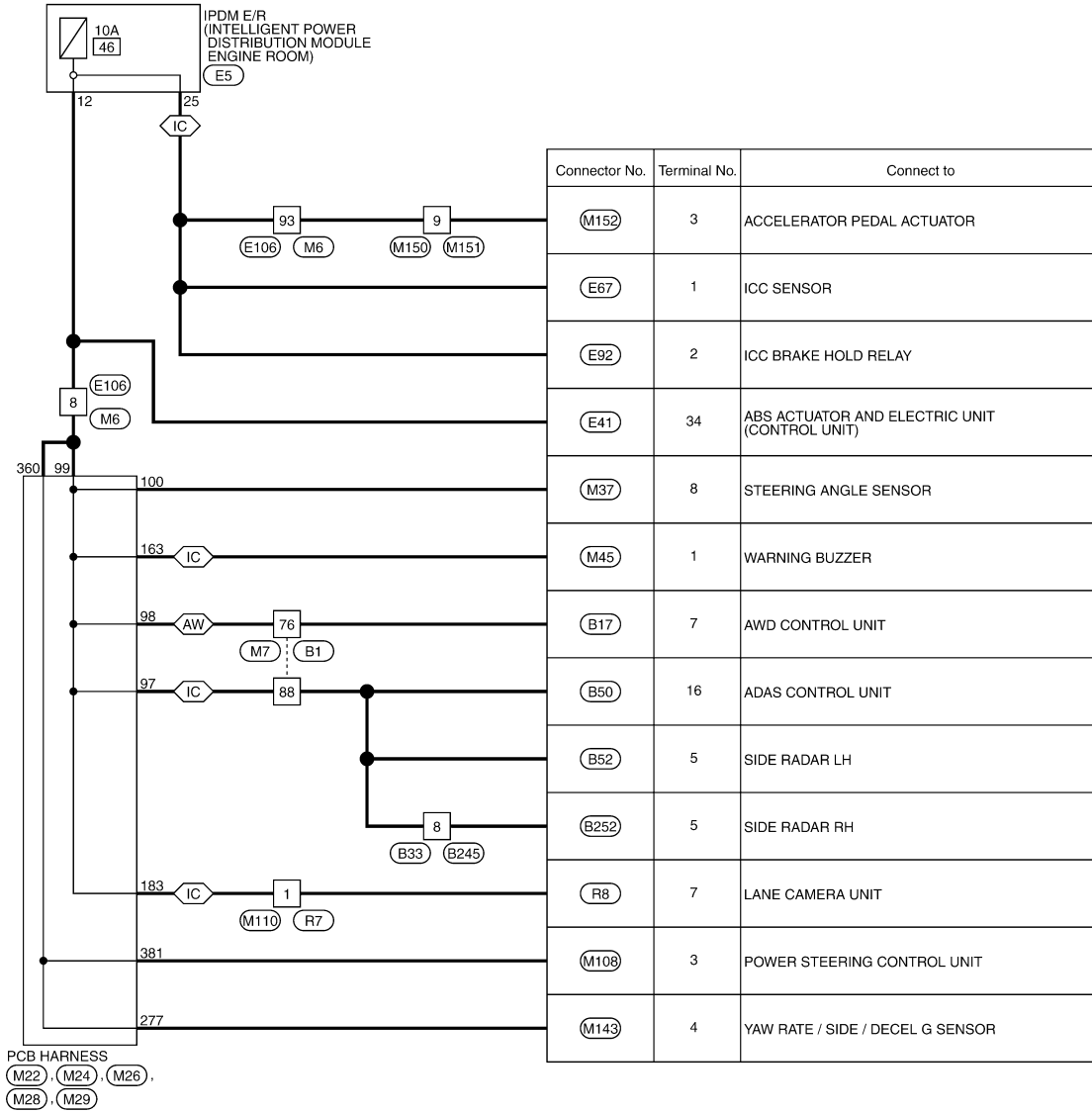
< WIRING DIAGRAM >

Wiring Diagram - IGNITION POWER SUPPLY FUSE No. 46 -

INFOID:000000010098723

IGNITION POWER SUPPLY FUSE No. 46

AW : AWD models
IC : With ICC



2013/10/22

JRMWE8333GB

A
B
C
D
E
F
G
H
I
J
K
L
N
O
P

PG

OPTION HARNESS

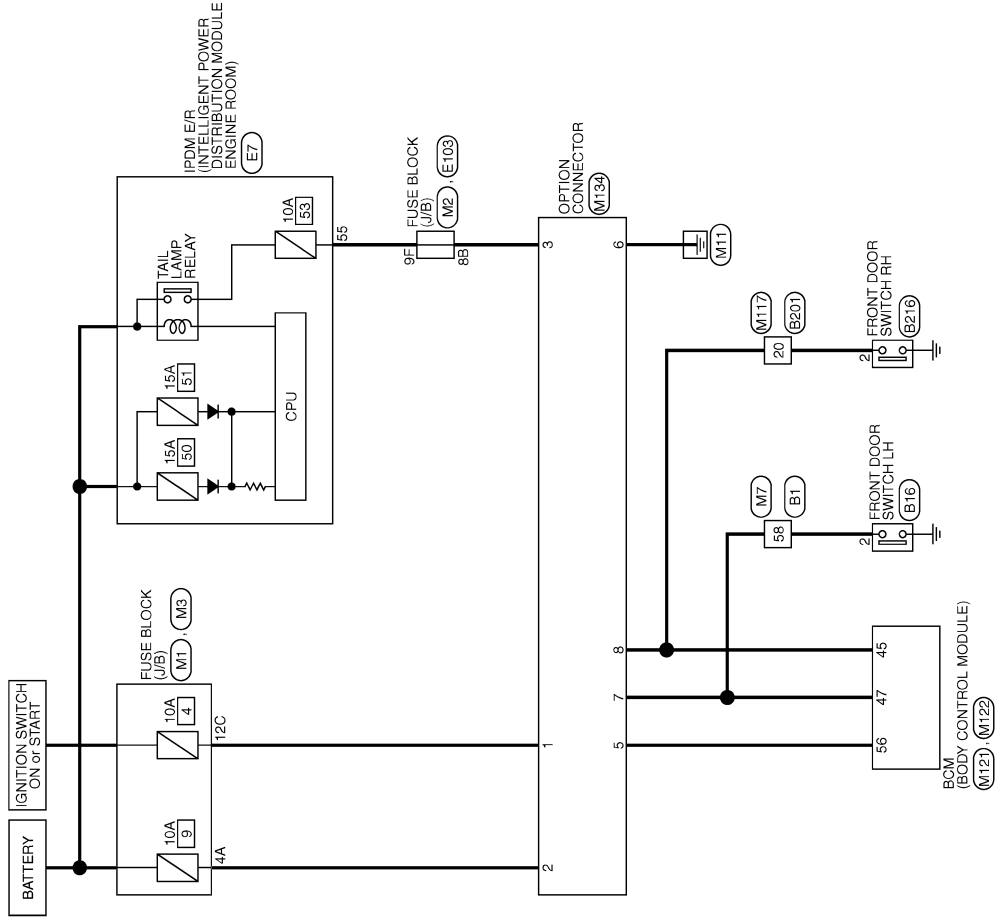
< WIRING DIAGRAM >

OPTION HARNESS

Wiring Diagram

INFOID:000000010098724

OPTION HARNESS



2010/12/14



JCMWA7335GB

OPTION HARNESS

< WIRING DIAGRAM >

OPTION HARNESS

Connector No.	B1
Connector Name	WIRE TO WIRE
Connector Type	TH80PW-CS16-TM4


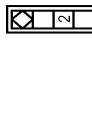



Terminal No.	Color Of Wire	Signal Name [Specification]
1	R	-
2	LG	-
3	LG	-
4	P	-
5	V	-
6	Y	-
7	GR	-
8	Y	-
9	LG	-
10	V	-
11	GR	- [With climate controlled seat]
12	GR	- [With heated seat]
13	P	- [With climate controlled seat]
14	R	-
15	O	-
16	V	-
17	B	-
18	R	-
19	W	-
20	R	-
21	B	-
22	LG	-
23	V	-
24	Y	-
25	G	-
26	GR	-
27	SB	-
28	O	-
29	W	-
30	SHIELD	-
31	R	-
32	L	-
33	R	-
34	L	-
35	R	-

36	G	-
37	SHIELD	-
38	SHIELD	-
39	SHIELD	-
40	SHIELD	-
41	SHIELD	-
42	W/L	-
43	L	-
44	B	-
45	W	-
46	O	-
47	O	-
48	Y	-
49	BR	-
50	SB	-
51	V	-
52	LG	-
53	G	-
54	BR	-
55	LG	-
56	Y	-
57	W	-
58	W	-
59	Y	-
60	Y	-
61	B	-
62	LG	-
63	V	-
64	BR	-
65	BR	-
66	BR	-
67	V	-
68	LG	-
69	GR	-
70	R	-
71	R	-
72	P	-
73	L	-
74	L	-
75	P	-
76	Y	-
77	R	-
78	W	-
79	G	-
80	L	-
81	LG	-
82	BR	-
83	SB	-
84	Y	-
85	R	-
86	G	-
87	GR	-
88	SB	-
89	G	-
90	GR	-
91	SB	-
92	G	-
93	Y	-



37	G	-
38	G	-
39	LG	-
40	LG	-
41	LG	-
42	W/L	-
43	L	-
44	B	-
45	W	-
46	O	-
47	O	-
48	Y	-
49	BR	-
50	SB	-
51	V	-
52	LG	-
53	G	-
54	BR	-
55	LG	-
56	Y	-
57	W	-
58	W	-
59	Y	-
60	Y	-
61	B	-
62	LG	-
63	V	-
64	BR	-
65	BR	-
66	BR	-
67	V	-
68	LG	-
69	GR	-
70	R	-
71	R	-
72	P	-
73	L	-
74	L	-
75	P	-
76	Y	-
77	R	-
78	W	-
79	G	-
80	L	-
81	LG	-
82	BR	-
83	SB	-
84	Y	-
85	R	-
86	G	-
87	GR	-
88	SB	-
89	G	-
90	GR	-
91	SB	-
92	G	-
93	Y	-

Connector No. B16
Connector Name FRONT DOOR SWITCH LH
Connector Type AGRW

Terminal Color Of Wire Signal Name [Specification]
2 LG -

Connector No. B201
Connector Name WIRE TO WIRE
Connector Type TH80PW-CS16-TM4

Terminal Color Of Wire Signal Name [Specification]
3 R -
6 R -
13 Y -
17 GR -
18 P -
19 BR -
20 GR -
21 GR -
22 GR -
23 R -
24 V -
25 B -
26 W -

27	O	-
28	Y	-
29	B	-
30	O	-
31	B/R	-
32	Y	-
40	SHIELD	-
41	W/R	-
42	V	-
44	P	-
45	SB	-
46	R	- [With climate controlled seat]
47	Y	- [With heated seat]
48	GR	- [With climate controlled seat]
49	O	- [With heated seat]
50	R	-
51	GR	-
52	LG	-
53	P	-
56	P	-
57	W	-
58	O	-
59	Y	-
61	SB	-
62	L	-
63	W	-
66	V	-
68	SB	-
69	R	-
70	R	-
71	L	-
74	B	-
75	L	-
76	SHIELD	-
77	G	-
78	R	-
79	P	-
80	G	-
81	O	-
82	GR	-
84	W	-
85	LG	-
86	W	-
87	O	-
88	Y	-

A
B
C
D
E
F
G
H
I
J
K
L
PG
N
O
P

OPTION HARNESS

< WIRING DIAGRAM >

OPTION HARNESS

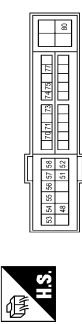
80	BR	-	OB SENSE #1
81	BR	-	OB SENSE #2
82	BR	-	AT ECU
83	O	-	SSOFE
83	Y	-	MOTRLY
84	GR	-	START JG-E/R
86	W	-	START JG-E/L
87	P	-	OIL PRESSURE SW
88	LG	-	FPR
89	LG	-	STARTER MOTOR
100	Y	-	

Connector No.	E216
Connector Name	FRONT DOOR SWITCH RH
Connector Type	A03FW



Terminal No.	2
Color Of Wire	GR
Signal Name [Specification]	-

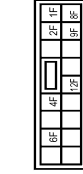
Connector No.	E7
Connector Name	POWER DISTRIBUTION MODULE ENGINE (ROUND)
Connector Type	TH20FW-CS12-M4



Terminal No.	48	
Color Of Wire	W	
Signal Name [Specification]	DIRL DTCER	
49	W	WASHMTR
51	O	INJECTOR #1
53	L	FR WIPER HI
54	P	FR WIPER LO
55	R	TAIL/ILLUMI

56	GR	-	OB SENSE #1
57	Y	-	OB SENSE #2
58	BR	-	AT ECU
59	BR	-	SSOFE
70	LG	-	MOTRLY
71	O	-	START JG-E/R
72	G	-	START JG-E/L
74	R	-	OIL PRESSURE SW
75	Y	-	FPR
77	B	-	STARTER MOTOR
80	W	-	

Connector No.	E103
Connector Name	FUSE BLOCK (J/B)
Connector Type	NS18FW-CS



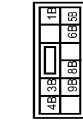
Terminal No.	12F	
Color Of Wire	Y	
Signal Name [Specification]	-	
1F	SB	-
4F	G	-
6F	O	-
8F	BR	-
9F	R	-

Connector No.	M1
Connector Name	FUSE BLOCK (J/B)
Connector Type	NS06FW-M2



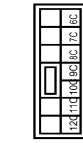
Terminal No.	1A	
Color Of Wire	R	
Signal Name [Specification]	-	
2A	W	-
3A	Y	-
4A	W	-
5A	V	-
6A	Y	-
8A	Y	-

Connector No.	M2
Connector Name	FUSE BLOCK (J/B)
Connector Type	NS10FW-CS



Terminal No.	1B	
Color Of Wire	R	
Signal Name [Specification]	-	
3B	P	-
4B	G	-
5B	W	-
6B	W	-
6B	Y	-
6B	R	-
6B	R	-
6B	R	-

Connector No.	M3
Connector Name	FUSE BLOCK (J/B)
Connector Type	NS12FW-CS



Terminal No.	10C	
Color Of Wire	LG	
Signal Name [Specification]	-	
11C	LG	-
12C	O	-
6C	R	-
7C	B	-
8C	B	-
9C	L	-

Connector No.	M7
Connector Name	WIRE TO WIRE
Connector Type	TH80MP-CS15-TM4



Terminal No.	1	
Color Of Wire	G	
Signal Name [Specification]	-	
2	Y	-
4	BR	-
5	W	-
6	W	-
7	G	-
8	Y	-
9	G	-
10	V	-
11	L	-
11	V	-
12	GR	-
12	P	-
13	BR	-
14	GR	-
15	EG	-
16	V	-
18	EG	-
19	W	-
20	R	-
21	B	-
22	LG	-
23	W	-
24	V	-

OPTION HARNESS

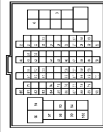
< WIRING DIAGRAM >

OPTION HARNESS

25	G	-	-	-	-
26	BR	-	-	-	-
27	BR	-	-	-	-
28	P	-	-	-	-
29	L	-	-	-	-
30	SHIELD	-	-	-	-
32	L	-	-	-	-
33	P	-	-	-	-
34	L	-	-	-	-
35	P	-	-	-	-
36	BG	-	-	-	-
37	SB	-	-	-	-
41	SB	-	-	-	-
42	V	-	-	-	-
43	L	-	-	-	-
44	B	-	-	-	-
45	W	-	-	-	-
47	L	-	-	-	-
48	LG	-	-	-	-
49	BR	-	-	-	-
50	V	-	-	-	-
51	V	-	-	-	-
52	P	-	-	-	-
53	BG	-	-	-	-
56	SB	-	-	-	-
57	P	-	-	-	-
58	LG	-	-	-	-
59	Y	-	-	-	-
60	GR	-	-	-	-
61	GR	-	-	-	-
62	LG	-	-	-	-
63	BR	-	-	-	-
65	W	-	-	-	-
66	R	-	-	-	-
67	V	-	-	-	-
68	LG	-	-	-	-
69	SB	-	-	-	-
70	V	-	-	-	-
72	L	-	-	-	-
73	P	-	-	-	-
74	L	-	-	-	-
75	P	-	-	-	-
76	G	-	-	-	-
77	V	-	-	-	-
78	SB	-	-	-	-
79	W	-	-	-	-
80	BR	-	-	-	-
81	LG	-	-	-	-
82	BR	-	-	-	-
83	BG	-	-	-	-

84	B	-	-	-	-
85	G	-	-	-	-
87	R	-	-	-	-
88	G	-	-	-	-
91	W	-	-	-	-
92	G	-	-	-	-
96	W	-	-	-	-
97	BG	-	-	-	-
98	Y	-	-	-	-
99	LG	-	-	-	-

Connector No.	M117
Connector Name	WIRE TO WIRE
Connector Type	TH80PW-CS16-TM4



Terminal No.	Color Of Wire	Signal Name [Specification]
3	Y	-
6	R	-
11	GR	-
18	P	-
19	BR	-
20	GR	-
21	Y	-
22	LG	-
23	R	-
24	BG	-
25	BG	-
26	W	-
27	R	-
28	V	-
29	P	-
31	G	-
32	G	-
40	SHIELD	-
41	R	-
42	V	-
44	W	-

45	SB	-	-	-	-
46	PU	-	-	-	-
47	G	-	-	-	-
47	GR	-	-	-	-
48	V	-	-	-	-
49	BG	-	-	-	-
50	LG	-	-	-	-
51	SB	-	-	-	-
52	Y	-	-	-	-
53	W	-	-	-	-
56	B	-	-	-	-
57	G	-	-	-	-
58	R	-	-	-	-
59	W	-	-	-	-
62	V	-	-	-	-
63	R	-	-	-	-
66	L	-	-	-	-
67	Y	-	-	-	-
68	SB	-	-	-	-
69	B	-	-	-	-
70	R	-	-	-	-
71	BR	-	-	-	-
74	B	-	-	-	-
75	L	-	-	-	-
76	SHIELD	-	-	-	-
77	G	-	-	-	-
78	R	-	-	-	-
79	G	-	-	-	-
80	G	-	-	-	-
81	BG	-	-	-	-
82	BR	-	-	-	-
83	GR	-	-	-	-
84	V	-	-	-	-
85	LG	-	-	-	-
86	V	-	-	-	-
87	R	-	-	-	-
88	Y	-	-	-	-
89	BR	-	-	-	-
90	L	-	-	-	-
91	Y	-	-	-	-
93	G	-	-	-	-
94	V	-	-	-	-
96	W	-	-	-	-
97	Y	-	-	-	-
98	BR	-	-	-	-
99	G	-	-	-	-
100	Y	-	-	-	-

Connector No.	M121
Connector Name	BCM (BODY CONTROL MODULE)
Connector Type	FEA09FB-TH46-SA



Terminal No.	Color Of Wire	Signal Name [Specification]
41	W	TR KEY CYLINDER SW
42	Y	TRUNK LID OPEN REQUEST
43	Y	TRUNK LID OPEN REQ SW
44	Y	TRUNK LID OPEN REQ SW
45	GR	PASSENGER DOOR SW
46	BR	REAR RH DOOR SW
47	LG	DRIVER DOOR SW
48	P	REAR LH DOOR SW
49	SB	TR ROOM LAMP CONT
51	BG	TR LID OPEN REQ SW
53	LG	TRUNK LID OPEN REQUEST
55	BR	RR DOOR UNLK OUTPUT

Connector No.	M122
Connector Name	BCM (BODY CONTROL MODULE)
Connector Type	FEA09FB-TH46-SA



Terminal No.	Color Of Wire	Signal Name [Specification]
56	R	INT ROOM LAMP PWR SPLY
57	R	BR LAMP SW
58	G	SEATBELT SW
59	G	PASSENGER UNLK OUTPUT
60	G	TURN SIG LH OUTPUT
61	V	TURN SIG RH OUTPUT
62	V	STEP LAMP CONT
63	L	ROOM LAMP TIMER CONT
65	V	ALL DOOR FL LID LOCK OUTPUT

A
B
C
D
E
F
G
H
I
J
K
L
N
O
P

PG


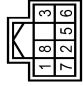
JRMWE8254GB

OPTION HARNESS

< WIRING DIAGRAM >

OPTION HARNESS	
65	LG DR DOOR FL ID UNLK OUTPUT
66	B
67	OR
68	O PW PWR SPLY (IGN)
69	Y PW PWR SPLY (BAT)
70	W BAT (F/L)

Connector No.	M134
Connector Name	OPTION CONNECTOR
Connector Type	TH05PW-NH

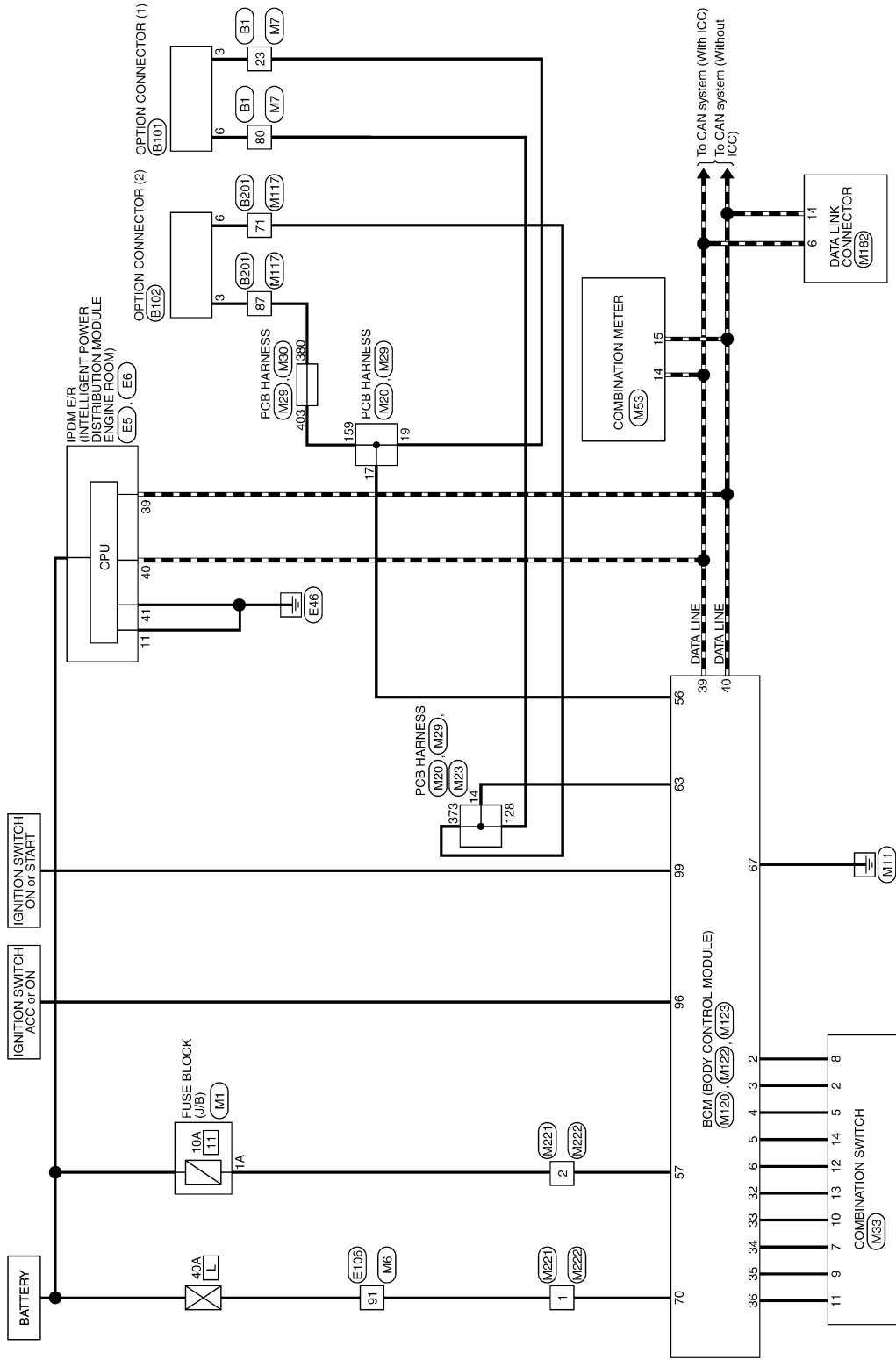
Terminal No.	Color Of Wire	Signal Name [Specification]
1	BG	-
2	W	-
3	L	-
5	P	-
6	B	-
7	LG	-
8	OR	-

JRMWE8255GB

OPTION HARNESS

< WIRING DIAGRAM >

OPTION HARNESS (ILLUMINATION)



2013/10/22

JRMWE8256GB

A
B
C
D
E
F
G
H
I
J
K
L
M
N
O
P

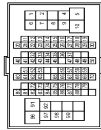
PG

OPTION HARNESS

< WIRING DIAGRAM >

OPTION HARNESS (ILLUMINATION)

Connector No.	B1
Connector Name	WIRE TO WIRE
Connector Type	TH88MW-C51E-TM4



Terminal No.	Color Of Wire	Signal Name [Specification]
1	W	-
2	R	-
3	W	-
4	LG	-
5	P	-
6	V	-
7	GR	-
8	Y	-
9	LG	-
10	V	-
11	GR	- [With climate controlled seat]
12	GR	- [With heated seat]
13	P	- [With climate controlled seat]
14	R	-
15	V	-
16	V	-
17	B	-
18	R	-
19	W	-
20	R	-
21	B	-
22	LG	-
23	V	-
24	Y	-
25	G	-
26	GR	-
27	SB	-
28	W	-
29	W/O	-
30	SHIELD	-
32	L	-
33	R	-
34	L	-
35	R	-

07	O	-
08	SB	-
09	LG	-

Connector No.	B101
Connector Name	OPTION CONNECTOR 1
Connector Type	TH88MW-NH



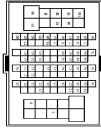
Terminal No.	Color Of Wire	Signal Name [Specification]
3	V	-
6	L	-

Connector No.	B102
Connector Name	OPTION CONNECTOR 2
Connector Type	TH88MW-NH



Terminal No.	Color Of Wire	Signal Name [Specification]
3	O	-
6	L	-

Connector No.	B201
Connector Name	WIRE TO WIRE
Connector Type	TH88MW-C51E-TM4



Terminal No.	Color Of Wire	Signal Name [Specification]
3	R	-
8	R	-
13	Y	-
17	GR	-
18	P	-
19	BR	-
20	GR	-
21	Y	-
22	GR	-
23	R	-
24	V	-
25	B	-
26	W	-
27	O	-
28	P	-
29	V	-
30	O	-
31	B/R	-
32	Y	-
40	SHIELD	-
41	W/R	-
42	V	-
44	P	-
45	SB	-
46	R	- [With climate controlled seat]
46	Y	- [With heated seat]
47	G	- [With climate controlled seat]
47	GR	- [With heated seat]
48	O	-
50	R	-
51	GR	-
52	LG	-
53	P	-
56	P	-

36	G	-
37	SB	-
40	SHIELD	-
41	GR/V	-
42	W/L	-
43	L	-
44	B	-
45	W	-
47	O	-
48	Y	-
49	BR	-
50	SB	-
51	V	-
52	LG	-
53	G	-
54	P	-
57	BR	-
58	LG	-
59	Y	-
60	W	-
61	B	-
62	LG	-
63	V	-
65	O	-
66	BR	-
67	V	-
68	LG	-
69	GR	-
70	R	-
72	L	-
73	P	-
74	L	-
75	P	-
76	Y	-
77	R	-
78	W	-
79	G	-
80	L	-
81	LG	-
82	BR	-
83	SB	-
84	W	-
85	R	-
86	W	-
87	G	-
88	GR	-
91	SB	-
92	G	-
96	Y	-

JRMWE8257GB

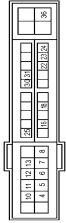
OPTION HARNESS

< WIRING DIAGRAM >

OPTION HARNESS (ILLUMINATION)

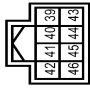
87	W	-	-	-	-
88	O	-	-	-	-
89	Y	-	-	-	-
90	Y	-	-	-	-
91	SB	-	-	-	-
92	SB	-	-	-	-
93	W	-	-	-	-
94	L	-	-	-	-
95	Y	-	-	-	-
96	SB	-	-	-	-
97	B	-	-	-	-
98	R	-	-	-	-
99	L	-	-	-	-
100	Y	-	-	-	-

Connector No.	E6
Connector Name	INTELLIGENT POWER DISTRIBUTION MODULE ENGINE ROOM
Connector Type	TH20FW-GS12-44A-1V



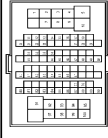
Terminal No.	Color	Wire	Signal Name [Specification]
4	W	P	ENG SOL
5	R	B	ECM V+ [With VQ engine]
6	SB	R	ECM V- [With VQ engine]
7	R	Y	ETG [With VQ engine]
8	L/Y	A	A/C COMP [With VQ engine]
9	P	A/C	A/C COMP [With VQ engine]
10	V	ECM BAT	ECM BAT
11	B	P-GND	P-GND
12	G	ABS ECU	ABS ECU
13	GR	FUEL PUMP	FUEL PUMP [With VQ engine]
14	W	FUEL PUMP	FUEL PUMP [With VQ engine]
15	V	WPER-AUTOSTOP	WPER-AUTOSTOP
16	Y	IGN SIGNAL	IGN SIGNAL
17	GR	DTRL RLY	DTRL RLY [With VQ engine]
18	SB	DTRL RLY	DTRL RLY [With VQ engine]
19	O	HOOD SW	HOOD SW
20	LG	SI&S ECU	SI&S ECU
21	BR	PUSH-START SW	PUSH-START SW
22	BR	NP SW	NP SW [With VQ engine]
23	W	NP SW	NP SW [With VQ engine]
24	GR	F/LIGN SW	F/LIGN SW

Connector No.	E6
Connector Name	INTELLIGENT POWER DISTRIBUTION MODULE ENGINE ROOM
Connector Type	TH8BFW-H4



Terminal No.	Color	Wire	Signal Name [Specification]
39	P	GM-L	GM-L
40	B	SC-ND	SC-ND
41	V	MOTOR FAN RLY CONT	MOTOR FAN RLY CONT [With VQ engine]
42	Y	MOTOR FAN RLY CONT	MOTOR FAN RLY CONT [With VQ engine]
43	SB	DETENT SW	DETENT SW
44	GR	HORN RLY	HORN RLY [With VQ engine]
45	LG	HORN RLY	HORN RLY [With VQ engine]
46	G	HORN SW	HORN SW
47	V	START CONT	START CONT

Connector No.	E106
Connector Name	WIRE TO WIRE
Connector Type	TH8BFW-SS16-1M4



Terminal No.	Color	Wire	Signal Name [Specification]
1	P	-	-
2	W	-	-
3	SB	-	-
4	Y	-	-
5	O	-	-
6	GR	-	-
7	GR	-	-
8	G	-	-
9	Y	-	-
10	BR	-	-
11	SB	-	-

12	V	-	-
13	GR	-	-
14	GR	-	-
15	V	-	-
16	Y	-	-
17	GR	-	-
18	V	-	-
19	Y	-	-
20	BR	-	-
21	P	-	-
22	L	-	-
23	P	-	-
24	P	-	-
25	SHIELD	-	-
26	L/O	-	-
27	W/L	-	-
28	BR	-	-
29	G	-	-
30	Y	-	-
31	Y	-	-
32	Y	-	-
33	Y	-	-
34	Y	-	-
35	Y	-	-
36	Y	-	-
37	Y	-	-
38	Y	-	-
39	Y	-	-
40	Y	-	-
41	Y	-	-
42	Y	-	-
43	Y	-	-
44	Y	-	-
45	L	-	-
46	GR	-	-
47	V	-	-
48	G	-	-
49	O	-	-
50	LG	-	-
51	W	-	-
52	G	-	-
53	Y	-	-
54	Y	-	-
55	Y	-	-
56	Y	-	-
57	Y	-	-
58	Y	-	-
59	Y	-	-
60	Y	-	-
61	Y	-	-
62	Y	-	-
63	Y	-	-
64	Y	-	-
65	Y	-	-
66	Y	-	-
67	SB	-	-
68	O	-	-
69	Y	-	-
70	SB	-	-
71	SB	-	-
72	G	-	-
73	G	-	-
74	R	-	-
75	R	-	-
76	R	-	-
77	R	-	-
78	R	-	-
79	R	-	-
80	R	-	-
81	R	-	-
82	SB	-	-
83	GR	-	-
84	Y	-	-
85	Y	-	-
86	Y	-	-
87	Y	-	-
88	Y	-	-
89	Y	-	-
90	Y	-	-
91	W	-	-
92	P	-	-
93	LG	-	-

A
B
C
D
E
F
G
H
I
J
K
L
N
O
P

PG

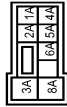
OPTION HARNESS

< WIRING DIAGRAM >

OPTION HARNESS (ILLUMINATION)

84	BR	-
85	BR	-
86	W	-
87	R	-
88	Y	-
89	V	-
100	V	-

Connector No.	M1
Connector Name	FUSE BLOCK (J/B)
Connector Type	INSDFW-M2



Terminal No.	Color Of Wire	Signal Name [Specification]
1A	R	-
2A	W	-
3A	Y	-
4A	W	-
5A	V	-
6A	Y	-
8A	Y	-

Connector No.	M6
Connector Name	WIRE TO WIRE
Connector Type	TH8BMM-CST1E-TM4



Terminal No.	Color Of Wire	Signal Name [Specification]
1	W	-
2	W	-
3	SB	-
4	LG	-
5	W	-

7	BG	-
8	G	-
9	Y	-
10	R	-
11	W	-
12	V	-
13	LG	-
14	L	-
15	V	-
16	B	-
17	GR	-
18	V	-
20	SB	-
21	BR	-
22	P	-
23	SHIELD	-
24	V	-
29	SB	-
31	BG	-
32	P	-
33	R	-
34	BG	-
41	BR	-
44	BR	-
45	Y	-
46	BG	-
47	V	-
48	BG	-
50	W	-
60	GR	-
61	B	-
62	LG	-
63	BR	-
64	L	-
65	R	-
66	P	-
67	L	-
77	B	-
78	V	-
80	G	-
82	B	-
83	BG	-
84	SB	-
85	Y	-
86	L	-
87	V	-
88	V	-

88	LG	-
89	BG	-
91	W	-
92	BG	-
93	G	-
94	Y	-
95	W	-
97	SB	-
98	R	-
99	W	-
100	L	-

Connector No.	M7
Connector Name	WIRE TO WIRE
Connector Type	TH8BMM-CST1E-TM4



Terminal No.	Color Of Wire	Signal Name [Specification]
1	G	-
2	BR	-
3	P	-
4	W	-
5	G	-
6	Y	-
7	G	-
8	Y	-
9	G	-
10	V	-
11	L	- [With heated seat]
12	GR	- [With climate controlled seat]
13	P	- [With heated seat]
14	BR	-
15	GR	-
16	V	-
17	BG	-
18	L	-
19	W	-
20	R	-
21	B	-
22	LG	-

23	W	-
24	V	-
25	G	-
26	BR	-
27	SB	-
28	P	-
29	L	-
30	SHIELD	-
32	L	-
33	P	-
34	L	-
35	P	-
36	BG	-
37	SB	-
38	SB	-
43	Y	-
45	Y	-
44	B	-
45	W	-
47	L	-
48	LG	-
49	BR	-
50	V	-
51	V	-
52	P	-
53	BG	-
56	SB	-
57	P	-
58	LG	-
59	Y	-
60	GR	-
61	B	-
62	LG	-
63	BR	-
65	W	-
66	R	-
67	V	-
68	LG	-
69	SB	-
70	V	-
72	L	-
73	P	-
74	B	-
75	P	-
76	G	-
77	Y	-
78	SB	-
79	W	-
80	BR	-
81	LG	-

OPTION HARNESS

< WIRING DIAGRAM >

OPTION HARNESS (ILLUMINATION)

82	BR	-
83	BG	-
84	B	-
85	W	-
86	G	-
87	R	-
88	G	-
91	W	-
92	G	-
96	W	-
97	BG	-
98	Y	-
99	LG	-

Connector No.	M29
Connector Name	PCB HARNESS
Connector Type	TH40FW-NH



Terminal No.	Color Of Wire	Signal Name [Specification]
11	BR	-
12	R	-
14	L	-
15	B	-
17	R	-
19	W	-
20	R	-
21	B	-
22	R	-
23	L	-
24	L	-
27	P	-
31	V	-
35	V	-
36	P	-
38	L	-
40	Y	-

Connector No.	M23
Connector Name	PCB HARNESS
Connector Type	TH40FW-NH



Terminal No.	Color Of Wire	Signal Name [Specification]
121	Y	-
122	BG	-
124	BG	-
128	BR	-
130	B	-
131	SB	-
132	LG	-
133	L	-
135	P	-
137	Y	-
138	L	-
139	P	-
140	L	-
141	W	-
142	W	-
144	P	-
145	B	-
146	B	-
147	B	-
148	L	-
149	B	-
150	P	-
151	L	-
152	B	-
153	W	-
154	W	-
155	W	-
157	R	-
158	R	-
159	R	-

Connector No.	M29
Connector Name	PCB HARNESS
Connector Type	TH40FB-NH



Terminal No.	Color Of Wire	Signal Name [Specification]
381	W	-
382	B	-
383	B	-
388	G	-
393	BR	-
394	BG	-
395	BG	-
396	V	-
378	V	-
379	B	-
379	R	-
390	R	-
381	G	-
382	V	-
384	GR	-
388	L	-
398	L	-
400	V	-

Connector No.	M30
Connector Name	PCB HARNESS
Connector Type	TH40FW-NH



Terminal No.	Color Of Wire	Signal Name [Specification]
402	R	-
403	Y	-
408	B	-
409	B	-
411	B	-
413	Y	-
414	BR	-
416	LG	-
417	B	-
419	SB	-
420	SHIELD	-
422	V	-
427	P	-
428	V	-
430	LG	-
431	B	-
432	Y	-
435	V	-
436	BG	-
437	B	-
438	P	-
439	L	-

A
B
C
D
E
F
G
H
I
J
K
L
N
O
P

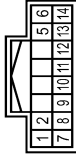
PG

OPTION HARNESS

< WIRING DIAGRAM >

OPTION HARNESS (ILLUMINATION)

Connector No.	M53
Connector Name	COMBINATION SWITCH
Connector Type	TH18FW-NH



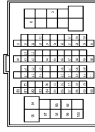
Terminal No.	Color Of Wire	Signal Name [Specification]
1	R	FR WASHER (-)
2	SB	OUTPUT 2
3	SB	OUTPUT 3
4	B	IGN
5	B	INPUT 3
6	V	OUTPUT 5
7	BG	INPUT 2
8	Y	INPUT 4
9	R	INPUT 1
10	LG	INPUT 1
11	P	INPUT 5
12	BR	INPUT 5
13	BR	OUTPUT 2
14	G	OUTPUT 2

Connector No.	M53
Connector Name	COMBINATION METER
Connector Type	TH40FW-NH



Terminal No.	Color Of Wire	Signal Name [Specification]
1	R	BATTERY POWER SUPPLY
2	BG	IGNITION SIGNAL
3	GR	VEHICLE SPEED SIGNAL (2-PULSE)
4	R	VEHICLE SPEED SIGNAL (8-PULSE)
5	B	ILLUMINATION CONTROL SIGNAL
6	B	METER CONTROL SWITCH GROUND
7	SB	ENTER SWITCH SIGNAL
8	LG	SELECT SWITCH SIGNAL
9	G	ILLUMINATION CONTROL SWITCH SIGNAL (+)
10	GR	ILLUMINATION CONTROL SWITCH SIGNAL (-)
11	L	TRIP RESET SWITCH SIGNAL
12	B	GROUND
14	L	CAN-H
16	R	CAN-L
17	R	AIR FLOW SIGNAL
18	B	GROUND
23	B	FUEL LEVEL SENSOR GROUND
24	B	GROUND
25	W	ALTERNATOR SIGNAL
26	V	PARKING BRAKE SWITCH SIGNAL
27	V	BRAKE FLUID LEVEL SWITCH SIGNAL
28	G	SECURITY SIGNAL
29	L	WASHER LEVEL SWITCH SIGNAL
32	G	PADDLE SHIFTER SHIFT DOWN SIGNAL
33	BG	FUEL LEVEL SENSOR SIGNAL
34	G	FUEL LEVEL SENSOR SIGNAL
35	W	SEAT BELT BUCKLE SWITCH SIGNAL (DRIVER SIDE)
36	G	PASSENGER SEAT BELT WARNING SIGNAL
37	G	NON-MANUAL MODE SIGNAL
38	L	MANUAL MODE SHIFTER SIGNAL
39	L	MANUAL MODE SHIFTER SIGNAL
40	W	MANUAL MODE SIGNAL

Connector No.	M17
Connector Name	WIRE TO WIRE
Connector Type	TH8FW-GS16-TM4



Terminal No.	Color Of Wire	Signal Name [Specification]
8	R	
9	R	
13	W	
17	GR	
18	P	
19	BR	
20	GR	
21	Y	
22	LG	
23	R	
24	BG	
25	BG	
26	W	
27	R	
28	P	
30	B	
31	G	
32	Y	
40	SHIELD	
41	R	
42	V	
44	W	
45	SB	
46	BG	
46	L	- [With heated seat]
47	G	- [With climate controlled seat]
47	GR	- [With heated seat]
48	BG	
49	BG	
50	LS	
51	SB	
52	Y	
53	W	
56	B	
57	G	

58	R	
59	W	
61	LG	
62	V	
63	R	
66	L	
67	Y	
68	SB	
69	B	
70	R	
71	BR	
74	B	
75	L	
76	SHIELD	
78	G	
79	R	
79	L	
80	G	
81	BG	
82	BR	
83	GR	
84	V	
85	LG	
86	V	
87	R	
88	Y	
89	BR	
90	L	
91	L	
93	G	- [With heated seat]
93	W	- [With climate controlled seat]
94	V	
96	W	
97	Y	
98	BR	
99	G	
100	Y	

JRMWE8261GB

OPTION HARNESS

< WIRING DIAGRAM >

OPTION HARNESS (ILLUMINATION)

Connector No.	M120
Connector Name	BCM (BODY CONTROL MODULE)
Connector Type	TH40PB-NH



Terminal No.	Color Of Wire	Signal Name [Specification]
1	G	RR WINDOW DEFG RLY CONT
2	BR	COMBI SW INPUT 1
3	SB	COMBI SW INPUT 2
4	L	COMBI SW INPUT 3
5	G	COMBI SW INPUT 1
6	P	COMBI SW INPUT 2
7	P	COMBI SW INPUT 3
8	V	POWER WINDOW SW COMM
9	P	STOP LAMP SW 1
11	R	RAIN SENSOR SERIAL LINK
14	W	OPTICAL SENSOR
16	SB	DIMMER SIGNAL
17	Y	SENSOR PWR SPLY
18	B	RECEIVER / SENSOR GND
19	R	RECEIVER PWR SPLY
20	BR	KEYS ENT RECEIVER COMM
21	BR	KEYS ENT RECEIVER BSSI
22	GR	SECURITY IND CONT
23	G	DOUBLE LINK
24	L	NATS ANT AMP
25	G	E-KEY IDENTIFICATION
26	G	HAZARD SW
29	G	TR LID OPNIE SW
30	O	DR DOOR UNLK SENSOR
31	W	DR DOOR UNLK SENSOR
32	BR	COMBI SW OUTPUT 5
33	R	COMBI SW OUTPUT 4
34	V	COMBI SW OUTPUT 3
35	Y	COMBI SW OUTPUT 2
36	LG	COMBI SW OUTPUT 1
37	R	POWER SW
38	L	CAN-L
40	P	CAN-L

Connector No.	M122
Connector Name	BCM (BODY CONTROL MODULE)
Connector Type	FEAD0FW-F146-SA



Terminal No.	Color Of Wire	Signal Name [Specification]
51	R	INT ROOM LAMP PWR SPLY
52	R	INT ROOM LAMP GND
53	L	SHOCK CANCEL SW
54	G	PASS DOOR UNLK OUTPUT
55	G	TURN SIG RH OUTPUT
61	V	TURN SIG LH OUTPUT
62	V	STEP LAMP CONT
63	V	ROOM LAMP TIMER CONT
65	V	ALL DOOR FL LID LOCK OUTPUT
66	LG	DR DOOR FL LID UNLK OUTPUT
67	B	GND
68	O	PW PWR SPLY (GN)
69	Y	PW PWR SPLY (BAT)
70	W	BAT (F/L)

Connector No.	M123
Connector Name	BCM (BODY CONTROL MODULE)
Connector Type	TH40FW-NH



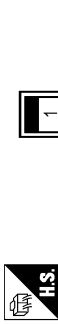
Terminal No.	Color Of Wire	Signal Name [Specification]
22	B	OUTS HD LAMP OUTPUT
23	V	GND
75	G	DR DOOR REQ SW
76	BR	PUSH SW
78	BR	DRIVER DOOR ANT+
79	SB	DRIVER DOOR ANT-

Connector No.	M121
Connector Name	WIRE TO WIRE
Connector Type	M03FW-LC



Terminal No.	Color Of Wire	Signal Name [Specification]
1	W	
2	R	
3	Y	

Connector No.	M122
Connector Name	WIRE TO WIRE
Connector Type	M03MW-LC



Terminal No.	Color Of Wire	Signal Name [Specification]
1	W	
2	R	
3	Y	

80	LG	PASSENGER DOOR ANT+
81	V	PASSENGER DOOR ANT-
82	V	REAR BMRP ANT+
83	SR	REAR BMRP ANT-
84	Y	ROOM ANT+
85	R	ROOM ANT-
87	G	ROOM ANT+
88	V	TRUNK ROOM ANT+
89	SB	TRUNK ROOM ANT-
90	R	PUSH-BTN IGN SW ILL PWR
91	GR	LOCK IND
92	B	PUSH-BTN IGN SW ILL GND
93	V	KEY WARN BUZZER
95	SB	ACC-RELAY COVT
96	BR	STOP LAMP CONT
98	R	IGN RELAY (F/B) CONT
99	R	IGN RELAY (F/B) CONT
100	SR	PASS DOOR REQ SW
102	BR	P/N POSITION
104	GR	A/T SHIFT SELECT PWR SPLY
105	R	STOP LAMP SW 2
106	B	BLWR RELAY CONT
109	Y	ACC IND

Connector No.	M123
Connector Name	DATA LINK CONNECTOR
Connector Type	BD16FW



Terminal No.	Color Of Wire	Signal Name [Specification]
3	LG	M-CAN-L
4	B	EARTH
5	B	EARTH
7	V	LINE
8	LG	IGN SW
11	SB	M-CAN-H
12	P	CAN-L
13	L	CAN-H
14	P	CAN-L

A
B
C
D
E
F
G
H
I
J
K
L
PG
N
O
P

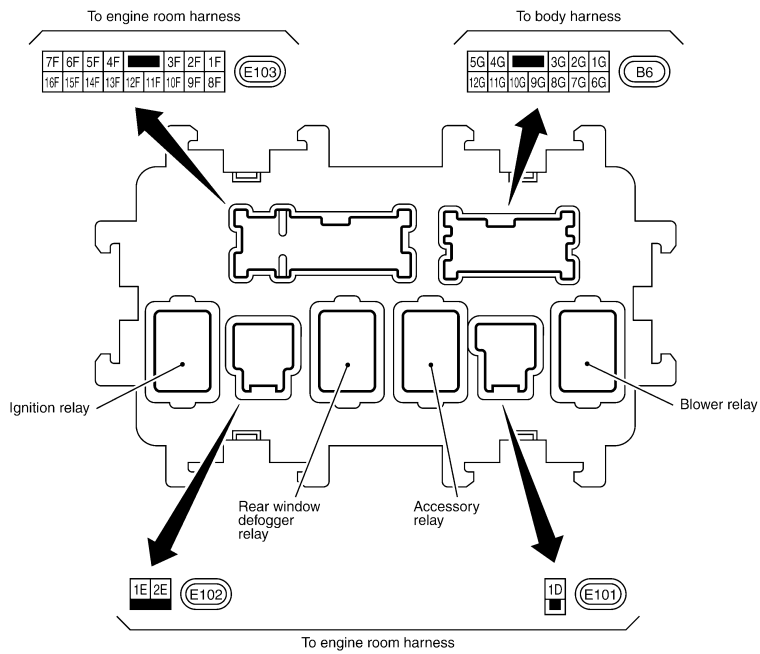
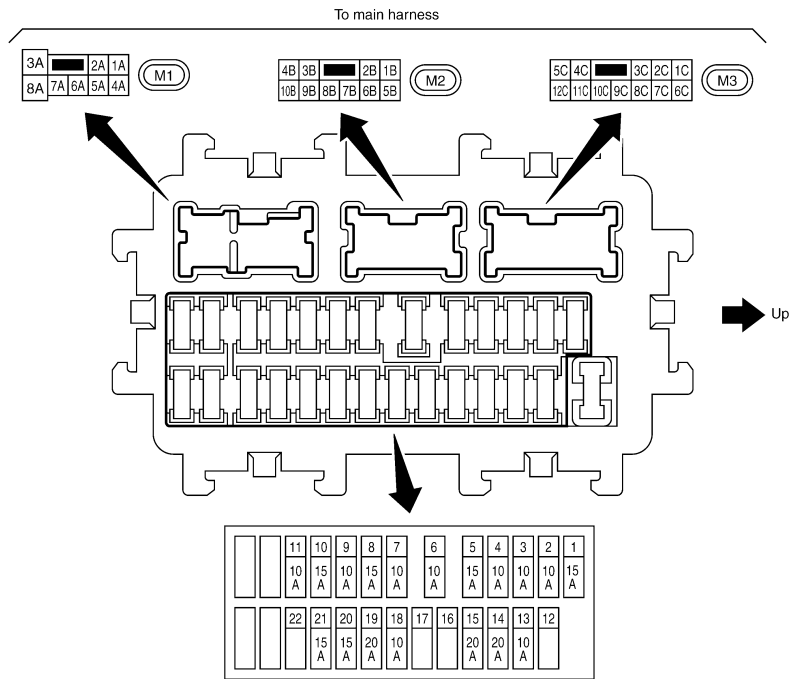
FUSE BLOCK - JUNCTION BOX (J/B)

< WIRING DIAGRAM >

FUSE BLOCK - JUNCTION BOX (J/B)

Fuse, Connector and Terminal Arrangement

INFOID:000000010098725



2012/02/27

JRMWC9522GB

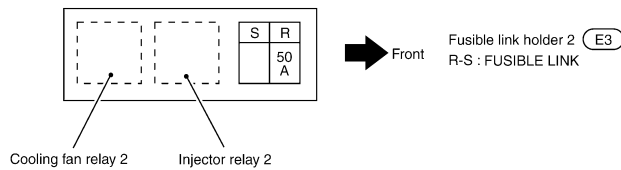
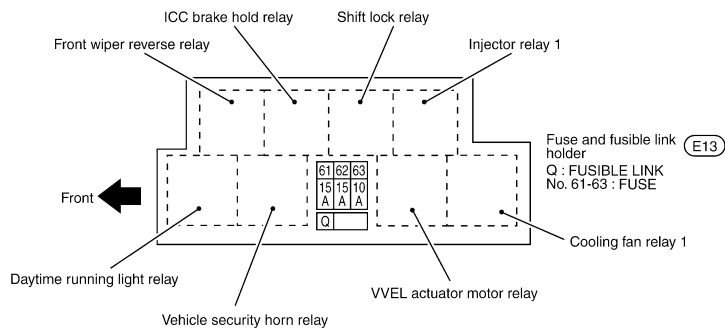
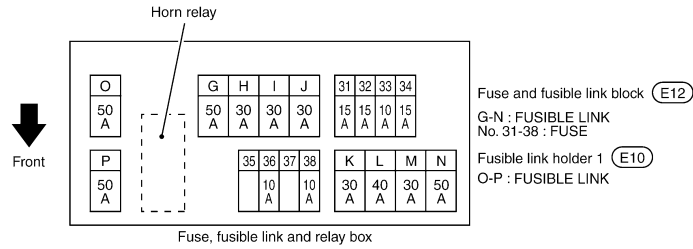
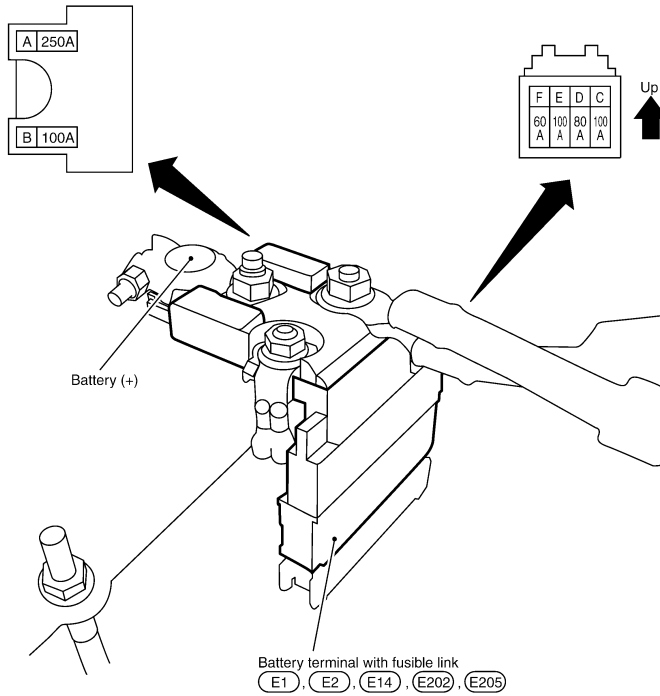
FUSE, FUSIBLE LINK AND RELAY BOX

< WIRING DIAGRAM >

FUSE, FUSIBLE LINK AND RELAY BOX

Fuse and Fusible Link Arrangement

INFOID:000000010098726



2013/10/22

JRMWE8334GB

A
B
C
D
E
F
G
H
I
J
K
L
PG
N
O
P

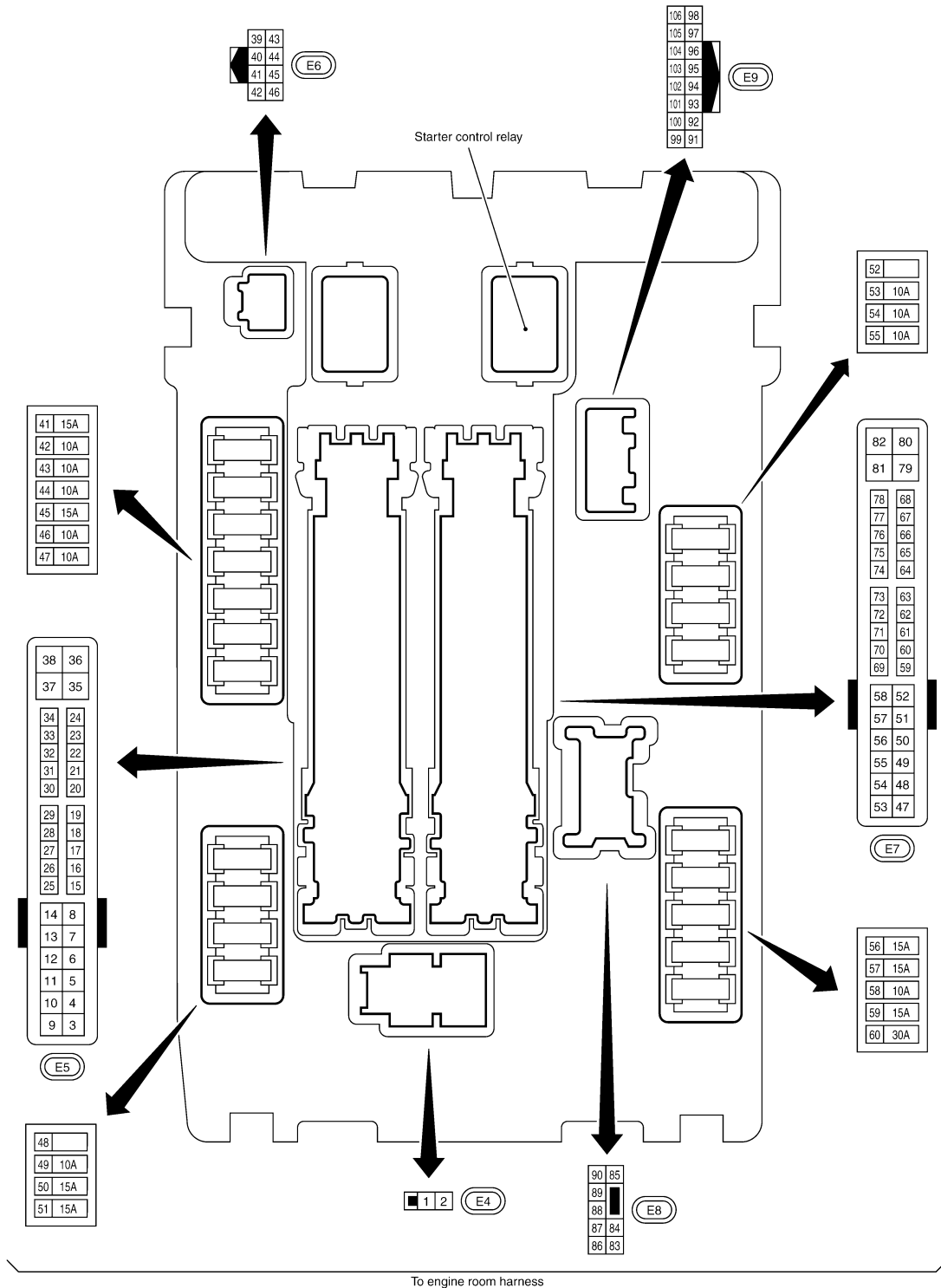
IPDM E/R (INTELLIGENT POWER DISTRIBUTION MODULE ENGINE ROOM)

< WIRING DIAGRAM >

IPDM E/R (INTELLIGENT POWER DISTRIBUTION MODULE ENGINE ROOM)

Fuse, Connector and Terminal Arrangement

INFOID:000000010098727



2012/02/27

JRMWC9523GB

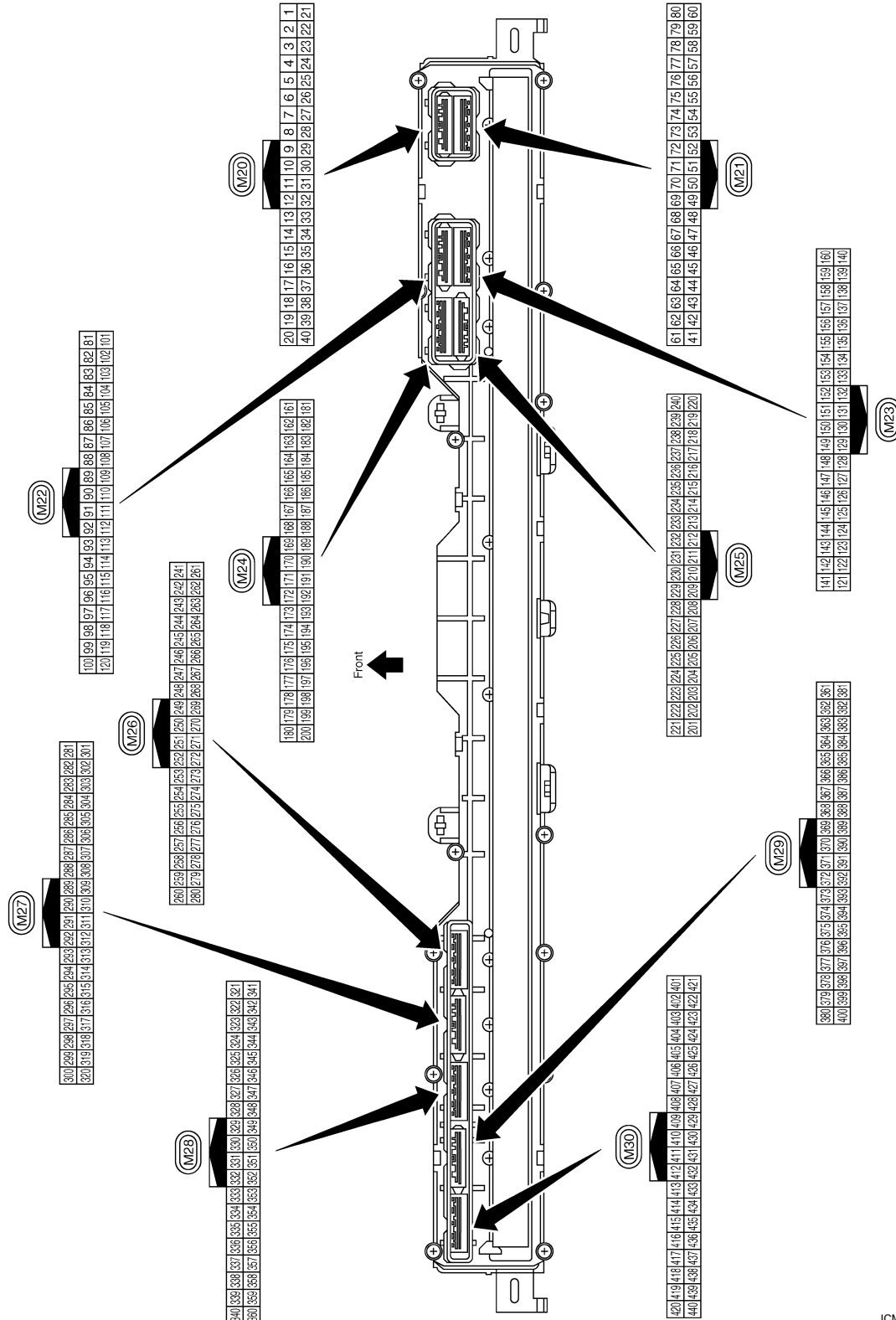
PCB HARNESS

< WIRING DIAGRAM >

PCB HARNESS

Connector and Terminal Arrangement

INFOID:000000010098728



A
B
C
D
E
F
G
H
I
J
K
L
P

PG

2010/02/03

JCMWA5707GB

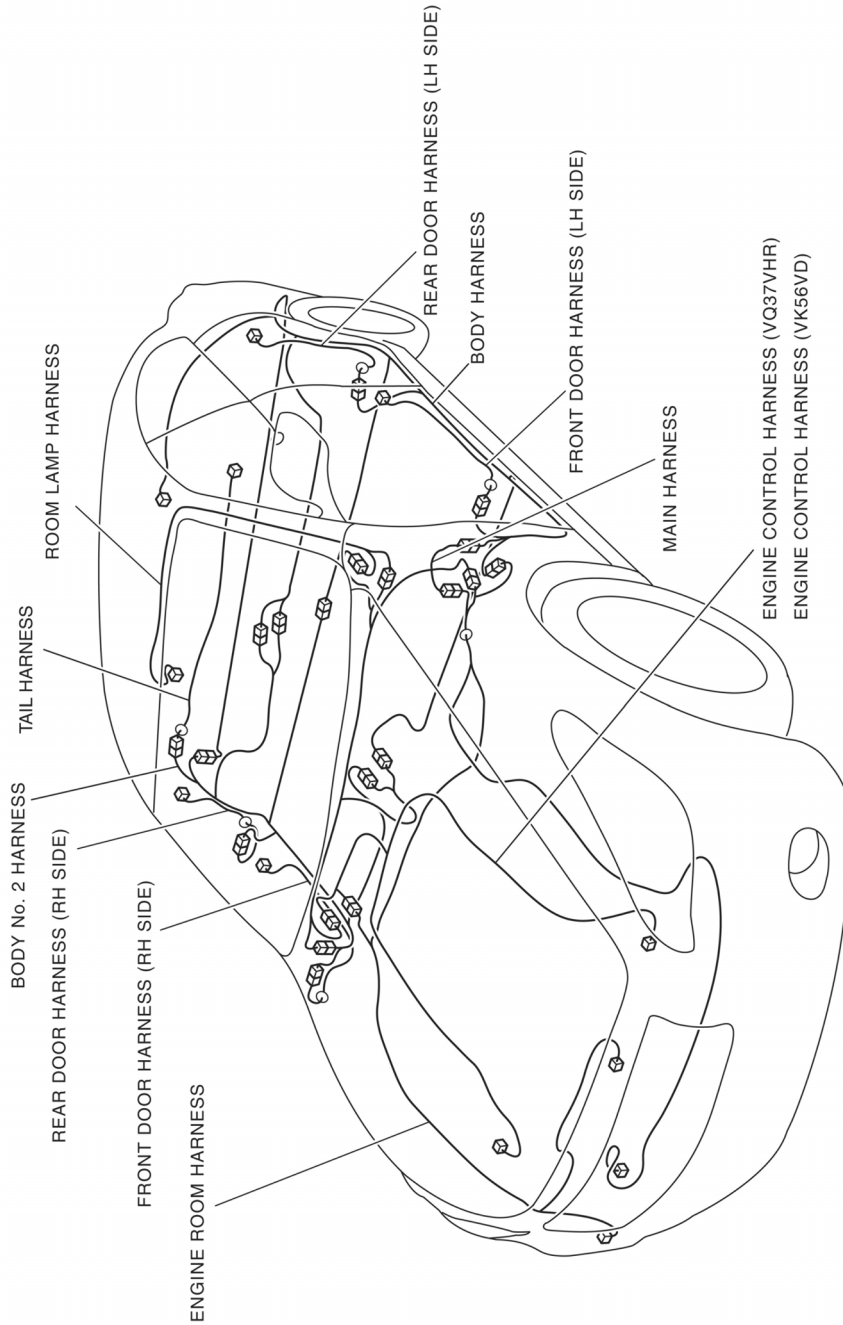
HARNESS LAYOUT

< WIRING DIAGRAM >

HARNESS LAYOUT

Outline

INFOID:000000010287703



OUTLINE

2013/10/22

JRMIC4015GB

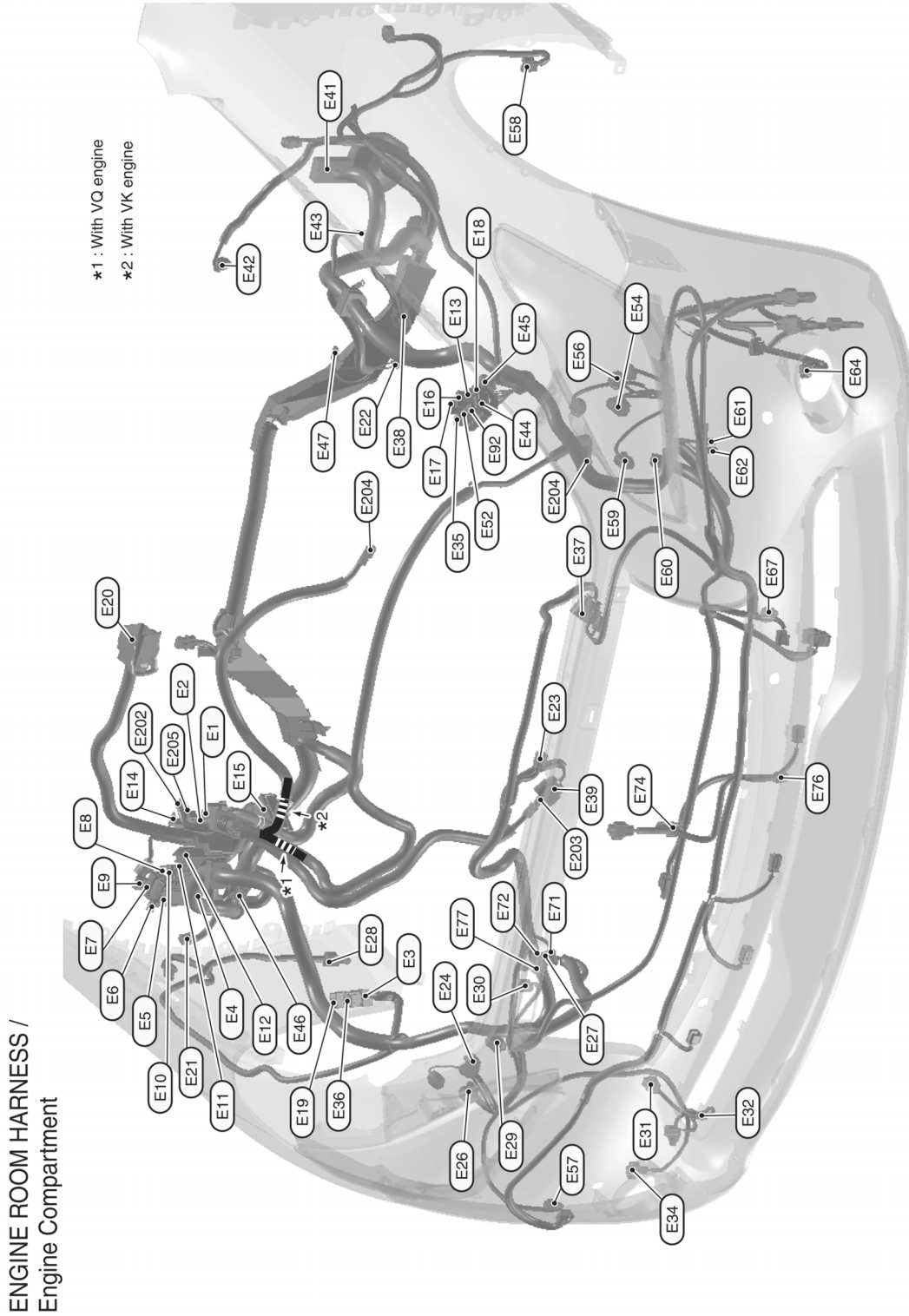
HARNESS LAYOUT

< WIRING DIAGRAM >

Engine Room Harness

INFOID:0000000110098730

ENGINE COMPARTMENT



ENGINE ROOM HARNESS /
Engine Compartment

JRMIC4016GB

2013/10/22

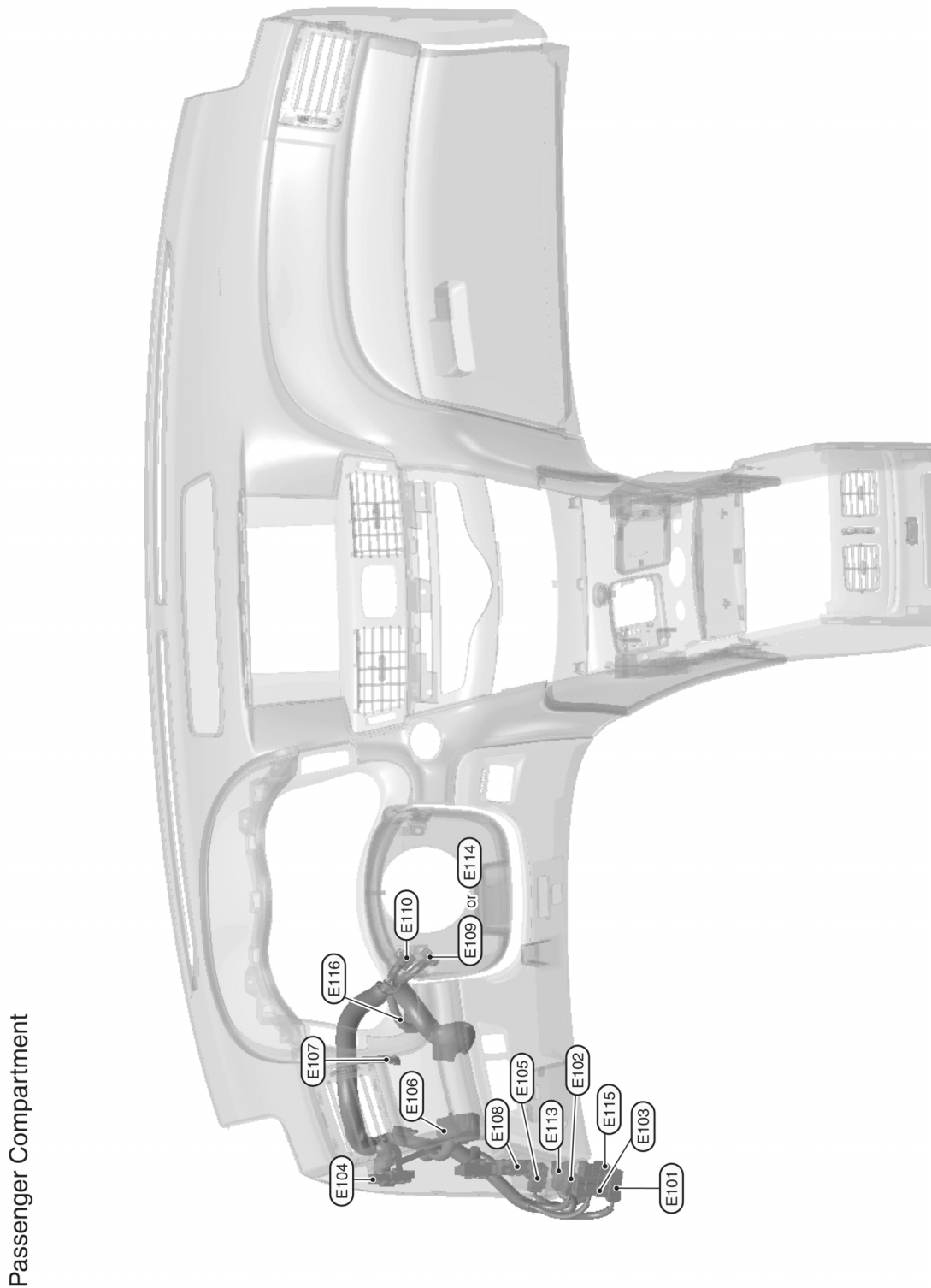
A
B
C
D
E
F
G
H
I
J
K
L
N
O
P

PG

HARNESS LAYOUT

< WIRING DIAGRAM >

PASSENGER COMPARTMENT



Passenger Compartment

2013/10/22

JRMIC4017GB

Engine Control Harness

VQ37VHR

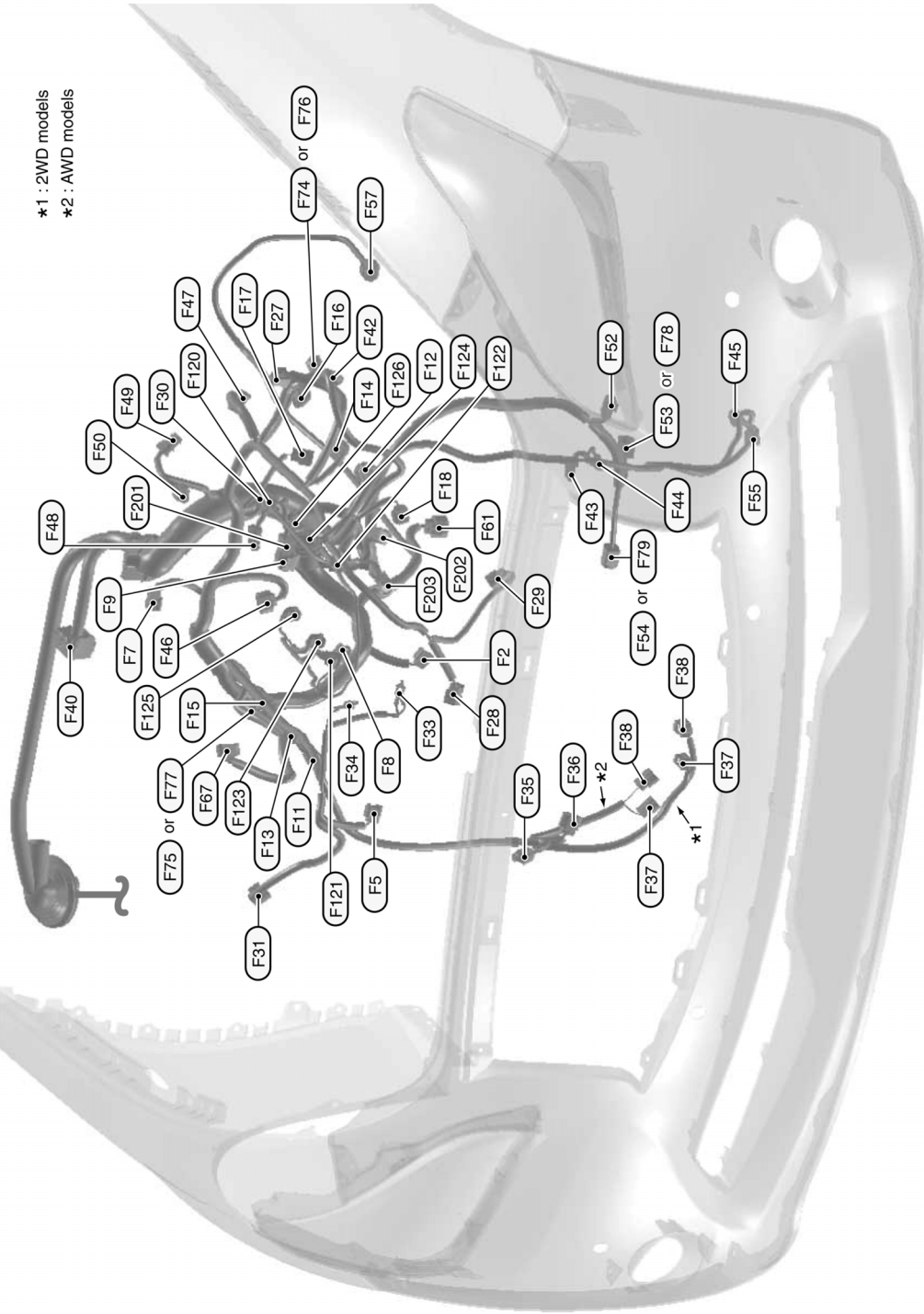
INFOID:0000000010098731

HARNES LAYOUT

< WIRING DIAGRAM >

Engine Compartment

ENGINE CONTROL HARNESS /
Engine Compartment (VQ37VHR)



*1 : 2WD models
*2 : AWD models

A
B
C
D
E
F
G
H
I
J
K
L
M
N
O
P

PG

2013/10/22

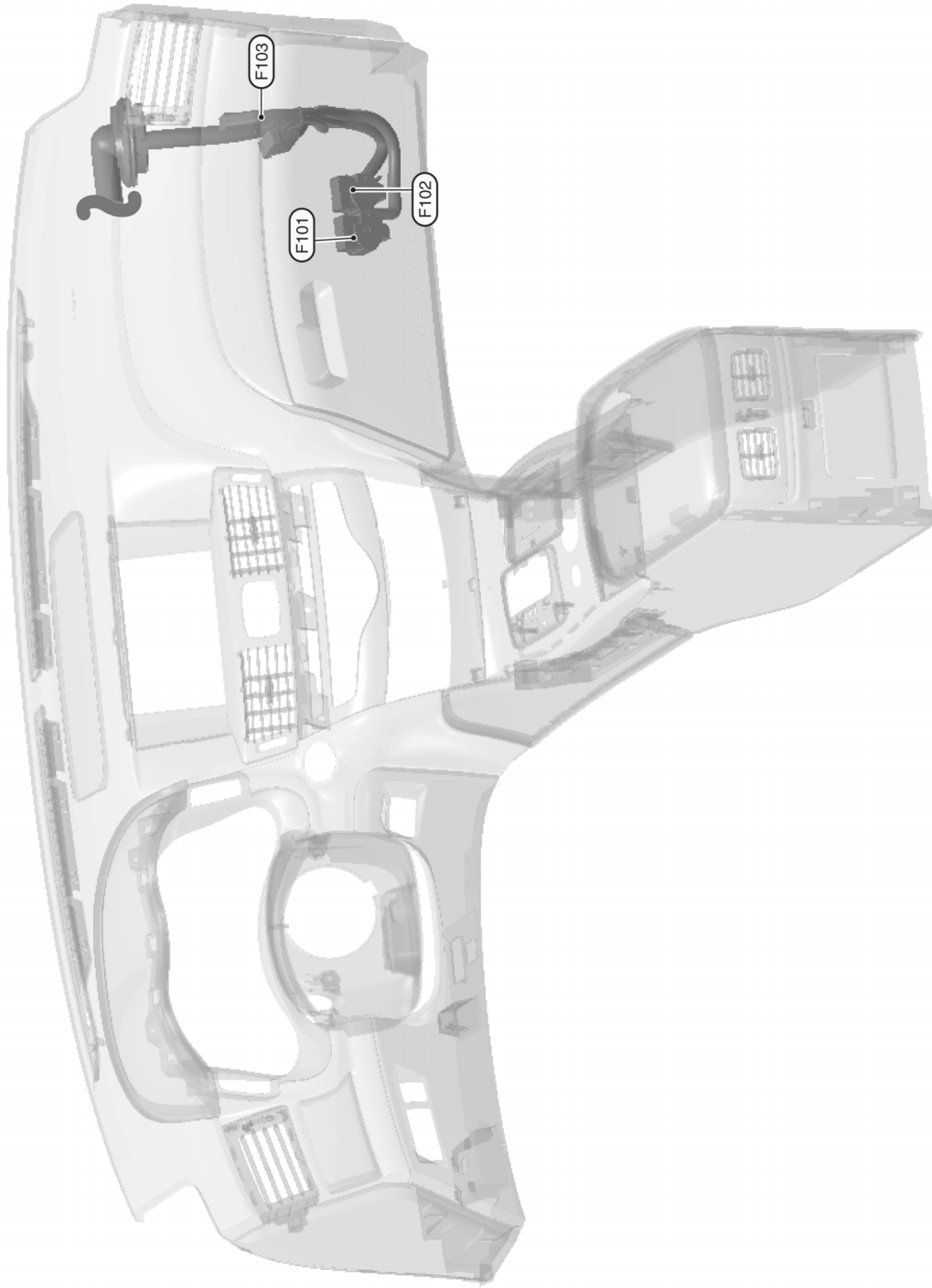
JRMIC4018GB

HARNESS LAYOUT

< WIRING DIAGRAM >

Passenger Compartment

Passenger Compartment (VQ37VHR)



VK56VD

JRMIC4019GB

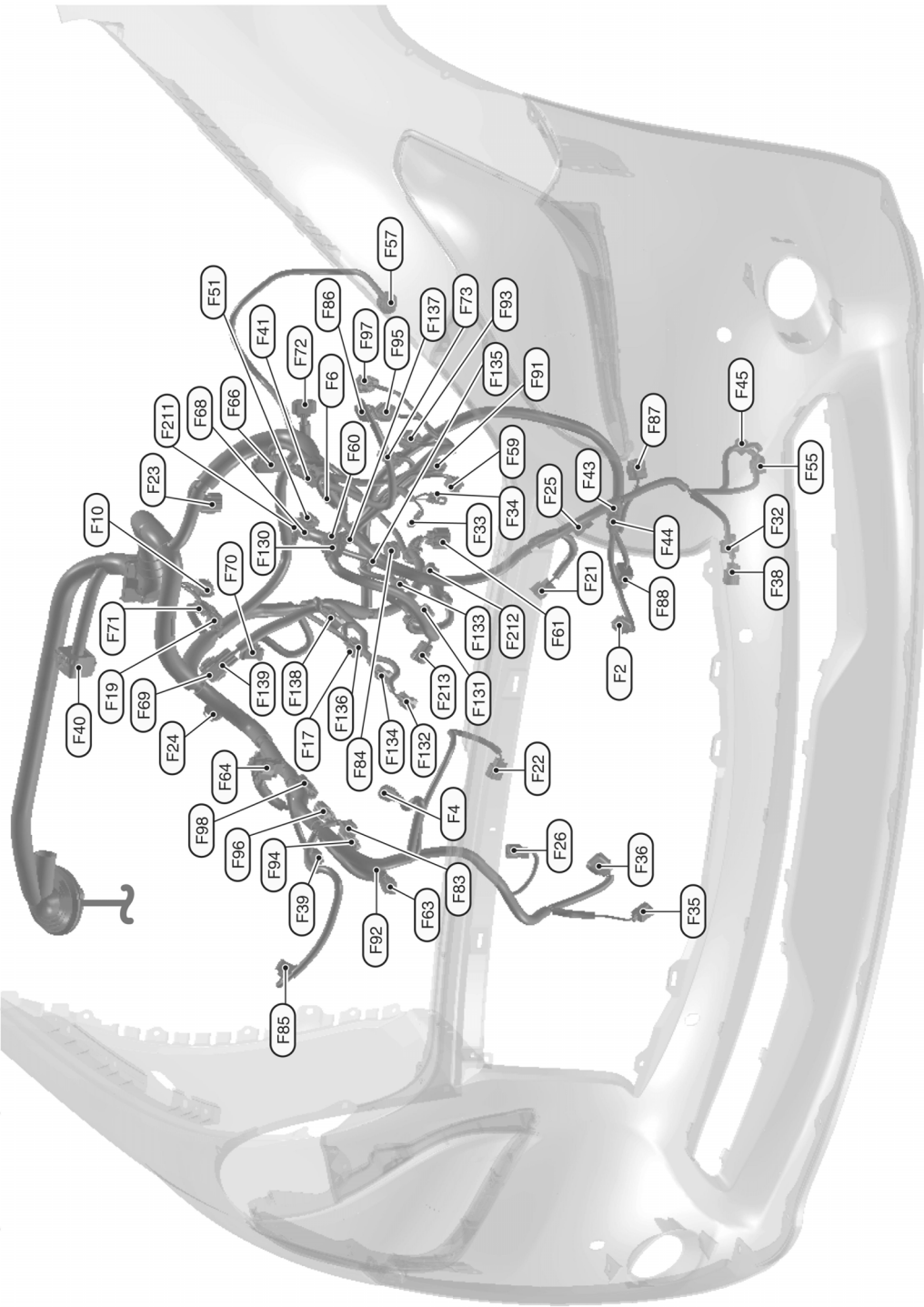
2013/10/22

HARNES LAYOUT

< WIRING DIAGRAM >

Engine Compartment

ENGINE CONTROL HARNESS /
Engine Compartment (VK56VD)



A
B
C
D
E
F
G
H
I
J
K
L
PG
N
O
P

2013/10/22

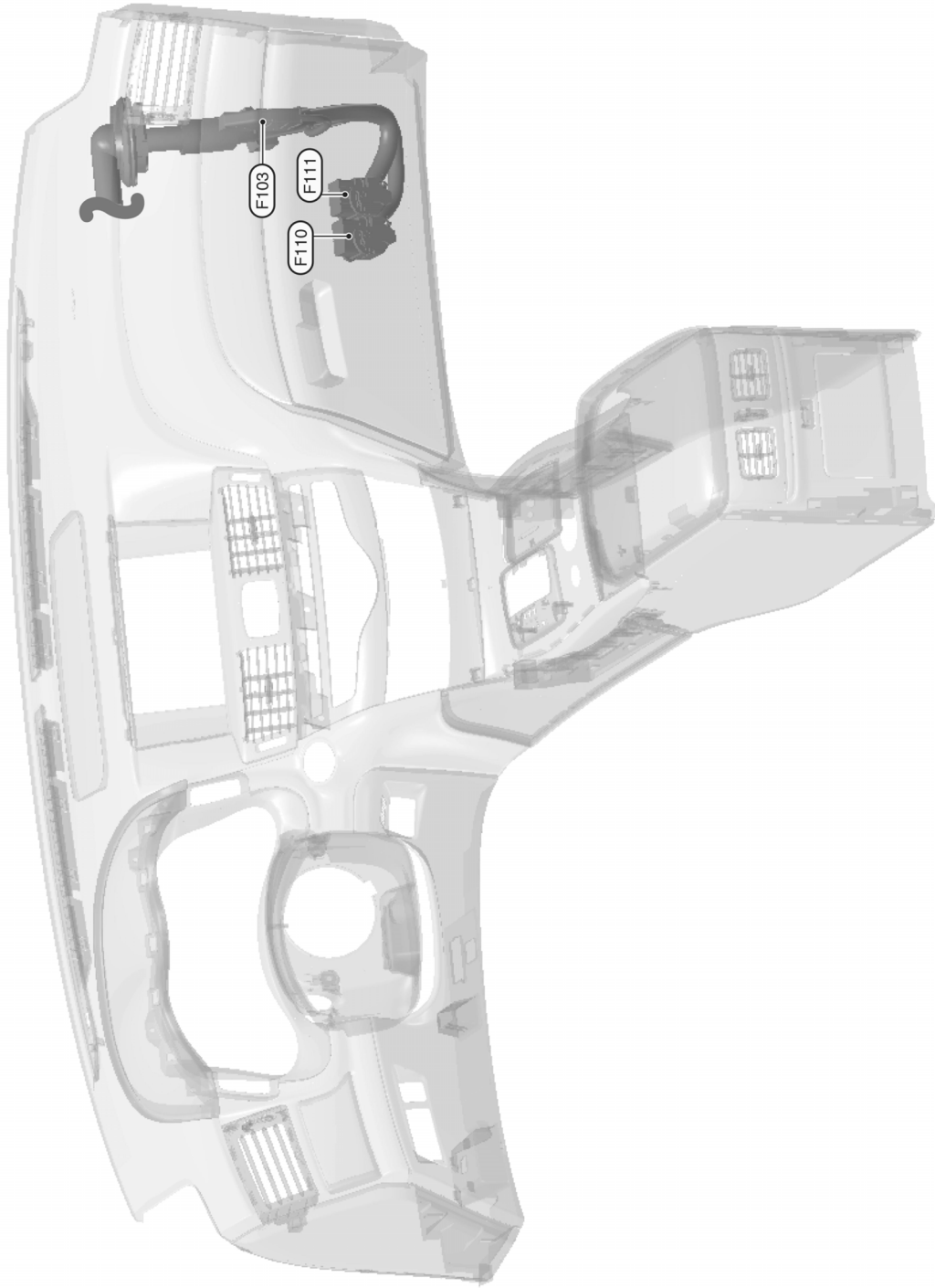
JRMIC4020GB

HARNESS LAYOUT

< WIRING DIAGRAM >

Passenger Compartment

Passenger Compartment (VK56VD)



JRMIC4021GB

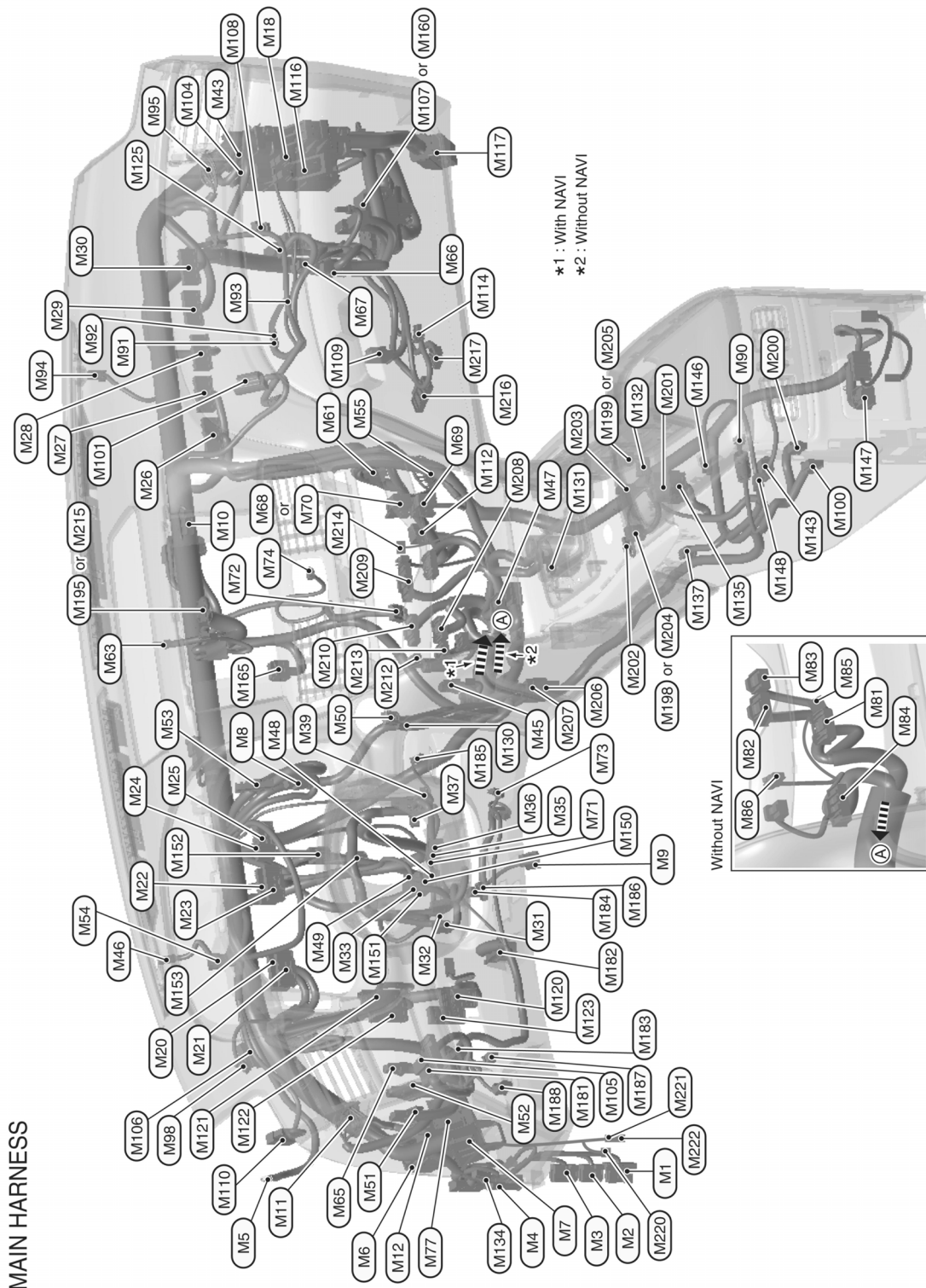
2013/10/22

HARNESS LAYOUT

< WIRING DIAGRAM >

Main Harness

INFOID:0000000110098732



MAIN HARNESS

2013/10/22

JRMIC4022GB

PG

HARNES LAYOUT

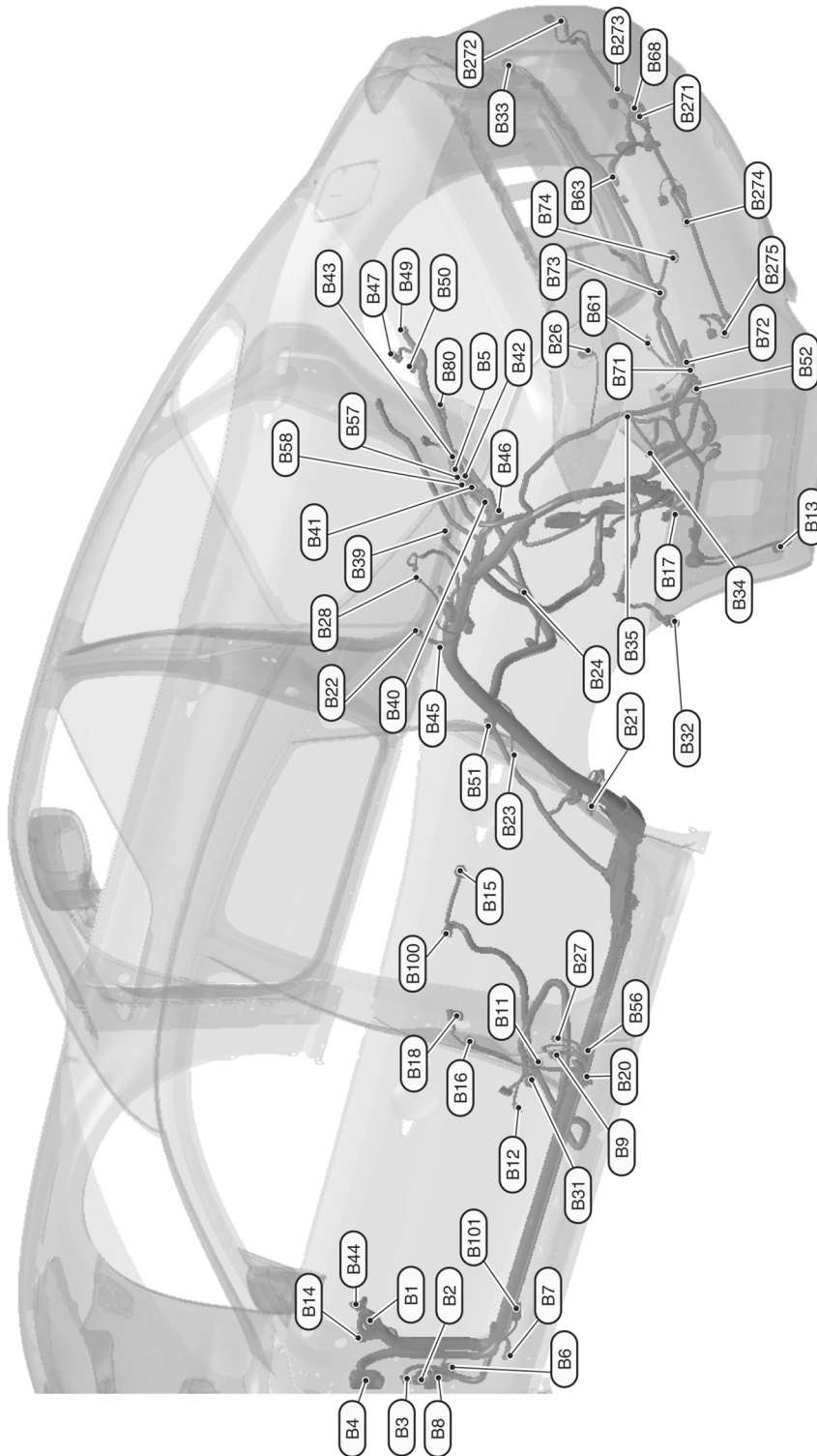
< WIRING DIAGRAM >

Body Harness

INFOID:0000000110098733

BODY HARNESS

BODY HARNESS

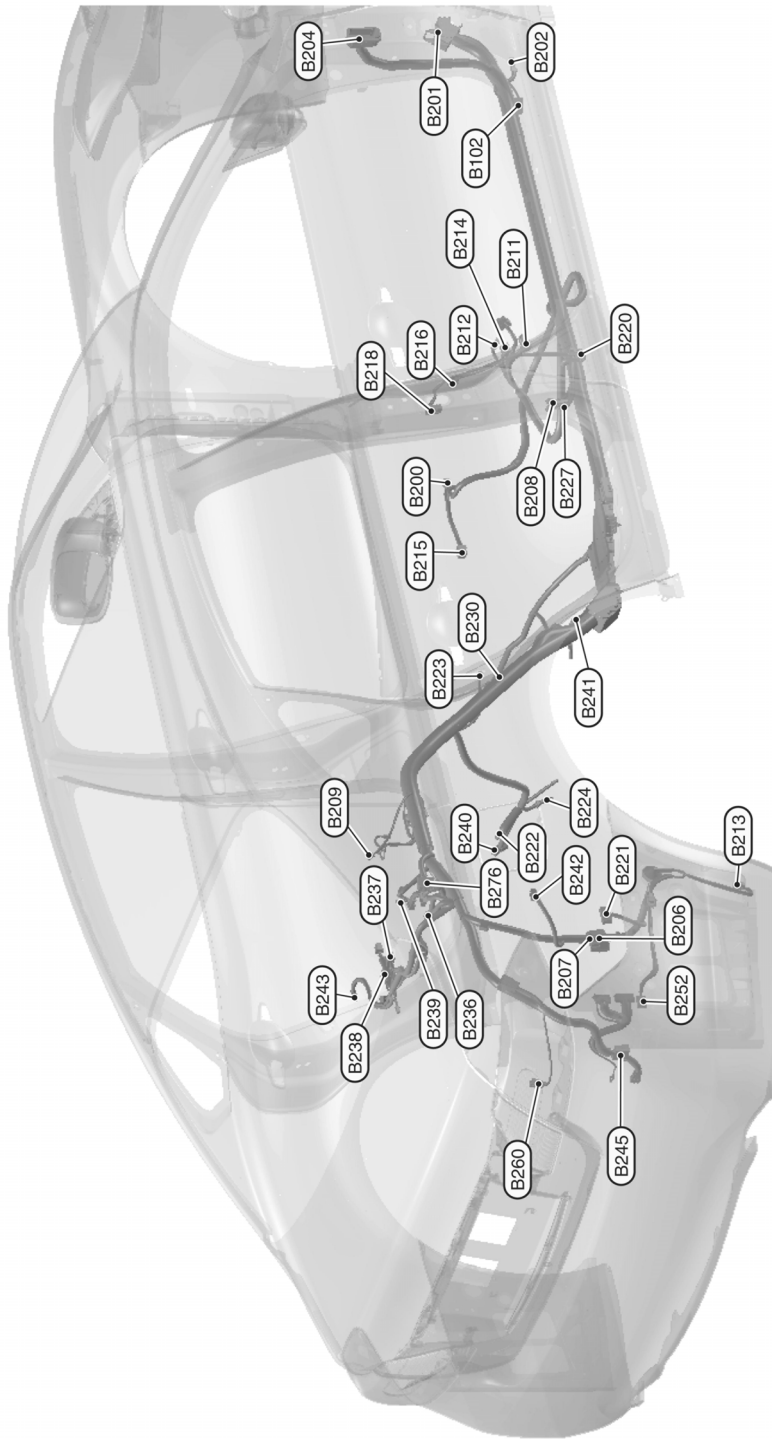


2013/10/22

JRMIC4023GB

HARNES LAYOUT

< WIRING DIAGRAM >
BODY No. 2 HARNESS



BODY No. 2 HARNESS

2013/10/22

JRMIC4024GB

A
B
C
D
E
F
G
H
I
J
K
L
PG
N
O
P

HARNESS LAYOUT

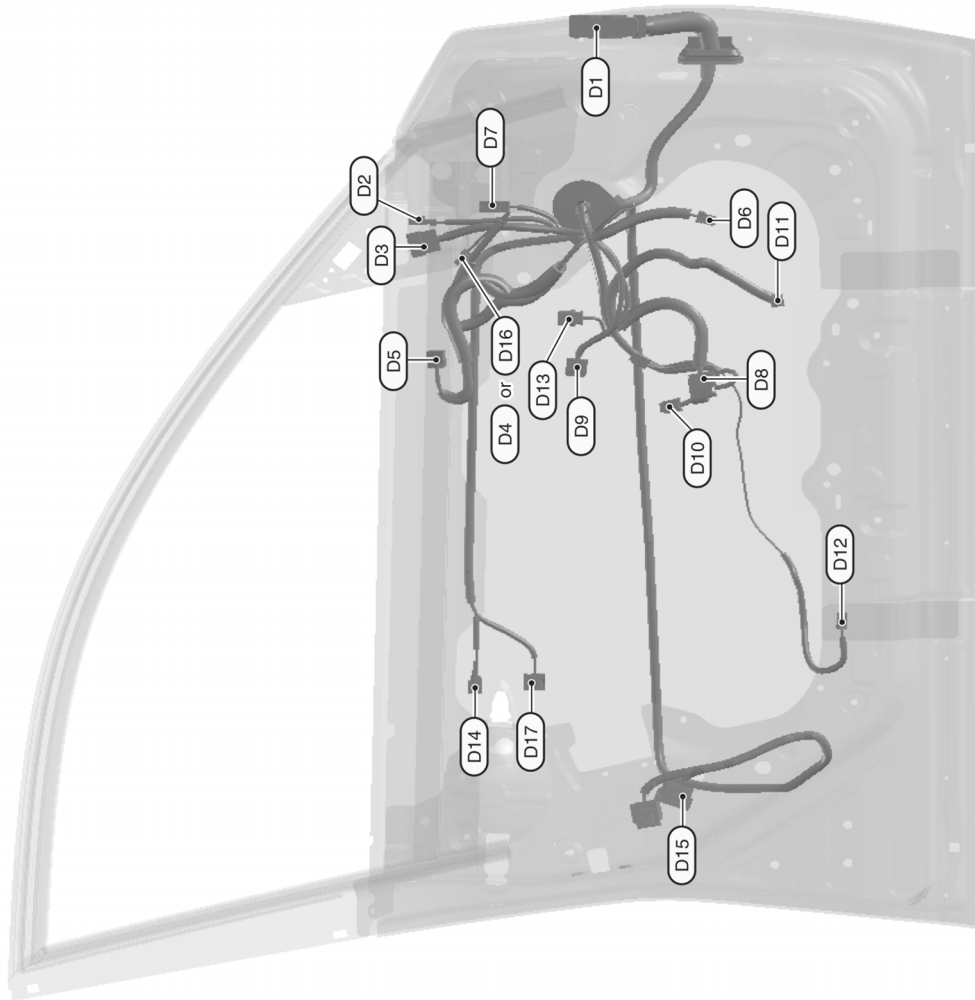
< WIRING DIAGRAM >

Door Harness

INFOID:000000010098734

FRONT DOOR HARNESS (LH SIDE)

FRONT DOOR HARNESS (LH SIDE)



2013/10/22

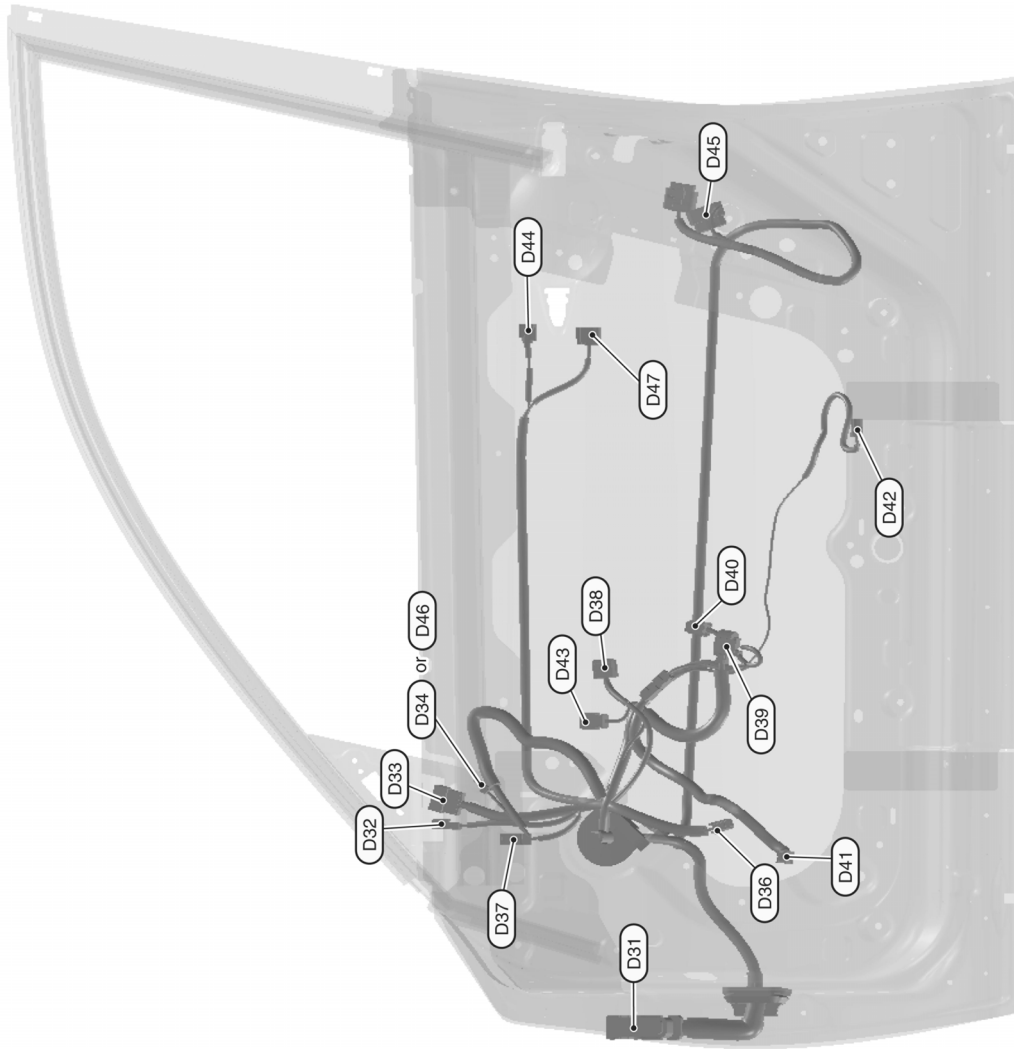
JRMIC4025GB

HARNES LAYOUT

< WIRING DIAGRAM >

FRONT DOOR HARNESS (RH SIDE)

FRONT DOOR HARNESS (RH SIDE)



JRMIC4026GB

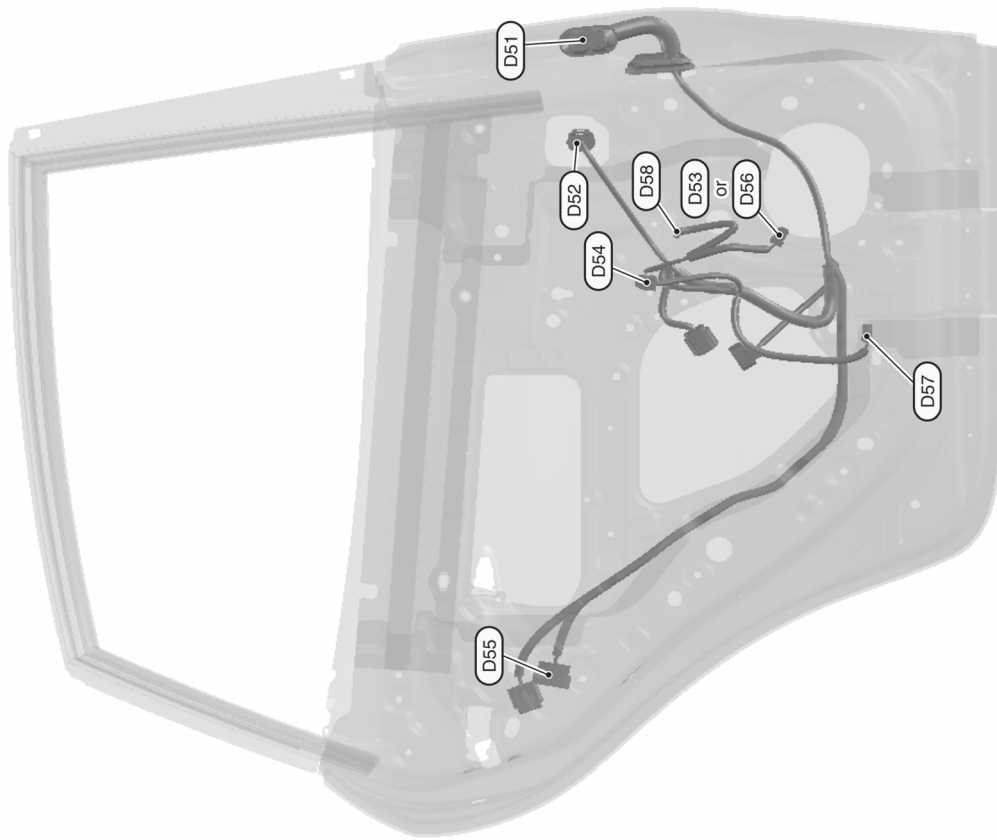
2013/10/22

A
B
C
D
E
F
G
H
I
J
K
L
PG
N
O
P

HARNESS LAYOUT

< WIRING DIAGRAM >

REAR DOOR HARNESS (LH SIDE)



REAR DOOR HARNESS (LH SIDE)

2013/10/22

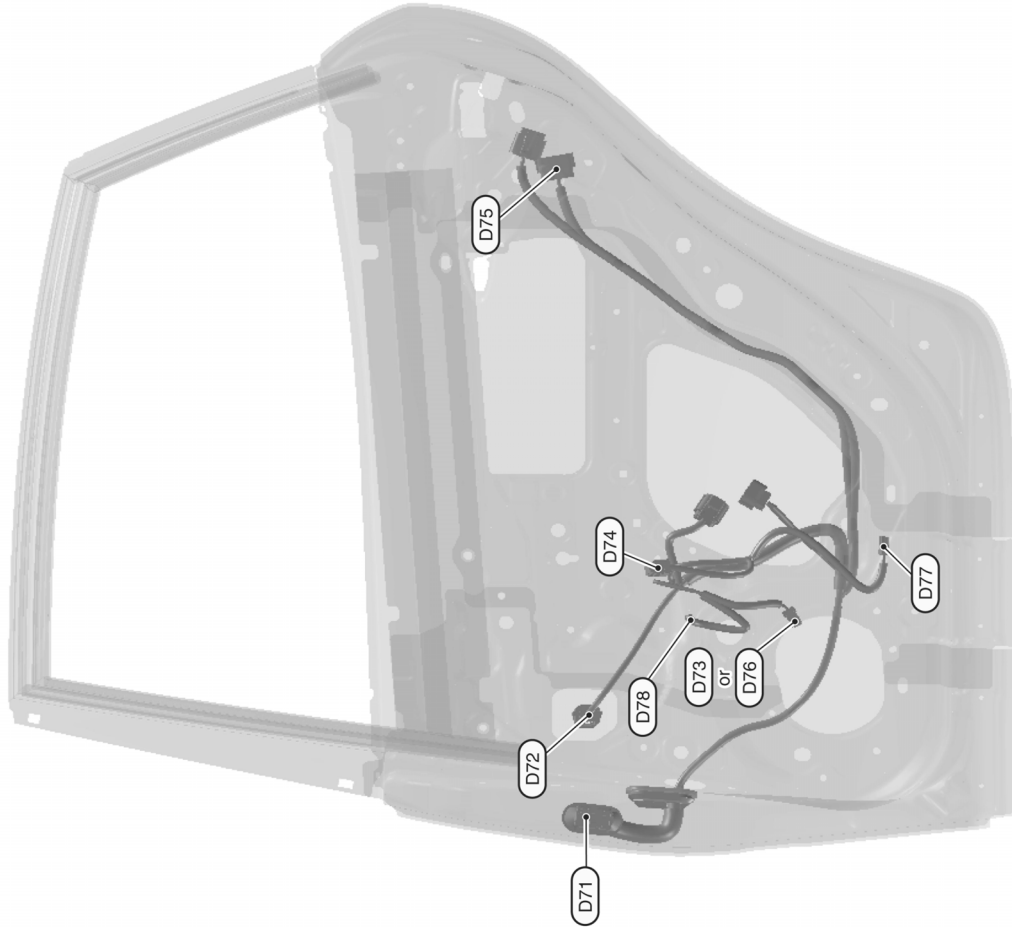
JRMIC4027GB

HARNES LAYOUT

< WIRING DIAGRAM >

REAR DOOR HARNES (RH SIDE)

REAR DOOR HARNES (RH SIDE)



A
B
C
D
E
F
G
H
I
J
K
L

PG

N
O
P

2013/10/22

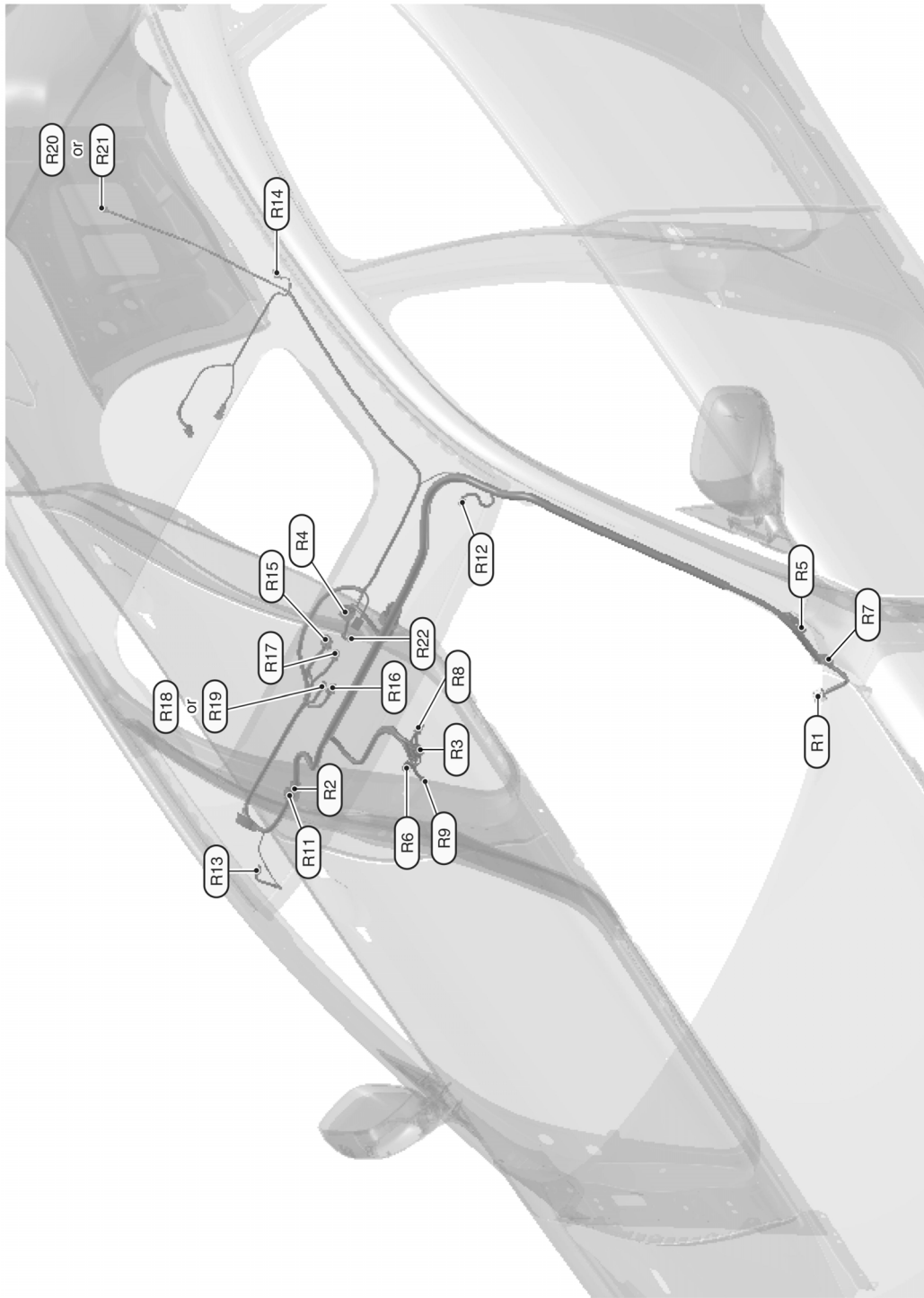
JRMIC4028GB

HARNES LAYOUT

< WIRING DIAGRAM >

Room Lamp Harness

INFOID:000000010098735



ROOM LAMP HARNESS

2013/10/22

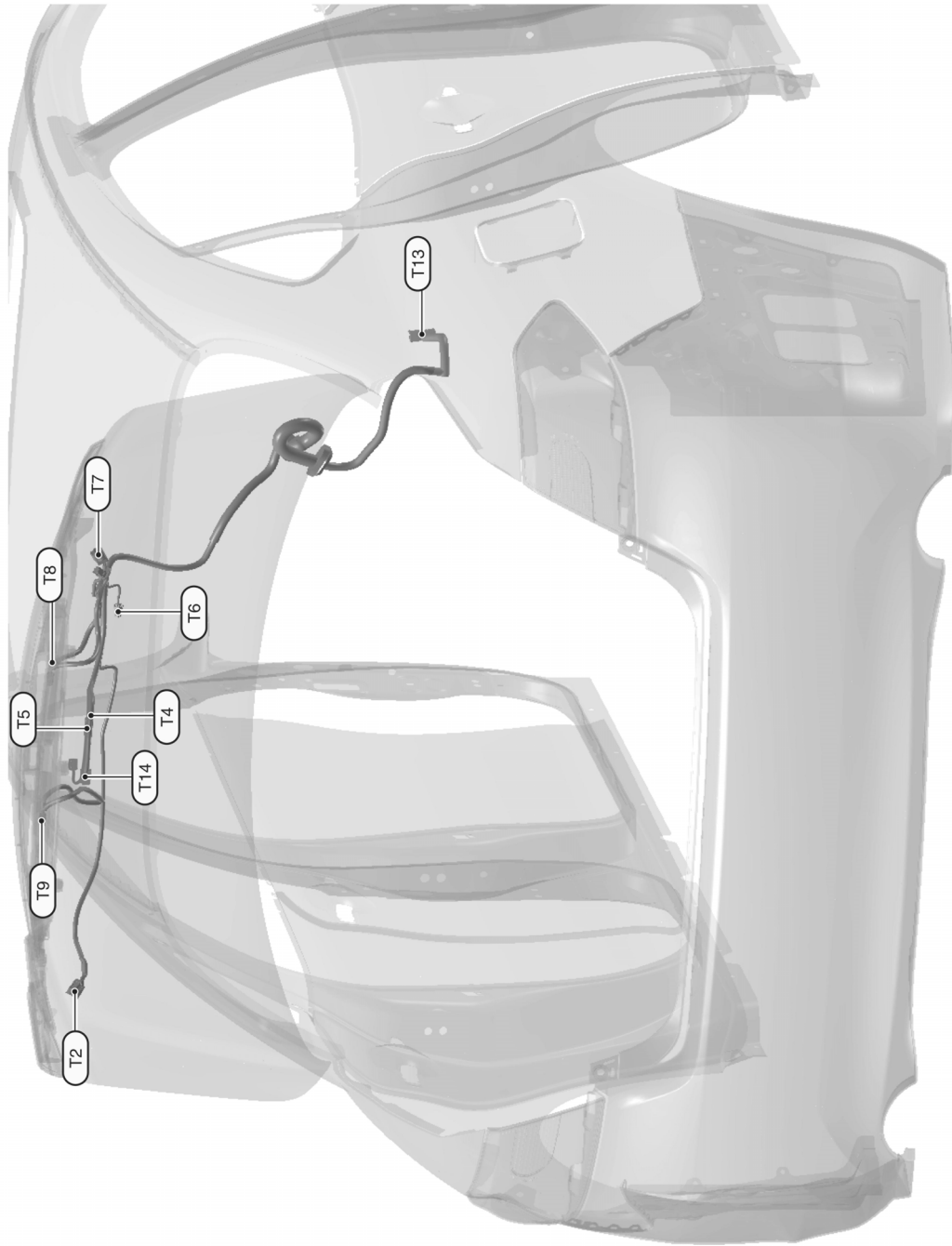
JRMIC4029GB

HARNES LAYOUT

< WIRING DIAGRAM >

Tail Harness

INFOID:000000010098736



TAIL HARNESS

2013/10/22

JRMIC4030GB

A
B
C
D
E
F
G
H
I
J
K
L
PG
N
O
P

BATTERY INSPECTION

< BASIC INSPECTION >

BASIC INSPECTION

BATTERY INSPECTION

How to Handle Battery

INFOID:000000010098745

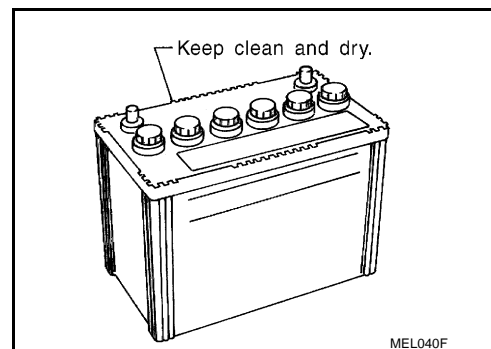
CAUTION:

- If it becomes necessary to start the engine with a booster battery and jumper cables, use a 12-volt booster battery.
- After connecting battery cables, ensure that they are tightly clamped to battery terminals for good contact.
- Never add distilled water through the hole used to check specific gravity.

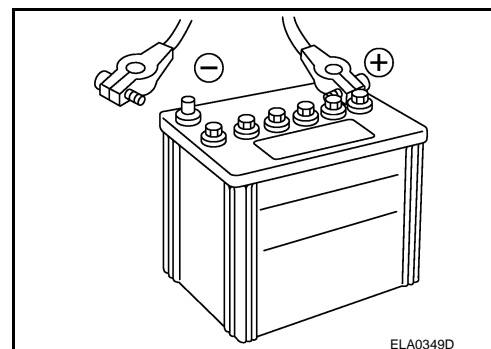
METHODS OF PREVENTING OVER-DISCHARGE

The following precautions must be taken to prevent over-discharging a battery.

- The battery surface (particularly its top) should always be kept clean and dry.
- The terminal connections should be clean and tight.
- At every routine maintenance, check the electrolyte level.
This also applies to batteries designated as "low maintenance" and "maintenance-free".



- When the vehicle is not going to be used over a long period of time, disconnect the battery cable from the negative terminal. (If the vehicle has an extended storage switch, turn it off.)



Work Flow

INFOID:000000010098746

BATTERY DIAGNOSIS WITH EXP-800 NI OR GR8-1200 NI

To diagnose and confirm the condition of the battery, use the following special service tools:

- EXP-800 NI Battery and electrical diagnostic analyzer
- GR8-1200 NI Multitasking battery and electrical diagnostic station

NOTE:

Refer to the applicable instruction manual for proper battery diagnosis procedures.

BATTERY DIAGNOSIS WITHOUT EXP-800 NI OR GR8-1200 NI

Check Electrolyte Level

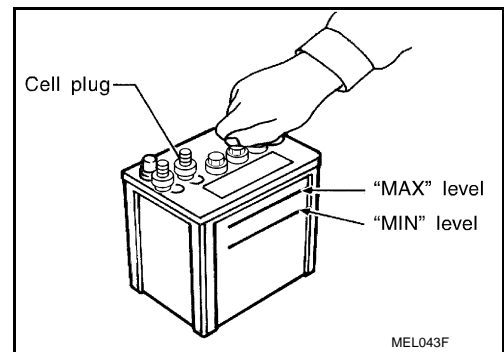
WARNING:

Never allow battery fluid to come in contact with skin, eyes, fabrics, or painted surfaces. After touching a battery, never touch or rub your eyes until you have thoroughly washed your hands. If acid contacts eyes, skin or clothing, immediately flush with water for 15 minutes and seek medical attention. Failure to do this may cause personal injury or damage to clothing or the painted surfaces.

BATTERY INSPECTION

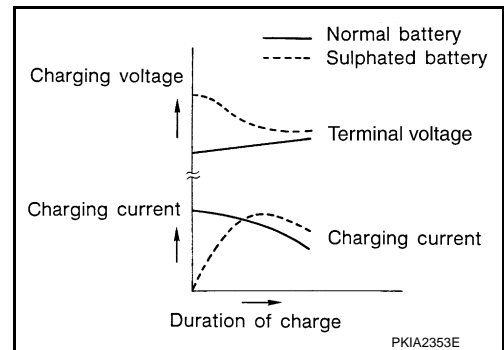
< BASIC INSPECTION >

- Remove the cell plug using a suitable tool.
- Add distilled water up to the MAX level.



SULPHATION

- A battery will be completely discharged if it is left unattended for a long time and the specific gravity will become less than 1.100. This may result in sulphation on the cell plates.
- To determine if a battery has been “sulphated”, note its voltage and current when charging it. As shown in the figure, less current and higher voltage are observed in the initial stage of charging sulphated batteries.
- A sulphated battery may sometimes be brought back into service by means of a long, slow charge, 12 hours or more, followed by a battery capacity test.



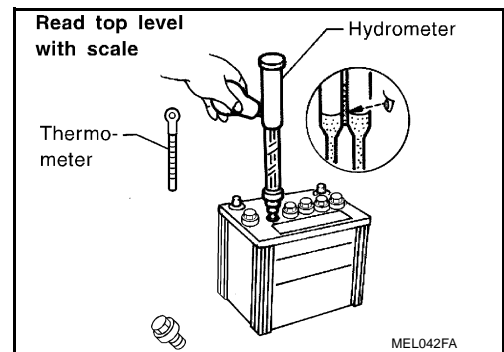
Specific Gravity Check

NOTE:

Check the charge condition of the battery.

Periodically check the specific gravity of the electrolyte. Keep a close check on charge condition to prevent over-discharge.

1. Read hydrometer and thermometer indications at eye level.
2. Use the chart below to correct your hydrometer reading according to electrolyte temperature.



Hydrometer Temperature Correction

Battery electrolyte temperature [°C (°F)]	Add to specific gravity reading
71 (160)	0.032
66 (150)	0.028
60 (140)	0.024
54 (130)	0.020
49 (120)	0.016
43 (110)	0.012
38 (100)	0.008
32 (90)	0.004
27 (80)	0
21 (70)	-0.004
16 (60)	-0.008
10 (50)	-0.012

BATTERY INSPECTION

< BASIC INSPECTION >

Battery electrolyte temperature [°C (°F)]	Add to specific gravity reading
4 (40)	-0.016
-1 (30)	-0.020
-7 (20)	-0.024
-12 (10)	-0.028
-18 (0)	-0.032

Corrected specific gravity	Approximate charge condition
1.260 - 1.280	Fully charged
1.230 - 1.250	3/4 charged
1.200 - 1.220	1/2 charged
1.170 - 1.190	1/4 charged
1.140 - 1.160	Almost discharged
1.110 - 1.130	Completely discharged

Charging The Battery

CAUTION:

- Never “quick charge” a fully discharged battery.
- Keep the battery away from open flame while it is being charged.
- When connecting the charger, connect the leads first, then turn on the charger. Never turn on the charger first, as this may cause a spark.
- If battery electrolyte temperature rises above 55 °C (131 °F), stop charging. Always charge battery at a temperature below 55 °C (131 °F).

Charging Rates (Standard Charge)

Approximate charge condition	Charge current (A)	Charge time (h)
Fully charged	7	2
3/4 charged		2.5
1/2 charged		5
1/4 charged		7.5
Almost discharged		9
Completely discharged		10

Charging Rates (Quick Charge)

Approximate charge condition	Charge current (A)	Charge time (h)
Fully charged	—	—
3/4 charged	16	0.5
1/2 charged	33	
1/4 charged		
Almost discharged	—	—
Completely discharged		

NOTE:

The ammeter reading on your battery charger will automatically decrease as the battery charges. This indicates that the voltage of the battery is increasing normally as the state of charge improves. The charging amps indicated above refer to initial charge rate.

- If, after charging, the specific gravity of any two cells varies more than 0.050, the battery should be replaced.

FUSE INSPECTION

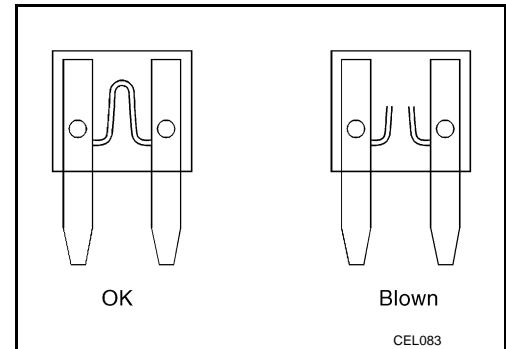
< BASIC INSPECTION >

FUSE INSPECTION

How To Check

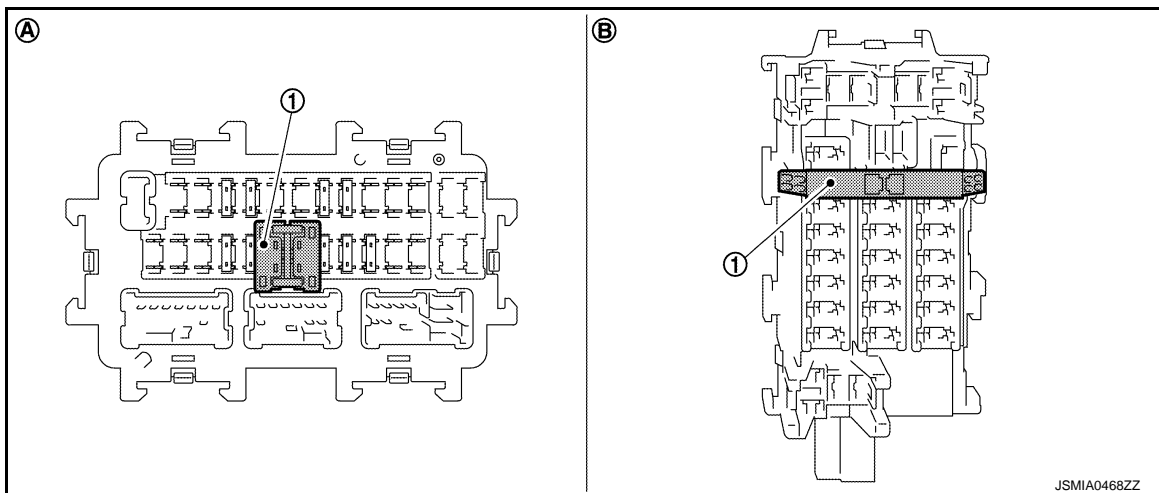
INFOID:0000000110098747

- If fuse is blown, be sure to eliminate cause of malfunction before installing new fuse.
- Use fuse of specified rating. Never use fuse of more than specified rating.
- Do not partially install fuse; always insert it into fuse holder properly.
- Remove fuse for "ELECTRICAL PARTS (BAT)" if vehicle is not used for a long period of time.



EXTENDED STORAGE SWITCH (IF EQUIPPED)

The following switch may be mounted on the fuse block (Junction Box) for transportation and storage.



1. Extended storage switch

A. Type A

B. Type B

- Remove the extended storage switch when replacing the fuse of extended storage switch.
- Remove the extended storage switch if it causes the interference when the fuse or the other fuses is checked.

How To Extended Storage Switch ON/OFF

CAUTION:

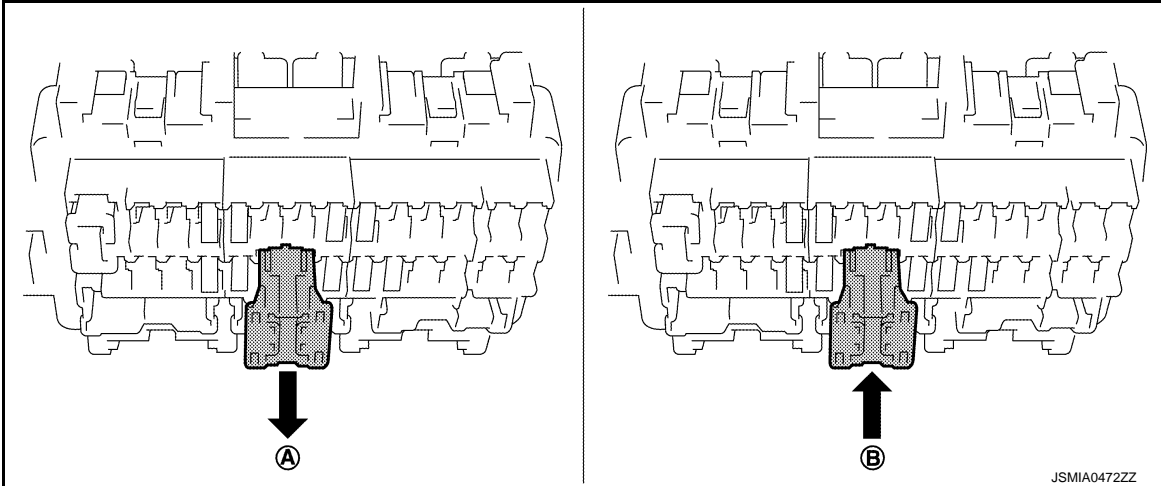
- Turn the ignition switch OFF when operating the extended storage switch.
- Under normal conditions, keep the extended storage switch in ON state. Never operate the extended storage switch except when necessary.

A
B
C
D
E
F
G
H
I
J
K
L
PG
N
O
P

FUSE INSPECTION

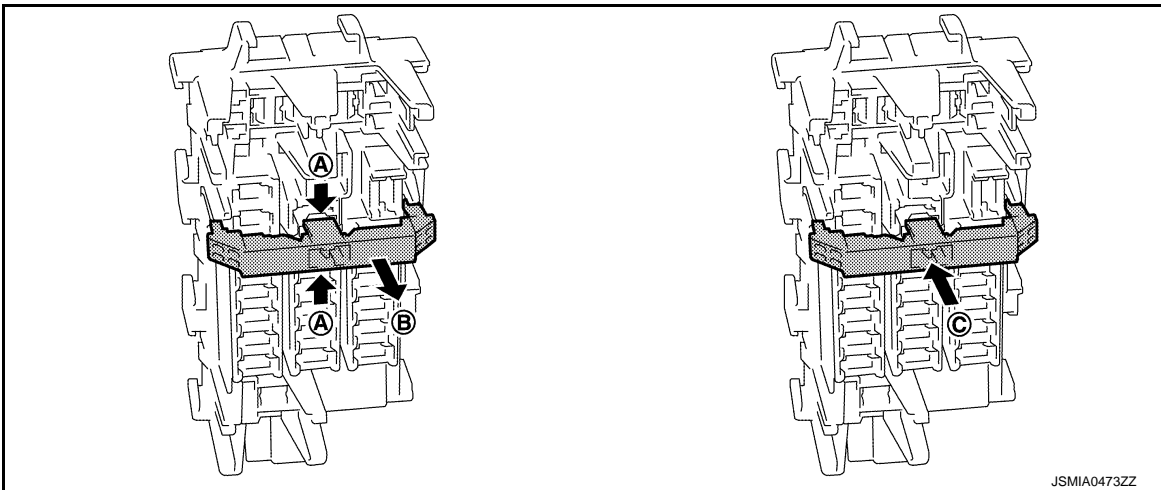
< BASIC INSPECTION >

• Type A



- To turn the extended storage switch OFF, pull it up in (A) direction as shown in the figure.
- To turn the extended storage switch ON, press it in (B) direction as shown in the figure.

• Type B

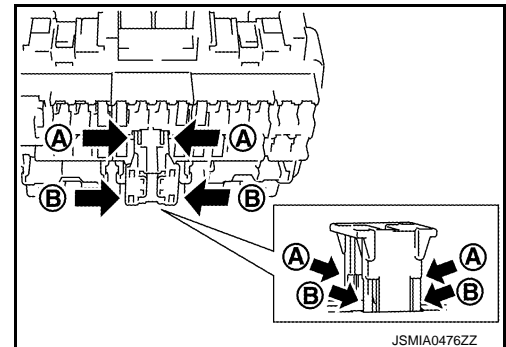


- To turn the extended storage switch OFF, hold (A) of the switch and pull up in (B) direction as shown in the figure.
- To turn the extended storage switch ON, press it in (C) direction as shown in the figure.

How To Remove Extended Storage Switch

Type A

1. Turn the ignition switch OFF.
2. Turn the extended storage switch OFF.
3. Press pawl (A) and tilt to disengage the extended storage switch. Press pawl (B) and tilt to remove the extended storage switch.



NOTE:

- Extended storage switch and fuse are removed together. Remove fuse from extended storage switch, if necessary.

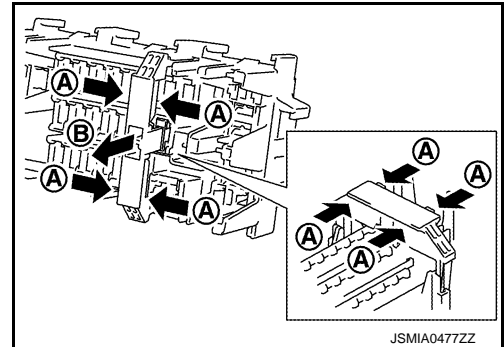
FUSE INSPECTION

< BASIC INSPECTION >

- Extended storage switch is for transportation and storage. Reinstallation is not required after the removal.

Type B

1. Turn the ignition switch OFF.
2. Turn the extended storage switch OFF.
3. Hold (A) and pull up the extended storage switch hard in (B) direction.



NOTE:

- Extended storage switch and fuse may be removed together. Remove fuse from extended storage switch, if necessary.
- Extended storage switch is for transportation and storage. Reinstallation is not required after the removal.

A
B
C
D
E
F
G
H
I
J
K
L

PG

N
O
P

FUSIBLE LINK INSPECTION

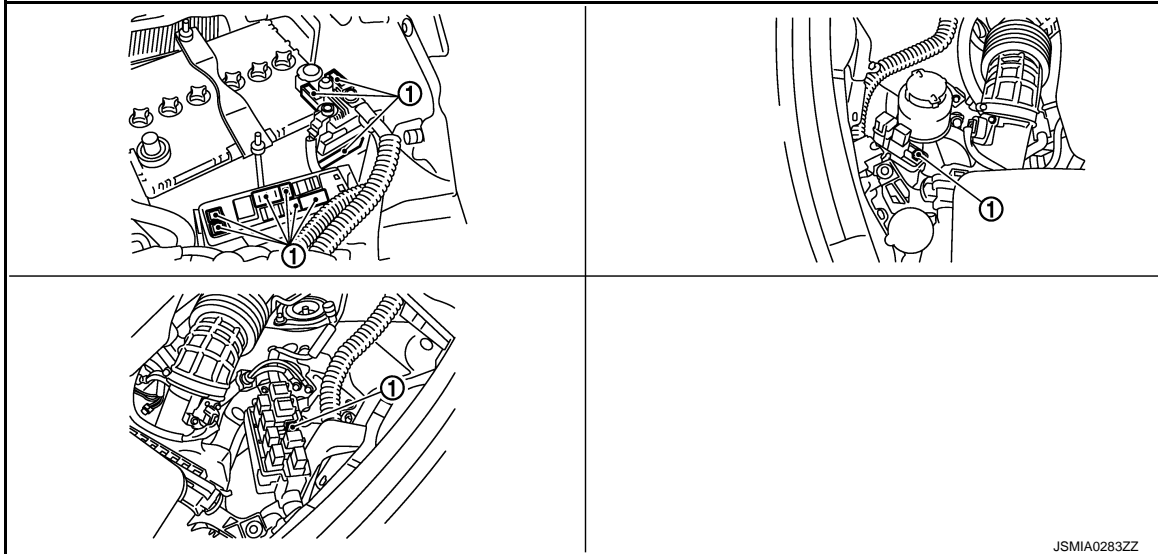
< BASIC INSPECTION >

FUSIBLE LINK INSPECTION

How To Check

INFOID:000000010098748

A melted fusible link can be detected either by visual inspection or by feeling with finger tip. If its condition is questionable, use circuit tester or test lamp.



1. Fusible link

CAUTION:

- If fusible link should melt, it is possible that critical circuit (power supply or large current carrying circuit) is shorted. In such a case, carefully check and eliminate cause of malfunction.
- Never wrap outside of fusible link with vinyl tape. Important: Never let fusible link touch any other wiring harness, vinyl or rubber parts.

BATTERY

< REMOVAL AND INSTALLATION >

REMOVAL AND INSTALLATION

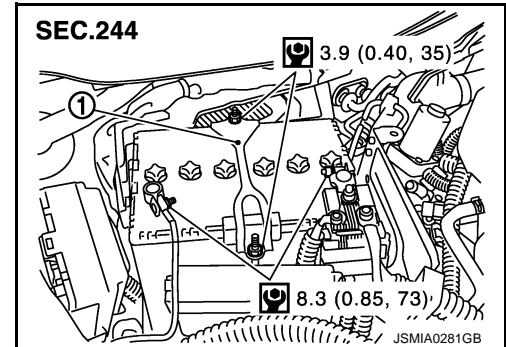
BATTERY

Exploded View

INFOID:000000010098749

1 : Battery fix frame

Refer to [GI-3, "Contents"](#) for symbols in the figure.



Removal and Installation

INFOID:000000010098750

REMOVAL

1. Remove battery cover.
2. Remove cowl top cover (RH). Refer to [EXT-23, "Exploded View"](#).
3. Remove cover of battery positive terminal.
4. Loosen battery terminal nuts, and disconnect both battery cables from battery terminals.

CAUTION:

When disconnecting, disconnect the battery cable from the negative terminal first.

5. Remove battery fix frame mounting nuts and battery fix frame.
6. Remove battery.

INSTALLATION

Install in the reverse order of removal.

CAUTION:

When connecting, connect the battery cable to the positive terminal first.

Reset electronic systems as necessary. Refer to [GI-74, "ADDITIONAL SERVICE WHEN REMOVING BATTERY NEGATIVE TERMINAL : Required Procedure After Battery Disconnection"](#).

A
B
C
D
E
F
G
H
I
J
K
L

PG

BATTERY TERMINAL WITH FUSIBLE LINK

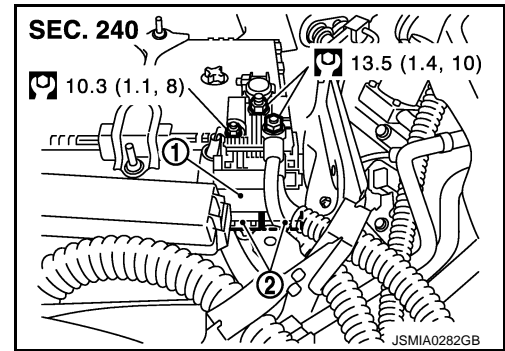
< REMOVAL AND INSTALLATION >

BATTERY TERMINAL WITH FUSIBLE LINK

Exploded View

INFOID:000000010098751

- 1 : Battery terminal with fusible link
2 : Harness connector
Refer to [GI-3. "Contents"](#) for symbols in the figure.



Removal and Installation

INFOID:000000010098752

REMOVAL

1. Remove battery cover.
2. Disconnect the battery cable from the negative terminal.
3. Remove cover of battery positive terminal.
4. Remove harness mounting nuts and battery terminal with fusible link mounting nut.
5. Disconnect harness connector and remove battery terminal with fusible link.

INSTALLATION

Install in the reverse order of removal.

SERVICE DATA AND SPECIFICATIONS (SDS)

< SERVICE DATA AND SPECIFICATIONS (SDS)

SERVICE DATA AND SPECIFICATIONS (SDS)

SERVICE DATA AND SPECIFICATIONS (SDS)

Battery

INFOID:0000000010098753

Application	VQ37VHR engine models	VK56VD engine models
Type	110D26L-HR	110D26L-HP
20 hour rate capacity [V - Ah]	12 - 75	12 - 75
Cold cranking current (For reference value) [A]	720	720

A
B
C
D
E
F
G
H
I
J
K
L
PG
N
O
P