

SECTION **PWO**
POWER OUTLET

A
B
C
D
E
F
G
H
I
J
K
L
N
O
P

CONTENTS

PRECAUTION	2	POWER SOCKET	5
PRECAUTIONS	2	Wiring Diagram	5
Precaution for Supplemental Restraint System (SRS) "AIR BAG" and "SEAT BELT PRE-TEN- SIONER"	2	REMOVAL AND INSTALLATION	7
Precautions for Removing of Battery Terminal	2	CIGARETTE LIGHTER	7
WIRING DIAGRAM	3	Exploded View	7
CIGARETTE LIGHTER	3	Removal and Installation	7
Wiring Diagram	3	POWER SOCKET	8
		Exploded View	8
		Removal and Installation	8

PWO

PRECAUTIONS

< PRECAUTION >

PRECAUTION

PRECAUTIONS

Precaution for Supplemental Restraint System (SRS) "AIR BAG" and "SEAT BELT PRE-TENSIONER"

INFOID:000000010100193

The Supplemental Restraint System such as "AIR BAG" and "SEAT BELT PRE-TENSIONER", used along with a front seat belt, helps to reduce the risk or severity of injury to the driver and front passenger for certain types of collision. This system includes seat belt switch inputs and dual stage front air bag modules. The SRS system uses the seat belt switches to determine the front air bag deployment, and may only deploy one front air bag, depending on the severity of a collision and whether the front occupants are belted or unbelted. Information necessary to service the system safely is included in the "SRS AIR BAG" and "SEAT BELT" of this Service Manual.

WARNING:

Always observe the following items for preventing accidental activation.

- To avoid rendering the SRS inoperative, which could increase the risk of personal injury or death in the event of a collision that would result in air bag inflation, all maintenance must be performed by an authorized NISSAN/INFINITI dealer.
- Improper maintenance, including incorrect removal and installation of the SRS, can lead to personal injury caused by unintentional activation of the system. For removal of Spiral Cable and Air Bag Module, see "SRS AIR BAG".
- Never use electrical test equipment on any circuit related to the SRS unless instructed to in this Service Manual. SRS wiring harnesses can be identified by yellow and/or orange harnesses or harness connectors.

PRECAUTIONS WHEN USING POWER TOOLS (AIR OR ELECTRIC) AND HAMMERS

WARNING:

Always observe the following items for preventing accidental activation.

- When working near the Air Bag Diagnosis Sensor Unit or other Air Bag System sensors with the ignition ON or engine running, never use air or electric power tools or strike near the sensor(s) with a hammer. Heavy vibration could activate the sensor(s) and deploy the air bag(s), possibly causing serious injury.
- When using air or electric power tools or hammers, always switch the ignition OFF, disconnect the battery, and wait at least 3 minutes before performing any service.

Precautions for Removing of Battery Terminal

INFOID:000000010286195

- When removing the 12V battery terminal, turn OFF the ignition switch and wait at least 30 seconds.

NOTE:

ECU may be active for several tens of seconds after the ignition switch is turned OFF. If the battery terminal is removed before ECU stops, then a DTC detection error or ECU data corruption may occur.

- For vehicles with the 2-batteries, be sure to connect the main battery and the sub battery before turning ON the ignition switch.

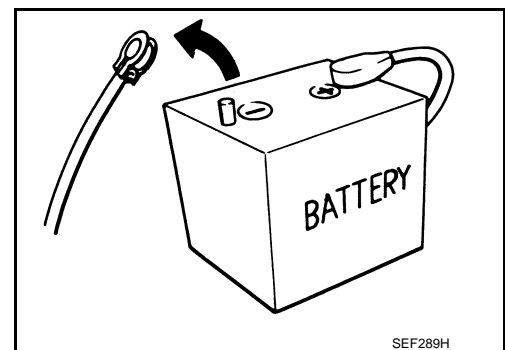
NOTE:

If the ignition switch is turned ON with any one of the terminals of main battery and sub battery disconnected, then DTC may be detected.

- After installing the 12V battery, always check "Self Diagnosis Result" of all ECUs and erase DTC.

NOTE:

The removal of 12V battery may cause a DTC detection error.



CIGARETTE LIGHTER

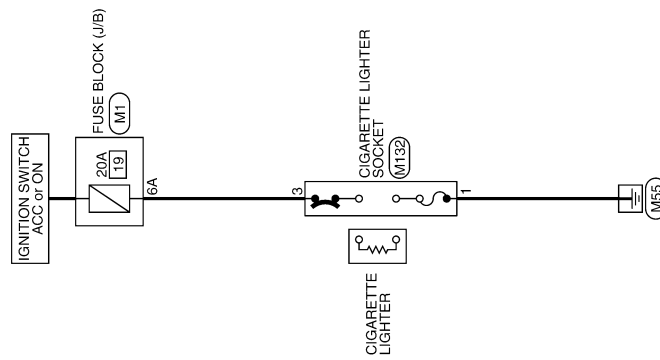
< WIRING DIAGRAM >

WIRING DIAGRAM

CIGARETTE LIGHTER

Wiring Diagram

INFOID:0000000010100194



CIGARETTE LIGHTER

PWO

2012/02/27

JRMWC9487GB

CIGARETTE LIGHTER

< WIRING DIAGRAM >

CIGARETTE LIGHTER

Connector No.	IM1
Connector Name	FUSE BLOCK (J/B)
Connector Type	NSDBFM-M2

Terminal No.	Color Of Wire	Signal Name [Specification]
1A	R	-
2A	W	-
3A	Y	-
4A	W	-
5A	V	-
6A	Y	-
8A	Y	-

CIGARETTE LIGHTER SOCKET

Connector No.	IM132
Connector Name	CIGARETTE LIGHTER SOCKET
Connector Type	NSDBFM-CS

Terminal No.	Color Of Wire	Signal Name [Specification]
1	B	-
2	R	-
3	Y	-

JRMWE8191GB

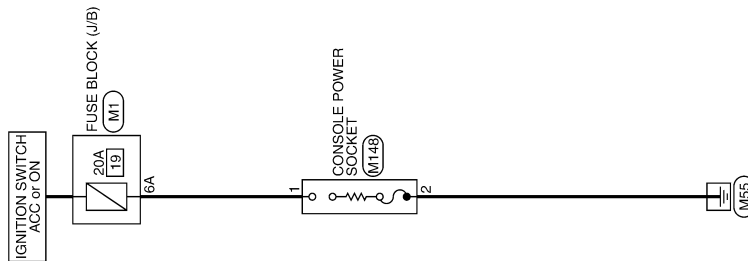
POWER SOCKET

< WIRING DIAGRAM >

POWER SOCKET

Wiring Diagram

INFOID:000000010100195



POWER SOCKET

PWO

2012/02/27

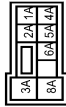
JRMWC9488GB

POWER SOCKET

< WIRING DIAGRAM >

POWER SOCKET

Connector No.	IM1
Connector Name	FUSE BLOCK (J/B)
Connector Type	NSDBEM-M2



Terminal No.	Color Of Wire	Signal Name [Specification]
1A	R	-
2A	W	-
3A	Y	-
4A	W	-
5A	V	-
6A	Y	-
8A	Y	-

Connector No.	IM14B
Connector Name	CONSOLE POWER SOCKET
Connector Type	P02PB-Z



Terminal No.	Color Of Wire	Signal Name [Specification]
1	Y	-
2	B	-

JRMWE8192GB

CIGARETTE LIGHTER

< REMOVAL AND INSTALLATION >

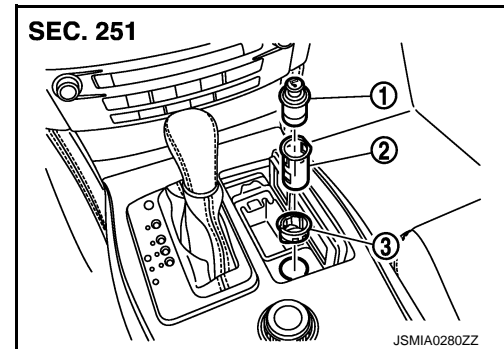
REMOVAL AND INSTALLATION

CIGARETTE LIGHTER

Exploded View

INFOID:000000010100196

- 1 : Cigarette lighter
- 2 : Cigarette lighter socket
- 3 : Cigarette lighter ring

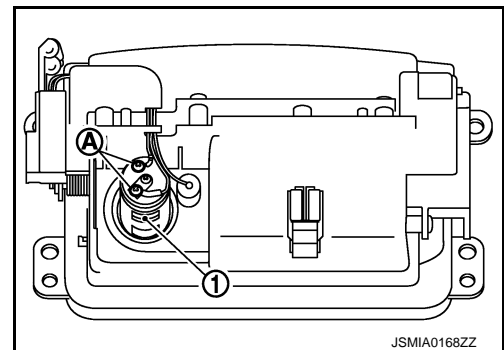


Removal and Installation

INFOID:000000010100197

REMOVAL

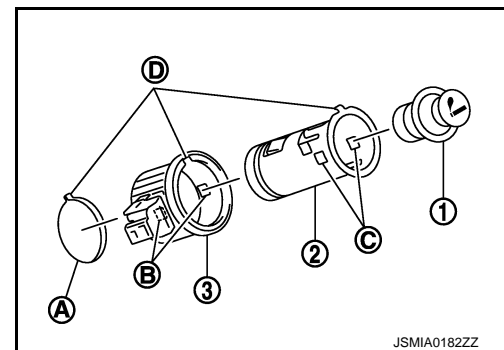
1. Remove console finisher assembly. Refer to [IP-23, "Exploded View"](#).
2. Remove the screws (A) from reverse side cigarette lighter socket (1).



3. Pull out cigarette lighter (1).

- A : Hole for cigarette lighter
(Console finisher assembly)
- D : Cut out

4. Pull out cigarette lighter socket (2) by pushing the cigarette lighter ring pawl (B) from the cigarette lighter socket hole (square) (C).
5. Remove cigarette lighter ring (3) from console finisher assembly while pressing pawls.



INSTALLATION

Install in the reverse order of removal.

NOTE:

Align the cut outs of cigarette lighter socket, cigarette lighter ring and console finisher assembly.

POWER SOCKET

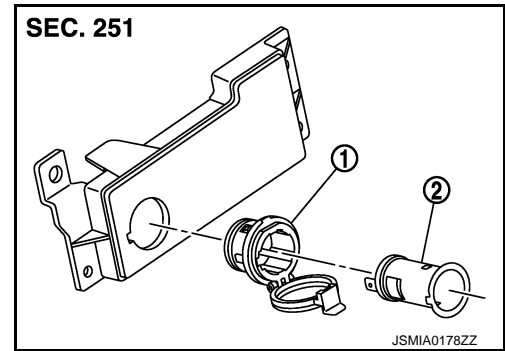
< REMOVAL AND INSTALLATION >

POWER SOCKET

Exploded View

INFOID:000000010100198

- 1 : Ring
- 2 : Inner socket



Removal and Installation

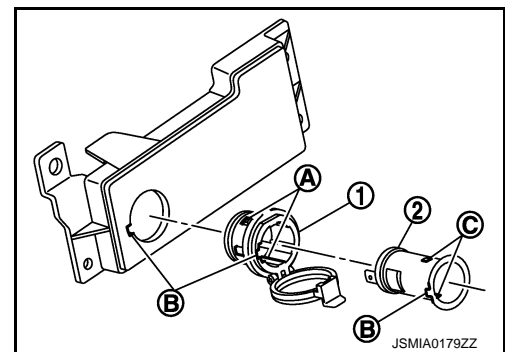
INFOID:000000010100199

REMOVAL

1. Remove console finisher assembly. Refer to [IP-23, "Exploded View"](#).
2. Disconnect power socket connector.
3. Remove console center finisher. Refer to [IP-23, "Exploded View"](#).
4. Pull out inner socket (2) by pushing the ring pawl (A) from the inner socket hole (square) (C).

B : Cut out

5. Remove ring (1) from console center finisher while pressing pawls.



INSTALLATION

Install in the reverse order of removal.

NOTE:

Align the cut outs of inner socket, ring and console center finisher.