

SECTION **PWO**
POWER OUTLET

A
B
C
D
E
F
G
H
I
J
K
L
N
O
P

CONTENTS

PRECAUTION	2	Exploded View	8
PRECAUTIONS	2	Removal and Installation	8
Precaution for Supplemental Restraint System (SRS) "AIR BAG" and "SEAT BELT PRE-TENSIONER"	2	POWER SOCKET	9
Precautions for Removing Battery Terminal	2	FRONT POWER SOCKET	9
WIRING DIAGRAM	4	FRONT POWER SOCKET : Exploded View	9
CIGARETTE LIGHTER	4	FRONT POWER SOCKET : Removal and Installation	9
Wiring Diagram	4	CONSOLE POWER SOCKET	9
POWER SOCKET	6	CONSOLE POWER SOCKET : Exploded View	10
Wiring Diagram	6	CONSOLE POWER SOCKET : Removal and Installation	10
REMOVAL AND INSTALLATION	8	REAR POWER SOCKET	10
CIGARETTE LIGHTER	8	REAR POWER SOCKET : Exploded View	10
		REAR POWER SOCKET : Removal and Installation	10

PWO

PRECAUTIONS

< PRECAUTION >

PRECAUTION

PRECAUTIONS

Precaution for Supplemental Restraint System (SRS) "AIR BAG" and "SEAT BELT PRE-TENSIONER"

INFOID:000000012354398

The Supplemental Restraint System such as "AIR BAG" and "SEAT BELT PRE-TENSIONER", used along with a front seat belt, helps to reduce the risk or severity of injury to the driver and front passenger for certain types of collision. This system includes seat belt switch inputs and dual stage front air bag modules. The SRS system uses the seat belt switches to determine the front air bag deployment, and may only deploy one front air bag, depending on the severity of a collision and whether the front occupants are belted or unbelted. Information necessary to service the system safely is included in the "SRS AIR BAG" and "SEAT BELT" of this Service Manual.

WARNING:

Always observe the following items for preventing accidental activation.

- To avoid rendering the SRS inoperative, which could increase the risk of personal injury or death in the event of a collision that would result in air bag inflation, all maintenance must be performed by an authorized NISSAN/INFINITI dealer.
- Improper maintenance, including incorrect removal and installation of the SRS, can lead to personal injury caused by unintentional activation of the system. For removal of Spiral Cable and Air Bag Module, see "SRS AIR BAG".
- Never use electrical test equipment on any circuit related to the SRS unless instructed to in this Service Manual. SRS wiring harnesses can be identified by yellow and/or orange harnesses or harness connectors.

PRECAUTIONS WHEN USING POWER TOOLS (AIR OR ELECTRIC) AND HAMMERS

WARNING:

Always observe the following items for preventing accidental activation.

- When working near the Air Bag Diagnosis Sensor Unit or other Air Bag System sensors with the ignition ON or engine running, never use air or electric power tools or strike near the sensor(s) with a hammer. Heavy vibration could activate the sensor(s) and deploy the air bag(s), possibly causing serious injury.
- When using air or electric power tools or hammers, always switch the ignition OFF, disconnect the battery, and wait at least 3 minutes before performing any service.

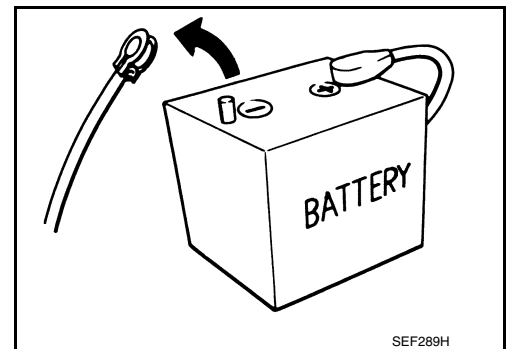
Precautions for Removing Battery Terminal

INFOID:000000013042308

When disconnecting the battery terminal, pay attention to the following.

- Always use a 12V battery as power source.
- Never disconnect battery terminal while engine is running.
- When removing the 12V battery terminal, turn OFF the ignition switch and wait at least 30 seconds.
- For vehicles with the engine listed below, remove the battery terminal after a lapse of the specified time:

D4D engine	: 20 minutes	YS23DDT	: 4 minutes
HRA2DDT	: 12 minutes	YS23DDTT	: 4 minutes
K9K engine	: 4 minutes	ZD30DDTi	: 60 seconds
M9R engine	: 4 minutes	ZD30DDTT	: 60 seconds
R9M engine	: 4 minutes		
V9X engine	: 4 minutes		
YD25DDTi	: 2 minutes		



NOTE:

ECU may be active for several tens of seconds after the ignition switch is turned OFF. If the battery terminal is removed before ECU stops, then a DTC detection error or ECU data corruption may occur.

- After high-load driving, if the vehicle is equipped with the V9X engine, turn the ignition switch OFF and wait for at least 15 minutes to remove the battery terminal.

NOTE:

PRECAUTIONS

< PRECAUTION >

- Turbocharger cooling pump may operate in a few minutes after the ignition switch is turned OFF.
- Example of high-load driving
 - Driving for 30 minutes or more at 140 km/h (86 MPH) or more.
 - Driving for 30 minutes or more on a steep slope.
- For vehicles with the 2-batteries, be sure to connect the main battery and the sub battery before turning ON the ignition switch.

A

B

C

- NOTE:**
If the ignition switch is turned ON with any one of the terminals of main battery and sub battery disconnected, then DTC may be detected.
- After installing the 12V battery, always check "Self Diagnosis Result" of all ECUs and erase DTC.

D

E

F

G

H

I

J

K

L

PWO

N

O

P

CIGARETTE LIGHTER

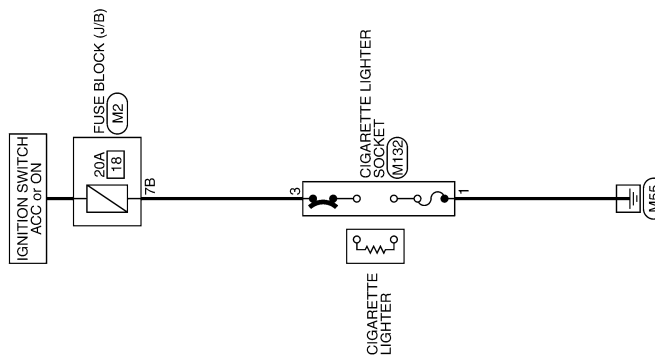
< WIRING DIAGRAM >

WIRING DIAGRAM

CIGARETTE LIGHTER

Wiring Diagram

INFOID:000000012354400



CIGARETTE LIGHTER

2015/02/17

JRMWH7446GB



CIGARETTE LIGHTER

< WIRING DIAGRAM >

A
B
C
D
E
F
G
H
I
J
K
L
N
O
P

CIGARETTE LIGHTER



Connector No.	WZ
Connector Name	FUSE BLOCK (J/B)
Connector Type	NSUBPWCS

Terminal No.	Color Of Wire	Signal Name [Specification]
1B	R	-
3B	P	-
4B	G	-
5B	SR	-
6B	W	- [With VCG37 engine]
6B	Y	- [With VK55 engine]
7B	Y	-
8B	R	-
9B	R	-

WT32

Connector No.	WT32
Connector Name	CIGARETTE LIGHTER SOCKET
Connector Type	NSUBPWCS

Terminal No.	Color Of Wire	Signal Name [Specification]
1	B	-
2	R	-
3	Y	-

PWO

JRMW16237GB

POWER SOCKET

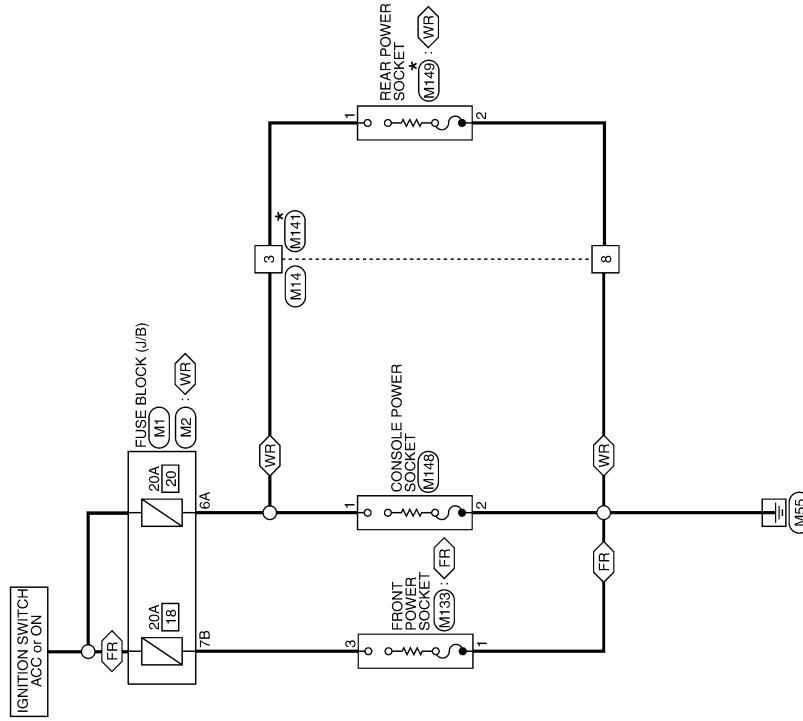
< WIRING DIAGRAM >

POWER SOCKET

Wiring Diagram

INFOID:000000012354401

◊WFR◊ : With rear control switch
◊FF◊ : With front power socket



*: This connector is not shown in "Harness Layout".

POWER SOCKET

2015/09/02

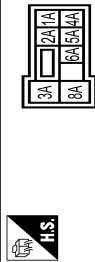
JRMW16238GB

POWER SOCKET

< WIRING DIAGRAM >

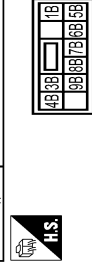
POWER SOCKET

Connector No.	M1
Connector Name	FUSE BLOCK (J/B)
Connector Type	NSDBFW-M2



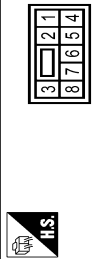
Terminal No.	Color Of Wire	Signal Name [Specification]
1A	R	-
2A	W	-
3A	Y	-
4A	W	-
5A	V	-
6A	Y	-
8A	Y	-

Connector No.	M2
Connector Name	FUSE BLOCK (J/B)
Connector Type	NSDUPW-CS



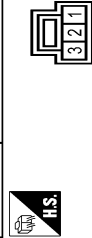
Terminal No.	Color Of Wire	Signal Name [Specification]
1B	R	-
3B	P	-
4B	G	-
5B	SB	-
6B	W	- [WITH VCQ37 engine]
6B	Y	- [WITH VKS56 engine]
7B	Y	-
8B	R	-
9B	R	-

Connector No.	M14
Connector Name	WIRE TO WIRE
Connector Type	NSDBFW-CS



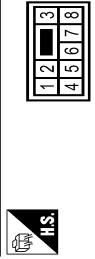
Terminal No.	Color Of Wire	Signal Name [Specification]
3	Y	-
8	B	-

Connector No.	M133
Connector Name	FRONT POWER SOCKET
Connector Type	NSDBFW-CS



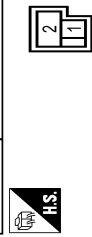
Terminal No.	Color Of Wire	Signal Name [Specification]
2	R	-
3	Y	-

Connector No.	M141
Connector Name	WIRE TO WIRE
Connector Type	NSDBFW-CS



Terminal No.	Color Of Wire	Signal Name [Specification]
3	R	-
8	W	-

Connector No.	M148
Connector Name	CONSOLE POWER SOCKET
Connector Type	PO2FE-Z



Terminal No.	Color Of Wire	Signal Name [Specification]
2	B	-

Connector No.	M149
Connector Name	REAR POWER SOCKET
Connector Type	PO2FB-Z



Terminal No.	Color Of Wire	Signal Name [Specification]
1	Y	-
2	B	-

A
B
C
D
E
F
G
H
I
J
K
L
N
O
P

PWO

JRMW16239GB

CIGARETTE LIGHTER

< REMOVAL AND INSTALLATION >

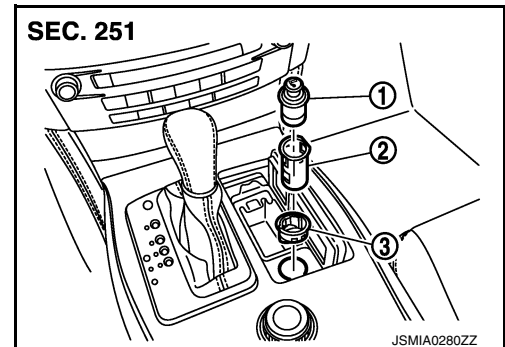
REMOVAL AND INSTALLATION

CIGARETTE LIGHTER

Exploded View

INFOID:000000012354402

- 1 : Cigarette lighter
- 2 : Cigarette lighter socket
- 3 : Cigarette lighter ring

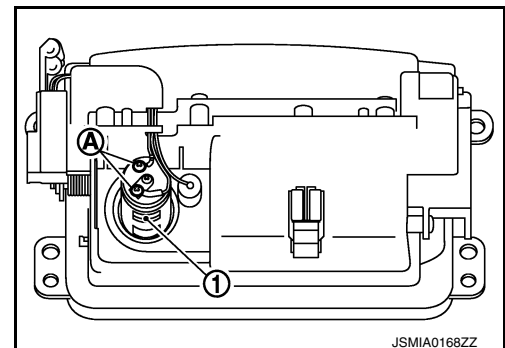


Removal and Installation

INFOID:000000012354403

REMOVAL

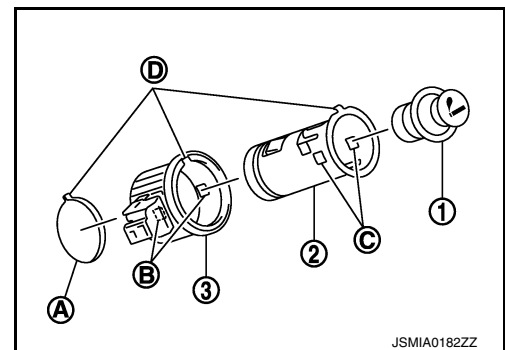
1. Remove console finisher assembly. Refer to [JP-23, "Exploded View"](#).
2. Remove the screws (A) from reverse side cigarette lighter socket (1).



3. Pull out cigarette lighter (1).

- A : Hole for cigarette lighter
(Console finisher assembly)
- D : Cut out

4. Pull out cigarette lighter socket (2) by pushing the cigarette lighter ring pawl (B) from the cigarette lighter socket hole (square) (C).
5. Remove cigarette lighter ring (3) from console finisher assembly while pressing pawls.



INSTALLATION

Install in the reverse order of removal.

NOTE:

Align the cut outs of cigarette lighter socket, cigarette lighter ring and console finisher assembly.

POWER SOCKET

< REMOVAL AND INSTALLATION >

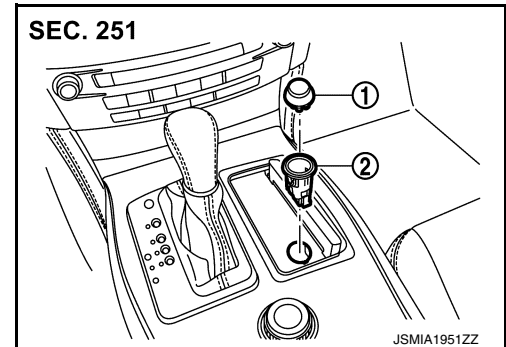
POWER SOCKET

FRONT POWER SOCKET

FRONT POWER SOCKET : Exploded View

INFOID:000000012354404

- 1 : Cap
- 2 : Front power socket




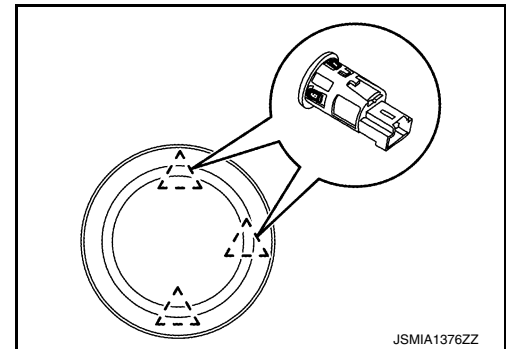
FRONT POWER SOCKET : Removal and Installation

INFOID:000000012354405

REMOVAL


1. Remove console finisher assembly. Refer to [IP-23, "Exploded View"](#).
2. Remove cap of front power socket.
3. Press the front power socket pawl from the back of the console finisher assembly to remove the front power socket.

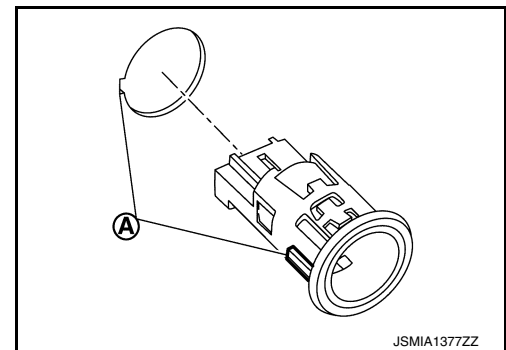
 : Pawl



INSTALLATION

Note the following, and install in the reverse order of removal.
Align the cut outs of front power socket and console finisher assembly.

 : Cut out



CONSOLE POWER SOCKET

A
B
C
D
E
F
G
H
I
J
K
L
PWO
N
O
P

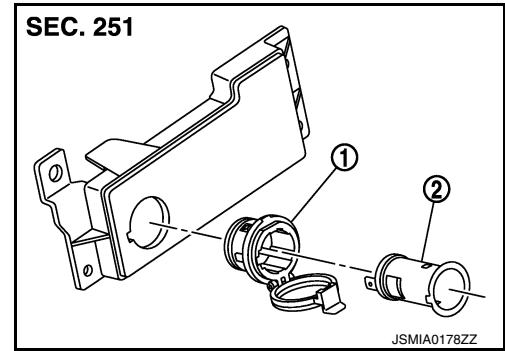
POWER SOCKET

< REMOVAL AND INSTALLATION >

CONSOLE POWER SOCKET : Exploded View

INFOID:000000012354406

- 1 : Ring
- 2 : Inner socket



CONSOLE POWER SOCKET : Removal and Installation

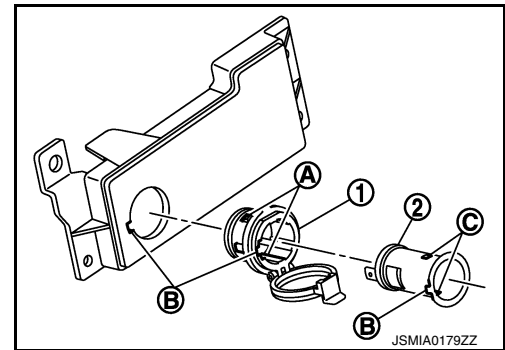
INFOID:000000012354407

REMOVAL

1. Remove console finisher assembly. Refer to [IP-23, "Exploded View"](#).
2. Disconnect console power socket connector.
3. Remove console center finisher. Refer to [IP-23, "Exploded View"](#).
4. Pull out inner socket (2) by pushing the ring pawl (A) from the inner socket hole (square) (C).

B : Cut out

5. Remove ring (1) from console center finisher while pressing pawls.



INSTALLATION

Install in the reverse order of removal.

NOTE:

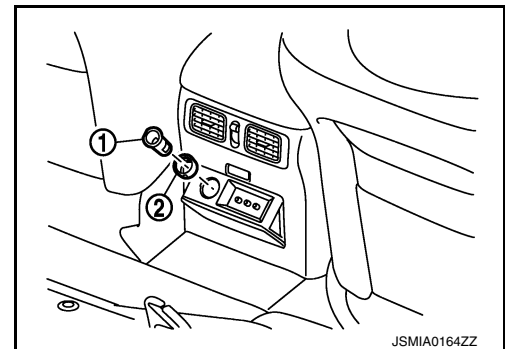
Align the cut outs of inner socket, ring and console center finisher.

REAR POWER SOCKET

REAR POWER SOCKET : Exploded View

INFOID:000000012354408

- 1 : Inner socket
- 2 : Ring



REAR POWER SOCKET : Removal and Installation

INFOID:000000012354409

REMOVAL

1. Remove console rear finisher. Refer to [IP-23, "Exploded View"](#).
2. Disconnect rear power socket connector.
3. Remove console rear pocket assembly. Refer to [IP-23, "Exploded View"](#).

POWER SOCKET

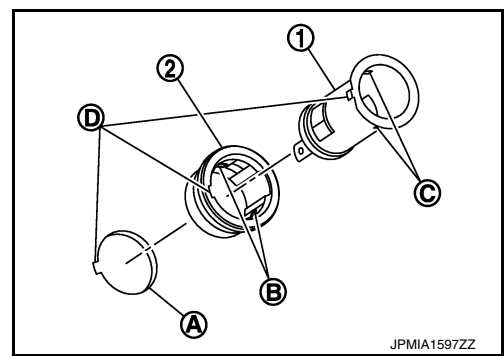
< REMOVAL AND INSTALLATION >

4. Pull out inner socket (1) by pushing the ring pawl (B) from the inner socket hole (square) (C).

A : Hole for power socket
(Console rear pocket assembly)

D : Cut out

5. Remove ring (2) from console rear pocket assembly while pressing pawls.



INSTALLATION

Install in the reverse order of removal.

NOTE:

Align the cut outs of inner socket, ring and console rear pocket assembly.

A
B
C
D
E
F
G
H
I
J
K
L
P

PWO