

ACCELERATOR CONTROL, FUEL & EXHAUST SYSTEMS

GI

MA

EM

LC

EC

FE

AT

TF

PD

AX

SU

BR

ST

RS

BT

HA

SC

EL

IDX

SECTION **FE**

CONTENTS

PREPARATION	2	Removal and Installation	4
Special Service Tools	2	FUEL TANK	5
ACCELERATOR CONTROL SYSTEM	3	FUEL PUMP AND GAUGE	6
Removal and Installation	3	EXHAUST SYSTEM	8
Adjusting Accelerator Wire	3	Removal and Installation	8
FUEL SYSTEM	4		

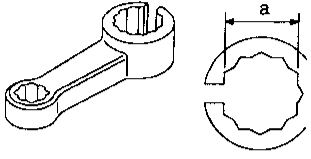
PREPARATION

Special Service Tools

Special Service Tools

NBFE0001

The actual shapes of Kent-Moore tools may differ from those of special service tools illustrated here.

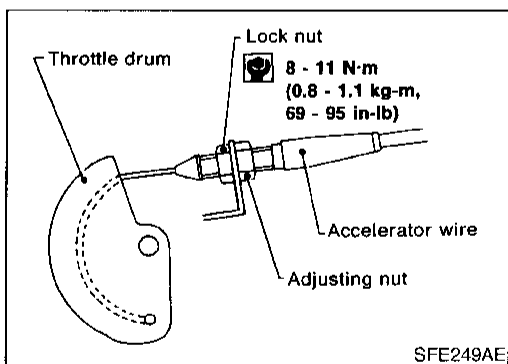
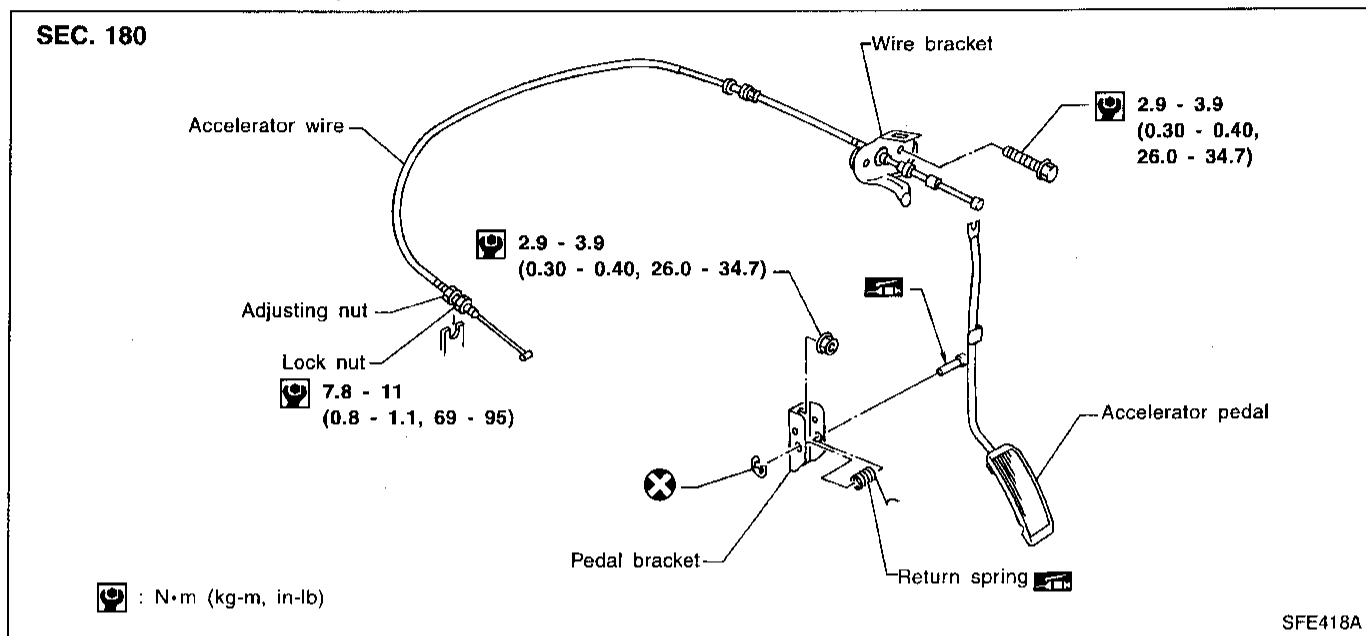
Tool number (Kent-Moore No.) Tool name	Description
KV10114400 (J38365) Heated oxygen sensor wrench	 <p data-bbox="1031 315 1453 409">Loosening or tightening rear heated oxygen sensor (For right bank) a: 22 mm (0.87 in)</p> <p data-bbox="414 493 479 514">NT636</p>

Removal and Installation

NBFE0002

CAUTION:

- When removing accelerator wire, make a mark to indicate lock nut's initial position.
- Check that throttle valve opens fully when accelerator pedal is fully depressed. Also check that it returns to idle position when pedal is released.
- Check accelerator control parts for improper contact with any adjacent parts.
- When connecting accelerator wire, be careful not to twist or scratch its inner wire.
- Refer to EL section ("AUTOMATIC SPEED CONTROL DEVICE") for ASCD wire adjustment.



Adjusting Accelerator Wire

NBFE0003

1. Loosen lock nut, and tighten adjusting nut until throttle drum starts to move.
2. From that position turn back adjusting nut 1.5 to 2 turns, and secure lock nut.

GI

MA

EM

LC

EC

FE

AT

TF

PD

AX

SU

BR

ST

RS

BT

HA

SC

EL

IDX

Removal and Installation

NBFE0004

WARNING:

When replacing fuel line parts, be sure to observe the following:

- Put a "CAUTION: INFLAMMABLE" sign in workshop.
- Do not smoke while servicing fuel system. Keep open flames and sparks away from work area.
- Be sure to furnish the workshop with a CO₂ fire extinguisher.

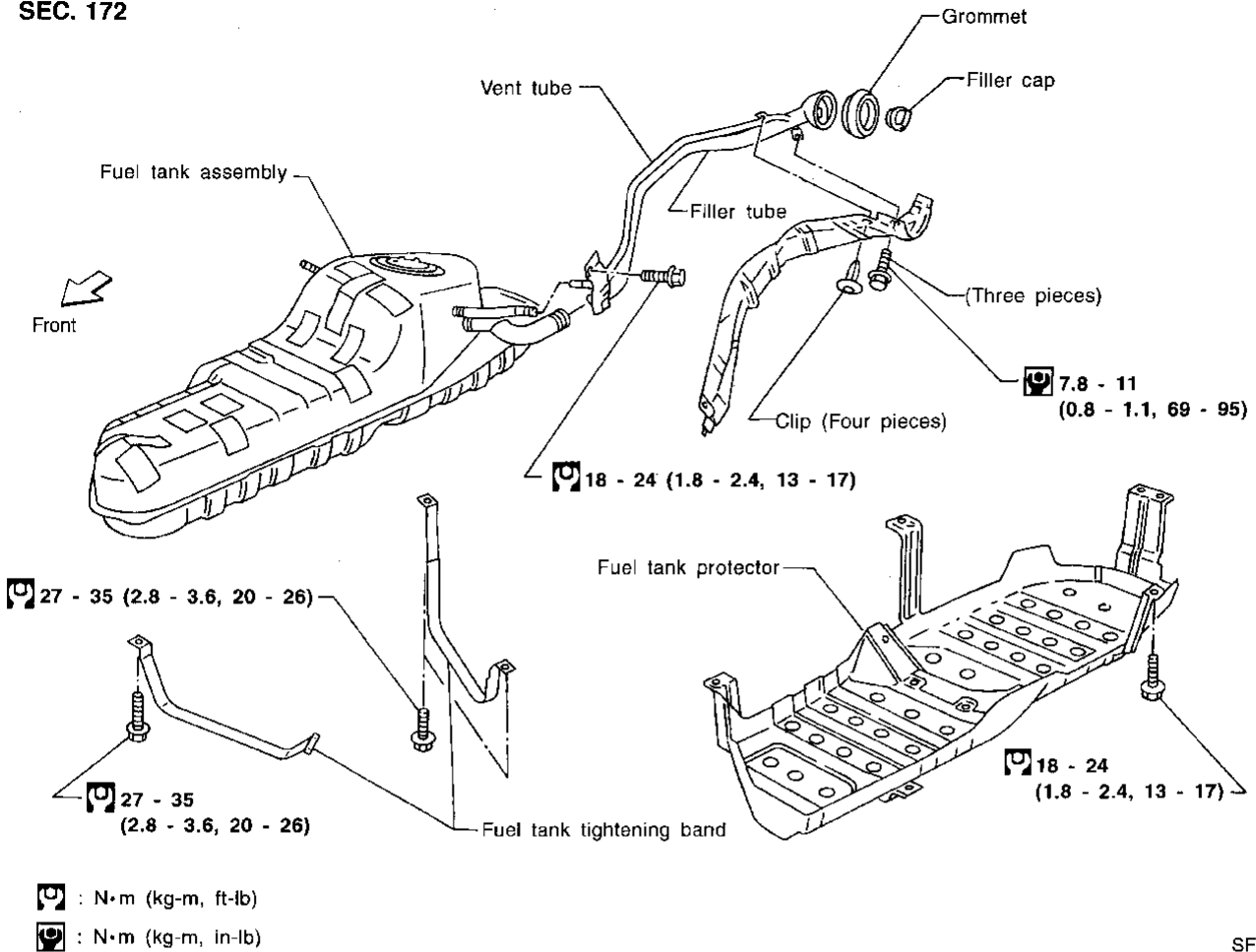
CAUTION:

- Before removing fuel line parts, carry out the following procedures:
 - a. Put drained fuel in an explosion-proof container and put lid on securely.
 - b. Release fuel pressure from fuel line. Refer to MA section ("Changing Fuel Filter").
 - c. Disconnect battery ground cable.
- Always replace O-ring with new ones.
- Do not kink or twist hose and tube when they are installed.
- Do not tighten hose clamps excessively to avoid damaging hoses.
- When installing fuel check valve, be careful of its designated direction. Refer to EC section ("EVAPORATIVE EMISSION SYSTEM").
- After installation, run engine and check for fuel leaks at connections.

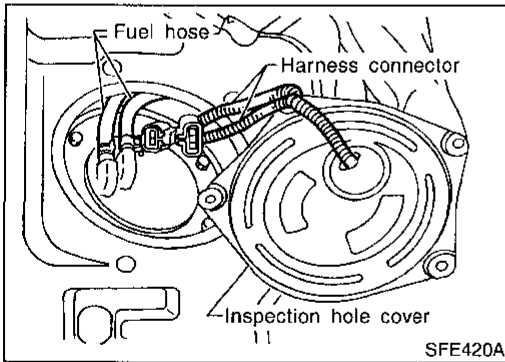
FUEL SYSTEM

Removal and Installation (Cont'd)

SEC. 172



SFE419A

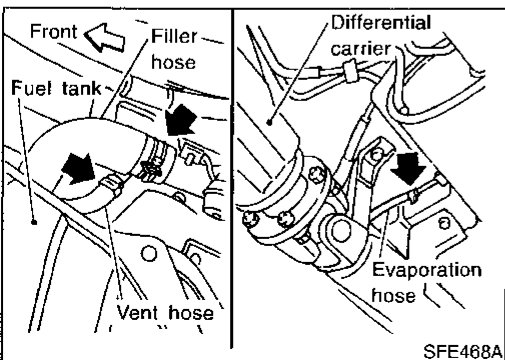


SFE420A

FUEL TANK

NBFE0004S01

1. Release fuel pressure from fuel line. Refer to MA section ("Changing Fuel Filter").
2. Remove inspection hole cover located behind the rear seat.
3. Disconnect harness connectors under inspection hole cover.
4. Disconnect fuel hoses.
 - Put mating marks on hoses for correct installation.
5. Disconnect filler hose, vent hose and evaporation hose at fuel tank side.



SFE468A

GI

MA

EM

LC

EC

FE

AT

TF

PD

AX

SU

BR

ST

RS

BT

HA

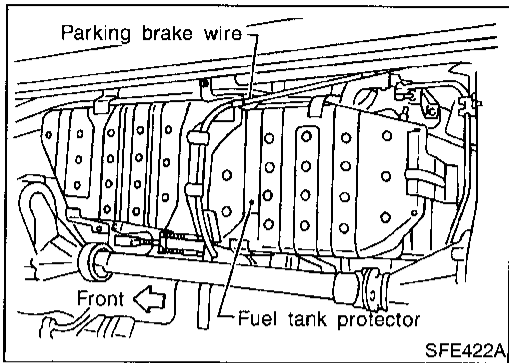
SC

EL

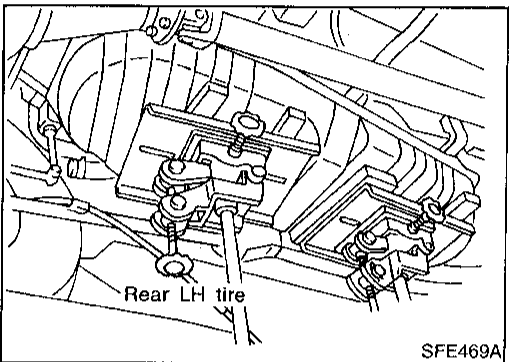
IDX

FUEL SYSTEM

Removal and Installation (Cont'd)



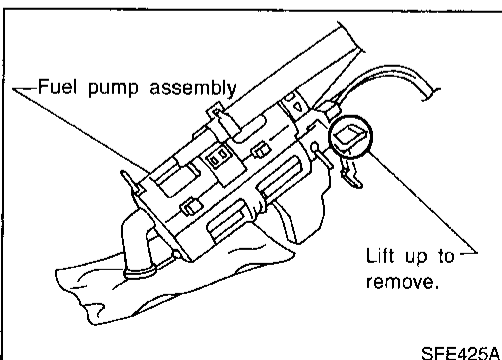
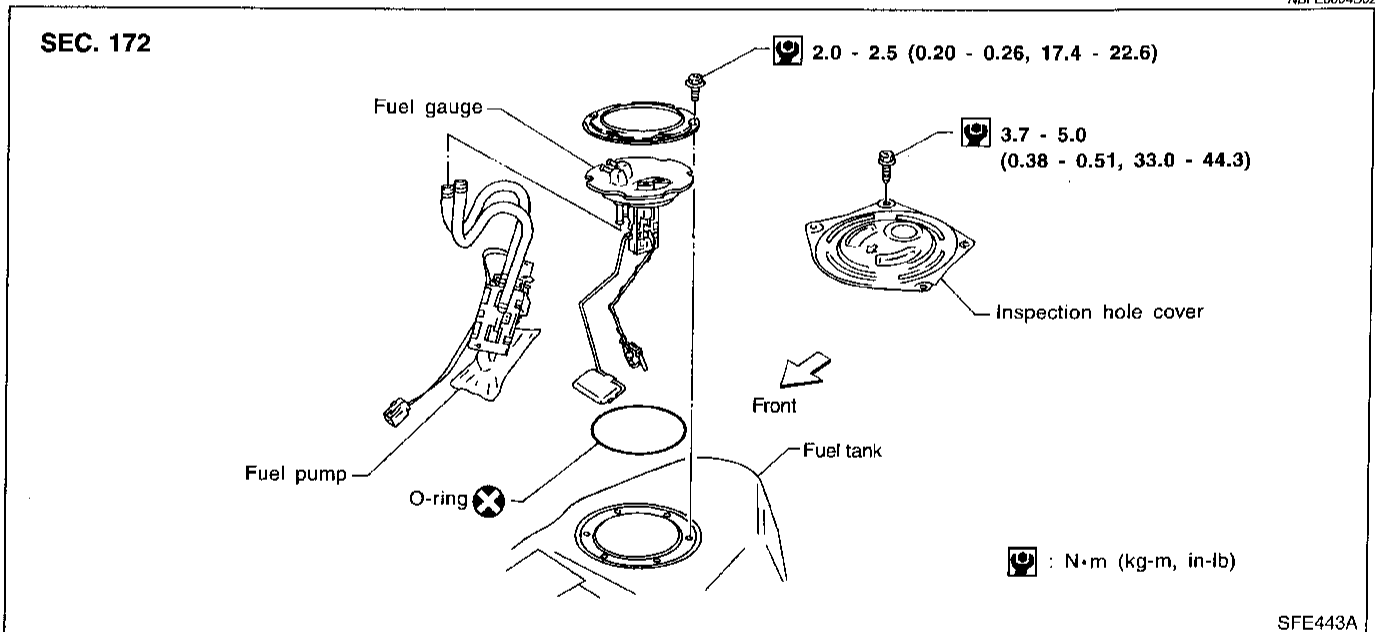
6. Remove parking brake wire from fuel tank protector.
7. Remove fuel tank protector.



8. Remove fuel tank band mounting bolts while supporting fuel tank.
 9. Remove fuel tank.
- Installation procedure is the reverse order of removal.

FUEL PUMP AND GAUGE

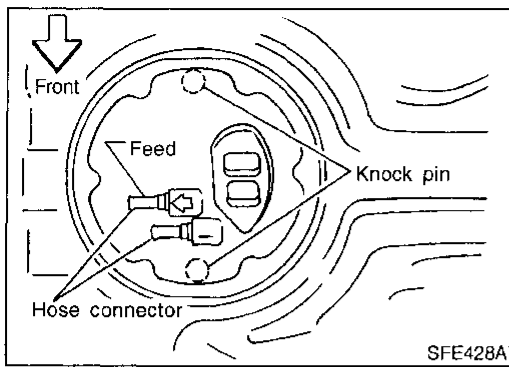
NBFE004S02



1. Release fuel pressure from fuel line. Refer to MA section ("Changing Fuel Filter").
2. Remove inspection hole cover located behind the rear seat.
3. Disconnect harness connectors and fuel tubes from upper plate of fuel gauge.
- Put mating marks on tubes for correct installation.
4. Remove fuel gauge retainer and fuel gauge.
5. Remove fuel pump with bracket while lifting the pawl of the fuel pump bracket upward.

FUEL SYSTEM

Removal and Installation (Cont'd)



6. Installation procedure is the reverse order of removal.
 - Install fuel gauge as shown.

GI

MA

EM

LC

EC

FE

AT

TF

PD

AX

SU

BR

ST

RS

BT

HA

SC

EL

IDX

EXHAUST SYSTEM

Removal and Installation

Removal and Installation

NBFE0005

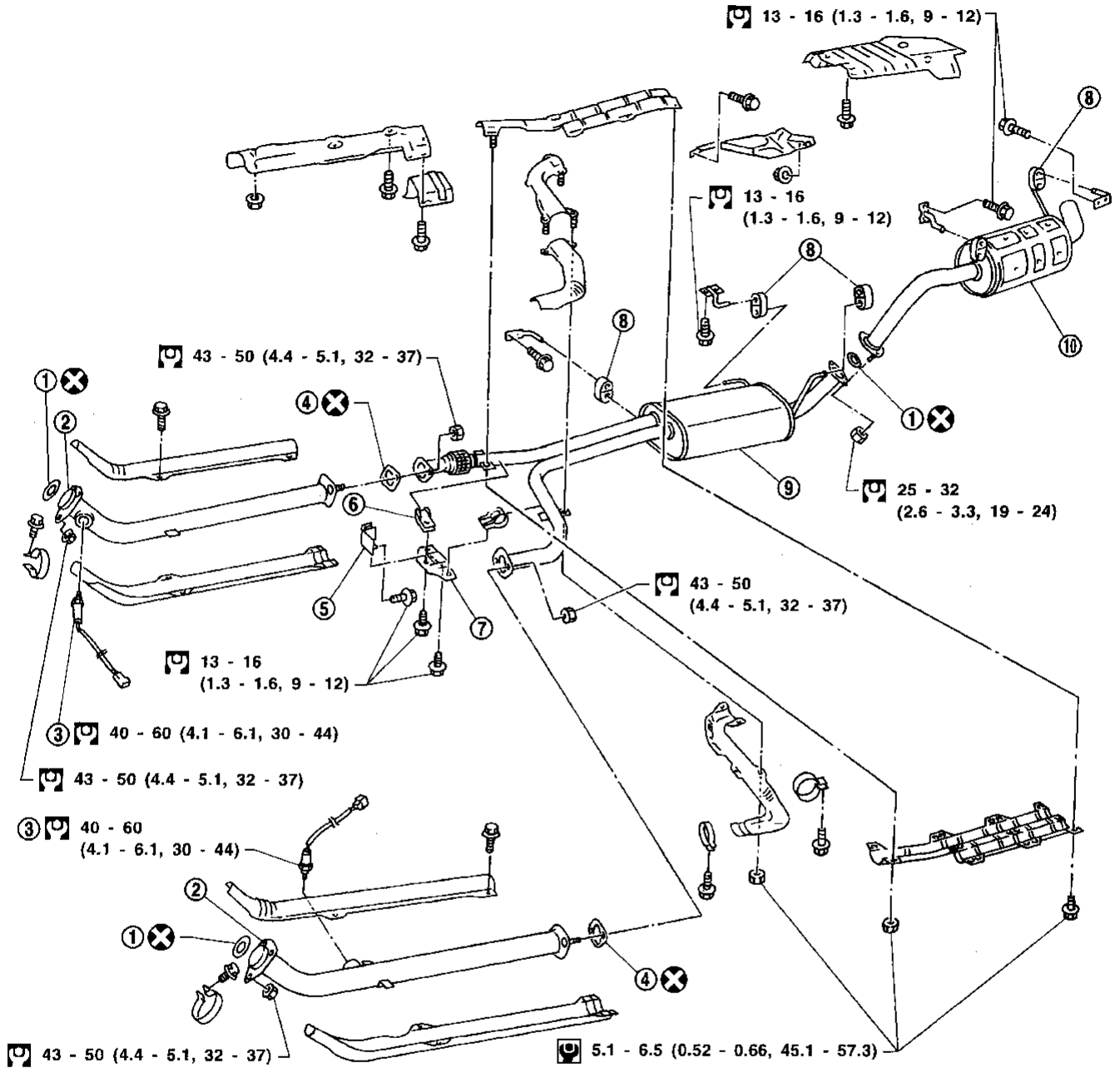
CAUTION:

- Always replace exhaust gaskets with new ones when reassembling.
- With engine running, check all tube connections for exhaust gas leaks, and entire system for unusual noises.
- Check to ensure that mounting brackets and mounting insulators are installed properly and free from undue stress. Improper installation could result in excessive noise or vibration.
- Discard any heated oxygen sensor which has been dropped from a height of more than 0.5 m (19.7 in) onto a hard surface such as a concrete floor; use a new one.
- Do not overtorque the oxygen sensor. Doing so may cause damage to the oxygen sensor, resulting in the MIL coming on.

EXHAUST SYSTEM

Removal and Installation (Cont'd)

SEC. 200



: N•m (kg-m, ft-lb)

: N•m (kg-m, in-lb)

SFE480A

- 1. Gasket
- 2. Front tube
- 3. Rear heated oxygen sensor
- 4. Gasket

- 5. Mounting rubber
- 6. Clamp
- 7. Mounting bracket

- 8. Mounting rubber
- 9. Center muffler
- 10. Rear muffler

FE-9

GI

MA

EM

LC

EC

FE

AT

TF

PD

AX

SU

BR

ST

RS

BT

HA

SC

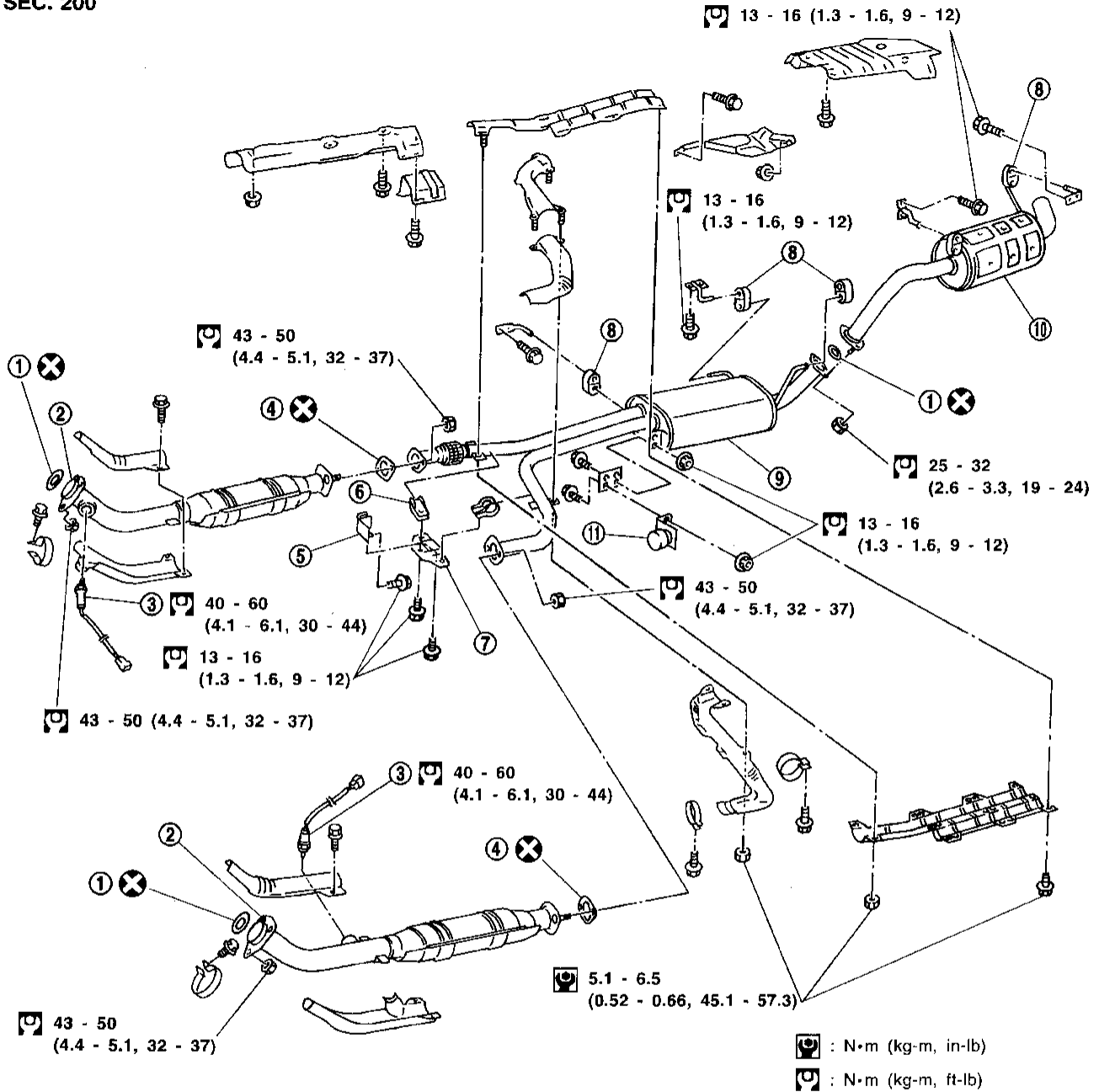
EL

IDX

EXHAUST SYSTEM

Removal and Installation (Cont'd)

For California
SEC. 200



SFE472A

- | | | |
|------------------------------|---------------------|--------------------|
| 1. Gasket | 5. Mounting rubber | 9. Center muffler |
| 2. Front tube | 6. Clamp | 10. Rear muffler |
| 3. Rear heated oxygen sensor | 7. Mounting bracket | 11. Dynamic damper |
| 4. Gasket | 8. Mounting rubber | |