

ACCELERATOR CONTROL, FUEL & EXHAUST SYSTEMS

GI

MA

EM

LC

EC

FE

AT

TF

PD

AX

SU

BR

ST

RS

BT

HA

SC

EL

IDX

SECTION **FE**

CONTENTS

PREPARATION	2	Removal and Installation	4
Special Service Tools	2	FUEL TANK	5
ACCELERATOR CONTROL SYSTEM	3	FUEL PUMP AND GAUGE	6
Removal and Installation	3	EXHAUST SYSTEM	8
Adjusting Accelerator Wire	3	Removal and Installation	8
FUEL SYSTEM	4		

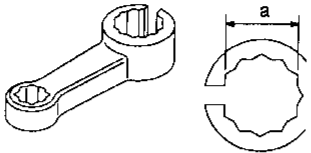
PREPARATION

Special Service Tools

Special Service Tools

NBFE0001

The actual shapes of Kent-Moore tools may differ from those of special service tools illustrated here.

Tool number (Kent-Moore No.) Tool name	Description
KV10114400 (J38365) Heated oxygen sensor wrench	 <p data-bbox="1031 325 1453 409">Loosening or tightening rear heated oxygen sensor (For right bank) a: 22 mm (0.87 in)</p> <p data-bbox="414 499 479 525">NT636</p>

ACCELERATOR CONTROL SYSTEM

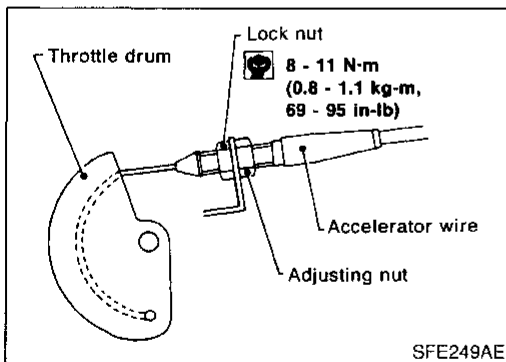
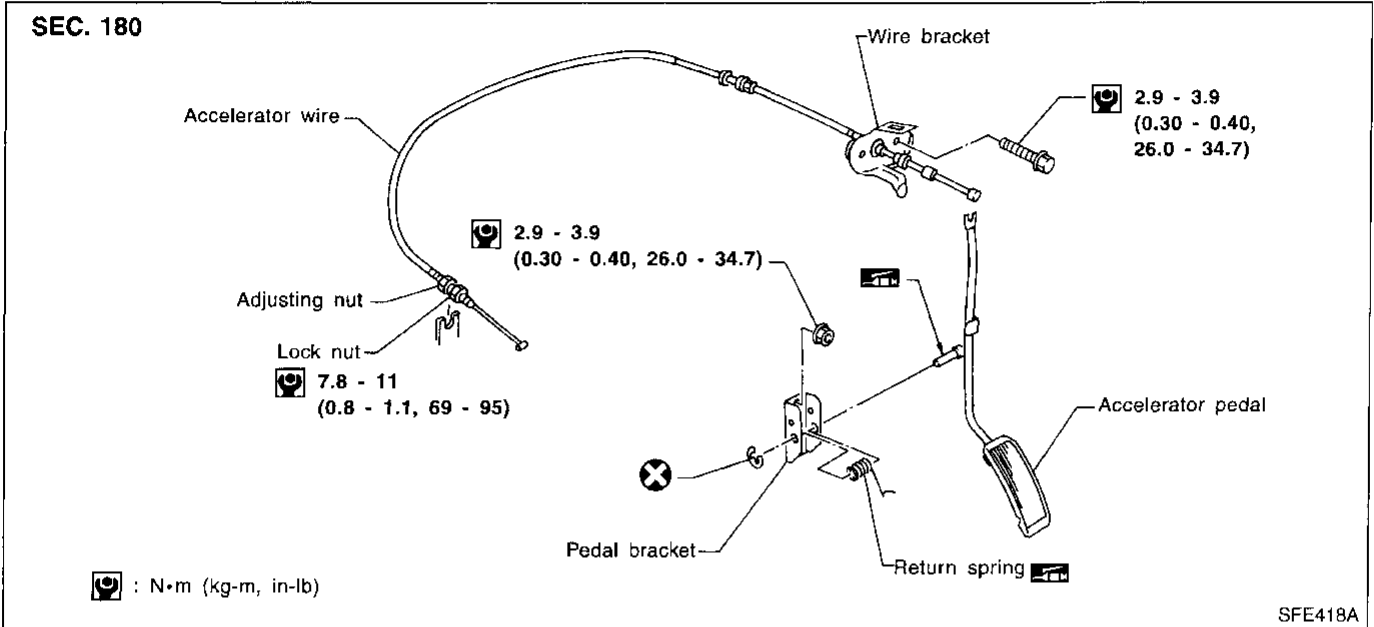
Removal and Installation

Removal and Installation

NBFE0002

CAUTION:

- When removing accelerator wire, make a mark to indicate lock nut's initial position.
- Check that throttle valve opens fully when accelerator pedal is fully depressed. Also check that it returns to idle position when pedal is released.
- Check accelerator control parts for improper contact with any adjacent parts.
- When connecting accelerator wire, be careful not to twist or scratch its inner wire.
- Refer to EL section ("AUTOMATIC SPEED CONTROL DEVICE") for ASCD wire adjustment.



Adjusting Accelerator Wire

NBFE0003

1. Loosen lock nut, and tighten adjusting nut until throttle drum starts to move.
2. From that position turn back adjusting nut 1.5 to 2 turns, and secure lock nut.

GI

MA

EM

LC

EC

FE

AT

TF

PD

AX

SU

BR

ST

RS

BT

HA

SC

EL

IDX

FUEL SYSTEM

Removal and Installation

NBFE0004

WARNING:

When replacing fuel line parts, be sure to observe the following:

- Put a "CAUTION: INFLAMMABLE" sign in workshop.
- Do not smoke while servicing fuel system. Keep open flames and sparks away from work area.
- Be sure to furnish the workshop with a CO₂ fire extinguisher.

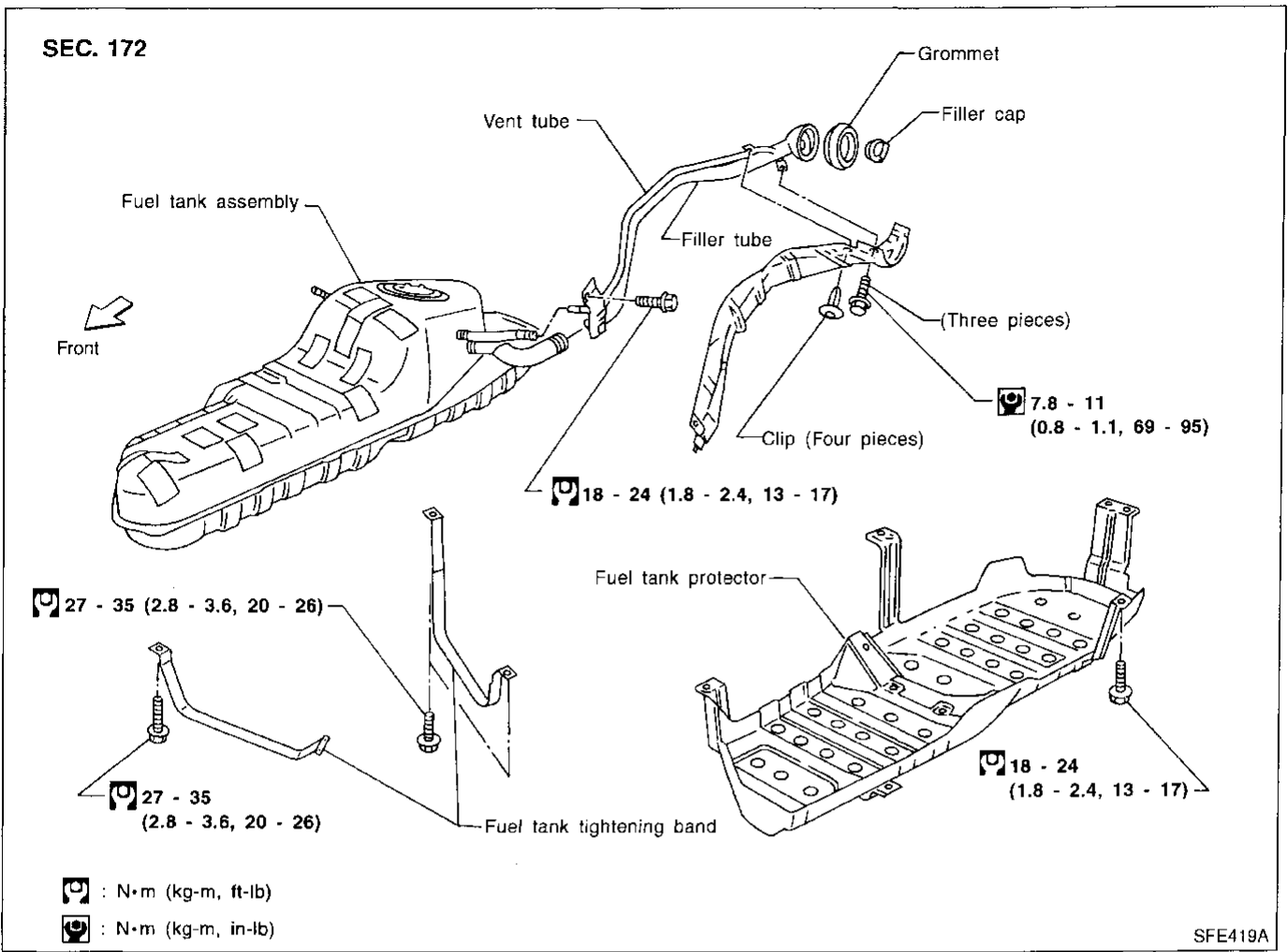
CAUTION:

- Before removing fuel line parts, carry out the following procedures:
 - a) Put drained fuel in an explosion-proof container and put lid on securely.
 - b) Release fuel pressure from fuel line. Refer to MA section ("Changing Fuel Filter").
 - c) Disconnect battery ground cable.
- Always replace O-ring with new ones.
- Do not kink or twist hose and tube when they are installed.
- Do not tighten hose clamps excessively to avoid damaging hoses.
- When installing fuel check valve, be careful of its designated direction. Refer to EC section ("EVAPORATIVE EMISSION SYSTEM").
- After installation, run engine and check for fuel leaks at connections.

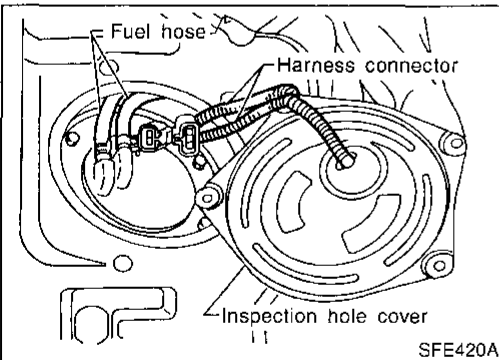
FUEL SYSTEM

Removal and Installation (Cont'd)

SEC. 172



GI
MA
EM
LC
EC
FE
AT
TF
PD
AX
SU

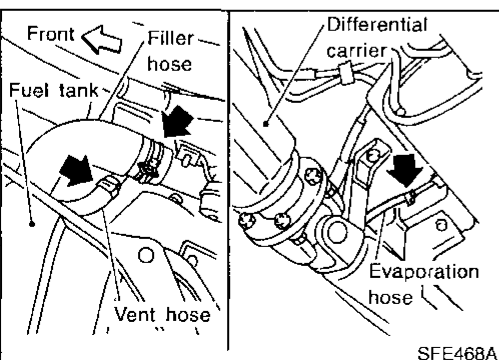


FUEL TANK

NBFE0004S01

1. Release fuel pressure from fuel line. Refer to MA section ("Changing Fuel Filter").
2. Remove inspection hole cover located behind the rear seat.
3. Disconnect harness connectors under inspection hole cover.
4. Disconnect fuel hoses.
 - Put mating marks on hoses for correct installation.

ST
RS
BT

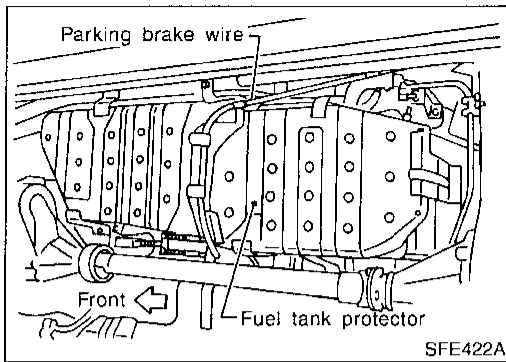


5. Disconnect filler hose, vent hose and evaporation hose at fuel tank side.

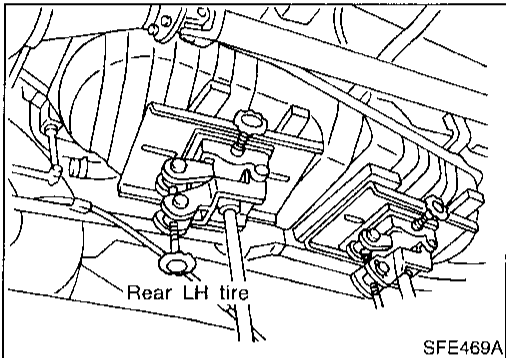
HA
SC
EL
IDX

FUEL SYSTEM

Removal and Installation (Cont'd)



6. Remove parking brake wire from fuel tank protector.
7. Remove fuel tank protector.

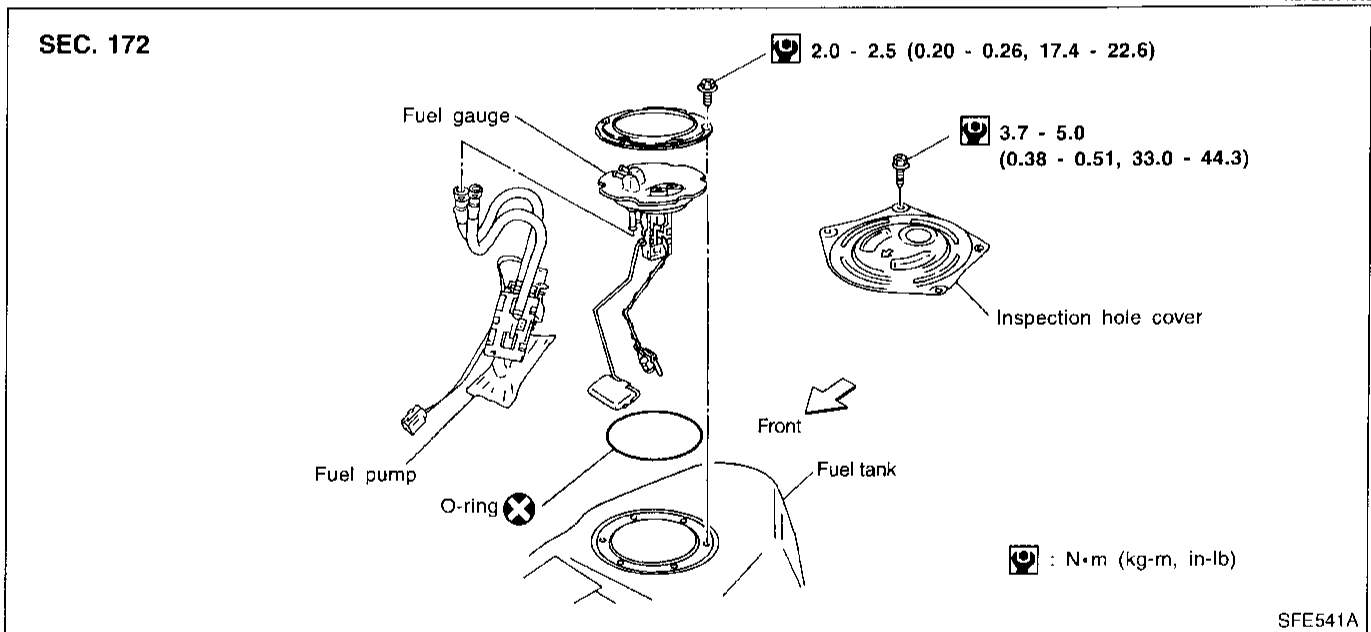


8. Remove fuel tank band mounting bolts while supporting fuel tank.
9. Remove fuel tank.

Installation procedure is the reverse order of removal.

FUEL PUMP AND GAUGE

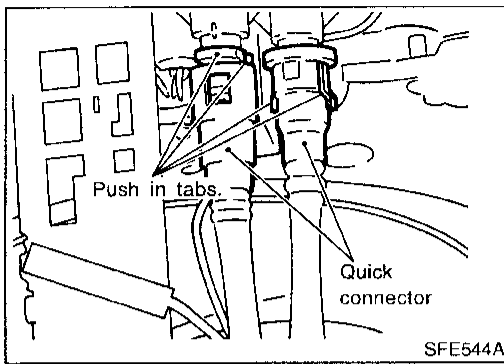
NBFE0004S02



1. Release fuel pressure from fuel line. Refer to MA section ("Changing Fuel Filter").
2. Remove inspection hole cover located behind the rear seat.
3. Disconnect harness connectors and fuel tubes from upper plate of fuel gauge.
 - Put mating marks on tubes for correct installation.
4. Remove fuel gauge retainer and fuel gauge.

FUEL SYSTEM

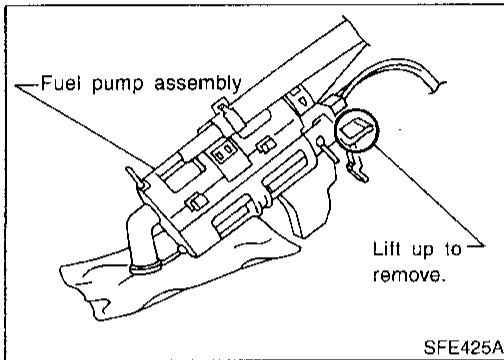
Removal and Installation (Cont'd)



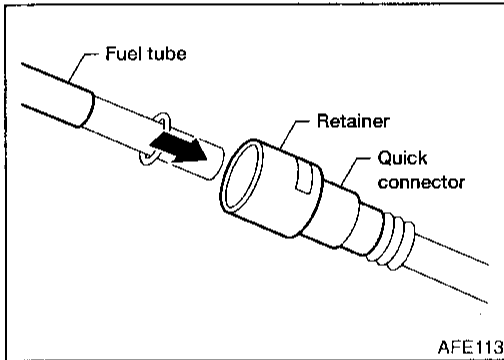
5. Disconnect the quick connectors as follows.
 - 1) Put mating marks on tubes and connectors for correct installation.
 - 2) Hold the sides of the connector, push in tabs, and pull out the tube inserted in the retainer.

CAUTION:

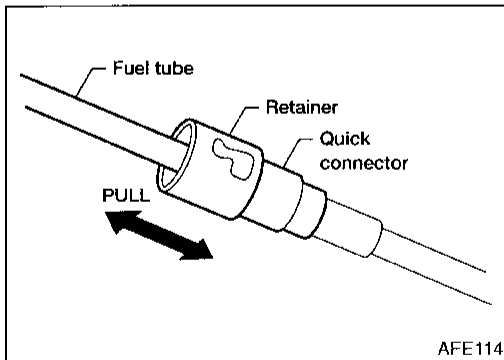
- The tube can be removed when the push in tabs are completely depressed. Do not twist it more than necessary.
- Do not use any tools to remove the quick connector.



6. Remove fuel pump with bracket while lifting the pawl of the fuel pump bracket upward.

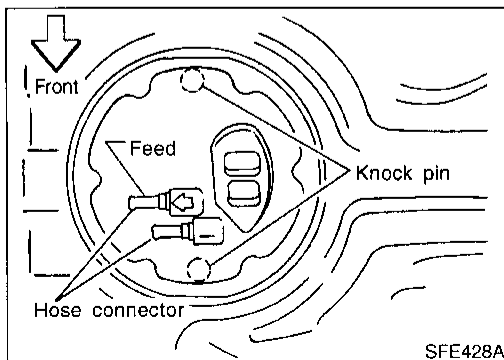


7. To install, reverse the removal procedure. Connect the quick connectors as follows.
 - Align mating marks.
 - Insert tube into the center of the connector until you hear a click.



After connecting quick connectors, make sure the connection is firmly made using the following method.

- Pull on the fuel tube and connector to make sure they are firmly connected.
- Start the engine, increase engine speed and verify that there are no leaks.



- Install fuel gauge as shown.

GI
MA
EM
LC
EC
FE
AT
TF
PD
AX
SU
BR
ST
RS
BT
HA
SC
EL
IDX

EXHAUST SYSTEM

Removal and Installation

Removal and Installation

NBFE0006

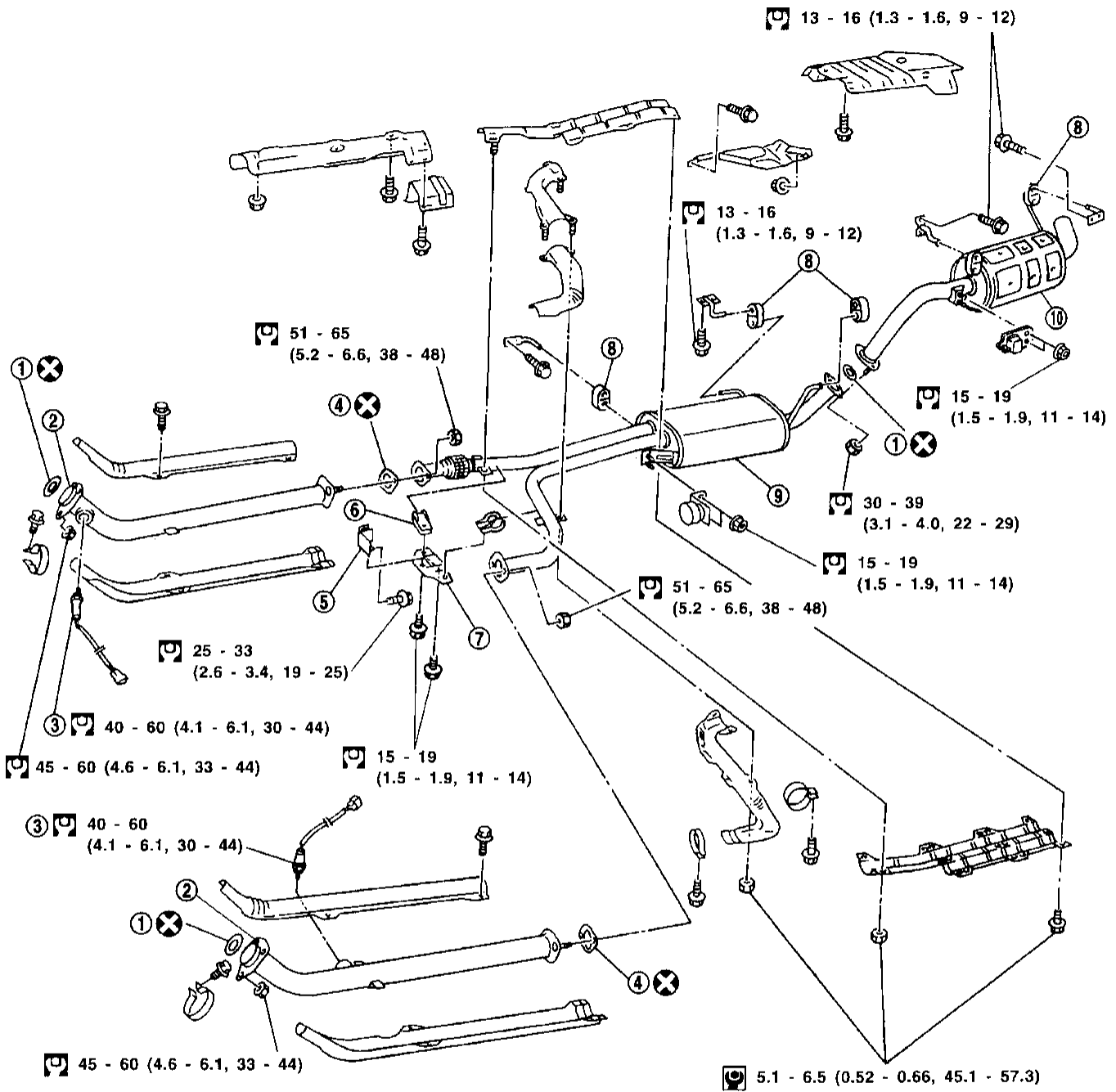
CAUTION:

- Always replace exhaust gaskets with new ones when reassembling.
- With engine running, check all tube connections for exhaust gas leaks, and entire system for unusual noises.
- Check to ensure that mounting brackets and mounting insulators are installed properly and free from undue stress. Improper installation could result in excessive noise or vibration.
- Discard any heated oxygen sensor which has been dropped from a height of more than 0.5 m (19.7 in) onto a hard surface such as a concrete floor; use a new one.
- Do not overtorque the oxygen sensor. Doing so may cause damage to the oxygen sensor, resulting in the MIL coming on.

EXHAUST SYSTEM

Removal and Installation (Cont'd)

SEC. 200



: N•m (kg-m, ft-lb)

: N•m (kg-m, in-lb)

SFE542A

- 1. Gasket
- 2. Front tube
- 3. Rear heated oxygen sensor
- 4. Gasket

- 5. Mounting rubber
- 6. Clamp
- 7. Mounting bracket

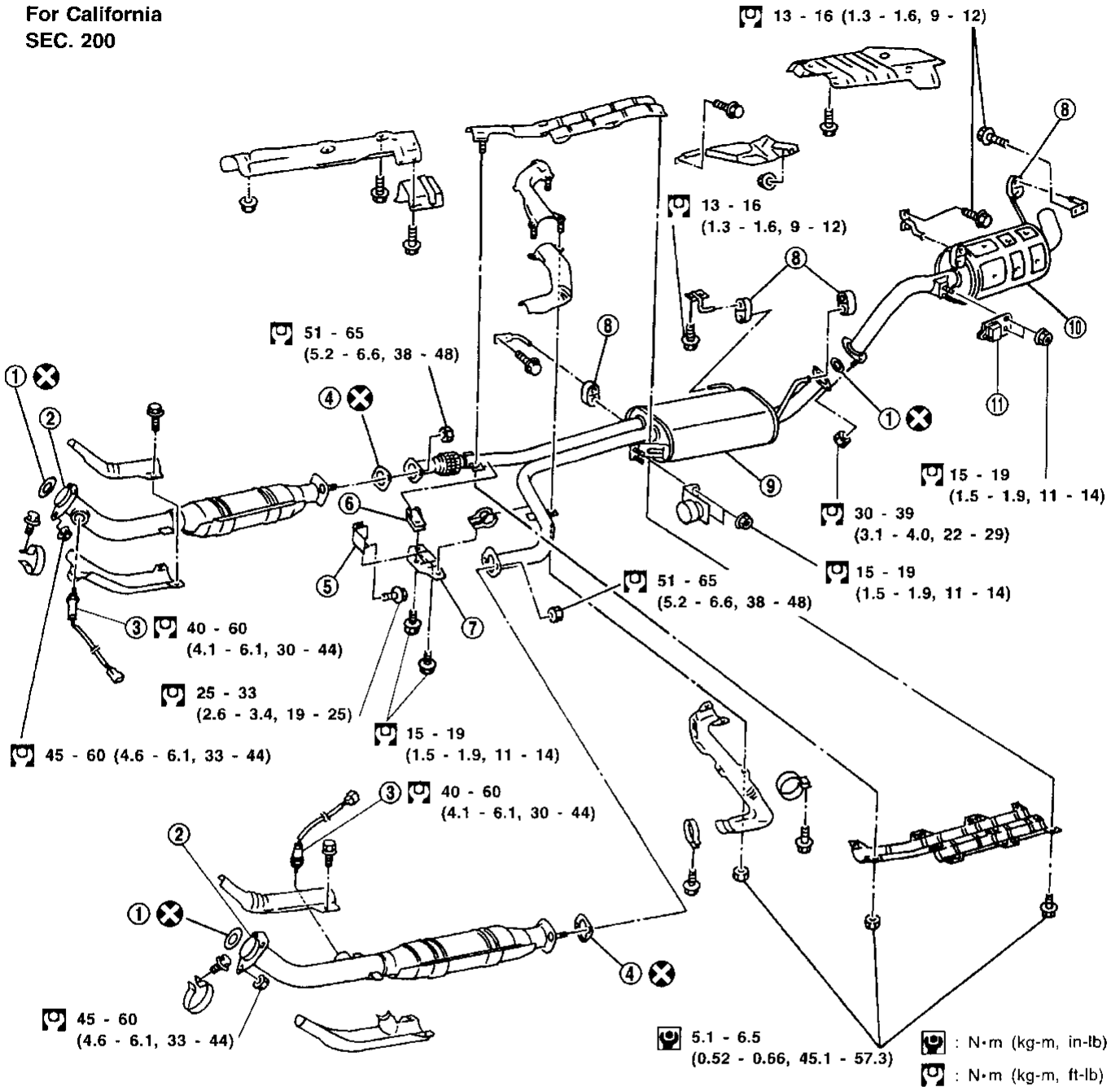
- 8. Mounting rubber
- 9. Center muffler
- 10. Rear muffler

GI
MA
EM
LC
EC
FE
AT
TF
PD
AX
SU
BR
ST
RS
BT
HA
SC
EL
IDX

EXHAUST SYSTEM

Removal and Installation (Cont'd)

For California
SEC. 200



SFE547A

- | | | |
|------------------------------|---------------------|--------------------|
| 1. Gasket | 5. Mounting rubber | 9. Center muffler |
| 2. Front tube | 6. Clamp | 10. Rear muffler |
| 3. Rear heated oxygen sensor | 7. Mounting bracket | 11. Dynamic damper |
| 4. Gasket | 8. Mounting rubber | |