

ENGINE MECHANICAL

SECTION **EM**

GI

MA

EM

LC

EC

FE

AT

TF

PD

AX

SU

BR

ST

RS

BT

HA

SC

EL

IDX

CONTENTS

PRECAUTIONS	3	CAMSHAFT VISUAL CHECK.....	31
Parts Requiring Angular Tightening.....	3	CAMSHAFT RUNOUT	31
Liquid Gasket Application Procedure	3	CAMSHAFT CAM HEIGHT	31
PREPARATION	4	CAMSHAFT JOURNAL CLEARANCE.....	32
Special Service Tools	4	CAMSHAFT END PLAY.....	32
Commercial Service Tools	6	CAMSHAFT SPROCKET RUNOUT	33
NOISE, VIBRATION AND HARSHNESS (NVH)		VALVE GUIDE CLEARANCE	33
TROUBLESHOOTING	8	VALVE GUIDE REPLACEMENT.....	33
NVH Troubleshooting Chart - Engine Noise	9	VALVE SEATS.....	34
OUTER COMPONENT PARTS	10	REPLACING VALVE SEAT FOR SERVICE PARTS	34
Removal and Installation	10	VALVE DIMENSIONS.....	35
WARM-UP THREE WAY CATALYST LH.....	12	VALVE SPRING.....	35
MEASUREMENT OF COMPRESSION PRESSURE	13	ROCKER SHAFT AND ROCKER ARM	36
OIL PAN	15	HYDRAULIC VALVE LIFTER	36
Removal.....	15	Assembly	37
Installation.....	16	Installation.....	37
TIMING BELT	18	ENGINE ASSEMBLY	42
Components.....	18	Removal and Installation	42
Removal.....	19	REMOVAL.....	43
Inspection.....	20	CYLINDER BLOCK	45
BELT TENSIONER AND TENSIONER SPRING	21	Components.....	45
Installation.....	21	CYLINDER BLOCK HEATER	46
Tension Adjustment.....	22	Removal and Installation	46
AFTER BELT REPLACEMENT.....	22	Disassembly.....	47
AFTER ENGINE OVERHAUL OR ENGINE		PISTON AND CRANKSHAFT	47
REASSEMBLY (WITH ROCKER COVERS		Inspection.....	47
REMOVED)	23	PISTON AND PISTON PIN CLEARANCE	47
OIL SEAL	25	PISTON RING SIDE CLEARANCE	48
Replacement.....	25	PISTON RING END GAP.....	48
VALVE OIL SEAL.....	25	CONNECTING ROD BEND AND TORSION	48
OIL SEAL INSTALLING DIRECTION	25	CYLINDER BLOCK DISTORTION AND WEAR.....	49
CAMSHAFT OIL SEAL	26	PISTON-TO-BORE CLEARANCE	49
FRONT OIL SEAL.....	26	CRANKSHAFT.....	51
REAR OIL SEAL	26	BEARING CLEARANCE	51
CYLINDER HEAD	27	CONNECTING ROD BUSHING CLEARANCE	
Components.....	27	(SMALL END).....	54
Removal.....	28	REPLACEMENT OF CONNECTING ROD	
Disassembly.....	30	BUSHING (SMALL END)	54
Inspection.....	31	DRIVE PLATE RUNOUT	54
CYLINDER HEAD DISTORTION	31	Assembly	55
		PISTON	55

CONTENTS (Cont'd)

CRANKSHAFT.....	55	AVAILABLE PISTON	66
REPLACING PILOT CONVERTER	57	PISTON RING	66
SERVICE DATA AND SPECIFICATIONS (SDS)	58	AVAILABLE PISTON	67
General Specifications.....	58	PISTON RING	67
Cylinder Head.....	59	PISTON PIN	68
Valve	59	Connecting Rod.....	68
VALVE	59	Crankshaft.....	68
VALVE SPRING	60	Available Main Bearing.....	69
HYDRAULIC VALVE LIFTER	60	NO. 1 MAIN BEARING	69
VALVE GUIDE	60	NO. 2 AND 3 MAIN BEARINGS	69
ROCKER SHAFT AND ROCKER ARM	60	NO. 4 MAIN BEARING	69
Valve Seat.....	61	UNDER SIZE.....	69
INTAKE VALVE SEAT	61	Available Connecting Rod Bearing.....	70
EXHAUST VALVE SEAT.....	62	CONNECTING ROD BEARING UNDERSIZE	70
Camshaft and Camshaft Bearing	63	Miscellaneous Components.....	70
Cylinder Block.....	64	BEARING CLEARANCE	70
Piston, Piston Ring and Piston Pin	66		

PRECAUTIONS

Parts Requiring Angular Tightening

Parts Requiring Angular Tightening

NBEM0001

- Use an angle wrench for the final tightening of the following engine parts:
 - a) Cylinder head bolts
 - b) Main bearing cap bolts
 - c) Connecting rod cap nuts
 - d) Crankshaft pulley bolt
- Do not use a torque value for final tightening.
- The torque value for these parts are for a preliminary step.
- Ensure thread and seat surfaces are clean and coated with engine oil.

GI

MA

EM

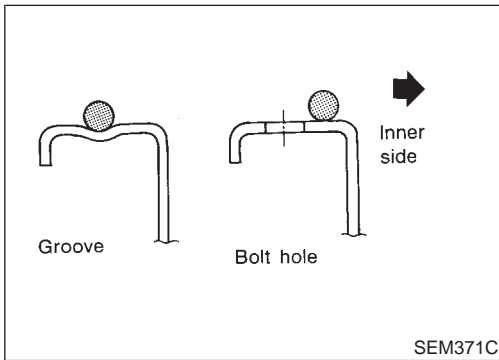
LC

EC

FE

AT

TF



Liquid Gasket Application Procedure

NBEM0002

- 1) Use a scraper to remove all traces of old liquid gasket from mating surfaces and grooves. Also completely clean any oil stains from these portions.
- 2) Apply a continuous bead of liquid gasket to mating surfaces. (Use Genuine RTV silicone sealant Part No. 999MP-A7007 or equivalent.)
 - Be sure liquid gasket is 3.5 to 4.5 mm (0.138 to 0.177 in) dia. (for oil pan).
 - Be sure liquid gasket is 2.0 to 3.0 mm (0.079 to 0.118 in) dia. (in areas except oil pan).
- 3) Apply liquid gasket to inner surface around hole perimeter area (unless otherwise specified).
- 4) Assembly should be done within 5 minutes after coating.
- 5) Wait at least 30 minutes before refilling engine oil and engine coolant.

PD

AX

SU

BR

ST

RS

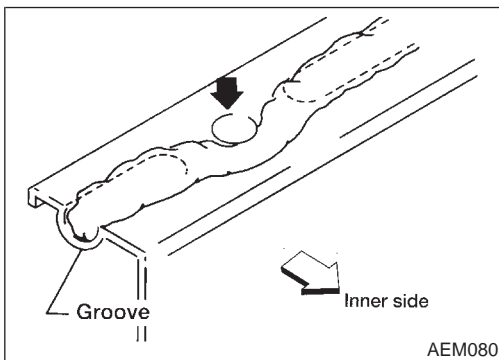
BT

HA

SC

EL

IDX



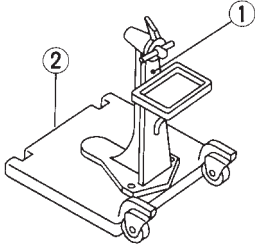
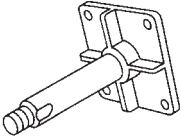
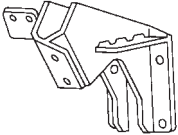
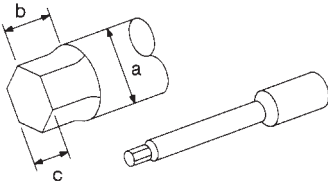
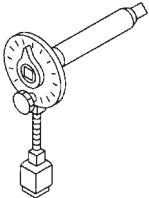
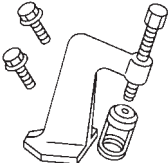
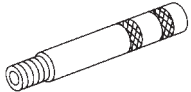
PREPARATION

Special Service Tools

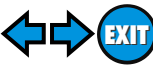
Special Service Tools

NBEM0003

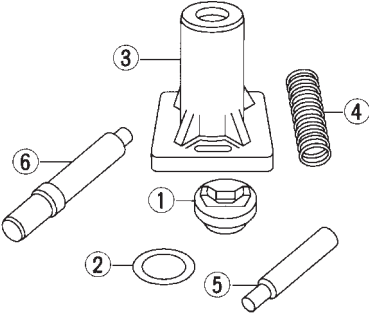
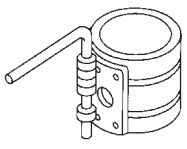
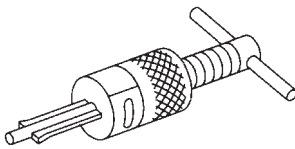
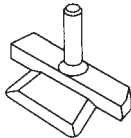
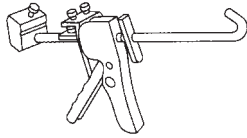
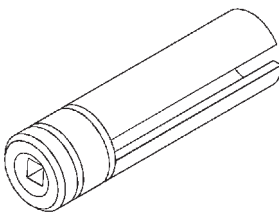
The actual shapes of Kent-Moore tools may differ from those of special service tools illustrated here.

Tool number (Kent-Moore No.) Tool name	Description
ST0501S000 (—) Engine stand assembly 1 ST05011000 (—) Engine stand 2 ST05012000 (—) Base	 <p>Disassembling and assembling</p> <p>NT042</p>
KV10106500 (—) Engine stand shaft	 <p>NT028</p>
KV10110001 (—) Engine sub-attachment	 <p>NT032</p>
ST10120000 (J24239-01) Cylinder head bolt wrench	 <p>Loosening and tightening cylinder head bolt a: 13 mm (0.51 in) dia. b: 12 mm (0.47 in) c: 10 mm (0.39 in)</p> <p>NT583</p>
KV10112100 (BT8653-A) Angle wrench	 <p>Tightening bearing cap, cylinder head bolts, etc.</p> <p>NT014</p>
KV10110600 (J33986) Valve spring compressor	 <p>Disassembling and assembling valve components</p> <p>NT033</p>
KV10107501 (—) Valve oil seal drift	 <p>Installing valve oil seal</p> <p>NT025</p>

PREPARATION

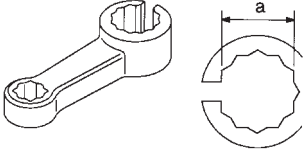


Special Service Tools (Cont'd)

Tool number (Kent-Moore No.) Tool name	Description	
KV10110300 (—) Piston pin press stand assembly 1 KV10110310 (—) Cap 2 KV10110330 (—) Spacer 3 ST13030020 (—) Press stand 4 ST13030030 (—) Spring 5 KV10110340 (—) Drift 6 KV10110320 (—) Center shaft	Disassembling and assembling piston with connecting rod  NT036	GI MA EM LC EC FE AT TF
EM03470000 (J8037) Piston ring compressor	Installing piston assembly into cylinder bore  NT044	PD AX
ST16610001 (J23907) Pilot bushing puller	Removing crankshaft pilot bushing  NT045	SU BR
KV10111100 (J37228) Seal cutter	Removing oil pan  NT046	ST RS BT
WS39930000 (—) Tube presser	Pressing the tube of liquid gasket  NT052	HA SC
KV10117100 (J3647-A) Heated oxygen sensor wrench	Loosening or tightening heated oxygen sensor For 22 mm (0.87 in) hexagon nut  NT379	EL IDX

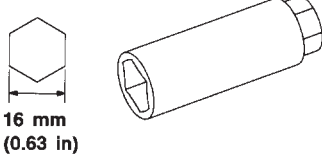
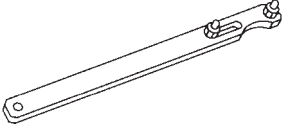
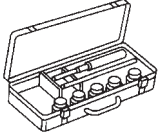
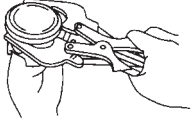
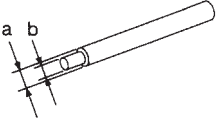
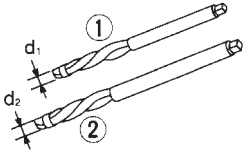
PREPARATION

Special Service Tools (Cont'd)

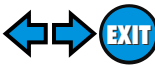
Tool number (Kent-Moore No.) Tool name	Description
KV10114400 (J38365) Heated oxygen sensor wrench	 <p data-bbox="987 260 1430 342">Loosening or tightening rear heated oxygen sensor (For right bank) a: 22 mm (0.87 in)</p> <p data-bbox="443 436 505 457">NT636</p>

Commercial Service Tools

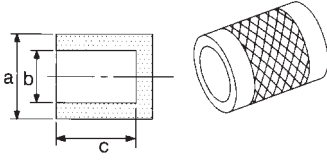
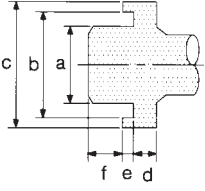
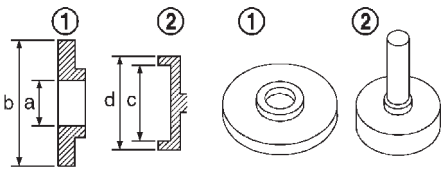
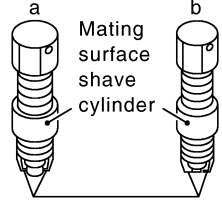
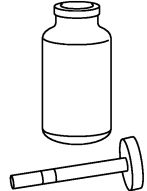
NBEM0004

Tool name (Kent-Moore No.)	Description
Spark plug wrench	 <p data-bbox="987 621 1344 646">Removing and installing spark plug</p> <p data-bbox="443 806 505 827">NT047</p>
Pulley holder	 <p data-bbox="987 842 1422 898">Holding camshaft pulley while tightening or loosening camshaft bolt</p> <p data-bbox="443 1001 505 1022">NT035</p>
Valve seat cutter set	 <p data-bbox="987 1037 1312 1062">Finishing valve seat dimensions</p> <p data-bbox="443 1192 505 1213">NT048</p>
Piston ring expander	 <p data-bbox="987 1232 1344 1257">Removing and installing piston ring</p> <p data-bbox="443 1375 505 1396">NT030</p>
Valve guide drift	 <p data-bbox="987 1411 1354 1436">Removing and installing valve guide</p> <p data-bbox="987 1442 1273 1524">Intake & Exhaust: a = 10.5 mm (0.413 in) dia. b = 6.6 mm (0.260 in) dia.</p> <p data-bbox="443 1554 505 1575">NT015</p>
Valve guide reamer	 <p data-bbox="987 1591 1425 1648">Reaming valve guide 1 or hole for oversize valve guide 2</p> <p data-bbox="987 1650 1284 1732">Intake: d₁ = 7.0 mm (0.276 in) dia. d₂ = 11.2 mm (0.441 in) dia.</p> <p data-bbox="987 1734 1284 1816">Exhaust: d₁ = 8.0 mm (0.315 in) dia. d₂ = 12.2 mm (0.480 in) dia.</p> <p data-bbox="443 1778 505 1799">NT016</p>

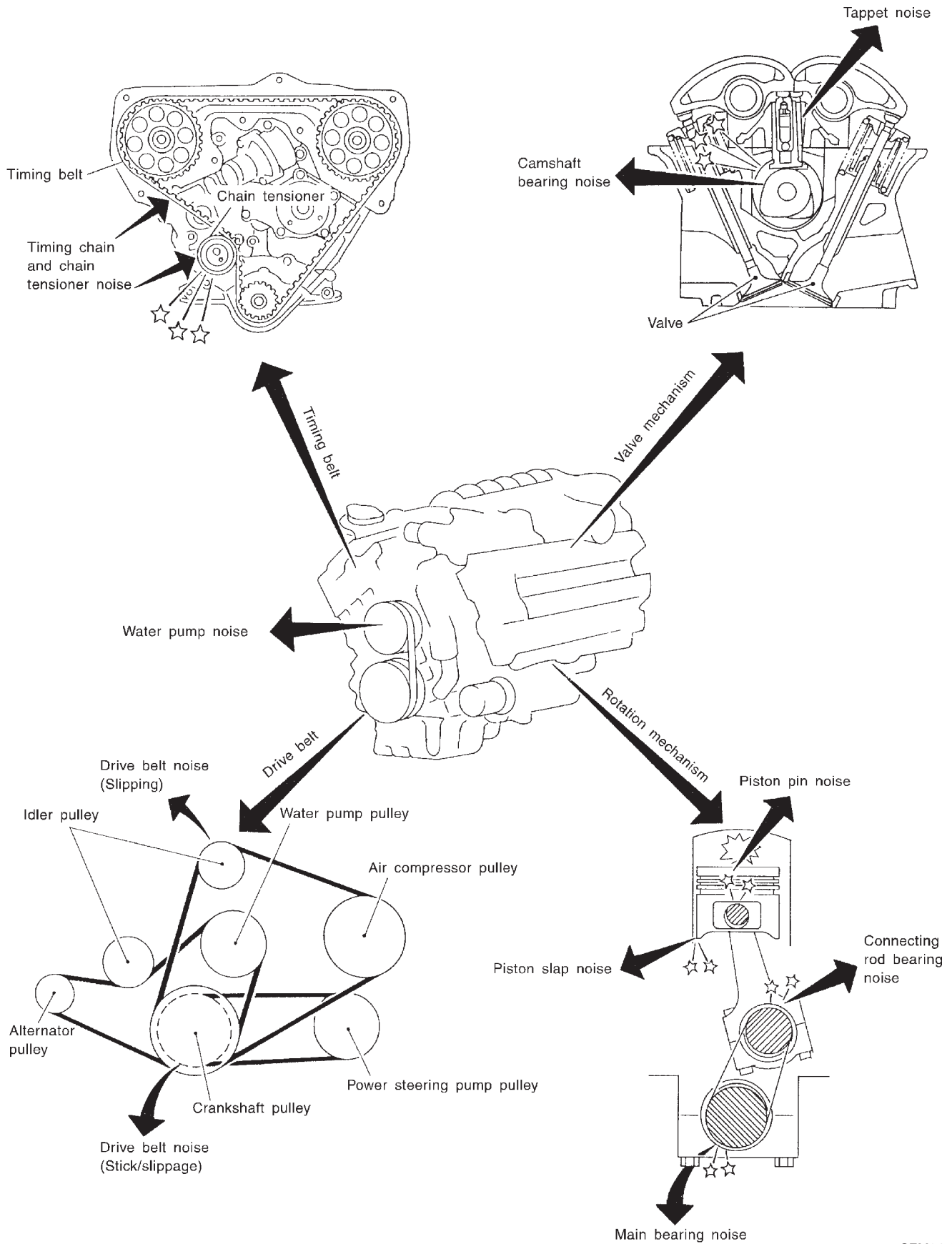
PREPARATION



Commercial Service Tools (Cont'd)

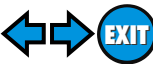
Tool name (Kent-Moore No.)	Description	
Camshaft oil seal drift	 <p>Installing camshaft oil seal a: 60 mm (2.36 in) dia. b: 44.5 mm (1.752 in) dia. c: 75 mm (2.95 in)</p> <p>NT613</p>	GI MA EM
Front oil seal drift	 <p>Installing front oil seal a: 24.5 mm (0.965 in) dia. b: 36 mm (1.42 in) dia. c: 44 mm (1.73 in) dia. d: 17 mm (0.67 in) e: 3 mm (0.12 in) f: 5 mm (0.20 in)</p> <p>NT606</p>	LC EC FE
Rear oil seal drift	 <p>Installing rear oil seal a: 46 mm (1.81 in) b: 110 mm (4.33 in) c: 84 mm (3.31 in) d: 96 mm (3.78 in)</p> <p>NT719</p>	AT TF PD
Oxygen sensor thread cleaner (J-43897-18) (J-43897-12)	 <p>Reconditioning the exhaust system threads before installing a new oxygen sensor. Use with anti-seize lubricant shown below. a: J-43897-18 18 mm diameter, for Zirconia Oxygen Sensor b: J-43897-12 12 mm diameter, for Titania Oxygen Sensor</p> <p>NT778</p>	AX SU BR
Anti-seize lubricant (Permatex™ 133AR or equivalent meeting MIL specification MIL-A-907)	 <p>Lubricating oxygen sensor thread cleaning tool when reconditioning exhaust system threads.</p> <p>NT779</p>	ST RS BT

HA
 SC
 EL
 IDX



SEM645F

NOISE, VIBRATION AND HARSHNESS (NVH) TROUBLESHOOTING



NVH Troubleshooting Chart — Engine Noise

NVH Troubleshooting Chart — Engine Noise

NBEM0039S01

Use the chart below to help you find the cause of the problem.

1. Locate the area where noise occurs.
2. Confirm the type of noise.
3. Specify the operating condition of engine.
4. Check specified noise source.

If necessary, repair or replace these parts.

Location of noise	Type of noise	Operating condition of engine						Source of noise	Check item	Reference page
		Before warm-up	After warm-up	When starting	When idling	When racing	While driving			
Top of engine Rocker cover Cylinder head	Ticking or clicking	C	A	—	A	B	—	Tappet noise	Valve clearance	EM-37*1
	Rattle	C	A	—	A	B	C	Camshaft bearing noise	Camshaft journal clearance Camshaft runout	EM-32, EM-31
Crankshaft pulley Cylinder block (Side of engine) Oil pan	Slap or knock	—	A	—	B	B	—	Piston pin noise	Piston and piston pin clearance Connecting rod bushing clearance	EM-47, EM-54
	Slap or rap	A	—	—	B	B	A	Piston slap noise	Piston-to-bore clearance Piston ring side clearance Piston ring end gap Connecting rod bend and torsion	EM-49, EM-48, EM-48, EM-48
	Knock	A	B	C	B	B	B	Connecting rod bearing noise	Connecting rod bushing clearance (Small end) Connecting rod bearing clearance (Big end)	EM-54, EM-53
	Knock	A	B	—	A	B	C	Main bearing noise	Main bearing oil clearance Crankshaft runout	EM-51, EM-51
Timing belt cover	Whine or hissing	C	A	—	A	A	—	Timing belt noise (too tight)	Loose timing belt Belt contacting case	EM-18
	Clatter	A	B	—	C	A	—	Timing belt noise (too loose)		
Front of engine	Squeaking or fizzing	A	B	—	B	—	C	Other drive belts (Sticking or slipping)	Drive belts deflection	*2
	Creaking	A	B	A	B	A	B	Other drive belts (Slipping)	Idler pulley bearing operation	
	Squall Creak	A	B	—	B	A	B	Water pump noise	Water pump operation	*3

A: Closely related B: Related C: Sometimes related —: Not related

*1: STEP 19 in "Installation", "CYLINDER HEAD"

*2: Refer to MA-13, "Checking Drive Belts".

*3: Refer to LC-10, "Water Pump Inspection".

GI

MA

EM

LC

EC

FE

AT

TF

PD

AX

SU

BR

ST

RS

BT

HA

SC

EL

IDX

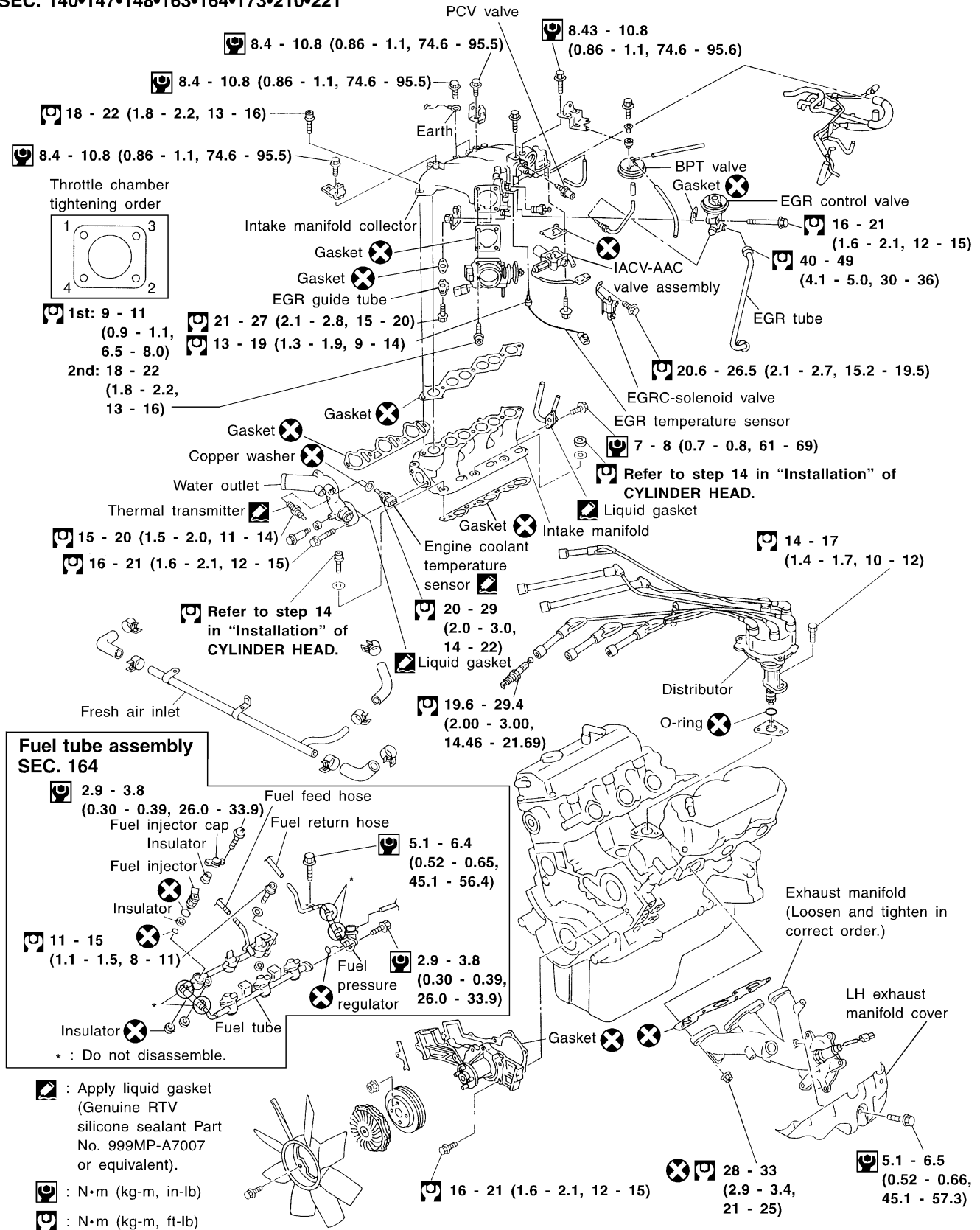
OUTER COMPONENT PARTS

Removal and Installation

Removal and Installation

NBEM0005

SEC. 140•147•148•163•164•173•210•221

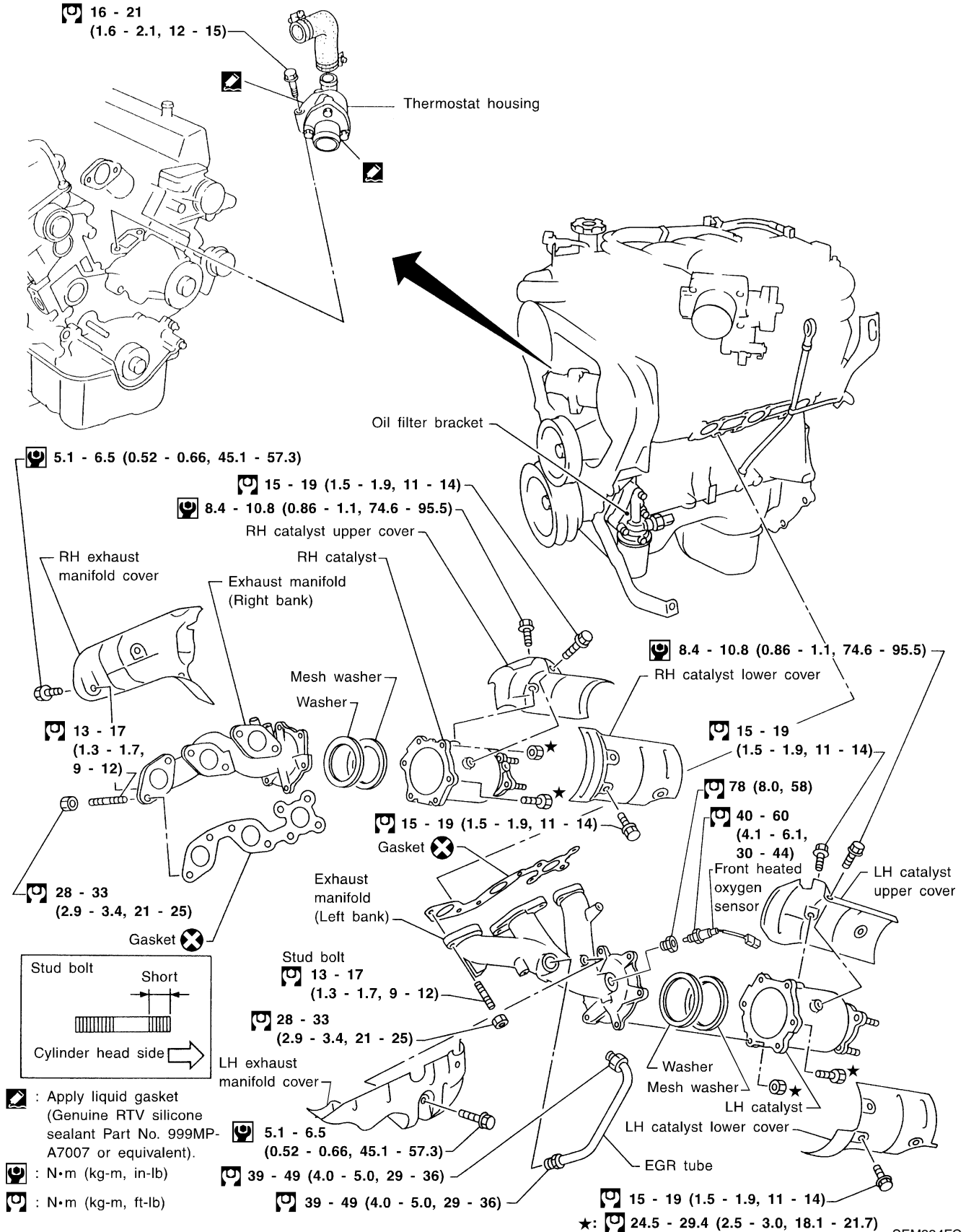


SEM644FC

OUTER COMPONENT PARTS

Removal and Installation (Cont'd)

SEC. 140•208



GI

MA

EM

LC

EC

FE

AT

TF

PD

AX

SU

BR

ST

RS

BT

HA

SC

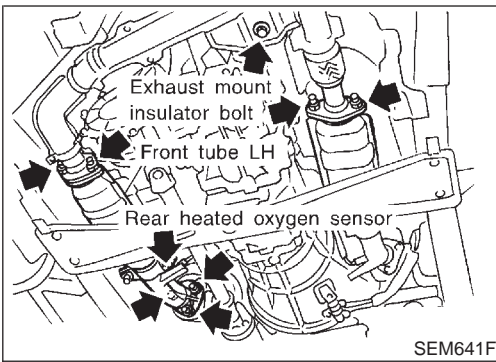
EL

IDX

SEM334FC

OUTER COMPONENT PARTS

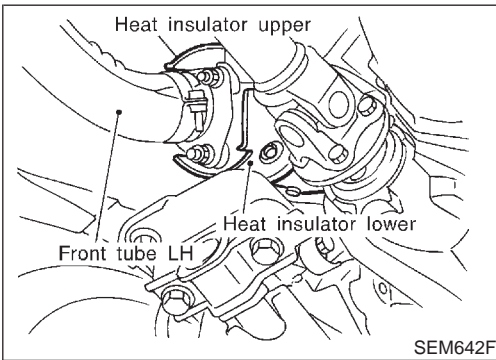
Removal and Installation (Cont'd)



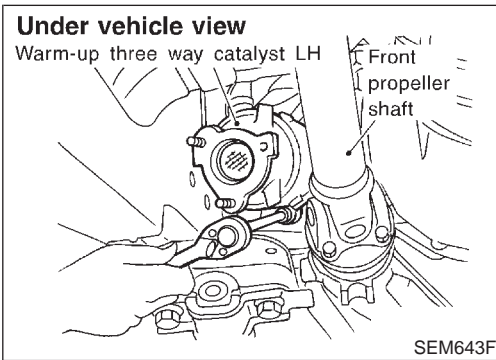
WARM-UP THREE WAY CATALYST LH

NBEM0005S01

1. Remove front tube nut RH and LH.
2. Loosen exhaust mount insulator bolt.
3. Remove rear heated oxygen sensor. Use SST KV10114400 (J38365).
4. Remove front tube LH side.



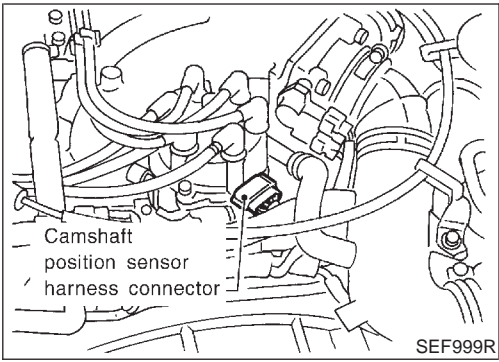
5. Remove heat insulator upper side.
6. Remove heat insulator lower side.



7. Remove warm-up three way catalyst.

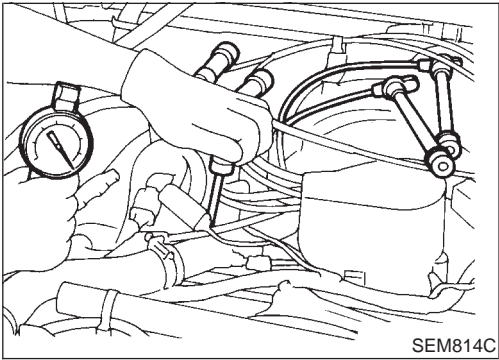
8. Installation is in reverse order of removal.

MEASUREMENT OF COMPRESSION PRESSURE



1. Warm up engine.
2. Turn ignition switch off.
3. Release fuel pressure. Refer to EC-37, "Fuel Pressure Release".
4. Remove all spark plugs.
 - **Clean area around plug with compressed air before removing the spark plug.**
5. Disconnect camshaft position sensor harness connector at the distributor.
6. Remove fuel injector fuse 63 located in engine room. Refer to "FUSE AND FUSIBLE LINK BOX" electrical reference page at the end of the manual.

GI
MA
EM
LC



7. Attach a compression tester to No. 1 cylinder.
8. Depress accelerator pedal fully to keep throttle valve wide open.
9. Crank engine and record highest gauge indication.
10. Repeat the measurement on each cylinder as shown above.
 - **Always use a fully-charged battery to obtain specified engine speed.**

EC
FE
AT
TF
PD
AX
SU

Compression pressure: kPa (kg/cm², psi)/300 rpm
Standard

1,196 (12.2, 173)

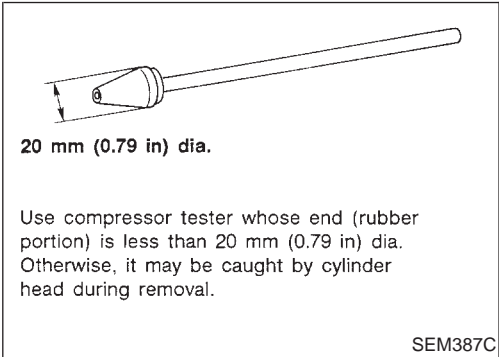
Minimum

883 (9.0, 128)

Maximum allowable difference between cylinders

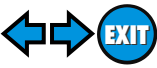
98 (1.0, 14)

BR
ST



11. If cylinder compression in one or more cylinders is low, pour a small amount of engine oil into cylinders through spark plug holes and retest compression.
 - **If adding oil improves cylinder compression, piston rings may be worn or damaged. If so, replace piston rings after checking piston.**
 - **If pressure stays low, a valve may be sticking or seating improperly. Inspect and repair valve and valve seat. Refer to SDS (EM-61). If valve or valve seat is damaged excessively, replace them.**
 - **If compression in any two adjacent cylinders is low and if adding oil does not improve compression, there is leakage past the gasket surface. If so, replace cylinder head gasket.**
12. Reinstall spark plug fuel injector fuse, fuel pump fuse, and reconnect camshaft position sensor harness connector at the distributor.
13. Erase the DTC stored in ECM.

RS
BT
HA
SC
EL
IDX



CAUTION:

Always erase the DTC after checking compression.
Refer to EC-68, "HOW TO ERASE EMISSION-RELATED DIAG-
NOSTIC INFORMATION".

Removal

NBEM0007

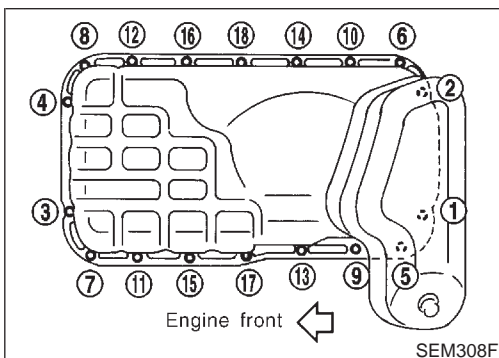
Removal order and points		
1	Remove undercover.	GI
2	Drain engine oil.	MA
3	Remove stabilizer bracket bolts (RH & LH).	EM
4	Remove front propeller shaft from front differential carrier.	EM
5	Remove front drive shaft fixing bolts (RH & LH).	EM
6	Remove front differential carrier bleeder hose.	LC
7	Remove front suspension crossmember.	EC
8	Remove differential front mounting bolts (RH & LH) and rear mounting bolts.	EC
9	Remove front differential carrier.	FE
10	Remove front differential carrier mounting bracket.	AT
11	Remove starter motor.	AT
12	Remove transmission to rear engine mounting bracket nuts (RH & LH).	TF
13	Remove engine mounting bolts or nuts (RH & LH).	PD
14	Remove power steering mounting brackets (RH & LH).	PD
15	Lift up engine. If necessary, disconnect exhaust tube.	AX
16	Remove oil pan.	AX

WARNING:

- Place vehicle on a flat and solid surface.
- Place chocks at front and rear of rear wheels.
- You should not remove oil pan until exhaust system and cooling system have completely cooled off. Otherwise, you may burn yourself and/or fire may break out in the fuel line.
- When remove front and/or rear engine mounting bolts or nuts, lift up slightly engine for safety work.

CAUTION:

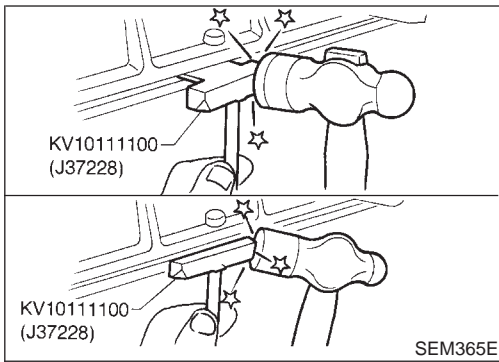
- In lifting engine, be careful not to hit against adjacent parts, especially against accelerator wire casing end, brake tube and brake master cylinder.
- For tightening torque, refer to FE-3 and BR-15.



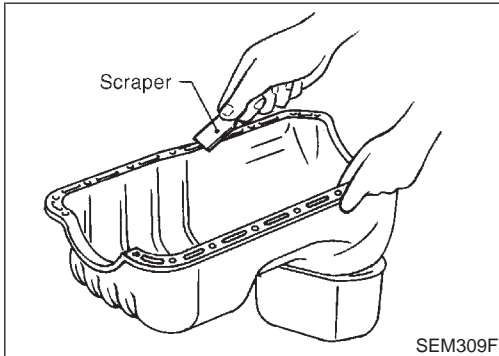
1. Remove oil pan bolts.

OIL PAN

Removal (Cont'd)



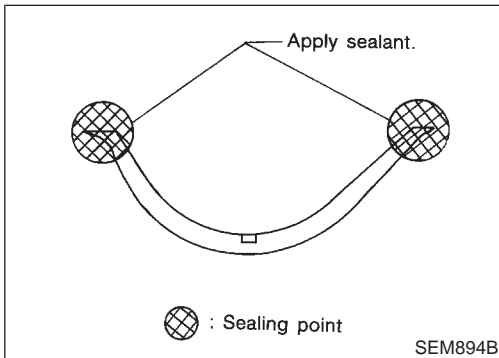
2. Remove oil pan.
 - a. Insert Tool between cylinder block and oil pan.
 - Do not drive seal cutter into oil pump or rear oil seal retainer portion, or aluminum mating face will be damaged.
 - Do not insert screwdriver, or oil pan flange will be deformed.
 - b. Slide Tool by tapping its side with a hammer, and remove oil pan.



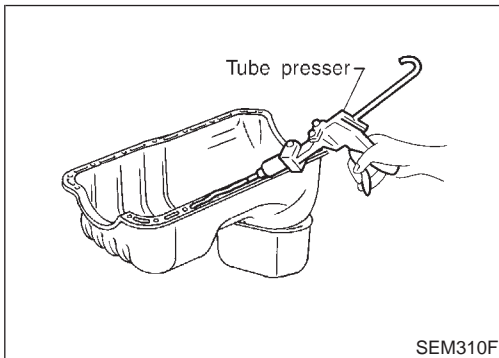
Installation

NBEM0008

1. Before installing oil pan, remove all traces of liquid gasket from mating surface using a scraper.
 - Also remove traces of liquid gasket from mating surface of cylinder block.



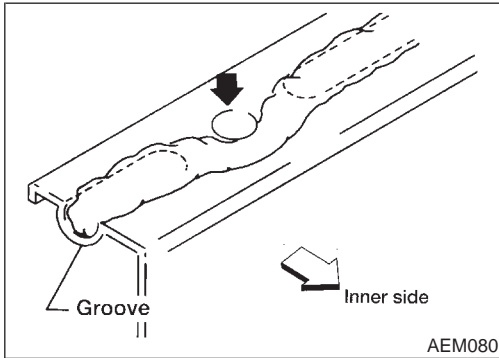
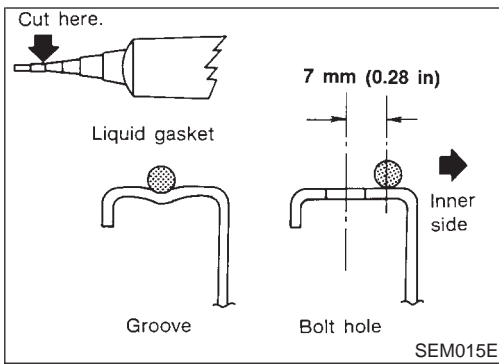
2. Apply sealant to oil pump gasket and rear oil seal retainer gasket.



3. Apply a continuous bead of liquid gasket to mating surface of oil pan.
 - Use Genuine RTV silicone sealant Part No. 999MP-A7007 or equivalent.

OIL PAN

Installation (Cont'd)



- Be sure liquid gasket is 3.5 to 4.5 mm (0.138 to 0.177 in) wide.
- 4. Apply liquid gasket to inner sealing surface as shown in figure.
- **Attaching should be done within 5 minutes after coating.**
- 5. Install oil pan.
- **Install bolts/nuts in their reverse order of removal.**
- **Wait at least 30 minutes before refilling engine oil.**

GI

MA

EM

LC

EC

FE

AT

TF

PD

AX

SU

BR

ST

RS

BT

HA

SC

EL

IDX

TIMING BELT

Components

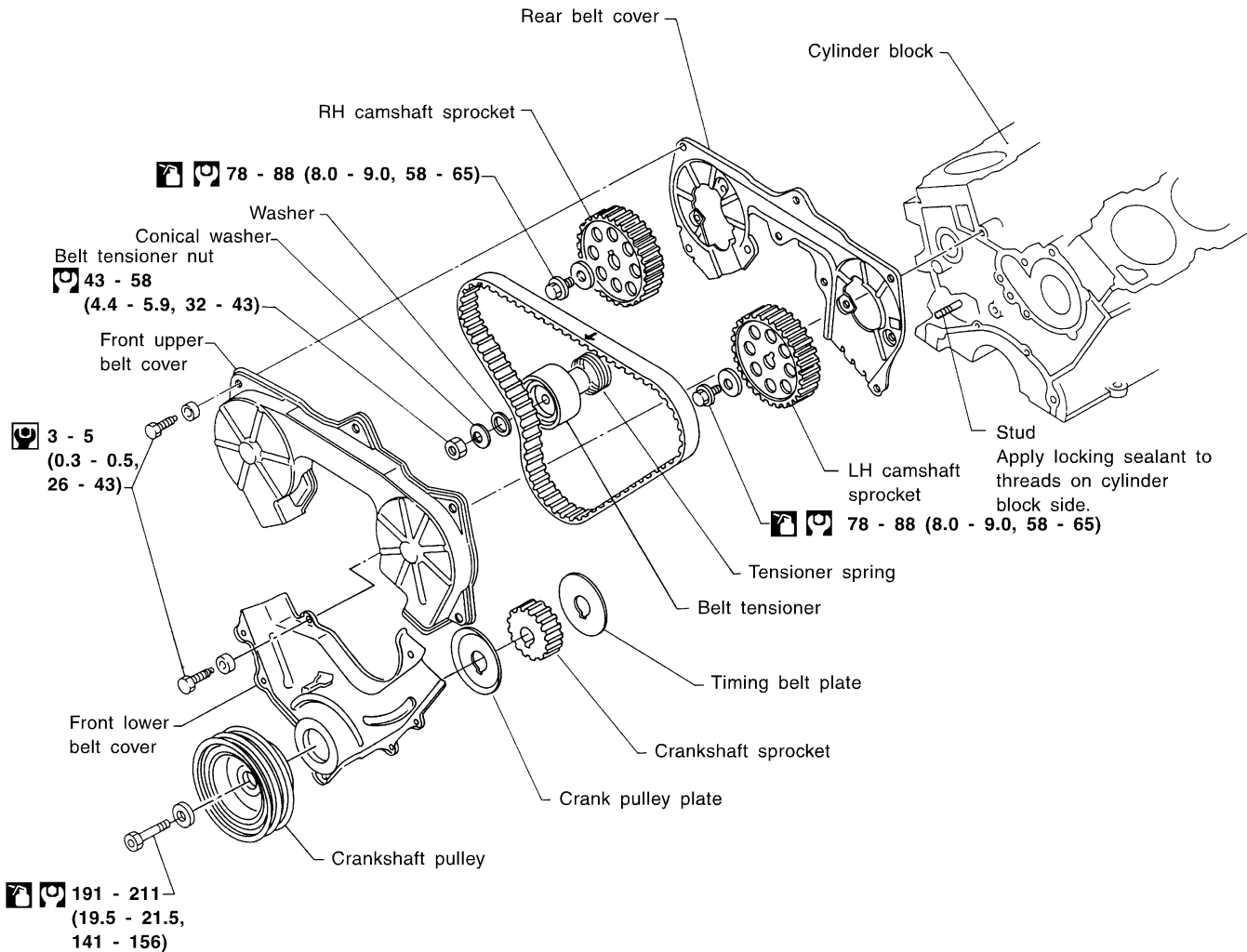
Components

NBEM0009

CAUTION:

- Do not bend or twist timing belt.
- After removing timing belt, do not turn crankshaft and camshaft separately because valves will strike piston heads.
- Make sure that timing belt, camshaft sprocket, crankshaft sprocket and belt tensioner are clean and free from oil and water.
- Installation should be carried out when engine is cold.

SEC. 120•130•135



: N•m (kg-m, in-lb)

: N•m (kg-m, ft-lb)

: Lubricate with new engine oil.

SEM311FA

Removal

NBEM0010

1. Remove engine under cover.
 2. Drain engine coolant from radiator.
- Be careful not to spill coolant on drive belts.**
3. Remove radiator.
Refer to LC-12.
 4. Remove engine cooling fan and water pump pulley.
 5. Remove the following belts.
 - Power steering pump drive belt
 - Compressor drive belt
 - Alternator drive belt
 6. Remove all spark plugs.
 7. Remove distributor protector.
 8. Remove compressor drive belt idler bracket.
 9. Remove fresh-air intake tube for rocker cover.
 10. Remove water hose for thermostat housing.

GI

MA

EM

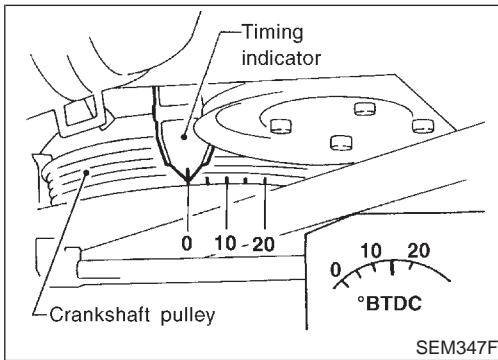
LC

EC

FE

AT

TF



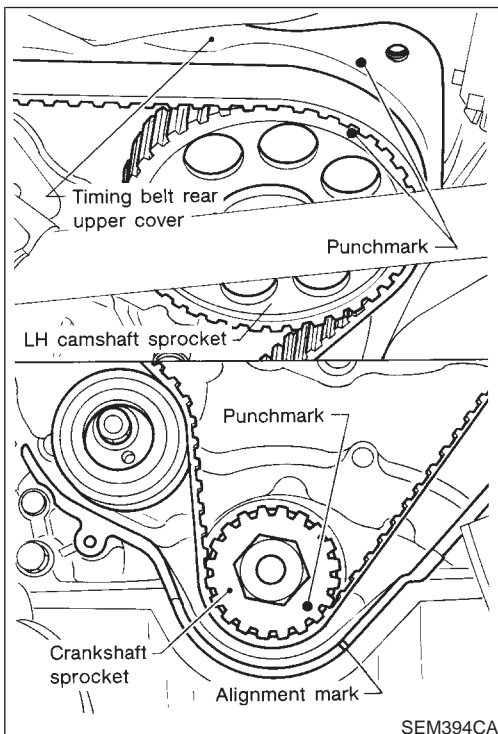
11. Set No. 1 piston at TDC on its compression stroke by rotating crankshaft.
12. Remove crankshaft pulley bolt.
13. Remove crankshaft pulley with a suitable puller.
14. Remove front upper and lower belt covers.

PD

AX

SU

BR



- Align punchmark on LH camshaft sprocket with punchmark on timing belt upper rear cover.
- Align punchmark on crankshaft sprocket with notch on oil pump housing.
- Temporarily install crank pulley bolt on crankshaft so that crankshaft can be rotated.

ST

RS

BT

HA

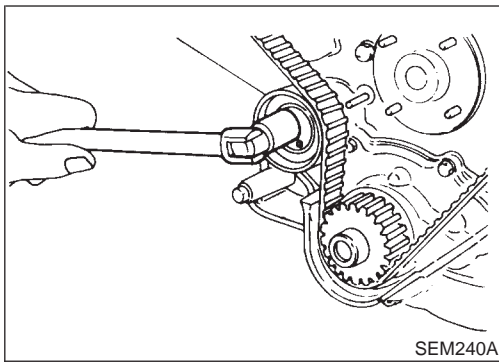
SC

EL

IDX

TIMING BELT

Removal (Cont'd)



15. Loosen timing belt tensioner nut, turn tensioner, then remove timing belt.

Inspection

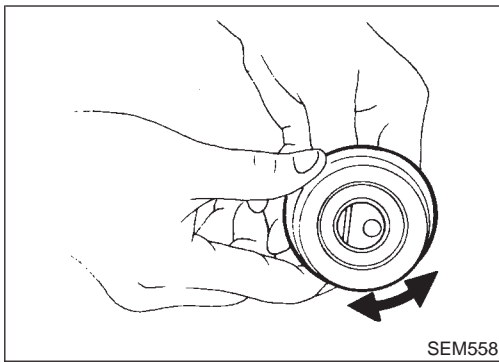
Visually check the condition of timing belt. Replace if any abnormality is found.

NBEM0011

Item to check	Problem	Cause
Tooth is broken/tooth root is cracked.		<ul style="list-style-type: none"> ● Camshaft jamming ● Distributor jamming ● Damaged camshaft/crankshaft oil seal
Back surface is cracked/worn.		<ul style="list-style-type: none"> ● Tensioner jamming ● Overheated engine ● Interference with belt cover
Side surface is worn.	<ul style="list-style-type: none"> ● Belt corners are worn and round. ● Wicks are frayed and coming out. 	<ul style="list-style-type: none"> ● Improper installation of belt ● Malfunctioning crankshaft pulley plate/timing belt plate
Teeth are worn.	<ul style="list-style-type: none"> ● Canvas on tooth face is worn down. ● Canvas on tooth is fluffy, rubber layer is worn down and faded white, or weft is worn down and invisible. 	<ul style="list-style-type: none"> ● Poor belt cover sealing ● Coolant leakage at water pump ● Camshaft not functioning properly ● Distributor not functioning properly ● Excessive belt tension
Oil/Coolant or water is stuck to belt.	—	<ul style="list-style-type: none"> ● Poor oil sealing of each oil seal ● Coolant leakage at water pump ● Poor belt cover sealing

TIMING BELT

Inspection (Cont'd)



SEM558

BELT TENSIONER AND TENSIONER SPRING

NBEM0011S01

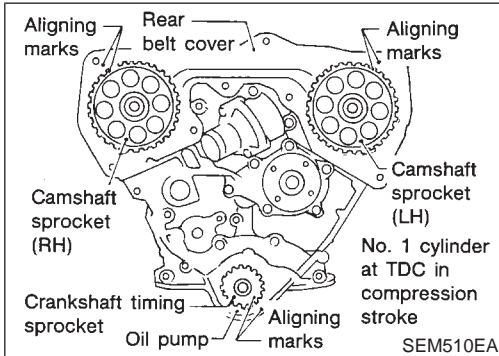
1. Check belt tensioner for smooth turning.
2. Check condition of tensioner spring.

GI

MA

EM

LC



SEM510EA

Installation

NBEM0012

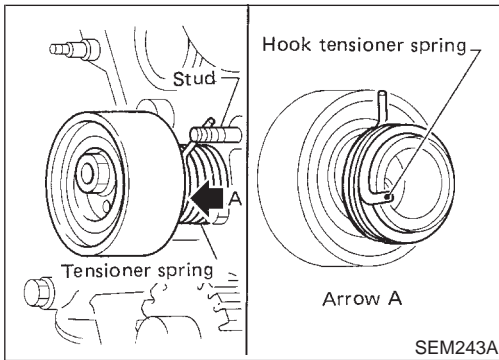
1. Confirm that No. 1 piston is set at TDC on its compression stroke.

EC

FE

AT

TF



SEM243A

2. Install tensioner and tensioner spring.

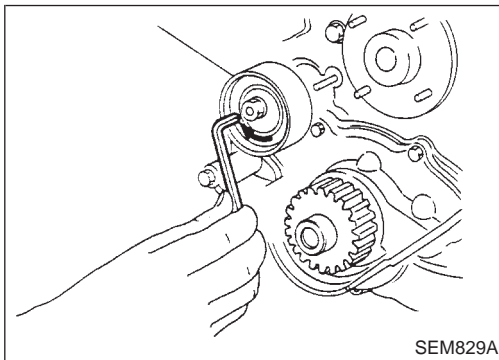
If stud is once removed, apply locking sealant to threads of stud on cylinder block side before installing.

PD

AX

SU

BR



SEM829A

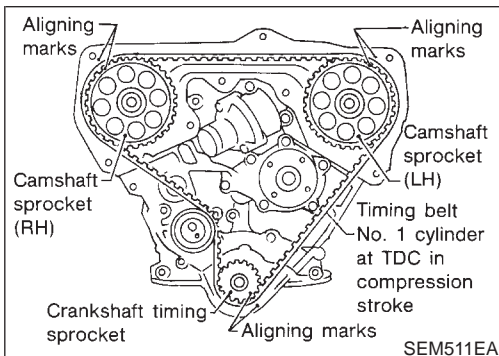
3. Turn tensioner fully outward with hexagon wrench, and temporarily tighten lock nut.

ST

RS

BT

HA



SEM511EA

4. Set timing belt when engine is cold.

- 1) Align white lines on timing belt with punchmarks on camshaft sprockets and crankshaft sprocket.
- 2) Point arrow on timing belt toward front belt cover.

SC

EL

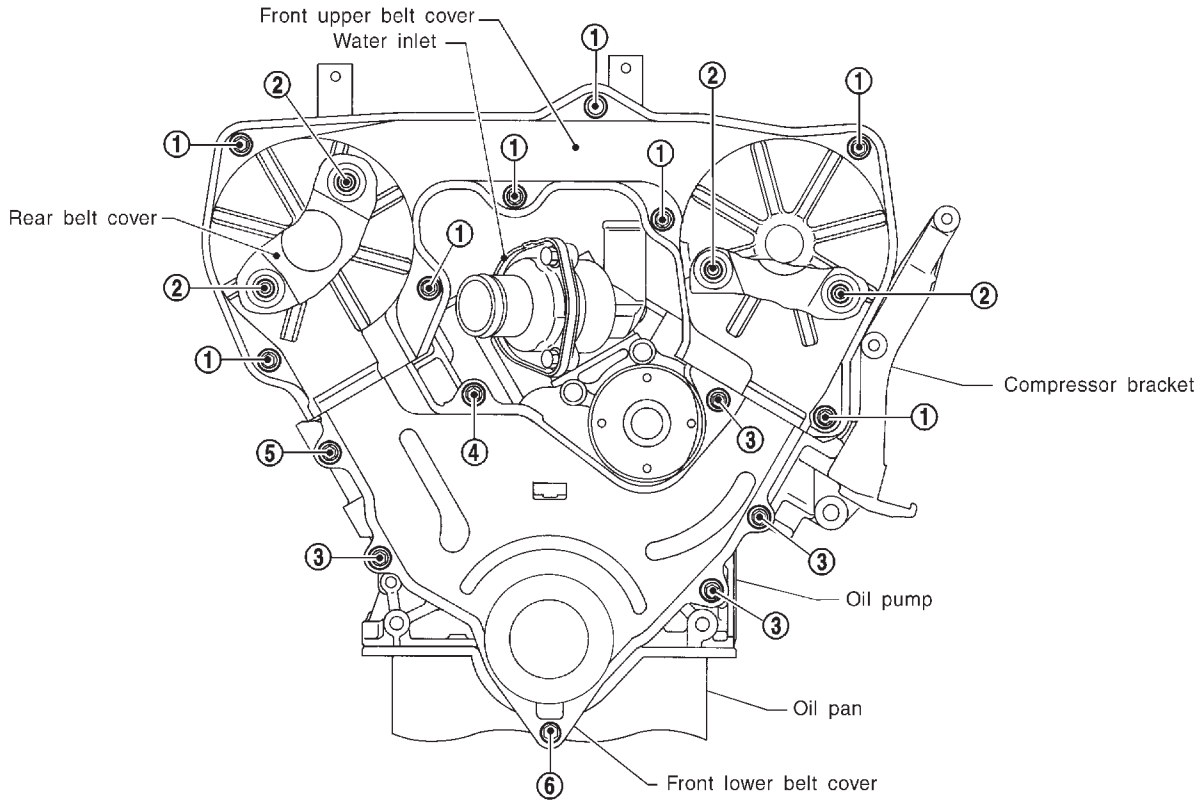
Number of teeth (reference):

Number of timing belt teeth		133
Number of teeth between	Between LH and RH camshaft sprockets	40
	Between LH camshaft sprocket and crankshaft timing sprocket	43

IDX

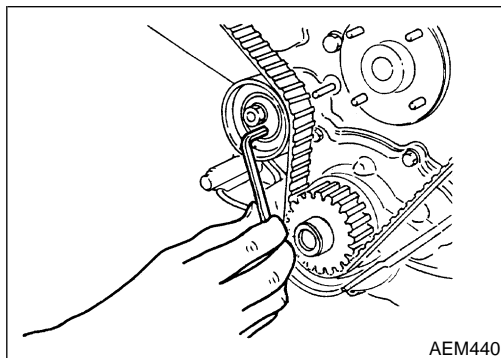
TIMING BELT

Installation (Cont'd)



No.	Tightened parts	No.	Tightened parts		
①		8 pcs.	④		1 pc.
②		4 pcs.	⑤		1 pc.
③		4 pcs.	⑥		1 pc.

SEM313F



AEM440

Tension Adjustment AFTER BELT REPLACEMENT

NBEM0040

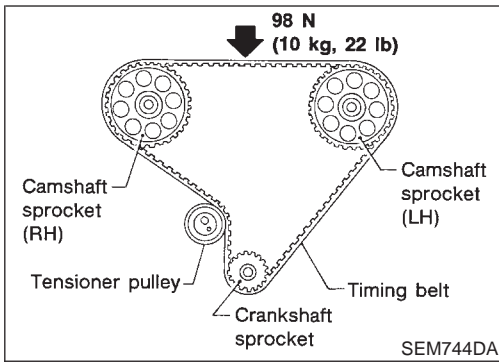
NBEM0040S01

If the timing belt was replaced (or to adjust tension on a used belt), follow the steps below.

1. Loosen tensioner lock nut, then turn tensioner clockwise and counterclockwise with hexagon wrench at least 2 times.

TIMING BELT

Tension Adjustment (Cont'd)



2. Tighten tensioner lock nut.
3. Turn crankshaft clockwise at least 2 times, then slowly set No. 1 piston at TDC on its compression stroke.
4. Measure deflection of timing belt midway between camshaft pulleys while pushing with 98 N (10 kg, 22 lb) force.
**Belt deflection when engine is cold (Reference value):
 13 - 15 mm (0.51 - 0.59 in)/98 N (10 kg, 22 lb)**
5. If NG, return to step 1.

GI

MA

EM

LC

AFTER ENGINE OVERHAUL OR ENGINE REASSEMBLY (WITH ROCKER COVERS REMOVED)

NBEM0040S02

If the engine was overhauled or previously disassembled (i.e. intake manifold and/or cylinder head were removed), follow the steps below.

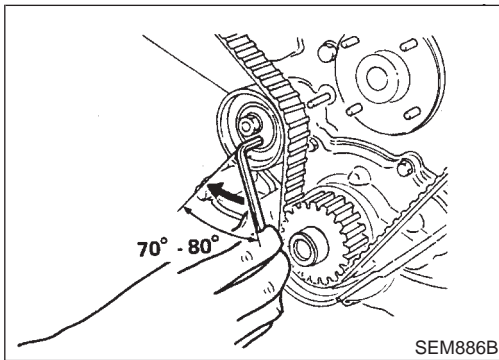
1. Loosen rocker shaft bolts to relieve belt tension caused by the cam shafts.

EC

FE

AT

TF



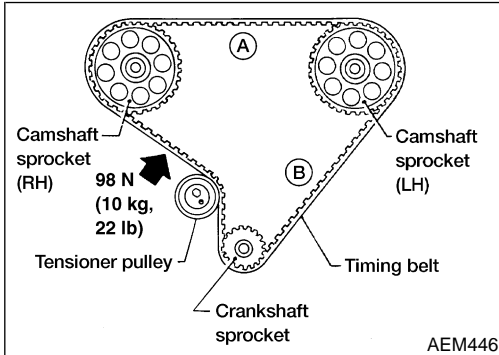
2. Loosen tensioner lock nut, keeping tensioner steady with hexagon wrench.
3. Turn tensioner 70 to 80 degrees clockwise with hexagon wrench to release belt tension, and temporarily tighten lock nut.
4. Turn crankshaft clockwise at least two times, then slowly set No. 1 piston at TDC on its compression stroke.

PD

AX

SU

BR



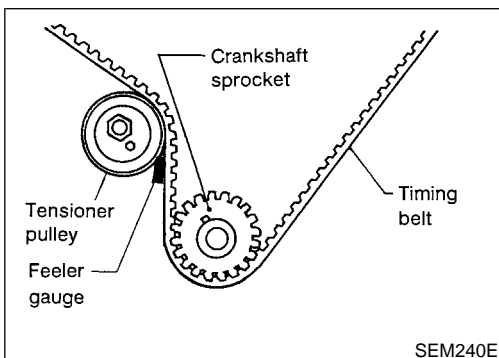
5. Push middle of timing belt between RH camshaft sprocket and tensioner pulley with force of 98 N (10 kg, 22 lb) to apply tensions on part A and part B.
6. Loosen tensioner lock nut, keeping tensioner steady with hexagon wrench.

ST

RS

BT

HA



7. Set feeler gauge as shown in figure which is 0.5 mm (0.020 in) thick and 12.7 mm (0.500 in) wide.

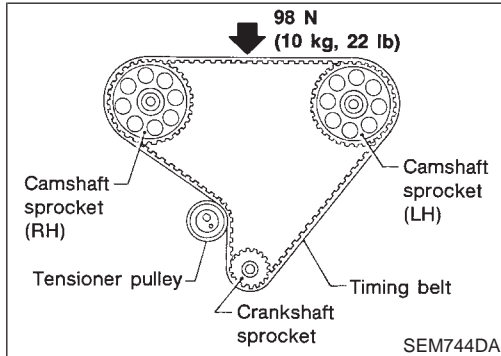
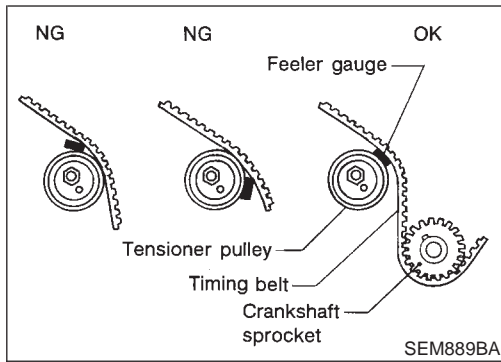
SC

EL

IDX

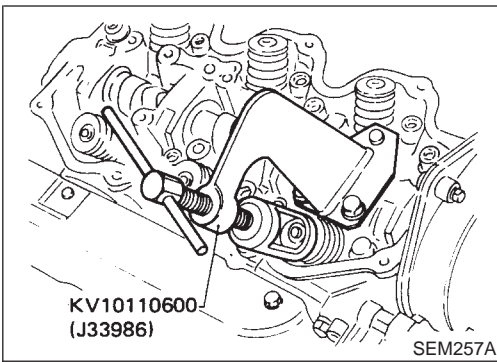
TIMING BELT

Tension Adjustment (Cont'd)



8. Turn crankshaft clockwise until feeler gauge is positioned as shown in figure.
 - Timing belt will move about 2.5 teeth.
9. Tighten tensioner lock nut, keeping tensioner steady with hexagon wrench.
10. Turn crankshaft clockwise or counterclockwise, and remove feeler gauge.
11. Turn crankshaft clockwise at least two times, then slowly set No. 1 piston at TDC on its compression stroke.
12. Measure deflection of timing belt midway between camshaft pulleys while pushing with 98 N (10 kg, 22 lb) force.

Belt deflection when engine is cold (Reference value):
13 - 15 mm (0.51 - 0.59 in)/98 N (10 kg, 22 lb)
13. If NG, return to step 1.
14. Install lower and upper belt covers.



Replacement VALVE OIL SEAL

NBEM0013

NBEM0013S01

1. Remove rocker cover.
2. Remove rocker shaft assembly and valve lifters with valve lifter guide.
3. Remove valve springs and valve oil seal.
 - Piston concerned should be set at TDC to prevent valve from falling.
 - When removing intake side valve oil seal, use Tool or suitable tool.
 - When removing exhaust side valve oil seal, pull it out with suitable tool.

GI

MA

EM

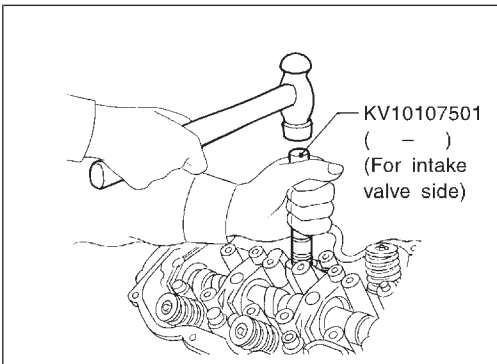
LC

EC

FE

AT

TF



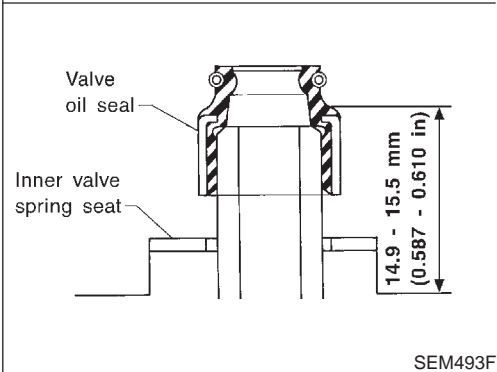
4. Apply engine oil to new valve oil seal and install it.
 - Before installing valve oil seal, install inner valve spring seat.
 - When installing intake side valve oil seal, use Tool.
 - When installing exhaust side valve oil seal, set it by hand.

PD

AX

SU

BR

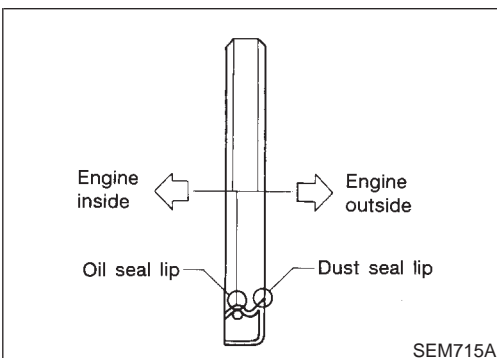


ST

RS

BT

HA



OIL SEAL INSTALLING DIRECTION

NBEM0013S02

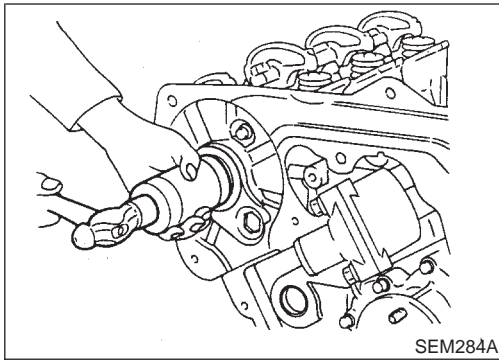
SC

EL

IDX

OIL SEAL

Replacement (Cont'd)



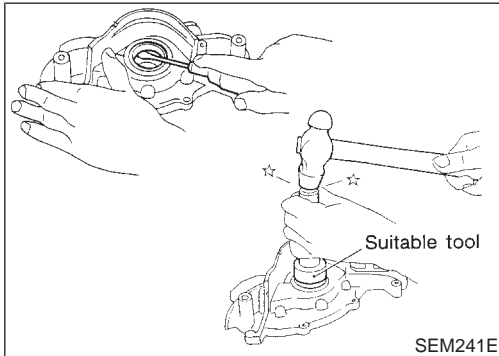
CAMSHAFT OIL SEAL

NBEM0013S03

1. Remove timing belt.
2. Remove camshaft sprocket.
3. Remove camshaft.
4. Remove camshaft oil seal.

Be careful not to scratch camshaft.

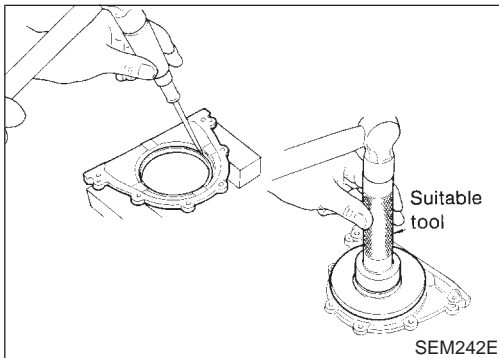
5. Apply engine oil to new camshaft oil seal.



FRONT OIL SEAL

NBEM0013S04

1. Remove timing belt and crankshaft sprocket.
2. Remove oil pump assembly.
3. Remove front oil seal from oil pump body.
4. Apply engine oil to new oil seal and install it using suitable tool.



REAR OIL SEAL

NBEM0013S05

1. Remove flywheel or drive plate.
2. Remove rear oil seal retainer.
3. Remove rear oil seal from retainer.
4. Apply engine oil to new oil seal and install it using suitable tool.
5. Install rear oil seal retainer with a new gasket to cylinder block.

CYLINDER HEAD

Components

NBEM0014

SEC. 102•111•130

GI

MA

EM

LC

EC

FE

AT

TF

PD

AX

SU

BR

ST

RS

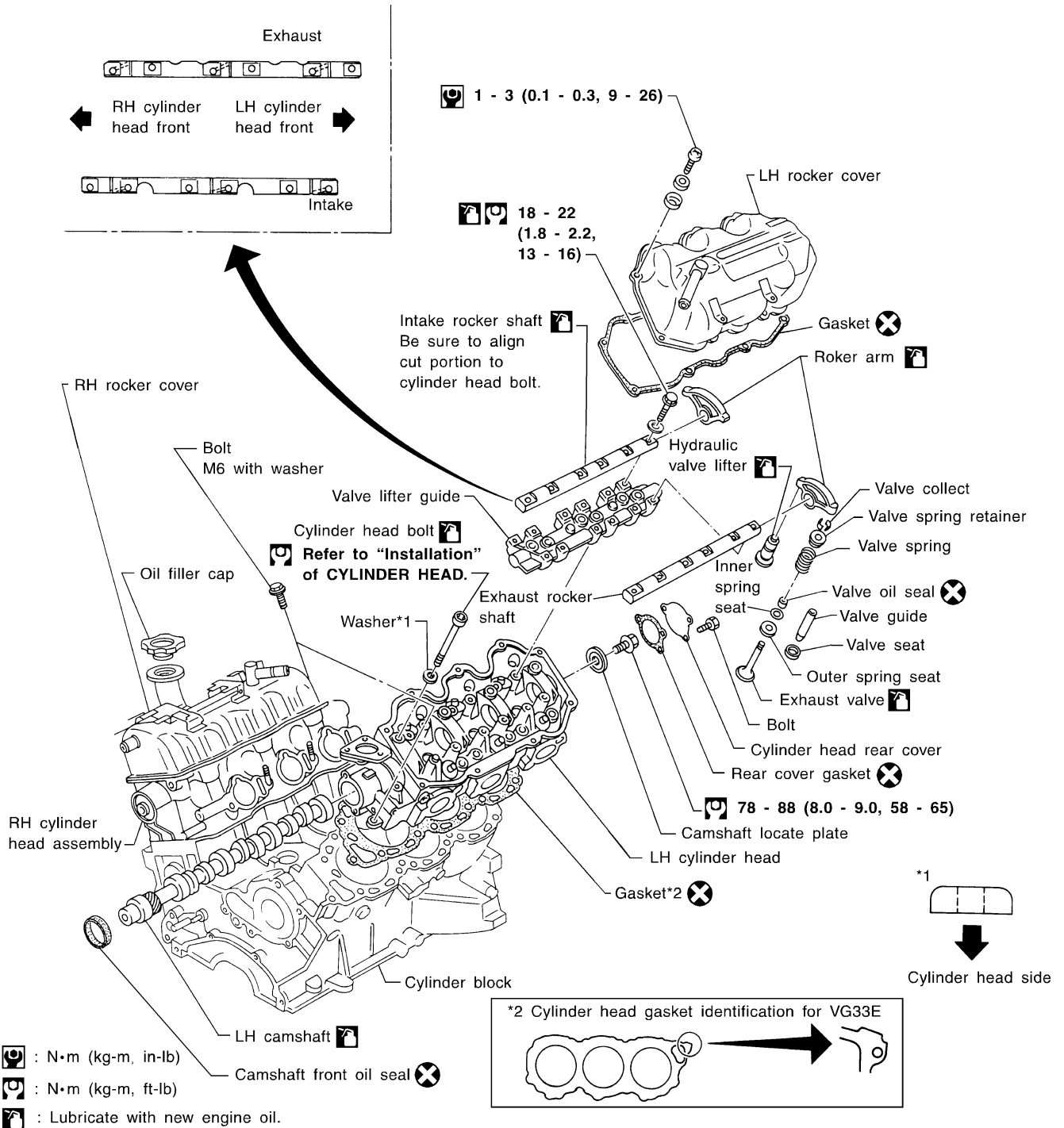
BT

HA

SC

EL

IDX



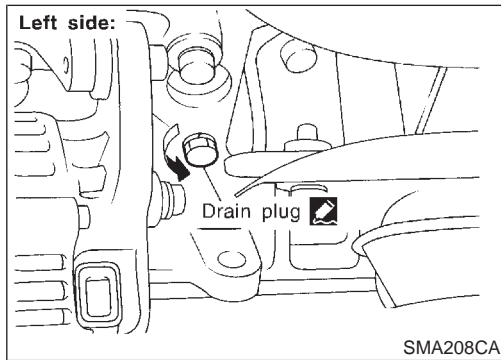
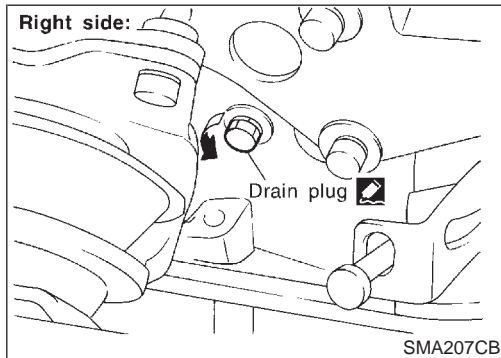
CYLINDER HEAD

Removal

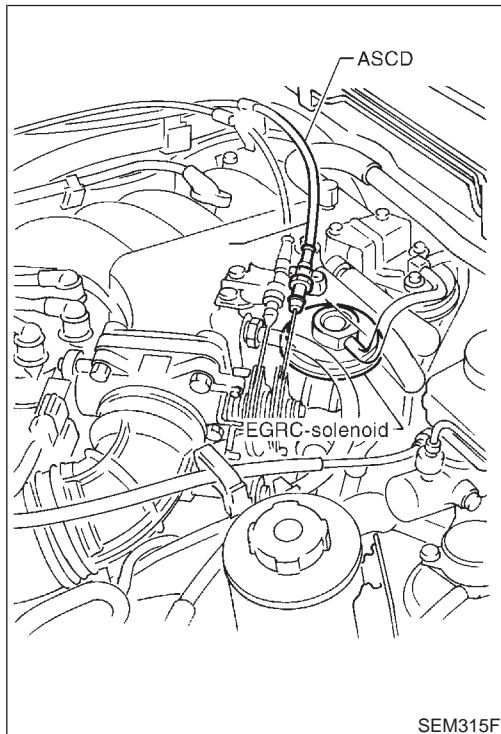
Removal

NBEM0015

1. Release fuel pressure.
Refer to EC-37, "Fuel Pressure Release".
2. Remove timing belt.
Refer to "TIMING BELT — Removal" (EM-19).



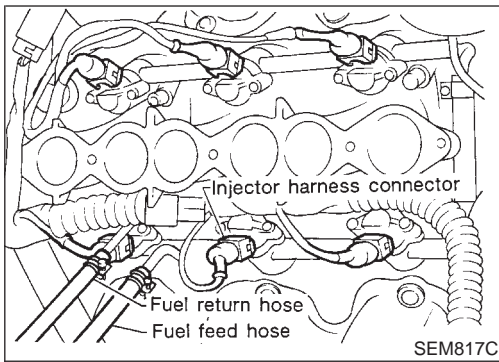
3. Drain coolant by removing drain plugs from both sides of cylinder block.



4. Separate ASCD and accelerator control wire from intake manifold collector.
5. Remove intake manifold collector from engine. The following parts should be disconnected to remove intake manifold collector.
 - a. Harness connectors for: IACV-AAC valve, Throttle position sensor, Throttle position switch, Ignition coil, Power transistor, EGRC-solenoid valve, and EGR temperature sensor.
 - b. Water hoses from collector
 - c. Heater hoses
 - d. PCV hose from RH rocker cover
 - e. Vacuum hoses for: EVAP canister, Master brake cylinder and Pressure regulator.
 - f. Purge hose from EVAP canister
 - g. EGR tube
 - h. Earth harnesses
 - i. Air duct hose

CYLINDER HEAD

Removal (Cont'd)



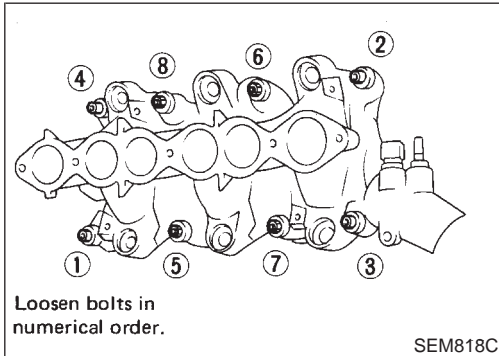
6. Remove fuel feed and fuel return hoses from injector fuel tube assembly.
7. Disconnect all injector harness connectors.
8. Remove injector fuel tube assembly.

GI

MA

EM

LC



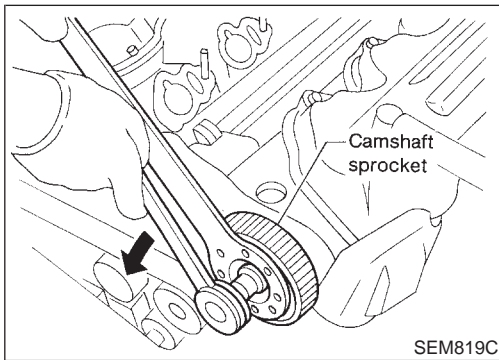
9. Remove intake manifold from engine. The following parts should be disconnected to remove intake manifold.
 - a. Engine coolant temperature switch harness connector
 - b. Thermal transmitter harness connector
 - c. Water hose from thermostat housing

EC

FE

AT

TF



10. Remove both camshaft sprockets.
11. Remove rear timing belt cover.
12. Remove distributor and ignition wires.

PD

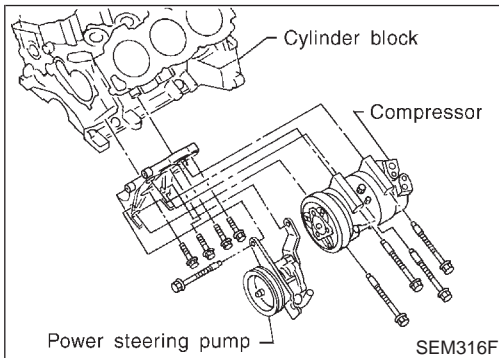
After pulling out distributor from cylinder head, do not rotate distributor rotor.

AX

13. Remove harness clamp from RH rocker cover.
14. Remove front exhaust tube from exhaust manifold.

SU

BR



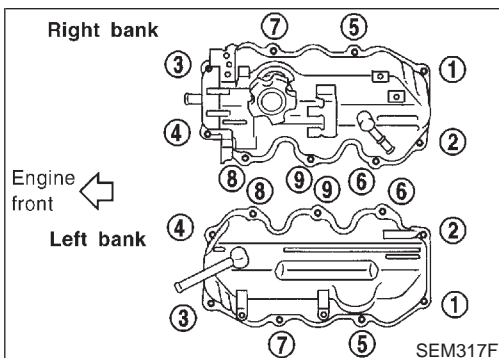
15. Remove compressor and power steering pump.
16. Remove alternator.
17. Remove compressor and alternator bracket.

ST

RS

BT

HA



18. Remove both rocker covers.

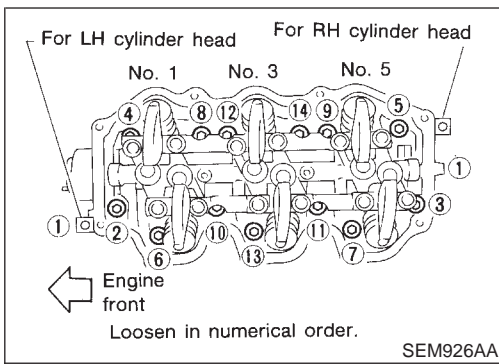
SC

EL

IDX

CYLINDER HEAD

Removal (Cont'd)



19. Remove cylinder head with exhaust manifold.

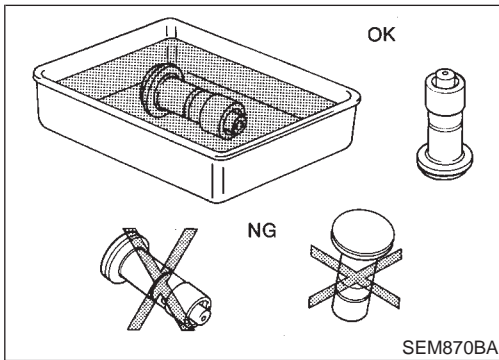
- A warped or cracked cylinder head could result from removing in incorrect order.
- Cylinder head bolts should be loosened in two or three steps.

Disassembly

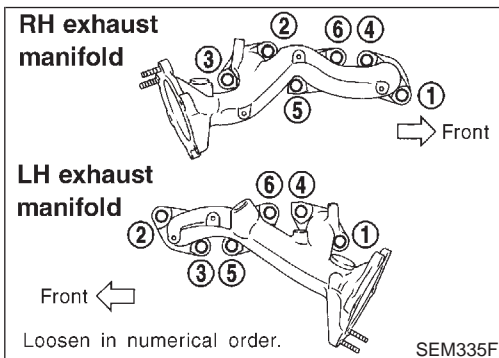
NBEM0016

CAUTION:

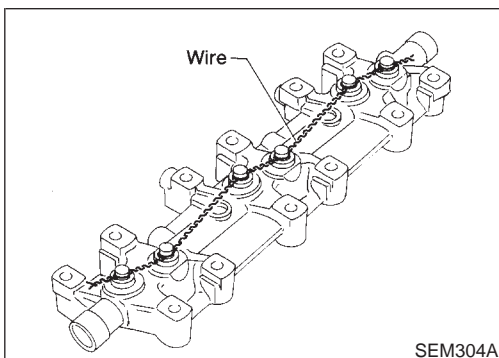
- When installing sliding parts such as rocker arms, camshaft and oil seal, be sure to apply new engine oil on their sliding surfaces.
- When tightening cylinder head bolts and rocker shaft bolts, apply new engine oil to thread portions and seat surfaces of bolts.



- If hydraulic valve lifter is kept on its side, there is a risk of air entering it. After removal, always set hydraulic valve lifter straight up, or when laying it on its side, have it soak in new engine oil.
- Do not disassemble hydraulic valve lifter.
- Attach tags to valve lifters so as not to mix them up.



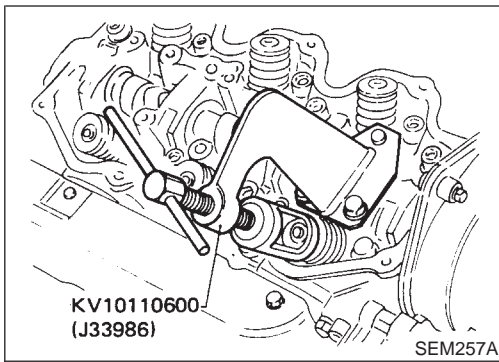
1. Remove exhaust manifolds from cylinder head.



2. Remove rocker shafts with rocker arms.

Bolts should be loosened in two or three steps.

- 3. Remove hydraulic valve lifters and lifter guide.
 - Hold hydraulic valve lifters with wire so that they will not drop from lifter guide.
- 4. Remove oil seal and camshaft.
 - Before removing camshaft, measure camshaft end play.



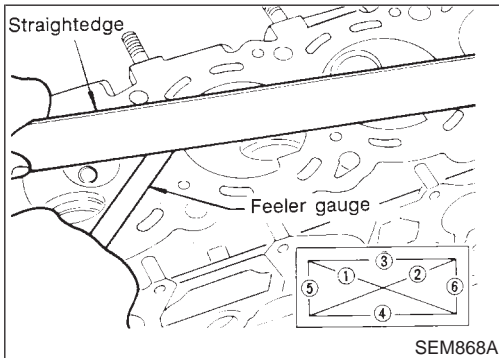
5. Remove valve components with Tool.
6. Remove valve oil seals with Tool or suitable tool.

GI

MA

EM

LC



Inspection

CYLINDER HEAD DISTORTION

Head surface flatness:

Less than 0.1 mm (0.004 in)

If beyond the specified limit, resurface it or replace it.

Resurfacing limit:

The resurfacing limit of cylinder head is determined by the cylinder block resurfacing in an engine.

Amount of cylinder head resurfacing is "A".

Amount of cylinder block resurfacing is "B".

The maximum limit is as follows:

A + B = 0.2 mm (0.008 in)

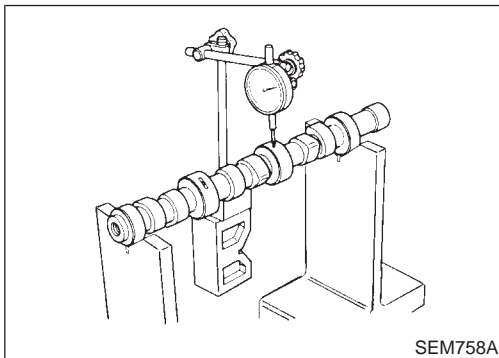
After resurfacing cylinder head, check that camshaft rotates freely by hand. If resistance is felt, cylinder head must be replaced.

Nominal cylinder head height:

106.8 - 107.2 mm (4.205 - 4.220 in)

CAMSHAFT VISUAL CHECK

Check camshaft for scratches, seizure and wear.



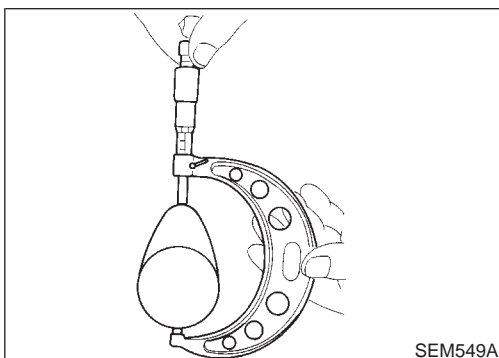
CAMSHAFT RUNOUT

1. Measure camshaft runout at the center journal.

Runout (Total indicator reading):

Limit 0.1 mm (0.004 in)

2. If it exceeds the limit, replace camshaft.



CAMSHAFT CAM HEIGHT

1. Measure camshaft cam height.

Standard cam height:

Intake: 38.943 - 39.133 mm (1.5332 - 1.5407 in)

Exhaust: 38.943 - 39.133 mm (1.5332 - 1.5407 in)

Cam wear limit:

0.15 mm (0.0059 in)

2. If wear is beyond the limit, replace camshaft.

NBEM0017

NBEM0017S01

EC

FE

AT

TF

PD

AX

NBEM0017S02

SU

BR

NBEM0017S03

ST

RS

BT

HA

NBEM0017S04

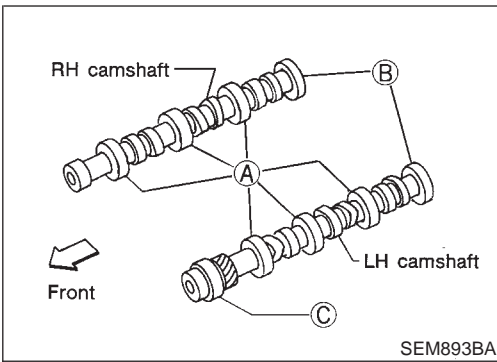
SC

EL

IDX

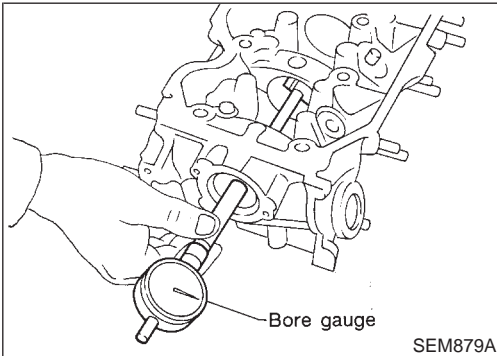
CYLINDER HEAD

Inspection (Cont'd)



CAMSHAFT JOURNAL CLEARANCE

NBEM0017S05



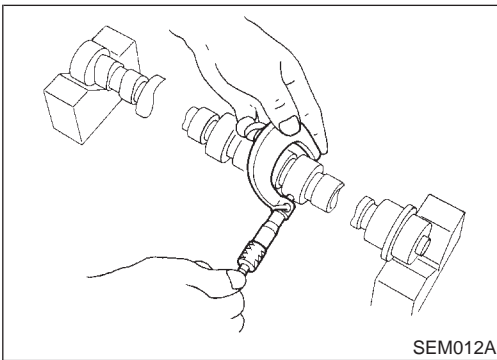
1. Measure inner diameter of camshaft bearing.

Standard inner diameter:

A 47.000 - 47.025 mm (1.8504 - 1.8514 in)

B 42.500 - 42.525 mm (1.6732 - 1.6742 in)

C 48.000 - 48.025 mm (1.8898 - 1.8907 in)



2. Measure outer diameter of camshaft journal.

Standard outer diameter:

A 46.920 - 46.940 mm (1.8472 - 1.8480 in)

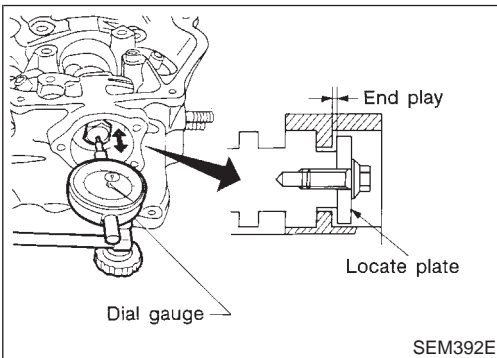
B 42.420 - 42.440 mm (1.6701 - 1.6709 in)

C 47.920 - 47.940 mm (1.8866 - 1.8874 in)

3. If clearance exceeds the limit, replace camshaft and/or cylinder head.

Camshaft journal clearance limit:

0.15 mm (0.0059 in)



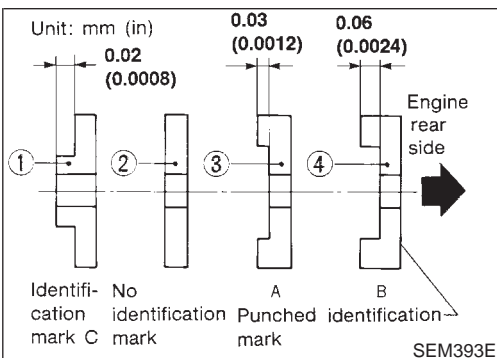
CAMSHAFT END PLAY

NBEM0017S06

1. Install camshaft and locate plate in cylinder head.
2. Measure camshaft end play.

Camshaft end play:

Standard 0.03 - 0.06 mm (0.0012 - 0.0024 in)



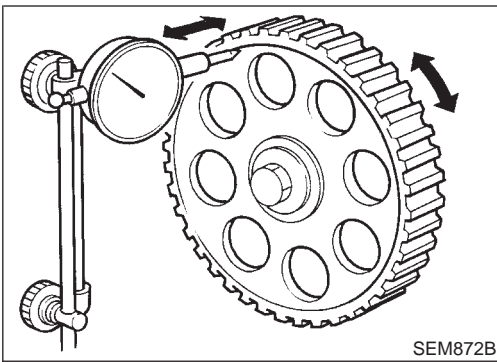
3. If it is out of the specified range, select thickness of camshaft locate plate to obtain standard specified end play.

Example:

When camshaft end play is 0.08 mm (0.0031 in) with camshaft locate plate 2, replace camshaft locate plate 2 with camshaft locate plate 3 to set the end play at 0.05 mm (0.0020 in).

CYLINDER HEAD

Inspection (Cont'd)



SEM872B

CAMSHAFT SPROCKET RUNOUT

NBEM0017S07

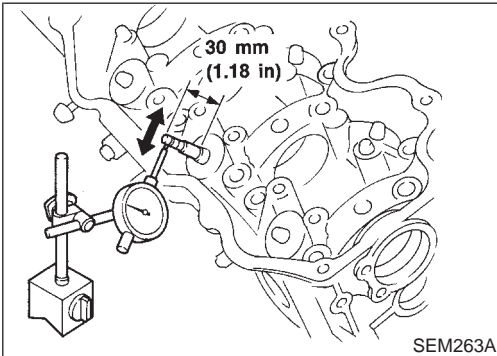
1. Install sprocket on camshaft.
2. Measure camshaft sprocket runout.
**Runout (Total indicator reading):
 Limit 0.1 mm (0.004 in)**
3. If it exceeds the limit, replace camshaft sprocket.

GI

MA

EM

LC



SEM263A

VALVE GUIDE CLEARANCE

NBEM0017S08

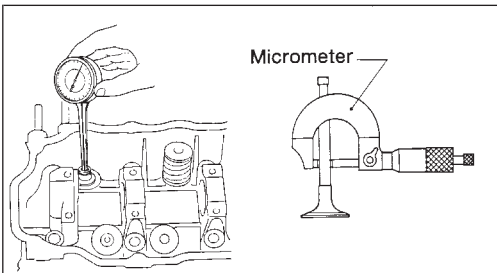
1. Measure valve deflection in a right-angled direction with camshaft. (Valve and valve guide mostly wear in this direction.)
**Valve deflection limit (Dial gauge reading):
 0.20 mm (0.0079 in)**

EC

FE

AT

TF



SEM800A

2. If it exceeds the limit, check valve to valve guide clearance.
 - a. Measure valve stem diameter and valve guide inner diameter.
 - b. Check that clearance is within specification.

PD

AX

Valve to valve guide clearance:

Intake

0.020 - 0.053 mm (0.0008 - 0.0021 in)

Exhaust

0.040 - 0.049 mm (0.0016 - 0.0019 in)

SU

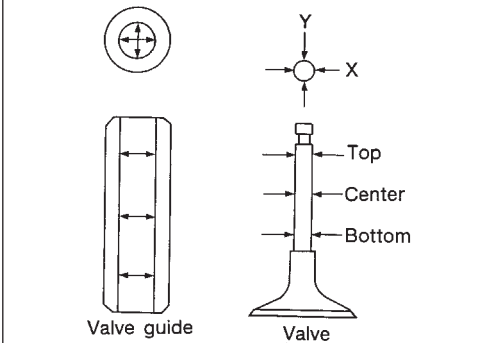
Limit

0.10 mm (0.0039 in)

BR

- c. If it exceeds the limit, replace valve or valve guide.

ST

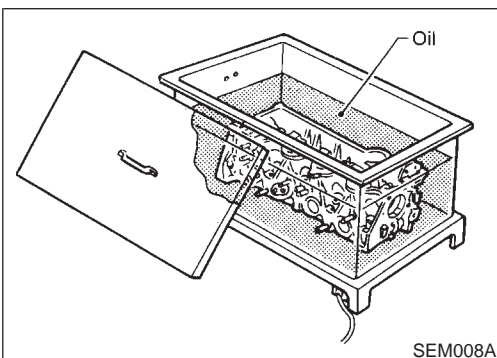


SEM751A

RS

BT

HA



SEM008A

VALVE GUIDE REPLACEMENT

NBEM0017S09

1. To remove valve guide, heat cylinder head to 150 to 160°C (302 to 320°F) by soaking in heated oil.

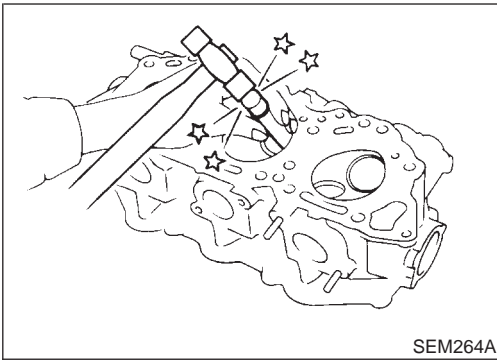
SC

EL

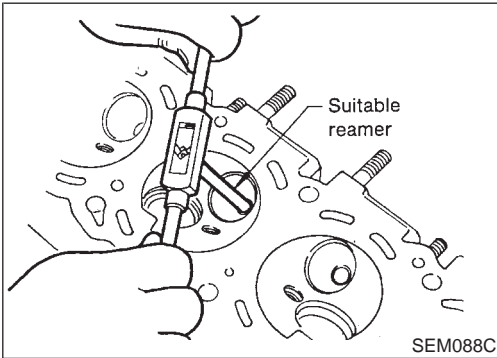
IDX

CYLINDER HEAD

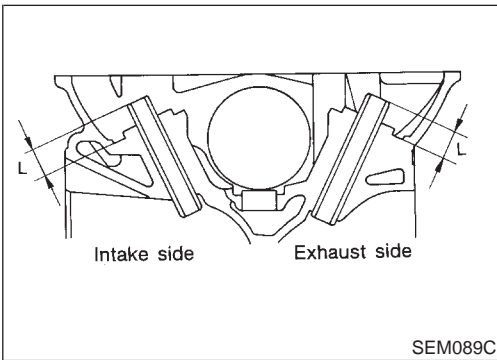
Inspection (Cont'd)



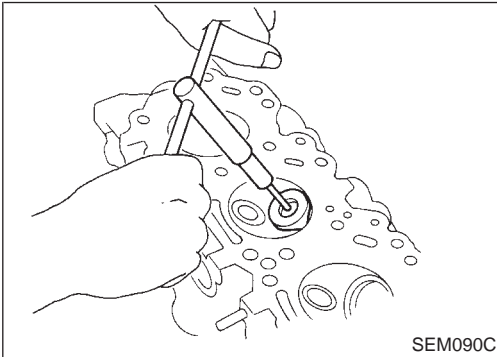
2. Drive out valve guide with a press [under a 20 kN (2 ton, 2.2 US ton, 2.0 Imp ton) pressure] or hammer and suitable tool.



3. Ream cylinder head valve guide hole.
 - Valve guide hole diameter (for service parts):**
 - Intake**
11.175 - 11.196 mm (0.4400 - 0.4408 in)
 - Exhaust**
12.175 - 12.196 mm (0.4793 - 0.4802 in)



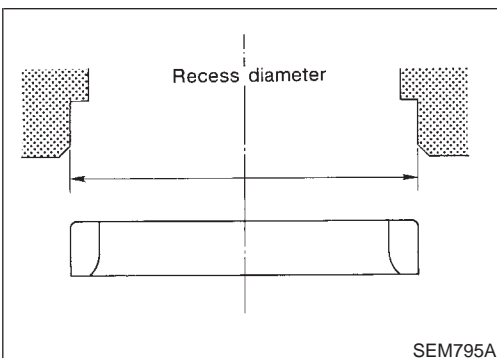
4. Heat cylinder head to 150 to 160°C (302 to 320°F) and press service valve guide onto cylinder head.
 - Projection "L":**
13.2 - 13.4 mm (0.520 - 0.528 in)
5. Ream valve guide.
 - Finished size:**
 - Intake**
7.000 - 7.018 mm (0.2756 - 0.2763 in)
 - Exhaust**
8.000 - 8.011 mm (0.3150 - 0.3154 in)



VALVE SEATS

Check valve seats for any evidence of pitting at valve contact surface, and reseat or replace if it has worn out excessively. NBEM0017S10

- Before repairing valve seats, check valve and valve guide for wear. If they have worn, replace them. Then correct valve seat.
- Use both hands to cut uniformly.



REPLACING VALVE SEAT FOR SERVICE PARTS

1. Bore out old seat until it collapses. The machine depth stop should be set so that boring cannot continue beyond the bottom face of the seat recess in cylinder head. NBEM0017S11

2. Ream cylinder head recess.
 - Reaming bore for service valve seat**
 - Oversize [0.5 mm (0.020 in)]:**
 - Intake**
44.500 - 44.516 mm (1.7520 - 1.7526 in)
 - Exhaust**

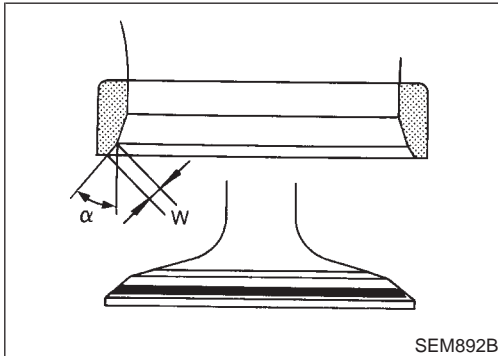
CYLINDER HEAD

Inspection (Cont'd)

37.500 - 37.516 mm (1.4764 - 1.4770 in)

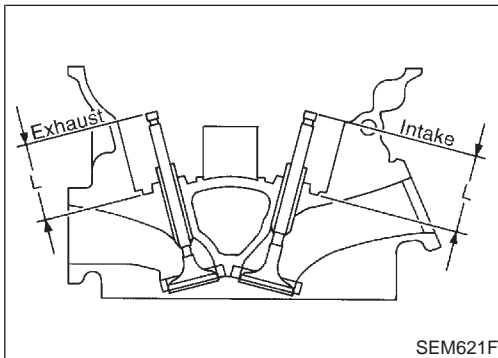
Reaming should be done in circles concentric to the valve guide center so that valve seat will have the correct fit.

3. Heat cylinder head to 150 to 160°C (302 to 320°F) by soaking in heated oil.
4. Press fit valve seat until it seats on the bottom.



5. Cut or grind valve seat using suitable tool at the specified dimensions as shown in SDS (EM-59).
6. After cutting, lap valve seat with abrasive compound.
7. Check valve seating condition.

	Intake	Exhaust
Seat face angle "α" degree	45	45
Contacting width "W" mm (in)	1.75 (0.0689)	1.7 (0.067)



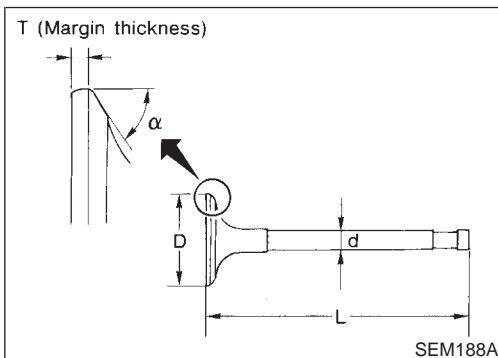
8. Use a depth gauge to measure the distance between the mounting surface of the cylinder head spring seat and the valve stem end. If the distance is shorter than specified, repeat step 5 above to adjust it. If it is longer, replace the valve seat with a new one.

Intake:

44.7 - 44.9 mm (1.760 - 1.768 in)

Exhaust:

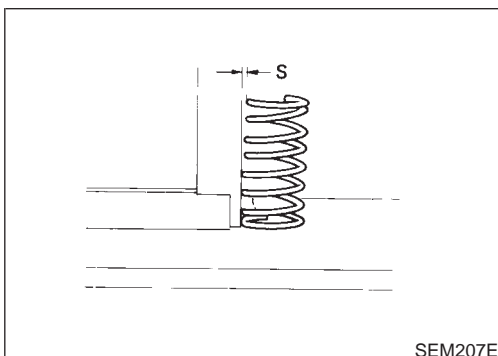
45.4 - 45.6 mm (1.787 - 1.795 in)



VALVE DIMENSIONS

Check dimensions in each valve. For dimensions, refer to SDS. ^{NBEM0017S12} When valve head has been worn down to 0.5 mm (0.020 in) in margin thickness, replace valve.

Grinding allowance for valve stem tip is 0.2 mm (0.008 in) or less.



VALVE SPRING

Squareness

1. Measure "S" dimension.

Less than 2.2 mm (0.087 in)

2. If it exceeds the limit, replace spring.

GI

MA

EM

LC

EC

FE

AT

TF

PD

AX

SU

BR

ST

RS

BT

HA

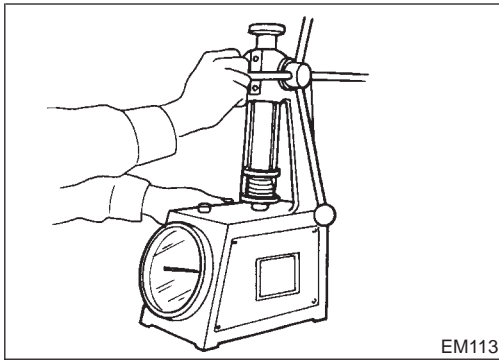
SC

EL

IDX

CYLINDER HEAD

Inspection (Cont'd)



EM113

Pressure

Check valve spring pressure.

NBEM0017S1302

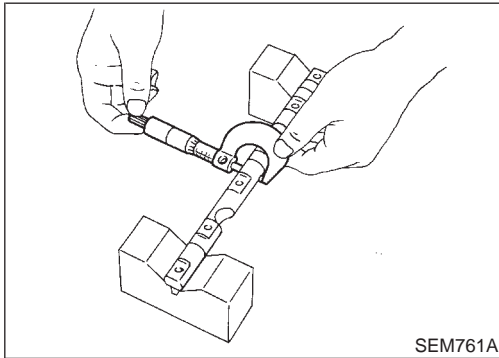
Standard pressure:

790 N (80.6 kg, 178 lb) at 30.0 mm (1.181 in)

Limit pressure:

More than 733 N (74.7 kg, 165 lb) at 30.0 mm (1.181 in)

If it exceeds the limit, replace spring.



SEM761A

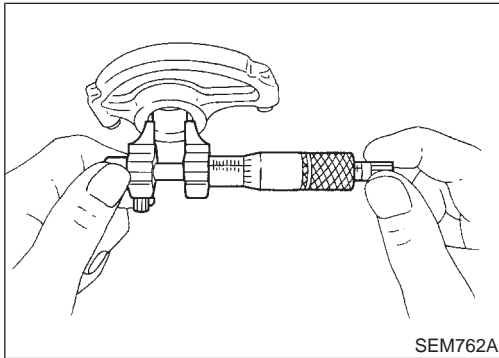
ROCKER SHAFT AND ROCKER ARM

NBEM0017S14

1. Check rocker shafts for scratches, seizure and wear.
2. Check outer diameter of rocker shaft.

Diameter:

17.979 - 18.000 mm (0.7078 - 0.7087 in)



SEM762A

3. Check inner diameter of rocker arm.

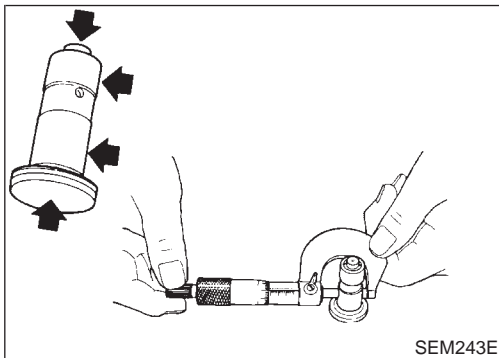
Diameter:

18.007 - 18.028 mm (0.7089 - 0.7098 in)

Rocker arm to shaft clearance:

0.007 - 0.049 mm (0.0003 - 0.0019 in)

- Keep rocker arm with hydraulic valve lifter standing to prevent air from entering hydraulic valve lifter when checking.



SEM243E

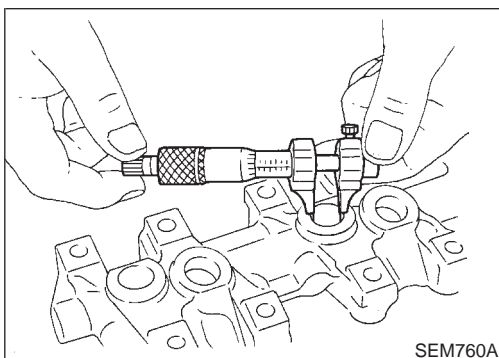
HYDRAULIC VALVE LIFTER

NBEM0017S15

1. Check contact and sliding surfaces for wear or scratches.
2. Check diameter of valve lifter.

Outer diameter:

15.947 - 15.957 mm (0.6278 - 0.6282 in)



SEM760A

3. Check valve lifter guide inner diameter.

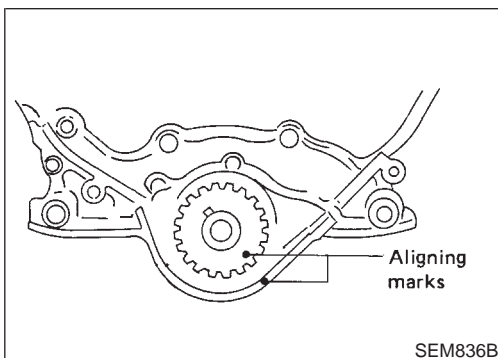
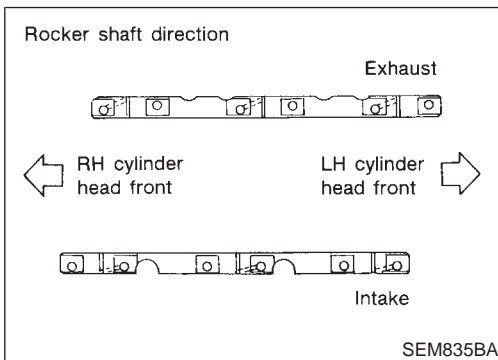
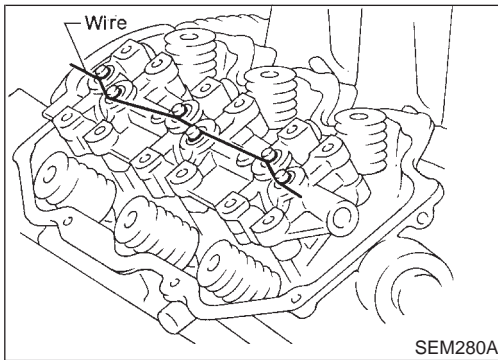
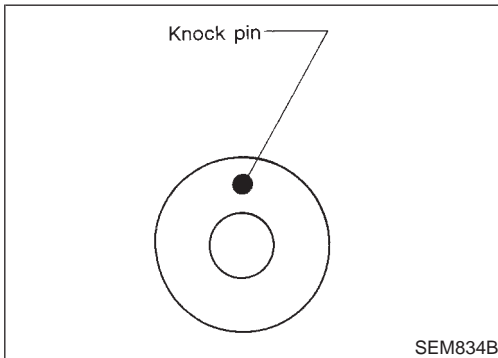
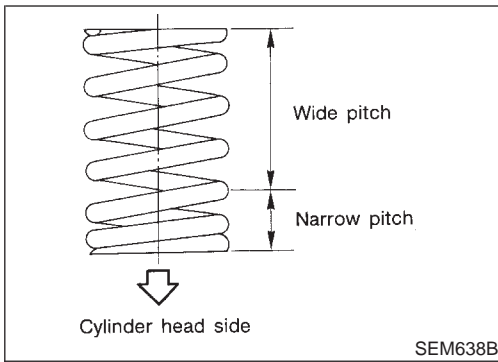
Inner diameter:

16.000 - 16.013 mm (0.6299 - 0.6304 in)

Standard clearance between valve lifter and lifter guide:

0.043 - 0.066 mm (0.0017 - 0.0026 in)

NBEM0018



Assembly

1. Install valve component parts.
 - **Always use new valve oil seal. Refer to OIL SEAL REPLACEMENT (EM-25).**
 - **Before installing valve oil seal, install inner valve spring seat.**
 - **Install outer valve spring (uneven pitch type) with its narrow pitch side toward cylinder head side.**
 - **After installing valve component parts, use plastic hammer to lightly tap valve stem tip to assure a proper fit.**
2. Install camshafts, locate plates and cylinder head rear covers.
 - **Set knock pin of camshaft at the top.**

3. Install valve lifters into valve lifter guide.
 - **Assemble valve lifters to their original position and hold all valve lifters with wire to prevent lifters from falling off.**
 - **After installing, remove the wire.**

4. Install rocker shafts with rocker arms.
 - **Tighten bolts gradually in two or three stages.**
 - **Before tightening, be sure to set camshaft the lobe at the position where lobe is not lifted.**
 - a. Set No. 1 piston at TDC on its compression stroke and tighten rocker shaft bolts for No. 2, No. 4 and No. 6 cylinders.
 - b. Set No. 4 piston at TDC on its compression stroke and tighten rocker shaft bolts for No. 1, No. 3 and No. 5 cylinders.
5. Install exhaust manifold to cylinder head in reverse order of removal.

Installation

NBEM0019

1. Set No. 1 piston at TDC on its compression stroke as follows:
 - a. Align crankshaft sprocket aligning mark with mark on oil pump body.
 - b. Confirm that knock pin on camshaft is set at the top.

GI

MA

EM

LC

EC

FE

AT

TF

PD

AX

SU

BR

ST

RS

BT

HA

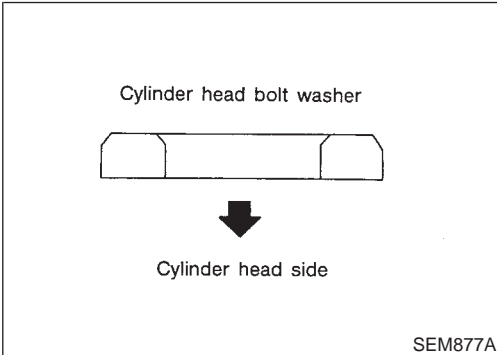
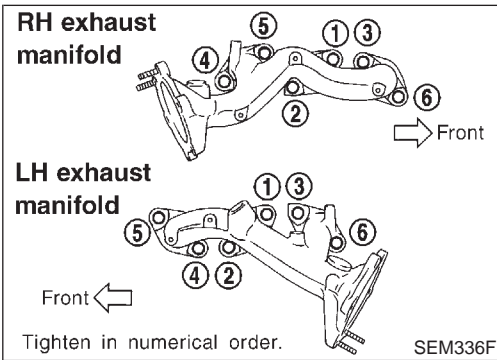
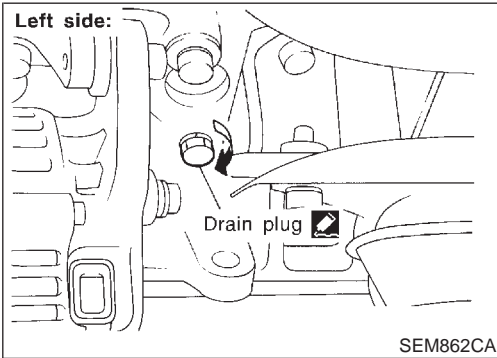
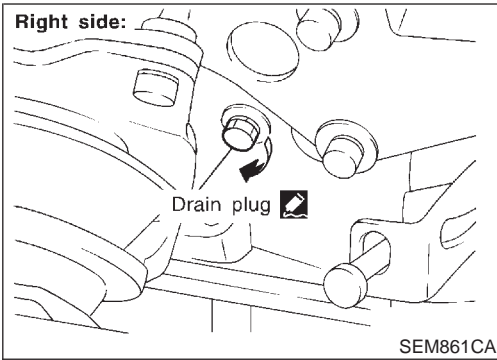
SC

EL

IDX

CYLINDER HEAD

Installation (Cont'd)



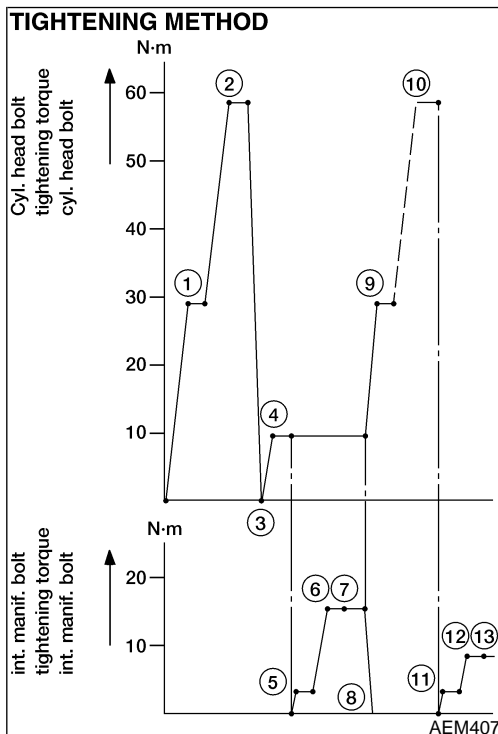
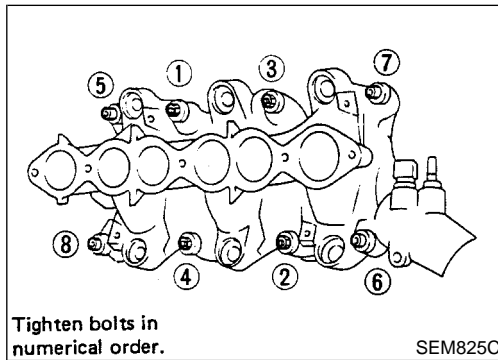
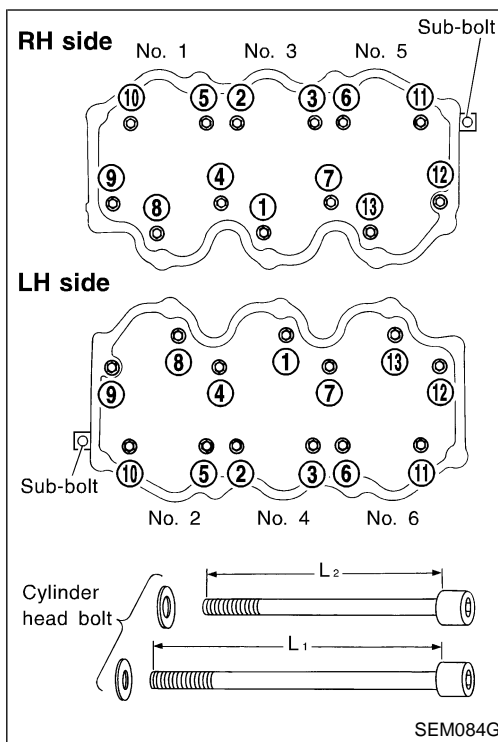
2. Install both drain plugs.
 - Use Genuine RTV silicone sealant Part No. 999MP-A7007 or equivalent.

3. Install exhaust manifolds to cylinder head.

4. Install cylinder head with new gasket.
 - **Be sure to install washers between bolts and cylinder head.**
 - **Do not rotate crankshaft and camshaft separately, or valves will hit piston heads.**

CYLINDER HEAD

Installation (Cont'd)



5. Tighten cylinder head bolts in numerical order using angle wrench [ST10120000 (J24239-01)].

Apply engine oil to threads and seating surfaces of cylinder head bolts before installing them.

- Cylinder head bolts for 4, 7, 9 and 12 are longer than the others.

L₁: 127 mm (5.00 in) for 4, 7, 9 and 12

L₂: 106 mm (4.17 in) for others

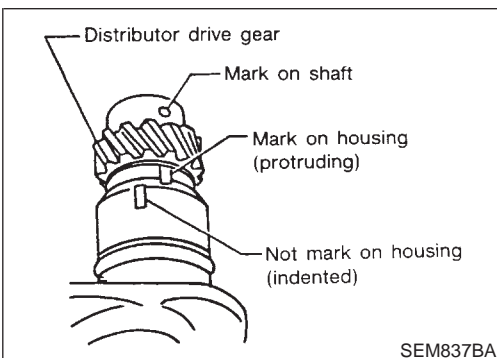
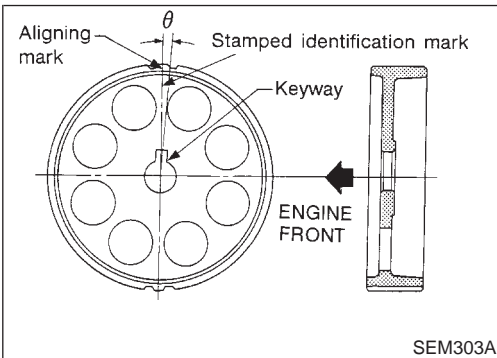
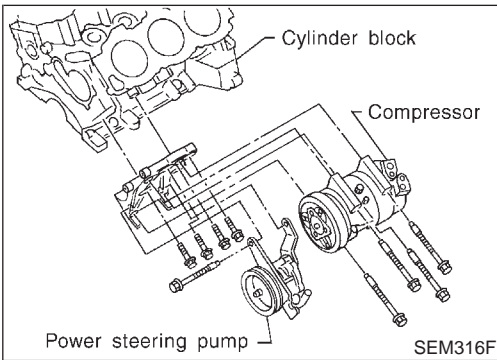
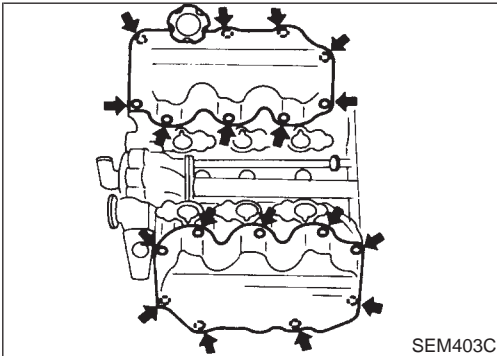
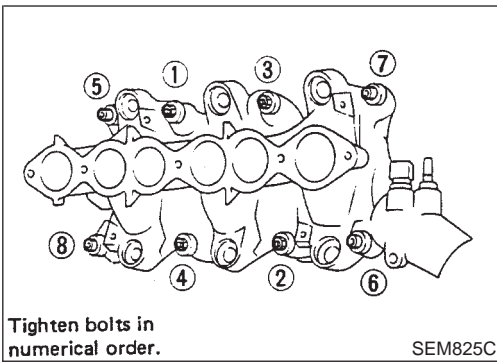
- Install intake manifold and cylinder head at the same time using the following procedure:

- 1) Tighten cylinder head bolts to 29 N·m (3.0 kg·m, 22 ft·lb).
- 2) Tighten cylinder head bolts to 59 N·m (6.0 kg·m, 43 ft·lb).
- 3) Loosen cylinder head bolts completely.
- 4) Tighten cylinder head bolts to 10 N·m (1.0 kg·m, 87 in·lb).
- 5) Tighten intake manifold bolts and nuts to 4 N·m (0.4 kg·m, 35 in·lb).
- 6) Tighten intake manifold bolts and nuts to 18 N·m (1.8 kg·m, 13 ft·lb).
- 7) Tighten intake manifold bolts and nuts to 16 to 20 N·m (1.6 to 2.0 kg·m, 12 to 14 ft·lb).
- 8) Loosen intake manifold bolts and nuts completely.
- 9) Tighten cylinder head bolts to 29 N·m (3.0 kg·m, 22 ft·lb).
- 10) Turn cylinder head bolts to 60 to 65 degrees clockwise. If an angle wrench is not available, tighten cylinder head bolts to 54 to 64 N·m (5.5 to 6.5 kg·m, 40 to 47 ft·lb).
- 11) Tighten cylinder head sub-bolts to 9.0 to 11.8 N·m (0.92 to 1.20 kg·m, 79.9 to 104.2 in·lb).
- 12) Tighten intake manifold bolts and nuts to 4 N·m (0.4 kg·m, 35 in·lb).
- 13) Tighten intake manifold bolts and nuts to 9 N·m (0.9 kg·m, 78 in·lb).
- 14) Tighten intake manifold bolts and nuts to 8 to 10 N·m (0.8 to 1.0 kg·m, 69 to 87 in·lb).

GI
MA
EM
LC
EC
FE
AT
TF
PD
AX
SU
BR
ST
RS
BT
HA
SC
EL
IDX

CYLINDER HEAD

Installation (Cont'd)



● If only intake manifold is removed and to be used again, install it using the following procedure:

- 1) Tighten all bolts and nuts to 4 N·m (0.4 kg-m, 35 in-lb).
- 2) Tighten all bolts and nuts to 9 N·m (0.9 kg-m, 78 in-lb).
- 3) Tighten all bolts and nuts to 8 to 10 N·m (0.8 to 1.0 kg-m, 69 to 87 in-lb).

CAUTION:

If replacing intake manifold with a new one, cylinder head gasket must also be replaced with a new one. Refer to step 4.

6. Install both rocker covers.

7. Install compressor and alternator bracket.
8. Install alternator.
9. Install compressor and power steering pump.
10. Install exhaust front tube to exhaust manifold.

11. Install rear belt cover and camshaft sprocket.

● RH camshaft sprocket and LH camshaft sprocket are different parts. Be sure to install them in the correct location.

	Identification mark	θ
RH camshaft sprocket	R3	0°53'
LH camshaft sprocket	L3	-3°27'

12. Install timing belt and adjust belt tension.

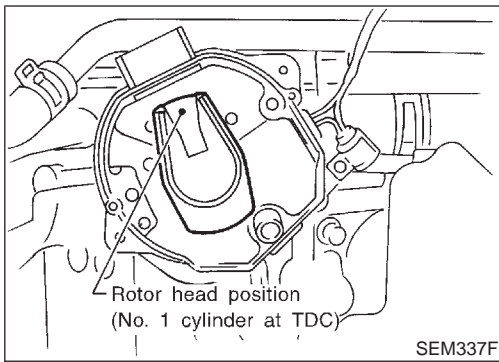
Refer to "TIMING BELT — Installation" (EM-21).

13. Install distributor.

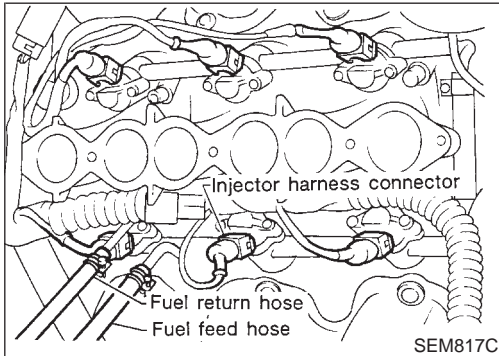
- 1) Align mark on shaft with protruding mark on housing.

CYLINDER HEAD

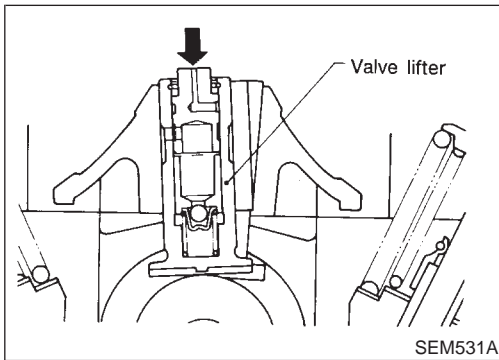
Installation (Cont'd)



- 2) After installing, confirm that distributor rotor head is set as shown in figure.



14. Install injector fuel tube assembly.
15. Connect all injector harness connectors.
16. Install fuel feed and fuel return hoses to injector fuel tube assembly.
17. Install intake manifold collector. Install all parts which were removed in step 5 under "CYLINDER HEAD — Removal" (EM-28).
18. Install ASCD and accelerator control wire.



19. Check hydraulic valve lifter.
 - a. Push plunger forcefully with your finger.
 - **Be sure to check it with rocker arm in its free position (not on the lobe).**
 - b. If valve lifter moves more than 1 mm (0.04 in), air may be inside it.
 - c. Bleed air off by running engine at 1,000 rpm under no load for about 10 minutes.
 - d. If hydraulic valve lifters are still noisy, replace them and bleed air off again in the same manner as in step 19 (c).

GI
MA
EM
LC
EC
FE
AT
TF
PD
AX
SU
BR
ST
RS
BT
HA
SC
EL
IDX

Removal and Installation

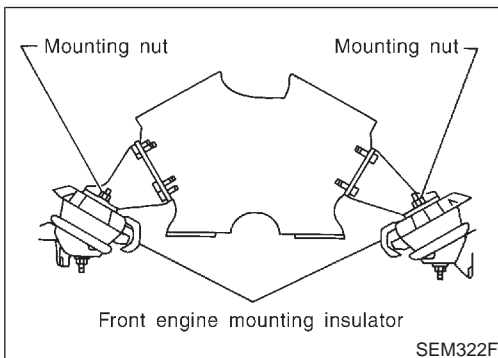
NBEM0020

WARNING:

- Situate vehicle on a flat and solid surface.
- Place chocks at front and back of rear wheels.
- Do not remove engine until exhaust system has completely cooled off. Otherwise, you may burn yourself and/or fire may break out in fuel line.
- For safety during subsequent steps, the tension of wires should be slackened against the engine.
- Before disconnecting fuel hose, release fuel pressure from fuel line.
Refer to EC-37, "Fuel Pressure Release".
- Before removing front axle from transmission, place safety stands under designated front supporting points. Refer to GI section for lifting points and towing.
- Be sure to hoist engine and transmission in a safe manner.
- For engines not equipped with engine slingers, attach proper slingers and bolts described in PARTS CATALOG for 1999 models.

CAUTION:

- When lifting engine, be careful not to strike adjacent parts, especially accelerator wire casing, brake lines, and brake master cylinder.
- In hoisting the engine, always use engine slingers in a safe manner.
- Before separating engine and transmission, remove crankshaft position sensor (OBD) from the assembly.
- Always take extra care not to damage edge of crankshaft position sensor (OBD), or ring gear teeth.



- Do not loosen front engine mounting insulator cover securing nuts.
When cover is removed, damper oil flows out and mounting insulator will not function.

REMOVAL Front Engine Mounting

NBEM0020S01

NBEM0020S0101

SEC. 112

GI

MA

EM

LC

EC

FE

AT

TF

PD

AX

SU

BR

ST

RS

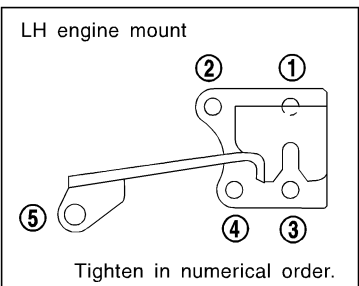
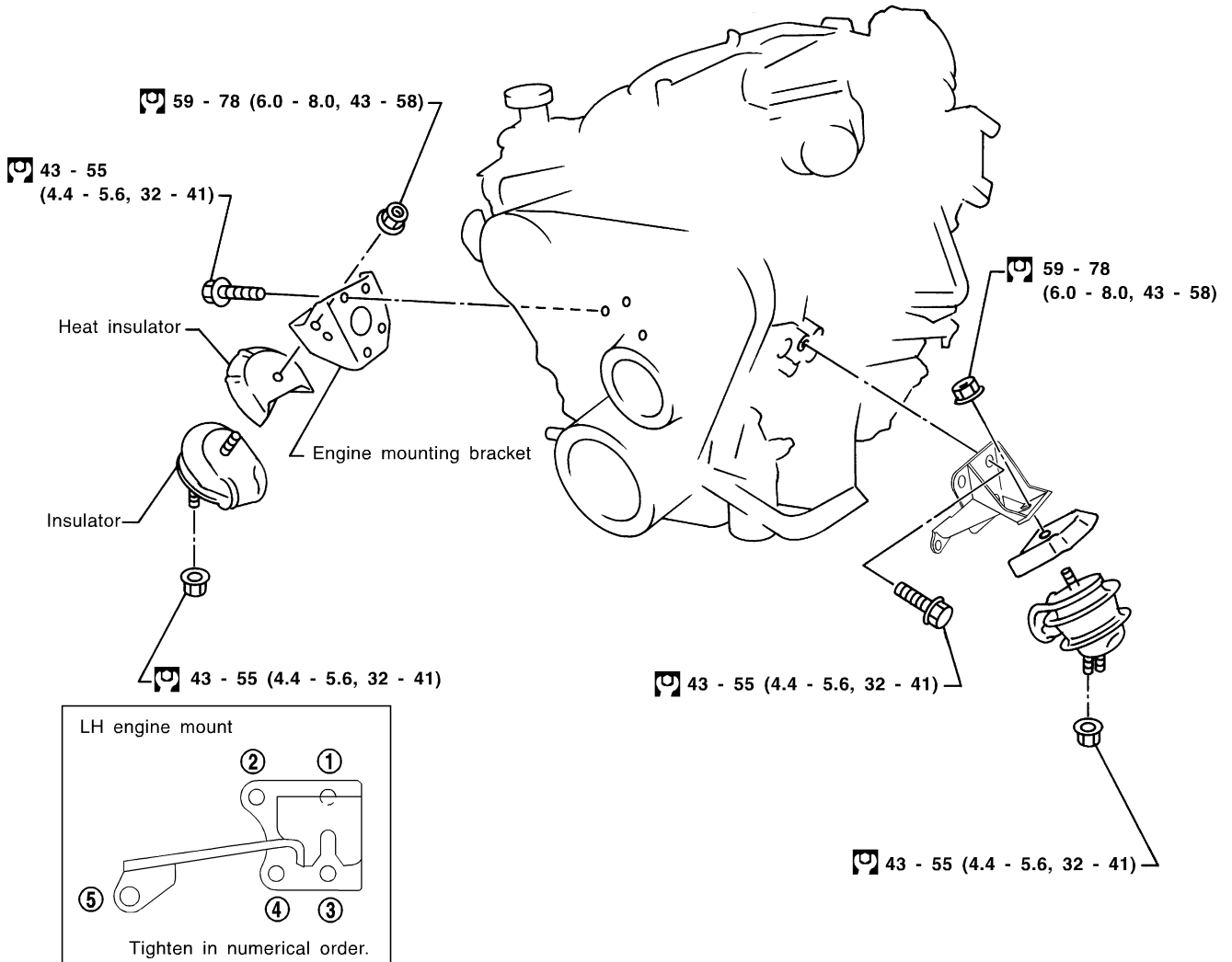
BT

HA

SC

EL

IDX



: N•m (kg-m, ft-lb)

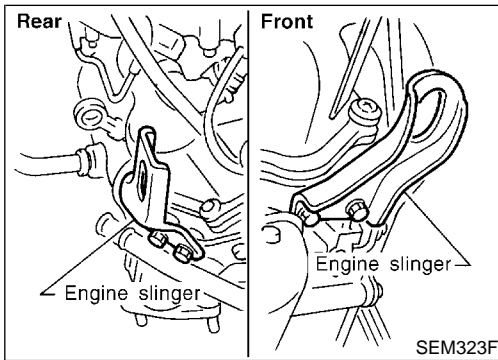
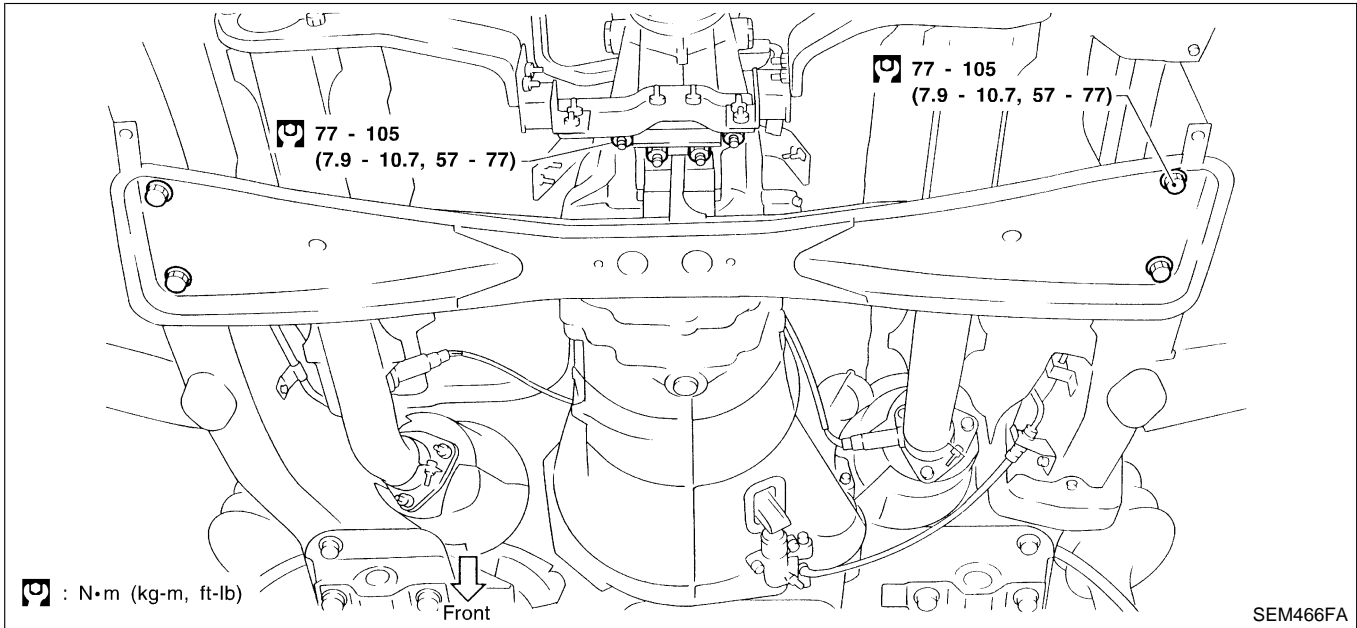
SEM851F

ENGINE ASSEMBLY

Removal and Installation (Cont'd)

Rear Engine Mounting

NBEM0020S0102



1. Remove engine undercover and hood.
2. Drain engine coolant.
3. Remove vacuum hoses, fuel tubes, wires, harnesses and connectors and so on.
4. Remove radiator with shroud and cooling fan.
5. Remove drive belts.
6. Remove power steering oil pump and air conditioner compressor.
7. Remove front exhaust tube.
8. Remove transmission from vehicle.

Refer to AT-262, "Removal".

9. Install engine slingers.

Slinger bolts:

: 20 - 26 N•m (2.1 - 2.7 kg-m, 15 - 20 ft-lb)

10. Hoist engine with engine slingers and remove engine mounting nuts from both sides.
11. Remove engine from vehicle.

CYLINDER BLOCK

Components

NBEM0021

GI

MA

EM

LC

EC

FE

AT

TF

PD

AX

SU

BR

ST

RS

BT

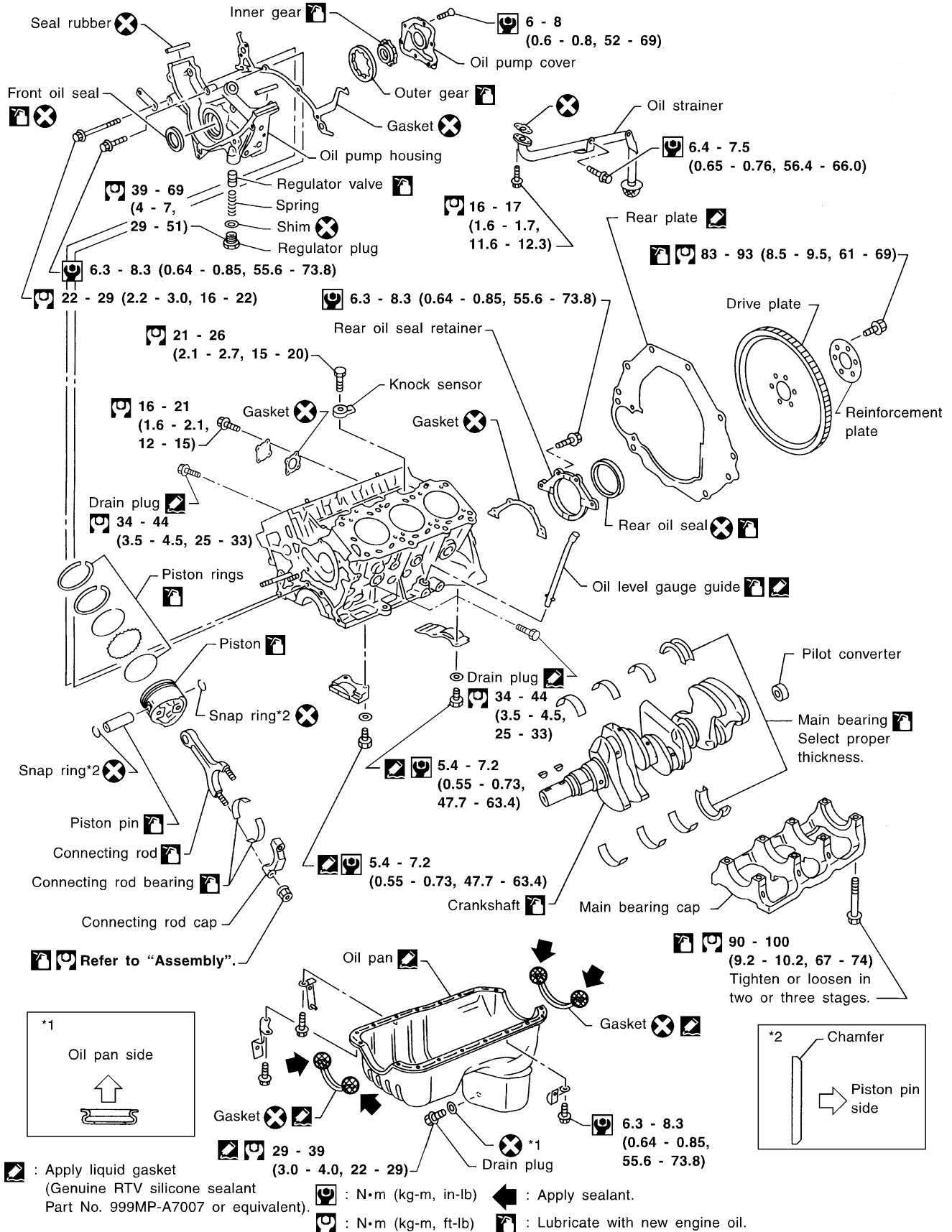
HA

SC

EL

IDX

SEC. 110•120•150•313



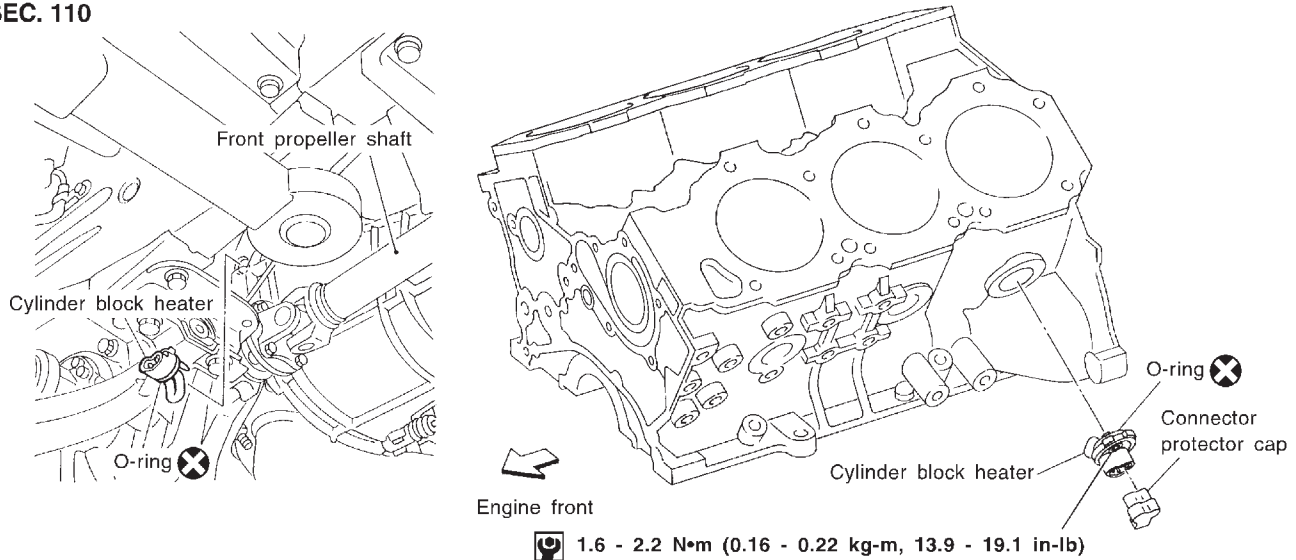
CYLINDER BLOCK

Components (Cont'd)

CYLINDER BLOCK HEATER

NBEM0021S01

For Canada
SEC. 110



- Remove liquid gasket completely after removing cylinder block heater.
- Install cylinder block heater with heater part downward as shown in the figure.
- Apply LLC to O-ring when installing cylinder block heater.

SEM625F

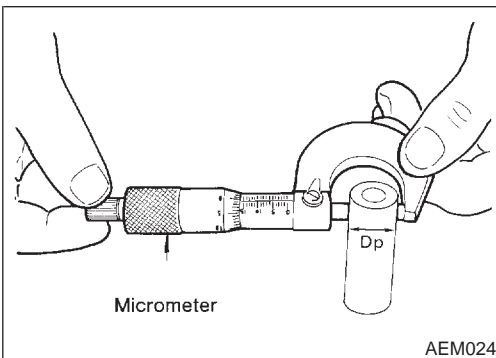
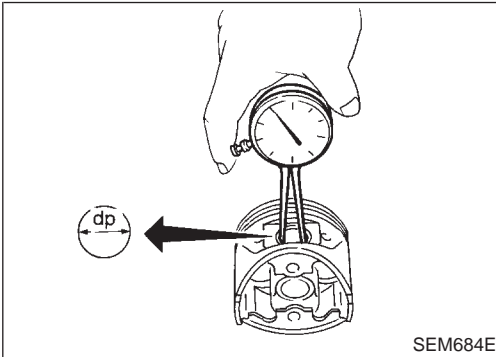
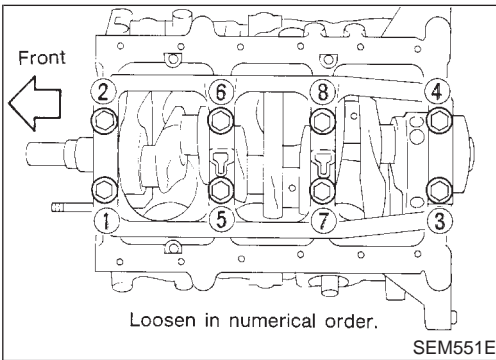
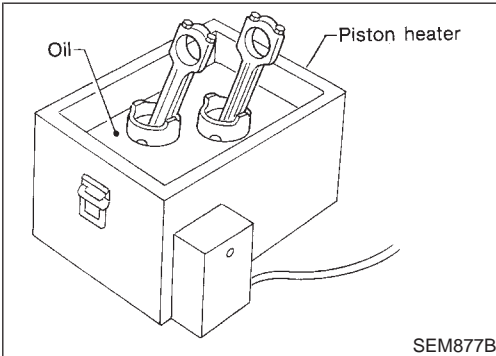
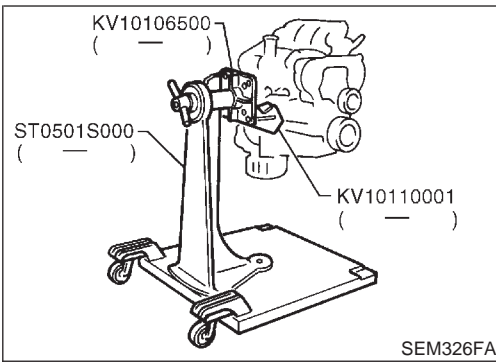
Refer to “OUTER COMPONENT PARTS” in EM-12 as to “Removal and Installation” for the procedures prior to removing the block heater.

Removal and Installation

NBEM0022

CAUTION:

- When installing sliding parts such as bearings and pistons, be sure to apply engine oil on the sliding surfaces.
- Place removed parts such as bearings and bearing caps in their proper order and direction.
- When installing connecting rod bolts and main bearing cap bolts, apply new engine oil to threads and seating surfaces.
- Do not allow any magnetic materials to contact the ring gear teeth on flywheel or drive plate and rear plate.



Disassembly PISTON AND CRANKSHAFT

NBEM0023

NBEM0023S01

1. Place engine on a work stand.
2. Drain coolant and oil.
3. Remove oil pan and oil pump.
4. Remove timing belt.
5. Remove water pump.
6. Remove cylinder head.

GI

MA

EM

LC

7. Remove pistons with connecting rods.

- When disassembling piston and connecting rod, remove snap ring first, then heat piston to 60 to 70°C (140 to 158°F) or use piston pin press stand at room temperature.

EC

CAUTION:

- When piston rings are not replaced, make sure that piston rings are mounted in their original positions.
- When replacing piston rings, if there is no punchmark, install with either side up.

FE

AT

TF

8. Remove bearing cap and crankshaft.

- Before removing bearing cap, measure crankshaft end play.

PD

- Bolts should be loosened in two or three steps.

AX

SU

BR

Inspection PISTON AND PISTON PIN CLEARANCE

NBEM0024

NBEM0024S01

1. Measure inner diameter of piston pin hole "dp".

Standard diameter "dp":

20.969 - 20.981 mm (0.8255 - 0.8260 in)

ST

RS

BT

HA

2. Measure outer diameter of piston pin "Dp".

Standard diameter "Dp":

20.971 - 20.983 mm (0.8256 - 0.8261 in)

SC

3. Calculate piston pin clearance.

dp - Dp = 0 - 0.004 mm (0 - 0.0002 in)

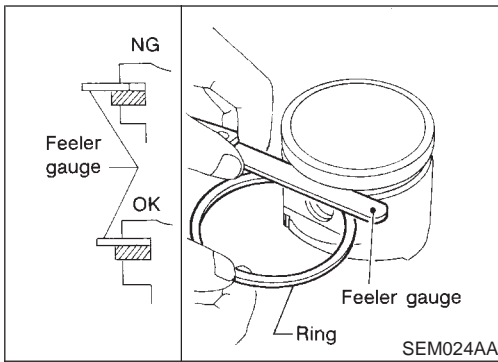
EL

If it exceeds the above value, replace piston assembly with pin.

IDX

CYLINDER BLOCK

Inspection (Cont'd)



PISTON RING SIDE CLEARANCE

NBEM0024S02

Side clearance:

Top ring: 0.024 - 0.076 mm (0.0009 - 0.0030 in)

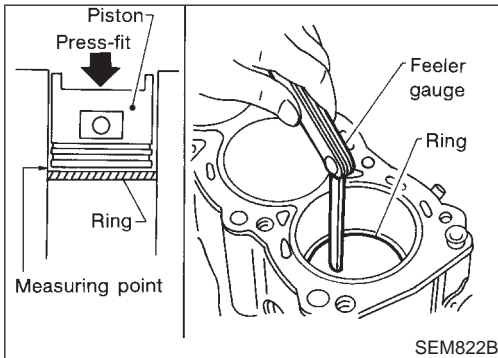
2nd ring: 0.030 - 0.070 mm (0.0012 - 0.0028 in)

Max. limit of side clearance:

Top ring: 0.11 mm (0.0043 in)

2nd ring: 0.1 mm (0.004 in)

If out of specification, replace piston and/or piston ring assembly.



PISTON RING END GAP

NBEM0024S03

End gap:

Top ring: 0.21 - 0.40 mm (0.0083 - 0.0157 in)

2nd ring: 0.50 - 0.69 mm (0.0197 - 0.0272 in)

Oil ring: 0.20 - 0.69 mm (0.0079 - 0.0272 in)

Max. limit of ring gap:

Top ring: 0.54 mm (0.0213 in)

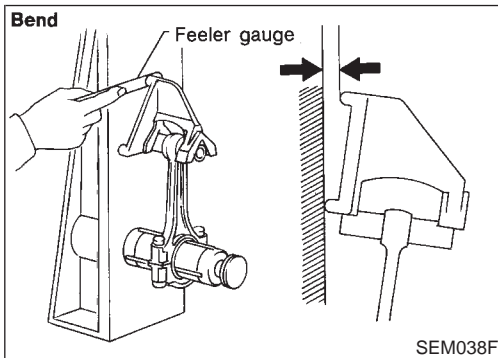
2nd ring: 0.80 mm (0.0315 in)

Oil ring: 0.95 mm (0.0374 in)

If out of specification, replace piston ring. If gap still exceeds the limit even with a new ring, rebore cylinder and use oversized piston and piston rings.

Refer to SDS (EM-66).

- When replacing the piston, check the cylinder block surface for scratches or seizure. If scratches or seizure are found, hone or replace the cylinder block.



CONNECTING ROD BEND AND TORSION

NBEM0024S04

Bend:

Limit 0.15 mm (0.0059 in)

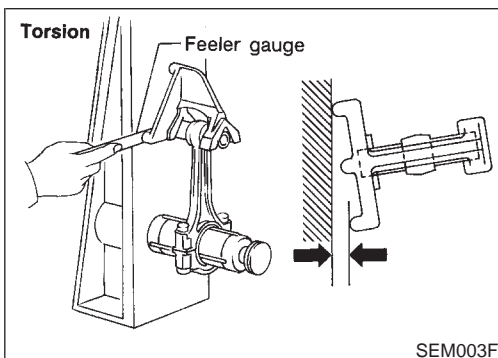
per 100 mm (3.94 in) length

Torsion:

Limit 0.30 mm (0.0118 in)

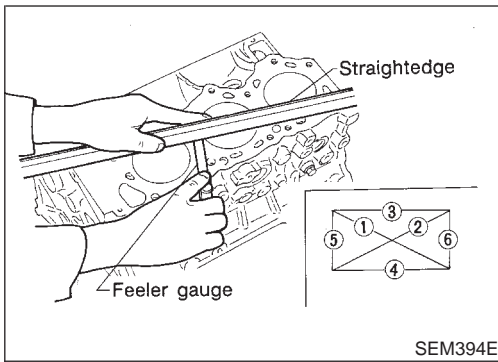
per 100 mm (3.94 in) length

If it exceeds the limit, replace connecting rod assembly.



CYLINDER BLOCK

Inspection (Cont'd)



CYLINDER BLOCK DISTORTION AND WEAR

NBEM0024S05

1. Clean upper face of cylinder block and measure the distortion.
Limit:
0.10 mm (0.0039 in)

GI

MA

EM

LC

2. If out of specification, resurface it.
The resurfacing limit is determined by cylinder head resurfacing in engine.

EC

Amount of cylinder head resurfacing is "A".
Amount of cylinder block resurfacing is "B".

FE

The maximum limit is as follows:

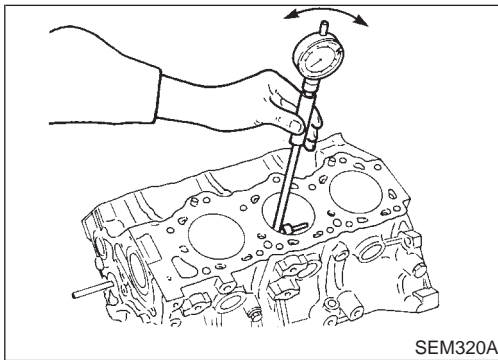
$$A + B = 0.2 \text{ mm (0.008 in)}$$

Nominal cylinder block height from crankshaft center:
227.60 - 227.70 mm (8.9606 - 8.9645 in)

AT

3. If necessary, replace cylinder block.

TF



PISTON-TO-BORE CLEARANCE

NBEM0024S06

1. Using a bore gauge, measure cylinder bore for wear, out-of-round and taper.

PD

Standard inner diameter:

$$91.500 - 91.530 \text{ mm (3.6024 - 3.6035 in)}$$

AX

Engine serial number after VG33-417904

Except for No. 5 cylinder

SU

$$91.500 - 91.530 \text{ mm (3.6024 - 3.6035 in)}$$

For No. 5 cylinder

BR

$$91.515 - 91.545 \text{ mm (3.6029 - 3.6041 in)}$$

Refer to "CYLINDER BLOCK" in SDS.

Wear limit:

ST

$$0.20 \text{ mm (0.0079 in)}$$

If it exceeds the limit, rebore all cylinders. Replace cylinder block if necessary.

RS

Out-of-round (X - Y) standard:

$$0.015 \text{ mm (0.0006 in)}$$

BT

Taper (A - B or A - C) standard:

$$0.015 \text{ mm (0.0006 in)}$$

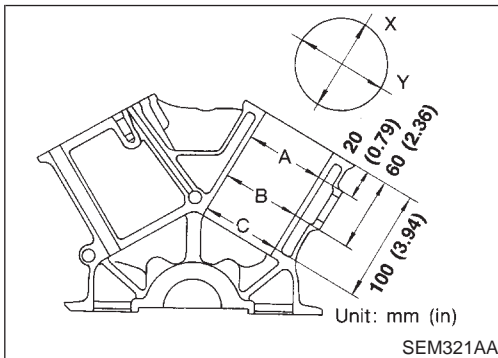
HA

2. Check for scratches and seizure. If seizure is found, hone it.

SC

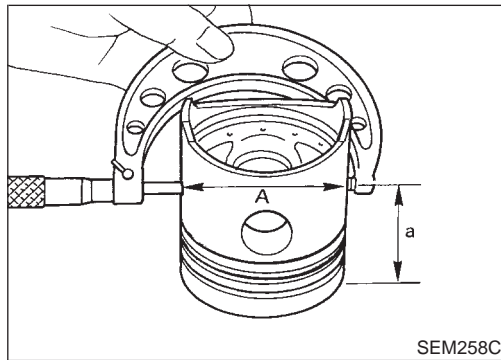
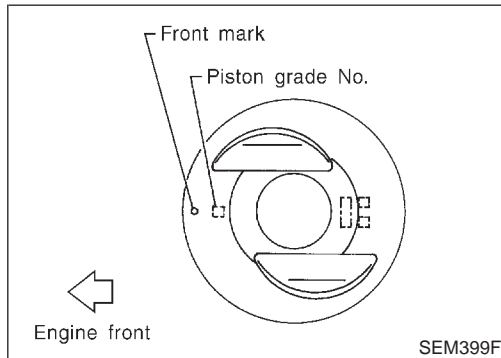
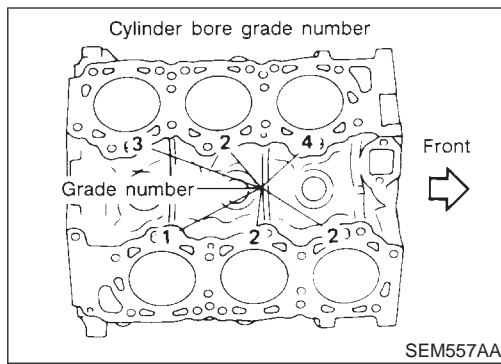
EL

IDX



CYLINDER BLOCK

Inspection (Cont'd)



- If both cylinder block and piston are replaced with new ones, select piston of the same grade number according to the following table. These numbers are punched on cylinder block and piston in either Arabic or Roman numerals.

Combination of grade number for cylinder bore and piston

Cylinder bore grade No.	For No. 3 and 4 cylinders						Except for No. 3 and 4 cylinders		
	1	2	3	4	5	6	1	2	3
Piston grade No.	2-1	3-2	3-3	4-4	4-5	5-6	1	2	3

Engine serial number after VG33-417904

Cylinder bore grade No.	For No. 3, 4 and 5 cylinders						Except for No. 1, 2 and 6 cylinders		
	1	2	3	4	5	6	1	2	3
Piston grade No.	2-1	3-2	3-3	4-4	4-5	5-6	1	2	3

3. Measure piston skirt diameter.

Piston diameter "A":

Refer to SDS (EM-66).

Measuring point "a" (Distance from the top):

49.0 mm (1.929 in)

4. Check that piston-to-bore clearance is within specification.

Piston-to-bore clearance "B":

0.015 - 0.025 mm (0.0006 - 0.0010 in) for No. 3 and 4 cylinders

0.025 - 0.045 mm (0.0010 - 0.0018 in) except for No. 3 and 4 cylinders

Engine serial number after VG33-417904

0.025 - 0.045 mm (0.0010 - 0.0018 in) for No. 1, 2 and 6 cylinders

0.015 - 0.025 mm (0.0006 - 0.0010 in) for No. 3 and 4 cylinders

0.030 - 0.040 mm (0.0012 - 0.0016 in) for No. 5 cylinder

5. Determine piston oversize according to amount of cylinder wear.

Oversize pistons are available for service. Refer to SDS (EM-66).

6. Cylinder bore size is determined by adding piston-to-bore clearance to piston diameter "A".

Rebored size calculation:

$$D = A + B - C$$

where,

D: Bored diameter

A: Piston diameter as measured

B: Piston-to-bore clearance

C: Honing allowance 0.02 mm (0.0008 in)

7. Install main bearing caps, and tighten to the specified torque

CYLINDER BLOCK

Inspection (Cont'd)

to prevent distortion of cylinder bores in final assembly.

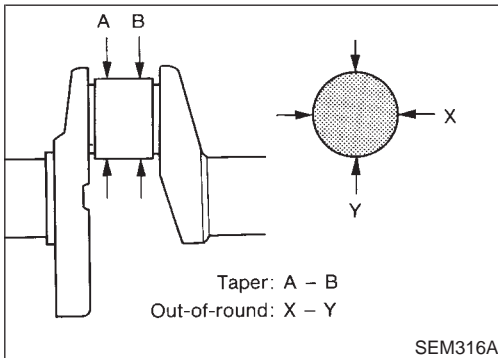
8. Cut cylinder bores.
 - **When any cylinder needs boring, all other cylinders must also be bored.**
 - **Do not cut too much out of cylinder bore at a time. Cut only 0.05 mm (0.0020 in) or so in diameter at a time.**
9. Hone cylinders to obtain specified piston-to-bore clearance.
10. Measure finished cylinder bore for out-of-round and taper.
 - **Measurement should be done after cylinder bore cools down.**

GI

MA

EM

LC



CRANKSHAFT

NBEM0024S07

1. Check crankshaft main and pin journals for score, wear or cracks.
2. With a micrometer, measure journals for taper and out-of-round.

Out-of-round (X - Y):

Less than 0.005 mm (0.0002 in)

Taper (A - B):

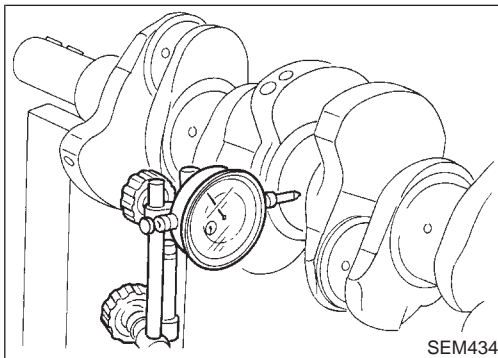
Less than 0.005 mm (0.0002 in)

EC

FE

AT

TF



3. Measure crankshaft runout.

Runout (Total indicator reading):

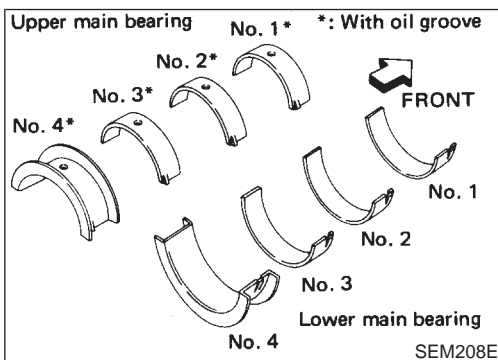
Less than 0.10 mm (0.0039 in)

PD

AX

SU

BR



BEARING CLEARANCE

NBEM0024S08

- Either of the following two methods may be used, however, method A gives more reliable results and is preferable.

Method A (Using bore gauge & micrometer)

Main Bearing

NBEM0024S0801

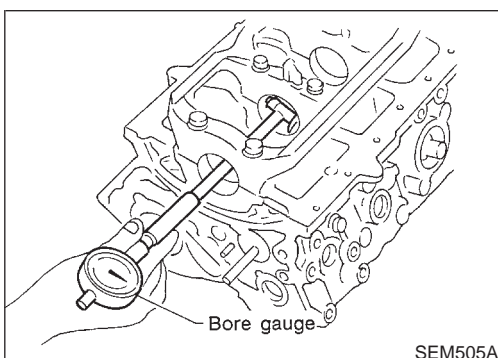
1. Set main bearings in their proper positions on cylinder block and main bearing cap.

ST

RS

BT

HA



2. Install main bearing cap to cylinder block.

Tighten all bolts in correct order in two or three stages.

3. Measure inner diameter "A" of each main bearing.

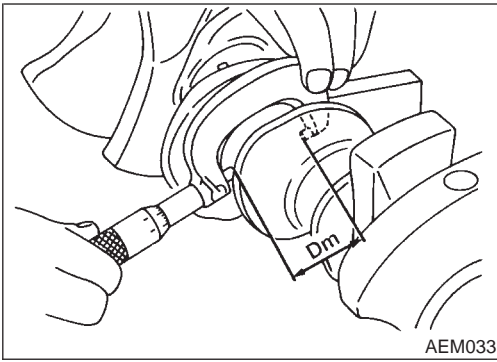
SC

EL

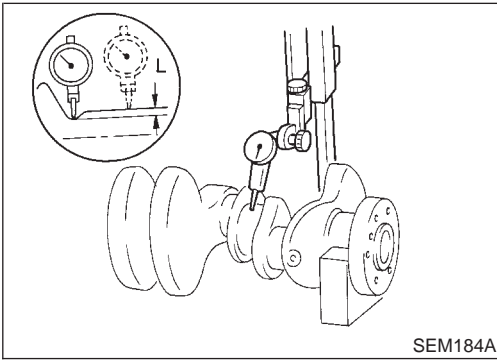
IDX

CYLINDER BLOCK

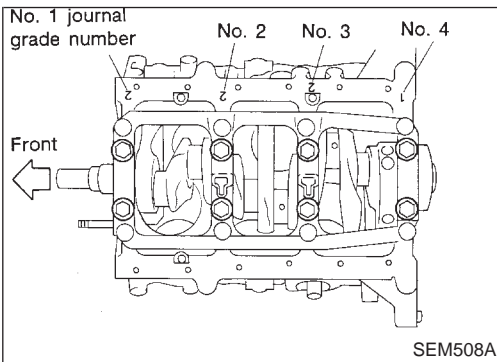
Inspection (Cont'd)



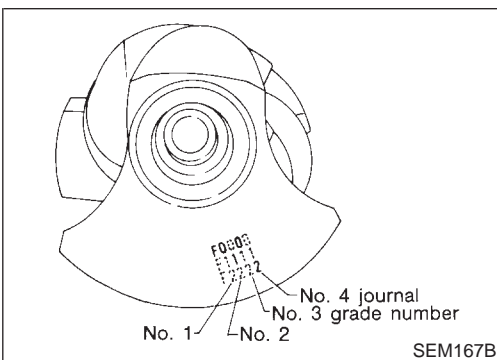
4. Measure outer diameter "Dm" of each crankshaft main journal.
5. Calculate main bearing clearance.
 - No. 1 main bearing clearance (A – Dm):**
 - Standard**
0.020 - 0.038 mm (0.0008 - 0.0015 in)
 - Limit**
0.060 mm (0.0024 in)
 - No. 2, 3 and No. 4 main bearing clearance (A – Dm):**
 - Standard**
0.028 - 0.055 mm (0.0011 - 0.0022 in)
 - Limit**
0.080 mm (0.0031 in)
6. If it exceeds the limit, replace bearing.
7. If clearance cannot be adjusted within the standard of any bearing, grind crankshaft journal and use undersized bearing.



- a. When grinding crankshaft journal, confirm that "L" dimension in fillet roll is more than the specified limit.
 - "L": 0.1 mm (0.004 in)**
- b. Refer to SDS (EM-68) for grinding crankshaft and available service parts.



8. If crankshaft is reused, measure main bearing clearances and select thickness of main bearings. If crankshaft is replaced with a new one, it is necessary to select thickness of main bearings as follows:
 - a. Grade number of each cylinder block main journal is punched on the respective cylinder block. These numbers are punched in either Arabic or Roman numerals.



- b. Grade number of each crankshaft main journal is punched on the respective crankshaft. These numbers are punched in either Arabic or Roman numerals.
- c. Select main bearing with suitable thickness according to the following example or table.

Main bearing grade number
No. 1 main bearing
(Identification color):

Crankshaft main journal grade number	Cylinder block main journal grade number			
	3	4	5	6
3	0 (Black)	1 (Brown)	2 (Green)	3 (Yellow)
4	1 (Brown)	2 (Green)	3 (Yellow)	4 (Blue)
5	2 (Green)	3 (Yellow)	4 (Blue)	5 (Pink)
6	3 (Yellow)	4 (Blue)	5 (Pink)	6 (Purple)

GI

MA

EM

LC

**No. 2, 3 and No. 4 main bearings
(Identification color):**

		Main journal grade number		
		0	1	2
Crankshaft journal grade number	0	0 (Black)	1 (Brown)	2 (Green)
	1	1 (Brown)	2 (Green)	3 (Yellow)
	2	2 (Green)	3 (Yellow)	4 (Blue)

EC

FE

AT

TF

For example:

Main journal grade number: 1

Crankshaft journal grade number: 2

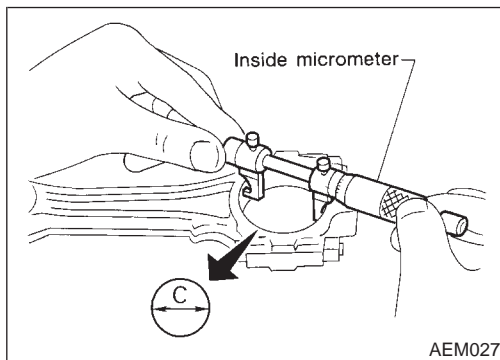
Main bearing grade number = 1 + 2 = 3 (Yellow)

PD

AX

SU

BR



Connecting Rod Bearing (Big end)

NBEM0024S0802

1. Install connecting rod bearing to connecting rod and cap.
2. Install connecting rod cap to connecting rod.

Tighten bolts to the specified torque.

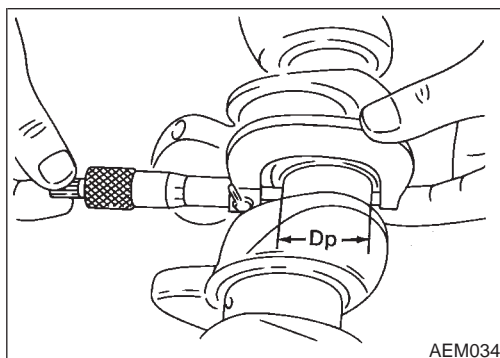
3. Measure inner diameter "C" of each bearing.

ST

RS

BT

HA



4. Measure outer diameter "Dp" of each crankshaft pin journal.
5. Calculate connecting rod bearing clearance.

Connecting rod bearing clearance (C - Dp):

Standard

0.014 - 0.054 mm (0.0006 - 0.0021 in)

Limit

0.090 mm (0.0035 in)

SC

EL

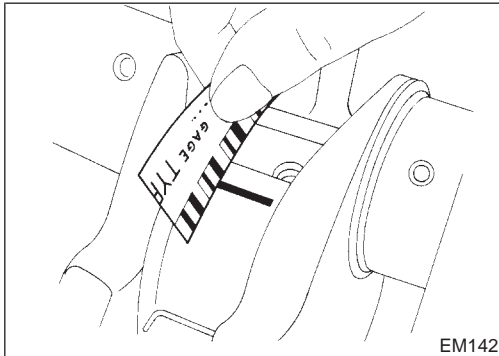
IDX

6. If it exceeds the limit, replace bearing.
7. If clearance cannot be adjusted within the standard of any bearing, grind crankshaft journal and use undersized bearing.

CYLINDER BLOCK

Inspection (Cont'd)

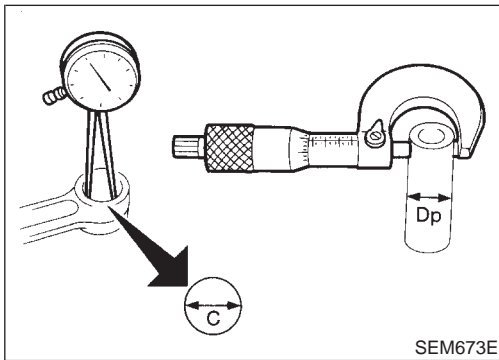
Refer to step 7 of "BEARING CLEARANCE — Main bearing" (EM-51).



Method B (Using plastigage)

CAUTION:

- Do not turn crankshaft or connecting rod while plastigage is being inserted.
- When bearing clearance exceeds the specified limit, ensure that the proper bearing has been installed. Then if excessive bearing clearance exists, use a thicker main bearing or undersized bearing so that the specified bearing clearance is obtained.



CONNECTING ROD BUSHING CLEARANCE (SMALL END)

NBEM0024S09

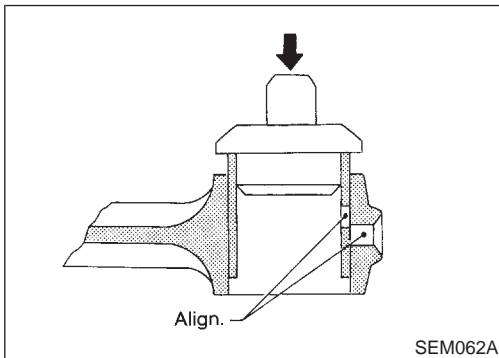
1. Measure inner diameter "C" of bushing.
2. Measure outer diameter "Dp" of piston pin.
3. Calculate connecting rod bushing clearance.

$$\text{Connecting rod bushing clearance} = C - Dp$$

Standard: 0.005 - 0.017 mm (0.0002 - 0.0007 in)

Limit: 0.023 mm (0.0009 in)

If it exceeds the limit, replace connecting rod assembly or connecting rod bushing and/or piston set with pin.



REPLACEMENT OF CONNECTING ROD BUSHING (SMALL END)

NBEM0024S10

1. Drive in small end bushing until it is flush with end surface of rod.

Be sure to align the oil holes.

2. After driving in small end bushing, ream the bushing so that clearance between connecting rod bushing and piston pin is the specified value.

Clearance between connecting rod bushing and piston pin:

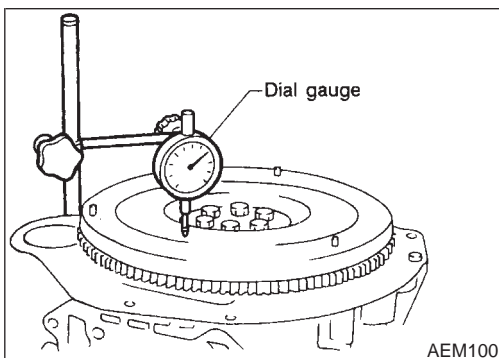
0.005 - 0.017 mm (0.0002 - 0.0007 in)

DRIVE PLATE RUNOUT

NBEM0024S11

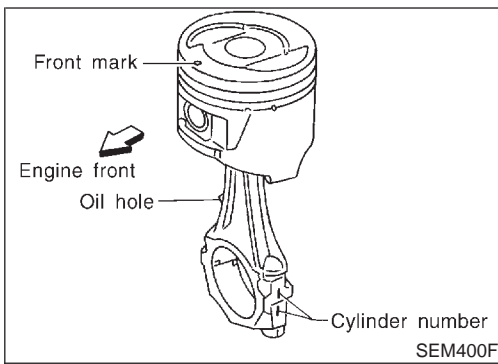
Runout (Total indicator reading):

Less than 0.15 mm (0.0059 in)



CAUTION:

- Be careful not to damage the ring gear teeth.
- Check the drive plate for deformation or cracks.
- Do not allow any magnetic materials to contact the ring gear teeth.



Assembly

NBEM0025

PISTON

NBEM0025S01

1. Install new snap ring on one side of piston pin hole.
2. Heat piston to 60 to 70°C (140 to 158°F) and assemble piston, piston pin, connecting rod and new snap ring.
 - **Align the direction of piston and connecting rod.**
 - **Numbers stamped on connecting rod and cap correspond to each cylinder.**
 - **After assembly, make sure connecting rod swings smoothly.**
3. Set piston rings as shown.

GI

MA

EM

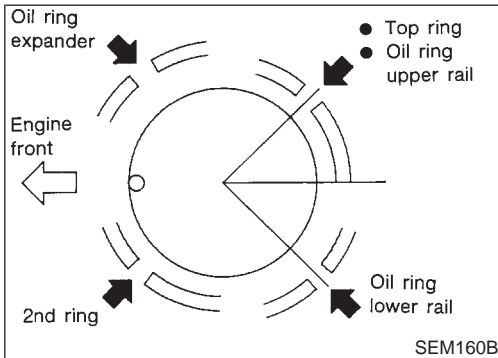
LC

EC

FE

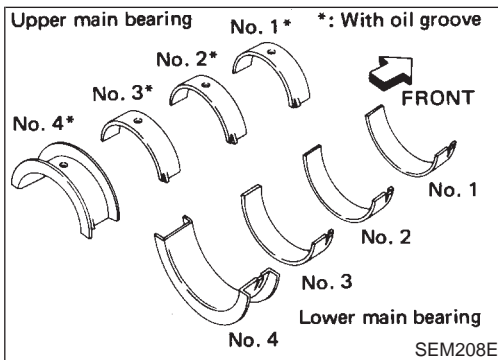
AT

TF



CRANKSHAFT

NBEM0025S02



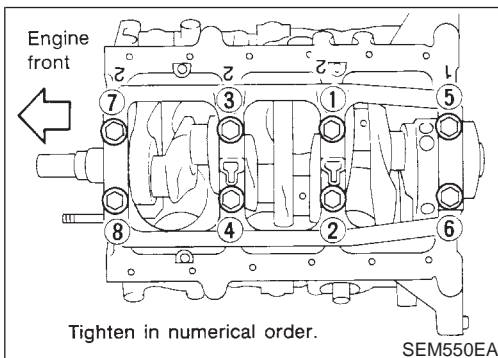
1. Set main bearings in their proper positions on cylinder block and main bearing cap.
 - **Confirm that correct main bearings are used.**
- Refer to "Inspection" (EM-51).

PD

AX

SU

BR



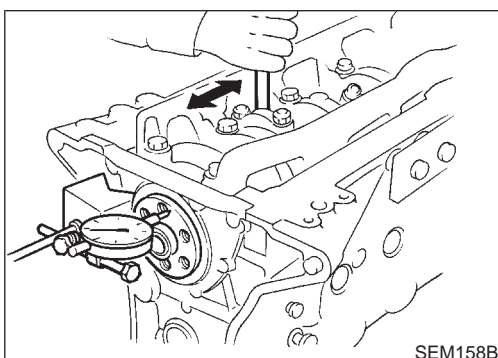
2. Install crankshaft and main bearing caps and tighten bolts to the specified torque.
 - **Prior to tightening bearing cap bolts, place bearing cap in its proper position by shifting crankshaft in the axial direction.**
 - **Tighten bearing cap bolts gradually in two or three stages. Start with center bearing and move outward sequentially.**
 - **After securing bearing cap bolts, make sure crankshaft turns smoothly by hand.**
 - **Lubricate threads and seat surfaces of the bolts with new engine oil.**

ST

RS

BT

HA



3. Measure crankshaft end play.

Crankshaft end play:

Standard

0.050 - 0.170 mm (0.0020 - 0.0067 in)

Limit

0.30 mm (0.0118 in)

SC

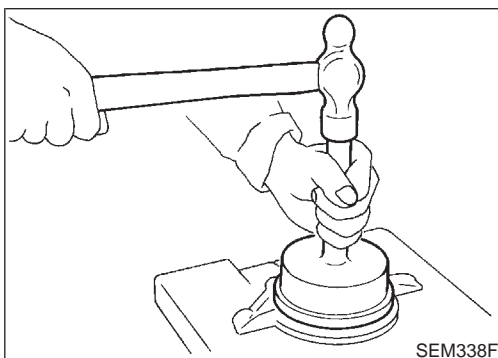
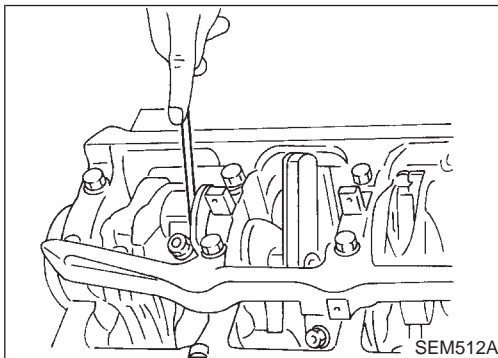
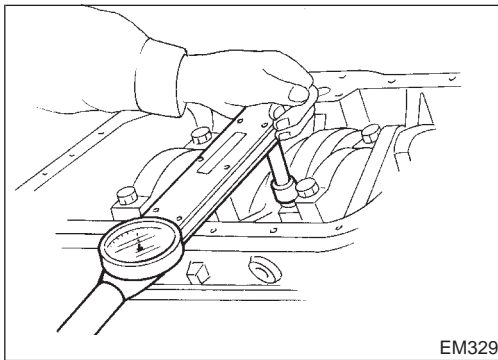
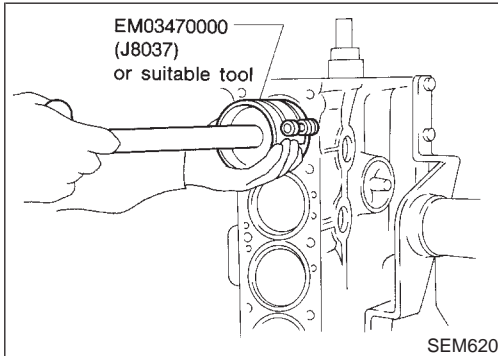
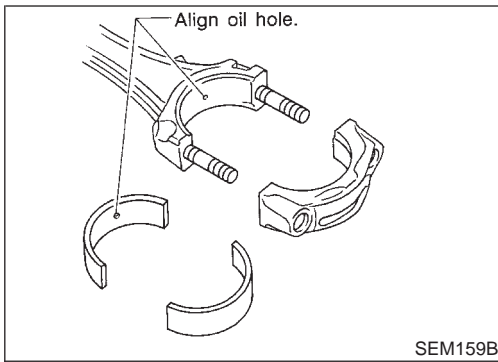
EL

IDX

If beyond the limit, replace bearing with a new one.

CYLINDER BLOCK

Assembly (Cont'd)



4. Install connecting rod bearings in connecting rods and connecting rod caps.

- **Confirm that correct bearings are used.**

Refer to "Inspection".

- Install bearings so that oil hole in connecting rod aligns with oil hole of bearing.

5. Install pistons with connecting rods.

a. Install them into corresponding cylinders with Tool.

- **Be careful not to scratch cylinder wall by connecting rod.**
- **Arrange so that front mark on piston head faces toward front of engine.**

b. Install connecting rod bearing caps.

- **Lubricate threads and seat surfaces with new engine oil.** Tighten connecting rod bearing cap nuts to the specified torque.

: **Connecting rod bearing nut**

(1) **Tighten to 14 to 16 N-m (1.4 to 1.6 kg-m, 10 to 12 ft-lb).**

(2) **Turn nuts 60 to 65 degrees clockwise. If an angle wrench is not available, tighten nuts to 38 to 44 N-m (3.9 to 4.5 kg-m, 28 to 33 ft-lb).**

6. Measure connecting rod side clearance.

Connecting rod side clearance:

Standard

0.20 - 0.35 mm (0.0079 - 0.0138 in)

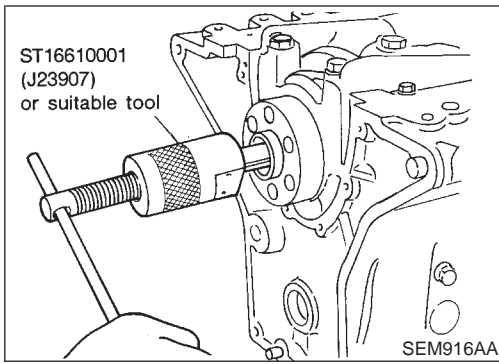
Limit

0.40 mm (0.0157 in)

If beyond the limit, replace connecting rod and/or crankshaft.

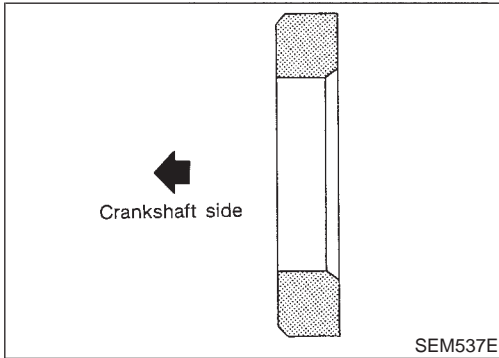
7. Install rear oil seal retainer.

NBEM0025S03



REPLACING PILOT CONVERTER

1. Remove pilot converter.
2. Install pilot converter.



GI

MA

EM

LC

EC

FE

AT

TF

PD

AX

SU

BR

ST

RS

BT

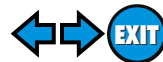
HA

SC

EL

IDX

SERVICE DATA AND SPECIFICATIONS (SDS)



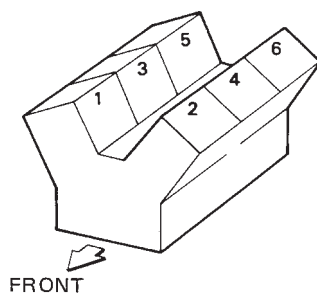
General Specifications

General Specifications

NBEM0026

Cylinder arrangement		V-6
Displacement		3,275 cm ³ (199.84 cu in)
Bore and stroke		91.5 x 83 mm (3.602 x 3.27 in)
Valve arrangement		OHC
Firing order		1-2-3-4-5-6
Number of piston rings	Compression	2
	Oil	1
Number of main bearings		4
Compression ratio		8.9

Cylinder number



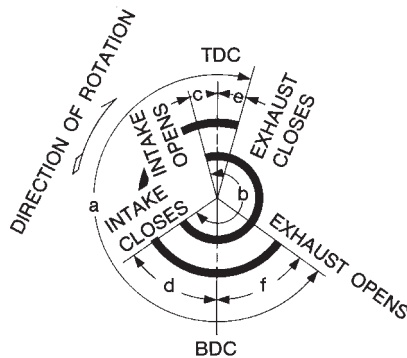
SEM713A

Unit: kPa (kg/cm², psi)/300 rpm

Compression pressure	Standard	1,196 (12.2, 173)
	Minimum	883 (9.0, 128)
	Differential limit between cylinders	98 (1.0, 14)

Unit: degree

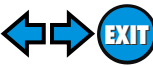
Valve timing



EM120

a	b	c	d	e	f
240	244	4	60	9	51

SERVICE DATA AND SPECIFICATIONS (SDS)

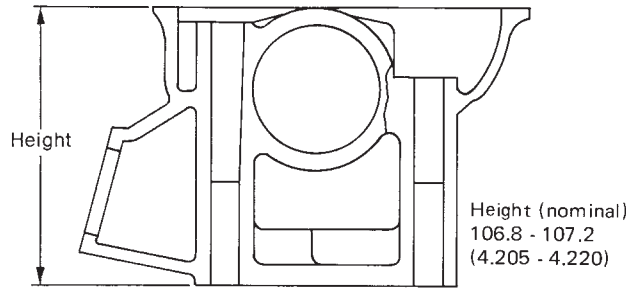


Cylinder Head

Cylinder Head

NBEM0027
Unit: mm (in)

	Standard	Limit
Head surface distortion	Less than 0.03 (0.0012)	0.1 (0.004)



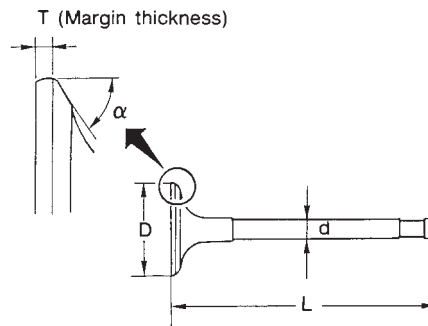
SEM082B

Valve

VALVE

NBEM0028

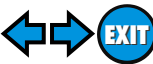
NBEM0028S01
Unit: mm (in)



SEM188

Valve head diameter "D"	Intake	41.95 - 42.25 (1.6516 - 1.6634)
	Exhaust	35.0 - 35.2 (1.378 - 1.386)
Valve length "L"	Intake	125.3 - 125.9 (4.933 - 4.957)
	Exhaust	124.2 - 124.8 (4.890 - 4.913)
Valve stem diameter "d"	Intake	6.965 - 6.980 (0.2742 - 0.2748)
	Exhaust	7.962 - 7.970 (0.3135 - 0.3138)
Valve seat angle "α"	Intake	45°15' - 45°45'
	Exhaust	
Valve margin "T"	Intake	1.15 - 1.45 (0.0453 - 0.0571)
	Exhaust	1.35 - 1.65 (0.0531 - 0.0650)
Valve margin "T" limit		More than 0.5 (0.020)
Valve stem end surface grinding limit		Less than 0.2 (0.008)
Valve clearance	Intake	0 (0)
	Exhaust	0 (0)

SERVICE DATA AND SPECIFICATIONS (SDS)



Valve (Cont'd)

VALVE SPRING

NBEM0028S02

Free height	50.47 mm (1.9870 in)
Pressure	790 N (80.6 kg, 178 lb) at 30.0 mm (1.181 in)
Limit pressure	733 N (74.7 kg, 165 lb) at 30.0 mm (1.181 in)
Out-of-square	2.2 mm (0.087 in)

HYDRAULIC VALVE LIFTER

NBEM0028S03

Unit: mm (in)

Lifter outside diameter	15.947 - 15.957 (0.6278 - 0.6282)
Lifter guide inside diameter	16.000 - 16.013 (0.6299 - 0.6304)
Clearance between lifter and lifter guide	0.043 - 0.066 (0.0017 - 0.0026)

VALVE GUIDE

NBEM0028S04

Unit: mm (in)

			Standard	Service
Valve guide	Outer diameter	Intake	11.023 - 11.034 (0.4340 - 0.4344)	11.223 - 11.234 (0.4418 - 0.4423)
		Exhaust	12.023 - 12.034 (0.4733 - 0.4738)	12.223 - 12.234 (0.4812 - 0.4817)
	Inner diameter (Finished size)	Intake	7.000 - 7.018 (0.2756 - 0.2763)	
		Exhaust	8.000 - 8.011 (0.3150 - 0.3154)	
Cylinder head valve guide hole diameter	Intake	10.975 - 10.996 (0.4321 - 0.4329)	11.175 - 11.196 (0.4400 - 0.4408)	
	Exhaust	11.975 - 11.996 (0.4715 - 0.4723)	12.175 - 12.196 (0.4793 - 0.4802)	
Interference fit of valve guide	Intake	0.027 - 0.059 (0.0011 - 0.0023)		
	Exhaust			
			Standard	Max. tolerance
Stem to guide clearance	Intake	0.020 - 0.053 (0.0008 - 0.0021)	0.10 (0.0039)	
	Exhaust	0.040 - 0.049 (0.0016 - 0.0019)		
Valve deflection limit			—	0.20 (0.0079)

ROCKER SHAFT AND ROCKER ARM

NBEM0028S05

Unit: mm (in)

Rocker shaft	Outer diameter	17.979 - 18.000 (0.7078 - 0.7087)
Rocker arm	Inner diameter	18.007 - 18.028 (0.7089 - 0.7098)
Clearance between rocker arm and rocker shaft		0.007 - 0.049 (0.0003 - 0.0019)

Valve Seat

INTAKE VALVE SEAT

NBEM0029

NBEM0029S01

GI

MA

EM

LC

EC

FE

AT

TF

PD

AX

SEM639F

SU

BR

ST

RS

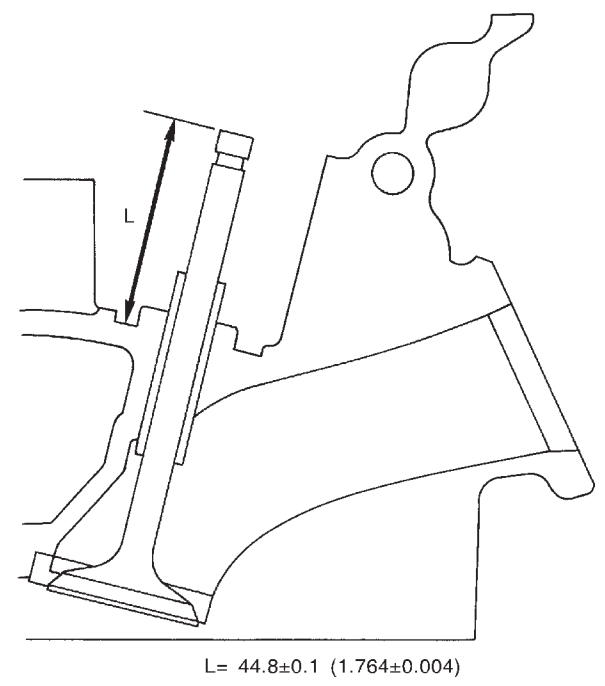
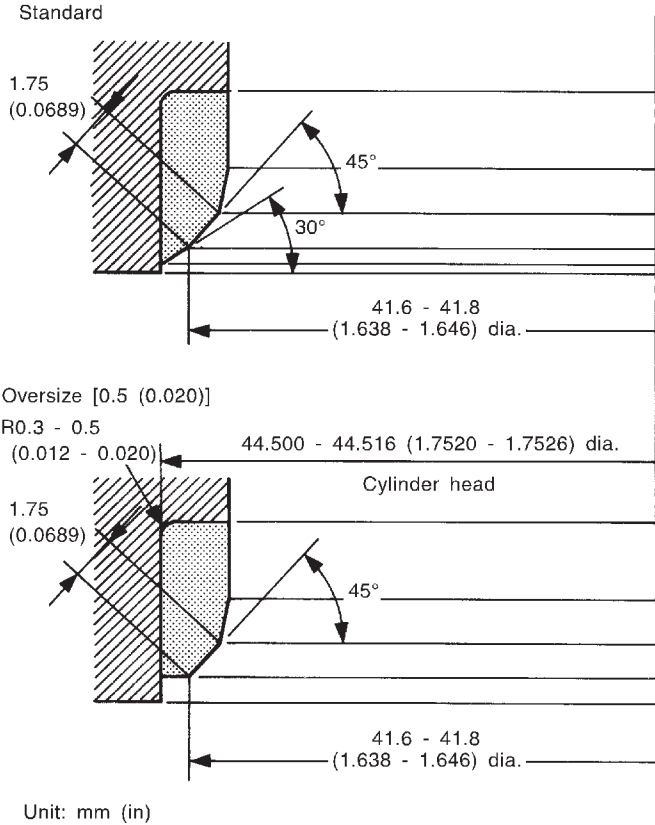
BT

HA

SC

EL

IDX

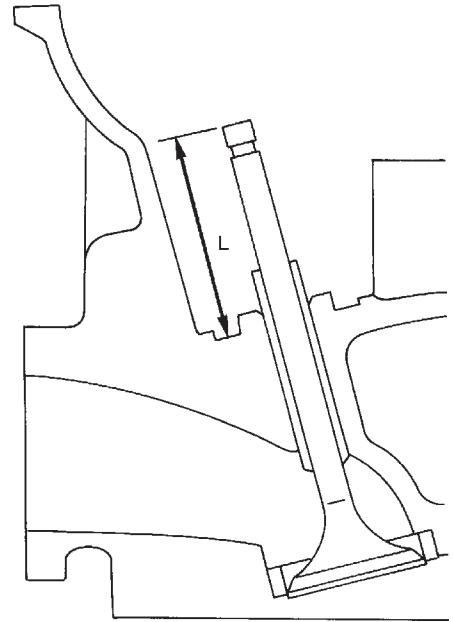
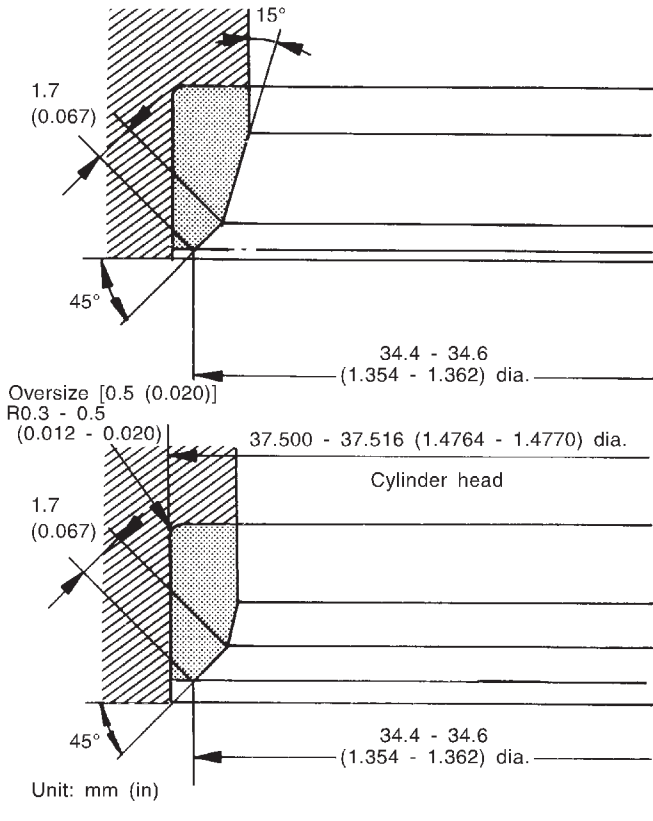


Valve Seat (Cont'd)

EXHAUST VALVE SEAT

NBEM0029S02

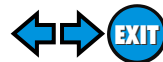
Standard



L = 45.5±0.1 (1.791±0.004)

SEM640F

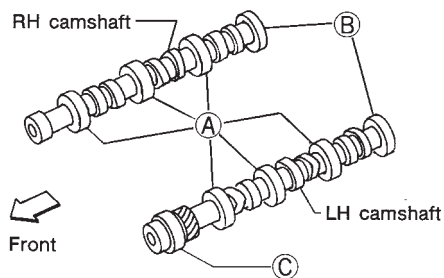
SERVICE DATA AND SPECIFICATIONS (SDS)



Camshaft and Camshaft Bearing

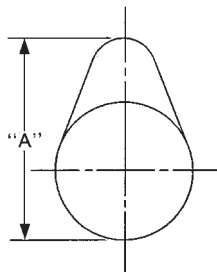
Camshaft and Camshaft Bearing

Unit: mm (in) NBEM0030



SEM893BA

	Standard	Max. tolerance
Camshaft journal to bearing clearance	0.060 - 0.105 (0.0024 - 0.0041)	0.15 (0.0059)
Inner diameter of camshaft bearing	A: 47.000 - 47.025 (1.8504 - 1.8514)	—
	B: 42.500 - 42.525 (1.6732 - 1.6742)	—
	C: 48.000 - 48.025 (1.8898 - 1.8907)	—
Outer diameter of camshaft journal	A: 46.920 - 46.940 (1.8472 - 1.8480)	—
	B: 42.420 - 42.440 (1.6701 - 1.6709)	—
	C: 47.920 - 47.940 (1.8866 - 1.8874)	—
Camshaft runout [TIR*]	Less than 0.04 (0.0016)	0.1 (0.004)
Camshaft end play	0.03 - 0.06 (0.0012 - 0.0024)	—

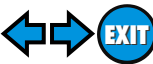


EM671

Cam height "A"	Intake	38.943 - 39.133 (1.5332 - 1.5407)
	Exhaust	38.943 - 39.133 (1.5332 - 1.5407)
Wear limit of cam height		0.15 (0.0059)

*Total indicator reading

SERVICE DATA AND SPECIFICATIONS (SDS)



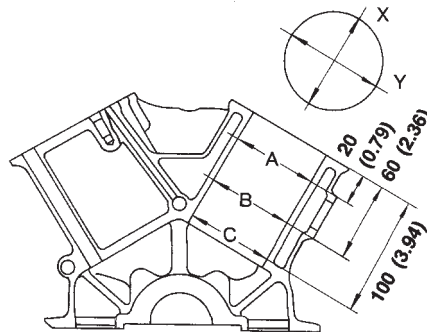
Cylinder Block

Cylinder Block

NBEM0031

Engine serial number before VG33-417904

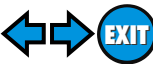
Unit: mm (in)



SEM321A

Surface flatness		Standard		Less than 0.03 (0.0012)
		Limit		0.10 (0.0039)
Cylinder bore	Inner diameter	Standard (for No. 3 and 4 cylinders)	Grade No. 1	91.500 - 91.505 (3.6024 - 3.6026)
			Grade No. 2	91.506 - 91.510 (3.6026 - 3.6027)
			Grade No. 3	91.511 - 91.515 (3.6028 - 3.6029)
			Grade No. 4	91.516 - 91.520 (3.6030 - 3.6031)
			Grade No. 5	91.521 - 91.525 (3.6032 - 3.6033)
			Grade No. 6	91.526 - 91.530 (3.6034 - 3.6035)
		Standard (except for No. 3 and 4 cylinders)	Grade No. 1	91.500 - 91.510 (3.6024 - 3.6027)
			Grade No. 2	91.511 - 91.520 (3.6028 - 3.6031)
			Grade No. 3	91.521 - 91.530 (3.6032 - 3.6035)
		Wear limit		0.20 (0.0079)
Out-of-round (X - Y)				Less than 0.015 (0.0006)
Taper (A - B or A - C)				Less than 0.015 (0.0006)
Main journal inner diameter	No. 1 main journal	Grade No. 3	66.645 - 66.651 (2.6238 - 2.6240)	
		Grade No. 4	66.651 - 66.657 (2.6240 - 2.6243)	
		Grade No. 5	66.657 - 66.663 (2.6243 - 2.6245)	
		Grade No. 6	66.663 - 66.669 (2.6245 - 2.6248)	
	No. 2, 3 and 4 main journals	Grade No. 0	66.645 - 66.654 (2.6238 - 2.6242)	
		Grade No. 1	66.654 - 66.663 (2.6242 - 2.6245)	
		Grade No. 2	66.663 - 66.672 (2.6245 - 2.6249)	
Difference in inner diameter between cylinders		Standard		Less than 0.05 (0.0020)

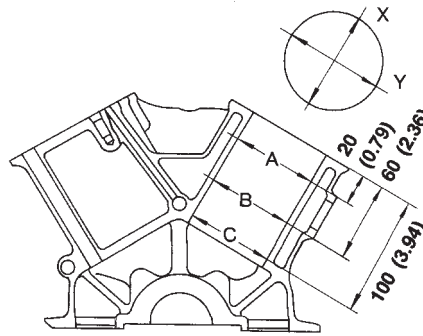
SERVICE DATA AND SPECIFICATIONS (SDS)



Cylinder Block (Cont'd)

Engine serial number after VG33-417904

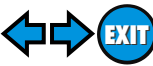
Unit: mm (in)



SEM321A

Surface flatness		Standard	Less than 0.03 (0.0012)	GI			
		Limit	0.10 (0.0039)	MA			
Surface flatness		Standard (for No. 1, 2 and 6 cylinders)	Grade No. 1	91.500 - 91.510 (3.6024 - 3.6027)	EM		
			Grade No. 2	91.510 - 91.520 (3.6027 - 3.6031)	LC		
			Grade No. 3	91.520 - 91.530 (3.6031 - 3.6035)	EC		
Cylinder bore		Standard (for No. 3 and 4 cylinders)	Grade No. 1	91.500 - 91.505 (3.6024 - 3.6026)	FE		
			Grade No. 2	91.506 - 91.510 (3.6026 - 3.6027)	AT		
			Grade No. 3	91.511 - 91.515 (3.6028 - 3.6029)	TF		
			Grade No. 4	91.516 - 91.520 (3.6030 - 3.6031)	PD		
			Grade No. 5	91.521 - 91.525 (3.6032 - 3.6033)	AX		
			Grade No. 6	91.526 - 91.530 (3.6034 - 3.6035)	SU		
		Inner diameter		Standard (for No. 5 cylinder)	Grade No. 1	91.515 - 91.520 (3.6029 - 3.6031)	BR
					Grade No. 2	91.520 - 91.525 (3.6031 - 3.6033)	ST
					Grade No. 3	91.525 - 91.530 (3.6033 - 3.6035)	RS
					Grade No. 4	91.530 - 91.535 (3.6035 - 3.6037)	BT
					Grade No. 5	91.535 - 91.540 (3.6037 - 3.6039)	HA
					Grade No. 6	91.540 - 91.545 (3.6039 - 3.6041)	SC
		Wear limit	0.20 (0.0079)	EL			
Out-of-round (X - Y)			Less than 0.015 (0.0006)	IDX			
Taper (A - B or A - C)			Less than 0.015 (0.0006)				
Main journal inner diameter		No. 1 main journal	Grade No. 3	66.645 - 66.651 (2.6238 - 2.6240)			
			Grade No. 4	66.651 - 66.657 (2.6240 - 2.6243)			
			Grade No. 5	66.657 - 66.663 (2.6243 - 2.6245)			
			Grade No. 6	66.663 - 66.669 (2.6245 - 2.6248)			
		No. 2, 3 and 4 main journals		Grade No. 0	66.645 - 66.654 (2.6238 - 2.6242)		
				Grade No. 1	66.654 - 66.663 (2.6242 - 2.6245)		
		Grade No. 2	66.663 - 66.672 (2.6245 - 2.6249)				
Difference in inner diameter between cylinders		Standard	Less than 0.05 (0.0020)				

SERVICE DATA AND SPECIFICATIONS (SDS)



Piston, Piston Ring and Piston Pin

Piston, Piston Ring and Piston Pin

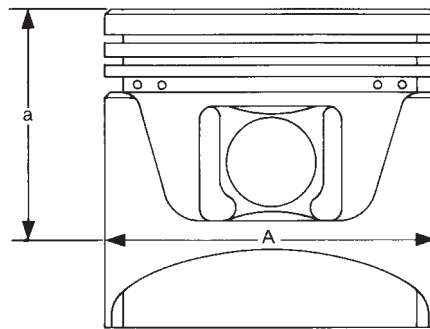
NBEM0032

NBEM0032S01

AVAILABLE PISTON

Engine serial number before VG33-417904

Unit: mm (in)



SEM882E

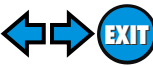
Piston skirt diameter "A"	Standard (for No. 3 and 4 cylinders)	Grade No. 2-1	91.480 - 91.485 (3.6016 - 3.6018)
		Grade No. 3-2	91.486 - 91.490 (3.6018 - 3.6020)
		Grade No. 3-3	91.491 - 91.495 (3.6020 - 3.6022)
		Grade No. 4-4	91.496 - 91.500 (3.6022 - 3.6024)
		Grade No. 4-5	91.501 - 91.505 (3.6024 - 3.6026)
		Grade No. 5-6	91.506 - 91.510 (3.6026 - 3.6027)
	Standard (except for No. 3 and 4 cylinders)	Grade No. 1	91.465 - 91.475 (3.6010 - 3.6014)
		Grade No. 2	91.476 - 91.485 (3.6014 - 3.6018)
		Grade No. 3	91.486 - 91.495 (3.6018 - 3.6022)
	0.25 (0.0098) oversize (Service)		91.715 - 91.745 (3.6108 - 3.6120)
0.50 (0.0197) oversize (Service)		91.965 - 91.995 (3.6207 - 3.6218)	
"a" dimension			49.0 (1.929)
Piston pin hole diameter			20.969 - 20.981 (0.8255 - 0.8260)
Piston clearance to cylinder block	Standard	For No. 3 and 4 cylinders	0.015 - 0.025 (0.0006 - 0.0010)
		Except for No. 3 and 4 cylinders	0.025 - 0.045 (0.0010 - 0.0018)

PISTON RING

NBEM0032S02
Unit: mm (in)

		Standard	Limit
Side clearance	Top	0.024 - 0.076 (0.0009 - 0.0030)	0.11 (0.0043)
	2nd	0.030 - 0.070 (0.0012 - 0.0028)	0.10 (0.004)
	Oil	0.015 - 0.185 (0.0006 - 0.0073)	—
Ring gap	Top	0.21 - 0.40 (0.0083 - 0.0157)	0.54 (0.0213)
	2nd	0.50 - 0.69 (0.0197 - 0.0272)	0.80 (0.0315)
	Oil (rail ring)	0.20 - 0.69 (0.0079 - 0.0272)	0.95 (0.0374)

SERVICE DATA AND SPECIFICATIONS (SDS)



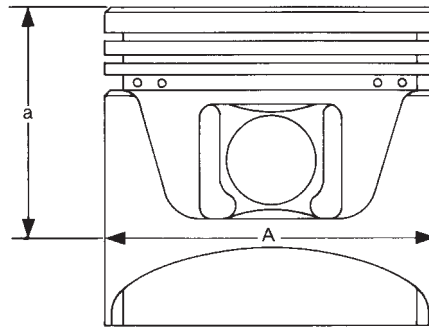
Piston, Piston Ring and Piston Pin (Cont'd)

AVAILABLE PISTON

Engine serial number after VG33-417904

NBEM0032S04

Unit: mm (in)



SEM882E

Piston skirt diameter "A"	Standard (for No. 3, 4 and 5 cylinders)	Grade No. 2-1	91.480 - 91.485 (3.6016 - 3.6018)	GI
		Grade No. 3-2	91.486 - 91.490 (3.6018 - 3.6020)	MA
		Grade No. 3-3	91.491 - 91.495 (3.6020 - 3.6022)	EM
		Grade No. 4-4	91.496 - 91.500 (3.6022 - 3.6024)	LC
		Grade No. 4-5	91.501 - 91.505 (3.6024 - 3.6026)	EC
		Grade No. 5-6	91.506 - 91.510 (3.6026 - 3.6027)	FE
	Standard (for No. 1, 2 and 6 cylinders)	Grade No. 1	91.465 - 91.475 (3.6010 - 3.6014)	AT
		Grade No. 2	91.476 - 91.485 (3.6014 - 3.6018)	TF
		Grade No. 3	91.486 - 91.495 (3.6018 - 3.6022)	PD
	0.25 (0.0098) oversize (Service)		91.715 - 91.745 (3.6108 - 3.6120)	AX
0.50 (0.0197) oversize (Service)		91.965 - 91.995 (3.6207 - 3.6218)	SU	
"a" dimension			49.0 (1.929)	BR
Piston pin hole diameter			20.969 - 20.981 (0.8255 - 0.8260)	ST
Piston clearance to cylinder block	Standard	For No. 1, 2 and 6 cyl- inders	0.025 - 0.045 (0.0010 - 0.0018)	RS
		For No. 3 and 4 cylin- ders	0.015 - 0.025 (0.0006 - 0.0010)	BT
		For No. 5 cylinder	0.030 - 0.040 (0.0012 - 0.0016)	HA

PISTON RING

NBEM0032S05
Unit: mm (in)

		Standard	Limit	
Side clearance	Top	0.024 - 0.076 (0.0009 - 0.0030)	0.11 (0.0043)	HA
	2nd	0.030 - 0.070 (0.0012 - 0.0028)	0.10 (0.004)	SC
	Oil	0.015 - 0.185 (0.0006 - 0.0073)	—	EL
Ring gap	Top	0.21 - 0.40 (0.0083 - 0.0157)	0.54 (0.0213)	EL
	2nd	0.50 - 0.69 (0.0197 - 0.0272)	0.80 (0.0315)	EL
	Oil (rail ring)	0.20 - 0.69 (0.0079 - 0.0272)	0.95 (0.0374)	IDX

SERVICE DATA AND SPECIFICATIONS (SDS)

Piston, Piston Ring and Piston Pin (Cont'd)

PISTON PIN

NBEM0032S03
Unit: mm (in)

Piston pin outer diameter	20.971 - 20.983 (0.8256 - 0.8261)
Interference fit of piston pin to piston	0 - 0.004 (0 - 0.0002)
Piston pin to connecting rod bushing clearance	0.005 - 0.017 (0.0002 - 0.0007)

Values measured at ambient temperature of 20°C (68°F)

Connecting Rod

NBEM0033
Unit: mm (in)

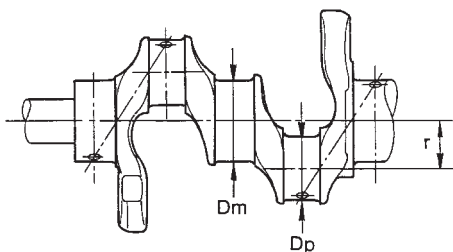
Center distance	154.1 - 154.2 (6.067 - 6.071)
Bend, torsion [per 100 (3.94)]	Limit Bend: 0.15 (0.0059) Torsion: 0.30 (0.0118)
Piston pin bushing inner diameter*	20.982 - 20.994 (0.8261 - 0.8265)
Connecting rod big end inner diameter	53.000 - 53.013 (2.0866 - 2.0871)
Side clearance	Standard 0.20 - 0.35 (0.0079 - 0.0138)
	Limit 0.40 (0.0157)

*After installing in connecting rod

Crankshaft

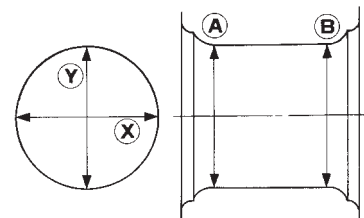
NBEM0034
Unit: mm (in)

Main journal dia. "Dm"	No. 1 main journal	Grade No. 3	62.969 - 62.975 (2.4791 - 2.4793)
		Grade No. 4	62.963 - 62.969 (2.4789 - 2.4791)
		Grade No. 5	62.957 - 62.963 (2.4786 - 2.4789)
		Grade No. 6	62.951 - 62.957 (2.4784 - 2.4786)
	No. 2, 3 and 4 main journals	Grade No. 0	62.967 - 62.975 (2.4790 - 2.4793)
		Grade No. 1	62.959 - 62.967 (2.4787 - 2.4790)
Grade No. 2		62.951 - 62.959 (2.4784 - 2.4787)	
Pin journal dia. "Dp"		49.955 - 49.974 (1.9667 - 1.9675)	
Center distance "r"		41.5 (1.634)	
Out-of-round (X - Y)	Standard	Less than 0.005 (0.0002)	
Taper (A - B)	Standard	Less than 0.005 (0.0002)	
Runout [TIR]	Standard	Less than 0.025 (0.0010)	
	Limit	Less than 0.10 (0.0039)	
Free end play	Standard	0.050 - 0.170 (0.0020 - 0.0067)	
	Limit	0.30 (0.0118)	



SEM645

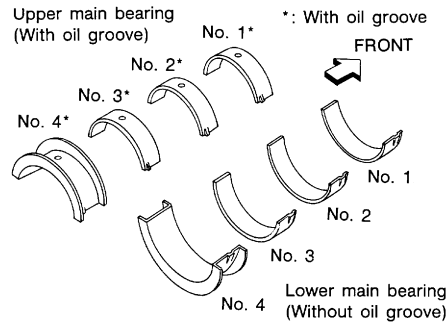
Out-of-round $\text{X} - \text{Y}$
Taper $\text{A} - \text{B}$



EM715

Available Main Bearing

NBEM0035



GI

MA

EM

LC

SEM327A

NO. 1 MAIN BEARING

NBEM0035S01

Grade number	Thickness "T" mm (in)	Width "W" mm (in)	Identification color (mark)
0	1.822 - 1.825 (0.0717 - 0.0719)	22.4 - 22.6 (0.882 - 0.890)	Black (A)
1	1.825 - 1.828 (0.0719 - 0.0720)		Brown (B)
2	1.828 - 1.831 (0.0720 - 0.0721)		Green (C)
3	1.831 - 1.834 (0.0721 - 0.0722)		Yellow (D)
4	1.834 - 1.837 (0.0722 - 0.0723)		Blue (E)
5	1.837 - 1.840 (0.0723 - 0.0724)		Pink (F)
6	1.840 - 1.843 (0.0724 - 0.0726)		Purple (G)

FE

AT

TF

PD

NO. 2 AND 3 MAIN BEARINGS

NBEM0035S02

Grade number	Thickness "T" mm (in)	Width "W" mm (in)	Identification color
0	1.817 - 1.821 (0.0715 - 0.0717)	18.9 - 19.1 (0.744 - 0.752)	Black
1	1.821 - 1.825 (0.0717 - 0.0719)		Brown
2	1.825 - 1.829 (0.0719 - 0.0720)		Green
3	1.829 - 1.833 (0.0720 - 0.0722)		Yellow
4	1.833 - 1.837 (0.0722 - 0.0723)		Blue

SU

BR

ST

NO. 4 MAIN BEARING

NBEM0035S03

Grade number	Thickness "T" mm (in)	Identification color
0	1.817 - 1.821 (0.0715 - 0.0717)	Black
1	1.821 - 1.825 (0.0717 - 0.0719)	Brown
2	1.825 - 1.829 (0.0719 - 0.0720)	Green
3	1.829 - 1.833 (0.0720 - 0.0722)	Yellow
4	1.833 - 1.837 (0.0722 - 0.0723)	Blue

RS

BT

HA

SC

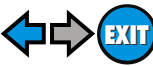
UNDER SIZE

NBEM0035S04
Unit: mm (in)

		Thickness "T"	Main journal diameter "Dm"
0.25 (0.0098)	No. 1 main bearing	1.956 - 1.962 (0.0770 - 0.0772)	Grind so the bearing clearance is within the specified value.
	No. 2, 3 and No. 4 main bearings	1.948 - 1.956 (0.0767 - 0.0770)	

EL

IDX



SERVICE DATA AND SPECIFICATIONS (SDS)

Available Connecting Rod Bearing

Available Connecting Rod Bearing

NBEM0036

CONNECTING ROD BEARING UNDERSIZE

NBEM0036S01

Unit: mm (in)

		Thickness	Crank pin journal diameter "Dp"
Standard		1.502 - 1.506 (0.0591 - 0.0593)	49.955 - 49.974 (1.9667 - 1.9675)
Undersize	0.08 (0.0031)	1.542 - 1.546 (0.0607 - 0.0609)	Grind so the bearing clearance is within the specified value.
	0.12 (0.0047)	1.562 - 1.566 (0.0615 - 0.0617)	
	0.25 (0.0098)	1.627 - 1.631 (0.0641 - 0.0642)	

Miscellaneous Components

NBEM0037

Unit: mm (in)

Drive plate runout [TIR]	Less than 0.15 (0.0059)
--------------------------	-------------------------

BEARING CLEARANCE

NBEM0037S01

Unit: mm (in)

Main bearing clearance	No. 1 main bearing	Standard	0.020 - 0.038 (0.0008 - 0.0015)
		Limit	0.060 (0.0024)
	No. 2, 3 and No. 4 main bearings	Standard	0.028 - 0.055 (0.0011 - 0.0022)
		Limit	0.080 (0.0031)
Connecting rod bearing clearance		Standard	0.014 - 0.054 (0.0006 - 0.0021)
		Limit	0.090 (0.0035)