

A
B
C
D
E
F
G
H
VTL
J
K
L
M
N
O
P

SECTION VTL

VENTILATION SYSTEM

CONTENTS

<p>SYSTEM DESCRIPTION 3</p> <p>SWITCHES AND THEIR CONTROL FUNCTION 3</p> <p style="padding-left: 20px;">System Description3</p> <p>AIR DISTRIBUTION 6</p> <p style="padding-left: 20px;">System Description6</p> <p>PRECAUTION 7</p> <p>PRECAUTIONS 7</p> <p style="padding-left: 20px;">Precaution for Supplemental Restraint System (SRS) "AIR BAG" and "SEAT BELT PRE-TENSIONER"7</p> <p style="padding-left: 20px;">Precaution for Procedure without Cowl Top Cover.....7</p> <p style="padding-left: 20px;">Precautions for Removing Battery Terminal7</p> <p>PREPARATION 9</p> <p>PREPARATION 9</p> <p style="padding-left: 20px;">Commercial Service Tool9</p> <p>PERIODIC MAINTENANCE 10</p> <p>IN-CABIN MICROFILTER 10</p> <p style="padding-left: 20px;">Exploded View 10</p> <p style="padding-left: 20px;">Removal and Installation 10</p> <p style="padding-left: 20px;">Replacement 10</p> <p>REMOVAL AND INSTALLATION 11</p> <p>DUCT AND GRILLE 11</p> <p style="padding-left: 20px;">Exploded View 11</p> <p>CENTER VENTILATOR GRILLE 12</p> <p style="padding-left: 20px;">CENTER VENTILATOR GRILLE : Removal and Installation 12</p> <p>SIDE VENTILATOR GRILLE 12</p> <p style="padding-left: 20px;">SIDE VENTILATOR GRILLE : Removal and Installation 12</p>	<p>FRONT DEFROSTER GRILLE 13</p> <p style="padding-left: 20px;">FRONT DEFROSTER GRILLE : Removal and Installation 13</p> <p>VENTILATOR DUCT 13</p> <p style="padding-left: 20px;">VENTILATOR DUCT : Removal and Installation 13</p> <p>ADAPTOR DUCT 14</p> <p style="padding-left: 20px;">ADAPTOR DUCT : Removal and Installation 14</p> <p>DEFROSTER NOZZLE 14</p> <p style="padding-left: 20px;">DEFROSTER NOZZLE : Removal and Installation 14</p> <p>SIDE DEFROSTER NOZZLE 14</p> <p style="padding-left: 20px;">SIDE DEFROSTER NOZZLE : Removal and Installation 14</p> <p>SIDE DEFROSTER DUCT 15</p> <p style="padding-left: 20px;">SIDE DEFROSTER DUCT : Removal and Installation 15</p> <p>REAR VENTILATOR GRILLE 15</p> <p style="padding-left: 20px;">REAR VENTILATOR GRILLE : Removal and Installation 15</p> <p>REAR VENTILATOR DUCT 1 15</p> <p style="padding-left: 20px;">REAR VENTILATOR DUCT 1 : Removal and Installation 16</p> <p>REAR VENTILATOR DUCT 2 16</p> <p style="padding-left: 20px;">REAR VENTILATOR DUCT 2 : Removal and Installation 16</p> <p>FOOT GRILLE 16</p> <p style="padding-left: 20px;">FOOT GRILLE : Removal and Installation 16</p> <p>FOOT DUCT 17</p> <p style="padding-left: 20px;">FOOT DUCT : Removal and Installation 17</p> <p>HEATER DUCT 17</p> <p style="padding-left: 20px;">HEATER DUCT : Removal and Installation 18</p> <p>REAR FLOOR DUCT 1 18</p>
--	---

REAR FLOOR DUCT 1 : Removal and Installation		BLOWER UNIT	20
...	18	BLOWER UNIT : Removal and Installation	20
BLOWER UNIT	19	BLOWER MOTOR	21
Exploded View	19	BLOWER MOTOR : Removal and Installation	21

SWITCHES AND THEIR CONTROL FUNCTION

< SYSTEM DESCRIPTION >

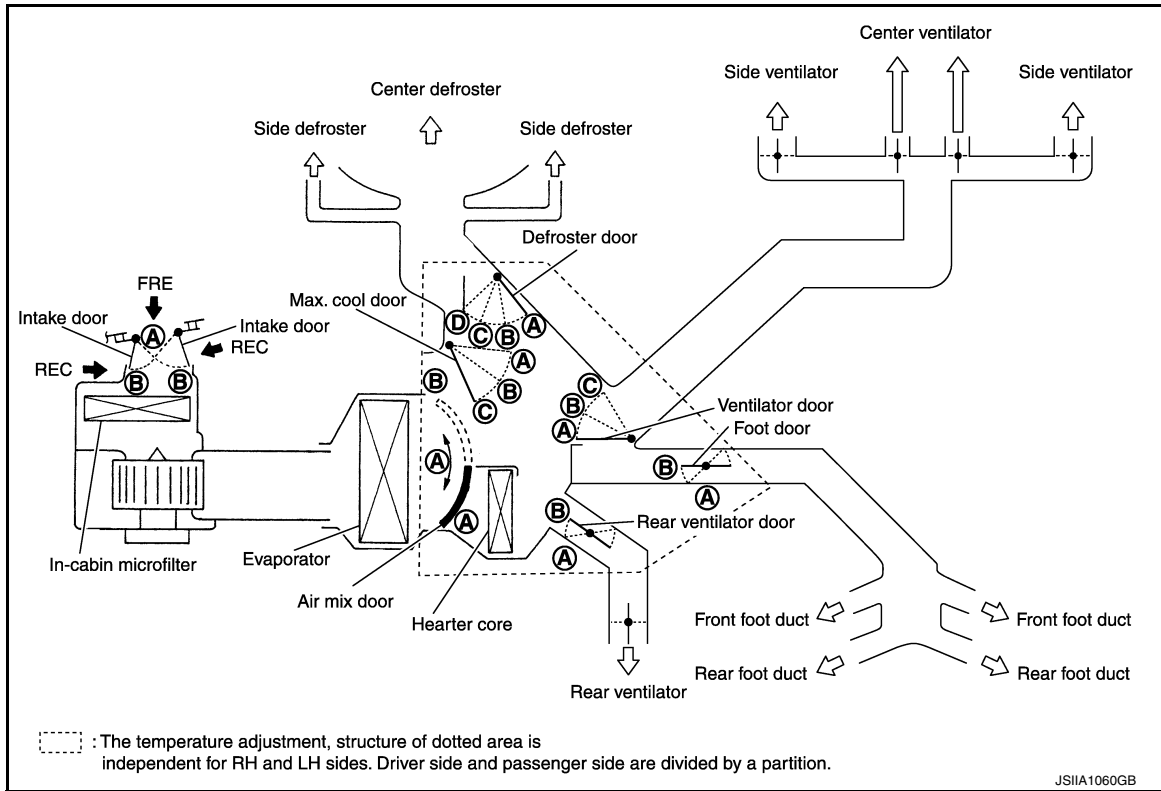
SYSTEM DESCRIPTION

SWITCHES AND THEIR CONTROL FUNCTION

System Description

INFOID:0000000012173647

SWITCHES AND THEIR CONTROL FUNCTION











Without ACCS

Switch position		Door position						
		Ventila- tor door	Max. cool door	Defroster door	Foot door	Rear ventila- tor door	Intake door	Air mix door (Driver side)
AUTO switch	☀	AUTO						


SWITCHES AND THEIR CONTROL FUNCTION

< SYSTEM DESCRIPTION >

Switch position			Door position							Air mix door (Driver side)	Air mix door (Passenger side)
			Ventilator door	Max. cool door	Defroster door	Foot door	Rear ventilator door	Intake door			
MODE switch	VENT		A	A	D	B	B	—	—		
	B/L		B	B	D	B	B				
	FOOT		C	C	C	B	B			B	
	D/F				B	B	B			B	
DEF switch					A	A	A	B	—	—	
Intake switch	FRE							B*	—	—	
	REC							A*			
DUAL switch	DUAL								ON	ON	
	OFF	=							OFF	OFF	
Temperature control dial (Driver side)	DUAL switch: OFF	18.0°C (60°F)							A	A	
		18.5°C ⇄ 31.5°C (61°F ⇄ 89°F)							AUTO	AUTO	
		32.0°C (90°F)							B	B	
Temperature control dial (Driver side)	DUAL switch: ON	18.0°C (60°F)	—	—	—	—	—	—	A	—	
		18.5°C ⇄ 31.5°C (61°F ⇄ 89°F)							AUTO	—	
		32.0°C (90°F)							B	—	
Temperature control dial (Passenger side)	DUAL switch: ON	18.0°C (60°F)							—	A	
		18.5°C ⇄ 31.5°C (61°F ⇄ 89°F)							—	AUTO	
		32.0°C (90°F)							—	B	
OFF switch			C	C	C	B	B	B	—	—	

*: Inlet status is displayed by indicator when activating automatic control

With ACCS

Switch position		Door position							Air mix door (Driver side)	Air mix door (Passenger side)
		Ventilator door	Max. cool door	Defroster door	Foot door	Rear ventilator door	Intake door			
AUTO switch									AUTO	AUTO

SWITCHES AND THEIR CONTROL FUNCTION

< SYSTEM DESCRIPTION >

Switch position			Door position							
			Ventila- tor door	Max. cool door	Defrost- er door	Foot door	Rear ventila- tor door	Intake door	Air mix door (Driver side)	Air mix door (Passen- ger side)
MODE switch	VENT		A	A	D	B	B	—	—	
	B/L		B	B	D	B	B			
	FOOT		C	C	C	B	B			
	D/F				B	B	B	B		
DEF switch					A	A	A	B		
Intake switch	AUTO							AUTO*2	—	
	REC							A*1		
	FRE							B*1		
DUAL switch	DUAL								ON	
	OFF								OFF	
Temperature control dial (Driver side)	DUAL switch: OFF	18.0°C (60°F)	—	—	—	—	—	—	A	
		18.5°C ⇄ 31.5°C (61°F ⇄ 89°F)							AUTO	
		32.0°C (90°F)							B	
Temperature control dial (Driver side)	DUAL switch: ON	18.0°C (60°F)	—	—	—	—	—	—	A	
		18.5°C ⇄ 31.5°C (61°F ⇄ 89°F)							AUTO	
		32.0°C (90°F)							B	
Temperature control dial (Passenger side)	DUAL switch: ON	18.0°C (60°F)	—	—	—	—	—	—	A	
		18.5°C ⇄ 31.5°C (61°F ⇄ 89°F)							—	
		32.0°C (90°F)							B	
OFF switch			C	C	C	B	B	B	—	—

*1: Inlet status is displayed by indicator when activating automatic control

*2: Intake door control applies a exhaust gas / outside odor detecting sensor






AIR DISTRIBUTION

< SYSTEM DESCRIPTION >

AIR DISTRIBUTION

System Description

INFOID:000000012173648

Discharge air flow						
Mode position indication	Condition	Air outlet/distribution				
		VENT		FOOT		DEF
		Front	Rear	Front	Rear	
	DUAL switch: OFF Rear ventilator : OPEN	88%	12%	—	—	—
		49%	10%	25%	16%	—
		10%	12%	33%	22%	23%
		9%	11%	29%	18%	33%
		15%	—	—	—	85%

JSIIA0888GB

PRECAUTIONS

< PRECAUTION >

PRECAUTION

PRECAUTIONS

Precaution for Supplemental Restraint System (SRS) "AIR BAG" and "SEAT BELT PRE-TENSIONER"

INFOID:000000012173649

The Supplemental Restraint System such as "AIR BAG" and "SEAT BELT PRE-TENSIONER", used along with a front seat belt, helps to reduce the risk or severity of injury to the driver and front passenger for certain types of collision. This system includes seat belt switch inputs and dual stage front air bag modules. The SRS system uses the seat belt switches to determine the front air bag deployment, and may only deploy one front air bag, depending on the severity of a collision and whether the front occupants are belted or unbelted. Information necessary to service the system safely is included in the "SRS AIR BAG" and "SEAT BELT" of this Service Manual.

WARNING:

Always observe the following items for preventing accidental activation.

- To avoid rendering the SRS inoperative, which could increase the risk of personal injury or death in the event of a collision that would result in air bag inflation, it is recommended that all maintenance and repair be performed by an authorized NISSAN/INFINITI dealer.
- Improper repair, including incorrect removal and installation of the SRS, can lead to personal injury caused by unintentional activation of the system. For removal of Spiral Cable and Air Bag Module, see "SRS AIR BAG".
- Never use electrical test equipment on any circuit related to the SRS unless instructed to in this Service Manual. SRS wiring harnesses can be identified by yellow and/or orange harnesses or harness connectors.

PRECAUTIONS WHEN USING POWER TOOLS (AIR OR ELECTRIC) AND HAMMERS

WARNING:

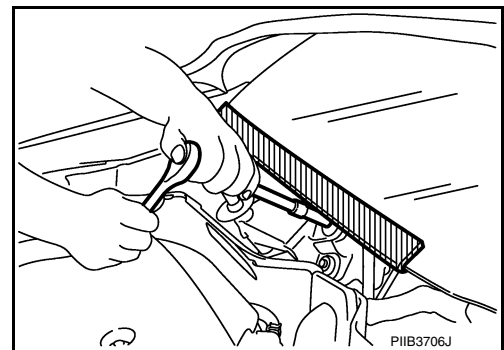
Always observe the following items for preventing accidental activation.

- When working near the Air Bag Diagnosis Sensor Unit or other Air Bag System sensors with the ignition ON or engine running, never use air or electric power tools or strike near the sensor(s) with a hammer. Heavy vibration could activate the sensor(s) and deploy the air bag(s), possibly causing serious injury.
- When using air or electric power tools or hammers, always switch the ignition OFF, disconnect the battery or batteries, and wait at least 3 minutes before performing any service.

Precaution for Procedure without Cowl Top Cover

INFOID:000000012173650

When performing the procedure after removing cowl top cover, cover the lower end of windshield with urethane, etc to prevent damage to windshield.



Precautions for Removing Battery Terminal

INFOID:000000012815523

When disconnecting the battery terminal, pay attention to the following.

- Always use a 12V battery as power source.
- Never disconnect battery terminal while engine is running.

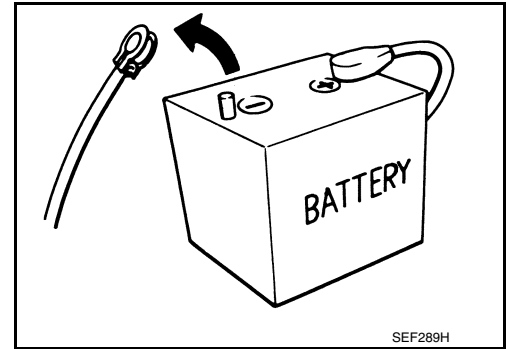
A
B
C
D
E
F
G
H
VTL
J
K
L
M
N
O
P

PRECAUTIONS

< PRECAUTION >

- When removing the 12V battery terminal, turn OFF the ignition switch and wait at least 30 seconds.
- For vehicles with the engine listed below, remove the battery terminal after a lapse of the specified time:

BR08DE	: 4 minutes	YD25DDTi	: 2 minutes
D4D engine	: 20 minutes	YS23DDT	: 4 minutes
HRA2DDT	: 12 minutes	YS23DDTT	: 4 minutes
K9K engine	: 4 minutes	ZD30DDTi	: 60 seconds
M9R engine	: 4 minutes	ZD30DDTT	: 60 seconds
R9M engine	: 4 minutes		
V9X engine	: 4 minutes		



NOTE:

ECU may be active for several tens of seconds after the ignition switch is turned OFF. If the battery terminal is removed before ECU stops, then a DTC detection error or ECU data corruption may occur.

- After high-load driving, if the vehicle is equipped with the V9X engine, turn the ignition switch OFF and wait for at least 15 minutes to remove the battery terminal.

NOTE:

- Turbocharger cooling pump may operate in a few minutes after the ignition switch is turned OFF.
- Example of high-load driving
 - Driving for 30 minutes or more at 140 km/h (86 MPH) or more.
 - Driving for 30 minutes or more on a steep slope.
- For vehicles with the 2-batteries, be sure to connect the main battery and the sub battery before turning ON the ignition switch.

NOTE:

If the ignition switch is turned ON with any one of the terminals of main battery and sub battery disconnected, then DTC may be detected.

- After installing the 12V battery, always check "Self Diagnosis Result" of all ECUs and erase DTC.

NOTE:

The removal of 12V battery may cause a DTC detection error.

PREPARATION

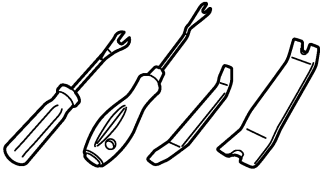
< PREPARATION >

PREPARATION

PREPARATION

Commercial Service Tool

INFOID:000000012173652

Tool name	Description
Remover tool  JMKIA3050ZZ	Remove clips, pawls and metal clips

A
B
C
D
E
F
G
H
VTL
J
K
L
M
N
O
P

IN-CABIN MICROFILTER

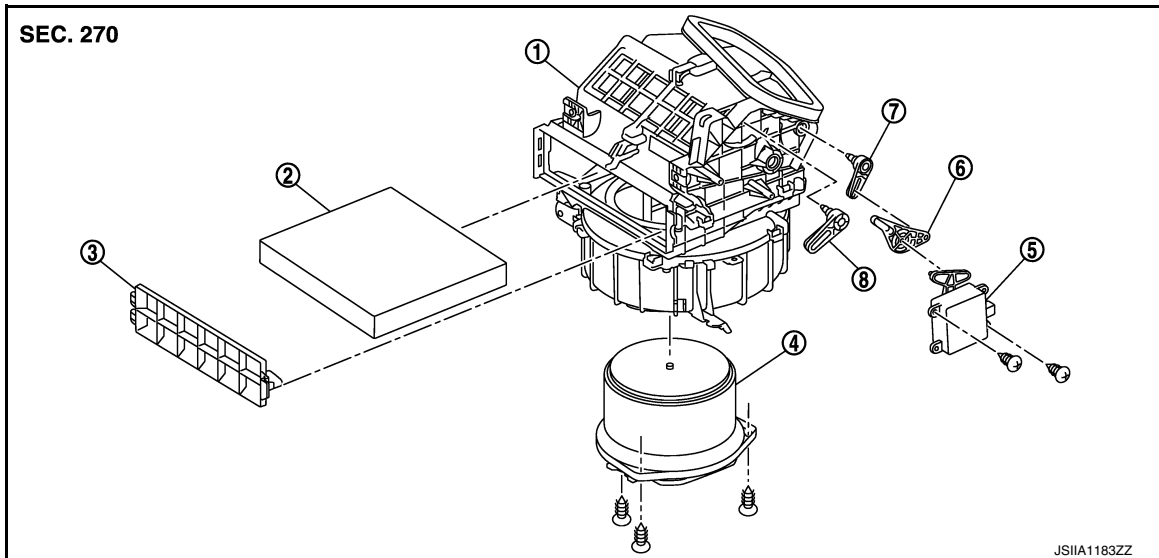
< PERIODIC MAINTENANCE >

PERIODIC MAINTENANCE

IN-CABIN MICROFILTER

Exploded View

INFOID:000000012173653



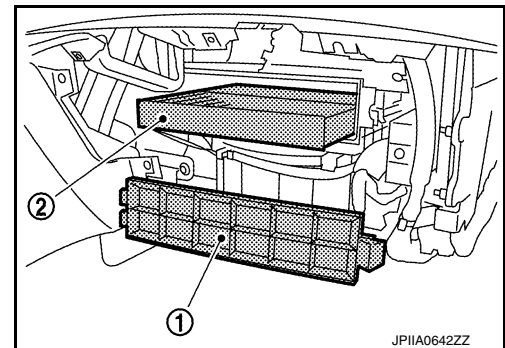
- | | | |
|--------------------------|-------------------------|---------------------|
| 1. Blower unit | 2. In-cabin microfilter | 3. Filter cover |
| 4. Blower motor assembly | 5. Intake door motor | 6. Intake door link |
| 7. Intake door lever 1 | 8. Intake door lever 2 | |

Removal and Installation

INFOID:000000012173654

REMOVAL

1. Remove instrument lower panel RH. Refer to [IP-12. "Exploded View"](#).
2. Remove filter cover (1), and then remove in-cabin microfilter (2).



INSTALLATION

Note the following items, and then install in the reverse order of removal.

CAUTION:

- If the filter is deformed/damaged when removing, replace it with a new one. Deformed/damaged filter may deteriorate the duct collecting performance.
- When installing, handle the filter with extreme care to avoid deforming/damaging.

Replacement

INFOID:000000012173655

Replace in-cabin microfilter.

Refer to [MA-6. "Introduction of Periodic Maintenance"](#).

Affix a caution label inside the glove box when replacing filter.

DUCT AND GRILLE

< REMOVAL AND INSTALLATION >

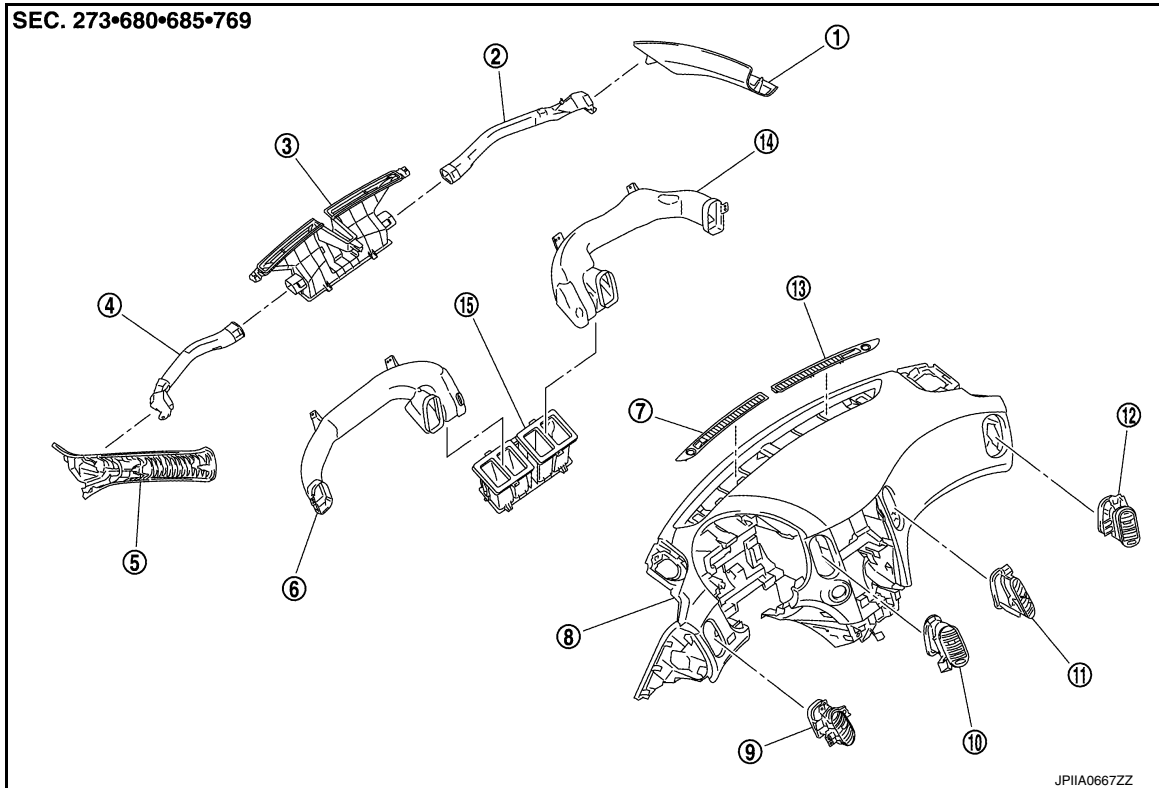
REMOVAL AND INSTALLATION

DUCT AND GRILLE

Exploded View

INFOID:000000012173656

FRONT

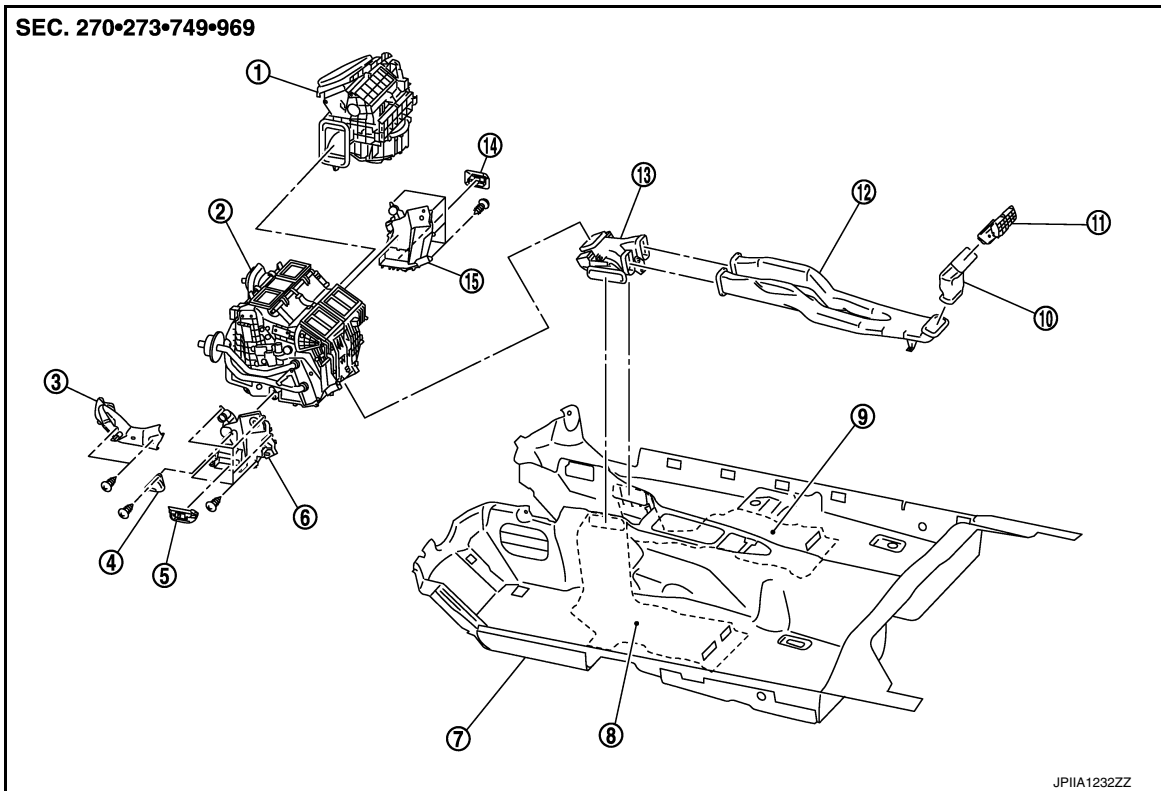


- | | | |
|--|--|-------------------------------|
| 1. Side defroster duct RH
(Front pillar garnish RH) | 2. Side defroster nozzle RH | 3. Defroster nozzle |
| 4. Side defroster nozzle LH | 5. Side defroster duct LH
(Front pillar garnish LH) | 6. Ventilator duct LH |
| 7. Front defroster grille LH | 8. Instrument panel assembly | 9. Side ventilator grille LH |
| 10. Center ventilator grille LH | 11. Center ventilator grille RH | 12. Side ventilator grille RH |
| 13. Front defroster grille RH | 14. Ventilator duct RH | 15. Adaptor duct |

REAR

DUCT AND GRILLE

< REMOVAL AND INSTALLATION >



- | | | |
|----------------------------|-----------------------------------|----------------------------|
| 1. Blower unit | 2. Heater & cooling unit assembly | 3. Heater pipe cover |
| 4. Heater duct | 5. Foot grille LH | 6. Foot duct LH |
| 7. Floor carpet | 8. Rear floor duct 2 LH | 9. Rear floor duct 2 RH |
| 10. Rear ventilator duct 2 | 11. Rear ventilator grille | 12. Rear ventilator duct 1 |
| 13. Rear floor duct 1 | 14. Foot grille RH | 15. Foot duct RH |

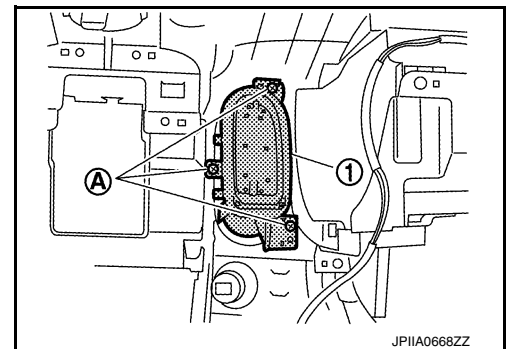
CENTER VENTILATOR GRILLE

CENTER VENTILATOR GRILLE : Removal and Installation

INFOID:000000012173657

REMOVAL

1. Remove instrument panel assembly. Refer to [IP-12. "Exploded View"](#).
2. Remove fixing screws (A), and then remove center ventilator grille (1).



INSTALLATION

Install in the reverse order of removal.

SIDE VENTILATOR GRILLE

SIDE VENTILATOR GRILLE : Removal and Installation

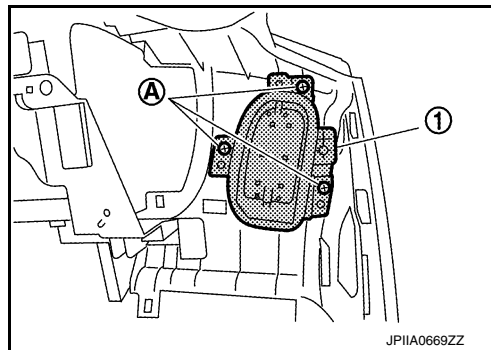
INFOID:000000012173658

REMOVAL

DUCT AND GRILLE

< REMOVAL AND INSTALLATION >

1. Remove instrument panel assembly. Refer to [IP-12. "Exploded View"](#).
2. Remove fixing screws (A), and then remove side ventilator grille (1).



INSTALLATION

Install in the reverse order of removal.

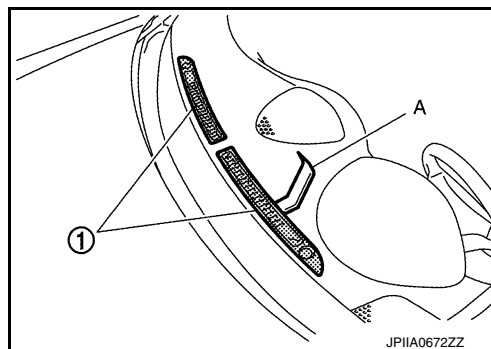
FRONT DEFROSTER GRILLE

FRONT DEFROSTER GRILLE : Removal and Installation

INFOID:000000012173659

REMOVAL

Remove front defroster grilles (1), using a remover tool (A).



INSTALLATION

Install in the reverse order of removal.

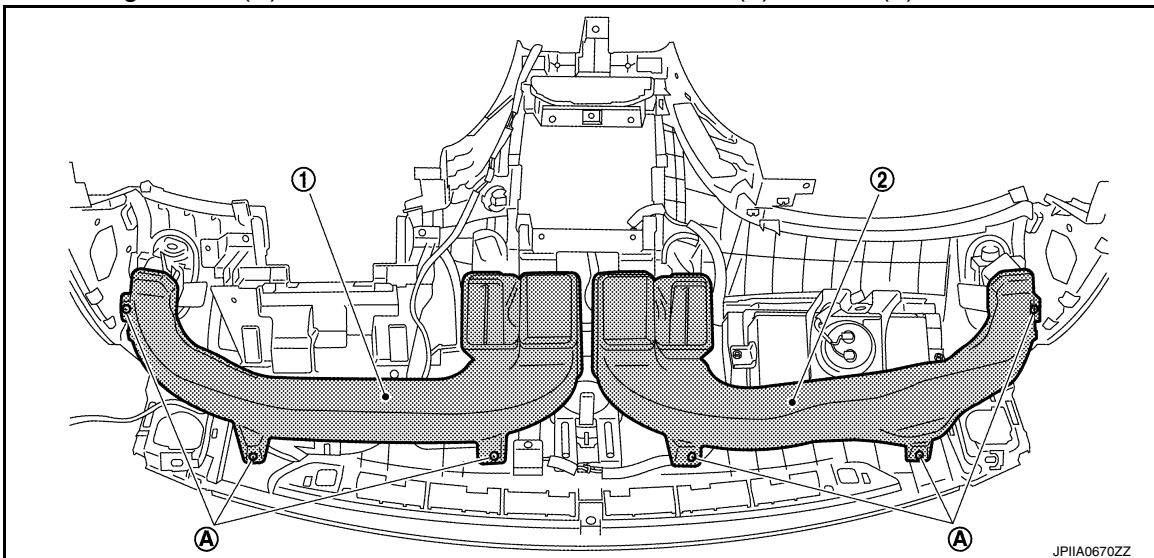
VENTILATOR DUCT

VENTILATOR DUCT : Removal and Installation

INFOID:000000012173660

REMOVAL

1. Remove instrument panel assembly. Refer to [IP-12. "Exploded View"](#).
2. Remove fixing screws (A), and then remove ventilator duct LH (1) and RH (2).



A
B
C
D
E
F
G
H
VTL
J
K
L
M
N
O
P

DUCT AND GRILLE

< REMOVAL AND INSTALLATION >

INSTALLATION

Install in the reverse order of removal.

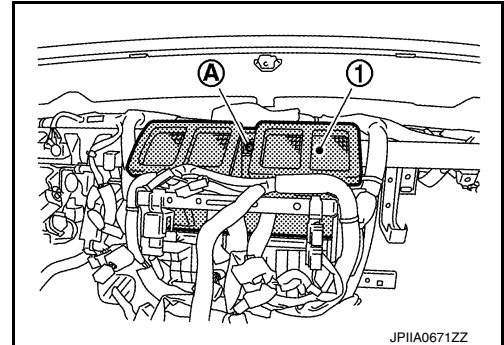
ADAPTOR DUCT

ADAPTOR DUCT : Removal and Installation

INFOID:000000012173661

REMOVAL

1. Remove instrument panel assembly. Refer to [IP-12, "Exploded View"](#).
2. Remove fixing screw (A), and then remove adaptor duct (1).



INSTALLATION

Install in the reverse order of removal.

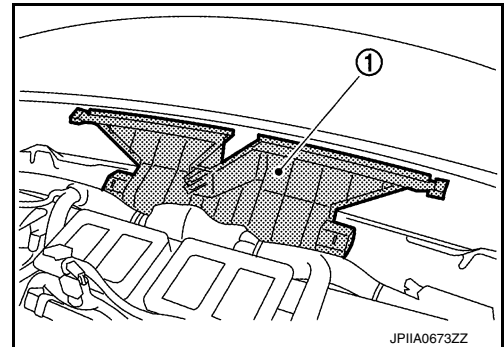
DEFROSTER NOZZLE

DEFROSTER NOZZLE : Removal and Installation

INFOID:000000012173662

REMOVAL

1. Remove side defroster nozzles. Refer to [VTL-11, "Exploded View"](#).
2. Remove defroster nozzle (1).



INSTALLATION

Install in the reverse order of removal.

SIDE DEFROSTER NOZZLE

SIDE DEFROSTER NOZZLE : Removal and Installation

INFOID:000000012173663

REMOVAL

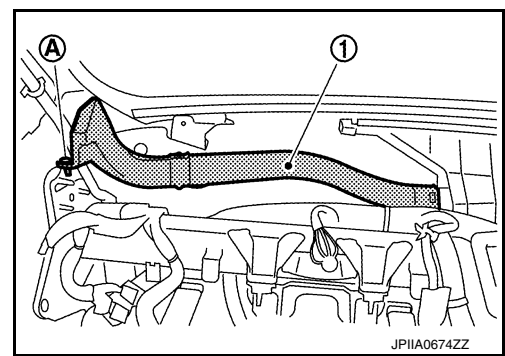
Driver Side

1. Remove instrument panel assembly. Refer to [IP-12, "Exploded View"](#).

DUCT AND GRILLE

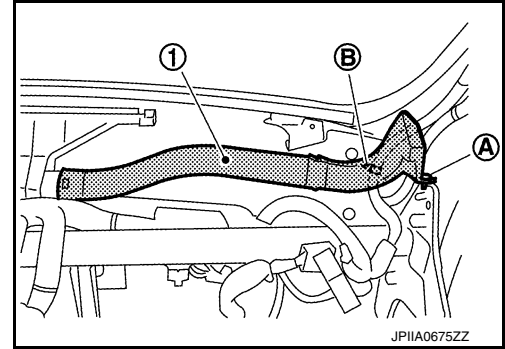
< REMOVAL AND INSTALLATION >

2. Remove fixing clip (A), and then remove side defroster nozzle LH (1).



Passenger Side

- Remove fixing clip (A) and harness clip (B), and then remove side defroster nozzle RH (1).



INSTALLATION

Install in the reverse order of removal.

SIDE DEFROSTER DUCT

SIDE DEFROSTER DUCT : Removal and Installation

INFOID:0000000012173664

REMOVAL

- Remove front pillar garnish. Refer to [INT-21, "Exploded View"](#).

INSTALLATION

Install in the reverse order of removal.


REAR VENTILATOR GRILLE

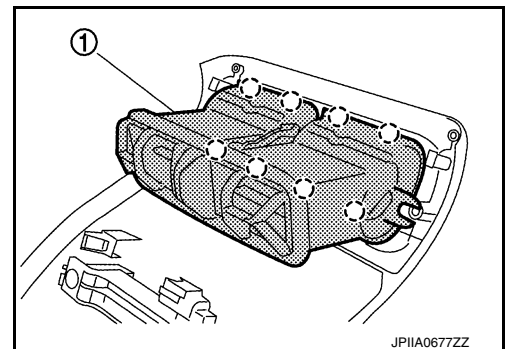
REAR VENTILATOR GRILLE : Removal and Installation

INFOID:0000000012173665

REMOVAL

1. Remove console rear finisher. Refer to [IP-23, "Exploded View"](#).
2. Disengage fixing pawls, and then remove rear ventilator grille (1).

 : Pawl



INSTALLATION

Install in the reverse order of removal.

REAR VENTILATOR DUCT 1

A
B
C
D
E
F
G
H
J
K
L
M
N
O
P

VTL

DUCT AND GRILLE

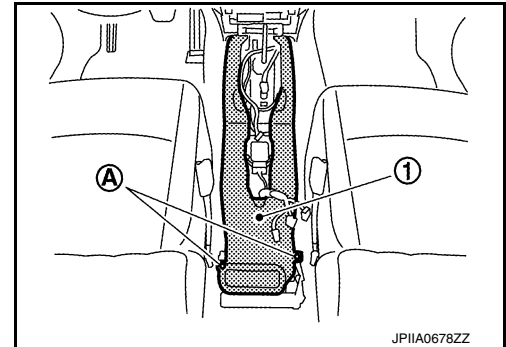
< REMOVAL AND INSTALLATION >

REAR VENTILATOR DUCT 1 : Removal and Installation

INFOID:000000012173666

REMOVAL

1. Remove center console assembly. Refer to [IP-23, "Exploded View"](#).
2. Remove fixing screws (A), and then remove rear ventilator duct 1 (1).



INSTALLATION

Install in the reverse order of removal.

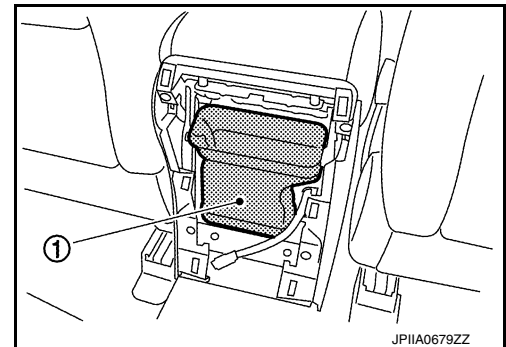
REAR VENTILATOR DUCT 2

REAR VENTILATOR DUCT 2 : Removal and Installation

INFOID:000000012173667

REMOVAL

1. Remove console rear finisher. Refer to [IP-23, "Exploded View"](#).
2. Remove rear ventilator duct 2 (1).



INSTALLATION

Install in the reverse order of removal.

FOOT GRILLE

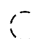
FOOT GRILLE : Removal and Installation

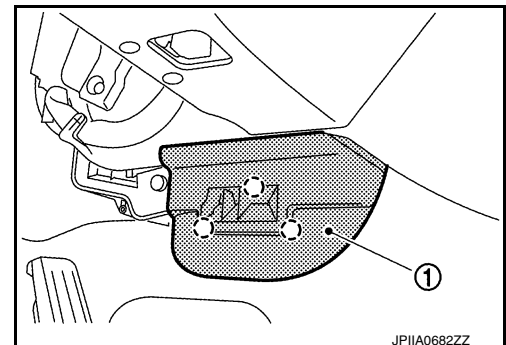
INFOID:000000012173668

REMOVAL

Driver Side

Disengage fixing pawls, and then remove foot grille LH (1).

 : Pawl




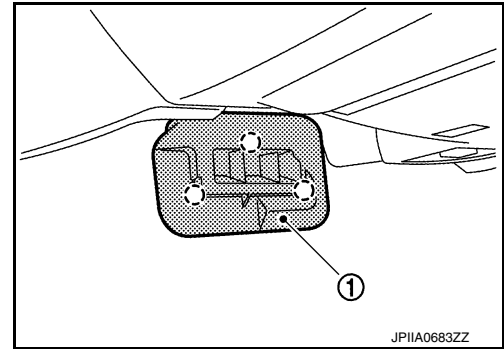
Passenger Side

DUCT AND GRILLE

< REMOVAL AND INSTALLATION >

Disengage fixing pawls, and then remove foot grille RH (1).

 : Pawl



INSTALLATION

Install in the reverse order of removal.

FOOT DUCT

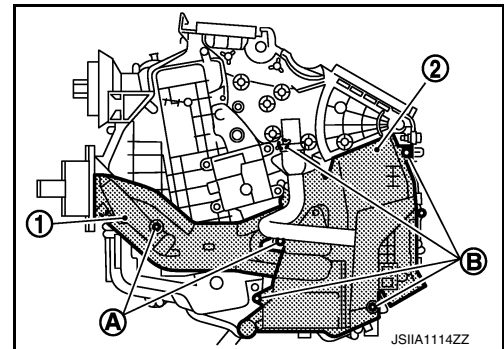
FOOT DUCT : Removal and Installation

INFOID:000000012173669

REMOVAL

Driver Side

1. Remove fixing screws (A), and then remove heater pipe cover (1).
2. Remove fixing screws (B), and then remove foot duct LH (2).



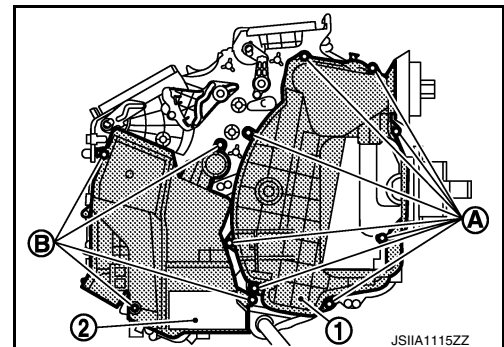
Passenger Side

1. Set the temperature at 18°C (64°F).

CAUTION:

The angle may be out, when installing the air mix door motor to the air mix door, unless the above procedure is performed.

2. Disconnect the battery cable from the negative terminal.
3. Remove heater & cooling unit assembly. Refer to [HA-51. "Exploded View"](#).
4. Remove air mix door motor. Refer to [HAC-137. "Exploded View"](#).
5. Remove mode door motor and links. Refer to [HAC-137. "Exploded View"](#).
6. Remove fixing screws (A), and then remove evaporator cover (1).
7. Remove fixing screws (B), and then remove foot duct RH (2).



INSTALLATION

Install in the reverse order of removal.

HEATER DUCT

A
B
C
D
E
F
G
H
VTL
J
K
L
M
N
O
P

DUCT AND GRILLE

< REMOVAL AND INSTALLATION >

HEATER DUCT : Removal and Installation

INFOID:000000012173670

REMOVAL

1. Remove instrument lower panel LH. Refer to [IP-12, "Exploded View"](#).
2. Remove fixing screw, and then remove heater duct.

INSTALLATION

Install in the reverse order of removal.

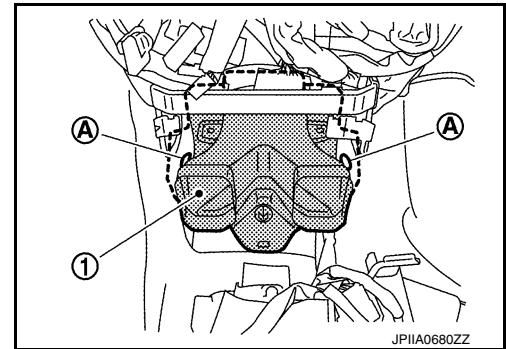
REAR FLOOR DUCT 1

REAR FLOOR DUCT 1 : Removal and Installation

INFOID:000000012173671

REMOVAL

1. Remove instrument panel assembly. Refer to [IP-12, "Exploded View"](#).
2. Remove fixing clips (A), and then remove rear floor duct 1 (1).



INSTALLATION

Install in the reverse order of removal.

BLOWER UNIT

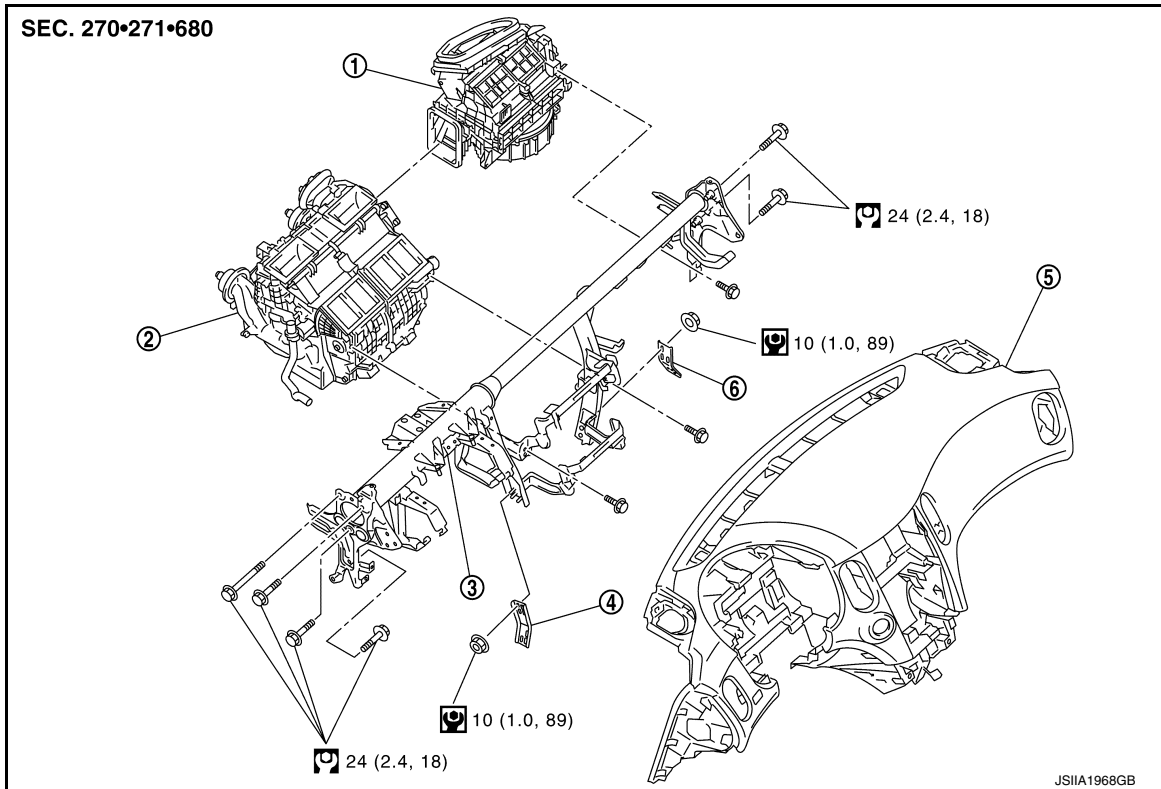
< REMOVAL AND INSTALLATION >

BLOWER UNIT

Exploded View

INFOID:000000012173672

REMOVAL



- 1. Blower unit
- 4. Instrument stay LH

- 2. Heater & cooling unit assembly
- 5. Instrument panel assembly

- 3. Steering member
- 6. Instrument stay RH

: N·m (kg-m, ft-lb)

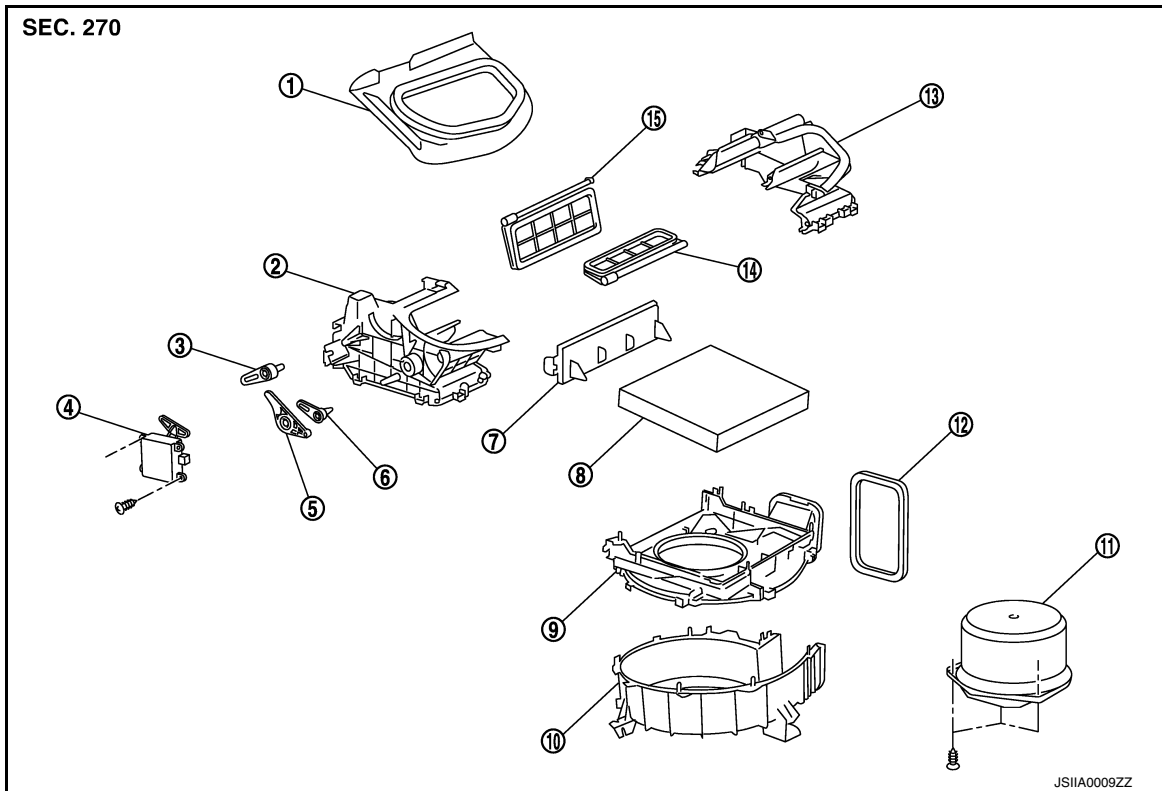
: N·m (kg-m, in-lb)

DISASSEMBLY

A
B
C
D
E
F
G
H
VTL
J
K
L
M
N
O
P

BLOWER UNIT

< REMOVAL AND INSTALLATION >



- | | | |
|-----------------------|---------------------------|------------------------|
| 1. Adapter | 2. Intake box RH | 3. Intake door lever 2 |
| 4. Intake door motor | 5. Intake door link | 6. Intake door lever 1 |
| 7. Filter cover | 8. In-cabin microfilter | 9. Intake upper case |
| 10. Intake lower case | 11. Blower motor assembly | 12. Seal |
| 13. Intake box LH | 14. Intake door 1 | 15. Intake door 2 |

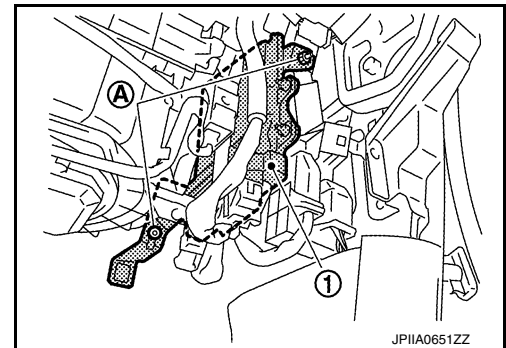
BLOWER UNIT

BLOWER UNIT : Removal and Installation

INFOID:000000012173673

REMOVAL

1. Remove instrument lower panel RH. Refer to [IP-12, "Exploded View"](#).
2. Disconnect AWD control unit connector (AWD). Refer to [DLN-61, "Removal and Installation"](#).
3. Disconnect ECM (1) connectors.
4. Remove mounting nuts (A), and then remove ECM with bracket attached.
5. Remove power steering control unit. Refer to [STC-22, "Exploded View"](#).



6. Disconnect intake door motor connector and blower motor connector.

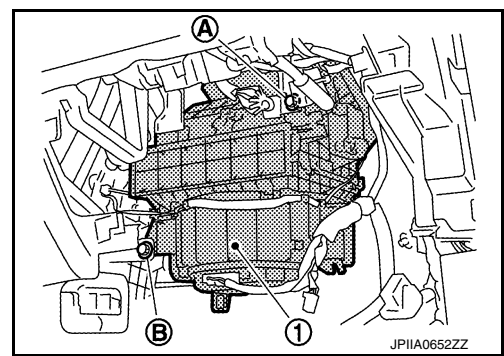
BLOWER UNIT

< REMOVAL AND INSTALLATION >

7. Remove mounting bolt (A) and fixing screw (B), and then remove blower unit (1).

CAUTION:

Move blower unit rightward, and remove locating pin (1 part) and joint. Then remove blower unit downward.



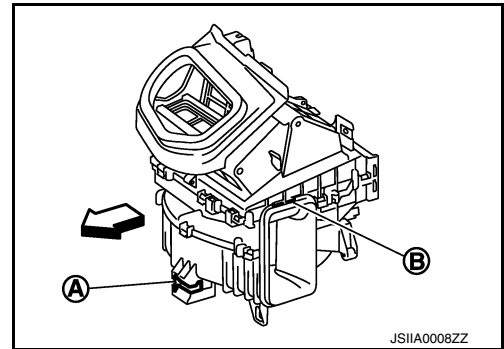
INSTALLATION

Note the following item, and then install in the reverse order of removal.

CAUTION:

Make sure locating pin (A) and joint (B) are securely inserted.

←: Vehicle front



BLOWER MOTOR

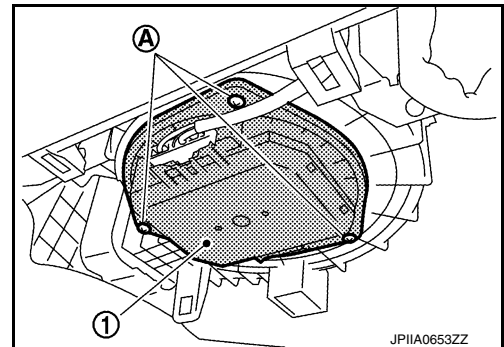
BLOWER MOTOR : Removal and Installation

INFOID:0000000012173674

VTL

REMOVAL

1. Remove instrument lower cover. Refer to [IP-12. "Exploded View"](#).
2. Disconnect blower motor connector.
3. Remove fixing screws (A), and then remove blower motor (1).



INSTALLATION

Install in the reverse order of removal.