

# SECTION **BL**

## BODY, LOCK & SECURITY SYSTEM

A  
B  
C

### CONTENTS

<p><b>PRECAUTIONS</b> ..... 4</p> <p>    Precautions for Supplemental Restraint System (SRS) "AIR BAG" and "SEAT BELT PRE-TENSIONER" ..... 4</p> <p>    Precautions for work ..... 4</p> <p>    Wiring Diagnosis and Trouble Diagnosis ..... 4</p> <p><b>PREPARATION</b> ..... 5</p> <p>    Special service tool ..... 5</p> <p>    Commercial Service Tool ..... 5</p> <p><b>SQUEAK AND RATTLE TROUBLE DIAGNOSIS</b> ..... 6</p> <p>    Work Flow ..... 6</p> <p>        CUSTOMER INTERVIEW ..... 6</p> <p>        DUPLICATE THE NOISE AND TEST DRIVE ..... 7</p> <p>        CHECK RELATED SERVICE BULLETINS ..... 7</p> <p>        LOCATE THE NOISE AND IDENTIFY THE ROOT CAUSE ..... 7</p> <p>        REPAIR THE CAUSE ..... 7</p> <p>        CONFIRM THE REPAIR ..... 8</p> <p>    Generic Squeak and Rattle Troubleshooting ..... 8</p> <p>    INSTRUMENT PANEL ..... 8</p> <p>        CENTER CONSOLE ..... 8</p> <p>        DOORS ..... 8</p> <p>        BACK DOOR ..... 9</p> <p>        SUNROOF/HEADLINER ..... 9</p> <p>        OVERHEAD CONSOLE (FRONT AND REAR)..... 9</p> <p>        SEATS ..... 9</p> <p>        UNDERHOOD ..... 9</p> <p>    Diagnostic Worksheet ..... 10</p> <p><b>HOOD</b> ..... 12</p> <p>    Fitting Adjustment ..... 12</p> <p>        CLEARANCE AND SURFACE HEIGHT ADJUSTMENT ..... 13</p> <p>        HOOD LOCK ADJUSTMENT ..... 13</p> <p>    Removal and Installation of Hood Assembly ..... 13</p> <p>    Removal and Installation of Hood Lock Control .... 14</p> <p>        REMOVAL ..... 14</p> <p>        INSTALLATION ..... 15</p> <p>    Hood Lock Control Inspection ..... 15</p> <p><b>POWER DOOR LOCK SYSTEM</b> ..... 16</p> <p>    Component Parts and Harness Connector Location.. 16</p>	<p>    System Description ..... 17</p> <p>        OUTLINE ..... 18</p> <p>    Schematic ..... 19</p> <p>    Wiring Diagram — D/LOCK — ..... 20</p> <p>    Terminals and Reference Value for BCM ..... 25</p> <p>    Work Flow ..... 25</p> <p>    CONSULT-II Function (BCM) ..... 26</p> <p>        CONSULT-II INSPECTION PROCEDURE ..... 26</p> <p>        DATA MONITOR ..... 27</p> <p>        ACTIVE TEST ..... 28</p> <p>    Trouble Diagnoses Symptom Chart ..... 29</p> <p>    BCM Power Supply and Ground Circuit Check .... 29</p> <p>    Door Switch Check ..... 31</p> <p>    Key Switch (Insert) Check ..... 33</p> <p>    Door Lock/Unlock Switch Check ..... 34</p> <p>    Glass Hatch Switch Circuit Inspection ..... 36</p> <p>    Front Door Lock Assembly LH (Actuator) Check ... 37</p> <p>    Front Door Lock Actuator RH Check ..... 39</p> <p>    Rear Door Lock Actuator RH/LH Check ..... 40</p> <p>    Glass Hatch Lock Actuator Check ..... 41</p> <p>    FrontDoorLockAssemblyLH(KeyCylinderSwitch) Check ..... 42</p> <p><b>REMOTE KEYLESS ENTRY SYSTEM</b> ..... 44</p> <p>    Component Parts and Harness Connector Location.. 44</p> <p>    System Description ..... 45</p> <p>        INPUTS ..... 45</p> <p>        OPERATING PROCEDURE ..... 46</p> <p>    CAN Communication System Description ..... 48</p> <p>    Schematic ..... 49</p> <p>    Wiring Diagram — KEYLES — ..... 50</p> <p>        ..... 50</p> <p>        ..... 51</p> <p>        ..... 52</p> <p>    Terminals and Reference Value for BCM ..... 53</p> <p>    Terminals and Reference Value for IPDM E/R ..... 54</p> <p>    CONSULT-II Function (BCM) ..... 55</p> <p>    CONSULT-II Inspection Procedure ..... 55</p> <p>        "MULTI REMOTE ENT" ..... 55</p> <p>    CONSULT-II Application Items ..... 56</p> <p>        "MULTI REMOTE ENT" ..... 56</p>
--	---

D  
E

F  
G  
H

BL

J  
K  
L

M

Trouble Diagnosis Procedure .....	59	Schematic .....	107
BCM Power Supply and Ground Circuit Check .....	59	Wiring Diagram — B/CLOS — .....	108
Trouble Diagnoses .....	60	Terminals and Reference Value for Back Door Control Unit .....	113
SYMPTOM CHART .....	60	Terminals and Reference Value for BCM .....	114
Key Switch (Insert) Check .....	62	Trouble Diagnosis Procedure .....	115
Door Switch Check .....	63	Self-Diagnosis Procedures .....	115
Keyfob Battery and Function Check .....	65	INPUT SIGNAL CHECK MODE .....	115
Remote Keyless Entry Receiver System Check .....	66	OPERATING CHECK MODE .....	115
ACC Power Check .....	68	Diagnosis Chart .....	116
IPDM E/R Operation Check .....	68	Back Door Power Supply and Ground Circuit Inspection .....	117
Check Hazard Function .....	70	Power Liftgate Switch System Inspection .....	118
Check Horn Function .....	70	GLASS HATCH AJAR SWITCH CHECK .....	119
Check Headlamp Function .....	70	Back Door Close (Close) Switch System Inspection .....	120
Check Map Lamp Illumination Function .....	70	Back Door Close (Cancel) Switch System Inspection .....	121
ID Code Entry Procedure .....	71	Pinch Strip System Inspection .....	122
KEYFOB ID SET UP WITH CONSULT-II .....	71	Back Door Warning Chime System Inspection .....	123
KEYFOB ID SET UP WITHOUT CONSULT-II .....	73	Half-Latch Switch System Inspection .....	124
Keyfob Battery Replacement .....	74	Open Switch System Inspection .....	125
<b>VEHICLE SECURITY (THEFT WARNING) SYSTEM.. 75</b>		Close Switch System Inspection .....	126
Component Parts and Harness Connector Location .....	75	Back Door Handle Switch System Inspection .....	127
System Description .....	76	Cinch Latch Motor System Inspection .....	128
DESCRIPTION .....	76	<b>DOOR .....</b>	<b>129</b>
POWER SUPPLY AND GROUND CIRCUIT .....	76	Fitting Adjustment .....	129
INITIAL CONDITION TO ACTIVATE THE SYSTEM .....	77	FRONT DOOR .....	129
VEHICLE SECURITY SYSTEM ALARM OPERATION .....	78	REAR DOOR .....	129
VEHICLE SECURITY SYSTEM DEACTIVATION .....	78	STRIKER ADJUSTMENT .....	129
PANIC ALARM OPERATION .....	78	Removal and Installation .....	130
CAN Communication System Description .....	78	FRONT DOOR .....	130
Schematic .....	79	REAR DOOR .....	130
Wiring Diagram — VEHSEC — .....	80	BACK DOOR .....	131
.....	80	<b>FRONT DOOR LOCK .....</b>	<b>132</b>
.....	81	Component Structure .....	132
.....	82	Removal and Installation .....	132
.....	83	REMOVAL .....	132
.....	84	INSTALLATION .....	134
Terminals and Reference Value for BCM .....	85	Disassembly and Assembly .....	134
Terminals and Reference Value for IPDM E/R .....	86	DOOR KEY CYLINDER ASSEMBLY .....	134
CONSULT-II Function (BCM) .....	86	<b>REAR DOOR LOCK .....</b>	<b>135</b>
CONSULT-II INSPECTION PROCEDURE .....	87	Component Structure .....	135
CONSULT-II APPLICATION ITEM .....	89	Removal and Installation .....	135
Trouble Diagnosis .....	90	REMOVAL .....	135
WORK FLOW .....	90	INSTALLATION .....	135
Preliminary Check .....	91	<b>BACK DOOR LOCK .....</b>	<b>136</b>
Symptom Chart .....	92	Power Back Door Opener .....	136
Door Switch Check .....	93	REMOVAL .....	136
Hood Switch Check .....	95	INSTALLATION .....	136
Combination Meter (Security Indicator Lamp) Check .....	97	Door Lock Assembly .....	137
Front Door Lock Assembly LH (Key Cylinder Switch) Check .....	98	REMOVAL .....	137
Vehicle Security Horn Alarm Check .....	100	INSTALLATION .....	137
Vehicle Security Headlamp Alarm Check .....	100	<b>IVIS (INFINITI VEHICLE IMMOBILIZER SYSTEM-NATS) .....</b>	<b>138</b>
Door Lock/Unlock Switch Check .....	100	Component Parts and Harness Connector Location .....	138
<b>AUTOMATIC BACK DOOR SYSTEM .....</b>	<b>101</b>	System Description .....	139
Component Parts and Harness Connector Location .....	101	System Composition .....	139
System Description .....	102	ECM Re-communicating Function .....	140
OPERATION DESCRIPTION .....	102	Wiring Diagram — NATS — .....	141

Terminals and Reference Value for BCM .....	142	ANTI-CORROSIVE WAX .....	168	
CONSULT-II .....	142	UNDERCOATING .....	169	A
CONSULT-II INSPECTION PROCEDURE .....	142	Body Sealing .....	170	
CONSULT-II DIAGNOSTIC TEST MODE FUNC-		DESCRIPTION .....	170	
TION .....	143	Body Construction .....	173	B
HOW TO READ SELF-DIAGNOSTIC RESULTS 144		BODY CONSTRUCTION .....	173	
IVIS (NATS) SELF-DIAGNOSTIC RESULTS		Body Alignment .....	174	
ITEM CHART .....	144	BODY CENTER MARKS .....	174	C
Work Flow .....	145	PANEL PARTS MATCHING MARKS .....	175	
Trouble Diagnoses .....	146	DESCRIPTION .....	176	
SYMPTOM MATRIX CHART 1 .....	146	ENGINE COMPARTMENT .....	177	D
SYMPTOM MATRIX CHART 2 .....	147	UNDERBODY .....	179	
DIAGNOSTIC SYSTEM DIAGRAM .....	147	PASSENGER COMPARTMENT .....	182	
Diagnostic Procedure 1 .....	148	REAR BODY .....	187	E
Diagnostic Procedure 2 .....	149	Handling Precautions for Plastics .....	189	
Diagnostic Procedure 3 .....	150	HANDLING PRECAUTIONS FOR PLASTICS .	189	
Diagnostic Procedure 4 .....	151	LOCATION OF PLASTIC PARTS .....	190	F
Diagnostic Procedure 5 .....	152	Precautions in Repairing High Strength Steel .....	192	
Diagnostic Procedure 6 .....	155	HIGH STRENGTH STEEL (HSS) USED IN NIS-		
How to Replace NATS Antenna Amp. ....	156	SAN VEHICLES .....	192	
<b>HOMELINK UNIVERSAL TRANSCEIVER .....</b>	<b>157</b>	Foam Repair .....	194	G
Wiring Diagram — TRNSCV — .....	157	URETHANE FOAM APPLICATIONS .....	194	
Trouble Diagnoses .....	158	FILL PROCEDURES .....	194	
DIAGNOSTIC PROCEDURE .....	158	Replacement Operations .....	195	H
<b>CAB AND REAR BODY .....</b>	<b>159</b>	DESCRIPTION .....	195	
Body Mounting .....	159	HOODLEDGE .....	198	
<b>BODY REPAIR .....</b>	<b>160</b>	FRONT PILLAR .....	199	
Body Exterior Paint Color .....	160	CENTER PILLAR .....	202	
Body Component Parts .....	161	OUTER SILL .....	204	BL
UNDERBODY COMPONENT PARTS .....	161	REAR FENDER .....	205	
BODY COMPONENT PARTS .....	163	REAR SIDE MEMBER .....	207	J
FRAME COMPONENT PARTS .....	165	REAR FLOOR REAR .....	208	
Corrosion Protection .....	167	CRUSH HORN .....	209	K
DESCRIPTION .....	167			L
				M

# PRECAUTIONS

## PRECAUTIONS

PF0:00001

### Precautions for Supplemental Restraint System (SRS) “AIR BAG” and “SEAT BELT PRE-TENSIONER”

EIS002QW

The Supplemental Restraint System such as “AIR BAG” and “SEAT BELT PRE-TENSIONER”, used along with a front seat belt, helps to reduce the risk or severity of injury to the driver and front passenger for certain types of collision. This system includes seat belt switch inputs and dual stage front air bag modules. The SRS system uses the seat belt switches to determine the front air bag deployment, and may only deploy one front air bag, depending on the severity of a collision and whether the front occupants are belted or unbelted. Information necessary to service the system safely is included in the SRS and SB section of this Service Manual.

#### **WARNING:**

- To avoid rendering the SRS inoperative, which could increase the risk of personal injury or death in the event of a collision which would result in air bag inflation, all maintenance must be performed by an authorized NISSAN/INFINITI dealer.
- Improper maintenance, including incorrect removal and installation of the SRS, can lead to personal injury caused by unintentional activation of the system. For removal of Spiral Cable and Air Bag Module, see the SRS section.
- Do not use electrical test equipment on any circuit related to the SRS unless instructed to in this Service Manual. SRS wiring harnesses can be identified by yellow and/or orange harnesses or harness connectors.

### Precautions for work

EIS002QX

- After removing and installing the opening/closing parts, be sure to carry out fitting adjustments to check their operation.
- Check the lubrication level, damage, and wear of each part. If necessary, grease or replace it.

### Wiring Diagnosis and Trouble Diagnosis

EIS002QY

When you read wiring diagrams, refer to the following:

- [GI-15, "How to Read Wiring Diagrams"](#)
- [PG-4, "POWER SUPPLY ROUTING CIRCUIT"](#)

When you perform trouble diagnosis, refer to the following:

- [GI-11, "HOW TO FOLLOW TEST GROUPS IN TROUBLE DIAGNOSES"](#)
- [GI-27, "How to Perform Efficient Diagnosis for an Electrical Incident"](#)  
Check for any Service bulletins before servicing the vehicle.

# PREPARATION

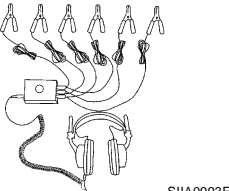

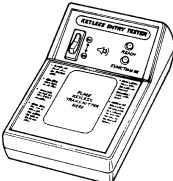
## PREPARATION

PFP:00002

### Special service tool

EIS002QZ

The actual shapes of Kent-Moore tools may differ from those of special service tools illustrated here.

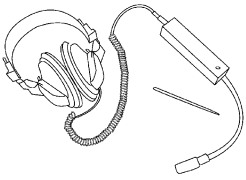
Tool number (Kent-Moore No.) Tool name	Description
— (J-39570) Chassis ear	 <p style="text-align: right;">SIIA0993E</p> Locating the noise
— (J-43980) NISSAN Squeak and Rattle Kit	 <p style="text-align: right;">SIIA0994E</p> Repairing the cause of noise
— (J-43241) Remote Keyless Entry Tester	 <p style="text-align: right;">LEL946A</p> Used to test keyfobs

A  
B  
C  
D  
E  
F  
G  
H  
J  
K  
L  
M

BL

## Commercial Service Tool

EIS002R0

Tool name (Kent-Moore No.)	Description
Engine ear (J-39565)	 <p style="text-align: right;">SIIA0995E</p> Locating the noise

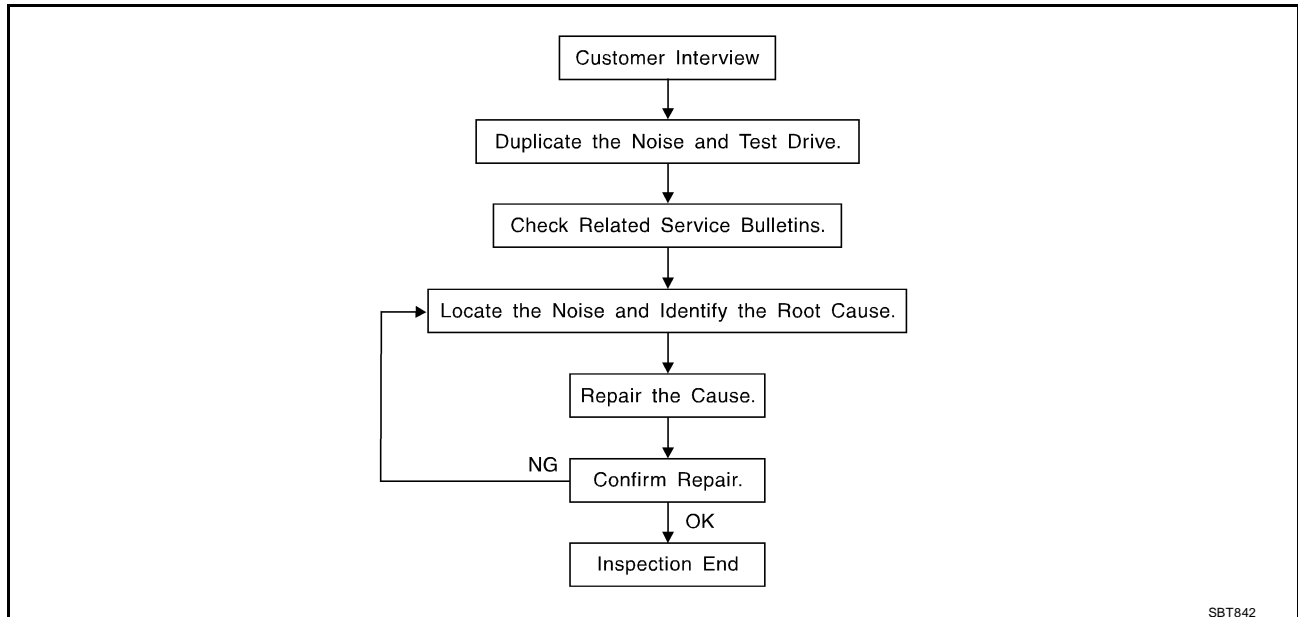
# SQUEAK AND RATTLE TROUBLE DIAGNOSIS

## SQUEAK AND RATTLE TROUBLE DIAGNOSIS

PF0:0000

### Work Flow

EIS002R1



### CUSTOMER INTERVIEW

Interview the customer if possible, to determine the conditions that exist when the noise occurs. Use the Diagnostic Worksheet during the interview to document the facts and conditions when the noise occurs and any customer's comments; refer [BL-10, "Diagnostic Worksheet"](#). This information is necessary to duplicate the conditions that exist when the noise occurs.

- The customer may not be able to provide a detailed description or the location of the noise. Attempt to obtain all the facts and conditions that exist when the noise occurs (or does not occur).
- If there is more than one noise in the vehicle, be sure to diagnose and repair the noise that the customer is concerned about. This can be accomplished by test driving the vehicle with the customer.
- After identifying the type of noise, isolate the noise in terms of its characteristics. The noise characteristics are provided so the customer, service adviser and technician are all speaking the same language when defining the noise.
- Squeak —(Like tennis shoes on a clean floor)  
Squeak characteristics include the light contact/fast movement/brought on by road conditions/hard surfaces = higher pitch noise/softer surfaces = lower pitch noises/edge to surface = chirping
- Creak—(Like walking on an old wooden floor)  
Creak characteristics include firm contact/slow movement/twisting with a rotational movement/pitch dependent on materials/often brought on by activity.
- Rattle—(Like shaking a baby rattle)  
Rattle characteristics include the fast repeated contact/vibration or similar movement/loose parts/missing clip or fastener/incorrect clearance.
- Knock —(Like a knock on a door)  
Knock characteristics include hollow sounding/sometimes repeating/often brought on by driver action.
- Tick—(Like a clock second hand)  
Tick characteristics include gentle contacting of light materials/loose components/can be caused by driver action or road conditions.
- Thump—(Heavy, muffled knock noise)  
Thump characteristics include softer knock/dead sound often brought on by activity.
- Buzz—(Like a bumble bee)  
Buzz characteristics include high frequency rattle/firm contact.
- Often the degree of acceptable noise level will vary depending upon the person. A noise that you may judge as acceptable may be very irritating to the customer.
- Weather conditions, especially humidity and temperature, may have a great effect on noise level.

# SQUEAK AND RATTLE TROUBLE DIAGNOSIS

## DUPLICATE THE NOISE AND TEST DRIVE

If possible, drive the vehicle with the customer until the noise is duplicated. Note any additional information on the Diagnostic Worksheet regarding the conditions or location of the noise. This information can be used to duplicate the same conditions when you confirm the repair.

If the noise can be duplicated easily during the test drive, to help identify the source of the noise, try to duplicate the noise with the vehicle stopped by doing one or all of the following:

- 1) Close a door.
  - 2) Tap or push/pull around the area where the noise appears to be coming from.
  - 3) Rev the engine.
  - 4) Use a floor jack to recreate vehicle "twist".
  - 5) At idle, apply engine load (electrical load, half-clutch on M/T model, drive position on A/T model).
  - 6) Raise the vehicle on a hoist and hit a tire with a rubber hammer.
- Drive the vehicle and attempt to duplicate the conditions the customer states exist when the noise occurs.
  - If it is difficult to duplicate the noise, drive the vehicle slowly on an undulating or rough road to stress the vehicle body.

## CHECK RELATED SERVICE BULLETINS

After verifying the customer concern or symptom, check ASIST for Technical Service Bulletins (TSBs) related to that concern or symptom.

If a TSB relates to the symptom, follow the procedure to repair the noise.

## LOCATE THE NOISE AND IDENTIFY THE ROOT CAUSE

1. Narrow down the noise to a general area. To help pinpoint the source of the noise, use a listening tool (Chassis Ear: J-39570, Engine Ear: J-39565 and mechanic's stethoscope).
2. Narrow down the noise to a more specific area and identify the cause of the noise by:
  - removing the components in the area that you suspect the noise is coming from. Do not use too much force when removing clips and fasteners, otherwise clips and fastener can be broken or lost during the repair, resulting in the creation of new noise.
  - tapping or pushing/pulling the component that you suspect is causing the noise. Do not tap or push/pull the component with excessive force, otherwise the noise will be eliminated only temporarily.
  - feeling for a vibration with your hand by touching the component(s) that you suspect is (are) causing the noise.
  - placing a piece of paper between components that you suspect are causing the noise.
  - looking for loose components and contact marks.  
Refer to [BL-8, "Generic Squeak and Rattle Troubleshooting"](#) .

## REPAIR THE CAUSE

- If the cause is a loose component, tighten the component securely.
- If the cause is insufficient clearance between components:
  - separate components by repositioning or loosening and retightening the component, if possible.
  - insulate components with a suitable insulator such as urethane pads, foam blocks, felt cloth tape or urethane tape. A Nissan Squeak and Rattle Kit (J-43980) is available through your authorized Nissan Parts Department.

### CAUTION:

**Do not use excessive force as many components are constructed of plastic and may be damaged. Always check with the Parts Department for the latest parts information.**

The following materials are contained in the Nissan Squeak and Rattle Kit (J-43980). Each item can be ordered separately as needed.

URETHANE PADS [1.5 mm (0.059 in) thick]

Insulates connectors, harness, etc.

76268-9E005: 100×135 mm (3.94×5.31 in)/76884-71L01: 60×85 mm (2.36×3.35 in)/76884-71L02: 15×25 mm (0.59×0.98 in)

INSULATOR (Foam blocks)

Insulates components from contact. Can be used to fill space behind a panel.

73982-9E000: 45 mm (1.77 in) thick, 50×50 mm (1.97×1.97 in)/73982-50Y00: 10 mm (0.39 in) thick, 50×50 mm (1.97×1.97 in)

INSULATOR (Light foam block)

# SQUEAK AND RATTLE TROUBLE DIAGNOSIS

80845-71L00: 30 mm (1.18 in) thick, 30×50 mm (1.18×1.97 in)

## FELT CLOTH TAPE

Used to insulate where movement does not occur. Ideal for instrument panel applications.

68370-4B000: 15×25 mm (0.59×0.98 in) pad/68239-13E00: 5 mm (0.20 in) wide tape roll The following materials, not found in the kit, can also be used to repair squeaks and rattles.

## UHMW (TEFLON) TAPE

Insulates where slight movement is present. Ideal for instrument panel applications.

## SILICONE GREASE

Used in place of UHMW tape that will be visible or not fit.

Note: Will only last a few months.

## SILICONE SPRAY

Use when grease cannot be applied.

## DUCT TAPE

Use to eliminate movement.

## CONFIRM THE REPAIR

Confirm that the cause of a noise is repaired by test driving the vehicle. Operate the vehicle under the same conditions as when the noise originally occurred. Refer to the notes on the Diagnostic Worksheet.

## Generic Squeak and Rattle Troubleshooting

EIS002R2

Refer to Table of Contents for specific component removal and installation information.

## INSTRUMENT PANEL

Most incidents are caused by contact and movement between:

1. The cluster lid A and instrument panel
2. Acrylic lens and combination meter housing
3. Instrument panel to front pillar garnish
4. Instrument panel to windshield
5. Instrument panel mounting pins
6. Wiring harnesses behind the combination meter
7. A/C defroster duct and duct joint

These incidents can usually be located by tapping or moving the components to duplicate the noise or by pressing on the components while driving to stop the noise. Most of these incidents can be repaired by applying felt cloth tape or silicone spray (in hard to reach areas). Urethane pads can be used to insulate wiring harness.

### CAUTION:

**Do not use silicone spray to isolate a squeak or rattle. If you saturate the area with silicone, you will not be able to recheck the repair.**

## CENTER CONSOLE

Components to pay attention to include:

1. Shifter assembly cover to finisher
2. A/C control unit and cluster lid C
3. Wiring harnesses behind audio and A/C control unit

The instrument panel repair and isolation procedures also apply to the center console.

## DOORS

Pay attention to the:

1. Finisher and inner panel making a slapping noise
2. Inside handle escutcheon to door finisher
3. Wiring harnesses tapping
4. Door striker out of alignment causing a popping noise on starts and stops

Tapping or moving the components or pressing on them while driving to duplicate the conditions can isolate many of these incidents. You can usually insulate the areas with felt cloth tape or insulator foam blocks from the Nissan Squeak and Rattle Kit (J-43980) to repair the noise.



# SQUEAK AND RATTLE TROUBLE DIAGNOSIS

## BACK DOOR

Back door noises are often caused by a loose jack or loose items put into the rear of the vehicle by the owner. In addition look for:

1. Back door bumpers out of adjustment
2. Back door striker out of adjustment
3. A loose license plate or bracket

Most of these incidents can be repaired by adjusting, securing or insulating the item(s) or component(s) causing the noise.

## SUNROOF/HEADLINER

Noises in the sunroof/headliner area can often be traced to one of the following:

1. Sunroof lid, rail, linkage or seals making a rattle or light knocking noise
2. Sun visor shaft shaking in the holder
3. Front or rear windshield touching headliner and squeaking

Again, pressing on the components to stop the noise while duplicating the conditions can isolate most of these incidents. Repairs usually consist of insulating with felt cloth tape.

## OVERHEAD CONSOLE (FRONT AND REAR)

Overhead console noises are often caused by the console panel clips not being engaged correctly. Most of these incidents are repaired by pushing up on the console at the clip locations until the clips engage.

In addition look for:

1. Loose harness or harness connectors.
2. Front console map/reading lamp lense loose.
3. Loose screws at console attachment points.

## SEATS

When isolating seat noise it's important to note the position the seat is in and the load placed on the seat when the noise is present. These conditions should be duplicated when verifying and isolating the cause of the noise.

Cause of seat noise include:

1. Headrest rods and holder
2. A squeak between the seat pad cushion and frame
3. The rear seatback lock and bracket

These noises can be isolated by moving or pressing on the suspected components while duplicating the conditions under which the noise occurs. Most of these incidents can be repaired by repositioning the component or applying urethane tape to the contact area.

## UNDERHOOD

Some interior noise may be caused by components under the hood or on the engine wall. The noise is then transmitted into the passenger compartment.

Causes of transmitted underhood noise include:

1. Any component mounted to the engine wall
2. Components that pass through the engine wall
3. Engine wall mounts and connectors
4. Loose radiator mounting pins
5. Hood bumpers out of adjustment
6. Hood striker out of adjustment

These noises can be difficult to isolate since they cannot be reached from the interior of the vehicle. The best method is to secure, move or insulate one component at a time and test drive the vehicle. Also, engine RPM or load can be changed to isolate the noise. Repairs can usually be made by moving, adjusting, securing, or insulating the component causing the noise.

A

B

C

D

E

F

G

H

BL

J

K

L

M

# SQUEAK AND RATTLE TROUBLE DIAGNOSIS

## Diagnostic Worksheet

EIS002R3



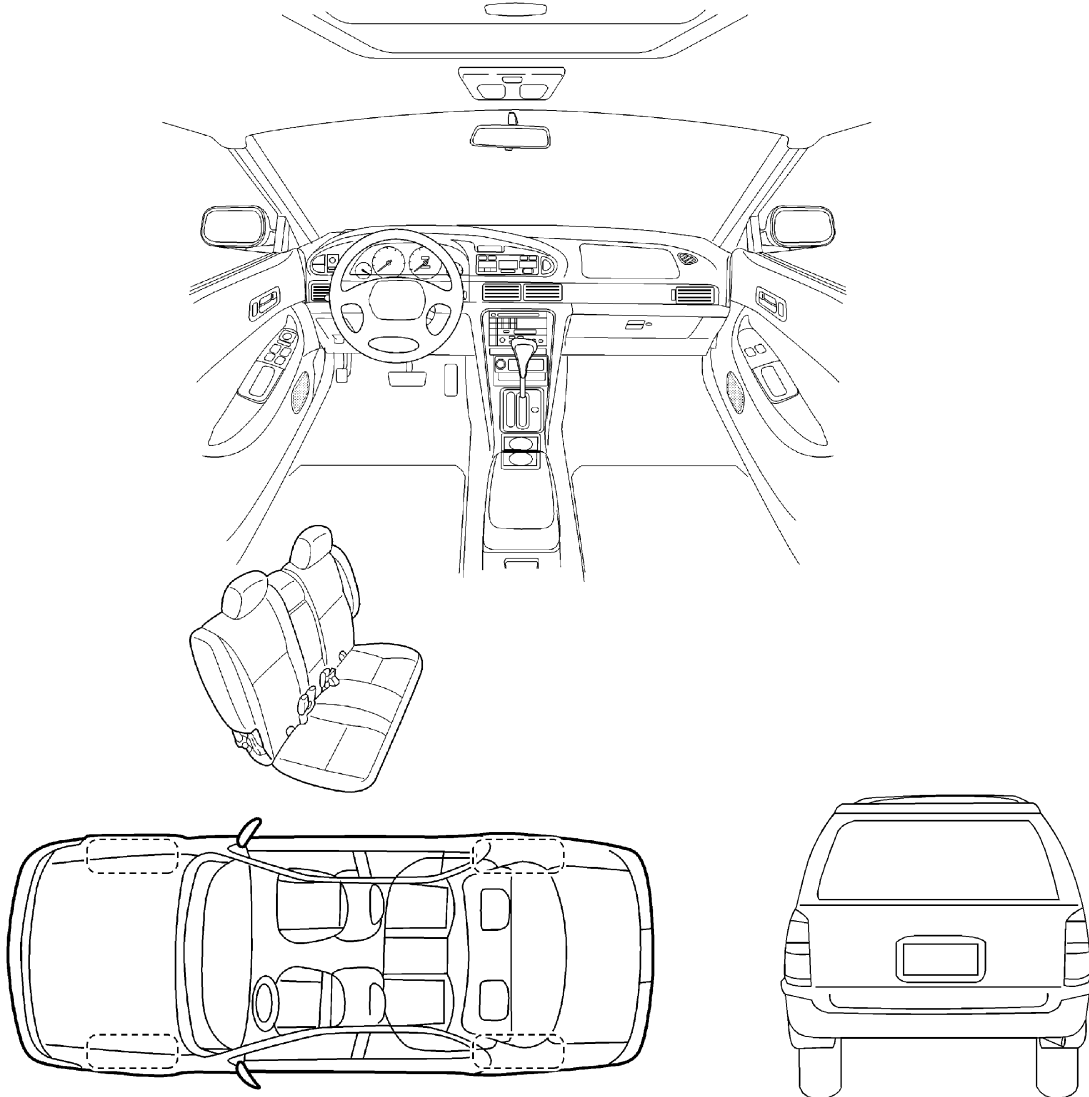
### SQUEAK & RATTLE DIAGNOSTIC WORKSHEET

Dear Infiniti Customer:

We are concerned about your satisfaction with your Infiniti vehicle. Repairing a squeak or rattle sometimes can be very difficult. To help us fix your Infiniti right the first time, please take a moment to note the area of the vehicle where the squeak or rattle occurs and under what conditions. You may be asked to take a test drive with a service advisor or technician to ensure we confirm the noise you are hearing.

#### I. WHERE DOES THE NOISE COME FROM? (circle the area of the vehicle)

The illustrations are for reference only, and may not reflect the actual configuration of your vehicle.



Continue to the back of the worksheet and briefly describe the location of the noise or rattle. In addition, please indicate the conditions which are present when the noise occurs.

SBT860

# SQUEAK AND RATTLE TROUBLE DIAGNOSIS

## SQUEAK & RATTLE DIAGNOSTIC WORKSHEET- page 2

Briefly describe the location where the noise occurs:

---

---

---

### II. WHEN DOES IT OCCUR? (check the boxes that apply)

- |  |   |
|--|---|
| <input type="checkbox"/> anytime                             | <input type="checkbox"/> after sitting out in the sun |
| <input type="checkbox"/> 1 <sup>st</sup> time in the morning | <input type="checkbox"/> when it is raining or wet    |
| <input type="checkbox"/> only when it is cold outside        | <input type="checkbox"/> dry or dusty conditions      |
| <input type="checkbox"/> only when it is hot outside         | <input type="checkbox"/> other: _____                 |

### III. WHEN DRIVING:

- through driveways
- over rough roads
- over speed bumps
- only at about \_\_\_\_ mph
- on acceleration
- coming to a stop
- on turns : left, right or either (circle)
- with passengers or cargo
- other: \_\_\_\_\_
- after driving \_\_\_\_ miles or \_\_\_\_ minutes

### IV. WHAT TYPE OF NOISE?

- squeak (like tennis shoes on a clean floor)
- creak (like walking on an old wooden floor)
- rattle (like shaking a baby rattle)
- knock (like a knock on a door)
- tick (like a clock second hand)
- thump (heavy, muffled knock noise)
- buzz (like a bumble bee)

### TO BE COMPLETED BY DEALERSHIP PERSONNEL

#### Test Drive Notes:

---

---

	<u>YES</u>	<u>NO</u>	Initials of person <u>performing</u>
Vehicle test driven with customer	<input type="checkbox"/>	<input type="checkbox"/>	_____
- Noise verified on test drive	<input type="checkbox"/>	<input type="checkbox"/>	_____
- Noise source located and repaired	<input type="checkbox"/>	<input type="checkbox"/>	_____
- Follow up test drive performed to confirm repair	<input type="checkbox"/>	<input type="checkbox"/>	_____

VIN: \_\_\_\_\_ Customer Name: \_\_\_\_\_

W.O. #: \_\_\_\_\_ Date: \_\_\_\_\_

SBT844

**This form must be attached to Work Order**

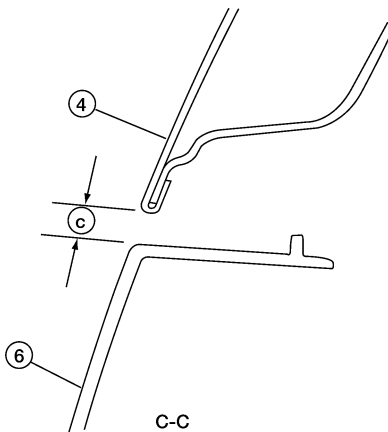
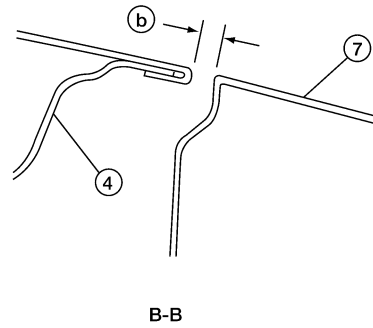
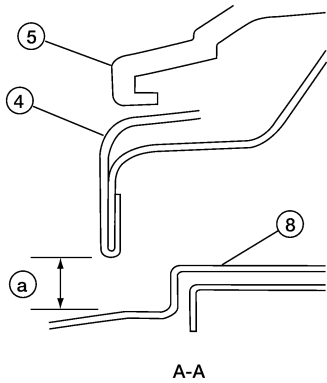
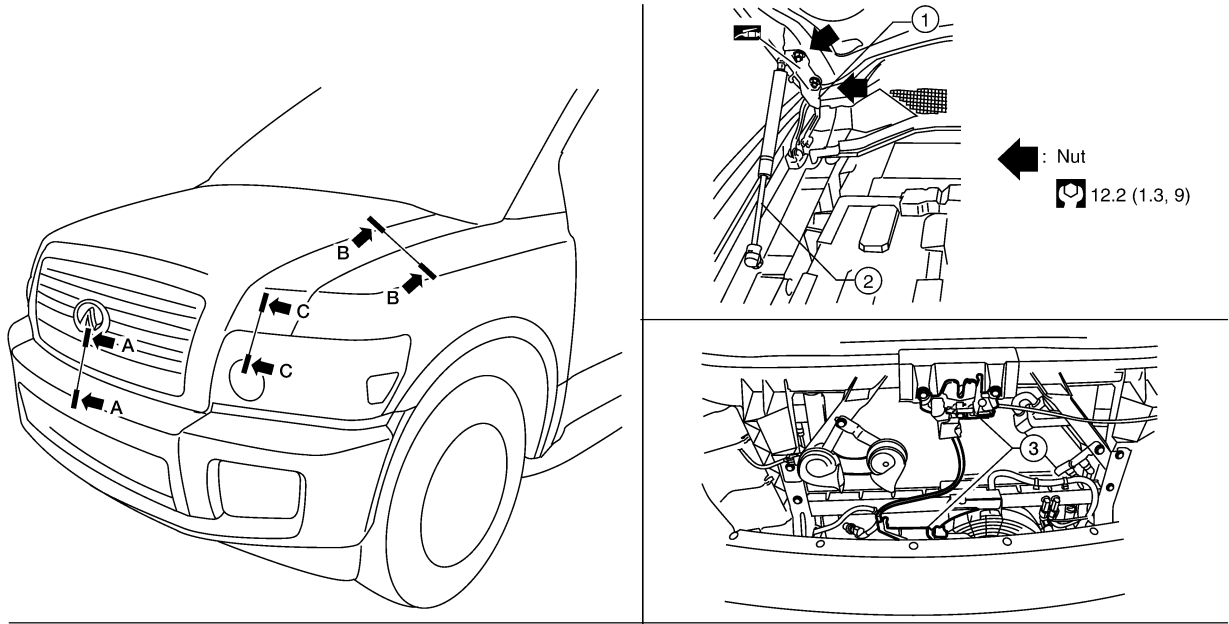
# HOOD

## HOOD

PFP:F5100

## Fitting Adjustment

EIS002R4



CLEARANCE	(a)	8.0 (0.315)
	(b)	2.0 (0.079)
	(c)	8.0 (0.315)

Unit: mm (in)

: Multi-purpose grease

- 1. Hood hinge
- 2. Hood stay
- 3. Hood lock assembly
- 4. Hood assembly
- 5. Front grille
- 6. Headlamp
- 7. Front fender
- 8. Front bumper fascia

LIA1442E

# HOOD

## CLEARANCE AND SURFACE HEIGHT ADJUSTMENT

1. Remove the hood lock assembly and adjust the height by rotating the bumper rubber until the hood clearance of hood and fender becomes 1 mm (0.04 in) lower than fitting standard dimension.
2. Temporarily tighten the hood lock, and position it by engaging it with the hood striker. Check the lock and striker for looseness, and tighten the lock bolts to the specified torque.
3. Adjust the clearance and surface height of hood and fender according to the fitting standard dimension by rotating right and left bumper rubbers.

### CAUTION:

Adjust right/left gap between hood and each part to the following specification.

Hood and headlamp (B-B) : Less than 2.0 mm

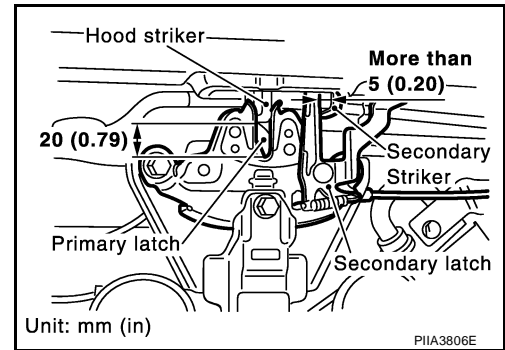
## HOOD LOCK ADJUSTMENT

1. Move the hood lock to the left or right so that striker center is vertically aligned with hood lock center (when viewed from vehicle front).
2. Make sure the secondary latch is properly engaged with the secondary striker with hood's own weight by dropping it from approx. 200 mm (7.87 in) height or by pressing it lightly approx. 3 kg (29 N, 7lb).

### CAUTION:

Do not drop the hood from 300 mm (11.81 in) height or higher.

3. After adjusting hood lock, tighten the lock bolts to the specified torque.



## Removal and Installation of Hood Assembly

1. Support the hood striker with a proper material to prevent it from falling.

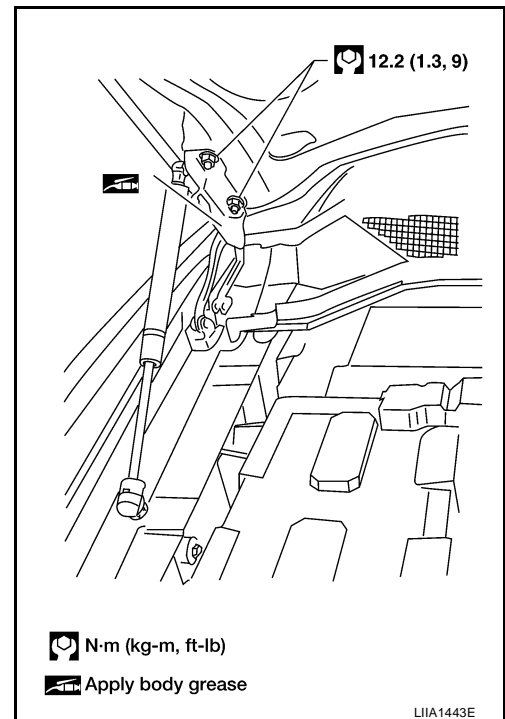
### WARNING:

Body injury may occur if no supporting rod is holding the hood open when removing the damper stay.

2. Remove the hinge nuts from the hood to remove the hood assembly.

### CAUTION:

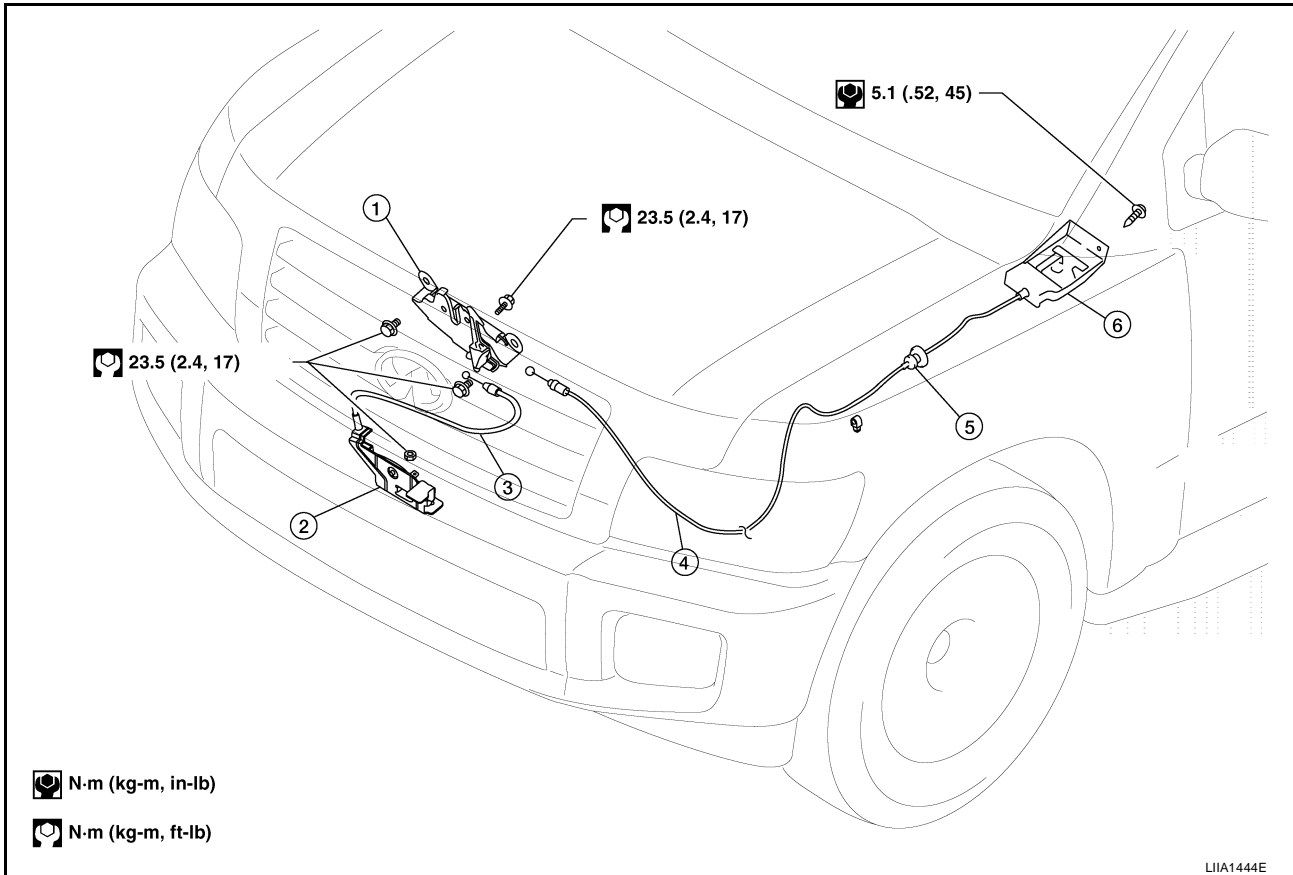
Operate with two workers, because of its heavy weight. Installation is in the reverse order of removal.



# HOOD

## Removal and Installation of Hood Lock Control

EIS002R6



- |                            |   |                              |
|----------------------------|---|------------------------------|
| 1. Hood lock assembly      | 2. Secondary hood lock release assembly | 3. Secondary hood lock cable |
| 4. Primary hood lock cable | 5. Grommet                              | 6. Hood lock release handle  |

### REMOVAL

1. Remove the front fender protector (LH). Refer to [EI-23. "FENDER PROTECTOR"](#) .
2. Disconnect the hood lock primary and secondary hood lock cables from the hood lock. Unclip the primary cable from the radiator core support upper and hood ledge.
3. Remove the hood lock assembly.
4. Remove the secondary hood lock release assembly.
5. Remove the grommet on the dashboard, and pull the primary hood lock cable toward the passenger room.

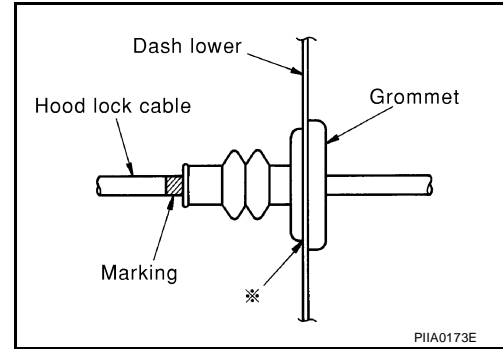
### CAUTION:

**While pulling, be careful not to damage the outside of the hood lock cable.**

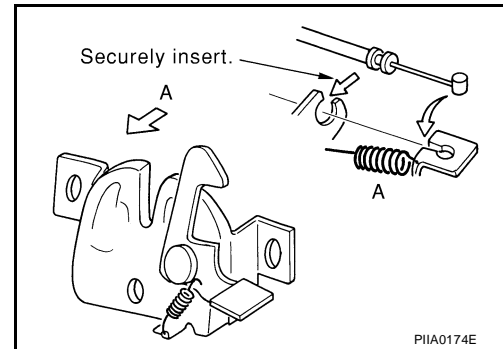
# HOOD

## INSTALLATION

1. Pull the hood lock cable through the panel hole to the engine room.  
Be careful not to bend the cable too much, keeping the radius 100mm (3.94 in) or more.
2. Make sure the cable is not offset from the grommet, and push the grommet into the panel hole securely.
3. Apply sealant to the grommet (at \* mark) properly.



4. Install the primary and secondary cables securely to the hood lock.
5. Install the hood lock and the secondary hood lock release assemblies.
6. Check the hood lock adjustment and hood opener operation.  
Refer to [BL-12, "Fitting Adjustment"](#) .



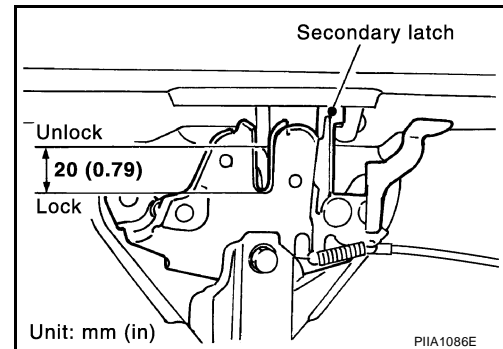
## Hood Lock Control Inspection

EIS002R7

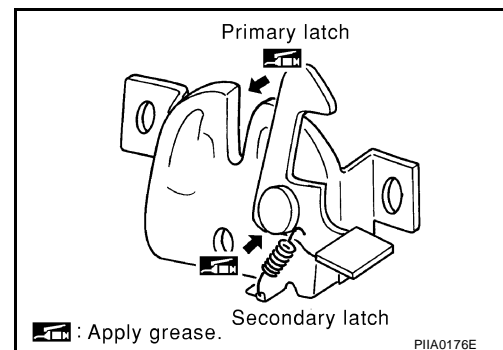
### CAUTION:

If the hood lock cable is bent or deformed, replace it.

1. Make sure the secondary latch is properly engaged with the secondary striker with hood's own weight by dropping it from approx. 200 mm (7.87 in) height.
2. While operating the hood opener, carefully make sure the front end of the hood is raised by approx. 20 mm (0.79 in). Also make sure the hood opener returns to the original position.



3. Check the hood lock lubrication condition. If necessary, apply "body grease" to the points shown in the figure.



A  
B  
C  
D  
E  
F  
G  
H

BL

J  
K  
L  
M

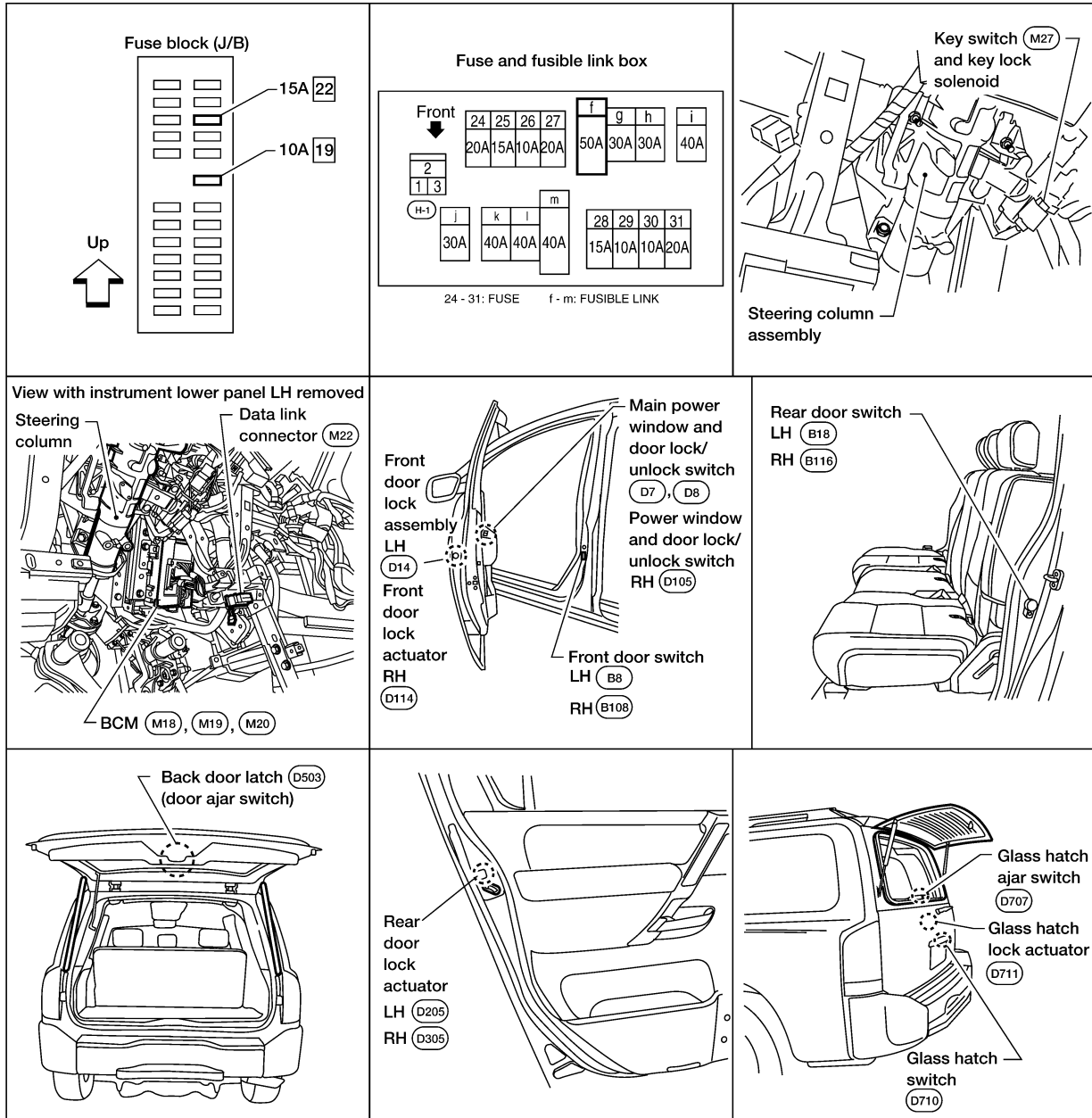
# POWER DOOR LOCK SYSTEM

## POWER DOOR LOCK SYSTEM

PF2:24814

### Component Parts and Harness Connector Location

EIS002R8



LIA1924E



# POWER DOOR LOCK SYSTEM

EIS002R9

## System Description

Power is supplied at all times

- to BCM terminal 70
- through 50A fusible link (letter f, located in the fuse and fusible link box) and
- to BCM terminal 57
- through 15A fuse [No. 22, located in the fuse block (J/B)] and
- to key switch and key lock solenoid terminal 3
- through 10A fuse [No. 19, located in the fuse block (J/B)].

With ignition key inserted, power is supplied

- to BCM terminal 37
- through key switch and key lock solenoid terminals 3 and 4
- through 10A fuse [No. 19, located in fuse block (J/B)].

Ground is supplied to terminal 67 of BCM through body grounds M57, M61 and M79.

When the door is locked or unlocked with main power window and door lock/unlock switch, ground is supplied

- to CPU of main power window and door lock/unlock switch
- through main power window and door lock/unlock switch terminal 17
- through grounds M57, M61 and M79.

Then main power window and door lock/unlock switch operation signal is supplied

- to BCM terminal 22
- through main power window and door lock/unlock switch terminal 14.

When the door is locked or unlocked with power window and door lock/unlock switch RH, ground is supplied

- to CPU of power window and door lock/unlock switch RH
- through power window and door lock/unlock switch RH terminal 11
- through grounds M57, M61 and M79.

Then power window and door lock/unlock switch RH operation signal is supplied

- to BCM terminal 22
- through power window and door lock/unlock switch RH terminal 16.

When the door is locked with front door lock assembly LH (key cylinder switch), ground is supplied

- to main power window and door lock/unlock switch terminal 4
- through front door lock assembly LH (key cylinder switch) terminals 1 and 5
- through grounds M57, M61 and M79.

Then front door lock assembly LH (key cylinder switch) operation signal is supplied

- to BCM terminal 22
- through main power window and door lock/unlock switch terminal 14.

When the door is unlocked with front door lock assembly LH (key cylinder switch), ground is supplied

- to main power window and door lock/unlock switch terminal 6
- through front door lock assembly LH (key cylinder switch) terminals 6 and 5
- through grounds M57, M61 and M79.

Then front door lock assembly LH (key cylinder switch) operation signal is supplied

- to BCM terminal 22
- through main power window and door lock/unlock switch terminal 14.

BCM is connected to main power window and door lock/unlock switch and power window and door lock/unlock switch RH through a serial link.

When the front door switch LH is ON (door is open), ground is supplied

- to BCM terminal 47
- through front door switch LH terminal 2
- through front door switch LH case ground.

When the front door switch RH is ON (door is open), ground is supplied

- to BCM terminal 12

A

B

C

D

E

F

G

H

BL

J

K

L

M

# POWER DOOR LOCK SYSTEM

---

- through front door switch RH terminal 2
- through front door switch RH case ground.

When the rear door switch LH is ON (door is open), ground is supplied

- to BCM terminal 48
- through rear door switch LH terminal 2
- through rear door switch LH case ground.

When the rear door switch RH is ON (door is open), ground is supplied

- to BCM terminal 13
- through rear door switch RH terminal 2
- through rear door switch RH case ground.

When the back door latch (door ajar switch) is ON (door is open), ground is supplied

- to BCM terminal 43
- through back door latch (door ajar switch) terminal 7
- through back door latch (door ajar switch) terminal 8
- through grounds B7 and B19.

## OUTLINE

### **Functions available by operating the door lock and unlock switches on driver door and passenger door**

- Interlocked with the locking operation of door lock and unlock switch, door lock actuators of all doors and glass hatch actuator are locked.
- Interlocked with the unlocking operation of door lock and unlock switch, door lock actuators of all doors and glass hatch actuator are unlocked.

### **Functions available by operating the front door lock assembly LH (key cylinder switch)**

- Interlocked with the locking operation of door key cylinder, door lock actuators of all doors are locked.
- When door key cylinder is unlocked, front door lock assembly LH (actuator) is unlocked.
- When door key cylinder is unlocked for the second time within 5 seconds after the first operation, door lock actuators on all doors are unlocked.

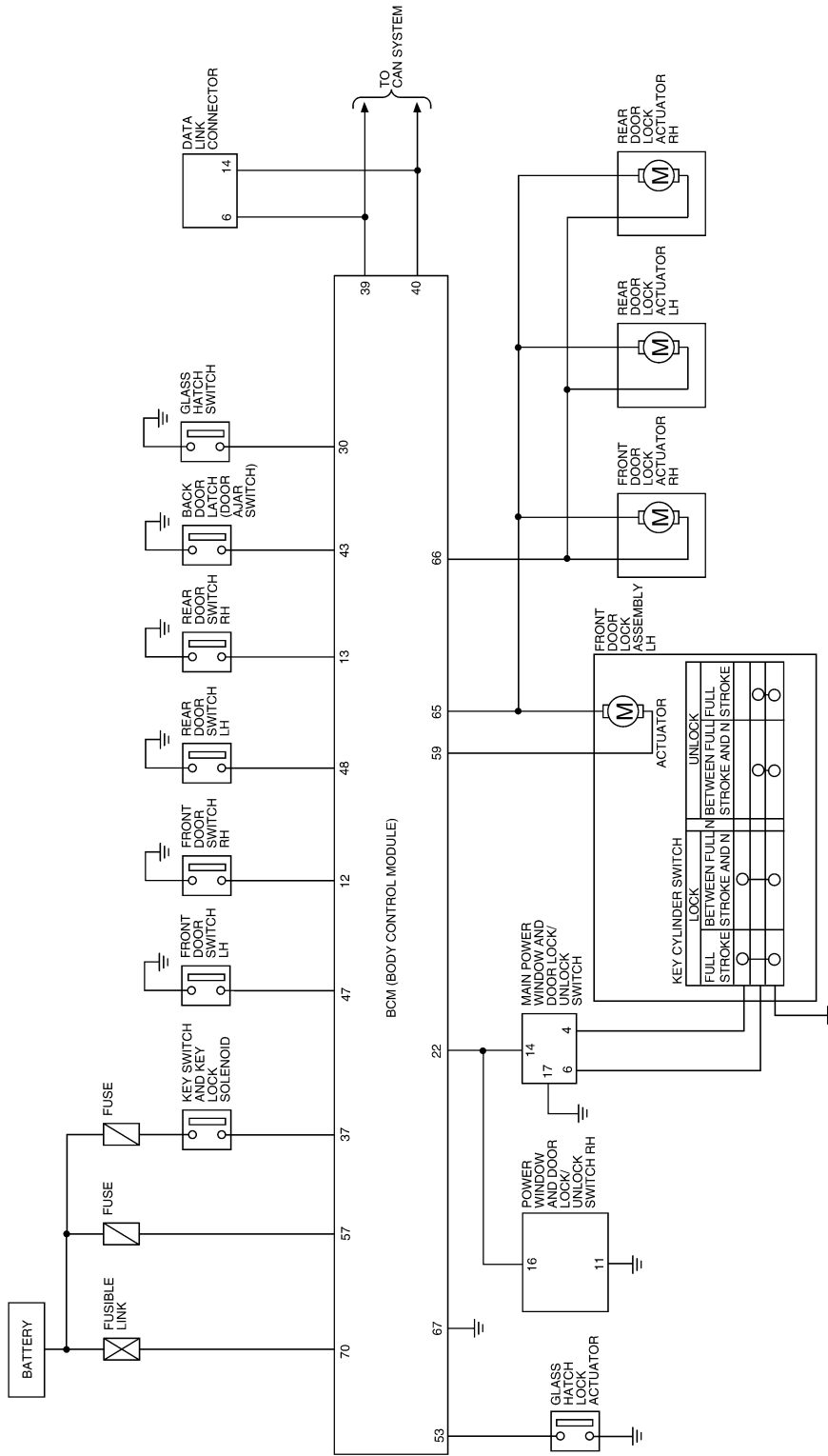
### **Key reminder door system**

When door lock and unlock switch is operated to lock doors with ignition key in key cylinder and any door open, all door lock actuators are locked and then unlocked.

# POWER DOOR LOCK SYSTEM

## Schematic

EIS002RA



A  
B  
C  
D  
E  
F  
G  
H  
BL  
J  
K  
L  
M

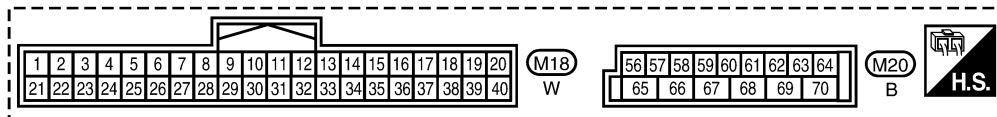
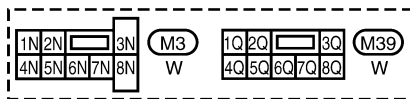
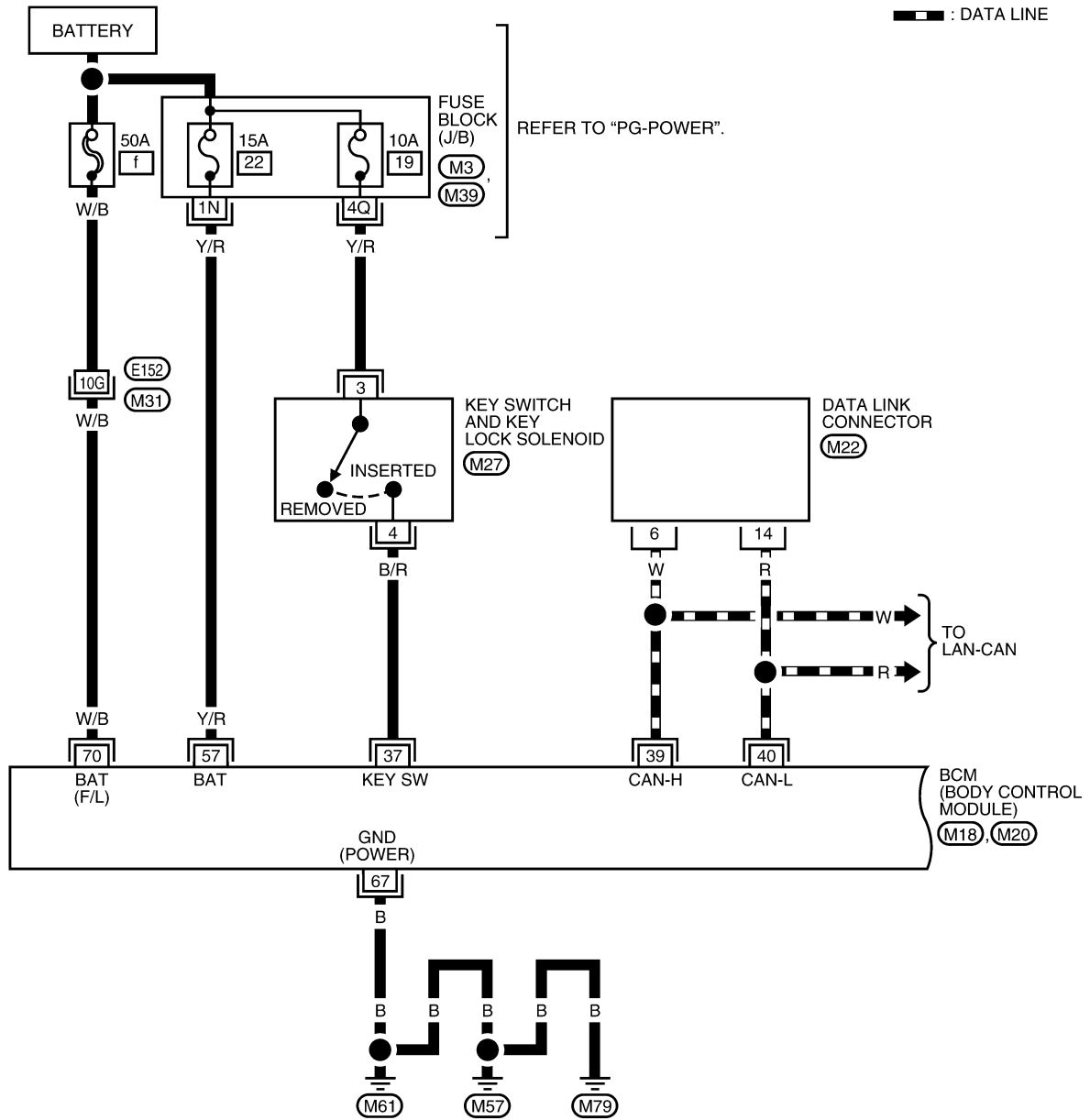
# POWER DOOR LOCK SYSTEM

## Wiring Diagram — D/LOCK —

EIS002RB

BL-D/LOCK-01

▬ : DATA LINE



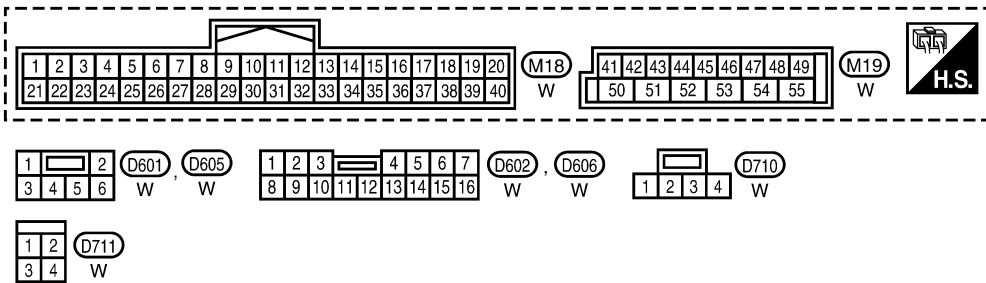
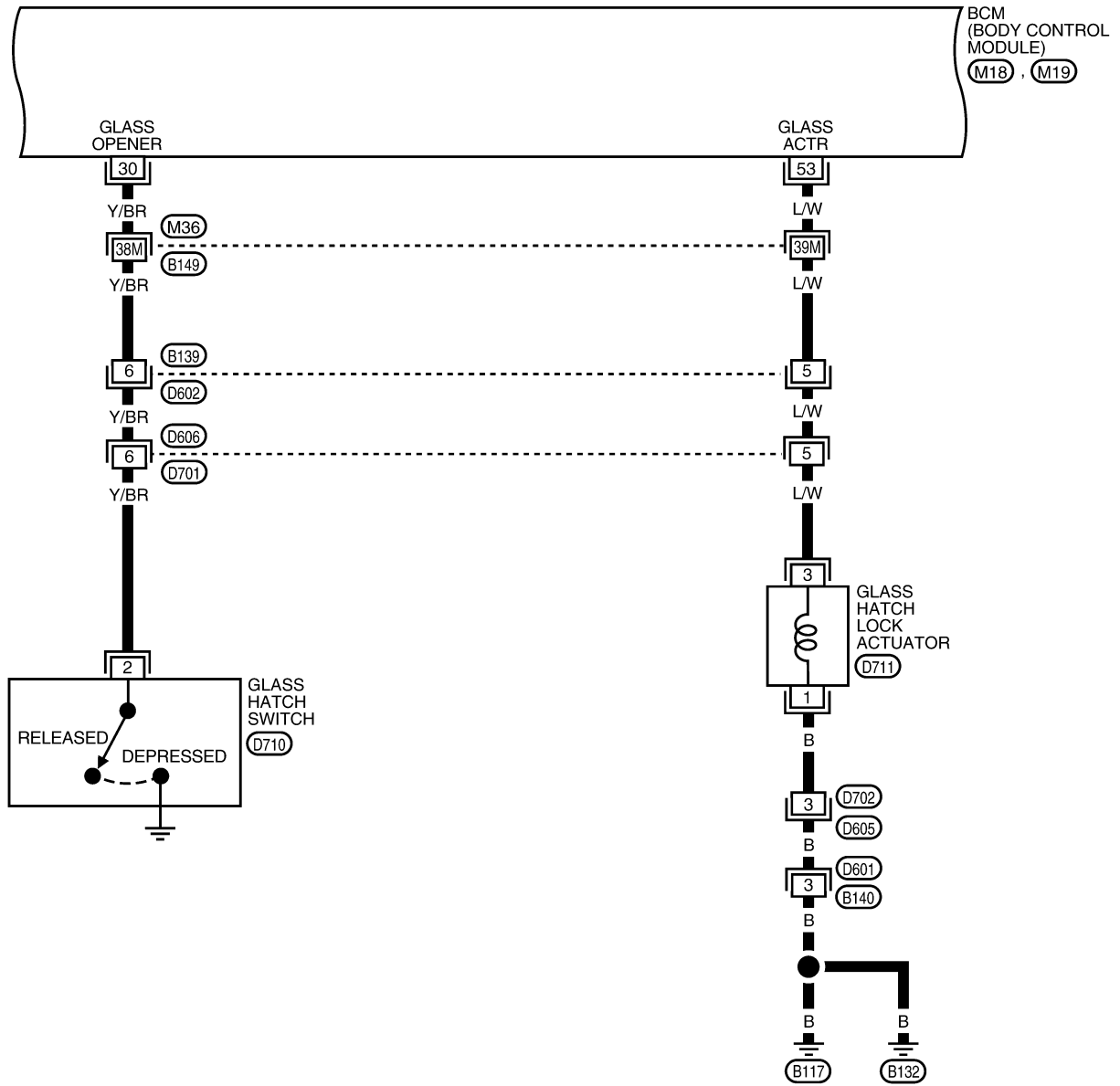
REFER TO THE FOLLOWING.  
 (M31) - SUPER MULTIPLE JUNCTION (SMJ)

WIWA0840E

# POWER DOOR LOCK SYSTEM

BL-D/LOCK-02

A  
B  
C  
D  
E  
F  
G  
H  
BL  
J  
K  
L  
M

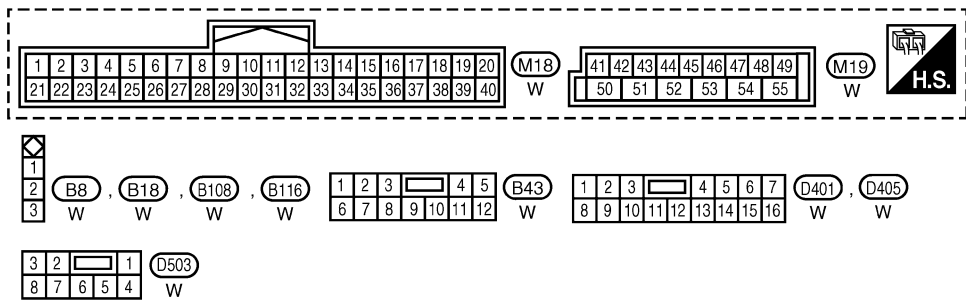
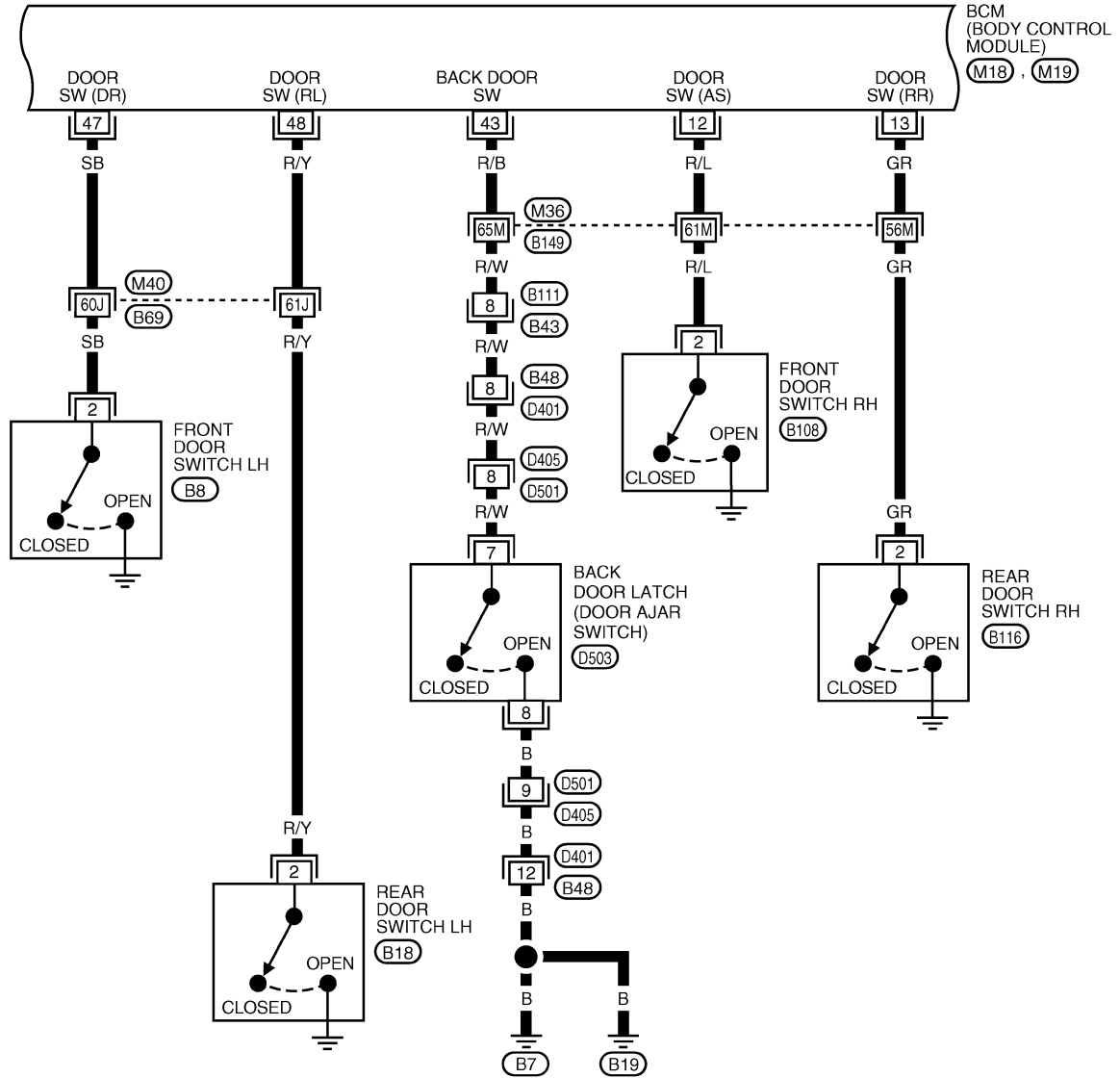


REFER TO THE FOLLOWING.  
(M36) - SUPER MULTIPLE JUNCTION (SMJ)

WIWA1081E

# POWER DOOR LOCK SYSTEM

BL-D/LOCK-03



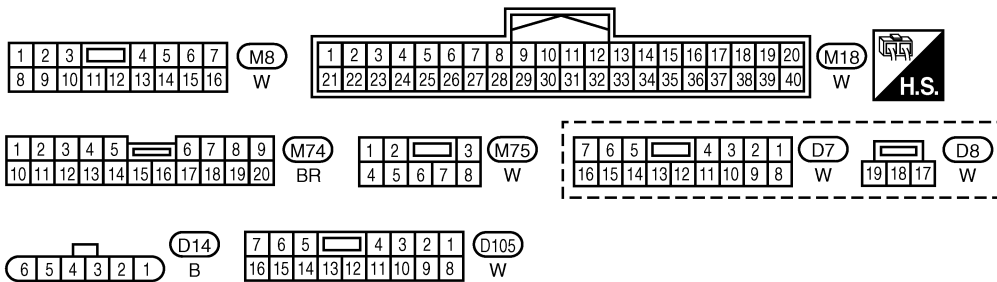
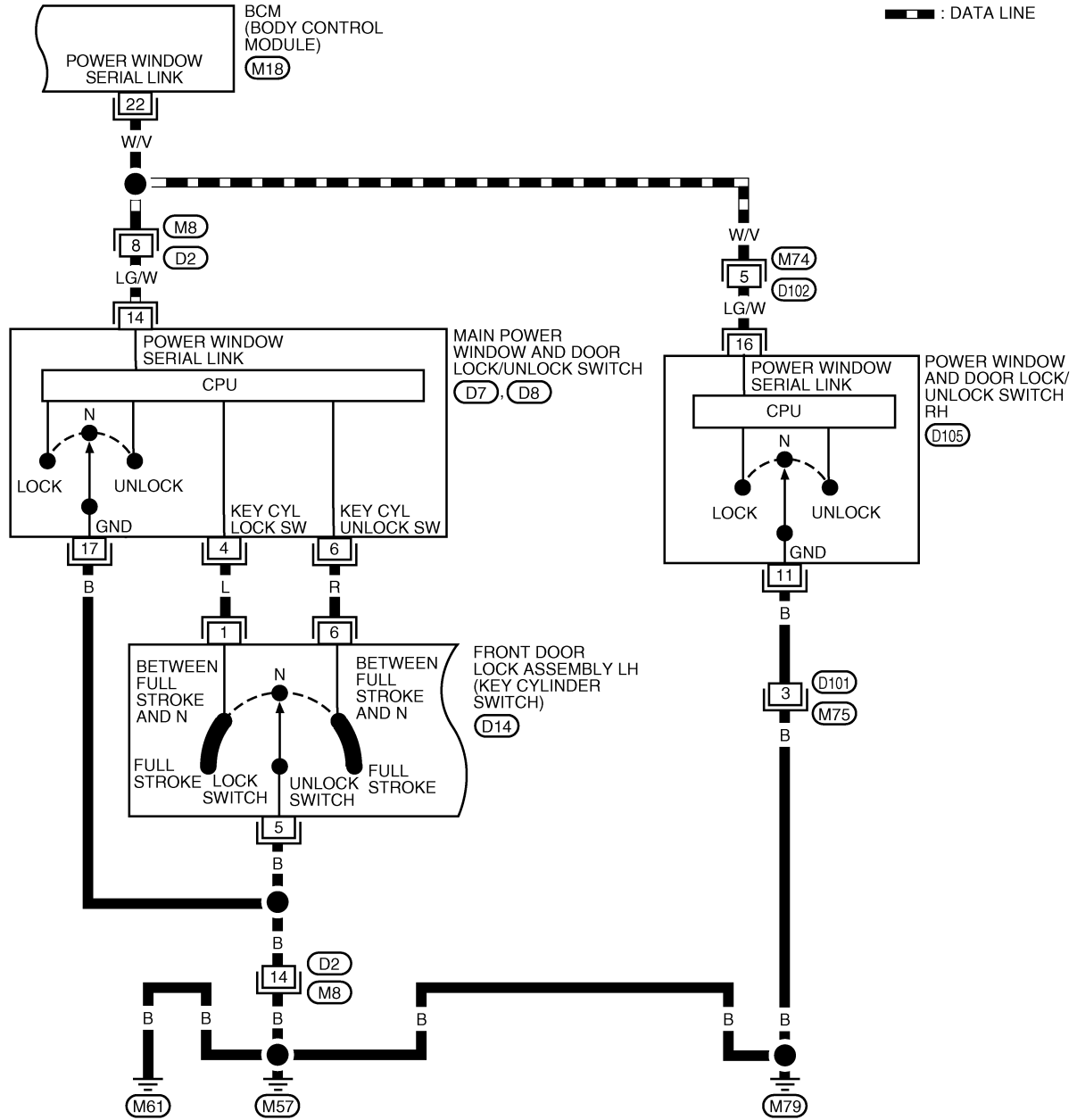
REFER TO THE FOLLOWING.  
 (M36) (M40) - SUPER MULTIPLE  
 JUNCTION (SMJ)

LIWA0418E

# POWER DOOR LOCK SYSTEM

BL-D/LOCK-04

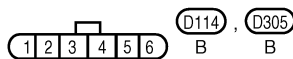
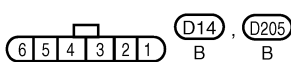
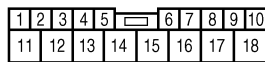
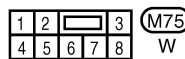
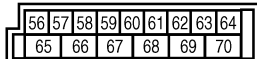
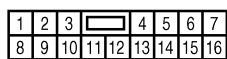
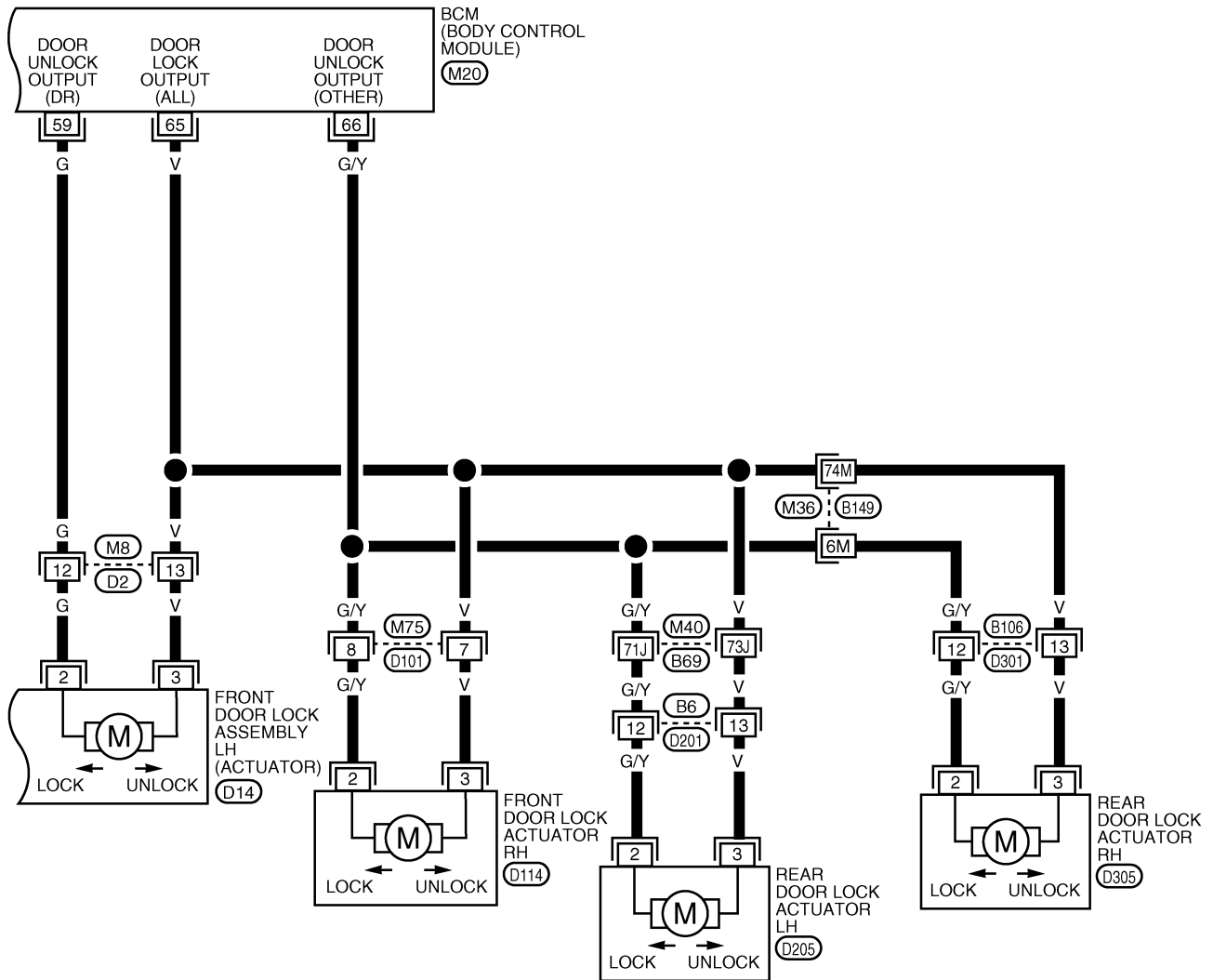
— : DATA LINE



LWA0419E

# POWER DOOR LOCK SYSTEM

BL-D/LOCK-05



REFER TO THE FOLLOWING.  
 (M36), (M40) - SUPER MULTIPLE JUNCTION (SMJ)

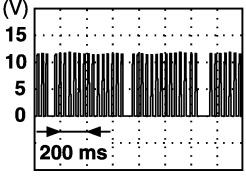
WIWA1071E



# POWER DOOR LOCK SYSTEM

## Terminals and Reference Value for BCM

EIS002RC

Terminal	Wire Color	Item	Condition	Voltage (V) (Approx.)
12	R/L	Front door switch RH	Door open (ON) → Door close (OFF)	0 → Battery voltage
13	GR	Rear door switch RH	Door open (ON) → Door close (OFF)	0 → Battery voltage
22	W/V	Power window serial link	When ignition switch is ON or power window timer operates	
30	Y/BR	Glass hatch switch	Glass hatch switch released → Glass hatch switch pressed	Battery voltage → 0
37	B/R	Key switch and key lock solenoid (insert)	Key inserted in IGN key cylinder (ON) → Key removed from IGN key cylinder (OFF)	Battery voltage → 0
39	W	CAN-H	—	—
40	R	CAN-L	—	—
43	R/B	Back door latch (door ajar switch)	Door open (ON) → Door close (OFF)	0 → Battery voltage
47	SB	Front door switch LH	Door open (ON) → Door close (OFF)	0 → Battery voltage
48	R/Y	Rear door switch LH	Door open (ON) → Door close (OFF)	0 → Battery voltage
53	L/W	Glass hatch lock actuator	Glass hatch switch released → Glass hatch switch pressed	0 → Battery voltage for 300 ms
57	Y/R	Battery power supply	—	Battery voltage
59	G	Front door lock assembly LH (actuator) (unlock)	Driver door lock knob (locked → unlocked)	0 → Battery voltage
65	V	All door lock actuators (lock)	Driver door lock knob (neutral → lock)	0 → Battery voltage
66	G/Y	Front door lock actuator RH, rear door lock actuators LH/RH and back door lock actuator (unlock)	Door lock and unlock switch (locked → unlocked)	0 → Battery voltage
67	B	Ground	—	—
70	W/B	Battery power supply	—	Battery voltage

## Work Flow

EIS002RD

1. Check the symptom and customer's requests.
2. Understand the outline of system. Refer to [BL-17, "System Description"](#) .
3. According to the trouble diagnosis chart, repair or replace the cause of the malfunction. Refer to [BL-29, "Trouble Diagnoses Symptom Chart"](#) .
4. Does power door lock system operate normally? OK: GO TO 5, NG: GO TO 3.
5. Inspection End.

# POWER DOOR LOCK SYSTEM

EIS002RE

## CONSULT-II Function (BCM)

CONSULT-II can display each diagnostic item using the diagnostic test modes shown following.

BCM diagnostic test item	Diagnostic mode	Description
Inspection by part	WORK SUPPORT	Supports inspections and adjustments. Commands are transmitted to the BCM for setting the status suitable for required operation, input/output signals are received from the BCM and received date is displayed.
	DATA MONITOR	Displays BCM input/output data in real time.
	ACTIVE TEST	Operation of electrical loads can be checked by sending drive signal to them.
	SELF-DIAG RESULTS	Displays BCM self-diagnosis results.
	CAN DIAG SUPPORT MNTR	The result of transmit/receive diagnosis of CAN communication can be read.
	ECU PART NUMBER	BCM part number can be read.
	CONFIGURATION	Performs BCM configuration read/write functions.

## CONSULT-II INSPECTION PROCEDURE

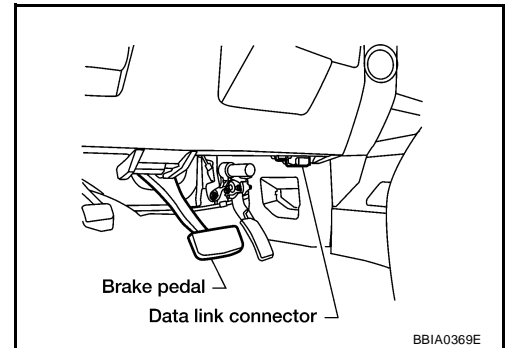
CONSULT-II can display each diagnostic item using the following diagnostic test modes: data monitor, active test, and CAN diagnostic support monitor through data reception and command transmission via the BCM communication line.

**"DOOR LOCK"**

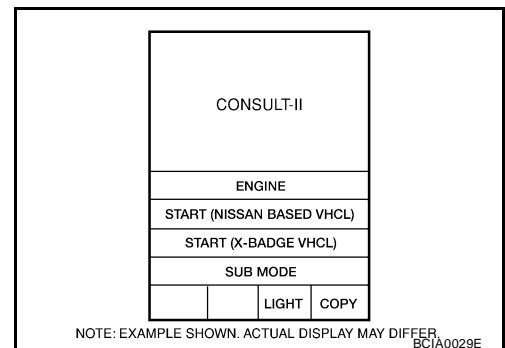
### CAUTION:

If CONSULT-II is used with no connection of CONSULT-II CONVERTER, malfunctions might be detected in self-diagnosis depending on control unit which carries out CAN communication.

1. Turn ignition switch OFF.
2. Connect CONSULT-II and CONSULT-II CONVERTER to the data link connector.

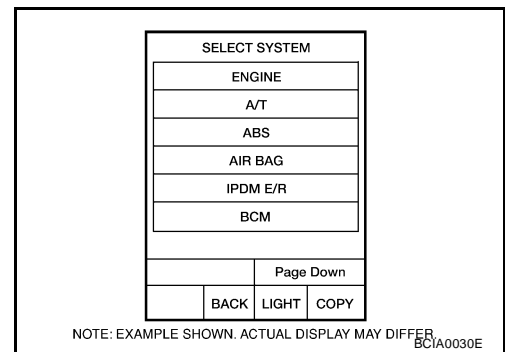


3. Turn ignition switch ON.
4. Touch "START (NISSAN BASED VHCL)".

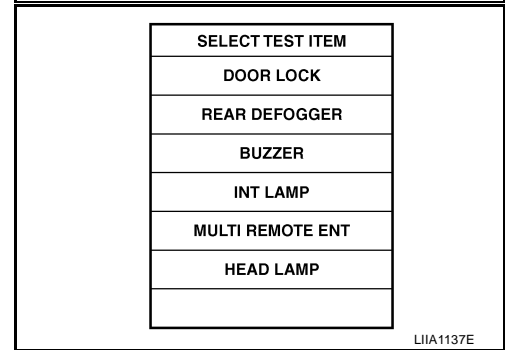


# POWER DOOR LOCK SYSTEM

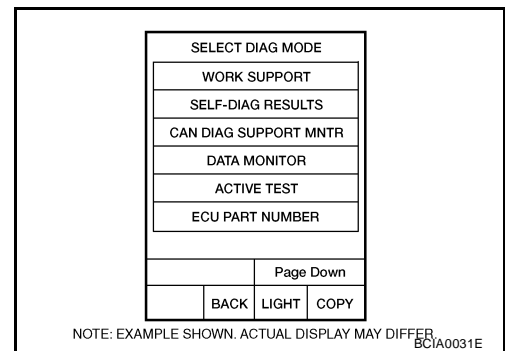
5. Touch "BCM".  
If "BCM" is not indicated, refer to [GI-39, "CONSULT-II Data Link Connector \(DLC\) Circuit"](#) .



6. Touch "DOOR LOCK".



7. Select diagnosis mode.  
"DATA MONITOR" and "ACTIVE TEST" are available.



## DATA MONITOR

Monitor item "OPERATION"	Content
KEY ON SW	"ON/OFF" Indicates [ON/OFF] condition of key switch.
CDL LOCK SW	"ON/OFF" Indicates [ON/OFF] condition of lock signal from lock/unlock switch LH and RH.
CDL UNLOCK SW	"ON/OFF" Indicates [ON/OFF] condition of unlock signal from lock/unlock switch LH and RH.
KEY CYL LK-SW	"ON/OFF" Indicates [ON/OFF] condition of lock signal from key cylinder.
KEY CYL UN-SW	"ON/OFF" Indicates [ON/OFF] condition of unlock signal from key cylinder.
IGN ON SW	"ON/OFF" Indicates [ON/OFF] condition of ignition switch.
DOOR SW-DR	"ON/OFF" Indicates [ON/OFF] condition of front door switch LH.
DOOR SW-AS	"ON/OFF" Indicates [ON/OFF] condition of front door switch RH.
DOOR SW-RR	"ON/OFF" Indicates [ON/OFF] condition of rear door switch RH.
DOOR SW-RL	"ON/OFF" Indicates [ON/OFF] condition of rear door switch LH.
BACK DOOR SW	"ON/OFF" Indicates [ON/OFF] condition of back door latch (door ajar switch).
KEYLESS LOCK	"ON/OFF" Indicates [ON/OFF] condition of lock signal from keyfob.
KEYLESS UNLOCK	"ON/OFF" Indicates [ON/OFF] condition of unlock signal from keyfob.

# POWER DOOR LOCK SYSTEM

## ACTIVE TEST

Test item	Content
ALL LOCK/UNLOCK	This test is able to check all door lock actuators lock operation. These actuators lock when "ON" on CONSULT-II screen is touched.
DR UNLOCK	This test is able to check front door lock assembly LH (actuator) unlock operation. These actuators lock when "ON" on CONSULT-II screen is touched.
OTHER UNLOCK	This test is able to check door lock actuators [except front door lock assembly LH (actuator)] unlock operation. These actuators unlock when "ON" on CONSULT-II screen is touched.

# POWER DOOR LOCK SYSTEM

## Trouble Diagnoses Symptom Chart

EIS002RF

Symptom	Repair order	Refer to page
Key reminder door function does not operate properly.	1. Door switch check	<a href="#">BL-31</a>
	2. Key switch (insert) check	<a href="#">BL-33</a>
	3. Replace BCM.	<a href="#">BCS-19</a>
Power door lock does not operate with door lock and unlock switch on main power window and door lock/unlock switch or power window and door lock/unlock switch RH.	1. Door lock/unlock switch check	<a href="#">BL-34</a>
Front door lock assembly LH (actuator) does not operate.	1. Front door lock assembly LH (Actuator) check	<a href="#">BL-37</a>
Specific door lock actuator does not operate.	1. Front door lock actuator RH check	<a href="#">BL-39</a>
	2. Rear door lock actuator RH/LH check	<a href="#">BL-40</a>
Power door lock does not operate with front door key cylinder LH operation.	1. Front door lock assembly LH (key cylinder switch) check	<a href="#">BL-42</a>
	2. Replace BCM.	<a href="#">BCS-19</a>
Power door lock does not operate.	1. BCM power supply and ground circuit check	<a href="#">BL-29</a>
	2. Door lock/unlock switch check	<a href="#">BL-34</a>
Back door opener does not operate.	1. Back door power supply and ground circuit inspection	<a href="#">BL-117</a>
	2. Door switch check	<a href="#">BL-31</a>
	3. Power liftgate switch system inspection	<a href="#">BL-118</a>
Glass hatch lock actuator does not operate.	1. Glass hatch switch check	<a href="#">BL-36</a>
	2. Glass hatch lock actuator check	<a href="#">BL-41</a>
	3. Replace BCM.	<a href="#">BCS-19</a>

## BCM Power Supply and Ground Circuit Check

EIS002RG

### 1. CHECK FUSE AND FUSIBLE LINK

Check the following BCM fuse and fusible link.

Component Parts	Terminal No. (SIGNAL)	Ampere	No.	Location
BCM	57 (BAT power supply)	15A	22	Fuse block (J/B)
BCM	70 (BAT power supply)	50A	f	Fuse and fusible link box

#### NOTE:

Refer to [BL-101, "Component Parts and Harness Connector Location"](#) .

#### OK or NG

OK >> GO TO 2.

NG >> If fuse is blown, be sure to eliminate cause of problem before installing new fuse, refer to [PG-4, "POWER SUPPLY ROUTING CIRCUIT"](#) .

# POWER DOOR LOCK SYSTEM

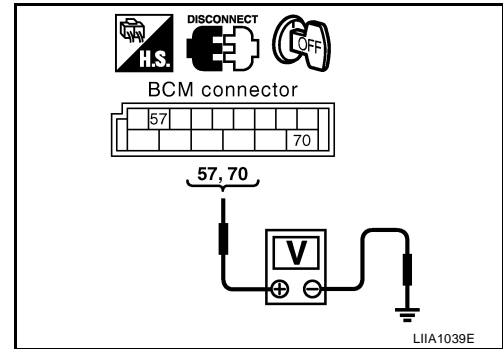
## 2. CHECK POWER SUPPLY CIRCUIT

1. Turn ignition switch OFF.
2. Disconnect BCM.
3. Check voltage between BCM connector M20 terminals 57, 70 and ground.

Connector	Terminals (Wire color)		Voltage (V) (Approx.)
	(+)	(-)	
M20	57 (Y/R)	Ground	Battery voltage
	70 (W/B)		

OK or NG

- OK >> GO TO 3.  
 NG >> Repair or replace harness.



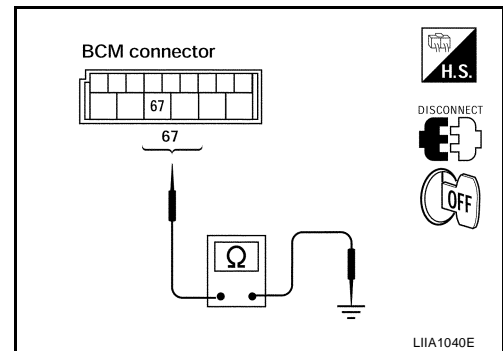
## 3. CHECK GROUND CIRCUIT

Check continuity between BCM connector M20 terminal 67 and ground.

Connector	Terminals (Wire color)		Continuity
M20	67 (B)	Ground	Yes

OK or NG

- OK >> Power supply and ground circuit is OK.  
 NG >> Repair or replace harness.



# POWER DOOR LOCK SYSTEM

EIS003ER

## Door Switch Check

### 1. CHECK DOOR SWITCHES INPUT SIGNAL

 With CONSULT-II

Check door switches ("DOOR SW-DR", "DOOR SW-AS", "DOOR SW-RL", "DOOR SW-RR", "BACK DOOR SW") in DATA MONITOR mode with CONSULT-II. Refer to [BL-27, "DATA MONITOR"](#).

- When doors are open:


**DOOR SW-DR : ON**  
**DOOR SW-AS : ON**  
**DOOR SW-RL : ON**  
**DOOR SW-RR : ON**  
**BACK DOOR SW : ON**

- When doors are closed:

**DOOR SW-DR : OFF**  
**DOOR SW-AS : OFF**  
**DOOR SW-RL : OFF**  
**DOOR SW-RR : OFF**  
**BACK DOOR SW : OFF**

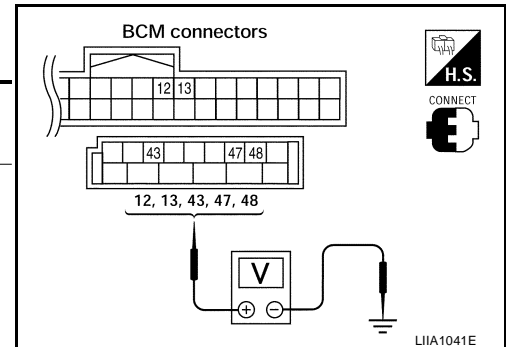
DATA MONITOR	
MONITOR	
DOOR SW - DR	OFF
DOOR SW - AS	OFF
DOOR SW - RR	OFF
DOOR SW - RL	OFF
BACK DOOR SW	OFF

LIA0665E

 Without CONSULT-II

Check voltage between BCM connector M18 or M19 terminals 12, 13, 43, 47, 48 and ground.

Connector	Item	Terminals (Wire color)		Condition	Voltage (V) (Approx.)
		(+)	(-)		
M19	Back door latch (door ajar switch)	43 (R/B)	Ground	Open ↓ Closed	0 ↓ Battery voltage
	Front door switch LH	47 (SB)			
	Rear door switch LH	48 (R/Y)			
M18	Front door switch RH	12 (R/L)	Ground	Open ↓ Closed	0 ↓ Battery voltage
	Rear door switch RH	13 (GR)			



OK or NG

- OK >> Door switch circuit is OK.
- NG >> GO TO 2.

# POWER DOOR LOCK SYSTEM

## 2. CHECK DOOR SWITCH CIRCUIT

1. Turn ignition switch OFF.
2. Disconnect door switch and BCM.
3. Check continuity between door switch connector (B) B8 (front LH), B108 (front RH), B18 (rear LH), B116 (rear RH) terminal 2 or back door latch connector (C) D503 terminal 7 and BCM connectors (A) M18, M19 terminals 12, 13, 43, 47 and 48.

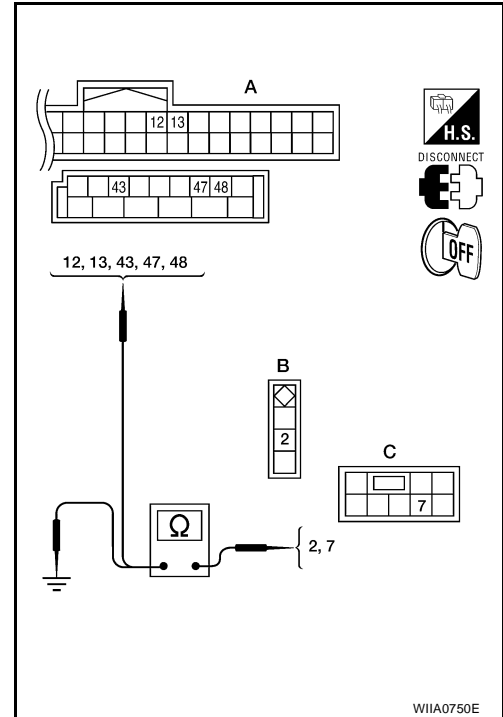
**2 (R/L) - 12 (R/L) : Continuity should exist.**  
**2 (GR) - 13 (GR) : Continuity should exist.**  
**2 (SB) - 47 (SB) : Continuity should exist.**  
**2 (R/Y) - 48 (R/Y) : Continuity should exist.**  
**7 (R/W) - 43 (R/B) : Continuity should exist.**

4. Check continuity between door switch connector (B) B8 (front LH), B108 (front RH), B18 (rear LH), B116 (rear RH) terminal 2 or back door latch connector (C) D503 terminal 7 and ground.

**2 (SB, R/L, R/Y or GR) - Ground : Continuity should not exist.**  
**7 (R/W) - Ground : Continuity should not exist.**

### OK or NG

- OK >> GO TO 3.  
 NG >> Repair or replace harness.

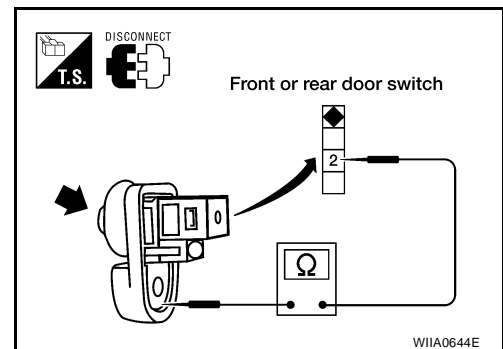


## 3. CHECK DOOR SWITCHES

### FRONT AND REAR DOORS

Check continuity between front or rear door switch terminal 2 and exposed metal of switch while pressing and releasing switch.

**Door switch is released : Continuity should exist.**  
**Door switch is pushed : Continuity should not exist.**



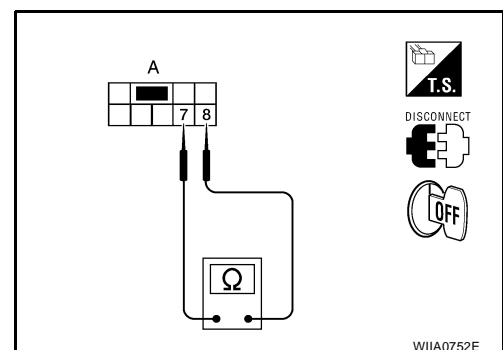
### BACK DOOR

Check continuity between back door latch connector (A) D503 terminals 7 and 8 while pressing (closing back door) and releasing (opening back door) switch.

**When back door is open : Continuity should exist.**  
**When back door is closed : Continuity should not exist.**

### OK or NG

- OK >> (Front and rear doors) Switch circuit is OK.  
 OK >> (Back door) GO TO 4.  
 NG >> Replace door switch.





# POWER DOOR LOCK SYSTEM

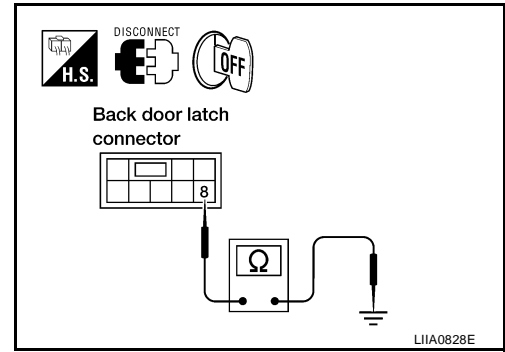
## 4. CHECK BACK DOOR SWITCH GROUND

Check continuity between back door latch connector terminal 8 and ground.

**8 (B) - Ground : Continuity should exist.**

OK or NG

- OK >> Back door switch circuit is OK.
- NG >> Repair or replace harness.



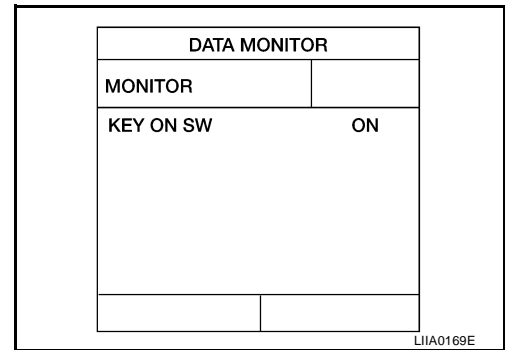
## Key Switch (Insert) Check

### 1. CHECK KEY SWITCH INPUT SIGNAL

With CONSULT-II

Check key switch "KEY ON SW" in DATA MONITOR mode with CONSULT-II. Refer to [BL-27, "DATA MONITOR"](#).

- When key is inserted to ignition key cylinder:  
**KEY ON SW :ON**
- When key is removed from ignition key cylinder:  
**KEY ON SW :OFF**



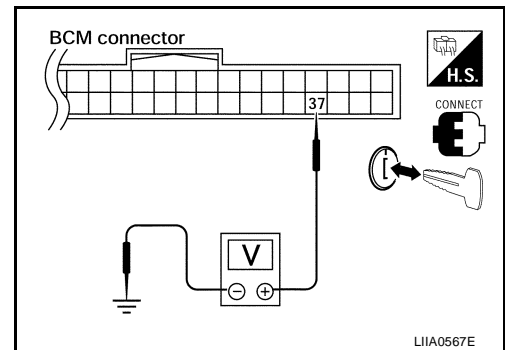
Without CONSULT-II

Check voltage between BCM connector M18 terminal 37 and ground.

Connector	Terminal (Wire color)		Condition	Voltage (V)
	(+)	(-)		
M18	37 (B/R)	Ground	Key is inserted.	Battery voltage
			Key is removed.	0

OK or NG

- OK >> Key switch (insert) circuit is OK.
- NG >> GO TO 2.



# POWER DOOR LOCK SYSTEM

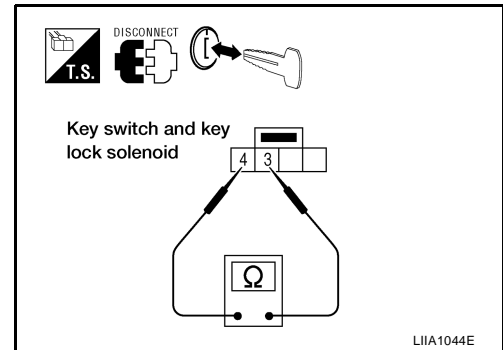
## 2. CHECK KEY SWITCH (INSERT)

1. Turn ignition switch OFF.
2. Disconnect key switch and key lock solenoid.
3. Check continuity between key switch and key lock solenoid terminals 3, 4.

Terminals	Condition	Continuity
3 - 4	Key is inserted.	Yes
	Key is removed.	No

OK or NG

- OK >> Repair or replace harness.  
 NG >> Replace key switch.



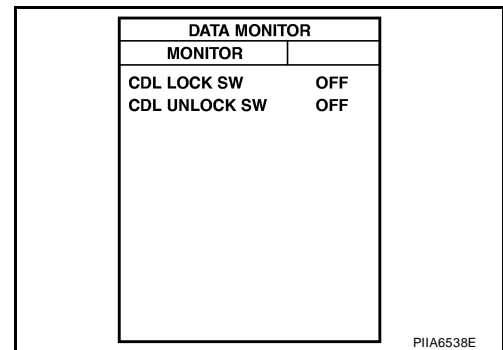
## Door Lock/Unlock Switch Check

### 1. CHECK DOOR LOCK/UNLOCK SWITCH INPUT SIGNAL

With CONSULT-II

Check door lock/unlock switch ("CDL LOCK SW", "CDL UNLOCK SW") in DATA MONITOR mode in CONSULT-II. Refer to [BL-27, "DATA MONITOR"](#)

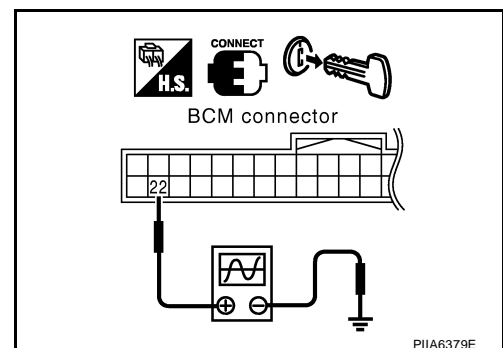
- When door lock/unlock switch is turned to LOCK:  
**CDL LOCK SW :ON**
- When door lock/unlock switch is turned to UNLOCK:  
**CDL UNLOCK SW :ON**



Without CONSULT-II

1. Remove key from ignition key cylinder.
2. Check the signal between BCM connector M18 terminal 22 and ground with oscilloscope when door lock/unlock switch is turned to LOCK or UNLOCK.
3. Make sure the signals which are shown in the figure below can be detected during 10 seconds just after the door lock/unlock switch is turned to LOCK or UNLOCK.

Connector	Terminal (Wire color)		Voltage (V)
	(+)	(-)	
M18	22 (W/V)	Ground	



OK or NG

- OK >> Door lock and unlock switch circuit is OK.  
 NG >> GO TO 2.

# POWER DOOR LOCK SYSTEM

## 2. CHECK BCM OUTPUT SIGNAL

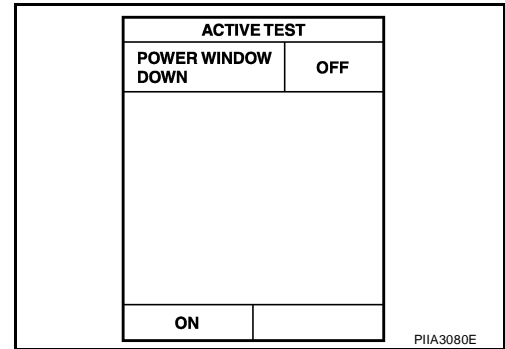
Check ("POWER WINDOW DOWN") in ACTIVE TEST mode for "MULTI REMOTE ENT" with CONSULT-II. Refer to [BL-28, "ACTIVE TEST"](#) .

**When "ACTIVE TEST" is performed, are the front windows lowered?**

OK or NG

OK >> GO TO 3.

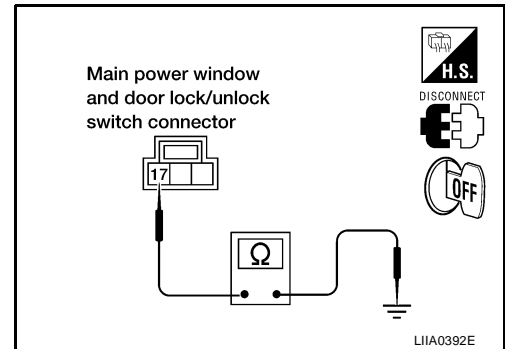
NG >> Replace BCM. Refer to [BCS-19, "Removal and Installation of BCM"](#) .



## 3. CHECK DOOR LOCK/UNLOCK SWITCH GROUND HARNESS

1. Turn ignition switch OFF.
2. Disconnect main power window and door lock/unlock switch or power window and door lock/unlock switch RH
3. Check continuity between main power window and door lock/unlock switch connector D8 terminal 17 and ground.

**17 (B) - Ground : Continuity should exist.**



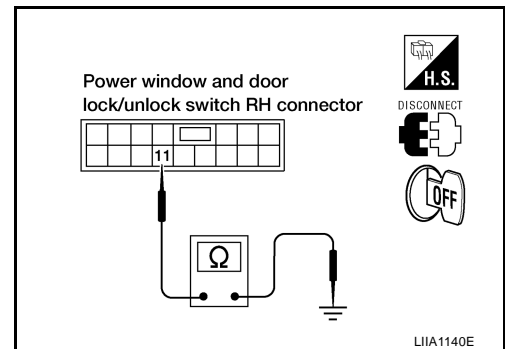
4. Check continuity between power window and door lock/unlock switch RH connector D105 terminal 11 and ground

**11 (B) - Ground : Continuity should exist.**

OK or NG

OK >> GO TO 4.

NG >> Repair or replace harness.

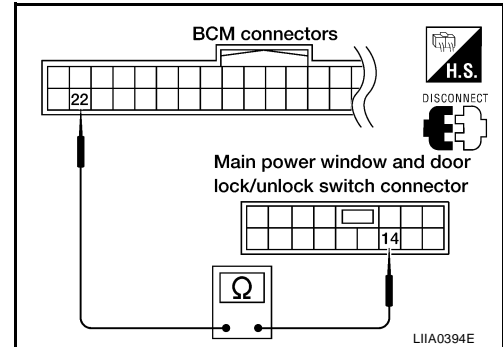


# POWER DOOR LOCK SYSTEM

## 4. CHECK POWER WINDOW SERIAL LINK CIRCUIT

1. Disconnect BCM.
2. Check continuity between BCM connector M18 terminal 22 and main power window and door lock/unlock switch connector D7 terminal 14.

**22 (W/V) - 14 (LG/W) : Continuity should exist.**

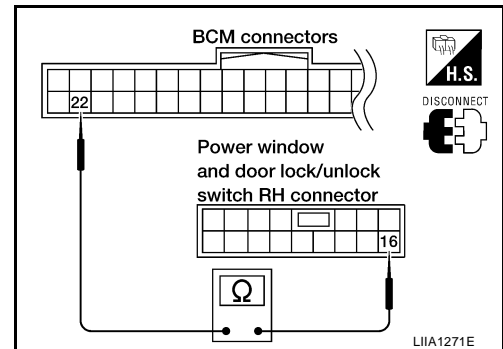


3. Check continuity between BCM connector M18 terminal 22 and power window and door lock/unlock switch RH connector D105 terminal 16.

**22 (W/V) - 16 (LG/W) : Continuity should exist.**

OK or NG

- OK >> Replace main power window and door lock/unlock switch or power window and door lock/unlock switch RH
- NG >> Repair or replace harness.



EIS005X5

## Glass Hatch Switch Circuit Inspection

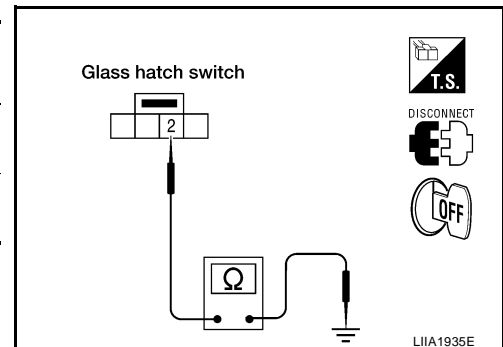
### 1. CHECK GLASS HATCH SWITCH

1. Turn ignition switch OFF.
2. Disconnect glass hatch switch.
3. Check continuity between glass hatch switch terminal 2 and ground.

Connector	Terminals		Condition	Continuity
	(+)	(-)		
D710	2	Ground	With the glass hatch switch pressed	Yes
			With the glass hatch switch released	No

OK or NG

- OK >> GO TO 2.
- NG >> Replace glass hatch switch.



# POWER DOOR LOCK SYSTEM

## 2. CHECK HARNESS CONTINUITY

1. Disconnect BCM.
2. Check continuity between BCM connector (A) M18 terminal 30 and glass hatch switch connector (B) D710 terminal 2.

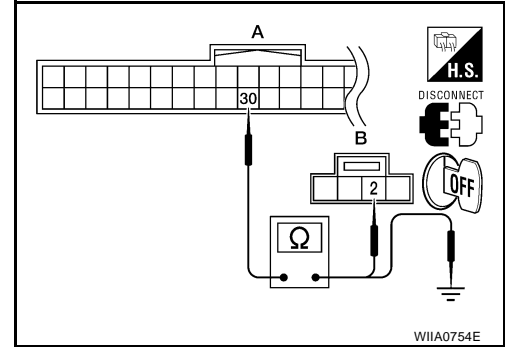
**30 (Y/BR) - 2 (Y/BR) : Continuity should exist.**

3. Check continuity between BCM connector M18 terminal 30 and ground.

**30 (Y/BR) - Ground : Continuity should not exist.**

OK or NG

- OK >> Glass hatch switch circuit is OK.
- NG >> Repair or replace harness.



EIS002RK

## Front Door Lock Assembly LH (Actuator) Check

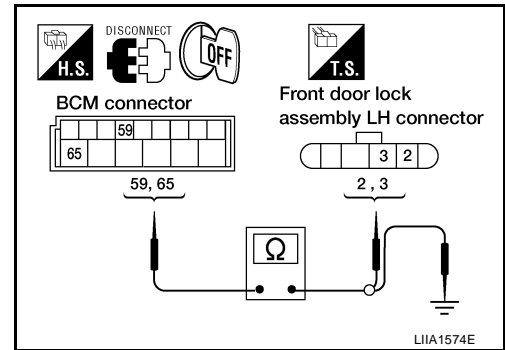
### 1. CHECK DOOR LOCK ACTUATOR HARNESS

1. Turn ignition switch OFF.
2. Disconnect BCM and front door lock assembly LH (actuator).
3. Check continuity between BCM connector M20 terminals 59, 65 and front door lock assembly LH (actuator) connector D14 terminals 2, 3.

Connector	Terminals (Wire color)	Connector	Terminals (wire color)	Continuity
M20	59 (G)	D14	2 (G)	Yes
	65 (V)		3 (V)	Yes

4. Check continuity between BCM connector M20 terminals 59, 65 and ground.

Connector	Terminals (Wire color)	Continuity
M20	59 (G)	No
	65 (V)	No



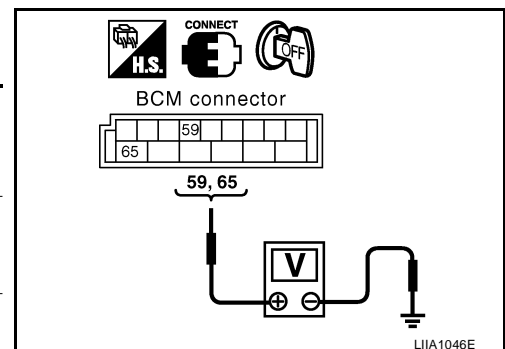
OK or NG

- OK >> GO TO 2.
- NG >> Repair or replace harness.

## 2. CHECK DOOR LOCK ACTUATOR SIGNAL

1. Reconnect BCM.
2. Check voltage between BCM connector M20 terminals 59, 65 and ground.

Connector	Terminals (Wire color)		Condition	Voltage (V) (Approx.)
	(+)	(-)		
M20	59 (G)	Ground	Driver door lock/unlock switch is turned to UNLOCK	0 → Battery voltage for 300 ms
	65 (V)		Driver door lock/unlock switch is turned to LOCK	0 → Battery voltage for 300 ms



# POWER DOOR LOCK SYSTEM

---

## OK or NG

- OK >> Replace front door lock assembly LH (actuator). Refer to [BL-132, "FRONT DOOR LOCK"](#) .
- NG >> Replace BCM. Refer to [BCS-19, "Removal and Installation of BCM"](#) .

# POWER DOOR LOCK SYSTEM

EIS002RL

## Front Door Lock Actuator RH Check

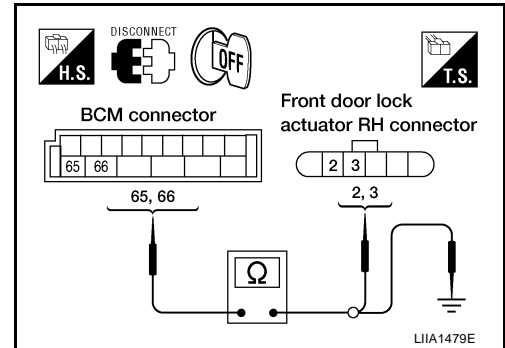
### 1. CHECK FRONT DOOR LOCK ACTUATOR RH HARNESS

1. Turn ignition switch OFF.
2. Disconnect BCM and front door lock actuator RH.
3. Check continuity between BCM connector M20 terminals 65, 66 and front door lock actuator RH D114 terminals 2, 3.

Terminal		Continuity
65 (V)	3 (V)	Yes
66 (G/Y)	2 (G/Y)	Yes

4. Check continuity between BCM connector M20 terminals 65, 66 and ground.

Terminals (Wire color)		Continuity
65 (V)	Ground	No
66 (G/Y)		No



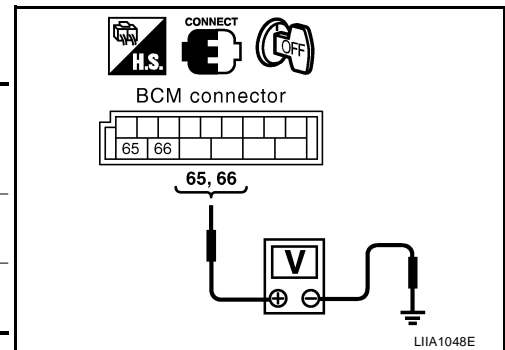
#### OK or NG

- OK >> GO TO 2.
- NG >> Repair or replace harness.

### 2. CHECK FRONT DOOR LOCK ACTUATOR RH SIGNAL

1. Reconnect BCM.
2. Check voltage between BCM connector M20 terminals 65, 66 and ground.

Connector	Terminals (Wire color)		Condition	Voltage (V) (Approx.)
	(+)	(-)		
M20	65 (V)	Ground	Door lock/unlock switch is turned to LOCK	0 → Battery voltage for 300 ms
	66 (G/Y)		Door lock/unlock switch is turned to UNLOCK	0 → Battery voltage for 300 ms



#### OK or NG

- OK >> Replace front door lock actuator RH. Refer to [BL-132, "FRONT DOOR LOCK"](#) .
- NG >> Replace BCM. Refer to [BCS-19, "Removal and Installation of BCM"](#) .

# POWER DOOR LOCK SYSTEM

EIS002RM

## Rear Door Lock Actuator RH/LH Check

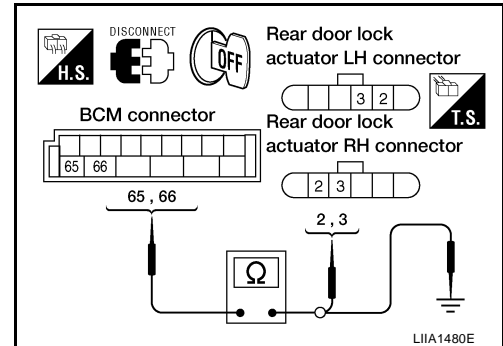
### 1. CHECK REAR DOOR LOCK ACTUATOR LH OR RH HARNESS

1. Turn ignition switch OFF.
2. Disconnect BCM and each door lock actuator.
3. Check continuity between BCM connector M20 terminals 65, 66 and rear door lock actuator RH/LH connectors terminals 2, 3.

Terminal		Continuity
65 (V)	3 (V)	Yes
66 (G/Y)	2 (G/Y)	Yes

4. Check continuity between BCM connector M20 terminals 65, 66 and ground.

Terminals (Wire color)		Continuity
65 (V)	Ground	No
66 (G/Y)		No



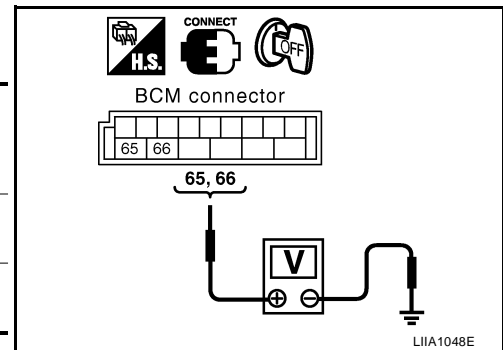
#### OK or NG

- OK >> GO TO 2.  
 NG >> Repair or replace harness.

### 2. CHECK DOOR LOCK ACTUATOR SIGNAL

1. Reconnect BCM.
2. Check voltage between BCM connector M20 terminals 65, 66 and ground.

Connector	Terminals (Wire color)		Condition	Voltage (V) (Approx.)
	(+)	(-)		
M20	65 (V)	Ground	Door lock/unlock switch is turned to LOCK	0 → Battery voltage for 300 ms
	66 (G/Y)		Door lock/unlock switch is turned to UNLOCK	0 → Battery voltage for 300 ms



#### OK or NG

- OK >> Replace door lock actuator. Refer to [BL-135, "REAR DOOR LOCK"](#) .  
 NG >> Replace BCM. Refer to [BCS-19, "Removal and Installation of BCM"](#) .



# POWER DOOR LOCK SYSTEM

EIS005X6

## Glass Hatch Lock Actuator Check

### 1. CHECK GLASS HATCH LOCK ACTUATOR GROUND CIRCUIT

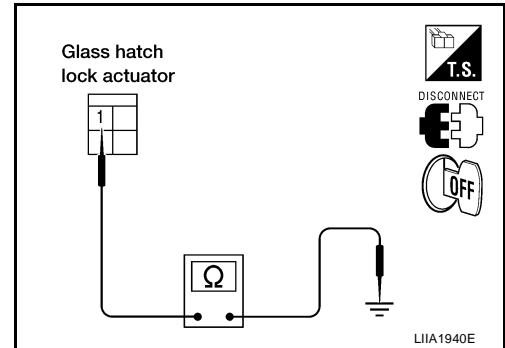
1. Turn ignition switch OFF.
2. Disconnect glass hatch lock actuator.
3. Check continuity between glass hatch lock actuator connector D711 terminal 1 and ground.

Terminal (Wire color)		Continuity
1 (B)	Ground	Yes

OK or NG

OK >> GO TO 2.

NG >> Repair or replace harness. Refer to [BL-136, "BACK DOOR LOCK"](#) .



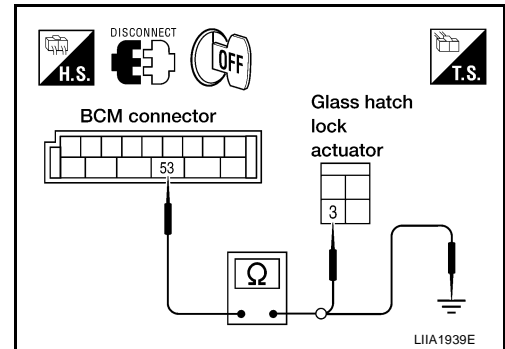
### 2. CHECK GLASS HATCH LOCK ACTUATOR HARNESS

1. Disconnect BCM.
2. Check continuity between BCM connector M19 terminal 53 and glass hatch lock actuator connector D711 terminal 3.

Terminals (wire color)		Continuity
53 (L/W)	3 (L/W)	Yes

3. Check continuity between BCM connector M19 terminals 53 and ground.

Terminals (Wire color)		Continuity
53 (L/W)	Ground	No



OK or NG

OK >> GO TO 3.

NG >> Repair or replace harness.

### 3. CHECK GLASS HATCH LOCK ACTUATOR SIGNAL

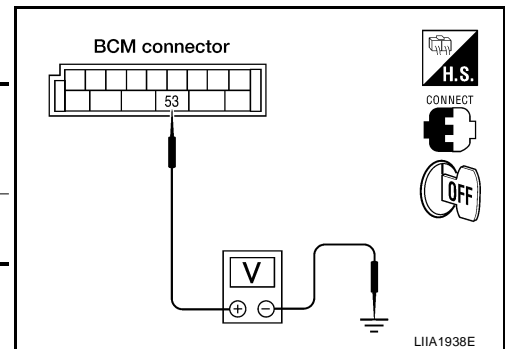
1. Reconnect BCM.
2. Check voltage between BCM connector M19 terminal 53 and ground.

Connector	Terminals (Wire color)		Condition	Voltage (V) (Approx.)
	(+)	(-)		
M19	53 (L/W)	Ground	Glass hatch switch is depressed	0 → Battery voltage for 300 ms

OK or NG

OK >> Replace glass hatch lock actuator.

NG >> Replace BCM. Refer to [BCS-19, "Removal and Installation of BCM"](#) .



# POWER DOOR LOCK SYSTEM

EIS002RN

## Front Door Lock Assembly LH (Key Cylinder Switch) Check

### 1. CHECK DOOR KEY CYLINDER SWITCH LH

④ With CONSULT-II

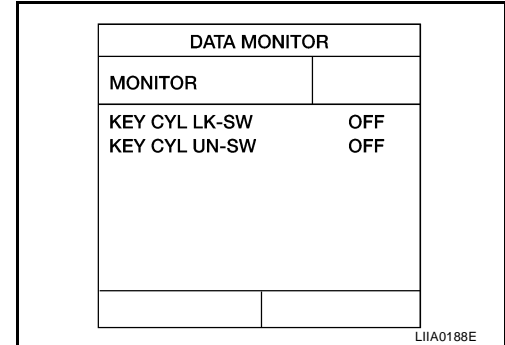
Check front door lock assembly LH (key cylinder switch) ("KEY CYL LK-SW") and ("KEY CYL UN-SW") in DATA MONITOR mode with CONSULT-II. Refer to [BL-27, "DATA MONITOR"](#).

- When key inserted in front key cylinder is turned to LOCK:

**KEY CYL LK-SW : ON**

- When key inserted in front key cylinder is turned to UNLOCK:

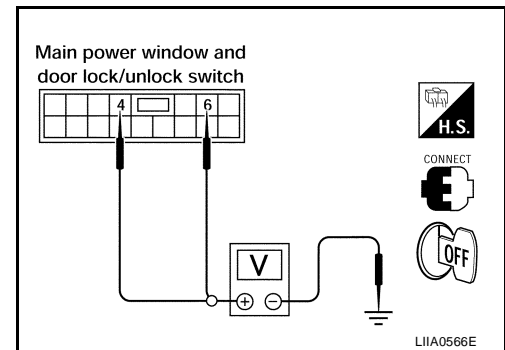
**KEY CYL UN-SW : ON**



⊗ Without CONSULT-II

Check voltage between main power window and door lock/unlock switch connector D7 terminals 4, 6 and ground.

Connector	Terminals (Wire color)		Condition	Voltage (V) (Approx.)
	(+)	(-)		
D7	4 (L)	Ground	Neutral/Unlock	5
			Lock	0
	6 (R)		Neutral/Lock	5
			Unlock	0



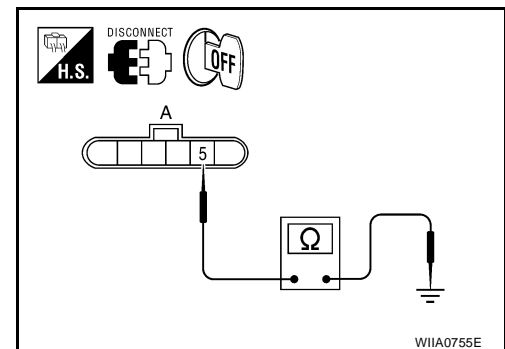
OK or NG

- OK >> Front door lock assembly LH (key cylinder switch) signal is OK.
- NG >> GO TO 2.

### 2. CHECK DOOR KEY CYLINDER SWITCH LH GROUND HARNESS

Check continuity between front door lock assembly LH (key cylinder switch) connector (A) D14 terminal 5 and body ground.

Connector	Terminal (wire color)	Continuity
D14	5 (B) – Ground	Yes



OK or NG

- OK >> GO TO 3.
- NG >> Repair or replace harness.

# POWER DOOR LOCK SYSTEM

## 3. CHECK DOOR KEY CYLINDER SWITCH LH

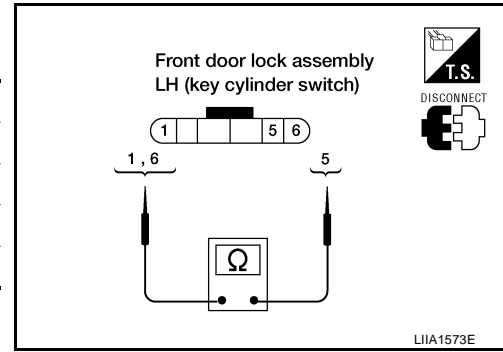
Check continuity between front door lock assembly LH (key cylinder switch) terminals.

Terminals	Condition	Continuity
1 – 5	Key is turned to UNLOCK or neutral.	No
	Key is turned to LOCK.	Yes
5 – 6	Key is turned to LOCK or neutral.	No
	Key is turned to UNLOCK.	Yes

OK or NG

OK >> GO TO 4.

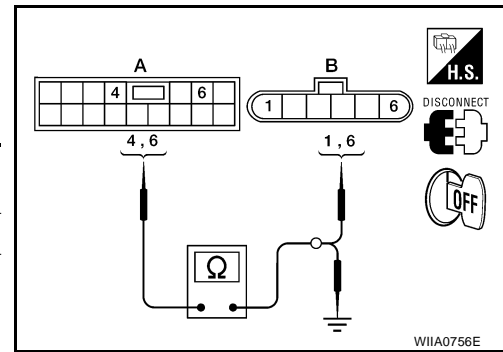
NG >> Replace front door lock assembly LH (key cylinder switch). Refer to [BL-132, "Removal and Installation"](#) .



## 4. CHECK DOOR KEY CYLINDER HARNESS

Check continuity between main power window and door lock/unlock switch connector (A) D7 terminals 4, 6 and front door lock assembly LH (key cylinder switch) connector (B) D14 terminals 1, 6 and body ground.

Connector	Terminals (wire color)	Connector	Terminals (wire color)	Continuity
A: Main power window and door lock/unlock switch	4 (L)	B: Front door lock assembly LH (key cylinder switch)	1 (L)	Yes
	6 (R)		6 (R)	Yes
	4 (L), 6 (R)		Ground	No



OK or NG

OK >> Replace main power window and door lock/unlock switch.

NG >> Repair or replace harness.

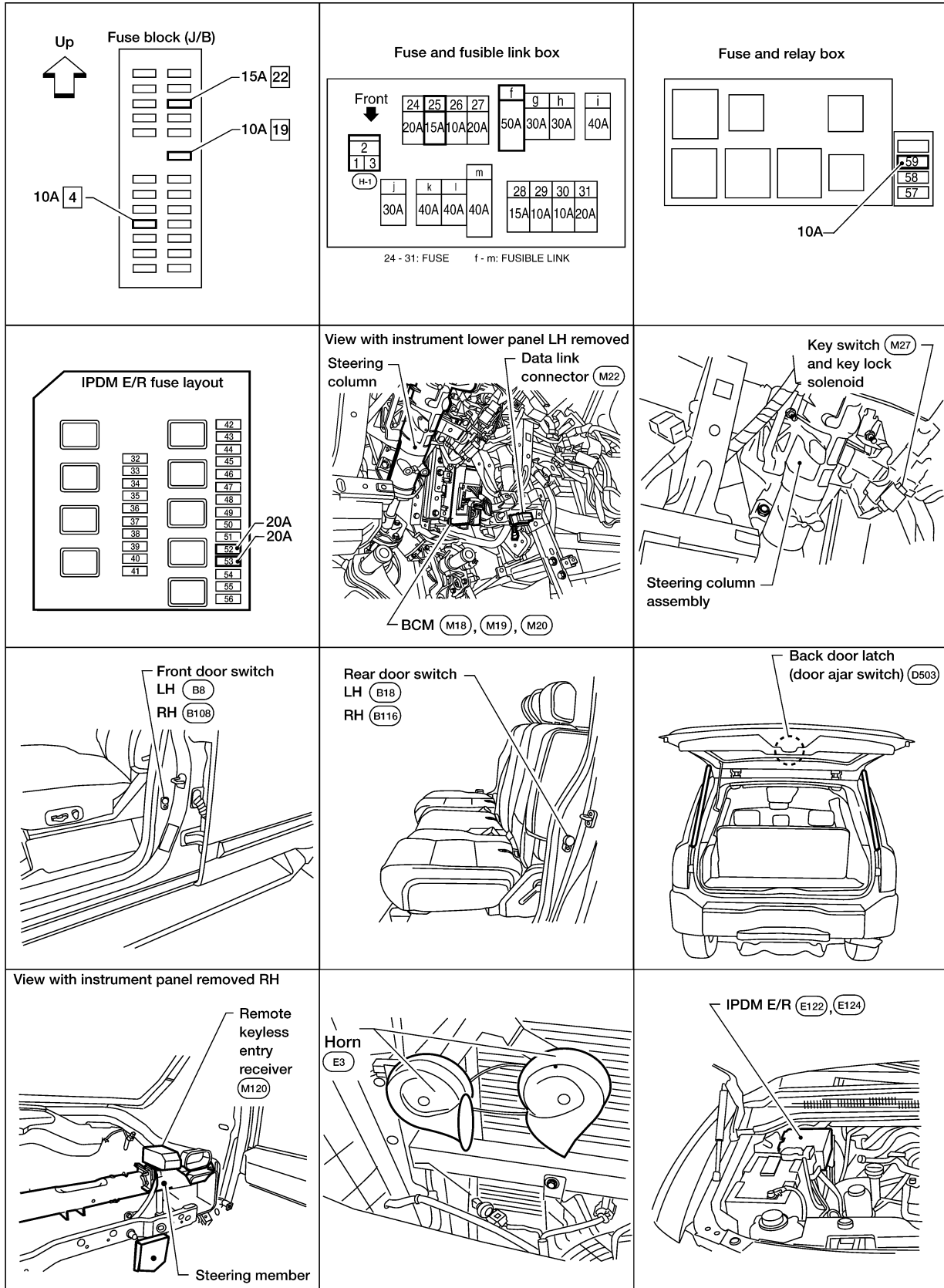
# REMOTE KEYLESS ENTRY SYSTEM

PF2:28596

EIS002R0

## REMOTE KEYLESS ENTRY SYSTEM

### Component Parts and Harness Connector Location



WIIA0588E

# REMOTE KEYLESS ENTRY SYSTEM

EIS002RP

## System Description

### INPUTS

Power is supplied at all times

- to BCM terminal 70
- through 50A fusible link (letter f , located in the fuse and fusible link box).
- to BCM terminal 57
- through 15A fuse [No. 22, located in the fuse block (J/B)].

When the key is inserted in key switch and key lock solenoid, power is supplied

- to BCM terminal 37
- through key switch and key lock solenoid terminals 3 and 4
- through 10A fuse [No. 19, located in the fuse block (J/B)].

When the ignition switch is in ACC or ON position, power is supplied

- to BCM terminal 11
- through 10A fuse [No. 4, located in the fuse block (J/B)].

When the ignition switch is in ON or START position, power is supplied

- to BCM terminal 38
- through 10A fuse (No. 59, located in the fuse and relay box).

When the front door switch LH is ON (door is OPEN), ground is supplied

- to BCM terminal 47
- through front door switch LH terminal 2
- through front door switch LH case ground.

When the front door switch RH is ON (door is OPEN), ground is supplied

- to BCM terminal 12
- through front door switch RH terminal 2
- through front door switch RH case ground.

When the rear door switch LH is ON (door is OPEN), ground is supplied

- to BCM terminal 48
- through rear door switch LH terminal 2
- through rear door switch LH case ground.

When the rear door switch RH is ON (door is OPEN), ground is supplied

- to BCM terminal 13
- through rear door switch RH terminal 2
- through rear door switch RH case ground.

When the back door latch (door ajar switch) is ON (door is OPEN), ground is supplied

- to BCM terminal 43
- through back door latch (door ajar switch) terminal 7,
- through back door latch (door ajar switch) terminal 8,
- through body grounds B7 and B19.

When the glass hatch ajar switch is ON (glass hatch is OPEN), ground is supplied

- to BCM terminal 42
- through glass hatch ajar switch
- through glass hatch ajar switch case ground.

Keyfob signal is input into the BCM from the remote keyless entry receiver.

The remote keyless entry system controls operation of the:

- power door lock
- back door opener
- interior lamp and step lamps
- panic alarm
- hazard and horn reminder

A

B

C

D

E

F

G

H

BL

J

K

L

M

# REMOTE KEYLESS ENTRY SYSTEM

- keyless power window down (open)
- auto door lock operation

## OPERATING PROCEDURE

- When the keyfob is operated, the signal from the keyfob is sent and the remote keyless entry receiver receives the signal and sends it to the BCM. The BCM only locks/unlocks the doors if the ID number matches (remote control entry functions).
- Using the keyfob, the transmitter sends radio waves to the remote keyless entry receiver, which then sends the received waves to the BCM. Only if the ID number matches does the BCM lock/unlock the doors (remote control door function).
- Unless the key is inserted into the ignition key cylinder or one of the doors is opened within 1 minute after the UNLOCK switch on the keyfob is pressed, all the doors are automatically locked (auto lock function).
- When a door is locked or unlocked, the vehicle turn signal lamps flash and the horn sounds to verify operation (active check function).
- When the key is in the ignition key cylinder (when the key switch is ON) and one of the doors is open, the door lock function does not work even when the door lock is operated with the keyfob.
- Keyfob ID set up is available.
- If a keyfob is lost, a new keyfob can be set up. A maximum of 5 IDs can be set up simultaneously.

## Remote Control Entry Functions

### Operation Description

- When a button on the keyfob is operated, the signal is sent from the keyfob and received by the remote keyless entry receiver.
- The received signal is sent to the BCM and compared with the registered ID number.
- If the ID number matches, the BCM sends the lock/unlock signal to each door lock actuator.
- When the door lock actuators receive this signal, each operates to lock/unlock its door.
- BCM locks all doors with input of LOCK signal from keyfob.
- When an UNLOCK signal is sent from keyfob once, driver's door will be unlocked.
- Then, if an UNLOCK signal is sent from keyfob again within 5 seconds, all other doors will be unlocked.

### Remote control entry operation conditions

Keyfob operation	Operation condition
Door lock operation (locking)	<ul style="list-style-type: none"><li>● With key removed (key switch: OFF)</li><li>● Closing all doors (door switch: OFF)</li></ul>
Door lock operation (unlocking)	With key removed (key switch: OFF)

## Auto Lock Function

### Operation Description

- Unless the key is inserted into the ignition key cylinder, one of the doors is opened, or the keyfob is operated within 1 minute after a door lock is unlocked by keyfob operation, all the doors are automatically locked.  
The 1 minute timer count is executed by the BCM and after 1 minute, the BCM sends the lock signal to all doors.  
Lock operations are the same as for the remote control entry function.

## Remote Control Automatic Back Door Function

### Switching from all closed to all open

- When a button on the keyfob is operated, the signal is sent from the keyfob and received by the remote keyless entry receiver.
- The received signal is sent to the BCM and compared with the registered ID number.
- If the ID number matches, the BCM uses power window serial link communication to send the back door open signal to the back door control unit.
- When the back door control unit receives the back door open signal for 0.5 seconds, if the remote control automatic back door operation enable conditions are met, the warning chime is sounded and the back door unlock signal is sent to the back door latch using communication.

# REMOTE KEYLESS ENTRY SYSTEM

- When the back door latch receives the back door unlock signal, it operates the release actuator and releases to back door latch. A
- The back door control unit operates the back door motor to open the back door. (At this time, speed control, input reverse, and overload reverse control are executed.) B
- When the back door is opened to the fully open position, the full-open position is detected with the rotation sensor, the back door motor is stopped. C
- The door held by the back door stays at the full open position. D

Full open → full closed operation

- When a button of the keyfob is operated, the signal is sent from the keyfob and received by the remote keyless entry receiver. E
- The received signal is sent to the BCM and compared with the registered ID number. F
- If the ID number matches, the BCM uses power window serial link communication to send the back door close request signal to the back door control unit. G
- When the back door control unit receives the back door close request signal for 0.5 seconds, if the remote control automatic back door operation enable conditions are met, the warning chime is sounded and the back door motor begins closing the back door. H
- The back door control unit operates the magnetic clutch and the back door motor to close the back door. (At this time, the back door control unit executes speed control, input reverse, and overload reverse control.) I
- When the back door comes to the half-latch state, the back door latch detects the half-latch state through half-latch switch operation. The back door latch latches the back door. J

For the automatic back door system operation enable conditions, refer to [BL-101, "AUTOMATIC BACK DOOR SYSTEM"](#) .

## Active Check Function

### Operation Description

When a door is locked or unlocked by keyfob operation, the vehicle turn signals flash and the horn sounds to verify operation. BL

- When a button on the keyfob is operated, the signal is sent from the remote controller and received by the keyless remote entry receiver. K
- The received signal is sent to the BCM and compared with the registered ID number. L
- If the ID number matches, the BCM sends the turn signal flashing and horn signal to the IPDM E/R. M
- The IPDM E/R flashes the turn signal lamps and sounds the horn for each keyfob operation.

## Operating function of hazard and horn reminder

	C mode		S mode	
	Lock	Unlock	Lock	Unlock
Keyfob operation	Lock	Unlock	Lock	Unlock
Hazard warning lamp flash	Twice	Once	Twice	—
Horn sound	Once	—	—	—

## Hazard and Horn Reminder

BCM output to IPDM E/R for horn reminder signal as DATA LINE (CAN-H and CAN-L).

The hazard and horn reminder has C mode (horn chirp mode) and S mode (non-horn chirp mode).

### How to change hazard and horn reminder mode

Ⓜ With CONSULT-II

Hazard and horn reminder can be changed using "WORK SUPPORT" mode in "MULTI ANSWER BACK SET".

ⓧ Without CONSULT-II

Refer to Owner's Manual for instructions.

## Interior Lamp Operation

When the following input signals are both supplied:

- all door switches are in the OFF position (when all the doors are closed);
- interior lamp switch is in DOOR position.

# REMOTE KEYLESS ENTRY SYSTEM

---

Remote keyless entry system turns on interior lamp and ignition keyhole illumination (for 30 seconds) with input of UNLOCK signal from keyfob.

For detailed description, refer to [LT-131, "ROOM LAMP TIMER OPERATION"](#) .

## **Panic Alarm Operation**

When key switch is OFF (ignition key is not inserted in key cylinder), remote keyless entry system turns on and off horn and headlamp intermittently with input of PANIC ALARM signal from keyfob.

The alarm automatically turns off after 25 seconds or when BCM receives any signal from keyfob.

## **Keyless Power Window Down (Open) Operation**

When keyfob unlock switch is turned ON with ignition switch OFF, and the switch is detected to be on continuously for 3 seconds, the driver's door and passenger's door power windows are simultaneously opened.

Power window is operated to open and the operation continues as long as the keyfob unlock switch is pressed.

## **CAN Communication System Description**

EIS002RQ

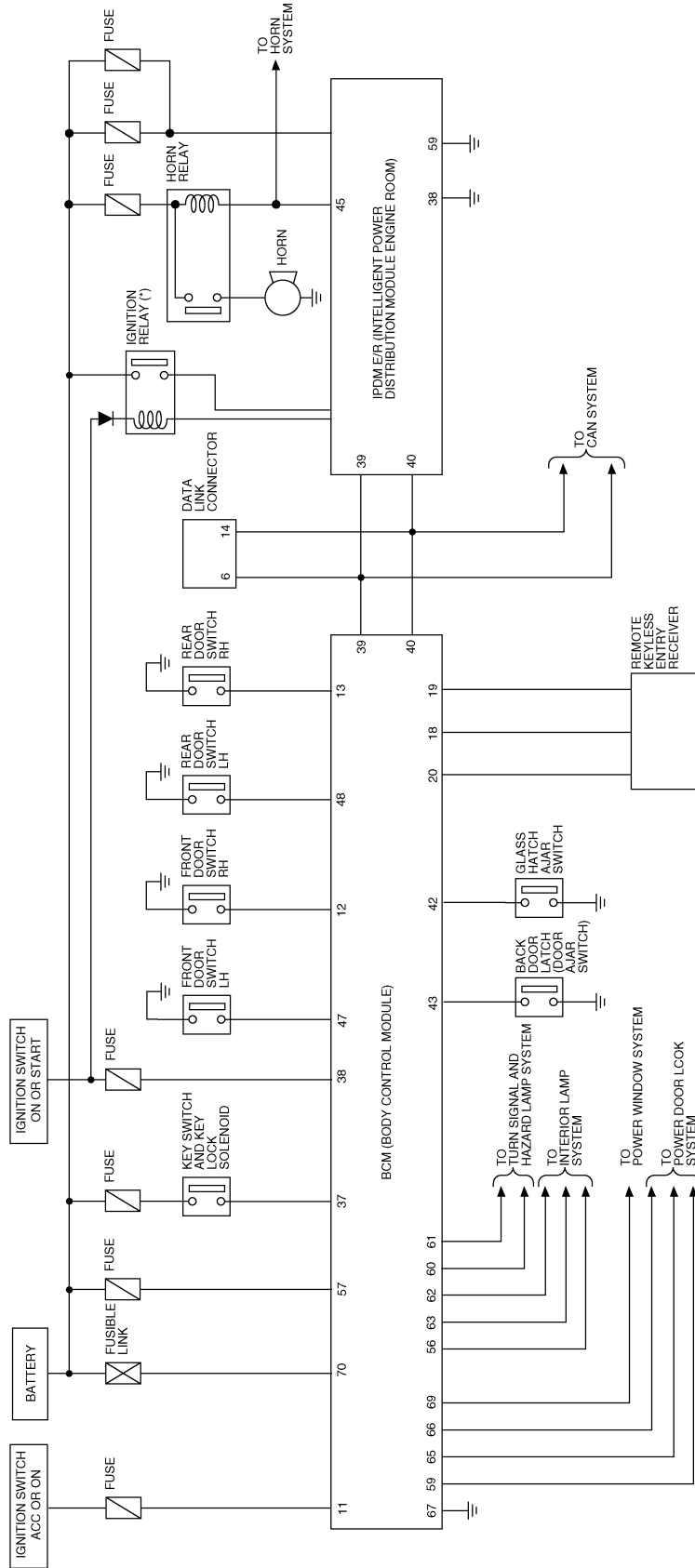
Refer to [LAN-5, "CAN COMMUNICATION"](#) .



# REMOTE KEYLESS ENTRY SYSTEM

## Schematic

EIS002RR



(\*) THIS RELAY IS BUILT INTO THE IPRM/E/R (INTELLIGENT POWER DISTRIBUTION MODULE ENGINE ROOM).

A  
B  
C  
D  
E  
F  
G  
H  
I  
J  
K  
L  
M

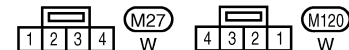
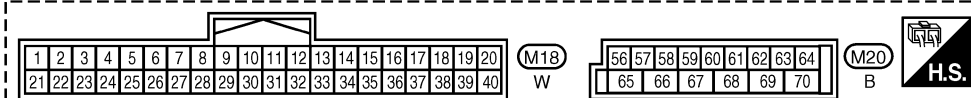
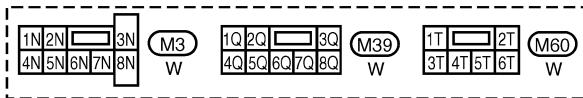
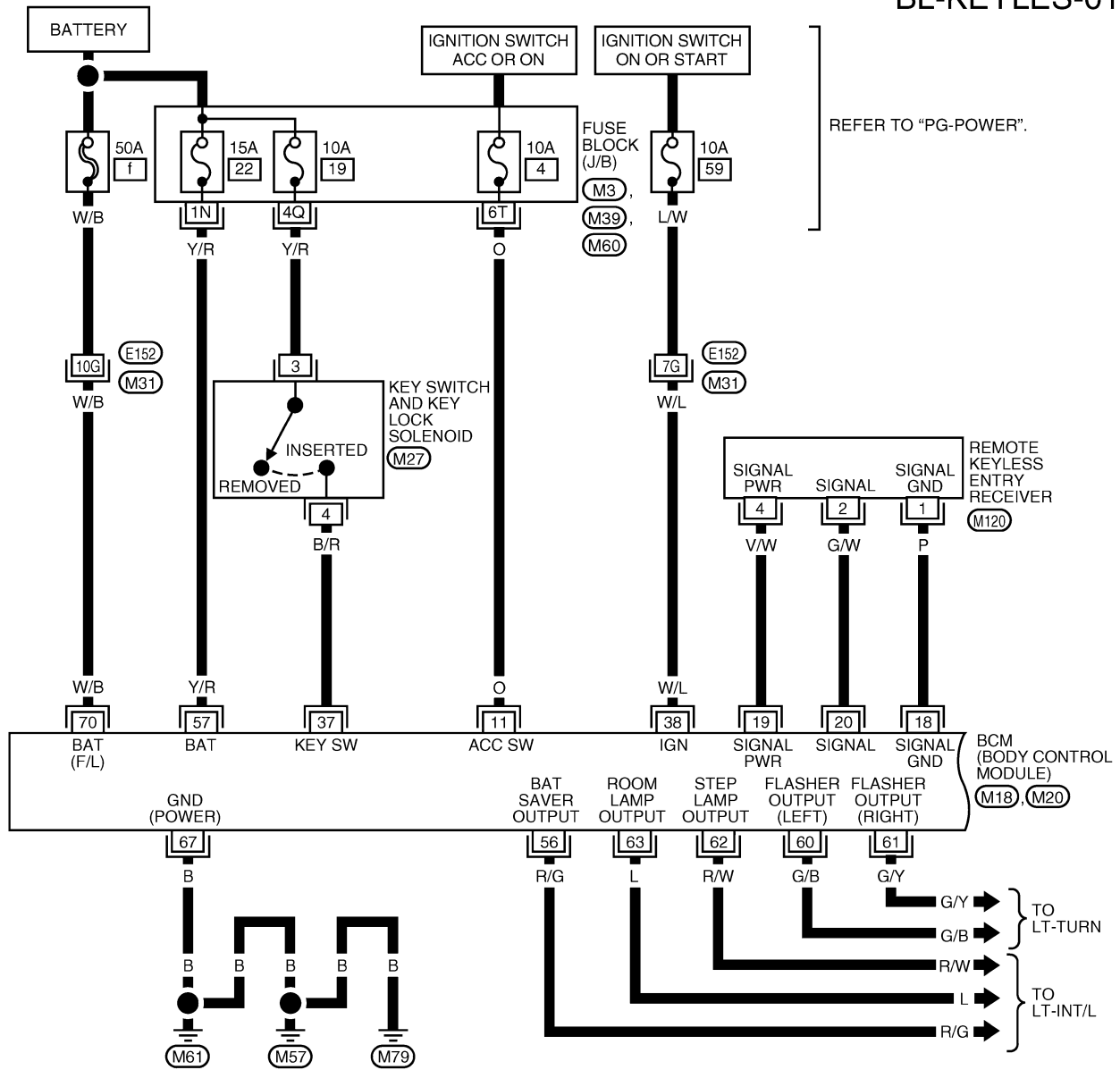
BL

# REMOTE KEYLESS ENTRY SYSTEM

## Wiring Diagram — KEYLES —

EIS002RS

### BL-KEYLES-01



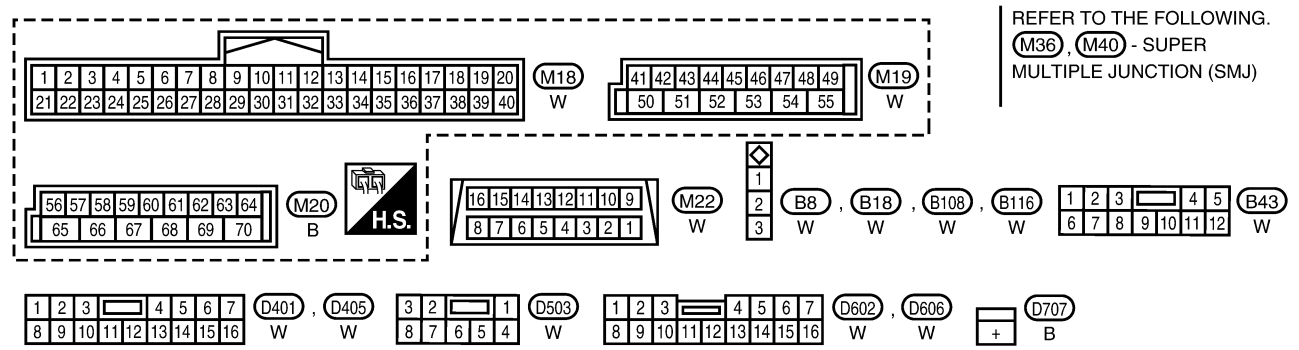
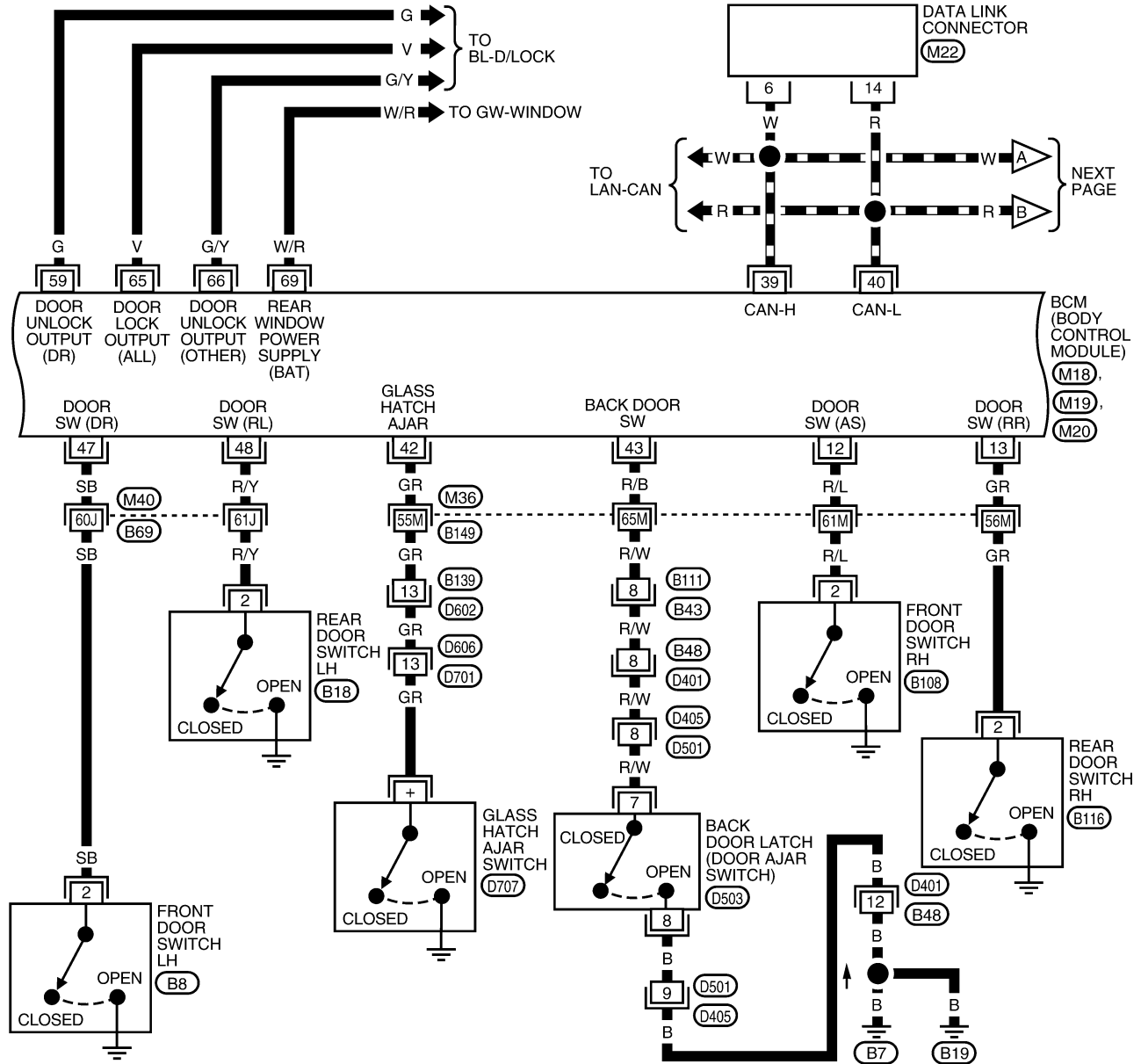
REFER TO THE FOLLOWING.  
 (M31) - SUPER MULTIPLE JUNCTION (SMJ)

LIWA0427E

# REMOTE KEYLESS ENTRY SYSTEM

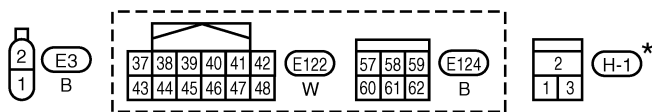
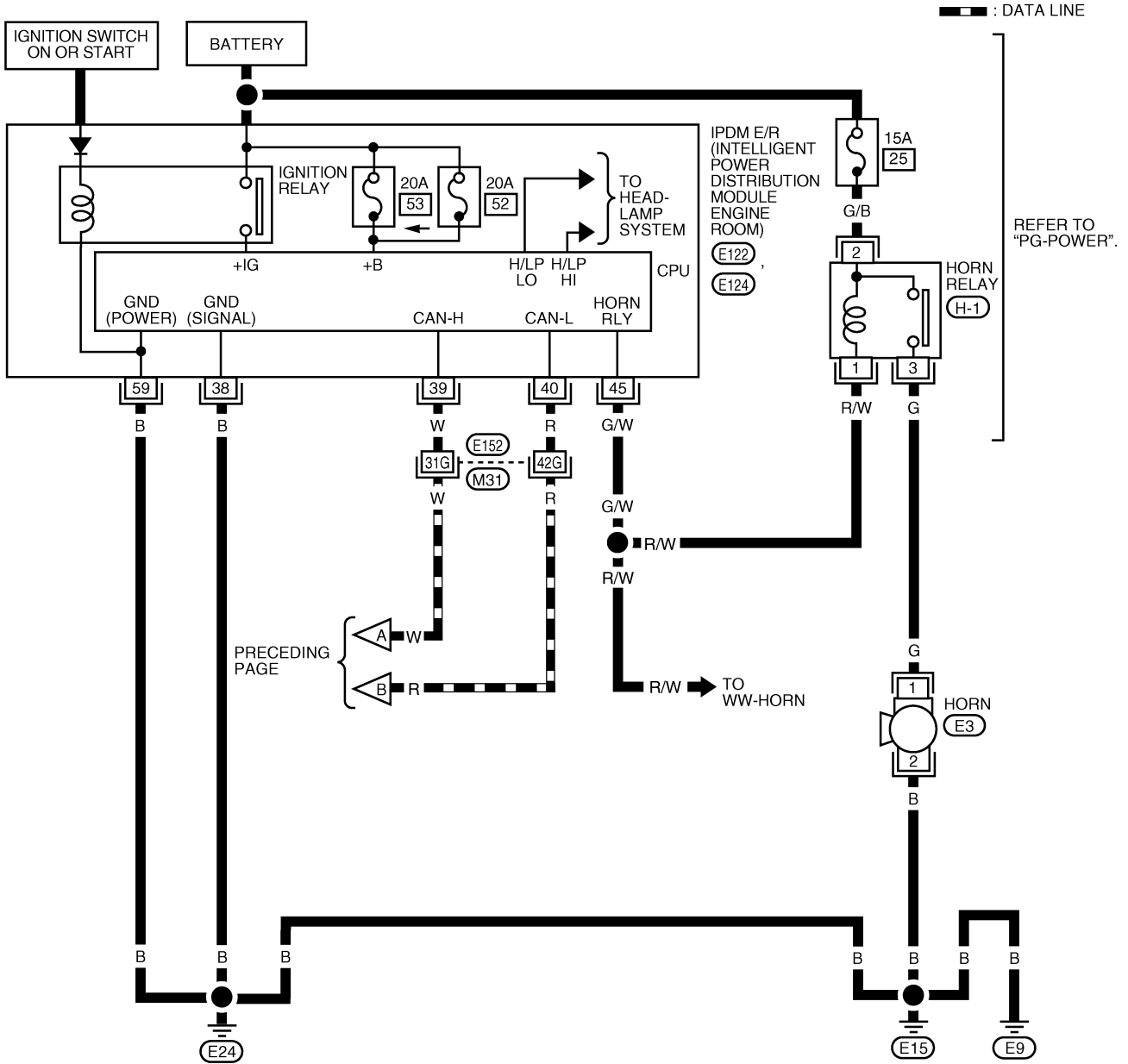
## BL-KEYLES-02

— : DATA LINE



# REMOTE KEYLESS ENTRY SYSTEM

BL-KEYLES-03



REFER TO THE FOLLOWING.  
 (M31) - SUPER MULTIPLE JUNCTION (SMJ)

\*: THIS CONNECTOR IS NOT SHOWN IN "HARNESS LAYOUT" OF PG SECTION.

# REMOTE KEYLESS ENTRY SYSTEM

## Terminals and Reference Value for BCM

EIS002RT

Terminal	Wire Color	Item	Condition	Voltage (V) (Approx.)
11	O	Ignition switch (ACC or ON)	Ignition switch (ACC or ON position)	Battery voltage
12	R/L	Front door switch RH	Door open (ON) → Door close (OFF)	Battery voltage → 0
13	GR	Rear door switch RH	Door open (ON) → Door close (OFF)	Battery voltage → 0
18	P	Remote keyless entry receiver ground	—	0
19	V/W	Remote keyless entry receiver (Power supply)	Ignition switch OFF	
			Stand-by (keyfob buttons released)	
20	G/W	Remote keyless entry receiver signal (Signal)	When remote keyless entry receiver receives signal from keyfob (keyfob buttons pressed)	
37	B/R	Key switch and key lock solenoid (insert)	Key inserted in IGN key cylinder (ON) → Key removed from IGN key cylinder (OFF)	Battery voltage → 0
38	W/L	Ignition switch (ON or START)	Ignition switch (ON or START position)	Battery voltage
39	W	CAN-H	—	—
40	R	CAN-L	—	—
42	GR	Glass hatch ajar switch	Glass hatch open (ON) → Glass hatch close (OFF)	0 → Battery voltage
43	R/B	Back door latch (door ajar switch)	Door open (ON) → Door close (OFF)	0 → Battery voltage
47	SB	Front door switch LH	Door open (ON) → Door close (OFF)	0 → Battery voltage
48	R/Y	Rear door switch LH	Door open (ON) → Door close (OFF)	0 → Battery voltage
56	R/G	Battery saver (Interior lamp)	Battery saver does operated → Does not operated (ON → OFF)	Battery voltage → 0
57	Y/R	Battery power supply	—	Battery voltage
59	G	Front door lock assembly LH (actuator) (unlock)	Door lock & unlock switch (Neutral → Unlock)	0 → Battery voltage
60	G/B	Turn signal LH	When doors are locked or unlocked using keyfob (OFF → ON)*1	0 → Battery voltage
61	G/Y	Turn signal RH	When doors are locked or unlocked using keyfob (OFF → ON)*1	0 → Battery voltage

# REMOTE KEYLESS ENTRY SYSTEM

Terminal	Wire Color	Item	Condition	Voltage (V) (Approx.)
62	R/W	Step lamp LH and RH	Step lamp ON	0
			Step lamp OFF	Battery voltage
63	L	Room lamp	Room lamp ON* <sup>2</sup>	Battery voltage
			Room Lamp OFF* <sup>2</sup>	0
65	V	All door lock actuators (lock)	Door lock & unlock switch (Neutral → Lock)	0 → Battery voltage
66	G/Y	Front door lock actuator RH, rear door lock actuators LH/ RH and back door lock actu- ator (unlock)	Door lock & unlock switch (Neutral → Unlock)	0 → Battery voltage
67	B	Ground	—	0
69	W/R	Rear power window power supply	—	Battery voltage
70	W/B	Battery power supply	—	Battery voltage

- \*1: when hazard reminder is ON.
- \*2: when room lamp switch is in "DOOR" position.

## Terminals and Reference Value for IPDM E/R

EIS002RU

Terminal	Wire Color	Item	Condition	Voltage (V) (Approx.)
38	B	Ground	—	0
39	W	CAN-H	—	—
40	R	CAN-L	—	—
45	G/W	Horn relay	When doors locks are operated using keyfob (OFF → ON) *	Battery voltage → 0
59	B	Ground	—	0

\*: when horn reminder is ON.

# REMOTE KEYLESS ENTRY SYSTEM

## CONSULT-II Function (BCM)

EIS002RV

CONSULT-II can display each diagnostic item using the diagnostic test modes shown following.

BCM diagnostic test item	Diagnostic mode	Description
Inspection by part	WORK SUPPORT	Supports inspections and adjustments. Commands are transmitted to the BCM for setting the status suitable for required operation, input/output signals are received from the BCM and received date is displayed.
	DATA MONITOR	Displays BCM input/output data in real time.
	ACTIVE TEST	Operation of electrical loads can be checked by sending drive signal to them.
	SELF-DIAG RESULTS	Displays BCM self-diagnosis results.
	CAN DIAG SUPPORT MNTR	The result of transmit/receive diagnosis of CAN communication can be read.
	ECU PART NUMBER	BCM part number can be read.
	CONFIGURATION	Performs BCM configuration read/write functions.

## CONSULT-II Inspection Procedure

EIS002RW

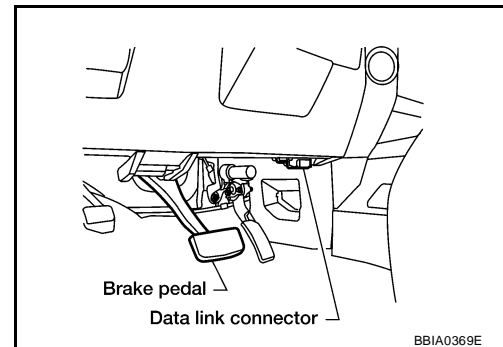
CONSULT-II can display each diagnostic item using the following diagnostic test modes: work support, data monitor, active test, and CAN diagnostic support monitor through data reception and command transmission via the BCM communication line.

### “MULTI REMOTE ENT”

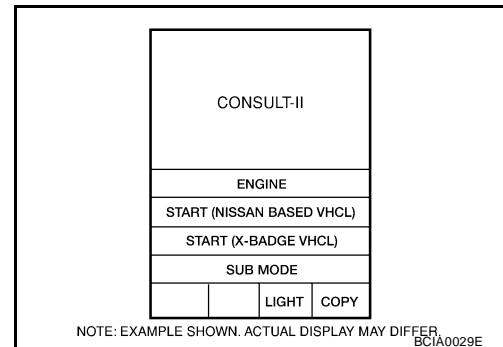
#### CAUTION:

If CONSULT-II is used with no connection of CONSULT-II CONVERTER, malfunctions might be detected in self-diagnosis depending on control unit which carries out CAN communication.

1. Turn ignition switch OFF.
2. Connect CONSULT-II and CONSULT-II CONVERTER to the data link connector.

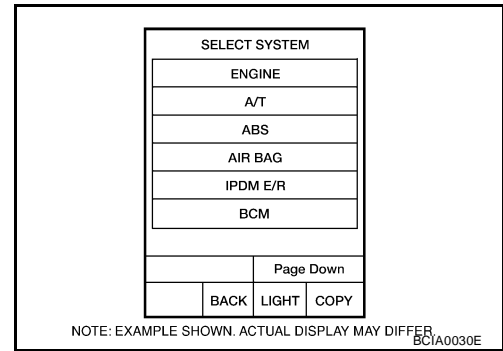


3. Turn ignition switch ON.
4. Touch “START (NISSAN BASED VHCL)”.

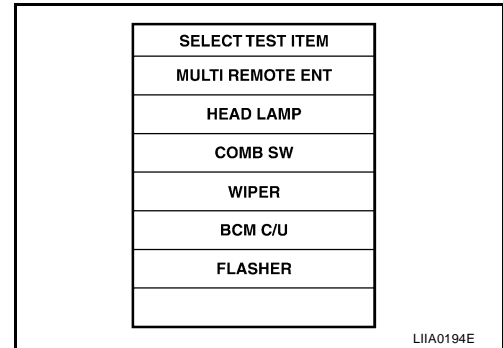


# REMOTE KEYLESS ENTRY SYSTEM

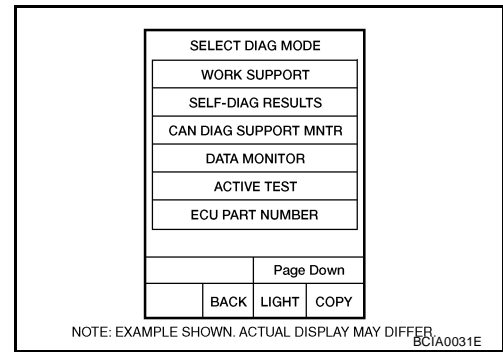
5. Touch "BCM".  
If "BCM" is not indicated, refer to [GI-39, "CONSULT-II Data Link Connector \(DLC\) Circuit"](#) .



6. Touch "MULTI REMOTE ENT".



7. Select diagnosis mode.  
"DATA MONITOR", "ACTIVE TEST" and "WORK SUPPORT" are available.



## CONSULT-II Application Items "MULTI REMOTE ENT"

EIS002RX

### Data Monitor

Monitored Item	Description
DOOR SW-AS	Indicates [ON/OFF] condition of front door switch RH.
DOOR SW-RR	Indicates [ON/OFF] condition of rear door switch RH.
DOOR SW-RL	Indicates [ON/OFF] condition of rear door switch LH.
DOOR SW-DR	Indicates [ON/OFF] condition of front door switch LH.
BACK DOOR SW	Indicates [ON/OFF] condition of back door latch.
KEY ON SW	Indicates [ON/OFF] condition of key switch.
ACC ON SW	Indicates [ON/OFF] condition of ignition switch in ACC position.
IGN ON SW	Indicates [ON/OFF] condition of ignition switch in ON position.
KEYLESS PANIC	Indicates [ON/OFF] condition of panic signal from keyfob.
KEYLESS UNLOCK	Indicates [ON/OFF] condition of unlock signal from keyfob.
KEYLESS LOCK	Indicates [ON/OFF] condition of lock signal from keyfob.
KEY CYL LK-SW	Indicates [ON/OFF] condition of lock signal from door key cylinder switch.
KEY CYL UN-SW	Indicates [ON/OFF] condition of unlock signal from door key cylinder switch.
KEYLESS PBD	Indicates [ON/OFF] condition of power back door signal from keyfob.



# REMOTE KEYLESS ENTRY SYSTEM

Monitored Item	Description
CDL UNLOCK SW	Indicates [ON/OFF] condition of unlock signal from lock/unlock switch.
CDL LOCK SW	Indicates [ON/OFF] condition of lock signal from lock/unlock switch.
DOOR SW-RL	Indicates [ON/OFF] condition of rear door switch LH.
DOOR SW-RR	Indicates [ON/OFF] condition of rear door switch RH.
RKE LCK-UNLCK	Indicates [ON/OFF] condition of lock/unlock signal at the same time from keyfob.
RKE KEEP UNLK	Indicates [ON/OFF] condition of unlock signal from keyfob.
TRNK OPN MNTR	Indicates [ON/OFF] condition of glass open switch.

## Active Test

Test Item	Description
FLASHER	This test is able to check right and left hazard reminder operation. The right hazard lamp turns on when "RH" on CONSULT-II screen is touched and the left hazard lamp turns on when "LH" on CONSULT-II screen is touched.
POWER WINDOW DOWN	This test is able to check power window down operation. The windows are lowered when "ON" on CONSULT-II screen is touched.
HORN	This test is able to check panic alarm and horn reminder operations. The alarm activate for 0.5 seconds after "ON" on CONSULT-II screen is touched.
DOOR LOCK	This test is able to check door lock operation. The doors lock and unlock based on the item on CONSULT-II screen touched.
TRUNK/BACK DOOR	This test is able to check back door actuator operation. The back door is opened when "OPEN" on CONSULT-II screen is touched.
PSB/PBD OPEN TEST	This test is able to check power back door operation. The power back door is fully opened when "OPEN" on the CONSULT-II screen is touched if the door operation enable conditions are met.

## Work Support

Test Item	Description
REMO CONT ID REGIST	Keyfob ID code can be registered.
REMO CONT ID ERASUR	Keyfob ID code can be erased.
REMO CONT ID CONFIR	It can be checked whether keyfob ID code is registered or not in this mode.
HORN CHIRP SET	Horn chirp function mode can be changed in this mode. The function mode will be changed when "CHANG SETT" on CONSULT-II screen is touched.
HAZARD LAMP SET	Hazard lamp function mode can be changed in this mode. The function mode will be changed when "CHANG SETT" on CONSULT-II screen is touched.
MULTI ANSWER BACK SET	Hazard and horn reminder mode can be changed in this mode. The reminder mode will be changed when "CHANG SETT" on CONSULT-II screen is touched.
AUTO LOCK SET	Auto locking function mode can be changed in this mode. The function mode will be changed when "CHANG SETT" on CONSULT-II screen is touched.
PANIC ALRM SET	Panic alarm operation mode can be changed in this mode. The operation mode will be changed when "CHANG SETT" on CONSULT-II screen is touched.
TRUNK OPEN SET	Back door opener operation mode can be changed in this mode. The operation mode will be changed when "CHANG SETT" on CONSULT-II screen is touched.
PW DOWN SET	Keyless power window down (open) operation mode can be changed in this mode. The operation mode will be changed when "CHANG SETT" on CONSULT-II screen is touched.

# REMOTE KEYLESS ENTRY SYSTEM

## Hazard and horn reminder mode

	MODE 1 (C mode)		MODE 2 (S mode)		MODE 3		MODE 4		MODE 5		MODE 6	
	Lock	Unlock	Lock	Unlock	Lock	Unlock	Lock	Unlock	Lock	Unlock	Lock	Unlock
Keyfob operation												
Hazard warning lamp flash	Twice	Once	Twice	—	—	—	Twice	Once	Twice	—	—	Once
Horn sound	Once	—	—	—	—	—	—	—	Once	—	Once	—

## Auto locking function mode

	MODE 1	MODE 2	MODE 3
Auto locking function	5 minutes	Nothing	1 minute

## Panic alarm operation mode

	MODE 1	MODE 2	MODE 3
Keyfob operation	0.5 seconds	Nothing	1.5 seconds

## Back door open operation mode

	MODE 1	MODE 2	MODE 3
Keyfob operation	0.5 seconds	Nothing	0.5 seconds

## Keyless power window down operation mode

	MODE 1	MODE 2	MODE 3
Keyfob operation	3 seconds	Nothing	5 seconds

# REMOTE KEYLESS ENTRY SYSTEM

EIS002RY

## Trouble Diagnosis Procedure

1. Check the symptom and customer's requests.
2. Understand outline of system. Refer to [BL-45, "System Description"](#) .
3. Confirm system operation.
  - Check that the power door lock system operates normally. Refer to [BL-16, "POWER DOOR LOCK SYSTEM"](#) .
  - Check that the automatic back door system operates normally. Refer to [BL-101, "AUTOMATIC BACK DOOR SYSTEM"](#) .
4. Perform pre-diagnosis inspection. Refer to [BL-59, "BCM Power Supply and Ground Circuit Check"](#) .
5. Refer to trouble diagnosis chart by symptom, repair or replace any malfunctioning parts. Refer to [BL-60, "Trouble Diagnoses"](#) .
6. Inspection End.

## BCM Power Supply and Ground Circuit Check

EIS003EF

### 1. CHECK FUSES AND FUSIBLE LINK

Check the following BCM fuses and fusible link.

Component Parts	Terminal No. (SIGNAL)	Ampere	No.	Location
BCM	57 (BAT power supply)	15A	22	Fuse block (J/B)
	70 (BAT power supply)	50A	f	Fuse and fusible link box
	11 (ACC power supply)	10A	4	Fuse block (J/B)
	38 (IGN power supply)	10A	59	Fuse and relay box

#### NOTE:

Refer to [BL-44, "Component Parts and Harness Connector Location"](#) .

#### OK or NG

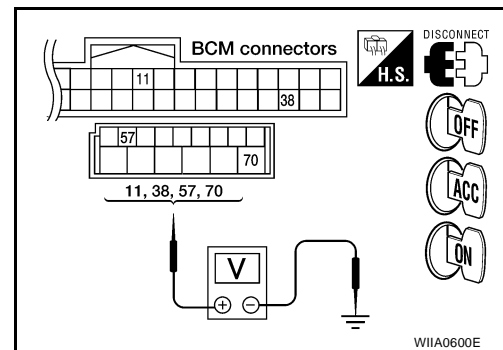
OK >> GO TO 2.

NG >> If fuse is blown, be sure to eliminate cause of problem before installing new fuse, refer to [PG-4, "POWER SUPPLY ROUTING CIRCUIT"](#) .

### 2. CHECK POWER SUPPLY CIRCUIT

1. Turn ignition switch OFF.
2. Disconnect BCM.
3. Check voltage between BCM connectors M18, M20 terminals 11, 38, 57, 70 and ground.

Connector	Terminals (Wire color)		Signal name	Ignition switch	Voltage
	( + )	( - )			
M20	70 (W/B)	Ground	Battery power supply	OFF	Battery voltage
	57 (Y/R)		Battery power supply	OFF	Battery voltage
M18	11 (O)		ACC power supply	ACC	Battery voltage
	38 (W/L)		IGN power supply	ON	Battery voltage



#### OK or NG

OK >> GO TO 3.

NG >> Repair or replace harness.

# REMOTE KEYLESS ENTRY SYSTEM

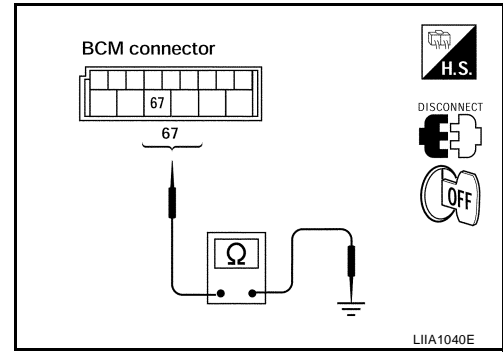
## 3. CHECK GROUND CIRCUIT

Check continuity between BCM connector M20 terminal 67 and ground.

Connector	Terminals (Wire color)		Continuity
	(+)	(-)	
M20	67 (B)	Ground	Yes

OK or NG

- OK >> Power supply and ground circuit is OK.
- NG >> Repair or replace harness.



EIS00250

## Trouble Diagnoses SYMPTOM CHART

### NOTE:

- Always check the "Trouble Diagnosis Procedure" before troubleshooting. Refer to [BL-59, "Trouble Diagnosis Procedure"](#) .
- Always check keyfob battery before replacing keyfob. Refer to [BL-65, "Keyfob Battery and Function Check"](#) .
- The panic alarm operation and power back door opener operation of remote keyless entry system do not activate with the ignition key inserted in the ignition key cylinder.
- Use Remote Keyless Entry Tester J-43241 (follow instructions on tester) to check operation of keyfob before replacing keyfob.

Symptom	Diagnoses/service procedure	Reference page
All functions of remote keyless entry system do not operate.	1. Keyfob battery and function check (use Remote Keyless Entry Tester J-43241) <b>NOTE:</b> If the result of keyfob function check is OK, keyfob is not malfunctioning.	<a href="#">BL-65</a>
	2. Check BCM and keyless receiver.	<a href="#">BL-66</a>
The new ID of keyfob cannot be entered.	1. Keyfob battery and function check (use Remote Keyless Entry Tester J-43241) <b>NOTE:</b> If the result of keyfob function check is OK, keyfob is not malfunctioning.	<a href="#">BL-65</a>
	2. Key switch and key lock solenoid (insert) check	<a href="#">BL-62</a>
	3. Door switch check	<a href="#">BL-63</a>
	4. ACC power check	<a href="#">BL-68</a>
	5. Replace BCM.	<a href="#">BCS-19</a>
Door lock or unlock does not function. (If the power door lock system does not operate manually, check power door lock system. Refer to <a href="#">BL-16, "POWER DOOR LOCK SYSTEM"</a> )	1. Keyfob battery and function check (use Remote Keyless Entry Tester J-43241) <b>NOTE:</b> If the result of keyfob function check is OK, keyfob is not malfunctioning.	<a href="#">BL-65</a>
	2. Replace BCM.	<a href="#">BCS-19</a>
Hazard and horn reminder does not activate properly when pressing lock or unlock button of keyfob.	1. Check hazard and horn reminder mode with CONSULT-II <b>NOTE:</b> Hazard and horn reminder mode can be changed. First check the hazard and horn reminder mode setting.	<a href="#">BL-57</a>
	2. Door switch check	<a href="#">BL-63</a>
	3. Replace BCM.	<a href="#">BCS-19</a>

# REMOTE KEYLESS ENTRY SYSTEM

Symptom	Diagnoses/service procedure	Reference page	
Hazard reminder does not activate properly when pressing lock or unlock button of keyfob. (Horn reminder OK)	1. Check hazard reminder mode with CONSULT-II <b>NOTE:</b> Hazard reminder mode can be changed. First check the hazard reminder mode setting.	<a href="#">BL-57</a>	A
	2. Check hazard function with hazard switch	—	B
	3. Replace BCM.	<a href="#">BCS-19</a>	C
Horn reminder does not activate properly when pressing lock or unlock button of keyfob. (Hazard reminder OK)	1. Check horn reminder mode with CONSULT-II <b>NOTE:</b> Horn reminder mode can be changed. First check the horn reminder mode setting.	<a href="#">BL-57</a>	D
	2. Check horn function with horn switch	—	E
	3. IPDM E/R operation check	<a href="#">BL-68</a>	E
	4. Replace BCM.	<a href="#">BCS-19</a>	E
Back door open/close operation is not carried out with keyfob operation. (The automatic back door system is normal.)	1. Keyfob battery and function check (use Remote Keyless Entry Tester J-43241)	<a href="#">BL-65</a>	F
	2. Key switch (insert) check	<a href="#">BL-62</a>	G
	3. Check that glass hatch is closed	—	G
	4. Remote keyless entry receiver system	<a href="#">BL-68</a>	G
	5. Replace BCM.	<a href="#">BCS-19</a>	H
Room lamp, ignition keyhole illumination and step lamp operation do not activate properly.	1. Room lamp operation check	<a href="#">BL-70</a>	H
	2. Ignition keyhole illumination operation check	<a href="#">BL-70</a>	H
	3. Step lamp operation check	<a href="#">LT-130</a>	BL
	4. Door switch check	<a href="#">BL-63</a>	H
	5. Replace BCM.	<a href="#">BCS-19</a>	H
Panic alarm (horn and headlamp) does not activate when panic alarm button is continuously pressed.	1. Keyfob battery and function check (use Remote Keyless Entry Tester J-43241) <b>NOTE:</b> If the result of keyfob function check is OK, keyfob is not malfunctioning.	<a href="#">BL-65</a>	J
	2. Key switch and key lock solenoid (insert) check	<a href="#">BL-62</a>	K
	3. Replace BCM.	<a href="#">BCS-19</a>	L
Auto door lock operation does not activate properly. (All other remote keyless entry functions OK.)	1. Check auto door lock operation mode with CONSULT-II <b>NOTE:</b> Auto door lock operation mode can be changed. First check the auto door lock operation mode setting.	<a href="#">BL-57</a>	M
	2. Replace BCM.	<a href="#">BCS-19</a>	M
Keyless power window down (open) operation does not activate properly. (All other remote keyless entry functions OK.)	1. Check power window down operation mode with CONSULT-II <b>NOTE:</b> Power window down operation mode can be changed. First check the power window down operation mode setting.	<a href="#">BL-57</a>	M
	2. Check power window function with switch	—	M
	3. Replace BCM.	<a href="#">BCS-19</a>	M

# REMOTE KEYLESS ENTRY SYSTEM

EIS002S1

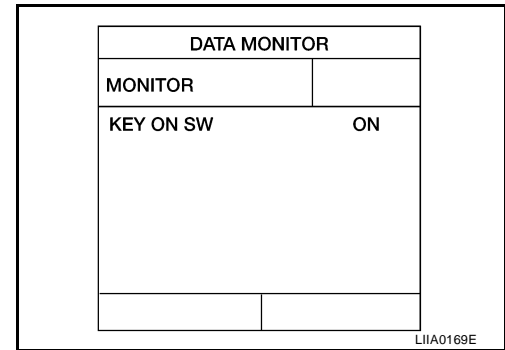
## Key Switch (Insert) Check

### 1. CHECK KEY SWITCH INPUT SIGNAL

 With CONSULT-II

Check key switch "KEY ON SW" in DATA MONITOR mode with CONSULT-II. Refer to [BL-27, "DATA MONITOR"](#).

- When key is inserted to ignition key cylinder:  
**KEY ON SW : ON**
- When key is removed from ignition key cylinder:  
**KEY ON SW : OFF**



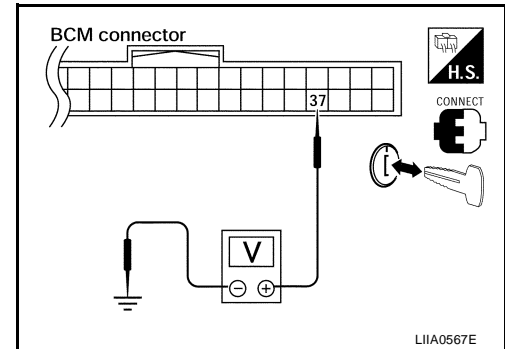
 Without CONSULT-II

Check voltage between BCM connector M18 terminal 37 and ground.

Connector	Terminal (Wire color)		Condition	Voltage (V)
	(+)	(-)		
M18	37 (B/R)	Ground	Key is inserted.	Battery voltage
			Key is removed.	0

OK or NG

- OK >> Key switch (insert) circuit is OK.
- NG >> GO TO 2.



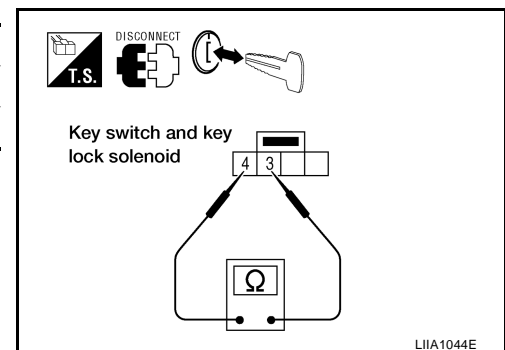
### 2. CHECK KEY SWITCH (INSERT)

- Turn ignition switch OFF.
- Disconnect key switch and key lock solenoid.
- Check continuity between key switch terminals 3, 4.

Terminals	Condition	Continuity
3 - 4	Key is inserted.	Yes
	Key is removed.	No

OK or NG

- OK >> Repair or replace harness.
- NG >> Replace key switch.



# REMOTE KEYLESS ENTRY SYSTEM

EIS007WE

## Door Switch Check

### 1. CHECK DOOR SWITCHES INPUT SIGNAL

 With CONSULT-II

Check door switches ("DOOR SW-DR", "DOOR SW-AS", "DOOR SW-RL", "DOOR SW-RR", "BACK DOOR SW") in DATA MONITOR mode with CONSULT-II. Refer to [BL-27, "DATA MONITOR"](#) .

- When doors are open:

**DOOR SW-DR : ON**  
**DOOR SW-AS : ON**  
**DOOR SW-RL : ON**  
**DOOR SW-RR : ON**  
**BACK DOOR SW : ON**

- When doors are closed:

**DOOR SW-DR : OFF**  
**DOOR SW-AS : OFF**  
**DOOR SW-RL : OFF**  
**DOOR SW-RR : OFF**  
**BACK DOOR SW : OFF**

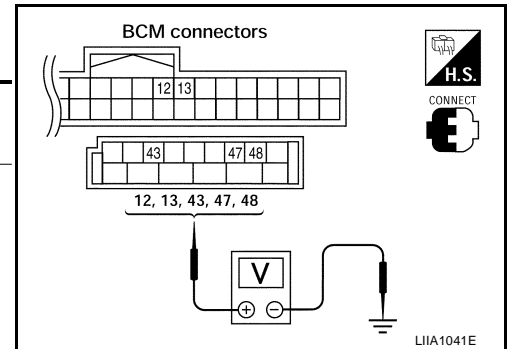
DATA MONITOR	
MONITOR	
DOOR SW - DR	OFF
DOOR SW - AS	OFF
DOOR SW - RR	OFF
DOOR SW - RL	OFF
BACK DOOR SW	OFF

LIA0665E

 Without CONSULT-II

Check voltage between BCM connector M18 or M19 terminals 12, 13, 43, 47, 48 and ground.

Connector	Item	Terminals (Wire color)		Condition	Voltage (V) (Approx.)
		(+)	(-)		
M19	Back door latch (door ajar switch)	43 (R/B)	Ground	Open ↓ Closed	0 ↓ Battery voltage
	Front door switch LH	47 (SB)			
	Rear door switch LH	48 (R/Y)			
M18	Front door switch RH	12 (R/L)	Ground	Open ↓ Closed	0 ↓ Battery voltage
	Rear door switch RH	13 (GR)			



OK or NG

- OK >> Door switch circuit is OK.
- NG >> GO TO 2.

# REMOTE KEYLESS ENTRY SYSTEM

## 2. CHECK DOOR SWITCH CIRCUIT

1. Turn ignition switch OFF.
2. Disconnect door switch and BCM.
3. Check continuity between door switch connector (B) B8 (front LH), B108 (front RH), B18 (rear LH), B116 (rear RH) terminal 2 or back door latch connector (C) D503 terminal 7 and BCM connectors (A) M18, M19 terminals 12, 13, 43, 47 and 48.

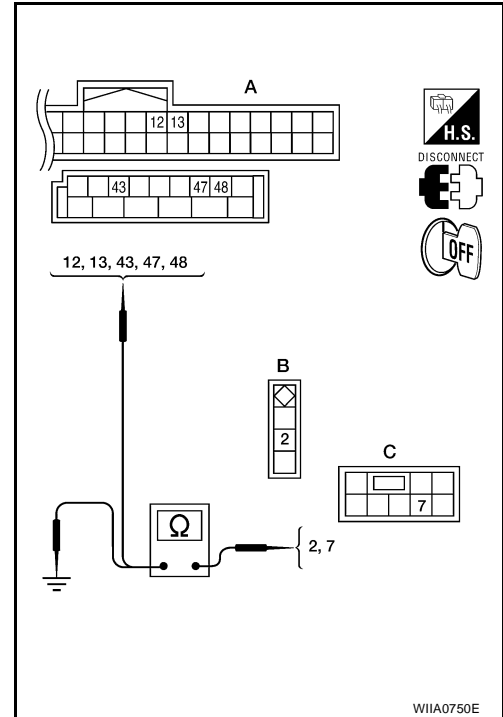
**2 (R/L) - 12 (R/L) : Continuity should exist.**  
**2 (GR) - 13 (GR) : Continuity should exist.**  
**2 (SB) - 47 (SB) : Continuity should exist.**  
**2 (R/Y) - 48 (R/Y) : Continuity should exist.**  
**7 (R/W) - 43 (R/B) : Continuity should exist.**

4. Check continuity between door switch connector (B) B8 (front LH), B108 (front RH), B18 (rear LH), B116 (rear RH) terminal 2 or back door latch connector (C) D503 terminal 7 and ground.

**2 (SB, R/L, R/Y or GR) - Ground : Continuity should not exist.**  
**7 (R/W) - Ground : Continuity should not exist.**

### OK or NG

- OK >> GO TO 3.  
 NG >> Repair or replace harness.

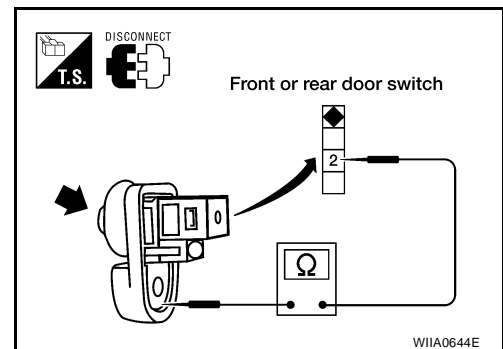


## 3. CHECK DOOR SWITCHES

### FRONT AND REAR DOORS

Check continuity between front or rear door switch terminal 2 and exposed metal of switch while pressing and releasing switch.

**Door switch is released : Continuity should exist.**  
**Door switch is pushed : Continuity should not exist.**



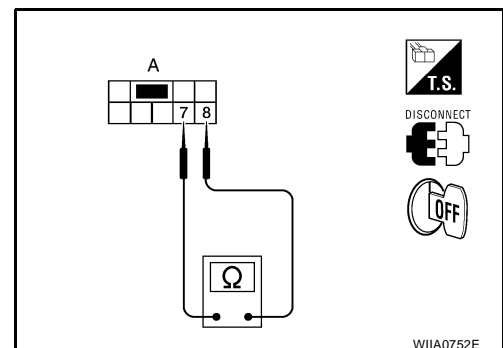
### BACK DOOR

Check continuity between back door latch connector (A) D503 terminals 7 and 8 while pressing (closing back door) and releasing (opening back door) switch.

**When back door is open : Continuity should exist.**  
**When back door is closed : Continuity should not exist.**

### OK or NG

- OK >> (Front and rear doors) Switch circuit is OK.  
 OK >> (Back door) GO TO 4.  
 NG >> Replace door switch.





# REMOTE KEYLESS ENTRY SYSTEM

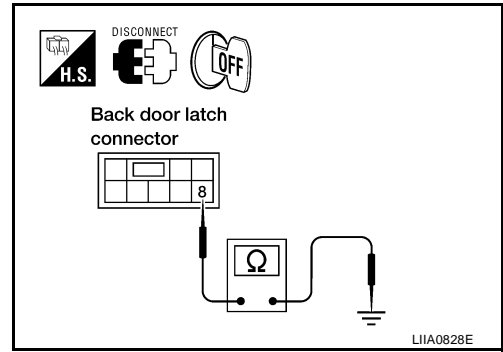
## 4. CHECK BACK DOOR SWITCH GROUND

Check continuity between back door latch connector terminal 8 and ground.

**8 (B) - Ground : Continuity should exist.**

OK or NG

- OK >> Back door switch circuit is OK.
- NG >> Repair or replace harness.



## Keyfob Battery and Function Check

### 1. CHECK KEYFOB BATTERY

Remove battery and measure voltage across battery positive and negative terminals, (+) and (-).

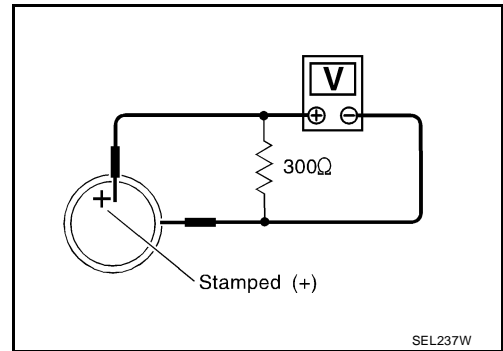
**Voltage : 2.5V - 3.0V**

**NOTE:**

Keyfob does not function if battery is not set correctly.

OK or NG

- OK >> GO TO 2.
- NG >> Replace battery.



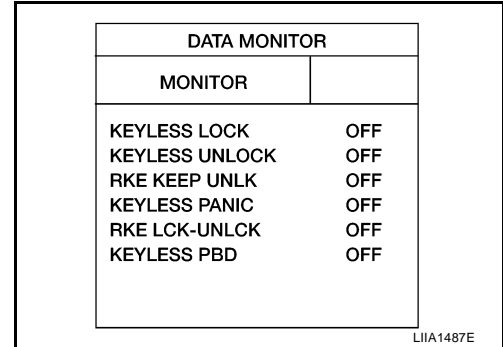
# REMOTE KEYLESS ENTRY SYSTEM

## 2. CHECK KEYFOB FUNCTION

### With CONSULT-II

Check keyfob function in "DATA MONITOR" mode with CONSULT-II. When pushing each button of keyfob, the corresponding monitor item should be turned as follows.

Condition	Monitor item
Pushing LOCK	KEYLESS LOCK : ON
Pushing UNLOCK	KEYLESS UNLOCK : ON
Keep pushing UNLOCK	RKE KEEP UNLK turns to ON 3 seconds after UNLOCK button is pushed.
Pushing PANIC	KEYLESS PANIC : ON
Pushing LOCK and UNLOCK at the same time	RKE LCK-UNLCK : ON
Pushing Power Back Door	KEYLESS PBD : ON



### Without CONSULT-II

Check keyfob function using Remote Keyless Entry Tester J-43241.

OK or NG

- OK >> WITH CONSULT-II: Keyfob, remote keyless entry receiver and wiring harness between BCM and remote keyless entry receiver are OK. Replace BCM. Refer to [BCS-19, "Removal and Installation of BCM"](#).
- OK >> WITHOUT CONSULT-II: Keyfob is OK. Further inspection is necessary. Refer to [BL-60, "Trouble Diagnoses"](#).
- NG >> WITH CONSULT-II: Further inspection is necessary. Refer to [BL-60, "Trouble Diagnoses"](#).
- NG >> WITHOUT CONSULT-II: Replace keyfob. Refer to [BL-71, "ID Code Entry Procedure"](#).

## Remote Keyless Entry Receiver System Check

EIS005X1

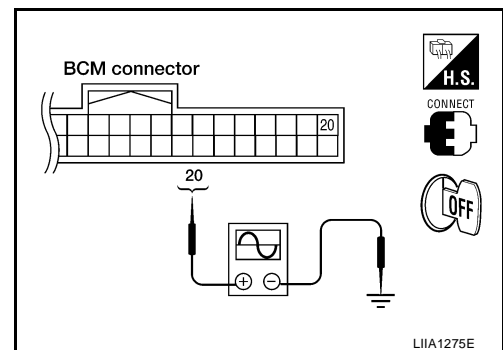
### 1. REMOTE KEYLESS ENTRY RECEIVER SIGNAL

Check signal voltage waveform between BCM connector M18 terminal 20 and ground using an oscilloscope.

**Condition:**

**Keyfob buttons released** : Refer to [BL-53, "Terminals and Reference Value for BCM"](#).

**Keyfob buttons pressed** : Refer to [BL-53, "Terminals and Reference Value for BCM"](#).



OK or NG

- OK >> Remote keyless entry receiver signal power supply, ground and signal circuits are OK. Replace BCM. Refer to [BCS-19, "Removal and Installation of BCM"](#).
- NG >> GO TO 2.

# REMOTE KEYLESS ENTRY SYSTEM

## 2. REMOTE KEYLESS ENTRY RECEIVER POWER SUPPLY INSPECTION

Check signal voltage waveform between BCM connector M18 terminal 19 and ground using an oscilloscope.

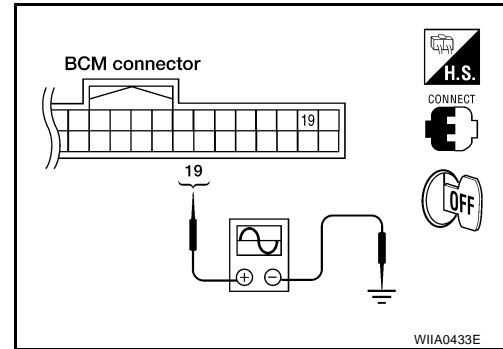
**19 (V/W) - Ground**

**: Refer to [BL-53, "Terminals and Reference Value for BCM"](#) .**

OK or NG

OK >> GO TO 3.

NG >> Replace BCM. Refer to [BCS-19, "Removal and Installation of BCM"](#) .



WIIA0433E

## 3. REMOTE KEYLESS ENTRY RECEIVER GROUND CIRCUIT INSPECTION (BCM)

Check continuity between BCM connector M18 terminal 18 and ground.

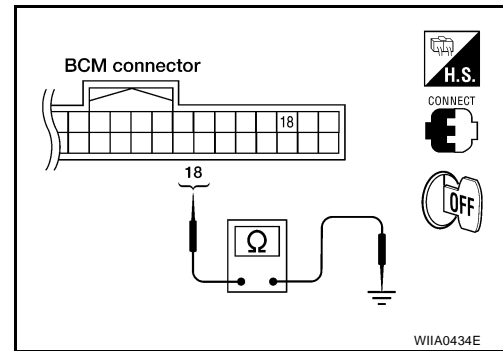
**18 (P) - Ground**

**: Continuity should exist.**

OK or NG

OK >> GO TO 4.

NG >> Replace BCM. Refer to [BCS-19, "Removal and Installation of BCM"](#) .



WIIA0434E

## 4. HARNESS INSPECTION BETWEEN BCM AND REMOTE KEYLESS ENTRY RECEIVER

1. Disconnect remote keyless entry receiver and BCM connectors.
2. Check continuity between remote keyless entry receiver connector M120 terminals 1, 2, 4 and BCM connector M18 terminals 18, 19, 20.

**1 (P) - 18 (P)**

**: Continuity should exist.**

**2 (G/W) - 20 (G/W)**

**: Continuity should exist.**

**4 (V/W) - 19 (V/W)**

**: Continuity should exist.**

3. Check continuity between remote keyless entry receiver terminals 1, 2 and 4 and ground.

**1 (P) - Ground**

**: Continuity should not exist.**

**2 (G/W) - Ground**

**: Continuity should not exist.**

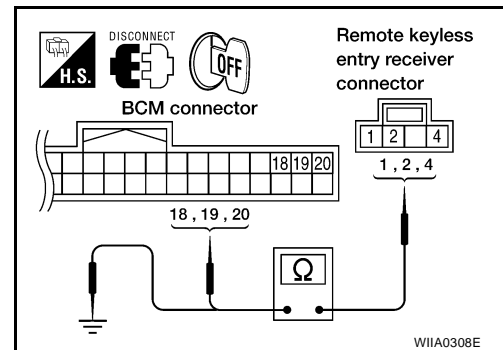
**4 (V/W) - Ground**

**: Continuity should not exist.**

OK or NG

OK >> Replace remote keyless entry receiver.

NG >> Repair or replace harness.



WIIA0308E

# REMOTE KEYLESS ENTRY SYSTEM

EIS002S5

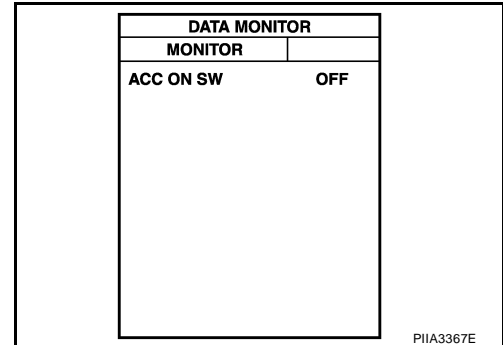
## ACC Power Check

### 1. CHECK ACC POWER

 With CONSULT-II

Check "ACC ON SW" in DATA MONITOR mode with CONSULT-II. Refer to [BL-27, "DATA MONITOR"](#).

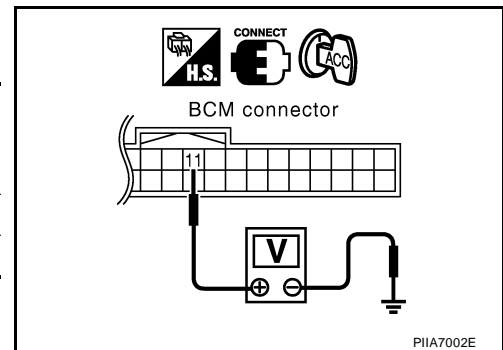
Monitor Item	Condition	
ACC ON SW	Ignition switch position ACC	: ON
	Ignition switch position OFF	: OFF



 Without CONSULT-II

Check voltage between BCM connector M18 terminal 11 and ground.

Connector	Terminal (Wire color)		Condition	Voltage (V) (Approx.)
	(+)	(-)		
M18	11 (O)	Ground	ACC	Battery voltage
			OFF	0



OK or NG

OK >> ACC power circuit is OK.

NG >> Check the following:

- 10A fuse [No. 4, located in fuse block (J/B)]
- Harness for open or short.

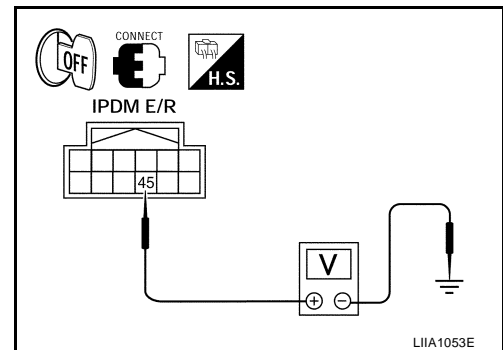
## IPDM E/R Operation Check

### 1. CHECK IPDM E/R INPUT VOLTAGE

EIS002S6

Check voltage between IPDM E/R connector E122 terminal 45 and ground.

Connector	Terminal (Wire color)		Voltage (V) (Approx.)
	(+)	(-)	
E122	45 (G/W)	Ground	Battery voltage



OK or NG

OK >> Replace IPDM E/R.

NG >> GO TO 2.

# REMOTE KEYLESS ENTRY SYSTEM

## 2. CHECK IPDM E/R INPUT VOLTAGE

1. Turn ignition switch OFF.
2. Disconnect IPDM E/R and horn relay.
3. Check continuity between IPDM E/R connector E122 terminal 45 and horn relay connector H-1 terminal 1.

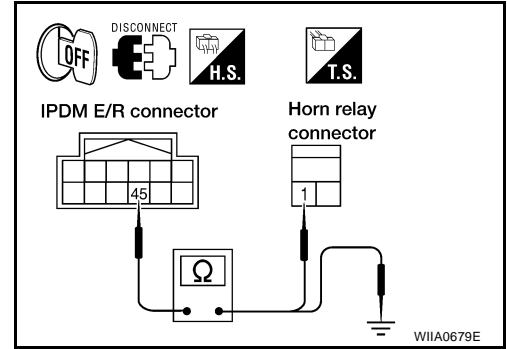
**45 (G/W) - 1 (R/W) : Continuity should exist.**

4. Check continuity between IPDM E/R connector E122 terminal 45 and ground.

**45 (G/W) - ground : Continuity should not exist.**

OK or NG

- OK >> Further inspection is necessary. Refer to [BL-60, "SYMP-TOM CHART"](#) .
- NG >> Repair or replace harness



A  
B  
C  
D  
E  
F  
G  
H  
I  
J  
K  
L  
M

BL

# REMOTE KEYLESS ENTRY SYSTEM

---

## Check Hazard Function

EIS002S7

### 1. CHECK HAZARD WARNING LAMP

---

Does hazard indicator flash with hazard switch?

Yes or No

Yes >> Hazard warning lamp circuit is OK.

No >> Check hazard indicator. Refer to [LT-80, "TURN SIGNAL AND HAZARD WARNING LAMPS"](#) .

## Check Horn Function

EIS002S8

First, perform the "SELF-DIAG RESULTS" in "BCM" with CONSULT-II, then perform the trouble diagnosis of malfunction system indicated in "SELF-DIAG RESULTS" of "BCM".

### 1. CHECK HORN FUNCTION

---

Does horn sound with horn switch?

Yes or No

Yes >> Horn circuit is OK.

No >> Check horn circuit. Refer to [WW-56, "HORN"](#) .

## Check Headlamp Function

EIS002S9

First, perform the "SELF-DIAG RESULTS" in "BCM" with CONSULT-II, then perform the trouble diagnosis of malfunction system indicated in "SELF-DIAG RESULTS" of "BCM".

### 1. CHECK HEADLAMP OPERATION

---

Does headlamp come on when turning lighting switch ON?

Yes or No

Yes >> Headlamp operation circuit is OK.

No >> Check headlamp circuit. Refer to [LT-6, "HEADLAMP \(FOR USA\)"](#) .

## Check Map Lamp Illumination Function

EIS002SA

### 1. CHECK MAP LAMP ILLUMINATION FUNCTION

---

When map lamp switch is in DOOR position, open the front door LH or RH.

**Map lamp and ignition keyhole illumination should illuminate.**

OK or NG

OK >> Map lamp illumination circuit is OK.

NG >> Check map lamp illumination circuit. Refer to [LT-152, "ILLUMINATION"](#) .

# REMOTE KEYLESS ENTRY SYSTEM

EIS002SB

## ID Code Entry Procedure KEYFOB ID SET UP WITH CONSULT-II

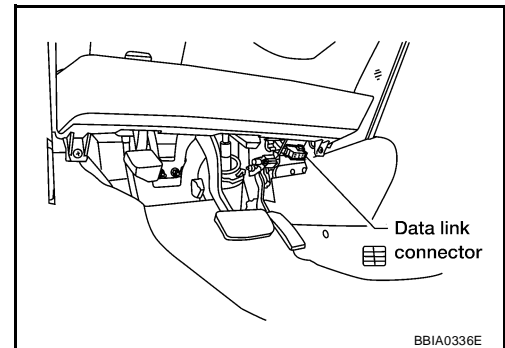
### NOTE:

- If a keyfob is lost, the ID code of the lost keyfob must be erased to prevent unauthorized use. A specific ID code can be erased with CONSULT-II. However, when the ID code of a lost keyfob is not known, all controller ID codes should be erased. After all ID codes are erased, the ID codes of all remaining and/or new keyfobs must be re-registered.
- When registering an additional keyfob, the existing ID codes in memory may or may not be erased. If five ID codes are stored in memory when an additional code is registered, only the oldest code is erased. If less than five codes are stored in memory when an additional code is registered, the new ID code is added and no ID codes are erased.
- Entry of a maximum of five ID codes is allowed. When more than five codes are entered, the oldest ID code will be erased.
- Even if the same ID code that is already in memory is input, the same ID code can be entered. The code is counted as an additional code.

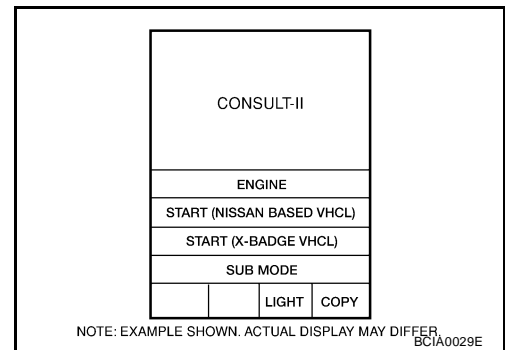
### CAUTION:

If CONSULT-II is used with no connection of CONSULT-II CONVERTER, malfunctions might be detected in self-diagnosis depending on control unit which carries out CAN communication.

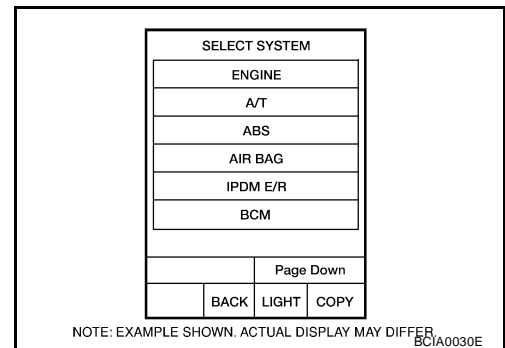
1. Turn ignition switch OFF.
2. Connect CONSULT-II and CONSULT-II CONVERTER to the data link connector.



3. Turn ignition switch ON.
4. Touch "START (NISSAN BASED VHCL)".

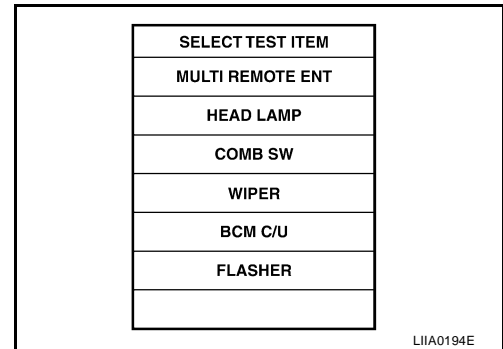


5. Touch "BCM".  
If "BCM" is not indicated, refer to [GI-39, "CONSULT-II Data Link Connector \(DLC\) Circuit"](#) .

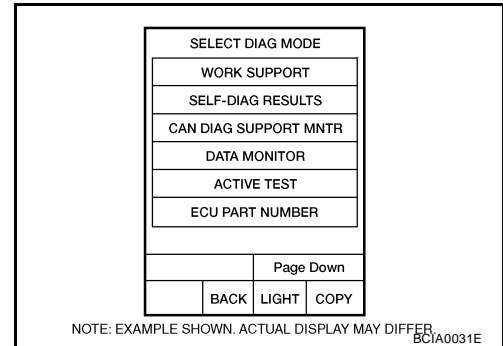


# REMOTE KEYLESS ENTRY SYSTEM

6. Touch "MULTI REMOTE ENT".



7. Touch "WORK SUPPORT".



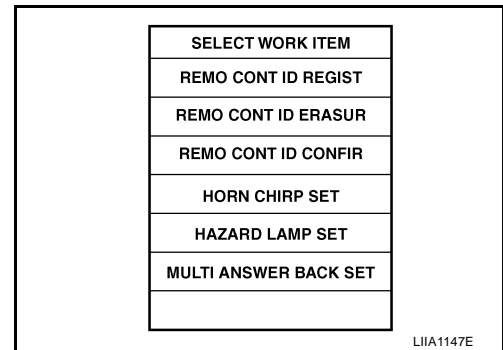
8. The items are shown on the figure can be set up.

- "REMO CONT ID REGIST"  
Use this mode to register a keyfob ID code.

**NOTE:**

**Register the ID code when keyfob or BCM is replaced, or when additional keyfob is required.**

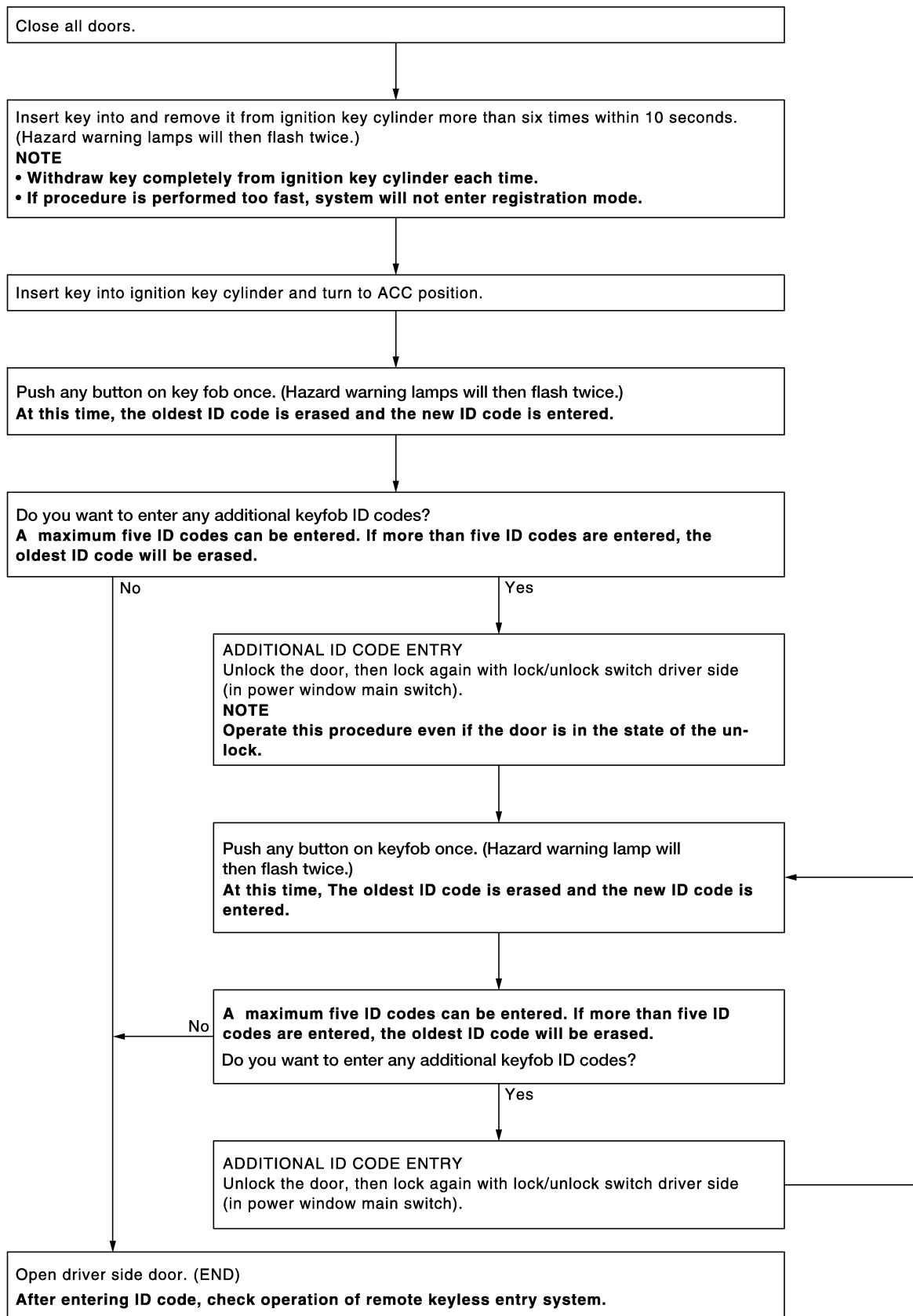
- "REMO CONT ID ERASUR"  
Use this mode to erase a keyfob ID code.
- "REMO CONT ID CONFIR"  
Use this mode to confirm if a keyfob ID code is registered or not.





# REMOTE KEYLESS ENTRY SYSTEM

## KEYFOB ID SET UP WITHOUT CONSULT-II



A

B

C

D

E

F

G

H

BL

J

K

L

M

LIIA1670E

# REMOTE KEYLESS ENTRY SYSTEM

## NOTE:

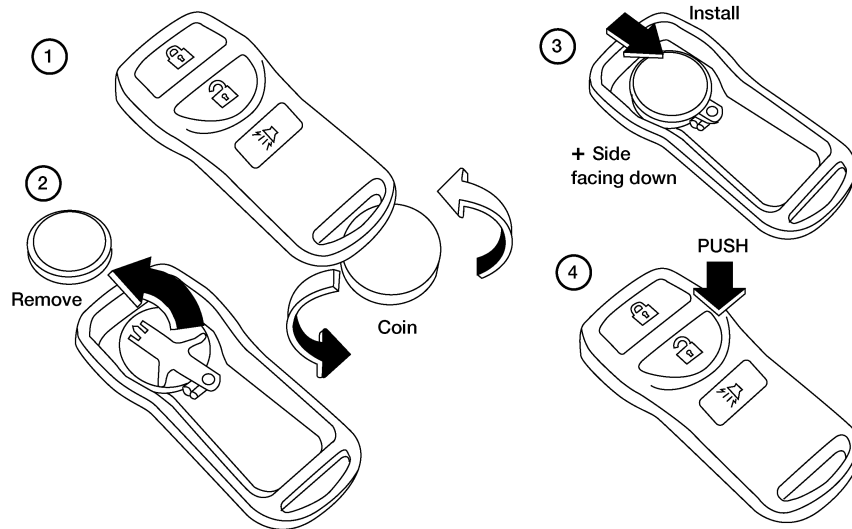
- If a keyfob is lost, the ID code of the lost keyfob must be erased to prevent unauthorized use. A specific ID code can be erased with CONSULT-II. However, when the ID code of a lost keyfob is not known, all controller ID codes should be erased. After all ID codes are erased, the ID codes of all remaining and/or new keyfobs must be re-registered.  
To erase all ID codes in memory, register one ID code (keyfob) five times. After all ID codes are erased, the ID codes of all remaining and/or new keyfobs must be re-registered.
- When registering an additional keyfob, the existing ID codes in memory may or may not be erased. If five ID codes are stored in memory, when an additional code is registered, only the oldest code is erased. If less than five ID codes are stored in memory, when an additional ID code is registered, the new ID code is added and no ID codes are erased.
- If you need to activate more than two additional new keyfobs, repeat the procedure "Additional ID code entry" for each new keyfob.
- Entry of maximum five ID codes is allowed. When more than five ID codes are entered, the oldest ID code will be erased.
- Even if same ID code that is already in the memory is input, the same ID code can be entered. The code is counted as an additional code.

## Keyfob Battery Replacement

EIS002SC

### NOTE:

- Be careful not to touch the circuit board or battery terminal.
  - The keyfob is water-resistant. However, if it does get wet, immediately wipe it dry.
1. Open the lid using a coin.
  2. Remove the battery.
  3. Install the new battery, positive side down.
  4. Close the lid securely. Push the keyfob buttons two or three times to check operation.



LIA1514E

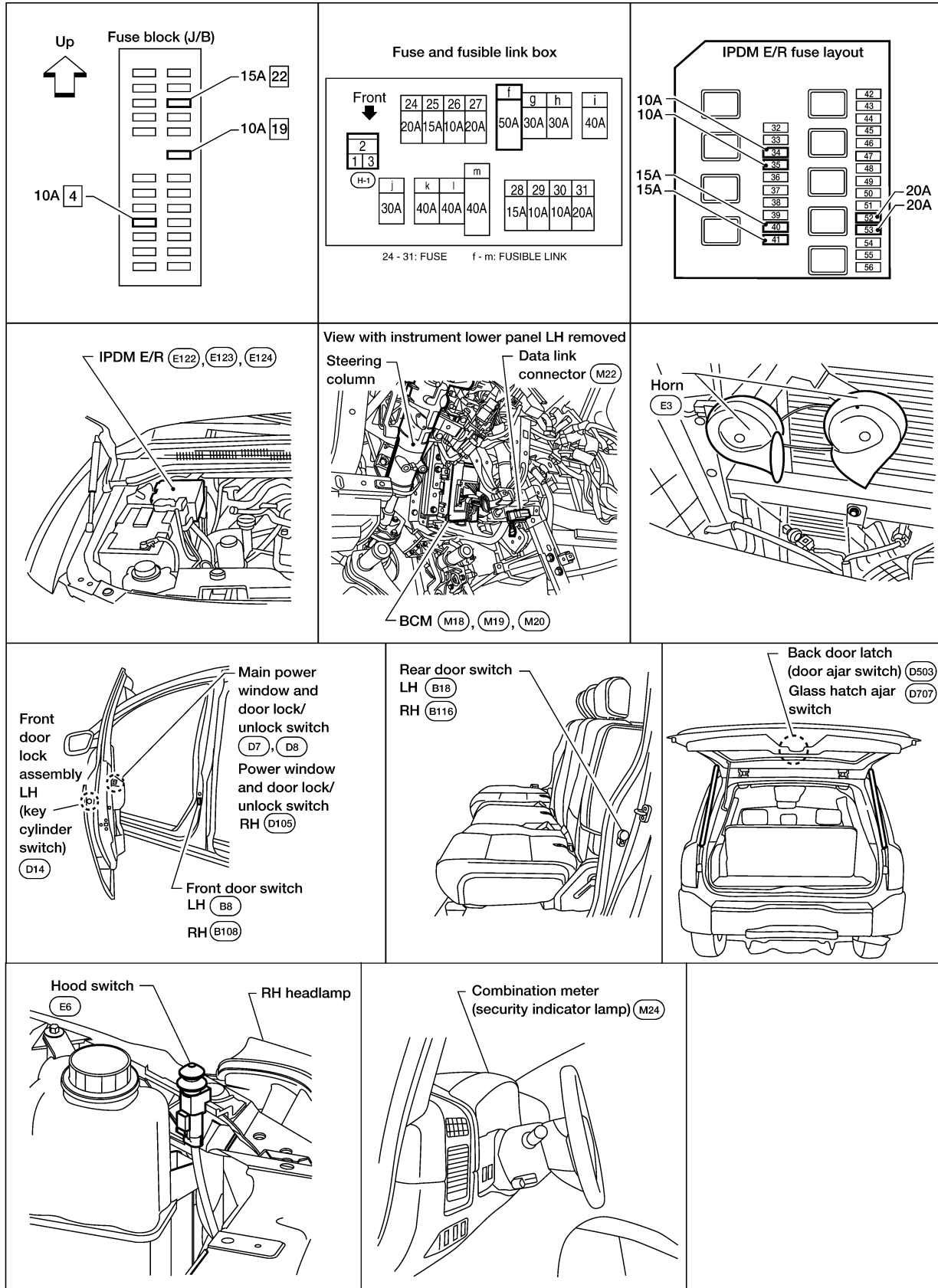
# VEHICLE SECURITY (THEFT WARNING) SYSTEM

## VEHICLE SECURITY (THEFT WARNING) SYSTEM

### Component Parts and Harness Connector Location

PF:28491

EIS002SD



LIA1929E

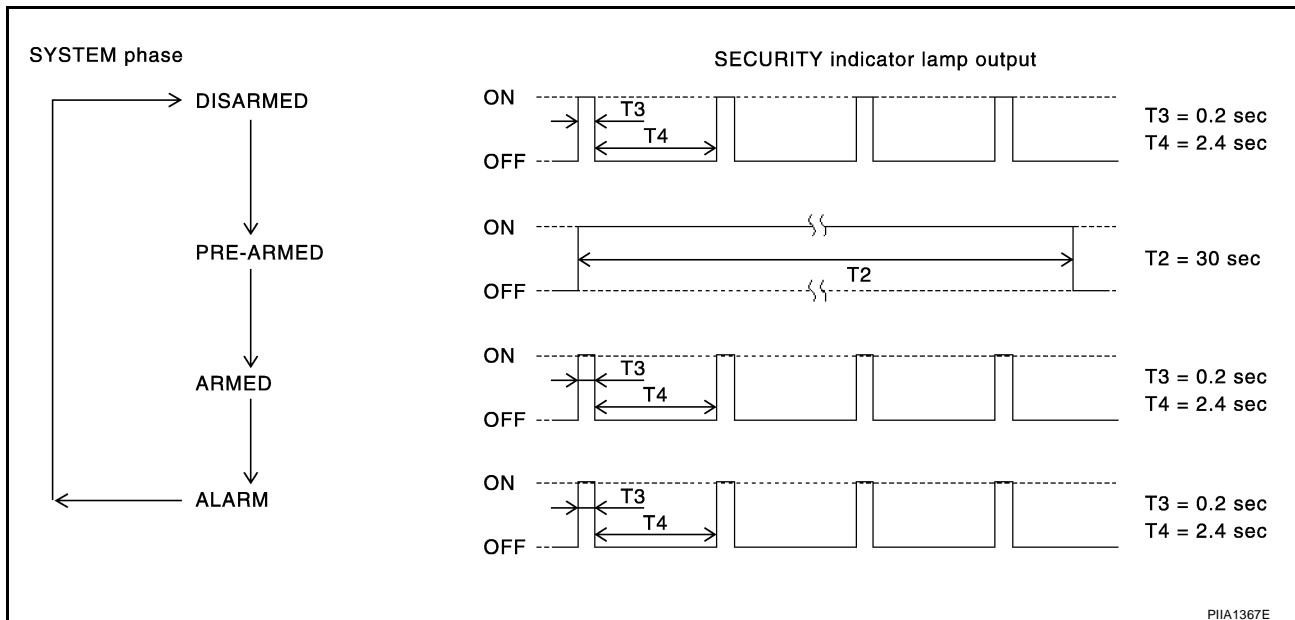
# VEHICLE SECURITY (THEFT WARNING) SYSTEM

EIS002SE

## System Description

### DESCRIPTION

### Operation Flow



## Setting the vehicle security system

### Initial condition

- Ignition switch is in OFF position.

### Disarmed phase

- When the vehicle is being driven or when doors or glass hatch is open, the vehicle security system is set in the disarmed phase on the assumption that the owner is inside or near the vehicle.

### Pre-armed phase and armed phase

- There are three conditions to enable the vehicle security system to turn into the "pre-armed" phase and transition into armed phase. The initial requirements are that hood, glass hatch and all doors must be closed (ignition key removed) for the transition to take place. Those three conditions are:
  1. Locking vehicle with either front power door lock switch before exiting vehicle and closing all doors.
  2. Using keyfob to lock already closed doors after leaving the vehicle.
  3. Using driver key cylinder switch to lock already closed doors after leaving the vehicle.
- Upon any of the above three steps taking place, the security indicator lamp illuminates for 30 seconds, then the system automatically shifts into the "armed" phase.

## Canceling the set vehicle security system

When one of the following operations is performed, the armed phase is canceled.

1. Unlock the doors with the key or the keyfob.
2. Open the power back door with the keyfob. When the power back door is closed after opening the power back door with the keyfob, the system returns to the armed phase.

## Activating the alarm operation of the vehicle security system

Make sure the system is in the armed phase.

When one of the following operations is performed, the system sounds the horns and flashes the headlamps for about 50 seconds.

1. Engine hood, glass hatch or any door is opened before unlocking door with key or keyfob.
2. Door is unlocked without using key or keyfob.
3. Power back door is opened without using the keyfob.

## POWER SUPPLY AND GROUND CIRCUIT

Power is supplied at all times

- through 10A fuse [No.19, located in the fuse block (J/B)]

# VEHICLE SECURITY (THEFT WARNING) SYSTEM

- to combination meter (security indicator lamp) terminal 8.
- through 50A fusible link (letter f , located in the fuse and fusible link box)
- to BCM terminal 70.
- through 15A fuse [No. 22, located in the fuse block (J/B)]
- to BCM terminal 57.
- through 15A fuse (No. 25, located in the fuse and fusible link box)
- to horn relay terminal 2.
- through 20A fuse (No. 52, located in the IPDM E/R) and
- through 20A fuse (No. 53, located in the IPDM E/R),
- to IPDM E/R internal CPU.

With the ignition switch in the ACC or ON position, power is supplied

- through 10A fuse [No. 4, located in the fuse block (J/B)]
- to BCM terminal 11.

Ground is supplied

- to BCM terminal 67
- through body grounds M57, M61 and M79 and
- to IPDM E/R terminals 38 and 59
- through body ground E9, E15 and E24.

## INITIAL CONDITION TO ACTIVATE THE SYSTEM

The operation of the vehicle security system is controlled by the doors, hood and glass hatch.

To activate the vehicle security system, BCM must receive signals indicating the doors, hood and glass hatch are closed and the doors are locked.

When a door or glass hatch is open, BCM terminal 12, 13, 42, 43, 47 or 48 receives a ground signal from that switch. When the hood is open, IPDM E/R terminal 41 receives a ground signal from the hood switch.

When the front door switch LH is ON (door is open), ground is supplied

- to BCM terminal 47
- through front door switch LH terminal 2
- through front door switch LH case ground.

When the front door switch RH is ON (door is open), ground is supplied

- to BCM terminal 12
- through front door switch RH terminal 2
- through front door switch RH case ground.

When the rear door switch LH is ON (door is open), ground is supplied

- to BCM terminal 48
- through rear door switch LH terminal 2
- through rear door switch LH case ground.

When the rear door switch RH is ON (door is open), ground is supplied

- to BCM terminal 13
- through rear door switch RH terminal 2
- through rear door switch RH case ground.

When the back door latch (door ajar switch) is ON (door is open), ground is supplied

- to BCM terminal 43
- through back door latch (door ajar switch) terminal 7
- through back door latch (door ajar switch) terminal 8
- through grounds B7 and B19.

When the glass hatch ajar switch is ON (hatch is open) ground is supplied

- to BCM terminal 42
- through glass hatch ajar switch terminal +
- through glass hatch ajar switch case ground.

A

B

C

D

E

F

G

H

BL

J

K

L

M

# VEHICLE SECURITY (THEFT WARNING) SYSTEM

---

When the hood switch is ON (hood is open) ground is supplied

- to IPDM E/R terminal 41
- through hood switch terminal 2
- through hood switch terminal 1
- through grounds E9, E15 and E24.

## VEHICLE SECURITY SYSTEM ALARM OPERATION

The vehicle security system is triggered by

- opening a door
- opening the hood
- opening the glass hatch
- unlocking door without using the key or keyfob.

The vehicle security system will be triggered once the system is in armed phase,

- when BCM receives a ground signal at terminals 12, 13, 47, 48 (door switch), terminal 42 (glass hatch ajar switch) or terminal 43 [back door latch (door ajar switch)], or IPDM E/R terminal 41 (hood switch) receives a ground signal.

Power is supplied at all times

- to horn relay terminal 2
- through 15A fuse (No. 25, located in fuse and fusible link box).

When the vehicle security system is triggered, ground is supplied intermittently

- from IPDM E/R terminal 45
- to headlamp high relay and
- to horn relay terminal 1.

The headlamps flash and the horn sounds intermittently.

The alarm automatically turns off after 50 seconds, but will reactivate if the vehicle is tampered with again.

## VEHICLE SECURITY SYSTEM DEACTIVATION

To deactivate the vehicle security system, a door must be unlocked with the key or keyfob.

When the key is used to unlock the front door LH, BCM terminal 22 receives signal

- from terminal 14 of the main power window and door lock/unlock switch.

When the BCM receives this signal or unlock signal from keyfob, the vehicle security system is deactivated. (Disarmed phase)

## PANIC ALARM OPERATION

Remote keyless entry system may or may not operate vehicle security system (horn and headlamps) as required.

When the remote keyless entry system is triggered, ground is supplied intermittently

- from IPDM E/R terminal 45
- to headlamp high relay and
- to horn relay terminal 1.

The headlamp flashes and the horn sounds intermittently.

The alarm automatically turns off after 25 seconds or when BCM receives any signal from keyfob.

## CAN Communication System Description

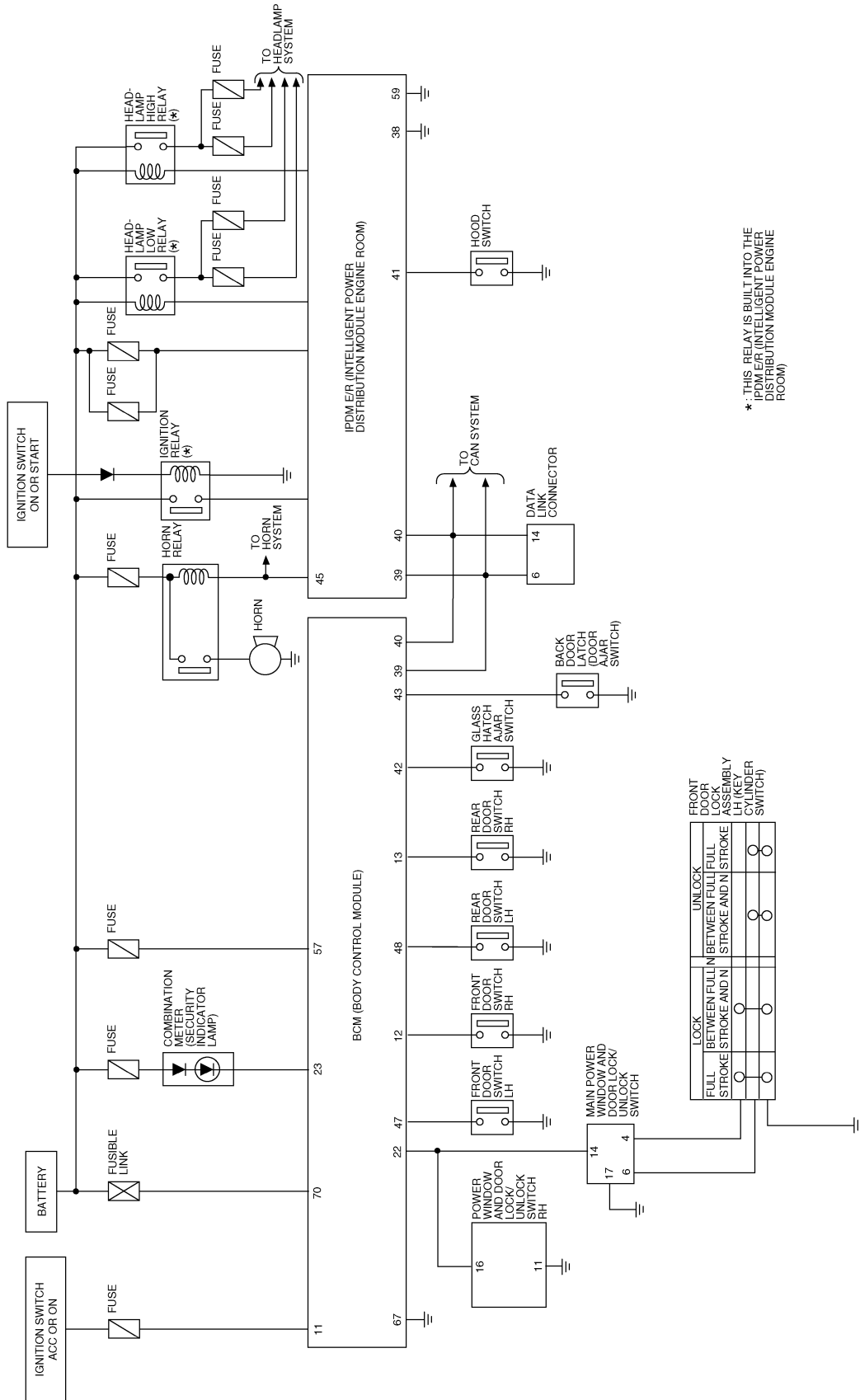
EIS002SF

Refer to [LAN-5, "CAN COMMUNICATION"](#) .

# VEHICLE SECURITY (THEFT WARNING) SYSTEM

## Schematic

EIS002SG



A  
B  
C  
D  
E  
F  
G  
H  
I  
J  
K  
L  
M

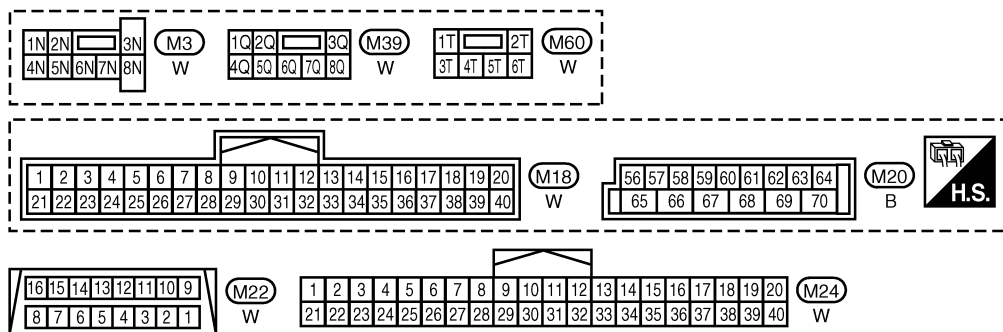
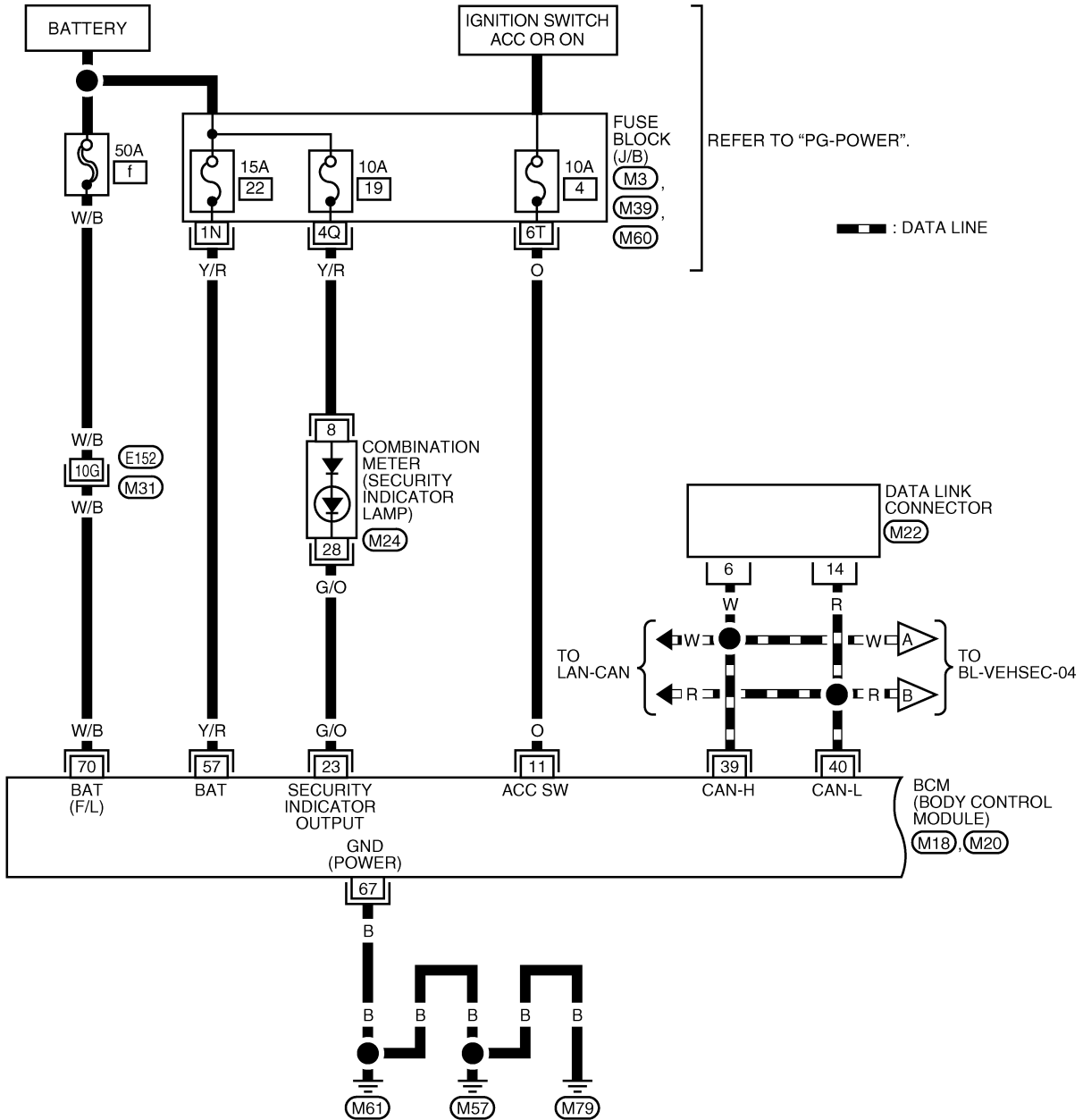
BL

# VEHICLE SECURITY (THEFT WARNING) SYSTEM

## Wiring Diagram — VEHSEC —

EIS002SH

BL-VEHSEC-01



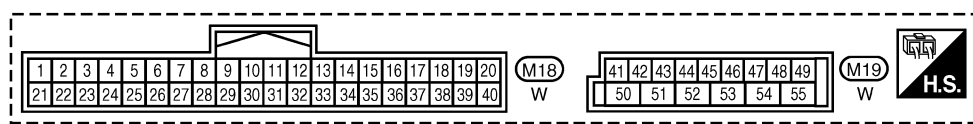
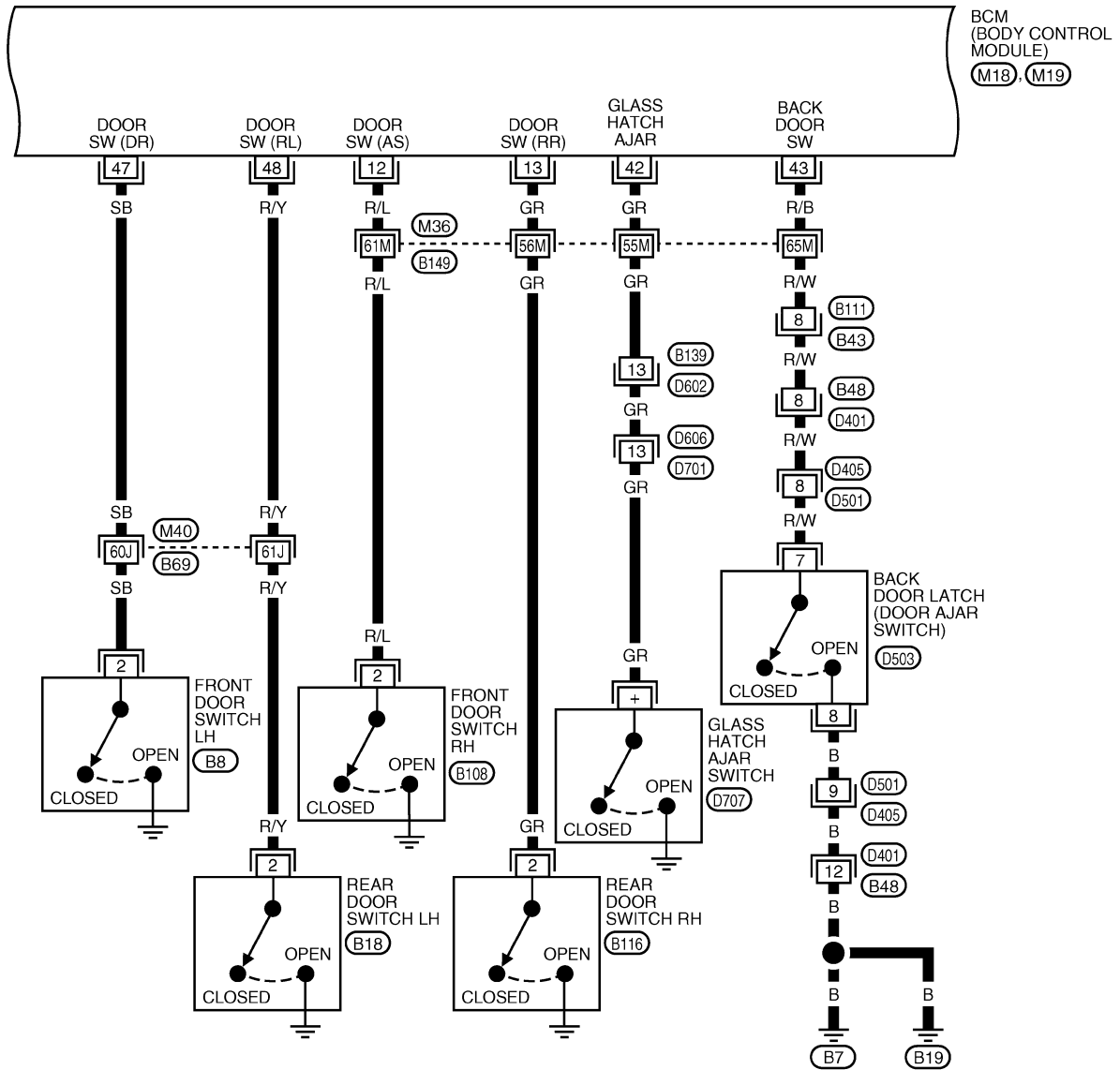
REFER TO THE FOLLOWING.  
 (M31) - SUPER MULTIPLE JUNCTION (SMJ)

WIWA1075E

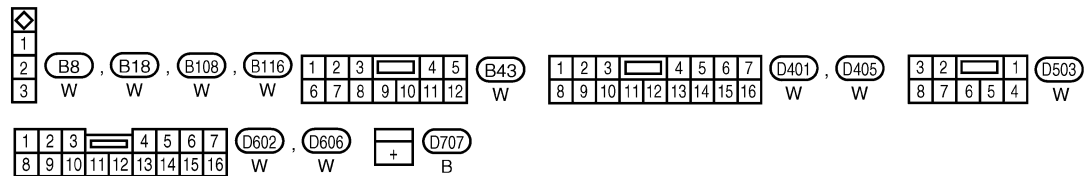


# VEHICLE SECURITY (THEFT WARNING) SYSTEM

BL-VEHSEC-02



REFER TO THE FOLLOWING.  
M36, M40 - SUPER MULTIPLE JUNCTION (SMJ)

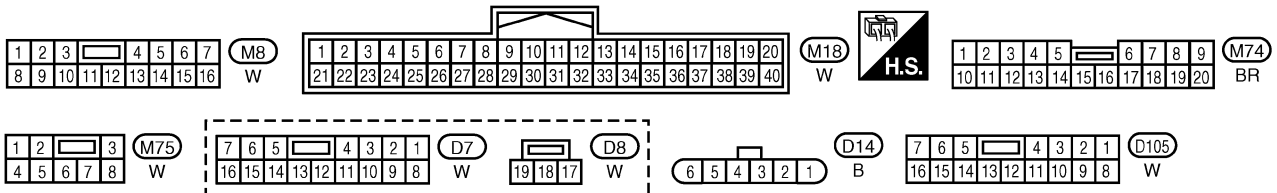
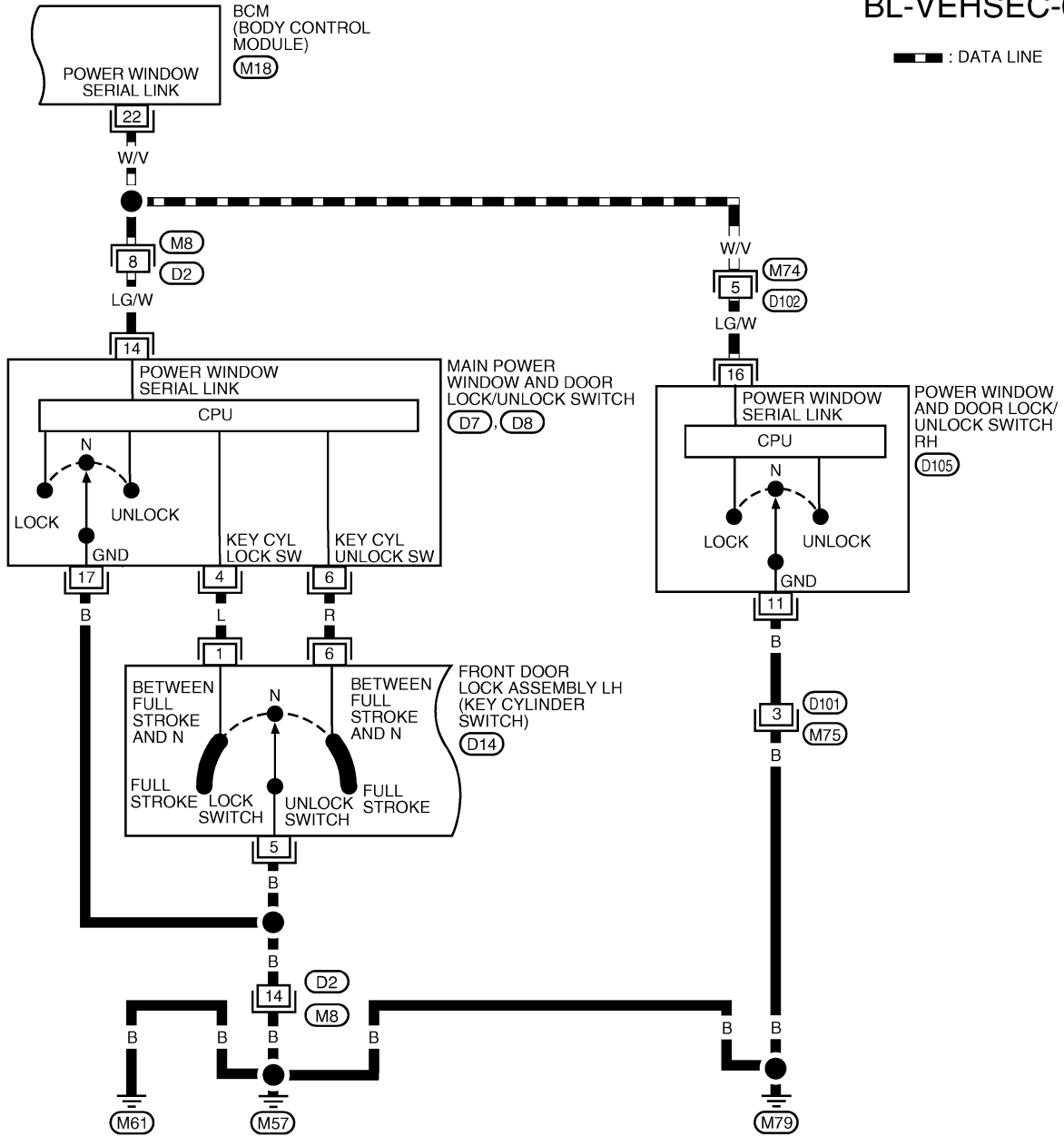


LIWA0458E

# VEHICLE SECURITY (THEFT WARNING) SYSTEM

BL-VEHSEC-03

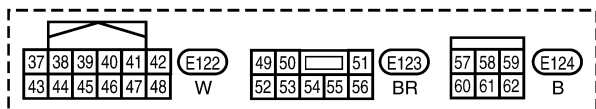
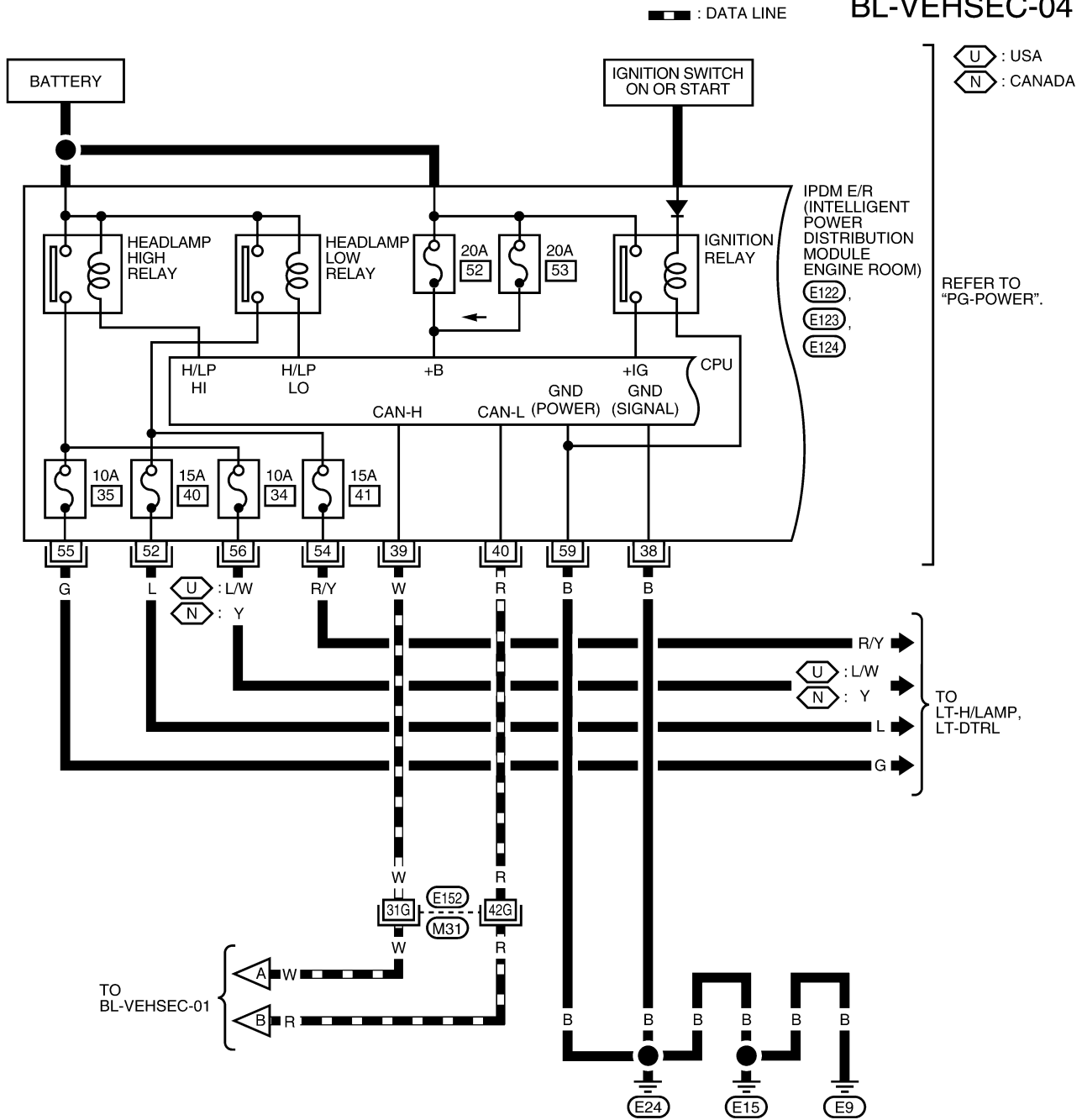
— : DATA LINE



WIWA0178E

# VEHICLE SECURITY (THEFT WARNING) SYSTEM

BL-VEHSEC-04

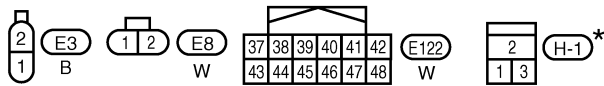
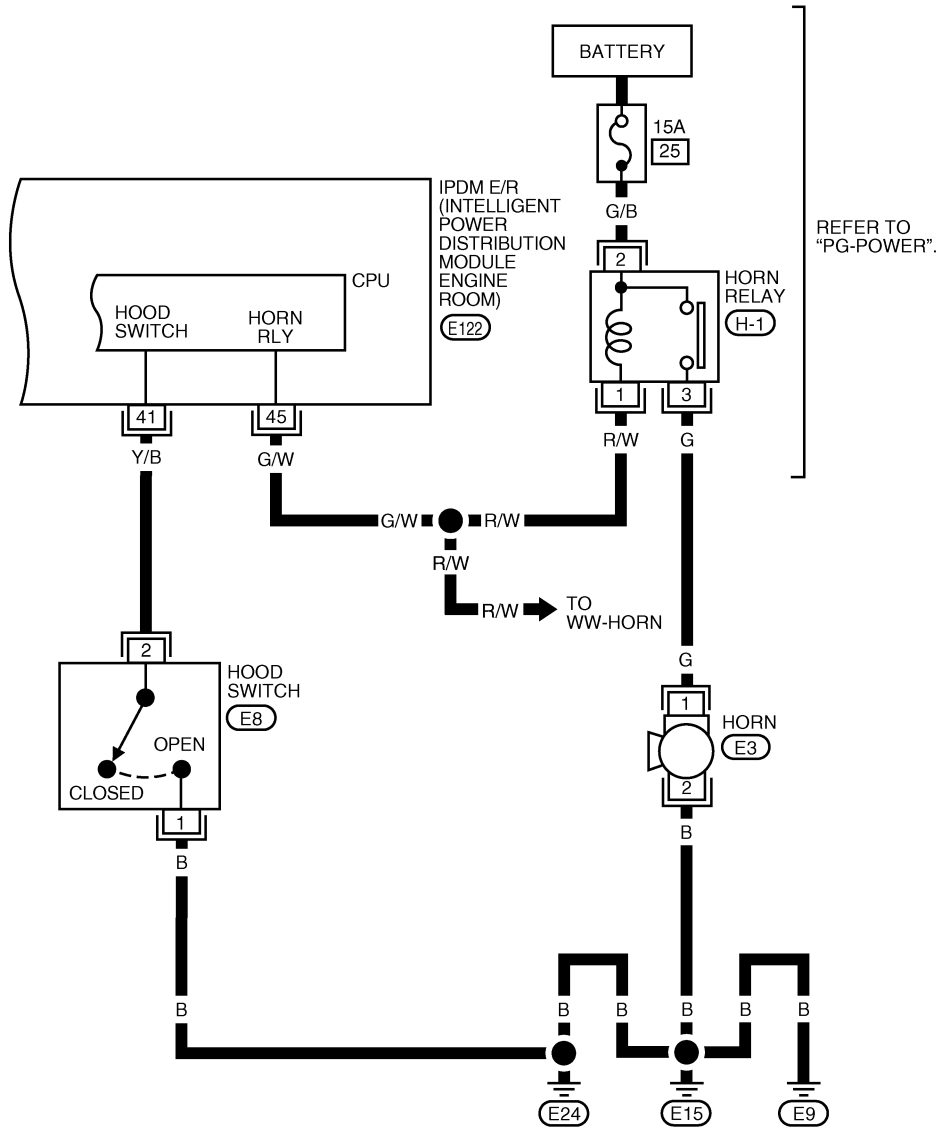


REFER TO THE FOLLOWING.  
 (M31) - SUPER MULTIPLE JUNCTION (SMJ)

WVWA0844E

# VEHICLE SECURITY (THEFT WARNING) SYSTEM

BL-VEHSEC-05



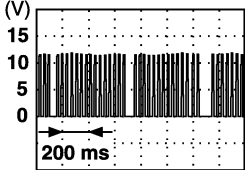
\*: THIS CONNECTOR IS NOT SHOWN IN "HARNESS LAYOUT" OF PG SECTION.

WIWA1076E

# VEHICLE SECURITY (THEFT WARNING) SYSTEM

## Terminals and Reference Value for BCM

EIS002SI

Terminal	Wire Color	Item	Condition	Voltage (V) (Approx.)
11	O	Ignition switch (ACC or ON)	Ignition switch (ACC or ON position)	Battery voltage
12	R/L	Front door switch RH	Door open (ON) → Door close (OFF)	0 → Battery voltage
13	GR	Rear door switch RH	Door open (ON) → Door close (OFF)	0 → Battery voltage
22	W/V	Power window serial link	When ignition switch is ON or power window timer operates	 <p style="text-align: right; font-size: small;">PIIA2344E</p>
23	G/O	Combination meter (security indicator lamp)	Goes off → Illuminates (Every 2.4 seconds)	Battery voltage → 0
39	W	CAN-H	—	—
40	R	CAN-L	—	—
42	GR	Glass hatch ajar switch	Glass hatch open (ON) → Glass hatch close (OFF)	Battery voltage → 0
43	R/B	Back door latch (door ajar switch)	Door open (ON) → Door close (OFF)	0 → Battery voltage
47	SB	Front door switch LH	Door open (ON) → Door close (OFF)	0 → Battery voltage
48	R/Y	Rear door switch LH	Door open (ON) → Door close (OFF)	0 → Battery voltage
57	Y/R	Battery power supply	—	Battery voltage
67	B	Ground	—	0
70	W/B	Battery power supply	—	Battery voltage

A  
B  
C  
D  
E  
F  
G  
H  
J  
K  
L  
M

BL

# VEHICLE SECURITY (THEFT WARNING) SYSTEM

## Terminals and Reference Value for IPDM E/R

EIS002SJ

Terminal	Wire Color	Item	Condition		Voltage (V) (Approx.)	
38	B	Ground	—		0	
39	W	CAN-H	—		—	
40	R	CAN-L	—		—	
41	Y/B	Hood switch	Hood closed	OFF	Battery voltage	
			Hood open	ON	0V	
45	G/W	Horn relay	When doors locks are operated using keyfob (OFF → ON) *1		Battery voltage → 0V	
52	L	Headlamp low (LH)	Ignition SW ON	Lighting switch 2ND position	OFF	0V
					ON	Battery voltage
54	R/Y	Headlamp low (RH)	Ignition SW ON	Lighting switch 2ND position	OFF	0V
					ON	Battery voltage
55	G	Headlamp high (LH)	Ignition SW ON	Lighting switch HIGH or PASS position	OFF	0V
					ON	Battery voltage
56	L/W *2 Y *3	Headlamp high (RH)	Ignition SW ON	Lighting switch HIGH or PASS position	OFF	0V
					ON	Battery voltage
59	B	Ground	—		0	

\*1: when horn reminder is ON.

\*2: L/W is for USA.

\*3: Y is for Canada.

## CONSULT-II Function (BCM)

EIS002SK

CONSULT-II can display each diagnostic item using the diagnostic test modes shown following.

BCM diagnostic test item	Diagnostic mode	Description
Inspection by part	WORK SUPPORT	Supports inspections and adjustments. Commands are transmitted to the BCM for setting the status suitable for required operation, input/output signals are received from the BCM and received date is displayed.
	DATA MONITOR	Displays BCM input/output data in real time.
	ACTIVE TEST	Operation of electrical loads can be checked by sending drive signal to them.
	SELF-DIAG RESULTS	Displays BCM self-diagnosis results.
	CAN DIAG SUPPORT MNTR	The result of transmit/receive diagnosis of CAN communication can be read.
	ECU PART NUMBER	BCM part number can be read.
	CONFIGURATION	Performs BCM configuration read/write functions.

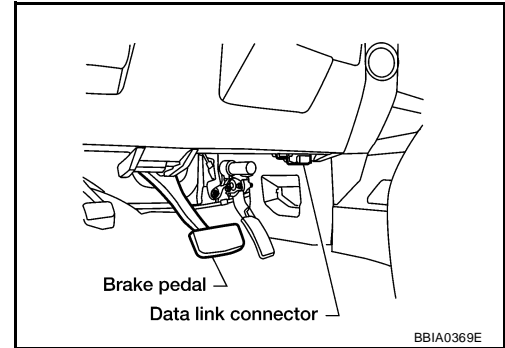
# VEHICLE SECURITY (THEFT WARNING) SYSTEM

## CONSULT-II INSPECTION PROCEDURE

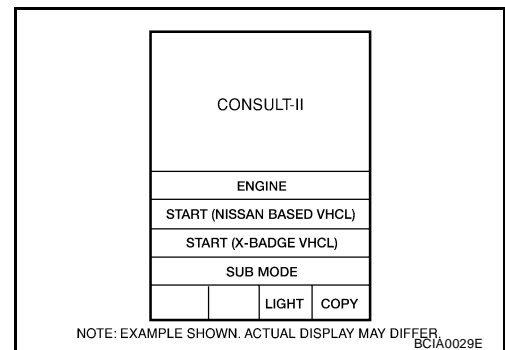
### CAUTION:

If CONSULT-II is used with no connection of CONSULT-II CONVERTER, malfunctions might be detected in self-diagnosis depending on control unit which carries out CAN communication.

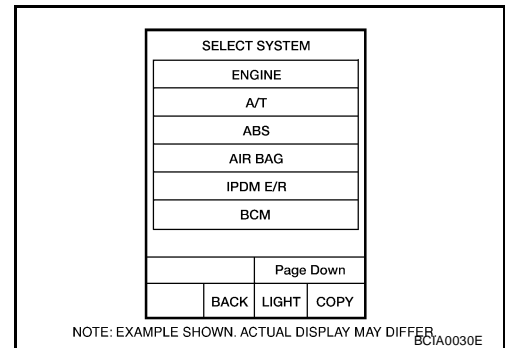
1. Turn ignition switch OFF.
2. Connect CONSULT-II and CONSULT-II CONVERTER to the data link connector.



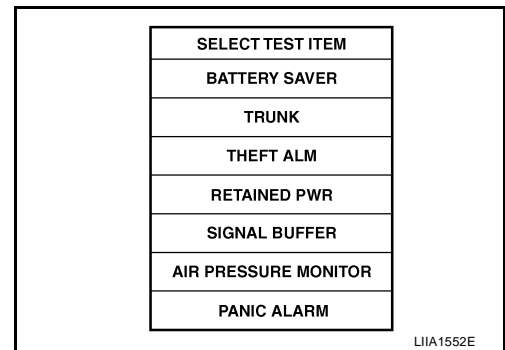
3. Turn ignition switch ON.
4. Touch "START (NISSAN BASED VHCL)".



5. Touch "BCM".  
If "BCM" is not indicated, refer to [GI-39, "CONSULT-II Data Link Connector \(DLC\) Circuit"](#).



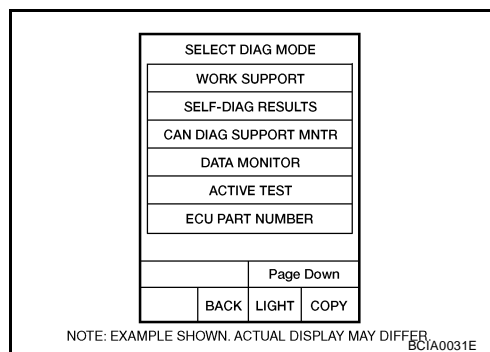
6. Touch "THEFT ALM" on the "SELECT TEST ITEM" screen.



A  
B  
C  
D  
E  
F  
G  
H  
BL  
J  
K  
L  
M

# VEHICLE SECURITY (THEFT WARNING) SYSTEM

7. Select diagnosis mode.  
“DATA MONITOR”, “ACTIVE TEST” and “WORK SUPPORT” are available.





# VEHICLE SECURITY (THEFT WARNING) SYSTEM

## CONSULT-II APPLICATION ITEM

### Data Monitor

Monitored Item	Description
DOOR SW-AS	Indicates [ON/OFF] condition of front door switch RH.
DOOR SW-RR	Indicates [ON/OFF] condition of rear door switch RH.
DOOR SW-RL	Indicates [ON/OFF] condition of rear door switch LH.
DOOR SW-DR	Indicates [ON/OFF] condition of front door switch LH.
BACK DOOR SW	Indicates [ON/OFF] condition of back door latch.
TRNK OPEN MNTR	Indicates [ON/OFF] condition of glass hatch ajar switch.
ACC ON SW	Indicates [ON/OFF] condition of ignition switch in ACC position.
IGN ON SW	Indicates [ON/OFF] condition of ignition switch in ON position.
KEYLESS UNLOCK	Indicates [ON/OFF] condition of unlock signal from keyfob.
KEYLESS LOCK	Indicates [ON/OFF] condition of lock signal from keyfob.
KEY CYL LK-SW	Indicates [ON/OFF] condition of lock signal from door key cylinder switch.
KEY CYL UN-SW	Indicates [ON/OFF] condition of unlock signal from door key cylinder switch.
KEYLESS PBD	Indicates [ON/OFF] condition of unlock signal from door key cylinder switch.
CDL UNLOCK SW	Indicates [ON/OFF] condition of unlock signal from lock/unlock switch.
CDL LOCK SW	Indicates [ON/OFF] condition of lock signal from lock/unlock switch.
HOOD SW	Indicates [ON/OFF] condition of hood switch.

### Active Test

Test Item	Description
THEFT IND	This test is able to check security indicator lamp operation. The lamp will be turned on when "ON" on CONSULT-II screen is touched.
HEADLAMP (HI)	This test is able to check vehicle security lamp operation. The highbeam headlamps will be activated for 0.5 seconds after "ON" on CONSULT-II screen is touched.
VEHICLE SECURITY HORN	This test is able to check vehicle security horn operation. The horns will be activated for 0.5 seconds after "ON" on CONSULT-II screen is touched.

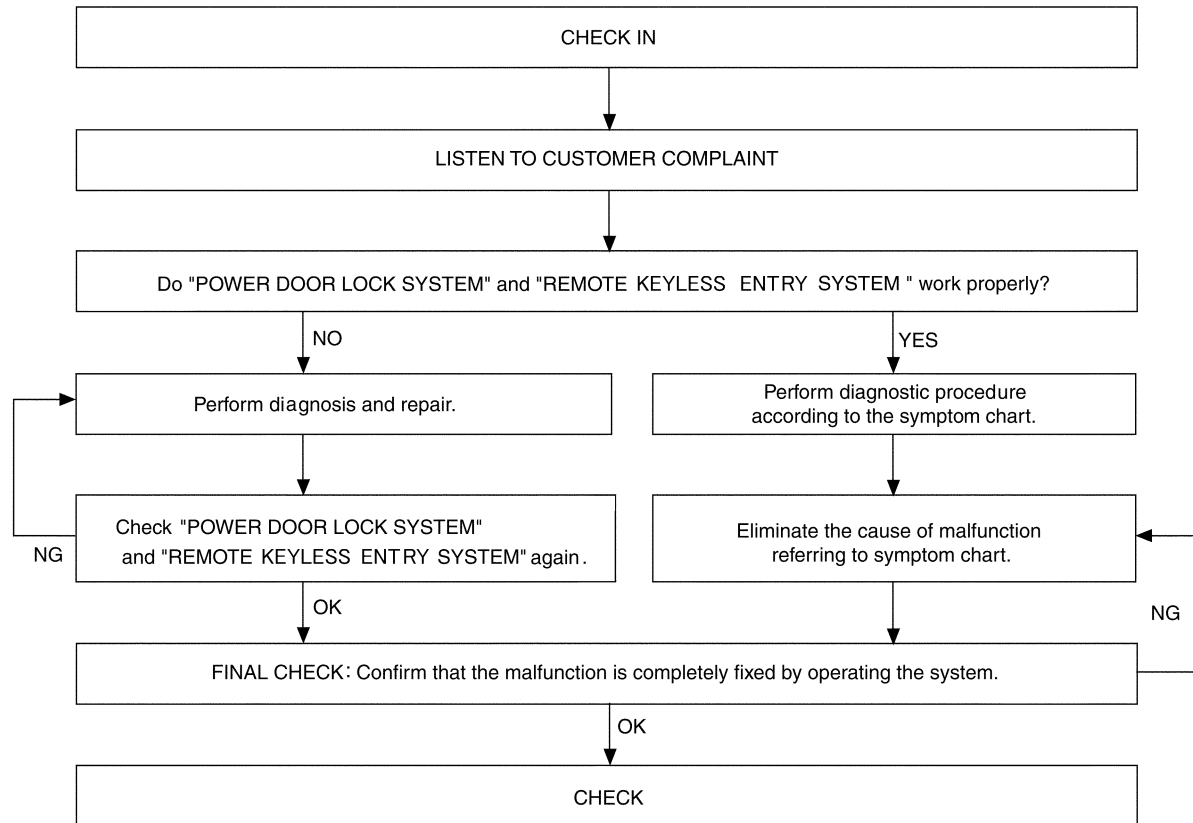
### Work Support

Test Item	Description
SECURITY ALARM SET	This mode can confirm and change security alarm ON-OFF setting.
THEFT ALM TRG	The switch which triggered vehicle security alarm is recorded. This mode is able to confirm and erase the record of vehicle security alarm. The trigger data can be erased by touching "CLEAR" on CONSULT-II screen.

# VEHICLE SECURITY (THEFT WARNING) SYSTEM

## Trouble Diagnosis WORK FLOW

EIS002SL



W11A0599E

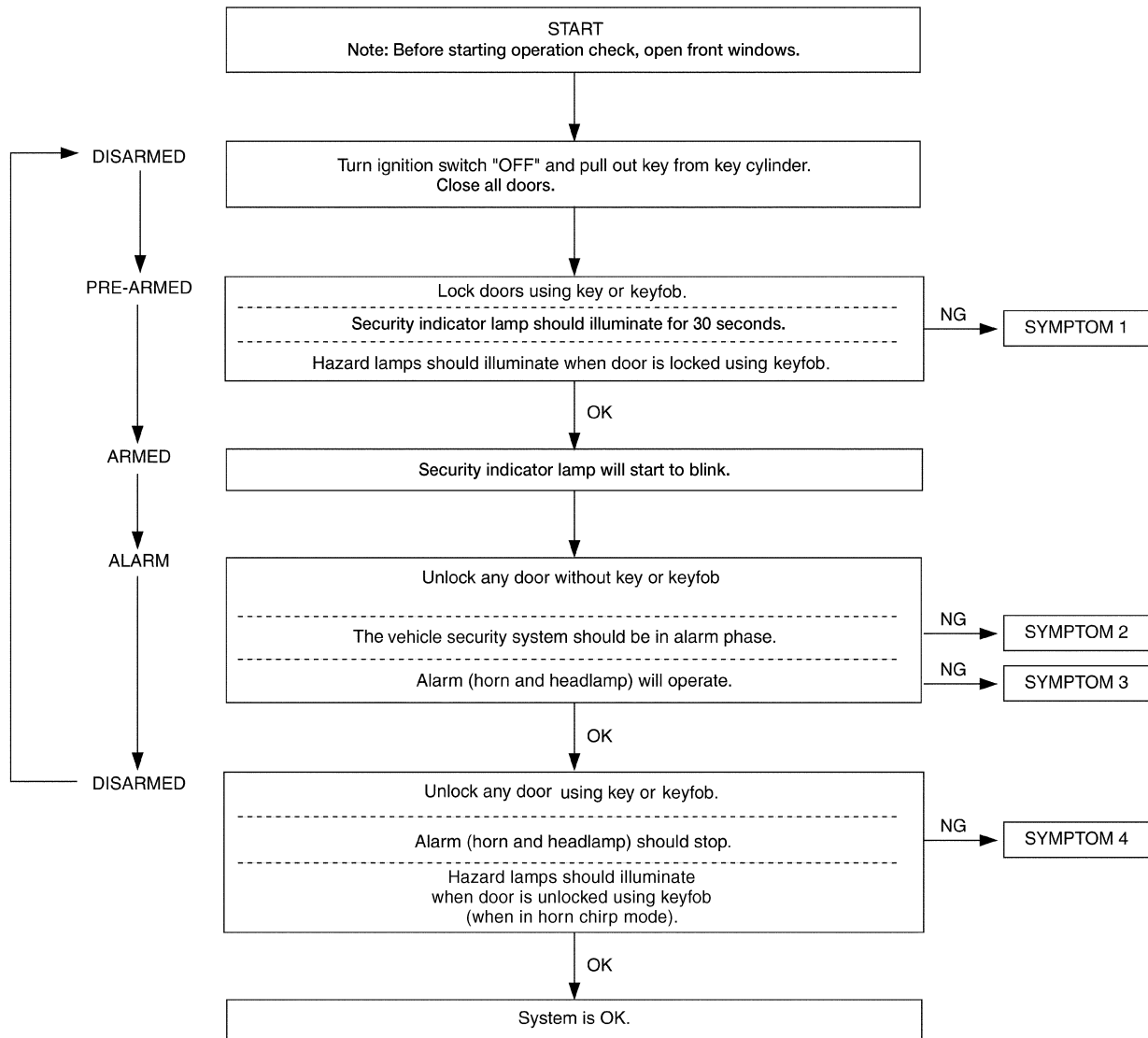
- "POWER DOOR LOCK SYSTEM" Diagnosis refer to [BL-16, "POWER DOOR LOCK SYSTEM"](#) .
- "REMOTE CONTROL SYSTEM" Diagnosis refer to [BL-44, "REMOTE KEYLESS ENTRY SYSTEM"](#) .

# VEHICLE SECURITY (THEFT WARNING) SYSTEM

EIS002SM

## Preliminary Check

The system operation is canceled by turning ignition switch to ACC at any step between START and ARMED in the following flow chart.



WIA0627E

After performing preliminary check, go to symptom chart.

# VEHICLE SECURITY (THEFT WARNING) SYSTEM

EIS002SN

## Symptom Chart

PROCEDURE		Diagnostic procedure	
SYMPTOM			
1	Vehicle security system cannot be set by ....	Door switch	Refer to <a href="#">BL-93, "Door Switch Check"</a> .
		Lock/unlock switch	Refer to <a href="#">BL-100, "Door Lock/Unlock Switch Check"</a> .
		Door outside key	Refer to <a href="#">BL-98, "Front Door Lock Assembly LH (Key Cylinder Switch) Check"</a> .
		BCM	If the above systems are "OK", replace BCM.
Security indicator does not turn "ON".		Refer to <a href="#">BL-97, "Combination Meter (Security Indicator Lamp) Check"</a> .	
		If the above systems are "OK", replace BCM.	
2	*1 Vehicle security system does not alarm when ....	Any door, hood or glass hatch is opened.	Refer to <a href="#">BL-93, "Door Switch Check"</a> . Refer to <a href="#">BL-95, "Hood Switch Check"</a> .
			If the above systems are "OK", replace BCM.
3	Vehicle security alarm does not activate.	Horn alarm	Refer to <a href="#">BL-100, "Vehicle Security Horn Alarm Check"</a> . If the above systems are "OK", check horn system. Refer to <a href="#">WW-56, "HORN"</a> .
		Headlamp alarm	Refer to <a href="#">BL-100, "Vehicle Security Headlamp Alarm Check"</a> . If the above systems are "OK", replace BCM.
4	Vehicle security system cannot be canceled by ....	Door outside key	Refer to <a href="#">BL-98, "Front Door Lock Assembly LH (Key Cylinder Switch) Check"</a> . If the above systems are "OK", check main power window and door lock/unlock switch.
		Keyfob	Check remote keyless entry function. Refer to <a href="#">BL-65, "Keyfob Battery and Function Check"</a> . If the above systems are "OK", replace BCM.

\*1: Make sure the system is in the armed phase.

# VEHICLE SECURITY (THEFT WARNING) SYSTEM

EIS003ES

## Door Switch Check

### 1. CHECK DOOR SWITCHES INPUT SIGNAL

 With CONSULT-II

Check door switches ("DOOR SW-DR", "DOOR SW-AS", "DOOR SW-RL", "DOOR SW-RR", "BACK DOOR SW", "TRNK OPN MNTR") in DATA MONITOR mode with CONSULT-II. Refer to [BL-27, "DATA MONITOR"](#).

- When doors are open:

**DOOR SW-DR : ON**  
**DOOR SW-AS : ON**  
**DOOR SW-RL : ON**  
**DOOR SW-RR : ON**  
**BACK DOOR SW : ON**  
**TRNK OPN MNTR : ON**

- When doors are closed:

**DOOR SW-DR : OFF**  
**DOOR SW-AS : OFF**  
**DOOR SW-RL : OFF**  
**DOOR SW-RR : OFF**  
**BACK DOOR SW : OFF**  
**TRNK OPN MNTR : OFF**

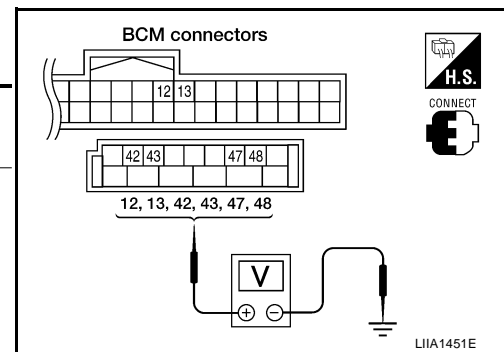
DATA MONITOR	
MONITOR	
DOOR SW - DR	OFF
DOOR SW - AS	OFF
DOOR SW - RR	OFF
DOOR SW - RL	OFF
BACK DOOR SW	OFF
TRNK OPN MNTR	OFF

WIIA0466E

 Without CONSULT-II

Check voltage between BCM connector M18 or M19 terminals 12, 13, 42, 43, 47, 48 and ground.

Connector	Item	Terminals (Wire color)		Condition	Voltage (V) (Approx.)
		(+)	(-)		
M19	Glass hatch ajar switch	42 (GR)	Ground	Open ↓ Closed	0 ↓ Battery voltage
	Back door latch (door ajar switch)	43 (R/B)			
	Front door switch LH	47 (SB)			
	Rear door switch LH	48 (R/Y)			
M18	Front door switch RH	12 (R/L)	Ground	Open ↓ Closed	0 ↓ Battery voltage
	Rear door switch RH	13 (GR)			



**OK or NG**

- OK >> Door switch circuit is OK.
- NG >> GO TO 2.

# VEHICLE SECURITY (THEFT WARNING) SYSTEM

## 2. CHECK DOOR SWITCH CIRCUIT

1. Turn ignition switch OFF.
2. Disconnect door or hatch switch and BCM.
3. Check continuity between door switch connector (B) B8 (front LH), B108 (front RH), B18 (rear LH), B116 (rear RH) terminal 2 or back door latch connector (C) D503 terminal 7 or glass hatch ajar switch connector (D) D707 terminal + and BCM connectors (A) M18, M19 terminals 12, 13, 42, 43, 47 and 48.

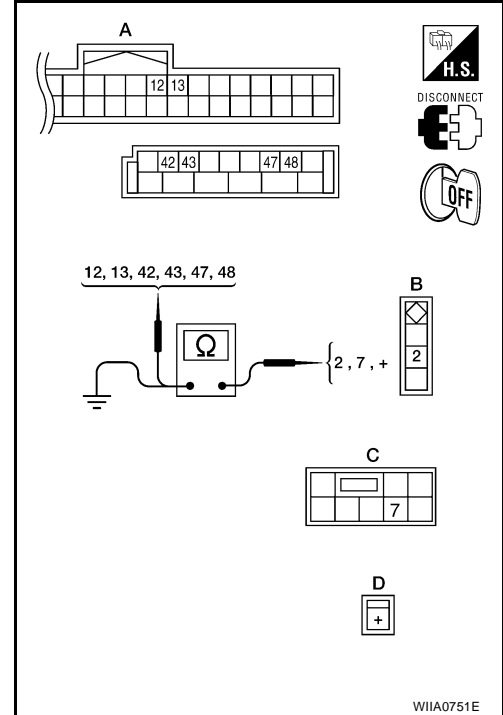
**2 (R/L) - 12 (R/L) : Continuity should exist.**  
**2 (GR) - 13 (GR) : Continuity should exist.**  
**2 (SB) - 47 (SB) : Continuity should exist.**  
**2 (R/Y) - 48 (R/Y) : Continuity should exist.**  
**7 (R/W) - 43 (R/B) : Continuity should exist.**  
**+ (GR) - 42 (GR) : Continuity should exist.**

4. Check continuity between door switch connector (B) B8 (front LH), B108 (front RH), B18 (rear LH), B116 (rear RH) terminal 2, back door latch connector (C) D503 terminal 7 or glass hatch ajar switch connector (D) D707 terminal + and ground.

**2 (SB, R/L, R/Y or GR) - Ground : Continuity should not exist.**  
**7 (R/W) - Ground : Continuity should not exist.**  
**+ (GR) - Ground : Continuity should not exist.**

### OK or NG

OK >> GO TO 3.  
 NG >> Repair or replace harness.

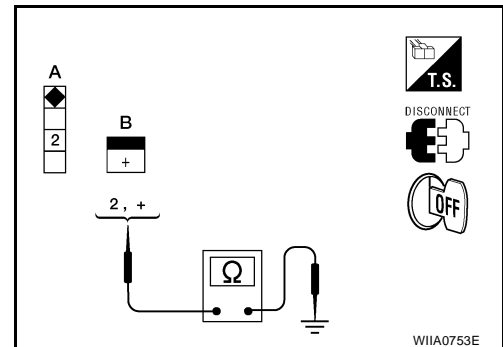


## 3. CHECK DOOR SWITCHES

### FRONT, REAR DOORS AND GLASS HATCH

Check continuity between door switch connector (A) B8 (front LH), B108 (front RH), B18 (rear LH), B116 (rear RH) terminal 2, glass hatch ajar switch connector (B) D707 terminal + and ground while pressing switch (closing glass hatch) and releasing switch (opening glass hatch).

**Door switch is pressed (or glass hatch closed) : Continuity should not exist.**  
**Door switch is released (or glass hatch open) : Continuity should exist.**



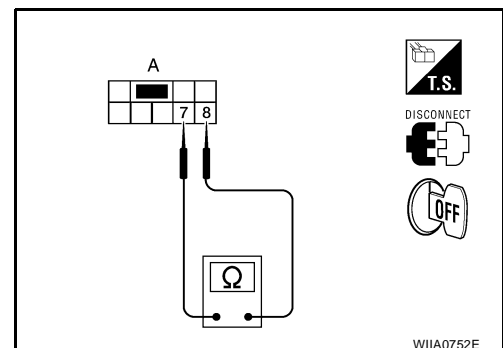
### BACK DOOR

Check continuity between back door latch connector (A) D503 terminals 7 and 8 while pressing (closing back door) and releasing (opening back door) switch.

**Back door is open : Continuity should exist.**  
**Back door is closed : Continuity should not exist.**

### OK or NG

OK >> (Front, rear doors and glass hatch) Switch circuit is OK.  
 OK >> (Back door) GO TO 4.  
 NG >> Replace door switch.



# VEHICLE SECURITY (THEFT WARNING) SYSTEM

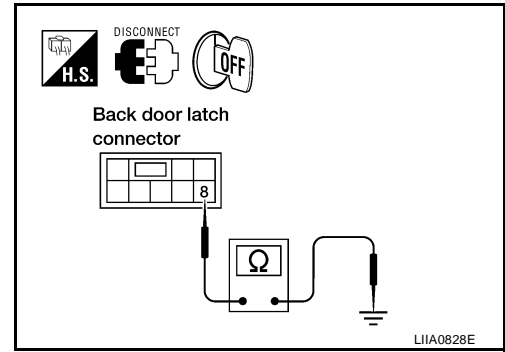
## 4. CHECK BACK DOOR SWITCH GROUND

Check continuity between back door latch connector terminal 8 and ground.

**8 (B) - Ground : Continuity should exist.**

OK or NG

- OK >> Back door switch circuit is OK.
- NG >> Repair or replace harness.



EIS0039U

## Hood Switch Check

### 1. CHECK HOOD SWITCH

Check hood switch and hood fitting condition.

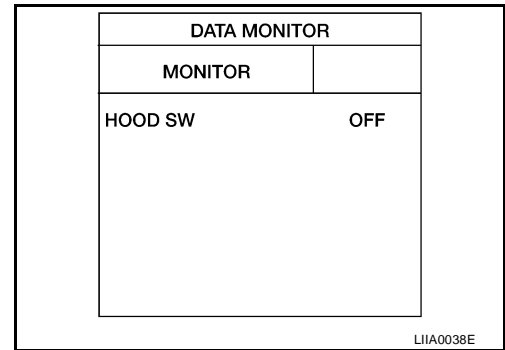
OK or NG

- OK >> GO TO 2.
- NG >> Adjust installation of hood switch.

### 2. CHECK HOOD SWITCH INPUT SIGNAL

With CONSULT-II  
Check "HOOD SW" in "DATA MONITOR" mode with CONSULT-II.

**When hood is open : HOOD SW ON**  
**When hood is closed : HOOD SW OFF**

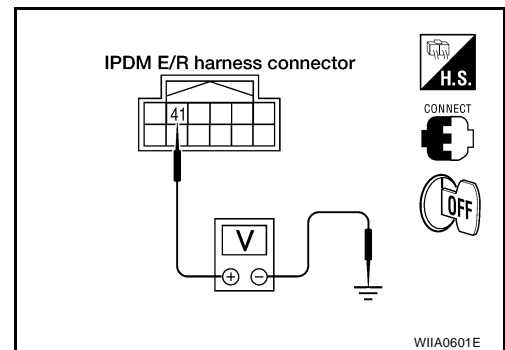


Without CONSULT-II  
Check voltage between IPDM E/R harness connector E122 terminal 41 and ground.

Connector	Terminal (Wire color)		Condition of hood	Voltage (V) (Approx.)
	(+)	(-)		
E122	41 (Y/B)	Ground	Open	0
			Closed	Battery voltage

OK or NG

- OK >> Hood switch circuit is OK.
- NG >> GO TO 3.



# VEHICLE SECURITY (THEFT WARNING) SYSTEM

## 3. CHECK HOOD SWITCH

1. Turn ignition switch OFF.
2. Disconnect IPDM E/R connector E122 and hood switch connector.
3. Check continuity between IPDM E/R connector (A) E122 terminal 41 and hood switch connector (B) E8 terminal 2.

**41 (Y/B) - 2 (Y/B) : Continuity should exist.**

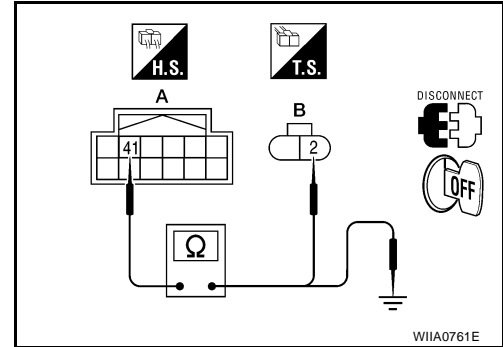
4. Check continuity between IPDM E/R connector (A) E122 terminal 41 and ground.

**41 (Y/B) - ground : Continuity should not exist.**

OK or NG

OK >> GO TO 4.

NG >> Repair or replace harness.



## 4. CHECK HOOD SWITCH

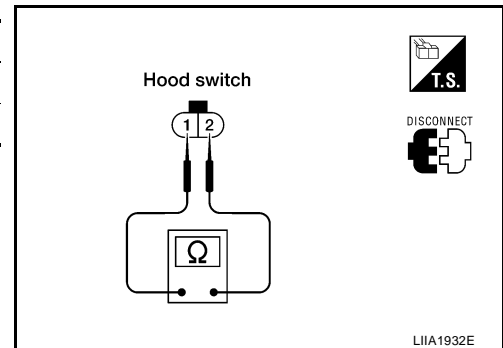
Check continuity between hood switch connector E8 terminals 1 and 2.

Terminals	Condition of hood switch	Continuity
1-2	Pressed	No
	Released	Yes

OK or NG

OK >> Repair or replace harness between hood switch and grounds E9, E15 and E24.

NG >> Replace hood switch.





# VEHICLE SECURITY (THEFT WARNING) SYSTEM

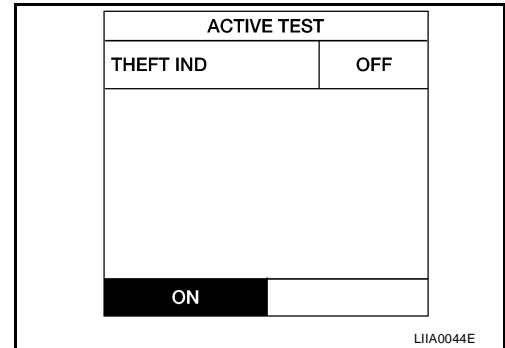
## Combination Meter (Security Indicator Lamp) Check

EIS002SP

### 1. SECURITY INDICATOR LAMP ACTIVE TEST

☑ With CONSULT-II

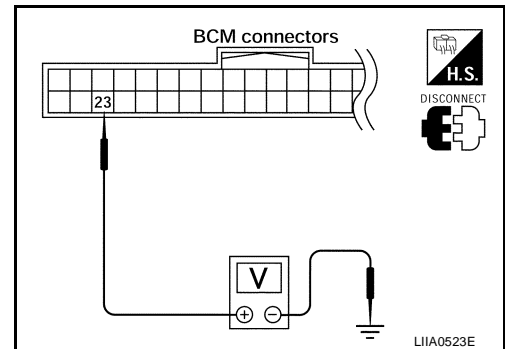
Check "THEFT IND" in "ACTIVE TEST" mode with CONSULT-II.



☒ Without CONSULT-II

1. Disconnect BCM.
2. Check voltage between BCM harness connector M18 terminal 23 and ground.

Connector	Terminal (Wire color)		Condition	Voltage (V) (Approx.)
	(+)	(-)		
M18	23 (G/O)	Ground	ON	0
			OFF	Battery voltage



OK or NG

- OK >> Security indicator lamp is OK.  
 NG >> GO TO 2.

### 2. SECURITY INDICATOR LAMP CHECK

Check security indicator lamp condition.

Refer to [DI-5, "COMBINATION METERS"](#) .

OK or NG

- OK >> GO TO 3.  
 NG >> Replace combination meter (security indicator lamp). Refer to [DI-25, "Removal and Installation of Combination Meter"](#) .

# VEHICLE SECURITY (THEFT WARNING) SYSTEM

## 3. CHECK HARNESS CONTINUITY

1. Turn ignition switch OFF.
2. Disconnect BCM and combination meter (security indicator lamp).
3. Check continuity between BCM connector (A) M18 terminal 23 and combination meter (security indicator lamp) harness connector (B) M24 terminal 28.

**23 (G/O) - 28 (G/O) : Continuity should exist.**

4. Check continuity between BCM connector (A) M18 terminal 23 and ground.

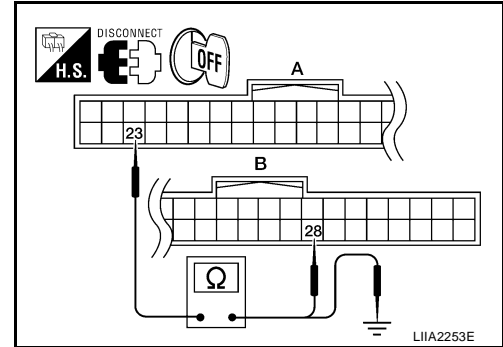
**23 (G/O) - ground : Continuity should not exist.**

OK or NG

OK >> Check the following:

- 10A fuse [No. 19, located in fuse block (J/B)]
- Harness for open or short between combination meter (security indicator lamp) and fuse

NG >> Repair or replace harness.



## Front Door Lock Assembly LH (Key Cylinder Switch) Check

EIS002SQ

### 1. CHECK FRONT DOOR LOCK ASSEMBLY LH (KEY CYLINDER SWITCH)

Ⓛ With CONSULT-II

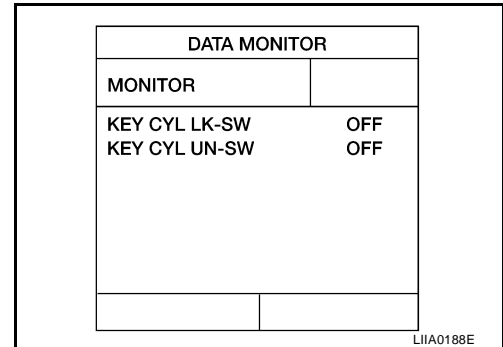
Check front door lock assembly LH (key cylinder switch) ("KEY CYL LK-SW") and ("KEY CYL UN-SW") in DATA MONITOR mode in CONSULT-II. Refer to [BL-27, "DATA MONITOR"](#).

- When key inserted in front key cylinder is turned to LOCK:

**KEY CYL LK-SW : ON**

- When key inserted in front key cylinder is turned to UNLOCK:

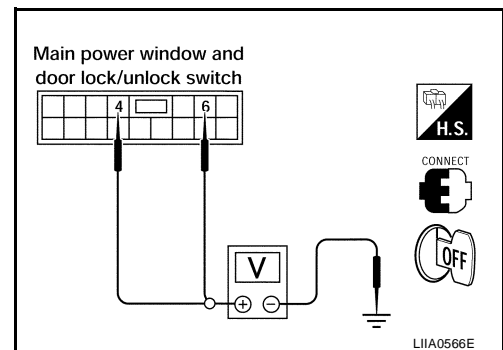
**KEY CYL UN-SW : ON**



Ⓧ Without CONSULT-II

Check voltage between main power window and door lock/unlock switch connector D7 terminals 4, 6 and ground.

Connector	Terminals (Wire color)		Condition of key cylinder switch	Voltage (V) (Approx.)
	(+)	(-)		
D7	4 (L)	Ground	Neutral/Unlock	5
			Lock	0
	6 (R)		Neutral/Lock	5
			Unlock	0



OK or NG

OK >> Front door lock assembly LH (key cylinder switch) signal is OK.

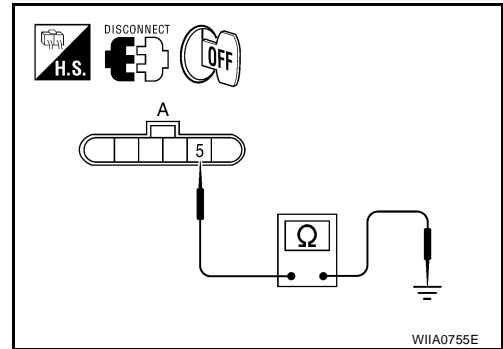
NG >> GO TO 2.

# VEHICLE SECURITY (THEFT WARNING) SYSTEM

## 2. CHECK DOOR KEY CYLINDER SWITCH LH GROUND HARNESS

Check continuity between front door lock assembly LH (key cylinder switch) connector (A) D14 terminal 5 and body ground.

Connector	Terminal (wire color)	Continuity
D14	5 (B) – Ground	Yes



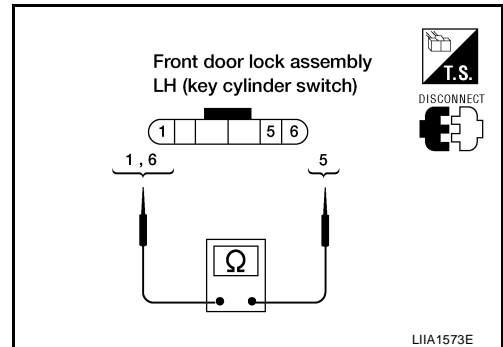
OK or NG

- OK >> GO TO 3.
- NG >> Repair or replace harness.

## 3. CHECK DOOR KEY CYLINDER SWITCH LH

Check continuity between front door lock assembly LH (key cylinder switch) terminals.

Terminals	Condition	Continuity
1 – 5	Key is turned to UNLOCK or neutral.	No
	Key is turned to LOCK.	Yes
5 – 6	Key is turned to LOCK or neutral.	No
	Key is turned to UNLOCK.	Yes



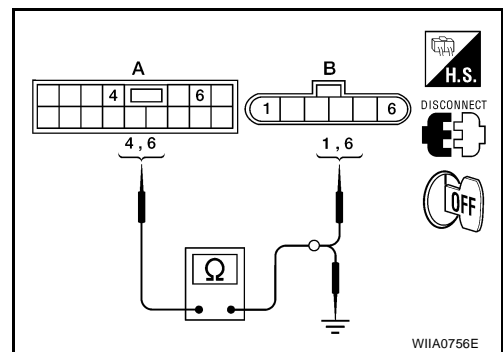
OK or NG

- OK >> GO TO 4.
- NG >> Replace front door lock assembly LH (key cylinder switch). Refer to [BL-132, "Removal and Installation"](#).

## 4. CHECK DOOR KEY CYLINDER HARNESS

Check continuity between main power window and door lock/unlock switch connector (A) D7 terminals 4, 6 and front door lock assembly LH (key cylinder switch) connector (B) D14 terminals 1, 6 and body ground.

Connector	Terminals (wire color)	Connector	Terminals (wire color)	Continuity
A: Main power window and door lock/unlock switch	4 (L)	B: Front door lock assembly LH (key cylinder switch)	1 (L)	Yes
	6 (R)		6 (R)	Yes
	4 (L), 6 (R)	Ground	No	



OK or NG

- OK >> Replace main power window and door lock/unlock switch.
- NG >> Repair or replace harness.

# VEHICLE SECURITY (THEFT WARNING) SYSTEM

---

## Vehicle Security Horn Alarm Check

EIS002SR

### 1. CHECK HORN OPERATION

---

Check if horn sounds with horn switch.

Does horn operate?

- Yes >> Check harness for open or short between IPDM E/R and horn relay.
- No >> Check horn circuit. Refer to [WW-56, "HORN"](#) .

## Vehicle Security Headlamp Alarm Check

EIS002SS

### 1. CHECK VEHICLE SECURITY HEADLAMP ALARM OPERATION

---

Check if headlamps operate with lighting switch.

Do headlamps come on when turning switch ON?

- Yes >> Headlamp alarm is OK.
- No >> Check headlamp system. Refer to [LT-6, "HEADLAMP \(FOR USA\)"](#) or [LT-34, "HEADLAMP \(FOR CANADA\) - DAYTIME LIGHT SYSTEM -"](#) .

## Door Lock/Unlock Switch Check

EIS002ST

### 1. CHECK DOOR LOCK/UNLOCK SWITCH INPUT SIGNAL

---

Check if power door lock operates with door lock/unlock switch.

Do doors lock/unlock when using each door lock/unlock switch?

- Yes >> Door lock/unlock switch is OK.
- No >> Refer to [BL-34, "Door Lock/Unlock Switch Check"](#) .

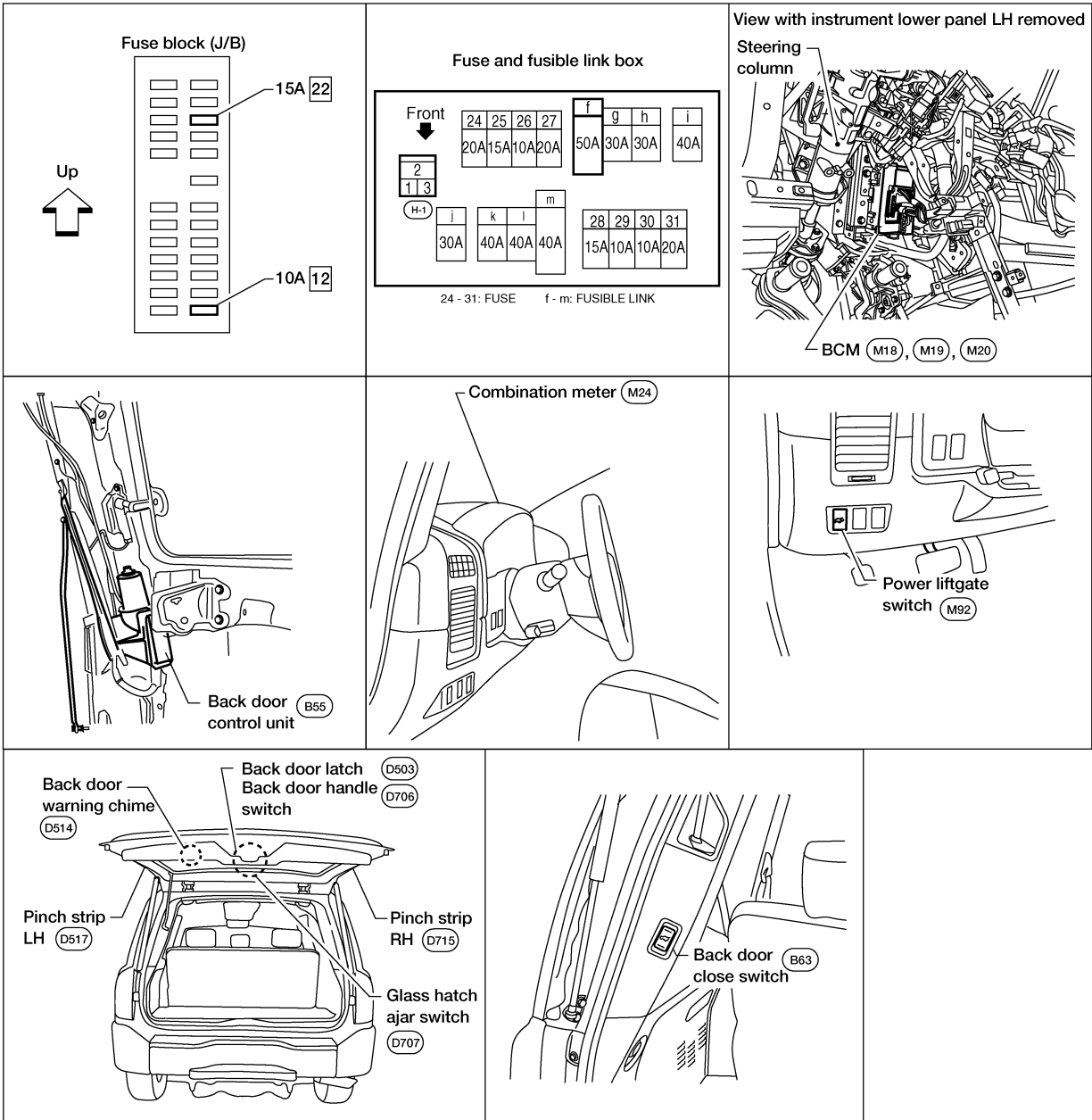
# AUTOMATIC BACK DOOR SYSTEM

## AUTOMATIC BACK DOOR SYSTEM

PFP:82580

### Component Parts and Harness Connector Location

EIS002SU



A  
B  
C  
D  
E  
F  
G  
H  
I  
J  
K  
L  
M

BL

LIA2059E

# AUTOMATIC BACK DOOR SYSTEM

EIS002SV

## System Description

The automatic back door system consists of a one piece unit that combines the back door control unit along with the back door motor, back door clutch and the back door encoder. The back door latch contains a lock function that can control the two functions of automatic back door latch closure and electrical opener with a single motor when you close the back door to the halfway-state.

- **Back door auto closure**  
When the back door is closed to the halfway state (half-latch) position, the motor automatically drives to rotate the latch lever and pull it in from half latched to full latched.
- **Power back door**  
With the back door closed, press the power liftgate switch or press the remote keyless entry button, or pull the back door handle with the back door unlocked, the back door latch motor opens the locking plate and releases the latch. The back door motor then raises the door to the full open position.  
With the back door fully open, press the power liftgate switch, remote keyless entry button or the back door close switch, the back door motor closes the door to the half-latch state. The back door latch motor then drives the latch to the full close position.  
At the onset of each power open or power close application, the hazard lamps will flash 3 times and the warning chime will sound 3 times lasting a total of 2 seconds.

## OPERATION DESCRIPTION

### Power Liftgate Switch Operation (Fully Closed → Fully Open Operation)

- When the power liftgate switch is pressed, back door control unit terminal 23 receives the signal.
- The back door control unit checks the A/T selector lever (P position) through terminal 18, vehicle speed through terminal 21, ignition status through terminal 7, glass hatch is closed through terminal 17 and battery voltage is present through terminal 3.
- When the back door control unit receives the signal, if the auto back door operating enable conditions are met, it sends a 5 volt signal through terminal 6 and grounds terminal 9 to sound the warning chime, sends a signal to the BCM through terminal 4 to flash the hazard lamps and unlocks the back door latch through terminal 12.
- The back door control unit supplies power to the magnetic clutch and the back door motor and moves the back door in the open direction. (At this time, it also executes speed control, input reverse, and anti-pinch detection control.)
- When the back door is opened to the full-open position, the full-open position is detected by the encoder, and the back door control unit switches the back door motor OFF and the magnetic clutch is pulsed and then turned OFF.
- The back door is held in the fully open position by the gas stays.

### Remote Keyless Entry Operation (Fully Closed → Fully Open Operation)

- When the remote keyless entry button is pressed for at least 0.5 seconds, back door control unit terminal 21 receives the signal.
- The back door control unit checks the A/T selector lever (P position) through terminal 18, vehicle speed through terminal 21, ignition status through terminal 7, glass hatch is closed through terminal 17 and battery voltage is present through terminal 3.
- When the back door control unit receives the signal, if the auto back door operating enable conditions are met, it sends a 5 volt signal through terminal 6 and grounds terminal 9 to sound the warning chime, sends a signal to the BCM through terminal 4 to flash the hazard lamps and unlocks the back door latch through terminal 12.
- The back door control unit supplies power to the magnetic clutch and the back door motor and moves the back door in the open direction. (At this time, it also executes speed control, input reverse, and anti-pinch detection control.)
- When the back door is opened to the full-open position, the full-open position is detected by the encoder, and the back door control unit switches the back door motor OFF and the magnetic clutch is pulsed and then turned OFF.
- The back door is held in the fully open position by the gas stays.

# AUTOMATIC BACK DOOR SYSTEM

## Back Door Handle Switch Operation (Fully Closed → Fully Open Operation)

- When the back door handle is pulled, back door control unit terminal 26 receives the signal. A
- The back door control unit checks that the back door is unlocked and checks the A/T selector lever (P position) through terminal 18, vehicle speed through terminal 21, ignition status through terminal 7, glass hatch is closed, battery voltage and back door close switch position through terminal 13. B
- When the back door control unit receives the signal, if all auto back door operating enable conditions are met, it sends a 5 volt signal through terminal 6 and grounds terminal 9 to sound the warning chime, sends a signal to the BCM through terminal 4 to flash the hazard lamps and unlocks the back door latch through terminal 12. C
- The back door control unit supplies power to the magnetic clutch and the back door motor and moves the back door in the open direction. (At this time, it also executes speed control, input reverse, and anti-pinch detection control.) D
- When the back door is opened to the full-open position, the full-open position is detected by the encoder, and the back door control unit switches the back door motor OFF and the magnetic clutch is pulsed and then turned OFF. E
- The back door is held in the fully open position by the gas stays.

## Power Liftgate Switch Operation (Fully Open → Fully Closed Operation)

- When the power liftgate switch is pressed, the back door control unit terminal 23 receives the signal. F
- The back door control unit checks door position through the rotary encoder. G
- When the back door control unit receives the signal, if the auto back door operating enable conditions are met, it sends a signal through terminal 6 and grounds terminal 9 to sound the warning chime and sends a signal to the BCM through terminal 4 to flash the hazard lamps. H
- The back door control unit supplies power to the magnetic clutch and the back door motor and move the back door in the close direction. (At this time, it also executes speed control, input reverse, and anti-pinch detection control.)
- When the back door reaches the half-latch state, the half-latch switch detects this and the signal is sent to the back door control unit terminal 22. BL
- When the back door control unit receives the half latch switch signal, it switches OFF the back door motor and the magnetic clutch and operates the cinch latch motor. J
- When the back door latch operates and full close is detected through terminal 14 of the back door control unit, the cinch latch motor reverses to the neutral position and the back door auto closure operation ends and the door is fully closed. K

## Remote Keyless Entry Operation (Fully Open → Fully Closed Operation)

- When the remote keyless entry switch is pressed for at least 0.5 seconds, the back door control unit terminal 21 receives the signal. L
- The back door control unit checks door position through the rotary encoder.
- When the back door control unit receives the signal, if the auto back door operating enable conditions are met, it sends a signal through terminal 6 and grounds terminal 9 to sound the warning chime and sends a signal to the BCM through terminal 4 to flash the hazard lamps. M
- The back door control unit supplies power to the magnetic clutch and the back door motor and move the back door in the close direction. (At this time, it also executes speed control, input reverse, and anti-pinch detection control.)
- When the back door reaches the half-latch state, the half-latch switch detects this and the signal is sent to the back door control unit terminal 22.
- When the back door control unit receives the half latch switch signal, it switches OFF the back door motor and the magnetic clutch and operates the cinch latch motor.
- When the back door latch operates and full close is detected through terminal 14 of the back door control unit, the cinch latch motor reverses to the neutral position and the back door auto closure operation ends and the door is fully closed.

# AUTOMATIC BACK DOOR SYSTEM

---

## **Back Door Close Switch Operation (Fully Open → Fully Closed Operation)**

- When the back door close switch is pressed, the back door control unit terminal 8 receives the signal.
- The back door control unit checks back door disable switch terminal 13 status and door position (must be fully opened), through rotary encoder and battery voltage.
- When the back door control unit receives the signal, if the auto back door operating enable conditions are met, it sends a signal through terminal 6 and grounds terminal 9 to sound the warning chime and sends a signal to the BCM through terminal 4 to flash the hazard lamps.
- The back door control unit supplies power to the magnetic clutch and the back door motor and move the back door in the close direction. (At this time, it also executes speed control, input reverse, and anti-pinch detection control.)
- When the back door reaches the half-latch state, the half-latch switch detects this and the signal is sent to the back door control unit terminal 22.
- When the back door control unit receives the half latch switch signal, it switches OFF the back door motor and the magnetic clutch and operates the cinch latch motor.
- When the back door latch operates and full close is detected through terminal 14 of the back door control unit, the cinch latch motor reverses to the neutral position and the back door auto closure operation ends and the door is fully closed.

## **Reversal**

- If the power liftgate switch, remote keyless entry switch or the back door close switch is pressed during back door power open and close operation, the back door will reverse direction.
- If the outside handle switch is pulled during power open or power close, the power back door will automatically stop and go to manual mode.

## **Anti-Pinch Function**

- During auto open or close operation, if an object is detected in the door's path, the back door operates in the reverse direction until fully closed or open to prevent pinching.
- During auto close operation, if an object is detected by the pinch strips in the door's path, the back door operates in the open direction until it is fully open.
- During auto cinch latch operation, if an object is detected by the pinch strips in the door's path, the back door operates depending on the back door disable switch position. If the back door disable switch is in the OFF position, the back door operates in the open direction until it is fully open. If the back door disable switch is in the ON position, the back door will reverse only until the latch is fully released.
- If the pinch strips are present but are not functioning properly (permanently sensing a pinch), the automatic back door system will operate in the open direction only.
- If the pinch strips are not connected to the automatic back door system, it will not operate.

## **Gas Stay Check**

- During each power open operation, the back door control unit monitors motor current draw to determine if the gas stays are functioning properly.
- If a failure of the gas stays is detected, the back door control unit will close the back door while sounding the warning chime.

## **Warning Functions**

- The warning chime is sounded according to the back door operating state, operations, and conditions.



# AUTOMATIC BACK DOOR SYSTEM

## Auto Back Door Operation Enable Conditions

Operation	Power liftgate switch		Remote keyless entry		Back door handle switch		Back door close switch
Operating direction	Fully closed → open	Fully open → closed	Fully closed → open	Fully open → closed	Fully closed → open	Fully open → closed	Fully open → closed
Disable switch	ON or OFF				OFF		OFF
Vehicle stop condition	A/T selector lever in P or N range and vehicle speed less than 2 km/h or ignition switch in OFF position	—	A/T selector lever in P or N range and vehicle speed less than 2 km/h or ignition switch in OFF position	—	A/T selector lever in P or N range and vehicle speed less than 2 km/h or ignition switch in OFF position	—	—
Battery voltage	Approx. 11V or more						
Back door lock status	—	—	—	—	Unlocked	—	—
Glass hatch	Closed						

## Control When Operating Enable Conditions Not Met During Power Open/Close

Items	Operation condition	Not met case	Control
A/T selector lever P position	P or N position with ignition ON or any position with ignition OFF	Other	Continue power open or close, but sounds warning chime.
Back door disable switch	OFF	ON	Cancels power open/close operation or door will release to manual mode.
Voltage drop	11V or more	11 > V > 9	
		9 > V > reset voltage	
		Reset voltage > V	No power function available
Handle switch	Normal (GND)	Error (OPEN)	No operation. Cancel power open/close release to manual.
Glass hatch	Closed	OFF	Cancels power door open operation, door will release to manual mode.

## Control When Operating Enable Conditions No Longer Met

Description	Operation	Control
Back door disable switch turned ON	Warning chime active → Shift to manual mode after full open or close operation is complete (Recovery to power mode when main switch turned OFF or door fully closed)	→ Shift to manual mode
A/T selector lever P or N position with ignition switch ON	Warning chime active and one-way operation continuous (Warning chime inactive and door fully open or fully closed or operating conditions recovered)	Full open: power close operation allowed Full close: operating conditions not met → no power open function.
Voltage drop 11 - 9V	One-way operation continued (equivalent to the case of starting voltage ← 11V for handle operation with warning chime active)	Not allowed
Voltage drop less than 9V (Microcomputer reset voltage - clutch hold voltage)	<ul style="list-style-type: none"> <li>● Motor stopped</li> <li>● Clutch may slip</li> <li>● Control not possible because microcomputer being reset</li> </ul>	Control not possible because microcomputer being reset

# AUTOMATIC BACK DOOR SYSTEM

## Warning Chime Active Conditions

The warning chime uses two types of audio warnings, a friendly chime and a warning chime. The friendly chime consists of dings lasting 0.66 seconds each immediately followed by the next ding. The warning chime consists of beeps lasting 0.33 seconds with a pause of 0.33 seconds between each beep.

Operation status	Operation or conditions	Warning chime pattern
When auto operation starts	Power liftgate switch operation	Friendly chime 2 seconds, 3 dings
	Remote keyless entry operation	
	Back door handle switch operation	
	Back door close switch operation	
When reverse operation starts	When reverse request is detected from power liftgate switch, remote keyless entry or back door close switch	Friendly chime 1.3 seconds, 2 dings
	When obstacle is detected	Warning chime 2 seconds, 3 beeps
Operating at low voltage	While opening or closing	Warning chime 2 seconds, 3 beeps
A/T selector lever not in P position	Back door close operation	Friendly chime Continuously dings
	Back door open operation	Warning chime Continuously beeps (until close operation is started)

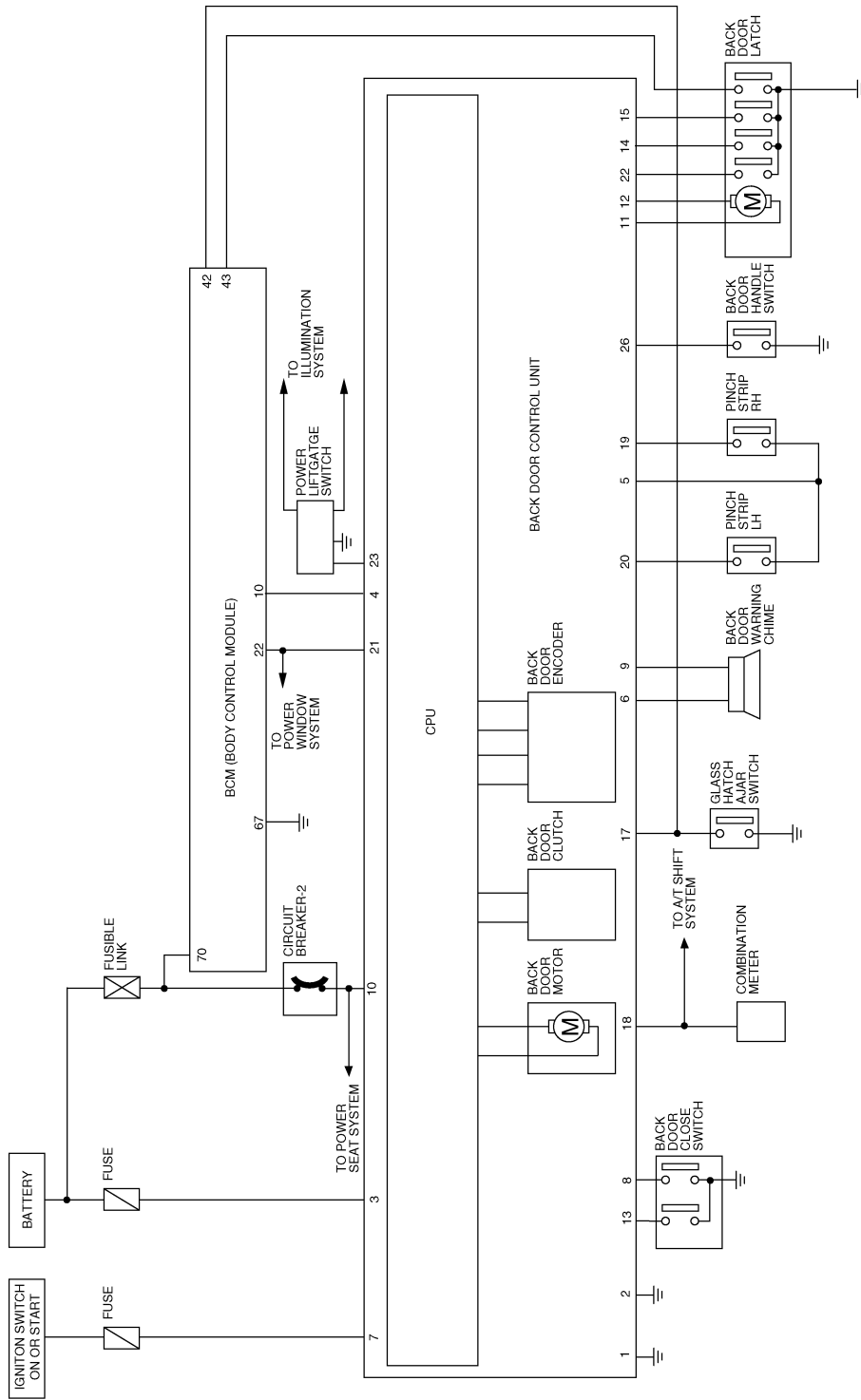
## Reverse Conditions

Type	Overload reverse
Operation covered	Both directions
Detection method	Operation speed and motor current change direction
	Pinch strips during back door close operation
Non-reversed area	<ul style="list-style-type: none"> <li>● For about 0.5 seconds immediately after drive motor operation starts</li> <li>● Between full open and approx. 7° from full open</li> <li>● Closure operation area (half switch - close switch)</li> </ul>
Number of times reverse allowed	One reversal is allowed (if a second obstacle is detected during a power open or close operation, the door reverts to manual mode).

# AUTOMATIC BACK DOOR SYSTEM

## Schematic

EIS002SW



A  
B  
C  
D  
E  
F  
G  
H  
BL  
J  
K  
L  
M

LIWA0454E

# AUTOMATIC BACK DOOR SYSTEM

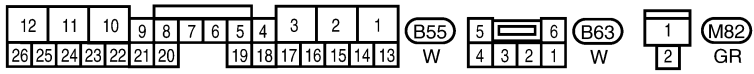
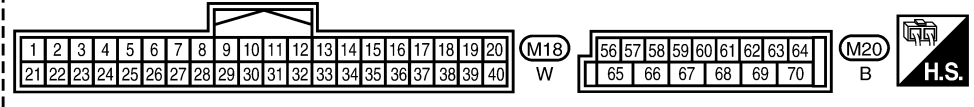
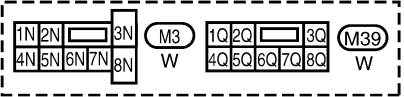
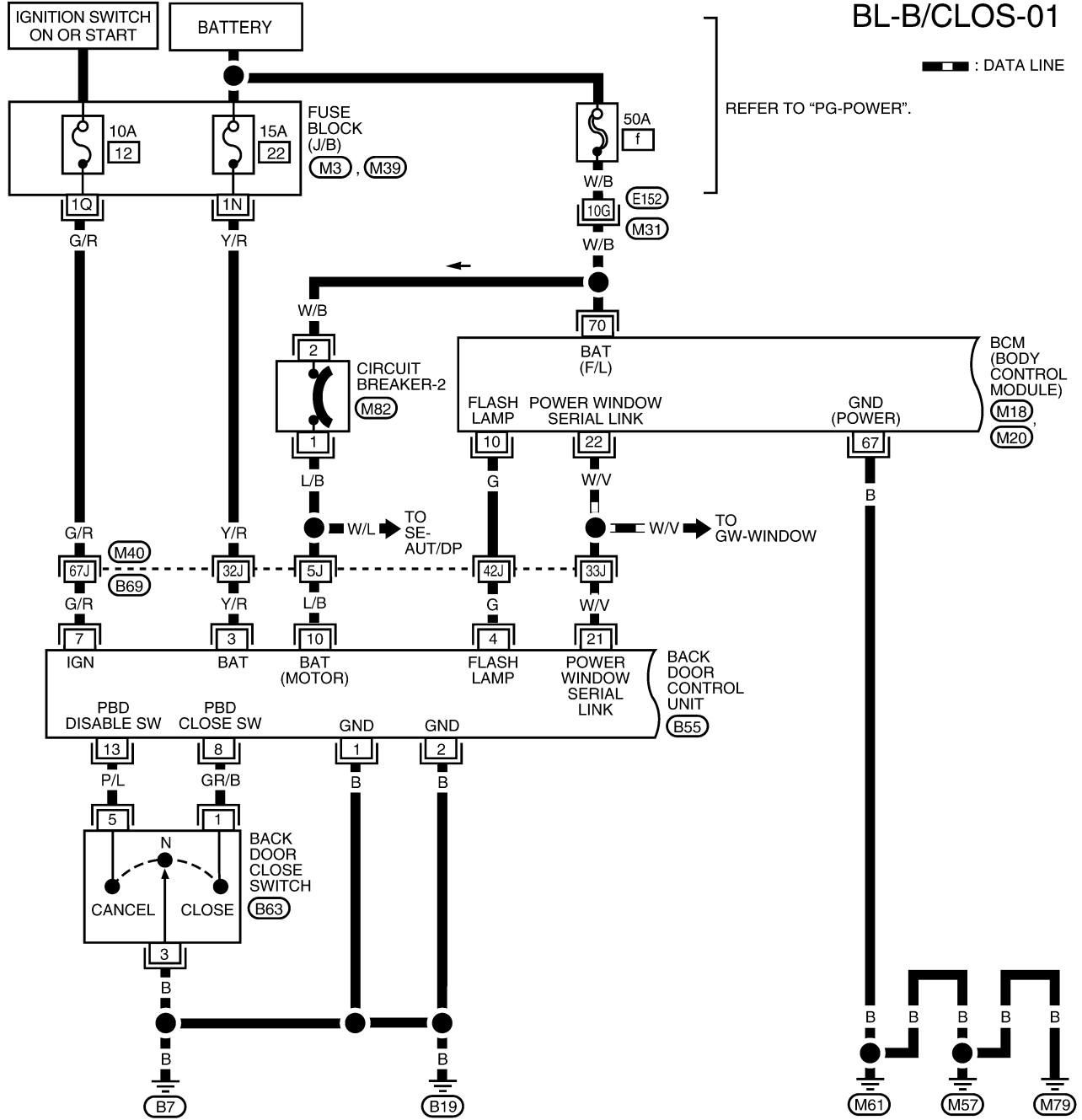
EIS002SX

## Wiring Diagram — B/CLOS —

**BL-B/CLOS-01**

— : DATA LINE

REFER TO "PG-POWER".

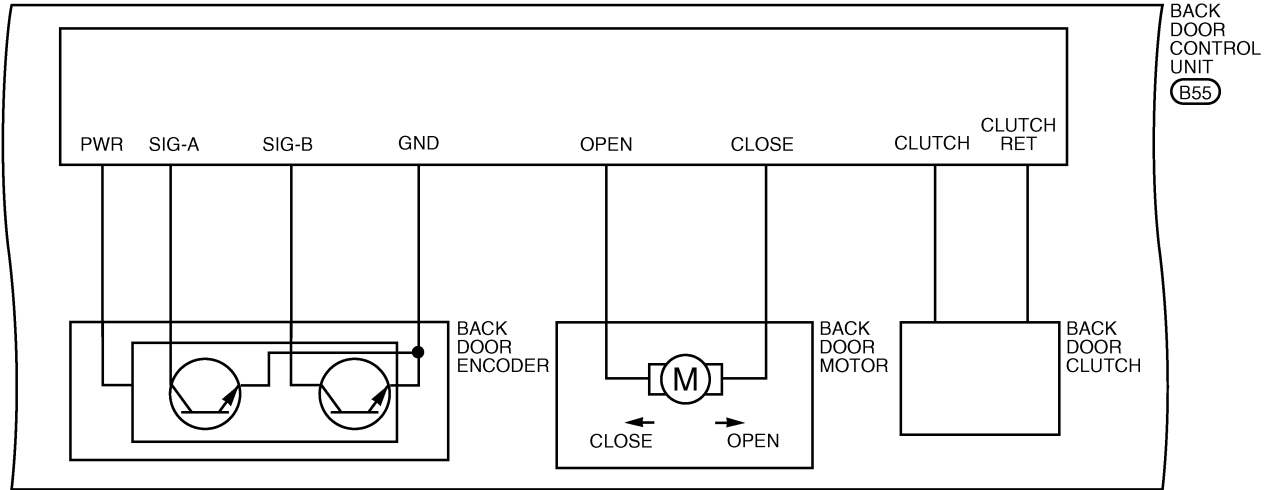


REFER TO THE FOLLOWING.  
 (M31), (M40) - SUPER  
 MULTIPLE JUNCTION (SMJ)

WIWA0863E

# AUTOMATIC BACK DOOR SYSTEM

BL-B/CLOS-02



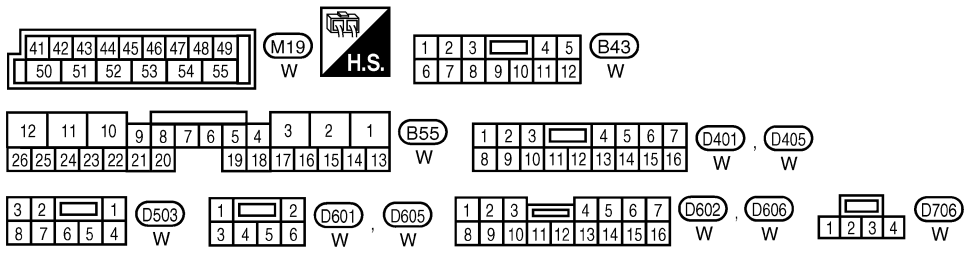
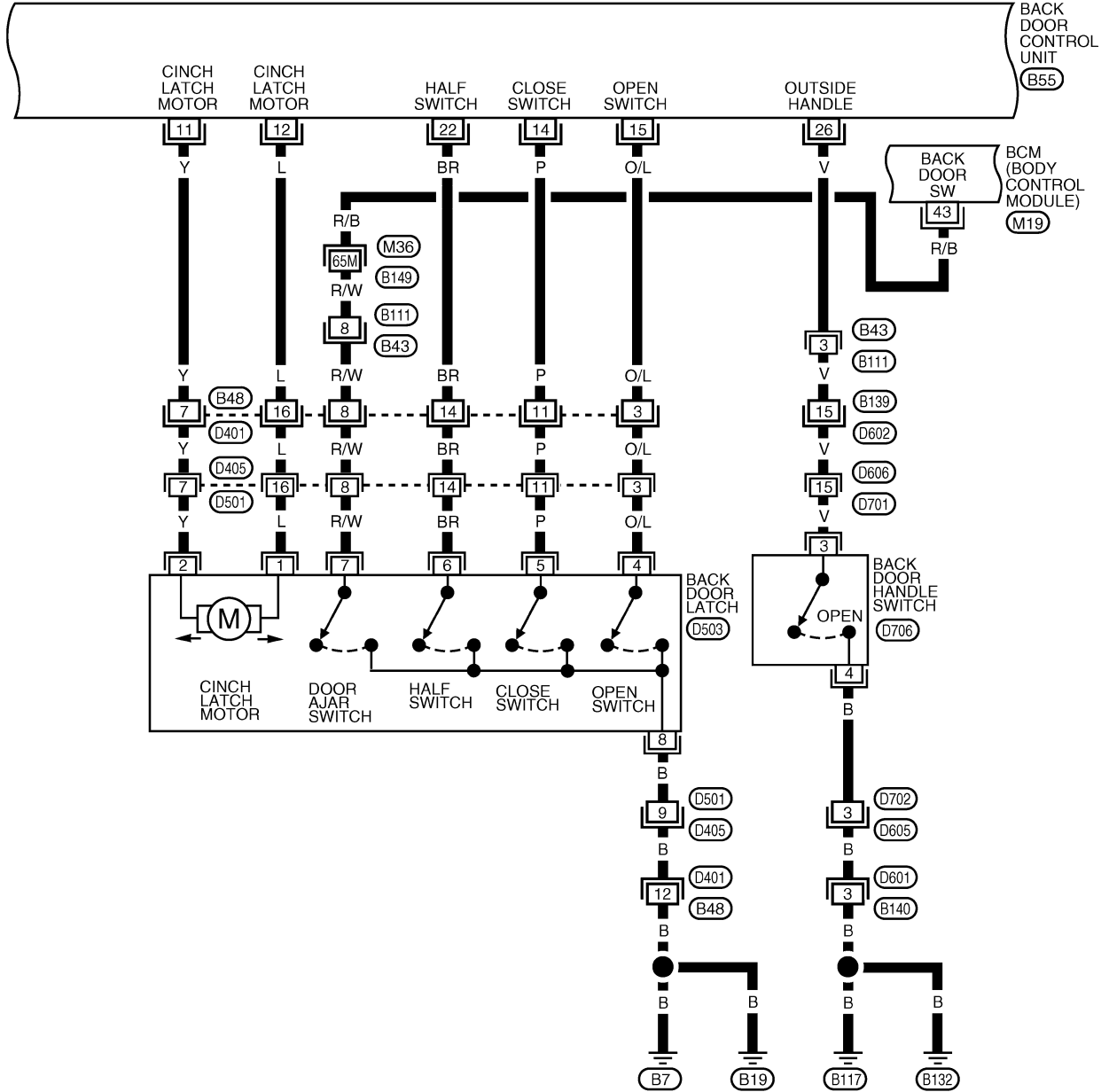
A  
B  
C  
D  
E  
F  
G  
H  
I  
J  
K  
L  
M

**BL**

WIWA0174E

# AUTOMATIC BACK DOOR SYSTEM

BL-B/CLOS-03



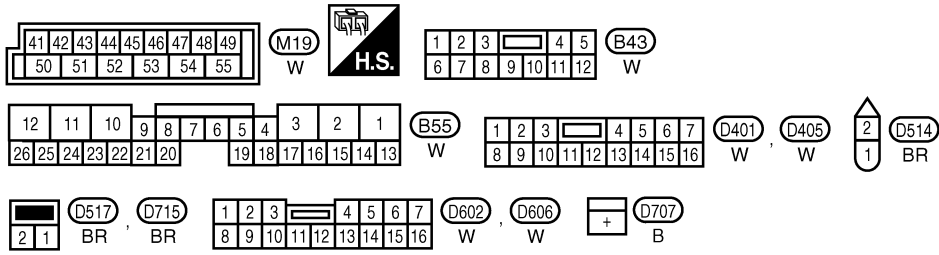
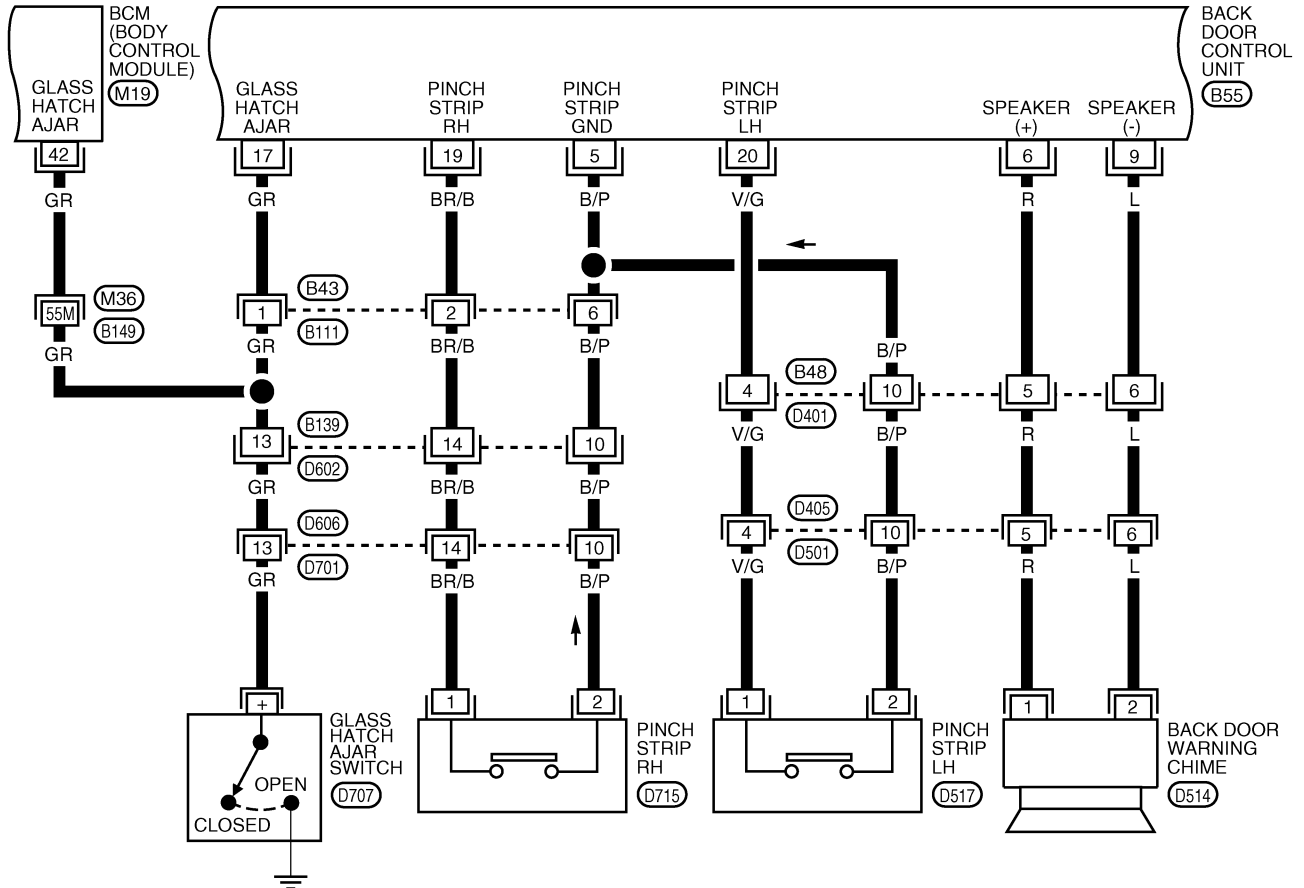
REFER TO THE FOLLOWING.  
**(M36)** - SUPER MULTIPLE JUNCTION (SMJ)

WIWA0175E

# AUTOMATIC BACK DOOR SYSTEM

BL-B/CLOS-04

A  
B  
C  
D  
E  
F  
G  
H  
BL  
J  
K  
L  
M

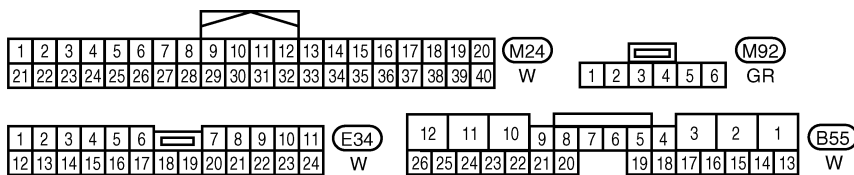
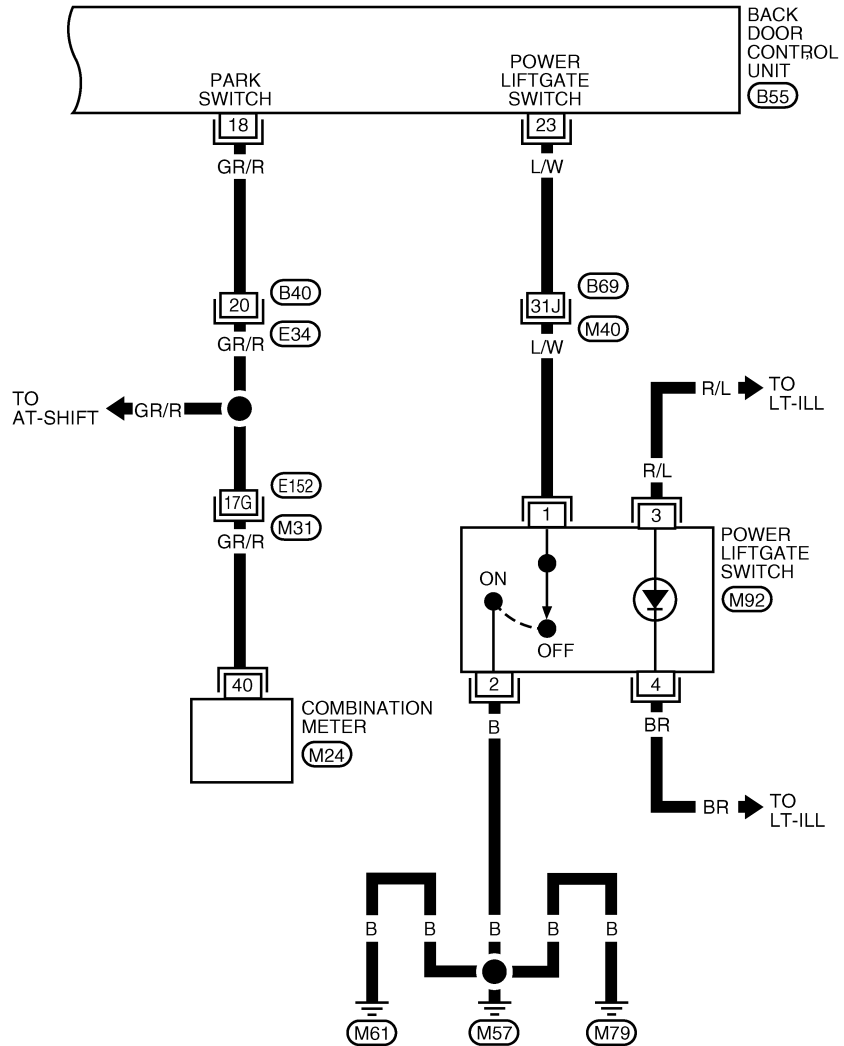


REFER TO THE FOLLOWING.  
 (M36) - SUPER  
 MULTIPLE JUNCTION (SMJ)

W1WA1077E

# AUTOMATIC BACK DOOR SYSTEM

BL-B/CLOS-05



REFER TO THE FOLLOWING.  
 (M31), (M40) - SUPER  
 MULTIPLE JUNCTION (SMJ)

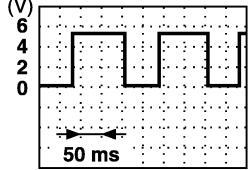
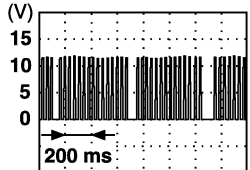
WIWA1078E



# AUTOMATIC BACK DOOR SYSTEM

## Terminals and Reference Value for Back Door Control Unit

EIS002SY

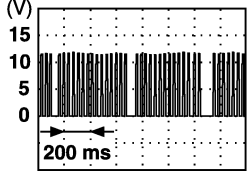
Terminal	Wire Color	Item	Condition	Voltage (V) (Approx.)
1	B	Ground	—	—
2	B	Ground	—	—
3	Y/R	Battery power supply	—	Battery voltage
4	G	Hazard lamp output	Request to flash hazards	Pulse must be >50ms but less than 250ms  <small>PIIA3278E</small>
5	B/P	Pinch strip ground	—	—
6	R	Warning chime output	Back door motor active	Battery voltage
7	G/R	Ignition switch	Ignition switch ON	Battery voltage
			Ignition switch OFF	0
8	GR/B	Back door close switch	Back door close switch ON	0
			Back door close switch OFF	5
9	L	Warning chime ground	—	—
10	W/L	Battery power supply	—	Battery voltage
11	Y	Cinch latch motor CLOSE output	Back door close operation	Battery voltage
12	L	Closure motor RETURN output	Back door release operation	Battery voltage
13	P/L	Back door cancel switch	Back door cancel switch ON	0
			Back door cancel switch OFF	5
14	P	Close switch signal	Back door close status	5
15	O/L	Open switch signal	Back door open status	5
17	GR	Glass hatch ajar signal	Glass hatch OPEN	0
			Glass hatch CLOSED	5
18	GR/R	Park switch	P or N position (Ignition is ON)	0
			Other (Ignition is ON)	5
19	BR/B	Pinch strip RH	Detecting obstruction	0
			Other	5
20	V/G	Pinch strip LH	Detecting obstruction	0
			Other	5
21	W/V	Power window serial link	—	 <small>PIIA2344E</small>
22	BR	Half switch signal	Back door half latch position	0
23	L/W	Power liftgate switch	ON	0
			OFF	5

# AUTOMATIC BACK DOOR SYSTEM

Terminal	Wire Color	Item	Condition	Voltage (V) (Approx.)
26	V	Back door handle switch signal	Handle operation	0
			Other	5

## Terminals and Reference Value for BCM

EIS002SZ

Terminal	Wire Color	Item	Condition	Voltage (V) (Approx.)
10	G	Hazard lamp flash input	Back door active	0
			Other	5
22	W/V	Power window serial link	—	 <p style="text-align: right; font-size: small;">PIIA2344E</p>
42	GR	Glass hatch ajar switch	Open	0
			Closed	5
43	R/B	Back door latch (door ajar switch)	Open	0
			Closed	5
67	B	Ground	—	0
70	W/B	Battery power supply	—	Battery voltage

# AUTOMATIC BACK DOOR SYSTEM

## Trouble Diagnosis Procedure

EIS00270

1. Check the symptom and customer's requests.
2. Understand outline of system. Refer to [BL-45, "System Description"](#) .
3. Confirm system operation.
4. Perform self-diagnosis procedures. Refer to [BL-115, "Self-Diagnosis Procedures"](#) .
5. Refer to diagnosis chart by symptom, repair or replace any malfunctioning parts. Refer to [BL-116, "Diagnosis Chart"](#) .
6. Inspection End.

## Self-Diagnosis Procedures INPUT SIGNAL CHECK MODE

EIS005X4

Input signal check mode allows testing of switch input signal to the back door control unit. To activate input signal check mode on the automatic back door, perform the following steps:

1. Turn ignition switch OFF.
2. Turn back door close switch to CANCEL (system cancelled).
3. Place A/T selector lever in P position.
4. Using the inside emergency release lever, open the back door.
5. Have an assistant press and hold the back door handle switch.
6. While the assistant continues to hold the back door handle switch, turn ignition switch ON (DO NOT start engine).
7. After approximately 5 seconds, the back door warning chime will sound for 0.5 seconds.
8. Release the back door handle switch.
9. Within 8 seconds of the back door warning chime sounding, press and hold the power liftgate switch.
10. After approximately 5 seconds, the back door warning chime will sound for 1 second.
11. Release the power liftgate switch.
12. The input signal check mode is now initialized.

The input signal check mode can test the following inputs. The back door warning chime will sound for approximately 0.5 seconds each time a switch signal input occurs. Use this test when one of these inputs is not responding during normal automatic back door operation.

Switch signal	Operation	Refer to
Power liftgate switch	OFF → ON	<a href="#">BL-118</a>
Back door close switch (CLOSE)	OFF → ON	<a href="#">BL-120</a>
Back door close switch (CANCEL)	OFF → ON	<a href="#">BL-121</a>
Back door handle switch	OFF → ON	<a href="#">BL-127</a>
Glass switch	OFF → ON	<a href="#">BL-36</a>
A/T device (park switch)	P position → other than P position	<a href="#">AT-191</a>
Vehicle speed*	Vehicle speed	<a href="#">AT-68</a>
Remote keyless entry signal	Keyfob switch OFF → ON	<a href="#">BL-66</a>
Door lock/unlock signal	LOCK → UNLOCK	<a href="#">BL-34</a>
Pinch strip LH signal	OFF → ON	<a href="#">BL-122</a>
Pinch strip RH signal	OFF → ON	<a href="#">BL-122</a>

\*Back door warning chime should sound as soon as vehicle moves.  
Turn ignition switch OFF to end input signal check mode.

## OPERATING CHECK MODE

Operating check mode allows self-diagnosis of the automatic back door system. To activate operating check mode on the automatic back door, perform the following steps:

1. Turn ignition switch OFF.
2. Turn back door close switch to CANCEL (system cancelled).
3. Place A/T selector lever in P position.

# AUTOMATIC BACK DOOR SYSTEM

4. Using the inside emergency release lever, open the back door.
5. Have an assistant press and hold the back door handle switch.
6. While the assistant continues to hold the back door handle switch, turn ignition switch ON (DO NOT start engine).
7. After approximately 5 seconds, the back door warning chime will sound for 0.5 seconds.
8. Release the back door handle switch.
9. Within 8 seconds of the back door warning chime sounding, press the power liftgate switch 5 times in rapid succession.
10. After approximately 5 seconds, the back door warning chime will sound for 1 second.
11. Release the power liftgate switch.
12. Immediately close the back door manually.
13. Press and release the power liftgate switch to activate operating check mode.

Self-diagnosis results are indicated by the back door warning chime.

Back door warning chime order	Back door warning chime length	
Start self-diagnosis	1.5 seconds	
	OK	NG
1. Operating conditions diagnosis	0.5 seconds	0.2 seconds
2. Back door encoder diagnosis	0.5 seconds	0.2 seconds
3. Back door clutch diagnosis	0.5 seconds	0.2 seconds
4. Back door motor diagnosis	0.5 seconds	0.2 seconds
5. Cinch latch motor diagnosis	0.5 seconds	0.2 seconds
Restart self-diagnosis	1.5 seconds	

Item	NG Result	Refer to
1. Operating conditions diagnosis result	One of the following operating conditions no longer met: ignition switch ON, back door close switch (CANCEL) ON, A/T selector lever in P position	—
2. Back door encoder diagnosis result	Sensor diagnosis/short, pulse signal, pulse signal direction	<a href="#">BL-117</a>
3. Back door clutch diagnosis result	Back door clutch does not operate	<a href="#">BL-124</a>
4. Back door motor diagnosis result	Back door motor does not operate (no operating current)	<a href="#">BL-117</a>
5. Cinch latch motor diagnosis result	Cinch latch motor does not operate (no operating current)	<a href="#">BL-128</a>

Turn ignition switch OFF to end input signal check mode.

## Diagnosis Chart

EIS002T1

Symptom	Suspect systems	Refer to
Automatic operations are not executed from the back door fully closed or fully open position. (Auto closure operates normally.)	Power liftgate switch system inspection	<a href="#">BL-118</a>
	Park switch	—
	Power window serial link	<a href="#">BL-114</a>
	Pinch strip system inspection	<a href="#">BL-122</a>
Automatic operations are not carried out together with open/close operations. (Manual operations are normal.)	Power liftgate switch system inspection	<a href="#">BL-118</a>
	Back door close switch system inspection	<a href="#">BL-120</a>
	Auto back door power supply and ground circuit system inspection.	<a href="#">BL-117</a>
The auto closure function does not operate. (Stops at the halfway position for auto closing operations.)	Pinch strip system inspection	<a href="#">BL-122</a>

# AUTOMATIC BACK DOOR SYSTEM

Symptom	Suspect systems	Refer to
During auto closing operations, if obstruction is detected, the door does not operate in reverse.	Back door motor assembly	—
During close or cinch operations, the door does not operate in reverse if the back door handle is operated.	Handle switch system	<a href="#">BL-127</a>
When the keyfob is operated, the back door does not operate automatically.	Remote keyless entry system inspection	<a href="#">BL-44</a>
	Power window serial link	<a href="#">BL-114</a>
	Pinch strip system inspection	<a href="#">BL-122</a>
Auto closure does not operate.	Half-latch switch system	<a href="#">BL-124</a>
	Cinch latch motor system	<a href="#">BL-128</a>
	Handle switch system	<a href="#">BL-127</a>
The back door does not open. (Closure motor rotation is not reversed.)	Open switch system	<a href="#">BL-125</a>
	Handle switch system	<a href="#">BL-127</a>
Warning chime does not sound.	Back door warning chime system	<a href="#">BL-123</a>
Auto closure operation works, but the back door is not fully closed	Close switch system	<a href="#">BL-126</a>
	Handle switch system	<a href="#">BL-127</a>
	Cinch latch motor system	<a href="#">BL-128</a>
	Back door latch assembly mechanism damaged or worn.	—

## Back Door Power Supply and Ground Circuit Inspection

EIS00272

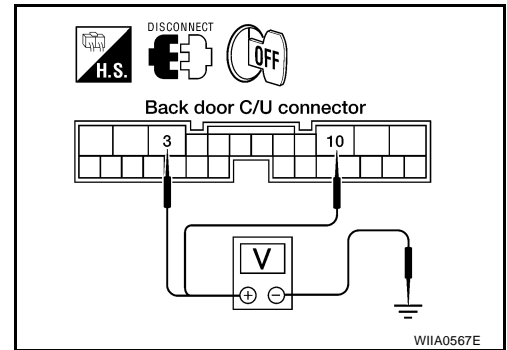
### 1. BACK DOOR POWER SUPPLY CIRCUIT INSPECTION

- Turn ignition switch OFF.
- Disconnect back door control unit.
- Check voltage between back door control unit connector B55 terminals 3, 10 and ground.

**3 (Y/R) - Ground : Approx. battery voltage**  
**10 (L/B) - Ground : Approx. battery voltage**

OK or NG

- OK >> GO TO 2.  
 NG >> Repair or replace harness.



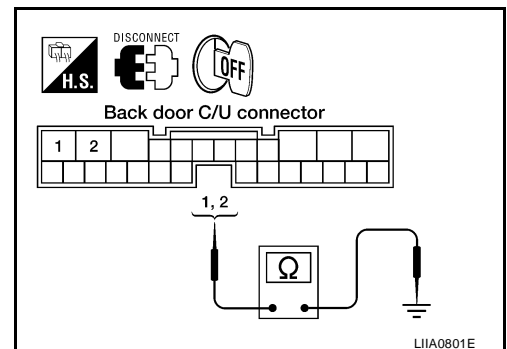
### 2. BACK DOOR GROUND CIRCUIT INSPECTION

Check continuity between back door control unit connector B55 terminal 1, 2 and ground.

**1 (B) - Ground : Continuity should exist.**  
**2 (B) - Ground : Continuity should exist.**

OK or NG

- OK >> Circuit is OK.  
 NG >> Repair or replace harness.



# AUTOMATIC BACK DOOR SYSTEM

EIS002T3

## Power Liftgate Switch System Inspection

### 1. POWER LIFTGATE SWITCH FUNCTION INSPECTION

Check power liftgate switch using switch operation.

OK or NG

- OK >> Power liftgate switch is OK.
- NG >> GO TO 2.

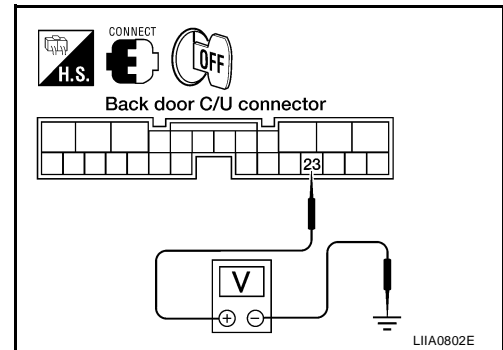
### 2. POWER LIFTGATE SWITCH POWER SUPPLY CIRCUIT INSPECTION

1. Turn ignition switch OFF.
2. While operating the power liftgate switch, check voltage between back door control unit connector B55 terminal 23 and ground.

Connector terminal (Wire color)		Condition	Voltage (V) (Approx.)
(+)	(-)		
23 (L/W)	Ground	Power liftgate switch ON	0
		Power liftgate switch OFF	5

OK or NG

- OK >> Switch is OK.
- NG >> GO TO 3.



### 3. POWER LIFTGATE SWITCH CIRCUIT INSPECTION

1. Disconnect power liftgate switch and back door control connector.
2. Check continuity between back door control unit connector (A) B55 terminal 23 and power liftgate switch connector (B) M92 terminal 1.

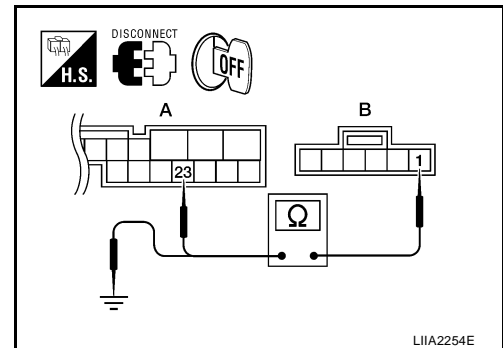
**1 (L/W) - 23 (L/W) : Continuity should exist.**

3. Check continuity between power liftgate switch connector (B) M92 terminal 1 and ground.

**1 (L/W) - ground : Continuity should not exist.**

OK or NG

- OK >> GO TO 5.
- NG >> Repair or replace harness.



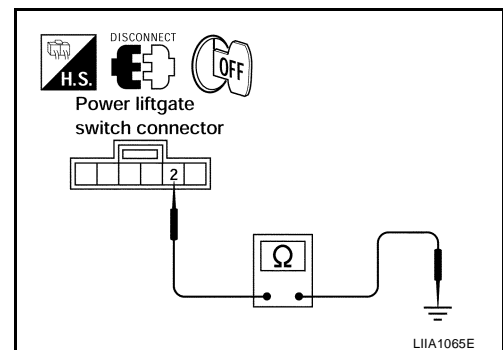
### 4. POWER LIFTGATE SWITCH GROUND INSPECTION

Check continuity between power liftgate switch connector terminal 2 and ground.

**2 (B) - Ground : Continuity should exist.**

OK or NG


- OK >> Replace the power liftgate switch.
- NG >> Repair or replace harness.



# AUTOMATIC BACK DOOR SYSTEM

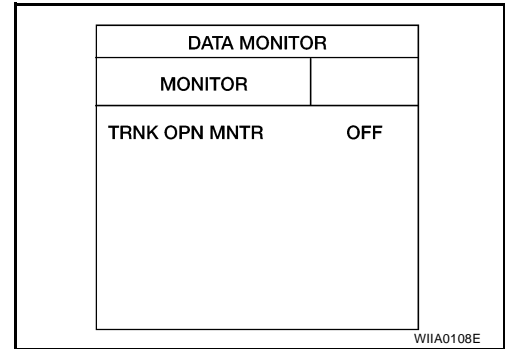
## GLASS HATCH AJAR SWITCH CHECK

### 1. CHECK GLASS HATCH AJAR SWITCH INPUT SIGNAL

 With CONSULT-II

Check glass hatch ajar switch ("TRNK OPN MNTR") in DATA MONITOR mode with CONSULT-II. Refer to [BL-27, "DATA MONITOR"](#).

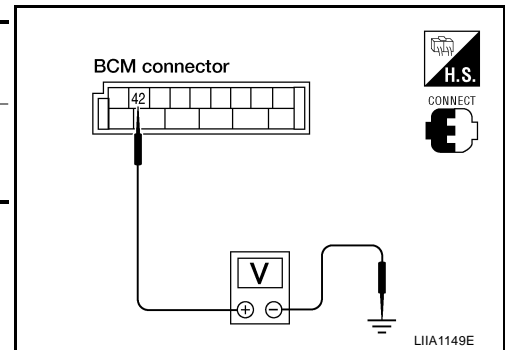
- When glass hatch is open:  
**TRNK OPN MNTR : ON**
- When glass hatch is closed:  
**TRNK OPN MNTR : OFF**



 Without CONSULT-II

Check voltage between BCM connector M19 terminal 42 and ground.

Connector	Item	Terminals (Wire color)		Condition	Voltage (V) (Approx.)
		(+)	(-)		
M19	BCM	42 (GR)	Ground	Open ↓ Closed	0 ↓ 5



OK or NG

- OK >> System is OK.
- NG >> GO TO 2.

### 2. CHECK GLASS HATCH AJAR SWITCH CIRCUIT

- Turn ignition switch OFF.
- Disconnect glass hatch ajar switch, BCM and back door control unit.
- Check continuity between glass hatch ajar switch connector D707 terminal + and BCM connector M19 terminal 42.

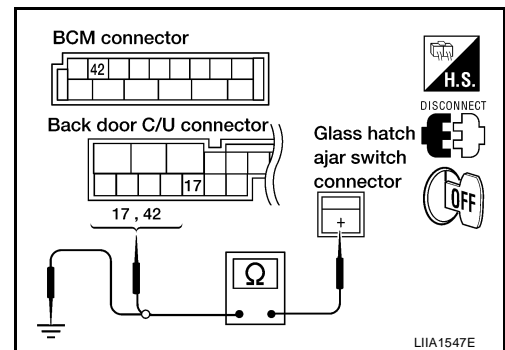
**+ (GR) - 42 (GR) : Continuity should exist**

- Check continuity between glass hatch ajar switch connector D707 terminal + and back door control unit connector B55 terminal 17.

**+ (GR) - 17 (GR) : Continuity should exist**

- Check continuity between glass hatch ajar switch connector D707 terminal + and ground.

**+ (GR) - Ground : Continuity should not exist**



OK or NG

- OK >> GO TO 3.
- NG >> Repair or replace harness.

# AUTOMATIC BACK DOOR SYSTEM

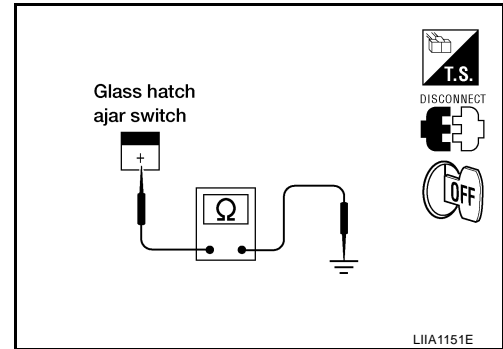
## 3. CHECK GLASS HATCH AJAR SWITCH

Check continuity between glass hatch ajar switch connector terminal and ground.

	Terminal	Condition	Continuity
Glass hatch ajar switch	+ - Ground	Open	Yes
		Closed	No

OK or NG

- OK >> Check glass hatch ajar switch case ground.
- NG >> Replace glass hatch ajar switch.



## Back Door Close (Close) Switch System Inspection

EIS002T4

### 1. BACK DOOR CLOSE SWITCH FUNCTION INSPECTION

Check back door close (close) switch using switch operation.

OK or NG

- OK >> Back door close switch is OK.
- NG >> GO TO 2.

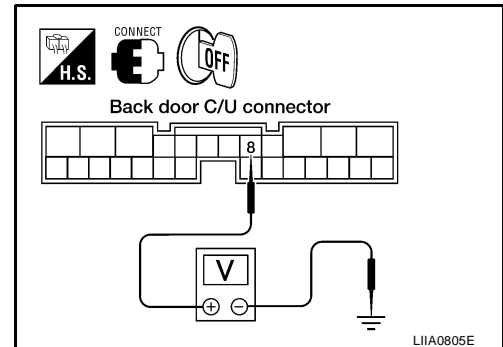
### 2. BACK DOOR CLOSE SWITCH SIGNAL INSPECTION

1. Turn ignition switch OFF.
2. While operating the back door close switch, check voltage between back door control unit connector B55 terminal 8 and ground.

Connector terminal (Wire color)		Position of back door close switch		Voltage (V) (Approx.)
(+)	(-)	Momentary close position		
8 (GR/B)	Ground		ON	0
		OFF	5	

OK or NG

- OK >> Switch is OK.
- NG >> GO TO 3.



### 3. BACK DOOR CLOSE SWITCH CIRCUIT INSPECTION

1. Disconnect back door close switch and back door control unit connector.
2. Check continuity between back door control unit connector (A) B55 terminal 8 and back door close switch connector (B) B63 terminal 1.

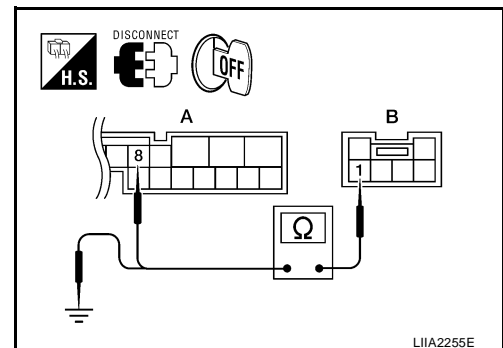
**1 (GR/B) - 8 (GR/B) : Continuity should exist.**

3. Check continuity between back door close switch connector (B) B63 terminal 1 and ground.

**1 (GR/B) - Ground : Continuity should not exist.**

OK or NG

- OK >> GO TO 4.
- NG >> Repair or replace harness.





# AUTOMATIC BACK DOOR SYSTEM

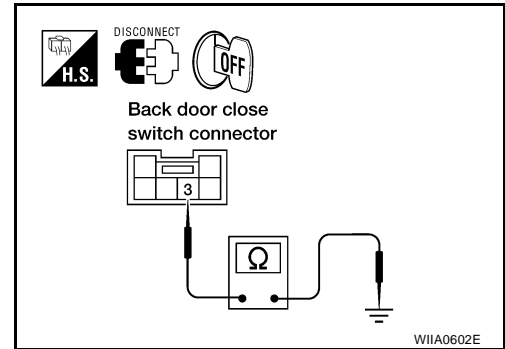
## 4. BACK DOOR CLOSE SWITCH GROUND INSPECTION

Check continuity between back door close switch connector B63 terminal 3 and ground.

**3 (B) - Ground : Continuity should exist.**

OK or NG

- OK >> Replace the back door close switch.
- NG >> Repair or replace harness.



## Back Door Close (Cancel) Switch System Inspection

EIS00275

### 1. BACK DOOR CLOSE SWITCH FUNCTION INSPECTION

Check back door close (cancel) switch using switch operation.

OK or NG

- OK >> Back door close switch is OK.
- NG >> GO TO 2.

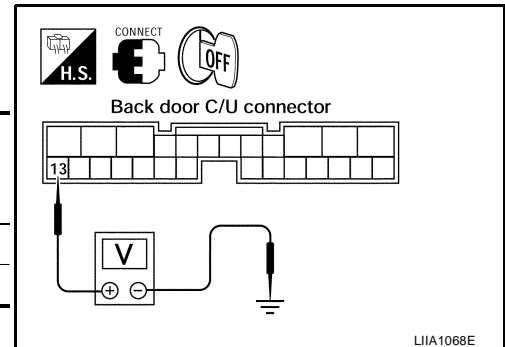
### 2. BACK DOOR CLOSE (CANCEL) SWITCH SIGNAL INSPECTION

1. Turn ignition switch OFF.
2. While operating the back door close (cancel) switch, check voltage between back door control unit connector B55 terminal 13 and ground.

Connector terminal (Wire color)		Position of back door close switch		Voltage (V) (Approx.)
(+)	(-)			
13 (P/L)	Ground	Cancel position	ON	0
			OFF	5

OK or NG

- OK >> Switch is OK.
- NG >> GO TO 3.



### 3. BACK DOOR CLOSE (CANCEL) SWITCH CIRCUIT INSPECTION

1. Disconnect back door close switch and back door control unit connector.
2. Check continuity between back door control unit connector (A) B55 terminal 13 and back door close switch connector (B) B63 terminal 5.

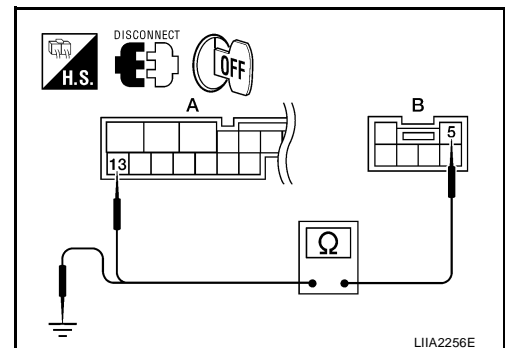
**5 (P/L) - 13 (P/L) : Continuity should exist.**

3. Check continuity between back door close switch connector (B) B63 terminal 5 and ground.

**5 (P/L) - ground : Continuity should not exist.**

OK or NG

- OK >> GO TO 4.
- NG >> Repair or replace harness.



# AUTOMATIC BACK DOOR SYSTEM

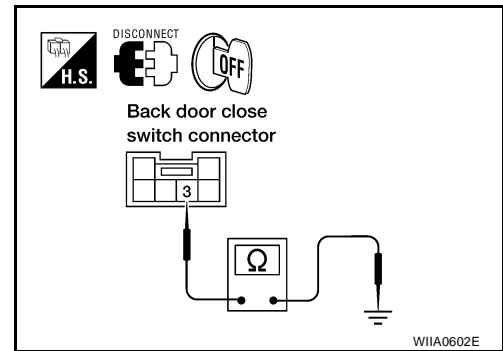
## 4. BACK DOOR CLOSE SWITCH GROUND INSPECTION

Check continuity between back door close switch connector B63 terminal 3 and ground.

**3 (B) - Ground : Continuity should exist.**

OK or NG

- OK >> Replace the back door close switch.
- NG >> Repair or replace harness.



EIS002T6

## Pinch Strip System Inspection

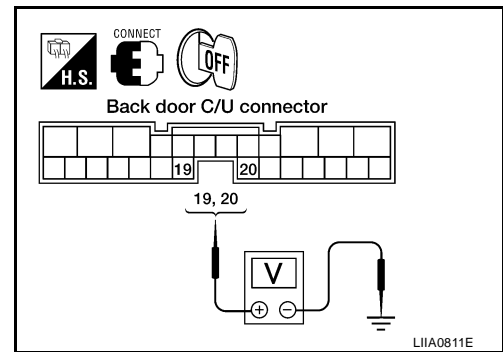
### 1. PINCH STRIP SIGNAL INSPECTION

- Turn ignition switch OFF.
- While operating the pinch strip, check voltage between back door control unit connector B55 terminals 19, 20 and ground.

Connector terminal (Wire color)		Condition	Voltage (V) (Approx.)
(+)	(-)		
19 (BR/B) 20 (V/G)	Ground	Pinch strip operation	0
		Other	5

OK or NG

- OK >> Switch is OK.
- NG >> GO TO 2.



### 2. PINCH STRIP CIRCUIT INSPECTION

- Disconnect pinch strip and back door control unit.
- Check continuity between back door control unit connector (A) B55 terminal 5, 19 (RH), 20 (LH) and pinch strip connector (B) D715 (RH), D517 (LH) terminals 1, 2.

**1 (BR/B) - 19 (BR/B) : Continuity should exist.**

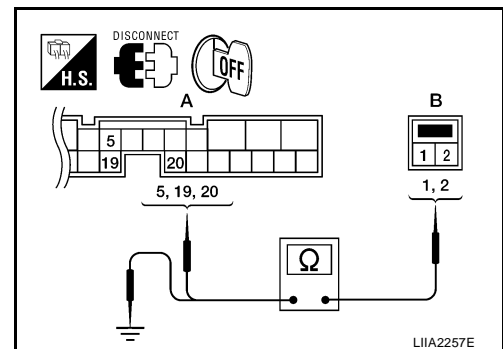
**1 (V/G) - 20 (V/G) : Continuity should exist.**

**2 (B/P) - 5 (B/P) : Continuity should exist.**

- Check continuity between pinch strip connector (B) D715 (RH), D517 (LH) terminal 1 and ground.

**1 (BR/B) - ground : Continuity should not exist.**

**1 (V/G) - ground : Continuity should not exist.**



OK or NG

- OK >> GO TO 3.
- NG >> Repair the harness between the pinch strip and the back door control unit.

# AUTOMATIC BACK DOOR SYSTEM

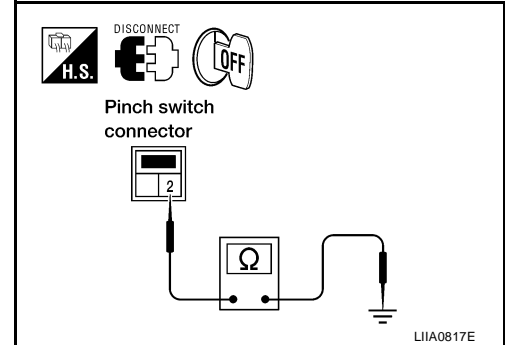
## 3. PINCH STRIP GROUND INSPECTION

1. Connect back door control unit.
2. Check continuity between pinch strip connector terminal 2 and ground.

**2 (B/P) - Ground : Continuity should exist.**

OK or NG

- OK >> Replace the pinch strip.  
NG >> Repair or replace harness.



## Back Door Warning Chime System Inspection

### 1. BACK DOOR WARNING CHIME CIRCUIT INSPECTION

1. Disconnect back door warning chime and back door control unit.
2. Check continuity between back door control unit connector (A) B55 terminal 6 and back door warning chime connector (B) D514 terminal 1.

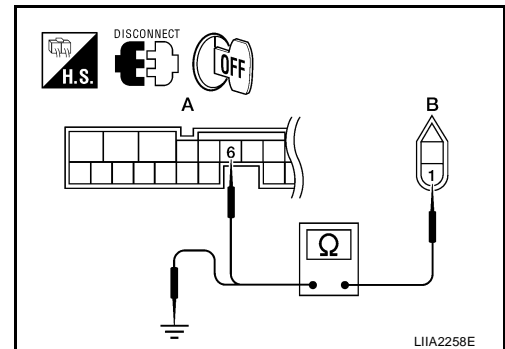
**1 (R) - 6 (R) : Continuity should exist.**

3. Check continuity between back door warning chime connector (B) D514 terminal 1 and ground.

**1 (R) - ground : Continuity should not exist.**

OK or NG

- OK >> GO TO 2.  
NG >> Repair or replace harness.



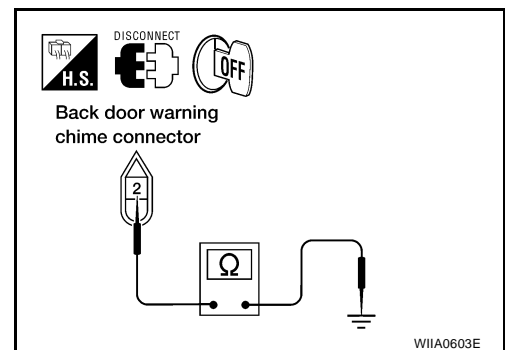
### 2. WARNING CHIME CIRCUIT INSPECTION

1. Connect back door control unit.
2. Check continuity between warning chime connector D514 terminal 2 and ground.

**2 (L) - Ground : Continuity should exist.**

OK or NG

- OK >> Replace warning chime.  
NG >> Repair or replace harness.



A  
B  
C  
D  
E  
F  
G  
H  
BL  
J  
K  
L  
M

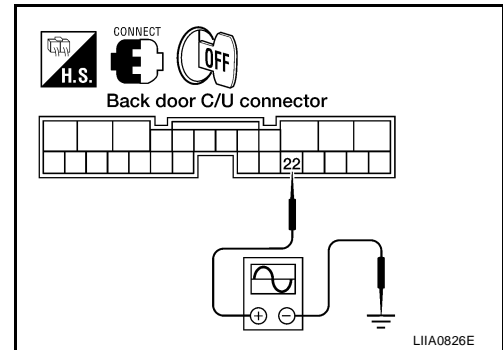
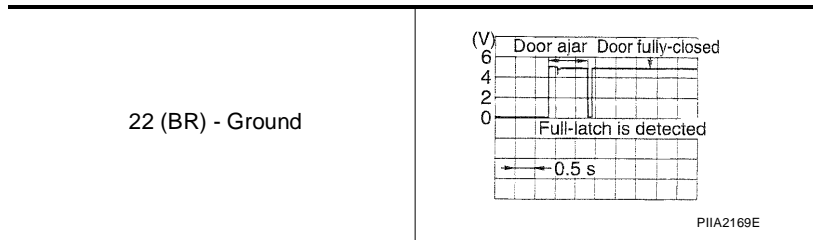
# AUTOMATIC BACK DOOR SYSTEM

EIS00278

## Half-Latch Switch System Inspection

### 1. HALF-LATCH SWITCH SIGNAL INSPECTION

1. Turn ignition switch OFF.
2. While fully opening and closing the back door, check voltage between back door control unit connector B55 terminal 22 and ground.



OK or NG

- OK >> Half-latch switch is OK.  
NG >> GO TO 2.

### 2. HALF-LATCH SWITCH CIRCUIT INSPECTION

1. Disconnect back door latch and back door control unit connector.
2. Check continuity between back door control unit connector (A) B55 terminal 22 and back door latch (half-latch switch) connector (B) D503 terminal 6.

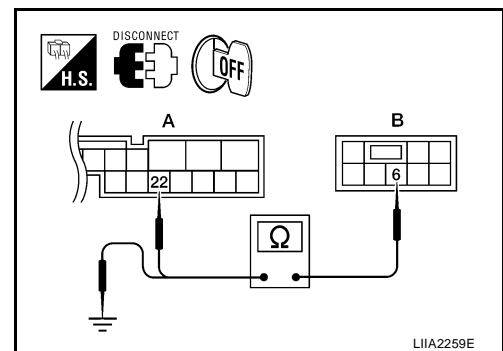
**6 (BR) - 22 (BR) : Continuity should exist.**

3. Check continuity between back door latch (half-latch switch) connector (B) D503 terminal 6 and ground.

**6 (BR) - 22 (BR) : Continuity should not exist.**

OK or NG

- OK >> GO TO 3.  
NG >> Repair or replace harness.



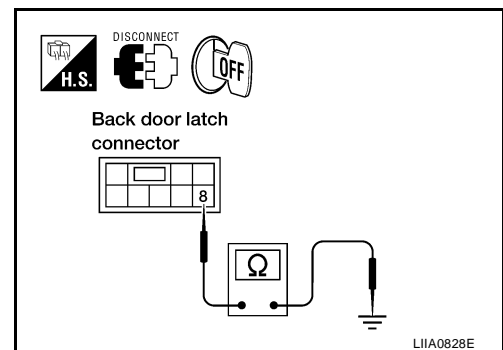
### 3. HALF-LATCH SWITCH GROUND INSPECTION

Check continuity between back door latch (half-latch switch) connector D503 terminal 8 and ground.

**8 (B) - Ground : Continuity should exist.**

OK or NG

- OK >> Replace the back door latch.  
NG >> Repair or replace harness.



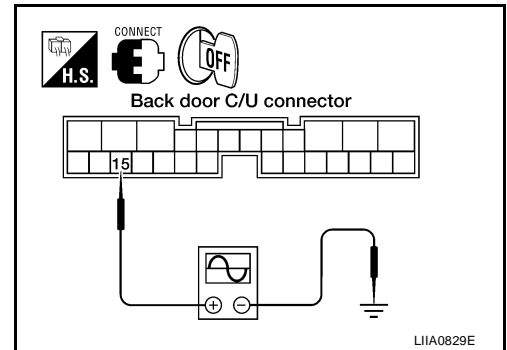
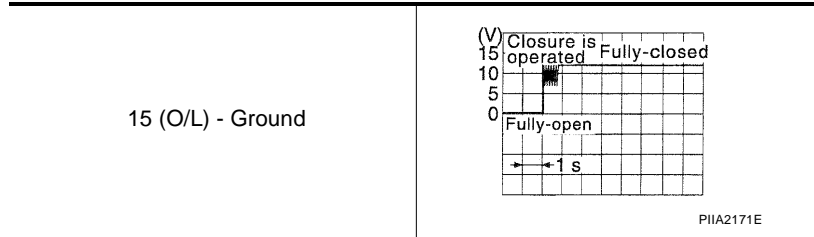
# AUTOMATIC BACK DOOR SYSTEM

EIS00279

## Open Switch System Inspection

### 1. OPEN SWITCH SIGNAL INSPECTION

1. Turn ignition switch OFF.
2. While fully closing and opening the back door, check voltage between back door control unit connector B55 terminal 15 and ground.



OK or NG

- OK >> Open switch is OK.  
 NG >> GO TO 2.

### 2. OPEN SWITCH CIRCUIT INSPECTION

1. Disconnect back door latch and back door control unit connector.
2. Check continuity between back door control unit connector (A) B55 terminal 15 and back door latch (open switch) connector (B) D503 terminal 4.

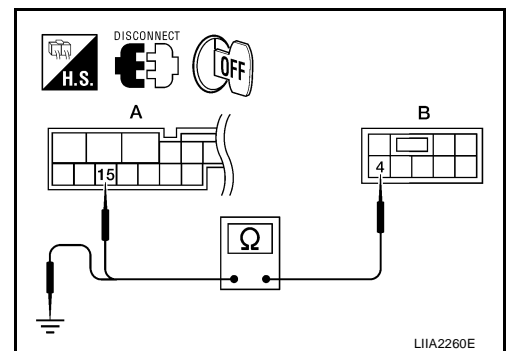
**4 (O/L) - 15 (O/L) : Continuity should exist.**

3. Check continuity between back door latch (open switch) connector (B) D503 terminal 4 and ground.

**4 (O/L) - ground : Continuity should not exist.**

OK or NG

- OK >> GO TO 3.  
 NG >> Repair or replace harness.



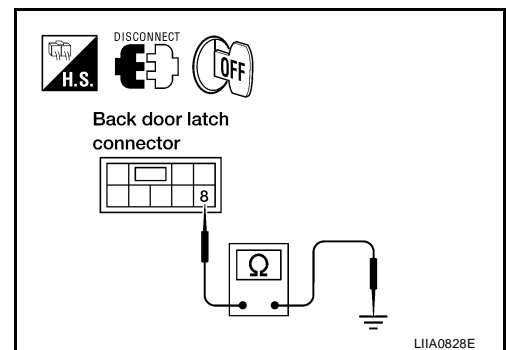
### 3. OPEN SWITCH GROUND INSPECTION

Check continuity between back door latch (open switch) connector D503 terminal 8 and ground.

**8 (B) - Ground : Continuity should exist.**

OK or NG

- OK >> Replace the back door latch.  
 NG >> Repair or replace harness.



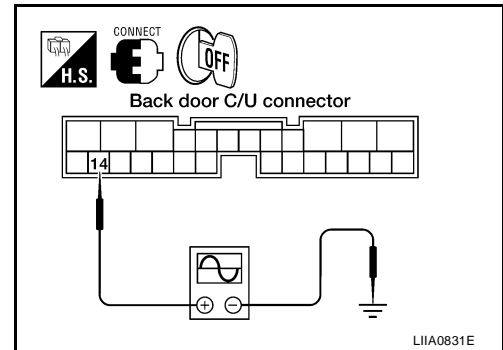
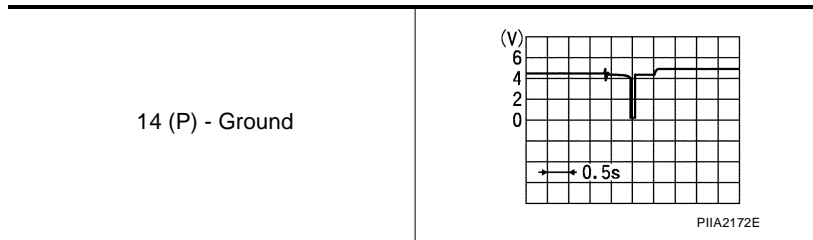
# AUTOMATIC BACK DOOR SYSTEM

EIS0027A

## Close Switch System Inspection

### 1. CLOSE SWITCH SIGNAL INSPECTION

1. Turn ignition switch OFF.
2. While fully opening and closing the back door, check voltage between back door control unit connector B55 terminal 14 and ground.



OK or NG

- OK >> Close switch is OK.  
NG >> GO TO 2.

### 2. CLOSE SWITCH CIRCUIT INSPECTION

1. Disconnect back door latch and back door control unit.
2. Check continuity between back door control unit connector (A) B55 terminal 14 and back door latch (close switch) connector (B) D503 terminal 5.

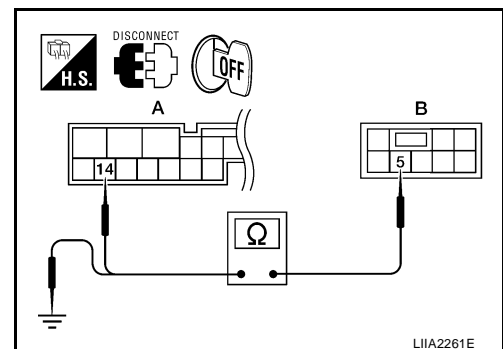
**5 (P) - 14 (P) : Continuity should exist.**

3. Check continuity between back door latch (close switch) connector (B) D503 terminal 5 and ground.

**5 (P) - ground : Continuity should not exist.**

OK or NG

- OK >> GO TO 3.  
NG >> Repair or replace harness.



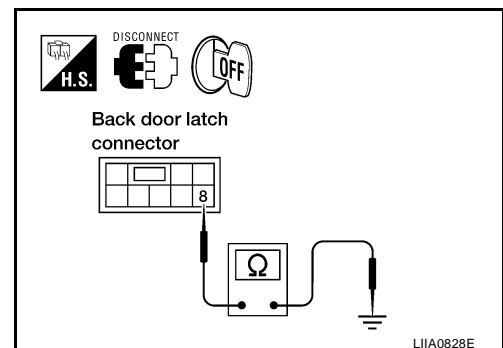
### 3. CLOSE SWITCH GROUND INSPECTION

Check continuity between back door latch (close switch) connector D503 terminal 8 and ground.

**8 (B) - Ground : Continuity should exist.**

OK or NG

- OK >> Replace the back door latch.  
NG >> Repair or replace harness.



# AUTOMATIC BACK DOOR SYSTEM

EIS002TB

## Back Door Handle Switch System Inspection

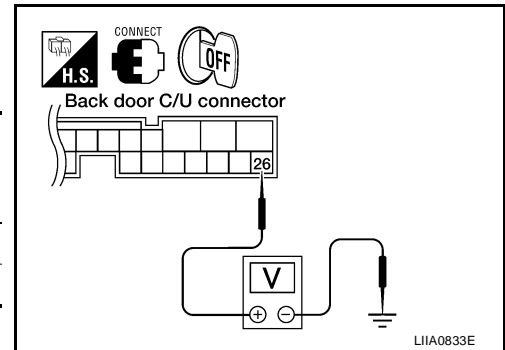
### 1. BACK DOOR HANDLE SWITCH SIGNAL INSPECTION

1. Turn ignition switch OFF.
2. While operating the back door handle switch, check voltage between back door control unit connector B55 terminal 26 and ground.

Connector terminal (Wire color)		Condition	Voltage (V) (Approx.)
(+)	(-)		
26 (V)	Ground	Back door handle switch (ON)	0
		Other (OFF)	5

#### OK or NG

- OK >> Switch is OK.  
 NG >> GO TO 2.



### 2. BACK DOOR HANDLE SWITCH CIRCUIT INSPECTION

1. Disconnect back door handle switch and back door control unit.
2. Check continuity between back door control unit connector (A) B55 terminal 26 and back door handle switch connector (B) D706 terminal 3.

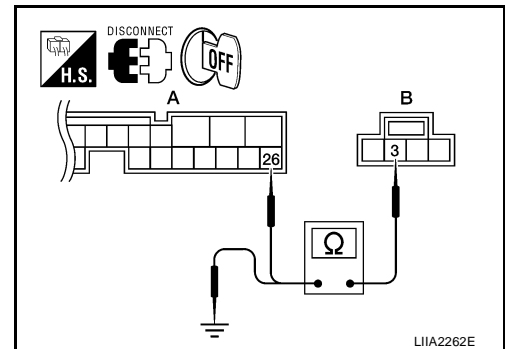
**3 (V) - 26 (V) : Continuity should exist.**

3. Check continuity between back door handle switch connector (B) D706 terminal 3 and ground.

**3 (V) - 26 (V) : Continuity should not exist.**

#### OK or NG

- OK >> GO TO 4.  
 NG >> Repair or replace harness.



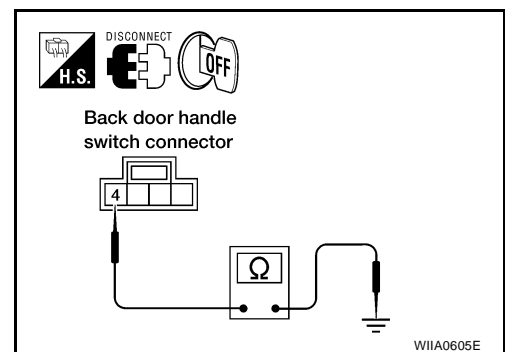
### 3. BACK DOOR HANDLE SWITCH GROUND INSPECTION

Check continuity between back door handle switch connector D706 terminal 4 and ground.

**4 (B) - Ground : Continuity should exist.**

#### OK or NG

- OK >> Replace the back door handle switch.  
 NG >> Repair or replace harness.



# AUTOMATIC BACK DOOR SYSTEM

EIS0027C

## Cinch Latch Motor System Inspection

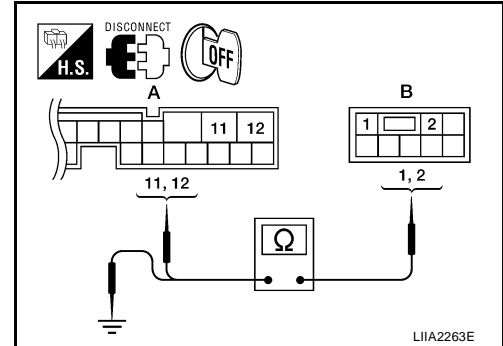
### 1. CINCH LATCH MOTOR CIRCUIT INSPECTION

1. Turn ignition switch OFF.
2. Disconnect back door latch and back door control unit.
3. Check continuity between back door control unit connector (A) B55 terminals 11, 12 and back door latch (cinch latch motor) connector (B) D503 terminals 1, 2.

**1 (L) - 12 (L) : Continuity should exist.**  
**2 (Y) - 11 (Y) : Continuity should exist.**

4. Check continuity between back door latch (cinch latch motor) connector (B) D503 terminals 1, 2 and ground.

**1 (L) - ground : Continuity should not exist.**  
**2 (Y) - ground : Continuity should not exist.**



#### OK or NG

- OK >> GO TO 2.  
 NG >> Repair or replace harness.

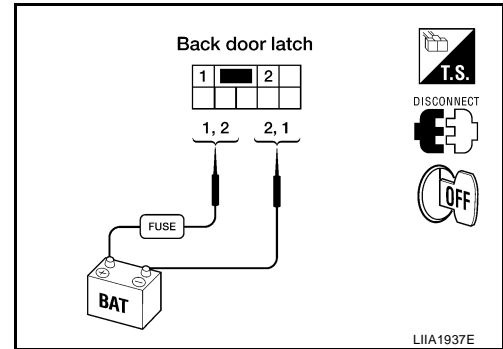
### 2. CINCH LATCH MOTOR OPERATION INSPECTION

Connect battery power to terminals 1 and 2 on the back door latch and check motor operation.

**1 (+) - 2 (-) : It operates.**  
**1 (-) - 2 (+) : It operates. (Reverse rotation)**

#### OK or NG

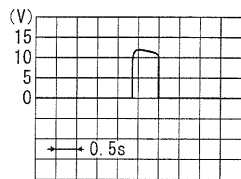
- OK >> GO TO 3.  
 NG >> Replace the back door latch.



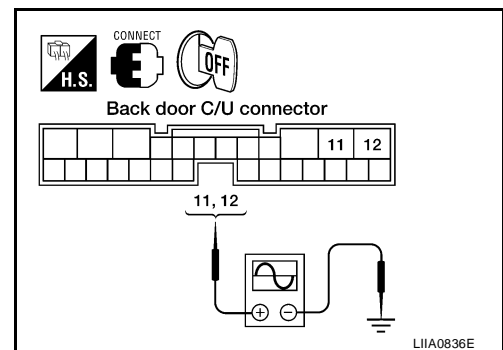
### 3. CINCH LATCH MOTOR SIGNAL INSPECTION

1. Reconnect back door latch and back door control unit.
2. While fully opening and closing the back door, check voltage between back door control unit connector B55 terminals 11, 12 and ground.

11 (Y) - Ground  
 12 (L) - Ground



SIIA1480E



#### OK or NG

- OK >> Cinch latch motor circuit is OK.  
 NG >> Replace the back door control unit.



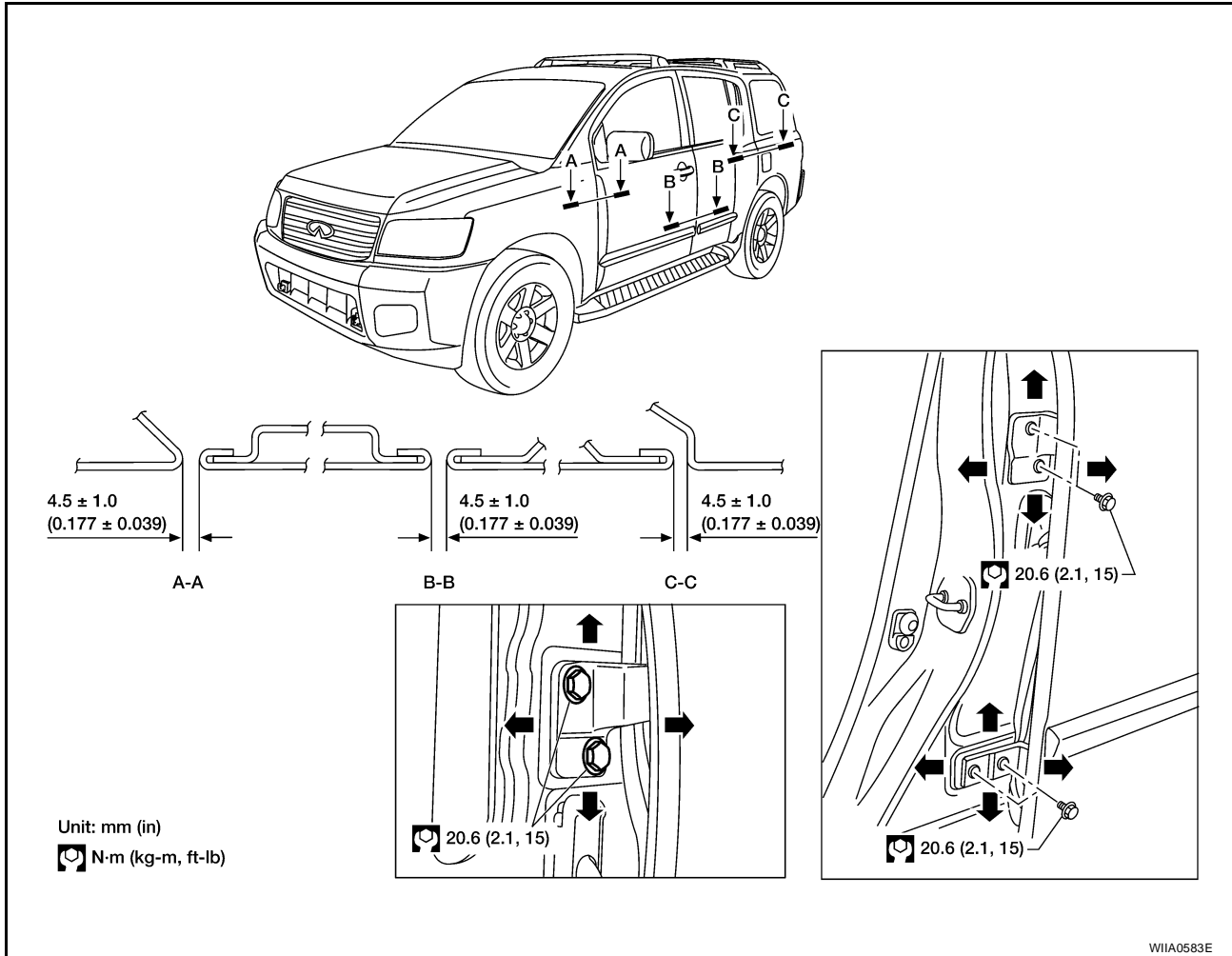
# DOOR

## DOOR

PFP:80100

### Fitting Adjustment

EIS002TD



W1IA0583E

### FRONT DOOR

#### Longitudinal clearance and surface height adjustment at front end

1. Remove the front fender. Refer to [EI-20, "FRONT FENDER"](#) .
2. Loosen the hinge bolts. Raise the front door at rear end to adjust.

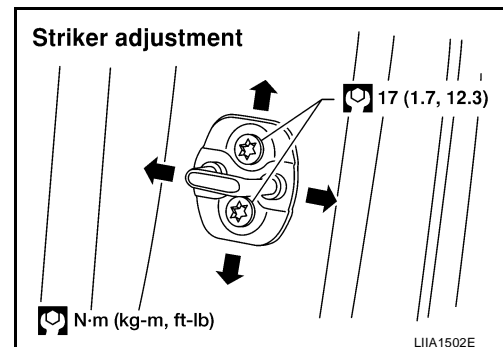
### REAR DOOR

#### Longitudinal clearance and surface height adjustment at front end

1. Remove the center pillar upper finisher. Refer to [EI-34, "BODY SIDE TRIM"](#) .
2. Accessing from inside the vehicle, loosen the nuts. Open the rear door, and raise the rear door at rear end to adjust.

### STRIKER ADJUSTMENT

1. Adjust the striker so that it becomes parallel with the lock insertion direction.



L1IA1502E

# DOOR

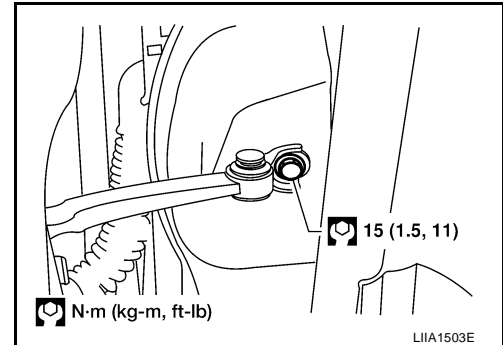
EIS002TE

## Removal and Installation

### FRONT DOOR

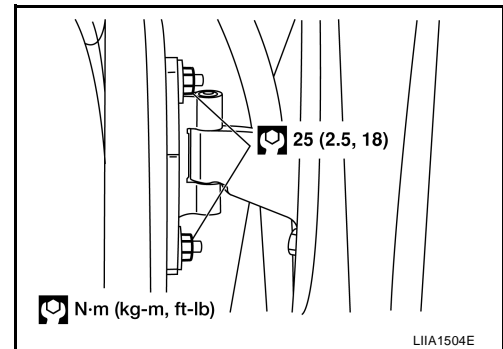
#### CAUTION:

- When removing and installing the door assembly, support the door with a jack and shop cloth to protect the door and body.
  - When removing and installing door assembly, be sure to carry out the fitting adjustment.
  - Check the hinge rotating part for poor lubrication. If necessary, apply "body grease".
1. Remove the front door lock assembly. Refer to [BL-132, "FRONT DOOR LOCK"](#) .
  2. Remove the door harness.
  3. Remove the check link cover.
  4. Remove the bolt from the check link on the door hinge pillar.



5. Remove the door-side hinge nuts and bolts and the door assembly.

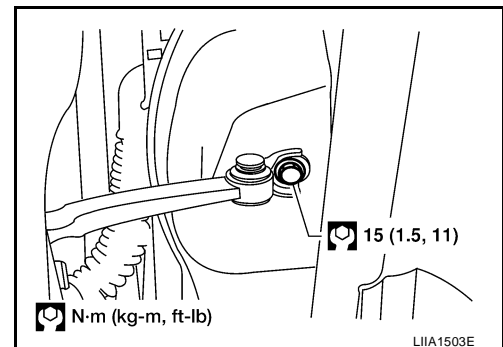
Installation is in the reverse order of removal.



### REAR DOOR

#### CAUTION:

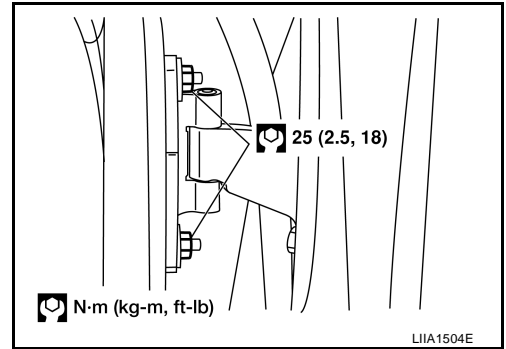
- When removing and installing the door assembly, support the door with a jack and shop cloth to protect the door and body.
  - When removing and installing door assembly, be sure to carry out the fitting adjustment.
  - Check the hinge rotating part for poor lubrication. If necessary, apply "body grease".
1. Remove the rear door lock assembly. Refer to [BL-135, "REAR DOOR LOCK"](#) .
  2. Remove the door harness.
  3. Remove the check link cover.
  4. Remove the bolt from the check link on the door hinge pillar.



# DOOR

5. Remove the door-side hinge nuts and bolts and the door assembly.

Installation is in the reverse order of removal.



## BACK DOOR

### WARNING:

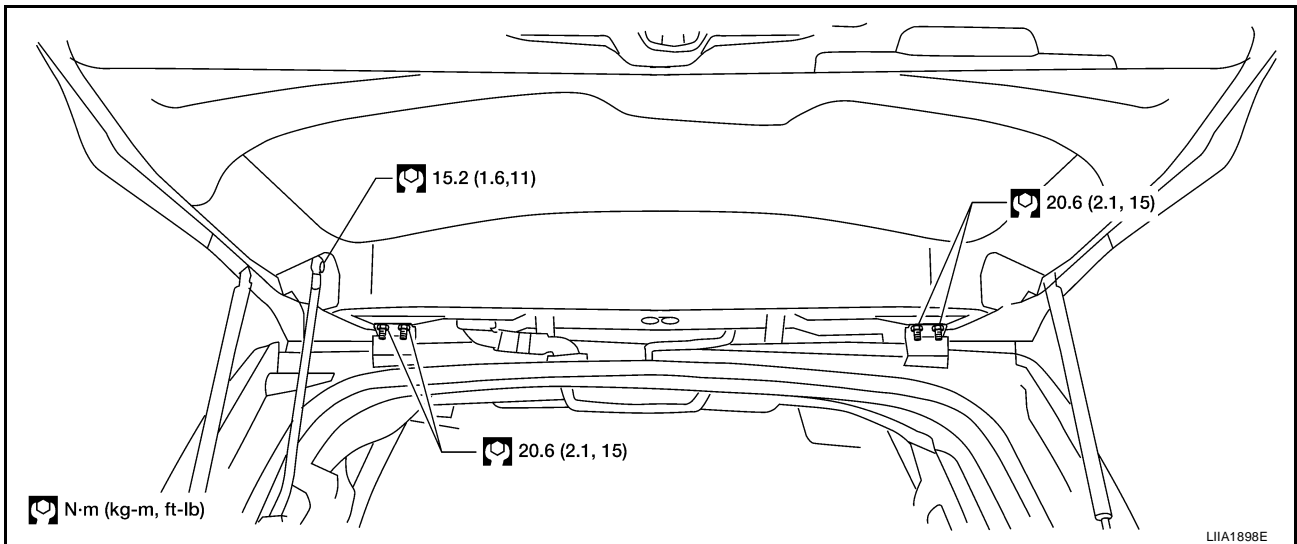
Always support the back door when removing or replacing back door stays. Power back door opener will not support back door with back door stays removed.

1. Remove the back door glass. Refer to [GW-13, "REAR WINDOW GLASS AND MOLDING"](#) .
2. Remove the license lamp finisher. Refer to [EI-24, "LICENSE LAMP FINISHER"](#) .
3. Remove the back door lock assembly. Refer to [BL-136, "BACK DOOR LOCK"](#) .
4. Remove the rear wiper motor. Refer to [WW-51, "Removal and Installation of Rear Wiper Motor"](#) .
5. Remove the back door wire harness.
6. Remove the rear washer nozzle and hose from the back door. Refer to [WW-52, "Removal and Installation of Rear Washer Nozzle"](#)

### CAUTION:

Two technicians should be used to avoid damaging the back door during removal.

7. Support the back door.
8. Disconnect the power back door lift arm from the door.
9. Remove the back door stays.
10. Remove the door side nuts and the back door assembly.



Installation is in the reverse order of removal.

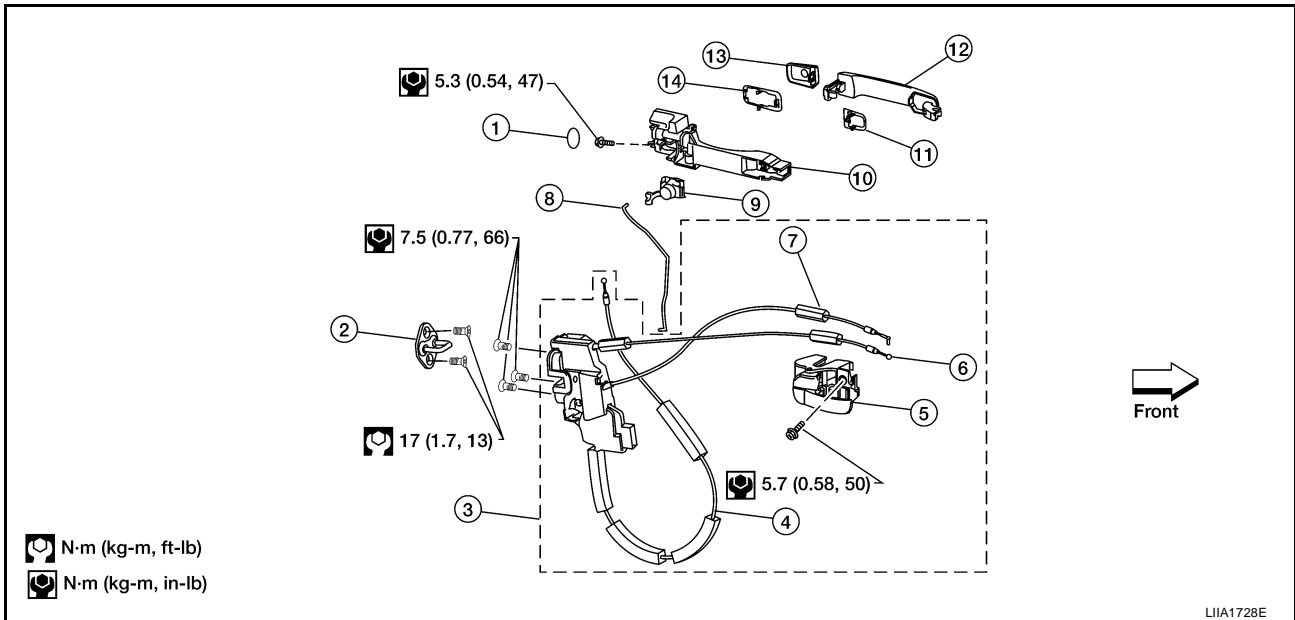
# FRONT DOOR LOCK

## FRONT DOOR LOCK

PFP:80502

### Component Structure

EIS002TF



LIA1728E

- |   |  |                        |
|---|--|------------------------|
| 1. Grommet  | 2. Front door striker                  | 3. Door lock assembly  |
| 4. Outside handle cable   | 5. Inside handle assembly              | 6. Inside handle cable |
| 7. Door lock cable  | 8. Key cylinder rod (Driver side only) | 9. Door lock cylinder  |
| 10. Outside handle bracket  | 11. Front gasket                       | 12. Outside handle     |
| 13. Door key cylinder escutcheon (Driver side) Outside handle escutcheon (Passenger side) | 14. Rear gasket                        |                        |

## Removal and Installation

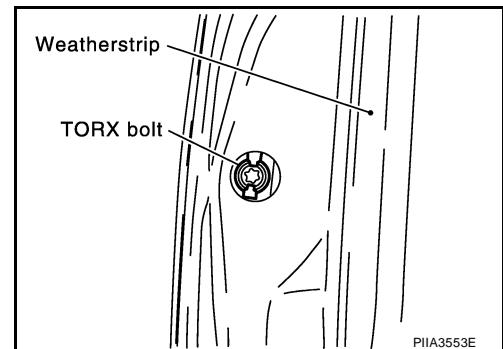
### REMOVAL

EIS006BK

1. Remove the front door glass regulator. Refer to [GW-70, "FRONT DOOR GLASS REGULATOR"](#) .
2. Remove the front door window rear glass run.
3. Remove the door side grommet, and the bolt (TORX T30) from the grommet hole.

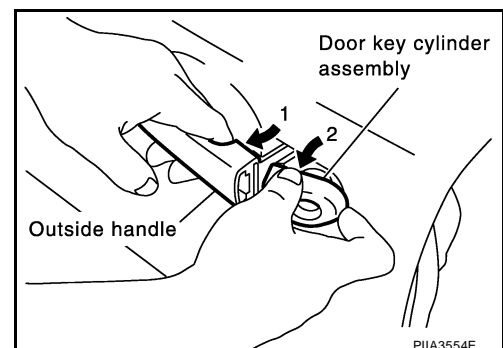
**Torx bolt**

**5.3 N·m (0.54 kg-m, 47 in-lb)**



PIIA3553E

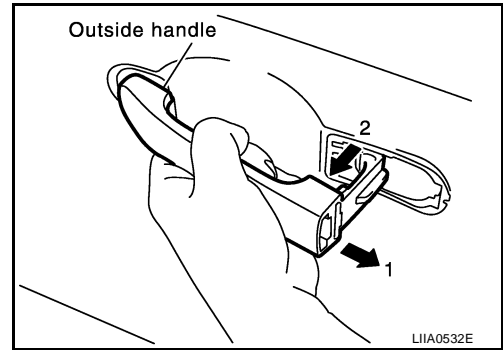
4. While pulling the outside handle, remove the door key cylinder assembly or escutcheon.



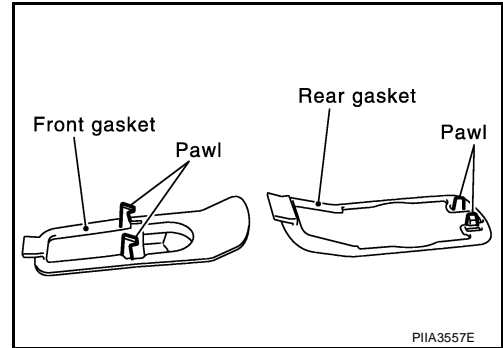
PIIA3554E

# FRONT DOOR LOCK

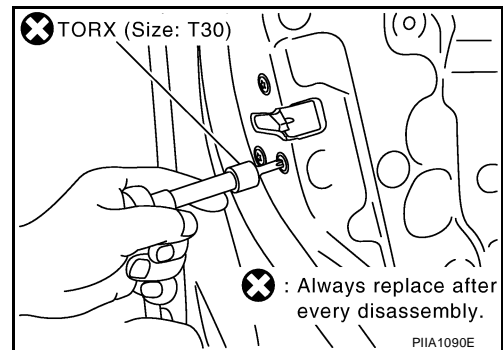
5. Separate the key cylinder rod from the door key cylinder assembly (if equipped).
6. While pulling the outside handle, slide it toward rear of vehicle to remove.



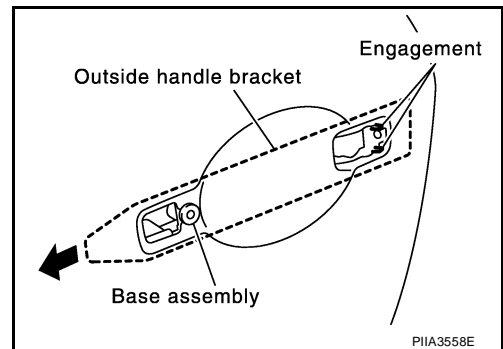
7. Remove the front and rear gaskets.



8. Remove the TORX bolts (T30), and the door lock assembly.  
**Door lock assembly bolts 7.5 N·m (0.77 kg·m, 66 in-lb)**



9. While pulling the outside handle bracket, slide it toward the rear of vehicle to remove it and the door lock assembly.

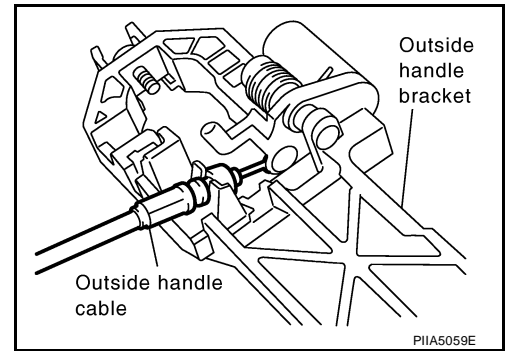


10. Disconnect the door lock actuator electrical connector.

A  
B  
C  
D  
E  
F  
G  
H  
BL  
J  
K  
L  
M

# FRONT DOOR LOCK

11. Separate the outside handle cable connection from the outside handle bracket.



## INSTALLATION

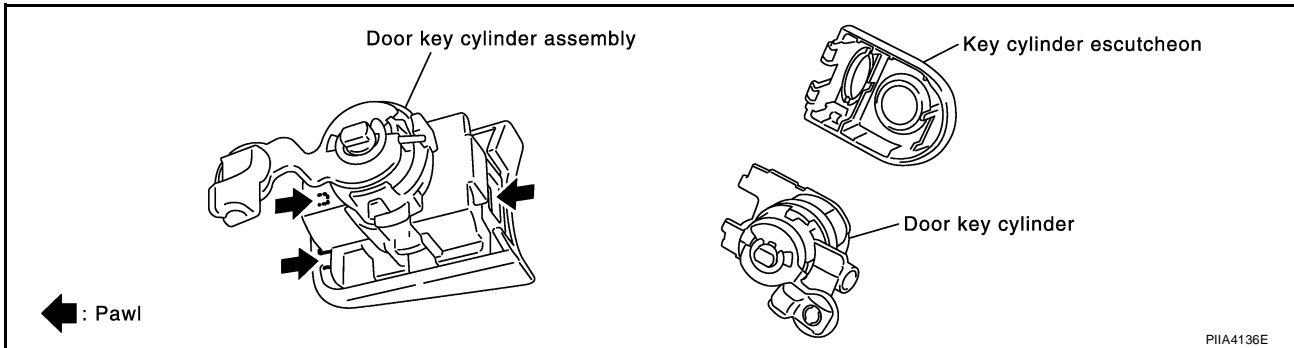
Installation in the reverse order of removal.

### CAUTION:

To install each rod, be sure to rotate the rod holder until a click is felt.

## Disassembly and Assembly DOOR KEY CYLINDER ASSEMBLY

EIS006BL



Remove the key cylinder escutcheon pawl and remove the door key cylinder.

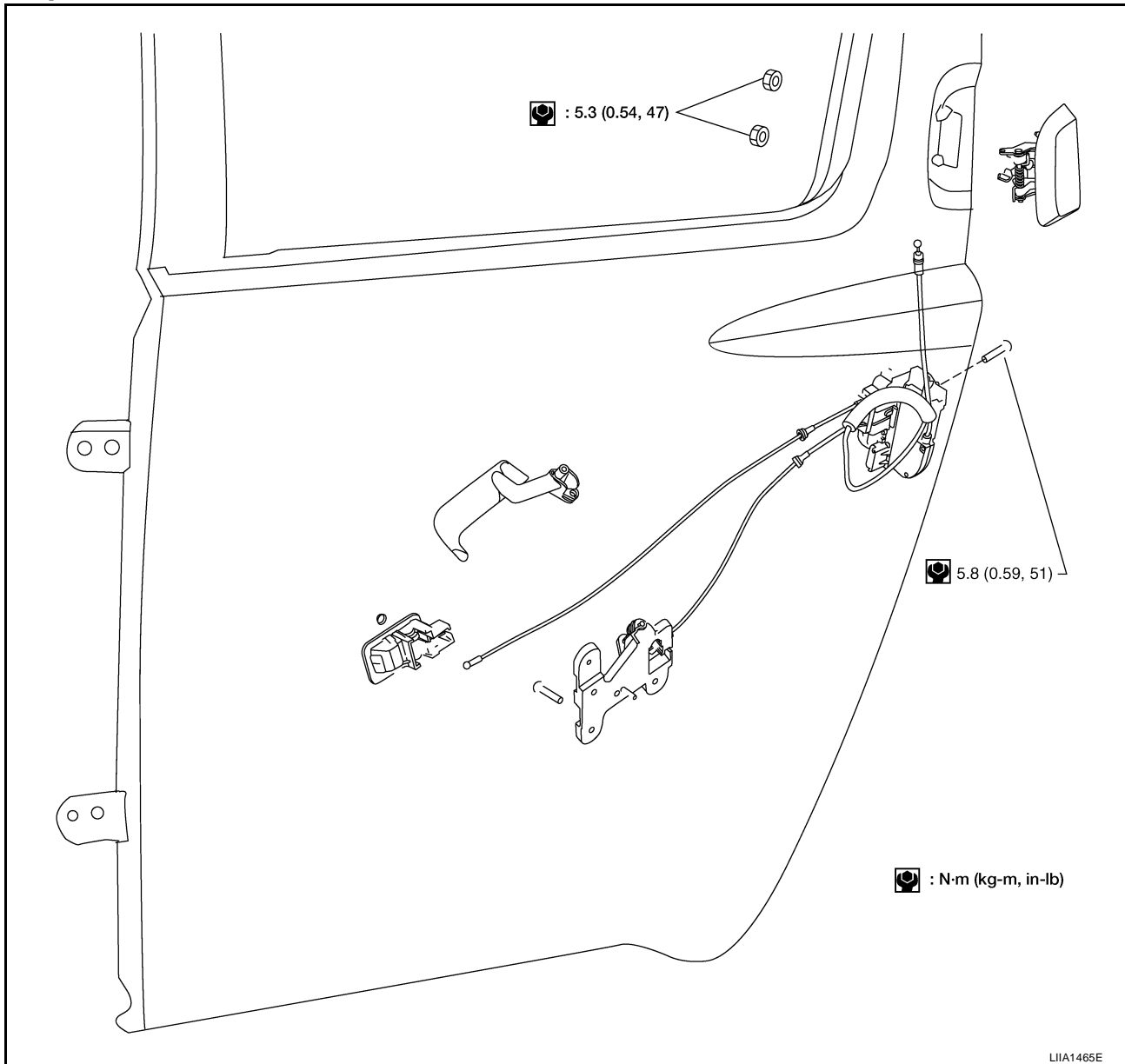
# REAR DOOR LOCK

## REAR DOOR LOCK

PFP:82502

### Component Structure

EIS002T1



## Removal and Installation

### REMOVAL

1. Remove the rear door glass regulator. Refer to [GW-73, "REAR DOOR GLASS REGULATOR"](#).
2. Remove door grommets, and the outside handle nuts from grommet hole.
3. Remove outside handle.
4. Disconnect the outside handle cable connection.
5. Remove the inside door handle actuator.
6. Disconnect the door lock actuator connector.
7. Remove the door lock actuator assembly.

### INSTALLATION

Installation is in the reverse order of removal.

EIS002TJ

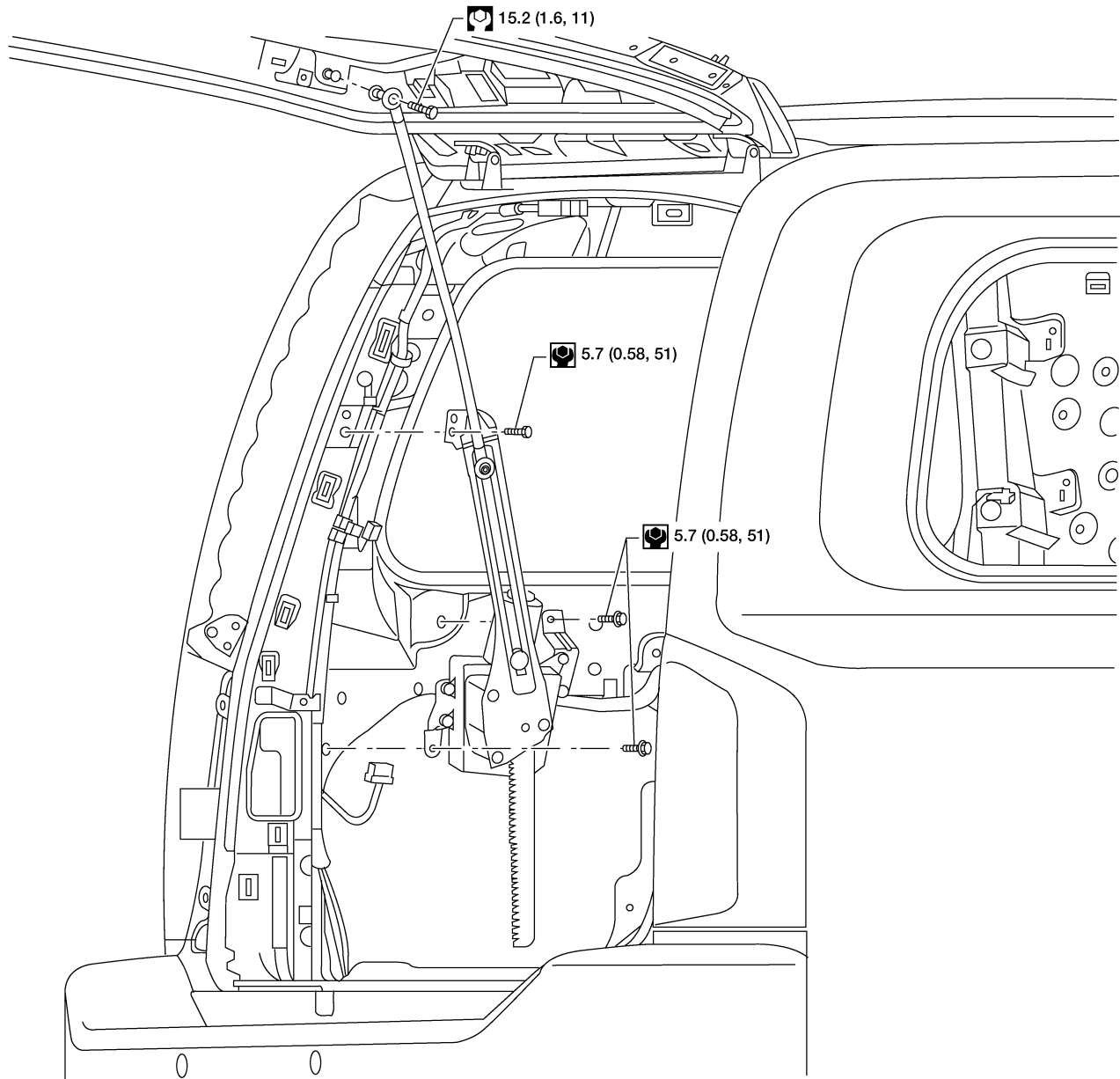
# BACK DOOR LOCK


PFP:90504


EIS002TK

## BACK DOOR LOCK

### Power Back Door Opener REMOVAL



 : N·m (kg-m, ft-lb)

 : N·m (kg-m, in-lb)

WIHA0613E

1. Remove the LH luggage side upper. Refer to [EI-39, "LUGGAGE FLOOR TRIM"](#) .
2. Disconnect the power back door motor electrical connector.
3. Disconnect the ball socket from the back door.
4. Remove the power back door motor assembly.

### INSTALLATION

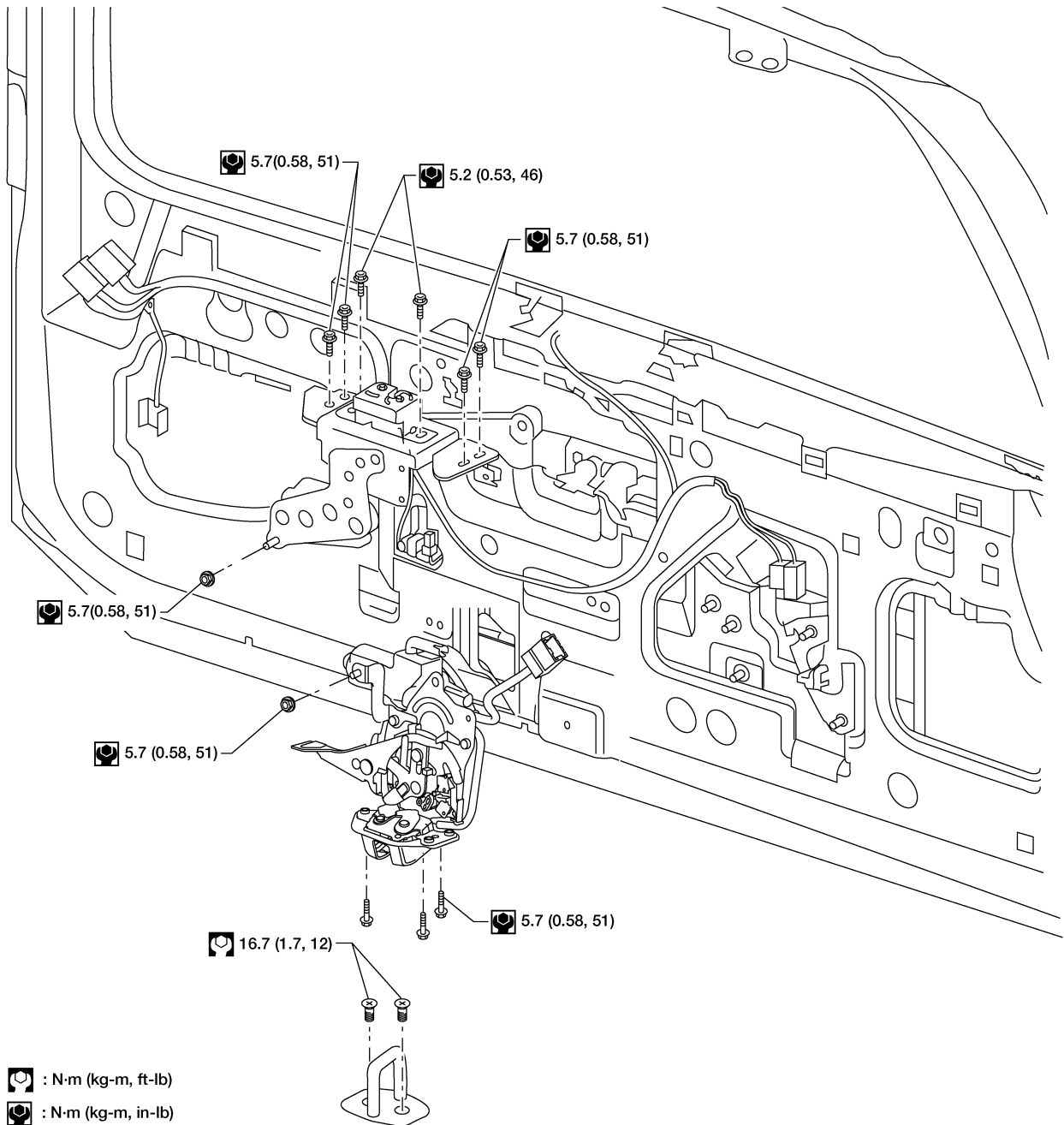
Installation is in the reverse order of removal.



# BACK DOOR LOCK

## Door Lock Assembly REMOVAL

EIS005W3



A  
B  
C  
D  
E  
F  
G  
H  
BL  
J  
K  
L  
M

WIHA0614E

1. Remove the lower back door trim panel. Refer to [EI-41, "BACK DOOR TRIM"](#) .
2. Remove the weathershields.
3. Disconnect the back door lock electrical connectors.
4. Remove the back door lock assembly.
5. Disconnect the back door glass lock electrical connector.
6. Remove the back door glass lock.

## INSTALLATION

Installation is in the reverse order of removal.

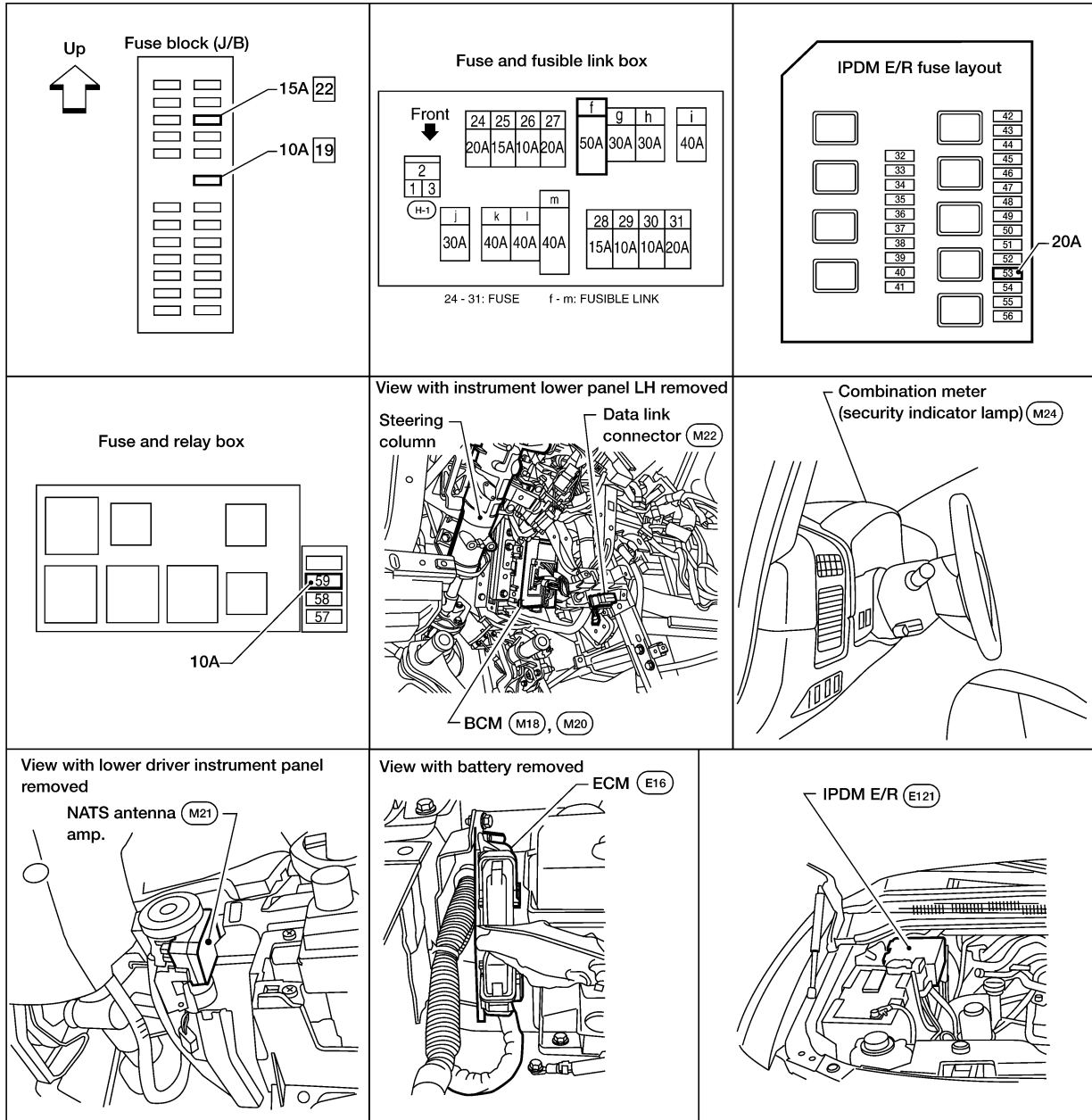
# IVIS (INFINITI VEHICLE IMMOBILIZER SYSTEM-NATS)

## IVIS (INFINITI VEHICLE IMMOBILIZER SYSTEM-NATS)

PF:28591

### Component Parts and Harness Connector Location

EIS002TL



LIA1934E

# IVIS (INFINITI VEHICLE IMMOBILIZER SYSTEM-NATS)

EIS002TM

## System Description

IVIS (Infiniti Vehicle Immobilizer System-NATS) has the following immobilizer functions:

- Since only IVIS (NATS) ignition keys, whose IDs have been registered into the ECM and BCM, allow the engine to run, operation of a stolen vehicle without an IVIS (NATS) registered key is prevented by IVIS (NATS).  
IVIS (NATS) will immobilize the engine if someone tries to start it without the registered key of IVIS (NATS).
- All of the originally supplied ignition key IDs have been IVIS (NATS) registered.  
If requested by the vehicle owner, a maximum of five key IDs can be registered into the IVIS (NATS) components.
- The security indicator blinks when the ignition switch is in OFF or ACC position. IVIS (NATS) warns outsiders that the vehicle is equipped with the anti-theft system.
- When IVIS (NATS) detects a malfunction, the security indicator lamp lights up while ignition key is in the ON position.
- IVIS (NATS) trouble diagnoses, system initialization and additional registration of other IVIS (NATS) ignition key IDs must be carried out using CONSULT-II hardware and CONSULT-II IVIS (NATS) software.  
When IVIS (NATS) initialization has been completed, the ID of the inserted ignition key is automatically IVIS (NATS) registered. Then, if necessary, additional registration of other IVIS (NATS) ignition key IDs can be carried out.  
Regarding the procedures of IVIS (NATS) initialization and IVIS (NATS) ignition key ID registration, refer to CONSULT-II Operation Manual NATS-IVIS/NVIS.
- **When servicing a malfunction of the IVIS (NATS) (indicated by lighting up of Security Indicator Lamp) or registering another IVIS (NATS) ignition key ID, it may be necessary to re-register original key identification. Therefore, be sure to receive ALL KEYS from vehicle owner.**

## System Composition

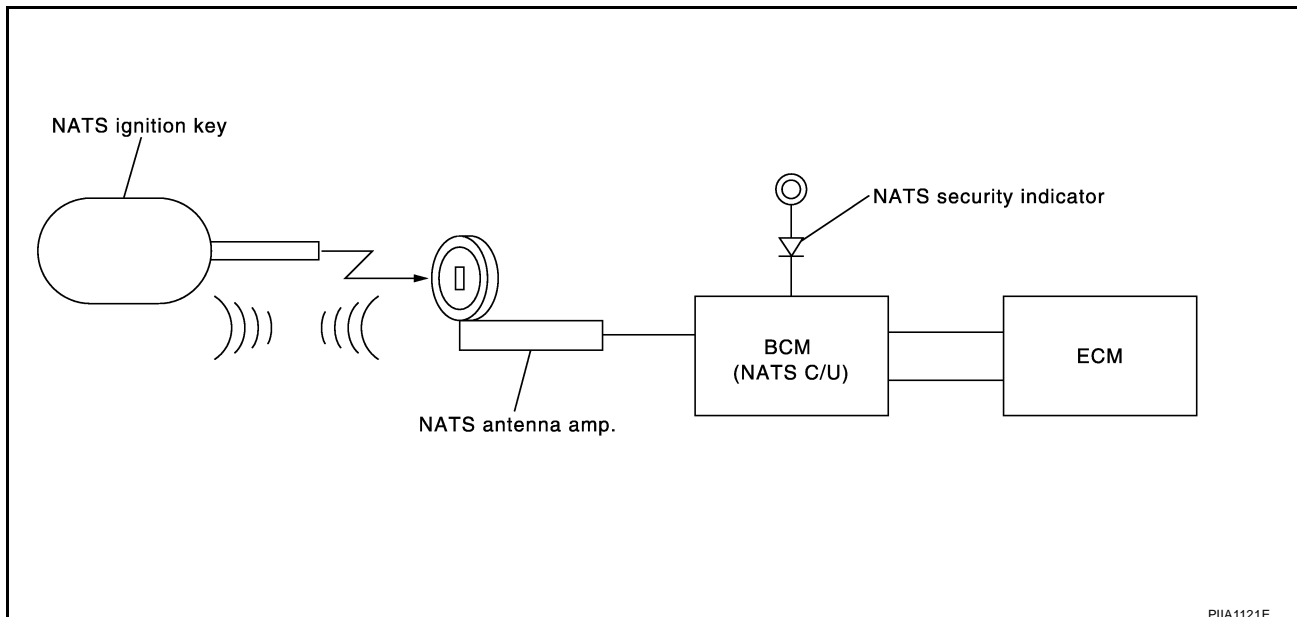
EIS002TN

The immobilizer function of the IVIS (NATS) consists of the following:

- NATS ignition key
- NATS antenna amp. located in the ignition key cylinder
- Body control module (BCM)
- Engine control module (ECM)
- Security indicator

### NOTE:

The communication between ECM and BCM uses the CAN communication system.



# IVIS (INFINITI VEHICLE IMMOBILIZER SYSTEM-NATS)

EIS002TO

## ECM Re-communicating Function

The following procedure can automatically perform re-communication of ECM and BCM, but only when the ECM has been replaced with a new one which has never been energized on-board.  
(In this step, initialization procedure by CONSULT-II is not necessary)

### NOTE:

- **When registering new key IDs or replacing the ECM other than brand new, refer to CONSULT-II Operation Manual NATS-IVIS/NVIS.**
- **If multiple keys are attached to the key holder, separate them before work.**
- **Distinguish keys with unregistered key ID from those with registered ID.**

1. Install ECM.
2. Using a registered key (\*1), turn ignition switch to ON.  
\*1: To perform this step, use the key that has been used before performing ECM replacement.
3. Maintain ignition switch in ON position for at least 5 seconds.
4. Turn ignition switch to OFF.
5. Start engine.

If engine can be started, procedure is completed.

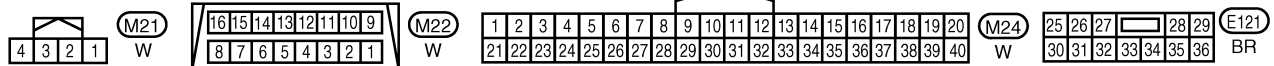
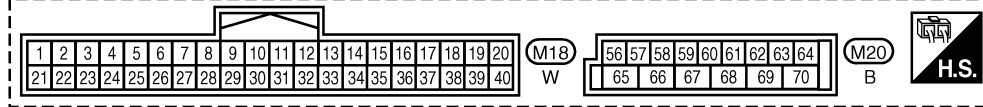
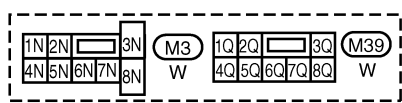
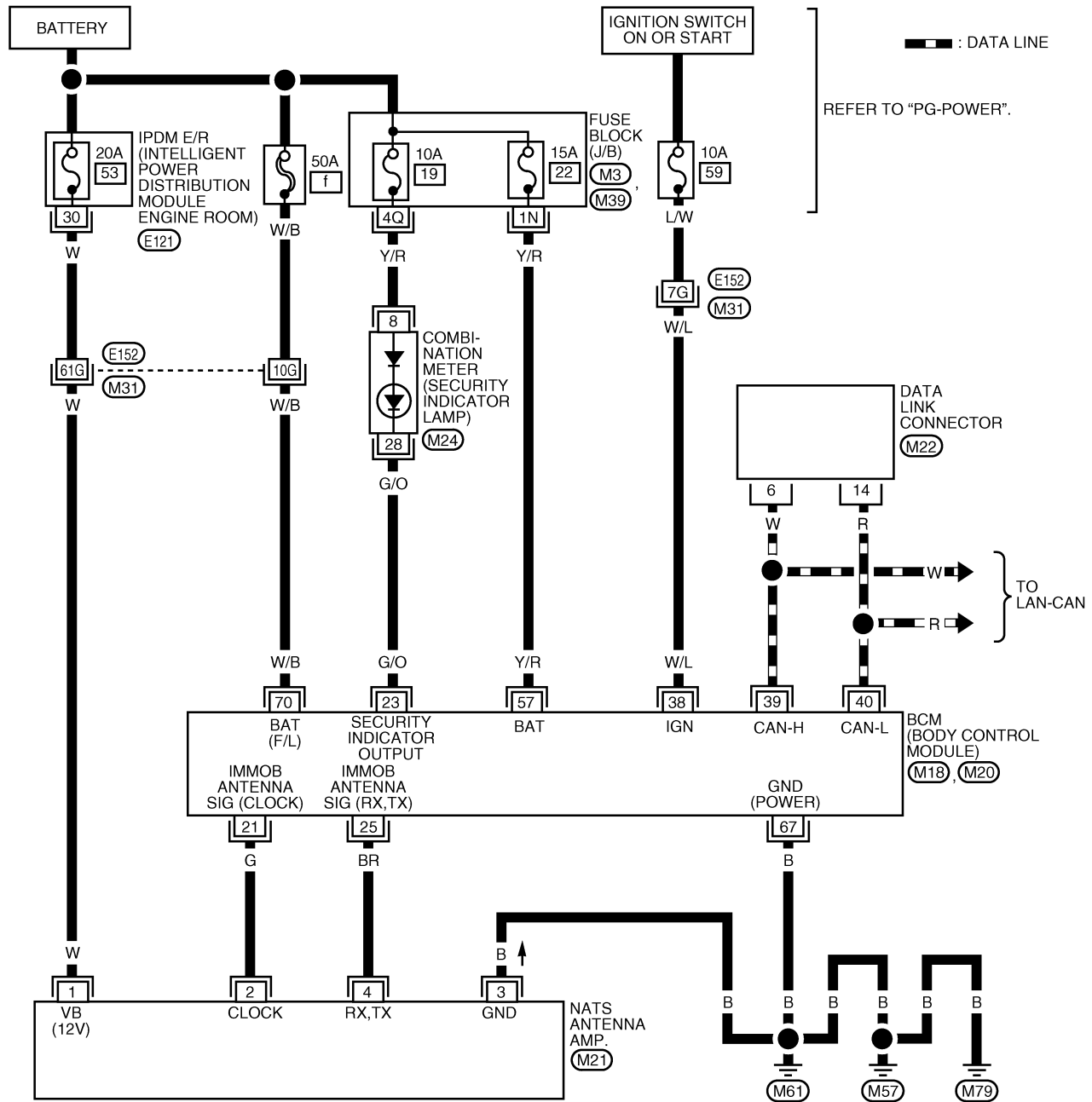
If engine cannot be started, refer to CONSULT-II Operation Manual NATS-IVIS/NVIS and initialize control unit.

# IVIS (INFINITI VEHICLE IMMOBILIZER SYSTEM-NATS)

## Wiring Diagram — NATS —

EIS002TP

### BL-NATS-01



REFER TO THE FOLLOWING.  
 (M31) -SUPER MULTIPLE JUNCTION (SMJ)

# IVIS (INFINITI VEHICLE IMMOBILIZER SYSTEM-NATS)

## Terminals and Reference Value for BCM

EIS002TQ

Terminal	Wire Color	Item	Condition	Voltage (V) (Approx.)
21	G	NATS antenna amp.	Ignition switch (OFF → ON)	Just after turning ignition switch ON: Pointer of tester should move.
23	G/O	Security indicator lamp	Goes OFF → illuminates (Every 2.4 seconds)	Battery voltage → 0
25	BR	NATS antenna amp.	Ignition switch (OFF → ON)	Just after turning ignition switch ON: Pointer of tester should move.
38	W/L	Ignition switch (ON or START)	Ignition switch (ON or START position)	Battery voltage
39	W	CAN-H	—	—
40	R	CAN-L	—	—
57	Y/R	Battery power supply	—	Battery voltage
67	B	Ground	—	0
70	W/B	Battery power supply	—	Battery voltage

## CONSULT-II

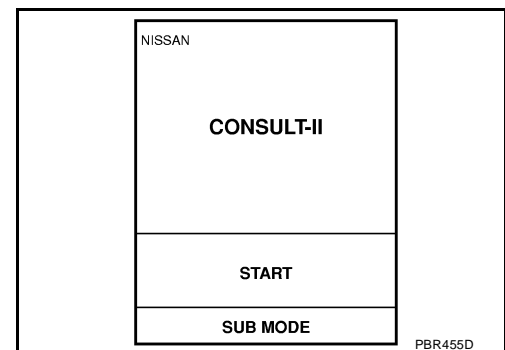
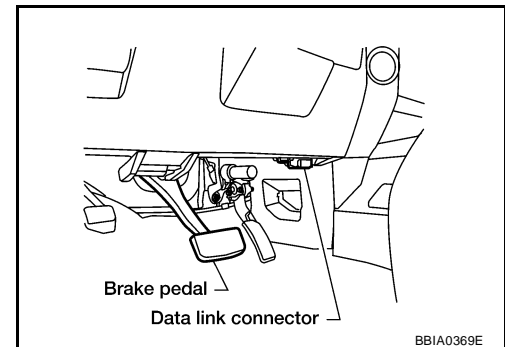
### CONSULT-II INSPECTION PROCEDURE

EIS002TR

#### CAUTION:

If CONSULT-II is used with no connection of CONSULT-II CONVERTER, malfunctions might be detected in self-diagnosis depending on control unit which carries out CAN communication.

1. Turn ignition switch OFF.
2. Insert IVIS (NATS) program card into CONSULT-II.  
**Program card : NATS (AEN04A-1) or later**
3. Connect CONSULT-II and CONSULT-II CONVERTER to data link connector.
4. Turn ignition switch ON.
5. Touch "START".

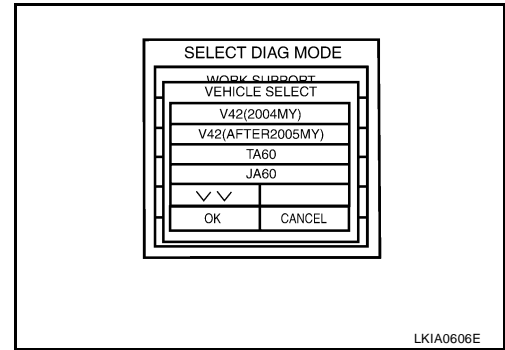


# IVIS (INFINITI VEHICLE IMMOBILIZER SYSTEM-NATS)

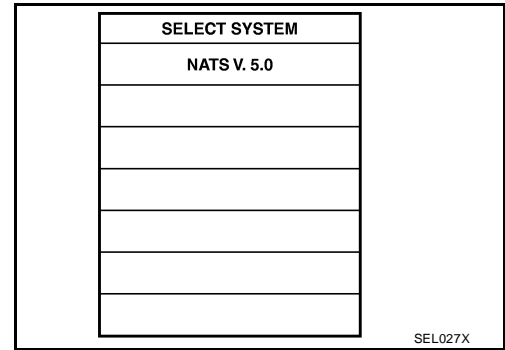
6. Touch "JA60" and "OK" on "VEHICLE SELECT" screen. For cancelling touch "CANCEL" on "VEHICLE SELECT" screen.

**NOTE:**

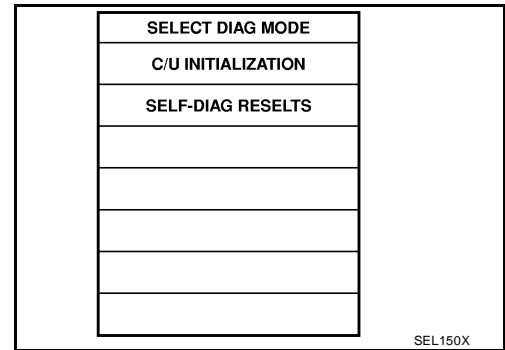
Confirm vehicle model on IDENTIFICATION PLATE. Refer to [GI-46, "Model Variation"](#)



7. Select "NATS V.5.0".  
If "NATS V5.0" is not indicated, go to [GI-39, "CONSULT-II Data Link Connector \(DLC\) Circuit"](#) .



8. Perform each diagnostic test mode according to each service procedure.  
**For further information, see the CONSULT-II Operation Manual NATS-IVIS/NVIS.**



## CONSULT-II DIAGNOSTIC TEST MODE FUNCTION

CONSULT-II DIAGNOSTIC TEST MODE	Description
C/U INITIALIZATION	When replacing any of the following components, C/U initialization and re-registration of all NATS ignition keys are necessary. [(NATS ignition key/ BCM/ ECM]
SELF-DIAG RESULTS	Detected items (screen terms) are as shown in the chart. Refer to <a href="#">BL-144, "IVIS (NATS) SELF-DIAGNOSTIC RESULTS ITEM CHART"</a> .

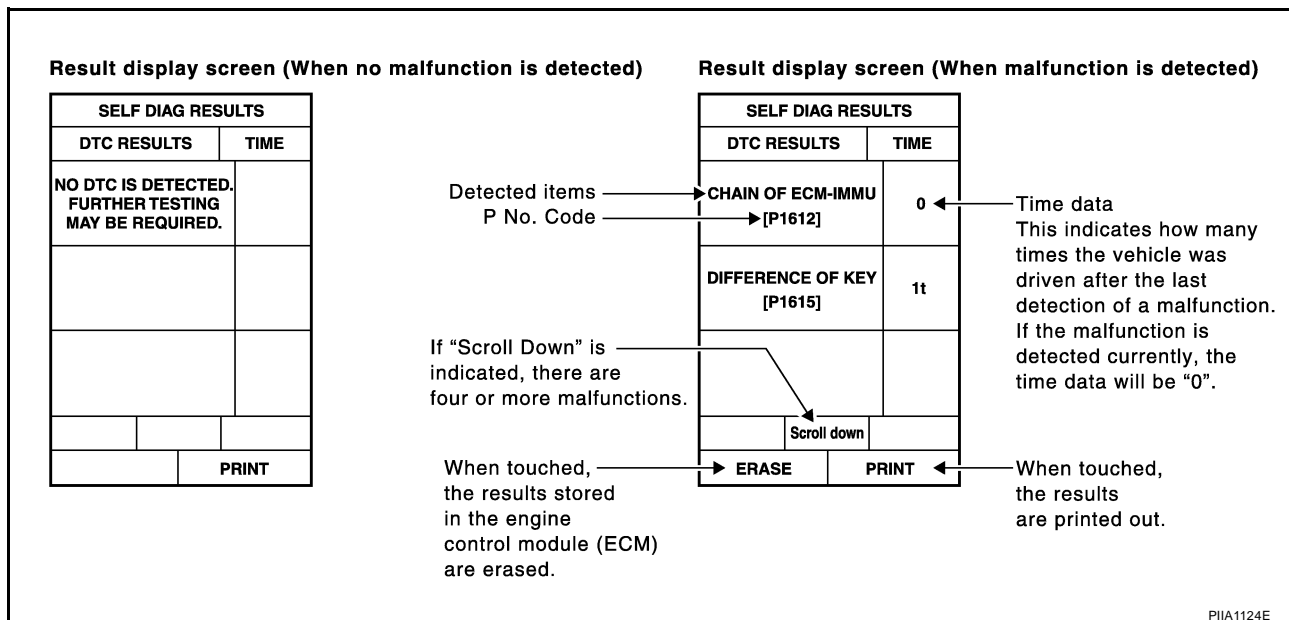
**NOTE:**

- When any initialization is performed, all IDs previously registered will be erased and all NATS ignition keys must be registered again.
- The engine cannot be started with an unregistered key. In this case, the system will show "DIFFERENCE OF KEY" or "LOCK MODE" as a self-diagnostic result on the CONSULT-II screen.
- In rare case, "CHAIN OF ECM-IMMU" might be stored as a self-diagnostic result during key registration procedure, even if the system is not malfunctioning.

A  
B  
C  
D  
E  
F  
G  
H  
BL  
J  
K  
L  
M

# IVIS (INFINITI VEHICLE IMMOBILIZER SYSTEM-NATS)

## HOW TO READ SELF-DIAGNOSTIC RESULTS



## IVIS (NATS) SELF-DIAGNOSTIC RESULTS ITEM CHART

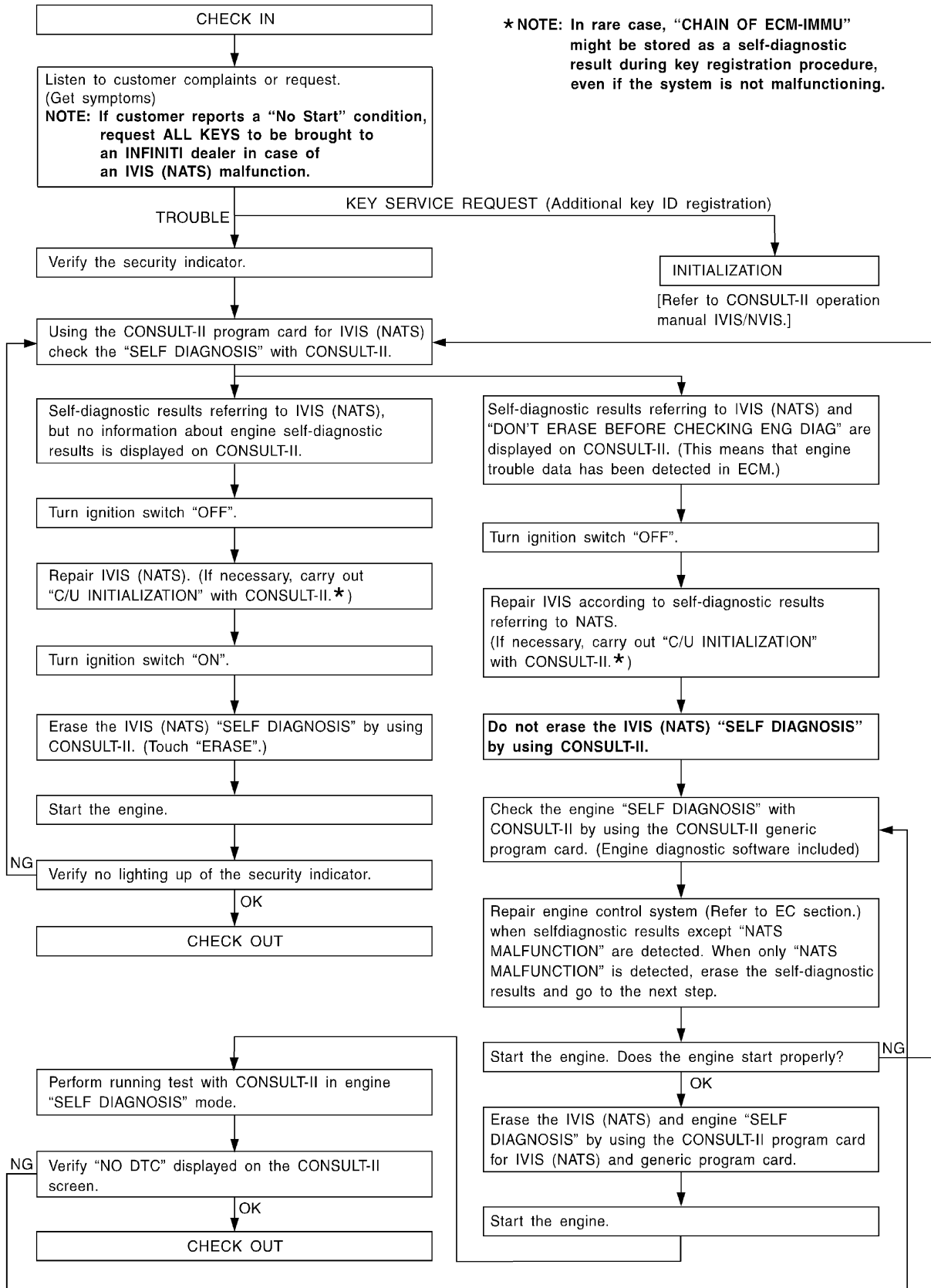
Detected items [IVIS (NATS) program card screen terms]	P No. Code (Self-diagnostic result of "ENGINE")	Malfunction is detected when.....	Reference page
CHAIN OF ECM-IMMU [P1612]	NATS MAL-FUNCTION P1612	Communication impossible between ECM and BCM In rare case, "CHAIN OF ECM-IMMU" might be stored during key registration procedure, even if the system is not malfunctioning.	Refer to <a href="#">BL-148</a> .
DIFFERENCE OF KEY [P1615]	NATS MAL-FUNCTION P1615	BCM can receive the key ID signal but the result of ID verification between key ID and BCM is NG.	Refer to <a href="#">BL-149</a> .
CHAIN OF IMMU-KEY [P1614]	NATS MAL-FUNCTION P1614	BCM cannot receive the key ID signal.	Refer to <a href="#">BL-152</a> .
ID DISCORD, IMM-ECM [P1611]	NATS MAL-FUNCTION P1611	The result of ID verification between BCM and ECM is NG. System initialization is required.	Refer to <a href="#">BL-150</a> .
LOCK MODE [P1610]	NATS MAL-FUNCTION P1610	When the starting operation is carried out five or more times consecutively under the following conditions, IVIS (NATS) will shift the mode to one which prevents the engine from being started. <ul style="list-style-type: none"> <li>● Unregistered ignition key is used.</li> <li>● BCM or ECM malfunctioning.</li> </ul>	Refer to <a href="#">BL-151</a> .
DON'T ERASE BEFORE CHECKING ENG DIAG	—	All engine trouble codes except IVIS (NATS) trouble code has been detected in ECM.	Refer to <a href="#">BL-145</a> .



# IVIS (INFINITI VEHICLE IMMOBILIZER SYSTEM-NATS)

EIS002TS

## Work Flow



A  
B  
C  
D  
E  
F  
G  
H  
I  
J  
K  
L  
M

BL

SEL024X

# IVIS (INFINITI VEHICLE IMMOBILIZER SYSTEM-NATS)

EIS002TT

## Trouble Diagnoses SYMPTOM MATRIX CHART 1

### Self-diagnosis related item

Symptom	Displayed "SELF-DIAG RESULTS" on CONSULT-II screen.	Diagnostic Procedure (Reference page)	System (Malfunctioning part or mode)	Reference Part No. Of Illustration On System Diagram
<ul style="list-style-type: none"> <li>● Security indicator lighting up*</li> <li>● Engine cannot be started</li> </ul>	CHAIN OF ECM-IMMU [P1612]	PROCEDURE 1 ( <a href="#">BL-148</a> )	In rare case, "CHAIN OF ECM-IMMU" might be stored during key registration procedure, even if the system is not malfunctioning.	—
			Open circuit in battery voltage line of BCM circuit	C1
			Open circuit in ignition line of BCM circuit	C2
			Open circuit in ground line of BCM circuit	C3
			Open or short circuit between BCM and ECM communication line	C4
			ECM	B
			BCM	A
	DIFFERENCE OF KEY [P1615]	PROCEDURE 2 ( <a href="#">BL-149</a> )	Unregistered key	D
			BCM	A
	CHAIN OF IMMU-KEY [P1614]	PROCEDURE 5 ( <a href="#">BL-152</a> )	Malfunction of key ID chip	E5
			Communication line between ANT/ AMP and BCM:	E1
			Open circuit or short circuit of battery voltage line or ground line	E2
			Open circuit in power source line of ANT/ AMP circuit	E3
			Open circuit in ground line of ANT/ AMP circuit	E4
			NATS antenna amp.	E6
			BCM	A
	ID DISCORD, IMM-ECM [P1611]	PROCEDURE 3 ( <a href="#">BL-150</a> )	System initialization has not yet been completed.	F
			ECM	B
LOCK MODE [P1610]	PROCEDURE 4 ( <a href="#">BL-151</a> )	LOCK MODE	D	
Security indicator lighting up*	DON'T ERASE BEFORE CHECKING ENG DIAG	WORK FLOW ( <a href="#">BL-145</a> )	Engine trouble data and IVIS (NATS) trouble data have been detected in ECM	—

\*: When IVIS (NATS) detects trouble, the security indicator lights up while ignition key is in the "ON" position.

# IVIS (INFINITI VEHICLE IMMOBILIZER SYSTEM-NATS)

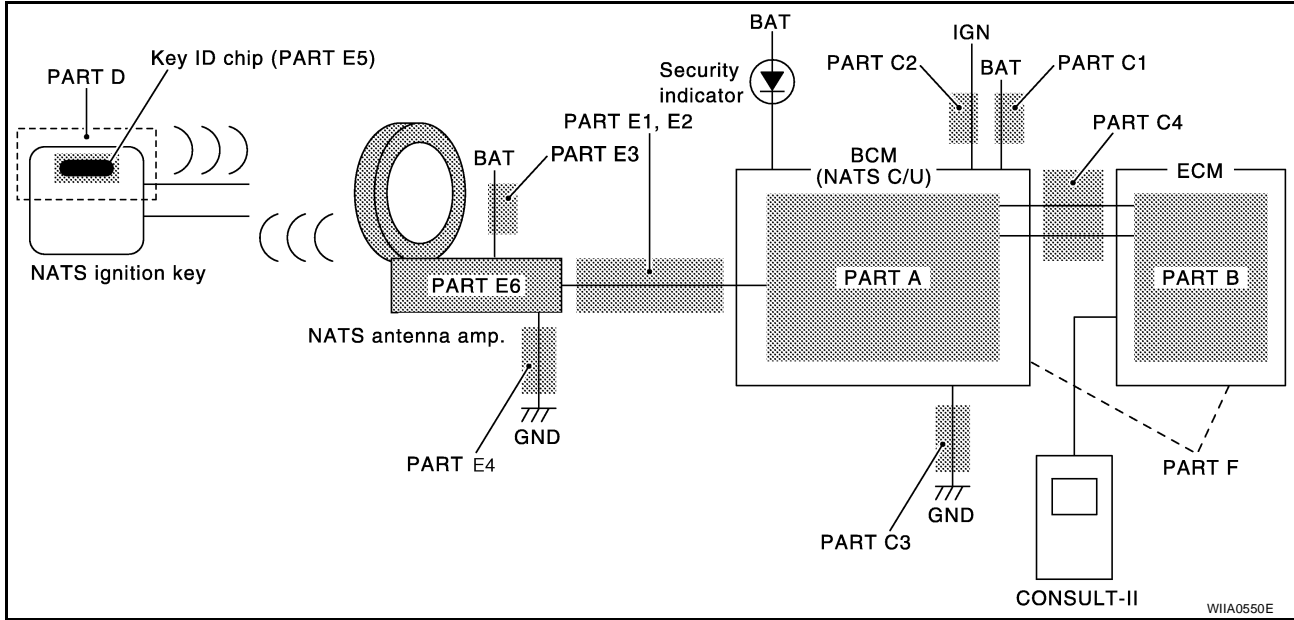
## SYMPTOM MATRIX CHART 2

### Non self-diagnosis related item

Symptom	Diagnostic Procedure (Reference page)	System (Malfunctioning part or mode)	Reference Part No. Of Illustration On System Diagram
Security indicator does not light up*.	PROCEDURE 6 ( <a href="#">BL-155</a> )	Combination meter (security indicator lamp)	—
		Open circuit between fuse and BCM	—
		BCM	A

\*: CONSULT-II self-diagnostic results display screen "no malfunction is detected".

### DIAGNOSTIC SYSTEM DIAGRAM



# IVIS (INFINITI VEHICLE IMMOBILIZER SYSTEM-NATS)

EIS002TU

## Diagnostic Procedure 1

### Self-diagnostic results:

“CHAIN OF ECM-IMMU” displayed on CONSULT-II screen

First perform the “SELF-DIAG RESULTS” in “BCM” with CONSULT-II, then perform the trouble diagnosis of malfunction system indicated “SELF-DIAG RESULTS” of “BCM”. Refer to [BL-142, "CONSULT-II"](#)

### 1. CONFIRM SELF-DIAGNOSTIC RESULTS

Confirm SELF-DIAGNOSTIC RESULTS “CHAIN OF ECM-IMMU” displayed on CONSULT-II screen.

#### NOTE:

In rare case, “CHAIN OF ECM-IMMU” might be stored during key registration procedure, even if the system is not malfunctioning.

Is CONSULT-II screen displayed as above?

Yes >> GO TO 2.

No >> GO TO [BL-146, "SYMPTOM MATRIX CHART 1"](#) .

SELF DIAGNOSIS	
DTC RESULTS	TIME
CHAIN OF ECM-IMMU [P1612]	0

PIA1260E

### 2. CHECK POWER SUPPLY CIRCUIT FOR BCM

1. Disconnect BCM.
2. Check voltage between BCM connector M20 terminal 70 and ground.

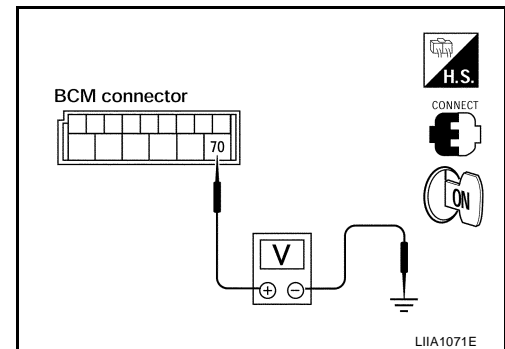
**70 (W/B) - Ground : Battery voltage**

OK or NG

OK >> GO TO 3.

NG >> Check the following:

- 50A fusible link (letter f , located in fuse and fusible link box)
  - Harness for open or short between fuse and BCM connector
- Ref. Part No. C1**



### 3. CHECK IGN SW. ON SIGNAL

1. Turn ignition switch ON.
2. Check voltage between BCM connector M18 terminal 38 and ground.

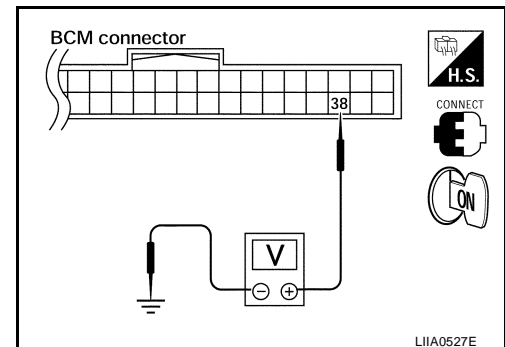
**38 (W/L) - Ground : Battery voltage**

OK or NG

OK >> GO TO 4.

NG >> Check the following:

- 10A fuse [No. 59, located in the fuse and relay box]
  - Harness for open or short between fuse and BCM connector
- Ref. part No. C2**



# IVIS (INFINITI VEHICLE IMMOBILIZER SYSTEM-NATS)

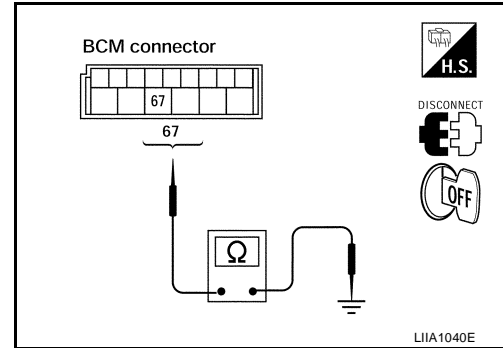
## 4. CHECK GROUND CIRCUIT FOR BCM

1. Turn ignition switch OFF.
2. Check continuity between BCM connector M18 terminal 67 and ground.

**67 (B) - Ground : Continuity should exist.**

OK or NG

- OK >> GO TO 5.  
NG >> Repair or replace harness. **Ref. part No. C3**



## 5. REPLACE BCM

1. Replace BCM. **Ref. part No. A**
2. Perform initialization with CONSULT-II.  
For initialization, refer to "CONSULT-II Operation Manual NATS-IVIS/NVIS".

Does the engine start?

- Yes >> BCM is malfunctioning.  
No >> ECM is malfunctioning.

- Replace ECM. **Ref. part No. B**
- Perform initialization or re-communicating function.
- For initialization, refer to "CONSULT-II Operation Manual NATS-IVIS/NVIS".
- For re-communicating function, refer to [BL-140, "ECM Re-communicating Function"](#) .

## Diagnostic Procedure 2

EIS002TV

**Self-diagnostic results:**

**"DIFFERENCE OF KEY" displayed on CONSULT-II screen**

### 1. CONFIRM SELF-DIAGNOSTIC RESULTS

Confirm SELF-DIAGNOSTIC RESULTS "DIFFERENCE OF KEY" displayed on CONSULT-II screen.

Is CONSULT-II screen displayed as above?

- Yes >> GO TO 2.  
No >> GO TO [BL-146, "SYMPTOM MATRIX CHART 1"](#) .

SELF DIAG RESULTS	
DTC RESULTS	TIME
DIFFERENCE OF KEY [P1615]	0

PIIA1261E

# IVIS (INFINITI VEHICLE IMMOBILIZER SYSTEM-NATS)

## 2. PERFORM INITIALIZATION WITH CONSULT-II

Perform initialization with CONSULT-II. Re-register all NATS ignition key IDs.

For initialization and registration of NATS ignition key IDs, refer to "CONSULT-II Operation Manual NATS-IVIS/NVIS".

### NOTE:

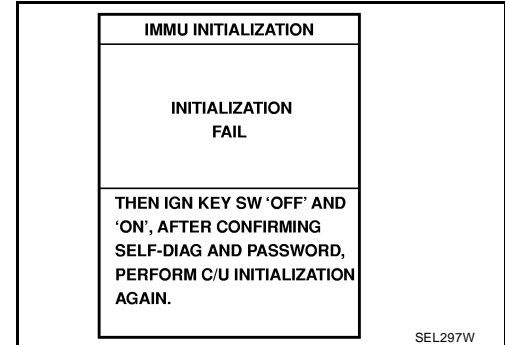
If the initialization is not completed or malfunctions, CONSULT-II shows message on the screen.

Can the system be initialized and can the engine be started with re-registered NATS ignition key?

Yes >> Ignition key ID was unregistered. **Ref. part No. D**

No >> BCM is malfunctioning.

- Replace BCM. **Ref. part No. A**
- Perform initialization with CONSULT-II.
- For initialization, refer to "CONSULT-II Operation Manual NATS-IVIS/NVIS".



## Diagnostic Procedure 3

EIS002TW

### Self-diagnostic results:

"ID DISCORD, IMM-ECM" displayed on CONSULT-II screen

## 1. CONFIRM SELF-DIAGNOSTIC RESULTS

Confirm SELF-DIAGNOSTIC RESULTS "ID DISCORD, IMM-ECM" displayed on CONSULT-II screen.

### NOTE:

"ID DISCORD IMM-ECM":

Registered ID of BCM is in discord with that of ECM.

Is CONSULT-II screen displayed as above?

Yes >> GO TO 2.

No >> GO TO [BL-146, "SYMPTOM MATRIX CHART 1"](#) .

SELF DIAG RESULTS	
DTC RESULTS	TIME
ID DISCORD, IMM-ECM [P1611]	0

PIA1262E

## 2. PERFORM INITIALIZATION WITH CONSULT-II

Perform initialization with CONSULT-II. Re-register all NATS ignition key IDs.

For initialization, refer to "CONSULT-II Operation Manual NATS-IVIS/NVIS".

### NOTE:

If the initialization is not completed or malfunctions, CONSULT-II shows message on the screen.

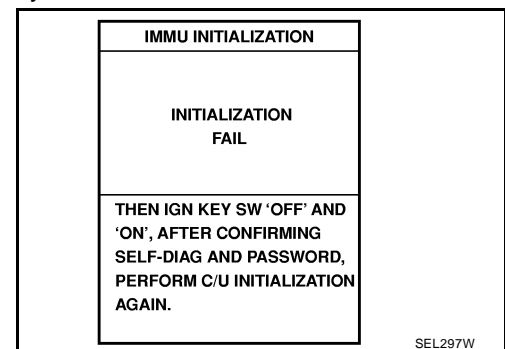
Can the system be initialized?

Yes >> ● Start engine. (END)

- (System initialization had not been completed. **Ref. part No. F** )

No >> ECM is malfunctioning.

- Replace ECM. **Ref. part No. B**
- Perform initialization with CONSULT-II.  
For initialization, refer to "CONSULT-II Operation Manual NATS-IVIS/NVIS".



# IVIS (INFINITI VEHICLE IMMOBILIZER SYSTEM-NATS)

EIS002TX

## Diagnostic Procedure 4

Self-diagnostic results:

“LOCK MODE” displayed on CONSULT-II screen

### 1. CONFIRM SELF-DIAGNOSTIC RESULTS

Confirm SELF-DIAGNOSTIC RESULTS “LOCK MODE” is displayed on CONSULT-II screen.

Is CONSULT-II screen displayed as above?

Yes >> GO TO 2.

No >> GO TO [BL-146. "SYMPTOM MATRIX CHART 1"](#) .

SELF DIAG RESULTS	
DTC RESULTS	TIME
LOCK MODE [P1610]	0

PIIA1264E

### 2. ESCAPE FROM LOCK MODE

1. Turn ignition switch OFF.
2. Turn ignition switch ON with registered key. (Do not start engine.) Wait 5 seconds.
3. Return the key to OFF position. Wait 5 seconds.
4. Repeat steps 2 and 3 twice (total of three cycles).
5. Start the engine.

Does engine start?

Yes >> System is OK (Now system is escaped from “LOCK MODE”). Clear all codes.

No >> GO TO 3.

### 3. PERFORM INITIALIZATION WITH CONSULT-II

Perform initialization with CONSULT-II.

For initialization, refer to “CONSULT-II Operation Manual NATS-IVIS/NVIS”.

**NOTE:**

If the initialization is not completed or malfunctions, CONSULT-II shows the message on the screen.

Can the system be initialized?

Yes >> System is OK.

No >> GO TO 4.

IMMU INITIALIZATION
INITIALIZATION FAIL
THEN IGN KEY SW 'OFF' AND 'ON', AFTER CONFIRMING SELF-DIAG AND PASSWORD, PERFORM C/U INITIALIZATION AGAIN.

SEL297W

# IVIS (INFINITI VEHICLE IMMOBILIZER SYSTEM-NATS)

## 4. PERFORM INITIALIZATION WITH CONSULT-II AGAIN

1. Replace BCM.
2. Perform initialization with CONSULT-II.  
For initialization, refer to "CONSULT-II Operation Manual NATS-IVIS/NVIS".

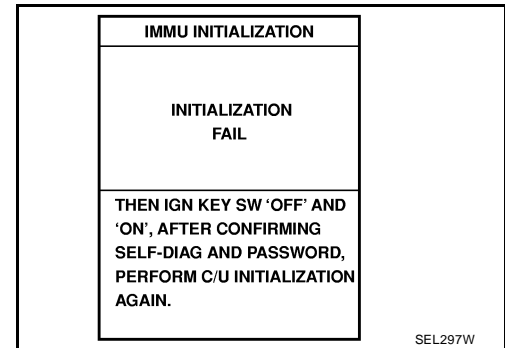
### NOTE:

If the initialization is not completed or malfunctions, CONSULT-II shows the message on the screen.

Can the system be initialized?

- Yes >> System is OK. BCM is malfunctioning. **Ref. part No. A**  
No >> ECM is malfunctioning.

- Replace ECM. **Ref. part No. B**
- Perform initialization with CONSULT-II.  
For initialization, refer to "CONSULT-II Operation Manual NATS-IVIS/NVIS".



## Diagnostic Procedure 5

EIS002TY

### Self-diagnostic results:

"CHAIN OF IMMU-KEY" displayed on CONSULT-II screen

### 1. CONFIRM SELF-DIAGNOSTIC RESULTS

Confirm SELF-DIAGNOSTIC RESULTS "CHAIN OF IMMU-KEY" displayed on CONSULT-II screen.

Is CONSULT-II screen displayed as above?

- Yes >> GO TO 2.  
No >> GO TO [BL-146, "SYMPTOM MATRIX CHART 1"](#) .

SELF DIAGNOSIS	
DTC RESULTS	TIME
CHAIN OF IMMU-KEY [P1614]	0

PIA1263E

### 2. CHECK NATS ANTENNA AMP. INSTALLATION

Check NATS antenna amp. installation. Refer to [BL-156, "How to Replace NATS Antenna Amp."](#) .

OK or NG

- OK >> GO TO 3.  
NG >> Reinstall NATS antenna amp. correctly.

### 3. CHECK IVIS (NATS) IGNITION KEY ID CHIP

Start engine with another registered NATS ignition key.

Does the engine start?

- Yes >> Ignition key ID chip is malfunctioning.
- Replace the ignition key.  
**Ref. part No. E5**
  - Perform initialization with CONSULT-II.  
For initialization, refer to "CONSULT-II Operation Manual NATS-IVIS/NVIS".
- No >> GO TO 4.



# IVIS (INFINITI VEHICLE IMMOBILIZER SYSTEM-NATS)

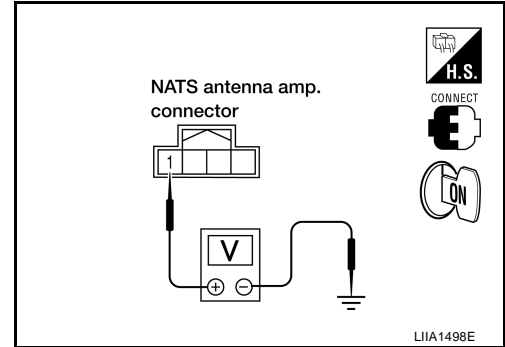
## 4. CHECK POWER SUPPLY FOR NATS ANTENNA AMP.

1. Turn ignition switch ON.
2. Check voltage between NATS antenna amp. connector M21 terminal 1 and ground.

**1 (W) - Ground : Battery voltage**

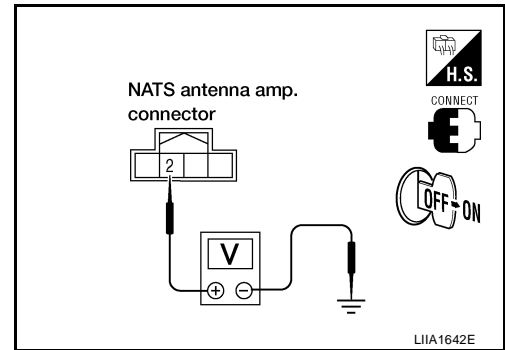
OK or NG

- OK >> GO TO 5.  
 NG >> Repair or replace fuse or harness. **Ref. part No. E3**



## 5. CHECK NATS ANTENNA AMP. SIGNAL LINE- 1

Check voltage between NATS antenna amp. connector M21 terminal 2 and ground with analog tester.



Connector terminals (wire colors)		Position of ignition key cylinder	Voltage (V) (Approx.)
(+)	(-)		
2 (G)	Ground	Before inserting ignition key	Battery voltage
		After inserting ignition key	Pointer of tester should move for approx. 30 seconds, then return to battery voltage
		Just after turning ignition switch ON	Pointer of tester should move for approx. 1 second, then return to battery voltage

OK or NG

- OK >> GO TO 6.  
 NG >> ● Repair or replace harness. **Ref. part No. E1**

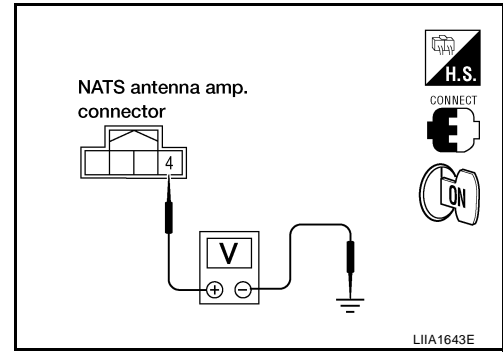
**NOTE:**

If harness is OK, replace BCM, refer to [BCS-19, "Removal and Installation of BCM"](#) . Perform initialization with CONSULT-II. For initialization, refer to "CONSULT-II Operation Manual NATS-IVIS/NVIS".

# IVIS (INFINITI VEHICLE IMMOBILIZER SYSTEM-NATS)

## 6. CHECK NATS ANTENNA AMP. SIGNAL LINE- 2

Check voltage between NATS antenna amp. connector M21 terminal 4 and ground with analog tester.



Connector terminals (wire colors)		Position of ignition key cylinder	Voltage (V) (Approx.)
( + )	( - )		
4 (BR)	Ground	Before inserting ignition key	Battery voltage
		After inserting ignition key	Pointer of tester should move for approx. 30 seconds, then return to battery voltage
		Just after turning ignition switch ON	Pointer of tester should move for approx. 1 second, then return to battery voltage

### OK or NG

- OK >> GO TO 7.
- NG >> ● Repair or replace harness. **Ref. part No. E2**

#### NOTE:

If harness is OK, replace BCM, refer to [BCS-19, "Removal and Installation of BCM"](#) . Perform initialization with CONSULT-II. For initialization, refer to "CONSULT-II Operation Manual NATS-IVIS/NVIS".

## 7. CHECK NATS ANTENNA AMP. GROUND LINE CIRCUIT

1. Turn ignition switch OFF.
2. Disconnect NATS antenna amp.
3. Check continuity between NATS antenna amp. connector M21 terminal 3 and ground.

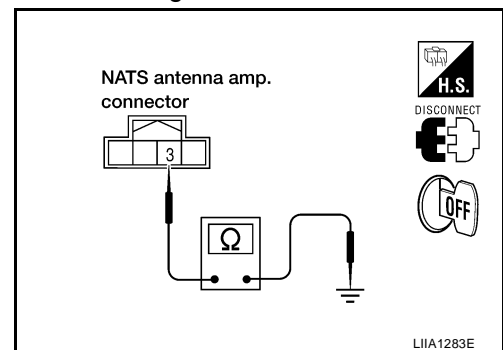
**3 (B) - Ground : Continuity should exist.**

### OK or NG

- OK >> NATS antenna amp. is malfunctioning. **Ref. part No. E6**
- NG >> ● Repair or replace harness.

#### NOTE:

If harness is OK, replace BCM, perform initialization with CONSULT-II. For initialization, refer to "CONSULT-II Operation Manual NATS-IVIS/NVIS".



# IVIS (INFINITI VEHICLE IMMOBILIZER SYSTEM-NATS)

EIS002TZ

## Diagnostic Procedure 6

“SECURITY INDICATOR LAMP DOES NOT LIGHT UP”

### 1. CHECK FUSE

Check 10A fuse [No.19, located in the fuse block (J/B)]

OK or NG

OK >> GO TO 2.

NG >> If fuse is blown, be sure to eliminate cause of malfunction before installing new fuse.

### 2. CHECK SECURITY INDICATOR LAMP

1. Start engine and turn ignition switch OFF.
2. Check the security indicator lamp lights up.

**Security indicator lamp should light up.**

OK or NG

OK >> Inspection End.

NG >> GO TO 3.

### 3. CHECK SECURITY INDICATOR LAMP POWER SUPPLY CIRCUIT

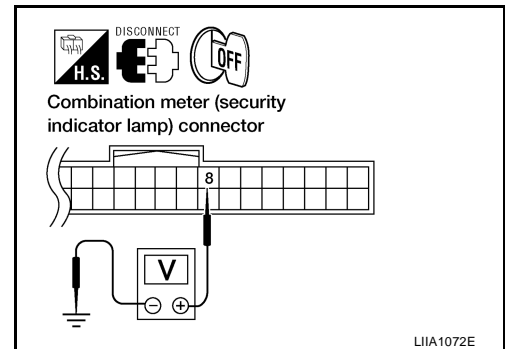
1. Disconnect security indicator lamp.
2. Check voltage between security indicator lamp connector M24 terminal 8 and ground.

**8 (Y/R) - Ground : Battery voltage**

OK or NG

OK >> GO TO 4.

NG >> Repair or replace harness.



### 4. CHECK BCM (NATS CONTROL UNIT) FUNCTION

1. Connect security indicator lamp.
2. Disconnect BCM.
3. Check voltage between BCM connector M18 terminal 23 and ground.

**23 (G/O) - Ground : Battery voltage**

OK or NG

OK >> BCM is malfunctioning.

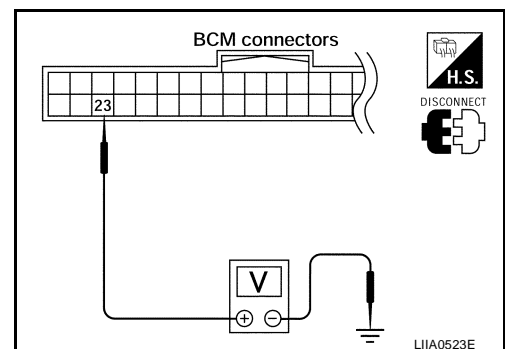
- Replace BCM.

**Ref. part No. A**

- Perform initialization with CONSULT-II.
- For initialization, refer to “CONSULT-II Operation Manual NATS-IVIS/NVIS”.

NG >> Check the following:

- Harness for open or short between security indicator lamp and BCM (NATS control unit).
- Indicator lamp condition



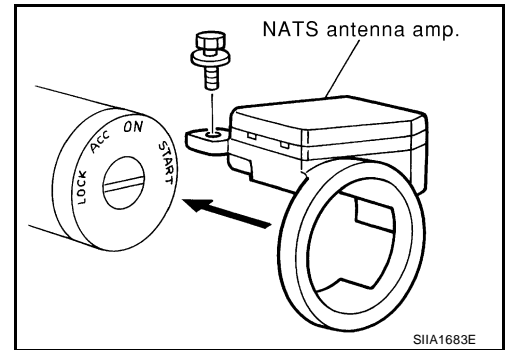
# IVIS (INFINITI VEHICLE IMMOBILIZER SYSTEM-NATS)

EIS002U0

## How to Replace NATS Antenna Amp.

### NOTE:

- If NATS antenna amp. is not installed correctly, IVIS (NATS) system will not operate properly and SELF-DIAG RESULTS on CONSULT-II screen will show "LOCK MODE" or "CHAIN OF IMMU-KEY".
- Initialization is not necessary when only NATS antenna amp. is replaced with a new one.



# HOMELINK UNIVERSAL TRANSCEIVER

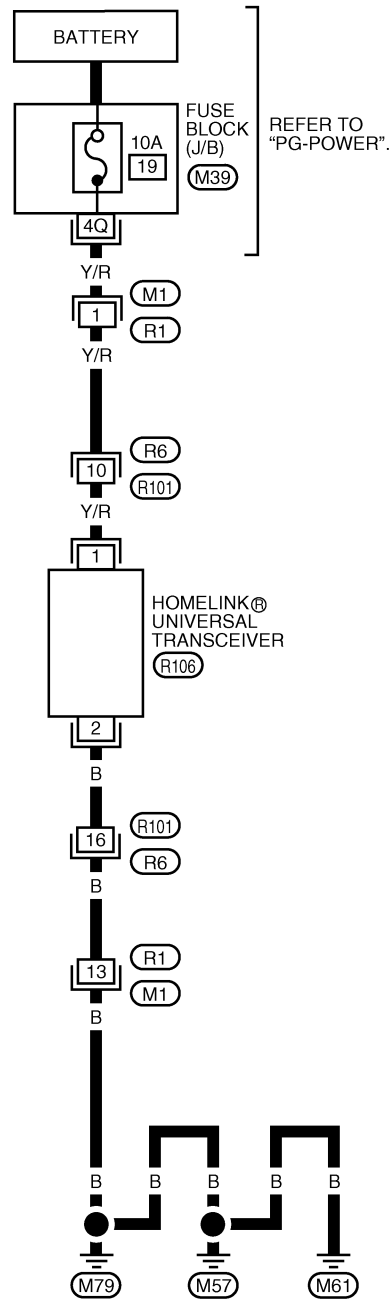
## HOMELINK UNIVERSAL TRANSCEIVER

### Wiring Diagram — TRNSCV —

PFP:96401

EIS002U1

BL-TRNSCV-01



A  
B  
C  
D  
E  
F  
G  
H  
BL  
J  
K  
L  
M

1	2	3	4	5	6	7	M1	1Q	2Q	3Q	M39	1	2	3	4	5	6	7	8	9	10	11	R6	2	1	R106		
8	9	10	11	12	13	14	W	4Q	5Q	6Q	7Q	8Q	W	12	13	14	15	16	17	18	19	20	21	22	23	24	W	W

WIWA1080E

# HOMELINK UNIVERSAL TRANSCEIVER

EIS002U2

## Trouble Diagnoses DIAGNOSTIC PROCEDURE

### SYMPTOM: Transmitter does not activate receiver.

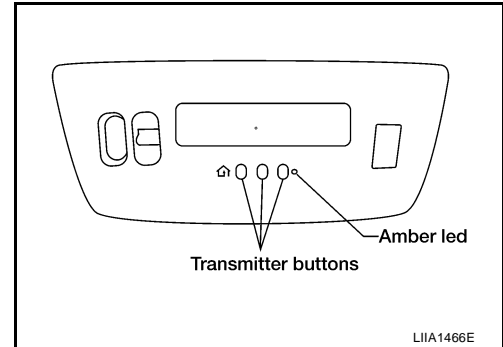
Before conducting the procedure given below, make sure that system receiver (garage door opener, etc.) operates with original, hand-held transmitter. If NG, receiver or hand-held transmitter is at fault, not vehicle related.

### 1. ILLUMINATE CHECK

- Turn ignition switch OFF.
- Does amber light (LED) of transmitter illuminate when any button is pressed?

#### YES or NO

- YES >> GO TO 2.  
NO >> GO TO 3.



### 2. TRANSMITTER CHECK

Check transmitter with Tool. For details, refer to Technical Service Bulletin.

#### OK or NG

- OK >> Receiver or hand-held transmitter malfunction, not vehicle related.  
NG >> Replace transmitter.

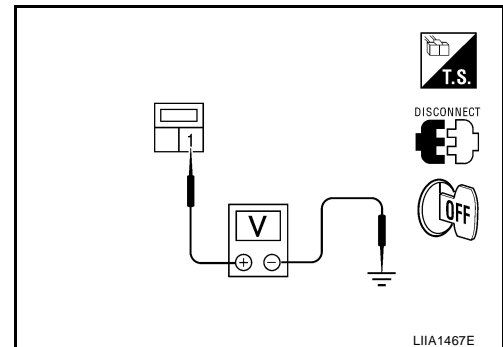
### 3. POWER SUPPLY CHECK

1. Disconnect transmitter.
2. Check voltage between HomeLink® universal transceiver connector R106 terminal 1 and ground.

**1 (Y/R) - Ground : Battery voltage**

#### OK or NG

- OK >> GO TO 4.  
NG >> Repair or replace fuse or harness.



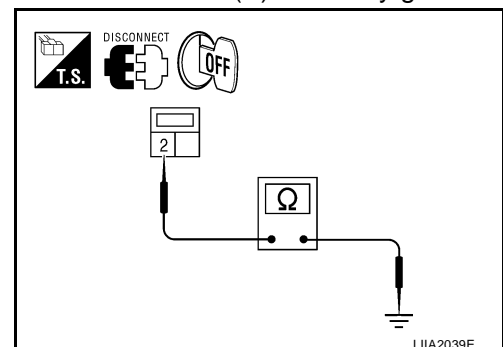
### 4. GROUND CIRCUIT CHECK

Check continuity between HomeLink® universal transceiver connector R106 terminal 2 (B) and body ground.

**2 (B) - Ground : Continuity should exist.**

#### OK or NG

- OK >> Replace HomeLink® universal transceiver.  
NG >> Repair or replace harness.



# CAB AND REAR BODY

## CAB AND REAR BODY

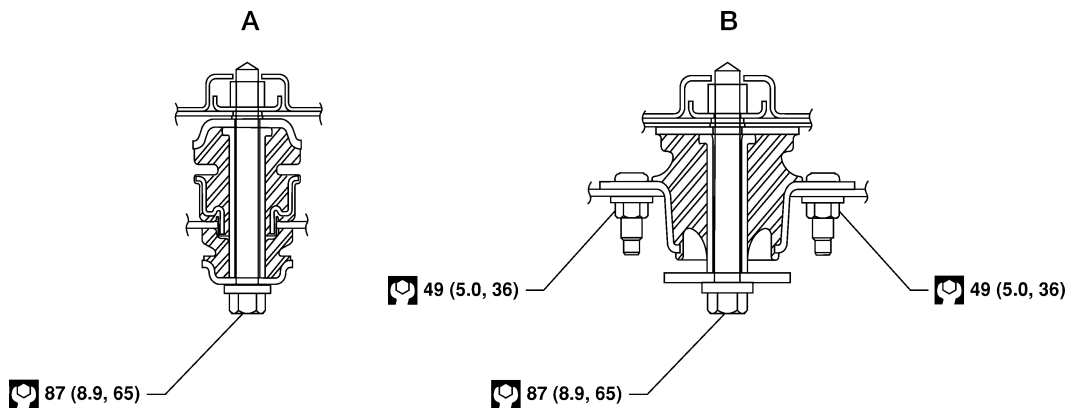
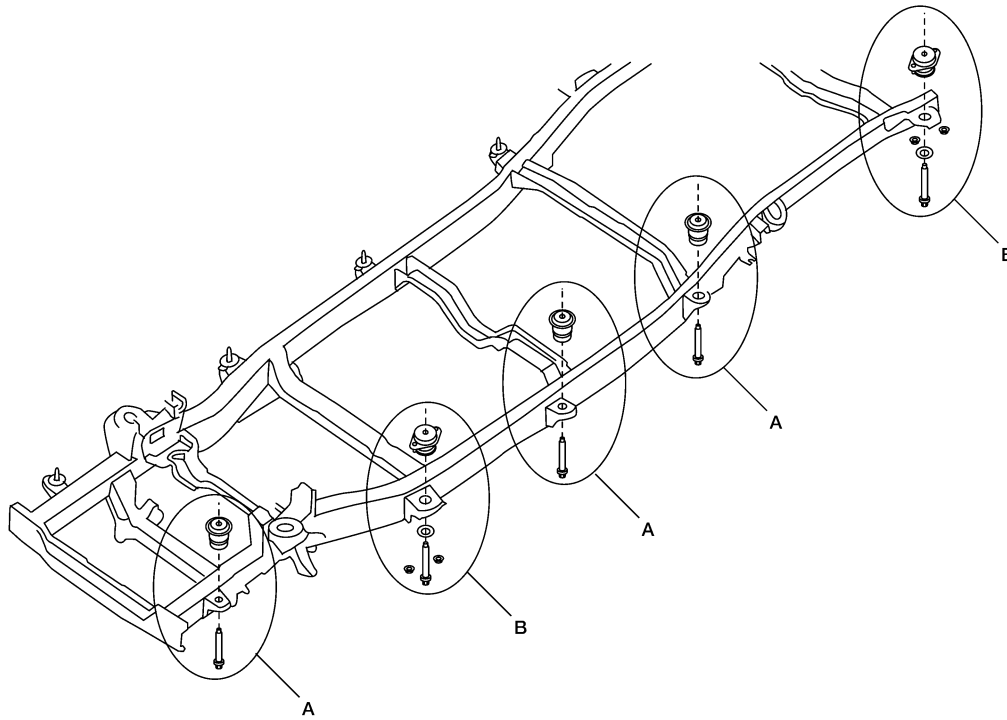
PFP:93020


### Body Mounting

E/S0039X

When removing, be sure to replace bolts and nuts (sealant applied bolts or self-lock nuts are used for all mounting).

SEC. 930



 N·m (kg·m, ft·lb)

LIIA1564E

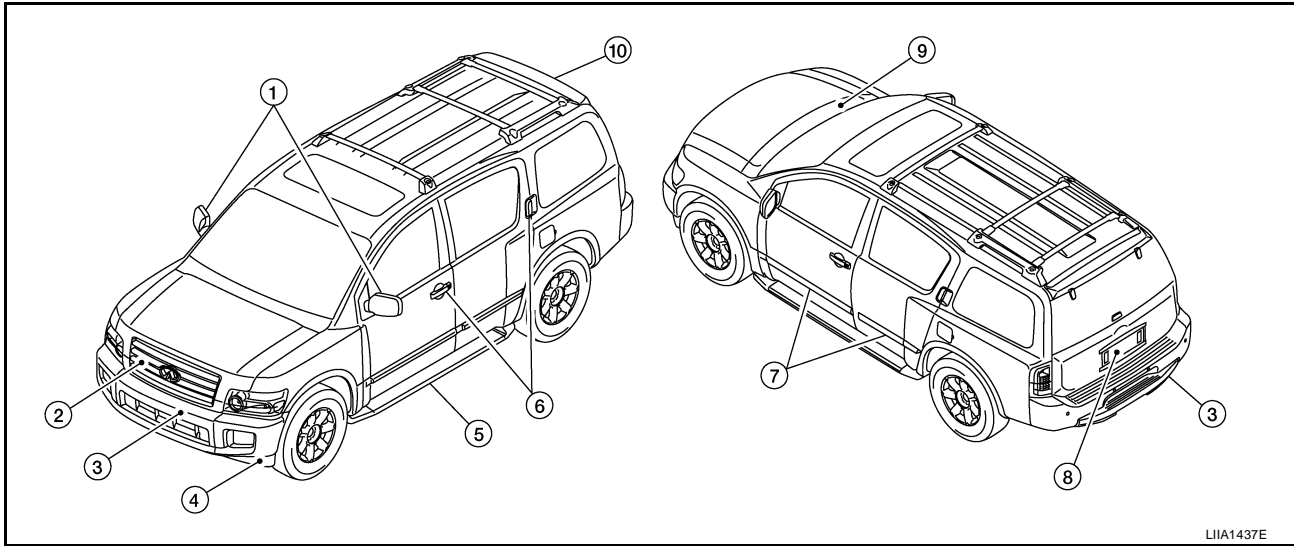
# BODY REPAIR

PF6:60100

## BODY REPAIR

### Body Exterior Paint Color

EIS002U3



LIA1437E

Component			Color code	A14	B18	EY2	G10	J20	K11	K12	Q11
			Description	Opus Red	Cobalt Blue	Kashmir	Liquid Onyx	Jade	Silver Graphite	Silver Indulgence	Tuscan Pearl
			Clear coat	t	t	t	t	t	t	t	t
1	Outside mirror	Body	Chromium plate	Cr2P	Cr2P	Cr2P	Cr2P	Cr2P	Cr2P	Cr2P	Cr2P
		Base	Black	KH3	KH3	KH3	KH3	KH3	KH3	KH3	KH3
2	Radiator grille	Center and emblem	Chromium plate	Cr2P	Cr2P	Cr2P	Cr2P	Cr2P	Cr2P	Cr2P	Cr2P
3	Bumpers	Fascias	Body color	A14	B18	EY2	G10	J20	K11	K12	Q11
4	Valance		Black	KH3	KH3	KH3	KH3	KH3	KH3	KH3	KH3
5	Running Boards	Body	Body color	A14	B18	EY2	G10	J20	K11	K12	Q11
		Step pad	Black	KH3	KH3	KH3	KH3	KH3	KH3	KH3	KH3
6	Outside handles		Chromium plate	Cr2P	Cr2P	Cr2P	Cr2P	Cr2P	Cr2P	Cr2P	Cr2P
7	Side Guard Molding	Base	Body color	A14	B18	EY2	G10	J20	K11	BK12	BQ10
		Top Trim	Chromium plate	Cr2P	Cr2P	Cr2P	Cr2P	Cr2P	Cr2P	Cr2P	Cr2P
8	License plate finisher	Base	Body color	A14	B18	EY2	G10	J20	K11	K12	Q11
		Top and bottom trim	Chromium plate	Cr2P	Cr2P	Cr2P	Cr2P	Cr2P	Cr2P	Cr2P	Cr2P
9	Cowl top cover		Body color	A14	B18	EY2	G10	J20	K11	K12	Q11
10	Rear spoiler		Body color	A14	B18	EY2	G10	J20	K11	K12	Q11

M: Metallic; 2S: 2-Coat Solid, 2P: 2-Coat Pearl; 3P: 3-Coat Pearl; t: New Cross Linking Clear Coat

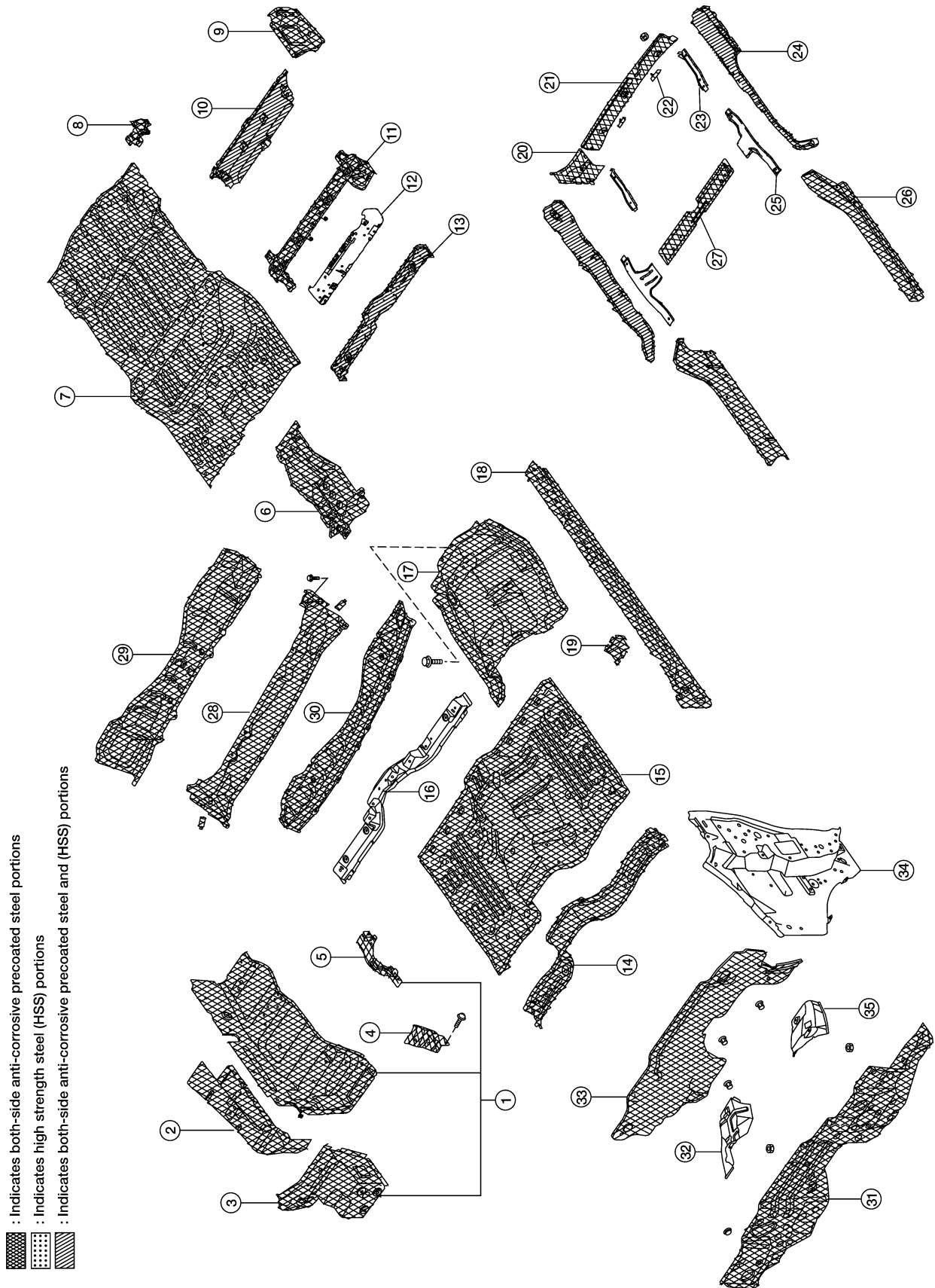


# BODY REPAIR

## Body Component Parts UNDERBODY COMPONENT PARTS

EIS002U4

A  
B  
C  
D  
E  
F  
G  
H  
BL  
J  
K  
L  
M



LIA0908E

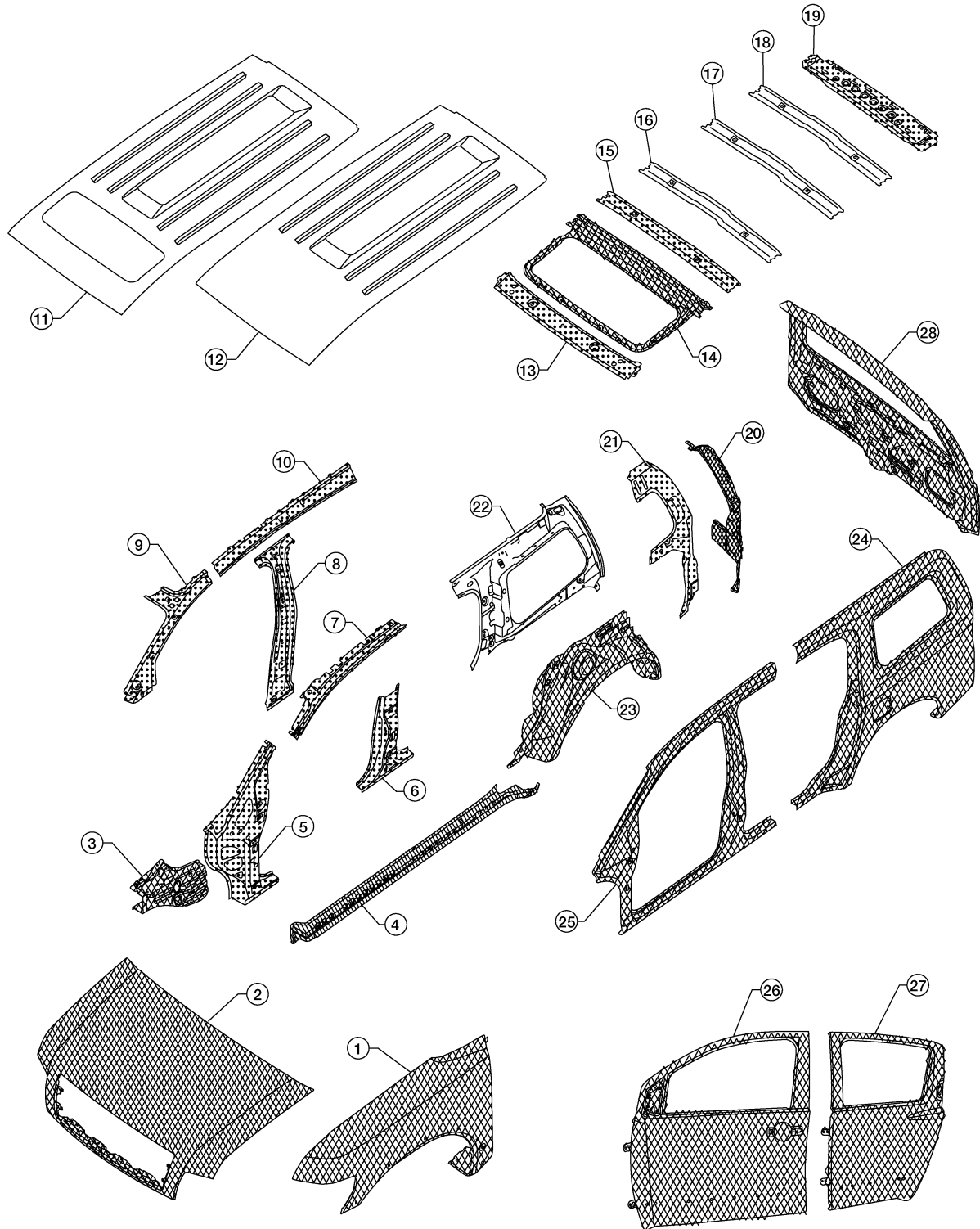
## BODY REPAIR


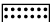

---

1. Hoodledge assembly (RH, LH)
2. Hoodledge reinforcement (RH, LH)
3. Body mounting bracket (RH, LH)
4. Hoodledge front brace (RH), Battery mounting bracket (LH)
5. Harness connector bracket
6. Rear floor reinforcement
7. Rear floor
8. Rear floor reinforcement
9. Rear floor side (RH, LH)
10. Crossmember
11. Second seat rear crossmember
12. Second seat front crossmember
13. Rear front seat crossmember
14. Second Body crossmember
15. Front floor
16. Front seat front crossmember
17. Front floor reinforcement
18. Outer sill (RH, LH)
19. Second crossmember extension
20. Rear crossmember end
21. Rear lower crossmember end
22. Rear crossmember end (RH, LH)
23. Rear side member rear reinforcement (RH, LH)
24. Rear side member (RH, LH)
25. Rear side member reinforcement (RH, LH)
26. Inner sill extension (RH, LH)
27. Rear crossmember
28. Upper dash top
29. Upper dash bottom
30. Cowl top
31. Lower dash
32. Lower dash insulator (RH)
33. Lower dash reinforcement
34. Side dash (RH, LH)
35. Lower dash insulator

# BODY REPAIR

## BODY COMPONENT PARTS



-  : Indicates both-side anti-corrosive precoated steel portions
-  : Indicates high strength steel (HSS) portions
-  : Indicates both-side anti-corrosive precoated steel and (HSS) portions

A  
B  
C  
D  
E  
F  
G  
H  
BL  
J  
K  
L  
M

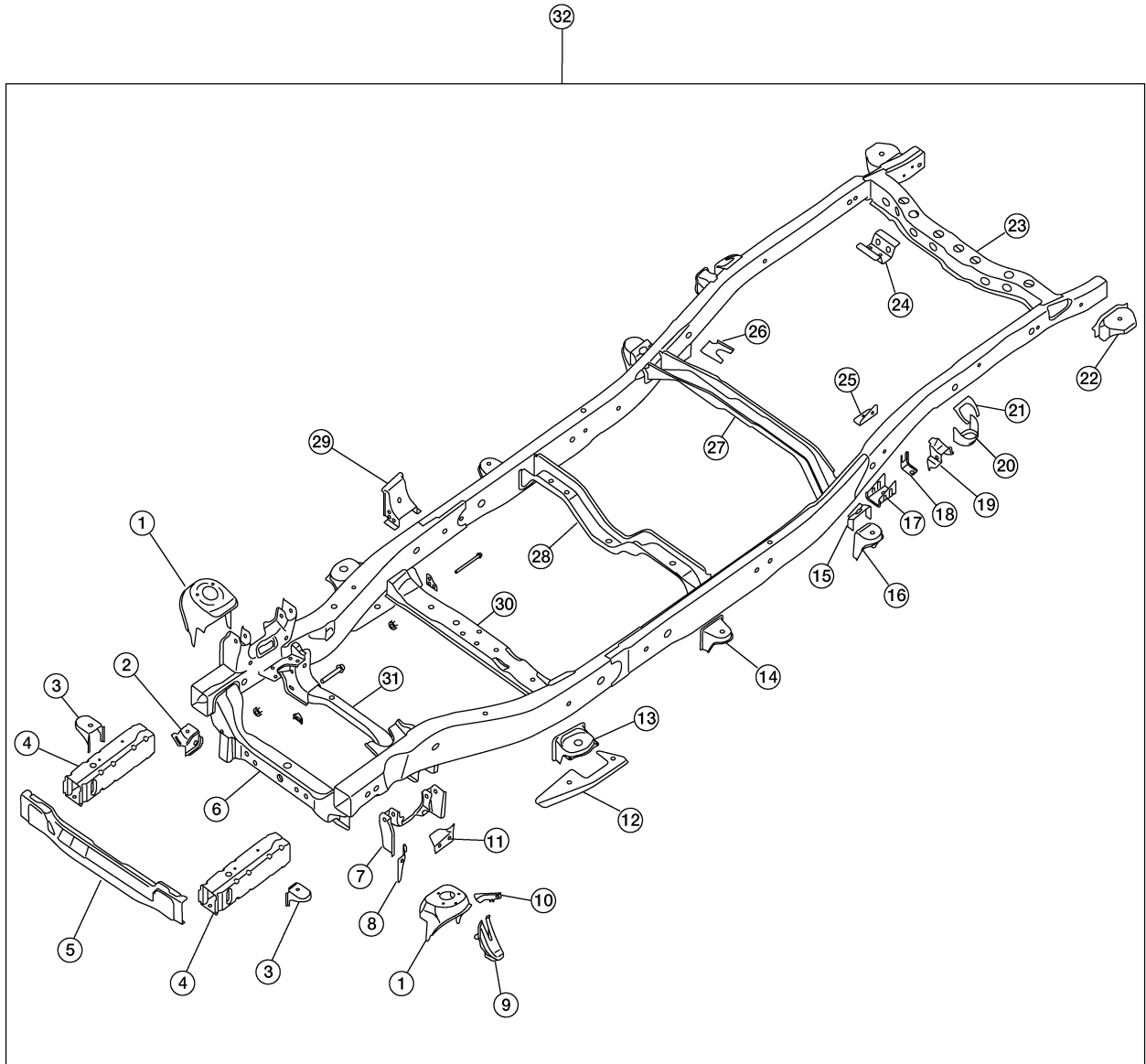
## BODY REPAIR

---

1. Front fender (RH, LH)
2. Hood assembly
3. Rear hoodledge reinforcement (RH, LH)
4. Outer sill reinforcement (RH, LH)
5. Front pillar hinge brace (RH, LH)
6. Center pillar hinge brace
7. Outer front pillar reinforcement (RH, LH)
8. Center inner pillar (RH, LH)
9. Front inner pillar upper (RH, LH)
10. Inner roof side rail (RH, LH)
11. Roof with sunroof opening
12. Roof
13. Front roof rail
14. Sunroof reinforcement
15. Roof 1st bow
16. Roof 2nd bow
17. Roof 3rd bow
18. Roof 4th bow
19. Rear roof rail
20. Main back pillar (RH, LH)
21. Back pillar reinforcement (RH, LH)
22. Rear inner side panel (RH, LH)
23. Rear wheel housing (RH, LH)
24. Rear body side outer (RH, LH)
25. Front body side outer (RH, LH)
26. Front door assembly (RH, LH)
27. Rear door assembly (RH, LH)
28. Lift gate assembly

# BODY REPAIR

## FRAME COMPONENT PARTS



A  
B  
C  
D  
E  
F  
G  
H  
BL  
J  
K  
L  
M

LIA1594E

## BODY REPAIR

---

1. Front shock absorber bracket RH/LH
2. Front differential mounting bracket RH/LH
3. 1st cab mounting bracket RH/LH
4. Front side member extension assembly RH/LH
5. 1st crossmember assembly
6. 2nd crossmember assembly
7. Front upper link mounting bracket RH/LH
8. Panhard rod bracket reinforcement
9. Bound bumper bracket RH/LH
10. Front brake hose bracket RH/LH
11. Panhard rod reinforcement
12. 4th crossmember gusset RH/LH
13. 2nd cab mounting bracket RH/LH
14. 3rd cab mounting bracket RH/LH
15. 4th cab mounting reinforcement RH/LH
16. 4th cab mounting bracket RH/LH
17. Rear suspension mounting bracket RH/LH
18. Rear brake hose bracket
19. Rear shock absorber bracket assembly RH/LH
20. Rear bound bumper bracket RH/LH
21. Rear bracket bumper reinforcement RH/LH
22. Cab mounting bracket assembly RH/LH
23. 9th crossmember assembly
24. Exhaust bracket assembly
25. Canister bracket, LH
26. 7th crossmember reinforcement
27. 7th crossmember assembly
28. 6th crossmember assembly
29. 4th crossmember gusset RH/LH
30. 4th crossmember assembly
31. 3rd crossmember assembly
32. Frame assembly

# BODY REPAIR

EIS002U5

## Corrosion Protection

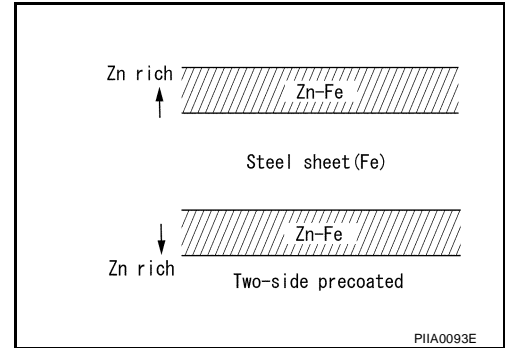
### DESCRIPTION

To provide improved corrosion prevention, the following anti-corrosive measures have been implemented in NISSAN production plants. When repairing or replacing body panels, it is necessary to use the same anti-corrosive measures.

#### ANTI-CORROSIVE PRECOATED STEEL (GALVANNEALED STEEL)

To improve repairability and corrosion resistance, a new type of anti-corrosive precoated steel sheet has been adopted replacing conventional zinc-coated steel sheet.

Galvannealed steel is electroplated and heated to form Zinc-iron alloy, which provides excellent and long term corrosion resistance with cationic electrode position primer.



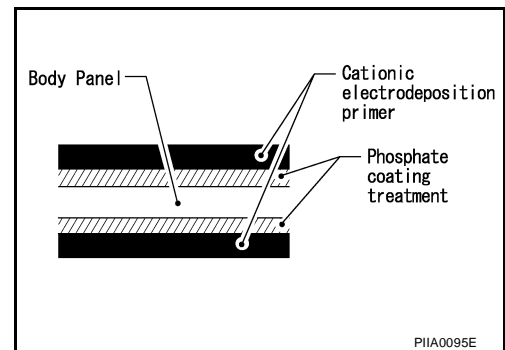
Nissan Genuine Service Parts are fabricated from galvannealed steel. Therefore, it is recommended that GENUINE NISSAN PARTS or equivalent be used for panel replacement to maintain the anti-corrosive performance built into the vehicle at the factory.

#### PHOSPHATE COATING TREATMENT AND CATIONIC ELECTRODEPOSITION PRIMER

A phosphate coating treatment and a cationic electrode position primer, which provide excellent corrosion protection, are employed on all body components.

#### CAUTION:

Confine paint removal during welding operations to an absolute minimum.

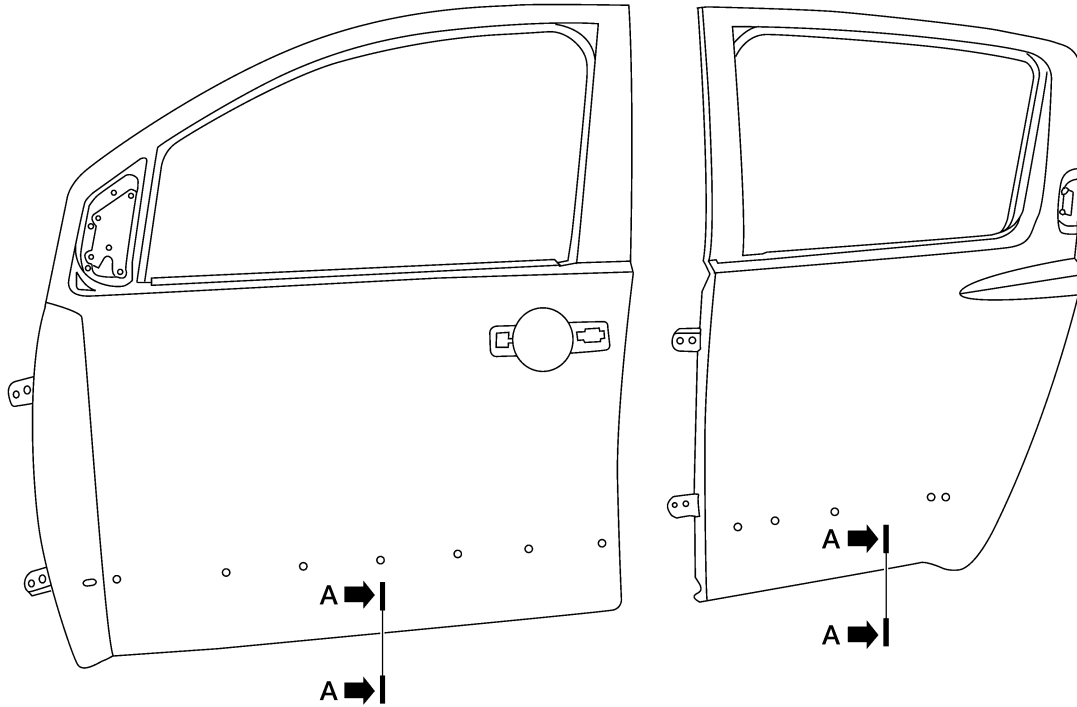




Nissan Genuine Service Parts are also treated in the same manner. Therefore, it is recommended that GENUINE NISSAN PARTS or equivalent be used for panel replacement to maintain anti-corrosive performance built into the vehicle at the factory.

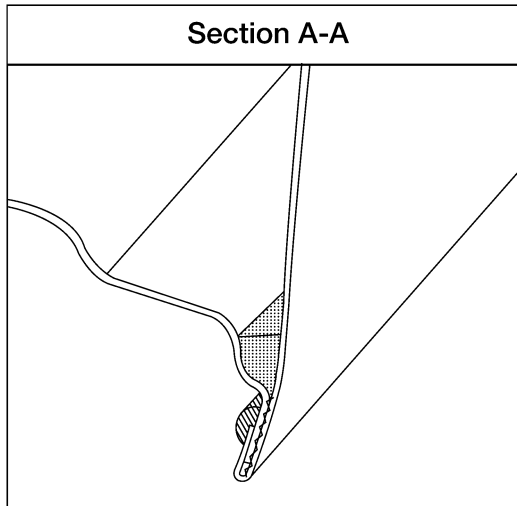
# BODY REPAIR

## ANTI-CORROSIVE WAX

To improve corrosion resistance, anti-corrosive wax is applied inside the body sill and inside other closed sections. Accordingly, when replacing these parts, be sure to apply anti-corrosive wax to the appropriate areas of the new parts. Select an excellent anti-corrosive wax which will penetrate after application and has a long shelf life.



-  : Indicates outside body sealant
-  : Indicates anti-corrosive wax coated portions



LIA0905E



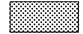
# BODY REPAIR

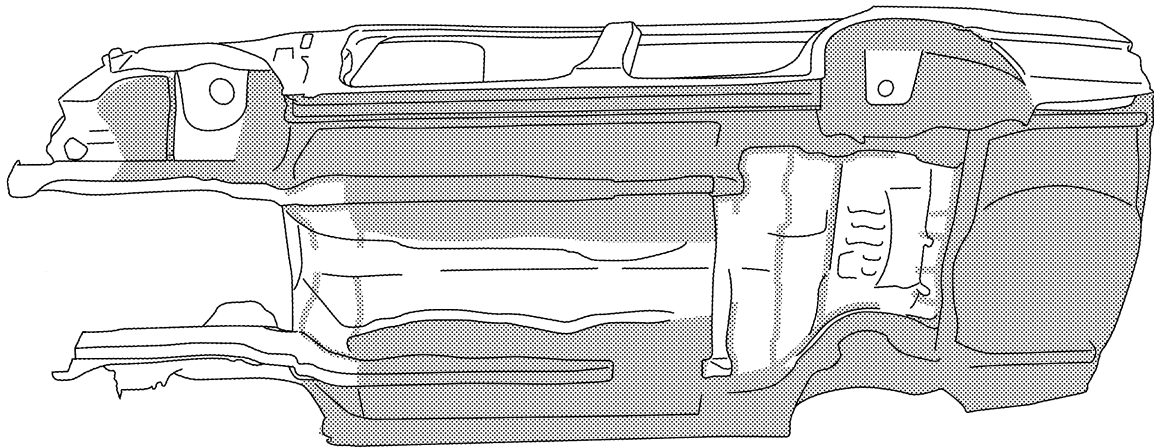
## UNDERCOATING

The underside of the floor and wheelhouse are undercoated to prevent rust, vibration, noise and stone chipping. Therefore, when such a panel is replaced or repaired, apply undercoating to that part. Use an undercoating which is rust preventive, soundproof, vibration-proof, shock-resistant, adhesive, and durable.

### Precautions in undercoating

1. Do not apply undercoating to any place unless specified (such as the areas above the muffler and three way catalyst which are subjected to heat).
2. Do not undercoat the exhaust pipe or other parts which become hot.
3. Do not undercoat rotating parts.
4. Apply bitumen wax after applying undercoating.

 : Indicates undercoated portions.



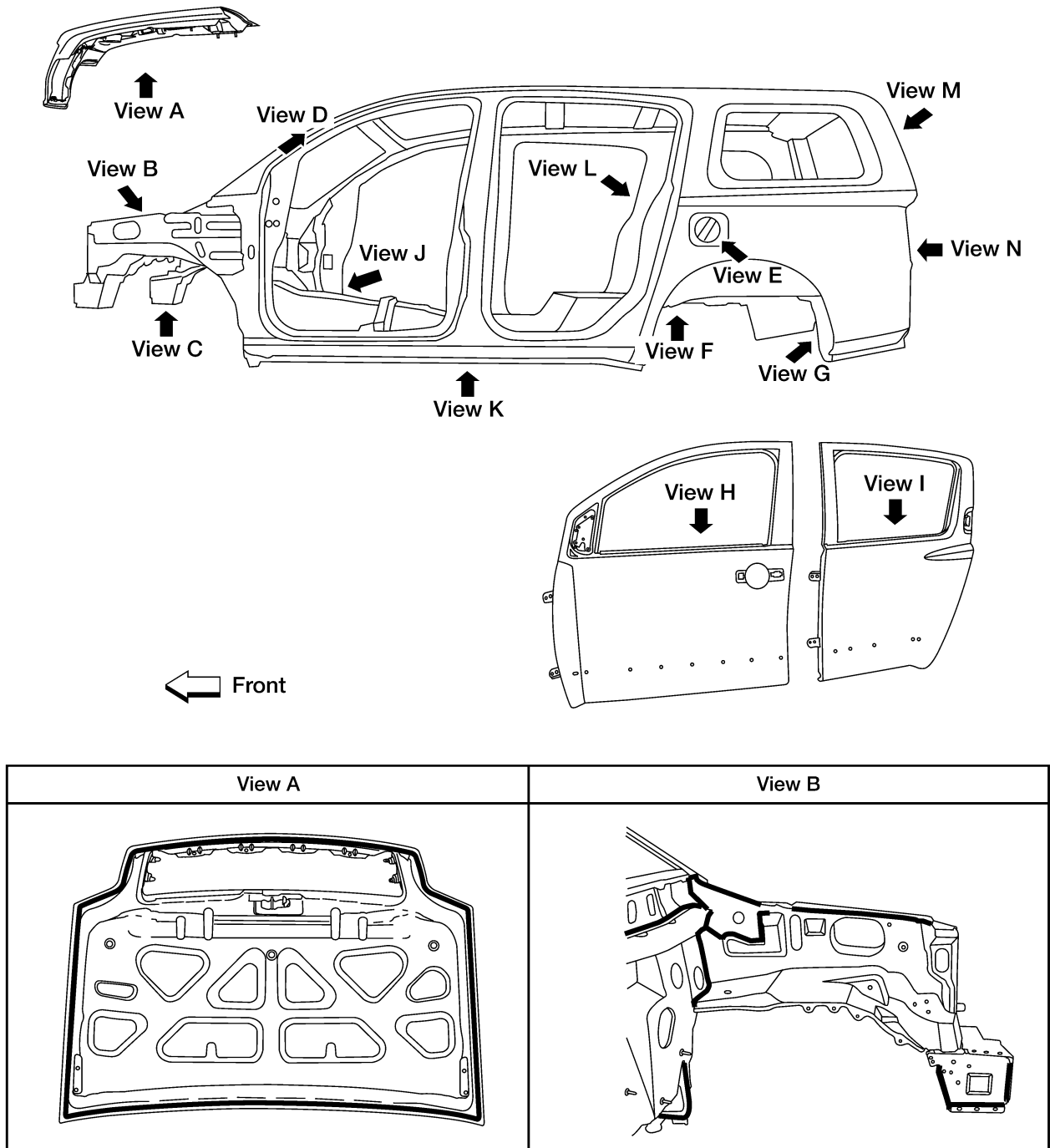
LIA0129E

# BODY REPAIR

EIS002U6

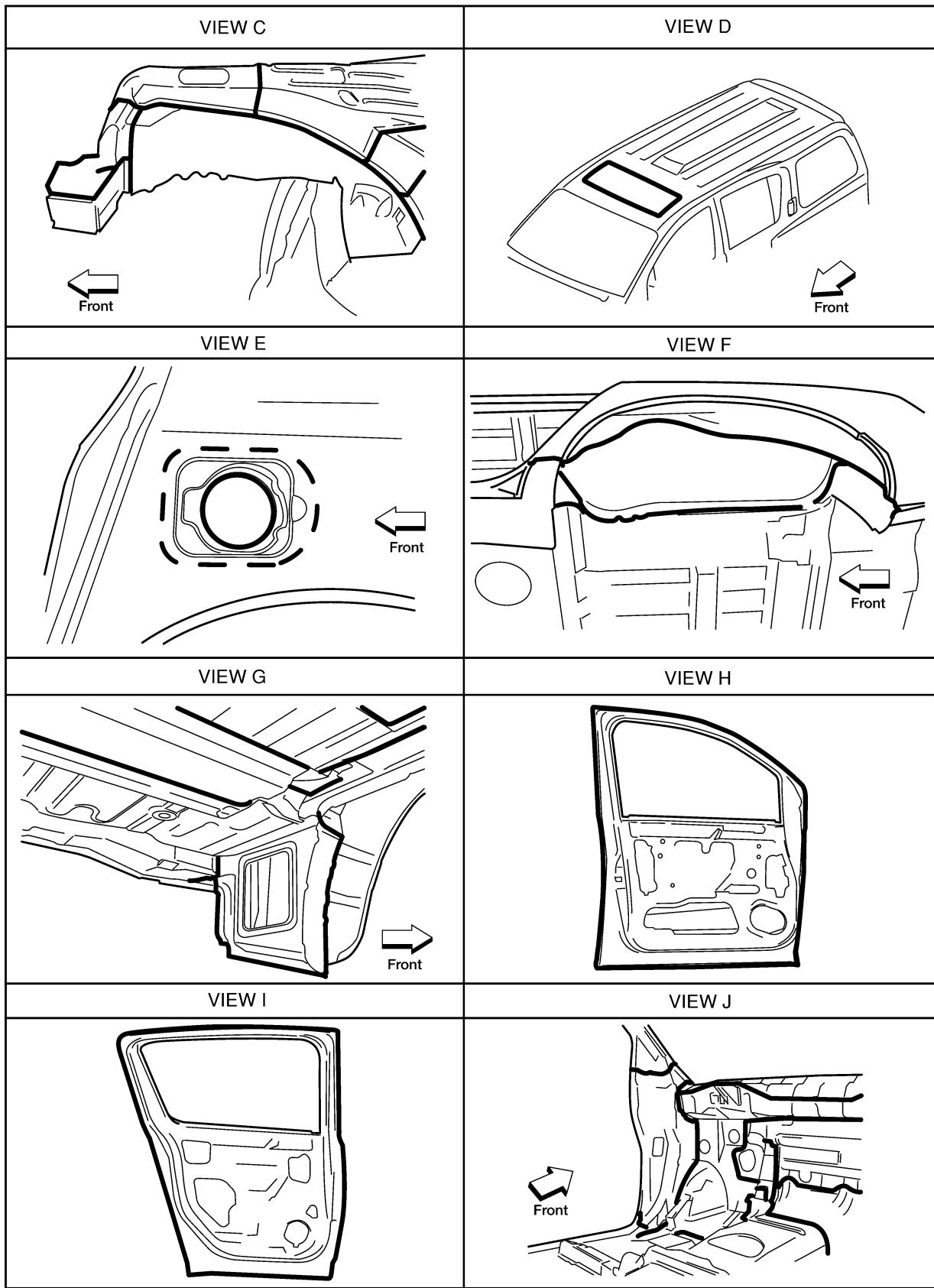
## Body Sealing DESCRIPTION

The following figure shows the areas which are sealed at the factory. Sealant which has been applied to these areas should be smooth and free from cuts or gaps. Care should be taken not to apply an excess amount of sealant and not to allow other unaffected parts to come into contact with the sealant.



LIA1439E

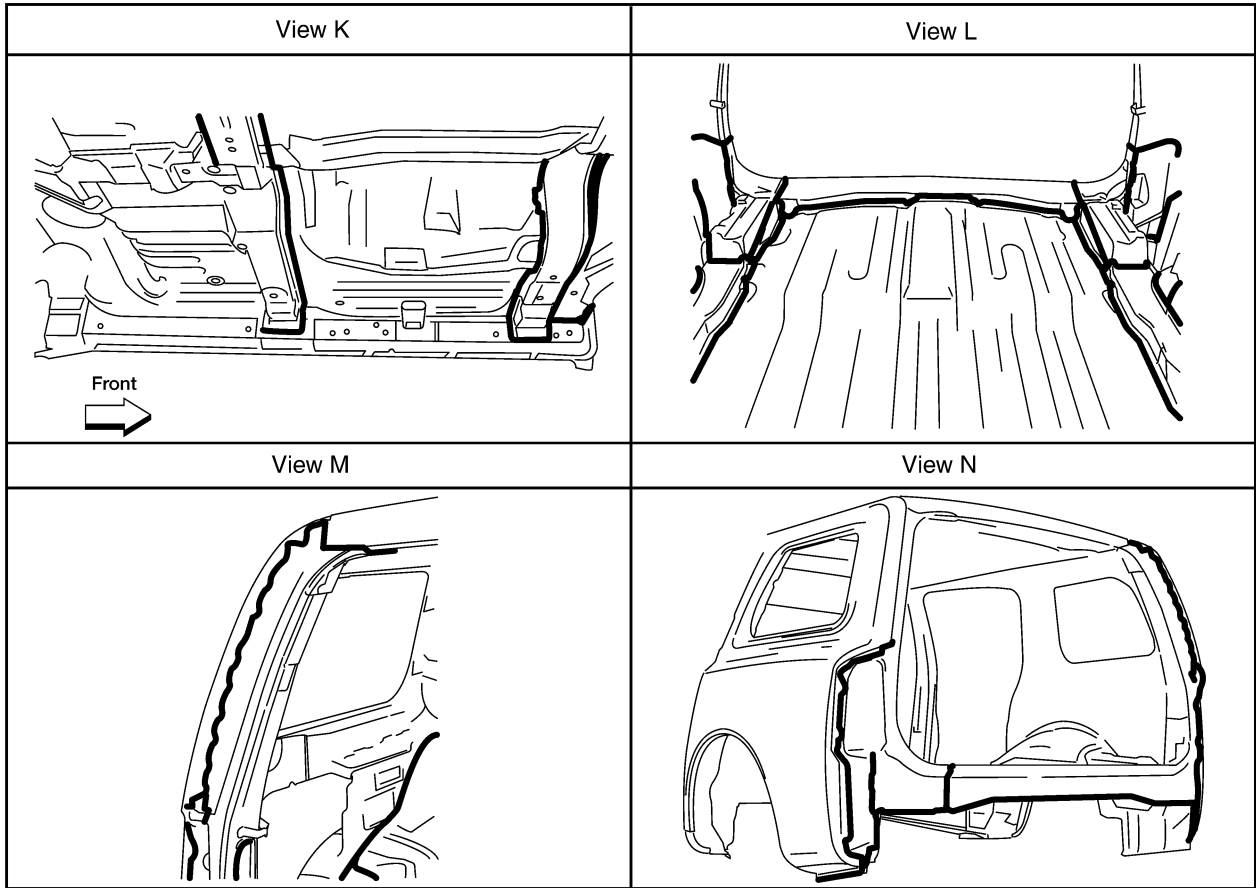
# BODY REPAIR



A  
B  
C  
D  
E  
F  
G  
H  
BL  
J  
K  
L  
M

W1A0278E

# BODY REPAIR

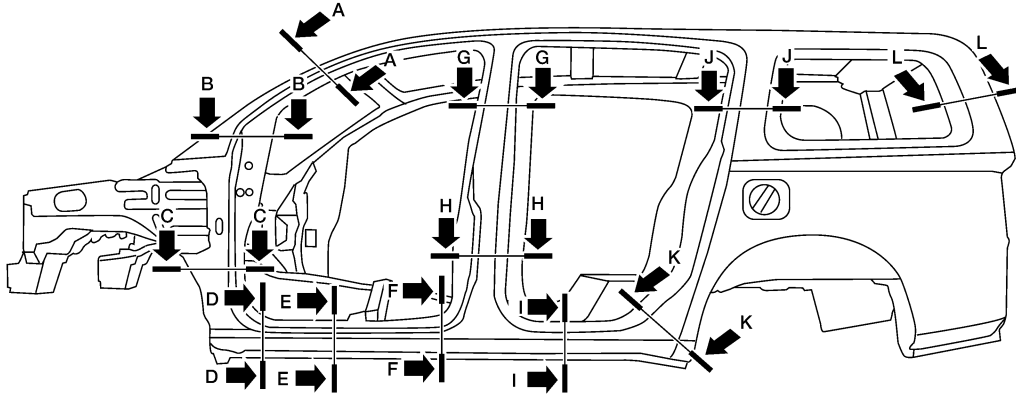


LIA0912E

# BODY REPAIR

## Body Construction BODY CONSTRUCTION

EIS002U7



Section A-A	Section B-B	Section C-C	Section D-D
Section E-E	Section F-F	Section G-G	Section H-H
Section I-I	Section J-J	Section K-K	Section L-L

A  
B  
C  
D  
E  
F  
G  
H  
BL  
J  
K  
L  
M

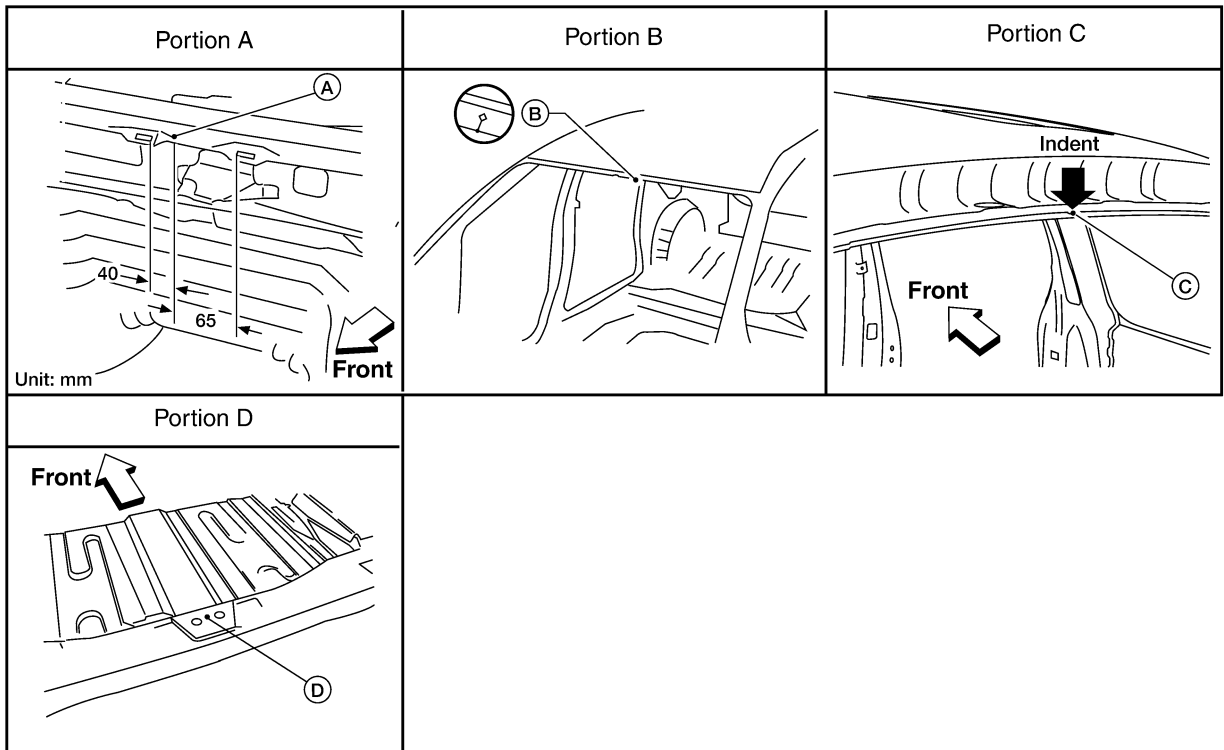
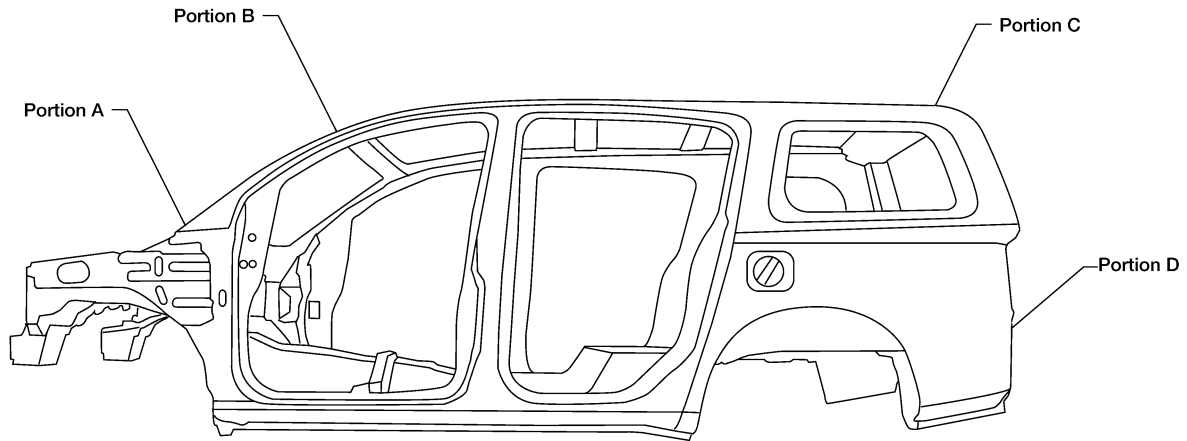
LIA1113E

# BODY REPAIR

EIS002U8

## Body Alignment BODY CENTER MARKS

A mark has been placed on each part of the body to indicate the vehicle center. When repairing parts damaged by an accident which might affect the vehicle frame (members, pillars, etc.), more accurate and effective repair will be possible by using these marks together with body alignment specifications.

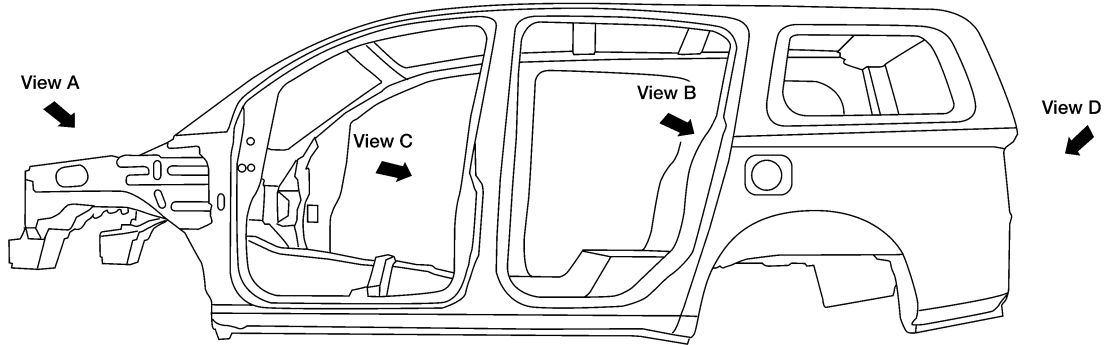


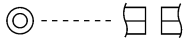
LIA1440E

# BODY REPAIR

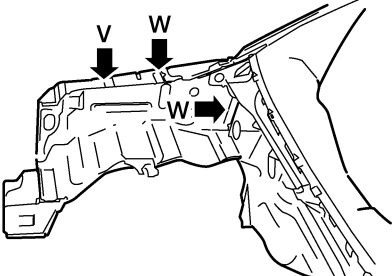
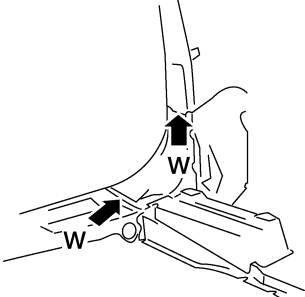
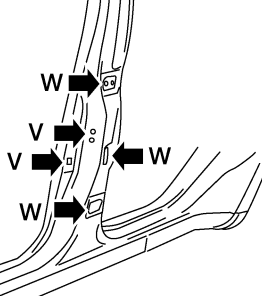
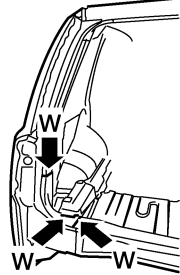
## PANEL PARTS MATCHING MARKS

A mark has been placed on each body panel to indicate the parts matching positions. When repairing parts damaged by an accident which might affect the vehicle structure (members, pillars, etc.), more accurate and effective repair will be possible by using these marks together with body alignment specifications.



Type V: 

Type W: 

View A	View B
	
View C	View D
	

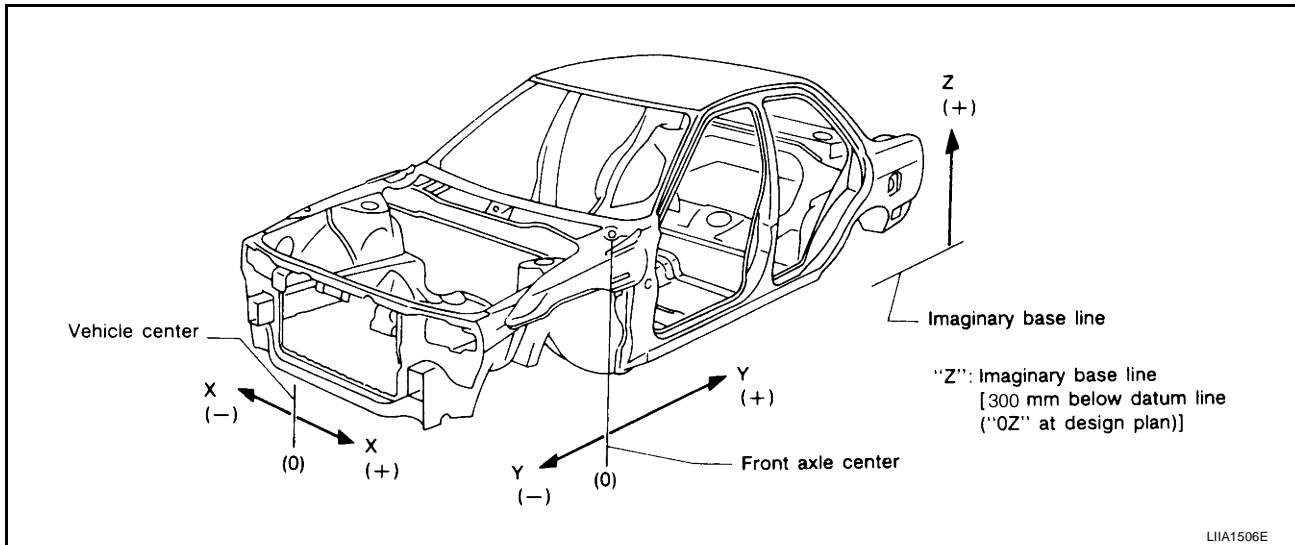
W1IA0284E

A  
B  
C  
D  
E  
F  
G  
H  
BL  
J  
K  
L  
M

# BODY REPAIR

## DESCRIPTION

- All dimensions indicated in the figures are actual.
- When using a tracking gauge, adjust both pointers to equal length. Then check the pointers and gauge itself to make sure there is no free play.
- When a measuring tape is used, check to be sure there is no elongation, twisting or bending.
- Measurements should be taken at the center of the mounting holes.
- An asterisk (\*) following the value at the measuring point indicates that the measuring point on the other side is symmetrically the same value.
- The coordinates of the measurement points are the distances measured from the standard line of "X", "Y" and "Z".

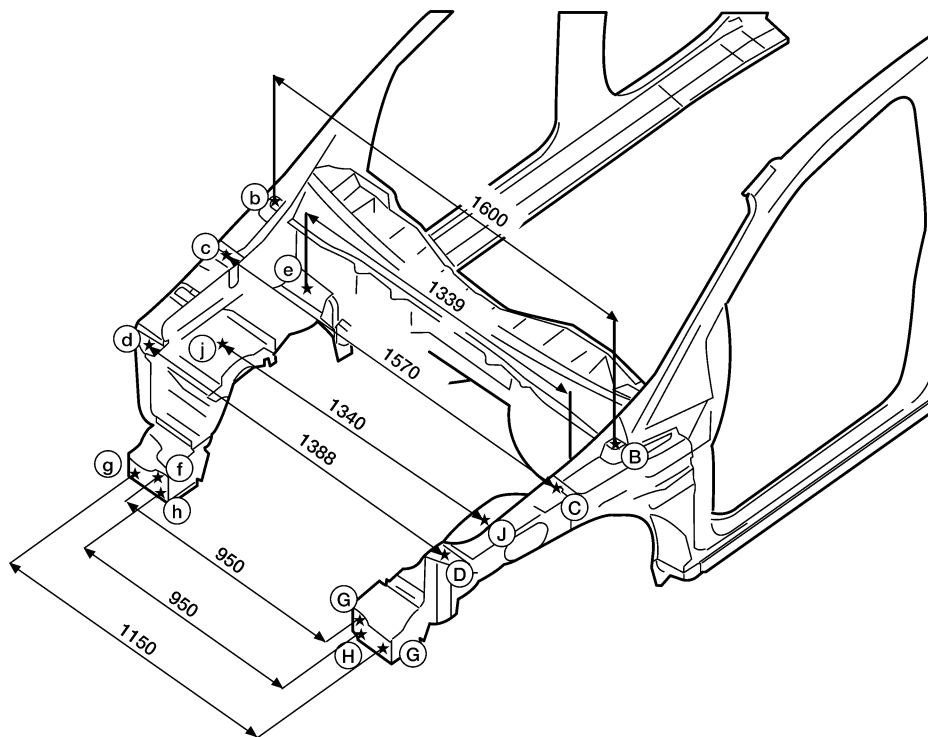
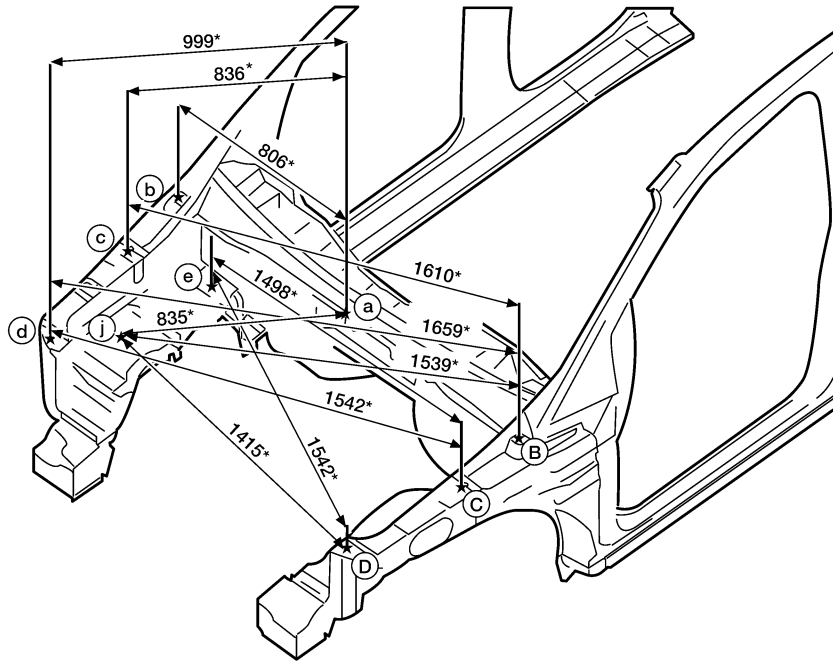




# BODY REPAIR

## ENGINE COMPARTMENT MEASUREMENT

Figures marked with a (\*) indicate symmetrically identical dimensions on both right and left hand sides of the vehicle.



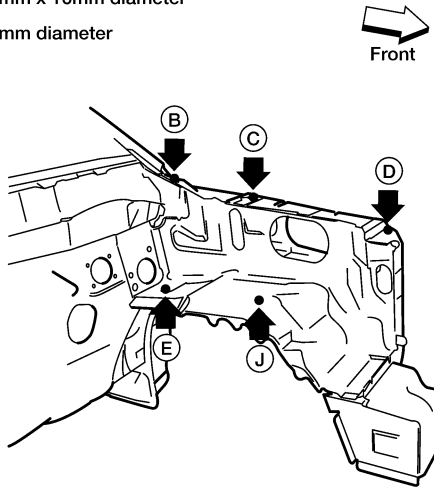
Unit: mm

W1A0551E

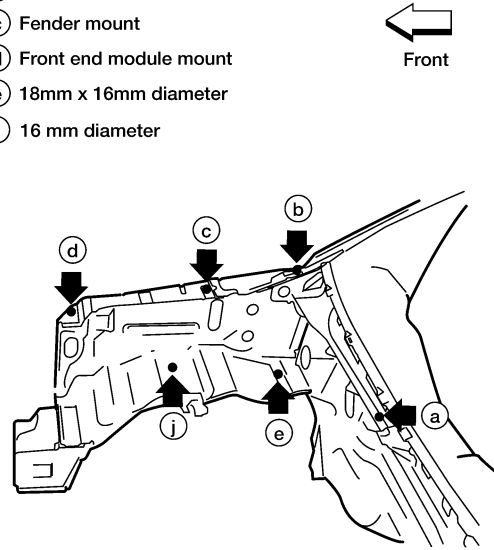
# BODY REPAIR

## MEASUREMENT POINTS

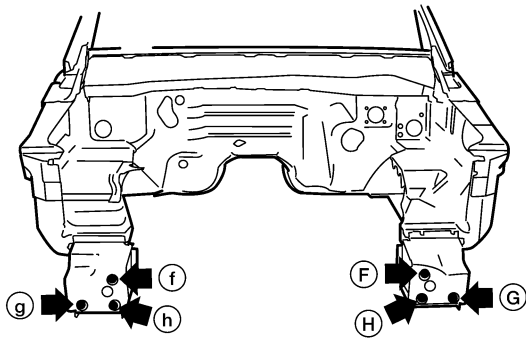
- ⓑ Fender mount
- ⓒ Fender mount
- ⓓ Front end module mount
- ⓔ 18mm x 16mm diameter
- ⓙ 16mm diameter



- ⓐ RH cowl
- ⓑ Fender mount
- ⓒ Fender mount
- ⓓ Front end module mount
- ⓔ 18mm x 16mm diameter
- ⓙ 16 mm diameter



- ⓕ, ⓕ, ⓖ, ⓖ, ⓗ, ⓗ Front side member extension front



WIHA0279E

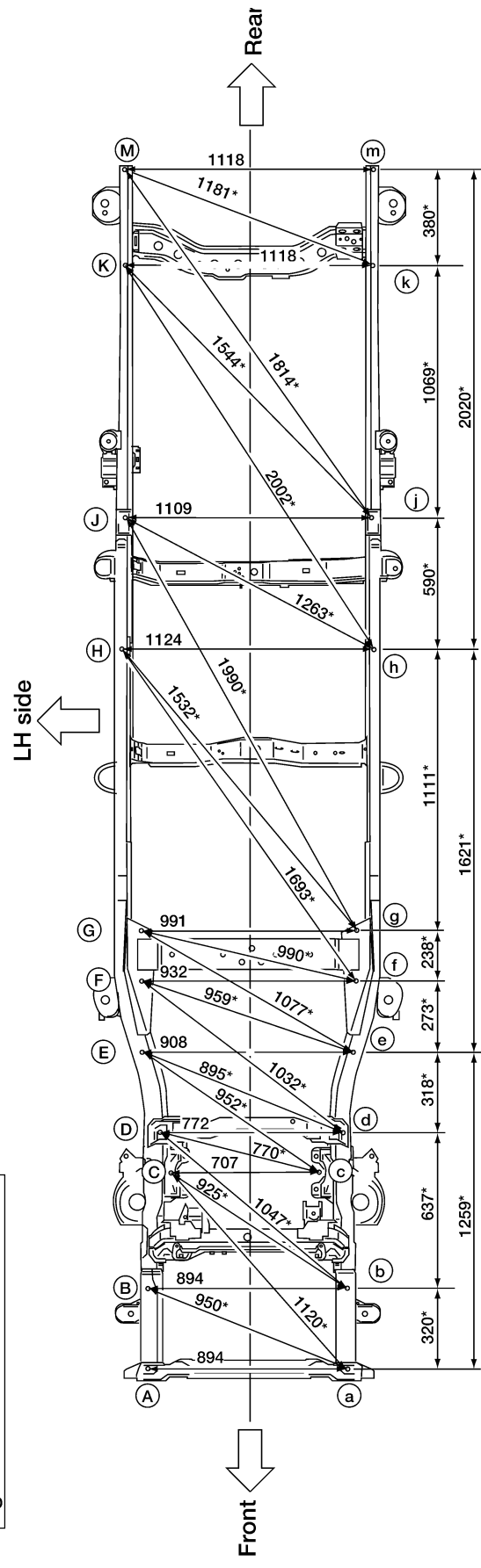
# BODY REPAIR

## UNDERBODY MEASUREMENT

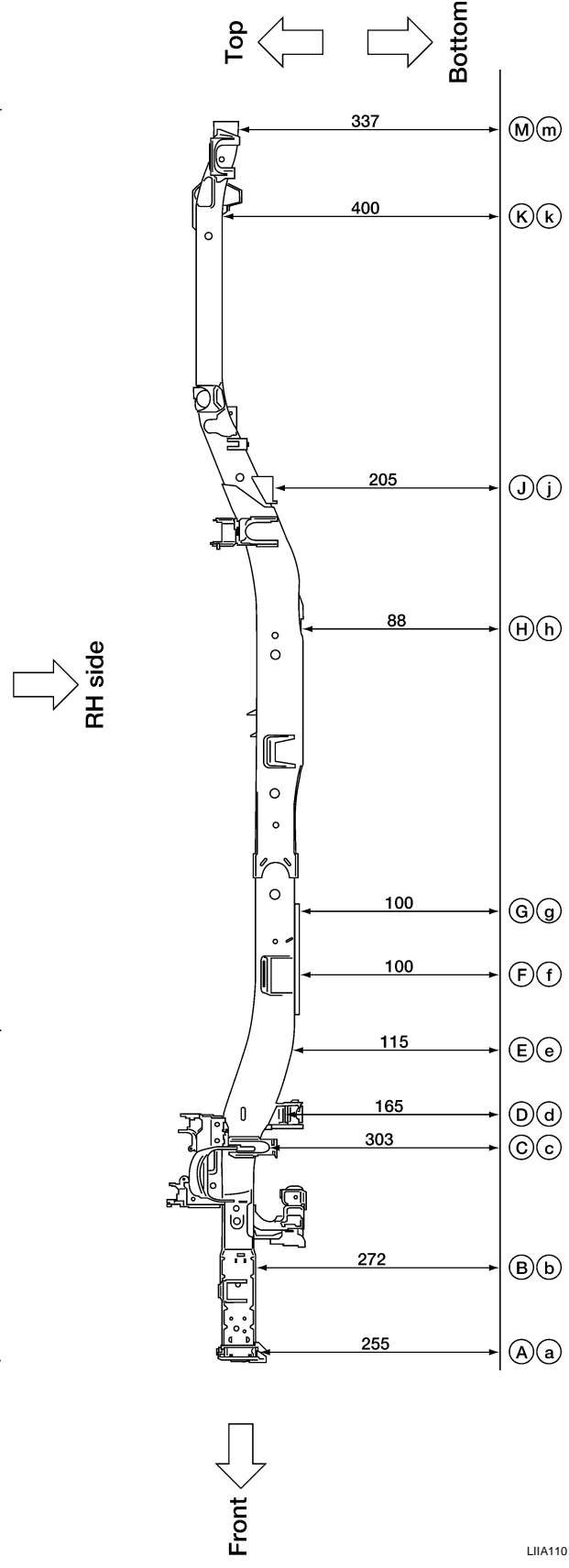
Figures marked with a (\*) indicate symmetrically identical dimensions on both right and left hand sides of the vehicle.

As viewed from underside.

All dimensions indicated in this figure are actual.



Unit: mm



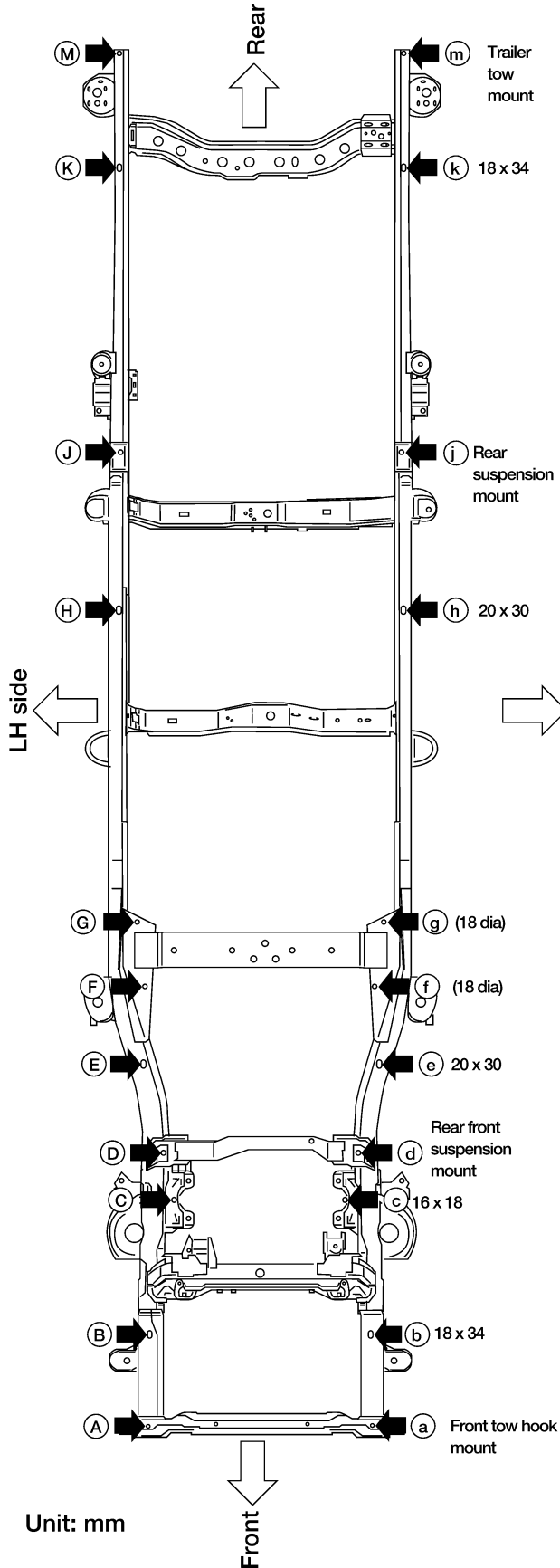
A  
B  
C  
D  
E  
F  
G  
H  
J  
K  
L  
M

BL

LIA1101E

# BODY REPAIR

## MEASUREMENT POINTS



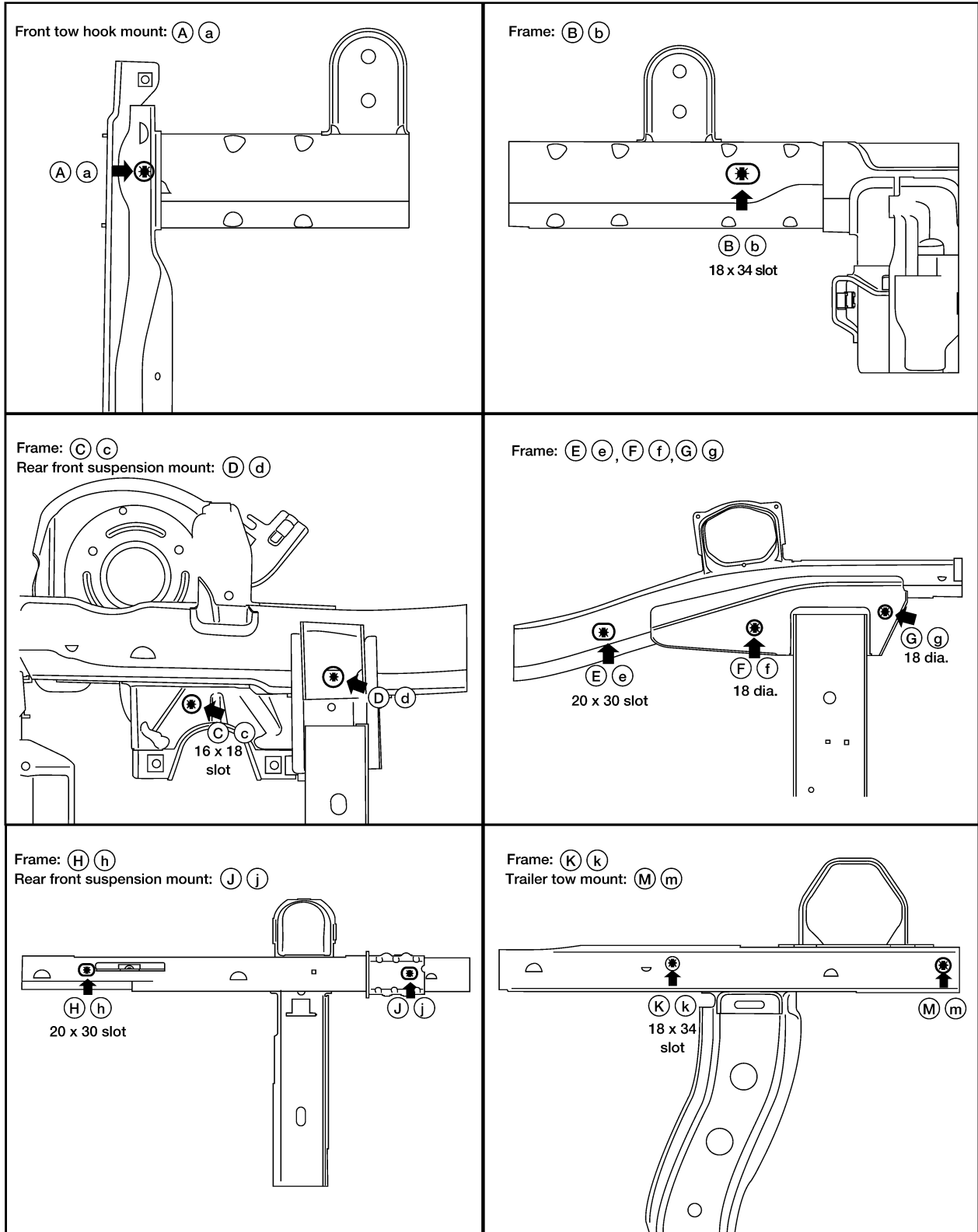
### Coordinates:

- (A), (a)
- X : ± 447
- Y : -745
- Z : 255
- (B), (b)
- X : ± 447
- Y : -427
- Z : 272
- (C), (c)
- X : ± 353
- Y : 35
- Z : 303
- (D), (d)
- X : ± 386
- Y : 198
- Z : 165
- (E), (e)
- X : ± 454
- Y : 504
- Z : 115
- (F), (f)
- X : ± 466
- Y : 777
- Z : 100
- (G), (g)
- X : ± 495
- Y : 1013
- Z : 100
- (H), (h)
- X : ± 562
- Y : 2122
- Z : 88
- (J), (j)
- X : ± 555
- Y : 2700
- Z : 205
- (K), (k)
- X : ± 559
- Y : 3751
- Z : 400
- (M), (m)
- X : ± 559
- Y : 4126
- Z : 337

Unit: mm

LIA1508E

# BODY REPAIR



A  
B  
C  
D  
E  
F  
G  
H  
BL  
J  
K  
L  
M

Coordinates:		(A, a)	(B, b)	(C, c)	(D, d)	(E, e)	(F, f)	(G, g)	(H, h)	(J, j)	(K, k)	(M, m)
X :	±	447	± 447	± 353	± 386	± 454	± 466	± 495	± 562	± 555	± 559	± 559
Y :		-747	-427	35	198	504	777	1013	2122	2700	3751	4126
Z :		255	272	303	165	115	100	100	88	205	400	337

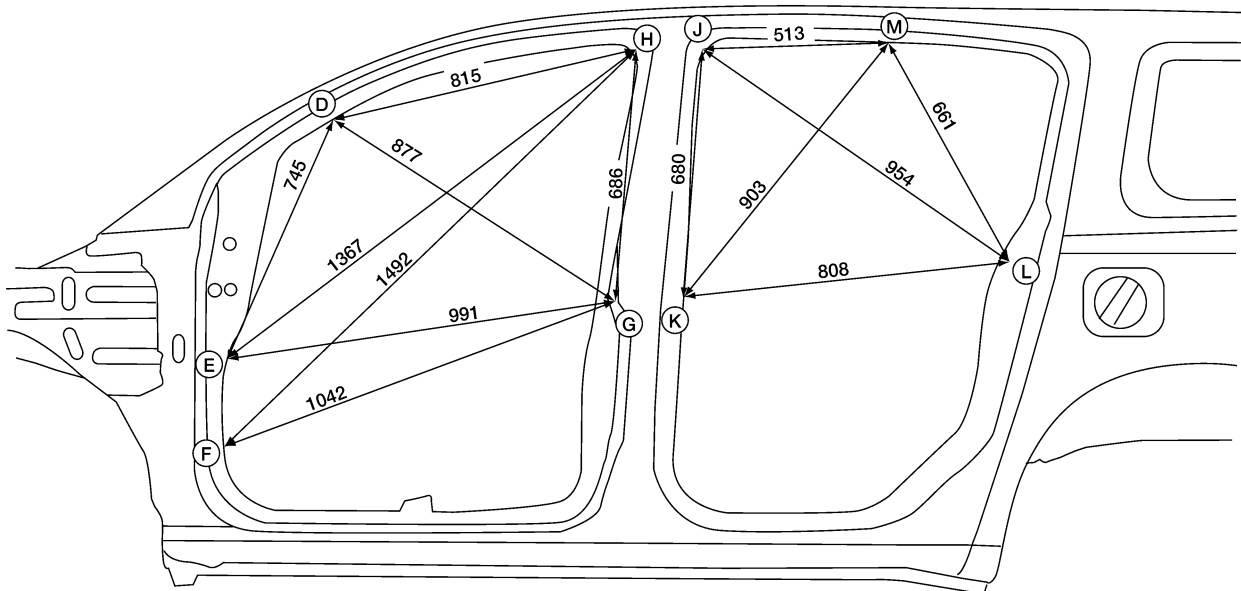
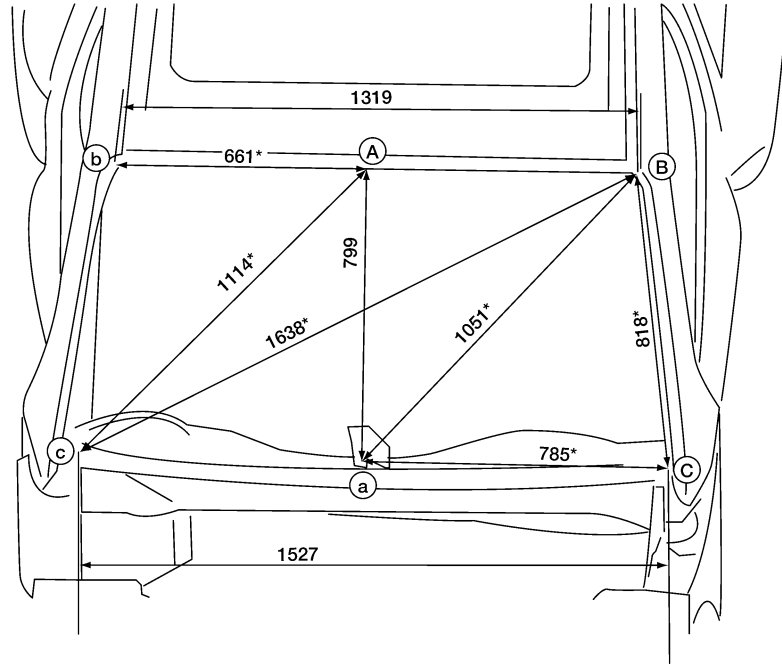
Unit: mm

LIA1509E

# BODY REPAIR

## PASSENGER COMPARTMENT MEASUREMENT

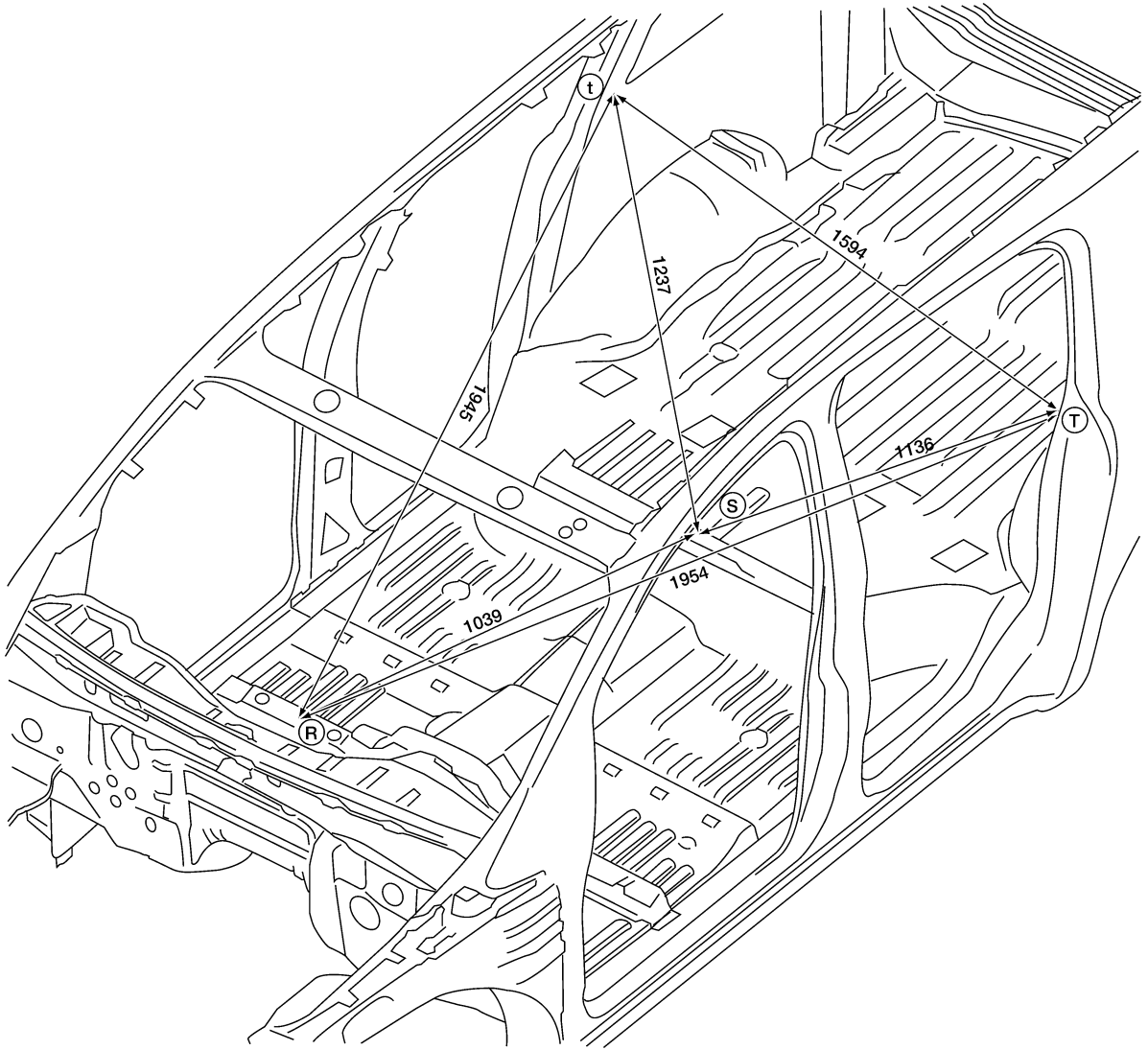
Figures marked with a (\*) indicate symmetrically identical dimensions on both right and left hand sides of the vehicle.



Unit: mm

LIA1510E

# BODY REPAIR



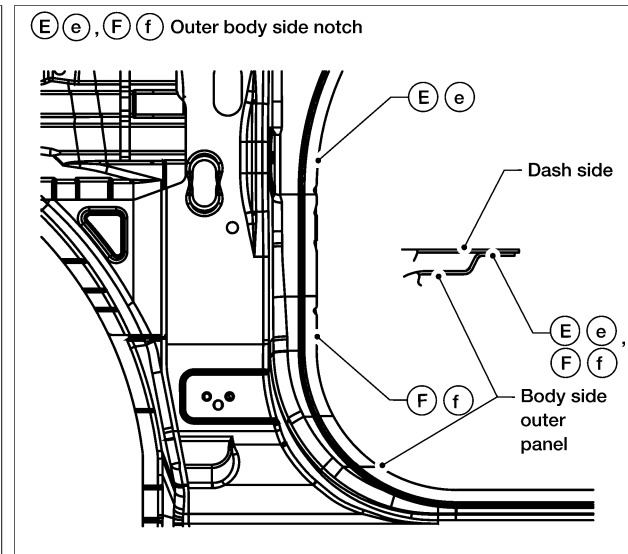
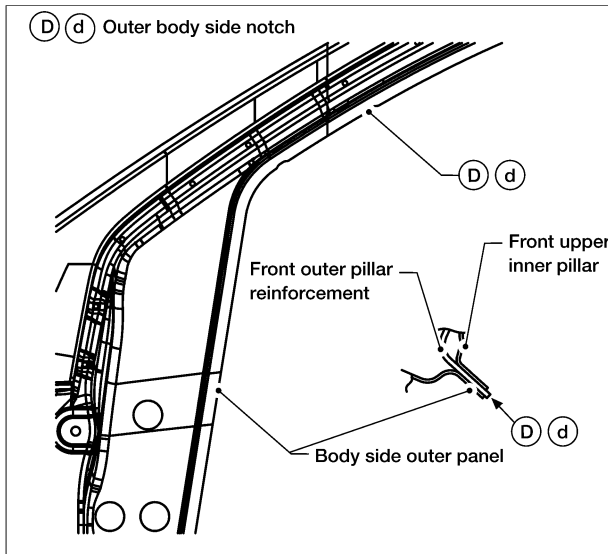
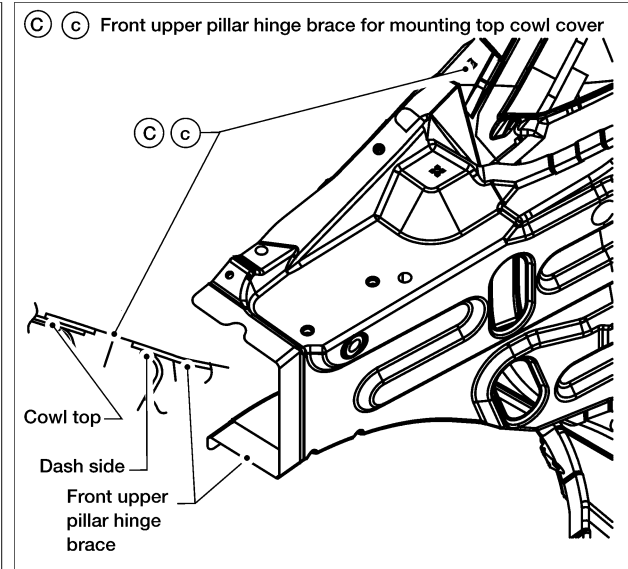
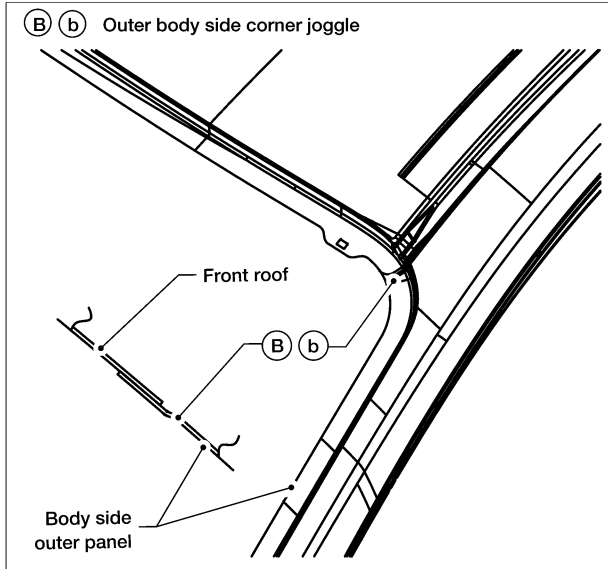
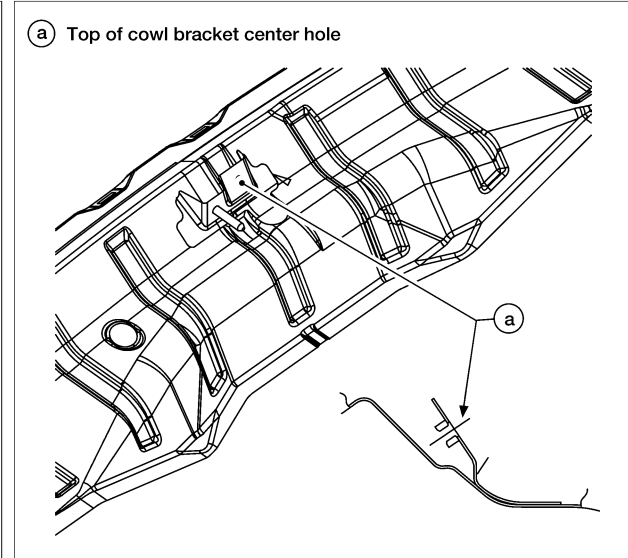
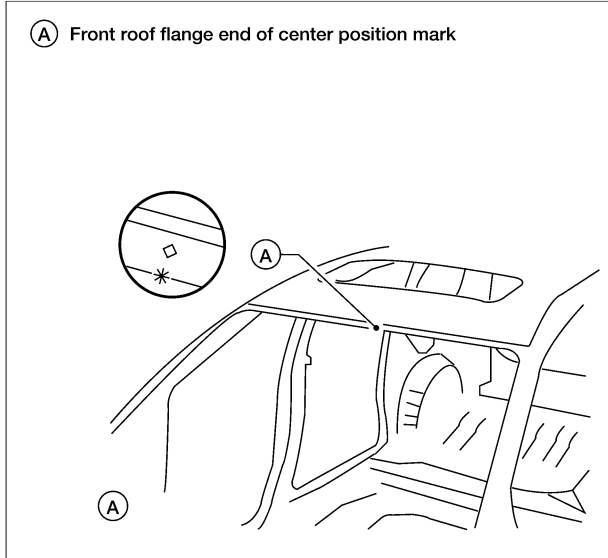
A  
B  
C  
D  
E  
F  
G  
H  
BL  
J  
K  
L  
M

Unit : mm

LIA1105E

# BODY REPAIR

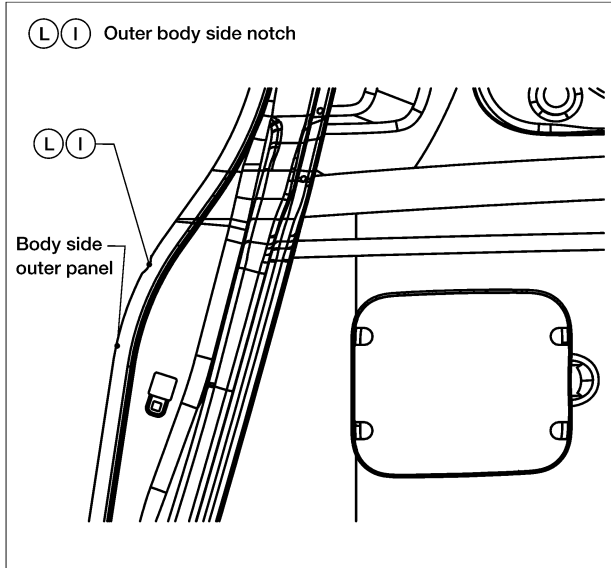
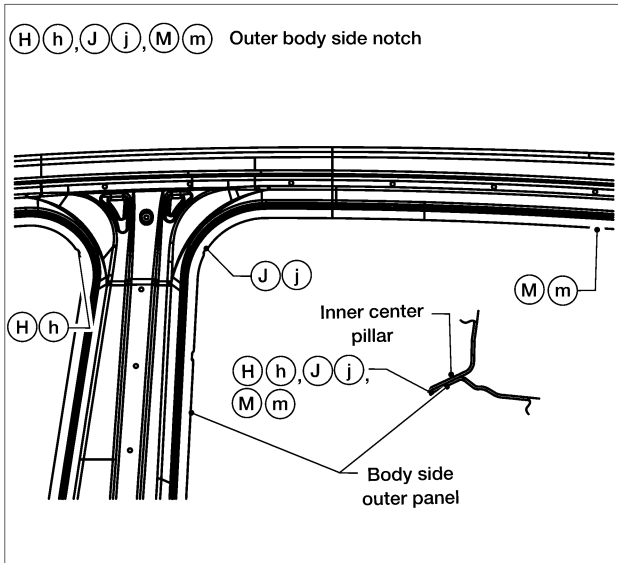
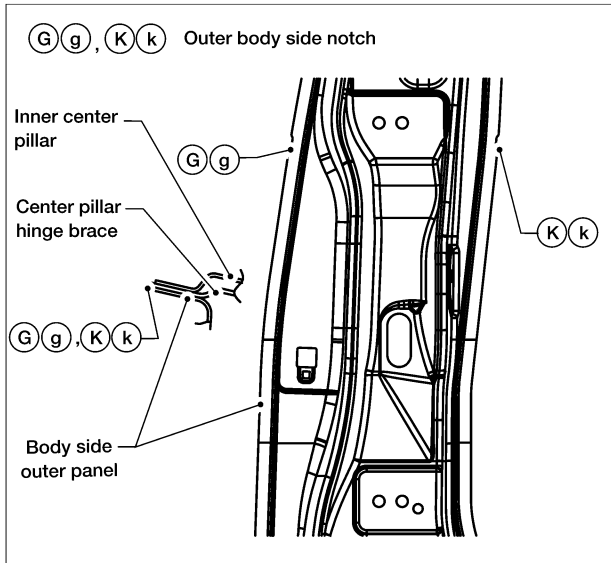
## MEASUREMENT POINTS



LIA1103E



# BODY REPAIR

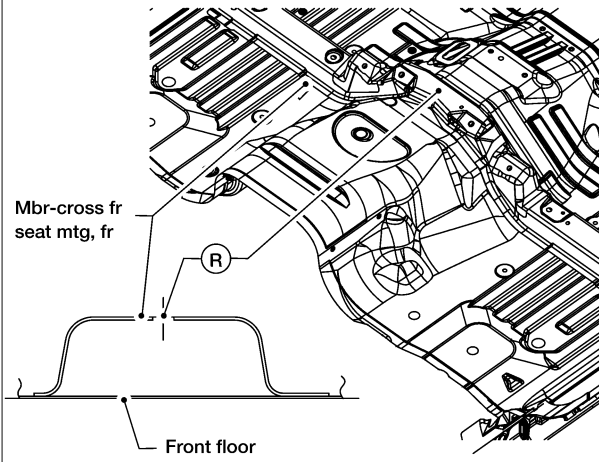


A  
B  
C  
D  
E  
F  
G  
H  
BL  
J  
K  
L  
M

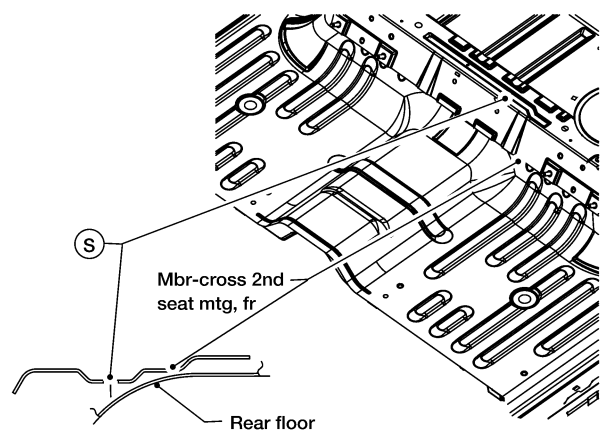
LIIA1104E

# BODY REPAIR

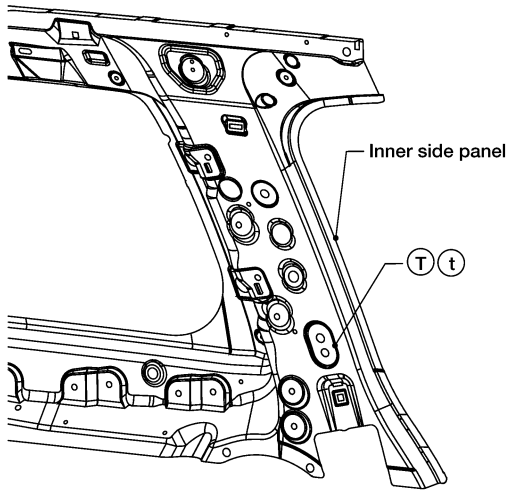
(R) Front seat crossmember front



(S) 2nd seat crossmember front



(T t) Inner side panel for seat belt anti-rotate

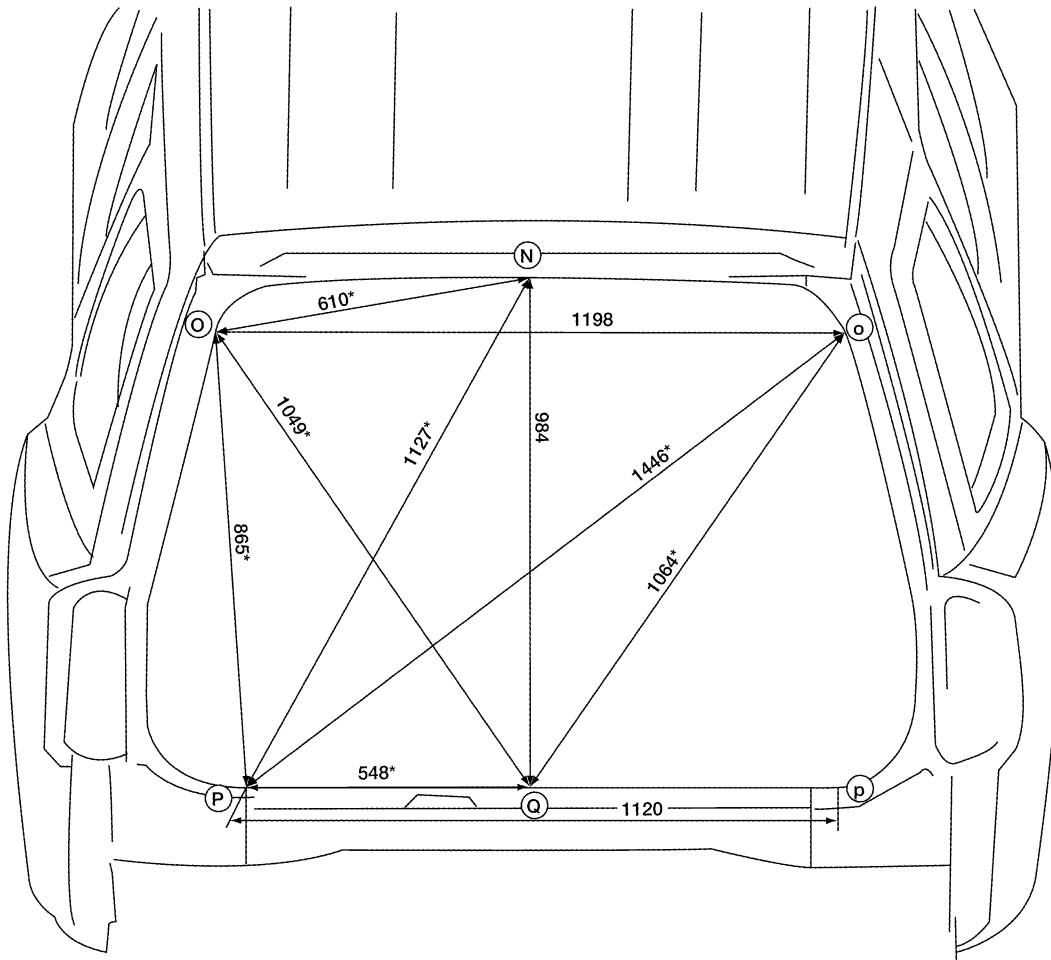


LIA1106E

# BODY REPAIR

## REAR BODY MEASUREMENT

Figures marked with a (\*) indicate symmetrically identical dimensions on both right and left hand sides of the vehicle.



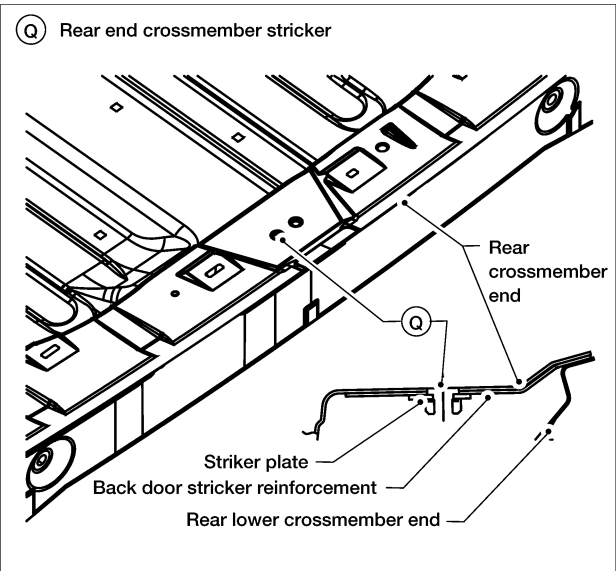
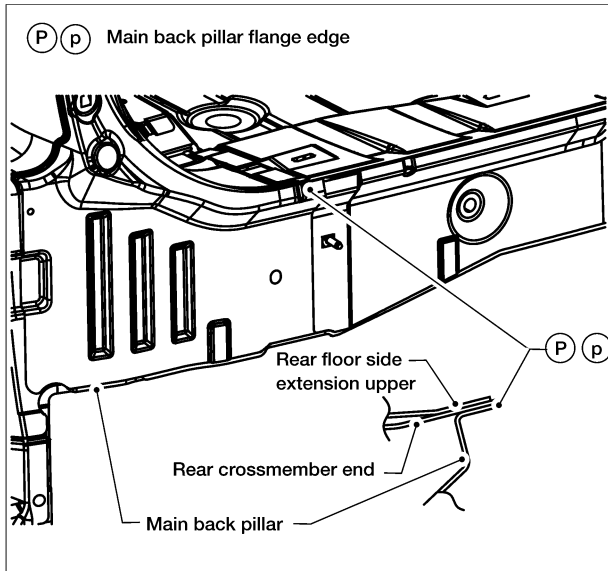
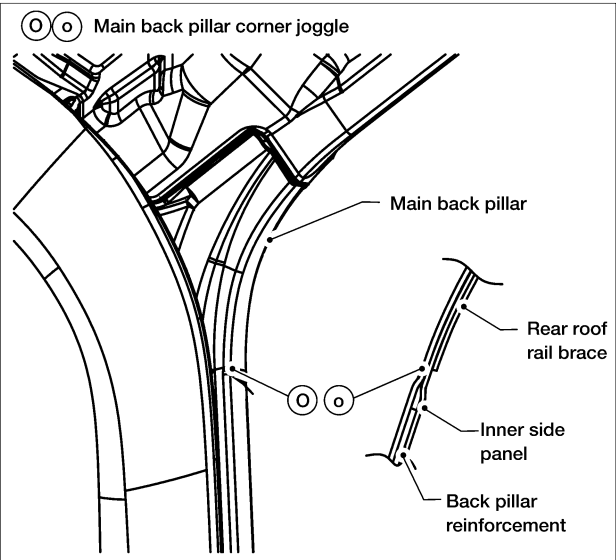
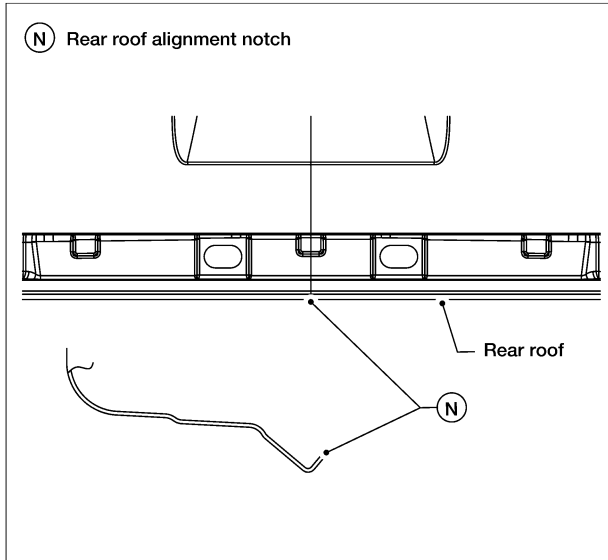
A  
B  
C  
D  
E  
F  
G  
H  
BL  
J  
K  
L  
M

Unit: mm

LIA1511E

# BODY REPAIR

## MEASUREMENT POINTS



W11A0280E

# BODY REPAIR

EIS002U9

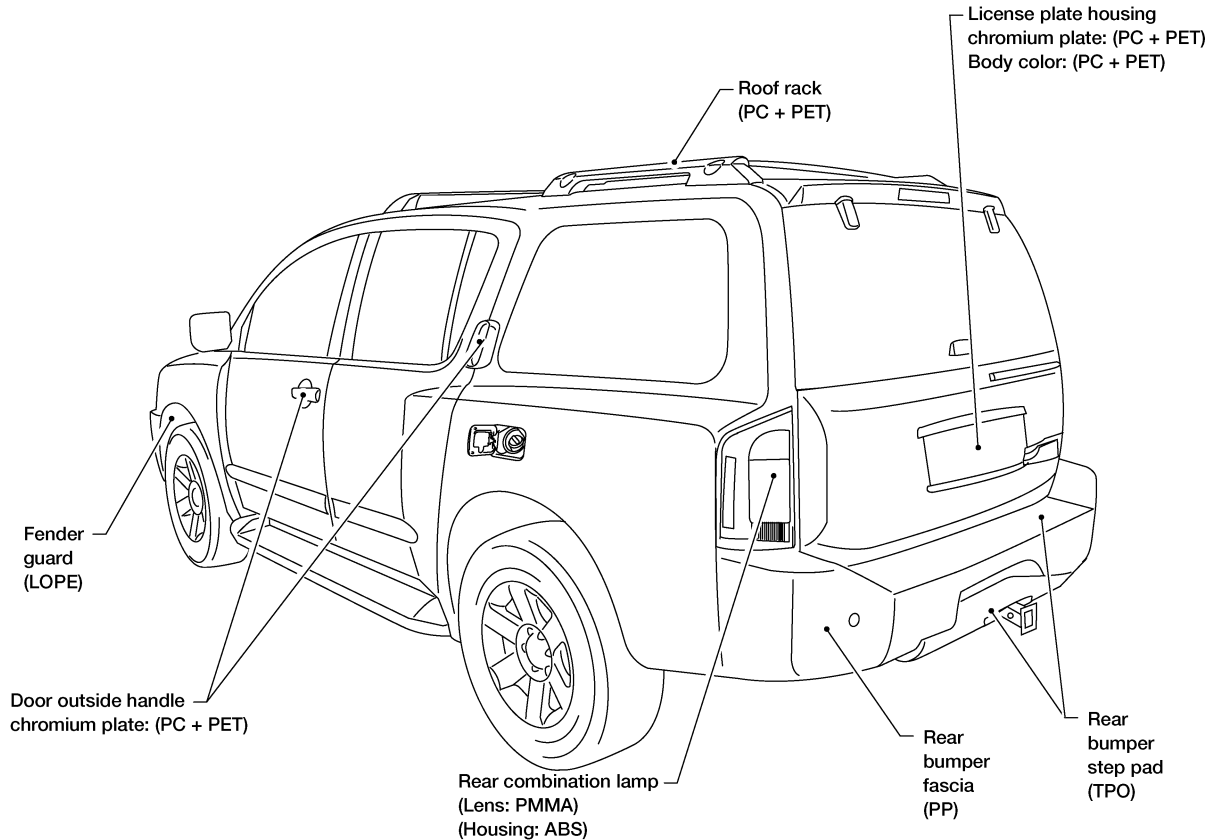
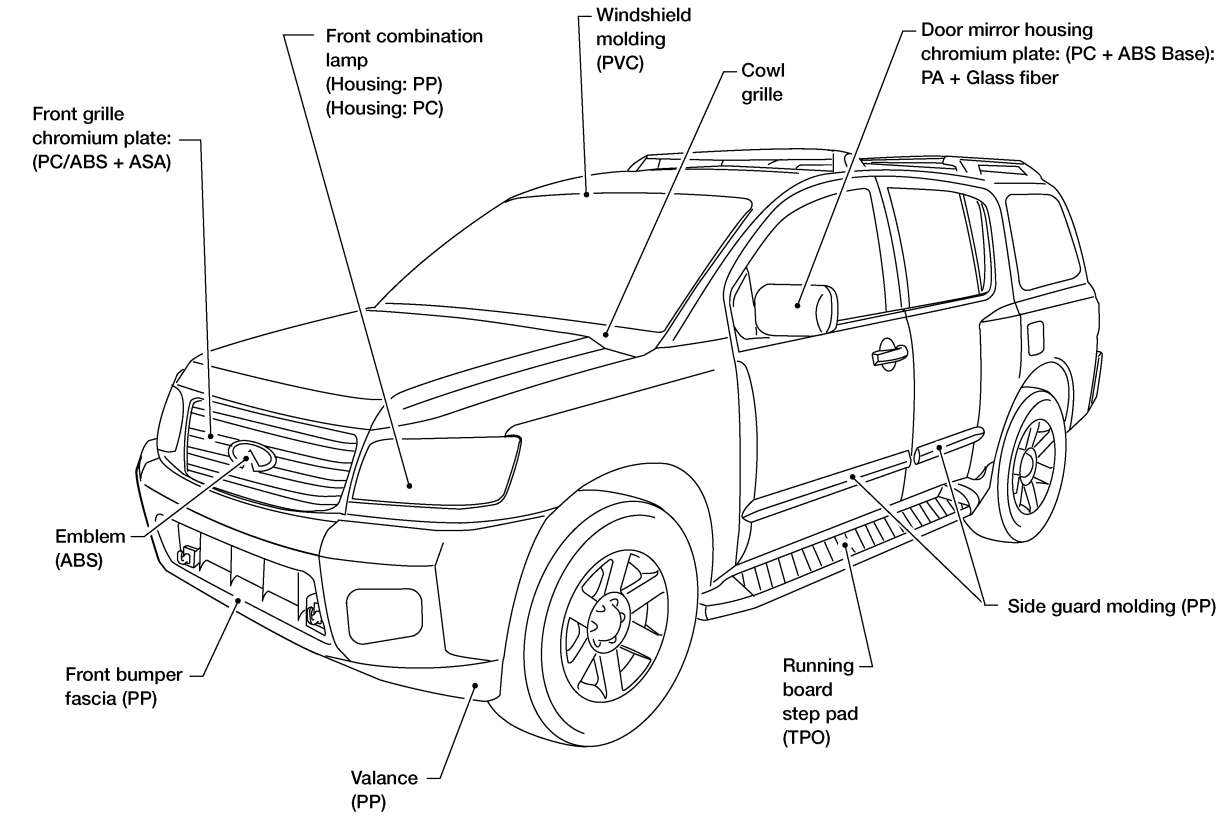
## Handling Precautions for Plastics HANDLING PRECAUTIONS FOR PLASTICS

Abbreviation	Material name	Heatresisting temperature °C (°F)	Resistance to gasoline and solvents	Other cautions
PE	Polyethylene	60 (140)	Gasoline and most solvents are harmless if applied for a very short time (wipe up quickly).	Flammable
PVC	Polyvinyl Chloride	80 (176)	Same as above.	Poison gas is emitted when burned.
EPM/EPDM	Ethylene Propylene (Diene) rubber	80 (176)	Same as above.	Flammable
TPO/TPR	Thermoplastic Olefine/Thermoplastic Rubber	80 (176)	Same as above.	Flammable
PP	Polypropylene	90 (194)	Same as above.	Flammable, avoid battery acid.
UP	Polyester thermoset	90 (194)	Same as above.	Flammable
PS	Polystyrene	80 (176)	Avoid solvents.	Flammable
ABS	Acrylonitrile Butadiene Styrene resin	80 (176)	Avoid gasoline and solvents.	
AES	Acrylonitrile Ethylene Styrene	80 (176)	Same as above.	
PMMA	Polymethyl Methacrylate	85 (185)	Same as above.	
AAS	Acrylonitrile Acrylic Styrene	85 (185)	Same as above.	
AS	Acrylonitrile Styrene	85 (185)	Same as above.	
EVA	Polyvinyl Ethyl Acetate	90 (194)	Same as above.	
ASA	Acrylonitrile Styrene Acrylate	100 (222)	Same as above.	Flammable
PPO/PPE	Polyphenylene Oxide/ Polyphenylene Ether	110 (230)	Same as above.	
PC	Polycarbonate	120 (248)	Same as above.	
PAR	Polyacrylate	180 (356)	Same as above.	
L-LDPE	Linear Low Density PE	45 (100)	Gasoline and most solvents are harmless.	Flammable
PUR	Polyurethane	90 (194)	Same as above.	
TPU	Thermoplastic Urethane	110 (230)	Same as above.	
PPC	Polypropylene Composite	115 (239)	Same as above.	Flammable
POM	Polyacetal	120 (248)	Same as above.	Avoid battery acid.
PBT+PC	Polybutylene Terephthalate+Polycarbonate	120 (248)	Same as above.	Flammable
PA	Polyamide (Nylon)	140 (284)	Same as above.	Avoid immersing in water.
PBT	Polybutylene Terephthalate	140 (284)	Same as above.	
FRP	Fiber Reinforced Plastics	170 (338)	Same as above.	Avoid battery acid.
PET	Polyethylene Terephthalate	180 (356)	Same as above.	
PEI	Polyetherimide	200 (392)	Same as above.	

1. When repairing and painting a portion of the body adjacent to plastic parts, consider their characteristics (influence of heat and solvent) and remove them if necessary or take suitable measures to protect them.
2. Plastic parts should be repaired and painted using methods suiting the materials' characteristics.

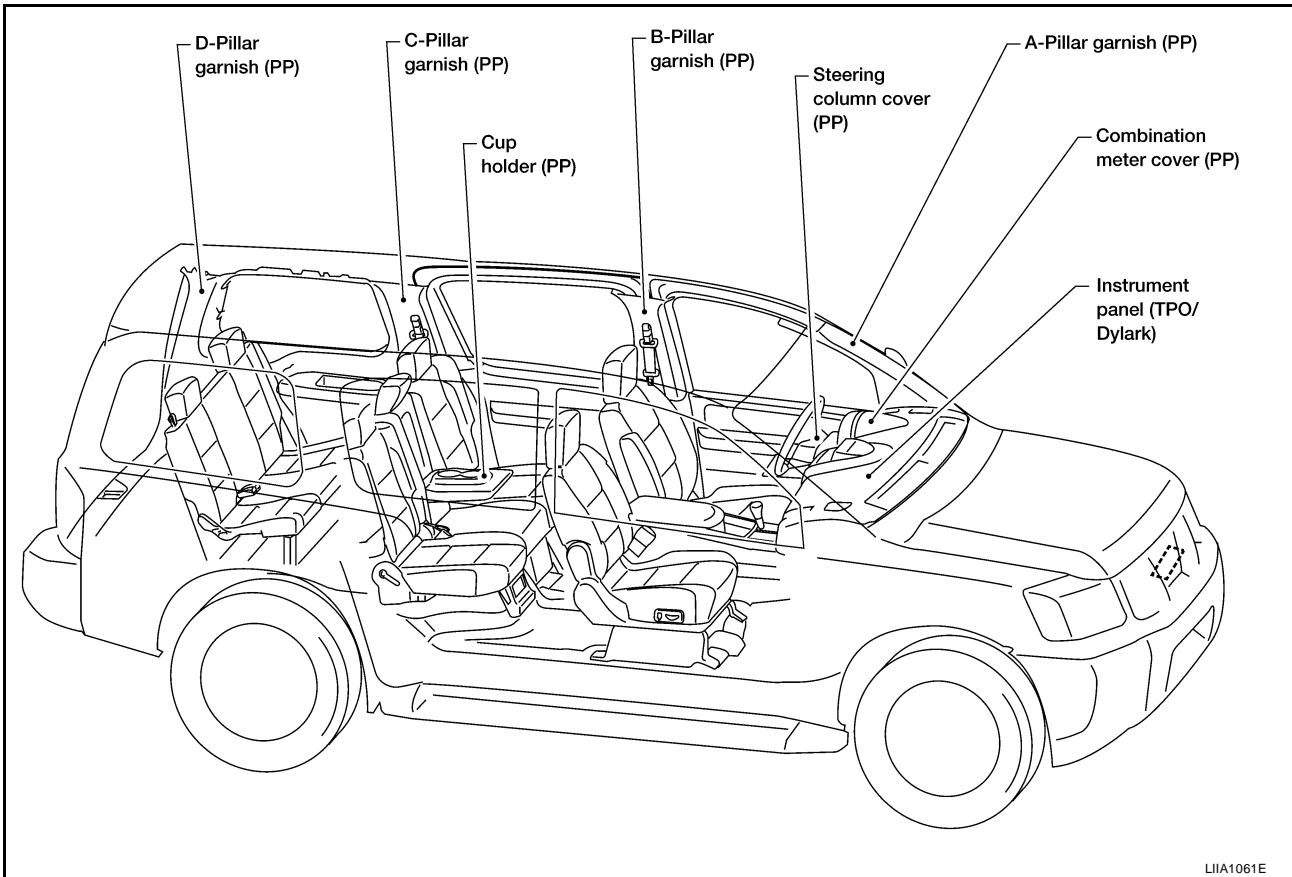
# BODY REPAIR

## LOCATION OF PLASTIC PARTS



LIA1441E

# BODY REPAIR



A

B

C

D

E

F

G

H

**BL**

J

K

L

M

# BODY REPAIR

EIS002UA

## Precautions in Repairing High Strength Steel

High strength steel is used for body panels in order to reduce vehicle weight. Accordingly, precautions in repairing automotive bodies made of high strength steel are described below:

### HIGH STRENGTH STEEL (HSS) USED IN NISSAN VEHICLES

Tensile strength	Nissan/Infiniti designation	Major applicable parts
373 N/mm <sup>2</sup> (38kg/mm <sup>2</sup> ,54klb/sq in)	SP130	<ul style="list-style-type: none"> <li>● Front inner pillar upper</li> <li>● Front pillar hinge brace</li> <li>● Outer front pillar reinforcement</li> <li>● Other reinforcements</li> </ul>
785-981 N/mm <sup>2</sup> (80-100kg/mm <sup>2</sup> 114-142klb/sq in)	SP150	<ul style="list-style-type: none"> <li>● Outer sill reinforcement</li> <li>● Main back pillar</li> </ul>

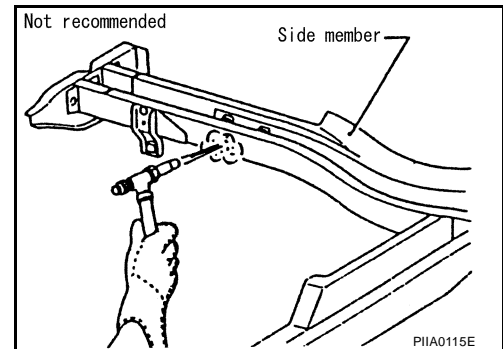
SP130 is the most commonly used HSS.

SP150 HSS is used only on parts that require much more strength.

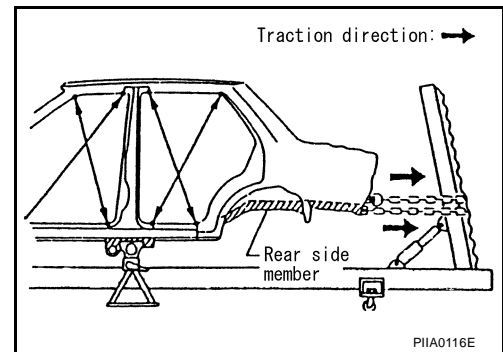
Read the following precautions when repairing HSS:

#### 1. Additional points to consider

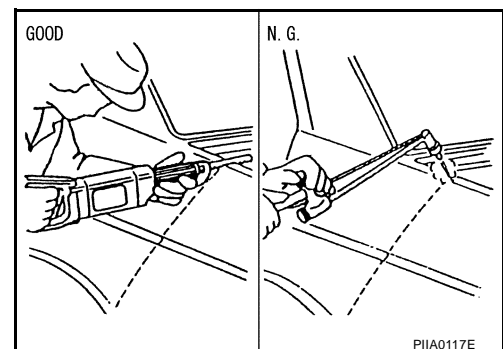
- The repair of reinforcements (such as side members) by heating is not recommended since it may weaken the component. When heating is unavoidable, do not heat HSS parts above 550°C (1,022°F). Verify heating temperature with a thermometer. (Crayon-type and other similar type thermometer are appropriate.)



- When straightening body panels, use caution in pulling any HSS panel. Because HSS is very strong, pulling may cause deformation in adjacent portions of the body. In this case, increase the number of measuring points, and carefully pull the HSS panel.



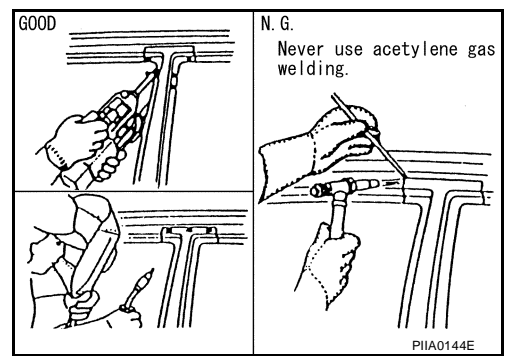
- When cutting HSS panels, avoid gas (torch) cutting if possible. Instead, use a saw to avoid weakening surrounding areas due to heat. If gas (torch) cutting is unavoidable, allow a minimum margin of 50 mm (1.97in).



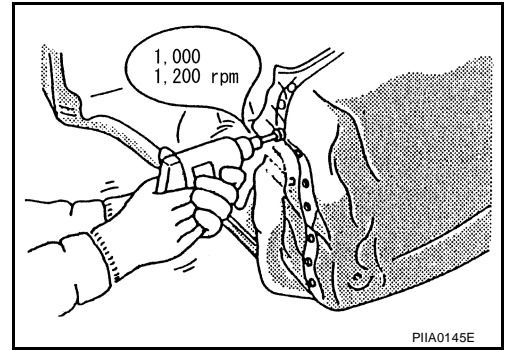


# BODY REPAIR

- When welding HSS panels, use spot welding whenever possible in order to minimize weakening surrounding areas due to heat. If spot welding is impossible, use M.I.G. welding. Do not use gas (torch) welding because it is inferior in welding strength.



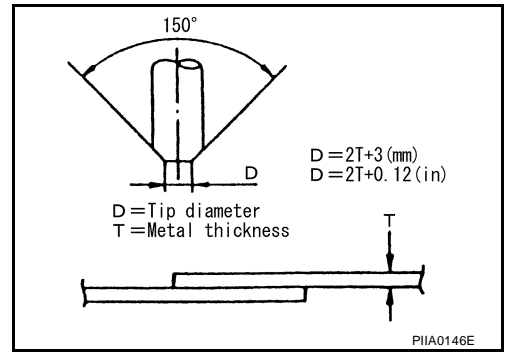
- The spot weld on HSS panels is harder than that of an ordinary steel panel. Therefore, when cutting spot welds on a HSS panel, use a low speed high torque drill (1,000 to 1,200 rpm) to increase drill bit durability and facilitate the operation.
- SP150 HSS panels with a tensile strength of 785 to 981 N/mm<sup>2</sup> (80 to 100 kg/mm<sup>2</sup>, 114 to 142 klb/sq in), used as reinforcement in the door guard beams, is too strong to repair. When these HSS parts are damaged, the outer panels also sustain substantial damage; therefore, the assembly parts must be replaced.



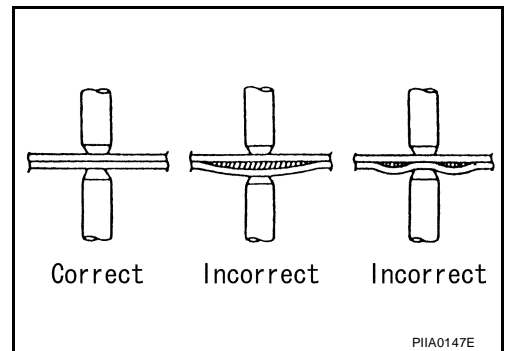
## 2. Precautions in spot welding HSS

This work should be performed under standard working conditions. Always note the following when spot welding HSS:

- The electrode tip diameter must be sized properly according to the metal thickness.



- The panel surfaces must fit flush to each other, leaving no gaps.

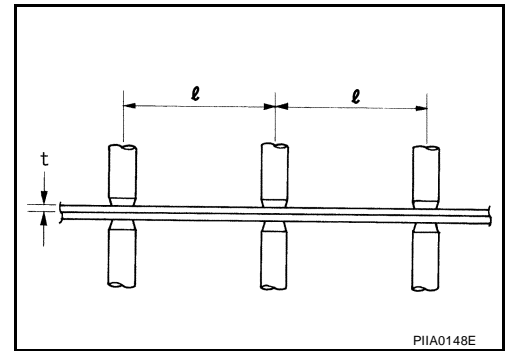


# BODY REPAIR

- Follow the specifications for the proper welding pitch.

Thickness (t)	Minimum pitch (ℓ)
0.6 (0.024)	10 (0.39) or over
0.8 (0.031)	12 (0.47) or over
1.0 (0.039)	18 (0.71) or over
1.2 (0.047)	20 (0.79) or over
1.6 (0.063)	27 (1.06) or over
1.8 (0.071)	31 (1.22) or over

Unit:mm



PIIA0148E

EIS002UB

## Foam Repair

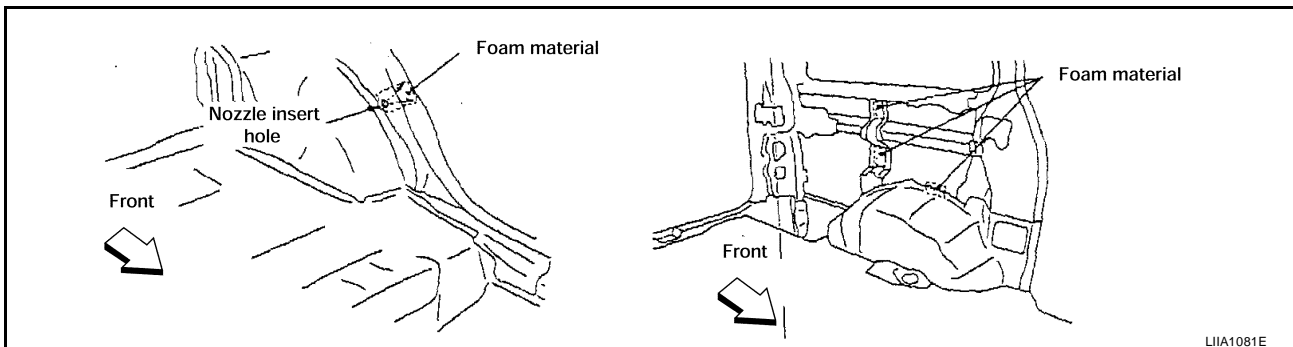
During factory body assembly, foam insulators are installed in certain body panels and locations around the vehicle. Use the following procedure(s) to replace any factory-installed foam insulators.

### URETHANE FOAM APPLICATIONS

Use commercially available spray foam for sealant (foam material) repair of material used on vehicle. Read instructions on product for fill procedures.

### FILL PROCEDURES

1. Fill procedures after installation of service part.
  - Remove foam material remaining on vehicle side.
  - Clean area in which foam was removed.
  - Install service part.
  - Insert nozzle into hole near fill area and fill foam material or fill in enough to close gap with the service part.



LIA1081E

2. Fill procedures before installation of service part.
  - Remove foam material remaining on vehicle side.
  - Clean area in which foam was removed.
  - Fill foam material on wheelhouse outer side.

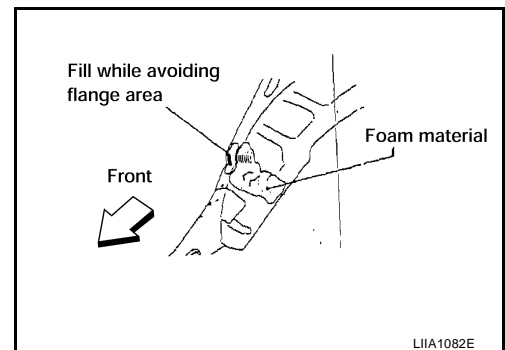
#### NOTE:

Fill in enough to close gap with service part while avoiding flange area.

- Install service part.

#### NOTE:

Refer to label for information on working times.



LIA1082E

# BODY REPAIR

## Replacement Operations

EIS002UC

### DESCRIPTION

This section is prepared for technicians who have attained a high level of skill and experience in repairing collision-damaged vehicles and also use modern service tools and equipment. Persons unfamiliar with body repair techniques should not attempt to repair collision-damaged vehicles by using this section.

Technicians are also encouraged to read Body Repair Manual (Fundamentals) in order to ensure that the original functions and quality of the vehicle can be maintained. The Body Repair Manual (Fundamentals) contains additional information, including cautions and warnings, that are not including in this manual. Technicians should refer to both manuals to ensure proper repairs.

Please note that this information is prepared for worldwide usage, and as such, certain procedures may not apply in some regions or countries.

A

B

C

D

E

F

G

H

BL

J


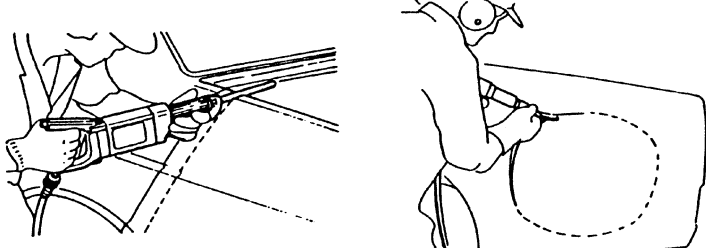
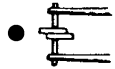
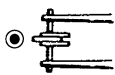

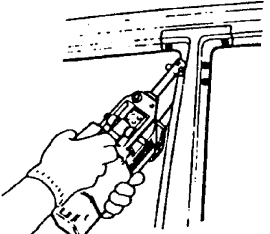
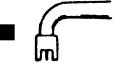
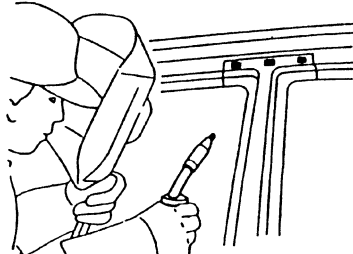
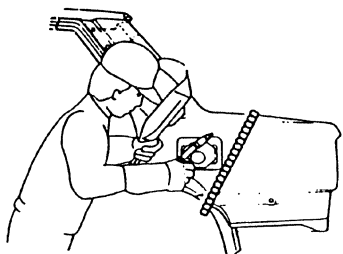
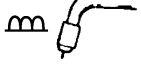
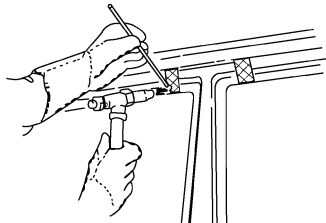

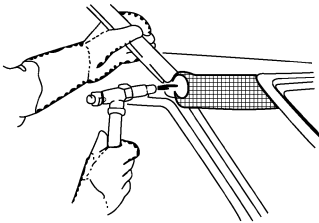

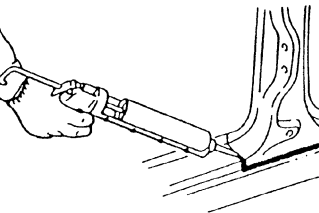
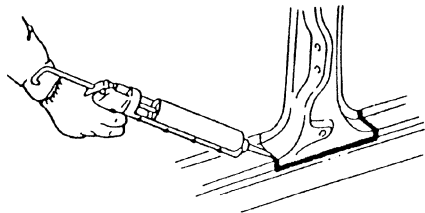
K

L

M

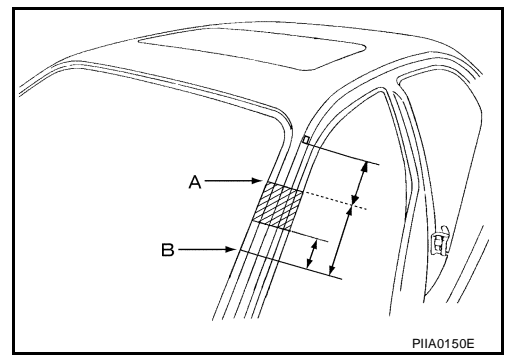
# BODY REPAIR

The symbols used in this section for cutting and welding / brazing operations are shown below.

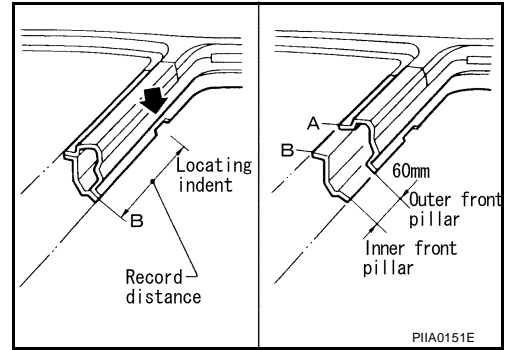
 <p>Saw cut or air chisel cut</p>		
<p>Spot weld</p> <p>● ● ● ● 2-spot welds</p>  <p>● ● ● ● 3-spot welds</p> 	<p>2-spot welds (2-panel overlapping portions)</p>  <p>3-spot welds (3-panel overlapping portions)</p>	
<p>■ ■ ■ ■ MIG plug weld</p> 		
<p>~~~~~ MIG seam weld/ Point weld</p> 		
<p>▨ ▨ ▨ ▨ Brazing</p> 		
<p>▨ ▨ ▨ ▨ Soldering</p> 		
<p>————— Sealing</p>		

# BODY REPAIR

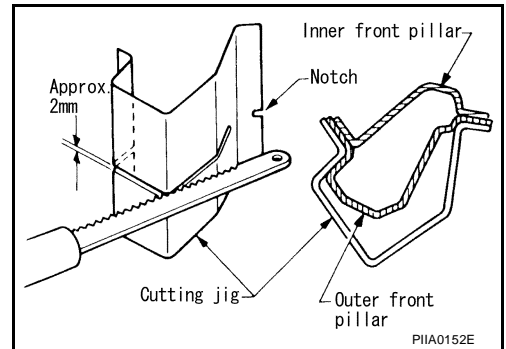
- Front pillar butt joint can be determined anywhere within shaded area as shown in the figure. The best location for the butt joint is at position A due to the construction of the vehicle. Refer to the front pillar section.



- Determine cutting position and record distance from the locating indent. Use this distance when cutting the service part. Cut outer front pillar over 60 mm above inner front pillar cut position.

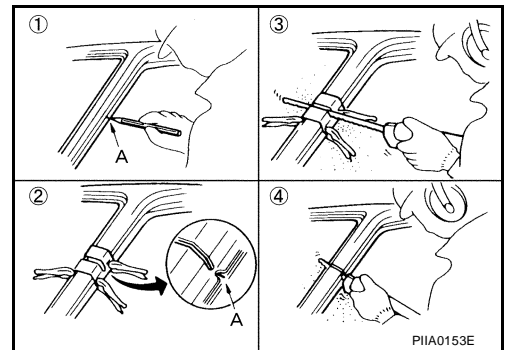


- Prepare a cutting jig to make outer pillar easier to cut. Also, this will permit service part to be accurately cut at joint position.



- An example of cutting operation using a cutting jig is as follows.

1. Mark cutting lines.  
A: Cut position of outer pillar  
B: Cut position of inner pillar
2. Align cutting line with notch on jig. Clamp jig to pillar.
3. Cut outer pillar along groove of jig. (At position A)
4. Remove jig and cut remaining portions.
5. Cut inner pillar at position B in same manner.



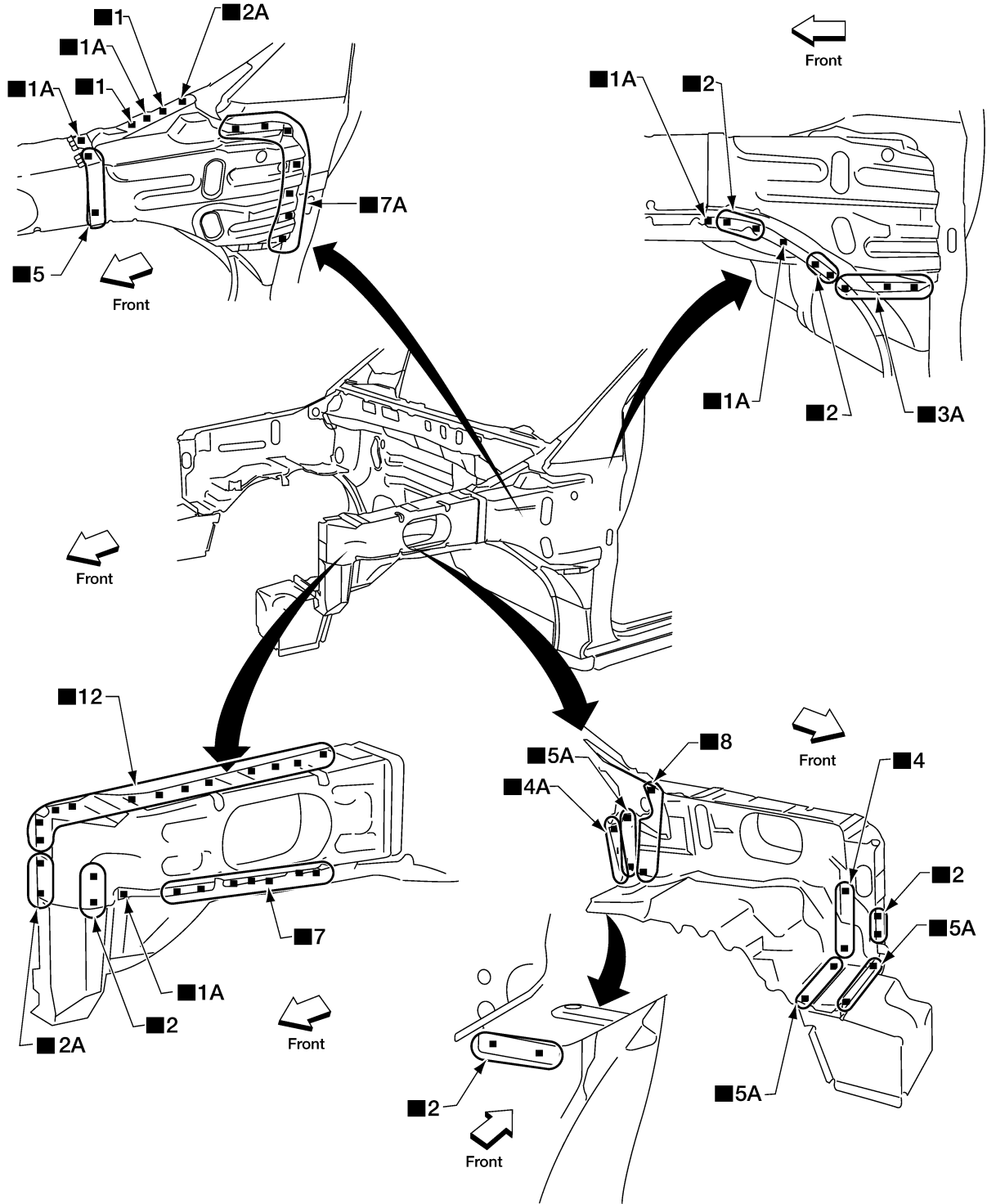
A  
B  
C  
D  
E  
F  
G  
H  
BL  
J  
K  
L  
M

# BODY REPAIR

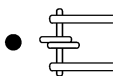
## HOODLEDGE

- Work after radiator core support has been removed.

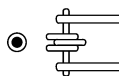
### Service Joint



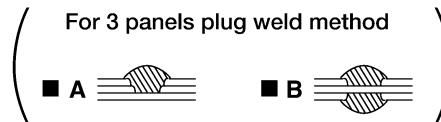
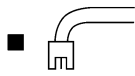
2-spot welds



3-spot welds



MIG Plug weld



MIG seam weld/  
Point weld



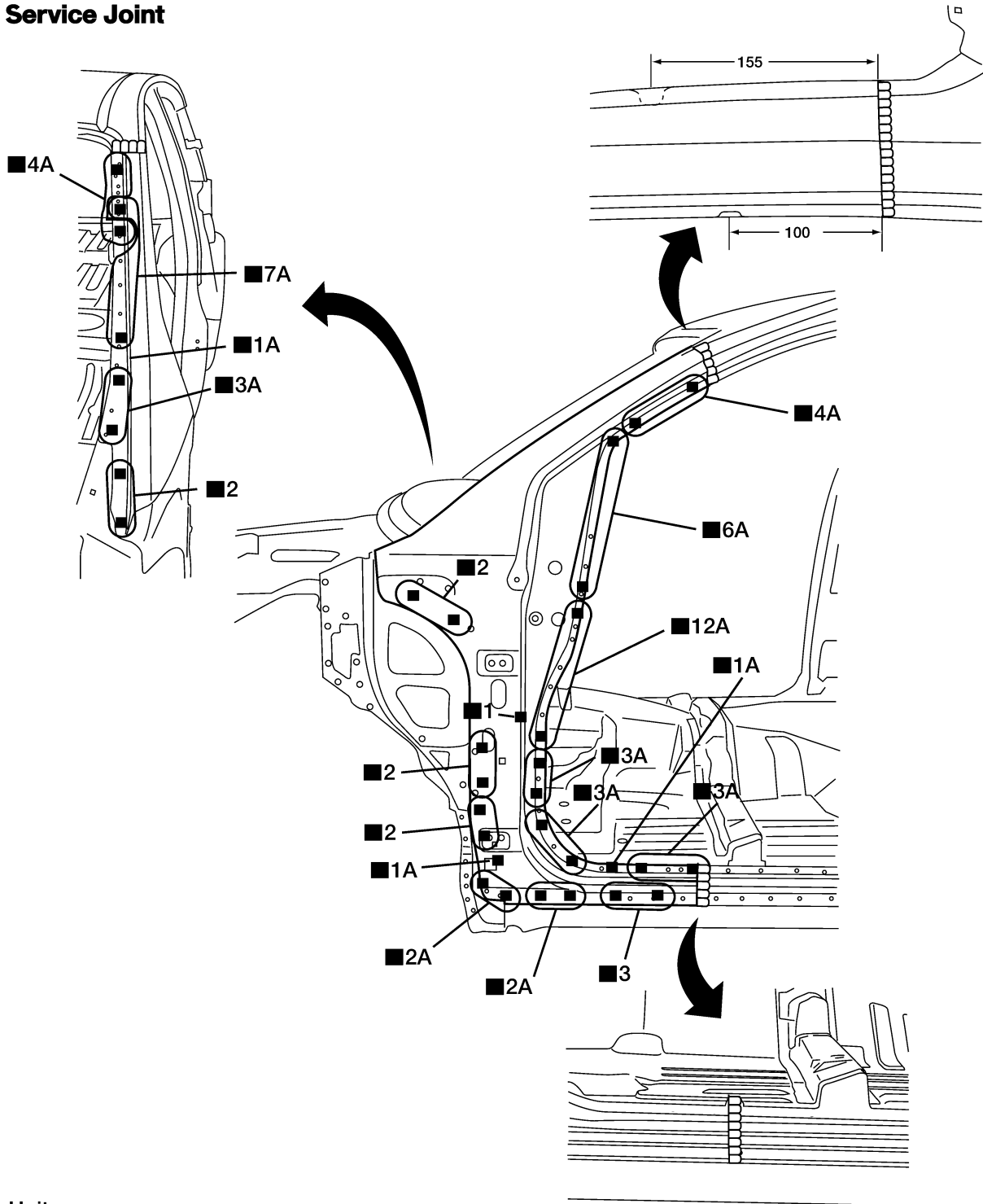
LIA1154E

# BODY REPAIR

## FRONT PILLAR

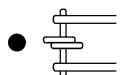
- Work after rear hoodedge reinforcement has been removed.

### Service Joint

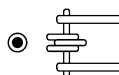


Unit : mm

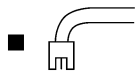
2-spot welds



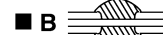
3-spot welds



MIG Plug weld



( For 3 panels plug weld method )



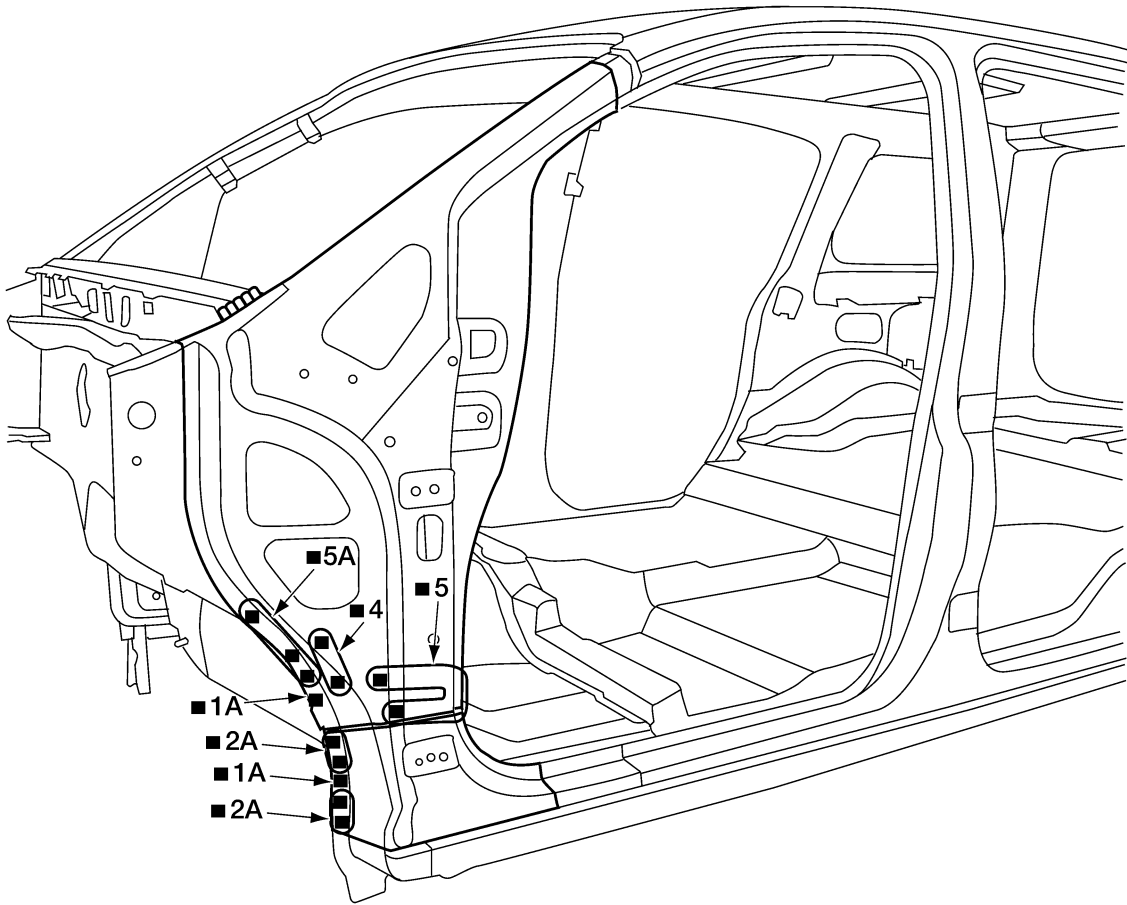
MIG seam weld/  
Point weld



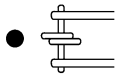
WIIA0552E

# BODY REPAIR

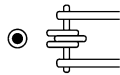
## Service Joint



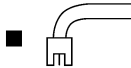
2-spot welds



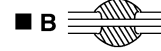
3-spot welds



MIG Plug weld



For 3 panels plug weld method



MIG seam weld/  
Point weld

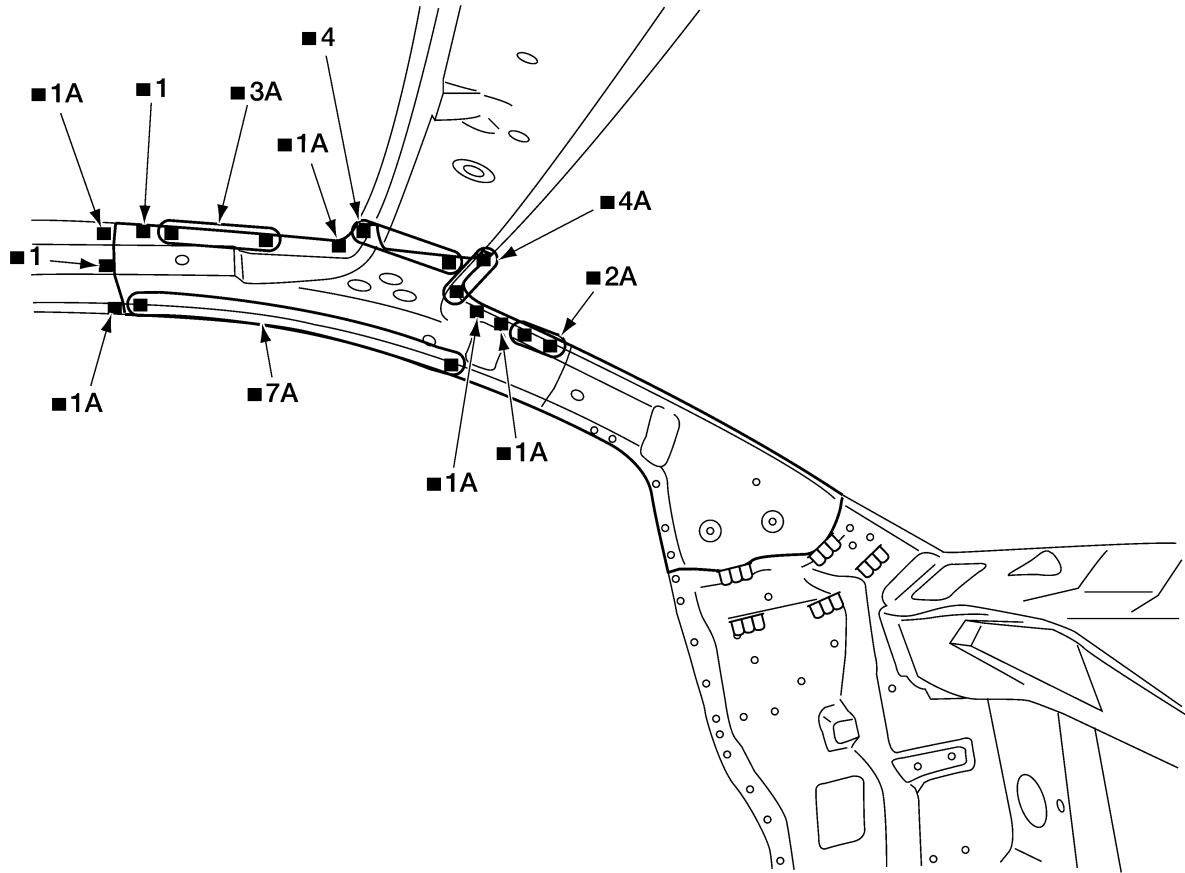


WI1A0632E

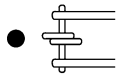


# BODY REPAIR

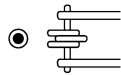
## Service Joint



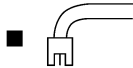
2-spot welds



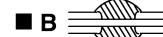
3-spot welds



MIG Plug weld



For 3 panels plug weld method



MIG seam weld/  
Point weld



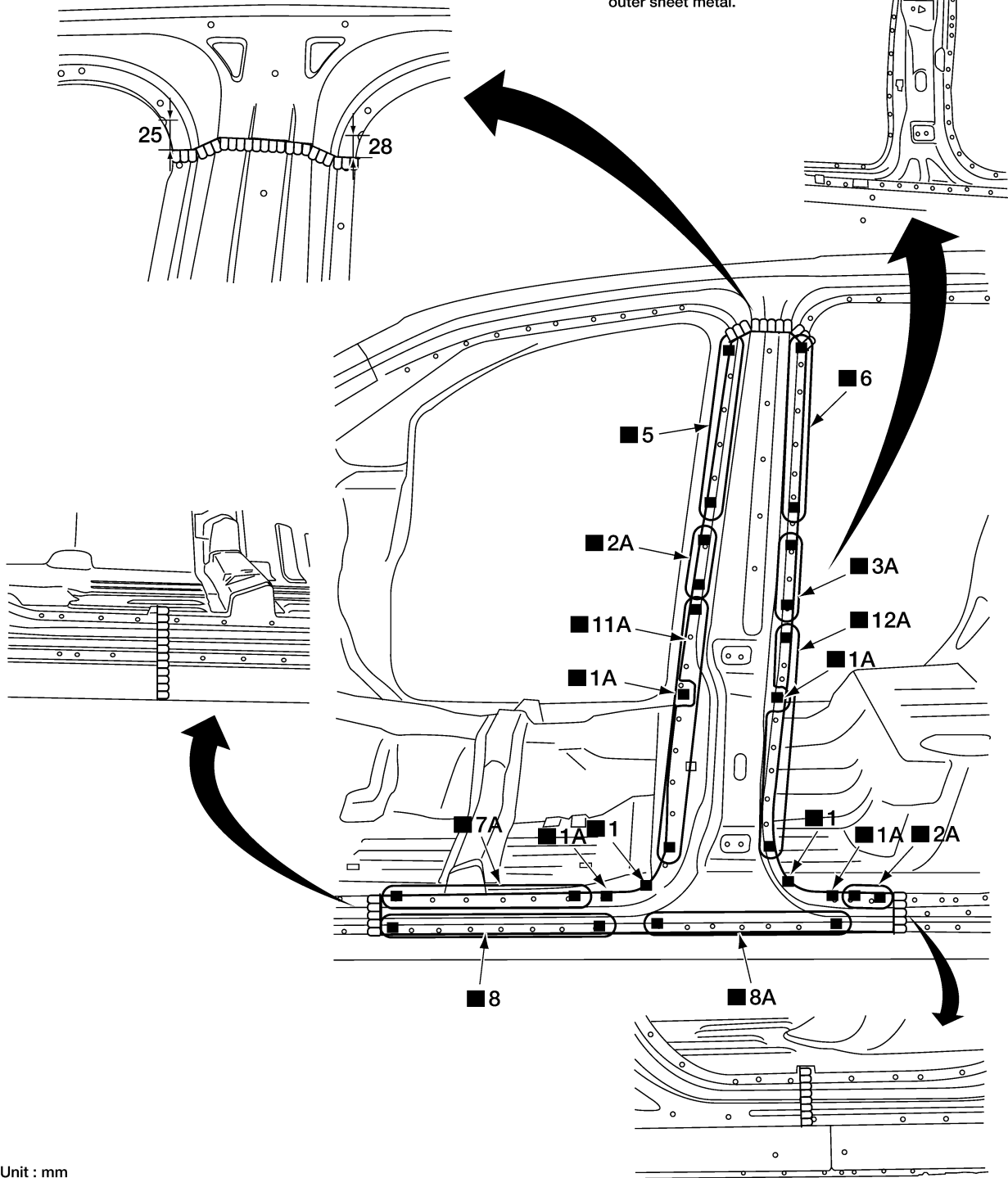
W11A0633E

# BODY REPAIR

## CENTER PILLAR

### Service Joint

\* Reinforcement is retained with the same welds as the b-pillar outer sheet metal.



Unit : mm

2-spot welds

3-spot welds

MIG Plug weld

( For 3 panels plug weld method )

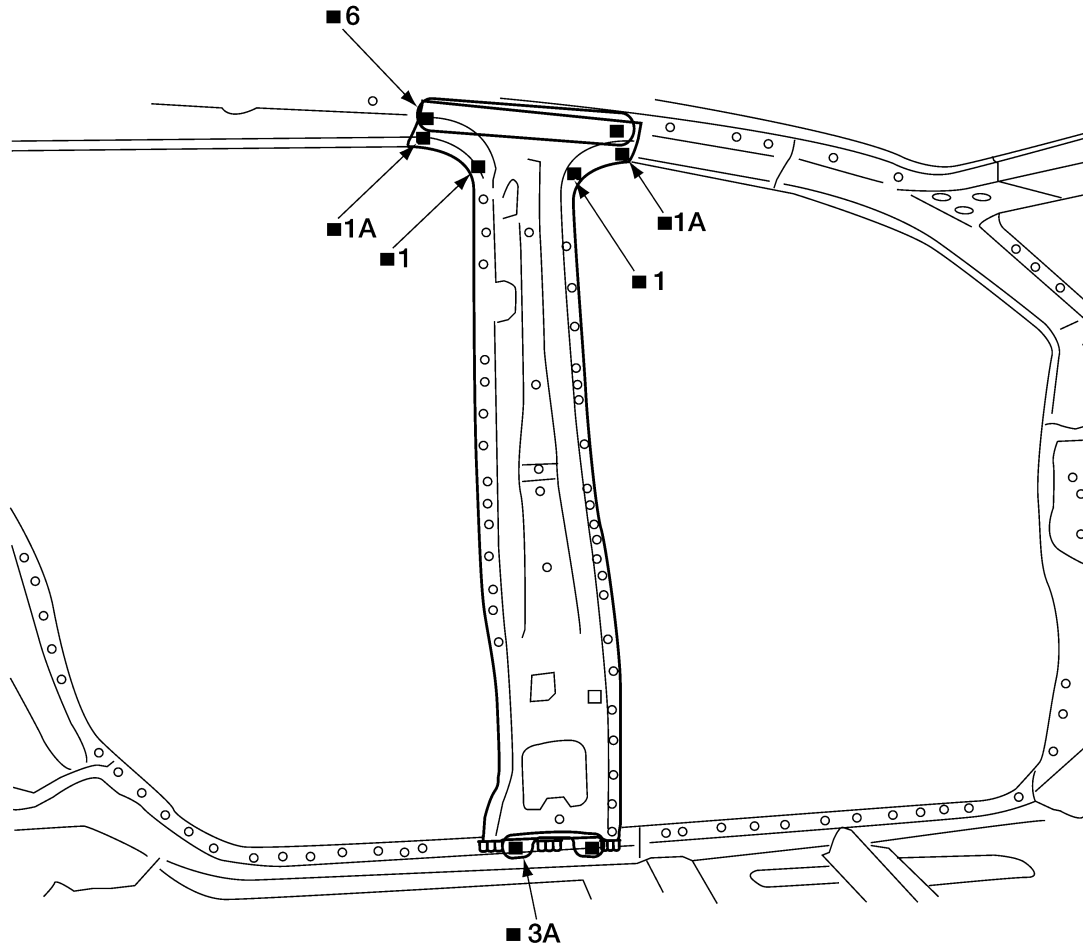
MIG seam weld/  
Point weld



LIA1111E

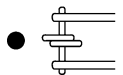
# BODY REPAIR

## Service Joint

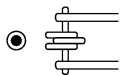


A  
B  
C  
D  
E  
F  
G  
H  
BL  
J  
K  
L  
M

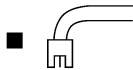
2-spot welds



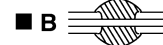
3-spot welds



MIG Plug weld



For 3 panels plug weld method



MIG seam weld/  
Point weld

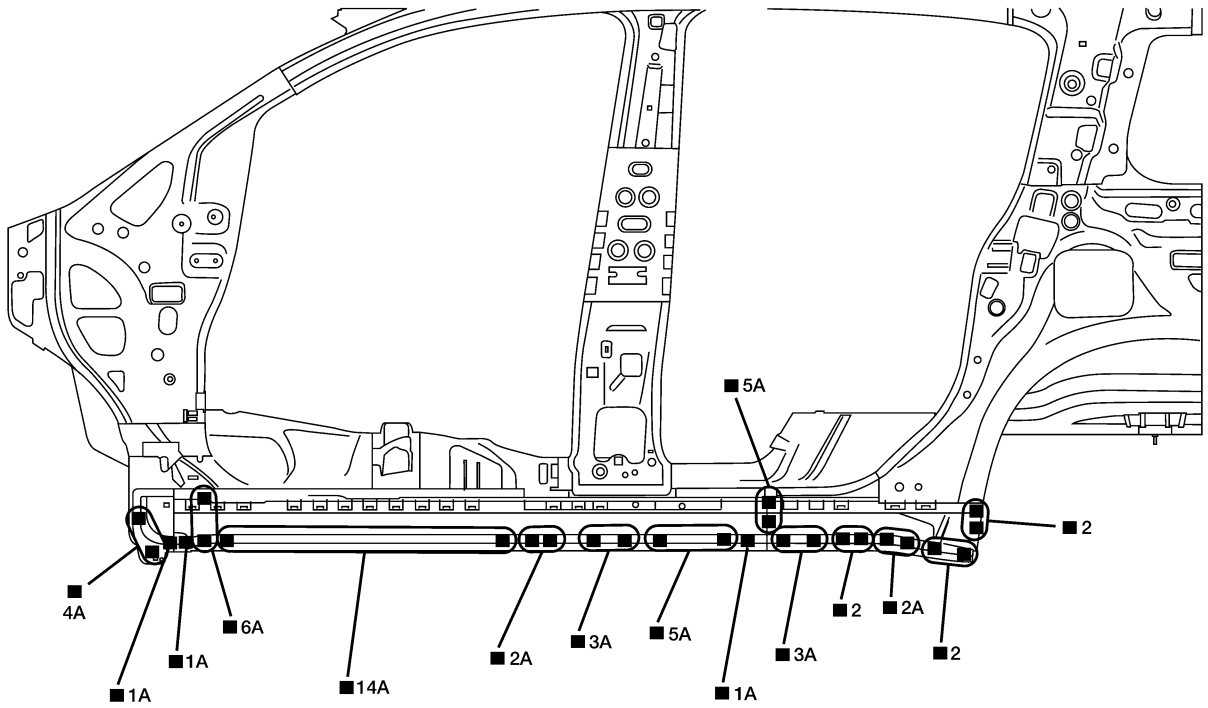


W11A0634E

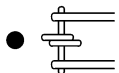
# BODY REPAIR

## OUTER SILL

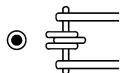
### Service Joint



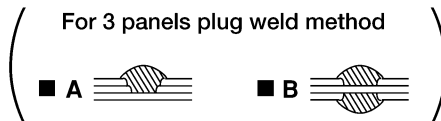
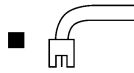
2-spot welds



3-spot welds



MIG Plug weld



MIG seam weld/  
Point weld

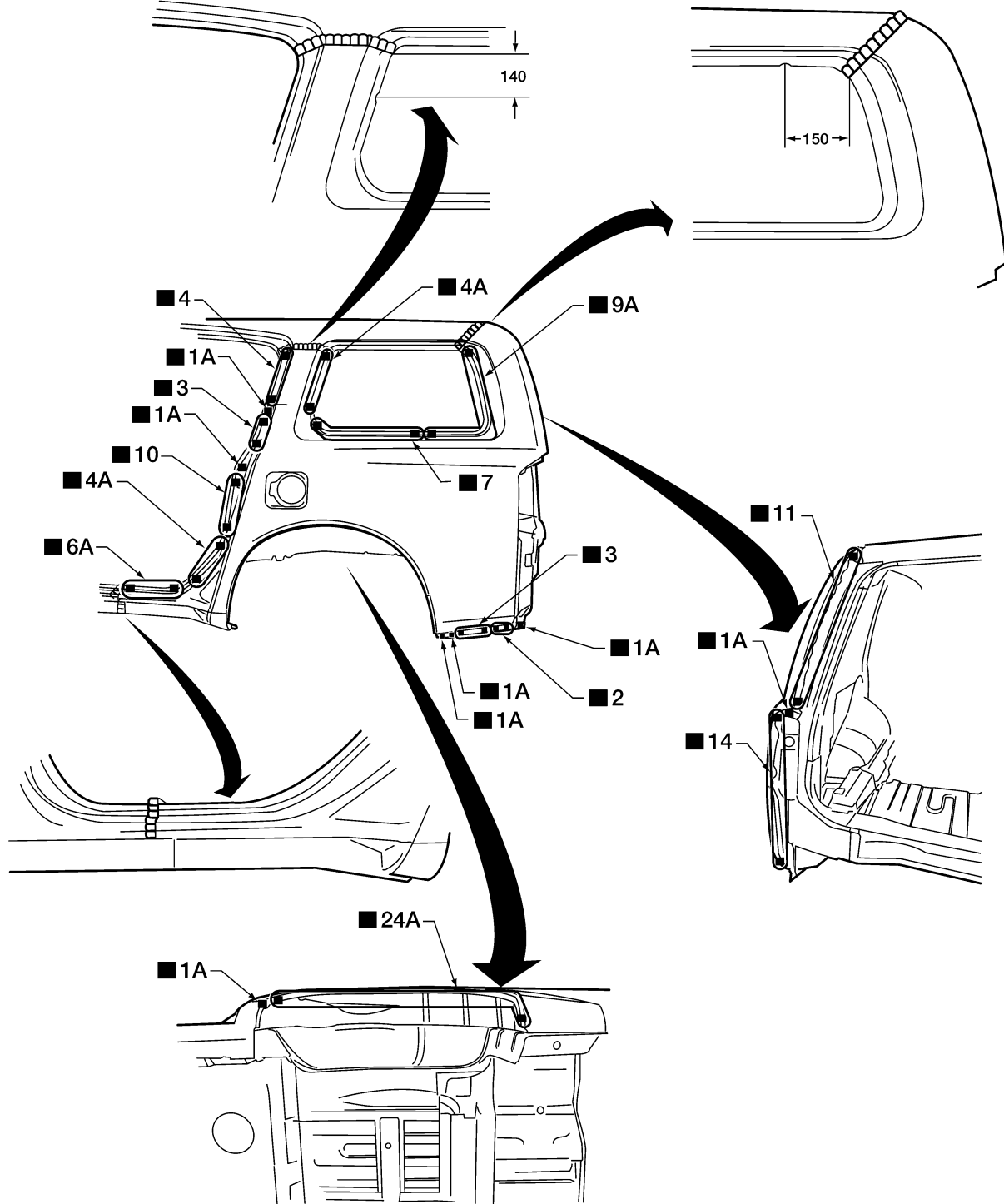


LIA1118E

# BODY REPAIR

## REAR FENDER

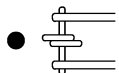
### Service Joint



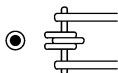
A  
B  
C  
D  
E  
F  
G  
H  
BL  
J  
K  
L  
M

Unit : mm

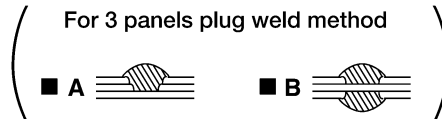
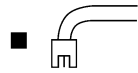
2-spot welds



3-spot welds



MIG Plug weld



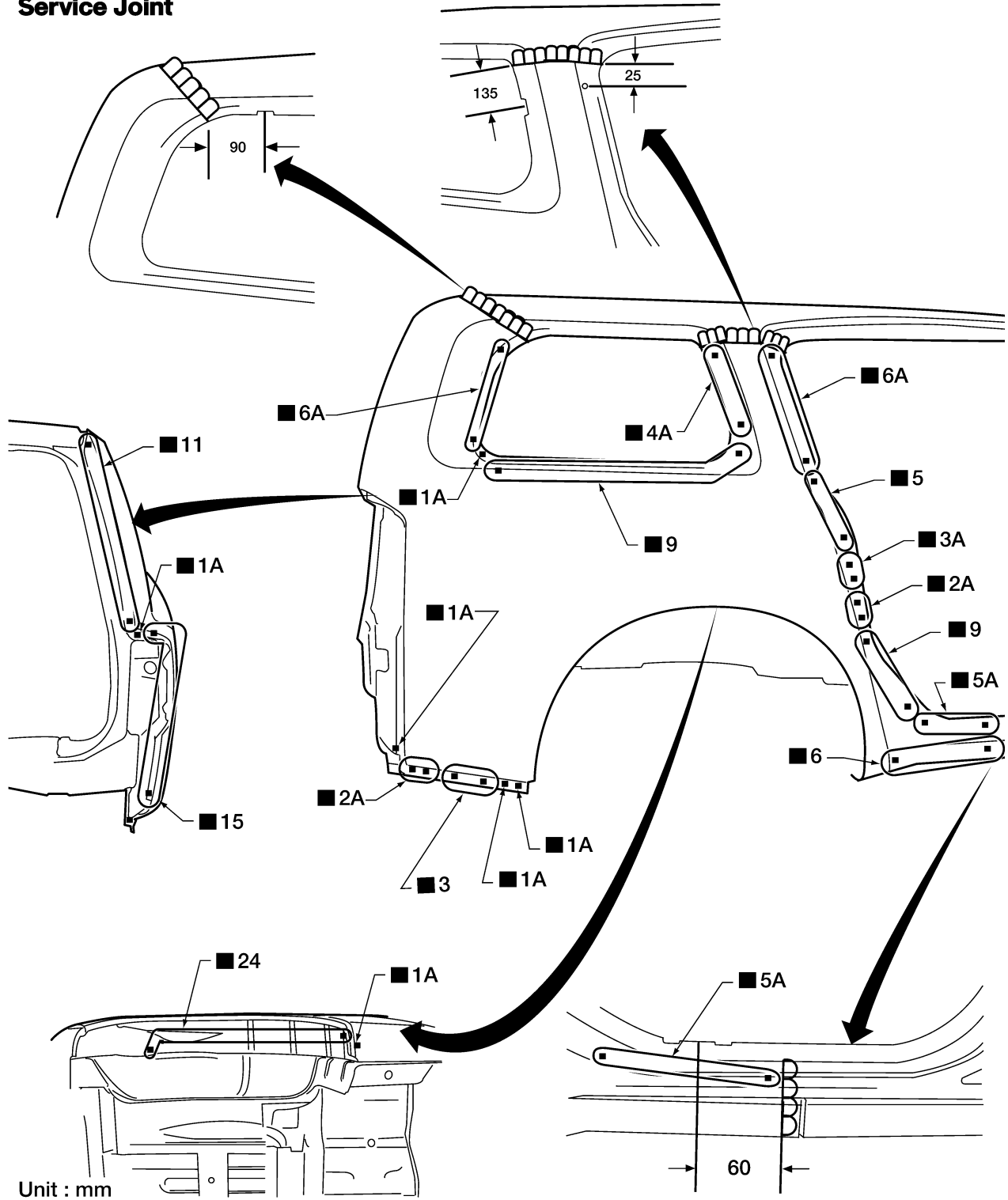
MIG seam weld/  
Point weld



WHIA0635E

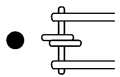
# BODY REPAIR

## Service Joint

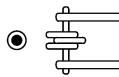


Unit : mm

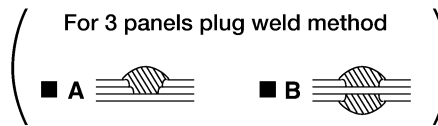
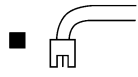
2-spot welds



3-spot welds



MIG Plug weld



MIG seam weld/  
Point weld

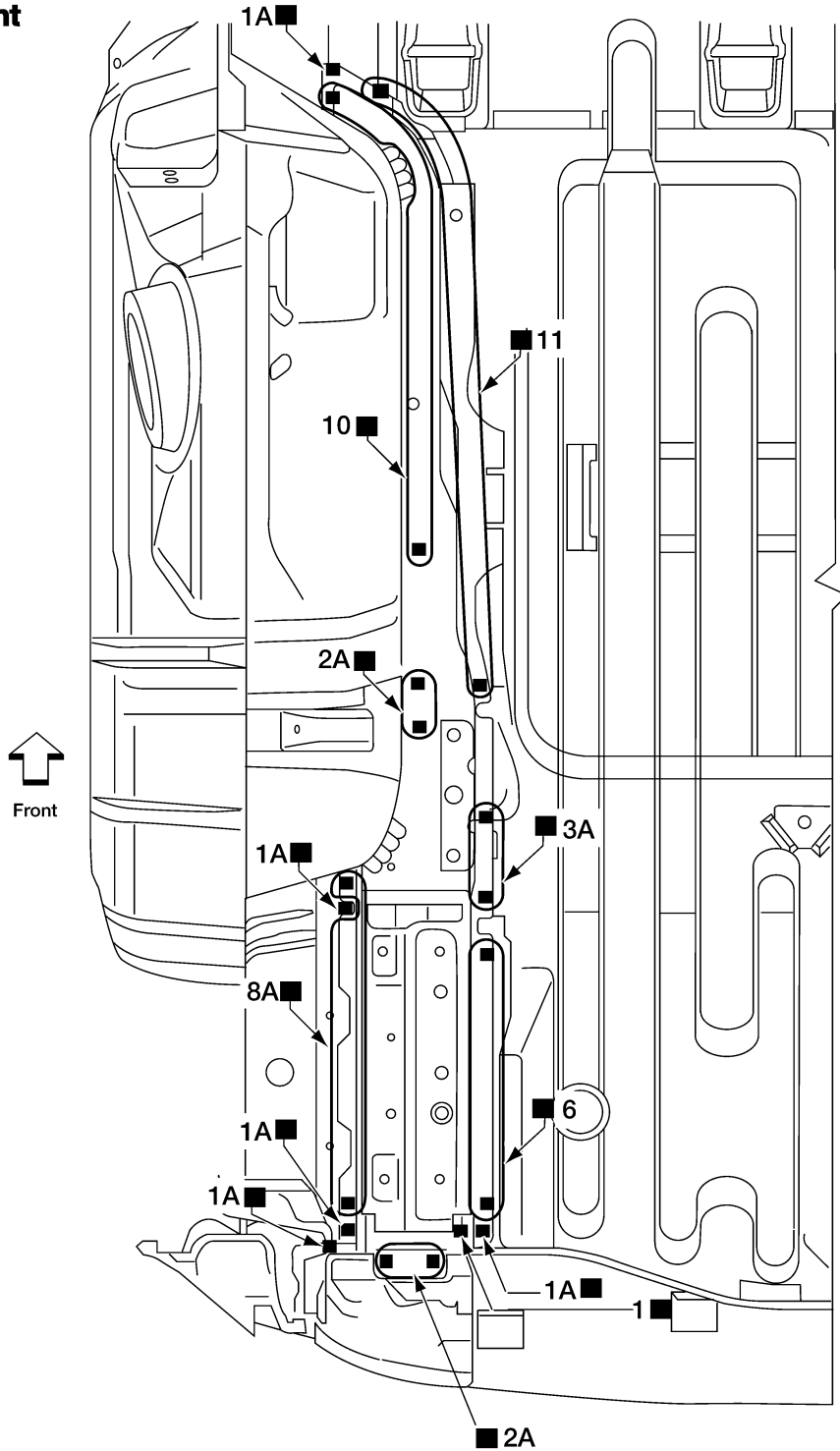


WI1A0636E

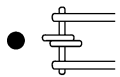
# BODY REPAIR

## REAR SIDE MEMBER

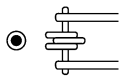
### Service Joint



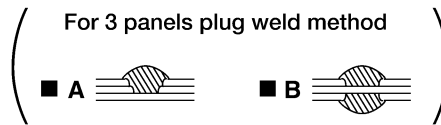
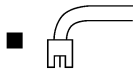
2-spot welds



3-spot welds



MIG Plug weld



MIG seam weld/  
Point weld

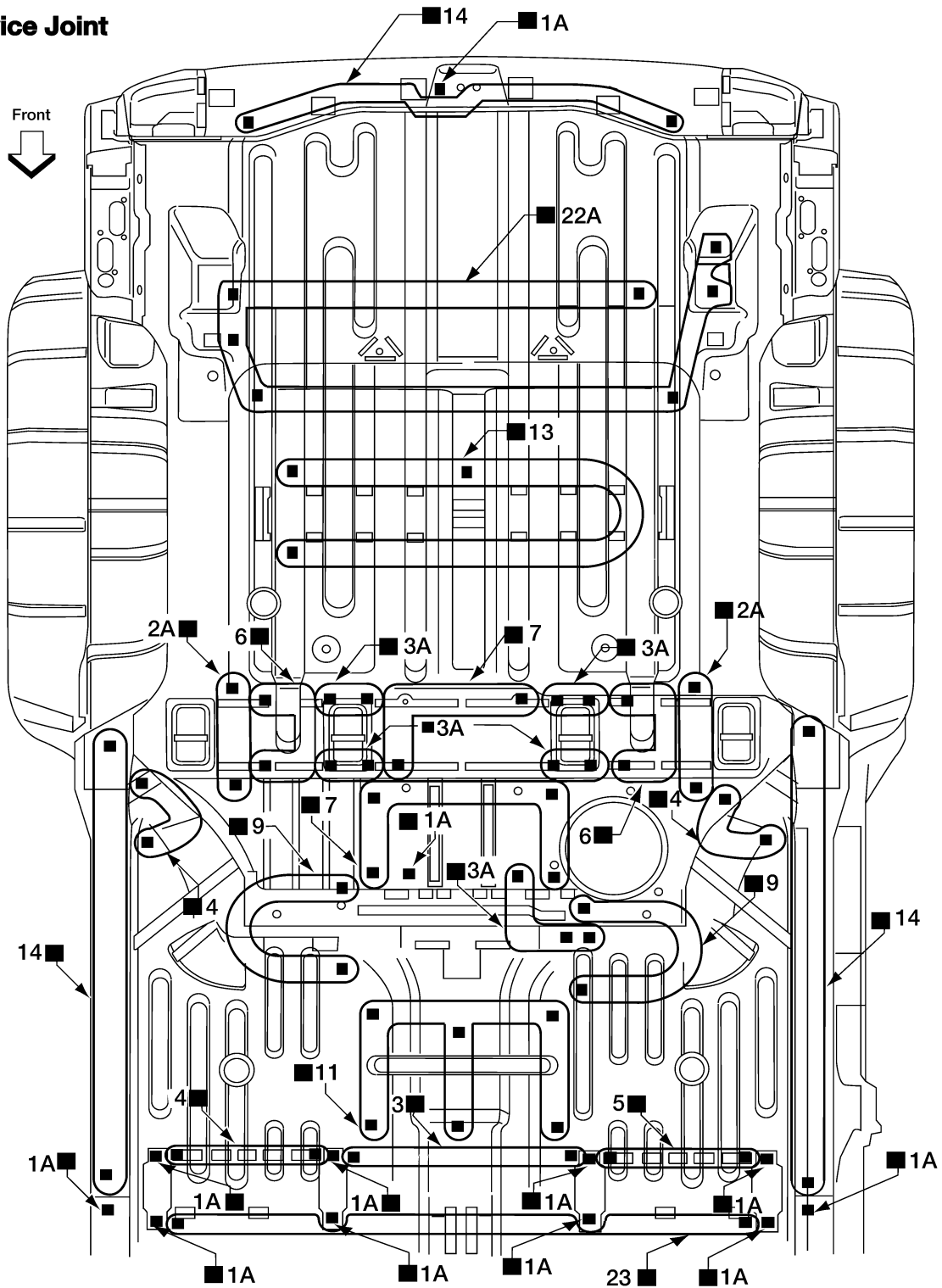


WHIA0637E

# BODY REPAIR

## REAR FLOOR REAR

### Service Joint



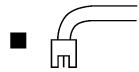
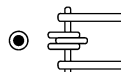
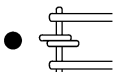
2-spot welds

3-spot welds

MIG Plug weld

( For 3 panels plug weld method )

MIG seam weld/  
Point weld



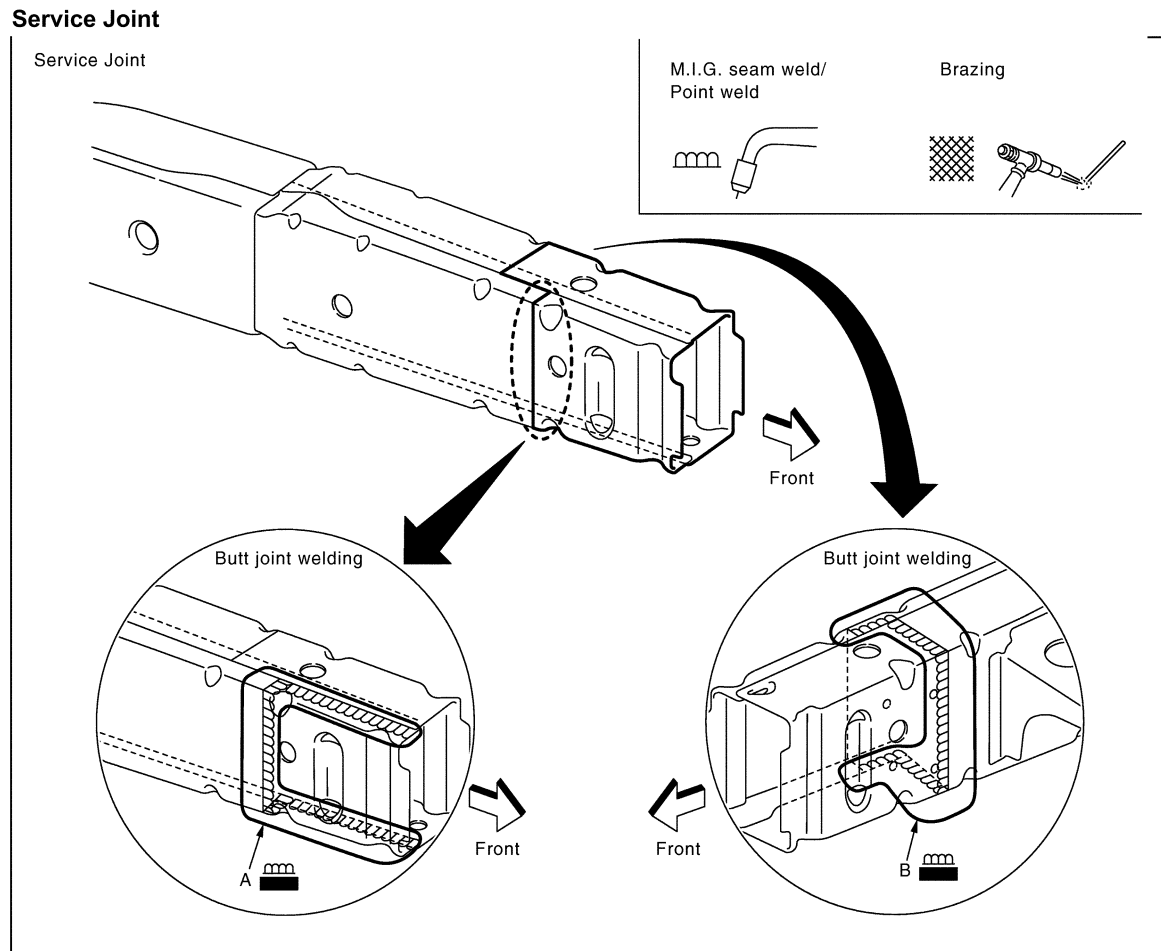
WIIA0638E



# BODY REPAIR

## CRUSH HORN

- Work after 1st crossmember has been removed.



### Portions to be welded:

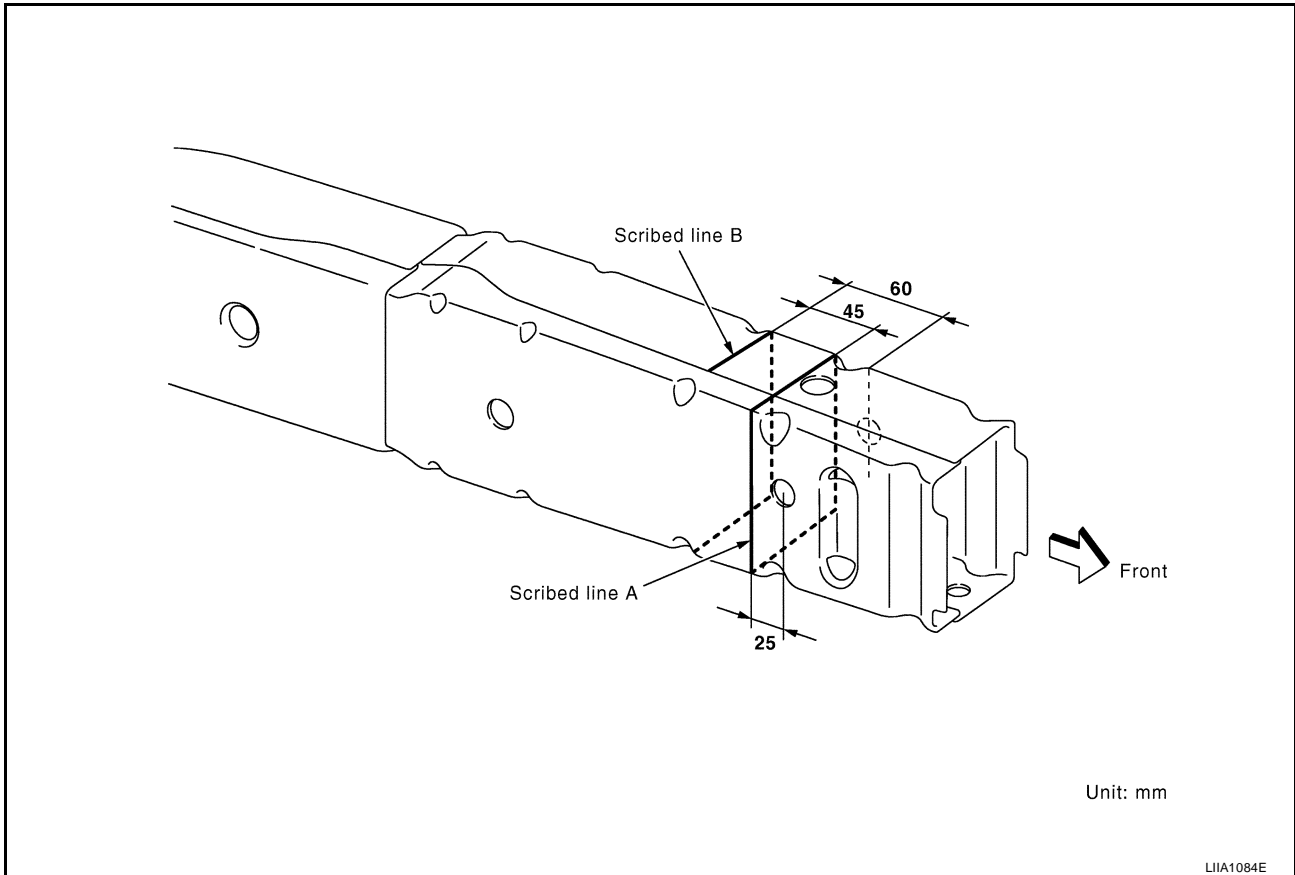
- A. Inner side rail crush horn, inner side rail crush horn and outer side rail crush horn.  
B. Outer side rail crush horn, outer side rail crush horn and inner side rail crush horn.

A  
B  
C  
D  
E  
F  
G  
H  
BL  
J  
K  
L  
M

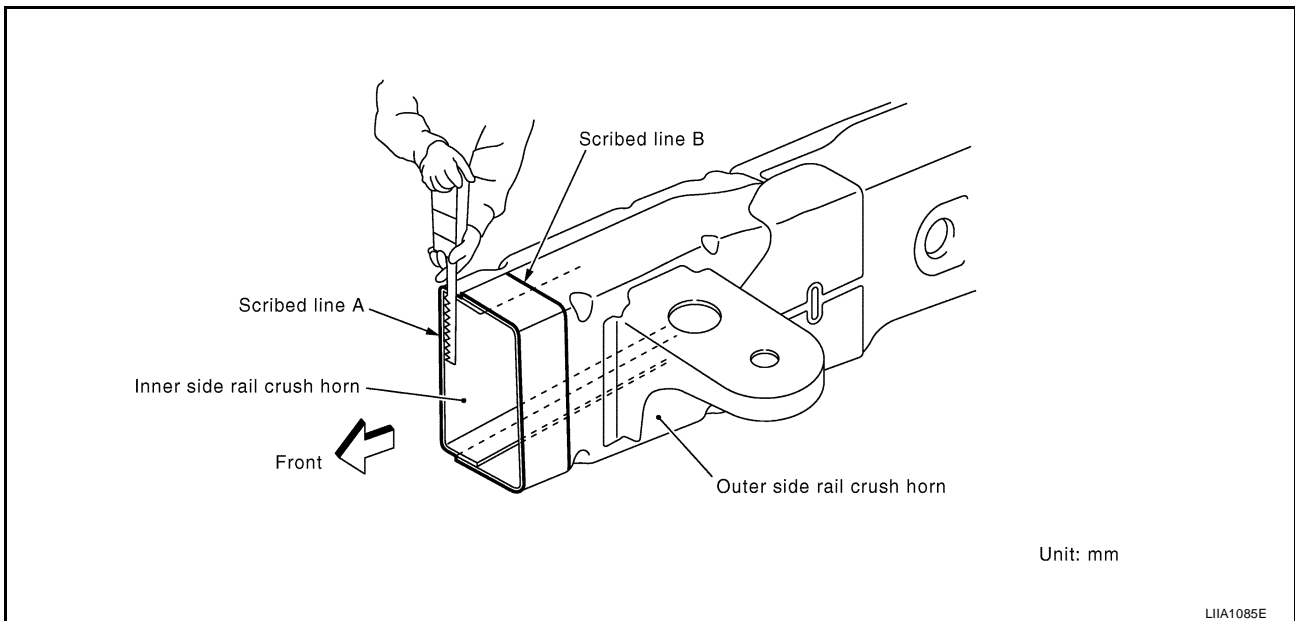
# BODY REPAIR

## Removal Notes

- Scribe a straight line on the outer side rail crush horn and inner side rail crush horn along the hole center as shown in the figure.

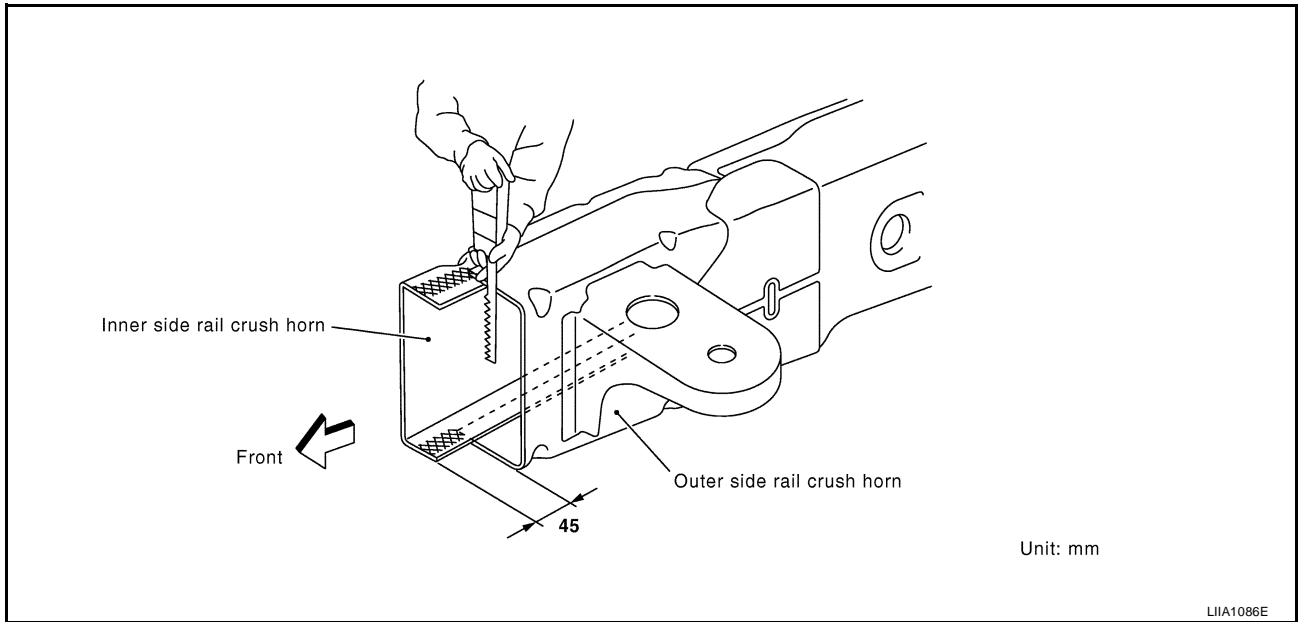


- Cut off outer side rail crush horn and inner side rail crush horn along scribed line A. Do not cut on the hole.



- Cut inner side rail crush horn at 45 mm backward cut position of cut line A. (along line B)

# BODY REPAIR

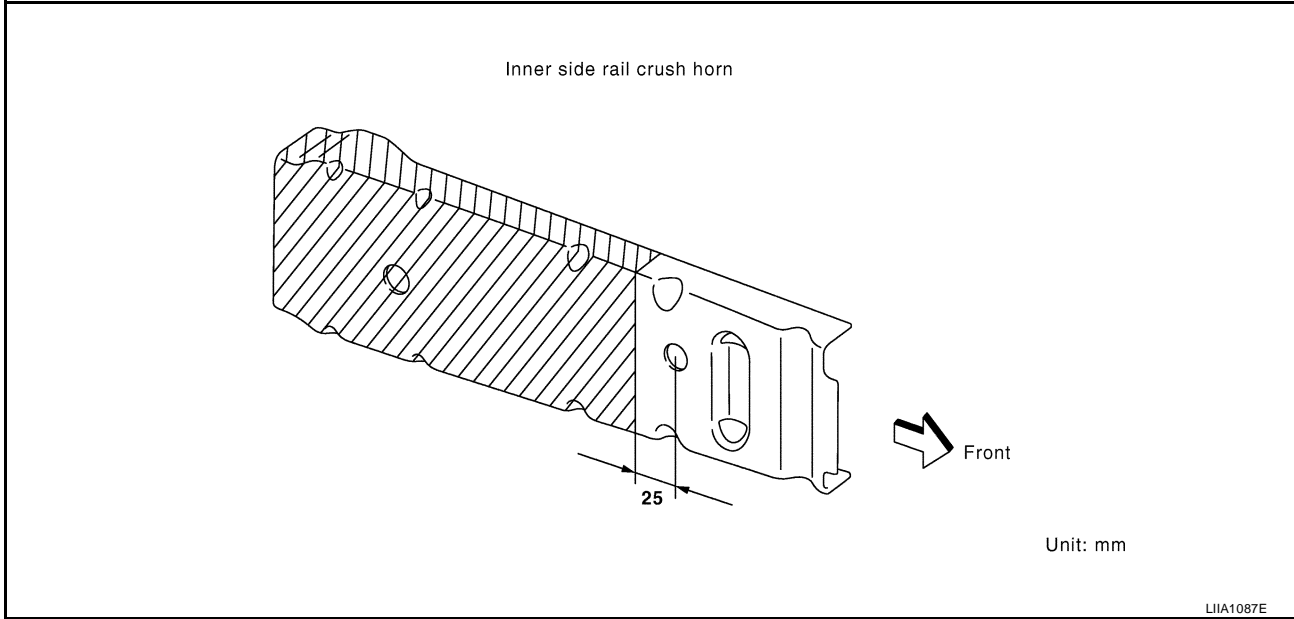


- After removing outer panel, dress area on the inner panel surface with a sander or equivalent.

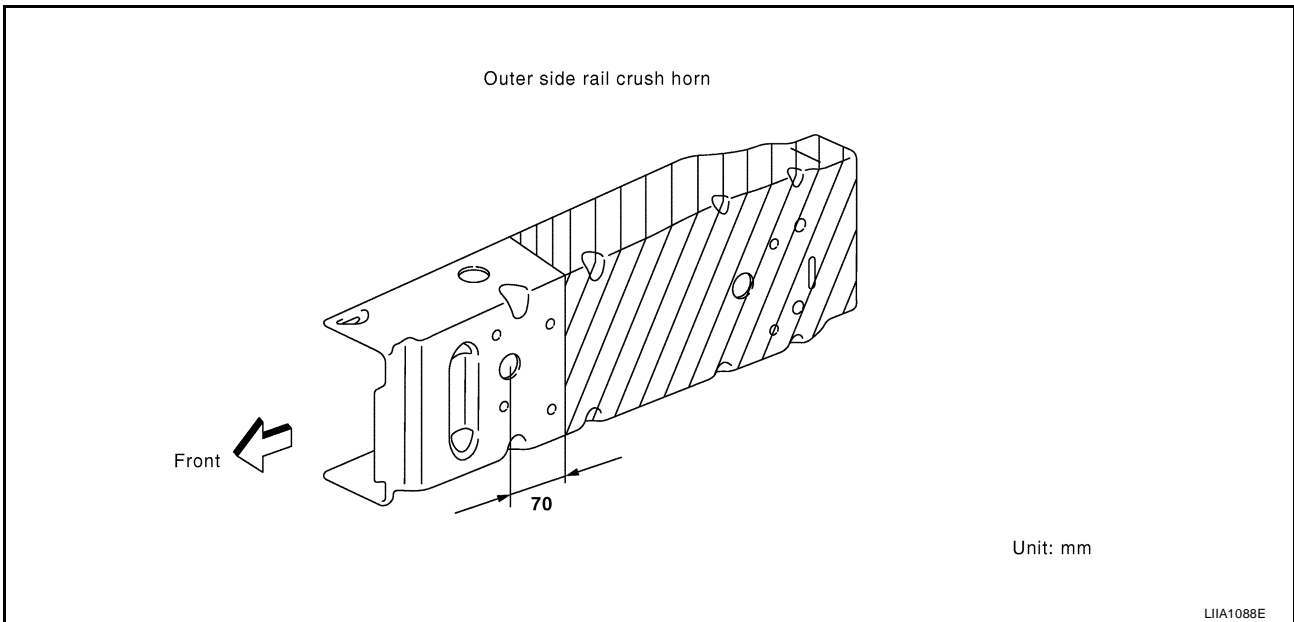
A  
B  
C  
D  
E  
F  
G  
H  
BL  
J  
K  
L  
M

# BODY REPAIR

## Installation Notes



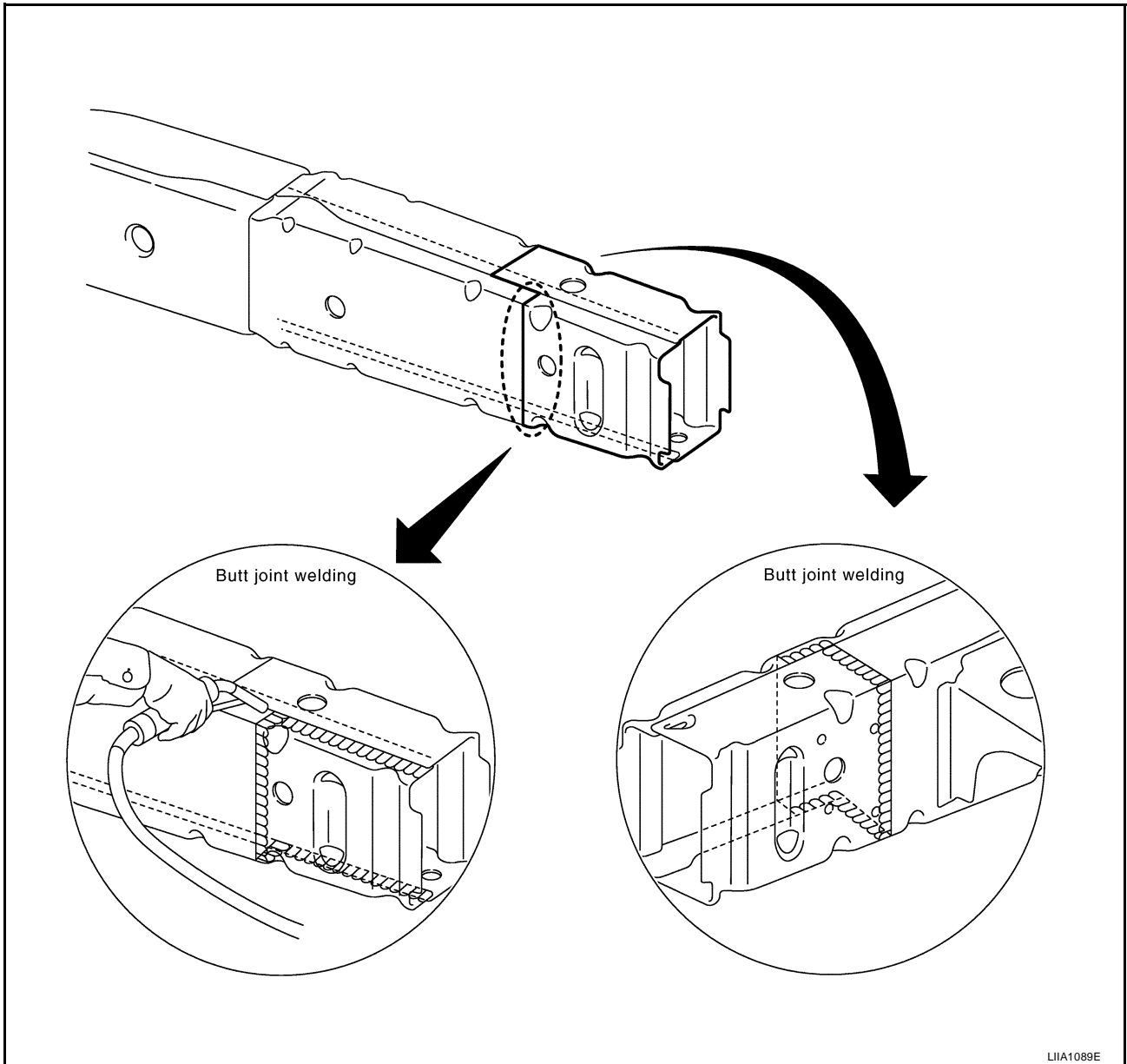
- Scribe a straight line on the inner side rail crush horn along the hole center as shown in the figure. Cut off inner side rail crush horn along scribed line.



- Scribe a straight line on the outer side rail crush horn along the hole center as shown in the figure. Cut off outer side rail crush horn along scribed line.

# BODY REPAIR

- Weld part to be butt-welded and seam-welded corner to corner as shown in the figure.



A  
B  
C  
D  
E  
F  
G  
H  
BL  
J  
K  
L  
M

# BODY REPAIR

---