

A
FL
C
D
E
F
G
H
I
J
K
L
M
N
O
P

SECTION FL
FUEL SYSTEM

CONTENTS

<p>PRECAUTION 2</p> <p>PRECAUTIONS 2</p> <p style="padding-left: 20px;">Precaution for Supplemental Restraint System (SRS) "AIR BAG" and "SEAT BELT PRE-TENSIONER"2</p> <p style="padding-left: 20px;">Precaution Necessary for Steering Wheel Rotation After Battery Disconnect2</p> <p>FUEL SYSTEM 4</p> <p style="padding-left: 20px;">General Precaution4</p> <p>PREPARATION 5</p> <p>PREPARATION 5</p> <p style="padding-left: 20px;">Special Service Tool5</p> <p style="padding-left: 20px;">Commercial Service Tool5</p> <p>BASIC INSPECTION 6</p> <p>FUEL SYSTEM 6</p> <p style="padding-left: 20px;">Checking Fuel Line6</p>	<p>REMOVAL AND INSTALLATION 7</p> <p>FUEL LEVEL SENSOR UNIT, FUEL FILTER AND FUEL PUMP ASSEMBLY 7</p> <p style="padding-left: 20px;">Removal and Installation 7</p> <p>FUEL TANK11</p> <p style="padding-left: 20px;">Removal and Installation11</p> <p>DISASSEMBLY AND ASSEMBLY16</p> <p>FUEL LEVEL SENSOR UNIT, FUEL FILTER AND FUEL PUMP ASSEMBLY16</p> <p style="padding-left: 20px;">Disassembly and Assembly16</p> <p>SERVICE DATA AND SPECIFICATIONS (SDS)17</p> <p>SERVICE DATA AND SPECIFICATIONS (SDS)17</p> <p style="padding-left: 20px;">Standard and Limit17</p>
---	---

PRECAUTIONS

< PRECAUTION >

PRECAUTION

PRECAUTIONS

Precaution for Supplemental Restraint System (SRS) "AIR BAG" and "SEAT BELT PRE-TENSIONER"

INFOID:000000005390742

The Supplemental Restraint System such as "AIR BAG" and "SEAT BELT PRE-TENSIONER", used along with a front seat belt, helps to reduce the risk or severity of injury to the driver and front passenger for certain types of collision. This system includes seat belt switch inputs and dual stage front air bag modules. The SRS system uses the seat belt switches to determine the front air bag deployment, and may only deploy one front air bag, depending on the severity of a collision and whether the front occupants are belted or unbelted. Information necessary to service the system safely is included in the SR and SB section of this Service Manual.

WARNING:

- To avoid rendering the SRS inoperative, which could increase the risk of personal injury or death in the event of a collision which would result in air bag inflation, all maintenance must be performed by an authorized NISSAN/INFINITI dealer.
- Improper maintenance, including incorrect removal and installation of the SRS, can lead to personal injury caused by unintentional activation of the system. For removal of Spiral Cable and Air Bag Module, see the SR section.
- Do not use electrical test equipment on any circuit related to the SRS unless instructed to in this Service Manual. SRS wiring harnesses can be identified by yellow and/or orange harnesses or harness connectors.

PRECAUTIONS WHEN USING POWER TOOLS (AIR OR ELECTRIC) AND HAMMERS

WARNING:

- When working near the Airbag Diagnosis Sensor Unit or other Airbag System sensors with the Ignition ON or engine running, DO NOT use air or electric power tools or strike near the sensor(s) with a hammer. Heavy vibration could activate the sensor(s) and deploy the air bag(s), possibly causing serious injury.
- When using air or electric power tools or hammers, always switch the Ignition OFF, disconnect the battery, and wait at least 3 minutes before performing any service.

Precaution Necessary for Steering Wheel Rotation After Battery Disconnect

INFOID:000000005390743

NOTE:

- This Procedure is applied only to models with Intelligent Key system and NATS (NISSAN ANTI-THEFT SYSTEM).
- Remove and install all control units after disconnecting both battery cables with the ignition knob in the "LOCK" position.
- Always use CONSULT-III to perform self-diagnosis as a part of each function inspection after finishing work. If DTC is detected, perform trouble diagnosis according to self-diagnostic results.

For models equipped with the Intelligent Key system and NATS, an electrically controlled steering lock mechanism is adopted on the key cylinder.

For this reason, if the battery is disconnected or if the battery is discharged, the steering wheel will lock and steering wheel rotation will become impossible.

If steering wheel rotation is required when battery power is interrupted, follow the procedure below before starting the repair operation.

OPERATION PROCEDURE

1. Connect both battery cables.

NOTE:

Supply power using jumper cables if battery is discharged.

2. Use the Intelligent Key or mechanical key to turn the ignition switch to the "ACC" position. At this time, the steering lock will be released.
3. Disconnect both battery cables. The steering lock will remain released and the steering wheel can be rotated.
4. Perform the necessary repair operation.

PRECAUTIONS

< PRECAUTION >

5. When the repair work is completed, return the ignition switch to the "LOCK" position before connecting the battery cables. (At this time, the steering lock mechanism will engage.)
6. Perform a self-diagnosis check of all control units using CONSULT-III.

A

FL

C

D

E

F

G

H

I

J

K

L

M

N

O

P

FUEL SYSTEM

< PRECAUTION >

FUEL SYSTEM

General Precaution

INFOID:000000005149530

WARNING:

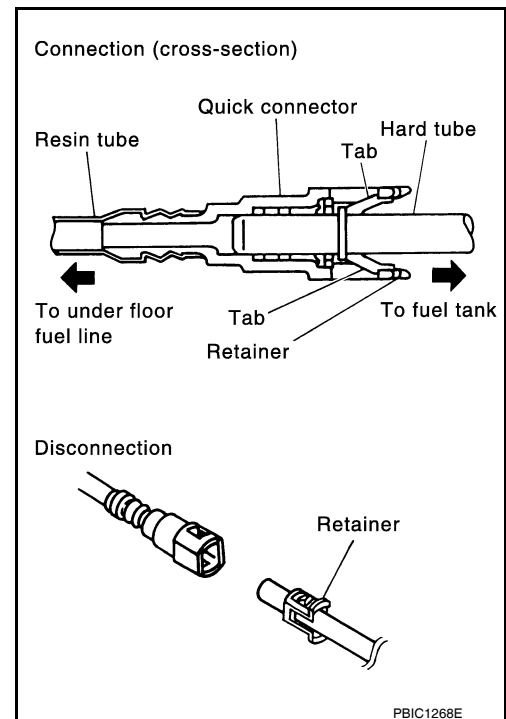
When replacing fuel line parts, be sure to observe the following.

- Put a "CAUTION: FLAMMABLE" sign in the workshop.
- Be sure to work in a well ventilated area and furnish workshop with a CO² fire extinguisher.
- Do not smoke while servicing fuel system. Keep open flames and sparks away from the work area.

CAUTION:

• Before removing fuel line parts, carry out the following procedures:

- Put drained fuel in an explosion-proof container and put the lid on securely. Keep the container in safe area.
- Release fuel pressure from the fuel lines. Refer to [EC-489, "Fuel Pressure Check"](#) .
- Disconnect the battery negative terminal.
- Always replace O-rings and clamps with new ones.
- Do not kink or twist hoses when they are being installed.
- After connecting the fuel tube quick connectors, make sure the quick connectors are secure.
Ensure that the connector and resin tube do not contact any adjacent parts.
- After installing tubes, make sure there is no fuel leakage at connections in the following steps.
- Apply fuel pressure to fuel lines with turning ignition switch ON (with engine stopped). Then check for fuel leaks at connections.
- Start the engine and rev it up and check for fuel leaks at connections.
- Use only a Genuine NISSAN fuel filler cap as a replacement. If an incorrect fuel filler cap is used, the MIL may come on.
- For servicing "Evaporative Emission System" parts, refer to [EC-493, "Removal and Installation"](#) .
- For servicing "On Board Refueling Vapor Recovery (ORVR)" parts, refer to [EC-491, "How to Detect Fuel Vapor Leakage"](#) .



PREPARATION

< PREPARATION >

PREPARATION

PREPARATION

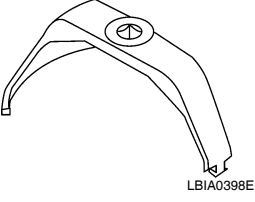
Special Service Tool

INFOID:000000005149531

A

FL

The actual shapes of the Kent-Moore tools may differ from those of the special tools illustrated here.

Tool number (Kent-Moore No.) Tool name	Description
— (J-46536) Fuel tank lock ring tool 	Removing and installing fuel tank lock ring

C

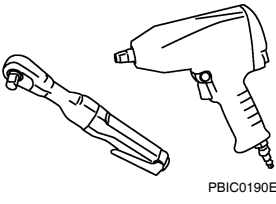
D

E

F

Commercial Service Tool

INFOID:000000005149532

Tool name	Description
Power tool 	Loosening bolts and nuts

G

H

I

J

K

L

M

N

O

P

FUEL SYSTEM

< BASIC INSPECTION >

BASIC INSPECTION

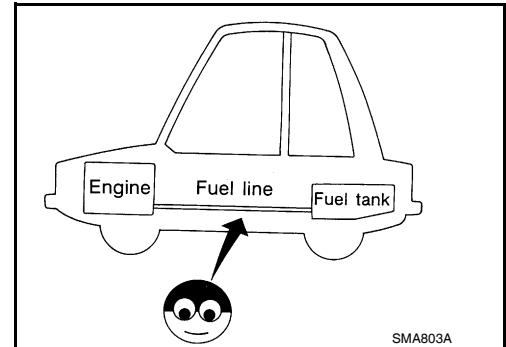
FUEL SYSTEM

Checking Fuel Line

INFOID:000000005149533

Inspect fuel lines, fuel filler cap and fuel tank for improper attachment, leaks, cracks, damage, loose connections, chafing or deterioration.

If necessary, repair or replace damaged parts.



FUEL LEVEL SENSOR UNIT, FUEL FILTER AND FUEL PUMP ASSEMBLY

< REMOVAL AND INSTALLATION >

REMOVAL AND INSTALLATION

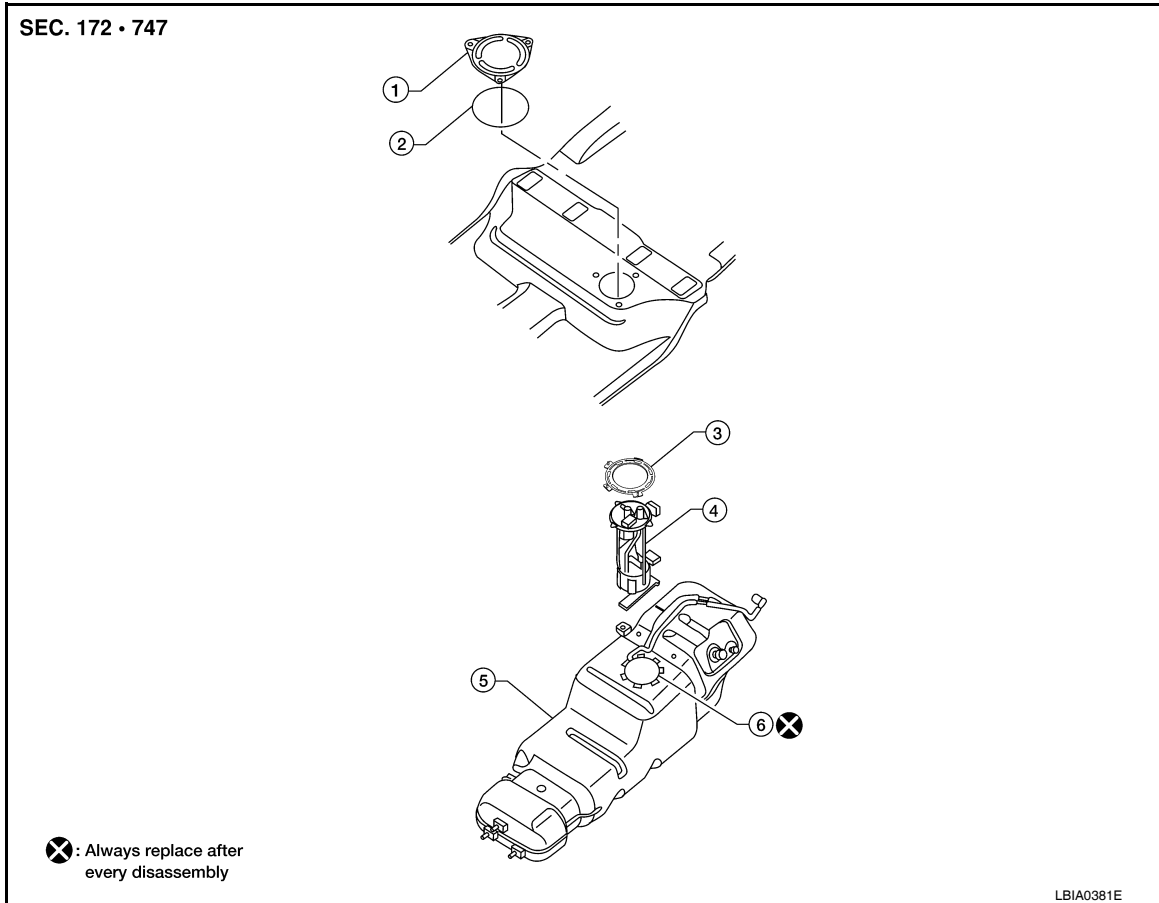
FUEL LEVEL SENSOR UNIT, FUEL FILTER AND FUEL PUMP ASSEMBLY

Removal and Installation

INFOID:000000005149534

A

FL



C

D

E

F

G

H

I

J

K

- | | | |
|---|---------------------------------|--|
| 1. Inspection hole cover | 2. Inspection hole cover O-ring | 3. Lock ring |
| 4. Fuel level sensor, fuel filter, and fuel pump assembly | 5. Fuel tank | 6. Fuel level sensor, fuel filter, and fuel pump assembly O-ring |

L

REMOVAL

WARNING:

Follow the "General Precautions" before working on the fuel system. Refer to [FL-4, "General Precaution"](#).

1. Remove the fuel filler cap to release the pressure from inside the fuel tank.
2. Release the fuel pressure from the fuel lines. Refer to [EC-489, "Fuel Pressure Check"](#).
3. Disconnect the battery negative terminal Refer to [PG-74, "Removal and Installation"](#).
4. Remove the second row seat and the third row LH seat. Refer to [SE-56, "Removal and Installation"](#) (second row), [SE-59, "LH Side Seat"](#) (third row).
5. Remove the second and third row rear seat belt buckles mounted on the floor. Refer to [SB-7, "Removal and Installation of Second Row Seat Belt"](#), [SB-8, "Removal and Installation of Third Row Seat Belt"](#).
6. Remove the LH center pillar trim, the LH rear trim panel, and the LH rear side door kick plate and weather stripping. Refer to [INT-14, "Removal and Installation"](#).
7. Remove the second row rear center console and base, (if equipped). Refer to [IP-21, "Removal and Installation"](#).
8. Reposition the floor carpet out of the way to access the inspection hole cover, located under the center LH rear seat.

M

N

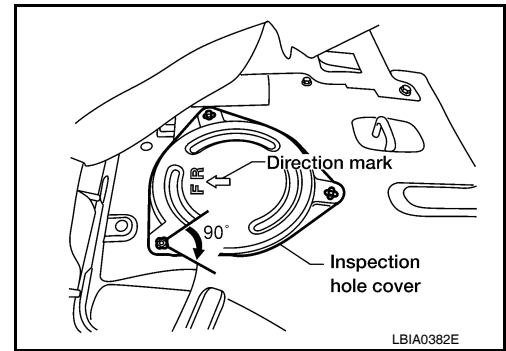
O

P

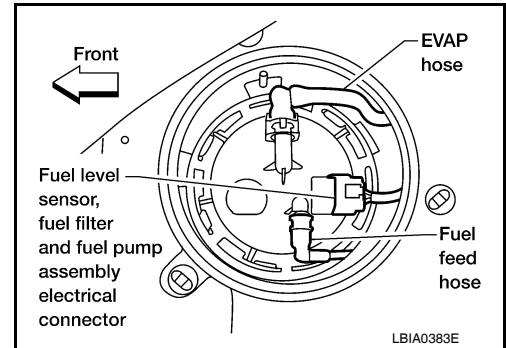
FUEL LEVEL SENSOR UNIT, FUEL FILTER AND FUEL PUMP ASSEMBLY

< REMOVAL AND INSTALLATION >

9. Remove the inspection hole cover by turning the retainers 90° degrees clockwise.
- Remove the O-ring.

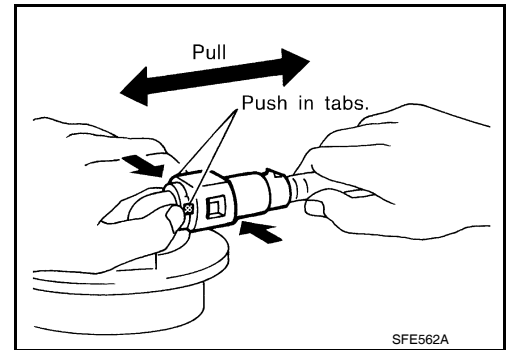


10. Disconnect the fuel level sensor, fuel filter, and fuel pump assembly electrical connector, the EVAP hose, and the fuel feed hose.



Disconnect the quick connector as follows:

- Hold the sides of the connector, push in tabs and pull out the tube.
- If the connector and the tube are stuck together, push and pull several times until they start to move. Then disconnect them by pulling.

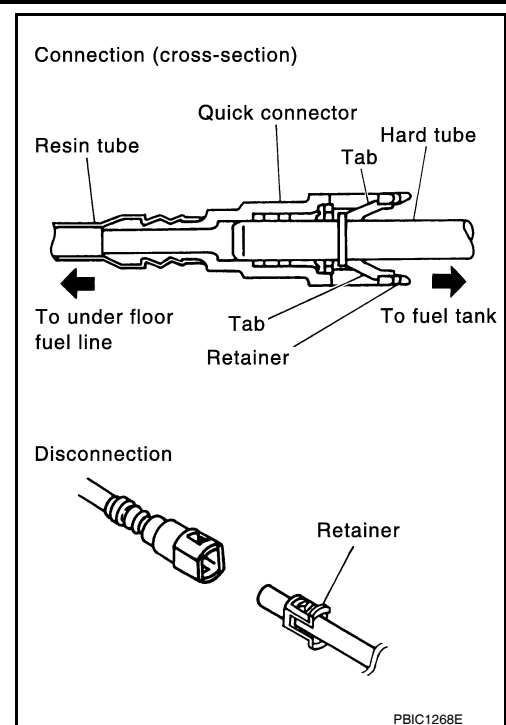


CAUTION:

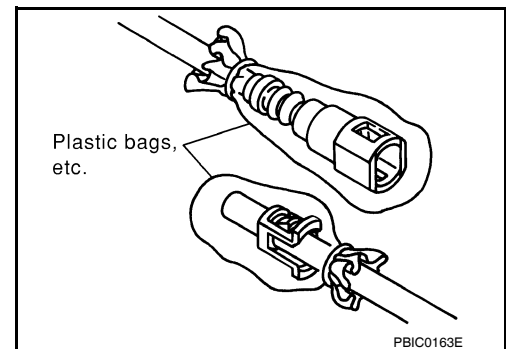
FUEL LEVEL SENSOR UNIT, FUEL FILTER AND FUEL PUMP ASSEMBLY

< REMOVAL AND INSTALLATION >

- The quick connector can be disconnected when the tabs are completely depressed. Do not twist the quick connector more than necessary.
- Do not use any tools to disconnect the quick connector.
- Keep the resin tube away from heat. Be especially careful when welding near the tube.
- Prevent any acid liquids such as battery electrolyte, from getting on the resin tube.
- Do not bend or twist the resin tube during connection.
- Do not remove the remaining retainer on the hard tube (or the equivalent) except when the resin tube or the retainer is replaced.
- When the resin tube or hard tube, or the equivalent, is replaced, also replace the retainer with a new one (white colored retainer).



- To keep the quick connector clean and to avoid damage and contamination from foreign materials, cover the quick connector with plastic bags or suitable material as shown.



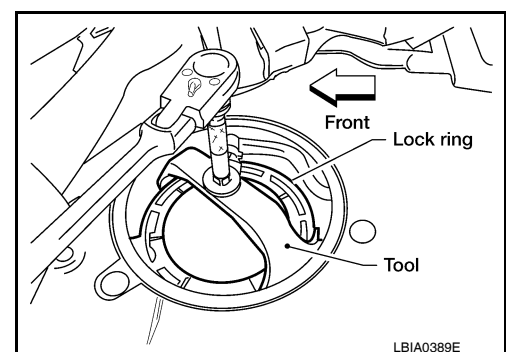
11. Remove the lock ring using Tool.

Tool number : — (J-46536)

12. Remove the fuel level sensor, fuel filter, and fuel pump assembly. Remove and discard the fuel level sensor, fuel filter, and fuel pump assembly O-ring.

CAUTION:

- Do not bend the float arm during removal.
- Avoid impacts such as dropping when handling the components.



INSTALLATION

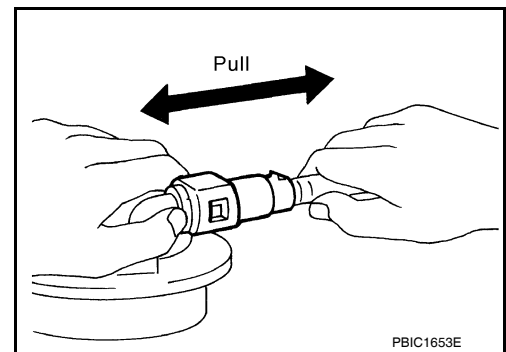
Installation is in the reverse order of removal.

- For installation, use a new fuel level sensor, fuel filter, and fuel pump assembly O-ring.
- Connect the quick connector as follows:
 - Check the connection for any damage or foreign materials.
 - Align the connector with the pipe, then insert the connector straight into the pipe until a click is heard.

FUEL LEVEL SENSOR UNIT, FUEL FILTER AND FUEL PUMP ASSEMBLY

< REMOVAL AND INSTALLATION >

- After connecting the quick connector, make sure that the connection is secure by checking as follows:
- Pull the tube and the connector to make sure they are securely connected.
- Visually inspect the connector to make sure the two retainer tabs are securely connected.



INSPECTION AFTER INSTALLATION

1. Turn the ignition switch ON but do not start engine, then check the fuel pipes and hose connections for leaks while applying fuel pressure to the system.
2. Start the engine and rev it above idle speed, then check that there are no fuel leaks at any of the fuel pipe and hose connections.

FUEL TANK

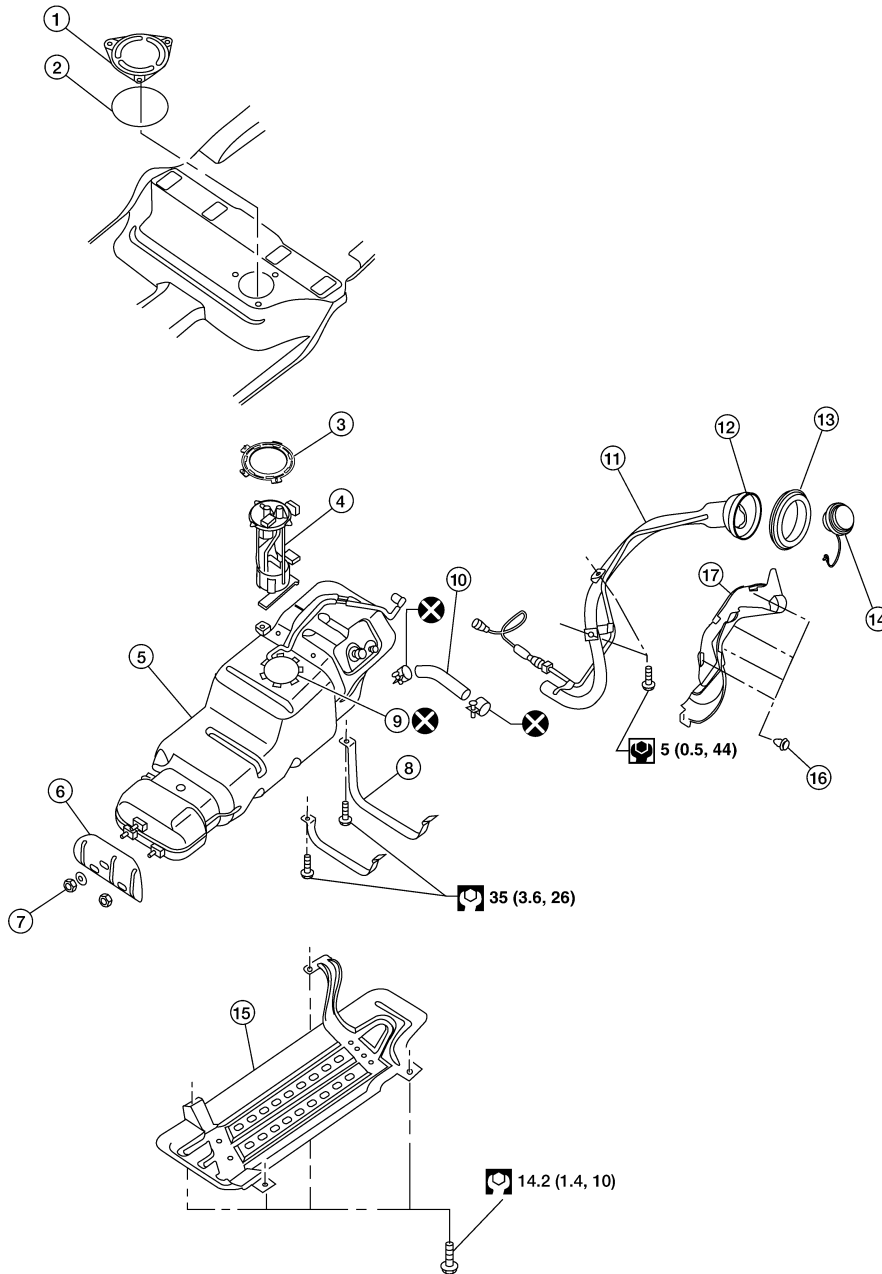
< REMOVAL AND INSTALLATION >

FUEL TANK

Removal and Installation

INFOID:000000005149535

SEC. 172 • 747



- | | | |
|-----------------------------|---|--|
| 1. Inspection hole cover | 2. Inspection hole cover O-ring | 3. Fuel feed tube |
| 4. Lock ring | 5. Fuel level sensor, fuel filter, and fuel pump assembly | 6. Fuel level sensor, fuel filter, and fuel pump assembly O-ring |
| 7. Fuel tank | 8. Fuel tank shield | 9. Fuel tank straps |
| 10. Fuel filler hose clamps | 11. Fuel filler hose | 12. Fuel vent hose clamps |
| 13. Fuel vent hose | 14. Fuel filler pipe | 15. Fuel filler pipe grommet |

AWBIA0522GB

FUEL TANK

< REMOVAL AND INSTALLATION >

16. Fuel filler cap

17. Fuel filler pipe shield

18. Clip

⇐ Front

REMOVAL

WARNING:

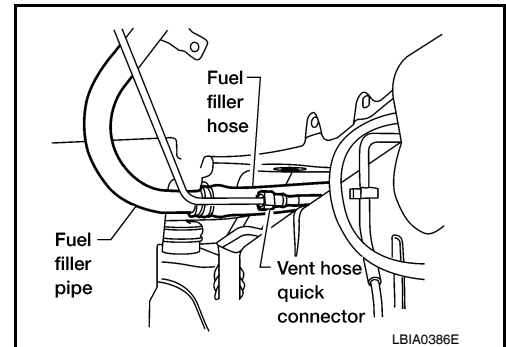
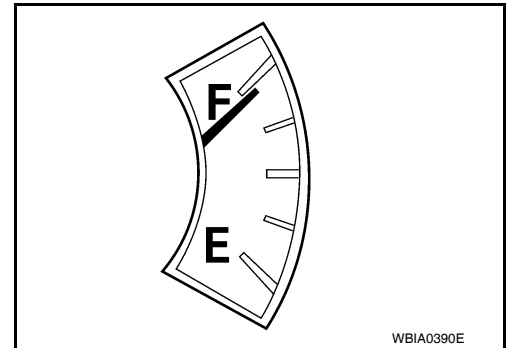
Follow the “General Precautions” before working on the fuel system. Refer to [FL-4, "General Precaution"](#).

1. Drain the fuel from the fuel tank, if necessary.
 - Position the vehicle so it is level.
2. Remove the fuel filler cap to release the pressure from inside the fuel tank.

3. Check the fuel level on level gauge. If the fuel gauge indicates more than the level as shown (full or almost full), drain the fuel from the fuel tank until the fuel gauge indicates the level as shown, or less.

- If the fuel pump does not operate, use the following procedure to drain the fuel to the specified level after disconnecting the fuel filler hose from the fuel filler pipe.

- a. Insert a suitable hose of less than 15 mm (0.59 in) diameter into the fuel filler pipe through the fuel filler opening to drain the fuel from fuel filler pipe.
 - b. Insert a suitable hose into the fuel tank through the fuel filler hose to drain the fuel from the fuel tank.
 - As a guide, the fuel level reaches the fuel gauge position as shown, or less, when approximately 14 liters (3 3/4 US gal, 3 1/8 Imp gal) of fuel are drained from the fuel tank.
4. Remove the LH rear wheel and tire. Refer to [WT-49, "Rotation"](#).
 5. Disconnect the fuel filler hose from the fuel filler pipe and disconnect the vent hose quick connector.

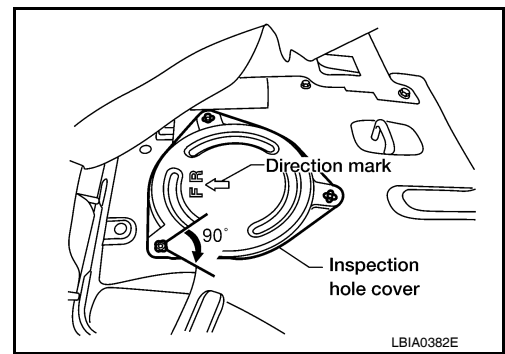


6. Release the fuel pressure from the fuel lines. Refer to [EC-489, "Fuel Pressure Check"](#).
7. Disconnect the battery negative terminal. Refer to [PG-74, "Removal and Installation"](#).
8. Remove the second row seat and the third row LH seat. Refer to [SE-56, "Removal and Installation"](#) (second row), [SE-59, "LH Side Seat"](#) (third row).
9. Remove the second and third row rear seat belt buckles mounted on the floor. Refer to [SB-7, "Removal and Installation of Second Row Seat Belt"](#), [SB-8, "Removal and Installation of Third Row Seat Belt"](#).
10. Remove the LH center pillar trim, the LH rear trim panel, and the LH rear side door kick plate and weather stripping. Refer to [INT-14, "Removal and Installation"](#).
11. Remove the second row rear center console and base (If equipped). Refer to [IP-21, "Removal and Installation"](#).
12. Reposition the floor carpet out of the way to access the inspection hole cover, located under the center LH rear seat.

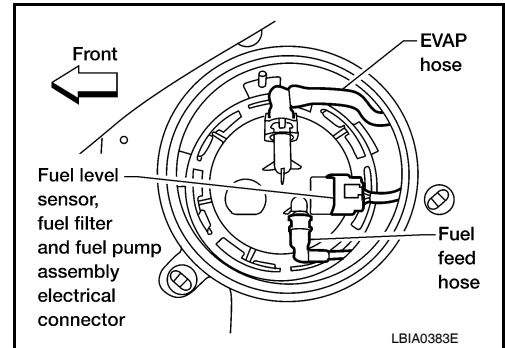
FUEL TANK

< REMOVAL AND INSTALLATION >

13. Remove the inspection hole cover by turning the retainers 90° degrees clockwise.
- Remove the O-ring.

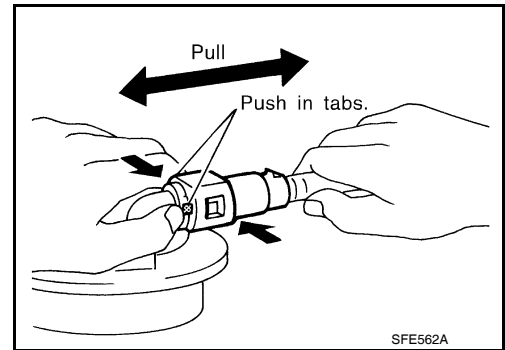


14. Disconnect the fuel level sensor, fuel filter, and fuel pump assembly electrical connector, the EVAP hose, and the fuel feed hose.



Disconnect the quick connector as follows:

- Hold the sides of the connector, push in tabs and pull out the tube.
- If the connector and the tube are stuck together, push and pull several times until they start to move. Then disconnect them by pulling.



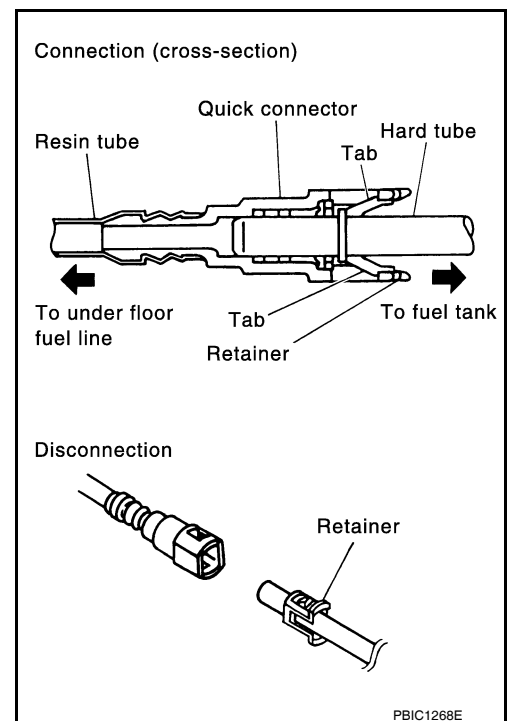
CAUTION:

A
FL
C
D
E
F
G
H
I
J
K
L
M
N
O
P

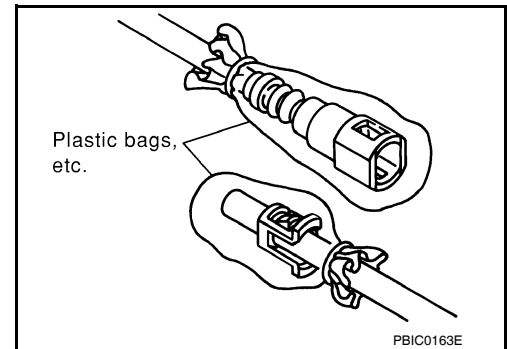
FUEL TANK

< REMOVAL AND INSTALLATION >

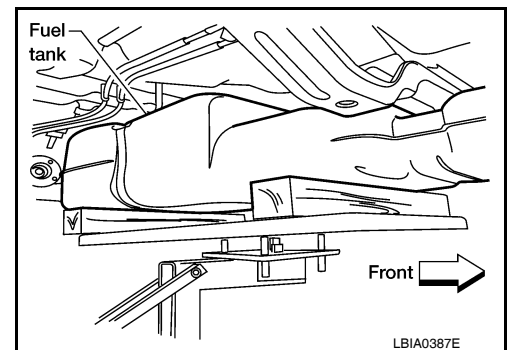
- The quick connector can be disconnected when the tabs are completely depressed. Do not twist the quick connector more than necessary.
- Do not use any tools to disconnect the quick connector.
- Keep the resin tube away from heat. Be especially careful when welding near the tube.
- Prevent any acid liquids such as battery electrolyte, from getting on the resin tube.
- Do not bend or twist the resin tube during connection.
- Do not remove the remaining retainer on the hard tube (or the equivalent) except when the resin tube or the retainer is replaced.
- When the resin tube or hard tube, or the equivalent, is replaced, also replace the retainer with a new one (white colored retainer).



- To keep the quick connector clean and to avoid damage and contamination from foreign materials, cover the quick connector with plastic bags or suitable material as shown.



15. Remove the four bolts and remove the fuel tank shield (if equipped).
16. Remove the propeller shaft. Refer to [DLN-196. "Removal and Installation"](#).
17. Disconnect fuel filler hose, and vent hose at the fuel tank side.
18. Remove the fuel tank strap bolts while supporting the fuel tank with a suitable lift jack.



19. Disconnect the EVAP hose from the molded clip in the top of the fuel tank while lowering the fuel tank.
20. Lower the fuel tank using a suitable lift jack and remove it.

FUEL TANK

< REMOVAL AND INSTALLATION >

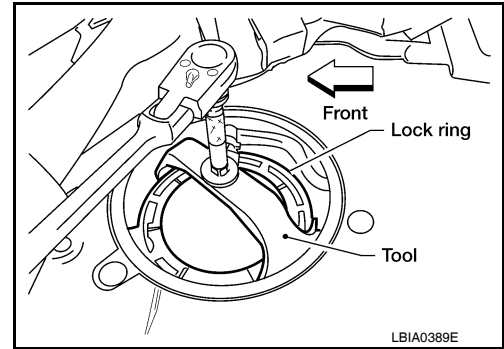
21. If necessary, remove the lock ring using Tool.

Tool number : — (J-46536)

22. If necessary, remove the fuel level sensor, fuel filter, and fuel pump assembly. Discard the fuel level sensor, fuel filter, and fuel pump assembly O-ring.

CAUTION:

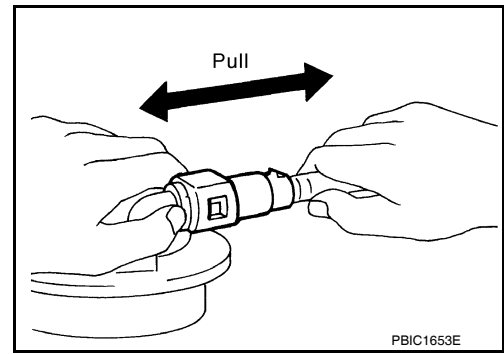
- Do not bend the float arm during removal.
- Avoid impacts such as dropping when handling the components.



INSTALLATION

Installation is in the reverse order of removal.

- For installation, use a new fuel level sensor, fuel filter, and fuel pump assembly O-ring.
- Connect the quick connector as follows:
 - Check the connection for any damage or foreign materials.
 - Align the connector with the pipe, then insert the connector straight into the pipe until a click is heard.
 - After connecting the quick connector, make sure that the connection is secure by checking as follows:
 - Pull the tube and the connector to make sure they are securely connected.
 - Visually inspect the connector to make sure the two retainer tabs are securely connected.



INSPECTION AFTER INSTALLATION

1. Turn the ignition switch ON but do not start engine, then check the fuel pipe and hose connections for leaks while applying fuel pressure.
2. Start the engine and rev it above idle, then check that there are no fuel leaks at any of the fuel pipe and hose connections.

FUEL LEVEL SENSOR UNIT, FUEL FILTER AND FUEL PUMP ASSEMBLY

< DISASSEMBLY AND ASSEMBLY >

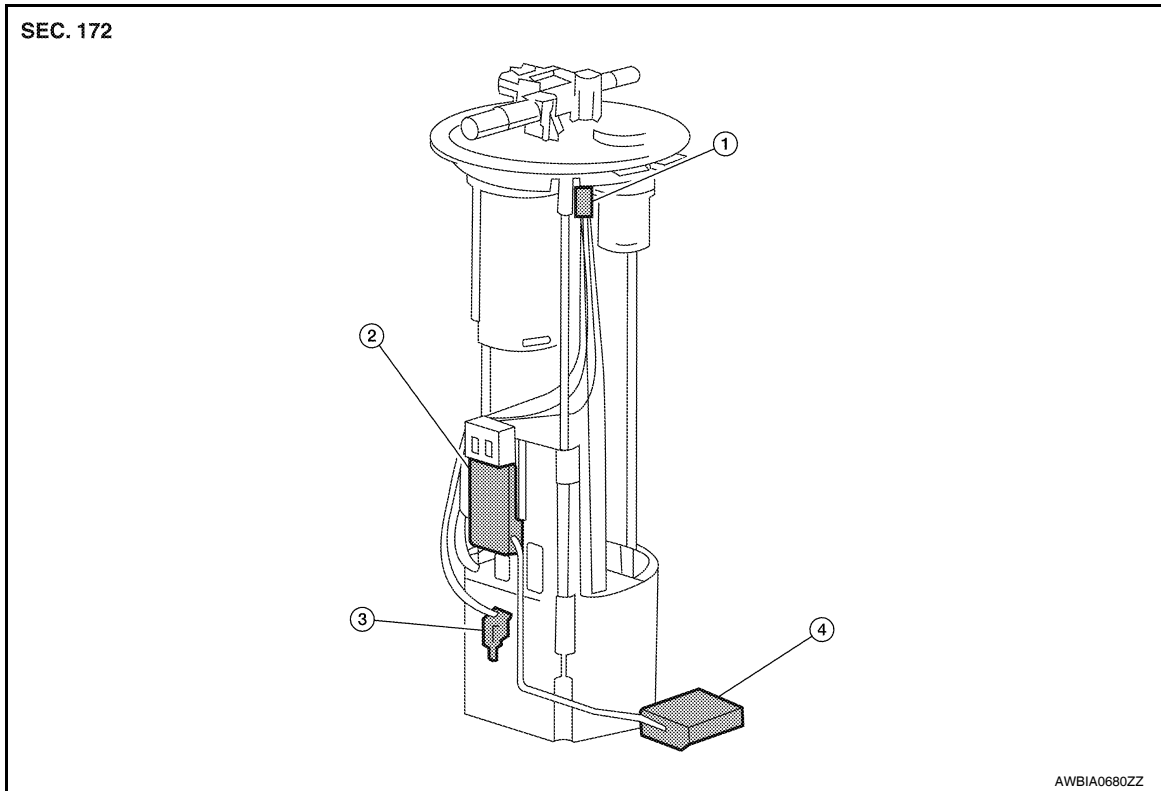
DISASSEMBLY AND ASSEMBLY

FUEL LEVEL SENSOR UNIT, FUEL FILTER AND FUEL PUMP ASSEMBLY

Disassembly and Assembly

INFOID:000000005149536

Fuel Level Sender Unit



1. Harness connector
2. Sending unit module
3. Fuel sensor
4. Floater arm assembly

Disassembly

1. Disconnect the harness connectors and the wire connector.
2. Remove the fuel sensor from the pump assembly.
3. Depress the tabs and remove the floater arm assembly.

Assembly

Assembly is in the reverse order of disassembly.

SERVICE DATA AND SPECIFICATIONS (SDS)

< SERVICE DATA AND SPECIFICATIONS (SDS)

SERVICE DATA AND SPECIFICATIONS (SDS)

SERVICE DATA AND SPECIFICATIONS (SDS)

Standard and Limit

INFOID:000000005149537

A

FL

Unit: ℓ (US gal, Imp gal)

Fuel tank capacity	105.8 (28, 23 1/4)
--------------------	--------------------

C

D

E

F

G

H

I

J

K

L

M

N

O

P