

A  
CO  
C  
D  
E  
F  
G  
H  
I  
J  
K  
L  
M  
N  
O  
P

# SECTION CO

## ENGINE COOLING SYSTEM

### CONTENTS

<b>SERVICE INFORMATION</b> .....	<b>Changing Engine Coolant</b> .....	2	9	
<b>PRECAUTIONS</b> .....	<b>RADIATOR</b> .....	2	13	
Precaution for Supplemental Restraint System (SRS) "AIR BAG" and "SEAT BELT PRE-TEN- SIONER" .....	Removal and Installation .....	2	13	G
Precaution for Liquid Gasket .....	Checking Radiator .....	2	15	
<b>PREPARATION</b> .....	<b>ENGINE COOLING FAN</b> .....	4	16	
Special Service Tool .....	Removal and Installation (Crankshaft Driven Type) .....	4	16	H
Commercial Service Tool .....	Removal and Installation (Motor Driven Type) .....	4	17	
<b>OVERHEATING CAUSE ANALYSIS</b> .....	<b>WATER PUMP</b> .....	6	18	I
Troubleshooting Chart .....	Removal and Installation .....	6	18	
<b>COOLING SYSTEM</b> .....	<b>THERMOSTAT AND WATER PIPING</b> .....	8	20	J
Cooling Circuit .....	Removal and Installation .....	8	20	
Schematic .....	<b>SERVICE DATA AND SPECIFICATIONS (SDS)</b> .....	8	22	K
<b>ENGINE COOLANT</b> .....	Standard and Limit .....	9	22	
Inspection .....		9		L

# PRECAUTIONS

< SERVICE INFORMATION >

## SERVICE INFORMATION

### PRECAUTIONS

#### Precaution for Supplemental Restraint System (SRS) "AIR BAG" and "SEAT BELT PRE-TENSIONER"

INFOID:000000003531562

The Supplemental Restraint System such as "AIR BAG" and "SEAT BELT PRE-TENSIONER", used along with a front seat belt, helps to reduce the risk or severity of injury to the driver and front passenger for certain types of collision. This system includes seat belt switch inputs and dual stage front air bag modules. The SRS system uses the seat belt switches to determine the front air bag deployment, and may only deploy one front air bag, depending on the severity of a collision and whether the front occupants are belted or unbelted. Information necessary to service the system safely is included in the SRS and SB section of this Service Manual.

#### **WARNING:**

- To avoid rendering the SRS inoperative, which could increase the risk of personal injury or death in the event of a collision which would result in air bag inflation, all maintenance must be performed by an authorized NISSAN/INFINITI dealer.
- Improper maintenance, including incorrect removal and installation of the SRS, can lead to personal injury caused by unintentional activation of the system. For removal of Spiral Cable and Air Bag Module, see the SRS section.
- Do not use electrical test equipment on any circuit related to the SRS unless instructed to in this Service Manual. SRS wiring harnesses can be identified by yellow and/or orange harnesses or harness connectors.

#### Precaution for Liquid Gasket

INFOID:000000003531563

#### REMOVAL OF LIQUID GASKET SEALING

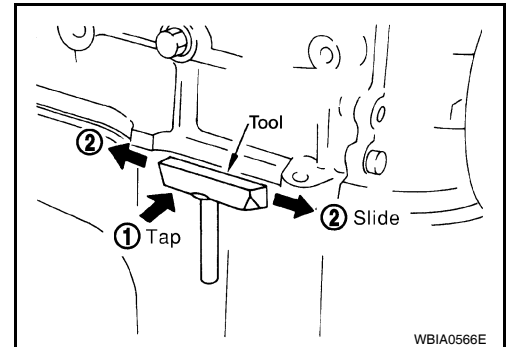
- After removing the bolts and nuts, separate the mating surface and remove the old liquid gasket sealing using Tool.

**Tool number** : KV10111100 (J-37228)

#### **CAUTION:**

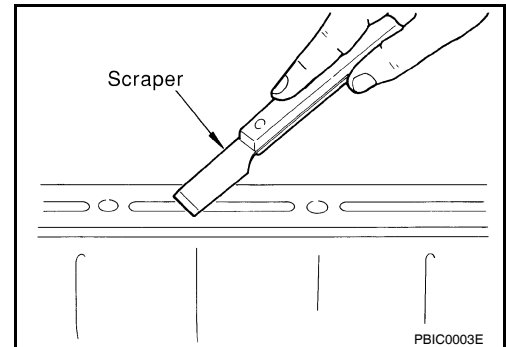
**Do not damage the mating surfaces.**

- Tap the seal cutter to insert it.
- In areas where the Tool is difficult to use, lightly tap to slide it.



#### LIQUID GASKET APPLICATION PROCEDURE

1. Remove the old liquid gasket adhering to the gasket application surface and the mating surface using suitable tool.
  - Remove the liquid gasket completely from the groove of the liquid gasket application surface, bolts, and bolt holes.
2. Thoroughly clean the mating surfaces and remove adhering moisture, grease and foreign material.



# PRECAUTIONS

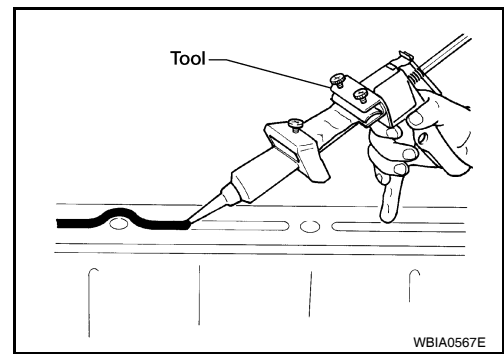
## < SERVICE INFORMATION >

3. Attach the liquid gasket tube to the Tool.

**Tool number : WS39930000 ( — )**

**Use Genuine RTV Silicone Sealant or equivalent. Refer to GI-45, "Recommended Chemical Product and Sealant".**

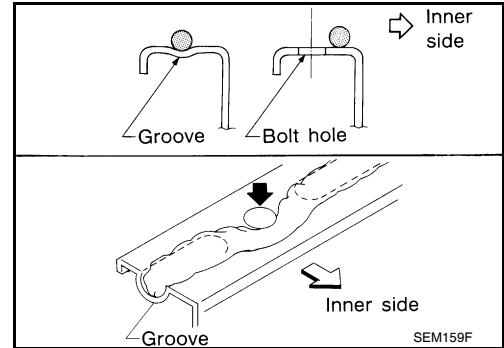
4. Apply the liquid gasket without breaks to the specified location with the specified dimensions.



- If there is a groove for the liquid gasket application, apply the liquid gasket to the groove.
- As for the bolt holes, normally apply the liquid gasket inside the holes. If specified in the procedure, it should also be applied outside the holes.
- Within five minutes of liquid gasket application, install the mating component.
- If the liquid gasket protrudes, wipe it off immediately.
- Do not retighten after the installation.
- Wait 30 minutes or more after installation before refilling the engine with engine oil and engine coolant.

**CAUTION:**

**If there are specific instructions in this manual, observe them.**



A  
CO  
C  
D  
E  
F  
G  
H  
I  
J  
K  
L  
M  
N  
O  
P

# PREPARATION

< SERVICE INFORMATION >

## PREPARATION

### Special Service Tool

INFOID:000000003531564

The actual shapes of Kent-Moore tools may differ from those of special service tools illustrated here.

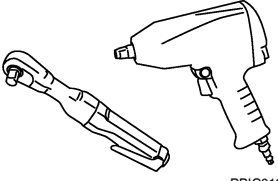
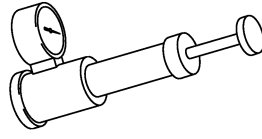
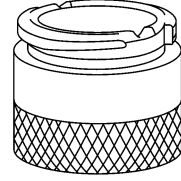
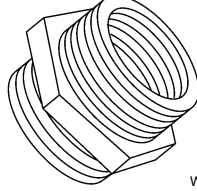
Tool number (Kent-Moore No.) Tool name	Description
KV10111100 (J-37228) Seal cutter	Removing steel oil pan and rear timing chain case
WS39930000 ( — ) Tube pressure	Pressing the tube of liquid gasket
EG17650301 (J-33984-A) Radiator cap tester adapter	Adapting radiator cap tester to radiator cap and radiator filler neck <b>a: 28 (1.10) dia.</b> <b>b: 31.4 (1.236) dia.</b> <b>c: 41.3 (1.626) dia.</b> Unit: mm (in)
KV991J0070 (J-45695) Coolant refill tool	For refilling engine cooling system
KV991J0010 (J-23688) Engine coolant refractometer	Checking concentration of ethylene glycol in engine coolant

### Commercial Service Tool

INFOID:000000003531565

# PREPARATION

## < SERVICE INFORMATION >

Tool name	Description
<p>Power tool</p>  <p style="text-align: right;">PBIC0190E</p>	<p>Loosening bolts and nuts</p>
<p>Radiator cap tester</p>  <p style="text-align: right;">PBIC1982E</p>	<p>Checking radiator and radiator cap</p>
<p>Coolant system tester adapter</p>  <p style="text-align: right;">WBIA0408E</p>	<p>Adapting radiator cap tester to reservoir filler neck</p>
<p>Coolant system tester adapter</p>  <p style="text-align: right;">WBIA0409E</p>	<p>Adapting radiator cap tester to reservoir cap</p>

A

CO

C

D

E

F

G

H

I

J

K

L

M

N

O

P

# OVERHEATING CAUSE ANALYSIS

< SERVICE INFORMATION >

## OVERHEATING CAUSE ANALYSIS

### Troubleshooting Chart

INFOID:000000003531566

	Symptom		Check items	
Cooling system parts malfunction	Poor heat transfer	Water pump malfunction	Worn or loose drive belt	—
		Thermostat stuck closed	—	
		Damaged fins	Dust contamination or paper clogging	
			Physical damage	
		Clogged radiator cooling tube	Excess foreign material (rust, dirt, sand, etc.)	
	Water cut valve malfunction	Excess foreign material (rust, dirt, sand, etc.), physical damage		
	Reduced air flow	Cooling fan does not operate	Fan assembly	—
		High resistance to fan rotation		
		Damaged fan blades		
	Damaged radiator shroud	—	—	—
	Improper engine coolant mixture ratio	—	—	—
	Poor engine coolant quality	—	Engine coolant density	—
	Insufficient engine coolant	Engine coolant leaks	Cooling hose	Loose clamp
				Cracked hose
			Water pump	Poor sealing
Radiator cap			Loose	
			Poor sealing	
Radiator			O-ring for damage, deterioration or improper fitting	
		Cracked radiator tank		
		Cracked radiator core		
Reservoir tank		Cracked reservoir tank		
Overflowing reservoir tank	Exhaust gas leaks into cooling system	Cylinder head deterioration		
		Cylinder head gasket deterioration		

# OVERHEATING CAUSE ANALYSIS

< SERVICE INFORMATION >

	Symptom		Check items			
Except cooling system parts malfunction	—	Overload on engine	Abusive driving	High engine rpm under no load	A	
				Driving in low gear for extended time	<b>CO</b>	
				Driving at extremely high speed	C	
				—	Powertrain system malfunction	D
			Installed improper size wheels and tires		E	
			Dragging brakes		F	
		Blocked or restricted air flow	Blocked bumper	—	G	
			Blocked radiator grille	Installed car brassiere	—	H
				Mud contamination or paper clogging	—	I
			Blocked radiator	—	J	
			Blocked condenser	Blocked air flow	—	K
			Installed large fog lamp		—	L

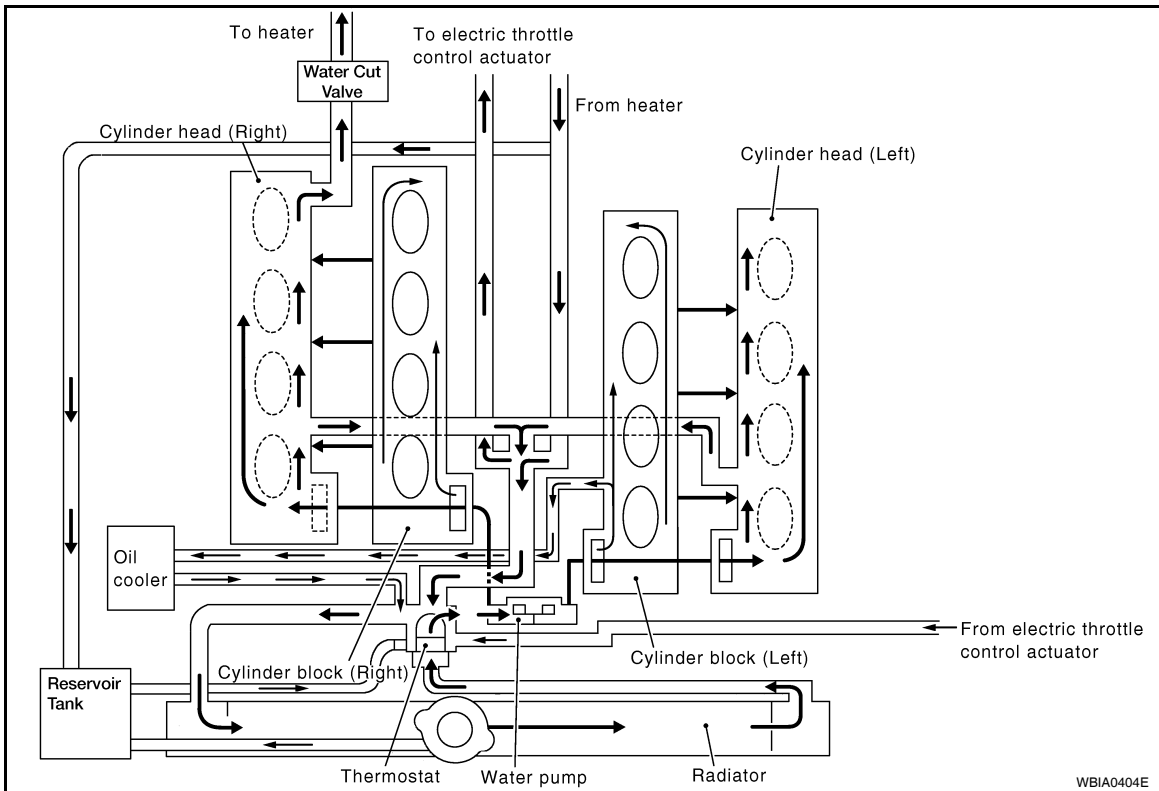
# COOLING SYSTEM

< SERVICE INFORMATION >

## COOLING SYSTEM

### Cooling Circuit

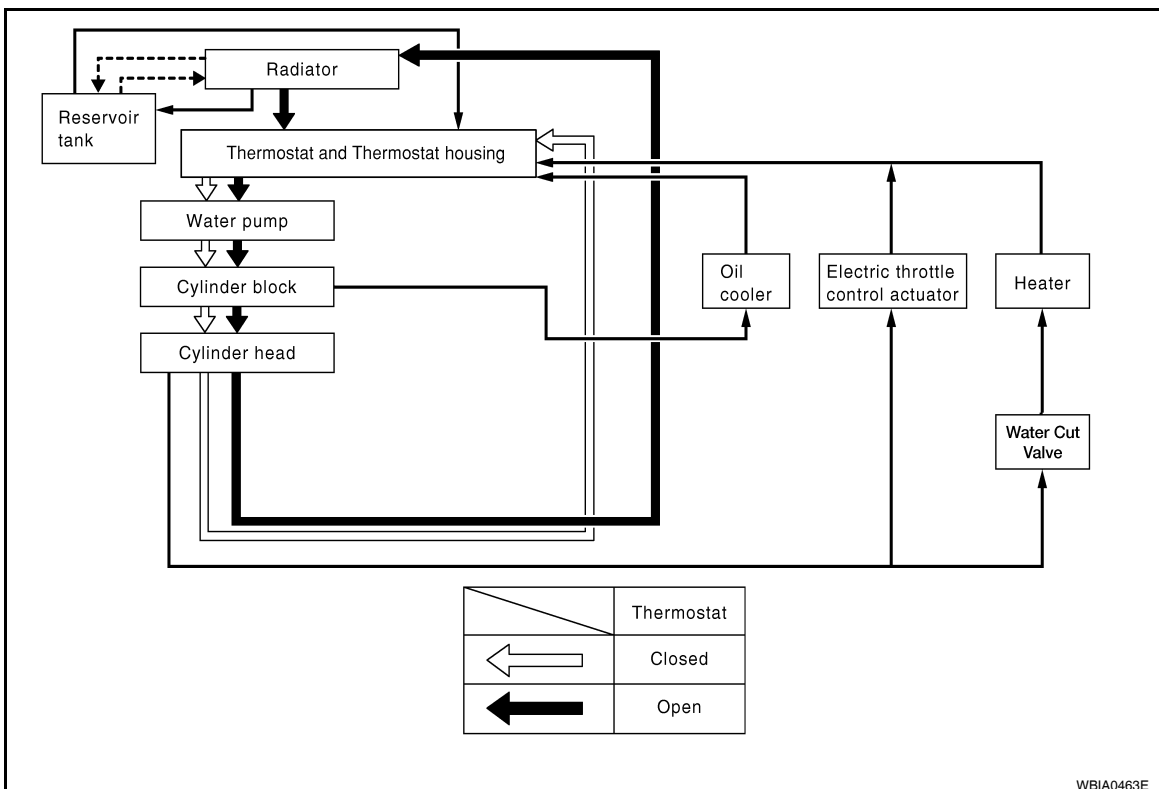
INFOID:000000003531567



WBIA0404E

### Schematic

INFOID:000000003531568



WBIA0463E



# ENGINE COOLANT

< SERVICE INFORMATION >

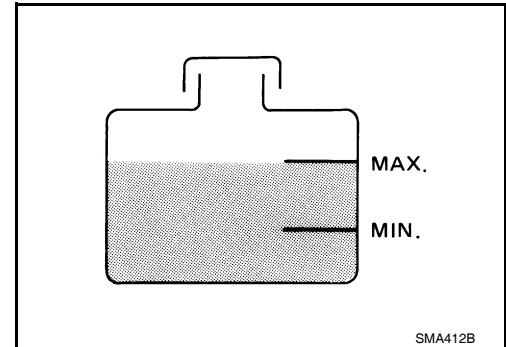
## ENGINE COOLANT

### Inspection

INFOID:000000003531569

#### LEVEL CHECK

- Check if the engine coolant reservoir tank level is within MIN to MAX level when engine is cool.
- Adjust engine coolant level as necessary.



#### CHECKING COOLING SYSTEM FOR LEAKS

##### **WARNING:**

Never remove the radiator or reservoir cap when the engine is hot. Serious burns could occur from high-pressure engine coolant escaping from the radiator or reservoir.

- To check for leakage, apply pressure to the cooling system at the reservoir filler neck using suitable tool and Tool.

**Tool number** : EG17650301 (J-33984-A)

**Leakage test pressure** : 137 kPa (1.4 kg/cm, 20 psi)

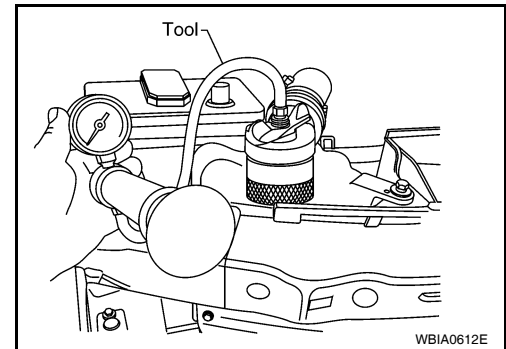
##### **CAUTION:**

Higher pressure than specified may cause radiator damage.

##### **NOTE:**

In case that engine coolant decreases, replenish cooling system with engine coolant.

- If any concerns are found, repair or replace damaged parts.



#### CHECKING RESERVOIR CAP

- Check reservoir cap relief pressure using suitable tool and Tool.

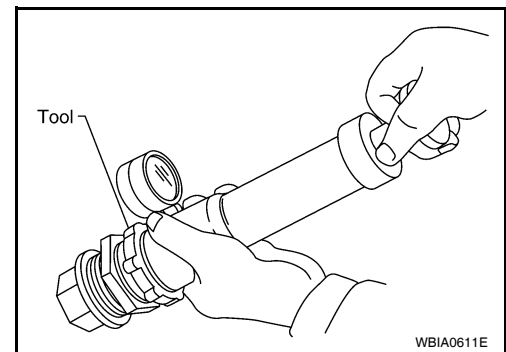
**Tool number** : EG17650301 (J-33984-A)

**Standard** : 95 - 125 kPa (0.97 - 1.28 kg/cm<sup>2</sup>, 14 - 18 psi)

##### **NOTE:**

Apply engine coolant to the cap seal.

- Replace the reservoir cap if there is any damage in the negative-pressure valve, or if the open-valve pressure is outside of the limit.



#### CHECKING RADIATOR CAP

Inspect the radiator cap.

##### **NOTE:**

Thoroughly wipe out the radiator filler neck to remove any waxy residue or foreign material.

- Replace the cap if the metal plunger cannot be seen around the edge of the black rubber gasket.
- Replace the cap if deposits of waxy residue or other foreign material are on the black rubber gasket or the metal retainer.

### Changing Engine Coolant

INFOID:000000003531570

##### **WARNING:**

- To avoid being scalded, never change the coolant when the engine is hot.

# ENGINE COOLANT

## < SERVICE INFORMATION >

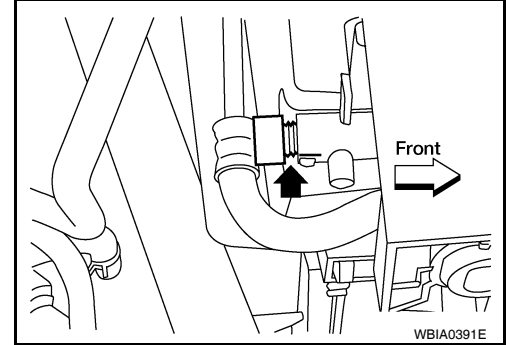
- **Wrap a thick cloth around the cap to carefully remove the cap. First, turn the cap a quarter of a turn to release any built-up pressure, then push down and turn the cap all the way to remove it.**

### DRAINING ENGINE COOLANT

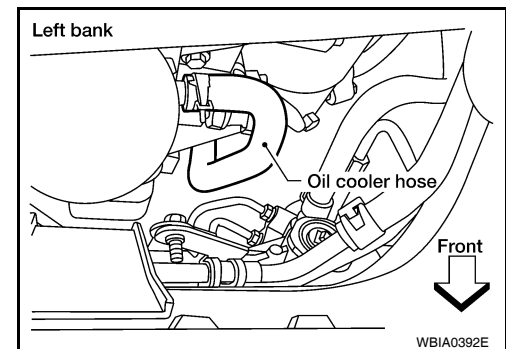
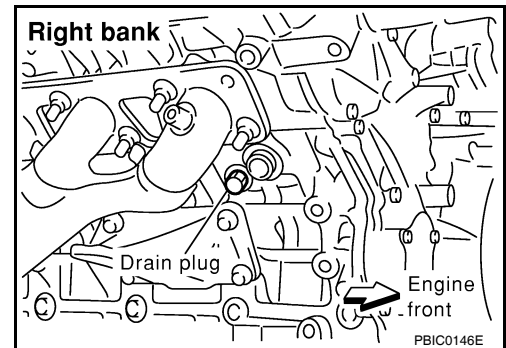
1. Turn ignition switch ON and set temperature control lever all the way to HOT position or the highest temperature position. Wait 10 seconds and turn ignition switch OFF.
2. Remove the engine front undercover using power tool.
3. Open the radiator drain plug at the bottom of the radiator, and remove the radiator filler cap. This is the only step required when partially draining the cooling system (radiator only).

**CAUTION:**

**Do not to allow the coolant to contact the drive belts.**



4. When draining all of the coolant in the system for engine removal or repair, it is necessary to drain the cylinder block. Remove the RH cylinder block drain plug to drain the right bank and the oil cooler hose to drain the left bank as shown.



5. Remove the reservoir tank to drain the engine coolant, then clean the reservoir tank before installing it.
6. Check the drained coolant for contaminants such as rust, corrosion or discoloration. If the coolant is contaminated, flush the engine cooling system.

### REFILLING ENGINE COOLANT

1. Close the radiator drain plug. Install the reservoir tank, cylinder block drain plug, and the oil cooler hose, if removed for a total system drain or for engine removal or repair.
  - The radiator must be completely empty of coolant and water.
  - Apply sealant to the threads of the cylinder block drain plug. Use Genuine High Performance Thread Sealant or equivalent. Refer to [GI-45, "Recommended Chemical Product and Sealant"](#).

**Radiator drain plug** : Refer to [CO-13, "Removal and Installation"](#).

**RH cylinder block drain plug** : Refer to [EM-78](#).

2. Set the vehicle heater controls to the full HOTT and heater ON position. Turn the vehicle ignition ON with the engine OFF as necessary to activate the heater mode.

# ENGINE COOLANT

## < SERVICE INFORMATION >

- Remove the vented reservoir cap and replace it with a non-vented reservoir cap before filling the cooling system.
- Install the Tool by installing the radiator cap adapter onto the radiator neck opening. Then attach the gauge body assembly with the refill tube and the venturi assembly to the radiator cap adapter.

**Tool number** : KV991J0070 (J-45695)

- Insert the refill hose into the coolant mixture container that is placed at floor level. Make sure the ball valve is in the closed position.
  - Use recommended NISSAN Long Life Anti-freeze coolant or equivalent. Refer to [MA-10, "SAE Viscosity Number"](#).

**Cooling system capacity (with reservoir)** : Refer to [MA-10, "Fluids and Lubricants"](#).

- Install an air hose to the venturi assembly, the air pressure must be within specification.

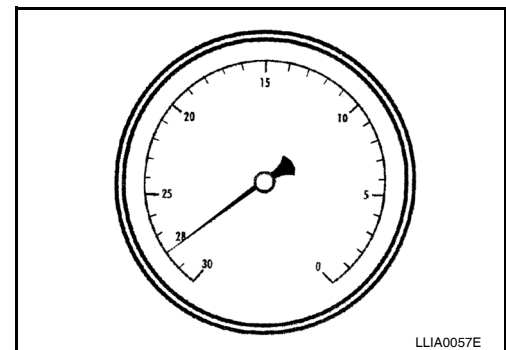
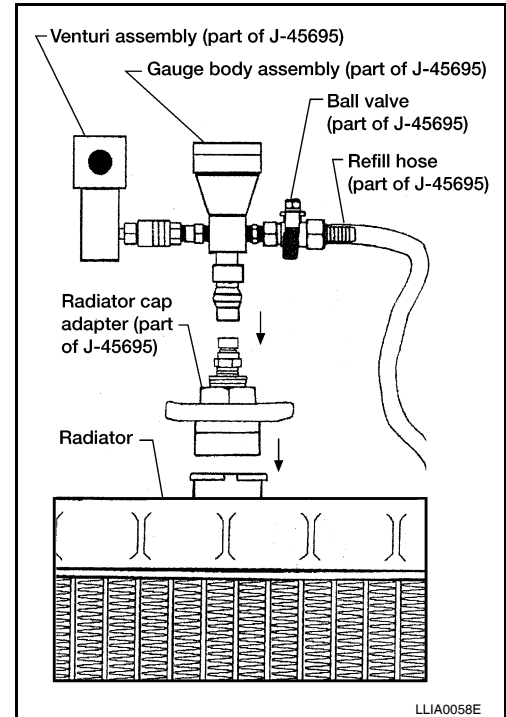
**Compressed air supply pressure** : 5.7 - 8.5 kPa (5.6 - 8.4 kg/cm<sup>2</sup>, 80 - 120 psi)

### CAUTION:

**The compressed air supply must be equipped with an air dryer.**

- The vacuum gauge will begin to rise and there will be an audible hissing noise. During this process open the ball valve on the refill hose slightly. Coolant will be visible rising in the refill hose. Once the refill hose is full of coolant, close the ball valve. This will purge any air trapped in the refill hose.
- Continue to draw the vacuum until the gauge reaches 28 inches of vacuum. The gauge may not reach 28 inches in high altitude locations, refer to the vacuum specifications based on the altitude above sea level.

Altitude above sea level	Vacuum gauge reading
0 - 100 m (328 ft)	: 28 inches of vacuum
300 m (984 ft)	: 27 inches of vacuum
500 m (1,641 ft)	: 26 inches of vacuum
1,000 m (3,281 ft)	: 24 - 25 inches of vacuum



- When the vacuum gauge has reached the specified amount, disconnect the air hose and wait 20 seconds to see if the system loses any vacuum. If the vacuum level drops, perform any necessary repairs to the system and repeat steps 6 - 8 to bring the vacuum to the specified amount. Recheck for any leaks.
- Place the coolant container (with the refill hose inserted) at the same level as the top of the radiator. Then open the ball valve on the refill hose so the coolant will be drawn up to fill the cooling system. The cooling system is full when the vacuum gauge reads zero.

### CAUTION:

**Do not allow the coolant container to get too low when filling, to avoid air from being drawn into the cooling system.**

- Remove the Tool from the radiator neck opening and install the radiator cap.
- Remove the non-vented reservoir cap.
- Fill the cooling system reservoir tank to the specified level. Run the engine to warm up the cooling system and top up the system as necessary before installing the vented reservoir cap.

## FLUSHING COOLING SYSTEM

## ENGINE COOLANT

### < SERVICE INFORMATION >

---

1. Drain the water from the engine cooling system.
2. Fill the radiator and the reservoir tank (to the "MAX" line), with water. Reinstall the radiator cap and leave the vented reservoir cap off.
3. Run the engine until it reaches normal operating temperature.
4. Press the engine accelerator two or three times under no-load.
5. Stop the engine and wait until it cools down.
6. Drain the water from the engine cooling system.
7. Repeat steps 2 through 6 until clear water begins to drain from the radiator.

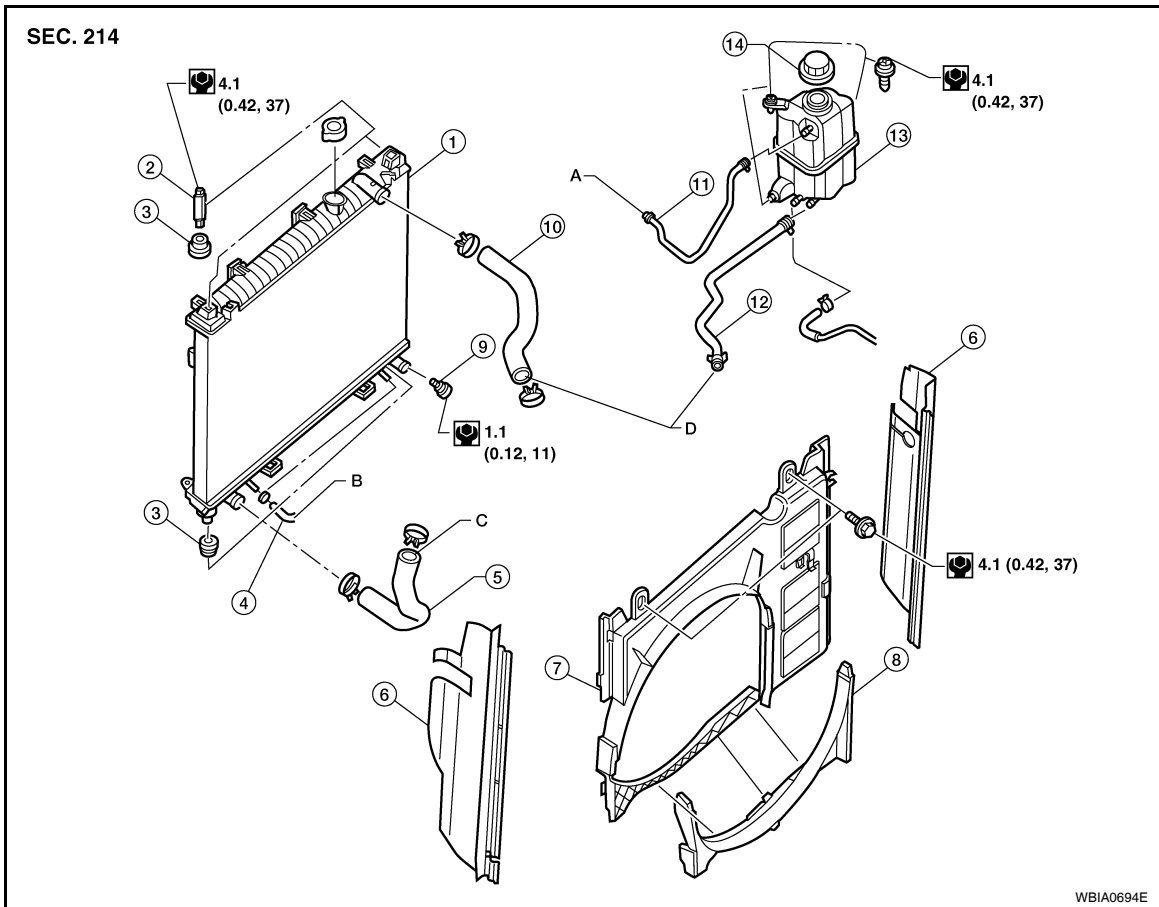
# RADIATOR

< SERVICE INFORMATION >

## RADIATOR

### Removal and Installation

INFOID:000000003531571



- |                            |                            |                          |
|----------------------------|----------------------------|--------------------------|
| 1. Radiator                | 2. Bolt                    | 3. Mounting rubber       |
| 4. A/T fluid cooler hose   | 5. Radiator hose (lower)   | 6. Air guides            |
| 7. Radiator shroud (upper) | 8. Radiator shroud (lower) | 9. Drain plug            |
| 10. Radiator hose (upper)  | 11. Reservoir tank hose    | 12. By-pass hose         |
| 13. Reservoir tank         | 14. Reservoir tank cap     | A. To radiator fill neck |
| B. To A/T cooler tube      | C. To water suction pipe   | D. To thermostat housing |

#### **WARNING:**

**Never remove the radiator cap when the engine is hot. Serious burns could occur from high-pressure engine coolant escaping from the radiator.**

#### REMOVAL

#### **CAUTION:**

**Perform when the engine is cold.**

1. Remove engine room cover. Refer to [EM-12. "Removal and Installation"](#).
2. Drain engine coolant from the radiator. Refer to [CO-9. "Changing Engine Coolant"](#).
3. Remove air cleaner and air duct assembly. Refer to [EM-15. "Removal and Installation"](#).
4. Disconnect A/T fluid cooler hoses.
  - Install blind plug to avoid leakage of A/T fluid.
5. Disconnect radiator upper and lower hoses from radiator.

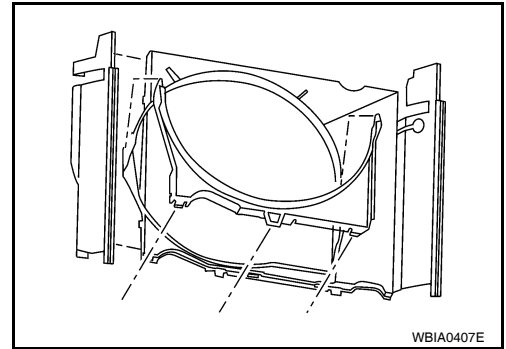
#### **CAUTION:**

**Do not allow coolant to contact drive belts.**

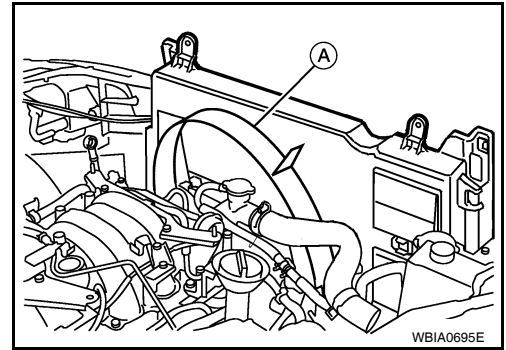
# RADIATOR

## < SERVICE INFORMATION >

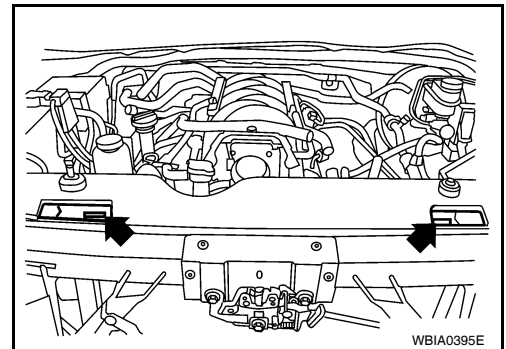
6. Remove the lower radiator shroud.
  - Release the tabs, pull lower radiator shroud rearwards and down to remove.



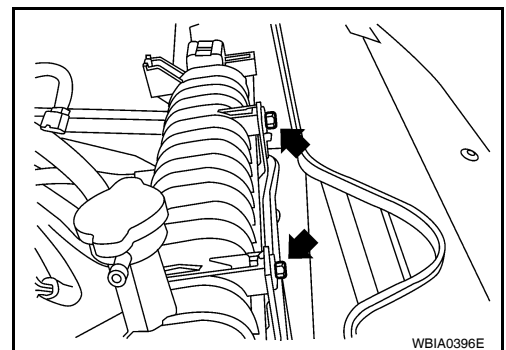
7. Remove the radiator shroud upper bolts and remove the radiator shroud upper A.



8. Remove the A/C condenser bolts and brackets.  
**NOTE:**  
Lift A/C condenser up and forward to remove from radiator.



9. Remove A/T oil cooler bolts and oil cooler from radiator and position aside.



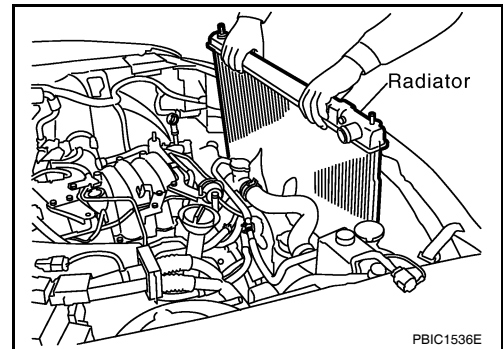
# RADIATOR

## < SERVICE INFORMATION >

10. Lift up and remove the radiator.

**CAUTION:**

**Do not damage or scratch air conditioner condenser and radiator core when removing.**



## INSTALLATION

Installation is in the reverse order of removal.

## INSPECTION AFTER INSTALLATION

- Check for leaks of engine coolant. Refer to [CO-9. "Inspection"](#).
- Start and warm up the engine. Visually check for leaks of the engine coolant and A/T fluid.

## Checking Radiator

INFOID:000000003531572

Check radiator for mud or clogging. If necessary, clean radiator as follows.

**CAUTION:**

- **Be careful not to bend or damage the radiator fins.**
- **When radiator is cleaned without removal, remove all surrounding parts such as cooling fan, radiator shroud and horns. Then tape the harness and electrical connectors to prevent water from entering.**

1. Apply water by hose to the back side of the radiator core vertically downward.
2. Apply water again to all radiator core surfaces.
3. Stop washing when dirt and debris no longer flow out from the radiator.
4. Blow air into the back side of radiator core vertically downward.
  - Use compressed air lower than 490 kPa (5 kg/cm<sup>2</sup>, 71 psi) and keep distance more than 30 cm (11.8 in).
5. Blow air again into all the radiator core surfaces until no water sprays out.

# ENGINE COOLING FAN

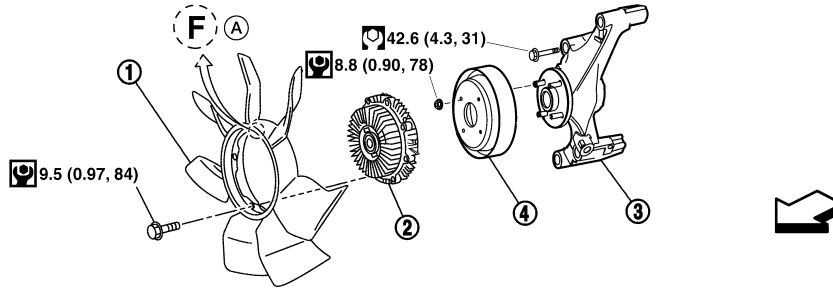
< SERVICE INFORMATION >

## ENGINE COOLING FAN

### Removal and Installation (Crankshaft Driven Type)

INFOID:000000003531573

SEC. 210



AWBIA0087GB

- |                       |                 |                |
|-----------------------|-----------------|----------------|
| 1. Cooling fan        | 2. Fan coupling | 3. Fan bracket |
| 4. Cooling fan pulley | A. Front mark   | ← Engine front |

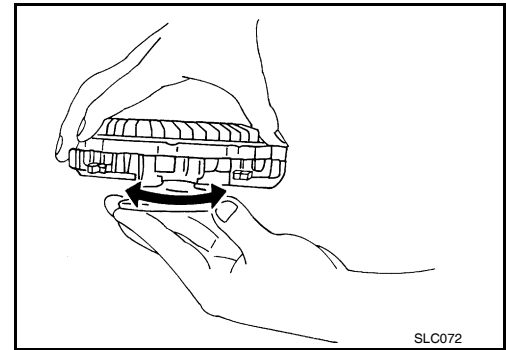
### REMOVAL

1. Remove the air duct and resonator assembly. Refer to [EM-15. "Removal and Installation"](#).
2. Remove the engine front undercover using power tool.
3. Remove the lower radiator shroud. Refer to [CO-13. "Removal and Installation"](#).
4. Remove the drive belt. Refer to [EM-13. "Removal and Installation"](#).
5. Remove the cooling fan.

### INSPECTION AFTER REMOVAL

#### Fan Coupling

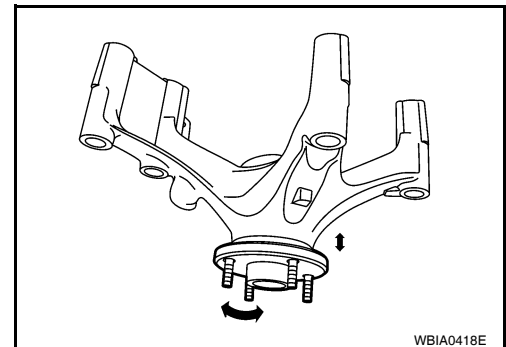
Inspect fan coupling for oil leakage and bimetal conditions.



SLC072

#### Fan Bracket

- Visually check that there is no significant looseness in the fan bracket shaft, and that it turns smoothly by hand.
- If there are any unusual concerns, replace the cooling fan pulley.



WBIA0418E

### INSTALLATION

Installation is in the reverse order of removal.

- Install cooling fan with its front mark "F" facing front of engine.

### INSPECTION AFTER INSTALLATION

- Check for leaks of the engine coolant. Refer to [CO-9. "Inspection"](#).



# ENGINE COOLING FAN

## < SERVICE INFORMATION >

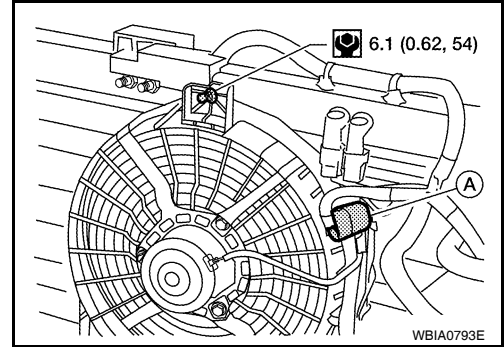
- Start and warm up the engine. Visually make sure that there are no leaks of the engine coolant.

## Removal and Installation (Motor Driven Type)

INFOID:000000003531574

### REMOVAL

1. Remove front bumper. Refer to [EI-12, "Removal and Installation"](#).
2. Disconnect harness connector from fan motor.
3. Remove the bolt and remove the fan grille and motor assembly.



### INSTALLATION

Installation is in the reverse order of removal.

- Cooling fan is controlled by ECM. For details, refer to [EC-469](#).

A

CO

C

D

E

F

G

H

I

J

K

L

M

N

O

P

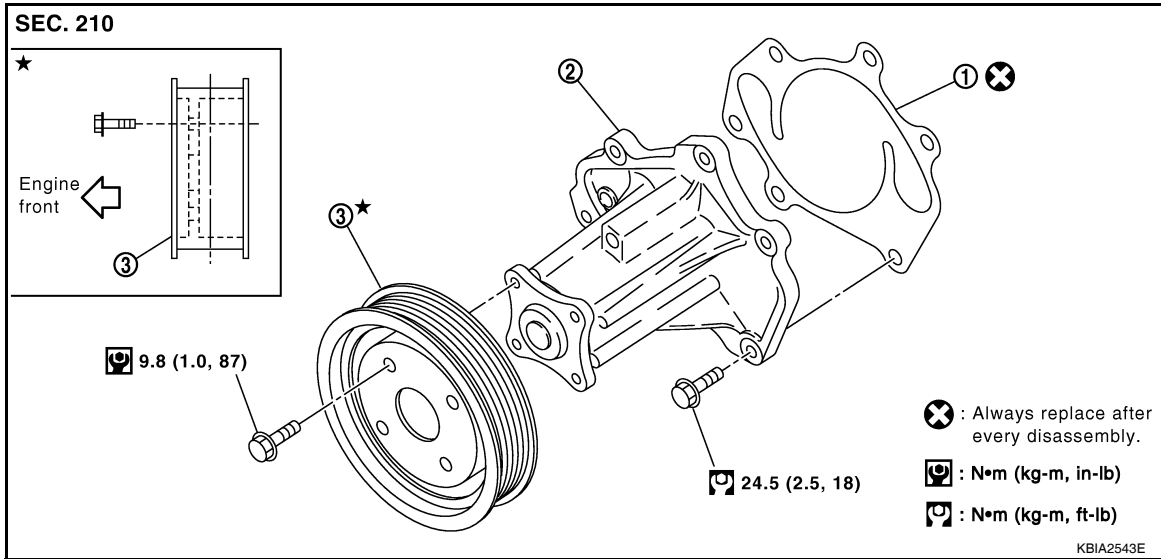
# WATER PUMP

< SERVICE INFORMATION >

## WATER PUMP

### Removal and Installation

INFOID:000000003531575



1. Gasket

2. Water pump

3. Water pump pulley

#### CAUTION:

- When removing water pump, be careful not to get engine coolant on drive belt.
- Water pump cannot be disassembled and should be replaced as a unit.

#### REMOVAL

1. Drain engine coolant so that no engine coolant comes out from water pump fitting hole. Refer to [CO-9, "Changing Engine Coolant"](#).

#### CAUTION:

Perform when the engine is cold.

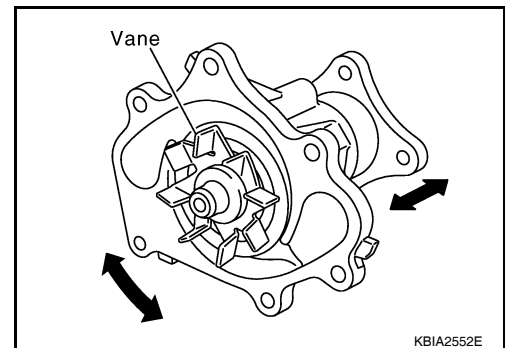
2. Remove the engine front undercover using power tool.
3. Remove the air duct and resonator assembly. Refer to [EM-15, "Removal and Installation"](#).
4. Remove the drive belt. Refer to [EM-13, "Removal and Installation"](#).
5. Remove the water pump pulley.
6. Remove the water pump.
  - Engine coolant will leak from the cylinder block, so have a receptacle ready below.

#### CAUTION:

Handle water pump vane so that it does not contact any other parts.

#### INSPECTION AFTER REMOVAL

- Visually check that there is no significant dirt or rust on the water pump body and vane.
- Make sure there is no looseness in the vane shaft, and that it turns smoothly when rotated by hand.
- Replace the water pump, if necessary.



#### INSTALLATION

Installation is in the reverse order of removal.

- After installation bleed the air from the cooling system. Refer to [CO-9, "Changing Engine Coolant"](#).

#### INSPECTION AFTER INSTALLATION

# WATER PUMP

## < SERVICE INFORMATION >

---

- Check for leaks of engine coolant. Refer to [CO-9. "Inspection"](#).
- Start and warm up engine. Visually check for leaks of the engine coolant.

A

CO

C

D

E

F

G

H

I

J

K

L

M

N

O

P



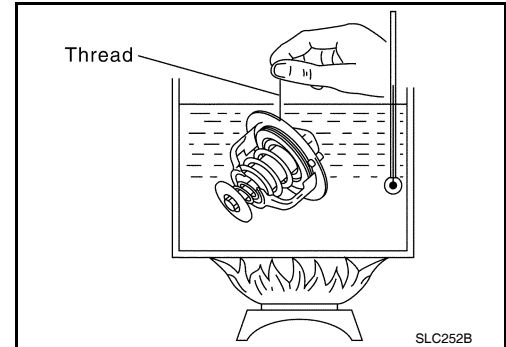
# THERMOSTAT AND WATER PIPING

## < SERVICE INFORMATION >

3. Remove the engine room cover using power tool.
4. Disconnect the heater hose (heater core side).
5. Remove the heater hose bracket.
6. Disconnect the water cut valve connector.
7. Remove the water cut valve.

### INSPECTION AFTER REMOVAL

- Place a thread so that it is caught in the valve of the thermostat. Immerse fully in a container filled with water. Heat while stirring.
- The valve opening temperature is the temperature at which the valve opens and falls from the thread.
- Continue heating. Check the full-open lift amount.
- After checking the full-open lift amount, lower the water temperature and check the valve closing temperature.



Standard values:

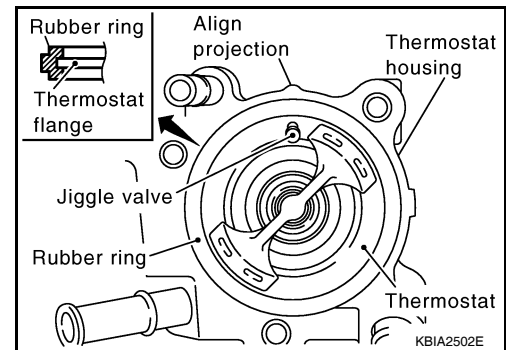
	Thermostat
Valve opening temperature	80 - 84°C (176 - 183° F)
Full-open lift amount	More than 10 mm/ 95°C (0.39 in/ 203°F)
Valve closing temperature	77°C (171°F) or higher

### INSTALLATION

Installation is in the reverse order of removal.

#### Installation of Thermostat

- Install the thermostat with the whole circumference of each flange part fit securely inside the rubber ring as shown.
- Install the thermostat with the jiggle valve facing upwards.



#### Installation of Water Outlet Pipe and Heater Pipe

First apply a neutral detergent to the O-rings, then quickly insert the insertion parts of the water outlet pipe and heater pipe into the installation holes.

### INSPECTION AFTER INSTALLATION

- Check for leaks of the engine coolant. Refer to [CO-9. "Inspection"](#).
- Start and warm up the engine. Visually check for leaks of the engine coolant.

# SERVICE DATA AND SPECIFICATIONS (SDS)

< SERVICE INFORMATION >

## SERVICE DATA AND SPECIFICATIONS (SDS)

### Standard and Limit

INFOID:000000003531577

### ENGINE COOLANT CAPACITY (APPROXIMATE)

Unit: ℓ (US gal, Imp gal)

Engine coolant capacity with reservoir tank ("MAX" level)	14.4 (3 3/4, 3 1/8)
---	---------------------

### THERMOSTAT

Valve opening temperature	80 - 84°C (176 - 183°F)
Maximum valve lift	More than 10 mm/95°C (0.39 in/203°F)
Valve closing temperature	77°C (171°F) or higher

### RADIATOR

Unit: kPa (kg/cm<sup>2</sup>, psi)

Reservoir cap relief pressure	Standard	95 - 125 (0.97- 1.28, 14 - 18)
Leakage test pressure		137 (1.4, 20)