

SECTION WCS

WARNING CHIME SYSTEM

A
B
C
D
E
F
G
H
I
J
K
L
M
O
P

CONTENTS

BASIC INSPECTION	3	KEY WARNING CHIME : Component Parts Location	11
DIAGNOSIS AND REPAIR WORKFLOW	3	KEY WARNING CHIME : Component Description.....	11
Work Flow	3	DIAGNOSIS SYSTEM (METER)	12
FUNCTION DIAGNOSIS	4	CONSULT-III Function (METER/M&A)	12
WARNING CHIME SYSTEM	4	DIAGNOSIS SYSTEM (BCM)	14
WARNING CHIME SYSTEM	4	BUZZER	14
WARNING CHIME SYSTEM : System Diagram	4	BUZZER : CONSULT-III Function (BCM - BUZZER)	14
WARNING CHIME SYSTEM : System Description	4	COMPONENT DIAGNOSIS	15
WARNING CHIME SYSTEM : Component Parts Location	5	POWER SUPPLY AND GROUND CIRCUIT	15
WARNING CHIME SYSTEM : Component Description	5	COMBINATION METER	15
LIGHT REMINDER WARNING CHIME	6	COMBINATION METER : Diagnosis Procedure	15
LIGHT REMINDER WARNING CHIME : System Diagram	6	COMBINATION METER : Diagnosis Procedure	16
LIGHT REMINDER WARNING CHIME : System Description	6	BCM (BODY CONTROL MODULE)	16
LIGHT REMINDER WARNING CHIME : Component Parts Location	7	BCM (BODY CONTROL MODULE) : Diagnosis Procedure	16
LIGHT REMINDER WARNING CHIME : Component Description	7	METER BUZZER CIRCUIT	18
SEAT BELT WARNING CHIME	7	Description	18
SEAT BELT WARNING CHIME : System Diagram	8	Component Function Check	18
SEAT BELT WARNING CHIME : System Description	8	Diagnosis Procedure	18
SEAT BELT WARNING CHIME : Component Parts Location	9	SEAT BELT BUCKLE SWITCH SIGNAL CIRCUIT	19
SEAT BELT WARNING CHIME : Component Description	9	Description	19
KEY WARNING CHIME	10	Component Function Check	19
KEY WARNING CHIME : System Diagram	10	Diagnosis Procedure	19
KEY WARNING CHIME : System Description	10	Component Inspection	20
		KEY SWITCH SIGNAL CIRCUIT	21
		Description	21
		Component Function Check	21
		Diagnosis Procedure	21
		Component Inspection	22

WCS

WARNING CHIME SYSTEM	23	THE LIGHT REMINDER WARNING DOES NOT SOUND	62
Wiring Diagram	23	Description	62
ECU DIAGNOSIS	28	Diagnosis Procedure	62
COMBINATION METER	28	THE SEAT BELT WARNING CONTINUES SOUNDING, OR DOES NOT SOUND	63
Reference Value	28	Description	63
Wiring Diagram	30	Diagnosis Procedure	63
Fail Safe	46	THE KEY WARNING DOES NOT SOUND	64
DTC Index	47	Description	64
BCM (BODY CONTROL MODULE)	49	Diagnosis Procedure	64
Reference Value	49	PRECAUTION	65
Terminal Layout	51	PRECAUTIONS	65
Physical Values	51	Precaution for Supplemental Restraint System (SRS) "AIR BAG" and "SEAT BELT PRE-TENSIONER"	65
Wiring Diagram	57		
SYMPTOM DIAGNOSIS	62		

DIAGNOSIS AND REPAIR WORKFLOW

< BASIC INSPECTION >

BASIC INSPECTION

DIAGNOSIS AND REPAIR WORKFLOW

Work Flow

INFOID:000000003776687

DETAILED FLOW

1.OBTAIN INFORMATION ABOUT SYMPTOM

Interview the customer to obtain as much information as possible about the conditions and environment under which the malfunction occurred.

>> GO TO 2

2.CHECK SYMPTOM

- Check the symptom based on the information obtained from the customer.
- Check to see if any other malfunctions are present.

>> GO TO 3

3.CHECK CONSULT-III SELF-DIAGNOSIS RESULTS

Connect CONSULT-III and perform "SELF-DIAGNOSIS". Refer to [MWI-25. "CONSULT-III Function \(METER/M&A\)".](#)

Are self-diagnosis results normal?

YES >> GO TO 4

NO >> Repair or replace the malfunctioning parts, GO TO 5

4.NARROW DOWN MALFUNCTIONING PARTS THROUGH SYMPTOM DIAGNOSIS

Perform symptom diagnosis and repair or replace the identified malfunctioning parts.

>> GO TO 5

5.FINAL CHECK

Check that the warning buzzer in the combination meter operates normally.

Does it operate normally?

YES >> Inspection End.

NO >> GO TO 1

A
B
C
D
E
F
G
H
I
J
K
L
M
O
P

WCS

WARNING CHIME SYSTEM

< FUNCTION DIAGNOSIS >

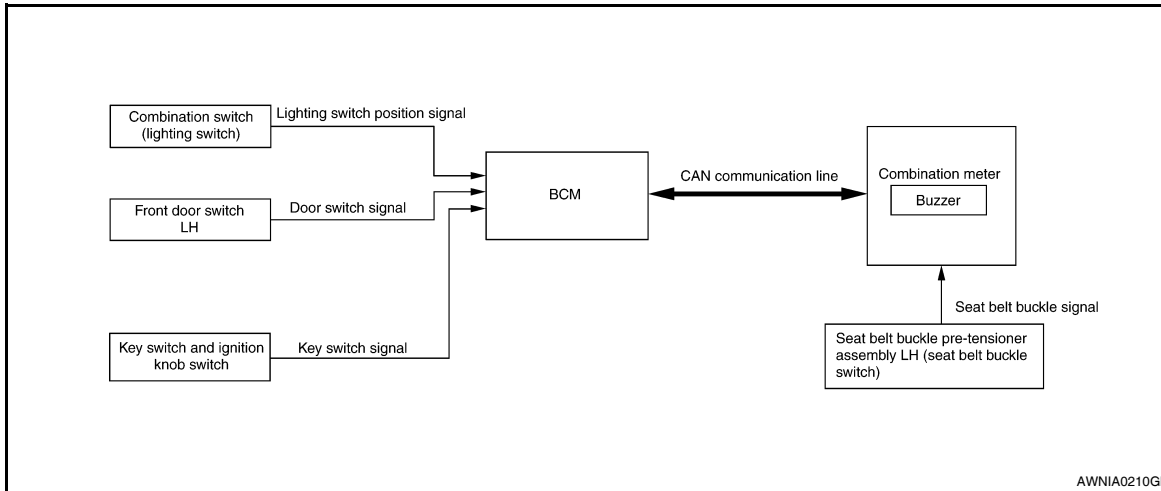
FUNCTION DIAGNOSIS

WARNING CHIME SYSTEM

WARNING CHIME SYSTEM

WARNING CHIME SYSTEM : System Diagram

INFOID:000000003776688



WARNING CHIME SYSTEM : System Description

INFOID:000000003776689

COMBINATION METER

- The buzzer for warning chime system is installed in the combination meter.
- The buzzer sounds when the combination meter receives a buzzer output signal from each unit.

BCM

BCM receives signals from various units and transmits a buzzer output signal to the combination meter with CAN communication line if it judges that the warning buzzer should be activated.

BCM warning function list

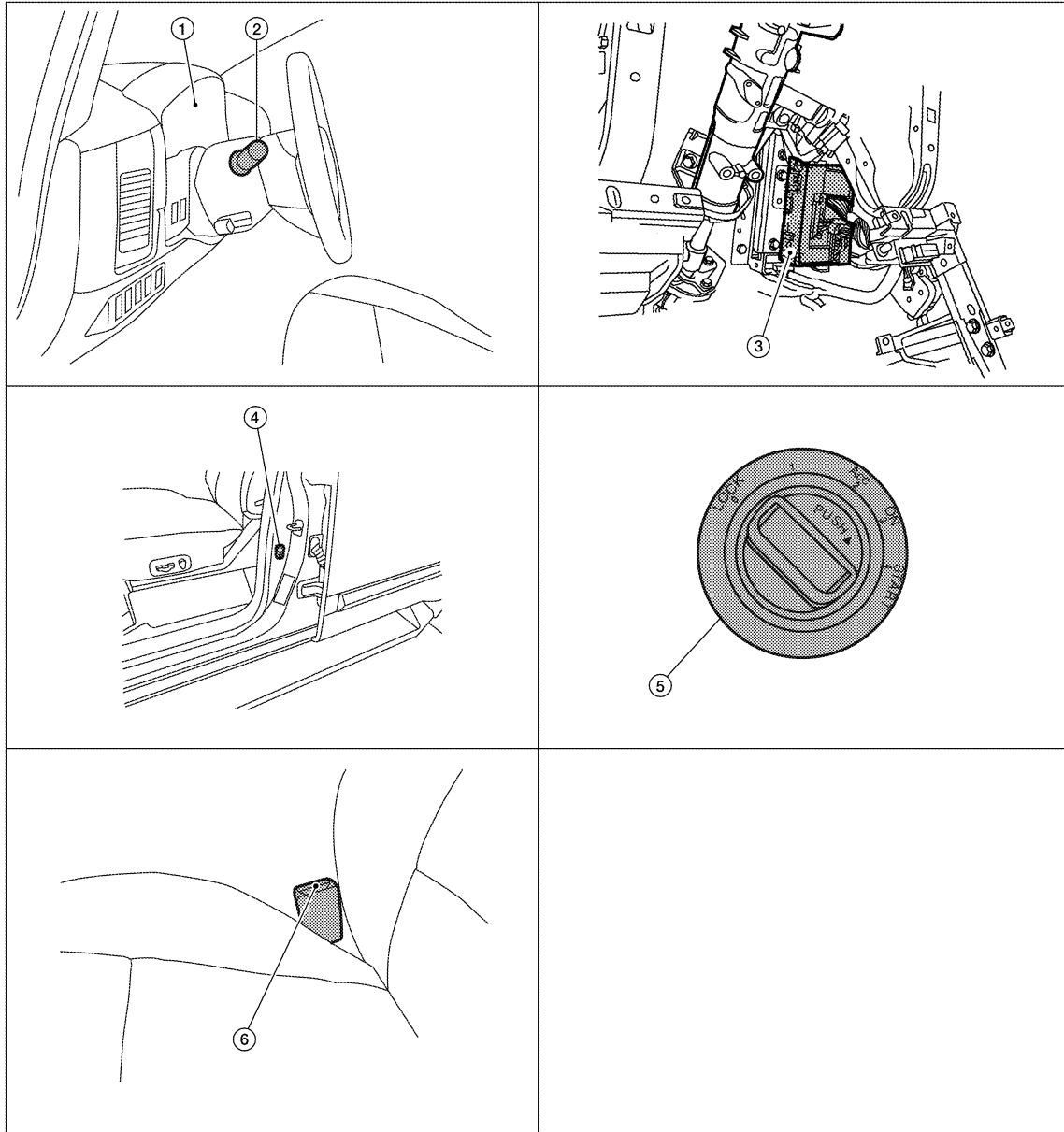
Warning functions	Signal name
Light reminder warning chime	<ul style="list-style-type: none"> • Lighting switch position signal • Door switch signal
Seat belt warning chime	Seat belt buckle switch signal
Key warning chime	<ul style="list-style-type: none"> • Key switch signal • Door switch signal

WARNING CHIME SYSTEM

< FUNCTION DIAGNOSIS >

WARNING CHIME SYSTEM : Component Parts Location

INFOID:000000003776690



A
B
C
D
E
F
G
H
I
J
K
L

AWNIA0211ZZ

- | | | |
|-------------------------------|---|---|
| 1. Combination meter M23, M24 | 2. Combination switch (lighting switch) M28 | 3. BCM M18, M19, M20 (view with instrument lower panel LH removed) |
| 4. Front door switch LH B8 | 5. Key switch and ignition knob switch M12 | 6. Seat belt buckle pre-tensioner assembly LH (seat belt buckle switch) B74 |

WCS

WARNING CHIME SYSTEM : Component Description

INFOID:000000003776691

Unit	Description
Combination meter	<ul style="list-style-type: none"> • Receives the seat belt buckle switch signal from the seat belt buckle pre-tensioner assembly LH (seat belt buckle switch) and transmits it to BCM with CAN communication line. • Receives a buzzer output signal from BCM with CAN communication line.
BCM	Transmits signals provided by various units to the combination meter with CAN communication line.
Key switch and ignition knob switch	Transmits key switch signal to BCM.

M

O

P

WARNING CHIME SYSTEM

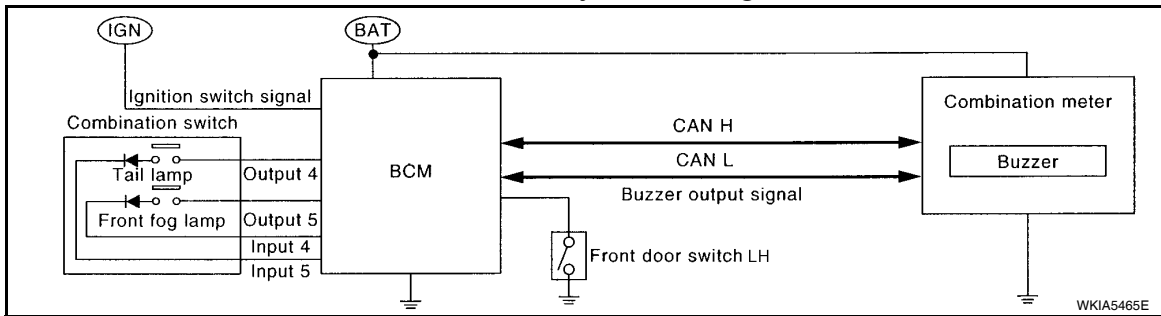
< FUNCTION DIAGNOSIS >

Unit	Description
Seat belt buckle pre-tensioner assembly LH (seat belt buckle switch)	Transmits a seat belt buckle switch signal to the combination meter.
Combination switch (Lighting switch)	Transmits the lighting switch position signal to BCM.
Front door switch LH	Transmits the door switch signal to BCM.

LIGHT REMINDER WARNING CHIME

LIGHT REMINDER WARNING CHIME : System Diagram

INFOID:000000003776692



LIGHT REMINDER WARNING CHIME : System Description

INFOID:000000003776693

DESCRIPTION

With ignition switch in OFF or ACC position, driver door open, and lighting switch in 1ST or 2ND position, the light warning chime will sound.

- BCM detects ignition switch in OFF or ACC position, front door switch LH ON, and lighting switch in 1ST or 2ND position. And then transmits buzzer output signal (light reminder warning chime) to combination meter with CAN communication line.
- When combination meter receives buzzer output signal (light reminder warning chime), it sounds the buzzer.

WARNING OPERATION CONDITIONS

If all of the following conditions are fulfilled

- Lighting switch is at 1st or 2nd position
- Ignition switch is at OFF or ACC
- Front door switch LH is ON

WARNING CANCEL CONDITIONS

Warning is canceled if any of the following conditions is fulfilled.

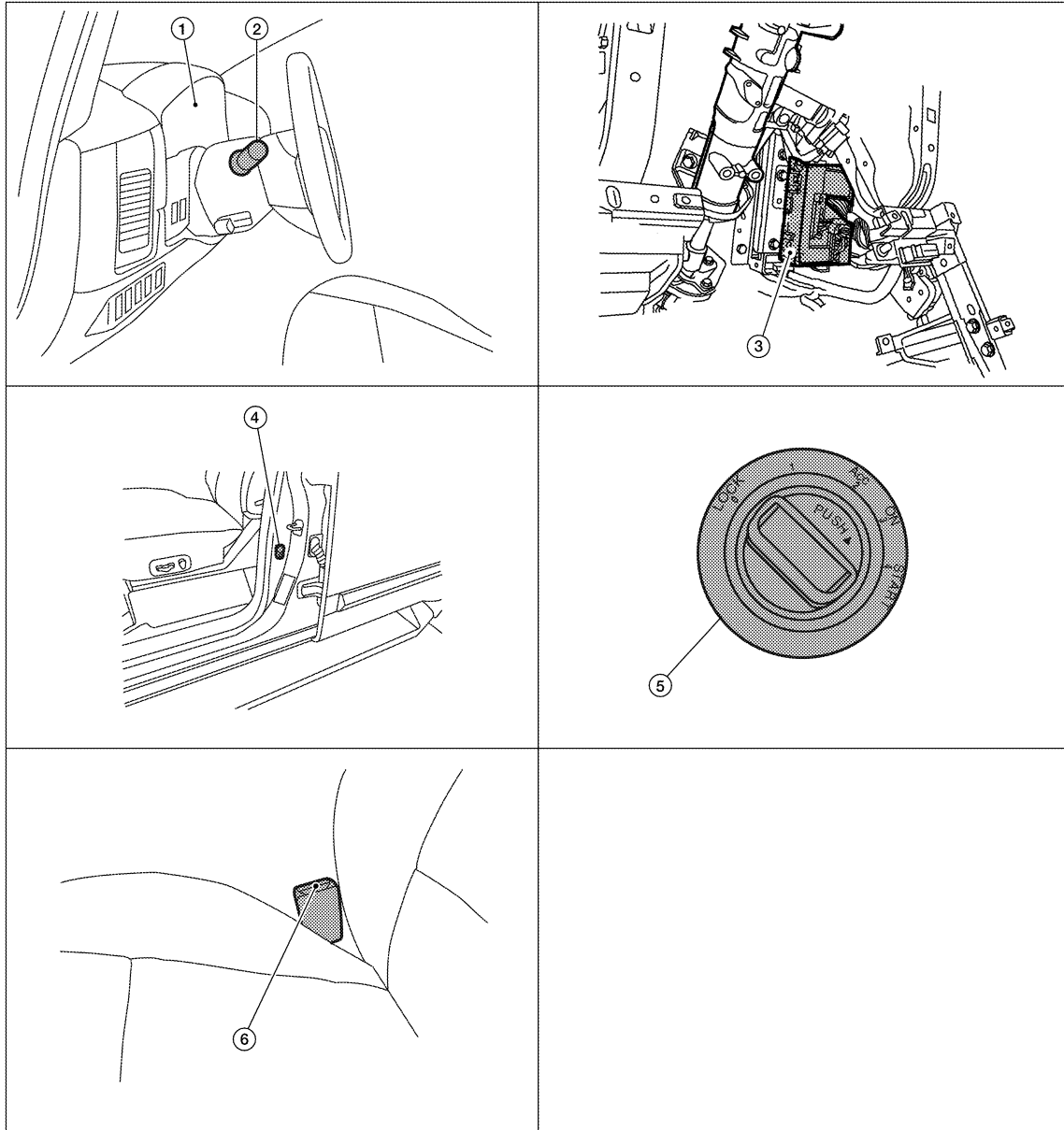
- Lighting switch OFF
- Ignition switch ON
- Front door switch LH is OFF

WARNING CHIME SYSTEM

< FUNCTION DIAGNOSIS >

LIGHT REMINDER WARNING CHIME : Component Parts Location

INFOID:000000004115449



A
B
C
D
E
F
G
H
I
J
K
L

AWNIA0211ZZ

- | | | |
|-------------------------------|---|---|
| 1. Combination meter M23, M24 | 2. Combination switch (lighting switch) M28 | 3. BCM M18, M19, M20 (view with instrument lower panel LH removed) |
| 4. Front door switch LH B8 | 5. Key switch and ignition knob switch M12 | 6. Seat belt buckle pre-tensioner assembly LH (seat belt buckle switch) B74 |

WCS

LIGHT REMINDER WARNING CHIME : Component Description

INFOID:000000003776695

Unit	Description
Combination meter	Receives a buzzer output signal from BCM via CAN communication line and sounds the buzzer.
BCM	Judges the light warning conditions from the signals provided by various switches and transmits a buzzer output signal to the combination meter via CAN communication line if necessary.
Combination switch (Lighting switch)	Transmits the lighting switch position signal to BCM.
Front door switch LH	Transmits the door switch signal to BCM.

O
P

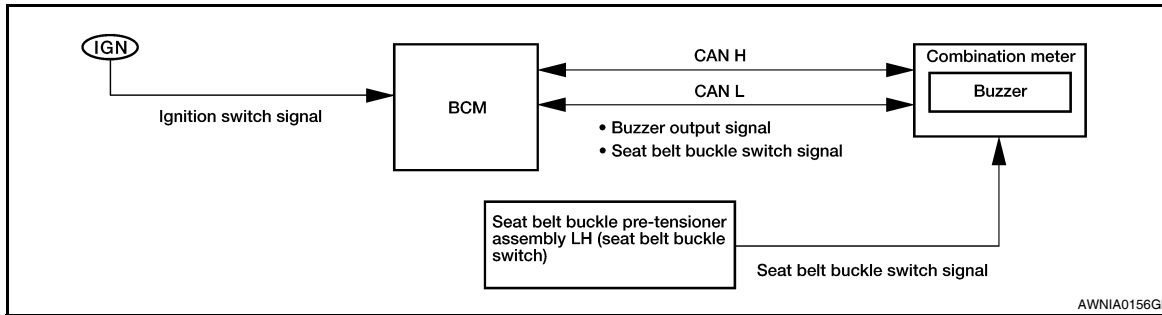
SEAT BELT WARNING CHIME

WARNING CHIME SYSTEM

< FUNCTION DIAGNOSIS >

SEAT BELT WARNING CHIME : System Diagram

INFOID:000000003776697



SEAT BELT WARNING CHIME : System Description

INFOID:000000003776697

DESCRIPTION

With ignition switch turned ON and driver seat belt unfastened, seat belt warning chime will sound for approximately 6 seconds.

- BCM receives seat belt buckle switch signal from combination meter with CAN communication line.
- BCM detects ignition switch turned ON and seat belt buckle switch LH ON. And then transmits buzzer output signal (seat belt warning chime) to combination meter with CAN communication line.
- When combination meter receives buzzer output signal (seat belt warning chime), it sounds the buzzer.

WARNING OPERATION CONDITIONS

If all of the following conditions are fulfilled

- Ignition switch OFF→ON
- Seat belt buckle switch LH is ON (driver seat belt not fastened)

WARNING CANCEL CONDITIONS

Cancels the warning if any of the following conditions is fulfilled.

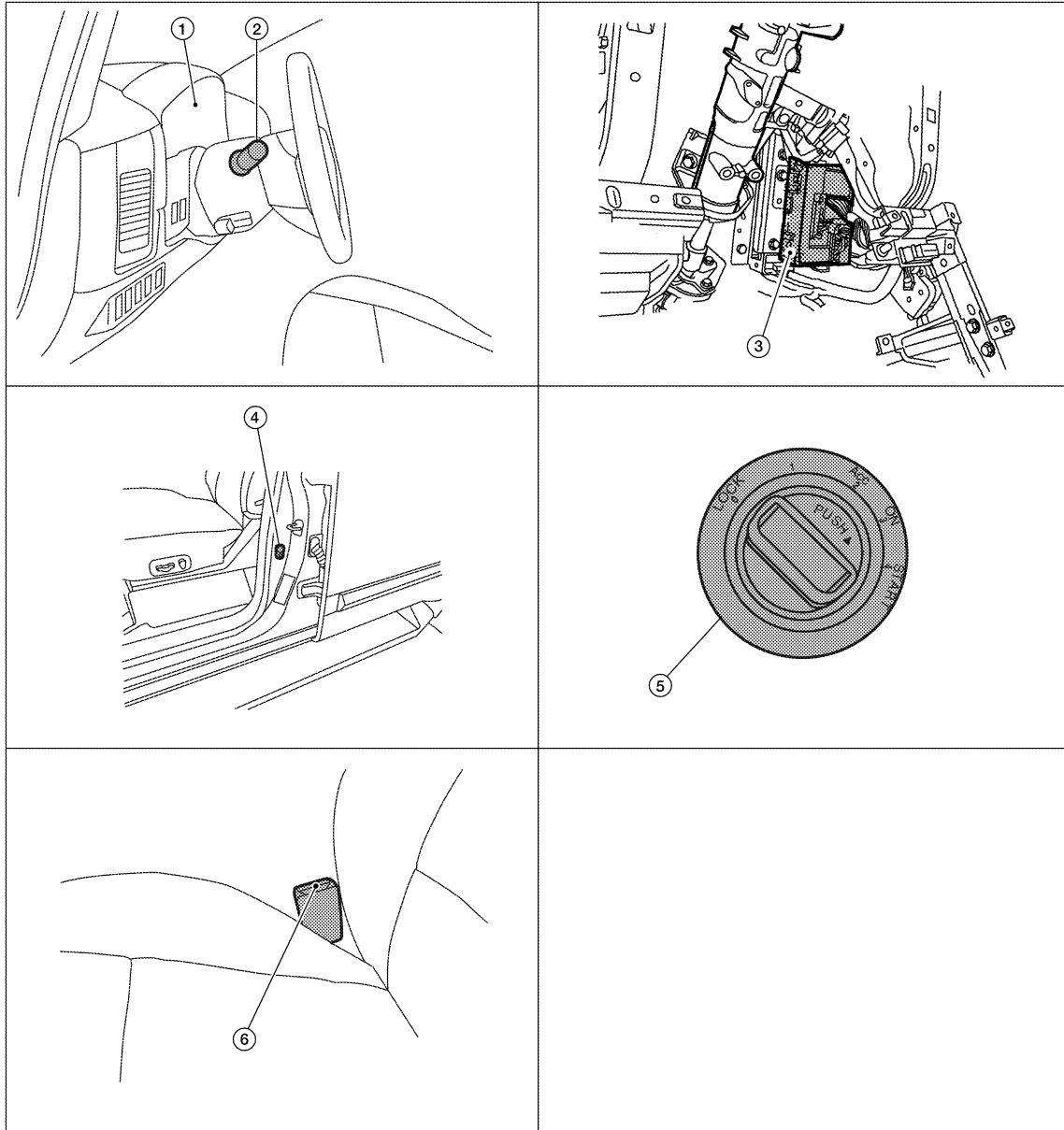
- Ignition switch OFF
- Seat belt buckle switch LH is OFF (driver seat belt fastened)

WARNING CHIME SYSTEM

< FUNCTION DIAGNOSIS >

SEAT BELT WARNING CHIME : Component Parts Location

INFOID:000000004115451



A
B
C
D
E
F
G
H
I
J
K
L

AWNIA0211ZZ

- | | | |
|-------------------------------|---|---|
| 1. Combination meter M23, M24 | 2. Combination switch (lighting switch) M28 | 3. BCM M18, M19, M20 (view with instrument lower panel LH removed) |
| 4. Front door switch LH B8 | 5. Key switch and ignition knob switch M12 | 6. Seat belt buckle pre-tensioner assembly LH (seat belt buckle switch) B74 |

WCS

SEAT BELT WARNING CHIME : Component Description

INFOID:000000003776699

Unit	Description
Combination meter	<ul style="list-style-type: none"> Receives the seat belt buckle switch signal from the seat belt buckle switch and transmits it to BCM via CAN communication line. Receives a buzzer output signal from BCM via CAN communication line and sounds the buzzer.
BCM	Judges the seat belt warning condition from the seat belt buckle switch signal received from the combination meter and transmits a buzzer output signal to the combination meter via CAN communication line if necessary.
Seat belt buckle pre-tensioner assembly LH (seat belt buckle switch)	Transmits seat belt buckle switch signal to combination meter.

O

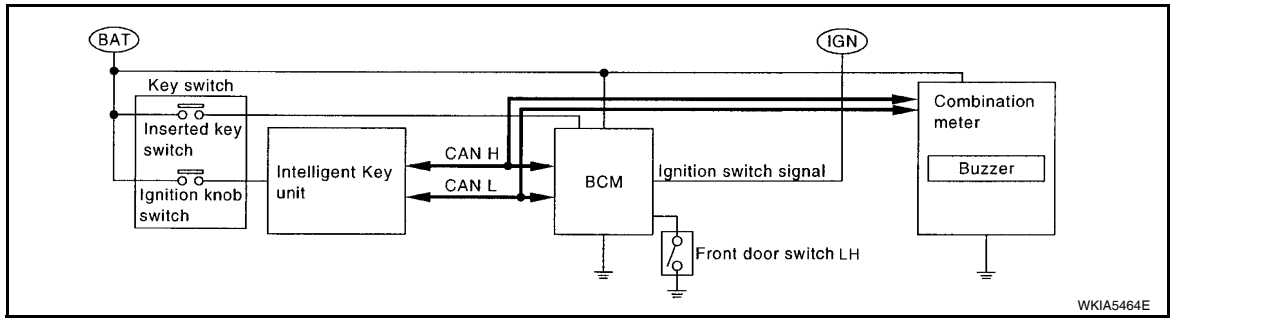
P

WARNING CHIME SYSTEM

< FUNCTION DIAGNOSIS >

KEY WARNING CHIME

KEY WARNING CHIME : System Diagram



KEY WARNING CHIME : System Description

INFOID:000000003776701

WHEN MECHANICAL KEY IS USED

With the key inserted into the key switch, and the ignition switch in the LOCK or ACC position, when driver's door is opened, the warning chime will sound.

- BCM detects key inserted into the ignition switch, and sends key warning signal to combination meter with CAN communication line.
- When combination meter receives key warning signal, it sounds the warning chime.

WHEN INTELLIGENT KEY IS CARRIED WITH THE DRIVER

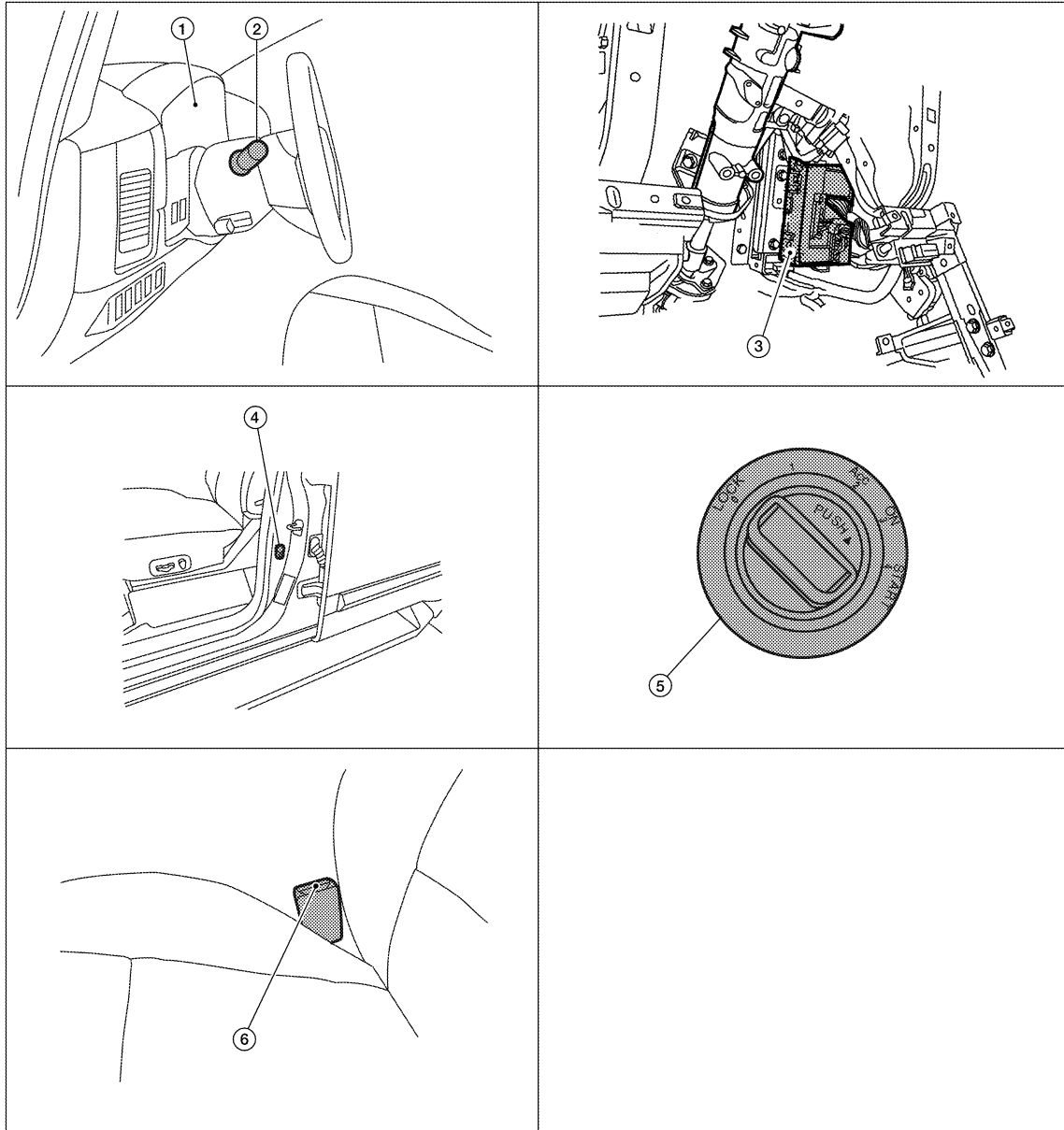
Refer to [DLK-6, "Work Flow"](#).

WARNING CHIME SYSTEM

< FUNCTION DIAGNOSIS >

KEY WARNING CHIME : Component Parts Location

INFOID:000000004115452



- | | | |
|-------------------------------|---|---|
| 1. Combination meter M23, M24 | 2. Combination switch (lighting switch) M28 | 3. BCM M18, M19, M20 (view with instrument lower panel LH removed) |
| 4. Front door switch LH B8 | 5. Key switch and ignition knob switch M12 | 6. Seat belt buckle pre-tensioner assembly LH (seat belt buckle switch) B74 |

AWNIA0211ZZ

KEY WARNING CHIME : Component Description

INFOID:000000003776703

Unit	Description
Combination meter	Receives key warning signal from BCM via CAN communication line and sounds the buzzer.
BCM	Judges the key warning condition using the door switch signal received from the front door switch LH, and the key switch signal received from the key switch and ignition knob switch. It then transmits a buzzer output signal to the combination meter via CAN communication line if necessary.
Front door switch LH	Transmits door switch signal to BCM.
Key switch and ignition knob switch	Transmits key switch signal to BCM.

A
B
C
D
E
F
G
H
I
J
K
L
M

WCS

O

P

DIAGNOSIS SYSTEM (METER)

< FUNCTION DIAGNOSIS >

DIAGNOSIS SYSTEM (METER)

CONSULT-III Function (METER/M&A)

INFOID:000000004115456

CONSULT-III can display each diagnostic item using the diagnostic test modes shown following.

METER/M&A diagnosis mode	Description
SELF-DIAG RESULTS	Displays combination meter self-diagnosis results.
DATA MONITOR	Displays combination meter input/output data in real time.
CAN DIAG SUPPORT MNTR	The result of transmit/receive diagnosis of CAN communication can be read.

SELF-DIAG RESULTS

Display Item List

Refer to [WCS-47, "DTC Index"](#).

DATA MONITOR

Display Item List

X: Applicable

Display item [Unit]	MAIN SIGNALS	SELECTION FROM MENU	Description
SPEED METER [km/h] or [mph]	X	X	Displays the value of vehicle speed signal.
SPEED OUTPUT [km/h] or [mph]	X	X	Displays the value of vehicle speed signal, which is transmitted to each unit with CAN communication.
TACHO METER [rpm]	X	X	Displays the value of engine speed signal, which is input from ECM.
FUEL METER [lit.]	X	X	Displays the value, which processes a resistance signal from fuel gauge.
W TEMP METER [°C] or [°F]	X	X	Displays the value of engine coolant temperature signal, which is input from ECM.
ABS W/L [ON/OFF]		X	Displays [ON/OFF] condition of ABS warning lamp.
VDC/TCS IND [ON/OFF]		X	Displays [ON/OFF] condition of VDC OFF indicator lamp.
SLIP IND [ON/OFF]		X	Displays [ON/OFF] condition of SLIP indicator lamp.
BRAKE W/L [ON/OFF]		X	Displays [ON/OFF] condition of brake warning lamp.*
DOOR W/L [ON/OFF]		X	Displays [ON/OFF] condition of door warning lamp.
TRUNK W/L [ON/OFF]		X	Displays [ON/OFF] condition of glass hatch warning lamp.
HI-BEAM IND [ON/OFF]		X	Displays [ON/OFF] condition of high beam indicator.
TURN IND [ON/OFF]		X	Displays [ON/OFF] condition of turn indicator.
OIL W/L [ON/OFF]		X	Displays [ON/OFF] condition of oil pressure warning lamp.
C-ENG W/L [ON/OFF]		X	Displays [ON/OFF] condition of malfunction indicator lamp.
CRUISE IND [ON/OFF]		X	Displays [ON/OFF] condition of CRUISE indicator.
SET IND [ON/OFF]		X	Displays [ON/OFF] condition of SET indicator.
AT CHECK W/L [ON/OFF]		X	Displays [ON/OFF] condition of AT CHECK warning lamp.
FUEL W/L [ON/OFF]	X	X	Displays [ON/OFF] condition of low-fuel warning lamp.
AIR PRES W/L [ON/OFF]		X	Displays [ON/OFF] condition of tire pressure warning lamp.
KEY G W/L [ON/OFF]		X	Displays [ON/OFF] condition of key green warning lamp.
KEY R W/L [ON/OFF]		X	Displays [ON/OFF] condition of key red warning lamp.
KEY KNOB W/L [ON/OFF]		X	Displays [ON/OFF] condition of key knob warning lamp.
M RANGE SW [ON/OFF]	X	X	Displays [ON/OFF] condition of manual mode range switch.
NM RANGE SW [ON/OFF]	X	X	Displays [ON/OFF] condition of except for manual mode range switch.
AT SFT UP SW [ON/OFF]	X	X	Displays [ON/OFF] condition of A/T shift-up switch.

DIAGNOSIS SYSTEM (METER)

< FUNCTION DIAGNOSIS >

Display item [Unit]	MAIN SIGNALS	SELECTION FROM MENU	Description	
AT SFT DWN SW [ON/OFF]	X	X	Displays [ON/OFF] condition of A/T shift-down switch.	A
DISTANCE [km] or [mile]	X	X	Displays the value, which is calculated by vehicle speed signal, fuel gauge and fuel consumption from ECM.	B
BUZZER [ON/OFF]	X	X	Displays [ON/OFF] condition of buzzer.	
BRAKE SW [ON/OFF]		X	Indicates [ON/OFF] condition of parking brake switch.	C
AT-M GEAR [1, 2, 3, 4, 5]	X	X	Indicates [1, 2, 3, 4, 5] condition of A/T manual mode gear position.	
P RANGE IND [ON/OFF]	X	X	Indicates [ON/OFF] condition of A/T shift P range indicator.	
R RANGE IND [ON/OFF]	X	X	Indicates [ON/OFF] condition of A/T shift R range indicator.	D
N RANGE IND [ON/OFF]	X	X	Indicates [ON/OFF] condition of A/T shift N range indicator.	
D RANGE IND [ON/OFF]	X	X	Indicates [ON/OFF] condition of A/T shift D range indicator.	E
4 RANGE IND [ON/OFF]	X	X	Indicates [ON/OFF] condition of A/T shift 4 range indicator.	
3 RANGE IND [ON/OFF]	X	X	Indicates [ON/OFF] condition of A/T shift 3 range indicator.	
2 RANGE IND [ON/OFF]	X	X	Indicates [ON/OFF] condition of A/T shift 2 range indicator.	F
1 RANGE IND [ON/OFF]	X	X	Indicates [ON/OFF] condition of A/T shift 1 range indicator.	
CRUISE W/L [ON/OFF]		X	Indicates [ON/OFF] condition of CRUISE warning lamp.	G
4WD LOCK SW [ON/OFF]		X	Indicates [ON/OFF] condition of 4WD lock switch.	
4WD LOCK IND [ON/OFF]		X	Indicates [ON/OFF] condition of 4WD lock indicator.	H
SEAT BELT W/L [ON/OFF]		X	Indicates [ON/OFF] condition of seat belt warning lamp.	
FR FOG IND [ON/OFF]		X	This item is not used for this model. "OFF" is always displayed.	I
RR FOG IND [ON/OFF]		X	This item is not used for this model. "OFF" is always displayed.	
LIGHT IND [ON/OFF]		X	Indicates [ON/OFF] condition of light indicator.	J
PNP P SW [ON/OFF]	X	X	Indicates [ON/OFF] condition of park/neutral position P switch.	
PNP N SW [ON/OFF]	X	X	Indicates [ON/OFF] condition of park/neutral position N switch.	
4WD W/L [ON/OFF]		X	Indicates [ON/OFF] condition of 4WD warning lamp.	

NOTE:

Some items are not available due to vehicle specification.

*: The monitor will indicate "OFF" even though the brake warning lamp is on if either of the following conditions exist.

- The parking brake is engaged
- The brake fluid level is low

WCS

DIAGNOSIS SYSTEM (BCM)

< FUNCTION DIAGNOSIS >

DIAGNOSIS SYSTEM (BCM)

BUZZER

BUZZER : CONSULT-III Function (BCM - BUZZER)

INFOID:000000004115457

DATA MONITOR

Monitor Item [Unit]	Description
IGN ON SW [ON/OFF]	Ignition switch (ON) status judged by ignition power supply input
KEY ON SW [ON/OFF]	Key switch status
DOOR SW -DR [ON/OFF]	Front door switch (driver side) status judged by BCM
LIGHT SW 1ST [ON/OFF]	Lighting switch status judged by the lighting switch signal read with combination switch reading function
BUCKLE SW [ON/OFF]	Seat belt buckle switch status

ACTIVE TEST

Test Item	Description
LIGHT WARN ALM	The light reminder warning operation can be checked by operating the relevant function (On/Off).
IGN KEY WARN ALM	The key reminder warning operation can be checked by operating the relevant function (On/Off).
SEAT BELT WARN TEST	The seat belt warning operation can be checked by operating the relevant function (On/Off).
DOOR WARNING IND	The door open warning operation can be checked by operating the relevant function (On/Off).

POWER SUPPLY AND GROUND CIRCUIT

< COMPONENT DIAGNOSIS >

COMPONENT DIAGNOSIS

POWER SUPPLY AND GROUND CIRCUIT COMBINATION METER

COMBINATION METER : Diagnosis Procedure

INFOID:000000004115459

1. CHECK FUSES

Check for blown combination meter fuses.

Unit	Power source	Fuse No.
Combination meter	Battery	19
	Ignition switch ON or START	14
	Ignition switch ACC or ON	4

Is the inspection result normal?

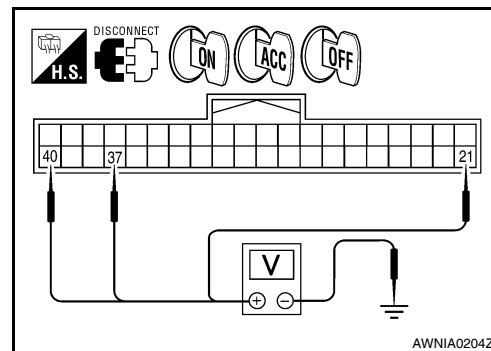
YES >> GO TO 2

NO >> If fuse is blown, be sure to eliminate cause of malfunction before installing new fuse.

2. POWER SUPPLY CIRCUIT CHECK

1. Disconnect combination meter connector M24.
2. Check voltage between combination meter harness connector M24 terminals 21, 37, 40 and ground.

Terminals		(-)	Ignition switch position			
(+)	Connector		Terminal	OFF	ACC	ON
M24	Ground	21	0V	0V	Battery voltage	Battery voltage
		37	0V	Battery voltage	Battery voltage	0V
		40	Battery voltage	Battery voltage	Battery voltage	Battery voltage



Is the inspection result normal?

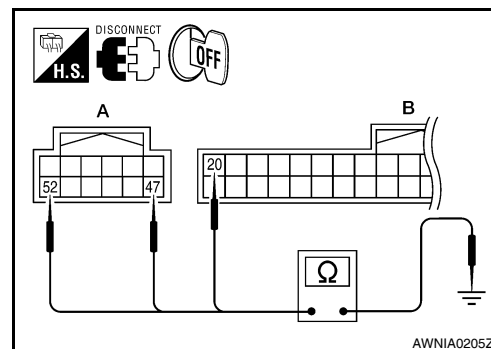
YES >> GO TO 3

NO >> Check harness for open between combination meter and fuse.

3. GROUND CIRCUIT CHECK

1. Turn ignition switch OFF.
2. Disconnect combination meter connector M23.
3. Check continuity between combination meter harness connector M23 terminal 47, 52 and ground, and connector M24 terminal 20 and ground.

Terminals		(-)	Continuity
(+)	Connector		
A: M23	Ground	47	Yes
		52	
B: M24	20		



Is the inspection result normal?

YES >> Inspection End.

NO >> Check ground harness.

A
B
C
D
E
F
G
H
I
J
K
L
M

WCS

O
P

POWER SUPPLY AND GROUND CIRCUIT

< COMPONENT DIAGNOSIS >

COMBINATION METER : Diagnosis Procedure

INFOID:000000003776706

1. CHECK FUSES

Check for blown combination meter fuses.

Unit	Power source	Fuse No.
Combination meter	Battery	19
	Ignition switch ON or START	14
	Ignition switch ACC or ON	4

Is the inspection result normal?

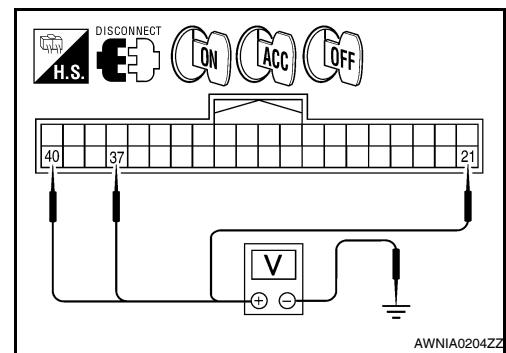
YES >> GO TO 2

NO >> If fuse is blown, be sure to eliminate cause of malfunction before installing new fuse.

2. POWER SUPPLY CIRCUIT CHECK

1. Disconnect combination meter connector M24.
2. Check voltage between combination meter harness connector M24 terminals 21, 37, 40 and ground.

Terminals		(-)	Ignition switch position			
(+)	Terminal		OFF	ACC	ON	START
Connector M24	21	Ground	0V	0V	Battery voltage	Battery voltage
	37		0V	Battery voltage	Battery voltage	0V
	40		Battery voltage	Battery voltage	Battery voltage	Battery voltage



Is the inspection result normal?

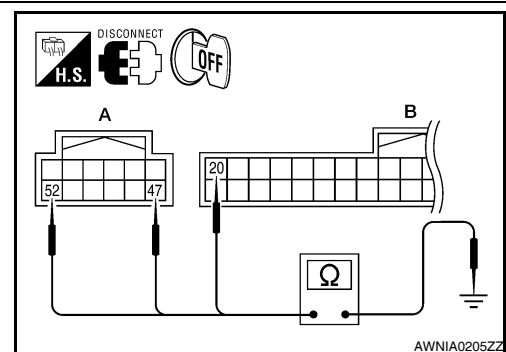
YES >> GO TO 3

NO >> Check harness for open between combination meter and fuse.

3. GROUND CIRCUIT CHECK

1. Turn ignition switch OFF.
2. Disconnect combination meter connector M23.
3. Check continuity between combination meter harness connector M23 terminal 47, 52 and ground, and connector M24 terminal 20 and ground.

Terminals		(-)	Continuity
(+)	Terminal		
A: M23	47	Ground	Yes
	52		
B: M24	20		



Is the inspection result normal?

YES >> Inspection End.

NO >> Check ground harness.

BCM (BODY CONTROL MODULE)

BCM (BODY CONTROL MODULE) : Diagnosis Procedure

INFOID:000000004115458

1. CHECK FUSES AND FUSIBLE LINK

POWER SUPPLY AND GROUND CIRCUIT

< COMPONENT DIAGNOSIS >

Check that the following fuses and fusible link are not blown.

Terminal No.	Signal name	Fuses and fusible link No.
57	Battery power supply	22 (15A)
70		F (50A)
11	Ignition ACC or ON	4 (10A)
38	Ignition ON or START	59 (10A)

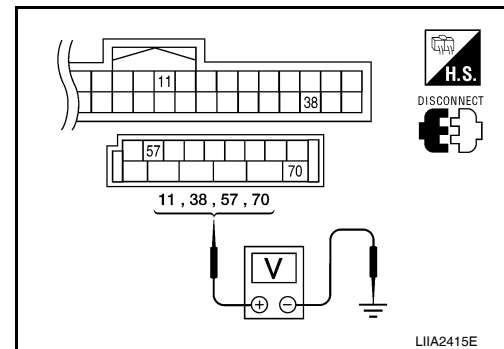
Is the fuse blown?

- YES >> Replace the blown fuse or fusible link after repairing the affected circuit.
 NO >> GO TO 2

2. CHECK POWER SUPPLY CIRCUIT

- Turn ignition switch OFF.
- Disconnect BCM.
- Check voltage between BCM harness connector and ground.

Connector	Terminals		Power source	Condition	Voltage (V) (Approx.)
	(+)	(-)			
M18	11	Ground	ACC power supply	Ignition switch ACC or ON	Battery voltage
	38	Ground	Ignition power supply	Ignition switch ON or START	Battery voltage
M20	57	Ground	Battery power supply	Ignition switch OFF	Battery voltage
	70	Ground	Battery power supply	Ignition switch OFF	Battery voltage



Is the measurement value normal?

- YES >> GO TO 3
 NO >> Repair or replace harness.

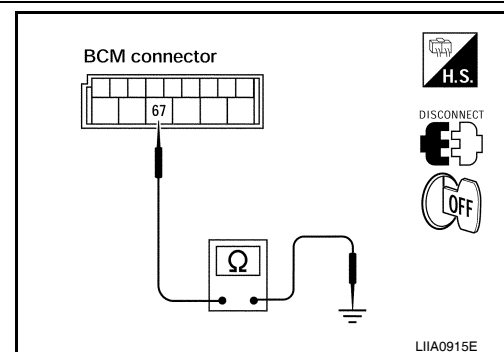
3. CHECK GROUND CIRCUIT

Check continuity between BCM harness connector and ground.

BCM		Ground	Continuity
Connector	Terminal		
M20	67		Yes

Does continuity exist?

- YES >> Inspection End.
 NO >> Repair or replace harness.



A
B
C
D
E
F
G
H
I
J
K
L
M
WCS
O
P

METER BUZZER CIRCUIT

< COMPONENT DIAGNOSIS >

METER BUZZER CIRCUIT

Description

INFOID:000000003776708

- The buzzer for warning chime system is installed in the combination meter.
- The combination meter sounds the alarm buzzer based on the signals transmitted from various units.

Component Function Check

INFOID:000000003776709

1.CHECK OPERATION OF METER BUZZER

1. Select "BUZZER" of "BCM" on CONSULT-III.
2. Perform "LIGHT WARN ALM" of "ACTIVE TEST".

Does meter buzzer activate?

- YES >> Inspection End.
NO >> Replace combination meter. Refer to [MWI-102. "Removal and Installation"](#).

Diagnosis Procedure

INFOID:000000003776710

1.CHECK POWER SUPPLY OF COMBINATION METER

Check power supply of combination meter. Refer to [WCS-16. "COMBINATION METER : Diagnosis Procedure"](#).

Is the inspection result normal?

- YES >> Inspection End.
NO >> Repair power supply circuit of combination meter.

SEAT BELT BUCKLE SWITCH SIGNAL CIRCUIT

< COMPONENT DIAGNOSIS >

SEAT BELT BUCKLE SWITCH SIGNAL CIRCUIT

Description

INFOID:000000003776711

Transmits a seat belt buckle switch signal to the combination meter.

Component Function Check

INFOID:000000003776712

1. CHECK COMBINATION METER INPUT SIGNAL

Select "DATA MONITOR" for "METER/M&A" and check the "SEAT BELT W/L" monitor value.

SEAT BELT W/L

When seat belt is fastened : OFF

When seat belt is unfastened : ON

>> Inspection End.

Diagnosis Procedure

INFOID:000000003776713

1. CHECK COMBINATION METER INPUT SIGNAL

1. Turn ignition switch ON.
2. Check voltage between combination meter harness connector M24 terminal 24 and ground.

24 - Ground

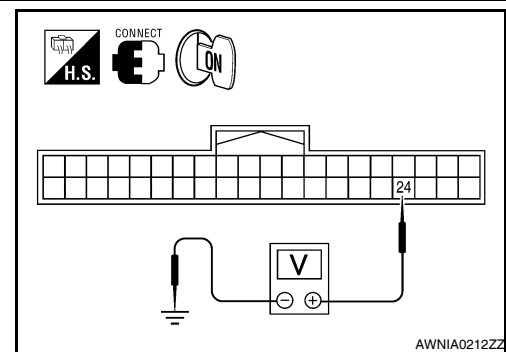
When driver seat belt is fastened : Approx. 12V

When driver seat belt is unfastened : Approx. 0V

Is the inspection result normal?

YES >> Replace combination meter. Refer to [MWI-102](#), "Removal and Installation".

NO >> GO TO 2



2. CHECK SEAT BELT BUCKLE SWITCH CIRCUIT

1. Turn ignition switch OFF.
2. Disconnect combination meter connector and seat belt buckle pre-tensioner assembly LH (seat belt buckle switch) connector.
3. Check continuity between combination meter harness connector M24 (B) terminal 24 and seat belt buckle pre-tensioner assembly LH (seat belt buckle switch) harness connector B74 (A) terminal 4.

24 - 4 : Continuity should exist.

4. Check continuity between combination meter harness connector M24 (B) terminal 24 and ground.

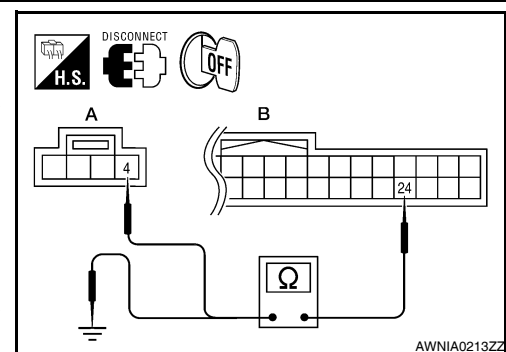
24 - Ground : Continuity should not exist.

Is the inspection result normal?

YES >> GO TO 3

NO >> Repair harness or connector.

3. CHECK SEAT BELT BUCKLE SWITCH GROUND CIRCUIT



A
B
C
D
E
F
G
H
I
J
K
L
M
WCS
O
P

SEAT BELT BUCKLE SWITCH SIGNAL CIRCUIT

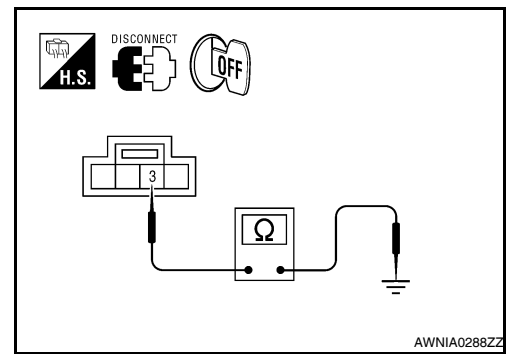
< COMPONENT DIAGNOSIS >

Check continuity between seat belt buckle pre-tensioner assembly LH (seat belt buckle switch) harness connector B74 terminal 3 and ground.

3 - Ground : Continuity should exist.

Is the inspection result normal?

- YES >> Inspection End.
NO >> Repair harness or connector.



INFOID:000000003776714

Component Inspection

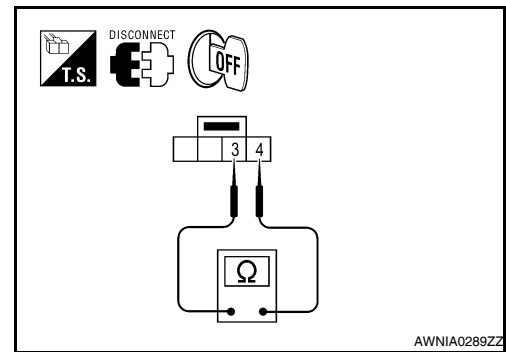
1. CHECK SEAT BELT BUCKLE SWITCH

1. Turn ignition switch OFF.
2. Disconnect the seat belt buckle pre-tensioner assembly LH (seat belt buckle switch) connector.
3. Check continuity between terminals 3 and 4.

3- 4
When seat belt is fastened : Continuity should not exist.
When seat belt is unfastened : Continuity should exist.

Is the inspection result normal?

- YES >> Inspection End.
NO >> Replace the seat belt buckle pre-tensioner assembly LH (seat belt buckle switch).



KEY SWITCH SIGNAL CIRCUIT

< COMPONENT DIAGNOSIS >

KEY SWITCH SIGNAL CIRCUIT

Description

INFOID:000000003776715

Transmits a key switch signal to the BCM.

Component Function Check

INFOID:000000003776716

1.CHECK BCM INPUT SIGNAL

Select "DATA MONITOR" for "BCM" and check the "KEY ON SW" monitor value.

KEY ON SW

When key is inserted into key cylinder : ON

When key is removed from key cylinder : OFF

>> Inspection End.

Diagnosis Procedure

INFOID:000000003776717

1.CHECK FUSE

Check if the key switch and ignition knob switch 10A fuse (No. 62, located in the fuse and relay box) is blown.

Is the fuse blown?

YES >> Be sure to repair the cause of malfunction before installing new fuse.

NO >> GO TO 2

2.CHECK BCM INPUT SIGNAL

Check voltage between BCM harness connector and ground.

Terminals		Condition	Voltage (Approx.)
(+)	(-)		
BCM connector	Terminal		
M18	37	Key is inserted	Battery voltage
		Key is removed	0

Is the inspection result normal?

YES >> Inspection End.

NO >> GO TO 3

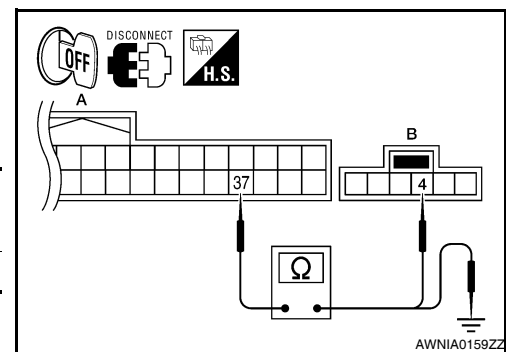
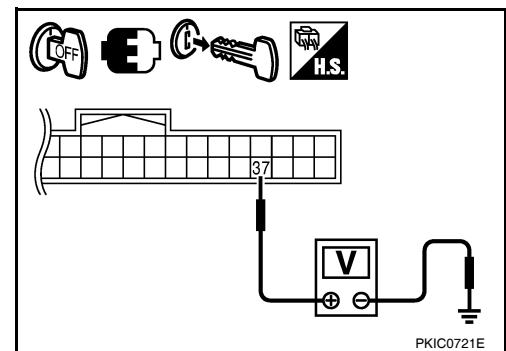
3.CHECK KEY SWITCH CIRCUIT

1. Disconnect BCM and key switch and ignition knob switch connectors.
2. Check continuity between BCM harness connector M18 and key switch and ignition knob switch harness connector M12.

A		B		Continuity
Connector	Terminal	Connector	Terminal	
M18	37	M12	4	Yes

3. Check continuity between BCM harness connector M18 and ground.

A		Ground	Continuity
Connector	Terminal		
M18	37		No



A
B
C
D
E
F
G
H
I
J
K
L
M
O
P

WCS

KEY SWITCH SIGNAL CIRCUIT

< COMPONENT DIAGNOSIS >

Is the inspection result normal?

- YES >> GO TO 4
 NO >> Repair harness or connector.

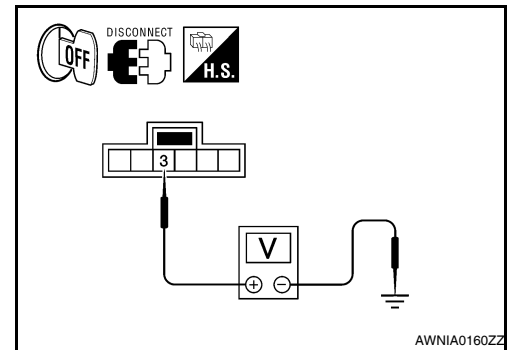
4.CHECK KEY SWITCH POWER SUPPLY CIRCUIT

Check voltage between key switch and ignition knob switch harness connector and ground.

Terminals			Voltage (Approx.)
(+)		(-)	
Key switch and ignition knob switch connector	Terminal		
M12	3	Ground	Battery voltage

Is the inspection result normal?

- YES >> Replace key switch and ignition knob switch.
 NO >> Repair harness or connector.



INFOID:000000003776718

Component Inspection

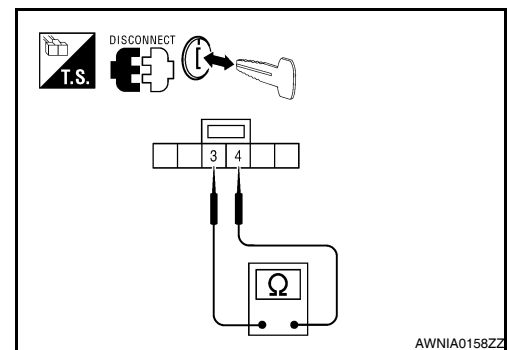
1.CHECK KEY SWITCH

- Turn ignition switch OFF.
- Disconnect key switch and ignition knob switch connector.
- Check continuity between key switch and ignition knob switch terminals 3 and 4.

3 – 4

When key is inserted into key cylinder : Continuity should exist.

When key is removed from key cylinder : Continuity should not exist.



Is the inspection result normal?

- YES >> Inspection End.
 NO >> Replace key switch and ignition knob switch.

WARNING CHIME SYSTEM

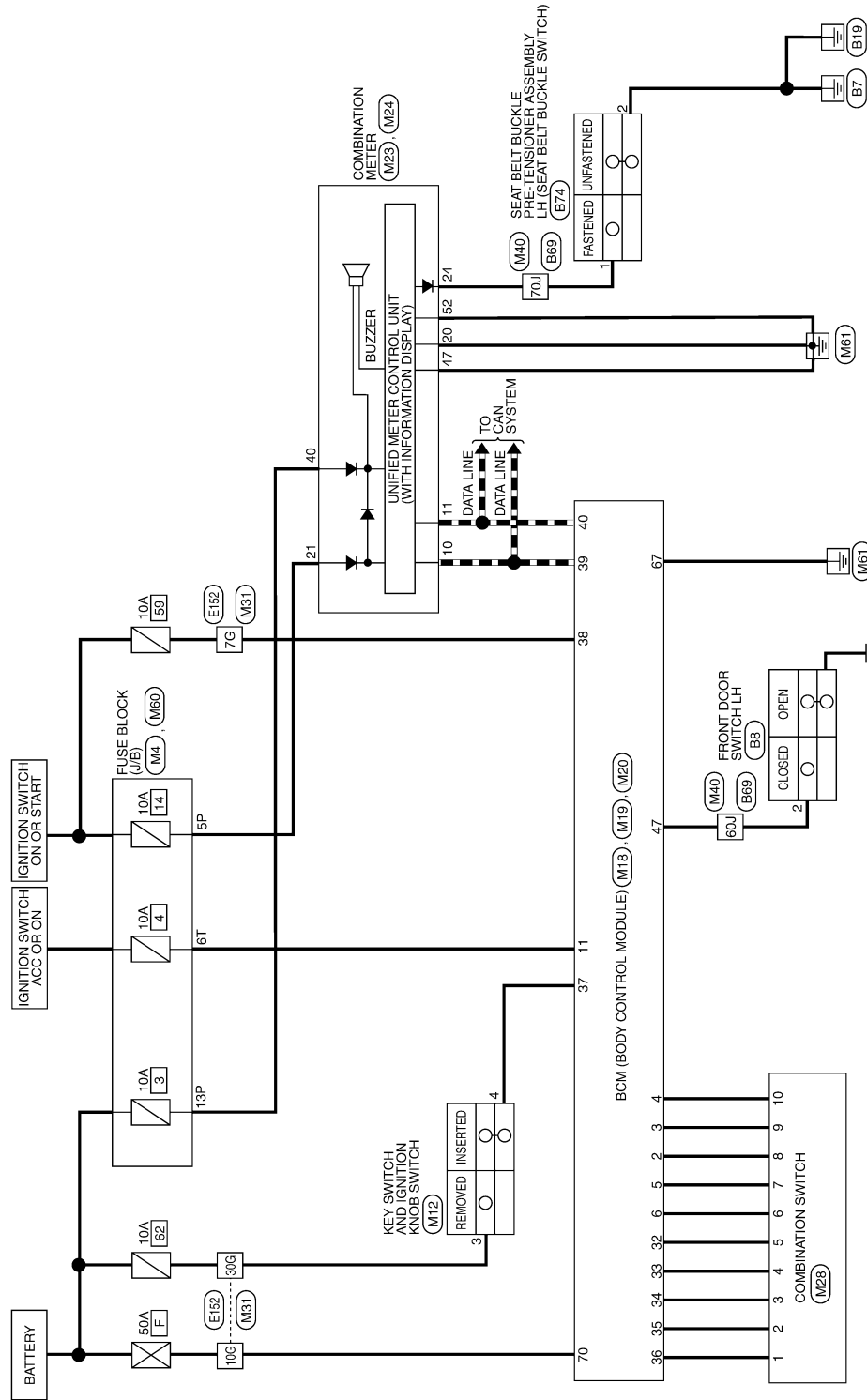
< COMPONENT DIAGNOSIS >

WARNING CHIME SYSTEM

Wiring Diagram

INFOID:000000003776719

--- : DATA LINE



ABNWA0073GI

A
B
C
D
E
F
G
H
I
J
K
L
M
N
O
P

WCS

WARNING CHIME SYSTEM

< COMPONENT DIAGNOSIS >

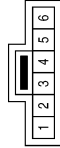
WARNING CHIME CONNECTORS

Connector No.	M4
Connector Name	FUSE BLOCK (J/B)
Connector Color	WHITE



Terminal No.	Color of Wire	Signal Name
5P	O/L	-
13P	P	-

Connector No.	M12
Connector Name	KEY SWITCH AND IGNITION KNOB SWITCH
Connector Color	GRAY



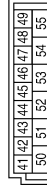
Terminal No.	Color of Wire	Signal Name
3	Y	-
4	B/R	-

Connector No.	M18
Connector Name	BCM (BODY CONTROL MODULE)
Connector Color	WHITE



Terminal No.	Color of Wire	Signal Name
2	SB	INPUT 5
3	G/Y	INPUT 4
4	Y	INPUT 3
5	G/B	INPUT 2
6	V	INPUT 1
11	O	ACC-SW
32	R/G	OUTPUT 5
33	R/Y	OUTPUT 4
34	L	OUTPUT 3
35	O/B	OUTPUT 2
36	R/W	OUTPUT 1
37	B/R	KEY SW
38	W/L	IGN SW
39	L	CAN-H
40	P	CAN-L

Connector No.	M19
Connector Name	BCM (BODY CONTROL MODULE)
Connector Color	WHITE

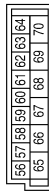


Terminal No.	Color of Wire	Signal Name
47	SB	DOOR SW (DR)

WARNING CHIME SYSTEM

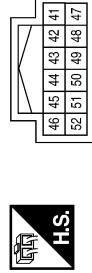
< COMPONENT DIAGNOSIS >

Connector No.	M20
Connector Name	BCM (BODY CONTROL MODULE)
Connector Color	BLACK



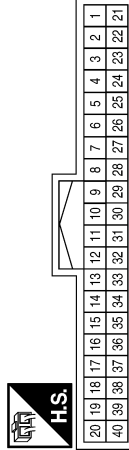
Terminal No.	Color of Wire	Signal Name
67	B	GND (POWER)
70	W/B	BATT (F/L)

Connector No.	M23
Connector Name	COMBINATION METER
Connector Color	WHITE



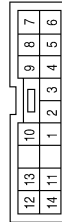
Terminal No.	Color of Wire	Signal Name
47	B	POWER GND
52	B	POWER GND

Connector No.	M24
Connector Name	COMBINATION METER
Connector Color	WHITE



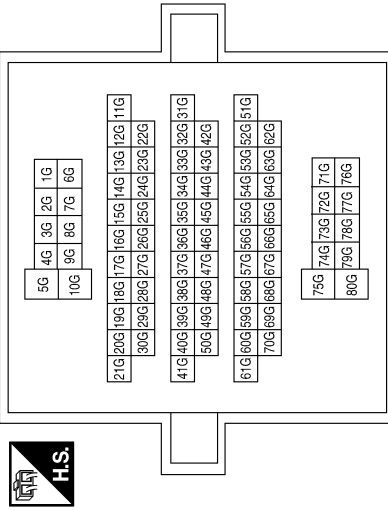
Terminal No.	Color of Wire	Signal Name
10	L	CAN-H
11	P	CAN-L
20	B	GROUND
21	O/L	RUN START
24	O/B	SEATBELT
40	Y/R	BATTERY (TYPE A*)
40	P	BATTERY (TYPE B*)

Connector No.	M28
Connector Name	COMBINATION SWITCH
Connector Color	WHITE



Terminal No.	Color of Wire	Signal Name
1	R/W	INPUT 1
2	O/B	INPUT 2
3	L	INPUT 3
4	R/Y	INPUT 4
5	R/G	INPUT 5
6	V	OUTPUT 1
7	G/B	OUTPUT 2
8	SB	OUTPUT 5
9	G/Y	OUTPUT 4
10	Y	OUTPUT 3

Connector No.	M31
Connector Name	WIRE TO WIRE
Connector Color	WHITE



Terminal No.	Color of Wire	Signal Name
7G	W/L	-
10G	W/B	-
30G	Y	-

* : REFER TO HARNESS LAYOUT OF PG SECTION FOR DEFINITION OF TYPE A AND TYPE B.

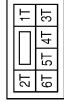
A
B
C
D
E
F
G
H
I
J
K
L
M
N
O
P



WARNING CHIME SYSTEM

< COMPONENT DIAGNOSIS >

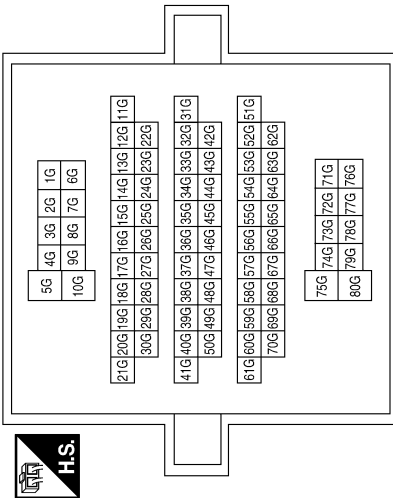
Connector No.	M60
Connector Name	FUSE BLOCK (J/B)
Connector Color	WHITE



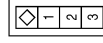
Terminal No.	Color of Wire	Signal Name
6T	O	-

Terminal No.	Color of Wire	Signal Name
60J	SB	-
70J	O/B	-

Connector No.	M40
Connector Name	WIRE TO WIRE
Connector Color	WHITE



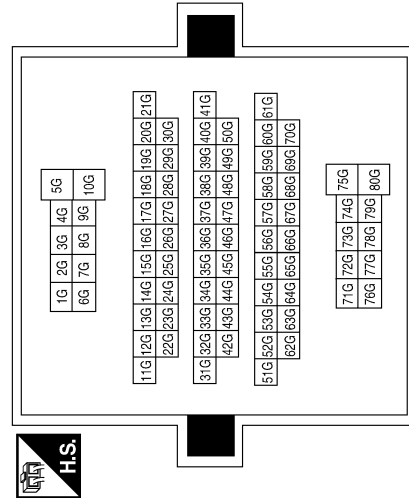
Connector No.	B8
Connector Name	FRONT DOOR SWITCH LH
Connector Color	WHITE



Terminal No.	Color of Wire	Signal Name
2	SB	-

Terminal No.	Color of Wire	Signal Name
7G	L/W	-
10G	W/B	-
30G	Y	-

Connector No.	E152
Connector Name	WIRE TO WIRE
Connector Color	WHITE

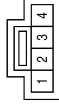


ABNIA0215GB

WARNING CHIME SYSTEM

< COMPONENT DIAGNOSIS >

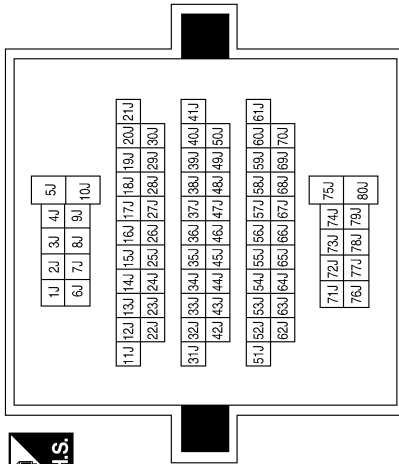
Connector No.	B74
Connector Name	SEAT BELT BUCKLE PRE-TENSIONER ASSEMBLY LH (SEAT BELT BUCKLE SWITCH)
Connector Color	YELLOW



Terminal No.	Color of Wire	Signal Name
1	O/B	-
2	B	-

Terminal No.	Color of Wire	Signal Name
60J	SB	-
70J	O/B	-

Connector No.	B69
Connector Name	WIRE TO WIRE
Connector Color	WHITE



A
B
C
D
E
F
G
H
I
J
K
L
M
WCS
O
P

ABNIA0216GB

COMBINATION METER

< ECU DIAGNOSIS >

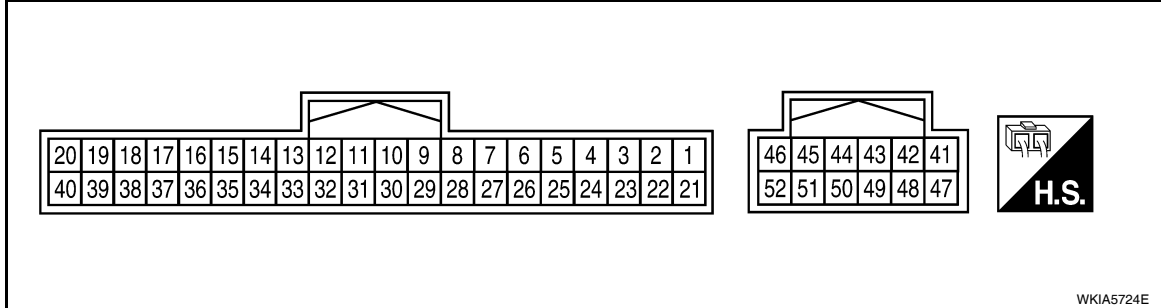
ECU DIAGNOSIS

COMBINATION METER

Reference Value

INFOID:000000004115460

TERMINAL LAYOUT

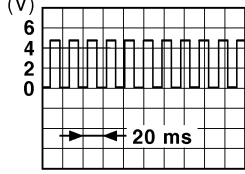


PHYSICAL VALUES

Terminal	Wire color	Item	Condition		Reference value (V) (Approx.)
			Ignition switch	Operation or condition	
3	Y/L	Fuel level sensor signal	—	—	Refer to MWI-12, "FUEL GAUGE : System Description" .
4	B/P	Fuel level sensor ground	ON	—	0
6	BR/W	Generator	ON	Generator voltage low	0
				Generator voltage normal	Battery voltage
10	L	CAN-H	—	—	—
11	P	CAN-L	—	—	—
13	P	Air bag warning lamp input	ON	Air bag warning lamp ON	4
				Air bag warning lamp OFF	0
15	BR	CK SUSP warning lamp input	—	CK SUSP warning lamp ON	0
				CK SUSP warning lamp OFF	Battery voltage
20	B	Ground	—	—	0
21	O/L	Ignition switch ON or START	ON	—	Battery voltage
23	W/L	Washer fluid level switch	ON	Washer fluid level low	0
				Washer fluid level normal	Battery voltage
24	O/B	Seat belt buckle switch LH	ON	Unfastened (ON)	0
				Fastened (OFF)	Battery voltage
25	P/L	Seat belt buckle switch RH	ON	Unfastened (ON)	0
				Fastened (OFF)	Battery voltage
31	G	Parking brake switch	ON	Parking brake applied	0
				Parking brake released	Battery voltage
32	P/B	Brake fluid level switch	ON	Brake fluid level low	0
				Brake fluid level normal	Battery voltage
33	R/G	Stop lamp switch	—	Brake pedal depressed	Battery voltage
				Brake pedal released	0

COMBINATION METER

< ECU DIAGNOSIS >

Terminal	Wire color	Item	Condition		Reference value (V) (Approx.)
			Ignition switch	Operation or condition	
35	G/O	Security indicator input	OFF	Security indicator ON	0
				Security indicator OFF	Battery voltage
37	O	Ignition switch ACC or ON	—	—	Battery voltage
40	Y/R	Battery power supply	—	—	Battery voltage
46	BR	Illumination output	—	—	Refer to INL-9, "System Description" .
47	B	Ground	—	—	0
50	W/R	Vehicle speed signal output (8-pulse)	ON	Speedometer operated [When vehicle speed is approx. 40 km/h (25 MPH)]	<p>NOTE: Maximum voltage may be 12V due to specifications (connected units).</p>  <p style="text-align: right; font-size: small;">PKIC0643E</p>
52	B	Ground	—	—	0

A
B
C
D
E
F
G
H
I
J
K
L
M
O
P

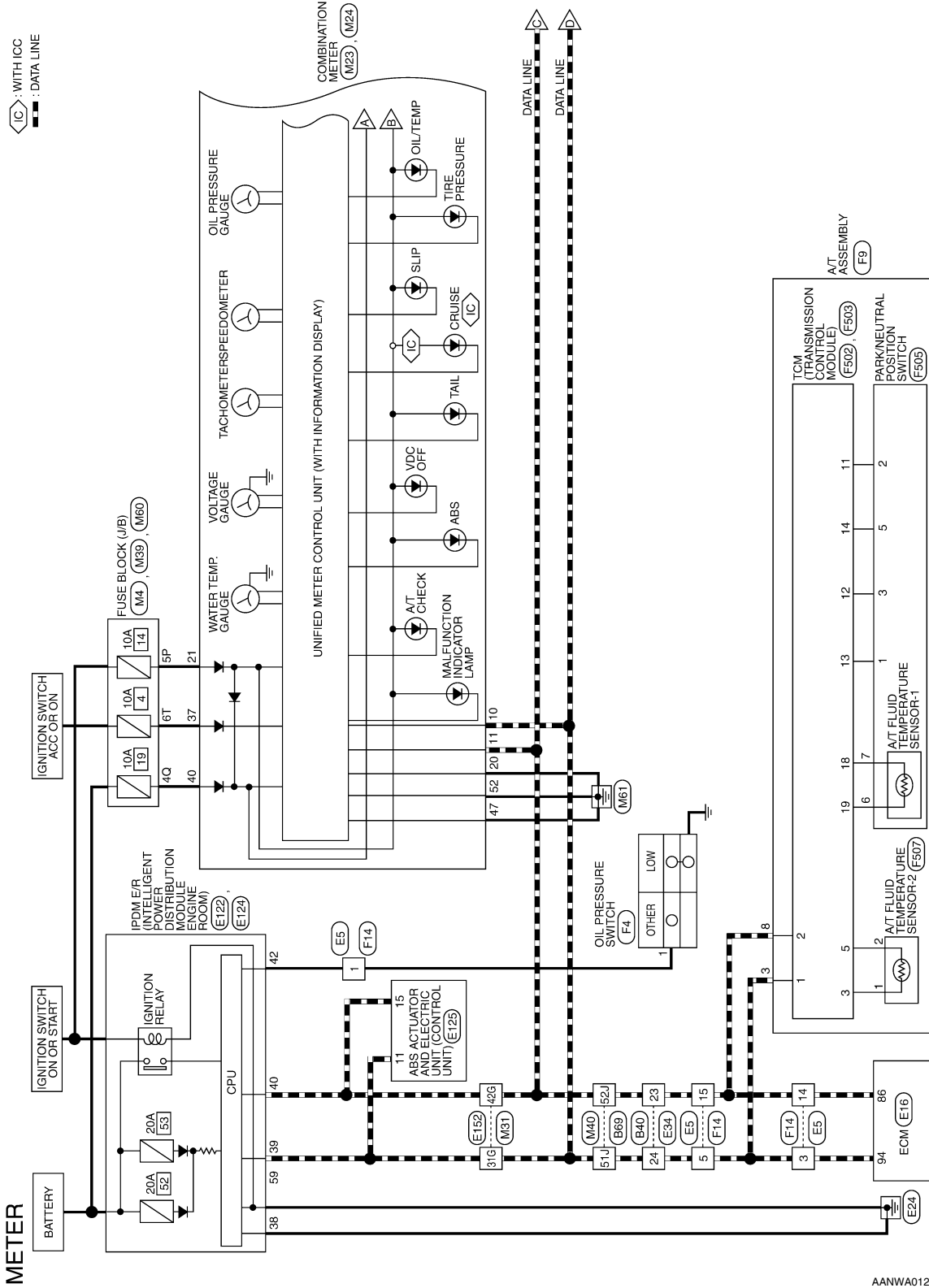
WCS

COMBINATION METER

< ECU DIAGNOSIS >

Wiring Diagram

INFOID:000000004115461

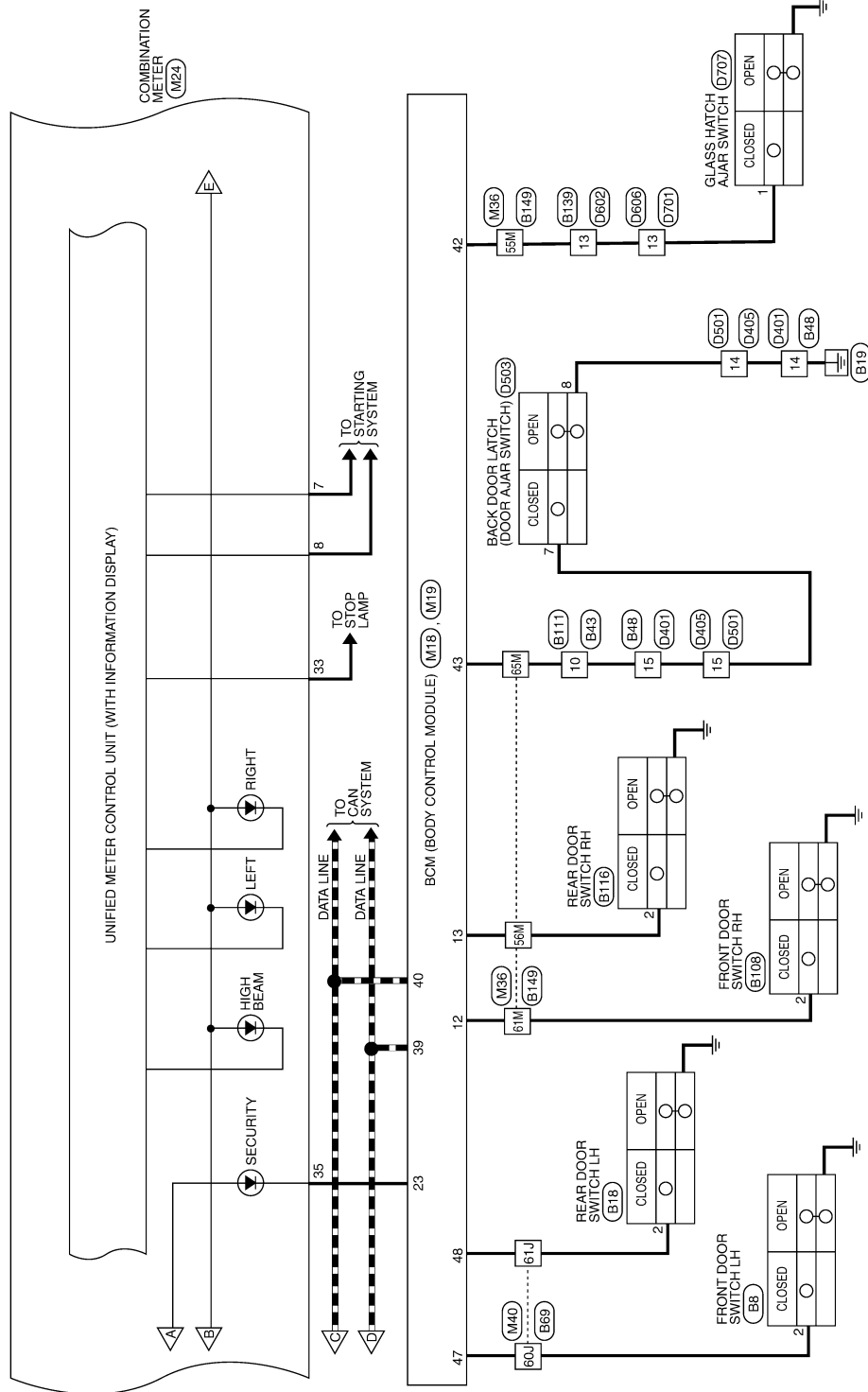


AANWA0124GI

COMBINATION METER

< ECU DIAGNOSIS >

--- : DATA LINE



ALNWA0129GE

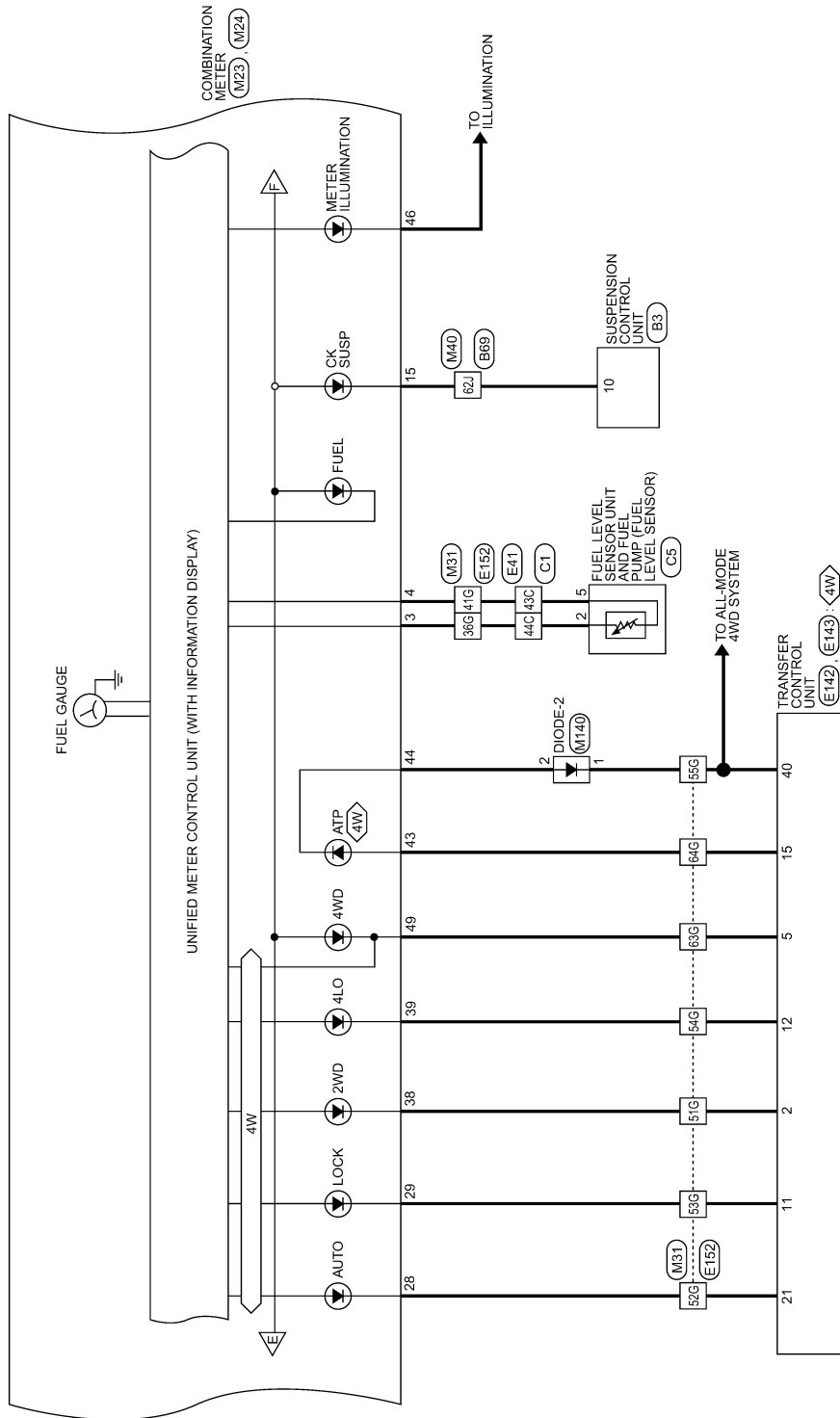
A
B
C
D
E
F
G
H
I
J
K
L
M
N
O
P

WCS

COMBINATION METER

< ECU DIAGNOSIS >

4W : WITH 4-WHEEL DRIVE

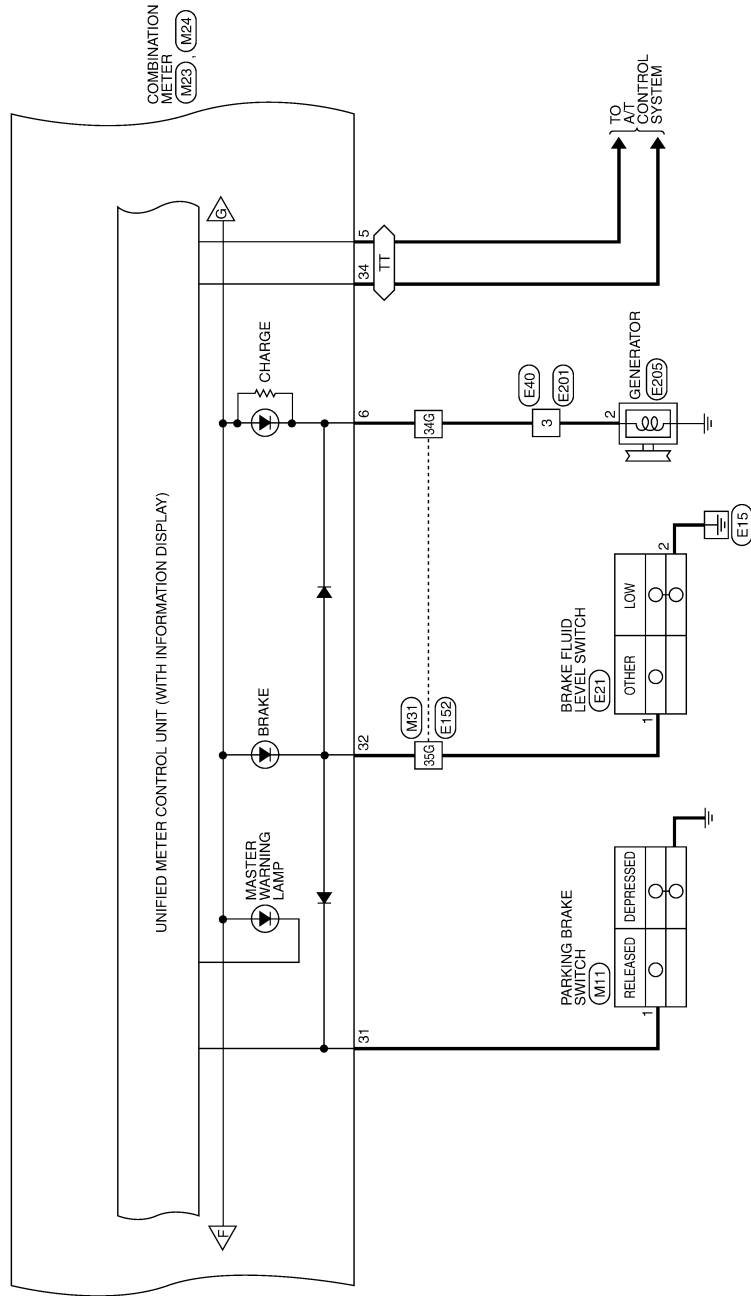


ALNWA0130GE

COMBINATION METER

< ECU DIAGNOSIS >

TT: WITH TRAILER TOW



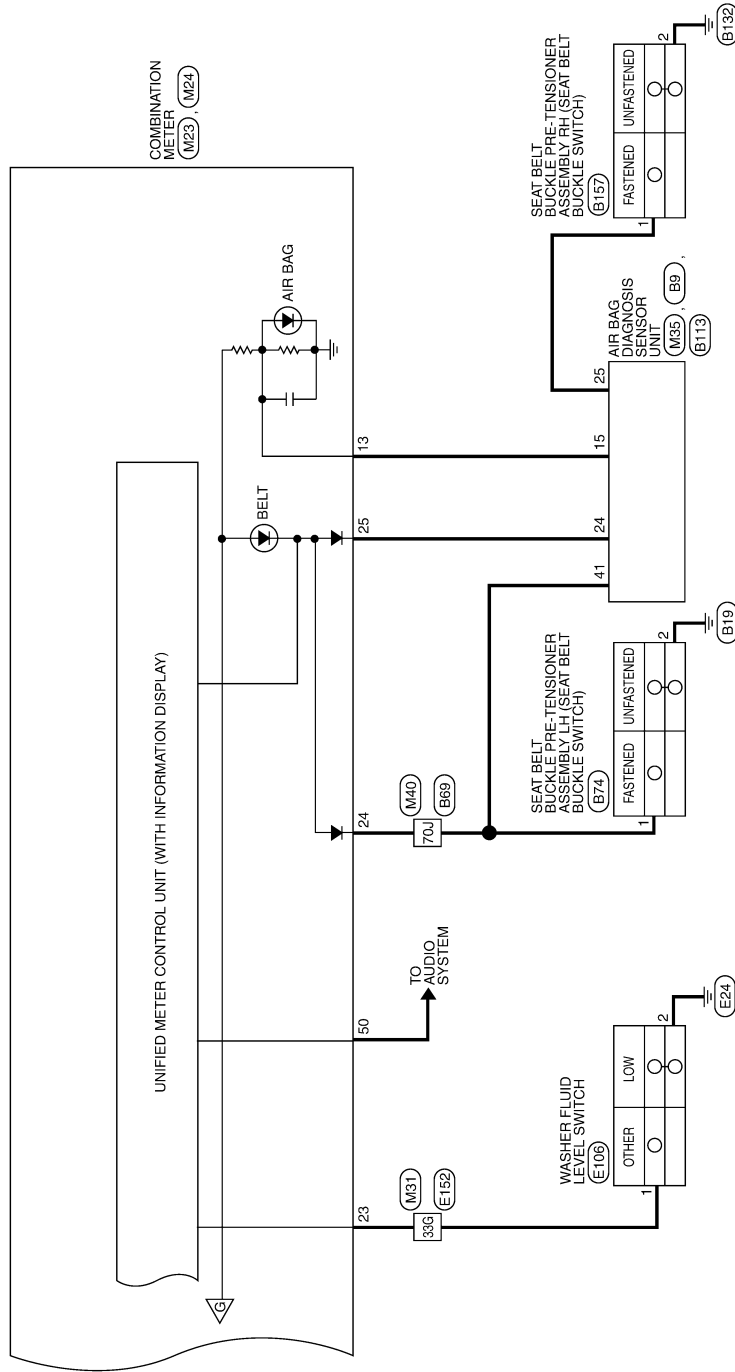
A
B
C
D
E
F
G
H
I
J
K
L
M
N
O
P

WCS

ALNWA0131GE

COMBINATION METER

< ECU DIAGNOSIS >



ALNWA0132GE

COMBINATION METER

< ECU DIAGNOSIS >

METER CONNECTORS

Connector No.	M4
Connector Name	FUSE BLOCK (J/B)
Connector Color	WHITE



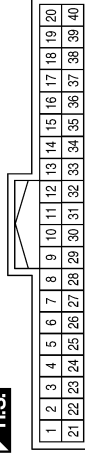
Terminal No.	Color of Wire	Signal Name
5P	O/L	-

Connector No.	M11
Connector Name	PARKING BRAKE SWITCH
Connector Color	BLACK



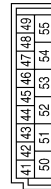
Terminal No.	Color of Wire	Signal Name
1	G	-

Connector No.	M18
Connector Name	BCM (BODY CONTROL MODULE)
Connector Color	WHITE



Terminal No.	Color of Wire	Signal Name
12	R/L	DOOR_SW_AS
13	GR	DOOR_SW_RR
23	G/O	SECURITY_INDI_OUTPUT
39	L	CAN-H
40	P	CAN-L

Connector No.	M19
Connector Name	BCM (BODY CONTROL MODULE)
Connector Color	WHITE



Terminal No.	Color of Wire	Signal Name
42	GR	GLASS_HATCH_AJAR
43	RB	BACK_DOOR_SW
47	SB	DOOR_SW_DR
48	R/Y	DOOR_SW_RL

Connector No.	M23
Connector Name	COMBINATION METER
Connector Color	WHITE



Terminal No.	Color of Wire	Signal Name
43	L/B	ATP+
44	R/B	ATP-
46	BR	-
47	B	-
49	W/B	4WD
50	W/R	SPEED_8P
52	B	-

A
B
C
D
E
F
G
H
I
J
K
L
M
N
O
P

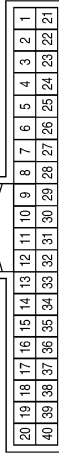
WCS

ALNIA0676GB

COMBINATION METER

< ECU DIAGNOSIS >

Connector No.	M24
Connector Name	COMBINATION METER
Connector Color	WHITE

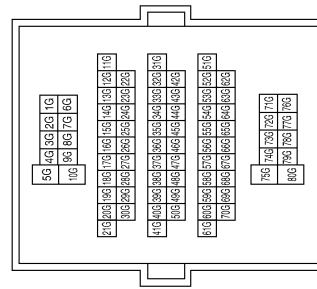


Terminal No.	Color of Wire	Signal Name
3	Y/L	FUEL SEN
4	B/P	-
5	Y/V	TOW_IND
6	BR/W	-
7	GR/R	-
8	B/R	-
10	L	CAN-H

Terminal No.	Color of Wire	Signal Name
11	P	CAN-L
13	P	AIR_BAG_IND
15	BR	-
20	B	-
21	O/L	-
23	W/L	WASH_IND
24	O/B	BELT_IND
25	P/L	BELT_IND
28	BR	AUTO
29	L	LOCK/4H
31	G	-

Terminal No.	Color of Wire	Signal Name
32	P/B	-
33	R/G	-
34	LG/R	TOW_SW_STATUS
35	G/O	SECURITY_IND
37	O	-
38	B/W	2WD
39	W/G	4LD
40	Y/R	-

Connector No.	M31
Connector Name	WIRE TO WIRE
Connector Color	WHITE



Terminal No.	Color of Wire	Signal Name
31G	L	-
33G	W/L	-
34G	BR/W	-
35G	P/B	-
36G	Y/L	-
41G	B/P	-
42G	P	-
51G	B/W	-
52G	BR	-
53G	L	-
54G	W/G	-
55G	L/Y	-

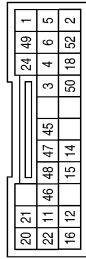
Terminal No.	Color of Wire	Signal Name
63G	W/B	-
64G	L/B	-

ALNIA0677GB

COMBINATION METER

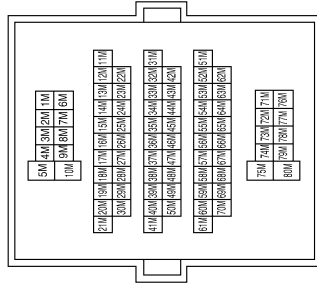
< ECU DIAGNOSIS >

Connector No.	M35
Connector Name	AIR BAG DIAGNOSIS SENSOR UNIT
Connector Color	YELLOW



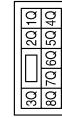
Terminal No.	Color of Wire	Signal Name
15	P	WARN-LAMP
24	P/L	SEAT BELT-MINDER

Connector No.	M36
Connector Name	WIRE TO WIRE
Connector Color	WHITE



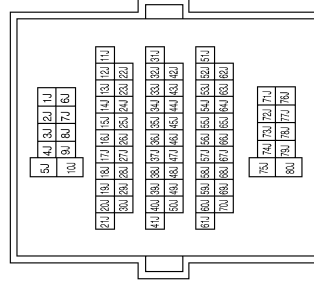
Terminal No.	Color of Wire	Signal Name
55M	GR	-
56M	GR	-
61M	R/L	-
65M	R/B	-

Connector No.	M39
Connector Name	FUSE BLOCK (J/B)
Connector Color	WHITE



Terminal No.	Color of Wire	Signal Name
4Q	Y/R	-

Connector No.	M40
Connector Name	WIRE TO WIRE
Connector Color	WHITE



Terminal No.	Color of Wire	Signal Name
51J	L	-
52J	P	-
60J	SB	-
61J	R/Y	-
62J	B/R	-
70J	O/B	-

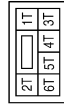
A
B
C
D
E
F
G
H
I
J
K
L
M
N
O
P

WCS

COMBINATION METER

< ECU DIAGNOSIS >

Connector No.	M60
Connector Name	FUSE BLOCK (J/B)
Connector Color	WHITE



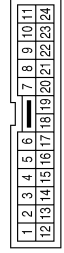
Terminal No.	Color of Wire	Signal Name
6T	O	-

Connector No.	M140
Connector Name	DIODE-2
Connector Color	BLACK



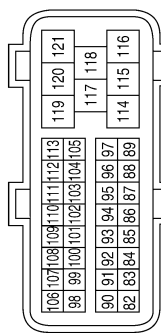
Terminal No.	Color of Wire	Signal Name
1	L/Y	-
2	R/B	-

Connector No.	E5
Connector Name	WIRE TO WIRE
Connector Color	WHITE



Terminal No.	Color of Wire	Signal Name
1	G/R	-
3	L	-
5	L	-
14	P	-
15	P	-

Connector No.	E16
Connector Name	ECM
Connector Color	BLACK



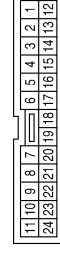
Terminal No.	Color of Wire	Signal Name
86	P	CAN-L
94	L	CAN-H

Connector No.	E21
Connector Name	BRAKE FLUID LEVEL SWITCH
Connector Color	GRAY



Terminal No.	Color of Wire	Signal Name
1	P/B	-
2	B	-

Connector No.	E34
Connector Name	WIRE TO WIRE
Connector Color	WHITE



Terminal No.	Color of Wire	Signal Name
23	P	-
24	L	-

COMBINATION METER

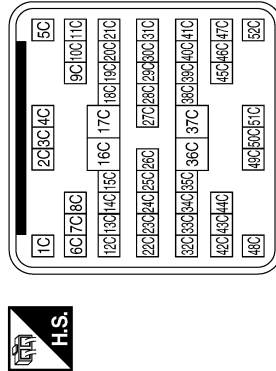
< ECU DIAGNOSIS >

Connector No.	E106
Connector Name	WASHER FLUID LEVEL SWITCH
Connector Color	BROWN



Terminal No.	Color of Wire	Signal Name
1	W/L	-
2	B	-

Connector No.	E41
Connector Name	WIRE TO WIRE
Connector Color	GRAY



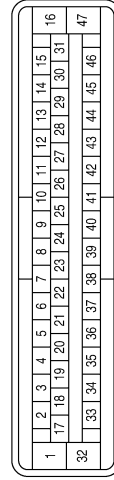
Terminal No.	Color of Wire	Signal Name
43C	B/P	-
44C	Y/L	-

Connector No.	E40
Connector Name	WIRE TO WIRE
Connector Color	BLACK



Terminal No.	Color of Wire	Signal Name
3	BR/W	-

Connector No.	E125
Connector Name	ABS ACTUATOR AND ELECTRIC UNIT (CONTROL UNIT)
Connector Color	BLACK



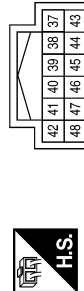
Terminal No.	Color of Wire	Signal Name
11	L	CAN-H
15	P	CAN-L

Connector No.	E124
Connector Name	IPDM E/R (INTELLIGENT POWER DISTRIBUTION MODULE ENGINE ROOM)
Connector Color	BLACK



Terminal No.	Color of Wire	Signal Name
59	B	GND (PWR)

Connector No.	E122
Connector Name	IPDM E/R (INTELLIGENT POWER DISTRIBUTION MODULE ENGINE ROOM)
Connector Color	WHITE



Terminal No.	Color of Wire	Signal Name
38	B	GND (SIG)
39	L	CAN-H
40	P	CAN-L
42	GR	OIL_PRES_SW

ALNIA0680GB

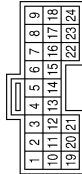
A B C D E F G H I J K L M O P

WCS

COMBINATION METER

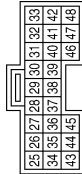
< ECU DIAGNOSIS >

Connector No.	E142
Connector Name	TRANSFER CONTROL UNIT
Connector Color	WHITE



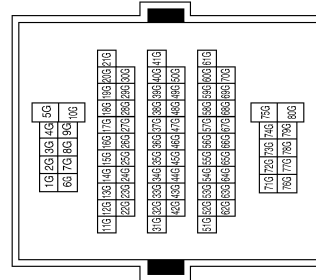
Terminal No.	Color of Wire	Signal Name
2	B/W	2WD IND
5	W/B	4WD FAIL IND
11	L	LOCK IND
12	W/G	4LO IND
15	L/B	ATP-IND
21	BR	AUTO IND

Connector No.	E143
Connector Name	TRANSFER CONTROL UNIT
Connector Color	GRAY



Terminal No.	Color of Wire	Signal Name
40	L	ATP SW

Connector No.	E152
Connector Name	WIRE TO WIRE
Connector Color	WHITE



Terminal No.	Color of Wire	Signal Name
31G	L	-
33G	W/L	-
34G	BR/W	-
35G	P/B	-
36G	Y/L	-
41G	B/P	-
42G	P	-
51G	B/W	-
52G	BR	-
53G	L	-
54G	W/G	-
55G	L/Y	-

Terminal No.	Color of Wire	Signal Name
63G	W/B	-
64G	L/B	-

COMBINATION METER

< ECU DIAGNOSIS >

Connector No.	F4
Connector Name	OIL PRESSURE SWITCH
Connector Color	GRAY



Terminal No.	Color of Wire	Signal Name
1	GR	-

Connector No.	E205
Connector Name	GENERATOR
Connector Color	BLACK



Terminal No.	Color of Wire	Signal Name
2	BR/W	-

Connector No.	E201
Connector Name	WIRE TO WIRE
Connector Color	BLACK



Terminal No.	Color of Wire	Signal Name
3	BR/W	-

Connector No.	F502
Connector Name	TCM (TRANSMISSION CONTROL MODULE)
Connector Color	GRAY



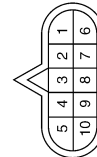
Terminal No.	Color of Wire	Signal Name
1	BR	CAN-H
2	LY	CAN-L
3	W/Y	ATF SENS 2-
5	W/R	ATF SENS 2+

Connector No.	F14
Connector Name	WIRE TO WIRE
Connector Color	WHITE



Terminal No.	Color of Wire	Signal Name
1	GR	-
3	L	-
5	L	-
14	P	-
15	P	-

Connector No.	F9
Connector Name	A/T ASSEMBLY
Connector Color	GREEN



Terminal No.	Color of Wire	Signal Name
3	L	CAN-H
8	P	CAN-L

ALNIA0682GB

A
B
C
D
E
F
G
H
I
J
K
L
M
O
P

WCS

COMBINATION METER

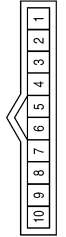
< ECU DIAGNOSIS >

Connector No.	F507
Connector Name	A/T FLUID TEMPERATURE SENSOR-2
Connector Color	WHITE



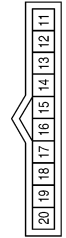
Terminal No.	Color of Wire	Signal Name
1	W/Y	-
2	W/R	-

Connector No.	F505
Connector Name	PARK/NEUTRAL POSITION SWITCH
Connector Color	GRAY



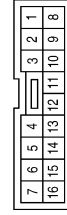
Terminal No.	Color of Wire	Signal Name
1	BR	S1
2	W	S4
3	GR	S2
5	L	S3
6	G	-
7	O	-

Connector No.	F503
Connector Name	TCM (TRANSMISSION CONTROL MODULE)
Connector Color	GREEN



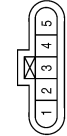
Terminal No.	Color of Wire	Signal Name
11	W	INH-SW4
12	GR	INH-SW2
13	BR	INH-SW1
14	L	INH-SW3
18	O	ATF SENS 1-
19	G	ATF SENS 1+

Connector No.	B3
Connector Name	SUSPENSION CONTROL UNIT
Connector Color	WHITE



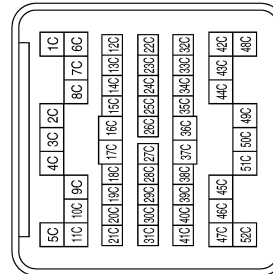
Terminal No.	10	Color of Wire	BR	Signal Name	-
--------------	----	---------------	----	-------------	---

Connector No.	C5
Connector Name	FUEL LEVEL SENSOR UNIT AND FUEL PUMP
Connector Color	GRAY



Terminal No.	2	Color of Wire	Y/L	Signal Name	-
5	5	B/P	B/P	-	-

Connector No.	C1
Connector Name	WIRE TO WIRE
Connector Color	GRAY



Terminal No.	43C	Color of Wire	B/P	Signal Name	-
44C	44C	Y/L	Y/L	-	-

AANIA0152GB

COMBINATION METER

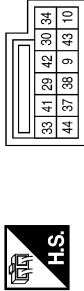
< ECU DIAGNOSIS >

Connector No.	B18
Connector Name	REAR DOOR SWITCH LH
Connector Color	WHITE



Terminal No.	2	Color of Wire	R/Y	Signal Name	-
--------------	---	---------------	-----	-------------	---

Connector No.	B9
Connector Name	AIR BAG DIAGNOSIS SENSOR UNIT
Connector Color	YELLOW



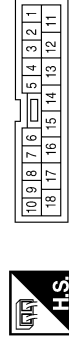
Terminal No.	41	Color of Wire	O/B	Signal Name	-
--------------	----	---------------	-----	-------------	---

Connector No.	B8
Connector Name	FRONT DOOR SWITCH LH
Connector Color	WHITE



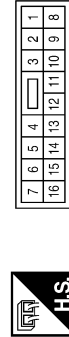
Terminal No.	2	Color of Wire	SB	Signal Name	-
--------------	---	---------------	----	-------------	---

Connector No.	B48
Connector Name	WIRE TO WIRE
Connector Color	WHITE



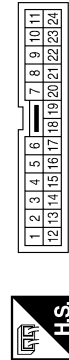
Terminal No.	14	Color of Wire	B	Signal Name	-
	15	Color of Wire	R/W	Signal Name	-

Connector No.	B43
Connector Name	WIRE TO WIRE
Connector Color	WHITE



Terminal No.	10	Color of Wire	R/W	Signal Name	-
--------------	----	---------------	-----	-------------	---

Connector No.	B40
Connector Name	WIRE TO WIRE
Connector Color	WHITE



Terminal No.	23	Color of Wire	P	Signal Name	-
	24	Color of Wire	L	Signal Name	-

A
B
C
D
E
F
G
H
I
J
K
L
M
O
P

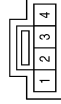
WCS

ALNIA0684GB

COMBINATION METER

< ECU DIAGNOSIS >

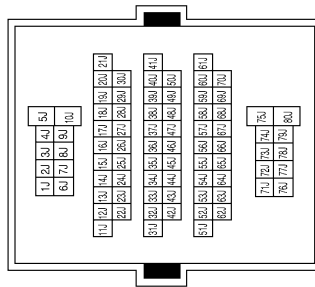
Connector No.	B74
Connector Name	SEAT BELT BUCKLE PRE-TENSIONER ASSEMBLY LH (SEAT BELT BUCKLE SWITCH)
Connector Color	YELLOW



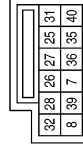
Terminal No.	Color of Wire	Signal Name
1	O/B	-
2	B	-

Terminal No.	Color of Wire	Signal Name
51J	L	-
52J	P	-
60J	SB	-
61J	R/Y	-
62J	BR	-
70J	O/B	-

Connector No.	B69
Connector Name	WIRE TO WIRE
Connector Color	WHITE

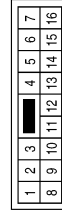


Connector No.	B113
Connector Name	AIR BAG DIAGNOSIS SENSOR UNIT
Connector Color	YELLOW



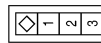
Terminal No.	25	Color of Wire	L	Signal Name	BUCKLE_SW_RH
--------------	----	---------------	---	-------------	--------------

Connector No.	B111
Connector Name	WIRE TO WIRE
Connector Color	WHITE



Terminal No.	10	Color of Wire	R/W	Signal Name	-
--------------	----	---------------	-----	-------------	---

Connector No.	B108
Connector Name	FRONT DOOR SWITCH RH
Connector Color	WHITE



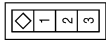
Terminal No.	2	Color of Wire	R/L	Signal Name	-
--------------	---	---------------	-----	-------------	---

ALNIA0685GB

COMBINATION METER

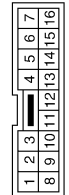
< ECU DIAGNOSIS >

Connector No.	B116
Connector Name	REAR DOOR SWITCH RH
Connector Color	WHITE



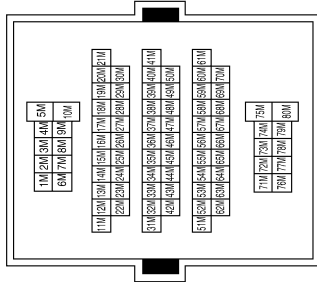
Terminal No.	Color of Wire	Signal Name
2	GR	-

Connector No.	B139
Connector Name	WIRE TO WIRE
Connector Color	WHITE



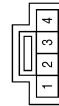
Terminal No.	Color of Wire	Signal Name
13	GR	-

Connector No.	B149
Connector Name	WIRE TO WIRE
Connector Color	WHITE



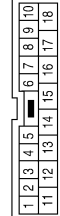
Terminal No.	Color of Wire	Signal Name
55M	GR	-
56M	GR	-
61M	R/L	-
65M	R/B	-

Connector No.	B157
Connector Name	SEAT BELT BUCKLE PRE-TENSIONER ASSEMBLY RH (SEAT BELT BUCKLE SWITCH)
Connector Color	YELLOW



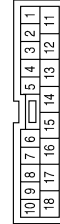
Terminal No.	Color of Wire	Signal Name
1	L	-
2	B	-

Connector No.	D401
Connector Name	WIRE TO WIRE
Connector Color	WHITE



Terminal No.	Color of Wire	Signal Name
14	B	-
15	R/W	-

Connector No.	D405
Connector Name	WIRE TO WIRE
Connector Color	WHITE



Terminal No.	Color of Wire	Signal Name
14	B	-
15	R/W	-

ALNIA0689GB

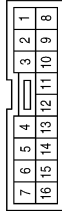
A
B
C
D
E
F
G
H
I
J
K
L
M
N
O
P

WCS

COMBINATION METER

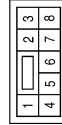
< ECU DIAGNOSIS >

Connector No.	D602
Connector Name	WIRE TO WIRE
Connector Color	WHITE



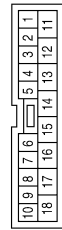
Terminal No.	Color of Wire	Signal Name
13	GR	-

Connector No.	D503
Connector Name	BACK DOOR LATCH
Connector Color	WHITE



Terminal No.	Color of Wire	Signal Name
7	R/W	-
8	B	-

Connector No.	D501
Connector Name	WIRE TO WIRE
Connector Color	WHITE



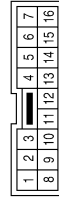
Terminal No.	Color of Wire	Signal Name
14	B	-
15	R/W	-

Connector No.	D707
Connector Name	GLASS HATCH AJAR SWITCH
Connector Color	WHITE



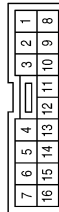
Terminal No.	Color of Wire	Signal Name
1	GR	-

Connector No.	D701
Connector Name	WIRE TO WIRE
Connector Color	WHITE



Terminal No.	Color of Wire	Signal Name
13	GR	-

Connector No.	D606
Connector Name	WIRE TO WIRE
Connector Color	WHITE



Terminal No.	Color of Wire	Signal Name
13	GR	-

Fail Safe

The combination meter performs a fail-safe operation for the functions listed below when communication is lost.

ALNIA0686GB

INFOID:000000004115462

COMBINATION METER

< ECU DIAGNOSIS >

	Function	Specifications	
	Speedometer	Zero indication.	A
	Tachometer		B
	Fuel gauge		C
	Engine coolant temperature gauge		D
	Engine oil pressure gauge		E
	Voltage gauge		
	A/T oil temperature gauge		
	Illumination control	Meter illumination	Change to nighttime mode when communication is lost.
	Segment LCD	Odometer	Freeze current indication.
		A/T position	Display turns off.
	Buzzer	Buzzer turns off.	
Warning lamp/indicator lamp	ABS warning lamp	Lamp turns on when communication is lost.	F
	Brake warning lamp		G
	VDC OFF indicator lamp		H
	SLIP indicator lamp		I
	A/T CHECK warning lamp	Lamp turns off when communication is lost.	J
	Oil pressure/coolant temperature warning lamp		K
	Light indicator		L
	Malfunction indicator lamp		M
	Master warning lamp		
	Air bag warning lamp		
	High beam indicator		
	Turn signal indicator lamp		
	CRUISE indicator lamp	Lamp turns off when disconnected.	
	Driver and passenger seat belt warning lamp		
	Charge warning lamp		
	Security indicator lamp		
	4WD indicator lamp		
	ATP indicator lamp		
CK SUSP warning lamp	Lamp will flash every second for 1 minute and then stay on continuously thereafter.		
Low tire pressure warning lamp			

WCS

DTC Index

INFOID:000000004115463

CONSULT-III display	Malfunction	Reference page
CAN COMM CIRC [U1000]	Malfunction is detected in CAN communication. CAUTION: Even when there is no malfunction on CAN communication system, malfunction may be misinterpreted when battery has low voltage (when maintaining 7 - 8 V for about 2 seconds) or 10A fuse [No. 19, located in the fuse block (J/B)] is disconnected.	MWI-28
VEHICLE SPEED CIRC [B2205]	Malfunction is detected when an erroneous speed signal is input. CAUTION: Even when there is no malfunction on speed signal system, malfunction may be misinterpreted when battery has low voltage (when maintaining 7 - 8 V for about 2 seconds).	MWI-29

COMBINATION METER

< ECU DIAGNOSIS >

NOTE:

“TIME” indicates the following.

- 0: Indicates that a malfunction is detected at present.
- 1-63: Indicates that a malfunction was detected in the past. (Displays number of ignition switch OFF → ON cycles after malfunction is detected. Self-diagnosis result is erased when “63” is exceeded.)

BCM (BODY CONTROL MODULE)

< ECU DIAGNOSIS >

BCM (BODY CONTROL MODULE)

Reference Value

INFOID:000000004115464

VALUES ON THE DIAGNOSIS TOOL

Monitor Item	Condition	Value/Status
AIR COND SW	A/C switch OFF	OFF
	A/C switch ON	ON
AUT LIGHT SYS	Outside of the room is dark	OFF
	Outside of the room is bright	ON
AUTO LIGHT SW	Lighting switch OFF	OFF
	Lighting switch AUTO	ON
BACK DOOR SW	Back door closed	OFF
	Back door opened	ON
CDL LOCK SW	Door lock/unlock switch does not operate	OFF
	Press door lock/unlock switch to the LOCK side	ON
CDL UNLOCK SW	Door lock/unlock switch does not operate	OFF
	Press door lock/unlock switch to the UNLOCK side	ON
DOOR SW-AS	Front door RH closed	OFF
	Front door RH opened	ON
DOOR SW-DR	Front door LH closed	OFF
	Front door LH opened	ON
DOOR SW-RL	Rear door LH closed	OFF
	Rear door LH opened	ON
DOOR SW-RR	Rear door RH closed	OFF
	Rear door RH opened	ON
ENGINE RUN	Engine stopped	OFF
	Engine running	ON
FR FOG SW	Front fog lamp switch OFF	OFF
	Front fog lamp switch ON	ON
FR WASHER SW	Front washer switch OFF	OFF
	Front washer switch ON	ON
FR WIPER LOW	Front wiper switch OFF	OFF
	Front wiper switch LO	ON
FR WIPER HI	Front wiper switch OFF	OFF
	Front wiper switch HI	ON
FR WIPER INT	Front wiper switch OFF	OFF
	Front wiper switch INT	ON
FR WIPER STOP	Any position other than front wiper stop position	OFF
	Front wiper stop position	ON
HAZARD SW	When hazard switch is not pressed	OFF
	When hazard switch is pressed	ON
LIGHT SW 1ST	Lighting switch OFF	OFF
	Lighting switch 1st	ON

A

B

C

D

E

F

G

H

I

J

K

L

M

WCS

O

P

BCM (BODY CONTROL MODULE)

< ECU DIAGNOSIS >

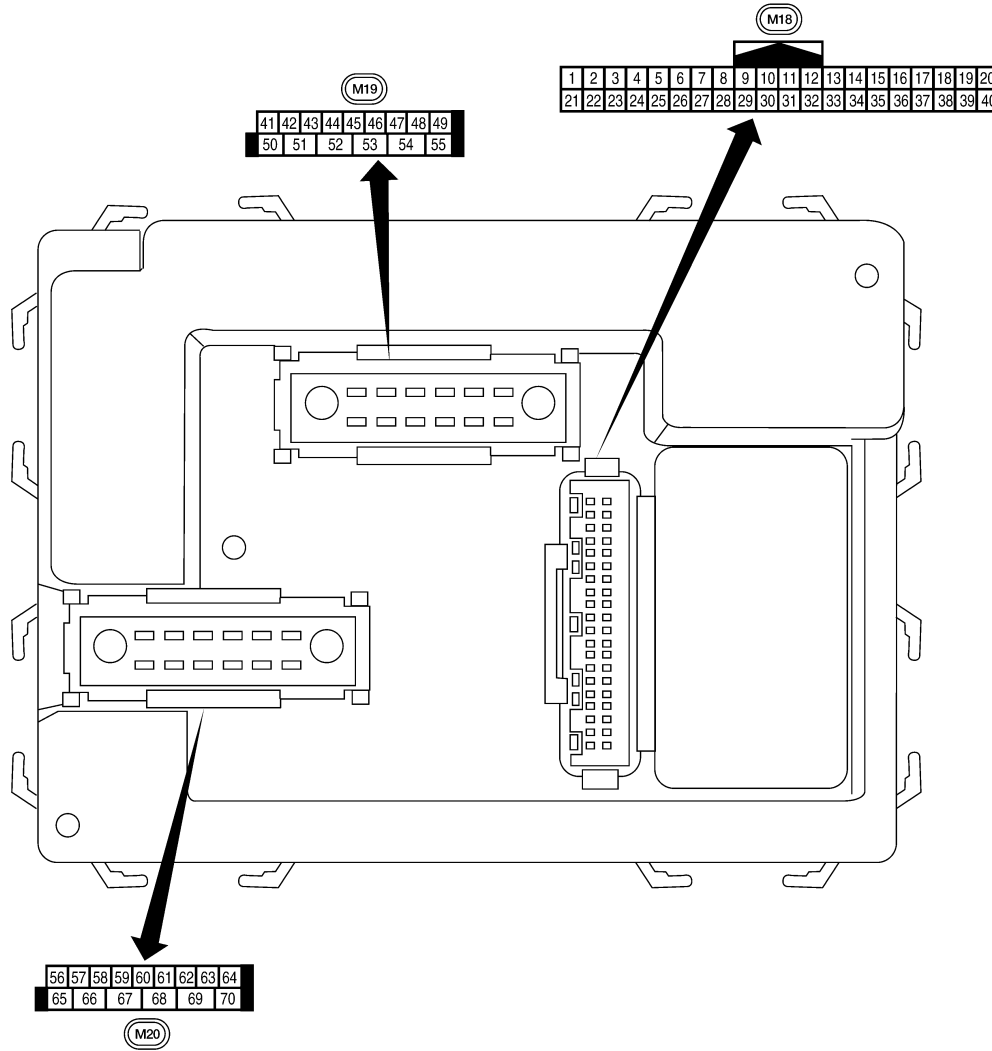
Monitor Item	Condition	Value/Status
HEADLAMP SW1	Headlamp switch OFF	OFF
	Headlamp switch 1st	ON
HEADLAMP SW2	Headlamp switch OFF	OFF
	Headlamp switch 1st	ON
HI BEAM SW	High beam switch OFF	OFF
	High beam switch HI	ON
H/L WASH SW	NOTE: The item is indicated, but not monitored	OFF
IGN ON SW	Ignition switch OFF or ACC	OFF
	Ignition switch ON	ON
IGN SW CAN	Ignition switch OFF or ACC	OFF
	Ignition switch ON	ON
INT VOLUME	Wiper intermittent dial is in a dial position 1 - 7	1 - 7
I-KEY LOCK	LOCK button of Intelligent Key is not pressed	OFF
	LOCK button of Intelligent Key is pressed	ON
I-KEY UNLOCK	UNLOCK button of Intelligent Key is not pressed	OFF
	UNLOCK button of Intelligent Key is pressed	ON
KEY ON SW	Mechanical key is removed from key cylinder	OFF
	Mechanical key is inserted to key cylinder	ON
OIL PRESS SW	<ul style="list-style-type: none"> • Ignition switch OFF or ACC • Engine running 	OFF
	Ignition switch ON	ON
PASSING SW	Other than lighting switch PASS	OFF
	Lighting switch PASS	ON
REAR DEF SW	Rear window defogger switch OFF	OFF
	Rear window defogger switch ON	ON
RKE LOCK AND UN-LOCK	NOTE: The item is indicated, but not monitored	OFF
		ON
RR WASHER SW	Rear washer switch OFF	OFF
	Rear washer switch ON	ON
RR WIPER INT	Rear wiper switch OFF	OFF
	Rear wiper switch INT	ON
RR WIPER ON	Rear wiper switch OFF	OFF
	Rear wiper switch ON	ON
RR WIPER STOP	Rear wiper stop position	OFF
	Other than rear wiper stop position	ON
TAIL LAMP SW	Lighting switch OFF	OFF
	Lighting switch 1ST	ON
TRNK OPNR SW	When back door opener switch is not pressed	OFF
	When back door opener switch is pressed	ON
TURN SIGNAL L	Turn signal switch OFF	OFF
	Turn signal switch LH	ON
TURN SIGNAL R	Turn signal switch OFF	OFF
	Turn signal switch RH	ON
VEHICLE SPEED	While driving	Equivalent to speedometer reading

BCM (BODY CONTROL MODULE)

< ECU DIAGNOSIS >

Terminal Layout

INFOID:000000004115465



A
B
C
D
E
F
G
H
I
J
K
L
M

WCS


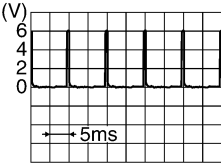

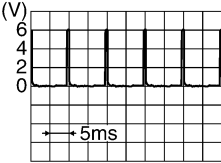
Physical Values

LIA2443E

INFOID:000000004115466

BCM (BODY CONTROL MODULE)

< ECU DIAGNOSIS >

Terminal	Wire color	Signal name	Signal input/output	Measuring condition		Reference value or waveform (Approx.)
				Ignition switch	Operation or condition	
1	BR/W	Ignition keyhole illumination	Output	OFF	Door is locked (SW OFF)	Battery voltage
					Door is unlocked (SW ON)	0V
2	SB	Combination switch input 5	Input	ON	Lighting, turn, wiper OFF Wiper dial position 4	 <p style="text-align: right; font-size: small;">SKIA5291E</p>
3	G/Y	Combination switch input 4	Input	ON	Lighting, turn, wiper OFF Wiper dial position 4	 <p style="text-align: right; font-size: small;">SKIA5292E</p>
4	Y	Combination switch input 3	Input	ON	Lighting, turn, wiper OFF Wiper dial position 4	 <p style="text-align: right; font-size: small;">SKIA5291E</p>
5	G/B	Combination switch input 2	Input	ON	Lighting, turn, wiper OFF Wiper dial position 4	 <p style="text-align: right; font-size: small;">SKIA5292E</p>
6	V	Combination switch input 1				
9	GR/R	Rear window defogger switch	Input	ON	Rear window defogger switch ON	0V
					Rear window defogger switch OFF	5V
10	G	Hazard lamp flash	Input	OFF	ON (opening or closing)	0V
					OFF (other than above)	Battery voltage
11	O	Ignition switch (ACC or ON)	Input	ACC or ON	Ignition switch ACC or ON	Battery voltage
12	R/L	Front door switch RH	Input	OFF	ON (open)	0V
					OFF (closed)	Battery voltage
13	GR	Rear door switch RH	Input	OFF	ON (open)	0V
					OFF (closed)	Battery voltage
15	L/W	Tire pressure warning check connector	Input	OFF	—	5V
18	P	Remote keyless entry receiver and optical sensor (ground)	Output	OFF	—	0V

BCM (BODY CONTROL MODULE)

< ECU DIAGNOSIS >

Terminal	Wire color	Signal name	Signal input/output	Measuring condition		Reference value or waveform (Approx.)
				Ignition switch	Operation or condition	
19	V/W	Remote keyless entry receiver (power supply)	Output	OFF	Ignition switch OFF	
20	G/W	Remote keyless entry receiver (signal)	Input	OFF	Stand-by (keyfob buttons released)	
					When remote keyless entry receiver receives signal from keyfob (keyfob buttons pressed)	
21	G	NATS antenna amp.	Input	OFF → ON	Ignition switch (OFF → ON)	Just after turning ignition switch ON: Pointer of tester should move for approx. 1 second, then return to battery voltage.
22	W/V	BUS	—	—	Ignition switch ON or power window timer operates	
23	G/O	Security indicator lamp	Output	OFF	Goes OFF → illuminates (Every 2.4 seconds)	Battery voltage → 0V
25	BR	NATS antenna amp.	Input	OFF → ON	Ignition switch (OFF → ON)	Just after turning ignition switch ON: Pointer of tester should move for approx. 1 second, then return to battery voltage.
26	Y/L	Rear wiper auto stop switch 2	Input	ON	Rise up position (rear wiper arm on stopper)	0V
					A Position (full clockwise stop position)	0V
					Forward sweep (counterclockwise direction)	Fluctuating
					B Position (full counterclockwise stop position)	Battery voltage
					Reverse sweep (clockwise direction)	Fluctuating
27	W/R	Compressor ON signal	Input	ON	A/C switch OFF	5V
					A/C switch ON	0V

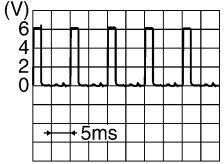
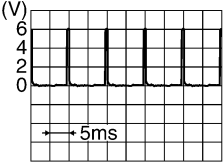
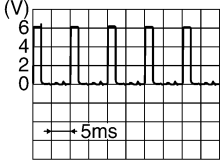
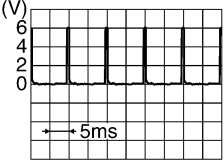
A
B
C
D
E
F
G
H
I
J
K
L
M

WCS

O
P

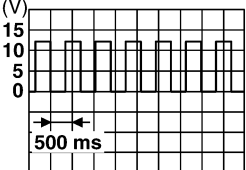
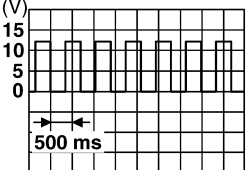
BCM (BODY CONTROL MODULE)

< ECU DIAGNOSIS >

Terminal	Wire color	Signal name	Signal input/output	Measuring condition		Reference value or waveform (Approx.)
				Ignition switch	Operation or condition	
28	L/R	Front blower monitor	Input	ON	Front blower motor OFF	Battery voltage
					Front blower motor ON	0V
29	W/B	Hazard switch	Input	OFF	ON	0V
					OFF	5V
30	Y/BR	Glass hatch switch	Input	OFF	Glass hatch switch released	0
					Glass hatch switch pressed	Battery
32	R/G	Combination switch output 5	Output	ON	Lighting, turn, wiper OFF Wiper dial position 4	 <p style="text-align: right; font-size: small;">SKIA5291E</p>
33	R/Y	Combination switch output 4	Output	ON	Lighting, turn, wiper OFF Wiper dial position 4	 <p style="text-align: right; font-size: small;">SKIA5292E</p>
34	L	Combination switch output 3	Output	ON	Lighting, turn, wiper OFF Wiper dial position 4	 <p style="text-align: right; font-size: small;">SKIA5291E</p>
35	O/B	Combination switch output 2	Output	ON	Lighting, turn, wiper OFF Wiper dial position 4	 <p style="text-align: right; font-size: small;">SKIA5292E</p>
36	R/W	Combination switch output 1				
37	B/R	Key switch and ignition knob switch	Input	OFF	Intelligent Key inserted	Battery voltage
					Intelligent Key inserted	0V
38	W/L	Ignition switch (ON)	Input	ON	—	Battery voltage
39	L	CAN-H	—	—	—	—
40	P	CAN-L	—	—	—	—
42	GR	Glass hatch ajar switch	Input	ON	Glass hatch open	0
					Glass hatch closed	Battery
43	R/B	Back door latch (door ajar switch)	Input	OFF	ON (open)	0V
					OFF (closed)	Battery voltage

BCM (BODY CONTROL MODULE)

< ECU DIAGNOSIS >

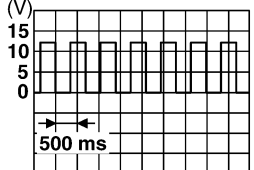
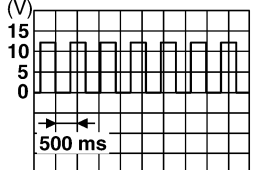
Terminal	Wire color	Signal name	Signal input/output	Measuring condition		Reference value or waveform (Approx.)
				Ignition switch	Operation or condition	
44	O	Rear wiper auto stop switch 1	Input	ON	Rise up position (rear wiper arm on stopper)	0V
					A Position (full clockwise stop position)	Battery voltage
					Forward sweep (counterclockwise direction)	Fluctuating
					B Position (full counterclockwise stop position)	0V
					Reverse sweep (clockwise direction)	Fluctuating
47	SB	Front door switch LH	Input	OFF	ON (open)	0V
					OFF (closed)	Battery voltage
48	R/Y	Rear door switch LH	Input	OFF	ON (open)	0V
					OFF (closed)	Battery voltage
49	R	Cargo lamp	Output	OFF	Any door open (ON)	0V
					All doors closed (OFF)	Battery voltage
51	G/Y	Trailer turn signal (right)	Output	ON	Turn right ON	 <small>SKIA3009J</small>
52	G/B	Trailer turn signal (left)	Output	ON	Turn left ON	 <small>SKIA3009J</small>
53	L/W	Glass hatch lock actuator	Output	OFF	Glass hatch switch released	0
					Glass hatch switch pressed	Battery
54	Y	Rear wiper output circuit 2	Input	ON	Rise up position (rear wiper arm on stopper)	0V
					A Position (full clockwise stop position)	0V
					Forward sweep (counterclockwise direction)	0V
					B Position (full counterclockwise stop position)	Battery voltage
					Reverse sweep (clockwise direction)	Battery voltage
55	SB	Rear wiper output circuit 1	Output	ON	OFF	0
					ON	Battery voltage
56	R/G	Battery saver output	Output	OFF	30 minutes after ignition switch is turned OFF	0V
				ON	—	Battery voltage
57	Y/R	Battery power supply	Input	OFF	—	Battery voltage

A
B
C
D
E
F
G
H
I
J
K
L
M
P

WCS

BCM (BODY CONTROL MODULE)

< ECU DIAGNOSIS >

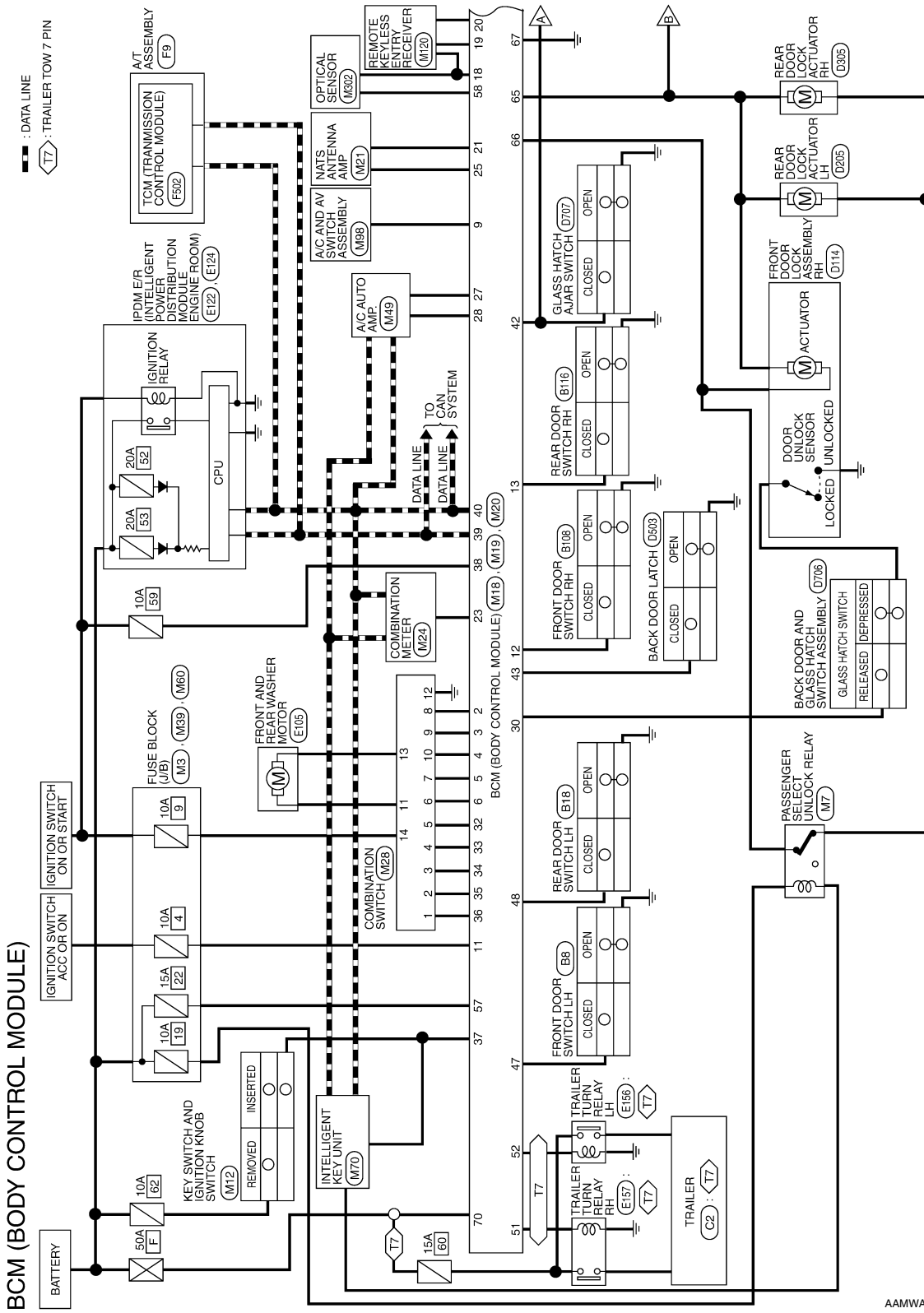
Terminal	Wire color	Signal name	Signal input/output	Measuring condition		Reference value or waveform (Approx.)
				Ignition switch	Operation or condition	
58	W/R	Optical sensor	Input	ON	When optical sensor is illuminated	3.1V or more
					When optical sensor is not illuminated	0.6V or less
59	G	Front door lock assembly LH actuator (unlock)	Output	OFF	OFF (neutral)	0V
					ON (unlock)	Battery voltage
60	G/B	Turn signal (left)	Output	ON	Turn left ON	 <p style="text-align: right; font-size: small;">SKIA3009J</p>
61	G/Y	Turn signal (right)	Output	ON	Turn right ON	 <p style="text-align: right; font-size: small;">SKIA3009J</p>
62	R/W	Step lamp LH and RH	Output	OFF	ON (any door open)	0V
					OFF (all doors closed)	Battery voltage
63	L	Interior room/map lamp	Output	OFF	Any door switch	ON (open) 0V OFF (closed) Battery voltage
65	V	All door lock actuators (lock)	Output	OFF	OFF (neutral)	0V
					ON (lock)	Battery voltage
66	G/Y	Front door lock actuator RH, rear door lock actuators LH/RH and back door lock actuator (unlock)	Output	OFF	OFF (neutral)	0V
					ON (unlock)	Battery voltage
67	B	Ground	Input	ON	—	0V
68	W/L	Power window power supply (RAP)	Output	—	Ignition switch ON	Battery voltage
					Within 45 seconds after ignition switch OFF	Battery voltage
					More than 45 seconds after ignition switch OFF	0V
					When front door LH or RH is open or power window timer operates	0V
69	W/R	Power window power supply	Output	—	—	Battery voltage
70	W/B	Battery power supply	Input	OFF	—	Battery voltage

BCM (BODY CONTROL MODULE)

< ECU DIAGNOSIS >

Wiring Diagram

INFOID:000000004115467



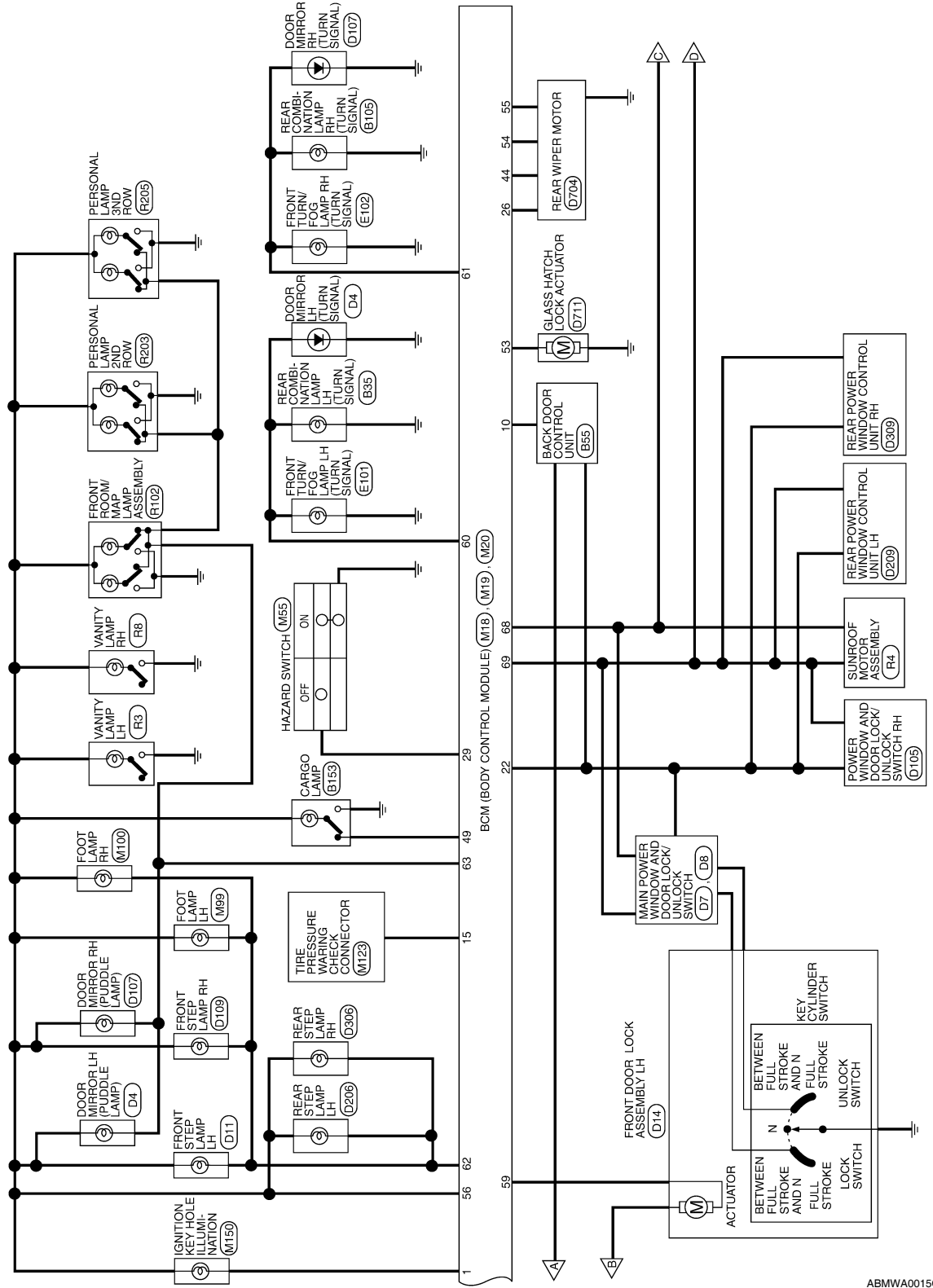
AAMWA0236GI

A
B
C
D
E
F
G
H
I
J
K
L
M
N
O
P

WCS

BCM (BODY CONTROL MODULE)

< ECU DIAGNOSIS >

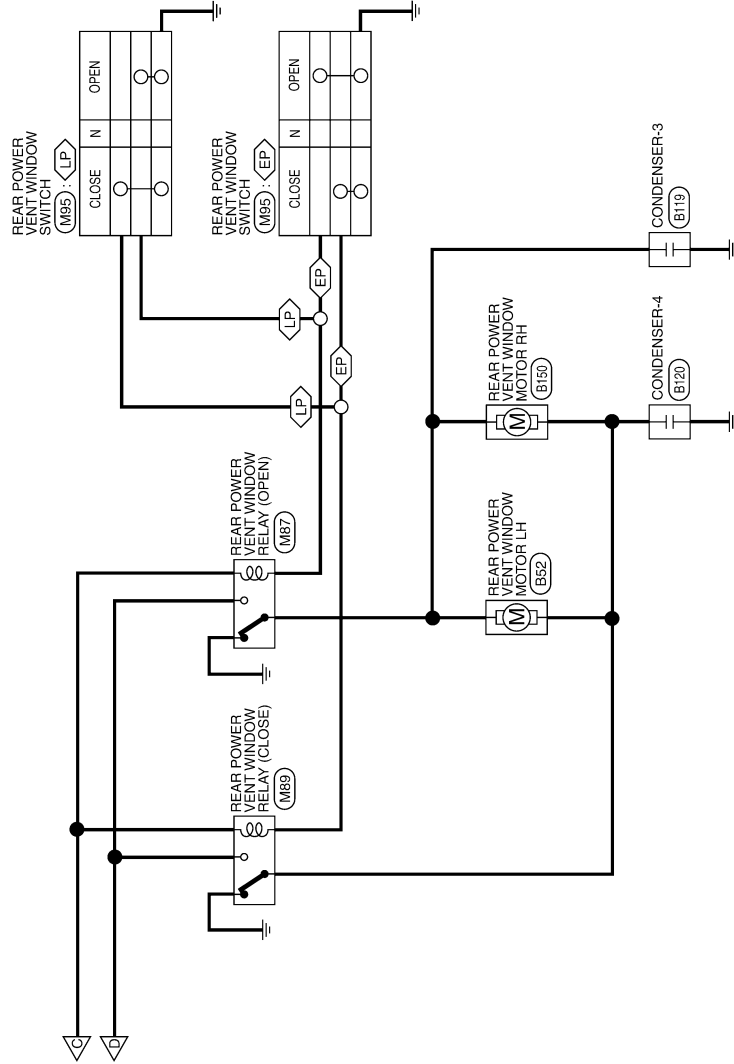


ABMWA0015GI

BCM (BODY CONTROL MODULE)

< ECU DIAGNOSIS >

EP: EARLY PRODUCTION
LP: LATE PRODUCTION



A
B
C
D
E
F
G
H
I
J
K
L
M

WCS

O
P

AAMWA0237GI

BCM (BODY CONTROL MODULE)

< ECU DIAGNOSIS >

BCM (BODY CONTROL MODULE) CONNECTORS

Connector No.	M18
Connector Name	BCM (BODY CONTROL MODULE)
Connector Color	WHITE



1	2	3	4	5	6	7	8	9	10	11	12	13	14	15	16	17	18	19	20
21	22	23	24	25	26	27	28	29	30	31	32	33	34	35	36	37	38	39	40

Terminal No.	Color of Wire	Signal Name
1	BR/W	KEY RING OUTPUT
2	SB	INPUT 5
3	G/Y	INPUT 4
4	Y	INPUT 3
5	G/B	INPUT 2
6	V	INPUT 1
7	-	-
8	-	-
9	GR/R	REAR DEFOGGER SW
10	G	IVCS INPUT
11	O	ACC SW
12	R/L	DOOR SW (AS)
13	GR	DOOR SW (RR)
14	-	-
15	L/W	TPMS (MODE TRIGGER SWITCH)

Terminal No.	Color of Wire	Signal Name
16	-	-
17	-	-
18	P	KEYLESS AND AUTO LIGHT SENSOR GND
19	V/W	KEYLESS TUNER POWER SUPPLY OUTPUT
20	G/W	KEYLESS TUNER SIGNAL
21	G	IMMOBILIZER ANTENNA SIGNAL (CLOCK)
22	W/V	ANTI-PINCH SERIAL LINK (RX, TX)
23	G/W	SECURITY INDICATOR OUTPUT
24	-	-
25	BR	IMMOBILIZER ANTENNA SIGNAL (RX, TX)
26	Y/L	REAR WIPER AUTO STOP SW2
27	W/R	AIR CON SW
28	L/R	BLOWER FAN SW
29	W/B	HAZARD SW
30	Y/BR	GLASS HATCH OPENER
31	-	-
32	R/G	OUTPUT 5
33	R/Y	OUTPUT 4
34	L	OUTPUT 3
35	O/B	OUTPUT 2
36	R/W	OUTPUT 1
37	B/R	KEY SW
38	W/L	IGN SW
39	L	CAN-H
40	P	CAN-L

Connector No.	M19
Connector Name	BCM (BODY CONTROL MODULE)
Connector Color	WHITE



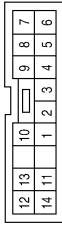
41	42	43	44	45	46	47	48	49
50	51	52	53	54	55			

Terminal No.	Color of Wire	Signal Name
41	-	-
42	GR	GLASS HATCH SW
43	R/B	BACK DOOR SW
44	O	REAR WIPER AUTO STOP SW1
45	-	-
46	-	-
47	SB	DOOR SW (DR)
48	R/Y	DOOR SW (RL)
49	R	LUGGAGE LAMP OUTPUT
50	-	-
51	G/Y	TREAILER FLASH OUTPUT (RIGHT)
52	G/B	TREAILER FLASH OUTPUT (LEFT)
53	L/W	GLASS ACTUATOR OUTPUT
54	Y	REAR WIPER MOTOR OUTPUT 2
55	SB	REAR WIPER MOTOR OUTPUT 1

BCM (BODY CONTROL MODULE)

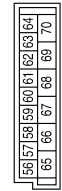
< ECU DIAGNOSIS >

Connector No.	M28
Connector Name	COMBINATION SWITCH
Connector Color	WHITE



Terminal No.	Color of Wire	Signal Name
1	R/W	INPUT 1
2	O/B	INPUT 2
3	L	INPUT 3
4	R/Y	INPUT 4
5	R/G	INPUT 5
6	V	OUTPUT 1
7	G/B	OUTPUT 2
8	SB	OUTPUT 5
9	G/Y	OUTPUT 4
10	Y	OUTPUT 3
11	V/W	WASHER MOTOR
12	B	GND
13	W/R	WASHER MOTOR
14	R/L	IGN

Connector No.	M20
Connector Name	BCM (BODY CONTROL MODULE)
Connector Color	BLACK



Terminal No.	Color of Wire	Signal Name
56	R/G	BATTERY SAVER OUTPUT
57	Y/R	BAT (FUSE)
58	W/R	AUTO LIGHT SENSOR INPUT 2
59	G	DOOR UNLOCK OUTPUT (DR)
60	G/B	FLASHER OUTPUT (LEFT)
61	G/Y	FLASHER OUTPUT (RIGHT)
62	R/W	STEP LAMP OUTPUT
63	L	ROOM LAMP
64	-	-
65	V	DOOR LOCK OUTPUT (ALL)
66	G/Y	DOOR UNLOCK OUTPUT (OTHER)
67	B	GND (POWER)
68	W/L	POWER WINDOW POWER SUPPLY (RAP)
69	W/R	POWER WINDOW POWER SUPPLY (BAT)
70	W/B	BATT (F/L)

ABMIA0024GB

A
B
C
D
E
F
G
H
I
J
K
L
M
N
O
P

WCS

THE LIGHT REMINDER WARNING DOES NOT SOUND

< SYMPTOM DIAGNOSIS >

SYMPTOM DIAGNOSIS

THE LIGHT REMINDER WARNING DOES NOT SOUND

Description

INFOID:000000003776730

Light reminder warning does not sound even though headlamp is illuminated.

Diagnosis Procedure

INFOID:000000003776731

1. CHECK COMBINATION SWITCH (LIGHTING SWITCH) OPERATION

Check that the headlamps operate normally by operating the combination switch (lighting switch).

Do they operate normally?

YES >> GO TO 2

NO >> Refer to [EXL-4, "Work Flow"](#).

2. CHECK FRONT DOOR SWITCH LH SIGNAL CIRCUIT

Perform inspection of the front door switch LH signal circuit. Refer to [DLK-71, "Diagnosis Procedure"](#).

Is the inspection result normal?

YES >> GO TO 3

NO >> Repair harness or connector.

3. CHECK FRONT DOOR SWITCH LH

Perform a unit inspection for the front door switch LH. Refer to [DLK-71, "Diagnosis Procedure"](#).

Is the inspection result normal?

YES >> Replace the BCM. Refer to [BCS-56, "Removal and Installation"](#).

NO >> Replace the front door switch LH.

THE SEAT BELT WARNING CONTINUES SOUNDING, OR DOES NOT SOUND

< SYMPTOM DIAGNOSIS >

THE SEAT BELT WARNING CONTINUES SOUNDING, OR DOES NOT SOUND

Description

INFOID:000000003776732

- Seat belt warning does not sound even though driver seat belt is not fastened.
- Seat belt warning sounds even though driver seat belt is fastened.

Diagnosis Procedure

INFOID:000000003776733

1. CHECK WARNING CHIME OPERATION

1. With key removed from key switch and the front door LH open, turn lighting switch to 1st or 2nd position.
2. Return lighting switch to off position, and insert key into key switch.

Does warning chime sound for both steps?

YES >> GO TO 2

NO >> Replace combination meter. Refer to [MWI-102. "Removal and Installation"](#).

2. CHECK SEAT BELT WARNING LAMP

1. Turn ignition switch ON.
2. Check the operation of the seat belt warning lamp in the combination meter.

Seat belt fastened : OFF

Seat belt not fastened : ON

Is the inspection result normal?

YES >> Replace BCM. Refer to [BCS-56. "Removal and Installation"](#).

NO >> GO TO 3

3. CHECK SEAT BELT BUCKLE SWITCH CIRCUIT

Perform inspection of the seat belt buckle switch circuit. Refer to [WCS-19. "Diagnosis Procedure"](#).

Is the inspection result normal?

YES >> GO TO 4

NO >> Repair harness or connector.

4. CHECK SEAT BELT BUCKLE SWITCH UNIT

Perform a unit inspection for the seat belt buckle switch. Refer to [WCS-20. "Component Inspection"](#).

Is the inspection result normal?

YES >> Replace the combination meter. Refer to [MWI-102. "Removal and Installation"](#).

NO >> Replace the seat belt buckle pre-tensioner assembly LH (seat belt buckle switch).

A
B
C
D
E
F
G
H
I
J
K
L
M

WCS

THE KEY WARNING DOES NOT SOUND

< SYMPTOM DIAGNOSIS >

THE KEY WARNING DOES NOT SOUND

Description

INFOID:000000003776734

Key warning does not sound even though key is in ignition and front door LH is opened.

Diagnosis Procedure

INFOID:000000003776735

1.CHECK WARNING CHIME OPERATION

With key removed from the ignition and the front door LH open, turn the lighting switch to 1st or 2nd position.

Does warning chime sound?

YES >> GO TO 2

NO >> Replace combination meter. Refer to [MWI-102, "Removal and Installation"](#).

2.CHECK KEY SWITCH CIRCUIT

Perform inspection of the key switch circuit. Refer to [WCS-21, "Diagnosis Procedure"](#).

Is the inspection result normal?

YES >> GO TO 3

NO >> Repair harness or connector.

3.CHECK KEY SWITCH

Perform a unit inspection for the key switch. Refer to [WCS-22, "Component Inspection"](#).

Is the inspection result normal?

YES >> Replace the BCM. Refer to [BCS-56, "Removal and Installation"](#).

NO >> Replace the key switch and ignition knob switch.

PRECAUTIONS

< PRECAUTION >

PRECAUTION

PRECAUTIONS

Precaution for Supplemental Restraint System (SRS) "AIR BAG" and "SEAT BELT PRE-TENSIONER"

INFOID:000000005867889

The Supplemental Restraint System such as "AIR BAG" and "SEAT BELT PRE-TENSIONER", used along with a front seat belt, helps to reduce the risk or severity of injury to the driver and front passenger for certain types of collision. This system includes seat belt switch inputs and dual stage front air bag modules. The SRS system uses the seat belt switches to determine the front air bag deployment, and may only deploy one front air bag, depending on the severity of a collision and whether the front occupants are belted or unbelted. Information necessary to service the system safely is included in the SR and SB section of this Service Manual.

WARNING:

- To avoid rendering the SRS inoperative, which could increase the risk of personal injury or death in the event of a collision which would result in air bag inflation, all maintenance must be performed by an authorized NISSAN/INFINITI dealer.
- Improper maintenance, including incorrect removal and installation of the SRS, can lead to personal injury caused by unintentional activation of the system. For removal of Spiral Cable and Air Bag Module, see the SR section.
- Do not use electrical test equipment on any circuit related to the SRS unless instructed to in this Service Manual. SRS wiring harnesses can be identified by yellow and/or orange harnesses or harness connectors.

PRECAUTIONS WHEN USING POWER TOOLS (AIR OR ELECTRIC) AND HAMMERS

WARNING:

- When working near the Airbag Diagnosis Sensor Unit or other Airbag System sensors with the Ignition ON or engine running, DO NOT use air or electric power tools or strike near the sensor(s) with a hammer. Heavy vibration could activate the sensor(s) and deploy the air bag(s), possibly causing serious injury.
- When using air or electric power tools or hammers, always switch the Ignition OFF, disconnect the battery, and wait at least 3 minutes before performing any service.

A
B
C
D
E
F
G
H
I
J
K
L
M
O
P

WCS