

A  
B  
C  
D  
E

# SECTION **BRC**

## BRAKE CONTROL SYSTEM

### CONTENTS

		<b>BRC</b>
<b>VDC/TCS/ABS</b>	Component Description .....16	
<b>BASIC INSPECTION</b> ..... 4	<b>ABS</b> .....17	
<b>DIAGNOSIS AND REPAIR WORKFLOW</b> ..... 4	System Diagram .....17	G
Work Flow .....4	System Description .....17	
Diagnostic Work Sheet .....7	Component Parts Location .....18	
<b>INSPECTION AND ADJUSTMENT</b> ..... 8	Component Description .....19	H
<b>ADDITIONAL SERVICE WHEN REPLACING CONTROL UNIT</b> .....8	<b>EBD</b> .....20	
ADDITIONAL SERVICE WHEN REPLACING CONTROL UNIT : Description .....8	System Diagram .....20	I
ADDITIONAL SERVICE WHEN REPLACING CONTROL UNIT : Special Repair Requirement .....8	System Description .....20	
<b>ADJUSTMENT OF STEERING ANGLE SENSOR NEUTRAL POSITION</b> .....8	Component Parts Location .....21	J
ADJUSTMENT OF STEERING ANGLE SENSOR NEUTRAL POSITION : Description .....8	Component Description .....22	
ADJUSTMENT OF STEERING ANGLE SENSOR NEUTRAL POSITION : Special Repair Requirement .....8	<b>DIAGNOSIS SYSTEM [ABS ACTUATOR AND ELECTRIC UNIT (CONTROL UNIT)]</b> .....23	K
<b>CALIBRATION OF DECEL G SENSOR</b> .....9	CONSULT-III Function (ABS) .....23	
CALIBRATION OF DECEL G SENSOR : Description .....9	<b>COMPONENT DIAGNOSIS</b> .....28	L
CALIBRATION OF DECEL G SENSOR : Special Repair Requirement .....9	<b>C1101, C1102, C1103, C1104 WHEEL SENSOR-1</b> .....28	
<b>FUNCTION DIAGNOSIS</b> .....11	Description .....28	M
<b>VDC</b> .....11	DTC Logic .....28	
System Diagram .....11	Diagnosis Procedure .....28	N
System Description .....11	Component Inspection .....30	
Component Parts Location .....12	Special Repair Requirement .....30	O
Component Description .....13	<b>C1105, C1106, C1107, C1108 WHEEL SENSOR-2</b> .....31	
<b>TCS</b> .....14	Description .....31	P
System Diagram .....14	DTC Logic .....31	
System Description .....14	Diagnosis Procedure .....31	
Component Parts Location .....15	Component Inspection .....33	
	Special Repair Requirement .....33	
	<b>C1109 POWER AND GROUND SYSTEM</b> .....34	
	Description .....34	
	DTC Logic .....34	
	Diagnosis Procedure .....34	
	Special Repair Requirement .....35	

<b>C1110, C1170 ABS ACTUATOR AND ELECTRIC UNIT (CONTROL UNIT)</b> .....	<b>36</b>	Component Inspection .....	56
DTC Logic .....	36	Special Repair Requirement .....	56
Diagnosis Procedure .....	36	<b>C1142 PRESS SENSOR</b> .....	<b>57</b>
Special Repair Requirement .....	36	Description .....	57
<b>C1111 ABS MOTOR, MOTOR RELAY SYSTEM</b> .....	<b>37</b>	DTC Logic .....	57
Description .....	37	Diagnosis Procedure .....	57
DTC Logic .....	37	Component Inspection .....	59
Diagnosis Procedure .....	37	<b>C1143, C1144 STEERING ANGLE SENSOR...</b>	<b>60</b>
Component Inspection .....	38	Description .....	60
Special Repair Requirement .....	38	DTC Logic .....	60
<b>C1113, C1145, C1146 YAW RATE/SIDE/DECEL G SENSOR</b> .....	<b>39</b>	Diagnosis Procedure .....	60
Description .....	39	Component Inspection .....	61
DTC Logic .....	39	Special Repair Requirement .....	61
Diagnosis Procedure .....	39	<b>C1155 BRAKE FLUID LEVEL SWITCH</b> .....	<b>63</b>
Component Inspection .....	40	Description .....	63
Special Repair Requirement .....	40	DTC Logic .....	63
<b>C1115 WHEEL SENSOR</b> .....	<b>42</b>	Diagnosis Procedure .....	63
Description .....	42	Component Inspection .....	64
DTC Logic .....	42	Special Repair Requirement .....	64
Diagnosis Procedure .....	42	<b>C1156 ST ANG SEN COM CIR</b> .....	<b>66</b>
Component Inspection .....	43	Description .....	66
Special Repair Requirement .....	44	DTC Logic .....	66
<b>C1116 STOP LAMP SWITCH</b> .....	<b>45</b>	Diagnosis Procedure .....	66
Description .....	45	<b>C1160 DECEL G SEN SET</b> .....	<b>67</b>
DTC Logic .....	45	Description .....	67
Diagnosis Procedure .....	45	DTC Logic .....	67
Special Repair Requirement .....	46	Diagnosis Procedure .....	67
<b>C1120, C1122, C1124, C1126 IN ABS SOL</b> ....	<b>47</b>	<b>C1163 ST ANGLE SEN SAFE</b> .....	<b>68</b>
Description .....	47	Description .....	68
DTC Logic .....	47	DTC Logic .....	68
Diagnosis Procedure .....	47	Diagnosis Procedure .....	68
Component Inspection .....	48	<b>C1164, C1165, C1166, C1167 CV/SV SYSTEM</b> .....	<b>69</b>
Special Repair Requirement .....	48	Description .....	69
<b>C1121, C1123, C1125, C1127 OUT ABS SOL..</b>	<b>50</b>	DTC Logic .....	69
Description .....	50	Diagnosis Procedure .....	69
DTC Logic .....	50	Component Inspection .....	70
Diagnosis Procedure .....	50	Special Repair Requirement .....	71
Component Inspection .....	51	<b>C1178, C1181, C1184, C1189 ABS ACTIVE BOOSTER</b> .....	<b>72</b>
Special Repair Requirement .....	51	Description .....	72
<b>C1130, C1131, C1132, C1133, C1136 ENGINE SIGNAL</b> .....	<b>53</b>	DTC Logic .....	72
Description .....	53	Diagnosis Procedure .....	72
DTC Logic .....	53	Component Inspection .....	73
Diagnosis Procedure .....	53	Special Repair Requirement .....	73
Special Repair Requirement .....	53	<b>C1179 ABS DELTA S SENSING</b> .....	<b>75</b>
<b>C1140 ACTUATOR RELY</b> .....	<b>55</b>	Description .....	75
Description .....	55	DTC Logic .....	75
DTC Logic .....	55	Diagnosis Procedure .....	75
Diagnosis Procedure .....	55	Component Inspection .....	76
		Special Repair Requirement .....	76

<b>C1185 ICC UNIT</b> .....	77	Diagnosis Procedure .....	103	
Description .....	77	<b>UNEXPECTED PEDAL REACTION</b> .....	104	A
DTC Logic .....	77	Diagnosis Procedure .....	104	
Diagnosis Procedure .....	77	<b>THE BRAKING DISTANCE IS LONG</b> .....	105	B
Special Repair Requirement .....	78	Diagnosis Procedure .....	105	
<b>U1000 CAN COMM CIRCUIT</b> .....	79	<b>ABS FUNCTION DOES NOT OPERATE</b> .....	106	C
Description .....	79	Diagnosis Procedure .....	106	
DTC Logic .....	79	<b>PEDAL VIBRATION OR ABS OPERATION</b>		D
Diagnosis Procedure .....	79	<b>SOUND OCCURS</b> .....	107	
<b>VDC OFF SWITCH</b> .....	80	Diagnosis Procedure .....	107	
Description .....	80	<b>VEHICLE JERKS DURING VDC/TCS/ABS</b>		E
Component Function Check .....	80	<b>CONTROL</b> .....	108	
Diagnosis Procedure .....	80	Diagnosis Procedure .....	108	
Component Inspection .....	81	<b>NORMAL OPERATING CONDITION</b> .....	109	BRC
Special Repair Requirement .....	81	Description .....	109	
<b>ABS WARNING LAMP</b> .....	82	<b>PRECAUTION</b> .....	110	G
Description .....	82	<b>PRECAUTIONS</b> .....	110	
Component Function Check .....	82	Precaution for Supplemental Restraint System		H
Diagnosis Procedure .....	82	(SRS) "AIR BAG" and "SEAT BELT PRE-TEN-		
Special Repair Requirement .....	82	SIONER" .....	110	
<b>BRAKE WARNING LAMP</b> .....	83	Precaution Necessary for Steering Wheel Rota-		I
Description .....	83	tion After Battery Disconnect .....	110	
Component Function Check .....	83	Precaution for Brake System .....	111	J
Diagnosis Procedure .....	83	Precaution for Brake Control .....	111	
Special Repair Requirement .....	83	Precaution for CAN System .....	112	
<b>VDC OFF INDICATOR LAMP</b> .....	84	<b>PREPARATION</b> .....	113	K
Description .....	84	<b>PREPARATION</b> .....	113	
Component Function Check .....	84	Special Service Tool .....	113	
Diagnosis Procedure .....	84	Commercial Service Tool .....	113	
Special Repair Requirement .....	85	<b>REMOVAL AND INSTALLATION</b> .....	114	L
<b>SLIP INDICATOR LAMP</b> .....	86	<b>WHEEL SENSORS</b> .....	114	
Description .....	86	Removal and Installation .....	114	M
Component Function Check .....	86	<b>SENSOR ROTOR</b> .....	115	
Diagnosis Procedure .....	86	Removal and Installation .....	115	
Special Repair Requirement .....	86	<b>ACTUATOR AND ELECTRIC UNIT (ASSEM-</b>		N
<b>ECU DIAGNOSIS</b> .....	87	<b>BLY)</b> .....	116	
<b>ABS ACTUATOR AND ELECTRIC UNIT</b>		Removal and Installation .....	116	O
<b>(CONTROL UNIT)</b> .....	87	<b>STEERING ANGLE SENSOR</b> .....	118	
Reference Value .....	87	Removal and Installation .....	118	P
Wiring Diagram - BRAKE CONTROL SYSTEM -	92	<b>G SENSOR</b> .....	119	
Fail-Safe .....	99	Removal and Installation .....	119	
DTC No. Index .....	100	<b>SYMPTOM DIAGNOSIS</b> .....	102	
<b>SYMPTOM DIAGNOSIS</b> .....	102	<b>VDC/TCS/ABS</b> .....	102	
<b>VDC/TCS/ABS</b> .....	102	Symptom Table .....	102	
Symptom Table .....	102	<b>EXCESSIVE ABS FUNCTION OPERATION</b>		
<b>EXCESSIVE ABS FUNCTION OPERATION</b>		<b>FREQUENCY</b> .....	103	
<b>FREQUENCY</b> .....	103			

## BASIC INSPECTION

### DIAGNOSIS AND REPAIR WORKFLOW

#### Work Flow

INFOID:000000005147938

#### PRECAUTIONS FOR DIAGNOSIS

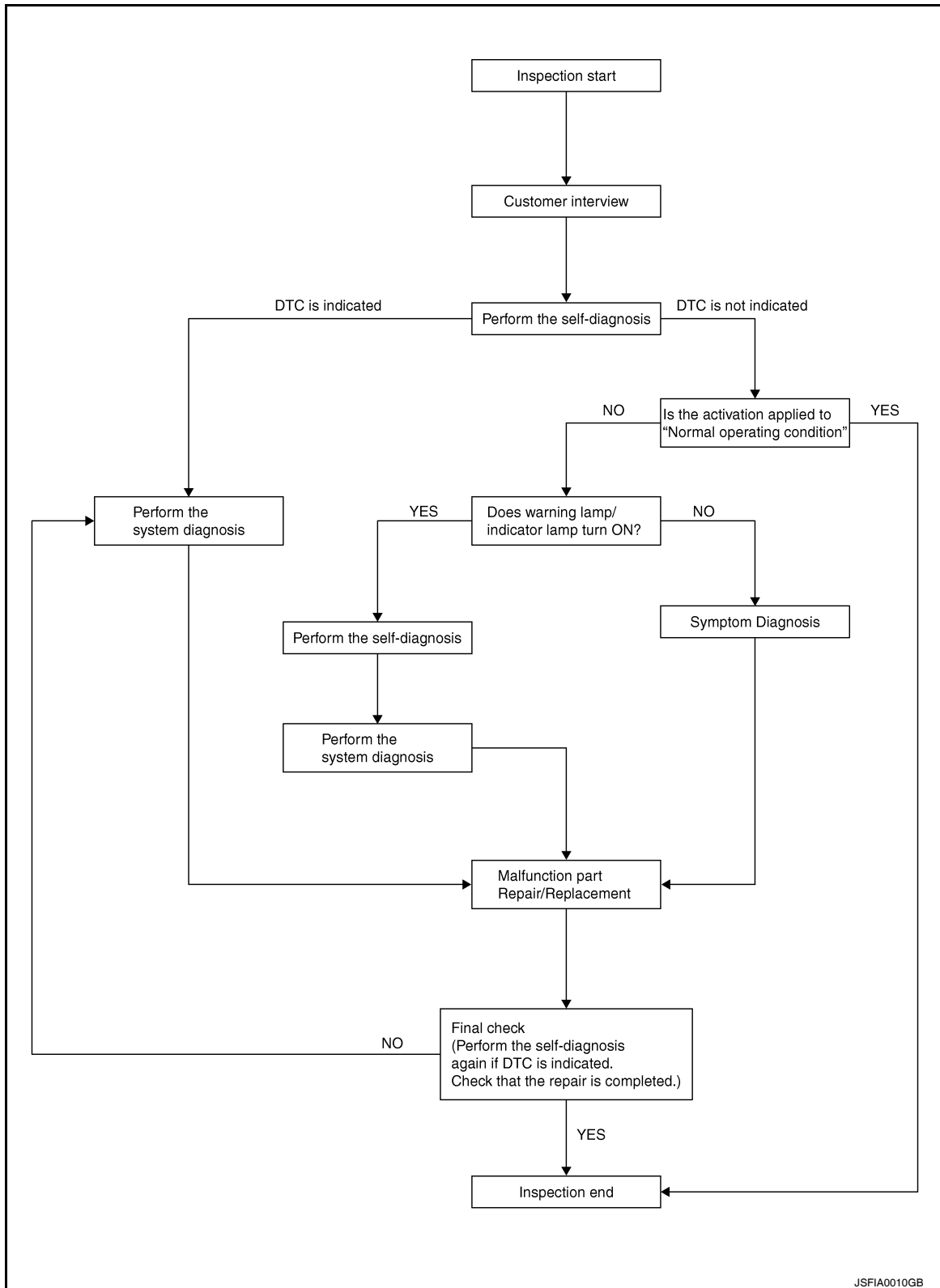
If steering angle sensor, steering system parts, suspension system parts, ABS actuator and electric unit (control unit) or tires have been replaced, or if wheel alignment has been adjusted, be sure to adjust neutral position of steering angle sensor before driving. Refer to [BRC-8, "ADJUSTMENT OF STEERING ANGLE SENSOR NEUTRAL POSITION : Description"](#).

# DIAGNOSIS AND REPAIR WORKFLOW

< BASIC INSPECTION >

[VDC/TCS/ABS]

## OVERALL SEQUENCE



A  
B  
C  
D  
E  
BRC  
G  
H  
I  
J  
K  
L  
M  
N  
O  
P

### DETAILED FLOW

#### 1. COLLECT THE INFORMATION FROM THE CUSTOMER

Get the detailed information from the customer about the symptom (the condition and the environment when the incident/malfunction occurred) using the diagnosis worksheet. Refer to [BRC-7, "Diagnostic Work Sheet"](#).

>> GO TO 2

# DIAGNOSIS AND REPAIR WORKFLOW

[VDC/TCS/ABS]

< BASIC INSPECTION >

---

## 2. PERFORM THE SELF-DIAGNOSIS

Check the DTC display with the self-diagnosis function. Refer to [BRC-23, "CONSULT-III Function \(ABS\)"](#).

Is there any DTC displayed?

YES >> GO TO 3

NO >> GO TO 4

---

## 3. PERFORM THE SYSTEM DIAGNOSIS

Perform the diagnosis applicable to the displayed DTC. Refer to [BRC-100, "DTC No. Index"](#).

>> GO TO 7

---

## 4. CHECK THE SYMPTOM THAT IS NOT CONSIDERED A SYSTEM MALFUNCTION

Check that the symptom is a normal operation that is not considered a system malfunction. Refer to [BRC-109, "Description"](#).

Is the symptom a normal operation?

YES >> Inspection End

NO >> GO TO 5

---

## 5. CHECK THE WARNING LAMP AND INDICATOR LAMP FOR ILLUMINATION

Check that the warning lamp and indicator lamp illuminate.

- ABS warning lamp: Refer to [BRC-82, "Description"](#).
- Brake warning lamp: Refer to [BRC-83, "Description"](#).
- VDC OFF indicator lamp: Refer to [BRC-84, "Description"](#).
- SLIP indicator lamp: Refer to [BRC-86, "Description"](#).

Is ON/OFF timing normal?

YES >> GO TO 6

NO >> GO TO 2

---

## 6. PERFORM THE DIAGNOSIS BY SYMPTOM

Perform the diagnosis applicable to the symptom.

>> GO TO 7

---

## 7. REPAIR OR REPLACE THE MALFUNCTIONING PARTS

Repair or replace the specified malfunctioning parts.

>> GO TO 8

---

## 8. FINAL CHECK

Perform the self-diagnosis again, and check that the malfunction is repaired completely. After checking, erase the self-diagnosis memory. Refer to [BRC-23, "CONSULT-III Function \(ABS\)"](#).

Is no other DTC present and the repair completed?

YES >> Inspection End

NO >> GO TO 3

# DIAGNOSIS AND REPAIR WORKFLOW

< BASIC INSPECTION >

[VDC/TCS/ABS]

## Diagnostic Work Sheet

INFOID:000000005147939

Customer name MR/MS	Model & Year	VIN	
Engine #	Trans.	Mileage	
Incident Date	Manuf. Date	In Service Date	
Symptoms	<input type="checkbox"/> Noise and vibration (from engine compartment) <input type="checkbox"/> Noise and vibration (from axle)	<input type="checkbox"/> Warning / Indicator activate	<input type="checkbox"/> Firm pedal operation Large stroke pedal operation
	<input type="checkbox"/> TCS does not work (Rear wheels slip when accelerating)	<input type="checkbox"/> ABS does not work (Wheels lock when braking)	<input type="checkbox"/> Lack of sense of acceleration
Engine conditions	<input type="checkbox"/> When starting <input type="checkbox"/> After starting		
Road conditions	<input type="checkbox"/> Low friction road ( <input type="checkbox"/> Snow <input type="checkbox"/> Gravel <input type="checkbox"/> Other ) <input type="checkbox"/> Bumps / potholes		
Driving conditions	<input type="checkbox"/> Full-acceleration <input type="checkbox"/> High speed cornering <input type="checkbox"/> Vehicle speed: Greater than 10 km/h (6 MPH) <input type="checkbox"/> Vehicle speed: 10 km/h (6 MPH) or less <input type="checkbox"/> Vehicle is stopped		
Applying brake conditions	<input type="checkbox"/> Suddenly <input type="checkbox"/> Gradually		
Other conditions	<input type="checkbox"/> Operation of electrical equipment <input type="checkbox"/> Shift change <input type="checkbox"/> Other descriptions		

SFIA3265E

A  
B  
C  
D  
E  
**BRC**  
G  
H  
I  
J  
K  
L  
M  
N  
O  
P

## INSPECTION AND ADJUSTMENT

### ADDITIONAL SERVICE WHEN REPLACING CONTROL UNIT

#### ADDITIONAL SERVICE WHEN REPLACING CONTROL UNIT : Description

INFOID:000000005147940

After replacing the ABS actuator and electric unit (control unit), perform the following procedures:

- Neutral position adjustment for the steering angle sensor
- Calibration of the decel G sensor

#### ADDITIONAL SERVICE WHEN REPLACING CONTROL UNIT : Special Repair Requirement

INFOID:000000005147941

##### 1. PERFORM THE NEUTRAL POSITION ADJUSTMENT FOR THE STEERING ANGLE SENSOR

Perform the neutral position adjustment for the steering angle sensor.

>> Refer to [BRC-8. "ADJUSTMENT OF STEERING ANGLE SENSOR NEUTRAL POSITION : Special Repair Requirement"](#), GO TO 2

##### 2. PERFORM CALIBRATION OF THE DECEL G SENSOR

Perform calibration of the decel G sensor.

>> Refer to [BRC-9. "CALIBRATION OF DECEL G SENSOR : Special Repair Requirement"](#).

### ADJUSTMENT OF STEERING ANGLE SENSOR NEUTRAL POSITION

#### ADJUSTMENT OF STEERING ANGLE SENSOR NEUTRAL POSITION : Description

INFOID:000000005147942

Refer to the table below to determine if adjustment of steering angle sensor neutral position is required.

x: Required –: Not required

Situation	Adjustment of steering angle sensor neutral position
Removing/Installing ABS actuator and electric unit (control unit)	—
Replacing ABS actuator and electric unit (control unit)	x
Removing/Installing steering angle sensor	x
Replacing steering angle sensor	x
Removing/Installing steering components	x
Replacing steering components	x
Removing/Installing suspension components	x
Replacing suspension components	x
Change tires to new ones	—
Tire rotation	—
Adjusting wheel alignment	x
Battery disconnection	x

#### ADJUSTMENT OF STEERING ANGLE SENSOR NEUTRAL POSITION : Special Repair Requirement

INFOID:000000005147943

#### ADJUSTMENT OF STEERING ANGLE SENSOR NEUTRAL POSITION

**CAUTION:**

**To adjust neutral position of steering angle sensor, make sure to use CONSULT-III (Adjustment cannot be done without CONSULT-III)**

##### 1. ALIGN THE VEHICLE STATUS

Stop vehicle with front wheels in straight-ahead position.



>> GO TO 2

## 2. PERFORM THE NEUTRAL POSITION ADJUSTMENT FOR THE STEERING ANGLE SENSOR

1. On the CONSULT-III screen, touch "WORK SUPPORT" and "ST ANG SEN ADJUSTMENT" in order.
2. Touch "START".

**CAUTION:**

**Do not touch steering wheel while adjusting steering angle sensor.**

3. After approximately 10 seconds, touch "END".

**NOTE:**

After approximately 60 seconds, it ends automatically.

4. Turn ignition switch OFF, then turn it ON again.

**CAUTION:**

**Be sure to perform above operation.**

>> GO TO 3

## 3. CHECK DATA MONITOR

1. Run vehicle with front wheels in straight-ahead position, then stop.
2. Select "DATA MONITOR". Then make sure "STR ANGLE SIG" is within  $0 \pm 2.5^\circ$ .

Is the steering angle within the specified range?

YES >> GO TO 4

NO >> Perform the neutral position adjustment for the steering angle sensor again, GO TO 1

## 4. ERASE THE SELF-DIAGNOSIS MEMORY

Erase the self-diagnosis memory of the ABS actuator and electric unit (control unit) and ECM.

- ABS actuator and electric unit (control unit): Refer to [BRC-23, "CONSULT-III Function \(ABS\)"](#).
- ECM: Refer to [EC-63, "CONSULT-III Function \(ENGINE\)"](#).

Are the memories erased?

YES >> Inspection End

NO >> Check the items indicated by the self-diagnosis.

## CALIBRATION OF DECEL G SENSOR

### CALIBRATION OF DECEL G SENSOR : Description

INFOID:000000005147944

Refer to the table below to determine if calibration of the decel G sensor is required.

x: Required –: Not required

Situation	Calibration of decel G sensor
Removing/Installing ABS actuator and electric unit (control unit)	—
Replacing ABS actuator and electric unit (control unit)	x
Removing/Installing steering angle sensor	x
Replacing steering angle sensor	x
Removing/Installing steering components	x
Replacing steering components	x
Removing/Installing suspension components	x
Replacing suspension components	x
Change tires to new ones	—
Tire rotation	—
Adjusting wheel alignment	x

### CALIBRATION OF DECEL G SENSOR : Special Repair Requirement

INFOID:000000005147945

#### CALIBRATION OF DECEL G SENSOR

**CAUTION:**

**To calibrate the decel G sensor, make sure to use CONSULT-III**

# INSPECTION AND ADJUSTMENT

< BASIC INSPECTION >

[VDC/TCS/ABS]

---

(Calibration cannot be done without CONSULT-III)

## 1. ALIGN THE VEHICLE STATUS

---

Stop vehicle with front wheels in straight-ahead position.

>> GO TO 2

## 2. PERFORM CALIBRATION OF DECEL G SENSOR

---

1. On the CONSULT-III screen, touch "WORK SUPPORT" and "DECEL G SEN CALIBRATION" in order.
2. Touch "START".
3. After approximately 10 seconds, touch "END".

**NOTE:**

After approximately 60 seconds, it ends automatically.

4. Turn ignition switch OFF, then turn it ON again.

**CAUTION:**

**Be sure to perform above operation.**

>> GO TO 3

## 3. CHECK DATA MONITOR

---

1. Run vehicle with front wheels in straight-ahead position, then stop.
2. Select "DATA MONITOR". Then make sure "DECEL G SEN" is within  $\pm 0.08G$ .

Is the inspection result normal?

YES >> GO TO 4

NO >> Perform calibration of decel G sensor again, GO TO 1

## 4. ERASE THE SELF-DIAGNOSIS MEMORY

---

Erase the self-diagnosis memory of the ABS actuator and electric unit (control unit) and ECM.

- ABS actuator and electric unit (control unit): Refer to [BRC-23, "CONSULT-III Function \(ABS\)"](#).
- ECM: Refer to [EC-63, "CONSULT-III Function \(ENGINE\)"](#).

Are the memories erased?

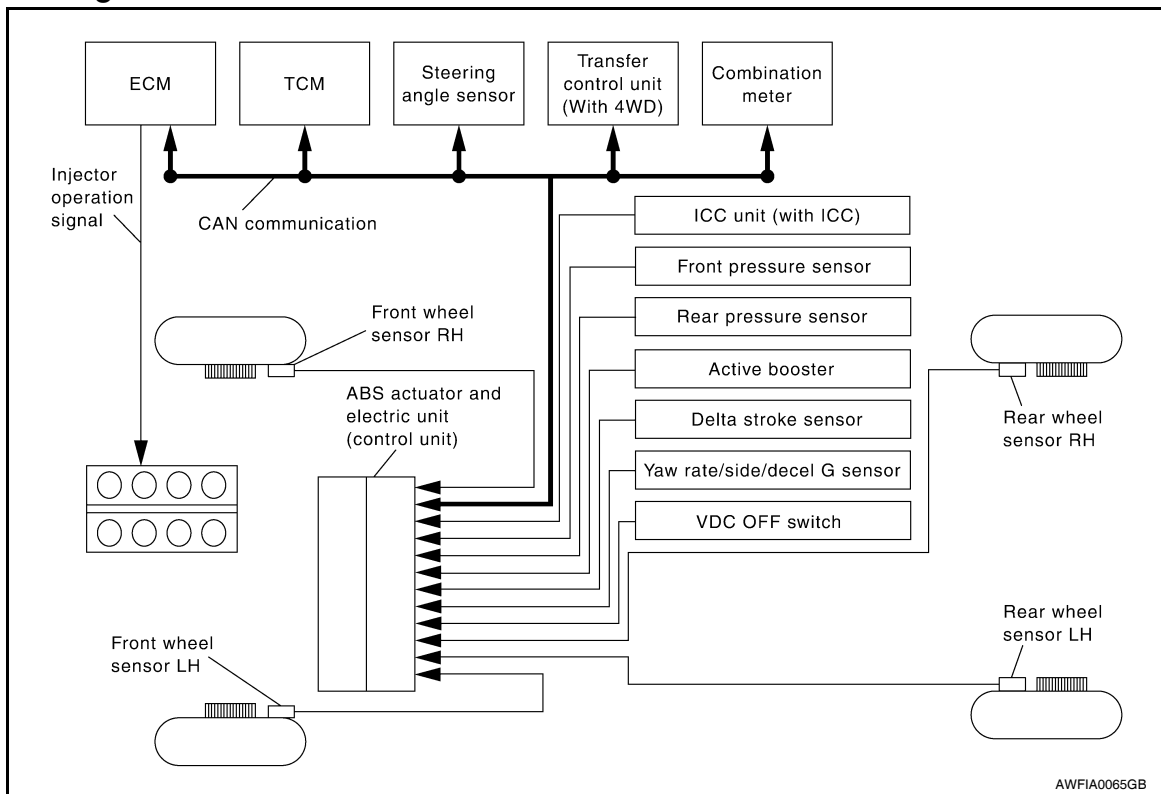
YES >> Inspection End

NO >> Check the items indicated by the self-diagnosis.

# FUNCTION DIAGNOSIS

## VDC

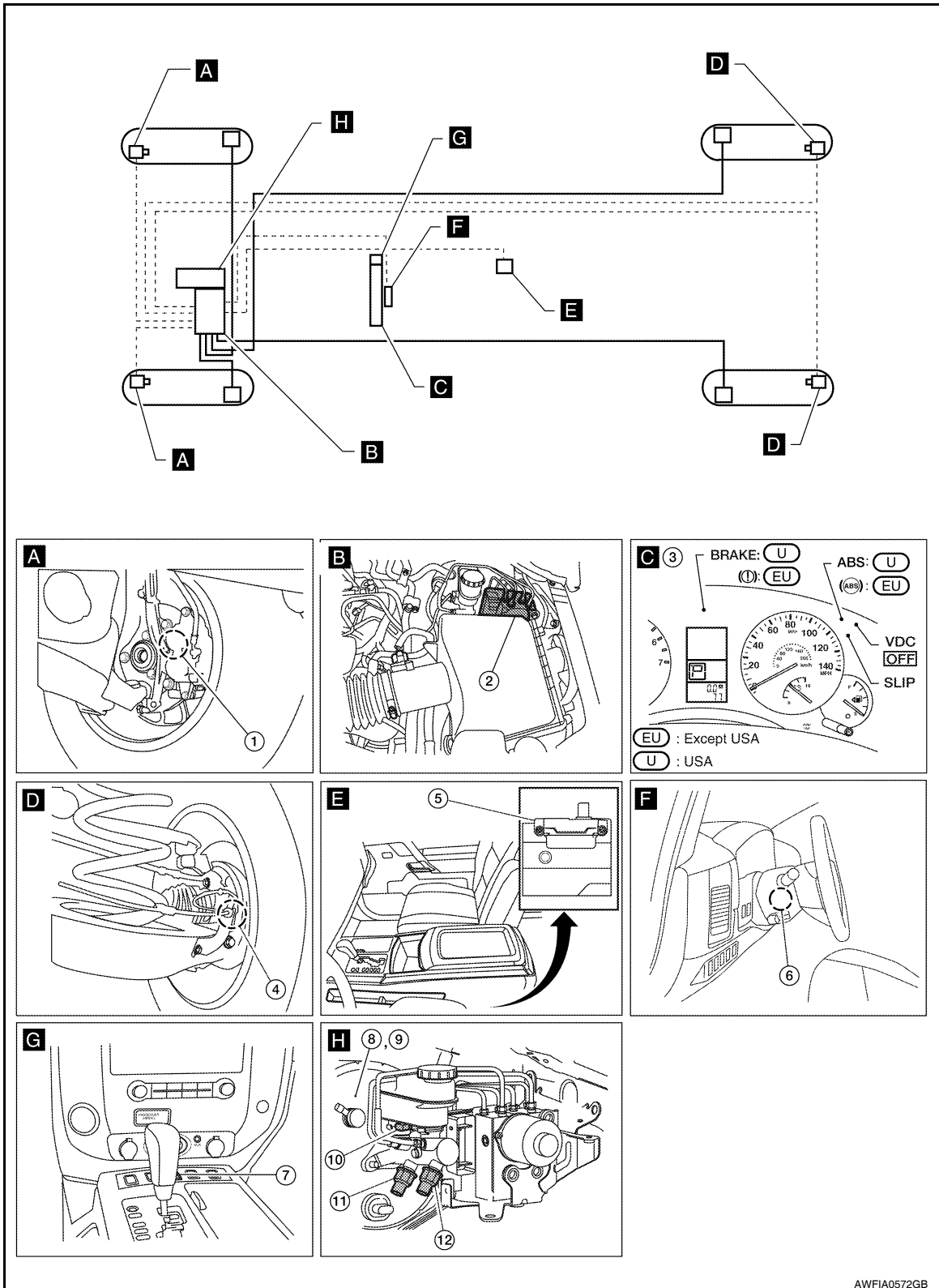
### System Diagram



### System Description

INFOID:000000005147947

- Vehicle Dynamics Control system detects driver's steering operation amount and brake pedal travel from steering angle sensor and pressure sensors. Using information from yaw rate/side/decel G sensor and wheel sensor, VDC judges driving condition (conditions of under steer and over steer) to improve vehicle driving stability by controlling brake application to 4 wheels and engine output.
- During VDC operation, it informs driver of system operation by flashing SLIP indicator lamp.
- Electrical system diagnosis by CONSULT-III is available.



AWFIA0572GB

- |  |   |                               |
|--|---|-------------------------------|
| 1. Front wheel sensor LH E18<br>Front wheel sensor RH E117 | 2. ABS actuator and electric unit (control unit) E125 | 3. Combination meter M23, M24 |
| 4. Rear wheel sensor LH C11<br>Rear wheel sensor RH C10    | 5. Yaw rate/side/decel G sensor M108                  | 6. Steering angle sensor M17  |

# VDC

< FUNCTION DIAGNOSIS >

[VDC/TCS/ABS]

- |                                  |                               |                              |
|----------------------------------|-------------------------------|------------------------------|
| 7. VDC OFF switch M253           | 8. Active booster E49         | 9. Delta stroke sensor E114  |
| 10. Brake fluid level switch E21 | 11. Front pressure sensor E31 | 12. Rear pressure sensor E32 |

## Component Description

INFOID:000000005147949

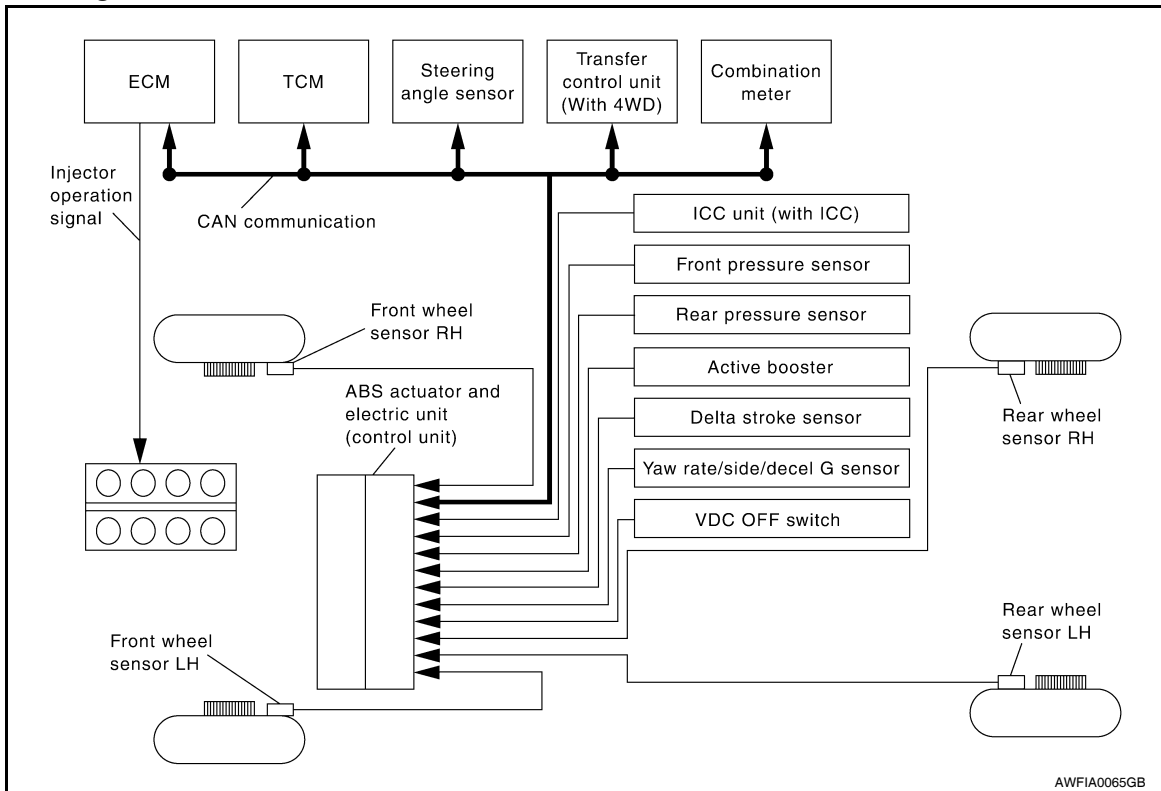
Component parts		Reference
ABS actuator and electric unit (control unit)	Pump	<a href="#">BRC-37, "Description"</a>
	Motor	
	Actuator relay	<a href="#">BRC-55, "Description"</a>
	Solenoid valve	<a href="#">BRC-47, "Description"</a>
	VDC switch-over valve (CV1, CV2, SV1, SV2)	<a href="#">BRC-69, "Description"</a>
Wheel sensor	<a href="#">BRC-28, "Description"</a>	
Yaw rate/side/decel G sensor	<a href="#">BRC-39, "Description"</a>	
Steering angle sensor	<a href="#">BRC-60, "Description"</a>	
VDC OFF switch	<a href="#">BRC-80, "Description"</a>	
ABS warning lamp	<a href="#">BRC-82, "Description"</a>	
Brake warning lamp	<a href="#">BRC-83, "Description"</a>	
VDC OFF indicator lamp	<a href="#">BRC-84, "Description"</a>	
SLIP indicator lamp	<a href="#">BRC-86, "Description"</a>	
Front pressure sensor	<a href="#">BRC-57, "Description"</a>	
Rear pressure sensor		
Active booster	<a href="#">BRC-72, "Description"</a>	
Delta stroke sensor	<a href="#">BRC-75, "Description"</a>	

A  
B  
C  
D  
E  
BRC  
G  
H  
I  
J  
K  
L  
M  
N  
O  
P

## TCS

## System Diagram

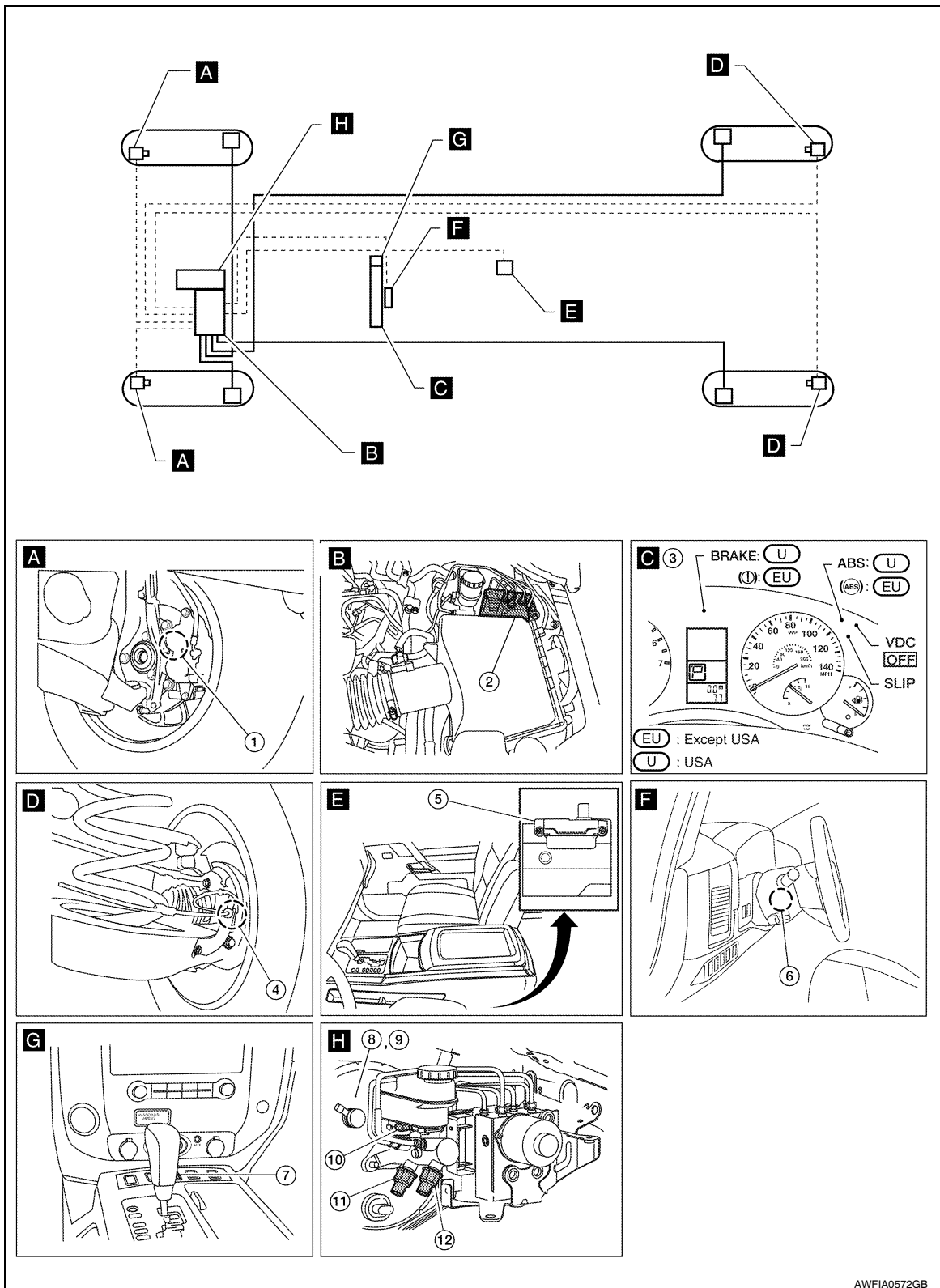
INFOID:000000005147950



## System Description

INFOID:000000005147951

- Traction Control System is a function that electronically controls engine torque, brake fluid pressure and A/T gear position to ensure the optimum slippage ratio at drive wheels by computing wheel speed signals from 4 wheel sensors. When ABS actuator and electric unit (control unit) detects a spin at drive wheels (rear wheels), it compares wheel speed signals from all 4 wheels. At this time, LH and RH rear brake fluid pressure are controlled, while fuel being cut to engine and throttle valve being closed to reduce engine torque by the control unit. Further more, throttle position is continuously controlled to ensure the optimum engine torque at all times.
- During TCS operation, it informs driver of system operation by flashing SLIP indicator lamp.
- Electrical system diagnosis by CONSULT-III is available.



A  
B  
C  
D  
E  
BRC  
G  
H  
I  
J  
K  
L  
M  
N  
O  
P

- |  |   |                               |
|--|---|-------------------------------|
| 1. Front wheel sensor LH E18<br>Front wheel sensor RH E117 | 2. ABS actuator and electric unit (control unit) E125 | 3. Combination meter M23, M24 |
| 4. Rear wheel sensor LH C11<br>Rear wheel sensor RH C10    | 5. Yaw rate/side/decel G sensor M108                  | 6. Steering angle sensor M17  |

# TCS

< FUNCTION DIAGNOSIS >

[VDC/TCS/ABS]

- |                                  |                               |                              |
|----------------------------------|-------------------------------|------------------------------|
| 7. VDC OFF switch M253           | 8. Active booster E49         | 9. Delta stroke sensor E114  |
| 10. Brake fluid level switch E21 | 11. Front pressure sensor E31 | 12. Rear pressure sensor E32 |

## Component Description

INFOID:000000005206965

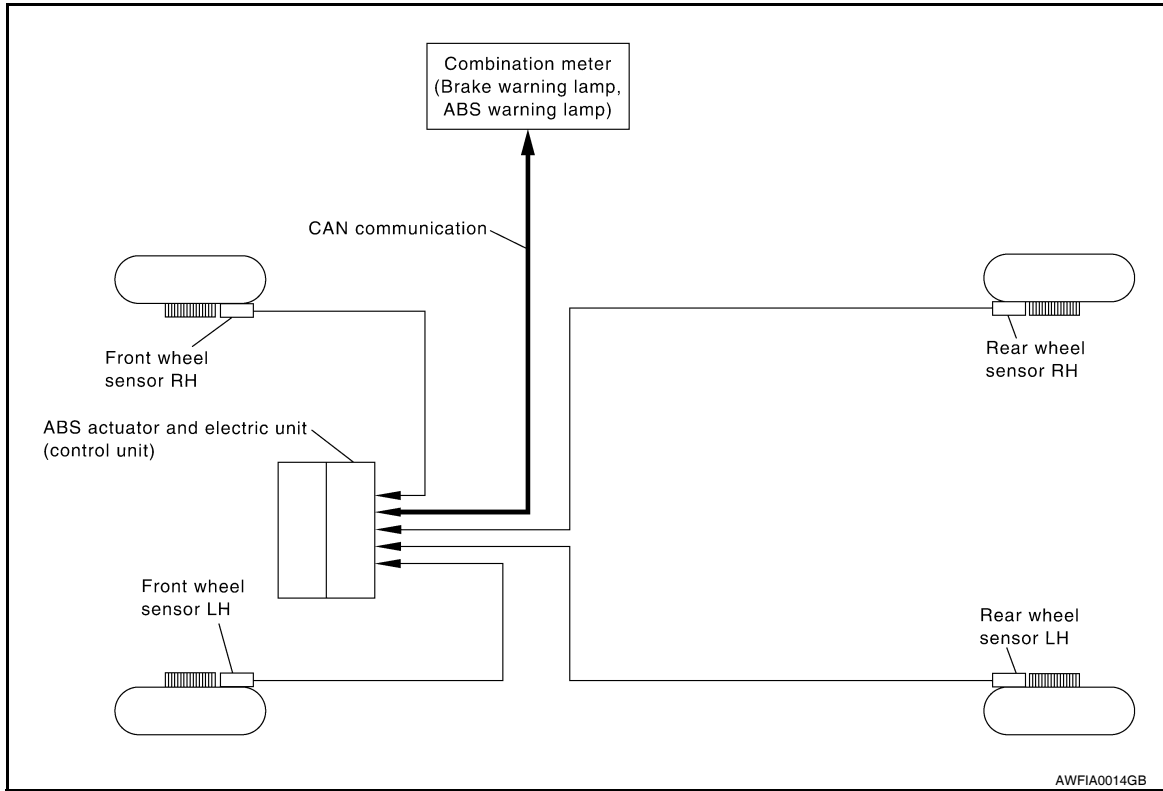
Component parts	Reference	
ABS actuator and electric unit (control unit)	Pump	<a href="#">BRC-37. "Description"</a>
	Motor	
	Actuator relay	<a href="#">BRC-55. "Description"</a>
	Solenoid valve	<a href="#">BRC-47. "Description"</a>
	VDC switch-over valve (CV1, CV2, SV1, SV2)	<a href="#">BRC-69. "Description"</a>
Wheel sensor	<a href="#">BRC-28. "Description"</a>	
Yaw rate/side/decel G sensor	<a href="#">BRC-39. "Description"</a>	
Steering angle sensor	<a href="#">BRC-60. "Description"</a>	
VDC OFF switch	<a href="#">BRC-80. "Description"</a>	
ABS warning lamp	<a href="#">BRC-82. "Description"</a>	
Brake warning lamp	<a href="#">BRC-83. "Description"</a>	
VDC OFF indicator lamp	<a href="#">BRC-84. "Description"</a>	
SLIP indicator lamp	<a href="#">BRC-86. "Description"</a>	
Front pressure sensor	<a href="#">BRC-57. "Description"</a>	
Rear pressure sensor		
Active booster	<a href="#">BRC-72. "Description"</a>	
Delta stroke sensor	<a href="#">BRC-75. "Description"</a>	



ABS

System Diagram

INFOID:000000005147954

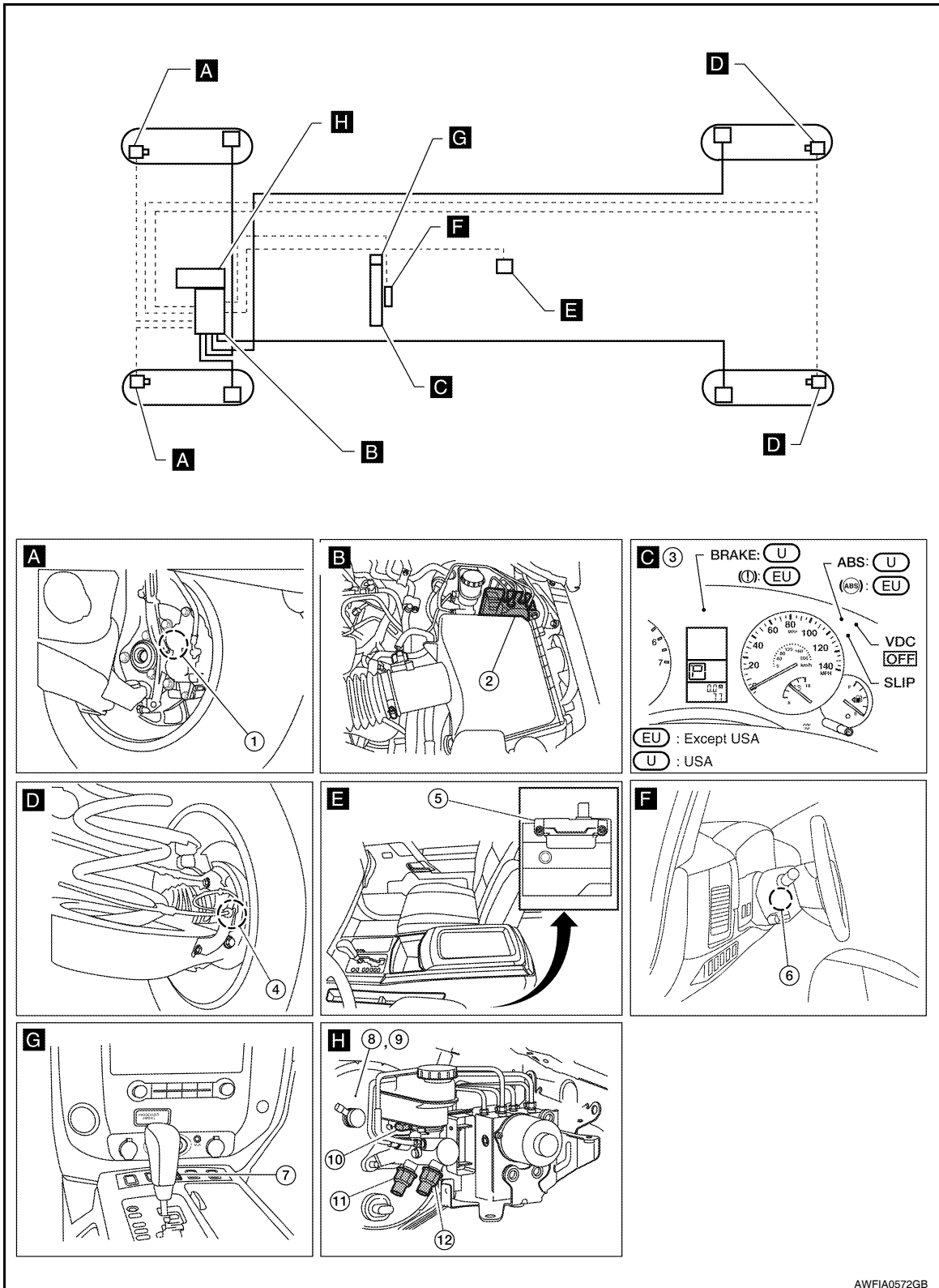


A  
B  
C  
D  
E  
BRC  
G  
H  
I  
J  
K  
L  
M  
N  
O  
P

System Description

INFOID:000000005147955

- Anti-Lock Braking System is a function that detects wheel revolution while braking, electronically controls braking force, and prevents wheel locking during sudden braking. It improves handling stability and maneuverability for avoiding obstacles.
- Electrical system diagnosis by CONSULT-III is available.



AWFIA0572GB

- |  |   |                               |
|--|---|-------------------------------|
| 1. Front wheel sensor LH E18<br>Front wheel sensor RH E117 | 2. ABS actuator and electric unit (control unit) E125 | 3. Combination meter M23, M24 |
| 4. Rear wheel sensor LH C11<br>Rear wheel sensor RH C10    | 5. Yaw rate/side/decel G sensor M108                  | 6. Steering angle sensor M17  |

# ABS

## < FUNCTION DIAGNOSIS >

[VDC/TCS/ABS]

- |                                  |                               |                              |
|----------------------------------|-------------------------------|------------------------------|
| 7. VDC OFF switch M253           | 8. Active booster E49         | 9. Delta stroke sensor E114  |
| 10. Brake fluid level switch E21 | 11. Front pressure sensor E31 | 12. Rear pressure sensor E32 |

A

## Component Description

INFOID:000000005147957

B

Component parts		Reference
ABS actuator and electric unit (control unit)	Pump	<a href="#">BRC-37, "Description"</a>
	Motor	
	Actuator relay	<a href="#">BRC-55, "Description"</a>
	Solenoid valve	<a href="#">BRC-47, "Description"</a>
Wheel sensor		<a href="#">BRC-28, "Description"</a>
ABS warning lamp		<a href="#">BRC-82, "Description"</a>
Brake warning lamp		<a href="#">BRC-83, "Description"</a>

C

D

E

**BRC**

G

H

I

J

K

L

M

N

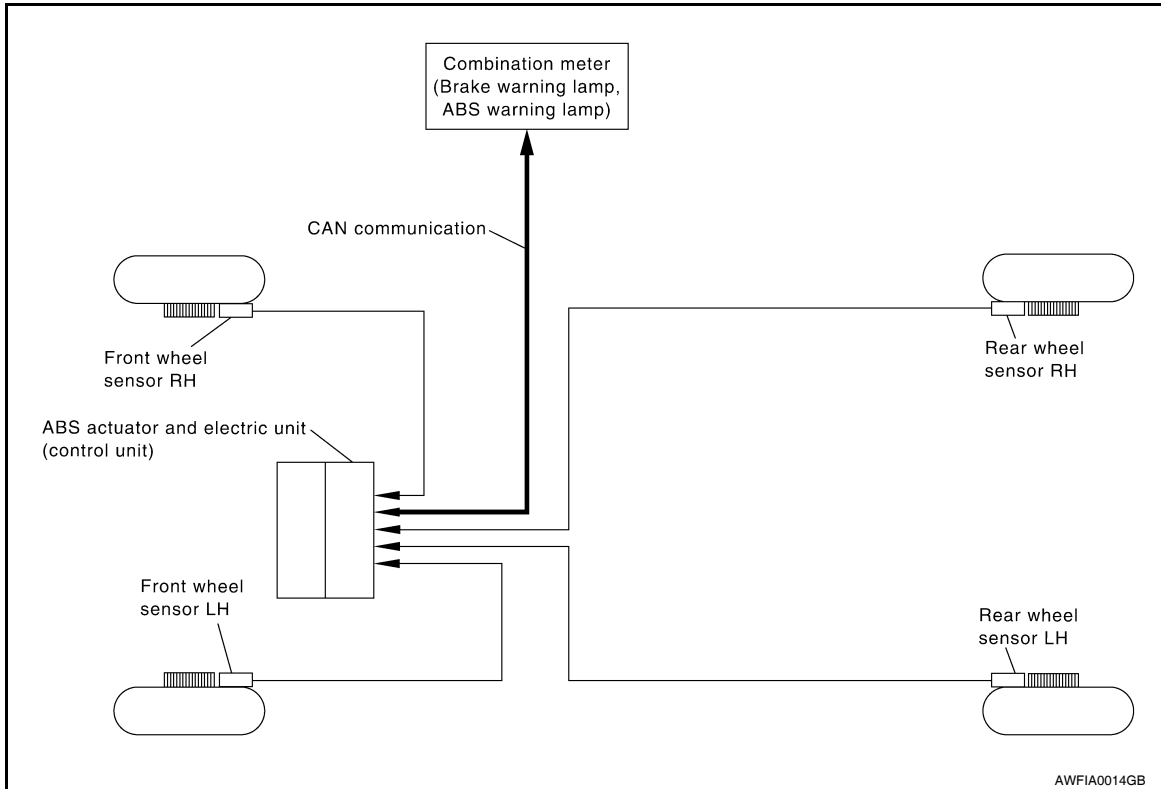
O

P

## EBD

## System Diagram

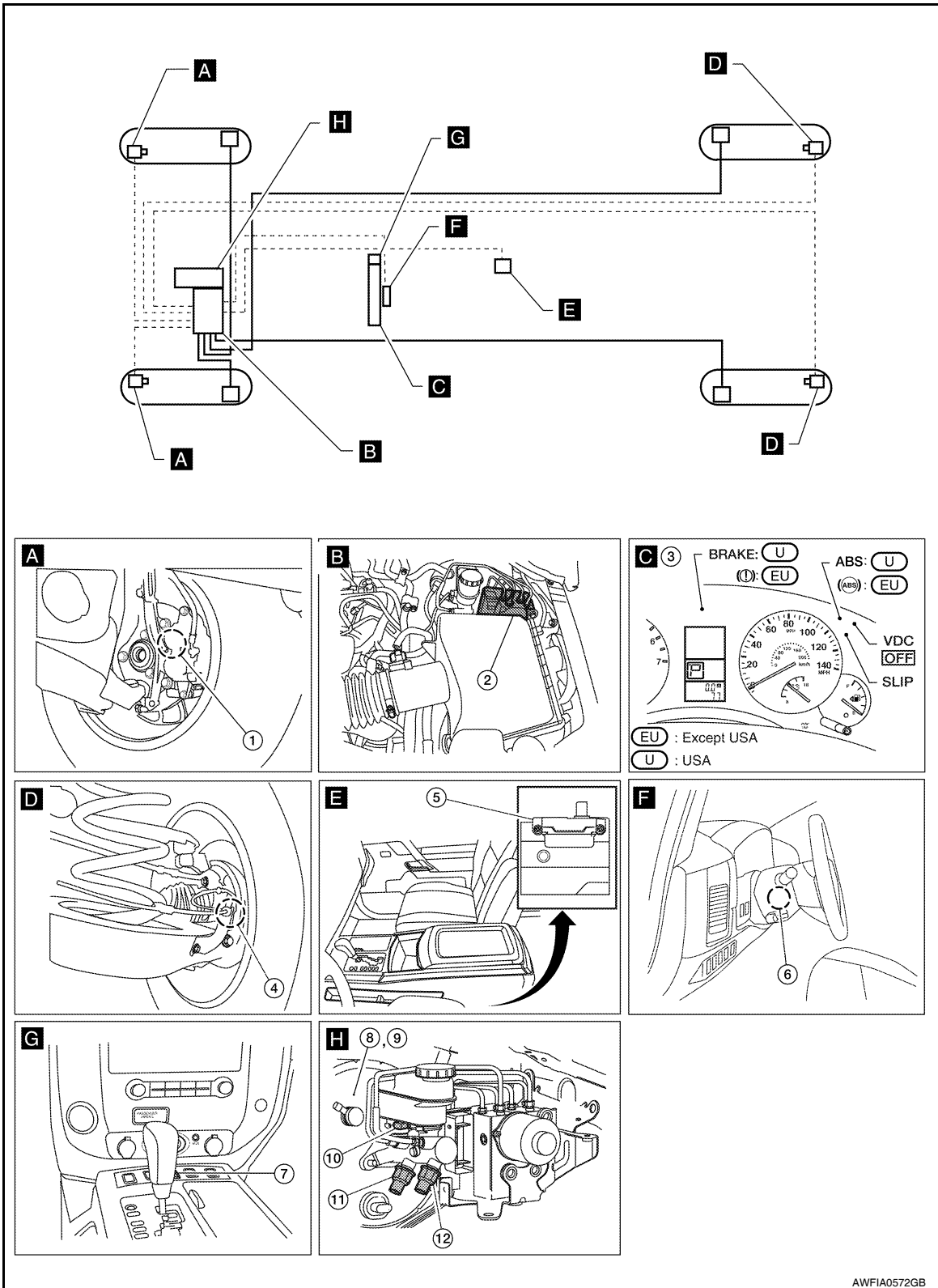
INFOID:000000005147958



## System Description

INFOID:000000005147959

- Electric Brake force Distribution is a following function. ABS actuator and electric unit (control unit) detects subtle slippages between the front and rear wheels during braking. Then it electronically controls the rear braking force (brake fluid pressure) to reduce rear wheel slippage. Accordingly, it improves vehicle stability.
- Electrical system diagnosis by CONSULT-III is available.



A  
B  
C  
D  
E  
BRC  
G  
H  
I  
J  
K  
L  
M  
N  
O  
P

- |  |   |                               |
|--|---|-------------------------------|
| 1. Front wheel sensor LH E18<br>Front wheel sensor RH E117 | 2. ABS actuator and electric unit (control unit) E125 | 3. Combination meter M23, M24 |
| 4. Rear wheel sensor LH C11<br>Rear wheel sensor RH C10    | 5. Yaw rate/side/decel G sensor M108                  | 6. Steering angle sensor M17  |

AWFIA0572GB

< FUNCTION DIAGNOSIS >

- |                                  |                               |                              |
|----------------------------------|-------------------------------|------------------------------|
| 7. VDC OFF switch M253           | 8. Active booster E49         | 9. Delta stroke sensor E114  |
| 10. Brake fluid level switch E21 | 11. Front pressure sensor E31 | 12. Rear pressure sensor E32 |

**Component Description**

INFOID:000000005206968

Component parts		Reference
ABS actuator and electric unit (control unit)	Pump	<a href="#">BRC-37. "Description"</a>
	Motor	
	Actuator relay	<a href="#">BRC-55. "Description"</a>
	Solenoid valve	<a href="#">BRC-47. "Description"</a>
Wheel sensor		<a href="#">BRC-28. "Description"</a>
ABS warning lamp		<a href="#">BRC-82. "Description"</a>
Brake warning lamp		<a href="#">BRC-83. "Description"</a>

# DIAGNOSIS SYSTEM [ABS ACTUATOR AND ELECTRIC UNIT (CONTROL UNIT)]

< FUNCTION DIAGNOSIS >

[VDC/TCS/ABS]

## DIAGNOSIS SYSTEM [ABS ACTUATOR AND ELECTRIC UNIT (CONTROL UNIT)]

### CONSULT-III Function (ABS)

INFOID:000000005147962

#### FUNCTION

CONSULT-III can display each diagnostic item using the diagnostic test modes shown following.

Diagnostic test mode	Function
Work support	This mode enables a technician to adjust some devices faster and more accurately by following the indications on CONSULT-III.
Data Monitor	Input/Output data in the ABS actuator and electric unit (control unit) can be read.
Active Test	Diagnostic test mode is which CONSULT-III drives some actuators apart from the ABS actuator and electric unit (control unit) and also shifts some parameters in a specified range.
Self Diagnostic Result	Self-diagnostic results can be read and erased quickly.
CAN diag support monitor	The results of transmit/receive diagnosis of CAN communication can be read.
ECU Identification	ABS actuator and electric unit (control unit) part number can be read.

#### SELF DIAGNOSTIC RESULT MODE

##### Operation Procedure

- Before performing the self-diagnosis, start engine and drive vehicle at 30 km/h (19 MPH) or more for approximately 1 minute.

##### How to Erase Self-diagnosis Results

- After erasing DTC memory, start engine and drive vehicle at 30 km/h (19 MPH) or more for approximately 1 minute as the final inspection, and make sure that the ABS warning lamp, VDC OFF indicator lamp, SLIP indicator lamp and brake warning lamp turn OFF.

**CAUTION:**

**If memory cannot be erased, perform applicable diagnosis.**

**NOTE:**

- When the wheel sensor malfunctions, after inspecting the wheel sensor system, the ABS warning lamp, VDC OFF indicator lamp, SLIP indicator lamp and brake warning lamp will not turn OFF even when the system is normal unless the vehicle is driving at approximately 30 km/h (19 MPH) or more for approximately 1 minute.
- Brake warning lamp will turn ON in case of parking brake operation (when switch is ON) or of brake fluid level switch operation (when brake fluid is insufficient).
- VDC OFF switch should not stay "ON" position.

##### Display Item List

Refer to [BRC-100, "DTC No. Index"](#).

#### DATA MONITOR MODE

##### Display Item List

Item (Unit)	Data monitor item selection			Remarks
	ECU INPUT SIGNALS	MAIN SIGNALS	SELECTION FROM MENU	
FR LH SENSOR (km/h, mph)	×	×	×	Wheel speed (km/h, mph) calculated by front LH wheel sensor signal is displayed.
FR RH SENSOR (km/h, mph)	×	×	×	Wheel speed (km/h, mph) calculated by front RH wheel sensor signal is displayed.
RR LH SENSOR (km/h, mph)	×	×	×	Wheel speed (km/h, mph) calculated by rear LH wheel sensor signal is displayed.
RR RH SENSOR (km/h, mph)	×	×	×	Wheel speed (km/h, mph) calculated by rear RH wheel sensor signal is displayed.

# DIAGNOSIS SYSTEM [ABS ACTUATOR AND ELECTRIC UNIT (CONTROL UNIT)]

< FUNCTION DIAGNOSIS >

[VDC/TCS/ABS]

Item (Unit)	Data monitor item selection			Remarks
	ECU INPUT SIGNALS	MAIN SIGNALS	SELECTION FROM MENU	
DECEL G-SEN (G)	×	×	×	Longitudinal acceleration (G) detected by decel G-sensor is displayed.
FR RH IN SOL (On/Off)	-	×	×	Front RH IN ABS solenoid (On/Off) status is displayed.
FR RH OUT SOL (On/Off)	-	×	×	Front RH OUT ABS solenoid (On/Off) status is displayed.
FR LH IN SOL (On/Off)	-	×	×	Front LH IN ABS solenoid (On/Off) status is displayed.
FR LH OUT SOL (On/Off)	-	×	×	Front LH OUT ABS solenoid (On/Off) status is displayed.
RR RH IN SOL (On/Off)	-	×	×	Rear RH IN ABS solenoid (On/Off) status is displayed.
RR RH OUT SOL (On/Off)	-	×	×	Rear RH OUT ABS solenoid (On/Off) status is displayed.
RR LH IN SOL (On/Off)	-	×	×	Rear LH IN ABS solenoid (On/Off) status is displayed.
RR LH OUT SOL (On/Off)	-	×	×	Rear LH OUT ABS solenoid (On/Off) status is displayed.
EBD WARN LAMP (On/Off)	-	-	×	Brake warning lamp (On/Off) status is displayed.
STOP LAMP SW (On/Off)	×	×	×	Stop lamp switch (On/Off) status is displayed.
MOTOR RELAY (On/Off)	-	×	×	ABS motor relay signal (On/Off) status is displayed.
ACTUATOR RLY (On/Off)	-	×	×	ABS actuator relay signal (On/Off) status is displayed.
ABS WARN LAMP (On/Off)	-	×	×	ABS warning lamp (On/Off) status is displayed.
OFF LAMP (On/Off)	-	×	×	VDC OFF Lamp (On/Off) status is displayed.
OFF SW (On/Off)	×	×	×	VDC OFF switch (On/Off) status is displayed.
SLIP LAMP (On/Off)	-	×	×	SLIP indicator lamp (On/Off) status is displayed.
BATTERY VOLT (V)	×	×	×	Voltage (V) supplied to ABS actuator and electric unit (control unit) is displayed.
GEAR (1, 2, 3, 4, 5)	×	×	×	Gear position (1, 2, 3, 4, 5) judged by transmission range switch signal is displayed.
SLCT LVR POSI (P, N, D)	×	×	×	Shift position (P, N, D) judged by transmission range switch signal.
ENGINE SPEED (rpm)	×	×	×	Engine speed (rpm) judged by CAN communication signal is displayed.
YAW RATE SEN (d/s)	×	×	×	Yaw rate (d/s) detected by yaw rate sensor is displayed.
R POSI SIG (On/Off)	-	-	×	Reverse shift position (On/Off) judged by PNP switch signal.
4WD FAIL REQ (On/Off)	-	-	×	Transfer control unit fail-safe mode (On/Off) is displayed.
N POSI SIG (On/Off)	-	-	×	Shift position judged by transmission range switch signal.



# DIAGNOSIS SYSTEM [ABS ACTUATOR AND ELECTRIC UNIT (CONTROL UNIT)]

< FUNCTION DIAGNOSIS >

[VDC/TCS/ABS]

Item (Unit)	Data monitor item selection			Remarks
	ECU INPUT SIGNALS	MAIN SIGNALS	SELECTION FROM MENU	
P POSI SIG (On/Off)	-	-	×	Shift position judged by transmission range switch signal.
CV1 (On/Off)	-	-	×	Front side switch-over solenoid valve (cut valve) (On/Off) status is displayed.
CV2 (On/Off)	-	-	×	Rear side switch-over solenoid valve (cut-valve) (On/Off) status is displayed.
SV1 (On/Off)	-	-	×	Front side switch-over solenoid valve (suction valve) (On/Off) status is displayed.
SV2 (On/Off)	-	-	×	Rear side switch-over solenoid valve (suction valve) (On/Off) status is displayed.
2WD/4WD (2WD/4WD)	-	-	×	It recognizes on software whether it is 2WD and whether it is in 4WD state.
ACCEL POS SIG (%)	×	-	×	Throttle valve open/close status judged by CAN communication signal is displayed.
SIDE G-SENSOR (m/s <sup>2</sup> )	×	-	×	Transverse acceleration detected by side G-sensor is displayed.
STR ANGLE SIG (deg)	×	-	×	Steering angle detected by steering angle sensor is displayed.
BST OPER SIG (On/Off)	-	-	×	Active booster operation (On/Off) status is displayed.
PRESS SENSOR (bar)	×	-	×	Brake pressure detected by pressure sensor is displayed.
EBD SIGNAL (On/Off)	-	-	×	EBD operation (On/Off) status is displayed.
ABS SIGNAL (On/Off)	-	-	×	ABS operation (On/Off) status is displayed.
TCS SIGNAL (On/Off)	-	-	×	TCS operation (On/Off) status is displayed.
VDC SIGNAL (On/Off)	-	-	×	VDC operation (On/Off) status is displayed.
EBD FAIL SIG (On/Off)	-	-	×	EBD fail signal (On/Off) status is displayed.
ABS FAIL SIG (On/Off)	-	-	×	ABS fail signal (On/Off) status is displayed.
TCS FAIL SIG (On/Off)	-	-	×	TCS fail signal (On/Off) status is displayed.
VDC FAIL SIG (On/Off)	-	-	×	VDC fail signal (On/Off) status is displayed.
CRANKING SIG (On/Off)	-	-	×	The input state of the key SW START position signal is displayed.
FLUID LEV SW (On/Off)	×	-	×	Brake fluid level switch (On/Off) status is displayed.
PRESS SEN2 (bar)	-	-	×	Brake pressure detected by pressure sensor is displayed.
DELTA S SEN (mm)	-	-	×	The amount of stroke sensor movements in the active booster detected by DELTA S SEN is displayed.
RELEASE SW NO (On/Off)	-	-	×	Release switch signal (On/Off) status is displayed. "On" indicates that the brake pedal is depressed. "Off" indicates that the brake pedal is released.

A

B

C

D

E

BRC

G

H

I

J

K

L

M

N

O

P

# DIAGNOSIS SYSTEM [ABS ACTUATOR AND ELECTRIC UNIT (CONTROL UNIT)]

< FUNCTION DIAGNOSIS >

[VDC/TCS/ABS]

Item (Unit)	Data monitor item selection			Remarks
	ECU INPUT SIGNALS	MAIN SIGNALS	SELECTION FROM MENU	
RELEASE SW NC (On/Off)	-	-	×	Release switch signal (On/Off) status is displayed. "Off" indicates that the brake pedal is depressed. "On" indicates that the brake pedal is released.
OHB FAIL (On/Off)	-	-	×	OHB fail status is displayed.
HBA FAIL (On/Off)	-	-	×	HBA fail status is displayed.
OHB SIG (On/Off)	-	-	×	OHB operation (On/Off) status is displayed.
HBA SIG (On/Off)	-	-	×	HBA operation (On/Off) status is displayed.
STP OFF RLY (On/Off)	-	-	×	Stop lamp relay signal (On/Off) status is displayed.

×: Applicable

-: Not applicable

## ACTIVE TEST MODE

### CAUTION:

- Do not perform active test while driving vehicle.
- Make sure to completely bleed air from brake system.
- The active test cannot be performed with the ABS warning lamp, VDC OFF indicator lamp, SLIP indicator lamp or brake warning lamp on.
- ABS warning lamp, VDC OFF indicator lamp, SLIP indicator lamp and brake warning lamp are on during active test.

### NOTE:

- When active test is performed while depressing the pedal, the pedal depression amount will change. This is normal. (Only solenoid valve and ABS motor.)
- "TEST IS STOPPED" is displayed 10 seconds after operation start.
- After "TEST IS STOPPED" is displayed, to perform test again, touch BACK.

### Test Item

#### SOLENOID VALVE

- When performing an active test of the ABS function, select the "MAIN SIGNALS" for each test item.
- For ABS solenoid valve, touch "Up", "Keep", and "Down" on the display screen. For ABS solenoid valve (ACT), touch "Up", "ACT UP", "ACT KEEP" and confirm that solenoid valves operate as shown in the table below.

Operation		ABS solenoid valve			ABS solenoid valve (ACT)		
		Up	Keep	Down	Up	ACT UP	ACT KEEP
FR RH SOL	FR RH IN SOL	Off	On	On	—	—	—
	FR RH OUT SOL	Off	Off	On*	—	—	—
FR LH SOL	FR LH IN SOL	Off	On	On	—	—	—
	FR LH OUT SOL	Off	Off	On*	—	—	—
RR RH SOL	RR RH IN SOL	Off	On	On	—	—	—
	RR RH OUT SOL	Off	Off	On*	—	—	—
RR LH SOL	RR LH IN SOL	Off	On	On	—	—	—
	RR LH OUT SOL	Off	Off	On*	—	—	—
FR RH ABS SOLENOID (ACT)	FR RH IN SOL	—	—	—	Off	Off	Off
	FR RH OUT SOL	—	—	—	Off	Off	Off
	CV1	—	—	—	Off	On	On
	SV1	—	—	—	Off	On*	Off

# DIAGNOSIS SYSTEM [ABS ACTUATOR AND ELECTRIC UNIT (CONTROL UNIT)]

< FUNCTION DIAGNOSIS >

[VDC/TCS/ABS]

Operation		ABS solenoid valve			ABS solenoid valve (ACT)		
		Up	Keep	Down	Up	ACT UP	ACT KEEP
FR LH ABS SOLENOID (ACT)	FR LH IN SOL	—	—	—	Off	Off	Off
	FR LH OUT SOL	—	—	—	Off	Off	Off
	CV1	—	—	—	Off	On	On
	SV1	—	—	—	Off	On*	Off
RR RH ABS SOLENOID (ACT)	RR RH IN SOL	—	—	—	Off	Off	Off
	RR RH OUT SOL	—	—	—	Off	Off	Off
	CV2	—	—	—	Off	On	On
	SV2	—	—	—	Off	On*	Off
RR LH ABS SOLENOID (ACT)	RR LH IN SOL	—	—	—	Off	Off	Off
	RR LH OUT SOL	—	—	—	Off	Off	Off
	CV2	—	—	—	Off	On	On
	SV2	—	—	—	Off	On*	Off

\*: On for 1 to 2 seconds after the touch, and then Off

### ABS MOTOR

- Touch “On” and “Off” on screen. Make sure motor relay and actuator relay operates as shown in table below.

Operation	On	Off
MOTOR RELAY	On	Off
ACTUATOR RLY	On	On

### BOOSTER DRIVE

- Touch “Up” and “Down” on the screen. Check that booster drive operates as shown in table below.

**CAUTION:**

**Perform active test subject to the conditions below.**

- **Do not operate brake pedal during active test.**
- **Make sure the engine revolution is over 500 rpm.**
- **Make sure the vehicle is not moving.**

Operation	Up	Down
BST OPER SIG	On	Off
PRESS SENSOR	50 ± 5 bar	0 bar
PRESS SEN 2	50 ± 5 bar	0 bar
STOP LAMP SW	On	Off
STP OFF RLY	Off	Off

A  
B  
C  
D  
E  
BRC  
G  
H  
I  
J  
K  
L  
M  
N  
O  
P

# C1101, C1102, C1103, C1104 WHEEL SENSOR-1

< COMPONENT DIAGNOSIS >

[VDC/TCS/ABS]

## COMPONENT DIAGNOSIS

### C1101, C1102, C1103, C1104 WHEEL SENSOR-1

#### Description

INFOID:000000005147963

When the sensor rotor rotates, the magnetic field changes. It converts the magnetic field changes to current signals (rectangular wave) and transmits them to the ABS actuator and electric unit (control unit).

#### DTC Logic

INFOID:000000005147964

#### DTC DETECTION LOGIC

DTC	Display item	Malfunction detected condition	Possible cause
C1101	RR RH SENSOR-1	Circuit of rear RH wheel sensor is open. Or when the sensor power voltage is outside the standard.	<ul style="list-style-type: none"><li>• Harness or connector</li><li>• Wheel sensor</li><li>• ABS actuator and electric unit (control unit)</li></ul>
C1102	RR LH SENSOR-1	Circuit of rear LH wheel sensor is open. Or when the sensor power voltage is outside the standard.	
C1103	FR RH SENSOR-1	Circuit of front RH wheel sensor is open. Or when the sensor power voltage is outside the standard.	
C1104	FR LH SENSOR-1	Circuit of front LH wheel sensor is open. Or when the sensor power voltage is outside the standard.	

#### DTC CONFIRMATION PROCEDURE

##### 1. CHECK SELF-DIAGNOSIS RESULTS

Check the self-diagnosis results.

Self-diagnosis results
RR RH SENSOR-1
RR LH SENSOR-1
FR RH SENSOR-1
FR LH SENSOR-1

Is above displayed on the self-diagnosis display?

- YES >> Proceed to diagnosis procedure. Refer to [BRC-28. "Diagnosis Procedure"](#).  
NO >> Inspection End

#### Diagnosis Procedure

INFOID:000000005147965

Regarding Wiring Diagram information, refer to [BRC-92. "Wiring Diagram - BRAKE CONTROL SYSTEM -"](#).

#### **CAUTION:**

**Do not check between wheel sensor terminals.**

##### 1. CONNECTOR INSPECTION

1. Disconnect the ABS actuator and electric unit (control unit) connector and wheel sensor of malfunctioning code.
2. Check the terminals for deformation, disconnection, looseness or damage.

Is the inspection result normal?

- YES >> GO TO 2  
NO >> Repair or replace as necessary.

##### 2. CHECK WHEEL SENSOR OUTPUT SIGNAL

1. Connect ABS active wheel sensor tester (J-45741) to wheel sensor using appropriate adapter.
2. Turn on the ABS active wheel sensor tester power switch.

# C1101, C1102, C1103, C1104 WHEEL SENSOR-1

< COMPONENT DIAGNOSIS >

[VDC/TCS/ABS]

**NOTE:**

The green POWER indicator should illuminate. If the POWER indicator does not illuminate, replace the battery in the ABS active wheel sensor tester before proceeding.

- Spin the wheel of the vehicle by hand and observe the red SENSOR indicator on the ABS active wheel sensor tester. The red SENSOR indicator should flash on and off to indicate an output signal.

**NOTE:**

If the red SENSOR indicator illuminates but does not flash, reverse the polarity of the tester leads and retest.

Does the ABS active wheel sensor tester detect a signal?

YES >> GO TO 3

NO >> Replace the wheel sensor. Refer to [BRC-114, "Removal and Installation"](#).

### 3.CHECK TIRES

Check the inflation pressure, wear and size of each tire.

Is the inspection result normal?

YES >> GO TO 4

NO >> Adjust tire pressure or replace tire(s).

### 4.CHECK WHEEL BEARINGS

Check wheel bearing axial end play. Refer to [FAX-6, "On-Vehicle Inspection and Service"](#) (front) or [RAX-6, "On-Vehicle Inspection and Service"](#) (rear).

Is the inspection result normal?

YES >> GO TO 5

NO >> Repair or replace as necessary. Refer to [FAX-7, "Removal and Installation"](#) (front) or [RAX-8, "Removal and Installation"](#) (rear).

### 5.CHECK WIRING HARNESS FOR SHORT CIRCUIT

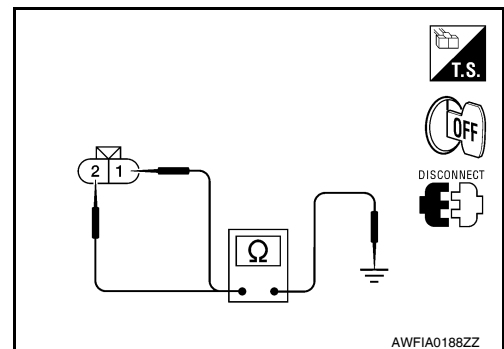
- Disconnect ABS actuator and electric unit (control unit) connector and wheel sensor connector of malfunction code.
- Check continuity between wheel sensor connector terminals and ground.

**Continuity should not exist.**

Is the inspection result normal?

YES >> GO TO 6

NO >> Repair the circuit.



### 6.CHECK WIRING HARNESS FOR OPEN CIRCUIT

Check continuity between ABS actuator and electric unit (control unit) connector and the malfunctioning wheel sensor connector.

Wheel sensor	ABS actuator and electric unit (control unit)		Wheel sensor		Continuity
	Connector	Terminal	Connector	Terminal	
Front LH	E125	45	E18	1	Yes
		46		2	
Front RH		34	E117	1	
		33		2	
Rear LH		37	C11	2	
		36		1	
Rear RH		42	C10	2	
		43		1	

Is the inspection result normal?

# C1101, C1102, C1103, C1104 WHEEL SENSOR-1

< COMPONENT DIAGNOSIS >

[VDC/TCS/ABS]

- YES >> Replace the ABS actuator and electric unit (control unit). Refer to [BRC-116. "Removal and Installation"](#).  
NO >> Repair the circuit.

## Component Inspection

INFOID:000000005147966

### 1. CHECK DATA MONITOR

On "DATA MONITOR", select "FR LH SENSOR", "FR RH SENSOR", "RR LH SENSOR", and "RR RH SENSOR", and check the vehicle speed.

Wheel sensor	Vehicle speed (DATA MONITOR)
FR LH SENSOR	Nearly matches the speedometer display ( $\pm 10\%$ or less)
FR RH SENSOR	
RR LH SENSOR	
RR RH SENSOR	

Is the inspection result normal?

- YES >> Inspection End  
NO >> Go to diagnosis procedure. Refer to [BRC-28. "Diagnosis Procedure"](#).

## Special Repair Requirement

INFOID:000000005147967

### 1. ADJUSTMENT OF STEERING ANGLE SENSOR NEUTRAL POSITION

Always perform neutral position adjustment for the steering angle sensor when replacing the ABS actuator and electric unit (control unit). Refer to [BRC-8. "ADJUSTMENT OF STEERING ANGLE SENSOR NEUTRAL POSITION : Description"](#).

>> GO TO 2

### 2. CALIBRATION OF DECEL G SENSOR

Always perform calibration of decel G sensor when replacing the ABS actuator and electric unit (control unit). Refer to [BRC-9. "CALIBRATION OF DECEL G SENSOR : Description"](#).

>> END

# C1105, C1106, C1107, C1108 WHEEL SENSOR-2

< COMPONENT DIAGNOSIS >

[VDC/TCS/ABS]

## C1105, C1106, C1107, C1108 WHEEL SENSOR-2

### Description

INFOID:000000005147968

When the sensor rotor rotates, the magnetic field changes. It converts the magnetic field changes to current signals (rectangular wave) and transmits them to the ABS actuator and electric unit (control unit).

### DTC Logic

INFOID:000000005147969

### DTC DETECTION LOGIC

DTC	Display item	Malfunction detected condition	Possible cause
C1105	RR RH SENSOR-2	When the circuit in the rear RH wheel sensor is short-circuited. Or when the distance between the wheel sensor and sensor rotor is too large and the sensor pulse cannot be recognized by the control unit.	<ul style="list-style-type: none"><li>• Harness or connector</li><li>• Wheel sensor</li><li>• ABS actuator and electric unit (control unit)</li></ul>
C1106	RR LH SENSOR-2	When the circuit in the rear LH wheel sensor is short-circuited. Or when the distance between the wheel sensor and sensor rotor is too large and the sensor pulse cannot be recognized by the control unit.	
C1107	FR RH SENSOR-2	When the circuit in the front RH wheel sensor is short-circuited. Or when the distance between the wheel sensor and sensor rotor is too large and the sensor pulse cannot be recognized by the control unit.	
C1108	FR LH SENSOR-2	When the circuit in the front LH wheel sensor is short-circuited. Or when the distance between the wheel sensor and sensor rotor is too large and the sensor pulse cannot be recognized by the control unit.	

### DTC CONFIRMATION PROCEDURE

#### 1. CHECK SELF-DIAGNOSIS RESULTS

Check the self-diagnosis results.

Self-diagnosis results
RR RH SENSOR-2
RR LH SENSOR-2
FR RH SENSOR-2
FR LH SENSOR-2

Is above displayed on the self-diagnosis display?

- YES >> Proceed to diagnosis procedure. Refer to [BRC-31, "Diagnosis Procedure"](#).  
NO >> Inspection End

### Diagnosis Procedure

INFOID:000000005194911

Regarding Wiring Diagram information, refer to [BRC-92, "Wiring Diagram - BRAKE CONTROL SYSTEM -"](#).

#### **CAUTION:**

**Do not check between wheel sensor terminals.**

#### 1. CONNECTOR INSPECTION

1. Disconnect the ABS actuator and electric unit (control unit) connector and wheel sensor of malfunctioning code.
2. Check the terminals for deformation, disconnection, looseness or damage.

Is the inspection result normal?

- YES >> GO TO 2

## C1105, C1106, C1107, C1108 WHEEL SENSOR-2

< COMPONENT DIAGNOSIS >

[VDC/TCS/ABS]

NO >> Repair or replace as necessary.

### 2. CHECK WHEEL SENSOR OUTPUT SIGNAL

1. Connect ABS active wheel sensor tester (J-45741) to wheel sensor using appropriate adapter.
2. Turn on the ABS active wheel sensor tester power switch.

**NOTE:**

The green POWER indicator should illuminate. If the POWER indicator does not illuminate, replace the battery in the ABS active wheel sensor tester before proceeding.

3. Spin the wheel of the vehicle by hand and observe the red SENSOR indicator on the ABS active wheel sensor tester. The red SENSOR indicator should flash on and off to indicate an output signal.

**NOTE:**

If the red SENSOR indicator illuminates but does not flash, reverse the polarity of the tester leads and retest.

Does the ABS active wheel sensor tester detect a signal?

YES >> GO TO 3

NO >> Replace the wheel sensor. Refer to [BRC-114, "Removal and Installation"](#).

### 3. CHECK TIRES

Check the inflation pressure, wear and size of each tire.

Is the inspection result normal?

YES >> GO TO 4

NO >> Adjust tire pressure or replace tire(s).

### 4. CHECK WHEEL BEARINGS

Check wheel bearing axial end play. Refer to [FAX-6, "On-Vehicle Inspection and Service"](#) (front) or [RAX-6, "On-Vehicle Inspection and Service"](#) (rear).

Is the inspection result normal?

YES >> GO TO 5

NO >> Repair or replace as necessary. Refer to [FAX-7, "Removal and Installation"](#) (front) or [RAX-8, "Removal and Installation"](#) (rear).

### 5. CHECK WIRING HARNESS FOR SHORT CIRCUIT

1. Disconnect ABS actuator and electric unit (control unit) connector and wheel sensor connector of malfunction code.
2. Check continuity between wheel sensor connector terminals and ground.

**Continuity should not exist.**

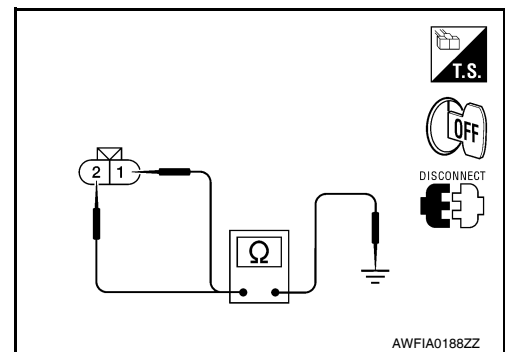
Is the inspection result normal?

YES >> GO TO 6

NO >> Repair the circuit.

### 6. CHECK WIRING HARNESS FOR OPEN CIRCUIT

Check continuity between ABS actuator and electric unit (control unit) connector and the malfunctioning wheel sensor connector.





# C1105, C1106, C1107, C1108 WHEEL SENSOR-2

< COMPONENT DIAGNOSIS >

[VDC/TCS/ABS]

Wheel sensor	ABS actuator and electric unit (control unit)		Wheel sensor		Continuity
	Connector	Terminal	Connector	Terminal	
Front LH	E125	45	E18	1	Yes
		46		2	
Front RH		34	E117	1	
		33		2	
Rear LH		37	C11	2	
		36		1	
Rear RH		42	C10	2	
		43		1	

Is the inspection result normal?

YES >> Replace the ABS actuator and electric unit (control unit). Refer to [BRC-116, "Removal and Installation"](#).

NO >> Repair the circuit.

## Component Inspection

INFOID:000000005194912

### 1. CHECK DATA MONITOR

On "DATA MONITOR", select "FR LH SENSOR", "FR RH SENSOR", "RR LH SENSOR", and "RR RH SENSOR", and check the vehicle speed.

Wheel sensor	Vehicle speed (DATA MONITOR)
FR LH SENSOR	Nearly matches the speedometer display ( $\pm 10\%$ or less)
FR RH SENSOR	
RR LH SENSOR	
RR RH SENSOR	

Is the inspection result normal?

YES >> Inspection End

NO >> Go to diagnosis procedure. Refer to [BRC-31, "Diagnosis Procedure"](#).

## Special Repair Requirement

INFOID:000000005194903

### 1. ADJUSTMENT OF STEERING ANGLE SENSOR NEUTRAL POSITION

Always perform neutral position adjustment for the steering angle sensor when replacing the ABS actuator and electric unit (control unit). Refer to [BRC-8, "ADJUSTMENT OF STEERING ANGLE SENSOR NEUTRAL POSITION : Description"](#).

>> GO TO 2

### 2. CALIBRATION OF DECEL G SENSOR

Always perform calibration of decel G sensor when replacing the ABS actuator and electric unit (control unit). Refer to [BRC-9, "CALIBRATION OF DECEL G SENSOR : Description"](#).

>> END

# C1109 POWER AND GROUND SYSTEM

< COMPONENT DIAGNOSIS >

[VDC/TCS/ABS]

## C1109 POWER AND GROUND SYSTEM

### Description

INFOID:000000005147973

Supplies electric power to the ABS actuator and electric unit (control unit).

### DTC Logic

INFOID:000000005147974

### DTC DETECTION LOGIC

DTC	Display item	Malfunction detected condition	Possible cause
C1109	BATTERY VOLTAGE [ABNORMAL]	When the ABS actuator and electric unit (control unit) power supply voltage is lower than normal.	<ul style="list-style-type: none"> <li>• Harness or connector</li> <li>• ABS actuator and electric unit (control unit)</li> </ul>

### DTC CONFIRMATION PROCEDURE

#### 1. CHECK SELF-DIAGNOSIS RESULTS

Check the self-diagnosis results.

Self-diagnosis results
BATTERY VOLTAGE [ABNORMAL]

Is above displayed on the self-diagnosis display?

YES >> Proceed to diagnosis procedure. Refer to [BRC-34, "Diagnosis Procedure"](#).

NO >> Inspection End

### Diagnosis Procedure

INFOID:000000005147975

Regarding Wiring Diagram information, refer to [BRC-92, "Wiring Diagram - BRAKE CONTROL SYSTEM -"](#).

#### 1. CONNECTOR INSPECTION

1. Turn ignition switch OFF.
2. Disconnect ABS actuator and electric unit (control unit) connector.
3. Check terminal for deformation, disconnection, looseness, and so on. If any malfunction is found, repair or replace terminal.
4. Reconnect connectors and then perform the self-diagnosis. Refer to [BRC-23, "CONSULT-III Function \(ABS\)"](#).

Is any item indicated on the self-diagnosis display?

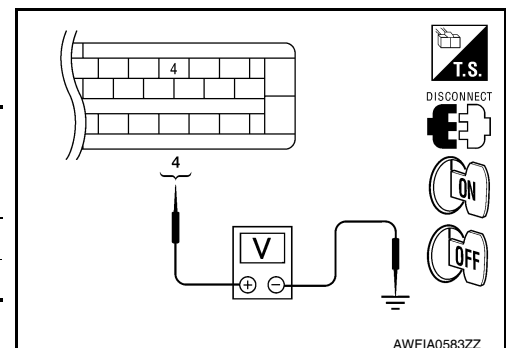
YES >> GO TO 2

NO >> Poor connection of connector terminal. Repair or replace connector.

#### 2. CHECK ABS ACTUATOR AND ELECTRIC UNIT (CONTROL UNIT) POWER SUPPLY CIRCUIT AND GROUND CIRCUIT

1. Turn ignition switch OFF.
2. Disconnect ABS actuator and electric unit (control unit) connector.
3. Check voltage between ABS actuator and electric unit (control unit) connector E125 terminal 4 and ground.

ABS actuator and electric unit (control unit)		—	Condition	Voltage
Connector	Terminal			
E125	4	Ground	Ignition switch: ON	Battery voltage
			Ignition switch: OFF	Approx. 0V



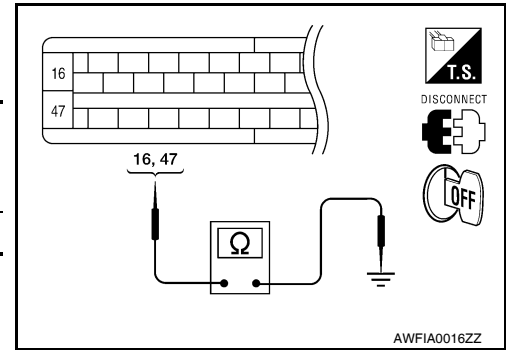
# C1109 POWER AND GROUND SYSTEM

[VDC/TCS/ABS]

## < COMPONENT DIAGNOSIS >

4. Turn ignition switch OFF.
5. Check continuity between ABS actuator and electric unit (control unit) connector E125 terminals 16, 47 and ground.

ABS actuator and electric unit (control unit)		—	Continuity
Connector	Terminal		
E125	16, 47	Ground	Yes



### Is the inspection result normal?

- YES >> Check battery for terminal looseness, low voltage, etc. If any malfunction is found, repair malfunctioning parts.
- NO >> Repair or replace malfunctioning components.

## Special Repair Requirement

INFOID:000000005194904

### 1. ADJUSTMENT OF STEERING ANGLE SENSOR NEUTRAL POSITION

Always perform neutral position adjustment for the steering angle sensor when replacing the ABS actuator and electric unit (control unit). Refer to [BRC-8. "ADJUSTMENT OF STEERING ANGLE SENSOR NEUTRAL POSITION : Description"](#).

>> GO TO 2

### 2. CALIBRATION OF DECEL G SENSOR

Always perform calibration of decel G sensor when replacing the ABS actuator and electric unit (control unit). Refer to [BRC-9. "CALIBRATION OF DECEL G SENSOR : Description"](#).

>> END

A  
B  
C  
D  
E  
G  
H  
I  
J  
K  
L  
M  
N  
O  
P

BRC

# C1110, C1170 ABS ACTUATOR AND ELECTRIC UNIT (CONTROL UNIT)

< COMPONENT DIAGNOSIS >

[VDC/TCS/ABS]

## C1110, C1170 ABS ACTUATOR AND ELECTRIC UNIT (CONTROL UNIT)

### DTC Logic

INFOID:000000005147977

#### DTC DETECTION LOGIC

DTC	Display item	Malfunction detected condition	Possible cause
C1110	CONTROLLER FAILURE	When there is an internal malfunction in the ABS actuator and electric unit (control unit).	• ABS actuator and electric unit (control unit)
C1170	VARIANT CODING	In a case where VARIANT CODING is different.	

#### DTC CONFIRMATION PROCEDURE

##### 1. CHECK SELF-DIAGNOSIS RESULTS

Check the self-diagnosis results.

Self-diagnosis results
CONTROLLER FAILURE
VARIANT CODING

Is above displayed on the self-diagnosis display?

YES >> Proceed to diagnosis procedure. Refer to [BRC-36, "Diagnosis Procedure"](#).

NO >> Inspection End

#### Diagnosis Procedure

INFOID:000000005147978

##### 1. REPLACE ABS ACTUATOR AND ELECTRIC UNIT (CONTROL UNIT)

>> Replace ABS actuator and electric unit (control unit). Refer to [BRC-116, "Removal and Installation"](#).

#### Special Repair Requirement

INFOID:000000005194905

##### 1. ADJUSTMENT OF STEERING ANGLE SENSOR NEUTRAL POSITION

Always perform neutral position adjustment for the steering angle sensor when replacing the ABS actuator and electric unit (control unit). Refer to [BRC-8, "ADJUSTMENT OF STEERING ANGLE SENSOR NEUTRAL POSITION : Description"](#).

>> GO TO 2

##### 2. CALIBRATION OF DECEL G SENSOR

Always perform calibration of decel G sensor when replacing the ABS actuator and electric unit (control unit). Refer to [BRC-9, "CALIBRATION OF DECEL G SENSOR : Description"](#).

>> END

# C1111 ABS MOTOR, MOTOR RELAY SYSTEM

< COMPONENT DIAGNOSIS >

[VDC/TCS/ABS]

## C1111 ABS MOTOR, MOTOR RELAY SYSTEM

### Description

INFOID:000000005147980

#### PUMP

The pump returns the brake fluid stored in the reservoir to the master cylinder by reducing the pressure.

#### MOTOR

The motor drives the pump according to the signals transmitted by the ABS actuator and electric unit (control unit).

### DTC Logic

INFOID:000000005147981

### DTC DETECTION LOGIC

DTC	Display item	Malfunction detected condition	Possible cause
C1111	PUMP MOTOR	During the actuator motor operating with ON, when the actuator motor turns OFF, or when the control line for actuator motor relay is open.	<ul style="list-style-type: none"><li>• Harness or connector</li><li>• ABS actuator and electric unit (control unit)</li></ul>
		During the actuator motor operating with OFF, when the actuator motor turns ON, or when the control line for relay is shorted to ground.	

### DTC CONFIRMATION PROCEDURE

#### 1.CHECK SELF-DIAGNOSIS RESULTS

Check the self-diagnosis results.

Self-diagnosis results
PUMP MOTOR

Is above displayed on the self-diagnosis display?

YES >> Proceed to diagnosis procedure. Refer to [BRC-37, "Diagnosis Procedure"](#).

NO >> Inspection End

### Diagnosis Procedure

INFOID:000000005147982

Regarding Wiring Diagram information, refer to [BRC-92, "Wiring Diagram - BRAKE CONTROL SYSTEM -"](#).

#### 1.CONNECTOR INSPECTION

1. Turn ignition switch OFF.
2. Disconnect ABS actuator and electric unit (control unit) connector.
3. Check terminal for deformation, disconnect, looseness, and so on. If any malfunction is found, repair or replace terminal.
4. Reconnect connectors and then perform the self-diagnosis. Refer to [BRC-23, "CONSULT-III Function \(ABS\)"](#).

Is any item indicated on the self-diagnosis display?

YES >> GO TO 2

NO >> Poor connection of connector terminal. Repair or replace connector.

#### 2.CHECK ABS MOTOR AND MOTOR RELAY POWER SUPPLY CIRCUIT

# C1111 ABS MOTOR, MOTOR RELAY SYSTEM

[VDC/TCS/ABS]

## < COMPONENT DIAGNOSIS >

1. Turn ignition switch OFF.
2. Disconnect ABS actuator and electric unit (control unit) connector.
3. Check voltage between the ABS actuator and electric unit (control unit) connector E125 terminal 1 and ground.

ABS actuator and electric unit (control unit)		—	Voltage
Connector	Terminal		
E125	1	Ground	Battery voltage

Is the inspection result normal?

- YES >> GO TO 3  
 NO >> Repair or replace malfunctioning components.

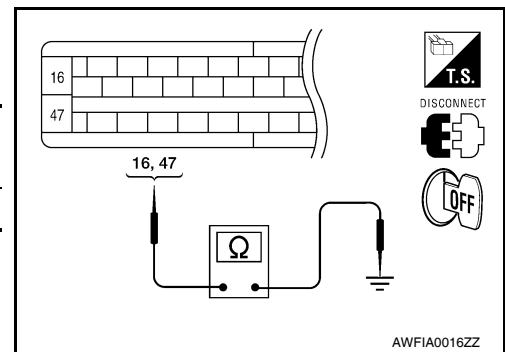
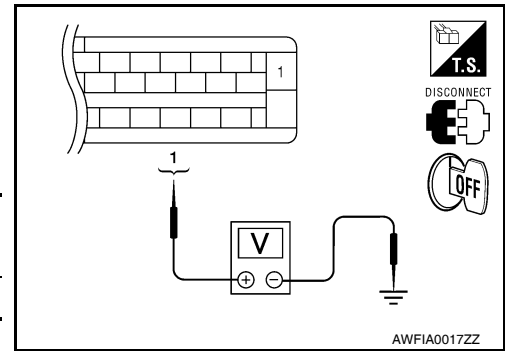
### 3.CHECK ABS ACTUATOR AND ELECTRIC UNIT (CONTROL UNIT) GROUND CIRCUIT

Check continuity between ABS actuator and electric unit (control unit) connector E125 terminals 16, 47 and ground.

ABS actuator and electric unit (control unit)		—	Continuity
Connector	Terminal		
E125	16, 47	Ground	Yes

Is the inspection result normal?

- YES >> Replace ABS actuator and electric unit (control unit).  
 Refer to [BRC-116, "Removal and Installation"](#).  
 NO >> Repair or replace malfunctioning components.



INFOID:000000005147983

## Component Inspection

### 1.CHECK ACTIVE TEST

1. On "ACTIVE TEST", select "ABS MOTOR".
2. Touch "On" and "Off" on screen. Make sure motor relay and actuator relay operates as shown in table below.

Operation	On	Off
MOTOR RELAY	On	Off
ACTUATOR RLY	On	On

Is the inspection result normal?

- YES >> Inspection End  
 NO >> Go to diagnosis procedure. Refer to [BRC-37, "Diagnosis Procedure"](#).

## Special Repair Requirement

INFOID:000000005194906

### 1.ADJUSTMENT OF STEERING ANGLE SENSOR NEUTRAL POSITION

Always perform neutral position adjustment for the steering angle sensor when replacing the ABS actuator and electric unit (control unit). Refer to [BRC-8, "ADJUSTMENT OF STEERING ANGLE SENSOR NEUTRAL POSITION : Description"](#).

>> GO TO 2

### 2.CALIBRATION OF DECEL G SENSOR

Always perform calibration of decel G sensor when replacing the ABS actuator and electric unit (control unit). Refer to [BRC-9, "CALIBRATION OF DECEL G SENSOR : Description"](#).

>> END

# C1113, C1145, C1146 YAW RATE/SIDE/DECEL G SENSOR

< COMPONENT DIAGNOSIS >

[VDC/TCS/ABS]

## C1113, C1145, C1146 YAW RATE/SIDE/DECEL G SENSOR

### Description

INFOID:000000005147985

The yaw rate/side/decel G sensor detects the yaw rate/side/decel G affecting the vehicle, and transmits the data to the ABS actuator and electric unit (control unit) as an analog voltage signal.

### DTC Logic

INFOID:000000005147986

### DTC DETECTION LOGIC

DTC	Display item	Malfunction detected condition	Possible cause
C1113	G-SENSOR	Longitudinal G-sensor is malfunctioning, or signal line of longitudinal G-sensor is open or shorted.	• Harness or connector • ABS actuator and electric unit (control unit) • Yaw rate/side/decel G sensor
C1145	YAW RATE SENSOR	Yaw rate sensor is malfunctioning, or the yaw rate sensor signal line is open or shorted.	
C1146	SIDE G-SEN CIRCUIT	Side G sensor is malfunctioning, or circuit of side G sensor is open or shorted.	

### DTC CONFIRMATION PROCEDURE

#### 1. CHECK SELF-DIAGNOSIS RESULTS

Check the self-diagnosis results.

Self-diagnosis results
G-SENSOR
YAW RATE SENSOR
SIDE G-SEN CIRCUIT

Is above displayed on the self-diagnosis display?

- YES >> Proceed to diagnosis procedure. Refer to [BRC-39. "Diagnosis Procedure"](#).  
NO >> Inspection End

### Diagnosis Procedure

INFOID:000000005147987

Regarding Wiring Diagram information, refer to [BRC-92. "Wiring Diagram - BRAKE CONTROL SYSTEM -"](#).

#### CAUTION:

- Sudden turns (such as spin turns, acceleration turns), drifting, etc. when VDC function is OFF may cause the yaw rate/side/decel G sensor system to indicate a malfunction. This is not a malfunction if normal operation can be resumed after restarting the engine.
- If vehicle is on turn table at entrance to parking garage, or on other moving surface, VDC OFF indicator lamp may illuminate and CONSULT-III self-diagnosis may indicate yaw rate sensor system malfunction. However, in this case there is no malfunction in yaw rate sensor system. Take vehicle off of turn table or other moving surface, and start engine. Results will return to normal.

#### 1. CONNECTOR INSPECTION

1. Disconnect the ABS actuator and electric unit (control unit) connector and yaw rate/side/decel G sensor connector.
2. Check the terminals for deformation, disconnection, looseness or damage.

Is the inspection result normal?

- YES >> GO TO 2  
NO >> Repair or replace as necessary.

#### 2. YAW RATE/SIDE/DECEL G SENSOR HARNESS INSPECTION

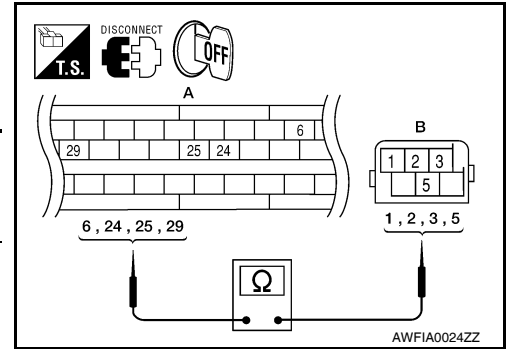
# C1113, C1145, C1146 YAW RATE/SIDE/DECEL G SENSOR

< COMPONENT DIAGNOSIS >

[VDC/TCS/ABS]

Check continuity between the ABS actuator and electric unit (control unit) connector E125 (A) and the yaw rate/side/decel G sensor connector M108 (B).

ABS actuator and electric unit (control unit)		Yaw rate/side/decel G sensor		Continuity
Connector	Terminal	Connector	Terminal	
E125 (A)	6	M108 (B)	3	Yes
	24		5	
	25		1	
	29		2	



Is the inspection result normal?

- YES >> GO TO 3
- NO >> Repair or replace as necessary.

## 3. YAW RATE/SIDE/DECEL G SENSOR INSPECTION

1. Connect the yaw rate/side/decel G sensor connector and ABS actuator and electric unit (control unit) connector.
2. Perform the yaw rate/side/decel G sensor component inspection. Refer to [BRC-40. "Component Inspection"](#).

Is the inspection result normal?

- YES >> Replace the ABS actuator and electric unit (control unit). Refer to [BRC-116. "Removal and Installation"](#).
- NO >> Replace the yaw rate/side/decel G sensor. Refer to [BRC-119. "Removal and Installation"](#).

## Component Inspection

INFOID:000000005147988

### 1. CHECK DATA MONITOR

Select "YAW RATE SEN", "SIDE G-SENSOR", "DECEL G-SEN" in "DATA MONITOR" and check yaw rate/side/decel G sensor signal.

Vehicle condition	YAW RATE SEN (DATA MONITOR)	SIDE G-SENSOR (DATA MONITOR)	DECEL G-SEN (DATA MONITOR)
Stopped	-4 to +4 deg/s	-1.1 to +1.1 m/s	-0.11 G to +0.11 G
Turning right	Negative value	Negative value	-
Turning left	Positive value	Positive value	-
Speed up	-	-	Negative value
Speed down	-	-	Positive value

Is the inspection result normal?

- YES >> Inspection End
- NO >> Go to diagnosis procedure. Refer to [BRC-39. "Diagnosis Procedure"](#).

## Special Repair Requirement

INFOID:000000005194907

### 1. ADJUSTMENT OF STEERING ANGLE SENSOR NEUTRAL POSITION

Always perform neutral position adjustment for the steering angle sensor when replacing the ABS actuator and electric unit (control unit). Refer to [BRC-8. "ADJUSTMENT OF STEERING ANGLE SENSOR NEUTRAL POSITION : Description"](#).

>> GO TO 2

### 2. CALIBRATION OF DECEL G SENSOR

Always perform calibration of decel G sensor when replacing the ABS actuator and electric unit (control unit). Refer to [BRC-9. "CALIBRATION OF DECEL G SENSOR : Description"](#).



# C1113, C1145, C1146 YAW RATE/SIDE/DECEL G SENSOR

< COMPONENT DIAGNOSIS >

[VDC/TCS/ABS]

>> END

A

B

C

D

E

**BRC**

G

H

I

J

K

L

M

N

O

P

# C1115 WHEEL SENSOR

< COMPONENT DIAGNOSIS >

[VDC/TCS/ABS]

## C1115 WHEEL SENSOR

### Description

INFOID:000000005147990

When the sensor rotor rotates, the magnetic field changes. It converts the magnetic field changes to current signals (rectangular wave) and transmits them to the ABS actuator and electric unit (control unit).

### DTC Logic

INFOID:000000005147991

#### DTC DETECTION LOGIC

DTC	Display item	Malfunction detected condition	Possible cause
C1115	ABS SENSOR [ABNORMAL SIGNAL]	When wheel sensor input signal is malfunctioning.	<ul style="list-style-type: none"><li>• Harness or connector</li><li>• Wheel sensor</li><li>• ABS actuator and electric unit (control unit)</li></ul>

#### DTC CONFIRMATION PROCEDURE

##### 1. CHECK SELF-DIAGNOSIS RESULTS

Check the self-diagnosis results.

Self-diagnosis results
ABS SENSOR [ABNORMAL SIGNAL]

Is above displayed on the self-diagnosis display?

- YES >> Proceed to diagnosis procedure. Refer to [BRC-42. "Diagnosis Procedure"](#).  
NO >> Inspection End

### Diagnosis Procedure

INFOID:000000005194908

Regarding Wiring Diagram information, refer to [BRC-92. "Wiring Diagram - BRAKE CONTROL SYSTEM -"](#).

#### **CAUTION:**

**Do not check between wheel sensor terminals.**

##### 1. CONNECTOR INSPECTION

1. Disconnect the ABS actuator and electric unit (control unit) connector and wheel sensor of malfunctioning code.
2. Check the terminals for deformation, disconnection, looseness or damage.

Is the inspection result normal?

- YES >> GO TO 2  
NO >> Repair or replace as necessary.

##### 2. CHECK WHEEL SENSOR OUTPUT SIGNAL

1. Connect ABS active wheel sensor tester (J-45741) to wheel sensor using appropriate adapter.
2. Turn on the ABS active wheel sensor tester power switch.

#### **NOTE:**

The green POWER indicator should illuminate. If the POWER indicator does not illuminate, replace the battery in the ABS active wheel sensor tester before proceeding.

3. Spin the wheel of the vehicle by hand and observe the red SENSOR indicator on the ABS active wheel sensor tester. The red SENSOR indicator should flash on and off to indicate an output signal.

#### **NOTE:**

If the red SENSOR indicator illuminates but does not flash, reverse the polarity of the tester leads and retest.

Does the ABS active wheel sensor tester detect a signal?

- YES >> GO TO 3  
NO >> Replace the wheel sensor. Refer to [BRC-114. "Removal and Installation"](#).

# C1115 WHEEL SENSOR

[VDC/TCS/ABS]

< COMPONENT DIAGNOSIS >

## 3.CHECK TIRES

Check the inflation pressure, wear and size of each tire.

Is the inspection result normal?

YES >> GO TO 4

NO >> Adjust tire pressure or replace tire(s).

## 4.CHECK WHEEL BEARINGS

Check wheel bearing axial end play. Refer to [FAX-6, "On-Vehicle Inspection and Service"](#) (front) or [RAX-6, "On-Vehicle Inspection and Service"](#) (rear).

Is the inspection result normal?

YES >> GO TO 5

NO >> Repair or replace as necessary. Refer to [FAX-7, "Removal and Installation"](#) (front) or [RAX-8, "Removal and Installation"](#) (rear).

## 5.CHECK WIRING HARNESS FOR SHORT CIRCUIT

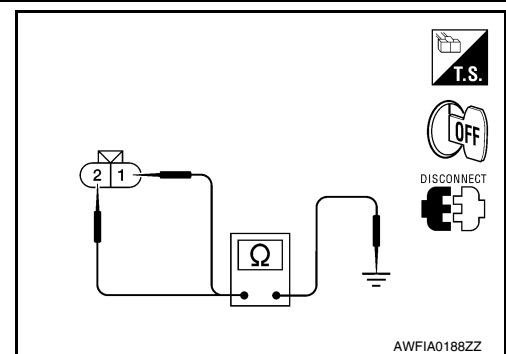
1. Disconnect ABS actuator and electric unit (control unit) connector and wheel sensor connector of malfunction code.
2. Check continuity between wheel sensor connector terminals and ground.

**Continuity should not exist.**

Is the inspection result normal?

YES >> GO TO 6

NO >> Repair the circuit.



## 6.CHECK WIRING HARNESS FOR OPEN CIRCUIT

Check continuity between ABS actuator and electric unit (control unit) connector and the malfunctioning wheel sensor connector.

Wheel sensor	ABS actuator and electric unit (control unit)		Wheel sensor		Continuity
	Connector	Terminal	Connector	Terminal	
Front LH	E125	45	E18	1	Yes
		46		2	
Front RH		34	E117	1	
		33		2	
Rear LH		37	C11	2	
		36		1	
Rear RH		42	C10	2	
		43		1	

Is the inspection result normal?

YES >> Replace the ABS actuator and electric unit (control unit). Refer to [BRC-116, "Removal and Installation"](#).

NO >> Repair the circuit.

## Component Inspection

INFOID:000000005194909

### 1.CHECK DATA MONITOR

On "DATA MONITOR", select "FR LH SENSOR", "FR RH SENSOR", "RR LH SENSOR", and "RR RH SENSOR", and check the vehicle speed.

# C1115 WHEEL SENSOR

< COMPONENT DIAGNOSIS >

[VDC/TCS/ABS]

Wheel sensor	Vehicle speed (DATA MONITOR)
FR LH SENSOR	Nearly matches the speedometer display ( $\pm 10\%$ or less)
FR RH SENSOR	
RR LH SENSOR	
RR RH SENSOR	

Is the inspection result normal?

YES >> Inspection End

NO >> Go to diagnosis procedure. Refer to [BRC-42, "Diagnosis Procedure"](#).

## Special Repair Requirement

INFOID:000000005194910

### 1. ADJUSTMENT OF STEERING ANGLE SENSOR NEUTRAL POSITION

Always perform neutral position adjustment for the steering angle sensor when replacing the ABS actuator and electric unit (control unit). Refer to [BRC-8, "ADJUSTMENT OF STEERING ANGLE SENSOR NEUTRAL POSITION : Description"](#).

>> GO TO 2

### 2. CALIBRATION OF DECEL G SENSOR

Always perform calibration of decel G sensor when replacing the ABS actuator and electric unit (control unit). Refer to [BRC-9, "CALIBRATION OF DECEL G SENSOR : Description"](#).

>> END

# C1116 STOP LAMP SWITCH

< COMPONENT DIAGNOSIS >

[VDC/TCS/ABS]

## C1116 STOP LAMP SWITCH

### Description

INFOID:000000005147995

The stop lamp switch transmits the stop lamp switch signal (ON/OFF) to the ABS actuator and electric unit (control unit).

### DTC Logic

INFOID:000000005147996

### DTC DETECTION LOGIC

DTC	Display item	Malfunction detected condition	Possible cause
C1116	STOP LAMP SW	When stop lamp switch circuit is open.	<ul style="list-style-type: none"><li>• Harness or connector</li><li>• Stop lamp switch</li><li>• ABS actuator and electric unit (control unit)</li></ul>

### DTC CONFIRMATION PROCEDURE

#### 1. CHECK SELF-DIAGNOSIS RESULTS

Check the self-diagnosis results.

Self-diagnosis results
STOP LAMP SW

Is above displayed on the self-diagnosis display?

- YES >> Proceed to diagnosis procedure. Refer to [BRC-45, "Diagnosis Procedure"](#).  
NO >> Inspection End

### Diagnosis Procedure

INFOID:000000005147997

Regarding Wiring Diagram information, refer to [BRC-92, "Wiring Diagram - BRAKE CONTROL SYSTEM -"](#).

#### 1. CONNECTOR INSPECTION

1. Disconnect the ABS actuator and electric unit (control unit) connector and stop lamp switch connector.
2. Check the terminals for deformation, disconnection, looseness or damage.

Is the inspection result normal?

- YES >> GO TO 2  
NO >> Repair or replace as necessary.

#### 2. STOP LAMP SWITCH INSPECTION

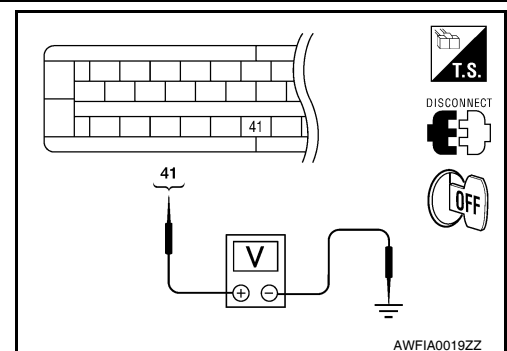
1. Connect the stop lamp switch connector.
2. Check the voltage between the ABS actuator and electric unit (control unit) connector E125 terminal 41 and body ground.

**Brake pedal applied** : **Battery voltage (approx. 12V)**  
**Brake pedal released** : **Approx. 0V**

Is the inspection result normal?

- YES >> Perform self-diagnosis again. If the same results appear, replace ABS actuator and electric unit (control unit). Refer to [BRC-116, "Removal and Installation"](#).  
NO >> GO TO 3

#### 3. STOP LAMP RELAY CIRCUIT INSPECTION



# C1116 STOP LAMP SWITCH

[VDC/TCS/ABS]

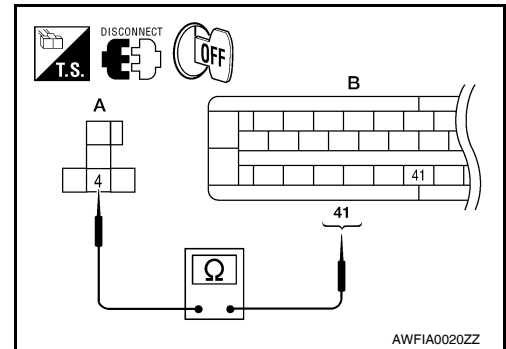
## < COMPONENT DIAGNOSIS >

1. Disconnect the stop lamp relay harness connector E12.
2. Check the continuity between the ABS actuator and electric unit (control unit) connector E125 (B) terminal 41 and stop lamp relay connector E12 (A) terminal 4.

**Continuity should exist.**

Is the inspection result normal?

- YES >> Refer to [EXL-4, "Work Flow"](#).  
NO >> Repair or replace malfunctioning components.



INFOID:000000005194913

## Special Repair Requirement

### 1. ADJUSTMENT OF STEERING ANGLE SENSOR NEUTRAL POSITION

Always perform neutral position adjustment for the steering angle sensor when replacing the ABS actuator and electric unit (control unit). Refer to [BRC-8, "ADJUSTMENT OF STEERING ANGLE SENSOR NEUTRAL POSITION : Description"](#).

>> GO TO 2

### 2. CALIBRATION OF DECEL G SENSOR

Always perform calibration of decel G sensor when replacing the ABS actuator and electric unit (control unit). Refer to [BRC-9, "CALIBRATION OF DECEL G SENSOR : Description"](#).

>> END

# C1120, C1122, C1124, C1126 IN ABS SOL

< COMPONENT DIAGNOSIS >

[VDC/TCS/ABS]

## C1120, C1122, C1124, C1126 IN ABS SOL

### Description

INFOID:000000005147999

The solenoid valve increases, holds or decreases the fluid pressure of each brake caliper according to the signals transmitted by the ABS actuator and electric unit (control unit).

### DTC Logic

INFOID:000000005148000

### DTC DETECTION LOGIC

DTC	Display item	Malfunction detected condition	Possible cause
C1120	FR LH IN ABS SOL	When the control unit detects a malfunction in the front LH inlet solenoid circuit.	• ABS actuator and electric unit (control unit)
C1122	FR RH IN ABS SOL	When the control unit detects a malfunction in the front RH inlet solenoid circuit.	
C1124	RR LH IN ABS SOL	When the control unit detects a malfunction in the rear LH inlet solenoid circuit.	
C1126	RR RH IN ABS SOL	When the control unit detects a malfunction in the rear RH inlet solenoid circuit.	

### DTC CONFIRMATION PROCEDURE

#### 1.CHECK SELF-DIAGNOSIS RESULTS

Check the self-diagnosis results.

Self-diagnosis results
FR LH IN ABS SOL
FR RH IN ABS SOL
RR LH IN ABS SOL
RR RH IN ABS SOL

Is above displayed on the self-diagnosis display?

- YES >> Proceed to diagnosis procedure. Refer to [BRC-47. "Diagnosis Procedure"](#).  
NO >> Inspection End

### Diagnosis Procedure

INFOID:000000005148001

Regarding Wiring Diagram information, refer to [BRC-92. "Wiring Diagram - BRAKE CONTROL SYSTEM -"](#).

#### 1.CONNECTOR INSPECTION

1. Turn ignition switch OFF.
2. Disconnect ABS actuator and electric unit (control unit) connector.
3. Check terminal for deformation, disconnection, looseness, and so on. If any malfunction is found, repair or replace terminal.
4. Reconnect connectors and then perform the self-diagnosis. Refer to [BRC-23. "CONSULT-III Function \(ABS\)"](#).

Is any item indicated on the self-diagnosis display?

- YES >> GO TO 2  
NO >> Poor connection of connector terminal. Repair or replace connector.

#### 2.CHECK SOLENOID, VDC SWITCH-OVER VALVE AND ACTUATOR RELAY POWER SUPPLY CIRCUIT

# C1120, C1122, C1124, C1126 IN ABS SOL

[VDC/TCS/ABS]

## < COMPONENT DIAGNOSIS >

1. Turn ignition switch OFF.
2. Disconnect ABS actuator and electric unit (control unit) connector.
3. Check voltage between ABS actuator and electric unit (control unit) connector E125 terminal 32 and ground.

ABS actuator and electric unit (control unit)		—	Voltage
Connector	Terminal		
E125	32	Ground	Battery voltage

Is the inspection result normal?

- YES >> GO TO 3  
 NO >> Repair or replace malfunctioning components.

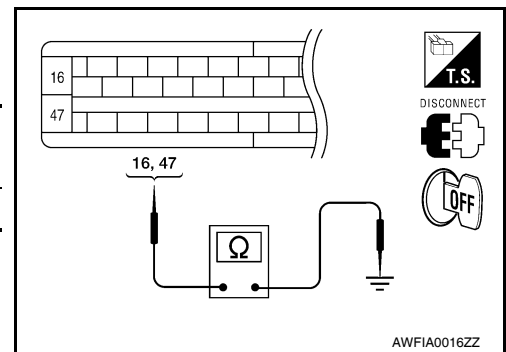
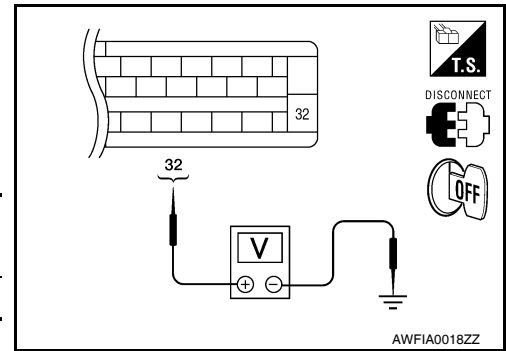
### 3.CHECK SOLENOID, VDC SWITCH-OVER VALVE AND ACTUATOR RELAY GROUND CIRCUIT

Check continuity between ABS actuator and electric unit (control unit) connector E125 terminals 16, 47 and ground.

ABS actuator and electric unit (control unit)		—	Continuity
Connector	Terminal		
E125	16, 47	Ground	Yes

Is the inspection result normal?

- YES >> Replace ABS actuator and electric unit (control unit).  
 Refer to [BRC-116, "Removal and Installation"](#).  
 NO >> Repair or replace malfunctioning components.



## Component Inspection

INFOID:000000005148002

### 1.CHECK ACTIVE TEST

1. Select each test menu item on "ACTIVE TEST".
2. On the display, touch "Up", "Keep", and "Down", and check that the system operates as shown in the table below.

Operation		ABS solenoid valve		
		Up	Keep	Down
FR RH SOL	FR RH IN SOL	Off	On	On
	FR RH OUT SOL	Off	Off	On*
FR LH SOL	FR LH IN SOL	Off	On	On
	FR LH OUT SOL	Off	Off	On*
RR RH SOL	RR RH IN SOL	Off	On	On
	RR RH OUT SOL	Off	Off	On*
RR LH SOL	RR LH IN SOL	Off	On	On
	RR LH OUT SOL	Off	Off	On*

\*: On for 1 to 2 seconds after the touch, and then Off

Is the inspection result normal?

- YES >> Inspection End  
 NO >> Go to diagnosis procedure. Refer to [BRC-47, "Diagnosis Procedure"](#).

## Special Repair Requirement

INFOID:000000005194914

### 1.AJUSTMENT OF STEERING ANGLE SENSOR NEUTRAL POSITION

Always perform neutral position adjustment for the steering angle sensor when replacing the ABS actuator and electric unit (control unit). Refer to [BRC-8, "ADJUSTMENT OF STEERING ANGLE SENSOR NEUTRAL POSITION : Description"](#).



>> GO TO 2

**2.**CALIBRATION OF DECEL G SENSOR

Always perform calibration of decel G sensor when replacing the ABS actuator and electric unit (control unit).  
Refer to [BRC-9. "CALIBRATION OF DECEL G SENSOR : Description"](#).

>> END

A  
B  
C  
D  
E  
G  
H  
I  
J  
K  
L  
M  
N  
O  
P

**BRC**

# C1121, C1123, C1125, C1127 OUT ABS SOL

< COMPONENT DIAGNOSIS >

[VDC/TCS/ABS]

## C1121, C1123, C1125, C1127 OUT ABS SOL

### Description

INFOID:000000005148004

The solenoid valve increases, holds or decreases the fluid pressure of each brake caliper according to the signals transmitted by the ABS actuator and electric unit (control unit).

### DTC Logic

INFOID:000000005148005

### DTC DETECTION LOGIC

DTC	Display item	Malfunction detected condition	Possible cause
C1121	FR LH OUT ABS SOL	When the control unit detects a malfunction in the front LH outlet solenoid circuit.	• ABS actuator and electric unit (control unit)
C1123	FR RH OUT ABS SOL	When the control unit detects a malfunction in the front RH outlet solenoid circuit.	
C1125	RR LH OUT ABS SOL	When the control unit detects a malfunction in the rear LH outlet solenoid circuit.	
C1127	RR RH OUT ABS SOL	When the control unit detects a malfunction in the rear RH outlet solenoid circuit.	

### DTC CONFIRMATION PROCEDURE

#### 1. CHECK SELF-DIAGNOSIS RESULTS

Check the self-diagnosis results.

Self-diagnosis results
FR LH OUT ABS SOL
FR RH OUT ABS SOL
RR LH OUT ABS SOL
RR RH OUT ABS SOL

Is above displayed on the self-diagnosis display?

- YES >> Proceed to diagnosis procedure. Refer to [BRC-50. "Diagnosis Procedure"](#).  
NO >> Inspection End

### Diagnosis Procedure

INFOID:000000005194930

Regarding Wiring Diagram information, refer to [BRC-92. "Wiring Diagram - BRAKE CONTROL SYSTEM -"](#).

#### 1. CONNECTOR INSPECTION

1. Turn ignition switch OFF.
2. Disconnect ABS actuator and electric unit (control unit) connector.
3. Check terminal for deformation, disconnection, looseness, and so on. If any malfunction is found, repair or replace terminal.
4. Reconnect connectors and then perform the self-diagnosis. Refer to [BRC-23. "CONSULT-III Function \(ABS\)"](#).

Is any item indicated on the self-diagnosis display?

- YES >> GO TO 2  
NO >> Poor connection of connector terminal. Repair or replace connector.

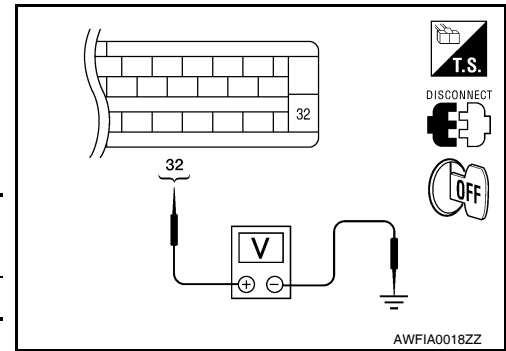
#### 2. CHECK SOLENOID, VDC SWITCH-OVER VALVE AND ACTUATOR RELAY POWER SUPPLY CIRCUIT

# C1121, C1123, C1125, C1127 OUT ABS SOL

[VDC/TCS/ABS]

## < COMPONENT DIAGNOSIS >

1. Turn ignition switch OFF.
2. Disconnect ABS actuator and electric unit (control unit) connector.
3. Check voltage between ABS actuator and electric unit (control unit) connector E125 terminal 32 and ground.



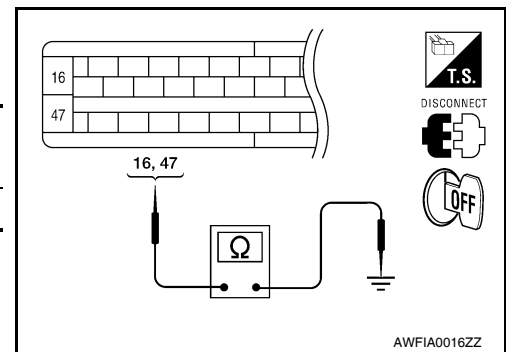
ABS actuator and electric unit (control unit)		—	Voltage
Connector	Terminal		
E125	32	Ground	Battery voltage

Is the inspection result normal?

- YES >> GO TO 3  
 NO >> Repair or replace malfunctioning components.

### 3.CHECK SOLENOID, VDC SWITCH-OVER VALVE AND ACTUATOR RELAY GROUND CIRCUIT

Check continuity between ABS actuator and electric unit (control unit) connector E125 terminals 16, 47 and ground.



ABS actuator and electric unit (control unit)		—	Continuity
Connector	Terminal		
E125	16, 47	Ground	Yes

Is the inspection result normal?

- YES >> Replace ABS actuator and electric unit (control unit).  
 Refer to [BRC-116, "Removal and Installation"](#).  
 NO >> Repair or replace malfunctioning components.

## Component Inspection

INFOID:000000005194931

### 1.CHECK ACTIVE TEST

1. Select each test menu item on "ACTIVE TEST".
2. On the display, touch "Up", "Keep", and "Down", and check that the system operates as shown in the table below.

Operation		ABS solenoid valve		
		Up	Keep	Down
FR RH SOL	FR RH IN SOL	Off	On	On
	FR RH OUT SOL	Off	Off	On*
FR LH SOL	FR LH IN SOL	Off	On	On
	FR LH OUT SOL	Off	Off	On*
RR RH SOL	RR RH IN SOL	Off	On	On
	RR RH OUT SOL	Off	Off	On*
RR LH SOL	RR LH IN SOL	Off	On	On
	RR LH OUT SOL	Off	Off	On*

\*: On for 1 to 2 seconds after the touch, and then Off

Is the inspection result normal?

- YES >> Inspection End  
 NO >> Go to diagnosis procedure. Refer to [BRC-50, "Diagnosis Procedure"](#).

## Special Repair Requirement

INFOID:000000005194915

### 1.AJUSTMENT OF STEERING ANGLE SENSOR NEUTRAL POSITION

Always perform neutral position adjustment for the steering angle sensor when replacing the ABS actuator and electric unit (control unit). Refer to [BRC-8, "ADJUSTMENT OF STEERING ANGLE SENSOR NEUTRAL POSITION : Description"](#).

## C1121, C1123, C1125, C1127 OUT ABS SOL

< COMPONENT DIAGNOSIS >

[VDC/TCS/ABS]

---

>> GO TO 2

### 2. CALIBRATION OF DECEL G SENSOR

---

Always perform calibration of decel G sensor when replacing the ABS actuator and electric unit (control unit).  
Refer to [BRC-9. "CALIBRATION OF DECEL G SENSOR : Description"](#).

>> END

# C1130, C1131, C1132, C1133, C1136 ENGINE SIGNAL

< COMPONENT DIAGNOSIS >

[VDC/TCS/ABS]

## C1130, C1131, C1132, C1133, C1136 ENGINE SIGNAL

### Description

INFOID:000000005148009

ABS actuator and electric unit (control unit) and ECM exchange the engine signal with CAN communication line.

### DTC Logic

INFOID:000000005148010

### DTC DETECTION LOGIC

DTC	Display item	Malfunction detected condition	Possible cause
C1130	ENGINE SIGNAL 1	Based on the signal from ECM, ABS actuator and electric unit (control unit) judges that engine fuel cut system is malfunctioning.	<ul style="list-style-type: none"><li>• Harness or connector</li><li>• ABS actuator and electric unit (control unit)</li><li>• ECM</li><li>• CAN communication line</li></ul>
C1131	ENGINE SIGNAL 2		
C1132	ENGINE SIGNAL 3		
C1133	ENGINE SIGNAL 4		
C1136	ENGINE SIGNAL 6		

### DTC CONFIRMATION PROCEDURE

#### 1. CHECK SELF-DIAGNOSIS RESULTS

Check the self-diagnosis results.

Self-diagnosis results
ENGINE SIGNAL 1
ENGINE SIGNAL 2
ENGINE SIGNAL 3
ENGINE SIGNAL 4
ENGINE SIGNAL 6

Is above displayed on the self-diagnosis display?

YES >> Proceed to diagnosis procedure. Refer to [BRC-53, "Diagnosis Procedure"](#).

NO >> Inspection End

### Diagnosis Procedure

INFOID:000000005148011

#### 1. CHECK ENGINE SYSTEM

1. Perform ECM self-diagnosis. Repair or replace items indicated, then perform ECM self-diagnosis again. Refer to [EC-63, "CONSULT-III Function \(ENGINE\)"](#).
2. Perform ABS actuator and electric unit (control unit) self-diagnosis. Refer to [BRC-23, "CONSULT-III Function \(ABS\)"](#).

Is any item indicated on the self-diagnosis display?

YES >> Repair or replace the affected part.

NO >> Inspection End

### Special Repair Requirement

INFOID:000000005194916

#### 1. ADJUSTMENT OF STEERING ANGLE SENSOR NEUTRAL POSITION

Always perform neutral position adjustment for the steering angle sensor when replacing the ABS actuator and electric unit (control unit). Refer to [BRC-8, "ADJUSTMENT OF STEERING ANGLE SENSOR NEUTRAL POSITION : Description"](#).

>> GO TO 2

#### 2. CALIBRATION OF DECEL G SENSOR

## **C1130, C1131, C1132, C1133, C1136 ENGINE SIGNAL**

< COMPONENT DIAGNOSIS >

**[VDC/TCS/ABS]**

---

Always perform calibration of decel G sensor when replacing the ABS actuator and electric unit (control unit).  
Refer to [BRC-9, "CALIBRATION OF DECEL G SENSOR : Description"](#).

>> END

# C1140 ACTUATOR RLY

< COMPONENT DIAGNOSIS >

[VDC/TCS/ABS]

## C1140 ACTUATOR RLY

### Description

INFOID:000000005148013

Activates or deactivates each solenoid valve according to the signals transmitted by the ABS actuator and electric unit (control unit).

### DTC Logic

INFOID:000000005148014

#### DTC DETECTION LOGIC

DTC	Display item	Malfunction detected condition	Possible cause
C1140	ACTUATOR RLY	ABS actuator relay or circuit malfunction.	<ul style="list-style-type: none"> <li>• Harness or connector</li> <li>• ABS actuator and electric unit (control unit)</li> </ul>

#### DTC CONFIRMATION PROCEDURE

##### 1. CHECK SELF-DIAGNOSIS RESULTS

Check the self-diagnosis results.

Self-diagnosis results
ACTUATOR RLY

Is above displayed on the self-diagnosis display?

- YES >> Proceed to diagnosis procedure. Refer to [BRC-55. "Diagnosis Procedure"](#).  
 NO >> Inspection End

### Diagnosis Procedure

INFOID:000000005194932

Regarding Wiring Diagram information, refer to [BRC-92. "Wiring Diagram - BRAKE CONTROL SYSTEM -"](#).

##### 1. CONNECTOR INSPECTION

1. Turn ignition switch OFF.
2. Disconnect ABS actuator and electric unit (control unit) connector.
3. Check terminal for deformation, disconnection, looseness, and so on. If any malfunction is found, repair or replace terminal.
4. Reconnect connectors and then perform the self-diagnosis. Refer to [BRC-23. "CONSULT-III Function \(ABS\)"](#).

Is any item indicated on the self-diagnosis display?

- YES >> GO TO 2  
 NO >> Poor connection of connector terminal. Repair or replace connector.

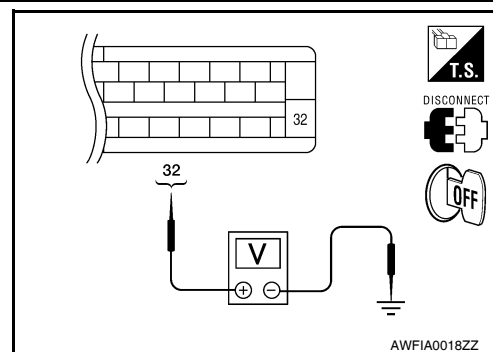
##### 2. CHECK SOLENOID, VDC SWITCH-OVER VALVE AND ACTUATOR RELAY POWER SUPPLY CIRCUIT

1. Turn ignition switch OFF.
2. Disconnect ABS actuator and electric unit (control unit) connector.
3. Check voltage between ABS actuator and electric unit (control unit) connector E125 terminal 32 and ground.

ABS actuator and electric unit (control unit)		—	Voltage
Connector	Terminal		
E125	32	Ground	Battery voltage

Is the inspection result normal?

- YES >> GO TO 3



# C1140 ACTUATOR RLY

[VDC/TCS/ABS]

## < COMPONENT DIAGNOSIS >

NO >> Repair or replace malfunctioning components.

### 3.CHECK SOLENOID, VDC SWITCH-OVER VALVE AND ACTUATOR RELAY GROUND CIRCUIT

Check continuity between ABS actuator and electric unit (control unit) connector E125 terminals 16, 47 and ground.

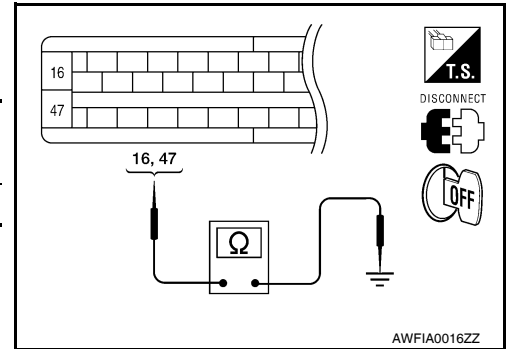
ABS actuator and electric unit (control unit)		—	Continuity
Connector	Terminal		
E125	16, 47	Ground	Yes

#### Is the inspection result normal?

YES >> Replace ABS actuator and electric unit (control unit).

Refer to [BRC-116. "Removal and Installation"](#).

NO >> Repair or replace malfunctioning components.



INFOID:000000005194929

## Component Inspection

### 1.CHECK ACTIVE TEST

1. On "ACTIVE TEST", select "ABS MOTOR".

2. Touch "On" and "Off" on screen. Make sure motor relay and actuator relay operates as shown in table below.

Operation	On	Off
MOTOR RELAY	On	Off
ACTUATOR RLY	On	On

#### Is the inspection result normal?

YES >> Inspection End

NO >> Go to diagnosis procedure. Refer to [BRC-55. "Diagnosis Procedure"](#).

INFOID:000000005194917

## Special Repair Requirement

### 1.ADJUSTMENT OF STEERING ANGLE SENSOR NEUTRAL POSITION

Always perform neutral position adjustment for the steering angle sensor when replacing the ABS actuator and electric unit (control unit). Refer to [BRC-8. "ADJUSTMENT OF STEERING ANGLE SENSOR NEUTRAL POSITION : Description"](#).

>> GO TO 2

### 2.CALIBRATION OF DECEL G SENSOR

Always perform calibration of decel G sensor when replacing the ABS actuator and electric unit (control unit). Refer to [BRC-9. "CALIBRATION OF DECEL G SENSOR : Description"](#).

>> END



# C1142 PRESS SENSOR

< COMPONENT DIAGNOSIS >

[VDC/TCS/ABS]

## C1142 PRESS SENSOR

### Description

INFOID:000000005148018

The front and rear pressure sensors convert the brake fluid pressure to an electric signal and transmit it to the ABS actuator and electric unit (control unit).

### DTC Logic

INFOID:000000005148019

#### DTC DETECTION LOGIC

DTC	Display item	Malfunction detected condition	Possible cause
C1142	PRESS SEN CIRCUIT	Pressure sensor signal line is open or shorted, or pressure sensor is malfunctioning.	<ul style="list-style-type: none"> <li>• Harness or connector</li> <li>• Pressure sensor</li> <li>• ABS actuator and electric unit (control unit)</li> </ul>

#### DTC CONFIRMATION PROCEDURE

##### 1. CHECK SELF-DIAGNOSIS RESULTS

Check the self-diagnosis results.

Self-diagnosis results
PRESS SEN CIRCUIT

Is above displayed on the self-diagnosis display?

- YES >> Proceed to diagnosis procedure. Refer to [BRC-57, "Diagnosis Procedure"](#).  
 NO >> Inspection End

### Diagnosis Procedure

INFOID:000000005148020

Regarding Wiring Diagram information, refer to [BRC-92, "Wiring Diagram - BRAKE CONTROL SYSTEM -"](#).

#### FRONT PRESSURE SENSOR

##### 1. CONNECTOR INSPECTION

1. Turn the ignition switch OFF.
2. Disconnect the front pressure sensor connector and ABS actuator and electric unit (control unit) connector and inspect the terminals for deformation, disconnection, looseness, or damage.

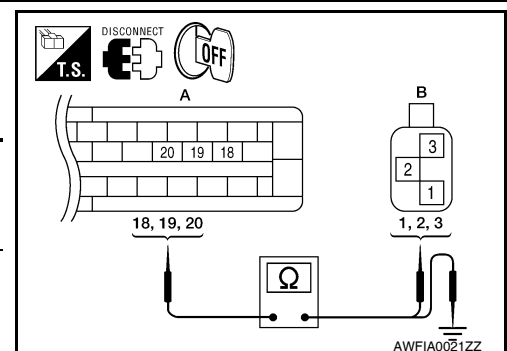
Is the inspection result normal?

- YES >> GO TO 2  
 NO >> Repair connector.

##### 2. FRONT PRESSURE SENSOR CIRCUIT INSPECTION

1. Measure the continuity between the ABS actuator and electric unit (control unit) connector E125 (A) and front pressure sensor connector E31 (B).

ABS actuator and electric unit (control unit)		Front pressure sensor		Continuity
Connector	Terminal	Connector	Terminal	
A: E125	18	B: E31	3	Yes
	19		1	
	20		2	



# C1142 PRESS SENSOR

[VDC/TCS/ABS]

## < COMPONENT DIAGNOSIS >

- Measure the continuity between the ABS actuator and electric unit (control unit) connector E125 (A) and body ground.

ABS actuator and electric unit (control unit)		—	Continuity
Connector	Terminal		
A: E125	18	Ground	No
	19		
	20		

Is the inspection result normal?

- YES >> GO TO 3  
 NO >> Repair or replace harness or connector.

### 3.FRONT PRESSURE SENSOR INSPECTION

- Connect the front pressure sensor and ABS actuator and electric unit (control unit) connectors.
- Perform the front pressure sensor component inspection. Refer to [BRC-59, "Component Inspection"](#).

Is the inspection result normal?

- YES >> Inspection End.  
 NO >> Replace the front pressure sensor.

## REAR PRESSURE SENSOR

### 1.CONNECTOR INSPECTION

- Turn the ignition switch OFF.
- Disconnect the rear pressure sensor connector and ABS actuator and electric unit (control unit) connector and inspect the terminals for deformation, disconnection, looseness, or damage.

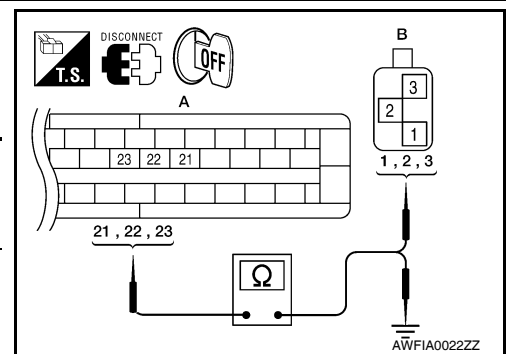
Is the inspection result normal?

- YES >> GO TO 2  
 NO >> Repair connector.

### 2.REAR PRESSURE SENSOR CIRCUIT INSPECTION

- Measure the continuity between the ABS actuator and electric unit (control unit) connector E125 (A) and rear pressure sensor connector E32 (B).

ABS actuator and electric unit (control unit)		Rear pressure sensor		Continuity
Connector	Terminal	Connector	Terminal	
A: E125	21	B: E32	1	Yes
	22		3	
	23		2	



- Measure the continuity between the ABS actuator and electric unit (control unit) connector E125 (A) and body ground.

ABS actuator and electric unit (control unit)		—	Continuity
Connector	Terminal		
A: E125	21	Ground	No
	22		
	23		

Is the inspection result normal?

- YES >> GO TO 3  
 NO >> Repair or replace harness or connector.

# C1142 PRESS SENSOR

< COMPONENT DIAGNOSIS >

[VDC/TCS/ABS]

## 3. REAR PRESSURE SENSOR INSPECTION

1. Connect the rear pressure sensor and ABS actuator and electric unit (control unit) connectors.
2. Perform the rear pressure sensor component inspection. Refer to [BRC-59, "Component Inspection"](#).

Is the inspection result normal?

- YES >> Inspection End.  
NO >> Replace the rear pressure sensor.

## Component Inspection

INFOID:000000005148021

### 1. CHECK DATA MONITOR

On "DATA MONITOR", select "PRESS SENSOR" or "PRESS SEN2" and check the brake fluid pressure.

Condition	PRESS SENSOR or PRESS SEN2 (DATA MONITOR)
With ignition switch turned ON and brake pedal released.	Approx. 0 bar
With ignition switch turned ON and brake pedal depressed.	Positive value

Is the inspection result normal?

- YES >> Inspection End  
NO >> Go to diagnosis procedure. Refer to [BRC-57, "Diagnosis Procedure"](#).

A  
B  
C  
D  
E  
G  
H  
I  
J  
K  
L  
M  
N  
O  
P

**BRC**

# C1143, C1144 STEERING ANGLE SENSOR

< COMPONENT DIAGNOSIS >

[VDC/TCS/ABS]

## C1143, C1144 STEERING ANGLE SENSOR

### Description

INFOID:000000005148023

The steering angle sensor detects the rotation amount, angular velocity and direction of the steering wheel, and transmits the data to the ABS actuator and electric unit (control unit) via CAN communication.

### DTC Logic

INFOID:000000005148024

#### DTC DETECTION LOGIC

DTC	Display item	Malfunction detected condition	Possible cause
C1143	ST ANG SEN CIRCUIT	Neutral position of steering angle sensor is dislocated, or the steering angle sensor is malfunctioning.	• Harness or connector • Steering angle sensor • ABS actuator and electric unit (control unit)
C1144	ST ANG SEN SIGNAL	Neutral position of steering angle sensor is not finished.	

#### DTC CONFIRMATION PROCEDURE

##### 1. CHECK SELF-DIAGNOSIS RESULTS

Check the self-diagnosis results.

Self-diagnosis results
ST ANG SEN CIRCUIT
ST ANG SEN SIGNAL

Is above displayed on the self-diagnosis display?

- YES >> Proceed to diagnosis procedure. Refer to [BRC-60, "Diagnosis Procedure"](#).  
NO >> Inspection End

### Diagnosis Procedure

INFOID:000000005148025

Regarding Wiring Diagram information, refer to [BRC-92, "Wiring Diagram - BRAKE CONTROL SYSTEM -"](#).

##### 1. CONNECTOR INSPECTION

1. Turn ignition switch OFF.
2. Disconnect ABS actuator and electric unit (control unit) connector.
3. Disconnect steering angle sensor connector.
4. Check terminal for deformation, disconnection, looseness, and so on. If any malfunction is found, repair or replace terminal.
5. Reconnect connectors and then perform the self-diagnosis. Refer to [BRC-23, "CONSULT-III Function \(ABS\)"](#).

Is any item indicated on the self-diagnosis display?

- YES >> GO TO 2  
NO >> Poor connection of connector terminal. Repair or replace connector.

##### 2. CHECK STEERING ANGLE SENSOR HARNESS

1. Turn ignition switch OFF.
2. Disconnect steering angle sensor connector.

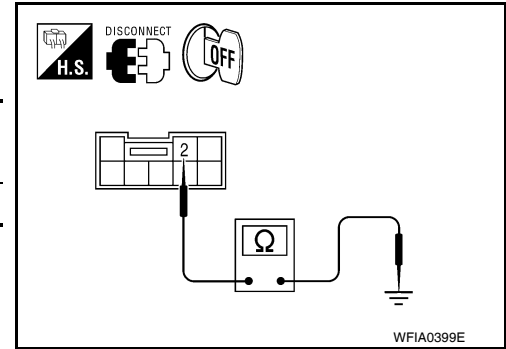
# C1143, C1144 STEERING ANGLE SENSOR

[VDC/TCS/ABS]

## < COMPONENT DIAGNOSIS >

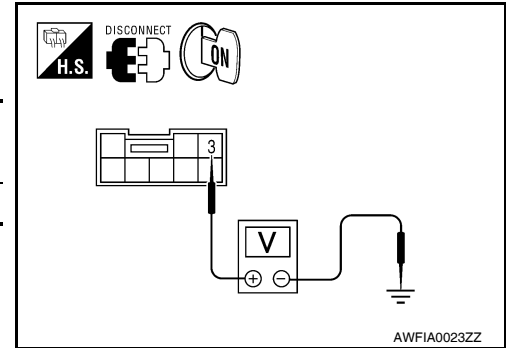
- Check continuity between steering angle sensor connector M17 terminal 2 and ground.

Steering angle sensor		—	Continuity
Connector	Terminal		
M17	2	Ground	Yes



- Turn ignition switch ON.
- Check voltage between steering angle sensor connector M17 terminal 3 and ground.

Steering angle sensor		—	Voltage
Connector	Terminal		
M17	3	Ground	Battery voltage



Is the inspection result normal?

- YES >> GO TO 3
- NO >> Repair or replace malfunctioning components.

### 3.CHECK DATA MONITOR

- Connect the steering angle sensor connector and ABS actuator and electric unit (control unit) connector.
- Perform the steering angle sensor component inspection. Refer to [BRC-61. "Component Inspection"](#).

Is the inspection result normal?

- YES >> Replace ABS actuator and electric unit (control unit). Refer to [BRC-116. "Removal and Installation"](#).
- NO >> Replace steering angle sensor and adjust neutral position of steering angle sensor. Refer to [BRC-118. "Removal and Installation"](#).

## Component Inspection

INFOID:000000005148026

### 1.CHECK DATA MONITOR

Select "STR ANGLE SIG" in "DATA MONITOR" and check steering angle sensor signal.

Steering condition	STR ANGLE SIG (DATA MONITOR)
Driving straight	$\pm 2.5^\circ$
Turn $90^\circ$ to right	Approx. $+90^\circ$
Turn $90^\circ$ to left	Approx. $-90^\circ$

Is the inspection result normal?

- YES >> Inspection End
- NO >> Go to diagnosis procedure. Refer to [BRC-60. "Diagnosis Procedure"](#).

## Special Repair Requirement

INFOID:000000005194918

### 1.AJUSTMENT OF STEERING ANGLE SENSOR NEUTRAL POSITION

Always perform neutral position adjustment for the steering angle sensor when replacing the ABS actuator and electric unit (control unit). Refer to [BRC-8. "ADJUSTMENT OF STEERING ANGLE SENSOR NEUTRAL POSITION : Description"](#).

>> GO TO 2

## C1143, C1144 STEERING ANGLE SENSOR

< COMPONENT DIAGNOSIS >

[VDC/TCS/ABS]

### 2. CALIBRATION OF DECEL G SENSOR

Always perform calibration of decel G sensor when replacing the ABS actuator and electric unit (control unit).  
Refer to [BRC-9, "CALIBRATION OF DECEL G SENSOR : Description"](#).

>> END

# C1155 BRAKE FLUID LEVEL SWITCH

< COMPONENT DIAGNOSIS >

[VDC/TCS/ABS]

## C1155 BRAKE FLUID LEVEL SWITCH

### Description

INFOID:000000005148028

The brake fluid level switch converts the brake fluid level to an electric signal and transmits it to the ABS actuator and electric unit (control unit).

### DTC Logic

INFOID:000000005148029

### DTC DETECTION LOGIC

DTC	Display item	Malfunction detected condition	Possible cause
C1155	BR FLUID LEVEL LOW	Brake fluid level is low or communication line between the ABS actuator and electric unit (control unit) and brake fluid level switch is open or shorted.	<ul style="list-style-type: none"> <li>• Harness or connector</li> <li>• Brake fluid level switch</li> <li>• Brake fluid level</li> </ul>

### DTC CONFIRMATION PROCEDURE

#### 1. CHECK SELF-DIAGNOSIS RESULTS

Check the self-diagnosis results.

Self-diagnosis results
BR FLUID LEVEL LOW

Is above displayed on the self-diagnosis display?

- YES >> Proceed to diagnosis procedure. Refer to [BRC-63. "Diagnosis Procedure"](#).  
 NO >> Inspection End

### Diagnosis Procedure

INFOID:000000005148030

Regarding Wiring Diagram information, refer to [BRC-92. "Wiring Diagram - BRAKE CONTROL SYSTEM -"](#).

#### 1. CONNECTOR INSPECTION

1. Disconnect ABS actuator and electric unit (control unit) connector and brake fluid level switch connector.
2. Check the terminals for deformation, disconnection, looseness or damage.

Is the inspection result normal?

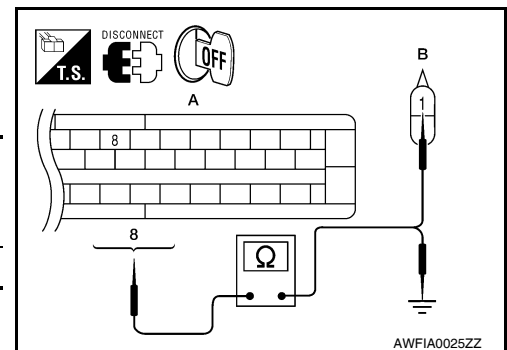
- YES >> GO TO 2  
 NO >> Repair or replace as necessary.

#### 2. CHECK HARNESS BETWEEN BRAKE FLUID LEVEL SWITCH AND ABS ACTUATOR AND ELECTRIC UNIT (CONTROL UNIT)

1. Check continuity between ABS actuator and electric unit (control unit) harness connector E125 (A) terminal 8 and brake fluid level switch harness connector E21 (B) terminal 1.

ABS actuator and electric unit (control unit)		Brake fluid level switch		Continuity
Connector	Terminal	Connector	Terminal	
E125 (A)	8	E21 (B)	1	Yes

2. Check continuity between ABS actuator and electric unit (control unit) connector E125 (A) terminal 8 and ground.



# C1155 BRAKE FLUID LEVEL SWITCH

< COMPONENT DIAGNOSIS >

[VDC/TCS/ABS]

ABS actuator and electric unit (control unit)		—	Continuity
Connector	Terminal		
E125 (A)	8	Ground	No

Is the inspection result normal?

- YES >> GO TO 3
- NO >> Repair or replace malfunctioning components.

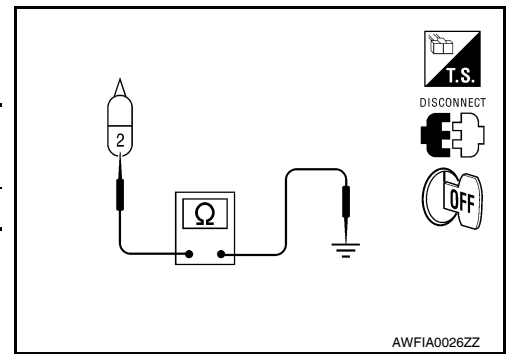
## 3.CHECK BRAKE FLUID LEVEL SWITCH GROUND

Check continuity between brake fluid level switch connector E21 terminal 2 and ground.

Brake fluid level switch		—	Continuity
Connector	Terminal		
E21	2	Ground	Yes

Is the inspection result normal?

- YES >> GO TO 4
- NO >> Repair or replace malfunctioning components.



## 4.CHECK BRAKE FLUID LEVEL SWITCH

Perform the brake fluid level switch component inspection. Refer to [BRC-64, "Component Inspection"](#).

Is the inspection result normal?

- YES >> Perform self-diagnosis again. If the same results appear, replace ABS actuator and electric unit (control unit). Refer to [BRC-116, "Removal and Installation"](#).
- NO >> Replace brake fluid level switch.

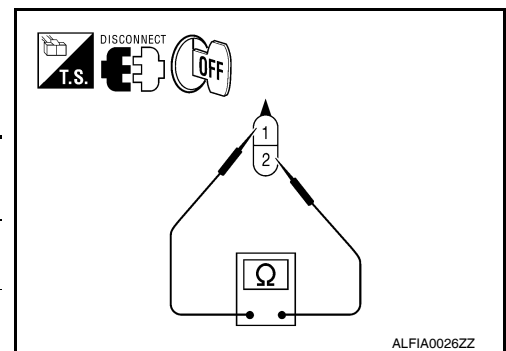
## Component Inspection

INFOID:000000005148031

### 1.CHECK BRAKE FLUID LEVEL SWITCH

1. Turn ignition switch OFF.
2. Disconnect brake fluid level switch connector.
3. Check continuity between brake fluid level switch terminals.

Brake fluid level switch	Condition	Continuity
Terminal		
1 - 2	When brake fluid is full in the reservoir tank.	No
	When brake fluid is empty in the reservoir tank.	Yes



Is the inspection result normal?

- YES >> Inspection End
- NO >> Replace brake fluid level switch.

## Special Repair Requirement

INFOID:000000005194919

### 1.ADJUSTMENT OF STEERING ANGLE SENSOR NEUTRAL POSITION

Always perform neutral position adjustment for the steering angle sensor when replacing the ABS actuator and electric unit (control unit). Refer to [BRC-8, "ADJUSTMENT OF STEERING ANGLE SENSOR NEUTRAL POSITION : Description"](#).

>> GO TO 2

### 2.CALIBRATION OF DECEL G SENSOR



# C1155 BRAKE FLUID LEVEL SWITCH

< COMPONENT DIAGNOSIS >

[VDC/TCS/ABS]

Always perform calibration of decel G sensor when replacing the ABS actuator and electric unit (control unit).  
Refer to [BRC-9, "CALIBRATION OF DECEL G SENSOR : Description"](#).

>> END

A  
B  
C  
D  
E  
F  
G  
H  
I  
J  
K  
L  
M  
N  
O  
P

**BRC**

## C1156 ST ANG SEN COM CIR

### Description

INFOID:000000005148033

The steering angle sensor is connected to the ABS actuator and electric unit (control unit) in addition to CAN lines. CAN (Controller Area Network) is a serial communication line for real time application. It is an on-vehicle multiplex communication line with high data communication speed and excellent error detection ability. Many electronic control units are equipped onto a vehicle, and each control unit shares information and links with other control units during operation (not independent). In CAN communication, control units are connected with 2 communication lines (CAN H line, CAN L line) allowing a high rate of information transmission with less wiring. Each control unit transmits/receives data but selectively reads required data only.

### DTC Logic

INFOID:000000005148034

### DTC DETECTION LOGIC

DTC	Display item	Malfunction detected condition	Possible cause
C1156	ST ANG SEN COM CIR	When steering angle sensor is not transmitting CAN communication signal to the ABS actuator and electric unit (control unit).	<ul style="list-style-type: none"> <li>Harness or connector</li> <li>CAN communication line</li> <li>Steering angle sensor</li> <li>ABS actuator and electric unit (control unit)</li> </ul>

### DTC CONFIRMATION PROCEDURE

#### 1. CHECK SELF-DIAGNOSIS RESULTS

Check the self-diagnosis results.

Self-diagnosis results
ST ANG SEN COM CIR

Is above displayed on the self-diagnosis display?

- YES >> Proceed to diagnosis procedure. Refer to [BRC-66, "Diagnosis Procedure"](#).  
 NO >> Inspection End

### Diagnosis Procedure

INFOID:000000005148035

#### 1. CHECK CONNECTOR

1. Turn ignition switch OFF and disconnect ABS actuator and electric unit (control unit) connector, check terminal for deformation, disconnection, looseness, and so on. If any malfunction is found, repair or replace terminal.
2. Reconnect connector and perform self-diagnosis. Refer to [BRC-23, "CONSULT-III Function \(ABS\)"](#).

Self-diagnosis results
CAN COMM CIRCUIT
ST ANG SEN COM CIR

Is above displayed on the self-diagnosis display?

- YES >> Refer to [LAN-14, "Trouble Diagnosis Flow Chart"](#).  
 NO >> Inspection End

**C1160 DECEL G SEN SET**

**Description**

INFOID:000000005148036

The yaw rate/side/decel G sensor detects the yaw rate/side/decel G affecting the vehicle, and transmits the data to the ABS actuator and electric unit (control unit) as an analog voltage signal.

**DTC Logic**

INFOID:000000005148037

**DTC DETECTION LOGIC**

DTC	Display item	Malfunction detected condition	Possible cause
C1160	DECEL G SEN SET	ABS decel G sensor adjustment is incomplete.	<ul style="list-style-type: none"> <li>Decel G sensor calibration</li> <li>Yaw rate/side/decel G sensor</li> <li>ABS actuator and electric unit (control unit)</li> </ul>

**DTC CONFIRMATION PROCEDURE**

**1. CHECK SELF-DIAGNOSIS RESULTS**

Check the self-diagnosis results.

Self-diagnosis results
DECEL G SEN SET

Is above displayed on the self-diagnosis display?

- YES >> Proceed to diagnosis procedure. Refer to [BRC-67, "Diagnosis Procedure"](#).
- NO >> Inspection End

**Diagnosis Procedure**

INFOID:000000005148038

**1. PERFORM SELF-DIAGNOSIS**

Perform ABS actuator and electric unit (control unit) self-diagnosis. Refer to [BRC-23, "CONSULT-III Function \(ABS\)"](#).

Self-diagnosis results
DECEL G SEN SET

Do self-diagnosis results indicate anything other than shown above?

- YES >> Perform repair or replacement for the item indicated.
- NO >> Perform calibration of decel G sensor. Refer to [BRC-9, "CALIBRATION OF DECEL G SENSOR : Description"](#). GO TO 2

**2. PERFORM SELF-DIAGNOSIS AGAIN**

1. Turn the ignition switch to OFF and then to ON and erase self-diagnosis results.
2. Perform ABS actuator and electric unit (control unit) self-diagnosis again. Refer to [BRC-23, "CONSULT-III Function \(ABS\)"](#).

Are any self-diagnosis results displayed?

- YES >> Replace yaw rate/side/decel G sensor. Refer to [BRC-119, "Removal and Installation"](#).
- NO >> Inspection End

# C1163 ST ANGLE SEN SAFE

< COMPONENT DIAGNOSIS >

[VDC/TCS/ABS]

## C1163 ST ANGLE SEN SAFE

### Description

INFOID:000000005148039

The steering angle sensor detects the rotation amount, angular velocity and direction of the steering wheel, and transmits the data to the ABS actuator and electric unit (control unit) via CAN communication.

### DTC Logic

INFOID:000000005148040

### DTC DETECTION LOGIC

DTC	Display item	Malfunction detected condition	Possible cause
C1163	ST ANGL SEN SAFE	When steering angle sensor is in safe mode.	• Adjust steering angle sensor neutral position

### DTC CONFIRMATION PROCEDURE

#### 1.CHECK SELF-DIAGNOSIS RESULTS

Check the self-diagnosis results.

Self-diagnosis results
ST ANGL SEN SAFE

Is above displayed on the self-diagnosis display?

- YES >> Proceed to diagnosis procedure. Refer to [BRC-68. "Diagnosis Procedure"](#).  
NO >> Inspection End

### Diagnosis Procedure

INFOID:000000005148041

#### 1.ADJUSTMENT OF STEERING ANGLE SENSOR NEUTRAL POSITION

Adjust steering angle sensor neutral position. Refer to [BRC-8. "ADJUSTMENT OF STEERING ANGLE SENSOR NEUTRAL POSITION : Description"](#).

>> GO TO 2

#### 2.INDICATOR LAMP CHECK

Check that VDC OFF indicator lamp is off.

Is VDC OFF indicator lamp off?

- YES >> Inspection End  
NO >> Perform ABS actuator and electric unit (control unit) self-diagnosis. Refer to [BRC-23. "CONSULT-III Function \(ABS\)"](#).

# C1164, C1165, C1166, C1167 CV/SV SYSTEM

< COMPONENT DIAGNOSIS >

[VDC/TCS/ABS]

## C1164, C1165, C1166, C1167 CV/SV SYSTEM

### Description

INFOID:000000005148042

#### CV1, CV2 (CUT VALVE)

The cut valve shuts off the normal brake fluid path from the master cylinder, when VDC/TCS is activated.

#### SV1, SV2 (SUCTION VALVE)

The suction valve supplies the brake fluid from the master cylinder to the pump, when VDC/TCS is activated.

### DTC Logic

INFOID:000000005148043

#### DTC DETECTION LOGIC

DTC	Display item	Malfunction detected condition	Possible cause
C1164	CV1	VDC switch-over solenoid valve (CV1) on the primary side is open circuit or shorted, or the control line is open or shorted to the power supply or the ground.	<ul style="list-style-type: none"><li>• Harness or connector</li><li>• ABS actuator and electric unit (control unit)</li></ul>
C1165	CV2	VDC switch-over solenoid valve (CV2) on the primary side is open circuit or shorted, or the control line is open or shorted to the power supply or the ground.	
C1166	SV1	VDC switch-over solenoid valve (SV1) on the primary side is open circuit or shorted, or the control line is open or shorted to the power supply or the ground.	
C1167	SV2	VDC switch-over solenoid valve (SV2) on the primary side is open circuit or shorted, or the control line is open or shorted to the power supply or the ground.	

#### DTC CONFIRMATION PROCEDURE

##### 1. CHECK SELF-DIAGNOSIS RESULTS

Check the self-diagnosis results.

Self-diagnosis results
CV1
CV2
SV1
SV2

Is above displayed on the self-diagnosis display?

- YES >> Proceed to diagnosis procedure. Refer to [BRC-69. "Diagnosis Procedure"](#).  
NO >> Inspection End

### Diagnosis Procedure

INFOID:000000005194933

Regarding Wiring Diagram information, refer to [BRC-92. "Wiring Diagram - BRAKE CONTROL SYSTEM -"](#).

##### 1. CONNECTOR INSPECTION

1. Turn ignition switch OFF.
2. Disconnect ABS actuator and electric unit (control unit) connector.
3. Check terminal for deformation, disconnection, looseness, and so on. If any malfunction is found, repair or replace terminal.
4. Reconnect connectors and then perform the self-diagnosis. Refer to [BRC-23. "CONSULT-III Function \(ABS\)"](#).

Is any item indicated on the self-diagnosis display?

# C1164, C1165, C1166, C1167 CV/SV SYSTEM

< COMPONENT DIAGNOSIS >

[VDC/TCS/ABS]

- YES >> GO TO 2  
 NO >> Poor connection of connector terminal. Repair or replace connector.

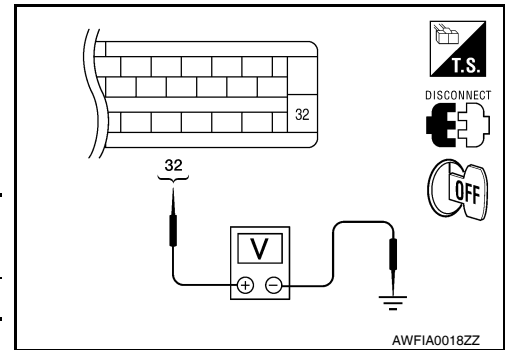
## 2. CHECK SOLENOID, VDC SWITCH-OVER VALVE AND ACTUATOR RELAY POWER SUPPLY CIRCUIT

1. Turn ignition switch OFF.
2. Disconnect ABS actuator and electric unit (control unit) connector.
3. Check voltage between ABS actuator and electric unit (control unit) connector E125 terminal 32 and ground.

ABS actuator and electric unit (control unit)		—	Voltage
Connector	Terminal		
E125	32	Ground	Battery voltage

Is the inspection result normal?

- YES >> GO TO 3  
 NO >> Repair or replace malfunctioning components.



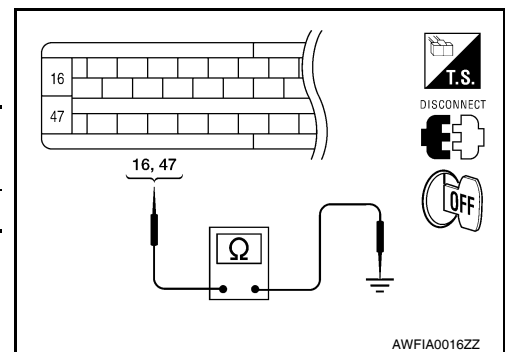
## 3. CHECK SOLENOID, VDC SWITCH-OVER VALVE AND ACTUATOR RELAY GROUND CIRCUIT

Check continuity between ABS actuator and electric unit (control unit) connector E125 terminals 16, 47 and ground.

ABS actuator and electric unit (control unit)		—	Continuity
Connector	Terminal		
E125	16, 47	Ground	Yes

Is the inspection result normal?

- YES >> Replace ABS actuator and electric unit (control unit).  
 Refer to [BRC-116. "Removal and Installation"](#).  
 NO >> Repair or replace malfunctioning components.



## Component Inspection

INFOID:000000005148045

### 1. CHECK ACTIVE TEST

1. Select each test menu item on "ACTIVE TEST".
2. On the display, touch "Up", "ACT UP", and "ACT KEEP", and check that the system operates as shown in the table below.

Operation		ABS solenoid valve (ACT)		
		Up	ACT UP	ACT KEEP
FR RH ABS SOLENOID (ACT)	FR RH IN SOL	Off	Off	Off
	FR RH OUT SOL	Off	Off	Off
	CV1	Off	On	On
	SV1	Off	On*	Off
FR LH ABS SOLENOID (ACT)	FR LH IN SOL	Off	Off	Off
	FR LH OUT SOL	Off	Off	Off
	CV1	Off	On	On
	SV1	Off	On*	Off
RR RH ABS SOLENOID (ACT)	RR RH IN SOL	Off	Off	Off
	RR RH OUT SOL	Off	Off	Off
	CV2	Off	On	On
	SV2	Off	On*	Off

# C1164, C1165, C1166, C1167 CV/SV SYSTEM

< COMPONENT DIAGNOSIS >

[VDC/TCS/ABS]

Operation		ABS solenoid valve (ACT)		
		Up	ACT UP	ACT KEEP
RR LH ABS SOLENOID (ACT)	RR LH IN SOL	Off	Off	Off
	RR LH OUT SOL	Off	Off	Off
	CV2	Off	On	On
	SV2	Off	On*	Off

\*: On for 1 to 2 seconds after the touch, and then Off

Is the inspection result normal?

YES >> Inspection End

NO >> Go to diagnosis procedure. Refer to [BRC-69. "Diagnosis Procedure"](#).

## Special Repair Requirement

INFOID:000000005194920

### 1. ADJUSTMENT OF STEERING ANGLE SENSOR NEUTRAL POSITION

Always perform neutral position adjustment for the steering angle sensor when replacing the ABS actuator and electric unit (control unit). Refer to [BRC-8. "ADJUSTMENT OF STEERING ANGLE SENSOR NEUTRAL POSITION : Description"](#).

>> GO TO 2

### 2. CALIBRATION OF DECEL G SENSOR

Always perform calibration of decel G sensor when replacing the ABS actuator and electric unit (control unit). Refer to [BRC-9. "CALIBRATION OF DECEL G SENSOR : Description"](#).

>> END

# C1178, C1181, C1184, C1189 ABS ACTIVE BOOSTER

< COMPONENT DIAGNOSIS >

[VDC/TCS/ABS]

## C1178, C1181, C1184, C1189 ABS ACTIVE BOOSTER

### Description

INFOID:000000005148047

The active brake booster consists of a vacuum booster, an active booster control group and a delta stroke sensor. If a brake booster system malfunction occurs due to loss of vacuum, the delta stroke sensor will signal the ABS actuator and electric unit (control unit) that a booster malfunction has occurred. The active booster then applies supplemental force to the master cylinder relative to the amount of force exerted on the brake pedal.

### DTC Logic

INFOID:000000005148048

### DTC DETECTION LOGIC

DTC	Display item	Malfunction detected condition	Possible cause
C1178	ABS ACTIVE BOOSTER SV NG	Active booster solenoid is malfunctioning, or signal line of active booster servo is open or shorted.	<ul style="list-style-type: none"><li>• Harness or connector</li><li>• Active booster</li><li>• ABS actuator and electric unit (control unit)</li></ul>
C1181	ABS ACTIVE BOOSTER RESPONSE NG	Active booster response is malfunctioning, or signal line of active booster response is open or shorted.	
C1184	ABS BRAKE RELEASE SW NG	Brake release switch is malfunctioning, or signal line of brake release switch is open or shorted.	
C1189	ABS BRAKE BOOSTER DEFECT	Brake booster is defective or malfunctioning.	

### DTC CONFIRMATION PROCEDURE

#### 1. CHECK SELF-DIAGNOSIS RESULTS

Check the self-diagnosis results.

Self-diagnosis results
ABS ACTIVE BOOSTER SV NG
ABS ACTIVE BOOSTER RESPONSE NG
ABS BRAKE RELEASE SW NG
ABS BRAKE BOOSTER DEFECT

Is above displayed on the self-diagnosis display?

YES >> Proceed to diagnosis procedure. Refer to [BRC-72. "Diagnosis Procedure"](#).

NO >> Inspection End

### Diagnosis Procedure

INFOID:000000005148049

Regarding Wiring Diagram information, refer to [BRC-92. "Wiring Diagram - BRAKE CONTROL SYSTEM -"](#).

#### 1. CONNECTOR INSPECTION

1. Turn the ignition switch OFF.
2. Disconnect the active booster connector and ABS actuator and electric unit (control unit) connector and inspect the terminals for deformation, disconnection, looseness, or damage.

Is the inspection result normal?

YES >> GO TO 2

NO >> Repair connector.

#### 2. ACTIVE BOOSTER CIRCUIT INSPECTION

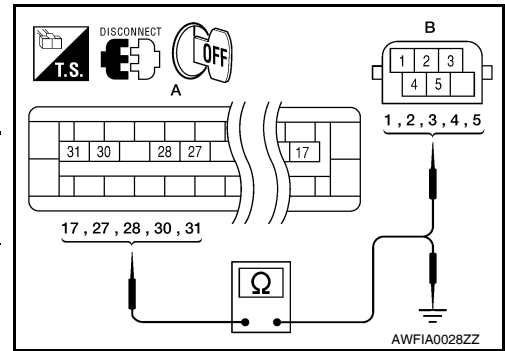


# C1178, C1181, C1184, C1189 ABS ACTIVE BOOSTER

< COMPONENT DIAGNOSIS >

[VDC/TCS/ABS]

1. Measure the continuity between ABS actuator and electric unit (control unit) connector E125 (A) and active booster connector E49 (B).



ABS actuator and electric unit (control unit)		Active booster		Continuity
Connector	Terminal	Connector	Terminal	
E125 (A)	17	E49 (B)	3	Yes
	27		1	
	28		5	
	30		2	
	31		4	

2. Measure the continuity between ABS actuator and electric unit (control unit) connector E125 (A) and body ground.

ABS actuator and electric unit (control unit)		—	Continuity
Connector	Terminal		
E125 (A)	17	Ground	No
	27		
	28		
	30		
	31		

Is the inspection result normal?

- YES >> GO TO 3
- NO >> Repair or replace harness or connector.

## 3. ACTIVE BOOSTER INSPECTION

1. Reconnect the active booster and ABS actuator and electric unit (control unit) connectors.
2. Perform the active booster component inspection. Refer to [BRC-73, "Component Inspection"](#).

Is the inspection result normal?

- YES >> Replace the ABS actuator and electric unit (control unit). Refer to [BRC-116, "Removal and Installation"](#).
- NO >> Replace the active booster. Refer to [BR-26, "Removal and Installation"](#).

## Component Inspection

INFOID:000000005148050

### 1. CHECK DATA MONITOR

Use "DATA MONITOR" to check if the status of "RELEASE SWITCH NO" and "RELEASE SWITCH NC" is normal.

Condition	RELEASE SWITCH NO (DATA MONITOR)	RELEASE SWITCH NC (DATA MONITOR)
When brake pedal is applied.	ON	OFF
When brake pedal is released.	OFF	ON

Is the inspection result normal?

- YES >> Inspection End
- NO >> Go to diagnosis procedure. Refer to [BRC-72, "Diagnosis Procedure"](#).

## Special Repair Requirement

INFOID:000000005194921

### 1. ADJUSTMENT OF STEERING ANGLE SENSOR NEUTRAL POSITION

## C1178, C1181, C1184, C1189 ABS ACTIVE BOOSTER

< COMPONENT DIAGNOSIS >

[VDC/TCS/ABS]

---

Always perform neutral position adjustment for the steering angle sensor when replacing the ABS actuator and electric unit (control unit). Refer to [BRC-8, "ADJUSTMENT OF STEERING ANGLE SENSOR NEUTRAL POSITION : Description"](#).

>> GO TO 2

### 2. CALIBRATION OF DECEL G SENSOR

---

Always perform calibration of decel G sensor when replacing the ABS actuator and electric unit (control unit). Refer to [BRC-9, "CALIBRATION OF DECEL G SENSOR : Description"](#).

>> END

C1179 ABS DELTA S SEN NG

Description

INFOID:000000005148052

The active brake booster consists of a vacuum booster, an active booster control group and a delta stroke sensor. If a brake booster system malfunction occurs due to loss of vacuum, the delta stroke sensor will signal the ABS actuator and electric unit (control unit) that a booster malfunction has occurred. The active booster then applies supplemental force to the master cylinder relative to the amount of force exerted on the brake pedal.

DTC Logic

INFOID:000000005148053

DTC DETECTION LOGIC

DTC	Display item	Malfunction detected condition	Possible cause
C1179	ABS DELTA S SEN NG	Delta stroke sensor is malfunctioning, or signal line of delta stroke sensor is open or shorted.	<ul style="list-style-type: none"> <li>• Harness or connector</li> <li>• Delta stroke sensor</li> <li>• ABS actuator and electric unit (control unit)</li> </ul>

A  
B  
C  
D  
E  
BRC

DTC CONFIRMATION PROCEDURE

1.CHECK SELF-DIAGNOSIS RESULTS

Check the self-diagnosis results.

Self-diagnosis results
ABS DELTA S SEN NG

Is above displayed on the self-diagnosis display?

- YES >> Proceed to diagnosis procedure. Refer to [BRC-75. "Diagnosis Procedure"](#).
- NO >> Inspection End

Diagnosis Procedure

INFOID:000000005148054

Regarding Wiring Diagram information, refer to [BRC-92. "Wiring Diagram - BRAKE CONTROL SYSTEM -"](#).

1.CONNECTOR INSPECTION

1. Turn the ignition switch OFF.
2. Disconnect the delta stroke sensor connector and ABS actuator and electric unit (control unit) connector and inspect the terminals for deformation, disconnection, looseness, or damage.

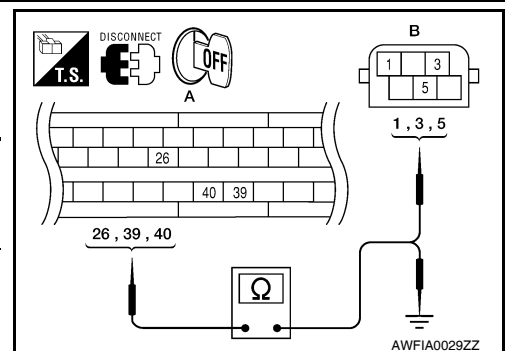
Is the inspection result normal?

- YES >> GO TO 2
- NO >> Repair connector.

2.DELTA STROKE SENSOR CIRCUIT INSPECTION

1. Measure the continuity between ABS actuator and electric unit (control unit) connector E125 (A) and delta stroke sensor connector E114 (B).

ABS actuator and electric unit (control unit)		Delta stroke sensor		Continuity
Connector	Terminal	Connector	Terminal	
E125 (A)	26	E114 (B)	1	Yes
	39		3	
	40		5	



J  
K  
L  
M  
N  
O  
P

# C1179 ABS DELTA S SEN NG

[VDC/TCS/ABS]

## < COMPONENT DIAGNOSIS >

2. Measure the continuity between ABS actuator and electric unit (control unit) connector E125 (A) and body ground.

ABS actuator and electric unit (control unit)		—	Continuity
Connector	Terminal		
E125 (A)	26	Ground	No
	39		
	40		

Is the inspection result normal?

- YES >> GO TO 3  
NO >> Repair or replace harness or connector.

### 3.DELTA STROKE SENSOR INSPECTION

1. Connect the delta stroke sensor and ABS actuator and electric unit (control unit) connectors.
2. Perform the delta stroke sensor component inspection. Refer to [BRC-76. "Component Inspection"](#).

Is the inspection result normal?

- YES >> Replace the ABS actuator and electric unit (control unit). Refer to [BRC-116. "Removal and Installation"](#).  
NO >> Replace the delta stroke sensor.

## Component Inspection

INFOID:000000005148055

### 1.CHECK DATA MONITOR

Use "DATA MONITOR" to check if the status of "DELTA S SEN" is normal.

Condition	DELTA S SEN (DATA MONITOR)
When brake pedal is applied.	1.05–1.80 mm
When brake pedal is released.	0.00 mm (+0.6/-0.4)

Is the inspection result normal?

- YES >> Inspection End  
NO >> Go to diagnosis procedure. Refer to [BRC-75. "Diagnosis Procedure"](#).

## Special Repair Requirement

INFOID:000000005194922

### 1.AJUSTMENT OF STEERING ANGLE SENSOR NEUTRAL POSITION

Always perform neutral position adjustment for the steering angle sensor when replacing the ABS actuator and electric unit (control unit). Refer to [BRC-8. "ADJUSTMENT OF STEERING ANGLE SENSOR NEUTRAL POSITION : Description"](#).

>> GO TO 2

### 2.CALIBRATION OF DECEL G SENSOR

Always perform calibration of decel G sensor when replacing the ABS actuator and electric unit (control unit). Refer to [BRC-9. "CALIBRATION OF DECEL G SENSOR : Description"](#).

>> END

C1185 ICC UNIT

Description

INFOID:000000005148057

When the force applied to brake pedal exceeds a certain level, the brake assist is activated and generates a greater braking force than that of a conventional brake booster, even with light pedal force.  
 When the ICC preview function identifies the need to apply the sudden brake by sensing the vehicle ahead in the same lane and the distance and relative speed from it, it applies the brake pre-pressure before driver depresses the brake pedal and improves brake response by reducing its free play.

DTC Logic

INFOID:000000005148058

DTC DETECTION LOGIC

DTC	Display item	Malfunction detected condition	Possible cause
C1185	ABS ACC CU INTERNAL NG	ICC control unit internal malfunction.	<ul style="list-style-type: none"> <li>• Harness or connector</li> <li>• ICC unit</li> <li>• ABS actuator and electric unit (control unit)</li> </ul>

A  
B  
C  
D  
E  
BRC

DTC CONFIRMATION PROCEDURE

1.CHECK SELF-DIAGNOSIS RESULTS

Check the self-diagnosis results.

Self-diagnosis results
ABS ACC CU INTERNAL NG

Is above displayed on the self-diagnosis display?

- YES >> Proceed to diagnosis procedure. Refer to [BRC-77, "Diagnosis Procedure"](#).
- NO >> Inspection End

Diagnosis Procedure

INFOID:000000005148059

Regarding Wiring Diagram information, refer to [BRC-92, "Wiring Diagram - BRAKE CONTROL SYSTEM -"](#).

1.SELF-DIAGNOSIS RESULT CHECK

Perform self-diagnosis of ICC unit.

Are self-diagnosis result items displayed?

- YES >> After checking and repairing the applicable item, perform ICC unit self-diagnosis again.
- NO >> GO TO 2

2.CONNECTOR INSPECTION

Disconnect the ABS actuator and electric unit (control unit) connector and the ICC unit connector and check the terminals for deformation, disconnection, looseness or damage.

Is the inspection result normal?

- YES >> GO TO 3
- NO >> Repair or replace as necessary.

3.ICC UNIT CIRCUIT INSPECTION

J  
K  
L  
M  
N  
O  
P

# C1185 ICC UNIT

[VDC/TCS/ABS]

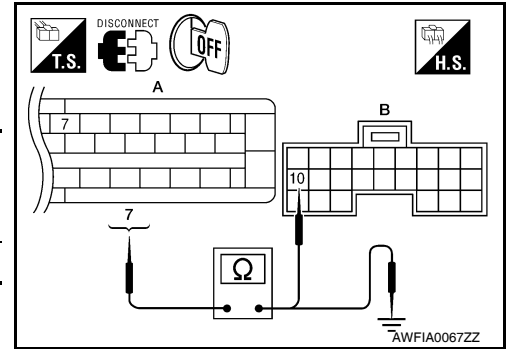
## < COMPONENT DIAGNOSIS >

1. Measure the continuity between ABS actuator and electric unit (control unit) connector E125 terminal 7 and ICC unit connector B13 terminal 10.

ABS actuator and electric unit (control unit)		ICC unit		Continuity
Connector	Terminal	Connector	Terminal	
E125 (A)	7	B13 (B)	10	Yes

2. Measure the continuity between ABS actuator and electric unit (control unit) connector E125 terminal 7 and body ground.

ABS actuator and electric unit (control unit)		—	Continuity
Connector	Terminal		
E125 (A)	7	Ground	No



Is the inspection result normal?

- YES >> Replace ABS actuator and electric unit (control unit). Refer to [BRC-116, "Removal and Installation"](#).
- NO >> Repair or replace harness or connector.

## Special Repair Requirement

INFOID:000000005194923

### 1. ADJUSTMENT OF STEERING ANGLE SENSOR NEUTRAL POSITION

Always perform neutral position adjustment for the steering angle sensor when replacing the ABS actuator and electric unit (control unit). Refer to [BRC-8, "ADJUSTMENT OF STEERING ANGLE SENSOR NEUTRAL POSITION : Description"](#).

>> GO TO 2

### 2. CALIBRATION OF DECEL G SENSOR

Always perform calibration of decel G sensor when replacing the ABS actuator and electric unit (control unit). Refer to [BRC-9, "CALIBRATION OF DECEL G SENSOR : Description"](#).

>> END

## U1000 CAN COMM CIRCUIT

### Description

INFOID:000000005148061

CAN (Controller Area Network) is a serial communication line for real time application. It is an on-vehicle multiplex communication line with high data communication speed and excellent error detection ability. Many electronic control units are equipped onto a vehicle, and each control unit shares information and links with other control units during operation (not independent). In CAN communication, control units are connected with 2 communication lines (CAN H line, CAN L line) allowing a high rate of information transmission with less wiring. Each control unit transmits/receives data but selectively reads required data only.

### DTC Logic

INFOID:000000005148062

### DTC DETECTION LOGIC

DTC	Display item	Malfunction detected condition	Possible cause
U1000	CAN COMM CIRCUIT	When ABS actuator and electric unit (control unit) is not transmitting or receiving CAN communication signal for 2 seconds or more.	<ul style="list-style-type: none"> <li>• CAN communication line</li> <li>• ABS actuator and electric unit (control unit)</li> </ul>

BRC

### Diagnosis Procedure

INFOID:000000005148063

#### 1. CHECK CONNECTOR

1. Turn ignition switch OFF, disconnect the ABS actuator and electric unit (control unit) connector, and check the terminals for deformation, disconnection, looseness, and so on. If there is a malfunction, repair or replace the terminal.

2. Reconnect connector and perform self-diagnosis. Refer to [BRC-23, "CONSULT-III Function \(ABS\)"](#).

Is "CAN COMM CIRCUIT" displayed in self-diagnosis display items?

- YES >> Print out the self-diagnostic results, and refer to [LAN-14, "Trouble Diagnosis Flow Chart"](#).  
 NO >> Connector terminal is loose, damaged, open, or shorted.

A  
B  
C  
D  
E  
G  
H  
I  
J  
K  
L  
M  
N  
O  
P

# VDC OFF SWITCH

< COMPONENT DIAGNOSIS >

[VDC/TCS/ABS]

## VDC OFF SWITCH

### Description

INFOID:000000005148065

VDC OFF switch can deactivate (turn OFF) the VDC/TCS function by pressing the VDC OFF switch.

### Component Function Check

INFOID:000000005148066

#### 1.CHECK VDC OFF SWITCH OPERATION

Turn ON/OFF the VDC OFF switch and check that the VDC OFF indicator lamp in the combination meter turns ON/OFF correctly.

Condition	VDC OFF indicator lamp illumination status
VDC OFF switch: ON	ON
VDC OFF switch: OFF	OFF

Is the inspection result normal?

YES >> Inspection End

NO >> Go to diagnosis procedure. Refer to [BRC-80. "Diagnosis Procedure"](#).

### Diagnosis Procedure

INFOID:000000005148067

Regarding Wiring Diagram information, refer to [BRC-92. "Wiring Diagram - BRAKE CONTROL SYSTEM -"](#).

#### 1.CHECK VDC OFF SWITCH

Perform the VDC OFF switch component inspection. Refer to [BRC-81. "Component Inspection"](#).

Is the inspection result normal?

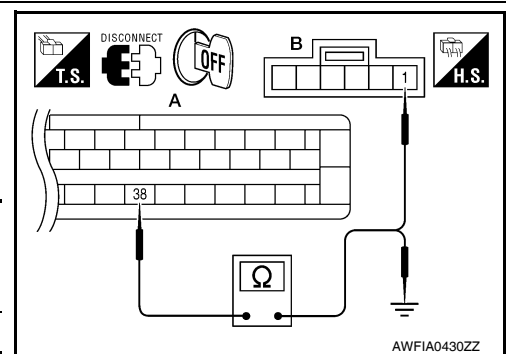
YES >> GO TO 2

NO >> Replace VDC OFF switch.

#### 2.CHECK VDC OFF SWITCH HARNESS

1. Disconnect ABS actuator and electric unit (control unit) connector.
2. Check continuity between ABS actuator and electric unit (control unit) connector E125 (A) terminal 38 and VDC OFF switch connector M253 (B) terminal 1.

ABS actuator and electric unit (control unit)		VDC OFF switch		Continuity
Connector	Terminal	Connector	Terminal	
E125 (A)	38	M253 (B)	1	Yes



3. Check continuity between ABS actuator and electric unit (control unit) connector E125 (A) terminal 38 and ground.

ABS actuator and electric unit (control unit)		—	Continuity
Connector	Terminal		
E125 (A)	38	Ground	No

Is the inspection result normal?

YES >> GO TO 3

NO >> Repair or replace harness.

#### 3.CHECK VDC OFF SWITCH GROUND



# VDC OFF SWITCH

[VDC/TCS/ABS]

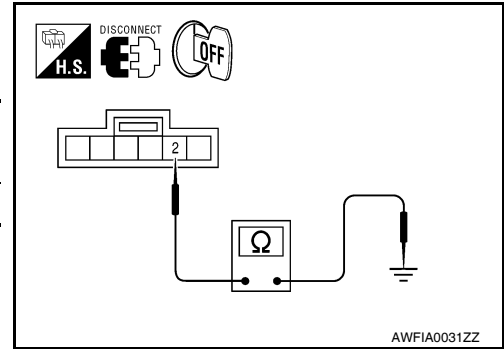
## < COMPONENT DIAGNOSIS >

Check continuity between VDC OFF switch connector M253 terminal 2 and ground.

VDC OFF switch		—	Continuity
Connector	Terminal		
M253	2	Ground	Yes

Is the inspection result normal?

- YES >> GO TO 4
- NO >> Repair or replace harness.



## 4.CHECK COMBINATION METER

Check if the indication and operation of combination meter are normal. Refer to [MWI-22, "Diagnosis Description"](#).

Is the inspection result normal?

- YES >> Replace ABS actuator and electric unit (control unit). Refer to [BRC-116, "Removal and Installation"](#).
- NO >> Replace combination meter. Refer to [MWI-100, "Removal and Installation"](#).

## Component Inspection

INFOID:000000005148068

### INSPECTION PROCEDURE

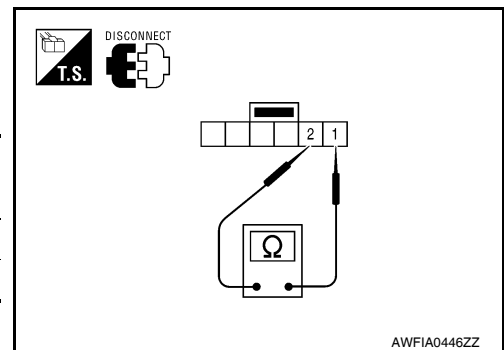
#### 1.CHECK VDC OFF SWITCH

1. Turn ignition switch OFF.
2. Disconnect VDC OFF switch connector.
3. Check continuity between VDC OFF switch terminals.

VDC OFF switch		Condition	Continuity
Terminal			
1 - 2		When VDC OFF switch is pressed.	Yes
		When VDC OFF switch is released.	No

Is the inspection result normal?

- YES >> Inspection End
- NO >> Replace VDC OFF switch.



## Special Repair Requirement

INFOID:000000005194924

#### 1.ADJUSTMENT OF STEERING ANGLE SENSOR NEUTRAL POSITION

Always perform neutral position adjustment for the steering angle sensor when replacing the ABS actuator and electric unit (control unit). Refer to [BRC-8, "ADJUSTMENT OF STEERING ANGLE SENSOR NEUTRAL POSITION : Description"](#).

>> GO TO 2

#### 2.CALIBRATION OF DECEL G SENSOR

Always perform calibration of decel G sensor when replacing the ABS actuator and electric unit (control unit). Refer to [BRC-9, "CALIBRATION OF DECEL G SENSOR : Description"](#).

>> END

# ABS WARNING LAMP

< COMPONENT DIAGNOSIS >

[VDC/TCS/ABS]

## ABS WARNING LAMP

### Description

INFOID:000000005148069

x: ON –: OFF

Condition	ABS warning lamp
Ignition switch OFF	–
For 2 seconds after turning ON ignition switch	x
2 seconds later after turning ON ignition switch	–
ABS function is malfunctioning.	x
EBD function is malfunctioning.	x

### Component Function Check

INFOID:000000005148070

#### 1.CHECK ABS WARNING LAMP OPERATION

Check that the lamp illuminates for approximately 2 seconds after the ignition switch is turned ON.

Is the inspection result normal?

YES >> Inspection End

NO >> Go to diagnosis procedure. Refer to [BRC-82. "Diagnosis Procedure"](#).

### Diagnosis Procedure

INFOID:000000005148071

#### 1.CHECK SELF-DIAGNOSIS

Perform ABS actuator and electric unit (control unit) self-diagnosis. Refer to [BRC-23. "CONSULT-III Function \(ABS\)"](#).

Is the inspection result normal?

YES >> GO TO 2

NO >> Check items displayed by self-diagnosis.

#### 2.CHECK COMBINATION METER

Check if the indication and operation of combination meter are normal. Refer to [MWI-22. "Diagnosis Description"](#).

Is the inspection result normal?

YES >> Replace ABS actuator and electric unit (control unit). Refer to [BRC-116. "Removal and Installation"](#).

NO >> Replace combination meter. Refer to [MWI-100. "Removal and Installation"](#).

### Special Repair Requirement

INFOID:000000005194925

#### 1.AJUSTMENT OF STEERING ANGLE SENSOR NEUTRAL POSITION

Always perform neutral position adjustment for the steering angle sensor when replacing the ABS actuator and electric unit (control unit). Refer to [BRC-8. "ADJUSTMENT OF STEERING ANGLE SENSOR NEUTRAL POSITION : Description"](#).

>> GO TO 2

#### 2.CALIBRATION OF DECEL G SENSOR

Always perform calibration of decel G sensor when replacing the ABS actuator and electric unit (control unit). Refer to [BRC-9. "CALIBRATION OF DECEL G SENSOR : Description"](#).

>> END

# BRAKE WARNING LAMP

< COMPONENT DIAGNOSIS >

[VDC/TCS/ABS]

## BRAKE WARNING LAMP

### Description

INFOID:000000005148072

x: ON –: OFF

Condition	Brake warning lamp (Note 1)
Ignition switch OFF	–
Ignition switch ON	× (Note 2)
EBD function is malfunctioning.	×

#### NOTE:

- 1: Brake warning lamp will turn on in case of parking brake operation (when switch is ON) or of brake fluid level switch operation (when brake fluid is insufficient).
- 2: After starting engine, brake warning lamp is turned off.

### Component Function Check

INFOID:000000005148073

#### 1. BRAKE WARNING LAMP OPERATION CHECK

Check that the lamp illuminates after the ignition switch is turned ON, and turns OFF after the engine is started.

Is the inspection result normal?

YES >> Inspection End

NO >> Go to diagnosis procedure. Refer to [BRC-83. "Diagnosis Procedure"](#).

### Diagnosis Procedure

INFOID:000000005148074

#### 1. CHECK SELF-DIAGNOSIS

Perform ABS actuator and electric unit (control unit) self-diagnosis. Refer to [BRC-23. "CONSULT-III Function \(ABS\)"](#).

Is the inspection result normal?

YES >> GO TO 2

NO >> Check items displayed by self-diagnosis.

#### 2. CHECK COMBINATION METER

Check if the indication and operation of combination meter are normal. Refer to [MWI-22. "Diagnosis Description"](#).

Is the inspection result normal?

YES >> Replace ABS actuator and electric unit (control unit). Refer to [BRC-116. "Removal and Installation"](#).

NO >> Replace combination meter. Refer to [MWI-100. "Removal and Installation"](#).

### Special Repair Requirement

INFOID:000000005194926

#### 1. ADJUSTMENT OF STEERING ANGLE SENSOR NEUTRAL POSITION

Always perform neutral position adjustment for the steering angle sensor when replacing the ABS actuator and electric unit (control unit). Refer to [BRC-8. "ADJUSTMENT OF STEERING ANGLE SENSOR NEUTRAL POSITION : Description"](#).

>> GO TO 2

#### 2. CALIBRATION OF DECEL G SENSOR

Always perform calibration of decel G sensor when replacing the ABS actuator and electric unit (control unit). Refer to [BRC-9. "CALIBRATION OF DECEL G SENSOR : Description"](#).

>> END

# VDC OFF INDICATOR LAMP

< COMPONENT DIAGNOSIS >

[VDC/TCS/ABS]

## VDC OFF INDICATOR LAMP

### Description

INFOID:000000005148075

x: ON –: OFF

Condition	VDC OFF indicator lamp
Ignition switch OFF	–
For 2 seconds after turning ON ignition switch	x
2 seconds later after turning ON ignition switch	–
VDC OFF switch turned ON. (VDC function is OFF.)	x
VDC/TCS function is malfunctioning.	x
ABS function is malfunctioning.	x
EBD function is malfunctioning.	x

### Component Function Check

INFOID:000000005148076

#### 1.VDC OFF INDICATOR LAMP OPERATION CHECK 1

Check that the lamp illuminates for approximately 2 seconds after the ignition switch is turned ON.

Is the inspection result normal?

YES >> GO TO 2

NO >> Go to diagnosis procedure. Refer to [BRC-84, "Diagnosis Procedure"](#).

#### 2.VDC OFF INDICATOR LAMP OPERATION CHECK 2

Check that the VDC OFF indicator lamp in the combination meter turns ON/OFF correctly when operating the VDC OFF switch.

Is the inspection result normal?

YES >> Inspection End

NO >> Check VDC OFF switch. Refer to [BRC-80, "Diagnosis Procedure"](#).

### Diagnosis Procedure

INFOID:000000005148077

#### 1.CHECK VDC OFF SWITCH

Check that the VDC OFF indicator lamp in the combination meter turns ON/OFF correctly when operating the VDC OFF switch.

Is the inspection result normal?

YES >> GO TO 2

NO >> Check VDC OFF switch. Refer to [BRC-80, "Diagnosis Procedure"](#).

#### 2.CHECK SELF-DIAGNOSIS

Perform ABS actuator and electric unit (control unit) self-diagnosis. Refer to [BRC-23, "CONSULT-III Function \(ABS\)"](#).

Is the inspection result normal?

YES >> GO TO 3

NO >> Check items displayed by self-diagnosis.

#### 3.CHECK COMBINATION METER

Check if the indication and operation of combination meter are normal. Refer to [MWI-22, "Diagnosis Description"](#).

Is the inspection result normal?

YES >> Replace ABS actuator and electric unit (control unit). Refer to [BRC-116, "Removal and Installation"](#).

NO >> Replace combination meter. Refer to [MWI-100, "Removal and Installation"](#).

# VDC OFF INDICATOR LAMP

< COMPONENT DIAGNOSIS >

[VDC/TCS/ABS]

## Special Repair Requirement

INFOID:000000005194927

### 1. ADJUSTMENT OF STEERING ANGLE SENSOR NEUTRAL POSITION

Always perform neutral position adjustment for the steering angle sensor when replacing the ABS actuator and electric unit (control unit). Refer to [BRC-8, "ADJUSTMENT OF STEERING ANGLE SENSOR NEUTRAL POSITION : Description"](#).

>> GO TO 2

### 2. CALIBRATION OF DECEL G SENSOR

Always perform calibration of decel G sensor when replacing the ABS actuator and electric unit (control unit). Refer to [BRC-9, "CALIBRATION OF DECEL G SENSOR : Description"](#).

>> END

A  
B  
C  
D  
E  
G  
H  
I  
J  
K  
L  
M  
N  
O  
P

**BRC**

# SLIP INDICATOR LAMP

< COMPONENT DIAGNOSIS >

[VDC/TCS/ABS]

## SLIP INDICATOR LAMP

### Description

INFOID:000000005148078

x: ON –: OFF

Condition	SLIP indicator lamp
Ignition switch OFF	–
For 2 seconds after turning ON ignition switch	x
2 seconds later after turning ON ignition switch	–
VDC/TCS function is malfunctioning.	x
ABS function is malfunctioning.	x
EBD function is malfunctioning.	x

### Component Function Check

INFOID:000000005148079

#### 1.CHECK SLIP INDICATOR LAMP OPERATION

Check that the lamp illuminates for approximately 2 seconds after the ignition switch is turned ON.

Is the inspection result normal?

YES >> Inspection End

NO >> Go to diagnosis procedure. Refer to [BRC-86. "Diagnosis Procedure"](#).

### Diagnosis Procedure

INFOID:000000005148080

#### 1.CHECK SELF-DIAGNOSIS

Perform ABS actuator and electric unit (control unit) self-diagnosis. Refer to [BRC-23. "CONSULT-III Function \(ABS\)"](#).

Is the inspection result normal?

YES >> GO TO 2

NO >> Check items displayed by self-diagnosis.

#### 2.CHECK COMBINATION METER

Check if the indication and operation of combination meter are normal. Refer to [MWI-22. "Diagnosis Description"](#).

Is the inspection result normal?

YES >> Replace ABS actuator and electric unit (control unit). Refer to [BRC-116. "Removal and Installation"](#).

NO >> Replace combination meter. Refer to [MWI-100. "Removal and Installation"](#).

### Special Repair Requirement

INFOID:000000005194928

#### 1.AJUSTMENT OF STEERING ANGLE SENSOR NEUTRAL POSITION

Always perform neutral position adjustment for the steering angle sensor when replacing the ABS actuator and electric unit (control unit). Refer to [BRC-8. "ADJUSTMENT OF STEERING ANGLE SENSOR NEUTRAL POSITION : Description"](#).

>> GO TO 2

#### 2.CALIBRATION OF DECEL G SENSOR

Always perform calibration of decel G sensor when replacing the ABS actuator and electric unit (control unit). Refer to [BRC-9. "CALIBRATION OF DECEL G SENSOR : Description"](#).

>> END

# ABS ACTUATOR AND ELECTRIC UNIT (CONTROL UNIT)

< ECU DIAGNOSIS >

[VDC/TCS/ABS]

## ECU DIAGNOSIS

### ABS ACTUATOR AND ELECTRIC UNIT (CONTROL UNIT)

#### Reference Value

INFOID:000000005148081

#### VALUES ON THE DIAGNOSIS TOOL

#### CAUTION:

The display shows the control unit calculation data, so a normal value might be displayed even in the event the output circuit (harness) is open or short-circuited.

#### CONSULT-III MONITOR ITEM

Monitor item	Display content	Data monitor	
		Condition	Reference value in normal operation
FR LH SENSOR	Wheel speed	0 [km/h (MPH)]	Vehicle stopped
		Nearly matches the speed meter display (± 10% or less)	Vehicle running (Note 1)
FR RH SENSOR	Wheel speed	0 [km/h (MPH)]	Vehicle stopped
		Nearly matches the speed meter display (± 10% or less)	Vehicle running (Note 1)
RR LH SENSOR	Wheel speed	0 [km/h (MPH)]	Vehicle stopped
		Nearly matches the speed meter display (± 10% or less)	Vehicle running (Note 1)
RR RH SENSOR	Wheel speed	0 [km/h (MPH)]	Vehicle stopped
		Nearly matches the speed meter display (± 10% or less)	Vehicle running (Note 1)
DECEL G-SEN	Longitudinal acceleration detected by Decel G-Sensor	Vehicle stopped	Approx. 0 G
		Vehicle running	-1.7 to 1.7 G
FR RH IN SOL	Operation status of each solenoid valve	Actuator (solenoid valve) is active ("ACTIVE TEST" with CONSULT-III) or actuator relay is inactive (in fail-safe mode)	ON
		When the actuator (solenoid valve) is not active and actuator relay is active (ignition switch ON)	OFF
FR RH OUT SOL	Operation status of each solenoid valve	Actuator (solenoid valve) is active ("ACTIVE TEST" with CONSULT-III) or actuator relay is inactive (in fail-safe mode)	ON
		When the actuator (solenoid valve) is not active and actuator relay is active (ignition switch ON)	OFF
FR LH IN SOL	Operation status of each solenoid valve	Actuator (solenoid valve) is active ("ACTIVE TEST" with CONSULT-III) or actuator relay is inactive (in fail-safe mode)	ON
		When the actuator (solenoid valve) is not active and actuator relay is active (ignition switch ON)	OFF
FR LH OUT SOL	Operation status of each solenoid valve	Actuator (solenoid valve) is active ("ACTIVE TEST" with CONSULT-III) or actuator relay is inactive (in fail-safe mode)	ON
		When the actuator (solenoid valve) is not active and actuator relay is active (ignition switch ON)	OFF

# ABS ACTUATOR AND ELECTRIC UNIT (CONTROL UNIT)

< ECU DIAGNOSIS >

[VDC/TCS/ABS]

Monitor item	Display content	Data monitor	
		Condition	Reference value in normal operation
RR RH IN SOL	Operation status of each solenoid valve	Actuator (solenoid valve) is active ("ACTIVE TEST" with CONSULT-III) or actuator relay is inactive (in fail-safe mode)	ON
		When the actuator (solenoid valve) is not active and actuator relay is active (ignition switch ON)	OFF
RR RH OUT SOL	Operation status of each solenoid valve	Actuator (solenoid valve) is active ("ACTIVE TEST" with CONSULT-III) or actuator relay is inactive (in fail-safe mode)	ON
		When the actuator (solenoid valve) is not active and actuator relay is active (ignition switch ON)	OFF
RR LH IN SOL	Operation status of each solenoid valve	Actuator (solenoid valve) is active ("ACTIVE TEST" with CONSULT-III) or actuator relay is inactive (in fail-safe mode)	ON
		When the actuator (solenoid valve) is not active and actuator relay is active (ignition switch ON)	OFF
RR LH OUT SOL	Operation status of each solenoid valve	Actuator (solenoid valve) is active ("ACTIVE TEST" with CONSULT-III) or actuator relay is inactive (in fail-safe mode)	ON
		When the actuator (solenoid valve) is not active and actuator relay is active (ignition switch ON)	OFF
EBD WARN LAMP	EBD warning lamp (Note 2)	When EBD warning lamp is ON	ON
		When EBD warning lamp is OFF	OFF
STOP LAMP SW	Stop lamp switch signal status	When brake pedal is depressed	ON
		When brake pedal is released	OFF
MOTOR RELAY	Motor and motor relay operation	When the motor relay and motor are operating	ON
		When the motor relay and motor are not operating	OFF
ACTUATOR RLY	Actuator relay operation	When the actuator relay is operating	ON
		When the actuator relay is not operating	OFF
ABS WARN LAMP	ABS warning lamp (Note 2)	When ABS warning lamp is ON	ON
		When ABS warning lamp is OFF	OFF
OFF LAMP	VDC OFF indicator lamp (Note 2)	When VDC OFF indicator lamp is ON	ON
		When VDC OFF indicator lamp is OFF	OFF
OFF SW	VDC OFF switch ON/OFF	VDC OFF switch ON (When VDC OFF indicator lamp is ON)	ON
		VDC OFF switch OFF (When VDC OFF indicator lamp is OFF)	OFF
SLIP LAMP	SLIP indicator lamp (Note 2)	When SLIP indicator lamp is ON	ON
		When SLIP indicator lamp is OFF	OFF
BATTERY VOLT	Battery voltage supplied to the ABS actuator and electric unit (control unit)	Ignition switch ON	10 – 16 V
GEAR	Gear position determined by TCM	1st gear	1
		2nd gear	2
		3rd gear	3
		4th gear	4
		5th gear	5



# ABS ACTUATOR AND ELECTRIC UNIT (CONTROL UNIT)

< ECU DIAGNOSIS >

[VDC/TCS/ABS]

Monitor item	Display content	Data monitor	
		Condition	Reference value in normal operation
SLCT LVR POSI	A/T selector lever position	P position R position N position D position	P R N D
ENGINE SPEED	With engine running	With engine stopped	0 rpm
		Engine running	Almost in accordance with tachometer display
YAW RATE SEN	Yaw rate detected by yaw rate/side/decel G sensor	When vehicle is stopped	Approx. 0 d/s
		When vehicle turning	-75 to 75 d/s
R POSI SIG	Transmission range switch signal ON/OFF condition	A/T shift position = R position	ON
		A/T shift position = other than R position	OFF
4WD FAIL REQ (Note 3)	Transfer control unit fail-safe signal	When transfer control unit is in fail-safe mode	ON
		When transfer control unit is normal	OFF
N POSI SIG	Transmission range switch signal ON/OFF condition	A/T shift position = N position	ON
		A/T shift position = other than N position	OFF
P POSI SIG	Transmission range switch signal ON/OFF condition	A/T shift position = P position	ON
		A/T shift position = other than P position	OFF
CV1	VDC switch-over valve	When actuator (switch-over valve) is active ("ACTIVE TEST" with CONSULT-III) or actuator relay is inactive (when in fail-safe mode)	ON
		When actuator (switch-over valve) is not active and actuator relay is active (ignition switch ON)	OFF
CV2	VDC switch-over valve	When actuator (switch-over valve) is active ("ACTIVE TEST" with CONSULT-III) or actuator relay is inactive (when in fail-safe mode)	ON
		When actuator (switch-over valve) is not active and actuator relay is active (ignition switch ON)	OFF
SV1	VDC switch-over valve	When actuator (switch-over valve) is active ("ACTIVE TEST" with CONSULT-III) or actuator relay is inactive (when in fail-safe mode)	ON
		When actuator (switch-over valve) is not active and actuator relay is active (ignition switch ON)	OFF
SV2	VDC switch-over valve	When actuator (switch-over valve) is active ("ACTIVE TEST" with CONSULT-III) or actuator relay is inactive (when in fail-safe mode)	ON
		When actuator (switch-over valve) is not active and actuator relay is active (ignition switch ON)	OFF
2WD/4WD	Drive axle	2WD model	2WD
		4WD model	4WD

A  
B  
C  
D  
E  
BRC  
G  
H  
I  
J  
K  
L  
M  
N  
O  
P

# ABS ACTUATOR AND ELECTRIC UNIT (CONTROL UNIT)

< ECU DIAGNOSIS >

[VDC/TCS/ABS]

Monitor item	Display content	Data monitor	
		Condition	Reference value in normal operation
ACCEL POS SIG	Throttle actuator opening/closing is displayed (linked with accelerator pedal)	Accelerator pedal not depressed (ignition switch is ON)	0 %
		Accelerator pedal depressed (ignition switch is ON)	0 - 100 %
SIDE G-SENSOR	Transverse G detected by side G sensor	Vehicle stopped	Approx. 0 m/s <sup>2</sup>
		Vehicle turning right	Negative value (m/s <sup>2</sup> )
		Vehicle turning left	Positive value (m/s <sup>2</sup> )
STR ANGLE SIG	Steering angle detected by steering angle sensor	Straight-ahead	Approx. 0°
		Steering wheel turned	-720 to 720°
BST OPER SIG	Active booster operation	Active booster is active	ON
		Active booster is inactive	OFF
PRESS SENSOR	Brake fluid pressure detected by front pressure sensor	With ignition switch turned ON and brake pedal released	Approx. 0 bar
		With ignition switch turned ON and brake pedal depressed	-40 to 300 bar
EBD SIGNAL	EBD operation	EBD is active	ON
		EBD is inactive	OFF
ABS SIGNAL	ABS operation	ABS is active	ON
		ABS is inactive	OFF
TCS SIGNAL	TCS operation	TCS is active	ON
		TCS is inactive	OFF
VDC SIGNAL	VDC operation	VDC is active	ON
		VDC is inactive	OFF
EBD FAIL SIG	EBD fail-safe signal	In EBD fail-safe	ON
		EBD is normal	OFF
ABS FAIL SIG	ABS fail-safe signal	In ABS fail-safe	ON
		ABS is normal	OFF
TCS FAIL SIG	TCS fail-safe signal	In TCS fail-safe	ON
		TCS is normal	OFF
VDC FAIL SIG	VDC fail-safe signal	In VDC fail-safe	ON
		VDC is normal	OFF
CRANKING SIG	Crank operation	Crank is active	ON
		Crank is inactive	OFF
FLUID LEV SW	Brake fluid level switch signal status	When brake fluid level switch ON	ON
		When brake fluid level switch OFF	OFF
PRESS SEN2	Brake fluid pressure detected by rear pressure sensor	With ignition switch turned ON and brake pedal released	Approx. 0 bar
		With ignition switch turned ON and brake pedal depressed	-40 to 300 bar
DELTA S SEN	Value detected by delta stroke sensor	When brake pedal is depressed	1.05 - 1.80 mm
		When brake pedal is released	0.00 mm (+0.6/-0.4)
RELEASE SW NO	Active booster signal status	When brake pedal is depressed	ON
		When brake pedal is released	OFF

# ABS ACTUATOR AND ELECTRIC UNIT (CONTROL UNIT)

< ECU DIAGNOSIS >

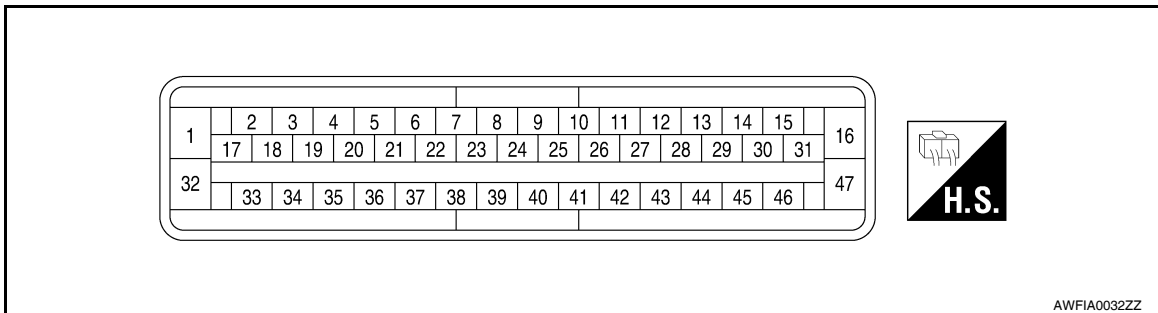
[VDC/TCS/ABS]

Monitor item	Display content	Data monitor	
		Condition	Reference value in normal operation
RELEASE SW NC	Active booster signal status	When brake pedal is depressed	OFF
		When brake pedal is released	ON
OHB FAIL	OHB fail safe signal	OHB is active	ON
		OHB is inactive	OFF
HBA FAIL	HBA fail safe signal	HBA is active	ON
		HBA is inactive	OFF
OHB SIG	OHB operation	In OHB fail-safe	ON
		OHB is normal	OFF
HBA SIG	HBA operation	In HBA fail-safe	ON
		HBA is normal	OFF
STP OFF RLY	Stop lamp relay signal	When stop lamp relay is ON	ON
		When stop lamp relay is OFF	OFF

**NOTE:**

- 1: Confirm tire pressure is normal.
- 2: On and off timing for warning lamp and indicator lamp.
- 3: Only 4WD models.
- ABS warning lamp: Refer to [BRC-82, "Description"](#).
- Brake warning lamp: Refer to [BRC-83, "Description"](#).
- VDC OFF indicator lamp: Refer to [BRC-84, "Description"](#).
- SLIP indicator lamp: Refer to [BRC-86, "Description"](#).

**TERMINAL LAYOUT**



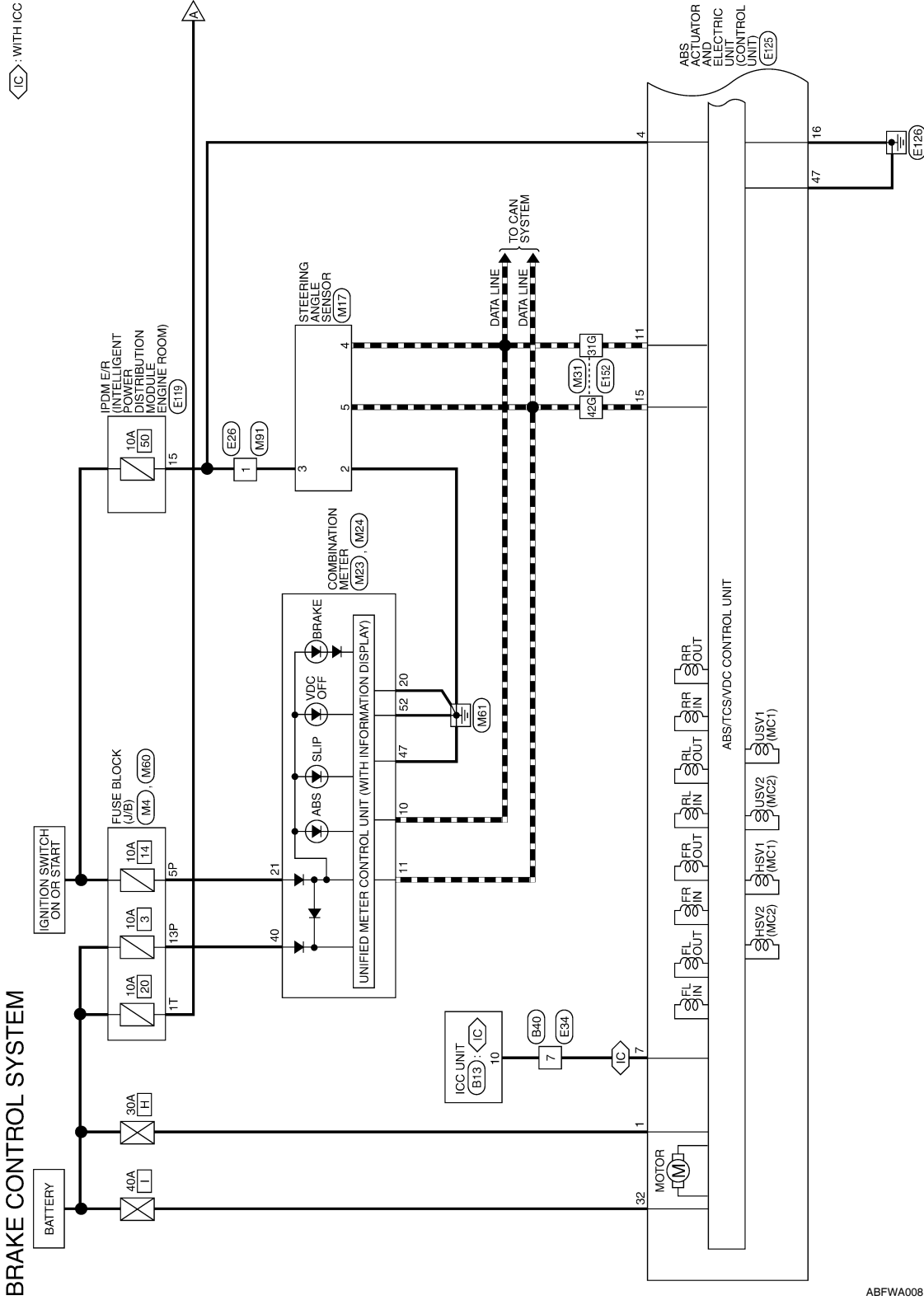
# ABS ACTUATOR AND ELECTRIC UNIT (CONTROL UNIT)

< ECU DIAGNOSIS >

[VDC/TCS/ABS]

## Wiring Diagram - BRAKE CONTROL SYSTEM -

INFOID:000000005148082

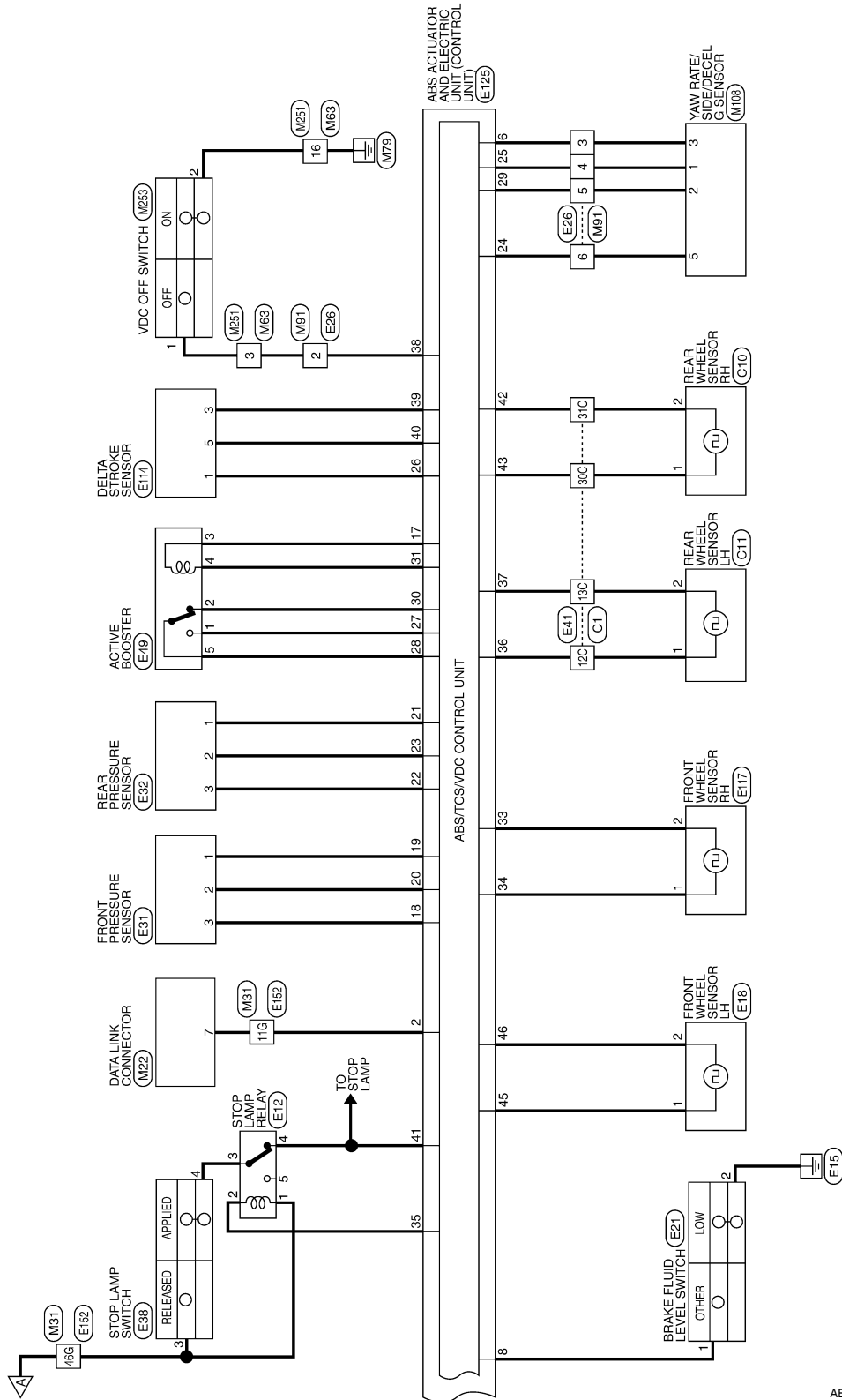


ABFWA0081GB

# ABS ACTUATOR AND ELECTRIC UNIT (CONTROL UNIT)

< ECU DIAGNOSIS >

[VDC/TCS/ABS]



ABFWA0082GB

A  
B  
C  
D  
E  
BRC  
G  
H  
I  
J  
K  
L  
M  
N  
O  
P

# ABS ACTUATOR AND ELECTRIC UNIT (CONTROL UNIT)

< ECU DIAGNOSIS >

[VDC/TCS/ABS]

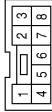
## BRAKE CONTROL SYSTEM CONNECTORS

Connector No.	M4
Connector Name	FUSE BLOCK (J/B)
Connector Color	WHITE



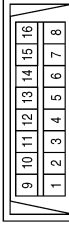
Terminal No.	Color of Wire	Signal Name
5P	O/L	-
13P	P	-

Connector No.	M17
Connector Name	STEERING ANGLE SENSOR
Connector Color	WHITE



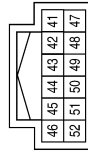
Terminal No.	Color of Wire	Signal Name
2	B	GND
3	G/W	POWER
4	L	CAN-H
5	P	CAN-L

Connector No.	M22
Connector Name	DATA LINK CONNECTOR
Connector Color	WHITE



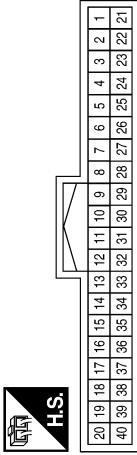
Terminal No.	Color of Wire	Signal Name
7	G/W	-

Connector No.	M23
Connector Name	COMBINATION METER
Connector Color	WHITE



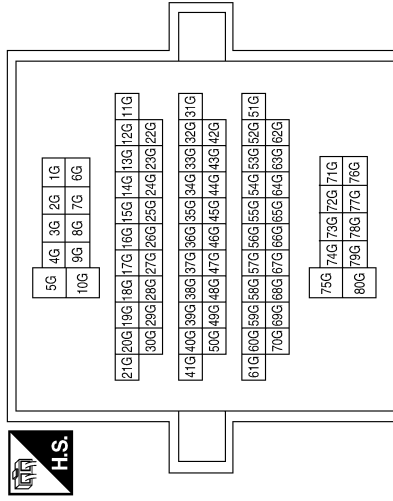
Terminal No.	Color of Wire	Signal Name
47	B	POWER GND
52	B	POWER GND

Connector No.	M24
Connector Name	COMBINATION METER
Connector Color	WHITE



Terminal No.	Color of Wire	Signal Name
10	L	CAN-H
11	P	CAN-L
20	B	GROUND
21	O/L	RUN/START
40	P	BATTERY

Connector No.	M31
Connector Name	WIRE TO WIRE
Connector Color	WHITE



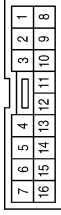
Terminal No.	Color of Wire	Signal Name
11G	G/W	-
31G	L	-
42G	P	-
46G	R/Y	-

# ABS ACTUATOR AND ELECTRIC UNIT (CONTROL UNIT)

< ECU DIAGNOSIS >

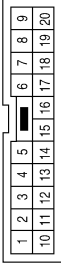
[VDC/TCS/ABS]

Connector No.	M91
Connector Name	WIRE TO WIRE
Connector Color	WHITE



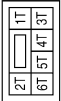
Terminal No.	Color of Wire	Signal Name
1	GW	-
2	RW	-
3	Y/R	-
4	G/R	-
5	GW	-
6	P	-

Connector No.	M63
Connector Name	WIRE TO WIRE
Connector Color	BROWN



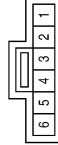
Terminal No.	Color of Wire	Signal Name
3	R/W	-
16	B	-

Connector No.	M60
Connector Name	FUSE BLOCK (J/B)
Connector Color	WHITE



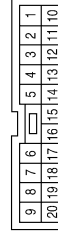
Terminal No.	Color of Wire	Signal Name
1T	R/Y	-

Connector No.	M253
Connector Name	VDC OFF SWITCH
Connector Color	GRAY



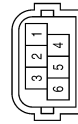
Terminal No.	Color of Wire	Signal Name
1	R/W	-
2	B	-

Connector No.	M251
Connector Name	WIRE TO WIRE
Connector Color	BROWN



Terminal No.	Color of Wire	Signal Name
3	R/W	-
16	B	-

Connector No.	M108
Connector Name	YAW RATE/SIDE/DECEL G SENSOR
Connector Color	BLACK



Terminal No.	Color of Wire	Signal Name
1	G/R	CAN-L
2	G/W	CAN-H
3	Y/R	CLU P
5	P	CLU GND

ABFIA0221GB

A  
B  
C  
D  
E  
F  
G  
H  
I  
J  
K  
L  
M  
N  
O  
P

**BRC**

# ABS ACTUATOR AND ELECTRIC UNIT (CONTROL UNIT)

< ECU DIAGNOSIS >

[VDC/TCS/ABS]

Connector No.	E21
Connector Name	BRAKE FLUID LEVEL SWITCH
Connector Color	GRAY



Terminal No.	Color of Wire	Signal Name
1	P/B	-
2	B	-

Connector No.	E18
Connector Name	FRONT WHEEL SENSOR LH
Connector Color	GRAY



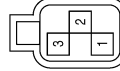
Terminal No.	Color of Wire	Signal Name
1	G/O	-
2	BR/W	-

Connector No.	E12
Connector Name	STOP LAMP RELAY
Connector Color	BLACK



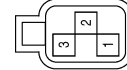
Terminal No.	Color of Wire	Signal Name
1	R/Y	-
2	L/W	-
3	R/G	-
4	R/B	-
5	-	-

Connector No.	E32
Connector Name	REAR PRESSURE SENSOR
Connector Color	BLACK



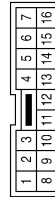
Terminal No.	Color of Wire	Signal Name
1	R/G	GND
2	W/O	SIG
3	W/L	POWER

Connector No.	E31
Connector Name	FRONT PRESSURE SENSOR
Connector Color	BLACK



Terminal No.	Color of Wire	Signal Name
1	SB	GND
2	R/L	SIG
3	LG	POWER

Connector No.	E26
Connector Name	WIRE TO WIRE
Connector Color	WHITE



Terminal No.	Color of Wire	Signal Name
1	LG/B	-
2	R/W	-
3	Y/R	-
4	G/R	-
5	G/W	-
6	P	-

ABFIA0017GB

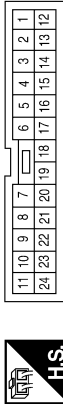


# ABS ACTUATOR AND ELECTRIC UNIT (CONTROL UNIT)

< ECU DIAGNOSIS >

[VDC/TCS/ABS]

Connector No.	E34
Connector Name	WIRE TO WIRE
Connector Color	WHITE



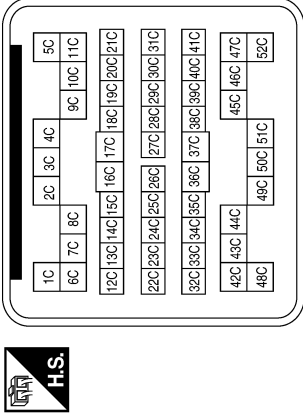
Terminal No.	Color of Wire	Signal Name
7	V/R	-

Connector No.	E38
Connector Name	STOP LAMP SWITCH
Connector Color	WHITE



Terminal No.	Color of Wire	Signal Name
3	R/Y	-
4	R/G	-

Connector No.	E41
Connector Name	WIRE TO WIRE
Connector Color	GRAY



Terminal No.	Color of Wire	Signal Name
12C	L	-
13C	P	-
30C	G/Y	-
31C	V	-

Connector No.	E49
Connector Name	ACTIVE BOOSTER
Connector Color	BLACK



Terminal No.	Color of Wire	Signal Name
1	L/B	-
2	LG/R	-
3	W/R	-
4	W/G	-
5	Y/B	-

Connector No.	E114
Connector Name	DELTA STROKE SENSOR
Connector Color	BLACK



Terminal No.	Color of Wire	Signal Name
1	W/V	DELS PWR
3	G/B	DELS GND
5	R/Y	DELS SIG

Connector No.	E117
Connector Name	FRONT WHEEL SENSOR
Connector Color	GRAY



Terminal No.	Color of Wire	Signal Name
1	B/R	-
2	BR	-

ABFIA0222GB

A  
B  
C  
D  
E  
F  
G  
H  
I  
J  
K  
L  
M  
N  
O  
P

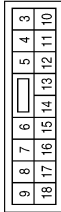
BRC

# ABS ACTUATOR AND ELECTRIC UNIT (CONTROL UNIT)

< ECU DIAGNOSIS >

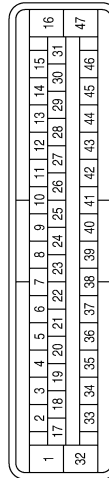
[VDC/TCS/ABS]

Connector No.	E119
Connector Name	IPDM E/R (INTELLIGENT POWER DISTRIBUTION MODULE ENGINE ROOM)
Connector Color	WHITE



Terminal No.	Color of Wire	Signal Name
15	LG/B	ABS IGN SUPPLY

Connector No.	E125
Connector Name	ABS ACTUATOR AND ELECTRIC UNIT (CONTROL UNIT)
Connector Color	BLACK



Terminal No.	Color of Wire	Signal Name
1	Y	MOTOR SUPPLY
2	G/W	DIAG K
3	-	-
4	LG/B	IGN
5	-	-
6	Y/R	CLUSTER SUPPLY
7	V/R	BST INH
8	P/B	FLUID LEVEL SW
9	-	-

Terminal No.	Color of Wire	Signal Name
29	G/W	CAN2 H
30	LG/R	BST NC
31	W/G	BST GND
32	B/Y	VALVE ECU SUPPLY
33	BR	WSS FR SIG
34	B/R	WSS FR PWR
35	L/W	BRL OUT
36	L	WSS RL PWR
37	P	WSS RL SIG
38	R/W	VDC OFF SW
39	G/B	DEL S GND
40	R/Y	DEL S SIGNAL
41	R/B	BLS
42	V	WSS RR SIG
43	G/Y	WSS RR PWR
44	-	-
45	G/O	WSS FL PWR
46	BR/W	WSS FL SIG
47	B	MOTOR GND

Terminal No.	Color of Wire	Signal Name
10	-	-
11	L	CAN-H
12	-	-
13	-	-
14	-	-
15	P	CAN-L
16	B	VALVE ECU GND
17	W/R	BST SUPPLY
18	LG	PST1 - SUPPLY
19	SB	PST1 - GND
20	R/L	PS1 SIGNAL
21	R/G	PS2 GND
22	W/L	PS2 SUPPLY
23	W/O	PS2 SIGNAL
24	P	CLUSTER GND
25	G/R	CAN2 L
26	W/V	DEL S SUPPLY
27	L/B	BST NO
28	Y/B	BST SIG

ABFIA0223GB

# ABS ACTUATOR AND ELECTRIC UNIT (CONTROL UNIT)

< ECU DIAGNOSIS >

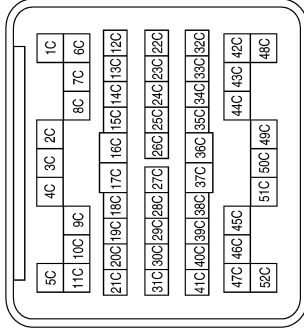
[VDC/TCS/ABS]

Connector No.	C10
Connector Name	REAR WHEEL SENSOR RH
Connector Color	BROWN



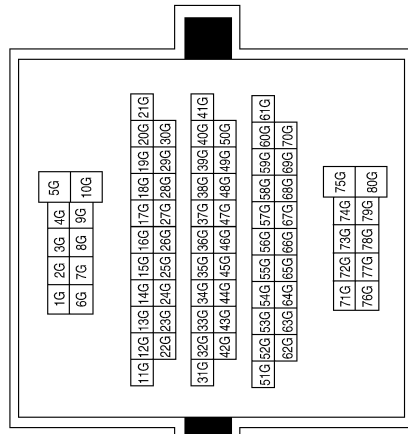
Terminal No.	Color of Wire	Signal Name
1	G/Y	-
2	V	-

Connector No.	C1
Connector Name	WIRE TO WIRE
Connector Color	GRAY



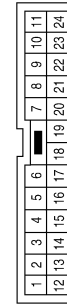
Terminal No.	Color of Wire	Signal Name
12C	L	-
13C	P	-
30C	G/Y	-
31C	V	-

Connector No.	E152
Connector Name	WIRE TO WIRE
Connector Color	WHITE



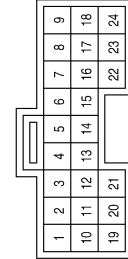
Terminal No.	Color of Wire	Signal Name
11G	G/W	-
31G	L	-
42G	P	-
46G	R/Y	-

Connector No.	B40
Connector Name	WIRE TO WIRE
Connector Color	WHITE



Terminal No.	Color of Wire	Signal Name
7	V/R	-

Connector No.	B13
Connector Name	ICC UNIT
Connector Color	WHITE



Terminal No.	Color of Wire	Signal Name
10	V/R	-

Connector No.	C11
Connector Name	REAR WHEEL SENSOR LH
Connector Color	BROWN



Terminal No.	Color of Wire	Signal Name
1	L	-
2	P	-

ABFIA0020GB

INFOID:000000005148083

Fail-Safe

**CAUTION:**

If the Fail-Safe function is activated, perform Self Diagnosis for ABS/TCS/VDC system.

ABS/EBD SYSTEM

A  
B  
C  
D  
E  
BRC  
G  
H  
I  
J  
K  
L  
M  
N  
O  
P

# ABS ACTUATOR AND ELECTRIC UNIT (CONTROL UNIT)

< ECU DIAGNOSIS >

[VDC/TCS/ABS]

In case of an electrical malfunction with the ABS, the ABS warning lamp, VDC OFF indicator lamp and SLIP indicator lamp will turn on. In case of an electrical malfunction with the EBD system, the BRAKE warning lamp, ABS warning lamp, VDC OFF indicator lamp and SLIP indicator lamp will turn on. The system will revert to one of the following conditions of the Fail-Safe function.

1. For ABS malfunction, only the EBD is operative and the condition of the vehicle is the same condition of vehicles without ABS/TCS/VDC system.
2. For EBD malfunction, the EBD and ABS become inoperative, and the condition of the vehicle is the same as the condition of vehicles without ABS/TCS/VDC or EBD system.

## VDC/TCS SYSTEM

In case of TCS/VDC system malfunction, the VDC OFF indicator lamp and SLIP indicator lamp are turned on and the condition of the vehicle is the same as the condition of vehicles without TCS/VDC system. In case of an electrical malfunction with the TCS/VDC system, the ABS control continues to operate normally without TCS/VDC control.

## DTC No. Index

INFOID:000000005148084

DTC	Items (CONSULT screen terms)	Reference
C1101	RR RH SENSOR-1	<a href="#">BRC-28, "Description"</a>
C1102	RR LH SENSOR-1	
C1103	FR RH SENSOR-1	
C1104	FR LH SENSOR-1	
C1105	RR RH SENSOR-2	<a href="#">BRC-31, "Description"</a>
C1106	RR LH SENSOR-2	
C1107	FR RH SENSOR-2	
C1108	FR LH SENSOR-2	
C1109	BATTERY VOLTAGE [ABNORMAL]	<a href="#">BRC-34, "Description"</a>
C1110	CONTROLLER FAILURE	<a href="#">BRC-36, "DTC Logic"</a>
C1111	PUMP MOTOR	<a href="#">BRC-37, "Description"</a>
C1113	G-SENSOR	<a href="#">BRC-39, "Description"</a>
C1115	ABS SENSOR [ABNORMAL SIGNAL]	<a href="#">BRC-42, "Description"</a>
C1116	STOP LAMP SW	<a href="#">BRC-45, "Description"</a>
C1120	FR LH IN ABS SOL	<a href="#">BRC-47, "Description"</a>
C1121	FR LH OUT ABS SOL	<a href="#">BRC-50, "Description"</a>
C1122	FR RH IN ABS SOL	<a href="#">BRC-47, "Description"</a>
C1123	FR RH OUT ABS SOL	<a href="#">BRC-50, "Description"</a>
C1124	RR LH IN ABS SOL	<a href="#">BRC-47, "Description"</a>
C1125	RR LH OUT ABS SOL	<a href="#">BRC-50, "Description"</a>
C1126	RR RH IN ABS SOL	<a href="#">BRC-47, "Description"</a>
C1127	RR RH OUT ABS SOL	<a href="#">BRC-50, "Description"</a>
C1130	ENGINE SIGNAL 1	<a href="#">BRC-53, "Description"</a>
C1131	ENGINE SIGNAL 2	
C1132	ENGINE SIGNAL 3	
C1133	ENGINE SIGNAL 4	
C1136	ENGINE SIGNAL 6	
C1140	ACTUATOR RLY	
C1142	PRESS SEN CIRCUIT	<a href="#">BRC-57, "Description"</a>
C1143	ST ANG SEN CIRCUIT	<a href="#">BRC-60, "Description"</a>
C1144	ST ANG SEN SIGNAL	

# ABS ACTUATOR AND ELECTRIC UNIT (CONTROL UNIT)

< ECU DIAGNOSIS >

[VDC/TCS/ABS]

DTC	Items (CONSULT screen terms)	Reference
C1145	YAW RATE SENSOR	<a href="#">BRC-39. "Description"</a>
C1146	SIDE G-SEN CIRCUIT	
C1155	BR FLUID LEVEL LOW	<a href="#">BRC-63. "Description"</a>
C1156	ST ANG SEN COM CIR	<a href="#">BRC-66. "Description"</a>
C1160	DECEL G SEN SET	<a href="#">BRC-67. "Description"</a>
C1163	ST ANGL SEN SAFE	<a href="#">BRC-68. "Description"</a>
C1164	CV1	<a href="#">BRC-69. "Description"</a>
C1165	CV2	
C1166	SV1	
C1167	SV2	
C1170	VARIANT CODING	<a href="#">BRC-36. "DTC Logic"</a>
C1178	ABS ACTIVE BOOSTER SV NG	<a href="#">BRC-72. "Description"</a>
C1179	ABS DELTA S SEN NG	<a href="#">BRC-75. "Description"</a>
C1181	ABS ACTIVE BOOSTER RESPONSE NG	<a href="#">BRC-72. "Description"</a>
C1184	ABS BRAKE RELEASE SW NG	
C1185	ABS ACC CU INTERNAL NG	<a href="#">BRC-77. "Description"</a>
C1189	ABS BRAKE BOOSTER DEFECT	<a href="#">BRC-72. "Description"</a>
U1000	CAN COMM CIRCUIT	<a href="#">BRC-79. "Description"</a>

A  
B  
C  
D  
E  
BRC  
G  
H  
I  
J  
K  
L  
M  
N  
O  
P

# SYMPTOM DIAGNOSIS

## VDC/TCS/ABS

### Symptom Table

INFOID:000000005148085

If ABS warning lamp, VDC OFF indicator lamp and SLIP indicator lamp turn ON, perform self-diagnosis.

Symptom	Check item	Reference
Excessive ABS function operation frequency	Brake force distribution	<a href="#">BRC-103, "Diagnosis Procedure"</a>
	Looseness of front and rear axle	
	Wheel sensor and rotor system	
Unexpected pedal reaction	Brake pedal stroke	<a href="#">BRC-104, "Diagnosis Procedure"</a>
	Make sure the braking force is sufficient when the ABS is not operating.	
The braking distance is long	Check stopping distance when the ABS is not operating.	<a href="#">BRC-105, "Diagnosis Procedure"</a>
ABS function does not operate (Note 1)	ABS actuator and electric unit (control unit)	<a href="#">BRC-106, "Diagnosis Procedure"</a>
Pedal vibration or ABS operation sound occurs (Note 2)	Brake pedal	<a href="#">BRC-107, "Diagnosis Procedure"</a>
	ABS actuator and electric unit (control unit)	
Vehicle jerks during VDC/TCS/ABS control	ABS actuator and electric unit (control unit)	<a href="#">BRC-108, "Diagnosis Procedure"</a>
	TCM	
	ECM	

**NOTE:**

- 1: The ABS does not operate when the speed is 10 km/h (6 MPH) or less.
- 2: Under the following conditions, ABS is activated and vibration is felt when brake pedal is lightly depressed. However, this is normal.
  - When shifting gears
  - When driving on slippery road
  - During cornering at high speed
  - When passing over bumps or grooves [at approximately 50 mm (1.97 in) or more]
  - When pulling away just after starting engine [at approximately 10 km/h (6 MPH) or higher]

# EXCESSIVE ABS FUNCTION OPERATION FREQUENCY

< SYMPTOM DIAGNOSIS >

[VDC/TCS/ABS]

## EXCESSIVE ABS FUNCTION OPERATION FREQUENCY

### Diagnosis Procedure

INFOID:000000005148086

#### 1.CHECK START

Check front and rear brake force distribution using a brake tester.

Is the inspection result normal?

YES >> GO TO 2

NO >> Check brake system.

#### 2.CHECK FRONT AND REAR AXLE

Make sure that there is no excessive play in the front and rear axles. Refer to front: [FAX-6. "On-Vehicle Inspection and Service"](#), Rear: [RAX-6. "On-Vehicle Inspection and Service"](#).

Is the inspection result normal?

YES >> GO TO 3

NO >> Repair or replace malfunctioning components.

#### 3.CHECK WHEEL SENSOR AND SENSOR ROTOR

Check the following.

- Wheel sensor installation for damage.
- Sensor rotor installation for damage.
- Wheel sensor connector connection.
- Wheel sensor harness inspection.

Is the inspection result normal?

YES >> GO TO 4

NO >> • Replace wheel sensor or sensor rotor. Refer to [BRC-114. "Removal and Installation"](#).  
• Repair harness.

#### 4.CHECK ABS WARNING LAMP DISPLAY

Make sure that the ABS warning lamp is turned off after the ignition switch is turned ON or when driving.

Is the ABS warning lamp illuminated?

YES >> Perform self-diagnosis. Refer to [BRC-23. "CONSULT-III Function \(ABS\)"](#).

NO >> Normal

A  
B  
C  
D  
E  
BRC  
G  
H  
I  
J  
K  
L  
M  
N  
O  
P

# UNEXPECTED PEDAL REACTION

< SYMPTOM DIAGNOSIS >

[VDC/TCS/ABS]

## UNEXPECTED PEDAL REACTION

### Diagnosis Procedure

INFOID:000000005148087

#### 1.CHECK BRAKE PEDAL STROKE

Check brake pedal stroke. Refer to [BR-15, "Inspection and Adjustment"](#).

Is the stroke too large?

- YES >> • Bleed air from brake tube and hose. Refer to [BR-17, "Bleeding Brake System"](#).  
• Check brake pedal, brake booster, and master cylinder for mount play, looseness, brake system fluid leakage, etc. Refer to [BR-15, "Inspection and Adjustment"](#) (brake pedal), [BR-12, "On Board Inspection"](#) (master cylinder), [BR-10, "Inspection"](#) (brake booster).

NO >> GO TO 2

#### 2.CHECK FUNCTION

Disconnect ABS actuator and electric unit (control unit) connector to deactivate ABS. Check if braking force is normal in this condition. Connect connector after inspection.

Is the inspection result normal?

- YES >> Normal  
NO >> Check brake system.



# THE BRAKING DISTANCE IS LONG

< SYMPTOM DIAGNOSIS >

[VDC/TCS/ABS]

## THE BRAKING DISTANCE IS LONG

### Diagnosis Procedure

INFOID:000000005148088

#### **CAUTION:**

The stopping distance on slippery road surfaces might be longer with the ABS operating than when the ABS is not operating.

#### **1.**CHECK FUNCTION

Turn ignition switch OFF and disconnect ABS actuator and electric unit (control unit) connector to deactivate ABS. In this condition, check stopping distance. After inspection, connect connector.

Is the inspection result normal?

YES >> Normal

NO >> Check brake system.

A  
B  
C  
D  
E  
G  
H  
I  
J  
K  
L  
M  
N  
O  
P

**BRC**

## ABS FUNCTION DOES NOT OPERATE

< SYMPTOM DIAGNOSIS >

[VDC/TCS/ABS]

---

### ABS FUNCTION DOES NOT OPERATE

#### Diagnosis Procedure

INFOID:000000005148089

**CAUTION:**

**ABS does not operate when speed is 10 km/h (6 MPH) or lower.**

**1**.CHECK ABS WARNING LAMP DISPLAY

---

Make sure that the ABS warning lamp turns OFF after ignition switch is turned ON or when driving.

Is the inspection result normal?

YES >> Normal

NO >> Perform self-diagnosis. Refer to [BRC-23, "CONSULT-III Function \(ABS\)"](#).

# PEDAL VIBRATION OR ABS OPERATION SOUND OCCURS

< SYMPTOM DIAGNOSIS >

[VDC/TCS/ABS]

## PEDAL VIBRATION OR ABS OPERATION SOUND OCCURS

### Diagnosis Procedure

INFOID:000000005148090

#### **CAUTION:**

Under the following conditions, ABS is activated and vibration is felt when brake pedal is lightly depressed. However, this is normal.

- When shifting gears
- When driving on slippery road
- During cornering at high speed
- When passing over bumps or grooves [at approximately 50 mm (1.97 in) or more]
- When pulling away just after starting engine [at approximately 10 km/h (6 MPH) or higher]

#### 1. SYMPTOM CHECK 1

Check that there are pedal vibrations when the engine is started.

Do vibrations occur?

YES >> GO TO 2

NO >> Inspect the brake pedal.

#### 2. SYMPTOM CHECK 2

Check that there are ABS operation noises when the engine is started.

Do the operation noises occur?

YES >> GO TO 3

NO >> Perform self -diagnosis. Refer to [BRC-23, "CONSULT-III Function \(ABS\)"](#).

#### 3. SYMPTOM CHECK 3

Check symptoms when electrical component (headlamps, etc.) switches are operated.

Do symptoms occur?

YES >> Check if there is a radio, antenna, antenna lead wire, or wiring close to the control unit. If there is, move it farther away.

NO >> Normal

A  
B  
C  
D  
E  
BRC  
G  
H  
I  
J  
K  
L  
M  
N  
O  
P

# VEHICLE JERKS DURING VDC/TCS/ABS CONTROL

< SYMPTOM DIAGNOSIS >

[VDC/TCS/ABS]

## VEHICLE JERKS DURING VDC/TCS/ABS CONTROL

### Diagnosis Procedure

INFOID:000000005148091

#### 1.SYMPTOM CHECK

Check if the vehicle jerks during VDC/TCS/ABS control.

Is the inspection result normal?

- YES >> Normal.
- NO >> GO TO 2

#### 2.CHECK SELF-DIAGNOSIS RESULTS

Perform self-diagnosis of ABS actuator and electric unit (control unit). Refer to [BRC-23. "CONSULT-III Function \(ABS\)"](#).

Are self-diagnosis results indicated?

- YES >> Check corresponding items, make repairs, and perform ABS actuator and electric unit (control unit) self-diagnosis. Refer to [BRC-23. "CONSULT-III Function \(ABS\)"](#).
- NO >> GO TO 3

#### 3.CHECK CONNECTOR

- Turn ignition switch OFF and disconnect ABS actuator and electric unit (control unit) connector and check terminal for deformation, disconnection, looseness, etc.
- Securely connect connectors and perform ABS actuator and electric unit (control unit) self-diagnosis. Refer to [BRC-23. "CONSULT-III Function \(ABS\)"](#).

Are self-diagnosis results indicated?

- YES >> If poor contact, damage, open or short circuit of connector terminal is found, repair or replace.
- NO >> GO TO 4

#### 4.CHECK ECM AND TCM SELF-DIAGNOSIS RESULTS

Perform ECM and TCM self-diagnosis.

Are self-diagnosis results indicated?

- YES >> Check the corresponding items.
  - ECM: Refer to [EC-63. "CONSULT-III Function \(ENGINE\)"](#).
  - TCM: Refer to [TM-32. "CONSULT-III Function \(TRANSMISSION\)"](#).
- NO >> Replace ABS actuator and electric unit (control unit). Refer to [BRC-116. "Removal and Installation"](#).

# NORMAL OPERATING CONDITION

< SYMPTOM DIAGNOSIS >

[VDC/TCS/ABS]

## NORMAL OPERATING CONDITION

### Description

INFOID:000000005148092

Symptom	Result
Slight vibrations are felt on the brake pedal and the operation noises occur, when VDC, TCS or ABS is activated.	This is a normal condition due to the VDC, TCS or ABS activation.
Stopping distance is longer than that of vehicles without ABS when the vehicle drives on rough, gravel, or snow-covered (fresh, deep snow) roads.	
The brake pedal moves and generates noises, when TCS or VDC is activated due to rapid acceleration or sharp turn.	
The brake pedal vibrates and motor operation noises occur from the engine room, after the engine starts and just after the vehicle starts.	This is normal, and it is caused by the ABS operation check.
Depending on the road conditions, the driver may experience a sluggish feel.	This is normal, because TCS places the highest priority on the optimum traction (stability).
TCS may activate momentarily if wheel speed changes when driving over location where friction coefficient varies, when downshifting, or when fully depressing accelerator pedal.	
The ABS warning lamp, VDC OFF indicator lamp and SLIP indicator lamp may turn ON when the vehicle is subject to strong shaking or large vibration, such as when the vehicle is rotating on a turntable or located on a ship while the engine is running.	In this case, restart the engine on a normal road. If the normal condition is restored, there is no malfunction. At that time, erase the self-diagnosis memory.
VDC may not operate normally or the ABS warning lamp, VDC OFF indicator lamp, and SLIP indicator lamp may illuminate, when running on a special road that is extremely slanted (e.g. bank in a circuit course).	
A malfunction may occur in the yaw rate/side/decel G sensor system, when the vehicle turns sharply, such as during a spin turn, axle turn, or drift driving, while the VDC function is off (VDC OFF indicator lamp illuminated).	
The vehicle speed will not increase even though the accelerator pedal is depressed, when inspecting the speedometer on a 2-wheel chassis dynamometer.	Normal (Deactivate the VDC/TCS function before performing an inspection on a chassis dynamometer.)
VDC OFF indicator lamp and SLIP indicator lamp may simultaneously turn on when low tire pressure warning lamp turns on.	This is not a VDC system error but results from characteristic change of tire.

A  
B  
C  
D  
E  
**BRC**  
G  
H  
I  
J  
K  
L  
M  
N  
O  
P

## PRECAUTION

### PRECAUTIONS

#### Precaution for Supplemental Restraint System (SRS) "AIR BAG" and "SEAT BELT PRE-TENSIONER"

INFOID:000000005403136

The Supplemental Restraint System such as "AIR BAG" and "SEAT BELT PRE-TENSIONER", used along with a front seat belt, helps to reduce the risk or severity of injury to the driver and front passenger for certain types of collision. This system includes seat belt switch inputs and dual stage front air bag modules. The SRS system uses the seat belt switches to determine the front air bag deployment, and may only deploy one front air bag, depending on the severity of a collision and whether the front occupants are belted or unbelted. Information necessary to service the system safely is included in the SR and SB section of this Service Manual.

**WARNING:**

- To avoid rendering the SRS inoperative, which could increase the risk of personal injury or death in the event of a collision which would result in air bag inflation, all maintenance must be performed by an authorized NISSAN/INFINITI dealer.
- Improper maintenance, including incorrect removal and installation of the SRS, can lead to personal injury caused by unintentional activation of the system. For removal of Spiral Cable and Air Bag Module, see the SR section.
- Do not use electrical test equipment on any circuit related to the SRS unless instructed to in this Service Manual. SRS wiring harnesses can be identified by yellow and/or orange harnesses or harness connectors.

#### PRECAUTIONS WHEN USING POWER TOOLS (AIR OR ELECTRIC) AND HAMMERS

**WARNING:**

- When working near the Airbag Diagnosis Sensor Unit or other Airbag System sensors with the Ignition ON or engine running, DO NOT use air or electric power tools or strike near the sensor(s) with a hammer. Heavy vibration could activate the sensor(s) and deploy the air bag(s), possibly causing serious injury.
- When using air or electric power tools or hammers, always switch the Ignition OFF, disconnect the battery, and wait at least 3 minutes before performing any service.

#### Precaution Necessary for Steering Wheel Rotation After Battery Disconnect

INFOID:000000005403137

**NOTE:**

- This Procedure is applied only to models with Intelligent Key system and NATS (NISSAN ANTI-THEFT SYSTEM).
- Remove and install all control units after disconnecting both battery cables with the ignition knob in the "LOCK" position.
- Always use CONSULT-III to perform self-diagnosis as a part of each function inspection after finishing work. If DTC is detected, perform trouble diagnosis according to self-diagnostic results.

For models equipped with the Intelligent Key system and NATS, an electrically controlled steering lock mechanism is adopted on the key cylinder.

For this reason, if the battery is disconnected or if the battery is discharged, the steering wheel will lock and steering wheel rotation will become impossible.

If steering wheel rotation is required when battery power is interrupted, follow the procedure below before starting the repair operation.

#### OPERATION PROCEDURE

1. Connect both battery cables.

**NOTE:**

Supply power using jumper cables if battery is discharged.

2. Use the Intelligent Key or mechanical key to turn the ignition switch to the "ACC" position. At this time, the steering lock will be released.
3. Disconnect both battery cables. The steering lock will remain released and the steering wheel can be rotated.
4. Perform the necessary repair operation.

# PRECAUTIONS

[VDC/TCS/ABS]

< PRECAUTION >

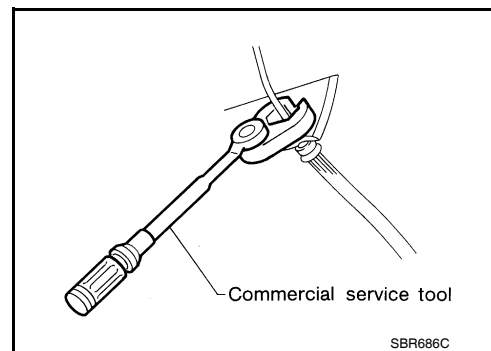
- When the repair work is completed, return the ignition switch to the "LOCK" position before connecting the battery cables. (At this time, the steering lock mechanism will engage.)
- Perform a self-diagnosis check of all control units using CONSULT-III.

## Precaution for Brake System

INFOID:000000005148094

### CAUTION:

- Always use recommended brake fluid. Refer to [MA-13, "Fluids and Lubricants"](#).
- Never reuse drained brake fluid.
- Be careful not to splash brake fluid on painted areas; it may cause paint damage. If brake fluid is splashed on painted areas, wash it away with water immediately.
- To clean or wash all parts of master cylinder and disc brake caliper, use clean brake fluid.
- Never use mineral oils such as gasoline or kerosene. They will ruin rubber parts of the hydraulic system.
- Use flare nut wrench when removing and installing brake tube.
- If a brake fluid leak is found, the part must be disassembled without fail. Then it has to be replaced with a new one if a defect exists.
- Turn the ignition switch OFF and remove the connector of the ABS actuator and electric unit (control unit) or the battery terminal before performing the work.
- Always torque brake lines when installing.
- Burnish the brake contact surfaces after refinishing or replacing rotors, after replacing pads, or if a soft pedal occurs at very low mileage.  
Refer to [BR-30, "Brake Burnishing Procedure"](#) (front disc brake) or [BR-35, "Brake Burnishing Procedure"](#) (rear disc brake).



### WARNING:

- Clean brake pads and shoes with a waste cloth, then wipe with a dust collector.

## Precaution for Brake Control

INFOID:000000005148095

- During ABS operation, the brake pedal may vibrate lightly and a mechanical noise may be heard. This is normal.
- Just after starting vehicle, the brake pedal may vibrate or a motor operating noise may be heard from engine compartment. This is a normal status of operation check.
- Stopping distance may be longer than that of vehicles without ABS when vehicle drives on rough, gravel, or snow-covered (fresh, deep snow) roads.
- When an error is indicated by ABS or another warning lamp, collect all necessary information from customer (what symptoms are present under what conditions) and check for simple causes before starting diagnosis. Besides electrical system inspection, check booster operation, brake fluid level, and fluid leaks.
- If incorrect tire sizes or types are installed on the vehicle or brake pads are not Genuine NISSAN parts, stopping distance or steering stability may deteriorate.
- If there is a radio, antenna or related wiring near control module, ABS function may have a malfunction or error.
- If aftermarket parts (car stereo, CD player, etc.) have been installed, check for incidents such as harness pinches, open circuits or improper wiring.
- If the following components are replaced with non-genuine components or modified, the VDC OFF indicator lamp and SLIP indicator lamp may turn on or the VDC system may not operate properly. Components related to suspension (shock absorbers, struts, springs, bushings, etc.), tires, wheels (exclude specified size), components related to brake system (pads, rotors, calipers, etc.), components related to engine (muffler, ECM, etc.), components related to body reinforcement (roll bar, tower bar, etc.).
- Driving with broken or excessively worn suspension components, tires or brake system components may cause the VDC OFF indicator lamp and the SLIP indicator lamp to turn on, and the VDC system may not operate properly.
- When the TCS or VDC is activated by sudden acceleration or sudden turn, some noise may occur. The noise is a result of the normal operation of the TCS and VDC.
- When driving on roads which have extreme slopes (such as mountainous roads) or high banks (such as sharp curves on a freeway), the VDC may not operate normally, or the VDC warning lamp and the SLIP indicator lamp may turn on. This is not a problem if normal operation can be resumed after restarting the engine.

# PRECAUTIONS

[VDC/TCS/ABS]

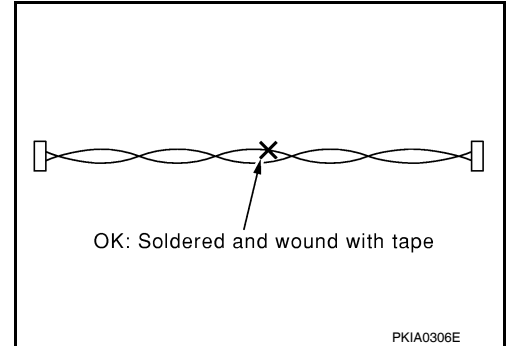
## < PRECAUTION >

- Sudden turns (such as spin turns, acceleration turns), drifting, etc. with VDC turned off may cause the yaw rate/side/decel G sensor to indicate a problem. This is not a problem if normal operation can be resumed after restarting the engine.

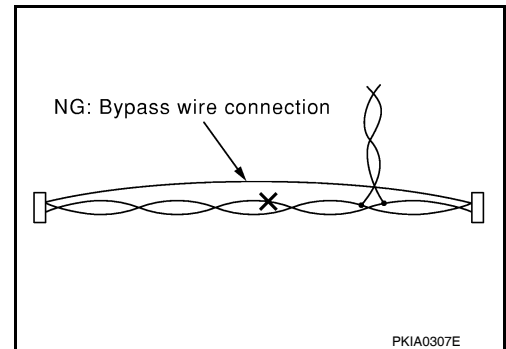
## Precaution for CAN System

INFOID:000000005148096

- Do not apply voltage of 7.0V or higher to terminal to be measured.
- Maximum open terminal voltage of tester in use must be less than 7.0V.
- Before checking harnesses, turn ignition switch OFF and disconnect battery negative cable.
- Area to be repaired must be soldered and wrapped with tape. Make sure that fraying of twisted wire is within 110 mm (4.33 in).



- Do not make a bypass connection to repaired area. (If the circuit is bypassed, characteristics of twisted wire will be lost.)





# PREPARATION

< PREPARATION >

[VDC/TCS/ABS]

## PREPARATION

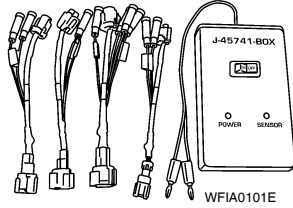
### PREPARATION

#### Special Service Tool

INFOID:000000005148097

The actual shapes of Kent-Moore tools may differ from those of special service tools illustrated here.

Tool number (Kent-Moore No.) Tool name	Description
KV991J0080 (J-45741) ABS active wheel sensor tester	Checking operation of ABS active wheel sensors



A

B

C

D

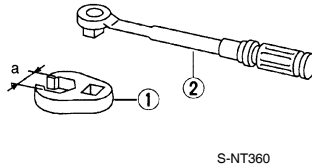
E

**BRC**

#### Commercial Service Tool

INFOID:000000005148098

Tool name	Description
1. Flare nut crowfoot 2. Torque wrench	Removing and installing brake piping a: 10 mm (0.39 in)/12 mm (0.47 in)



G

H

I

J

K

L

M

N

O

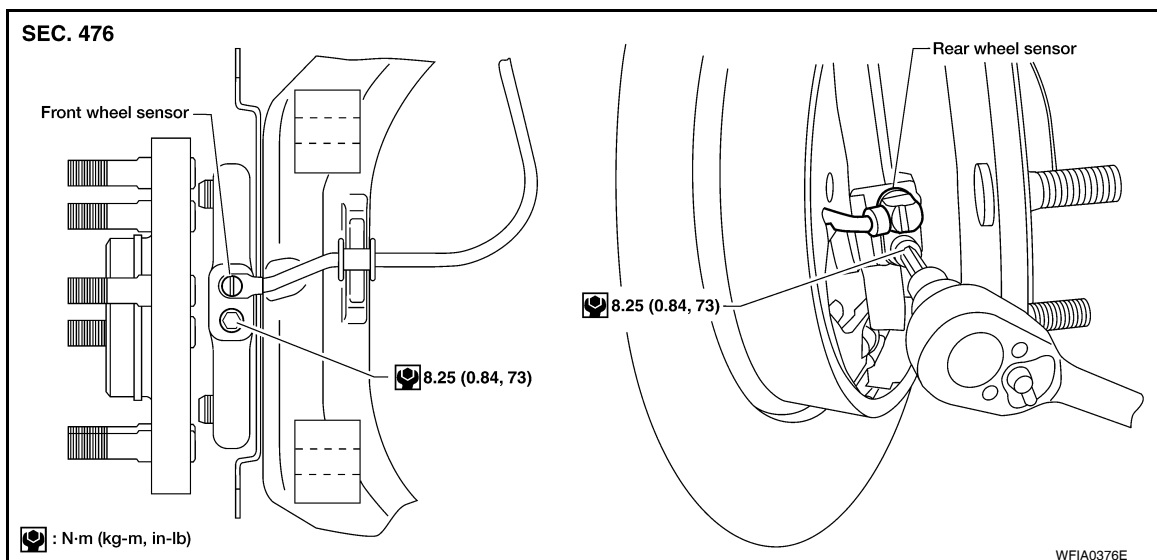
P

## REMOVAL AND INSTALLATION

### WHEEL SENSORS

#### Removal and Installation

INFOID:000000005148099



#### REMOVAL

1. Remove wheel sensor bolt.
  - When removing the front wheel sensor, first remove the disc rotor to gain access to the front wheel sensor bolt. Refer to [BR-31, "Removal and Installation of Brake Caliper and Rotor"](#).
  - When removing the rear wheel sensor, first remove the rear hub and bearing assembly to gain access to the rear wheel sensor bolt. Refer to [RAX-8, "Removal and Installation"](#).
2. Pull out the sensor, being careful to turn it as little as possible.
 

**CAUTION:**

  - **Do not pull on the sensor harness.**
3. Disconnect wheel sensor harness electrical connector, then remove harness from attaching points.

#### INSTALLATION

Installation is in the reverse order of removal. Tighten wheel sensor bolt to specification.

**CAUTION:**

- **Inspect wheel sensor O-ring, replace sensor assembly if damaged.**
- **Before installing wheel sensor, make sure no foreign materials (such as iron fragments) are adhered to the pick-up part of the sensor, to the inside of the sensor hole or on the rotor mating surface.**
- **Apply a coat of suitable grease to the wheel sensor O-ring and hole. Refer to [MA-13, "Fluids and Lubricants"](#).**

# SENSOR ROTOR

< REMOVAL AND INSTALLATION >

[VDC/TCS/ABS]

## SENSOR ROTOR

### Removal and Installation

INFOID:000000005148100

**NOTE:**

The wheel sensor rotors are built into the wheel hubs and are not removable. If damaged, replace wheel hub and bearing assembly. Refer to [FAX-7, "Removal and Installation"](#) (front), [RAX-8, "Removal and Installation"](#) (rear).

- A
- B
- C
- D
- E
- G
- H
- I
- J
- K
- L
- M
- N
- O
- P

**BRC**

# ACTUATOR AND ELECTRIC UNIT (ASSEMBLY)

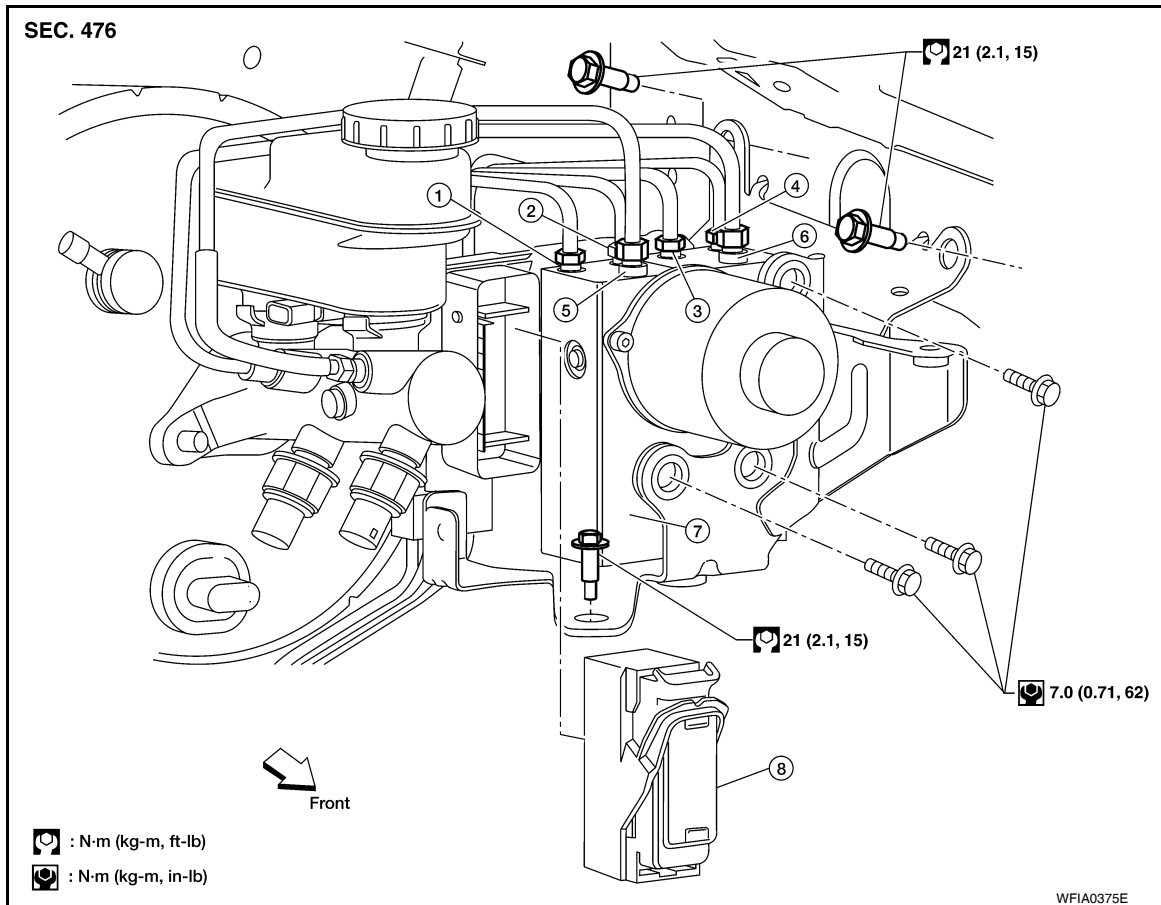
< REMOVAL AND INSTALLATION >

[VDC/TCS/ABS]

## ACTUATOR AND ELECTRIC UNIT (ASSEMBLY)

### Removal and Installation

INFOID:000000005148101



- |  |   |   |
|--|---|---|
| 1. To rear left caliper<br>16.2 N·m (1.7 kg-m, 12 ft-lb)   | 2. To rear right caliper<br>16.2 N·m (1.7 kg-m, 12 ft-lb)                   | 3. To front left caliper<br>16.2 N·m (1.7 kg-m, 12 ft-lb)                 |
| 4. To front right caliper<br>16.2 N·m (1.7 kg-m, 12 ft-lb) | 5. From the master cylinder secondary side<br>18.2 N·m (1.9 kg-m, 13 ft-lb) | 6. From the master cylinder primary side<br>18.2 N·m (1.9 kg-m, 13 ft-lb) |
| 7. ABS actuator and electric unit<br>(control unit)        | 8. Actuator harness connector   |   |

### REMOVAL

1. Disconnect the battery negative terminal. Refer to [PG-74, "Removal and Installation"](#).
2. Remove the air cleaner and air duct assembly. Refer to [EM-25, "Removal and Installation"](#).
3. Drain the brake fluid. Refer to [BR-17, "Drain and Refill"](#).
4. Disconnect the actuator harness connector from the ABS actuator and electric unit (control unit).

#### **CAUTION:**

- To remove the brake tubes, use a flare nut wrench to prevent the flare nuts and brake tubes from being damaged.
- Be careful not to splash brake fluid on painted areas; it may cause paint damage. If brake fluid is splashed on painted areas, wash it away with water immediately.

5. Disconnect the brake tubes.
6. Remove the three bolts and remove the ABS actuator and electric unit (control unit).

### INSTALLATION

Installation is in the reverse order of removal.

#### **CAUTION:**

- To install, use a flare nut crowfoot and torque wrench (commercial service tools).

# ACTUATOR AND ELECTRIC UNIT (ASSEMBLY)

< REMOVAL AND INSTALLATION >

[VDC/TCS/ABS]

- Always tighten brake tubes to specification when installing.
- Never reuse drained brake fluid.
- After installation of the ABS actuator and electric unit (control unit), perform the following.
- Refill brake system with new brake fluid. Then bleed the air from the system. Refer to [BR-17, "Bleeding Brake System"](#).
- Adjust the steering angle sensor. Refer to [BRC-8, "ADJUSTMENT OF STEERING ANGLE SENSOR NEUTRAL POSITION : Special Repair Requirement"](#).
- Calibrate the decel G sensor. Refer to [BRC-9, "CALIBRATION OF DECEL G SENSOR : Special Repair Requirement"](#).

A

B

C

D

E

BRC

G

H

I

J

K

L

M

N

O

P

# STEERING ANGLE SENSOR

[VDC/TCS/ABS]

< REMOVAL AND INSTALLATION >

## STEERING ANGLE SENSOR

### Removal and Installation

INFOID:000000005148102

#### REMOVAL

1. Remove spiral cable. Refer to [SR-7, "Removal and Installation"](#).
2. Remove the screws and remove the steering angle sensor.

#### INSTALLATION

Installation is in the reverse order of removal.

#### **CAUTION:**

**After installation of spiral cable, adjust steering angle sensor. Refer to [BRC-8, "ADJUSTMENT OF STEERING ANGLE SENSOR NEUTRAL POSITION : Special Repair Requirement"](#).**

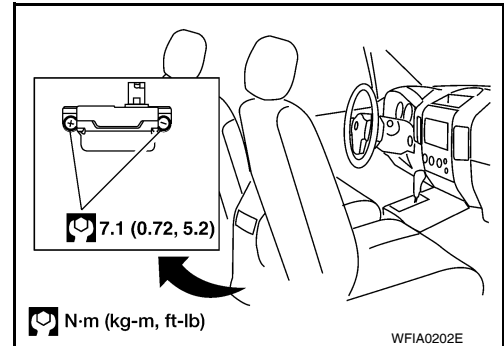
## G SENSOR

## Removal and Installation

INFOID:000000005148103

## REMOVAL

1. Remove front center console. Refer to [IP-20. "Removal and Installation"](#).
2. Remove yaw rate/side/decel G sensor attaching nuts.
  - CAUTION:**
    - Do not use power tools to remove or install yaw rate/side/decel G sensor.
    - Do not drop or strike the yaw rate/side/decel G sensor.
3. Disconnect harness connector and remove the yaw rate/side/decel G sensor.



## INSTALLATION

Installation is in the reverse order of removal.

**CAUTION:**

- Do not drop or strike the yaw rate/side/decel G sensor.
- After installation, calibrate the yaw rate/side/decel G sensor. Refer to [BRC-9. "CALIBRATION OF DECEL G SENSOR : Special Repair Requirement"](#).

A  
B  
C  
D  
E  
BRC  
G  
H  
I  
J  
K  
L  
M  
N  
O  
P