

A  
LU

# SECTION LU

## ENGINE LUBRICATION SYSTEM

C

### CONTENTS

D  
E

<b>PRECAUTION</b> .....	2	Changing Engine Oil .....	9	F
<b>PRECAUTIONS</b> .....	2	<b>OIL FILTER</b> .....	11	
Precaution for Supplemental Restraint System (SRS) "AIR BAG" and "SEAT BELT PRE-TENSIONER" .....	2	Removal and Installation .....	11	G
Precaution Necessary for Steering Wheel Rotation After Battery Disconnect .....	2	<b>ON-VEHICLE REPAIR</b> .....	12	
Precaution for Liquid Gasket .....	3	<b>OIL COOLER</b> .....	12	H
<b>PREPARATION</b> .....	4	Exploded View .....	12	
<b>PREPARATION</b> .....	4	Removal and Installation .....	12	I
Special Service Tool .....	4	<b>OIL PUMP</b> .....	14	
Commercial Service Tool .....	4	Exploded View .....	14	J
<b>FUNCTION DIAGNOSIS</b> .....	6	Removal and Installation .....	14	
<b>LUBRICATION SYSTEM</b> .....	6	<b>DISASSEMBLY AND ASSEMBLY</b> .....	16	K
Lubrication Circuit .....	6	<b>OIL PUMP</b> .....	16	
Schematic .....	7	Disassembly and Assembly .....	16	L
<b>ON-VEHICLE MAINTENANCE</b> .....	8	<b>SERVICE DATA AND SPECIFICATIONS (SDS)</b> .....	18	
<b>ENGINE OIL</b> .....	8	<b>SERVICE DATA AND SPECIFICATIONS (SDS)</b> .....	18	M
Inspection .....	8	Standard and Limit .....	18	

N  
O  
P

# PRECAUTIONS

< PRECAUTION >

## PRECAUTION

### PRECAUTIONS

#### Precaution for Supplemental Restraint System (SRS) "AIR BAG" and "SEAT BELT PRE-TENSIONER"

INFOID:000000005260134

The Supplemental Restraint System such as "AIR BAG" and "SEAT BELT PRE-TENSIONER", used along with a front seat belt, helps to reduce the risk or severity of injury to the driver and front passenger for certain types of collision. This system includes seat belt switch inputs and dual stage front air bag modules. The SRS system uses the seat belt switches to determine the front air bag deployment, and may only deploy one front air bag, depending on the severity of a collision and whether the front occupants are belted or unbelted. Information necessary to service the system safely is included in the SR and SB section of this Service Manual.

#### **WARNING:**

- To avoid rendering the SRS inoperative, which could increase the risk of personal injury or death in the event of a collision which would result in air bag inflation, all maintenance must be performed by an authorized NISSAN/INFINITI dealer.
- Improper maintenance, including incorrect removal and installation of the SRS, can lead to personal injury caused by unintentional activation of the system. For removal of Spiral Cable and Air Bag Module, see the SR section.
- Do not use electrical test equipment on any circuit related to the SRS unless instructed to in this Service Manual. SRS wiring harnesses can be identified by yellow and/or orange harnesses or harness connectors.

#### PRECAUTIONS WHEN USING POWER TOOLS (AIR OR ELECTRIC) AND HAMMERS

#### **WARNING:**

- When working near the Airbag Diagnosis Sensor Unit or other Airbag System sensors with the Ignition ON or engine running, DO NOT use air or electric power tools or strike near the sensor(s) with a hammer. Heavy vibration could activate the sensor(s) and deploy the air bag(s), possibly causing serious injury.
- When using air or electric power tools or hammers, always switch the Ignition OFF, disconnect the battery, and wait at least 3 minutes before performing any service.

#### Precaution Necessary for Steering Wheel Rotation After Battery Disconnect

INFOID:000000005260135

#### **NOTE:**

- This Procedure is applied only to models with Intelligent Key system and NATS (NISSAN ANTI-THEFT SYSTEM).
- Remove and install all control units after disconnecting both battery cables with the ignition knob in the "LOCK" position.
- Always use CONSULT-III to perform self-diagnosis as a part of each function inspection after finishing work. If DTC is detected, perform trouble diagnosis according to self-diagnostic results.

For models equipped with the Intelligent Key system and NATS, an electrically controlled steering lock mechanism is adopted on the key cylinder.

For this reason, if the battery is disconnected or if the battery is discharged, the steering wheel will lock and steering wheel rotation will become impossible.

If steering wheel rotation is required when battery power is interrupted, follow the procedure below before starting the repair operation.

#### OPERATION PROCEDURE

1. Connect both battery cables.

#### **NOTE:**

Supply power using jumper cables if battery is discharged.

2. Use the Intelligent Key or mechanical key to turn the ignition switch to the "ACC" position. At this time, the steering lock will be released.
3. Disconnect both battery cables. The steering lock will remain released and the steering wheel can be rotated.
4. Perform the necessary repair operation.

# PRECAUTIONS

## < PRECAUTION >

- When the repair work is completed, return the ignition switch to the "LOCK" position before connecting the battery cables. (At this time, the steering lock mechanism will engage.)
- Perform a self-diagnosis check of all control units using CONSULT-III.

## Precaution for Liquid Gasket

INFOID:000000005149020

LU

### REMOVAL OF LIQUID GASKET SEALING

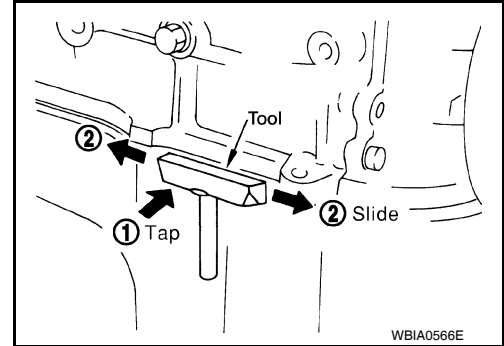
- After removing the bolts and nuts, separate the mating surface and remove the old liquid gasket sealing using Tool.

**Tool number : KV10111100 (J-37228)**

#### CAUTION:

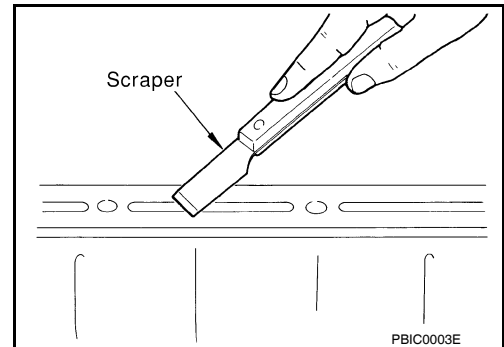
**Do not damage the mating surfaces.**

- Tap the seal cutter to insert it (1).
- In areas where the Tool is difficult to use, lightly tap to slide it (2).



### LIQUID GASKET APPLICATION PROCEDURE

- Remove the old liquid gasket adhering to the gasket application surface and the mating surface using suitable tool.
  - Remove the liquid gasket completely from the groove of the liquid gasket application surface, bolts, and bolt holes.
- Thoroughly clean the mating surfaces and remove adhering moisture, grease and foreign material.

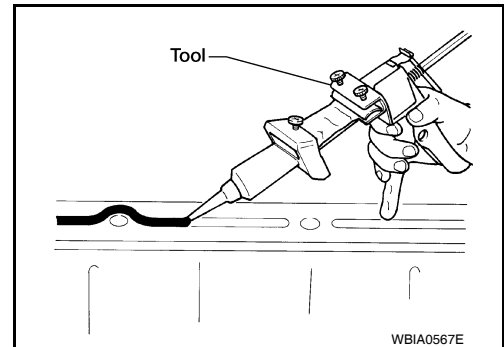


- Attach the liquid gasket tube to the Tool.

**Tool number : WS39930000 ( — )**

**Use Genuine RTV Silicone Sealant or equivalent. Refer to [GI-15, "Recommended Chemical Products and Sealants"](#).**

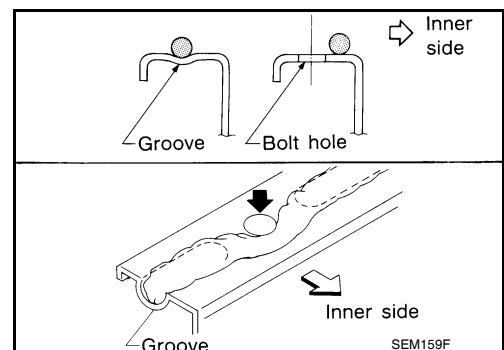
- Apply the liquid gasket without breaks to the specified location.



- If there is a groove for the liquid gasket application, apply the liquid gasket to the groove.
- As for the bolt holes, normally apply the liquid gasket inside the holes. If specified in the procedure, it should also be applied outside the holes.
- Within five minutes of liquid gasket application, install the mating component.
- If the liquid gasket protrudes, wipe it off immediately.
- Do not retighten after the installation.
- Wait 30 minutes or more after installation before refilling the engine with engine oil and engine coolant.

#### CAUTION:

**If there are specific instructions in this manual, observe them.**



# PREPARATION

< PREPARATION >

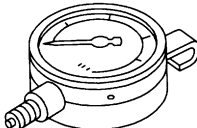
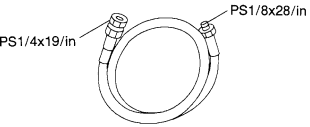
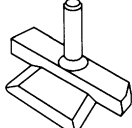
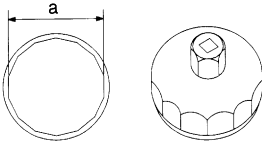
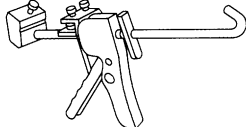
## PREPARATION

### PREPARATION

#### Special Service Tool

INFOID:000000005149021

The actual shapes of Kent-Moore tools may differ from those of special service tools illustrated here.

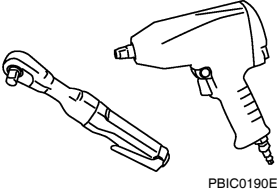
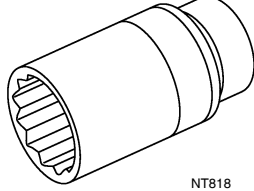
Tool number (Kent-Moore No.) Tool name	Description
ST25051001 (J-25695-1) Oil pressure gauge <div style="text-align: center;">  <p>S-NT050</p> </div>	Measuring oil pressure <b>Maximum measuring range:</b> <b>2,452 kPa (25 kg/cm<sup>2</sup>, 356 psi)</b>
ST25052000 (J-25695-2) Hose <div style="text-align: center;">  <p>S-NT559</p> </div>	Adapting oil pressure gauge to cylinder block
KV10111100 (J-37228) Seal cutter <div style="text-align: center;">  <p>NT046</p> </div>	Removing steel oil pan and rear timing chain case
KV10115801 (J-38956) Oil filter wrench <div style="text-align: center;">  <p>S-NT375</p> </div>	Removing and installing oil filter <b>a: 64.3 mm (2.531 in)</b>
WS39930000 ( — ) Tube presser <div style="text-align: center;">  <p>S-NT052</p> </div>	Pressing the tube of liquid gasket

#### Commercial Service Tool

INFOID:000000005149022

# PREPARATION

## < PREPARATION >

Tool name	Description
<p>Power tool</p>  <p>PBIC0190E</p>	<p>Loosening bolts and nuts</p>
<p>Deep socket</p>  <p>NT818</p>	<p>Removing and installing oil pressure switch Deep socket 26 mm</p>

A

**LU**

C

D

E

F

G

H

I

J

K

L

M

N

O

P

# LUBRICATION SYSTEM

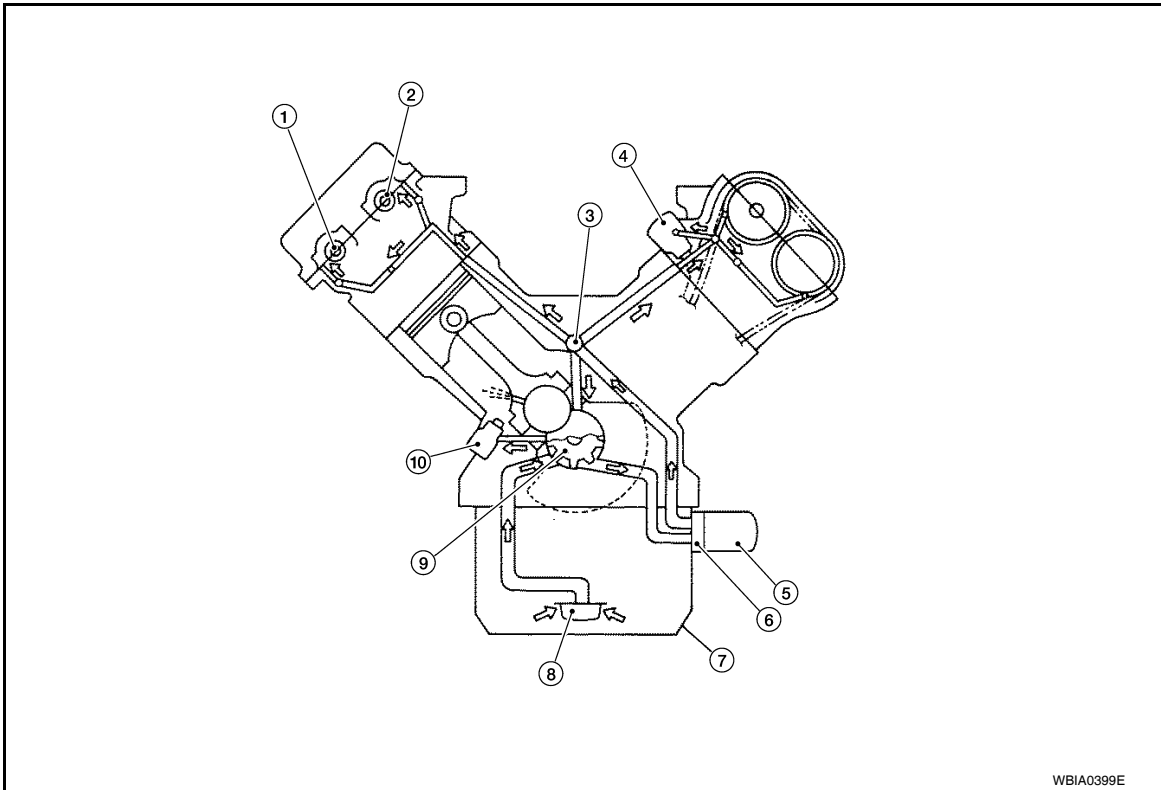
< FUNCTION DIAGNOSIS >

## FUNCTION DIAGNOSIS

### LUBRICATION SYSTEM

#### Lubrication Circuit

INFOID:000000005149023



WBIA0399E

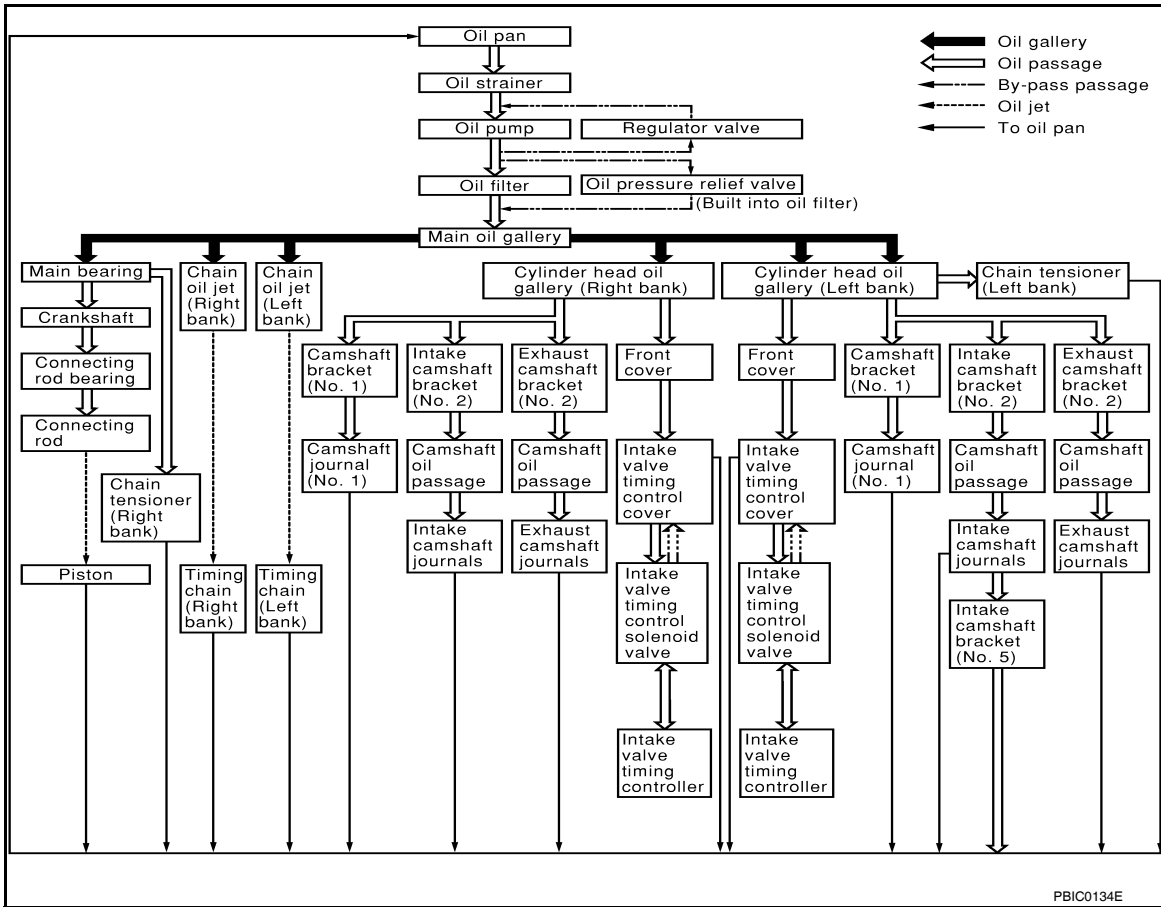
- |                                  |                    |                    |
|----------------------------------|--------------------|--------------------|
| 1. Exhaust camshaft              | 2. Intake camshaft | 3. Main oil galley |
| 4. Chain tensioner (Left bank)   | 5. Oil filter      | 6. Oil cooler      |
| 7. Oil pan                       | 8. Oil strainer    | 9. Oil pump        |
| 10. Chain tensioner (Right bank) |                    |                    |

# LUBRICATION SYSTEM

< FUNCTION DIAGNOSIS >

## Schematic

INFOID:000000005149024



PBIC0134E

A  
LU  
C  
D  
E  
F  
G  
H  
I  
J  
K  
L  
M  
N  
O  
P

# ENGINE OIL

< ON-VEHICLE MAINTENANCE >

## ON-VEHICLE MAINTENANCE

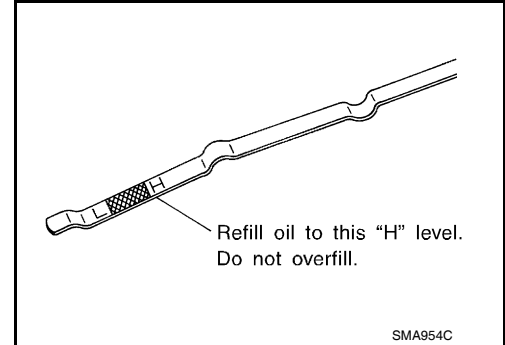
### ENGINE OIL

#### Inspection

INFOID:000000005149025

#### OIL LEVEL

- Before starting the engine make sure the vehicle is parked on a flat and level surface, then check the oil level. If the engine is already running, turn it off and allow 10 minutes before checking.
- Check that the oil level is within the low (L) to high (H) range as indicated on the dipstick.
- If the engine oil level is out of range, add oil as necessary. Refer to [MA-13. "Fluids and Lubricants"](#).



#### OIL APPEARANCE

- Check the engine oil for a white milky appearance or excessive contamination.
- If the engine oil is milky, it is highly probable that it is contaminated with engine coolant. Repair the broken parts.

#### OIL LEAKAGE

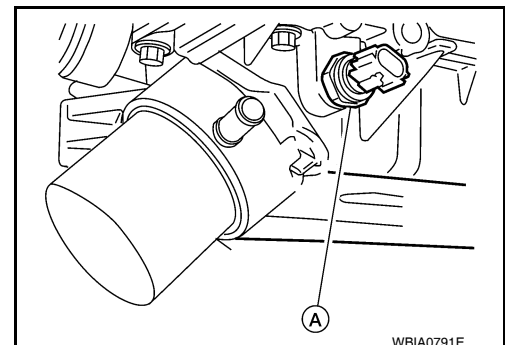
Check for oil leakage around the following areas:

- Oil pan
- Oil pan drain plug
- Oil pressure switch
- Oil filter
- Oil cooler
- Intake valve timing control cover
- Intake valve timing control solenoid valve
- Front cover
- Mating surface between cylinder block and cylinder head
- Mating surface between cylinder head and rocker cover
- Crankshaft oil seal (front and rear)

#### OIL PRESSURE CHECK

##### **WARNING:**

- **Be careful not to burn yourself, as engine oil may be hot.**
  - **Put the selector lever in the Park "P" position.**
1. Check the engine oil level. Refer to [LU-8. "Inspection"](#).
  2. Remove engine front undercover using power tool.
  3. Disconnect the oil pressure switch harness connector.
  4. Remove the oil pressure switch (A).



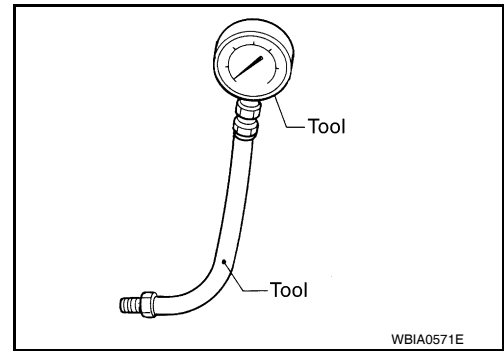


# ENGINE OIL

## < ON-VEHICLE MAINTENANCE >

### 5. Install Tools.

**Tool number** : ST25051001 (J-25695-1)  
 : ST25052000 (J-25695-2)



6. Start the engine and warm it up to normal operating temperature.
7. Check the engine oil pressure with engine running under no-load.

Engine oil pressure [Engine oil temperature at 80°C (175°F)]

Unit: kPa (kg/cm<sup>2</sup>, psi)

Engine Speed	Approximate Discharge Oil Pressure
Idle speed	More than 98 (1.0, 14)
2,000 rpm	More than 294 (3.0, 43)

### **CAUTION:**

**If the difference is extreme, check the oil passages and oil pump for leaks and blockages.**

8. After the inspections, install oil pressure switch as follows:
  - a. Remove old liquid gasket adhering to oil pressure switch and engine.
  - b. Apply liquid gasket and tighten oil pressure switch to the specification.  
**Use Genuine RTV Silicone Sealant or equivalent. Refer to [GI-15, "Recommended Chemical Products and Sealants"](#).**

**Oil pressure switch torque** : 14.8 N·m (1.5 kg-m, 11 ft-lb)

- c. After warming up engine, make sure there is no leakage of engine oil with engine running.

## Changing Engine Oil

INFOID:000000005149026

### **WARNING:**

- Be careful not to burn yourself, as the engine oil is hot.
- Prolonged and repeated contact with used engine oil may cause skin cancer. Try to avoid direct skin contact with used engine oil. If skin contact is made, wash thoroughly with soap or hand cleaner as soon as possible.

1. Remove engine front undercover using power tool.
2. Warm up engine, and check for oil leakage from engine components. Refer to [LU-8, "Inspection"](#).
3. Stop engine and wait for 10 minutes.
4. Loosen oil filler cap, then remove drain plug.
5. Drain engine oil.
6. Install drain plug with new washer.

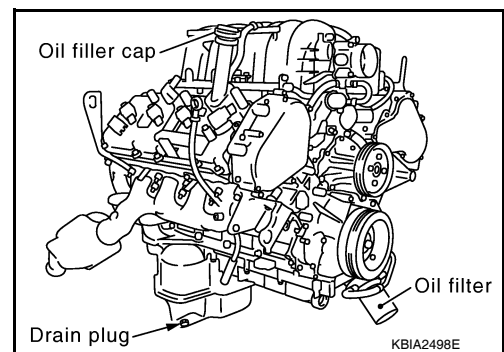
### **CAUTION:**

- Be sure to clean drain plug and install with new washer.

**Oil pan drain plug** : 34.3 N·m (3.5 kg-m, 25 ft-lb)

7. Refill with new engine oil. Refer to [MA-13, "Fluids and Lubricants"](#).

Engine oil capacity (Approximate):



# ENGINE OIL

## < ON-VEHICLE MAINTENANCE >

		Unit: ℓ (US qt, Imp qt)
Drain and refill	With oil filter change	6.5 (6 7/8, 5-3/4)
	Without oil filter change	6.2 (6-1/2, 5-1/2)
Dry engine (engine overhaul)		7.6 (8, 6-3/4)

**CAUTION:**

- **The refill capacity depends on the engine oil temperature and drain time. Use these specifications for reference only.**
  - **Always use the oil level gauge to determine when the proper amount of engine oil is in the engine.**
8. Warm up engine and check area around drain plug and oil filter for oil leakage.
  9. Stop engine and wait for 10 minutes.
  10. Check engine oil level. Refer to [LU-8, "Inspection"](#).

# OIL FILTER

< ON-VEHICLE MAINTENANCE >

## OIL FILTER

### Removal and Installation

INFOID:000000005149027

#### REMOVAL

1. Drain the engine oil. Refer to [LU-9. "Changing Engine Oil"](#).
2. Remove the oil filter using Tool.

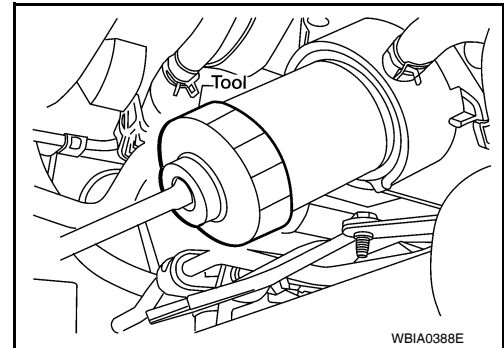
**Tool number : KV10115801 (J-38956)**

#### **WARNING:**

- Be careful not to get burned when the engine and engine oil are hot.

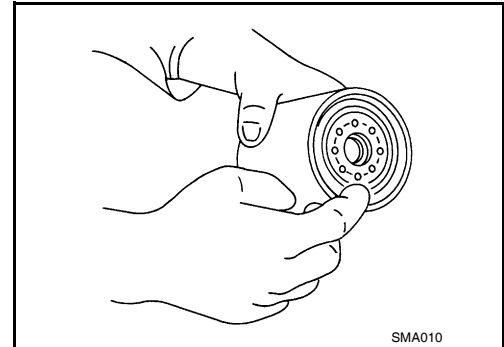
#### **CAUTION:**

- The oil filter is provided with a relief valve.
- Use Genuine NISSAN oil filter or equivalent.
- When removing, prepare a shop cloth to absorb any engine oil leakage or spillage.
- Do not allow engine oil to adhere to the drive belts.
- Completely wipe off any engine oil that adheres to the engine and the vehicle.



#### INSTALLATION

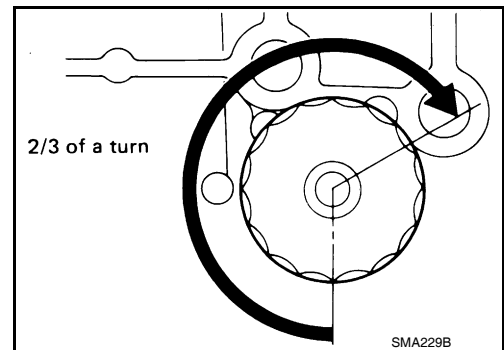
1. Remove foreign materials adhering to the oil filter installation surface.
2. Apply engine oil to the oil seal circumference of the new oil filter.



3. Screw the oil filter manually until it touches the installation surface, then tighten it by 2/3 turn. Or tighten to specification.

**Oil filter : 17.7 N·m (1.8 kg-m, 13 ft-lb)**

4. Refill the engine with new engine oil. Refer to [LU-9. "Changing Engine Oil"](#).
5. Inspect the engine for oil leakage. Follow the "INSPECTION AFTER INSTALLATION" procedure.



#### INSPECTION AFTER INSTALLATION

1. Check the engine oil level. Refer to [LU-8. "Inspection"](#).
2. Start the engine and check for engine oil leakage.
3. Stop the engine and wait for 10 minutes.
4. Check the engine oil level and add engine oil as required.

A  
LU  
C  
D  
E  
F  
G  
H  
I  
J  
K  
L  
M  
N  
O  
P

# OIL COOLER

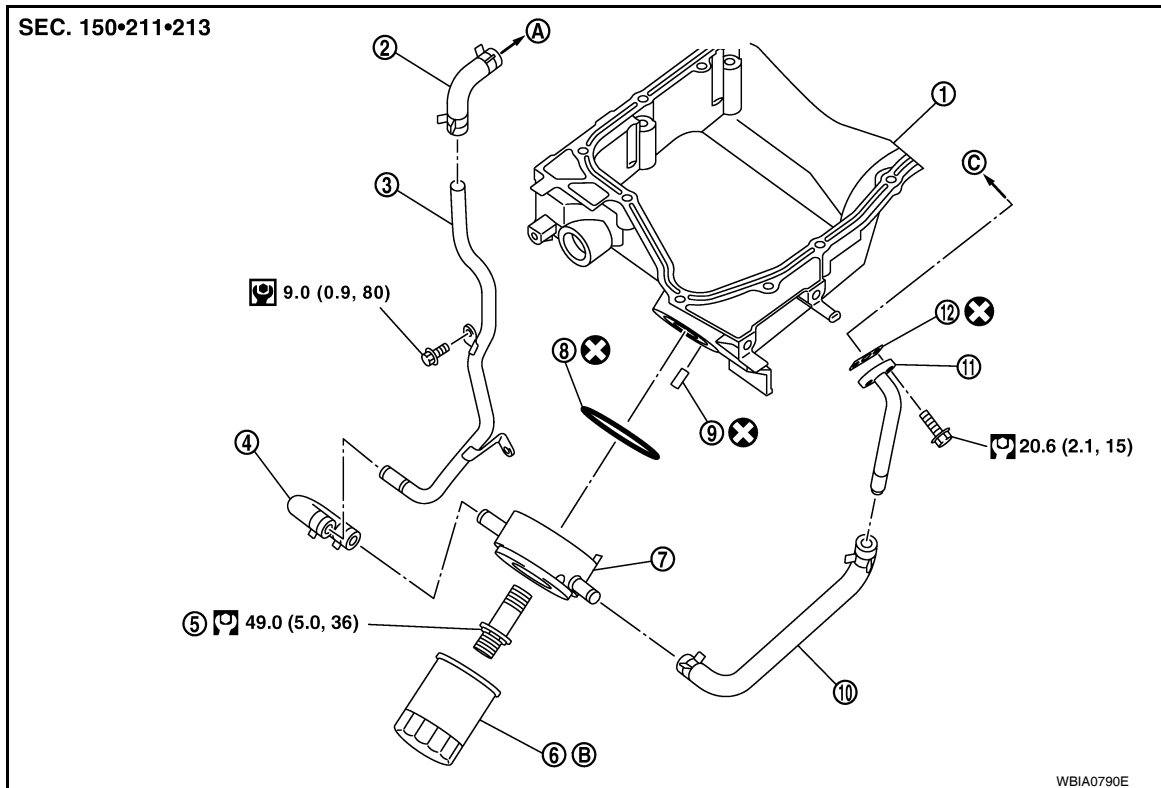
< ON-VEHICLE REPAIR >

## ON-VEHICLE REPAIR

### OIL COOLER

#### Exploded View

INFOID:000000005149028



- |                          |                                   |                      |
|--------------------------|-----------------------------------|----------------------|
| 1. Oil pan               | 2. Water hose                     | 3. Water pipe        |
| 4. Water hose            | 5. Connector bolt                 | 6. Oil filter        |
| 7. Oil cooler            | 8. O-ring                         | 9. Relief valve      |
| 10. Water hose           | 11. Connector pipe                | 12. Gasket           |
| A. To thermostat housing | B. Refer to <a href="#">LU-11</a> | C. To cylinder block |

#### Removal and Installation

INFOID:000000005149029

##### **WARNING:**

**Be careful not to burn yourself, as the engine oil and engine coolant are hot.**

##### REMOVAL

1. Drain engine coolant from the radiator. Refer to [CO-11. "Changing Engine Coolant"](#).
2. Disconnect water hoses from the oil cooler.  
**CAUTION:**  
**Do not spill engine coolant on the drive belt.**
3. Remove oil filter. Refer to [LU-11. "Removal and Installation"](#).  
**CAUTION:**  
**Do not spill engine oil on the drive belt.**
4. Remove connector bolt, and remove oil cooler.

##### INSPECTION AFTER REMOVAL

###### Oil Cooler

Check oil cooler for cracks. Check oil cooler for clogging by blowing compressed air through engine coolant inlet. If necessary, replace oil cooler assembly.

# OIL COOLER

## < ON-VEHICLE REPAIR >

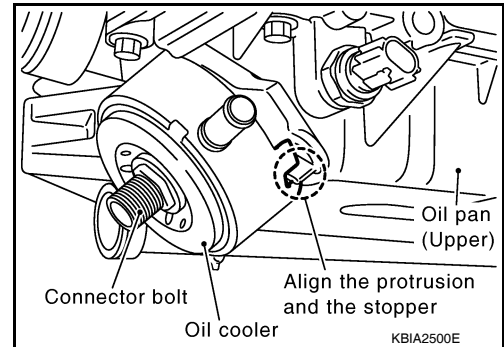
### Relief Valve

Inspect relief valve for movement, cracks and breaks by pushing the ball. If replacement is necessary, remove the valve by prying it out using a suitable tool. Install a new valve in place by tapping it.

### INSTALLATION

Installation is in the reverse order of removal, paying attention to the following:

- Confirm that no foreign objects are adhering to the sealing surfaces of the oil cooler or oil pan.
- Tighten the connecting bolt after aligning the stopper on the oil pan side with protrusion of the oil cooler.



### INSPECTION AFTER INSTALLATION

1. Check levels and add engine oil and engine coolant. Refer to [LU-8, "Inspection"](#) and [CO-10, "Inspection"](#).
2. Start the engine, and check for leaks of engine oil and engine coolant.
3. Stop the engine and wait for 10 minutes.
4. Check engine oil level and engine coolant level again.

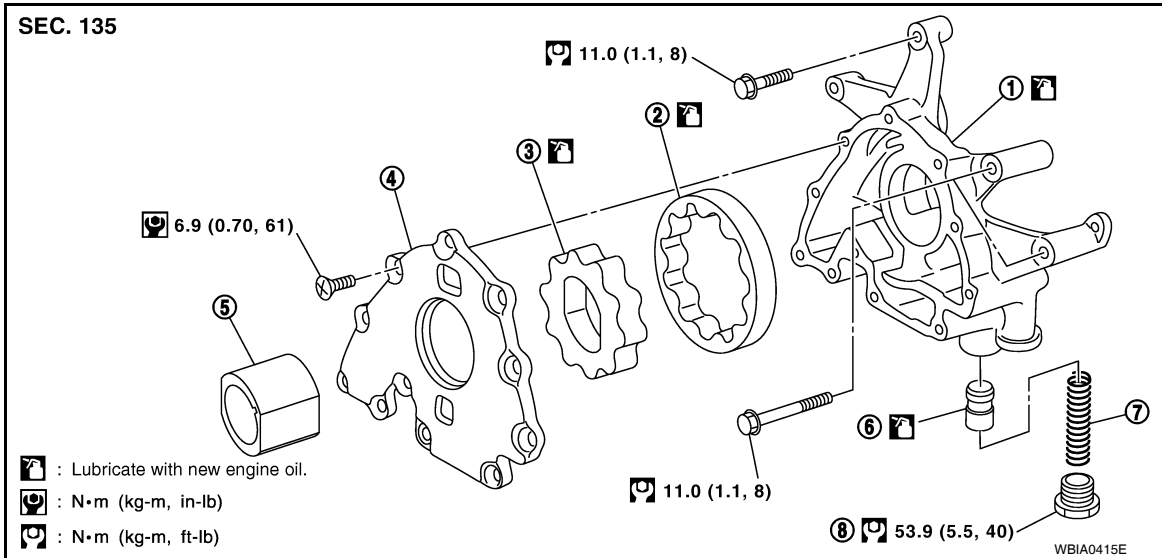
# OIL PUMP

< ON-VEHICLE REPAIR >

## OIL PUMP

### Exploded View

INFOID:000000005149030



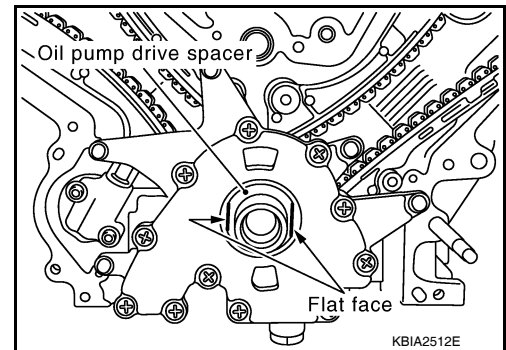
- |                     |                          |                    |
|---------------------|--------------------------|--------------------|
| 1. Oil pump body    | 2. Outer rotor           | 3. Inner rotor     |
| 4. Oil pump cover   | 5. Oil pump drive spacer | 6. Regulator valve |
| 7. Regulator spring | 8. Regulator plug        |                    |

### Removal and Installation

INFOID:000000005149031

#### REMOVAL

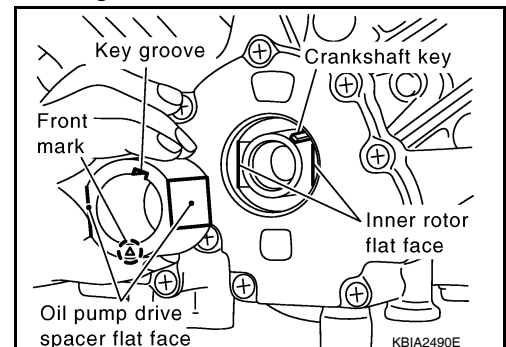
1. Remove front cover. Refer to [EM-44, "Exploded View"](#).
2. Remove the oil pump drive spacer.
3. Remove the oil pump.



#### INSTALLATION

Installation is in the reverse order of removal, paying attention of the following:

- When inserting the oil pump drive spacer, align the crankshaft key and the flat face of the inner rotor.
- If they are not aligned, rotate the oil pump inner rotor by hand.
- Make sure that each part is aligned and tap lightly until it reaches the end.



### INSPECTION AFTER INSTALLATION

# OIL PUMP

## < ON-VEHICLE REPAIR >

---

- Start the engine, and check for leaks of engine oil.
- Stop engine and wait 10 minutes.
- Check level and add engine oil as required. Refer to [LU-8](#).

A

**LU**

C

D

E

F

G

H

I

J

K

L

M

N

O

P

# OIL PUMP

< DISASSEMBLY AND ASSEMBLY >

## DISASSEMBLY AND ASSEMBLY

### OIL PUMP

#### Disassembly and Assembly

INFOID:000000005149032

#### DISASSEMBLY

1. Remove oil pump cover.
2. Remove inner rotor and outer rotor from oil pump body.
3. Remove the regulator plug, regulator spring and regulator valve.

#### INSPECTION AFTER DISASSEMBLY

##### Clearance of Oil Pump Parts

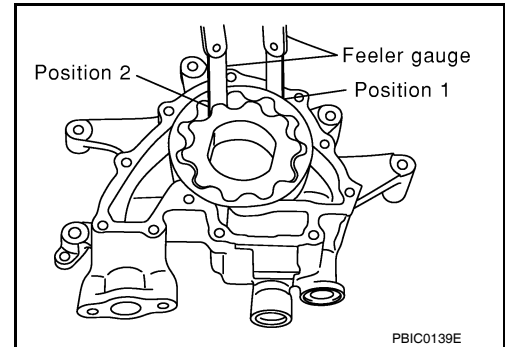
- Measure radial clearance using a suitable tool.

**Body to outer rotor (position 1)**

**: 0.114 - 0.200 mm (0.0045 - 0.0079 in)**

**Inner rotor to outer rotor tip (position 2)**

**: Below 0.180 mm (0.0071 in)**



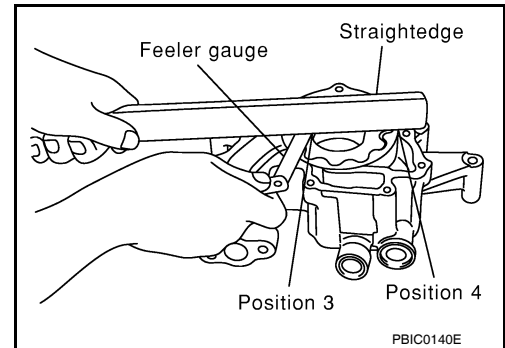
- Measure side clearance using suitable tools.

**Body to inner rotor (position 3)**

**: 0.030 - 0.070 mm (0.0012 - 0.0028 in)**

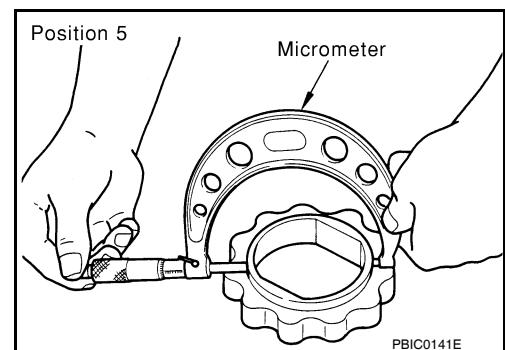
**Body to outer rotor (position 4)**

**: 0.030 - 0.090 mm (0.0012 - 0.0035 in)**



- Calculate the clearance between inner rotor and oil pump body as follows.

1. Measure the outer diameter of protruded portion of inner rotor (position 5) using suitable tool.

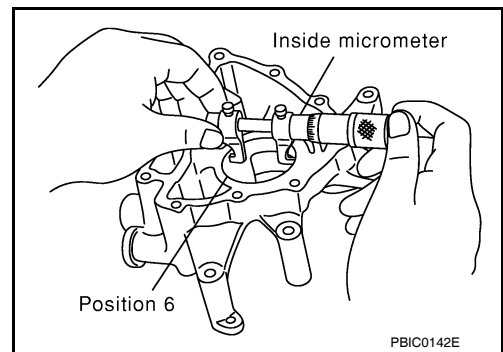




# OIL PUMP

## < DISASSEMBLY AND ASSEMBLY >

2. Measure the inner diameter of oil pump body to brazed portion (position 6) using suitable tool.



3. Calculate the clearance using the following formula.
  - (Clearance) = (Inner diameter of oil pump body) - (Outer diameter of inner rotor)

### Inner rotor to brazed portion of housing clearance

: 0.045 - 0.091 mm (0.0018 - 0.0036 in)

### Regulator Valve Clearance

Check regulator valve to oil pump cover clearance using the following formula.

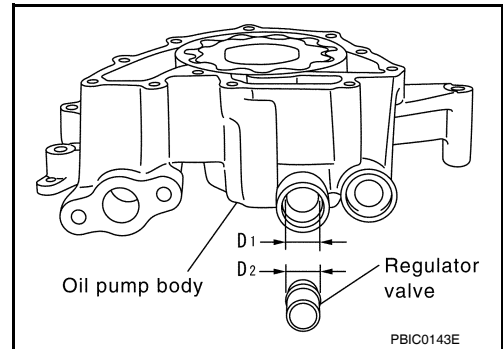
- (Clearance) = D1 (Valve hole diameter) - D2 (Outer Diameter of valve)

### Regulator valve to oil pump cover

: 0.040 - 0.097 mm (0.0016 - 0.0038 in)

### CAUTION:

- Coat regulator valve with engine oil.
- Check that it falls smoothly into the regulator valve hole by its own weight.

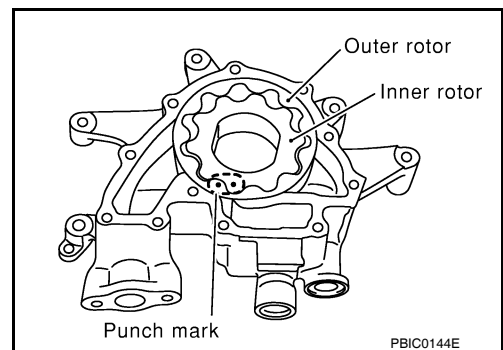


## ASSEMBLY

Installation is in the reverse order of removal.

### NOTE:

Install the inner rotor and outer rotor with the punched marks on the oil pump cover side.



## SERVICE DATA AND SPECIFICATIONS (SDS)

< SERVICE DATA AND SPECIFICATIONS (SDS)

## SERVICE DATA AND SPECIFICATIONS (SDS)

### SERVICE DATA AND SPECIFICATIONS (SDS)

#### Standard and Limit

INFOID:000000005149033

#### OIL PRESSURE

Unit: kPa (kg/cm<sup>2</sup>, psi)

Engine speed	Approximate discharge oil pressure
Idle speed	More than 98 (1.0, 14)
2,000 rpm	More than 294 (3.0, 43)

#### OIL PUMP

Unit: mm (in)

Body to outer rotor radial clearance	0.114 - 0.200 (0.0045 - 0.0079)
Inner rotor to outer rotor tip clearance	Below 0.180 (0.0071)
Body to inner rotor side clearance	0.030 - 0.070 (0.0012 - 0.0028)
Body to outer rotor side clearance	0.030 - 0.090 (0.0012 - 0.0035)
Inner rotor to brazed portion of housing clearance	0.045 - 0.091 (0.0018 - 0.0036)

#### REGULATOR VALVE

Unit: mm (in)

Regulator valve to oil pump cover clearance	0.040 - 0.097 (0.0016 - 0.0038)
---	---------------------------------

#### ENGINE OIL CAPACITY (APPROXIMATE)

Unit: ℓ (US qt, Imp qt)

Drain and refill	With oil filter change	6.5 (6-7/8, 5-3/4)
	Without oil filter change	6.2 (6-1/2, 5-1/2)
Dry engine (engine overhaul)		7.6 (8, 6-3/4)