

SECTION **PWO**
POWER OUTLET

A
B
C
D
E
F
G
H
I
J
K
L
P

CONTENTS

POWER SOCKET	LUGGAGE ROOM POWER SOCKET : Removal and Installation	8
PRECAUTION	AC 120 V OUTLET	
PRECAUTIONS	PRECAUTION	9
Precaution for Supplemental Restraint System (SRS) "AIR BAG" and "SEAT BELT PRE-TENSIONER"	PRECAUTIONS	9
SYSTEM DESCRIPTION	Precaution for Supplemental Restraint System (SRS) "AIR BAG" and "SEAT BELT PRE-TENSIONER"	9
COMPONENT PARTS	SYSTEM DESCRIPTION	10
Component Parts Location	COMPONENT PARTS	10
WIRING DIAGRAM	Component Parts Location	10
POWER SOCKET	Component Description	10
Wiring Diagram	Inverter Unit	10
REMOVAL AND INSTALLATION	AC120 V Outlet Main Switch	10
POWER SOCKET	AC120 V Outlet	10
FRONT POWER SOCKET	SYSTEM	11
FRONT POWER SOCKET : Exploded View	System Description	11
FRONT POWER SOCKET : Removal and Installation	Fail-safe	11
CONSOLE POWER SOCKET (CUP HOLDER)	ECU DIAGNOSIS INFORMATION	12
CONSOLE POWER SOCKET (CUP HOLDER) : Exploded View	INVERTER UNIT	12
CONSOLE POWER SOCKET (CUP HOLDER) : Removal and Installation	Reference Value	12
CONSOLE POWER SOCKET (REAR)	Fail-safe	13
CONSOLE POWER SOCKET (REAR) : Exploded View	WIRING DIAGRAM	14
CONSOLE POWER SOCKET (REAR) : Removal and Installation	AC 120 V POWER OUTLET	14
LUGGAGE ROOM POWER SOCKET	Wiring Diagram	14
LUGGAGE ROOM POWER SOCKET : Exploded View	BASIC INSPECTION	15
	DIAGNOSIS AND REPAIR WORK FLOW	15
	Work Flow	15
	DTC/CIRCUIT DIAGNOSIS	17
	POWER SUPPLY AND GROUND CIRCUIT	17

PWO

Diagnosis Procedure	17	AC 120 V OUTLET MAIN SWITCH INDICA-	26
AC 120 V OUTLET MAIN SWITCH POWER	18	TOR DOES NOT TURN ON	26
SUPPLY CIRCUIT	18	Diagnosis Procedure	26
Diagnosis Procedure	18	NORMAL OPERATING CONDITION	27
AC 120 V OUTLET MAIN SWITCH INPUT		Description	27
SIGNAL CIRCUIT	19	REMOVAL AND INSTALLATION	28
Diagnosis Procedure	19	INVERTER UNIT	28
Component Inspection	19	Removal and Installation	28
AC 120 V POWER OUTPUT CIRCUIT	21	AC 120V OUTLET MAIN SW	29
Diagnosis Procedure	21	Removal and Installation	29
AC 120 V OUTLET MAIN SWITCH INDICA-		AC 120 V OUTLET	30
TOR CIRCUIT	23	Removal and Installation	30
Diagnosis Procedure	23	SERVICE DATA AND SPECIFICATIONS	
SYMPTOM DIAGNOSIS	25	(SDS)	31
NO OUTPUT FROM AC 120 V OUTLET	25	SERVICE DATA AND SPECIFICATIONS	
Diagnosis Procedure	25	(SDS)	31
		AC 120 V Power Outlet	31

PRECAUTION

PRECAUTIONS

Precaution for Supplemental Restraint System (SRS) "AIR BAG" and "SEAT BELT PRE-TENSIONER"

INFOID:000000007374854

The Supplemental Restraint System such as "AIR BAG" and "SEAT BELT PRE-TENSIONER", used along with a front seat belt, helps to reduce the risk or severity of injury to the driver and front passenger for certain types of collision. This system includes seat belt switch inputs and dual stage front air bag modules. The SRS system uses the seat belt switches to determine the front air bag deployment, and may only deploy one front air bag, depending on the severity of a collision and whether the front occupants are belted or unbelted. Information necessary to service the system safely is included in the "SRS AIR BAG" and "SEAT BELT" of this Service Manual.

WARNING:

Always observe the following items for preventing accidental activation.

- To avoid rendering the SRS inoperative, which could increase the risk of personal injury or death in the event of a collision that would result in air bag inflation, all maintenance must be performed by an authorized NISSAN/INFINITI dealer.
- Improper maintenance, including incorrect removal and installation of the SRS, can lead to personal injury caused by unintentional activation of the system. For removal of Spiral Cable and Air Bag Module, see "SRS AIR BAG".
- Never use electrical test equipment on any circuit related to the SRS unless instructed to in this Service Manual. SRS wiring harnesses can be identified by yellow and/or orange harnesses or harness connectors.

PRECAUTIONS WHEN USING POWER TOOLS (AIR OR ELECTRIC) AND HAMMERS

WARNING:

Always observe the following items for preventing accidental activation.

- When working near the Air Bag Diagnosis Sensor Unit or other Air Bag System sensors with the ignition ON or engine running, never use air or electric power tools or strike near the sensor(s) with a hammer. Heavy vibration could activate the sensor(s) and deploy the air bag(s), possibly causing serious injury.
- When using air or electric power tools or hammers, always switch the ignition OFF, disconnect the battery, and wait at least 3 minutes before performing any service.

A
B
C
D
E
F
G
H
I
J
K
L

PWO

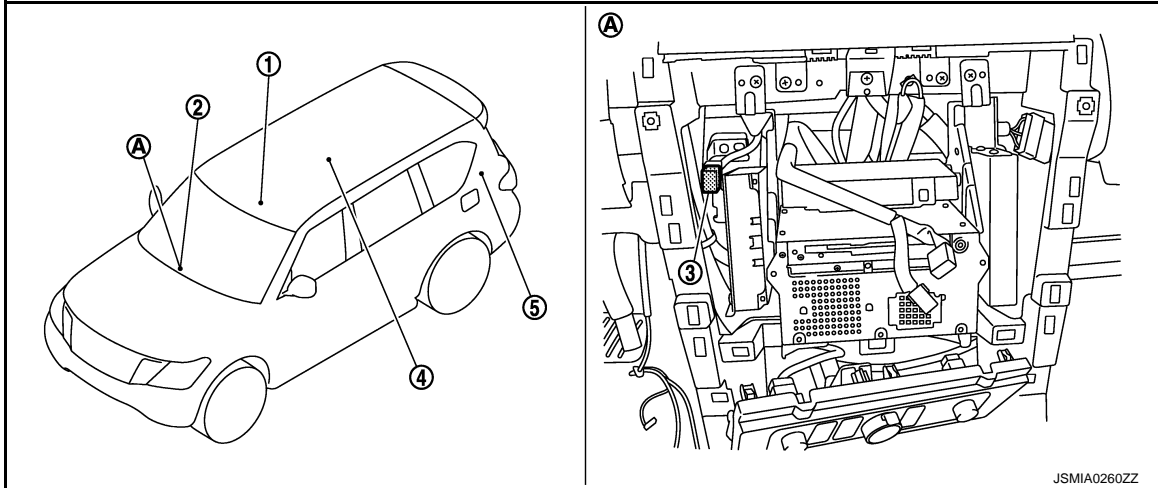
N
O
P

SYSTEM DESCRIPTION

COMPONENT PARTS

Component Parts Location

INFOID:000000007374855



- 1. Console power socket (cup holder)
- 2. Front power socket
- 3. Accessory relay (2)
- 4. Console power socket (rear)
- 5. Luggage room power socket
- A. Behind cluster lid C finisher

POWER SOCKET

< WIRING DIAGRAM >

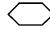
[POWER SOCKET]

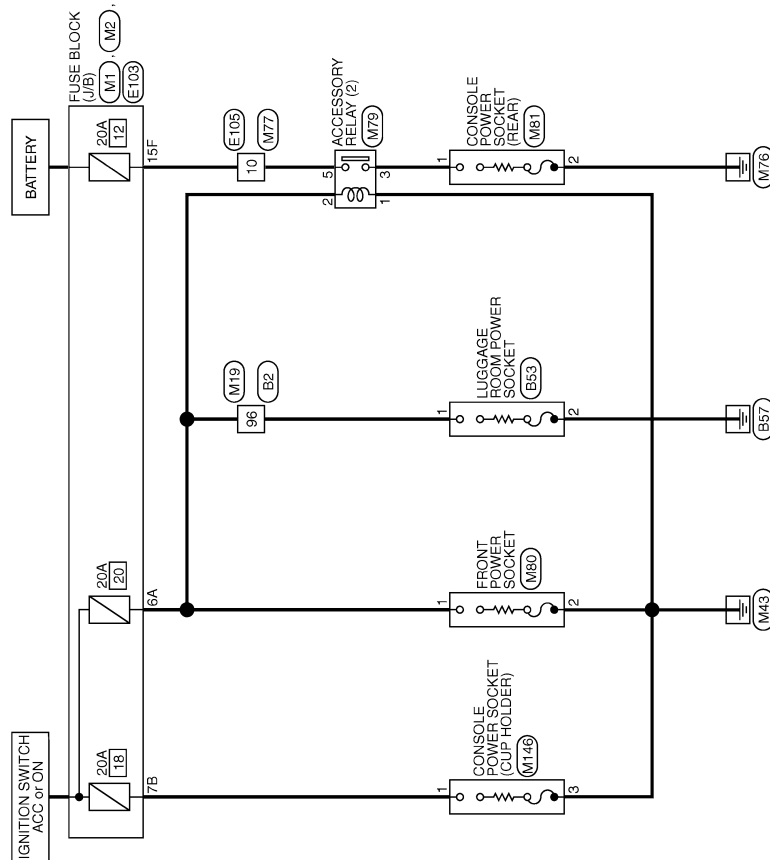
WIRING DIAGRAM

POWER SOCKET

Wiring Diagram

INFOID:000000007374856

For connector terminal arrangements, harness layouts, and alphabets in a  (option abbreviation; if not described in wiring diagram), refer to [GI-12. "Connector Information"](#).



POWER SOCKET

PWO

2010/05/13

JCMW/M8285GB

POWER SOCKET

< REMOVAL AND INSTALLATION >

[POWER SOCKET]

REMOVAL AND INSTALLATION

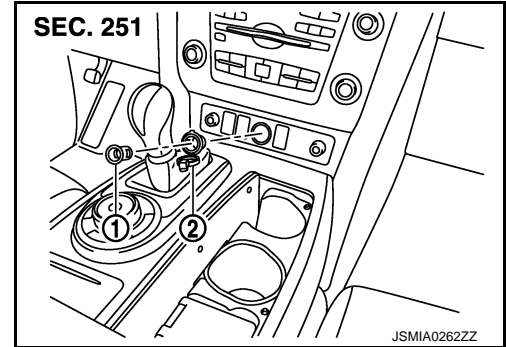
POWER SOCKET

FRONT POWER SOCKET

FRONT POWER SOCKET : Exploded View

INFOID:000000007374857

- 1 : Inner socket
- 2 : Ring



FRONT POWER SOCKET : Removal and Installation

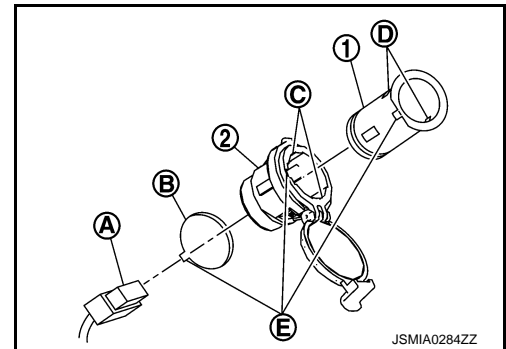
INFOID:000000007374858

REMOVAL

1. Remove cluster lid C lower. Refer to [IP-13. "Exploded View"](#).
2. Disconnect power socket connector (A).

- B : Hole for power socket
(Cluster lid C lower)
- E : Cut out

3. Pull out inner socket (1) by pushing the ring pawl (C) from the inner socket hole (square) (D).
4. Remove ring (2) from cluster lid C lower while pressing pawls.



INSTALLATION

Install in the reverse order of removal.

NOTE:

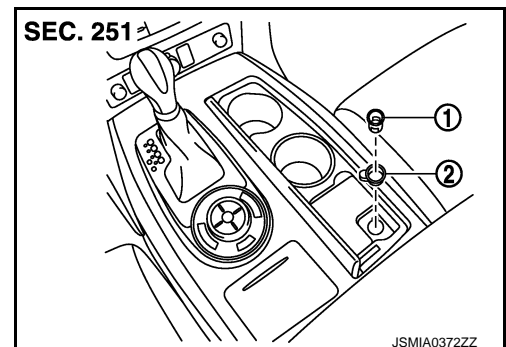
Align the cut outs of inner socket, ring and cluster lid C lower.

CONSOLE POWER SOCKET (CUP HOLDER)

CONSOLE POWER SOCKET (CUP HOLDER) : Exploded View

INFOID:000000007374859

- 1 : Inner socket
- 2 : Ring



CONSOLE POWER SOCKET (CUP HOLDER) : Removal and Installation

INFOID:000000007374860

REMOVAL

POWER SOCKET

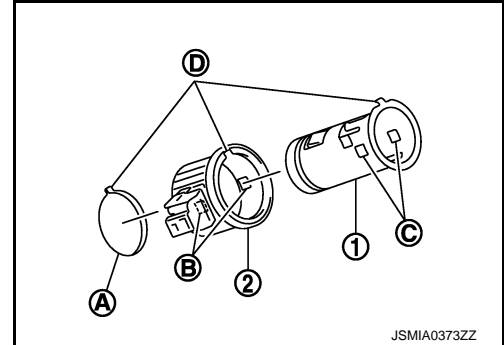
< REMOVAL AND INSTALLATION >

[POWER SOCKET]

1. Remove console finisher assembly. Refer to [IP-23. "Exploded View"](#).
2. Disconnect power socket connector and remove power socket illumination bulb.
3. Pull out inner socket (1) by pushing the ring pawl (B) from the inner socket hole (square) (C).

- A : Hole for power socket
(Console finisher assembly)
D : Cut out

4. Remove ring (2) from console finisher assembly while pressing pawls.



INSTALLATION

Install in the reverse order of removal.

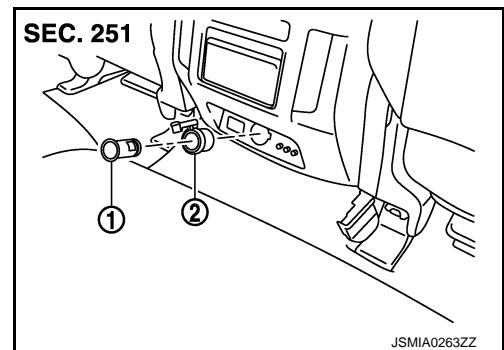
NOTE:

Align the cut outs of inner socket, ring and console finisher assembly.

CONSOLE POWER SOCKET (REAR)

CONSOLE POWER SOCKET (REAR) : Exploded View

- 1 : Inner socket
2 : Ring



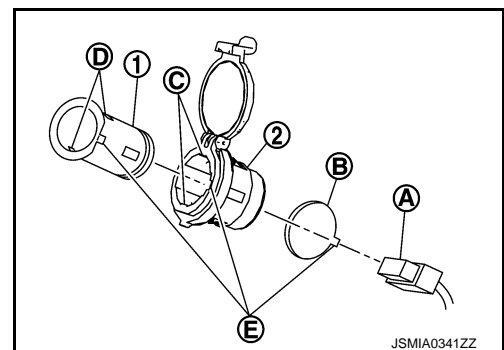
CONSOLE POWER SOCKET (REAR) : Removal and Installation

REMOVAL

1. Remove console rear finisher. Refer to [IP-23. "Exploded View"](#).
2. Disconnect power socket connector (A).

- B : Hole for power socket
(Console rear finisher)
E : Cut out

3. Pull out inner socket (1) by pushing the ring pawl (C) from the inner socket hole (square) (D).
4. Remove ring (2) from console rear finisher while pressing pawls.



INSTALLATION

Install in the reverse order of removal.

NOTE:

Align the cut outs of inner socket, ring and console rear finisher.

LUGGAGE ROOM POWER SOCKET

POWER SOCKET

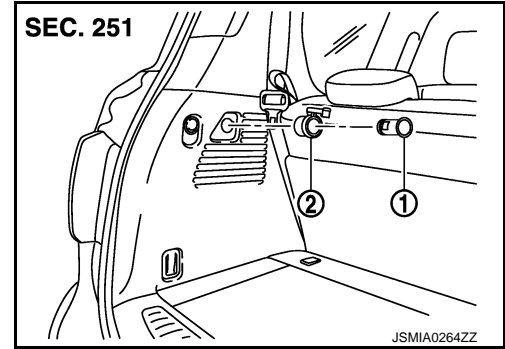
< REMOVAL AND INSTALLATION >

[POWER SOCKET]

LUGGAGE ROOM POWER SOCKET : Exploded View

INFOID:000000007374863

- 1 : Inner socket
- 2 : Ring



LUGGAGE ROOM POWER SOCKET : Removal and Installation

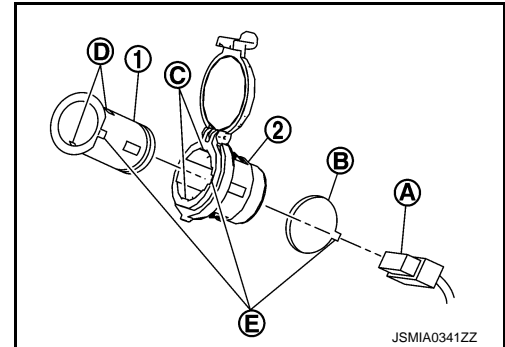
INFOID:000000007374864

REMOVAL

1. Remove luggage side lower finisher (LH). Refer to [INT-32, "Exploded View"](#).
2. Disconnect power socket connector (A).

- B : Hole for power socket
[Luggage side lower finisher (LH)]
- E : Cut out

3. Pull out inner socket (1) by pushing the ring pawl (C) from the inner socket hole (square) (D).
4. Remove ring (2) from luggage side lower finisher (LH) while pressing pawls.



INSTALLATION

Install in the reverse order of removal.

NOTE:

Align the cut outs of inner socket, ring and luggage side lower finisher (LH).

PRECAUTION

PRECAUTIONS

Precaution for Supplemental Restraint System (SRS) "AIR BAG" and "SEAT BELT PRE-TENSIONER"

INFOID:000000007374865

The Supplemental Restraint System such as "AIR BAG" and "SEAT BELT PRE-TENSIONER", used along with a front seat belt, helps to reduce the risk or severity of injury to the driver and front passenger for certain types of collision. This system includes seat belt switch inputs and dual stage front air bag modules. The SRS system uses the seat belt switches to determine the front air bag deployment, and may only deploy one front air bag, depending on the severity of a collision and whether the front occupants are belted or unbelted. Information necessary to service the system safely is included in the "SRS AIR BAG" and "SEAT BELT" of this Service Manual.

WARNING:

Always observe the following items for preventing accidental activation.

- To avoid rendering the SRS inoperative, which could increase the risk of personal injury or death in the event of a collision that would result in air bag inflation, all maintenance must be performed by an authorized NISSAN/INFINITI dealer.
- Improper maintenance, including incorrect removal and installation of the SRS, can lead to personal injury caused by unintentional activation of the system. For removal of Spiral Cable and Air Bag Module, see "SRS AIR BAG".
- Never use electrical test equipment on any circuit related to the SRS unless instructed to in this Service Manual. SRS wiring harnesses can be identified by yellow and/or orange harnesses or harness connectors.

PRECAUTIONS WHEN USING POWER TOOLS (AIR OR ELECTRIC) AND HAMMERS

WARNING:

Always observe the following items for preventing accidental activation.

- When working near the Air Bag Diagnosis Sensor Unit or other Air Bag System sensors with the ignition ON or engine running, never use air or electric power tools or strike near the sensor(s) with a hammer. Heavy vibration could activate the sensor(s) and deploy the air bag(s), possibly causing serious injury.
- When using air or electric power tools or hammers, always switch the ignition OFF, disconnect the battery, and wait at least 3 minutes before performing any service.

A
B
C
D
E
F
G
H
I
J
K
L

PWO

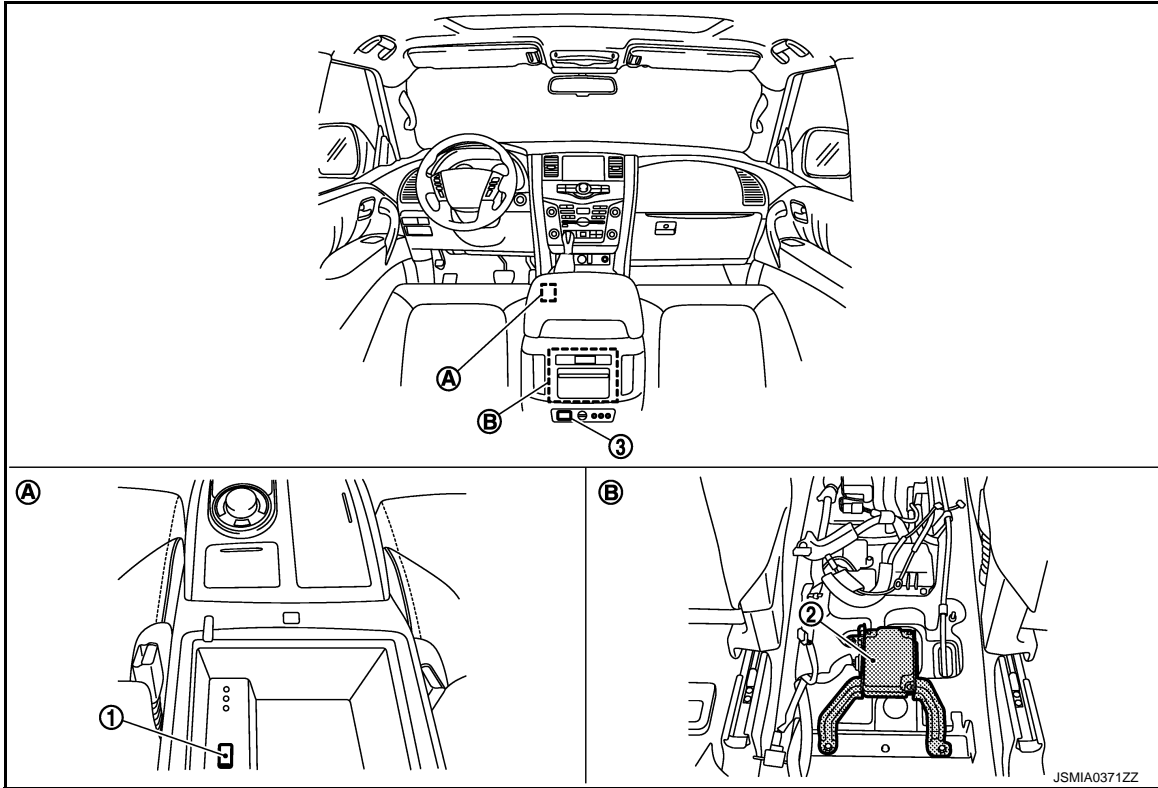
N
O
P

SYSTEM DESCRIPTION

COMPONENT PARTS

Component Parts Location

INFOID:000000007374866



- 1. AC 120 V outlet main switch
- 2. Inverter unit
- 3. AC 120 V outlet
- A. Inside of console box
- B. Center console remove condition

Component Description

INFOID:000000007374867

Component	Reference
Inverter unit	PWO-10. "Inverter Unit"
AC 120 V outlet main switch	PWO-10. "AC120 V Outlet Main Switch"
AC 120 V outlet	PWO-10. "AC120 V Outlet"

Inverter Unit

INFOID:000000007374868

The inverter unit converts an applied power supply voltage (approximately DC 12 V) to AC 120 V and outputs the converted voltage.

AC120 V Outlet Main Switch

INFOID:000000007374869

The operation of the switch enables the inverter unit to activate/inactivate and turn ON/OFF AC 120 V output.

AC120 V Outlet

INFOID:000000007374870

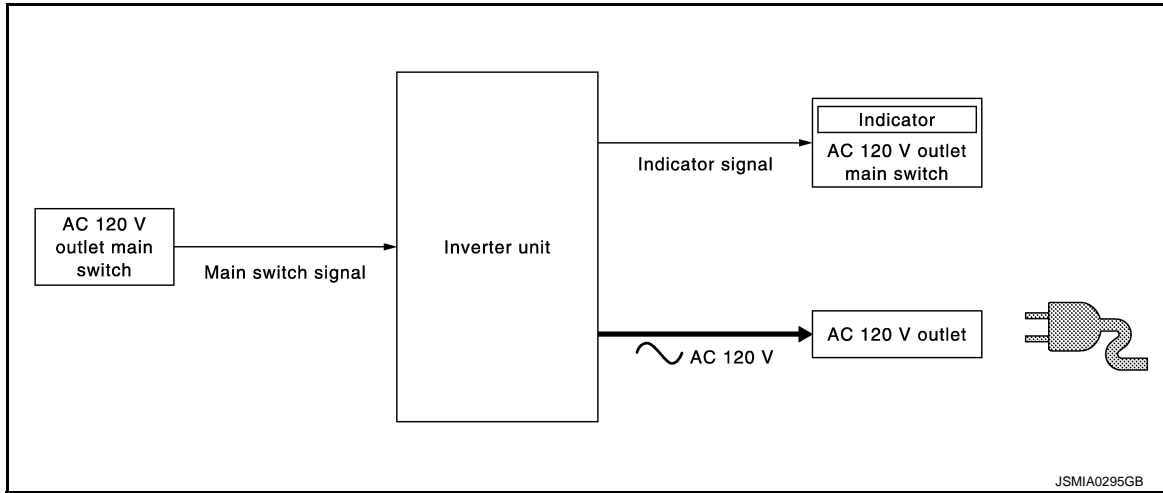
The AC 120 V outlet allows using AC 120 V converted in the inverter unit as an outlet.

SYSTEM

System Description

INFOID:000000007374871

SYSTEM DIAGRAM



SYSTEM DESCRIPTION

- When turning ON the AC 120 V outlet main switch with the ignition switch ON, the indicator turns ON and the inverter unit is activated.
- The inverter unit converts power supply voltage to AC 120 V and outputs the converted voltage to the AC 120 V outlet two seconds after the AC 120 V outlet main switch is turned ON.

Fail-safe

INFOID:000000007374872

When a malfunction listed below occurs, the inverter unit turns OFF the AC 120 V outlet main switch indicator and stops the output by operating the fail-safe.

Malfunction item	Fail-safe condition	Fail-safe cancellation condition
Inverter unit is overheated	When the inverter unit is overheated, the output stops to protect the inverter unit.	After the inverter unit temperature is lowered, the AC 120 V outlet main switch ON ⇒ OFF ⇒ ON operation allows normal return.
Inverter unit power supply voltage is 11.5 V or less	When inverter unit input voltage is lowered, the output stops to protect the battery from running out.	Automatic normal return when inverter unit power supply voltage reaches 11.5 V - 16 V.
Inverter unit power supply voltage is 16 V - 18 V	When inverter unit input voltage reaches 16 V - 18 V, the output stops to protect the inverter unit.	Automatic normal return when inverter unit power supply voltage reaches 11.5 V - 16 V.
Inverter unit power supply voltage is 18 V or more	When inverter unit input voltage reaches 18 V or more, the output stops to protect the inverter unit.	After the inverter unit power supply voltage reaches 11.5 V - 16 V, the AC 120 V outlet main switch ON ⇒ OFF ⇒ ON operation allows normal return.
Inverter unit output current is 2.8 A or more	When inverter unit output current reaches 2.8 A or more, the output stops to prevent over current. (e.g. connecting an electric appliance exceeding rated output)	Automatic normal return when inverter output current reaches 2.8 A.
Inverter unit output signal (AC 120 V output signal) is shorted	When inverter unit output signal is shorted, the output stops.	After recovering from inverter unit output signal short, the AC 120 V outlet main switch ON ⇒ OFF ⇒ ON operation allows normal return.

A
B
C
D
E
F
G
H
I
J
K
L
PWO
N
O
P

INVERTER UNIT

< ECU DIAGNOSIS INFORMATION >

[AC 120 V OUTLET]

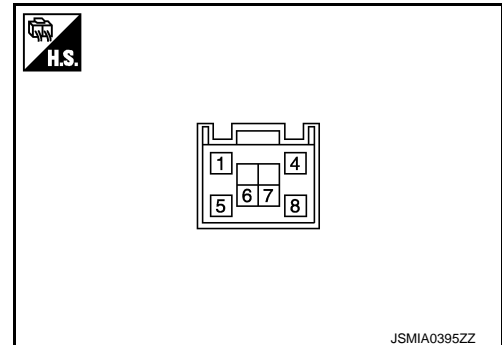
ECU DIAGNOSIS INFORMATION

INVERTER UNIT

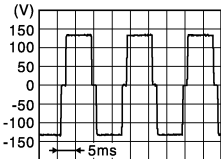
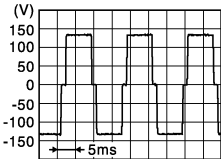
Reference Value

INFOID:000000007374873

TERMINAL LAYOUT



PHYSICAL VALUES

Terminal No. (Wire color)		Description		Condition		Value (Approx.)
+	-	Signal name	Input/ Output			
1 (R)	5 (G)	AC 120 V output	Output	Ignition switch ON	When AC 120 V outlet main switch OFF	0 V
					When AC 120 V outlet main switch ON (When using circuit tester)	AC 120 V
					When AC 120 V outlet main switch ON (When using oscilloscope)	Reference value  JSMIA0397GB AC 120 V
4 (G/R)	Ground	Battery power supply	Input	Ignition switch OFF	Battery power supply	
5 (G)	1 (R)	AC 120 V output	Output	Ignition switch ON	When AC 120 V outlet main switch OFF	0 V
					When AC 120 V outlet main switch ON (When using circuit tester)	AC 120 V
					When AC 120 V outlet main switch ON (When using oscilloscope)	Reference value  JSMIA0397GB AC 120 V

INVERTER UNIT

< ECU DIAGNOSIS INFORMATION >

[AC 120 V OUTLET]

Terminal No. (Wire color)		Description		Condition		Value (Approx.)
+	-	Signal name	Input/ Output			
6 (W)	Ground	AC 120 V outlet main switch	Input	Ignition switch OFF	When AC 120 V outlet main switch OFF	0 V
				Ignition switch ON	When AC 120 V outlet main switch ON	12 V
7 (O)		AC 120 V outlet main switch indicator	Output	Ignition switch OFF	When AC 120 V outlet main switch OFF	0 V
				Ignition switch ON	When AC 120 V outlet main switch ON	5.2 V
8 (G/Y)	Ground	—	—	Ignition switch ON	0 V	

CAUTION:

- To measure AC 120 V output signal, always use the circuit tester or oscilloscope AC range. Never allow the probes to contact each other.
- Because of modified sine wave output of the AC 120 V output signal, voltage cannot be measured accurately without using a circuit tester that can measure true RMS (root mean square).

Fail-safe

INFOID:000000007374874

When a malfunction listed below occurs, the inverter unit turns OFF the AC 120 V outlet main switch indicator and stops the output by operating the fail-safe.

Malfunction item	Fail-safe condition	Fail-safe cancellation condition
Inverter unit is overheat-ed	When the inverter unit is overheated, the output stops to protect the inverter unit.	After the inverter unit temperature is lowered, the AC 120 V outlet main switch ON ⇒ OFF ⇒ ON operation allows normal return.
Inverter unit power supply voltage is 11.5 V or less	When inverter unit input voltage is lowered, the output stops to protect the battery from running out.	Automatic normal return when inverter unit power supply voltage reaches 11.5 V - 16 V.
Inverter unit power supply voltage is 16 V - 18 V	When inverter unit input voltage reaches 16 V - 18 V, the output stops to protect the inverter unit.	Automatic normal return when inverter unit power supply voltage reaches 11.5 V - 16 V.
Inverter unit power supply voltage is 18 V or more	When inverter unit input voltage reaches 18 V or more, the output stops to protect the inverter unit.	After the inverter unit power supply voltage reaches 11.5 V - 16 V, the AC 120 V outlet main switch ON ⇒ OFF ⇒ ON operation allows normal return.
Inverter unit output current is 2.8 A or more	When inverter unit output current reaches 2.8 A or more, the output stops to prevent over current. (e.g. connecting an electric appliance exceeding rated output)	Automatic normal return when inverter output current reaches 2.8 A.
Inverter unit output signal (AC 120 V output signal) is shorted	When inverter unit output signal is shorted, the output stops.	After recovering from inverter unit output signal short, the AC 120 V outlet main switch ON ⇒ OFF ⇒ ON operation allows normal return.

PWO

AC 120 V POWER OUTLET

< WIRING DIAGRAM >

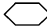
[AC 120 V OUTLET]

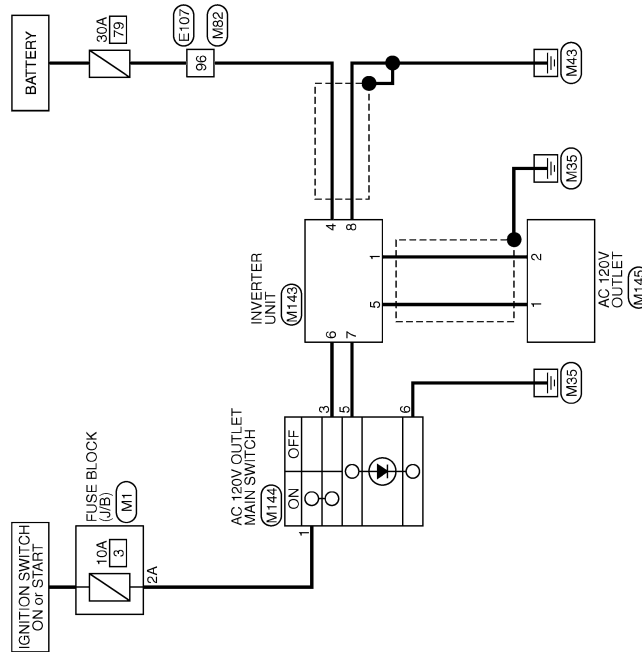
WIRING DIAGRAM

AC 120 V POWER OUTLET

Wiring Diagram

INFOID:000000007374875

For connector terminal arrangements, harness layouts, and alphabets in a  (option abbreviation; if not described in wiring diagram), refer to [GI-12. "Connector Information"](#).



AC 120 V POWER OUTLET

2010/05/13

JCMWM8290GB

DIAGNOSIS AND REPAIR WORK FLOW

< BASIC INSPECTION >

[AC 120 V OUTLET]

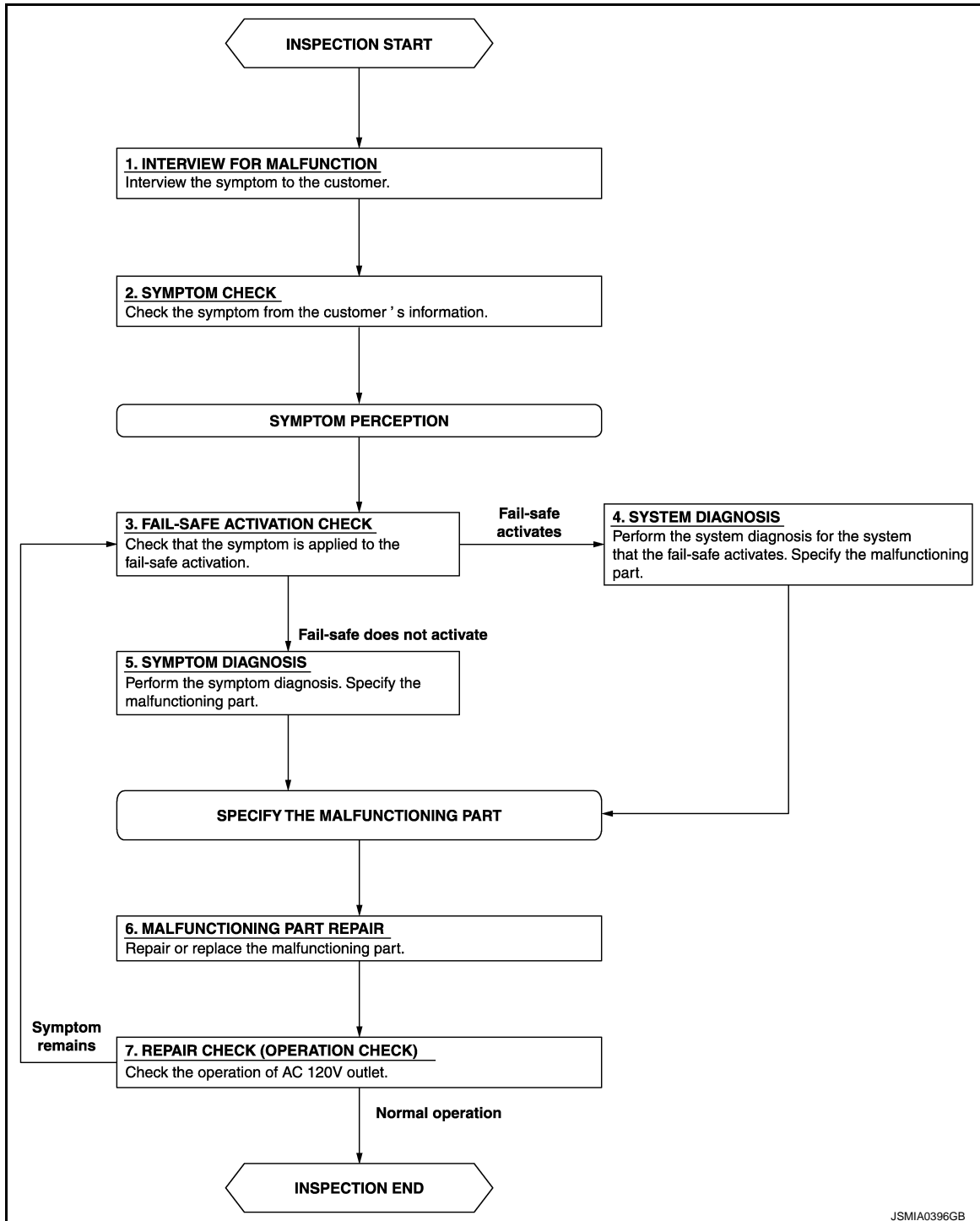
BASIC INSPECTION

DIAGNOSIS AND REPAIR WORK FLOW

Work Flow

INFOID:000000007374876

OVERALL SEQUENCE



DETAILED FLOW

1. INTERVIEW FOR MALFUNCTION

Interview the symptom to the customer.

A
B
C
D
E
F
G
H
I
J
K
L
P

PWO

N

O

DIAGNOSIS AND REPAIR WORK FLOW

< BASIC INSPECTION >

[AC 120 V OUTLET]

>> GO TO 2.

2. SYMPTOM CHECK

Check the symptom from the customer's information.

>> GO TO 3.

3. FAIL-SAFE ACTIVATION CHECK

Check that the symptom is applied to the fail-safe activation.

Does the fail-safe activate?

YES >> GO TO 4.

NO >> GO TO 5.

4. SYSTEM DIAGNOSIS

Perform the system diagnosis for the system that the fail-safe activates. Specify the malfunctioning part.

>> GO TO 6.

5. SYMPTOM DIAGNOSIS

Perform the symptom diagnosis. Specify the malfunctioning part.

>> GO TO 6.

6. MALFUNCTIONING PART REPAIR

Repair or replace the malfunctioning part.

>> GO TO 7.

7. REPAIR CHECK (OPERATION CHECK)

Check the operation of AC 120 V outlet.

Does it operate normally?

YES >> INSPECTION END

NO >> GO TO 3.

POWER SUPPLY AND GROUND CIRCUIT

< DTC/CIRCUIT DIAGNOSIS >

[AC 120 V OUTLET]

DTC/CIRCUIT DIAGNOSIS

POWER SUPPLY AND GROUND CIRCUIT

Diagnosis Procedure

INFOID:000000007374877

1. CHECK FUSE

Check that the following fuse is not blown.

Signal name	Fuse No.
Battery power supply	79

Is the fuse fusing?

YES >> Replace the blown fuse after repairing the affected circuit if a fuse is blown.

NO >> GO TO 2.

2. CHECK INVERTER UNIT POWER SUPPLY CIRCUIT

Check voltage between inverter unit harness connector and ground.

Terminal		Condition	Voltage (Approx.)
(+)	(-)		
Inverter unit		Ignition switch	Battery voltage
Connector	Terminal		
M143	4		
		OFF	

Is the inspection result normal?

YES >> GO TO 3.

NO >> Repair or replace the inverter unit power supply circuit.

3. CHECK INVERTER UNIT GROUND CIRCUIT

1. Turn the ignition switch OFF.
2. Disconnect the inverter unit connector.
3. Check for continuity between inverter unit harness connector and ground.

Inverter unit		Ground	Continuity
Connector	Terminal		
M143	8		Existed

Is the inspection result normal?

YES >> INSPECTION END

NO >> Repair or replace the inverter unit ground circuit.

A
B
C
D
E
F
G
H
I
J
K
L
N
O
P

PWO

AC 120 V OUTLET MAIN SWITCH POWER SUPPLY CIRCUIT

< DTC/CIRCUIT DIAGNOSIS >

[AC 120 V OUTLET]

AC 120 V OUTLET MAIN SWITCH POWER SUPPLY CIRCUIT

Diagnosis Procedure

INFOID:000000007374878

1. CHECK FUSE

Check that the following fuse is not blown.

Signal name	Fuse No.
Ignition power supply	3

Is the fuse fusing?

YES >> Replace the blown fuse after repairing the affected circuit if a fuse is blown.

NO >> GO TO 2.

2. CHECK POWER SUPPLY FOR AC 120 V OUTLET MAIN SWITCH

1. Turn ignition switch ON.
2. Check for voltage between the AC 120 V main switch harness connector and ground.

Terminals		Condition	Voltage (Approx.)
(+)	(-)		
AC 120 V outlet main switch		Ignition switch	
Connector	Terminal		
M144	1		
		OFF	0 V
		ON	12 V

Is the inspection result normal?

YES >> INSPECTION END

NO >> Repair the AC 120 V main switch power supply circuit.

AC 120 V OUTLET MAIN SWITCH INPUT SIGNAL CIRCUIT

< DTC/CIRCUIT DIAGNOSIS >

[AC 120 V OUTLET]

AC 120 V OUTLET MAIN SWITCH INPUT SIGNAL CIRCUIT

Diagnosis Procedure

INFOID:000000007374879

1. CHECK HARNESS BETWEEN INVERTER UNIT AND AC 120 V OUTLET MAIN SWITCH

1. Turn ignition switch OFF.
2. Disconnect inverter unit connector and AC 120 V outlet main switch connector.
3. Check for continuity between the inverter unit harness connector and AC 120 V outlet main switch harness connector.

Inverter unit		AC 120 V outlet main switch		Continuity
Connector	Terminal	Connector	Terminal	
M143	6	M144	3	Existed

4. Check for continuity between inverter unit harness connector and ground.

Inverter unit		Ground	Continuity
Connector	Terminal		
M143	6		Not existed

Is the inspection result normal?

YES >> GO TO 2.

NO >> Repair the harnesses or connectors.

2. CHECK AC 120 V OUTLET MAIN SWITCH INPUT SIGNAL

1. Connect inverter unit connector and AC 120 V outlet main switch connector.
2. Turn ignition switch ON.
3. AC 120 V outlet main switch ON.
4. Check for voltage between the inverter unit harness connector and ground.

Terminals		Condition	Voltage (Approx.)
(+)	(-)		
Inverter unit		AC 120 V outlet main switch	
Connector	Terminal		
M143	6		
		ON	12 V

Is the inspection result normal?

YES >> INSPECTION END

NO >> GO TO 3.

3. CHECK AC 120 V OUTLET MAIN SWITCH

1. Turn ignition switch OFF.
2. Remove AC 120 V outlet main switch.
3. Check AC 120 V outlet main switch. Refer to [PWO-19. "Component Inspection"](#).

Is the inspection result normal?

YES >> INSPECTION END

NO >> Replace AC 120 V outlet main switch.

Component Inspection

INFOID:000000007374880

1. CHECK AC 120 V OUTLET MAIN SWITCH

Check continuity of AC 120 V outlet main switch.

A
B
C
D
E
F
G
H
I
J
K
L
N
O
P

PWO

AC 120 V OUTLET MAIN SWITCH INPUT SIGNAL CIRCUIT

< DTC/CIRCUIT DIAGNOSIS >

[AC 120 V OUTLET]

Terminal		Condition	Continuity
1	3	When AC 120 V outlet main switch is ON	Existed
		When AC 120 V outlet main switch is OFF	Not existed

Is the inspection result normal?

YES >> INSPECTION END

NO >> Replace AC 120 V outlet main switch.

AC 120 V POWER OUTPUT CIRCUIT

< DTC/CIRCUIT DIAGNOSIS >

[AC 120 V OUTLET]

AC 120 V POWER OUTPUT CIRCUIT

Diagnosis Procedure

INFOID:000000007374881

1. CHECK HARNESS BETWEEN INVERTER UNIT AND AC 120 V OUTLET

1. Turn ignition switch OFF.
2. Disconnect inverter unit connector and AC 120 V outlet connector.
3. Check for continuity between the inverter unit harness connector and AC 120 V outlet harness connector.

Inverter unit		AC 120 V outlet		Continuity
Connector	Terminal	Connector	Terminal	
M143	5	M145	1	Existed
	1		2	

4. Check for continuity between inverter unit harness connector and ground.

Inverter unit		Ground	Continuity
Connector	Terminal		
M143	5		Not existed
	1		

5. Check for continuity between inverter unit harness connector.

Inverter unit			Continuity
Connector	Terminal		
M143	5	1	Not existed
	1		

Is the inspection result normal?

- YES >> GO TO 2.
 NO >> Repair or replace the harnesses or connectors.

2. CHECK INVERTER UNIT OUTPUT SIGNAL

1. Connect inverter unit connector and AC 120 V outlet connector.
2. Turn ignition switch ON.
3. AC 120 V outlet main switch ON. (AC 120 V outlet main switch indicator ON)
4. Check voltage between inverter unit harness connector.

Terminals				Condition	Voltage (Approx.)
(+)		(-)			
Inverter unit		Inverter unit		AC 120 V outlet main switch	
Connector	Terminal	Connector	Terminal		
M143	5	M143	1	OFF	0 V
				ON	AC 120 V

CAUTION:

- To measure AC 120 V output signal, always use the circuit tester AC range.
- Never allow the probes to contact each other.

Is the inspection result normal?

- YES >> GO TO 3
 NO >> Replace inverter unit.

3. CHECK AC 120 V OUTLET VOLTAGE

1. AC 120 V outlet main switch ON. (AC 120 V outlet main switch indicator ON)
2. Check voltage between AC 120 V outlet.

PWO

AC 120 V POWER OUTPUT CIRCUIT

< DTC/CIRCUIT DIAGNOSIS >

[AC 120 V OUTLET]

Terminals		Condition	Voltage (Approx.)
(+)	(-)		
AC 120 V outlet		AC 120 V outlet main switch	
Terminal			
1	2	OFF	0 V
		ON	AC 120 V

CAUTION:

- To measure AC 120 V output signal, always use the circuit tester AC range.
- Never allow the probes to contact each other.

Is the inspection result normal?

YES >> INSPECTION END
NO >> Replace AC 120 V outlet.

AC 120 V OUTLET MAIN SWITCH INDICATOR CIRCUIT

< DTC/CIRCUIT DIAGNOSIS >

[AC 120 V OUTLET]

AC 120 V OUTLET MAIN SWITCH INDICATOR CIRCUIT

Diagnosis Procedure

INFOID:000000007374882

1. CHECK HARNESS BETWEEN INVERTER UNIT AND AC 120 V OUTLET MAIN SWITCH

1. Turn ignition switch OFF.
2. Disconnect inverter unit connector and AC 120 V outlet main switch connector.
3. Check continuity between inverter unit harness connector and AC 120 V main switch harness connector.

Inverter unit		AC 120 V outlet main switch		Continuity
Connector	Terminal	Connector	Terminal	
M143	7	M144	5	Existed

4. Check continuity between inverter unit harness connector and ground.

Inverter unit		Ground	Continuity
Connector	Terminal		
M143	7		Not existed

Is the inspection result normal?

- YES >> GO TO 2.
NO >> Repair the harnesses or connectors.

2. CHECK AC 120 V OUTLET MAIN SWITCH GROUND CIRCUIT

Check continuity between AC 120 V outlet main switch harness connector and ground.

AC 120 V outlet main switch		Ground	Continuity
Connector	Terminal		
M144	6		Existed

Is the inspection result normal?

- YES >> GO TO 3.
NO >> Repair the harnesses or connectors.

3. CHECK AC 120 V OUTLET MAIN SWITCH INDICATOR OUTPUT SIGNAL

1. Connect AC 120 V outlet main switch connector and inverter unit connector.
2. Turn ignition switch ON.
3. AC 120 V outlet main switch ON. (AC 120 V output is normal)
4. Check for voltage between the inverter unit harness connector and ground.

Terminals		Condition	Voltage (Approx.)
(+)	(-)		
Inverter unit		AC 120 V outlet main switch	
Connector	Terminal		
M143	7		
		ON	5.2 V

Is the inspection result normal?

- YES >> GO TO 4.
NO >> Replace inverter unit.

4. CHECK AC 120 V OUTLET MAIN SWITCH INDICATOR

1. AC 120 V outlet main switch ON. (AC 120 V output is normal)
2. Check that AC 120 V outlet main switch indicator is illuminated.

Is the inspection result normal?

A
B
C
D
E
F
G
H
I
J
K
L
N
O
P

PWO

AC 120 V OUTLET MAIN SWITCH INDICATOR CIRCUIT

< DTC/CIRCUIT DIAGNOSIS >

[AC 120 V OUTLET]

YES >> INSPECTION END
NO >> Replace AC 120 V outlet main switch.

NO OUTPUT FROM AC 120 V OUTLET

< SYMPTOM DIAGNOSIS >

[AC 120 V OUTLET]

SYMPTOM DIAGNOSIS

NO OUTPUT FROM AC 120 V OUTLET

Diagnosis Procedure

INFOID:000000007374883

1. CHECK FAIL-SAFE ACTIVATION

Check if the symptom is caused by a fail-safe operation. Refer to [PWO-13, "Fail-safe"](#).

Is fail-safe operating?

YES >> Repair the part causing fail-safe operation.

NO >> GO TO 2.

2. CHECK INVERTER UNIT POWER SUPPLY CIRCUIT

Check inverter unit power supply circuit. Refer to [PWO-17, "Diagnosis Procedure"](#).

Is the inspection result normal?

YES >> GO TO 3.

NO >> Repair or replace the malfunctioning parts.

3. CHECK AC 120 V OUTLET MAIN SWITCH POWER SUPPLY CIRCUIT

Check AC 120 V outlet main switch power supply circuit. Refer to [PWO-18, "Diagnosis Procedure"](#).

Is the inspection result normal?

YES >> GO TO 4.

NO >> Repair or replace the malfunctioning parts.

4. CHECK AC 120 V OUTLET MAIN SWITCH INPUT SIGNAL CIRCUIT

Check AC 120 V outlet main switch input signal circuit. Refer to [PWO-19, "Diagnosis Procedure"](#).

Is the inspection result normal?

YES >> GO TO 5.

NO >> Repair or replace the malfunctioning parts.

5. CHECK INVERTER UNIT POWER OUTPUT CIRCUIT

Check inverter unit power output circuit. Refer to [PWO-21, "Diagnosis Procedure"](#).

Is the inspection result normal?

YES >> Refer to [GI-43, "Intermittent Incident"](#).

NO >> Repair or replace the malfunctioning parts.

A
B
C
D
E
F
G
H
I
J
K
L
N
O
P

PWO

AC 120 V OUTLET MAIN SWITCH INDICATOR DOES NOT TURN ON

< SYMPTOM DIAGNOSIS >

[AC 120 V OUTLET]

AC 120 V OUTLET MAIN SWITCH INDICATOR DOES NOT TURN ON

Diagnosis Procedure

INFOID:000000007374884

1. CHECK FAIL-SAFE ACTIVATION

Check if the symptom is caused by a fail-safe operation. Refer to [PWO-13, "Fail-safe"](#).

Is fail-safe operating?

YES >> Repair the part causing fail-safe operation.

NO >> GO TO 2.

2. CHECK INVERTER UNIT POWER SUPPLY CIRCUIT

Check inverter unit power supply circuit. Refer to [PWO-17, "Diagnosis Procedure"](#).

Is the inspection result normal?

YES >> GO TO 3.

NO >> Repair or replace the malfunctioning parts.

3. CHECK AC 120 V OUTLET MAIN SWITCH POWER SUPPLY CIRCUIT

Check AC 120 V outlet main switch power supply circuit. Refer to [PWO-18, "Diagnosis Procedure"](#).

Is the inspection result normal?

YES >> GO TO 4.

NO >> Repair or replace the malfunctioning parts.

4. CHECK AC 120 V OUTLET MAIN SWITCH INPUT SIGNAL CIRCUIT

Check AC 120 V outlet main switch input signal circuit. Refer to [PWO-19, "Diagnosis Procedure"](#).

Is the inspection result normal?

YES >> GO TO 5.

NO >> Repair or replace the malfunctioning parts.

5. CHECK AC 120 V OUTLET MAIN SWITCH INDICATOR CIRCUIT

Check AC 120 V outlet main switch indicator circuit. Refer to [PWO-23, "Diagnosis Procedure"](#).

Is the inspection result normal?

YES >> Refer to [GI-43, "Intermittent Incident"](#).

NO >> Repair or replace the malfunctioning parts.

NORMAL OPERATING CONDITION

< SYMPTOM DIAGNOSIS >

[AC 120 V OUTLET]

NORMAL OPERATING CONDITION

Description

INFOID:000000007374885

Because of modified sine wave output, the AC 120 V outlet may not operate normally for electric appliance of which electric power consumption is 150 W or less.

- Electric appliances requiring a large amount of electric power consumption at startup (e.g. CRT-based TV, power tool)
 - Measuring instruments for data requiring accuracy (e.g. medical equipment, measuring instrument)
 - Microprocessor-controlled appliances (e.g. microprocessor-controlled blanket)
- Noise may be caused in radio or TV, depending on an electric appliance.

A
B
C
D
E
F
G
H
I
J
K
L

PWO

N
O
P

REMOVAL AND INSTALLATION

INVERTER UNIT

Removal and Installation

INFOID:000000007374886

REMOVAL

1. Remove console body assembly. Refer to [IP-23. "Exploded View"](#).
2. Disconnect inverter unit connector.
3. Remove mounting bolt.
4. Remove inverter unit.

INSTALLATION

Install in the reverse order of removal.

AC 120V OUTLET MAIN SW

< REMOVAL AND INSTALLATION >

[AC 120 V OUTLET]

AC 120V OUTLET MAIN SW

Removal and Installation

INFOID:000000007374887

REMOVAL

1. Remove console body assembly. Refer to [IP-23. "Exploded View"](#).
2. Disengage pawl. Then remove AC 120 V outlet main switch from center console assembly.

INSTALLATION

Install in the reverse order of removal.

A
B
C
D
E
F
G
H
I
J
K
L
N
O
P

PWO

AC 120 V OUTLET

Removal and Installation

INFOID:000000007374888

REMOVAL

1. Remove console rear finisher. Refer to [IP-23, "Exploded View"](#).
2. Push the pawl from the back of the console rear finisher to remove the AC 120 V outlet.

INSTALLATION

Install in the reverse order of removal.

SERVICE DATA AND SPECIFICATIONS (SDS)

< SERVICE DATA AND SPECIFICATIONS (SDS)

[AC 120 V OUTLET]

SERVICE DATA AND SPECIFICATIONS (SDS)

SERVICE DATA AND SPECIFICATIONS (SDS)

AC 120 V Power Outlet

INFOID:000000007374889

Rated voltage	AC 120 V
Maximum electric capacity	150 W or less (Total)
Maximum current	1.25 A or less (Total)

A
B
C
D
E
F
G
H
I
J
K
L

PWO

N
O
P