

SECTION **HA**

HEATER & AIR CONDITIONING SYSTEM

A
B
C
D
E
F
G
H
HA
J
K
L
M
N
O
P

CONTENTS

PRECAUTION	3	Lubricant Adjusting Procedure for Components Replacement Except Compressor	21
PRECAUTIONS	3	Lubricant Adjusting Procedure for Compressor Replacement	22
Precaution for Supplemental Restraint System (SRS) "AIR BAG" and "SEAT BELT PRE-TENSIONER"	3	PERFORMANCE TEST	24
Precaution for Procedure without Cowl Top Cover.....	3	Inspection	24
Precautions For Refrigerant System Service	3	SYMPTOM DIAGNOSIS	26
Service Equipment	6	REFRIGERATION SYSTEM SYMPTOMS	26
PREPARATION	8	Trouble Diagnosis For Unusual Pressure	26
PREPARATION	8	Symptom Table	26
Special Service Tool	8	NOISE	28
Commercial Service Tool	11	Symptom Table	28
Sealant or/and Lubricant	11	REMOVAL AND INSTALLATION	29
SYSTEM DESCRIPTION	12	COMPRESSOR	29
COMPONENT PARTS	12	Exploded View	29
Component Parts Location	12	COMPRESSOR	30
Component Description	12	COMPRESSOR : Removal and Installation	30
SYSTEM	13	MAGNET CLUTCH	30
System Diagram	13	MAGNET CLUTCH : Removal and Installation of Compressor Clutch	31
System Description	13	Inspection	31
BASIC INSPECTION	15	COOLER PIPE AND HOSE	33
DIAGNOSIS AND REPAIR WORKFLOW	15	Exploded View	33
Work Flow	15	HIGH-PRESSURE FLEXIBLE HOSE	34
REFRIGERANT	17	HIGH-PRESSURE FLEXIBLE HOSE : Removal and Installation	34
Description	17	LOW-PRESSURE FLEXIBLE HOSE	35
Leak Test	17	LOW-PRESSURE FLEXIBLE HOSE : Removal and Installation	35
Recycle Refrigerant	19	HIGH-PRESSURE PIPE	35
Charge Refrigerant	19	HIGH-PRESSURE PIPE : Removal and Installation	35
LUBRICANT	21		
Description	21		
Inspection	21		
Perform Lubricant Return Operation	21		

LOW-PRESSURE PIPE	36	EXPANSION VALVE : Removal and Installation ...	44
LOW-PRESSURE PIPE : Removal and Installation	36	REAR A/C UNIT	46
REAR COOLER PIPE	37	Exploded View	46
REAR COOLER PIPE : Removal and Installation..	37	REAR A/C UNIT ASSEMBLY	47
CONDENSER	38	REAR A/C UNIT ASSEMBLY : Removal and Installation	47
Exploded View	38	EVAPORATOR	48
CONDENSER	38	EVAPORATOR : Removal and Installation	48
CONDENSER : Removal and Installation	38	EVAPORATOR PIPE ASSEMBLY	48
LIQUID TANK	39	EVAPORATOR PIPE ASSEMBLY : Removal and Installation	48
LIQUID TANK : Removal and Installation	39	HEATER CORE	48
REFRIGERANT PRESSURE SENSOR	39	HEATER CORE : Removal and Installation	48
REFRIGERANT PRESSURE SENSOR : Removal and Installation	39	EXPANSION VALVE	49
A/C UNIT ASSEMBLY	41	EXPANSION VALVE : Removal and Installation ...	49
Exploded View	41	SERVICE DATA AND SPECIFICATIONS (SDS)	50
HEATER & COOLING UNIT ASSEMBLY	42	SERVICE DATA AND SPECIFICATIONS (SDS)	50
HEATER & COOLING UNIT ASSEMBLY : Removal and Installation	43	Compressor	50
EVAPORATOR	43	Lubricant	50
EVAPORATOR : Removal and Installation	43	Refrigerant	50
HEATER CORE	44	Engine Idling Speed	50
HEATER CORE : Removal and Installation	44	Belt Tension	50
EXPANSION VALVE	44		

PRECAUTIONS

< PRECAUTION >

PRECAUTION

PRECAUTIONS

Precaution for Supplemental Restraint System (SRS) "AIR BAG" and "SEAT BELT PRE-TENSIONER"

INFOID:000000009010678

The Supplemental Restraint System such as "AIR BAG" and "SEAT BELT PRE-TENSIONER", used along with a front seat belt, helps to reduce the risk or severity of injury to the driver and front passenger for certain types of collision. Information necessary to service the system safely is included in the "SRS AIR BAG" and "SEAT BELT" of this Service Manual.

WARNING:

Always observe the following items for preventing accidental activation.

- To avoid rendering the SRS inoperative, which could increase the risk of personal injury or death in the event of a collision that would result in air bag inflation, all maintenance must be performed by an authorized NISSAN/INFINITI dealer.
- Improper maintenance, including incorrect removal and installation of the SRS, can lead to personal injury caused by unintentional activation of the system. For removal of Spiral Cable and Air Bag Module, see "SRS AIR BAG".
- Never use electrical test equipment on any circuit related to the SRS unless instructed to in this Service Manual. SRS wiring harnesses can be identified by yellow and/or orange harnesses or harness connectors.

PRECAUTIONS WHEN USING POWER TOOLS (AIR OR ELECTRIC) AND HAMMERS

WARNING:

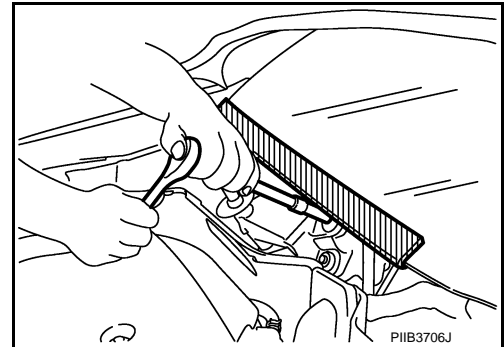
Always observe the following items for preventing accidental activation.

- When working near the Air Bag Diagnosis Sensor Unit or other Air Bag System sensors with the ignition ON or engine running, never use air or electric power tools or strike near the sensor(s) with a hammer. Heavy vibration could activate the sensor(s) and deploy the air bag(s), possibly causing serious injury.
- When using air or electric power tools or hammers, always switch the ignition OFF, disconnect the battery, and wait at least 3 minutes before performing any service.

Precaution for Procedure without Cowl Top Cover

INFOID:000000009010680

When performing the procedure after removing cowl top cover, cover the lower end of windshield with urethane, etc to prevent damage to windshield.



Precautions For Refrigerant System Service

INFOID:000000009010681

GENERAL REFRIGERANT PRECAUTION

WARNING:

- Never breathe A/C refrigerant and lubricant vapor or mist. Exposure may irritate eyes, nose and throat. Use only approved recovery/recycling equipment to discharge HFC-134a (R-134a) refrigerant. Ventilate work area before resuming service if accidental system discharge occurs. Additional health and safety information may be obtained from refrigerant and lubricant manufacturers.
- Never release refrigerant into the air. Use approved recovery/recycling recharging equipment to capture the refrigerant each time an air conditioning system is discharged.
- Wear always eye and hand protection (goggles and gloves) when working with any refrigerant or air conditioning system.
- Never store or heat refrigerant containers above 52°C (126°F).

A
B
C
D
E
F
G
H
HA
J
K
L
M
N
O
P

PRECAUTIONS

< PRECAUTION >

- Never heat a refrigerant container with an open flame; Place the bottom of the container in a warm pail of water if container warming is required.
- Never intentionally drop, puncture, or incinerate refrigerant containers.
- Keep refrigerant away from open flames: poisonous gas is produced if refrigerant burns.
- Refrigerant displaces oxygen, therefore be certain to work in well ventilated areas to prevent suffocation.
- Never pressure test or leakage test HFC-134a (R-134a) service equipment and/or vehicle air conditioning systems with compressed air during repair. Some mixtures of air and HFC-134a (R-134a) have been shown to be combustible at elevated pressures. These mixtures, if ignited, may cause injury or property damage. Additional health and safety information may be obtained from refrigerant manufacturers.

WORKING WITH HFC-134a (R-134a)

CAUTION:

- CFC-12 (R-12) refrigerant and HFC-134a (R-134a) refrigerant are not compatible. These refrigerants must never be mixed, even in the smallest amounts. Compressor malfunction is likely occur if the refrigerants are mixed.
- Use only specified lubricant for the HFC-134a (R-134a) A/C system and HFC-134a (R-134a) components. Compressor malfunction is likely to occur if lubricant other than that specified is used.
- The specified HFC-134a (R-134a) lubricant rapidly absorbs moisture from the atmosphere. The following handling precautions must be observed:
 - Cap (seal) immediately the component to minimize the entry of moisture from the atmosphere when removing refrigerant components from a vehicle.
 - Never remove the caps (unseal) until just before connecting the components when installing refrigerant components to a vehicle. Connect all refrigerant loop components as quickly as possible to minimize the entry of moisture into system.
 - Use only the specified lubricant from a sealed container. Reseal immediately containers of lubricant. Lubricant becomes moisture saturated and should not be used without proper sealing.
 - Never allow lubricant (A/C System Oil Type S) to come in contact with styrene foam parts. Damage may result.

REFRIGERANT CONNECTION

A new type refrigerant connection has been introduced to all refrigerant lines except the following location.

- Expansion valve to evaporator
- Refrigerant pressure sensor to liquid tank

WARNING:

Check that all refrigerant is discharged into the recycling equipment and the pressure in the system is less than atmospheric pressure. Then gradually loosen the discharge side hose fitting and remove it.

CAUTION:

Observe the following when replacing or cleaning refrigerant cycle components.

- Store it in the same way as it is when mounted on the car when the compressor is removed. Failure to do so will cause lubricant to enter the low-pressure chamber.
- Use always a torque wrench and a back-up wrench when connecting tubes.
- Plug immediately all openings to prevent entry of dust and moisture after disconnecting tubes.
- Connect the pipes at the final stage of the operation when installing an air conditioner in the vehicle. Never remove the seal caps of pipes and other components until just before required for connection.
- Allow components stored in cool areas to warm to working area temperature before removing seal caps. This prevents condensation from forming inside A/C components.
- Remove thoroughly moisture from the refrigeration system before charging the refrigerant.
- Replace always used O-rings.
- Apply lubricant to circle of the O-rings shown in illustration when connecting tube. Be careful not to apply lubricant to threaded portion.

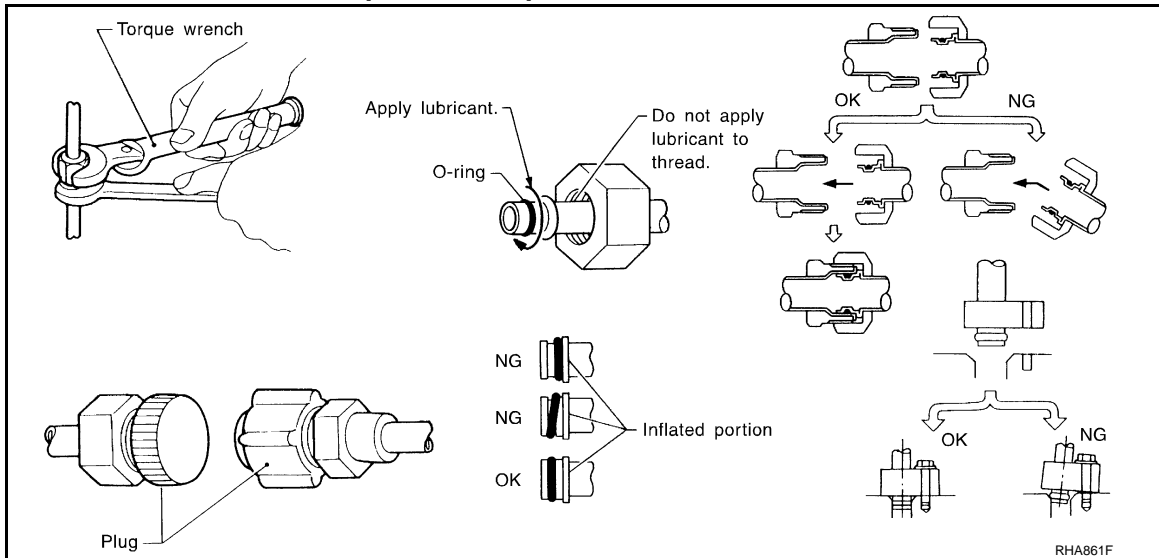
Name A/C System Oil Type S

- O-ring must be closely attached to the groove portion of tube.
- Be careful not to damage O-ring and tube when replacing the O-ring.
- Connect tube until a click can be heard. Then tighten the nut or bolt by hand. Check that the O-ring is installed to tube correctly.

PRECAUTIONS

< PRECAUTION >

- Perform leakage test and make sure that there is no leakage from connections after connecting line. Disconnect that line and replace the O-ring when the refrigerant leaking point is found. Then tighten connections of seal seat to the specified torque.



COMPRESSOR

CAUTION:

- Plug all openings to prevent moisture and foreign matter from entering.
- Store it in the same way as it is when mounted on the car when the compressor is removed.
- Follow "MAINTENANCE OF LUBRICANT LEVEL IN COMPRESSOR" exactly when replacing or repairing compressor. Refer to [HA-21, "Description"](#).
- Keep friction surfaces between clutch and pulley clean. Wipe it off by using a clean waste cloth moistened with thinner if the surface is contaminated with lubricant.
- Turn the compressor shaft by hand more than five turns in both directions after compressor service operation. This distributes equally lubricant inside the compressor. Let the engine idle and operate the compressor for one hour after the compressor is installed.
- Apply voltage to the new one and check for normal operation after replacing the compressor magnet clutch.

LEAK DETECTION DYE

CAUTION:

- The A/C system contains a fluorescent leak detection dye used for locating refrigerant leakages. An ultraviolet (UV) lamp is required to illuminate the dye when inspecting for leakages.
- Wear always fluorescence enhancing UV safety goggles to protect eyes and enhance the visibility of the fluorescent dye.
- The fluorescent dye leak detector is not a replacement for an electrical leak detector. The fluorescent dye leak detector should be used in conjunction with an electrical leak detector to pin-point refrigerant leakages.
- Read and follow all manufacturer's operating instructions and precautions prior to performing the work for the purpose of safety and customer's satisfaction.
- A compressor shaft seal should not necessarily be repaired because of dye seepage. The compressor shaft seal should only be repaired after confirming the leakage with an electrical leak detector.
- Remove always any remaining dye from the leakage area after repairs are completed to avoid a misdiagnosis during a future service.
- Never allow dye to come into contact with painted body panels or interior components. Clean immediately with the approved dye cleaner if dye is spilled. Fluorescent dye left on a surface for an extended period of time cannot be removed.
- Never spray the fluorescent dye cleaning agent on hot surfaces (engine exhaust manifold, etc.).
- Never use more than one refrigerant dye bottle [1/4 ounce (7.4 cc)] per A/C system.
- Leak detection dyes for HFC-134a (R-134a) and CFC-12 (R-12) A/C systems are different. Never use HFC-134a (R-134a) leak detection dye in CFC-12 (R-12) A/C system, or CFC-12 (R-12) leak detection dye in HFC-134a (R-134a) A/C system, or A/C system damage may result.
- The fluorescent properties of the dye remains for three or more years unless a compressor malfunction occurs.

NOTE:

PRECAUTIONS

< PRECAUTION >

Identification

- Vehicles with factory installed fluorescent dye have a green label.
- Vehicles without factory installed fluorescent dye have a blue label.

Service Equipment

INFOID:000000009010682

RECOVERY/RECYCLING RECHARGING EQUIPMENT

Be certain to follow the manufacturer's instructions for machine operation and machine maintenance. Never introduce any refrigerant other than that specified into the machine.

ELECTRICAL LEAK DETECTOR

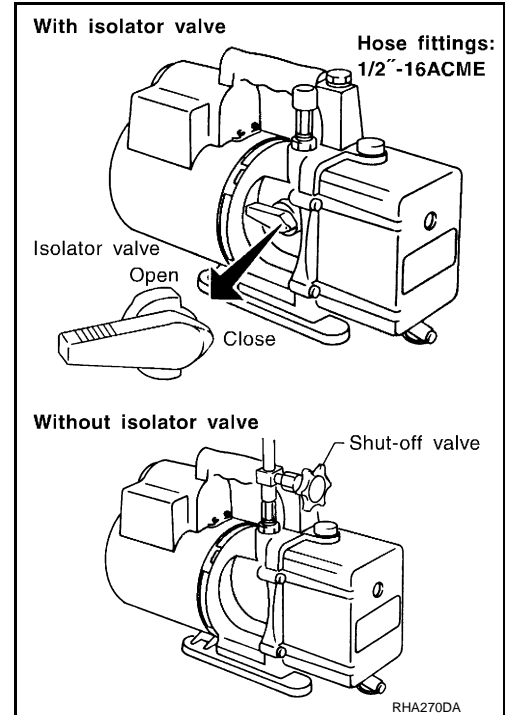
Be certain to follow the manufacturer's instructions for tester operation and tester maintenance.

VACUUM PUMP

The lubricant contained inside the vacuum pump is not compatible with the specified lubricant for HFC-134a (R-134a) A/C systems. The vent side of the vacuum pump is exposed to atmospheric pressure. So the vacuum pump lubricant may migrate out of the pump into the service hose. This is possible when the pump is switched OFF after evacuation (vacuuming) and hose is connected to it. To prevent this migration, use a manual valve placed near the hose-to-pump connection, as per the following.

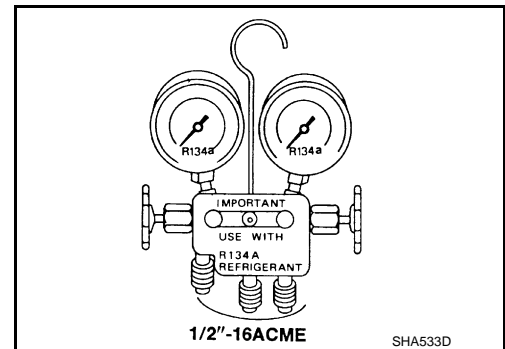
- Vacuum pumps usually have a manual isolator valve as part of the pump. Close this valve to isolate the service hose from the pump.
- Use a hose equipped with a manual shut-off valve near the pump end for pumps without an isolator. Close the valve to isolate the hose from the pump.
- Disconnect the hose from the pump if the hose has an automatic shut-off valve. As long as the hose is connected, the valve is open and lubricating oil may migrate.

Some one-way valves open when vacuum is applied and close under no vacuum condition. Such valves may restrict the pump's ability to pull a deep vacuum and are not recommended.



MANIFOLD GAUGE SET

Be certain that the gauge face indicates HFC-134a or R-134a. Be sure the gauge set has 1/2"-16 ACME threaded connections for service hoses. Confirm the set has been used only with refrigerant HFC-134a (R-134a) and specified lubricants.

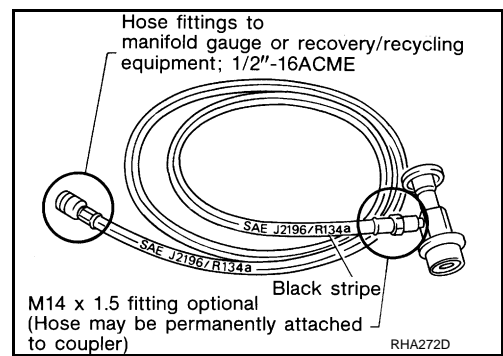


SERVICE HOSES

PRECAUTIONS

< PRECAUTION >

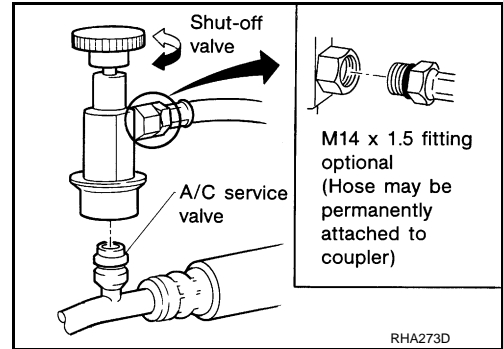
Be certain that the service hoses display the markings described (colored hose with black stripe). All hoses must equip positive shut-off devices (either manual or automatic) near the end of the hoses opposite to the manifold gauge.



SERVICE COUPLERS

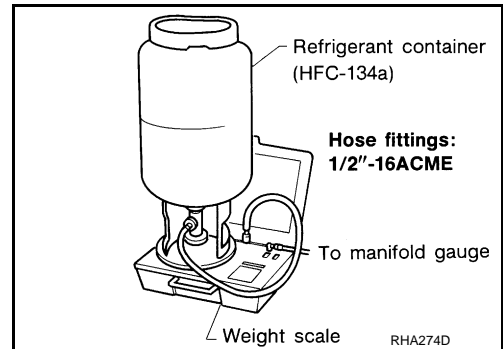
Never attempt to connect HFC-134a (R-134a) service couplers to the CFC-12 (R-12) A/C system. The HFC-134a (R-134a) couplers do not properly connect to the CFC-12 (R-12) system. However, if an improper connection is attempted, discharging and contamination may occur.

Shut-off valve rotation	A/C service valve
Clockwise	Open
Counterclockwise	Close



REFRIGERANT WEIGHT SCALE

Verify that no refrigerant other than HFC-134a (R-134a) and specified lubricants have been used with the scale. The hose fitting must be 1/2"-16 ACME if the scale controls refrigerant flow electronically.



CALIBRATING ACR4 WEIGHT SCALE

Calibrate the scale each three month.

To calibrate the weight scale on the ACR4:

1. Press "**Shift/Reset**" and "**Enter**" at the same time.
2. Press "**8787**". "**A1**" is displayed.
3. Remove all weight from the scale.
4. Press "**0**", then press "**Enter**". "**0.00**" is displayed and change to "**A2**".
5. Place a known weight (dumbbell or similar weight), between 4.5 and 8.6 kg (10 and 19 lb.) on the center of the weight scale.
6. Enter the known weight using four digits. (Example 10 lb. = 10.00, 10.5 lb. = 10.50)
7. Press "**Enter**"— the display returns to the vacuum mode.
8. Press "**Shift/Reset**" and "**Enter**" at the same time.
9. Press "**6**"— the known weight on the scale is displayed.
10. Remove the known weight from the scale. "**0.00**" is displayed.
11. Press "**Shift/Reset**" to return the ACR4 to the program mode.

CHARGING CYLINDER

Using a charging cylinder is not recommended. Refrigerant may be vented into air from cylinder's top valve when filling the cylinder with refrigerant. Also, the accuracy of the cylinder is generally less than that of an electronic scale or of quality recycle/recharge equipment.

PREPARATION

< PREPARATION >

PREPARATION

PREPARATION

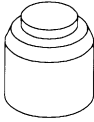

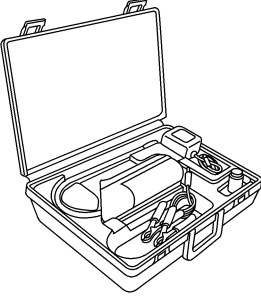
Special Service Tool

INFOID:000000009010683

The actual shapes of Kent-Moore tools may differ from those of special service tools illustrated here.

HFC-134a (R-134a) Service Tool and Equipment

- Never mix HFC-134a (R-134a) refrigerant and/or its specified lubricant with CFC-12 (R-12) refrigerant and/or its lubricant.
- Separate and non-interchangeable service equipment must be used for handling each type of refrigerant/lubricant.
- Refrigerant container fittings, service hose fittings and service equipment fittings (equipment that handles refrigerant and/or lubricant) are different between CFC-12 (R-12) and HFC-134a (R-134a). This is to avoid mixed use of the refrigerants/lubricant.
- Never use adapters that convert one size fitting to another. Refrigerant/lubricant contamination occurs and compressor malfunction may result.

Tool number (Kent-Moore No.) Tool name		Description
KV99106200 (J-41260) Pulley installer	 S-NT235	Installing pulley
(ACR2005-NI) ACR5 A/C Service Center	 WJIA0293E	Function: Refrigerant recovery, recycling and recharging
(J-41995) Electrical leak detector	 AHA281A	Power supply: DC 12 V (Battery terminal)

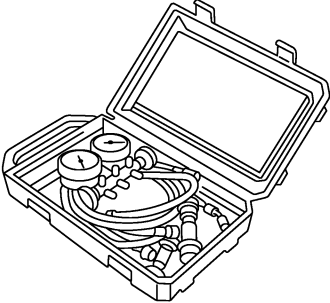
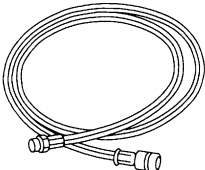
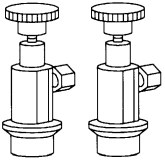
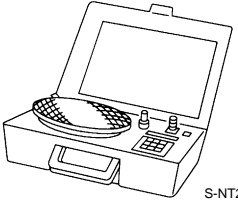
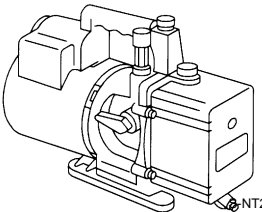
PREPARATION

< PREPARATION >

Tool number (Kent-Moore No.) Tool name	Description	A B C D E F G H J K L M N O P
<p>(J-43926) Refrigerant dye leak detection kit Kit includes: (J-42220) UV lamp and UV safety goggles (J-41459) HFC-134a (R-134a) dye injector Use with J-41447, 1/4 ounce bottle (J-41447) HFC-134a (R-134a) fluorescent leak detection dye (Box of 24, 1/4 ounce bottles) (J-43872) Refrigerant dye cleaner</p>		<p>Power supply: DC 12 V (Battery terminal)</p>
<p>(J-42220) UV lamp and UV safety goggles</p>	<p style="text-align: center;">SHA438F</p>	<p>Power supply: DC 12 V (Battery terminal) For checking refrigerant leakage when fluorescent dye is equipped in A/C system Includes: UV lamp and UV safety goggles</p>
<p>(J-41447) HFC-134a (R-134a) fluorescent leak detection dye (Box of 24, 1/4 ounce bottles)</p>	<p style="text-align: center;">Refrigerant dye (24 bottles)</p> <p style="text-align: center;">SHA439F</p>	<p>Application: For HFC-134a (R-134a) PAG oil Container: 1/4 ounce (7.4 cc) bottle (Includes self-adhesive dye identification labels for affixing to vehicle after charging system with dye.)</p>
<p>(J-41459) HFC-134a (R-134a) dye injector Use with J-41447, 1/4 ounce bottle</p>	<p style="text-align: center;">SHA440F</p>	<p>For injecting 1/4 ounce of fluorescent leak detection dye into A/C system</p>
<p>(J-43872) Refrigerant dye cleaner</p>	<p style="text-align: center;">SHA441F</p>	<p>For cleaning dye spills</p>

PREPARATION

< PREPARATION >

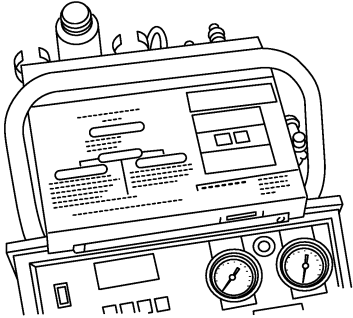
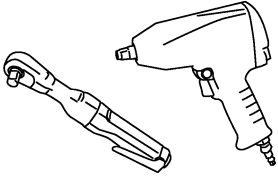
Tool number (Kent-Moore No.) Tool name	Description
<p>(J-39183) Manifold gauge set (with hoses and couplers)</p>  <p style="text-align: right; font-size: small;">RJIA0196E</p>	<p>Identification:</p> <ul style="list-style-type: none"> The gauge face indicates HFC-134a (R-134a). <p>Fitting size: Thread size</p> <ul style="list-style-type: none"> 1/2"-16 ACME
<p>Service hoses</p> <ul style="list-style-type: none"> High-pressure side hose (J-39501-72) Low-pressure side hose (J-39502-72) Utility hose (J-39476-72)  <p style="text-align: right; font-size: small;">S-NT201</p>	<p>Hose color:</p> <ul style="list-style-type: none"> Low-pressure side hose: Blue with black stripe High-pressure side hose: Red with black stripe Utility hose: Yellow with black stripe or green with black stripe <p>Hose fitting to gauge:</p> <ul style="list-style-type: none"> 1/2"-16 ACME
<p>Service couplers</p> <ul style="list-style-type: none"> High-pressure side coupler (J-39500-20) Low-pressure side coupler (J-39500-24)  <p style="text-align: right; font-size: small;">S-NT202</p>	<p>Hose fitting to service hose: M14 x 1.5 fitting is optional or permanently attached.</p>
<p>(J-39650) Refrigerant weight scale</p>  <p style="text-align: right; font-size: small;">S-NT200</p>	<p>For measuring of refrigerant</p> <p>Fitting size: Thread size</p> <p>1/2"-16 ACME</p>
<p>(J-39649) Vacuum pump (Including the isolator valve)</p>  <p style="text-align: right; font-size: small;">S-NT203</p>	<p>Capacity:</p> <ul style="list-style-type: none"> Air displacement: 4 CFM Micron rating: 20 microns Oil capacity: 482 g (17 oz.) <p>Fitting size: Thread size</p> <ul style="list-style-type: none"> 1/2"-16 ACME

PREPARATION

< PREPARATION >

Commercial Service Tool

INFOID:000000009010684

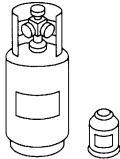
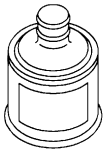
Tool name	Description
<p>Refrigerant identifier equipment</p>  <p>RJIA0197E</p>	<p>Checking for refrigerant purity and system contamination</p>
<p>Power tools</p>  <p>PBIC0190E</p>	<p>For loosening bolts and nuts</p>

Sealant or/and Lubricant

INFOID:000000009010685

HFC-134a (R-134a) Service Tool and Equipment

- Never mix HFC-134a (R-134a) refrigerant and/or its specified lubricant with CFC-12 (R-12) refrigerant and/or its lubricant.
- Separate and non-interchangeable service equipment must be used for handling each type of refrigerant/lubricant.
- Refrigerant container fittings, service hose fittings and service equipment fittings (equipment which handles refrigerant and/or lubricant) are different between CFC-12 (R-12) and HFC-134a (R-134a). This is to avoid mixed use of the refrigerants/lubricant.
- Never use adapters that convert one size fitting to another: refrigerant/lubricant contamination occurs and compressor malfunction may result.

Tool name	Description
<p>HFC-134a (R-134a) refrigerant</p>  <p>S-NT196</p>	<p>Container color: Light blue Container marking: HFC-134a (R-134a) Fitting size: Thread size</p> <ul style="list-style-type: none"> • Large container 1/2" -16 ACME
<p>A/C System Oil Type S (DH-PS)</p>  <p>JMIIA1759ZZ</p>	<p>Type: Polyalkylene glycol oil (PAG), type S (DH-PS) Application: HFC-134a (R-134a) swash plate compressors Capacity: 40 m ℓ (1.4 Imp fl oz.)</p>

COMPONENT PARTS

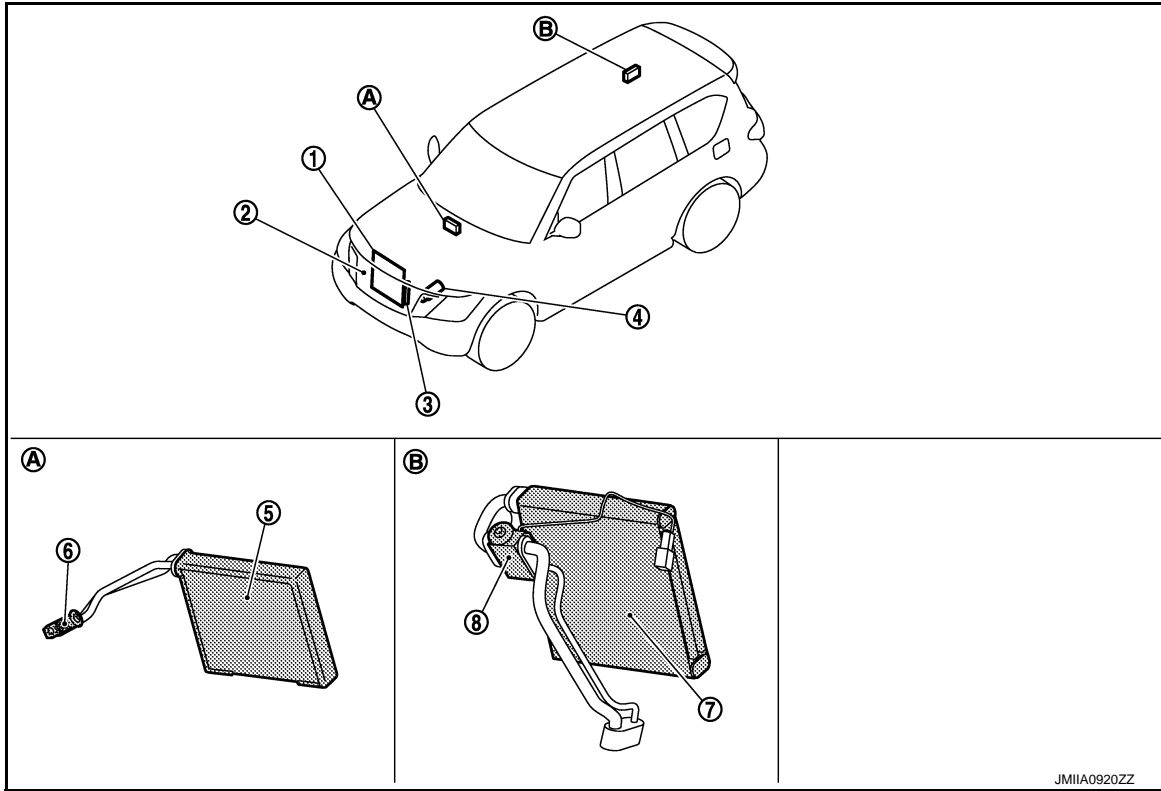
< SYSTEM DESCRIPTION >

SYSTEM DESCRIPTION

COMPONENT PARTS

Component Parts Location

INFOID:000000009010686



- | | | |
|--|---------------------------------------|--------------------------|
| 1. Condenser | 2. Refrigerant pressure sensor | 3. Liquid tank |
| 4. Compressor | 5. Front evaporator | 6. Front expansion valve |
| 7. Rear evaporator | 8. Rear expansion valve | |
| A. Built-in heater & cooling unit assembly | B. Built-in rear cooler unit assembly | |

Component Description

INFOID:000000009010687

Component	Description
Evaporator	The mist form liquid refrigerant transforms to gas by evaporation by the air conveyed from blower motor. The air is cooled by the heat by evaporation.
Condenser	Cools refrigerant discharged from compressor, and transforms it to liquid refrigerant.
Compressor	Intakes, compresses, and discharges refrigerant, to circulate refrigerant inside the refrigerant cycle.
Refrigerant pressure sensor	Refer to EC-39. "Refrigerant Pressure Sensor" .
Liquid tank	Eliminates foreign matter in refrigerant, and stores temporarily liquid refrigerant.
Expansion valve	Transforms high-pressure liquid refrigerant to mist form low-pressure liquid refrigerant by drawing function.

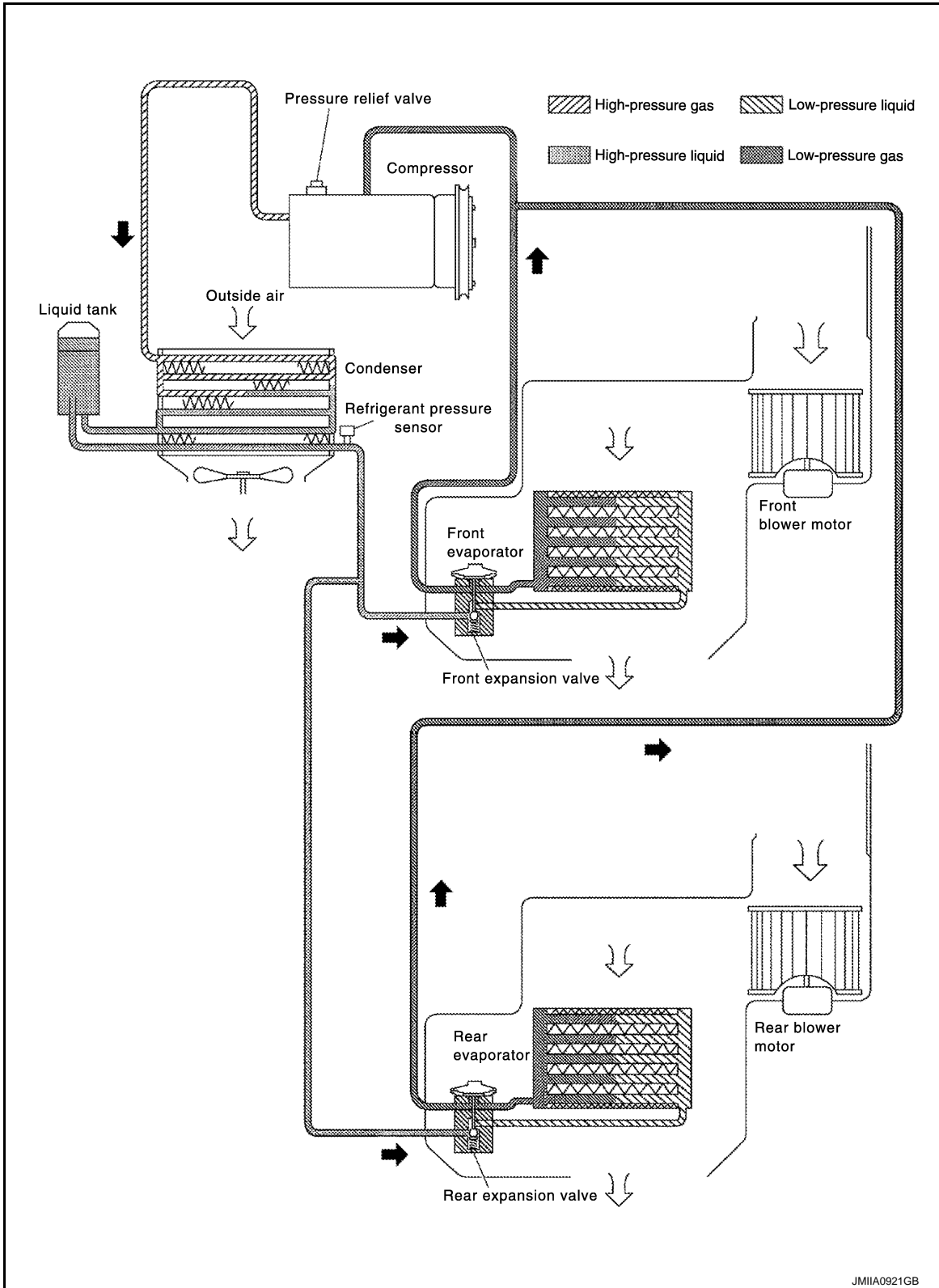
SYSTEM

< SYSTEM DESCRIPTION >

SYSTEM

System Diagram

INFOID:000000009010688



A
B
C
D
E
F
G
H
HA
J
K
L
M
N
O
P

System Description

INFOID:000000009010689

REFRIGERANT CYCLE

Refrigerant Flow

Revision: 2013 February

HA-13

2013 QX

SYSTEM

< SYSTEM DESCRIPTION >

The refrigerant from the compressor, flows the condenser with liquid tank, the evaporator, and returns to the compressor. The refrigerant evaporation in the evaporator is controlled by an expansion valve.

Freeze Protection

Automatic air conditioner

- When intake sensor detects that evaporator surface temperature is 2.5°C (37°F) or less, A/C auto amp. requests BCM to turn the compressor OFF.
- BCM requests ECM to turn the compressor to OFF by the signal from A/C auto amp., and ECM makes A/C relay to OFF, and stops the compressor.

REFRIGERANT SYSTEM PROTECTION

Refrigerant Pressure Sensor

- The refrigerant system is protected against excessively high- or low-pressures by the refrigerant pressure sensor, installed at the condenser exit. The refrigerant pressure sensor detects the pressure inside the refrigerant line and sends the voltage signal to the ECM if the system pressure rises above, or falls below the specifications.
- ECM turns the A/C relay to OFF and stops the compressor when the high-pressure side detected by refrigerant pressure sensor is following conditions;
 - Approximately 3,120 kPa (31.8 kg/cm², 452 psi) or more (Engine speed is less than 1,500 rpm.)
 - Approximately 2,740 kPa (27.9 kg/cm², 397 psi) or more (Engine speed is 1,500 rpm or more.)
 - Approximately 140 kPa (1.4 kg/cm², 20 psi) or less

Pressure Relief Valve

The refrigerant system is also protected by a pressure relief valve, located in the rear head of the compressor. The release port on the pressure relief valve automatically opens and releases refrigerant into the atmosphere when the pressure of refrigerant in the system increases to an unusual level [more than 3,800 kPa (38.8 kg/cm², 551 psi)].

DIAGNOSIS AND REPAIR WORKFLOW

< BASIC INSPECTION >

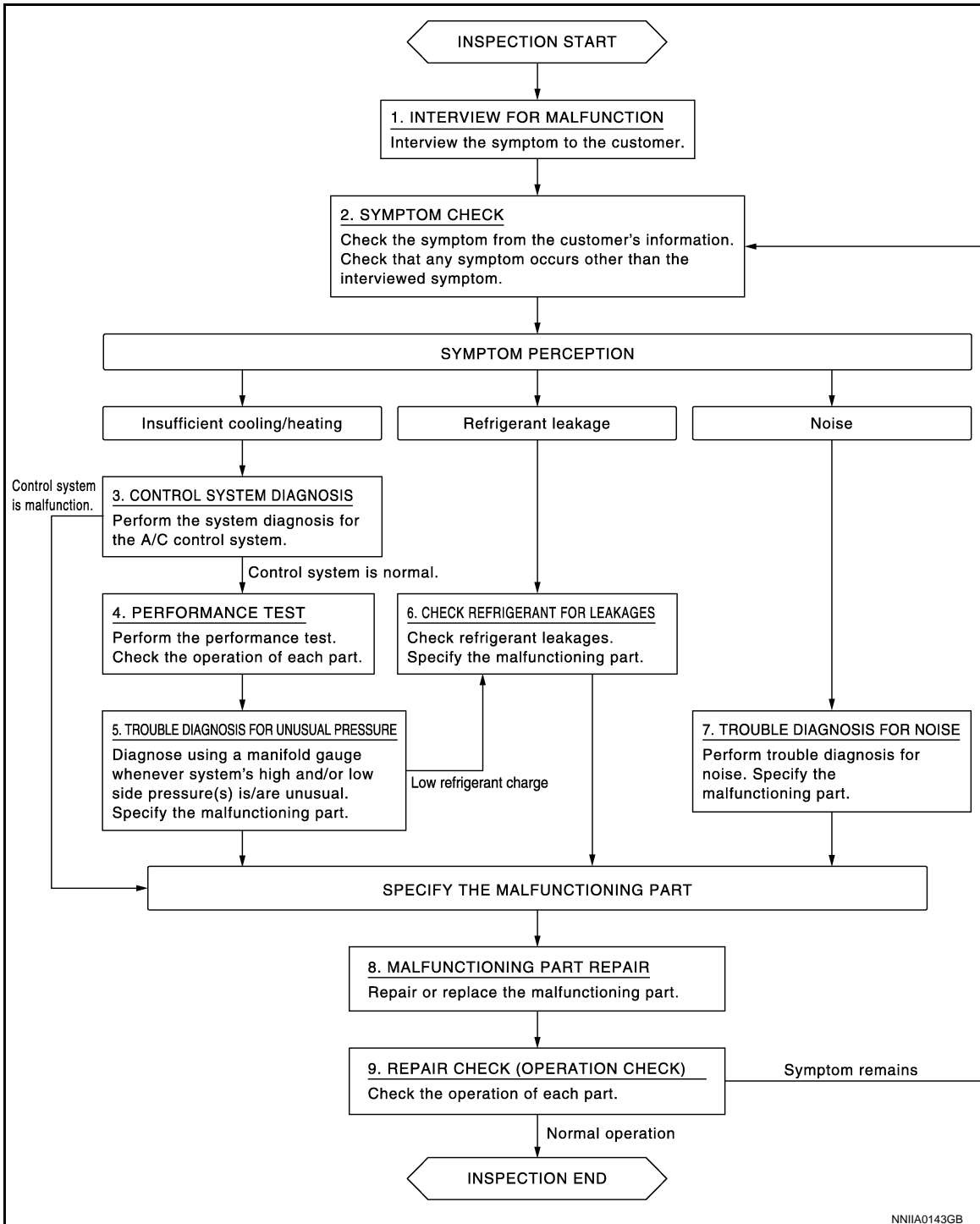
BASIC INSPECTION

DIAGNOSIS AND REPAIR WORKFLOW

Work Flow

INFOID:000000009010690

OVERALL SEQUENCE



DETAILED FLOW

1. INTERVIEW FOR MALFUNCTION

Interview the symptom to the customer.

DIAGNOSIS AND REPAIR WORKFLOW

< BASIC INSPECTION >

>> GO TO 2.

2. SYMPTOM CHECK

Check the symptom from the customer's information. Check that any symptom occurs other than the interviewed symptom.

Insufficient cooling/heating>>GO TO 3.

Refrigerant leakage>>GO TO 6.

Noise >> GO TO 7.

3. CONTROL SYSTEM DIAGNOSIS

Perform the system diagnosis for the A/C control system. Refer to [HAC-55, "Work Flow"](#).

Is A/C control system normal?

YES >> GO TO 4.

NO >> GO TO 8.

4. PERFORMANCE TEST

Perform the performance test. Check the operation of each part. Refer to [HA-24, "Inspection"](#).

>> GO TO 5.

5. TROUBLE DIAGNOSIS FOR UNUSUAL PRESSURE

Diagnose using a manifold gauge whenever system's high and/or low side pressure(s) is/are unusual. Specify the malfunctioning part. Refer to [HA-26, "Symptom Table"](#).

Low refrigerant charge>>GO TO 6.

Except above>>GO TO 8.

6. CHECK REFRIGERANT FOR LEAKAGES

Check refrigerant for leakages. Specify the malfunctioning part. Refer to [HA-17, "Leak Test"](#).

>> GO TO 8.

7. TROUBLE DIAGNOSIS FOR NOISE

Perform trouble diagnosis for noise. Specify the malfunctioning part. Refer to [HA-28, "Symptom Table"](#).

>> GO TO 8.

8. MALFUNCTION PART REPAIR

Repair or replace the malfunctioning part.

>> GO TO 9.

9. REPAIR CHECK (OPERATION CHECK)

Check the operation of each part.

Does it operate normally?

YES >> INSPECTION END

NO >> GO TO 2.

REFRIGERANT

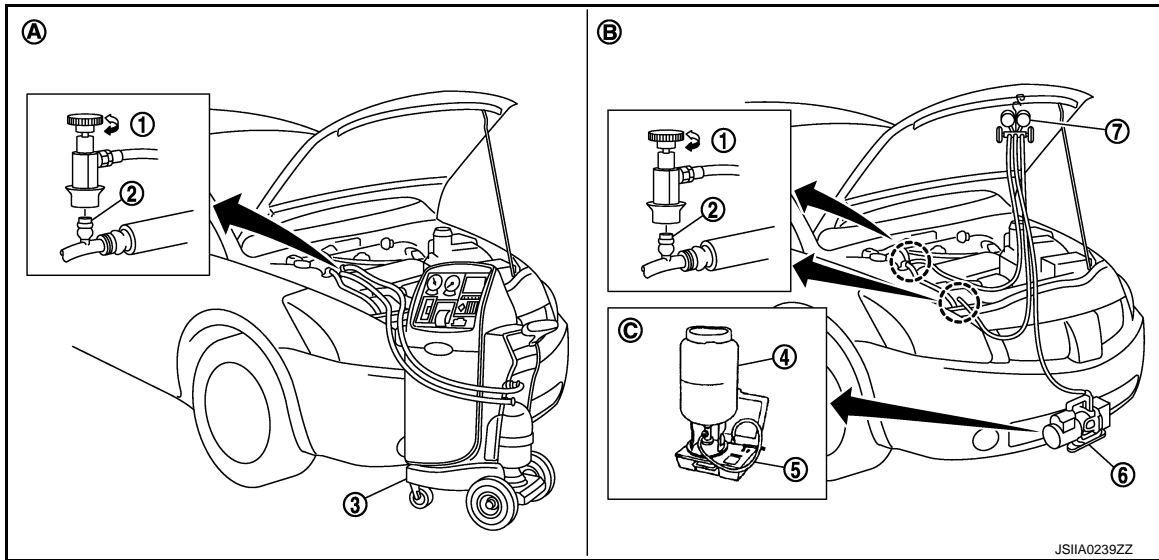
< BASIC INSPECTION >

REFRIGERANT

Description

INFOID:000000009010691

CONNECTION OF SERVICE TOOLS AND EQUIPMENT

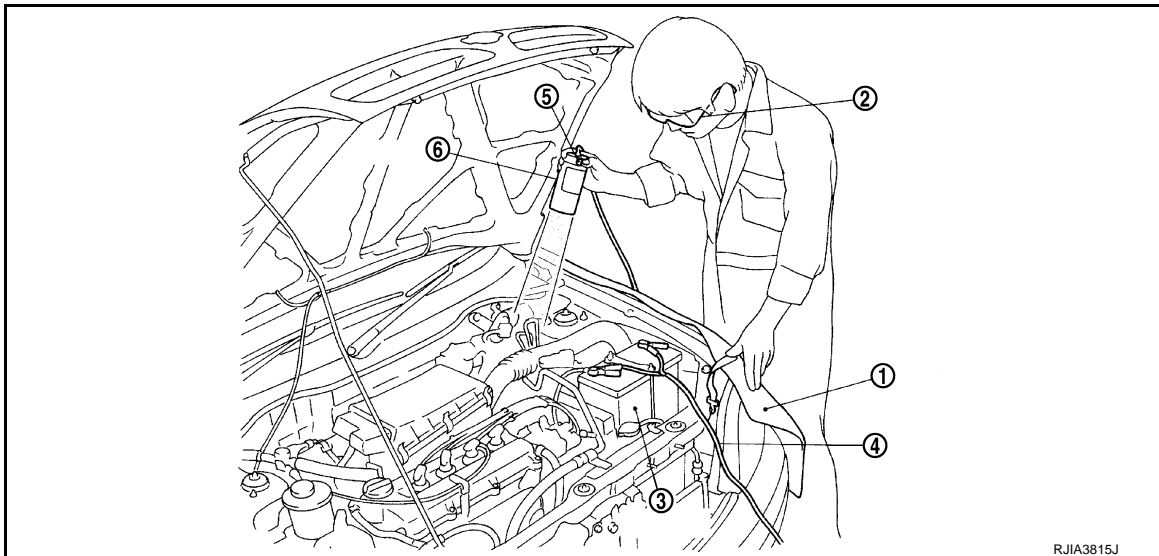


- | | | |
|-------------------------------------|---------------------------|--|
| 1. Shut-off valve | 2. A/C service valve | 3. Recovery/recycling/recharging equipment |
| 4. Refrigerant container (HFC-134a) | 5. Weight scale (J-39650) | 6. Vacuum pump (J-39649) |
| 7. Manifold gauge set (J-39183) | | |
| A. Preferred (best) method | B. Alternative method | C. For charging |

Leak Test

INFOID:000000009010692

CHECK REFRIGERANT LEAKAGE USING FLUORESCENT LEAK DETECTION DYE



1. Install a fender cover (1).
2. Wear UV safety goggles (2) provided with refrigerant dye leak detection kit.
3. Connect power cable (4) of UV lamp (6) to positive and negative terminals of the battery (3).
4. Press UV lamp switch (5) and check A/C system for refrigerant leakage. (Where refrigerant leakage occurs, fluorescent leak detection dye appears in green color.)

WARNING:

REFRIGERANT

< BASIC INSPECTION >

Never look directly into UV lamp light source.

NOTE:

- For continuous operating time of UV lamp, follow the manufacturer operating instructions.
- Illuminate piping joints from different angles using UV lamp and check that there is no leakage.
- Use a mirror in area that is difficult to see to check refrigerant leakage.
- Refrigerant leakage from evaporator can be detected by soaking cotton swab or a similar material with drain hose water and illuminating it using UV lamp.
- Dust, dirt, and packing materials adhesive used for condenser, evaporator, and other locations may fluoresce. Be careful not to misidentify leakage.

5. Repair or replace parts where refrigerant leakage occurs and wipe off fluorescent leak detection dye.

NOTE:

Completely wipe off fluorescent leak detection dye from gaps between parts, screw threads, and others using a cotton swab or similar materials.

6. Use a UV lamp to check that no fluorescent leak detection dye remains after finishing work.

WARNING:

Never look directly into UV lamp light source.

NOTE:

- For continuous operating time of UV lamp, follow the manufacturer operating instructions.
- Dust, dirt, and packing materials adhesive used for condenser, evaporator, and other locations may fluoresce. Be careful not to misidentify leakage.

CHECK REFRIGERANT LEAKAGE USING ELECTRICAL LEAK DETECTOR

WARNING:

Never check refrigerant leakage while the engine is running.

CAUTION:

Be careful of the following items so that inaccurate checks or misidentifications are avoided.

- **Never allow refrigerant vapor, shop chemical vapors, cigarette smoke, or others around the vehicle.**
- **Always check refrigerant leakage in a low air flow environment so that refrigerant may not disperse when leakage occurs.**

1. Stop the engine.
2. Connect recovery/recycling/recharging equipment or manifold gauge set to A/C service valve.
3. Check that A/C refrigerant pressure is 345 kPa (3.52 kg/cm², 50 psi) or more when temperature is 16°C (61°F) or more. When pressure is lower than the specified value, recycle refrigerant completely and fill refrigerant to the specified level.

NOTE:

Leakages may not be detected if A/C refrigerant pressure is 345 kPa (3.52 kg/cm², 50 psi) or less when temperature is less than 16°C (61°F).

4. Clean area where refrigerant leakage check is performed, and check refrigerant leakage along all surfaces of pipe connections and A/C system components using electrical leak detector probe.

CAUTION:

- **Continue checking when a leakage is found. Always continue and complete checking along all pipe connections and A/C system components for additional leakage.**
- **When a leakage is detected, clean leakage area using compressed air and check again.**
- **When checking leakage of cooling unit inside, always clean inside of drain hose so that the probe surface may not be exposed to water or dirt.**

NOTE:

- Always check leakage starting from high-pressure side and continue to low-pressure side.
 - When checking leakage of cooling unit inside, operate blower fan motor for 15 minutes or more at the maximum fan speed while the engine is stopped, and then insert electrical leak detector probe into drain hose and hold for 10 minutes or more.
 - When disconnecting shut-off valve that is connected to A/C service valve, always evacuate remaining refrigerant so that misidentification can be avoided.
5. Repair or replace parts where refrigerant leakage is detected. (Leakage is detected but leakage area is unknown. GO TO 6.)
 6. Start the engine and set A/C control in the following conditions.
 - A/C switch ON
 - Air flow: VENT (ventilation)
 - Intake door position: Recirculation

REFRIGERANT

< BASIC INSPECTION >

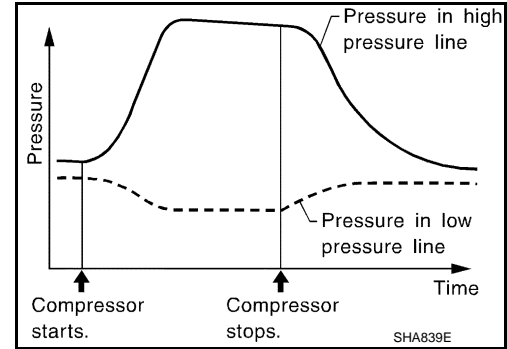
- Temperature setting: Full cold
 - Fan speed: Maximum speed set
7. Run the engine at approximately 1,500 rpm for 2 minutes or more.
 8. Stop the engine. Check again for refrigerant leakage. GO TO 4.

WARNING:

Be careful not to get burned when the engine is hot.

NOTE:

- Start refrigerant leakage check immediately after the engine is stopped.
- When refrigerant circulation is stopped, pressure on the low-pressure side rises gradually, and after this, pressure on the high-pressure side falls gradually.
- The higher the pressure is, the easier it is to find the refrigerant leakage.



Recycle Refrigerant

INFOID:000000009010693

WARNING:

- Always use HFC-134a for A/C refrigerant. If CFC-12 is accidentally charged, compressor is damaged due to insufficient lubrication.
 - Always observe and follow precautions described on refrigerant container. Incorrect handling may result in an explosion of refrigerant container, frostbite, or the loss of eyesight.
 - Never breathe A/C refrigerant and lubricant vapor or mist. Exposure may irritate eyes, nose, or throat.
 - Never allow HFC-134a to be exposed to an open flame or others because it generates poisonous gas when in contact with high temperature objects. Keep workshop well ventilated.
1. Perform lubricant return operation. Refer to [HA-21, "Perform Lubricant Return Operation"](#). (If refrigerant or lubricant leakage is detected in a large amount, omit this step, and then GO TO 2.)

CAUTION:

Never perform lubricant return operation if a large amount of refrigerant or lubricant leakage is detected.

2. Check gauge pressure readings of recovery/recycling/recharging equipment. When remaining pressure exists, recycle refrigerant from high-pressure hose and low-pressure hose.

NOTE:

Follow manufacturer instructions for the handling or maintenance of the equipment. Never fill the equipment with non-specified refrigerant.

3. Remove A/C service valve cap from the vehicle.
4. Connect recovery/recycling/recharging equipment to A/C service valve.
5. Operate recovery/recycling/recharging equipment, and recycle refrigerant from the vehicle.
6. Evacuate air for 10 minutes or more to remove any remaining refrigerant integrated to compressor lubricant, etc.
7. Refrigerant recycle operation is complete.

Charge Refrigerant

INFOID:000000009010694

WARNING:

- Always use HFC-134a for A/C refrigerant. If CFC-12 is accidentally charged, compressor is damaged due to insufficient lubrication.
 - Always observe and follow precautions described on refrigerant container. Incorrect handling may result in an explosion of refrigerant container, frostbite, or the loss of eyesight.
 - Never breathe A/C refrigerant and lubricant vapor or mist. Exposure may irritate eyes, nose, or throat.
 - Never allow HFC-134a to be exposed to an open flame or others because it generates poisonous gas when in contact with high temperature objects. Keep workshop well ventilated.
1. Connect recovery/recycling/recharging equipment to the A/C service valve.

REFRIGERANT

< BASIC INSPECTION >

2. Operate recovery/recycling/recharging equipment, and evacuate air from A/C system for 25 minutes or more.
CAUTION:
Evacuate air for 15 minutes or more if the parts are replaced.
3. Check the airtightness of A/C system for 25 minutes or more. If pressure rises more than the specified level, charge A/C system with approximately 200 g (0.4 lb) refrigerant and check that there is no refrigerant leakage. Refer to [HA-17, "Leak Test"](#).
CAUTION:
Check the airtightness for 15 minutes or more if the parts are replaced.
4. If parts other than compressor are replaced, fill compressor lubricant according to parts that are replaced.
5. Charge the specified amount of refrigerant to A/C system.
6. Check that A/C system operates normally.
7. Disconnect recovery/recycling/recharging equipment. (Collect the refrigerant from the high-pressure hose and low-pressure hose of recovery/recycling/recharging equipment.)
8. Install A/C service valve cap.
9. Refrigerant charge is complete.

LUBRICANT

< BASIC INSPECTION >

LUBRICANT

Description

INFOID:000000009010695

MAINTENANCE OF LUBRICANT LEVEL

The compressor lubricant is circulating in the system together with the refrigerant. It is necessary to fill compressor with lubricant when replacing A/C system parts or when a large amount of refrigerant leakage is detected. It is important to always maintain lubricant level within the specified level. Otherwise, the following conditions may occur.

- Insufficient lubricant amount: Stuck compressor
- Excessive lubricant amount: Insufficient cooling (caused by insufficient heat exchange)

Name : A/C System Oil Type S

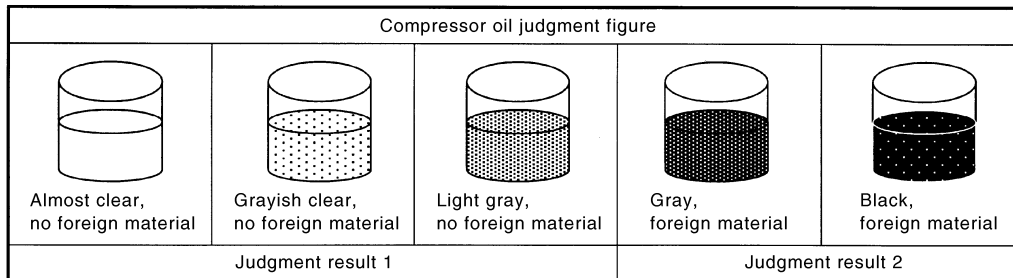
Inspection

INFOID:000000009010696

If a compressor is malfunctioning (internal noise, insufficient cooling), check the compressor oil.

1. COMPRESSOR OIL JUDGMENT

1. Remove the compressor. Refer to [HA-29, "Exploded View"](#).
2. Sample a compressor oil and judge on the figure.



JSIIA0927GB

Judgement result 1>>Replace compressor only.

Judgement result 2>>Replace compressor and liquid tank.

Perform Lubricant Return Operation

INFOID:000000009010697

CAUTION:

If a large amount of refrigerant or lubricant leakage is detected, never perform lubricant return operation.

1. Start the engine and set to the following conditions.
 - Engine speed: Idling to 1,200 rpm
 - A/C switch: ON
 - Fan speed: Maximum speed set
 - Intake door position: Recirculation
 - Temperature setting: Full cold
2. Perform lubricant return operation for approximately 10 minutes.
3. Stop the engine.
4. Lubricant return operation is complete.

Lubricant Adjusting Procedure for Components Replacement Except Compressor

INFOID:000000009010698

Fill with lubricant for the amount that is calculated according to the following conditions.

Example: Lubricant amount to be added when replacing evaporator and liquid tank [mℓ (Imp fl oz.)] = 35 (1.2) + 20 (0.7) + 5 (0.2) + α

LUBRICANT

< BASIC INSPECTION >

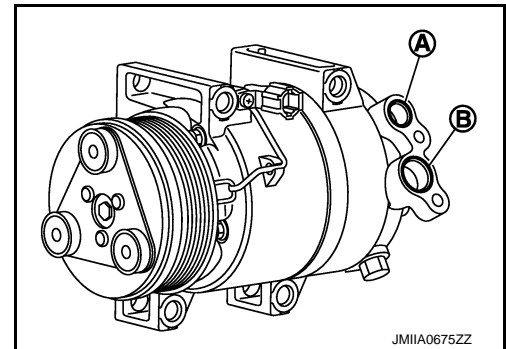
Conditions		Lubricant amount to be added to A/C system m ℓ (Imp fl oz.)
Replace evaporator	A/C unit	75 (2.6)
	Rear A/C unit	75 (2.6)
Replace condenser		75 (2.6)
Replace liquid tank		5 (0.2)
Refrigerant leakage is detected	Large amount leakage	30 (1.1)
	Small amount leakage	—
Lubricant amount that is recycled together with refrigerant during recycle operation		α

Lubricant Adjusting Procedure for Compressor Replacement

INFOID:000000009010699

1. Drain lubricant from removed compressor and measure lubricant amount.

1. Drain lubricant from high-pressure port (A) and low-pressure port (B) while rotating magnet clutch.
2. Measure total amount of lubricant that is drained from removed compressor.



2. Drain lubricant from a new compressor that is calculated according to the following conditions.

Amount to be drained (A) [m ℓ (Imp fl oz.)] = F – (D + S + R + α)

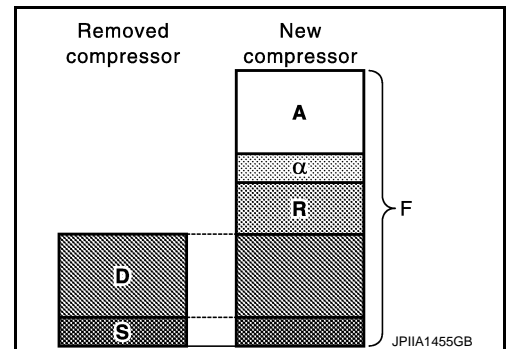
F : Lubricant amount that a new compressor contains [210 (7.1)]

D : Lubricant amount that is drained from removed compressor

S : Lubricant amount that remains inside of removed compressor [20 (0.7)]

R : Lubricant amount to be added according to components that are removed except compressor

α : Lubricant amount that is recycled together with refrigerant during recycle operation



CAUTION:

If lubricant amount that is drained from removed compressor is less than 60 m ℓ (2.1 Imp fl oz.), perform calculation by setting “D” as 40 m ℓ (1.4 Imp fl oz.).

Conditions		Lubricant amount to be added to A/C system m ℓ (Imp fl oz.)
Replace evaporator	Front	75 (2.6)
	Rear	75 (2.6)
Replace condenser		75 (2.6)
Replace liquid tank		5 (0.2)

LUBRICANT

< BASIC INSPECTION >

Example: Lubricant amount to be drained from a new compressor when replacing compressor and liquid tank [m ℓ (Imp fl oz.)] [D = 60 (2.1), α = 5 (0.2)]
 $210 (7.2) - [60 (1.6) + 20 (0.7) + 5 (0.2) + 5 (0.2)] = 120 (4.2)$

3. Install compressor and check the operation.

A

B

C

D

E

F

G

H

HA

J

K

L

M

N

O

P

PERFORMANCE TEST

< BASIC INSPECTION >

PERFORMANCE TEST

Inspection

INFOID:000000009010700

INSPECTION PROCEDURE

1. Connect recovery/recycling/recharging equipment (for HFC-134a) or manifold gauge.
2. Start the engine, and set to the following condition.

Test condition		
Surrounding condition	Indoors or in the shade (in a well-ventilated place)	
Vehicle condition	Door	Closed
	Door glass	Full open
	Hood	Open
	Engine speed	Idle speed
A/C condition (front/rear)	Temperature control switch or dial	Full cold
	A/C switch	ON
	Air outlet	VENT (ventilation)
	Intake door position	Recirculation
	Fan speed	Maximum speed set

3. Maintain test condition until A/C system becomes stable. (Approximately 10 minutes)
4. Check that test results of “recirculating-to-discharge air temperature” and “ambient air temperature-to-operating pressure” are within the specified value.
5. When test results are within the specified value, inspection is complete.
If any of test result is out of the specified value, perform diagnosis by gauge pressure. Refer to [HA-26, "Symptom Table"](#).

RECIRCULATING-TO-DISCHARGE AIR TEMPERATURE TABLE

FRONT

Inside air (Recirculating air) at blower assembly inlet		Discharge air temperature from center ventilator °C (°F)
Relative humidity %	Air temperature °C (°F)	
50 – 60	20 (68)	6.8 - 8.8 (44 - 48)
	25 (77)	10.4 - 12.9 (51 - 55)
	30 (86)	13.9 - 16.9 (57 - 63)
	35 (95)	17.3 - 20.8 (63 - 70)
60 – 70	20 (68)	8.8 - 10.8 (48 - 52)
	25 (77)	12.9 - 15.4 (55 - 60)
	30 (86)	16.9 - 19.9 (63 - 68)
	35 (95)	20.8 - 24.3 (70 - 76)

REAR

Inside air (Recirculating air) at blower assembly inlet		Discharge air temperature from rear ventilator grille A RH* °C (°F)
Relative humidity %	Air temperature °C (°F)	
50 – 60	20 (68)	11.4 - 13.4 (53 - 56)
	25 (77)	15.8 - 18.3 (60 - 65)
	30 (86)	20.9 - 23.9 (70 - 75)
	35 (95)	25.9 - 29.4 (79 - 85)

PERFORMANCE TEST

< BASIC INSPECTION >

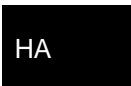
Inside air (Recirculating air) at blower assembly inlet		Discharge air temperature from rear ventilator grille A RH* °C (°F)
Relative humidity %	Air temperature °C (°F)	
60 – 70	20 (68)	13.4 - 15.4 (56 - 60)
	25 (77)	18.3 - 20.8 (65 - 69)
	30 (86)	23.9 - 26.9 (75 - 80)
	35 (95)	29.4 - 32.9 (85 - 91)

*: Measuring point of temperature is 5 mm (1.99 in) from air outlet end of rear ventilator grille A RH (passenger room side).

AMBIENT AIR TEMPERATURE-TO-OPERATING PRESSURE TABLE

Fresh air		High-pressure (Discharge side) kPa (bar, kg/cm ² , psi)	Low-pressure (Suction side) kPa (bar, kg/cm ² , psi)
Relative humidity %	Air temperature °C (°F)		
50 – 70	25 (77)	1,106 - 1,351 (11.06 - 13.51, 11.28 - 13.79, 160.3 - 196)	243 - 297 (2.43 - 2.97, 2.48 - 3.03, 35.3 - 43.1)
	30 (86)	1,306 - 1,596 (13.06 - 15.96, 13.32 - 16.28, 189.4 - 231.5)	280 - 342 (2.80 - 3.42, 2.86 - 3.49, 40.6 - 49.6)
	35 (95)	1,555 - 1,900 (15.55 - 19.00, 15.86 - 19.38, 225.4 - 275.5)	323 - 394 (3.23 - 3.94, 3.29 - 4.02, 46.8 - 57.2)
	40 (104)	1,734 - 2,119 (17.34 - 21.19, 17.68 - 21.61, 251.4 - 307.2)	348 - 425 (3.49 - 4.25, 3.55 - 4.33, 50.4 - 61.6)

A
B
C
D
E
F
G
H
HA
J
K
L
M
N
O
P



REFRIGERATION SYSTEM SYMPTOMS

< SYMPTOM DIAGNOSIS >

SYMPTOM DIAGNOSIS

REFRIGERATION SYSTEM SYMPTOMS

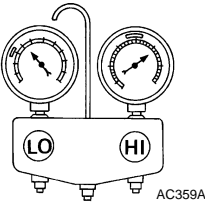
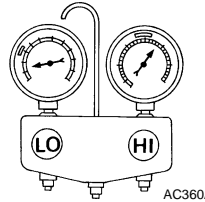
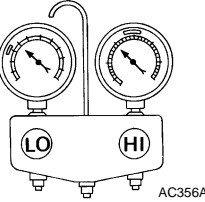
Trouble Diagnosis For Unusual Pressure

INFOID:000000009010701

Diagnose using a manifold gauge whenever system's high and/or low side pressure(s) is/are unusual. The marker above the gauge scale in the following tables indicates the standard (usual) pressure range. Refer to above table (Ambient air temperature-to-operating pressure table) since the standard (usual) pressure, however, differs from vehicle to vehicle.

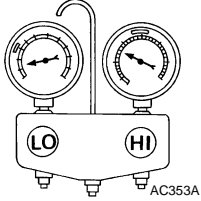
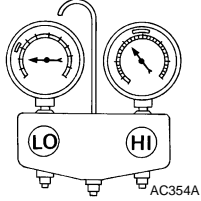
Symptom Table

INFOID:000000009010702

Gauge indication	Refrigerant cycle	Probable cause	Corrective action
<p>Both high- and low-pressure sides are too high.</p> 	<p>The pressure returns to normal soon after sprinkling water on condenser.</p>	<p>Overfilled refrigerant.</p>	<p>Collect all refrigerant, evacuate refrigerant cycle again, and then refill it with the specified amount of refrigerant.</p>
	<p>Air flow to condenser is insufficient.</p>	<p>Insufficient condenser cooling performance.</p> <ul style="list-style-type: none"> Poor fan rotation of radiator and condenser. Improper installation of air guide. Clogged or dirty condenser fins. 	<ul style="list-style-type: none"> Repair or replace malfunctioning parts. Clean and repair condenser fins.
	<p>When compressor is stopped, a high-pressure reading quickly drops by approximately 196 kPa (2 kg/cm², 28 psi). It then gradually decreases.</p>	<p>Air mixed in refrigerant cycle.</p>	<p>Collect all refrigerant, evacuate refrigerant cycle again, and then refill it with the specified amount of refrigerant.</p>
	<ul style="list-style-type: none"> Low-pressure pipe is cooler than the outlet of evaporator. Low-pressure pipe is frosted. 	<p>Expansion valve opened too much (excessive flow of refrigerant).</p>	<p>Replace expansion valve.</p>
<p>High-pressure side is excessively high and low-pressure side is too low.</p> 	<p>High-pressure pipe and upper side of condenser become hot, however, liquid tank does not become so hot.</p>	<p>Clogged or crushed high-pressure pipe located between compressor and condenser.</p>	<p>Repair or replace the malfunctioning parts.</p>
<p>High-pressure side is too low and low-pressure side is too high.</p> 	<ul style="list-style-type: none"> The readings of both sides become equal soon after compressor operation stops. There is no temperature difference between high- and low-pressure sides. 	<p>Malfunction in compressor system (insufficient compressor pressure operation).</p> <ul style="list-style-type: none"> Damage or breakage of valve. Malfunctioning gaskets. 	<p>Replace compressor.</p>

REFRIGERATION SYSTEM SYMPTOMS

< SYMPTOM DIAGNOSIS >

Gauge indication	Refrigerant cycle	Probable cause	Corrective action
<p>Both high- and low-pressure sides are too low.</p> 	<ul style="list-style-type: none"> The area around evaporator outlet does not become cold. The area around evaporator inlet becomes frosted. 	<p>Clogged expansion valve.</p> <ul style="list-style-type: none"> Breakage of temperature sensor. Clogging by foreign material. 	<p>Eliminate foreign material from expansion valve, or replace it.</p>
	<ul style="list-style-type: none"> There is a temperature difference between the areas around outlet and inlet pipes of liquid tank. Liquid tank becomes frosted. 	<p>Malfunction in inner liquid tank (clogged strainer).</p>	<p>Replace liquid tank.</p>
	<p>Evaporator becomes frosted.</p>	<p>Clogged or crushed low-pressure pipe.</p>	<p>Repair or replace malfunctioning parts.</p>
		<p>Malfunction in intake sensor .</p>	<p>Check intake sensor system. Refer to HAC-76, "Diagnosis Procedure".</p>
	<p>There is a small temperature difference between the high and low pressure pipes for refrigerant cycle.</p>	<ul style="list-style-type: none"> Shortage of refrigerant. Leakage of refrigerant. 	<ul style="list-style-type: none"> Check for leakage. Collect all refrigerant, evacuate refrigerant cycle again, and then refill it with the specified amount of refrigerant.
<p>Low-pressure side sometimes becomes negative.</p> 	<ul style="list-style-type: none"> Sometimes the area around evaporator outlet does not become cold. Sometimes the area around evaporator inlet is frosted. 	<ul style="list-style-type: none"> Icing caused by the mixing of water in cooler cycle. Deteriorated dryer in liquid tank. 	<ul style="list-style-type: none"> Collect all refrigerant. Evacuate refrigerant cycle completely, and then refill it with the specified amount of refrigerant. At this time, always replace liquid tank.

A
B
C
D
E
F
G
H
HA
J
K
L
M
N
O
P

NOISE

< SYMPTOM DIAGNOSIS >

NOISE

Symptom Table

INFOID:000000009010703

Symptom	Noise source	Probable cause	Corrective action
Unusual noise from compressor when A/C is ON.	Inside of compressor	Wear, breakage, or clogging of foreign material in inner parts.	Check compressor oil. Refer to HA-21, "Inspection" .
	Magnet clutch	Contact of clutch disc with pulley.	Check clearance between clutch disc and pulley. Refer to HA-31, "Inspection" .
	Compressor body	Loosened compressor mounting bolts.	Check bolts for tightness. Refer to HA-29, "Exploded View" .
Unusual noise from cooler piping.	Cooler piping (pipe and flexible hose)	Improper installation of clip and bracket.	Check the installation condition of the cooler piping. Refer to HA-33, "Exploded View" .
Unusual noise from expansion valve when A/C is ON.	Expansion valve	Shortage of refrigerant.	<ul style="list-style-type: none"> • Check for leakage. • Collect all refrigerant, evacuate refrigerant cycle again, and then refill it with the specified amount of refrigerant.
		Wear, breakage, or clogging of foreign material in inner parts.	Eliminate foreign material from expansion valve, or replace it.
Unusual noise from belt.	—	Loosened belt	Check belt tension. Refer to EM-20, "Checking" .
		Internal compressor parts get locked	Replace compressor.

COMPRESSOR

< REMOVAL AND INSTALLATION >

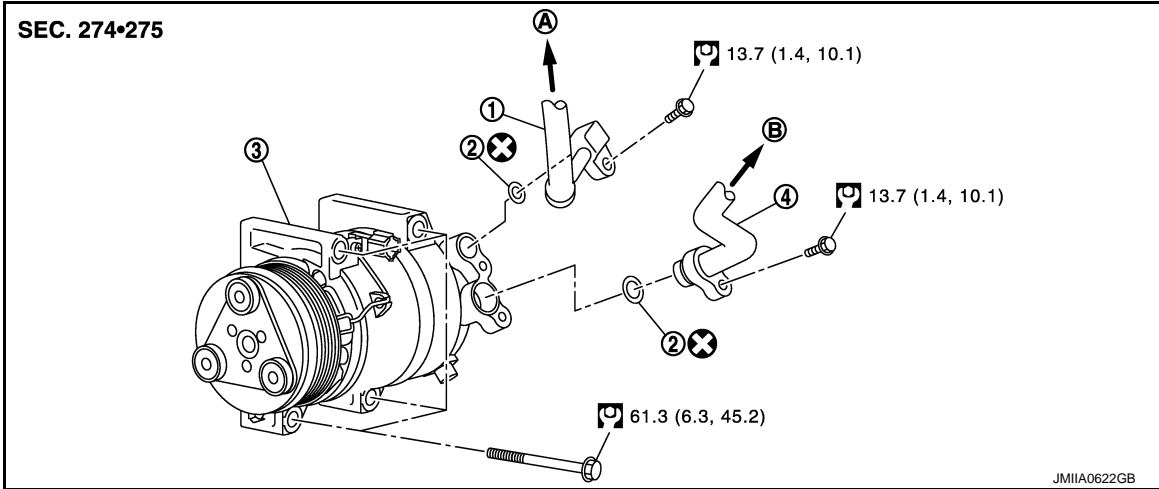
REMOVAL AND INSTALLATION

COMPRESSOR

Exploded View

INFOID:000000009010704

REMOVAL



1. High-pressure flexible hose 2. O-ring 3. Compressor

4. Low-pressure flexible hose

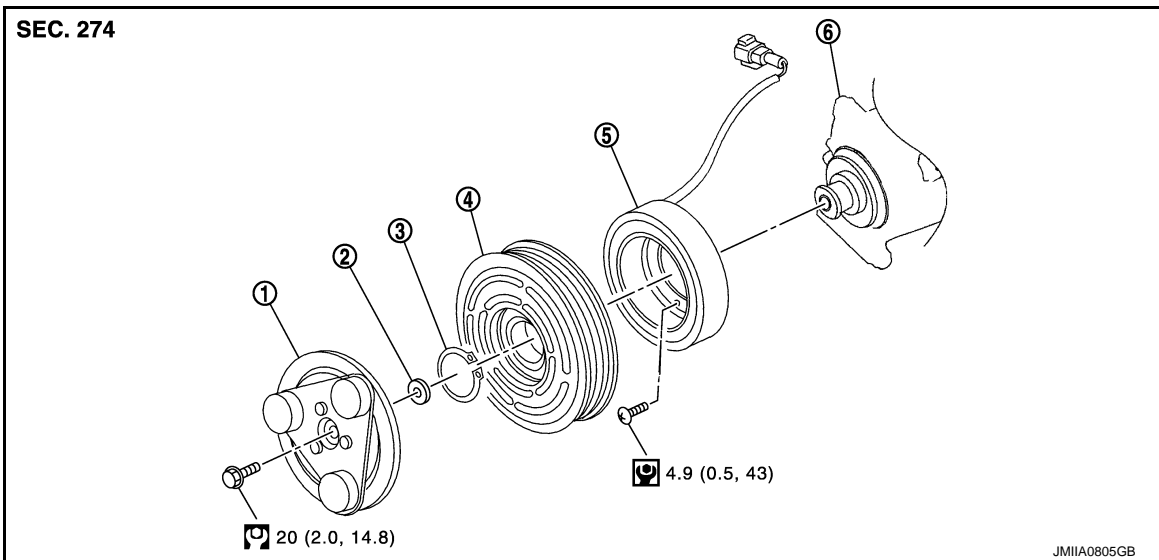
A. To condenser

B. To evaporator

⊗ : Always replace after every disassembly.

☐ : N·m (kg-m, ft-lb)

DISASSEMBLY



1. Clutch disc

2. Shim

3. Snap ring

4. Pulley assembly

5. Field coil

6. Compressor unit

☐ : N·m (kg-m, ft-lb)

☐ : N·m (kg-m, in-lb)

COMPRESSOR

< REMOVAL AND INSTALLATION >

COMPRESSOR

COMPRESSOR : Removal and Installation

INFOID:000000009010705

CAUTION:

Perform lubricant return operation before each refrigeration system disassembly. However, if a large amount of refrigerant or lubricant is detected, never perform lubricant return operation. Refer to [HA-21, "Perform Lubricant Return Operation"](#).

REMOVAL

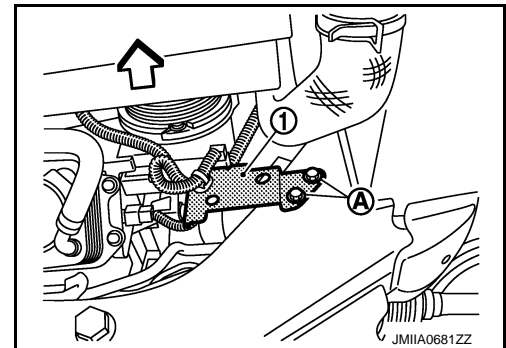
1. Use a refrigerant collecting equipment (for HFC-134a) to discharge the refrigerant. Refer to [HA-19, "Recycle Refrigerant"](#).
2. Remove air cleaner. Refer to [EM-28, "Removal and Installation"](#).
3. Remove mounting bolts, and then disconnect low-pressure flexible hose and high-pressure flexible hose from the compressor.

CAUTION:

Cap or wrap the joint of the A/C piping and compressor with suitable material such as vinyl tape to avoid the entry of air.

4. Remove front under cover. Refer to [EXT-25, "Exploded View"](#).
5. Remove drive belt. Refer to [EM-20, "Removal and Installation"](#).
6. Remove mounting bolts (A), and harness clip, and then remove bracket (1).

↶ : Vehicle front



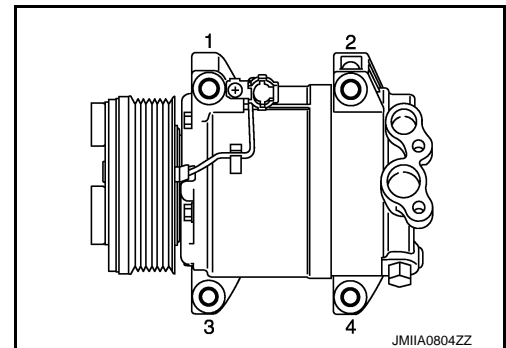
7. Remove cooling fan shroud (lower). Refer to [CO-18, "Exploded View"](#).
8. Disconnect compressor (magnet clutch) connector.
9. Remove mounting bolts, and then remove compressor from the vehicle.

INSTALLATION

Note the following items, and install in the reverse order of removal.

CAUTION:

- Tighten compressor mounting bolts in numerical order as shown in the figure.



- Replace O-rings with new ones. Then apply compressor oil to them when installing.
- Perform lubricant adjusting procedure before installing new compressor. Refer to [HA-22, "Lubricant Adjusting Procedure for Compressor Replacement"](#).
- Check for leakages when recharging refrigerant. Refer to [HA-17, "Leak Test"](#).
- Check tension of the drive belt after installing compressor. Refer to [EM-20, "Checking"](#).

MAGNET CLUTCH

COMPRESSOR

< REMOVAL AND INSTALLATION >

MAGNET CLUTCH : Removal and Installation of Compressor Clutch

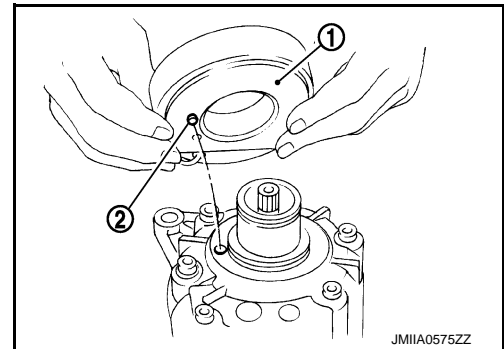
INFOID:000000009010706

REMOVAL

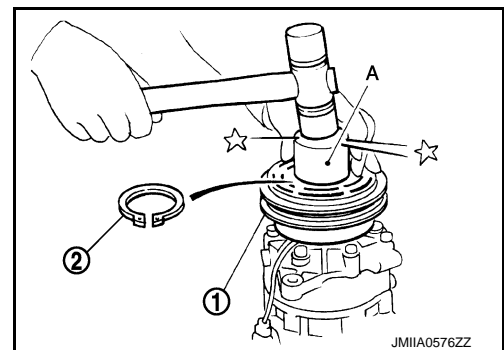
1. Fix clutch disc.
2. Remove center bolt, and then remove clutch disc.
3. Remove snap ring using external snap ring pliers.
4. Position center pulley puller on the end of the drive shaft, and remove pulley assembly using any commercially available pulley puller.
To prevent pulley groove from being deformed, puller claws should be positioned into the edge of the pulley assembly.
5. Disconnect field coil harness from compressor unit.
6. Remove screws, and then remove field coil.

INSTALLATION

1. Install field coil (1).
Be sure to align the coil's pin (2) with the hole in the compressor's front head.
2. Connect field coil harness to compressor unit.



3. Install pulley assembly (1) using installer (SST: J-41260) (A) and a hand press, and then install snap ring (2) using snap ring pliers.



4. Install clutch disc on drive shaft, together with original shim(s). Press clutch disc down by hand.
5. Using holder to prevent clutch disc rotation.
After tightening the bolt, check that the pulley rotates smoothly.

Break-in Operation

When replacing compressor clutch assembly, always carry out the break-in operation. This is done by engaging and disengaging the clutch about thirty-times. Break-in operation raises the level of transmitted torque.

Inspection

INFOID:000000009010707

CHECK DISC TO PULLEY CLEARANCE

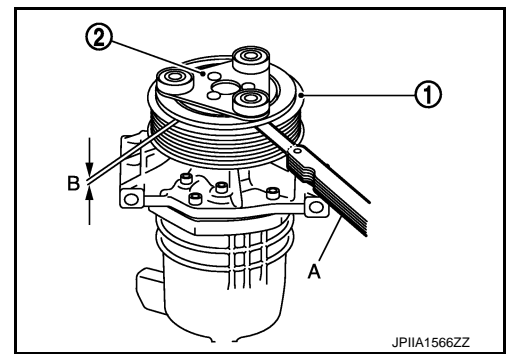
COMPRESSOR

< REMOVAL AND INSTALLATION >

Check the clearance (B) between pulley assembly (1) and clutch disc (2) along the entire periphery with a feeler gauge (A).

Clearance : Refer to [HA-50, "Compressor"](#).

Replace compressor if specified clearance is not obtained.



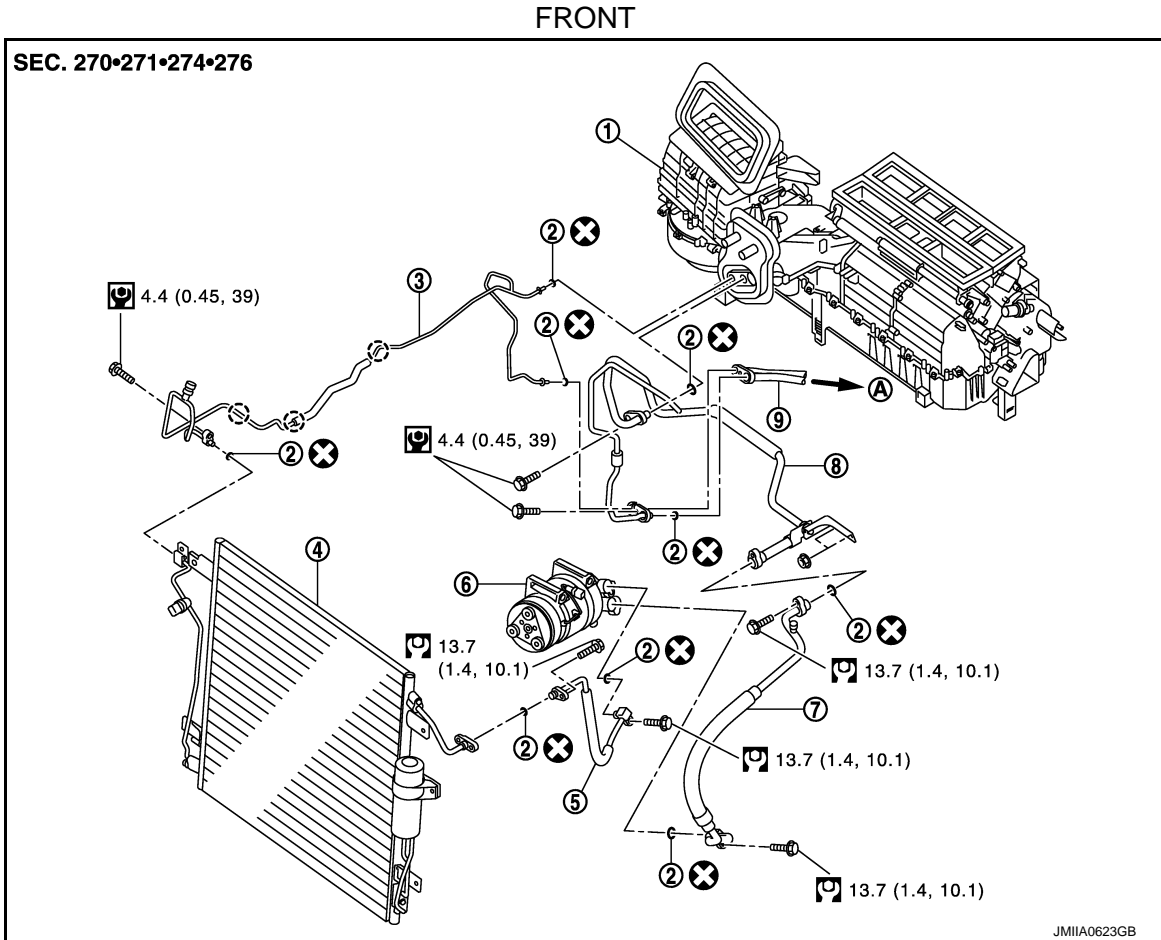
COOLER PIPE AND HOSE

< REMOVAL AND INSTALLATION >

COOLER PIPE AND HOSE

Exploded View

INFOID:000000009010708



- | | | |
|-------------------------------|--------------------------------|---|
| 1. A/C unit assembly | 2. O-ring | 3. High-pressure pipe |
| 4. Condenser | 5. High-pressure flexible hose | 6. Compressor |
| 7. Low-pressure flexible hose | 8. Low-pressure pipe | 9. Rear cooler and heater pipe assembly |

A. To rear A/C unit

○ : Clip

⊗ : Always replace after every disassembly.

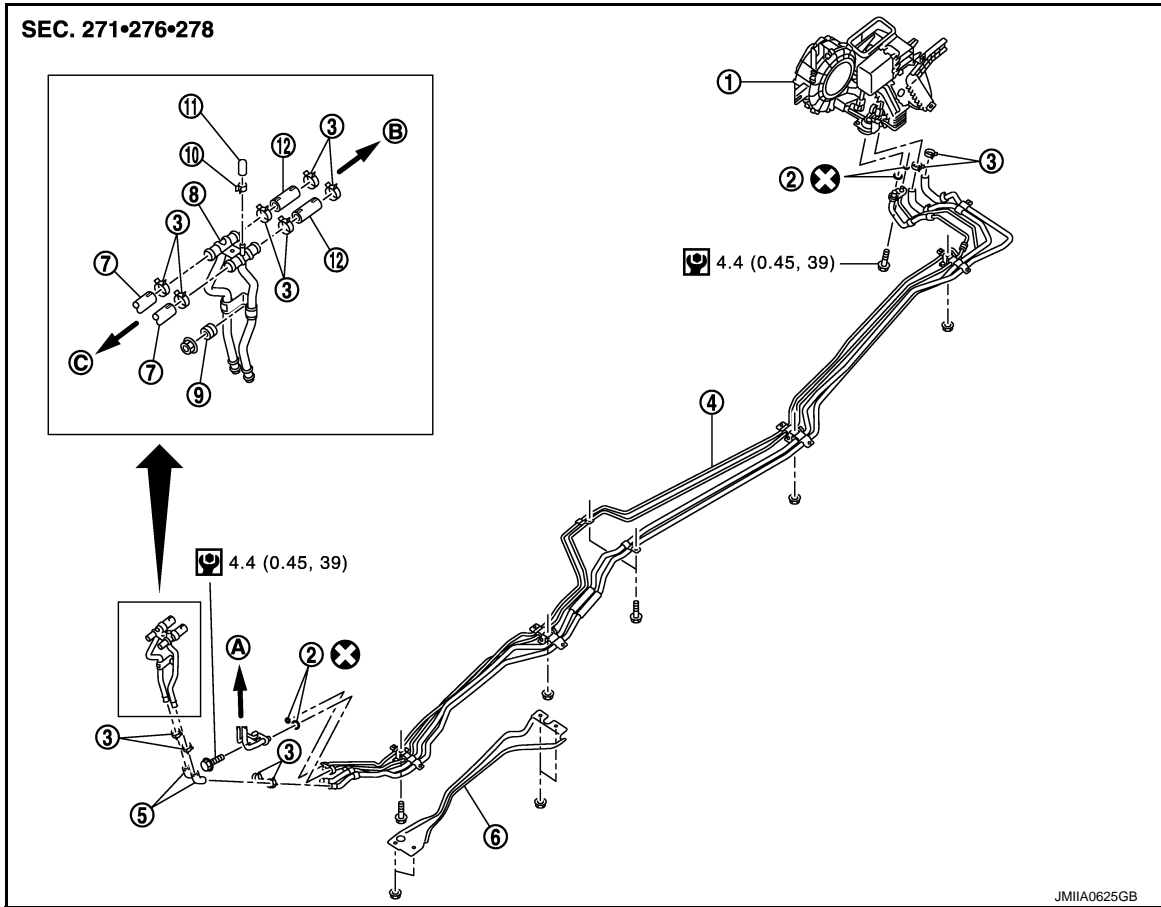
⊙ : N·m (kg·m, ft·lb)

⊙ : N·m (kg·m, in·lb)

COOLER PIPE AND HOSE

< REMOVAL AND INSTALLATION >

REAR



- | | | |
|---------------------------------------|----------------------------|------------------------------|
| 1. Rear A/C unit assembly | 2. O-ring | 3. Clamp |
| 4. Rear cooler & heater pipe assembly | 5. Rear heater bypass hose | 6. Rear cooler pipe cover |
| 7. Heater hose | 8. Front water outlet tube | 9. Gromet |
| 10. Clamp | 11. Cap | 12. Front heater outlet hose |
| A. To front cooler cycle | B. To front heater core | C. To cooling cycle |

⊗ : Always replace after every disassembly.

Ⓜ : N·m (kg·m, in·lb)

HIGH-PRESSURE FLEXIBLE HOSE

HIGH-PRESSURE FLEXIBLE HOSE : Removal and Installation

INFOID:000000009010709

CAUTION:

Perform lubricant return operation before each refrigeration system disassembly. However, if a large amount of refrigerant or lubricant is detected, never perform lubricant return operation. Refer to [HA-21, "Perform Lubricant Return Operation"](#).

REMOVAL

1. Use a refrigerant collecting equipment (for HFC-134a) to discharge the refrigerant. Refer to [HA-19, "Recycle Refrigerant"](#).
2. Remove air cleaner. Refer to [EM-28, "Removal and Installation"](#).
3. Remove mounting bolt, and then remove high-pressure flexible hose from the vehicle.

CAUTION:

Cap or wrap the joint of the A/C piping, condenser and compressor with suitable material such as vinyl tape to avoid the entry of air.

INSTALLATION

Note the following items, and install in the reverse order of removal.

COOLER PIPE AND HOSE

< REMOVAL AND INSTALLATION >

CAUTION:

- Replace O-rings with new ones. Then apply compressor oil to them when installing.
- Check for leakages when recharging refrigerant. Refer to [HA-17, "Leak Test"](#).

LOW-PRESSURE FLEXIBLE HOSE

LOW-PRESSURE FLEXIBLE HOSE : Removal and Installation

INFOID:000000009010710

CAUTION:

Perform lubricant return operation before each refrigeration system disassembly. However, if a large amount of refrigerant or lubricant is detected, never perform lubricant return operation. Refer to [HA-21, "Perform Lubricant Return Operation"](#).

REMOVAL

1. Use a refrigerant collecting equipment (for HFC-134a) to discharge the refrigerant. Refer to [HA-21, "Perform Lubricant Return Operation"](#).
2. Remove air cleaner. Refer to [EM-28, "Removal and Installation"](#).
3. Remove the mounting bolt installed in low-pressure flexible hose from the vehicle.
4. Remove mounting bolts, and then remove low-pressure flexible hose from the vehicle.

CAUTION:

Cap or wrap the joint of the A/C piping and compressor with suitable material such as vinyl tape to avoid the entry of air.

INSTALLATION

Note the following items, and install in the reverse order of removal.

CAUTION:

- Replace O-rings with new ones. Then apply compressor oil to them when installing.
- Check for leakages when recharging refrigerant. Refer to [HA-17, "Leak Test"](#).

HIGH-PRESSURE PIPE

HIGH-PRESSURE PIPE : Removal and Installation

INFOID:000000009010711

CAUTION:

Perform lubricant return operation before each refrigeration system disassembly. However, if a large amount of refrigerant or lubricant is detected, never perform lubricant return operation. Refer to [HA-21, "Perform Lubricant Return Operation"](#).

REMOVAL

1. Use a refrigerant collecting equipment (for HFC-134a) to discharge the refrigerant. Refer to [HA-21, "Perform Lubricant Return Operation"](#).
2. Remove low-pressure pipe. Refer to [HA-36, "LOW-PRESSURE PIPE : Removal and Installation"](#).
3. Remove battery. Refer to [PG-148, "Removal and Installation"](#).
4. Remove mounting bolts, and then remove battery bracket.
5. Disconnect harness connector, harness clip and ground harness for securing work space.
6. Remove mounting bolt, and then disconnect high-pressure pipe from condenser.

CAUTION:

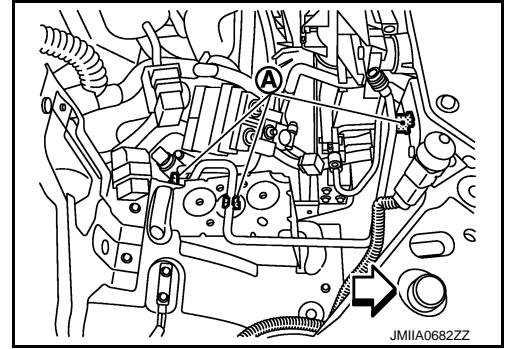
Cap or wrap the joint of the A/C piping and compressor with suitable material such as vinyl tape to avoid the entry of air.

7. Remove high-pressure pipe mounting nut.
8. Remove high-pressure pipe from vehicle clips (A).

COOLER PIPE AND HOSE

< REMOVAL AND INSTALLATION >

← : Vehicle front



9. Partly remove rear half of front fender protector RH. Refer to [EXT-23. "FENDER PROTECTOR : Exploded View"](#).

10. Remove high-pressure pipe.

INSTALLATION

Note the following items, and install in the reverse order of removal.

CAUTION:

- Replace O-rings with new ones. Then apply compressor oil to them when installing.
- Check for leakages when recharging refrigerant. Refer to [HA-17. "Leak Test"](#).

LOW-PRESSURE PIPE

LOW-PRESSURE PIPE : Removal and Installation

INFOID:000000009010712

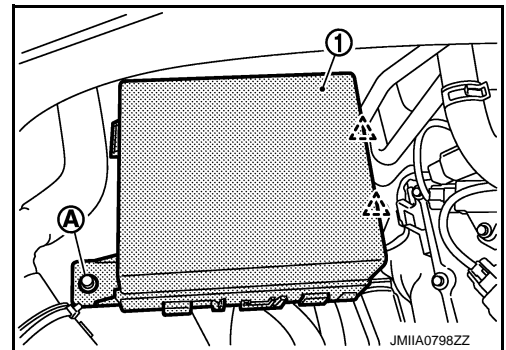
CAUTION:

Perform lubricant return operation before each refrigeration system disassembly. However, if a large amount of refrigerant or lubricant is detected, never perform lubricant return operation. Refer to [HA-21. "Perform Lubricant Return Operation"](#).

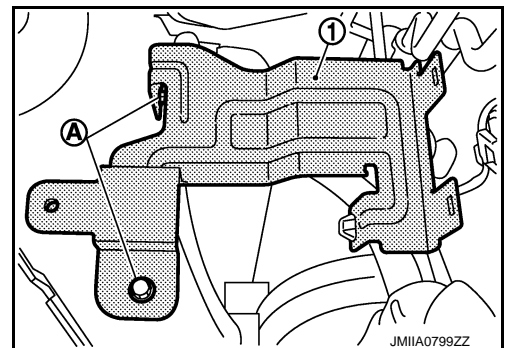
REMOVAL

1. Use a refrigerant collecting equipment (for HFC-134a) to discharge the refrigerant. Refer to [HA-21. "Perform Lubricant Return Operation"](#).
2. Drain engine coolant from cooling system. Refer to [CO-8. "Draining"](#).
3. Remove engine cover. Refer to [EM-26. "Removal and Installation"](#).
4. Remove mounting bolt (A) and fixing pawls, and then remove relay box (1).

△ : Pawl



5. Remove mounting bolts (A), and then remove relay box bracket(1).



COOLER PIPE AND HOSE

< REMOVAL AND INSTALLATION >

6. Remove front water outlet tube assembly mounting nut. A
7. Remove mounting nuts, and then disconnect mounting bracket from the vehicle. B
8. Remove mounting bolt, and then disconnect low-pressure pipe from low-pressure flexible hose. C
CAUTION:
Cap or wrap the joint of the A/C piping with suitable material such as vinyl tape to avoid the entry of air.
9. Remove mounting bolt, and then disconnect low-pressure pipe from expansion valve. D
CAUTION:
Cap on wrap the joint of the A/C piping and expansion valve with suitable material such as vinyl tape to avoid the entry of air.
10. Remove low-pressure pipe from the vehicle. E

INSTALLATION

Note the following items, and install in the reverse order of removal.

CAUTION:

- Replace O-rings with new ones. Then apply compressor oil to them when installing.
- Check for leakages when recharging refrigerant. Refer to [HA-17, "Leak Test"](#).

REAR COOLER PIPE

REAR COOLER PIPE : Removal and Installation

INFOID:000000009010713

CAUTION:

Perform lubricant return operation before each refrigeration system disassembly. However, if a large amount of refrigerant or lubricant is detected, never perform lubricant return operation. Refer to [HA-21, "Perform Lubricant Return Operation"](#).

REMOVAL

1. Use a refrigerant collecting equipment (for HFC-134a) to discharge the refrigerant. Refer to [HA-21, "Perform Lubricant Return Operation"](#). HA
2. Separate frame and body. Refer to [DLK-234, "Removal and Installation"](#).
3. Remove mounting bolts, and then disconnect high-pressure pipe and low-pressure pipe from rear cooler & heater pipe assembly. J
CAUTION:
Cap or wrap the joint of the A/C piping with suitable material such as vinyl tape to avoid the entry of air. K
4. Remove clamps, and then disconnect rear heater bypass hoses from rear cooler & heater pipe assembly.
5. Remove mounting bolt, and then disconnect rear cooler & heater pipe assembly from rear expansion valve. L
CAUTION:
Cap or wrap the joint of the A/C piping and rear expansion valve with suitable material such as vinyl tape to avoid the entry of air. M
6. Remove clamps, and then disconnect rear cooler & heater pipe assembly from rear heater pipes.
7. Remove mounting nuts, and then remove rear cooler pipe cover. N
8. Remove mounting bolts and nuts, and then remove rear cooler & heater pipe assembly from the vehicle.

INSTALLATION

Note the following items, and install in the reverse order of removal.

CAUTION:

- Replace O-rings with new ones. Then apply compressor oil to them when installing.
- Check for leakages when recharging refrigerant. Refer to [HA-17, "Leak Test"](#). P

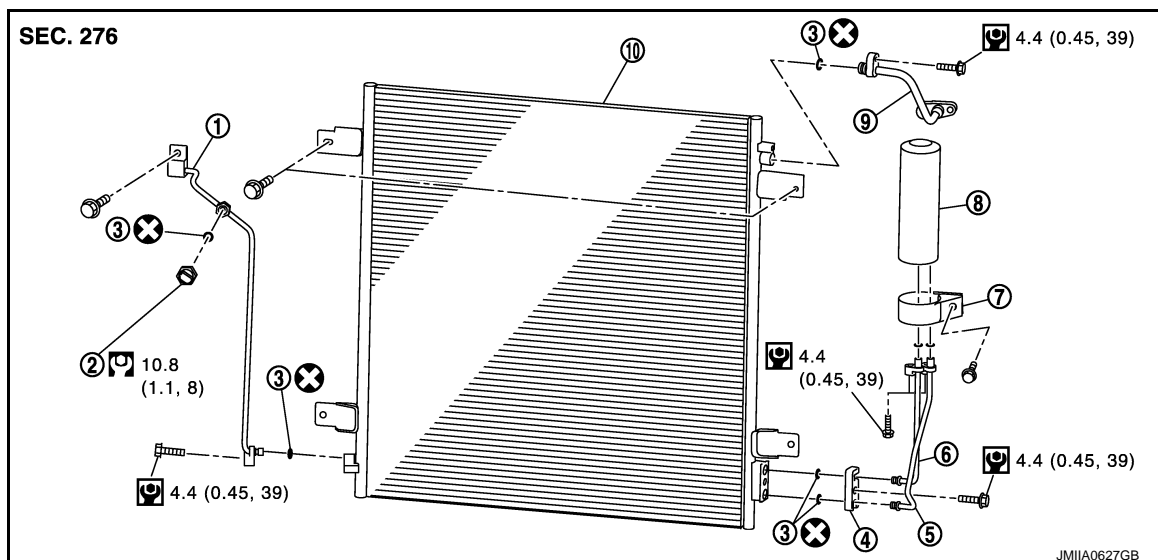
CONDENSER

< REMOVAL AND INSTALLATION >

CONDENSER

Exploded View

INFOID:000000009010714



- | | | |
|-------------------------|--------------------------------|------------------------|
| 1. Outlet pipe assembly | 2. Refrigerant pressure sensor | 3. O-ring |
| 4. Pipe cover | 5. Liquid tank pipe 1 | 6. Liquid tank pipe 2 |
| 7. Liquid tank bracket | 8. Liquid tank | 9. Inlet pipe assembly |
| 10. Condenser | | |

⊗ : Always replace after every disassembly.

🔧 : N·m (kg-m, ft-lb)

🔧 : N·m (kg-m, in-lb)

CONDENSER

CONDENSER : Removal and Installation

INFOID:000000009010715

CAUTION:

Perform lubricant return operation before each refrigeration system disassembly. However, if a large amount of refrigerant or lubricant is detected, never perform lubricant return operation. Refer to [HA-21, "Perform Lubricant Return Operation"](#).

REMOVAL

1. Use a refrigerant collecting equipment (for HFC-134a) to discharge the refrigerant. Refer to [HA-19, "Recycle Refrigerant"](#).
2. Remove the radiator core support upper. Refer to [DLK-203, "Removal and Installation"](#).
3. Remove steering oil cooler. Refer to [ST-51, "Exploded View"](#).
4. Remove A/T fluid cooler. Refer to [TM-204, "Removal and Installation"](#).
5. Remove mounting bolt, and then disconnect high-pressure flexible hose from condenser.

CAUTION:

Cap or wrap the joint of the A/C piping and condenser with suitable material such as vinyl tape to avoid the entry of air.

6. Remove mounting bolt, and then disconnect high-pressure pipe from condenser.

CAUTION:

Cap or wrap the joint of the A/C piping and condenser with suitable material such as vinyl tape to avoid the entry of air.

7. Remove mounting bolts, and then remove condenser from the vehicle.

CAUTION:

CONDENSER

< REMOVAL AND INSTALLATION >

Be careful not to damage core surface of condenser.

INSTALLATION

Note the following items, and install in the reverse order of removal.

CAUTION:

- Replace O-rings with new ones. Then apply compressor oil to them when installing.
- Perform lubricant adjusting procedure before installing new condenser. Refer to [HA-21, "Lubricant Adjusting Procedure for Components Replacement Except Compressor"](#).
- Check for leakages when recharging refrigerant. Refer to [HA-17, "Leak Test"](#).

LIQUID TANK

LIQUID TANK : Removal and Installation

INFOID:000000009010716

CAUTION:

Perform lubricant return operation before each refrigeration system disassembly. However, if a large amount of refrigerant or lubricant is detected, never perform lubricant return operation. Refer to [HA-21, "Perform Lubricant Return Operation"](#).

REMOVAL

1. Use a refrigerant collecting equipment (for HFC-134a) to discharge the refrigerant. Refer to [HA-19, "Recycle Refrigerant"](#).
2. Remove front bumper fascia. Refer to [EXT-12, "Removal and Installation"](#).
3. Clean liquid tank and its surrounding area, and then remove dust and rust from liquid tank.

CAUTION:

Be sure to clean carefully.

4. Remove mounting bolts, and then remove liquid tank from the condenser.

CAUTION:

Cap or wrap the joint of the A/C piping and liquid tank with suitable material such as vinyl tape to avoid the entry of air.

INSTALLATION

Install liquid tank, and then install liquid tank bracket on condenser.

CAUTION:

- Check that liquid tank bracket is securely installed at protrusion of condenser. (Check that liquid tank bracket never move to a position below center of liquid tank.)
- Replace O-rings of the A/C piping with new ones. Then apply compressor oil to them when installing.
- Perform lubricant adjusting procedure before installing new liquid tank. Refer to [HA-21, "Lubricant Adjusting Procedure for Components Replacement Except Compressor"](#).
- Check for leakages when recharging refrigerant. Refer to [HA-17, "Leak Test"](#).

REFRIGERANT PRESSURE SENSOR

REFRIGERANT PRESSURE SENSOR : Removal and Installation

INFOID:000000009010717

CAUTION:

Perform lubricant return operation before each refrigeration system disassembly. However, if a large amount of refrigerant or lubricant is detected, never perform lubricant return operation. Refer to [HA-21, "Perform Lubricant Return Operation"](#).

REMOVAL

1. Use a refrigerant collecting equipment (for HFC-134a) to discharge the refrigerant. Refer to [HA-19, "Recycle Refrigerant"](#).
2. Remove front grille. Refer to [EXT-19, "Removal and Installation"](#).
3. Clean refrigerant pressure sensor and its surrounding area, and then remove dust and rust from refrigerant pressure sensor.

CAUTION:

Be sure to clean carefully.

4. Disconnect refrigerant pressure sensor connector.
5. Use a adjustable wrench or other tool to hold the refrigerant pressure sensor mounting block, and then remove the refrigerant pressure sensor from the condenser.

CAUTION:

CONDENSER

< REMOVAL AND INSTALLATION >

- Be careful not to damage liquid tank.
- Be careful not to damage core surface of condenser.
- Cap or wrap the joint of the condenser and liquid tank with suitable material such as vinyl tape to avoid the entry of air.

INSTALLATION

Note the following items, and install in the reverse order of removal.

CAUTION:

- Replace O-ring with new one. Then apply compressor oil to them when installing.
- Check for leakages when recharging refrigerant. Refer to [HA-17, "Leak Test"](#).

A/C UNIT ASSEMBLY

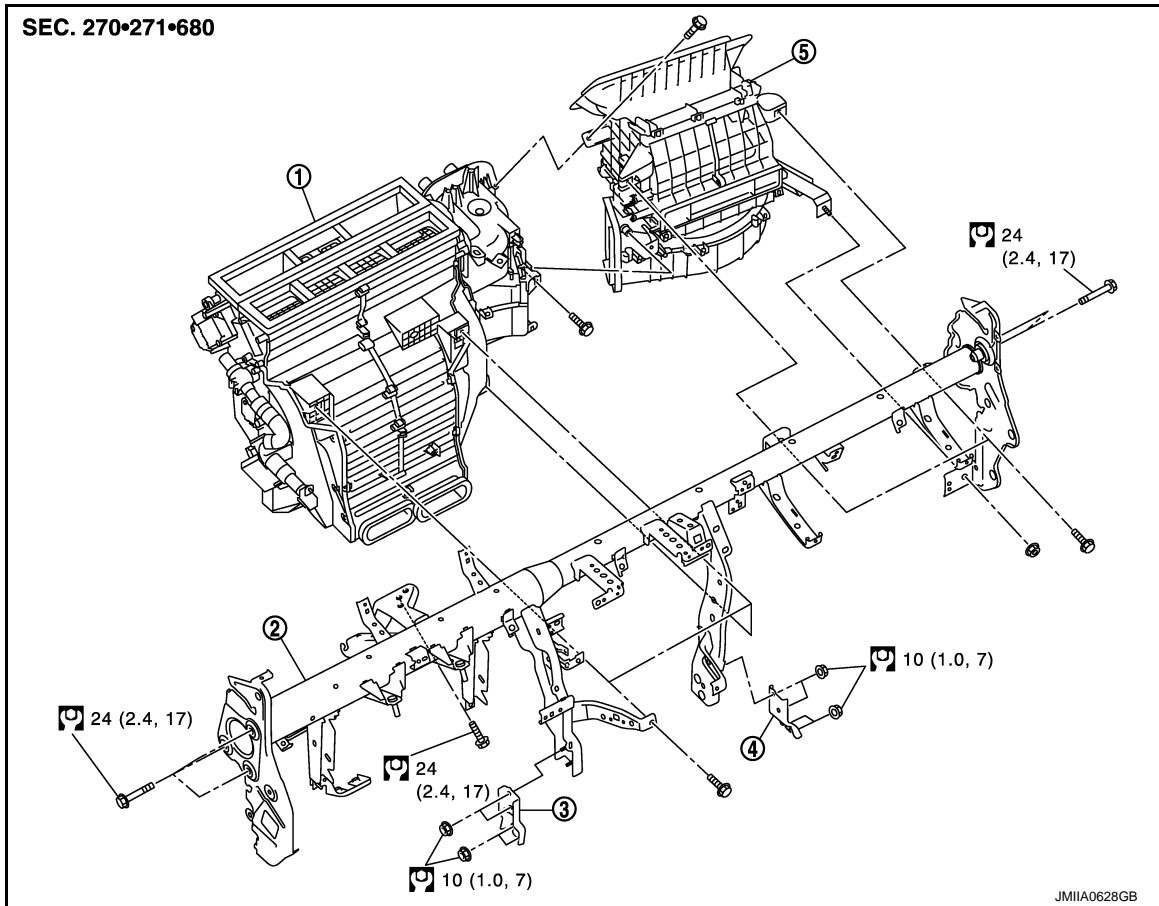
< REMOVAL AND INSTALLATION >

A/C UNIT ASSEMBLY


Exploded View

INFOID:000000009010718

REMOVAL



- 1. Heater & cooling unit assembly
- 2. Steering member
- 3. Instrument stay LH
- 4. Instrument stay RH
- 5. Blower unit assembly

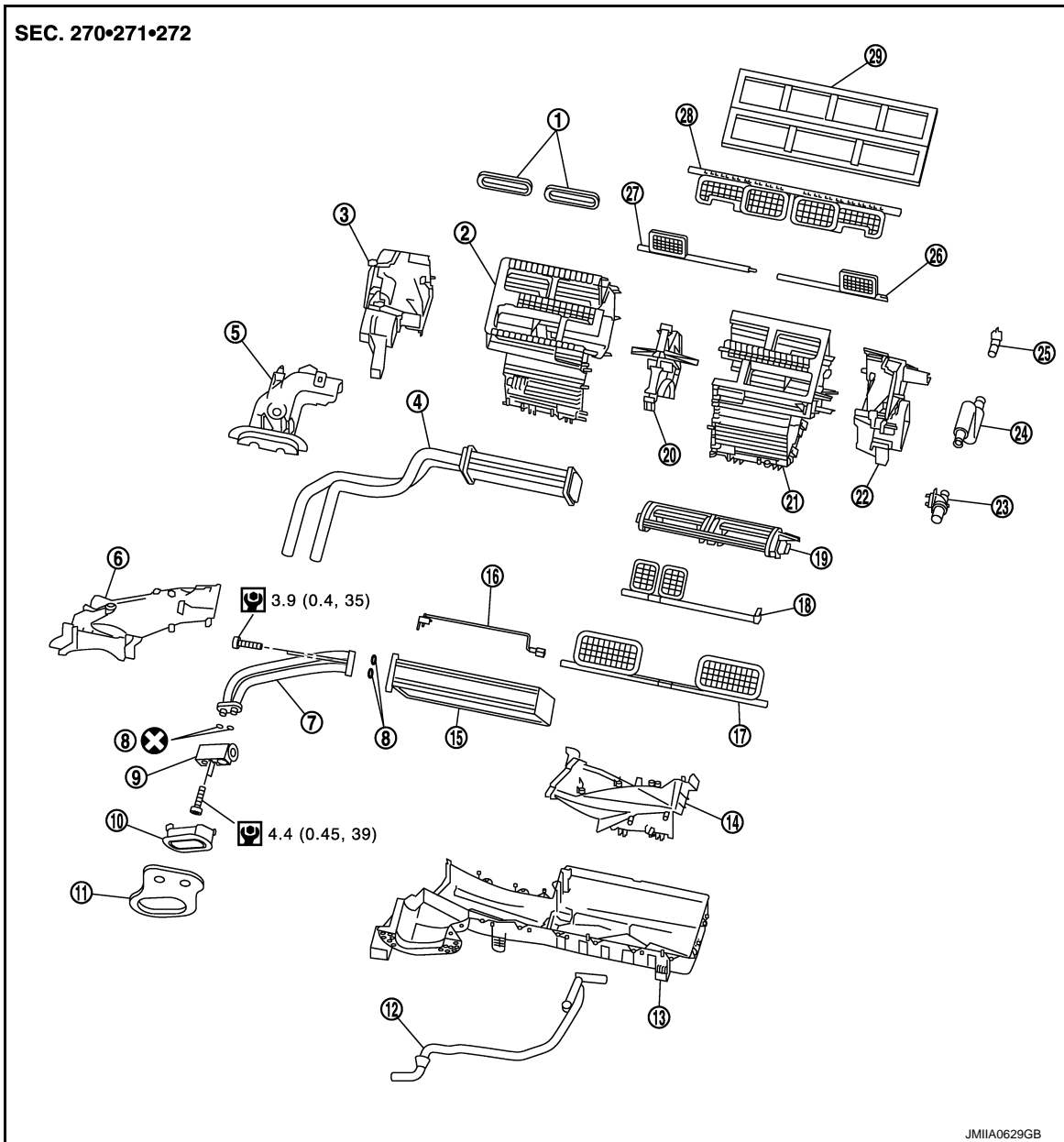
 : N·m (kg-m, ft-lb)

DISASSEMBLY

A
B
C
D
E
F
G
H
HA
J
K
L
M
N
O
P

A/C UNIT ASSEMBLY

< REMOVAL AND INSTALLATION >



JMIA0629GB

- | | | |
|-----------------------------|------------------------|---------------------------|
| 1. Rear heater packing | 2. A/C case RH | 3. Foot duct RH |
| 4. Heater core assembly | 5. Heater pipe cover | 6. Evaporator pipe cover |
| 7. Evaporator pipe assembly | 8. O-ring | 9. Expansion valve |
| 10. Grommet | 11. Heater packing | 12. Drain hose assembly |
| 13. A/C case lower | 14. A/C cover | 15. Evaporator |
| 16. Intake sensor | 17. Defroster door | 18. Upper ventirator door |
| 19. Slide door unit | 20. A/C case center | 21. A/C case LH |
| 22. Foot duct LH | 23. Aspirator | 24. Aspirator hose |
| 25. In-vehicle sensor | 26. Foot door LH | 27. Foot door RH |
| 28. Ventirator door | 29. Ventirator packing | |

⊗ : Always replace after every disassembly.

🔧 : N·m (kg·m, in·lb)

HEATER & COOLING UNIT ASSEMBLY

A/C UNIT ASSEMBLY

< REMOVAL AND INSTALLATION >

HEATER & COOLING UNIT ASSEMBLY : Removal and Installation

INFOID:000000009010719

CAUTION:

Perform lubricant return operation before each refrigeration system disassembly. However, if a large amount of refrigerant or lubricant is detected, never perform lubricant return operation. Refer to [HA-21, "Perform Lubricant Return Operation"](#).

REMOVAL

1. Use a refrigerant collecting equipment (for HFC-134a) to discharge the refrigerant. Refer to [HA-19, "Recycle Refrigerant"](#). (If equipped)
2. Drain engine coolant from cooling system. Refer to [CO-8, "Draining"](#).
3. Remove clamps, and then disconnect front heater outlet hose from heater pipe.
CAUTION:
 - Some coolant may spill when heater hoses are disconnected.
 - Close off the coolant inlet and outlet on the heater core (2 locations) with shop cloths.
4. Remove mounting bolt, and then disconnect low-pressure pipe and high-pressure pipe from expansion valve.
CAUTION:
Cap or wrap the joint of the A/C piping and expansion valve with suitable material such as vinyl tape to avoid the entry of air.
5. Remove instrument panel assembly. Refer to [IP-13, "Removal and Installation"](#).
6. Remove steering column mounting bolt and nuts. Refer to [ST-31, "Removal and Installation"](#).
7. Move steering column assembly to a position where it does not inhibit work.
8. Disconnect harness clips, harness connectors, ground bolts and brackets from steering member, and then move the vehicle harness to the position without hindrance for work.
9. Remove mounting nuts, and then remove instrument stay (RH and LH).
10. Remove A/C unit assembly mounting bolts.
11. Remove mounting bolts, and then remove steering member from the vehicle.
12. Disconnect drain hose from A/C unit assembly, and then remove A/C unit assembly from the vehicle.
13. Remove mounting bolts, and then disconnect heater & cooling unit and blower unit assembly.

INSTALLATION

Note the following items, and install in the reverse order of removal.

CAUTION:

- Replace O-rings with new ones. Then apply compressor oil to them when installing.
- Check for leakages when recharging refrigerant. Refer to [HA-17, "Leak Test"](#).

NOTE:

Refer to [CO-9, "Refilling"](#) when filling radiator with engine coolant.

EVAPORATOR

EVAPORATOR : Removal and Installation

INFOID:000000009010720

REMOVAL

1. Remove heater & cooling unit assembly. Refer to [HA-41, "Exploded View"](#).
2. Remove heater core. Refer to [HA-44, "HEATER CORE : Removal and Installation"](#).
3. Remove mounting screws, and then remove evaporator pipe cover.
4. Remove air mix door motor (RH). Refer to [HAC-150, "AIR MIX DOOR MOTOR : Removal and Installation"](#).
5. Remove mounting screws, and then remove A/C cover.
6. Remove foot duct LH. Refer to [VTL-10, "FLOOR DUCT 1 : Removal and Installation"](#).
7. Remove mounting screws, and then remove A/C lower case.
8. Remove intake sensor. Refer to [HAC-147, "Removal and Installation"](#).
9. Remove evaporator assembly from heater & cooling unit assembly.
10. Remove mounting bolts, and then remove evaporator from evaporator assembly.

CAUTION:

A/C UNIT ASSEMBLY

< REMOVAL AND INSTALLATION >

Cap or wrap the joint of the evaporator and evaporator pipe assembly with suitable material such as vinyl tape to avoid the entry of air.

INSTALLATION

Note the following items, and install in the reverse order of removal.

CAUTION:

- Replace O-rings with new ones. Then apply compressor oil to them when installing.
- When install the intake sensor, set the same position before replacement.
- Never rotate the bracket insertion part when removing and installing the intake sensor.
- Perform lubricant adjusting procedure after installing new evaporator. Refer to [HA-21, "Lubricant Adjusting Procedure for Components Replacement Except Compressor"](#).

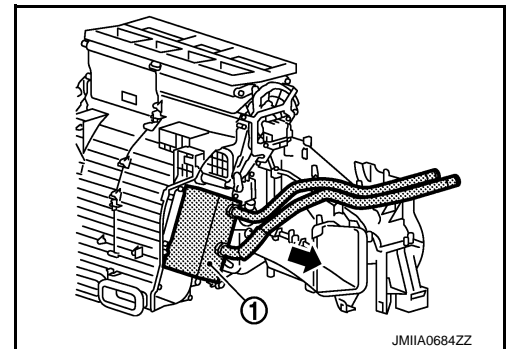
HEATER CORE

HEATER CORE : Removal and Installation

INFOID:000000009010721

REMOVAL

1. Remove heater & cooling unit assembly. Refer to [HA-43, "HEATER & COOLING UNIT ASSEMBLY : Removal and Installation"](#).
2. Remove mounting screws, and then remove heater core pipe cover.
3. Remove mode door motor. Refer to [HAC-150, "MODE DOOR MOTOR : Removal and Installation"](#).
4. Remove main link, foot door link and foot door lever. Refer to [HAC-149, "Exploded View"](#).
5. Remove mounting screws, and then remove foot duct (assist side). Refer to [VTL-10, "FLOOR DUCT 1 : Removal and Installation"](#).
6. Pull out heater core (1) from heater & cooling unit assembly.



INSTALLATION

Note the following items, and install in the reverse order of removal.

CAUTION:

- Replace O-rings with new ones. Then apply compressor oil to them when installing
- Check for leakages when recharging refrigerant. Refer to [HA-17, "Leak Test"](#).

EXPANSION VALVE

EXPANSION VALVE : Removal and Installation

INFOID:000000009010722

CAUTION:

Perform lubricant return operation before each refrigeration system disassembly. However, if a large amount of refrigerant or lubricant is detected, never perform lubricant return operation. Refer to [HA-21, "Perform Lubricant Return Operation"](#).

REMOVAL

1. Use a refrigerant collecting equipment (for HFC-134a) to discharge the refrigerant. Refer to [HA-19, "Recycle Refrigerant"](#).
2. Remove A/C unit assembly. Refer to [HA-43, "HEATER & COOLING UNIT ASSEMBLY : Removal and Installation"](#).
3. Remove mounting bolts, and then remove expansion valve.

CAUTION:

Cap or wrap the joint of the evaporator pipe assembly and expansion valve with suitable material such as vinyl tape to avoid the entry of air.

A/C UNIT ASSEMBLY

< REMOVAL AND INSTALLATION >

INSTALLATION

Note the following items, and install in the reverse order of removal.

CAUTION:

- Replace O-rings with new ones. Then apply compressor oil to them when installing.
- Check for leakages when recharging refrigerant. Refer to [HA-17. "Leak Test"](#).

A

B

C

D

E

F

G

H

HA

J

K

L

M

N

O

P

REAR A/C UNIT

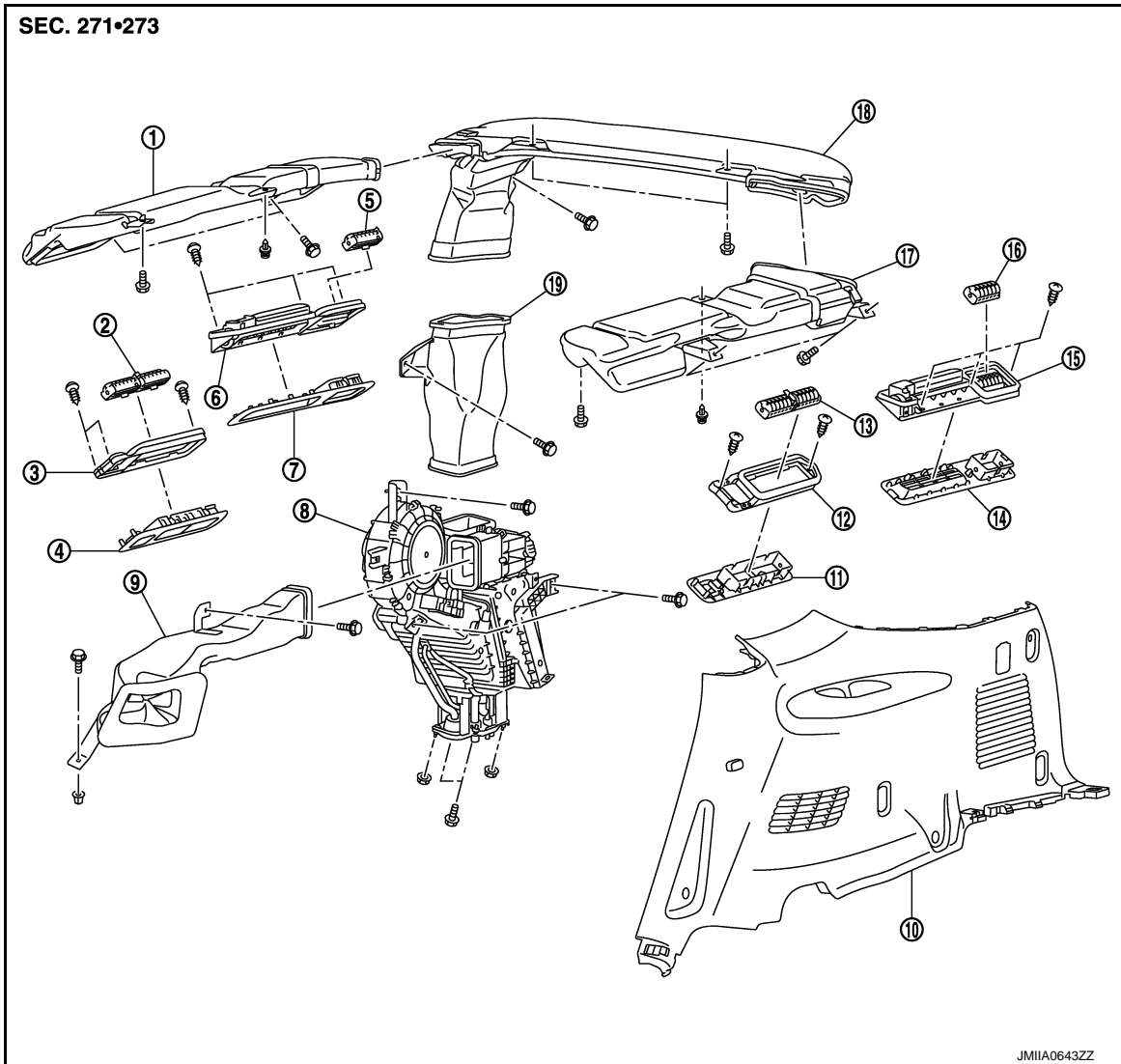
< REMOVAL AND INSTALLATION >

REAR A/C UNIT

Exploded View

INFOID:00000009010723

REMOVAL

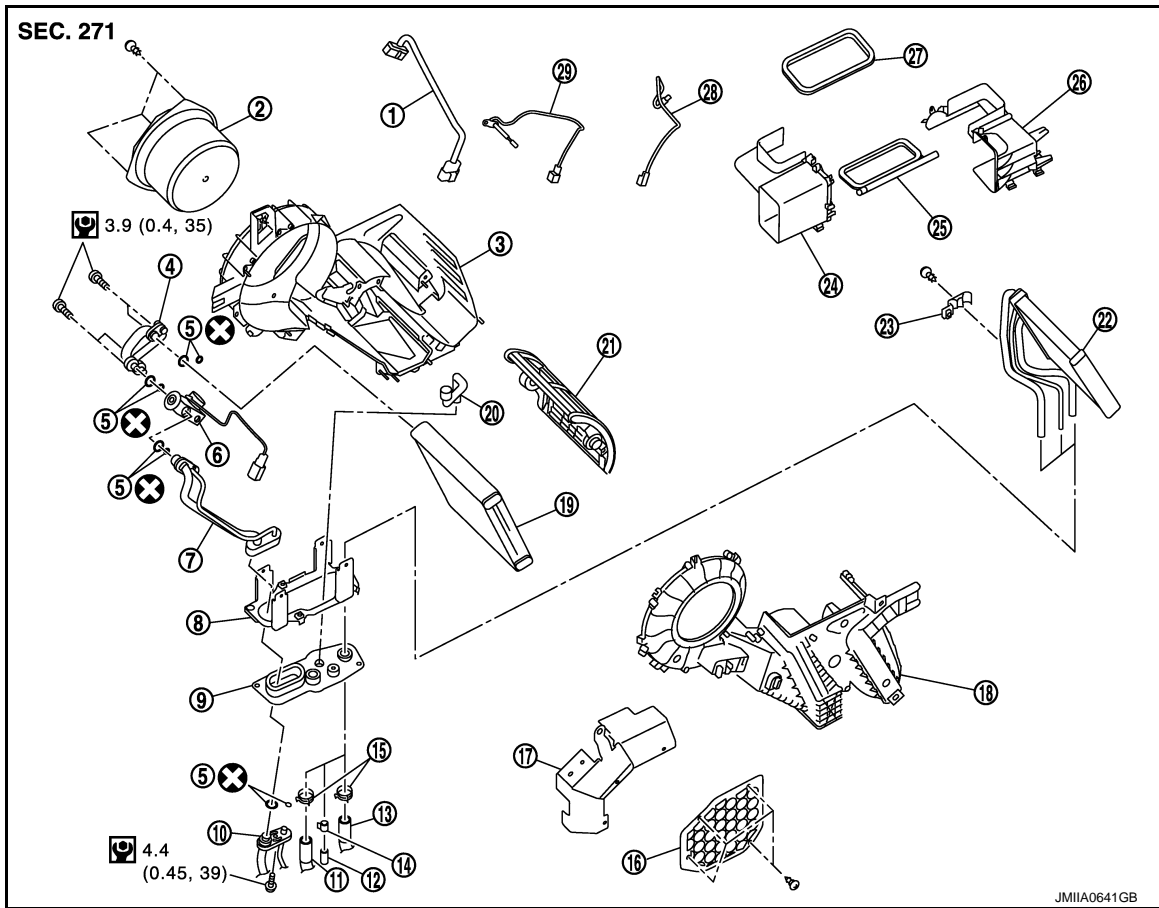


- | | | |
|--|---------------------------------------|-------------------------------|
| 1. Roof duct RH | 2. Rear ventilator outlet grille A RH | 3. Rear ventilator base RH |
| 4. Rear ventilator garnish A RH | 5. Rear ventilator outlet grille B RH | 6. Rear ventilator grille RH |
| 7. Rear ventilator garnish B RH | 8. Rear A/C unit assembly | 9. Rear ventilator duct lower |
| 10. Luggage side finisher RH | 11. Rear ventilator garnish A LH | 12. Rear ventilator base LH |
| 13. Rear ventilator outlet grille A LH | 14. Rear ventilator garnish B LH | 15. Rear ventilator grille LH |
| 16. Rear ventilator outlet grille B LH | 17. Roof duct LH | Roof duct center |
| 19. Rear ventilator duct upper | | |

DISASSEMBLY

REAR A/C UNIT

< REMOVAL AND INSTALLATION >



- | | | |
|-------------------------------------|--------------------------------------|--------------------------------------|
| 1. Rear blower harness | 2. Rear blower motor | 3. Rear A/C unit case RH |
| 4. Rear evaporator pipe assembly | 5. O-ring | 6. Rear expansion valve assembly |
| 7. Rear A/C cooler pipe assembly | 8. Pipe bracket | 9. Grommet |
| 10. Rear cooler pipe | 11. Rear heater outlet tube assembly | 12. Blind cap |
| 13. Rear heater inlet tube assembly | 14. Clamp | 15. Clamp |
| 16. Shield plate | 17. Bracket | 18. Rear A/C unit case LH |
| 19. Rear evaporator | 20. Drain hose | 21. Rear air mix door |
| 22. Rear heater core | 23. Rear heater pipe clamp | 24. Rear A/C unit upper case (front) |
| 25. Rear mode door | 26. Rear A/C unit upper case (rear) | 27. Air mix door harness |
| 28. Rear intake sensor | 29. Packing | |

⊗ : Always replace after every disassembly.

🔧 : N·m (kg-m, in-lb)

REAR A/C UNIT ASSEMBLY

REAR A/C UNIT ASSEMBLY : Removal and Installation

INFOID:000000009010724

REMOVAL

1. Use a refrigerant collecting equipment (for HFC-134a) to discharge the refrigerant. Refer to [HA-21, "Perform Lubricant Return Operation"](#).
2. Drain engine coolant from cooling system. Refer to [HA-21, "Perform Lubricant Return Operation"](#).
3. Remove rear ventilator duct upper. Refer to [VTL-11, "REAR VENTILATOR DUCT UPPER : Removal and Installation"](#).
4. Remove rear ventilator duct lower. Refer to [VTL-11, "REAR VENTILATOR DUCT LOWER : Removal and Installation"](#).

REAR A/C UNIT

< REMOVAL AND INSTALLATION >

5. Remove mounting bolt, and then disconnect rear cooler unit pipe assembly from rear cooler pipe assembly.
CAUTION:
Cap or wrap the joint of the A/C piping with suitable material such as vinyl tape to avoid the entry of air.
6. Remove clamps, and then disconnect rear heater pipe from rear cooler pipe assembly.
7. Remove jack from the vehicle.
8. Remove mounting bolts and nuts, and then remove rear A/C unit assembly.

INSTALLATION

Note the following items, and install in the reverse order of removal.

CAUTION:

- Replace O-rings with new ones. Then apply compressor oil to them when installing.
- Check for leakages when recharging refrigerant. Refer to [HA-17, "Leak Test"](#).

EVAPORATOR

EVAPORATOR : Removal and Installation

INFOID:000000009010725

REMOVAL

1. Remove rear A/C unit assembly. Refer to [HA-47, "REAR A/C UNIT ASSEMBLY : Removal and Installation"](#).
2. Disassemble rear A/C unit, and then remove rear evaporator assembly.
3. Remove mounting bolt, and then remove rear evaporator from rear evaporator assembly.

INSTALLATION

Note the following items, and install in the reverse order of removal.

CAUTION:

- Replace O-rings with new ones. Then apply compressor oil to them when installing.
- Check for leakages when recharging refrigerant. Refer to [HA-17, "Leak Test"](#).

EVAPORATOR PIPE ASSEMBLY

EVAPORATOR PIPE ASSEMBLY : Removal and Installation

INFOID:000000009010726

REMOVAL

1. Remove rear evaporator assembly. Refer to [HA-48, "EVAPORATOR : Removal and Installation"](#).
2. Remove mounting bolts, and then rear expansion valve from rear evaporator assembly.
CAUTION:
Cap or wrap the joint of the A/C piping and rear expansion valve with suitable material such as vinyl tape to avoid the entry of air.
3. Remove mounting bolts, and then remove evaporator pipe assembly from evaporator assembly.

INSTALLATION

Note the following items, and install in the reverse order of removal.

CAUTION:

- Replace O-rings with new ones. Then apply compressor oil to them when installing.
- Check for leakages when recharging refrigerant. Refer to [HA-17, "Leak Test"](#).

HEATER CORE

HEATER CORE : Removal and Installation

INFOID:000000009010727

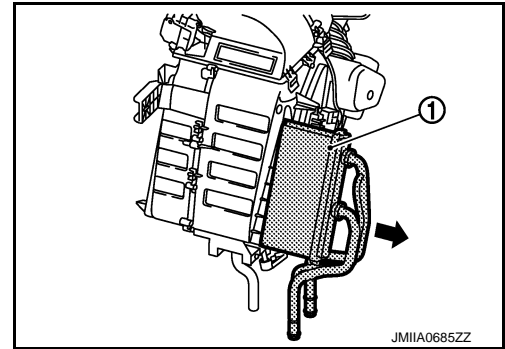
REMOVAL

1. Remove rear A/C unit assembly. Refer to [HA-47, "REAR A/C UNIT ASSEMBLY : Removal and Installation"](#).
2. Remove grommet from pipe bracket.
3. Remove mounting screws and then remove pipe bracket.
4. Remove mounting screw, and then heater pipe clamp.

REAR A/C UNIT

< REMOVAL AND INSTALLATION >

5. Pull out heater core (1) from rear A/C unit assembly.



INSTALLATION

Note the following item, and install in the reverse order of removal.

NOTE:

Refer to [CO-9, "Refilling"](#) when filling radiator with engine coolant.

EXPANSION VALVE

EXPANSION VALVE : Removal and Installation

INFOID:000000009010728

REMOVAL

1. Remove rear A/C unit assembly. Refer to [HA-47, "REAR A/C UNIT ASSEMBLY : Removal and Installation"](#).
2. Disassembly rear A/C unit assembly.
3. Remove mounting bolts, and then disconnect rear expansion valve assembly from rear evaporator pipe assembly and rear cooler pipe assembly.

INSTALLATION

Note the following items, and install in the reverse order of removal.

CAUTION:

- Replace O-rings with new ones. Then apply compressor oil to them when installing.
- Check for leakages when recharging refrigerant. Refer to [HA-17, "Leak Test"](#).

SERVICE DATA AND SPECIFICATIONS (SDS)

< SERVICE DATA AND SPECIFICATIONS (SDS)

SERVICE DATA AND SPECIFICATIONS (SDS)

SERVICE DATA AND SPECIFICATIONS (SDS)

Compressor

INFOID:000000009010729

Model		VALEO THERMAL SYSTEMS JAPAN make DKS-17D
Type		Fixation displacement swash plate
Displacement cm ³ (cu in)/rev	Maximum	175 (10.7)
Direction of rotation		Clockwise (viewed from clutch)
Drive belt		Poly V
Disc to pulley clearance mm (in)	Standard	0.3 – 0.6 (0.012 – 0.024)

Lubricant

INFOID:000000009010730

Name		UV Luminous Oil Type S (DH-PS)
Capacity m ^l (Imp fl oz)	Total in system	210 (7.1)
	Compressor (service part) charging amount	210 (7.1)

Refrigerant

INFOID:000000009010731

Type		HFC-134a (R-134a)
Capacity kg (lb)		1.05 (2.32)

Engine Idling Speed

INFOID:000000009010732

Refer to [EC-568, "Idle Speed"](#).

Belt Tension

INFOID:000000009010733

Refer to [EM-20, "Tension Adjustment"](#).