

SECTION **SBC**

SEAT BELT CONTROL SYSTEM

A
B
C
D
E
F
G
SBC
I
J
K
L
M
N
O
P

CONTENTS

<p>PRECAUTION 3</p> <p>PRECAUTIONS 3</p> <p style="padding-left: 20px;">Precaution for Supplemental Restraint System (SRS) "AIR BAG" and "SEAT BELT PRE-TENSIONER"3</p> <p style="padding-left: 20px;">Precaution for Seat Belt Service3</p> <p>SYSTEM DESCRIPTION 5</p> <p>COMPONENT PARTS 5</p> <p style="padding-left: 20px;">Component Parts Location5</p> <p style="padding-left: 20px;">Component Description6</p> <p>SYSTEM 7</p> <p>PRE-CRASH SEAT BELT SYSTEM7</p> <p style="padding-left: 20px;">PRE-CRASH SEAT BELT SYSTEM : System Diagram7</p> <p style="padding-left: 20px;">PRE-CRASH SEAT BELT SYSTEM : System Description7</p> <p style="padding-left: 20px;">PRE-CRASH SEAT BELT SYSTEM : Fail Safe9</p> <p>SEAT BELT WARNING LAMP SYSTEM 10</p> <p style="padding-left: 20px;">SEAT BELT WARNING LAMP SYSTEM : System Diagram 10</p> <p style="padding-left: 20px;">SEAT BELT WARNING LAMP SYSTEM : System Description 10</p> <p>DIAGNOSIS SYSTEM (PRE-CRASH SEAT BELT)11</p> <p style="padding-left: 20px;">CONSULT Function 11</p> <p>ECU DIAGNOSIS INFORMATION13</p> <p>PRE-CRASH SEAT BELT CONTROL UNIT (DRIVER SIDE)13</p> <p style="padding-left: 20px;">Reference Value 13</p> <p style="padding-left: 20px;">Fail Safe 14</p> <p style="padding-left: 20px;">DTC Index 16</p>	<p>PRE-CRASH SEAT BELT CONTROL UNIT (PASSENGER SIDE)17</p> <p style="padding-left: 20px;">Reference Value17</p> <p style="padding-left: 20px;">Fail Safe17</p> <p>WIRING DIAGRAM 19</p> <p>PRE-CRASH SEAT BELT SYSTEM19</p> <p style="padding-left: 20px;">Wiring Diagram19</p> <p>SEAT BELT WARNING SYSTEM21</p> <p style="padding-left: 20px;">Wiring Diagram21</p> <p>BASIC INSPECTION22</p> <p>DIAGNOSIS AND REPAIR WORKFLOW22</p> <p style="padding-left: 20px;">Work Flow22</p> <p>DTC/CIRCUIT DIAGNOSIS25</p> <p>U0126 ST ANG SEN SIG25</p> <p style="padding-left: 20px;">Description25</p> <p style="padding-left: 20px;">DTC Logic25</p> <p style="padding-left: 20px;">Diagnosis Procedure25</p> <p>U0428 STRG ANGL CAL26</p> <p style="padding-left: 20px;">Description26</p> <p style="padding-left: 20px;">DTC Logic26</p> <p style="padding-left: 20px;">Diagnosis Procedure26</p> <p>U1000 CAN COMM CIRCUIT27</p> <p style="padding-left: 20px;">Description27</p> <p style="padding-left: 20px;">DTC Logic27</p> <p>B2451 SEAT BLT MTR DR CIRC28</p> <p style="padding-left: 20px;">DTC Logic28</p> <p style="padding-left: 20px;">Diagnosis Procedure28</p> <p>B2452 SEAT BLT MTR AS CIRC29</p> <p style="padding-left: 20px;">DTC Logic29</p> <p style="padding-left: 20px;">Diagnosis Procedure29</p> <p>B2453 BR STROKE SEN CIRC30</p>
--	--

DTC Logic	30	Diagnosis Procedure	43
Diagnosis Procedure	30	POWER SUPPLY AND GROUND CIRCUIT	44
Component Inspection	31	Diagnosis Procedure	44
B2454 SEAT BLT PWR DR CIRC	33	SEAT BELT BUCKLE SWITCH (DRIVER	
DTC Logic	33	SIDE)	45
Diagnosis Procedure	33	Component Function Check	45
B2455 CONTROL UNIT DR	34	Diagnosis Procedure	45
DTC Logic	34	Component Inspection [Seat Belt Buckle Switch	
Diagnosis Procedure	34	(Driver Side)]	46
B2456 SEAT BLT PWR AS	35	SEAT BELT BUCKLE SWITCH (PASSEN-	
DTC Logic	35	GER SIDE)	47
Diagnosis Procedure	35	Component Function Check	47
B2457 CONTROL UNIT AS	36	Diagnosis Procedure	47
DTC Logic	36	Component Inspection [Seat Belt Buckle Switch	
Diagnosis Procedure	36	(Passenger Side)]	48
B2458 LOCAL COMM	37	SEAT BELT WARNING LAMP CIRCUIT	49
DTC Logic	37	Component Function Check	49
Diagnosis Procedure	37	Diagnosis Procedure	49
B2461 VHCL SPEED SIGNAL	39	Component Inspection [Seat Belt Buckle Switch	
Description	39	(Passenger Side)]	50
DTC Logic	39	SYMPTOM DIAGNOSIS	52
Diagnosis Procedure	39	PRE-CRASH SEAT BELT DOSE NOT OPER-	
B2463 ROLLOVER SIGNAL	40	ATE	52
Description	40	Diagnosis Procedure	52
DTC Logic	40	SEAT BELT WARNING LAMP DOES NOT	
Diagnosis Procedure	40	TURN OFF	53
B2466 DR/AS CONTROL UNIT	41	Diagnosis Procedure	53
DTC Logic	41	SEAT BELT WARNING LAMP DOES NOT	
Diagnosis Procedure	41	TURN ON	54
B2470 SYS HEAT PROTC DR	42	Diagnosis Procedure	54
Description	42	REMOVAL AND INSTALLATION	55
DTC Logic	42	BRAKE PEDAL STROKE SENSOR	55
Diagnosis Procedure	42	Exploded View	55
B2471 SYS HEAT PROTC AS	43	Removal and Installation	55
Description	43		
DTC Logic	43		

PRECAUTIONS

< PRECAUTION >

PRECAUTION

PRECAUTIONS

Precaution for Supplemental Restraint System (SRS) "AIR BAG" and "SEAT BELT PRE-TENSIONER"

INFOID:000000009011061

The Supplemental Restraint System such as "AIR BAG" and "SEAT BELT PRE-TENSIONER", used along with a front seat belt, helps to reduce the risk or severity of injury to the driver and front passenger for certain types of collision. Information necessary to service the system safely is included in the "SRS AIR BAG" and "SEAT BELT" of this Service Manual.

WARNING:

Always observe the following items for preventing accidental activation.

- To avoid rendering the SRS inoperative, which could increase the risk of personal injury or death in the event of a collision that would result in air bag inflation, all maintenance must be performed by an authorized NISSAN/INFINITI dealer.
- Improper maintenance, including incorrect removal and installation of the SRS, can lead to personal injury caused by unintentional activation of the system. For removal of Spiral Cable and Air Bag Module, see "SRS AIR BAG".
- Never use electrical test equipment on any circuit related to the SRS unless instructed to in this Service Manual. SRS wiring harnesses can be identified by yellow and/or orange harnesses or harness connectors.

PRECAUTIONS WHEN USING POWER TOOLS (AIR OR ELECTRIC) AND HAMMERS

WARNING:

Always observe the following items for preventing accidental activation.

- When working near the Air Bag Diagnosis Sensor Unit or other Air Bag System sensors with the ignition ON or engine running, never use air or electric power tools or strike near the sensor(s) with a hammer. Heavy vibration could activate the sensor(s) and deploy the air bag(s), possibly causing serious injury.
- When using air or electric power tools or hammers, always switch the ignition OFF, disconnect the battery, and wait at least 3 minutes before performing any service.

Precaution for Seat Belt Service

INFOID:000000009011062

CAUTION:

- Before removing the seat belt pre-tensioner assembly, turn the ignition switch off, disconnect the both battery cables and wait at least 3 minutes.
- Do not use electrical test equipment for seat belt pre-tensioner connector.
- After replacing or reinstalling seat belt pre-tensioner assembly, or reconnecting front seat belt pre-tensioner connector, check the system function. Refer to [SRC-10, "System Diagram"](#).
- Do not use disassemble buckle or seat belt assembly.
- Replace anchor bolts if they are deformed or worn out.
- Never oil tongue and buckle.
- If any component of seat belt assembly is questionable, do not repair. Replace the whole seat belt assembly.
- If webbing is cut, frayed, or damaged, replace seat belt assembly.
- When replacing seat belt assembly, use a genuine NISSAN seat belt assembly.

AFTER A COLLISION

WARNING:

Inspect all seat belt assemblies including retractors and attaching hardware after any collision.

NISSAN recommends that all seat belt assemblies in use during a collision be replaced unless the collision was minor and the belts show no damage and continue to operate properly. Failure to do so could result in serious personal injury in an accident. Seat belt assemblies not in use during a collision should also be replaced if either damage or improper operation is noted. Seat belt pre-tensioner should be replaced even if the seat belts are not in use during a frontal collision in which the air bags are deployed.

Replace any seat belt assembly (including anchor bolts) if:

- The seat belt was in use at the time of a collision (except for minor collisions and the belts, retractors and buckles show no damage and continue to operate properly).

A

B

C

D

E

F

G

SBC

I

J

K

L

M

N

O

P

PRECAUTIONS

< PRECAUTION >

- The seat belt was damaged in an accident. (i.e. torn webbing, bent retractor or guide).
- The seat belt attaching point was damaged in an accident. Inspect the seat belt attaching area for damage or distortion and repair as necessary before installing a new seat belt assembly.
- Anchor bolts are deformed or worn out.
- The seat belt pre-tensioner should be replaced even if the seat belts are not in use during the collision in which the air bags are deployed.

COMPONENT PARTS

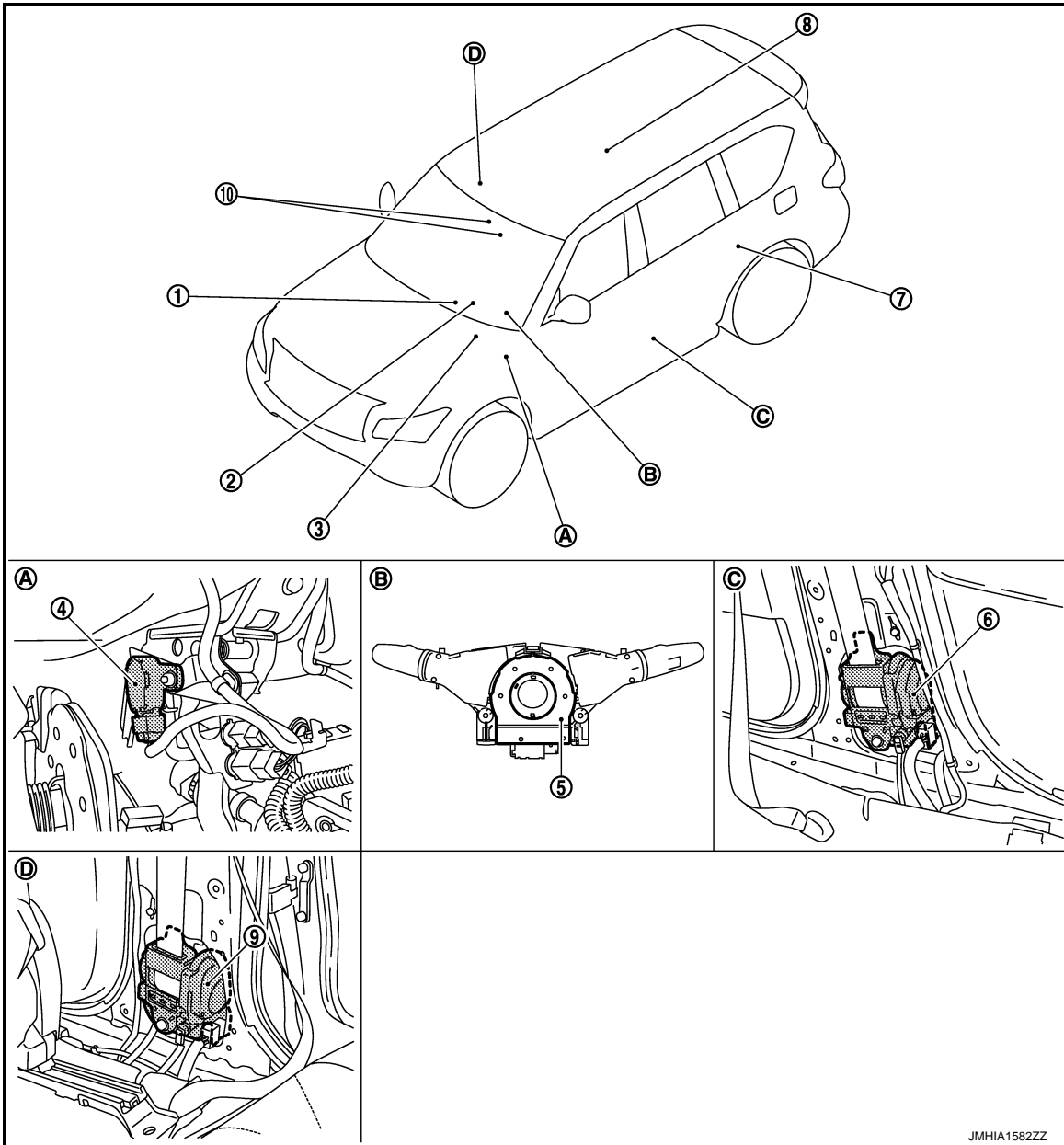
< SYSTEM DESCRIPTION >

SYSTEM DESCRIPTION

COMPONENT PARTS

Component Parts Location

INFOID:000000009011063



A
B
C
D
E
F
G
SBC
I
J
K
L
M
N

- | | | |
|--|---|--|
| 1. BCM
Refer to BCS-4. "BODY CONTROL SYSTEM : Component Parts Location" . | 2. Combination meter
Refer to MWI-6. "METER SYSTEM : Component Parts Location" . | 3. ABS actuator and electric unit (control unit)
Refer to BRC-9. "Component Parts Location" . |
| 4. Brake pedal stroke sensor | 5. Steering angle sensor Pre-crash | 6. Pre-crash seat belt control unit (driver side) |
| 7. ADAS control unit
Refer to DAS-14. "Component Parts Location" . | 8. Air bag diagnosis sensor unit
Refer to SRC-7. "Component Parts Location" . | 9. Seat belt control unit (passenger side) |
| 10. Seat belt buckle switch | | |

JMHIA1582ZZ

COMPONENT PARTS

< SYSTEM DESCRIPTION >

- A. View with instrument driver lower cover removed
- B. Combination switch
- C. View with center pillar lower garnish removed (driver side)
- D. View with center pillar lower garnish removed (passenger side)

Component Description

INFOID:000000009011064

Component	Function
ABS actuator and electric unit (control unit)	ABS operation signal is received from ABS actuator and electric unit (control unit) via CAN communication.
ADAS control unit	Intelligent brake assistance operation signal is received from ADAS control unit via CAN communication.
Air bag diagnosis sensor unit	<ul style="list-style-type: none"> • Detects a collision and supplies power supply for deployment to air bag module and pre-tensioner seat belt. • Performs the deploy judgement of passenger air bag based on the information from Occupant Detection System control unit
BCM	Ignition ON signal, sleep/wake up signal, and door switch signal are received from BCM via CAN communication.
Brake pedal stroke sensor	<ul style="list-style-type: none"> • It changes voltage according to brake pedal depressed amount and sends the signal to pre-crash seat belt control unit. • There are 2 signals (brake pedal stroke sensor 1 and 2) sent from the brake pedal stroke sensor. Pre-crash seat belt control unit judges the stroke amount and the speed of the brake pedal according to the voltage of the signal sent by each side.
Combination meter	<ul style="list-style-type: none"> • Transmits vehicle speed signal to pre-crash seat belt control unit (driver side). • Turns the seat belt warning lamp ON when the seat belt is unfastened.
Occupant detection system control unit	Judges the passenger seat condition based on the information from occupant detection unit.
Pre-crash seat belt control unit (driver side)	<ul style="list-style-type: none"> • Total control of pre-crash seat belt system is operated according to transmit signal. • Driver seat belt retractor integrates pre-crash seat belt control unit (driver side), driver seat belt motor, and tension reducer. • Seat belt motor operates each operation of pull, return, and hold.
Pre-crash seat belt control unit (passenger side)	<ul style="list-style-type: none"> • Control of passenger pre-crash seat belt is operated according to transmit signal. • Passenger seat belt retractor integrates pre-crash seat belt control unit (driver seat), driver seat belt motor, and tension reducer. • Seat belt motor operates each operation of pull, return, and hold.
Seat belt buckle switch (driver side)	<ul style="list-style-type: none"> • Fastening or not fastening of seat belt is judged. This judgment is used for control of driver pre-crash seat belt system. • Seat belt warning lamp on combination meter turns ON when seat belt is not fastened while ignition switch is ON. • The seat belt buckle switch is installed in the seat belt buckle.
Seat belt buckle switch (passenger side)	<ul style="list-style-type: none"> • Fastening or not fastening of seat belt is judged. This judgment is used to control passenger pre-crash seat belt system. • The seat belt buckle switch is installed in the seat belt buckle.
Steering angle sensor	Steering angle sensor signal, steering angle speed signal, steering angle sensor neutral position adjustment completion signal, and steering angle sensor malfunction signal are received via CAN communication.

SYSTEM

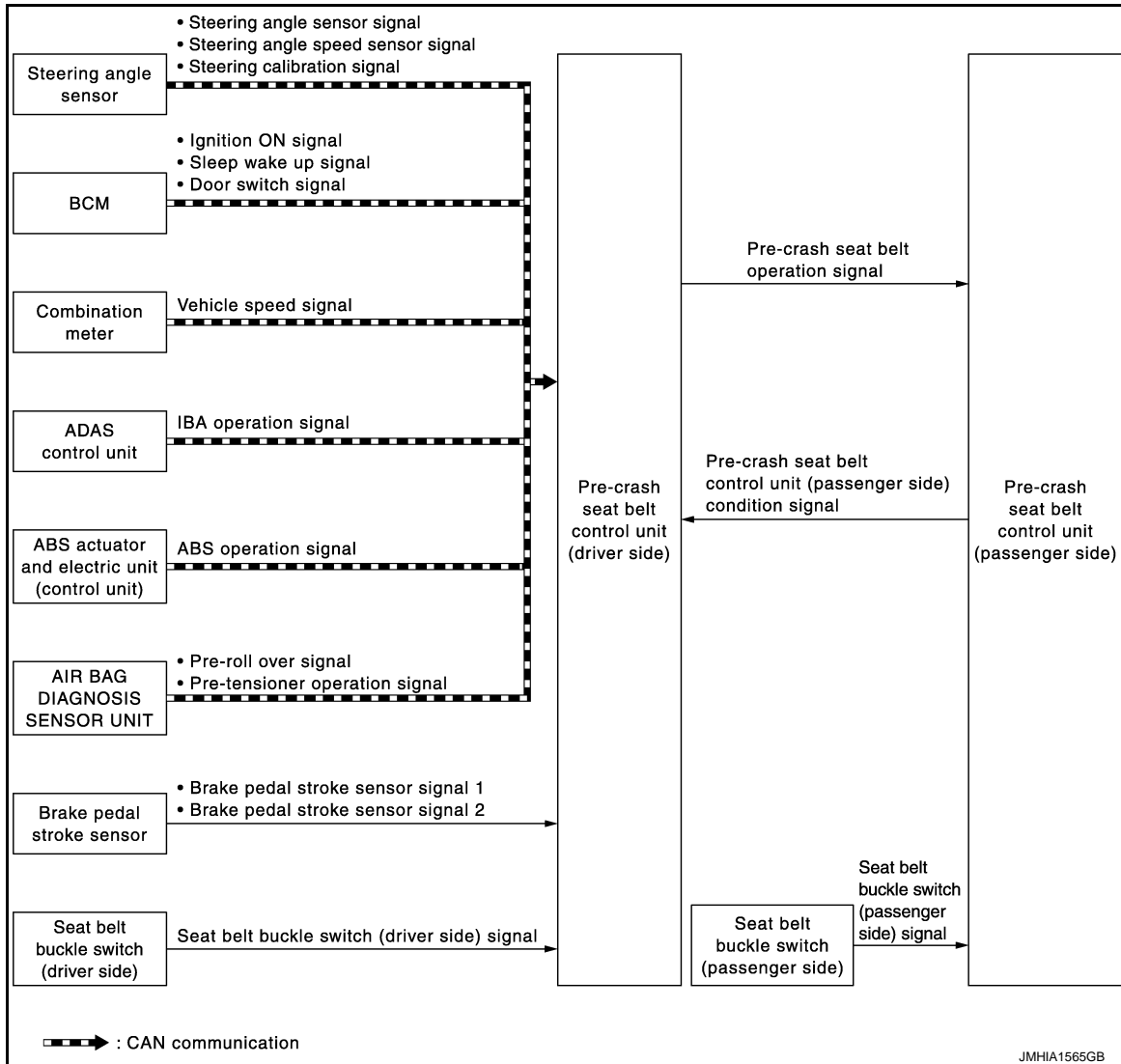
< SYSTEM DESCRIPTION >

SYSTEM

PRE-CRASH SEAT BELT SYSTEM

PRE-CRASH SEAT BELT SYSTEM : System Diagram

INFOID:000000009011065



A

B

C

D

E

F

G

SBC

I

J

K

L

PRE-CRASH SEAT BELT SYSTEM : System Description

INFOID:000000009011066

- Pre-crash seat belt system integrates control unit and motor in driver and passenger seat belt retractors.
- Provides a sense of ease when pre-crash seat belt control unit judges the emergency braking operation, the intelligent brake assistance operating status, the continuous ABS operating status, the emergency steering wheel operation, the excessive vehicle inclination status, or the lateral slippage status during cornering. The motor immediately retracts the seat belt and suppresses change in occupant posture.
- Even in a situation where a collision is unavoidable, effects of other safety devices, like the air bag, are maximized and damages are reduced.
- Motor retracts seat belt when unfastening and extracts seat belt when fastening to reduce the feeling of pressure. (comfort function)

FUNCTION DESCRIPTION

Pre-crash seat belt system operates under the following conditions.

- During emergency brake operation
- When ABS continuously operates
- When intelligent brake assistance operates
- When lateral slippage during cornering occurs
- When steering wheel is rotated for emergency

M

N

O

P

SYSTEM

< SYSTEM DESCRIPTION >

- When the vehicle inclined excessively
- When comfort function operates

OPERATION CONDITION

Operation while driving

- Operation start and stop conditions of pre-crash seat belt system are as shown in the following table.
- The activation and deactivation conditions of pre-crash seat belt are as per the following.

Operation item	Operation start condition	Operation stop condition
During emergency brake operation	<ul style="list-style-type: none"> • Vehicle speed is 15 km/h (9 MPH) or more • Emergency braking status is detected 	<ul style="list-style-type: none"> • During acceleration • When stopped
When ABS continuously operates	<ul style="list-style-type: none"> • ABS continuously operates for 2 seconds or more • Brake pedal is in depressed state 	
When intelligent brake assistance operates	System detects that intelligent brake assistance is in operating status	2 seconds after operation start
When lateral slippage during cornering occurs	<ul style="list-style-type: none"> • Vehicle speed is 30 km/h (19 MPH) or more • System detects that the vehicle is in lateral slippage state • System detects that the vehicle is driving on a curve 	<ul style="list-style-type: none"> • Vehicle stopped • 1 second or more after maintaining steering wheel angle in straight driving state
When steering wheel is rotated for emergency	<ul style="list-style-type: none"> • Vehicle speed is 60 km/h (36 MPH) or more • Steering wheel angle is 90 degrees or more • System detects that steering wheel is rotated for emergency 	
When the vehicle inclined excessively	<ul style="list-style-type: none"> • Vehicle speed is 30 km/h (19 MPH) or more • System detects that the vehicle inclined excessively 	<ul style="list-style-type: none"> • During acceleration • Vehicle stopped

NOTE:

For details of intelligent brake assist system. Refer to [BRC-157, "INTELLIGENT BRAKE ASSIST : System Description"](#).

Comfort function

- Seat belt is retracted and the looseness is reduced in the state as shown in the following table.
- Operation start and stop conditions of pre-crash seat belt system are as shown in the following table.

Operation item	Activating condition	Deactivating condition
Door open	<ul style="list-style-type: none"> • Seat belt is in not fastened state • Door is operated to open from closed • Vehicle stopped 	<ul style="list-style-type: none"> • Seat belt retract is complete • 13 seconds after start retracting
Seat belt is fastened	<ul style="list-style-type: none"> • When door is closed • Seat belt is fastened 	<ul style="list-style-type: none"> • Seat belt is unfastened • 1 second after operation
Seat belt is release	Seat belt is unfastened	<ul style="list-style-type: none"> • Seat belt retract is complete • 10 seconds after start retracting

Operation Prohibition Condition

Pre-crash seat belt system does not operate in the following conditions.

- When seat belt is not fastened (only the seat belt that is not fastened does not operate)
- When motor is overheat due to contentious operation*1
- When the system is in fail-safe mode

*1: System operation is temporarily deactivated to avoid overheating, when comfort function is continuously operated (18 times or more) during a short period of time by fastening and unfastening seat belts or opening and closing doors.

MALFUNCTION WARNING

When system malfunction is detected, comfort function is deactivated to warn customer of system malfunction.

SYSTEM

< SYSTEM DESCRIPTION >

PRE-CRASH SEAT BELT SYSTEM : Fail Safe

INFOID:000000009011067

- When a system malfunction is detected, deactivates a part of the system or all functions depending on the malfunctioning part.
- When the malfunction condition recovers to the normal condition, the system returns to the normal operation.

Display contents of CONSULT		Fail-safe
U0126	STRG ANG SEN SIG	Stops the operation in the conditions as per the following. <ul style="list-style-type: none"> • When lateral slippage during cornering occurs • When steering wheel is rotated for emergency • A part of comfort function
U0428	STRG ANGL CAL	Stops the operation in the conditions as per the following. <ul style="list-style-type: none"> • When lateral slippage during cornering occurs • When steering wheel is rotated for emergency • A part of comfort function
U1000	CAN communication circuit	Stops the operation in the conditions as per the following. *1 <ul style="list-style-type: none"> • During emergency brake operation • When ABS continuously operates • When lateral slippage during cornering occurs • When Intelligent brake assistance operates • When steering wheel is rotated for emergency • When the vehicle inclined excessively • A part or the whole comfort function
B2451	SEAT BLT MTR DR CIRC	Fully deactivates the whole operation.
B2452	SEAT BLT MTR AS CIRC	Deactivates a part of comfort function.
B2453	BR_STROKE_SEN_CIRC	Stops the operation in the conditions as per the following. <ul style="list-style-type: none"> • During emergency brake operation • When ABS continuously operates • A part of comfort function
B2454	SEAT BLT PWR DR CIRC	Fully deactivates the whole operation.
B2455	CONTROL UNIT DR	Stops the operation in the conditions as per the following. *1 <ul style="list-style-type: none"> • During emergency brake operation • When ABS continuously operates • When lateral slippage during cornering occurs • When Intelligent brake assistance operates • When steering wheel is rotated for emergency • When the vehicle inclined excessively • A part or the whole comfort function
B2456	SEAT BLT PWR AS	Deactivates a part of comfort function.
B2457	CONTROL UNIT AS	Deactivates a part of comfort function.
B2458	LOCAL COMM	Deactivates a part of comfort function.
B2461	VHCL SPEED SIGNAL	Stops the operation in the conditions as per the following. <ul style="list-style-type: none"> • During emergency brake operation • When ABS continuously operates • When lateral slippage during cornering occurs • When steering wheel is rotated for emergency • When the vehicle inclined excessively • When comfort function operates
B2463	ROLLOVER SIGNAL	Stops the operation in the conditions as per the following. <ul style="list-style-type: none"> • When the vehicle inclined excessively • A part or the whole comfort function
B2466	DR/AS CONTROL UNIT	Deactivates a part of comfort function.
B2470	SYS HEAT PROTC DR	<ul style="list-style-type: none"> • Fully deactivates the whole operation. • Operation return - 1 time operation becomes possible after approximately 30 seconds - Returns to the initial condition after approximately 8 minutes

*1: The deactivation mode differs depending on the internal malfunctioning condition of control unit

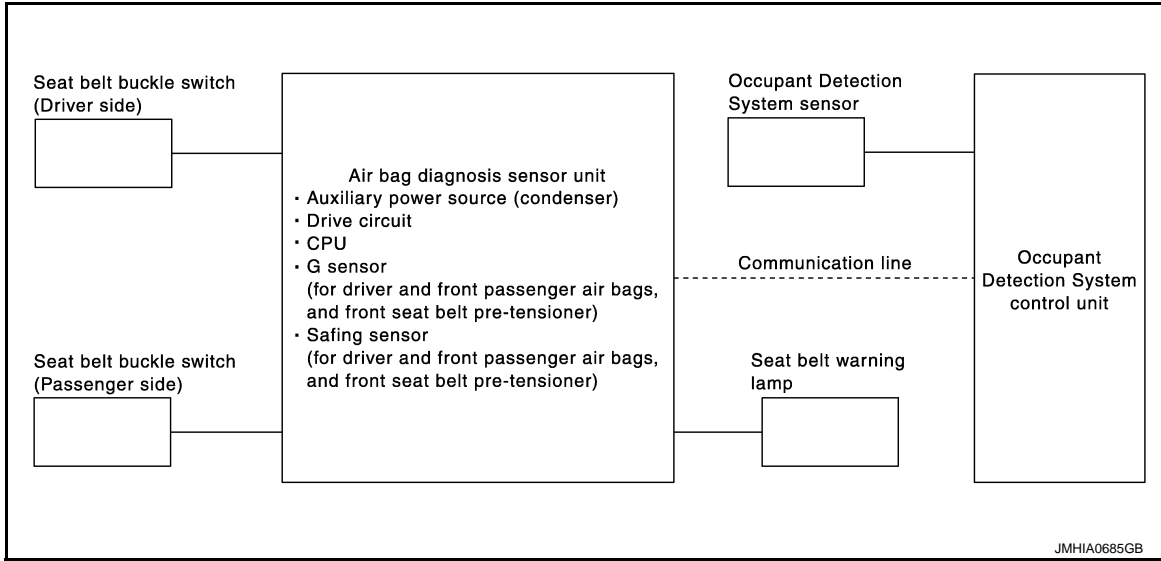
SYSTEM

< SYSTEM DESCRIPTION >

SEAT BELT WARNING LAMP SYSTEM

SEAT BELT WARNING LAMP SYSTEM : System Diagram

INFOID:000000009011068



SEAT BELT WARNING LAMP SYSTEM : System Description

INFOID:000000009011069

- Turns ON seat belt warning lamp, when the Occupant Detection System judges adult or child in the front passenger seat and the passenger seat belt buckle switch is OFF.
- Operation of air bag diagnosis sensor unit when air bag diagnosis sensor unit receives information from Occupant Detection System.
- In addition, seat belt warning lamp illuminates, when the driver side seat belt is not fastened. This does not relate to the air bag diagnosis sensor unit.
- For driver seat belt function, refer to [MWI-16, "MASTER WARNING LAMP : System Diagram"](#)

Status (front passenger seat)	Seat belt warning lamp (When front passenger seat is unbuckled)
Empty	OFF
An object	OFF
Child/ child-seat	ON
Adult	ON
Malfunction	OFF
Zero point reset Not yet performed (service parts only)	OFF

DIAGNOSIS SYSTEM (PRE-CRASH SEAT BELT)

< SYSTEM DESCRIPTION >

DIAGNOSIS SYSTEM (PRE-CRASH SEAT BELT)

CONSULT Function

INFOID:000000009011070

Diagnosis for pre-crash seat belt system can be performed using CONSULT.

APPLICATION ITEM

Part to be diagnosed	Diagnosis Mode	Function description
Pre-crash seat belt	Self-diagnosis Results	<ul style="list-style-type: none"> Displays data recorded when a malfunction is detected. Erases DTC recorded in memory.
	Data Monitor	Displays input data for pre-crash seat belt control unit in real time.
	Work Support	Changes the setting for each system function.
	CAN DIAG SUPPORT MNTR	Monitors communication status of CAN communication.
	Ecu Identification	Displays pre-crash seat belt control unit part number.

SELF-DIAGNOSIS RESULTS

Refer to [SBC-16, "DTC Index"](#).

CAUTION:

When malfunctions are detected in several systems, including CAN communication [U1000], troubleshoot CAN communication [U1000].

A malfunction of system may be displayed when battery voltage is low (when 7 to 8 V is continued for approximately 2 seconds) even though the system is not malfunctioning. Erase DTC memory and never replace any parts after making sure that the system is normal, especially if the malfunctions are displayed after replacing battery.

ERASING SELF-DIAGNOSIS RESULTS

• SELF-DIAGNOSIS RESULTS

Current "SELF-DIAG RESULTS" are displayed. (If all suspect circuits have been repaired, "NO DTC" is displayed.)

DATA MONITOR

NOTE:

The following table includes information (items) inapplicable to this vehicle. For information (items) applicable to this vehicle, refer to CONSULT display items.

Monitor item	Contents
BUCKLE SW RH	Indicates [ON/OFF] condition of seat belt buckle switch (RH).
BUCKLE SW LH	Indicates [ON/OFF] condition of seat belt buckle switch (LH).
VEHICLE DISTANCE	Indicates [ON/OFF] condition of intelligent brake assist signal.
IGN SW	Indicates [ON/OFF] condition of ignition switch.
FR DOOR SW RH	Indicates [Close/Open] condition of front door switch (RH).
FR DOOR SW LH	Indicates [Close/Open] condition of front door switch (LH).
ABS ACTIVATING	Indicates [ON/OFF] condition of ABS operation signal.
VHCL SPEED	Indicates [Km/h] vehicle speed signal.
BRK PEDAL SNSR1	Indicates [V] voltage of brake pedal stroke sensor 1 signal.
BRK PEDAL SNSR2	Indicates [V] voltage of brake pedal stroke sensor 2 signal.
STRG ANGLE	Indicates [deg] steering angle signal.
STRG ANGLE SPEED	Indicates [deg/s] steering angle speed signal.
INCLINATION JDMT	Indicates [ON/OFF] condition of pre roll over signal.
PRE-TEN ACTIVTN	Indicates [ON/OFF] condition of pre-tensioner operated signal.

DIAGNOSIS SYSTEM (PRE-CRASH SEAT BELT)

< SYSTEM DESCRIPTION >

Monitor item	Contents
HEAT PROTC RH	Indicates [ON/OFF] condition of heat protection (RH).
HEAT PROTC LH	Indicates [ON/OFF] condition of heat protection (LH).

WORK SUPPORT

Monitor item	Description
DOOR OPENING RETRACT RETRY	Changes the number of times for the seat belt retract retry when the door opens.

PRE-CRASH SEAT BELT CONTROL UNIT (DRIVER SIDE)

< ECU DIAGNOSIS INFORMATION >

ECU DIAGNOSIS INFORMATION

PRE-CRASH SEAT BELT CONTROL UNIT (DRIVER SIDE)

Reference Value

INFOID:000000009011071

VALUES ON THE DIAGNOSIS TOOL

NOTE:

The following table includes information (items) inapplicable to this vehicle. For information (items) applicable to this vehicle, refer to CONSULT display items.

CONSULT MONITOR ITEM

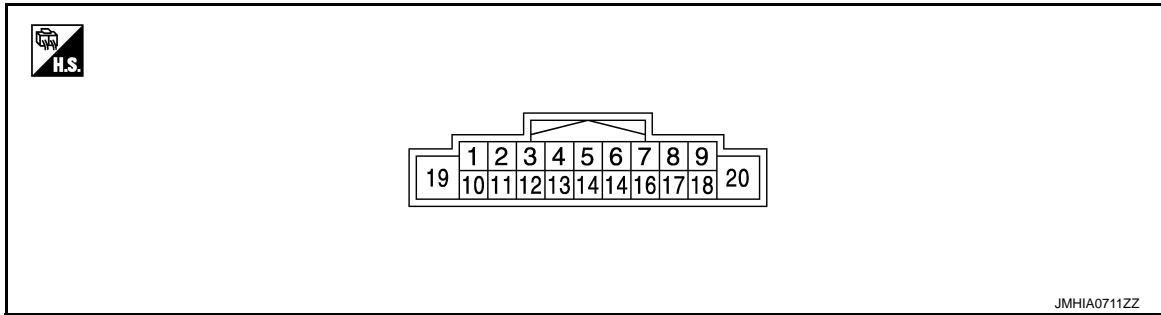
Monitor item	Condition	Value/Status (Approx.)
BUCKLE SW RH	RH seat belt is not fastened	OFF
	RH seat belt is fastened	ON
BUCKLE SW LH	RH seat belt is not fastened	OFF
	RH seat belt is fastened	ON
VEHICLE DISTANCE	Not activated	OFF
	Activated	ON
IGN SW	Ignition switch OFF	OFF
	Ignition switch ON	ON
FR DOOR SW RH	LH door close	CLOSE
	LH door open	OPEN
FR DOOR SW LH	RH door close	CLOSE
	RH door open	OPEN
ABS ACTIVATING	ABS is inactive	OFF
	ABS is active	ON
VHCL SPEED	While driving	Equivalent speedometer reading (km/h)
BRK PEDAL SNSR1	Brake released → depressed	(1 V → 4 V)
BRK PEDAL SNSR2	Brake released → depressed	(4 V → 1 V)
STRG ANGLE	Steering wheel: 0° (Neutral)	±2.5 (deg)
	Steering wheel: 90° (Turned right)	+90 (deg)
	Steering wheel: 90° (Turned left)	-90 (deg)
STRG ANGLE SPEED	Steering wheel: Being turned	Depending on steering acceleration speed (deg/s)
INCLINATION JDMT	Vehicle is level	OFF
	Vehicle is inclined	ON
PRE-TEN ACTIVTN	Seat belt pre-tensioner is not activated	OFF
	Seat belt pre-tensioner is activated	ON
HEAT PROTC RH	RH heat protection is not activated	OFF
	RH heat protection is activated	ON
HEAT PROTC LH	LH heat protection is not activated	OFF
	LH heat protection is activated	ON

A
B
C
D
E
F
G
SBC
I
J
K
L
M
N
O
P

PRE-CRASH SEAT BELT CONTROL UNIT (DRIVER SIDE)

< ECU DIAGNOSIS INFORMATION >

TERMINAL LAYOUT



PHYSICAL VALUES

Terminal No. (Wire color)		Description		Condition	Value (Approx.)
+	-	Signal name	Input/ Output		
1 (Y)	Ground	Power supply	Input	—	Battery voltage
2 (G)	Ground	Brake pedal stroke sensor signal 1	Input	Brake released → depressed	1 V - 4 V
4 (P)	Ground	CAN-L	Input/ Output	—	—
6 (LG/R)	Ground	Seat belt buckle switch signal	Input	Seat belt is fastened	0 V
				Seat belt is unfastened	5 V
8 (G)	Ground	Local Communication Line 2	Output	IGN ON	5 V
9 (-)	Ground	Shield	—	—	—
10 (R)	Ground	Brake pedal stroke sensor power circuit	Output	IGN ON	5 V
12 (B)	Ground	Brake pedal stroke sensor signal 2	Input	Brake released → depressed	4 V - 1 V
14 (L)	Ground	CAN-H	Input/ Output	—	—
16 (W)	Ground	Local Communication Line 1	Input/ Output	—	—
17 (W)	Ground	Brake pedal stroke sensor ground circuit	—	—	0 V
18 (B)	Ground	Ground	—	—	0 V
19 (W)	Ground	Motor drive circuit power supply	Input	—	Battery voltage
20 (B)	Ground	Motor drive circuit ground	—	—	0 V

Fail Safe

INFOID:000000009011072

- When a system malfunction is detected, deactivates a part of the system or all functions depending on the malfunctioning part.
- When the malfunction condition recovers to the normal condition, the system returns to the normal operation.

PRE-CRASH SEAT BELT CONTROL UNIT (DRIVER SIDE)

< ECU DIAGNOSIS INFORMATION >

Display contents of CONSULT		Fail-safe	
U0126	STRG ANG SEN SIG	Stops the operation in the conditions as per the following. <ul style="list-style-type: none"> • When lateral slippage during cornering occurs • When steering wheel is rotated for emergency • A part of comfort function 	A
U0428	STRG ANGL CAL	Stops the operation in the conditions as per the following. <ul style="list-style-type: none"> • When lateral slippage during cornering occurs • When steering wheel is rotated for emergency • A part of comfort function 	B
U1000	CAN communication circuit	Stops the operation in the conditions as per the following. *1 <ul style="list-style-type: none"> • During emergency brake operation • When ABS continuously operates • When lateral slippage during cornering occurs • When Intelligent brake assistance operates • When steering wheel is rotated for emergency • When the vehicle inclined excessively • A part or the whole comfort function 	C
B2451	SEAT BLT MTR DR CIRC	Fully deactivates the whole operation.	D
B2452	SEAT BLT MTR AS CIRC	Deactivates a part of comfort function.	E
B2453	BR_STROKE_SEN_CIRC	Stops the operation in the conditions as per the following. <ul style="list-style-type: none"> • During emergency brake operation • When ABS continuously operates • A part of comfort function 	F
B2454	SEAT BLT PWR DR CIRC	Fully deactivates the whole operation.	G
B2455	CONTROL UNIT DR	Stops the operation in the conditions as per the following. *1 <ul style="list-style-type: none"> • During emergency brake operation • When ABS continuously operates • When lateral slippage during cornering occurs • When Intelligent brake assistance operates • When steering wheel is rotated for emergency • When the vehicle inclined excessively • A part or the whole comfort function 	SBC
B2456	SEAT BLT PWR AS	Deactivates a part of comfort function.	I
B2457	CONTROL UNIT AS	Deactivates a part of comfort function.	J
B2458	LOCAL COMM	Deactivates a part of comfort function.	K
B2461	VHCL SPEED SIGNAL	Stops the operation in the conditions as per the following. <ul style="list-style-type: none"> • During emergency brake operation • When ABS continuously operates • When lateral slippage during cornering occurs • When steering wheel is rotated for emergency • When the vehicle inclined excessively • When comfort function operates 	L
B2463	ROLLOVER SIGNAL	Stops the operation in the conditions as per the following. <ul style="list-style-type: none"> • When the vehicle inclined excessively • A part or the whole comfort function 	M
B2466	DR/AS CONTROL UNIT	Deactivates a part of comfort function.	N
B2470	SYS HEAT PROTC DR	<ul style="list-style-type: none"> • Fully deactivates the whole operation. • Operation return - 1 time operation becomes possible after approximately 30 seconds - Returns to the initial condition after approximately 8 minutes 	O
			P

*1: The deactivation mode differs depending on the internal malfunctioning condition of control unit

PRE-CRASH SEAT BELT CONTROL UNIT (DRIVER SIDE)

< ECU DIAGNOSIS INFORMATION >

DTC Index

INFOID:000000009011073

DTC	Trouble diagnosis name (CONSULT display)	DTC detection condition	Reference
U0126	STRG ANG SEN SIG	Steering angle sensor malfunction is received	SBC-25
U0428	STRG ANGL CAL	Steering angle sensor calibration incomplete signal is received	SBC-26
U1000	CAN COMM CIRCUIT	Pre-crash seat belt control unit cannot transmit and receive CAN communication signal for 2 seconds or more	SBC-27
B2451	SEAT BLT MTR DR CIRC	<ul style="list-style-type: none">• Motor or control unit malfunction• Seat belt motor circuit is open or shorted	SBC-28
B2452	SEAT BLT MTR AS CIRC	<ul style="list-style-type: none">• Motor or control unit malfunction• Seat belt motor circuit is open or shorted	SBC-29
B2453	BR_STROKE_SEN_CIRC	<ul style="list-style-type: none">• Brake pedal stroke sensor malfunction• Brake pedal stroke sensor circuit is open or shorted	SBC-30
B2454	SEAT BLT PWR DR CIRC	Motor power supply circuit is open or shorted	SBC-33
B2455	CONTROL UNIT DR	Malfunction in pre-crash seat belt control unit	SBC-34
B2456	SEAT BLT PWR AS CIRC	Motor power supply circuit is open or shorted	SBC-35
B2457	CONTROL UNIT AS	Malfunction in pre-crash seat belt control unit	SBC-36
B2458	LOCAL COMM	Local communication line open or shorted	SBC-37
B2461	VHCL SPEED SIGNAL	Vehicle speed signal malfunction is received	SBC-39
B2463	ROLLOVER SIGNAL	Rollover signal malfunction is received	SBC-40
B2466	DR/AS CONTROL UNIT	Control unit is out of the vehicle specification	SBC-41
B2470	SYS HEAT PROTC DR	Deactivation for cooling to prevent system heating due to continuous operation	SBC-42
B2471	SYS HEAT PROTC AS	Deactivation for cooling to prevent system heating due to continuous operation	SBC-43

PRE-CRASH SEAT BELT CONTROL UNIT (PASSENGER SIDE)

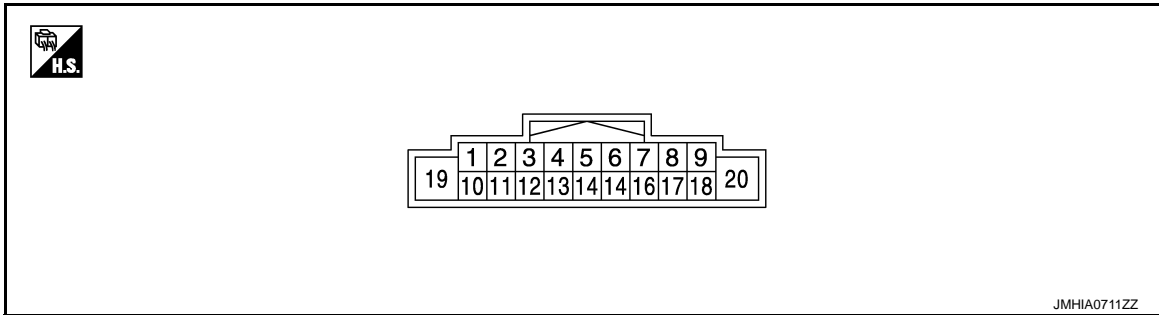
< ECU DIAGNOSIS INFORMATION >

PRE-CRASH SEAT BELT CONTROL UNIT (PASSENGER SIDE)

Reference Value

INFOID:000000009011074

TERMINAL LAYOUT



PHYSICAL VALUES

Terminal No. (Wire color)		Description		Condition	Value (Approx.)
+	-	Signal name	Input/ Output		
1 (Y)	Ground	Power supply	Input	—	Battery voltage
6 (LG/B)	Ground	Seat belt buckle switch signal	Input	Seat belt is fastened	0 V
				Seat belt is unfastened	5 V
8 (G)	Ground	Local Communication Line 2	Input/ Output	IGN ON	5 V
9 (-)	Ground	Shield	—	—	—
16 (W)	Ground	Local Communication Line 1	Input/ Output	—	—
18 (B)	Ground	Ground	—	—	0 V
19 (W)	Ground	Motor passenger circuit power supply	Input	—	Battery voltage
20 (B)	Ground	Motor passenger circuit ground	—	—	0 V

Fail Safe

INFOID:000000009011075

- When a system malfunction is detected, deactivates a part of the system or all functions depending on the malfunctioning part.
- When the malfunction condition recovers to the normal condition, the system returns to the normal operation.

Display contents of CONSULT		Fail-safe
U0126	STRG ANG SEN SIG	Stops the operation in the conditions as per the following. <ul style="list-style-type: none"> • When lateral slippage during cornering occurs • When steering wheel is rotated for emergency • A part of comfort function
U0428	STRG ANGL CAL	Stops the operation in the conditions as per the following. <ul style="list-style-type: none"> • When lateral slippage during cornering occurs • When steering wheel is rotated for emergency • A part of comfort function

PRE-CRASH SEAT BELT CONTROL UNIT (PASSENGER SIDE)

< ECU DIAGNOSIS INFORMATION >

Display contents of CONSULT		Fail-safe
U1000	CAN communication circuit	Stops the operation in the conditions as per the following. *1 <ul style="list-style-type: none"> • During emergency brake operation • When ABS continuously operates • When lateral slippage during cornering occurs • When Intelligent brake assistance operates • When steering wheel is rotated for emergency • When the vehicle inclined excessively • A part or the whole comfort function
B2451	SEAT BLT MTR DR CIRC	Fully deactivates the whole operation.
B2452	SEAT BLT MTR AS CIRC	Deactivates a part of comfort function.
B2453	BR_STROKE_SEN_CIRC	Stops the operation in the conditions as per the following. <ul style="list-style-type: none"> • During emergency brake operation • When ABS continuously operates • A part of comfort function
B2454	SEAT BLT PWR DR CIRC	Fully deactivates the whole operation.
B2455	CONTROL UNIT DR	Stops the operation in the conditions as per the following. *1 <ul style="list-style-type: none"> • During emergency brake operation • When ABS continuously operates • When lateral slippage during cornering occurs • When Intelligent brake assistance operates • When steering wheel is rotated for emergency • When the vehicle inclined excessively • A part or the whole comfort function
B2456	SEAT BLT PWR AS	Deactivates a part of comfort function.
B2457	CONTROL UNIT AS	Deactivates a part of comfort function.
B2458	LOCAL COMM	Deactivates a part of comfort function.
B2461	VHCL SPEED SIGNAL	Stops the operation in the conditions as per the following. <ul style="list-style-type: none"> • During emergency brake operation • When ABS continuously operates • When lateral slippage during cornering occurs • When steering wheel is rotated for emergency • When the vehicle inclined excessively • When comfort function operates
B2463	ROLLOVER SIGNAL	Stops the operation in the conditions as per the following. <ul style="list-style-type: none"> • When the vehicle inclined excessively • A part or the whole comfort function
B2466	DR/AS CONTROL UNIT	Deactivates a part of comfort function.
B2470	SYS HEAT PROTC DR	<ul style="list-style-type: none"> • Fully deactivates the whole operation. • Operation return - 1 time operation becomes possible after approximately 30 seconds - Returns to the initial condition after approximately 8 minutes

*1: The deactivation mode differs depending on the internal malfunctioning condition of control unit

PRE-CRASH SEAT BELT SYSTEM

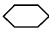
< WIRING DIAGRAM >

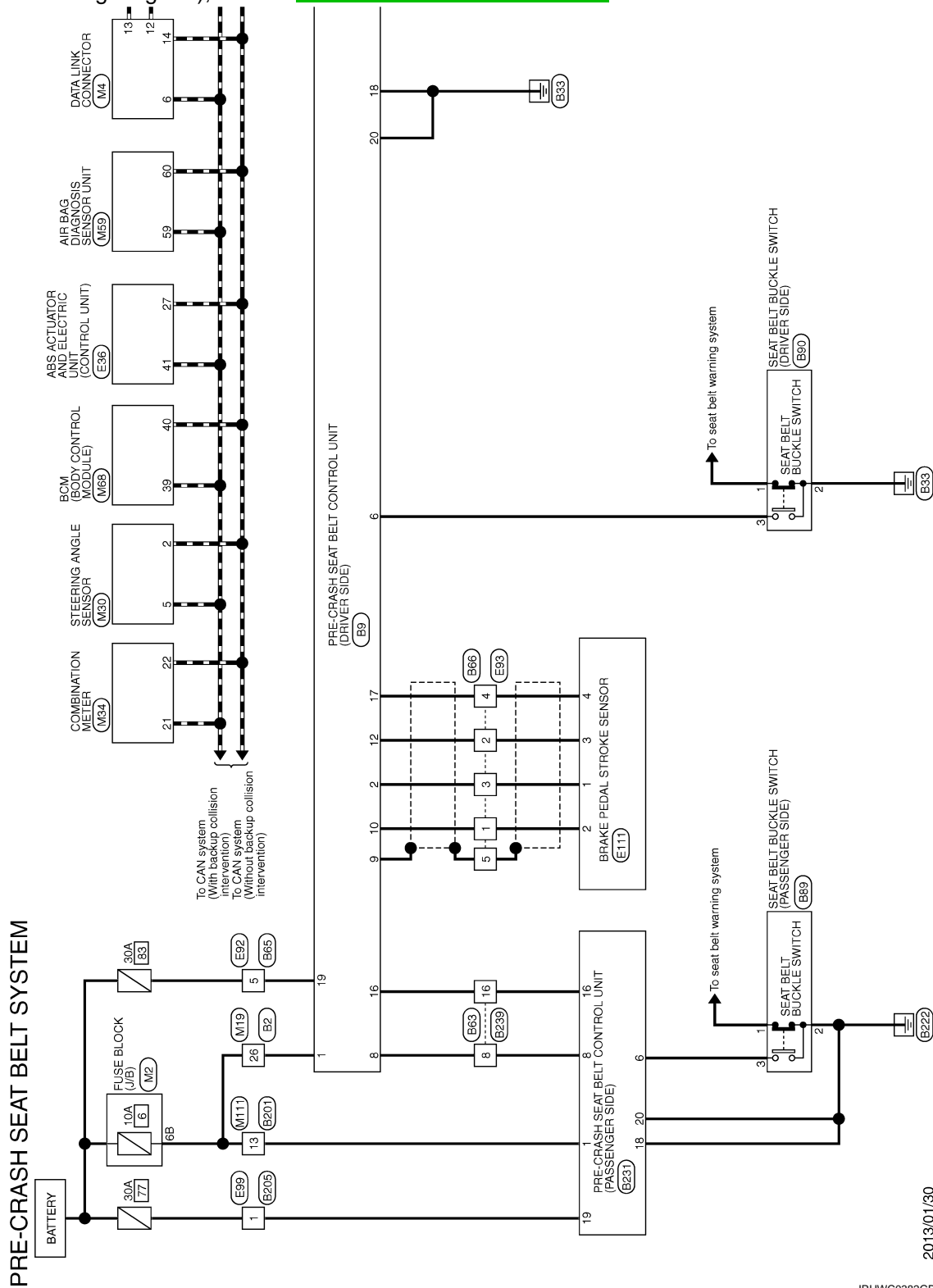
WIRING DIAGRAM

PRE-CRASH SEAT BELT SYSTEM

Wiring Diagram

INFOID:000000009011076

For connector terminal arrangements, harness layouts, and alphabets in a  (option abbreviation; if not described in wiring diagram), refer to [GI-12. "Connector Information"](#).



2013/01/30

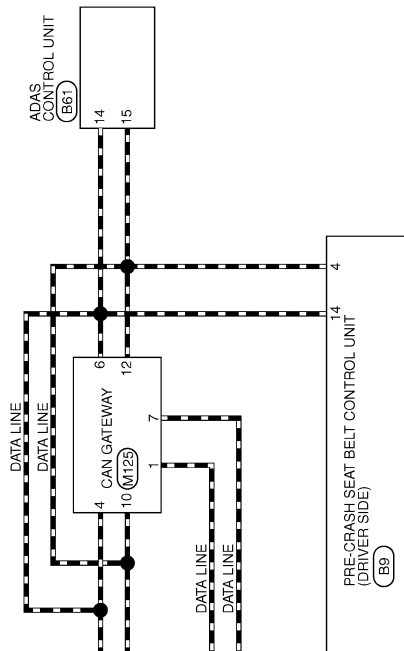
JRHWC0382GB

A
B
C
D
E
F
G
H
I
J
K
L
M
N
O
P

SBC

PRE-CRASH SEAT BELT SYSTEM

< WIRING DIAGRAM >



JRHWC0383GB

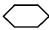
SEAT BELT WARNING SYSTEM

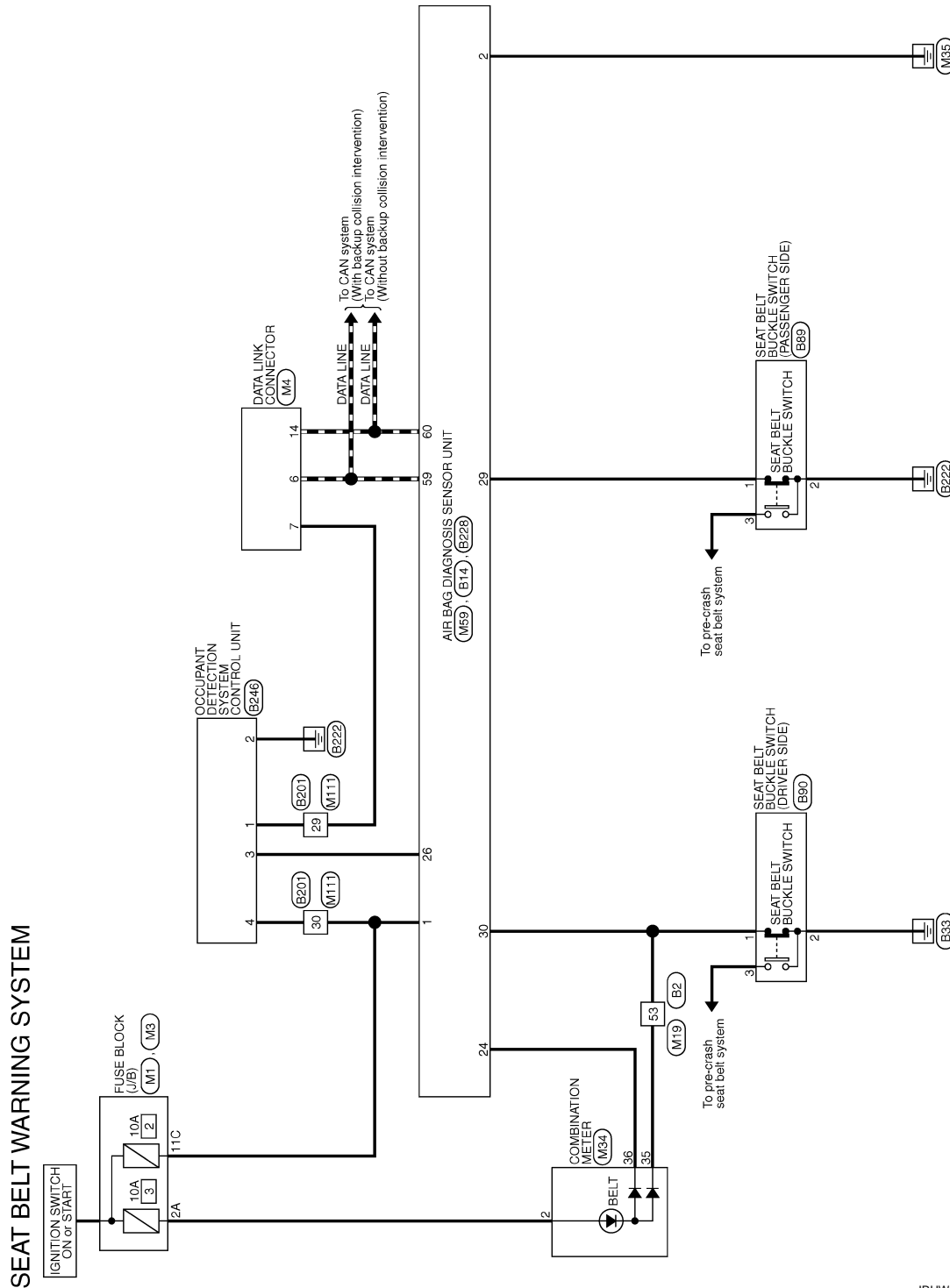
< WIRING DIAGRAM >

SEAT BELT WARNING SYSTEM

Wiring Diagram

INFOID:000000009011077

For connector terminal arrangements, harness layouts, and alphabets in a  (option abbreviation; if not described in wiring diagram), refer to [GI-12, "Connector Information"](#).



2013/01/30

JRHWC0384GB

A
B
C
D
E
F
G
H
I
J
K
L
M
N
O
P

SBC

DIAGNOSIS AND REPAIR WORKFLOW

< BASIC INSPECTION >

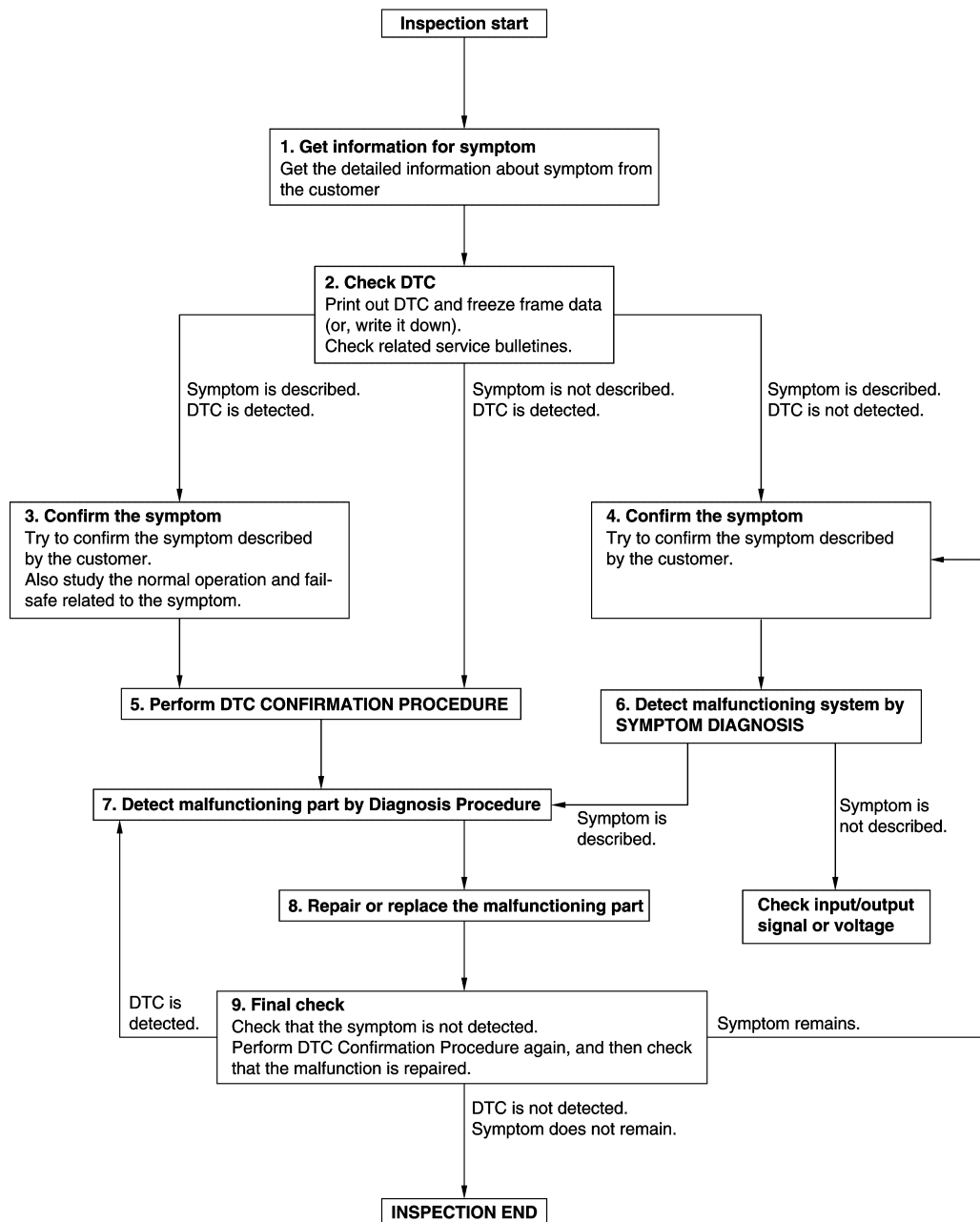
BASIC INSPECTION

DIAGNOSIS AND REPAIR WORKFLOW

Work Flow

INFOID:000000009011078

OVERALL SEQUENCE



JMKIA8652GB

DETAILED FLOW

DIAGNOSIS AND REPAIR WORKFLOW

< BASIC INSPECTION >

1.GET INFORMATION FOR SYMPTOM

1. Get detailed information from the customer about the symptom (the condition and the environment when the incident/malfunction occurs).
2. Check operation condition of the function that is malfunctioning.

>> GO TO 2.

2.CHECK DTC

1. Check DTC.
2. Perform the following procedure if DTC is detected.
 - Record DTC and freeze frame data (Print them out using CONSULT.)
 - Erase DTC.
 - Study the relationship between the cause detected by DTC and the symptom described by the customer.
3. Check related service bulletins for information.

Are any symptoms described and any DTC detected?

Symptom is described, DTC is detected>>GO TO 3.

Symptom is described, DTC is not detected>>GO TO 4.

Symptom is not described, DTC is detected>>GO TO 5.

3.CONFIRM THE SYMPTOM

Try to confirm the symptom described by the customer.

Also study the normal operation and fail-safe related to the symptom.

Verify relation between the symptom and the condition when the symptom is detected.

>> GO TO 5.

4.CONFIRM THE SYMPTOM

Try to confirm the symptom described by the customer.

Verify relation between the symptom and the condition when the symptom is detected.

>> GO TO 6.

5.PERFORM DTC CONFIRMATION PROCEDURE

Perform DTC CONFIRMATION PROCEDURE for the detected DTC, and then check that DTC is detected again. At this time, always connect CONSULT to the vehicle, and check self diagnostic results in real time.

NOTE:

- Freeze frame data is useful if the DTC is not detected.
- Perform Component Function Check if DTC CONFIRMATION PROCEDURE is not included on Service Manual. This simplified check procedure is an effective alternative though DTC cannot be detected during this check.

If the result of Component Function Check is NG, it is the same as the detection of DTC by DTC CONFIRMATION PROCEDURE.

Is DTC detected?

YES >> GO TO 7.

NO >> Check according to [GI-43. "Intermittent Incident"](#).

6.DETECT MALFUNCTIONING SYSTEM BY SYMPTOM DIAGNOSIS

Detect malfunctioning system according to SYMPTOM DIAGNOSIS based on the confirmed symptom in step 4, and determine the trouble diagnosis order based on possible causes and symptom.

Is the symptom described?

YES >> GO TO 7.

NO >> Monitor input data from related sensors or check voltage of related module terminals using CONSULT.

7.DETECT MALFUNCTIONING PART BY DIAGNOSIS PROCEDURE

Inspect according to Diagnosis Procedure of the system.

Is malfunctioning part detected?

A

B

C

D

E

F

G

SBC

I

J

K

L

M

N

O

P

DIAGNOSIS AND REPAIR WORKFLOW

< BASIC INSPECTION >

YES >> GO TO 8.

NO >> Check according to [GI-43, "Intermittent Incident"](#).

8. REPAIR OR REPLACE THE MALFUNCTIONING PART

1. Repair or replace the malfunctioning part.
2. Reconnect parts or connectors disconnected during Diagnosis Procedure again after repair and replacement.
3. Check DTC. If DTC is detected, erase it.

>> GO TO 9.

9. FINAL CHECK

When DTC is detected in step 2, perform DTC CONFIRMATION PROCEDURE again, and then check that the malfunction is repaired securely.

When symptom is described by the customer, refer to confirmed symptom in step 3 or 4, and check that the symptom is not detected.

Is DTC detected and does symptom remain?

YES-1 >> DTC is detected: GO TO 7.

YES-2 >> Symptom remains: GO TO 4.

NO >> Before returning the vehicle to the customer, always erase DTC.

U0126 ST ANG SEN SIG

< DTC/CIRCUIT DIAGNOSIS >

DTC/CIRCUIT DIAGNOSIS

U0126 ST ANG SEN SIG

Description

INFOID:000000009011079

Inputs the steering angle signal from steering angle sensor via CAN communication.

DTC Logic

INFOID:000000009011080

DTC DETECTION LOGIC

NOTE:

If DTC U0126 is displayed with DTC U1000, first perform the trouble diagnosis for DTC U1000. Refer to [SBC-27, "DTC Logic"](#).

DTC No.	Self-diagnosis item	DTC Detection Condition	Possible causes
U0126	ST ANG SEN SIG	Receipt of a malfunction signal of Steering angle signal	Steering angle sensor

DTC CONFIRMATION PROCEDURE

1.SELF-DIAGNOSIS WITH PRE-CRASH SEAT BELT CONTROL UNIT

1. Turn ignition switch ON.
2. Check "Self-diagnostic result" with CONSULT.

Is DTC detected?

- YES >> Refer to [SBC-25, "Diagnosis Procedure"](#).
NO >> INSPECTION END

Diagnosis Procedure

INFOID:000000009011081

1.CHECK DTC WITH "ABS ACTUATOR AND ELECTRIC UNIT (CONTROL UNIT)"

Check "Self-diagnostic result" for "ABS" with CONSULT. Refer to [BRC-39, "CONSULT Function"](#).

Is DTC detected?

- YES >> Repair or replace malfunctioning parts.
NO >> GO TO 2.

2.CHECK INTERMITTENT INCIDENT

Refer to [GI-43, "Intermittent Incident"](#).

>> INSPECTION END

A
B
C
D
E
F
G
I
J
K
L
M
N
O
P

SBC

U0428 STRG ANGL CAL

< DTC/CIRCUIT DIAGNOSIS >

U0428 STRG ANGL CAL

Description

INFOID:000000009011082

Inputs the steering calibration incomplete signal from steering angle sensor via CAN communication.

DTC Logic

INFOID:000000009011083

DTC DETECTION LOGIC

NOTE:

If DTC U0428 is displayed with DTC U0126, first perform the trouble diagnosis for DTC U0126. Refer to [SBC-25, "DTC Logic"](#).

DTC No.	Self-diagnosis item	DTC Detection Condition	Possible causes
U0428	STRG ANGL CAL	Receipt of the calibration incomplete signal	Steering angle sensor calibration incomplete

DTC CONFIRMATION PROCEDURE

1. SELF-DIAGNOSIS WITH PRE-CRASH SEAT BELT CONTROL UNIT

1. Turn ignition switch ON.
2. Check "Self-diagnostic result" with CONSULT.

Is DTC detected?

- YES >> Refer to [SBC-26, "Diagnosis Procedure"](#).
NO >> INSPECTION END

Diagnosis Procedure

INFOID:000000009011084

1. CHECK DTC WITH "ABS ACTUATOR AND ELECTRIC UNIT (CONTROL UNIT)"

Check "Self-diagnostic result" for "ABS" with CONSULT. Refer to [BRC-39, "CONSULT Function"](#).

Is DTC detected?

- YES >> Repair or replace malfunctioning parts.
NO >> GO TO 2.

2. CHECK INTERMITTENT INCIDENT

Refer to [GI-43, "Intermittent Incident"](#).

>> INSPECTION END

U1000 CAN COMM CIRCUIT

< DTC/CIRCUIT DIAGNOSIS >

U1000 CAN COMM CIRCUIT

Description

INFOID:000000009011085

- CAN (Controller Area Network) is a serial communication line for real time applications. It is an on board multiplex communication line with high data communication speed and excellent error detection ability. A modern vehicle is equipped with many ECMs, and each control unit shares information and links with other control units during operation (not independent). In CAN communication, two control units are connected with two communication lines (CAN H-line, CAN L-line) allowing a high rate of information transmission with less wiring. Each control unit transmits/receives data but selectively reads required data only.
- It transmits the vehicle status to pre-crash seat belt control unit using the CAN communication system.
- It consists of CAN system (unified meter and A/C amp., ICC sensor, BCM, steering angle sensor).
- Refer to [LAN-31, "CAN COMMUNICATION SYSTEM : CAN System Specification Chart"](#).

DTC Logic

INFOID:000000009011086

DTC DETECTION LOGIC

DTC No.	Self-diagnosis item	DTC Detection Condition	Possible causes
U1000	CAN communication circuit	Pre-crash seat belt control unit cannot transmit and receive CAN communication system for 2 seconds or more.	<ul style="list-style-type: none">• Harness or connectors (CAN communication line is open or shorted)

DTC CONFIRMATION PROCEDURE

1. SELF-DIAGNOSIS WITH PRE-CRASH SEAT BELT CONTROL UNIT

1. Turn ignition switch ON and wait for 2 seconds or more.
2. Check "Self-diagnostic result" with CONSULT.

Is any DTC detected?

- YES >> Refer to [LAN-31, "CAN COMMUNICATION SYSTEM : CAN System Specification Chart"](#).
- NO >> CAN communication system is normal.

B2451 SEAT BLT MTR DR CIRC

< DTC/CIRCUIT DIAGNOSIS >

B2451 SEAT BLT MTR DR CIRC

DTC Logic

INFOID:000000009011087

DTC DETECTION LOGIC

DTC No.	Self-diagnosis item	DTC Detection Condition	Possible causes
B2451	SEAT BLT MTR DR CIRC	Circuit of seat belt motor (driver side) is open or shorted	Pre-crash seat belt control unit (driver side)

DTC CONFIRMATION PROCEDURE

1.SELF-DIAGNOSIS WITH PRE-CRASH SEAT BELT CONTROL UNIT

1. Turn ignition switch ON.
2. Check "Self-diagnostic result" with CONSULT.

Is DTC detected?

- YES >> Refer to [SBC-28, "Diagnosis Procedure"](#).
NO >> Driver side pre-crash seat belt motor system is normal.

Diagnosis Procedure

INFOID:000000009011088

1.INSPECTION START

1. Check "Self-diagnostic result" with CONSULT.
2. Touch "ERASE".
3. Perform DTC Confirmation Procedure. Refer to [SBC-28, "DTC Logic"](#).

Is DTC B2451 displayed again?

- YES >> Replace pre-crash seat belt control unit (driver side). Refer to [SB-6, "SEAT BELT RETRACTOR : Removal and Installation"](#).
NO >> GO TO 2.

2.CHECK INTERMITTENT INCIDENT

Refer to [GI-43, "Intermittent Incident"](#).

>> INSPECTION END

B2452 SEAT BLT MTR AS CIRC

< DTC/CIRCUIT DIAGNOSIS >

B2452 SEAT BLT MTR AS CIRC

DTC Logic

INFOID:000000009011089

DTC DETECTION LOGIC

DTC No.	Self-diagnosis item	DTC Detection Condition	Possible causes
B2452	SEAT BLT MTR AS CIRC	Circuit of seat belt motor (passenger side) is open or shorted	Pre-crash seat belt control unit (passenger side)

DTC REPRODUCTION PROCEDURE

1.SELF-DIAGNOSIS WITH PRE-CRASH SEAT BELT CONTROL UNIT

1. Turn ignition switch ON.
2. Check "Self-diagnostic result" with CONSULT.

Is DTC detected?

- YES >> Refer to [SBC-29, "Diagnosis Procedure"](#).
- NO >> Passenger side pre-crash seat belt motor system is normal.

Diagnosis Procedure

INFOID:000000009011090

1.INSPECTION START

1. Check "Self-diagnostic result" with CONSULT.
2. Touch "ERASE".
3. Perform DTC Confirmation Procedure. Refer to [SBC-29, "DTC Logic"](#).

Is DTC B2452 displayed again?

- YES >> Replace pre-crash seat belt control unit (passenger side). Refer to [SB-6, "SEAT BELT RETRAC-TOR : Removal and Installation"](#).
- NO >> GO TO 2.

2.CHECK INTERMITTENT INCIDENT

Refer to [GI-43, "Intermittent Incident"](#).

>> INSPECTION END

A
B
C
D
E
F
G
I
J
K
L
M
N
O
P

SBC

B2453 BR STROKE SEN CIRC

< DTC/CIRCUIT DIAGNOSIS >

B2453 BR STROKE SEN CIRC

DTC Logic

INFOID:000000009011091

DTC DETECTION LOGIC

DTC No.	Self-diagnosis item	DTC Detection Condition	Possible causes
B2453	BR STROKE SEN CIRC	Circuit of brake pedal stroke sensor output is open or shorted	<ul style="list-style-type: none"> Harness or connectors (The sensor circuit is open or shorted) Pre-crash seat belt control unit (driver side) Brake pedal stroke sensor

DTC CONFIRMATION PROCEDURE

1. SELF-DIAGNOSIS WITH PRE-CRASH SEAT BELT CONTROL UNIT

- Turn ignition switch ON.
- Check "Self-diagnostic result" with CONSULT.

Is DTC detected?

- YES >> Refer to [SBC-30, "Diagnosis Procedure"](#).
 NO >> INSPECTION END

Diagnosis Procedure

INFOID:000000009011092

1. CHECK PRE-CRASH SEAT BELT CONTROL UNIT INPUT SIGNAL

- Turn ignition switch ON.
- Select "BRK PEDAL SNSR1" and "BRK PEDAL SNSR2" in "DATA MONITOR" mode with CONSULT.
- Check "BRK PEDAL SNSR1" and "BRK PEDAL SNSR2" indication under the following conditions.

Monitor item	Condition	Voltage (V) (Approx.)
BRK PEDAL SNSR1	Brake released → depressed	1 → 4
BRK PEDAL SNSR2		4 → 1

Is the inspection result normal?

- YES >> GO TO 6.
 NO >> GO TO 2.

2. CHECK BRAKE PEDAL STROKE SENSOR POWER SUPPLY

- Turn ignition switch OFF.
- Disconnect brake pedal stroke sensor harness connector.
- Check voltage between brake pedal stroke sensor harness connector and ground.

Brake pedal stroke sensor		Ground	Voltage (V) (Approx.)
Connector	Terminal		
E111	2		5

Is the inspection result normal?

- YES >> GO TO 4.
 NO >> GO TO 3.

3. CHECK BRAKE PEDAL STROKE SENSOR POWER SUPPLY CIRCUIT

- Disconnect pre-crash seat belt control unit (driver side) harness connector.
- Check continuity between pre-crash seat belt control unit (driver side) harness connector and brake pedal stroke sensor harness connector.

Pre-crash seat belt control unit (driver side)		Brake pedal stroke sensor		Continuity
Connector	Terminal	Connector	Terminal	
B9	10	E111	2	Existed

B2453 BR STROKE SEN CIRC

< DTC/CIRCUIT DIAGNOSIS >

3. Check continuity between pre-crash seat belt control unit (driver side) harness connector and ground.

Pre-crash seat belt control unit (driver side)		Ground	Continuity
Connector	Terminal		
B9	10		Not existed

Is the inspection result normal?

- YES >> Replace pre-crash seat belt control unit (driver side). Refer to [SB-6, "SEAT BELT RETRACTOR : Removal and Installation"](#).
NO >> Repair or replace harness or connector.

4.CHECK BRAKE PEDAL STROKE SENSOR CIRCUIT

1. Disconnect pre-crash seat belt control unit (driver side) harness connector.
2. Check continuity between pre-crash seat belt control unit (driver side) harness connector and brake pedal stroke sensor harness connector.

Pre-crash seat belt control unit (driver side)		Brake pedal stroke sensor		Continuity
Connector	Terminal	Connector	Terminal	
B9	2	E111	1	Existed
	12		3	
	17		4	

3. Check continuity between pre-crash seat belt control unit harness connector (driver side) and ground.

Pre-crash seat belt control unit (driver side)		Ground	Continuity
Connector	Terminal		
B9	2		Not existed
	12		
	17		

Is the inspection result normal?

- YES >> GO TO 5.
NO >> Repair or replace harness or connector.

5.CHECK BRAKE PEDAL STROKE SENSOR

Refer to [SBC-31, "Component Inspection"](#).

Is the inspection result normal?

- YES >> GO TO 6.
NO >> Replace brake pedal stroke sensor. Refer to [SBC-55, "Removal and Installation"](#).

6.CHECK INTERMITTENT INCIDENT

Refer to [GI-43, "Intermittent Incident"](#).

>> INSPECTION END

Component Inspection

INFOID:000000009011093

COMPONENT PARTS INSPECTION

1.CHECK BRAKE PEDAL STROKE SENSOR

1. Turn ignition switch OFF.
2. Disconnect brake pedal stroke sensor connector.
3. Check resistance between brake pedal stroke sensor terminal as per the following.

B2453 BR STROKE SEN CIRC

< DTC/CIRCUIT DIAGNOSIS >

Brake pedal stroke sensor		Condition	Resistance (kΩ) (Approx.)
Terminal			
2	1	Brake released → depressed	1.0 → 0.2
	3		0.2 → 1.0

Is the inspection result normal?

YES >> INSPECTION END

NO >> Replace brake pedal stroke sensor. Refer to [SBC-55, "Removal and Installation"](#).

B2454 SEAT BLT PWR DR CIRC

< DTC/CIRCUIT DIAGNOSIS >

B2454 SEAT BLT PWR DR CIRC

DTC Logic

INFOID:000000009011094

DTC DETECTION LOGIC

DTC No.	Self-diagnosis item	DTC Detection Condition	Possible causes
B2454	SEAT BLT PWR DR CIRC	Seat belt motor (driver side) power supply circuit is open or shorted	<ul style="list-style-type: none"> Harness or connectors [Pre-crash seat belt control unit (driver side) circuit is open or shorted] Pre-crash seat belt control unit (driver side)

DTC CONFIRMATION PROCEDURE

1.SELF-DIAGNOSIS WITH PRE-CRASH SEAT BELT CONTROL UNIT

- Turn ignition switch ON.
- Check "Self-diagnostic result" with CONSULT.

Is DTC detected?

- YES >> Refer to [SBC-33, "Diagnosis Procedure"](#).
 NO >> INSPECTION END

Diagnosis Procedure

INFOID:000000009011094

1.CHECK FUSE

- Turn ignition switch OFF.
- Check 30 A fuse (No. 83).

Is the inspection result normal?

- YES >> GO TO 2.
 NO >> Replace the blown fuse after repairing the affected circuit if a fuse is blown.

2.CHECK PRE-CRASH SEAT BELT MOTOR POWER SUPPLY

- Disconnect pre-crash seat belt control unit (driver side) harness connector.
- Check voltage between pre-crash seat belt control unit (driver side) harness connector and ground.

Pre-crash seat belt control unit (driver side)		Ground	Voltage (V)
Connector	Terminal		Battery voltage
B9	19		

Is the inspection result normal?

- YES >> GO TO 3.
 NO >> Repair or replace harness or connector.

3.CHECK INTERMITTENT INCIDENT

Refer to [GI-43, "Intermittent Incident"](#).

>> INSPECTION END

B2455 CONTROL UNIT DR

< DTC/CIRCUIT DIAGNOSIS >

B2455 CONTROL UNIT DR

DTC Logic

INFOID:000000009011096

DTC DETECTION LOGIC

DTC No.	Self-diagnosis item	DTC Detection Condition	Possible causes
B2455	CONTROL UNIT DR	Pre-crash seat belt control unit (driver side) internal circuit malfunction	Pre-crash seat belt control unit (driver side)

DTC CONFIRMATION PROCEDURE

1. SELF-DIAGNOSIS WITH PRE-CRASH SEAT BELT CONTROL UNIT

1. Turn ignition switch ON.
2. Check "Self-diagnostic result" with CONSULT.

Is DTC detected?

- YES >> Refer to [SBC-34. "Diagnosis Procedure"](#).
NO >> INSPECTION END

Diagnosis Procedure

INFOID:000000009011097

1. INSPECTION START

1. Check "Self-diagnostic result" with CONSULT.
2. Touch "ERASE".
3. Perform DTC Confirmation Procedure.
See [SBC-34. "DTC Logic"](#).

Is DTC B2455 displayed again?

- YES >> Replace pre-crash seat belt control unit (driver side).
NO >> GO TO 2.

2. CHECK INTERMITTENT INCIDENT

Refer to [GI-43. "Intermittent Incident"](#).

>> INSPECTION END

B2456 SEAT BLT PWR AS

< DTC/CIRCUIT DIAGNOSIS >

B2456 SEAT BLT PWR AS

DTC Logic

INFOID:000000009011098

DTC DETECTION LOGIC

DTC No.	Self-diagnosis item	DTC Detection Condition	Possible causes
B2456	SEAT BLT PWR AS CIRC	Pre-crash seat belt control unit (passenger side) power supply circuit is open or shorted	<ul style="list-style-type: none">• Harness or connectors [Pre-crash seat belt control unit (passenger side) circuit is open or shorted]• Pre-crash seat belt control unit (passenger side)

DTC CONFIRMATION PROCEDURE

1.SELF-DIAGNOSIS WITH PRE-CRASH SEAT BELT CONTROL UNIT

1. Turn ignition switch ON.
2. Check "Self-diagnostic result" with CONSULT.

Is DTC detected?

- YES >> Refer to [SBC-35, "Diagnosis Procedure"](#).
NO >> INSPECTION END

Diagnosis Procedure

INFOID:000000009011099

1.CHECK FUSE AND FUSIBLE LINK

1. Turn ignition switch OFF.
2. Check 30 A fuse (No.77).

Is the inspection result normal?

- YES >> GO TO 2.
NO >> Replace the blown fuse after repairing the affected circuit if a fuse is blown.

2.CHECK PRE-CRASH SEAT BELT MOTOR POWER SUPPLY

1. Disconnect pre-crash seat belt control unit (passenger side) harness connector.
2. Check voltage between pre-crash seat belt control unit (passenger side) harness connector and ground.

Pre-crash seat belt control unit (passenger side)		Ground	Voltage (V) (Approx.)
Connector	Terminal		Battery voltage
B231	19		

Is the inspection result normal?

- YES >> GO TO 3.
NO >> Repair or replace harness between pre-crash seat belt control unit (passenger side) and fuse.

3.CHECK INTERMITTENT INCIDENT

Refer to [GI-43, "Intermittent Incident"](#).

>> INSPECTION END

B2457 CONTROL UNIT AS

< DTC/CIRCUIT DIAGNOSIS >

B2457 CONTROL UNIT AS

DTC Logic

INFOID:000000009011100

DTC DETECTION LOGIC

DTC No.	Self-diagnosis item	DTC Detection Condition	Possible causes
B2457	CONTROL UNIT AS	Pre-crash seat belt control unit (passenger side) internal circuit malfunction	Pre-crash seat belt control unit (passenger side)

DTC CONFIRMATION PROCEDURE

1.SELF-DIAGNOSIS WITH PRE-CRASH SEAT BELT CONTROL UNIT

1. Turn ignition switch ON.
2. Check "Self-diagnostic result" with CONSULT.

Is DTC detected?

- YES >> Refer to [SBC-36, "Diagnosis Procedure"](#).
NO >> INSPECTION END

Diagnosis Procedure

INFOID:000000009011101

1..INSPECTION START

1. Check "Self-diagnostic result" with CONSULT.
2. Touch "ERASE".
3. Perform DTC Confirmation Procedure.
See [SBC-36, "DTC Logic"](#).

Is DTC B2457 displayed again?

- YES >> Replace pre-crash seat belt control unit (passenger side).
NO >> GO TO 2.

2.CHECK INTERMITTENT INCIDENT

Refer to [GI-43, "Intermittent Incident"](#).

>> INSPECTION END

B2458 LOCAL COMM

< DTC/CIRCUIT DIAGNOSIS >

B2458 LOCAL COMM

DTC Logic

INFOID:000000009011102

DTC DETECTION LOGIC

DTC No.	Self-diagnosis item	DTC Detection Condition	Possible causes
B2458	LOCAL COMM	Receipt of a malfunction signal between pre-crash seat belt control unit (driver side) and pre-crash seat belt control unit (passenger side)	<ul style="list-style-type: none"> Harness or connectors [The pre-crash seat belt control unit (driver side) and pre-crash seat belt (passenger side) circuit is open or shorted] Pre-crash seat belt control unit (driver side) Pre-crash seat belt control (passenger side)

DTC CONFIRMATION PROCEDURE

1. SELF-DIAGNOSIS WITH PRE-CRASH SEAT BELT CONTROL UNIT

- Turn ignition switch ON.
- Check "Self-diagnostic result" with CONSULT.

Is DTC detected?

- YES >> Refer to [SBC-37, "Diagnosis Procedure"](#).
 NO >> INSPECT IN END

Diagnosis Procedure

INFOID:000000009011103

1. CHECK POWER SUPPLY AND GROUND CIRCUIT

Check pre-crash seat belt control unit power supply and ground circuit. Refer to [SBC-35, "Diagnosis Procedure"](#).

Is the inspection result normal?

- YES >> GO TO 2.
 NO >> Repair or replace malfunctioning parts.

2. CHECK LOCAL COMMUNICATION LINE CIRCUIT

- Turn ignition switch OFF.
- Disconnect pre-crash seat belt control unit (driver side and passenger side) harness connector.
- Check continuity between pre-crash seat belt control unit (driver side) harness connector and pre-crash seat belt control unit (passenger side).

Pre-crash seat belt control unit (driver side)		Pre-crash seat belt control unit (passenger side)		Continuity
Connector	Terminal	Connector	Terminal	
B9	8	B231	8	Existed
	16		16	

- Check continuity between pre-crash seat belt control unit (driver side) harness connector and ground.

Pre-crash seat belt control unit (driver side)		Ground	Continuity
Connector	Terminal		
B9	8		Not existed
	16		

Is the inspection result normal?

- YES >> GO TO 3.
 NO >> Repair or replace harness or connector.

3. REPLACE PRE-CRASH SEAT BELT CONTROL UNIT (PASSENGER SIDE)

- Replace pre-crash seat belt control unit (passenger side). Refer to [SB-6, "SEAT BELT RETRACTOR : Removal and Installation"](#).
- Check "Self-diagnostic result" with CONSULT.

B2458 LOCAL COMM

< DTC/CIRCUIT DIAGNOSIS >

Is DTC detected?

YES >> GO TO 4.

NO >> INSPECTION END

4. REPLACE PRE-CRASH SEAT BELT CONTROL UNIT (DRIVER SIDE)

1. Replace pre-crash seat belt control unit (driver side). Refer to [SB-6. "SEAT BELT RETRACTOR : Removal and Installation"](#).

2. Check "Self-diagnostic result" with CONSULT.

Is DTC detected?

YES >> GO TO 5.

NO >> INSPECTION END

5. CHECK INTERMITTENT INCIDENT

Refer to [GI-43. "Intermittent Incident"](#).

>> INSPECTION END

B2461 VHCL SPEED SIGNAL

< DTC/CIRCUIT DIAGNOSIS >

B2461 VHCL SPEED SIGNAL

Description

INFOID:000000009011104

Inputs the vehicle speed signal from combination meter via CAN communication.

DTC Logic

INFOID:000000009011105

DTC DETECTION LOGIC

NOTE:

If DTC B2461 is displayed with DTC U1000, first perform the trouble diagnosis for DTC U1000. Refer to [SBC-27. "DTC Logic"](#).

DTC No.	Self-diagnosis item	DTC Detection Condition	Possible causes
B2461	VHCL SPEED SIGNAL	Receipt of a malfunction signal of the vehicle speed signal	Combination meter

DTC CONFIRMATION PROCEDURE

1. SELF-DIAGNOSIS WITH PRE-CRASH SEAT BELT CONTROL UNIT

1. Turn ignition switch ON.
2. Check "Self-diagnostic result" with CONSULT.

Is DTC detected?

- YES >> Refer to [SBC-39. "Diagnosis Procedure"](#).
NO >> INSPECTION END

Diagnosis Procedure

INFOID:000000009011106

1. CHECK COMBINATION METER

Check combination meter. Refer to [MWI-50. "Work flow"](#).

Is the inspection result normal?

- YES >> GO TO 2.
NO >> Repair or replace malfunctioning parts.

2. CHECK INTERMITTENT INCIDENT

Refer to [GI-43. "Intermittent Incident"](#).

>> INSPECTION END

A
B
C
D
E
F
G
I
J
K
L
M
N
O
P

SBC

B2463 ROLLOVER SIGNAL

< DTC/CIRCUIT DIAGNOSIS >

B2463 ROLLOVER SIGNAL

Description

INFOID:000000009011107

Inputs the rollover signal from air bag diagnosis sensor unit via CAN communication.

DTC Logic

INFOID:000000009011108

DTC DETECTION LOGIC

NOTE:

If DTC B2463 is displayed with DTC U1000, first perform the trouble diagnosis for DTC U1000. Refer to [SBC-27, "DTC Logic"](#).

DTC No.	Self-diagnosis item	DTC Detection Condition	Possible causes
B2463	ROLLOVER SIGNAL	Receipt of a malfunction signal of the rollover signal	Air bag diagnosis sensor unit

DTC CONFIRMATION PROCEDURE

1. SELF-DIAGNOSIS WITH PRE-CRASH SEAT BELT CONTROL UNIT

1. Turn ignition switch ON.
2. Check "Self-diagnostic result" with CONSULT.

Is DTC detected?

- YES >> Refer to [SBC-40, "Diagnosis Procedure"](#).
NO >> INSPECTION END

Diagnosis Procedure

INFOID:000000009011109

1. CHECK DTC WITH AIR BAG DIAGNOSIS SENSOR UNIT

Check "self-diagnostic result" for "AIR BAG DIAGNOSIS SENSOR UNIT" with CONSULT. Refer to [SRC-17, "CONSULT Function"](#).

Is the inspection result normal?

- YES >> GO TO 2.
NO >> Replace air bag diagnosis sensor unit. Refer to [SR-26, "Removal and Installation"](#).

2. CHECK INTERMITTENT INCIDENT

Refer to [GI-43, "Intermittent Incident"](#).

>> INSPECTION END

B2466 DR/AS CONTROL UNIT

< DTC/CIRCUIT DIAGNOSIS >

B2466 DR/AS CONTROL UNIT

DTC Logic

INFOID:000000009011110

DTC DETECTION LOGIC

DTC No.	Self-diagnosis item	DTC Detection Condition	Possible causes
B2466	DR/AS CONTROL UNIT	Pre-crash seat belt control unit is out of the vehicle specification	<ul style="list-style-type: none">• Pre-crash seat belt control unit (driver side)• Pre-crash seat belt control unit (passenger side)

DTC CONFIRMATION PROCEDURE

1.SELF-DIAGNOSIS WITH PRE-CRASH SEAT BELT CONTROL UNIT

1. Turn ignition switch ON.
2. Check "Self-diagnostic result" with CONSULT.

Is DTC detected?

- YES >> Refer to [SBC-41, "Diagnosis Procedure"](#).
NO >> INSPECTION END

Diagnosis Procedure

INFOID:000000009011111

1.CHECK THE VEHICLE SPECIFICATION

Check the part number.

Does the part application fit to the vehicle specification?

- YES >> GO TO 2.
NO >> Replace the malfunction parts.

2.CHECK INTERMITTENT INCIDENT

Refer to [GI-43, "Intermittent Incident"](#).

>> INSPECTION END

A
B
C
D
E
F
G
I
J
K
L
M
N
O
P

SBC

B2470 SYS HEAT PROTC DR

< DTC/CIRCUIT DIAGNOSIS >

B2470 SYS HEAT PROTC DR

Description

INFOID:000000009011112

When fastening and unfastening seat belt or opening and closing door is repeated continuously for a short period of time, the system temporarily deactivates the retracting function of seat belt to prevent excessive heating. The system recovers automatically.

DTC Logic

INFOID:000000009011113

DTC DETECTION LOGIC

DTC No.	Self-diagnosis item	DTC Detection Condition	Possible causes
B2470	SYS HEAT PROTC DR	Deactivates to prevent excessive heating	Comfort function activates continuously in a short period of time.

DTC CONFIRMATION PROCEDURE

1.SELF-DIAGNOSIS WITH PRE-CRASH SEAT BELT CONTROL UNIT

1. Turn ignition switch ON.
2. Check "Self-diagnostic result" with CONSULT.

Is DTC detected?

- YES >> Refer to [SBC-42. "Diagnosis Procedure"](#).
NO >> INSPECTION END

Diagnosis Procedure

INFOID:000000009011114

1.CHECK THE VEHICLE CONDITION WITH CONSULT DATA MONITOR

1. Check "HEAT PROTC LH" in "DATA MONITOR" with CONSULT.
2. Wait until "OFF" appears.
3. Perform the "self-diagnosis result" with CONSULT, after performing the check.
4. Touch "ERASE".
5. Perform DTC Confirmation Procedure. Refer to [SBC-42. "DTC Logic"](#).

Is DTC B2470 displayed again?

- YES >> GO TO 2.
NO >> INSPECTION END

2.CHECK INTERMITTENT INCIDENT

Refer to [GI-43. "Intermittent Incident"](#).

>> INSPECTION END

B2471 SYS HEAT PROTC AS

< DTC/CIRCUIT DIAGNOSIS >

B2471 SYS HEAT PROTC AS

Description

INFOID:000000009011115

When fastening and unfastening seat belt or opening and closing door is repeated continuously for a short period of time, the system temporarily deactivates the retracting function of seat belt to prevent excessive heating. The system recovers automatically.

DTC Logic

INFOID:000000009011116

DTC DETECTION LOGIC

DTC No.	Self-diagnosis item	DTC Detection Condition	Possible causes
B2471	SYS HEAT PROTC AS	Deactivates to prevent excessive heating	Belt retracting function activates continuously in the short period of time

DTC CONFIRMATION PROCEDURE

1. SELF-DIAGNOSIS WITH PRE-CRASH SEAT BELT CONTROL UNIT

1. Turn ignition switch ON.
2. Check "Self-diagnostic result" with CONSULT.

Is DTC detected?

- YES >> Refer to [SBC-43. "Diagnosis Procedure"](#).
NO >> INSPECTION END

Diagnosis Procedure

INFOID:000000009011117

SBC

1. CHECK THE VEHICLE CONDITION WITH CONSULT DATA MONITOR

1. Check "HEAT PROTC RH" in "DATA MONITOR" with CONSULT.
2. Wait until "OFF" appears.
3. Perform the "self-diagnosis results" with CONSULT, after performing the check.
4. Touch "ERASE".
5. Perform DTC Confirmation Procedure. Refer to [SBC-43. "DTC Logic"](#).

Is DTC B2471 displayed again?

- YES >> GO TO 2.
NO >> INSPECTION END

2. CHECK INTERMITTENT INCIDENT

Refer to [GI-43. "Intermittent Incident"](#).

>> INSPECTION END

POWER SUPPLY AND GROUND CIRCUIT

< DTC/CIRCUIT DIAGNOSIS >

POWER SUPPLY AND GROUND CIRCUIT

Diagnosis Procedure

INFOID:000000009011118

1. CHECK GROUND CIRCUIT

1. Turn ignition switch OFF.
2. Disconnect pre-crash seat belt control unit (driver side and passenger side) harness connector.
3. Check continuity between pre-crash seat belt control unit (driver side and passenger side) harness connector and ground.

Pre-crash seat belt control unit		Ground	Continuity
Connector	Terminal		
B9 (Driver side)	18		Existed
	20		
B231 (Passenger side)	18		
	20		

Is the measurement value normal?

YES >> GO TO 2.

NO >> Repair or replace harness or connector.

2. CHECK POWER SUPPLY CIRCUIT-I

Check voltage between pre-crash seat belt control unit (driver side and passenger side) harness connector and ground.

Pre-crash seat belt control unit		Ground	Voltage (Approx.)
Connector	Terminal		
B9 (Driver side)	1		Battery voltage
B231 (Passenger side)			

Is the measurement value normal?

YES >> INSPECTION END

NO >> GO TO 3.

3. CHECK POWER SUPPLY CIRCUIT-II

1. Disconnect fuse block (J/B) harness connector.
2. Check continuity between pre-crash seat belt control unit (driver side and passenger side) harness connector and fuse block (J/B) harness connector.

Pre-crash seat belt control unit		Fuse block (J/B)		Continuity
Connector	Terminal	Connector	Terminal	
B9 (Driver side)	1	M2	6B	Existed
B231 (Passenger side)				

3. Check continuity between pre-crash seat belt control unit (driver side and passenger side) harness connector and ground.

Pre-crash seat belt control unit		Ground	Continuity
Connector	Terminal		
B9 (Driver side)	1		Not existed
B231 (Passenger side)			

Is the measurement value normal?

YES >> Check 10 A fuse (No. 6).

NO >> Repair or replace harness or connector.

SEAT BELT BUCKLE SWITCH (DRIVER SIDE)

< DTC/CIRCUIT DIAGNOSIS >

SEAT BELT BUCKLE SWITCH (DRIVER SIDE)

Component Function Check

INFOID:000000009011119

1. CHECK SEAT BELT WARNING LAMP FUNCTION

1. Turn ignition switch ON.
2. Sits in the passenger seat.
3. Fasten the seat belt (passenger side).
4. Check seat belt warning lamp function.

Condition	Seat belt warning lamp
Seat belt (driver side) is fastened	Not illuminated
Seat belt (driver side) is unfastened	Illuminated

Is the inspection results normal?

YES >> GO TO 2.

NO >> Check seat belt warning lamp circuit. Refer to [SBC-49. "Diagnosis Procedure"](#).

2. CHECK PRE-CRASH SEAT BELT CONTROL UNIT (DRIVER SIDE) FUNCTION

Ⓜ With CONSULT

When checking "BUCKLE SW LH" on DATA MONITOR screen, check that ON/OFF display changes synchronized with the insertion operation to the seat belt buckle.

Monitor item	Condition
BUCKLE SW LH	When driver side seat belt is not fastened: OFF
	When driver side seat belt is fastened: ON

SBC

Is the inspection result normal?

YES >> Seat belt buckle switch (driver side) circuit is normal.

NO >> Check seat belt buckle switch (driver side). Refer to [SBC-45. "Diagnosis Procedure"](#).

Diagnosis Procedure

INFOID:000000009011120

1. CHECK PRE-CRASH SEAT BELT CONTROL UNIT (DRIVER SIDE) OUTPUT SIGNAL

1. Turn ignition switch OFF.
2. Disconnect seat belt buckle switch (driver side) harness connector.
3. Turn ignition switch ON.
4. Check voltage between seat belt buckle switch (driver side) harness connector and ground.

(+)		(-)	Voltage (V) (Approx.)
Connector	Terminal		
B90	3	Ground	5

Is the inspection result normal?

YES >> GO TO 3.

NO >> GO TO 2.

2. CHECK SEAT BELT BUCKLE SWITCH (DRIVER SIDE) CIRCUIT

1. Turn ignition switch OFF.
2. Disconnect pre-crash seat belt control unit (driver side) harness connector.
3. Check continuity between pre-crash seat belt control unit (driver side) harness connector and seat belt buckle switch (driver side) harness connector.

Pre-crash seat belt control unit (driver side)		Seat belt buckle switch (driver side)		Continuity
Connector	Terminal	Connector	Terminal	
B9	6	B90	3	Existed

SEAT BELT BUCKLE SWITCH (DRIVER SIDE)

< DTC/CIRCUIT DIAGNOSIS >

4. Check continuity between pre-crash seat belt control unit (driver side) harness connector and ground.

Pre-crash seat belt control unit (driver side)		Ground	Continuity
Connector	Terminal		
B9	6		Not existed

Is the inspection result normal?

YES >> Replace pre-crash seat belt control unit (driver side). Refer to [SB-6. "SEAT BELT RETRACTOR : Removal and Installation"](#).

NO >> Repair or replace harness or connector.

3. CHECK SEAT BELT BUCKLE SWITCH GROUND CIRCUIT

Check continuity between seat belt buckle switch (driver side) and ground.

Seat belt buckle switch (driver side)		Ground	Continuity
Connector	Terminal		
B90	2buckle switch		Existed

Is the inspection result normal?

YES >> GO TO 4.

NO >> Repair or replace harness or connector.

4. CHECK SEAT BELT BUCKLE SWITCH (DRIVER SIDE)

Check seat belt buckle switch (driver side). Refer to [SBC-46. "Component Inspection \[Seat Belt Buckle Switch \(Driver Side\)\]"](#).

Is the inspection result normal?

YES >> Check intermittent incident. Refer to [GI-43. "Intermittent Incident"](#).

NO >> Replace seat belt buckle switch (driver side). Refer to [SB-6. "SEAT BELT RETRACTOR : Removal and Installation"](#).

Component Inspection [Seat Belt Buckle Switch (Driver Side)]

INFOID:000000009011121

1. CHECK SEAT BELT BUCKLE SWITCH (DRIVER SIDE)

1. Turn ignition switch OFF.
2. Disconnect seat belt buckle switch (driver side) harness connector.
3. Check continuity between seat belt buckle switch (driver side) terminals.

Seat belt buckle switch (driver side)		Condition	Continuity
Terminal			
1	2	When driver side seat belt is fastened	Not existed
		When driver side seat belt is not fastened	Existed
3		When driver side seat belt is fastened	Existed
		When driver side seat belt is not fastened	Not existed

Is the inspection result normal?

YES >> INSPECTION END

NO >> Replace seat belt buckle switch (driver side). Refer to [SB-6. "SEAT BELT RETRACTOR : Removal and Installation"](#).

SEAT BELT BUCKLE SWITCH (PASSENGER SIDE)

< DTC/CIRCUIT DIAGNOSIS >

SEAT BELT BUCKLE SWITCH (PASSENGER SIDE)

Component Function Check

INFOID:000000009011122

1. CHECK SEAT BELT WARNING LAMP FUNCTION

1. Turn ignition switch ON.
2. Sits in the passenger seat.
3. Fasten the seat belt (passenger side).
4. Check seat belt warning lamp function.

Condition	Seat belt warning lamp
Seat belt (driver side) is fastened	Not illuminated
Seat belt (driver side) is unfastened	Illuminated

Is the inspection results normal?

YES >> GO TO 2.

NO >> Check seat belt warning lamp circuit. Refer to [SBC-49. "Diagnosis Procedure"](#).

2. CHECK PRE-CRASH SEAT BELT CONTROL UNIT FUNCTION

Ⓜ With CONSULT

When checking "BUCKLE SW RH" on DATA MONITOR screen, check that ON/OFF display changes are synchronized with the insertion operation to the seat belt buckle.

Monitor item	Condition
BUCKLE SW RH	When driver side seat belt is not fastened: OFF
	When driver side seat belt is fastened: ON

SBC

Is the inspection result normal?

YES >> Seat belt buckle switch (passenger side) circuit is normal.

NO >> Check seat belt buckle switch (passenger side). Refer to [SBC-47. "Diagnosis Procedure"](#).

Diagnosis Procedure

INFOID:000000009011123

1. CHECK PRE-CRASH SEAT BELT CONTROL UNIT (PASSENGER SIDE) OUTPUT SIGNAL

1. Turn ignition switch OFF.
2. Disconnect seat belt buckle switch (passenger side) harness connector.
3. Turn ignition switch ON.
4. Check voltage between seat belt buckle switch (passenger side) and ground.

(+)		(-)	Voltage (V) (Approx.)
Seat belt buckle switch (passenger side)	Connector		
	Terminal	Ground	5
B89	3		

Is the inspection result normal?

YES >> GO TO 3.

NO >> GO TO 2.

2. CHECK SEAT BELT BUCKLE SWITCH (PASSENGER SIDE) CIRCUIT

1. Turn ignition switch OFF.
2. Disconnect pre-crash seat belt control unit (passenger side) harness connector.
3. Check continuity between pre-crash seat belt control unit (passenger side) harness connector and seat belt buckle switch (passenger side) harness connector.

Pre-crash seat belt control unit (passenger side)		Seat belt buckle switch (passenger side)		Continuity
Connector	Terminal	Connector	Terminal	
B231	6	B89	3	Existed

SEAT BELT BUCKLE SWITCH (PASSENGER SIDE)

< DTC/CIRCUIT DIAGNOSIS >

4. Check continuity between pre-crash seat belt control unit (passenger side) harness connector and ground.

Pre-crash seat belt control unit (passenger side)		Ground	Continuity
Connector	Terminal		
B231	6		Not existed

Is the inspection result normal?

YES >> Replace pre-crash seat belt control unit (passenger side). Refer to [SB-6, "SEAT BELT RETRAC-TOR : Removal and Installation"](#).

NO >> Repair or replace harness or connector.

3. CHECK SEAT BELT BUCKLE SWITCH (PASSENGER SIDE) GROUND CIRCUIT

Check continuity between seat belt buckle switch (passenger side) and ground.

Seat belt buckle switch (passenger side)		Ground	Continuity
Connector	Terminal		
B89	2		Existed

Is the inspection result normal?

YES >> GO TO 4.

NO >> Repair or replace harness or connector.

4. CHECK SEAT BELT BUCKLE SWITCH (PASSENGER SIDE)

Check seat belt buckle switch (passenger side). Refer to [SBC-48, "Component Inspection \[Seat Belt Buckle Switch \(Passenger Side\)\]"](#).

Is the inspection result normal?

YES >> Check intermittent incident. Refer to [GI-43, "Intermittent Incident"](#).

NO >> Replace seat belt buckle switch (passenger side). Refer to [SB-6, "SEAT BELT RETRAC-TOR : Removal and Installation"](#).

Component Inspection [Seat Belt Buckle Switch (Passenger Side)]

INFOID:000000009011124

1. CHECK SEAT BELT BUCKLE SWITCH (PASSENGER SIDE)

1. Turn ignition switch OFF.
2. Disconnect seat belt buckle switch (passenger side) harness connector.
3. Check continuity between seat belt buckle switch (passenger side) terminals.

Seat belt buckle switch (passenger side)		Condition	Continuity
Terminal			
1	2	When passenger side seat belt is fastened	Not existed
		When passenger side seat belt is not fastened	Existed
3		When passenger side seat belt is fastened	Existed
		When passenger side seat belt is not fastened	Not existed

Is the inspection result normal?

YES >> INSPECTION END

NO >> Replace seat belt buckle switch (passenger side). Refer to [SB-6, "SEAT BELT RETRAC-TOR : Removal and Installation"](#).

SEAT BELT WARNING LAMP CIRCUIT

< DTC/CIRCUIT DIAGNOSIS >

SEAT BELT WARNING LAMP CIRCUIT

Component Function Check

INFOID:000000009011125

1. CHECK SEAT BELT WARNING LAMP FUNCTION-I

1. Turn ignition switch ON.
2. Check seat belt warning lamp function.

Condition	Seat belt warning lamp
Seat belt (driver side) is fastened	Not illuminated
Seat belt (driver side) is unfastened	Illuminated

Is the inspection results normal?

YES >> GO TO 2.

NO >> Check combination meter circuit. Refer to [MWI-50, "Work flow"](#).

2. CHECK SEAT BELT WARNING LAMP FUNCTION-II

1. Sits in the passenger seat.
2. Fasten the seat belt (passenger side).
3. Check seat belt warning lamp function.

Condition	Seat belt warning lamp
Seat belt (passenger side) is fastened	Not illuminated
Seat belt (passenger side) is unfastened	Illuminated

Is the inspection results normal?

YES >> Seat belt warning lamp circuit is normal.

NO >> Check seat belt warning lamp circuit. Refer to [SBC-49, "Diagnosis Procedure"](#).

Diagnosis Procedure

INFOID:000000009011126

WARNING:

- Before servicing, turn ignition switch OFF, disconnect battery negative terminal and wait at least 3 minutes. (To discharge backup capacitor.)
- Never use unspecified tester or other measuring device.

1. CHECK SEAT BELT BUCKLE SWITCH (PASSENGER SIDE) CIRCUIT-I

1. Turn ignition switch OFF.
2. Disconnect air bag diagnosis sensor unit harness connector and seat belt buckle switch (passenger side) harness connector.
3. Check continuity between air bag diagnosis sensor unit harness connector and seat belt buckle switch (passenger side) harness connector.

Air bag diagnosis sensor unit		Seat belt buckle switch (passenger side)		Continuity
Connector	Terminal	Connector	Terminal	
B228	29	B89	1	Existed

4. Check continuity between air bag diagnosis sensor unit harness connector and ground.

Air bag diagnosis sensor unit		Ground	Continuity
Connector	Terminal		
B228	29		Not existed

Is the inspection result normal?

YES >> GO TO 2.

NO >> Replace harness or connector.

2. CHECK SEAT BELT BUCKLE SWITCH (PASSENGER SIDE) CIRCUIT-II

Check continuity between seat belt buckle switch (passenger side) harness connector and ground.

SEAT BELT WARNING LAMP CIRCUIT

< DTC/CIRCUIT DIAGNOSIS >

Seat belt buckle switch (passenger side)		Ground	Continuity
Connector	Terminal		
B89	2		Existed

Is the inspection result normal?

YES >> GO TO 3.

NO >> Repair or replace harness or connector.

3.CHECK SEAT BELT BUCKLE SWITCH (PASSENGER SIDE)

Check seat belt buckle switch (passenger side).

Refer to [SBC-50, "Component Inspection \[Seat Belt Buckle Switch \(Passenger Side\)\]"](#).

Is the inspection result normal?

YES >> GO TO 4.

NO >> Replace seat belt buckle switch (passenger side). Refer to [SB-6, "SEAT BELT RETRACTOR : Removal and Installation"](#).

4.CHECK SEAT BELT WARNING LAMP CIRCUIT

1. Disconnect combination meter harness connector.
2. Check continuity between air bag diagnosis sensor unit harness connector and combination meter harness connector.

Air bag diagnosis sensor unit		Combination meter		Continuity
Connector	Terminal	Connector	Terminal	
M59	24	M34	36	Existed

3. Check continuity between seat belt warning unit and ground.

Air bag diagnosis sensor unit		Ground	Continuity
Connector	Terminal		
M59	24		Not existed

Is the inspection results normal?

YES >> GO TO 5.

NO >> Replace harness or connector.

5.CHECK COMBINATION METER POWER SUPPLY AND GROUND CIRCUIT

Check combination meter power supply and ground circuit.

Refer to [MWI-57, "COMBINATION METER : Diagnosis Procedure"](#).

Is the inspection result normal?

YES >> GO TO 6.

NO >> Repair or replace harness or connector.

6.REPLACE COMBINATION METER

Replace combination meter.

Refer to [MWI-78, "Removal and Installation"](#).

Is the inspection result normal?

YES >> INSPECTION END

NO >> Replace air bag diagnosis sensor unit. Refer to [SR-26, "Removal and Installation"](#).

Component Inspection [Seat Belt Buckle Switch (Passenger Side)]

INFOID:000000009011127

1.CHECK SEAT BELT BUCKLE SWITCH (PASSENGER SIDE)

1. Turn ignition switch OFF.
2. Disconnect seat belt buckle switch (passenger side) harness connector.
3. Check continuity between seat belt buckle switch (passenger side) terminals.

SEAT BELT WARNING LAMP CIRCUIT

< DTC/CIRCUIT DIAGNOSIS >

Seat belt buckle switch (passenger side)		Condition	Continuity
Terminal			
1	2	When passenger side seat belt is fastened	Not existed
		When passenger side seat belt is not fastened	Existed
When passenger side seat belt is fastened		Existed	
When passenger side seat belt is not fastened		Not existed	
3			

Is the inspection result normal?

YES >> INSPECTION END

NO >> Replace seat belt buckle switch (passenger side). Refer to [SB-6. "SEAT BELT RETRACTOR : Removal and Installation"](#).

A
B
C
D
E
F
G
I
J
K
L
M
N
O
P

SBC

PRE-CRASH SEAT BELT DOSE NOT OPERATE

< SYMPTOM DIAGNOSIS >

SYMPTOM DIAGNOSIS

PRE-CRASH SEAT BELT DOSE NOT OPERATE

Diagnosis Procedure

INFOID:000000009011128

1. CHECK POWER SUPPLY AND GROUND CIRCUIT

Check power supply and ground circuit. Refer to [SBC-44. "Diagnosis Procedure"](#).

Is the inspection result normal?

YES >> GO TO 2.

NO >> Repair or replace the malfunctioning parts.

2. CHECK SEAT BELT BUCKLE SWITCH (DRIVER SIDE)

Check seat belt buckle switch (driver side). Refer to [SBC-45. "Component Function Check"](#).

Is the inspection result normal?

YES >> GO TO 3.

NO >> Repair or replace the malfunctioning parts.

3. CHECK SEAT BELT BUCKLE SWITCH (PASSENGER SIDE)

Check seat belt buckle switch (passenger side). Refer to [SBC-47. "Component Function Check"](#).

Is the inspection result normal?

YES >> GO TO 4.

NO >> Repair or replace the malfunctioning parts.

4. CONFIRM THE OPERATION

Confirm the operation again.

Is the inspection result normal?

YES >> Check intermittent incident. Refer to [GI-43. "Intermittent Incident"](#).

NO >> GO TO 1.

SEAT BELT WARNING LAMP DOES NOT TURN OFF

< SYMPTOM DIAGNOSIS >

SEAT BELT WARNING LAMP DOES NOT TURN OFF

Diagnosis Procedure

INFOID:000000009011129

1.CHECK SEAT BELT WARNING LAMP CIRCUIT

Check seat belt warning lamp circuit. Refer to [SBC-49, "Diagnosis Procedure"](#).

Is the inspection result normal?

YES >> GO TO 2.

NO >> Repair or replace the malfunctioning parts.

2.CONFIRM THE OPERATION

Confirm the operation again.

Is the inspection result normal?

YES >> Check intermittent incident. Refer to [GI-43, "Intermittent Incident"](#).

NO >> GO TO 1.

A
B
C
D
E
F
G
I
J
K
L
M
N
O
P

SBC

SEAT BELT WARNING LAMP DOES NOT TURN ON

< SYMPTOM DIAGNOSIS >

SEAT BELT WARNING LAMP DOES NOT TURN ON

Diagnosis Procedure

INFOID:000000009011130

1. CHECK SEAT BELT WARNING LAMP CIRCUIT

Check seat belt warning lamp circuit. Refer to [SBC-49, "Diagnosis Procedure"](#).

Is the inspection result normal?

YES >> GO TO 2.

NO >> Repair or replace the malfunctioning parts.

2. CONFIRM THE OPERATION

Confirm the operation again.

Is the inspection result normal?

YES >> Check intermittent incident. Refer to [GI-43, "Intermittent Incident"](#).

NO >> GO TO 1.

BRAKE PEDAL STROKE SENSOR

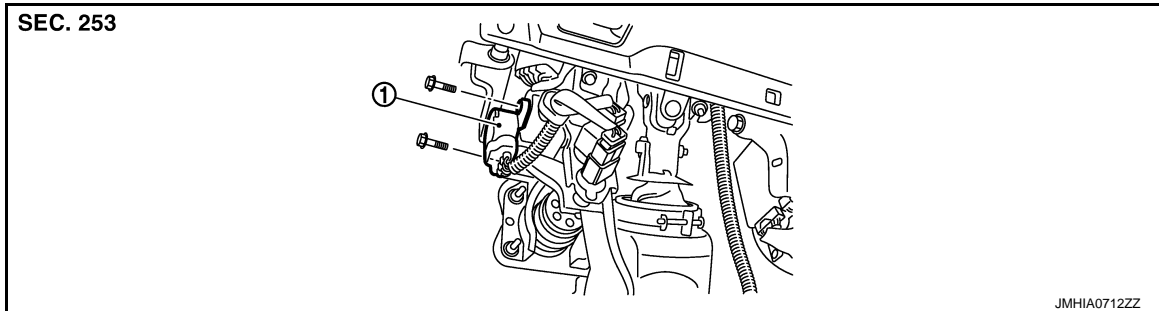
< REMOVAL AND INSTALLATION >

REMOVAL AND INSTALLATION

BRAKE PEDAL STROKE SENSOR

Exploded View

INFOID:000000009011131



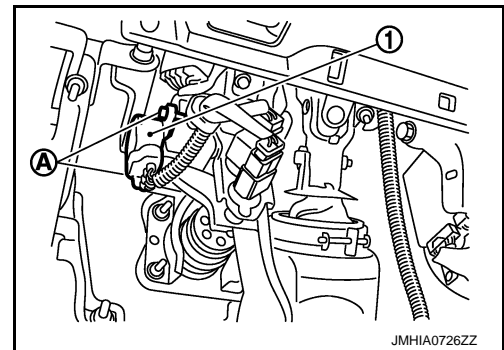
1. Brake pedal stroke sensor

Removal and Installation

INFOID:000000009011132

REMOVAL

1. Remove the instrument panel lower cover LH. Refer to [IP-13, "Removal and Installation"](#).
2. Disconnect the brake pedal stroke sensor connector.
3. Remove the screws (A).
4. Remove the brake pedal stroke sensor (1).



INSTALLATION

Install in the reverse order of removal.