

SECTION VTL
VENTILATION SYSTEM

A
B
C
D
E
F
G
H
I
J
K
L
M
N
O
P

CONTENTS

PRECAUTION	3	ADAPTOR DUCT	11
PRECAUTIONS	3	ADAPTOR DUCT : Removal and Installation	11
Precaution for Supplemental Restraint System (SRS) "AIR BAG" and "SEAT BELT PRE-TENSIONER"	3	Exploded View	12
Precaution for Procedure without Cowl Top Cover.....	3	REAR CENTER VENTILATOR DUCT	12
Precaution for Work	3	REAR CENTER VENTILATOR DUCT : Removal and Installation	12
PREPARATION	5	CENTER FLOOR DUCT	12
PREPARATION	5	CENTER FLOOR DUCT : Removal and Installation - Center Floor Connecting Duct	12
Special Service Tool	5	CENTER FLOOR DUCT : Removal and Installation - Center Floor Duct	13
Commercial Service Tool	5	Exploded View	13
PERIODIC MAINTENANCE	6	REAR VENTILATOR DUCT UPPER	13
IN-CABIN MICROFILTER	6	REAR VENTILATOR DUCT UPPER : Removal and Installation	13
Removal and Installation	6	REAR VENTILATOR DUCT LOWER	14
SYSTEM DESCRIPTION	7	REAR VENTILATOR DUCT LOWER : Removal and Installation	14
VENTILATION SYSTEM	7	REAR VENTILATOR DUCT 1	14
System Description	7	REAR VENTILATOR DUCT 1 : Removal and Installation	14
REMOVAL AND INSTALLATION	10	REAR VENTILATOR DUCT 2	14
DUCTS AND GRILLES	10	REAR VENTILATOR DUCT 2 : Removal and Installation	14
Exploded View	10	REAR VENTILATOR DUCT 3	14
CENTER VENTILATOR DUCT	11	REAR VENTILATOR DUCT 3 : Removal and Installation	14
CENTER VENTILATOR DUCT : Removal and Installation	11	Exploded View	15
SIDE DEFROSTER DUCT	11	CENTER VENTILATOR GRILLE	15
SIDE DEFROSTER DUCT : Removal and Installation	11	CENTER VENTILATOR GRILLE : Removal and Installation	15
FRONT FLOOR DUCT	11	SIDE VENTILATOR GRILLE	16
FRONT FLOOR DUCT : Removal and Installation - Front Floor Connecting Duct	11	SIDE VENTILATOR GRILLE : Removal and Installation - LH	16
FRONT FLOOR DUCT : Removal and Installation - Front Floor Duct	11		

VTL

SIDE VENTILATOR GRILLE : Removal and Installation - RH	16	FRONT BLOWER UNIT : Removal and Installation	20
SIDE DEFROSTER GRILLE	16	FRONT BLOWER MOTOR	20
SIDE DEFROSTER GRILLE : Removal and Installation	16	FRONT BLOWER MOTOR : Removal and Installation	20
REAR CENTER VENTILATOR GRILLE	17	REAR BLOWER MOTOR 1 UNIT ASSEMBLY	20
REAR CENTER VENTILATOR GRILLE : Removal and Installation	17	REAR BLOWER MOTOR 1 UNIT ASSEMBLY : Removal and Installation	20
REAR VENTILATOR GRILLE	17	REAR BLOWER MOTOR 1	21
REAR VENTILATOR GRILLE : Removal and Installation	17	REAR BLOWER MOTOR 1 : Removal and Installation	21
BLOWER UNIT	19	REAR BLOWER MOTOR 2	21
Exploded View	19	REAR BLOWER MOTOR 2 : Removal and Installation	22
FRONT BLOWER UNIT	19		

PRECAUTIONS

< PRECAUTION >

PRECAUTION

PRECAUTIONS

Precaution for Supplemental Restraint System (SRS) "AIR BAG" and "SEAT BELT PRE-TENSIONER"

INFOID:000000011135982

The Supplemental Restraint System such as "AIR BAG" and "SEAT BELT PRE-TENSIONER", used along with a front seat belt, helps to reduce the risk or severity of injury to the driver and front passenger for certain types of collision. This system includes dual stage front air bag modules. The SRS system may only deploy one front air bag, depending on the severity of a collision and whether the front passenger seat is occupied. Information necessary to service the system safely is included in the SR and SB section of this Service Manual.

WARNING:

- To avoid rendering the SRS inoperative, which could increase the risk of personal injury or death in the event of a collision which would result in air bag inflation, all maintenance must be performed by an authorized NISSAN/INFINITI dealer.
- Improper maintenance, including incorrect removal and installation of the SRS, can lead to personal injury caused by unintentional activation of the system. For removal of Spiral Cable and Air Bag Module, see the SR section.
- Do not use electrical test equipment on any circuit related to the SRS unless instructed to in this Service Manual. SRS wiring harnesses can be identified by yellow and/or orange harnesses or harness connectors.

PRECAUTIONS WHEN USING POWER TOOLS (AIR OR ELECTRIC) AND HAMMERS

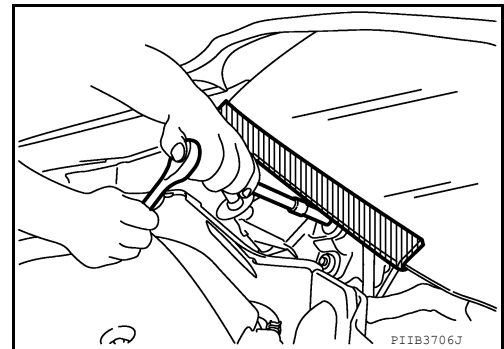
WARNING:

- When working near the Airbag Diagnosis Sensor Unit or other Airbag System sensors with the Ignition ON or engine running, DO NOT use air or electric power tools or strike near the sensor(s) with a hammer. Heavy vibration could activate the sensor(s) and deploy the air bag(s), possibly causing serious injury.
- When using air or electric power tools or hammers, always switch the Ignition OFF, disconnect the battery and wait at least three minutes before performing any service.

Precaution for Procedure without Cowl Top Cover

INFOID:000000011135983

When performing the procedure after removing cowl top cover, cover the lower end of windshield with urethane, etc to prevent damage to windshield.



Precaution for Work

INFOID:000000011135984

- When removing or disassembling each component, be careful not to damage or deform it. If a component may be subject to interference, be sure to protect it with a shop cloth.
- When removing (disengaging) components with a screwdriver or similar tool, be sure to wrap the component with a shop cloth or vinyl tape to protect it.
- Protect the removed parts with a shop cloth and prevent them from being dropped.
- Replace a deformed or damaged clip.
- If a part is specified as a non-reusable part, always replace it with a new one.
- Be sure to tighten bolts and nuts securely to the specified torque.
- After installation is complete, be sure to check that each part works properly.
- Follow the steps below to clean components:
 - Water soluble dirt:
 - Dip a soft cloth into lukewarm water, wring the water out of the cloth and wipe the dirty area.

PRECAUTIONS

< PRECAUTION >

- Then rub with a soft, dry cloth.
- Oily dirt:
- Dip a soft cloth into lukewarm water with mild detergent (concentration: within 2 to 3%) and wipe the dirty area.
- Then dip a cloth into fresh water, wring the water out of the cloth and wipe the detergent off.
- Then rub with a soft, dry cloth.
- Do not use organic solvent such as thinner, benzene, alcohol or gasoline.
- For genuine leather seats, use a genuine leather seat cleaner.

PREPARATION

< PREPARATION >

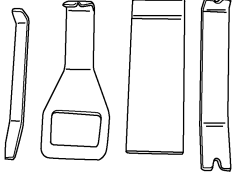
PREPARATION

PREPARATION

Special Service Tool


INFOID:000000011135985

The actual shape of the tools may differ from those illustrated here.

Tool number (TechMate No.) Tool name	Description
<p>— (J-46534) Trim Tool Set</p>  <p style="text-align: center;">AWJIA04832Z</p>	<p>Removing trim components</p>

Commercial Service Tool

INFOID:000000011135986

Tool name	Description
<p>Power tool</p>  <p style="text-align: center;">PIIB1407E</p>	<p>Loosening nuts, screws and bolts</p>

A

B

C

D

E

F

G

H

VTL

J

K

L

M

N

O

P

IN-CABIN MICROFILTER

< PERIODIC MAINTENANCE >

PERIODIC MAINTENANCE

IN-CABIN MICROFILTER

Removal and Installation

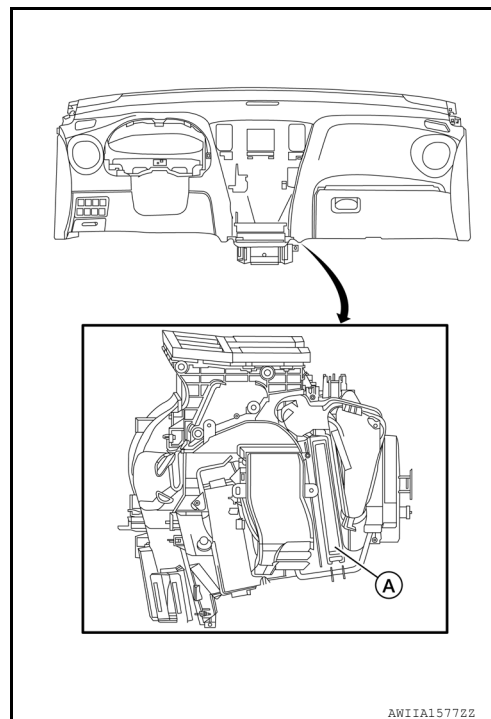
INFOID:000000011135987

REMOVAL

1. Remove center console side finisher (RH). Refer to [IP-18. "Exploded View"](#).
2. Release the in-cabin microfilter cover tab (A) and remove the cover from under the RH side of the instrument panel.

CAUTION:

Use care when lifting up on the tab to avoid damaging it.



3. Remove the in-cabin microfilter.

CAUTION:

If the filter is deformed/damaged when removing, replace it with a new one. A deformed or damaged filter may affect the dust collecting performance.

INSTALLATION

Installation is in the reverse order of removal.

CAUTION:

When installing, handle the filter with extreme care to avoid deforming or damaging the filter.

NOTE:

The in-cabin microfilter is marked with an air flow arrow. The end of the microfilter with the arrow should face the passenger side of the vehicle. The arrow should point towards the rear of the vehicle.

VENTILATION SYSTEM

< SYSTEM DESCRIPTION >

SYSTEM DESCRIPTION

VENTILATION SYSTEM

System Description

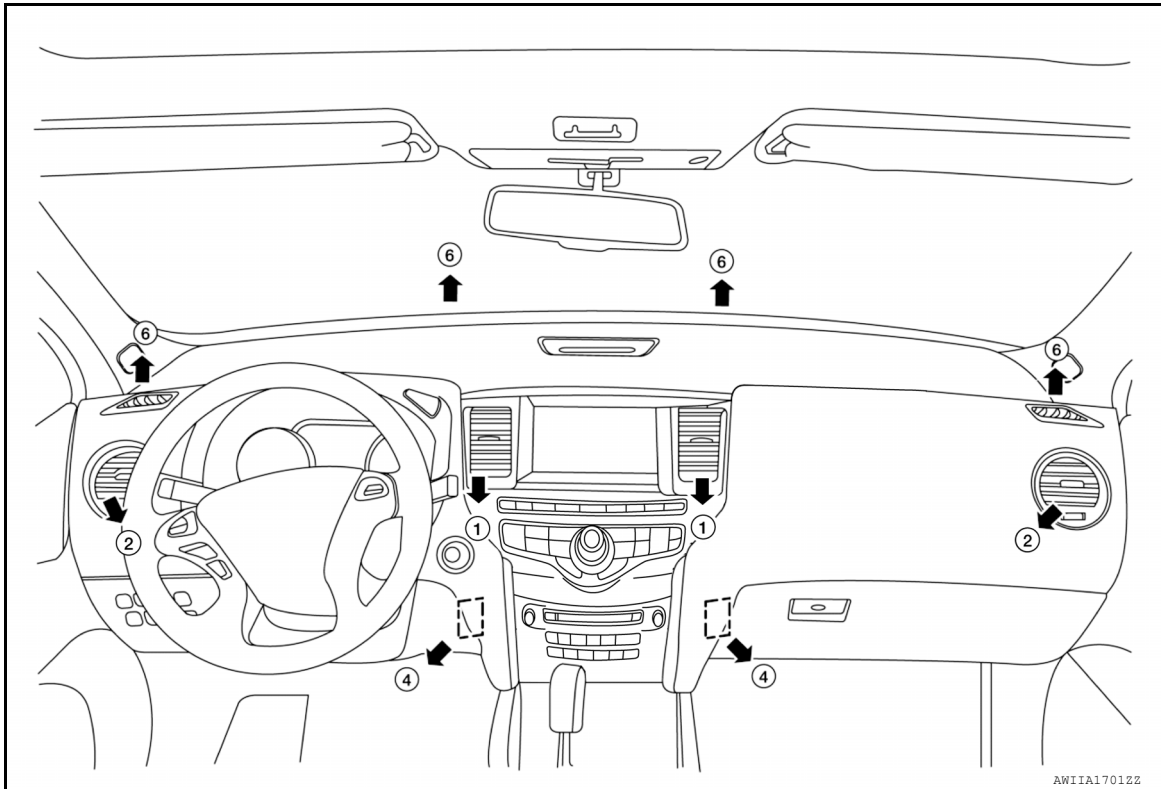
INFOID:000000011135988

OUTLINE

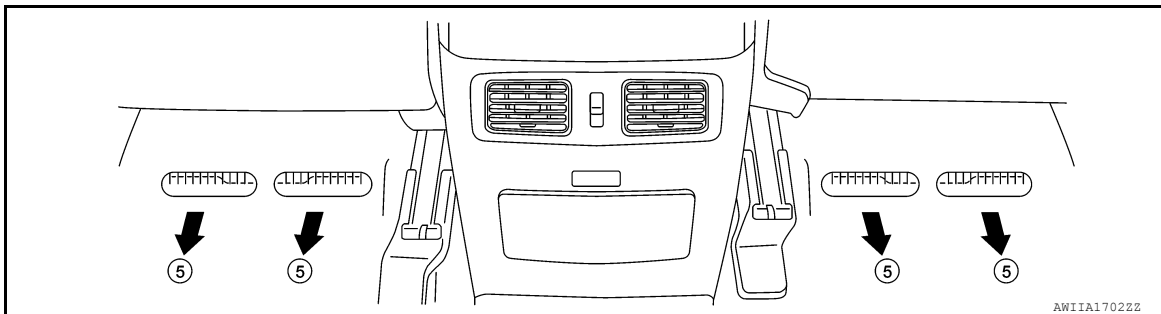
Ventilation system is controlled by A/C auto amp. For details of automatic air conditioner system, refer to [HAC-12. "FRONT AUTOMATIC AIR CONDITIONING SYSTEM : Component Description"](#).

AIR FLOW

Front



Center



Front Air Control

Discharge air flow

Mode position	Condition	Air outlet / distribution				
		VENT		FOOT		DEF (6)
		Front (1)	Side (2)	Front (4)	Center (5)	

A
B
C
D
E
F
G
H
J
K
L
M
N
O
P

VTL

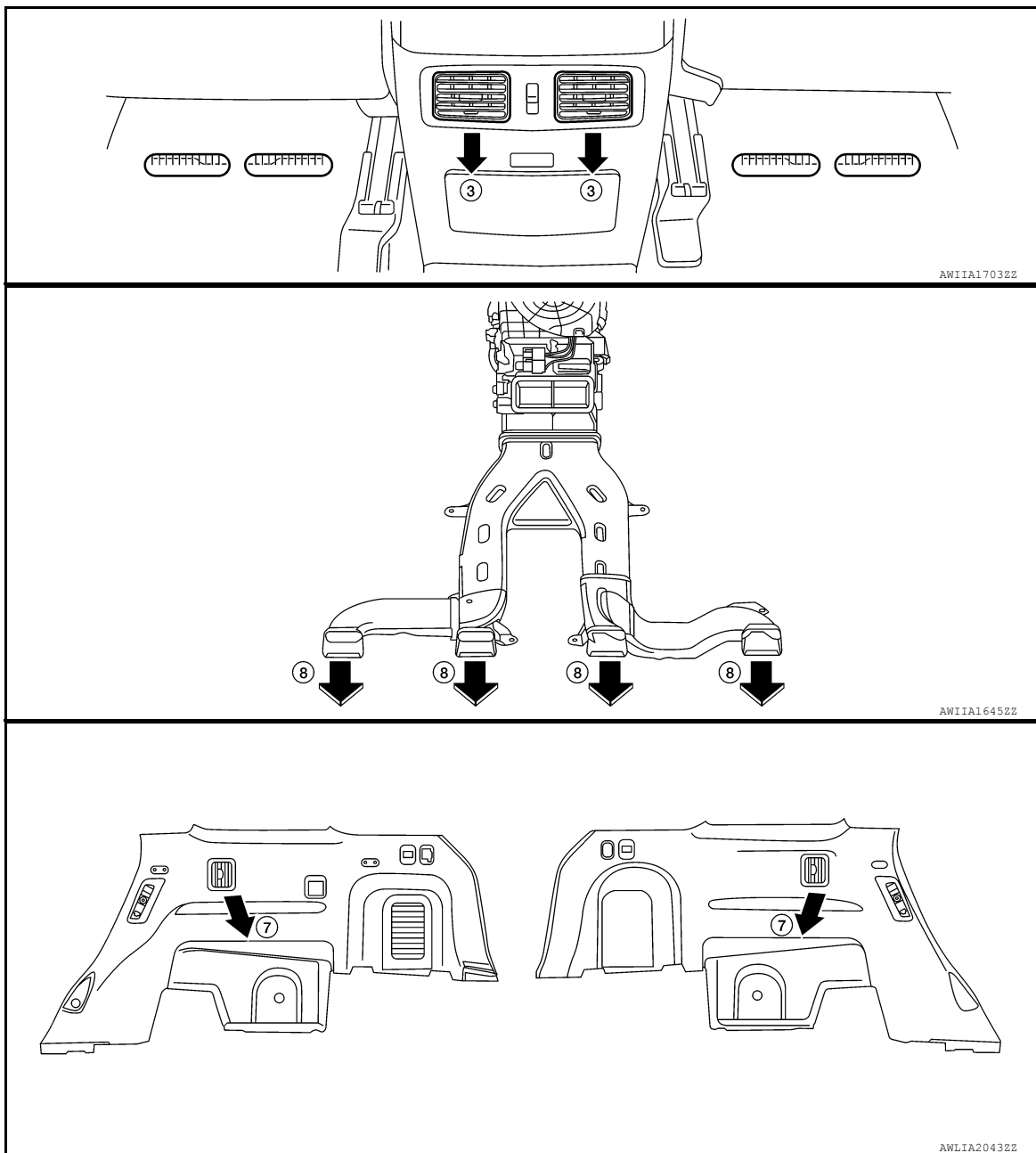
VENTILATION SYSTEM

< SYSTEM DESCRIPTION >

	Upper Vent: ON	Temperature control switch	18°C (60°F)	×	×	—	—	—
			Other than 18°C (60°F)*1	×	×	—	—	—
	<ul style="list-style-type: none"> DUAL: OFF Rear ventilator: Close 	—	—	×	×	×	×	—
		—	—	—	—	×	×	—
		—	—	—	—	×	×	×
		—	—	—	—	—	—	×
		—	—	—	—	—	—	×

- *1: Air flow is also supplied to front foot until passenger room temperature stabilizes when temperature setting is other than 18°C (60°F). At that time, air flowing is the same as 18°C (60°F) setting.
- *2: During automatic defogging control.




Rear



VENTILATION SYSTEM

< SYSTEM DESCRIPTION >

Rear Air Control

Discharge air flow							
Mode position	Condition				Air outlet / distribution		
					VENT		FOOT
					Center (3)	Side (7)	Rear (8)
	<ul style="list-style-type: none"> • DUAL: OFF • Rear ventilator: Close 	Upper Vent: ON	Temperature control switch	18°C (60°F)	×	×	—
				Other than 18°C (60°F)*1	×	×	—
		—			×	×	×
		—			—	—	×

- *1: Air flow is also supplied to front foot until passenger room temperature stabilizes when temperature setting is other than 18°C (60°F). At that time, air flowing is the same as 18°C (60°F) setting.

A
B
C
D
E
F
G
H
J
K
L
M
N
O
P

VTL

DUCTS AND GRILLES

< REMOVAL AND INSTALLATION >

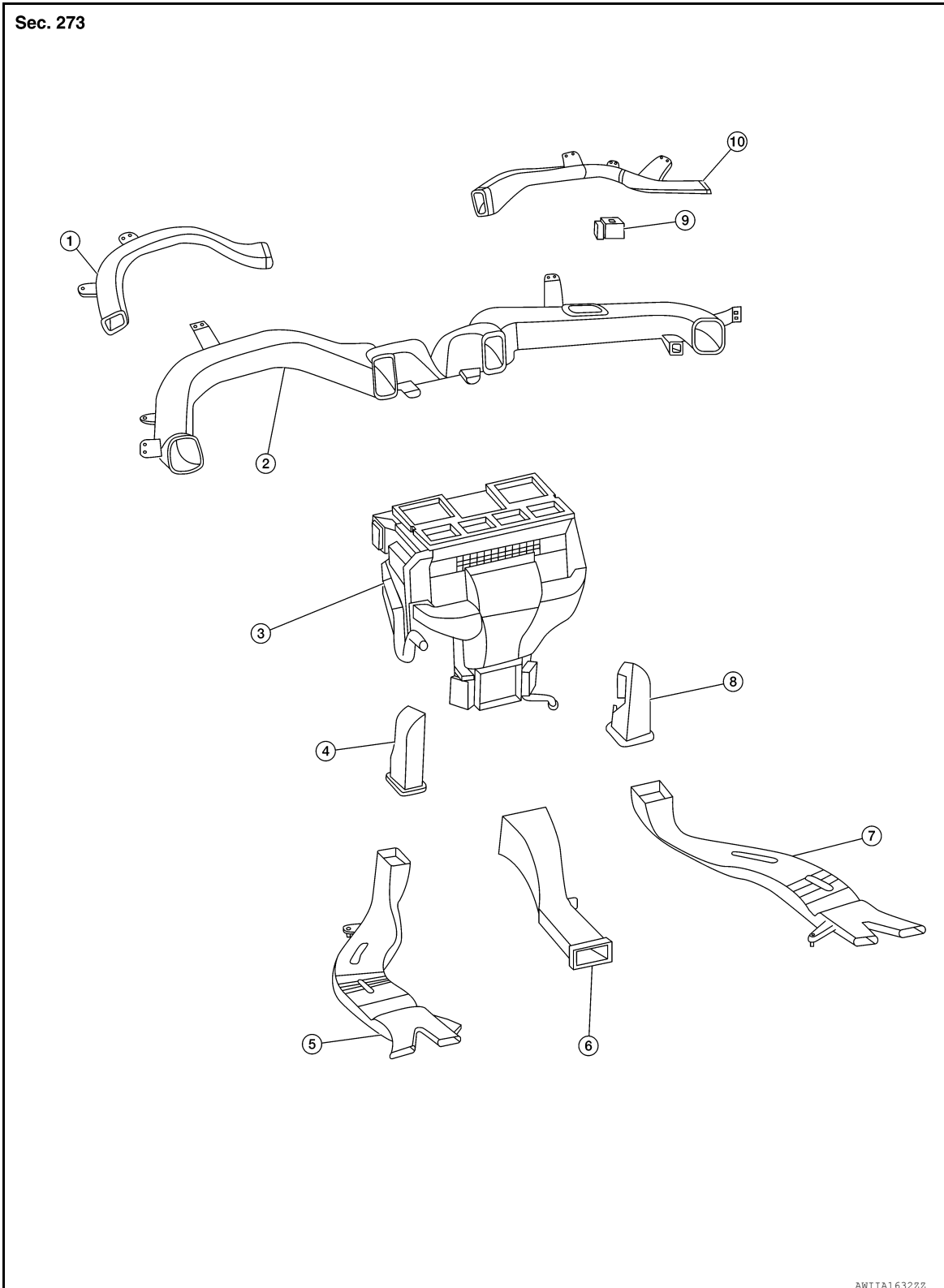
REMOVAL AND INSTALLATION

DUCTS AND GRILLES

Exploded View

INFOID:000000011135989

FRONT



DUCTS AND GRILLES

< REMOVAL AND INSTALLATION >

- | | | | |
|-----------------------------------|-------------------------------------|--|---|
| 1. Side defroster duct (LH) | 2. Center ventilator duct | 3. Front heating and cooling unit assembly | A |
| 4. Front floor connecting duct LH | 5. Front floor duct (LH) | 6. Adaptor duct (to rear blower motor 1 unit assembly) | |
| 7. Front floor duct (RH) | 8. Front floor connecting duct (RH) | 9. Ionizer (if equipped) | B |
| 10. Side defroster duct (RH) | | | |

CENTER VENTILATOR DUCT

CENTER VENTILATOR DUCT : Removal and Installation

INFOID:000000011135990

REMOVAL

1. Remove the side defroster ducts (LH/RH). Refer to [VTL-11, "SIDE DEFROSTER DUCT : Removal and Installation"](#).
2. Disconnect the harness connector from the ionizer (if equipped).
3. Remove the screws and the center ventilator duct.

INSTALLATION

Installation is in the reverse order of removal.

SIDE DEFROSTER DUCT

SIDE DEFROSTER DUCT : Removal and Installation

INFOID:000000011135991

REMOVAL

1. Remove the instrument panel assembly. Refer to [IP-15, "Removal and Installation"](#).
2. Release the clip for the ionizer harness connector (if equipped).
3. Remove the screws the and side defroster duct.

INSTALLATION

Installation is in the reverse order of removal.

FRONT FLOOR DUCT

FRONT FLOOR DUCT : Removal and Installation - Front Floor Connecting Duct

INFOID:000000011135992

REMOVAL

1. Remove the center console side finisher. Refer to [IP-18, "Exploded View"](#).
2. Unclip the harness wiring from the front floor connecting duct (RH only).
3. Remove the front floor connecting duct.

INSTALLATION

Installation is in the reverse order of removal.

FRONT FLOOR DUCT : Removal and Installation - Front Floor Duct

INFOID:000000011135993

REMOVAL

1. Remove front floor trim. Refer to [INT-24, "Removal and Installation"](#).
2. Remove the screws and the front floor duct.

INSTALLATION

Installation is in the reverse order of removal.

ADAPTOR DUCT

ADAPTOR DUCT : Removal and Installation

INFOID:000000011135994

REMOVAL

1. Remove the center console assembly. Refer to [IP-18, "Removal and Installation"](#).

DUCTS AND GRILLES

< REMOVAL AND INSTALLATION >

2. Release the adaptor duct clip.
3. Remove the center console bracket.
4. Remove the adaptor duct (to rear blower motor 1 unit assembly).

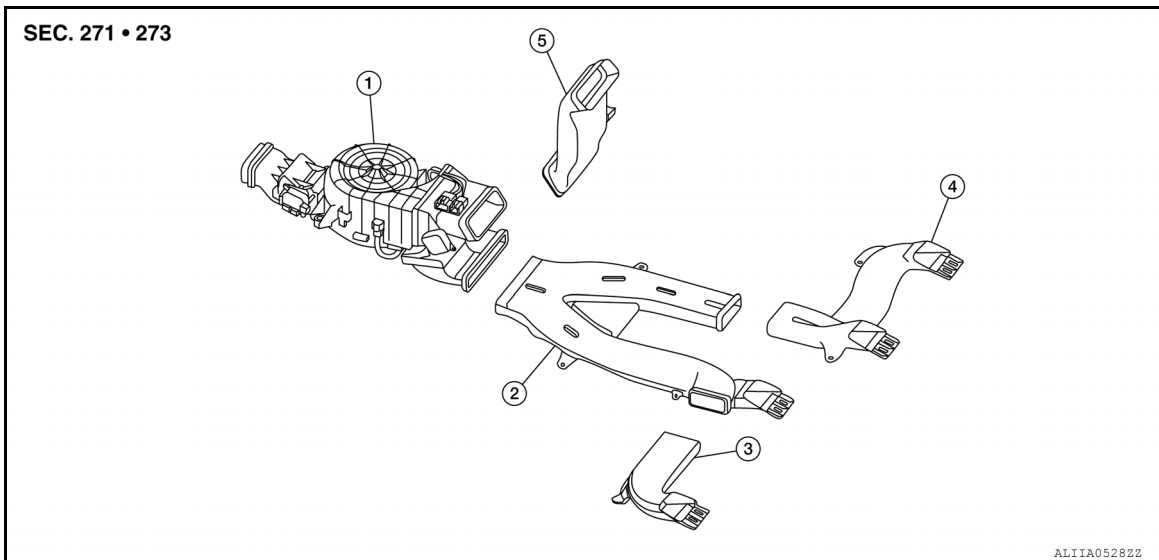
INSTALLATION

Installation is in the reverse order of removal.

Exploded View

INFOID:000000011135995

CENTER



1. Rear blower motor 1 unit assembly
2. Center floor connecting duct
3. Center floor duct (LH)
4. Center floor duct (RH)
5. Rear center ventilator duct

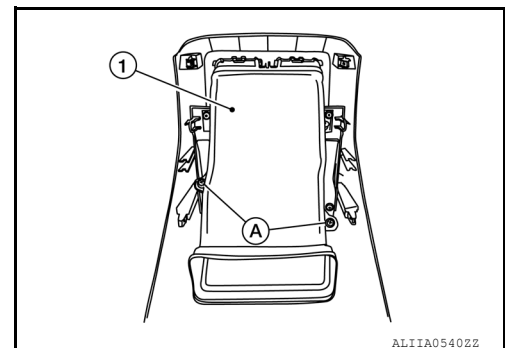
REAR CENTER VENTILATOR DUCT

REAR CENTER VENTILATOR DUCT : Removal and Installation

INFOID:000000011135996

REMOVAL

1. Remove center console rear finisher. Refer to [IP-18, "Exploded View"](#).
2. Remove the screws (A) and rear center ventilator duct (1).



INSTALLATION

Installation is in the reverse order of removal.

CENTER FLOOR DUCT

CENTER FLOOR DUCT : Removal and Installation - Center Floor Connecting Duct

INFOID:000000011135997

REMOVAL

DUCTS AND GRILLES

< REMOVAL AND INSTALLATION >

1. Remove the rear floor trim. Refer to [INT-24, "Removal and Installation"](#).
2. Remove the screws and center floor connecting duct.

INSTALLATION

Installation is in the reverse order of removal.

CENTER FLOOR DUCT : Removal and Installation - Center Floor Duct

INFOID:0000000011135998

REMOVAL

1. Remove the rear floor trim. Refer to [INT-24, "Removal and Installation"](#).
2. Remove the screws and center floor duct.

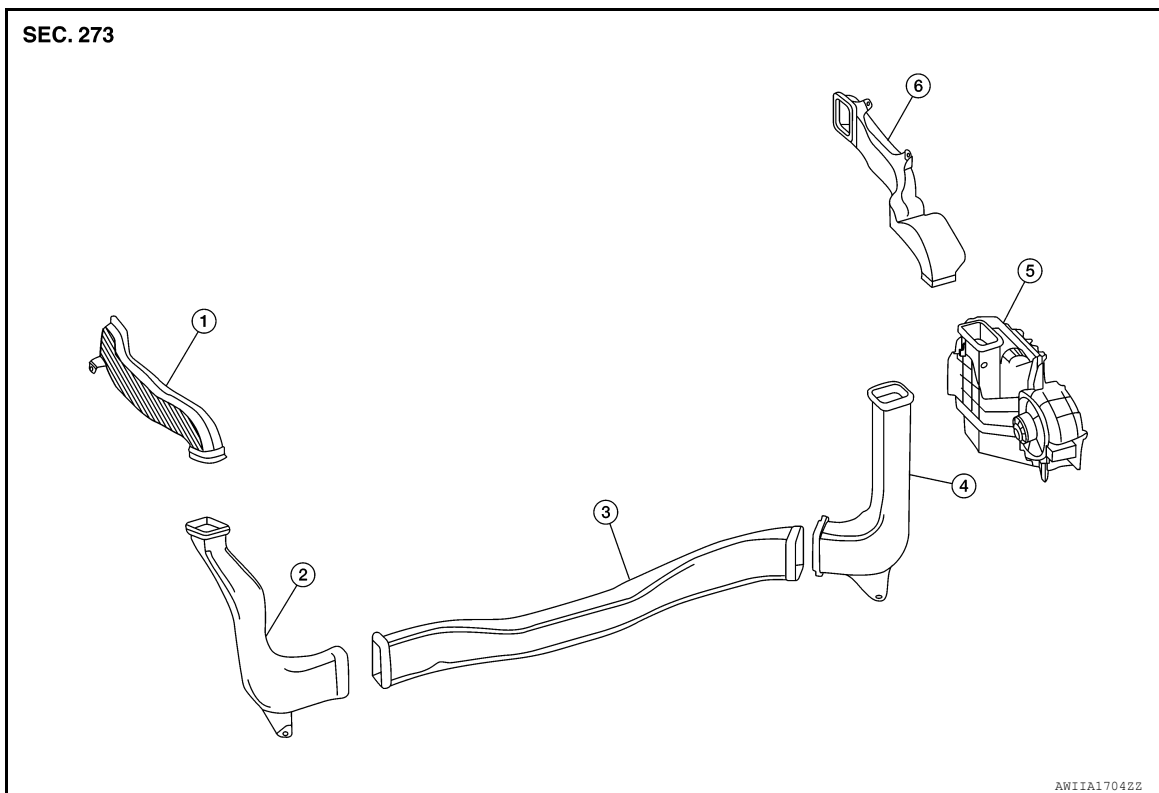
INSTALLATION

Installation is in the reverse order of removal.

Exploded View

INFOID:0000000011135999

REAR



1. Rear ventilator duct 1
2. Rear ventilator duct 2
3. Rear ventilator duct 3
4. Rear ventilator duct lower
5. Rear cooling unit assembly
6. Rear ventilator duct upper

REAR VENTILATOR DUCT UPPER

REAR VENTILATOR DUCT UPPER : Removal and Installation

INFOID:0000000011136000

REMOVAL

1. Remove the luggage side lower finisher RH. Refer to [INT-31, "LUGGAGE SIDE LOWER FINISHER : Removal and Installation"](#).
2. Remove the clips and rear ventilator duct upper.

INSTALLATION

Installation is in the reverse order of removal.

A
B
C
D
E
F
G
H
J
K
L
M
N
O
P

VTL

DUCTS AND GRILLES

< REMOVAL AND INSTALLATION >

REAR VENTILATOR DUCT LOWER

REAR VENTILATOR DUCT LOWER : Removal and Installation

INFOID:000000011136001

REMOVAL

1. Remove the rear ventilator duct upper. Refer to [VTL-13, "REAR VENTILATOR DUCT UPPER : Removal and Installation"](#).
2. Remove the screw and rear ventilator duct lower.

INSTALLATION

Installation is in the reverse order of removal.

REAR VENTILATOR DUCT 1

REAR VENTILATOR DUCT 1 : Removal and Installation

INFOID:000000011136002

REMOVAL

1. Remove the luggage side lower finisher LH. Refer to [INT-31, "LUGGAGE SIDE LOWER FINISHER : Removal and Installation"](#).
2. Remove the clips and rear ventilator duct 1.

INSTALLATION

Installation is in the reverse order of removal.

REAR VENTILATOR DUCT 2

REAR VENTILATOR DUCT 2 : Removal and Installation

INFOID:000000011136003

REMOVAL

1. Remove rear ventilator duct 1. Refer to [VTL-14, "REAR VENTILATOR DUCT 1 : Removal and Installation"](#).
2. Remove the screw and rear ventilator duct 2.

INSTALLATION

Installation is in the reverse order of removal.

REAR VENTILATOR DUCT 3

REAR VENTILATOR DUCT 3 : Removal and Installation

INFOID:000000011136004

REMOVAL

1. Remove the storage box. Refer to [INT-33, "STORAGE BOX : Removal and Installation"](#).
2. Remove the car jack bracket.
3. Remove rear ventilator duct 2. Refer to [VTL-14, "REAR VENTILATOR DUCT 2 : Removal and Installation"](#).
4. Remove the screws and the rear ventilator duct 3.

INSTALLATION

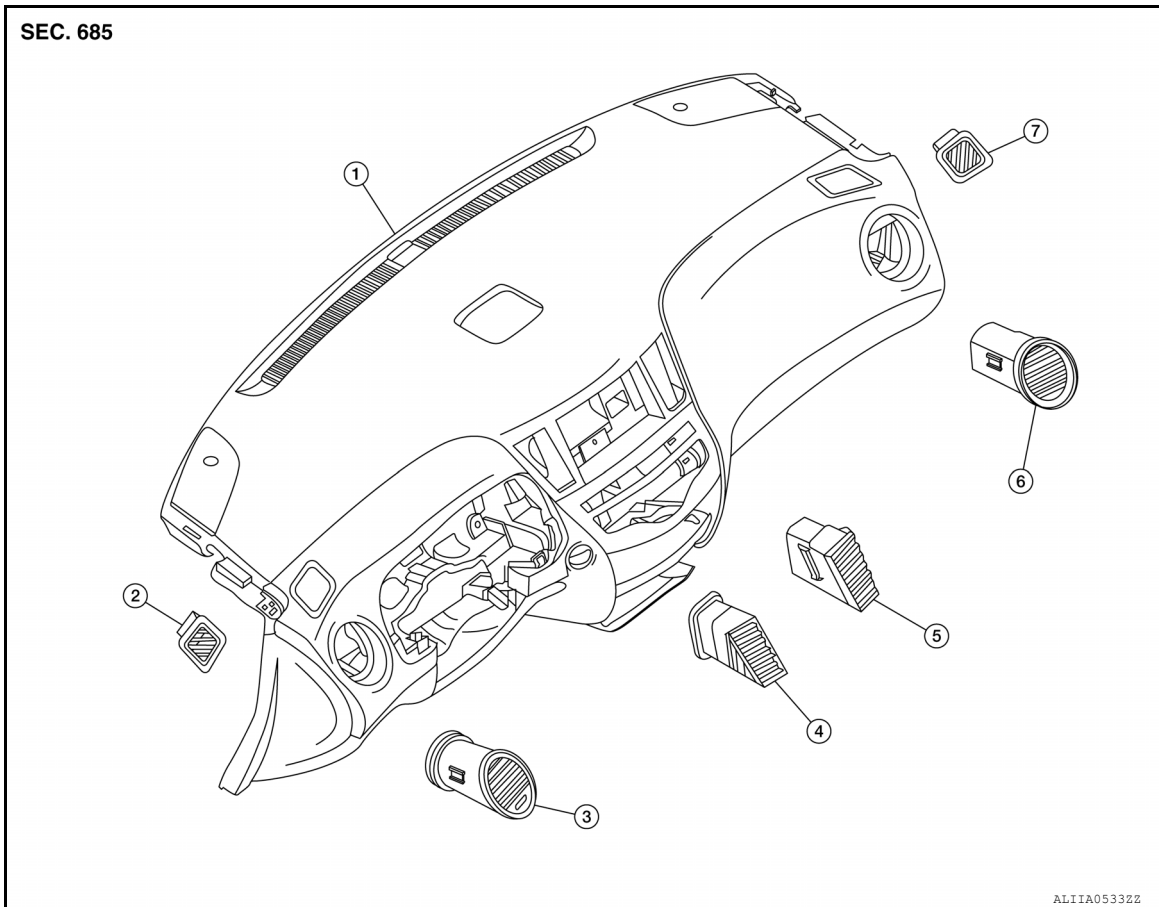
Installation is in the reverse order of removal.

DUCTS AND GRILLES

< REMOVAL AND INSTALLATION >

Exploded View

INFOID:000000011136005



- | | | |
|----------------------------------|----------------------------------|--------------------------------|
| 1. Instrument panel | 2. Side defroster grille (LH) | 3. Side ventilator grille (LH) |
| 4. Center ventilator grille (LH) | 5. Center ventilator grille (RH) | 6. Side ventilator grille (RH) |
| 7. Side defroster grille (RH) | | |

CENTER VENTILATOR GRILLE

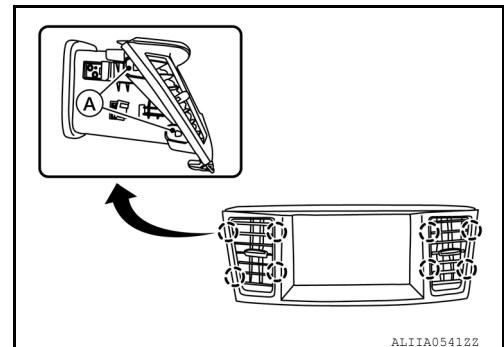
CENTER VENTILATOR GRILLE : Removal and Installation

INFOID:000000011136006

REMOVAL

1. Remove cluster lid D. Refer to [IP-24, "Removal and Installation"](#).
2. Release the center ventilator grille pawls (A) from cluster lid D using a suitable tool.

⊖: Pawl



3. Remove the center ventilator grille.

INSTALLATION

Installation is in the reverse order of removal.

DUCTS AND GRILLES

< REMOVAL AND INSTALLATION >

SIDE VENTILATOR GRILLE

SIDE VENTILATOR GRILLE : Removal and Installation - LH

INFOID:000000011136007

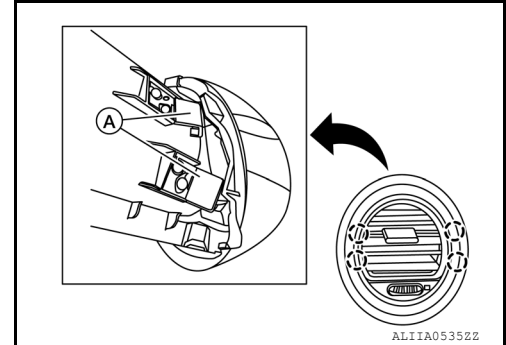
REMOVAL

1. Remove the instrument lower panel LH. Refer to [IP-25, "Removal and Installation"](#).
2. Release the side ventilator grille pawls (A) using a suitable tool.

○: Pawl

CAUTION:

Apply protective tape around the side ventilator grille and instrument panel prior to removal to protect components from damage.



3. Remove the side ventilator grille.

INSTALLATION

Installation is in the reverse order of removal.

SIDE VENTILATOR GRILLE : Removal and Installation - RH

INFOID:000000011136008

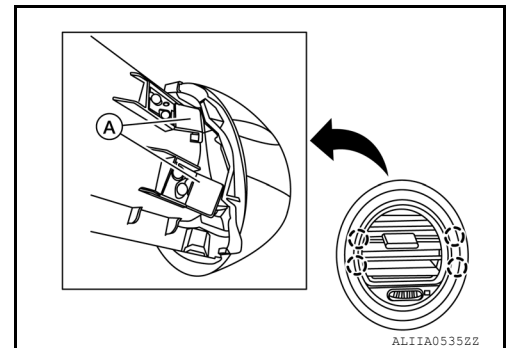
REMOVAL

1. Remove the glove box assembly. Refer to [IP-26, "Removal and Installation"](#).
2. Release the side ventilator grille pawls (A) using a suitable tool.

○: Pawl

CAUTION:

Apply protective tape around the side ventilator grille and instrument panel prior to removal to protect components from damage.



3. Remove the side ventilator grille.

INSTALLATION

Installation is in the reverse order of removal.

SIDE DEFROSTER GRILLE

SIDE DEFROSTER GRILLE : Removal and Installation

INFOID:000000011136009

REMOVAL

DUCTS AND GRILLES

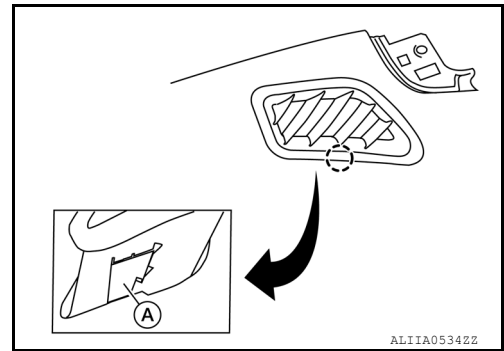
< REMOVAL AND INSTALLATION >

1. Release the side defroster grille pawl (A) using a suitable tool.

○: Pawl

CAUTION:

Apply protective tape around the instrument panel and side defroster grille prior to removal to prevent components from damage.



2. Remove the side defroster grille.

INSTALLATION

Installation is in the reverse order of removal.

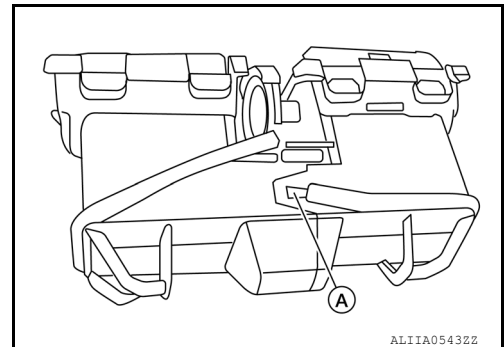
REAR CENTER VENTILATOR GRILLE

REAR CENTER VENTILATOR GRILLE : Removal and Installation

INFOID:000000011136010

REMOVAL

1. Remove center console rear finisher. Refer to [JP-18. "Exploded View"](#).
2. Separate the rear center ventilator duct from the center console rear finisher.
3. Release the clips, then remove the rear center ventilator grille.
4. Release the pawl (A) to separate the rear center ventilator grille, then remove the ventilator grille (LH/RH), if needed.



INSTALLATION

Installation is in the reverse order of removal.

REAR VENTILATOR GRILLE

REAR VENTILATOR GRILLE : Removal and Installation

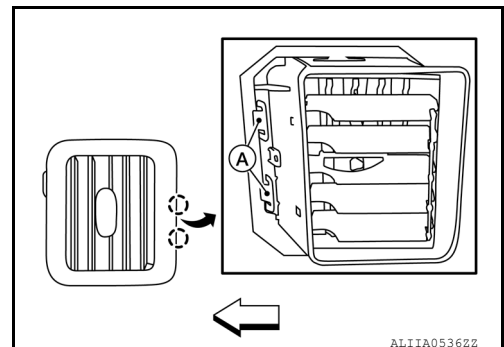
INFOID:000000011136011

REMOVAL

1. Release the rear ventilator grille pawls (A) using a suitable tool.

○: Pawl

⇐: Front



2. Remove the rear ventilator grille.

INSTALLATION

A
B
C
D
E
F
G
H
VTL
J
K
L
M
N
O
P

DUCTS AND GRILLES

< REMOVAL AND INSTALLATION >

Installation is in the reverse order of removal.

BLOWER UNIT

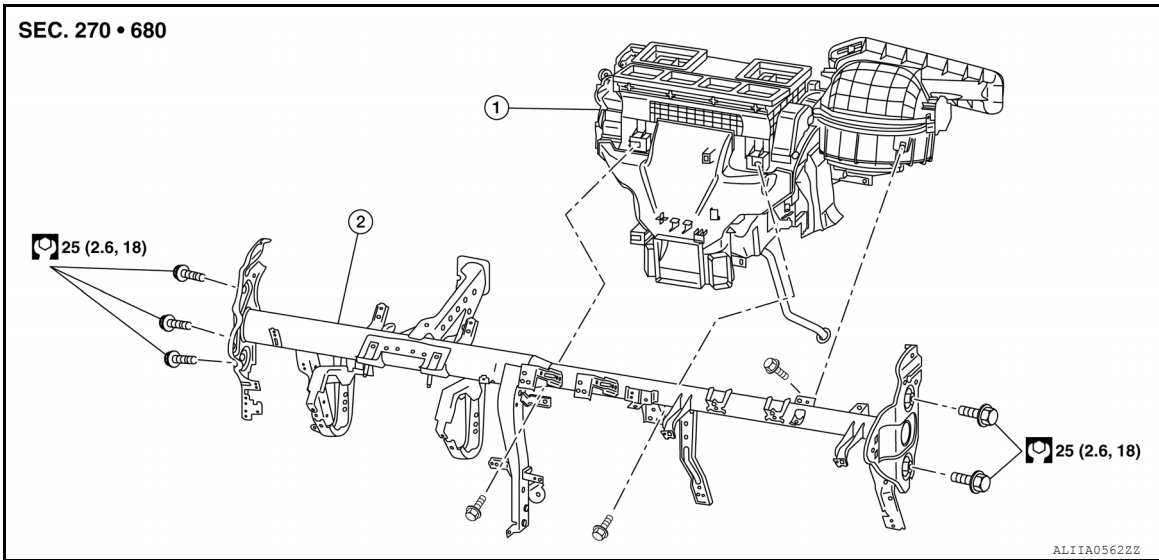
< REMOVAL AND INSTALLATION >

BLOWER UNIT

Exploded View

INFOID:000000011136012

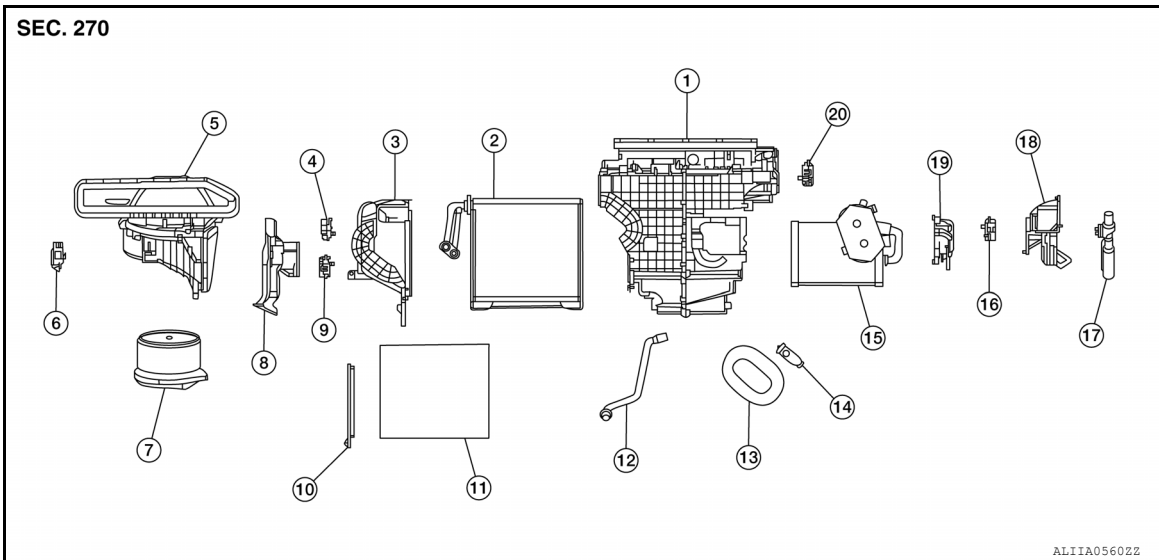
REMOVAL



1. Front heating and cooling unit assembly

2. Steering member

DISASSEMBLY



- | | | |
|--|-----------------------------------|------------------------------------|
| 1. Front heating and cooling unit assembly | 2. Front evaporator | 3. Heater case side cover |
| 4. Air mix door motor (passenger) | 5. Distribution module | 6. Intake door motor |
| 7. Front blower motor | 8. Upper floor connecting duct RH | 9. Air mix door motor (rear) |
| 10. In-cabin microfilter cover | 11. In-cabin microfilter | 12. Drain hose |
| 13. Expansion valve grommet | 14. Expansion valve | 15. Front heater core |
| 16. Air mix door motor (driver) | 17. Aspirator hose | 18. Upper floor connecting duct LH |
| 19. Heater core pipe cover | 20. Mode door motor | |

FRONT BLOWER UNIT

A
B
C
D
E
F
G
H
J
K
L
M
N
O
P

VTL

BLOWER UNIT

< REMOVAL AND INSTALLATION >

FRONT BLOWER UNIT : Removal and Installation

INFOID:000000011136013

REMOVAL

1. Remove the front heating and cooling unit assembly. Refer to [HA-44, "Removal and Installation"](#)
2. Remove the screws, then separate the front blower unit from the front heating unit assembly.

INSTALLATION

Installation is in the reverse order of removal.

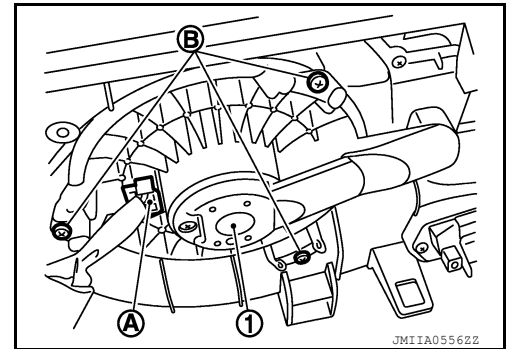
FRONT BLOWER MOTOR

FRONT BLOWER MOTOR : Removal and Installation

INFOID:000000011136014

REMOVAL

1. Remove glove box assembly. Refer to [IP-26, "Removal and Installation"](#).
2. Disconnect the harness connector (A) from the front blower motor.
3. Remove the screws (B), and the front blower motor (1).



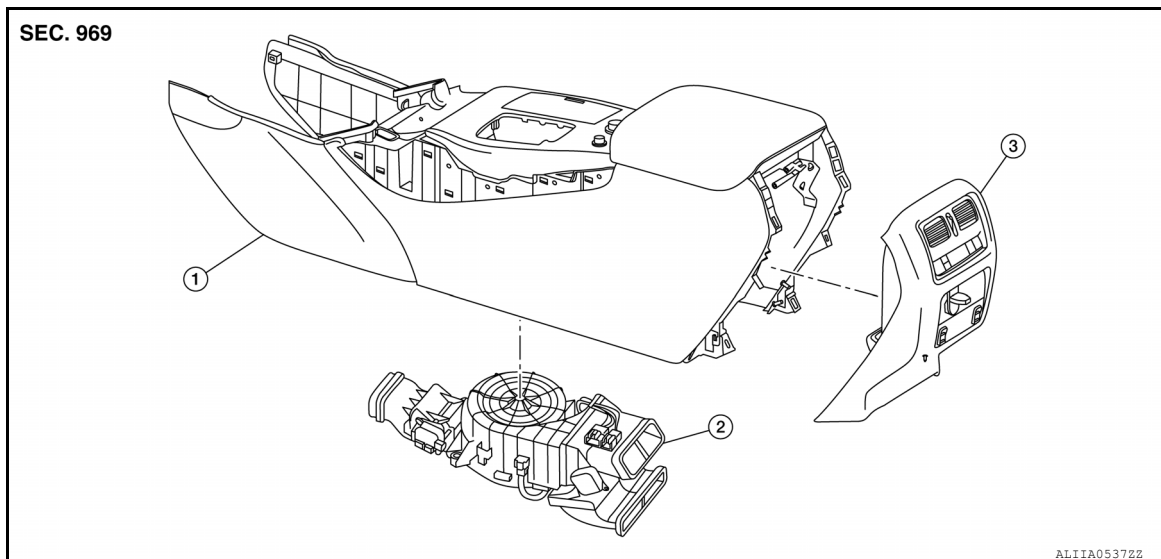
INSTALLATION

Installation is in the reverse order of removal.

REAR BLOWER MOTOR 1 UNIT ASSEMBLY

REAR BLOWER MOTOR 1 UNIT ASSEMBLY : Removal and Installation

INFOID:000000011136015



1. Center console assembly
2. Rear blower motor 1 unit assembly
3. Center console rear finisher

REMOVAL

1. Remove the center console assembly. Refer to [IP-18, "Removal and Installation"](#).
2. Remove the center console bracket.
3. Disconnect the harness connectors from the rear blower motor 1 unit assembly.

BLOWER UNIT

< REMOVAL AND INSTALLATION >

4. Remove the bolts, and the rear blower motor 1 unit assembly.

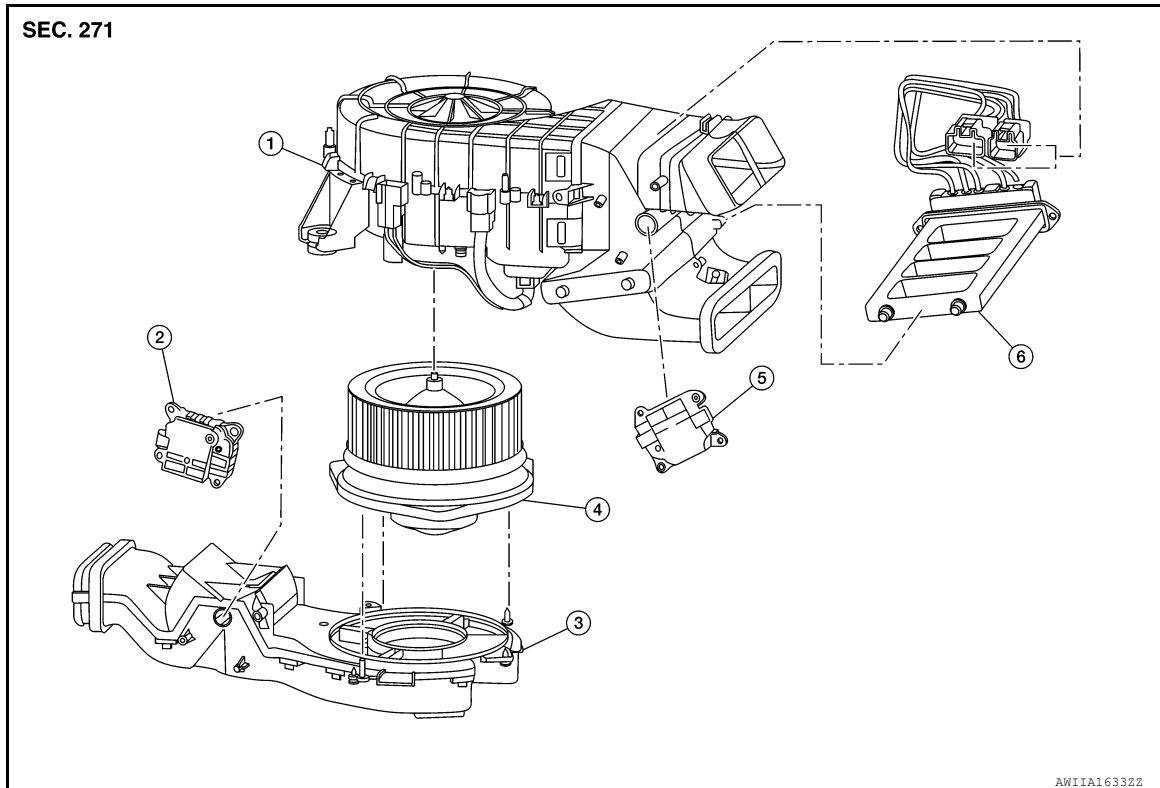
INSTALLATION

Installation is in the reverse order of removal.

REAR BLOWER MOTOR 1

REAR BLOWER MOTOR 1 : Removal and Installation

INFOID:000000011136016



- | | | |
|---|-----------------------------|---|
| 1. Rear blower motor 1 unit assembly upper case | 2. Rear shut-off door motor | 3. Rear blower motor 1 unit assembly lower case |
| 4. Rear blower motor 1 | 5. Mode door motor (rear) | 6. PTC heater |

REMOVAL

1. Remove the rear blower motor 1 unit assembly. Refer to [VTL-20. "REAR BLOWER MOTOR 1 UNIT ASSEMBLY : Removal and Installation"](#).
2. Disconnect the harness connector from the rear blower motor 1.
3. Remove the screws and the rear blower motor 1.

INSTALLATION

Installation is in the reverse order of removal.

REAR BLOWER MOTOR 2

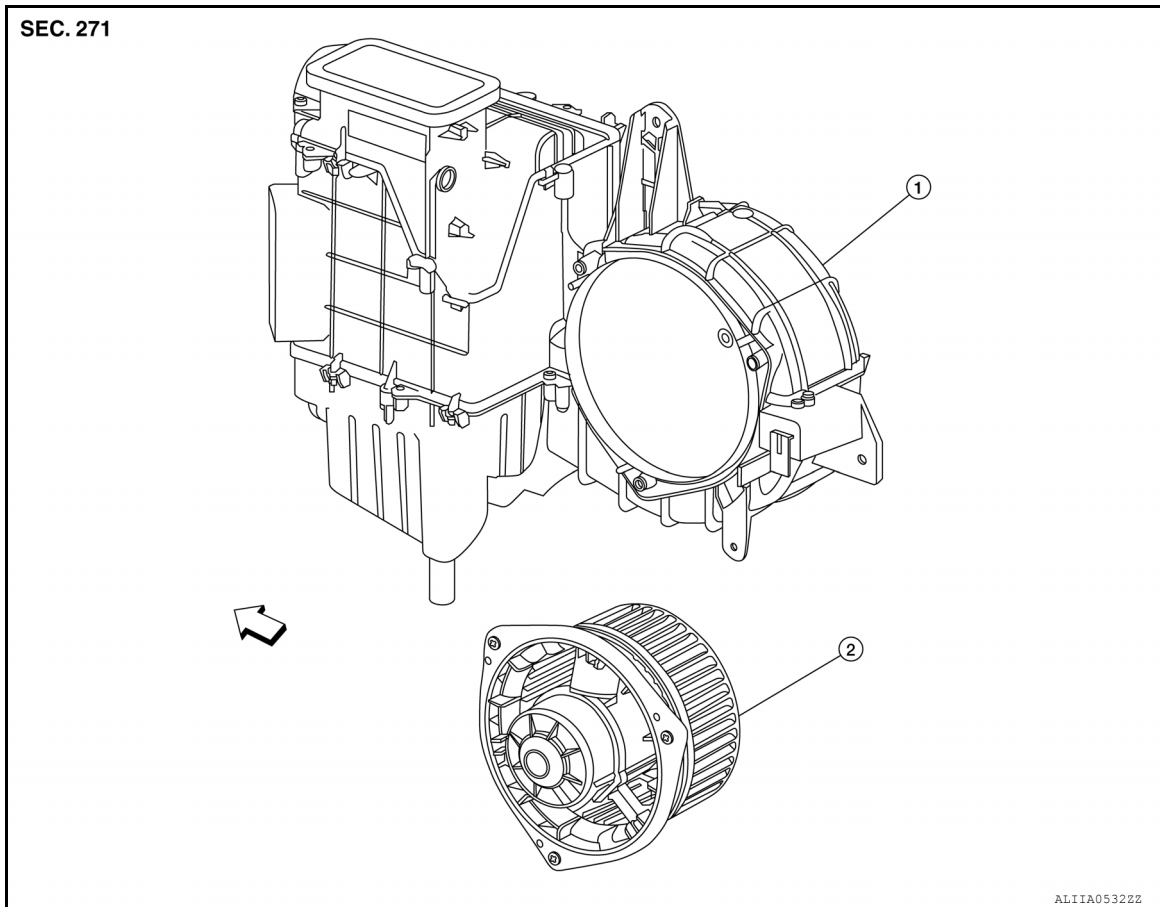
A
B
C
D
E
F
G
H
VTL
J
K
L
M
N
O
P

BLOWER UNIT

< REMOVAL AND INSTALLATION >

REAR BLOWER MOTOR 2 : Removal and Installation

INFOID:000000011136017



1. Rear cooling unit assembly

2. Rear blower motor 2

⇐ Front

REMOVAL

1. Remove the luggage side lower finisher (RH). Refer to [INT-31, "LUGGAGE SIDE LOWER FINISHER : Removal and Installation"](#).
2. Remove the rear ventilator duct lower. Refer to [VTL-14, "REAR VENTILATOR DUCT LOWER : Removal and Installation"](#).
3. Disconnect the harness connector from the rear blower motor 2.
4. Remove the screws and the rear blower motor 2.

INSTALLATION

Installation is in the reverse order of removal.