

SECTION **HRN**
HORN

A
B
C
D
E
F
G
H
I
J
K
M
N
O
P

CONTENTS

DTC/CIRCUIT DIAGNOSIS	2	Precaution for Supplemental Restraint System (SRS) "AIR BAG" and "SEAT BELT PRE-TENSIONER"	6
HORN	2	Precautions for Removing Battery Terminal	6
Wiring Diagram - HORN -	2	REMOVAL AND INSTALLATION	7
PRECAUTION	6	HORN	7
PRECAUTIONS	6	Exploded View	7
		Removal and Installation	7

HRN

HORN

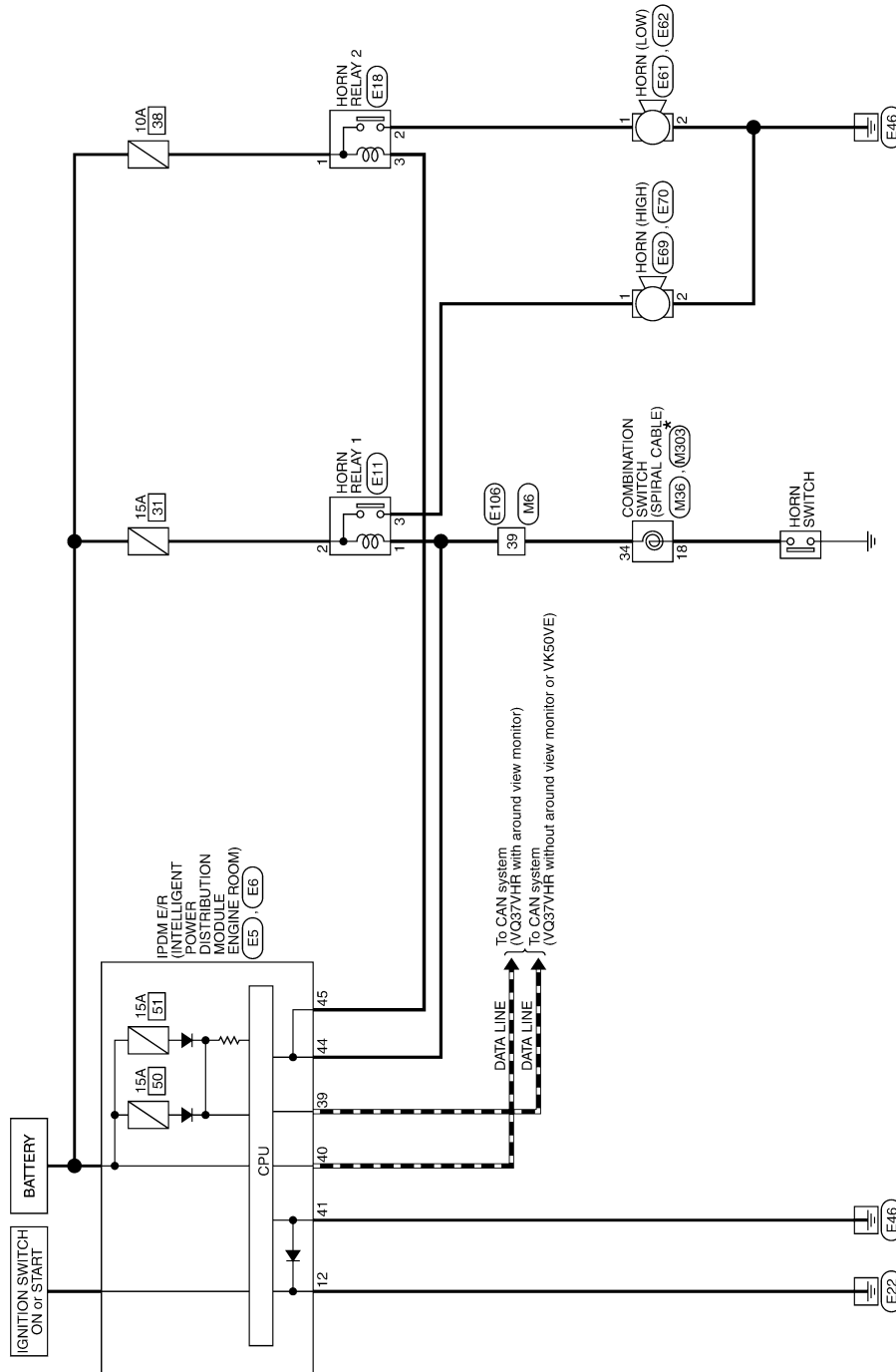
< DTC/CIRCUIT DIAGNOSIS >

DTC/CIRCUIT DIAGNOSIS

HORN

Wiring Diagram - HORN -

INFOID:000000010585087



*: This connector is not shown in "Harness Layout".

HORN

2014/03/18

JRLWD6100GB

HORN

< DTC/CIRCUIT DIAGNOSIS >

Terminal No.	Wire Color	Signal Name	Remarks
14	W		
15	SHIELD		
16	SB		
17	L		
18	P		
19	G		
20	W		
20	Y		
21	BR		
22	R		
22	V		
23	G		
24	L		
24	P		
25	L		
25	Y		
26	SHIELD		
28	LG		
29	LG		
30	BG		
32	W		
33	Y		
34	BG		
37	Y		
38	GR		
39	LG		
41	LG		
42	V		
43	R		
44	G		
45	GR		
46	W		
47	L		
48	P		
49	SB		
50	BR		
51	B		
52	Y		
53	BG		
54	R		
55	SB		
59	P		
60	SB		
61	V		
62	P		
63	LG		
64	L		
65	BG		
69	L		
70	SHIELD		

Terminal No.	Wire Color	Signal Name	Remarks
71	G		
72	G		
73	R		
74	BR		
76	L		
77	W		
78	Y		
80	SB		
81	L		
82	W		
83	LG		
84	GR		
85	G		
86	P		
87	W		
88	BG		
89	LG		
90	BR		
91	GR		
92	BR		
93	SB		
95	Y		
96	W		
97	W		
98	SHIELD		
100	Y		

Terminal No.	Wire Color	Signal Name	Remarks
8	W		
9	P		
10	BR		
11	B		
12	G		
13	R		
14	W		
15	SHIELD		
16	BR		
17	L		
18	P		
19	G		
20	GR		
20	W		
21	BR		
21	R		
22	L		
22	R		
23	G		
24	L		
24	P		
25	W		
25	Y		
26	SHIELD		
28	GR		
29	V		
30	BG		
32	W		
33	Y		
34	L		
37	G		
38	R		
39	G		
41	L		
42	W		
43	R		
44	LG		
45	GR		
46	W		
47	L		
48	P		
49	BG		
50	LG		
51	SB		
52	Y		
53	BG		
54	BR		
55	SB		
59	SB		
60	SB		

Terminal No.	Wire Color	Signal Name	Remarks
61	V		
62	P		
63	R		
64	L		
65	BG		
69	V		
70	SHIELD		
71	BG		
72	GR		
73	W		
74	SB		
76	V		
77	V		
78	Y		
80	BG		
81	L		
82	W		
83	Y		
84	L		
85	P		
86	BR		
87	P		
88	V		
89	G		
90	P		
91	R		
92	R		
93	GR		
95	G		
96	W		
97	W		
98	SHIELD		
100	Y		

Terminal No.	Wire Color	Signal Name	Remarks
71	G		
72	G		
73	R		
74	BR		
76	L		
77	W		
78	Y		
80	SB		
81	L		
82	W		
83	LG		
84	GR		
85	G		
86	P		
87	W		
88	BG		
89	LG		
90	BR		
91	GR		
92	BR		
93	SB		
95	Y		
96	W		
97	W		
98	SHIELD		
100	Y		

Terminal No.	Wire Color	Signal Name	Remarks
48	P		
49	BG		
50	LG		
51	SB		
52	Y		
53	BG		
54	BR		
55	SB		
59	SB		
60	SB		

Terminal No.	Wire Color	Signal Name	Remarks
1	G		
2	BG		
3	LG		
4	SB		
5	LG		
6	GR		
7	G		

Terminal No.	Wire Color	Signal Name	Remarks
61	V		
62	P		
63	LG		
64	L		
65	BG		
69	L		
70	SHIELD		

Terminal No.	Wire Color	Signal Name	Remarks
8	W		
9	P		
10	BR		
11	B		
12	G		
13	R		
14	W		
15	SHIELD		
16	BR		
17	L		
18	P		
19	G		
20	GR		
20	W		
21	BR		
21	R		
22	L		
22	R		
23	G		
24	L		
24	P		
25	W		
25	Y		
26	SHIELD		
28	GR		
29	V		
30	BG		
32	W		
33	Y		
34	L		
37	G		
38	R		
39	G		
41	L		
42	W		
43	R		
44	LG		
45	GR		
46	W		
47	L		
48	P		
49	BG		
50	LG		
51	SB		
52	Y		
53	BG		
54	BR		
55	SB		
59	SB		
60	SB		

Terminal No.	Wire Color	Signal Name	Remarks
61	V		
62	P		
63	R		
64	L		
65	BG		
69	V		
70	SHIELD		
71	BG		
72	GR		
73	W		
74	SB		
76	V		
77	V		
78	Y		
80	BG		
81	L		
82	W		
83	Y		
84	L		
85	P		
86	BR		
87	P		
88	V		
89	G		
90	P		
91	R		
92	R		
93	GR		
95	G		
96	W		
97	W		
98	SHIELD		
100	Y		

Terminal No.	Wire Color	Signal Name	Remarks
48	P		
49	BG		
50	LG		
51	SB		
52	Y		
53	BG		
54	BR		
55	SB		
59	SB		
60	SB		

Terminal No.	Wire Color	Signal Name	Remarks
1	G		
2	BG		
3	LG		
4	SB		
5	LG		
6	GR		
7	G		

Terminal No.	Wire Color	Signal Name	Remarks
61	V		
62	P		
63	LG		
64	L		
65	BG		
69	L		
70	SHIELD		

Terminal No.	Wire Color	Signal Name	Remarks
8	W		
9	P		
10	BR		
11	B		
12	G		
13	R		
14	W		
15	SHIELD		
16	BR		
17	L		
18	P		
19	G		
20	GR		
20	W		
21	BR		
21	R		
22	L		
22	R		
23	G		
24	L		
24	P		
25	W		
25	Y		
26	SHIELD		
28	GR		
29	V		
30	BG		
32	W		
33	Y		
34	L		
37	G		
38	R		
39	G		
41	L		
42	W		
43	R		
44	LG		
45	GR		
46	W		
47	L		
48	P		
49	BG		
50	LG		
51	SB		
52	Y		
53	BG		
54	BR		
55	SB		
59	SB		
60	SB		

Terminal No.	Wire Color	Signal Name	Remarks
61	V		
62	P		
63	R		
64	L		
65	BG		
69	V		
70	SHIELD		
71	BG		
72	GR		
73	W		
74	SB		
76	V		
77	V		
78	Y		
80	BG		
81	L		
82	W		
83	Y		
84	L		
85	P		
86	BR		
87	P		
88	V		
89	G		
90	P		
91	R		
92	R		
93	GR		
95	G		
96	W		
97	W		
98	SHIELD		
100	Y		

Terminal No.	Wire Color	Signal Name	Remarks
48	P		
49	BG		
50	LG		
51	SB		
52	Y		
53	BG		
54	BR		
55	SB		
59	SB		
60	SB		

Terminal No.	Wire Color	Signal Name	Remarks
1	G		
2	BG		
3	LG		
4	SB		
5	LG		
6	GR		
7	G		

Terminal No.	Wire Color	Signal Name	Remarks
61	V		
62	P		
63	LG		
64	L		
65	BG		
69	L		
70	SHIELD		

Terminal No.	Wire Color	Signal Name	Remarks
8	W		
9	P		
10	BR		
11	B		
12	G		
13	R		
14	W		
15	SHIELD		
16			

HORN

< DTC/CIRCUIT DIAGNOSIS >

A
B
C
D
E
F
G
H
I
J
K
M
N
O
P

HORN

Terminal No.	Color Of Wire	Signal Name [Specification]
24	P	-
25	SB	-
26	B	-
31	L	-
32	V	-
33	B	-
34	G	-

Connector No.	M303
Connector Name	COMBINATION SWITCH (SPRAL CABLE)
Connector Type	TK08FEY



Terminal No.	Color Of Wire	Signal Name [Specification]
13	R	-
14	W	-
15	L	-
16	B	-
17	BR	-
18	G	-
19	P	-
20	Y	-

HRN

JRLWD6103GB

PRECAUTIONS

< PRECAUTION >

PRECAUTION

PRECAUTIONS

Precaution for Supplemental Restraint System (SRS) "AIR BAG" and "SEAT BELT PRE-TENSIONER"

INFOID:0000000110585088

The Supplemental Restraint System such as "AIR BAG" and "SEAT BELT PRE-TENSIONER", used along with a front seat belt, helps to reduce the risk or severity of injury to the driver and front passenger for certain types of collision. This system includes seat belt switch inputs and dual stage front air bag modules. The SRS system uses the seat belt switches to determine the front air bag deployment, and may only deploy one front air bag, depending on the severity of a collision and whether the front occupants are belted or unbelted. Information necessary to service the system safely is included in the "SRS AIR BAG" and "SEAT BELT" of this Service Manual.

WARNING:

Always observe the following items for preventing accidental activation.

- To avoid rendering the SRS inoperative, which could increase the risk of personal injury or death in the event of a collision that would result in air bag inflation, all maintenance must be performed by an authorized NISSAN/INFINITI dealer.
- Improper maintenance, including incorrect removal and installation of the SRS, can lead to personal injury caused by unintentional activation of the system. For removal of Spiral Cable and Air Bag Module, see "SRS AIR BAG".
- Never use electrical test equipment on any circuit related to the SRS unless instructed to in this Service Manual. SRS wiring harnesses can be identified by yellow and/or orange harnesses or harness connectors.

PRECAUTIONS WHEN USING POWER TOOLS (AIR OR ELECTRIC) AND HAMMERS

WARNING:

Always observe the following items for preventing accidental activation.

- When working near the Air Bag Diagnosis Sensor Unit or other Air Bag System sensors with the ignition ON or engine running, never use air or electric power tools or strike near the sensor(s) with a hammer. Heavy vibration could activate the sensor(s) and deploy the air bag(s), possibly causing serious injury.
- When using air or electric power tools or hammers, always switch the ignition OFF, disconnect the battery, and wait at least 3 minutes before performing any service.

Precautions for Removing Battery Terminal

INFOID:0000000111007711

- When removing the 12V battery terminal, turn OFF the ignition switch and wait at least 30 seconds.

NOTE:

ECU may be active for several tens of seconds after the ignition switch is turned OFF. If the battery terminal is removed before ECU stops, then a DTC detection error or ECU data corruption may occur.

- For vehicles with the 2-batteries, be sure to connect the main battery and the sub battery before turning ON the ignition switch.

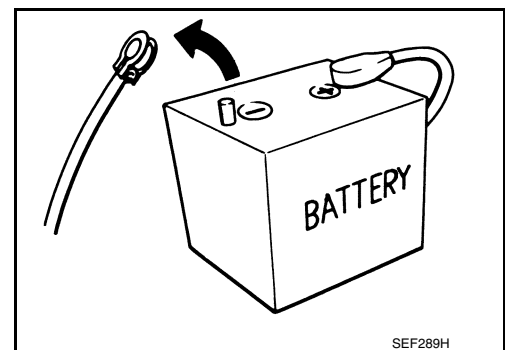
NOTE:

If the ignition switch is turned ON with any one of the terminals of main battery and sub battery disconnected, then DTC may be detected.

- After installing the 12V battery, always check "Self Diagnosis Result" of all ECUs and erase DTC.

NOTE:

The removal of 12V battery may cause a DTC detection error.



HORN

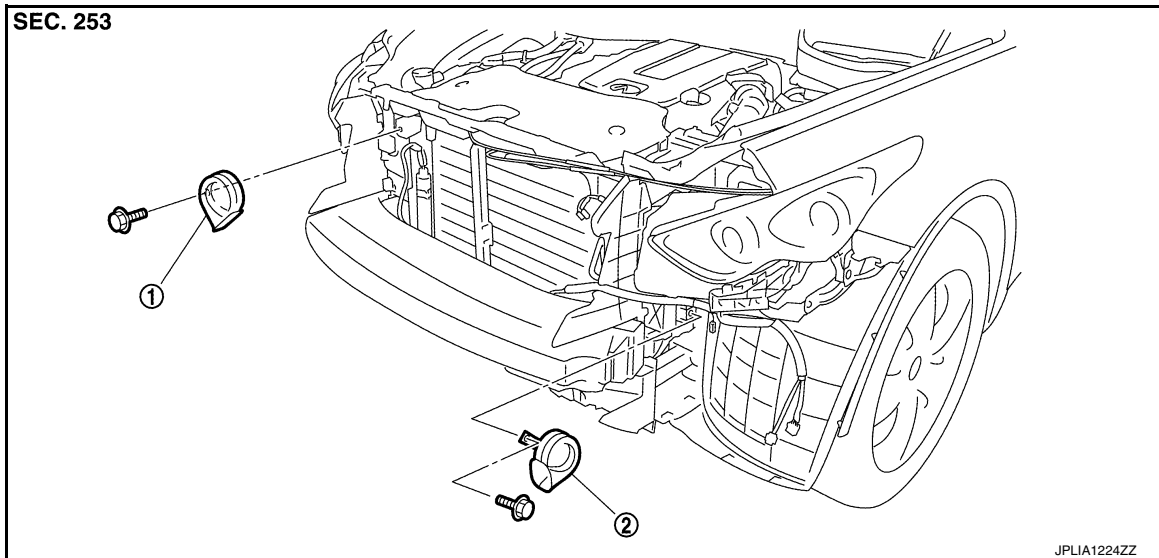
< REMOVAL AND INSTALLATION >

REMOVAL AND INSTALLATION

HORN

Exploded View

INFOID:000000010585089



1. Horn (HIGH)

2. Horn (LOW)

Removal and Installation

INFOID:000000010585090

REMOVAL

Horn (LOW)

1. Remove the fender protector. Refer to [EXT-25. "FENDER PROTECTOR : Exploded View"](#).
2. Disconnect the horn (LOW) connector.
3. Remove the horn mounting bolt, and remove the horn (LOW) from the vehicle.

Horn (HIGH)

1. Remove the air duct (inlet). Refer to [EM-29. "Exploded View"](#).
2. Disconnect the horn (HIGH) connector.
3. Remove the horn mounting bolt, and remove the horn (HIGH) from the vehicle.

INSTALLATION

Install in the reverse order of removal.

A
B
C
D
E
F
G
H
I
J
K
M
N
O
P

HRN