

SECTION **PWO**  
POWER OUTLET

A  
B  
C  
D  
E  
F  
G  
H  
I  
J  
K  
L  
N  
O  
P

CONTENTS

<b>DTC/CIRCUIT DIAGNOSIS</b> .....	2	<b>FRONT POWER SOCKET : Removal and Installation</b> .....	9
<b>POWER SOCKET</b> .....	2	<b>CONSOLE POWER SOCKET</b> .....	9
Wiring Diagram - POWER SOCKET - .....	2	CONSOLE POWER SOCKET : Exploded View .....	10
<b>PRECAUTION</b> .....	8	CONSOLE POWER SOCKET : Removal and Installation .....	10
<b>PRECAUTIONS</b> .....	8	<b>REAR POWER SOCKET</b> .....	10
Precaution for Supplemental Restraint System (SRS) "AIR BAG" and "SEAT BELT PRE-TENSIONER" .....	8	REAR POWER SOCKET : Exploded View .....	10
Precautions for Removing Battery Terminal .....	8	REAR POWER SOCKET : Removal and Installation .....	10
<b>REMOVAL AND INSTALLATION</b> .....	9	<b>LUGGAGE ROOM POWER SOCKET</b> .....	11
<b>POWER SOCKET</b> .....	9	LUGGAGE ROOM POWER SOCKET : Exploded View .....	11
<b>FRONT POWER SOCKET</b> .....	9	LUGGAGE ROOM POWER SOCKET : Removal and Installation .....	11
FRONT POWER SOCKET : Exploded View .....	9		

PWO

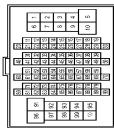


# POWER SOCKET

< DTC/CIRCUIT DIAGNOSIS >

## POWER SOCKET

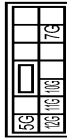
Connector No.	B1
Connector Name	WIRE TO WIRE
Connector Type	TH80FW-CS16-TM4



Terminal No.	Color Of Wire	Signal Name [Specification]
1	G	-
2	W	-
3	G	-
4	P	-
5	LG	-
6	BG	-
7	SB	-
8	Y	-
9	W	-
10	SHIELD	-
11	L	-
12	P	-
13	B	-
14	G	-
15	R	-
16	SHIELD	-
17	L	-
18	P	-
19	G	-
20	Y	-
21	W	-
23	V	-
24	P	-
25	BR	-
26	GR	-
27	BG	-
28	W	-
38	B	-
39	B	-
43	SB	-
44	V	-
45	GR	-
51	V	-
52	SB	-
53	SHIELD	-
54	BR	-
55	Y	-
64	BR	-
65	Y	-
66	Y	-
67	W	-
69	G	-
71	SB	-
72	P	-
73	GR	-
74	LG	-
75	BR	-

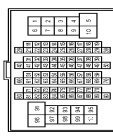
## POWER SOCKET

Connector No.	B6
Connector Name	FUSE BLOCK (JIB)
Connector Type	NS12FBR-CS



Terminal No.	Color Of Wire	Signal Name [Specification]
10G	W	-
11G	W	-
12G	GR	-
5G	LG	-
7G	BG	-

Connector No.	B201
Connector Name	WIRE TO WIRE
Connector Type	TH80FW-CS16-TM4



Terminal No.	Color Of Wire	Signal Name [Specification]
1	G	-
2	R	-
3	BR	-
4	SB	-
6	BG	-
7	GR	-
8	W	-
10	G	-
11	SHIELD	-
20	B	-
21	P	-
22	GR	-
23	LG	-
24	W	-

25	V	-	-
26	G	-	-
27	Y	-	-
28	SHIELD	-	-
31	W	-	-
32	GR	-	-
33	SB	-	-
36	L	-	-
37	P	-	-
38	L	-	-
39	P	-	-
40	LG	-	[With ICC]
40	V	-	[Without ICC]
41	SB	-	[With ICC]
41	Y	-	[Without ICC]
42	V	-	[With ICC]
42	W	-	[Without ICC]
43	B	-	[With ICC]
43	BR	-	[Without ICC]
44	R	-	-
45	G	-	-
46	BG	-	[With ICC]
46	SHIELD	-	[Without ICC]
47	B	-	[With ICC]
47	L	-	[Without ICC]
48	P	-	[With ICC]
48	R	-	[Without ICC]
49	G	-	[With ICC]
49	W	-	[Without ICC]
50	SHIELD	-	-
51	W	-	-
52	R	-	-
53	G	-	-
54	L	-	-
55	SB	-	-
60	GR	-	-
61	LG	-	-
62	SB	-	-
63	P	-	-
64	BR	-	-
65	BG	-	-
66	Y	-	-
67	W	-	-
69	G	-	-
71	SB	-	-
72	V	-	-
73	LG	-	-
74	W	-	-
75	BR	-	-

A  
B  
C  
D  
E  
F  
G  
H  
I  
J  
K  
L  
N  
O  
P

PWO

# POWER SOCKET

< DTC/CIRCUIT DIAGNOSIS >

## POWER SOCKET

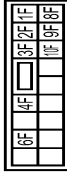
76	V	-
77	LG	-
80	BG	-
82	P	-
83	Y	-
84	R	-
85	SB	-
86	GR	-
87	L	-
91	V	-
92	W	-
93	R	-
94	LG	-
95	GR	-
96	W	-
97	G	-
98	BG	-
99	L	-

Connector No.	B244
Connector Name	LUGGAGE ROOM POWER SOCKET
Connector Type	P02FBZ



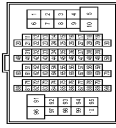
Terminal Color Of No.	Wire	Signal Name [Specification]
1	V	-
2	B	-

Connector No.	E103
Connector Name	FUSE BLOCK (JIB)
Connector Type	NS18FM-CS



Terminal Color Of No.	Wire	Signal Name [Specification]
10F	L	-
1F	SB	-
2F	W	-
3F	Y	-
4F	G	-
6F	BG	-
8F	L	-
9F	R	-

Connector No.	E106
Connector Name	WIRE TO WIRE
Connector Type	T-H80FM-CS16-TM4

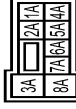


Terminal Color Of No.	Wire	Signal Name [Specification]
1	G	-
2	BG	-
3	SB	-
4	LG	-
5	Y	-
6	W	-
7	G	-
8	V	-
9	R	-
10	BR	-
11	B	-
12	G	-

13	R	-
14	W	-
15	SHIELD	-
16	SB	-
17	L	-
18	P	-
19	G	-
20	W	- [With ICC]
20	Y	- [Without ICC]
21	BR	-
22	R	- [With ICC]
22	V	- [Without ICC]
23	G	-
24	L	- [With ICC]
24	P	- [Without ICC]
25	L	- [With ICC]
25	Y	- [Without ICC]
26	SHIELD	-
28	G	-
29	LG	-
30	BG	-
32	W	-
33	Y	-
34	BG	-
37	Y	-
38	GR	-
39	LG	-
41	LG	-
42	V	-
43	R	-
44	G	-
45	GR	-
46	W	-
47	L	-
48	P	-
49	SB	-
50	BR	-
51	B	-
52	Y	-
53	BG	-
54	R	-
55	SB	-
59	P	-
60	SB	-
61	V	-
62	P	-
63	LG	-
64	L	-
65	BG	-
69	L	-

70	SHIELD	-
71	G	-
72	G	-
73	R	-
74	BR	-
76	L	-
77	W	-
78	Y	-
80	SB	-
81	L	-
82	W	-
83	LG	-
84	GR	-
85	G	-
86	P	-
87	W	-
88	BG	-
89	LG	-
90	BR	-
91	GR	-
92	BR	-
93	SB	-
95	Y	-
96	W	-
97	W	-
98	SHIELD	-
100	Y	-

Connector No.	M1
Connector Name	FUSE BLOCK (JIB)
Connector Type	NS08FM-M2



Terminal Color Of No.	Wire	Signal Name [Specification]
1A	BG	-
2A	G	-
3A	L	-
4A	R	-
5A	V	-
6A	Y	-
7A	R	-

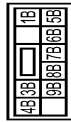
# POWER SOCKET

< DTC/CIRCUIT DIAGNOSIS >

## POWER SOCKET

8A	L	-
----	---	---

Connector No.	M2
Connector Name	FUSE BLOCK (JIB)
Connector Type	NS10FW-CS



Terminal Color Of No.	Wire	Signal Name [Specification]
1B	LG	-
2B	P	-
3B	G	-
4B	BG	-
5B	Y	-
6B	L	-
7B	L	-
8B	R	-
9B	BR	-

Connector No.	M6
Connector Name	WIRE TO WIRE
Connector Type	TH80MW-CS16-TM4



Terminal Color Of No.	Wire	Signal Name [Specification]
1	G	-
2	BG	-
3	LG	- [Without Auto aircon seat]
4	SB	- [Without Auto aircon seat]
5	LG	-
6	GR	-
7	G	-
8	W	-

9	P	-
10	BR	-
11	B	-
12	G	-
13	R	-
14	W	-
15	SHIELD	-
16	BR	-
17	L	-
18	P	-
19	G	-
20	GR	- [Without ICC]
21	W	- [With ICC]
22	BR	- [Without ICC]
23	R	- [With ICC]
24	L	- [Without ICC]
25	W	- [Without ICC]
26	Y	- [Without ICC]
28	SHIELD	-
29	GR	-
30	BG	-
32	W	-
33	Y	-
34	L	-
37	G	-
38	R	-
39	G	-
41	L	-
42	W	-
43	R	-
44	LG	-
45	GR	-
46	W	-
47	L	-
48	P	-
49	BG	-
50	LG	-
51	SB	-
52	Y	-
53	BG	-
54	LG	-
55	SB	-
58	W	-
60	SB	-
61	V	-

62	P	-
63	R	-
64	L	-
65	BG	-
69	V	-
70	SHIELD	-
71	BG	-
72	GR	-
73	W	-
74	SB	-
76	V	-
77	V	-
78	Y	-
80	BG	-
81	L	-
82	W	-
83	Y	-
84	L	-
85	P	-
86	BR	-
87	P	-
88	V	-
89	G	-
90	P	-
91	R	-
92	R	-
93	GR	-
95	G	-
96	W	-
97	W	-
98	SHIELD	-
100	Y	-

Connector No.	M7
Connector Name	WIRE TO WIRE
Connector Type	TH80MW-CS16-TM4



Terminal Color Of No.	Wire	Signal Name [Specification]
1	G	- [With Auto aircon seat]
1	Y	- [Without Auto aircon seat]
2	B	-
3	W	-
6	P	-
7	V	-
8	BG	-
10	W	-
11	BG	-
12	B	-
13	G	-
14	R	-
15	W	-
16	SHIELD	-
17	L	-
18	P	-
19	G	-
20	R	-
21	LG	-
23	V	-
24	P	-
25	BR	-
26	GR	-
27	BG	-
28	W	-
38	B	-
39	B	-
43	SB	-
44	W	-
45	B	-
51	V	-
52	LG	-
53	SHIELD	-
54	BR	-
55	Y	-
56	SHIELD	-
57	P	-
58	L	-
59	SHIELD	-
60	L	-
61	BR	-
62	R	-
63	Y	-
64	L	-
65	W	-
66	V	-
67	LG	-
68	Y	-

A  
B  
C  
D  
E  
F  
G  
H  
I  
J  
K  
L  
N  
O  
P

PWO

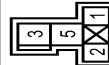
# POWER SOCKET

< DTC/CIRCUIT DIAGNOSIS >

## POWER SOCKET

69	G	-	-
70	V	-	-
71	W	-	-
72	B	-	-
73	W	-	-
74	LG	-	-
75	P	-	-
76	LG	-	-
77	SB	-	-
78	GR	-	-
79	R	-	-
80	L	-	-
81	P	-	-
82	L	-	-
83	P	-	-
84	SB	-	-
85	W	-	-
86	Y	-	-
87	B	-	-
88	G	-	-
89	BG	-	-
90	R	-	-
91	BG	-	-
92	BR	-	-
93	ER	-	-
94	V	-	-
96	BG	-	-
97	W	-	-
98	R	-	-
99	BG	-	-

Connector No.	M79
Connector Name	ACCESSORY RELAY (2)
Connector Type	MS02FL-M2-LC



Terminal No.	Wire	Signal Name [Specification]
1	G	-
2	B	-
3	LG	-
5	L	-

Connector No.	M117
Connector Name	WIRES TO WIRE
Connector Type	TH80MW-CS16-TM4



Terminal No.	Color Of Wire	Signal Name [Specification]
1	GR	-
2	BR	-
3	V	-
4	SB	-
6	Y	-
7	B	-
8	W	-
10	W	-
11	SHIELD	-
20	R	-
21	G	-
22	GR	-
23	V	-
24	W	-
25	R	-
26	P	-
27	L	-
28	SHIELD	-
31	W	-
32	W	-
33	SB	-
36	L	-
37	P	-
38	L	-
39	P	-
40	V	-
41	SB	- [With ICC]
41	Y	- [Without ICC]
42	V	- [With ICC]
42	W	- [Without ICC]
43	B	- [With ICC]
43	P	- [Without ICC]
44	R	- [With ICC]
45	G	- [Without ICC]
45	L	- [With ICC]
46	BG	- [With ICC]

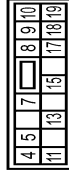
46	SHIELD	-	[Without ICC]
47	B	-	[Without ICC]
47	L	-	[With ICC]
48	P	-	[With ICC]
48	R	-	[Without ICC]
49	G	-	[With ICC]
49	W	-	[Without ICC]
50	SHIELD	-	-
51	BG	-	-
52	GR	-	-
53	G	-	-
54	L	-	-
55	P	-	-
60	LG	-	-
61	R	-	-
62	SB	-	-
63	V	-	-
64	Y	-	-
65	BR	-	-
66	BG	-	-
67	W	-	-
69	G	-	-
71	SB	-	-
72	V	-	-
73	V	-	-
74	LG	-	-
75	BR	-	-
76	V	-	-
77	LG	-	-
80	R	-	-
82	Y	-	-
83	BG	-	-
84	W	-	-
85	SB	-	-
86	B	-	-
87	P	-	-
91	L	-	-
92	L	-	-
93	G	-	-
94	BG	-	-
95	V	-	-
96	G	-	-
97	G	-	-
98	L	-	-
99	LG	-	-

Connector No.	M118
Connector Name	BCM (BODY CONTROL MODULE)
Connector Type	M03FBL-C



Terminal No.	Color Of Wire	Signal Name [Specification]
1	W	BAT (E/L)
2	Y	POWER WINDOW POWER SUPPLY (BAT)
3	BG	POWER WINDOW POWER SUPPLY (BAP)

Connector No.	M119
Connector Name	BCM (BODY CONTROL MODULE)
Connector Type	NS16FM-CS





Terminal No.	Color Of Wire	Signal Name [Specification]
4	P	INT ROOM LAMP PWR SUPPLY (BAT SAVE)
5	V	PASSENGER DOOR UNLOCK OUTPUT
7	Y	STEP LAMP OUTPUT
8	V	ALL DOOR, FUEL LID LOCK OUTPUT
9	G	DRIVER DOOR, FUEL LID UNLOCK OUTPUT
10	BR	REAR DOOR UNLOCK OUTPUT
11	R	BAT (FUSE)
13	B	GROUND
15	Y	ACC IND
17	W	TURN SIGNAL RH (FRONT)
18	BG	TURN SIGNAL LH (FRONT)
19	SB	ROOM LAMP TIMER

# POWER SOCKET

< DTC/CIRCUIT DIAGNOSIS >



## POWER SOCKET

Connector No.	M122
Connector Name	BCM (BODY CONTROL MODULE)
Connector Type	TH40FB-NH

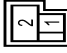

Terminal No.	Color Of Wire	Signal Name [Specification]
74	SB	PASSENGER DOOR ANT-
75	BR	PASSENGER DOOR ANT+
76	V	DRIVER DOOR ANT-
77	LG	DRIVER DOOR ANT+
78	Y	ROOM ANT 1
79	BR	ROOM ANT 1+
80	GR	NATS ANT AMP.
81	W	NATS ANT AMP.
82	P	IGN RELAY (F/B) CONT
83	GR	KEYLESS ENTRY RECEIVER SIGNAL
88	V	COMBI SW INPUT 5
90	P	CAN-L
91	L	CAN-H
92	LG	KEY SLOT ILL
93	V	ON IND
95	BG	ACC RELAY CONT
96	GR	ANT SELECTOR POWER SUPPLY
99	R	SHIFT P
100	G	PASSENGER DOOR REQUEST SW
101	SB	DRIVER DOOR REQUEST SW
102	BG	BLOWER FAN MOTOR RELAY CONT
103	BR	KEYLESS ENTRY RECEIVER POWER SUPPLY
107	LG	COMBI SW INPUT 1
108	R	COMBI SW INPUT 4
109	Y	COMBI SW INPUT 2
110	G	HAZARD SW

Connector No.	M132
Connector Name	FRONT POWER SOCKET
Connector Type	NS03FM-CS

Terminal No.	Color Of Wire	Signal Name [Specification]
1	B	-
2	R	-
3	L	-

Connector No.	M142
Connector Name	CONSOLE POWER SOCKET
Connector Type	P02FB-Z

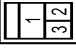

Terminal No.	Color Of Wire	Signal Name [Specification]
1	Y	-
2	B	-

Connector No.	M149
Connector Name	REAR POWER SOCKET
Connector Type	P02FB-Z



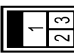


Terminal No.	Color Of Wire	Signal Name [Specification]
1	BG	-
2	B	-

Connector No.	M151
Connector Name	WIRE TO WIRE
Connector Type	M03FW-LC

Terminal No.	Color Of Wire	Signal Name [Specification]
1	W	-
2	Y	-
3	R	-

Connector No.	M152
Connector Name	WIRE TO WIRE
Connector Type	M03MMW-LC

Terminal No.	Color Of Wire	Signal Name [Specification]
1	W	-
2	Y	-
3	R	-

A  
B  
C  
D  
E  
F  
G  
H  
I  
J  
K  
L  
N  
O  
P

PWO

# PRECAUTIONS

< PRECAUTION >

## PRECAUTION

### PRECAUTIONS

#### Precaution for Supplemental Restraint System (SRS) "AIR BAG" and "SEAT BELT PRE-TENSIONER"

INFOID:000000010581697

The Supplemental Restraint System such as "AIR BAG" and "SEAT BELT PRE-TENSIONER", used along with a front seat belt, helps to reduce the risk or severity of injury to the driver and front passenger for certain types of collision. This system includes seat belt switch inputs and dual stage front air bag modules. The SRS system uses the seat belt switches to determine the front air bag deployment, and may only deploy one front air bag, depending on the severity of a collision and whether the front occupants are belted or unbelted. Information necessary to service the system safely is included in the "SRS AIR BAG" and "SEAT BELT" of this Service Manual.

#### **WARNING:**

Always observe the following items for preventing accidental activation.

- To avoid rendering the SRS inoperative, which could increase the risk of personal injury or death in the event of a collision that would result in air bag inflation, all maintenance must be performed by an authorized NISSAN/INFINITI dealer.
- Improper maintenance, including incorrect removal and installation of the SRS, can lead to personal injury caused by unintentional activation of the system. For removal of Spiral Cable and Air Bag Module, see "SRS AIR BAG".
- Never use electrical test equipment on any circuit related to the SRS unless instructed to in this Service Manual. SRS wiring harnesses can be identified by yellow and/or orange harnesses or harness connectors.

#### PRECAUTIONS WHEN USING POWER TOOLS (AIR OR ELECTRIC) AND HAMMERS

#### **WARNING:**

Always observe the following items for preventing accidental activation.

- When working near the Air Bag Diagnosis Sensor Unit or other Air Bag System sensors with the ignition ON or engine running, never use air or electric power tools or strike near the sensor(s) with a hammer. Heavy vibration could activate the sensor(s) and deploy the air bag(s), possibly causing serious injury.
- When using air or electric power tools or hammers, always switch the ignition OFF, disconnect the battery, and wait at least 3 minutes before performing any service.

#### Precautions for Removing Battery Terminal

INFOID:000000011007707

- When removing the 12V battery terminal, turn OFF the ignition switch and wait at least 30 seconds.

#### **NOTE:**

ECU may be active for several tens of seconds after the ignition switch is turned OFF. If the battery terminal is removed before ECU stops, then a DTC detection error or ECU data corruption may occur.

- For vehicles with the 2-batteries, be sure to connect the main battery and the sub battery before turning ON the ignition switch.

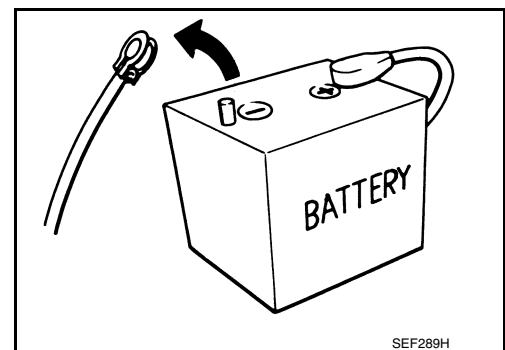
#### **NOTE:**

If the ignition switch is turned ON with any one of the terminals of main battery and sub battery disconnected, then DTC may be detected.

- After installing the 12V battery, always check "Self Diagnosis Result" of all ECUs and erase DTC.

#### **NOTE:**

The removal of 12V battery may cause a DTC detection error.





# POWER SOCKET

< REMOVAL AND INSTALLATION >

## REMOVAL AND INSTALLATION

### POWER SOCKET

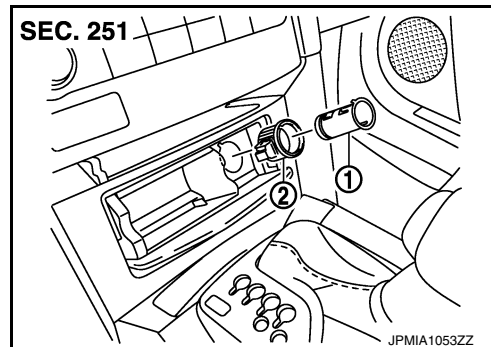
### FRONT POWER SOCKET

### FRONT POWER SOCKET : Exploded View

INFOID:0000000010581698

1 : Inner socket

2 : Ring

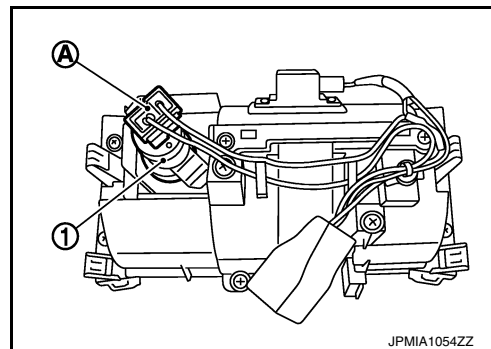


### FRONT POWER SOCKET : Removal and Installation

INFOID:0000000010581699

#### REMOVAL

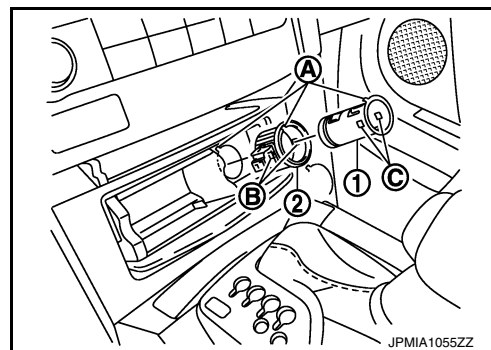
1. Remove console pocket assembly. Refer to [IP-23. "Exploded View"](#).
2. Disconnect power socket connector (A) from reverse side inner socket (1).



3. Pull out inner socket (1) by pushing the ring pawl (B) from the inner socket hole (square) (C).

A : Cut out

4. Remove ring (2) from console pocket assembly while pressing pawls.



#### INSTALLATION

Install in the reverse order of removal.

#### NOTE:

Align the cut outs of inner socket, ring, and console pocket assembly.

### CONSOLE POWER SOCKET

A  
B  
C  
D  
E  
F  
G  
H  
I  
J  
K  
L  
PWO  
N  
O  
P

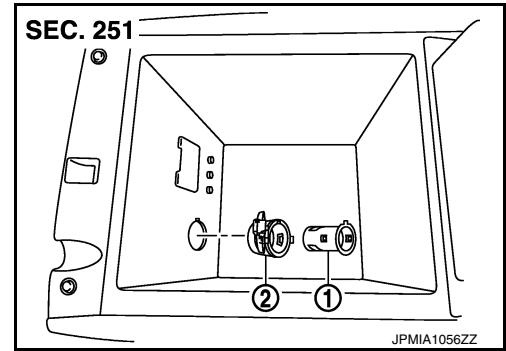
# POWER SOCKET

< REMOVAL AND INSTALLATION >

## CONSOLE POWER SOCKET : Exploded View

INFOID:000000010581700

- 1 : Inner socket
- 2 : Ring



## CONSOLE POWER SOCKET : Removal and Installation

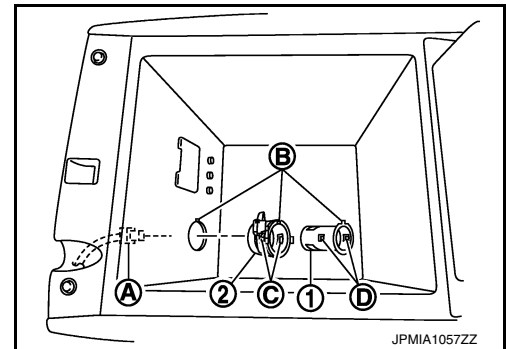
INFOID:000000010581701

### REMOVAL

1. Remove center console assembly. Refer to [IP-23, "Exploded View"](#).
2. Disconnect power socket connector (A).

B : Cut out

3. Pull out inner socket (1) by pushing the ring pawl (C) from the inner socket hole (square) (D).
4. Remove ring (2) from console box assembly while pressing pawls.



### INSTALLATION

Install in the reverse order of removal.

#### NOTE:

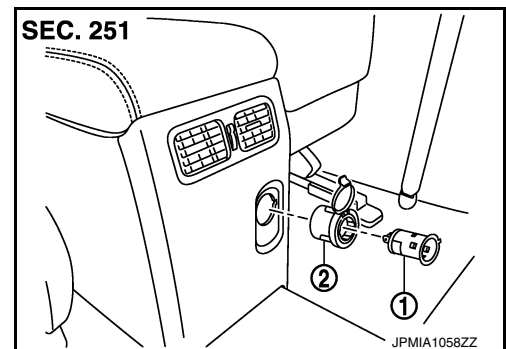
Align the cut outs of inner socket, ring, and console box assembly.

## REAR POWER SOCKET

## REAR POWER SOCKET : Exploded View

INFOID:000000010581702

- 1 : Inner socket
- 2 : Ring



## REAR POWER SOCKET : Removal and Installation

INFOID:000000010581703

### REMOVAL

1. Remove console rear finisher. Refer to [IP-23, "Exploded View"](#).

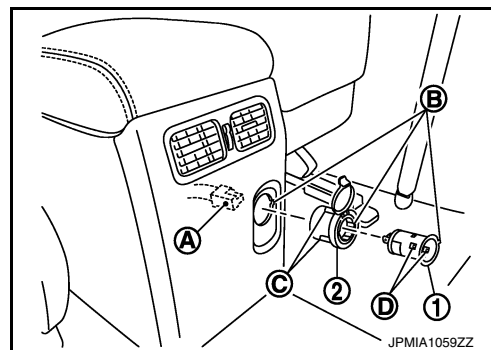
# POWER SOCKET

## < REMOVAL AND INSTALLATION >

2. Disconnect power socket connector (A).

B : Cut out

3. Pull out inner socket (1) by pushing the ring pawl (C) from the inner socket hole (square) (D).
4. Remove ring (2) from console rear finisher while pressing pawls.



## INSTALLATION

Install in the reverse order of removal.

### NOTE:

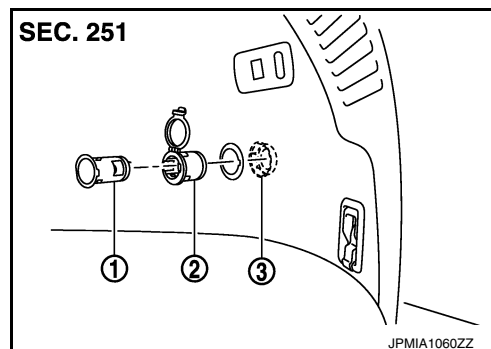
Align the cut outs of inner socket, ring, and console rear finisher.

## LUGGAGE ROOM POWER SOCKET

### LUGGAGE ROOM POWER SOCKET : Exploded View

INFOID:0000000010581704

- 1 : Inner socket
- 2 : Ring
- 3 : Retainer



### LUGGAGE ROOM POWER SOCKET : Removal and Installation

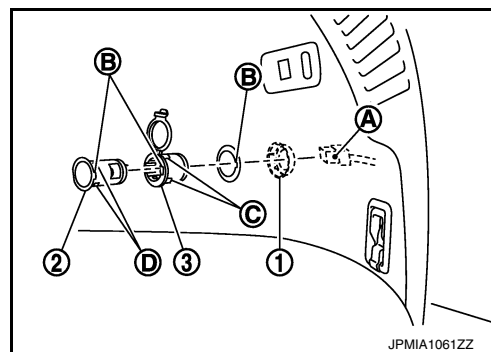
INFOID:0000000010581705

## REMOVAL

1. Remove clips on the back of the luggage side finisher lower RH to obtain space for work. Refer to [INT-30](#), "[Exploded View](#)".
2. Disconnect power socket connector (A).

B : Cut out

3. Remove retainer (1) and remove power socket assembly.
4. Pull out inner socket (2) by pushing the ring pawl (C) from the inner socket hole (square) (D).
5. Remove ring (3) from luggage side finisher lower RH while pressing pawls.



## INSTALLATION

Install in the reverse order of removal.

### NOTE:

Align the cut outs of inner socket, ring, and luggage side finisher lower RH.

A  
B  
C  
D  
E  
F  
G  
H  
I  
J  
K  
L  
PWO  
N  
O  
P