

SECTION PCS

POWER CONTROL SYSTEM

A
B
C
D
E
F
G
H
I
J
K
L
N
O
P

CONTENTS

IPDM E/R	
PRECAUTION	3
PRECAUTIONS	3
Precaution for Supplemental Restraint System (SRS) "AIR BAG" and "SEAT BELT PRE-TENSIONER"	3
SYSTEM DESCRIPTION	4
COMPONENT PARTS	4
Component Parts Location	4
SYSTEM	5
RELAY CONTROL SYSTEM	5
RELAY CONTROL SYSTEM : System Diagram	5
RELAY CONTROL SYSTEM : System Description	5
RELAY CONTROL SYSTEM : Fail-safe	6
POWER CONTROL SYSTEM	8
POWER CONTROL SYSTEM : System Diagram	8
POWER CONTROL SYSTEM : System Description	8
SIGNAL BUFFER SYSTEM	8
SIGNAL BUFFER SYSTEM : System Diagram	8
SIGNAL BUFFER SYSTEM : System Description	8
POWER CONSUMPTION CONTROL SYSTEM	8
POWER CONSUMPTION CONTROL SYSTEM : System Diagram	9
POWER CONSUMPTION CONTROL SYSTEM : System Description	9
DIAGNOSIS SYSTEM (IPDM E/R)	10
Diagnosis Description	10
CONSULT Function (IPDM E/R)	12
ECU DIAGNOSIS INFORMATION	15
IPDM E/R	15
Reference Value	15
Fail-safe	20
DTC Index	22
WIRING DIAGRAM	23
IPDM E/R	23
Wiring Diagram	23
DTC/CIRCUIT DIAGNOSIS	28
U1000 CAN COMM CIRCUIT	28
Description	28
DTC Logic	28
Diagnosis Procedure	28
B2098 IGNITION RELAY ON STUCK	29
Description	29
DTC Logic	29
Diagnosis Procedure	29
B2099 IGNITION RELAY OFF STUCK	31
Description	31
DTC Logic	31
Diagnosis Procedure	31
POWER SUPPLY AND GROUND CIRCUIT	33
Diagnosis Procedure	33
REMOVAL AND INSTALLATION	34
IPDM E/R	34
Removal and Installation	34
POWER DISTRIBUTION SYSTEM	
PRECAUTION	35
PRECAUTIONS	35
Precaution for Supplemental Restraint System (SRS) "AIR BAG" and "SEAT BELT PRE-TENSIONER"	35

PCS

SYSTEM DESCRIPTION	36	B2616 IGNITION RELAY CIRCUIT	62
COMPONENT PARTS	36	DTC Logic	62
Component Parts Location	36	Diagnosis Procedure	62
Component Description	36	Component Inspection	63
BCM	36	B2618 BCM	64
Ignition Relay	36	DTC Logic	64
Accessory Relay	37	Diagnosis Procedure	64
Blower Relay	37	B261A PUSH-BUTTON IGNITION SWITCH	65
Push-Button Ignition Switch	37	DTC Logic	65
SYSTEM	38	Diagnosis Procedure	65
POWER DISTRIBUTION SYSTEM	38	B26F1 IGNITION RELAY	67
POWER DISTRIBUTION SYSTEM : System Dia-		DTC Logic	67
gram	38	Diagnosis Procedure	67
POWER DISTRIBUTION SYSTEM : System De-		B26F2 IGNITION RELAY	69
scription	38	DTC Logic	69
DIAGNOSIS SYSTEM (BCM)	40	Diagnosis Procedure	69
COMMON ITEM	40	B26F6 BCM	71
COMMON ITEM : CONSULT Function (BCM -		DTC Logic	71
COMMON ITEM)	40	Diagnosis Procedure	71
INTELLIGENT KEY	41	PUSH-BUTTON IGNITION SWITCH	72
INTELLIGENT KEY : CONSULT Function (BCM -		Component Function Check	72
INTELLIGENT KEY)	41	Diagnosis Procedure	72
ECU DIAGNOSIS INFORMATION	46	Component Inspection	73
BCM	46	PUSH-BUTTON IGNITION SWITCH POSI-	
List of ECU Reference	46	TION INDICATOR	75
WIRING DIAGRAM	47	Description	75
POWER DISTRIBUTION SYSTEM	47	Component Function Check	75
Wiring Diagram	47	Diagnosis Procedure	75
BASIC INSPECTION	54	SYMPTOM DIAGNOSIS	77
DIAGNOSIS AND REPAIR WORK FLOW	54	PUSH-BUTTON IGNITION SWITCH DOES	
Work Flow	54	NOT OPERATE	77
DTC/CIRCUIT DIAGNOSIS	57	Description	77
B2614 ACC RELAY CIRCUIT	57	Diagnosis Procedure	77
DTC Logic	57	PUSH-BUTTON IGNITION SWITCH POSI-	
Diagnosis Procedure	57	TION INDICATOR DOES NOT ILLUMINATE ...	78
Component Inspection	58	Description	78
B2615 BLOWER RELAY CIRCUIT	60	Diagnosis Procedure	78
DTC Logic	60	REMOVAL AND INSTALLATION	79
Diagnosis Procedure	60	PUSH-BUTTON IGNITION SWITCH	79
Component Inspection	61	Removal and Installation	79

PRECAUTION

PRECAUTIONS

Precaution for Supplemental Restraint System (SRS) "AIR BAG" and "SEAT BELT PRE-TENSIONER"

INFOID:000000009012991

The Supplemental Restraint System such as "AIR BAG" and "SEAT BELT PRE-TENSIONER", used along with a front seat belt, helps to reduce the risk or severity of injury to the driver and front passenger for certain types of collision. Information necessary to service the system safely is included in the "SRS AIR BAG" and "SEAT BELT" of this Service Manual.

WARNING:

Always observe the following items for preventing accidental activation.

- To avoid rendering the SRS inoperative, which could increase the risk of personal injury or death in the event of a collision that would result in air bag inflation, all maintenance must be performed by an authorized NISSAN/INFINITI dealer.
- Improper maintenance, including incorrect removal and installation of the SRS, can lead to personal injury caused by unintentional activation of the system. For removal of Spiral Cable and Air Bag Module, see "SRS AIR BAG".
- Never use electrical test equipment on any circuit related to the SRS unless instructed to in this Service Manual. SRS wiring harnesses can be identified by yellow and/or orange harnesses or harness connectors.

PRECAUTIONS WHEN USING POWER TOOLS (AIR OR ELECTRIC) AND HAMMERS

WARNING:

Always observe the following items for preventing accidental activation.

- When working near the Air Bag Diagnosis Sensor Unit or other Air Bag System sensors with the ignition ON or engine running, never use air or electric power tools or strike near the sensor(s) with a hammer. Heavy vibration could activate the sensor(s) and deploy the air bag(s), possibly causing serious injury.
- When using air or electric power tools or hammers, always switch the ignition OFF, disconnect the battery, and wait at least 3 minutes before performing any service.

A
B
C
D
E
F
G
H
I
J
K
L
N
O
P

PCS

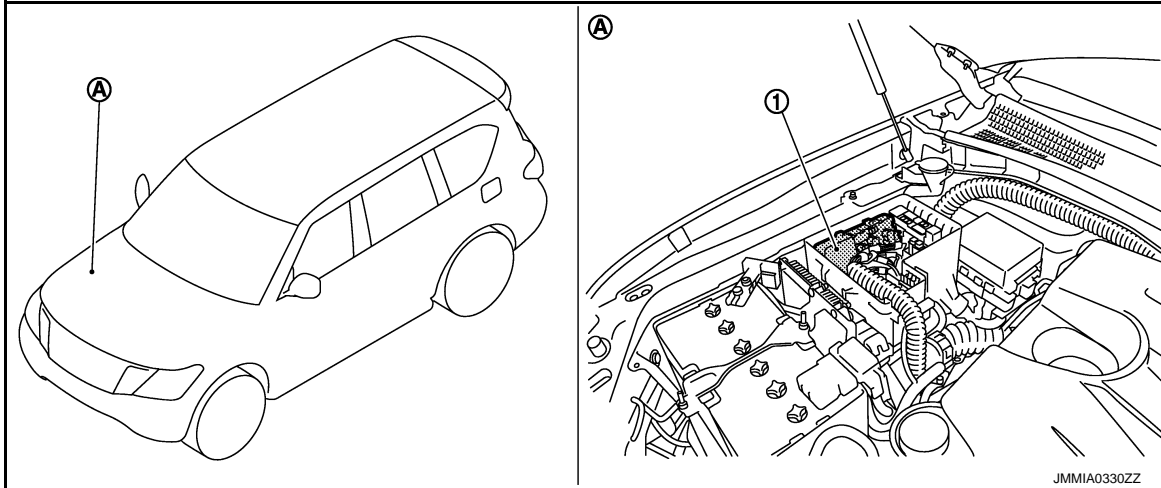
< SYSTEM DESCRIPTION >

SYSTEM DESCRIPTION

COMPONENT PARTS

Component Parts Location

INFOID:000000009012992



- 1. IPDM E/R
- A. Engine room (RH)

SYSTEM

< SYSTEM DESCRIPTION >

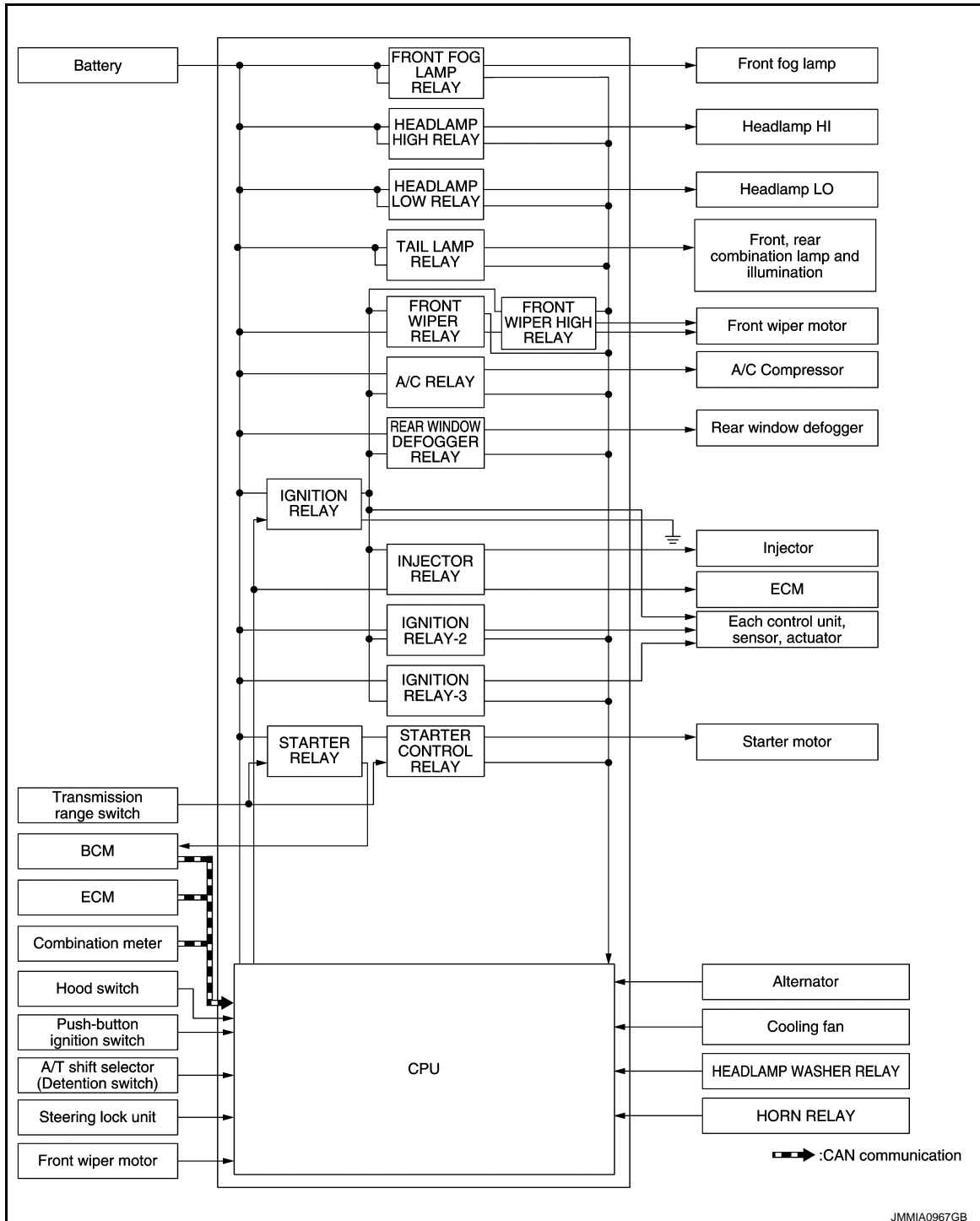
[IPDM E/R]

SYSTEM

RELAY CONTROL SYSTEM

RELAY CONTROL SYSTEM : System Diagram

INFOID:000000009012993



RELAY CONTROL SYSTEM : System Description

INFOID:000000009012994

IPDM E/R activates the internal control circuit to perform the relay ON-OFF control according to the input signals from various sensors and the request signals received from control units via CAN communication.

CAUTION:

IPDM E/R integrated relays cannot be removed.

SYSTEM

< SYSTEM DESCRIPTION >

[IPDM E/R]

Control relay	Input/output	Transmit unit	Control part	Reference page
<ul style="list-style-type: none"> Headlamp low relay Headlamp high relay 	<ul style="list-style-type: none"> Low beam request signal High beam request signal 	BCM (CAN)	<ul style="list-style-type: none"> Headlamp (LO) Headlamp (HI) 	EXL-10
Front fog lamp relay	Front fog light request signal	BCM (CAN)	Front fog lamp	EXL-19
Tail lamp relay	Position light request signal	BCM (CAN)	<ul style="list-style-type: none"> Parking lamp License plate lamp Tail lamp Side marker lamp 	EXL-18
			Illuminations	INL-6
<ul style="list-style-type: none"> Front wiper relay Front wiper high relay 	Front wiper request signal	BCM (CAN)	Front wiper motor	WW-7, "FRONT WIPER AND WASHER SYSTEM : System Diagram"
	Front wiper stop position signal	Front wiper motor		
Rear window defogger relay	Rear window defogger control signal	BCM (CAN)	Rear window defogger	DEF-6, "System Diagram"
<ul style="list-style-type: none"> Horn relay Theft warning horn relay 	<ul style="list-style-type: none"> Theft warning horn request signal Horn reminder signal 	BCM (CAN)	Horn (high) Horn (low)	SEC-15
<ul style="list-style-type: none"> Starter relay^{NOTE} Starter control relay 	Starter control relay signal	BCM (CAN)	Starter motor	SEC-8, SEC-8
	Starter relay control signal	TCM		
A/C relay	A/C compressor request signal	ECM (CAN)	A/C compressor (Magnet clutch)	HAC-18
Headlamp washer relay	Headlamp washer request signal	BCM (CAN)	Headlamp washer pump	WW-12, "HEADLAMP WASHER SYSTEM : System Diagram"
<ul style="list-style-type: none"> Ignition relay Ignition relay-2 Ignition relay-3 	Ignition switch ON signal	BCM (CAN)	Each control unit, sensor, actuator and relay (ignition power supply)	PCS-29
	Vehicle speed signal	Combination meter (CAN)		
	Push-button ignition switch signal	Push-button ignition switch		

NOTE:

BCM controls the starter relay.

RELAY CONTROL SYSTEM : Fail-safe

INFOID:000000009325299

CAN COMMUNICATION CONTROL

When CAN communication with ECM and BCM is impossible, IPDM E/R performs fail-safe control. After CAN communication recovers normally, it also returns to normal control.

If No CAN Communication Is Available With ECM

Control part	Fail-safe operation
Cooling fan	<ul style="list-style-type: none"> Transmits the pulse duty signal (PWM signal) 100% when the ignition switch is turned ON. Transmits the pulse duty signal (PWM signal) 0% when the ignition switch is turned OFF.
A/C compressor	A/C relay OFF
Alternator	Transmits the power generation command signal (PWM signal) 0%

If No CAN Communication Is Available With BCM

SYSTEM

< SYSTEM DESCRIPTION >

[IPDM E/R]

Control part	Fail-safe operation
Headlamp	<ul style="list-style-type: none"> • Turns ON the headlamp low relay when the ignition switch is turned ON • Turns OFF the headlamp low relay when the ignition switch is turned OFF • Headlamp high relay OFF
<ul style="list-style-type: none"> • Parking lamp • License plate lamp • Illumination • Tail lamp • Side marker lamp 	<ul style="list-style-type: none"> • Turns ON the tail lamp relay when the ignition switch is turned ON • Turns OFF the tail lamp relay when the ignition switch is turned OFF
Front wiper motor	<ul style="list-style-type: none"> • The status just before activation of fail-safe control is maintained until the ignition switch is turned OFF while the front wiper is operating at LO or HI speed. • The wiper is operated at LO speed until the ignition switch is turned OFF if the fail-safe control is activated while the front wiper is set in the INT mode and the front wiper motor is operating. • Return automatically wiper to stop position when ignition switch is turned ON if fail-safe control is activated while front wiper motor is operated and wiper stops in the other position than stop position.
Front fog lamp	Front fog lamp relay OFF
Horn	Horn OFF
Ignition relay	The status just before activation of fail-safe is maintained.
Starter motor	Starter control relay OFF

IGNITION RELAY MALFUNCTION DETECTION FUNCTION

- IPDM E/R monitors the voltage at the contact circuit and excitation coil circuit of the ignition relay inside it.
- IPDM E/R judges the ignition relay error if the voltage differs between the contact circuit and the excitation coil circuit.
- If the ignition relay cannot turn OFF due to contact seizure, it activates the tail lamp relay for 10 minutes to alert the user to the ignition relay malfunction when the ignition switch is turned OFF.

Voltage judgment		IPDM E/R judgment	Operation
Ignition relay contact side	Ignition relay excitation coil side		
ON	ON	Ignition relay ON normal	—
OFF	OFF	Ignition relay OFF normal	—
ON	OFF	Ignition relay ON stuck	<ul style="list-style-type: none"> • Detects DTC “B2098: IGN RELAY ON CIRC” • Turns ON the tail lamp relay for 10 minutes
OFF	ON	Ignition relay OFF stuck	Detects DTC “B2099: IGN RELAY OFF CIRC”

FRONT WIPER PROTECTION FUNCTION

IPDM E/R detects front wiper stop position by a front wiper stop position signal.
 When a front wiper stop position signal is in the conditions listed below, IPDM E/R stops power supply to wiper after repeating a front wiper 10 seconds activation and 20 seconds stop.

Ignition switch	Front wiper switch	Front wiper stop position signal
ON	OFF	The front wiper stop position signal (stop position) cannot be input for 10 seconds.
	ON	The front wiper stop position signal does not change for 10 seconds.

NOTE:

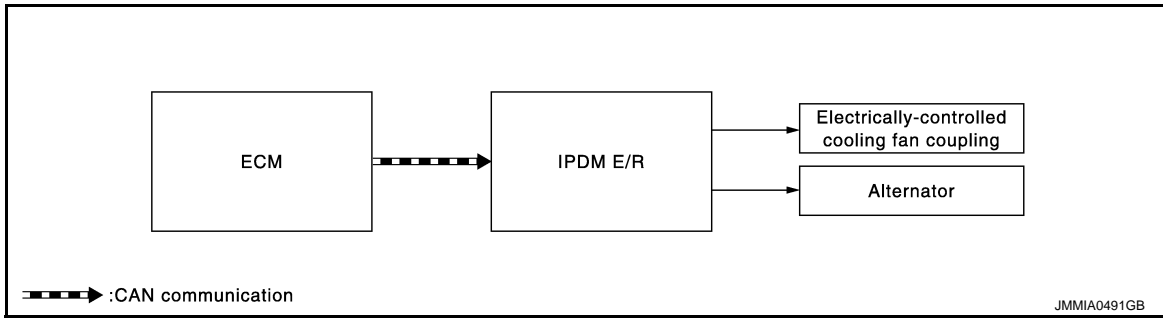
This operation status can be confirmed on the IPDM E/R “Data Monitor” that displays “BLOCK” for the item “WIP PROT” while the wiper is stopped.

STARTER MOTOR PROTECTION FUNCTION

IPDM E/R turns OFF the starter control relay to protect the starter motor when the starter control relay remains active for 90 seconds.

POWER CONTROL SYSTEM

POWER CONTROL SYSTEM : System Diagram



POWER CONTROL SYSTEM : System Description

INFOID:000000009012997

COOLING FAN CONTROL

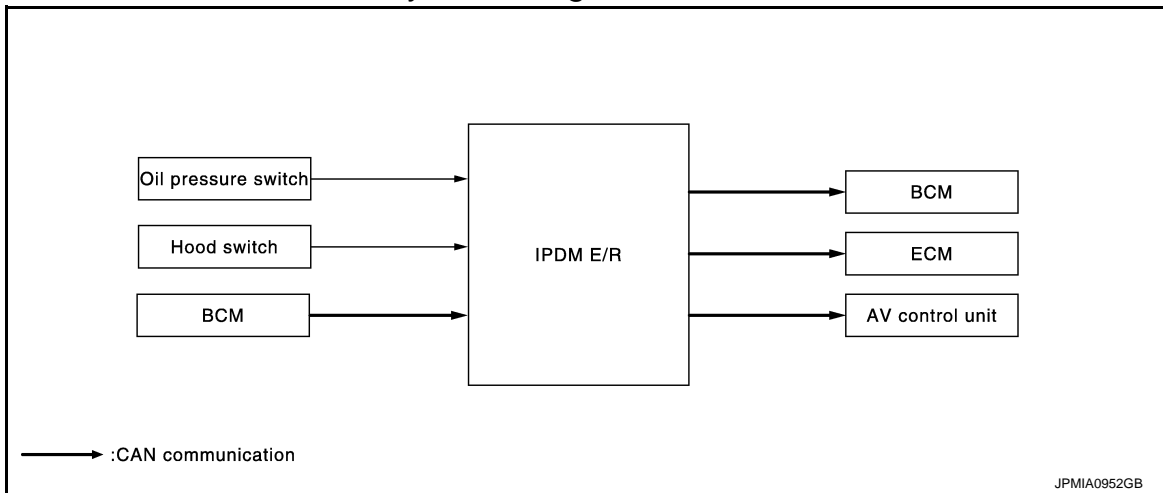
IPDM E/R outputs cooling fan control signal (PWM signal) to the electrically-controlled cooling fan coupling according to the status of the cooling fan speed request signal received from ECM via CAN communication. Refer to [EC-48, "COOLING FAN CONTROL : System Diagram"](#).

ALTERNATOR CONTROL

IPDM E/R outputs power generation command signal (PWM signal) to the alternator according to the status of the power generation command value signal received from ECM via CAN communication. Refer to [CHG-6, "POWER GENERATION VOLTAGE VARIABLE CONTROL SYSTEM : System Diagram"](#).

SIGNAL BUFFER SYSTEM

SIGNAL BUFFER SYSTEM : System Diagram



SIGNAL BUFFER SYSTEM : System Description

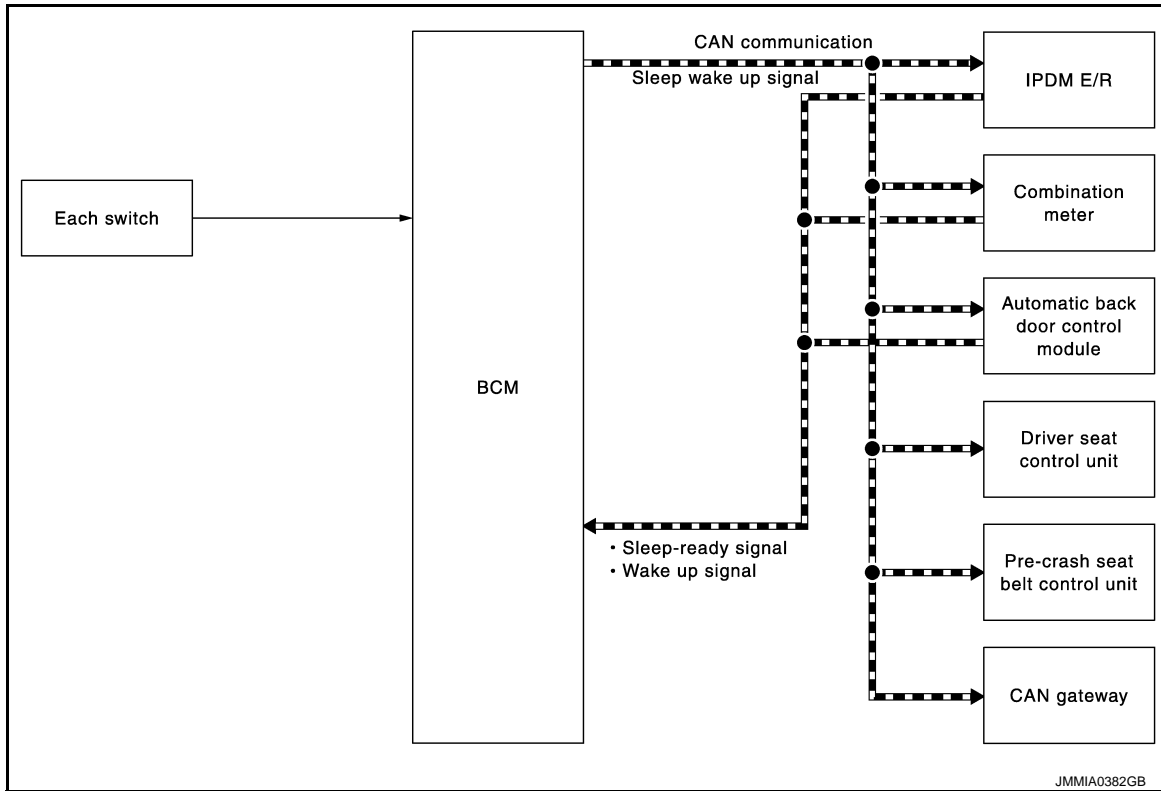
INFOID:000000009012999

- IPDM E/R reads the status of the oil pressure switch and transmits the oil pressure switch signal to BCM via CAN communication. Refer to [MWI-16, "OIL PRESSURE WARNING LAMP : System Diagram"](#).
- IPDM E/R reads the status of the hood switch and transmits the hood switch signal to BCM via CAN communication. Refer to [SEC-15, "VEHICLE SECURITY SYSTEM : System Diagram"](#).
- IPDM E/R receives the rear window defogger control signal from BCM via CAN communication and transmits it to ECM and AV control unit via CAN communication. Refer to [DEF-6, "System Diagram"](#).

POWER CONSUMPTION CONTROL SYSTEM

POWER CONSUMPTION CONTROL SYSTEM : System Diagram

INFOID:000000009013000



A
B
C
D
E
F
G
H

POWER CONSUMPTION CONTROL SYSTEM : System Description

INFOID:000000009013001

OUTLINE

- IPDM E/R incorporates a power consumption control function that reduces the power consumption according to the vehicle status.
- IPDM E/R changes its status (control mode) with the sleep wake up signal received from BCM via CAN communication.

Normal mode (wake-up)

- CAN communication is normally performed with other control units.
- Individual unit control by IPDM E/R is normally performed.

Low power consumption mode (sleep)

- Low power consumption control is active.
- CAN transmission is stopped.

SLEEP MODE ACTIVATION

- IPDM E/R judges that the sleep-ready conditions are fulfilled when the ignition switch is OFF and none of the conditions below are present. Then it transmits a sleep-ready signal (ready) to BCM via CAN communication.
 - Outputting signals to actuators
 - Switches or relays operating
 - Output requests are being received from control units via CAN communication.
- IPDM E/R stops CAN communication and enters the low power consumption mode when it receives a sleep wake up signal (sleep) from BCM and the sleep-ready conditions are fulfilled.

WAKE-UP OPERATION

- IPDM E/R changes from the low power consumption mode to the normal mode when it receives a sleep wake-up signal (wake up) from BCM or any of the following conditions is fulfilled. In addition, it transmits a sleep-ready signal (not-ready) to BCM via CAN communication to report the CAN communication start.
 - Ignition switch ON
 - Hood switch status changes.
 - An output request is received from a control unit via CAN communication.

PCS

I
J
K
L
N
O
P

DIAGNOSIS SYSTEM (IPDM E/R)

Diagnosis Description

INFOID:000000009013002

AUTO ACTIVE TEST

Description

In auto active test, the IPDM E/R sends a drive signal to the following systems to check their operation.

- Oil pressure warning lamp
- Rear window defogger
- Front wiper (LO, HI)
- Parking lamp
- License plate lamp
- Tail lamp
- Side marker lamp
- Front fog lamp
- Headlamp (LO, HI)
- A/C compressor (magnet clutch)

Operation Procedure

CAUTION:

Never perform auto active test in the following conditions.

- Engine is running.
- CONSULT is connected.

1. Close the hood and lift the wiper arms from the windshield. (Prevent windshield damage due to wiper operation)

NOTE:

When auto active test is performed with hood opened, sprinkle water on windshield beforehand.

2. Turn the ignition switch OFF.
3. Turn the ignition switch ON, and within 20 seconds, press the driver door switch 10 times. Then turn the ignition switch OFF.

CAUTION:

Close passenger door.

4. Turn the ignition switch ON within 10 seconds. After that the horn sounds once and the auto active test starts.

CAUTION:

Engine starts when ignition switch is turned ON while brake pedal is depressed.

5. The oil pressure warning lamp starts blinking when the auto active test starts.
6. After a series of the following operations is repeated 3 times, auto active test is completed.

NOTE:

- When auto active test has to be cancelled halfway through test, turn the ignition switch OFF.
- When auto active test is not activated, door switch may be the cause. Check door switch. Refer to [DLK-119, "Component Function Check"](#).

Inspection in Auto Active Test

When auto active test is actuated, the following operation sequence is repeated 3 times.

Operation sequence	Inspection location	Operation
1	Oil pressure warning lamp	Blinks continuously during operation of auto active test
2	Rear window defogger	10 seconds
3	Front wiper	LO for 5 seconds → HI for 5 seconds
4	<ul style="list-style-type: none"> • Parking lamp • License plate lamp • Tail lamp • Side marker lamp • Front fog lamp 	10 seconds

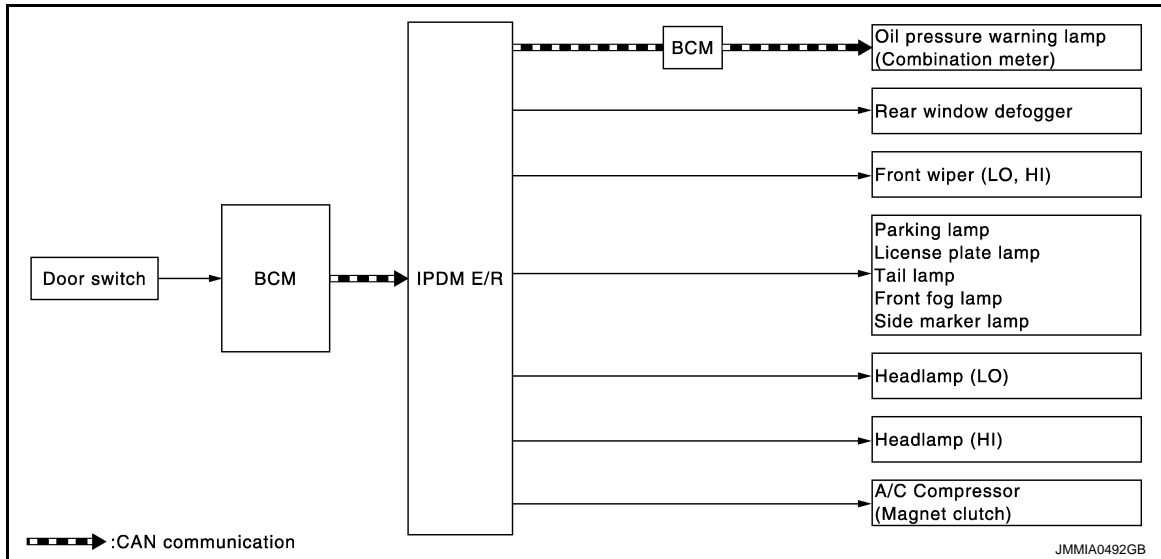
DIAGNOSIS SYSTEM (IPDM E/R)

< SYSTEM DESCRIPTION >

[IPDM E/R]

Operation sequence	Inspection location	Operation
5	Headlamp	LO for 10 seconds → HI ON ↔ OFF 5 times
6	A/C compressor (magnet clutch)	ON ↔ OFF 5 times

Concept of auto active test



- IPDM E/R starts the auto active test with the door switch signals transmitted by BCM via CAN communication. Therefore, the CAN communication line between IPDM E/R and BCM is considered normal if the auto active test starts successfully.
- The auto active test facilitates troubleshooting if any systems controlled by IPDM E/R cannot be operated.

Diagnosis chart in auto active test

Symptom	Inspection contents	Possible cause
Rear window defogger does not operate	Perform auto active test. Does the rear window defogger operate?	YES BCM signal input circuit
		NO <ul style="list-style-type: none"> • Rear window defogger • Rear window defogger ground circuit • Harness or connector between IPDM E/R and rear window defogger • IPDM E/R
Any of the following components do not operate <ul style="list-style-type: none"> • Parking lamp • License plate lamp • Tail lamp • Side marker lamp • Front fog lamp • Headlamp (HI, LO) • Front wiper (HI, LO) 	Perform auto active test. Does the applicable system operate?	YES BCM signal input circuit
		NO <ul style="list-style-type: none"> • Lamp or motor • Lamp or motor ground circuit • Harness or connector between IPDM E/R and applicable system • IPDM E/R
A/C compressor does not operate	Perform auto active test. Does the magnet clutch operate?	YES <ul style="list-style-type: none"> • A/C auto amp. signal input circuit • CAN communication signal between A/C auto amp. and ECM • CAN communication signal between ECM and IPDM E/R
		NO <ul style="list-style-type: none"> • Magnet clutch • Harness or connector between IPDM E/R and magnet clutch • IPDM E/R

DIAGNOSIS SYSTEM (IPDM E/R)

< SYSTEM DESCRIPTION >

[IPDM E/R]

Symptom	Inspection contents		Possible cause
Oil pressure warning lamp does not operate	Perform auto active test. Does the oil pressure warning lamp blink?	YES	<ul style="list-style-type: none"> • Harness or connector between IPDM E/R and oil pressure switch • Oil pressure switch • IPDM E/R
		NO	<ul style="list-style-type: none"> • CAN communication signal between IPDM E/R and BCM • CAN communication signal between BCM and combination meter • Combination meter

CONSULT Function (IPDM E/R)

INFOID:000000009013003

APPLICATION ITEM

CONSULT performs the following functions via CAN communication with IPDM E/R.

Diagnosis mode	Description
Ecu Identification	Allows confirmation of IPDM E/R part number.
Self Diagnostic Result	Displays the diagnosis results judged by IPDM E/R.
Data Monitor	Displays the real-time input/output data from IPDM E/R input/output data.
Active Test	IPDM E/R can provide a drive signal to electronic components to check their operations.
CAN Diag Support Monitor	The results of transmit/receive diagnosis of CAN communication can be read.

SELF DIAGNOSTIC RESULT

Refer to [PCS-22. "DTC Index"](#).

DATA MONITOR

NOTE:

The following table includes information (items) inapplicable to this vehicle. For information (items) applicable to this vehicle, refer to CONSULT display items.

Monitor Item [Unit]	MAIN SIGNALS	Description
RAD FAN REQ [1/2/3/4]	×	Displays the value of the cooling fan speed request signal received from ECM via CAN communication.
AC COMP REQ [Off/On]	×	Displays the status of the A/C compressor request signal received from ECM via CAN communication.
TAIL&CLR REQ [Off/On]	×	Displays the status of the position light request signal received from BCM via CAN communication.
HL LO REQ [Off/On]	×	Displays the status of the low beam request signal received from BCM via CAN communication.
HL HI REQ [Off/On]	×	Displays the status of the high beam request signal received from BCM via CAN communication.
FR FOG REQ [Off/On]	×	Displays the status of the front fog light request signal received from BCM via CAN communication.
FR WIP REQ [Stop/1LOW/Low/Hi]	×	Displays the status of the front wiper request signal received from BCM via CAN communication.
WIP AUTO STOP [STOP P/ACT P]	×	Displays the status of the front wiper auto stop signal judged by IPDM E/R.
WIP PROT [Off/BLOCK]	×	Displays the status of the front wiper fail-safe operation judged by IPDM E/R.
IGN RLY1 -REQ [Off/On]		Displays the status of the ignition switch ON signal received from BCM via CAN communication.

DIAGNOSIS SYSTEM (IPDM E/R)

< SYSTEM DESCRIPTION >

[IPDM E/R]

Monitor Item [Unit]	MAIN SIG- NALS	Description
IGN RLY [Off/On]	×	Displays the status of the ignition relay judged by IPDM E/R.
PUSH SW [Off/On]		Displays the status of the push-button ignition switch judged by IPDM E/R.
INTER/NP SW [Off/On]		Displays the status of the shift position judged by IPDM E/R.
ST RLY CONT [Off/On]		Displays the status of the starter relay status signal received from BCM via CAN communication.
IHBT RLY -REQ [Off/On]		Displays the status of the starter control relay signal received from BCM via CAN communication.
ST/INHI RLY [Off/ ST ON/INHI ON/UNKWN]		Displays the status of the starter relay and starter control relay judged by IPDM E/R.
DETENT SW [Off/On]		Displays the status of the A/T shift selector (detention switch) judged by IPDM E/R.
S/L RLY -REQ [Off/On]		NOTE: The item is indicated, but not monitored.
S/L STATE [LOCK/UNLK/UNKWN]		NOTE: The item is indicated, but not monitored.
OIL P SW [Open/Close]		Displays the status of the oil pressure switch judged by IPDM E/R.
HOOD SW [Off/On]		Displays the status of the hood switch 1 judged by IPDM E/R.
HL WASHER REQ [Off/On]		Displays the status of the headlamp washer request signal received from BCM via CAN communication.
THFT HRN REQ [Off/On]		Displays the status of the theft warning horn request signal received from BCM via CAN communication.
HORN CHIRP [Off/On]		Displays the status of the horn reminder signal received from BCM via CAN communication.
HOOD SW 2 [Off/On]		Displays the status of the hood switch 2 judged by IPDM E/R.

ACTIVE TEST

Test item	Operation	Description
CORNERING LAMP	LH	NOTE: This item is indicated, but cannot be tested.
	RH	
HORN	On	Operates horn relay for 20 ms.
REAR DEFOGGER	Off	OFF
	On	Operates the rear window defogger relay.
FRONT WIPER	Off	OFF
	Lo	Operates the front wiper relay.
	Hi	Operates the front wiper relay and front wiper high relay.
MOTOR FAN*	1	OFF
	2	Transmits 50% pulse duty signal (PWM signal) to the cooling fan control module.
	3	Transmits 75% pulse duty signal (PWM signal) to the cooling fan control module.
	4	Transmits 100% pulse duty signal (PWM signal) to the cooling fan control module.
HEAD LAMP WASHER	On	Operates the headlamp washer relay for 1 second.

DIAGNOSIS SYSTEM (IPDM E/R)

[IPDM E/R]

< SYSTEM DESCRIPTION >

Test item	Operation	Description
EXTERNAL LAMPS	Off	OFF
	TAIL	Operates the tail lamp relay.
	Lo	Operates the headlamp low relay.
	Hi	Operates the headlamp low relay and ON/OFF the headlamp high relay at 1 second intervals.
	Fog	Operates the front fog lamp relay.

*: Operates while the engine is running.

ECU DIAGNOSIS INFORMATION

IPDM E/R

Reference Value

INFOID:000000009013004

VALUES ON THE DIAGNOSIS TOOL

NOTE:

The following table includes information (items) inapplicable to this vehicle. For information (items) applicable to this vehicle, refer to CONSULT display items.

Monitor Item	Condition		Value/Status
RAD FAN REQ	Engine idle speed	Changes depending on engine coolant temperature, air conditioner operation status, vehicle speed, etc.	0 – 100 %
AC COMP REQ	Engine running	A/C switch OFF	Off
		A/C switch ON (Compressor is operating)	On
TAIL&CLR REQ	Lighting switch OFF		Off
	Lighting switch 1ST, 2ND or AUTO (Light is illuminated)		On
HL LO REQ	Lighting switch OFF		Off
	Lighting switch 2ND or AUTO (Light is illuminated)		On
HL HI REQ	Lighting switch 2ND or AUTO (Light is illuminated)	Lighting switch other than HI and PASS	Off
		Lighting switch HI or PASS	On
FR FOG REQ	Lighting switch 2ND or AUTO (Light is illuminated)	Front fog lamp switch OFF	Off
		Front fog lamp switch ON	On
FR WIP REQ	Ignition switch ON	Front wiper switch OFF	Stop
		Front wiper switch INT	1LOW
		Front wiper switch LO	Low
		Front wiper switch HI	Hi
WIP AUTO STOP	Ignition switch ON	Front wiper stop position	STOP P
		Any position other than front wiper stop position	ACT P
WIP PROT	Ignition switch ON	Front wiper operates normally.	Off
		Front wiper stops at fail-safe operation.	BLOCK
IGN RLY1 -REQ	Ignition switch OFF or ACC		Off
	Ignition switch ON		On
IGN RLY	Ignition switch OFF or ACC		Off
	Ignition switch ON		On
PUSH SW	Release the push-button ignition switch		Off
	Press the push-button ignition switch		On
INTER/NP SW	Ignition switch ON	Selector lever in any position other than P or N	Off
		Selector lever in P or N position	On
ST RLY CONT	Ignition switch ON		Off
	At engine cranking		On

A
B
C
D
E
F
G
H
I
J
K
L

PCS

N
O
P

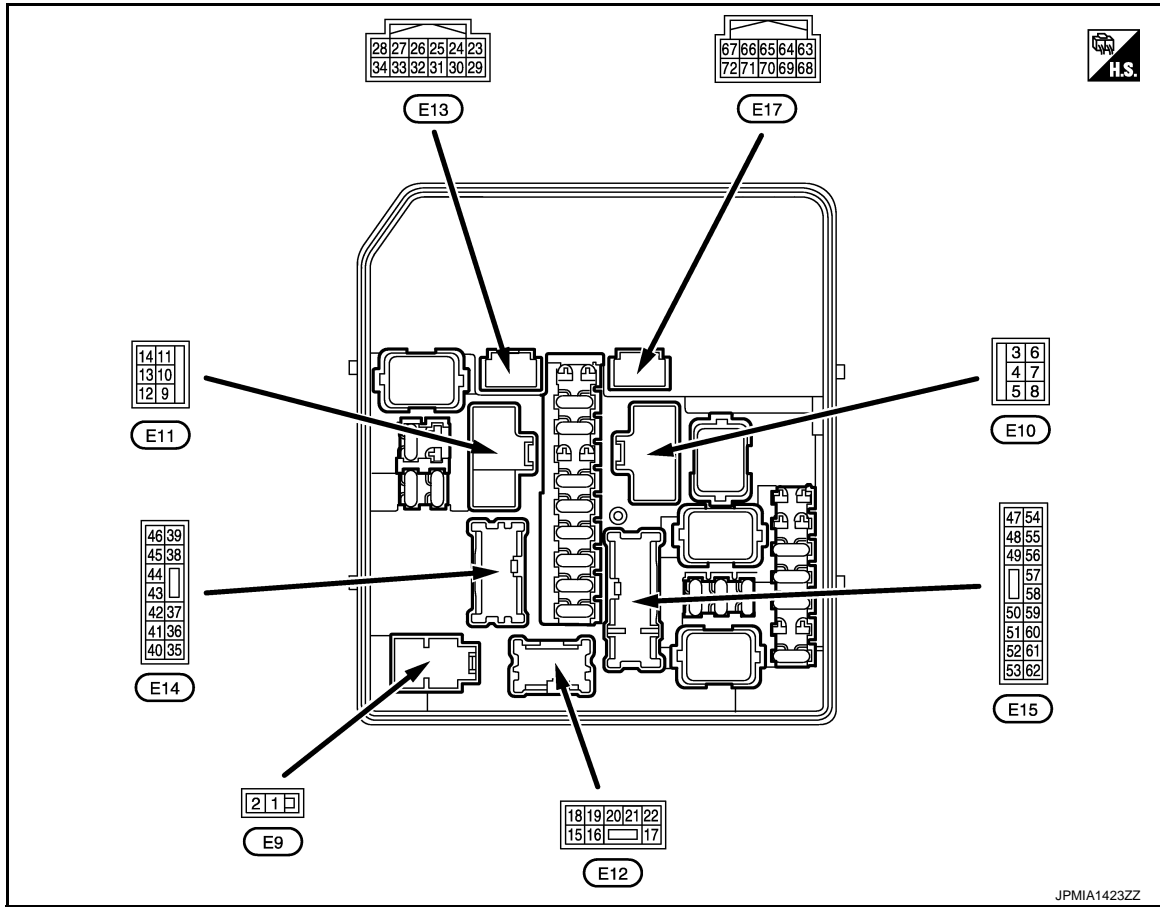
IPDM E/R

< ECU DIAGNOSIS INFORMATION >

[IPDM E/R]

Monitor Item	Condition	Value/Status
IHBT RLY -REQ	Ignition switch ON	Off
	At engine cranking	On
ST/INHI RLY	Ignition switch ON	Off
	At engine cranking	INHI ON → ST ON
	The status of starter relay or starter control relay cannot be recognized by the battery voltage malfunction, etc. when the starter relay is ON and the starter control relay is OFF.	UNKWN
DETENT SW	Ignition switch ON	Off
	Release the selector lever with selector lever in P position.	On
S/L RLY -REQ	NOTE: The item is indicated, but not monitored.	Off
S/L STATE	NOTE: The item is indicated, but not monitored.	UNLK
OIL P SW	Ignition switch OFF or ACC	Open
	Ignition switch ON (engine running)	
	Ignition switch ON (engine stopped)	Close
HOOD SW	Close the hood	Off
	Open the hood	On
HL WASHER REQ	Not operating	Off
	Headlamp washer operating	On
THFT HRN REQ	Not operation	Off
	<ul style="list-style-type: none"> • Panic alarm is activated • Theft warning alarm is activated 	On
HORN CHIRP	Not operation	Off
	Door locking with Intelligent Key (horn chirp mode)	On
HOOD SW 2	Close the hood	Off
	Open the hood	On

TERMINAL LAYOUT



PHYSICAL VALUES

Terminal NO. (Wire color)		Description		Condition	Value (Approx.)	
+	-	Signal name	Input/ Output			
1 (W)	Ground	Battery power supply	Input	Ignition switch OFF	Battery voltage	
2 (G)	Ground	Battery power supply	Input	Ignition switch OFF	Battery voltage	
3 (R)	Ground	Starter motor	Output	Ignition switch ON	0 V	
				At engine cranking	Battery voltage	
4 (L)	Ground	Battery power supply	Input	Ignition switch OFF	Battery voltage	
5 (P/L)	Ground	Ignition relay power supply	Output	Ignition switch OFF or ACC	0 V	
				Ignition switch ON	Battery voltage	
7 (W/G)	Ground	Ignition relay power supply	Output	Ignition switch OFF or ACC	0 V	
				Ignition switch ON	Battery voltage	
8 (W)	Ground	Battery power supply	Input	Ignition switch OFF	Battery voltage	
9 (B)	Ground	Ground	—	Ignition switch ON	0 V	
14 (L)	Ground	Rear window defogger	Output	Ignition switch ON	Rear window defogger switch OFF	0 V
				Rear window defogger switch ON	Battery voltage	

A
B
C
D
E
F
G
H
I
J
K
L
N
O
P

PCS

IPDM E/R

< ECU DIAGNOSIS INFORMATION >

[IPDM E/R]

Terminal NO. (Wire color)		Description		Condition		Value (Approx.)
		Signal name	Input/ Output			
+	-					
18 (B)	Ground	Ground	—	Ignition switch ON		0 V
19 (V)	Ground	Front fog lamp (RH)	Output	Lighting switch 2ND or AUTO (Light is illuminated)	Front fog lamp switch OFF	0 V
					Front fog lamp switch ON	Battery voltage
20 (W)	Ground	Front fog lamp (LH)	Output	Lighting switch 2ND or AUTO (Light is illuminated)	Front fog lamp switch OFF	0 V
					Front fog lamp switch ON	Battery voltage
21 (L)	Ground	Headlamp washer relay control	Output	Ignition switch ON	Headlamp washer activated	0 V
					Headlamp washer deactivated	12 V
23 (GR/R)	Ground	Cranking request	Output	Select lever P or N (Ignition switch ON)		0 V
				Select lever in any position other than P or N (Ignition switch ON)		12 V
				Engine running		12 V
24 (W/G)	Ground	Oil pressure switch	Input	Ignition switch ON	Engine stopped	0 V
					Engine running	12 V
25 (L/Y)	Ground	Front wiper stop position	Input	Ignition switch ON	Front wiper stop position	0 V
					Any position other than front wiper stop position	12 V
26 (P)	Ground	CAN-L	Input/ Output	—		—
27 (L)	Ground	CAN-H	Input/ Output	—		—
30 (R/W)	Ground	Starter relay control	Output	• Ignition switch OFF or ACC • At engine cranking		0 V
				• Ignition switch ON • Engine running		12 V
32 (LG)	Ground	Hood switch 1	Input	Close the hood		12 V
				Open the hood		0 V
33 (R)	Ground	Alternator control	Output	Ignition switch OFF or ACC		0 V
				Ignition switch ON		6 V
34 (G)	Ground	Horn relay control	Output	The horn is deactivated		Battery voltage
				The horn is activated		0 V
35 (W)	Ground	ECM relay power supply	Output	Ignition switch OFF (More than a few seconds after turning ignition switch OFF)		0 V
				• Ignition switch ON • Ignition switch OFF (For a few seconds after turning ignition switch OFF)		Battery voltage
36 (V)	Ground	ECM relay power supply	Output	Ignition switch OFF or ACC		0 V
				Ignition switch ON		Battery voltage
37 (L)	Ground	Parking lamp (RH)	Output	Ignition switch ON	Lighting switch OFF	0 V
					Lighting switch 1ST	Battery voltage

IPDM E/R

< ECU DIAGNOSIS INFORMATION >

[IPDM E/R]

Terminal NO. (Wire color)		Description		Condition		Value (Approx.)
		Signal name	Input/ Output			
+	-					
38 (Y)	Ground	Tail lamp (RH)	Output	Ignition switch ON	Lighting switch OFF	0 V
					Lighting switch 1ST	Battery voltage
39 (L/B)	Ground	Front wiper HI	Output	Ignition switch ON	Front wiper switch OFF	0 V
					Front wiper switch LO	9 V
					Front wiper switch HI	Battery voltage
41 (L/G)	Ground	ECM relay control	Output	Ignition switch OFF (More than a few seconds after turning ignition switch OFF)		Battery voltage
				<ul style="list-style-type: none"> • Ignition switch ON • Ignition switch OFF (For a few seconds after turning ignition switch OFF) 		0 - 1.5 V
42 (L)	Ground	Battery power supply	Output	Ignition switch OFF (More than a few seconds after turning ignition switch OFF)		0 V
				<ul style="list-style-type: none"> • Ignition switch ON • Ignition switch OFF (For a few seconds after turning ignition switch OFF) 		Battery voltage
43 (LG)	Ground	Parking lamp (LH)	Output	Ignition switch ON	Lighting switch OFF	0 V
					Lighting switch 1ST	Battery voltage
44 (L/W)	Ground	Tail lamp (LH), license plate lamp	Output	Ignition switch ON	Lighting switch OFF	0 V
					Lighting switch 1ST	Battery voltage
45 (Y/R)	Ground	Front wiper LO	Output	Ignition switch ON	Front wiper switch OFF	0 V
					Front wiper switch LO	Battery voltage
48 (BR)	Ground	P/N position	Input	Select lever in any position other than P or N (Ignition switch ON)		0 V
				Select lever P or N (Ignition switch ON)		12 V
49 (R)	Ground	Headlamp HI (RH)	Output	Lighting switch 2ND or AUTO (Light is illuminated)	Lighting switch other than HI and PASS	0 V
					<ul style="list-style-type: none"> • Lighting switch HI • Lighting switch PASS 	Battery voltage
50 (LG/B)	Ground	Headlamp HI (LH)	Output	Lighting switch 2ND or AUTO (Light is illuminated)	Lighting switch other than H and PASS	0 V
					<ul style="list-style-type: none"> • Lighting switch HI • Lighting switch PASS 	Battery voltage
51 (BR/Y)	Ground	Headlamp LO (LH)	Output	Lighting switch OFF		0 V
				Lighting switch 2ND or AUTO (light is illuminated)		Battery voltage
52 (W)	Ground	Headlamp LO (RH)	Output	Lighting switch OFF		0 V
				Lighting switch 2ND or AUTO (light is illuminated)		Battery voltage
55 (O)	Ground	Throttle control motor relay power supply	Output	Ignition switch OFF (More than a few seconds after turning ignition switch OFF)		0 V
				<ul style="list-style-type: none"> • Ignition switch ON • Ignition switch OFF (For a few seconds after turning ignition switch OFF) 		Battery voltage

A
B
C
D
E
F
G
H
I
J
K
L

PCS

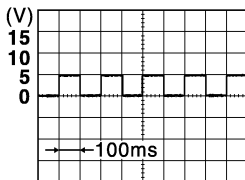
N
O
P

IPDM E/R

< ECU DIAGNOSIS INFORMATION >

[IPDM E/R]

Terminal NO. (Wire color)		Description		Condition		Value (Approx.)
		Signal name	Input/ Output			
+	-					
56 (L)	Ground	A/C compressor power supply	Output	Engine running	A/C switch OFF	0 V
					A/C switch ON (A/C compressor is operating)	Battery voltage
57 (V)	Ground	Ignition relay power supply	Output	Ignition switch OFF or ACC		0 V
				Ignition switch ON		Battery voltage
58 (BR/R)	Ground	Ignition relay power supply	Output	Ignition switch OFF or ACC		0 V
				Ignition switch ON		Battery voltage
59 (W/B)	Ground	Ignition relay power supply	Output	Ignition switch OFF or ACC		0 V
				Ignition switch ON		Battery voltage
60 (V/R)	Ground	Throttle control motor relay control	Output	Ignition switch ON → OFF		0 - 1.0 V ↓ Battery voltage ↓ 0 V
				Ignition switch ON		0 - 1.0 V
61 (W)	Ground	Ignition relay power supply	Output	Ignition switch OFF or ACC		0 V
				Ignition switch ON		Battery voltage
62 (SB)	Ground	Ignition relay power supply	Output	Ignition switch OFF or ACC		0 V
				Ignition switch ON		Battery voltage
64 (G/Y)	Ground	A/T shift selector (detention switch)	Input	Ignition switch ON	Select lever P	0 V
					Select lever in any position other than P	12 V
66 (SB)	Ground	Push-button ignition switch	Input	Press the push-button ignition switch		0 V
				Release the push-button ignition switch		12 V
68 (O)	Ground	Ignition relay monitor	Input	Ignition switch OFF or ACC		12 V
				Ignition switch ON		0 V
69 (W/B)	Ground	Ignition power supply	Output	Ignition switch OFF or ACC		0 V
				Ignition switch ON		Battery voltage
71 (BR)	Ground	Hood switch 2	Input	Close the hood		12 V
				Open the hood		0 V
72 (Y/R)	Ground	Cooling fan control	Output	Engine running	OFF	5 V
					ACC	0 V
					ON	



JMMIA0404GB
2.5 V

Fail-safe

INFOID:000000009013005

CAN COMMUNICATION CONTROL

When CAN communication with ECM and BCM is impossible, IPDM E/R performs fail-safe control. After CAN communication recovers normally, it also returns to normal control.

If No CAN Communication Is Available With ECM

Control part	Fail-safe operation
Cooling fan	<ul style="list-style-type: none"> • Transmits the pulse duty signal (PWM signal) 100% when the ignition switch is turned ON. • Transmits the pulse duty signal (PWM signal) 0% when the ignition switch is turned OFF.
A/C compressor	A/C relay OFF
Alternator	Transmits the power generation command signal (PWM signal) 0%

If No CAN Communication Is Available With BCM

Control part	Fail-safe operation
Headlamp	<ul style="list-style-type: none"> • Turns ON the headlamp low relay when the ignition switch is turned ON • Turns OFF the headlamp low relay when the ignition switch is turned OFF • Headlamp high relay OFF
<ul style="list-style-type: none"> • Parking lamp • License plate lamp • Illumination • Tail lamp • Side marker lamp 	<ul style="list-style-type: none"> • Turns ON the tail lamp relay when the ignition switch is turned ON • Turns OFF the tail lamp relay when the ignition switch is turned OFF
Front wiper motor	<ul style="list-style-type: none"> • The status just before activation of fail-safe control is maintained until the ignition switch is turned OFF while the front wiper is operating at LO or HI speed. • The wiper is operated at LO speed until the ignition switch is turned OFF if the fail-safe control is activated while the front wiper is set in the INT mode and the front wiper motor is operating. • Return automatically wiper to stop position when ignition switch is turned ON if fail-safe control is activated while front wiper motor is operated and wiper stops in the other position than stop position.
Front fog lamp	Front fog lamp relay OFF
Horn	Horn OFF
Ignition relay	The status just before activation of fail-safe is maintained.
Starter motor	Starter control relay OFF

IGNITION RELAY MALFUNCTION DETECTION FUNCTION

- IPDM E/R monitors the voltage at the contact circuit and excitation coil circuit of the ignition relay inside it.
- IPDM E/R judges the ignition relay error if the voltage differs between the contact circuit and the excitation coil circuit.
- If the ignition relay cannot turn OFF due to contact seizure, it activates the tail lamp relay for 10 minutes to alert the user to the ignition relay malfunction when the ignition switch is turned OFF.

Voltage judgment		IPDM E/R judgment	Operation
Ignition relay contact side	Ignition relay excitation coil side		
ON	ON	Ignition relay ON normal	—
OFF	OFF	Ignition relay OFF normal	—
ON	OFF	Ignition relay ON stuck	<ul style="list-style-type: none"> • Detects DTC "B2098: IGN RELAY ON CIRC" • Turns ON the tail lamp relay for 10 minutes
OFF	ON	Ignition relay OFF stuck	Detects DTC "B2099: IGN RELAY OFF CIRC"

FRONT WIPER PROTECTION FUNCTION

IPDM E/R detects front wiper stop position by a front wiper stop position signal. When a front wiper stop position signal is in the conditions listed below, IPDM E/R stops power supply to wiper after repeating a front wiper 10 seconds activation and 20 seconds stop.

Ignition switch	Front wiper switch	Front wiper stop position signal
ON	OFF	The front wiper stop position signal (stop position) cannot be input for 10 seconds.
	ON	The front wiper stop position signal does not change for 10 seconds.

NOTE:

This operation status can be confirmed on the IPDM E/R “Data Monitor” that displays “BLOCK” for the item “WIP PROT” while the wiper is stopped.

STARTER MOTOR PROTECTION FUNCTION

IPDM E/R turns OFF the starter control relay to protect the starter motor when the starter control relay remains active for 90 seconds.

DTC Index

INFOID:000000009013006

NOTE:

- The details of time display are as follows.
 - CRNT: A malfunction is detected now.
 - PAST: A malfunction was detected in the past.
- IGN counter is displayed on FFD (Freeze Frame data).
 - The number is 0 when is detected now.
 - The number increases like 1 → 2 ... 38 → 39 after returning to the normal condition whenever IGN OFF → ON.
 - The number is fixed to 39 until the self-diagnosis results are erased if it is over 39.

×: Applicable

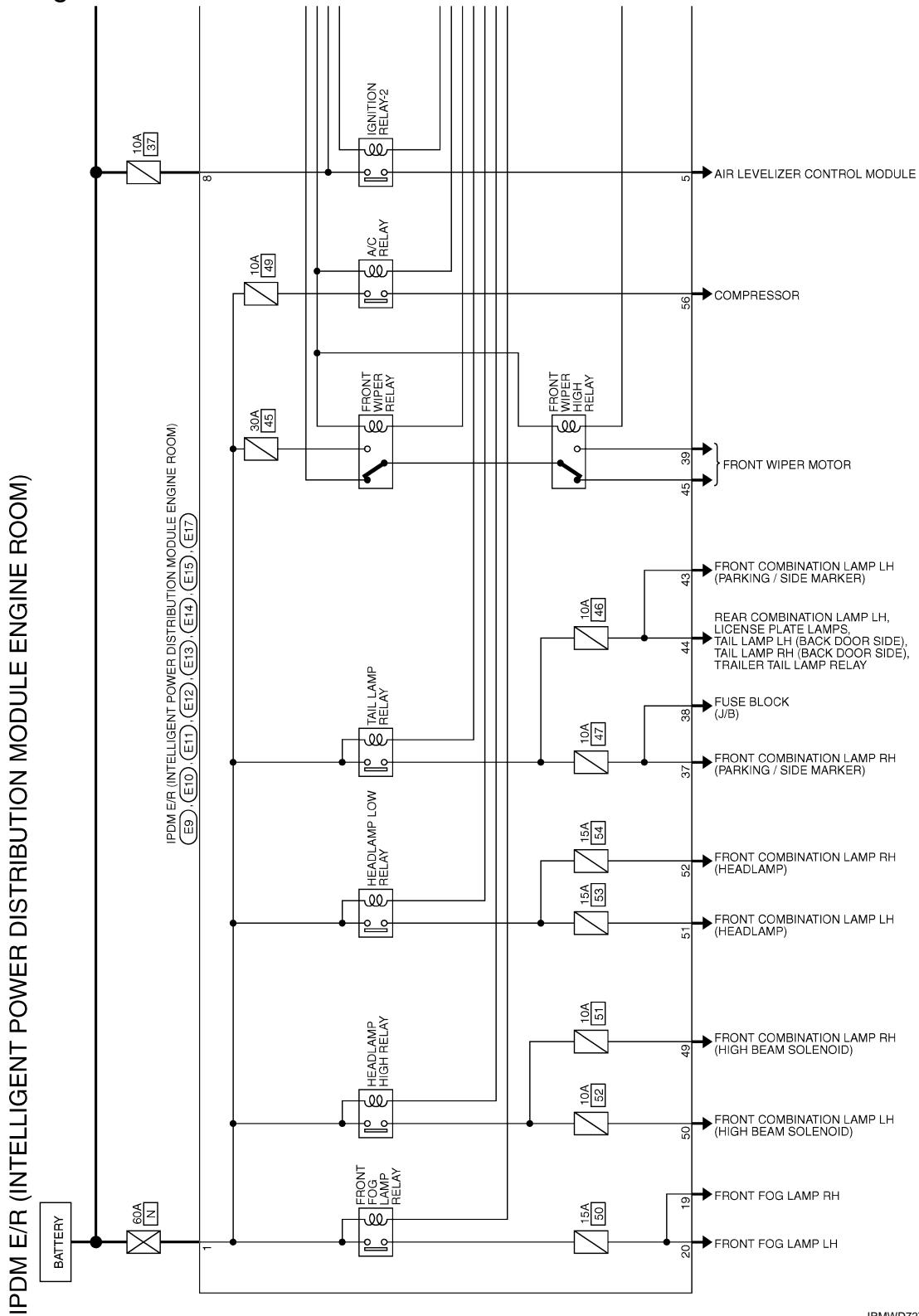
CONSULT display	Fail-safe	Refer to
No DTC is detected. further testing may be required.	—	—
U1000: CAN COMM CIRCUIT	×	PCS-28
B2098: IGN RELAY ON CIRC	×	PCS-29
B2099: IGN RELAY OFF CIRC	—	PCS-31
B209F: CRANK REQ CIR OPEN	—	SEC-103
B20A0: CRANK REQ CIR SHORT	—	SEC-105
B210B: STR CONT RLY ON CIRC	—	SEC-107
B210C: STR CONT RLY OFF CIRC	—	SEC-108
B210D: STARTER RLY ON CIRC	—	SEC-110
B210E: STARTER RLY OFF CIRC	—	SEC-112
B210F: INTRLCK/PNP SW ON	—	SEC-114
B2110: INTRLCK/PNP SW OFF	—	SEC-116

WIRING DIAGRAM

IPDM E/R

Wiring Diagram

INFOID:000000009013007

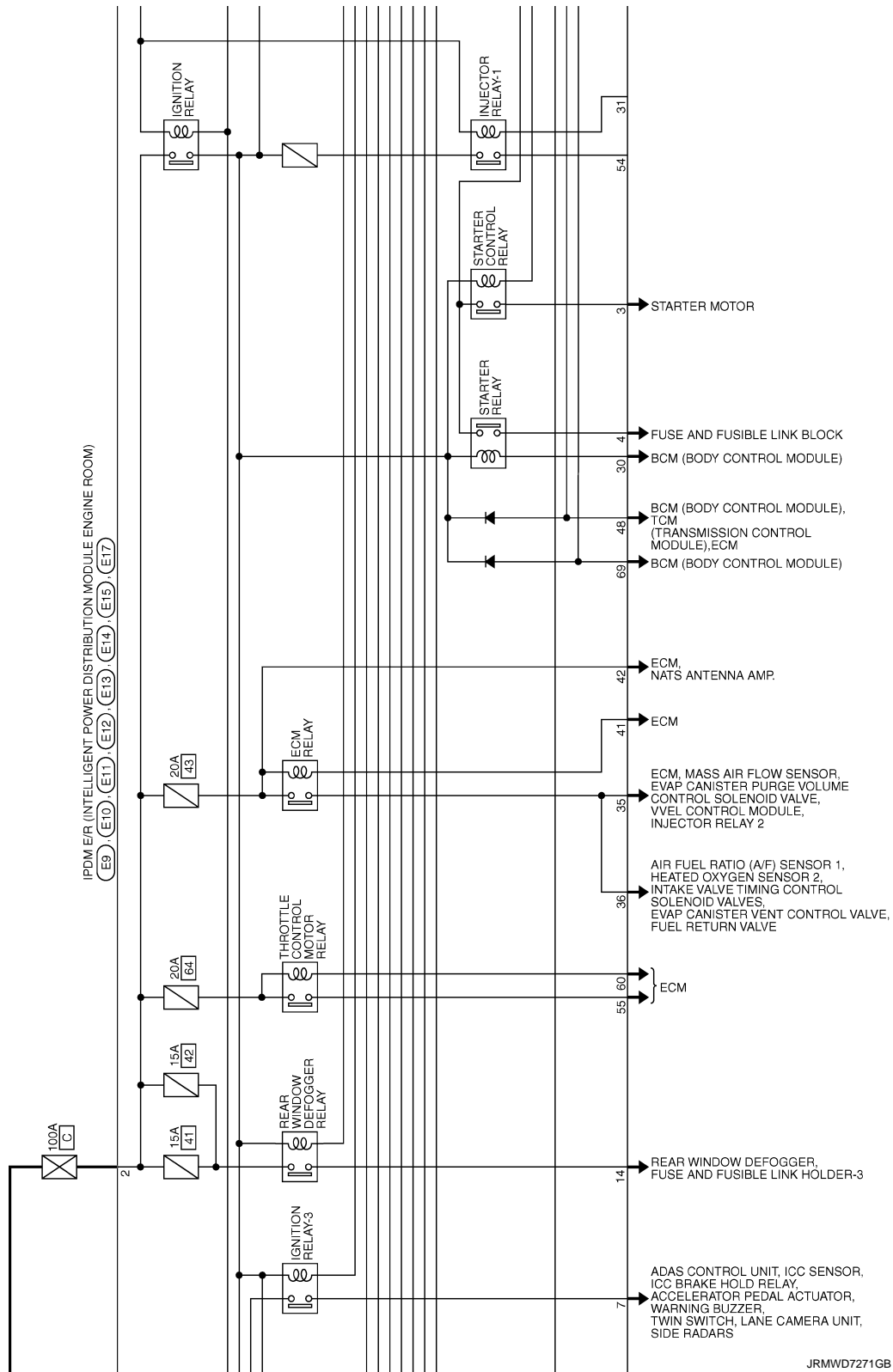


A
B
C
D
E
F
G
H
I
J
K
L
N
O
P

PCS

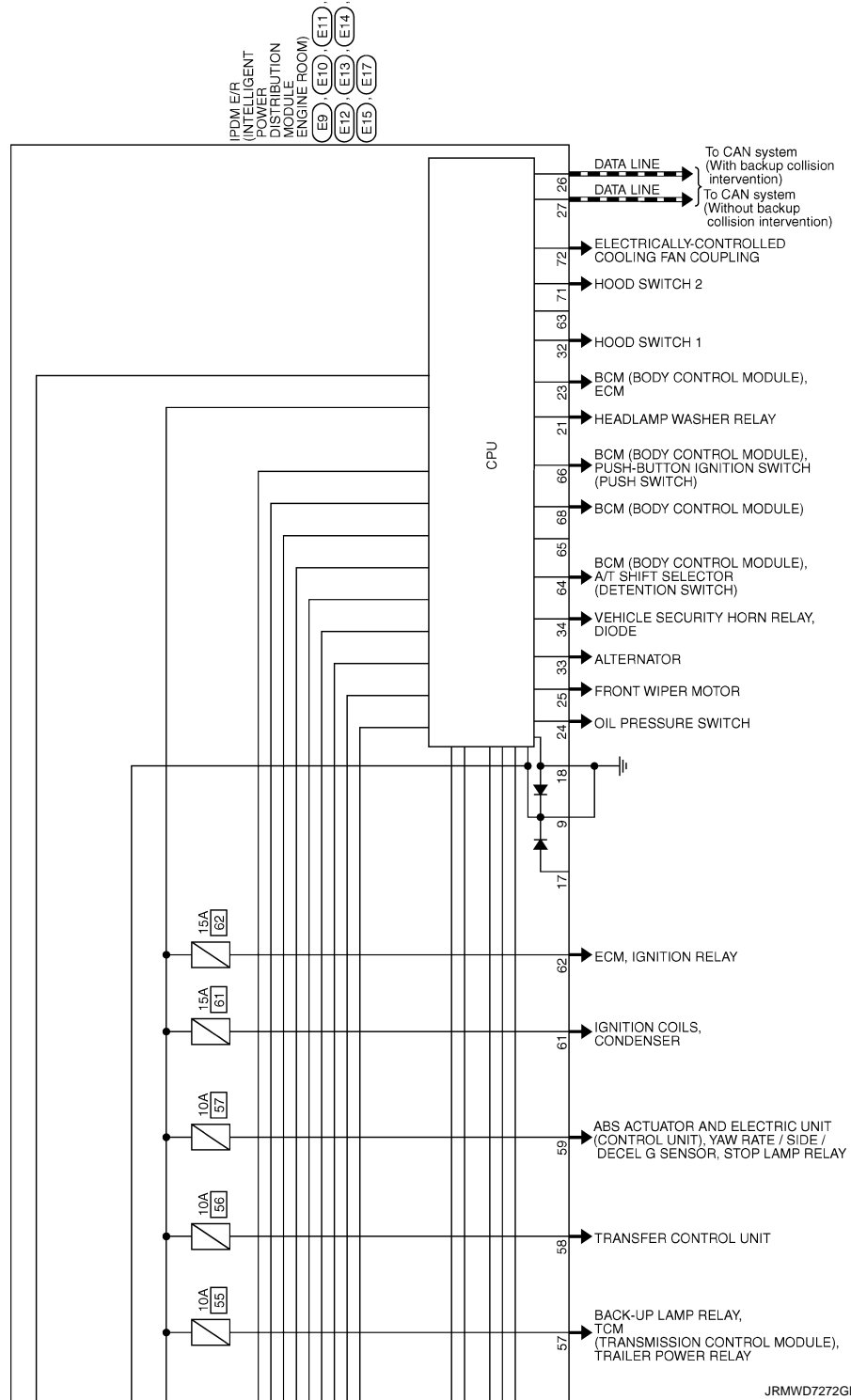
2013/01/30

JRMWD7270GB



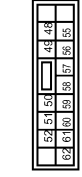
JRMWD7271GB

A
B
C
D
E
F
G
H
I
J
K
L
PCS
N
O
P



IPDM E/R (INTELLIGENT POWER DISTRIBUTION MODULE ENGINE ROOM)

Connector No.	E15
Connector Name	IPDM E/R INTELLIGENT POWER DISTRIBUTION MODULE (ENGINE ROOM)
Connector Type	NS18FM-CS



Terminal No.	Color Of Wire	Signal Name [Specification]
48	BR	-
49	R	-
50	LG/B	-
51	BR/Y	-
52	W	-
55	O	-
56	L	-
57	V	-
58	BR/R	-
59	W/B	-
60	V/R	-
61	W	-
62	SB	-

Connector No.	E17
Connector Name	IPDM E/R INTELLIGENT POWER DISTRIBUTION MODULE (ENGINE ROOM)
Connector Type	TH10FB-NH



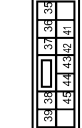
Terminal No.	Color Of Wire	Signal Name [Specification]
63	P	-
64	GY	-
65	L	-
66	SB	-
68	O	-
69	W/B	-

Connector No.	E13
Connector Name	IPDM E/R INTELLIGENT POWER DISTRIBUTION MODULE (ENGINE ROOM)
Connector Type	TH12FM-NH



Terminal No.	Color Of Wire	Signal Name [Specification]
23	GR/R	-
24	W/G	-
25	LY	-
26	P	-
27	L	-
30	R/W	-
32	G	-
33	R	-
34	G	-

Connector No.	E14
Connector Name	IPDM E/R INTELLIGENT POWER DISTRIBUTION MODULE (ENGINE ROOM)
Connector Type	NS12FBR-CS



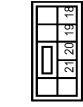
Terminal No.	Color Of Wire	Signal Name [Specification]
35	W	-
36	V	-
37	L	-
38	Y	-
39	L/B	-
41	L/G	-
42	L	-
43	L/G	-
44	L/W	-
45	Y/R	-

Connector No.	E11
Connector Name	IPDM E/R INTELLIGENT POWER DISTRIBUTION MODULE (ENGINE ROOM)
Connector Type	M06FBL-C



Terminal No.	Color Of Wire	Signal Name [Specification]
9	B	-
14	L	-

Connector No.	E12
Connector Name	IPDM E/R INTELLIGENT POWER DISTRIBUTION MODULE (ENGINE ROOM)
Connector Type	NS08FBR-CS



Terminal No.	Color Of Wire	Signal Name [Specification]
18	B	-
19	V	-
20	W	-
21	L	-

Connector No.	E9
Connector Name	IPDM E/R INTELLIGENT POWER DISTRIBUTION MODULE (ENGINE ROOM)
Connector Type	L02FB-M/C



Terminal No.	Color Of Wire	Signal Name [Specification]
1	W	-
2	G	-

Connector No.	E10
Connector Name	IPDM E/R INTELLIGENT POWER DISTRIBUTION MODULE (ENGINE ROOM)
Connector Type	M06FV-LC



Terminal No.	Color Of Wire	Signal Name [Specification]
3	R	-
4	L	-
5	P/L	-
7	W/G	-
8	W	-

JRMWE1958GB

IPDM E/R (INTELLIGENT POWER DISTRIBUTION MODULE ENGINE ROOM)

71	8R	.
72	7R	.

- A
- B
- C
- D
- E
- F
- G
- H
- I
- J
- K
- L
- N
- O
- P

PCS

JRMWE1959GB

DTC/CIRCUIT DIAGNOSIS

U1000 CAN COMM CIRCUIT

Description

INFOID:000000009013008

CAN (Controller Area Network) is a serial communication line for real time applications. It is an on-vehicle multiplex communication line with high data communication speed and excellent error detection ability. Modern vehicle is equipped with many electronic control unit, and each control unit shares information and links with other control units during operation (not independent). In CAN communication, control units are connected with 2 communication lines (CAN-H line, CAN-L line) allowing a high rate of information transmission with less wiring. Each control unit transmits/receives data but selectively reads required data only.

CAN Communication Signal Chart. Refer to [LAN-32, "CAN COMMUNICATION SYSTEM : CAN Communication Signal Chart"](#).

DTC Logic

INFOID:000000009013009

DTC DETECTION LOGIC

DTC	CONSULT display description	DTC Detection Condition	Possible cause
U1000	CAN COMM CIRCUIT	When IPDM E/R cannot communicate CAN communication signal continuously for 2 seconds or more	CAN communication system

Diagnosis Procedure

INFOID:000000009013010

1. PERFORM SELF DIAGNOSTIC

1. Turn the ignition switch ON and wait for 2 seconds or more.
2. Check "Self Diagnostic Result" of IPDM E/R.

Is DTC "U1000" displayed?

- YES >> Refer to [LAN-22, "Trouble Diagnosis Flow Chart"](#).
 NO >> Refer to [GI-43, "Intermittent Incident"](#).

B2098 IGNITION RELAY ON STUCK

< DTC/CIRCUIT DIAGNOSIS >

[IPDM E/R]

B2098 IGNITION RELAY ON STUCK

Description

INFOID:000000009013011

- IPDM E/R operates the ignition relay when it receives an ignition switch ON signal from BCM via CAN communication.
- Turn the ignition relay OFF by pressing the push-button ignition switch once when the vehicle speed is 4 km/h (2.5 MPH) or less.
- Turn the ignition relay OFF with the following operation when the vehicle speed is more than 4 km/h (2.5 MPH) or when an abnormal condition occurs in CAN communication from the combination meter (Emergency OFF)
 - Press and hold the push-button ignition switch for 2 seconds or more.
 - Press the push-button ignition switch 3 times within 1.5 seconds.

NOTE:

The ignition relay does not turn ON for 3 seconds after emergency OFF even if the push-button ignition switch is pressed.

DTC Logic

INFOID:000000009013012

DTC DETECTION LOGIC

DTC	CONSULT display description	DTC Detection Condition	Possible causes
B2098	IGN RELAY ON CIRC	The ignition relay ON is detected for 1 second at ignition switch OFF (CPU monitors the status at the contact and excitation coil circuits of the ignition relay inside it)	Ignition relay malfunction

DTC CONFIRMATION PROCEDURE

1.PERFORM SELF DIAGNOSIS

1. Turn the ignition switch ON.
2. Turn ignition switch OFF and wait 1 second or more.
3. Check DTC in "Self Diagnostic Result" mode of "IPDM E/R" using CONSULT.

Is DTC detected?

- YES >> Refer to [PCS-29, "Diagnosis Procedure"](#).
 NO >> INSPECTION END

Diagnosis Procedure

INFOID:000000009013013

1.CHECK SELF DIAGNOSTIC RESULT

Check DTC using CONSULT.

What is the display history of DTC "B2098"?

- "CRNT">> GO TO 2.
 "PAST">> GO TO 5.

2.CHECK IGNITION RELAY CONTROL CIRCUIT VOLTAGE 1

1. Turn ignition switch ON
2. Check voltage between IPDM E/R harness connector and ground.

(+)		(-)	Voltage (Approx.)
IPDM E/R			
Connector	Terminal		
E17	68	Ground	0 V

Is the inspection result normal?

- YES >> GO TO 4.
 NO >> GO TO 3.

3.CHECK IGNITION RELAY CONTROL CIRCUIT VOLTAGE 2

B2098 IGNITION RELAY ON STUCK

[IPDM E/R]

< DTC/CIRCUIT DIAGNOSIS >

1. Disconnect IPDM E/R connector.
2. Turn ignition switch ON
3. Check voltage between IPDM E/R harness connector and ground.

(+)		(-)	Voltage (Approx.)
IPDM E/R			
Connector	Terminal	Ground	0 V
E17	68		

Is the inspection result normal?

- YES >> Replace IPDM E/R. Refer to [PCS-34, "Removal and Installation"](#).
NO >> Check the harness of the ignition relay control circuit for a short to power.

4.CHECK IGNITION RELAY CONTROL CIRCUIT

1. Disconnect IPDM E/R connector.
2. Check continuity between IPDM E/R harness connector and ground.

IPDM E/R		Ground	Continuity
Connector	Terminal		
E17	68		Not existed

Is the inspection result normal?

- YES >> Perform the diagnosis procedure for DTC B26F2. Refer to [PCS-69, "DTC Logic"](#).
NO >> Repair or replace harness.

5.CHECK INTERMITTENT INCIDENT

Refer to [GI-43, "Intermittent Incident"](#).

>> INSPECTION END

B2099 IGNITION RELAY OFF STUCK

< DTC/CIRCUIT DIAGNOSIS >

[IPDM E/R]

B2099 IGNITION RELAY OFF STUCK

Description

INFOID:000000009013014

- IPDM E/R operates the ignition relay when it receives an ignition switch ON signal from BCM via CAN communication.
- Turn the ignition relay OFF by pressing the push-button ignition switch once when the vehicle speed is 4 km/h (2.5 MPH) or less.
- Turn the ignition relay OFF with the following operation when the vehicle speed is more than 4 km/h (2.5 MPH) or when an abnormal condition occurs in CAN communication from the combination meter (Emergency OFF)
 - Press and hold the push-button ignition switch for 2 seconds or more.
 - Press the push-button ignition switch 3 times within 1.5 seconds.

NOTE:

The ignition relay does not turn ON for 3 seconds after emergency OFF even if the push-button ignition switch is pressed.

DTC Logic

INFOID:000000009013015

DTC DETECTION LOGIC

DTC	CONSULT display description	DTC Detection Condition	Possible causes
B2099	IGN RELAY OFF CIRC	The ignition relay OFF is detected for 1 second at ignition switch ON (CPU monitors the status at the contact and excitation coil circuits of the ignition relay inside it)	Ignition relay malfunction

NOTE:

When IPDM E/R power supply voltage is low (Approx. 7 - 8 V for about 1 second), the "DTC: B2099" may be detected.

DTC CONFIRMATION PROCEDURE

1. PERFORM DTC CONFIRMATION PROCEDURE

1. Turn ignition switch ON.
2. Turn ignition switch OFF and wait 1 second or more.
3. Check DTC in "Self Diagnostic Result" mode of "IPDM E/R" using CONSULT.

Is DTC detected?

- YES >> Refer to [PCS-31, "Diagnosis Procedure"](#).
- NO >> INSPECTION END

Diagnosis Procedure

INFOID:000000009013016

1. CHECK FUSE

Check that all of the fuses installed on the downstream of the contact point side circuit of the ignition relay in IPDM E/R are not blown.

Is the inspection result normal?

- YES >> GO TO 2.
- NO >> Replace the blown fuse after replacing the affected circuit if a fuse is blown.

2. CHECK IGNITION RELAY CONTROL CIRCUIT VOLTAGE

1. Turn ignition switch ON
2. Check voltage between IPDM E/R harness connector and ground.

(+)		(-)	Voltage (Approx)
IPDM E/R			
Connector	Terminal		
E17	68	Ground	0 V

Is the inspection result normal?

A
B
C
D
E
F
G
H
I
J
K
L
N
O
P

PCS

B2099 IGNITION RELAY OFF STUCK

[IPDM E/R]

< DTC/CIRCUIT DIAGNOSIS >

YES >> Replace IPDM E/R. Refer to [PCS-34. "Removal and Installation"](#).

NO >> GO TO 3.

3.CHECK BATTERY VOLTAGE

Check battery voltage.

Which is the measurement result?

More than 12.4 V>>GO TO 4.

Less than 12.4 V>>Perform battery inspection. Refer to [PG-114. "How to Handle Battery"](#).

4.CHECK INTERMITTENT INCIDENT

Refer to [GI-43. "Intermittent Incident"](#).

>> INSPECTION END

POWER SUPPLY AND GROUND CIRCUIT

< DTC/CIRCUIT DIAGNOSIS >

[IPDM E/R]

POWER SUPPLY AND GROUND CIRCUIT

Diagnosis Procedure

INFOID:000000009013017

1. CHECK FUSES AND FUSIBLE LINK

Check that the following IPDM E/R fuses or fusible links are not blown.

Signal name	Fuses and fusible link No.
Battery power supply	C (100 A)
	N (60 A)
	37 (10 A)

Is the fuse fusing?

YES >> Replace the blown fuse or fusible link after repairing the affected circuit if a fuse or fusible link is blown.

NO >> GO TO 2.

2. CHECK POWER SUPPLY CIRCUIT

1. Turn the ignition switch OFF.
2. Disconnect IPDM E/R connector.
3. Check voltage between IPDM E/R harness connector and the ground.

(+) IPDM E/R		(-)	Voltage (Approx.)
Connector	Terminal		
E9	1	Ground	Battery voltage
	2		
E10	8		

Is the measurement value normal?

YES >> GO TO 3.

NO >> Repair the harness or connector.

3. CHECK GROUND CIRCUIT

Check continuity between IPDM E/R harness connectors and the ground.

IPDM E/R		Ground	Continuity
Connector	Terminal		
E11	9		Existed
E12	18		

Does continuity exist?

YES >> INSPECTION END

NO >> Repair the harness or connector.

A
B
C
D
E
F
G
H
I
J
K
L
N
O
P

PCS

REMOVAL AND INSTALLATION

IPDM E/R

Removal and Installation

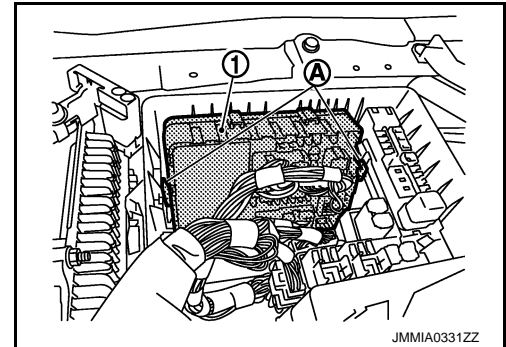
INFOID:000000009013018

CAUTION:

IPDM E/R integrated relays are not serviceable parts, and must not be removed from the unit.

REMOVAL

1. Disconnect the battery cable from the negative terminal.
2. Remove the IPDM E/R cover A.
3. Remove the IPDM E/R (1) while pressing the pawls (A).



JMMIA0331ZZ

4. Disconnect the harness connector and then remove the IPDM E/R.

INSTALLATION

Install in the reverse order of removal.

PRECAUTION

PRECAUTIONS

Precaution for Supplemental Restraint System (SRS) "AIR BAG" and "SEAT BELT PRE-TENSIONER"

INFOID:000000009013019

The Supplemental Restraint System such as "AIR BAG" and "SEAT BELT PRE-TENSIONER", used along with a front seat belt, helps to reduce the risk or severity of injury to the driver and front passenger for certain types of collision. Information necessary to service the system safely is included in the "SRS AIR BAG" and "SEAT BELT" of this Service Manual.

WARNING:

Always observe the following items for preventing accidental activation.

- To avoid rendering the SRS inoperative, which could increase the risk of personal injury or death in the event of a collision that would result in air bag inflation, all maintenance must be performed by an authorized NISSAN/INFINITI dealer.
- Improper maintenance, including incorrect removal and installation of the SRS, can lead to personal injury caused by unintentional activation of the system. For removal of Spiral Cable and Air Bag Module, see "SRS AIR BAG".
- Never use electrical test equipment on any circuit related to the SRS unless instructed to in this Service Manual. SRS wiring harnesses can be identified by yellow and/or orange harnesses or harness connectors.

PRECAUTIONS WHEN USING POWER TOOLS (AIR OR ELECTRIC) AND HAMMERS

WARNING:

Always observe the following items for preventing accidental activation.

- When working near the Air Bag Diagnosis Sensor Unit or other Air Bag System sensors with the ignition ON or engine running, never use air or electric power tools or strike near the sensor(s) with a hammer. Heavy vibration could activate the sensor(s) and deploy the air bag(s), possibly causing serious injury.
- When using air or electric power tools or hammers, always switch the ignition OFF, disconnect the battery, and wait at least 3 minutes before performing any service.

A
B
C
D
E
F
G
H
I
J
K
L
N
O
P

PCS

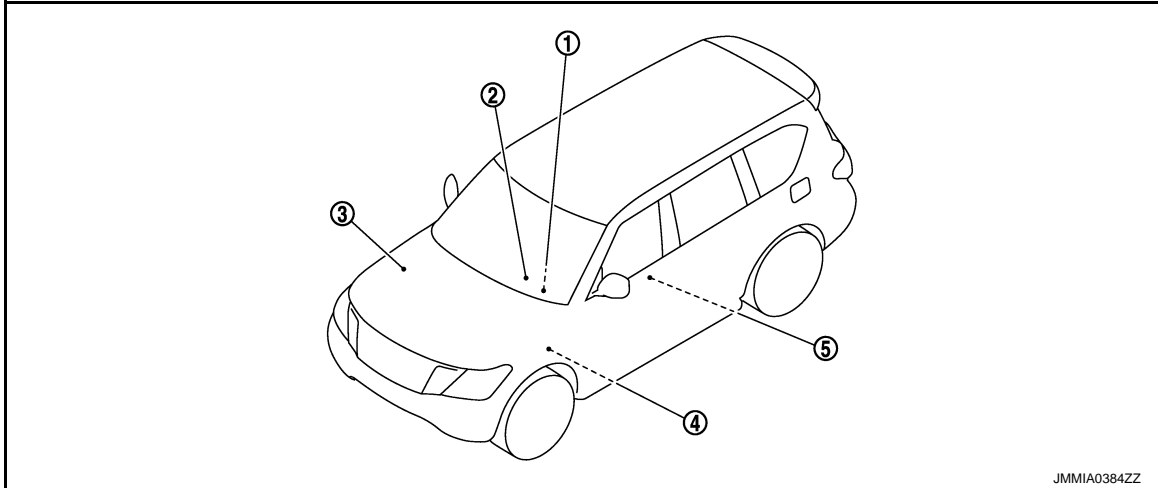
< SYSTEM DESCRIPTION >

SYSTEM DESCRIPTION

COMPONENT PARTS

Component Parts Location

INFOID:000000009013020



- | | | |
|---|--|--|
| <p>1. BCM
Refer to BCS-4, "BODY CONTROL SYSTEM : Component Parts Location".</p> | <p>2. Push-button ignition switch</p> | <p>3. IPDM E/R
Refer to PCS-4, "Component Parts Location".</p> |
| <p>4. Stop lamp switch</p> | <p>5. TCM
Refer to TM-11, "A/T CONTROL SYSTEM : Component Parts Location".</p> | |

Component Description

INFOID:000000009013021

BCM	Reference
BCM	PCS-36
Ignition relay (Built-in IPDM E/R)	PCS-36
Ignition relay-1	
Accessory relay	PCS-37
Blower relay	PCS-37
Push-button ignition switch	PCS-37
Stop lamp switch	SEC-8
TCM (Transmission range switch)	SEC-8

BCM

INFOID:000000009013022

BCM controls the various electrical components and simultaneously supplies power according to the power supply position.
BCM checks the power supply position internally.

Ignition Relay

INFOID:000000009013023

BCM turns ON the following relays to supply ignition power supply or ignition switch ON signal to each ECU when the ignition switch is turned ON.

- Ignition relay-1
- Ignition relay (inside IPDM E/R)
- Blower relay

COMPONENT PARTS

< SYSTEM DESCRIPTION >

[POWER DISTRIBUTION SYSTEM]

BCM compares following status comparing.

- Ignition relay-1 control signal, and power supply position judged by BCM
- Ignition relay (inside IPDM E/R) control request, and Ignition relay (inside IPDM E/R) status

A

Accessory Relay

INFOID:000000009013024

B

BCM turns ON the accessory relays to supply accessory power supply or ignition switch ACC signal to each ECU when the ignition switch is turned ACC or ON.

BCM compares status of accessory relay control signal, and power supply position judged by BCM.

C

Blower Relay

INFOID:000000009013025

BCM turns ON the following relays to supply ignition power supply or ignition switch ON signal to each ECU when the ignition switch is turned ON.

- Ignition relay-1
- Ignition relay (inside IPDM E/R)
- Blower relay

D

E

BCM compares status of blower relay control signal, and power supply position judged by BCM.

Push-Button Ignition Switch

INFOID:000000009013026

F

BCM transmits the change in the power supply position with the push-button ignition switch to IPDM E/R via CAN communication line. IPDM E/R transmits the power supply position status via CAN communication line to BCM.

G

H

I

J

K

L

PCS

N

O

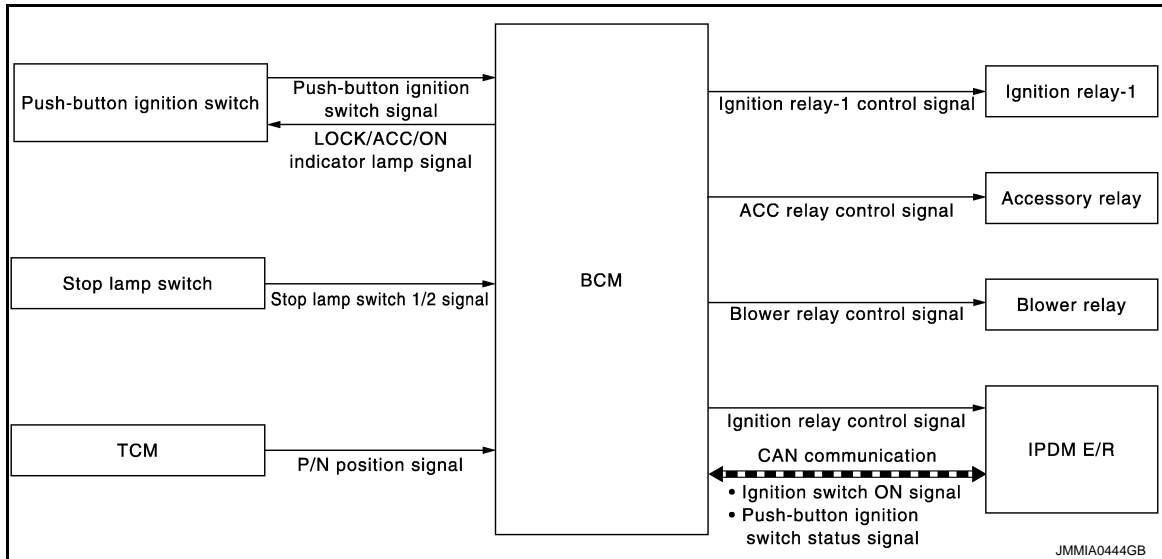
P

SYSTEM

POWER DISTRIBUTION SYSTEM

POWER DISTRIBUTION SYSTEM : System Diagram

INFOID:000000009013027



POWER DISTRIBUTION SYSTEM : System Description

INFOID:000000009013028

SYSTEM DESCRIPTION

- PDS (POWER DISTRIBUTION SYSTEM) is the system that BCM controls with the operation of the push-button ignition switch and performs the power distribution to each power circuit. This system is used instead of the mechanical power supply changing mechanism with the operation of the conventional key cylinder.
- The push-button ignition switch can be operated when Intelligent Key is in the following condition. Refer to Engine Start Function for details.
 - Intelligent Key is in the detection area of the inside key antenna.
 - Intelligent Key backside is contacted to push-button ignition switch.
- The push-button ignition switch operation is input to BCM as a signal. BCM changes the power supply position according to the status and operates the following relays to supply power to each power circuit.
 - Ignition relay (inside IPDM E/R)
 - Ignition relay-1
 - ACC relay
 - Blower relay

NOTE:

- The engine switch operation changes due to the conditions of brake pedal, selector lever and vehicle speed.
- The power supply position can be confirmed with the lighting of the indicators near the push-button ignition switch.

BATTERY SAVER SYSTEM

When all the following conditions are met for 60 minutes, the battery saver system will cut off the power supply to prevent battery discharge.

- The ignition switch is in the ACC position
- All doors are closed
- Selector lever is in the P position

Reset Condition of Battery Saver System

In order to prevent the battery from discharging, the battery saver system will cut off the power supply when all doors are closed, the selector lever is on P position and the ignition switch is left on ACC position for 1 hour. If any of the following conditions are met the battery saver system is released and the steering will change automatically to lock position from OFF position.

- Opening any door
- Operating with door request switch on door lock
- Operating with Intelligent Key on door lock

Press push-button ignition switch and ignition switch will change to ACC position from OFF position.

SYSTEM

[POWER DISTRIBUTION SYSTEM]

< SYSTEM DESCRIPTION >

POWER SUPPLY POSITION CHANGE TABLE BY PUSH-BUTTON IGNITION SWITCH OPERATION

The power supply position changing operation can be performed with the following operations.

NOTE:

- When an Intelligent Key is within the detection area of inside key antenna and when Intelligent Key backside is contacted to push-button ignition switch, it is equivalent to the operations below.
- When starting the engine, the BCM monitors under the engine start conditions,
 - Brake pedal operating condition
 - Selector lever position
 - Vehicle speed

Vehicle speed: less than 4 km/h (2.5 MPH)

Power supply position	Engine start/stop condition		Push-button ignition switch operation frequency
	Selector lever position	Brake pedal operation condition	
OFF → ACC	—	Not depressed	1
OFF → ACC → ON	—	Not depressed	2
OFF → ACC → ON → OFF	—	Not depressed	3
OFF → START ACC → START ON → START	P or N position	Depressed	1
Engine is running → OFF	—	—	1

Vehicle speed: 4 km/h (2.5 MPH) or more

Power supply position	Engine start/stop condition		Push-button ignition switch operation frequency
	Selector lever position	Brake pedal operation condition	
Engine is running → ACC	—	—	Emergency stop operation
Engine stall return operation while driving	N position	Not depressed	1

Emergency stop operation

- Press and hold the push-button ignition switch for 2 seconds or more.
- Press the push-button ignition switch 3 times or more within 1.5 seconds.

A
B
C
D
E
F
G
H
I
J
K
L
N
O
P

PCS

DIAGNOSIS SYSTEM (BCM)

< SYSTEM DESCRIPTION >

[POWER DISTRIBUTION SYSTEM]

DIAGNOSIS SYSTEM (BCM)

COMMON ITEM

COMMON ITEM : CONSULT Function (BCM - COMMON ITEM)

INFOID:000000009814758

APPLICATION ITEM

CONSULT performs the following functions via CAN communication with BCM.

Diagnosis mode	Function Description
Work Support	Changes the setting for each system function.
Self Diagnostic Result	Displays the diagnosis results judged by BCM. Refer to BCS-57, "DTC Index" .
CAN Diag Support Monitor	Monitors the reception status of CAN communication viewed from BCM.
Data Monitor	The BCM input/output signals are displayed.
Active Test	The signals used to activate each device are forcibly supplied from BCM.
Ecu Identification	The BCM part number is displayed.
Configuration	<ul style="list-style-type: none"> Read and save the vehicle specification. Write the vehicle specification when replacing BCM.

SYSTEM APPLICATION

BCM can perform the following functions for each system.

NOTE:

It can perform the diagnosis modes except the following for all sub system selection items.

×: Applicable item

System	Sub system selection item	Diagnosis mode		
		Work Support	Data Monitor	Active Test
Door lock	DOOR LOCK	×	×	×
Rear window defogger	REAR DEFOGGER		×	×
Warning chime	BUZZER		×	×
Interior room lamp timer	INT LAMP	×	×	×
Exterior lamp	HEAD LAMP	×	×	×
Wiper and washer	WIPER	×	×	×
Turn signal and hazard warning lamps	FLASHER	×	×	×
—	AIR CONDITONER*		×	×
<ul style="list-style-type: none"> Intelligent Key system Engine start system 	INTELLIGENT KEY	×	×	×
Combination switch	COMB SW		×	
Body control system	BCM	×		
IVIS	IMMU	×	×	×
Interior room lamp battery saver	BATTERY SAVER	×	×	×
Back door	TRUNK		×	
Vehicle security system	THEFT ALM	×	×	×
RAP system	RETAINED PWR		×	
Signal buffer system	SIGNAL BUFFER		×	×
—	AIR PRESSURE MONITOR*	×	×	×

*: This item is indicated, but not used.

FREEZE FRAME DATA (FFD)

The BCM records the following vehicle condition at the time a particular DTC is detected, and displays on CONSULT.

DIAGNOSIS SYSTEM (BCM)

[POWER DISTRIBUTION SYSTEM]

< SYSTEM DESCRIPTION >

CONSULT screen item	Indication/Unit	Description	
Vehicle Speed	km/h	Vehicle speed of the moment a particular DTC is detected	
Odo/Trip Meter	km	Total mileage (Odometer value) of the moment a particular DTC is detected	
Vehicle Condition	SLEEP>LOCK	Power position status of the moment a particular DTC is detected	While turning BCM status from low power consumption mode to normal mode (Power supply position is "LOCK")
	SLEEP>OFF		While turning BCM status from low power consumption mode to normal mode (Power supply position is "OFF".)
	LOCK>ACC		While turning power supply position from "LOCK" to "ACC"
	ACC>ON		While turning power supply position from "ACC" to "IGN"
	RUN>ACC		While turning power supply position from "RUN" to "ACC" (Vehicle is stopping and selector lever is except P position.)
	CRANK>RUN		While turning power supply position from "CRANKING" to "RUN" (From cranking up the engine to run it)
	RUN>URGENT		While turning power supply position from "RUN" to "ACC" (Emergency stop operation)
	ACC>OFF		While turning power supply position from "ACC" to "OFF"
	OFF>LOCK		While turning power supply position from "OFF" to "LOCK"
	OFF>ACC		While turning power supply position from "OFF" to "ACC"
	ON>CRANK		While turning power supply position from "IGN" to "CRANKING"
	OFF>SLEEP		While turning BCM status from normal mode (Power supply position is "OFF".) to low power consumption mode
	LOCK>SLEEP		While turning BCM status from normal mode (Power supply position is "LOCK".) to low power consumption mode
	LOCK		Power supply position is "LOCK" (Ignition switch OFF with steering is locked.)
	OFF		Power supply position is "OFF" (Ignition switch OFF with steering is unlocked.)
	ACC		Power supply position is "ACC" (Ignition switch ACC)
ON	Power supply position is "IGN" (Ignition switch ON with engine stopped)		
ENGINE RUN	Power supply position is "RUN" (Ignition switch ON with engine running)		
CRANKING	Power supply position is "CRANKING" (At engine cranking)		
IGN Counter	0 - 39	The number of times that ignition switch is turned ON after DTC is detected <ul style="list-style-type: none"> • The number is 0 when a malfunction is detected now. • The number increases like 1 → 2 → 3...38 → 39 after returning to the normal condition whenever ignition switch OFF → ON. • The number is fixed to 39 until the self-diagnosis results are erased if it is over 39. 	

INTELLIGENT KEY

INTELLIGENT KEY : CONSULT Function (BCM - INTELLIGENT KEY)

INFOID:000000009814757

WORK SUPPORT

Monitor item	Description
INSIDE ANT DIAGNOSIS	This function allows inside key antenna self-diagnosis
LOCK/UNLOCK BY I-KEY	Door lock/unlock function by door request switch mode can be changed to operation in this mode <ul style="list-style-type: none"> • On: Operate • Off: Non-operation

DIAGNOSIS SYSTEM (BCM)

[POWER DISTRIBUTION SYSTEM]

< SYSTEM DESCRIPTION >

Monitor item	Description
ENGINE START BY I-KEY	Engine start function mode can be changed to operation with this mode <ul style="list-style-type: none"> • On: Operate • Off: Non-operation
TRUNK/GLASS HATCH OPEN	Buzzer reminder function mode by back door opener switch can be changed to operation with this mode <ul style="list-style-type: none"> • On: Operate • Off: Non-operation
PANIC ALARM SET	Panic alarm button pressing time on Intelligent Key button can be selected from the following with this mode <ul style="list-style-type: none"> • MODE 1: 0.5 sec. • MODE 2: Non-operation • MODE 3: 1.5 sec.
TRUNK OPEN DELAY	Back door open button pressing to Intelligent Key button can be selected as per the following in this mode <ul style="list-style-type: none"> • MODE 1: Press and hold • MODE 2: Press twice • MODE 3: Press and hold, or press twice
LO- BATT OF KEY FOB WARN	Intelligent Key low battery warning mode can be changed to operation with this mode <ul style="list-style-type: none"> • On: Operate • Off: Non-operation
ANTI KEY LOCK IN FUNCTI	Key reminder function mode can be changed to operation with this mode <ul style="list-style-type: none"> • On: Operate • Off: Non-operation
HAZARD ANSWER BACK	Hazard reminder function mode by door request switch and Intelligent Key button can be selected from the following with this mode <ul style="list-style-type: none"> • Lock Only: Door lock operation only • Unlock Only: Door unlock operation only • Lock/Unlock: Lock and unlock operation • Off: Non-operation
ANS BACK I-KEY LOCK	Buzzer reminder function (lock operation) mode by door request switch can be selected from the following with this mode <ul style="list-style-type: none"> • Horn Chirp: Sound horn • Buzzer: Sound Intelligent Key warning buzzer • Off: Non-operation
ANS BACK I-KEY UNLOCK	Buzzer reminder function (unlock operation) mode by door request switch can be changed to operation with this mode <ul style="list-style-type: none"> • On: Operate • Off: Non-operation
SHORT CRANKING OUTPUT	Starter motor can operate during the times below <ul style="list-style-type: none"> • 70 msec • 100 msec • 200 msec
CONFIRM KEY FOB ID	It can be checked whether Intelligent Key ID code is registered or not in this mode
AUTO LOCK SET	Auto door lock operation time can be changed in this mode <ul style="list-style-type: none"> • MODE 1: OFF • MODE 2: 30 sec. • MODE 3: 1 minute • MODE 4: 2 minutes • MODE 5: 3 minutes • MODE 6: 4 minutes • MODE 7: 5 minutes
HORN WITH KEYLESS LOCK	Horn reminder function mode by Intelligent Key button can be selected from the following with this mode <ul style="list-style-type: none"> • On: Operate • Off: Non-operation

DIAGNOSIS SYSTEM (BCM)

< SYSTEM DESCRIPTION >

[POWER DISTRIBUTION SYSTEM]

Monitor item	Description
PW DOWN SET	Unlock button pressing time on Intelligent Key button can be selected from the following with this mode <ul style="list-style-type: none"> • MODE 1: 3 sec. • MODE 2: Non-operation • MODE 3: 5 sec.
WELCOME LIGHT SELECT	Welcome light function mode can be selected from the following with this mode <ul style="list-style-type: none"> • Puddle/Outside Handle • Room lamp • Head & Tail Lamps (this item is displayed, but cannot be used) • Heart Beat
WELCOME LIGHT OP SET	Welcome light function mode can be changed to operation with this mode <ul style="list-style-type: none"> • On: Operate • Off: Non-operation

SELF-DIAG RESULT

Refer to [BCS-57, "DTC Index"](#).

DATA MONITOR

NOTE:

The following table includes information (items) inapplicable to this vehicle. For information (items) applicable to this vehicle, refer to CONSULT display items.

Monitor Item	Condition
REQ SW -DR	Indicates [On/Off] condition of door request switch (driver side)
REQ SW -AS	Indicates [On/Off] condition of door request switch (passenger side)
REQ SW -BD/TR	Indicates [On/Off] condition of back door request switch
PUSH SW	Indicates [On/Off] condition of push-button ignition switch
CLUTCH SW	NOTE: This item is displayed, but cannot be monitored
BRAKE SW 1	Indicates [On/Off]* condition of stop lamp switch power supply
BRAKE SW 2	Indicates [On/Off] condition of stop lamp switch
DETE/CANCL SW	Indicates [On/Off] condition of P position
SFT PN/N SW	Indicates [On/Off] condition of P or N position
S/L -LOCK	NOTE: This item is displayed, but cannot be monitored
S/L -UNLOCK	NOTE: This item is displayed, but cannot be monitored
S/L RELAY -F/B	NOTE: This item is displayed, but cannot be monitored
UNLK SEN -DR	Indicates [On/Off] condition of driver door UNLOCK status
PUSH SW -IPDM	Indicates [On/Off] condition of push-button ignition switch
IGN RLY1 -F/B	Indicates [On/Off] condition of ignition relay 1
DETE SW -IPDM	Indicates [On/Off] condition of P position
SFT PN -IPDM	Indicates [On/Off] condition of P or N position
SFT P -MET	Indicates [On/Off] condition of P position
SFT N -MET	Indicates [On/Off] condition of N position
ENGINE STATE	Indicates [Stop/Stall/Crank/Run] condition of engine states
S/L LOCK-IPDM	NOTE: This item is displayed, but cannot be monitored
S/L UNLK-IPDM	NOTE: This item is displayed, but cannot be monitored
S/L RELAY-REQ	NOTE: This item is displayed, but cannot be monitored

DIAGNOSIS SYSTEM (BCM)

< SYSTEM DESCRIPTION >

[POWER DISTRIBUTION SYSTEM]

Monitor Item	Condition
VEH SPEED 1	Display the vehicle speed signal received from combination meter by numerical value [Km/h]
VEH SPEED 2	Display the vehicle speed signal received from ABS or VDC or TCM by numerical value [Km/h]
DOOR STAT-DR	Indicates [LOCK/READY/UNLK] condition of unlock sensor
DOOR STAT-AS	Indicates [LOCK/READY/UNLK] condition of passenger side door status
ID OK FLAG	Indicates [Set/Reset] condition of key ID
PRMT ENG STRT	Indicates [Set/Reset] condition of engine start possibility
PRMT RKE STRT	NOTE: This item is displayed, but cannot be monitored
TRNK/HAT MNTR	NOTE: This item is displayed, but cannot be monitored
RKE-LOCK	Indicates [On/Off] condition of LOCK signal from Intelligent Key
RKE-UNLOCK	Indicates [On/Off] condition of UNLOCK signal from Intelligent Key
RKE-TR/BD	NOTE: This item is displayed, but cannot be monitored
RKE-PANIC	Indicates [On/Off] condition of PANIC button of Intelligent Key
RKE-MODE CHG	Indicates [On/Off] condition of MODE CHANGE signal from Intelligent Key
RKE OPE COUN1	When remote keyless entry receiver receives the signal transmitted while operating on Intelligent Key, the numerical value start changing
RKE OPE COUN2	NOTE: This item is displayed, but cannot be monitored
SHFTLCK SLNID PWR SPLY	Indicates [On/Off] condition of shift lock solenoid

*: OFF is displayed when brake pedal is depressed while brake switch power supply is OFF.

ACTIVE TEST

Test item	Description
BATTERY SAVER	This test is able to check interior room lamp operation <ul style="list-style-type: none"> • On: Operate • Off: Non-operation
OUTSIDE BUZZER	This test is able to check Intelligent Key warning buzzer operation <ul style="list-style-type: none"> • On: Operate • Off: Non-operation
INSIDE BUZZER	This test is able to check warning chime in combination meter operation <ul style="list-style-type: none"> • Take Out: Take away warning chime sounds when CONSULT screen is touched • Key: Key warning chime sounds when CONSULT screen is touched • Knob: OFF position warning chime sounds when CONSULT screen is touched • Off: Non-operation
INDICATOR	This test is able to check warning lamp operation <ul style="list-style-type: none"> • KEY ON: "KEY" Warning lamp illuminates when CONSULT screen is touched • KEY IND: "KEY" Warning lamp blinks when CONSULT screen is touched • Off: Non-operation
INT LAMP	This test is able to check interior room lamp operation <ul style="list-style-type: none"> • On: Operate • Off: Non-operation

DIAGNOSIS SYSTEM (BCM)

< SYSTEM DESCRIPTION >

[POWER DISTRIBUTION SYSTEM]

Test item	Description
LCD	This test is able to check meter display information <ul style="list-style-type: none"> • Engine start information displays when "BP N" on CONSULT screen is touched • Engine start information displays when "BP I" on CONSULT screen is touched • Key ID warning displays when "ID NG" on CONSULT screen is touched • ROTAT: This item is displayed, but cannot be monitored • P position warning displays when "SFT P" on CONSULT screen is touched • INSRT: This item is displayed, but cannot be monitored • BATT: This item is displayed, but cannot be monitored • Take away through window warning displays when "NO KY" on CONSULT screen is touched • Take away warning display when "OUTKEY" on CONSULT screen is touched • OFF position warning display when "LK WN" on CONSULT screen is touched
FLASHER	This test is able to check security hazard lamp operation The hazard lamps are activated after "LH/RH/Off" on CONSULT screen is touched
P RANGE	This test is able to check A/T shift selector power supply <ul style="list-style-type: none"> • On: Operate • Off: Non-operation
ENGINE SW ILLUMI	This test is able to check push-button ignition switch illumination operation Push-ignition switch illumination illuminates when "ON" on CONSULT screen is touched
LOCK INDICATOR	This test is able to check LOCK indicator (push-button ignition switch) operation <ul style="list-style-type: none"> • On: Operate • Off: Non-operation
ACC INDICATOR	This test is able to check ACC indicator (push-button ignition switch) operation <ul style="list-style-type: none"> • On: Operate • Off: Non-operation
IGNITION ON IND	This test is able to check ON indicator (push-button ignition switch) operation <ul style="list-style-type: none"> • On: Operate • Off: Non-operation
HORN	This test is able to check horn operation <ul style="list-style-type: none"> • On: Operate • Off: Non-operation
TRUNK/BACK DOOR	NOTE: This item is displayed, but cannot be used

A
B
C
D
E
F
G
H
I
J
K
L
N
O
P

PCS

ECU DIAGNOSIS INFORMATION

BCM

List of ECU Reference

INFOID:000000009013031

ECU	Reference
BCM	BCS-35. "Reference Value"
	BCS-56. "Fail-safe"
	BCS-57. "DTC Inspection Priority Chart"
	BCS-57. "DTC Index"

POWER DISTRIBUTION SYSTEM

< WIRING DIAGRAM >

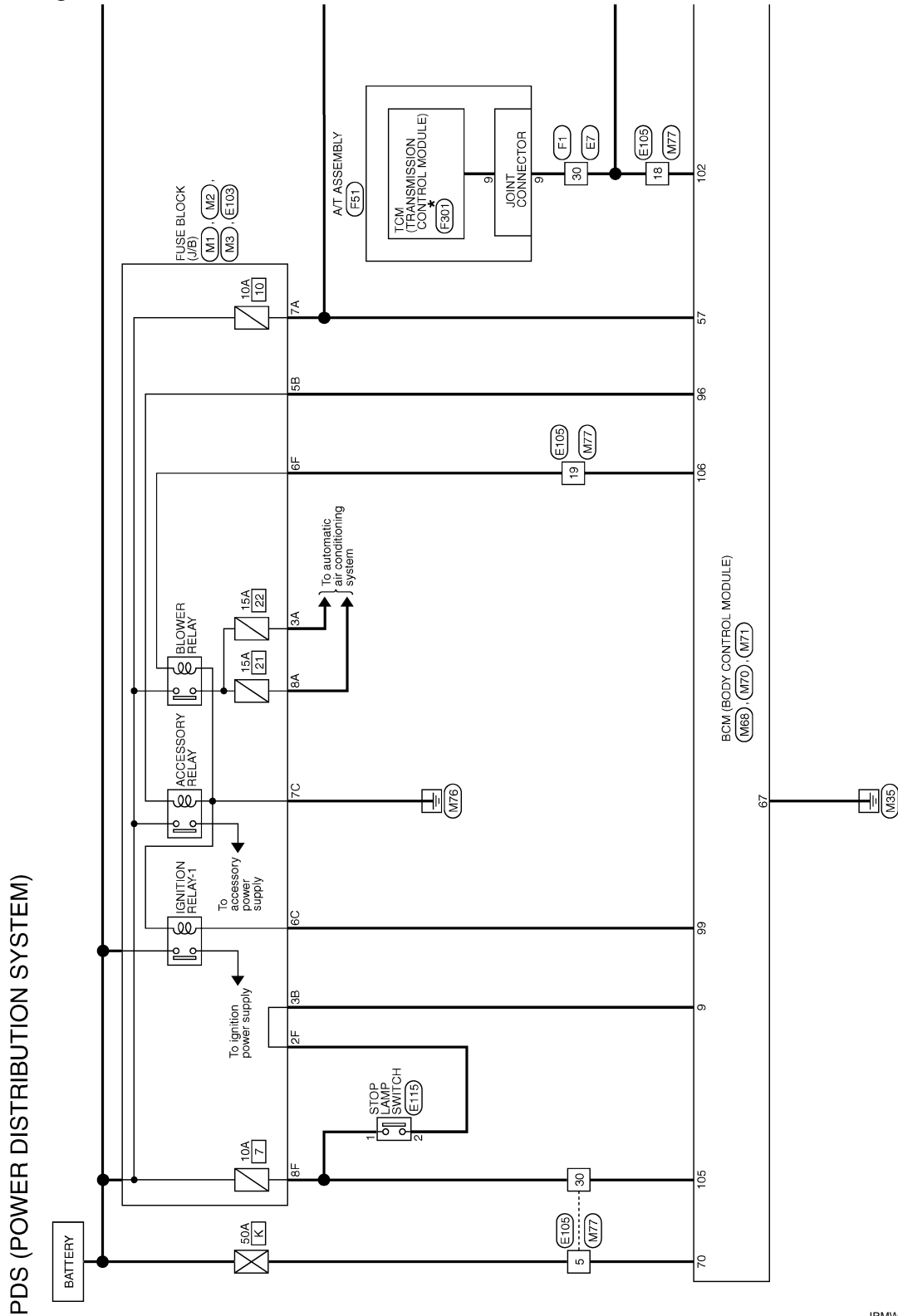
[POWER DISTRIBUTION SYSTEM]

WIRING DIAGRAM

POWER DISTRIBUTION SYSTEM

Wiring Diagram

INFOID:000000009013032



*: This connector is not shown in "Harness Layout".

2013/01/30

JRMWD7273GB

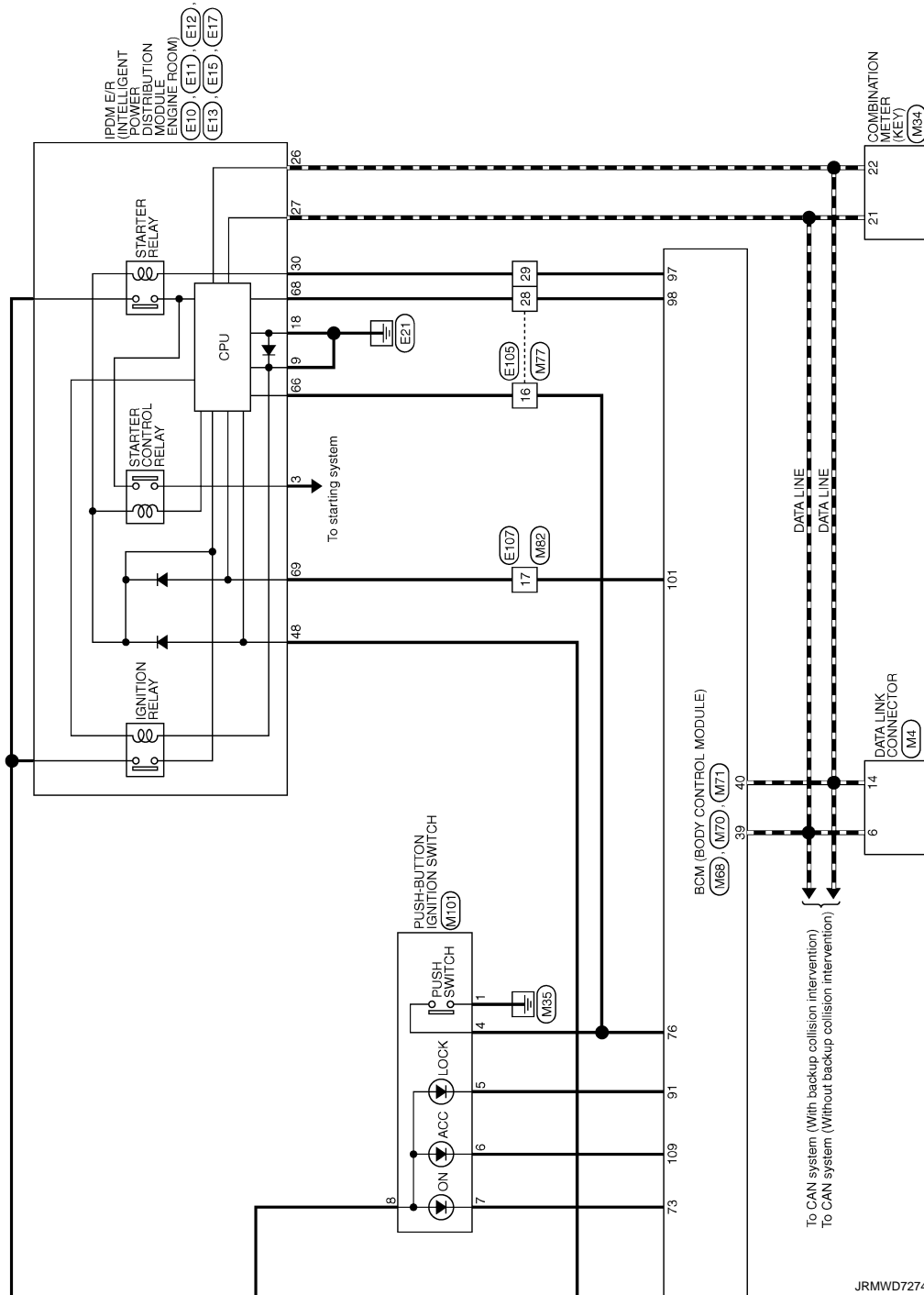
A
B
C
D
E
F
G
H
I
J
K
L
N
O
P

PCS

POWER DISTRIBUTION SYSTEM

< WIRING DIAGRAM >

[POWER DISTRIBUTION SYSTEM]



JRMWD7274GB

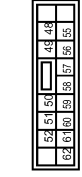
POWER DISTRIBUTION SYSTEM

[POWER DISTRIBUTION SYSTEM]

< WIRING DIAGRAM >

PDS (POWER DISTRIBUTION SYSTEM)

Connector No.	E15
Connector Name	IPDM ER INTELLIGENT POWER DISTRIBUTION MODULE (ENGINE ROOM)
Connector Type	NS16FM-CS



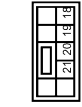
Terminal No.	Color Of Wire	Signal Name [Specification]
48	BR	-
49	R	-
50	LG/B	-
51	BR/Y	-
52	W	-
55	O	-
56	L	-
57	V	-
58	BR/R	-
59	W/B	-
60	V/R	-
61	W	-
62	SB	-

Connector No.	E17
Connector Name	IPDM ER INTELLIGENT POWER DISTRIBUTION MODULE (ENGINE ROOM)
Connector Type	TH10FB-NH



Terminal No.	Color Of Wire	Signal Name [Specification]
63	P	-
64	GY	-
65	L	-
66	SB	-
68	O	-
69	W/B	-

Connector No.	E12
Connector Name	IPDM ER INTELLIGENT POWER DISTRIBUTION MODULE (ENGINE ROOM)
Connector Type	NS08FBR-CS



Terminal No.	Color Of Wire	Signal Name [Specification]
18	B	-
19	V	-
20	W	-
21	L	-

Connector No.	E13
Connector Name	IPDM ER INTELLIGENT POWER DISTRIBUTION MODULE (ENGINE ROOM)
Connector Type	TH12FV-NH



Terminal No.	Color Of Wire	Signal Name [Specification]
23	GR/R	-
24	W/G	-
25	L/Y	-
26	P	-
27	L	-
30	RAW	-
32	LG	-
33	R	-
34	G	-

Connector No.	E10
Connector Name	IPDM ER INTELLIGENT POWER DISTRIBUTION MODULE (ENGINE ROOM)
Connector Type	M06FW-LC



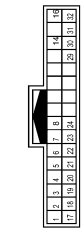
Terminal No.	Color Of Wire	Signal Name [Specification]
3	R	-
4	L	-
5	P/L	-
7	W/G	-
8	W	-

Connector No.	E11
Connector Name	IPDM ER INTELLIGENT POWER DISTRIBUTION MODULE (ENGINE ROOM)
Connector Type	M06FB-LC



Terminal No.	Color Of Wire	Signal Name [Specification]
9	B	-
14	L	-

Connector No.	E7
Connector Name	WIRE TO WIRE
Connector Type	TH32MW-NH



Terminal No.	Color Of Wire	Signal Name [Specification]
1	W	-
2	G	-
3	LG	-
4	LG	-
5	W/L	-
6	GO	-
7	L/R	-
8	LG/R	-
14	R	-
16	SB	-
17	RAW	-
18	Y/G	-
19	BR/Y	-
20	P/B	-
21	R/B	-
22	Y	-
23	BR	-
24	P/L	-
29	P	-
30	BR	-
31	L	-
32	P	-

JRMWE1960GB

A
B
C
D
E
F
G
H
I
J
K
L
N
O
P

PCS

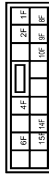
POWER DISTRIBUTION SYSTEM

< WIRING DIAGRAM >

[POWER DISTRIBUTION SYSTEM]

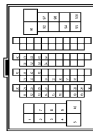
PDS (POWER DISTRIBUTION SYSTEM)

71	BR	-
72	Y/R	-
Connector No. E103		
Connector Name FUSE BLOCK (JIB)		
Connector Type NS16FW-CS		



Terminal No.	Color Of Wire	Signal Name [Specification]
10F	G	-
14F	Y	-
15F	G	-
16F	W/B	-
2F	R	-
4F	G	-
6F	Y/G	-
8F	L/B	-
9F	Y	-

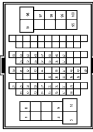
Connector No.	E105
Connector Name	WIRE TO WIRE
Connector Type	TH80MW-CS16-TM4



Terminal No.	Color Of Wire	Signal Name [Specification]
1	L	-
2	L/W	-
3	R/B	-
4	L	-
5	Y	-
7	W/G	-
8	R/B	-
9	W/B	-

10	G	-
11	L	-
12	P	-
13	P/B	-
14	BR	-
15	L/B	-
16	SB	-
18	BR	-
19	Y/G	-
20	BR/Y	-
21	Y/V	-
22	L	-
23	Y	-
24	L/W	-
28	O	-
29	R/W	-
30	L/B	-
31	Y	-
32	GR/R	-
34	Y	-
35	R	-
36	B/R	-
37	G/Y	-
38	G	-
40	SB	-
41	W/R	-
42	R	-
43	V	-
51	L/O	-
52	BR/W	-
53	BR/Y	-
54	GR/L	-
60	W	-
61	B	-
62	R	-
63	G	-
64	SHIELD	-
91	BR	-
92	L/W	-
94	Y/B	-
95	G/R	-
97	R	-
98	G/B	-
100	W/R	-

Connector No.	E107
Connector Name	WIRE TO WIRE
Connector Type	TH80MW-CS16-TM4



Terminal No.	Color Of Wire	Signal Name [Specification]
1	L	-
4	V/W	-
5	GR	-
6	P	-
8	GS/L	-
10	Y/R	-
11	W/R	-
12	W/G	-
13	BR/Y	-
14	LG	-
15	BR/W	-
16	BY	-
17	W/B	-
18	GR/R	-
20	W/R	-
21	B	-
22	R/L	-
23	G/R	-
24	R/W	-
25	W/L	-
26	R	-
27	L	-
28	G/B	-
35	G	-
36	Y	-
37	R	-
38	G/Y	-
39	O	-
40	W	-
41	R	-
42	B	-
43	G	-
44	SHIELD	-
46	B	-
47	W	-
48	SHIELD	-

49	W	-
50	SHIELD	-
51	Y/R	-
52	GR	-
53	LG/B	-
54	LG/R	-
55	R/G	-
56	B/R	-
57	SB	-
60	G	-
61	B	-
62	W	-
63	R	-
64	SHIELD	-
65	L/Y	-
66	V	-
67	B/W	-
91	GR	-
95	SB	-
96	GR	-
97	GR/L	-
98	G/W	-
99	R/Y	-
100	L	-

Connector No.	E115
Connector Name	STOP LAMP SWITCH
Connector Type	M04FW-LC



Terminal No.	Color Of Wire	Signal Name [Specification]
1	L/B	-
2	R	-
3	G	-
4	L/R	-

JRMWE1961GB

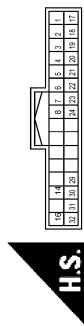
POWER DISTRIBUTION SYSTEM

< WIRING DIAGRAM >

[POWER DISTRIBUTION SYSTEM]

PDS (POWER DISTRIBUTION SYSTEM)

Connector No.	F1
Connector Name	WIRE TO WIRE
Connector Type	TH32FM-NH



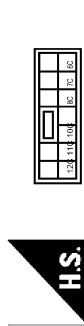
Connector No.	F51
Connector Name	A/T ASSEMBLY
Connector Type	RK10FG



Connector No.	M1
Connector Name	FUSE BLOCK (JIB)
Connector Type	NS06FM-MZ



Connector No.	M3
Connector Name	FUSE BLOCK (JIB)
Connector Type	NS12FM-CS



Terminal No.	Color Of Wire	Signal Name [Specification]
1	W	-
2	G	-
3	L/O	-
4	LG	-
5	W/L	-
6	G/O	-
7	L/R	-
8	LGR	-
14	R	-
16	SB	-
17	R/W	-
18	Y/G	-
19	BR/Y	-
20	P/B	-
21	R/B	-
22	Y	-
23	BR/W	-
24	P/L	-
29	P	-
30	BR	-
31	L	-
32	P	-

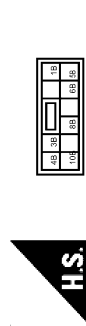
Terminal No.	Color Of Wire	Signal Name [Specification]
1	V	IGNITION POWER SUPPLY
2	P	BATTERY POWER SUPPLY
3	L	CANH
4	SB	K-LINE
5	B	GROUND
6	V	IGNITION POWER SUPPLY
7	R	BACK-UP LAMP RELAY
8	P	CANL
9	BR	STARTER RELAY
10	B	GROUND

Connector No.	F301
Connector Name	TCM (TRANSMISSION CONTROL MODULE)
Connector Type	SP10FG



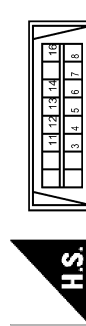
Terminal No.	Color Of Wire	Signal Name [Specification]
1A	Y	-
2A	GR	-
3A	W	-
4A	Y/G	-
5A	V	-
6A	L/W	-
7A	LG	-
8A	W	-

Connector No.	M2
Connector Name	FUSE BLOCK (JIB)
Connector Type	NS10FM-CS



Terminal No.	Color Of Wire	Signal Name [Specification]
10C	GR	-
11C	R/L	-
12C	GS/L	-
6C	R	-
7C	B	-
8C	W	-

Connector No.	M4
Connector Name	DATA LINK CONNECTOR
Connector Type	BD16FW



Terminal No.	Color Of Wire	Signal Name [Specification]
10B	W/B	-
1B	R	-
3B	R	-
4B	B	-
5B	BR	-
6B	Y	-
8B	L/O	-

Terminal No.	Color Of Wire	Signal Name [Specification]
3	LG	-
4	B	-
5	B	-
6	L	-
7	SB	-
8	GR	-
11	SB	-
12	R	-
13	L	-
14	P	-
16	Y	-

Terminal No.	Color Of Wire	Signal Name [Specification]
1	-	IGNITION POWER SUPPLY
2	-	BATTERY POWER SUPPLY
3	-	CANH
4	-	K-LINE
5	-	GROUND
6	-	IGNITION POWER SUPPLY
7	-	BACK-UP LAMP RELAY
8	-	CANL
9	-	STARTER RELAY
10	-	GROUND

JRMWE1962GB

A
B
C
D
E
F
G
H
I
J
K
L
N
O
P

PCS

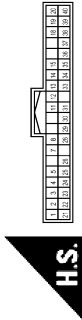
POWER DISTRIBUTION SYSTEM

< WIRING DIAGRAM >

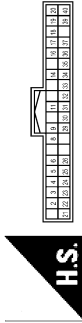
[POWER DISTRIBUTION SYSTEM]

PDS (POWER DISTRIBUTION SYSTEM)

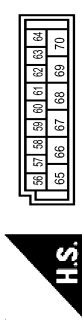
Connector No.	M34
Connector Name	COMBINATION METER
Connector Type	TH40FV-NH



Connector No.	M68
Connector Name	BCM (BODY CONTROL MODULE)
Connector Type	TH40FE-NH



Connector No.	M70
Connector Name	BCM (BODY CONTROL MODULE)
Connector Type	FE409FW-FMAG-SA



Connector No.	M77
Connector Name	WIRE TO WIRE
Connector Type	TH809FW-CS16-TM4

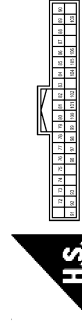


Terminal No.	Color Of Wire	Signal Name [Specification]
1	Y	BATTERY POWER SUPPLY
2	GR	IGNITION SIGNAL
3	B	GROUND
4	B	ILL GND
5	B	ILL CONTROL OUTPUT
7	R	TOY MODE SIGNAL
8	P/L	TRIP RESET SWITCH SIGNAL
11	G	ENTER SWITCH SIGNAL
12	O	SELECT SWITCH SIGNAL
13	W/R	ILLUMINATION CONTROL SWITCH SIGNAL (*)
14	R	ILLUMINATION CONTROL SWITCH SIGNAL (*)
15	R/W	AIR BAG SIGNAL
18	W/R	AMBIENT SENSOR SIGNAL
19	V/W	AC AUTO AMP CONNECTION SIGNAL
20	B	AMBIENT SENSOR GROUND
21	L	CAN-H
22	P	CAN-L
23	B	GROUND
24	V	FUEL LEVEL SENSOR GROUND
25	O/L	ALTERNATOR SIGNAL
26	W	PARKING BRAKE SWITCH SIGNAL
28	GR/R	SECURITY SIGNAL
29	BR	WASHER LEVEL SWITCH SIGNAL
30	SB	VEHICLE SPEED SIGNAL (2-PULSE)
31	BR/W	VEHICLE SPEED SIGNAL (8-PULSE)
33	W	SNOW MODE SIGNAL
34	BR/Y	FUEL LEVEL SENSOR SIGNAL
35	O/B	SEAT BELT BUCKLE SWITCH SIGNAL (DRIVER SIDE)
36	G/Y	PASSENGER SEAT BELT WARNING SIGNAL
37	R/Y	NON-MANUAL MODE SIGNAL
38	L/W	MANUAL MODE SHIFT DOWN SIGNAL
39	Y/B	MANUAL MODE SHIFT UP SIGNAL
40	G/W	MANUAL MODE SIGNAL

Terminal No.	Color Of Wire	Signal Name [Specification]
2	BR/Y	COMBI SW INPUT 5
3	GR	COMBI SW INPUT 4
4	L	COMBI SW INPUT 3
5	G	COMBI SW INPUT 2
6	V	COMBI SW INPUT 1
8	V	POWER WINDOW SW COMM
9	R	STOP LAMP SW 1
11	R	RAIN SENSOR SERIAL LINK
14	P/B	OPTICAL SENSOR
16	L/O	DIMMER SIGNAL
17	Y/G	SENSOR PWR SPLY
18	BY	RECEIVER SENSOR GND
19	BR	RECEIVER PWR SPLY
20	G/R	KYLS ENT RECEIVER COMM
21	P	NATS ANT AMP
22	W/B	KYLS ENT RECEIVER RSSI
23	GR/R	SECURITY IND CONT
24	SB	DONBLE LINK
25	LG/R	NATS ANT AMP
26	O	INTELLIGENT KEY IDENTIFICATION
29	W	HAZARD SW
30	W/L	BK DOOR OPNR SW
31	W/G	DR DOOR UNLOCK SENSOR
32	LG	COMBI SW OUTPUT 5
33	Y	COMBI SW OUTPUT 4
34	W	COMBI SW OUTPUT 3
35	R/W	COMBI SW OUTPUT 2
36	SB	COMBI SW OUTPUT 1
37	G/Y	SHIFT P
39	L	CAN-H
40	P	CAN-L

Terminal No.	Color Of Wire	Signal Name [Specification]
56	W/R	INT ROOM LAMP PWR SPLY
57	LG	BAT (FALSE)
58	R/W	SHOCK DETECT SENS
59	G	PASSENGER DOOR UNLK OUTPUT
60	G	TURN SIGNAL LH OUTPUT
61	G/Y	TURN SIGNAL RH OUTPUT
62	R	STEP LAMP CONT
63	BR	ROOM LAMP-TIMER CONT
64	GR/R	CRANKING REQUEST
65	R	ALL DOOR LOCK OUTPUT
66	V	DR DOOR FUEL LID UNLK OUTPUT
67	B	GND
68	Y	PW PWR SPLY (IGN)
69	W	PW PWR SPLY (BAT)
70	Y	BAT (FL)

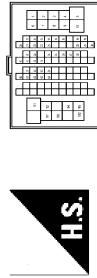
Connector No.	M71
Connector Name	BCM (BODY CONTROL MODULE)
Connector Type	TH40FV-NH



Terminal No.	Color Of Wire	Signal Name [Specification]
72	P	PUDDLE LAMP CONT
73	W	ION IND
74	Y/B	TRAILER TURN SIG RH CONT
75	GR/R	DRIVER DOOR REQUEST SW
76	SB	PUSH SW

Terminal No.	Color Of Wire	Signal Name [Specification]
77	O/L	TRAILER TURN SIG LH CONT
78	P/B	DRIVER DOOR ANT*
79	V	DRIVER DOOR ANT*
80	LG/B	PASSENGER DOOR ANT*
81	Y/R	PASSENGER DOOR ANT*
82	W/G	BACK DOOR ANT*
83	B/W	BACK DOOR ANT*
84	BR	ROOM ANT1*
85	Y	ROOM ANT1*
86	W	ROOM ANT2*
87	B	ROOM ANT2*
88	V	LAGGAGE ROOM ANT*
89	G	LAGGAGE ROOM ANT*
90	Y	PUSHBTN IGN SW ILL PWR
91	O	LOCK IND
92	L	LOW SIDE PUSHLED
93	GR/R	L-KEY WARN BUZZER
96	BR	ACC RELAY CONT
97	R/W	STARTER RELAY CONT
98	O	IGN RELAY (P/BE) CONT
99	R	IGN RELAY (P/B) CONT
100	P/L	PASSENGER DOOR REQUEST SW
101	W/B	IGN PWR SPLY 2
102	BR	SHIFT N/P
104	R/B	AT SHIFT SELECT PWR SPLY
105	O/L	STOP LAMP SW 2
106	Y/G	BLWR FAN MTR RELAY CONT
109	L/W	ACC IND

Connector No.	M77
Connector Name	WIRE TO WIRE
Connector Type	TH809FW-CS16-TM4



Terminal No.	Color Of Wire	Signal Name [Specification]
1	W	-
2	L/W	-
3	R/B	-
4	L	-
6	Y	-
6	SB	-

POWER DISTRIBUTION SYSTEM

< WIRING DIAGRAM >

[POWER DISTRIBUTION SYSTEM]

PDS (POWER DISTRIBUTION SYSTEM)

7	W/G	-
8	P/B	-
9	W/B	-
10	G	-
11	L	-
12	P	-
13	P/B	-
14	BR	-
15	O/L	-
16	SB	-
18	BR	-
19	Y/G	-
20	BR/Y	-
21	V	-
22	L	-
23	Y	-
24	L/W	-
26	G	-
28	R/W	-
30	O/L	-
31	Y	-
32	GR/L	-
34	Y	-
35	R	-
36	B/O	-
37	G/Y	-
38	G	-
40	SB	-
41	W/R	-
42	R	-
43	V	-
51	L/O	-
52	BR/W	-
53	BR/Y	-
54	GR/L	-
60	W	-
61	B	-
62	G	-
63	R	-
64	SHIELD	-
91	BR	-
92	L/W	-
94	Y/B	-
95	L/R	-
97	R	-
98	O/L	-
100	W/B	-

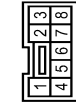
Connector No.	M82
Connector Name	WIRE TO WIRE
Connector Type	TH80FM-CS16-TM4



Terminal No.	Color Of Wire	Signal Name [Specification]
1	L	-
4	Y/W	-
5	GR	-
6	G	-
9	GR/L	-
10	Y/R	-
11	L/R	-
12	W/G	-
13	BR/Y	-
14	LG	-
15	BR/W	-
16	BY	-
17	W/B	-
18	GR/R	-
20	W/R	-
21	B	-
22	R/L	-
23	G/R	-
24	R/W	-
25	W/L	-
26	R	-
27	L	-
28	B/SB	-
35	G	-
36	Y	-
37	R	-
38	G/Y	-
39	O	-
40	W	-
41	R	-
42	B	-
43	C	-
44	SHIELD	-
46	B	-
47	W	-
48	SHIELD	-

49	W	-
50	SHIELD	-
51	Y/R	-
52	GR	-
53	LG/B	-
54	LG/R	-
55	R/G	-
56	B/O	-
57	SB	-
60	G	-
61	B	-
62	W	-
63	R	-
64	SHIELD	-
65	L/Y	-
66	Y	-
67	BR/W	-
91	GR	-
91	GR	-
91	GR	-
96	SB	-
96	GR	-
97	GR/L	-
98	GR/W	-
99	P	-
100	L	-

Connector No.	M101
Connector Name	PUSH-BUTTON IGNITION SWITCH
Connector Type	TK08FBR



Terminal No.	Color Of Wire	Signal Name [Specification]
1	B	-
2	L	-
3	Y	-
4	SB	-
5	O	-
6	L/W	-
7	W	-
8	LG	-

A
B
C
D
E
F
G
H
I
J
K
L
N
O
P

PCS

JRMWE1964GB

DIAGNOSIS AND REPAIR WORK FLOW

< BASIC INSPECTION >

[POWER DISTRIBUTION SYSTEM]

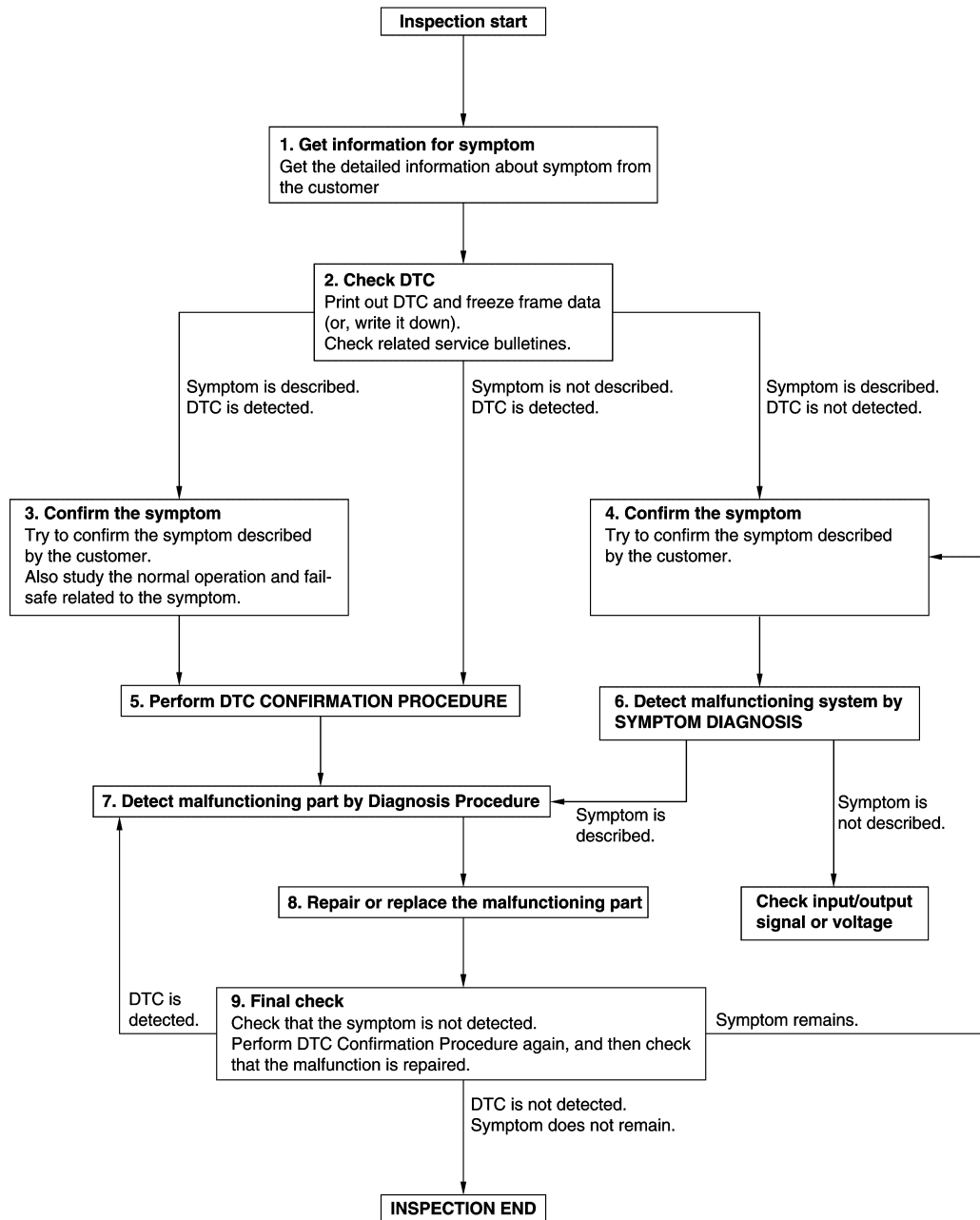
BASIC INSPECTION

DIAGNOSIS AND REPAIR WORK FLOW

Work Flow

INFOID:000000009013033

OVERALL SEQUENCE



JMKIA8652GB

DETAILED FLOW

Revision: 2013 September

PCS-54

2014 QX80

DIAGNOSIS AND REPAIR WORK FLOW

[POWER DISTRIBUTION SYSTEM]

< BASIC INSPECTION >

1. GET INFORMATION FOR SYMPTOM

1. Get detailed information from the customer about the symptom (the condition and the environment when the incident/malfunction occurs).
2. Check operation condition of the function that is malfunctioning.

>> GO TO 2.

2. CHECK DTC

1. Check DTC.
2. Perform the following procedure if DTC is detected.
 - Record DTC and freeze frame data (Print them out using CONSULT.)
 - Erase DTC.
 - Study the relationship between the cause detected by DTC and the symptom described by the customer.
3. Check related service bulletins for information.

Are any symptoms described and any DTC detected?

Symptom is described, DTC is detected>>GO TO 3.

Symptom is described, DTC is not detected>>GO TO 4.

Symptom is not described, DTC is detected>>GO TO 5.

3. CONFIRM THE SYMPTOM

Try to confirm the symptom described by the customer.

Also study the normal operation and fail-safe related to the symptom.

Verify relation between the symptom and the condition when the symptom is detected.

>> GO TO 5.

4. CONFIRM THE SYMPTOM

Try to confirm the symptom described by the customer.

Verify relation between the symptom and the condition when the symptom is detected.

>> GO TO 6.

5. PERFORM DTC CONFIRMATION PROCEDURE

Perform DTC CONFIRMATION PROCEDURE for the detected DTC, and then check that DTC is detected again. At this time, always connect CONSULT to the vehicle, and check self diagnostic results in real time.

If two or more DTCs are detected, refer to [BCS-57. "DTC Inspection Priority Chart"](#), and determine trouble diagnosis order.

NOTE:

- Freeze frame data is useful if the DTC is not detected.
- Perform Component Function Check if DTC CONFIRMATION PROCEDURE is not included on Service Manual. This simplified check procedure is an effective alternative though DTC cannot be detected during this check.

If the result of Component Function Check is NG, it is the same as the detection of DTC by DTC CONFIRMATION PROCEDURE.

Is DTC detected?

YES >> GO TO 7.

NO >> Check according to [GI-43. "Intermittent Incident"](#).

6. DETECT MALFUNCTIONING SYSTEM BY SYMPTOM DIAGNOSIS

Detect malfunctioning system according to SYMPTOM DIAGNOSIS based on the confirmed symptom in step 4, and determine the trouble diagnosis order based on possible causes and symptom.

Is the symptom described?

YES >> GO TO 7.

NO >> Monitor input data from related sensors or check voltage of related module terminals using CONSULT.

7. DETECT MALFUNCTIONING PART BY DIAGNOSIS PROCEDURE

DIAGNOSIS AND REPAIR WORK FLOW

[POWER DISTRIBUTION SYSTEM]

< BASIC INSPECTION >

Inspect according to Diagnosis Procedure of the system.

Is malfunctioning part detected?

YES >> GO TO 8.

NO >> Check according to [GI-43. "Intermittent Incident"](#).

8. REPAIR OR REPLACE THE MALFUNCTIONING PART

1. Repair or replace the malfunctioning part.
2. Reconnect parts or connectors disconnected during Diagnosis Procedure again after repair and replacement.
3. Check DTC. If DTC is detected, erase it.

>> GO TO 9.

9. FINAL CHECK

When DTC is detected in step 2, perform DTC CONFIRMATION PROCEDURE again, and then check that the malfunction is repaired securely.

When symptom is described by the customer, refer to confirmed symptom in step 3 or 4, and check that the symptom is not detected.

Is DTC detected and does symptom remain?

YES-1 >> DTC is detected: GO TO 7.

YES-2 >> Symptom remains: GO TO 4.

NO >> Before returning the vehicle to the customer, always erase DTC.

B2614 ACC RELAY CIRCUIT

< DTC/CIRCUIT DIAGNOSIS >

[POWER DISTRIBUTION SYSTEM]

DTC/CIRCUIT DIAGNOSIS

B2614 ACC RELAY CIRCUIT

DTC Logic

INFOID:000000009013034

DTC DETECTION LOGIC

DTC No.	Trouble diagnosis name	DTC detecting condition	Possible cause
B2614	BCM	An immediate operation of accessory relay is requested by BCM, but there is no response for more than 2 second.	<ul style="list-style-type: none"> • Harness or connectors (Accessory relay circuit is open or shorted) • BCM • Accessory relay

DTC CONFIRMATION PROCEDURE

1.PERFORM DTC CONFIRMATION PROCEDURE

1. Turn the power supply position to ACC under the following conditions, and wait for 2 second or more.
 - Selector lever is in the P position
 - Do not depress brake pedal
2. Check "Self-diagnosis result" of BCM with CONSULT.

Is DTC detected?

- YES >> Go to [PCS-57, "Diagnosis Procedure"](#).
 NO >> INSPECTION END

Diagnosis Procedure

INFOID:000000009013035

1.CHECK ACCESSORY RELAY POWER SUPPLY-1

1. Turn ignition switch OFF.
2. Disconnect accessory relay.
3. Check voltage between accessory relay harness connector and ground.

(+)	(-)	Condition	Voltage (V) (Approx.)
Accessory relay Terminal			
1	Ground	Ignition switch	0
			ACC or ON

Is the inspection result normal?

- YES >> GO TO 3.
 NO >> GO TO 2.

2.CHECK ACCESSORY RELAY POWER SUPPLY CIRCUIT

1. Turn ignition switch OFF.
2. Disconnect BCM connector.
3. Check continuity between accessory relay harness connector and BCM harness connector.

Accessory relay Terminal	BCM		Continuity
	Connector	Terminal	
1	M71	96	Existed

4. Check continuity between accessory relay harness connector and ground.

B2614 ACC RELAY CIRCUIT

< DTC/CIRCUIT DIAGNOSIS >

[POWER DISTRIBUTION SYSTEM]

Accessory relay	Ground	Continuity
Terminal		
1		Not existed

Is the inspection result normal?

- YES >> Replace BCM. Refer to [BCS-95, "Removal and Installation"](#).
NO >> Repair or replace harness.

3.CHECK ACCESSORY RELAY GROUND CIRCUIT

1. Turn ignition switch OFF.
2. Check continuity between accessory relay harness connector and ground.

Accessory relay	Ground	Continuity
Terminal		
2		Existed

Is the inspection result normal?

- YES >> GO TO 4.
NO >> Repair accessory relay ground circuit.

4.CHECK ACCESSORY RELAY POWER SUPPLY CIRCUIT-2

1. Turn ignition switch ACC.
2. Check voltage between accessory relay harness connector and ground.

(+)	(-)	Voltage (V) (Approx.)
Accessory relay		
Terminal		
5	Ground	Battery voltage

Is the inspection result normal?

- YES >> GO TO 5.
NO >> Check continuity open or short between accessory relay and battery.

5.CHECK ACCESSORY RELAY

Refer to [PCS-58, "Component Inspection"](#).

Is the inspection result normal?

- YES >> GO TO 6.
NO >> Replace accessory relay.

6.CHECK INTERMITTENT INCIDENT

Refer to [GI-43, "Intermittent Incident"](#).

>> INSPECTION END

Component Inspection

INFOID:000000009013036

1.CHECK ACCESSORY RELAY

1. Turn ignition switch OFF.
2. Remove accessory relay.

B2614 ACC RELAY CIRCUIT

[POWER DISTRIBUTION SYSTEM]

< DTC/CIRCUIT DIAGNOSIS >

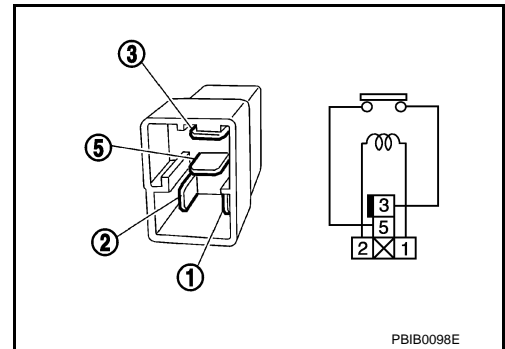
3. Check the continuity between accessory relay terminals.

Terminals	Condition	Continuity
3 and 5	12 V direct current supply between terminals 1 and 2	Existed
	No current supply	Not existed

Is the inspection result normal?

YES >> INSPECTION END

NO >> Replace accessory relay



PBIB0098E

A
B
C
D
E
F
G
H
I
J
K
L
N
O
P

PCS

B2615 BLOWER RELAY CIRCUIT

< DTC/CIRCUIT DIAGNOSIS >

[POWER DISTRIBUTION SYSTEM]

B2615 BLOWER RELAY CIRCUIT

DTC Logic

INFOID:000000009013037

DTC DETECTION LOGIC

DTC No.	Trouble diagnosis name	DTC detecting condition	Possible cause
B2615	BCM	BCM detects a difference of signal for 1 second or more between the following items. <ul style="list-style-type: none"> Blower relay ON/OFF request Blower relay feedback 	<ul style="list-style-type: none"> Harness or connectors (Blower relay circuit is open or shorted) BCM Blower relay

DTC CONFIRMATION PROCEDURE

1. PERFORM DTC CONFIRMATION PROCEDURE

- Turn ignition switch ON under the following conditions, and wait for 1 second or more.
 - Selector lever is in the P position
 - Do not depress brake pedal
- Check "Self-diagnosis result" of BCM with CONSULT.

Is DTC detected?

- YES >> Go to [PCS-60. "Diagnosis Procedure"](#).
NO >> INSPECTION END

Diagnosis Procedure

INFOID:000000009013038

1. CHECK BLOWER RELAY POWER SUPPLY

- Turn ignition switch OFF.
- Disconnect blower relay.
- Check voltage between blower relay harness connector and ground.

(+)	(-)	Condition	Voltage (V) (Approx.)
Blower relay Terminal			
1	Ground	Ignition switch	OFF or ACC
			ON

Is the inspection result normal?

- YES >> GO TO 3.
NO >> GO TO 2.

2. CHECK BLOWER RELAY POWER SUPPLY CIRCUIT

- Turn ignition switch OFF.
- Disconnect BCM connector.
- Check continuity between blower relay harness connector and BCM harness connector.

Blower relay Terminal	BCM		Continuity
	Connector	Terminal	
1	M71	106	Existed

- Check continuity between blower relay harness connector and ground.

Blower relay Terminal	Ground	Continuity
1		
1		Not existed

Is the inspection result normal?

B2615 BLOWER RELAY CIRCUIT

[POWER DISTRIBUTION SYSTEM]

< DTC/CIRCUIT DIAGNOSIS >

- YES >> GO TO 6.
 NO >> Repair or replace harness.

3.CHECK BLOWER RELAY GROUND CIRCUIT

1. Turn ignition switch OFF.
2. Check continuity between blower relay harness connector and ground.

Blower relay	Ground	Continuity
Terminal		Existed
2		

Is the inspection result normal?

- YES >> GO TO 4.
 NO >> Repair blower relay ground circuit.

4.CHECK BLOWER RELAY POWER SUPPLY CIRCUIT-2

1. Turn ignition switch ON or ACC.
2. Check voltage between blower relay harness connector and ground.

(+)	(-)	Voltage (V) (Approx.)
Blower relay		
Terminal		Ground
5		

Is the inspection result normal?

- YES >> GO TO 5.
 NO >> Check continuity open or short between blower relay and battery.

5.CHECK BLOWER RELAY

Refer to [PCS-61, "Component Inspection"](#).

Is the inspection result normal?

- YES >> GO TO 6.
 NO >> Replace blower relay.

6.CHECK INTERMITTENT INCIDENT

Refer to [GI-43, "Intermittent Incident"](#).

>> INSPECTION END

Component Inspection

INFOID:000000009013039

PCS

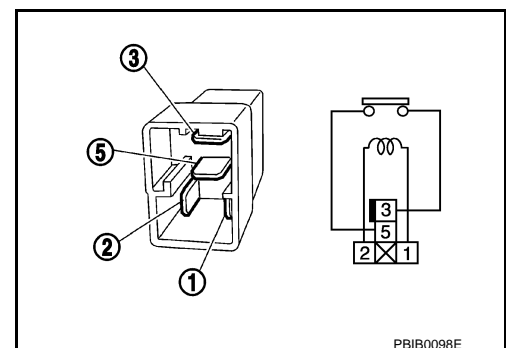
1.CHECK BLOWER RELAY

1. Turn ignition switch OFF.
2. Remove blower relay.
3. Check the continuity between blower relay terminals.

Terminals	Condition	Continuity
3 and 5	12 V direct current supply between terminals 1 and 2	Existed
	No current supply	Not existed

Is the inspection result normal?

- YES >> INSPECTION END
 NO >> Replace blower relay



PBIB0098E

B2616 IGNITION RELAY CIRCUIT

< DTC/CIRCUIT DIAGNOSIS >

[POWER DISTRIBUTION SYSTEM]

B2616 IGNITION RELAY CIRCUIT

DTC Logic

INFOID:000000009013040

DTC DETECTION LOGIC

DTC No.	Trouble diagnosis name	DTC detecting condition	Possible cause
B2616	BCM	An immediate operation of ignition relay-1 is requested by BCM, but there is no response for more than 1 second	<ul style="list-style-type: none"> • Harness or connectors (Ignition relay-1 circuit is open or shorted) • BCM • Ignition relay-1

DTC CONFIRMATION PROCEDURE

1. PERFORM DTC CONFIRMATION PROCEDURE

1. Turn ignition switch ON under the following conditions, and wait for 1 second or more.
 - Selector lever is in the P position
 - Do not depress brake pedal
2. Check "Self-diagnosis result" of BCM with CONSULT.

Is DTC detected?

- YES >> Go to [PCS-62. "Diagnosis Procedure"](#).
 NO >> INSPECTION END

Diagnosis Procedure

INFOID:000000009013041

1. CHECK IGNITION RELAY-1 POWER SUPPLY

1. Turn ignition switch OFF.
2. Disconnect ignition relay-1.
3. Check voltage between ignition relay-1 harness connector and ground.

(+)	(-)	Condition	Voltage (V) (Approx.)
Ignition relay-1 Terminal			
2	Ground	Ignition switch	OFF or ACC 0
			ON 12

Is the inspection result normal?

- YES >> GO TO 3.
 NO >> GO TO 2.

2. CHECK IGNITION RELAY-1 POWER SUPPLY CIRCUIT

1. Turn ignition switch OFF.
2. Disconnect BCM connector.
3. Check continuity between ignition relay-1 harness connector and BCM harness connector.

Ignition relay-1 Terminal	BCM		Continuity
	Connector	Terminal	
2	M71	99	Existed

4. Check continuity between ignition relay-1 harness connector and ground.

Ignition relay-1 Terminal	Ground	Continuity
2		Not existed

Is the inspection result normal?

B2616 IGNITION RELAY CIRCUIT

[POWER DISTRIBUTION SYSTEM]

< DTC/CIRCUIT DIAGNOSIS >

- YES >> Replace BCM. Refer to [BCS-95. "Removal and Installation"](#).
 NO >> Repair or replace harness.

3.CHECK IGNITION RELAY-1 GROUND CIRCUIT

- Turn ignition switch OFF.
- Check continuity between ignition relay-1 harness connector and ground.

Ignition relay-1	Ground	Continuity
Terminal		Existed
1		

Is the inspection result normal?

- YES >> GO TO 4.
 NO >> Repair ignition relay-1 ground circuit.

4.CHECK IGNITION RELAY-1 POWER SUPPLY CIRCUIT-2

- Turn ignition switch ON.
- Check voltage between ignition relay-1 harness connector and ground.

(+)	(-)	Voltage (V) (Approx.)
Ignition relay-1		Battery voltage
Terminal		
5	Ground	

Is the inspection result normal?

- YES >> GO TO 5.
 NO >> Check continuity open or short between ignition relay-1 and battery.

5.CHECK IGNITION RELAY-1

Refer to [PCS-63. "Component Inspection"](#).

Is the inspection result normal?

- YES >> GO TO 6.
 NO >> Replace ignition relay-1.

6.CHECK INTERMITTENT INCIDENT

Refer to [GI-43. "Intermittent Incident"](#).

>> INSPECTION END

Component Inspection

INFOID:000000009013042

PCS

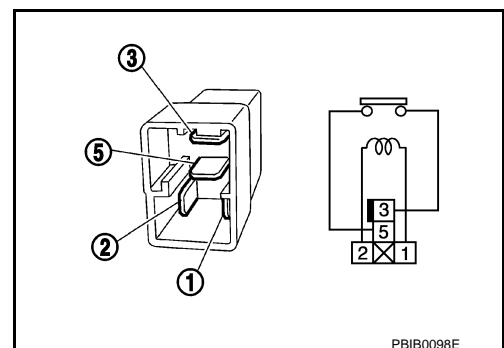
1.CHECK IGNITION RELAY-1

- Turn ignition switch OFF.
- Remove ignition relay-1.
- Check the continuity between ignition relay-1 terminals.

Terminals	Condition	Continuity
3 and 5	12 V direct current supply between terminals 1 and 2	Existed
	No current supply	Not existed

Is the inspection result normal?

- YES >> INSPECTION END
 NO >> Replace Ignition relay-1.



PBIB0098E

< DTC/CIRCUIT DIAGNOSIS >

B2618 BCM**DTC Logic**

INFOID:000000009013043

DTC DETECTION LOGIC**NOTE:**

- If DTC B2618 is displayed with DTC U1000, first perform the trouble diagnosis for DTC U1000. Refer to [BCS-83, "DTC Logic"](#).
- If DTC B2618 is displayed with DTC U1010, first perform the trouble diagnosis for DTC U1010. Refer to [BCS-84, "DTC Logic"](#).

DTC No.	Trouble diagnosis name	DTC detecting condition	Possible cause
B2618	BCM	An immediate operation of ignition relay (IPDM E/R) is requested by BCM, but there is no response for more than 1 second	BCM

DTC CONFIRMATION PROCEDURE**1. PERFORM DTC CONFIRMATION PROCEDURE**

1. Turn ignition switch ON under the following conditions, and wait for 1 second or more.
 - Selector lever is in the P or N position
 - Do not depress brake pedal
2. Check "Self-diagnosis result" of BCM with CONSULT.

Is DTC detected?

- YES >> Go to [PCS-64, "Diagnosis Procedure"](#).
 NO >> INSPECTION END

Diagnosis Procedure

INFOID:000000009013044

1. INSPECTION START

1. Turn ignition switch ON.
2. Select "Self-diagnosis result" of BCM with CONSULT.
3. Touch "ERASE".
4. Perform DTC Confirmation Procedure.
See [PCS-64, "DTC Logic"](#).

Is the 1st trip DTC B2618 displayed again?

- YES >> Replace BCM. Refer to [BCS-95, "Removal and Installation"](#).
 NO >> INSPECTION END

B261A PUSH-BUTTON IGNITION SWITCH

< DTC/CIRCUIT DIAGNOSIS >

[POWER DISTRIBUTION SYSTEM]

B261A PUSH-BUTTON IGNITION SWITCH

DTC Logic

INFOID:000000009013045

DTC DETECTION LOGIC

NOTE:

- If DTC B261A is displayed with DTC U1000, first perform the trouble diagnosis for DTC U1000. Refer to [BCS-83, "DTC Logic"](#).
- If DTC B261A is displayed with DTC U1010, first perform the trouble diagnosis for DTC U1010. Refer to [BCS-84, "DTC Logic"](#).

DTC No.	Trouble diagnosis name	DTC detecting condition	Possible cause
B261A	PUSH-BTN IGN SW	BCM detects a difference of signal for 1 second or more between the following items. <ul style="list-style-type: none"> • Push-button ignition switch signal • Push-button ignition switch status signal (CAN) 	<ul style="list-style-type: none"> • Harness or connectors (Push-button ignition switch circuit is open or shorted.) • BCM • IPDM E/R

DTC CONFIRMATION PROCEDURE

1. PERFORM DTC CONFIRMATION PROCEDURE

1. Press the push-button ignition switch under the following conditions, and wait for 1 second or more.
 - Selector lever is in the P or N position
 - Do not depress brake pedal
2. Check "Self-diagnosis result" of BCM with CONSULT.

Is DTC detected?

- YES >> Go to [PCS-65, "Diagnosis Procedure"](#).
 NO >> INSPECTION END

Diagnosis Procedure

INFOID:000000009013046

1. CHECK IGNITION SWITCH OUTPUT SIGNAL (PUSH-BUTTON IGNITION SWITCH)

1. Disconnect push-button ignition switch connector and IPDM E/R connector.
2. Check voltage between push-button ignition switch harness connector and ground.

(+)		(-)	Voltage (V) (Approx.)
Push-button ignition switch			
Connector	Terminal	Ground	12
M101	4		

Is the inspection result normal?

- YES >> GO TO 3.
 NO >> GO TO 2.

2. CHECK PUSH-BUTTON IGNITION SWITCH CIRCUIT (BCM)

1. Disconnect BCM connector.
2. Check continuity between BCM harness connector and push-button ignition switch harness connector.

BCM		Push-button ignition switch		Continuity
Connector	Terminal	Connector	Terminal	
M71	100	M101	4	Existed

3. Check continuity between push-button ignition switch harness connector and ground.

Push-button ignition switch		Ground	Continuity
Connector	Terminal		
M101	4		Not existed

B261A PUSH-BUTTON IGNITION SWITCH

[POWER DISTRIBUTION SYSTEM]

< DTC/CIRCUIT DIAGNOSIS >

Is the inspection result normal?

YES >> Replace BCM. Refer to [BCS-95. "Removal and Installation"](#).

NO >> Repair or replace harness.

3. CHECK IGNITION SWITCH OUTPUT SIGNAL (IPDM E/R)

Check voltage between IPDM E/R harness connector and ground.

(+)		(-)	Voltage (V) (Approx.)
IPDM E/R			
Connector	Terminal		
E17	66	Ground	12

Is the inspection result normal?

YES >> Replace IPDM E/R.

NO >> GO TO 4.

4. CHECK PUSH-BUTTON IGNITION SWITCH CIRCUIT (IPDM E/R)

1. Disconnect IPDM E/R connector.
2. Check continuity between IPDM E/R harness connector and push-button ignition switch harness connector.

IPDM E/R		Push-button ignition switch		Continuity
Connector	Terminal	Connector	Terminal	
E17	66	M101	4	Existed

3. Check continuity between push-button ignition switch harness connector and ground.

Push-button ignition switch		Ground	Continuity
Connector	Terminal		
M101	4		Not existed

Is the inspection result normal?

YES >> GO TO 5.

NO >> Repair or replace harness.

5. CHECK INTERMITTENT INCIDENT

Refer to [GI-43. "Intermittent Incident"](#).

>> INSPECTION END

B26F1 IGNITION RELAY

< DTC/CIRCUIT DIAGNOSIS >

[POWER DISTRIBUTION SYSTEM]

B26F1 IGNITION RELAY

DTC Logic

INFOID:000000009013047

DTC DETECTION LOGIC

DTC No.	Trouble diagnosis name	DTC detecting condition	Possible cause
B26F1	IGN RELAY OFF	BCM transmits the ignition relay control signal (ON: 0 V) or ignition switch ON signal (ON) (CAN), but does not receives ignition switch ON signal (ON) (CAN) from IPDM E/R.	<ul style="list-style-type: none"> • Harness or connectors (Ignition relay circuit is open) • BCM • IPDM E/R

DTC CONFIRMATION PROCEDURE

1. PERFORM DTC CONFIRMATION PROCEDURE

1. Turn ignition switch ON under the following conditions, and wait for 2 seconds or more.
 - Selector lever is in the P or N position
 - Do not depress brake pedal
2. Check "Self-diagnosis result" of BCM with CONSULT.

Is DTC detected?

- YES >> Go to [PCS-67. "Diagnosis Procedure"](#).
 NO >> INSPECTION END

Diagnosis Procedure

INFOID:000000009013048

1. CHECK IPDM E/R SELF-DIAGNOSTIC RESULT

1. Turn ignition switch ON.
2. Erase the DTC of IPDM E/R.
3. Turn ignition switch OFF.
4. Turn ignition switch ON and check the DTC again.

Is DTC detected?

- YES >> Repair or replace the malfunctioning part. Refer to [PCS-22. "DTC Index"](#).
 NO >> GO TO 2.

2. CHECK IGNITION RELAY (IPDM E/R) CONTROL SIGNAL

Check voltage between BCM harness connector and ground.

(+)		(-)	Condition		Voltage (V) (Approx.)
BCM					
Connector	Terminal	Ground	Ignition switch	ON	0
M71	98				

Is the inspection result normal?

- YES >> GO TO 3.
 NO >> Replace BCM. Refer to [BCS-95. "Removal and Installation"](#).

3. CHECK IGNITION RELAY (IPDM E/R) CONTROL SIGNAL CIRCUIT

1. Turn ignition switch OFF.
2. Disconnect BCM and IPDM connectors.
3. Check continuity between BCM harness connector and IPDM E/R harness connector.

BCM		IPDM E/R		Continuity
Connector	Terminal	Connector	Terminal	
M71	98	E17	68	Existed

Is the inspection result normal?

- YES >> Replace IPDM E/R.

B26F1 IGNITION RELAY

< DTC/CIRCUIT DIAGNOSIS >

[POWER DISTRIBUTION SYSTEM]

NO >> Repair or replace harness.

B26F2 IGNITION RELAY

< DTC/CIRCUIT DIAGNOSIS >

[POWER DISTRIBUTION SYSTEM]

B26F2 IGNITION RELAY

DTC Logic

INFOID:000000009013049

DTC DETECTION LOGIC

DTC No.	Trouble diagnosis name	DTC detecting condition	Possible cause
B26F2	IGN RELAY ON	BCM transmits the ignition relay control signal (OFF: 12 V) or ignition switch ON signal (OFF) (CAN), but does not receives ignition switch ON signal (OFF) (CAN) from IPDM E/R.	<ul style="list-style-type: none"> • Harness or connectors (Ignition relay circuit is short) • BCM • IPDM E/R

DTC CONFIRMATION PROCEDURE

1. PERFORM DTC CONFIRMATION PROCEDURE

1. Turn ignition switch ON under the following conditions, and wait for 2 seconds or more.
 - Selector lever is in the P or N position
 - Do not depress brake pedal
2. Check "Self-diagnosis result" of BCM with CONSULT.

Is DTC detected?

- YES >> Go to [PCS-69. "Diagnosis Procedure"](#).
 NO >> INSPECTION END

Diagnosis Procedure

INFOID:000000009013050

1. CHECK IPDM E/R SELF-DIAGNOSTIC RESULT

1. Turn ignition switch ON.
2. Erase the DTC of IPDM E/R.
3. Turn ignition switch OFF.
4. Turn ignition switch ON and check the DTC again.

Is DTC detected?

- YES >> Repair or replace the malfunctioning part. Refer to [PCS-22. "DTC Index"](#).
 NO >> GO TO 2.

2. CHECK IGNITION RELAY (IPDM E/R) CONTROL SIGNAL

1. Turn ignition switch OFF.
2. Check voltage between IPDM E/R harness connector and ground.

(+)		(-)	Condition		Voltage (V) (Approx.)
IPDM E/R					
Connector	Terminal	Ground	Ignition switch	OFF or ACC	12
E17	68				

PCS

Is the inspection result normal?

- YES >> Replace IPDM E/R.
 NO >> GO TO 3.

3. CHECK IGNITION RELAY (IPDM E/R) CONTROL SIGNAL CIRCUIT - 1

1. Disconnect BCM and IPDM E/R connectors.
2. Check continuity between IPDM E/R harness connector and ground.

IPDM E/R		Ground	Continuity
Connector	Terminal		
E17	68		Not existed

Is the inspection result normal?

- YES >> GO TO 4.

B26F2 IGNITION RELAY

< DTC/CIRCUIT DIAGNOSIS >

[POWER DISTRIBUTION SYSTEM]

NO >> Repair or replace harness.

4. CHECK IGNITION RELAY (IPDM E/R) CONTROL SIGNAL CIRCUIT - 2

1. Connect IPDM E/R connectors.
2. Check voltage between IPDM E/R harness connector and ground.

(+)		(-)	Condition		Voltage (V) (Approx.)
IPDM E/R					
Connector	Terminal				
E17	68	Ground	Ignition switch	OFF or ACC	12

Is the inspection result normal?

- YES >> Replace BCM. Refer to [BCS-95. "Removal and Installation"](#).
NO >> Replace IPDM E/R.

B26F6 BCM

DTC Logic

INFOID:000000009013051

DTC DETECTION LOGIC

NOTE:

- If DTC B26F6 is displayed with DTC U1000, first perform the trouble diagnosis for DTC U1000. Refer to [BCS-83, "DTC Logic"](#).
- If DTC B26F6 is displayed with DTC U1010, first perform the trouble diagnosis for DTC U1010. Refer to [BCS-84, "DTC Logic"](#).

DTC No.	Trouble diagnosis name	DTC detecting condition	Possible cause
B26F6	BCM	Ignition relay ON signal is not transmitted from IPDM E/R when BCM turns ignition relay ON.	BCM

DTC CONFIRMATION PROCEDURE

1. PERFORM DTC CONFIRMATION PROCEDURE

1. Turn ignition switch ON under the following conditions, and wait for 1 second or more.
 - Selector lever is in the P or N position
 - Do not depress brake pedal
2. Check "Self-diagnosis result" of BCM with CONSULT.

Is DTC detected?

- YES >> Go to [PCS-71, "Diagnosis Procedure"](#).
- NO >> INSPECTION END

Diagnosis Procedure

INFOID:000000009013052

1. INSPECTION START

1. Turn ignition switch ON.
2. Select "Self-diagnosis result" of BCM with CONSULT.
3. Touch "ERASE".
4. Perform DTC Confirmation Procedure.
See [PCS-71, "DTC Logic"](#).

Is DTC detected?

- YES >> Replace BCM. Refer to [BCS-95, "Removal and Installation"](#)
- NO >> INSPECTION END

PCS

PUSH-BUTTON IGNITION SWITCH

< DTC/CIRCUIT DIAGNOSIS >

[POWER DISTRIBUTION SYSTEM]

PUSH-BUTTON IGNITION SWITCH

Component Function Check

INFOID:000000009013053

1.CHECK FUNCTION

1. Select "PUSH SW" in "Data Monitor" of BCM with CONSULT.
2. Check the push-button ignition switch signal under the following conditions.

Test item	Condition	Status
PUSH SW	Push-button ignition switch is pressed	ON
	Push-button ignition switch is not pressed	OFF

Is the indication normal?

- YES >> INSPECTION END.
NO >> Go to [PCS-72. "Diagnosis Procedure"](#).

Diagnosis Procedure

INFOID:000000009013054

1.CHECK PUSH-BUTTON IGNITION SWITCH OUTPUT SIGNAL 1

1. Turn ignition switch OFF.
2. Disconnect push-button ignition switch connector and IPDM E/R connector.
3. Check voltage between push-button ignition switch harness connector and ground.

(+)		(-)	Voltage (V) (Approx.)
Connector	Terminal		
M101	4	Ground	12

Is the inspection result normal?

- YES >> GO TO 3.
NO >> GO TO 2.

2.CHECK PUSH-BUTTON IGNITION SWITCH CIRCUIT 1

1. Disconnect BCM connector.
2. Check continuity between BCM harness connector and push-button ignition switch harness connector.

BCM		Push-button ignition switch		Continuity
Connector	Terminal	Connector	Terminal	
M71	100	M101	4	Existed

3. Check continuity between BCM harness connector and ground.

BCM		Ground	Continuity
Connector	Terminal		
M71	100		Not existed

Is the inspection result normal?

- YES >> Replace BCM. Refer to [BCS-95. "Removal and Installation"](#).
NO >> Repair or replace harness.

3.CHECK PUSH-BUTTON IGNITION SWITCH OUTPUT SIGNAL 2

Check voltage between IPDM E/R harness connector and ground.

PUSH-BUTTON IGNITION SWITCH

< DTC/CIRCUIT DIAGNOSIS >

[POWER DISTRIBUTION SYSTEM]

(+)		(-)	Voltage (V) (Approx.)
IPDM E/R			
Connector	Terminal		
E17	66	Ground	Battery voltage

Is the inspection result normal?

YES >> GO TO 5.

NO >> GO TO 4.

4. CHECK PUSH-BUTTON IGNITION SWITCH CIRCUIT 2

1. Disconnect BCM connector.
2. Check continuity between IPDM E/R harness connector and push-button ignition switch harness connector.

IPDM E/R		Push-button ignition switch		Continuity
Connector	Terminal	Connector	Terminal	
E17	66	M101	4	Existed

3. Check continuity between IPDM E/R harness connector and ground.

IPDM E/R		Ground	Continuity
Connector	Terminal		
E17	66		Not existed

Is the inspection result normal?

YES >> Replace IPDM E/R.

NO >> Repair or replace harness.

5. CHECK PUSH-BUTTON IGNITION SWITCH GROUND CIRCUIT

Check continuity between push-button ignition switch harness connector and ground.

Push-button ignition switch		Ground	Continuity
Connector	Terminal		
M101	1		Existed

Is the inspection result normal?

YES >> GO TO 6.

NO >> Repair or replace harness.

6. CHECK PUSH-BUTTON IGNITION SWITCH

Refer to [PCS-73, "Component Inspection"](#).

Is the inspection result normal?

YES >> GO TO 7.

NO >> Replace push-button ignition switch.

7. CHECK INTERMITTENT INCIDENT

Refer to [GI-43, "Intermittent Incident"](#).

>> INSPECTION END

Component Inspection

INFOID:000000009013055

1. CHECK PUSH-BUTTON IGNITION SWITCH

1. Turn ignition switch OFF.
2. Disconnect push-button ignition switch connector.
3. Check continuity between push-button ignition switch terminals.

PUSH-BUTTON IGNITION SWITCH

< DTC/CIRCUIT DIAGNOSIS >

[POWER DISTRIBUTION SYSTEM]

Push-button ignition switch		Condition	Continuity
Terminal			
4	1	Pressed	Existed
		Not pressed	Not existed

Is the inspection result normal?

YES >> INSPECTION END

NO >> Replace push-button ignition switch.

PUSH-BUTTON IGNITION SWITCH POSITION INDICATOR

< DTC/CIRCUIT DIAGNOSIS >

[POWER DISTRIBUTION SYSTEM]

PUSH-BUTTON IGNITION SWITCH POSITION INDICATOR

Description

INFOID:000000009013056

Push-button ignition switch changes the power supply position.
BCM maintains the power supply position status.
BCM changes the power supply position with the operation of the push-button ignition switch.

Component Function Check

INFOID:000000009013057

1.CHECK FUNCTION

Check push-button ignition switch ("LOCK INDICATOR", "ACC INDICATOR" and "IGNITION ON IND") in Active Test of BCM with CONSULT.

Test item		Description	
LOCK INDICATOR ACC INDICATOR IGNITION ON IND	ON	Position indicator	Illuminates
	OFF		Does not illuminate

Is the inspection result normal?

- YES >> INSPECTION END.
NO >> Refer to [PCS-75, "Diagnosis Procedure"](#).

Diagnosis Procedure

INFOID:000000009013058

1.CHECK PUSH-BUTTON IGNITION SWITCH INPUT SIGNAL

- Turn ignition switch OFF.
- Disconnect push-button ignition switch connector.
- Check voltage between push-button ignition switch harness connector and ground.

(+)		(-)	Voltage (V) (Approx.)
Push-button ignition switch			
Connector	Terminal	Ground	Battery voltage
M101	8		

Is the inspection normal?

- YES >> GO TO 2.
NO-1 >> Check 10 A fuse [No.10, located in fuse block (J/B)].
NO-2 >> Check harness for open or short between push-button ignition switch and fuse.

2.CHECK BCM INPUT

- Connect push-button ignition switch connector.
- Disconnect BCM connector.
- Check voltage between BCM connector and ground.

(+)		(-)	Voltage (V) (Approx.)
BCM			
Connector	Terminal	Ground	Battery voltage
M101	73		
	91		
	109		

Is the inspection normal?

- YES >> Replace BCM. Refer to [BCS-95, "Removal and Installation"](#).
NO >> GO TO 3.

3.CHECK PUSH-BUTTON IGNITION SWITCH CIRCUIT

- Disconnect push-button ignition switch connector.

A
B
C
D
E
F
G
H
I
J
K
L
N
O
P

PCS

PUSH-BUTTON IGNITION SWITCH POSITION INDICATOR

< DTC/CIRCUIT DIAGNOSIS >

[POWER DISTRIBUTION SYSTEM]

2. Check continuity between BCM harness connector and push-button ignition switch harness connector.

Indicator	BCM		Push-button ignition switch		Continuity
	Connector	Terminal	Connector	Terminal	
LOCK	M71	91	M101	5	Existed
ACC		109		6	
ON		73		7	

3. Check continuity between BCM harness connector and ground.

Indicator	BCM		Ground	Continuity
	Connector	Terminal		
LOCK	M71	91	Ground	Not existed
ACC		109		
ON		73		

Is the inspection normal?

- YES >> Replace push-button ignition switch.
NO >> Repair or replace harness.

PUSH-BUTTON IGNITION SWITCH DOES NOT OPERATE

< SYMPTOM DIAGNOSIS >

[POWER DISTRIBUTION SYSTEM]

SYMPTOM DIAGNOSIS

PUSH-BUTTON IGNITION SWITCH DOES NOT OPERATE

Description

INFOID:000000009013059

Check that vehicle is under the condition shown in “Conditions of vehicle” before starting diagnosis, and check each symptom.

NOTE:

The engine start function, door lock function, power distribution system, and NATS-IVIS/NVIS in the Intelligent Key system are closely related to each other regarding control. The vehicle security function can operate only when the door lock and power distribution system are operating normally.

Conditions of Vehicle (Operating Conditions)

- “ENGINE START BY I-KEY” in “WORK SUPPORT” is ON when setting on CONSULT.
- One or more of Intelligent Keys with registered Intelligent Key ID is in the vehicle.

Diagnosis Procedure

INFOID:000000009013060

1.PERFORM WORK SUPPORT

Perform “INSIDE ANT DIAGNOSIS” on Work Support of “INTELLIGENT KEY”.

Refer to [DLK-42. "INTELLIGENT KEY : CONSULT Function \(BCM - INTELLIGENT KEY\)".](#)

>> GO TO 2.

2.PERFORM SELF-DIAGNOSIS RESULT

Perform Self-Diagnosis Result of “BCM”.

Is DTC detected?

YES >> Refer to [BCS-57. "DTC Index".](#)

NO >> GO TO 3.

3.CHECK PUSH-BUTTON IGNITION SWITCH

Check push-button ignition switch.

Refer to [PCS-72. "Component Function Check".](#)

Is the operation normal?

YES >> GO TO 4.

NO >> Repair or replace malfunctioning parts.

4.CONFIRM THE OPERATION

Confirm the operation again.

Is the inspection normal?

YES >> Check intermittent incident. Refer to [GI-43. "Intermittent Incident".](#)

NO >> GO TO 1.

A
B
C
D
E
F
G
H
I
J
K
L
N
O
P

PCS

PUSH-BUTTON IGNITION SWITCH POSITION INDICATOR DOES NOT ILLUMINATE

< SYMPTOM DIAGNOSIS >

[POWER DISTRIBUTION SYSTEM]

PUSH-BUTTON IGNITION SWITCH POSITION INDICATOR DOES NOT ILLUMINATE

Description

INFOID:000000009013061

- Before performing the diagnosis in the following table, check "Work Flow". Refer to [PCS-54, "Work Flow"](#).
- Check that vehicle is under the condition shown in "Conditions of vehicle" before starting diagnosis, and check each symptom.

Conditions of Vehicle (Operating Conditions)

- "ENGINE START BY I-KEY" in "WORK SUPPORT" is ON when setting on CONSULT.
- One or more of Intelligent Keys with registered Intelligent Key ID is in the vehicle.

Diagnosis Procedure

INFOID:000000009013062

1. CHECK PUSH-BUTTON IGNITION SWITCH INDICATOR

Check push-button ignition switch indicator.

Refer to [PCS-75, "Component Function Check"](#).

Is the inspection result normal?

YES >> GO TO 2.

NO >> Repair or replace the malfunctioning parts.

2. CONFIRM THE OPERATION

Confirm the operation again.

Is the result normal?

YES >> Check intermittent incident. Refer to [GI-43, "Intermittent Incident"](#).

NO >> GO TO 1.

PUSH-BUTTON IGNITION SWITCH

< REMOVAL AND INSTALLATION >

[POWER DISTRIBUTION SYSTEM]

REMOVAL AND INSTALLATION


PUSH-BUTTON IGNITION SWITCH

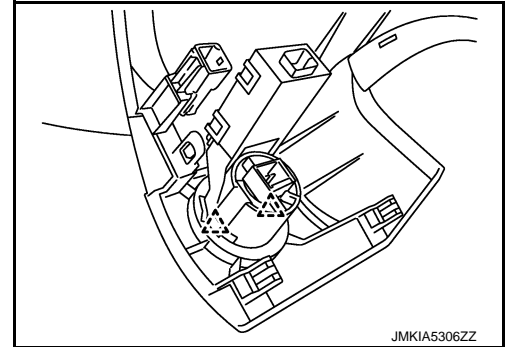
Removal and Installation

INFOID:000000009013063

REMOVAL

1. Remove the cluster lid A. Refer to [JP-14. "Removal and Installation"](#).
2. Disengage the push-button ignition switch fixing pawl and then remove push-button ignition switch.

 : Pawl



INSTALLATION

Install in the reverse order of removal.

A
B
C
D
E
F
G
H
I
J
K
L

PCS

N
O
P