

SECTION **PG**

POWER SUPPLY, GROUND & CIRCUIT ELEMENTS

CONTENTS

PRECAUTION	3	Wiring Diagram - BATTERY POWER SUPPLY	
PRECAUTIONS	3	FUSE No. 46 -	49
Precaution for Supplemental Restraint System (SRS) "AIR BAG" and "SEAT BELT PRE-TENSIONER"	3	Wiring Diagram - BATTERY POWER SUPPLY	
Precautions for Removing of Battery Terminal	3	FUSE No. 47 -	50
PREPARATION	4	Wiring Diagram - ACCESSORY POWER SUPPLY -	52
PREPARATION	4	Wiring Diagram - ACCESSORY POWER SUPPLY FUSE No. 19 -	57
Special Service Tools	4	Wiring Diagram - ACCESSORY POWER SUPPLY FUSE No. 20 -	58
SYSTEM DESCRIPTION	5	Wiring Diagram - IGNITION POWER SUPPLY -	59
COMPONENT PARTS	5	Wiring Diagram - IGNITION POWER SUPPLY	
Circuit Breaker	5	FUSE No. 3 -	83
Battery	5	Wiring Diagram - IGNITION POWER SUPPLY	
Harness Connector	5	FUSE No. 4 -	84
Standardized Relay	8	Wiring Diagram - IGNITION POWER SUPPLY	
WIRING DIAGRAM	11	FUSE No. 37 -	85
POWER SUPPLY ROUTING CIRCUIT	11	Wiring Diagram - IGNITION POWER SUPPLY	
Wiring Diagram - BATTERY POWER SUPPLY -	11	FUSE No. 55 -	86
Wiring Diagram - BATTERY POWER SUPPLY FUSIBLE LINK No. K -	41	Wiring Diagram - IGNITION POWER SUPPLY	
Wiring Diagram - BATTERY POWER SUPPLY FUSIBLE LINK No. S -	42	FUSE No. 57 -	87
Wiring Diagram - BATTERY POWER SUPPLY FUSE No. 6 -	43	Wiring Diagram - IGNITION POWER SUPPLY	
Wiring Diagram - BATTERY POWER SUPPLY FUSE No. 7 -	44	FUSE No. 61 -	88
Wiring Diagram - BATTERY POWER SUPPLY FUSE No. 9 -	45	OPTION HARNESS	89
Wiring Diagram - BATTERY POWER SUPPLY FUSE No. 10 -	46	Wiring Diagram	89
Wiring Diagram - BATTERY POWER SUPPLY FUSE No. 35 -	47	FUSE BLOCK - JUNCTION BOX (J/B)	96
Wiring Diagram - BATTERY POWER SUPPLY FUSE No. 43 -	48	Fuse, Connector and Terminal Arrangement	96
		FUSE, FUSIBLE LINK AND RELAY BOX	97
		Fuse and Fusible Link Arrangement	97
		IPDM E/R (INTELLIGENT POWER DISTRIBUTION MODULE ENGINE ROOM)	99
		Fuse, Connector and Terminal Arrangement	99
		HARNESS LAYOUT	100
		Outline	100
		Engine Room Harness	101
		Engine Control Harness	103
		Main Harness	104

A
B
C
D
E
F
G
H
I
J
K
L
PG
N
O
P

Body Harness	105	REMOVAL AND INSTALLATION	122
Chassis Harness	107	BATTERY	122
Door Harness	108	Exploded View	122
Room Lamp Harness	113	Removal and Installation	122
BASIC INSPECTION	114	BATTERY TERMINAL WITH FUSIBLE LINK..	123
BATTERY INSPECTION	114	Exploded View	123
How to Handle Battery	114	Removal and Installation	123
Work Flow	114	SERVICE DATA AND SPECIFICATIONS	
FUSE INSPECTION	117	(SDS)	124
How To Check	117	SERVICE DATA AND SPECIFICATIONS	
FUSIBLE LINK INSPECTION	121	(SDS)	124
How To Check	121	Battery	124

PRECAUTIONS

< PRECAUTION >

PRECAUTION

PRECAUTIONS

Precaution for Supplemental Restraint System (SRS) "AIR BAG" and "SEAT BELT PRE-TENSIONER"

INFOID:000000009010954

The Supplemental Restraint System such as "AIR BAG" and "SEAT BELT PRE-TENSIONER", used along with a front seat belt, helps to reduce the risk or severity of injury to the driver and front passenger for certain types of collision. Information necessary to service the system safely is included in the "SRS AIR BAG" and "SEAT BELT" of this Service Manual.

WARNING:

Always observe the following items for preventing accidental activation.

- To avoid rendering the SRS inoperative, which could increase the risk of personal injury or death in the event of a collision that would result in air bag inflation, all maintenance must be performed by an authorized NISSAN/INFINITI dealer.
- Improper maintenance, including incorrect removal and installation of the SRS, can lead to personal injury caused by unintentional activation of the system. For removal of Spiral Cable and Air Bag Module, see "SRS AIR BAG".
- Never use electrical test equipment on any circuit related to the SRS unless instructed to in this Service Manual. SRS wiring harnesses can be identified by yellow and/or orange harnesses or harness connectors.

PRECAUTIONS WHEN USING POWER TOOLS (AIR OR ELECTRIC) AND HAMMERS

WARNING:

Always observe the following items for preventing accidental activation.

- When working near the Air Bag Diagnosis Sensor Unit or other Air Bag System sensors with the ignition ON or engine running, never use air or electric power tools or strike near the sensor(s) with a hammer. Heavy vibration could activate the sensor(s) and deploy the air bag(s), possibly causing serious injury.
- When using air or electric power tools or hammers, always switch the ignition OFF, disconnect the battery, and wait at least 3 minutes before performing any service.

Precautions for Removing of Battery Terminal

INFOID:000000009898202

- When removing the 12V battery terminal, turn OFF the ignition switch and wait at least 30 seconds.

NOTE:

ECU may be active for several tens of seconds after the ignition switch is turned OFF. If the battery terminal is removed before ECU stops, then a DTC detection error or ECU data corruption may occur.

- For vehicles with the 2-batteries, be sure to connect the main battery and the sub battery before turning ON the ignition switch.

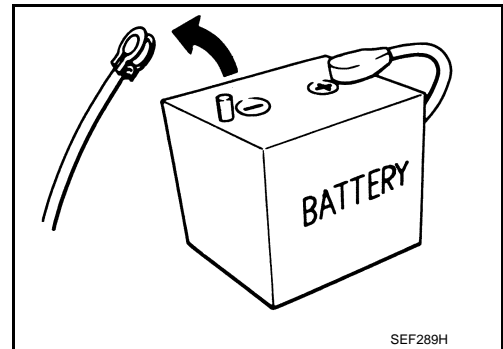
NOTE:

If the ignition switch is turned ON with any one of the terminals of main battery and sub battery disconnected, then DTC may be detected.

- After installing the 12V battery, always check "Self Diagnosis Result" of all ECUs and erase DTC.

NOTE:

The removal of 12V battery may cause a DTC detection error.



SEF289H

A
B
C
D
E
F
G
H
I
J
K
L
PG
N
O
P

PREPARATION

< PREPARATION >

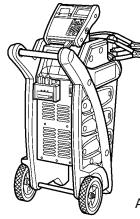
PREPARATION

PREPARATION

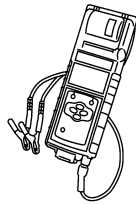
Special Service Tools

INFOID:000000009010955

Tool number (Kent-Moore No.) Tool name	Description
— (—) Model GR8-1200 NI Multitasking battery and electrical diagnostic station	Tests batteries, starting and charging systems and charges batteries. For operating instructions, refer to diagnostic station instruction manual.
— (—) Model EXP-800 NI Battery and electrical diagnostic analyzer	Tests batteries and charging systems. For operating instructions, refer to diagnostic analyzer instruction manual.



AW1IA1239ZZ



JSMA0806ZZ

COMPONENT PARTS

< SYSTEM DESCRIPTION >

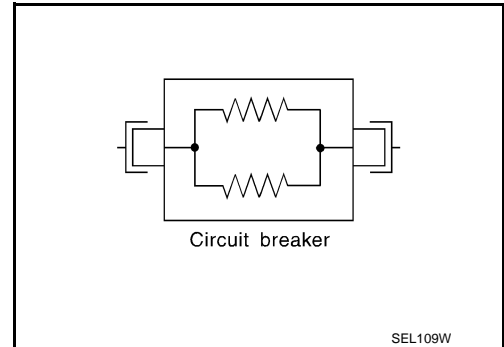
SYSTEM DESCRIPTION

COMPONENT PARTS

Circuit Breaker

INFOID:000000009010956

The PTC thermistor generates heat in response to current flow. The temperature (and resistance) of the thermistor element varies with current flow. Excessive current flow will cause the element's temperature to rise. When the temperature reaches a specified level, the electrical resistance will rise sharply to control the circuit current. Reduced current flow will cause the element to cool. Resistance falls accordingly and normal circuit current flow is allowed to resume.



Battery

INFOID:000000009010957

Type		115D31R
20 hour rate capacity	[V – Ah]	12 – 82
Cold cranking current (For reference value)	[A]	782

Harness Connector

INFOID:000000009010958

HARNESS CONNECTOR (TAB-LOCKING TYPE)

- The tab-locking type connectors help prevent accidental looseness or disconnection.
- The tab-locking type connectors are disconnected by pushing or lifting the locking tab(s). Refer to the figure below.

CAUTION:

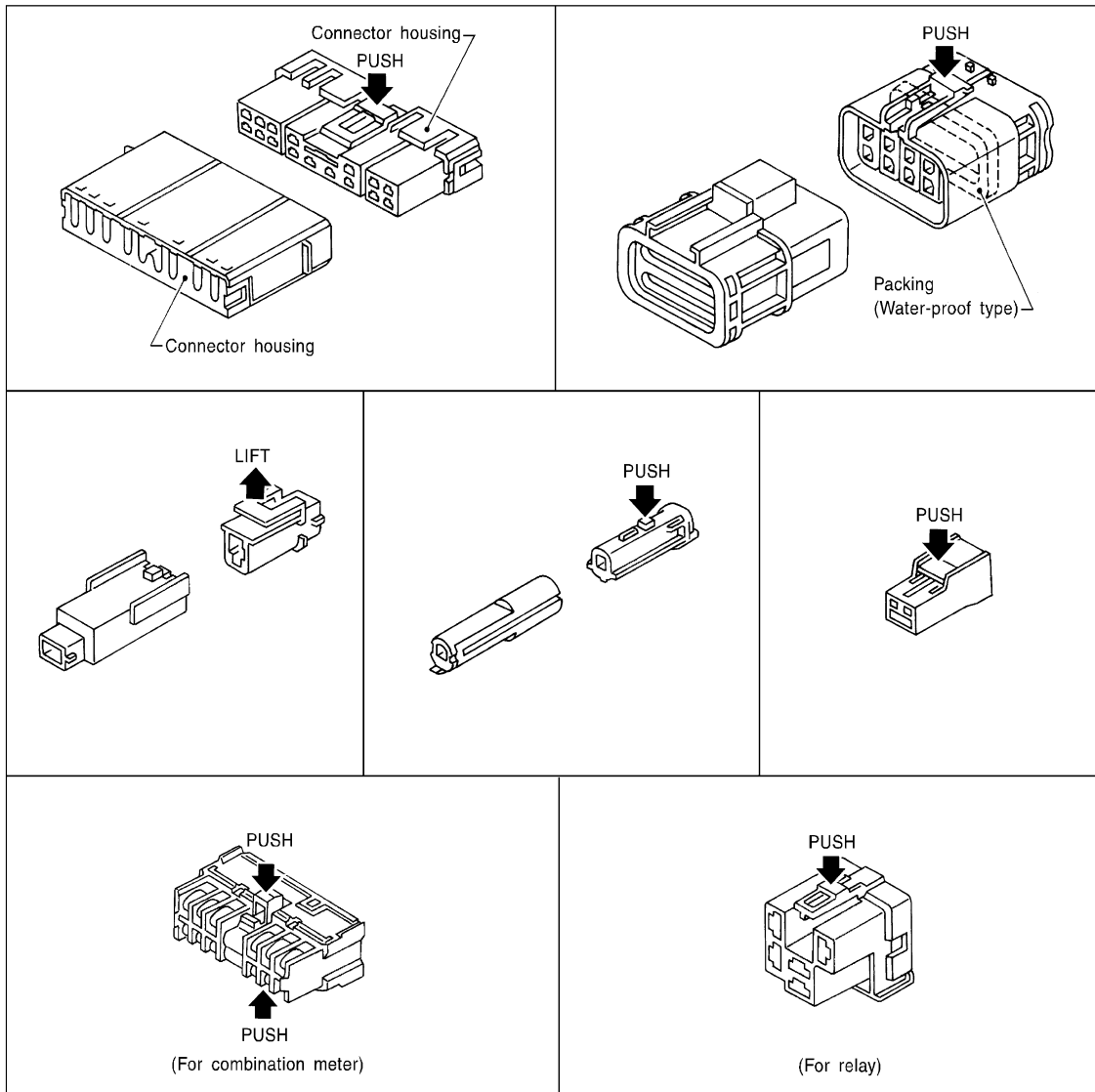
Never pull the harness or wires when disconnecting the connector.

A
B
C
D
E
F
G
H
I
J
K
L
PG
N
O
P

COMPONENT PARTS

< SYSTEM DESCRIPTION >

[Example]



SEL769DA

HARNESS CONNECTOR (SLIDE-LOCKING TYPE)

- A new style slide-locking type connector is used on certain systems and components, especially those related to OBD.
- The slide-locking type connectors help prevent incomplete locking and accidental looseness or disconnection.
- The slide-locking type connectors are disconnected by pushing or pulling the slider. Refer to the figure below.

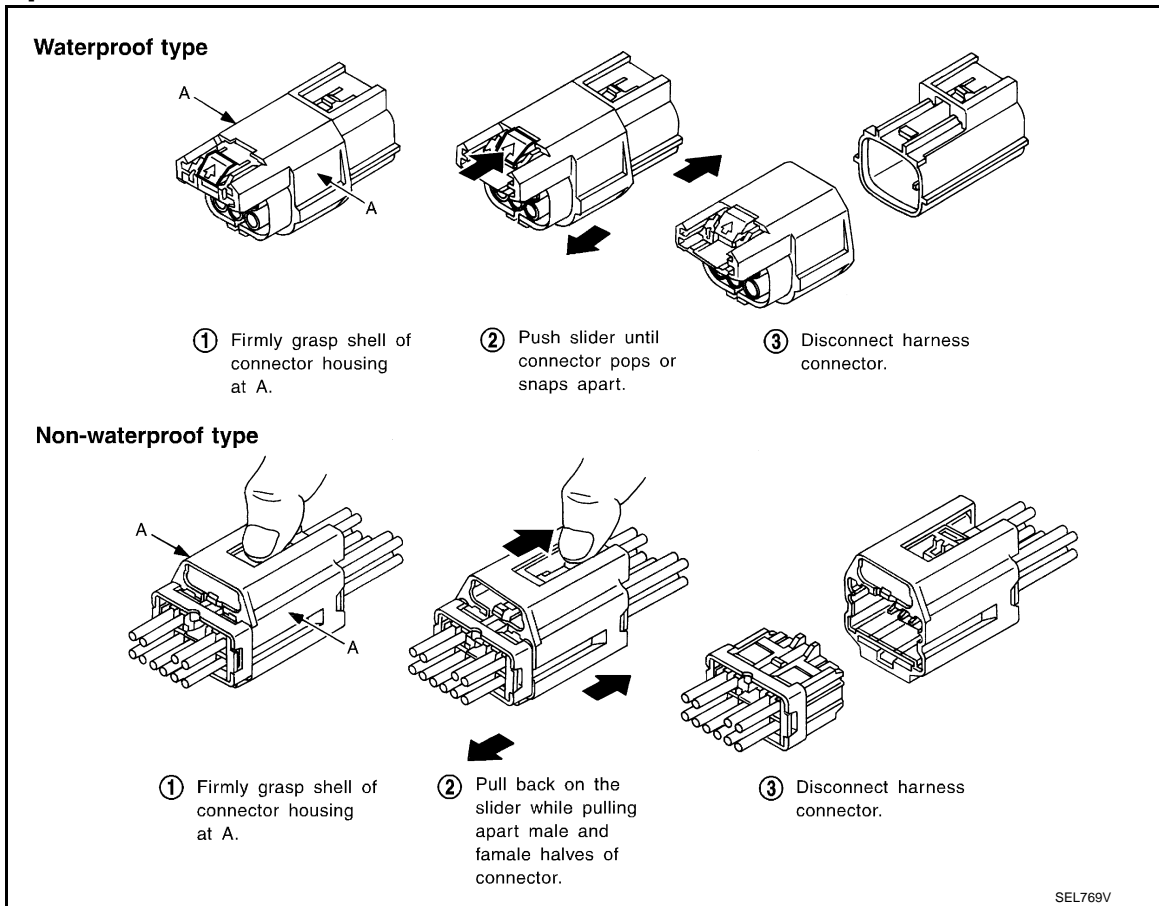
CAUTION:

- **Never pull the harness or wires when disconnecting the connector.**
- **Be careful not to damage the connector support bracket when disconnecting the connector.**

COMPONENT PARTS

< SYSTEM DESCRIPTION >

[Example]



HARNESS CONNECTOR (LEVER LOCKING TYPE)

- Lever locking type harness connectors are used on certain control units and control modules such as ECM, ABS actuator and electric unit (control unit), etc.
- Lever locking type harness connectors are also used on super multiple junction (SMJ) connectors.
- Always confirm the lever is fully locked in place by moving the lever as far as it will go to ensure full connection.

CAUTION:

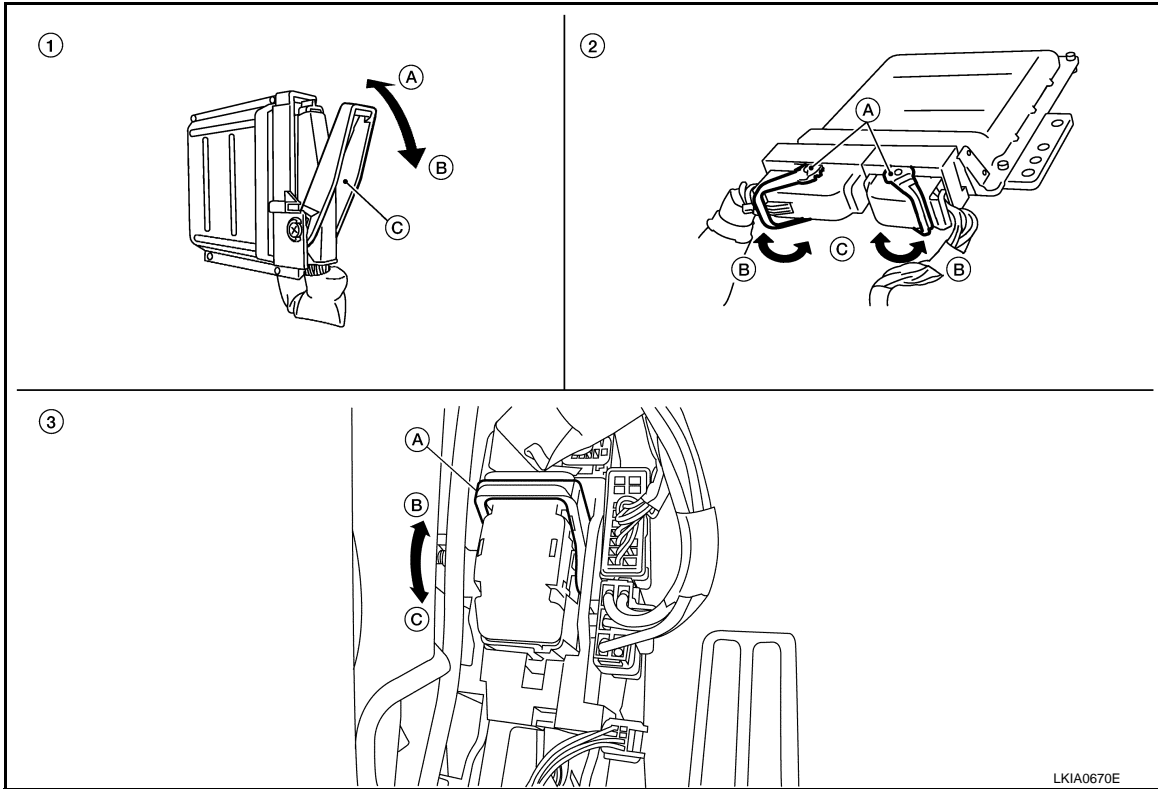
A
B
C
D
E
F
G
H
I
J
K
L
N
O
P

PG

COMPONENT PARTS

< SYSTEM DESCRIPTION >

Always confirm the lever is fully released (loosened) before attempting to disconnect or connect these connectors to avoid damage to the connector housing or terminals.



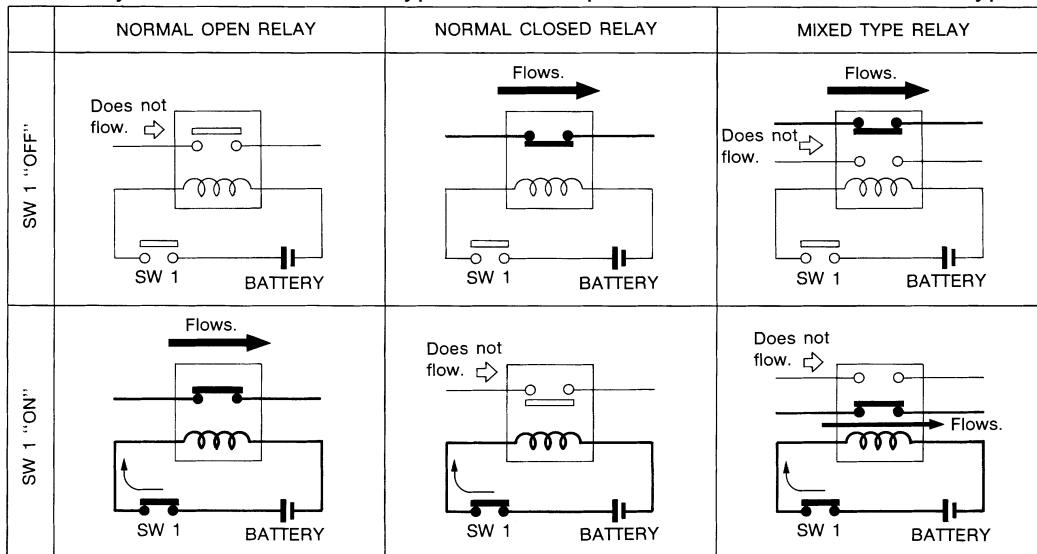
- | | | |
|--|--|---|
| <p>1. Control unit with single lever</p> <p>A. Fasten</p> <p>B. Loosen</p> <p>C. Lever</p> | <p>2. Control unit with dual levers</p> <p>A. Levers</p> <p>B. Fasten</p> <p>C. Loosen</p> | <p>3. SMJ connector</p> <p>A. Lever</p> <p>B. Fasten</p> <p>C. Loosen</p> |
|--|--|---|

Standardized Relay

INFOID:000000009010959

NORMAL OPEN, NORMAL CLOSED AND MIXED TYPE RELAYS

Relays can mainly be divided into three types: normal open, normal closed and mixed type relays.



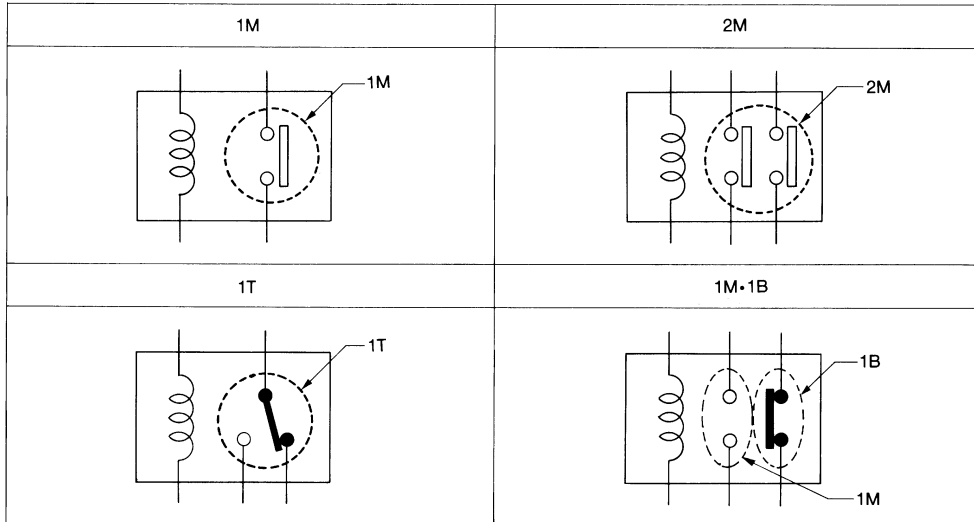
SEL881H

TYPE OF STANDARDIZED RELAYS

COMPONENT PARTS

< SYSTEM DESCRIPTION >

1M 1 Make 2M 2 Make
 1T 1 Transfer 1M-1B 1 Make 1 Break



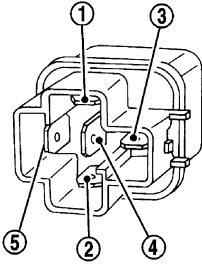
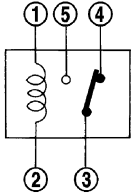
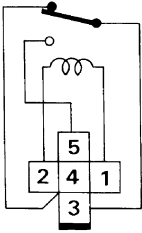
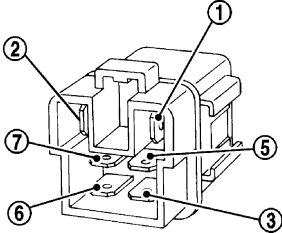
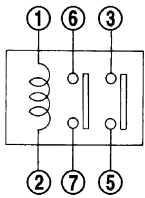
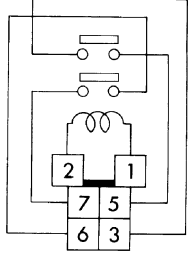
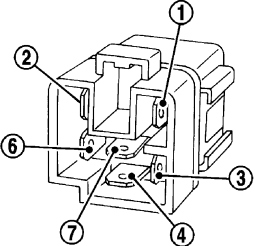
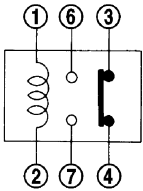
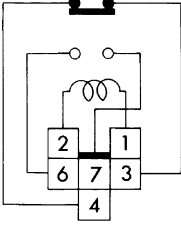
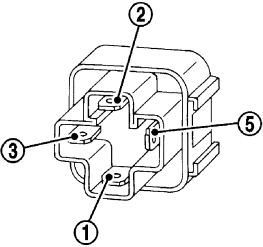
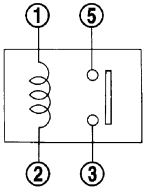
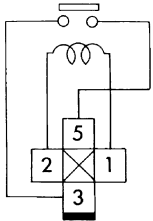
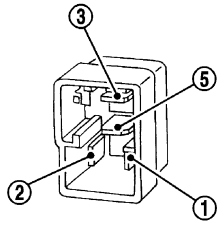
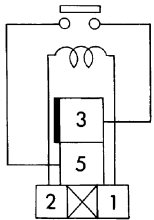
SEL882H

A
B
C
D
E
F
G
H
I
J
K
L
PG
N
O
P

PG

COMPONENT PARTS

< SYSTEM DESCRIPTION >

Type	Outer view	Circuit	Connector symbol and connection	Case color
1T				BLACK
2M				BROWN
1M*1B				GRAY
1M				BLUE
				

The arrangement of terminal numbers on the actual relays may differ from those shown above.

SEL188W

POWER SUPPLY ROUTING CIRCUIT

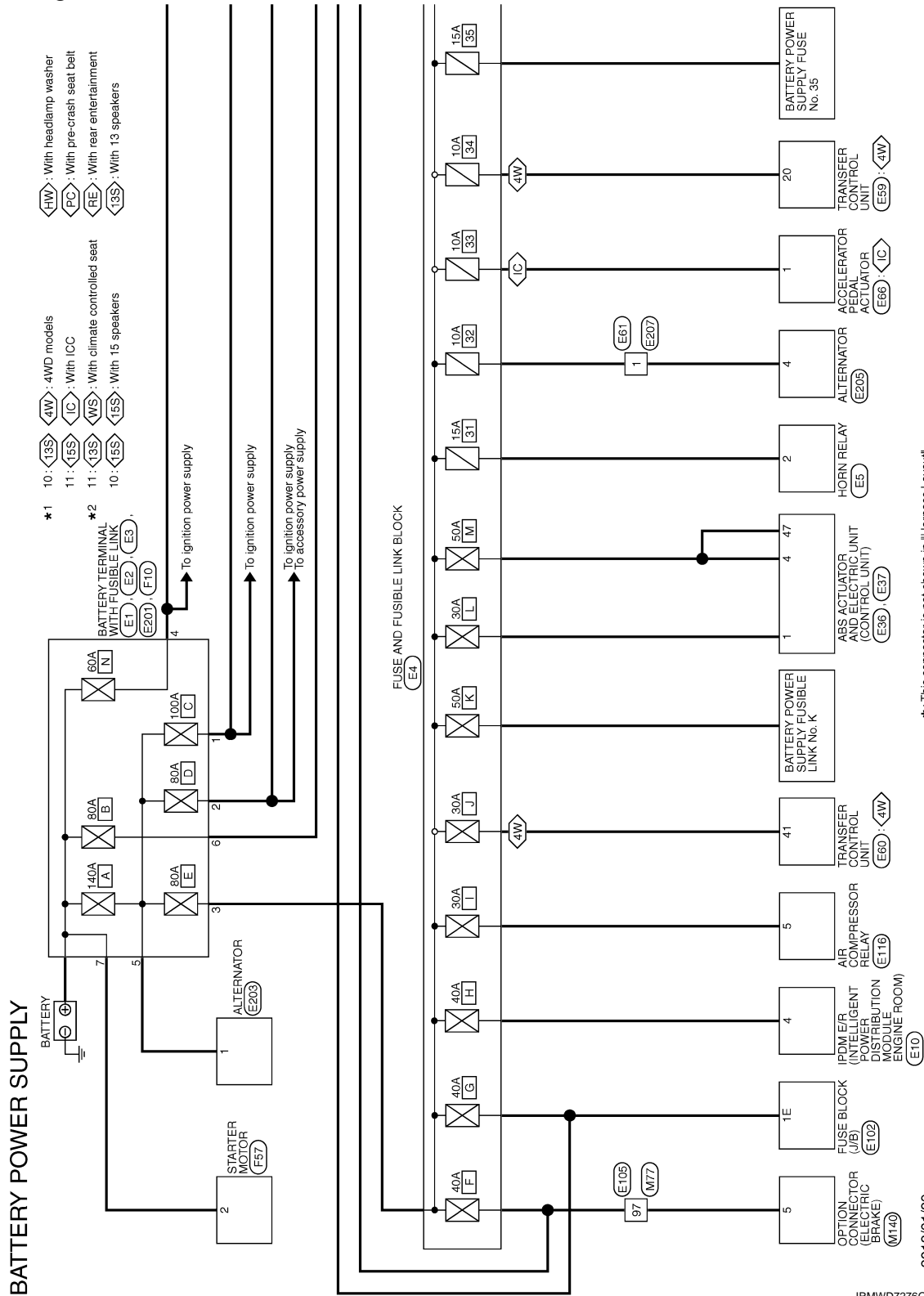
< WIRING DIAGRAM >

WIRING DIAGRAM

POWER SUPPLY ROUTING CIRCUIT

Wiring Diagram - BATTERY POWER SUPPLY -

INFOID:000000009010960



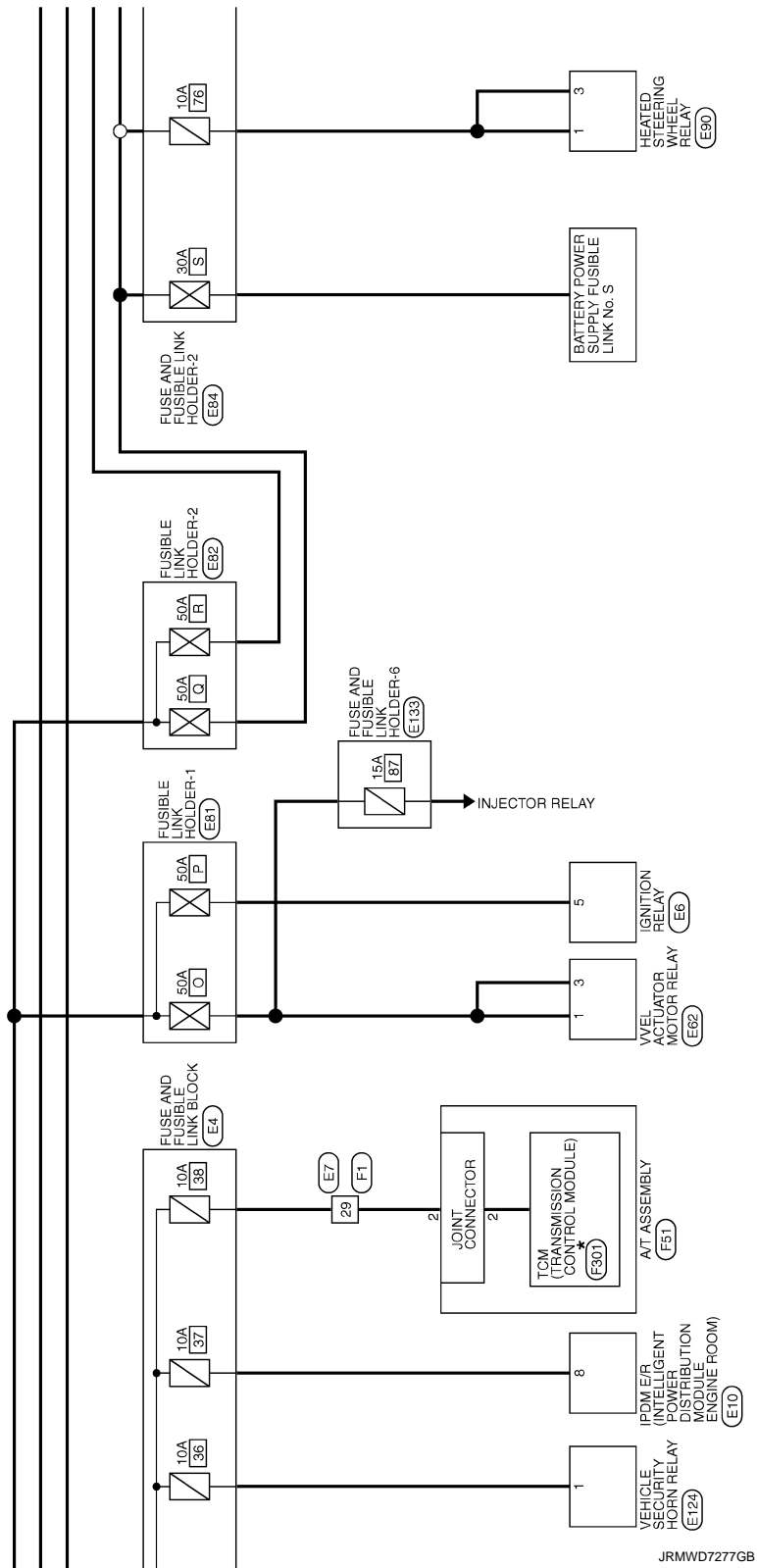
*: This connector is not shown in "Harness Layout".

A
B
C
D
E
F
G
H
I
J
K
L
M
N
O
P

PG

POWER SUPPLY ROUTING CIRCUIT

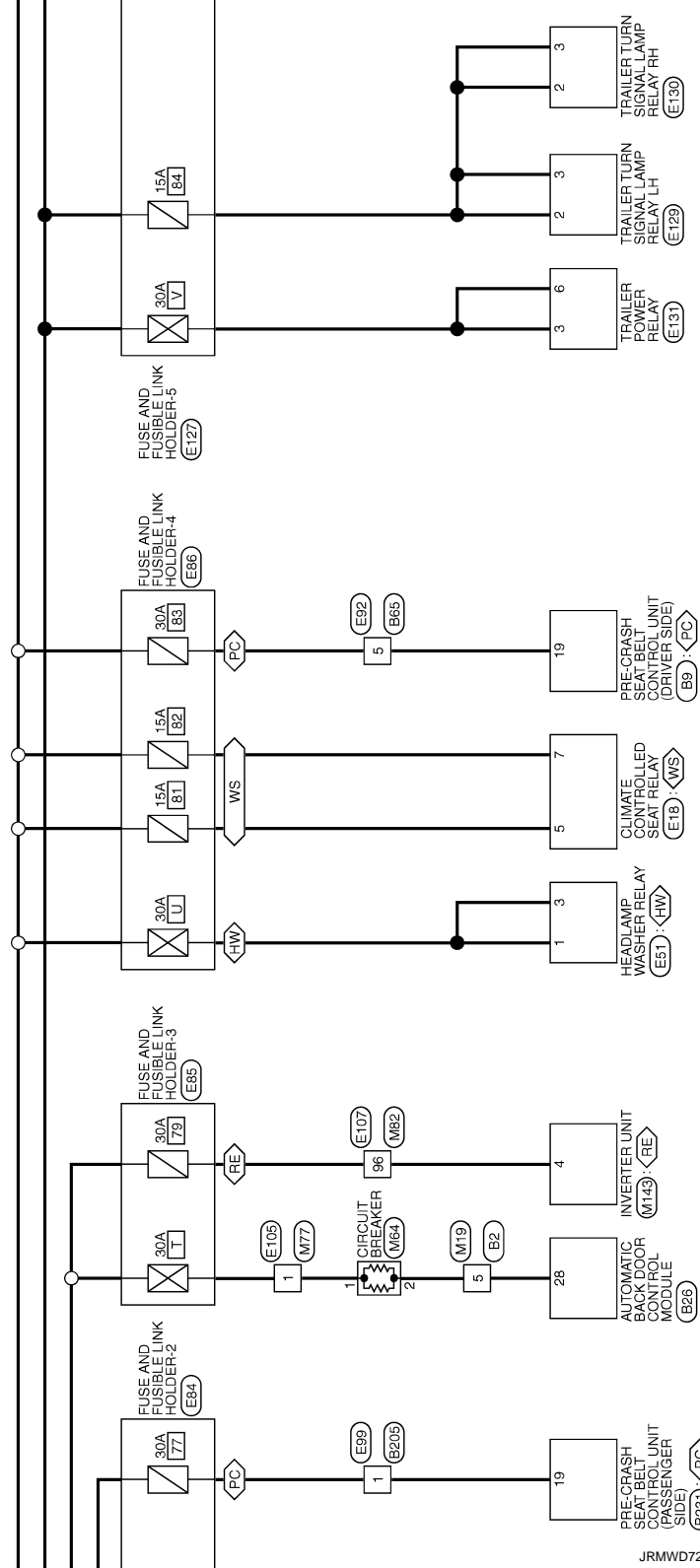
< WIRING DIAGRAM >



JRMWD7277GB

POWER SUPPLY ROUTING CIRCUIT

< WIRING DIAGRAM >

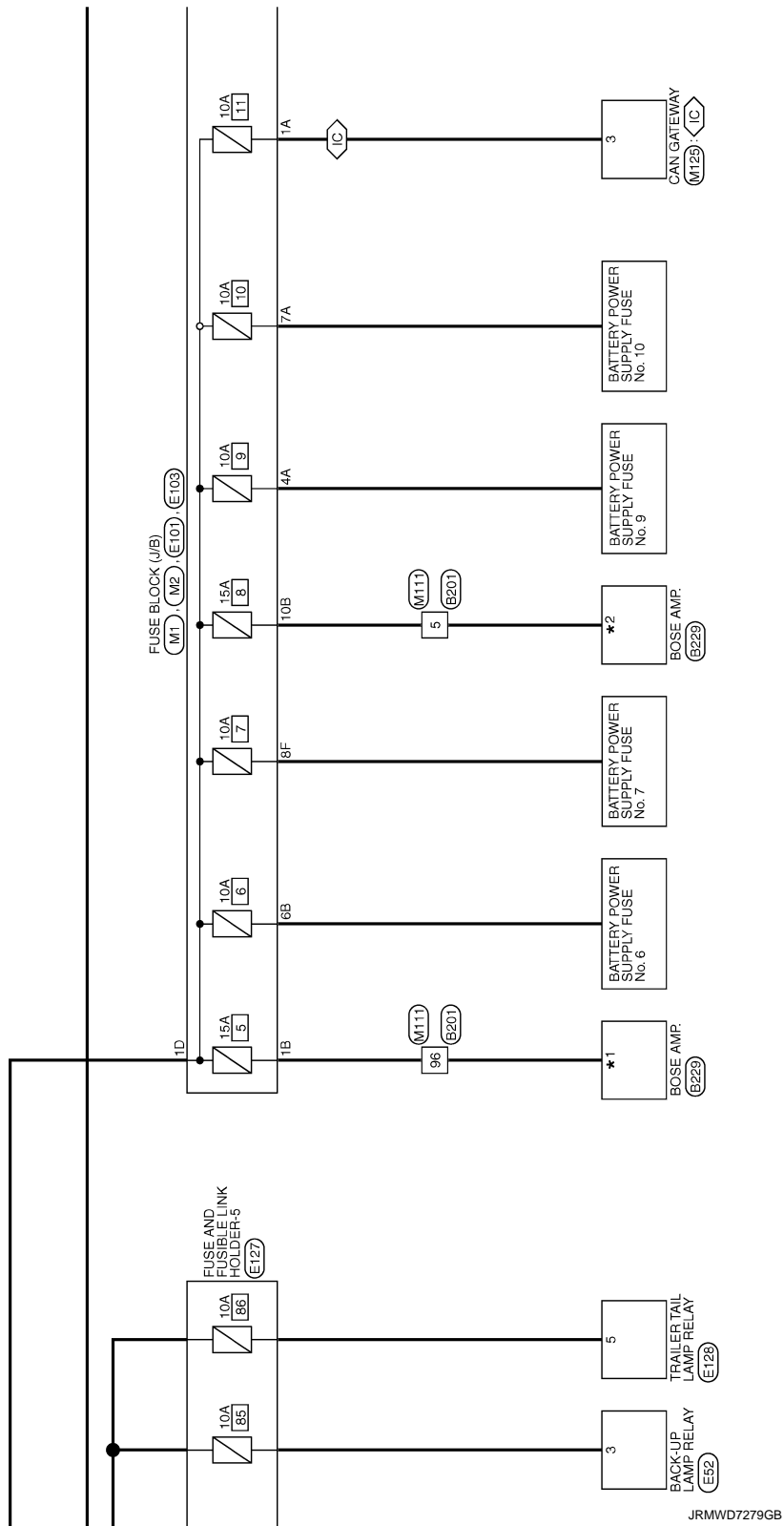


JRMWD7278GB

A
B
C
D
E
F
G
H
I
J
K
L
PG
N
O
P

POWER SUPPLY ROUTING CIRCUIT

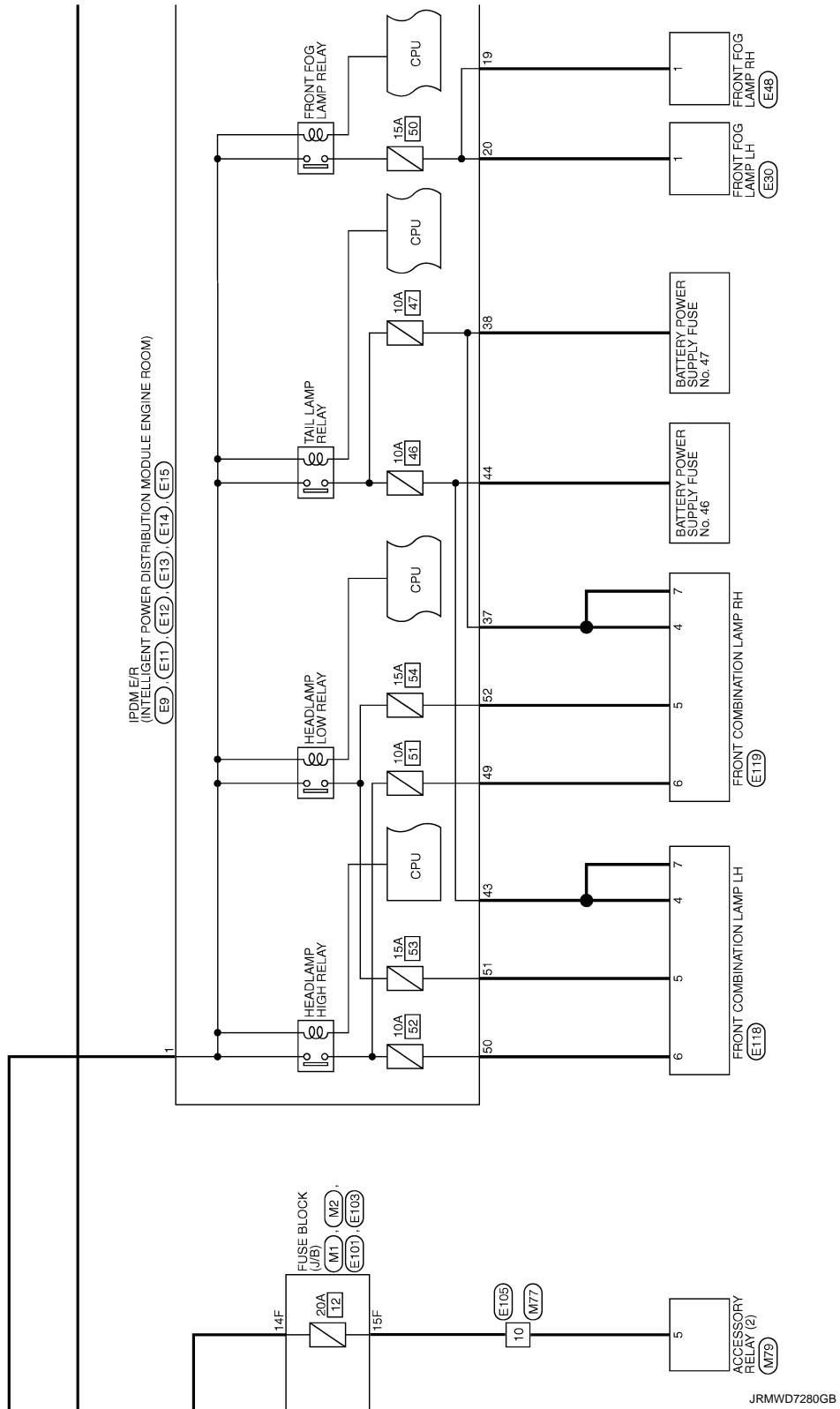
< WIRING DIAGRAM >



JRMWD7279GB

POWER SUPPLY ROUTING CIRCUIT

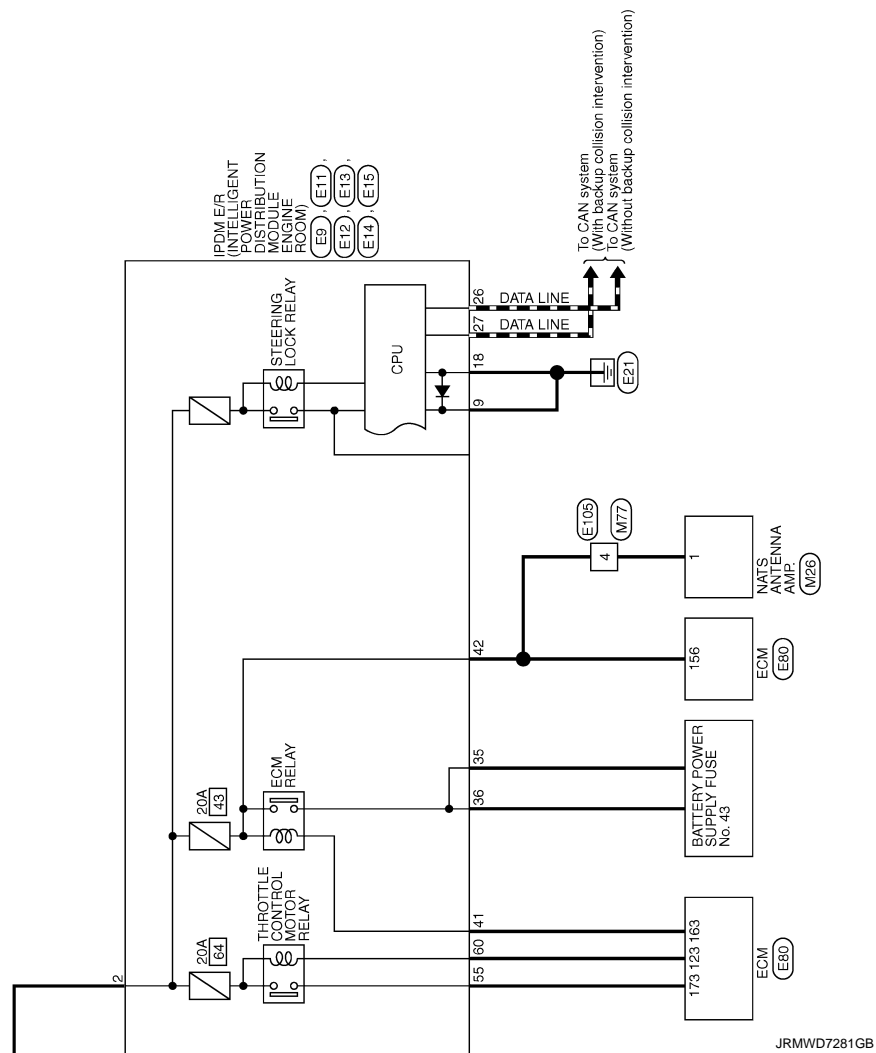
< WIRING DIAGRAM >



A
 B
 C
 D
 E
 F
 G
 H
 I
 J
 K
 L
 PG
 N
 O
 P

POWER SUPPLY ROUTING CIRCUIT

< WIRING DIAGRAM >



POWER SUPPLY ROUTING CIRCUIT

< WIRING DIAGRAM >

BATTERY POWER SUPPLY

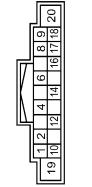
Connector No.	B2
Connector Name	WIRE TO WIRE
Connector Type	TH80MW-CS16-TM4



Terminal No.	Color Of Wire	Signal Name [Specification]
2	L	-
3	BR	-
5	RW	-
6	L	-
7	V	-
9	G	-
11	WB	-
12	BR	-
13	GR	-
14	BY	-
15	WR	-
16	GR	-
18	GW	-
19	V	-
20	WG	-
21	BW	-
22	V	-
24	G	-
25	O	-
26	Y	-
27	LO	-
28	YR	-
29	L	-
30	R	-
31	GY	-
32	B/SB	-
33	LG/R	-
34	BR/W	-
35	GR/R	-
36	SB	-
37	LG	-
38	B	-
39	P	-
40	WG	-
41	O	-

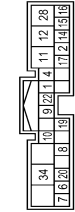
42	GR	-
43	VW	-
44	LG/B	-
45	RY	-
46	B	-
47	BR	-
49	GR	-
50	R/B	-
51	WR	-
52	BRY	-
53	O/B	-
54	G/O	-
55	R/B	-
56	LG/R	-
57	GR/R	-
58	Y/G	-
59	V/W	-
60	R	-
63	B	-
64	R	-
65	W	-
66	G	-
67	SHIELD	-
69	LG/B	-
70	P/L	-
71	L	-
72	R	-
77	Y/B	-
78	Y/L	-
79	Y	-
80	WR	-
81	Y/L	-
84	L/O	-
86	O	-
87	WR	-
88	O	-
89	W/L	-
90	GR/L	-
91	W	-
92	G	-
94	WR	-
96	L/W	-
97	R	-
98	V	-
99	L/W	-
100	P/B	-

Connector No.	B9
Connector Name	PRE-CHARGE RELAY CONTROL UNIT POWER SW1
Connector Type	TH18FM-CS2



Terminal No.	Color Of Wire	Signal Name [Specification]
1	Y	SIG BAT
2	G	OUT 1
4	B	CANL
6	LG/R	BUCKLE SW LH NO
8	G	LOCAL COMM 2
9	SHIELD	SHIELD GND
10	R	SENS POWER 1
12	B	OUT 2
14	L	CANH
16	W	LOCAL COMM 1
17	W	SENS GND 1
18	B	SIG GND
19	W	MOTOR BAT
20	B	MOTOR GND

Connector No.	B26
Connector Name	AUTOMATIC BACK DOOR CONTROL MODULE
Connector Type	TH20FM-TB6



Terminal No.	Color Of Wire	Signal Name [Specification]
1	L	BUZZER
2	Y/B	ABD SW
4	GR	ABD CLOSE SW
6	P	CANL
7	L	CANH

8	L/W	HALF LATCH SW
9	GR/L	IGN
10	Y	BAT
11	R	CLOSURE MTR (CLOSE)
12	V	CLOSURE MTR (OPEN)
14	G/W	TOUCH SENS LH
15	L/R	TOUCH SENS LH
16	LG	TOUCH SENS RH
17	O	MAIN SW
19	L/Y	CLOSE SW
20	GY	OPEN SW
22	B	GND
28	RW	BAT
34	B	GND

Connector No.	B60
Connector Name	REAR COMBINATION LAMP LH
Connector Type	NS4FM-CS



Terminal No.	Color Of Wire	Signal Name [Specification]
1	L/W	-
2	R	-
3	G	-
4	B	-

JRMWE1973GB

A
B
C
D
E
F
G
H
I
J
K
L
PG
N
O
P

POWER SUPPLY ROUTING CIRCUIT

< WIRING DIAGRAM >

BATTERY POWER SUPPLY

Connector No.	B85
Connector Name	WIRE TO WIRE
Connector Type	NS08MW-CS



Terminal No.	Color Of Wire	Signal Name [Specification]
2	LG	-
3	G	-
5	W	-
8	R	-

Connector No.	B81
Connector Name	RECLINING SWITCH LH
Connector Type	TK06FW-TV



Terminal No.	Color Of Wire	Signal Name [Specification]
1	G	DOWN
2	R/L	UP
3	Y	GND

Connector No.	B201
Connector Name	WIRE TO WIRE
Connector Type	TH08MW-CS16-TM4



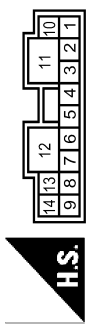
Terminal No.	Color Of Wire	Signal Name [Specification]
1	R/B	-
2	G	-
3	W	-
5	W/B	-
6	L/Y	-
7	B	-
8	GR	-
9	GR/R	-
11	W	-
12	V	-
13	Y	-
16	L/O	-
17	GR/L	-
18	R/G	-
19	L/Y	-
20	G/Y	-
21	R	-
22	GR	-
27	L/W	-
29	W	-
30	R/L	-
31	Y/L	-
32	W/R	-
33	W/G	-
34	L/R	-
36	G	-
37	V	-
38	SHIELD	-
39	P/B	-
40	W/R	-
41	R	-
42	L	-
43	B/W	-
44	B	-
45	B	-
46	SHIELD	-

Terminal No.	Color Of Wire	Signal Name [Specification]
47	R	-
48	W	-
49	SHIELD	-
50	V	-
51	L/B	-
52	L/R	-
53	S/B	-
54	V/W	-
59	L	-
60	GR	-
61	P/L	-
62	B/SB	-
63	R/Y	-
64	BR	-
70	O	-
71	W	-
72	SHIELD	-
73	B	-
74	R	-
75	G	-
76	Y	-
77	S/B	-
78	LG	-
79	R/B	-
90	W/B	-
93	Y	-
94	L	-
95	L/R	-
96	R	-
97	W	-
98	V	-
99	L/W	-
100	W	-

Connector No.	B205
Connector Name	WIRE TO WIRE
Connector Type	NS06MW-CS



Terminal No.	Color Of Wire	Signal Name [Specification]
1	W	-
2	G	-
3	L	-
4	R	-
6	L	-



Connector No.	B229
Connector Name	BOSE AMP.
Connector Type	SGA12FBR-SJA2

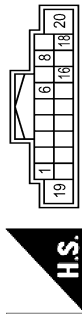
Terminal No.	Color Of Wire	Signal Name [Specification]
1	L/W	SOUND SIGNAL FRONT DOOR SPEAKER RH (+) [With 13-speakers]
1	R/B	SOUND SIGNAL SQUAREWEEPER LH (+) [With 13-speakers]
2	L	SOUND SIGNAL FRONT DOOR SPEAKER RH (-) [With 13-speakers]
2	W/B	SOUND SIGNAL SQUAREWEEPER LH (-) [With 13-speakers]
3	O	SOUND SIGNAL SQUAREWEEPER RH (+) [With 13-speakers]
3	W	SOUND SIGNAL WOOFER (+) [With 15-speakers]
4	L	SOUND SIGNAL SQUAREWEEPER RH (-) [With 13-speakers]
4	L	SOUND SIGNAL WOOFER (-) [With 15-speakers]
5	R	SOUND SIGNAL FRONT DOOR SPEAKER LH (+)
5	V	SOUND SIGNAL FRONT DOOR SPEAKER LH (-)
6	Y	GND
7	B	GND
8	R	SOUND SIGNAL WOOFER (-)
8	R	SOUND SIGNAL REAR DOOR SPEAKER RH (+) [With 13-speakers]
9	O	SOUND SIGNAL SQUAREWEEPER RH (-) [With 15-speakers]
10	R	BATTERY [With 13-speakers]
10	W/B	BATTERY [With 15-speakers]
11	R	BATTERY [With 13-speakers]
11	W/B	BATTERY [With 15-speakers]
12	B	GND
13	W	SOUND SIGNAL WOOFER (+)
14	L	SOUND SIGNAL SQUAREWEEPER RH (+) [With 15-speakers]
14	V	SOUND SIGNAL REAR DOOR SPEAKER RH (-) [With 13-speakers]

POWER SUPPLY ROUTING CIRCUIT

< WIRING DIAGRAM >

BATTERY POWER SUPPLY

Connector No.	B231
Connector Name	PRE-SEAT BELT CONTROL UNIT (PASSENGER SIDE)
Connector Type	TH8FM-CS2



Terminal No.	Color Of Wire	Signal Name [Specification]
1	Y	SIG BAT
6	LG/B	BUCKLE SW RH NO
8	W	LOCAL COMM 2
16	W	LOCAL COMM 1
18	B	SIG GND
19	W	MOTOR BAT
20	B	MOTOR GND

Connector No.	B232
Connector Name	REAR COMBINATION LAMP RH
Connector Type	NSMFM-CS



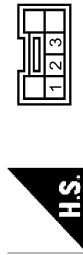
Terminal No.	Color Of Wire	Signal Name [Specification]
1	L/W	-
2	R	-
3	GY	-
4	B	-

Connector No.	B233
Connector Name	FOLD DOWN SWITCH LH
Connector Type	TK08FW



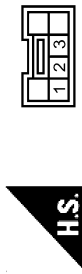
Terminal No.	Color Of Wire	Signal Name [Specification]
1	G	DOWN
2	R/L	UP
3	Y	GND

Connector No.	B247
Connector Name	FOLD DOWN SWITCH RH
Connector Type	TK08FW-TV



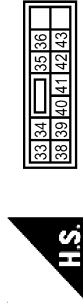
Terminal No.	Color Of Wire	Signal Name [Specification]
1	P	-
2	R/L	-
3	Y	-

Connector No.	B250
Connector Name	RECLINING SWITCH RH
Connector Type	TK08FM-TV



Terminal No.	Color Of Wire	Signal Name [Specification]
1	P	-
2	R/L	-
3	Y	-

Connector No.	B452
Connector Name	DRIVER SEAT CONTROL UNIT
Connector Type	NS2FM-CS



Terminal No.	Color Of Wire	Signal Name [Specification]
33	R	BAT
34	B	SLIDE MOTOR (BACKWARD)
35	G	RECLINER MOTOR (FORWARD)
36	L	FRONT LIFTER MOTOR (DOWNWARD)
38	GR	SLIDE MOTOR (FORWARD)
39	Y	RECLINER MOTOR (BACKWARD)
40	W	FRONT LIFTER MOTOR (UPWARD)
41	V	REAR LIFTER MOTOR (UPWARD)
42	P/B	REAR LIFTER MOTOR (DOWNWARD)
43	LG	GND

Connector No.	B457
Connector Name	LUMBAR SUPPORT SWITCH (DRIVER SIDE)
Connector Type	NSMFM-CS



Terminal No.	Color Of Wire	Signal Name [Specification]
33	R	-
43	LG	-
45	P	-
46	BR	-

Connector No.	B485
Connector Name	POWER UNLOCK RELAY LH
Connector Type	24342 41B7A



Terminal No.	Color Of Wire	Signal Name [Specification]
1	G	-
2	B	-
3	Y	-
5	R	-

A
B
C
D
E
F
G
H
I
J
K
L
N
O
P

PG

POWER SUPPLY ROUTING CIRCUIT

< WIRING DIAGRAM >

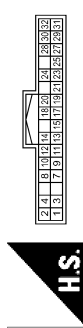
BATTERY POWER SUPPLY

Connector No.	B495
Connector Name	POWER UNLOCK RELAY RH
Connector Type	MS03FB-M2



Terminal No.	Color Of Wire	Signal Name [Specification]
1	G	-
2	B	-
3	Y	-
5	R	-

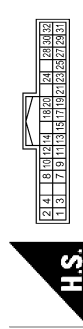
Connector No.	B554
Connector Name	HEADREST DISPLAY UNIT LH
Connector Type	TH32FW-NH



Terminal No.	Color Of Wire	Signal Name [Specification]
1	L	GND
2	V	BAT
3	GR	BAT
4	L/R	BAT
10	L/B	LOCATION/RECORD SIGNAL FOR HEADREST DISPLAY UNIT LH
11	B	AV COMM (H)
12	G	AV COMM (H)
13	R	AV COMM (L)
14	W	AV COMM (L)
15	SHIELD	SHIELD
18	W/R	ACC SIGNAL
19	L/Y	CONT. GND
20	W/L	IMAGE SWITCH SIGNAL
23	R/L	COMPOSITE IMAGE SIGNAL GND
24	Y	COMPOSITE IMAGE SIGNAL
25	SHIELD	SHIELD

27	R/W	AV GND
28	SHIELD	SHIELD
29	BR	HEADPHONE SOUND SIGNAL RH (-)
30	P	HEADPHONE SOUND SIGNAL RH (+)
31	LG	HEADPHONE SOUND SIGNAL LH (-)
32	SB	HEADPHONE SOUND SIGNAL LH (+)

Connector No.	B574
Connector Name	HEADREST DISPLAY UNIT RH
Connector Type	TH32FW-NH



Terminal No.	Color Of Wire	Signal Name [Specification]
1	L	GND
2	V	BAT
3	GR	BAT
4	L/R	BAT
9	BR	LOCATION/RECORD SIGNAL FOR HEADREST DISPLAY UNIT RH
11	B	AV COMM (H)
12	G	AV COMM (H)
13	R	AV COMM (L)
14	W	AV COMM (L)
15	SHIELD	SHIELD
18	W/R	ACC SIGNAL
19	L/Y	CONT. GND
20	W/L	IMAGE SWITCH SIGNAL
23	R/L	COMPOSITE IMAGE SIGNAL GND
24	Y	COMPOSITE IMAGE SIGNAL
25	SHIELD	SHIELD
27	R/W	AV GND
28	SHIELD	SHIELD
29	BR	HEADPHONE SOUND SIGNAL RH (-)
30	P	HEADPHONE SOUND SIGNAL RH (+)
31	LG	HEADPHONE SOUND SIGNAL LH (-)
32	SB	HEADPHONE SOUND SIGNAL LH (+)

Connector No.	B593
Connector Name	UP RELAY 2 RH
Connector Type	MS03FB-M2



Terminal No.	Color Of Wire	Signal Name [Specification]
1	G	-
2	B	-
3	R	-
4	W	-

Connector No.	B595
Connector Name	DOWN RELAY 2 RH
Connector Type	MS03FB-M2



Terminal No.	Color Of Wire	Signal Name [Specification]
1	R/L	-
2	B	-
3	R	-
4	P	-

Connector No.	B583
Connector Name	UP RELAY 2 LH
Connector Type	MS03FB-M2



Terminal No.	Color Of Wire	Signal Name [Specification]
1	G	-
2	B	-
3	R	-
4	W	-

Connector No.	B585
Connector Name	DOWN RELAY 2 LH
Connector Type	MS03FB-M2



Terminal No.	Color Of Wire	Signal Name [Specification]
1	R/L	-
2	B	-
3	R	-
4	P	-

POWER SUPPLY ROUTING CIRCUIT

< WIRING DIAGRAM >

BATTERY POWER SUPPLY

Connector No.	C18
Connector Name	EVAP CANISTER CONTROL VALVE
Connector Type	E02FB-RS



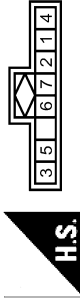
Terminal No.	Color Of Wire	Signal Name [Specification]
1	V	-
2	Y	-

Connector No.	D10
Connector Name	MOOD LAMP FRONT DOOR GRP (DRIVER SIDE)
Connector Type	TK02FGY



Terminal No.	Color Of Wire	Signal Name [Specification]
1	L/O	-
2	B	-

Connector No.	D13
Connector Name	SEAT MEMORY SWITCH
Connector Type	A08FW



Terminal No.	Color Of Wire	Signal Name [Specification]
1	LGB	-
2	P/L	-
3	V/W	-
4	B	-
5	L/G	-
6	GR/R	-
7	Y/G	-

Connector No.	D30
Connector Name	MOOD LAMP FRONT DOOR GRP (PASSENGER SIDE)
Connector Type	TK02FGY



Terminal No.	Color Of Wire	Signal Name [Specification]
1	L/O	-
2	B	-

Connector No.	D75
Connector Name	MOOD LAMP REAR DOOR GRIP (LH)
Connector Type	TK02FGY



Terminal No.	Color Of Wire	Signal Name [Specification]
1	L/O	-
2	B	-

Connector No.	D76
Connector Name	MOOD LAMP REAR DOOR GRIP (RH)
Connector Type	TK02FGY



Terminal No.	Color Of Wire	Signal Name [Specification]
1	L	-
2	B	-

Connector No.	D117
Connector Name	TAIL LAMP RH (BACK DOOR SIDE)
Connector Type	T02FB



Terminal No.	Color Of Wire	Signal Name [Specification]
1	L/W	-
2	B	-

Connector No.	D159
Connector Name	AUTOMATIC BACK DOOR WARNING BUZZER
Connector Type	RK02FBR



Terminal No.	Color Of Wire	Signal Name [Specification]
1	Y	-
2	L	-

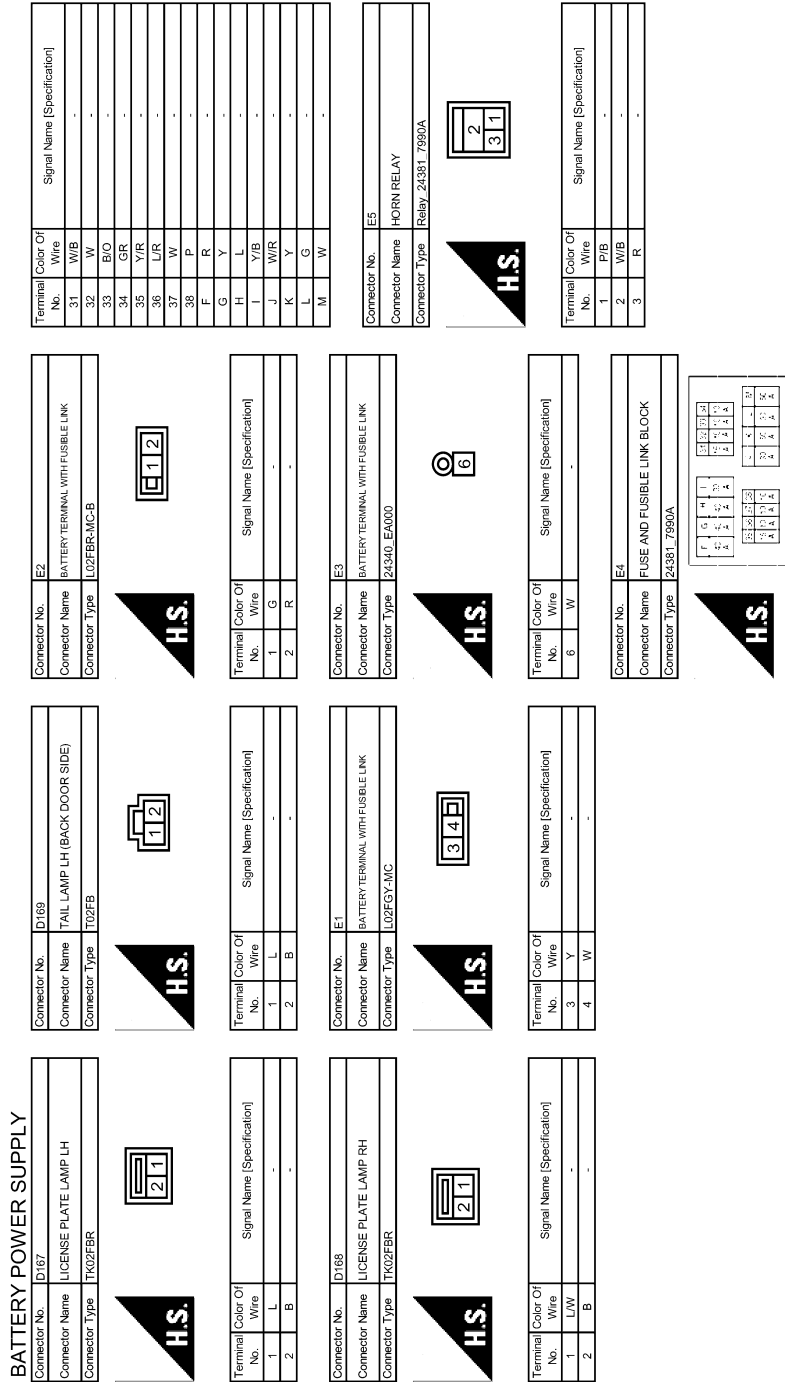
A
B
C
D
E
F
G
H
I
J
K
L
N
O
P

PG

JRMWE1977GB

POWER SUPPLY ROUTING CIRCUIT

< WIRING DIAGRAM >



POWER SUPPLY ROUTING CIRCUIT

< WIRING DIAGRAM >

BATTERY POWER SUPPLY

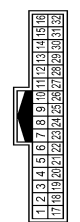
Connector No.	E6
Connector Name	IGNITION RELAY
Connector Type	24347_9F900



H.S.

Terminal No.	Color Of Wire	Signal Name [Specification]
1	SB	-
2	B	-
3	W	-
5	L	-

Connector No.	E7
Connector Name	WIRE TO WIRE
Connector Type	TH52MW-NH



H.S.

Terminal No.	Color Of Wire	Signal Name [Specification]
1	W	-
2	G	-
3	L/O	-
4	LG	-
5	W/L	-
6	G/O	-
7	L/R	-
8	LG/R	-
14	R	-
16	SB	-
17	R/W	-
18	Y/G	-
19	BR/Y	-
20	P/B	-
21	R/B	-
22	Y	-

23	BR	-
24	P/L	-
29	P	-
30	BR	-
31	L	-
32	P	-

Connector No.	E9
Connector Name	POWER INTELLIGENT POWER DISTRIBUTION MODULE (ENGINE ROOM)
Connector Type	L02FB-MC



H.S.

Terminal Color Of No.	Wire	Signal Name [Specification]
1	W	-
2	G	-

Connector No.	E10
Connector Name	POWER INTELLIGENT POWER DISTRIBUTION MODULE (ENGINE ROOM)
Connector Type	M06FW-LC



H.S.

Terminal No.	Color Of Wire	Signal Name [Specification]
3	R	-
4	L	-
5	P/L	-
7	W/G	-
8	W	-

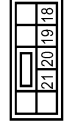
Connector No.	E11
Connector Name	POWER INTELLIGENT POWER DISTRIBUTION MODULE (ENGINE ROOM)
Connector Type	M06FBL-C



H.S.

Terminal No.	Color Of Wire	Signal Name [Specification]
9	B	-
14	L	-

Connector No.	E12
Connector Name	POWER INTELLIGENT POWER DISTRIBUTION MODULE (ENGINE ROOM)
Connector Type	NS08FBR-CS



H.S.

Terminal No.	Color Of Wire	Signal Name [Specification]
18	B	-
19	V	-
20	W	-
21	L	-

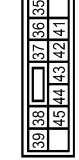
Connector No.	E13
Connector Name	POWER INTELLIGENT POWER DISTRIBUTION MODULE (ENGINE ROOM)
Connector Type	TH12FM-NH



H.S.

Terminal No.	Color Of Wire	Signal Name [Specification]
23	GR/R	-
24	W/G	-
25	L/Y	-
26	P	-
27	L	-
30	R/W	-
32	LG	-
33	R	-
34	G	-

Connector No.	E14
Connector Name	POWER INTELLIGENT POWER DISTRIBUTION MODULE (ENGINE ROOM)
Connector Type	NS12FBR-CS



H.S.

Terminal No.	Color Of Wire	Signal Name [Specification]
35	W	-
36	V	-
37	L	-
38	Y	-
39	L/B	-
41	L/G	-
42	L	-
43	LG	-
44	L/W	-
45	Y/R	-

A
B
C
D
E
F
G
H
I
J
K
L
M
N
O
P

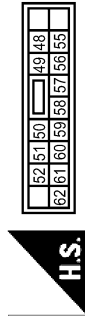
PG

POWER SUPPLY ROUTING CIRCUIT

< WIRING DIAGRAM >

BATTERY POWER SUPPLY

Connector No.	E19
Connector Name	IPOMER INTELLIGENT POWER DISTRIBUTION MODULE (ENGINE ROOM)
Connector Type	NS16FW-CS



Terminal No.	Color Of Wire	Signal Name [Specification]
48	BR	-
49	R	-
50	LG/B	-
51	BR/Y	-
52	W	-
55	O	-
56	L	-
57	V	-
58	BR/R	-
59	WB	-
60	V/R	-
61	W	-
62	SB	-

Connector No.	E18
Connector Name	CLIMATE CONTROLLED SEAT RELAY
Connector Type	M06FRR-L-C



Terminal No.	Color Of Wire	Signal Name [Specification]
1	B	-
2	GR	-
3	L	-
5	LG	-
6	G	-
7	O	-

Connector No.	E25
Connector Name	INTELLIGENT KEY WARNING BUZZER
Connector Type	RK03FBR



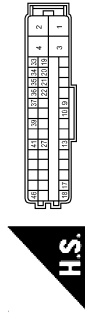
Terminal No.	Color Of Wire	Signal Name [Specification]
1	Y	-
3	GR/R	BUZZER SIGNAL

Connector No.	E30
Connector Name	FRONT FOG LAMP LH
Connector Type	FH202FB



Terminal No.	Color Of Wire	Signal Name [Specification]
1	W	-
2	B	-

Connector No.	E36
Connector Name	ABS ACTUATOR AND ELECTRIC UNIT (CONTROL UNIT)
Connector Type	SA242FB-SJ24



Terminal No.	Color Of Wire	Signal Name [Specification]
1	G	BAT
2	B	GND
3	B	GND
4	W	MOTOR SUPPLY
8	R/B	WAVE RATE (ELECTRIC LOCK SENSOR COMBINATION SW)
10	R/B	WAVE RATE (ELECTRIC LOCK SENSOR COMBINATION SW)
13	GR	BRAKE FLUID LEVEL SW
17	L/R	STP2
18	WB	IGN
19	O	DS FR
20	SB	DP FL
21	RO	DS RR
22	V	DP RL
27	P	CANL
33	LG	DP FR
34	G	DS FL
35	BR	DP RR
36	P	DS RL
37	R	STP
39	L/W	VDC OFF SW
41	L	CAN-H
46	W	STOP LAMP SW ON

Connector No.	E37
Connector Name	ABS ACTUATOR AND ELECTRIC UNIT (CONTROL UNIT)
Connector Type	SA202FB-SJ22



Terminal No.	Color Of Wire	Signal Name [Specification]
47	W	MTR POWER-2
48	B	GND_3
49	O	IGN2

Connector No.	E48
Connector Name	FRONT FOG LAMP RH
Connector Type	FH202FB



Terminal No.	Color Of Wire	Signal Name [Specification]
1	V	-
2	B	-

JRMWE1980GB

POWER SUPPLY ROUTING CIRCUIT

< WIRING DIAGRAM >

BATTERY POWER SUPPLY

Connector No.	E51
Connector Name	HEAD-LAMP WASHER RELAY
Connector Type	MS02FL-M2-LC



Terminal No.	Color Of Wire	Signal Name [Specification]
1	G	-
2	W	-
3	G	-
5	GR	-

Connector No.	E52
Connector Name	BACK-UP LAMP RELAY
Connector Type	M06FBR-R-LC



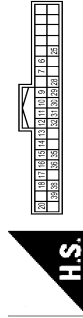
Terminal No.	Color Of Wire	Signal Name [Specification]
1	V	-
2	R	-
3	W/B	-
5	Y/L	-
6	V	-
7	R/Y	-

Connector No.	E58
Connector Name	STOP LAMP RELAY
Connector Type	MS02FL-M2-LC



Terminal No.	Color Of Wire	Signal Name [Specification]
1	W/B	-
2	W	-
3	L/B	-
5	R	-

Connector No.	E59
Connector Name	TRANSFER CONTROL UNIT
Connector Type	TH40FW-NH



Terminal No.	Color Of Wire	Signal Name [Specification]
6	BR	H-LO POSITION SEN 1
7	Y	TRANSFER FLUID TEMP SEN PWR SUPPLY
9	G	INTERNAL SPEED SEN GND
10	Y/G	INTERNAL SPEED SEN IMP
11	V	4L SW
12	L	CANH
13	P	CANL
14	W/R	AUTO SW
15	P/B	ROTARY POSITION SEN PWM
16	L/G	ROTARY POSITION SEN GND
17	W/L	LOCK POSITION SEN PWR SUPPLY
18	BR/Y	ROTARY POSITION SEN PWR SUPPLY
20	GR	TRANSFER CLUPWR SUPPLY
25	P/L	H-LO POSITION SEN 3
26	W	MOTOR TEMP-SEN PWR SUPPLY
28	LGR	H-LO POSITION SEN 2

30	R/B	LOCK POSITION SEN GND
31	L/O	INTERNAL SPEED SEN DIR
32	BR/R	IGN
35	R	4H SW
36	L/R	TRANSFER FLUID TEMP SEN GND
38	G/O	LOCK POSITION SEN SIGNAL
39	R/W	INTERNAL SPEED SEN PWR SUPPLY

Connector No.	E60
Connector Name	TRANSFER CONTROL UNIT
Connector Type	M06FW-LC



Terminal No.	Color Of Wire	Signal Name [Specification]
41	W/R	MOTOR PWR SUPPLY
43	GR	MOTOR DRIVE B
44	B	GND
45	G/Y	MOTOR DRIVE A
46	B	MOTOR GND

Connector No.	E61
Connector Name	WIRE TO WIRE
Connector Type	RH8MB



Terminal No.	Color Of Wire	Signal Name [Specification]
1	W	-
2	B	-
3	L/B	-
4	L/Y	-
5	W/G	-
7	V	-

8	B/W	-
---	-----	---

Connector No.	E62
Connector Name	WHEEL ACTUATOR MOTOR RELAY
Connector Type	24347_9F900



Terminal No.	Color Of Wire	Signal Name [Specification]
1	W	-
2	BR/Y	-
3	W	-
5	R	-

Connector No.	E64
Connector Name	ICC BRAKE HOLD RELAY
Connector Type	MS02FL-M2-LC



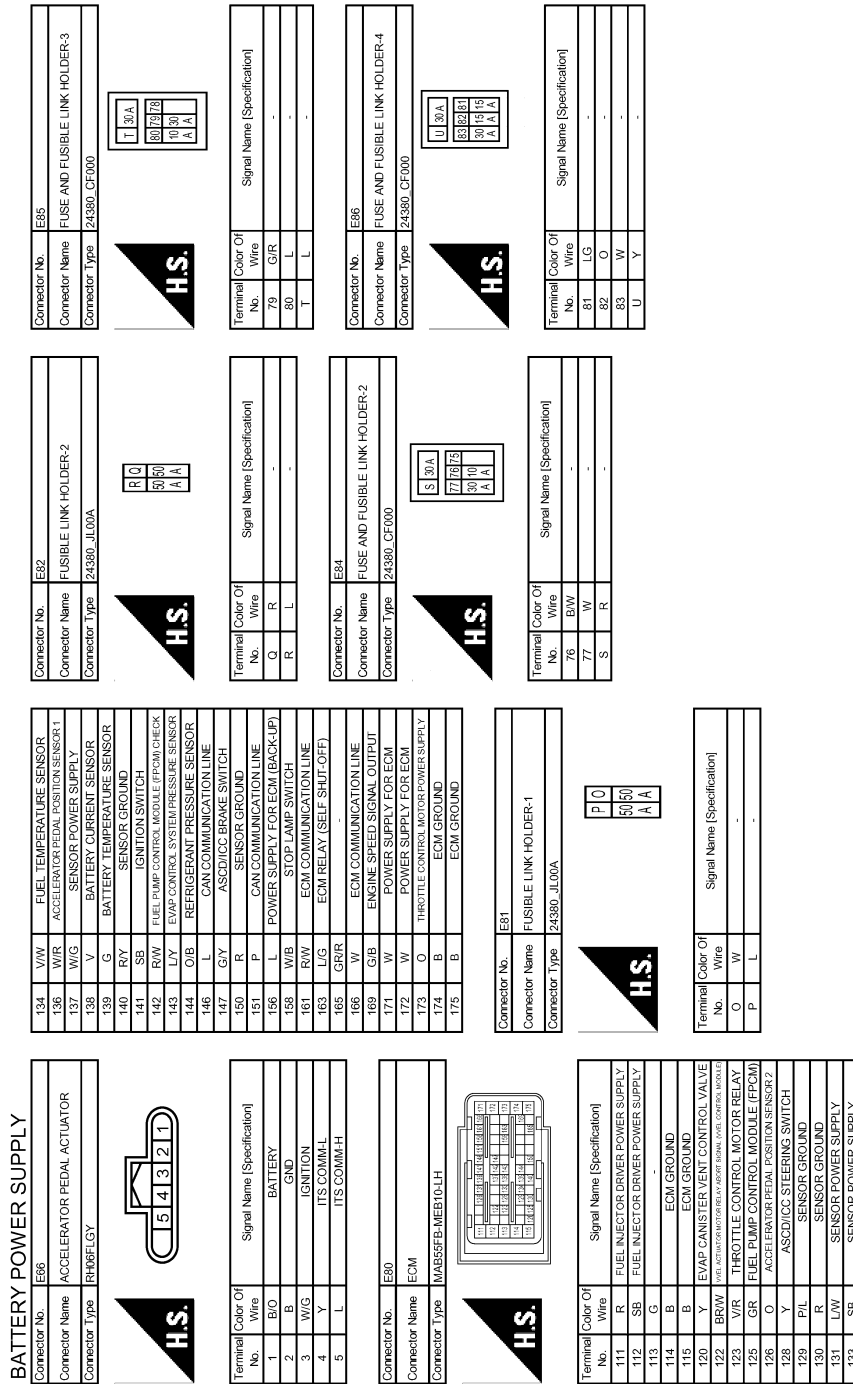
Terminal No.	Color Of Wire	Signal Name [Specification]
1	W/G	-
2	R	-
3	L/B	-
5	R	-

A
B
C
D
E
F
G
H
I
J
K
L
N
O
P

PG

POWER SUPPLY ROUTING CIRCUIT

< WIRING DIAGRAM >



JRMWE1982GB

POWER SUPPLY ROUTING CIRCUIT

< WIRING DIAGRAM >

BATTERY POWER SUPPLY

Connector No. E100	HEATED STEERING WHEEL RELAY	Connector No. E102	FUSE BLOCK (J/B)	Connector No. E104	FUSE BLOCK (J/B)
Connector Name MS02FL-M2-LC	WIRE TO WIRE	Connector Name M02FB-LC	M02FB-LC	Connector Name NS12FBR-CS	NS12FBR-CS
Connector Type MS02FL-M2-LC	NS06FW-CS	Connector Type M02FB-LC	M02FB-LC	Connector Type NS12FBR-CS	NS12FBR-CS
H.S.	H.S.	H.S.	H.S.	H.S.	H.S.
Terminal Color Of No. Wire	Terminal Color Of No. Wire	Terminal Color Of No. Wire	Terminal Color Of No. Wire	Terminal Color Of No. Wire	Terminal Color Of No. Wire
Signal Name [Specification]	Signal Name [Specification]	Signal Name [Specification]	Signal Name [Specification]	Signal Name [Specification]	Signal Name [Specification]
1. BW	1. W	1E. Y	10G. G/R	1. L	1. L
2. BW	2. G		11G. G/R	2. L/W	2. L/W
3. BR	3. L		2S. G/R	3. R/B	3. R/B
4. BR	4. B		4G. L/W	4. L	4. L
5. BR	6. L/W			5. Y	5. Y
				7. W/G	7. W/G
				8. P/B	8. P/B
				9. W/B	9. W/B
				10. G	10. G
				11. L	11. L
				12. P	12. P
				13. P/B	13. P/B
				14. BR	14. BR
				15. L/B	15. L/B
				16. SB	16. SB
				18. BR	18. BR
Connector No. E101	FUSE BLOCK (J/B)	Connector No. E103	FUSE BLOCK (J/B)	Connector No. E105	WIRE TO WIRE
Connector Name L01FW-MC	NS06FW-CS	Connector Name NS16FW-CS	NS16FW-CS	Connector Name TH80MW-CS16-TM4	TH80MW-CS16-TM4
Connector Type L01FW-MC	NS06FW-CS	Connector Type NS16FW-CS	NS16FW-CS	Connector Type TH80MW-CS16-TM4	TH80MW-CS16-TM4
H.S.	H.S.	H.S.	H.S.	H.S.	H.S.
Terminal Color Of No. Wire	Terminal Color Of No. Wire	Terminal Color Of No. Wire	Terminal Color Of No. Wire	Terminal Color Of No. Wire	Terminal Color Of No. Wire
Signal Name [Specification]	Signal Name [Specification]	Signal Name [Specification]	Signal Name [Specification]	Signal Name [Specification]	Signal Name [Specification]
1D. R	10F. G	14F. Y	15F. G	1. L	1. L
	14F. Y		1F. W/B	2. L/W	2. L/W
	15F. G		2F. R	3. R/B	3. R/B
	1F. W/B		4F. G	4. L	4. L
	2F. R		6F. Y/G	5. Y	5. Y
	4F. G		8F. L/B	7. W/G	7. W/G
	6F. Y/G		9F. Y	8. P/B	8. P/B
	8F. L/B			9. W/B	9. W/B
	9F. Y			10. G	10. G
				11. L	11. L
				12. P	12. P
				13. P/B	13. P/B
				14. BR	14. BR
				15. L/B	15. L/B
				16. SB	16. SB
				18. BR	18. BR

JRMWE1983GB

A
B
C
D
E
F
G
H
I
J
K
L
N
O
P

PG

POWER SUPPLY ROUTING CIRCUIT

< WIRING DIAGRAM >

BATTERY POWER SUPPLY

19	Y/G	-
20	BR/Y	-
21	Y/V	-
22	L	-
23	Y	-
24	L/W	-
28	O	-
29	R/W	-
30	L/B	-
31	Y	-
32	GR/R	-
34	Y	-
35	R	-
36	B/R	-
37	G/Y	-
38	G	-
40	SB	-
41	W/R	-
42	R	-
43	Y	-
51	L/O	-
52	BR/W	-
53	BR/Y	-
54	GR/L	-
60	W	-
61	B	-
62	R	-
63	G	-
64	SHIELD	-
91	BR	-
92	L/W	-
94	Y/B	-
95	G/R	-
97	R	-
98	G/B	-
100	W/R	-

Connector No.	E107
Connector Name	WIRE TO WIRE
Connector Type	TH80MW-CS16-TM4



Terminal No.	Color Of Wire	Signal Name [Specification]
1	L	-
4	V/W	-
5	G/R	-
6	P	-
8	GR/L	-
10	Y/R	-
11	L/R	-
12	W/G	-
13	BR/Y	-
14	LG	-
15	BR/W	-
16	BY	-
17	WB	-
18	GR/R	-
20	W/R	-
21	B	-
22	R/L	-
23	G/R	-
24	R/W	-
25	W/L	-
26	R	-
27	L	-
28	G/B	-
35	G	-
36	Y	-
37	R	-
38	G/Y	-
39	O	-
40	W	-
41	R	-
42	B	-
43	G	-
44	SHIELD	-
46	B	-
47	W	-
48	SHIELD	-

49	W	-
50	SHIELD	-
51	Y/R	-
52	GR	-
53	LG/B	-
54	LG/R	-
55	R/G	-
56	B/R	-
57	SB	-
60	G	-
61	B	-
62	W	-
63	R	-
64	SHIELD	-
65	L/Y	-
66	V	-
67	B/W	-
81	G/R	-
85	SP	-
86	GR	-
87	GR/L	-
98	G/W	-
99	R/Y	-
100	L	-



Terminal No.	Color Of Wire	Signal Name [Specification]
1	B	-
2	V	-
3	SB	-
5	Y/B	-

Connector No.	E118
Connector Name	FRONT COMBINATION LAMP LH
Connector Type	RS88FB-PR



Terminal No.	Color Of Wire	Signal Name [Specification]
1	B	-
2	B	-
3	B	-
4	LG	-
5	BR/Y	-
6	LG/B	-
7	LG	-
8	G	-

49	W	-
50	SHIELD	-
51	Y/R	-
52	GR	-
53	LG/B	-
54	LG/R	-
55	R/G	-
56	B/R	-
57	SB	-
60	G	-
61	B	-
62	W	-
63	R	-
64	SHIELD	-
65	L/Y	-
66	V	-
67	B/W	-
81	G/R	-
85	SP	-
86	GR	-
87	GR/L	-
98	G/W	-
99	R/Y	-
100	L	-



49	W	-
50	SHIELD	-
51	Y/R	-
52	GR	-
53	LG/B	-
54	LG/R	-
55	R/G	-
56	B/R	-
57	SB	-
60	G	-
61	B	-
62	W	-
63	R	-
64	SHIELD	-
65	L/Y	-
66	V	-
67	B/W	-
81	G/R	-
85	SP	-
86	GR	-
87	GR/L	-
98	G/W	-
99	R/Y	-
100	L	-

Connector No.	E115
Connector Name	STOP LAMP SWITCH
Connector Type	M04FW-LC



Terminal No.	Color Of Wire	Signal Name [Specification]
1	L/B	-
2	R	-
3	G	-
4	L/R	-

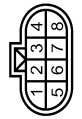
JRMWE1984GB

POWER SUPPLY ROUTING CIRCUIT

< WIRING DIAGRAM >

BATTERY POWER SUPPLY

Connector No.	E119
Connector Name	FRONT COMBINATION LAMP RH
Connector Type	RS08FB-FR



Terminal No.	Color Of Wire	Signal Name [Specification]
1	B	-
2	B	-
3	B	-
4	L	-
5	W	-
6	R	-
7	L	-
8	G/Y	-

Connector No.	E124
Connector Name	VEHICLE SECURITY HORN RELAY
Connector Type	M03FW-R-LC



Terminal No.	Color Of Wire	Signal Name [Specification]
1	L/R	-
2	R	-
3	P/B	-

Connector No.	E127
Connector Name	FUSE AND FUSIBLE LINK HOLDER-5
Connector Type	24380_CF000



Terminal No.	Color Of Wire	Signal Name [Specification]
84	L	-
85	W/B	-
86	BR	-
V	R	-

Connector No.	E128
Connector Name	TRAILER TAIL LAMP RELAY
Connector Type	MS02FL-M2-LC



Terminal No.	Color Of Wire	Signal Name [Specification]
1	L/W	-
2	B	-
3	R/G	-
5	BR	-

Connector No.	E129
Connector Name	TRAILER TURN SIGNAL LAMP RELAY LH
Connector Type	MS02FL-M2-LC



Terminal No.	Color Of Wire	Signal Name [Specification]
1	G/B	-
2	L	-
3	L	-
5	GW	-

Connector No.	E130
Connector Name	TRAILER TURN SIGNAL LAMP RELAY RH
Connector Type	MS02FL-M2-LC



Terminal No.	Color Of Wire	Signal Name [Specification]
1	Y/B	-
2	L	-
3	L	-
5	Y/G	-

Connector No.	E131
Connector Name	TRAILER POWER RELAY
Connector Type	M08FBR-R-LC



Terminal No.	Color Of Wire	Signal Name [Specification]
1	V	-
2	B	-
3	Y	-
4	R	-
5	Y	-
6	W	-
7	L/W	-

Connector No.	E132
Connector Name	INJECTOR RELAY
Connector Type	MS02FL-M2-LC



Terminal No.	Color Of Wire	Signal Name [Specification]
1	W	-
2	B	-
3	G	-
5	SB	-

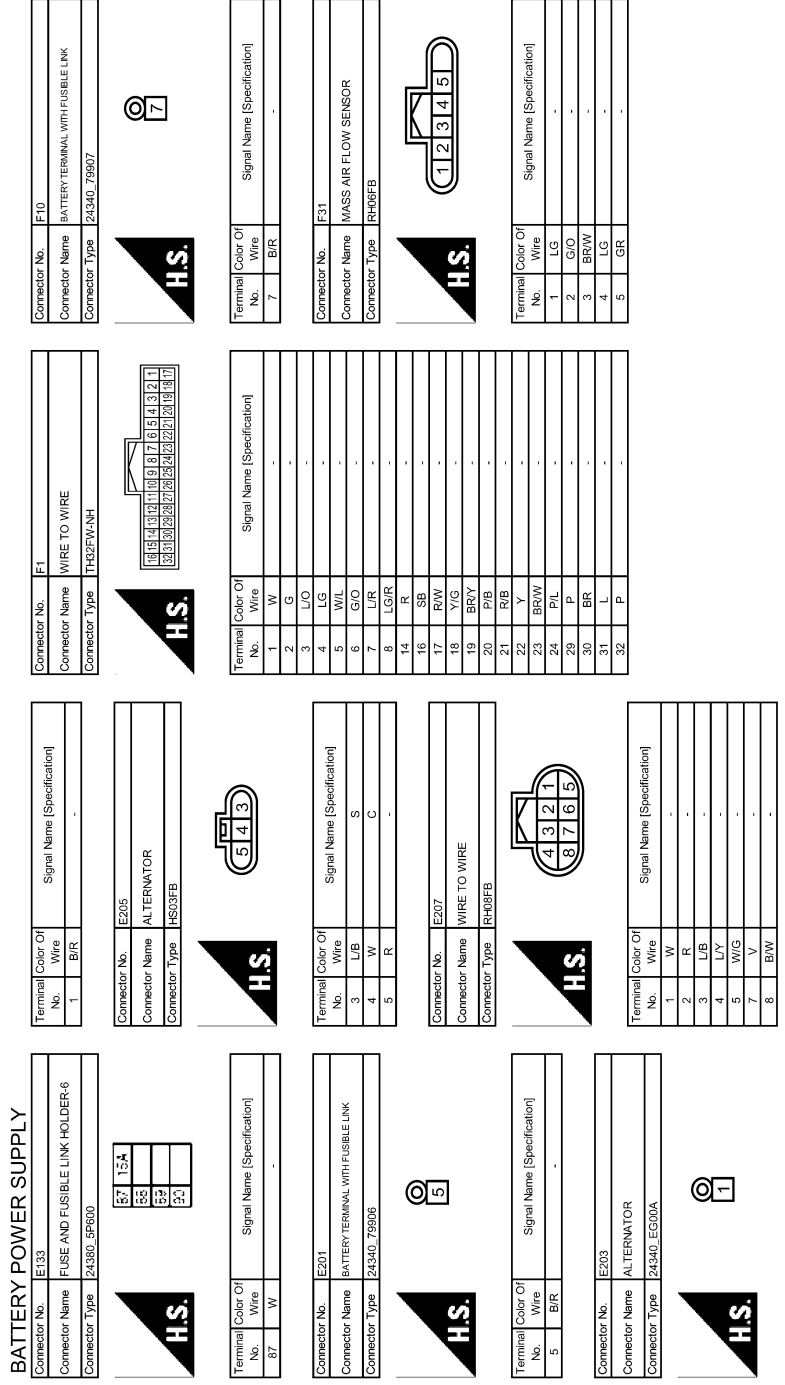
A
B
C
D
E
F
G
H
I
J
K
L
N
O
P

PG

JRMWE1985GB

POWER SUPPLY ROUTING CIRCUIT

< WIRING DIAGRAM >



JRMWE1986GB

POWER SUPPLY ROUTING CIRCUIT

< WIRING DIAGRAM >

BATTERY POWER SUPPLY

Connector No.	F47
Connector Name	A/T ASSEMBLY
Connector Type	RK10FG



Terminal No.	Color Of Wire	Signal Name (Specification)
1	LG/B	-
2	V	-

Connector No.	F48
Connector Name	INJECTOR CHAMBER PARVE VOLUME CONTROL SOLENOID VALVE
Connector Type	HS02FL



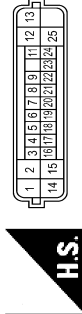
Terminal No.	Color Of Wire	Signal Name (Specification)
1	W	-
2	V/W	-

Connector No.	F51
Connector Name	A/T ASSEMBLY
Connector Type	RK10FG



Terminal No.	Color Of Wire	Signal Name (Specification)
1	V	IGNITION POWER SUPPLY
2	P	BATTERY POWER SUPPLY
3	L	CAN/H
4	SB	K-CLINE
5	B	GROUND
6	V	IGNITION POWER SUPPLY
7	R	BACK-UP LAMP RELAY
8	P	CAN/L
9	BR	STARTER RELAY
10	B	GROUND

Connector No.	F56
Connector Name	VVEL CONTROL MODULE
Connector Type	RH18FB-AJ28-RHS



Terminal No.	Color Of Wire	Signal Name (Specification)
1	R	VVEL ACTUATOR MOTOR POWER SUPPLY (BANK 2)
2	L/W	VVEL ACTUATOR MOTOR (HIGH LIFT) (BANK 2)
3	W	VVEL CONTROL SHFT POSITION SENSOR 1 (BANK 1)
4	L/W	SENSOR GROUND
5	L/R	VVEL CONTROL SHFT POSITION SENSOR 1 (BANK 2)
6	R	SENSOR GROUND
7	B	SENSOR POWER SUPPLY
8	W/L	POWER SUPPLY FOR VVEL CONTROL MODULE
9	L	SENSOR POWER SUPPLY
11	W	ENG COMMUNICATION LINE

12	L/W	VVEL ACTUATOR MOTOR (HIGH LIFT) (BANK 1)
13	R	VVEL ACTUATOR MOTOR POWER SUPPLY (BANK 1)
14	B	VVEL CONTROL MODULE GROUND
15	L/B	VVEL ACTUATOR MOTOR (LOW LIFT) (BANK 2)
16	L/R	VVEL CONTROL SHFT POSITION SENSOR 2 (BANK 1)
17	O	SENSOR GROUND
18	W/L	VVEL CONTROL SHFT POSITION SENSOR 2 (BANK 2)
19	L	SENSOR GROUND
20	L/W	SENSOR POWER SUPPLY
21	BR/W	VVEL ACTUATOR MOTOR RELAY ADJUST SIGNAL LED+V
22	W	SENSOR POWER SUPPLY
23	BR/Y	VVEL CONTROL MOTOR RELAY
24	RAW	ENG COMMUNICATION LINE
25	L/B	VVEL ACTUATOR MOTOR (LOW LIFT) (BANK 1)



Terminal No.	Color Of Wire	Signal Name (Specification)
2	L/W	-
3	B	-
4	W	-
5	V	-
6	R	-

Connector No.	F57
Connector Name	STARTER MOTOR
Connector Type	E-B48



Terminal No.	Color Of Wire	Signal Name (Specification)
2	SB	-
3	L/R	-
4	L/W	-
5	V	-
6	L	-

Connector No.	F57
Connector Name	STARTER MOTOR
Connector Type	E-B48



Terminal No.	2	Color Of Wire	BR	Signal Name (Specification)	-
--------------	---	---------------	----	-----------------------------	---



Connector No.	F61
Connector Name	THROTTLE VALVE TIMING CONTROL SOLENOID VALVE (BANK 2)
Connector Type	E02ZFG-RS



Terminal No.	Color Of Wire	Signal Name (Specification)
1	G/R	-
2	V	-

Connector No.	F67
Connector Name	AIR FUEL RATIO (A/F) SENSOR 1 (BANK 1)
Connector Type	AFZ06FB



Terminal No.	Color Of Wire	Signal Name (Specification)
2	L/W	-
3	B	-
4	W	-
5	V	-
6	R	-

Connector No.	F68
Connector Name	AIR FUEL RATIO (A/F) SENSOR 1 (BANK 2)
Connector Type	AFZ06FB



Terminal No.	Color Of Wire	Signal Name (Specification)
2	SB	-
3	L/R	-
4	L/W	-
5	V	-
6	L	-

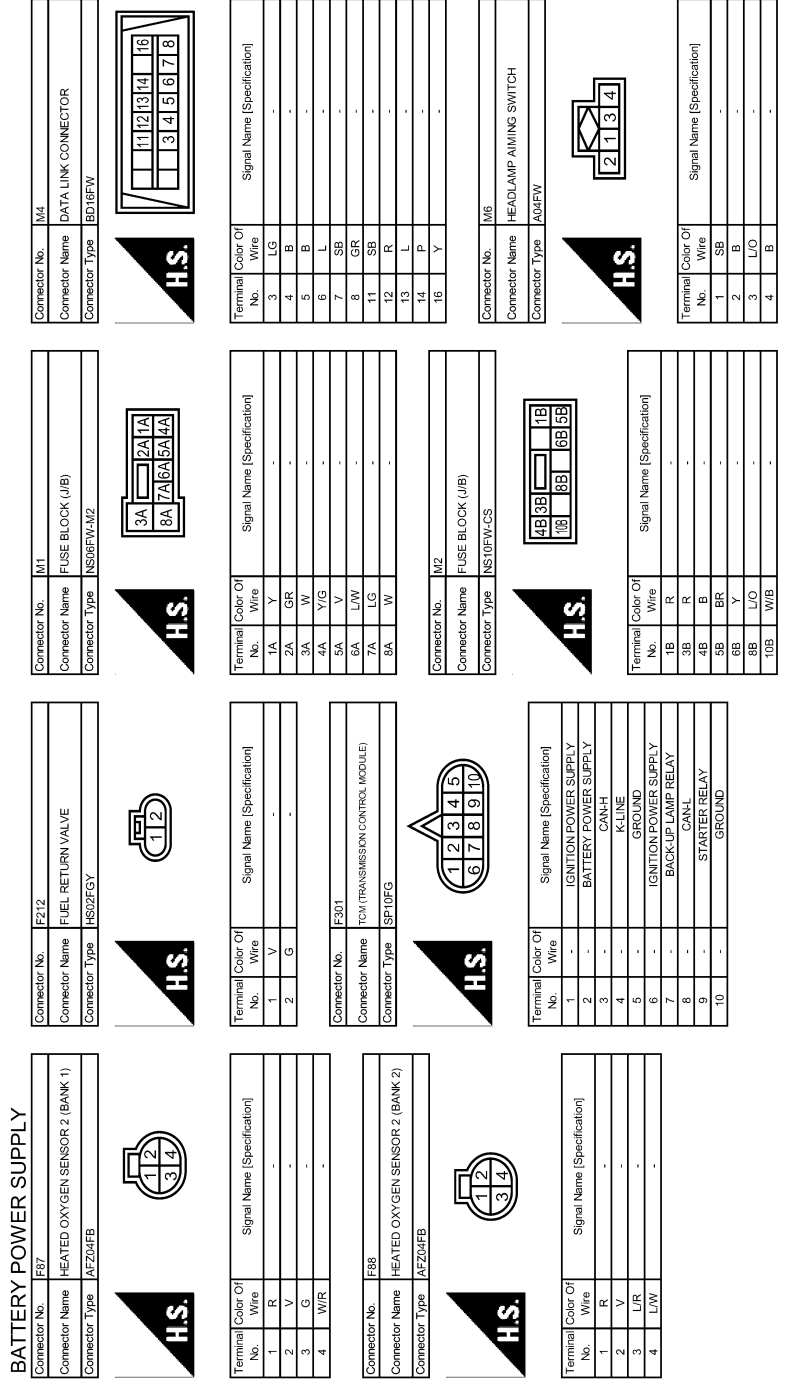
JRMWE1987GB

A
B
C
D
E
F
G
H
I
J
K
L
N
O
P

PG

POWER SUPPLY ROUTING CIRCUIT

< WIRING DIAGRAM >



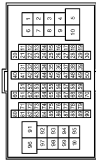
JRMWE1988GB

POWER SUPPLY ROUTING CIRCUIT

< WIRING DIAGRAM >

BATTERY POWER SUPPLY

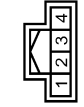
Connector No.	M19
Connector Name	WIRES TO WIRE
Connector Type	TH80FW-CS1G-TM4



Terminal No.	Color Of Wire	Signal Name [Specification]
1	L	-
2	BR	-
3	RW	-
4	L	-
5	V	-
6	G	-
7	WB	-
8	BR	-
9	GR	-
10	BY	-
11	WR	-
12	GR	-
13	GW	-
14	V	-
15	WG	-
16	BW	-
17	V	-
18	V	-
19	WG	-
20	BW	-
21	V	-
22	V	-
24	G	-
25	O	-
26	Y	-
27	L/O	-
28	Y/R	-
29	L	-
30	R	-
31	GY	-
32	B/SB	-
33	LG/R	-
34	BR/W	-
35	GR	-
36	SB	-
37	LG	-
38	L	-
39	B	-
40	WG	-
41	O	-
42	GR	-

43	V/W	-
44	LG/B	-
45	RY	-
46	B	-
47	BR/W	-
49	GR	-
50	R/B	-
51	W/R	-
52	BR/Y	-
53	O/B	-
54	G/O	-
55	R/B	-
56	LG/R	-
57	GR	-
58	Y/G	-
59	V/W	-
60	R	-
63	B	-
64	R	-
65	W	-
66	G	-
67	SHIELD	-
69	LG/B	-
70	P/L	-
71	L	-
72	R	-
77	Y/B	-
78	Y/L	-
79	Y	-
80	W/R	-
81	Y/L	-
84	L/O	-
86	O	-
87	W/R	-
88	O	-
89	W/L	-
90	GR/L	-
91	W	-
92	G	-
94	W/R	-
96	L/W	-
97	R	-
98	V	-
99	L/W	-
100	P/B	-

Connector No.	M26
Connector Name	NATS ANTENNA-AMP.
Connector Type	TH34FM-NH



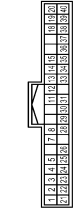
Terminal No.	Color Of Wire	Signal Name [Specification]
1	L	BAT
2	P	CLK
3	LG/R	DATA
4	B	GND

Connector No.	M32
Connector Name	COMBINATION SWITCH (SPIRAL CABLE)
Connector Type	TK06FY-EX-TV



Terminal No.	Color Of Wire	Signal Name [Specification]
23	L/O	-
28	Y	-
30	Y/R	-

Connector No.	M34
Connector Name	COMBINATION METER
Connector Type	TH40FM-NH



Terminal No.	Color Of Wire	Signal Name [Specification]
1	Y	BATTERY POWER SUPPLY
2	GR	IGNITION SIGNAL
3	B	GROUND
4	B	ILL.GND
5	B	ILL CONTROL OUTPUT
7	R	TOW MODE SIGNAL
8	P/L	TRIP RESET SWITCH SIGNAL
11	G	ENTER SWITCH SIGNAL
12	O	SELECT SWITCH SIGNAL
13	W/R	ILLUMINATION CONTROL SWITCH SIGNAL (+)
14	R	ILLUMINATION CONTROL SWITCH SIGNAL (-)
15	RW	AIR BAG SIGNAL
18	W/R	AMBIENT SENSOR SIGNAL
19	V/W	AC AUTO AMP CONNECTION RECOGNITION SIGNAL
20	B	AMBIENT SENSOR GROUND
21	L	CAN-H
22	P	CAN-L
23	B	GROUND
24	V	FUEL LEVEL SENSOR GROUND
25	O/L	ALTERNATOR SIGNAL
26	W	PARKING BRAKE SWITCH SIGNAL
28	GR/R	SECURITY SIGNAL
29	BR	WASHER LEVEL SWITCH SIGNAL
30	SB	VEHICLE SPEED SIGNAL (2-PULSE)
31	BR/W	VEHICLE SPEED SIGNAL (8-PULSE)
33	W	SNOW MODE SIGNAL
34	BR/Y	FUEL LEVEL SENSOR SIGNAL
35	O/B	SEAT BELT BUCKLE SWITCH SIGNAL (DRIVER SEAT)
36	GY	PASSENGER SEAT BELT WARNING SIGNAL
37	RY	NON-MANUAL MODE SIGNAL
38	L/W	MANUAL MODE SHIFT DOWN SIGNAL
39	Y/B	MANUAL MODE SHIFT UP SIGNAL
40	GW	MANUAL MODE SIGNAL

JRMWE1989GB

A
B
C
D
E
F
G
H
I
J
K
L
PG
N
O
P

POWER SUPPLY ROUTING CIRCUIT

< WIRING DIAGRAM >

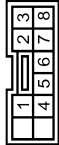
BATTERY POWER SUPPLY

Connector No.	M36
Connector Name	GLOVE BOX LAMP
Connector Type	A02FW



Terminal No.	Color Of Wire	Signal Name [Specification]
1	L/W	-
2	B	-

Connector No.	M38
Connector Name	CLIMATE CONTROLLED SEAT SWITCH (DRIVER SIDE)
Connector Type	TK10FW



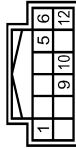
Terminal No.	Color Of Wire	Signal Name [Specification]
1	LG/R	-
2	GY	-
3	B/BS	-
4	BR/W	-
5	GR/R	-
6	B	-
7	L/W	-
8	B/O	-

Connector No.	M39
Connector Name	CLIMATE CONTROLLED SEAT SWITCH (PASSENGER SIDE)
Connector Type	TK08FBR



Terminal No.	Color Of Wire	Signal Name [Specification]
1	B/BS	-
2	GR	-
3	P/L	-
4	R/Y	-
5	BR	-
6	B	-
7	L/W	-
8	B/O	-

Connector No.	M41
Connector Name	REAR A/C CONTROL
Connector Type	TH2FW-NH



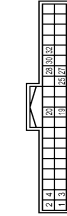
Terminal No.	Color Of Wire	Signal Name [Specification]
1	B	GND
5	L/W	ILL+
6	B/O	ILL-
9	W	RR CONT EX
10	O/L	RR CONT TX
12	GR/L	IGN

Connector No.	M45
Connector Name	HAZARD SWITCH
Connector Type	TK04FW



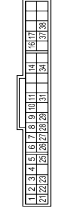
Terminal No.	Color Of Wire	Signal Name [Specification]
1	B	-
2	W	-
3	L/O	-
4	B	-

Connector No.	M48
Connector Name	AROUND VIEW MONITOR CONTROL UNIT
Connector Type	TH40FW-NH



Terminal No.	Color Of Wire	Signal Name [Specification]
1	B	GND
2	Y/G	BATTERY POWER SUPPLY
3	GR/L	IGNITION SIGNAL
4	V	ACC POWER SUPPLY
19	SB	AV COMM (H)
20	LG	AV COMM (L)
25	P	REV
27	L	CANH
28	R	CANL [Without ADAS]
28	Y	CANL [With ADAS]
30	LG	RETRACT MOTOR OPERATION SIGNAL (OPEN)
32	G/O	RETRACT MOTOR OPERATION SIGNAL (CLOSE)

Connector No.	M50
Connector Name	A/C AUTO AMP
Connector Type	ISAB40FW



Terminal No.	Color Of Wire	Signal Name [Specification]
1	L	CANH
2	B	GROUND
3	Y/G	BATTERY POWER SUPPLY
4	V	ACC POWER SUPPLY
5	W	IGNIZER CONTROL SIGNAL
6	W/W	A/C AUTO AMP CONNECTION SENSOR SIGNAL
7	W/R	AMBIENT SENSOR SIGNAL
8	GR/L	RR IN-VEHICLE SENSOR SIGNAL
9	BR	SUNLOAD SENSOR (DRY) SIGNAL
10	V/W	EXHAUST FLOW RATE DETECTING SENSOR SIGNAL
11	W	COMM (A/C AUTO AMP-RR A/C CONT)
14	O/L	FR BLOWER MOTOR CONTROL SIGNAL
16	R/G	EACH DOOR MOTOR LIN SIGNAL
17	L/Y	EACH DOOR MOTOR POWER SUPPLY
21	P	CANL
22	B	GROUND
23	GR/L	IGNITION POWER SUPPLY
25	R	-
26	B	SENSOR GROUND
27	GR	FR IN-VEHICLE SENSOR SIGNAL
28	R	INTAKE SENSOR SIGNAL
29	O	SUNLOAD SENSOR (PASS) SIGNAL
31	O/L	COMM (RR A/C CONT-A/C AUTO AMP)
34	L/O	RR BLOWER MOTOR CONTROL SIGNAL
37	B	GROUND
38	G/W	RR A/C RELAY CONTROL SIGNAL

JRMWE1990GB

POWER SUPPLY ROUTING CIRCUIT

< WIRING DIAGRAM >

BATTERY POWER SUPPLY

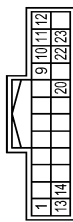
Connector No.	M52
Connector Name	HEATED STEERING WHEEL SWITCH
Connector Type	NS08FW-CS



H.S.

Terminal No.	Color Of Wire	Signal Name [Specification]
1	GR	-
2	B/O	-
3	L/W	-
4	B	-
5	BR	-
6	B	-

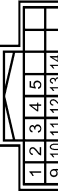
Connector No.	M54
Connector Name	4WD SWITCH ASSEMBLY
Connector Type	TH24FW-NH



H.S.

Terminal No.	Color Of Wire	Signal Name [Specification]
1	L/W	VDC OFF SW
9	W/R	AUTO SW
10	R	4H SW
11	V	4L SW
12	GR	IGN
13	L/W	LIGHT SW
14	B/O	ILL CONT
20	B	GND
22	W	SNOW SW
23	R	TOW

Connector No.	M57
Connector Name	A/T SHIFT SELECTOR
Connector Type	TH18FW-NH



H.S.

Terminal No.	Color Of Wire	Signal Name [Specification]
1	G/W	-
2	L/W	-
3	Y/B	-
4	B/SB	-
5	R/Y	-
9	L/W	-
10	B	-
11	L/R	-
12	B	-
13	R/B	-
14	GY	-

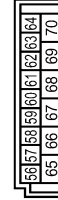
Connector No.	M64
Connector Name	CIRCUIT BREAKER
Connector Type	M02FW-PLC



H.S.

Terminal No.	Color Of Wire	Signal Name [Specification]
1	W	-
2	R/W	-

Connector No.	M70
Connector Name	BCM (BODY CONTROL MODULE)
Connector Type	FEA08FW-FHAG-SA



H.S.

Terminal No.	Color Of Wire	Signal Name [Specification]
56	W/R	INT ROOM LAMP PWR SPLY
57	L/G	BAT (FUSE)
58	R/W	SHOCK DETECT SENS
59	G	PASSENGER DOOR UNLK OUTPUT
60	G	TURN SIGNAL LH OUTPUT
61	GY	TURN SIGNAL RH OUTPUT
62	R	STEP LAMP CONT
63	BR	ROOM LAMP-TIMER CONT
64	GR/R	CRANKING REQUEST
65	R	ALL DOOR LOCK OUTPUT
66	V	DR DOOR FUEL LID UNLK OUTPUT
67	B	GND
68	Y	PW PWR SPLY (IGN)
69	W	PW PWR SPLY (BAT)
70	Y	BAT (FIL)

Connector No.	M71
Connector Name	BCM (BODY CONTROL MODULE)
Connector Type	TH40FW-NH

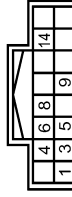


H.S.

Terminal No.	Color Of Wire	Signal Name [Specification]
72	P	PUDDLE LAMP CONT
73	W	ON IND
74	Y/B	TRAILER TURN SIG RH CONT
75	LGR	DRIVER DOOR REQUEST SW
76	SB	PUSH SW

77	O/L	TRAILER TURN SIG LH CONT
78	P/B	DRIVER DOOR ANT+
79	V	DRIVER DOOR ANT-
80	LGB	PASSENGER DOOR ANT+
81	Y/R	PASSENGER DOOR ANT-
82	W/G	BACK DOOR ANT+
83	B/W	BACK DOOR ANT-
84	BR	ROOM ANT+
85	Y	ROOM ANT1-
86	W	ROOM ANT2+
87	B	ROOM ANT2-
88	V	LAGGAGE ROOM ANT+
89	G	LAGGAGE ROOM ANT-
90	Y	PUSHBTN IGN SW ILL PWR
91	O	LOCK IND
92	L	LOW SIDE BLUSH LED
93	GR	LKEY WARN BUZZER
94	BR	ACC RELAY CONT
95	R/W	STARTER RELAY CONT
96	O	IGN RELAY (PDM ER) CONT
98	R	IGN RELAY (F/B) CONT
100	P/L	PASSENGER DOOR REQUEST SW
101	W/B	IGN PWR SPLY 2
102	BR	SHIFT NP
104	R/B	A/T SHIFT SELECT PWR SPLY
105	O/L	STOP LAMP SW 2
106	Y/G	BLWR FAN MTR RELAY CONT
109	L/W	ACC IND

Connector No.	M72
Connector Name	MULTIFUNCTION SWITCH
Connector Type	TH18FW-NH



H.S.

Terminal No.	Color Of Wire	Signal Name [Specification]
1	B	GND
3	V	ACC
4	L/W	ILL
5	B/O	ILL CONT
6	SB	AV COMM (H)
8	LG	AV COMM (L)

A
B
C
D
E
F
G
H
I
J
K
L
M
N
O
P

PG

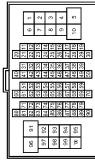
POWER SUPPLY ROUTING CIRCUIT

< WIRING DIAGRAM >

BATTERY POWER SUPPLY

9	R/W	SW GND
14	W/B	DISK EJECT SIGNAL

Connector No.	M77
Connector Name	WIRE TO WIRE
Connector Type	TH80FW-GS16-TM4



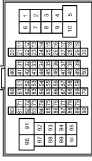
Terminal No.	Color Of Wire	Signal Name [Specification]
1	W	-
2	L/W	-
3	R/B	-
4	L	-
5	Y	-
6	SB	-
7	W/G	-
8	P/B	-
9	W/B	-
10	G	-
11	L	-
12	P	-
13	P/B	-
14	BR	-
15	O/L	-
16	SB	-
18	BR	-
19	Y/G	-
20	BR/Y	-
21	V	-
22	L	-
23	Y	-
24	L/W	-
28	O	-
29	R/W	-
30	O/L	-
31	Y	-
32	GR/R	-
34	Y	-
35	B	-
36	B/O	-
37	GY	-

Connector No.	M79
Connector Name	ACCESSORY RELAY (2)
Connector Type	MS02FL-M2-LC



Terminal No.	Color Of Wire	Signal Name [Specification]
1	B	-
2	L/W	-
3	G	-
5	G	-

Connector No.	M82
Connector Name	WIRE TO WIRE
Connector Type	TH80FW-GS16-TM4



Terminal No.	Color Of Wire	Signal Name [Specification]
1	L	-
4	V/W	-
5	GR	-
6	B	-
8	GS/L	-
10	Y/R	-
11	L/R	-
12	W/G	-
13	BR/Y	-
14	LG	-
15	BR/W	-
16	BY	-
17	W/B	-
18	GR/R	-
20	W/R	-
21	B	-
22	R/L	-
23	G/R	-
24	R/W	-
25	W/L	-
26	R	-
27	L	-
28	B/SB	-
35	G	-
36	Y	-
37	R	-
38	GY	-
39	O	-
40	W	-
41	R	-
42	B	-
43	G	-
44	SHIELD	-
46	B	-
47	W	-
48	SHIELD	-

49	W	-
50	SHIELD	-
51	Y/R	-
52	GR	-
53	LG/B	-
54	LG/R	-
55	R/G	-
56	B/O	-
57	SB	-
60	G	-
61	B	-
62	W	-
63	R	-
64	SHIELD	-
65	L/Y	-
66	V	-
67	B/W	-
91	GR	-
95	SB	-
96	GR	-
97	GR/L	-
98	GW	-
99	P	-
100	L	-

Connector No.	M83
Connector Name	TRIP RESET AND ILLUMINATION CONTROL SWITCH
Connector Type	TH80FW-NH



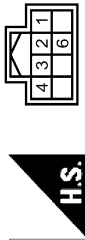
Terminal No.	Color Of Wire	Signal Name [Specification]
1	L/O	ILLUMINATION +
2	B/O	ILLUMINATION GROUND
3	W/R	ILLUMINATION CONTROL +
4	R	ILLUMINATION CONTROL -
5	P/L	TRIP RESET SWITCH
6	B	GROUND

POWER SUPPLY ROUTING CIRCUIT

< WIRING DIAGRAM >

BATTERY POWER SUPPLY

Connector No.	M84
Connector Name	TRIP COMPUTER SWITCH
Connector Type	TH89FM-NH



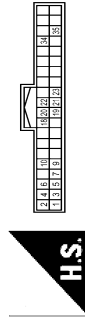
Terminal No.	Color Of Wire	Signal Name [Specification]
1	L/O	ILLUMINATION +
2	B	ILLUMINATION GROUND
3	G	ENTER SWITCH
4	O	SELECT SWITCH
5	B	GROUND
6	B	GROUND

Connector No.	M52
Connector Name	OPTION CONNECTOR (1)
Connector Type	TH68MW-NH



Terminal No.	Color Of Wire	Signal Name [Specification]
1	Y	-
2	GR	-
3	W/R	-
6	Y/L	-
8	B	-

Connector No.	M69
Connector Name	TCU
Connector Type	TH40FM-NH



Terminal No.	Color Of Wire	Signal Name [Specification]
1	Y/R	BAT
2	B	GND
3	BR	ACC
4	GR/L	IGN
5	V	ACC-OUT
6	BR	AV-ACC
7	B	GND
9	L	V-CANH
10	P	V-CANL
18	Y/G	MIC VCC
19	Y/L	MIC SIG
20	SHIELD	MIC GND
21	Y	DCM MIC VCC
22	BR	DCM MIC SIG
23	SHIELD	DCM MIC GND
34	G	ECALL SW
35	O	LED A

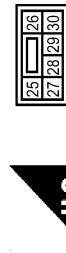
Connector No.	M101
Connector Name	PUSH-BUTTON IGNITION SWITCH
Connector Type	TK08FR



Terminal No.	Color Of Wire	Signal Name [Specification]
1	B	-
2	L	-
3	Y	-

4	SB
5	O
6	L/W
7	W
8	LG

Connector No.	M104
Connector Name	AUTOMATIC DRIVE POSITIONER CONTROL UNIT
Connector Type	NS08FM-GS



Terminal No.	Color Of Wire	Signal Name [Specification]
25	W/R	UPWARD
26	L	BACKWARD
27	P	STRG SENS VCC
28	G	DOWNWARD
29	W/B	UPWARD/FORWARD
30	B	GND

Connector No.	M110
Connector Name	AUTOMATIC BACK DOOR MAIN SWITCH
Connector Type	TK08FW



Terminal No.	Color Of Wire	Signal Name [Specification]
1	O	-
2	B	-
3	B	-
4	L/O	-

Connector No.	M111
Connector Name	WIRE TO WIRE
Connector Type	TH89FM-GS16-TM4



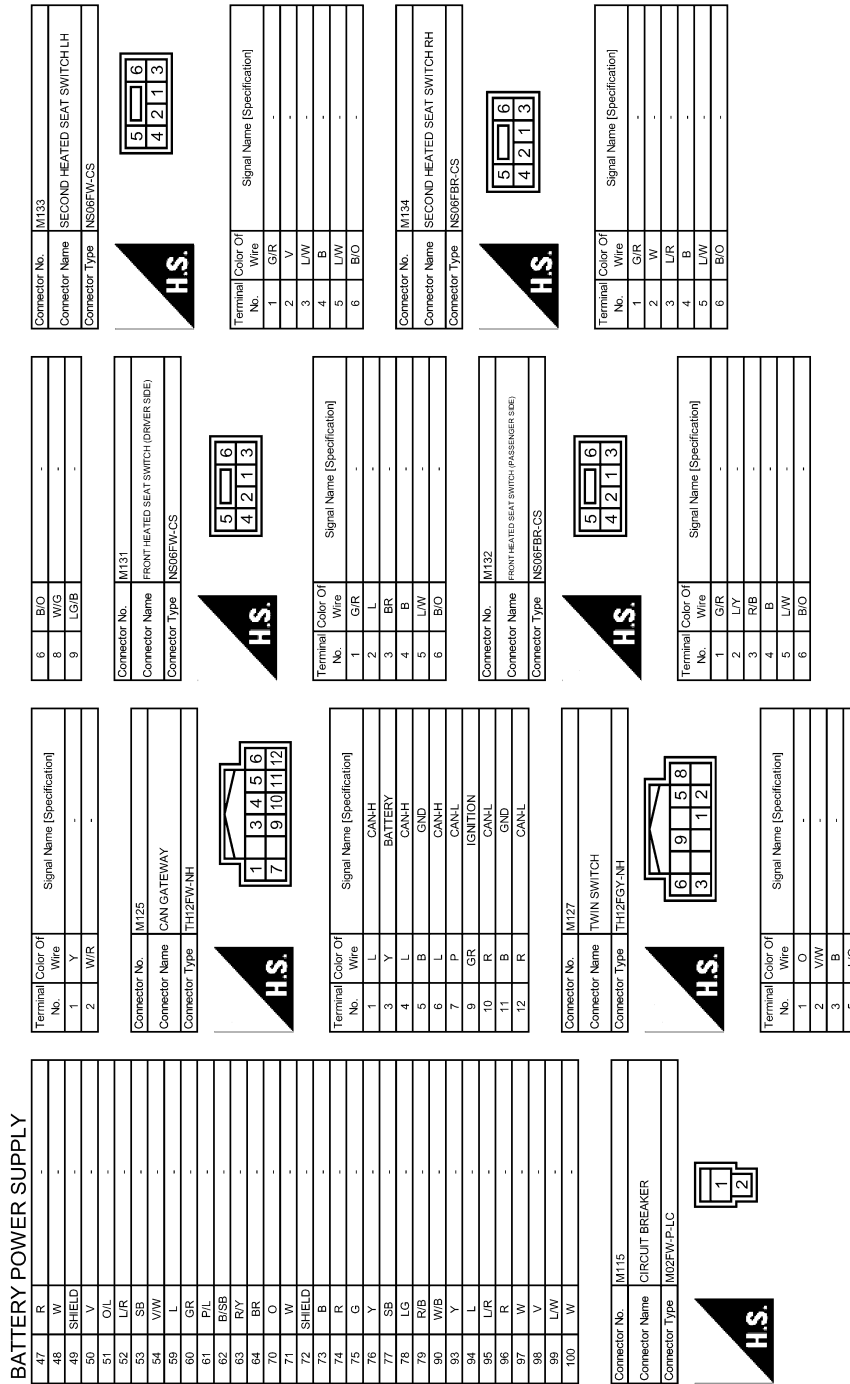
Terminal No.	Color Of Wire	Signal Name [Specification]
1	R/B	-
2	G	-
3	W/B	-
6	W/B	-
7	P/Y	-
8	R	-
9	G/R	-
11	W	-
12	V	-
13	Y	-
16	L/O	-
17	GR/L	-
18	R/G	-
19	L/Y	-
20	G/Y	-
21	R	-
22	GR	-
27	L/O	-
29	SB	-
30	R/L	-
31	Y/L	-
32	W/R	-
33	W/G	-
34	L/R	-
36	G	-
37	V	-
38	SHIELD	-
39	P/B	-
40	W/R	-
41	R	-
42	L/W	-
43	B/W	-
44	L	-
45	P	-
46	SHIELD	-

A
B
C
D
E
F
G
H
I
J
K
L
N
O
P

PG

POWER SUPPLY ROUTING CIRCUIT

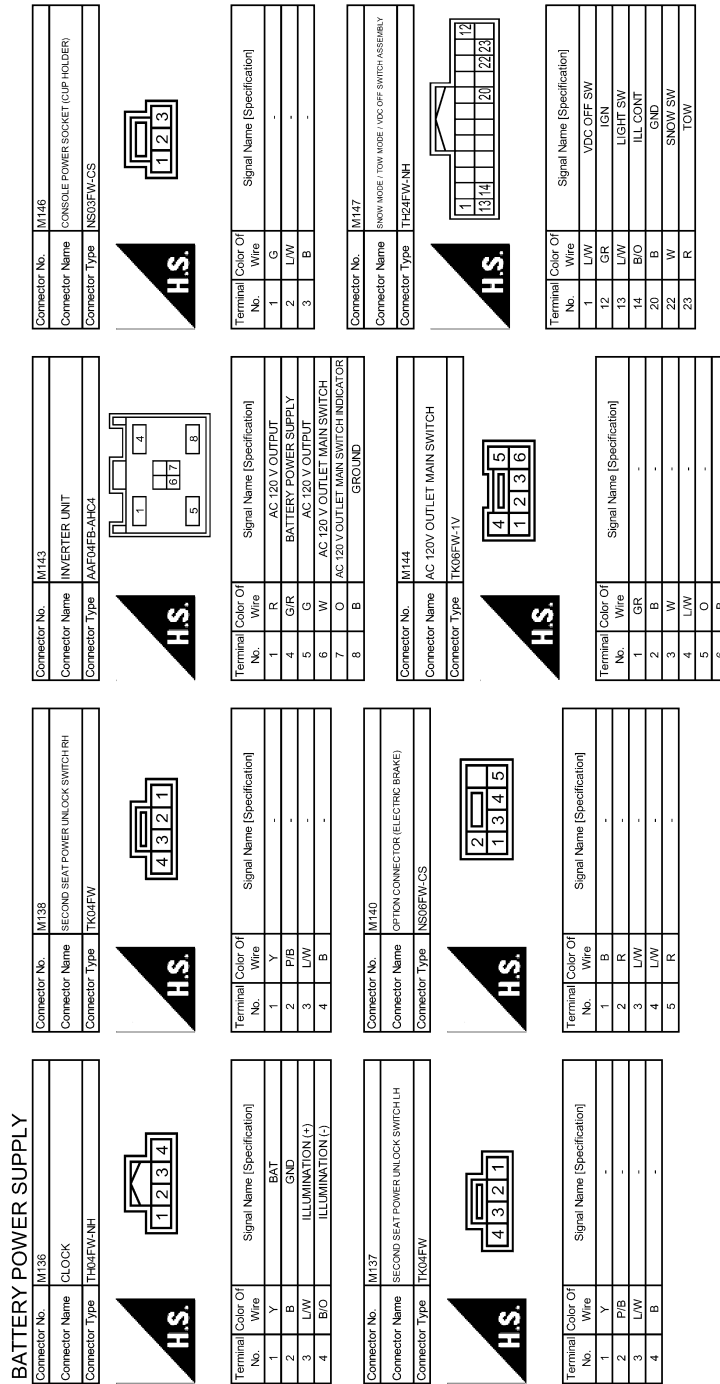
< WIRING DIAGRAM >



JRMWE1994GB

POWER SUPPLY ROUTING CIRCUIT

< WIRING DIAGRAM >



JRMWE1995GB

A
B
C
D
E
F
G
H
I
J
K
L
N
O
P

PG

POWER SUPPLY ROUTING CIRCUIT

< WIRING DIAGRAM >

BATTERY POWER SUPPLY

Connector No.	M208
Connector Name	AV CONTROL UNIT
Connector Type	TH8FV-CS2



H.S.

Terminal No.	Color Of Wire	Signal Name [Specification]
1	W/B	BOSE AMP. ON/SIGNAL
2	L	SOUND SIGNAL FRONT LH(+)
3	P	SOUND SIGNAL FRONT LH(-)
4	V	SOUND SIGNAL REAR LH(+)
5	L/G	SOUND SIGNAL REAR LH(-)
6	Y/G	STRG SW A
7	V	ACC
10	SHIELD	SHIELD
11	Y/L	SOUND SIGNAL FRONT RH(+)
12	Y/G	SOUND SIGNAL FRONT RH(-)
13	O	SOUND SIGNAL REAR RH(+)
14	W	SOUND SIGNAL REAR RH(-)
15	B	STRG SW GND
16	Y/L	STRG SW B
19	Y/L	BATTERY
20	B	GND

Connector No.	M215
Connector Name	FRONT DISPLAY UNIT
Connector Type	TH24FV-NH

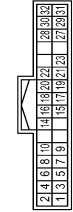


H.S.

Terminal No.	Color Of Wire	Signal Name [Specification]
6	SHIELD	SHIELD
7	SHIELD	SHIELD
8	W	CAMERA IMAGE SIGNAL
9	Y/L	COMM (DISP-CONT)

10	Y/G	COMM (CONT-DISP)
11	Y/R	BATTERY POWER SUPPLY
12	B	GND
18	R	COMPOSITE IMAGE SIGNAL
19	W	COMPOSITE IMAGE SIGNAL GND
20	W/B	COMPOSITE IMAGE SYNC SIGNAL
22	SHIELD	SHIELD
23	V	ACC POWER SUPPLY

Connector No.	M217
Connector Name	VIDEO DISTRIBUTOR
Connector Type	TH2FV-NH



H.S.

Terminal No.	Color Of Wire	Signal Name [Specification]
1	B	GND
2	Y/R	BAT
3	B	GND
4	V	ACC
5	V/W	CONT. GND FOR HEADREST DISPLAY UNIT RH
6	L/W	ACC SIGNAL FOR HEADREST DISPLAY UNIT RH
7	W/R	CONT. GND FOR HEADREST DISPLAY UNIT LH
8	G/R	ACC SIGNAL FOR HEADREST DISPLAY UNIT LH
9	O/B	IMAGE SWITCH SIGNAL FOR HEADREST DISPLAY UNIT RH
10	R/B	IMAGE SWITCH SIGNAL FOR HEADREST DISPLAY UNIT LH
14	B	HEADPHONE SIGNAL (L) FOR HEADREST DISPLAY UNIT RH
15	G	HEADPHONE SIGNAL (R) FOR HEADREST DISPLAY UNIT RH
16	W	HEADPHONE SIGNAL (L) FOR HEADREST DISPLAY UNIT LH
17	R	HEADPHONE SIGNAL (R) FOR HEADREST DISPLAY UNIT LH
18	P/L	AV GND FOR HEADREST DISPLAY UNIT RH
19	P	AV GND FOR HEADREST DISPLAY UNIT LH
20	B	HEADPHONE SIGNAL (L) FOR HEADREST DISPLAY UNIT RH
21	G	HEADPHONE SIGNAL (R) FOR HEADREST DISPLAY UNIT RH
22	W	HEADPHONE SIGNAL (L) FOR HEADREST DISPLAY UNIT LH
23	R	HEADPHONE SIGNAL (R) FOR HEADREST DISPLAY UNIT LH
27	R	COMPOSITE IMAGE SIGNAL FOR HEADREST DISPLAY UNIT RH
28	R	COMPOSITE IMAGE SIGNAL FOR HEADREST DISPLAY UNIT LH
29	SHIELD	SHIELD
30	SHIELD	SHIELD
31	Y/L	COMPOSITE IMAGE SIGNAL FOR AV UNIT
32	Y/G	COMPOSITE IMAGE SIGNAL FOR HEADREST DISPLAY UNIT LH

Connector No.	R9
Connector Name	RAIN SENSOR
Connector Type	IA6B03FB



H.S.

Terminal No.	Color Of Wire	Signal Name [Specification]
1	Y	-
2	R	-
3	B	-

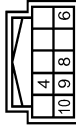
Connector No.	R18
Connector Name	MAP LAMP
Connector Type	TK08FGY



H.S.

Terminal No.	Color Of Wire	Signal Name [Specification]
3	P	LED+
4	B	LED-
5	Y	DOOR SIG BYPASS
6	B	GND
7	BR	DOOR SIG
8	V	BAT

Connector No.	R25
Connector Name	AUTO ANTIZAZLING INSIDE MIRROR
Connector Type	TH10FB-NH



H.S.

Terminal No.	Color Of Wire	Signal Name [Specification]
4	B/R	-
6	B/R	-
8	B	-
9	B/Y	-
10	B/Y	-

Connector No.	R28
Connector Name	TELEMATICS SWITCH
Connector Type	TH18FV-NH



H.S.

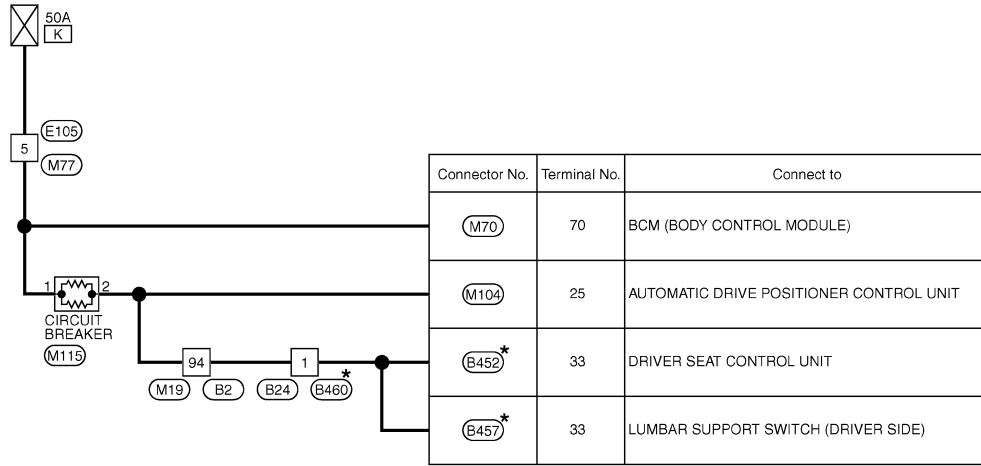
Terminal No.	Color Of Wire	Signal Name [Specification]
1	V	ACC
2	BR	LDE A
3	G	E-CALL SW
5	SB	ILL
6	B	ILL CONT(GND)
7	B	SW_GND

POWER SUPPLY ROUTING CIRCUIT

< WIRING DIAGRAM >

Wiring Diagram - BATTERY POWER SUPPLY FUSIBLE LINK No. K -
BATTERY POWER SUPPLY FUSIBLE LINK No. K

INFOID:000000009010961



*: This connector is not shown in "Harness Layout".

2010/05/13

JCMWM8365GB

A
B
C
D
E
F
G
H
I
J
K
L
N
O
P

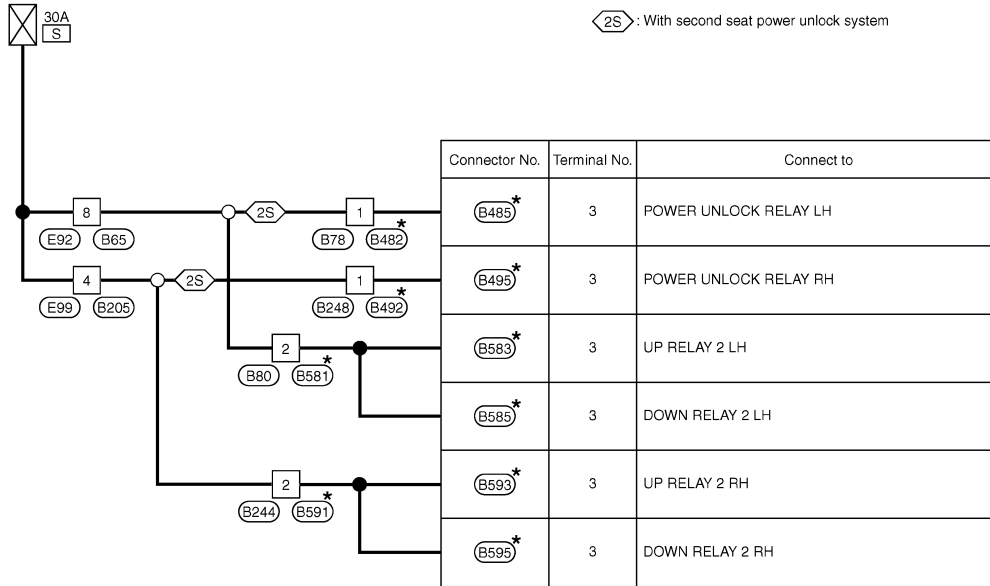
PG

POWER SUPPLY ROUTING CIRCUIT

< WIRING DIAGRAM >

Wiring Diagram - BATTERY POWER SUPPLY FUSIBLE LINK No. S - BATTERY POWER SUPPLY FUSIBLE LINK No. S

INFOID:000000009010962



*: This connector is not shown in "Harness Layout".

2010/05/13

JCMWM8369GB

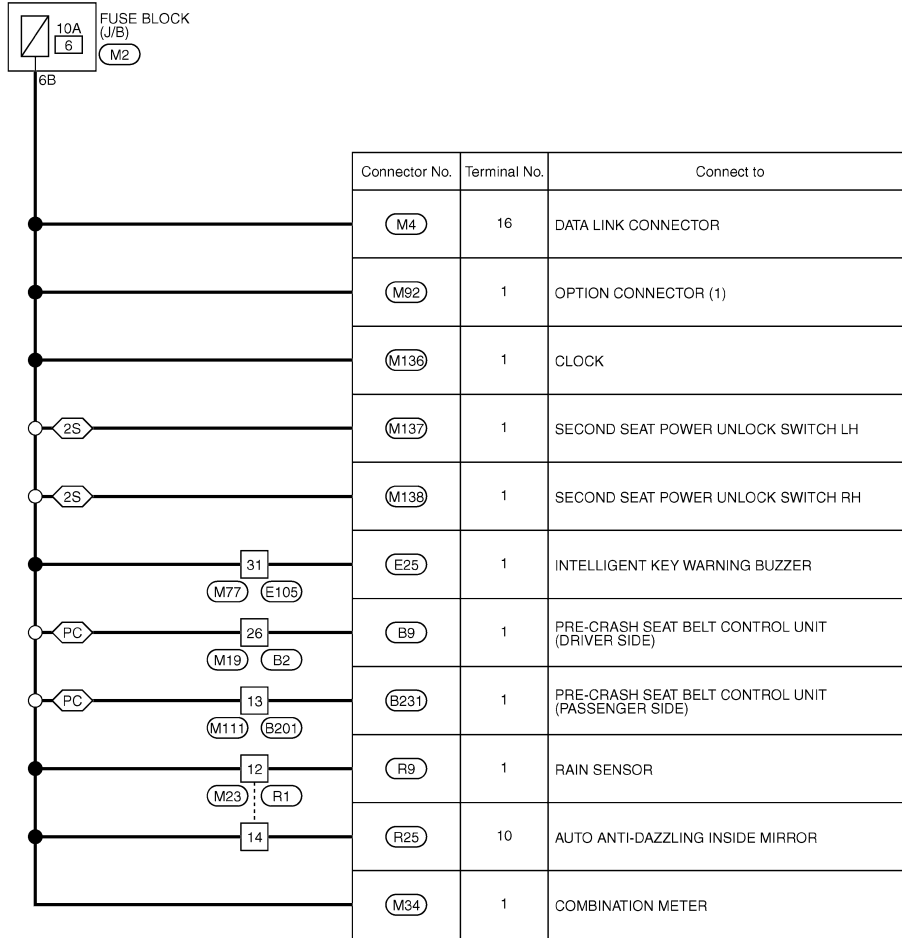
POWER SUPPLY ROUTING CIRCUIT

< WIRING DIAGRAM >

Wiring Diagram - BATTERY POWER SUPPLY FUSE No. 6 - BATTERY POWER SUPPLY FUSE No. 6

INFOID:000000009010963

2S : With second seat power unlock system
PC : With pre-crash seat belt



2013/01/30

JRMWD7282GB

A
B
C
D
E
F
G
H
I
J
K
L
N
O
P

PG

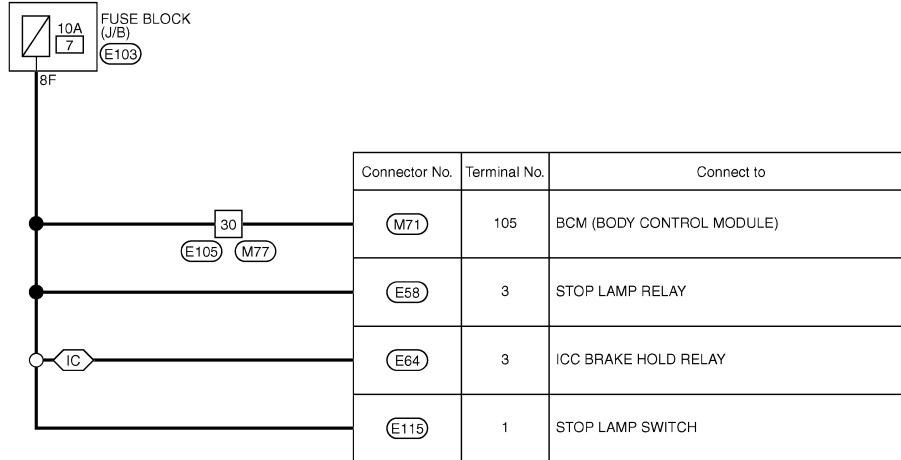
POWER SUPPLY ROUTING CIRCUIT

< WIRING DIAGRAM >

Wiring Diagram - BATTERY POWER SUPPLY FUSE No. 7 - BATTERY POWER SUPPLY FUSE No. 7

INFOID:000000009010964

◁ IC ▷ : With ICC



2010/05/13

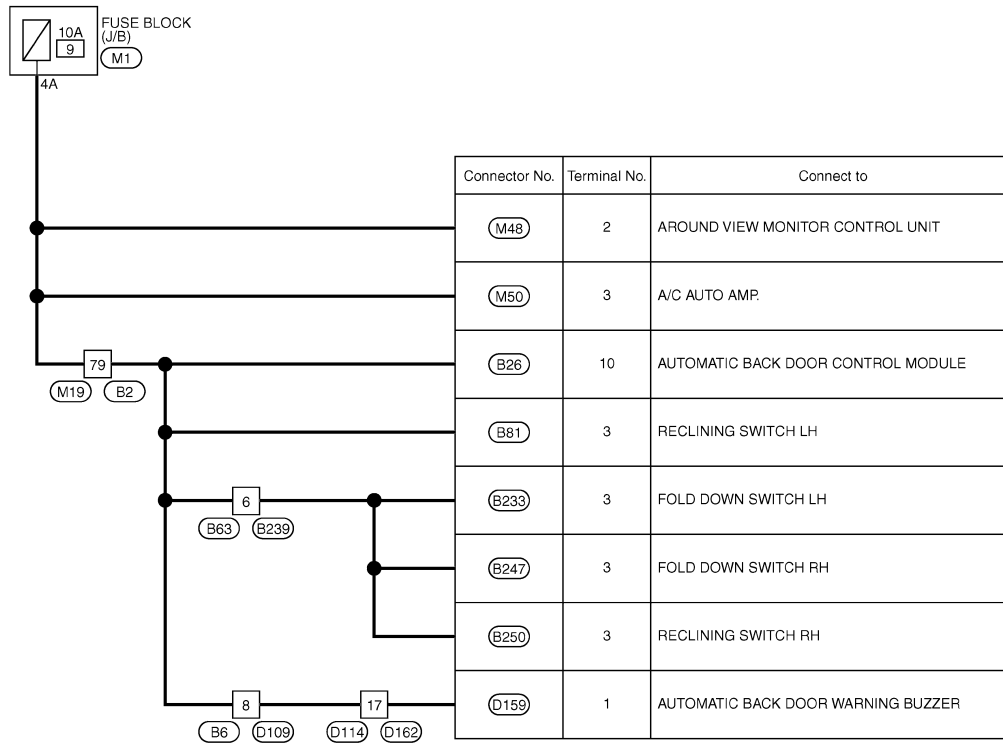
JCMWM8379GB

POWER SUPPLY ROUTING CIRCUIT

< WIRING DIAGRAM >

Wiring Diagram - BATTERY POWER SUPPLY FUSE No. 9 - BATTERY POWER SUPPLY FUSE No. 9

INFOID:000000009010965



A
B
C
D
E
F
G
H
I
J
K
L
PG
N
O
P

2010/05/13

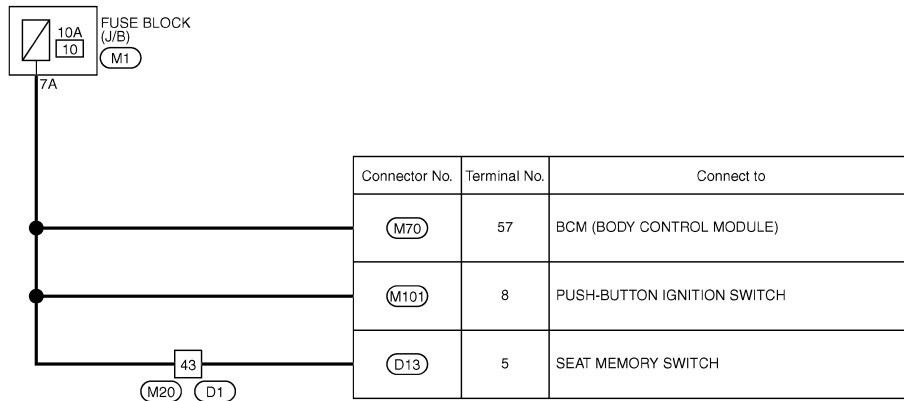
JCMWMB8382GB

POWER SUPPLY ROUTING CIRCUIT

< WIRING DIAGRAM >

Wiring Diagram - BATTERY POWER SUPPLY FUSE No. 10 - BATTERY POWER SUPPLY FUSE No. 10

INFOID:000000009010966



2010/05/13

JCMWM8387GB

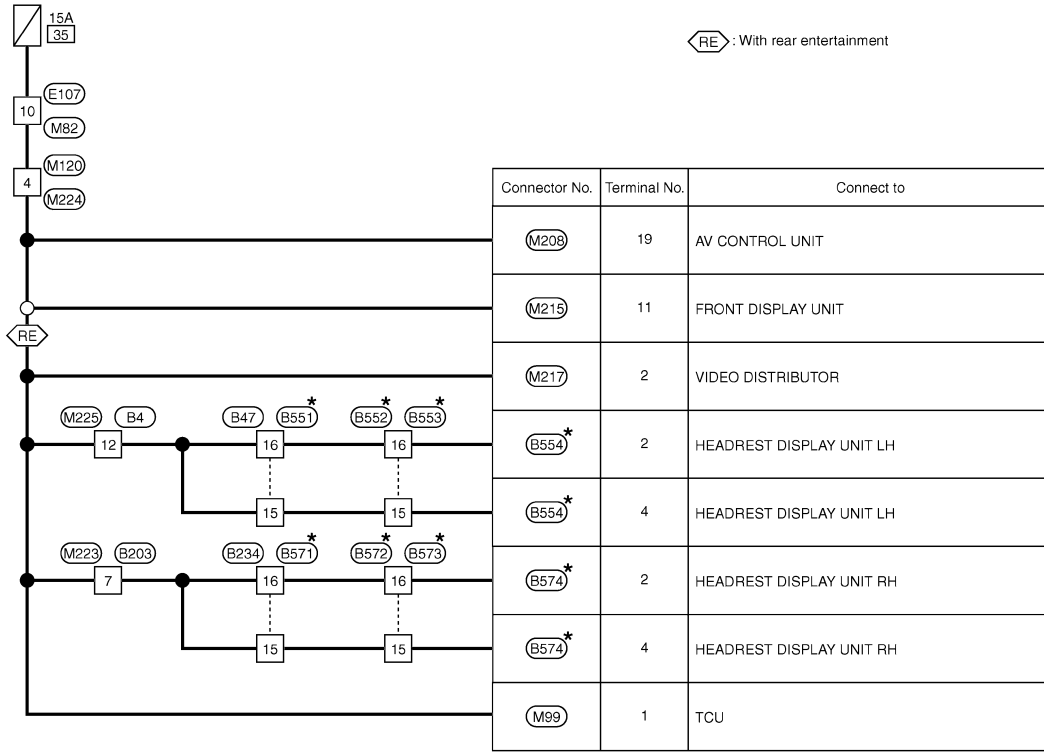
POWER SUPPLY ROUTING CIRCUIT

< WIRING DIAGRAM >

Wiring Diagram - BATTERY POWER SUPPLY FUSE No. 35 -

INFOID:000000009010967

BATTERY POWER SUPPLY FUSE No. 35



*: This connector is not shown in "Harness Layout".

2013/01/30

JRMWD7283GB

A
B
C
D
E
F
G
H
I
J
K
L
PG
N
O
P

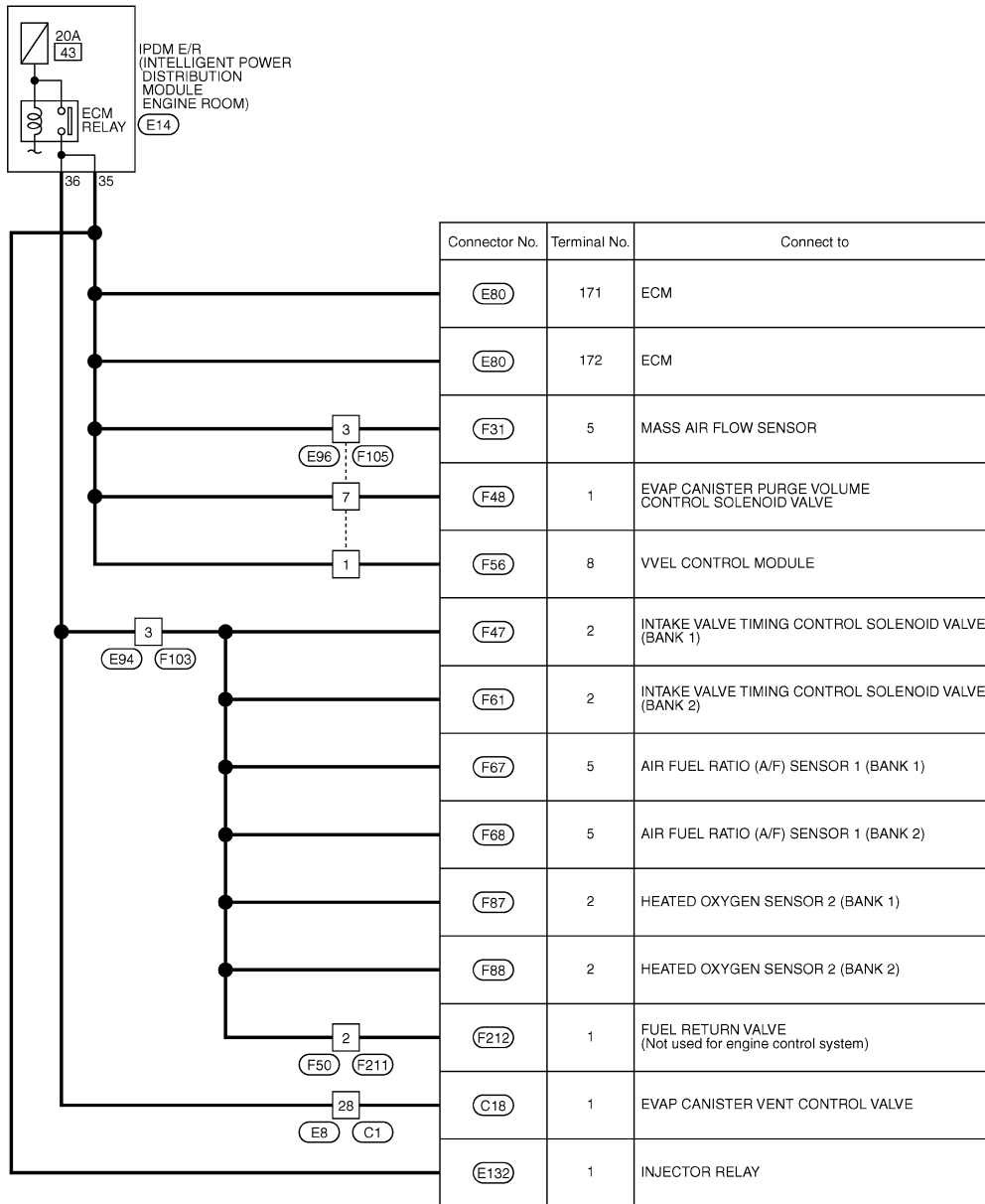
POWER SUPPLY ROUTING CIRCUIT

< WIRING DIAGRAM >

Wiring Diagram - BATTERY POWER SUPPLY FUSE No. 43 -

INFOID:000000009010968

BATTERY POWER SUPPLY FUSE No. 43



2011/06/13

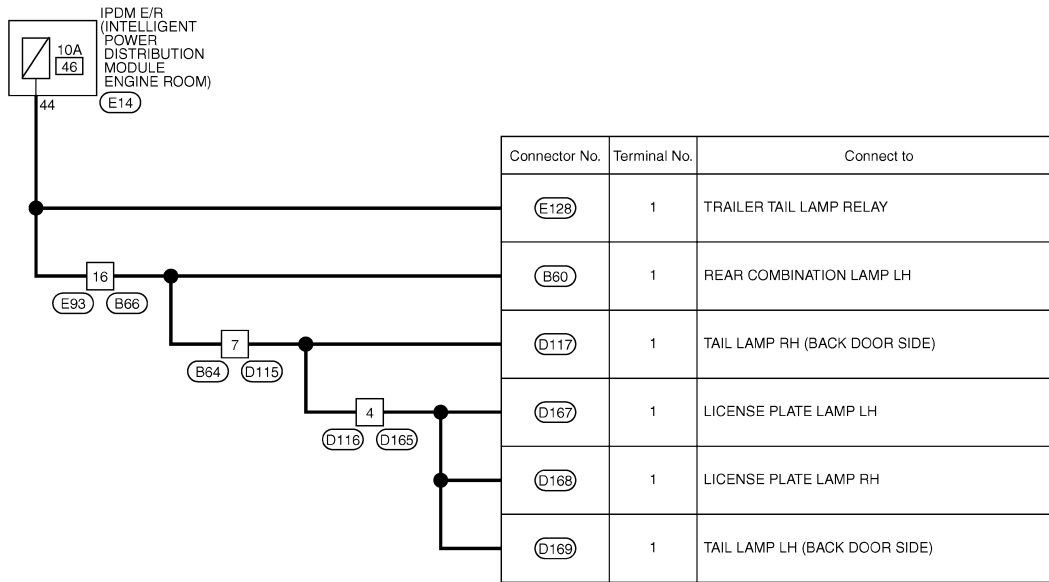
JRMWC3607GB

POWER SUPPLY ROUTING CIRCUIT

< WIRING DIAGRAM >

Wiring Diagram - BATTERY POWER SUPPLY FUSE No. 46 - BATTERY POWER SUPPLY FUSE No. 46

INFOID:000000009010969



A
B
C
D
E
F
G
H
I
J
K
L
N
O
P

PG

2010/05/13

JCMWM8400GB

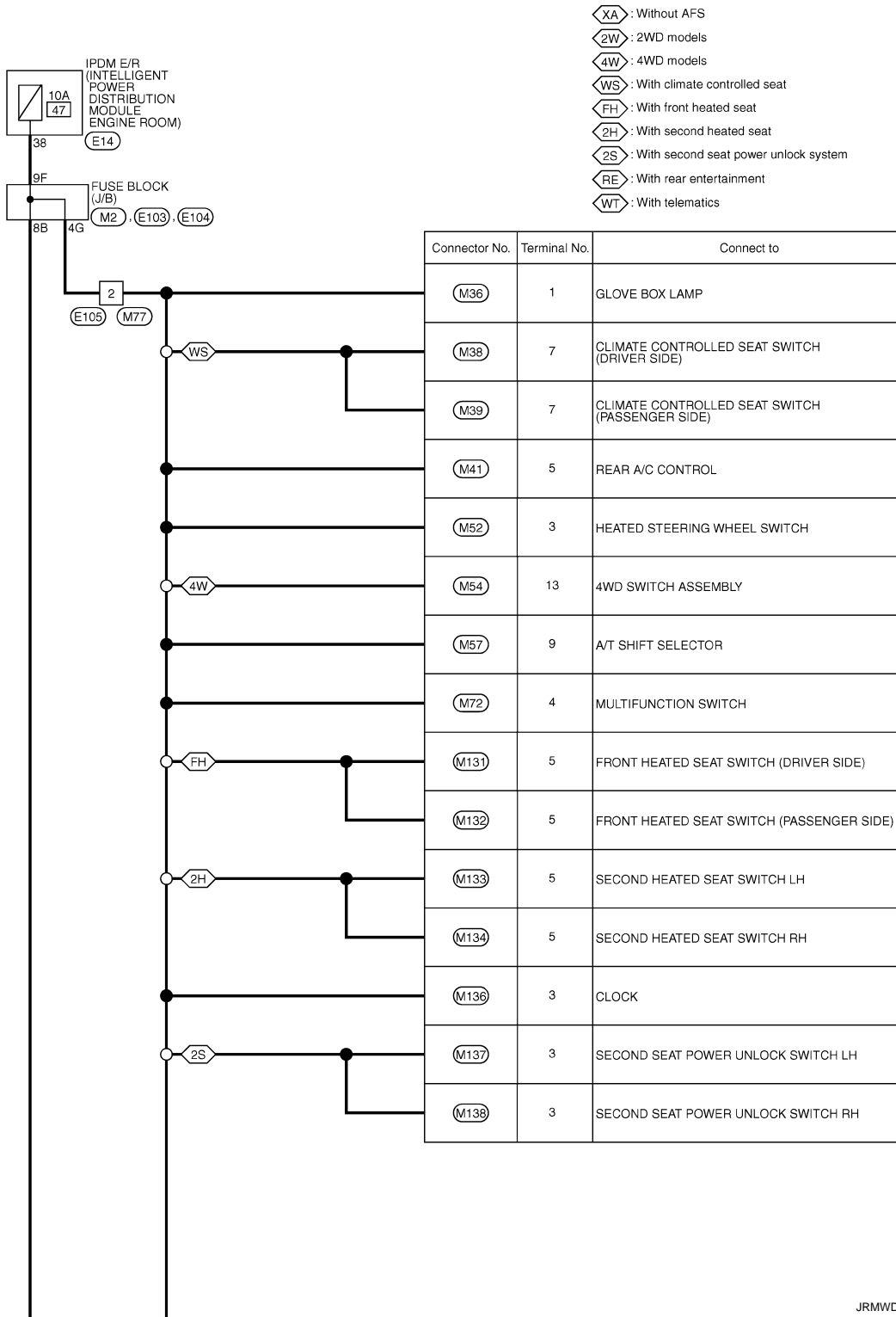
POWER SUPPLY ROUTING CIRCUIT

< WIRING DIAGRAM >

Wiring Diagram - BATTERY POWER SUPPLY FUSE No. 47 -

INFOID:00000009010970

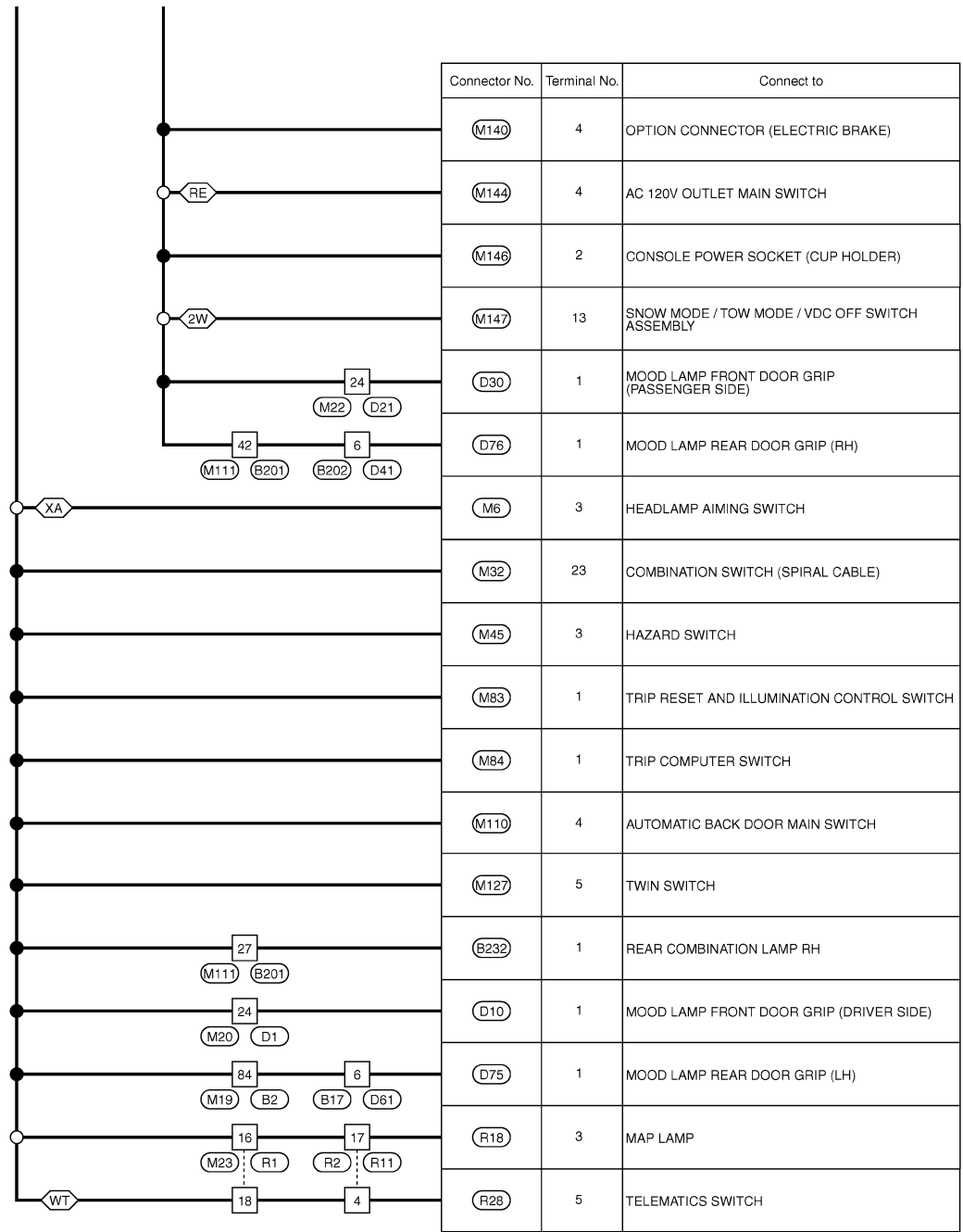
BATTERY POWER SUPPLY FUSE No. 47



JRMWD7284GB

POWER SUPPLY ROUTING CIRCUIT

< WIRING DIAGRAM >



A
B
C
D
E
F
G
H
I
J
K
L
N
O
P

PG

2013/01/30

JRMWD7285GB

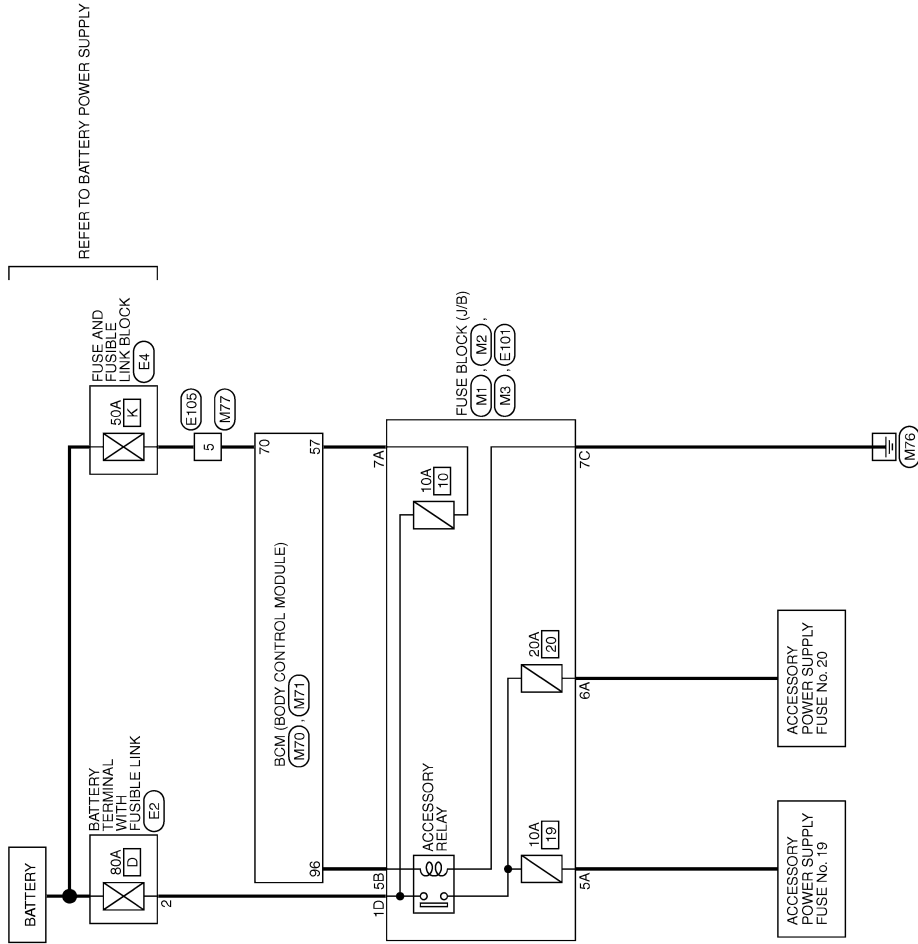
POWER SUPPLY ROUTING CIRCUIT

< WIRING DIAGRAM >

Wiring Diagram - ACCESSORY POWER SUPPLY -

INFOID:000000009010971

ACCESSORY POWER SUPPLY



2012/08/21

JRMWD4330GB

POWER SUPPLY ROUTING CIRCUIT

< WIRING DIAGRAM >

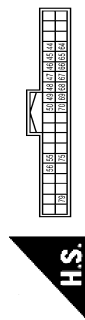
ACCESSORY POWER SUPPLY

Connector No.	B53
Connector Name	LUGGAGE ROOM POWER SOCKET
Connector Type	P02FB-Z



Terminal No.	Color Of Wire	Signal Name [Specification]
1	L/W	-
2	B	-

Connector No.	B260
Connector Name	BOSE AMP.
Connector Type	TH40FM-NH



Terminal No.	Color Of Wire	Signal Name [Specification]
44	V	VOICE GUIDANCE SIGNAL (-)
45	P	SOUND SIGNAL FRONT LH (+)
46	Y/G	SOUND SIGNAL FRONT RH (-)
47	LG	SOUND SIGNAL REAR LH (+)
48	W	SOUND SIGNAL REAR RH (-)
49	P	SOUND SIGNAL CENTER SPEAKER (-)
50	W	SOUND SIGNAL WOOFER (-)
55	Y	AV COMM (L)
56	V	ACC
64	G	VOICE GUIDANCE SIGNAL (+)
65	L	SOUND SIGNAL FRONT LH (+)
66	Y/L	SOUND SIGNAL FRONT RH (+)
67	V	SOUND SIGNAL REAR LH (+)
68	O	SOUND SIGNAL REAR RH (+)
69	L	SOUND SIGNAL CENTER SPEAKER (+)
70	R	SOUND SIGNAL WOOFER (+)
75	BR	AV COMM (H)

79	SHIELD	SHIELD
----	--------	--------

Connector No.	D80
Connector Name	DOOR MIRROR REMOTE CONTROL SWITCH
Connector Type	TH12FM-NH



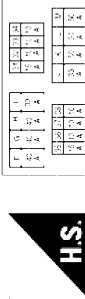
Terminal No.	Color Of Wire	Signal Name [Specification]
17	W/B	-
18	GO	-
20	O	-
21	LG	-
22	V	-
23	BR	-
24	GR/R	-
25	O/L	-
26	Y/G	-
27	R/W	-
28	GR/B	-

Connector No.	E2
Connector Name	BATTERY TERMINAL WITH FUSIBLE LINK
Connector Type	L02FBR-MC-B



Terminal No.	Color Of Wire	Signal Name [Specification]
1	G	-
2	R	-

Connector No.	E4
Connector Name	FUSE AND FUSIBLE LINK BLOCK
Connector Type	24381_7990A



Terminal No.	Color Of Wire	Signal Name [Specification]
31	W/B	-
32	W	-
33	B/O	-
34	GR	-
35	Y/R	-
36	L/R	-
37	W	-
38	P	-
F	R	-
G	Y	-
H	L	-
I	Y/B	-
J	W/R	-
K	Y	-
L	G	-
M	W	-

Connector No.	E101
Connector Name	FUSE BLOCK (J/B)
Connector Type	L01FW-MC



Terminal No.	Color Of Wire	Signal Name [Specification]
1D	R	-

Connector No.	E105
Connector Name	WIRE TO WIRE
Connector Type	TH80MW-CS16-TM4



Terminal No.	Color Of Wire	Signal Name [Specification]
1	L	-
2	L/W	-
3	R/B	-
4	L	-
5	Y	-
7	W/G	-
8	P/B	-
9	W/B	-
10	G	-
11	L	-
12	P	-
13	P/B	-
14	BR	-
15	L/B	-
16	SB	-
18	BR	-
19	Y/G	-
20	B/Y	-
21	Y/V	-
22	L	-
23	Y	-
24	L/W	-
28	O	-
29	R/W	-
30	L/B	-
31	Y	-
32	GR/R	-
34	Y	-
35	R	-
36	BR	-
37	G/Y	-
38	G	-
40	SB	-
41	W/R	-
42	R	-

A
B
C
D
E
F
G
H
I
J
K
L
N
O
P

PG

POWER SUPPLY ROUTING CIRCUIT

< WIRING DIAGRAM >

ACCESSORY POWER SUPPLY

Terminal No.	Color Of Wire	Signal Name [Specification]
43	V	-
51	L/O	-
52	BR/W	-
53	BR/Y	-
54	GR/L	-
60	W	-
61	B	-
62	R	-
63	G	-
64	SHIELD	-
91	BR	-
92	L/W	-
94	Y/B	-
95	G/R	-
97	R	-
98	G/B	-
100	W/R	-

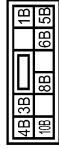
Connector No.	M1
Connector Name	FUSE BLOCK (J/B)
Connector Type	NS06FW-M2



H.S.

Terminal No.	Color Of Wire	Signal Name [Specification]
1A	Y	-
2A	GR	-
3A	W	-
4A	Y/G	-
5A	V	-
6A	L/W	-
7A	LG	-
8A	W	-

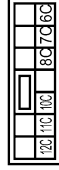
Connector No.	M2
Connector Name	FUSE BLOCK (J/B)
Connector Type	NS10FW-CS



H.S.

Terminal No.	Color Of Wire	Signal Name [Specification]
10B	W/B	-
1B	R	-
3B	R	-
4B	B	-
5B	BR	-
6B	Y	-
8B	L/O	-

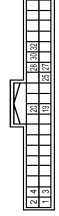
Connector No.	M3
Connector Name	FUSE BLOCK (J/B)
Connector Type	NS12FW-CS



H.S.

Terminal No.	Color Of Wire	Signal Name [Specification]
10C	GR	-
11C	R/L	-
12C	GR/L	-
6C	R	-
7C	B	-
8C	W	-

Connector No.	M4B
Connector Name	AROUND VIEW MONITOR CONTROL UNIT
Connector Type	TH00FW-NH



H.S.

Terminal No.	Color Of Wire	Signal Name [Specification]
1	B	GND
2	Y/G	BATTERY POWER SUPPLY
3	GR/L	IGNITION SIGNAL
4	V	ACC POWER SUPPLY
19	SB	AV COMM (H)
20	LG	AV COMM (L)
25	P	REV
27	L	CANH
28	R	CANL (Without ADAS)
29	Y	CANL (With ADAS)
30	LG	RETRACT MOTOR OPERATION SIGNAL (OPEN)
32	G/O	RETRACT MOTOR OPERATION SIGNAL (CLOSE)

Connector No.	M50
Connector Name	A/C AUTO AMP.
Connector Type	SA040FW



H.S.

Terminal No.	Color Of Wire	Signal Name [Specification]
1	L	CANH
2	B	GROUND
3	Y/G	BATTERY POWER SUPPLY
4	V	ACC POWER SUPPLY
5	W	IONIZER CONTROL SIGNAL
6	V/W	A/C AUTO AMP CONNECTOR RECEPTION SIGNAL
7	W/R	AMBIENT SENSOR SIGNAL
8	GR/L	RR IN-VEHICLE SENSOR SIGNAL

9	BR	SUNLOAD SENSOR (DR) SIGNAL (PHASE) (OUTSIDE DOOR DETECTING SENSOR SIGNAL)
10	V/W	COMM (A/C AUTO AMP-RR A/C CONT)
11	W	COMM (RR A/C CONF-RR A/C CONT)
14	O/L	FR BLOWER MOTOR CONTROL SIGNAL
16	R/G	EACH DOOR MOTOR LIN SIGNAL
17	L/Y	EACH DOOR MOTOR POWER SUPPLY
21	P	CANL
22	B	GROUND
23	GR/L	IGNITION POWER SUPPLY
25	R	-
26	B	SENSOR GROUND
27	GR	FR INVEHICLE SENSOR SIGNAL
28	R	INTAKE SENSOR SIGNAL
29	O	SUNLOAD SENSOR (PASS) SIGNAL
31	O/L	COMM (RR A/C CONF-A/C AUTO AMP)
34	L/O	RR BLOWER MOTOR CONTROL SIGNAL
37	B	GROUND
38	G/W	RR A/C RELAY CONTROL SIGNAL

Connector No.	M70
Connector Name	BCM (BODY CONTROL MODULE)
Connector Type	FE00FW-FH06-SA



H.S.

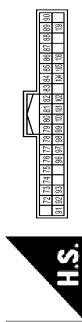
Terminal No.	Color Of Wire	Signal Name [Specification]
56	W/R	INT ROOM LAMP PWR SPLY
57	LG	BAT (FUSE)
58	R/W	SHOCK DETECT. SENS
59	G	PASSENGER DOOR UNLK OUTPUT
60	G	TURN SIGNAL LH OUTPUT
61	G/Y	TURN SIGNAL RH OUTPUT
62	R	STEP LAMP CONT
63	BR	ROOM LAMP TIMER CONT
64	GR/R	CRANKING REQUEST
65	R	ALL DOOR LOCK OUTPUT
66	V	DR DOOR, FUEL LID UNLK OUTPUT
67	B	GND
68	V	PW PWR SPLY (IGN)
69	W	PW PWR SPLY (BAT)
70	Y	BAT (P/L)

POWER SUPPLY ROUTING CIRCUIT

< WIRING DIAGRAM >

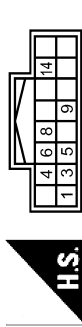
ACCESSORY POWER SUPPLY

Connector No.	M71
Connector Name	BCM (BODY CONTROL MODULE)
Connector Type	TH40FV-NH



Terminal No.	Color Of Wire	Signal Name [Specification]
72	P	PUDDLE LAMP CONT
73	W	ON IND
74	Y/B	TRAILER TURN SIG RH CONT
75	LG/R	DRIVER DOOR REQUEST SW
76	SB	PUSH SW
77	O/L	TRAILER TURN SIG LH CONT
78	P/B	DRIVER DOOR ANT+
79	V	DRIVER DOOR ANT-
80	LG/B	PASSENGER DOOR ANT+
81	Y/R	PASSENGER DOOR ANT-
82	WG	BACK DOOR ANT+
83	BW	BACK DOOR ANT-
84	BR	ROOM ANT+
85	Y	ROOM ANT1-
86	W	ROOM ANT2+
87	B	ROOM ANT2-
88	V	LAGGAGE ROOM ANT+
89	G	LAGGAGE ROOM ANT-
90	Y	PUSH-BTN IGN SW ILL PWR
91	O	LOCK IND
92	L	LOW SIDE PUSH LED
93	GR/R	I-KEY WARN BUZZER
96	BR	ACC RELAY CONT
97	R/W	STARTER RELAY CONT
98	O	IGN RELAY (IPDM E/R) CONT
99	R	IGN RELAY (F/B) CONT
100	P/L	PASSENGER DOOR REQUEST SW
101	W/B	IGN PWR SPLY 2
102	BR	SHIFT NIP
104	R/B	A/T SHIFT SELECT PWR SPLY
105	O/L	STOP LAMP SW 2
106	Y/G	BLWR FAN MTR RELAY CONT
109	L/W	ACC IND

Connector No.	M72
Connector Name	MULTIFUNCTION SWITCH
Connector Type	TH16FV-NH



Terminal No.	Color Of Wire	Signal Name [Specification]
1	B	GND
3	V	ACC
4	L/W	ILL
5	Y	ILL CONT
6	B/O	ILL CONT
8	SB	AV COMM (H)
8	LG	AV COMM (L)
9	R/W	SW GND
14	W/B	DISK EJECT SIGNAL

Connector No.	M77
Connector Name	WIRE TO WIRE
Connector Type	TH80FV-CS16-TM4



Terminal No.	Color Of Wire	Signal Name [Specification]
1	W	
2	L/W	
3	R/B	
4	L	
5	Y	
6	SB	
7	W/G	
8	P/B	
9	W/B	
10	G	
11	L	
12	P	

Connector No.	M79
Connector Name	ACCESSORY RELAY (2)
Connector Type	MS02FL-M2-LC



Terminal No.	Color Of Wire	Signal Name [Specification]
1	B	
2	L/W	
3	G	
9	G	

Connector No.	M80
Connector Name	FRONT POWER SOCKET
Connector Type	J02FB-Z



Terminal No.	Color Of Wire	Signal Name [Specification]
1	L/W	
2	B	

Terminal No.	Color Of Wire	Signal Name [Specification]
13	P/B	
14	BR	
15	O/L	
16	SB	
18	BR	
19	Y/G	
20	BR/Y	
21	V	
22	L	
23	Y	
24	L/W	
28	O	
29	R/W	
30	O/L	
31	Y	
32	GR/R	
34	Y	
35	R	
36	B/O	
37	G	
37	G/Y	
40	SB	
41	W/R	
42	R	
43	V	
51	L/O	
52	BR/W	
53	BR/Y	
54	GR/L	
60	W	
61	B	
62	G	
63	R	
64	SHIELD	
91	BR	
92	L/W	
94	Y/B	
95	L/R	
97	R	
98	O/L	
100	W/B	

A
B
C
D
E
F
G
H
I
J
K
L
PG
N
O
P

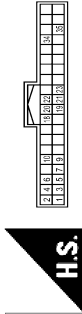
JRMWE1999GB

POWER SUPPLY ROUTING CIRCUIT

< WIRING DIAGRAM >

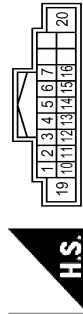
ACCESSORY POWER SUPPLY

Connector No.	M699
Connector Name	TCU
Connector Type	TH40FV-NH



Terminal No.	Color Of Wire	Signal Name [Specification]
1	Y/R	BAT
2	B	GND
3	BR	ACC
4	G/L	IGN
5	V	ACC OUT
6	BR	AV-ACC
7	B	GND
8	L	V-CANTH
9	L	V-CANL
10	P	MIC VCC
18	Y/G	MIC VCC
19	Y/L	MIC SIG
20	SHIELD	MIC GND
21	Y	DCM MIC VCC
22	BR	DCM MIC SIG
23	SHIELD	DCM MIC GND
34	G	E-CALL SW
35	O	LED A

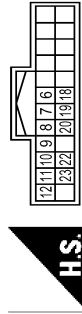
Connector No.	M208
Connector Name	AV CONTROL UNIT
Connector Type	TH18FV-GS2



Terminal No.	Color Of Wire	Signal Name [Specification]
1	W/B	BOSE AMP ON SIGNAL
2	L	SOUND SIGNAL FRONT LH(+)
3	P	SOUND SIGNAL FRONT LH(-)

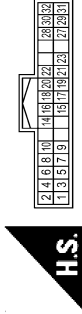
4	V	SOUND SIGNAL REAR LH(+)
5	LG	SOUND SIGNAL REAR LH(-)
6	Y/G	STRG SW A
7	V	ACC
10	SHIELD	SHIELD
11	Y/L	SOUND SIGNAL FRONT RH(+)
12	Y/G	SOUND SIGNAL FRONT RH(-)
13	O	SOUND SIGNAL REAR RH(+)
14	W	SOUND SIGNAL REAR RH(-)
15	B	STRG SW GND
16	Y/L	STRG SW B
19	Y/R	BATTERY
20	B	GND

Connector No.	M215
Connector Name	FRONT DISPLAY UNIT
Connector Type	TH24FV-NH



Terminal No.	Color Of Wire	Signal Name [Specification]
6	SHIELD	SHIELD
7	SHIELD	SHIELD
8	W	CAMERA IMAGE SIGNAL
9	Y/L	COMM (DSP-CONT)
10	Y/G	COMM (CONT-DISP)
11	Y/R	BATTERY POWER SUPPLY
12	B	GND
18	R	COMPOSITE IMAGE SIGNAL
19	W	COMPOSITE IMAGE SIGNAL GND
20	W/B	COMPOSITE IMAGE SYNC SIGNAL
22	SHIELD	SHIELD
23	V	ACC POWER SUPPLY

Connector No.	M217
Connector Name	VIDEO DISTRIBUTOR
Connector Type	TH32FV-NH



Terminal No.	Color Of Wire	Signal Name [Specification]
1	B	GND
2	Y/R	BAT
3	B	GND
4	V	ACC
5	V/W	CONT GND FOR HEADREST DISPLAY UNIT RH
6	L/W	ACC SIGNAL FOR HEADREST DISPLAY UNIT RH
7	W/R	CONT GND FOR HEADREST DISPLAY UNIT LH
8	G/R	ACC SIGNAL FOR HEADREST DISPLAY UNIT LH
9	O/B	IMAGE SWITCH SIGNAL FOR HEADREST DISPLAY UNIT RH
10	R/B	IMAGE SWITCH SIGNAL FOR HEADREST DISPLAY UNIT LH
14	B	HEADREST SIGNAL RH (+) FOR HEADREST DISPLAY UNIT RH
15	G	HEADREST SIGNAL RH (-) FOR HEADREST DISPLAY UNIT RH
16	W	HEADREST SIGNAL LH (+) FOR HEADREST DISPLAY UNIT RH
17	R	HEADREST SIGNAL LH (-) FOR HEADREST DISPLAY UNIT RH
18	P/L	AV GND FOR HEADREST DISPLAY UNIT RH
19	P	AV GND FOR HEADREST DISPLAY UNIT LH
20	B	HEADREST SIGNAL RH (+) FOR HEADREST DISPLAY UNIT LH
21	G	HEADREST SIGNAL RH (-) FOR HEADREST DISPLAY UNIT LH
22	W	HEADREST SIGNAL LH (+) FOR HEADREST DISPLAY UNIT LH
23	R	HEADREST SIGNAL LH (-) FOR HEADREST DISPLAY UNIT LH
27	W	COMPOSITE IMAGE SIGNAL FOR HEADREST DISPLAY UNIT RH
28	R	COMPOSITE IMAGE SIGNAL FOR HEADREST DISPLAY UNIT LH
29	SHIELD	SHIELD
30	SHIELD	SHIELD
31	Y/L	COMPOSITE IMAGE SIGNAL GND FOR HEADREST DISPLAY UNIT LH
32	Y/G	COMPOSITE IMAGE SIGNAL FOR HEADREST DISPLAY UNIT LH

Connector No.	R28
Connector Name	TELEMATICS SWITCH
Connector Type	TH08FV-NH



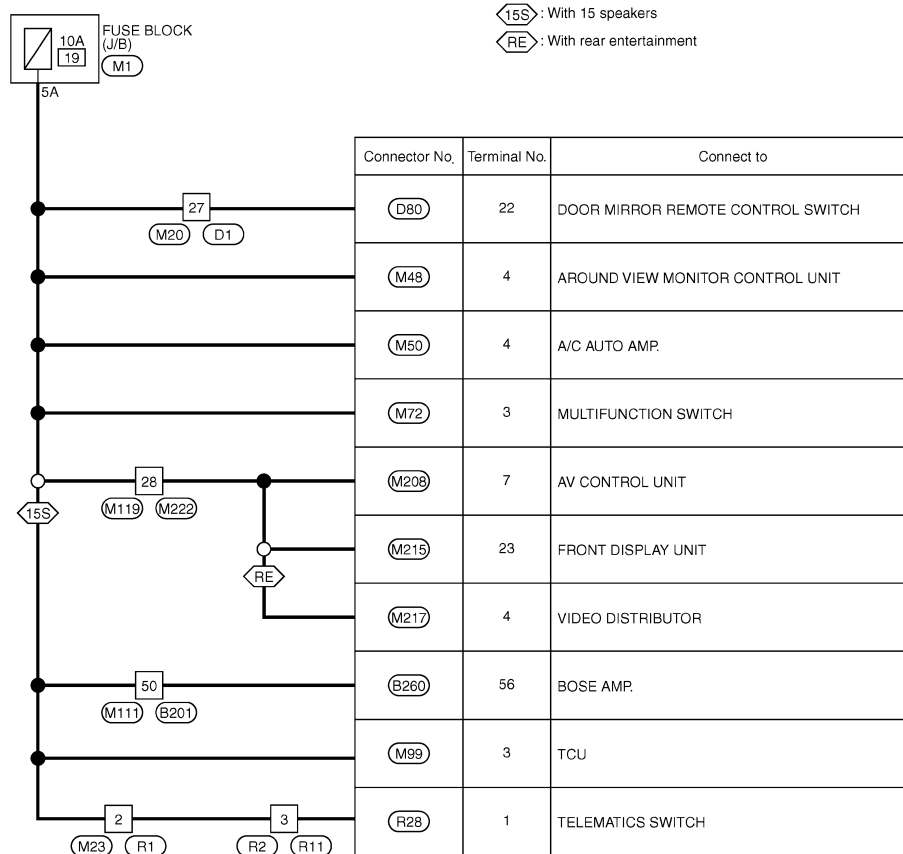
Terminal No.	Color Of Wire	Signal Name [Specification]
1	V	ACC
2	BR	LED A
3	G	E-CALL SW
4	SB	ILL
6	B	ILL CONT (GND)
7	B	SW_GND

POWER SUPPLY ROUTING CIRCUIT

< WIRING DIAGRAM >

Wiring Diagram - ACCESSORY POWER SUPPLY FUSE No. 19 - ACCESSORY POWER SUPPLY FUSE No. 19

INFOID:000000009010972



A
B
C
D
E
F
G
H
I
J
K
L

PG

N
O
P

2013/01/30

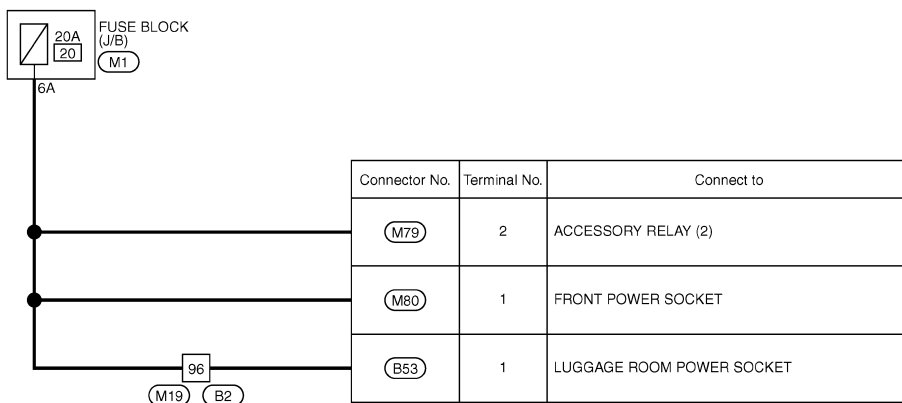
JRMWD7286GB

POWER SUPPLY ROUTING CIRCUIT

< WIRING DIAGRAM >

Wiring Diagram - ACCESSORY POWER SUPPLY FUSE No. 20 - ACCESSORY POWER SUPPLY FUSE No. 20

INFOID:000000009010973



2010/05/13

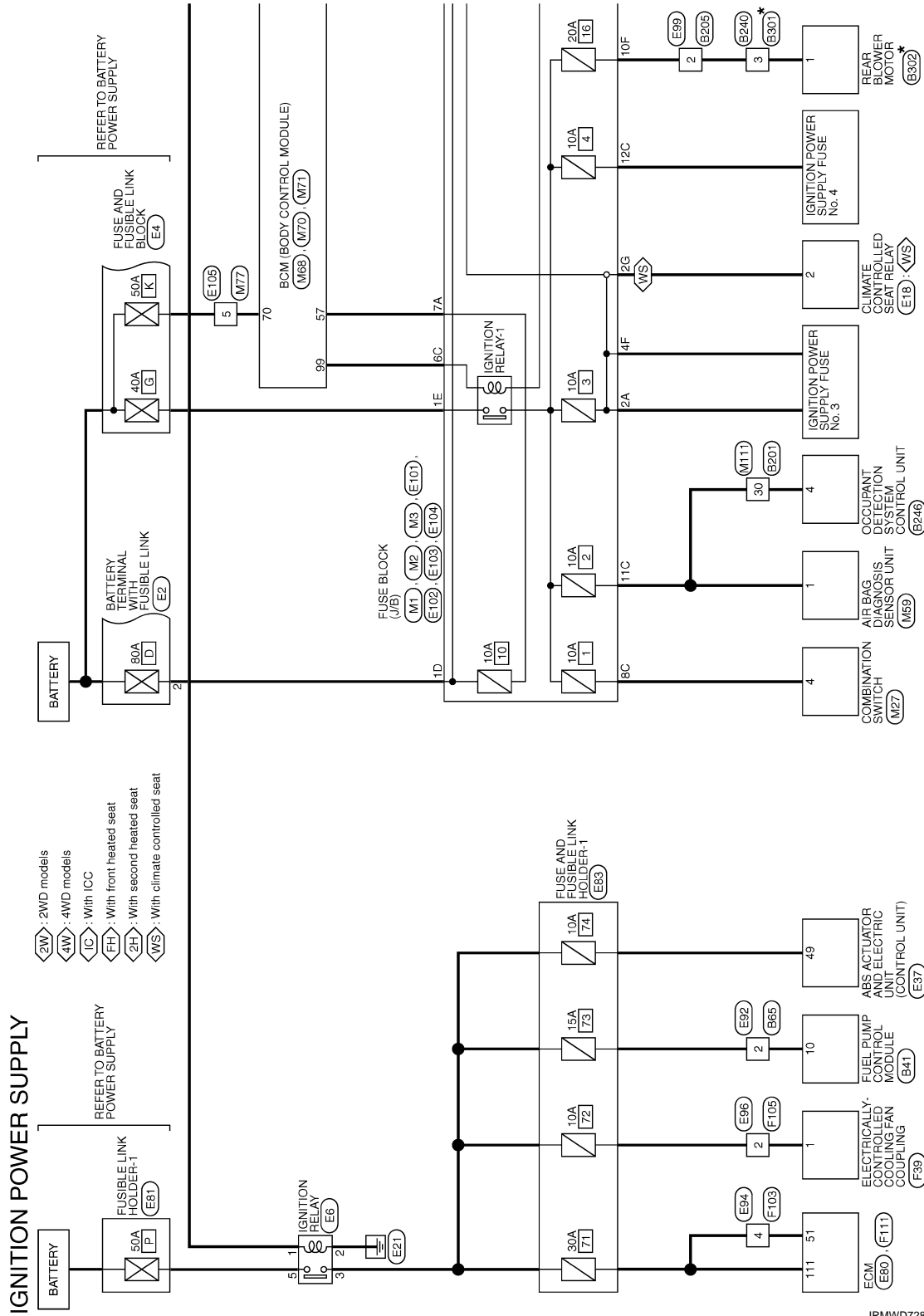
JCMWM8422GB

POWER SUPPLY ROUTING CIRCUIT

< WIRING DIAGRAM >

Wiring Diagram - IGNITION POWER SUPPLY -

INFOID:000000009010974



* This connector is not shown in "Harness Layout".

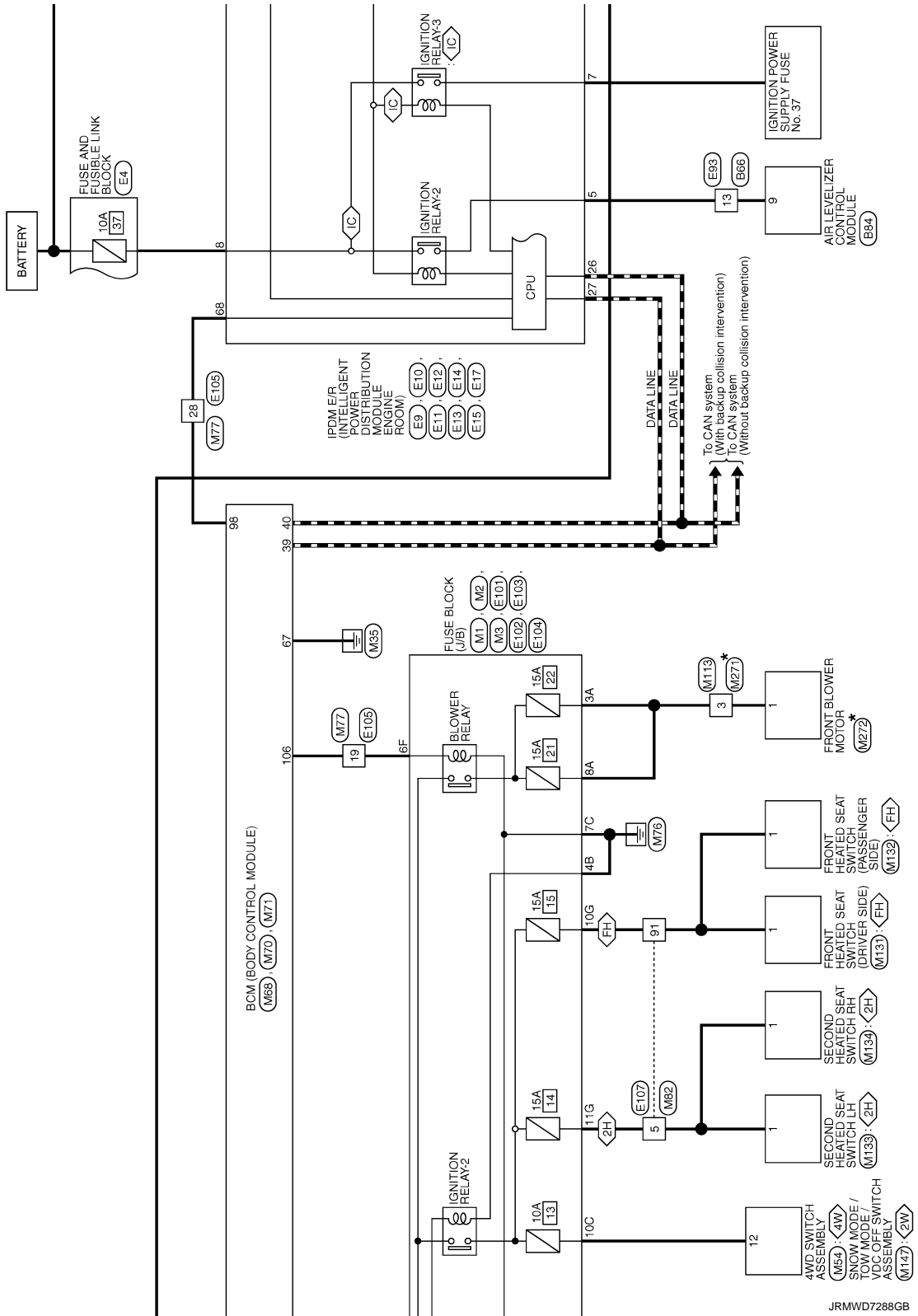
2013/01/30

JRMWD7287GB

A
B
C
D
E
F
G
H
I
J
K
L
PG
N
O
P

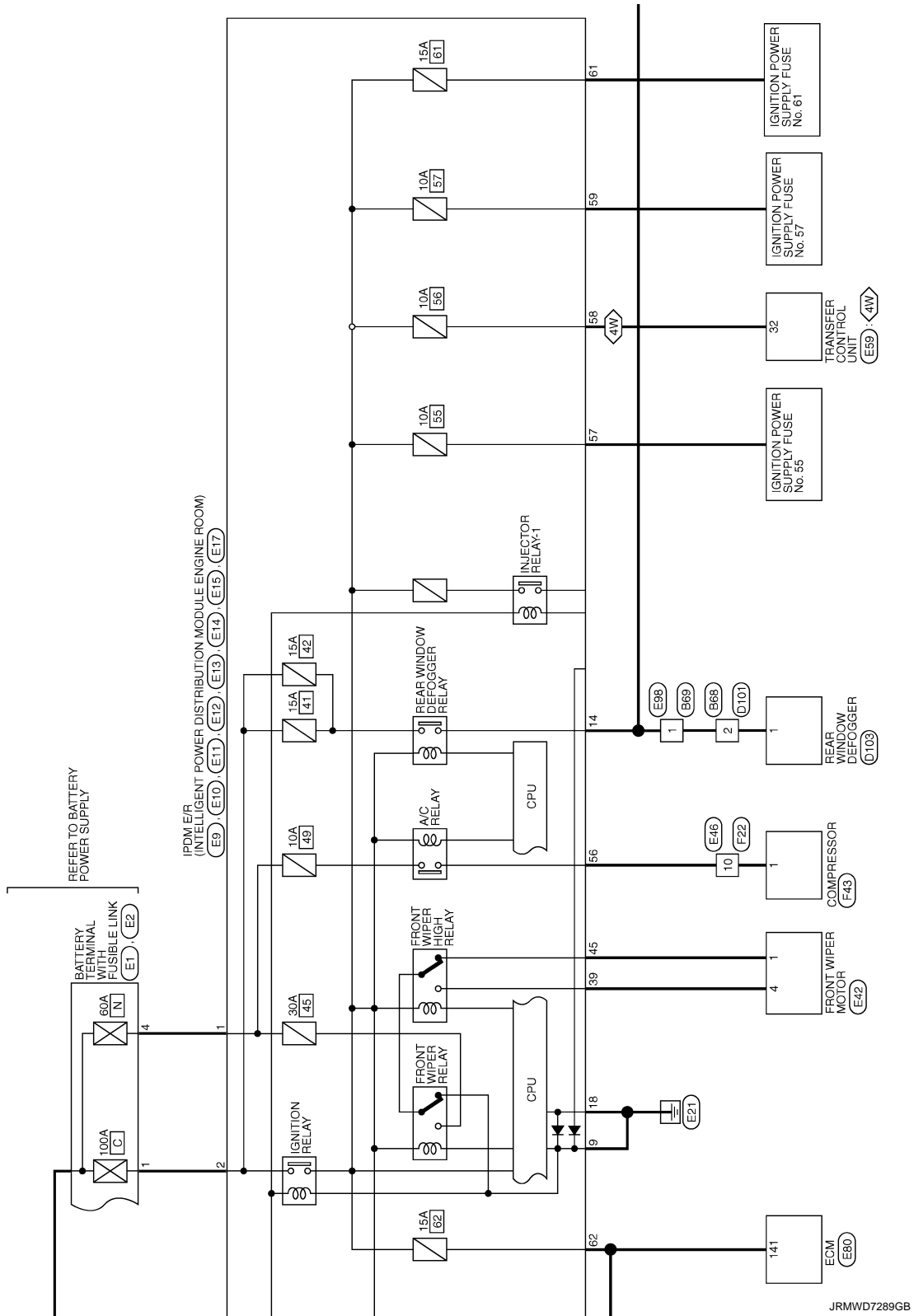
POWER SUPPLY ROUTING CIRCUIT

< WIRING DIAGRAM >



POWER SUPPLY ROUTING CIRCUIT

< WIRING DIAGRAM >

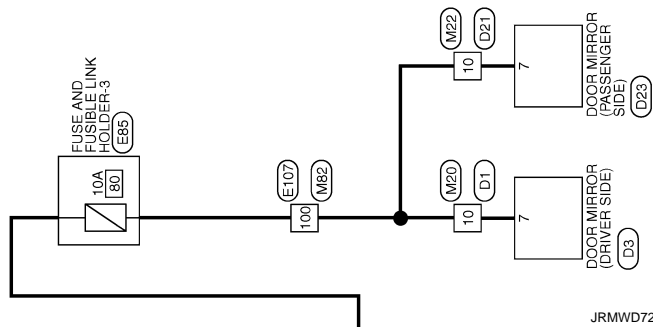


A
B
C
D
E
F
G
H
I
J
K
L
PG
N
O
P

JRMWD7289GB

POWER SUPPLY ROUTING CIRCUIT

< WIRING DIAGRAM >



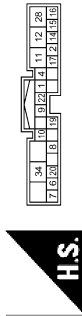
JRMWD7290GB

POWER SUPPLY ROUTING CIRCUIT

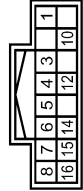
< WIRING DIAGRAM >

IGNITION POWER SUPPLY

Connector No.	B26
Connector Name	AUTOMATIC BACK DOOR CONTROL MODULE
Connector Type	TH20FW-TB6



Terminal No.	Color Of Wire	Signal Name [Specification]
1	L	BUZZER
2	Y/B	ABD SW
3	GR	ABD CLOSE SW
4	P	CANL
5	L	CANH
6	LW	HALF LATCH SW
7	GR/L	IGN
8	BAT	BAT
9	Y	CLOSURE MTR (CLOSE)
10	R	CLOSURE MTR (OPEN)
11	V	TOUCH SENS LH
12	G/W	TOUCH SENS LH
13	L/R	TOUCH SENS RH
14	LG	TOUCH SENS RH
15	O	MAIN SW
16	L/Y	CLOSE SW
17	G/Y	OPEN SW
18	B	GND
19	R/W	BAT
20	B	GND
21	B	GND
22	B	GND
23	B	GND
24	B	GND
25	B	GND
26	B	GND



Connector No.	B61
Connector Name	ADAS CONTROL UNIT
Connector Type	TH16FW-NH

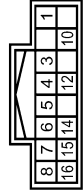
Terminal No.	Color Of Wire	Signal Name [Specification]
1	V/W	WARNING SYSTEMS SW
2	B	IBA OFF SW
3	G	WARNING SYSTEMS ON IND
4	R/Y	WARNING SYSTEMS ON IND
5	R	BRAKE HOLD RLY DRIVE SIGNAL
6	B	GND
7	L	ITS COMM+H
8	Y	ITS COMM-L
9	O	ECU SW
10	O	ECU SW
11	G/R	WARNING BUZZER
12	G/R	WARNING BUZZER
13	P/L	CANL
14	P/L	CANL
15	R/Y	CANL
16	R/Y	CANL
17	B	IGNITION
18	W/G	IGNITION

Connector No.	B41
Connector Name	FUEL PUMP CONTROL MODULE
Connector Type	TM10FB



Terminal No.	Color Of Wire	Signal Name [Specification]
5	B	GND
6	G/R	FUEL PUMP (+)
7	G/Y	FUEL PUMP (+)
8	GR	FPC INPUT SIGNAL
9	R/W	DIAG OUTPUT SIGNAL
10	LG	BATTERY

Connector No.	B61
Connector Name	ADAS CONTROL UNIT
Connector Type	TH16FW-NH



Connector No.	B65
Connector Name	WIRE TO WIRE
Connector Type	NS08MW-CS



Terminal No.	Color Of Wire	Signal Name [Specification]
2	LG	-
3	G	-
4	W	-
5	SHIELD	-
6	GR	-
7	R/W	-
8	R/W	-

Connector No.	B66
Connector Name	WIRE TO WIRE
Connector Type	TH16MW-NH



Terminal No.	Color Of Wire	Signal Name [Specification]
1	R	-
2	B	-
3	G	-
4	W	-
5	SHIELD	-
6	GR	-
7	R/W	-
8	R/W	-
9	L	-
10	R	-
11	V	-
12	P/L	-
13	P/L	-
14	R/Y	-
15	R/Y	-
16	LW	-

Connector No.	B68
Connector Name	WIRE TO WIRE
Connector Type	MO2MW-LC



Terminal No.	Color Of Wire	Signal Name [Specification]
1	B	-
2	R	-

Connector No.	B69
Connector Name	WIRE TO WIRE
Connector Type	MO1MBR-PS-LC



Terminal No.	Color Of Wire	Signal Name [Specification]
1	R	-

JRMWE2001GB

A
B
C
D
E
F
G
H
I
J
K
L
N
O
P

PG

POWER SUPPLY ROUTING CIRCUIT

< WIRING DIAGRAM >

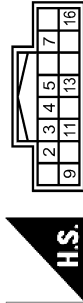
IGNITION POWER SUPPLY

Connector No.	B74
Connector Name	SIDE RADAR LH
Connector Type	AA06FB-VP-5P



Terminal Color Of No.	Wire	Signal Name [Specification]
2	B	GND
3	Y	ITS COMM-L
4	L	ITS COMM-H
5	W/G	IGNITION
6	BR	BSW INDICATOR

Connector No.	B84
Connector Name	AIR LEVELER CONTROL MODULE
Connector Type	TH16FW-NH



Terminal Color Of No.	Wire	Signal Name [Specification]
2	B	GND
3	V	AIR COMPRESSOR RELAY
4	L/W	VEHICLE HEIGHT SENSOR GND
5	W	VEHICLE HEIGHT SENSOR SIGNAL
7	P	CAN-L
9	P/L	IGN
11	V/W	EXHAUST SOLENOID
13	R	VEHICLE HEIGHT SENSOR POWER SUPPLY
16	L	CAN-H

Connector No.	B201
Connector Name	WIRE TO WIRE
Connector Type	TH80MW-CS16-TM4



Terminal Color Of No.	Wire	Signal Name [Specification]
1	R/B	-
2	G	-
3	W	-
5	W/B	-
6	L/Y	-
7	B	-
8	GR	-
9	GR/R	-
11	W	-
12	V	-
13	Y	-
16	L/O	-
17	GR/L	-
18	R/G	-
19	L/Y	-
20	G/Y	-
21	R	-
22	GR	-
27	L/W	-
29	W	-
30	R/L	-
31	Y/L	-
32	W/R	-
33	W/G	-
34	L/R	-
36	G	-
37	V	-
38	SHIELD	-
39	P/B	-
40	W/R	-
41	R	-
42	L	-
43	B/W	-
44	B	-
45	P	-
46	SHIELD	-

Terminal Color Of No.	Wire	Signal Name [Specification]
1	W	-
2	G	-
3	L	-
4	R	-
6	L	-

Connector No.	B240
Connector Name	WIRE TO WIRE
Connector Type	M06FW-LC



Terminal Color Of No.	Wire	Signal Name [Specification]
1	B	-
3	G	-
5	L/O	-

Connector No.	B243
Connector Name	SIDE RADAR RH
Connector Type	AA06FB-WP



Terminal Color Of No.	Wire	Signal Name [Specification]
1	B/Y	RIGHT/LEFT SWITCHING SIGNAL
2	B	GND
3	Y	ITS COMM-L
4	L	ITS COMM-H
5	W/G	IGNITION
6	L/R	BSW INDICATOR

47	R	-
48	W	-
49	SHIELD	-
50	V	-
51	L/B	-
52	L/R	-
53	S/B	-
54	V/W	-
59	L	-
60	GR	-
61	P/L	-
62	B/SB	-
63	R/Y	-
64	BR	-
70	O	-
71	W	-
72	SHIELD	-
73	B	-
74	R	-
75	G	-
76	Y	-
77	S/B	-
78	LG	-
79	R/B	-
90	W/B	-
93	Y	-
94	L	-
95	L/R	-
96	R	-
97	W	-
98	V	-
99	L/W	-
100	W	-

Connector No.	B205
Connector Name	WIRE TO WIRE
Connector Type	NS06MW-CS



POWER SUPPLY ROUTING CIRCUIT

< WIRING DIAGRAM >

IGNITION POWER SUPPLY

Connector No.	B246
Connector Name	OCCUPANT DETECTION SYSTEM CONTROL UNIT
Connector Type	TH40FW-NH



Terminal Color Of No.	Wire	Signal Name [Specification]
1	W	-
2	B	-
3	L/R	-
4	R/L	-

Connector No.	B301
Connector Name	WIRE TO WIRE
Connector Type	M06MW-LC



Terminal Color Of No.	Wire	Signal Name [Specification]
1	-	-
3	-	-
5	-	-

Connector No.	B302
Connector Name	REAR BLOWER MOTOR
Connector Type	NS03FW-M3



Terminal Color Of No.	Wire	Signal Name [Specification]
1	-	-
2	-	-
3	-	-

Connector No.	D1
Connector Name	WIRE TO WIRE
Connector Type	TH40FW-CS15



Terminal Color Of No.	Wire	Signal Name [Specification]
1	V	-
2	W	-
3	V	-
4	Y	-
5	LG/R	-
6	BR/W	-
8	V	-
9	G	-
10	L	-
12	BY	-
13	Y	-
14	R	-
15	B	-
16	GR/R	-
17	R/W	-
18	B	-
19	R	-

Terminal Color Of No.	Wire	Signal Name [Specification]
20	P	-
22	V	-
23	P/B	-
24	L/O	-
25	BR/W	-
26	W/R	-
27	V	-
28	W/G	-
29	Y/G	-
30	O/L	-
31	GR/B	-
32	BR	-
33	V/W	-
36	G/O	-
37	BR/Y	-
38	SB	-
39	W/L	-
40	L/W	-
41	Y/G	-
42	P/L	-
43	LG	-
44	GR/L	-
45	SHIELD	-
46	W	-
47	LG	-
48	GW	-
49	Y	-
50	L/Y	-
51	GR/R	-
52	LG/B	-
53	G	-
54	B	-
55	R	-

Connector No.	D3
Connector Name	DOOR MIRROR (DRIVER SIDE)
Connector Type	TH44MW-NH



Terminal Color Of No.	Wire	Signal Name [Specification]
2	BR/W	-
3	W	SIDE CAMERA LH COMM
5	G	-
6	R	SIDE CAMERA LH POWER SUPPLY
7	L	-
8	O	-
9	W/B	-
10	SB	-
11	BR/Y	-
12	L/W	-
14	P	-
15	BY	-
16	GR/L	-
17	SHIELD	-
18	B	SIDE CAMERA LH GND
19	B	-
20	G	-
21	L/Y	-
22	GW	-
23	W/L	-
24	Y	-

Connector No.	D21
Connector Name	WIRE TO WIRE
Connector Type	TH40FW-CS15



Terminal Color Of No.	Wire	Signal Name [Specification]
1	G	-
2	W	-
3	V	-
5	P/L	-
6	L/R	-
8	L/W	-
9	GY	-
10	L	-
12	BY	-
13	L	-
14	R	-

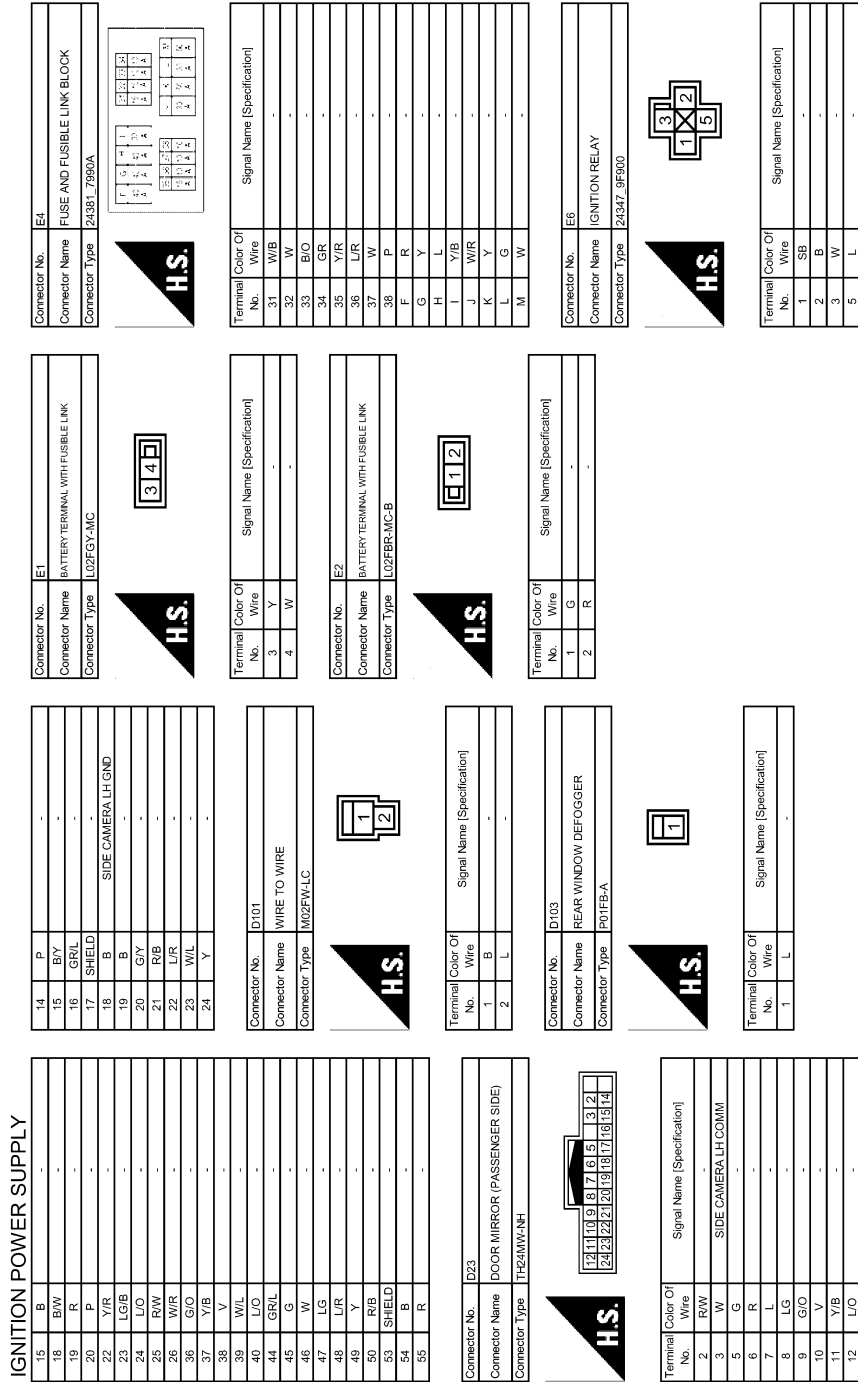
JRMWE2003GB

A
B
C
D
E
F
G
H
I
J
K
L
N
O
P

PG

POWER SUPPLY ROUTING CIRCUIT

< WIRING DIAGRAM >

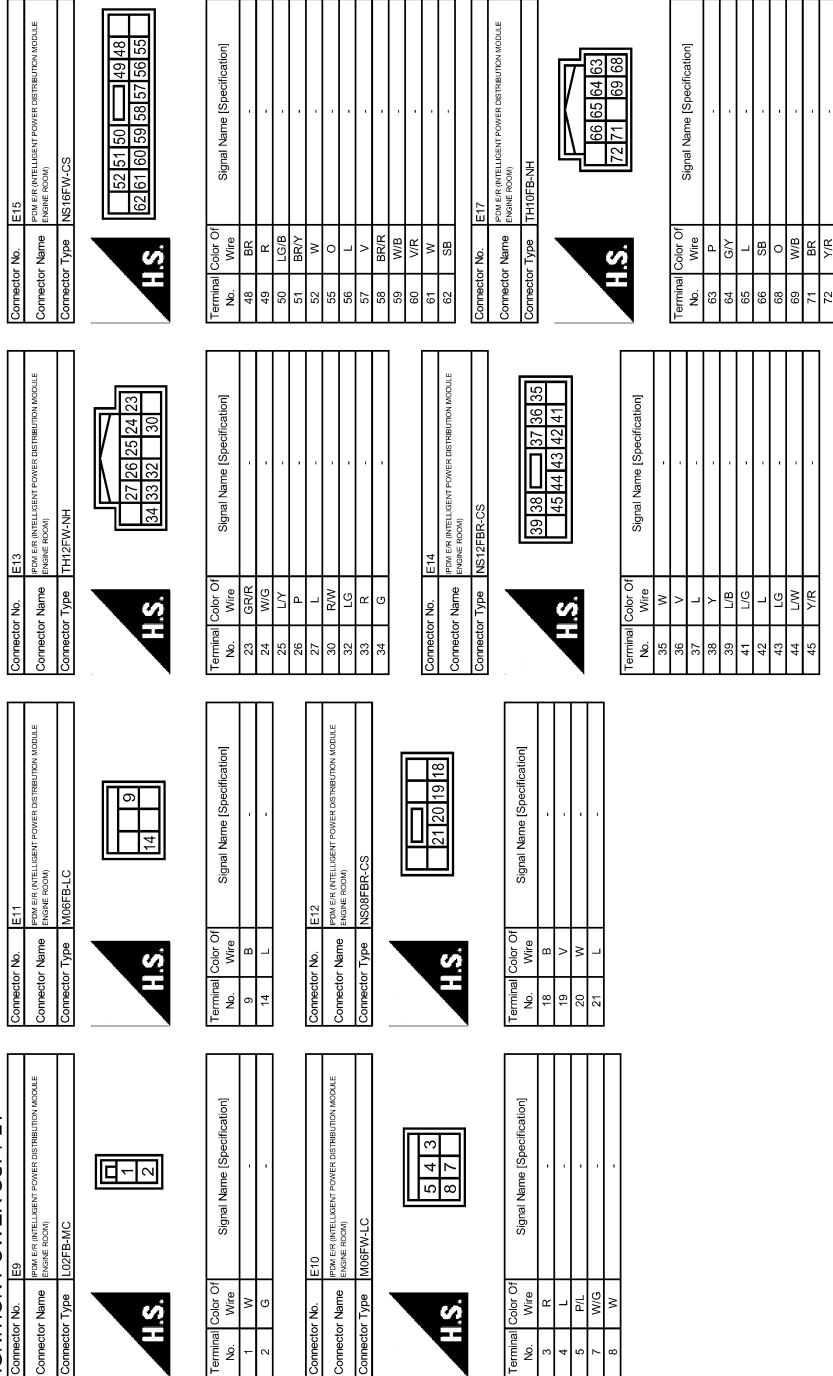


JRMWE2004GB

POWER SUPPLY ROUTING CIRCUIT

< WIRING DIAGRAM >

IGNITION POWER SUPPLY



A
B
C
D
E
F
G
H
I
J
K
L
N
O
P

PG

POWER SUPPLY ROUTING CIRCUIT

< WIRING DIAGRAM >

IGNITION POWER SUPPLY

Connector No.	E18
Connector Name	CLIMATE CONTROLLED SEAT RELAY
Connector Type	M06FRR-LC



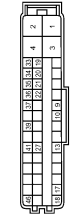
Terminal No.	Color Of Wire	Signal Name (Specification)
1	B	-
2	GR	-
3	L	-
4	LG	-
5	G	-
7	O	-

Connector No.	E24
Connector Name	REMOTE ENGINE START RELAY
Connector Type	M52FL-M2-LC



Terminal No.	Color Of Wire	Signal Name (Specification)
1	BY	-
2	G	-
3	L/R	-
5	G	-

Connector No.	E36
Connector Name	ABS ACTUATOR AND ELECTRIC UNIT (CONTROL UNIT)
Connector Type	SAZ42FB-SJ24



Terminal No.	Color Of Wire	Signal Name (Specification)
1	G	BAT
2	B	GND
3	B	GND
4	W	MOTOR SUPPLY
8	R/B	YAW RATE (RSC) (RSC) G. SENSOR COMBINATION 1
10	R/B	YAW RATE (RSC) (RSC) G. SENSOR COMBINATION 2
13	GR	BRAKE FLUID LEVEL SW
17	L/R	STP2
18	W/B	IGN
19	O	DS ER
20	SB	DP FL
21	R/O	DS RR
22	V	DP RL
27	P	CANL
33	LG	DP FR
34	G	DS FL
35	BR	DP RR
36	P	DS RL
37	R	STP
39	L/W	VDC OFF SW
41	L	CAN-H
46	W	STOP LAMP SW ON

Connector No.	E37
Connector Name	ABS ACTUATOR AND ELECTRIC UNIT (CONTROL UNIT)
Connector Type	SAZ02FB-SJ22



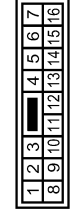
Terminal No.	Color Of Wire	Signal Name (Specification)
47	W	MTR POWER-2
48	B	GND-3
49	O	IGN2

Connector No.	E42
Connector Name	FRONT WIPER MOTOR
Connector Type	H52FGY



Terminal No.	Color Of Wire	Signal Name (Specification)
1	Y/R	-
2	B	-
4	L/B	-
5	L/Y	-

Connector No.	E46
Connector Name	WIRE TO WIRE
Connector Type	NS16MW-CS



Terminal No.	Color Of Wire	Signal Name (Specification)
1	BY	-
2	SHIELD	-
4	V	-
8	B/SB	-
10	-	-
11	W	-
14	SB	-
15	G	-

Connector No.	E52
Connector Name	BACK-UP LAMP RELAY
Connector Type	M06FBR-LC



Terminal No.	Color Of Wire	Signal Name (Specification)
1	V	-
2	R	-
3	W/B	-
5	Y/L	-
6	V	-
7	R/Y	-

JRMWE2006GB

POWER SUPPLY ROUTING CIRCUIT

< WIRING DIAGRAM >

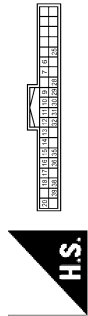
IGNITION POWER SUPPLY

Connector No.	E58
Connector Name	STOP LAMP RELAY
Connector Type	MS02FL-M2-LC



Terminal No.	Color Of Wire	Signal Name [Specification]
1	W/B	-
2	W	-
3	L/B	-
5	R	-

Connector No.	E59
Connector Name	TRANSFER CONTROL UNIT
Connector Type	TH40FW-NH



Terminal No.	Color Of Wire	Signal Name [Specification]
6	BR	HI-LO POSITION SEN 1
7	Y	TRANSFER FLUID TEMP SEN PWR SUPPLY
9	G	INTERNAL SPEED SEN GND
10	Y/G	INTERNAL SPEED SEN IMP
11	V	4L SW
12	L	CANH
13	P	CANL
14	W/R	AUTO SW
15	P/B	ROTARY POSITION SEN PWM
16	L/G	ROTARY POSITION SEN GND
17	W/L	LOCK POSITION SEN PWR SUPPLY
18	BR/Y	ROTARY POSITION SEN PWR SUPPLY
20	GR	TRANSFER CLUPWR SUPPLY
25	P/L	PH-LO POSITION SEN 3
28	W	MOTOR TEMP-SEN PWR SUPPLY
29	LGR	PH-LO POSITION SEN 2

30	R/B	LOCK POSITION SEN GND
31	L/O	INTERNAL SPEED SEN DIR
32	BR/R	IGN
35	R	4H SW
36	L/R	TRANSFER FLUID TEMP SEN GND
38	G/O	LOCK POSITION SEN SIGNAL
39	R/W	INTERNAL SPEED SEN PWR SUPPLY

Connector No.	E64
Connector Name	ICC BRAKE HOLD RELAY
Connector Type	MS02FL-M2-LC



Terminal No.	Color Of Wire	Signal Name [Specification]
1	W/G	-
2	R	-
3	L/B	-
5	R	-

Connector No.	E65
Connector Name	ICC SENSOR
Connector Type	RS08FB-PR



Terminal No.	Color Of Wire	Signal Name [Specification]
1	W/G	IGNITION
3	L	ITS COMM-L
4	B	GND
6	Y	ITS COMM-H

Connector No.	E66
Connector Name	ACCELERATOR PEDAL ACTUATOR
Connector Type	RH08FLGY



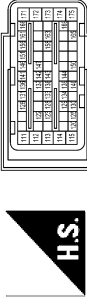
Terminal No.	Color Of Wire	Signal Name [Specification]
1	B/O	BATTERY
2	B	GND
3	W/G	IGNITION
4	Y	ITS COMM-L
5	L	ITS COMM-H

Connector No.	E68
Connector Name	ICC BRAKE SWITCH
Connector Type	IM02FBR-LC



Terminal No.	Color Of Wire	Signal Name [Specification]
1	G	-
2	G/Y	-

Connector No.	E80
Connector Name	ECM
Connector Type	MB055FB-MEB-10-LH



Terminal No.	Color Of Wire	Signal Name [Specification]
111	R	FUEL INJECTOR DRIVER POWER SUPPLY
112	SB	FUEL INJECTOR DRIVER POWER SUPPLY
113	G	-
114	B	ECM GROUND
115	B	ECM GROUND
120	Y	EVAP CANISTER VENT CONTROL VALVE
122	BR/W	THROTTLE CONTROL MOTOR RELAY
123	VR	FUEL PUMP CONTROL MODULE (FFCM)
125	GR	FUEL PUMP CONTROL MODULE (FFCM)
126	O	ACCELERATOR PEDAL POSITION SENSOR 2
128	Y	ASCD/ICC STEERING SWITCH
129	P/L	SENSOR GROUND
130	R	SENSOR GROUND
131	L/W	SENSOR POWER SUPPLY
133	SB	SENSOR POWER SUPPLY
134	V/W	FUEL TEMPERATURE SENSOR
136	W/R	ACCELERATOR PEDAL POSITION SENSOR 1
137	W/G	SENSOR POWER SUPPLY
138	V	BATTERY CURRENT SENSOR
139	G	BATTERY TEMPERATURE SENSOR
140	R/Y	SENSOR GROUND
141	SB	IGNITION SWITCH
142	R/W	FUEL PUMP CONTROL MODULE (FFCM) CHECK
143	L/Y	EVAP CONTROL SYSTEM PRESSURE SENSOR
144	O/B	REFRIGERANT PRESSURE SENSOR
146	L	CAN COMMUNICATION LINE
147	G/Y	ASCD/ICC BRAKE SWITCH
150	R	SENSOR GROUND
151	P	CAN COMMUNICATION LINE
156	L	POWER SUPPLY FOR ECM (BACK-UP)
158	W/B	STOP LAMP SWITCH
161	R/W	ECM COMMUNICATION LINE
163	L/G	ECM RELAY (SELF SHUT-OFF)
165	GR/R	ECM COMMUNICATION LINE
166	W	ECM COMMUNICATION LINE
169	G/B	ENGINE SPEED SIGNAL OUTPUT

A
B
C
D
E
F
G
H
I
J
K
L
PG
N
O
P

POWER SUPPLY ROUTING CIRCUIT

< WIRING DIAGRAM >

IGNITION POWER SUPPLY

171	W	POWER SUPPLY FOR ECM
172	W	POWER SUPPLY FOR ECM
173	O	THROTTLE CONTROL MOTOR POWER SUPPLY
174	B	ECM GROUND
175	B	ECM GROUND

Connector No.	E81
Connector Name	FUSIBLE LINK HOLDER-1
Connector Type	243380_JL00A

P	O
50	50
A	A



Terminal Color Of No.	Wire	Signal Name (Specification)
O	W	-
P	L	-

Connector No.	E83
Connector Name	FUSE AND FUSIBLE LINK HOLDER-1
Connector Type	243380_SF600

71	30A
72	10A
73	15A
74	10A



Terminal Color Of No.	Wire	Signal Name (Specification)
71	R	-
72	L/W	-
73	LG	-
74	O	-

Connector No.	E85
Connector Name	FUSE AND FUSIBLE LINK HOLDER-3
Connector Type	243380_CF000

T	30A
80	10
81	30
82	10
83	30
84	10
85	30



Terminal Color Of No.	Wire	Signal Name (Specification)
79	GR	-
80	L	-
T	L	-

Connector No.	E87
Connector Name	REAR A/C RELAY
Connector Type	MS02FL-M2-LC

3	5
2	1



Terminal Color Of No.	Wire	Signal Name (Specification)
1	GR/L	-
2	GW	-
3	GR/L	-
5	L/W	-

Connector No.	E82
Connector Name	WIRE TO WIRE
Connector Type	NS08FM-CS

3	2	1
8	7	6
5	4	14



Terminal Color Of No.	Wire	Signal Name (Specification)
2	LG	-
3	G	-
5	W	-
8	R	-

Connector No.	E83
Connector Name	WIRE TO WIRE
Connector Type	TH16FM-NH

8	7	6	5	4	3	2	1
16	15	14	13	12	11	10	9



Terminal Color Of No.	Wire	Signal Name (Specification)
1	R	-
2	B	-
3	G	-
4	W	-
5	SHIELD	-
7	GR	-
8	R/W	-
11	R	-
12	V	-
13	P/L	-
15	R/Y	-
16	L/W	-

Connector No.	E84
Connector Name	WIRE TO WIRE
Connector Type	M06MW-LC

1	2	3
4	5	6



Terminal Color Of No.	Wire	Signal Name (Specification)
1	GY	-
2	R	-
3	V	-
4	R	-
6	GR	-
6	BR	-

Connector No.	E86
Connector Name	WIRE TO WIRE
Connector Type	RS08MGY-PR

1	2	3	4
5	6	7	8

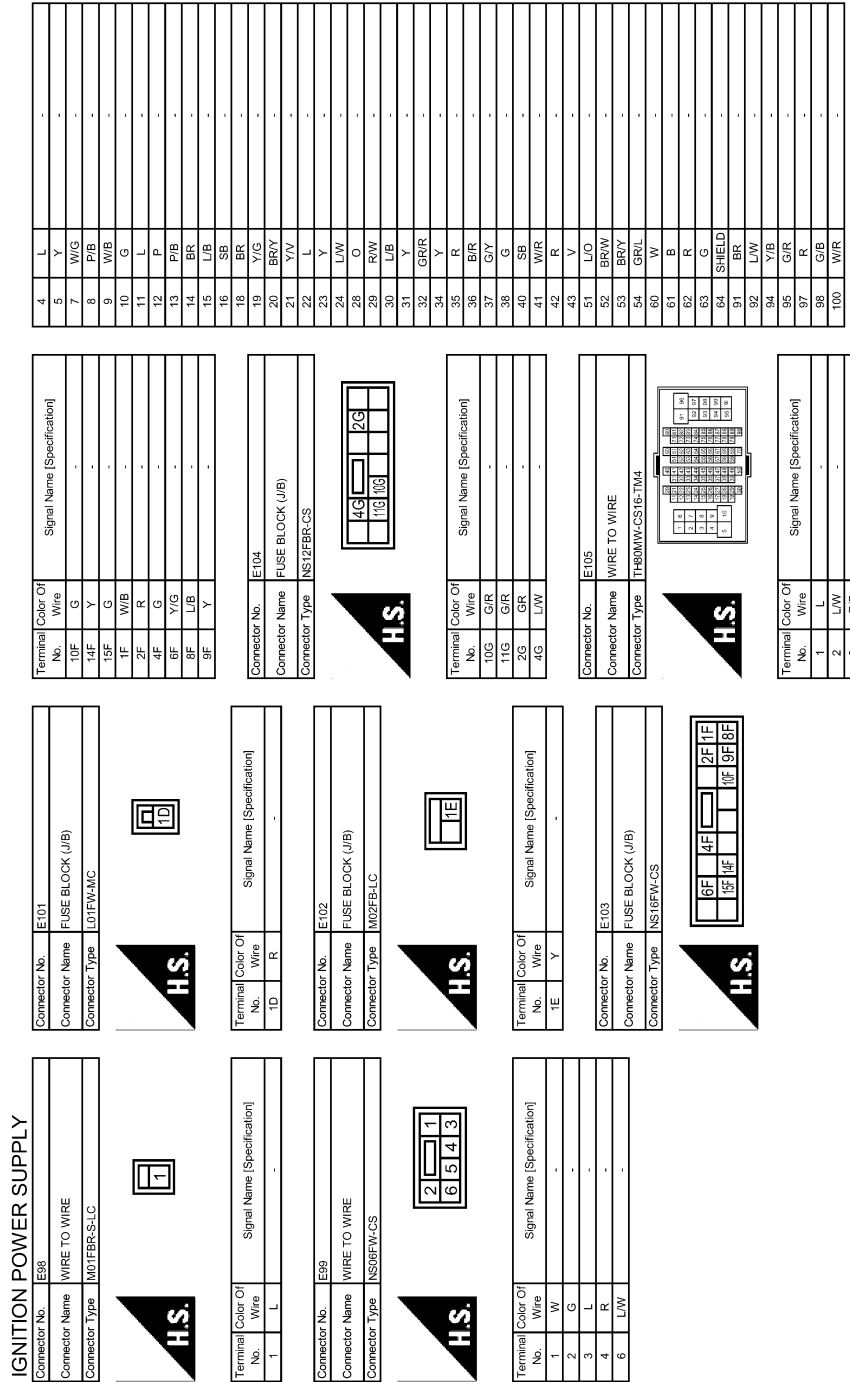


Terminal Color Of No.	Wire	Signal Name (Specification)
1	W/L	-
2	L/W	-
3	GR	-
4	BR	-
5	R	-
6	L	-
7	W	-

JRMWE2008GB

POWER SUPPLY ROUTING CIRCUIT

< WIRING DIAGRAM >



JRMWE2009GB

A
B
C
D
E
F
G
H
I
J
K
L
N
O
P

PG

POWER SUPPLY ROUTING CIRCUIT

< WIRING DIAGRAM >

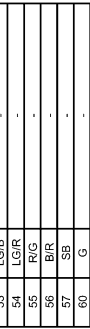
IGNITION POWER SUPPLY

Connector No.	E107
Connector Name	WIRE TO WIRE
Connector Type	TH80MW-CS16-TM4



Terminal No.	Color Of Wire	Signal Name [Specification]
1	L	-
4	V/W	-
5	G/R	-
6	P	-
8	G/L	-
10	Y/R	-
11	L/R	-
12	W/G	-
13	BR/Y	-
14	LG	-
15	BR/W	-
16	BY	-
17	WB	-
18	GR/R	-
20	W/R	-
21	B	-
22	R/L	-
23	G/R	-
24	R/W	-
25	W/L	-
26	R	-
27	L	-
28	G/B	-
35	G	-
36	Y	-
37	R	-
38	G/Y	-
39	O	-
40	W	-
41	R	-
42	B	-
43	G	-
44	SHIELD	-
46	B	-
47	W	-
48	SHIELD	-

49	W	-
50	SHIELD	-
51	Y/R	-
52	GR	-
53	LG/B	-
54	LG/R	-
55	R/G	-
56	B/R	-
57	SB	-
60	G	-
61	B	-
62	W	-
63	R	-
64	SHIELD	-
65	L/Y	-
66	V	-
67	B/W	-
91	G/R	-
95	SR	-
96	GR	-
97	GR/L	-
98	GW	-
99	R/Y	-
100	L	-



Terminal No.	Color Of Wire	Signal Name [Specification]
1	LUB	-
2	R	-
3	G	-
4	L/R	-

Connector No.	E109
Connector Name	ASC2 BRAKE SWITCH
Connector Type	M02FBR-LC



Terminal No.	Color Of Wire	Signal Name [Specification]
1	G	-
2	G/Y	-

Connector No.	E115
Connector Name	STOP LAMP SWITCH
Connector Type	M04FW-LC



Terminal No.	Color Of Wire	Signal Name [Specification]
1	LUB	-
2	R	-
3	G	-
4	L/R	-

Connector No.	E117
Connector Name	EXHAUST GAS / OUTSIDE DOOR DETECTING SENSOR
Connector Type	RH03FB



Terminal No.	Color Of Wire	Signal Name [Specification]
1	GR/L	-
2	B	-
3	V/W	-

Connector No.	E120
Connector Name	HEADLAMP AIMING MOTOR LH
Connector Type	HS03FGY



Terminal No.	Color Of Wire	Signal Name [Specification]
1	GR/L	- [Except for Mexico]
2	B	- [Except for Mexico]
3	G	-

Connector No.	E121
Connector Name	HEADLAMP AIMING MOTOR RH
Connector Type	HS03FGY



Terminal No.	Color Of Wire	Signal Name [Specification]
1	SB	-
2	B	-
3	G	-

POWER SUPPLY ROUTING CIRCUIT

< WIRING DIAGRAM >

IGNITION POWER SUPPLY

Connector No.	E131
Connector Name	TRAILER POWER RELAY
Connector Type	M06FRR-R-LC



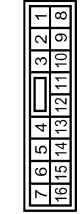
Terminal No.	Color Of Wire	Signal Name [Specification]
1	V	-
2	B	-
3	Y	-
4	R	-
5	W	-
6	W	-
7	L/W	-

Connector No.	F8
Connector Name	CONDENSER
Connector Type	M02FW-GY-LC



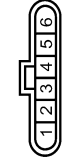
Terminal No.	Color Of Wire	Signal Name [Specification]
1	W	-
2	B	-

Connector No.	F22
Connector Name	WIRE TO WIRE
Connector Type	NS16FW-CS



Terminal No.	Color Of Wire	Signal Name [Specification]
1	B	-
2	SHIELD	-
3	W	-
4	Y	-
5	B	-
6	W	-
7	L/W	-
8	SB	-
9	G	-

Connector No.	F39
Connector Name	ELECTRICALLY-CONTROLLED COOLING FAN COUPLING
Connector Type	AAC03FB-WP



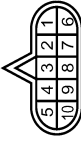
Terminal No.	Color Of Wire	Signal Name [Specification]
1	L/W	-
2	P	-
3	Y/R	-
4	L/O	-
5	V	-
6	B/R	-

Connector No.	F43
Connector Name	COMPRESSOR
Connector Type	RS01FB



Terminal No.	Color Of Wire	Signal Name [Specification]
1	L/W	MAGNET CLUTCH POWER SUPPLY

Connector No.	F51
Connector Name	A/T ASSEMBLY
Connector Type	RK10FG



Terminal No.	Color Of Wire	Signal Name [Specification]
1	V	IGNITION POWER SUPPLY
2	P	BATTERY POWER SUPPLY
3	L	CAN-H
4	SB	K-LINE
5	B	GROUND
6	V	IGNITION POWER SUPPLY
7	R	BACK-UP LAMP RELAY
8	P	CAN-L
9	BR	STARTER RELAY
10	B	GROUND

Connector No.	F75
Connector Name	IGNITION COIL No. 1 (WITH POWER TRANSISTOR)
Connector Type	E03FGY-RS



Terminal No.	Color Of Wire	Signal Name [Specification]
1	Y	-
2	B	-
3	W	-

Connector No.	F76
Connector Name	IGNITION COIL No. 2 (WITH POWER TRANSISTOR)
Connector Type	E03FGY-RS



Terminal No.	Color Of Wire	Signal Name [Specification]
1	L/B	-
2	B	-
3	W	-

JRMWE2011GB

A
B
C
D
E
F
G
H
I
J
K
L
N
O
P

PG

POWER SUPPLY ROUTING CIRCUIT

< WIRING DIAGRAM >

IGNITION POWER SUPPLY

Connector No.	F77
Connector Name	IGNITION COL. NO. 3 (WITH POWER TRANSISTOR)
Connector Type	E03FGY-RS



Terminal No.	Color Of Wire	Signal Name (Specification)
1	BR/Y	-
2	B	-
3	W	-

Connector No.	F78
Connector Name	IGNITION COL. NO. 4 (WITH POWER TRANSISTOR)
Connector Type	E03FGY-RS



Terminal No.	Color Of Wire	Signal Name (Specification)
1	LG/R	-
2	B	-
3	W	-

Connector No.	F79
Connector Name	IGNITION COL. NO. 5 (WITH POWER TRANSISTOR)
Connector Type	E03FGY-RS



Terminal No.	Color Of Wire	Signal Name (Specification)
1	P/L	-
2	B	-
3	W	-

Connector No.	F80
Connector Name	IGNITION COL. NO. 6 (WITH POWER TRANSISTOR)
Connector Type	E03FGY-RS



Terminal No.	Color Of Wire	Signal Name (Specification)
1	Y/R	-
2	B	-
3	W	-

Connector No.	F81
Connector Name	IGNITION COL. NO. 7 (WITH POWER TRANSISTOR)
Connector Type	E03FGY-RS



Terminal No.	Color Of Wire	Signal Name (Specification)
1	GY	-
2	B	-
3	W	-

Connector No.	F82
Connector Name	IGNITION COL. NO. 8 (WITH POWER TRANSISTOR)
Connector Type	E03FGY-RS



Terminal No.	Color Of Wire	Signal Name (Specification)
1	O	-
2	B	-
3	W	-

Connector No.	F103
Connector Name	WIRE TO WIRE
Connector Type	M06FW-LC



Terminal No.	Color Of Wire	Signal Name (Specification)
1	GY	-
2	R	-
3	V	-
4	R	-
5	GR	-
6	BR	-

Connector No.	F105
Connector Name	WIRE TO WIRE
Connector Type	RS08FGY-PR



Terminal No.	Color Of Wire	Signal Name (Specification)
1	W/L	-
2	L/W	-
3	GR	-
4	BR	-
5	R	-
6	L	-
7	W	-

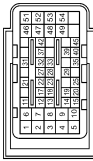
JRMWE2012GB

POWER SUPPLY ROUTING CIRCUIT

< WIRING DIAGRAM >

IGNITION POWER SUPPLY

Connector No.	F111
Connector Name	ECM
Connector Type	MAB35FB-MEB20-LH

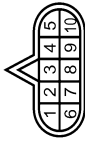


H.S.

Terminal No.	Color Of Wire	Signal Name [Specification]
1	R	FUEL INJECTOR NO. 8 (H)
2	R	FUEL INJECTOR NO. 5 (H)
3	G	FUEL INJECTOR NO. 3 (LO)
4	G	FUEL INJECTOR NO. 2 (LO)
5	BR	ECM GROUND
6	R	FUEL INJECTOR NO. 3 (H)
7	R	FUEL INJECTOR NO. 2 (H)
8	G	FUEL INJECTOR NO. 8 (LO)
9	G	FUEL INJECTOR NO. 5 (LO)
10	B	ECM GROUND
11	BR	PNP SIGNAL
12	Y	IGNITION SIGNAL NO. 1
13	LB	IGNITION SIGNAL NO. 2
14	BR/Y	IGNITION SIGNAL NO. 3
15	LG/R	IGNITION SIGNAL NO. 4
17	P/L	IGNITION SIGNAL NO. 5
18	Y/R	IGNITION SIGNAL NO. 6
19	G/Y	IGNITION SIGNAL NO. 7
20	O	IGNITION SIGNAL NO. 8
21	G/O	INTAKE AIR TEMPERATURE SENSOR
22	BR/W	MASS AIR FLOW SENSOR
23	V	LOW FUEL PRESSURE SENSOR
25	LG	SENSOR GROUND
27	P	SENSOR POWER SUPPLY
28	SB	SENSOR POWER SUPPLY
29	W	SENSOR POWER SUPPLY
31	V/W	FUEL RAIL PRESSURE SENSOR
32	R	ENGINE COOLANT TEMPERATURE SENSOR
33	W	ENGINE COOLANT TEMPERATURE SENSOR
35	SHIELD	SHIELD
37	V	COOLING FAN SPEED
39	P/B	POWER STEERING PRESSURE SENSOR
40	W/L	SENSOR GROUND
42	L/Y	ENGINE OIL TEMPERATURE SENSOR
45	L/O	SENSOR GROUND
46	SB	FUEL INJECTOR DRIVER POWER SUPPLY

47	G	HEATED OXYGEN SENSOR 2 HEATER (BANK 1)
48	L/W	A/F SENSOR 1 HEATER (BANK 1)
49	LG/B	INTAKE VALVE TRING CONTROL SOLENOID (VALVE BANK 1)
51	R	FUEL INJECTOR DRIVER POWER SUPPLY
52	L/R	HEATED OXYGEN SENSOR 2 HEATER (BANK 2)
53	SB	A/F SENSOR 1 HEATER (BANK 2)
54	G/R	INTAKE VALVE TRING CONTROL SOLENOID (VALVE BANK 2)

Connector No.	F301
Connector Name	TCM (TRANSMISSION CONTROL MODULE)
Connector Type	SPT0FG



H.S.

Terminal No.	Color Of Wire	Signal Name [Specification]
1	-	IGNITION POWER SUPPLY
2	-	BATTERY POWER SUPPLY
3	-	CAN-H
4	-	K-LINE
5	-	GROUND
6	-	IGNITION POWER SUPPLY
7	-	BACK-UP LAMP RELAY
8	-	CAN-L
9	-	STARTER RELAY
10	-	GROUND

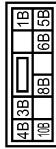
Connector No.	M1
Connector Name	FUSE BLOCK (JIB)
Connector Type	NS06FW-M2



H.S.

Terminal No.	Color Of Wire	Signal Name [Specification]
1A	Y	-
2A	GR	-
3A	W	-
4A	Y/G	-
5A	V	-
6A	L/W	-
7A	LG	-
8A	W	-

Connector No.	M2
Connector Name	FUSE BLOCK (JIB)
Connector Type	NS10FM-GS



H.S.

Terminal No.	Color Of Wire	Signal Name [Specification]
1B	R	-
3B	R	-
4B	B	-
5B	BR	-
6B	Y	-
8B	L/O	-
10B	W/B	-

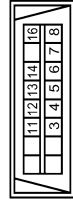
Connector No.	M3
Connector Name	FUSE BLOCK (JIB)
Connector Type	NS12FW-GS



H.S.

Terminal No.	Color Of Wire	Signal Name [Specification]
10C	GR	-
11C	R/L	-
12C	GR/L	-
6C	R	-
7C	B	-
8C	W	-

Connector No.	M4
Connector Name	DATA LINK CONNECTOR
Connector Type	BD16FW



H.S.

Terminal No.	Color Of Wire	Signal Name [Specification]
3	LG	-
4	B	-
5	B	-
6	L	-
7	SB	-
8	GR	-
11	SB	-
12	R	-
13	L	-
14	P	-
16	Y	-

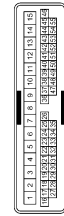
A
B
C
D
E
F
G
H
I
J
K
L
M
N
O
P

POWER SUPPLY ROUTING CIRCUIT

< WIRING DIAGRAM >

IGNITION POWER SUPPLY

Connector No.	M20
Connector Name	WIRE TO WIRE
Connector Type	TH40MW-CS15

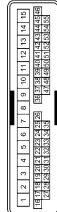


H.S.

Terminal No.	Color Of Wire	Signal Name [Specification]
1	V	-
2	W	-
3	V	-
4	Y	-
5	LG/R	-
6	BR/W	-
8	V	-
9	G	-
10	L	-
12	BY	-
13	Y	-
14	R	-
15	B	-
16	GR/R	-
17	V/W	-
18	B	-
19	R	-
20	P	-
22	V	-
23	P/B	-
24	L/O	-
25	BR/W	-
26	W/R	-
27	V	-
28	W/G	-
29	Y/G	-
30	O/L	-
31	GR/B	-
32	BR	-
33	V/W	-
36	G/O	-
37	BR/Y	-
38	SB	-
39	W/L	-
40	L/W	-
41	Y/G	-

42	P/L	-
43	LG	-
44	GR	-
45	SHIELD	-
46	W	-
47	LG	-
48	G/W	-
49	Y	-
50	L/Y	-
51	GR/R	-
52	LG/B	-
53	G	-
54	B	-
55	R	-

Connector No.	M22
Connector Name	WIRE TO WIRE
Connector Type	TH40MW-CS15

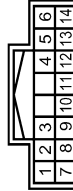


H.S.

Terminal No.	Color Of Wire	Signal Name [Specification]
1	G	-
2	W	-
3	V	-
5	P/L	-
6	L/R	-
8	L/W	-
9	G/Y	-
10	L	-
12	BY	-
13	L	-
14	R	-
15	B	-
18	BAW	-
19	R	-
20	P	-
22	Y/R	-
23	LG/B	-
25	SB	-
24	L/W	-
25	W/R	-
26	W/R	-

36	G/O	-
37	Y/B	-
38	V	-
39	W/L	-
40	L/O	-
44	GR	-
45	G	-
46	W	-
47	LG	-
48	L/R	-
49	Y	-
50	R/B	-
53	SHIELD	-
54	B	-
55	R	-

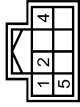
Connector No.	M27
Connector Name	COMBINATION SWITCH
Connector Type	TH16FW-NH



H.S.

Terminal No.	Color Of Wire	Signal Name [Specification]
1	W/B	-
2	GR	OUTPUT 4
3	L/R	-
4	W	IGN
5	L	OUTPUT 3
6	B	GND
7	W	INPUT 3
8	BR/Y	OUTPUT 5
9	R/W	INPUT 2
10	Y	INPUT 4
11	SB	INPUT 1
12	V	OUTPUT 1
13	LG	INPUT 5
14	G	OUTPUT 2

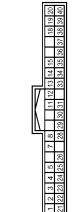
Connector No.	M30
Connector Name	STEERING ANGLE SENSOR
Connector Type	TH08FW-NH



H.S.

Terminal No.	Color Of Wire	Signal Name [Specification]
1	B	-
2	P	-
4	GR	-
5	L	-

Connector No.	M34
Connector Name	COMBINATION METER
Connector Type	TH40FW-NH



H.S.

Terminal No.	Color Of Wire	Signal Name [Specification]
1	Y	BATTERY POWER SUPPLY
2	GR	IGNITION SIGNAL
3	B	GROUND
4	B	ILL. GND
5	B	ILL. CONTROL OUTPUT
7	R	TOW MODE SIGNAL
8	P/L	TRIP RESET SWITCH SIGNAL
11	G	ENTER SWITCH SIGNAL
12	O	SELECT SWITCH SIGNAL
13	W/R	ILLUMINATION CONTROL SWITCH SIGNAL (+)
14	R	ILLUMINATION CONTROL SWITCH SIGNAL (-)
15	ROW	AIR BAG SIGNAL
18	W/R	AMBIENT SENSOR SIGNAL
19	V/W	AC-AUTO AMP CONNECTOR CONTROL SIGNAL
20	B	AMBIENT SENSOR GROUND
21	L	CANH

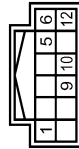
POWER SUPPLY ROUTING CIRCUIT

< WIRING DIAGRAM >

IGNITION POWER SUPPLY

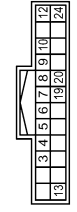
22	P	CAN-L
23	B	GROUND
24	V	FUEL LEVEL SENSOR GROUND
25	O/L	ALTERNATOR SIGNAL
26	W	PARKING BRAKE SWITCH SIGNAL
28	GR/L	SECURITY SIGNAL
29	BR	WASHER LEVEL SWITCH SIGNAL
30	SB	VEHICLE SPEED SIGNAL (2-PULSE)
31	BR/W	VEHICLE SPEED SIGNAL (8-PULSE)
33	W	SNOW MODE SIGNAL
34	BR/Y	FUEL LEVEL SENSOR SIGNAL
35	O/B	SEAT BELT BUCKLE SWITCH SIGNAL (DRIVER SIDE)
36	G/Y	PASSENGER SEAT BELT WARNING SIGNAL
37	R/Y	NON-MANUAL MODE SIGNAL
38	L/W	MANUAL MODE SHIFT DOWN SIGNAL
39	Y/B	MANUAL MODE SHIFT UP SIGNAL
40	G/W	MANUAL MODE SIGNAL

Connector No.	M41
Connector Name	REAR A/C CONTROL
Connector Type	TH12FW-NH



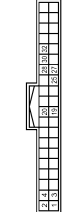
Terminal No.	Color Of Wire	Signal Name (Specification)
1	B	GROUND
5	L/W	ILL+
6	B/O	ILL-
9	W	RR CONT RX
10	O/L	RR CONT TX
12	GR/L	IGN

Connector No.	M47
Connector Name	SOMAR CONTROL UNIT
Connector Type	TH24FW-NH



Terminal No.	Color Of Wire	Signal Name (Specification)
3	W	CORNER SENSOR FRONT LH
4	R	CORNER SENSOR FRONT RH
5	W	CORNER SENSOR REAR LH
6	R	CORNER SENSOR REAR RH
7	G	SOMAR RR INNER LH
8	Y	SOMAR RR INNER RH
9	G	SOMAR FR INNER LH
10	Y	SOMAR FR INNER RH
12	B	SENSOR GND
13	GR/L	IGN
19	L	CAN-H (Without ADAS)
19	L	ITS-CAN H (With ADAS)
20	R	CAN-L (Without ADAS)
20	Y	ITS-CAN L (With ADAS)
24	B	GND

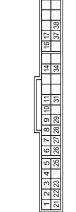
Connector No.	M48
Connector Name	AROUND VIEW MONITOR CONTROL UNIT
Connector Type	TH40FW-NH



Terminal No.	Color Of Wire	Signal Name (Specification)
1	B	GND
2	Y/G	BATTERY POWER SUPPLY
3	GR/L	IGNITION SIGNAL
4	V	ACC-POWER SUPPLY
19	SB	AV COMM (H)

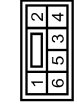
20	LG	AV COMM (L)
25	P	REV
27	L	CAN-H
28	R	CAN-L (Without ADAS)
28	Y	CAN-L (With ADAS)
30	LG	RETRACT MOTOR OPERATION SIGNAL (OPEN)
32	G/O	RETRACT MOTOR OPERATION SIGNAL (CLOSE)

Connector No.	M50
Connector Name	AC AUTO AMP.
Connector Type	SA4840FW



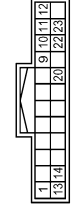
Terminal No.	Color Of Wire	Signal Name (Specification)
1	L	CAN-H
2	B	GROUND
3	Y/G	BATTERY POWER SUPPLY
4	V	ACC-POWER SUPPLY
5	W	IONIZER CONTROL SIGNAL
6	V/W	AC AUTO AMP CONNECTION RECOGNITION SIGNAL
7	W/R	AMBIENT SENSOR SIGNAL
8	GR/L	RR IN-VEHICLE SENSOR SIGNAL
9	BR	SUNLOAD SENSOR (DR) SIGNAL
10	V/W	EXHAUST/OUTSIDE DOOR DETECTING SENSOR SIGNAL
11	W	COMM. (AC AUTO AMP-RR A/C CONT)
14	O/L	FR BLOWER MOTOR CONTROL SIGNAL
16	R/G	EACH DOOR MOTOR LIN SIGNAL
17	L/Y	EACH DOOR MOTOR POWER SUPPLY
21	P	CAN-L
22	B	GROUND
23	GR/L	IGNITION POWER SUPPLY
25	R	-
26	B	SENSOR GROUND
27	GR	FR IN-VEHICLE SENSOR SIGNAL
28	R	INTAKE SENSOR SIGNAL
29	O	SUNLOAD SENSOR (PASS) SIGNAL
31	O/L	COMM. (RR A/C CONT AC AUTO AMP)
34	O	RR BLOWER MOTOR CONTROL SIGNAL
37	B	GROUND
38	G/W	RR A/C RELAY CONTROL SIGNAL

Connector No.	M52
Connector Name	HEATED STEERING WHEEL SWITCH
Connector Type	NS08FM-CS



Terminal No.	Color Of Wire	Signal Name (Specification)
1	GR	-
2	B/O	-
3	L/W	-
4	B	-
5	BR	-
6	B	-

Connector No.	M54
Connector Name	4WD SWITCH ASSEMBLY
Connector Type	TH24FW-NH



Terminal No.	Color Of Wire	Signal Name (Specification)
1	L/W	VDC OFF SW
9	W/R	AUTO SW
10	R	4H SW
11	V	4L SW
12	GR	IGN
13	L/W	LIGHT SW
14	B/O	ILL CONT
20	B	GND
22	W	SNOW SW
23	R	TOW

A
B
C
D
E
F
G
H
I
J
K
L
N
O
P

PG

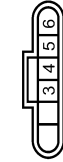
JRMWE2015GB

POWER SUPPLY ROUTING CIRCUIT

< WIRING DIAGRAM >

IGNITION POWER SUPPLY

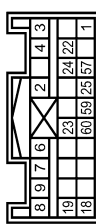
Connector No.	M55
Connector Name	YAW RATE / SDE / DECEL G SENSOR
Connector Type	SAZ20FB



H.S.

Terminal No.	Color Of Wire	Signal Name [Specification]
3	W/B	-
4	R/B	-
5	P/B	-
6	B	-

Connector No.	M59
Connector Name	AIR BAG DIAGNOSIS SENSOR UNIT
Connector Type	IN28FY-EX

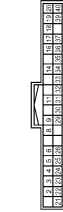


H.S.

Terminal No.	Color Of Wire	Signal Name [Specification]
1	R/L	IGN
2	B	GND
3	Y	DR1 (+)
4	Y/R	DR1 (-) DR2 (-)
6	Y/L	AS1 (+)
7	Y/B	AS1 (-)
8	B/Y	AS2 (+)
9	Y	AS2 (-)
18	O	EG2S (+)
19	W	EG2S (-)
22	SHIELD	GND
23	R/W	AIRBAG W/L
24	G/Y	SEATBELT W/L
25	B	CUTOFF TAIL
57	R/W	DEPLOYMENT INFORMATION
59	L	CAN/L

60	P	CAN/L
----	---	-------

Connector No.	M68
Connector Name	BCM (BODY CONTROL MODULE)
Connector Type	TH40FB-NH



H.S.

Terminal No.	Color Of Wire	Signal Name [Specification]
2	BRY	COMBI SW INPUT 5
3	GR	COMBI SW INPUT 4
4	L	COMBI SW INPUT 3
5	G	COMBI SW INPUT 2
6	V	COMBI SW INPUT 1
8	V	POWER WINDOW SW COMM
9	R	STOP LAMP SW 1
11	R	RAIN SENSOR SERIAL LINK
14	P/B	OPTICAL SENSOR
16	L/O	DIMMER SIGNAL
17	Y/G	SENSOR PWR SPLY
18	B/Y	RECEIVER PWR SPLY
19	BR	RECEIVER PWR SPLY
20	G/R	KYLS ENT RECEIVER COMM
21	P	NATS ANT AMP
22	W/B	KYLS ENT RECEIVER RSSI
23	GR/R	SECURITY IND CONT
24	SB	DONGLE LINK
25	LG/R	NATS ANT AMP
26	O	INTELLIGENT KEY IDENTIFICATION
29	W	HAZARD SW
30	W/L	BK DOOR OPNR SW
31	W/G	DR DOOR UNLOCK SENSOR
32	LG	COMBI SW OUTPUT 5
33	Y	COMBI SW OUTPUT 4
34	W	COMBI SW OUTPUT 3
35	R/W	COMBI SW OUTPUT 2
36	SB	COMBI SW OUTPUT 1
37	G/Y	SHIFT P
39	L	CAN/H
40	P	CAN/L

Connector No.	M70
Connector Name	BCM (BODY CONTROL MODULE)
Connector Type	FEA09FW-FHAG-SA



H.S.

Terminal No.	Color Of Wire	Signal Name [Specification]
56	W/R	INT ROOM LAMP PWR SPLY
57	LG	BAT (FALSE)
58	R/W	SHOCK DETECT SENS
59	G	PASSENGER DOOR UNLK OUTPUT
60	G	TURN SIGNAL LH OUTPUT
61	G/Y	TURN SIGNAL RH OUTPUT
62	R	STEP LAMP CONT
63	BR	ROOM LAMP-TIMER CONT
64	GR/R	CRANKING REQUEST
65	R	ALL DOOR LOCK OUTPUT
66	V	DR DOOR FUEL LID UNLK OUTPUT
67	B	GND
68	Y	PW PWR SPLY (IGN)
69	W	PW PWR SPLY (BAT)
70	Y	BAT (FL)

Connector No.	M71
Connector Name	BCM (BODY CONTROL MODULE)
Connector Type	TH40FW-NH



H.S.

Terminal No.	Color Of Wire	Signal Name [Specification]
72	P	PUDDLE LAMP CONT
73	W	CON IND
74	L	TRAILER TURN SIG RH CONT
75	LG/R	DRIVER DOOR REQUEST SW
76	SB	PUSH SW

Terminal No.	Color Of Wire	Signal Name [Specification]
77	O/L	TRAILER TURN SIG LH CONT
78	P/B	DRIVER DOOR ANT+
79	V	DRIVER DOOR ANT-
80	LG/B	PASSENGER DOOR ANT+
81	Y/R	PASSENGER DOOR ANT-
82	W/G	BACK DOOR ANT+
83	B/W	BACK DOOR ANT-
84	BR	ROOM ANT+
85	Y	ROOM ANT1+
86	W	ROOM ANT2+
87	B	ROOM ANT2-
88	V	LAGGAGE ROOM ANT+
89	G	LAGGAGE ROOM ANT-
90	Y	PUSHBTN IGN SW ILL PWR
91	O	LOCK IND
92	L	LOW SIDE PUSHLED
93	GR/R	KEY WARN BUZZER
96	BR	ACC RELAY CONT
97	R/W	STARTER RELAY CONT
98	O	IGN RELAY (PEM) E/B CONT
99	R	IGN RELAY (F/B) CONT
100	P/L	PASSENGER DOOR REQUEST SW
101	W/B	IGN PWR SPLY 2
102	BR	SHIFT INP
104	R/B	AT SHIFT SELECT PWR SPLY
105	O/L	STOP LAMP SW 2
106	Y/G	BLWR FAN MTR RELAY CONT
109	L/W	ACC IND

Connector No.	M77
Connector Name	WIRE TO WIRE
Connector Type	TH80FW-CS16-TM4



H.S.

Terminal No.	Color Of Wire	Signal Name [Specification]
1	W	-
2	L/W	-
3	R/B	-
4	L	-
6	Y	-
6	SB	-

POWER SUPPLY ROUTING CIRCUIT

< WIRING DIAGRAM >

IGNITION POWER SUPPLY

Terminal No.	Color Of Wire	Signal Name [Specification]
7	W/G	-
8	P/B	-
9	W/B	-
10	G	-
11	L	-
12	P	-
13	P/B	-
14	BR	-
15	O/L	-
16	SB	-
18	BR	-
19	Y/G	-
20	BRY	-
21	V	-
22	L	-
23	Y	-
24	LW	-
26	G	-
28	RW	-
29	O/L	-
30	Y	-
31	Y	-
32	GR/L	-
34	Y	-
35	R	-
36	B/O	-
37	G/Y	-
38	G	-
40	SB	-
41	W/R	-
42	R	-
43	V	-
51	L/O	-
52	BRW	-
53	BRY	-
54	GR/L	-
60	W	-
61	B	-
62	G	-
63	R	-
64	SHIELD	-
91	BR	-
92	LW	-
94	Y/B	-
95	L/R	-
97	R	-
98	O/L	-
100	W/B	-

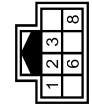
Connector No.	M82
Connector Name	WIRE TO WIRE
Connector Type	TH80FM-CS16-TM4



Terminal No.	Color Of Wire	Signal Name [Specification]
1	L	-
4	Y/W	-
5	GR	-
6	G	-
9	GR/L	-
10	Y/R	-
11	L/R	-
12	W/G	-
13	BRY	-
14	LG	-
15	BRW	-
16	BRY	-
17	W/B	-
18	GR/R	-
20	W/R	-
21	B	-
22	R/L	-
23	G/R	-
24	RW	-
25	W/L	-
26	R	-
27	L	-
28	B/SB	-
35	G	-
36	Y	-
37	R	-
38	G/Y	-
39	O	-
40	W	-
41	R	-
42	B	-
43	G	-
44	SHIELD	-
46	B	-
47	W	-
48	SHIELD	-

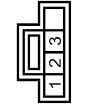
Terminal No.	Color Of Wire	Signal Name [Specification]
49	W	-
50	SHIELD	-
51	Y/R	-
52	GR	-
53	LG/B	-
54	LG/R	-
55	R/G	-
56	B/O	-
57	SB	-
60	G	-
61	B	-
62	W	-
63	R	-
64	SHIELD	-
65	L/Y	-
66	Y	-
67	B/W	-
68	GR	-
81	GR	-
85	SB	-
96	GR	-
97	GR/L	-
98	GRW	-
99	P	-
100	L	-

Connector No.	M82
Connector Name	OPTION CONNECTOR (1)
Connector Type	TH80MW-NH



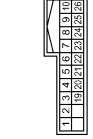
Terminal No.	Color Of Wire	Signal Name [Specification]
1	Y	-
2	GR	-
3	W/R	-
6	Y/L	-
8	B	-

Connector No.	M94
Connector Name	WARNING BUZZER
Connector Type	NS04FR-CS



Terminal No.	Color Of Wire	Signal Name [Specification]
1	W/G	-
2	GR	-
3	B	-

Connector No.	M96
Connector Name	LOW TIRE PRESSURE WARNING CONTROL UNIT
Connector Type	TH52FM-NH



Terminal No.	Color Of Wire	Signal Name [Specification]
1	P	CAN-L
2	L	CAN-H
3	O/L	RR TIRE PRESSURE RECEIVER SIGNAL
4	L	RL TIRE PRESSURE RECEIVER SIGNAL
5	R/L	FR TIRE PRESSURE RECEIVER SIGNAL
6	W/G	FL TIRE PRESSURE RECEIVER SIGNAL
7	SB	RR TIRE PRESSURE RECEIVER POWER SUPPLY
8	GR	RL TIRE PRESSURE RECEIVER POWER SUPPLY
9	RW	FR TIRE PRESSURE RECEIVER POWER SUPPLY
10	LG	FL TIRE PRESSURE RECEIVER POWER SUPPLY
15	GR	IGN
19	L/R	RR TIRE PRESSURE RECEIVER SIGNAL (IDENTITY)
20	P	RL TIRE PRESSURE RECEIVER SIGNAL (IDENTITY)
21	GR	FR TIRE PRESSURE RECEIVER SIGNAL (IDENTITY)
22	BRY	FL TIRE PRESSURE RECEIVER SIGNAL (IDENTITY)
23	W/W	RR TIRE PRESSURE RECEIVER GND
24	R/B	RL TIRE PRESSURE RECEIVER GND

A
B
C
D
E
F
G
H
I
J
K
L
N
O
P

PG

JRMWE2017GB

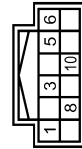
POWER SUPPLY ROUTING CIRCUIT

< WIRING DIAGRAM >

IGNITION POWER SUPPLY

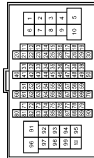
25	W/L	FR TIRE PRESSURE RECEIVER GND
26	BR/W	FL TIRE PRESSURE RECEIVER GND
32	B	GND

Connector No.	M108
Connector Name	POWER STEERING CONTROL UNIT
Connector Type	TH12FM-NH



Terminal No.	Color Of Wire	Signal Name [Specification]
1	R	EPS SOL SUPPLY
3	GR	IGN
5	L	EPS SOL GND
6	B	GND
8	SB	VEHICLE SPEED (2P)
10	B/SS	ENG TACHO

Connector No.	M111
Connector Name	WIRE TO WIRE
Connector Type	TH80FM-CS16-TM4



Terminal No.	Color Of Wire	Signal Name [Specification]
1	R/B	-
2	G	-
3	W/R	-
5	W/B	-
6	L/Y	-
7	R	-
8	G/R	-
9	GR/R	-
11	W	-

12	V	-
13	Y	-
16	L/O	-
17	GR/L	-
18	R/G	-
19	L/Y	-
20	G/Y	-
21	R	-
22	GR	-
27	L/O	-
29	SB	-
30	R/L	-
31	Y/L	-
32	W/R	-
33	W/G	-
34	L/R	-
36	G	-
37	V	-
38	SHIELD	-
39	R/B	-
40	W/R	-
41	R	-
42	L/W	-
43	B/W	-
44	L	-
45	P	-
46	SHIELD	-
47	R	-
48	W	-
49	SHIELD	-
50	V	-
51	O/L	-
52	L/R	-
53	SB	-
54	V/W	-
59	L	-
60	GR	-
61	P/L	-
62	B/SS	-
63	R/Y	-
64	BR	-
70	O	-
71	W	-
72	SHIELD	-
73	B	-
74	R	-
75	G	-
76	V	-
77	SB	-
78	LG	-

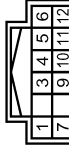
79	R/B	-
90	W/B	-
93	Y	-
94	L	-
95	L/R	-
96	R	-
97	W	-
98	V	-
99	L/W	-
100	W	-

Connector No.	M113
Connector Name	WIRE TO WIRE
Connector Type	NU8FWM-LC



Terminal No.	Color Of Wire	Signal Name [Specification]
1	B	-
3	W	-
5	O/L	-

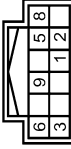
Connector No.	M125
Connector Name	CAN GATEWAY
Connector Type	TH12FM-NH



Terminal No.	Color Of Wire	Signal Name [Specification]
1	L	CANH
3	Y	BATTERY
4	L	CANH
5	B	GND
6	L	CANH

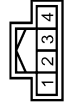
7	P	CAN-L
9	GR	IGNITION
10	R	CAN-L
11	B	GND
12	R	CAN-L

Connector No.	M127
Connector Name	TWIN SWITCH
Connector Type	TH12FGY-NH



Terminal No.	Color Of Wire	Signal Name [Specification]
1	O	-
2	V/W	-
3	B	-
5	L/O	-
6	B/O	-
8	W/G	-
9	LG/B	-

Connector No.	M130
Connector Name	IGNIZER
Connector Type	TH04FM-NH



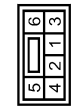
Terminal No.	Color Of Wire	Signal Name [Specification]
1	GR/L	IGN
2	R	IGNMODE
3	B	GND
4	W	IGN ON/OFF

POWER SUPPLY ROUTING CIRCUIT

< WIRING DIAGRAM >

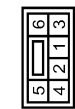
IGNITION POWER SUPPLY

Connector No.	M131
Connector Name	FRONT HEATED SEAT SWITCH (DRIVER SIDE)
Connector Type	NS06FW-CS



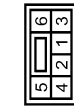
Terminal No.	Color Of Wire	Signal Name [Specification]
1	G/R	-
2	B	-
3	R/B	-
4	B	-
5	L/W	-
6	B/O	-

Connector No.	M132
Connector Name	FRONT HEATED SEAT SWITCH (PASSENGER SIDE)
Connector Type	NS06FBR-CS



Terminal No.	Color Of Wire	Signal Name [Specification]
1	G/R	-
2	L/Y	-
3	R/B	-
4	B	-
5	L/W	-
6	B/O	-

Connector No.	M133
Connector Name	SECOND HEATED SEAT SWITCH LH
Connector Type	NS06FW-CS



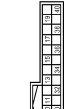
Terminal No.	Color Of Wire	Signal Name [Specification]
1	G/R	-
2	V	-
3	L/W	-
4	B	-
5	L/W	-
6	B/O	-

Connector No.	M134
Connector Name	SECOND HEATED SEAT SWITCH RH
Connector Type	NS06FBR-CS



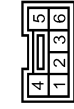
Terminal No.	Color Of Wire	Signal Name [Specification]
1	G/R	-
2	W	-
3	L/R	-
4	B	-
5	L/W	-
6	B/O	-

Connector No.	M135
Connector Name	A/S CONTROL UNIT
Connector Type	TH40FW-NH



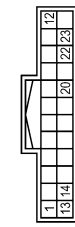
Terminal No.	Color Of Wire	Signal Name [Specification]
1	GR	IGN
2	LGB	PSGR
4	Y/R	PSVR
5	L/Y	HSVF
6	L/R	HSVR
7	P	CANL
8	B/O	HSCR
9	GR	PSR
10	B/W	HSGF
11	R	SMRZ (-)
13	B	SMR1 (-)
15	W	SM1-1 (+)
17	G	SM1-2 (+)
19	SB	AMDSR
23	V	HSF
24	L/O	PSV-L
25	B	GND
27	BRY	PSG-L
28	RIG	HSR
29	BR/W	PS-L
30	L	CANH
32	G	SMRZ (+)
34	W	SMR2 (+)
36	R	SM1-2 (-)
38	B	SM1-1 (-)
40	GR/L	AMDS-L

Connector No.	M144
Connector Name	AC 120V OUTLET MAIN SWITCH
Connector Type	TK08FW-TV



Terminal No.	Color Of Wire	Signal Name [Specification]
1	GR	-
2	B	-
3	W	-
4	L/W	-
5	O	-
6	B	-

Connector No.	M147
Connector Name	SNOW MODE / TOW MODE / VDC OFF SWITCH ASSEMBLY
Connector Type	TH24FW-NH



Terminal No.	Color Of Wire	Signal Name [Specification]
1	L/W	VDC OFF SW
12	GR	IGN
13	L/W	LIGHT SW
14	B/O	ILL CONT
20	B	GND
22	W	SNOW SW
23	R	TOW

A
B
C
D
E
F
G
H
I
J
K
L
N
O
P

PG

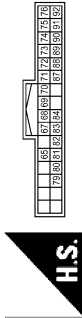
JRMWE2019GB

POWER SUPPLY ROUTING CIRCUIT

< WIRING DIAGRAM >

IGNITION POWER SUPPLY

Connector No.	M270
Connector Name	AV CONTROL UNIT
Connector Type	TH32FV-NH



Terminal No.	Color Of Wire	Signal Name [Specification]
65	W	PARKING BRAKE SIGNAL
67	W	COMPOSITE IMAGE SIGNAL GND
68	R	COMPOSITE IMAGE SIGNAL
69	O	INTELLIGENT KEY IDENTIFICATION SIGNAL
70	BR	REVERSE L2
71	SHIELD	MICROPHONE SHIELD
72	Y	MICROPHONE VCC (With DCM)
73	Y/G	MICROPHONE VCC (Without DCM)
74	P	CAN-L
75	LG	AV COMM (L)
76	LG	AV COMM (L)
79	LO	DIMMER SIGNAL
80	GR/L	IGNITION SIGNAL
81	R/Y	REVERSE SIGNAL
82	BR/W	VEHICLE SPEED SIGNAL (6-PULSE)
83	SHIELD	SHIELD
84	W/B	COMPOSITE IMAGE SYNC SIGNAL
87	BR	MICROPHONE SIGNAL (With DCM)
88	SHIELD	MICROPHONE SIGNAL (Without DCM)
89	Y/L	SHIELD
90	L	COMM (DISP-CONT)
91	SB	CANH
92	SB	AV COMM (H)
		AV COMM (H)

Connector No.	M271
Connector Name	WIRE TO WIRE
Connector Type	M06MW-LC



Terminal No.	Color Of Wire	Signal Name [Specification]
1	-	-
3	-	-
5	-	-



Terminal No.	Color Of Wire	Signal Name [Specification]
1	-	-
2	-	-
3	-	-

Connector No.	R8
Connector Name	LANE CAMERA UNIT
Connector Type	TH38FV-NH



Terminal No.	Color Of Wire	Signal Name [Specification]
1	B	GND
4	L	ITS COMM-H
5	B	GND
7	W/G	IGNITION
8	Y	ITS COMM-L

Connector No.	R25
Connector Name	AUTO ANTI-DAZZLING INSIDE MIRROR
Connector Type	TH10FE-NH



Terminal No.	Color Of Wire	Signal Name [Specification]
4	BR	-
6	BR	-
8	B	-
9	BY	-
10	BY	-

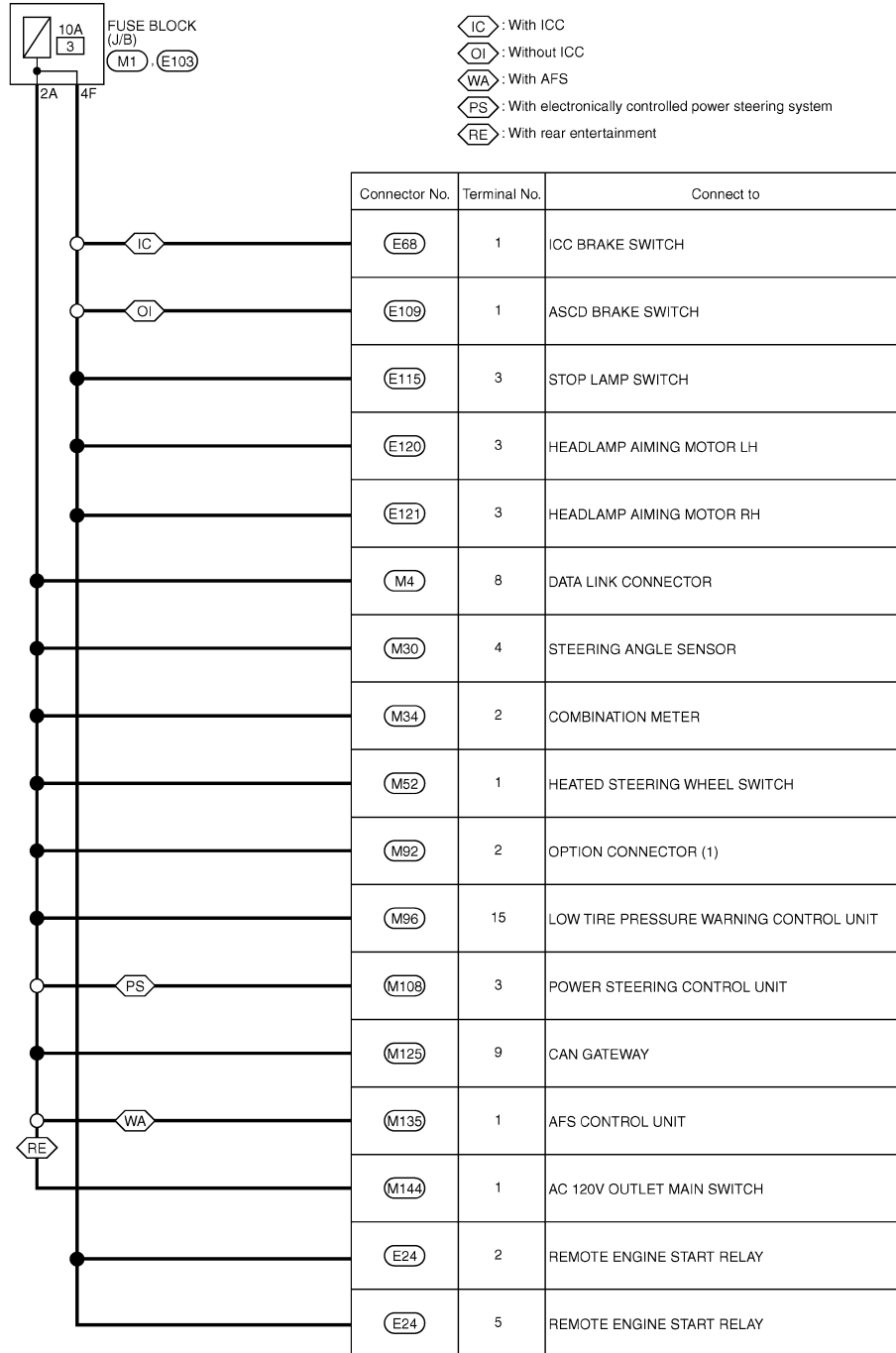
JRMWE2020GB

POWER SUPPLY ROUTING CIRCUIT

< WIRING DIAGRAM >

Wiring Diagram - IGNITION POWER SUPPLY FUSE No. 3 - IGNITION POWER SUPPLY FUSE No. 3

INFOID:000000009010975



2013/01/30

JRMWD7291GB

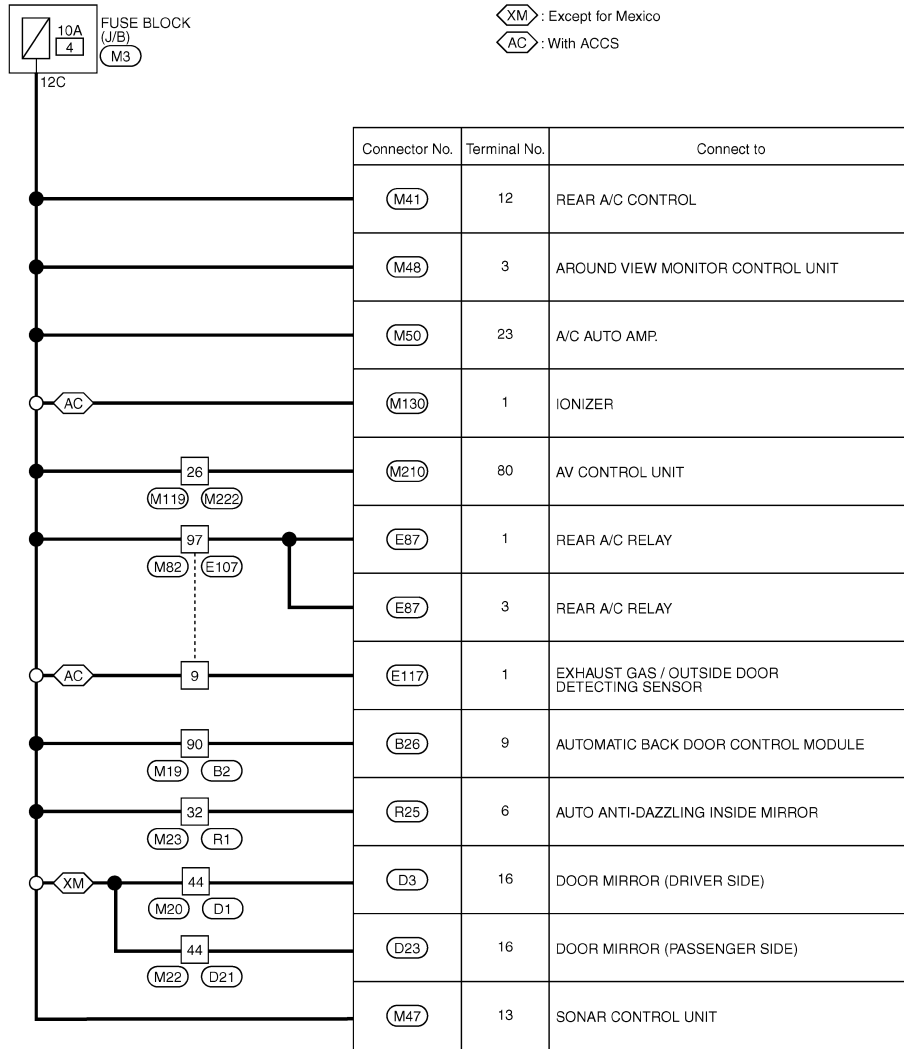
A
B
C
D
E
F
G
H
I
J
K
L
PG
N
O
P

POWER SUPPLY ROUTING CIRCUIT

< WIRING DIAGRAM >

Wiring Diagram - IGNITION POWER SUPPLY FUSE No. 4 - IGNITION POWER SUPPLY FUSE No. 4

INFOID:000000009010976



2012/08/21

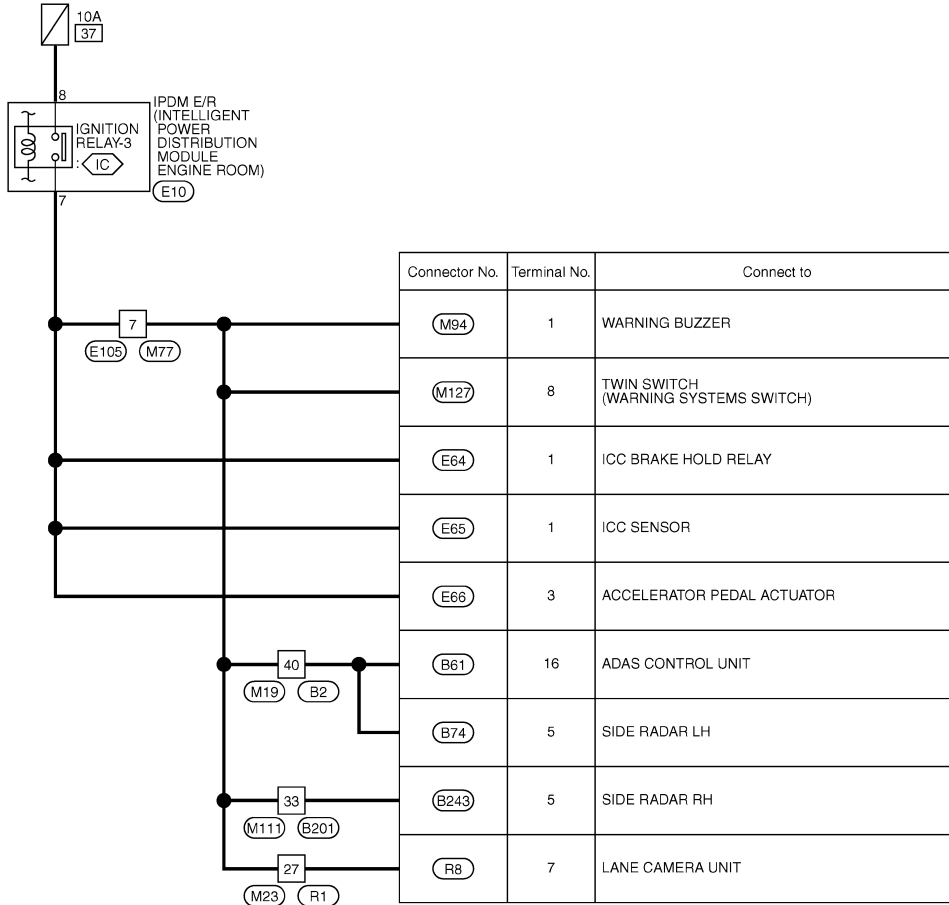
JRMWD4336GB

POWER SUPPLY ROUTING CIRCUIT

< WIRING DIAGRAM >

Wiring Diagram - IGNITION POWER SUPPLY FUSE No. 37 - IGNITION POWER SUPPLY FUSE No. 37

INFOID:000000009010977



2010/05/13

JCMWM8451GB

A
B
C
D
E
F
G
H
I
J
K
L
N
O
P

PG

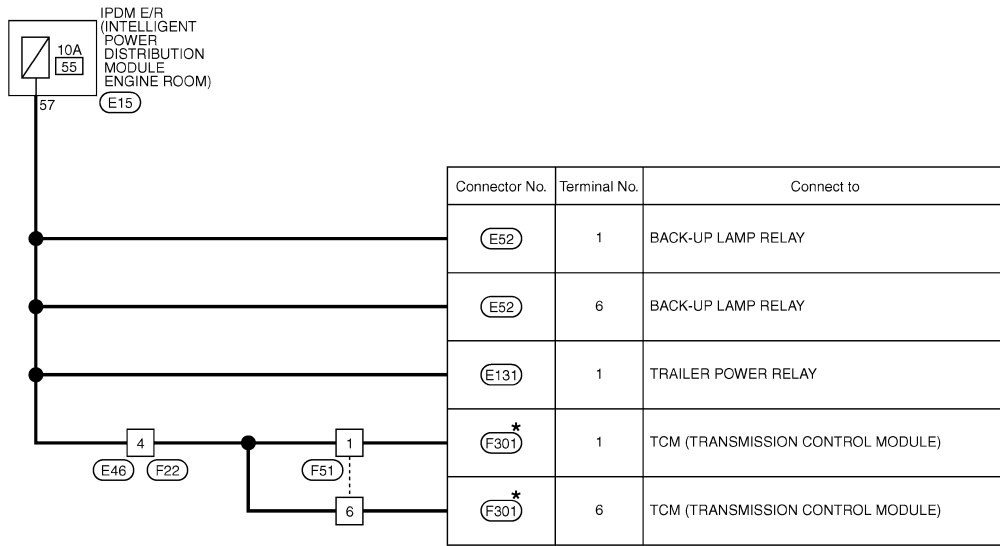
POWER SUPPLY ROUTING CIRCUIT

< WIRING DIAGRAM >

Wiring Diagram - IGNITION POWER SUPPLY FUSE No. 55 -

INFOID:000000009010978

IGNITION POWER SUPPLY FUSE No. 55



*: This connector is not shown in "Harness Layout".

2010/05/13

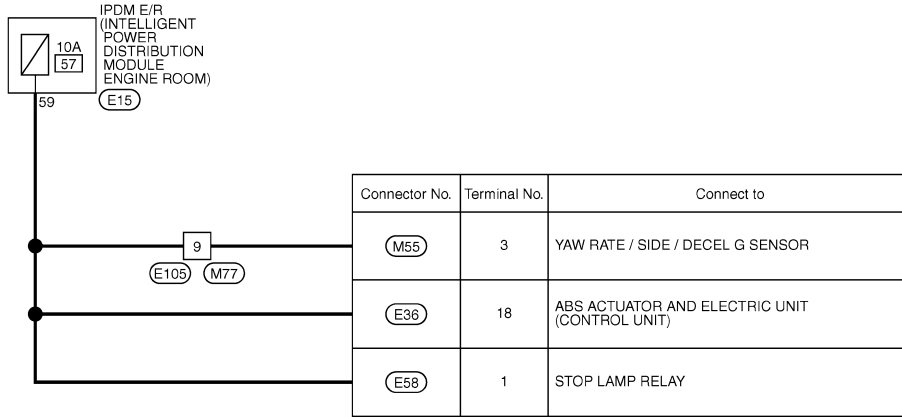
JCMWM8457GB

POWER SUPPLY ROUTING CIRCUIT

< WIRING DIAGRAM >

Wiring Diagram - IGNITION POWER SUPPLY FUSE No. 57 - IGNITION POWER SUPPLY FUSE No. 57

INFOID:000000009010979



A
B
C
D
E
F
G
H
I
J
K
L
N
O
P

PG

2010/05/13

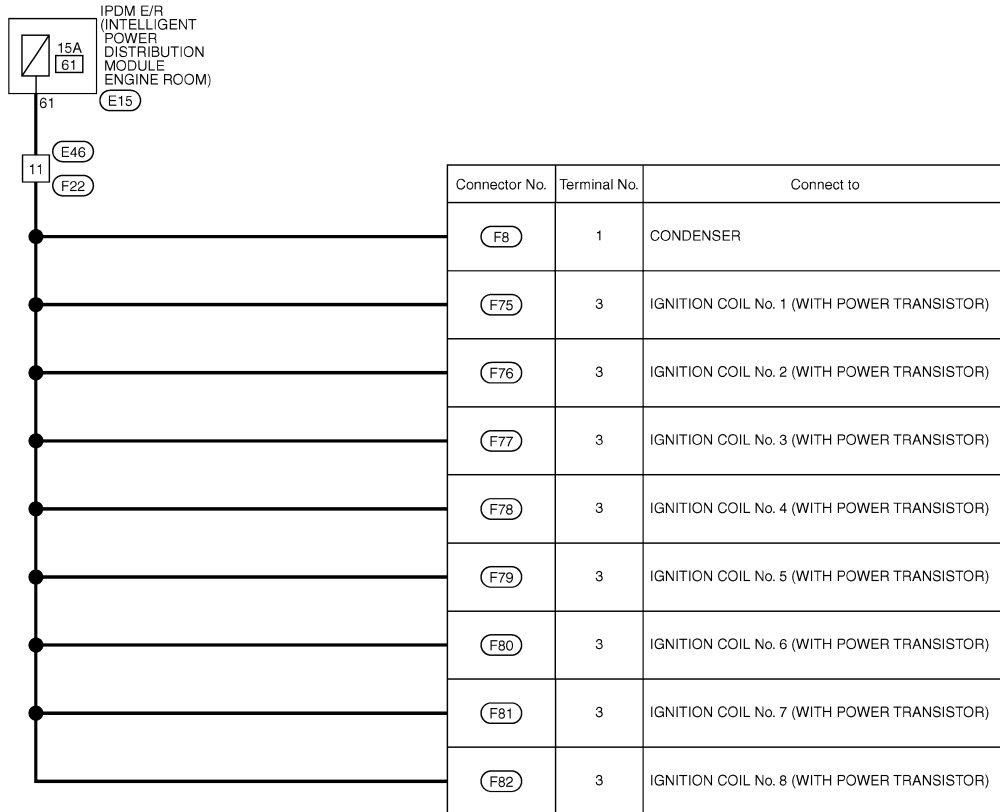
JCMWM8459GB

POWER SUPPLY ROUTING CIRCUIT

< WIRING DIAGRAM >

Wiring Diagram - IGNITION POWER SUPPLY FUSE No. 61 - IGNITION POWER SUPPLY FUSE No. 61

INFOID:000000009010980



2010/05/13

JCMWM8462GB

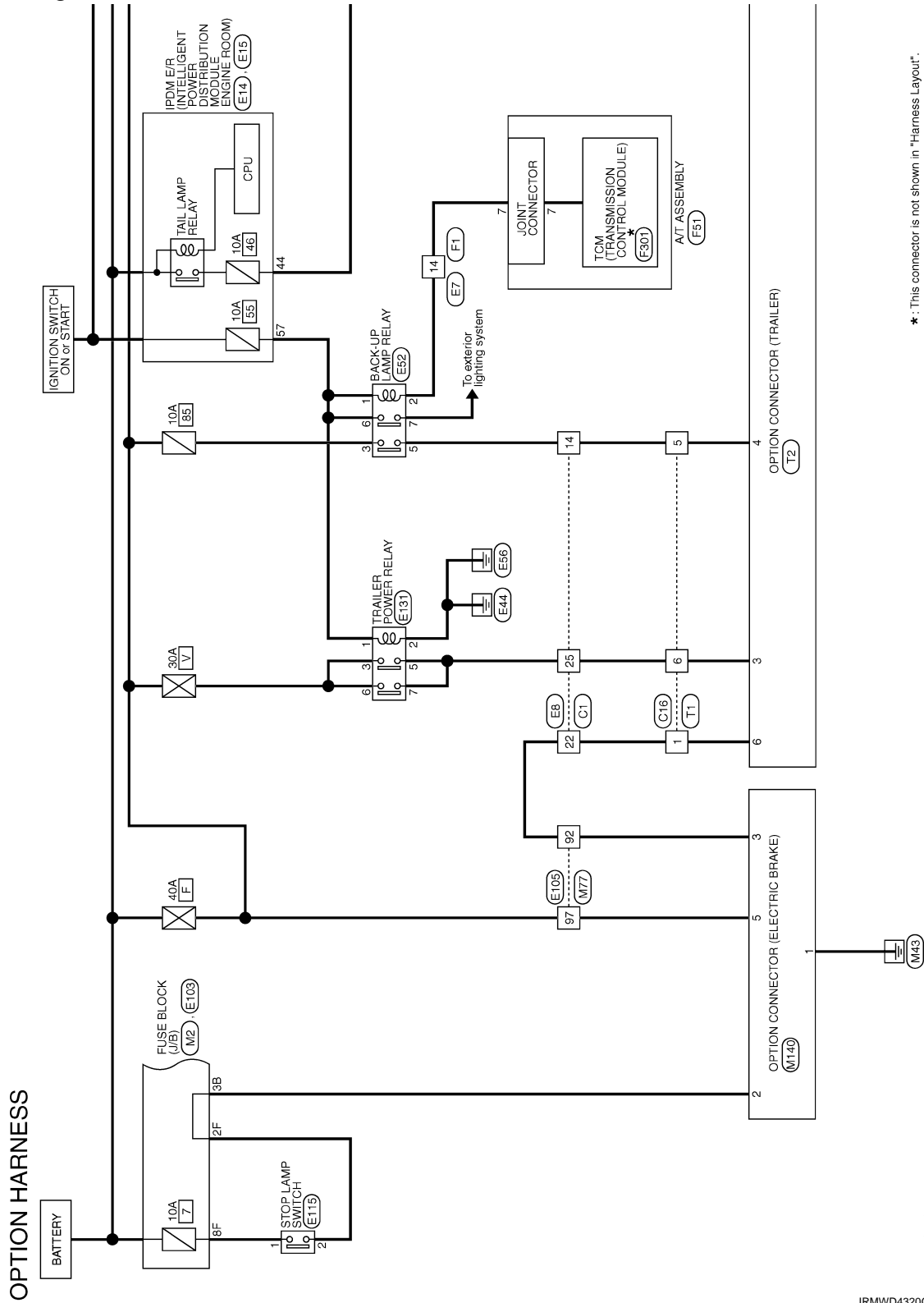
OPTION HARNESS

< WIRING DIAGRAM >

OPTION HARNESS

Wiring Diagram

INFOID:000000009010981



*: This connector is not shown in "Harness Layout".

2012/08/21

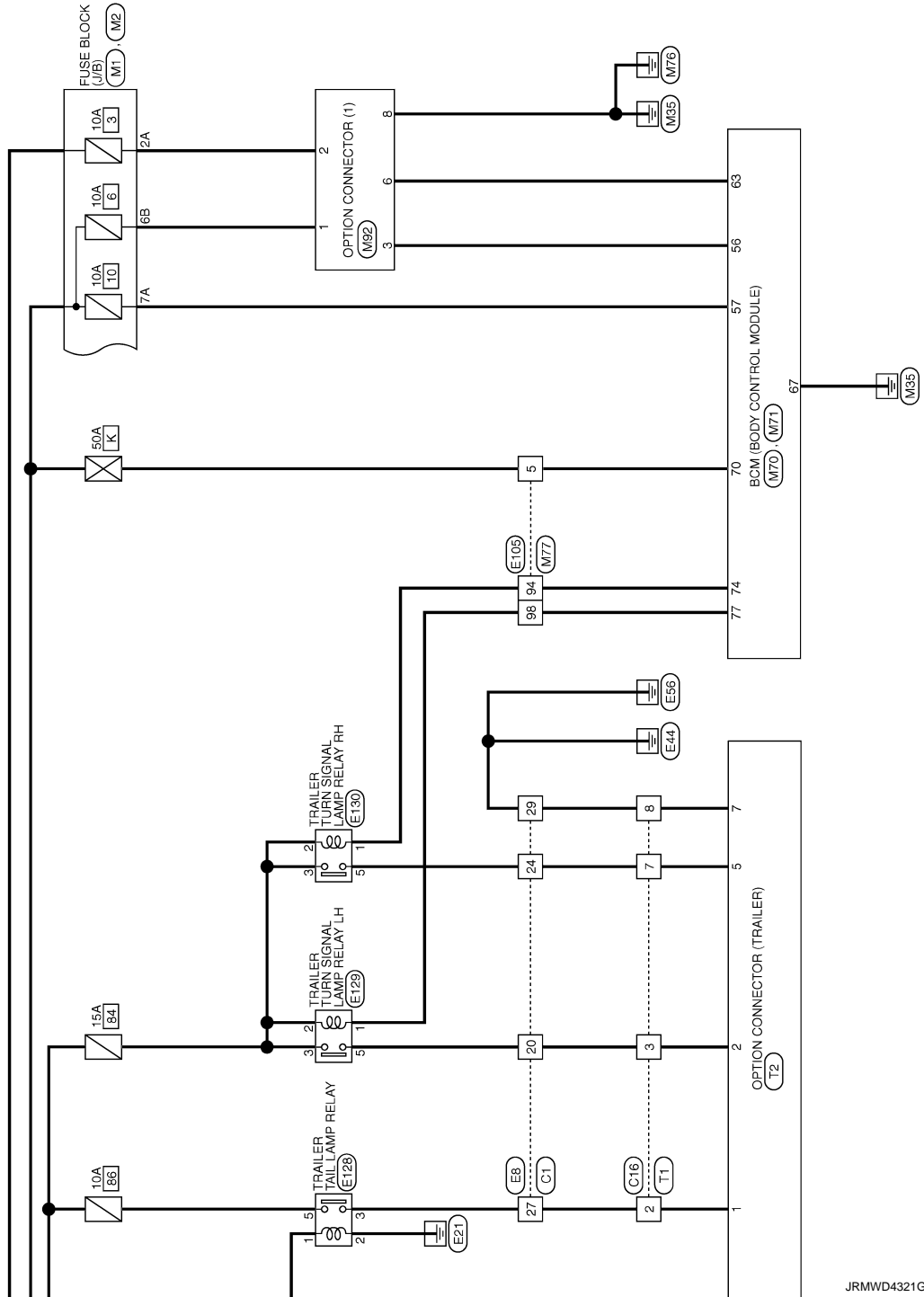
JRMWD4320GB

A
B
C
D
E
F
G
H
I
J
K
L
N
O
P

PG

OPTION HARNESS

< WIRING DIAGRAM >



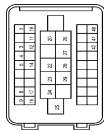
JRMWD4321GB

OPTION HARNESS

< WIRING DIAGRAM >

OPTION HARNESS

Connector No.	C1
Connector Name	WIRE TO WIRE
Connector Type	SAA38FB-RS10-SJZZ



Terminal No.	Color Of Wire	Signal Name [Specification]
1	Y	-
2	SB	-
3	RG	-
4	L/Y	-
5	R	-
6	V	-
7	P	-
8	BR/Y	-
9	Y/V	-
10	BR/Y	-
11	Y/V	-
12	V/W	-
13	Y/L	-
14	BR	-
17	RO	-
18	G/W	-
20	L/W	-
22	B	-
23	Y/G	-
24	R	-
25	SB	-
26	R/G	-
27	V	-
28	B	-
29	LG/R	-
40	R/G	-
41	R/G	-
42	B/R	-

Connector No.	C16
Connector Name	WIRE TO WIRE
Connector Type	RS08MGY-PR



Terminal No.	Color Of Wire	Signal Name [Specification]
1	L/W	-
2	RG	-
3	G/W	-
5	Y/L	-
6	R	-
7	Y/G	-
8	B	-

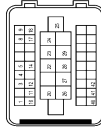
Connector No.	E7
Connector Name	WIRE TO WIRE
Connector Type	THS2MW-NH



Terminal No.	Color Of Wire	Signal Name [Specification]
1	W	-
2	G	-
3	L/O	-
4	LG	-
5	W/L	-
6	G/O	-
7	L/R	-
8	LG/R	-
14	RS	-
16	SB	-
17	R/W	-
18	Y/G	-

19	BR/Y	-
20	P/B	-
21	R/B	-
22	Y	-
23	BR	-
24	P/L	-
29	P	-
30	BR	-
31	L	-
32	P	-

Connector No.	E8
Connector Name	WIRE TO WIRE
Connector Type	SAA38HB-RS10-SJZZ



Terminal No.	Color Of Wire	Signal Name [Specification]
1	Y	-
3	SB	-
4	L/Y	-
5	R	-
8	V	-
9	P	-
10	BR/Y	-
11	Y/V	-
12	V/W	-
14	Y/L	-
17	BR	-
18	R/O	-
20	G/W	-
22	L/W	-
23	B	-
24	Y/G	-
25	R	-
26	SB	-
27	R/G	-
28	V	-
29	B	-
40	LG/R	-
41	RG	-

42	B/R	-
----	-----	---

Connector No.	E14
Connector Name	POWER INTELLIGENT POWER DISTRIBUTION MODULE (ENGINE ROOM)
Connector Type	NS12FBR-CS



Terminal No.	Color Of Wire	Signal Name [Specification]
35	W	-
36	V	-
37	L	-
38	Y	-
39	L/B	-
41	L/G	-
42	L	-
43	LG	-
44	L/W	-
45	Y/R	-

Connector No.	E15
Connector Name	POWER INTELLIGENT POWER DISTRIBUTION MODULE (ENGINE ROOM)
Connector Type	NS16FM-CS



Terminal No.	Color Of Wire	Signal Name [Specification]
48	BR	-
49	R	-
50	LG/B	-
51	BR/Y	-
52	W	-
55	O	-

A
B
C
D
E
F
G
H
I
J
K
L
N
O
P

PG

JRMWE1968GB

OPTION HARNESS

< WIRING DIAGRAM >

OPTION HARNESS

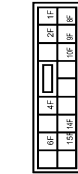
56	L	-
57	V	-
58	BR/R	-
59	WB	-
60	VR	-
61	W	-
62	SB	-

Connector No.	E52
Connector Name	BACK-UP LAMP RELAY
Connector Type	M06FER-R-LC



Terminal No.	Color Of Wire	Signal Name [Specification]
1	V	-
2	R	-
3	WB	-
5	Y/L	-
6	V	-
7	RY	-

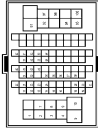
Connector No.	E103
Connector Name	FUSE BLOCK (UB)
Connector Type	NS16FW-CS



Terminal No.	Color Of Wire	Signal Name [Specification]
10F	G	-
14F	Y	-
15F	G	-
17F	WB	-
21F	R	-

4F	G	-
6F	Y/G	-
8F	L/B	-
9F	Y	-

Connector No.	E105
Connector Name	WIRE TO WIRE
Connector Type	TH80MW-CS16-TM4



Terminal No.	Color Of Wire	Signal Name [Specification]
1	L	-
2	L/W	-
3	R/B	-
4	L	-
5	Y	-
7	W/G	-
8	P/B	-
9	W/B	-
10	G	-
11	L	-
12	P	-
13	P/B	-
14	BR	-
15	L/B	-
16	SB	-
18	BR	-
19	Y/G	-
20	BR/Y	-
21	Y/V	-
22	L	-
23	Y	-
24	L/W	-
28	O	-
29	R/W	-
30	L/B	-
31	Y	-
32	GR/R	-
33	Y	-
34	R	-
35	R	-
36	BR	-

37	GY	-
38	G	-
40	SB	-
41	W/R	-
42	R	-
43	V	-
51	L/O	-
52	BR/W	-
53	BR/Y	-
54	GR/L	-
60	W	-
61	B	-
62	R	-
63	G	-
64	SHIELD	-
91	BR	-
92	L/W	-
94	Y/B	-
95	GR	-
97	R	-
98	G/B	-
100	W/R	-

Connector No.	E115
Connector Name	STOP LAMP SWITCH
Connector Type	M04FW-LC



Terminal No.	Color Of Wire	Signal Name [Specification]
1	L/B	-
2	R	-
3	G	-
4	L/R	-

Connector No.	E128
Connector Name	TRAILER TAIL LAMP RELAY
Connector Type	MS02FL-M2-LC



Terminal No.	Color Of Wire	Signal Name [Specification]
1	L/W	-
2	B	-
3	R/G	-
5	BR	-

Connector No.	E129
Connector Name	TRAILER TURN SIGNAL LAMP RELAY H
Connector Type	MS02FL-M2-LC



Terminal No.	Color Of Wire	Signal Name [Specification]
1	G/B	-
2	L	-
3	L	-
5	G/W	-

JRMWE1969GB

OPTION HARNESS

< WIRING DIAGRAM >

OPTION HARNESS

Connector No.	E130
Connector Name	TRAILER TURN SIGNAL LAMP RELAY RH
Connector Type	MS02FL-M2-LC



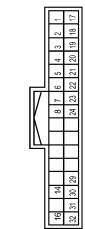
Terminal No.	Color Of Wire	Signal Name [Specification]
1	Y/B	-
2	L	-
3	Y/G	-

Connector No.	E131
Connector Name	TRAILER POWER RELAY
Connector Type	M06FBR-R-LC



Terminal No.	Color Of Wire	Signal Name [Specification]
1	V	-
2	B	-
3	Y	-
5	R	-
6	Y	-
7	L/W	-

Connector No.	F1
Connector Name	WIRE TO WIRE
Connector Type	TH32FM-NH



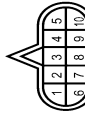
Terminal No.	Color Of Wire	Signal Name [Specification]
1	W	-
2	G	-
3	L/O	-
4	L/G	-
5	W/L	-
6	G/O	-
7	L/R	-
8	LGR	-
14	R	-
16	SB	-
17	R/W	-
18	Y/G	-
19	BR/Y	-
20	P/B	-
21	R/B	-
22	Y	-
23	BR/W	-
24	P/L	-
29	P	-
30	BR	-
31	L	-
32	P	-

Connector No.	F51
Connector Name	A/T ASSEMBLY
Connector Type	RK10FG



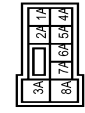
Terminal No.	Color Of Wire	Signal Name [Specification]
1	V	IGNITION POWER SUPPLY
2	P	BATTERY POWER SUPPLY
3	L	CAN/H
4	SB	K/LINE
5	B	GROUND
6	V	IGNITION POWER SUPPLY
7	R	BACK-UP LAMP RELAY
8	P	CAN/L
9	BR	STARTER RELAY
10	B	GROUND

Connector No.	F301
Connector Name	TCM (TRANSMISSION CONTROL MODULE)
Connector Type	SP10FG



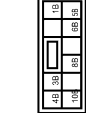
Terminal No.	Color Of Wire	Signal Name [Specification]
1	-	IGNITION POWER SUPPLY
2	-	BATTERY POWER SUPPLY
3	-	CAN/H
4	-	K/LINE
5	-	GROUND
6	-	IGNITION POWER SUPPLY
7	-	BACK-UP LAMP RELAY
8	-	CAN/L
9	-	STARTER RELAY
10	-	GROUND

Connector No.	M1
Connector Name	FUSE BLOCK (J/B)
Connector Type	NS06FM-M2



Terminal No.	Color Of Wire	Signal Name [Specification]
1A	Y	-
2A	GR	-
3A	W	-
4A	Y/G	-
5A	V	-
6A	L/W	-
7A	LG	-
8A	W	-

Connector No.	M2
Connector Name	FUSE BLOCK (J/B)
Connector Type	NS10FM-CS



Terminal No.	Color Of Wire	Signal Name [Specification]
1B	R	-
3B	R	-
4B	B	-
5B	BR	-
6B	Y	-
8B	L/O	-
10B	W/B	-

A
B
C
D
E
F
G
H
I
J
K
L
N
O
P

PG

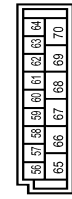
JRMWE1970GB

OPTION HARNESS

< WIRING DIAGRAM >

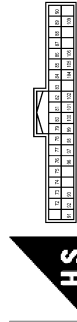
OPTION HARNESS

Connector No.	M70
Connector Name	BCM (BODY CONTROL MODULE)
Connector Type	FEA09FW-FHAE-SA



Terminal No.	Color Of Wire	Signal Name [Specification]
56	W/R	INT ROOM LAMP PWR SPPLY
57	LG	BAT (FUSE)
58	R/W	SHOCK DETECT SENS
59	G	PASSENGER DOOR UNLK OUTPUT
60	G	TURN SIGNAL LH OUTPUT
61	G/Y	TURN SIGNAL RH OUTPUT
62	R	STEP LAMP CONT
63	BR	ROOM LAMP-TIMER CONT
64	GR/R	CRANKING REQUEST
65	R	ALL DOOR LOCK OUTPUT
66	V	DR DOOR FUEL LID UNLK OUTPUT
67	B	GND
68	Y	PWR PWR SPPLY (IGN)
69	W	PWR PWR SPPLY (BAT)
70	Y	BAT (FL)

Connector No.	M71
Connector Name	BCM (BODY CONTROL MODULE)
Connector Type	TH40FW-NH



Terminal No.	Color Of Wire	Signal Name [Specification]
72	P	PUDDLE LAMP CONT
73	W	ON NO.
74	Y/B	TRAILER TURN SIG RH CONT
75	LG/R	DRIVER DOOR REQUEST SW
76	SB	PUSH SW

Terminal No.	Color Of Wire	Signal Name [Specification]
77	O/L	TRAILER TURN SIG LH CONT
78	P/B	DRIVER DOOR ANT+
79	V	DRIVER DOOR ANT-
80	LG/B	PASSENGER DOOR ANT+
81	Y/R	PASSENGER DOOR ANT-
82	W/G	BACK DOOR ANT+
83	B/W	BACK DOOR ANT-
84	BR	ROOM ANT+
85	Y	ROOM ANT1-
86	W	ROOM ANT2+
87	B	ROOM ANT2-
88	V	LAGGAGE ROOM ANT+
89	G	LAGGAGE ROOM ANT-
90	Y	PUSHBTN IGN SW ILL PWR
91	O	LOCK IND
92	L	LOW SIDE PUSH LED
93	GR/R	I-KEY WARN BUZZER
96	BR	ACC RELAY CONT
97	R/W	STARTER RELAY CONT
98	O	IGN RELAY (PWR) CONT
99	R	IGN RELAY (FIB) CONT
100	P/L	PASSENGER DOOR REQUEST SW
101	W/B	IGN PWR SPPLY 2
102	BR	SHIFT N/P
104	R/B	AT SHIFT SELECT PWR SPPLY
105	O/L	STOP LAMP SW 2
106	Y/G	BLWR FAN MTR RELAY CONT
109	L/W	ACC IND

Connector No.	M77
Connector Name	WIPE TO WIRE
Connector Type	TH80FW-CS16-TM4



Terminal No.	Color Of Wire	Signal Name [Specification]
1	W	-
2	L/W	-
3	R/B	-
4	L	-
5	Y	-
6	SB	-

Terminal No.	Color Of Wire	Signal Name [Specification]
7	W/G	-
8	P/B	-
9	W/B	-
10	G	-
11	L	-
12	P	-
13	P/B	-
14	BR	-
15	O/L	-
16	SB	-
18	BR	-
19	Y/G	-
20	BRY	-
21	V	-
22	L	-
23	Y	-
24	L/W	-
26	O	-
28	R/W	-
30	O/L	-
31	Y	-
32	GR/R	-
34	Y	-
35	R	-
36	B/O	-
37	G/Y	-
38	G	-
40	SB	-
41	W/R	-
42	R	-
43	V	-
51	L/O	-
52	BR/W	-
53	BRY	-
54	GR/L	-
60	W	-
61	B	-
62	G	-
63	R	-
64	SHIELD	-
91	BR	-
92	L/W	-
94	Y/B	-
95	L/R	-
97	R	-
98	O/L	-
100	W/B	-

Connector No.	M92
Connector Name	OPTION CONNECTOR (1)
Connector Type	TH08MV-NH



Terminal No.	Color Of Wire	Signal Name [Specification]
1	Y	-
2	GR	-
3	W/R	-
6	Y/L	-
8	B	-

Connector No.	M140
Connector Name	OPTION CONNECTOR (ELECTRIC BRAKE)
Connector Type	NS56FW-CS



Terminal No.	Color Of Wire	Signal Name [Specification]
1	B	-
2	R	-
3	L/W	-
4	L/W	-
5	R	-

OPTION HARNESS

< WIRING DIAGRAM >

A
B
C
D
E
F
G
H
I
J
K
L
N
O
P

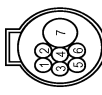
OPTION HARNESS

Connector No.	T1
Connector Name	WIRE TO WIRE
Connector Type	RS08FGY-PR



Terminal No.	Color Of Wire	Signal Name [Specification]
1	L/W	-
2	R/G	-
3	G/W	-
4	Y/L	-
5	R	-
6	Y/B	-
7	B	-
8	-	-

Connector No.	T2
Connector Name	OPTION CONNECTOR (TRAILER)
Connector Type	Delphi 15354653



Terminal No.	Color Of Wire	Signal Name [Specification]
1	R/G	-
2	G/W	-
3	R	-
4	Y/L	-
5	Y/B	-
6	L/W	-
7	B	-

PG

JRMWE1972GB

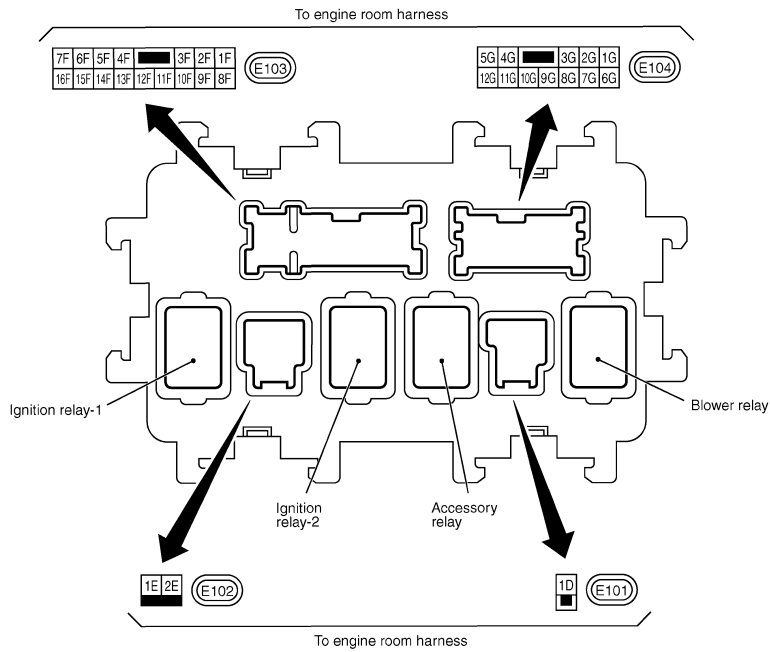
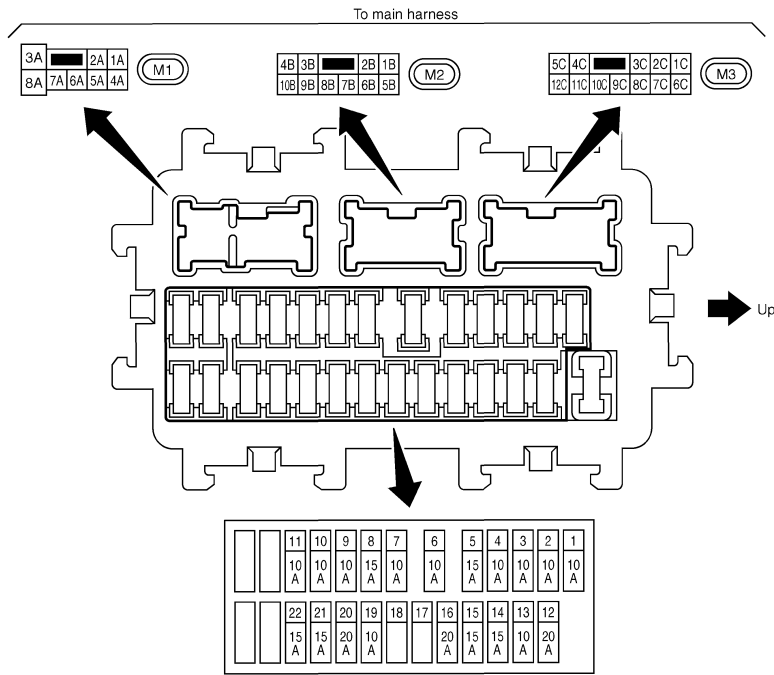
FUSE BLOCK - JUNCTION BOX (J/B)

< WIRING DIAGRAM >

FUSE BLOCK - JUNCTION BOX (J/B)

Fuse, Connector and Terminal Arrangement

INFOID:00000009010982



2012/08/21

JRMWD4337GB

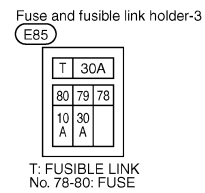
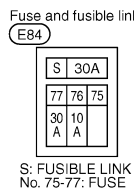
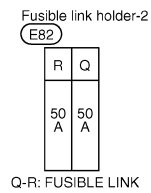
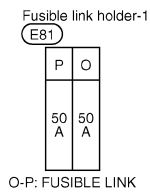
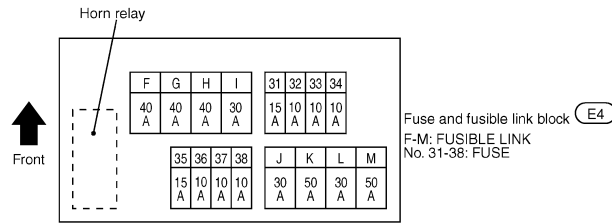
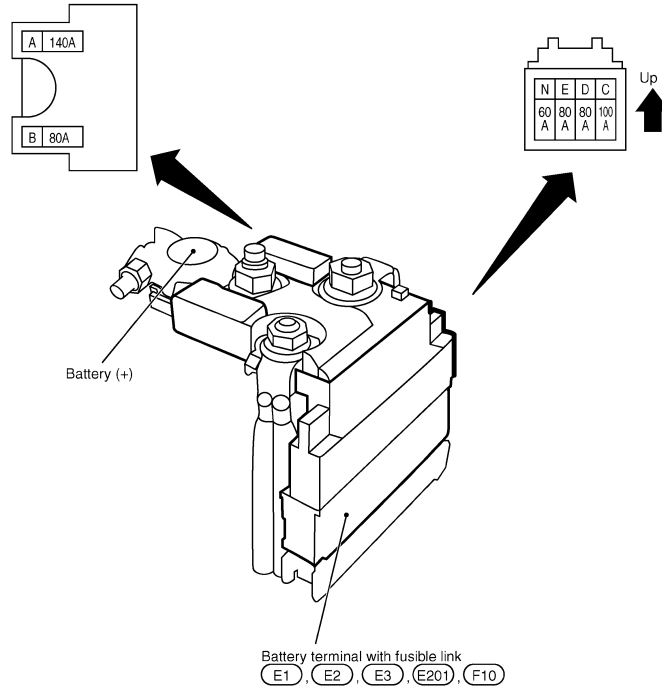
FUSE, FUSIBLE LINK AND RELAY BOX

< WIRING DIAGRAM >

FUSE, FUSIBLE LINK AND RELAY BOX

Fuse and Fusible Link Arrangement

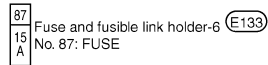
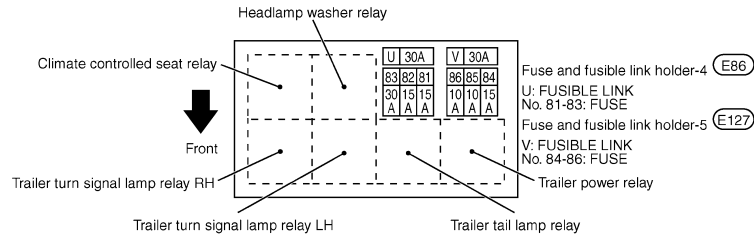
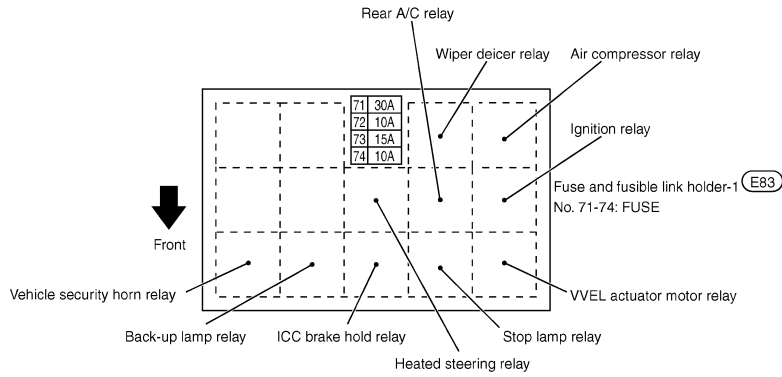
INFOID:000000009010983



JRMWD4338GB

FUSE, FUSIBLE LINK AND RELAY BOX

< WIRING DIAGRAM >



2012/08/21

JRMWD4339GB

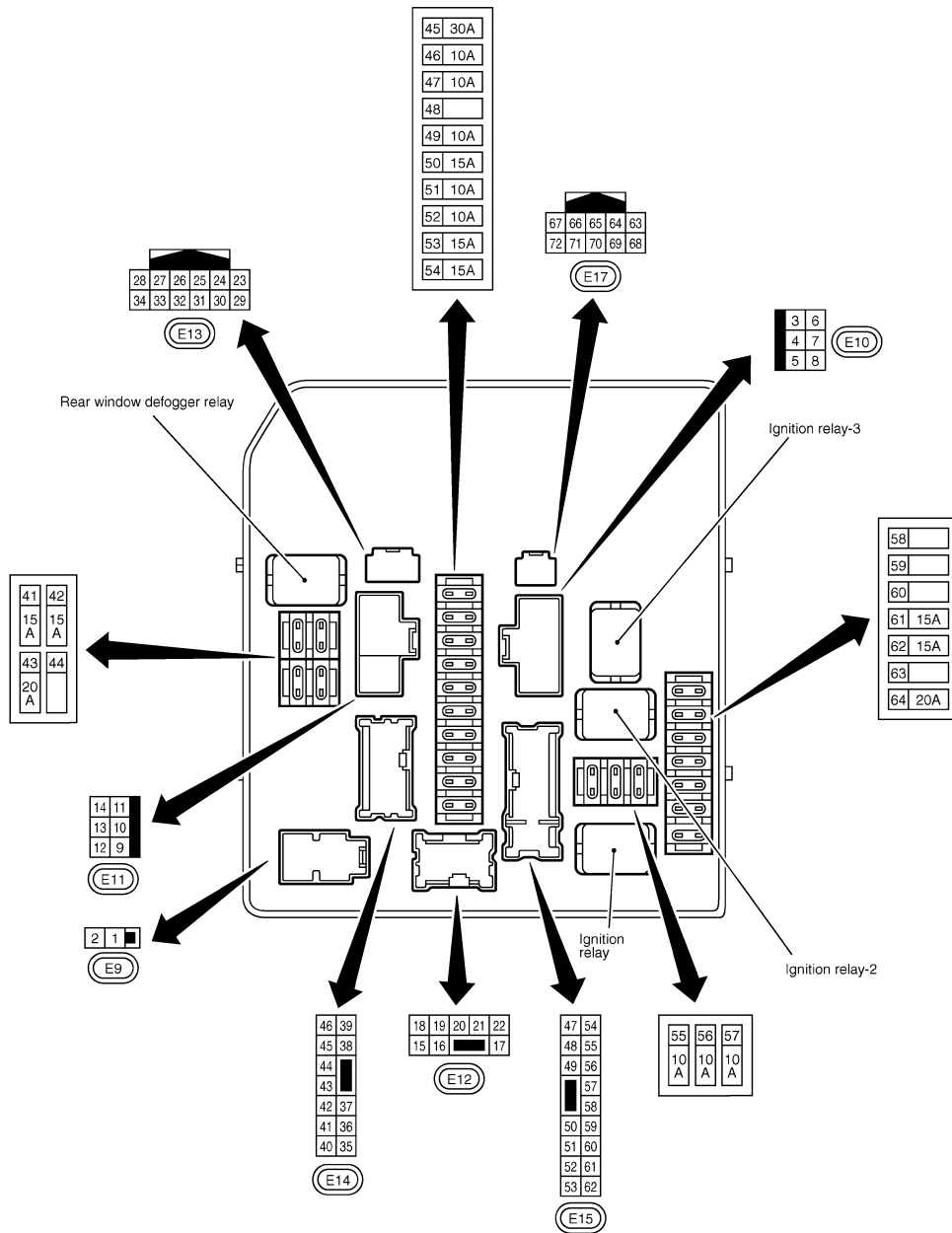
IPDM E/R (INTELLIGENT POWER DISTRIBUTION MODULE ENGINE ROOM)

< WIRING DIAGRAM >

IPDM E/R (INTELLIGENT POWER DISTRIBUTION MODULE ENGINE ROOM)

Fuse, Connector and Terminal Arrangement

INFOID:000000009010984



To engine room harness

2012/08/21

JRMWD4340GB

A
B
C
D
E
F
G
H
I
J
K
L
M
N
O
P

PG

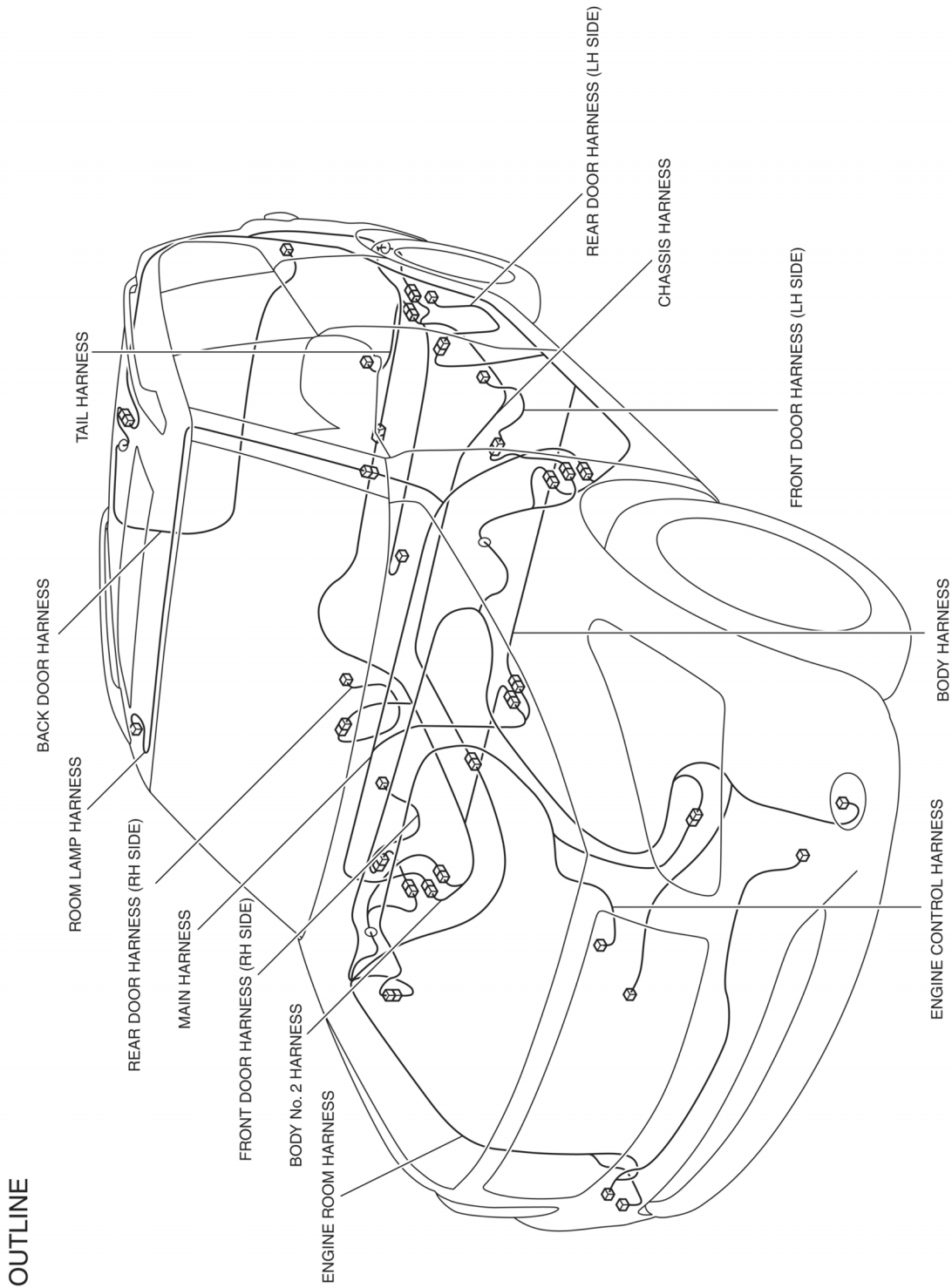
HARNESS LAYOUT

< WIRING DIAGRAM >

HARNESS LAYOUT

Outline

INFOID:000000009010986



OUTLINE

2013/01/30

JRMIC2684GB

HARNES LAYOUT

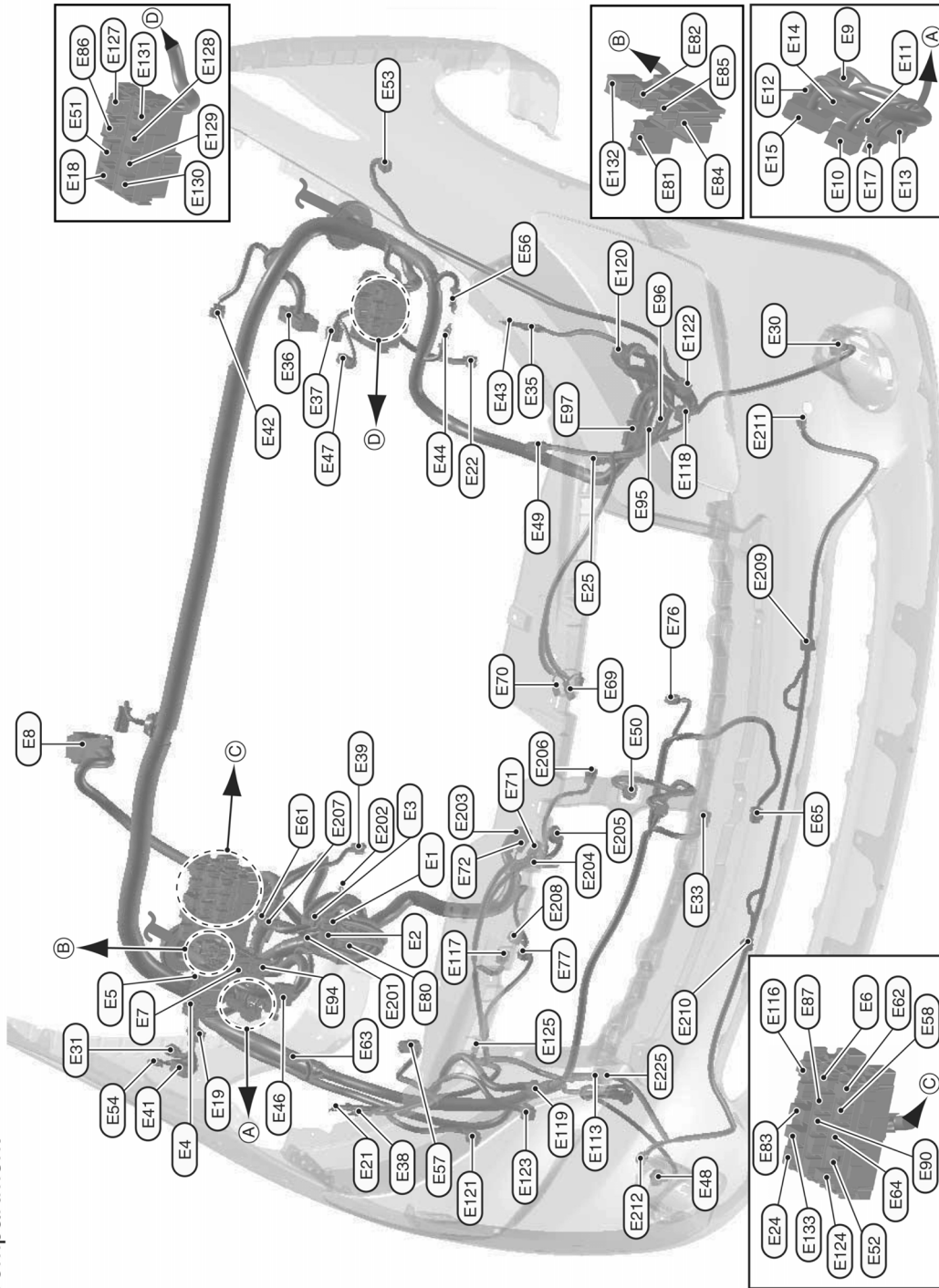
< WIRING DIAGRAM >

Engine Room Harness

INFOID:000000009010987

ENGINE COMPARTMENT

ENGINE ROOM HARNESS /
Engine Compartment



2013/01/30

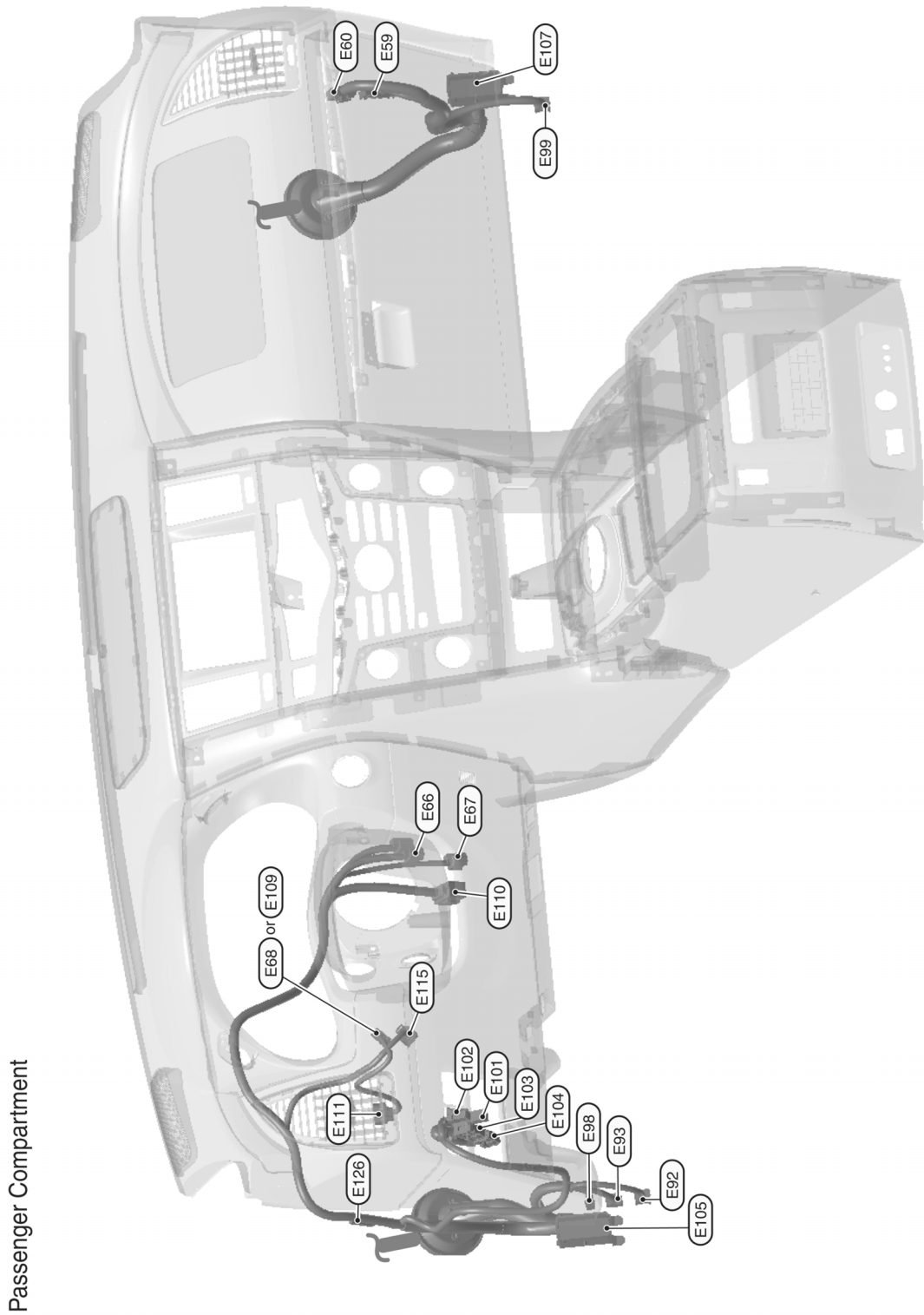
JRMIC2685GB

A
B
C
D
E
F
G
H
I
J
K
L
PG
N
O
P

HARNESS LAYOUT

< WIRING DIAGRAM >

PASSENGER COMPARTMENT



2012/08/21

JRMIC2057GB

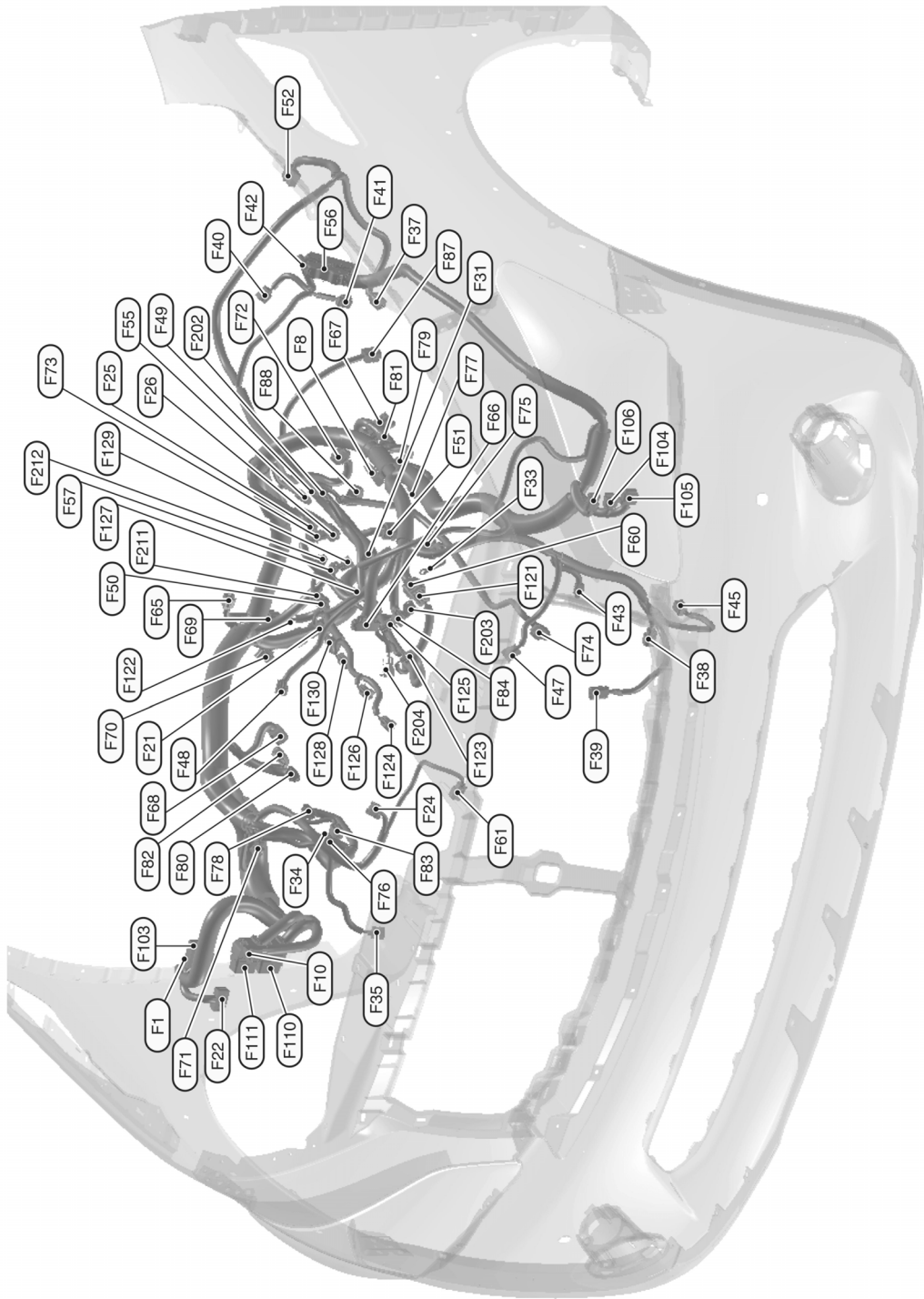
HARNES LAYOUT

< WIRING DIAGRAM >

Engine Control Harness

INFOID:000000009010988

ENGINE CONTROL HARNESS



A
B
C
D
E
F
G
H
I
J
K
L
PG
N
O
P

2012/08/21

JRMIC2058GB

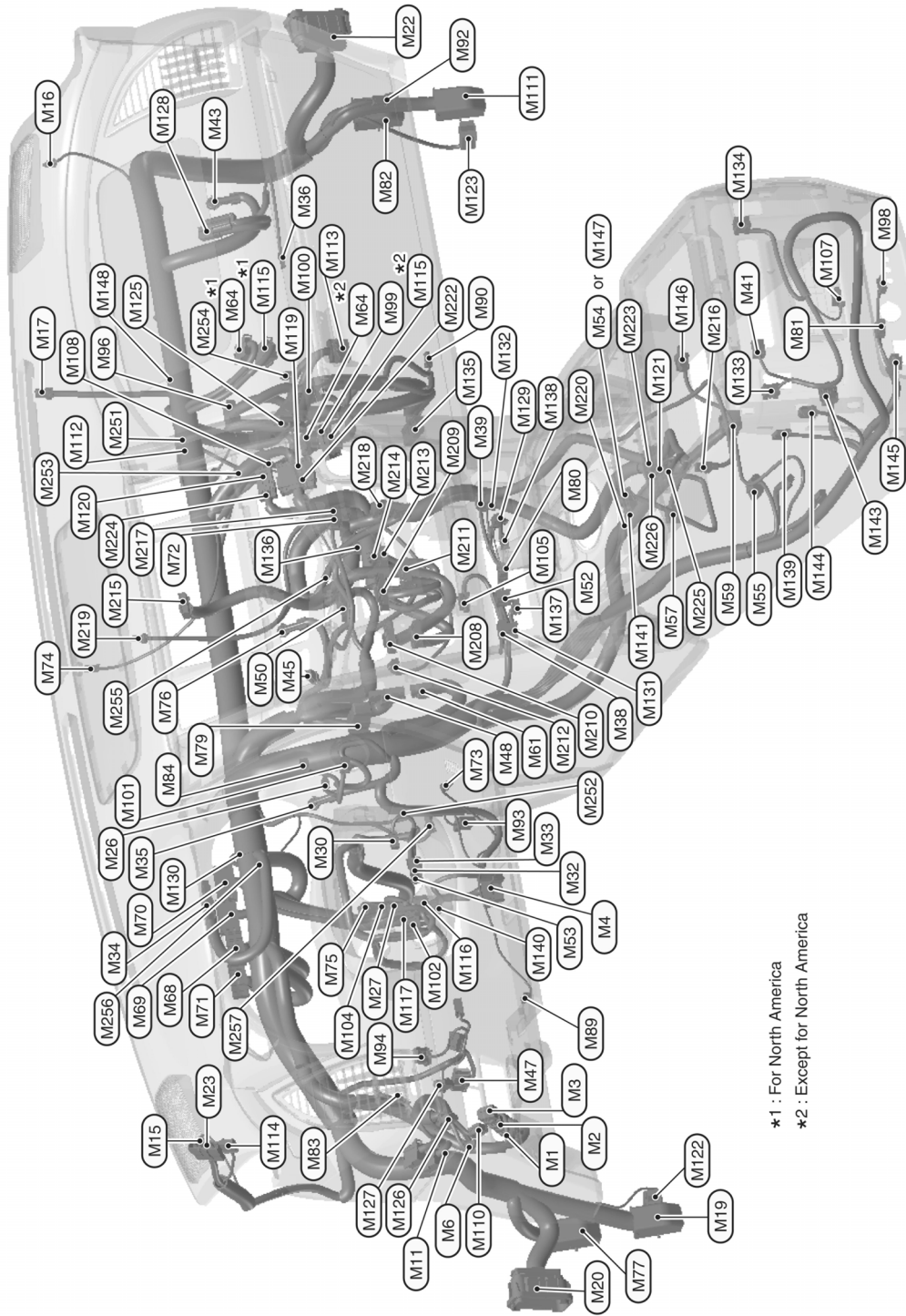
HARNESS LAYOUT

< WIRING DIAGRAM >

Main Harness

INFOID:00000009010989

MAIN HARNESS



*1 : For North America
 *2 : Except for North America

2013/01/30

JRMIC2686GB

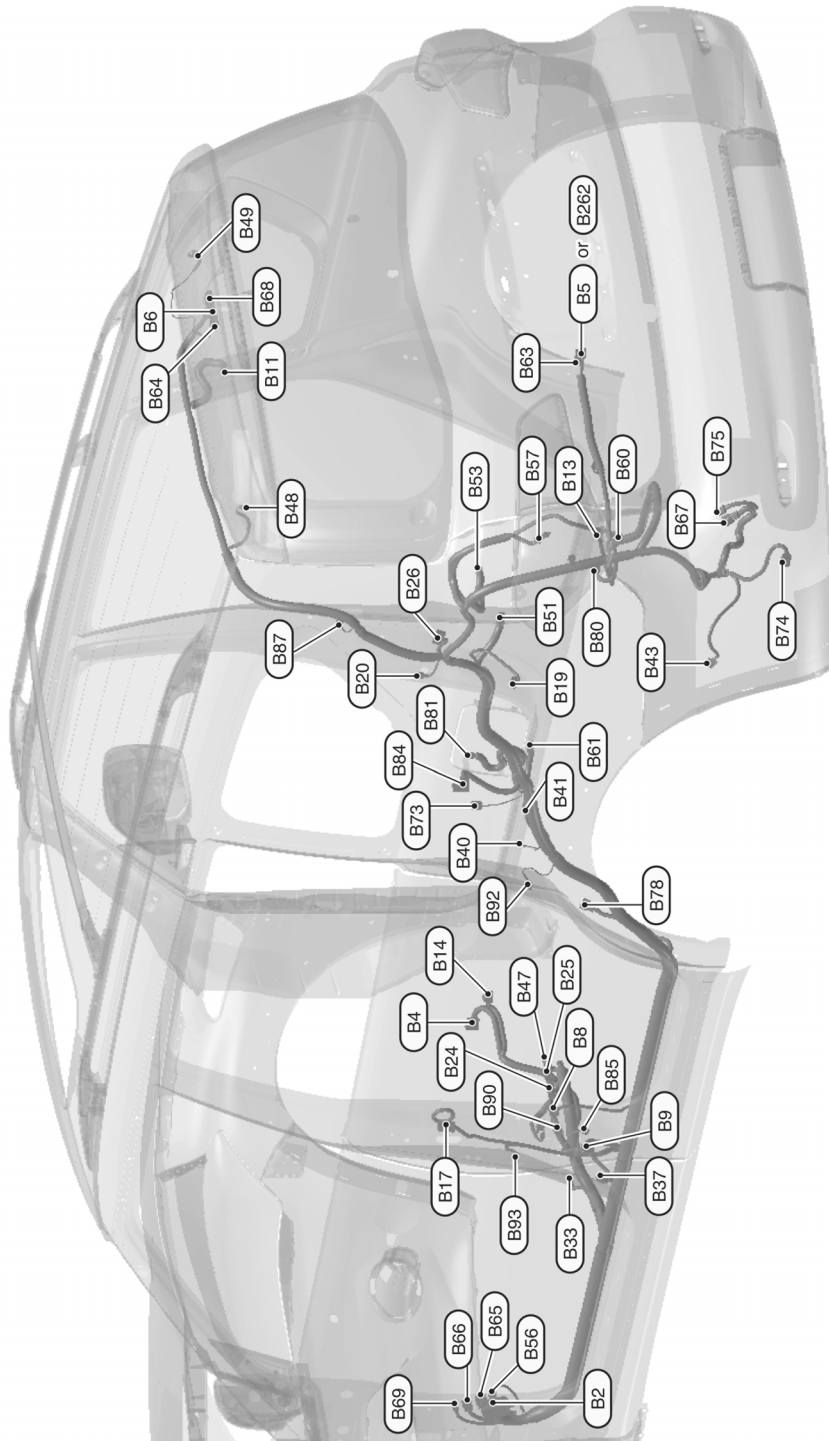
HARNES LAYOUT

< WIRING DIAGRAM >

Body Harness

INFOID:000000009010990

BODY HARNESS



BODY HARNESS

2013/01/30

JRMIC2687GB

A
B
C
D
E
F
G
H
I
J
K
L
PG
N
O
P

HARNESS LAYOUT

< WIRING DIAGRAM >
BODY No. 2 HARNESS



BODY No. 2 HARNESS

2013/01/30

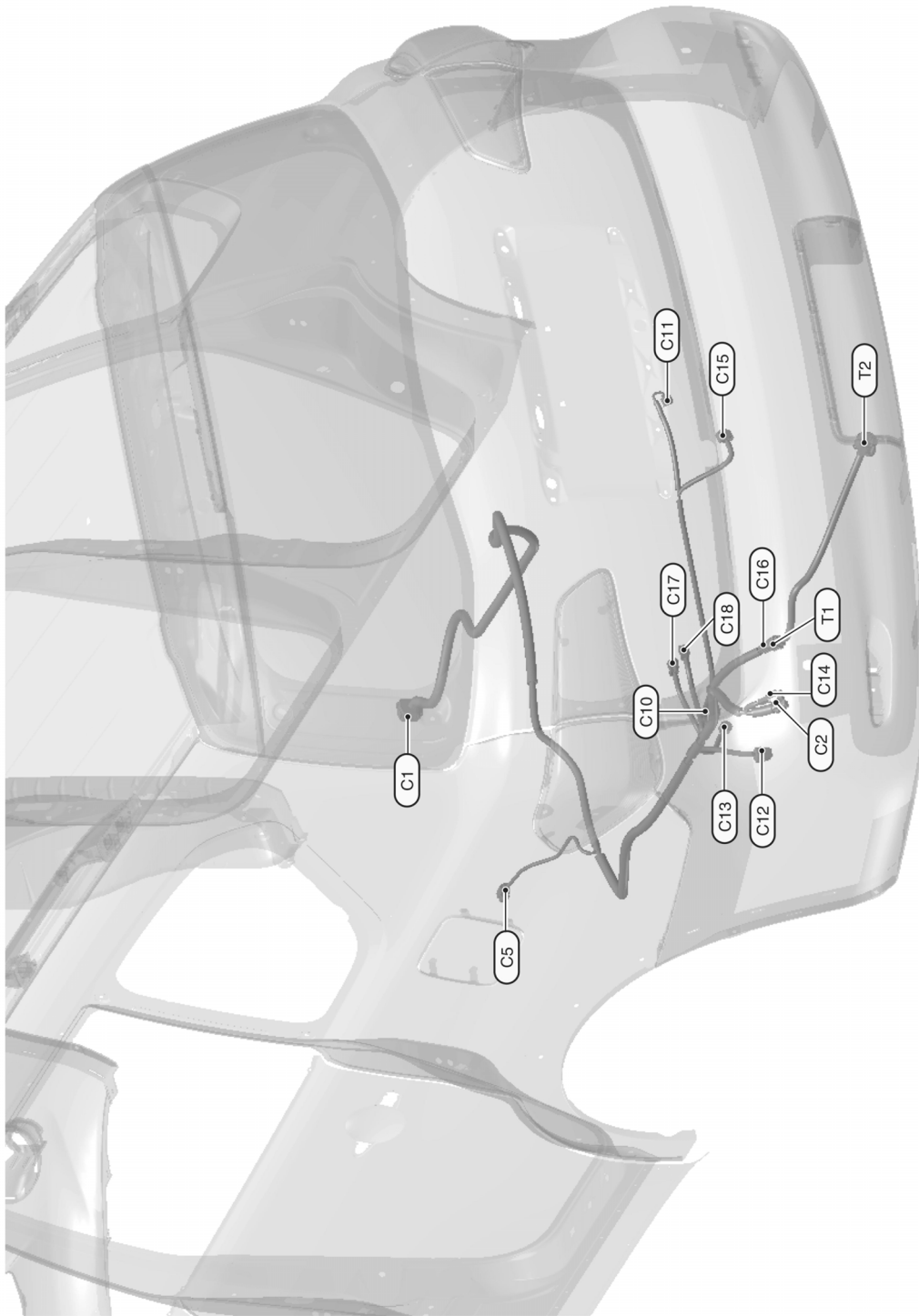
JRMIC2688GB

HARNES LAYOUT

< WIRING DIAGRAM >

Chassis Harness

INFOID:000000009010991



CHASSIS HARNESS

A
B
C
D
E
F
G
H
I
J
K
L
PG
N
O
P

2012/08/21

JRMIC2062GB

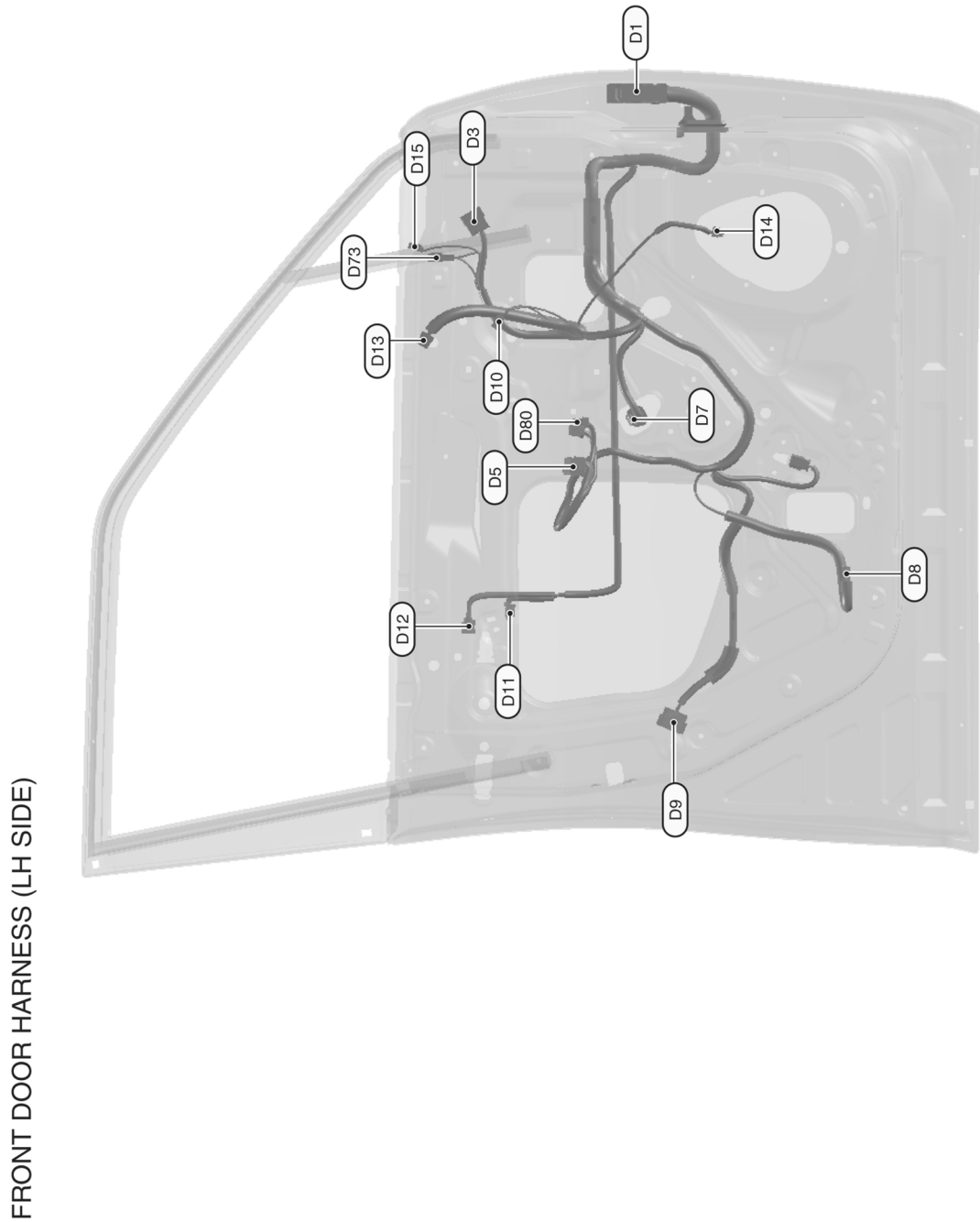
HARNESS LAYOUT

< WIRING DIAGRAM >

Door Harness

INFOID:000000009010992

FRONT DOOR HARNESS (LH SIDE)



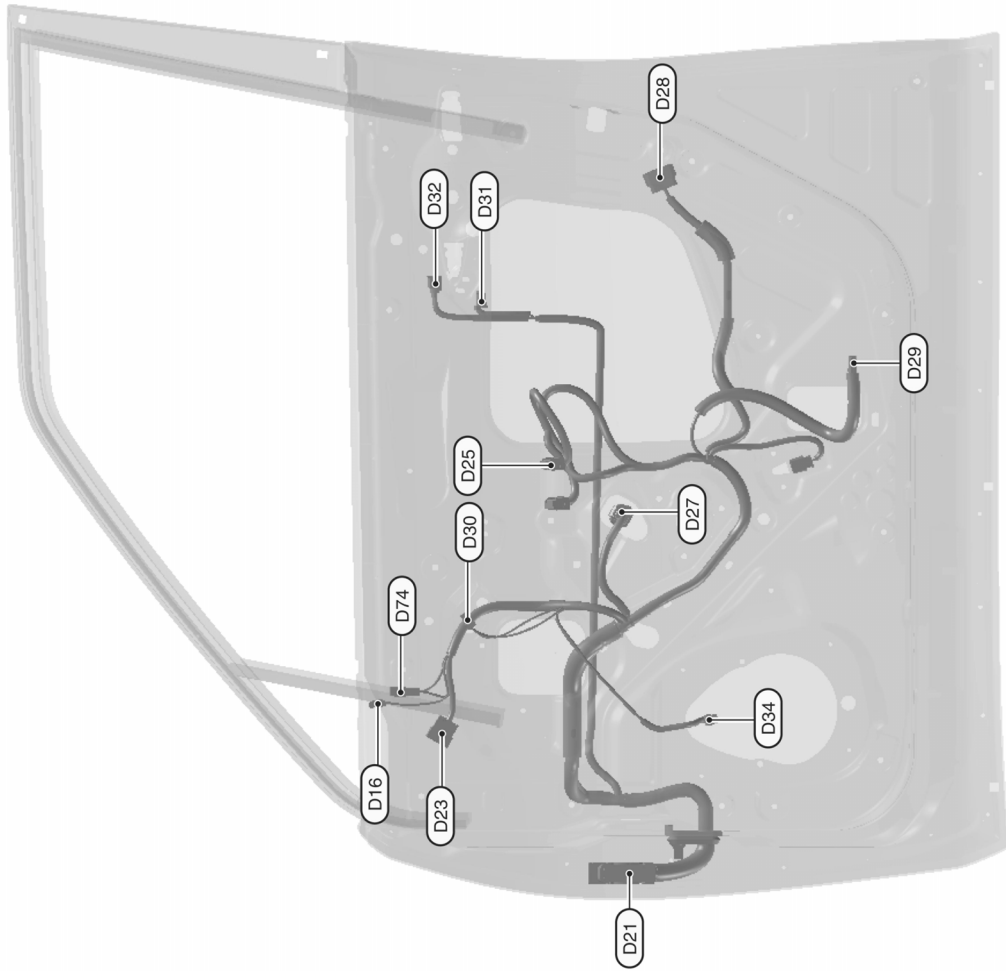
JRMIC2063GB
2012/08/21

HARNES LAYOUT

< WIRING DIAGRAM >

FRONT DOOR HARNESS (RH SIDE)

FRONT DOOR HARNESS (RH SIDE)



JRMIC2064GB

2012/08/21

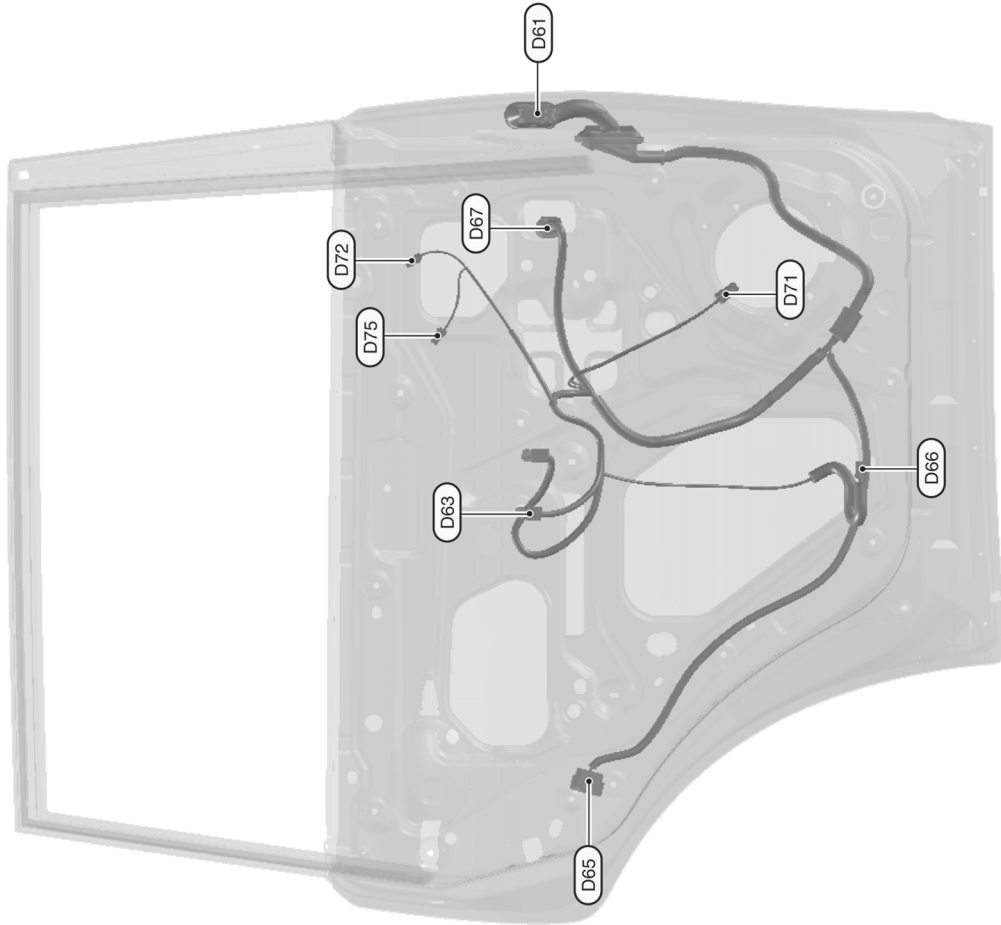
A
B
C
D
E
F
G
H
I
J
K
L
PG
N
O
P

HARNES LAYOUT

< WIRING DIAGRAM >

REAR DOOR HARNESS (LH SIDE)

REAR DOOR HARNESS (LH SIDE)



2012/08/21

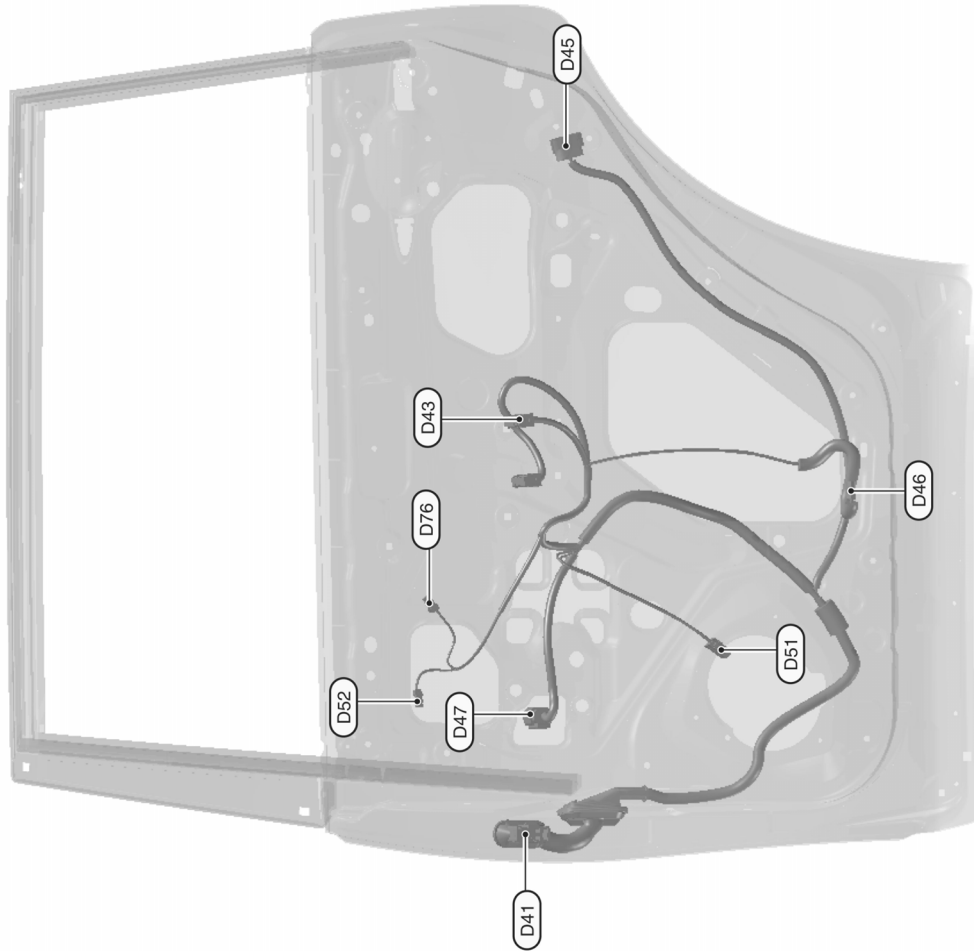
JRMIC2065GB

HARNES LAYOUT

< WIRING DIAGRAM >

REAR DOOR HARNESS (RH SIDE)

REAR DOOR HARNESS (RH SIDE)



2012/08/21

JRMIC2066GB

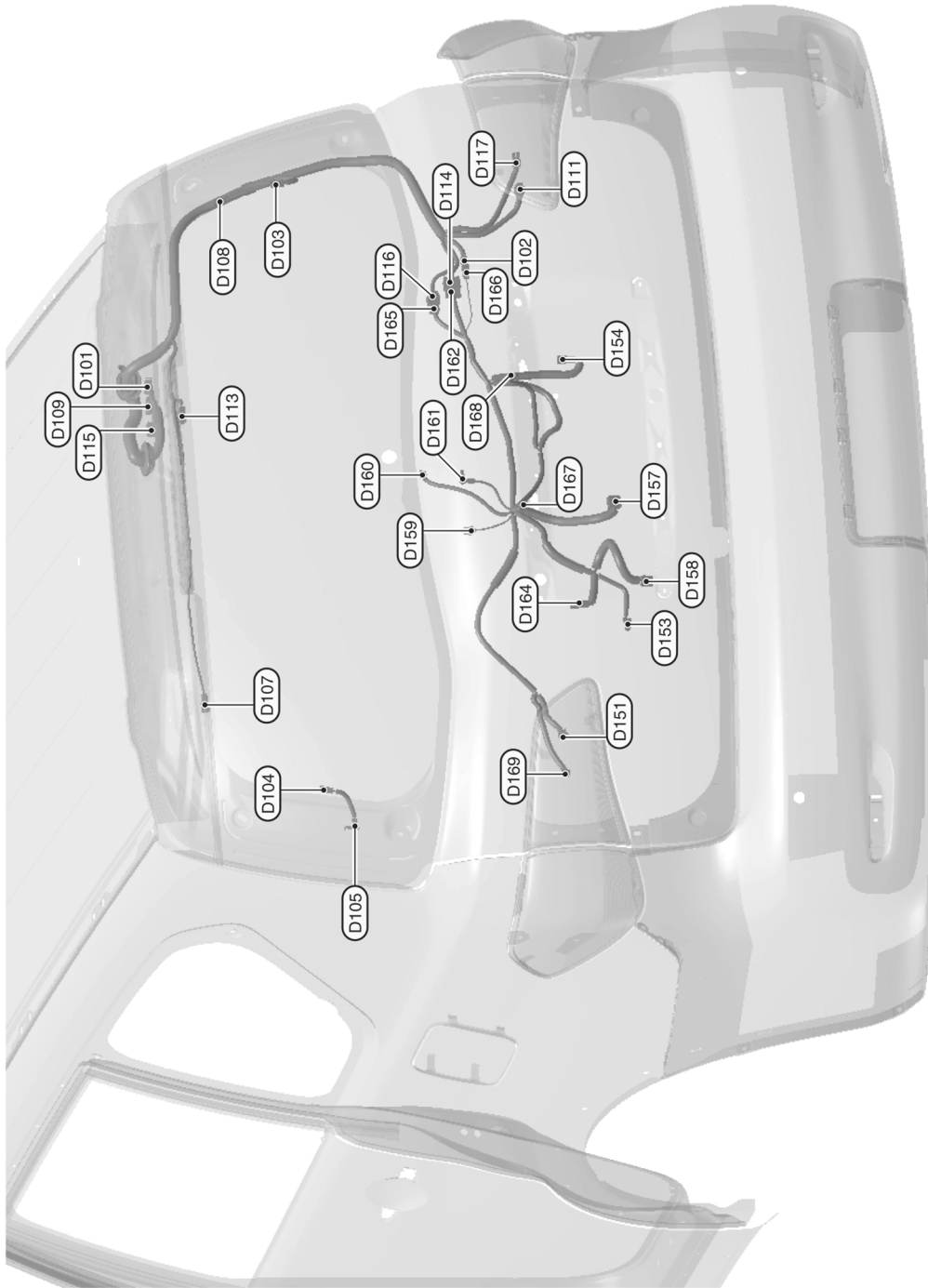
A
B
C
D
E
F
G
H
I
J
K
L
PG
N
O
P

HARNES LAYOUT

< WIRING DIAGRAM >

BACK DOOR HARNES

BACK DOOR HARNES



2012/08/21

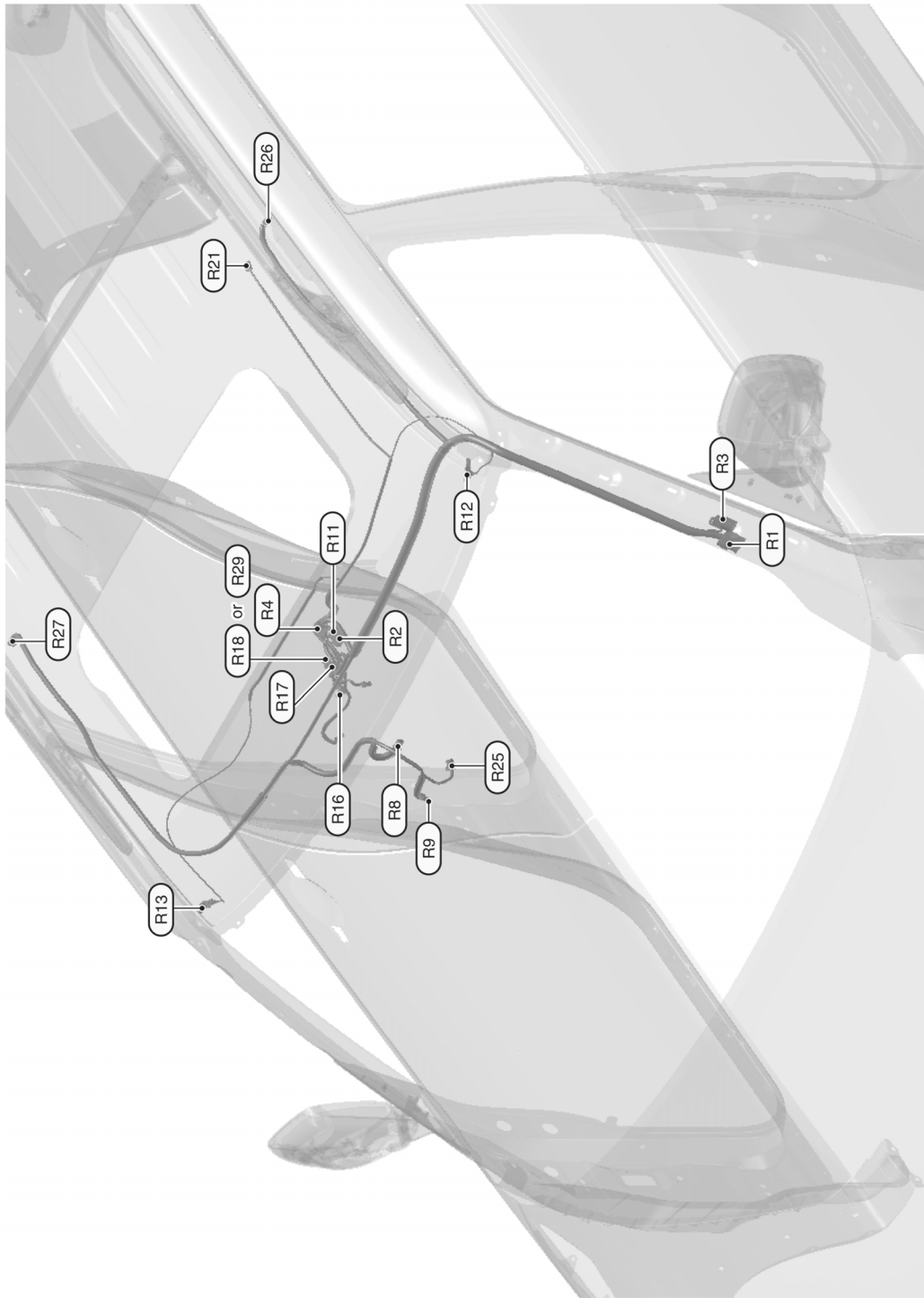
JRMIC2067GB

HARNES LAYOUT

< WIRING DIAGRAM >

Room Lamp Harness

INFOID:000000009010993



ROOM LAMP HARNESS

2013/01/30

JRMIC2689GB

A
B
C
D
E
F
G
H
I
J
K
L
PG
N
O
P

BATTERY INSPECTION

< BASIC INSPECTION >

BASIC INSPECTION

BATTERY INSPECTION

How to Handle Battery

INFOID:000000009011003

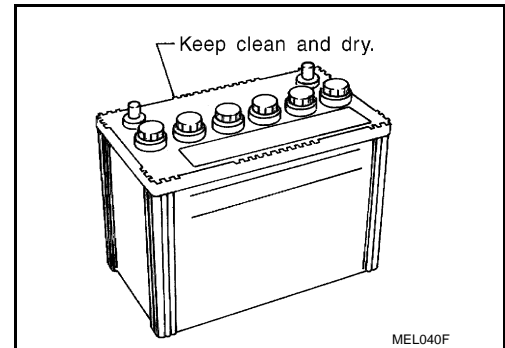
CAUTION:

- If it becomes necessary to start the engine with a booster battery and jumper cables, use a 12-volt booster battery.
- After connecting battery cables, ensure that they are tightly clamped to battery terminals for good contact.
- Never add distilled water through the hole used to check specific gravity.

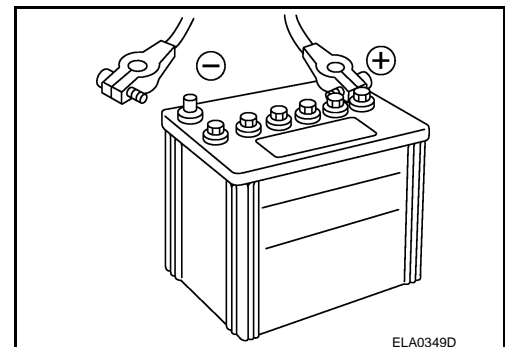
METHODS OF PREVENTING OVER-DISCHARGE

The following precautions must be taken to prevent over-discharging a battery.

- The battery surface (particularly its top) should always be kept clean and dry.
- The terminal connections should be clean and tight.
- At every routine maintenance, check the electrolyte level.
This also applies to batteries designated as "low maintenance" and "maintenance-free".



- When the vehicle is not going to be used over a long period of time, disconnect the battery cable from the negative terminal. (If the vehicle has an extended storage fuse switch, turn it off.)



Work Flow

INFOID:000000009011004

BATTERY DIAGNOSIS WITH EXP-800 NI OR GR8-1200 NI

To diagnose and confirm the condition of the battery, use the following special service tools:

- EXP-800 NI Battery and electrical diagnostic analyzer
- GR8-1200 NI Multitasking battery and electrical diagnostic station

NOTE:

Refer to the applicable instruction manual for proper battery diagnosis procedures.

BATTERY DIAGNOSIS WITHOUT EXP-800 NI OR GR8-1200 NI

Check Electrolyte Level

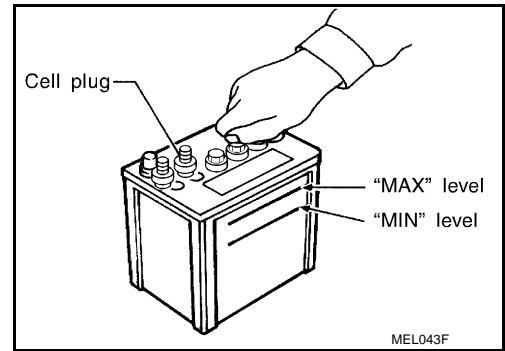
WARNING:

Never allow battery fluid to come in contact with skin, eyes, fabrics, or painted surfaces. After touching a battery, never touch or rub your eyes until you have thoroughly washed your hands. If acid contacts eyes, skin or clothing, immediately flush with water for 15 minutes and seek medical attention. Failure to do this may cause personal injury or damage to clothing or the painted surfaces.

BATTERY INSPECTION

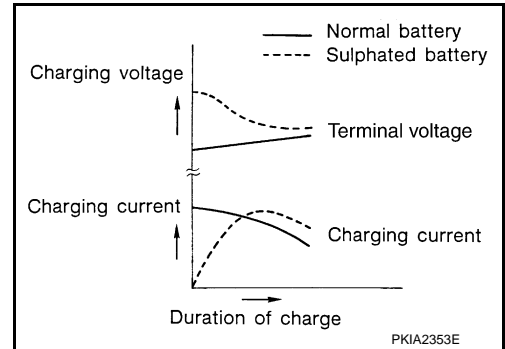
< BASIC INSPECTION >

- Remove the cell plug using a suitable tool.
- Add distilled water up to the MAX level.



SULPHATION

- A battery will be completely discharged if it is left unattended for a long time and the specific gravity will become less than 1.100. This may result in sulphation on the cell plates.
- To determine if a battery has been “sulphated”, note its voltage and current when charging it. As shown in the figure, less current and higher voltage are observed in the initial stage of charging sulphated batteries.
- A sulphated battery may sometimes be brought back into service by means of a long, slow charge, 12 hours or more, followed by a battery capacity test.



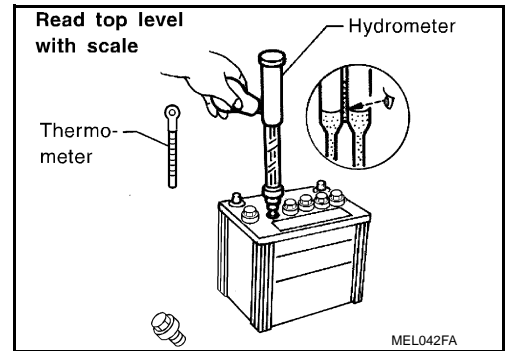
Specific Gravity Check

NOTE:

Check the charge condition of the battery.

Periodically check the specific gravity of the electrolyte. Keep a close check on charge condition to prevent over-discharge.

1. Read hydrometer and thermometer indications at eye level.
2. Use the chart below to correct your hydrometer reading according to electrolyte temperature.



Hydrometer Temperature Correction

Battery electrolyte temperature [°C (°F)]	Add to specific gravity reading
71 (160)	0.032
66 (150)	0.028
60 (140)	0.024
54 (130)	0.020
49 (120)	0.016
43 (110)	0.012
38 (100)	0.008
32 (90)	0.004
27 (80)	0
21 (70)	-0.004
16 (60)	-0.008
10 (50)	-0.012

A
B
C
D
E
F
G
H
I
J
K
L
N
O
P

PG

BATTERY INSPECTION

< BASIC INSPECTION >

Battery electrolyte temperature [°C (°F)]	Add to specific gravity reading
4 (40)	-0.016
-1 (30)	-0.020
-7 (20)	-0.024
-12 (10)	-0.028
-18 (0)	-0.032

Corrected specific gravity	Approximate charge condition
1.260 - 1.280	Fully charged
1.230 - 1.250	3/4 charged
1.200 - 1.220	1/2 charged
1.170 - 1.190	1/4 charged
1.140 - 1.160	Almost discharged
1.110 - 1.130	Completely discharged

Charging The Battery

CAUTION:

- **Never “quick charge” a fully discharged battery.**
- **Keep the battery away from open flame while it is being charged.**
- **When connecting the charger, connect the leads first, then turn on the charger. Never turn on the charger first, as this may cause a spark.**
- **If battery electrolyte temperature rises above 55 °C (131 °F), stop charging. Always charge battery at a temperature below 55 °C (131 °F).**

Charging Rates (Standard Charge)

Approximate charge condition	Charge current (A)	Charge time (h)
Fully charged	5	3
3/4 charged	10	2
1/2 charged		3.5
1/4 charged		5
Almost discharged		6
Completely discharged		7

Charging Rates (Quick Charge)

Approximate charge condition	Charge current (A)	Charge time (h)
Fully charged	—	—
3/4 charged	20	0.5
1/2 charged	25	1
1/4 charged	35	
Almost discharged	45	
Completely discharged	—	—

NOTE:

The ammeter reading on your battery charger will automatically decrease as the battery charges. This indicates that the voltage of the battery is increasing normally as the state of charge improves. The charging amps indicated above refer to initial charge rate.

- If, after charging, the specific gravity of any two cells varies more than 0.050, the battery should be replaced.

FUSE INSPECTION

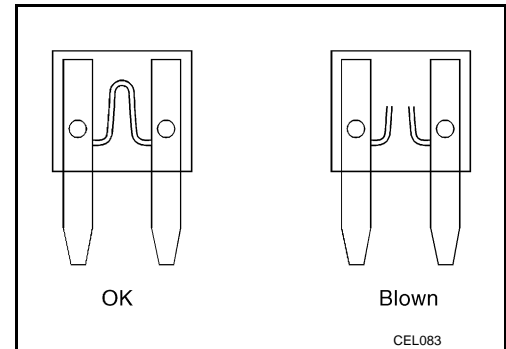
< BASIC INSPECTION >

FUSE INSPECTION

How To Check

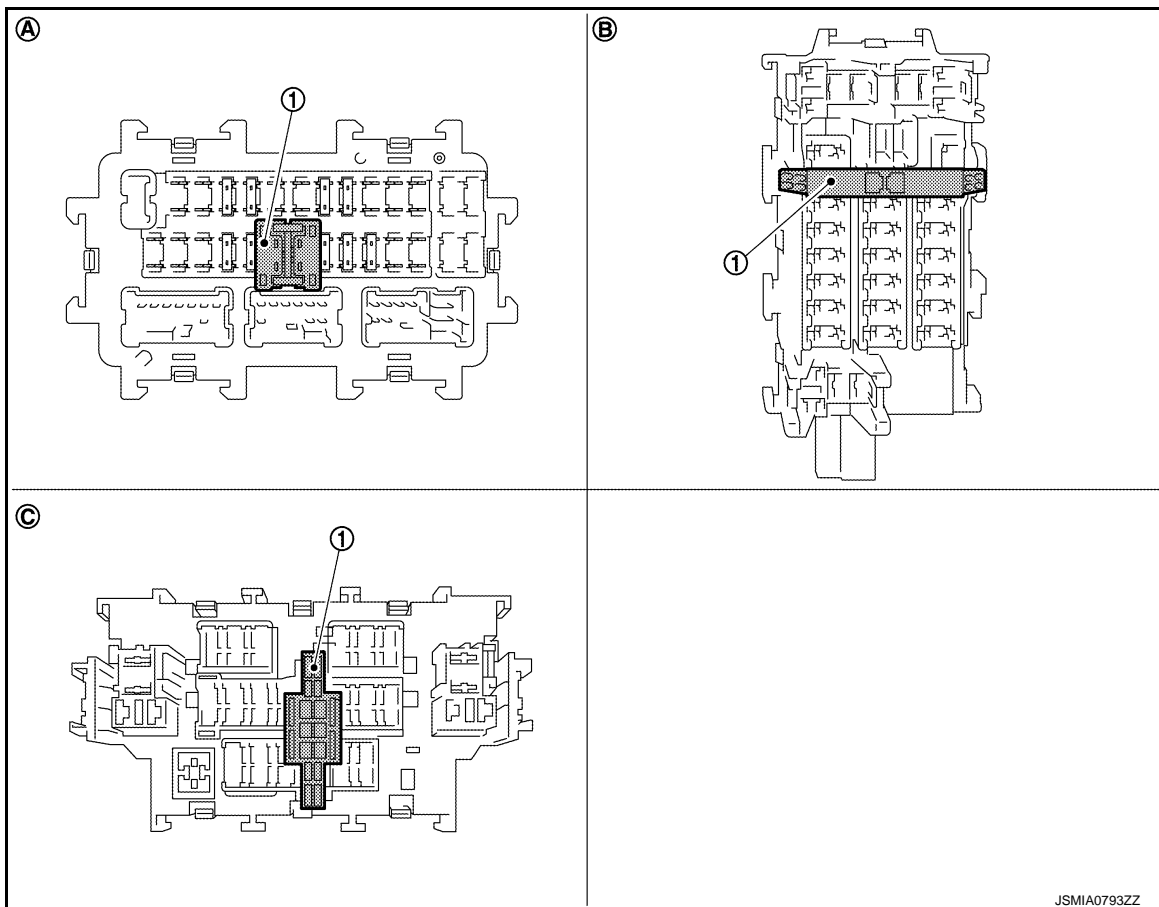
INFOID:000000009011005

- If fuse is blown, be sure to eliminate cause of malfunction before installing new fuse.
- Use fuse of specified rating. Never use fuse of more than specified rating.
- Do not partially install fuse; always insert it into fuse holder properly.
- Remove fuse for "ELECTRICAL PARTS (BAT)" if vehicle is not used for a long period of time.



EXTENDED STORAGE FUSE SWITCH (IF EQUIPPED)

The following switch may be mounted on the fuse block (Junction Box) for transportation and storage.



1. Extended storage fuse switch

A. Type A

B. Type B

C. Type C

- Remove the extended storage fuse switch when replacing the fuse of extended storage fuse switch.
- Remove the extended storage fuse switch if it causes the interference when the fuse or the other fuses is checked.

How To Extended Storage Fuse Switch ON/OFF

CAUTION:

- Turn the ignition switch OFF when operating the extended storage fuse switch.
- Under normal conditions, keep the extended storage fuse switch in ON state. Never operate the extended storage fuse switch except when necessary.

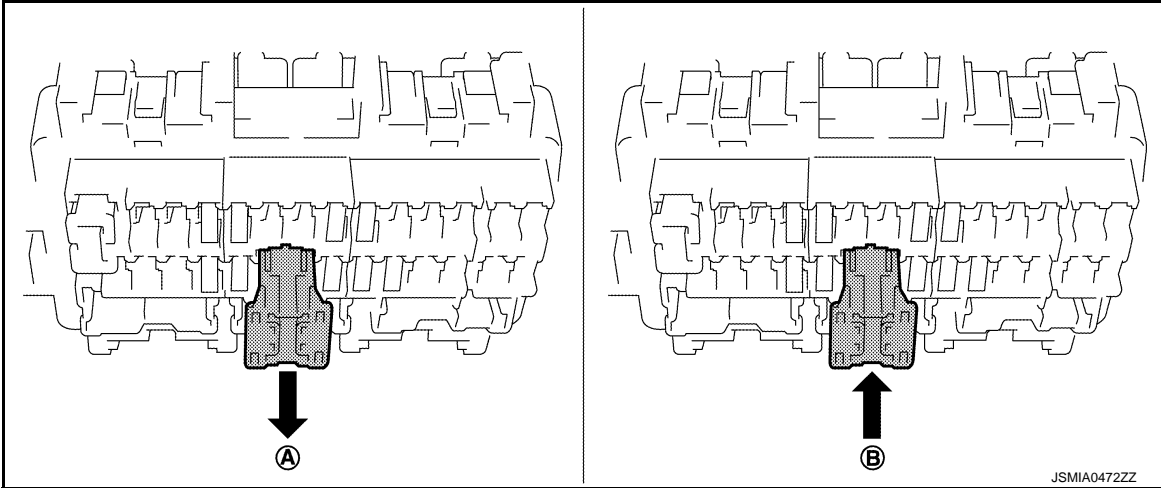
A
B
C
D
E
F
G
H
I
J
K
L
M
N
O
P

PG

FUSE INSPECTION

< BASIC INSPECTION >

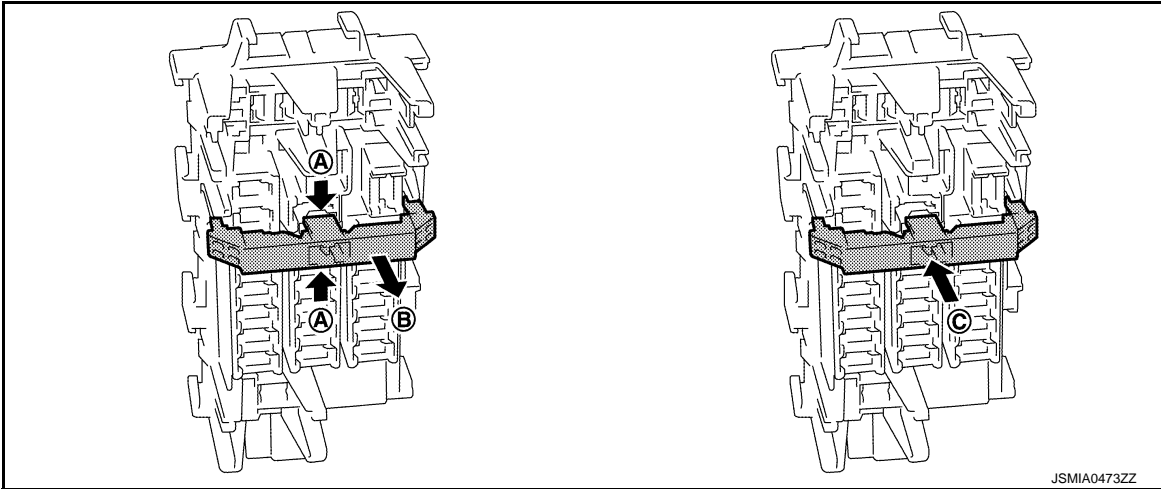
- Type A



JSMIA0472ZZ

- To turn the extended storage fuse switch OFF, pull it up in (A) direction as shown in the figure.
- To turn the extended storage fuse switch ON, press it in (B) direction as shown in the figure.

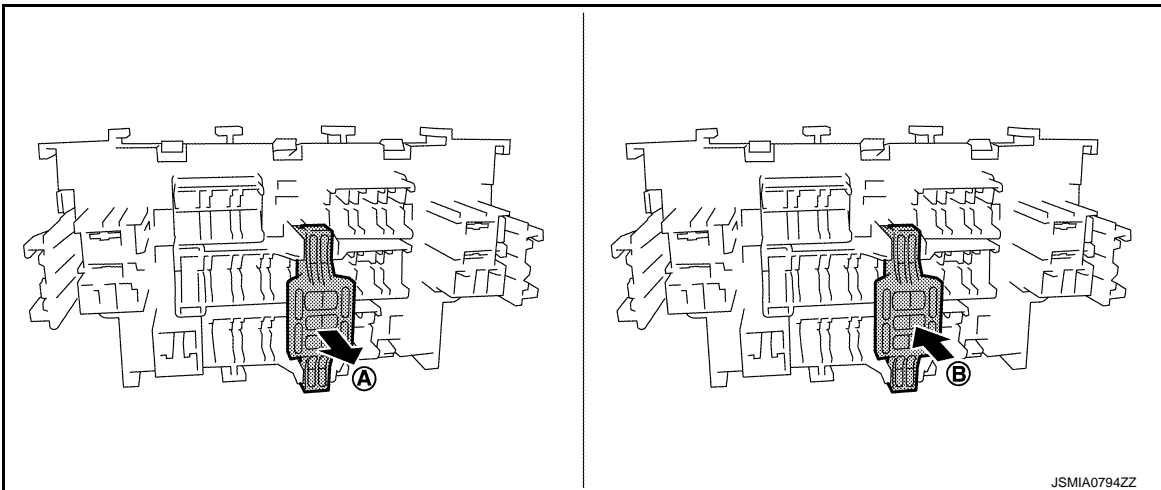
- Type B



JSMIA0473ZZ

- To turn the extended storage fuse switch OFF, hold (A) of the switch and pull up in (B) direction as shown in the figure.
- To turn the extended storage fuse switch ON, press it in (C) direction as shown in the figure.

- Type C



JSMIA0794ZZ

- To turn the extended storage fuse switch OFF, pull it up in (A) direction as shown in the figure.
- To turn the extended storage fuse switch ON, press it in (B) direction as shown in the figure.

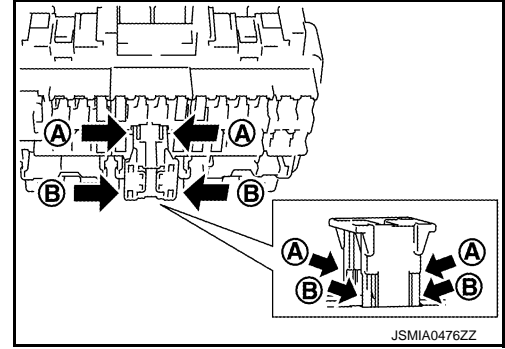
How To Remove Extended Storage Fuse Switch

Type A

FUSE INSPECTION

< BASIC INSPECTION >

1. Turn the ignition switch OFF.
2. Turn the extended storage fuse switch OFF.
3. Press pawl (A) and tilt to disengage the extended storage fuse switch. Press pawl (B) and tilt to remove the extended storage fuse switch.

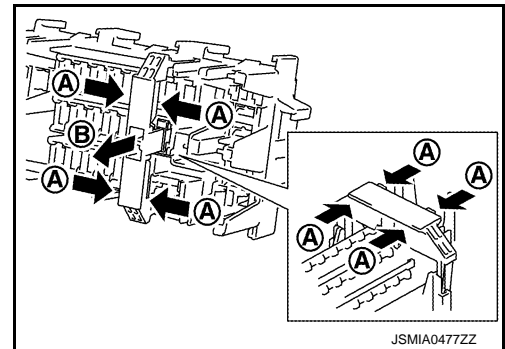


NOTE:

- Extended storage fuse switch and fuse are removed together. Remove fuse from extended storage fuse switch, if necessary.
- Extended storage fuse switch is for transportation and storage. Reinstallation is not required after the removal.

Type B

1. Turn the ignition switch OFF.
2. Turn the extended storage fuse switch OFF.
3. Hold (A) and pull up the extended storage fuse switch hard in (B) direction.

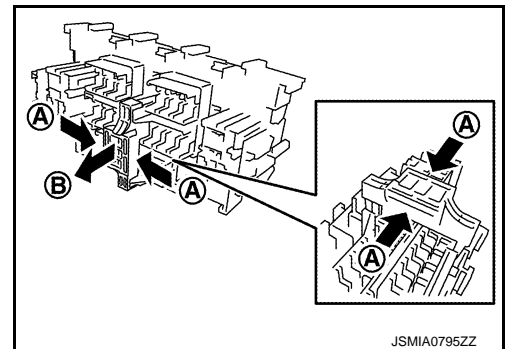


NOTE:

- Extended storage fuse switch and fuse may be removed together. Remove fuse from extended storage fuse switch, if necessary.
- Extended storage fuse switch is for transportation and storage. Reinstallation is not required after the removal.

Type C

1. Turn the ignition switch OFF.
2. Turn the extended storage fuse switch OFF.
3. Hold (A) and pull up the extended storage fuse switch hard in (B) direction.



NOTE:

- Extended storage fuse switch and fuse are removed together. Remove fuse from extended storage fuse switch, if necessary.

A
B
C
D
E
F
G
H
I
J
K
L
PG
N
O
P

FUSE INSPECTION

< BASIC INSPECTION >

- Extended storage fuse switch is for transportation and storage. Reinstallation is not required after the removal.

FUSIBLE LINK INSPECTION

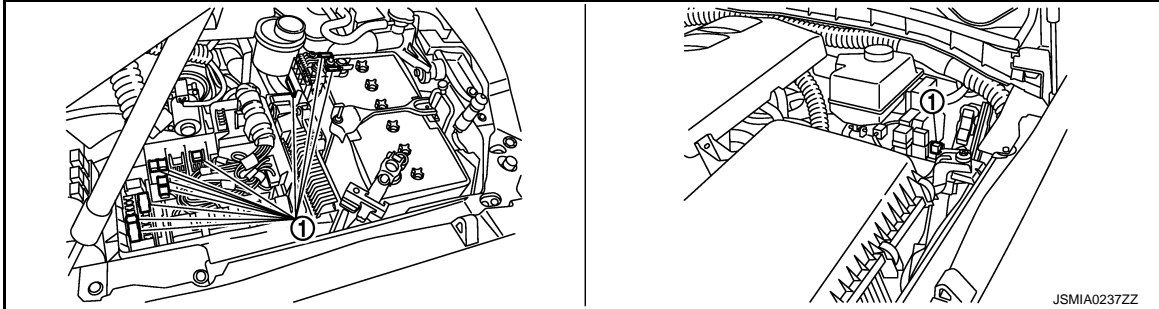
< BASIC INSPECTION >

FUSIBLE LINK INSPECTION

How To Check

INFOID:000000009011006

A melted fusible link can be detected either by visual inspection or by feeling with finger tip. If its condition is questionable, use circuit tester or test lamp.



1. Fusible link

CAUTION:

- If fusible link should melt, it is possible that critical circuit (power supply or large current carrying circuit) is shorted. In such a case, carefully check and eliminate cause of malfunction.
- Never wrap outside of fusible link with vinyl tape. Important: Never let fusible link touch any other wiring harness, vinyl or rubber parts.

A
B
C
D
E
F
G
H
I
J
K
L
PG
N
O
P

BATTERY

< REMOVAL AND INSTALLATION >

REMOVAL AND INSTALLATION

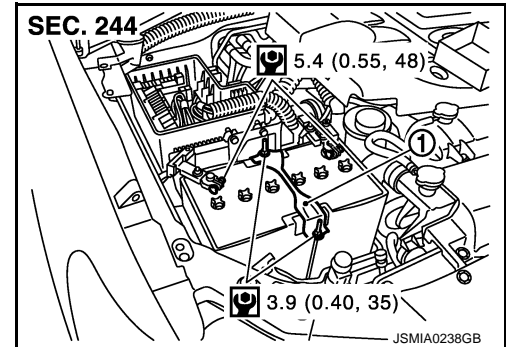
BATTERY

Exploded View

INFOID:000000009011007

1 : Battery fix frame

Refer to [GI-4, "Components"](#) for symbols in the figure.



Removal and Installation

INFOID:000000009011008

REMOVAL

1. Remove cover of battery positive terminal.
2. Loosen battery terminal nuts, and disconnect both battery cables from battery terminals.
CAUTION:
When disconnecting, disconnect the battery cable from the negative terminal first.
3. Remove battery fix frame mounting nuts and battery fix frame.
4. Remove battery.

INSTALLATION

Install in the reverse order of removal.

CAUTION:

When connecting, connect the battery cable to the positive terminal first.

Reset electronic systems as necessary. Refer to [GI-68, "ADDITIONAL SERVICE WHEN REMOVING BATTERY NEGATIVE TERMINAL : Required Procedure After Battery Disconnection"](#).

BATTERY TERMINAL WITH FUSIBLE LINK

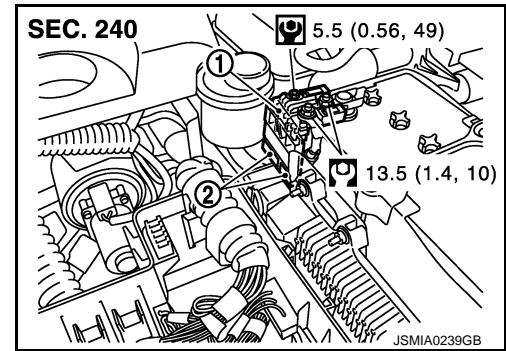
< REMOVAL AND INSTALLATION >

BATTERY TERMINAL WITH FUSIBLE LINK

Exploded View

INFOID:000000009011009

- 1 : Battery terminal with fusible link
 - 2 : Harness connector
- Refer to [GI-4. "Components"](#) for symbols in the figure.



Removal and Installation

INFOID:000000009011010

REMOVAL

1. Disconnect the battery cable from the negative terminal.
2. Remove cover of battery positive terminal.
3. Remove harness mounting nut and battery terminal with fusible link mounting nut.
4. Disconnect harness connector and remove battery terminal with fusible link.

INSTALLATION

Install in the reverse order of removal.

A
B
C
D
E
F
G
H
I
J
K
L
N
O
P

PG

SERVICE DATA AND SPECIFICATIONS (SDS)

< SERVICE DATA AND SPECIFICATIONS (SDS)

SERVICE DATA AND SPECIFICATIONS (SDS)

SERVICE DATA AND SPECIFICATIONS (SDS)

Battery

INFOID:000000009011011

Type		115D31R
20 hour rate capacity	[V – Ah]	12 – 82
Cold cranking current (For reference value)	[A]	782