

SECTION **DEF**  
 DEFOGGER

A  
B  
C  
D  
E  
F  
G  
H  
I  
J  
K  
DEF  
M  
N  
O  
P

CONTENTS

<b>PRECAUTION</b> .....	3	<b>BASIC INSPECTION</b> .....	23
<b>PRECAUTIONS</b> .....	3	<b>DIAGNOSIS AND REPAIR WORK FLOW</b> .....	23
Precaution for Supplemental Restraint System (SRS) "AIR BAG" and "SEAT BELT PRE-TENSIONER" .....	3	Work Flow .....	23
Precaution for Procedure without Cowl Top Cover.....	3	<b>DTC/CIRCUIT DIAGNOSIS</b> .....	24
Precautions for Removing Battery Terminal .....	3	<b>REAR WINDOW DEFOGGER SWITCH</b> .....	24
<b>SYSTEM DESCRIPTION</b> .....	5	Component Function Check .....	24
<b>COMPONENT PARTS</b> .....	5	Diagnosis Procedure .....	24
Component Parts Location .....	5	<b>REAR WINDOW DEFOGGER RELAY</b> .....	25
Component Description .....	5	Component Function Check .....	25
<b>SYSTEM</b> .....	6	Diagnosis Procedure .....	25
System Diagram .....	6	<b>REAR WINDOW DEFOGGER</b> .....	26
System Description .....	6	Component Function Check .....	26
<b>DIAGNOSIS SYSTEM (BCM)</b> .....	7	Diagnosis Procedure .....	26
<b>COMMON ITEM</b> .....	7	<b>DOOR MIRROR DEFOGGER</b> .....	28
COMMON ITEM : CONSULT Function (BCM - COMMON ITEM) .....	7	Component Function Check .....	28
<b>REAR WINDOW DEFOGGER</b> .....	8	Diagnosis Procedure .....	28
REAR WINDOW DEFOGGER : CONSULT Function (BCM - REAR DEFOGGER) .....	8	<b>DRIVER SIDE DOOR MIRROR DEFOGGER</b> ...	29
<b>DIAGNOSIS SYSTEM (IPDM E/R)</b> .....	10	Component Function Check .....	29
Diagnosis Description .....	10	Diagnosis Procedure .....	29
CONSULT Function (IPDM E/R) .....	12	<b>PASSENGER SIDE DOOR MIRROR DEFOGGER</b> .....	30
<b>ECU DIAGNOSIS INFORMATION</b> .....	15	Component Function Check .....	30
<b>BCM, IPDM E/R</b> .....	15	Diagnosis Procedure .....	30
List of ECU Reference .....	15	<b>SYMPTOM DIAGNOSIS</b> .....	31
<b>WIRING DIAGRAM</b> .....	16	<b>ALL DEFOGGER SYSTEMS DO NOT OPERATE</b> .....	31
<b>REAR WINDOW DEFOGGER SYSTEM</b> .....	16	Diagnosis Procedure .....	31
Wiring Diagram .....	16	<b>REAR WINDOW DEFOGGER DOES NOT OPERATE BUT BOTH DOOR MIRROR DEFOGGERS OPERATE</b> .....	32
		Diagnosis Procedure .....	32

---

<b>DOOR MIRROR DEFOGGER DOES NOT OPERATE .....</b>	<b>33</b>	<b>ON IS NOT DISPLAYED WHEN PRESSING REAR WINDOW DEFOGGER SWITCH BUT IT IS OPERATED .....</b>	<b>35</b>
<b>BOTH SIDES .....</b>	<b>33</b>	Diagnosis Procedure .....	35
BOTH SIDES : Description .....	33	<b>REAR WINDOW DEFOGGER INDICATOR DOES NOT ILLUMINATE .....</b>	<b>36</b>
BOTH SIDES : Diagnosis Procedure .....	33	Diagnosis Procedure .....	36
<b>DRIVER SIDE .....</b>	<b>33</b>	<b>REMOVAL AND INSTALLATION .....</b>	<b>37</b>
DRIVER SIDE : Description .....	33	<b>FILAMENT .....</b>	<b>37</b>
DRIVER SIDE : Diagnosis Procedure .....	33	Inspection and Repair .....	37
<b>PASSENGER SIDE .....</b>	<b>33</b>		
PASSENGER SIDE : Description .....	33		
PASSENGER SIDE : Diagnosis Procedure .....	33		

# PRECAUTIONS

< PRECAUTION >

## PRECAUTION

### PRECAUTIONS

#### Precaution for Supplemental Restraint System (SRS) "AIR BAG" and "SEAT BELT PRE-TENSIONER"

INFOID:000000010260993

The Supplemental Restraint System such as "AIR BAG" and "SEAT BELT PRE-TENSIONER", used along with a front seat belt, helps to reduce the risk or severity of injury to the driver and front passenger for certain types of collision. Information necessary to service the system safely is included in the "SRS AIR BAG" and "SEAT BELT" of this Service Manual.

#### **WARNING:**

Always observe the following items for preventing accidental activation.

- To avoid rendering the SRS inoperative, which could increase the risk of personal injury or death in the event of a collision that would result in air bag inflation, all maintenance must be performed by an authorized NISSAN/INFINITI dealer.
- Improper maintenance, including incorrect removal and installation of the SRS, can lead to personal injury caused by unintentional activation of the system. For removal of Spiral Cable and Air Bag Module, see "SRS AIR BAG".
- Never use electrical test equipment on any circuit related to the SRS unless instructed to in this Service Manual. SRS wiring harnesses can be identified by yellow and/or orange harnesses or harness connectors.

#### PRECAUTIONS WHEN USING POWER TOOLS (AIR OR ELECTRIC) AND HAMMERS

#### **WARNING:**

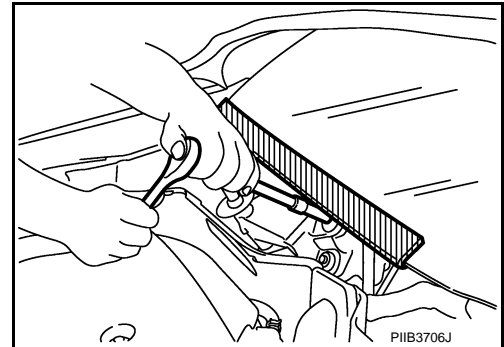
Always observe the following items for preventing accidental activation.

- When working near the Air Bag Diagnosis Sensor Unit or other Air Bag System sensors with the ignition ON or engine running, never use air or electric power tools or strike near the sensor(s) with a hammer. Heavy vibration could activate the sensor(s) and deploy the air bag(s), possibly causing serious injury.
- When using air or electric power tools or hammers, always switch the ignition OFF, disconnect the battery, and wait at least 3 minutes before performing any service.

#### Precaution for Procedure without Cowl Top Cover

INFOID:000000011509372

When performing the procedure after removing cowl top cover, cover the lower end of windshield with urethane, etc to prevent damage to windshield.



#### Precautions for Removing Battery Terminal

INFOID:000000010260995

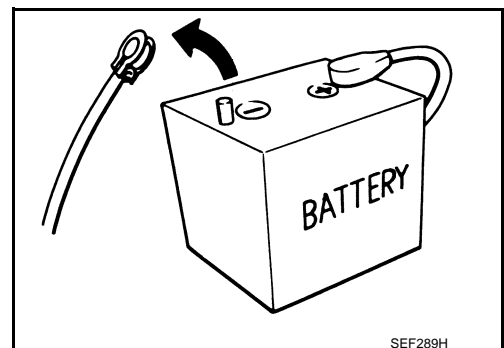
- When removing the 12V battery terminal, turn OFF the ignition switch and wait at least 30 seconds.

#### **NOTE:**

ECU may be active for several tens of seconds after the ignition switch is turned OFF. If the battery terminal is removed before ECU stops, then a DTC detection error or ECU data corruption may occur.

- For vehicles with the 2-batteries, be sure to connect the main battery and the sub battery before turning ON the ignition switch.

#### **NOTE:**



## PRECAUTIONS

### < PRECAUTION >

---

If the ignition switch is turned ON with any one of the terminals of main battery and sub battery disconnected, then DTC may be detected.

- After installing the 12V battery, always check "Self Diagnosis Result" of all ECUs and erase DTC.

**NOTE:**

The removal of 12V battery may cause a DTC detection error.

# COMPONENT PARTS

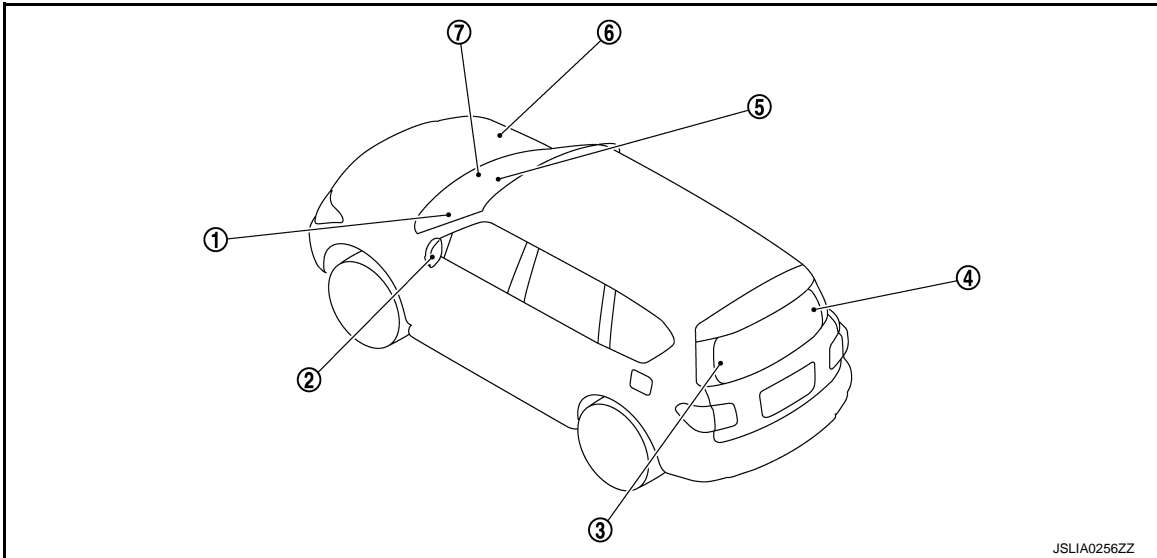
< SYSTEM DESCRIPTION >

## SYSTEM DESCRIPTION

### COMPONENT PARTS

#### Component Parts Location

INFOID:0000000010260996



1. BCM  
Refer to [BCS-4, "BODY CONTROL SYSTEM : Component Parts Location"](#).
2. Door mirror defogger (driver side)
3. Rear window defogger connector
4. Rear window defogger connector
5. Multifunction switch (rear window defogger switch)
6. IPDM E/R  
Refer to [PCS-4, "Component Parts Location"](#).
7. AV control unit  
Refer to [AV-12, "Component Parts Location"](#) (Bose audio with navigation) or [AV-316, "Component Parts Location"](#) (Telematics system).

#### Component Description

INFOID:0000000010260997

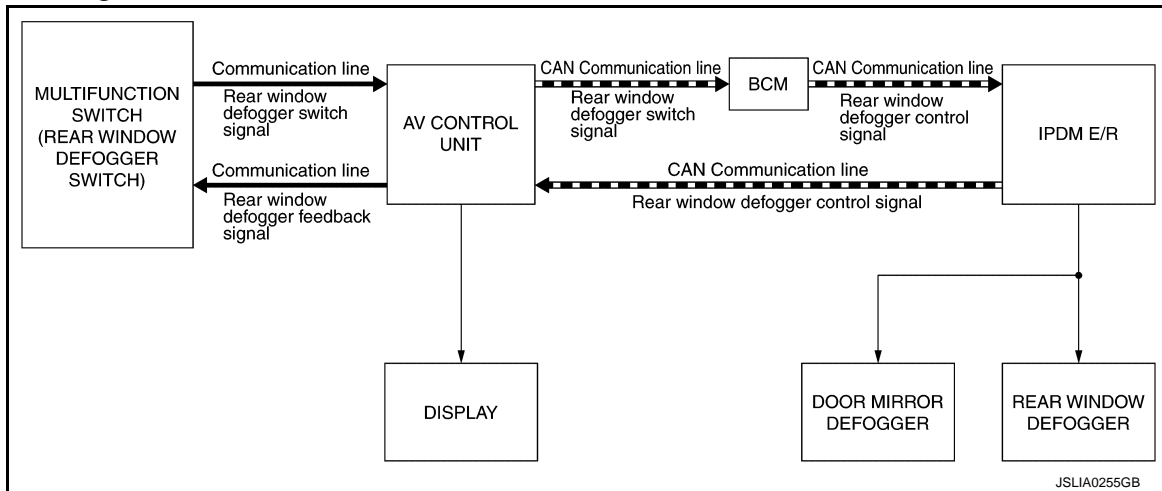
BCM	<ul style="list-style-type: none"> <li>• Detects rear window defogger switch signal and transmits rear window defogger control signal to IPDM E/R.</li> <li>• Performs the timer control of rear window defogger.</li> </ul>
IPDM E/R	<ul style="list-style-type: none"> <li>• Rear window defogger relay is installed.</li> <li>• Receives rear window defogger control signal from BCM and transmits rear window defogger control signal to AV control unit via CAN communication.</li> <li>• Controls rear window defogger relay to operate rear window defogger and door mirror defogger.</li> </ul>
Multifunction switch	<ul style="list-style-type: none"> <li>• The rear window defogger switch is installed.</li> <li>• Turns the indicator lamp ON when detecting the operation of rear window defogger.</li> </ul>
AV control unit	<ul style="list-style-type: none"> <li>• Transmits rear window defogger switch signal to BCM via CAN communication.</li> <li>• Transmits rear window defogger feedback signal to multifunction switch.</li> <li>• Displays rear window defogger ON to the display when detecting the operation of rear window defogger</li> </ul>
Rear window defogger	Heats the heating wire with the power supply from the rear window defogger relay to prevent the rear window from fogging up.
Door mirror defogger	Heats the heating wire with the power supply from the rear window defogger relay to prevent the door mirror from fogging up.

# SYSTEM

< SYSTEM DESCRIPTION >

## SYSTEM

### System Diagram



### System Description

INFOID:000000010260999

#### SYSTEM DESCRIPTION

- Multifunction switch (rear window defogger switch) transmits rear window defogger switch signal to AV control unit via AV communication when rear window defogger switch is turned ON, while ignition switch is ON.
- AV control unit transmits rear window defogger switch signal to BCM via CAN communication.
- BCM transmits rear window defogger control signal to IPDM E/R for approximately 15 minutes via CAN communication when rear window defogger switch signal is received.
- IPDM E/R turns rear window defogger relay ON when rear window defogger control signal is received.
- Power is supplied to rear window defogger and door mirror defoggers when rear window defogger relay is ON.
- IPDM E/R transmits rear window defogger control signal to AV control unit via CAN communication.
- AV control unit transmits rear window defogger feedback signal to multifunction switch (rear window defogger switch) via AV communication.
- AV control unit displays rear window defogger ON to the display when detecting the operation of rear window defogger.

#### TIMER FUNCTION

- BCM transmits rear window defogger control signal to IPDM E/R for approximately 15 minutes when rear window defogger switch is turned ON while ignition switch is ON. Then, IPDM E/R activates rear window defogger and door mirror defoggers.
- Timer is canceled when rear window defogger switch is pressed again during timer operation. BCM stops the output of rear window defogger control signal. The same operation also occurs when the ignition switch is turned OFF during timer operation.

# DIAGNOSIS SYSTEM (BCM)

< SYSTEM DESCRIPTION >

## DIAGNOSIS SYSTEM (BCM)

### COMMON ITEM

### COMMON ITEM : CONSULT Function (BCM - COMMON ITEM)

INFOID:000000011509373

### APPLICATION ITEM

CONSULT performs the following functions via CAN communication with BCM.

Diagnosis mode	Function Description
Work Support	Changes the setting for each system function.
Self Diagnostic Result	Displays the diagnosis results judged by BCM. Refer to <a href="#">BCS-58. "DTC Index"</a> .
CAN Diag Support Monitor	Monitors the reception status of CAN communication viewed from BCM.
Data Monitor	The BCM input/output signals are displayed.
Active Test	The signals used to activate each device are forcibly supplied from BCM.
Ecu Identification	The BCM part number is displayed.
Configuration	<ul style="list-style-type: none"> <li>Read and save the vehicle specification.</li> <li>Write the vehicle specification when replacing BCM.</li> </ul>

### SYSTEM APPLICATION

BCM can perform the following functions for each system.

#### NOTE:

It can perform the diagnosis modes except the following for all sub system selection items.

x: Applicable item

System	Sub system selection item	Diagnosis mode		
		Work Support	Data Monitor	Active Test
Door lock	DOOR LOCK	×	×	×
Rear window defogger	REAR DEFOGGER		×	×
Warning chime	BUZZER		×	×
Interior room lamp timer	INT LAMP	×	×	×
Exterior lamp	HEAD LAMP	×	×	×
Wiper and washer	WIPER	×	×	×
Turn signal and hazard warning lamps	FLASHER	×	×	×
—	AIR CONDITONER*		×	×
<ul style="list-style-type: none"> <li>Intelligent Key system</li> <li>Engine start system</li> </ul>	INTELLIGENT KEY	×	×	×
Combination switch	COMB SW		×	
Body control system	BCM	×		
IVIS	IMMU	×	×	×
Interior room lamp battery saver	BATTERY SAVER	×	×	×
Back door	TRUNK		×	
Vehicle security system	THEFT ALM	×	×	×
RAP system	RETAINED PWR		×	
Signal buffer system	SIGNAL BUFFER		×	×
—	AIR PRESSURE MONITOR*	×	×	×

\*: This item is indicated, but not used.

### FREEZE FRAME DATA (FFD)

The BCM records the following vehicle condition at the time a particular DTC is detected, and displays on CONSULT.

# DIAGNOSIS SYSTEM (BCM)

## < SYSTEM DESCRIPTION >

CONSULT screen item	Indication/Unit	Description	
Vehicle Speed	km/h	Vehicle speed of the moment a particular DTC is detected	
Odo/Trip Meter	km	Total mileage (Odometer value) of the moment a particular DTC is detected	
Vehicle Condition	SLEEP>LOCK	Power position status of the moment a particular DTC is detected	While turning BCM status from low power consumption mode to normal mode (Power supply position is "LOCK")
	SLEEP>OFF		While turning BCM status from low power consumption mode to normal mode (Power supply position is "OFF".)
	LOCK>ACC		While turning power supply position from "LOCK" to "ACC"
	ACC>ON		While turning power supply position from "ACC" to "IGN"
	RUN>ACC		While turning power supply position from "RUN" to "ACC" (Vehicle is stopping and selector lever is except P position.)
	CRANK>RUN		While turning power supply position from "CRANKING" to "RUN" (From cranking up the engine to run it)
	RUN>URGENT		While turning power supply position from "RUN" to "ACC" (Emergency stop operation)
	ACC>OFF		While turning power supply position from "ACC" to "OFF"
	OFF>LOCK		While turning power supply position from "OFF" to "LOCK"
	OFF>ACC		While turning power supply position from "OFF" to "ACC"
	ON>CRANK		While turning power supply position from "IGN" to "CRANKING"
	OFF>SLEEP		While turning BCM status from normal mode (Power supply position is "OFF".) to low power consumption mode
	LOCK>SLEEP		While turning BCM status from normal mode (Power supply position is "LOCK".) to low power consumption mode
	LOCK		Power supply position is "LOCK" (Ignition switch OFF with steering is locked.)
	OFF		Power supply position is "OFF" (Ignition switch OFF with steering is unlocked.)
	ACC		Power supply position is "ACC" (Ignition switch ACC)
	ON		Power supply position is "IGN" (Ignition switch ON with engine stopped)
	ENGINE RUN		Power supply position is "RUN" (Ignition switch ON with engine running)
CRANKING	Power supply position is "CRANKING" (At engine cranking)		
IGN Counter	0 - 39	<p>The number of times that ignition switch is turned ON after DTC is detected</p> <ul style="list-style-type: none"> <li>• The number is 0 when a malfunction is detected now.</li> <li>• The number increases like 1 → 2 → 3...38 → 39 after returning to the normal condition whenever ignition switch OFF → ON.</li> <li>• The number is fixed to 39 until the self-diagnosis results are erased if it is over 39.</li> </ul>	

## REAR WINDOW DEFOGGER

### REAR WINDOW DEFOGGER : CONSULT Function (BCM - REAR DEFOGGER)

INFOID:000000010261001

#### DATA MONITOR

##### NOTE:

The following table includes information (items) inapplicable to this vehicle. For information (items) applicable to this vehicle, refer to CONSULT display items.

Monitor Item	Description
REAR DEF SW	This is displayed even when it is not equipped.
PUSH SW	Indicates [ON/OFF] condition of push switch.



# DIAGNOSIS SYSTEM (BCM)

< SYSTEM DESCRIPTION >

## ACTIVE TEST

Test Item	Description
REAR DEFOGGER	Rear window defogger operates when "ON" on CONSULT screen is touched.

A

B

C

D

E

F

G

H

I

J

K

**DEF**

M

N

O

P

# DIAGNOSIS SYSTEM (IPDM E/R)

< SYSTEM DESCRIPTION >

## DIAGNOSIS SYSTEM (IPDM E/R)

### Diagnosis Description

INFOID:000000011552093

#### AUTO ACTIVE TEST

##### Description

In auto active test, the IPDM E/R sends a drive signal to the following systems to check their operation.

- Oil pressure warning lamp
- Rear window defogger
- Front wiper (LO, HI)
- Parking lamp
- License plate lamp
- Tail lamp
- Side marker lamp
- Front fog lamp
- Headlamp (LO, HI)
- A/C compressor (magnet clutch)

##### Operation Procedure

##### **CAUTION:**

**Never perform auto active test in the following conditions.**

- **Engine is running.**
- **CONSULT is connected.**

1. Close the hood and lift the wiper arms from the windshield. (Prevent windshield damage due to wiper operation)

##### **NOTE:**

When auto active test is performed with hood opened, sprinkle water on windshield beforehand.

2. Turn the ignition switch OFF.
3. Turn the ignition switch ON, and within 20 seconds, press the driver door switch 10 times. Then turn the ignition switch OFF.

##### **CAUTION:**

**Close passenger door.**

4. Turn the ignition switch ON within 10 seconds. After that the horn sounds once and the auto active test starts.

##### **CAUTION:**

**Engine starts when ignition switch is turned ON while brake pedal is depressed.**

5. The oil pressure warning lamp starts blinking when the auto active test starts.
6. After a series of the following operations is repeated 3 times, auto active test is completed.

##### **NOTE:**

- When auto active test has to be cancelled halfway through test, turn the ignition switch OFF.
- When auto active test is not activated, door switch may be the cause. Check door switch. Refer to [DLK-121, "Component Function Check"](#).

##### Inspection in Auto Active Test

When auto active test is actuated, the following operation sequence is repeated 3 times.

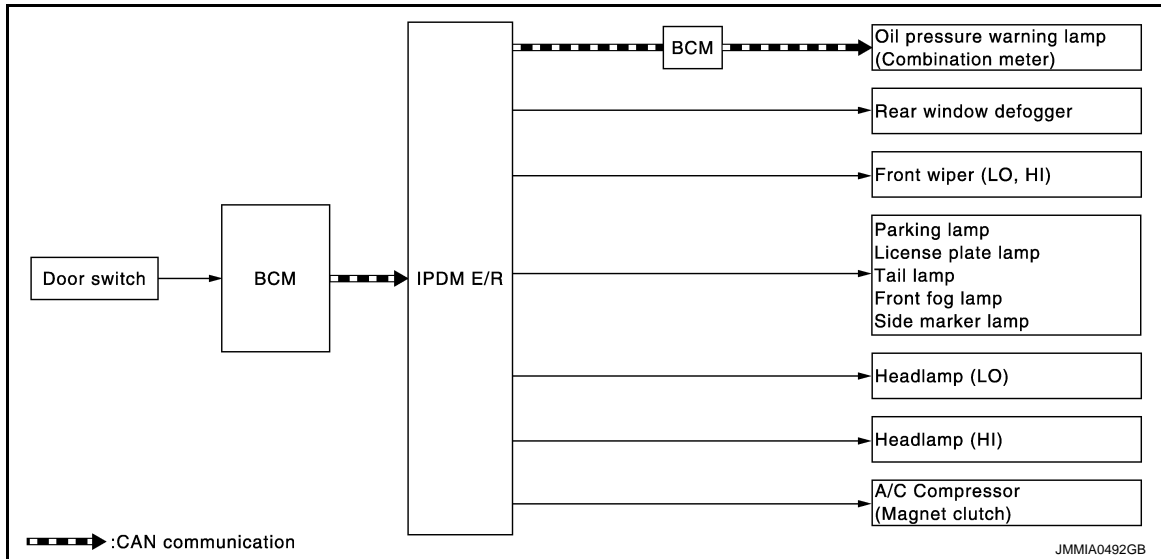
Operation sequence	Inspection location	Operation
1	Oil pressure warning lamp	Blinks continuously during operation of auto active test
2	Rear window defogger	10 seconds
3	Front wiper	LO for 5 seconds → HI for 5 seconds
4	<ul style="list-style-type: none"><li>• Parking lamp</li><li>• License plate lamp</li><li>• Tail lamp</li><li>• Side marker lamp</li><li>• Front fog lamp</li></ul>	10 seconds

# DIAGNOSIS SYSTEM (IPDM E/R)

## < SYSTEM DESCRIPTION >

Operation sequence	Inspection location	Operation
5	Headlamp	LO for 10 seconds → HI ON ↔ OFF 5 times
6	A/C compressor (magnet clutch)	ON ↔ OFF 5 times

### Concept of auto active test



- IPDM E/R starts the auto active test with the door switch signals transmitted by BCM via CAN communication. Therefore, the CAN communication line between IPDM E/R and BCM is considered normal if the auto active test starts successfully.
- The auto active test facilitates troubleshooting if any systems controlled by IPDM E/R cannot be operated.

### Diagnosis chart in auto active test

Symptom	Inspection contents	Possible cause
Rear window defogger does not operate	Perform auto active test. Does the rear window defogger operate?	YES BCM signal input circuit
		NO <ul style="list-style-type: none"> <li>• Rear window defogger</li> <li>• Rear window defogger ground circuit</li> <li>• Harness or connector between IPDM E/R and rear window defogger</li> <li>• IPDM E/R</li> </ul>
Any of the following components do not operate <ul style="list-style-type: none"> <li>• Parking lamp</li> <li>• License plate lamp</li> <li>• Tail lamp</li> <li>• Side marker lamp</li> <li>• Front fog lamp</li> <li>• Headlamp (HI, LO)</li> <li>• Front wiper (HI, LO)</li> </ul>	Perform auto active test. Does the applicable system operate?	YES BCM signal input circuit
		NO <ul style="list-style-type: none"> <li>• Lamp or motor</li> <li>• Lamp or motor ground circuit</li> <li>• Harness or connector between IPDM E/R and applicable system</li> <li>• IPDM E/R</li> </ul>
A/C compressor does not operate	Perform auto active test. Does the magnet clutch operate?	YES <ul style="list-style-type: none"> <li>• A/C auto amp. signal input circuit</li> <li>• CAN communication signal between A/C auto amp. and ECM</li> <li>• CAN communication signal between ECM and IPDM E/R</li> </ul>
		NO <ul style="list-style-type: none"> <li>• Magnet clutch</li> <li>• Harness or connector between IPDM E/R and magnet clutch</li> <li>• IPDM E/R</li> </ul>

# DIAGNOSIS SYSTEM (IPDM E/R)

## < SYSTEM DESCRIPTION >

Symptom	Inspection contents		Possible cause
Oil pressure warning lamp does not operate	Perform auto active test. Does the oil pressure warning lamp blink?	YES	<ul style="list-style-type: none"> <li>• Harness or connector between IPDM E/R and oil pressure switch</li> <li>• Oil pressure switch</li> <li>• IPDM E/R</li> </ul>
		NO	<ul style="list-style-type: none"> <li>• CAN communication signal between IPDM E/R and BCM</li> <li>• CAN communication signal between BCM and combination meter</li> <li>• Combination meter</li> </ul>

## CONSULT Function (IPDM E/R)

INFOID:000000011552094

### APPLICATION ITEM

CONSULT performs the following functions via CAN communication with IPDM E/R.

Diagnosis mode	Description
Ecu Identification	Allows confirmation of IPDM E/R part number.
Self Diagnostic Result	Displays the diagnosis results judged by IPDM E/R.
Data Monitor	Displays the real-time input/output data from IPDM E/R input/output data.
Active Test	IPDM E/R can provide a drive signal to electronic components to check their operations.
CAN Diag Support Monitor	The results of transmit/receive diagnosis of CAN communication can be read.

### SELF DIAGNOSTIC RESULT

Refer to [PCS-22. "DTC Index"](#).

### DATA MONITOR

#### NOTE:

The following table includes information (items) inapplicable to this vehicle. For information (items) applicable to this vehicle, refer to CONSULT display items.

Monitor Item [Unit]	MAIN SIG- NALS	Description
RAD FAN REQ [1/2/3/4]	×	Displays the value of the cooling fan speed request signal received from ECM via CAN communication.
AC COMP REQ [Off/On]	×	Displays the status of the A/C compressor request signal received from ECM via CAN communication.
TAIL&CLR REQ [Off/On]	×	Displays the status of the position light request signal received from BCM via CAN communication.
HL LO REQ [Off/On]	×	Displays the status of the low beam request signal received from BCM via CAN communication.
HL HI REQ [Off/On]	×	Displays the status of the high beam request signal received from BCM via CAN communication.
FR FOG REQ [Off/On]	×	Displays the status of the front fog light request signal received from BCM via CAN communication.
FR WIP REQ [Stop/1LOW/Low/Hi]	×	Displays the status of the front wiper request signal received from BCM via CAN communication.
WIP AUTO STOP [STOP P/ACT P]	×	Displays the status of the front wiper auto stop signal judged by IPDM E/R.
WIP PROT [Off/BLOCK]	×	Displays the status of the front wiper fail-safe operation judged by IPDM E/R.
IGN RLY1 -REQ [Off/On]		Displays the status of the ignition switch ON signal received from BCM via CAN communication.

# DIAGNOSIS SYSTEM (IPDM E/R)

## < SYSTEM DESCRIPTION >

Monitor Item [Unit]	MAIN SIG- NALS	Description
IGN RLY [Off/On]	×	Displays the status of the ignition relay judged by IPDM E/R.
PUSH SW [Off/On]		Displays the status of the push-button ignition switch judged by IPDM E/R.
INTER/NP SW [Off/On]		Displays the status of the shift position judged by IPDM E/R.
ST RLY CONT [Off/On]		Displays the status of the starter relay status signal received from BCM via CAN communication.
IHBT RLY -REQ [Off/On]		Displays the status of the starter control relay signal received from BCM via CAN communication.
ST/INHI RLY [Off/ ST ON/INHI ON/UNKWN]		Displays the status of the starter relay and starter control relay judged by IPDM E/R.
DETENT SW [Off/On]		Displays the status of the A/T shift selector (detention switch) judged by IPDM E/R.
S/L RLY -REQ [Off/On]		<b>NOTE:</b> The item is indicated, but not monitored.
S/L STATE [LOCK/UNLK/UNKWN]		<b>NOTE:</b> The item is indicated, but not monitored.
DTRL REQ [Off/On]		Displays the status of the day time running light request signal received from BCM via CAN communication
OIL P SW [Open/Close]		Displays the status of the oil pressure switch judged by IPDM E/R.
HOOD SW [Off/On]		Displays the status of the hood switch 1 judged by IPDM E/R.
HL WASHER REQ [Off/On]		Displays the status of the headlamp washer request signal received from BCM via CAN communication.
THFT HRN REQ [Off/On]		Displays the status of the theft warning horn request signal received from BCM via CAN communication.
HORN CHIRP [Off/On]		Displays the status of the horn reminder signal received from BCM via CAN communication.
HOOD SW 2 [Off/On]		Displays the status of the hood switch 2 judged by IPDM E/R.

## ACTIVE TEST

Test item	Operation	Description
CORNERING LAMP	LH	<b>NOTE:</b> This item is indicated, but cannot be tested.
	RH	
HORN	On	Operates horn relay for 20 ms.
REAR DEFOGGER	Off	OFF
	On	Operates the rear window defogger relay.
FRONT WIPER	Off	OFF
	Lo	Operates the front wiper relay.
	Hi	Operates the front wiper relay and front wiper high relay.
MOTOR FAN*	1	OFF
	2	Transmits 50% pulse duty signal (PWM signal) to the cooling fan control module.
	3	Transmits 75% pulse duty signal (PWM signal) to the cooling fan control module.
	4	Transmits 100% pulse duty signal (PWM signal) to the cooling fan control module.
HEAD LAMP WASHER	On	Operates the headlamp washer relay for 1 second.

## DIAGNOSIS SYSTEM (IPDM E/R)

### < SYSTEM DESCRIPTION >

Test item	Operation	Description
EXTERNAL LAMPS	Off	OFF
	TAIL	Operates the tail lamp relay.
	Lo	Operates the headlamp low relay.
	Hi	Operates the headlamp low relay and ON/OFF the headlamp high relay at 1 second intervals.
	Fog	Operates the front fog lamp relay.

\*: Operates while the engine is running.

# BCM, IPDM E/R

< ECU DIAGNOSIS INFORMATION >

## ECU DIAGNOSIS INFORMATION

BCM, IPDM E/R

List of ECU Reference

INFOID:0000000010261004

ECU	Reference
BCM	<a href="#">BCS-35. "Reference Value"</a>
	<a href="#">BCS-56. "Fail-safe"</a>
	<a href="#">BCS-57. "DTC Inspection Priority Chart"</a>
	<a href="#">BCS-58. "DTC Index"</a>
IPDM E/R	<a href="#">PCS-15. "Reference Value"</a>
	<a href="#">PCS-21. "Fail-safe"</a>
	<a href="#">PCS-22. "DTC Index"</a>

A  
B  
C  
D  
E  
F  
G  
H  
I  
J  
K  
DEF  
M  
N  
O  
P

DEF

# REAR WINDOW DEFOGGER SYSTEM

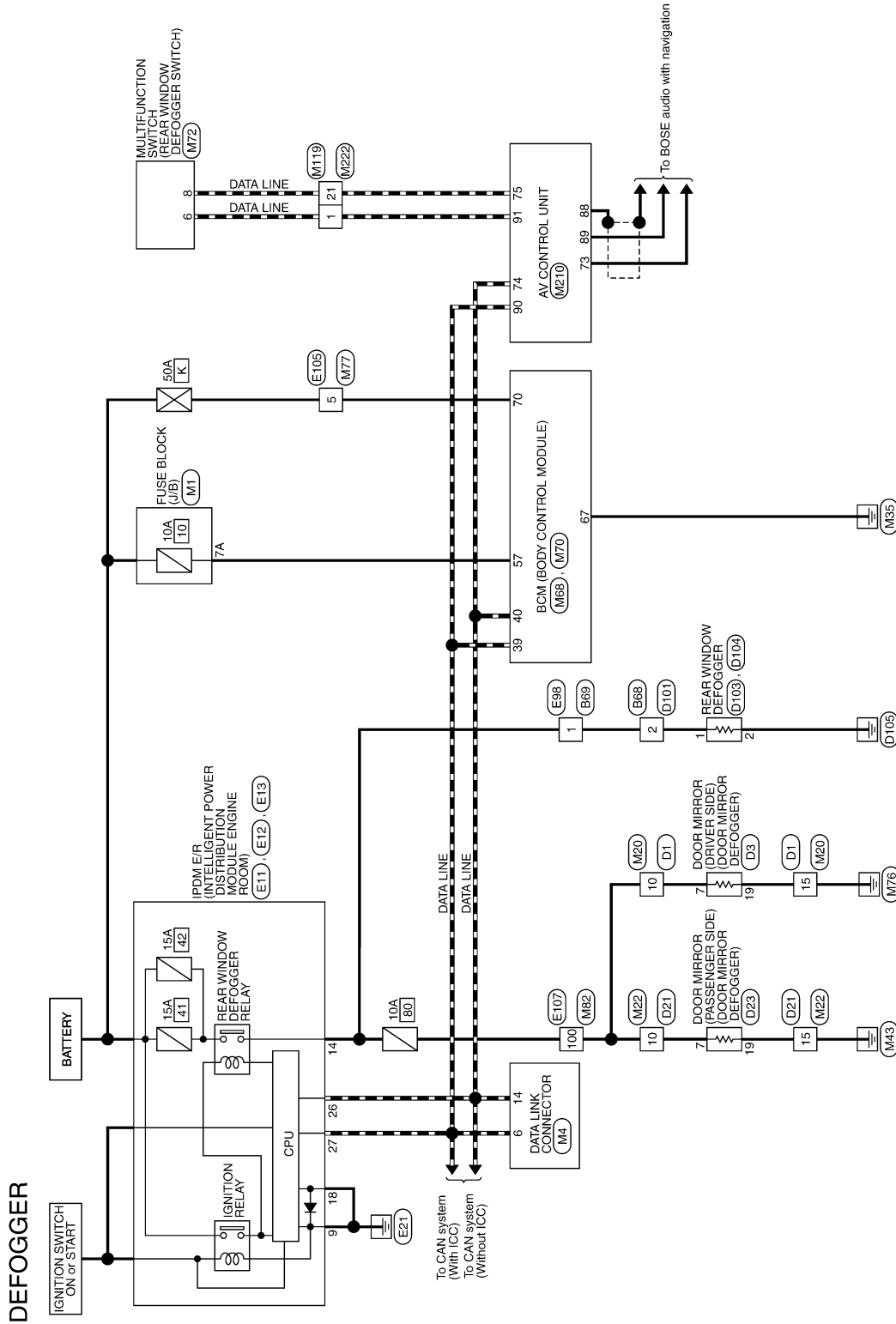
< WIRING DIAGRAM >

## WIRING DIAGRAM

### REAR WINDOW DEFOGGER SYSTEM

Wiring Diagram

INFOID:000000010261005



2014/07/11

JRLWE0197GB



# REAR WINDOW DEFOGGER SYSTEM

< WIRING DIAGRAM >

## DEFOGGER

Connector No.	B88
Connector Name	WIRE TO WIRE
Connector Type	M02MW-LC



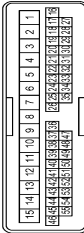
Terminal No.	Color Of Wire	Signal Name [Specification]
1	B	-
2	R	-

Connector No.	B89
Connector Name	WIRE TO WIRE
Connector Type	M01MBR-PS-LC



Terminal No.	Color Of Wire	Signal Name [Specification]
1	R	-

Connector No.	D1
Connector Name	WIRE TO WIRE
Connector Type	TH40FW-CS15



Terminal No.	Color Of Wire	Signal Name [Specification]
1	V	-
2	W	-
3	V	-
4	Y	-
5	LG/R	-
6	BR/W	-
8	V	-
9	G	-
10	L	-
12	B/Y	-
13	Y	-
14	R	-
15	B	-
16	GR/R	-
17	R/W	-
18	B	-
19	R	-
20	P	-
21	SHIELD	-
22	V	-
23	P/B	-
24	L/O	-
25	BR/W	-
26	W/R	-
27	-	-
28	W/G	-
29	Y/G	-
30	O/L	-
31	GR/B	-
32	BR	-
33	V/W	-
34	R	-
35	W	-
36	G/O	-
37	BR/Y	-

38	SB	-
39	W/L	-
40	L/Y	-
41	Y/G	-
42	P/L	-
43	LG	-
44	GR/L	-
45	SHIELD	-
46	W	-
47	LG	-
48	G/W	-
49	Y	-
50	L/Y	-
51	GR/R	-
52	LG/B	-
53	G	-
54	B	-
55	R	-



Terminal No.	Color Of Wire	Signal Name [Specification]
1	G	-
2	W	-
3	V	-
5	P/L	-
6	L/R	-
8	L/W	-
9	G/Y	-
10	L	-
12	B/Y	-
13	L	-
14	R	-
15	B	-
16	Y/G	-
17	Y/L	-
18	B/W	-
19	R	-
20	R	-
22	Y/R	-
23	LG/B	-
24	L/O	-
25	R/W	-
26	W/R	-
27	SHIELD	-
36	G/O	-
37	Y/B	-
38	V	-
39	W/L	-

Connector No.	D3
Connector Name	DOOR MIRROR (DRIVER SIDE)
Connector Type	TH24MY-NH

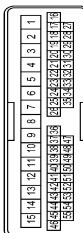


Terminal No.	Color Of Wire	Signal Name [Specification]
2	BR/W	-
3	W	SIDE CAMERA LH COMM
5	G	-
8	R	SIDE CAMERA LH POWER SUPPLY
7	L	-
8	O	-
9	W/B	-
10	SE	-
11	BR/Y	-
12	L/W	-
14	P	-
15	B/Y	-
16	GR/L	-
17	SHIELD	-
18	B	SIDE CAMERA LH GND

19	B	-
20	G	-
21	L/Y	-
22	G/W	-
23	W/L	-
24	Y	-



Connector No.	D21
Connector Name	WIRE TO WIRE
Connector Type	TH40FW-CS15



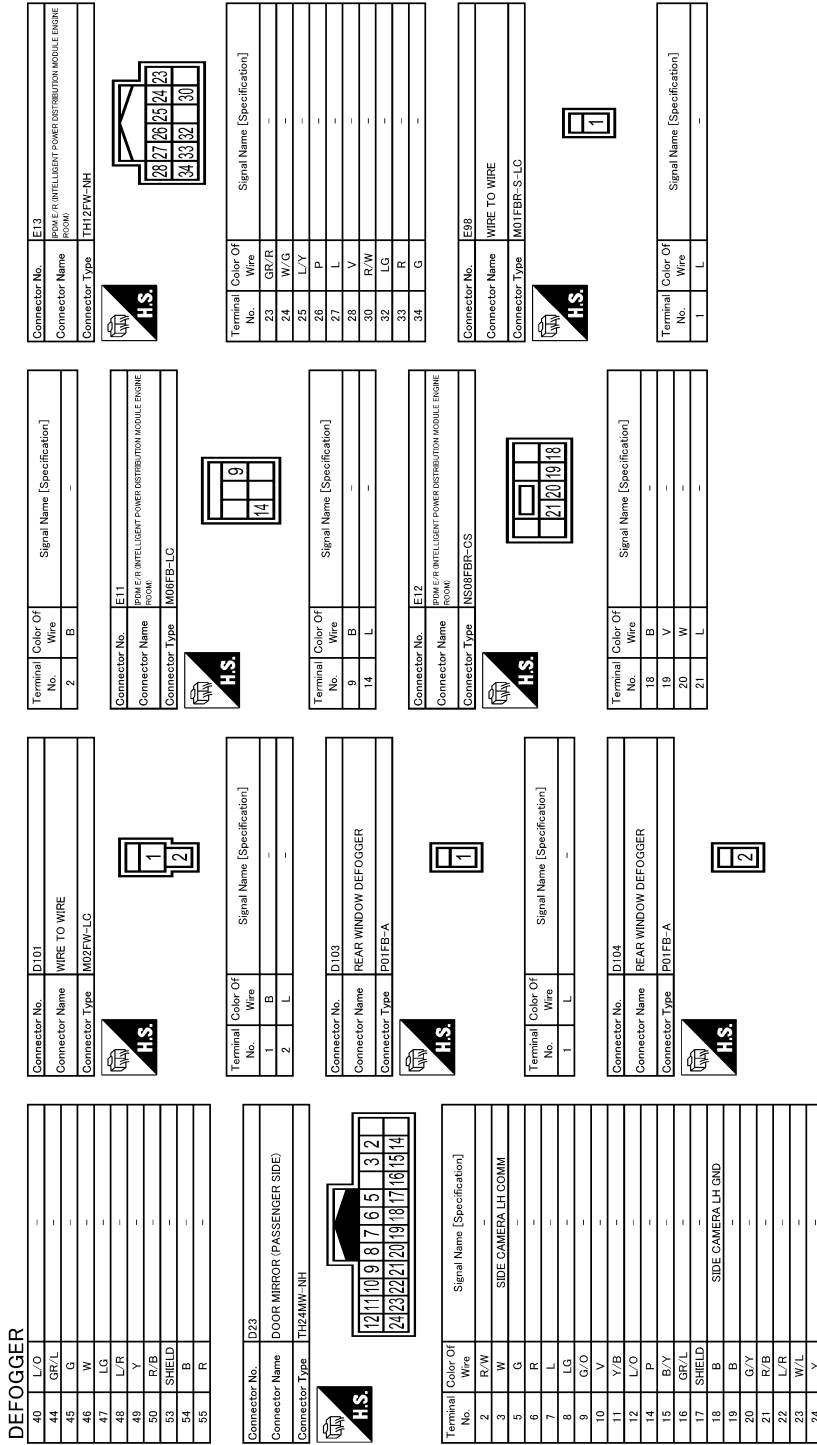
Terminal No.	Color Of Wire	Signal Name [Specification]
1	G	-
2	W	-
3	V	-
5	P/L	-
6	L/R	-
8	L/W	-
9	G/Y	-
10	L	-
12	B/Y	-
13	L	-
14	R	-
15	B	-
16	Y/G	-
17	Y/L	-
18	B/W	-
19	R	-
20	R	-
22	Y/R	-
23	LG/B	-
24	L/O	-
25	R/W	-
26	W/R	-
27	SHIELD	-
36	G/O	-
37	Y/B	-
38	V	-
39	W/L	-

A  
B  
C  
D  
E  
F  
G  
H  
I  
J  
K  
DEF  
M  
N  
O  
P

JRLWE0198GB

# REAR WINDOW DEFOGGER SYSTEM

## < WIRING DIAGRAM >




JRLWE0199GB

# REAR WINDOW DEFOGGER SYSTEM

< WIRING DIAGRAM >

## DEFOGGER


Connector No.	E105
Connector Name	WIRE TO WIRE
Connector Type	TH80MW-C516-TM4



Terminal No.	Color Of Wire	Signal Name [Specification]
1	L	
2	L/W	
3	R/B	
4	L	
5	Y	
7	W/G	
8	P/B	
9	W/B	
10	G	
11	L	
12	P	
13	P/B	
14	BR	
15	L/B	
16	SB	
18	BR	
19	Y/G	
20	BR/Y	
21	Y/V	
22	L	
23	Y	
24	L/W	
28	O	
29	R/W	
30	L/B	
31	GR/R	
32	GR/R	
34	Y	
35	R	
36	B/R	
37	G/Y	
38	G	
40	SB	
41	W/R	
42	R	
43	V	

54	GR/L	-
91	BR	-
92	L/W	-
94	Y/B	-
95	G/R	-
97	R	-
98	G/B	-
100	W/R	-

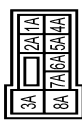
Connector No.	E107
Connector Name	WIRE TO WIRE
Connector Type	TH80MW-C516-TM4



Terminal No.	Color Of Wire	Signal Name [Specification]
1	L	
4	V/W	
5	G/R	
6	P	
9	GR/L	
10	Y/R	
11	L/R	
12	W/G	
13	BR/Y	
14	LG	
15	BR/W	
16	B/Y	
17	W/B	
18	GR/R	
20	W/R	
21	B	
22	R/L	
23	G/R	
24	R/W	
25	W/L	
26	R	
27	L	
28	G/B	
35	G	
36	Y	
37	R	

38	G/Y	-
39	O	-
40	W	-
41	R	-
42	B	-
43	G	-
44	SHIELD	-
46	B	-
47	W	-
48	SHIELD	-
49	W	-
50	SHIELD	-
52	GR	-
53	LG/B	-
54	LG/R	-
55	R/G	-
56	B/R	-
57	SB	-
66	V	-
91	G/R	-
92	GR	-
93	O	-
95	SB	-
96	G/R	-
97	GR/L	-
98	G/W	-
99	R/Y	-
100	L	-

Connector No.	M1
Connector Name	FUSE BLOCK (J/B)
Connector Type	NS309FW-M2



Terminal No.	Color Of Wire	Signal Name [Specification]
1A	Y	
2A	GR	
3A	W	
4A	Y/G	
5A	V	
6A	L/W	

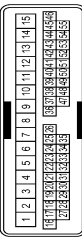
7A	LG	-
8A	W	-

Connector No.	M4
Connector Name	DATA LINK CONNECTOR
Connector Type	BD16FW




Terminal No.	Color Of Wire	Signal Name [Specification]
3	LG	
4	B	
5	B	
6	L	
7	SB	
8	GR	
11	SB	
12	R	
13	L	
14	P	
16	Y	

Connector No.	M20
Connector Name	WIRE TO WIRE
Connector Type	TH40MW-C515




Terminal No.	Color Of Wire	Signal Name [Specification]
1	V	
2	W	
3	V	
4	Y	
5	LG/R	

A  
B  
C  
D  
E  
F  
G  
H  
I  
J  
K  
DEF  
M  
N  
O  
P

JRLWE0200GB

# REAR WINDOW DEFOGGER SYSTEM

< WIRING DIAGRAM >

## DEFOGGER

6	BR/W	-	-	-	-
8	V	-	-	-	-
9	G	-	-	-	-
10	L	-	-	-	-
12	B/Y	-	-	-	-
13	Y	-	-	-	-
14	R	-	-	-	-
15	B	-	-	-	-
16	GR/R	-	-	-	-
17	V/W	-	-	-	-
18	B	-	-	-	-
19	B	-	-	-	-
20	B	-	-	-	-
21	SHIELD	-	-	-	-
22	V	-	-	-	-
23	P/B	-	-	-	-
24	L/O	-	-	-	-
25	BR/W	-	-	-	-
26	W/R	-	-	-	-
27	V	-	-	-	-
28	W/G	-	-	-	-
29	Y/G	-	-	-	-
30	O/L	-	-	-	-
31	GR/B	-	-	-	-
32	BR	-	-	-	-
33	V/W	-	-	-	-
34	R	-	-	-	-
35	W	-	-	-	-
36	G/O	-	-	-	-
37	BR/Y	-	-	-	-
38	SB	-	-	-	-
39	W/L	-	-	-	-
40	L/W	-	-	-	-
41	Y/G	-	-	-	-
42	P/L	-	-	-	-
43	L/G	-	-	-	-
44	GR	-	-	-	-
45	SHIELD	-	-	-	-
46	W	-	-	-	-
47	L/G	-	-	-	-
48	G/W	-	-	-	-
49	Y	-	-	-	-
50	L/Y	-	-	-	-
51	GR/R	-	-	-	-
52	LG/B	-	-	-	-
53	G	-	-	-	-
54	B	-	-	-	-
55	R	-	-	-	-

Connector No. M22  
 Connector Name WIRE TO WIRE  
 Connector Type TH40MM-CS15

**H.S.**

Terminal No.	Color Of Wire	Signal Name [Specification]
1	G	-
2	W	-
3	V	-
4	P/L	-
5	L/R	-
6	L/W	-
7	G/Y	-
8	L/O	-
9	B/Y	-
10	L	-
11	B/Y	-
12	L	-
13	L	-
14	R	-
15	B	-
16	Y/G	-
17	Y/L	-
18	B/W	-
19	R	-
20	P	-
22	Y/R	-
23	LG/B	-
24	L/W	-
25	W/R	-
26	W/R	-
27	SHIELD	-
36	G/O	-
37	V/B	-
38	V	-
39	W/L	-
40	L/O	-
44	GR	-
45	G	-
46	W	-
47	L/R	-
49	Y	-
50	R/B	-
53	SHIELD	-

Connector No. M68  
 Connector Name BCM (BODY CONTROL MODULE)  
 Connector Type TH40FB-NH

**H.S.**

Terminal No.	Color Of Wire	Signal Name [Specification]
2	BR/Y	COMBI SW INPUT 5
3	GR	COMBI SW INPUT 4
4	L	COMBI SW INPUT 3
5	G	COMBI SW INPUT 2
6	V	COMBI SW INPUT 1
8	V	POWER WINDOW SW COMM
9	R	STOP LAMP SW 1
11	R	RAIN SENSOR SERIAL LINK
14	P/B	OPTICAL SENSOR
16	L/O	DIMMER SIGNAL
17	Y/G	SENSOR PWR SPLY
18	B/Y	RECEIVER/SENSOR GND
19	G/Y	TURN SIG RH OUTPUT (FRONT)
20	G	TURN SIG LH OUTPUT (FRONT)
21	P	NATS ANT AMP
22	W/B	KYLS ENT RECEIVER RSSI
23	GR/R	SECURITY IND CONT
24	SB	DONGLE LINK
25	LG/R	NATS ANT AMP
26	O	INTELLIGENT KEY IDENTIFICATION
29	W	HAZARD SW
30	W/L	DR DOOR OPNR SW
31	W/G	DR DOOR UNLOCK SENSOR
32	LG	COMBI SW OUTPUT 5
33	Y	COMBI SW OUTPUT 4
34	W	COMBI SW OUTPUT 3
35	R/W	COMBI SW OUTPUT 2
36	SB	COMBI SW OUTPUT 1
37	G/Y	SHIFT P
39	L	CAN-H
40	P	CAN-L

Connector No. M70  
 Connector Name BCM (BODY CONTROL MODULE)  
 Connector Type FE409FW-FH46-SA

**H.S.**

Terminal No.	Color Of Wire	Signal Name [Specification]
56	W/R	INT ROOM LAMP PWR SPLY
57	LG	BAT (FUSE)
58	R/W	SHOCK DETECT SENS
59	G	PASSENGER DOOR UNLK OUTPUT
60	G	TURN SIG LH OUTPUT (SIDE REAR)
61	G/Y	TURN SIG RH OUTPUT (SIDE REAR)
62	R	STEP LAMP CONT
63	BR	ROOM LAMP TIMER CONT
64	GR/R	CRANKING REQUEST
65	R	ALL DOOR LOCK OUTPUT
66	V	DR DOOR FUELID UNLK OUTPUT
67	B	GND
68	Y	PW PWR SPLY (IGN)
69	W	PW PWR SPLY (BAT)
70	Y	BAT (F/L)

Connector No. M72  
 Connector Name MULTIFUNCTION SWITCH  
 Connector Type TH16FW-NH

**H.S.**

Terminal No.	Color Of Wire	Signal Name [Specification]
1	B	GND
2	V	ACC
3	L/W	ILL
4	L/W	ILL CONT
5	B/O	AV COMM (H)
6	SB	AV COMM (L)

JRLWE0201GB

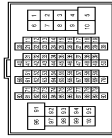
# REAR WINDOW DEFOGGER SYSTEM

## < WIRING DIAGRAM >

### DEFOGGER

8	LG	AV COMM (L)
9	R/W	SW GND
14	W/B	DISK EJECT SIGNAL

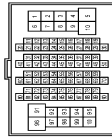
Connector No.	M77
Connector Name	WIRE TO WIRE
Connector Type	TH80FW-CSI16-TM4



Terminal No.	Color Of Wire	Signal Name [Specification]
1	W	-
2	L/W	-
3	R/B	-
4	L	-
5	Y	-
7	W/G	-
8	P/B	-
9	W/B	-
10	G	-
11	L	-
12	P	-
13	P/B	-
14	BR	-
15	O/L	-
16	SB	-
18	BR	-
19	Y/G	-
20	BR/Y	-
21	Y	-
22	Y	-
23	Y	-
24	L/W	-
28	O	-
29	R/W	-
30	O/L	-
31	Y	-
32	GR/R	-
34	Y	-
35	R	-
36	B/O	-
37	G/Y	-

38	G	-
40	SB	-
41	W/R	-
42	R	-
43	V	-
54	GR/L	-
91	BR	-
92	L/W	-
94	Y/B	-
95	L/R	-
97	R	-
98	O/L	-
100	W/B	-

Connector No.	M82
Connector Name	WIRE TO WIRE
Connector Type	TH80FW-CSI16-TM4



Terminal No.	Color Of Wire	Signal Name [Specification]
1	L	-
4	V/W	-
5	G/R	-
6	P	-
9	GR/L	-
10	Y/R	-
11	L/R	-
12	W/G	-
13	BR/Y	-
14	LG	-
15	BR/W	-
16	B/Y	-
17	W/B	-
18	GR/R	-
20	W/R	-
21	B	-
22	R/L	-
23	G/R	-
24	R/W	-
25	W/L	-
26	R	-

27	L	-
28	B/SB	-
35	G	-
36	Y	-
37	R	-
38	G/Y	-
39	O	-
40	W	-
41	R	-
42	B	-
43	G	-
44	SHIELD	-
46	B	-
47	W	-
48	SHIELD	-
49	W	-
50	SHIELD	-
52	GR	-
53	LG/B	-
54	LG/R	-
55	R/G	-
56	B/O	-
57	SB	-
66	V	-
91	G/R	-
92	GR	-
93	O	-
95	G/R	-
96	SB	-
97	GR/L	-
98	G/W	-
99	P	-
100	L	-

Connector No.	M119
Connector Name	WIRE TO WIRE
Connector Type	TH40MP-NH



Terminal No.	Color Of Wire	Signal Name [Specification]
1	SB	-
2	SB	-
3	L	-
4	W/B	-
5	SHIELD	-
6	LG	-
7	Y	-
8	W	-
9	O	-
10	SHIELD	-
11	W/L	-
12	L	-
13	P	-
14	SHIELD	-
15	G	-
16	V	-
17	W	-
18	G/R	-
19	Y	-
20	BR	-
21	LG	-
22	LG	-
23	P	-
24	R/W	-
25	L/O	-
26	GR/L	-
27	W	-
28	BR	-
29	V	-
30	Y/G	-
31	Y/L	-
32	B	-
33	R	-
34	W	-
35	SHIELD	-
36	SHIELD	-
37	SHIELD	-
38	GR/R	-
39	BR	-
40	SHIELD	-

JRLWE0202GB

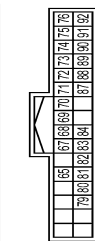
A  
B  
C  
D  
E  
F  
G  
H  
I  
J  
K  
DEF  
M  
N  
O  
P

# REAR WINDOW DEFOGGER SYSTEM

< WIRING DIAGRAM >

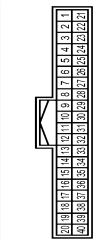
## DEFOGGER

Connector No.	M210
Connector Name	AV CONTROL UNIT
Connector Type	TH32FW-NH



37	SHIELD	-
38	GR/R	-
39	BR	-
40	SHIELD	-

Connector No.	M222
Connector Name	WIRE TO WIRE
Connector Type	TH40FW-NH



Terminal No.	Color Of Wire	Signal Name [Specification]
65	W	PARKING BRAKE SIGNAL
67	W	COMPOSITE IMAGE SIGNAL GND
68	R	COMPOSITE IMAGE SIGNAL
69	O	INTELLIGENT KEY IDENTIFICATION SIGNAL
70	BR	-
71	SHIELD	MICROPHONE SHIELD
72	Y	MICROPHONE VCC [With DCM]
72	Y/G	MICROPHONE VCC [Without DCM]
73	Y/G	COMM (CONT-DISP)
74	P	CAN-L
75	LG	AV COMM (L)
76	LG	AV COMM (L)
79	L/O	DIMMER SIGNAL
80	GR/L	IGNITION SIGNAL
81	R/Y	REVERSE SIGNAL
82	BR/W	VEHICLE SPEED SIGNAL (8-PULSE)
83	SHIELD	SHIELD
84	W/B	COMPOSITE IMAGE SYNC SIGNAL
87	BR	MICROPHONE SIGNAL [With DCM]
87	Y/L	MICROPHONE SIGNAL [Without DCM]
88	SHIELD	SHIELD
88	Y/L	COMM (DSP-CONT)
90	L	CAN-H
91	SB	AV COMM (H)
92	SB	AV COMM (H)

Terminal No.	Color Of Wire	Signal Name [Specification]
1	SB	-
2	SB	-
3	L	-
4	W/B	-
5	SHIELD	-
6	LG	-
7	V	-
8	W	-
9	O	-
10	SHIELD	-
11	W/L	-
12	L	-
13	P	-
14	SHIELD	-
15	G	-
16	V	-
17	W	-
18	G/R	-
19	Y	-
20	BR	-
21	LG	-
22	LG	-
23	P	-
24	R/W	-
25	L/O	-
26	GR/L	-
27	V	-
28	V	-
28	BR/W	-
30	Y/G	-
31	Y/L	-
32	B	-
33	R	-
34	W	-
35	SHIELD	-
36	SHIELD	-

JRLWE0203GB

# DIAGNOSIS AND REPAIR WORK FLOW

< BASIC INSPECTION >

## BASIC INSPECTION

### DIAGNOSIS AND REPAIR WORK FLOW

#### Work Flow

INFOID:0000000010261006

#### DETAILED FLOW

#### 1.OBTAIN INFORMATION ABOUT SYMPTOM

Interview the customer to obtain the malfunction information (conditions and environment when the malfunction occurred) as much as possible when the customer brings the vehicle in.

>> GO TO 2.

#### 2.CHECK FOR DTC

Perform self diagnosis with CONSULT

Is any DTC detected?

YES-1 >> BCM: Refer to [BCS-58, "DTC Index"](#).

YES-2 >> IPDM E/R: Refer to [PCS-22, "DTC Index"](#).

NO >> GO TO 3.

#### 3.REPRODUCE THE MALFUNCTION INFORMATION

Check the malfunction on the vehicle that the customer describes.  
Inspect the relation of the symptoms and the condition when the symptoms occur.

>> GO TO 4.

#### 4.IDENTIFY THE MALFUNCTIONING SYSTEM WITH "SYMPTOM DIAGNOSIS"

Use "Symptom diagnosis" from the symptom inspection result in step 3. Then identify where to start performing the diagnosis based on possible causes and symptoms.

>> GO TO 5.

#### 5.IDENTIFY MALFUNCTIONING PARTS WITH "COMPONENT DIAGNOSIS"

Perform the diagnosis with "Component diagnosis" of the applicable system.

>> GO TO 6.

#### 6.REPAIR OR REPLACE THE MALFUNCTIONING PARTS

Repair or replace the specified malfunctioning parts.

>> GO TO 7.

#### 7.FINAL CHECK

Check that malfunctions are not reproduced when obtaining the malfunction information from the customer, referring to the symptom inspection result in step 3.

Are all malfunctions corrected?

YES >> INSPECTION END

NO >> GO TO 4.

A  
B  
C  
D  
E  
F  
G  
H  
I  
J  
K  
DEF  
M  
N  
O  
P

# REAR WINDOW DEFOGGER SWITCH

< DTC/CIRCUIT DIAGNOSIS >

---

## DTC/CIRCUIT DIAGNOSIS

### REAR WINDOW DEFOGGER SWITCH

#### Component Function Check

INFOID:0000000010261007

#### 1.CHECK REAR WINDOW DEFOGGER SWITCH FUNCTION

---

Check that the indicator lamp of rear window defogger illuminates when rear window defogger switch ON.

Is the inspection result normal?

- YES >> Rear window defogger switch function is OK.
- NO >> Refer to [DEF-24. "Diagnosis Procedure"](#).

#### Diagnosis Procedure

INFOID:0000000010261008

#### 1.CHECK MULTIFUNCTION SWITCH (REAR WINDOW DEFOGGER SWITCH)

---

Does multifunction switch operate normally?

Refer to [AV-37. "On Board Diagnosis Function"](#).

Is the inspection result normal?

- YES >> INSPECTION END
- NO >> Replace multifunction switch (rear window defogger switch).



# REAR WINDOW DEFOGGER RELAY

< DTC/CIRCUIT DIAGNOSIS >

## REAR WINDOW DEFOGGER RELAY

### Component Function Check

INFOID:0000000010261009

#### 1.CHECK FUNCTION

1. Perform IPDM E/R Active Test ("REAR DEFOGGER") using CONSULT.
2. Touch "ON".
3. Check that the rear window heating wire is getting warmer.

Is the inspection result normal?

- YES >> Rear window defogger relay function is OK.  
NO >> Refer to [DEF-25. "Diagnosis Procedure"](#).

### Diagnosis Procedure

INFOID:0000000010261010

#### 1.CHECK FUSE

1. Turn ignition switch OFF.
2. Check the 15A fuse (No. 41, 42 located in IPDM E/R).

Is the inspection result normal?

- YES >> GO TO 2.  
NO >> Replace the blown fuse after repairing the affected circuit if a fuse is blown.

#### 2.CHECK IPDM E/R OUTPUT SIGNAL

1. Turn ignition switch ON.
2. Perform IPDM E/R Active Test ("REAR DEFOGGER") using CONSULT.
3. Touch "ON".
4. Check voltage between IPDM E/R harness connector and ground.

(+)		(-)	CONSULT Active Test condition	Voltage (V) (Approx.)	
IPDM E/R					
Connector	Terminal				
E11	14	Ground	REAR DEFOGGER	ON	Battery voltage
				OFF	0

Is the inspection result normal?

- YES >> INSPECTION END  
NO >> Replace IPDM E/R.

A  
B  
C  
D  
E  
F  
G  
H  
I  
J  
K  
M  
N  
O  
P

DEF

# REAR WINDOW DEFOGGER

< DTC/CIRCUIT DIAGNOSIS >

## REAR WINDOW DEFOGGER

### Component Function Check

INFOID:0000000010261011

#### 1.CHECK FUNCTION

1. Perform IPDM E/R Active Test ("REAR DEFOGGER") using CONSULT.
2. Touch "ON".
3. Check that the rear window heating wire is getting warmer.

Is the inspection result normal?

- YES >> Rear window defogger function is OK.  
NO >> Refer to [DEF-26. "Diagnosis Procedure"](#).

### Diagnosis Procedure

INFOID:0000000010261012

#### 1.CHECK REAR WINDOW DEFOGGER POWER SUPPLY CIRCUIT

1. Turn ignition switch OFF.
2. Disconnect rear window defogger connector.
3. Turn ignition switch ON.
4. Check voltage between rear window defogger harness connector and ground.

(+)		(-)	Condition	Voltage (V) (Approx.)	
Connector	Terminal				
D103	1	Ground	Rear window defogger switch	ON	Battery voltage
				OFF	0

Is the inspection result normal?

- YES >> GO TO 2.  
NO >> GO TO 4.

#### 2.CHECK REAR WINDOW DEFOGGER GROUND CIRCUIT

1. Turn ignition switch OFF.
2. Check continuity between rear window defogger harness connector and ground.

Rear window defogger		Ground	Continuity
Connector	Terminal		
D104	2		Existed

Is the inspection result normal?

- YES >> GO TO 3.  
NO >> Repair or replace harness.

#### 3.CHECK FILAMENT

Refer to [DEF-37. "Inspection and Repair"](#).

Is the inspection result normal?

- YES >> GO TO 5.  
NO >> Repair filament.

#### 4.CHECK REAR WINDOW DEFOGGER POWER SUPPLY CIRCUIT

1. Turn ignition switch OFF.
2. Disconnect IPDM E/R connector.
3. Check continuity between IPDM E/R harness connector and rear window defogger harness connector.

IPDM E/R		Rear window defogger		Continuity
Connector	Terminal	Connector	Terminal	
E11	14	D103	1	Existed

## REAR WINDOW DEFOGGER

< DTC/CIRCUIT DIAGNOSIS >

---

Is the inspection result normal?

YES >> GO TO 5.

NO >> Repair or replace harness.

**5.**CHECK INTERMITTENT INCIDENT

---

Check intermittent incident.

Refer to [GI-43, "Intermittent Incident"](#).

>> INSPECTION END

A

B

C

D

E

F

G

H

I

J

K

DEF

M

N

O

P

# DOOR MIRROR DEFOGGER

< DTC/CIRCUIT DIAGNOSIS >

## DOOR MIRROR DEFOGGER

### Component Function Check

INFOID:000000010261013

#### 1.CHECK DOOR MIRROR DEFOGGER

1. Perform IPDM E/R Active Test ("REAR DEFOGGER") using CONSULT.
2. Touch "ON".
3. Check that both side door mirror glasses are getting warmer.

Is the inspection result normal?

- YES >> Door mirror defogger function is OK.  
NO >> Refer to [DEF-28, "Diagnosis Procedure"](#).

### Diagnosis Procedure

INFOID:000000010261014

#### 1.CHECK FUSE

1. Turn ignition switch OFF.
2. Check 10A fuse (No.80).

Is the inspection result normal?

- YES >> GO TO 2.  
NO >> Replace the blown fuse after repairing the affected circuit if a fuse is blown.

#### 2.CHECK DOOR MIRROR DEFOGGER CIRCUIT

1. Disconnect IPDM E/R connector and door mirror (driver sides) connector.
2. Check continuity between IPDM E/R harness connector and door mirror (driver side) harness connector.

IPDM E/R		Door mirror (driver side)		Continuity
Connector	Terminal	Connector	Terminal	
E11	14	D3	7	Existed

Is the inspection result normal?

- YES >> GO TO 3.  
NO >> Repair or replace harness.

#### 3.CHECK INTERMITTENT INCIDENT

Check intermittent incident.

Refer to [GI-43, "Intermittent Incident"](#).

>> INSPECTION END

# DRIVER SIDE DOOR MIRROR DEFOGGER

< DTC/CIRCUIT DIAGNOSIS >

## DRIVER SIDE DOOR MIRROR DEFOGGER

### Component Function Check

INFOID:000000010261015

#### 1.CHECK DRIVER SIDE DOOR MIRROR DEFOGGER

1. Perform IPDM E/R Active Test ("REAR DEFOGGER") using CONSULT.
2. Touch "ON".
3. Check that the driver side door mirror glass is getting warmer.

Is the inspection result normal?

- YES >> Driver side door mirror defogger is OK.  
NO >> Refer to [DEF-29. "Diagnosis Procedure"](#).

### Diagnosis Procedure

INFOID:000000010261016

#### 1.CHECK POWER SUPPLY CIRCUIT

1. Turn ignition switch OFF.
2. Disconnect IPDM E/R connector and door mirror (driver side) connector.
3. Check continuity between IPDM E/R harness connector and door mirror (driver side) harness connector.

IPDM E/R		Door mirror defogger (driver side)		Continuity
Connector	Terminal	Connector	Terminal	
E11	14	D3	7	Existed

Is the inspection result normal?

- YES >> GO TO 2.  
NO >> Repair or replace harness.

#### 2.CHECK GROUND CIRCUIT

1. Turn ignition switch OFF.
2. Check continuity between door mirror (driver side) harness connector and ground.

Door mirror (driver side)		Ground	Continuity
Connector	Terminal		
D3	19		Existed

Is the inspection result normal?

- YES >> Replace door mirror glass (driver side).  
NO >> Repair or replace harness.

A  
B  
C  
D  
E  
F  
G  
H  
I  
J  
K  
M  
N  
O  
P

DEF

# PASSENGER SIDE DOOR MIRROR DEFOGGER

< DTC/CIRCUIT DIAGNOSIS >

## PASSENGER SIDE DOOR MIRROR DEFOGGER

### Component Function Check

INFOID:000000010261017

#### 1.CHECK PASSENGER SIDE DOOR MIRROR DEFOGGER

1. Perform IPDM E/R Active Test ("REAR DEFOGGER") using CONSULT.
2. Touch "ON".
3. Check that the passenger side door mirror glass is getting warmer.

Is the inspection result normal?

- YES >> Passenger side door mirror defogger is OK.  
NO >> Refer to [DEF-30, "Diagnosis Procedure"](#).

### Diagnosis Procedure

INFOID:000000010261018

#### 1.CHECK POWER SUPPLY CIRCUIT

1. Turn ignition switch OFF.
2. Disconnect IPDM E/R connector and door mirror (passenger side) connector.
3. Check continuity between IPDM E/R harness connector and door mirror (passenger side) harness connector.

IPDM E/R		Door mirror defogger (passenger side)		Continuity
Connector	Terminal	Connector	Terminal	
E11	14	D23	7	Existed

Is the inspection result normal?

- YES >> GO TO 2.  
NO >> Repair or replace harness.

#### 2.CHECK GROUND CIRCUIT

1. Turn ignition switch OFF.
2. Check continuity between door mirror (passenger side) harness connector and ground.

Door mirror (passenger side)		Ground	Continuity
Connector	Terminal		
D23	19		Existed

Is the inspection result normal?

- YES >> Replace door mirror glass (passenger side).  
NO >> Repair or replace harness.

# ALL DEFOGGER SYSTEMS DO NOT OPERATE

< SYMPTOM DIAGNOSIS >

## SYMPTOM DIAGNOSIS

### ALL DEFOGGER SYSTEMS DO NOT OPERATE

#### Diagnosis Procedure

INFOID:0000000010261019

#### 1. CHECK REAR WINDOW DEFOGGER SWITCH

Check rear window defogger switch.

Refer to [DEF-24. "Component Function Check"](#).

Is the inspection result normal?

YES >> GO TO 2.

NO >> Repair or replace the malfunctioning parts.

#### 2. CHECK REAR WINDOW DEFOGGER RELAY

Check rear window defogger relay.

Refer to [DEF-25. "Component Function Check"](#).

Is the inspection result normal?

YES >> GO TO 3.

NO >> Repair or replace the malfunctioning parts.

#### 3. CHECK DOOR MIRROR DEFOGGER

Check door mirror defogger.

Refer to [DEF-28. "Component Function Check"](#).

Is the inspection result normal?

YES >> GO TO 4.

NO >> Repair or replace the malfunctioning parts.

#### 4. CONFIRM THE OPERATION

Confirm the operation again.

Is the inspection result normal?

YES >> Check intermittent incident. Refer to [GI-43. "Intermittent Incident"](#).

NO >> GO TO 1.

A  
B  
C  
D  
E  
F  
G  
H  
I  
J  
K  
M  
N  
O  
P

DEF

# REAR WINDOW DEFOGGER DOES NOT OPERATE BUT BOTH DOOR MIRROR DEFOGGERS OPERATE

< SYMPTOM DIAGNOSIS >

---

## REAR WINDOW DEFOGGER DOES NOT OPERATE BUT BOTH DOOR MIRROR DEFOGGERS OPERATE

### Diagnosis Procedure

INFOID:000000010261020

#### 1. CHECK REAR WINDOW DEFOGGER

---

Check rear window defogger.

Refer to [DEF-26, "Component Function Check"](#).

Is the inspection result normal?

YES >> GO TO 2.

NO >> Repair or replace the malfunctioning parts.

#### 2. CONFIRM THE OPERATION

---

Confirm the operation again

Is the inspection result normal?

YES >> Check intermittent incident. Refer to [GI-43, "Intermittent Incident"](#).

NO >> GO TO 1.



# DOOR MIRROR DEFOGGER DOES NOT OPERATE

< SYMPTOM DIAGNOSIS >

## DOOR MIRROR DEFOGGER DOES NOT OPERATE BOTH SIDES

### BOTH SIDES : Description

INFOID:0000000010261021

Driver side and passenger side door mirror defoggers do not operate.

### BOTH SIDES : Diagnosis Procedure

INFOID:0000000010261022

#### 1.CHECK DOOR MIRROR DEFOGGER

Check door mirror defogger.

Refer to [DEF-28, "Component Function Check"](#).

Is the inspection result normal?

YES >> GO TO 2.

NO >> Repair or replace the malfunctioning parts.

#### 2.CONFIRM THE OPERATION

Confirm the operation again.

Is the inspection result normal?

YES >> Check intermittent incident. Refer to [GI-43, "Intermittent Incident"](#).

NO >> GO TO 1.

## DRIVER SIDE

### DRIVER SIDE : Description

INFOID:0000000010261023

Driver side door mirror defogger does not operate but passenger side door mirror defogger operates.

### DRIVER SIDE : Diagnosis Procedure

INFOID:0000000010261024

#### 1.CHECK DRIVER SIDE DOOR MIRROR DEFOGGER

Check driver side door mirror defogger.

Refer to [DEF-29, "Component Function Check"](#).

Is the inspection result normal?

YES >> GO TO 2.

NO >> Repair or replace the malfunctioning parts.

#### 2.CONFIRM THE OPERATION

Confirm the operation again.

Is the inspection result normal?

YES >> Check intermittent incident. Refer to [GI-43, "Intermittent Incident"](#).

NO >> GO TO 1.

## PASSENGER SIDE

### PASSENGER SIDE : Description

INFOID:0000000010261025

Passenger side door mirror defogger does not operate but driver side door mirror defogger operates.

### PASSENGER SIDE : Diagnosis Procedure

INFOID:0000000010261026

#### 1.CHECK PASSENGER SIDE DOOR MIRROR DEFOGGER.

Check passenger side door mirror defogger.

Refer to [DEF-30, "Component Function Check"](#).

Is the inspection result normal?

YES >> GO TO 2.

NO >> Repair or replace the malfunctioning parts.

#### 2.CONFIRM THE OPERATION

A  
B  
C  
D  
E  
F  
G  
H  
I  
J  
K  
DEF  
M  
N  
O  
P

## DOOR MIRROR DEFOGGER DOES NOT OPERATE

### < SYMPTOM DIAGNOSIS >

---

Confirm the operation again.

Is the inspection result normal?

YES >> Check intermittent incident. Refer to [GI-43. "Intermittent Incident"](#).

NO >> GO TO 1.

# ON IS NOT DISPLAYED WHEN PRESSING REAR WINDOW DEFOGGER SWITCH BUT IT IS OPERATED

< SYMPTOM DIAGNOSIS >

## ON IS NOT DISPLAYED WHEN PRESSING REAR WINDOW DEFOGGER SWITCH BUT IT IS OPERATED

### Diagnosis Procedure

INFOID:000000010261027

#### 1. CHECK AV CONTROL UNIT FUNCTION

Check that the AV control unit is operating normally.

Refer to [AV-131, "Work Flow \(Multi AV\)"](#) (BOSE audio with navigation) or [AV-362, "Work Flow"](#) (Telematics system).

Is the inspection result normal?

YES >> GO TO 2.

NO >> Repair or replace the malfunctioning parts.

#### 2. CONFIRM THE OPERATION

Confirm the operation again.

Is the inspection result normal?

YES >> Check intermittent incident. Refer to [GI-43, "Intermittent Incident"](#).

NO >> GO TO 1.

A  
B  
C  
D  
E  
F  
G  
H  
I  
J  
K  
DEF  
M  
N  
O  
P

# REAR WINDOW DEFOGGER INDICATOR DOES NOT ILLUMINATE

< SYMPTOM DIAGNOSIS >

---

## REAR WINDOW DEFOGGER INDICATOR DOES NOT ILLUMINATE

### Diagnosis Procedure

INFOID:000000010261028

#### 1. CHECK AV CONTROL UNIT FUNCTION

---

Check that the AV control unit is operating normally.

Refer to [AV-131, "Work Flow \(Multi AV\)"](#) (BOSE audio with navigation) or [AV-362, "Work Flow"](#) (Telematics system).

Is the inspection result normal?

YES >> GO TO 2.

NO >> Repair or replace the malfunctioning parts.

#### 2. CHECK MULTIFUNCTION SWITCH

---

Check that the multifunction switch is operating normally.

Refer to [AV-37, "On Board Diagnosis Function"](#).

Is the inspection result normal?

YES >> GO TO 3.

NO >> Repair or replace the malfunctioning parts.

#### 3. CONFIRM THE OPERATION

---

Confirm the operation again.

Is the inspection result normal?

YES >> Check intermittent incident. Refer to [GI-43, "Intermittent Incident"](#).

NO >> GO TO 1.

# FILAMENT

< REMOVAL AND INSTALLATION >

## REMOVAL AND INSTALLATION

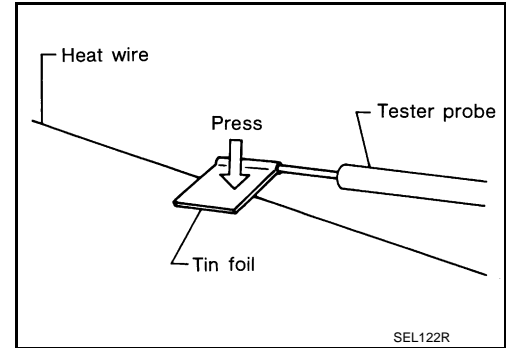
### FILAMENT

#### Inspection and Repair

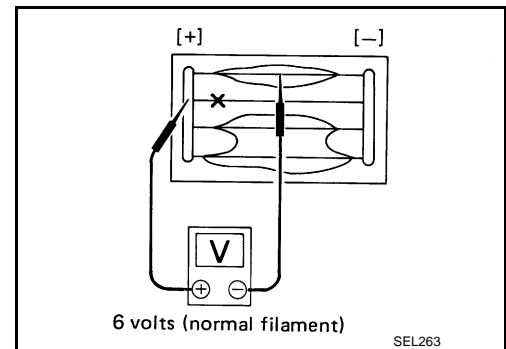
INFOID:000000010261029

#### INSPECTION

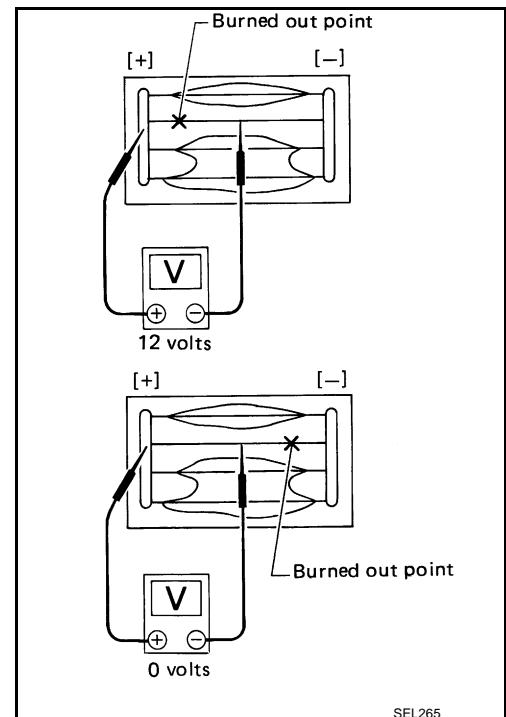
1. When measuring voltage, wrap tin foil around the top of the negative probe. Then press the foil against the wire with your finger.



2. Attach probe circuit tester (in Volt range) to middle portion of each filament.



3. If a filament is burned out, circuit tester registers 0 or battery voltage.
4. To locate burned out point, move probe to left and right along filament. Test needle will swing abruptly when probe passes the point.



#### REPAIR

##### REPAIR EQUIPMENT

- Conductive silver composition (Dupont No. 4817 or equivalent)

A  
B  
C  
D  
E  
F  
G  
H  
I  
J  
K  
DEF  
M  
N  
O  
P

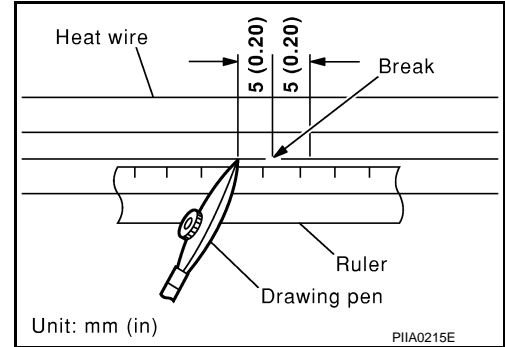
# FILAMENT

## < REMOVAL AND INSTALLATION >

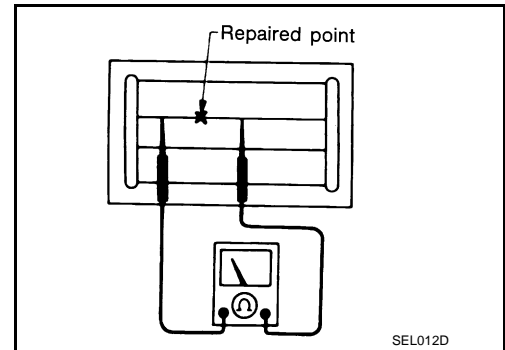
- Ruler 30 cm (11.8 in) long
- Drawing pen
- Heat gun
- Alcohol
- Cloth

### REPAIRING PROCEDURE

1. Wipe broken heat wire and its surrounding area clean with a cloth dampened in alcohol.
2. Apply a small amount of conductive silver composition to tip of drawing pen. Shake silver composition container before use.
3. Place ruler on glass along broken line. Deposit conductive silver composition on break with drawing pen. Slightly overlap existing heat wire on both sides [preferably 5 mm (0.20 in)] of the break.



4. After repair has been completed, check repaired wire for continuity. This check should be conducted 10 minutes after silver composition is deposited. Do not touch repaired area while test is being conducted.



5. Apply a constant stream of hot air directly to the repaired area for approximately 20 minutes with a heat gun. A minimum distance of 3 cm (1.2 in) should be kept between repaired area and hot air outlet. If a heat gun is not available, let the repaired area dry for 24 hours.

