

SECTION **PG**

POWER SUPPLY, GROUND & CIRCUIT ELEMENTS

CONTENTS

PRECAUTION	3	Wiring Diagram - BATTERY POWER SUPPLY	
PRECAUTIONS	3	FUSE No. 46 -	50
Precaution for Supplemental Restraint System (SRS) "AIR BAG" and "SEAT BELT PRE-TENSIONER"	3	Wiring Diagram - BATTERY POWER SUPPLY	
Precautions for Removing Battery Terminal	3	FUSE No. 47 -	51
Precaution for Procedure without Cowl Top Cover.....	4	Wiring Diagram - ACCESSORY POWER SUPPLY -	53
PREPARATION	5	Wiring Diagram - ACCESSORY POWER SUPPLY FUSE No. 19 -	58
PREPARATION	5	Wiring Diagram - ACCESSORY POWER SUPPLY FUSE No. 20 -	59
Special Service Tools	5	Wiring Diagram - IGNITION POWER SUPPLY -	60
SYSTEM DESCRIPTION	6	Wiring Diagram - IGNITION POWER SUPPLY	
COMPONENT PARTS	6	FUSE No. 3 -	84
Circuit Breaker	6	Wiring Diagram - IGNITION POWER SUPPLY	
Battery	6	FUSE No. 4 -	85
Harness Connector	6	Wiring Diagram - IGNITION POWER SUPPLY	
Standardized Relay	9	FUSE No. 37 -	86
WIRING DIAGRAM	12	Wiring Diagram - IGNITION POWER SUPPLY	
POWER SUPPLY ROUTING CIRCUIT	12	FUSE No. 55 -	87
Wiring Diagram - BATTERY POWER SUPPLY -	12	Wiring Diagram - IGNITION POWER SUPPLY	
Wiring Diagram - BATTERY POWER SUPPLY FUSIBLE LINK No. K -	42	FUSE No. 57 -	88
Wiring Diagram - BATTERY POWER SUPPLY FUSIBLE LINK No. S -	43	Wiring Diagram - IGNITION POWER SUPPLY	
Wiring Diagram - BATTERY POWER SUPPLY FUSE No. 6 -	44	FUSE No. 61 -	89
Wiring Diagram - BATTERY POWER SUPPLY FUSE No. 7 -	45	GROUND DISTRIBUTION	90
Wiring Diagram - BATTERY POWER SUPPLY FUSE No. 9 -	46	Engine Room Harness	90
Wiring Diagram - BATTERY POWER SUPPLY FUSE No. 10 -	47	Engine Control Harness	93
Wiring Diagram - BATTERY POWER SUPPLY FUSE No. 35 -	48	Main Harness	94
Wiring Diagram - BATTERY POWER SUPPLY FUSE No. 43 -	49	Body Harness	101
		Door Harness	107
		OPTION HARNESS	108
		Wiring Diagram	108
		FUSE BLOCK - JUNCTION BOX (J/B)	115
		Fuse, Connector and Terminal Arrangement	115
		FUSE, FUSIBLE LINK AND RELAY BOX	116
		Fuse and Fusible Link Arrangement	116
		IPDM E/R (INTELLIGENT POWER DISTRIBUTION MODULE ENGINE ROOM)	118

A
B
C
D
E
F
G
H
I
J
K
L
PG

Fuse, Connector and Terminal Arrangement	118	FUSIBLE LINK INSPECTION	140
HARNES LAYOUT	119	How To Check	140
Outline	119	REMOVAL AND INSTALLATION	141
Engine Room Harness	120	BATTERY	141
Engine Control Harness	122	Exploded View	141
Main Harness	123	Removal and Installation	141
Body Harness	124	BATTERY TERMINAL WITH FUSIBLE LINK..	142
Chassis Harness	126	Exploded View	142
Door Harness	127	Removal and Installation	142
Room Lamp Harness	132	SERVICE DATA AND SPECIFICATIONS	
BASIC INSPECTION	133	(SDS)	143
BATTERY INSPECTION	133	SERVICE DATA AND SPECIFICATIONS	
How to Handle Battery	133	(SDS)	143
Work Flow	133	Battery	143
FUSE INSPECTION	136		
How To Check	136		

PRECAUTIONS

< PRECAUTION >

PRECAUTION

PRECAUTIONS

Precaution for Supplemental Restraint System (SRS) "AIR BAG" and "SEAT BELT PRE-TENSIONER"

INFOID:000000010257863

The Supplemental Restraint System such as "AIR BAG" and "SEAT BELT PRE-TENSIONER", used along with a front seat belt, helps to reduce the risk or severity of injury to the driver and front passenger for certain types of collision. Information necessary to service the system safely is included in the "SRS AIR BAG" and "SEAT BELT" of this Service Manual.

WARNING:

Always observe the following items for preventing accidental activation.

- To avoid rendering the SRS inoperative, which could increase the risk of personal injury or death in the event of a collision that would result in air bag inflation, all maintenance must be performed by an authorized NISSAN/INFINITI dealer.
- Improper maintenance, including incorrect removal and installation of the SRS, can lead to personal injury caused by unintentional activation of the system. For removal of Spiral Cable and Air Bag Module, see "SRS AIR BAG".
- Never use electrical test equipment on any circuit related to the SRS unless instructed to in this Service Manual. SRS wiring harnesses can be identified by yellow and/or orange harnesses or harness connectors.

PRECAUTIONS WHEN USING POWER TOOLS (AIR OR ELECTRIC) AND HAMMERS

WARNING:

Always observe the following items for preventing accidental activation.

- When working near the Air Bag Diagnosis Sensor Unit or other Air Bag System sensors with the ignition ON or engine running, never use air or electric power tools or strike near the sensor(s) with a hammer. Heavy vibration could activate the sensor(s) and deploy the air bag(s), possibly causing serious injury.
- When using air or electric power tools or hammers, always switch the ignition OFF, disconnect the battery, and wait at least 3 minutes before performing any service.

Precautions for Removing Battery Terminal

INFOID:000000010257864

- When removing the 12V battery terminal, turn OFF the ignition switch and wait at least 30 seconds.

NOTE:

ECU may be active for several tens of seconds after the ignition switch is turned OFF. If the battery terminal is removed before ECU stops, then a DTC detection error or ECU data corruption may occur.

- For vehicles with the 2-batteries, be sure to connect the main battery and the sub battery before turning ON the ignition switch.

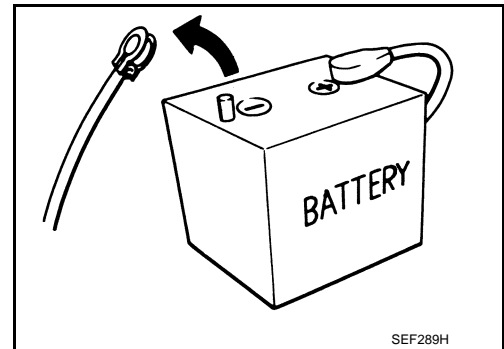
NOTE:

If the ignition switch is turned ON with any one of the terminals of main battery and sub battery disconnected, then DTC may be detected.

- After installing the 12V battery, always check "Self Diagnosis Result" of all ECUs and erase DTC.

NOTE:

The removal of 12V battery may cause a DTC detection error.



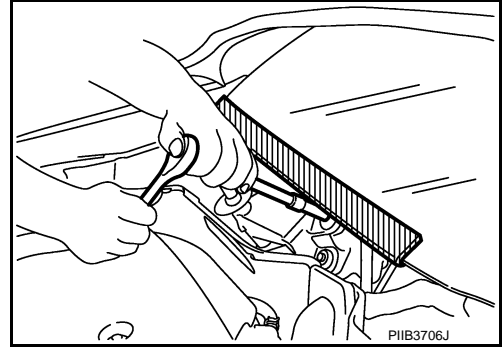
PRECAUTIONS

< PRECAUTION >

Precaution for Procedure without Cowl Top Cover

INFOID:000000011509970

When performing the procedure after removing cowl top cover, cover the lower end of windshield with urethane, etc to prevent damage to windshield.



PREPARATION


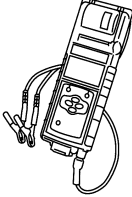
< PREPARATION >

PREPARATION

PREPARATION

Special Service Tools

INFOID:0000000010257865

Tool number (TechMate No.) Tool name	Description
<p>— (→) Model GR8-1200 NI Multitasking battery and electrical diagnostic station</p>  <p>AWI1A1239ZZ</p>	<p>Tests batteries, starting and charging systems and charges batteries. For operating instructions, refer to diagnostic station instruction manual.</p>
<p>— (→) Model EXP-800 NI Battery and electrical diagnostic analyzer</p>  <p>JSMIA0806ZZ</p>	<p>Tests batteries and charging systems. For operating instructions, refer to diagnostic analyzer instruction manual.</p>

A

B

C

D

E

F

G

H

I

J

K

L

PG

N

O

P

COMPONENT PARTS

< SYSTEM DESCRIPTION >

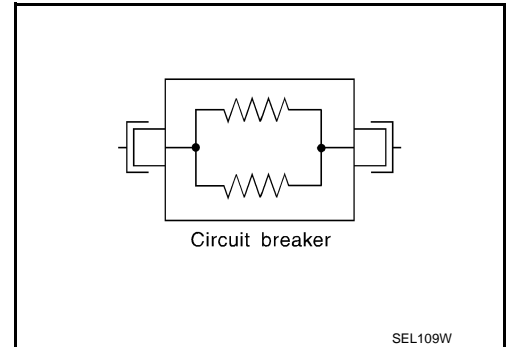
SYSTEM DESCRIPTION

COMPONENT PARTS

Circuit Breaker

INFOID:0000000010257866

The PTC thermistor generates heat in response to current flow. The temperature (and resistance) of the thermistor element varies with current flow. Excessive current flow will cause the element's temperature to rise. When the temperature reaches a specified level, the electrical resistance will rise sharply to control the circuit current. Reduced current flow will cause the element to cool. Resistance falls accordingly and normal circuit current flow is allowed to resume.



Battery

INFOID:0000000010257867

Type		115D31R
20 hour rate capacity	[V – Ah]	12 – 82
Cold cranking current (For reference value)	[A]	782

Harness Connector

INFOID:0000000010257868

HARNESS CONNECTOR (TAB-LOCKING TYPE)

- The tab-locking type connectors help prevent accidental looseness or disconnection.
- The tab-locking type connectors are disconnected by pushing or lifting the locking tab(s). Refer to the figure below.

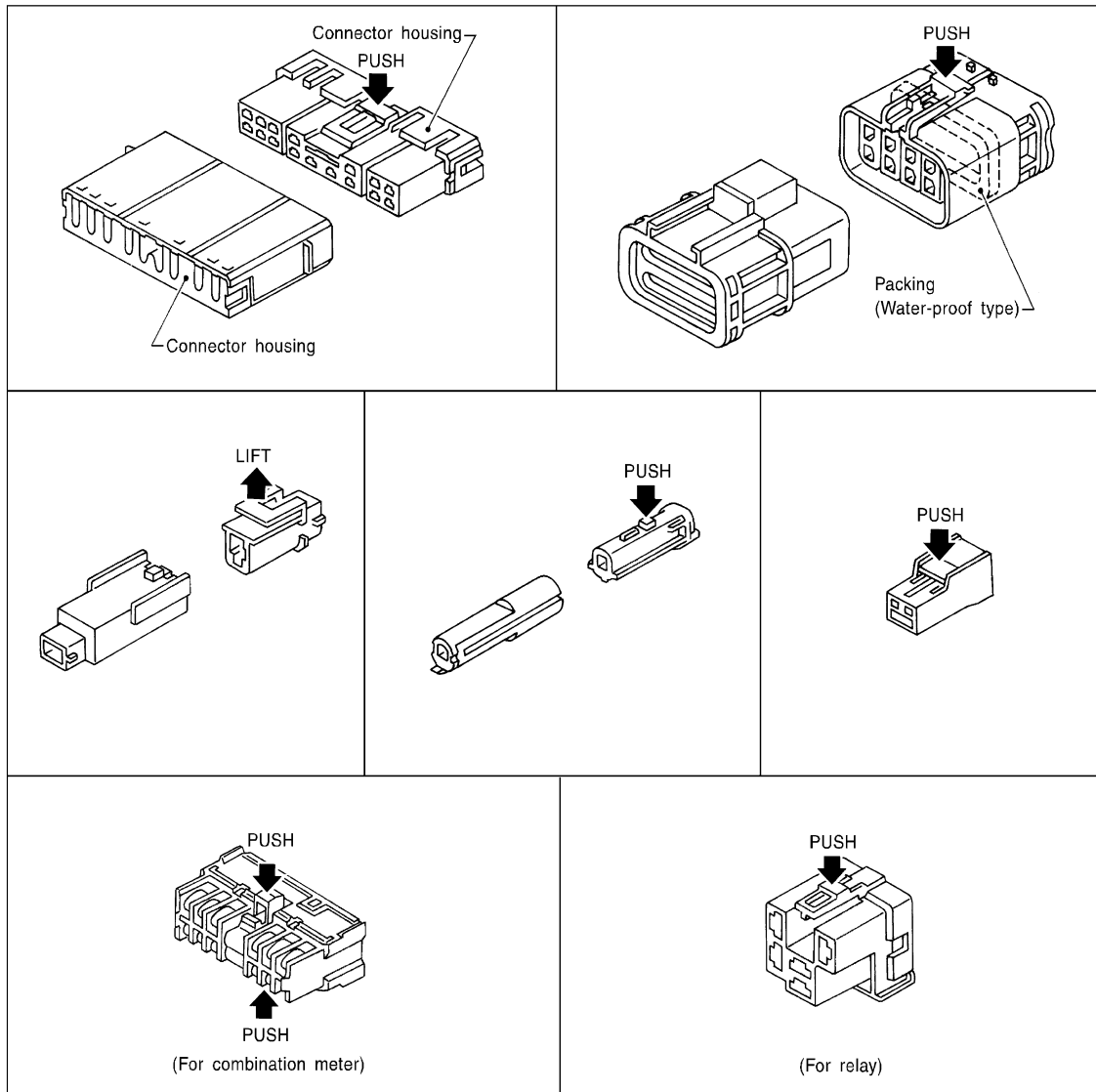
CAUTION:

Never pull the harness or wires when disconnecting the connector.

COMPONENT PARTS

< SYSTEM DESCRIPTION >

[Example]



A
B
C
D
E
F
G
H
I
J
K
L

SEL769DA

HARNESS CONNECTOR (SLIDE-LOCKING TYPE)

- A new style slide-locking type connector is used on certain systems and components, especially those related to OBD.
- The slide-locking type connectors help prevent incomplete locking and accidental looseness or disconnection.
- The slide-locking type connectors are disconnected by pushing or pulling the slider. Refer to the figure below.

CAUTION:

- **Never pull the harness or wires when disconnecting the connector.**
- **Be careful not to damage the connector support bracket when disconnecting the connector.**

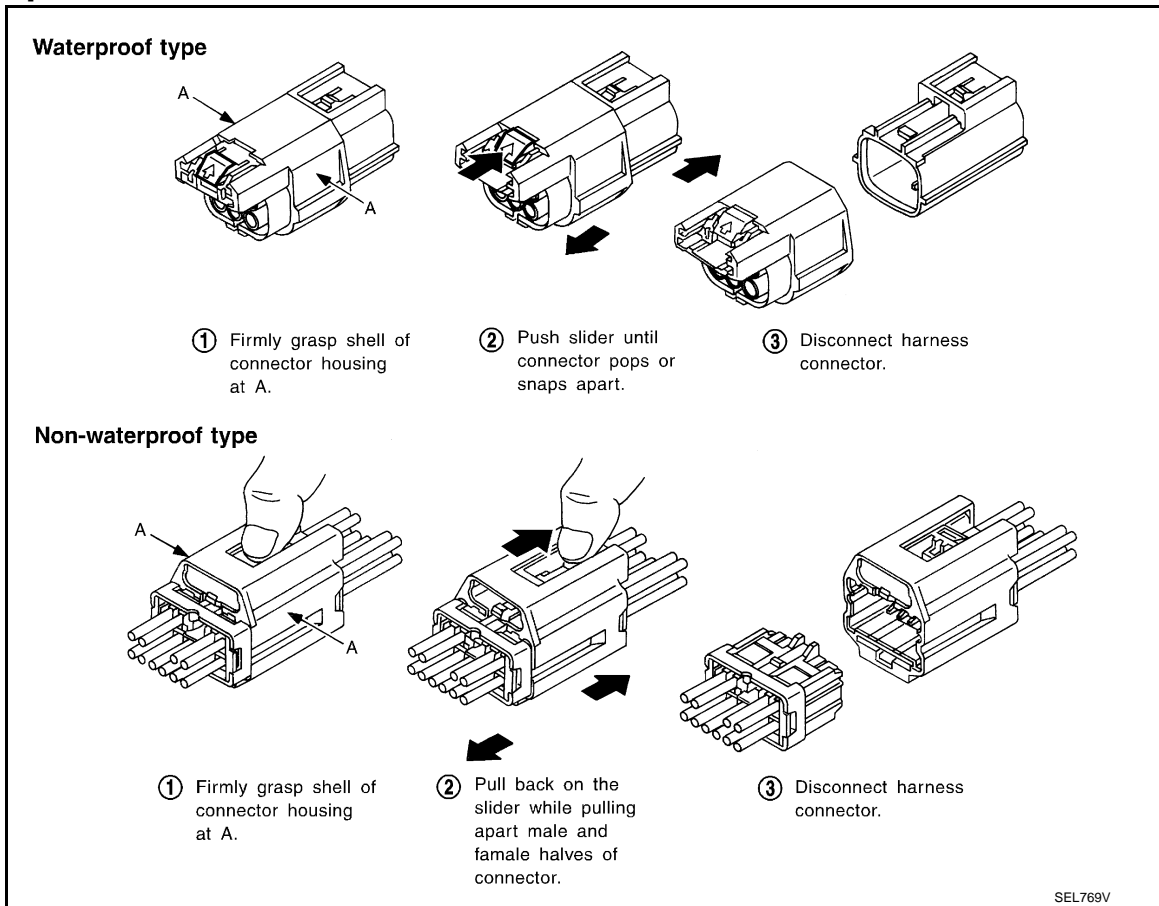
PG

N
O
P

COMPONENT PARTS

< SYSTEM DESCRIPTION >

[Example]



HARNESS CONNECTOR (LEVER LOCKING TYPE)

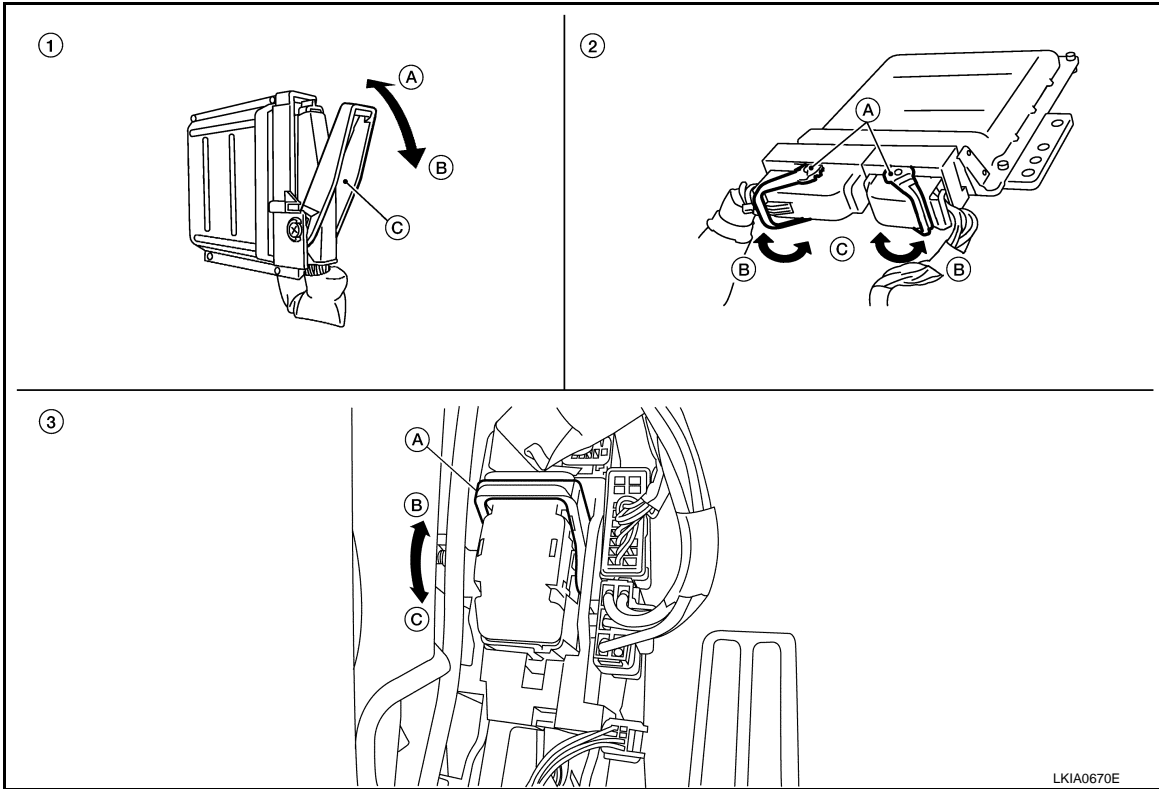
- Lever locking type harness connectors are used on certain control units and control modules such as ECM, ABS actuator and electric unit (control unit), etc.
- Lever locking type harness connectors are also used on super multiple junction (SMJ) connectors.
- Always confirm the lever is fully locked in place by moving the lever as far as it will go to ensure full connection.

CAUTION:

COMPONENT PARTS

< SYSTEM DESCRIPTION >

Always confirm the lever is fully released (loosened) before attempting to disconnect or connect these connectors to avoid damage to the connector housing or terminals.



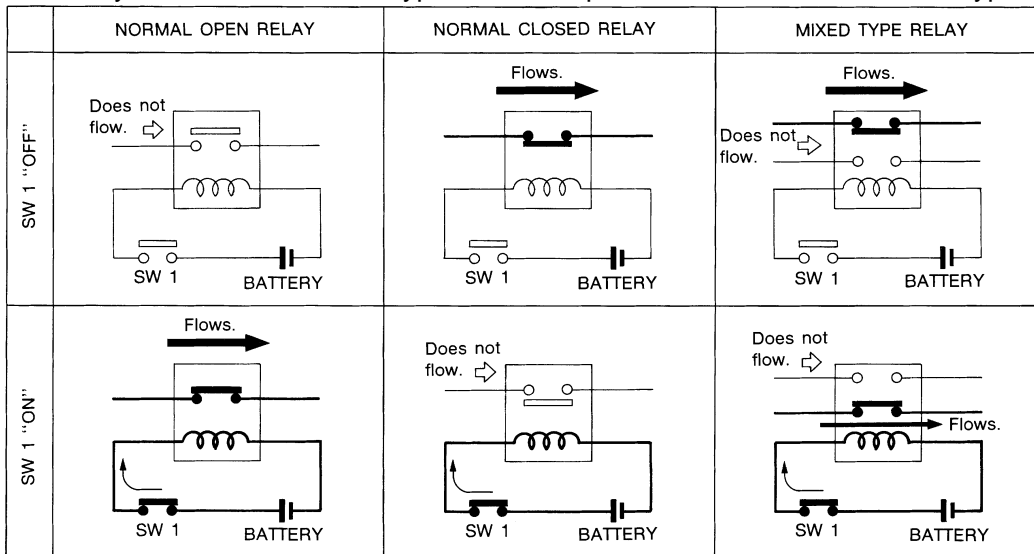
- | | | |
|--------------------------------------------------------------------------------------------|--------------------------------------------------------------------------------------------|---------------------------------------------------------------------------|
| <p>1. Control unit with single lever</p> <p>A. Fasten</p> <p>B. Loosen</p> <p>C. Lever</p> | <p>2. Control unit with dual levers</p> <p>A. Levers</p> <p>B. Fasten</p> <p>C. Loosen</p> | <p>3. SMJ connector</p> <p>A. Lever</p> <p>B. Fasten</p> <p>C. Loosen</p> |
|--------------------------------------------------------------------------------------------|--------------------------------------------------------------------------------------------|---------------------------------------------------------------------------|

Standardized Relay

INFOID:0000000010257869

NORMAL OPEN, NORMAL CLOSED AND MIXED TYPE RELAYS

Relays can mainly be divided into three types: normal open, normal closed and mixed type relays.



SEL881H

TYPE OF STANDARDIZED RELAYS

A
B
C
D
E
F
G
H
I
J
K
L
PG
N
O
P

COMPONENT PARTS

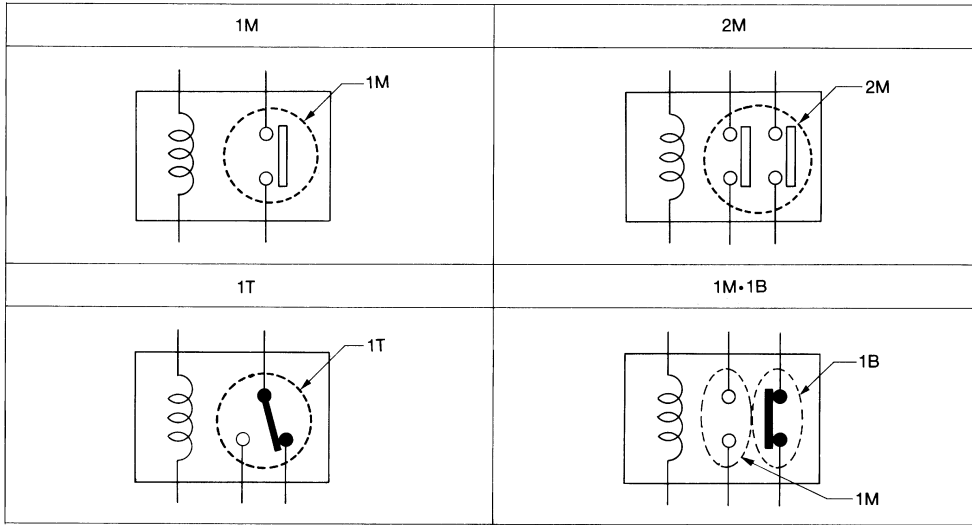
< SYSTEM DESCRIPTION >

1M 1 Make

2M 2 Make

1T 1 Transfer

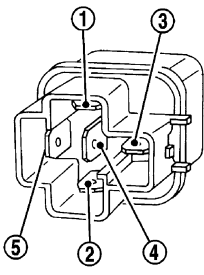
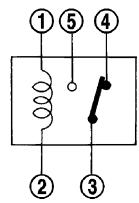
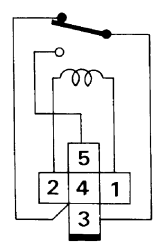
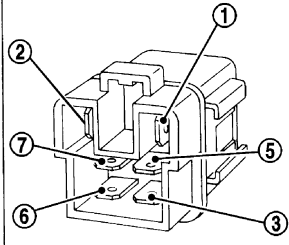
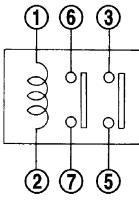
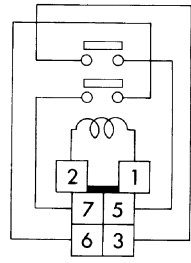
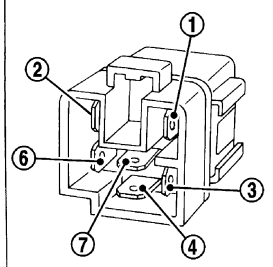
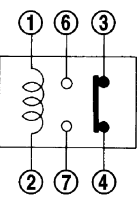
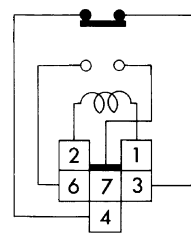
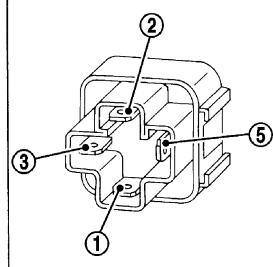
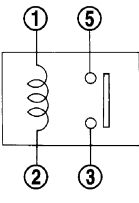
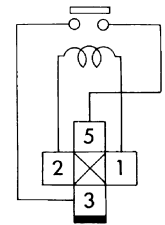
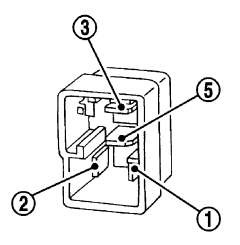
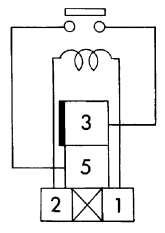
1M·1B 1 Make 1 Break



SEL882H

COMPONENT PARTS

< SYSTEM DESCRIPTION >

Type	Outer view	Circuit	Connector symbol and connection	Case color
1T				BLACK
2M				BROWN
1M•1B				GRAY
1M				BLUE
				

The arrangement of terminal numbers on the actual relays may differ from those shown above.

SEL188W

A
B
C
D
E
F
G
H
I
J
K
L
PG
N
O
P

POWER SUPPLY ROUTING CIRCUIT

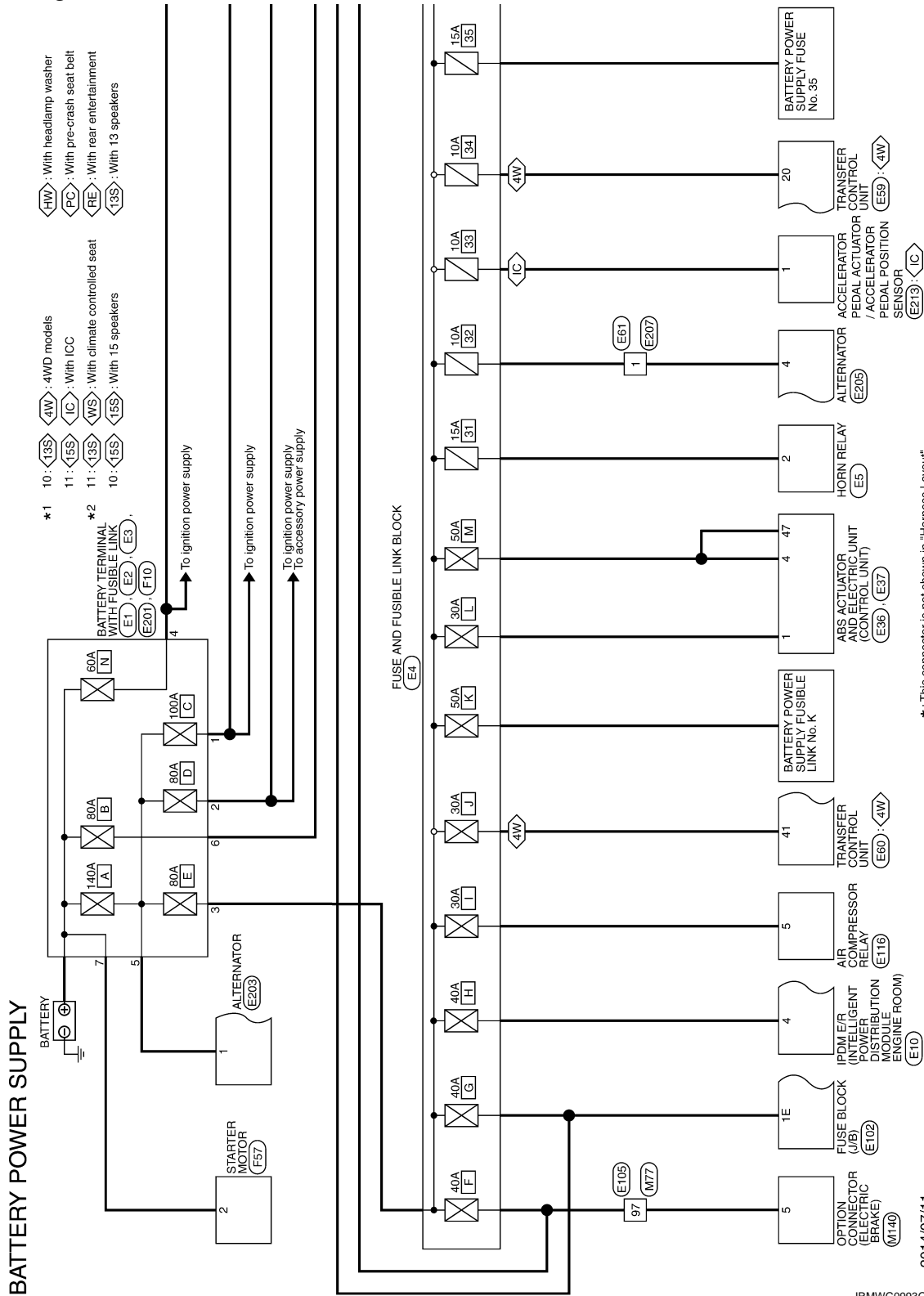
< WIRING DIAGRAM >

WIRING DIAGRAM

POWER SUPPLY ROUTING CIRCUIT

Wiring Diagram - BATTERY POWER SUPPLY -

INFOID:000000010257870



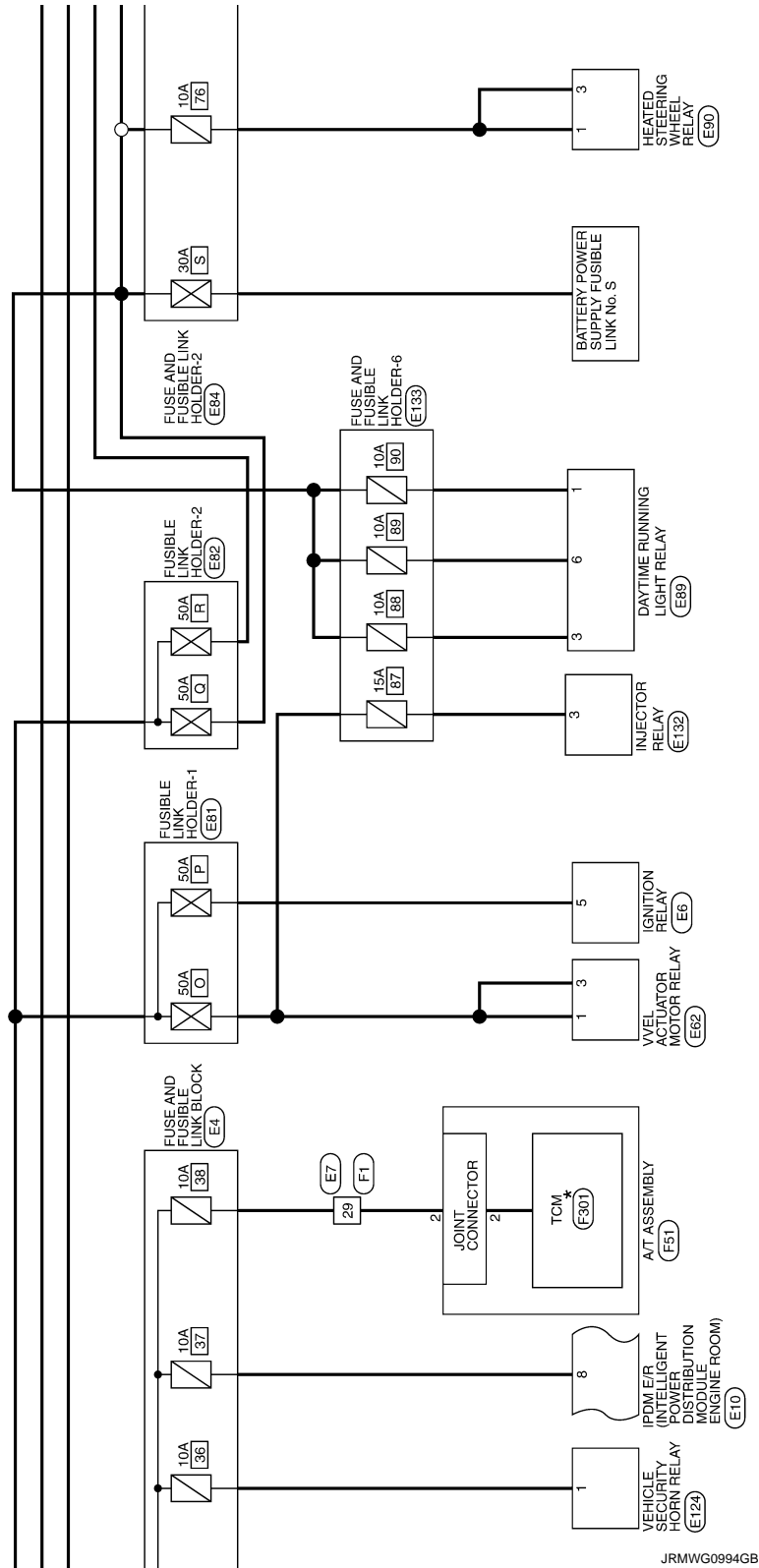
*: This connector is not shown in "Harness Layout".

2014/07/11

JRMWG0993GB

POWER SUPPLY ROUTING CIRCUIT

< WIRING DIAGRAM >

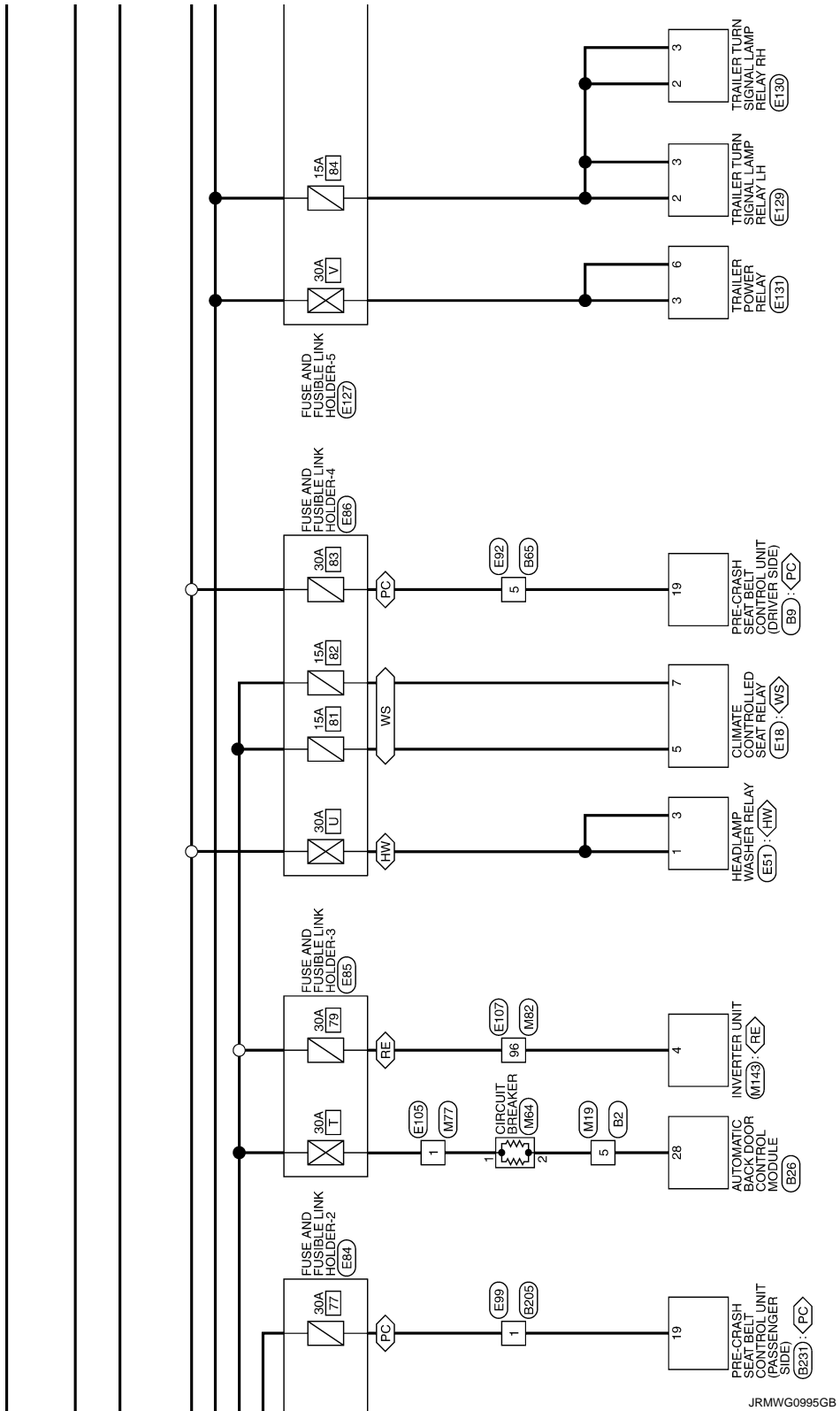


JRMWG0994GB

A
B
C
D
E
F
G
H
I
J
K
L
PG
N
O
P

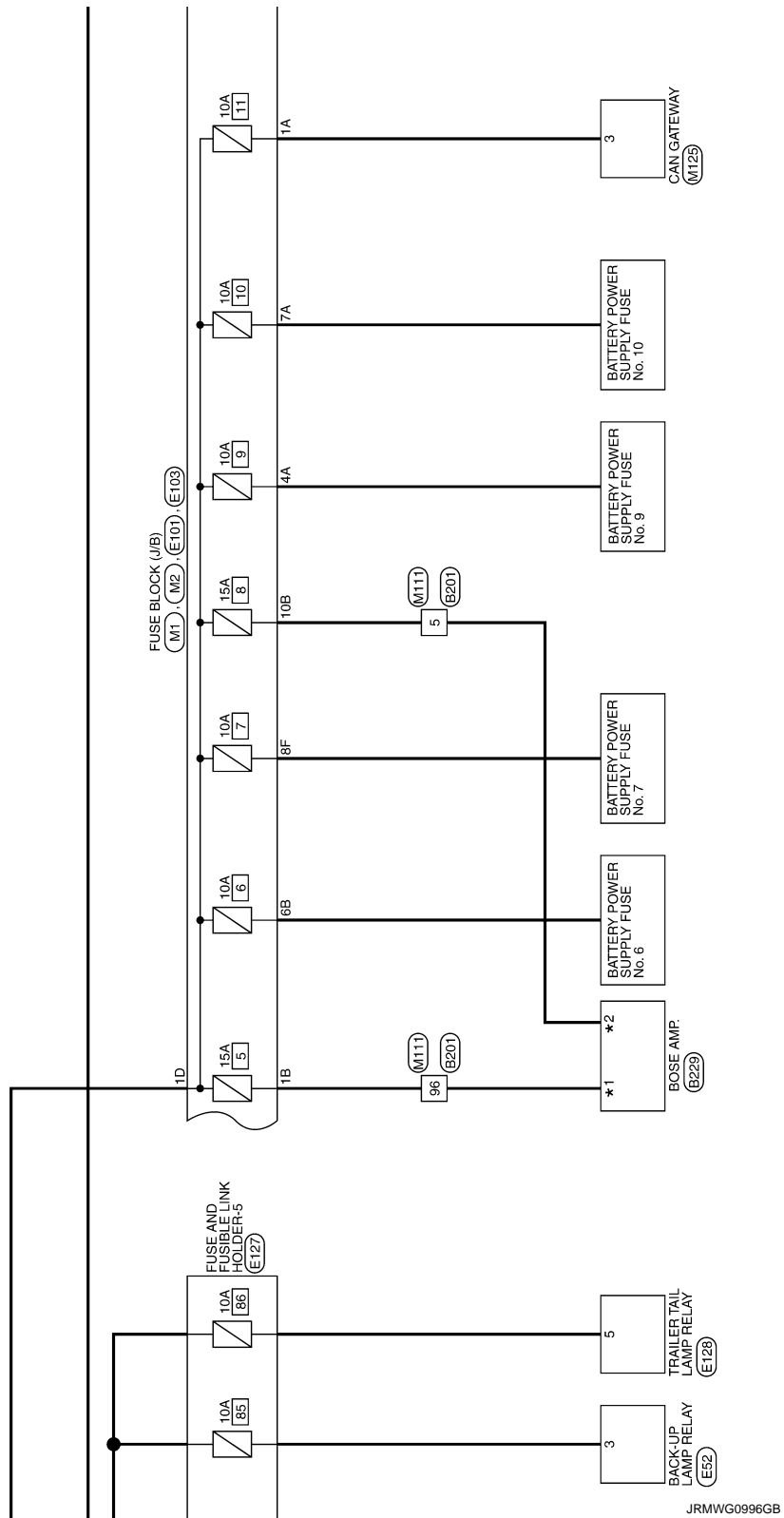
POWER SUPPLY ROUTING CIRCUIT

< WIRING DIAGRAM >



POWER SUPPLY ROUTING CIRCUIT

< WIRING DIAGRAM >

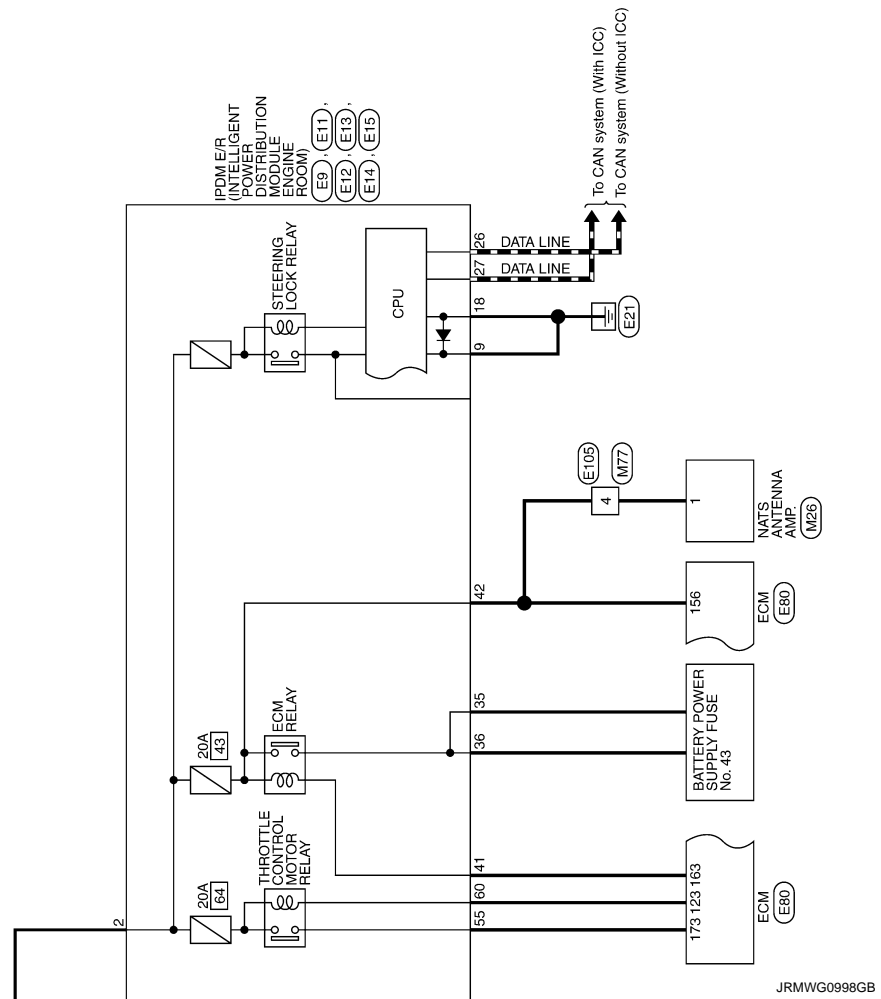


A
B
C
D
E
F
G
H
I
J
K
L
PG
N
O
P

JRMWG0996GB

POWER SUPPLY ROUTING CIRCUIT

< WIRING DIAGRAM >



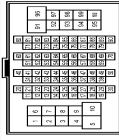
A
B
C
D
E
F
G
H
I
J
K
L
PG
N
O
P

POWER SUPPLY ROUTING CIRCUIT

< WIRING DIAGRAM >

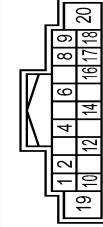
BATTERY POWER SUPPLY

Connector No.	B2
Connector Name	WIRE TO WIRE
Connector Type	TH80MW-CS16-TM4



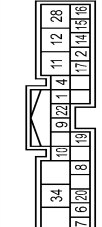
Terminal No.	Color Of Wire	Signal Name [Specification]
1	L	
2	BR	
3	R/W	
4	L	
5	V	
6	G	
7	W/B	
8	BR	
9	G/R	
10	B/Y	
11	W/R	
12	GR/R	
13	G/W	
14	V	
15	W/G	
16	B/W	
17	V	
18	G	
19	L/O	
20	Y	
21	O	
22	Y	
23	L/O	
24	Y/R	
25	L	
26	R	
27	G/Y	
28	B/SB	
29	LGR	
30	BR/W	
31	GR/R	
32	SB	
33	LG	
34	L	
35	P	
36	W/G	
37	O	

Connector No.	B9
Connector Name	PRE-CHARGE REL CONTROL UNIT (DRIVER SIDE)
Connector Type	TH18FW-CS2



Terminal No.	Color Of Wire	Signal Name [Specification]
1	Y	SIG BAT
2	G	OUT 1
3	P	CAN-L
4	LG/R	BUCKLE SW LH NO
5	G	LOCAL COMM 2
6	SHIELD	SHIELD GND
7	R	SENS POWER 1
8	B	OUT 2
9	L	CAN-H
10	W	LOCAL COMM 1
11	W	SENS GND 1
12	B	SIG GND
13	W	MOTOR BAT
14	B	MOTOR GND

Connector No.	B26
Connector Name	AUTOMATIC BACK DOOR CONTROL MODULE
Connector Type	TH40FW-TB6



Terminal No.	Color Of Wire	Signal Name [Specification]
1	L	BUZZER
2	Y/B	ABD SW
3	GR	ABD CLOSE SW
4	P	CAN-L
5	L	CAN-H

8	L/W	HALF LATCH SW
9	GR/L	IGN
10	Y	BAT
11	R	CLOSURE MTR (CLOSE)
12	R	CLOSURE MTR (OPEN)
13	G/W	TOUCH SENS LH
14	L/R	TOUCH SENS GND
15	LG	TOUCH SENS RH
16	L	MAIN SW
17	O	CLOSE SW
18	G/Y	OPEN SW
19	B	GND
20	R/W	BAT
21	B	GND
22	B	GND
23	B	GND
24	B	GND

Connector No.	BBD
Connector Name	REAR COMBINATION LAMP LH
Connector Type	INS04FW-CS



Terminal No.	Color Of Wire	Signal Name [Specification]
1	L/W	
2	R	
3	G	
4	B	

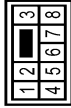
JRMWG0999GB

POWER SUPPLY ROUTING CIRCUIT

< WIRING DIAGRAM >

BATTERY POWER SUPPLY

Connector No.	B85
Connector Name	WIRE TO WIRE
Connector Type	NS08MW-CS



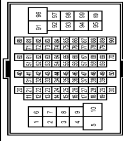
Terminal No.	Color Of Wire	Signal Name [Specification]
1	LG	-
2	G	-
3	W	-
4	R	-
5	W	-
6	L/Y	-
7	R	-
8	G/R	-

Connector No.	B81
Connector Name	RECLINING SWITCH LH
Connector Type	TK06FW-TV



Terminal No.	Color Of Wire	Signal Name [Specification]
1	G	DOWN
2	R/L	UP
3	Y	GND

Connector No.	B201
Connector Name	WIRE TO WIRE
Connector Type	TR80MW-CS (6-TM4)



Terminal No.	Color Of Wire	Signal Name [Specification]
1	R/B	-
2	G	-
3	W	-
4	W/B	-
5	L/Y	-
6	L/Y	-
7	R	-
8	G/R	-
9	GR/R	-
10	W	-
11	W	-
12	V	-
13	Y	-
14	L/O	-
15	GR/L	-
16	R/G	-
17	L/Y	-
18	G/Y	-
19	R	-
20	GR	-
21	L/W	-
22	W	-
23	R/L	-
24	Y/L	-
25	W/R	-
26	L/R	-
27	G	-
28	SHIELD	-
29	W/R	-
30	R	-
31	L	-
32	B/W	-
33	L	-
34	B/W	-
35	L	-
36	P	-
37	SHIELD	-
38	W/R	-
39	R	-
40	L	-
41	B/W	-
42	L	-
43	P	-
44	SHIELD	-
45	SHIELD	-
46	SHIELD	-

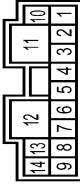
47	R	-
48	W	-
49	SHIELD	-
50	V	-
51	L/B	-
52	L/R	-
53	SR	-
54	Y/W	-
55	-	-
56	GR	-
57	P/L	-
58	R/Y	-
59	B/SB	-
60	B/R	-
61	O	-
62	W	-
63	SHIELD	-
64	B	-
65	R	-
66	G	-
67	Y	-
68	SE	-
69	LG	-
70	R/B	-
71	W/B	-
72	Y	-
73	L	-
74	L/R	-
75	R	-
76	W	-
77	SE	-
78	LG	-
79	R/B	-
80	W/B	-
81	Y	-
82	L	-
83	L/R	-
84	R	-
85	W	-
86	R	-
87	W	-
88	V	-
89	L/W	-
90	W	-

Connector No.	B205
Connector Name	WIRE TO WIRE
Connector Type	NS08MP-CS



Terminal No.	Color Of Wire	Signal Name [Specification]
1	W	-
2	G	-
3	L	-
4	R	-
5	L	-
6	L	-

Connector No.	B229
Connector Name	BOSE AMP.
Connector Type	ISCA2FBR-SU42



Terminal No.	Color Of Wire	Signal Name [Specification]
1	L/W	SOUND SIGNAL FRONT DOOR SPEAKER RH (+) [With 15-speakers]
2	R/B	SOUND SIGNAL FRONT DOOR SPEAKER LH (+) [With 13-speakers]
3	L	SOUND SIGNAL FRONT DOOR SPEAKER RH (-) [With 15-speakers]
4	W/B	SOUND SIGNAL FRONT DOOR SPEAKER LH (-) [With 13-speakers]
5	O	SOUND SIGNAL SQAWMER RH (+) [With 13-speakers]
6	W	SOUND SIGNAL WOOFER (+) [With 15-speakers]
7	L	SOUND SIGNAL SQAWMER RH (-) [With 13-speakers]
8	L	SOUND SIGNAL WOOFER (-) [With 15-speakers]
9	V	SOUND SIGNAL FRONT DOOR SPEAKER LH (+)
10	Y	SOUND SIGNAL FRONT DOOR SPEAKER LH (-)
11	B	GND
12	R	SOUND SIGNAL WOOFER (+)
13	L	SOUND SIGNAL WOOFER (-)
14	V	SOUND SIGNAL REAR DOOR SPEAKER RH (+) [With 15-speakers]
15	L	SOUND SIGNAL REAR DOOR SPEAKER RH (-) [With 15-speakers]

A
B
C
D
E
F
G
H
I
J
K
L
M
N
O
P

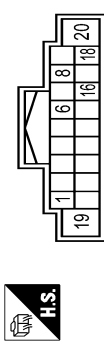
PG

POWER SUPPLY ROUTING CIRCUIT

< WIRING DIAGRAM >

BATTERY POWER SUPPLY

Connector No.	B231
Connector Name	PRE-CHARGE SEAT BELT CONTROL UNIT (PASSENGER SIDE)
Connector Type	TK08FW-CSZ



Terminal No.	Color Of Wire	Signal Name [Specification]
1	Y	SIG BAT
6	LG/B	BUCKLE SW RH NO
8	G	LOCAL COMM 2
16	W	LOCAL COMM 1
18	B	SIG GND
19	W	MOTOR BAT
20	B	MOTOR GND

Connector No.	B232
Connector Name	REAR COMBINATION LAMP RH
Connector Type	NS04FW-CS



Terminal No.	Color Of Wire	Signal Name [Specification]
1	L/W	-
2	R	-
3	G/Y	-
4	B	-

Connector No.	B233
Connector Name	FOLD DOWN SWITCH LH
Connector Type	TK08FW



Terminal No.	Color Of Wire	Signal Name [Specification]
1	G	DOWN
2	R/L	UP
3	Y	GND

Connector No.	B247
Connector Name	FOLD DOWN SWITCH RH
Connector Type	TK08FW-1V



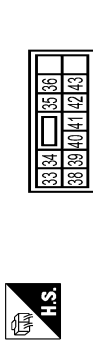
Terminal No.	Color Of Wire	Signal Name [Specification]
1	P	-
2	R/L	-
3	Y	-

Connector No.	B250
Connector Name	RECLINING SWITCH RH
Connector Type	TK08FW-1V



Terminal No.	Color Of Wire	Signal Name [Specification]
1	P	-
2	R/L	-
3	Y	-

Connector No.	B252
Connector Name	DRIVER SEAT CONTROL UNIT
Connector Type	NS12FW-CS



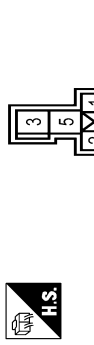
Terminal No.	Color Of Wire	Signal Name [Specification]
33	R	BAT
34	B	SLIDE MOTOR (BACKWARD)
35	G	RECLINER MOTOR (FORWARD)
36	L	FRONT LIFTER MOTOR (DOWNWARD)
38	GR	SLIDE MOTOR (FORWARD)
39	Y	RECLINER MOTOR (BACKWARD)
40	W	FRONT LIFTER MOTOR (UPWARD)
41	V	REAR LIFTER MOTOR (UPWARD)
42	P/B	REAR LIFTER MOTOR (DOWNWARD)
43	LG	GND

Connector No.	B457
Connector Name	LUMBAR SUPPORT SWITCH (DRIVER SIDE)
Connector Type	NS04FW-CS



Terminal No.	Color Of Wire	Signal Name [Specification]
33	R	-
43	LG	-
45	P	-
46	BR	-

Connector No.	B465
Connector Name	POWER UNLOCK RELAY LH
Connector Type	24342.41B7A



Terminal No.	Color Of Wire	Signal Name [Specification]
1	G	-
2	B	-
3	Y	-
5	R	-

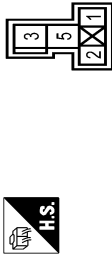
JRMWG1001GB

POWER SUPPLY ROUTING CIRCUIT

< WIRING DIAGRAM >

BATTERY POWER SUPPLY

Connector No.	B495
Connector Name	POWER UNLOCK RELAY RH
Connector Type	24342 41B7A



Terminal No.	Color Of Wire	Signal Name [Specification]
1	G	
2	B	
3	Y	
5	R	

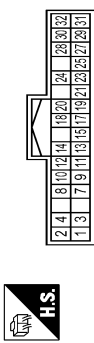
Connector No.	B554
Connector Name	HEADREST DISPLAY UNIT LH
Connector Type	TH32FW-NH



Terminal No.	Color Of Wire	Signal Name [Specification]
1	L	GND
2	V	BATTERY
4	L/R	BATTERY
10	L/B	LOCATION RECOMMENDATION SIGNAL FOR HEADREST DISPLAY UNIT LH
11	B	AV COMM (H)
12	G	AV COMM (H)
13	R	AV COMM (L)
14	W	AV COMM (L)
15	SHIELD	SHIELD
18	W/R	ACC SIGNAL
19	L/Y	COAT GND
20	W/L	IMAGE SWITCH SIGNAL
23	R/L	COMPOSITE IMAGE SIGNAL GND
24	Y	COMPOSITE IMAGE SIGNAL
25	SHIELD	SHIELD

27	R/W	AV GND
28	SHIELD	SHIELD
29	BR	HEADPHONE SOUND SIGNAL RH (-)
30	P	HEADPHONE SOUND SIGNAL RH (+)
31	LG	HEADPHONE SOUND SIGNAL LH (-)
32	SB	HEADPHONE SOUND SIGNAL LH (+)

Connector No.	B574
Connector Name	HEADREST DISPLAY UNIT RH
Connector Type	TH32FW-NH



Terminal No.	Color Of Wire	Signal Name [Specification]
1	L	GND
2	V	BATTERY
3	GR	GND
4	L/R	BATTERY
9	B/R	LOCATION RECOMMENDATION SIGNAL FOR HEADREST DISPLAY UNIT RH
11	B	AV COMM (H)
12	G	AV COMM (H)
13	R	AV COMM (L)
14	W	AV COMM (L)
15	SHIELD	SHIELD
18	W/R	ACC SIGNAL
19	L/Y	COAT GND
20	W/L	IMAGE SWITCH SIGNAL
23	R/L	COMPOSITE IMAGE SIGNAL GND
24	Y	COMPOSITE IMAGE SIGNAL
25	SHIELD	SHIELD
27	R/W	AV GND
28	SHIELD	SHIELD
29	BR	HEADPHONE SOUND SIGNAL RH (-)
30	P	HEADPHONE SOUND SIGNAL RH (+)
31	LG	HEADPHONE SOUND SIGNAL LH (-)
32	SB	HEADPHONE SOUND SIGNAL LH (+)

Connector No.	B583
Connector Name	UP RELAY 2 RH
Connector Type	MS03FB-M2



Terminal No.	Color Of Wire	Signal Name [Specification]
1	G	
2	B	
3	R	
4	W	

Connector No.	B595
Connector Name	DOWN RELAY 2 PH
Connector Type	MS03FB-M2



Terminal No.	Color Of Wire	Signal Name [Specification]
1	R/L	
2	B	
3	R	
4	P	

Connector No.	B583
Connector Name	UP RELAY 2 LH
Connector Type	MS03FB-M2



Terminal No.	Color Of Wire	Signal Name [Specification]
1	G	
2	B	
3	R	
4	W	

Connector No.	B595
Connector Name	DOWN RELAY 2 LH
Connector Type	MS03FB-M2



Terminal No.	Color Of Wire	Signal Name [Specification]
1	R/L	
2	B	
3	R	
4	P	

A
B
C
D
E
F
G
H
I
J
K
L
PG
N
O
P

POWER SUPPLY ROUTING CIRCUIT

< WIRING DIAGRAM >

BATTERY POWER SUPPLY

Connector No.	C18
Connector Name	EVAP CANISTER VENT CONTROL VALVE
Connector Type	ED2FB-RS



Terminal No.	Color Of Wire	Signal Name [Specification]
1	V	-
2	Y	-

Connector No.	D10
Connector Name	MOOD LAMP FRONT DOOR GRIP (DRIVER SIDE)
Connector Type	TK02FGY



Terminal No.	Color Of Wire	Signal Name [Specification]
1	L/O	-
2	B	-

Connector No.	D13
Connector Name	SEAT MEMORY SWITCH
Connector Type	A08FW



Terminal No.	Color Of Wire	Signal Name [Specification]
1	LG/B	-
2	P/L	-
3	V/W	-
4	B	-
5	LG	-
6	GR/R	-
7	Y/G	-

Connector No.	D30
Connector Name	MOOD LAMP FRONT DOOR GRIP PASSENGER SIDE
Connector Type	TK02FGY



Terminal No.	Color Of Wire	Signal Name [Specification]
1	L/O	-
2	B	-

Connector No.	D75
Connector Name	MOOD LAMP REAR DOOR GRIP (LH)
Connector Type	TK02FGY



Terminal No.	Color Of Wire	Signal Name [Specification]
1	L/O	-
2	B	-

Connector No.	D76
Connector Name	MOOD LAMP REAR DOOR GRIP (RH)
Connector Type	TK02FGY



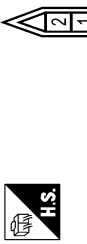
Terminal No.	Color Of Wire	Signal Name [Specification]
1	L	-
2	B	-

Connector No.	D117
Connector Name	TAIL LAMP RH (BACK DOOR SIDE)
Connector Type	TK02FB



Terminal No.	Color Of Wire	Signal Name [Specification]
1	L/W	-
2	B	-

Connector No.	D159
Connector Name	AUTOMATIC BACK DOOR WARNING BUZZER
Connector Type	RK02FBR



Terminal No.	Color Of Wire	Signal Name [Specification]
1	Y	-
2	L	-

JRMWG1003GB

POWER SUPPLY ROUTING CIRCUIT

< WIRING DIAGRAM >

BATTERY POWER SUPPLY

Connector No.	D167
Connector Name	LICENSE PLATE LAMP LH
Connector Type	TK0ZFBR

Terminal No.	Color Of Wire	Signal Name [Specification]
1	L	-
2	B	-

Connector No.	D168
Connector Name	LICENSE PLATE LAMP RH
Connector Type	TK0ZFBR

Terminal No.	Color Of Wire	Signal Name [Specification]
1	L/W	-
2	B	-

Connector No.	D169
Connector Name	TAIL LAMP LH (BACK DOOR SIDE)
Connector Type	LO2FB

Terminal No.	Color Of Wire	Signal Name [Specification]
1	L	-
2	B	-

Connector No.	E1
Connector Name	BATTERY TERMINAL WITH FUSIBLE LINK
Connector Type	LO2FGY-MC

Terminal No.	Color Of Wire	Signal Name [Specification]
3	Y	-
4	W	-

Connector No.	E2
Connector Name	BATTERY TERMINAL WITH FUSIBLE LINK
Connector Type	LO2FBR-MC-B

Terminal No.	Color Of Wire	Signal Name [Specification]
1	G	-
2	R	-

Connector No.	E3
Connector Name	BATTERY TERMINAL WITH FUSIBLE LINK
Connector Type	2434D EA000

Terminal No.	Color Of Wire	Signal Name [Specification]
6	W	-

Connector No.	E4
Connector Name	FUSE AND FUSIBLE LINK BLOCK
Connector Type	2438T 7990A

F	G	H	I
40	40	40	30
A	A	A	A

35	36	37	38
15	10	10	10
A	A	A	A

J	K	L	M
30	50	30	50
A	A	A	A

Terminal No.	Color Of Wire	Signal Name [Specification]
31	W/B	-
32	W	-
33	B/O	-
34	GR	-
35	Y/R	-
36	L/R	-
37	W	-
38	P	-
F	R	-
G	Y	-
H	L	-
I	Y/B	-
J	W/R	-
K	Y	-
L	G	-
M	W	-

Connector No.	E5
Connector Name	HORN RELAY
Connector Type	2438T 7990A

Terminal No.	Color Of Wire	Signal Name [Specification]
1	P/B	-
2	W/B	-
3	R	-

JRMWG1004GB

A
B
C
D
E
F
G
H
I
J
K
L
M
N
O
P

PG

POWER SUPPLY ROUTING CIRCUIT

< WIRING DIAGRAM >

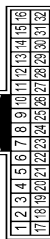
BATTERY POWER SUPPLY

Connector No.	E6
Connector Name	IGNITION RELAY
Connector Type	24347 9F900



Terminal No.	Color Of Wire	Signal Name [Specification]
1	SB	-
2	B	-
3	W	-
5	L	-

Connector No.	E7
Connector Name	WIRE TO WIRE
Connector Type	TH422MW-NH



Terminal No.	Color Of Wire	Signal Name [Specification]
1	W	-
2	G	-
3	L/O	-
4	LG	-
5	W/L	-
8	G/O	-
9	L/R	-
8	LG/R	-
14	R	-
16	SB	-
17	R/W	-
18	Y/G	-
19	BR/Y	-
20	P/B	-
21	R/B	-
22	Y	-

23	BR	-
24	P/L	-
29	P	-
30	BR	-
31	L	-
32	P	-

Connector No.	E9
Connector Name	ENGINE INTELLIGENT POWER DISTRIBUTION MODULE ENGINE ROOM
Connector Type	L02FB-MC



Terminal No.	Color Of Wire	Signal Name [Specification]
1	W	-
2	G	-

Connector No.	E10
Connector Name	ENGINE INTELLIGENT POWER DISTRIBUTION MODULE ENGINE ROOM
Connector Type	M06FW-LC



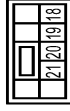
Terminal No.	Color Of Wire	Signal Name [Specification]
3	R	-
4	L	-
5	P/L	-
7	W/G	-
8	W	-

Connector No.	E11
Connector Name	ENGINE INTELLIGENT POWER DISTRIBUTION MODULE ENGINE ROOM
Connector Type	M06FB-LC



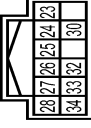
Terminal No.	Color Of Wire	Signal Name [Specification]
9	B	-
14	L	-

Connector No.	E12
Connector Name	ENGINE INTELLIGENT POWER DISTRIBUTION MODULE ENGINE ROOM
Connector Type	NS08FBR-CS



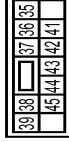
Terminal No.	Color Of Wire	Signal Name [Specification]
18	B	-
19	V	-
20	W	-
21	L	-

Connector No.	E13
Connector Name	ENGINE INTELLIGENT POWER DISTRIBUTION MODULE ENGINE ROOM
Connector Type	TH12FW-NH



Terminal No.	Color Of Wire	Signal Name [Specification]
23	GR/R	-
24	W/G	-
25	L/Y	-
26	P	-
27	L	-
28	V	-
30	R/W	-
32	LG	-
33	R	-
34	G	-

Connector No.	E14
Connector Name	ENGINE INTELLIGENT POWER DISTRIBUTION MODULE ENGINE ROOM
Connector Type	NS12FBR-CS



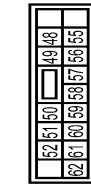
Terminal No.	Color Of Wire	Signal Name [Specification]
35	W	-
36	V	-
37	L	-
38	Y	-
39	L/B	-
41	L/G	-
42	L	-
43	LG	-
44	L/W	-
45	Y/R	-

POWER SUPPLY ROUTING CIRCUIT

< WIRING DIAGRAM >

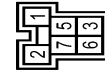
BATTERY POWER SUPPLY

Connector No.	E15
Connector Name	POWER/R INTELLIGENT POWER DISTRIBUTION MODULE ENGINE ROOM
Connector Type	NS16FW-CS



Terminal No.	Color Of Wire	Signal Name [Specification]
48	BR	-
49	R	-
50	LG/B	-
51	BR/Y	-
52	W	-
55	O	-
56	L	-
57	V	-
58	BR/R	-
59	W/B	-
60	V/R	-
61	W	-
62	SB	-

Connector No.	E18
Connector Name	CLIMATE CONTROLLED SEAT RELAY
Connector Type	M08FBR-R-LC



Terminal No.	Color Of Wire	Signal Name [Specification]
1	B	-
2	GR	-
3	L	-
5	LG	-
6	G	-
7	O	-

Connector No.	E25
Connector Name	INTELLIGENT KEY WARNING BUZZER
Connector Type	FR03FBR



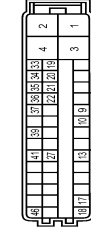
Terminal No.	Color Of Wire	Signal Name [Specification]
1	Y	-
3	GR/R	BUZZER SIGNAL

Connector No.	E30
Connector Name	FRONT FOG LAMP LH
Connector Type	FHZ02FB



Terminal No.	Color Of Wire	Signal Name [Specification]
1	W	-
2	B	-

Connector No.	E36
Connector Name	ABS ACTUATOR AND ELECTRIC UNIT (CONTROL UNIT)
Connector Type	SAZ02FB-S1Z4



Terminal No.	Color Of Wire	Signal Name [Specification]
1	G	BAT
2	B	GND
3	B	GND
4	W	MOTOR SUPPLY
9	R/B	YAW RATE / SBE / DECEL G SENSOR COMMUNICATION-H
10	P/B	YAW RATE / SBE / DECEL G SENSOR COMMUNICATION-L
13	GR	BRAKE FLUID LEVEL SW
17	L/R	STP2
18	W/B	IGN
19	O	DS FR
20	SB	DP FL
21	R/O	DS RR
22	V	DP RL
27	P	CAN-L
33	LG	DP FR
34	G	DS FL
35	BR	DP RR
36	P	DS RL
37	R	STP
39	L/W	VDC OFF SW
41	L	CAN-H
46	W	STOP LAMP SW ON

Connector No.	E37
Connector Name	ABS ACTUATOR AND ELECTRIC UNIT (CONTROL UNIT)
Connector Type	SAZ02FB-S1Z2



Terminal No.	Color Of Wire	Signal Name [Specification]
47	W	MTR POWER-2
48	B	GND-3
49	O	IGN-2

Connector No.	E48
Connector Name	FRONT FOG LAMP RH
Connector Type	FHZ02FB



Terminal No.	Color Of Wire	Signal Name [Specification]
1	V	-
2	B	-

A
B
C
D
E
F
G
H
I
J
K
L
N
O
P

PG

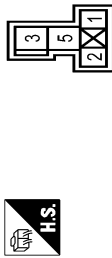
JRMWG1006GB

POWER SUPPLY ROUTING CIRCUIT

< WIRING DIAGRAM >

BATTERY POWER SUPPLY

Connector No.	E51
Connector Name	HEADLAMP WASHER RELAY
Connector Type	MS02FL-M2-LC



Terminal No.	Color Of Wire	Signal Name [Specification]
1	G	-
2	L	-
3	G	-
5	GR	-

Connector No.	E52
Connector Name	BACK-UP LAMP RELAY
Connector Type	M06FBR-R-LC



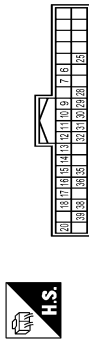
Terminal No.	Color Of Wire	Signal Name [Specification]
1	V	-
2	R	-
3	W/B	-
5	Y/L	-
6	V	-
7	R/Y	-

Connector No.	E58
Connector Name	STOP LAMP RELAY
Connector Type	MS02FL-M2-LC



Terminal No.	Color Of Wire	Signal Name [Specification]
1	W/B	-
2	W	-
3	L/B	-
5	R	-

Connector No.	E59
Connector Name	TRANSFER CONTROL UNIT
Connector Type	TH40FW-NH



Terminal No.	Color Of Wire	Signal Name [Specification]
6	BR	HI-LO POSITION SEN 1
7	Y	TRANSFER FLUID TEMP SEN PWR SUPPLY
9	G	INTERNAL SPEED SEN GND
10	Y/G	INTERNAL SPEED SEN IMP
11	V	4L SW
12	L	CAN-H
13	P	CAN-L
14	W/R	AUTO SW
15	P/B	ROTARY POSITION SEN PWM
16	LG	ROTARY POSITION SEN GND
17	W/L	LOCK POSITION SEN PWR SUPPLY
18	BR/Y	ROTARY POSITION SEN PWR SUPPLY
20	GR	TRANSFER O/PWR SUPPLY
25	P/L	HI-LO POSITION SEN 3
28	W	MOTOR TEMP SEN PWR SUPPLY
29	LG/R	HI-LO POSITION SEN 2

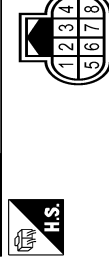
30	R/B	LOCK POSITION SEN GND
31	L/O	INTERNAL SPEED SEN DIR
32	BR/R	IGN
35	R	4H SW
36	L/R	TRANSFER FLUID TEMP SEN GND
38	G/O	LOCK POSITION SEN SIGNAL
39	R/W	INTERNAL SPEED SEN PWR SUPPLY

Connector No.	E60
Connector Name	TRANSFER CONTROL UNIT
Connector Type	M06FW-LC



Terminal No.	Color Of Wire	Signal Name [Specification]
41	W/R	MOTOR PWR SUPPLY
43	G/R	MOTOR DRIVE B
44	B	GND
45	G/Y	MOTOR DRIVE A
46	B	MOTOR GND

Connector No.	E61
Connector Name	WIRE TO WIRE
Connector Type	RH08ME



Terminal No.	Color Of Wire	Signal Name [Specification]
1	W	-
2	R	-
3	L/B	-
4	LG/R	-
5	W/G	-
7	V	-

8	B/R	-
---	-----	---



Terminal No.	Color Of Wire	Signal Name [Specification]
1	W	-
2	BR/Y	-
3	W	-
5	R	-

Connector No.	E64
Connector Name	ICC BRAKE HOLD RELAY
Connector Type	MS02FL-M2-LC



Terminal No.	Color Of Wire	Signal Name [Specification]
1	W/G	-
2	R	-
3	L/B	-
5	R	-

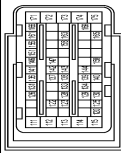
JRMWG1007GB

POWER SUPPLY ROUTING CIRCUIT

< WIRING DIAGRAM >

BATTERY POWER SUPPLY

Connector No.	E80
Connector Name	ECM
Connector Type	MA855FB-ME81D-LH



Terminal No.	Color Of Wire	Signal Name [Specification]
111	R	FUEL INJECTOR DRIVER POWER SUPPLY
112	SB	FUEL INJECTOR DRIVER POWER SUPPLY
113	G	ECM GROUND
114	B	ECM GROUND
115	B	ECM GROUND
120	Y	E/VP CANISTER VENT CONTROL VALVE
122	BR/W	VEIL ACTUATOR MOTOR RELAY (MASTER SIGNAL LEVEL CONTROL MODULE)
123	V/R	THROTTLE CONTROL MOTOR RELAY
125	GR	FUEL PUMP CONTROL MODULE (FPCM)
126	O	ACCELERATOR PEDAL POSITION SENSOR 2
128	Y	ASC/D/TCG STEERING SWITCH
129	P/L	SENSOR GROUND
130	R	SENSOR GROUND
131	L/W	SENSOR POWER SUPPLY
133	SB	SENSOR POWER SUPPLY
134	V/W	FUEL TEMPERATURE SENSOR
136	W/R	ACCELERATOR PEDAL POSITION SENSOR 1
137	W/G	SENSOR POWER SUPPLY
138	V	BATTERY CURRENT SENSOR
139	G	BATTERY TEMPERATURE SENSOR
140	R/Y	SENSOR GROUND
141	SB	IGNITION SWITCH
142	R/W	FUEL PUMP CONTROL MODULE (FPCM) CHECK
143	L/Y	E/VP CONTROL SYSTEM PRESSURE SENSOR
144	O/B	REFRIGERANT PRESSURE SENSOR
146	L	CAN COMMUNICATION LINE
147	G/Y	ASC/D/TCG BRAKE SWITCH
150	R	SENSOR GROUND
151	P	CAN COMMUNICATION LINE
156	L	POWER SUPPLY FOR ECM (BACK-UP)
158	W/B	STOP LAMP SWITCH
161	R/W	ENG COMMUNICATION LINE
163	L/G	ECM RELAY (SELF SHUT-OFF)
165	GR/R	ENG COMMUNICATION LINE
166	W	ENG COMMUNICATION LINE
169	G/B	ENGINE SPEED SIGNAL OUTPUT

171	W	POWER SUPPLY FOR ECM
172	W	POWER SUPPLY FOR ECM
173	O	THROTTLE CONTROL MOTOR POWER SUPPLY
174	B	ECM GROUND
175	B	ECM GROUND

Connector No.	E81
Connector Name	FUSIBLE LINK HOLDER-1
Connector Type	Z4380 JL00A

Terminal No.	Color Of Wire	Signal Name [Specification]
P	O	
50	B	
50	A	
50	A	

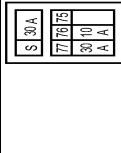
Terminal No.	Color Of Wire	Signal Name [Specification]
O	W	
P	L	

Connector No.	E82
Connector Name	FUSIBLE LINK HOLDER-2
Connector Type	Z4380 JL00A

Terminal No.	Color Of Wire	Signal Name [Specification]
P	O	
50	B	
50	A	
50	A	

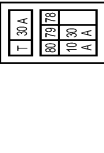
Terminal No.	Color Of Wire	Signal Name [Specification]
G	R	
R	L	
L	L	

Connector No.	E84
Connector Name	FUSE AND FUSIBLE LINK HOLDER-2
Connector Type	Z4380 CF000



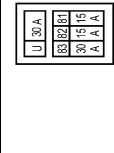
Terminal No.	Color Of Wire	Signal Name [Specification]
76	B/W	
77	W	
S	R	

Connector No.	E85
Connector Name	FUSE AND FUSIBLE LINK HOLDER-3
Connector Type	Z4380 CF000



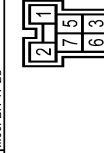
Terminal No.	Color Of Wire	Signal Name [Specification]
79	G/R	
80	L	
T	L	

Connector No.	E86
Connector Name	FUSE AND FUSIBLE LINK HOLDER-4
Connector Type	Z4380 CF000



Terminal No.	Color Of Wire	Signal Name [Specification]
81	LG	
82	O	
83	W	
U	G	

Connector No.	E89
Connector Name	DAYTIME RUNNING LIGHT RELAY
Connector Type	M06FB-R-LC



Terminal No.	Color Of Wire	Signal Name [Specification]
1	G	
2	V	
3	R	
6	W	
7	O	

A
B
C
D
E
F
G
H
I
J
K
L
PG
N
O
P

POWER SUPPLY ROUTING CIRCUIT

< WIRING DIAGRAM >

BATTERY POWER SUPPLY

Connector No.	E90
Connector Name	HEATED STEERING WHEEL RELAY
Connector Type	MS02EL-M2-LC



Terminal No.	Color Of Wire	Signal Name [Specification]
1	B/W	-
2	B/R	-
3	B/W	-
5	BR	-

Connector No.	E92
Connector Name	WIRE TO WIRE
Connector Type	NS08FW-CS



Terminal No.	Color Of Wire	Signal Name [Specification]
2	LG	-
3	G	-
5	W	-
8	R	-

Connector No.	E99
Connector Name	WIRE TO WIRE
Connector Type	NS08FW-CS



Terminal No.	Color Of Wire	Signal Name [Specification]
1	W	-
2	G	-
3	L	-
4	R	-
6	L/W	-

Connector No.	E101
Connector Name	FUSE BLOCK (J/B)
Connector Type	L01FW-MC



Terminal No.	Color Of Wire	Signal Name [Specification]
1D	R	-

Connector No.	E102
Connector Name	FUSE BLOCK (J/B)
Connector Type	M02FB-LC



Terminal No.	Color Of Wire	Signal Name [Specification]
1E	Y	-

Connector No.	E103
Connector Name	FUSE BLOCK (J/B)
Connector Type	NS18FW-CS



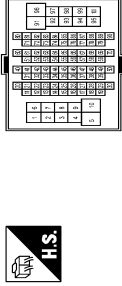
Terminal No.	Color Of Wire	Signal Name [Specification]
10F	G	-
14F	Y	-
15F	G	-
1F	W/B	-
2F	R	-
4F	G	-
6F	Y/G	-
8F	L/B	-
9F	Y	-

Connector No.	E104
Connector Name	FUSE BLOCK (J/B)
Connector Type	NS12FBR-CS



Terminal No.	Color Of Wire	Signal Name [Specification]
10G	G/R	-
11G	G/R	-
2G	GR	-
4G	L/W	-

Connector No.	E105
Connector Name	WIRE TO WIRE
Connector Type	TR80MW-CS16-TM4



Terminal No.	Color Of Wire	Signal Name [Specification]
1	L	-
2	L/W	-
3	R/B	-
4	-	-
5	Y	-
7	W/G	-
8	P/B	-
9	W/B	-
10	G	-
11	L	-
12	P	-
13	P/B	-
14	BR	-
15	L/B	-
16	SB	-
18	BR	-

POWER SUPPLY ROUTING CIRCUIT

< WIRING DIAGRAM >

BATTERY POWER SUPPLY

19	Y/G	-
20	BR/Y	-
21	Y/V	-
22	L	-
23	Y	-
24	L/W	-
28	O	-
38	B/W	-
39	L/B	-
39	Y	-
31	GR/R	-
34	Y	-
35	R	-
36	B/R	-
37	G/Y	-
38	G	-
40	SB	-
41	W/R	-
42	R	-
43	V	-
54	GR/L	-
91	BR	-
92	L/W	-
94	Y/B	-
95	G/R	-
97	R	-
98	G/B	-
100	W/R	-

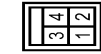
Connector No.	EI07
Connector Name	WIRE TO WIRE
Connector Type	TH80MW-CS16-TM4



Terminal No.	Color Of Wire	Signal Name [Specification]
1	L	-
4	V/W	-
5	G/R	-
6	P	-
9	GR/L	-
10	Y/R	-

11	L/R	-
12	W/G	-
13	BR/Y	-
14	LG	-
15	BR/W	-
16	B/Y	-
17	W/B	-
18	GR/R	-
20	W/R	-
21	B	-
22	R/L	-
23	G/R	-
24	R/W	-
25	W/L	-
26	R	-
27	L	-
28	G/B	-
35	G	-
36	Y	-
37	R	-
38	G/Y	-
39	O	-
40	W	-
41	R	-
42	B	-
43	G	-
44	SHIELD	-
46	B	-
47	W	-
48	SHIELD	-
49	W	-
50	SHIELD	-
52	GR	-
53	LG/B	-
54	LG/R	-
55	R/G	-
56	B/R	-
57	SB	-
80	Δ/R	-
91	G/R	-
92	GR	-
93	O	-
95	SB	-
96	G/R	-
97	GR/L	-
98	G/W	-
99	R/Y	-
100	L	-

Connector No.	EI15
Connector Name	STOP LAMP SWITCH
Connector Type	MA4FW-LC



Terminal No.	Color Of Wire	Signal Name [Specification]
1	L/B	-
2	R	-
3	G	-
4	L/R	-

Connector No.	EI16
Connector Name	AIR COMPRESSOR RELAY
Connector Type	Z4347 9F900



Terminal No.	Color Of Wire	Signal Name [Specification]
1	B	-
2	V	-
3	SB	-
5	Y/B	-

Connector No.	EI18
Connector Name	FRONT COMBINATION LAMP LH
Connector Type	RS08FB-PR



Terminal No.	Color Of Wire	Signal Name [Specification]
1	P	-
2	O	-
3	B	-
4	B	-
5	R	-
7	Y	-
8	LG	-

Connector No.	EI19
Connector Name	FRONT COMBINATION LAMP RH
Connector Type	RS08FB-PR



Terminal No.	Color Of Wire	Signal Name [Specification]
1	O	-
2	GR	-
3	B	-
4	B	-
5	W	-
7	R	-
8	L	-

A
B
C
D
E
F
G
H
I
J
K
L
N
O
P

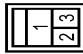

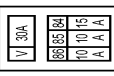

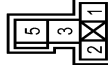

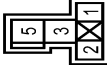

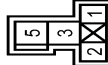

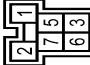

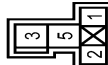



PG

JRMWG1010GB

POWER SUPPLY ROUTING CIRCUIT

< WIRING DIAGRAM >

BATTERY POWER SUPPLY

<table border="1"> <tr><td>Connector No.</td><td>E124</td></tr> <tr><td>Connector Name</td><td>VEHICLE SECURITY HORN RELAY</td></tr> <tr><td>Connector Type</td><td>M03FW-R-LC</td></tr> </table>  	Connector No.	E124	Connector Name	VEHICLE SECURITY HORN RELAY	Connector Type	M03FW-R-LC	<table border="1"> <tr><td>Terminal No.</td><td>1</td><td>2</td><td>3</td></tr> <tr><td>Color Of Wire</td><td>L/R</td><td>R</td><td>P/B</td></tr> <tr><td>Signal Name [Specification]</td><td>-</td><td>-</td><td>-</td></tr> </table>	Terminal No.	1	2	3	Color Of Wire	L/R	R	P/B	Signal Name [Specification]	-	-	-	<table border="1"> <tr><td>Connector No.</td><td>E127</td></tr> <tr><td>Connector Name</td><td>FUSE AND FUSIBLE LINK HOLDER-5</td></tr> <tr><td>Connector Type</td><td>24380 GFD00</td></tr> </table>  	Connector No.	E127	Connector Name	FUSE AND FUSIBLE LINK HOLDER-5	Connector Type	24380 GFD00	<table border="1"> <tr><td>Terminal No.</td><td>84</td><td>85</td><td>86</td><td>V</td></tr> <tr><td>Color Of Wire</td><td>L</td><td>W/B</td><td>BR</td><td>Y</td></tr> <tr><td>Signal Name [Specification]</td><td>-</td><td>-</td><td>-</td><td>-</td></tr> </table>	Terminal No.	84	85	86	V	Color Of Wire	L	W/B	BR	Y	Signal Name [Specification]	-	-	-	-									
Connector No.	E124																																																		
Connector Name	VEHICLE SECURITY HORN RELAY																																																		
Connector Type	M03FW-R-LC																																																		
Terminal No.	1	2	3																																																
Color Of Wire	L/R	R	P/B																																																
Signal Name [Specification]	-	-	-																																																
Connector No.	E127																																																		
Connector Name	FUSE AND FUSIBLE LINK HOLDER-5																																																		
Connector Type	24380 GFD00																																																		
Terminal No.	84	85	86	V																																															
Color Of Wire	L	W/B	BR	Y																																															
Signal Name [Specification]	-	-	-	-																																															
<table border="1"> <tr><td>Connector No.</td><td>E128</td></tr> <tr><td>Connector Name</td><td>TRAILER TAIL LAMP RELAY</td></tr> <tr><td>Connector Type</td><td>MS02FL-M2-LC</td></tr> </table>  	Connector No.	E128	Connector Name	TRAILER TAIL LAMP RELAY	Connector Type	MS02FL-M2-LC	<table border="1"> <tr><td>Terminal No.</td><td>1</td><td>2</td><td>3</td><td>5</td></tr> <tr><td>Color Of Wire</td><td>L/W</td><td>B</td><td>R/G</td><td>BR</td></tr> <tr><td>Signal Name [Specification]</td><td>-</td><td>-</td><td>-</td><td>-</td></tr> </table>	Terminal No.	1	2	3	5	Color Of Wire	L/W	B	R/G	BR	Signal Name [Specification]	-	-	-	-	<table border="1"> <tr><td>Connector No.</td><td>E129</td></tr> <tr><td>Connector Name</td><td>TRAILER TURN SIGNAL LAMP RELAY LH</td></tr> <tr><td>Connector Type</td><td>MS02FL-M2-LC</td></tr> </table>  	Connector No.	E129	Connector Name	TRAILER TURN SIGNAL LAMP RELAY LH	Connector Type	MS02FL-M2-LC	<table border="1"> <tr><td>Terminal No.</td><td>1</td><td>2</td><td>3</td><td>5</td></tr> <tr><td>Color Of Wire</td><td>G/B</td><td>L</td><td>L</td><td>G/W</td></tr> <tr><td>Signal Name [Specification]</td><td>-</td><td>-</td><td>-</td><td>-</td></tr> </table>	Terminal No.	1	2	3	5	Color Of Wire	G/B	L	L	G/W	Signal Name [Specification]	-	-	-	-						
Connector No.	E128																																																		
Connector Name	TRAILER TAIL LAMP RELAY																																																		
Connector Type	MS02FL-M2-LC																																																		
Terminal No.	1	2	3	5																																															
Color Of Wire	L/W	B	R/G	BR																																															
Signal Name [Specification]	-	-	-	-																																															
Connector No.	E129																																																		
Connector Name	TRAILER TURN SIGNAL LAMP RELAY LH																																																		
Connector Type	MS02FL-M2-LC																																																		
Terminal No.	1	2	3	5																																															
Color Of Wire	G/B	L	L	G/W																																															
Signal Name [Specification]	-	-	-	-																																															
<table border="1"> <tr><td>Connector No.</td><td>E130</td></tr> <tr><td>Connector Name</td><td>TRAILER TURN SIGNAL LAMP RELAY RH</td></tr> <tr><td>Connector Type</td><td>MS02FL-M2-LC</td></tr> </table>  	Connector No.	E130	Connector Name	TRAILER TURN SIGNAL LAMP RELAY RH	Connector Type	MS02FL-M2-LC	<table border="1"> <tr><td>Terminal No.</td><td>1</td><td>2</td><td>3</td><td>5</td></tr> <tr><td>Color Of Wire</td><td>Y/B</td><td>L</td><td>L</td><td>Y/G</td></tr> <tr><td>Signal Name [Specification]</td><td>-</td><td>-</td><td>-</td><td>-</td></tr> </table>	Terminal No.	1	2	3	5	Color Of Wire	Y/B	L	L	Y/G	Signal Name [Specification]	-	-	-	-	<table border="1"> <tr><td>Connector No.</td><td>E131</td></tr> <tr><td>Connector Name</td><td>TRAILER POWER RELAY</td></tr> <tr><td>Connector Type</td><td>M06FBR-R-LC</td></tr> </table>  	Connector No.	E131	Connector Name	TRAILER POWER RELAY	Connector Type	M06FBR-R-LC	<table border="1"> <tr><td>Terminal No.</td><td>1</td><td>2</td><td>3</td><td>5</td><td>6</td><td>7</td></tr> <tr><td>Color Of Wire</td><td>V</td><td>B</td><td>Y</td><td>R</td><td>Y</td><td>L/W</td></tr> <tr><td>Signal Name [Specification]</td><td>-</td><td>-</td><td>-</td><td>-</td><td>-</td><td>-</td></tr> </table>	Terminal No.	1	2	3	5	6	7	Color Of Wire	V	B	Y	R	Y	L/W	Signal Name [Specification]	-	-	-	-	-	-
Connector No.	E130																																																		
Connector Name	TRAILER TURN SIGNAL LAMP RELAY RH																																																		
Connector Type	MS02FL-M2-LC																																																		
Terminal No.	1	2	3	5																																															
Color Of Wire	Y/B	L	L	Y/G																																															
Signal Name [Specification]	-	-	-	-																																															
Connector No.	E131																																																		
Connector Name	TRAILER POWER RELAY																																																		
Connector Type	M06FBR-R-LC																																																		
Terminal No.	1	2	3	5	6	7																																													
Color Of Wire	V	B	Y	R	Y	L/W																																													
Signal Name [Specification]	-	-	-	-	-	-																																													
<table border="1"> <tr><td>Connector No.</td><td>E132</td></tr> <tr><td>Connector Name</td><td>INJECTOR RELAY</td></tr> <tr><td>Connector Type</td><td>MS02FL-M2-LC</td></tr> </table>  	Connector No.	E132	Connector Name	INJECTOR RELAY	Connector Type	MS02FL-M2-LC	<table border="1"> <tr><td>Terminal No.</td><td>1</td><td>2</td><td>3</td><td>5</td></tr> <tr><td>Color Of Wire</td><td>W</td><td>B</td><td>G</td><td>SB</td></tr> <tr><td>Signal Name [Specification]</td><td>-</td><td>-</td><td>-</td><td>-</td></tr> </table>	Terminal No.	1	2	3	5	Color Of Wire	W	B	G	SB	Signal Name [Specification]	-	-	-	-	<table border="1"> <tr><td>Connector No.</td><td>E133</td></tr> <tr><td>Connector Name</td><td>FUSE AND FUSIBLE LINK HOLDER-6</td></tr> <tr><td>Connector Type</td><td>24380 5P600</td></tr> </table>  	Connector No.	E133	Connector Name	FUSE AND FUSIBLE LINK HOLDER-6	Connector Type	24380 5P600	<table border="1"> <tr><td>Terminal No.</td><td>87</td><td>88</td><td>89</td><td>90</td></tr> <tr><td>Color Of Wire</td><td>15A</td><td>10A</td><td>10A</td><td>10A</td></tr> <tr><td>Signal Name [Specification]</td><td>-</td><td>-</td><td>-</td><td>-</td></tr> </table>	Terminal No.	87	88	89	90	Color Of Wire	15A	10A	10A	10A	Signal Name [Specification]	-	-	-	-						
Connector No.	E132																																																		
Connector Name	INJECTOR RELAY																																																		
Connector Type	MS02FL-M2-LC																																																		
Terminal No.	1	2	3	5																																															
Color Of Wire	W	B	G	SB																																															
Signal Name [Specification]	-	-	-	-																																															
Connector No.	E133																																																		
Connector Name	FUSE AND FUSIBLE LINK HOLDER-6																																																		
Connector Type	24380 5P600																																																		
Terminal No.	87	88	89	90																																															
Color Of Wire	15A	10A	10A	10A																																															
Signal Name [Specification]	-	-	-	-																																															

JRMWG1011GB

POWER SUPPLY ROUTING CIRCUIT

< WIRING DIAGRAM >

BATTERY POWER SUPPLY

Connector No.	E201
Connector Name	BATTERY TERMINAL WITH FUSIBLE LINK
Connector Type	24340 79906



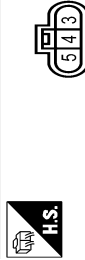
Terminal No.	5	B/R	
Color Of Wire			Signal Name [Specification]

Connector No.	E203
Connector Name	ALTERNATOR
Connector Type	24340 EG00A



Terminal No.	1	B/R	
Color Of Wire			Signal Name [Specification]

Connector No.	E205
Connector Name	ALTERNATOR
Connector Type	H50CFB



Terminal No.	3	L/B	
Color Of Wire			Signal Name [Specification]
Terminal No.	4	W	
Color Of Wire			
Terminal No.	5	R	
Color Of Wire			

Connector No.	E207
Connector Name	WIRE TO WIRE
Connector Type	FR06FB



Terminal No.	1	W	
Color Of Wire			Signal Name [Specification]
Terminal No.	2	R	
Color Of Wire			
Terminal No.	3	L/B	
Color Of Wire			
Terminal No.	4	L/Y	
Color Of Wire			
Terminal No.	5	W/G	
Color Of Wire			
Terminal No.	7	V	
Color Of Wire			
Terminal No.	8	B/W	
Color Of Wire			

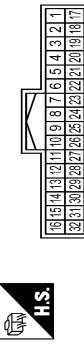
Connector No.	E213
Connector Name	ACCELERATOR PEDAL ACTUATOR/ACCELERATOR PEDAL POSITION SENSOR
Connector Type	FR12FB



Terminal No.	1	B/O	
Color Of Wire			BATTERY
Terminal No.	2	W/G	
Color Of Wire			IGNITION
Terminal No.	3	L	
Color Of Wire			ITS COMM-H
Terminal No.	4	W/G	
Color Of Wire			SENSOR POWER SUPPLY
Terminal No.	5	R/Y	
Color Of Wire			SENSOR GROUND
Terminal No.	6	W/R	
Color Of Wire			ACCELERATOR PEDAL POSITION SENSOR L

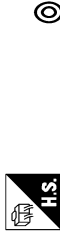
Terminal No.	7	B	
Color Of Wire			GROUND
Terminal No.	9	Y	
Color Of Wire			ITS COMM-L
Terminal No.	10	L/W	
Color Of Wire			SENSOR POWER SUPPLY
Terminal No.	11	P/L	
Color Of Wire			SENSOR GROUND
Terminal No.	12	O	
Color Of Wire			ACCELERATOR PEDAL POSITION SENSOR 2

Connector No.	F1
Connector Name	WIRE TO WIRE
Connector Type	TR32FN-NH



Terminal No.	1	W	
Color Of Wire			Signal Name [Specification]
Terminal No.	2	G	
Color Of Wire			
Terminal No.	3	L/O	
Color Of Wire			
Terminal No.	4	LG	
Color Of Wire			
Terminal No.	5	W/L	
Color Of Wire			
Terminal No.	6	G/O	
Color Of Wire			
Terminal No.	7	L/R	
Color Of Wire			
Terminal No.	8	LG/R	
Color Of Wire			
Terminal No.	14	R	
Color Of Wire			
Terminal No.	16	SB	
Color Of Wire			
Terminal No.	17	R/W	
Color Of Wire			
Terminal No.	18	Y/G	
Color Of Wire			
Terminal No.	19	BR/Y	
Color Of Wire			
Terminal No.	20	P/B	
Color Of Wire			
Terminal No.	21	R/B	
Color Of Wire			
Terminal No.	22	Y	
Color Of Wire			
Terminal No.	23	BR/W	
Color Of Wire			
Terminal No.	24	P/L	
Color Of Wire			
Terminal No.	28	P	
Color Of Wire			
Terminal No.	30	BR	
Color Of Wire			
Terminal No.	31	L	
Color Of Wire			
Terminal No.	32	P	
Color Of Wire			

Connector No.	F10
Connector Name	BATTERY TERMINAL WITH FUSIBLE LINK
Connector Type	24340 79907



Terminal No.	7	B/R	
Color Of Wire			Signal Name [Specification]

Connector No.	F31
Connector Name	MASS AIR FLOW SENSOR
Connector Type	FR06FB



Terminal No.	1	LG	
Color Of Wire			Signal Name [Specification]
Terminal No.	2	G/O	
Color Of Wire			
Terminal No.	3	BR/W	
Color Of Wire			
Terminal No.	4	LG	
Color Of Wire			
Terminal No.	5	GR	
Color Of Wire			

JRMWG1012GB

A
B
C
D
E
F
G
H
I
J
K
L
N
O
P

PG

POWER SUPPLY ROUTING CIRCUIT

< WIRING DIAGRAM >

BATTERY POWER SUPPLY

Connector No.	F47
Connector Name	INTAKE VALVE TRIMING CONTROL SOLENOID VALVE (BANK 1)
Connector Type	E02FG-RS



Terminal No.	Color Of Wire	Signal Name [Specification]
1	LG/B	-
2	V	-

Connector No.	F48
Connector Name	EVAP CANISTER PURGE VOLUME CONTROL SOLENOID VALVE
Connector Type	HS02FL



Terminal No.	Color Of Wire	Signal Name [Specification]
1	W	-
2	V/W	-

Connector No.	F51
Connector Name	A/T ASSEMBLY
Connector Type	RK1DFG



Terminal No.	Color Of Wire	Signal Name [Specification]
1	V	IGNITION POWER SUPPLY
2	P	BATTERY POWER SUPPLY
3	L	CAN-H
4	SB	K-LINE
5	B	GROUND
6	V	IGNITION POWER SUPPLY
7	R	BACK-UP LAMP RELAY
8	P	CAN-L
9	BR	STARTER RELAY
10	B	GROUND

Connector No.	F56
Connector Name	VVEL CONTROL MODULE
Connector Type	RH18FB-AJZE-RH-S



Terminal No.	Color Of Wire	Signal Name [Specification]
1	R	VVEL ACTUATOR MOTOR POWER SUPPLY (BANK 2)
2	L/W	VVEL ACTUATOR MOTOR (HIGH LIFT) (BANK2)
3	W	VVEL CONTROL SHIF POSITION SENSOR 1 (BANK 1)
4	L/W	SENSOR GROUND
5	L/R	VVEL CONTROL SHIF POSITION SENSOR 1 (BANK 2)
6	R	SENSOR GROUND
7	B	SENSOR POWER SUPPLY
8	W/L	POWER SUPPLY FOR VVEL CONTROL MODULE
9	L	SENSOR POWER SUPPLY
11	W	ENG COMMUNICATION LINE

12	L/W	VVEL ACTUATOR MOTOR (HIGH LIFT) (BANK 1)
13	R	VVEL ACTUATOR MOTOR POWER SUPPLY (BANK 1)
14	B	VVEL CONTROL MODULE GROUND
15	L/B	VVEL ACTUATOR MOTOR (LOW LIFT) (BANK 2)
16	L/R	VVEL CONTROL SHIF POSITION SENSOR 2 (BANK 1)
17	O	SENSOR GROUND
18	W/L	VVEL CONTROL SHIF POSITION SENSOR 2 (BANK 2)
19	L	SENSOR GROUND
20	L/W	SENSOR POWER SUPPLY
21	EP/W	VVEL ACTUATOR MOTOR RELAY ASSET SIGNAL (ECM)
22	W	SENSOR POWER SUPPLY
23	BR/Y	VVEL CONTROL MOTOR RELAY
24	R/W	ENG COMMUNICATION LINE
25	L/B	VVEL ACTUATOR MOTOR (LOW LIFT) (BANK 1)

Connector No.	F57
Connector Name	STARTER MOTOR
Connector Type	E-BA506



Terminal No.	Color Of Wire	Signal Name [Specification]
2	B/R	-

Connector No.	F61
Connector Name	INTAKE VALVE TRIMING CONTROL SOLENOID VALVE (BANK 2)
Connector Type	E02FG-RS



Terminal No.	Color Of Wire	Signal Name [Specification]
2	V	-

Connector No.	F67
Connector Name	HEATED OXYGEN SENSOR 2 (BANK 1)
Connector Type	AFZ04FB



Terminal No.	Color Of Wire	Signal Name [Specification]
1	R	-
2	V	-
3	G	-
4	W/R	-

Connector No.	F68
Connector Name	HEATED OXYGEN SENSOR 2 (BANK 2)
Connector Type	AFZ04FB



Terminal No.	Color Of Wire	Signal Name [Specification]
1	R	-
2	V	-
3	L/R	-
4	L/W	-

JRMWG1013GB

POWER SUPPLY ROUTING CIRCUIT

< WIRING DIAGRAM >

BATTERY POWER SUPPLY

Connector No.	F212
Connector Name	FUEL RETURN VALVE
Connector Type	HS02FGY



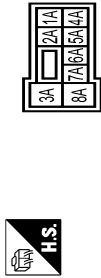
Terminal No.	Color Of Wire	Signal Name [Specification]
1	V	-
2	G	-

Connector No.	F301
Connector Name	TCM
Connector Type	SP10FG



Terminal No.	Color Of Wire	Signal Name [Specification]
1	-	IGNITION POWER SUPPLY
2	-	BATTERY POWER SUPPLY
3	-	IGN-H
4	-	K-LINE
5	-	GROUND
6	-	IGNITION POWER SUPPLY
7	-	BACK-UP LAMP RELAY
8	-	CAN-L
9	-	STARTER RELAY
10	-	GROUND

Connector No.	M1
Connector Name	FUSE BLOCK (J/B)
Connector Type	NS06FW-M2



Terminal No.	Color Of Wire	Signal Name [Specification]
1A	Y	-
2A	GR	-
3A	W	-
4A	Y/G	-
5A	V	-
6A	L/W	-
7A	LG	-
8A	W	-

Connector No.	M2
Connector Name	FUSE BLOCK (J/B)
Connector Type	NS10FW-CS



Terminal No.	Color Of Wire	Signal Name [Specification]
10B	W/B	-
11B	R	-
12B	R	-
13B	B	-
14B	BR	-
15B	Y	-
16B	L/O	-

Connector No.	M4
Connector Name	DATA LINK CONNECTOR
Connector Type	BD16FW



Terminal No.	Color Of Wire	Signal Name [Specification]
3	LG	-
4	B	-
5	B	-
6	L	-
7	SB	-
8	GR	-
11	SB	-
12	R	-
13	L	-
14	P	-
16	Y	-

Connector No.	M6
Connector Name	HEADLAMP AIMING SWITCH
Connector Type	AQ4FW



Terminal No.	Color Of Wire	Signal Name [Specification]
1	SB	-
2	B	-
3	L/O	-
4	B	-

Connector No.	M19
Connector Name	WIRE TO WIRE
Connector Type	TH80FW-CS16-TM4



Terminal No.	Color Of Wire	Signal Name [Specification]
2	L	-
3	BR	-
5	R/W	-
6	L	-
7	V	-
9	G	-
11	W/B	-
12	BR	-
13	G/R	-
14	B/Y	-
15	W/R	-
16	GR/R	-
18	G/W	-
19	V	-
20	W/G	-
21	B/W	-
22	V	-
24	G	-
25	O	-
26	Y	-
27	L	-
28	Y	-
29	L	-
30	R	-
31	G/Y	-
32	B/BB	-
33	LG/R	-
34	BR/W	-
35	GR/R	-
36	SB	-
37	LG	-
38	L	-
39	P	-
40	W/G	-
41	O	-
43	V/W	-

A
B
C
D
E
F
G
H
I
J
K
L
N
O
P

PG

POWER SUPPLY ROUTING CIRCUIT

< WIRING DIAGRAM >

BATTERY POWER SUPPLY

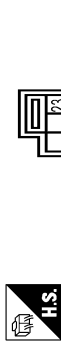
44	LG/B	-
46	B	-
47	BR/W	-
49	GR	-
50	R/B	-
51	W/R	-
52	BR/Y	-
53	O/B	-
54	G/O	-
55	R/B	-
56	LG/R	-
57	GR/R	-
58	Y/G	-
59	V/W	-
60	R	-
63	B	-
64	R	-
65	W	-
66	G	-
67	SHIELD	-
69	LG/B	-
70	P/L	-
71	L	-
72	R	-
77	Y/B	-
78	Y/L	-
79	Y	-
80	W/R	-
81	Y/L	-
84	L/O	-
86	O	-
87	W/R	-
88	O	-
89	W/L	-
90	GR/L	-
91	W	-
92	G	-
94	W/R	-
96	L/W	-
97	R	-
98	Y	-
99	L/W	-
100	P/B	-

Connector No.	M26
Connector Name	NAVS ANTENNA AMP.
Connector Type	TH4QFW-NH



Terminal No.	Color Of Wire	Signal Name [Specification]
1	L	BAT
2	P	CLK
3	LG/R	DATA
4	B	GND

Connector No.	M32
Connector Name	COMBINATION SWITCH (SPIRAL CABLE)
Connector Type	TK08FY-EX-1V



Terminal No.	Color Of Wire	Signal Name [Specification]
23	L/O	-
28	Y	-
30	Y/R	-

Connector No.	M34
Connector Name	COMBINATION METER
Connector Type	TH4DFW-NH



Terminal No.	Color Of Wire	Signal Name [Specification]
1	Y	BATTERY POWER SUPPLY
2	GR	IGNITION SIGNAL
3	B	GROUND
4	B	ILL GND
5	B	ILL CONTROL OUTPUT
6	GR	LED HEADLAMP (RH) WARNING SIGNAL
7	R	TOW MODE SIGNAL
8	P/L	TRIP RESET SWITCH SIGNAL
9	O	LED HEADLAMP (LH) WARNING SIGNAL
11	G	ENTER SWITCH SIGNAL
12	O	SELECT SWITCH SIGNAL
13	W/R	ILLUMINATION CONTROL SWITCH SIGNAL (+)
14	R	ILLUMINATION CONTROL SWITCH SIGNAL (-)
15	R/W	AIR BAG SIGNAL
18	W/R	AMBIENT SENSOR SIGNAL
19	V/W	A/C AUTO AMP CONNECTION RECOGNITION SIGNAL
20	B	AMBIENT SENSOR GROUND
21	L	CAN-H
22	P	CAN-L
23	B	GROUND
24	V	FUEL LEVEL SENSOR GROUND
25	O/L	ALTERNATOR SIGNAL
26	W	PARKING BRAKE SWITCH SIGNAL
28	GR/R	SECURITY SIGNAL
29	BR	WASHER LEVEL SWITCH SIGNAL
30	SR	VEHICLE SPEED SIGNAL (2-PULSE)
31	BR/W	VEHICLE SPEED SIGNAL (3-PULSE)
33	W	SHOW MODE SIGNAL
34	BR/Y	FUEL LEVEL SENSOR SIGNAL
35	O/B	SEAT BELT BUCKLE SWITCH SIGNAL (DRIVER SIDE)
36	G/Y	PASSENGER SEAT BELT WARNING SIGNAL
37	R/Y	NON-MANUAL MODE SIGNAL
38	L/W	MANUAL MODE SHIFT DOWN SIGNAL
39	Y/B	MANUAL MODE SHIFT UP SIGNAL
40	G/W	MANUAL MODE SIGNAL

Connector No.	M35
Connector Name	GLOVE BOX LAMP
Connector Type	AQ2FW



Terminal No.	Color Of Wire	Signal Name [Specification]
1	L/W	-
2	B	-

Connector No.	M38
Connector Name	CLIMATE CONTROLLED SEAT SWITCH (DRIVER SIDE)
Connector Type	TK10FW



Terminal No.	Color Of Wire	Signal Name [Specification]
1	LG/R	-
2	G/Y	-
3	B/SB	-
4	BR/W	-
5	GR/R	-
6	B	-
7	L/W	-
8	B/O	-

JRMWG1015GB

POWER SUPPLY ROUTING CIRCUIT

< WIRING DIAGRAM >

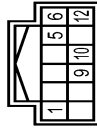
BATTERY POWER SUPPLY

Connector No.	M39
Connector Name	CLIMATE CONTROLLED SEAT SWITCH (PASSENGER SIDE)
Connector Type	TK08FBR



Terminal No.	Color Of Wire	Signal Name [Specification]
1	B/SB	-
2	GR	-
3	P/L	-
4	R/Y	-
5	BR	-
6	B	-
7	L/W	-
8	B/O	-

Connector No.	M41
Connector Name	REAR A/C CONTROL
Connector Type	TH12FW-NH



Terminal No.	Color Of Wire	Signal Name [Specification]
5	L/W	GND
6	B/O	ILL+
9	W	RR CONT FX
10	O/L	RR CONT FX
12	GR/L	IGN

Connector No.	M45
Connector Name	HAZARD SWITCH
Connector Type	TK04FW



Terminal No.	Color Of Wire	Signal Name [Specification]
1	B	-
2	W	-
3	L/O	-
4	B	-

Connector No.	M48
Connector Name	AROUND VIEW MONITOR CONTROL UNIT
Connector Type	TH40FW-NH



Terminal No.	Color Of Wire	Signal Name [Specification]
1	B	GND
2	Y/G	BATTERY POWER SUPPLY
3	GR/L	IGNITION SIGNAL
4	V	ACC POWER SUPPLY
19	SB	AV COMM (H)
20	LG	AV COMM (L)
25	P	REVERSE
27	L	CAN-H
28	R	CAN-L (Without ADAS)
28	Y	CAN-L (With ADAS)
30	LG	RETRACT MOTOR OPERATION SIGNAL (OPEN)
32	G/O	RETRACT MOTOR OPERATION SIGNAL (CLOSE)

Connector No.	M50
Connector Name	A/C AUTO AMP.
Connector Type	SAB40FW



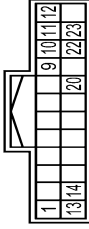
Terminal No.	Color Of Wire	Signal Name [Specification]
1	L	CAN-H
2	B	GROUND
3	Y/G	BATTERY POWER SUPPLY
4	V	ACC POWER SUPPLY
5	W	IGNIZER CONTROL SIGNAL
6	V/W	A/C AUTO AMP. CONNECTION RECOGNITION SIGNAL
7	W/R	AMBIENT SENSOR SIGNAL
8	GR/L	RR IN-VEHICLE SENSOR SIGNAL
9	BR	SUNLOAD SENSOR (DD) SIGNAL
10	V/W	EXHAUST GAS / OUTSIDE DOOR DETECTING SENSOR SIGNAL
11	W	COMM (A/C AUTO AMP. - RR A/C CONT)
14	O/L	FR BLOWER MOTOR CONTROL SIGNAL
16	R/G	EACH DOOR MOTOR LIN SIGNAL
17	L/Y	EACH DOOR MOTOR POWER SUPPLY
21	P	CAN-L
22	B	GROUND
23	GR/L	IGNITION POWER SUPPLY
25	R	-
26	B	SENSOR GROUND
27	GR	FR IN-VEHICLE SENSOR SIGNAL
28	R	INTAKE SENSOR SIGNAL
29	O	SUNLOAD SENSOR (PASS) SIGNAL
31	O/L	COMM (FR A/C CONT. - A/C AUTO AMP.)
34	L/O	RR BLOWER MOTOR CONTROL SIGNAL
37	B	GROUND
38	G/W	RR A/C RELAY CONTROL SIGNAL

Connector No.	M52
Connector Name	HEATED STEERING WHEEL SWITCH
Connector Type	NS06FW-CS



Terminal No.	Color Of Wire	Signal Name [Specification]
1	GR	-
2	B/O	-
3	L/W	-
4	B	-
5	BR	-
6	B	-

Connector No.	M54
Connector Name	4WD SWITCH ASSEMBLY
Connector Type	TH24FW-NH



Terminal No.	Color Of Wire	Signal Name [Specification]
1	L/W	VOC OFF SW
9	W/R	AUTO SW
10	R	4H SW
11	AG	4L SW
12	GR	IGN
13	L/W	LIGHT SW
14	B/O	ILL CONT
20	B	GND
22	W	SNOW SW
23	R	TOW

A
B
C
D
E
F
G
H
I
J
K
L
N
O
P

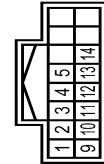


POWER SUPPLY ROUTING CIRCUIT

< WIRING DIAGRAM >

BATTERY POWER SUPPLY

Connector No.	M57
Connector Name	A/T SHIFT SELECTOR
Connector Type	TH16FW-NH



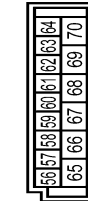
Terminal No.	Color Of Wire	Signal Name [Specification]
1	G/W	-
2	L/W	-
3	Y/B	-
4	B/SB	-
5	R/Y	-
9	L/W	-
10	B	-
11	L/R	-
12	B	-
13	R/B	-
14	G/Y	-

Connector No.	M64
Connector Name	CIRCUIT BREAKER
Connector Type	M02FW-P-1C



Terminal No.	Color Of Wire	Signal Name [Specification]
1	W	-
2	R/W	-

Connector No.	M70
Connector Name	BCM (BODY CONTROL MODULE)
Connector Type	FEA09FW-FHA6-SA



Terminal No.	Color Of Wire	Signal Name [Specification]
56	W/R	INT ROOM LAMP PWR SPLY
57	LG	BAT (F/USE)
58	R/W	SHOCK DETECT SENS
59	G	PASSENGER DOOR UNLK. OUTPUT
60	G	TURN SIG RH OUTPUT (SIDE, REAR)
61	G/Y	TURN SIG RH OUTPUT (SIDE, REAR)
62	R	STEP LAMP CONT
63	BR	ROOM LAMP TIMER CONT
64	GR/R	CRANKING REQUEST
65	R	ALL DOOR LOCK OUTPUT
66	V	DR DOOR FUEL LID UNLK OUTPUT
67	B	GND
68	Y	PW PWR SPLY (IGN)
69	W	PW PWR SPLY (BAT)
70	Y	BAT (F/L)

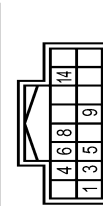
Connector No.	M71
Connector Name	BCM (BODY CONTROL MODULE)
Connector Type	TH40FW-NH



Terminal No.	Color Of Wire	Signal Name [Specification]
71	G/R	KYLS ENT RECEIVER COMM
72	P	PUDDLE LAMP CONT
73	W	ON IND
74	Y/B	TRAILER TURN SIG RH CONT
75	LG/R	DRIVER DOOR REQUEST SW

76	SB	PUSH SW
77	O/L	TRAILER TURN SIG LH CONT
78	P/B	DRIVER DOOR ANT+
79	V	DRIVER DOOR ANT-
80	LG/B	PASSENGER DOOR ANT+
81	Y/R	PASSENGER DOOR ANT-
82	W/G	BACK DOOR ANT+
83	R/W	BACK DOOR ANT-
84	BR	ROOM ANT+
85	Y	ROOM ANT1-
86	W	ROOM ANT2-
87	B	ROOM ANT2-
88	V	LAGGAGE ROOM ANT+
89	G	LAGGAGE ROOM ANT-
90	Y	PUSH-BTN IGN SW/ILL PWR
91	O	LOCK IND
92	L	LOW SIDE PUSH LED
93	GR/R	F-KEY WARM BUZZER
96	BR	ACC RELAY CONT
97	R/W	STARTER RELAY CONT
98	O	IGN RELAY (IPDM E/R) CONT
99	R	IGN RELAY (F/B) CONT
100	P/L	PASSENGER DOOR REQUEST SW
101	W/B	IGN PWR SPLY 2
102	BR	SHIFT N/P
104	R/B	A/T SHIFT SELECT PWR SPLY
105	O/L	STOP LAMP SW 2
106	Y/G	BLWR FAN MTR RELAY CONT
109	L/W	ACC IND
110	BR	RECEIVER PWR SPLY

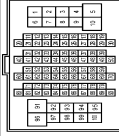
Connector No.	M72
Connector Name	MULTIFUNCTION SWITCH
Connector Type	TH16FW-NH



Terminal No.	Color Of Wire	Signal Name [Specification]
1	B	GND
3	V	ACC
4	L/W	ILL
5	B/O	ILL CONT

6	SB	AV COMM (H)
8	LG	AV COMM (L)
9	R/W	SW GND
14	W/B	DISK EJECT SIGNAL

Connector No.	M77
Connector Name	WIRE TO WIRE
Connector Type	TH80FW-CS16-TM4



Terminal No.	Color Of Wire	Signal Name [Specification]
1	W	-
2	L/W	-
3	R/B	-
4	L	-
5	Y	-
7	W/G	-
8	P/B	-
9	W/B	-
10	G	-
11	L	-
12	P	-
13	P/B	-
14	BR	-
15	O/L	-
16	SB	-
18	BR	-
19	Y/G	-
20	BR/Y	-
21	Y	-
22	Y	-
23	Y	-
24	L/W	-
28	O	-
29	R/W	-
30	O/L	-
31	Y	-
32	GR/R	-
34	Y	-
35	R	-
36	B/O	-

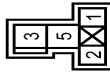
POWER SUPPLY ROUTING CIRCUIT

< WIRING DIAGRAM >

BATTERY POWER SUPPLY

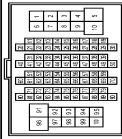
Terminal No.	Color Of Wire	Signal Name [Specification]
37	G/Y	-
38	G	-
40	SB	-
41	W/R	-
42	R	-
43	V	-
54	GR/L	-
91	BR	-
92	L/W	-
94	Y/B	-
95	L/R	-
97	R	-
98	O/L	-
100	W/B	-

Connector No.	Connector Name	Connector Type
M79	ACCESSORY RELAY (2)	MSDZPL-M2-LC



Terminal No.	Color Of Wire	Signal Name [Specification]
1	B	-
2	L/W	-
3	G	-
5	G	-

Connector No.	Connector Name	Connector Type
M82	WIRES TO WIRE	TH80FW-CST16-TM4



Terminal No.	Color Of Wire	Signal Name [Specification]
1	L	-
4	V/W	-
5	G/R	-
6	P	-
9	GR/L	-
10	Y/R	-
11	L/R	-
12	W/G	-
13	BR/Y	-
14	LG	-
15	BR/W	-
16	B/Y	-
17	W/B	-
18	GR/R	-
20	W/R	-
21	B	-
22	R/L	-
23	G/R	-
24	R/W	-
25	W/L	-
26	R	-
27	L	-
28	B/SB	-
36	Y	-
38	R	-
37	G/Y	-
38	O	-
39	O	-
40	W	-
41	R	-
42	B	-
43	G	-
44	SHIELD	-
46	B	-
47	W	-
48	SHIELD	-

Terminal No.	Color Of Wire	Signal Name [Specification]
49	W	-
50	SHIELD	-
52	GR	-
53	LG/B	-
54	LG/R	-
55	R/G	-
56	B/O	-
57	SB	-
66	Y	-
91	G/R	-
92	GR	-
93	O	-
95	SB	-
96	G/R	-
97	GR/L	-
98	G/W	-
99	P	-
100	L	-

Connector No.	Connector Name	Connector Type
M83	TRIP RESET AND ILLUMINATION CONTROL SWITCH	TH80FW-NH



Terminal No.	Color Of Wire	Signal Name [Specification]
1	L/O	-
2	B/O	ILLUMINATION +
3	W/R	ILLUMINATION GROUND
4	R	ILLUMINATION CONTROL +
5	P/L	ILLUMINATION CONTROL -
6	B	TRIP RESET SWITCH GROUND

Connector No.	Connector Name	Connector Type
M84	TRIP COMPUTER SWITCH	TH80FW-NH



Terminal No.	Color Of Wire	Signal Name [Specification]
1	L/O	-
2	B	ILLUMINATION +
3	G	ILLUMINATION GROUND
4	O	ENTER SWITCH
6	B	SELECT SWITCH GROUND

Connector No.	Connector Name	Connector Type
M82	OPTION CONNECTOR (1)	TH80MW-NH



Terminal No.	Color Of Wire	Signal Name [Specification]
1	Y	-
2	GR	-
3	W/R	-
6	Y/L	-
8	B	-

A
B
C
D
E
F
G
H
I
J
K
L
N
O
P

PG

POWER SUPPLY ROUTING CIRCUIT

< WIRING DIAGRAM >

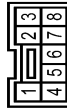
BATTERY POWER SUPPLY

Connector No.	M89
Connector Name	TCU
Connector Type	TH40FW-NH



Terminal No.	Color Of Wire	Signal Name [Specification]
1	Y/R	BAT
2	B	GND
3	BR	ACC
4	GR/L	IGN
5	V	ACC OUT
6	BR	-
7	B	GND
8	L	V-CAN H
9	L	V-CAN L
10	P	MICROPHONE VCC
11	Y/G	MICROPHONE SIGNAL
12	Y/L	MICROPHONE GND
13	Y	MICROPHONE VCC
14	BR	SOUND SIGNAL
15	SHIELD	MICROPHONE GND
16	G	SOS CALL SWITCH SIGNAL
17	O	SOS SWITCH LED SIGNAL

Connector No.	M101
Connector Name	PUSH-BUTTON IGNITION SWITCH
Connector Type	TK08FER



Terminal No.	Color Of Wire	Signal Name [Specification]
1	B	-
2	L	-
3	Y	-

4	SB	-
5	O	-
6	L/W	-
7	W	-
8	LG	-

Connector No.	M104
Connector Name	AUTOMATIC DRIVE POSITIONER CONTROL UNIT
Connector Type	MS06FW-CS



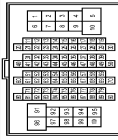
Terminal No.	Color Of Wire	Signal Name [Specification]
25	W/R	UPWARD
26	L	BACKWARD
27	P	STRG SENS VCC
28	G	DOWNWARD
29	W/B	UPWARD/FORWARD
30	B	GND

Connector No.	M110
Connector Name	AUTOMATIC BACK DOOR MAIN SWITCH
Connector Type	TK08FW



Terminal No.	Color Of Wire	Signal Name [Specification]
1	O	-
2	B	-
3	B	-
4	L/O	-

Connector No.	M111
Connector Name	WIRE TO WIRE
Connector Type	TH80FW-CS16-TM4



Terminal No.	Color Of Wire	Signal Name [Specification]
1	R/B	-
2	G	-
3	W/R	-
4	W/B	-
5	W/B	-
6	L/Y	-
7	R	-
8	G/R	-
9	GR/R	-
10	W	-
11	W	-
12	V	-
13	Y	-
14	L/O	-
15	GR/L	-
16	R/G	-
17	L/Y	-
18	G/Y	-
19	R	-
20	L/O	-
21	SB	-
22	R/L	-
23	Y/L	-
24	W/R	-
25	W/G	-
26	L/R	-
27	G	-
28	SHIELD	-
29	P/B	-
30	W/R	-
31	R	-
32	L/W	-
33	B/W	-
34	L	-
35	P	-
36	SHIELD	-
37	P/B	-
38	W/R	-
39	R	-
40	L/W	-
41	B/W	-
42	L	-
43	P	-
44	SHIELD	-
45	SHIELD	-
46	SHIELD	-

Connector No.	M115
Connector Name	CIRCUIT BREAKER
Connector Type	M02FW-P-LC



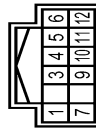
POWER SUPPLY ROUTING CIRCUIT

< WIRING DIAGRAM >

BATTERY POWER SUPPLY

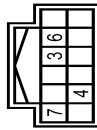
Terminal No.	Color Of Wire	Signal Name [Specification]
1	Y	-
2	W/R	-

Connector No.	Connector Name	Connector Type
M125	CAN GATEWAY	TH12FW-NH



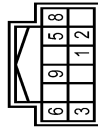
Terminal No.	Color Of Wire	Signal Name [Specification]
1	L	CAN-H
2	L	CAN-H
3	Y	BATTERY
4	L	CAN-H
5	B	GND
6	L	CAN-H
7	P	CAN-L
9	GR	IGNITION
10	R	CAN-L
11	B	GND
12	R	CAN-L

Connector No.	Connector Name	Connector Type
M126	TRIPLE SWITCH	TH12FL-NH



Terminal No.	Color Of Wire	Signal Name [Specification]
3	Y/B	-
4	B	-
6	L/O	-
7	B/O	-

Connector No.	Connector Name	Connector Type
M127	TWIN SWITCH	TH12FGY-NH



Terminal No.	Color Of Wire	Signal Name [Specification]
1	O	-
2	V/W	-
3	B	-
5	L/O	-
6	B/O	-
8	W/G	-
9	LG/B	-

Connector No.	Connector Name	Connector Type
M131	FRONT HEATED SEAT SWITCH (DRIVER SIDE)	NS00FW-CS



Terminal No.	Color Of Wire	Signal Name [Specification]
1	G/R	-
2	BR	-
3	BR	-
4	L/W	-
5	L/W	-
6	B/O	-

Connector No.	Connector Name	Connector Type
M132	FRONT HEATED SEAT SWITCH (PASSENGER SIDE)	NS00FBR-CS



Terminal No.	Color Of Wire	Signal Name [Specification]
1	G/R	-
2	L/Y	-
3	R/B	-
4	B	-
5	L/W	-
6	B/O	-

Connector No.	Connector Name	Connector Type
M133	SECOND HEATED SEAT SWITCH LH	NS00FW-CS



Terminal No.	Color Of Wire	Signal Name [Specification]
1	G/R	-
2	Y	-
3	L/W	-
4	B	-
5	L/W	-
6	B/O	-

Connector No.	Connector Name	Connector Type
M134	SECOND HEATED SEAT SWITCH RH	NS00FBR-CS



Terminal No.	Color Of Wire	Signal Name [Specification]
1	G/R	-
2	W	-
3	L/R	-
4	B	-
5	L/W	-
6	B/O	-

Connector No.	Connector Name	Connector Type
M136	CLOCK	TR04FW-NH



Terminal No.	Color Of Wire	Signal Name [Specification]
1	Y	BAT
2	B	GND
3	L/W	ILLUMINATION (+)
4	B/O	ILLUMINATION (-)

A
B
C
D
E
F
G
H
I
J
K
L
N
O
P

PG

JRMWG1020GB

POWER SUPPLY ROUTING CIRCUIT

< WIRING DIAGRAM >

BATTERY POWER SUPPLY

Connector No.	M137
Connector Name	SECOND SEAT POWER UNLOCK SWITCH LH
Connector Type	TK04FW



Terminal No.	Color Of Wire	Signal Name [Specification]
1	Y	
2	P/B	
3	L/W	
4	B	

Connector No.	M138
Connector Name	SECOND SEAT POWER UNLOCK SWITCH RH
Connector Type	TK04FW



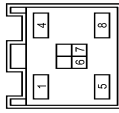
Terminal No.	Color Of Wire	Signal Name [Specification]
1	Y	
2	P/B	
3	L/W	
4	B	

Connector No.	M140
Connector Name	OPTION CONNECTOR (ELECTRIC BRAKE)
Connector Type	NS03FW-CS



Terminal No.	Color Of Wire	Signal Name [Specification]
1	B	
2	R	
3	L/W	
4	L/W	
5	R	

Connector No.	M143
Connector Name	INVERTER UNIT
Connector Type	AAFMFB-AHC4



Terminal No.	Color Of Wire	Signal Name [Specification]
1	R	AC 120 V OUTPUT
4	G/R	BATTERY POWER SUPPLY
5	G	AC 120 V OUTPUT
6	W	AC 120 V OUTPUT MAIN SWITCH
7	O	AC 120 V OUTLET MAIN SWITCH INDICATOR
8	B	GROUND

Connector No.	M144
Connector Name	AC 120V OUTLET MAIN SWITCH
Connector Type	TK05FW-1V



Terminal No.	Color Of Wire	Signal Name [Specification]
1	GR	
2	B	
3	W	
4	L/W	
5	O	
6	B	

Connector No.	M146
Connector Name	CONSOLE POWER SOCKET (CUP HOLDER)
Connector Type	NS03FW-CS



Terminal No.	Color Of Wire	Signal Name [Specification]
1	G	
2	L/W	
3	B	

Connector No.	M147
Connector Name	SHOW WIDE / TOW WIDE / JCB OFF SWITCH ASSEMBLY
Connector Type	TH24FW-NH



Terminal No.	Color Of Wire	Signal Name [Specification]
1	L/W	VDC OFF SW
12	GR	IGN
13	L/W	LIGHT SW
14	B/O	ILL CONT
20	B	GND
22	W	SNOW SW
23	R	TOW

Connector No.	M208
Connector Name	AV CONTROL UNIT
Connector Type	TH18FW-CSZ



Terminal No.	Color Of Wire	Signal Name [Specification]
1	W/B	BOSE AMP ON SIGNAL
2	L	SOUND SIGNAL FRONT LH (+)
3	P	SOUND SIGNAL FRONT LH (-)
4	V	SOUND SIGNAL REAR LH (+)
5	L/G	SOUND SIGNAL REAR LH (-)
6	Y/G	STRG SW A
7	V	ACC
10	SHIELD	SHIELD
11	Y/L	SOUND SIGNAL FRONT RH (+)
12	Y/G	SOUND SIGNAL FRONT RH (-)
13	O	SOUND SIGNAL REAR RH (+)
14	W	SOUND SIGNAL REAR RH (-)
15	B	STRG SW GND

JRMWG1021GB

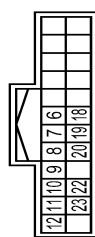
POWER SUPPLY ROUTING CIRCUIT

< WIRING DIAGRAM >

BATTERY POWER SUPPLY

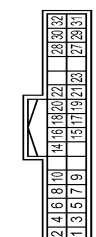
16	Y/L	STRG SW B
19	Y/R	BATTERY
20	B	GND

Connector No.	M215
Connector Name	FRONT DISPLAY UNIT
Connector Type	TH24FW-NH



Terminal No.	Color Of Wire	Signal Name [Specification]
6	SHIELD	SHIELD
7	SHIELD	SHIELD
8	W	GAMERA IMAGE SIGNAL
9	Y/L	COMM (DISP-CONT)
10	Y/G	COMM (CONT-DISP)
11	Y/R	BATTERY POWER SUPPLY
12	B	GND
18	R	COMPOSITE IMAGE SIGNAL
19	W	COMPOSITE IMAGE SIGNAL GND
20	W/B	COMPOSITE IMAGE SYNC SIGNAL
22	SHIELD	SHIELD
23	V	ACC POWER SUPPLY

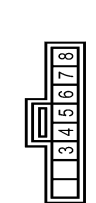
Connector No.	M217
Connector Name	VIDEO DISTRIBUTOR
Connector Type	TH22FW-NH



Terminal No.	Color Of Wire	Signal Name [Specification]
1	B	GND
2	Y/R	BATTERY
3	B	GND

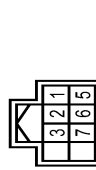
Terminal No.	Color Of Wire	Signal Name [Specification]
4	V	ACC
5	L/W	CONT. GND FOR HEADREST DISPLAY UNIT RH
6	L/W	ACC SIGNAL FOR HEADREST DISPLAY UNIT RH
7	W/R	CONT. GND FOR HEADREST DISPLAY UNIT LH
8	GR/R	ACC SIGNAL FOR HEADREST DISPLAY UNIT LH
9	O/B	IMAGE SWITCH SIGNAL FOR HEADREST DISPLAY UNIT RH
10	R/B	IMAGE SWITCH SIGNAL FOR HEADREST DISPLAY UNIT LH
14	B	HEADPHONE SOUND SIGNAL RH FOR HEADREST DISPLAY UNIT RH
15	G	HEADPHONE SOUND SIGNAL LH FOR HEADREST DISPLAY UNIT RH
16	W	HEADPHONE SOUND SIGNAL RH FOR HEADREST DISPLAY UNIT LH
17	R	HEADPHONE SOUND SIGNAL LH FOR HEADREST DISPLAY UNIT LH
18	P/L	AV GND FOR HEADREST DISPLAY UNIT RH
19	P	AV GND FOR HEADREST DISPLAY UNIT LH
20	B	HEADPHONE SOUND SIGNAL RH FOR HEADREST DISPLAY UNIT LH
21	G	HEADPHONE SOUND SIGNAL LH FOR HEADREST DISPLAY UNIT LH
22	W	HEADPHONE SOUND SIGNAL RH FOR HEADREST DISPLAY UNIT LH
23	R	HEADPHONE SOUND SIGNAL LH FOR HEADREST DISPLAY UNIT LH
27	W	COMPOSITE IMAGE SIGNAL FOR HEADREST DISPLAY UNIT RH
28	R	COMPOSITE IMAGE SIGNAL FOR HEADREST DISPLAY UNIT LH
29	SHIELD	SHIELD
30	SHIELD	SHIELD
31	Y/L	COMPOSITE IMAGE SIGNAL FOR HEADREST DISPLAY UNIT LH
32	Y/G	COMPOSITE IMAGE SIGNAL FOR HEADREST DISPLAY UNIT LH

Connector No.	R18
Connector Name	MAP LAMP
Connector Type	TK08FGY



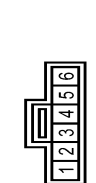
Terminal No.	Color Of Wire	Signal Name [Specification]
3	P	LED+
4	B	LED-
5	Y	DOOR SIG BYPASS
6	B	GND
7	BR	DOOR SIG
8	V	BAT

Connector No.	R28
Connector Name	TELEMATICS SWITCH
Connector Type	TH08FW-NH



Terminal No.	Color Of Wire	Signal Name [Specification]
1	V	ACC
2	BR	SOS SWITCH LED SIGNAL
3	G	SOS CALL SWITCH SIGNAL
5	SE	ILL
6	B	ILL CONT
7	B	GND

Connector No.	R29
Connector Name	MAP LAMP
Connector Type	TK08FGY



Terminal No.	Color Of Wire	Signal Name [Specification]
1	P	LED+
2	B	LED-
3	Y	DOOR SIG BYPASS
4	B	GND
5	BR	DOOR SIG
6	V	BAT

A
B
C
D
E
F
G
H
I
J
K
L
N
O
P

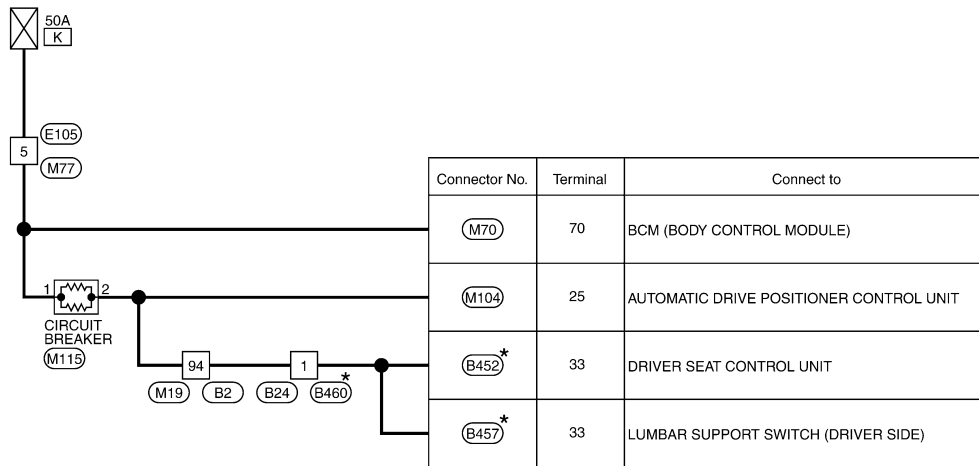
PG

POWER SUPPLY ROUTING CIRCUIT

< WIRING DIAGRAM >

Wiring Diagram - BATTERY POWER SUPPLY FUSIBLE LINK No. K - BATTERY POWER SUPPLY FUSIBLE LINK No. K

INFOID:000000010257871



* : This connector is not shown in "Harness Layout".

2014/07/11

JRMWG1023GB

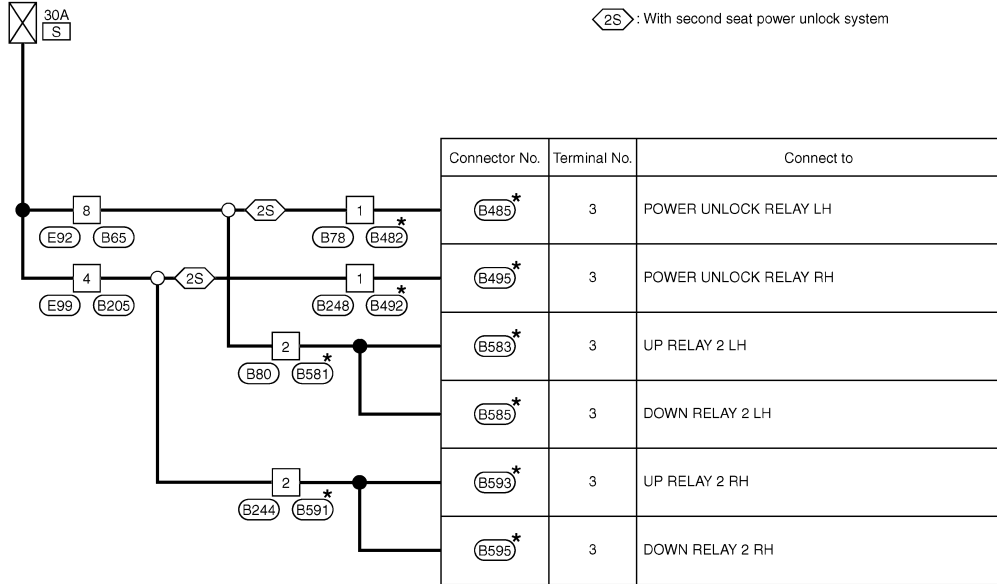
POWER SUPPLY ROUTING CIRCUIT

< WIRING DIAGRAM >

Wiring Diagram - BATTERY POWER SUPPLY FUSIBLE LINK No. S - BATTERY POWER SUPPLY FUSIBLE LINK No. S

INFOID:000000010257872

A
B
C
D
E
F
G
H
I
J
K
L
PG
N
O
P



*: This connector is not shown in "Harness Layout".

2010/05/13

JCMWM8369GB

POWER SUPPLY ROUTING CIRCUIT

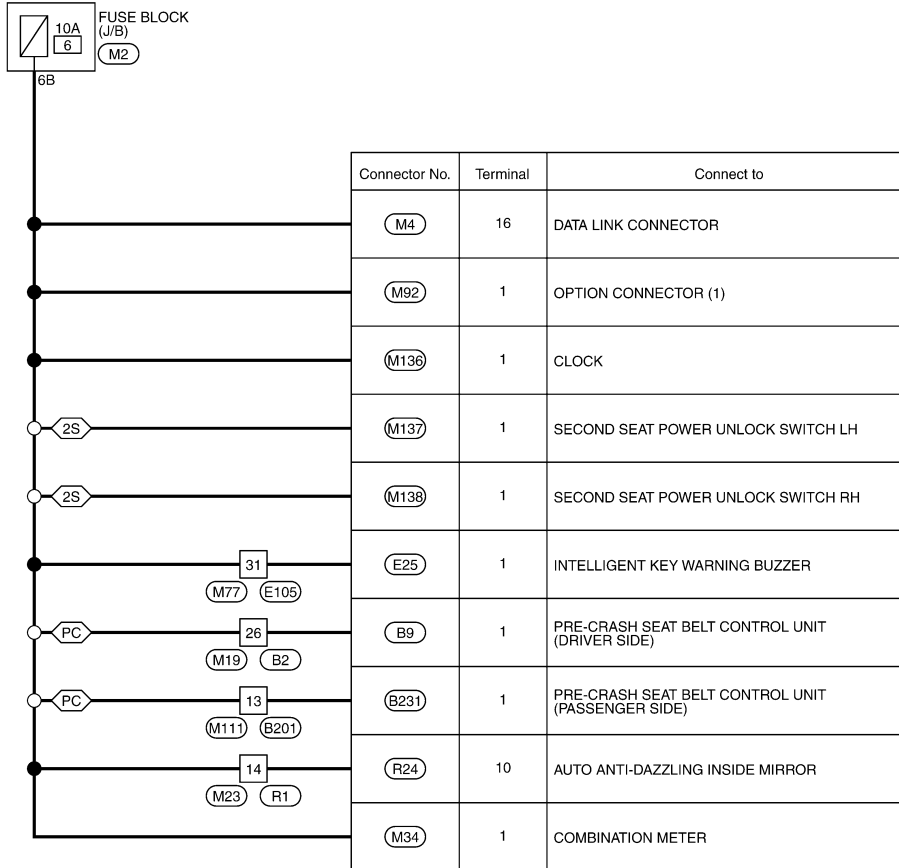
< WIRING DIAGRAM >

Wiring Diagram - BATTERY POWER SUPPLY FUSE No. 6 -

INFOID:000000010257873

BATTERY POWER SUPPLY FUSE No. 6

2S : With second seat power unlock system
 PC : With pre-crash seat belt



2014/07/11

JRMWG1024GB

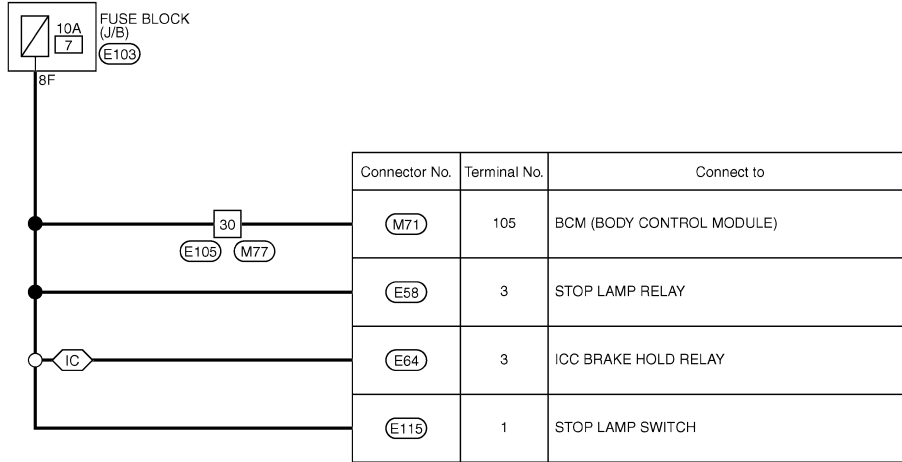
POWER SUPPLY ROUTING CIRCUIT

< WIRING DIAGRAM >

Wiring Diagram - BATTERY POWER SUPPLY FUSE No. 7 - BATTERY POWER SUPPLY FUSE No. 7

INFOID:000000010257874

<IC> : With ICC



2010/05/13

JCMWM8379GB

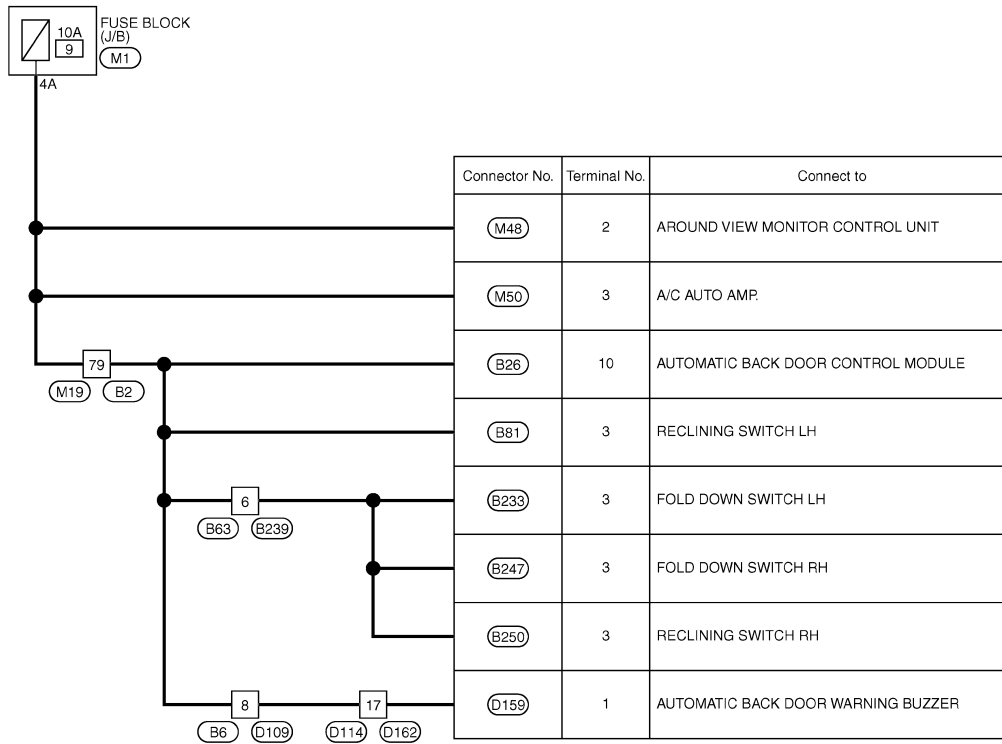
A
B
C
D
E
F
G
H
I
J
K
L
PG
N
O
P

POWER SUPPLY ROUTING CIRCUIT

< WIRING DIAGRAM >

Wiring Diagram - BATTERY POWER SUPPLY FUSE No. 9 - BATTERY POWER SUPPLY FUSE No. 9

INFOID:000000010257875



2010/05/13

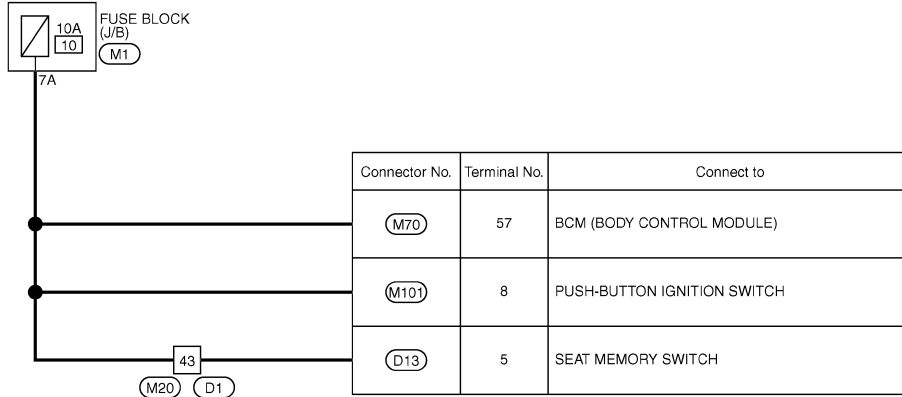
JCMWM8382GB

POWER SUPPLY ROUTING CIRCUIT

< WIRING DIAGRAM >

Wiring Diagram - BATTERY POWER SUPPLY FUSE No. 10 - BATTERY POWER SUPPLY FUSE No. 10

INFOID:000000010257876



A
B
C
D
E
F
G
H
I
J
K
L
PG
N
O
P

2010/05/13

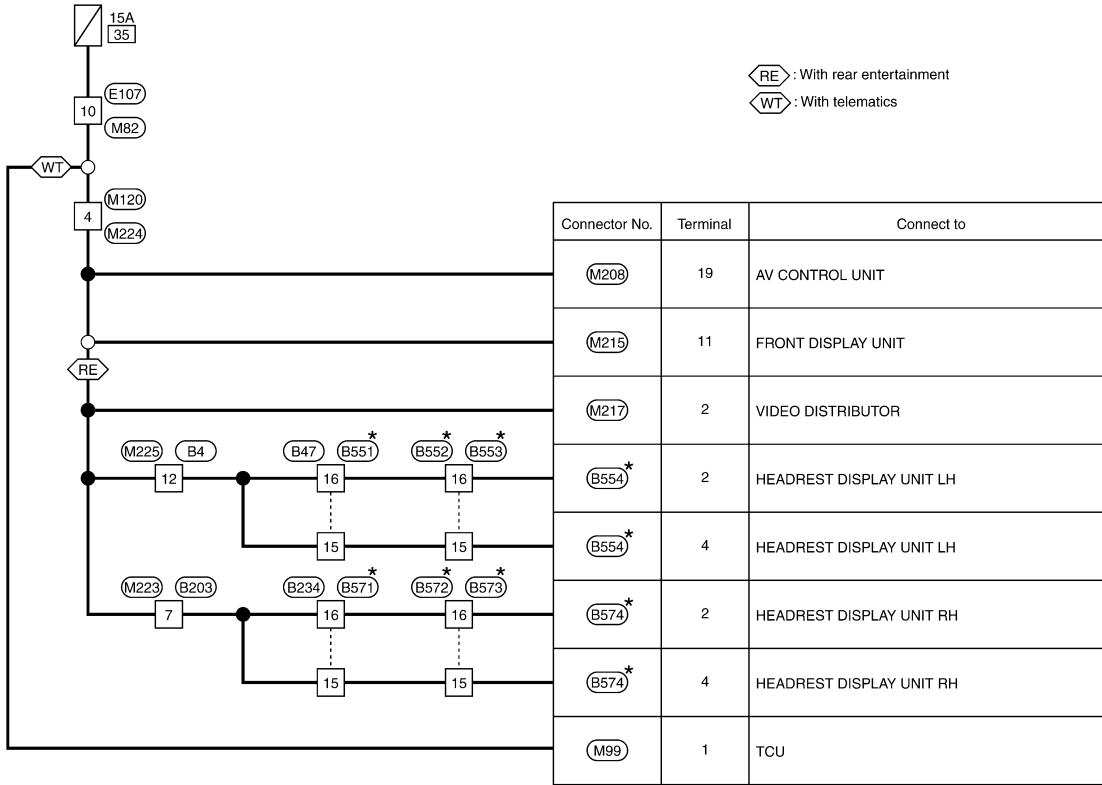
JCMWM8387GB

POWER SUPPLY ROUTING CIRCUIT

< WIRING DIAGRAM >

Wiring Diagram - BATTERY POWER SUPPLY FUSE No. 35 - BATTERY POWER SUPPLY FUSE No. 35

INFOID:000000010257877



* : This connector is not shown in "Harness Layout".

2014/07/11

JRMWG1025GB

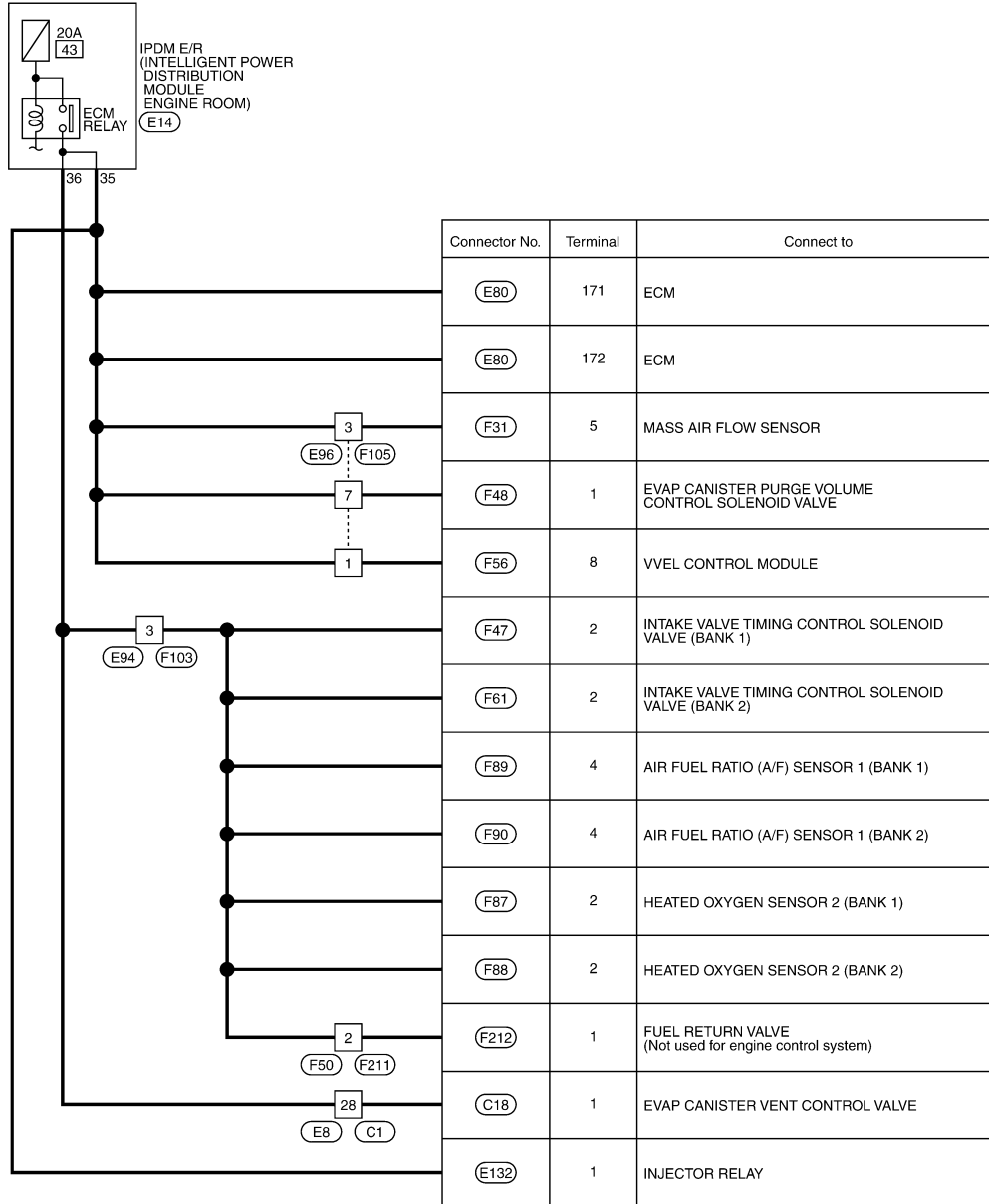
POWER SUPPLY ROUTING CIRCUIT

< WIRING DIAGRAM >

Wiring Diagram - BATTERY POWER SUPPLY FUSE No. 43 -

INFOID:000000010257878

BATTERY POWER SUPPLY FUSE No. 43



2014/07/11

JRMWG1026GB

A
B
C
D
E
F
G
H
I
J
K
L
M
N
O
P

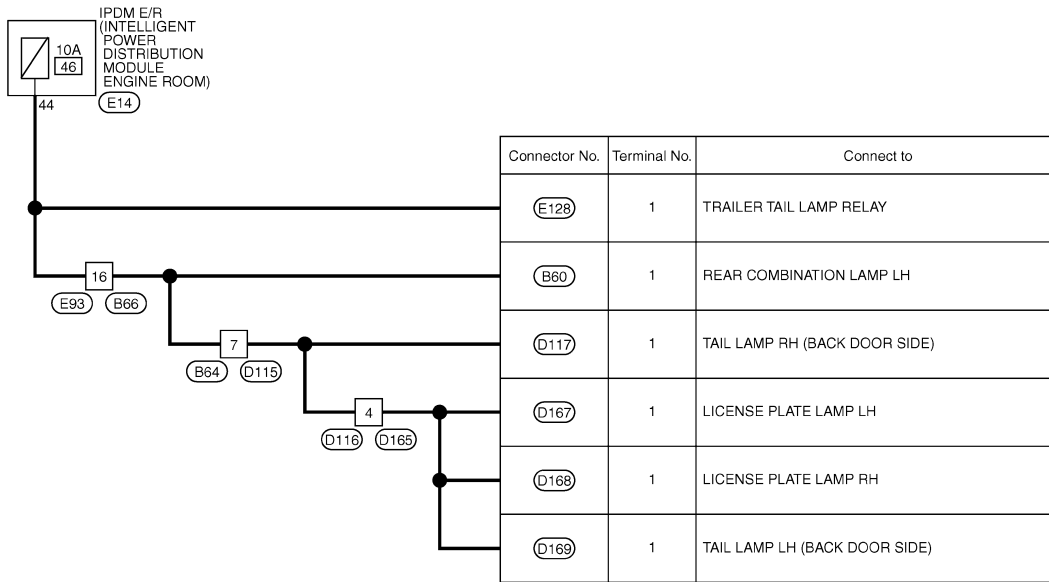
PG

POWER SUPPLY ROUTING CIRCUIT

< WIRING DIAGRAM >

Wiring Diagram - BATTERY POWER SUPPLY FUSE No. 46 - BATTERY POWER SUPPLY FUSE No. 46

INFOID:000000010257879



2010/05/13

JCMWM8400GB

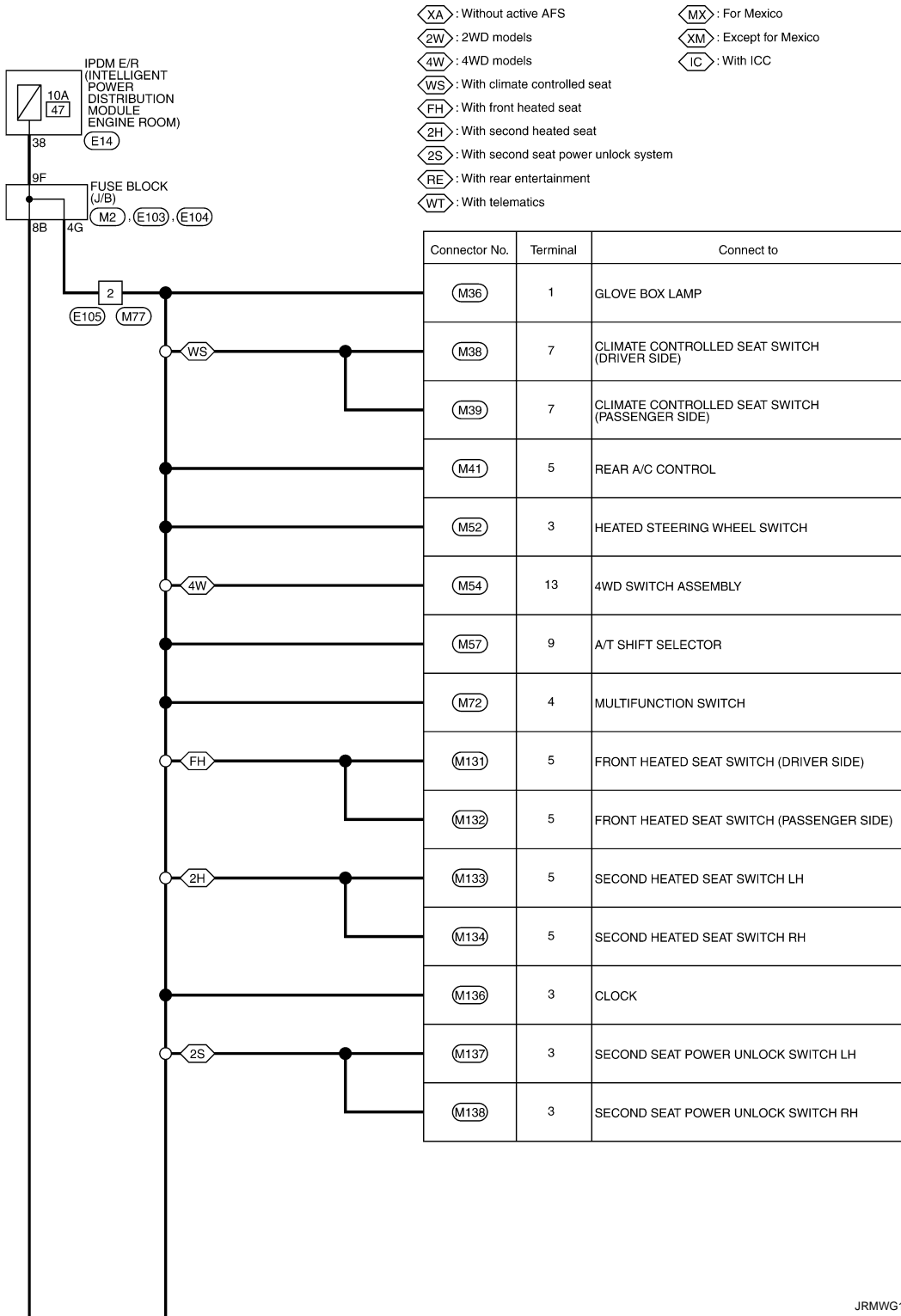
POWER SUPPLY ROUTING CIRCUIT

< WIRING DIAGRAM >

Wiring Diagram - BATTERY POWER SUPPLY FUSE No. 47 -

INFOID:000000010257880

BATTERY POWER SUPPLY FUSE No. 47



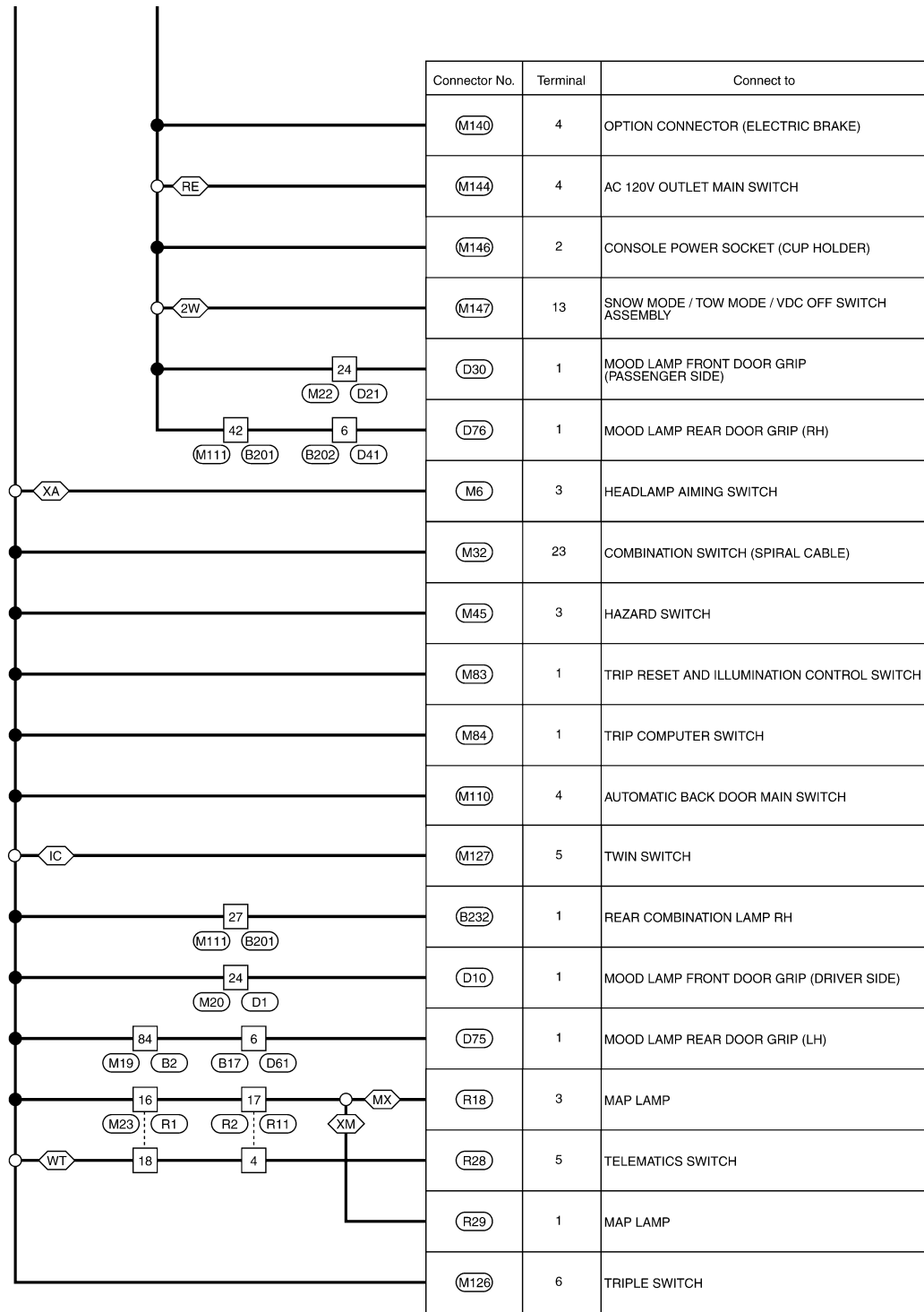
JRMWG1027GB

A
B
C
D
E
F
G
H
I
J
K
L
N
O
P

PG

POWER SUPPLY ROUTING CIRCUIT

< WIRING DIAGRAM >



2014/07/11

JRMWG1028GB

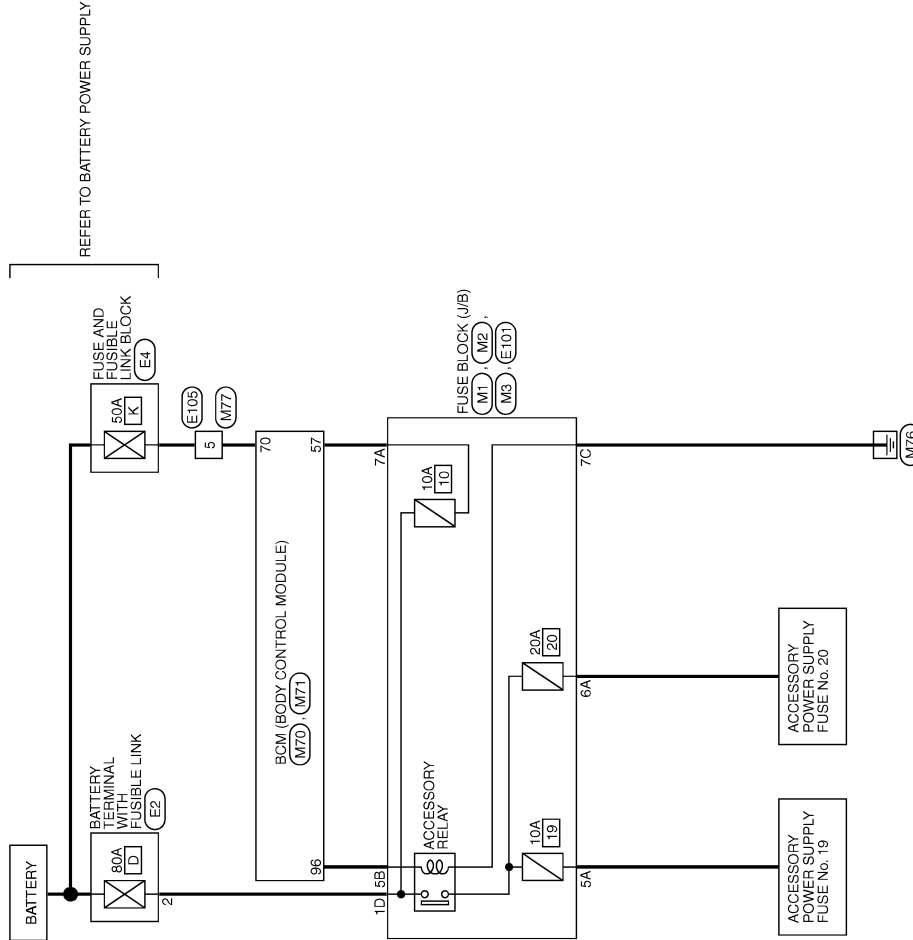
POWER SUPPLY ROUTING CIRCUIT

< WIRING DIAGRAM >

Wiring Diagram - ACCESSORY POWER SUPPLY -

INFOID:000000010257881

ACCESSORY POWER SUPPLY



REFER TO BATTERY POWER SUPPLY

A
B
C
D
E
F
G
H
I
J
K
L
PG
N
O
P

2012/08/21

JRMWD4330GB

POWER SUPPLY ROUTING CIRCUIT

< WIRING DIAGRAM >

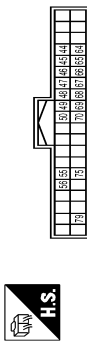
ACCESSORY POWER SUPPLY

Connector No.	B53
Connector Name	LUGGAGE ROOM POWER SOCKET
Connector Type	P02FB-Z



Terminal No.	Color Of Wire	Signal Name [Specification]
1	L/W	-
2	B	-

Connector No.	B260
Connector Name	BOSE AMP.
Connector Type	TH4DFW-NH



Terminal No.	Color Of Wire	Signal Name [Specification]
44	V	VOICE GUIDANCE SIGNAL (-)
45	P	SOUND SIGNAL FRONT LH (-)
46	Y/G	SOUND SIGNAL FRONT RH (-)
47	LG	SOUND SIGNAL REAR LH (-)
48	W	SOUND SIGNAL REAR RH (-)
49	P	SOUND SIGNAL CENTER SPEAKER (-)
50	W	SOUND SIGNAL WOOFER (-)
55	Y	AV COMM (L)
56	V	ACC
64	G	VOICE GUIDANCE SIGNAL (+)
65	L	SOUND SIGNAL FRONT LH (+)
66	Y/L	SOUND SIGNAL FRONT RH (+)
67	V	SOUND SIGNAL REAR LH (+)
68	O	SOUND SIGNAL REAR RH (+)
69	L	SOUND SIGNAL CENTER SPEAKER (+)
70	R	SOUND SIGNAL WOOFER (+)
75	BR	AV COMM (H)

79	S	SHIELD
----	---	--------

Connector No.	D80
Connector Name	POWER WINDOW MAIN SWITCH
Connector Type	TH12FW-NH



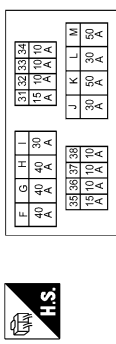
Terminal No.	Color Of Wire	Signal Name [Specification]
17	W/B	-
18	G/O	-
20	O	-
21	LG	-
22	V	-
23	BR	-
24	GR/R	-
25	O/L	-
26	Y/G	-
27	R/W	-
28	GR/B	-

Connector No.	E2
Connector Name	BATTERY TERMINAL WITH FUSIBLE LINK
Connector Type	L01FBR-MC-B



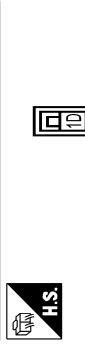
Terminal No.	Color Of Wire	Signal Name [Specification]
1	G	-
2	R	-

Connector No.	E4
Connector Name	FUSE AND FUSIBLE LINK BLOCK
Connector Type	24381.7890A



Terminal No.	Color Of Wire	Signal Name [Specification]
31	W/B	-
32	W	-
33	B/O	-
34	GR	-
35	Y/R	-
36	L/R	-
37	W	-
38	P	-
F	R	-
G	Y	-
H	L	-
I	Y/B	-
J	W/R	-
K	Y	-
L	G	-
M	W	-

Connector No.	E01
Connector Name	FUSE BLOCK (J/B)
Connector Type	L01FW-MC



Terminal No.	Color Of Wire	Signal Name [Specification]
ID	R	-

Connector No.	E105
Connector Name	WIRE TO WIRE
Connector Type	TH80MW-CS16-TM4



Terminal No.	Color Of Wire	Signal Name [Specification]
1	L	-
2	L/W	-
3	R/B	-
4	L	-
5	Y	-
7	W/G	-
8	P/B	-
9	W/B	-
10	G	-
11	L	-
12	P	-
13	P/B	-
14	BR	-
15	L/B	-
16	SB	-
18	BR	-
19	Y/G	-
20	BR/Y	-
21	Y/V	-
22	L	-
23	Y	-
24	L/W	-
28	O	-
29	R/W	-
30	L/B	-
31	Y	-
32	GR/R	-
34	Y	-
35	R	-
36	B/R	-
37	G/Y	-
38	G	-
40	SB	-
41	W/R	-
42	R	-

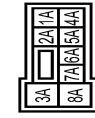
POWER SUPPLY ROUTING CIRCUIT

< WIRING DIAGRAM >

ACCESSORY POWER SUPPLY

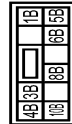
Terminal No.	Color Of Wire	Signal Name [Specification]
43	V	-
54	GR/L	-
91	BR	-
92	L/W	-
94	Y/B	-
95	G/R	-
97	R	-
98	G/B	-
100	W/R	-

Connector No.	M1
Connector Name	FUSE BLOCK (J/B)
Connector Type	INS05FW-M2



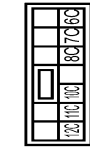
Terminal No.	Color Of Wire	Signal Name [Specification]
1A	Y	-
2A	GR	-
3A	W	-
4A	Y/G	-
5A	V	-
6A	L/W	-
7A	LG	-
8A	W	-

Connector No.	M2
Connector Name	FUSE BLOCK (J/B)
Connector Type	INS10FW-CS



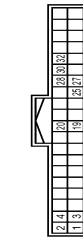
Terminal No.	Color Of Wire	Signal Name [Specification]
10B	W/B	-
1B	R	-
3B	R	-
4B	B	-
5B	BR	-
6B	Y	-
8B	L/O	-

Connector No.	M3
Connector Name	FUSE BLOCK (J/B)
Connector Type	INS12FW-CS



Terminal No.	Color Of Wire	Signal Name [Specification]
10C	GR	-
11C	R/L	-
12C	GR/L	-
8C	R	-
7C	B	-
8C	W	-

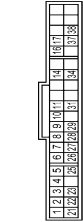
Connector No.	M48
Connector Name	AROUND VIEW MONITOR CONTROL UNIT
Connector Type	TH40FW-NH



Terminal No.	Color Of Wire	Signal Name [Specification]
1	B	GND
2	Y/G	BATTERY POWER SUPPLY
3	GR/L	IGNITION SIGNAL

Terminal No.	Color Of Wire	Signal Name [Specification]
4	V	ACC POWER SUPPLY
19	SB	AV COMM (H)
20	LG	AV COMM (L)
25	P	REVERSE
27	L	CAN-H
28	R	CAN-L [Without ADAS]
28	Y	CAN-L [With ADAS]
30	LG	RETRACT MOTOR OPERATION SIGNAL (GREEN)
32	G/O	RETRACT MOTOR OPERATION SIGNAL (CLOSE)

Connector No.	M50
Connector Name	A/C AUTO AMP
Connector Type	ISAB0FW



Terminal No.	Color Of Wire	Signal Name [Specification]
1	L	CAN-H
2	B	GROUND
3	Y/G	BATTERY POWER SUPPLY
4	V	ACC POWER SUPPLY
5	W	IONIZER CONTROL SIGNAL
6	V/W	A/C AUTO AMP CONNECTION RECOGNITION SIGNAL
7	W/R	AMBIENT SENSOR SIGNAL
8	GR/L	RR IN-VEHICLE SENSOR SIGNAL
9	BR	SUNLOAD SENSOR (DR) SIGNAL
10	V/W	SUNLOAD SENSOR (DR) SIGNAL
11	W	Extr cas - cruise robe detecting sensor signal
14	O/L	COMM (A/C AUTO AMP -RR A/C CONT)
16	R/G	FR BLOWER MOTOR CONTROL SIGNAL
19	L/Y	EACH DOOR MOTOR COG LUT SIGNAL
21	P	GAN-L
22	B	GROUND
23	GR/L	IGNITION POWER SUPPLY
25	R	-
26	B	SENSOR GROUND
27	GR	FR IN-VEHICLE SENSOR SIGNAL
28	R	INTAKE SENSOR SIGNAL
29	O	SUNLOAD SENSOR (PASS) SIGNAL
31	O/L	COMM (RR A/C CONT-A/C AUTO AMP)
34	L/O	RR BLOWER MOTOR CONTROL SIGNAL
37	B	GROUND

38	G/W	RR A/C RELAY CONTROL SIGNAL
----	-----	-----------------------------

Connector No.	M70
Connector Name	BCM (BODY CONTROL MODULE)
Connector Type	FE408FW-FH46-SA



Terminal No.	Color Of Wire	Signal Name [Specification]
56	W/R	INT ROOM LAMP PWR SPLY
57	LG	BAT (FUSE)
58	R/W	SHOCK DETECT SENS
59	G	PASSENGER DOOR UNLK OUTPUT
60	G	TURN SIG LH OUTPUT (SIDE REAR)
61	G/Y	TURN SIG RH OUTPUT (SIDE REAR)
62	R	STEP LAMP CONT
63	BR	ROOM LAMP TIMER CONT
64	GR/R	CRANKING REQUEST
65	R	ALL DOOR LOCK OUTPUT
66	V	DR DOOR FUEL LID UNLK OUTPUT
67	B	GND
68	Y	PW PWR SPLY (IGN)
69	W	PW PWR SPLY (BAT)
70	Y	BAT (F/L)

Connector No.	M71
Connector Name	BCM (BODY CONTROL MODULE)
Connector Type	TH40FW-NH



JRMWG1030GB

A
B
C
D
E
F
G
H
I
J
K
L
M
N
O
P

PG

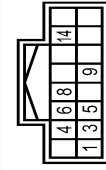
POWER SUPPLY ROUTING CIRCUIT

< WIRING DIAGRAM >

ACCESSORY POWER SUPPLY

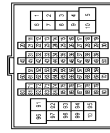
Terminal No.	Color Of Wire	Signal Name [Specification]
71	G/R	KYLS ENT RECEIVER COMM
72	P	PUDDLE LAMP CONT
73	W	ON IND.
74	Y/B	TRAILER TURN SIG RH CONT
75	LG/R	DRIVER DOOR REQUEST SW
76	SB	PUSH SW
77	O/L	TRAILER TURN SIG LH CONT
78	P/B	DRIVER DOOR ANT+
79	V	DRIVER DOOR ANT-
80	LG/B	PASSENGER DOOR ANT+
81	Y/R	PASSENGER DOOR ANT-
82	W/G	BACK DOOR ANT+
83	B/W	BACK DOOR ANT-
84	BR	ROOM ANT+
85	Y	ROOM ANT-
86	W	ROOM ANT2+
87	B	ROOM ANT2-
88	V	Luggage Room ANT+
89	G	Luggage Room ANT-
90	Y	PUSH-BTN IGN SW ILL PWR
91	O	LOCK IND
92	L	LOW SIDE PUSH LED
93	GR/R	I-KEY WARN BUZZER
96	BR	ACC RELAY CONT
97	R/W	STARTER RELAY CONT
98	O	IGN RELAY (PDM E/P) CONT
99	R	IGN RELAY (F/B) CONT
100	P/L	PASSENGER DOOR REQUEST SW
101	W/B	IGN PWR SPLY 2
102	BR	SHIFT N/P
104	R/B	A/T SHIFT SELECT PWR SPLY
105	O/L	STOP LAMP SW 2
106	Y/G	BLWR FAN MTR RELAY CONT
109	L/W	ACC IND
110	BR	RECEIVER PWR SPLY

Connector No.	M72
Connector Name	MULTIFUNCTION SWITCH
Connector Type	TH16FW-NH



Terminal No.	Color Of Wire	Signal Name [Specification]
1	B	GND
3	V	ACC
4	L/W	ILL
5	B/O	ILL CONT
6	SB	AV COMM (H)
8	LG	AV COMM (L)
9	R/W	SW GND
14	W/B	DISK EJECT SIGNAL

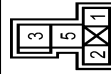
Connector No.	M77
Connector Name	WIRE TO WIRE
Connector Type	TH80FW-CS16-TM4



Terminal No.	Color Of Wire	Signal Name [Specification]
1	W	
2	L/W	
3	R/B	
4	L	
5	Y	
7	W/G	
8	P/B	
9	W/B	
10	G	
11	L	
12	P	
13	P/B	

14	BR	
15	O/L	
16	SB	
18	Y/G	
19	V	
20	BR/Y	
21	V	
22	L	
23	Y	
24	L/W	
24	O	
28	R/W	
30	O/L	
31	Y	
32	GR/R	
34	Y	
35	R	
36	B/O	
37	G/Y	
38	G	
40	SB	
41	W/R	
42	R	
43	V	
54	GR/L	
91	BR	
92	L/W	
94	Y/B	
95	L/R	
97	R	
98	O/L	
100	W/B	

Connector No.	M79
Connector Name	ACCESSORY RELAY (2)
Connector Type	MS02FL-M2-LG



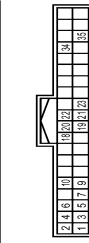
Terminal No.	Color Of Wire	Signal Name [Specification]
1	B	
2	L/W	
3	G	
5	G	

Connector No.	M89
Connector Name	FRONT POWER SOCKET
Connector Type	PQ2FB-Z



Terminal No.	Color Of Wire	Signal Name [Specification]
1	L/W	
2	B	

Connector No.	M89
Connector Name	TOU
Connector Type	TH40FW-NH



Terminal No.	Color Of Wire	Signal Name [Specification]
1	Y/R	BAT
2	B	GND
3	BR	ACC
4	GR/L	IGN
5	V	ACC OUT
6	BR	
7	B	GND
9	L	V-CAN H
10	P	V-CAN L
18	Y/G	MICROPHONE VCC

POWER SUPPLY ROUTING CIRCUIT

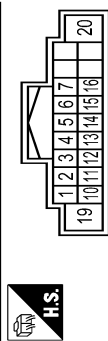
< WIRING DIAGRAM >

A
B
C
D
E
F
G
H
I
J
K
L
PG
N
O
P

ACCESSORY POWER SUPPLY

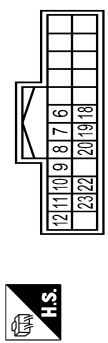
19	Y/L	MICROPHONE SIGNAL
20	SHIELD	MICROPHONE GND
21	Y	MICROPHONE VCC
22	BR	SOUND SIGNAL
23	SHIELD	MICROPHONE GND
34	G	SOS CALL SWITCH SIGNAL
35	O	SOS SWITCH LED SIGNAL

Connector No.	M208
Connector Name	AV CONTROL UNIT
Connector Type	TH18FW-CS2



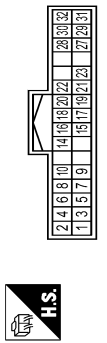
Terminal No.	Color Of Wire	Signal Name [Specification]
1	W/B	BOSE AMP. ON SIGNAL
2	L	SOUND SIGNAL FRONT LH (+)
3	P	SOUND SIGNAL FRONT LH (-)
4	V	SOUND SIGNAL REAR LH (+)
5	LG	SOUND SIGNAL REAR LH (-)
6	Y/G	STRG SW A
7	V	ACC
10	SHIELD	SHIELD
11	Y/L	SOUND SIGNAL FRONT RH (+)
12	Y/G	SOUND SIGNAL FRONT RH (-)
13	O	SOUND SIGNAL REAR RH (+)
14	W	SOUND SIGNAL REAR RH (-)
15	B	STRG SW B
16	Y/L	STRG SW B
18	Y/R	BATTERY
20	B	GND

Connector No.	M215
Connector Name	FRONT DISPLAY UNIT
Connector Type	TH42FW-NH



Terminal No.	Color Of Wire	Signal Name [Specification]
6	SHIELD	SHIELD
7	SHIELD	SHIELD
8	W	CAMERA IMAGE SIGNAL
9	Y/L	COMM (DISP-CONT)
10	Y/G	COMM (CONT-DISP)
11	Y/R	BATTERY POWER SUPPLY
12	B	GND
18	R	COMPOSITE IMAGE SIGNAL
19	W	COMPOSITE IMAGE SIGNAL GND
20	W/B	COMPOSITE IMAGE SYNC SIGNAL
22	SHIELD	SHIELD
23	V	ACC POWER SUPPLY

Connector No.	M217
Connector Name	VIDEO DISTRIBUTOR
Connector Type	TH43FW-NH



Terminal No.	Color Of Wire	Signal Name [Specification]
1	B	GND
2	Y/R	BATTERY
3	B	GND
4	V	ACC
5	V/W	CONT. GND FOR HEADREST DISPLAY UNIT RH
6	L/W	ACC SIGNAL FOR HEADREST DISPLAY UNIT RH
7	W/R	CONT. GND FOR HEADREST DISPLAY UNIT LH
8	GR/R	ACC SIGNAL FOR HEADREST DISPLAY UNIT LH

9	O/B	IMAGE SWITCH SIGNAL FOR HEADREST DISPLAY UNIT RH
10	R/B	IMAGE SWITCH SIGNAL FOR HEADREST DISPLAY UNIT LH
14	B	HEADPHONE SOUND SIGNAL (R/L) FOR HEADREST DISPLAY UNIT RH
15	G	HEADPHONE SOUND SIGNAL (R/L) FOR HEADREST DISPLAY UNIT RH
16	W	HEADPHONE SOUND SIGNAL (L/R) FOR HEADREST DISPLAY UNIT RH
17	R	HEADPHONE SOUND SIGNAL (L/R) FOR HEADREST DISPLAY UNIT RH
18	P/L	AV GND FOR HEADREST DISPLAY UNIT RH
19	P	AV GND FOR HEADREST DISPLAY UNIT LH
20	B	HEADPHONE SOUND SIGNAL (R/L) FOR HEADREST DISPLAY UNIT LH
21	G	HEADPHONE SOUND SIGNAL (R/L) FOR HEADREST DISPLAY UNIT LH
22	W	HEADPHONE SOUND SIGNAL (L/R) FOR HEADREST DISPLAY UNIT LH
23	R	HEADPHONE SOUND SIGNAL (L/R) FOR HEADREST DISPLAY UNIT LH
27	W	COMPOSITE IMAGE SIGNAL FOR HEADREST DISPLAY UNIT RH
28	R	COMPOSITE IMAGE SIGNAL FOR HEADREST DISPLAY UNIT RH
29	SHIELD	SHIELD
30	SHIELD	SHIELD
31	Y/L	COMPOSITE IMAGE SIGNAL FOR HEADREST DISPLAY UNIT LH
32	Y/G	COMPOSITE IMAGE SIGNAL FOR HEADREST DISPLAY UNIT LH

Connector No.	R28
Connector Name	TELEMATICS SWITCH
Connector Type	TH08FW-NH



Terminal No.	Color Of Wire	Signal Name [Specification]
1	V	ACC
2	BR	SOS SWITCH LED SIGNAL
3	G	SOS CALL SWITCH SIGNAL
5	SB	ILL
6	B	ILL CONT
7	B	GND

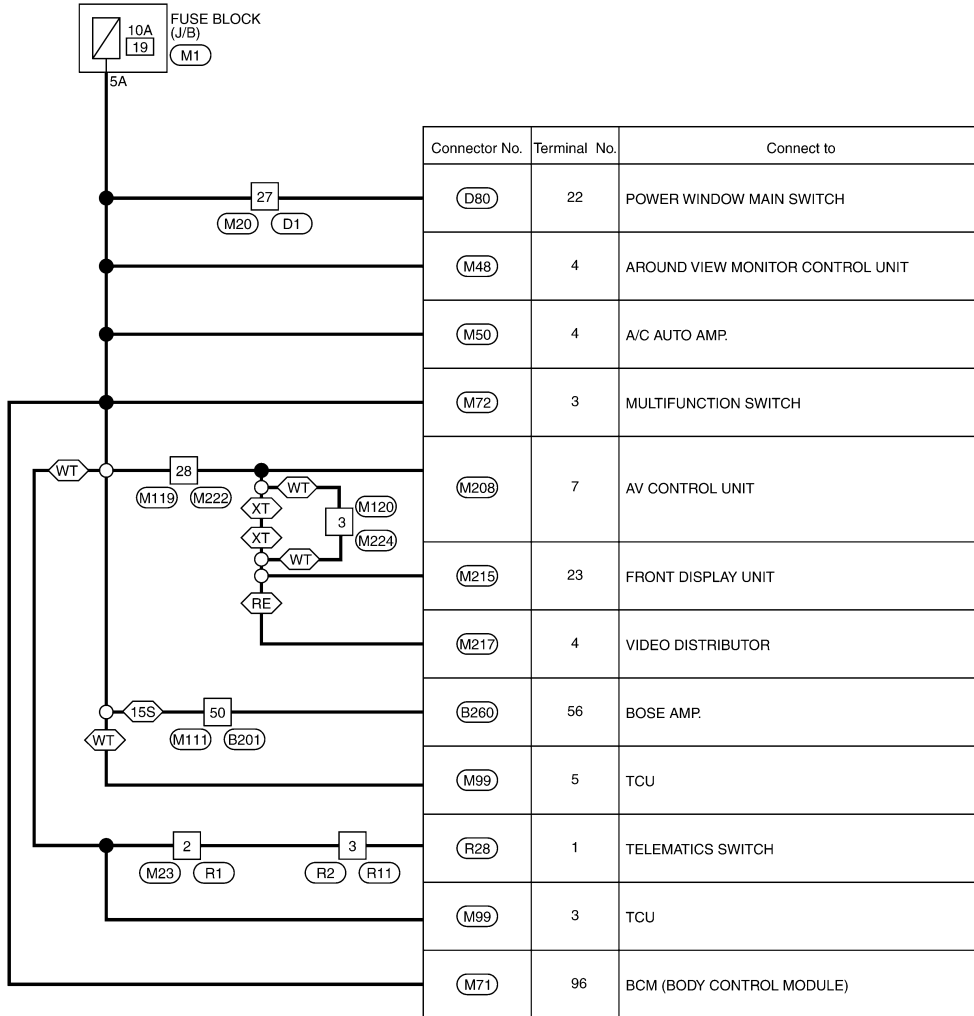
POWER SUPPLY ROUTING CIRCUIT

< WIRING DIAGRAM >

Wiring Diagram - ACCESSORY POWER SUPPLY FUSE No. 19 - ACCESSORY POWER SUPPLY FUSE No. 19

INFOID:000000010257882

- 15S : With 15 speakers
- RE : With rear entertainment
- XT : Without telematics
- WT : With telematics



2014/07/11

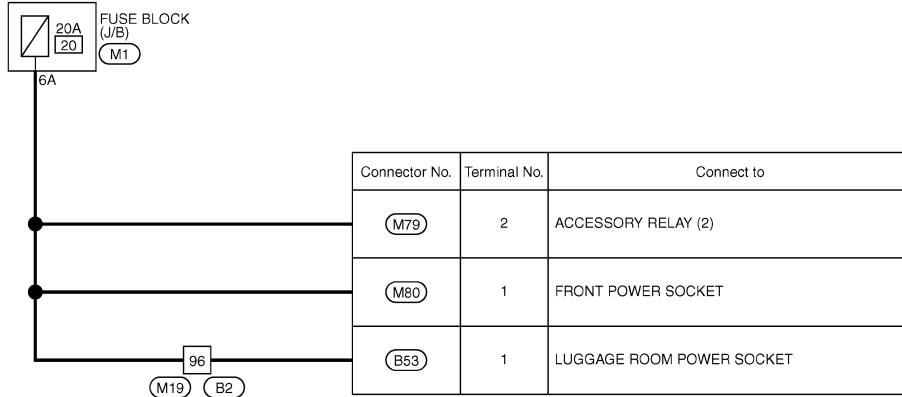
JRMWG1033GB

POWER SUPPLY ROUTING CIRCUIT

< WIRING DIAGRAM >

Wiring Diagram - ACCESSORY POWER SUPPLY FUSE No. 20 - ACCESSORY POWER SUPPLY FUSE No. 20

INFOID:000000010257883



A
B
C
D
E
F
G
H
I
J
K
L
PG
N
O
P

2010/05/13

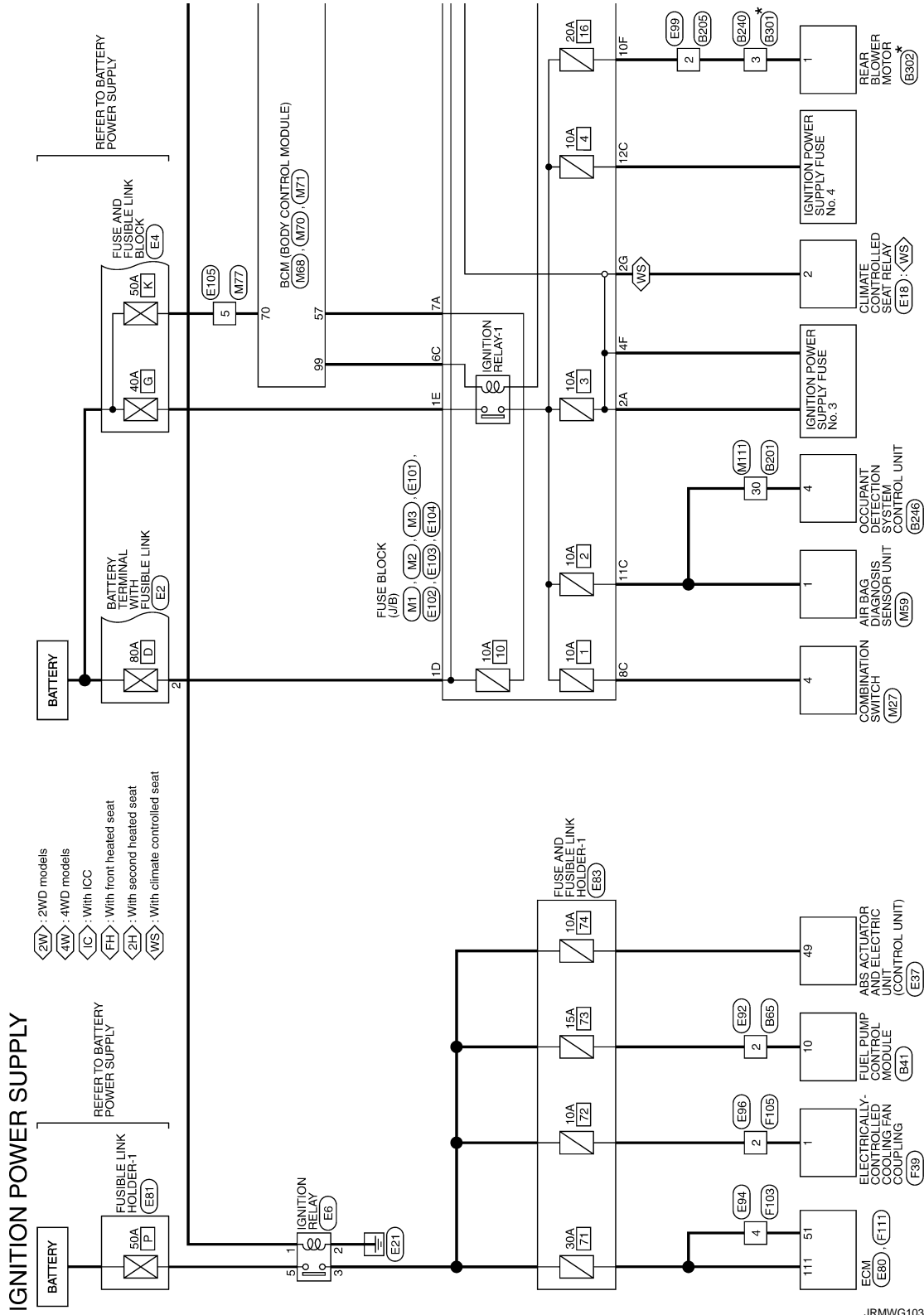
JCMWM8422GB

POWER SUPPLY ROUTING CIRCUIT

< WIRING DIAGRAM >

Wiring Diagram - IGNITION POWER SUPPLY -

INFOID:000000010257884



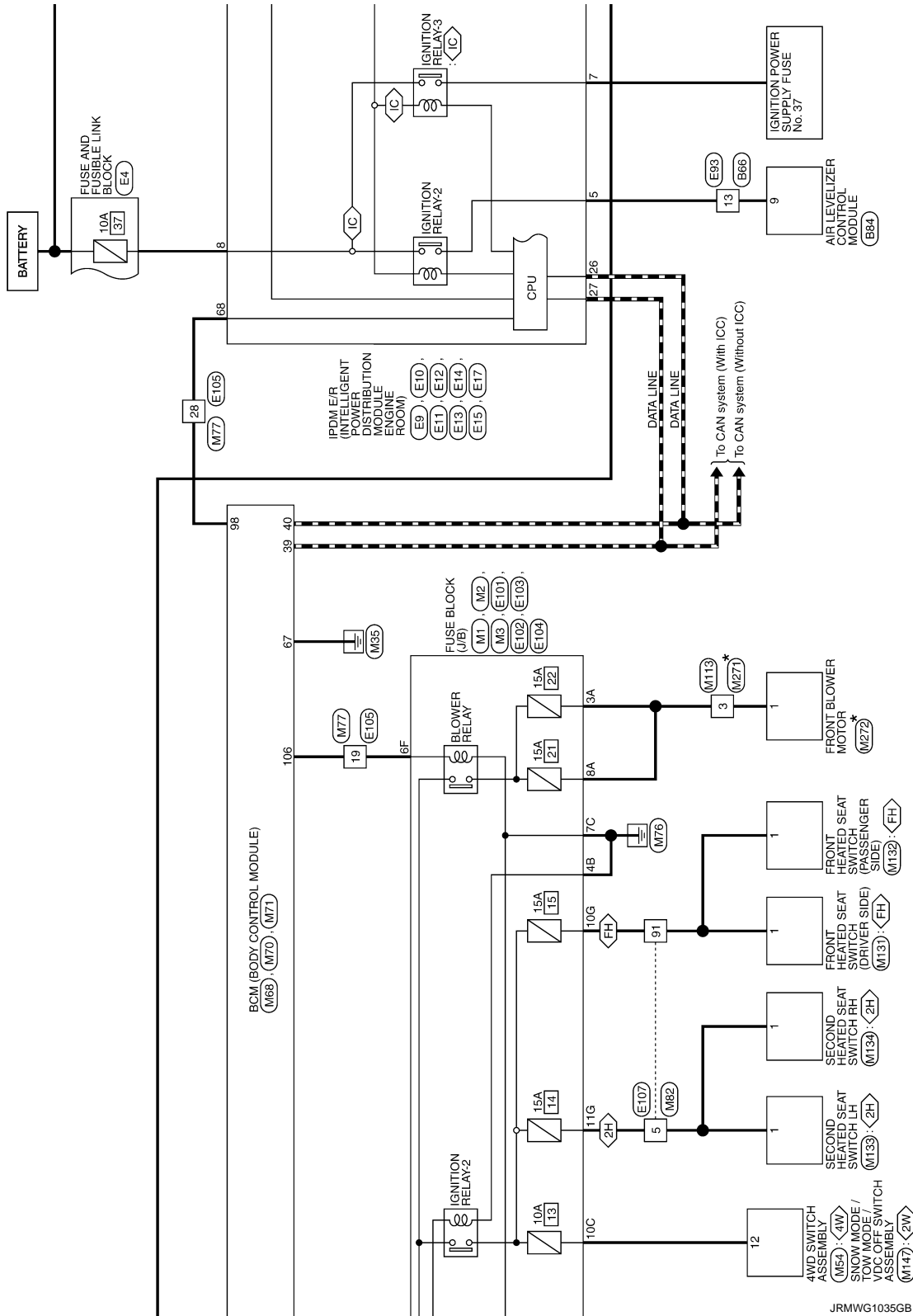
*: This connector is not shown in "Harness Layout".

2014/07/11

JRMWG1034GB

POWER SUPPLY ROUTING CIRCUIT

< WIRING DIAGRAM >

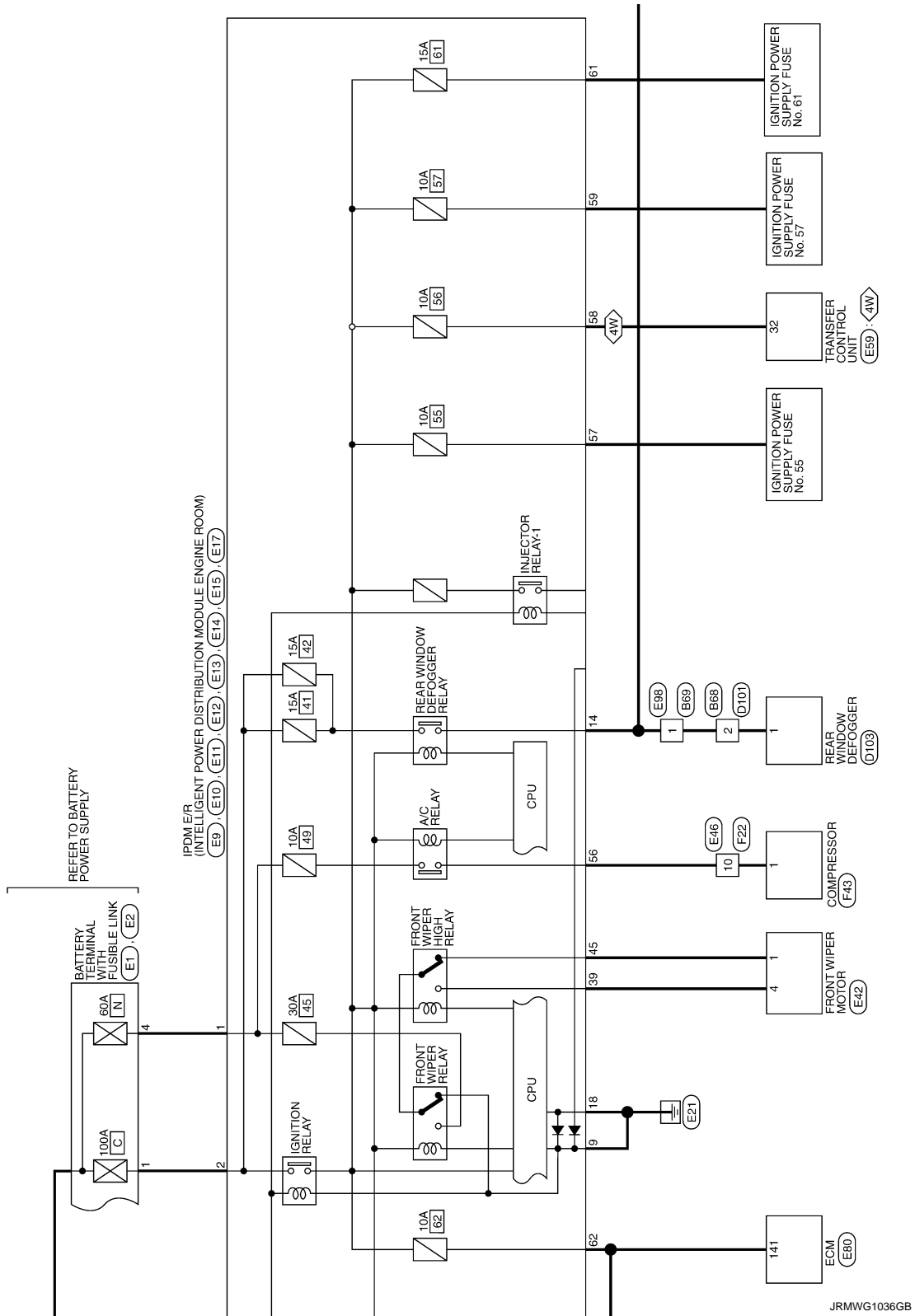


JRMWG1035GB

A
B
C
D
E
F
G
H
I
J
K
L
PG
N
O
P

POWER SUPPLY ROUTING CIRCUIT

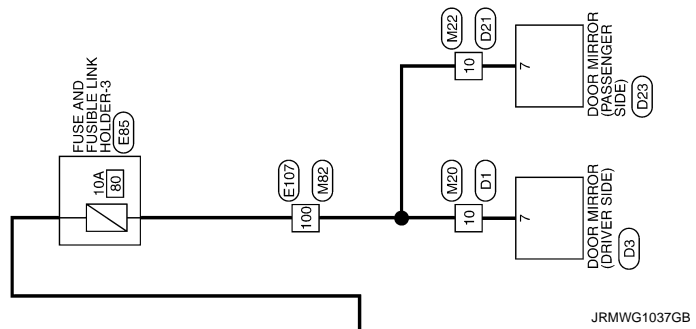
< WIRING DIAGRAM >



POWER SUPPLY ROUTING CIRCUIT

< WIRING DIAGRAM >

A
B
C
D
E
F
G
H
I
J
K
L
PG
N
O
P

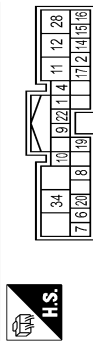


POWER SUPPLY ROUTING CIRCUIT

< WIRING DIAGRAM >

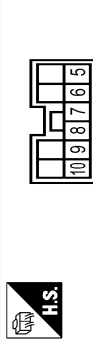
IGNITION POWER SUPPLY

Connector No.	B26
Connector Name	AUTOMATIC BACK DOOR CONTROL MODULE
Connector Type	TH20FW-TB6



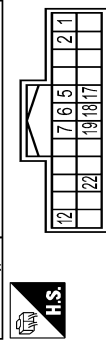
Terminal No.	Color Of Wire	Signal Name [Specification]
1	L	BUZZER
2	Y/B	ABD SW
4	GR	ABD CLOSE SW
6	P	CAN-L
7	L	CAN-H
8	L/W	HALF LATCH SW
9	GR/L	IGN
10	Y	BAT
11	R	CLOSURE MTR (CLOSE)
12	V	CLOSURE MTR (OPEN)
14	G/W	TOUCH SENS LH
15	L/R	TOUCH SENS LH
16	LG	TOUCH SENS RH
17	O	MAIN SW
19	L/Y	CLOSE SW
20	G/Y	OPEN SW
22	B	GND
28	R/W	BAT
34	B	GND

Connector No.	B41
Connector Name	FUEL PUMP CONTROL MODULE
Connector Type	TM10FB



Terminal No.	Color Of Wire	Signal Name [Specification]
5	B	GND
6	G/R	FUEL PUMP (-)
7	G/Y	FUEL PUMP (+)
8	GR	FPC INPUT SIGNAL
9	R/W	DIAG OUTPUT SIGNAL
10	LG	BATTERY

Connector No.	B52
Connector Name	ADAS CONTROL UNIT
Connector Type	TH24FW-NH



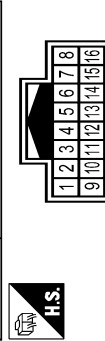
Terminal No.	Color Of Wire	Signal Name [Specification]
1	L	CAN-H
2	P	CAN-L
5	B	GROUND
6	B	ITS COMM-H
7	Y	ITS COMM-L
12	W/G	IGNITION
17	R	BRAKE HOLD RELY DRIVE SIGNAL
18	V/W	WARNING SYSTEMS SW
19	LG/B	WARNING SYSTEMS ON IND
22	O	BCI SW

Connector No.	B65
Connector Name	WIRE TO WIRE
Connector Type	NS08MW-CS



Terminal No.	Color Of Wire	Signal Name [Specification]
2	LG	-
3	G	-
5	W	-
8	R	-

Connector No.	B66
Connector Name	WIRE TO WIRE
Connector Type	TH16MW-NH



Terminal No.	Color Of Wire	Signal Name [Specification]
1	R	-
2	B	-
3	G	-
4	W	-
5	SHIELD	-
7	CS	-
8	R/W	-
11	R	-
12	V	-
13	P/L	-
15	R/Y	-
16	L/W	-

Connector No.	B68
Connector Name	WIRE TO WIRE
Connector Type	M02MW-LG



Terminal No.	Color Of Wire	Signal Name [Specification]
1	B	-
2	R	-

Connector No.	B69
Connector Name	WIRE TO WIRE
Connector Type	M01MBF-PS-LC



Terminal No.	Color Of Wire	Signal Name [Specification]
1	R	-

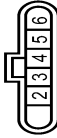
JRMWG1038GB

POWER SUPPLY ROUTING CIRCUIT

< WIRING DIAGRAM >

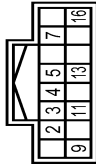
IGNITION POWER SUPPLY

Connector No.	B74
Connector Name	SIDE RADAR LH
Connector Type	AA08FB-WP-5P



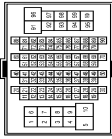
Terminal No.	Color Of Wire	Signal Name [Specification]
1	B	GROUND
2	Y	ITS COMM-L
3	L	ITS COMM-H
4	W/G	IGNITION
5	BR	BLIND SPOT WARNING BLIND SPOT INTERVENTION INDICATOR
6		

Connector No.	B84
Connector Name	AIR LEVELIZER CONTROL MODULE
Connector Type	TH16FW-NH



Terminal No.	Color Of Wire	Signal Name [Specification]
2	B	GND
3	L/W	AIR COMPRESSOR RELAY
4	W	VEHICLE HEIGHT SENSOR GND
5	P/L	VEHICLE HEIGHT SENSOR SIGNAL
6	V/W	CAN-L
7	P/L	IGN
8	V/W	EXHAUST SOLENOID
9	R	VEHICLE HEIGHT SENSOR POWER SUPPLY
10	L	CAN-H

Connector No.	B201
Connector Name	WIRE TO WIRE
Connector Type	TH80MW-CS16-TM4



Terminal No.	Color Of Wire	Signal Name [Specification]
1	R/B	
2	G	
3	W	
4	W/B	
5	L/Y	
6	R	
7	G/R	
8	W	
9	R/Y	
10	W	
11	V	
12	Y	
13	L/O	
14	GR/L	
15	R/G	
16	L/Y	
17	G/Y	
18	R	
19	GR	
20	L/W	
21	W	
22	R/L	
23	V/L	
24	W/R	
25	W/G	
26	L/R	
27	G	
28	V	
29	SHIELD	
30	P/B	
31	W/R	
32	W/G	
33	L/R	
34	G	
35	V	
36	SHIELD	
37	P/B	
38	W/R	
39	R	
40	L	
41	B/W	
42	L	
43	P	
44	SHIELD	
45		
46		

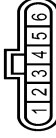
Terminal No.	Color Of Wire	Signal Name [Specification]
1	W	
2	G	
3	L	
4	R	
5	L	
6		

Connector No.	B240
Connector Name	WIRE TO WIRE
Connector Type	MB0FW-LC



Terminal No.	Color Of Wire	Signal Name [Specification]
1	B	
2	G	
3	L/O	
4		
5		

Connector No.	B243
Connector Name	SIDE RADAR RH
Connector Type	AA08FB-WP



Terminal No.	Color Of Wire	Signal Name [Specification]
1	B/Y	RIGHT/LEFT SWITCHING SIGNAL
2	B	GROUND
3	Y	ITS COMM-L
4	L	ITS COMM-H
5	W/G	IGNITION
6	L/R	BLIND SPOT WARNING BLIND SPOT INTERVENTION INDICATOR

Connector No.	B205
Connector Name	WIRE TO WIRE
Connector Type	NS08MP-CS



A
B
C
D
E
F
G
H
I
J
K
L
N
O
P

POWER SUPPLY ROUTING CIRCUIT

< WIRING DIAGRAM >

IGNITION POWER SUPPLY

Connector No.	E246
Connector Name	COCCUPANT DETECTION SYSTEM CONTROL UNIT
Connector Type	TH40FW-NH



Terminal No.	Color Of Wire	Signal Name [Specification]
1	W	-
2	B	-
3	L/R	-
4	R/L	-

Connector No.	E301
Connector Name	WIRE TO WIRE
Connector Type	M06MW-LC



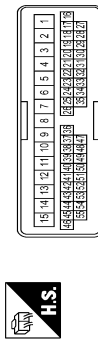
Terminal No.	Color Of Wire	Signal Name [Specification]
1	-	-
3	-	-
5	-	-

Connector No.	E302
Connector Name	REAR BLOWER MOTOR
Connector Type	NS30FW-M3



Terminal No.	Color Of Wire	Signal Name [Specification]
1	-	-
2	-	-
3	-	-

Connector No.	D1
Connector Name	WIRE TO WIRE
Connector Type	TH40FW-SS15



Terminal No.	Color Of Wire	Signal Name [Specification]
1	V	-
2	W	-
3	V	-
4	Y	-
5	LG/R	-
6	BR/W	-
8	V	-
9	G	-
10	L	-
12	B/Y	-
13	Y	-
14	R	-
15	B	-
16	GR/R	-
17	R/W	-
18	B	-
19	R	-

20	P	-
21	SHIELD	-
22	V	-
23	P/B	-
24	L/O	-
25	BR/W	-
26	W/R	-
27	V	-
28	W/G	-
29	Y/O	-
30	O/O	-
31	GR/B	-
32	BR	-
33	V/W	-
34	R	-
35	W	-
36	G/O	-
37	BR/Y	-
38	SB	-
39	W/L	-
40	L/W	-
41	Y/G	-
42	P/L	-
43	LG	-
44	GR/L	-
45	SHIELD	-
46	W	-
47	LG	-
48	G/W	-
49	Y	-
50	L/Y	-
51	GR/R	-
52	LG/B	-
53	G	-
54	B	-
55	R	-

Connector No.	D3
Connector Name	DOOR MIRROR (DRIVER SIDE)
Connector Type	TH24MW-NH



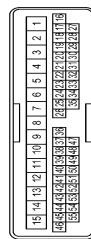
Terminal No.	Color Of Wire	Signal Name [Specification]
2	BR/W	-
3	W	SIDE CAMERA LH COMM
5	G	-
6	R	SIDE CAMERA LH POWER SUPPLY
7	L	-
8	O	-
9	W/B	-
10	SB	-
11	BR/Y	-
12	L/W	-
14	P	-
15	B/Y	-
16	GR/L	-
17	SHIELD	-
18	B	SIDE CAMERA LH GND
19	B	-
20	G	-
21	L/Y	-
22	G/W	-
23	W/L	-
24	Y	-

POWER SUPPLY ROUTING CIRCUIT

< WIRING DIAGRAM >

IGNITION POWER SUPPLY

Connector No.	D21
Connector Name	WIRE TO WIRE
Connector Type	TH40FW-CS15



Terminal No.	Color Of Wire	Signal Name [Specification]
1	G	
2	W	
3	V	
5	P/L	
6	L/R	
8	L/W	
9	G/Y	
10	L	
12	B/Y	
13	L	
14	R	
15	B	
16	Y/G	
17	Y/L	
18	B/W	
19	R	
20	P	
22	Y/R	
23	LG/B	
24	L/O	
25	R/W	
26	W/R	
27	SHIELD	
36	C/O	
37	Y/B	
38	W	
39	W/L	
40	L/O	
44	GR/L	
45	G	
46	W	
47	LG	
48	L/R	
49	Y	
50	R/B	
53	SHIELD	

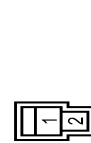
54	B	
55	R	

Connector No.	D23
Connector Name	DOOR MIRROR (PASSENGER SIDE)
Connector Type	TH24MY-NH



Terminal No.	Color Of Wire	Signal Name [Specification]
2	R/W	
3	W	SIDE CAMERA LH COMM
5	G	
6	R	
7	L	
8	LG	
9	G/O	
10	V	
11	Y/B	
12	L/O	
14	P	
15	B/Y	
16	GR/L	
17	SHIELD	
18	B	
19	B	
20	G/Y	
21	R/B	
22	L/R	
23	W/L	
24	Y	

Connector No.	D101
Connector Name	WIRE TO WIRE
Connector Type	M02FW-LC



Terminal No.	Color Of Wire	Signal Name [Specification]
1	B	
2	L	

Connector No.	D103
Connector Name	REAR WINDOW DEFOGGER
Connector Type	P01FB-A



Terminal No.	Color Of Wire	Signal Name [Specification]
1	L	

Connector No.	E1
Connector Name	BATTERY TERMINAL WITH FUSIBLE LINK
Connector Type	L02FGY-MC



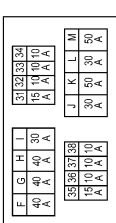
Terminal No.	Color Of Wire	Signal Name [Specification]
3	Y	
4	W	

Connector No.	E2
Connector Name	BATTERY TERMINAL WITH FUSIBLE LINK
Connector Type	L02FBR-MC-B



Terminal No.	Color Of Wire	Signal Name [Specification]
1	G	
2	R	

Connector No.	E4
Connector Name	FUSE AND FUSIBLE LINK BLOCK
Connector Type	Z4381 7900A



Terminal No.	Color Of Wire	Signal Name [Specification]
31	W/B	
32	W	
33	B/O	
34	GR	
35	Y/R	
36	L/R	
37	W	
38	P	
39	R	
40	Y	
41	L	
42	Y/B	

A
B
C
D
E
F
G
H
I
J
K
L
PG
N
O
P

POWER SUPPLY ROUTING CIRCUIT

< WIRING DIAGRAM >

IGNITION POWER SUPPLY

J	W/R	-
K	Y	-
L	G	-
M	W	-

Connector No.	E6
Connector Name	IGNITION RELAY
Connector Type	24247, 2F900



Terminal No.	Color Of Wire	Signal Name [Specification]
1	SB	-
2	B	-
3	W	-
5	L	-

Connector No.	E9
Connector Name	IPM E/R INTELLIGENT POWER DISTRIBUTION MODULE ENGINE ROOM
Connector Type	LO2FB-1MC



Terminal No.	Color Of Wire	Signal Name [Specification]
1	W	-
2	G	-

Connector No.	E10
Connector Name	IPM E/R INTELLIGENT POWER DISTRIBUTION MODULE ENGINE ROOM
Connector Type	MO8FW-LC



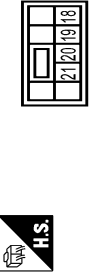
Terminal No.	Color Of Wire	Signal Name [Specification]
3	R	-
4	L	-
5	P/L	-
7	W/G	-
8	W	-

Connector No.	E11
Connector Name	IPM E/R INTELLIGENT POWER DISTRIBUTION MODULE ENGINE ROOM
Connector Type	MO8FB-LC



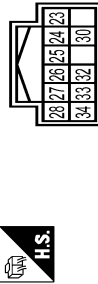
Terminal No.	Color Of Wire	Signal Name [Specification]
9	B	-
14	L	-

Connector No.	E12
Connector Name	IPM E/R INTELLIGENT POWER DISTRIBUTION MODULE ENGINE ROOM
Connector Type	NS108FBR-CS



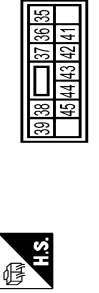
Terminal No.	Color Of Wire	Signal Name [Specification]
18	B	-
19	V	-
20	W	-
21	L	-

Connector No.	E13
Connector Name	IPM E/R INTELLIGENT POWER DISTRIBUTION MODULE ENGINE ROOM
Connector Type	TH12FW-NH



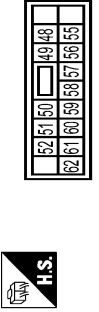
Terminal No.	Color Of Wire	Signal Name [Specification]
23	GR/R	-
24	W/G	-
25	L/Y	-
26	P	-
27	L	-
28	V	-
30	R/W	-
32	LG	-
33	R	-
34	G	-

Connector No.	E14
Connector Name	IPM E/R INTELLIGENT POWER DISTRIBUTION MODULE ENGINE ROOM
Connector Type	NS12FBR-CS



Terminal No.	Color Of Wire	Signal Name [Specification]
35	W	-
36	V	-
37	L	-
38	Y	-
39	L/B	-
41	L/G	-
42	L	-
43	LG	-
44	L/W	-
45	Y/R	-

Connector No.	E15
Connector Name	IPM E/R INTELLIGENT POWER DISTRIBUTION MODULE ENGINE ROOM
Connector Type	NS16FW-CS



Terminal No.	Color Of Wire	Signal Name [Specification]
48	BR	-
49	R	-
50	LG/B	-
51	BR/Y	-
52	W	-
55	O	-
56	L	-
57	V	-
58	BR/R	-
59	W/B	-

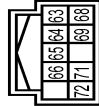
POWER SUPPLY ROUTING CIRCUIT

< WIRING DIAGRAM >

IGNITION POWER SUPPLY

60	V/R	-
61	W	-
62	SB	-

Connector No.	E17
Connector Name	FRAME R INTELLIGENT POWER DISTRIBUTION MODULE ENGINE ROOM
Connector Type	TH10FB-NH



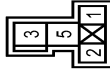
Terminal No.	Color Of Wire	Signal Name [Specification]
63	P	-
64	G/Y	-
65	L	-
66	SB	-
68	O	-
69	W/B	-
71	BR	-
72	Y/R	-

Connector No.	E18
Connector Name	CLIMATE CONTROLLED SEAT RELAY
Connector Type	M08FBR-R-LC



Terminal No.	Color Of Wire	Signal Name [Specification]
1	B	-
2	GR	-
3	L	-
5	LG	-
6	G	-
7	O	-

Connector No.	E24
Connector Name	REMOTE ENGINE START RELAY
Connector Type	MS02FL-M2-LC



Terminal No.	Color Of Wire	Signal Name [Specification]
1	E/Y	-
2	G	-
3	L/R	-
5	G	-

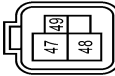
Connector No.	E36
Connector Name	ABS ACTUATOR AND ELECTRIC UNIT (CONTROL UNIT)
Connector Type	SAZ42FB-SJ24



Terminal No.	Color Of Wire	Signal Name [Specification]
1	G	BAT
2	B	GND
3	B	GND
4	W	MOTOR SUPPLY
9	R/B	17W BATT / SBE / JREEL G SENSOR COMMUNICATION-H
10	P/B	17W BATT / SBE / JREEL G SENSOR COMMUNICATION-L
13	GR	STP2
17	L/R	BRAKE FLUID LEVEL SW
18	W/B	IGN
19	O	DS FR
20	SB	DP FL
21	R/O	DS RR
22	V	DP RL
27	P	CAN-L
33	LG	DP FR
34	G	DS FL

35	BR	DP RR
36	P	DS RL
37	R	STP
39	L/W	VDC OFF SW
41	L	CAN-H
46	W	STOP LAMP SW ON

Connector No.	E37
Connector Name	ABS ACTUATOR AND ELECTRIC UNIT (CONTROL UNIT)
Connector Type	SAZ02FB-SJ22



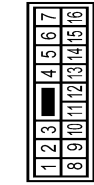
Terminal No.	Color Of Wire	Signal Name [Specification]
47	W	MTR POWER-2
48	B	GND-3
49	O	IGN-2

Connector No.	E42
Connector Name	FRONT WIPER MOTOR
Connector Type	HS05FGY



Terminal No.	Color Of Wire	Signal Name [Specification]
1	Y/R	-
2	B	-
4	L/B	-
5	L/Y	-

Connector No.	E46
Connector Name	WIRE TO WIRE
Connector Type	NS16MW-CS



Terminal No.	Color Of Wire	Signal Name [Specification]
1	E/Y	-
2	SHIELD	-
4	V	-
9	B/SB	-
10	L	-
11	W	-
14	SB	-
15	G	-

Connector No.	E52
Connector Name	BACK-UP LAMP RELAY
Connector Type	M08FBR-R-LC



Terminal No.	Color Of Wire	Signal Name [Specification]
1	V	-
2	R	-
3	W/B	-
5	Y/L	-
6	V	-
7	R/Y	-

A
B
C
D
E
F
G
H
I
J
K
L
M
N
O
P

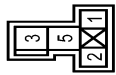
PG

POWER SUPPLY ROUTING CIRCUIT

< WIRING DIAGRAM >

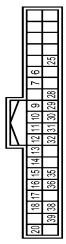
IGNITION POWER SUPPLY

Connector No.	E68
Connector Name	STOP LAMP RELAY
Connector Type	MS02FL-M2-LC



Terminal No.	Color Of Wire	Signal Name [Specification]
1	W/B	
2	W	
3	L/B	
5	R	

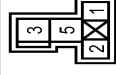
Connector No.	E59
Connector Name	TRANSFER CONTROL UNIT
Connector Type	TH40FW-NH



Terminal No.	Color Of Wire	Signal Name [Specification]
6	BR	HI-LO POSITION SEN 1
7	Y	TRANSFER FLUID TEMP SEN1 PWR SUPPLY
9	G	INTERNAL SPEED SEN GND
10	Y/G	INTERNAL SPEED SEN IMP
11	V	IL SW
12	L	CAN-H
13	P	CAN-L
14	W/R	AUTO SW
15	P/B	ROTARY POSITION SEN PWM
16	LG	ROTARY POSITION SEN GND
17	W/L	LOCK POSITION SEN PWR SUPPLY
18	BR/Y	ROTARY POSITION SEN PWR SUPPLY
20	GR	TRANSFER O/U PWR SUPPLY
25	P/L	HI-LO POSITION SEN 3
28	W	MOTOR TEMP SEN PWR SUPPLY
29	LG/R	HI-LO POSITION SEN 2

30	R/B	LOCK POSITION SEN GND
31	L/O	INTERNAL SPEED SEN DIR
32	BR/R	IGN
35	R	4H SW
36	L/R	TRANSFER FLUID TEMP SEN GND
38	G/O	LOCK POSITION SEN SIGNAL
39	R/W	INTERNAL SPEED SEN PWR SUPPLY

Connector No.	E64
Connector Name	ICC BRAKE HOLD RELAY
Connector Type	MS02FL-M2-LC



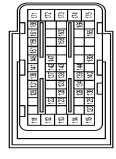
Terminal No.	Color Of Wire	Signal Name [Specification]
1	W/G	
2	R	
3	L/B	
5	R	

Connector No.	E68
Connector Name	ICC BRAKE SWITCH
Connector Type	M02FBR-LC



Terminal No.	Color Of Wire	Signal Name [Specification]
1	G	
2	G/Y	

Connector No.	E60
Connector Name	ECM
Connector Type	MAB5FB-MEB10-LH



Terminal No.	Color Of Wire	Signal Name [Specification]
111	R	FUEL INJECTOR DRIVER POWER SUPPLY
112	SB	FUEL INJECTOR DRIVER POWER SUPPLY
113	G	
114	B	ECM GROUND
115	B	ECM GROUND
120	Y	EVAP CANISTER VENT CONTROL VALVE
122	BR/W	LEVEL DETECTOR MOTOR RELAY (SHORT SIGNAL LEVEL CONTROL MODULE)
123	V/R	THROTTLE CONTROL MOTOR RELAY
125	GR	FUEL PUMP CONTROL MODULE (FPOM)
126	O	ACCELERATOR PEDAL POSITION SENSOR 2
128	Y	ASC/D/ICC STEERING SWITCH
129	P/L	SENSOR GROUND
130	R	SENSOR GROUND
131	L/W	SENSOR POWER SUPPLY
133	SB	SENSOR POWER SUPPLY
134	V/W	FUEL TEMPERATURE SENSOR
136	W/R	ACCELERATOR PEDAL POSITION SENSOR 1
137	W/G	SENSOR POWER SUPPLY
138	V	BATTERY CURRENT SENSOR
139	G	SENSOR GROUND
140	R/Y	BATTERY TEMPERATURE SENSOR
141	SR	IGNITION SWITCH
142	P/W	FUEL PUMP CONTROL MODULE (FPOM) CHECK
143	L/Y	EVAP CONTROL SYSTEM PRESSURE SENSOR
144	O/B	REFRIGERANT PRESSURE SENSOR
146		CAN COMMUNICATION LINE
147	G/Y	ASC/D/ICC BRAKE SWITCH
150	R	SENSOR GROUND
151	P	CAN COMMUNICATION LINE
156	L	POWER SUPPLY FOR ECM (BACK-UP)
158	W/B	STOP LAMP SWITCH
161	R/W	ENG COMMUNICATION LINE
163	L/G	ECM RELAY (SELF SHUT-OFF)
165	GR/R	
166	W	ENG COMMUNICATION LINE
169	G/B	ENGINE SPEED SIGNAL OUTPUT

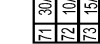
171	W	POWER SUPPLY FOR ECM
172	W	POWER SUPPLY FOR ECM
173	O	THROTTLE CONTROL MOTOR POWER SUPPLY
174	B	ECM GROUND
175	B	ECM GROUND

Connector No.	E61
Connector Name	FUSIBLE LINK HOLDER-1
Connector Type	I24380_JL00A



Terminal No.	Color Of Wire	Signal Name [Specification]
O	W	
P	L	

Connector No.	E63
Connector Name	FUSE AND FUSIBLE LINK HOLDER-1
Connector Type	I24380_5P600



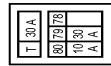
Terminal No.	Color Of Wire	Signal Name [Specification]
71	R	
72	L/W	
73	LG	
74	O	

POWER SUPPLY ROUTING CIRCUIT

< WIRING DIAGRAM >

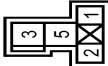
IGNITION POWER SUPPLY

Connector No.	E85
Connector Name	FUSE AND FUSIBLE LINK HOLDER-3
Connector Type	241880.CFD000



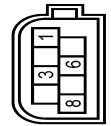
Terminal No.	Color Of Wire	Signal Name [Specification]
79	G/R	-
80	L	-
T	L	-

Connector No.	E87
Connector Name	REAR A/C RELAY
Connector Type	MS02PL-M2-LC



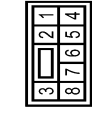
Terminal No.	Color Of Wire	Signal Name [Specification]
1	GR/L	-
2	G/W	-
3	GR/L	-
5	L/W	-

Connector No.	E88
Connector Name	ICC SENSOR
Connector Type	AAZ08FB



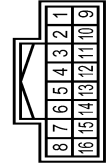
Terminal No.	Color Of Wire	Signal Name [Specification]
1	W/G	IGN
3	L	ITS COMM-H
6	Y	ITS COMM-L
8	B	GND

Connector No.	E89
Connector Name	WIRE TO WIRE
Connector Type	NS08FW-CS



Terminal No.	Color Of Wire	Signal Name [Specification]
2	LG	-
3	G	-
5	W	-
8	R	-

Connector No.	E83
Connector Name	WIRE TO WIRE
Connector Type	TH16FW-NH



Terminal No.	Color Of Wire	Signal Name [Specification]
1	R	-
2	B	-
3	G	-
4	W	-
5	SHIELD	-
7	GR	-
8	R/W	-
11	R	-
12	V	-
13	P/L	-
15	R/Y	-
16	L/W	-

Connector No.	E84
Connector Name	WIRE TO WIRE
Connector Type	M08MW-LC



Terminal No.	Color Of Wire	Signal Name [Specification]
1	G/Y	-
2	R	-
3	V	-
4	R	-
5	G/R	-
6	B/R	-

Connector No.	E86
Connector Name	WIRE TO WIRE
Connector Type	RS08MCGY-PR



Terminal No.	Color Of Wire	Signal Name [Specification]
1	W/L	-
2	L/W	-
3	GR	-
4	B/R	-
5	R	-
6	L	-
7	W	-

Connector No.	E88
Connector Name	WIRE TO WIRE
Connector Type	M01FBR-S-LC



Terminal No.	Color Of Wire	Signal Name [Specification]
1	L	-

A
B
C
D
E
F
G
H
I
J
K
L
PG
N
O
P

JRMWG1045GB

POWER SUPPLY ROUTING CIRCUIT

< WIRING DIAGRAM >

IGNITION POWER SUPPLY

Connector No.	E109
Connector Name	WIRE TO WIRE
Connector Type	NS08FW-CS



Terminal No.	Color Of Wire	Signal Name [Specification]
1	W	-
2	G	-
3	L	-
4	R	-
6	L/W	-

Connector No.	E101
Connector Name	FUSE BLOCK (J/B)
Connector Type	L01FW-MC



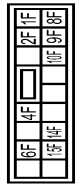
Terminal No.	Color Of Wire	Signal Name [Specification]
1D	R	-

Connector No.	E102
Connector Name	FUSE BLOCK (J/B)
Connector Type	M02FB-LC



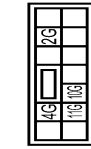
Terminal No.	Color Of Wire	Signal Name [Specification]
1E	Y	-

Connector No.	E103
Connector Name	FUSE BLOCK (J/B)
Connector Type	NS18FW-CS



Terminal No.	Color Of Wire	Signal Name [Specification]
10F	G	-
14F	Y	-
15F	G	-
1F	W/B	-
2F	R	-
4F	G	-
6F	Y/G	-
8F	L/B	-
9F	Y	-

Connector No.	E104
Connector Name	FUSE BLOCK (J/B)
Connector Type	NS12FBR-CS



Terminal No.	Color Of Wire	Signal Name [Specification]
10G	G/R	-
11G	G/R	-
2G	GR	-
4G	L/W	-

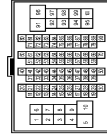
Connector No.	E105
Connector Name	WIRE TO WIRE
Connector Type	TH80MW-CS16-TM4



Terminal No.	Color Of Wire	Signal Name [Specification]
1	L	-
2	L/W	-
3	R/B	-
4	Y	-
5	Y	-
7	W/G	-
8	P/B	-
9	W/B	-
10	G	-
11	L	-
12	P	-
13	P/B	-
14	BR	-
15	L/B	-
16	SE	-
18	BR	-

19	Y/G	-
20	BR/Y	-
21	Y/V	-
22	L	-
23	Y	-
24	L/W	-
28	O	-
29	R/W	-
30	L/B	-
31	Y	-
32	GR/R	-
34	-	-
35	R	-
36	B/R	-
37	G/Y	-
38	G	-
40	SB	-
41	W/R	-
42	R	-
43	V	-
54	GR/L	-
91	BR	-
92	L/W	-
94	Y/B	-
95	G/R	-
97	R	-
98	G/B	-
100	W/R	-

Connector No.	E107
Connector Name	WIRE TO WIRE
Connector Type	TH80MW-CS16-TM4



Terminal No.	Color Of Wire	Signal Name [Specification]
1	L	-
4	V/W	-
5	G/R	-
6	P	-
9	GR/L	-
10	Y/R	-

POWER SUPPLY ROUTING CIRCUIT

< WIRING DIAGRAM >

IGNITION POWER SUPPLY

11	L/R	-
12	W/G	-
13	BR/Y	-
14	LG	-
15	BR/W	-
16	B/Y	-
17	W/B	-
18	GR/R	-
19	W/R	-
20	W/R	-
21	B	-
22	R/L	-
23	G/R	-
24	R/W	-
25	W/L	-
26	R	-
27	L	-
28	G/B	-
35	G	-
36	Y	-
37	R	-
38	G/Y	-
39	O	-
40	W	-
41	R	-
42	B	-
43	G	-
44	SHIELD	-
46	B	-
47	W	-
48	SHIELD	-
49	W	-
50	SHIELD	-
52	GR	-
53	LG/B	-
54	LG/R	-
55	R/G	-
56	B/R	-
57	SB	-
58	Y	-
91	G/R	-
92	GR	-
93	O	-
95	SB	-
96	G/R	-
97	GR/L	-
98	G/W	-
99	R/Y	-
100	L	-

Connector No.	EI09
Connector Name	ASC0 BRAKE SWITCH
Connector Type	M02FBR-LC



Terminal No.	Color Of Wire	Signal Name [Specification]
1	G	-
2	G/Y	-

Connector No.	EI15
Connector Name	STOP LAMP SWITCH
Connector Type	M04FW-LC



Terminal No.	Color Of Wire	Signal Name [Specification]
1	L/B	-
2	R	-
3	G	-
4	L/R	-

Connector No.	EI17
Connector Name	EXHAUST GAS / OUTSIDE DOOR DETECTING SENSOR
Connector Type	RH03FB



Terminal No.	Color Of Wire	Signal Name [Specification]
1	GR/L	-
2	B	-
3	V/W	-

Connector No.	EI20
Connector Name	HEADLAMP AIMING MOTOR LH
Connector Type	HS03FY



Terminal No.	Color Of Wire	Signal Name [Specification]
1	SB	-
2	B	-
3	GR/L	-
G	-	-

Connector No.	EI21
Connector Name	HEADLAMP AIMING MOTOR RH
Connector Type	HS03FGY



Terminal No.	Color Of Wire	Signal Name [Specification]
1	SB	-
2	B	-
GR/L	-	-
G	-	-

Connector No.	EI28
Connector Name	DIODE
Connector Type	24335 C9000



Terminal No.	Color Of Wire	Signal Name [Specification]
1	G	-
2	P/B	-

A
B
C
D
E
F
G
H
I
J
K
L
N
O
P

PG

JRMWG1047GB

POWER SUPPLY ROUTING CIRCUIT

< WIRING DIAGRAM >

IGNITION POWER SUPPLY

Connector No.	E131
Connector Name	TRAILER POWER RELAY
Connector Type	M08FBR-R-LC



Terminal No.	Color Of Wire	Signal Name [Specification]
1	V	
2	B	
3	Y	
5	R	
6	Y	
7	L/W	

Connector No.	E213
Connector Name	ACCELERATOR PEDAL ACTUATOR ACCELERATOR PEDAL POSITION SENSOR
Connector Type	RH12FB



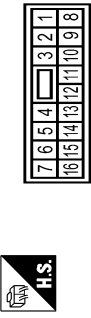
Terminal No.	Color Of Wire	Signal Name [Specification]
1	B/O	BATTERY
2	W/G	IGNITION
3	L	ITS COMM-H
4	W/G	SENSOR POWER SUPPLY
5	R/Y	SENSOR GROUND
6	W/R	ACCELERATOR PEDAL POSITION SENSOR 1
7	B	GROUND
9	Y	ITS COMM-L
10	L/W	SENSOR POWER SUPPLY
11	P/L	SENSOR GROUND
12	O	ACCELERATOR PEDAL POSITION SENSOR 2

Connector No.	F8
Connector Name	CONDENSER
Connector Type	M02FW-GY-LC



Terminal No.	Color Of Wire	Signal Name [Specification]
1	W	
2	B	

Connector No.	F22
Connector Name	WIRE TO WIRE
Connector Type	NS16FW-CS



Terminal No.	Color Of Wire	Signal Name [Specification]
1	B	
2	SHIELD	
4	V	
9	B	
10	L/W	
11	W	
14	SB	
15	G	

Connector No.	F19
Connector Name	ELECTRICALLY-CONTROLLED DOORING P/W COUPLING
Connector Type	AA08FB-WP



Terminal No.	Color Of Wire	Signal Name [Specification]
1	L/W	
2	P	
3	Y/R	
4	L/O	
5	V	
6	B/R	

Connector No.	F43
Connector Name	COMPRESSOR
Connector Type	RS01FB



Terminal No.	Color Of Wire	Signal Name [Specification]
1	L/W	MAGNET CLUTCH POWER SUPPLY

Connector No.	F51
Connector Name	A/T ASSEMBLY
Connector Type	RK10FG



Terminal No.	Color Of Wire	Signal Name [Specification]
1	V	IGNITION POWER SUPPLY
2	P	BATTERY POWER SUPPLY
3	L	CAN-H
4	SB	K-LINE
5	B	GROUND
6	V	IGNITION POWER SUPPLY
7	R	BACK-UP LAMP RELAY
8	P	CAN-L
9	BR	STARTER RELAY
10	B	GROUND

Connector No.	F75
Connector Name	IGNITION COIL No. 1 (HFI) POWER TRANSISTOR
Connector Type	EG03FY-RS



Terminal No.	Color Of Wire	Signal Name [Specification]
1	V	
2	B	
3	W	

JRMWG1048GB

POWER SUPPLY ROUTING CIRCUIT

< WIRING DIAGRAM >

IGNITION POWER SUPPLY

Connector No.	F76
Connector Name	IGNITION COIL NO. 2 (WITH POWER TRANSISTOR)
Connector Type	E03FGY-RS



Terminal No.	Color Of Wire	Signal Name [Specification]
1	L/B	-
2	B	-
3	W	-

Connector No.	F77
Connector Name	IGNITION COIL NO. 3 (WITH POWER TRANSISTOR)
Connector Type	E03FGY-RS



Terminal No.	Color Of Wire	Signal Name [Specification]
1	BR/Y	-
2	B	-
3	W	-

Connector No.	F78
Connector Name	IGNITION COIL NO. 4 (WITH POWER TRANSISTOR)
Connector Type	E03FGY-RS



Terminal No.	Color Of Wire	Signal Name [Specification]
1	LG/R	-
2	B	-
3	W	-

Connector No.	F79
Connector Name	IGNITION COIL NO. 5 (WITH POWER TRANSISTOR)
Connector Type	E03FGY-RS



Terminal No.	Color Of Wire	Signal Name [Specification]
1	P/L	-
2	B	-
3	W	-

Connector No.	F80
Connector Name	IGNITION COIL NO. 6 (WITH POWER TRANSISTOR)
Connector Type	E03FGY-RS



Terminal No.	Color Of Wire	Signal Name [Specification]
1	Y/R	-
2	B	-
3	W	-

Connector No.	F81
Connector Name	IGNITION COIL NO. 7 (WITH POWER TRANSISTOR)
Connector Type	E03FGY-RS



Terminal No.	Color Of Wire	Signal Name [Specification]
1	G/Y	-
2	B	-
3	W	-

Connector No.	F82
Connector Name	IGNITION COIL NO. 8 (WITH POWER TRANSISTOR)
Connector Type	E03FGY-RS



Terminal No.	Color Of Wire	Signal Name [Specification]
1	O	-
2	B	-
3	W	-

Connector No.	F103
Connector Name	WIRE TO WIRE
Connector Type	M08FW-LC



Terminal No.	Color Of Wire	Signal Name [Specification]
1	G/Y	-
2	R	-
3	V	-
4	R	-
5	G/R	-
6	B/R	-

A
B
C
D
E
F
G
H
I
J
K
L
PG
N
O
P

JRMWG1049GB

POWER SUPPLY ROUTING CIRCUIT

< WIRING DIAGRAM >

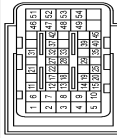
IGNITION POWER SUPPLY

Connector No.	F105
Connector Name	WIRE TO WIRE
Connector Type	RS08FOY-PR



Terminal No.	Color Of Wire	Signal Name [Specification]
1	W/L	-
2	L/W	-
3	GR	-
4	B/R	-
5	R	-
6	L	-
7	W	-

Connector No.	F111
Connector Name	ECM
Connector Type	MAB35FB-MEB20-LH



Terminal No.	Color Of Wire	Signal Name [Specification]
1	R	FUEL INJECTOR NO. 8 (H)
2	R	FUEL INJECTOR NO. 5 (H)
3	C	FUEL INJECTOR NO. 3 (LO)
4	G	FUEL INJECTOR NO. 2 (LO)
5	B/R	ECM GROUND
6	R	FUEL INJECTOR NO. 3 (H)
7	R	FUEL INJECTOR NO. 2 (H)
8	G	FUEL INJECTOR NO. 8 (LO)
9	G	FUEL INJECTOR NO. 5 (LO)
10	B	ECM GROUND
11	BR	PNP SIGNAL
12	Y	IGNITION SIGNAL NO. 1
13	L/B	IGNITION SIGNAL NO. 2

14	BR/Y	IGNITION SIGNAL NO. 3
15	LG/R	IGNITION SIGNAL NO. 4
17	P/L	IGNITION SIGNAL NO. 5
18	Y/R	IGNITION SIGNAL NO. 6
19	G/Y	IGNITION SIGNAL NO. 7
20	O	IGNITION SIGNAL NO. 8
21	G/O	INTAKE AIR TEMPERATURE SENSOR
22	BR/W	MASS AIR FLOW SENSOR
25	LG	SENSOR POWER SUPPLY
27	P	SENSOR POWER SUPPLY
28	SB	SENSOR POWER SUPPLY
29	W	KNOCK SENSOR (BANK 1)
31	V/W	FUEL RAIL PRESSURE SENSOR
32	R	ENGINE COOLANT TEMPERATURE SENSOR
33	W	KNOCK SENSOR (BANK 2)
35	SHIELD	SENSOR GROUND
37	V	COOLING FAN SPEED
39	P/B	POWER STEERING PRESSURE SENSOR
40	W/L	SENSOR GROUND
42	L/Y	ENGINE OIL TEMPERATURE SENSOR
45	L/O	SENSOR GROUND
46	SB	FUEL INJECTOR DRIVER POWER SUPPLY
47	G	HEATED OXYGEN SENSOR 2 HEATER (BANK 1)
48	L/W	A/F SENSOR 1 HEATER (BANK 1)
49	LG/B	INTAKE VALVE TIMING CONTROL SOLENOID VALVE (BANK 1)
51	R	FUEL INJECTOR DRIVER POWER SUPPLY
52	L/R	HEATED OXYGEN SENSOR 2 HEATER (BANK 2)
53	SB	A/F SENSOR 1 HEATER (BANK 2)
54	G/R	INTAKE VALVE TIMING CONTROL SOLENOID VALVE (BANK 2)

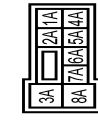
Connector No.	F301
Connector Name	TCM
Connector Type	SP10FG



Terminal No.	Color Of Wire	Signal Name [Specification]
1	-	IGNITION POWER SUPPLY
2	-	BATTERY POWER SUPPLY
3	-	CAN-H
4	-	K-LINE
5	-	GROUND

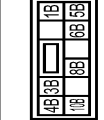
6	-	IGNITION POWER SUPPLY
7	-	BACK-UP LAMP RELAY
8	-	CAN-L
9	-	STARTER RELAY
10	-	GROUND

Connector No.	M1
Connector Name	FUSE BLOCK (J/B)
Connector Type	NS08FW-MZ



Terminal No.	Color Of Wire	Signal Name [Specification]
1A	Y	-
2A	GR	-
3A	W	-
4A	Y/G	-
5A	V	-
6A	L/W	-
7A	LG	-
8A	W	-

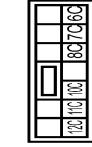
Connector No.	M2
Connector Name	FUSE BLOCK (J/B)
Connector Type	NS10FW-CS



Terminal No.	Color Of Wire	Signal Name [Specification]
10B	W/B	-
11B	R	-
3B	R	-
4B	B	-
5B	BR	-

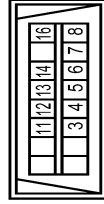
6B	Y	-
8B	L/O	-

Connector No.	M3
Connector Name	FUSE BLOCK (J/B)
Connector Type	NS12FW-CS



Terminal No.	Color Of Wire	Signal Name [Specification]
10C	GR	-
11C	R/L	-
12C	GR/L	-
6C	R	-
7C	B	-
8C	W	-

Connector No.	M4
Connector Name	DATA LINK CONNECTOR
Connector Type	BD16FW



Terminal No.	Color Of Wire	Signal Name [Specification]
3	LG	-
4	B	-
5	B	-
6	L	-
7	SB	-
8	GR	-
11	SB	-
12	R	-
13	L	-
14	P	-

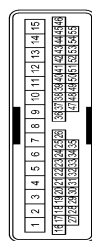
POWER SUPPLY ROUTING CIRCUIT

< WIRING DIAGRAM >

IGNITION POWER SUPPLY

16	Y	-
----	---	---

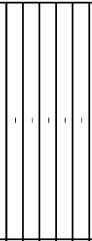
Connector No.	M20
Connector Name	WIRE TO WIRE
Connector Type	TH40MW-CS15



Terminal No.	Color Of Wire	Signal Name [Specification]
1	V	-
2	W	-
3	V	-
4	Y	-
5	LG/R	-
6	BR/W	-
8	V	-
9	G	-
10	L	-
12	B/Y	-
13	Y	-
14	R	-
15	B	-
16	GR/R	-
17	V/W	-
18	B	-
19	R	-
20	P	-
21	SHIELD	-
22	V	-
23	P/B	-
24	L/O	-
25	BR/W	-
26	W/R	-
27	V	-
28	W/G	-
29	Y/G	-
30	O/L	-
31	GR/B	-
32	BR	-
33	V/W	-
34	R	-
35	W	-

36	G/O	-
37	BR/Y	-
38	SB	-
39	W/L	-
40	L/W	-
41	Y/G	-
42	P/L	-
43	LG	-
44	CS	-
45	SHIELD	-
46	W	-
47	LG	-
48	G/W	-
49	Y	-
50	L/Y	-
51	GR/R	-
52	LG/B	-
53	G	-
54	B	-
55	R	-

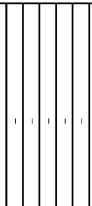
Connector No.	M22
Connector Name	WIRE TO WIRE
Connector Type	TH40MW-CS15



Terminal No.	Color Of Wire	Signal Name [Specification]
1	V	-
2	W	-
3	V	-
4	Y	-
5	LG/R	-
6	BR/W	-
8	V	-
9	G	-
10	L	-
12	B/Y	-
13	Y	-
14	R	-
15	B	-
16	GR/R	-
17	V/W	-
18	B	-
19	R	-
20	P	-
21	SHIELD	-
22	V	-
23	P/B	-
24	L/O	-
25	BR/W	-
26	W/R	-
27	V	-
28	W/G	-
29	Y/G	-
30	O/L	-
31	GR/B	-
32	BR	-
33	V/W	-
34	R	-
35	W	-

18	B/W	-
19	R	-
20	P	-
22	Y/R	-
23	LG/B	-
24	L/W	-
25	W/R	-
26	W/R	-
27	SHIELD	-
28	G/O	-
37	Y/B	-
38	W	-
39	W/L	-
40	L/O	-
44	GR	-
45	G	-
46	W	-
47	LG	-
48	L/R	-
49	Y	-
50	R/B	-
53	SHIELD	-
54	B	-
55	R	-

Connector No.	M27
Connector Name	COMBINATION SWITCH
Connector Type	TH16FW-NH



Terminal No.	Color Of Wire	Signal Name [Specification]
1	Y	-
2	GR	-
3	L/R	-
4	W	-
5	L	-
6	B	-
7	W	-
8	BR/Y	-
9	R/W	-
10	Y	-

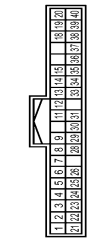
11	SB	INPUT 1
12	V	OUTPUT 1
13	LG	INPUT 5
14	G	OUTPUT 2

Connector No.	M30
Connector Name	STEERING ANGLE SENSOR
Connector Type	TH88FW-NH



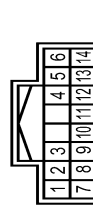
Terminal No.	Color Of Wire	Signal Name [Specification]
1	B	-
2	P	-
4	GR	-
5	L	-

Connector No.	M34
Connector Name	COMBINATION METER
Connector Type	TH40FW-NH



Terminal No.	Color Of Wire	Signal Name [Specification]
1	Y	BATTERY POWER SUPPLY
2	GR	IGNITION SIGNAL
3	B	GROUND
4	B	ILL GND
5	B	ILL CONTROL OUTPUT
6	GR	LED HEADLAMP (RH) WARNING SIGNAL
7	R	TOW MODE SIGNAL
8	P/L	TRIP RESET SWITCH SIGNAL
9	O	LED HEADLAMP (LH) WARNING SIGNAL
11	G	ENTER SWITCH SIGNAL

Connector No.	M27
Connector Name	COMBINATION SWITCH
Connector Type	TH16FW-NH



Terminal No.	Color Of Wire	Signal Name [Specification]
1	W/B	-
2	GR	OUTPUT 4
3	L/R	-
4	W	-
5	L	IGN
6	B	GND
7	W	-
8	BR/Y	OUTPUT 5
9	R/W	INPUT 2
10	Y	INPUT 4

A
B
C
D
E
F
G
H
I
J
K
L
N
O
P

PG

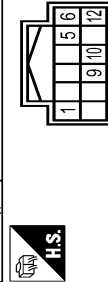
POWER SUPPLY ROUTING CIRCUIT

< WIRING DIAGRAM >

IGNITION POWER SUPPLY

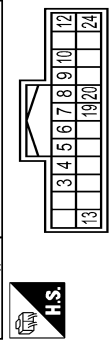
Terminal No.	Color Of Wire	Signal Name [Specification]
12	O	SELECT SWITCH SIGNAL
13	W/R	ILLUMINATION CONTROL SWITCH SIGNAL (+)
14	R	ILLUMINATION CONTROL SWITCH SIGNAL (-)
15	R/W	AIR BAG SIGNAL
18	W/R	AMBIENT SENSOR SIGNAL
19	V/W	A/C AUTO AMP. CONNECTION RECOGNITION SIGNAL
20	B	AMBIENT SENSOR GROUND
21	L	CAN-H
22	P	GROUND
23	B	GROUND
24	V	FUEL LEVEL SENSOR GROUND
25	O/L	ALTERNATOR SIGNAL
26	W	PARKING BRAKE SWITCH SIGNAL
28	GR/R	SECURITY SIGNAL
29	BR	WASHER LEVEL SWITCH SIGNAL
30	SB	VEHICLE SPEED SIGNAL (2-PULSE)
31	BR/W	VEHICLE SPEED SIGNAL (8-PULSE)
33	W	SNOW MODE SIGNAL
34	BR/Y	FUEL LEVEL SENSOR SIGNAL
35	O/B	SEAT BELT BUCKLE SWITCH SIGNAL (DRIVER SIDE)
36	G/Y	PASSENGER SEAT BELT WARNING SIGNAL
37	R/Y	NON-MANUAL MODE SIGNAL
38	L/W	MANUAL MODE SHIFT DOWN SIGNAL
39	Y/B	MANUAL MODE SHIFT UP SIGNAL
40	G/W	MANUAL MODE SIGNAL

Connector No.	M41
Connector Name	REAR A/C CONTROL
Connector Type	TH12FW-NH



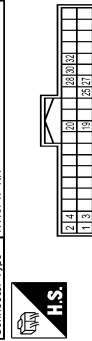
Terminal No.	Color Of Wire	Signal Name [Specification]
1	B	GND
5	L/W	ILL+
6	B/O	ILL-
9	W	RR CONT RX
10	O/L	RR CONT TX
12	GR/L	IGN

Connector No.	M47
Connector Name	SONAR CONTROL UNIT
Connector Type	TH24FW-NH



Terminal No.	Color Of Wire	Signal Name [Specification]
3	W	CORNER SENSOR FRONT LH
4	R	CORNER SENSOR FRONT RH
5	W	CORNER SENSOR REAR LH
6	R	CORNER SENSOR REAR RH
7	G	CENTER SENSOR REAR LH
8	Y	CENTER SENSOR REAR RH
9	G	CENTER SENSOR FRONT LH
10	Y	CENTER SENSOR FRONT RH
12	B	SENSOR GND
13	GR/L	IGN
19	L	CAN-H
20	R	CAN-L [Without ADAS]
20	Y	ITS-CAN L [With ADAS]
24	B	GND

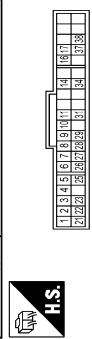
Connector No.	M48
Connector Name	AROUND VIEW MONITOR CONTROL UNIT
Connector Type	TH46FW-NH



Terminal No.	Color Of Wire	Signal Name [Specification]
1	B	GND
2	Y/G	BATTERY POWER SUPPLY
3	GR/L	IGNITION SIGNAL
4	V	ACC POWER SUPPLY
19	SB	AV COMM (H)
20	LG	AV COMM (L)

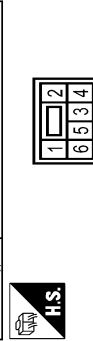
25	P	REVERSE
27	L	CAN-H
28	R	CAN-L [Without ADAS]
30	Y	CAN-L [With ADAS]
30	LG	RETRACT MOTOR OPERATION SIGNAL (OPEN)
32	G/O	RETRACT MOTOR OPERATION SIGNAL (CLOSE)

Connector No.	M50
Connector Name	A/C AUTO AMP.
Connector Type	SB460FW



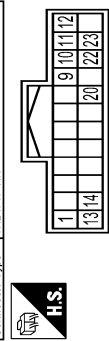
Terminal No.	Color Of Wire	Signal Name [Specification]
1	L	CAN-H
2	B	GROUND
3	Y/G	BATTERY POWER SUPPLY
4	V	ACC POWER SUPPLY
5	W	IONIZER CONTROL SIGNAL
6	V/W	A/C AUTO AMP. CONNECTION RECOGNITION SIGNAL
7	W/R	AMBIENT SENSOR SIGNAL
8	GR/L	RR IN-VEHICLE SENSOR SIGNAL
9	BR	SUNLOAD SENSOR (DR) SIGNAL
10	V/W	EXH. GAS / OUTSIDE DOOR DETECTING SENSOR SIGNAL
11	W	COMM. A/C AUTO AMP. -RR A/C CONT
14	O/L	FR BLOWER MOTOR CONTROL SIGNAL
16	R/G	EACH DOOR MOTOR LIN SIGNAL
17	L/Y	EACH DOOR MOTOR POWER SUPPLY
21	P	CAN-L
22	B	GROUND
23	GR/L	IGNITION POWER SUPPLY
26	R	SENSOR GROUND
27	GR	FR IN-VEHICLE SENSOR SIGNAL
28	R	INTAKE SENSOR SIGNAL
29	O	SUNLOAD SENSOR (PASS) SIGNAL
31	O/L	COMM. (RR A/C CONT-A/C AUTO AMP)
34	L/O	RR BLOWER MOTOR CONTROL SIGNAL
37	B	GROUND
38	G/W	RR A/C RELAY CONTROL SIGNAL

Connector No.	M52
Connector Name	HEATED STEERING WHEEL SWITCH
Connector Type	NS096FW-CS



Terminal No.	Color Of Wire	Signal Name [Specification]
1	GR	-
2	B/O	-
3	L/W	-
4	B	-
5	BR	-
6	B	-

Connector No.	M54
Connector Name	4WD SWITCH ASSEMBLY
Connector Type	TH24FW-NH



Terminal No.	Color Of Wire	Signal Name [Specification]
1	L/W	VOC OFF SW
9	W/R	AUTO SW
10	V	4L SW
11	V	4L SW
12	GR	IGN
13	L/W	LIGHT SW
14	B/O	ILL CONT
20	B	GND
22	W	SNOW SW
23	R	TOW

POWER SUPPLY ROUTING CIRCUIT

< WIRING DIAGRAM >

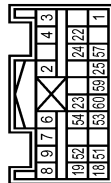
IGNITION POWER SUPPLY

Connector No.	M65
Connector Name	1/2V RATE /SIDE /DECEL G SENSOR
Connector Type	SAZ08FB



Terminal No.	Color Of Wire	Signal Name [Specification]
3	W/B	-
4	R/B	-
5	P/B	-
6	B	-

Connector No.	M59
Connector Name	AIR BAG DIAGNOSIS SENSOR UNIT
Connector Type	NH28FY-EX



Terminal No.	Color Of Wire	Signal Name [Specification]
1	R/L	IGN
2	B	GND
3	Y	DR1 (A)
4	Y/R	DR1 (C) DR2 (-)
6	Y/L	AS1 (+)
7	Y/B	AS1 (-)
8	B/Y	AS 2 (+)
9	Y	AS 2 (-)
18	O	ECZS (+)
19	W	ECZS (-)
22	SHIELD	GND
23	R/W	AIRBAG W/L
24	G/Y	SEATBELT W/L
25	R	CUTOFF TELLTALE
51	Y/G	SIDE SESZ RH+
52	Y/L	SIDE SESZ RH-

53	W	SIDE SESZ LH+
54	R	SIDE SESZ LH-
57	R/W	DEPLOYMENT INFORMATION
59	L	CAN-H
60	R	CAN-LO

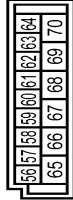
Connector No.	M68
Connector Name	BCM (BODY CONTROL MODULE)
Connector Type	TH40FB-NH



Terminal No.	Color Of Wire	Signal Name [Specification]
2	BR/Y	COMBI SW INPUT 5
3	GR	COMBI SW INPUT 4
4	L	COMBI SW INPUT 3
5	G	COMBI SW INPUT 2
6	V	COMBI SW INPUT 1
8	V	POWER WINDOW SW COMM
9	R	STOP LAMP SW 1
11	R	RAIN SENSOR SERIAL LINK
14	P/B	OPTICAL SENSOR
16	L/O	DIMMER SIGNAL
17	Y/G	SENSOR PWR SPLY
18	B/Y	RECEIVER/SENSOR GND
19	G/Y	TURN SIG RH OUTPUT (FRONT)
20	G	TURN SIG LH OUTPUT (FRONT)
21	P	WATS ANT AMP
22	W/B	KYL SENT RECEIVER BSSI
23	GR/R	SECURITY IND CONT
24	SB	DONGLE LINK
25	LG/R	WATS ANT AMP
26	O	INTELLIGENT KEY IDENTIFICATION
29	W	HAZARD SW
30	W/L	BK DOOR OPNR SW
31	W/G	DR DOOR UNLOCK SENSOR
32	LG	COMBI SW OUTPUT 5
33	Y	COMBI SW OUTPUT 4
34	W	COMBI SW OUTPUT 3
35	R/W	COMBI SW OUTPUT 2
36	SB	COMBI SW OUTPUT 1
37	G/Y	SHIFT P

39	L	CAN-H
40	P	CAN-L

Connector No.	M70
Connector Name	BCM (BODY CONTROL MODULE)
Connector Type	FE408FW-TH46-SA



Terminal No.	Color Of Wire	Signal Name [Specification]
56	W/R	INT ROOM LAMP PWR SPLY
57	LG	BAT (FUSE)
58	R/W	SHOCK DETECT SENS
59	G	PASSENGER DOOR UNLK OUTPUT
60	G	TURN SIG LH OUTPUT (SIDE, REAR)
61	G/Y	TURN SIG RH OUTPUT (SIDE, REAR)
62	R	STEP LAMP CONT
63	BR	ROOM LAMP TIMER CONT
64	GR/R	CRANKING REQUEST
65	R	ALL DOOR LOCK OUTPUT
66	V	DR DOOR FUEL LID UNLK OUTPUT
67	B	GND
68	Y	PW PWR SPLY (IGN)
69	W	PW PWR SPLY (BAT)
70	Y	BAT (F/L)

Connector No.	M71
Connector Name	BCM (BODY CONTROL MODULE)
Connector Type	TH40FPW-NH



Terminal No.	Color Of Wire	Signal Name [Specification]
71	G/R	KYL SENT RECEIVER COMM
72	P	PUDDLE LAMP CONT
73	W	ON IND
74	Y/B	TRAILER TURN SIG RH CONT
75	LG/R	DRIVER DOOR REQUEST SW
76	SB	PUSH SW
77	O/L	TRAILER TURN SIG LH CONT
78	P/B	DRIVER DOOR ANT-
79	V	DRIVER DOOR ANT+
80	LG/B	PASSENGER DOOR ANT-
81	Y/R	PASSENGER DOOR ANT+
82	W/G	BACK DOOR ANT-
83	B/W	BACK DOOR ANT+
84	BR	ROOM ANT+
85	Y	ROOM ANT-
86	W	ROOM ANT2-
87	B	ROOM ANT2+
88	V	LAGGAGE ROOM ANT+
89	G	LAGGAGE ROOM ANT-
90	Y	PUSH-BTN IGN SW ILL PWR
91	O	LOCK IND
92	L	LOW SIDE PUSH LED
93	GR/R	I-KEY WARM BUZZER
96	BR	ACC RELAY CONT
97	R/W	STARTER RELAY CONT
98	O	IGN RELAY (PDM E/R) CONT
99	R	IGN RELAY (F/B) CONT
100	P/L	PASSENGER DOOR REQUEST SW
101	W/B	IGN PWR SPLY 2
102	BR	SHIFT N/P
104	R/B	A/T SHIFT SELECT PWR SPLY
105	O/L	STOP LAMP SW 2
106	Y/G	BLWR FAN MTR RELAY CONT
109	L/W	ACC IND
110	BR	RECEIVER PWR SPLY

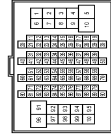
A
B
C
D
E
F
G
H
I
J
K
L
M
N
O
P

POWER SUPPLY ROUTING CIRCUIT

< WIRING DIAGRAM >

IGNITION POWER SUPPLY

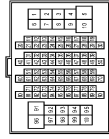
Connector No.	M77
Connector Name	WIRE TO WIRE
Connector Type	TH80FW-CS16-TM4



Terminal No.	Color Of Wire	Signal Name [Specification]
1	W	
2	L/W	
3	R/B	
4	L	
5	Y	
7	W/G	
8	P/B	
9	P/B	
10	G	
11	L	
12	P	
13	P/B	
14	BR	
15	O/L	
16	SB	
18	BR	
19	Y/G	
20	BR/Y	
21	V	
22	L	
23	Y	
24	L/W	
28	O	
29	B/W	
30	O/L	
31	Y	
32	GR/R	
34	F	
35	R	
36	B/O	
37	G/Y	
38	G	
40	SB	
41	W/R	
42	R	
43	V	

54	GR/L	-
91	BR	-
92	L/W	-
94	Y/B	-
95	L/R	-
97	R	-
98	O/L	-
100	W/B	-

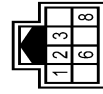
Connector No.	M82
Connector Name	WIRE TO WIRE
Connector Type	TH80FW-CS16-TM4



Terminal No.	Color Of Wire	Signal Name [Specification]
1	L	
4	V/W	
5	G/R	
6	P	
9	GR/L	
10	Y/R	
11	L/R	
12	W/G	
13	BR/Y	
14	LG	
15	BR/W	
16	B/Y	
17	W/B	
18	GR/R	
20	W/R	
21	B	
22	R/L	
23	G/R	
24	R/W	
25	W/L	
26	R	
27	L	
28	B/SB	
35	G	
36	Y	
37	R	

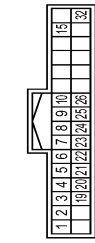
38	G/Y	-
39	O	-
40	W	-
41	R	-
42	B	-
43	G	-
44	SHIELD	-
46	B	-
47	W	-
48	SHIELD	-
49	W	-
50	SHIELD	-
52	GR	-
53	LG/B	-
54	LG/R	-
55	R/G	-
56	B/O	-
57	SB	-
66	V	-
91	G/R	-
92	GR	-
93	O	-
95	SB	-
96	G/R	-
97	GR/L	-
98	G/W	-
99	P	-
100	L	-

Connector No.	M92
Connector Name	OPTION CONNECTOR (1)
Connector Type	TH08MW-NH



Terminal No.	Color Of Wire	Signal Name [Specification]
1	Y	
2	GR	
3	W/R	
6	Y/L	
8	B	

Connector No.	M96
Connector Name	LOW TIRE PRESSURE WARNING CONTROL UNIT
Connector Type	TH82FW-NH



Terminal No.	Color Of Wire	Signal Name [Specification]
1	P	CAN-L
2	L	CAN-H
3	O/L	RR TIRE PRESSURE RECEIVER SIGNAL
4	L	RL TIRE PRESSURE RECEIVER SIGNAL
5	R/L	FR TIRE PRESSURE RECEIVER SIGNAL
6	W/G	FL TIRE PRESSURE RECEIVER SIGNAL
7	SB	RR TIRE PRESSURE RECEIVER POWER SUPPLY
8	GR	RL TIRE PRESSURE RECEIVER POWER SUPPLY
9	R/W	FR TIRE PRESSURE RECEIVER POWER SUPPLY
10	LG	FL TIRE PRESSURE RECEIVER POWER SUPPLY
15	GR	IGN
19	L/R	RR TIRE PRESSURE RECEIVER SIGNAL (SENSITIVITY)
20	P	RL TIRE PRESSURE RECEIVER SIGNAL (SENSITIVITY)
21	G/R	FR TIRE PRESSURE RECEIVER SIGNAL (SENSITIVITY)
22	BR/Y	FL TIRE PRESSURE RECEIVER SIGNAL (SENSITIVITY)
23	V/W	RR TIRE PRESSURE RECEIVER GND
24	R/B	RL TIRE PRESSURE RECEIVER GND
25	W/L	FR TIRE PRESSURE RECEIVER GND
26	BR/W	FL TIRE PRESSURE RECEIVER GND
32	B	GND

POWER SUPPLY ROUTING CIRCUIT

< WIRING DIAGRAM >

IGNITION POWER SUPPLY

Connector No.	M89
Connector Name	TCU
Connector Type	TH46FW-NH



2	4	6	10	18	20	22	34	38
1	3	5	7	9	11	13	15	17

Terminal No.	Color Of Wire	Signal Name [Specification]
1	Y/R	BAT
2	B	GND
3	BR	ACC
4	GR/L	IGN
5	V	ACC OUT
6	BR	-
7	B	GND
9	L	V-CAN H
10	P	V-CAN L
18	Y/G	MICROPHONE VCC
19	Y/L	MICROPHONE SIGNAL
20	SHIELD	MICROPHONE GND
21	Y	MICROPHONE VCC
22	BR	SOUND SIGNAL
23	SHIELD	MICROPHONE GND
34	G	SOS CALL SWITCH SIGNAL
35	O	SOS SWITCH LED SIGNAL

Connector No.	M108
Connector Name	POWER STEERING CONTROL UNIT
Connector Type	TH12FW-NH



1	3	5	6
8	10		

Terminal No.	Color Of Wire	Signal Name [Specification]
1	R	EPS SOL SUPPLY
3	GR	IGN
5	L	EPS SOL GND

42	L/W	-
43	B/W	-
44	L	-
45	P	-
46	SHIELD	-
47	R	-
48	W	-
49	SHIELD	-
50	V	-
51	O/L	-
52	L/R	-
53	SB	-
54	V/W	-
59	L	-
60	GR	-
61	P/L	-
62	B/SB	-
63	R/Y	-
64	BR	-
70	O	-
71	W	-
72	SHIELD	-
73	B	-
74	R	-
75	G	-
76	Y	-
77	SB	-
78	LG	-
79	R/B	-
80	W/B	-
83	Y	-
84	L	-
85	L/R	-
86	R	-
87	W	-
88	V	-
89	L/W	-
100	W	-

Connector No.	M113
Connector Name	WIRE TO WIRE
Connector Type	MB6FW-LC



3	2	1
6	5	4

Terminal No.	Color Of Wire	Signal Name [Specification]
1	B	-
3	W	-
5	O/L	-

Connector No.	M125
Connector Name	CAN GATEWAY
Connector Type	TH12FW-NH



1	3	4	5	6
7	9	10	11	12

Terminal No.	Color Of Wire	Signal Name [Specification]
1	L	CAN-H
3	Y	BATTERY
4	L	CAN-H
5	B	GND
6	B	CAN-H
9	B	CAN-L
7	GR	IGNITION
10	R	CAN-L
11	B	GND
12	R	CAN-L

A
B
C
D
E
F
G
H
I
J
K
L
N
O
P

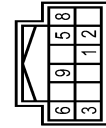
PG

POWER SUPPLY ROUTING CIRCUIT

< WIRING DIAGRAM >

IGNITION POWER SUPPLY

Connector No.	M127
Connector Name	TWIN SWITCH
Connector Type	TH12FCY-NH



Terminal No.	Color Of Wire	Signal Name [Specification]
1	O	-
2	V/W	-
3	B	-
5	L/O	-
6	B/O	-
8	W/G	-
9	LG/B	-

Connector No.	M130
Connector Name	IONIZER
Connector Type	TH04FW-NH



Terminal No.	Color Of Wire	Signal Name [Specification]
1	GR/L	IGN
2	R	IGN/MODE
3	B	SND
4	W	IGN ON/OFF

Connector No.	M131
Connector Name	FRONT HEATED SEAT SWITCH (DRIVER SIDE)
Connector Type	NS08FW-CS



Terminal No.	Color Of Wire	Signal Name [Specification]
1	G/R	-
2	L	-
3	BR	-
4	B	-
5	L/W	-
6	B/O	-

Connector No.	M132
Connector Name	FRONT HEATED SEAT SWITCH (PASSENGER SIDE)
Connector Type	NS08FBR-CS



Terminal No.	Color Of Wire	Signal Name [Specification]
1	G/R	-
2	L/Y	-
3	B/B	-
5	L/W	-
6	B/O	-

Connector No.	M133
Connector Name	SECOND HEATED SEAT SWITCH LH
Connector Type	NS08FW-CS



Terminal No.	Color Of Wire	Signal Name [Specification]
1	G/R	-
2	V	-
3	L/W	-
4	B	-
5	L/W	-
6	B/O	-

Connector No.	M134
Connector Name	SECOND HEATED SEAT SWITCH RH
Connector Type	NS08FBR-CS



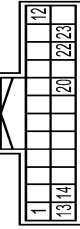
Terminal No.	Color Of Wire	Signal Name [Specification]
1	G/R	-
2	W	-
3	L/R	-
5	B	-
6	B/O	-

Connector No.	M144
Connector Name	AC 120V OUTLET MAIN SWITCH
Connector Type	TK08FW-1V



Terminal No.	Color Of Wire	Signal Name [Specification]
1	GR	-
2	B	-
3	W	-
4	L/W	-
5	O	-
6	B	-

Connector No.	M147
Connector Name	SHOW MODE / TON MODE / VDC OFF SWITCH ASSEMBLY
Connector Type	TH24FW-NH



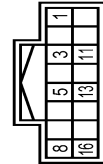
Terminal No.	Color Of Wire	Signal Name [Specification]
1	L/W	VDC OFF SW
12	GR	IGN
13	L/W	LIGHT SW
14	B/O	ILL COANT
20	B	SND
22	W	SNOW SW
23	R	TOW

POWER SUPPLY ROUTING CIRCUIT

< WIRING DIAGRAM >

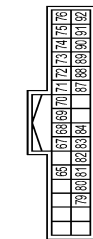
IGNITION POWER SUPPLY

Connector No.	M150
Connector Name	DRIVER ASSISTANCE BUZZER CONTROL MODULE
Connector Type	TH16FW-NH



Terminal No.	Color Of Wire	Signal Name [Specification]
1	W/G	IGN
3	L	ITS COMM-H
5	B	GROUND
8	BR	SPEAKER OUT(+)
11	Y	ITS COMM-L
13	B	GROUND
16	Y	SPEAKER OUT(-)

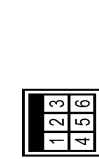
Connector No.	M210
Connector Name	AV CONTROL UNIT
Connector Type	TH82FW-NH



Terminal No.	Color Of Wire	Signal Name [Specification]
65	W	PARKING BRAKE SIGNAL
67	W	COMPOSITE IMAGE SIGNAL
68	R	COMPOSITE IMAGE SIGNAL GND
69	O	INTELLIGENT KEY IDENTIFICATION SIGNAL
70	BR	—
71	SHIELD	MICROPHONE SHIELD
72	Y	MICROPHONE VCC (With DCM)
73	Y/G	MICROPHONE VCC (Without DCM)
74	P	COMM (CONT-DISP)
75	LG	AV COMM (L)
76	LG	AV COMM (L)
79	L/O	DIMMER SIGNAL

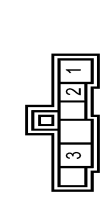
80	GR/L	IGNITION SIGNAL
81	R/Y	REVERSE SIGNAL
82	BR/W	VEHICLE SPEED SIGNAL (8-PULSE)
83	SHIELD	SHIELD
84	W/B	COMPOSITE IMAGE SYNC SIGNAL
87	BR	MICROPHONE SIGNAL (With DCM)
87	Y/L	MICROPHONE SIGNAL (Without DCM)
88	SHIELD	SHIELD
89	Y/L	COMM (RSP-COINT)
91	SB	AV COMM (H)
92	SB	AV COMM (H)

Connector No.	M271
Connector Name	WIPE TO WIRE
Connector Type	M06MW-LC



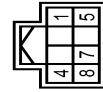
Terminal No.	Color Of Wire	Signal Name [Specification]
1	—	—
3	—	—
5	—	—

Connector No.	M272
Connector Name	FRONT BLOWER MOTOR
Connector Type	NS03FW-M3



Terminal No.	Color Of Wire	Signal Name [Specification]
1	—	—
2	—	—
3	—	—

Connector No.	R8
Connector Name	LANE CAMERA UNIT
Connector Type	TH08FW-NH



Terminal No.	Color Of Wire	Signal Name [Specification]
1	B	GROUND
4	L	ITS COMM-H
5	B	GROUND
7	W/G	IGNITION
8	Y	ITS COMM-L

JRMWG1057GB

A
B
C
D
E
F
G
H
I
J
K
L
N
O
P

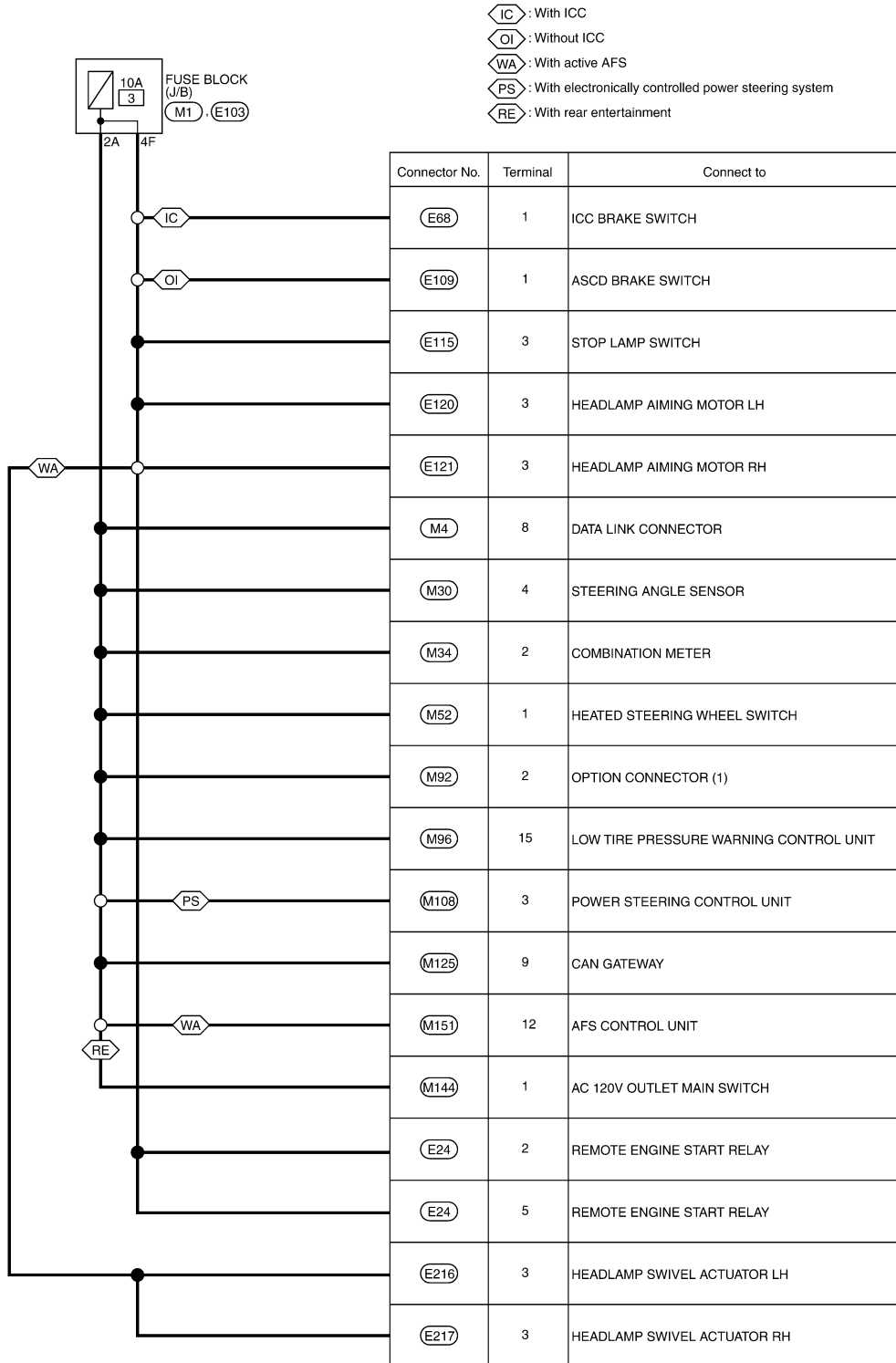
POWER SUPPLY ROUTING CIRCUIT

< WIRING DIAGRAM >

Wiring Diagram - IGNITION POWER SUPPLY FUSE No. 3 -

INFOID:000000010257885

IGNITION POWER SUPPLY FUSE No. 3



2014/07/11

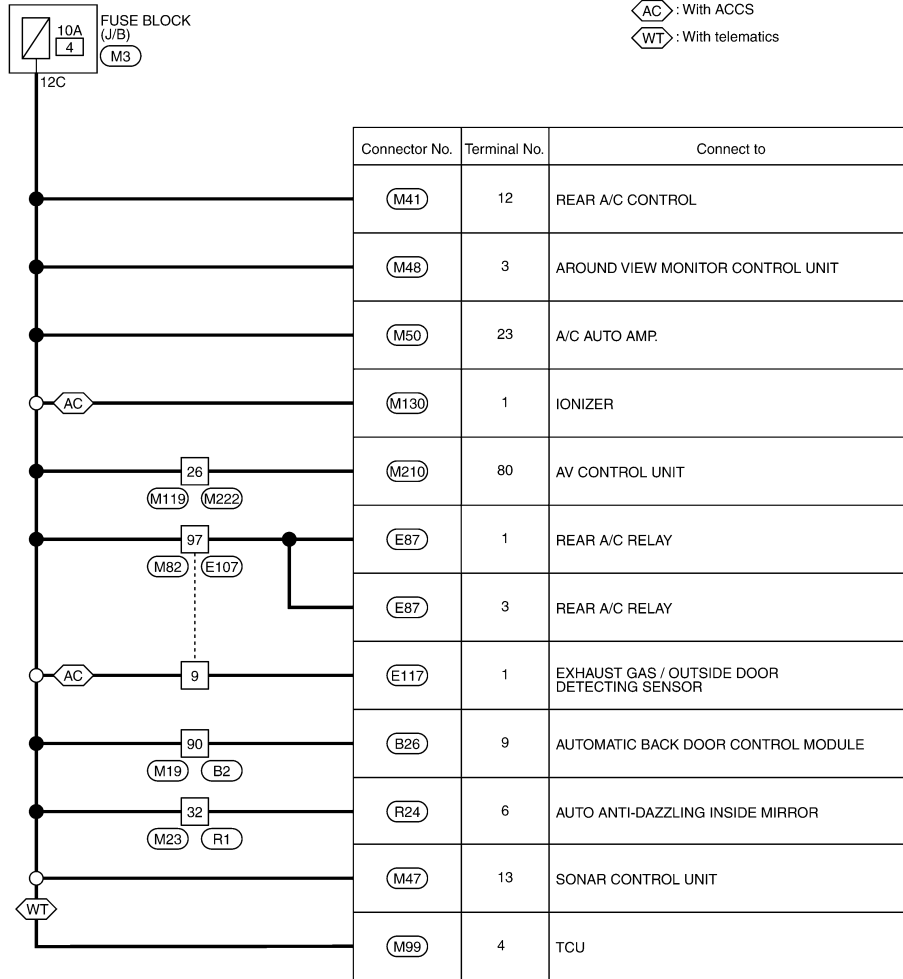
JRMWG1058GB

POWER SUPPLY ROUTING CIRCUIT

< WIRING DIAGRAM >

Wiring Diagram - IGNITION POWER SUPPLY FUSE No. 4 - IGNITION POWER SUPPLY FUSE No. 4

INFOID:000000010257886



A
B
C
D
E
F
G
H
I
J
K
L

PG

N
O
P

2014/07/11

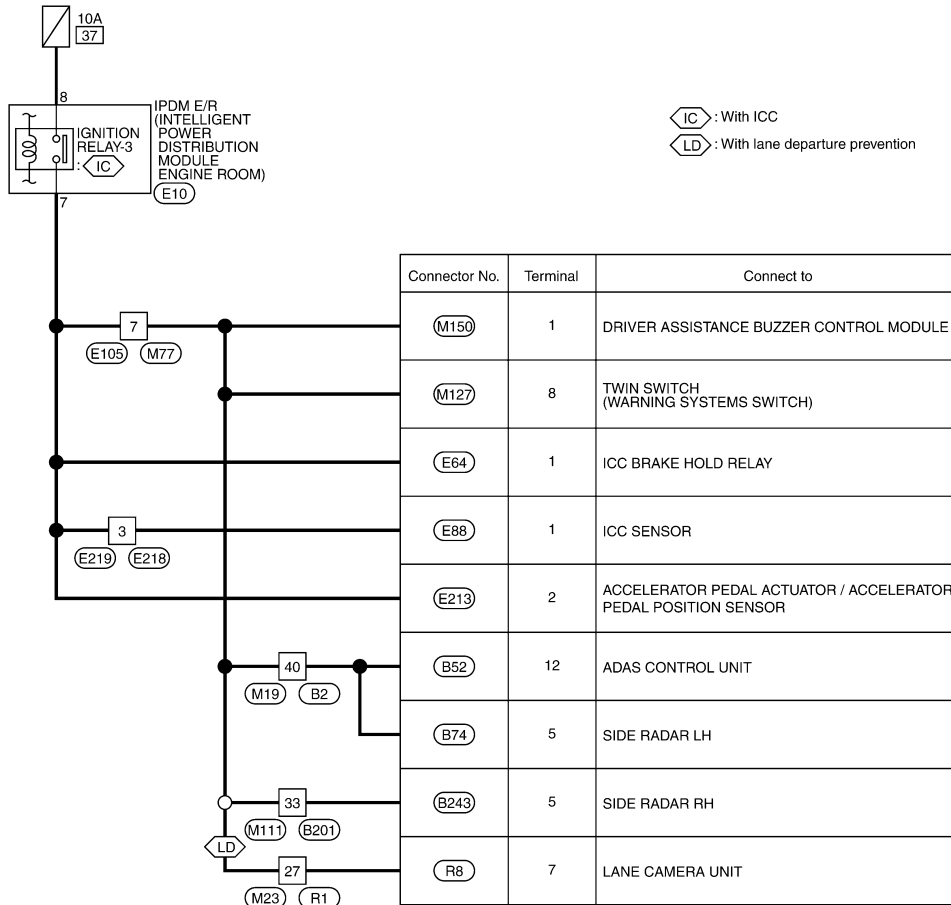
JRMWG1059GB

POWER SUPPLY ROUTING CIRCUIT

< WIRING DIAGRAM >

Wiring Diagram - IGNITION POWER SUPPLY FUSE No. 37 - IGNITION POWER SUPPLY FUSE No. 37

INFOID:000000010257887



2014/07/11

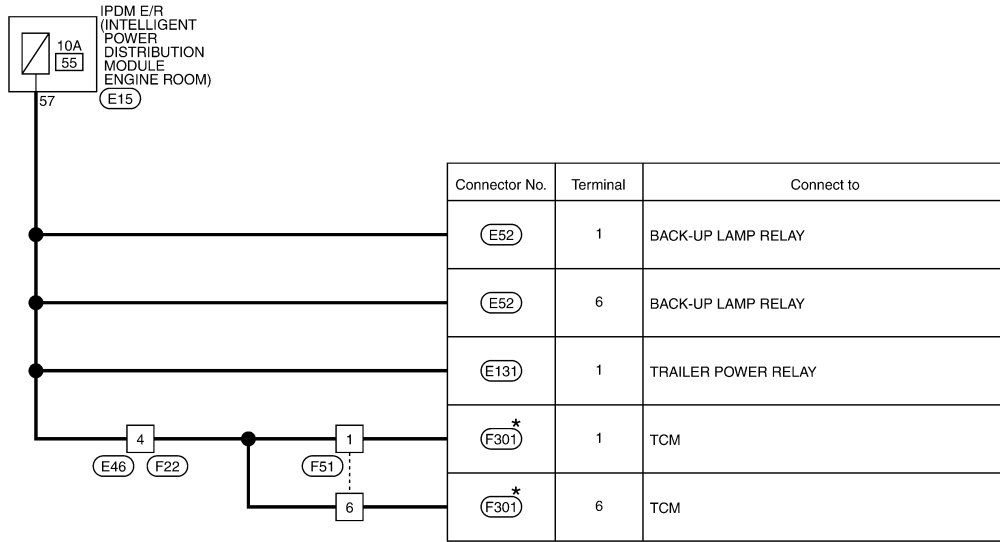
JRMWG1060GB

POWER SUPPLY ROUTING CIRCUIT

< WIRING DIAGRAM >

Wiring Diagram - IGNITION POWER SUPPLY FUSE No. 55 - IGNITION POWER SUPPLY FUSE No. 55

INFOID:000000010257888



*: This connector is not shown in "Harness Layout".

2014/07/11

JRMWG1061GB

A
B
C
D
E
F
G
H
I
J
K
L
N
O
P

PG

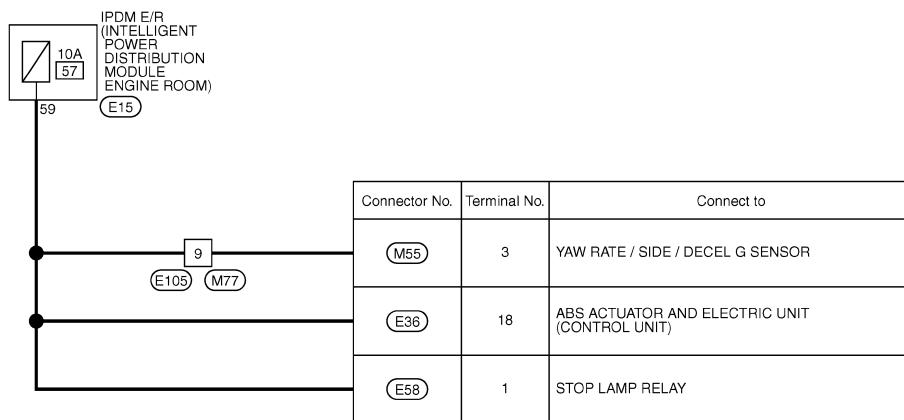
POWER SUPPLY ROUTING CIRCUIT

< WIRING DIAGRAM >

Wiring Diagram - IGNITION POWER SUPPLY FUSE No. 57 -

INFOID:000000010257889

IGNITION POWER SUPPLY FUSE No. 57



2010/05/13

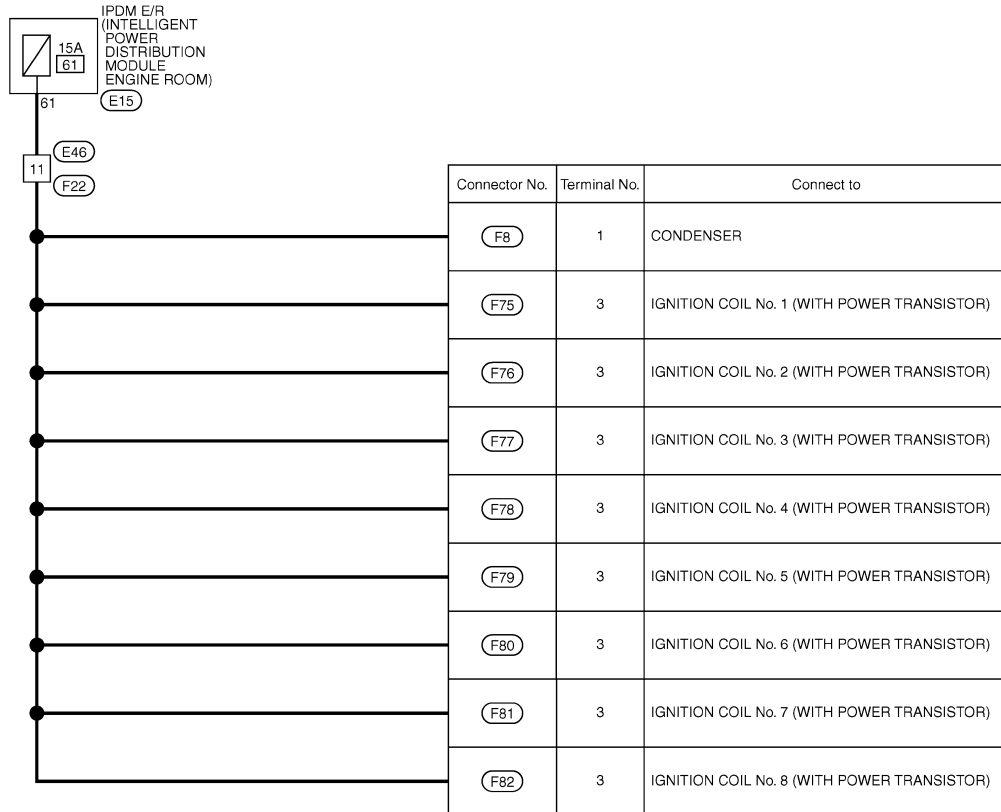
JCMWM8459GB

POWER SUPPLY ROUTING CIRCUIT

< WIRING DIAGRAM >

Wiring Diagram - IGNITION POWER SUPPLY FUSE No. 61 - IGNITION POWER SUPPLY FUSE No. 61

INFOID:000000010257890



A
B
C
D
E
F
G
H
I
J
K
L

PG

N
O
P

2010/05/13

JCMWM8462GB

GROUND DISTRIBUTION

< WIRING DIAGRAM >

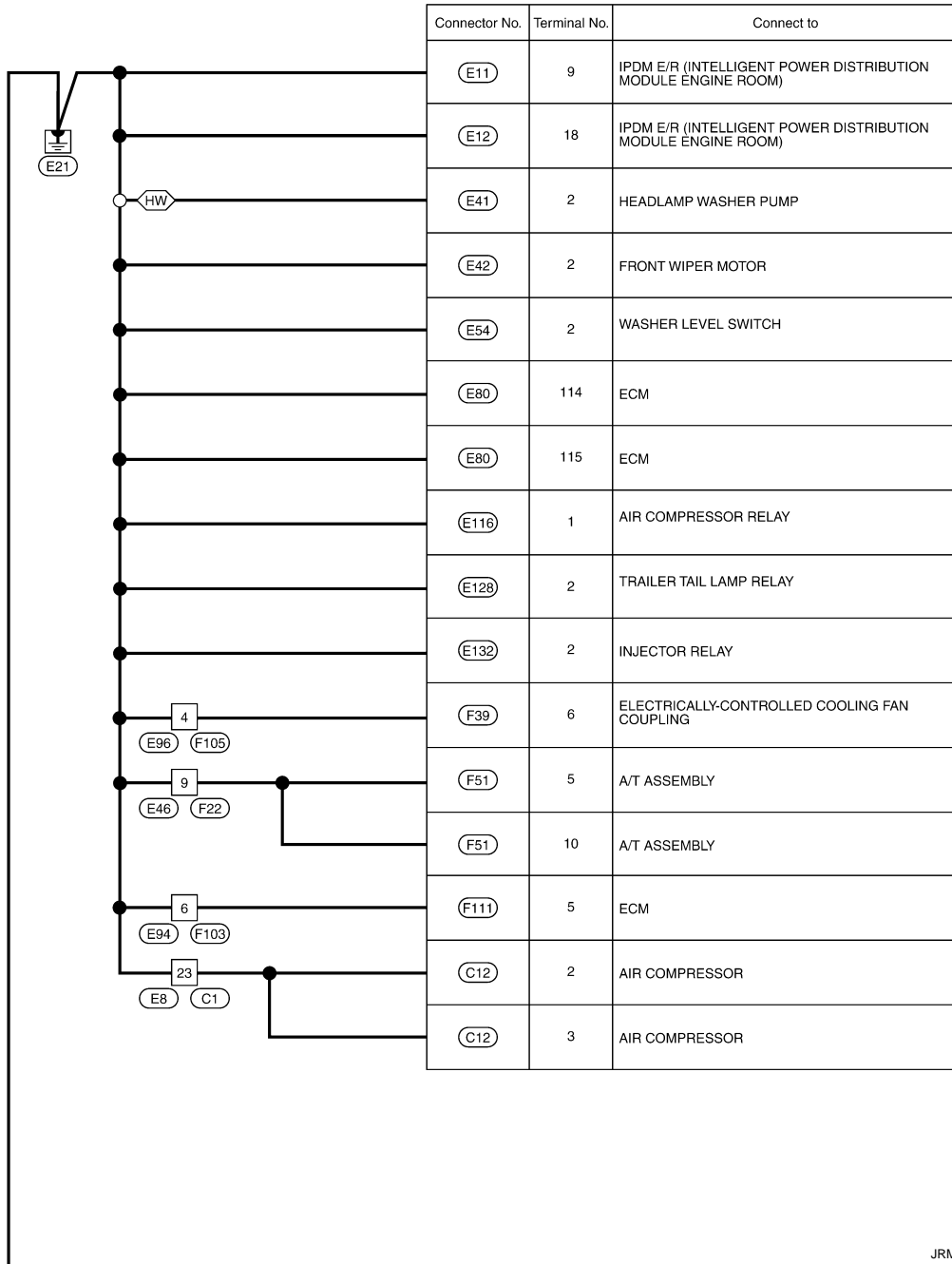
GROUND DISTRIBUTION

Engine Room Harness

INFOID:000000011509962

ENGINE ROOM HARNESS

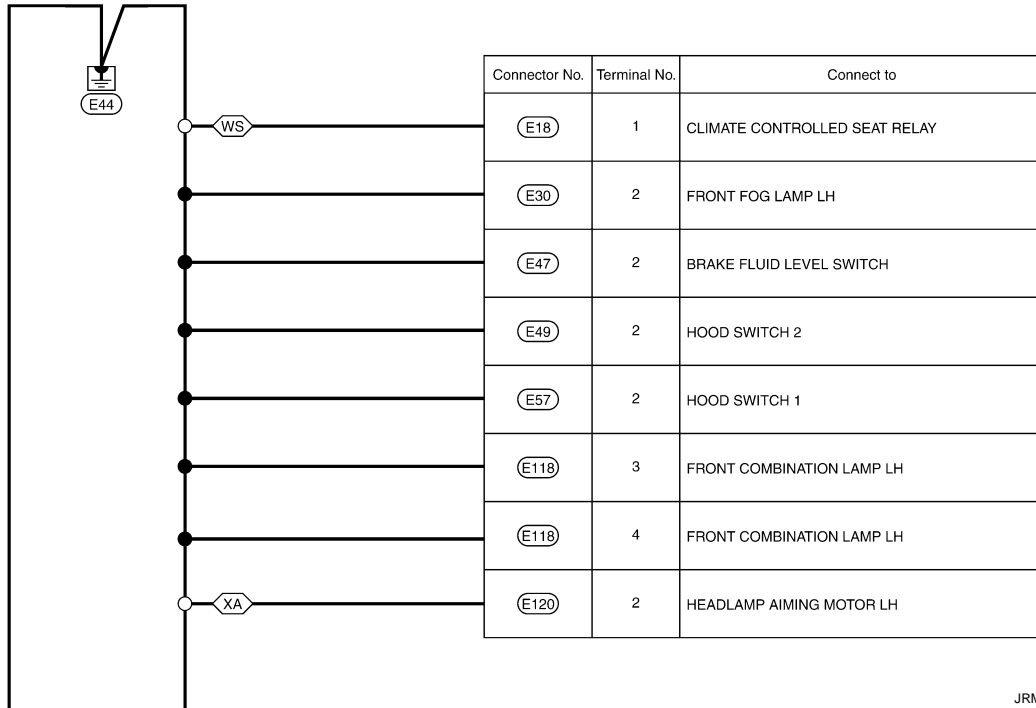
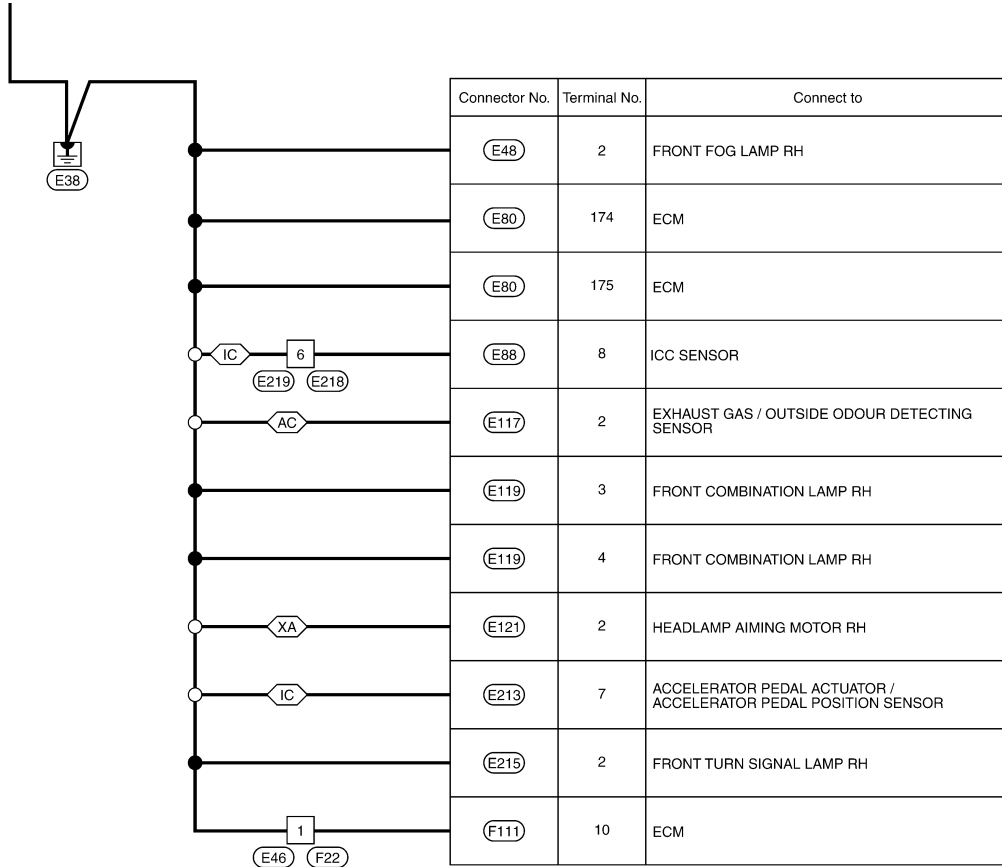
- AC : With ACCS
- XA : Without active AFS
- WS : With climate controlled seat
- 4W : 4WD models
- IC : With ICC
- HW : With headlamp washer



JRMWG1072GB

GROUND DISTRIBUTION

< WIRING DIAGRAM >

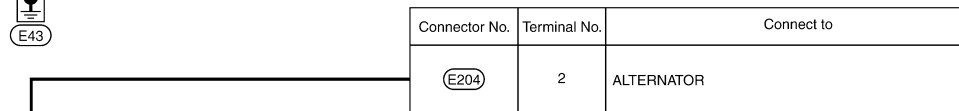
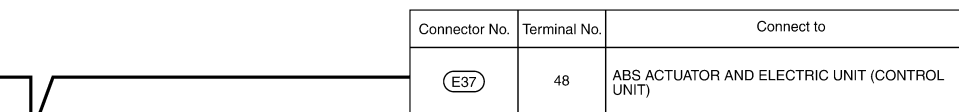
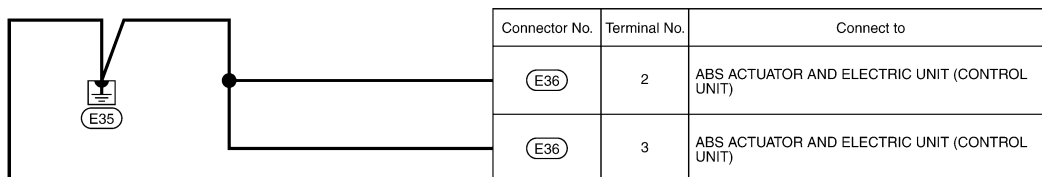
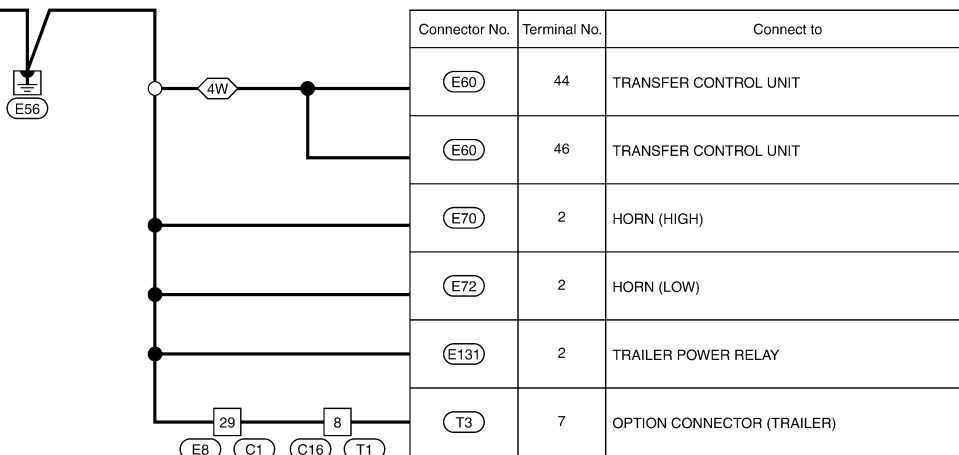
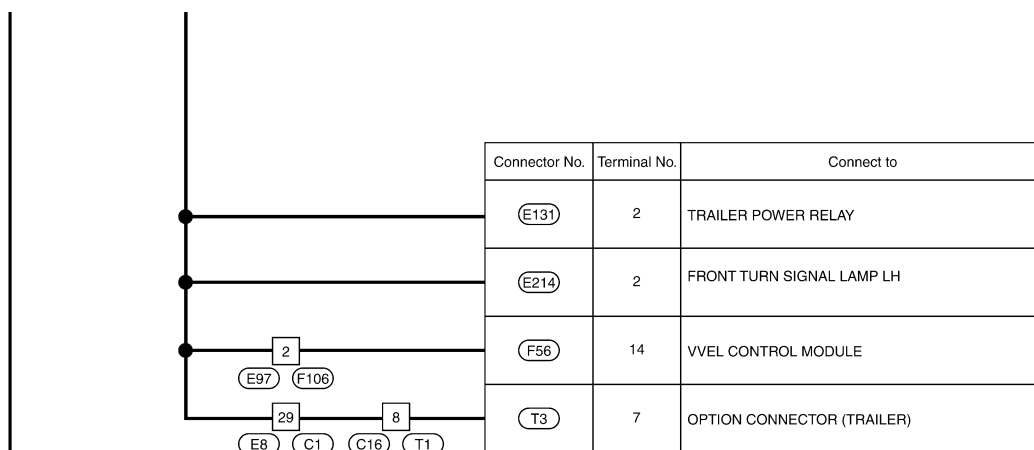


JRMWG1073GB

A
B
C
D
E
F
G
H
I
J
K
L
PG
N
O
P

GROUND DISTRIBUTION

< WIRING DIAGRAM >



2014/07/11

JRMWG1074GB

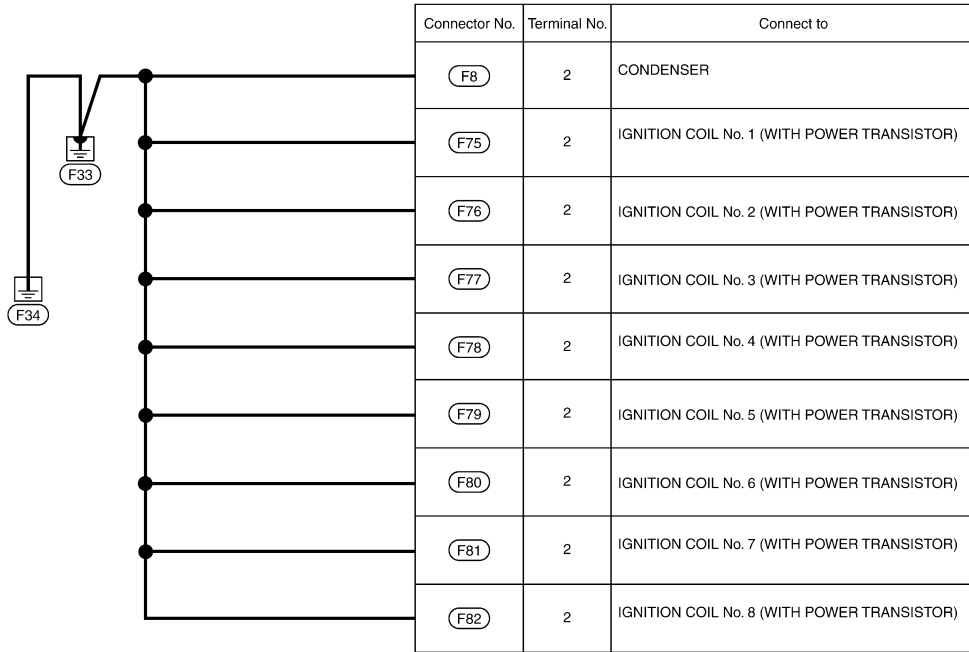
GROUND DISTRIBUTION

< WIRING DIAGRAM >

Engine Control Harness

INFOID:000000011509977

ENGINE CONTROL HARNESS



A
B
C
D
E
F
G
H
I
J
K
L
N
O
P

PG

2014/07/17

JRMWG1082GB

GROUND DISTRIBUTION

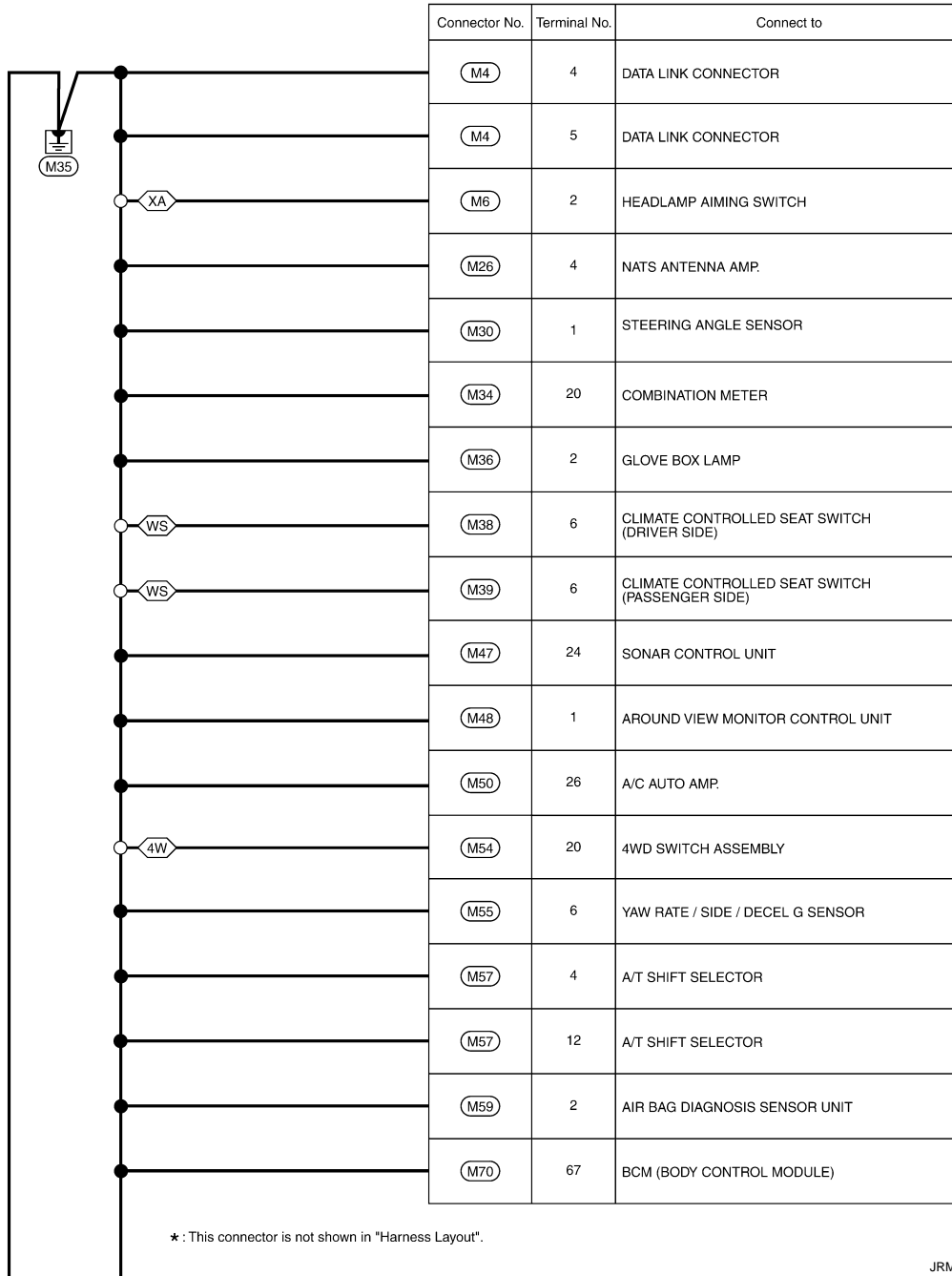
< WIRING DIAGRAM >

Main Harness

INFOID:000000011509964

MAIN HARNESS

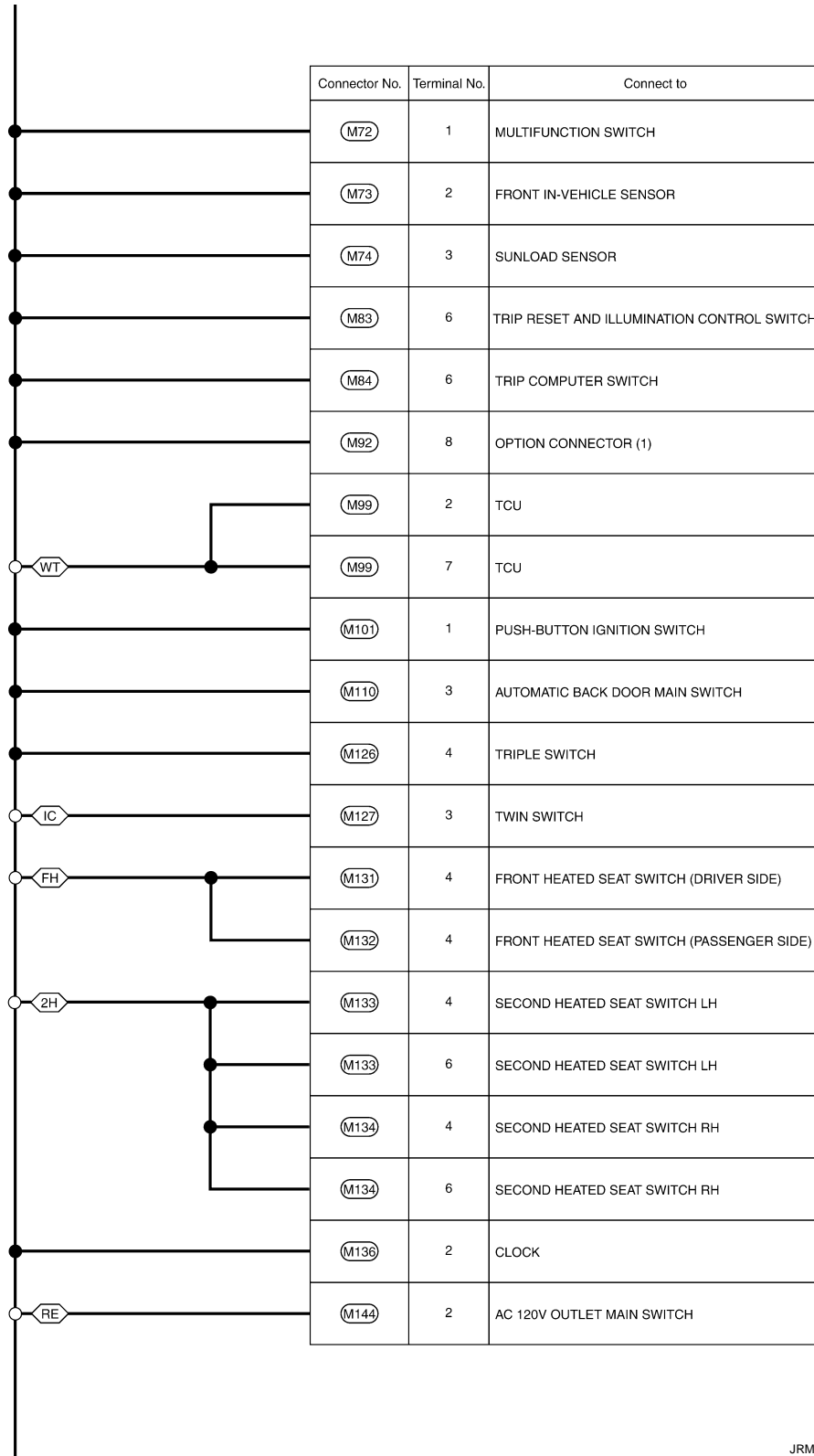
- | | | |
|--------------------------------------------------------------------------------------------------------------------------------------------------------------------------------------------------------------------------------------------------|---------------------------------------------------------------------------------------------------------------------------------------------------------------------------------------------------------------------------------------|----------------------------------------------------------------------------------------------------------------------------------------------------------------------------------------------------------------------------------------------|
| <p><XA> : Without active AFS</p> <p><WS> : With climate controlled seat</p> <p><WA> : With active AFS</p> <p><RE> : With rear entertainment</p> <p><IC> : With ICC</p> <p><2H> : With second heated seat</p> | <p><15S> : With 15 speakers</p> <p><LD> : With lane departure prevention</p> <p><4W> : 4WD models</p> <p><WT> : With telematics</p> <p><2W> : 2WD models</p> <p><FH> : With front heated seat</p> | <p><MX> : For Mexico</p> <p><AC> : With ACCS</p> <p><CN> : For Canada</p> <p><CB> : With cool box</p> <p><XM> : Except for Mexico</p> <p><PS> : With electronically controlled power steering system</p> |
|--------------------------------------------------------------------------------------------------------------------------------------------------------------------------------------------------------------------------------------------------|---------------------------------------------------------------------------------------------------------------------------------------------------------------------------------------------------------------------------------------|----------------------------------------------------------------------------------------------------------------------------------------------------------------------------------------------------------------------------------------------|



JRMWG1065GB

GROUND DISTRIBUTION

< WIRING DIAGRAM >

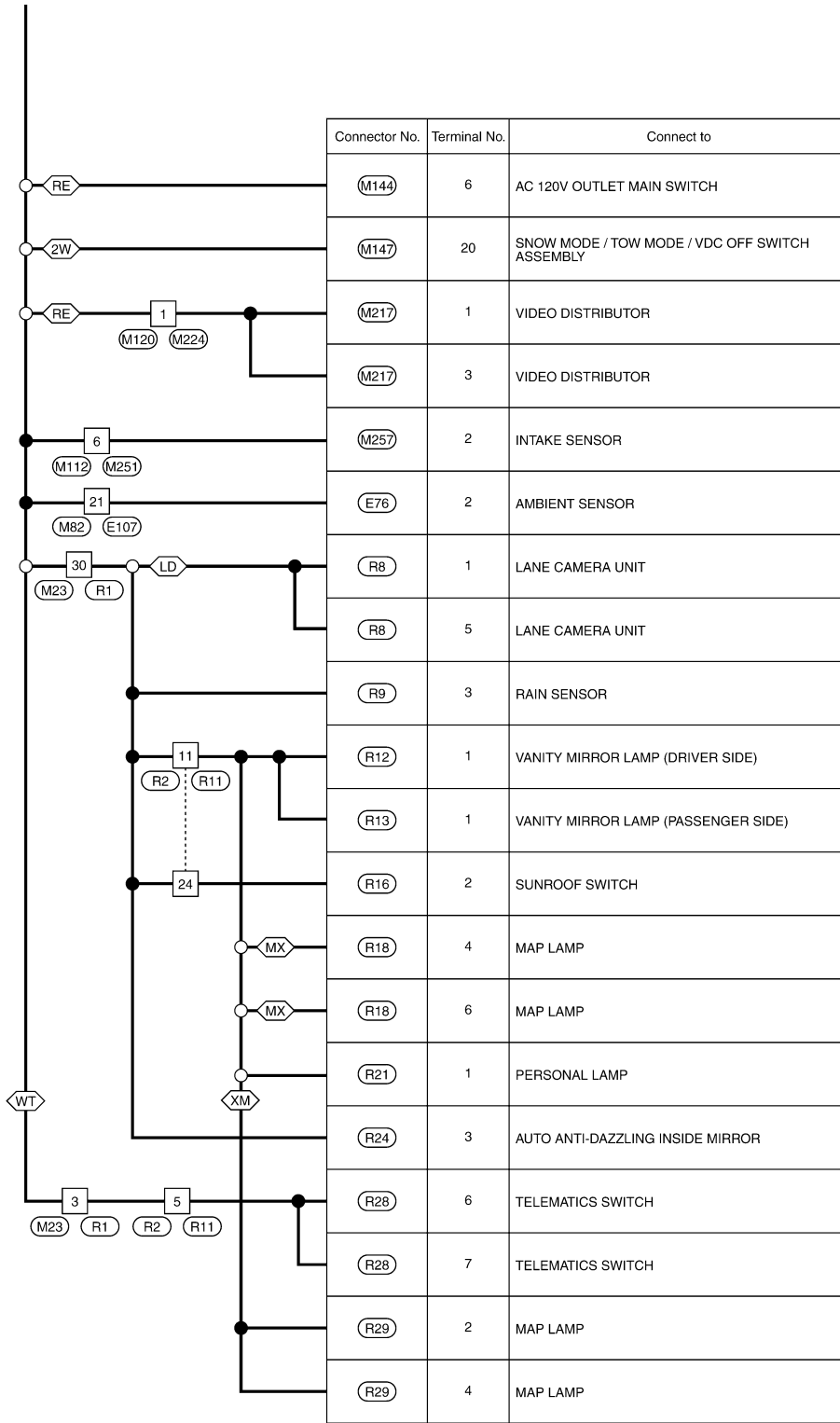


JRMWG1066GB

A
B
C
D
E
F
G
H
I
J
K
L
PG
N
O
P

GROUND DISTRIBUTION

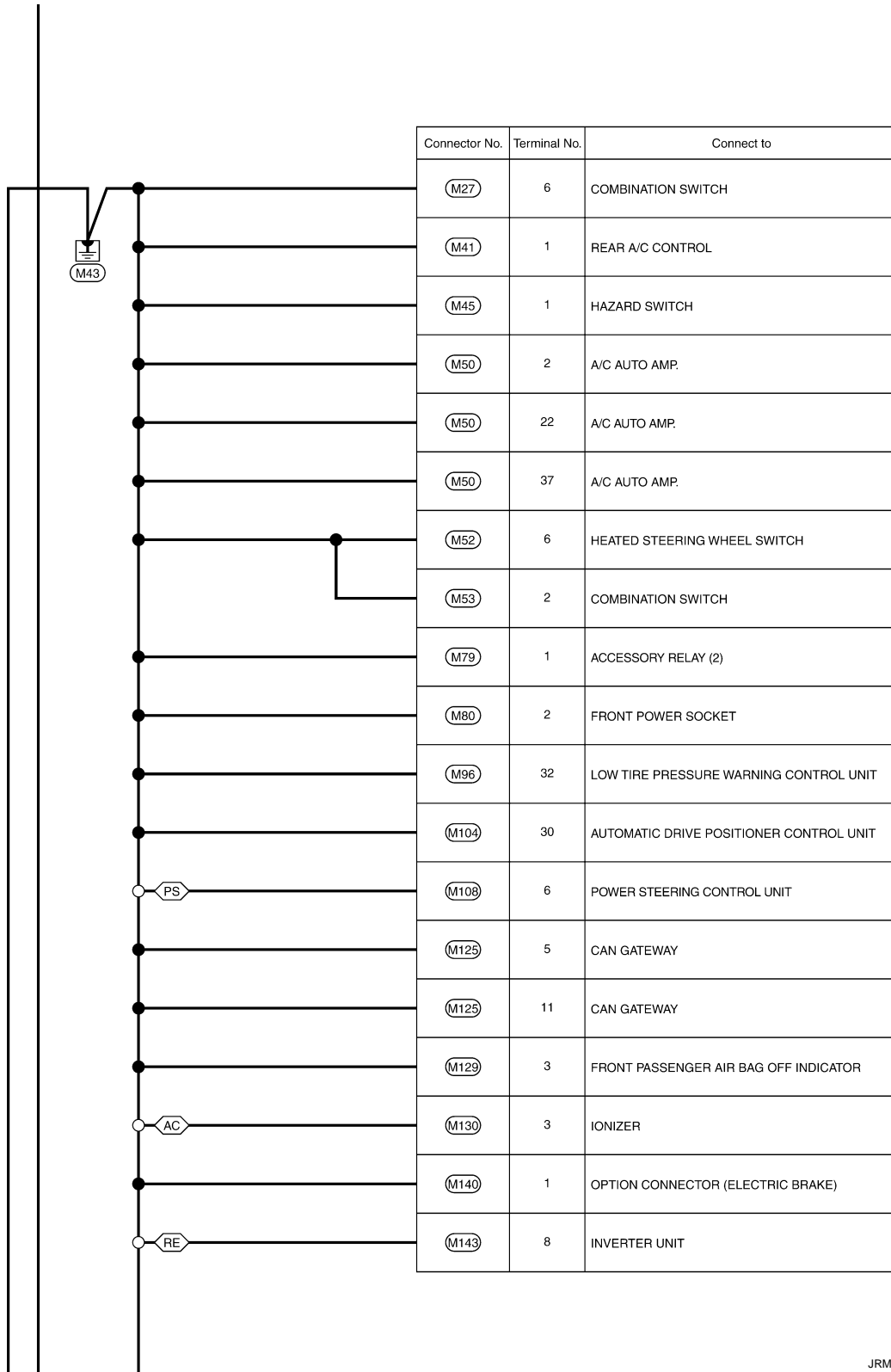
< WIRING DIAGRAM >



JRMWG1067GB

GROUND DISTRIBUTION

< WIRING DIAGRAM >

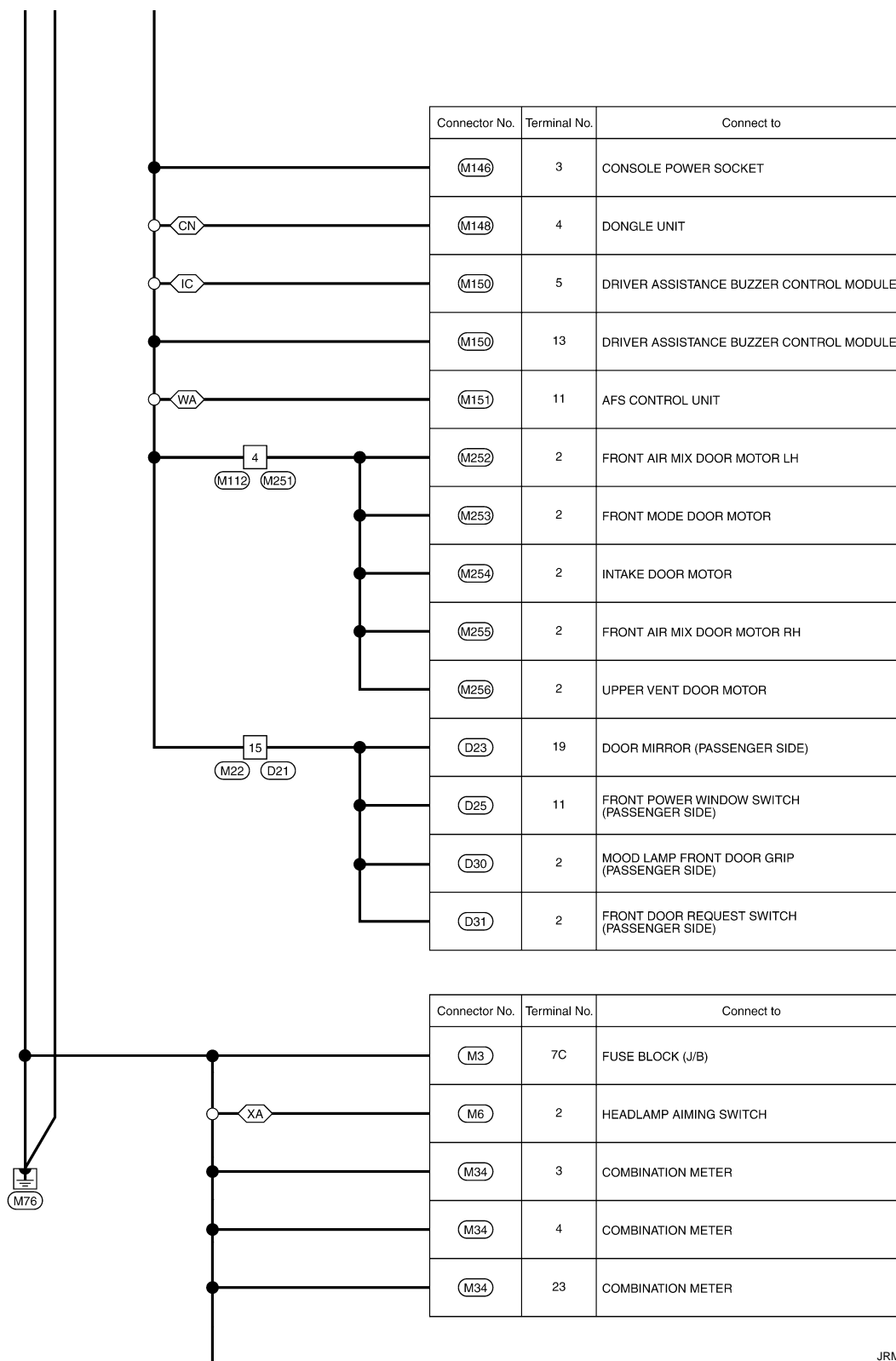


JRMWG1068GB

A
B
C
D
E
F
G
H
I
J
K
L
PG
N
O
P

GROUND DISTRIBUTION

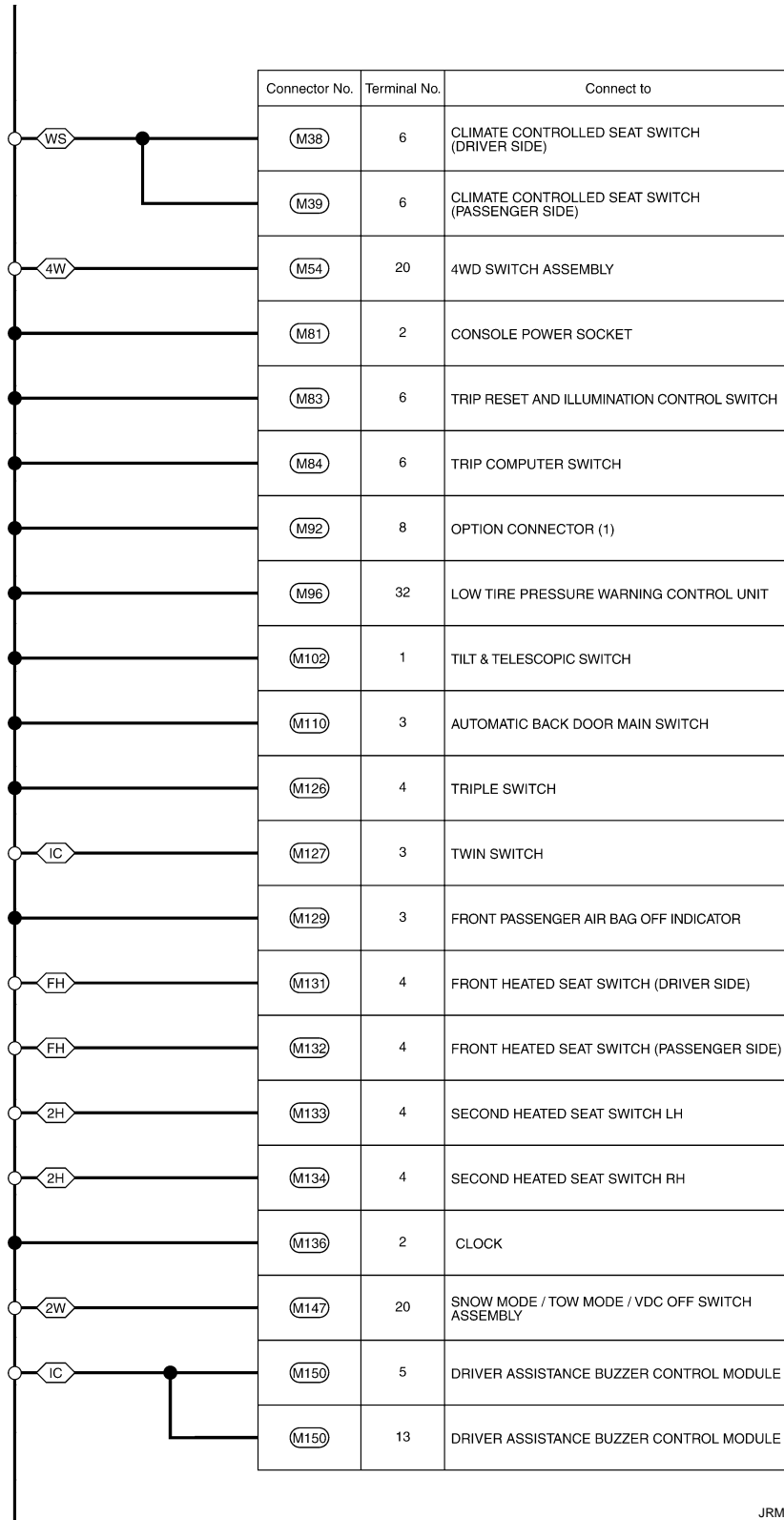
< WIRING DIAGRAM >



JRMWG1069GB

GROUND DISTRIBUTION

< WIRING DIAGRAM >



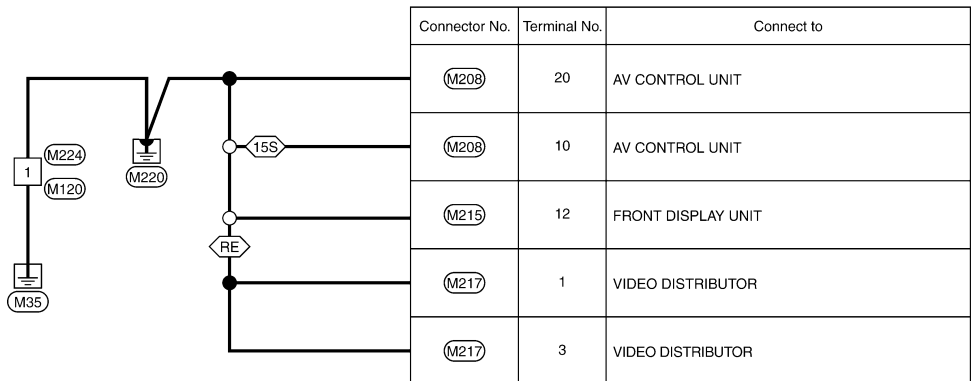
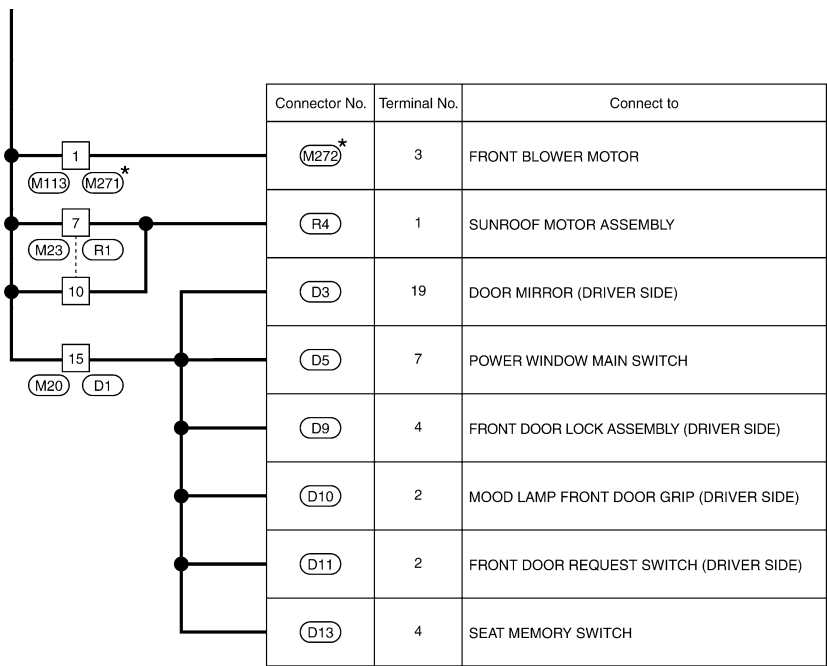
JRMWG1070GB

A
B
C
D
E
F
G
H
I
J
K
L
PG
N
O
P

PG

GROUND DISTRIBUTION

< WIRING DIAGRAM >



2014/07/11

JRMWG1071GB

GROUND DISTRIBUTION

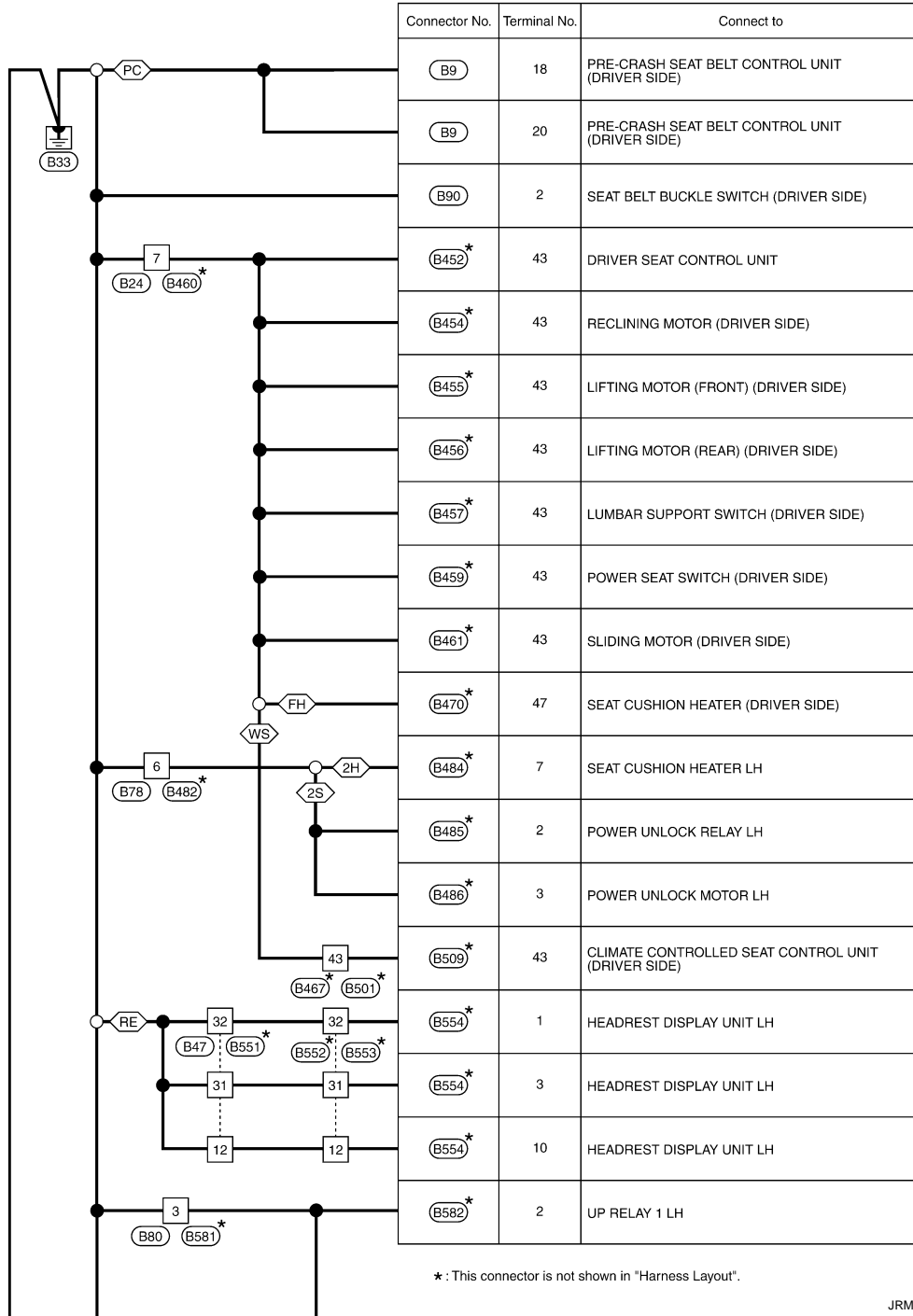
< WIRING DIAGRAM >

Body Harness

INFOID:000000011509965

BODY HARNESS

- PC : With pre-crash seat belt
- 2S : With second seat power unlock system
- IC : With ICC
- FH : With front heated seat
- WS : With climate controlled seat
- XM : Except for Mexico
- 2H : With second heated seat
- RE : With rear entertainment
- 15S : With 15 speakers

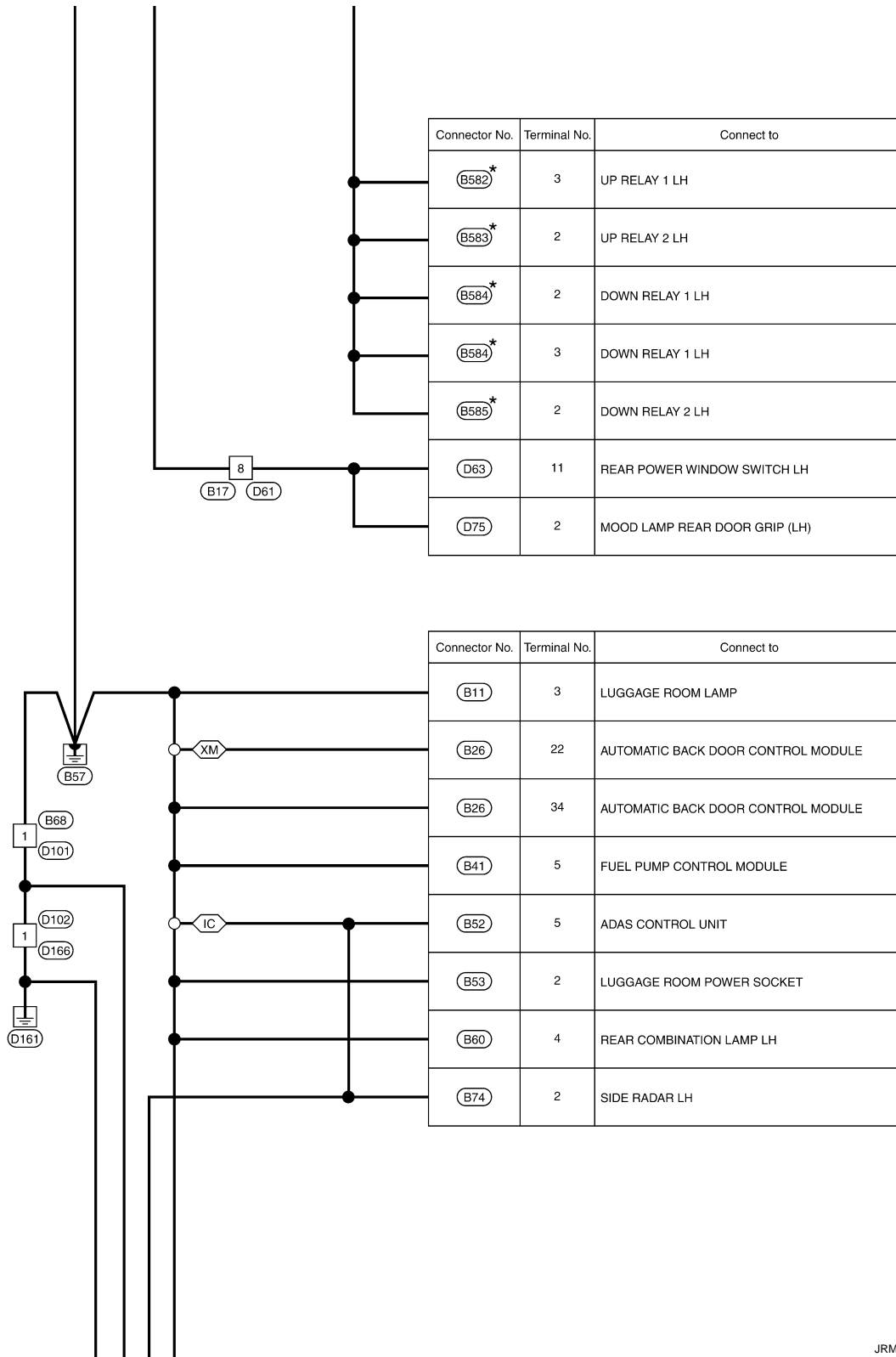


JRMWG1075GB

A
B
C
D
E
F
G
H
I
J
K
L
PG
N
O
P

GROUND DISTRIBUTION

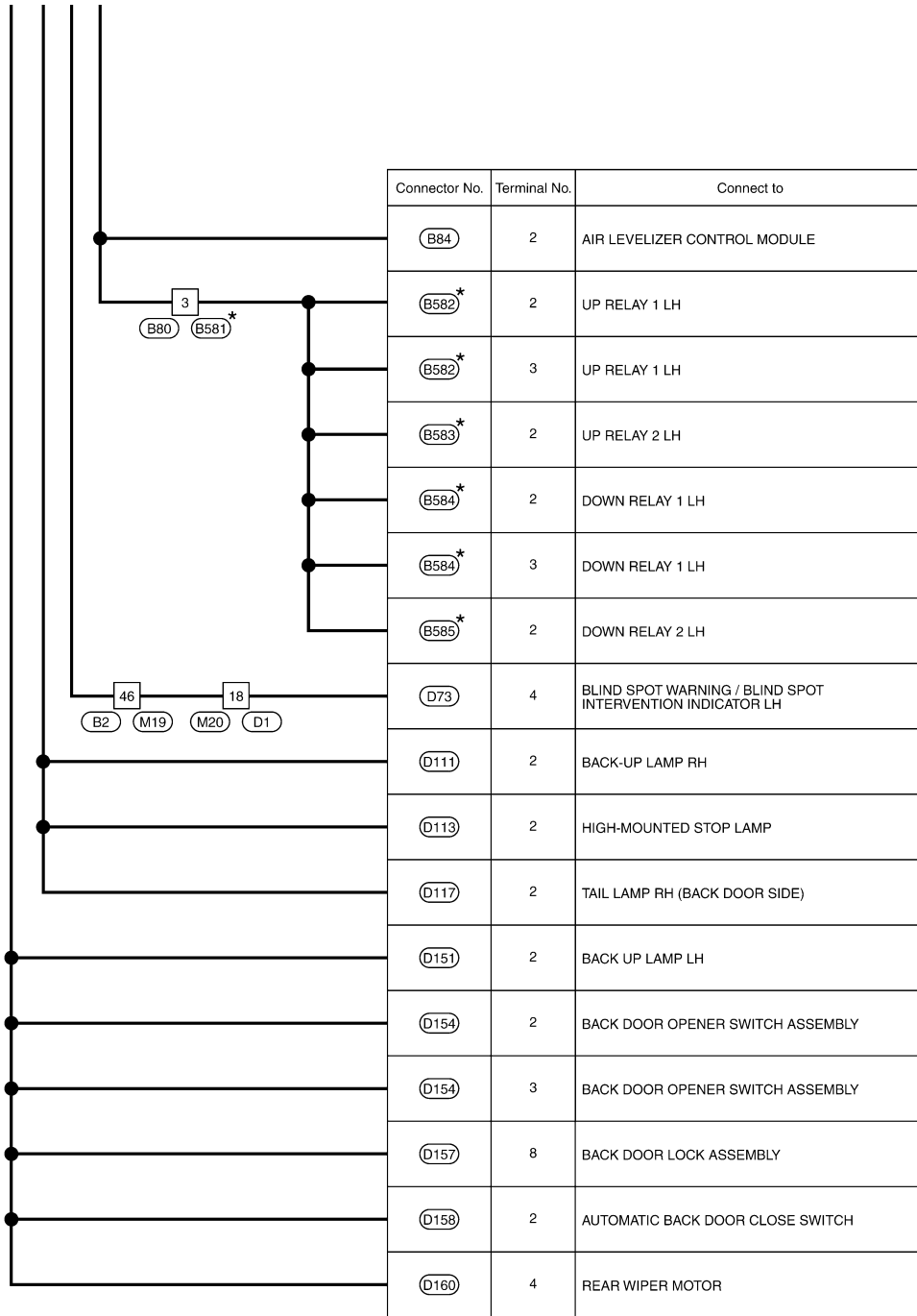
< WIRING DIAGRAM >



JRMWG1076GB

GROUND DISTRIBUTION

< WIRING DIAGRAM >



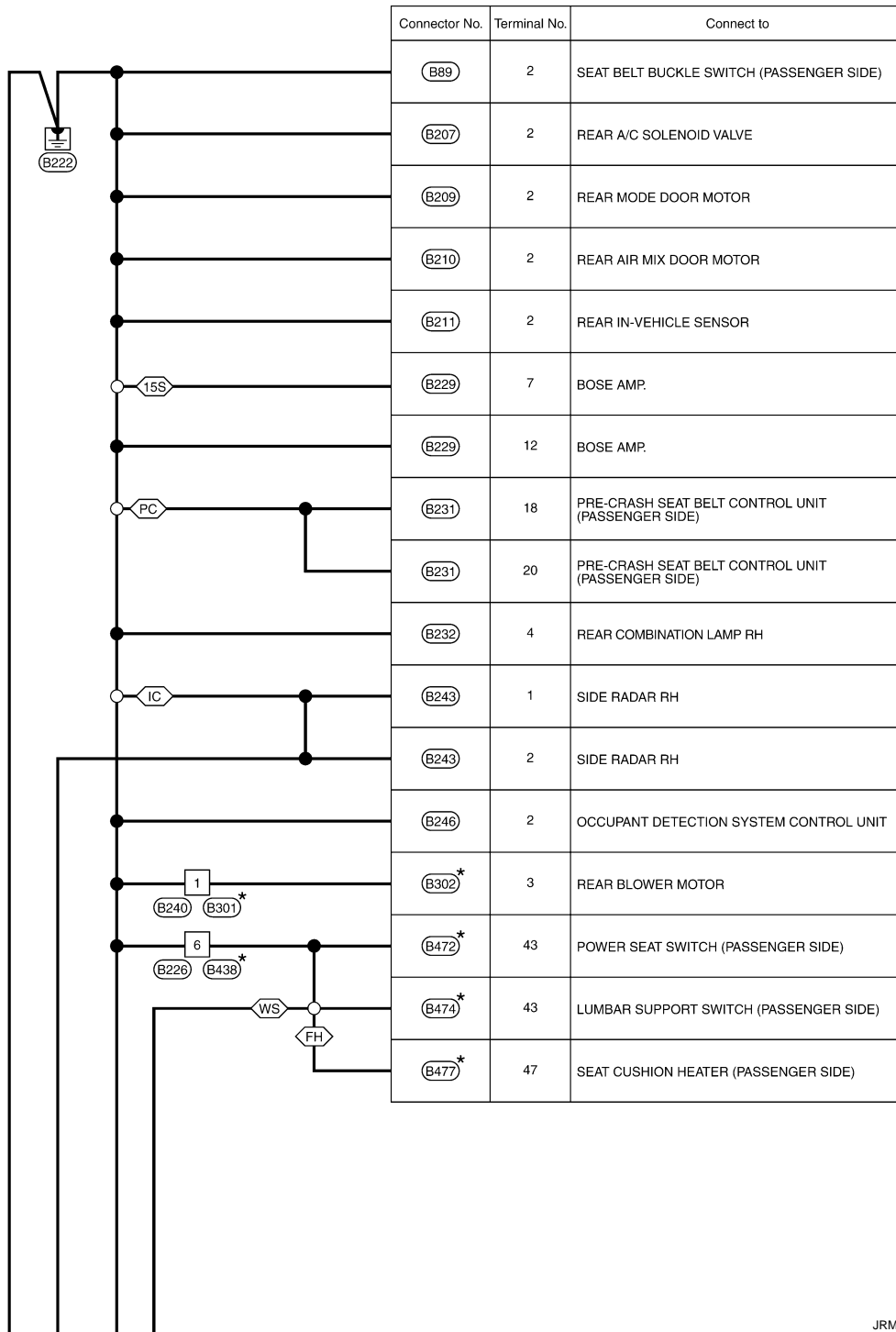
A
B
C
D
E
F
G
H
I
J
K
L
N
O
P

PG

JRMWG1077GB

GROUND DISTRIBUTION

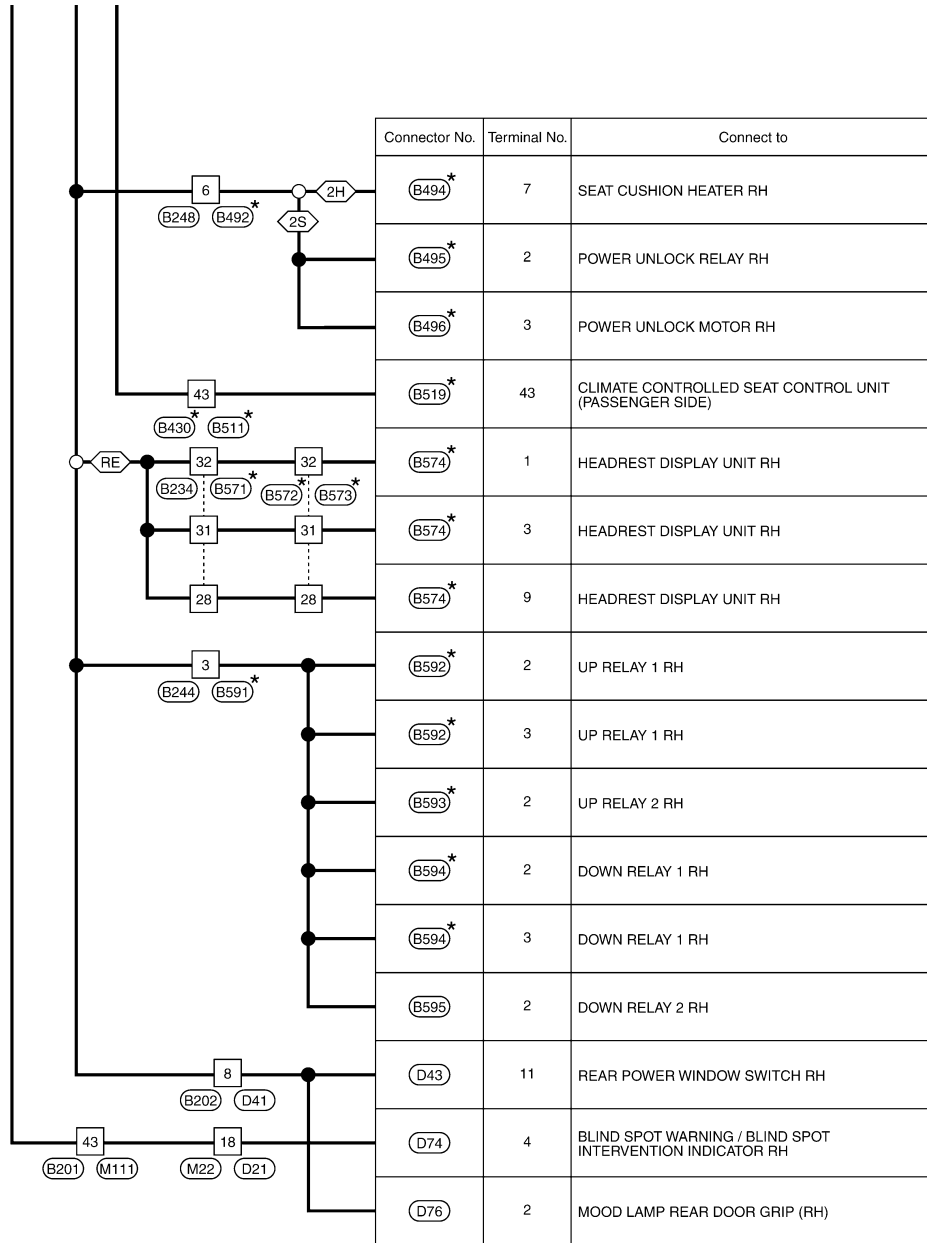
< WIRING DIAGRAM >



JRMWG1078GB

GROUND DISTRIBUTION

< WIRING DIAGRAM >



A
B
C
D
E
F
G
H
I
J
K
L

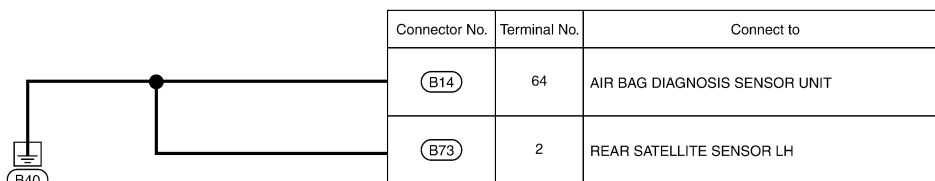
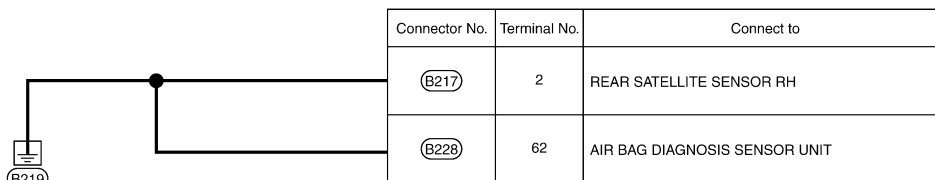
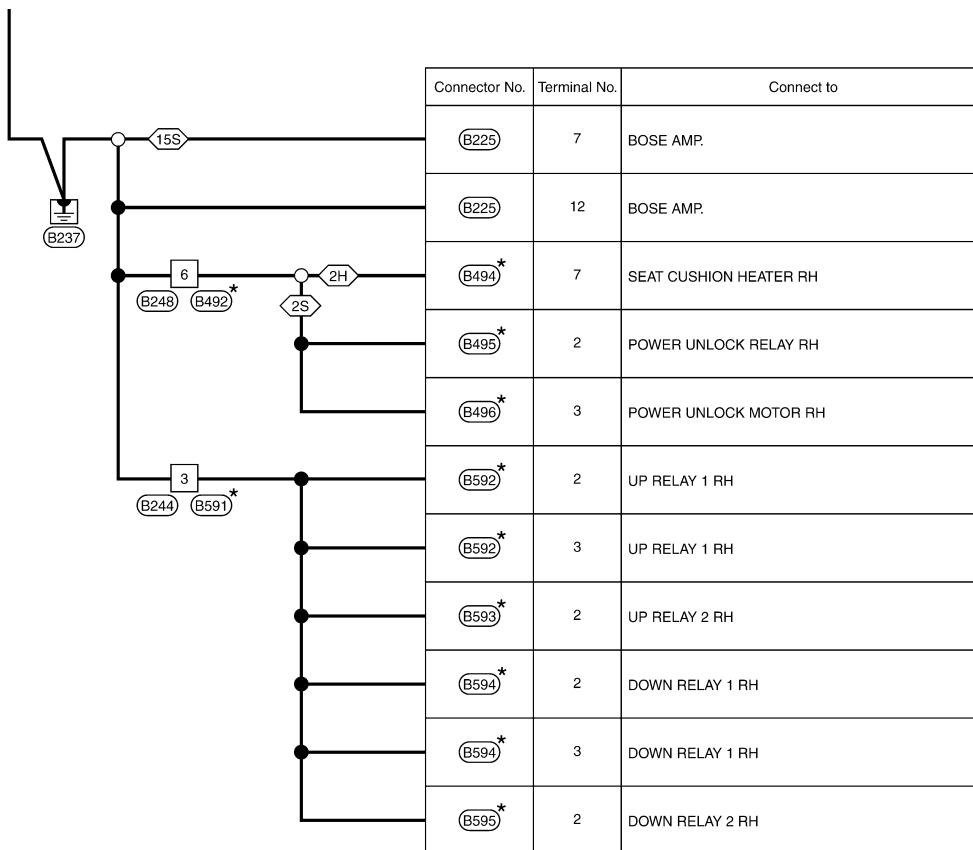
PG

N
O
P

JRMWG1079GB

GROUND DISTRIBUTION

< WIRING DIAGRAM >



2014/07/11

JRMWG1080GB

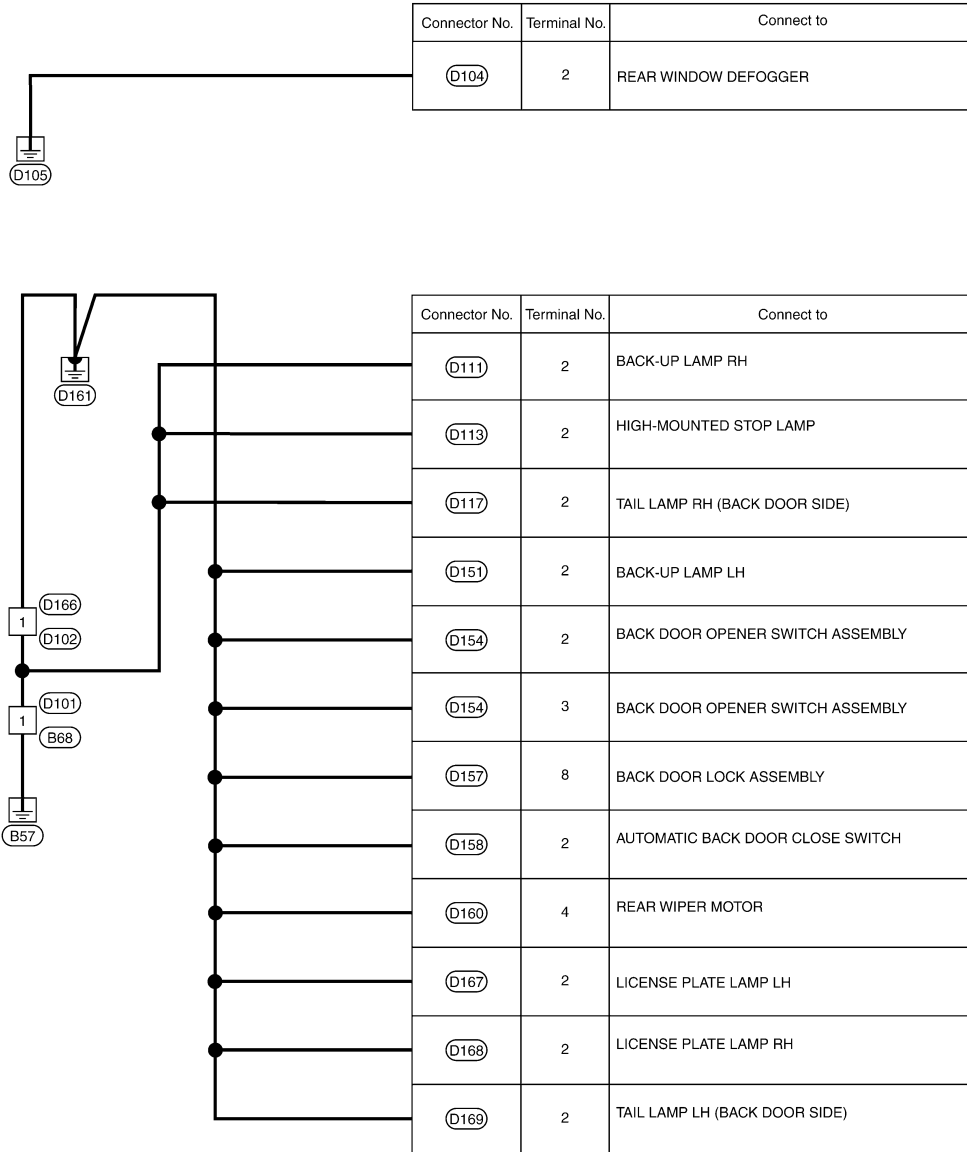
GROUND DISTRIBUTION

< WIRING DIAGRAM >

Door Harness

INFOID:000000011509967

DOOR HARNESS



2014/07/11

JRMWG1081GB

A
B
C
D
E
F
G
H
I
J
K
L
N
O
P

PG

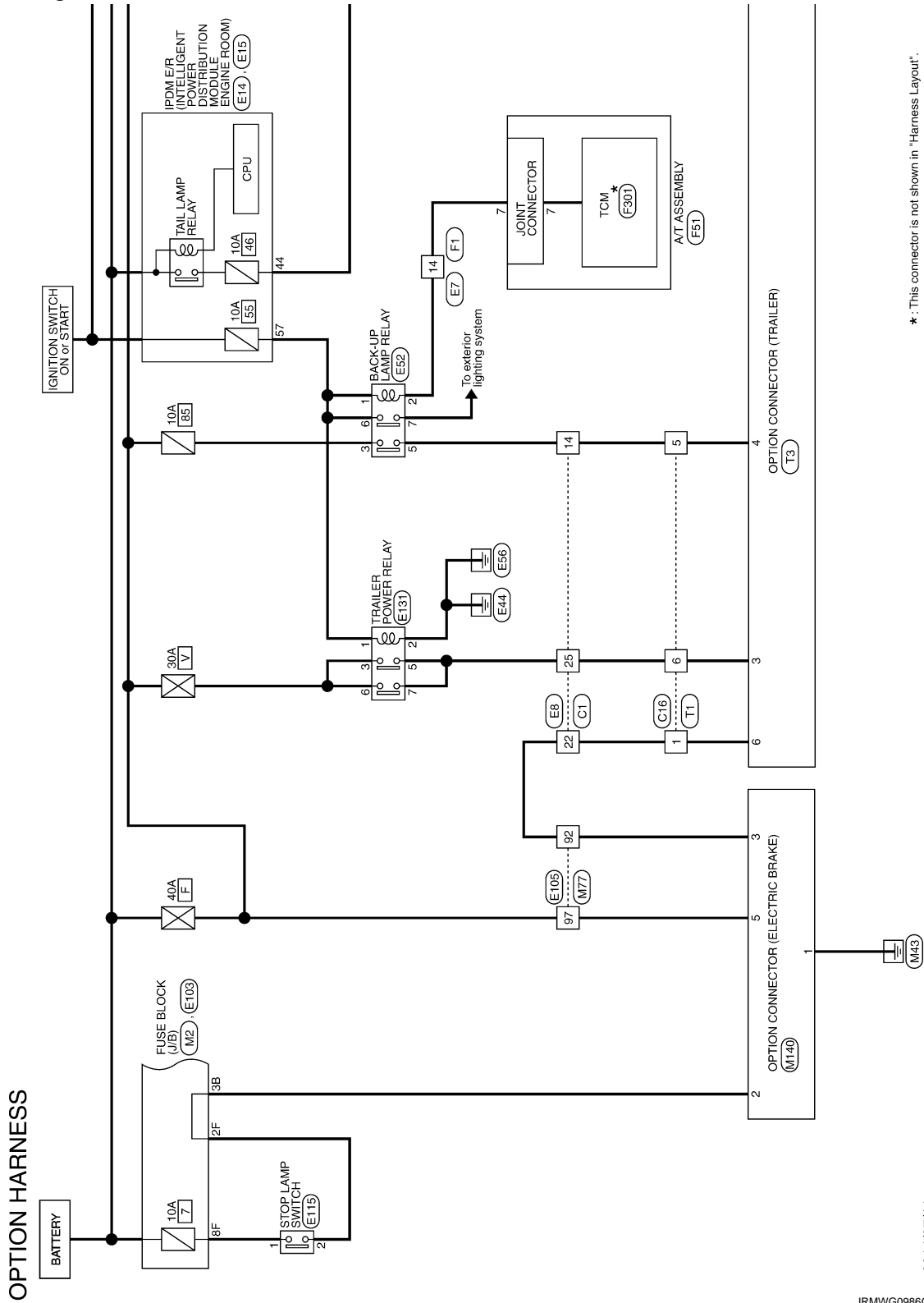
OPTION HARNESS

< WIRING DIAGRAM >

OPTION HARNESS

Wiring Diagram

INFOID:000000010257891



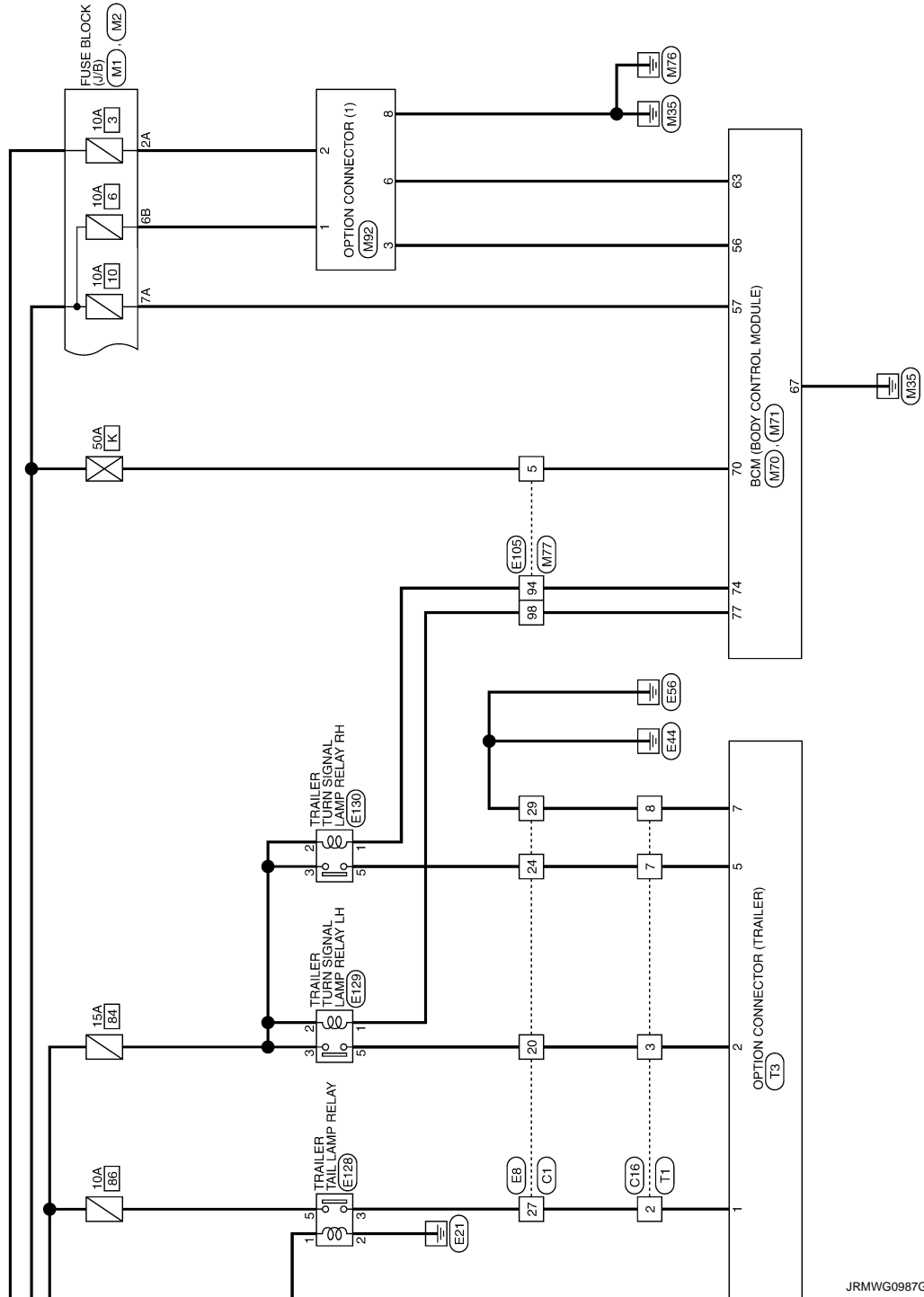
* : This connector is not shown in "Harness Layout".

2014/07/11

JRMWG0986GB

OPTION HARNESS

< WIRING DIAGRAM >



JRMWG0987GB

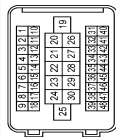
A
B
C
D
E
F
G
H
I
J
K
L
PG
N
O
P

OPTION HARNESS

< WIRING DIAGRAM >

OPTION HARNESS

Connector No.	C1
Connector Name	WIRE TO WIRE
Connector Type	SAA38FB-RS10-SJZZ



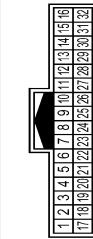
Terminal No.	Color Of Wire	Signal Name [Specification]
1	Y	-
3	SB	-
4	L/Y	-
5	R	-
8	V	-
9	P	-
10	BR/Y	-
11	Y/V	-
12	V/W	-
14	Y/L	-
17	BR	-
18	R/O	-
20	G/W	-
22	L/W	-
23	B	-
24	Y/G	-
25	R	-
26	SB	-
27	R/G	-
28	V	-
29	B	-
40	LG/R	-
41	R/G	-
42	B/R	-

Connector No.	C16
Connector Name	WIRE TO WIRE
Connector Type	RS08MGY-PR



Terminal No.	Color Of Wire	Signal Name [Specification]
1	L/W	-
2	R/G	-
3	G/W	-
5	Y/L	-
6	R	-
7	Y/G	-
8	B	-

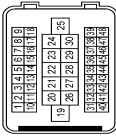
Connector No.	E7
Connector Name	WIRE TO WIRE
Connector Type	TH32MW-NH



Terminal No.	Color Of Wire	Signal Name [Specification]
1	W	-
2	G	-
3	L/O	-
4	LG	-
5	W/L	-
6	G/O	-
7	L/R	-
8	LG/R	-
14	R	-
16	SB	-
17	R/W	-
18	Y/G	-

19	BR/Y	-
20	P/B	-
21	R/B	-
22	Y	-
23	BR	-
24	P/L	-
29	P	-
30	BR	-
31	L	-
32	P	-

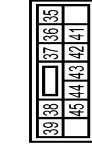
Connector No.	E8
Connector Name	WIRE TO WIRE
Connector Type	SAA38MB-RS10-SJZZ



Terminal No.	Color Of Wire	Signal Name [Specification]
1	Y	-
3	SB	-
4	L/Y	-
5	R	-
8	V	-
9	P	-
10	BR/Y	-
11	Y/V	-
12	V/W	-
14	Y/L	-
17	BR	-
18	R/O	-
20	G/W	-
22	L/W	-
23	B	-
24	Y/G	-
25	R	-
26	SB	-
27	R/G	-
28	V	-
29	B	-
40	LG/R	-
41	R/G	-

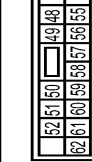
42	B/R	-
----	-----	---

Connector No.	E14
Connector Name	IPW/E/R INTELLIGENT POWER DISTRIBUTION MODULE ENGINE ROOM
Connector Type	NS12FBR-CS



Terminal No.	Color Of Wire	Signal Name [Specification]
35	W	-
36	V	-
37	L	-
38	Y	-
39	L/B	-
41	L/G	-
42	L	-
43	LG	-
44	L/W	-
45	Y/R	-

Connector No.	E15
Connector Name	IPW/E/R INTELLIGENT POWER DISTRIBUTION MODULE ENGINE ROOM
Connector Type	NS16FW-CS



Terminal No.	Color Of Wire	Signal Name [Specification]
48	BR	-
49	R	-
50	LG/B	-
51	BR/Y	-
52	W	-
55	O	-

JRMWG0988GB

OPTION HARNESS

< WIRING DIAGRAM >

OPTION HARNESS

56	L	-
57	V	-
58	BR/R	-
59	W/B	-
60	V/R	-
61	W	-
62	SB	-

Connector No.	E12
Connector Name	BACK-UP LAMP RELAY
Connector Type	M08FBR-R-LC



Terminal No.	Color Of Wire	Signal Name [Specification]
1	V	-
2	R	-
3	W/B	-
5	Y/L	-
6	V	-
7	R/Y	-

Connector No.	E103
Connector Name	FUSE BLOCK (J/B)
Connector Type	MS10FW-CS



Terminal No.	Color Of Wire	Signal Name [Specification]
10F	G	-
14F	Y	-
15F	G	-
1F	W/B	-
2F	R	-

4F	G	-
6F	Y/G	-
8F	L/B	-
9F	Y	-

Connector No.	E105
Connector Name	WIRE TO WIRE
Connector Type	TR80MP-CS16-TM4



Terminal No.	Color Of Wire	Signal Name [Specification]
1	L	-
2	L/W	-
3	R/B	-
4	L	-
5	Y	-
7	W/G	-
8	P/B	-
9	W/B	-
10	G	-
11	L	-
12	P	-
13	P/B	-
14	BR	-
15	L/B	-
16	SB	-
18	BR	-
19	Y/G	-
20	BR/Y	-
21	Y/Y	-
22	L	-
23	Y	-
24	L/W	-
28	O	-
29	R/W	-
30	L/B	-
31	Y	-
32	GR/R	-
34	Y	-
35	R	-
36	B/R	-

37	G/Y	-
38	G	-
40	SB	-
41	W/R	-
42	R	-
43	V	-
54	GR/L	-
81	BR	-
82	L/W	-
84	Y/B	-
89	G/R	-
97	R	-
98	G/B	-
100	W/R	-

Connector No.	E115
Connector Name	STOP LAMP SWITCH
Connector Type	M04FW-LC



Terminal No.	Color Of Wire	Signal Name [Specification]
1	L/B	-
2	R	-
3	G	-
4	L/R	-

Connector No.	E128
Connector Name	TRAILER TAIL LAMP RELAY
Connector Type	MS02FL-M2-LC



Terminal No.	Color Of Wire	Signal Name [Specification]
1	L/W	-
2	B	-
3	R/G	-
5	BR	-

Connector No.	E129
Connector Name	TRAILER TURN SIGNAL LAMP RELAY LH
Connector Type	MS02FL-M2-LC



Terminal No.	Color Of Wire	Signal Name [Specification]
1	G/B	-
2	L	-
3	G/W	-

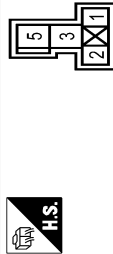
A
B
C
D
E
F
G
H
I
J
K
L
PG
N
O
P

OPTION HARNESS

< WIRING DIAGRAM >

OPTION HARNESS

Connector No.	E130
Connector Name	TRAILER TURN SIGNAL LAMP RELAY RH
Connector Type	MS02EL-M2-LC



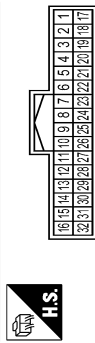
Terminal No.	Color Of Wire	Signal Name [Specification]
1	Y/B	-
2	L	-
3	L	-
5	Y/G	-

Connector No.	E131
Connector Name	TRAILER POWER RELAY
Connector Type	M06FBR-R-LC



Terminal No.	Color Of Wire	Signal Name [Specification]
1	V	-
2	B	-
3	Y	-
5	R	-
6	Y	-
7	L/W	-

Connector No.	F1
Connector Name	WIRE TO WIRE
Connector Type	TH432FW-NH



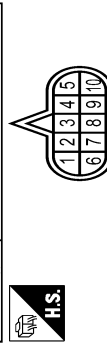
Terminal No.	Color Of Wire	Signal Name [Specification]
1	W	-
2	G	-
3	L/O	-
4	LG	-
5	W/L	-
6	G/O	-
7	L/R	-
8	LG/R	-
14	R	-
16	SB	-
17	R/W	-
18	Y/G	-
19	BR/Y	-
20	P/B	-
21	R/B	-
22	Y	-
23	BR/W	-
24	P/L	-
29	P	-
30	BR	-
31	L	-
32	P	-

Connector No.	F51
Connector Name	A/T ASSEMBLY
Connector Type	RK10FG



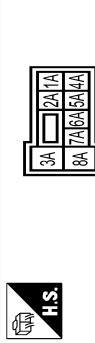
Terminal No.	Color Of Wire	Signal Name [Specification]
1	V	IGNITION POWER SUPPLY
2	P	BATTERY POWER SUPPLY
3	L	CAN-H
4	SB	K-LINE
5	B	GROUND
6	V	IGNITION POWER SUPPLY
7	R	BACK-UP LAMP RELAY
8	P	CAN-L
9	BR	STARTER RELAY
10	B	GROUND

Connector No.	F301
Connector Name	TSM
Connector Type	SP10FG



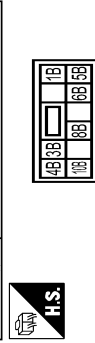
Terminal No.	Color Of Wire	Signal Name [Specification]
1	-	IGNITION POWER SUPPLY
2	-	BATTERY POWER SUPPLY
3	-	CAN-H
4	-	K-LINE
5	-	GROUND
6	-	IGNITION POWER SUPPLY
7	-	BACK-UP LAMP RELAY
8	-	CAN-L
9	-	STARTER RELAY
10	-	GROUND

Connector No.	M1
Connector Name	FUSE BLOCK (J/B)
Connector Type	NS106FW-M2



Terminal No.	Color Of Wire	Signal Name [Specification]
1A	Y	-
2A	GR	-
3A	W	-
4A	Y/G	-
5A	V	-
6A	L/W	-
7A	LG	-
8A	W	-

Connector No.	M2
Connector Name	FUSE BLOCK (J/B)
Connector Type	NS106FW-CS



Terminal No.	Color Of Wire	Signal Name [Specification]
10B	W/B	-
11B	R	-
35B	R	-
45B	B	-
55B	BR	-
65B	Y	-
88B	L/O	-

JRMWG0990GB

OPTION HARNESS

< WIRING DIAGRAM >

OPTION HARNESS

Connector No.	M70
Connector Name	BCM (BODY CONTROL MODULE)
Connector Type	FE409FW-FH46-SA



56	57	58	59	60	61	62	63	64	65	66	67	68	69	70
----	----	----	----	----	----	----	----	----	----	----	----	----	----	----

Terminal No.	Color Of Wire	Signal Name [Specification]
56	W/R	INT ROOM LAMP PWR SPLY
57	LG	BAT (FUSE)
58	R/W	SHOCK DETECT SENS
59	G	PASSENGER DOOR UNLK OUTPUT
60	G	TURN SIG LH OUTPUT (SIDE REAR)
61	G/Y	TURN SIG RH OUTPUT (SIDE REAR)
62	R	STEP LAMP CONT
63	BR	ROOM LAMP TIMER CONT
64	GR/R	CRANKING REQUEST
65	R	ALL DOOR LOCK OUTPUT
66	V	DR DOOR FUEL LID UNLK OUTPUT
67	B	GND
68	Y	PW PWR SPLY (IGN)
69	W	PW PWR SPLY (BAT)
70	Y	BAT (F/L)

Connector No.	M71
Connector Name	BCM (BODY CONTROL MODULE)
Connector Type	TH40FW-NH



61	62	63	64	65	66	67	68	69	70	71	72	73	74	75	76	77	78	79	80	81	82	83	84	85	86	87	88	89	90	91	92	93	94	95	96	97	98	99	100
----	----	----	----	----	----	----	----	----	----	----	----	----	----	----	----	----	----	----	----	----	----	----	----	----	----	----	----	----	----	----	----	----	----	----	----	----	----	----	-----

Terminal No.	Color Of Wire	Signal Name [Specification]
71	G/R	KYLS ENT RECEIVER COMM
72	P	PUDDLE LAMP CONT
73	W	ON IND
74	Y/B	TRAILER TURN SIG RH CONT
75	LG/R	DRIVER DOOR REQUEST SW

5	Y	
7	W/G	
8	P/B	
9	W/B	
10	G	
11	L	
12	P	
13	P/B	
14	BR	
15	SL	
16	SB	
18	BR	
19	Y/G	
20	BR/Y	
21	V	
22	L	
23	Y	
24	L/W	
28	O	
29	R/W	
30	O/L	
31	Y	
32	GR/R	
34	Y	
35	R	
36	B/O	
37	G/Y	
38	G	
40	SB	
41	W/R	
42	R	
43	V	
54	GR/L	
91	BR	
92	L/W	
94	Y/B	
95	L/R	
97	R	
98	O/L	
100	W/B	

Connector No.	M92
Connector Name	OPTION CONNECTOR (1)
Connector Type	TH408MW-NH



1	2	3	4	5	6	7	8
---	---	---	---	---	---	---	---

Terminal No.	Color Of Wire	Signal Name [Specification]
1	Y	
2	GR	
3	W/R	
6	Y/L	
8	B	

Connector No.	M140
Connector Name	OPTION CONNECTOR (ELECTRIC BRAKE)
Connector Type	NS00FW-CS



1	2	3	4	5
---	---	---	---	---

Terminal No.	Color Of Wire	Signal Name [Specification]
1	B	
2	R	
3	L/W	
4	L/W	
5	R	

76	SB	PUSH SW
77	O/L	TRAILER TURN SIG LH CONT
78	P/B	DRIVER DOOR ANT+
79	V	DRIVER DOOR ANT-
80	LG/B	PASSENGER DOOR ANT+
81	Y/R	PASSENGER DOOR ANT-
82	W/G	BACK DOOR ANT+
83	B/W	BACK DOOR ANT-
84	BR	ROOM ANT+
85	Y	ROOM ANT-
86	W	ROOM ANT2+
87	B	ROOM ANT2-
88	V	LAGGAGE ROOM ANT+
89	G	LAGGAGE ROOM ANT-
90	Y	PUSH-BTN IGN SW ILL PWR
91	O	LOCK IND
92	L	LOW SIDE PUSH LED
93	GR/R	F-KEY WARM BUZZER
96	BR	ACC RELAY CONT
97	R/W	STARTER RELAY CONT
98	O	IGN RELAY (PDM E/R) CONT
99	R	IGN RELAY (F/B) CONT
100	P/L	PASSENGER DOOR REQUEST SW
101	W/B	IGN PWR SPLY 2
102	BR	SHIFT N/P
104	R/B	A/T SHIFT SELECT PWR SPLY
105	O/L	STOP LAMP SW 2
106	Y/G	BLWR FAN MTR RELAY CONT
109	L/W	ACC IND
110	BR	RECEIVER PWR SPLY

Connector No.	M77
Connector Name	WIRE TO WIRE
Connector Type	TH80FW-CS (B-TM4)



1	2	3	4	5	6	7	8	9	10	11	12	13	14	15	16	17	18	19	20	21	22	23	24	25	26	27	28	29	30	31	32	33	34	35	36	37	38	39	40	41	42	43	44	45	46	47	48	49	50	51	52	53	54	55	56	57	58	59	60	61	62	63	64	65	66	67	68	69	70	71	72	73	74	75	76	77	78	79	80	81	82	83	84	85	86	87	88	89	90	91	92	93	94	95	96	97	98	99	100
---	---	---	---	---	---	---	---	---	----	----	----	----	----	----	----	----	----	----	----	----	----	----	----	----	----	----	----	----	----	----	----	----	----	----	----	----	----	----	----	----	----	----	----	----	----	----	----	----	----	----	----	----	----	----	----	----	----	----	----	----	----	----	----	----	----	----	----	----	----	----	----	----	----	----	----	----	----	----	----	----	----	----	----	----	----	----	----	----	----	----	----	----	----	----	----	----	----	----	-----

Terminal No.	Color Of Wire	Signal Name [Specification]
1	W	
2	L/W	
3	R/B	
4	L	

A
B
C
D
E
F
G
H
I
J
K
L
N
O
P

PG

JRMWG0991GB

OPTION HARNESS

< WIRING DIAGRAM >

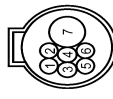
OPTION HARNESS

Connector No.	T1
Connector Name	WIRE TO WIRE
Connector Type	RS08FOY-PR



Terminal No.	Color Of Wire	Signal Name [Specification]
1	L/W	-
2	R/G	-
3	G/W	-
5	Y/L	-
6	R	-
7	Y/B	-
8	B	-

Connector No.	T3
Connector Name	OPTION CONNECTOR (TRAILER)
Connector Type	Delphi, 13857223



Terminal No.	Color Of Wire	Signal Name [Specification]
1	R/G	RUNNING LAMPS
2	G/W	STOP TURN-LH
3	R	POWER
4	Y/L	REVERSE
5	Y/B	STOP TURN-RH
6	L/W	BRAKE
7	B	GROUND

JRMWG0992GB

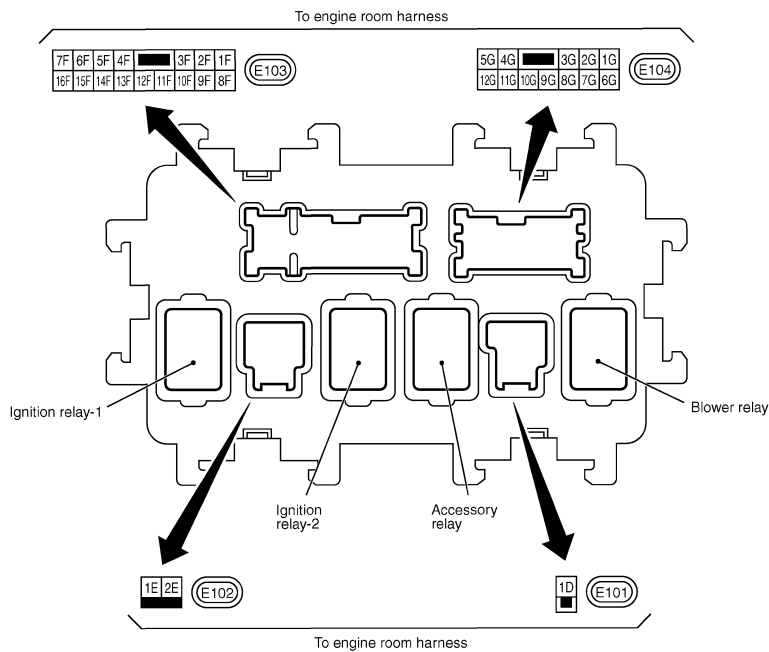
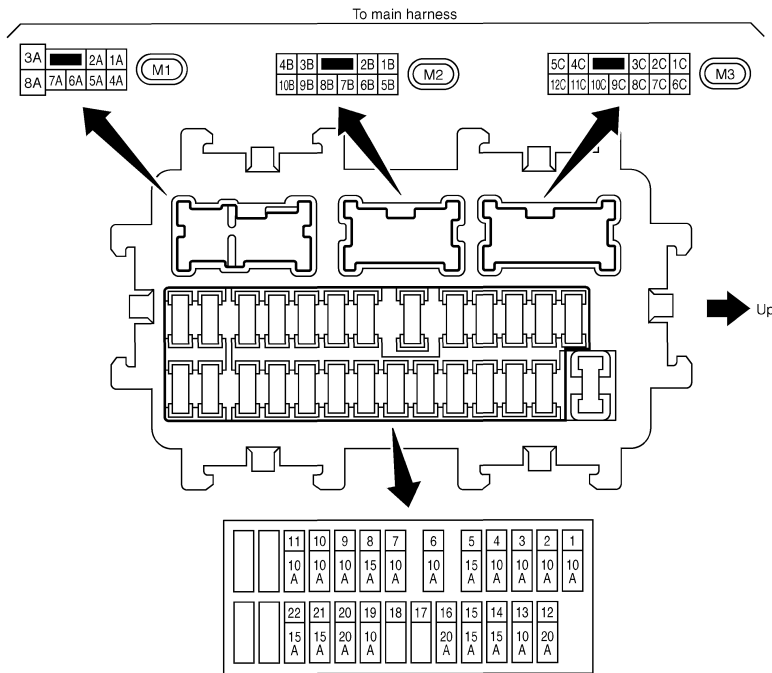
FUSE BLOCK - JUNCTION BOX (J/B)

< WIRING DIAGRAM >

FUSE BLOCK - JUNCTION BOX (J/B)

Fuse, Connector and Terminal Arrangement

INFOID:000000010257892



2012/08/21

JRMWD4337GB

A
B
C
D
E
F
G
H
I
J
K
L
PG
N
O
P

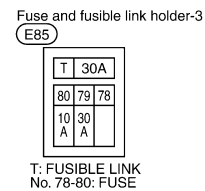
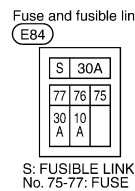
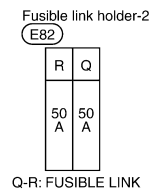
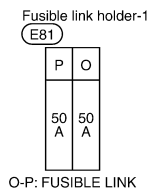
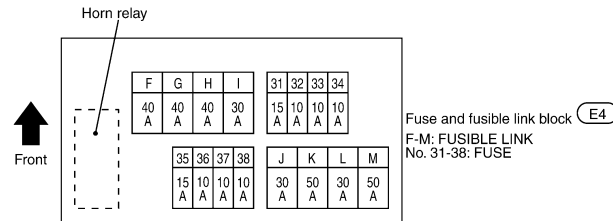
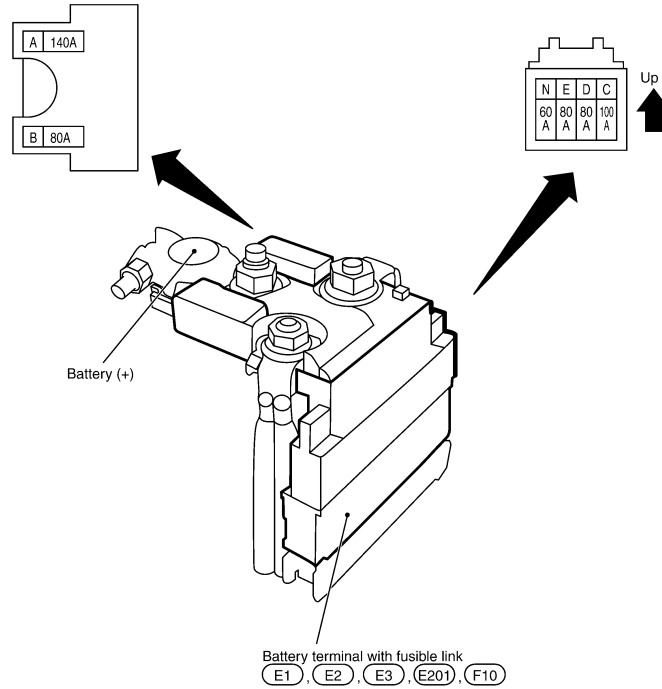
FUSE, FUSIBLE LINK AND RELAY BOX

< WIRING DIAGRAM >

FUSE, FUSIBLE LINK AND RELAY BOX

Fuse and Fusible Link Arrangement

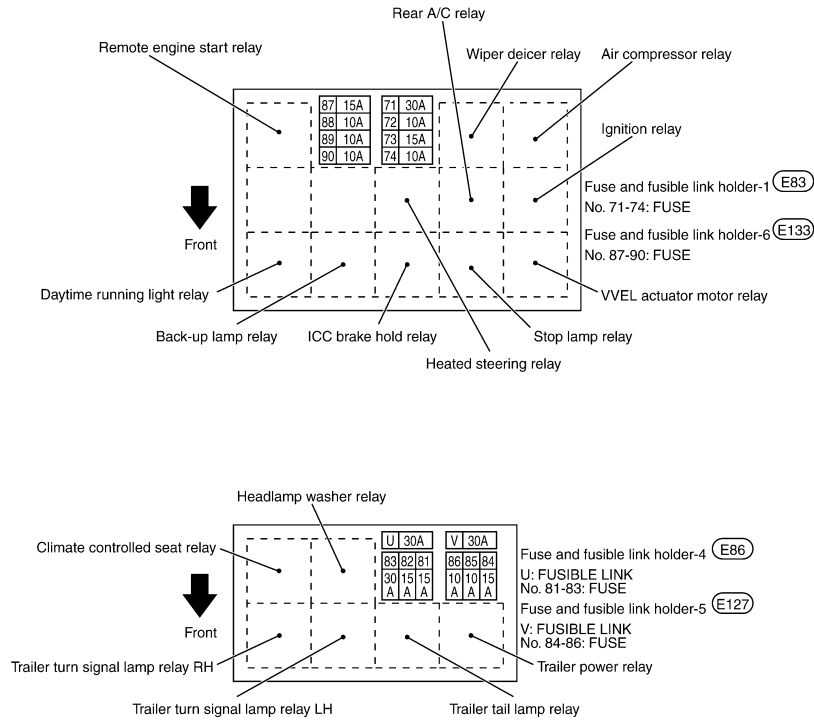
INFOID:000000010257893



JRMWG1062GB

FUSE, FUSIBLE LINK AND RELAY BOX

< WIRING DIAGRAM >



2014/07/11

JRMWG1063GB

A
B
C
D
E
F
G
H
I
J
K
L
PG
N
O
P

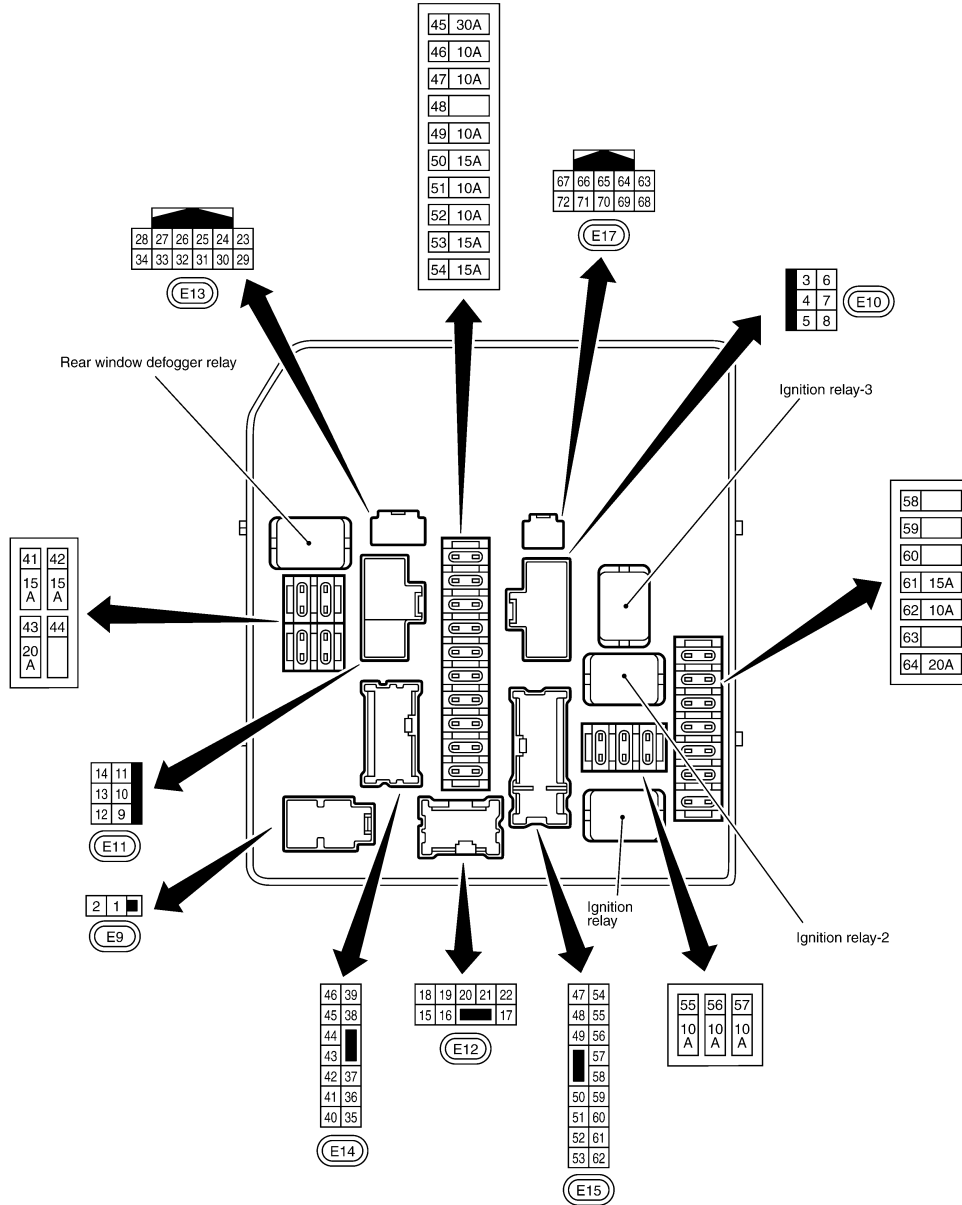
IPDM E/R (INTELLIGENT POWER DISTRIBUTION MODULE ENGINE ROOM)

< WIRING DIAGRAM >

IPDM E/R (INTELLIGENT POWER DISTRIBUTION MODULE ENGINE ROOM)

Fuse, Connector and Terminal Arrangement

INFOID:000000010257894



To engine room harness

2014/07/11

JRMWG1064GB

HARNES LAYOUT

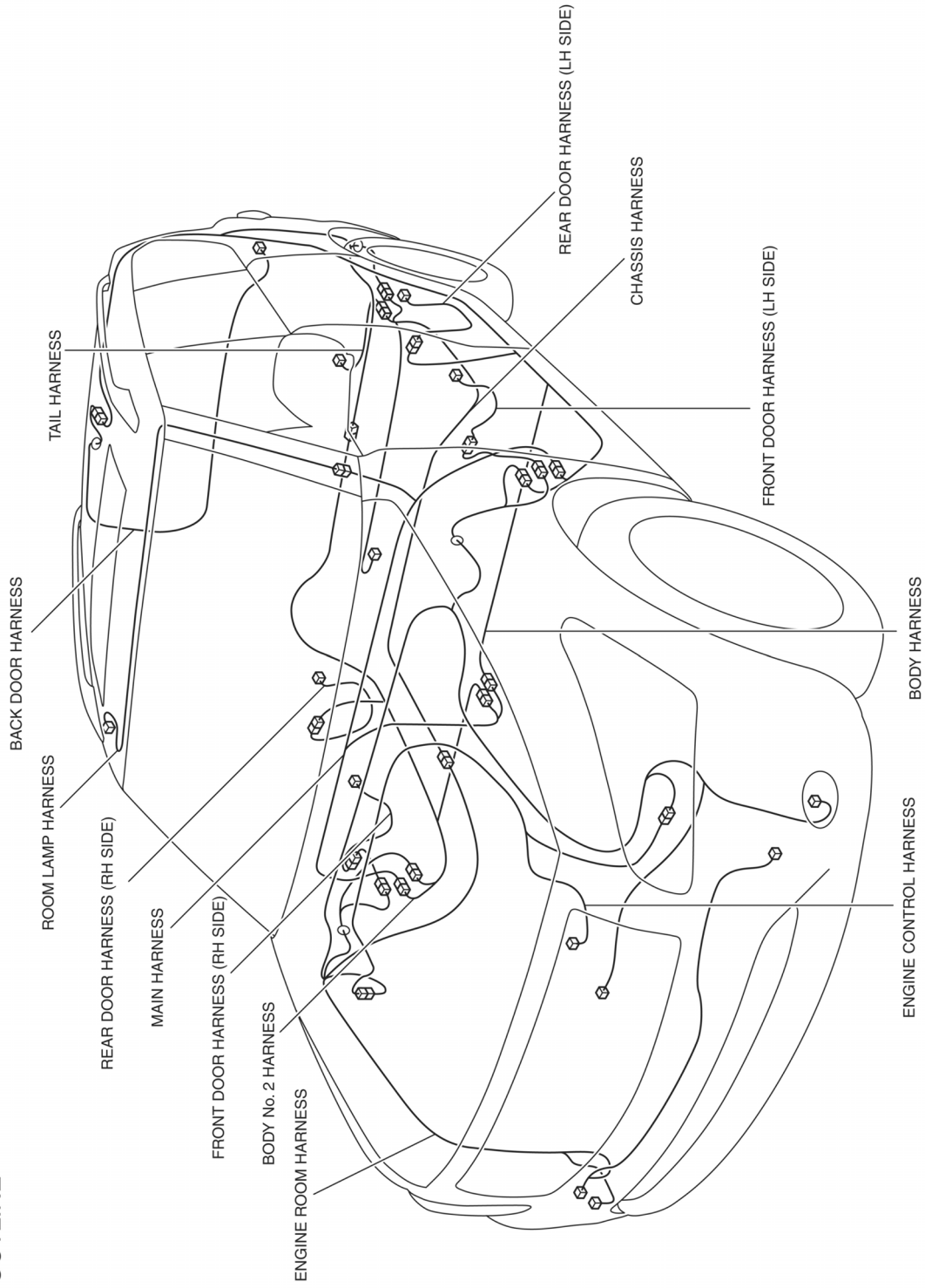
< WIRING DIAGRAM >

HARNES LAYOUT

Outline

INFOID:000000010257895

OUTLINE



2013/01/30

JRMIC2684GB

A
B
C
D
E
F
G
H
I
J
K
L
PG
N
O
P

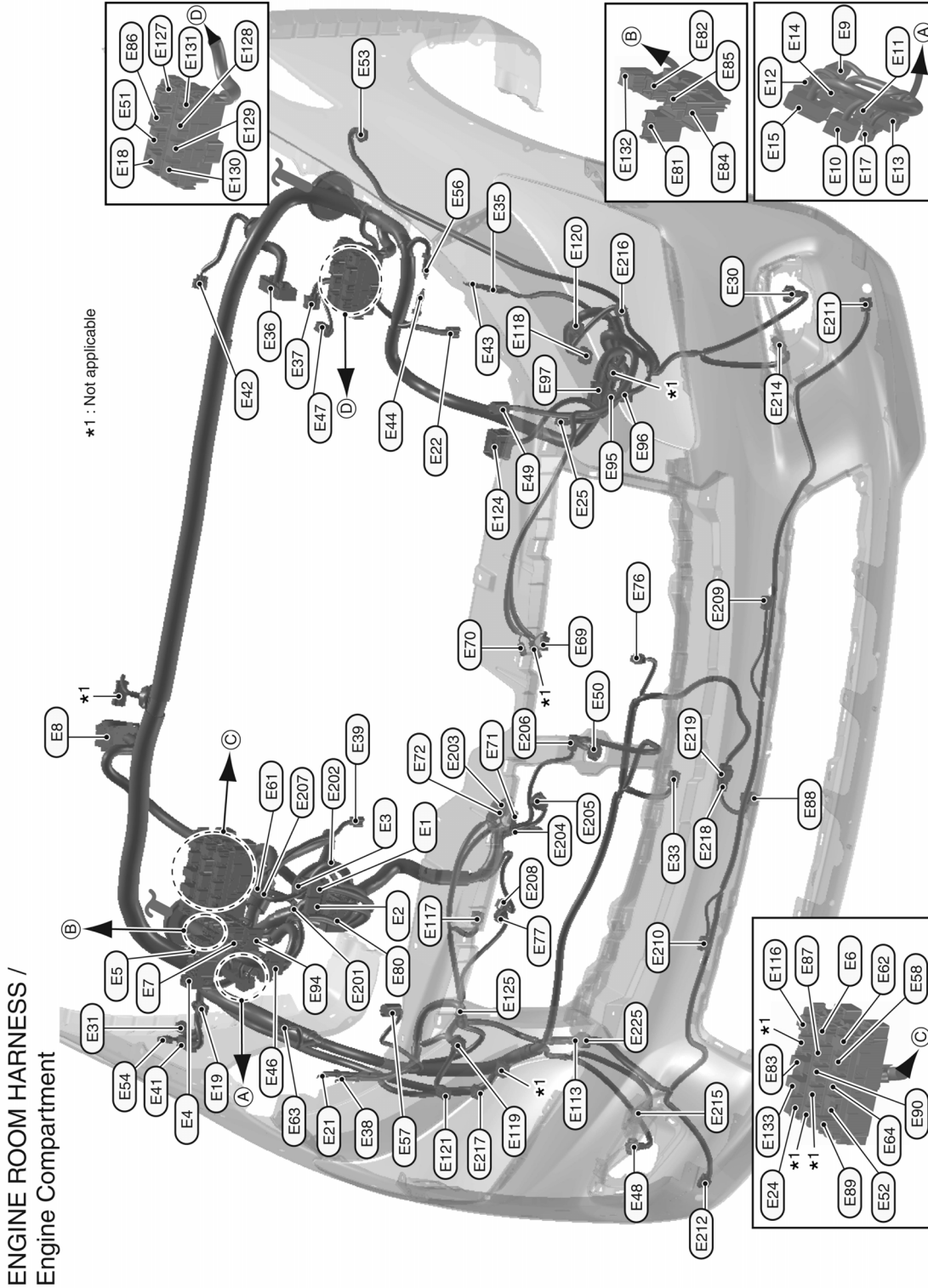
HARNESS LAYOUT

< WIRING DIAGRAM >

Engine Room Harness

INFOID:000000010257896

ENGINE COMPARTMENT



2014/07/11

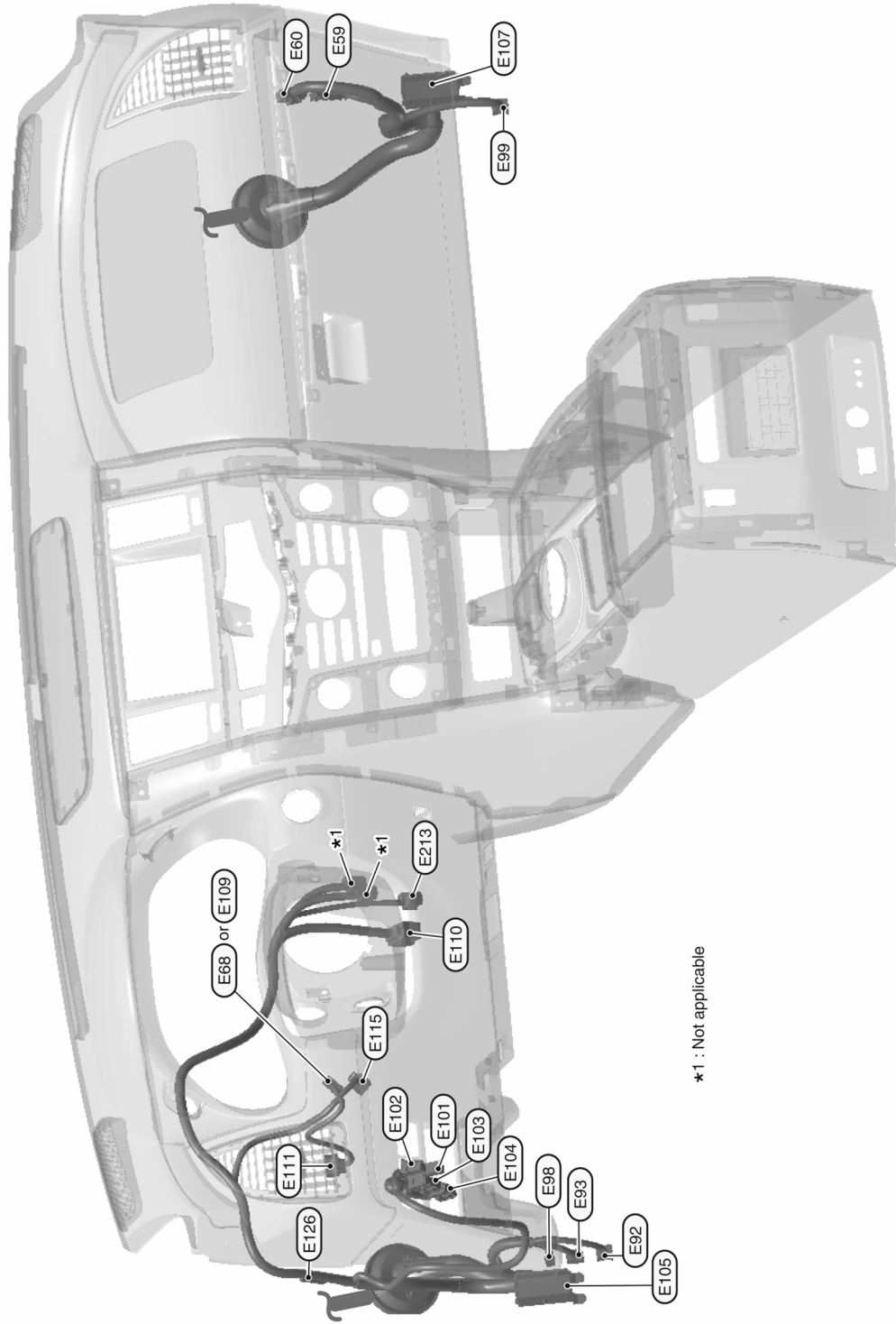
JRMIC5032GB

HARNES LAYOUT

< WIRING DIAGRAM >

PASSENGER COMPARTMENT

Passenger Compartment



2014/07/11

JRMIC5033GB

A
B
C
D
E
F
G
H
I
J
K
L
PG
N
O
P

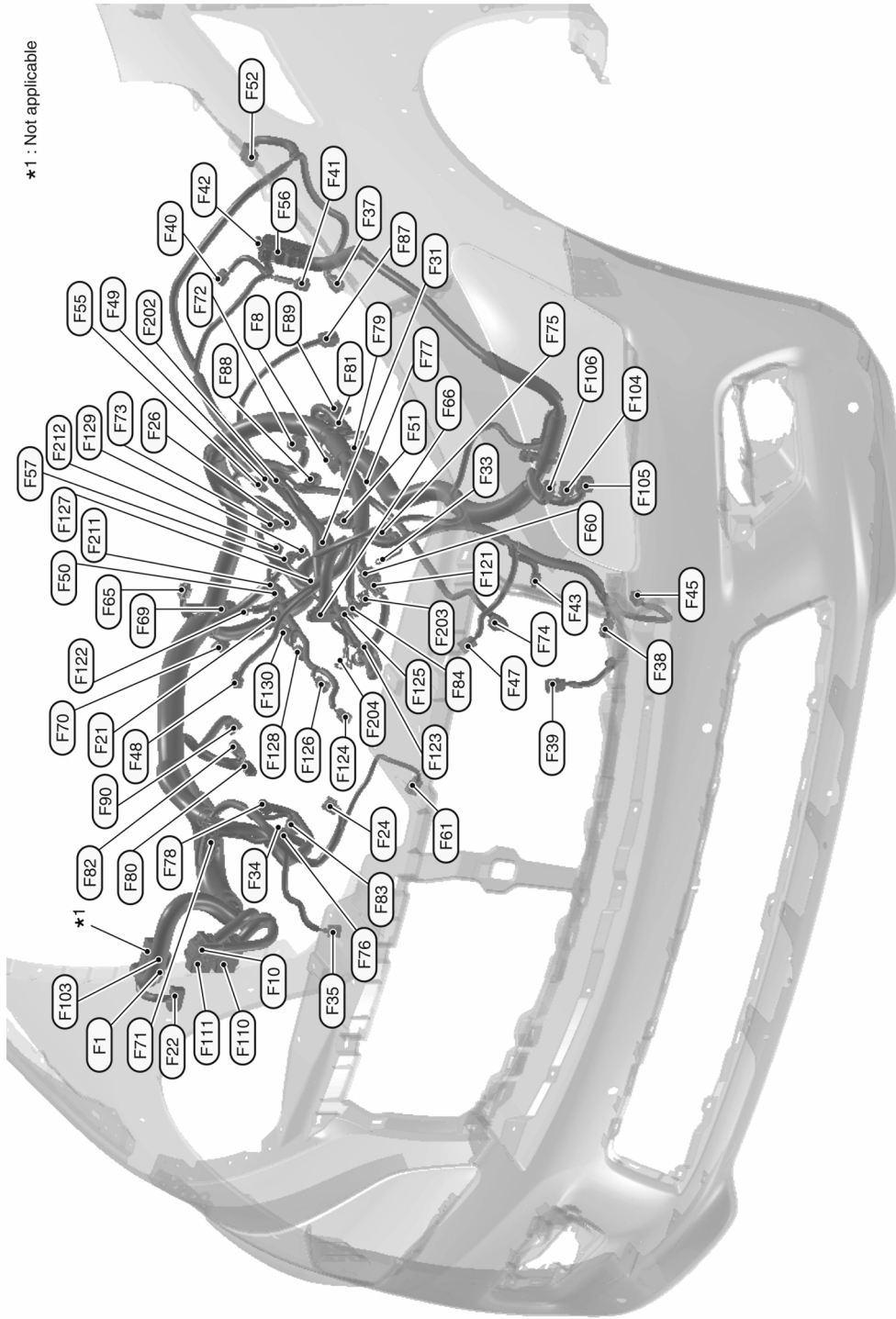
HARNES LAYOUT

< WIRING DIAGRAM >

Engine Control Harness

INFOID:000000010257897

ENGINE CONTROL HARNESS



*1 : Not applicable

*1

2014/07/11

JRMIC5034GB

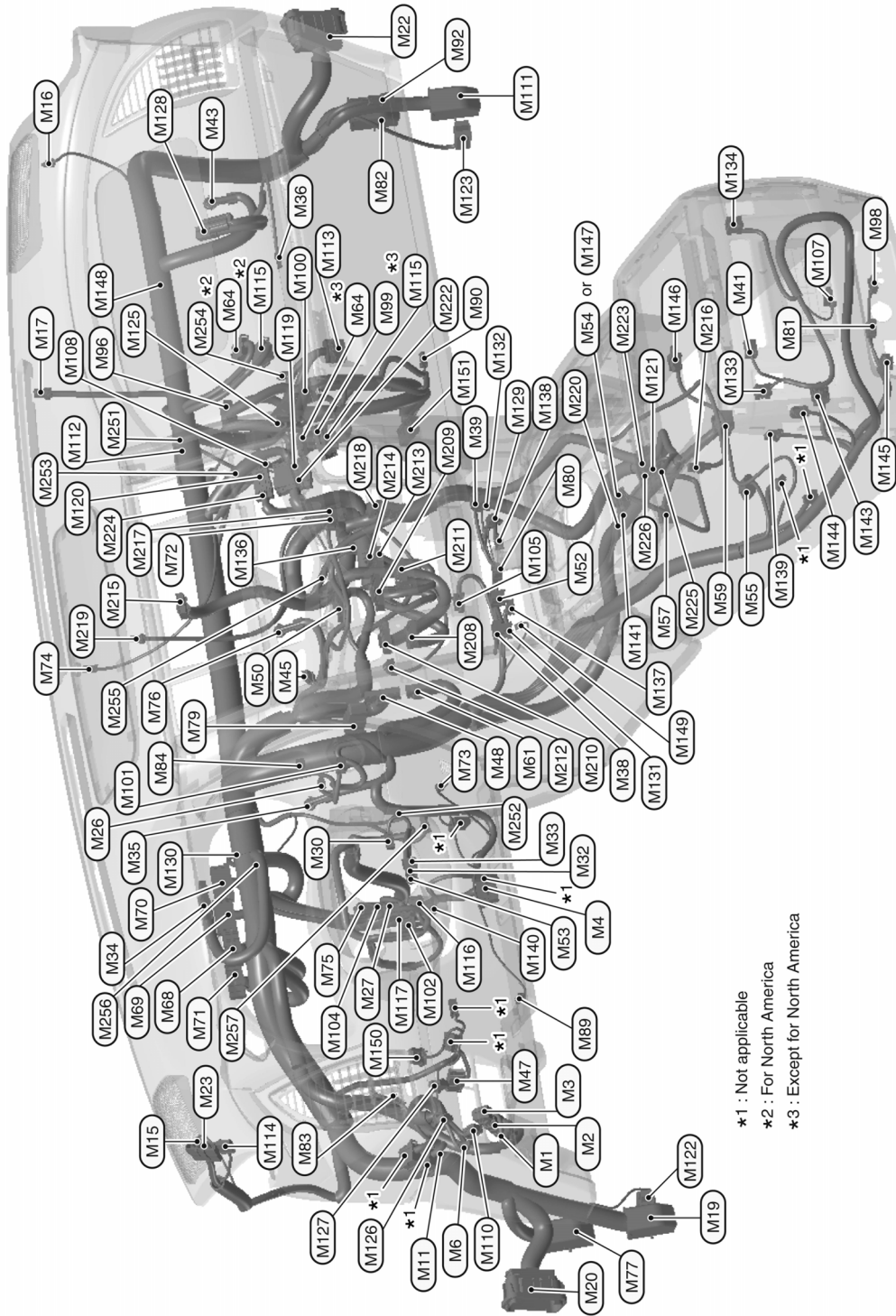
HARNES LAYOUT

< WIRING DIAGRAM >

Main Harness

INFOID:000000010257898

MAIN HARNESS



- *1 : Not applicable
- *2 : For North America
- *3 : Except for North America

2014/07/11

JRMIC5035GB

A
B
C
D
E
F
G
H
I
J
K
L
PG
N
O
P

HARNES LAYOUT

< WIRING DIAGRAM >

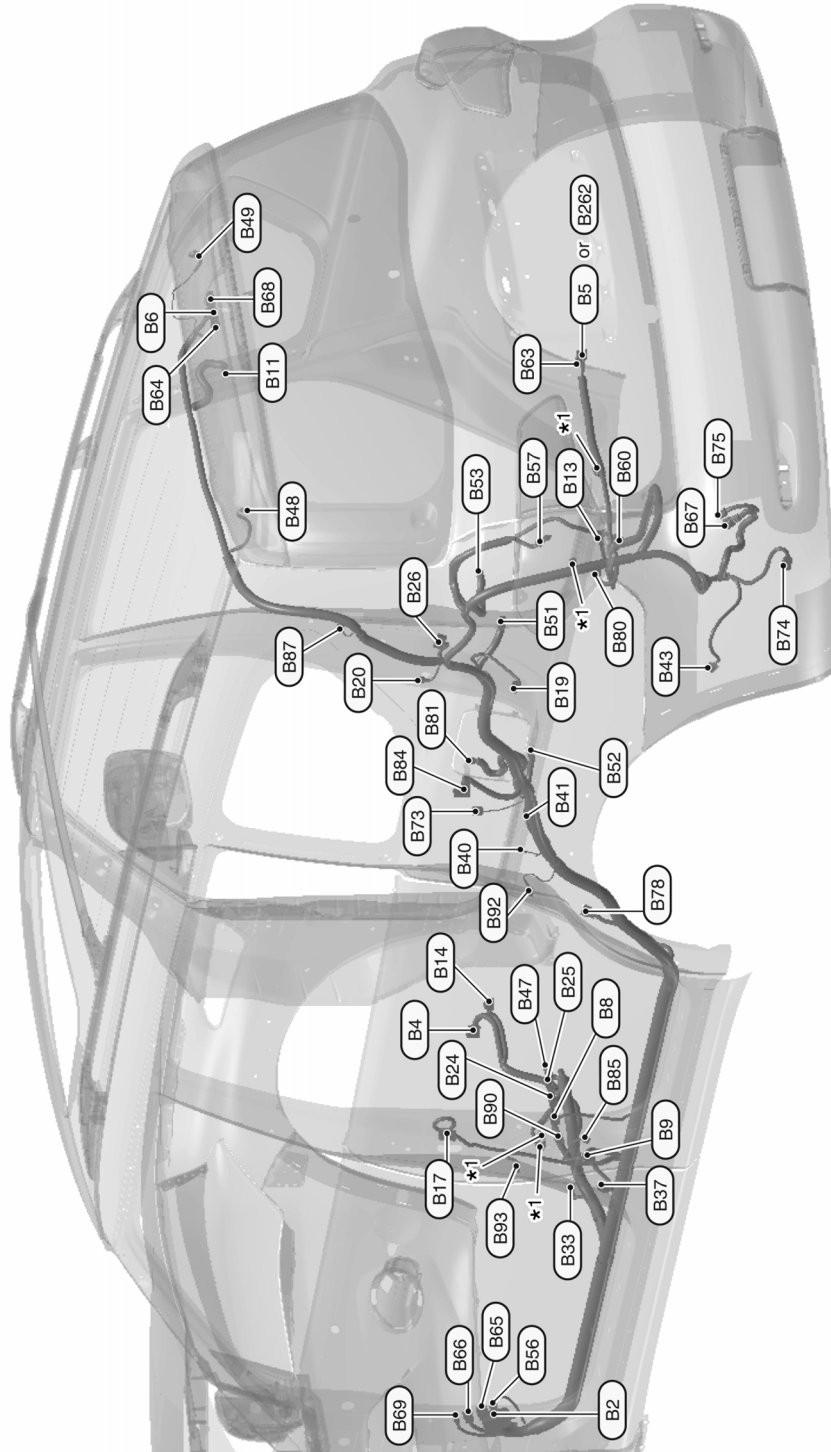
Body Harness

INFOID:000000010257899

BODY HARNESS

BODY HARNESS

*1 : Not applicable



2014/07/11

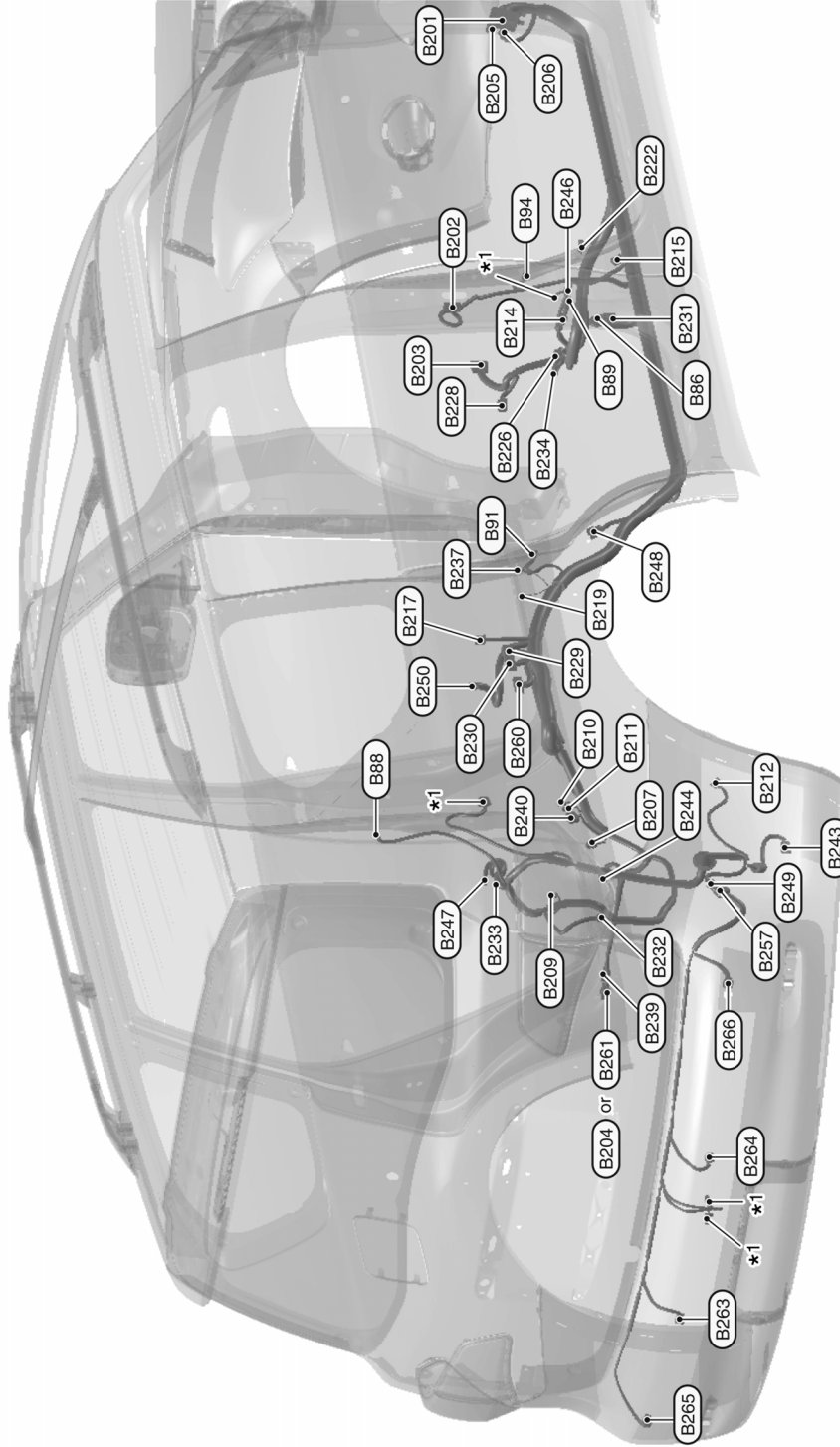
JRMIC5036GB

HARNES LAYOUT

< WIRING DIAGRAM >
BODY No. 2 HARNESS

BODY No. 2 HARNESS

*1 : Not applicable



2014/07/11

JRMIC5055GB

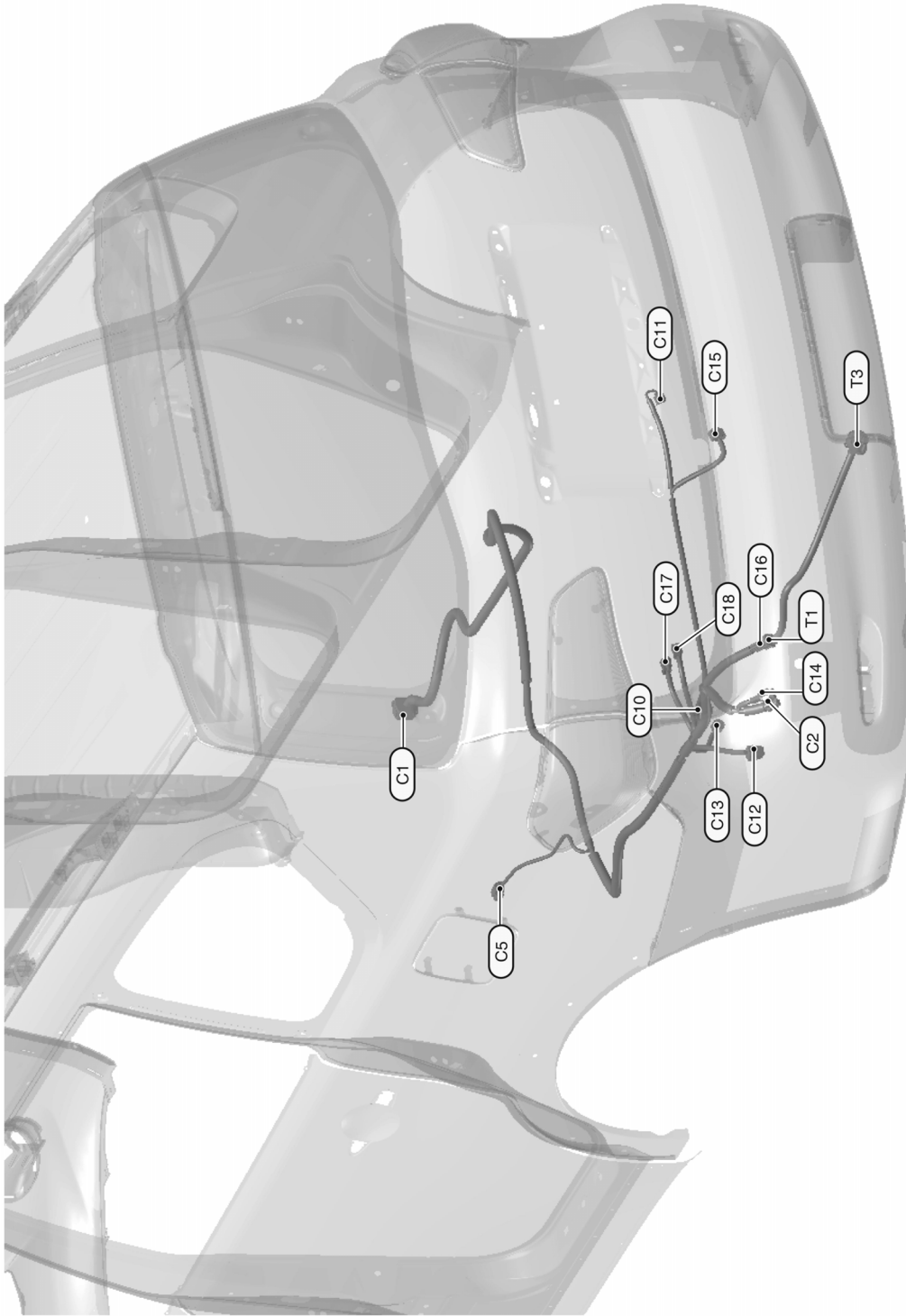
A
B
C
D
E
F
G
H
I
J
K
L
PG
N
O
P

HARNES LAYOUT

< WIRING DIAGRAM >

Chassis Harness

INFOID:000000010257900



CHASSIS HARNES

2014/07/11

JRMIC5037GB

HARNES LAYOUT

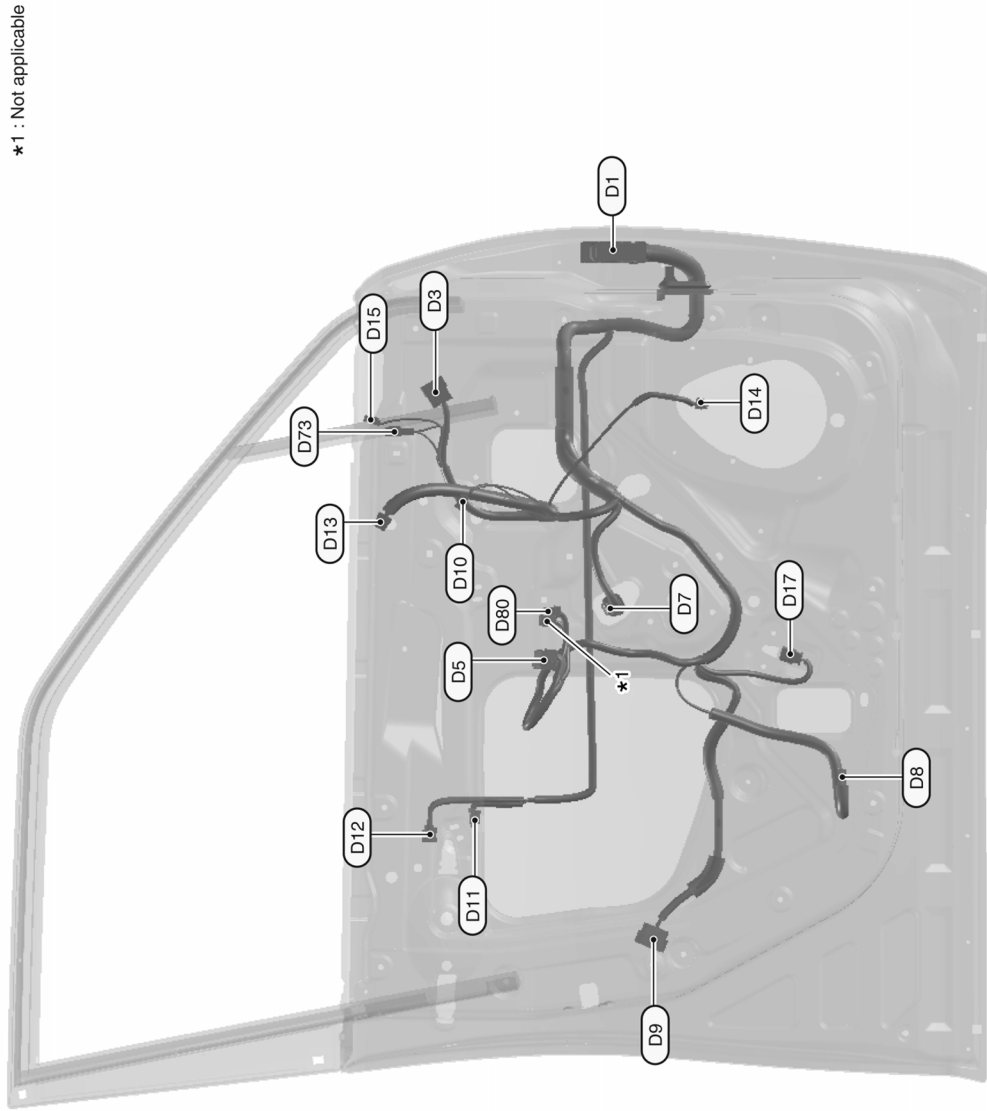
< WIRING DIAGRAM >

Door Harness

INFOID:000000010257901

FRONT DOOR HARNESS (LH SIDE)

FRONT DOOR HARNESS (LH SIDE)



*1 : Not applicable

2014/07/11

JRMIC5038GB

A
B
C
D
E
F
G
H
I
J
K
L
N
O
P

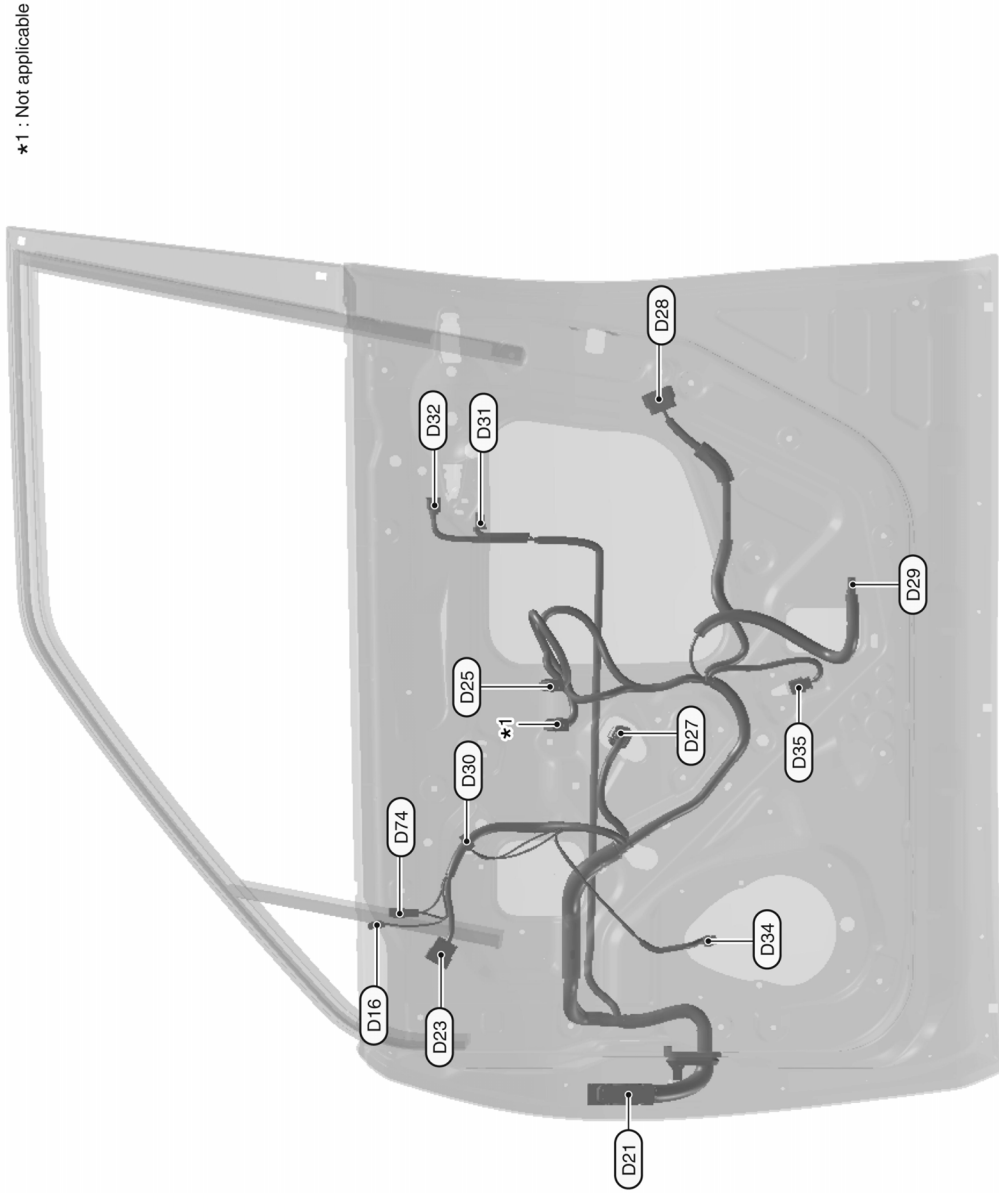
PG

HARNESS LAYOUT

< WIRING DIAGRAM >

FRONT DOOR HARNESS (RH SIDE)

FRONT DOOR HARNESS (RH SIDE)



*1 : Not applicable

JRMIC5039GB

2014/07/11

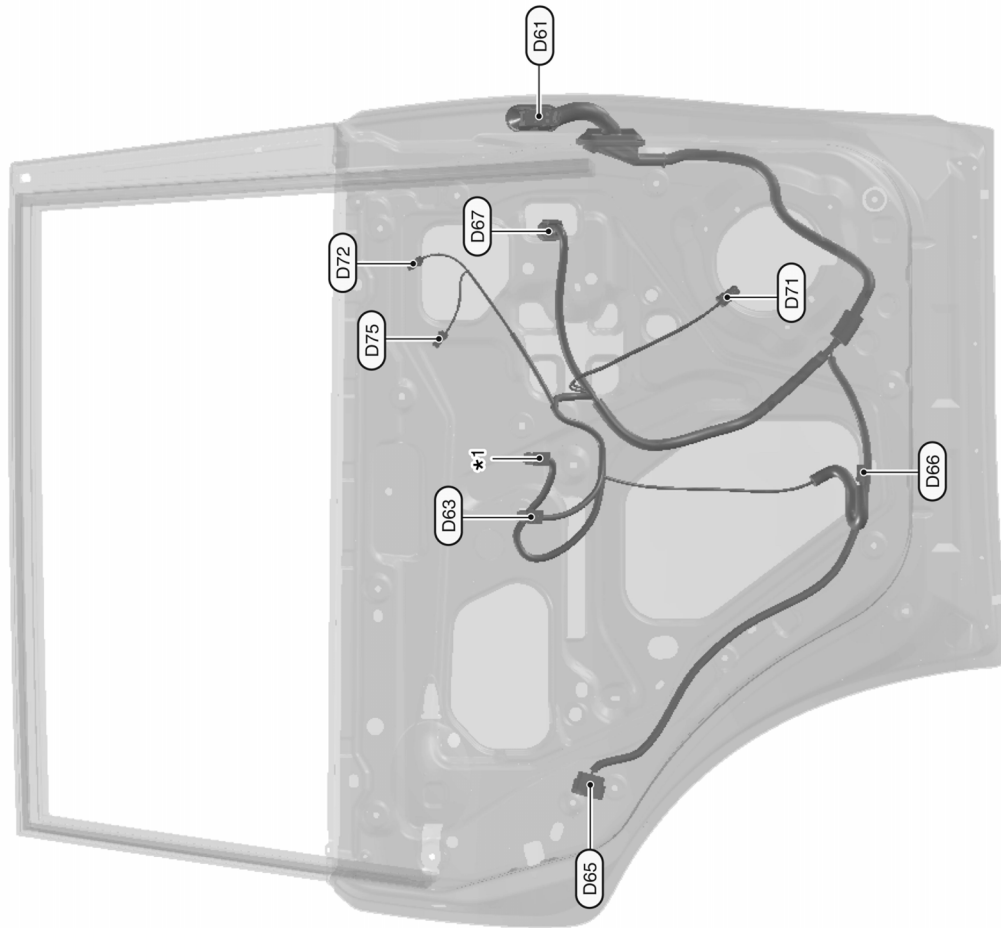
HARNES LAYOUT

< WIRING DIAGRAM >

REAR DOOR HARNESS (LH SIDE)

REAR DOOR HARNESS (LH SIDE)

*1 : Not applicable



2014/07/11

JRMIC5056GB

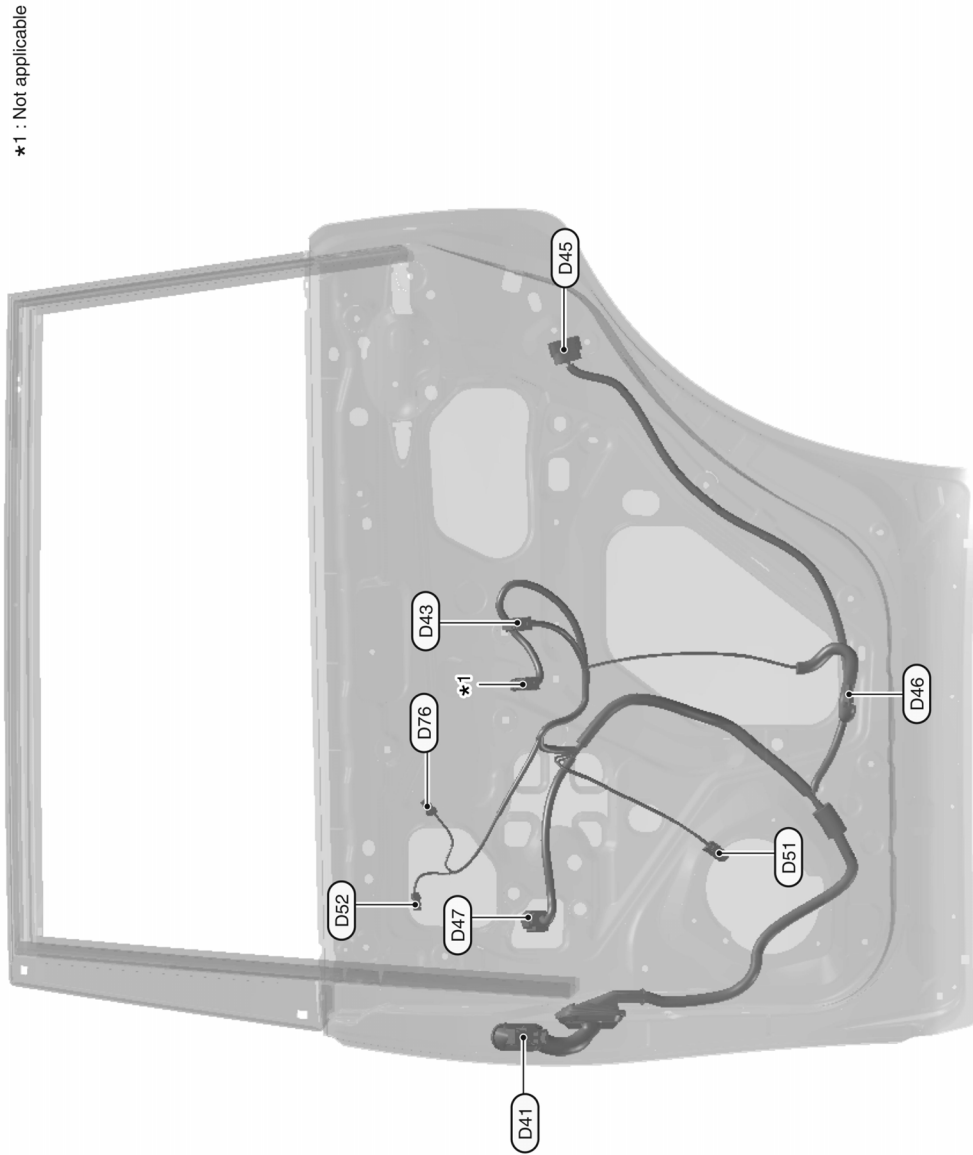
A
B
C
D
E
F
G
H
I
J
K
L
PG
N
O
P

HARNESS LAYOUT

< WIRING DIAGRAM >

REAR DOOR HARNESS (RH SIDE)

REAR DOOR HARNESS (RH SIDE)



*1 : Not applicable

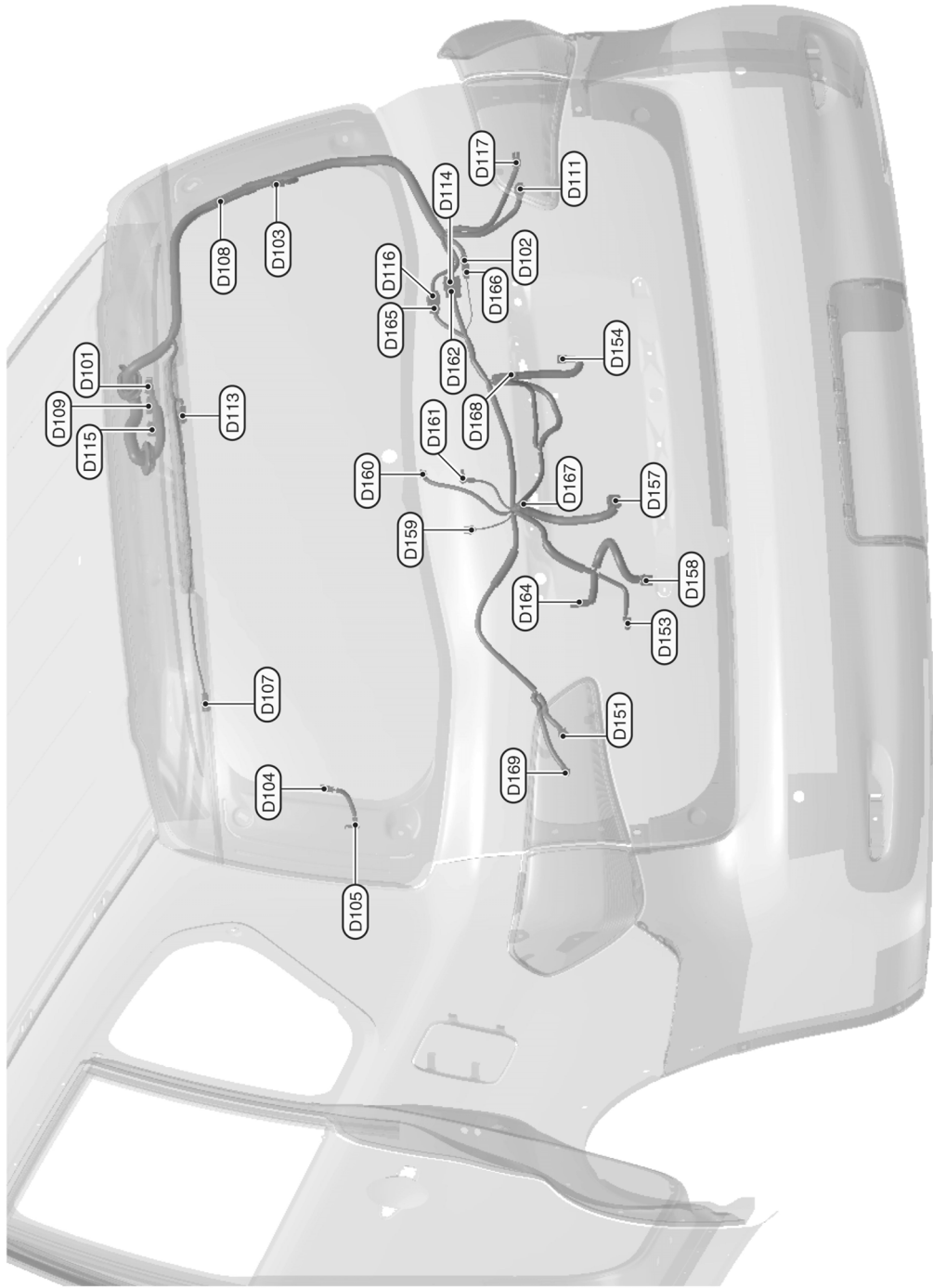
2014/07/11

JRMIC5057GB

HARNES LAYOUT

< WIRING DIAGRAM >
BACK DOOR HARNESS

BACK DOOR HARNESS



2012/08/21

JRMIC2067GB

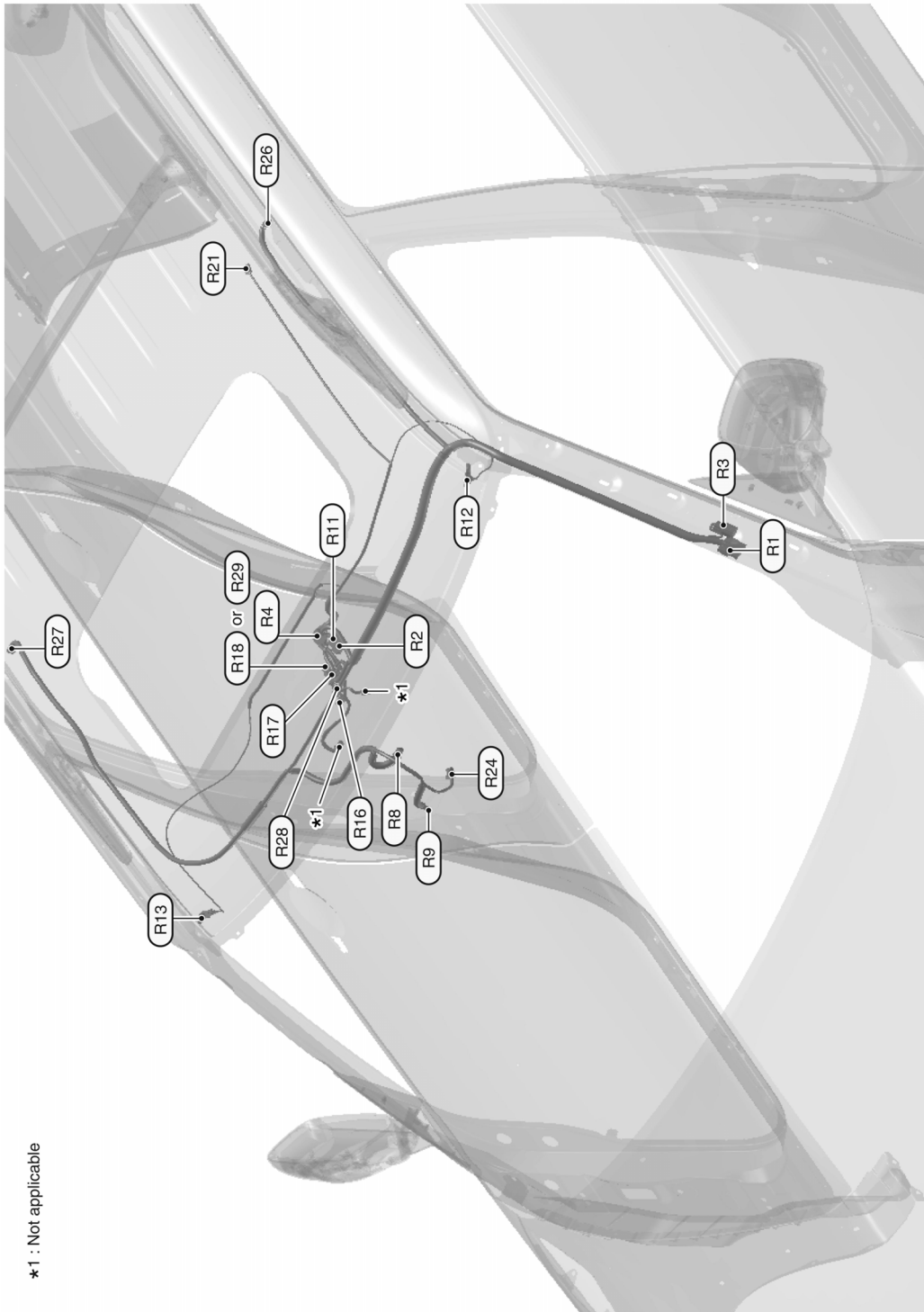
A
B
C
D
E
F
G
H
I
J
K
L
PG
N
O
P

HARNES LAYOUT

< WIRING DIAGRAM >

Room Lamp Harness

INFOID:000000010257902



ROOM LAMP HARNESS

*1 : Not applicable

2014/07/11

JRMIC5040GB

BATTERY INSPECTION

< BASIC INSPECTION >

BASIC INSPECTION

BATTERY INSPECTION

How to Handle Battery

INFOID:0000000010257903

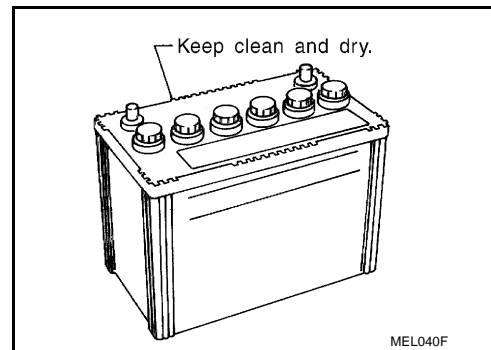
CAUTION:

- If it becomes necessary to start the engine with a booster battery and jumper cables, use a 12-volt booster battery.
- After connecting battery cables, ensure that they are tightly clamped to battery terminals for good contact.
- Never add distilled water through the hole used to check specific gravity.

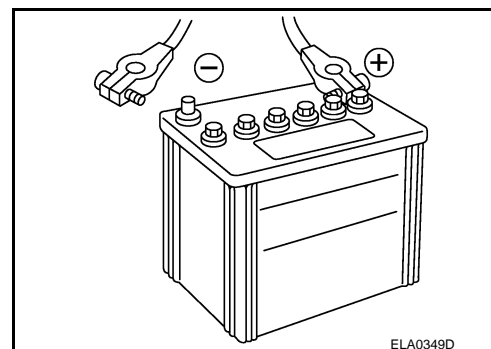
METHODS OF PREVENTING OVER-DISCHARGE

The following precautions must be taken to prevent over-discharging a battery.

- The battery surface (particularly its top) should always be kept clean and dry.
- The terminal connections should be clean and tight.
- At every routine maintenance, check the electrolyte level.
This also applies to batteries designated as "low maintenance" and "maintenance-free".



- When the vehicle is not going to be used over a long period of time, disconnect the battery cable from the negative terminal. (If the vehicle has an extended storage fuse switch, turn it off.)



Work Flow

INFOID:0000000010257904

BATTERY DIAGNOSIS WITH EXP-800 NI OR GR8-1200 NI

To diagnose and confirm the condition of the battery, use the following special service tools:

- EXP-800 NI Battery and electrical diagnostic analyzer
- GR8-1200 NI Multitasking battery and electrical diagnostic station

NOTE:

Refer to the applicable instruction manual for proper battery diagnosis procedures.

BATTERY DIAGNOSIS WITHOUT EXP-800 NI OR GR8-1200 NI

Check Electrolyte Level

WARNING:

Never allow battery fluid to come in contact with skin, eyes, fabrics, or painted surfaces. After touching a battery, never touch or rub your eyes until you have thoroughly washed your hands. If acid contacts eyes, skin or clothing, immediately flush with water for 15 minutes and seek medical attention. Failure to do this may cause personal injury or damage to clothing or the painted surfaces.

A
B
C
D
E
F
G
H
I
J
K
L

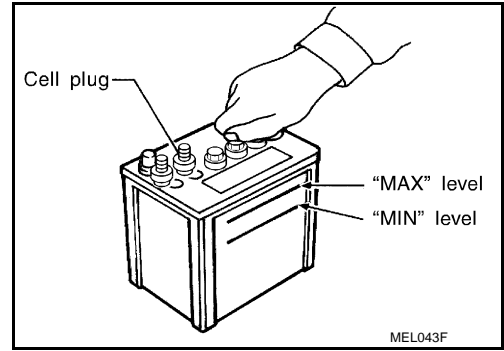
PG

N
O
P

BATTERY INSPECTION

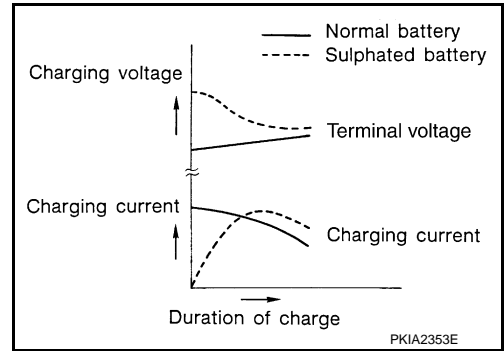
< BASIC INSPECTION >

- Remove the cell plug using a suitable tool.
- Add distilled water up to the MAX level.



SULPHATION

- A battery will be completely discharged if it is left unattended for a long time and the specific gravity will become less than 1.100. This may result in sulphation on the cell plates.
- To determine if a battery has been “sulphated”, note its voltage and current when charging it. As shown in the figure, less current and higher voltage are observed in the initial stage of charging sulphated batteries.
- A sulphated battery may sometimes be brought back into service by means of a long, slow charge, 12 hours or more, followed by a battery capacity test.



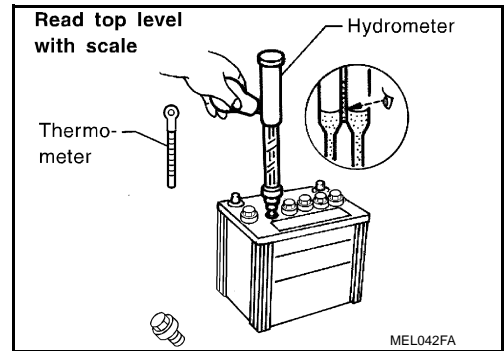
Specific Gravity Check

NOTE:

Check the charge condition of the battery.

Periodically check the specific gravity of the electrolyte. Keep a close check on charge condition to prevent over-discharge.

1. Read hydrometer and thermometer indications at eye level.
2. Use the chart below to correct your hydrometer reading according to electrolyte temperature.



Hydrometer Temperature Correction

Battery electrolyte temperature [°C (°F)]	Add to specific gravity reading
71 (160)	0.032
66 (150)	0.028
60 (140)	0.024
54 (130)	0.020
49 (120)	0.016
43 (110)	0.012
38 (100)	0.008
32 (90)	0.004
27 (80)	0
21 (70)	-0.004
16 (60)	-0.008
10 (50)	-0.012

BATTERY INSPECTION

< BASIC INSPECTION >

Battery electrolyte temperature [°C (°F)]	Add to specific gravity reading
4 (40)	-0.016
-1 (30)	-0.020
-7 (20)	-0.024
-12 (10)	-0.028
-18 (0)	-0.032

Corrected specific gravity	Approximate charge condition
1.260 - 1.280	Fully charged
1.230 - 1.250	3/4 charged
1.200 - 1.220	1/2 charged
1.170 - 1.190	1/4 charged
1.140 - 1.160	Almost discharged
1.110 - 1.130	Completely discharged

Charging The Battery

CAUTION:

- **Never “quick charge” a fully discharged battery.**
- **Keep the battery away from open flame while it is being charged.**
- **When connecting the charger, connect the leads first, then turn on the charger. Never turn on the charger first, as this may cause a spark.**
- **If battery electrolyte temperature rises above 55 °C (131 °F), stop charging. Always charge battery at a temperature below 55 °C (131 °F).**

Charging Rates (Standard Charge)

Approximate charge condition	Charge current (A)	Charge time (h)
Fully charged	5	3
3/4 charged	10	2
1/2 charged		3.5
1/4 charged		5
Almost discharged		6
Completely discharged		7

Charging Rates (Quick Charge)

Approximate charge condition	Charge current (A)	Charge time (h)
Fully charged	—	—
3/4 charged	20	0.5
1/2 charged	25	1
1/4 charged	35	
Almost discharged	45	
Completely discharged	—	—

NOTE:

The ammeter reading on your battery charger will automatically decrease as the battery charges. This indicates that the voltage of the battery is increasing normally as the state of charge improves. The charging amps indicated above refer to initial charge rate.

- If, after charging, the specific gravity of any two cells varies more than 0.050, the battery should be replaced.

A
B
C
D
E
F
G
H
I
J
K
L
N
O
P

PG

FUSE INSPECTION

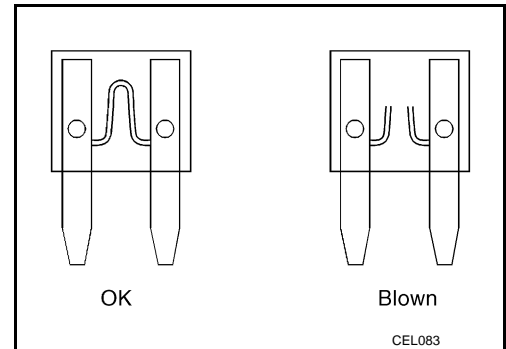
< BASIC INSPECTION >

FUSE INSPECTION

How To Check

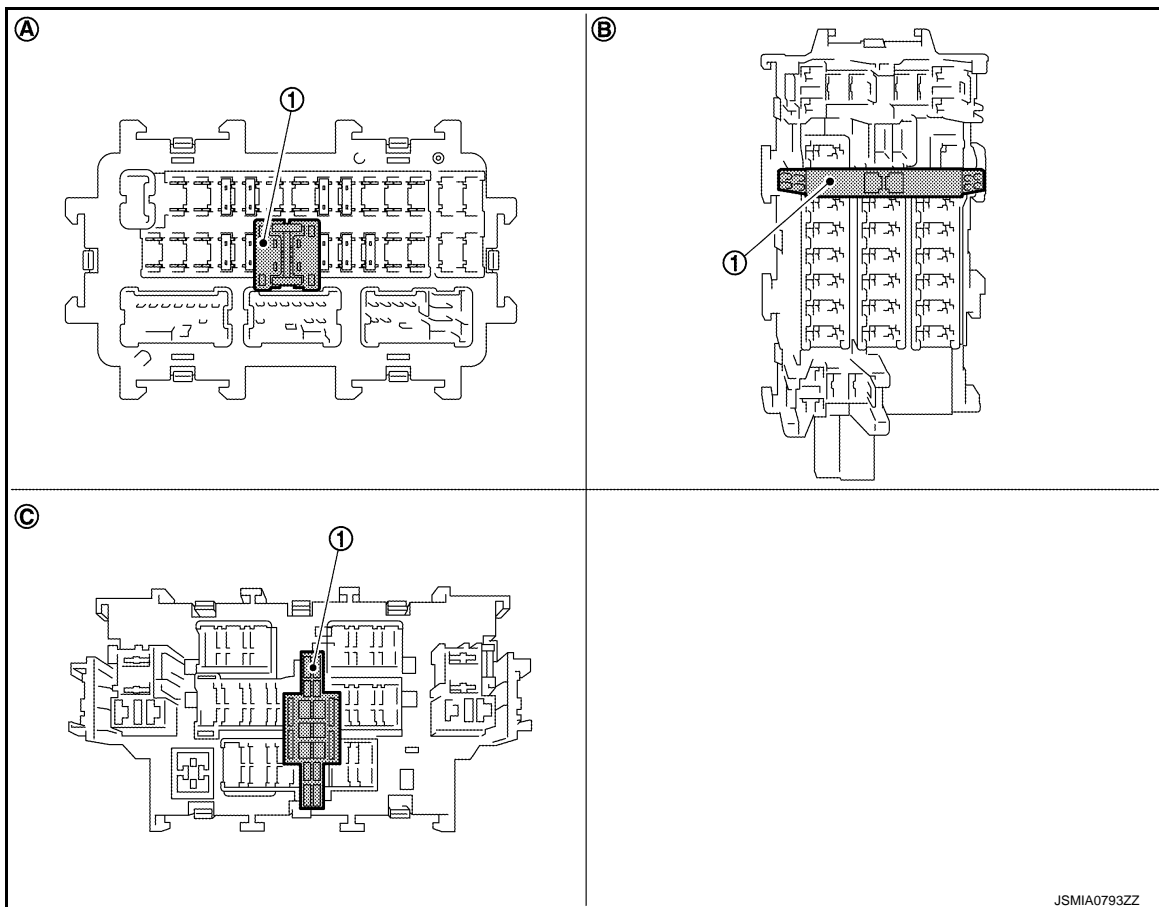
INFOID:000000010257905

- If fuse is blown, be sure to eliminate cause of malfunction before installing new fuse.
- Use fuse of specified rating. Never use fuse of more than specified rating.
- Do not partially install fuse; always insert it into fuse holder properly.
- Remove fuse for "ELECTRICAL PARTS (BAT)" if vehicle is not used for a long period of time.



EXTENDED STORAGE FUSE SWITCH (IF EQUIPPED)

The following switch may be mounted on the fuse block (Junction Box) for transportation and storage.



1. Extended storage fuse switch

A. Type A

B. Type B

C. Type C

- Remove the extended storage fuse switch when replacing the fuse of extended storage fuse switch.
- Remove the extended storage fuse switch if it causes the interference when the fuse or the other fuses is checked.

How To Extended Storage Fuse Switch ON/OFF

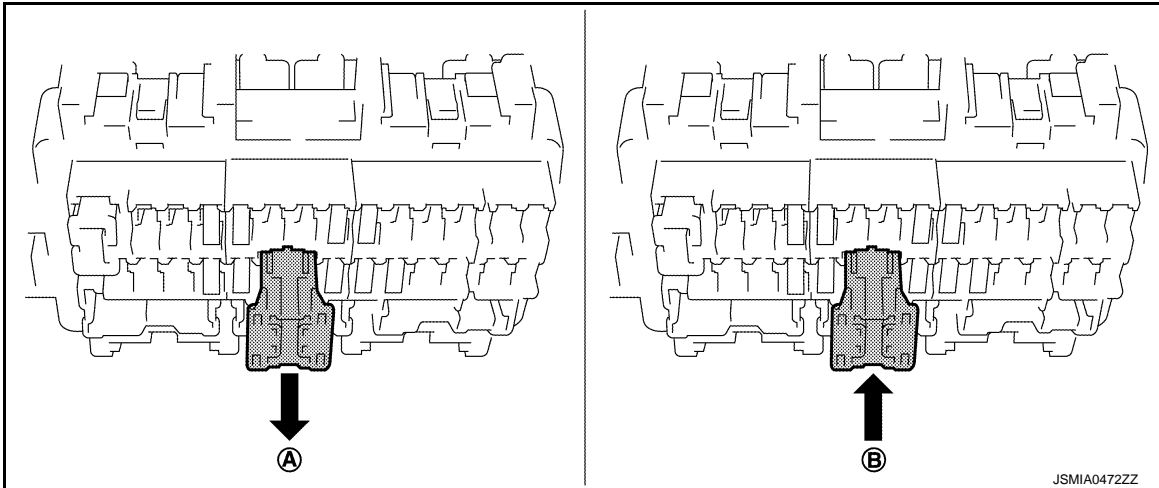
CAUTION:

- Turn the ignition switch OFF when operating the extended storage fuse switch.
- Under normal conditions, keep the extended storage fuse switch in ON state. Never operate the extended storage fuse switch except when necessary.

FUSE INSPECTION

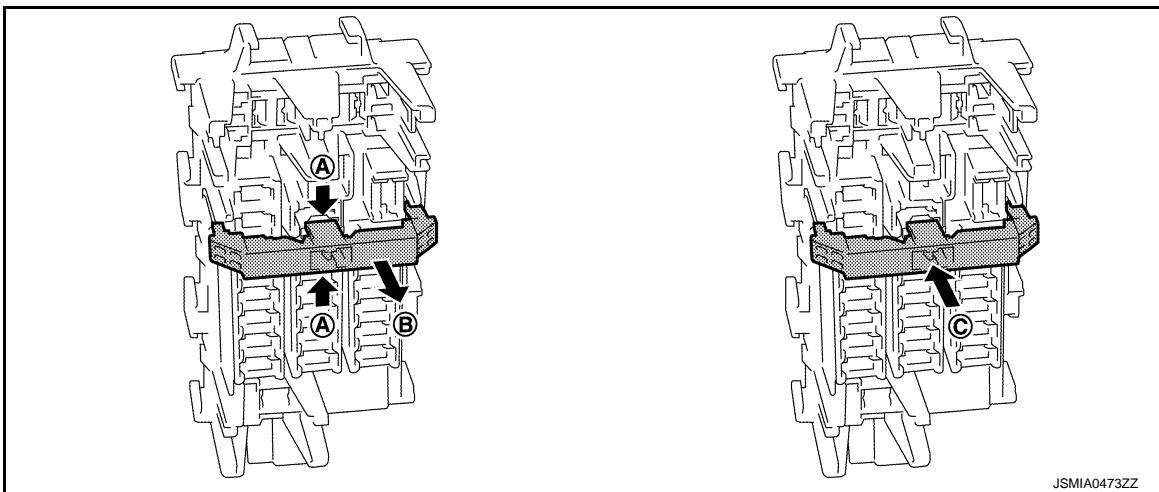
< BASIC INSPECTION >

- Type A



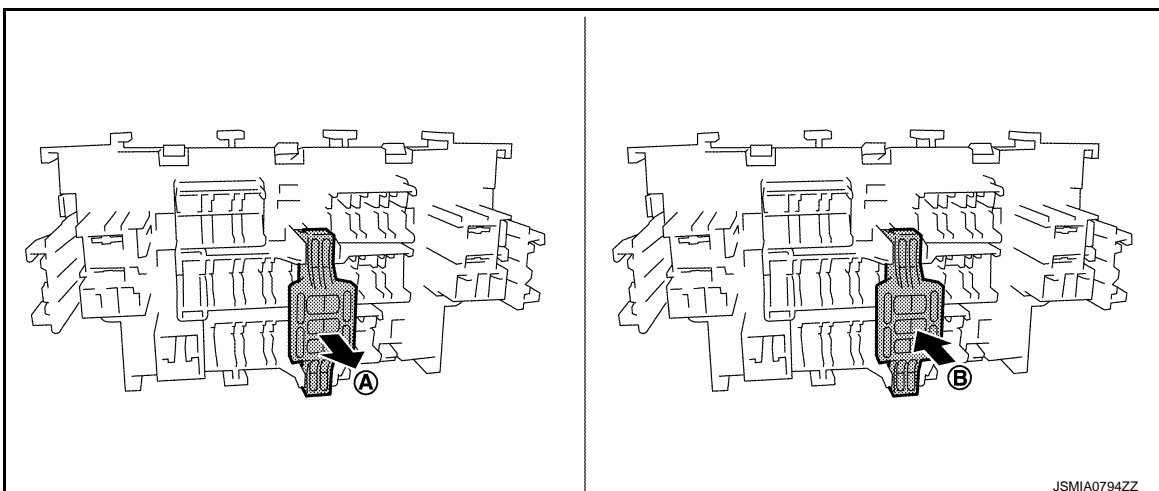
- To turn the extended storage fuse switch OFF, pull it up in (A) direction as shown in the figure.
- To turn the extended storage fuse switch ON, press it in (B) direction as shown in the figure.

- Type B



- To turn the extended storage fuse switch OFF, hold (A) of the switch and pull up in (B) direction as shown in the figure.
- To turn the extended storage fuse switch ON, press it in (C) direction as shown in the figure.

- Type C



- To turn the extended storage fuse switch OFF, pull it up in (A) direction as shown in the figure.
- To turn the extended storage fuse switch ON, press it in (B) direction as shown in the figure.

How To Remove Extended Storage Fuse Switch

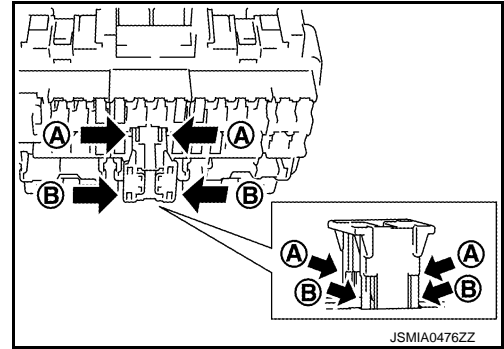
Type A

A
B
C
D
E
F
G
H
I
J
K
L
PG
N
O
P

FUSE INSPECTION

< BASIC INSPECTION >

1. Turn the ignition switch OFF.
2. Turn the extended storage fuse switch OFF.
3. Press pawl (A) and tilt to disengage the extended storage fuse switch. Press pawl (B) and tilt to remove the extended storage fuse switch.

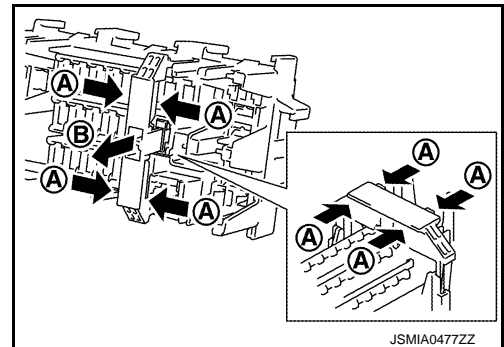


NOTE:

- Extended storage fuse switch and fuse are removed together. Remove fuse from extended storage fuse switch, if necessary.
- Extended storage fuse switch is for transportation and storage. Reinstallation is not required after the removal.

Type B

1. Turn the ignition switch OFF.
2. Turn the extended storage fuse switch OFF.
3. Hold (A) and pull up the extended storage fuse switch hard in (B) direction.

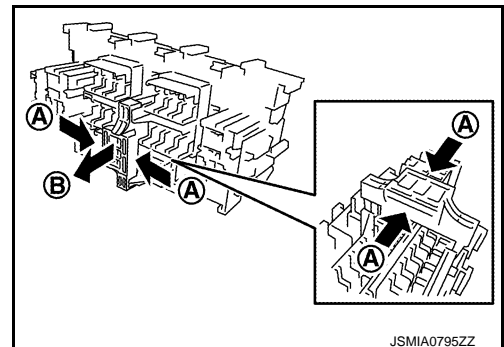


NOTE:

- Extended storage fuse switch and fuse may be removed together. Remove fuse from extended storage fuse switch, if necessary.
- Extended storage fuse switch is for transportation and storage. Reinstallation is not required after the removal.

Type C

1. Turn the ignition switch OFF.
2. Turn the extended storage fuse switch OFF.
3. Hold (A) and pull up the extended storage fuse switch hard in (B) direction.



NOTE:

- Extended storage fuse switch and fuse are removed together. Remove fuse from extended storage fuse switch, if necessary.

FUSE INSPECTION

< BASIC INSPECTION >

- Extended storage fuse switch is for transportation and storage. Reinstallation is not required after the removal.

A

B

C

D

E

F

G

H

I

J

K

L

PG

N

O

P

FUSIBLE LINK INSPECTION

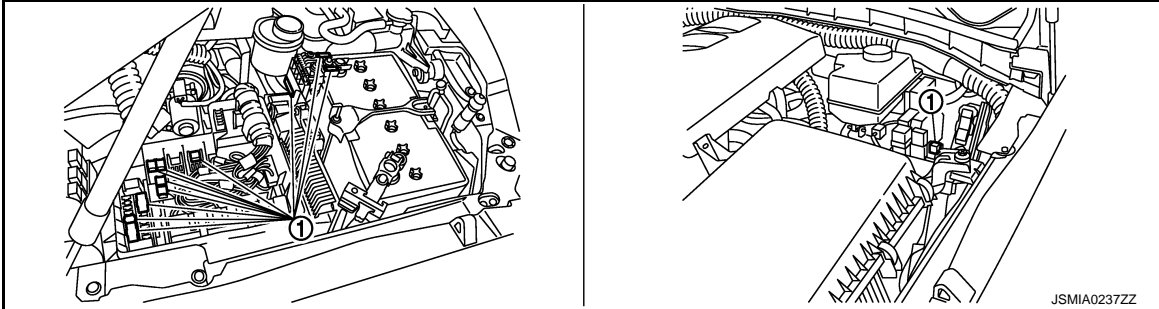
< BASIC INSPECTION >

FUSIBLE LINK INSPECTION

How To Check

INFOID:000000010257906

A melted fusible link can be detected either by visual inspection or by feeling with finger tip. If its condition is questionable, use circuit tester or test lamp.



1. Fusible link

CAUTION:

- If fusible link should melt, it is possible that critical circuit (power supply or large current carrying circuit) is shorted. In such a case, carefully check and eliminate cause of malfunction.
- Never wrap outside of fusible link with vinyl tape. Important: Never let fusible link touch any other wiring harness, vinyl or rubber parts.

BATTERY

< REMOVAL AND INSTALLATION >

REMOVAL AND INSTALLATION

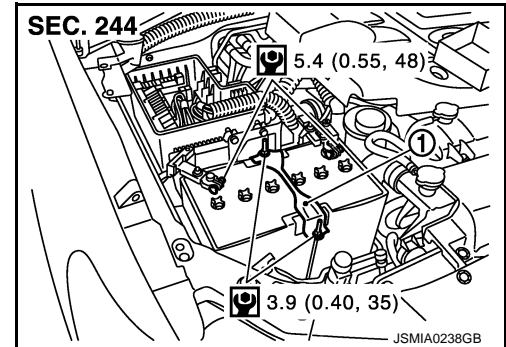
BATTERY

Exploded View

INFOID:000000010257907

1 : Battery fix frame

Refer to [GI-4, "Components"](#) for symbols in the figure.



Removal and Installation

INFOID:000000010257908

REMOVAL

1. Remove cover of battery positive terminal.
2. Loosen battery terminal nuts, and disconnect both battery cables from battery terminals.
CAUTION:
When disconnecting, disconnect the battery cable from the negative terminal first.
3. Remove battery fix frame mounting nuts and battery fix frame.
4. Remove battery.

INSTALLATION

Install in the reverse order of removal.

CAUTION:

When connecting, connect the battery cable to the positive terminal first.

Reset electronic systems as necessary. Refer to [GI-72, "ADDITIONAL SERVICE WHEN REMOVING BATTERY NEGATIVE TERMINAL : Required Procedure After Battery Disconnection"](#).

A
B
C
D
E
F
G
H
I
J
K
L
PG
N
O
P

BATTERY TERMINAL WITH FUSIBLE LINK

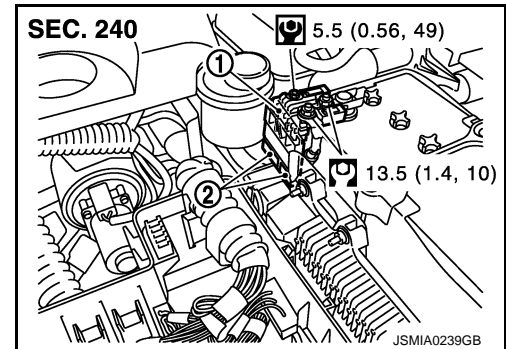
< REMOVAL AND INSTALLATION >

BATTERY TERMINAL WITH FUSIBLE LINK

Exploded View

INFOID:000000010257909

- 1 : Battery terminal with fusible link
 - 2 : Harness connector
- Refer to [GI-4, "Components"](#) for symbols in the figure.



Removal and Installation

INFOID:000000010257910

REMOVAL

1. Disconnect the battery cable from the negative terminal.
2. Remove cover of battery positive terminal.
3. Remove harness mounting nut and battery terminal with fusible link mounting nut.
4. Disconnect harness connector and remove battery terminal with fusible link.

INSTALLATION

Install in the reverse order of removal.

SERVICE DATA AND SPECIFICATIONS (SDS)

< SERVICE DATA AND SPECIFICATIONS (SDS)

SERVICE DATA AND SPECIFICATIONS (SDS)

SERVICE DATA AND SPECIFICATIONS (SDS)

Battery

INFOID:0000000010257911

Type		115D31R
20 hour rate capacity	[V – Ah]	12 – 82
Cold cranking current (For reference value)	[A]	782

A

B

C

D

E

F

G

H

I

J

K

L

PG

N

O

P