

ENGINE LUBRICATION & COOLING SYSTEMS

SECTION **LC**

GI

MA

EM

LC

EC

FE

AT

FA

RA

BR

ST

RS

BT

HA

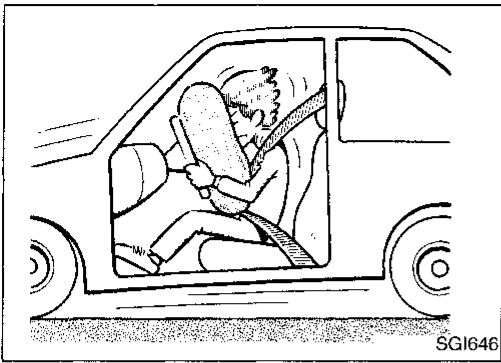
EL

IDX

CONTENTS

PRECAUTIONS	2	ENGINE COOLING SYSTEM	9
Supplemental Restraint System (SRS) "AIR BAG"	2	Cooling Circuit.....	9
Liquid Gasket Application Procedure.....	2	System Check.....	9
PREPARATION	3	Water Pump	11
Special Service Tools.....	3	Thermostat	13
ENGINE LUBRICATION SYSTEM	4	Radiator.....	15
Lubrication Circuit	4	Cooling Fan Control System.....	16
Oil Pressure Check.....	5	SERVICE DATA AND SPECIFICATIONS (SDS)	17
Oil Pump	5	Engine Lubrication System	17
		Engine Cooling System	17

PRECAUTIONS

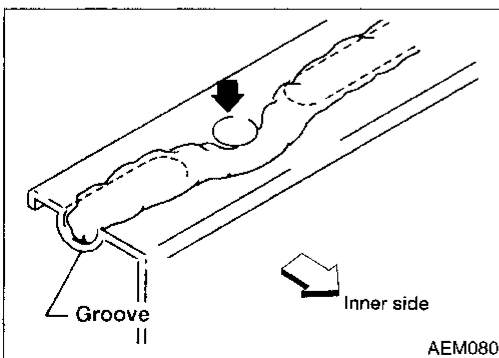
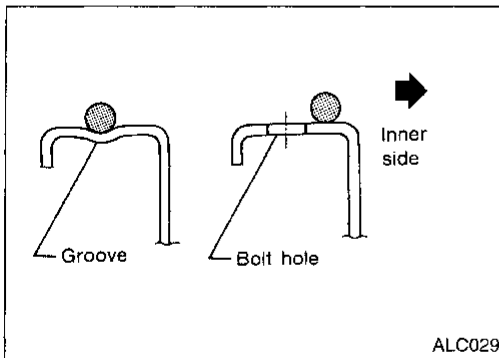


Supplemental Restraint System (SRS) "AIR BAG"

The Supplemental Restraint System "Air Bag", used along with a seat belt, helps to reduce the risk or severity of injury to the driver and front passenger in a frontal collision. The Supplemental Restraint System consists of air bag modules (located in the center of the steering wheel and on the instrument panel on the passenger side), a diagnosis sensor unit, warning lamp, wiring harness and spiral cable. Information necessary to service the system safely is included in the **RS section** of this Service Manual.

WARNING:

- To avoid rendering the SRS inoperative, which could increase the risk of personal injury or death in the event of a collision which would result in air bag inflation, all maintenance must be performed by an authorized NISSAN dealer.
- Improper maintenance, including incorrect removal and installation of the SRS, can lead to personal injury caused by unintentional activation of the system.
- Do not use electrical test equipment on any circuit related to the SRS unless instructed to in this Service Manual. SRS wiring harnesses are covered with yellow insulation either just before the harness connectors or for the complete harness, for easy identification.



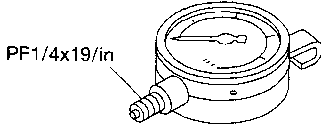
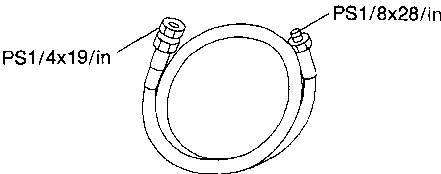
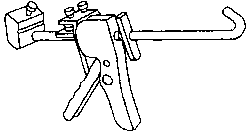
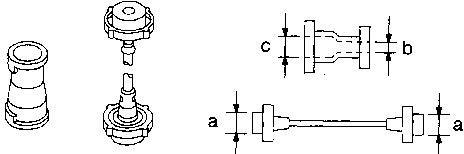
Liquid Gasket Application Procedure

- Use a scraper to remove old liquid gasket from mating surfaces and grooves. Also, completely clean any oil from these areas.
- Apply a continuous bead of liquid gasket to mating surfaces. (Use Genuine Liquid Gasket or equivalent.)
 - For oil pan, be sure liquid gasket diameter is 3.5 to 4.5 mm (0.138 to 0.177 in).
 - For areas except oil pan, be sure liquid gasket diameter is 2.0 to 3.0 mm (0.079 to 0.118 in).
- Apply liquid gasket around the inner side of bolt holes (unless otherwise specified).
- Assembly should be done within 5 minutes after coating.
- Wait at least 30 minutes before refilling engine oil and engine coolant.

PREPARATION

Special Service Tools

The actual shapes of Kent-Moore tools may differ from those of special service tools illustrated here.

Tool number (Kent-Moore No.) Tool name	Description
ST25051001 (J25695-1) Oil pressure gauge	<div style="display: flex; align-items: center;"> <div style="margin-right: 20px;">  <p>PF1/4x19/in</p> </div> <div style="margin-right: 20px;"> <p>NT558</p> </div> <div> <p>Measuring oil pressure</p> <p>Maximum measuring range: 2,452 kPa (24 kg/cm², 356 psi)</p> </div> </div>
ST25052000 (J25695-2) Hose	<div style="display: flex; align-items: center;"> <div style="margin-right: 20px;">  <p>PS1/4x19/in</p> <p>PS1/8x28/in</p> </div> <div style="margin-right: 20px;"> <p>NT559</p> </div> <div> <p>Adapting oil pressure gauge to cylinder block</p> </div> </div>
WS39930000 (—) Tube presser	<div style="display: flex; align-items: center;"> <div style="margin-right: 20px;">  </div> <div style="margin-right: 20px;"> <p>NT052</p> </div> <div> <p>Pressing the tube of liquid gasket</p> </div> </div>
EG17650301 (J33984-A) Radiator cap tester adapter	<div style="display: flex; align-items: center;"> <div style="margin-right: 20px;">  </div> <div style="margin-right: 20px;"> <p>NT564</p> </div> <div> <p>Adapting radiator cap tester to radiator neck</p> <p>a: 28 (1.10) dia. b: 31.4 (1.236) dia. c: 41.3 (1.626) dia. unit: mm (in)</p> </div> </div>

GI

MA

EM

LC

EC

FE

AT

FA

RA

BR

ST

RS

BT

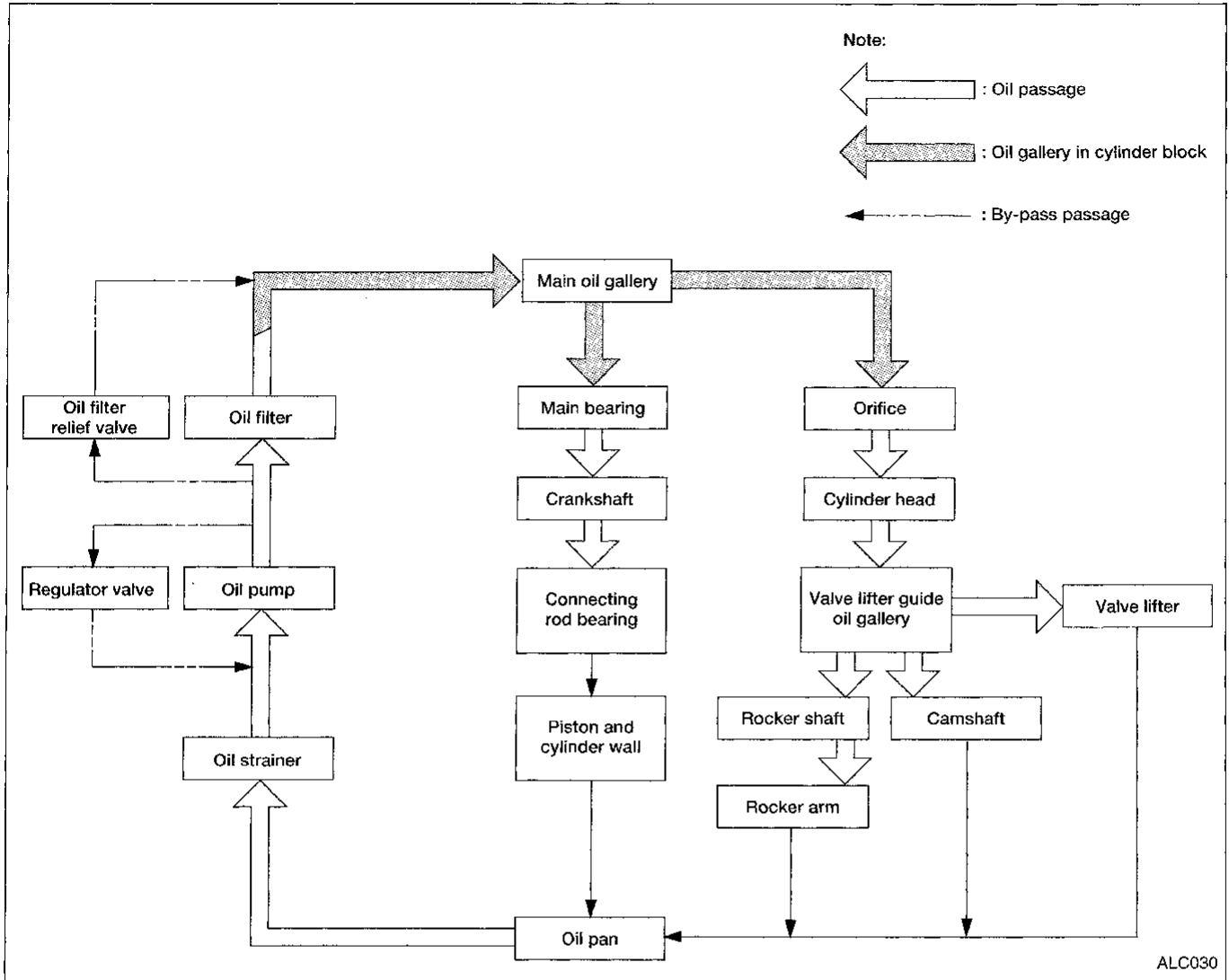
HA

EL

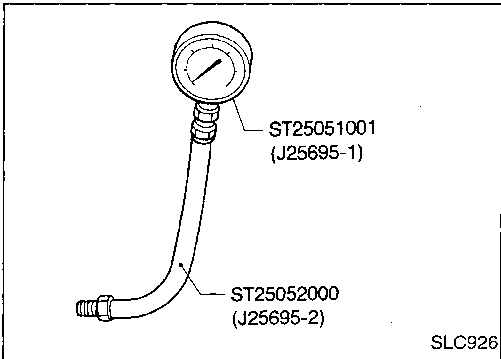
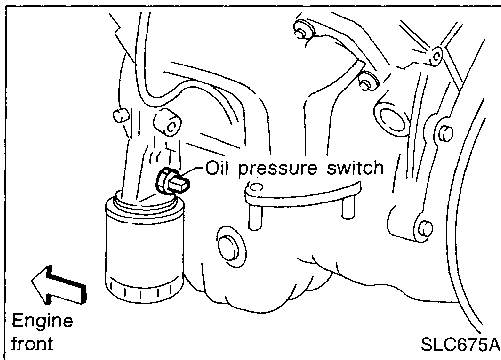
IDX

ENGINE LUBRICATION SYSTEM

Lubrication Circuit



ENGINE LUBRICATION SYSTEM



Oil Pressure Check

WARNING:

- Be careful not to burn yourself, as the engine and oil may be hot.
- Put selector lever in Park "P" position.

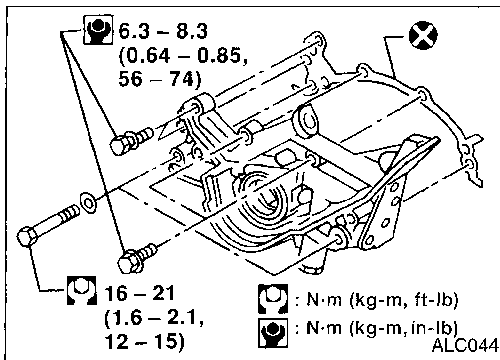
1. Check oil level.
2. Remove oil pressure switch.

3. Install pressure gauge.
4. Start engine and warm it up to normal operating temperature.
5. Check oil pressure with engine running under no-load.

Engine rpm	Approximate discharge pressure kPa (kg/cm ² , psi)
Idle speed	More than 118 (1.2, 17)
3,200	392 - 481 (4.0 - 4.9, 57 - 70)

If difference is extreme, check oil passage and oil pump for oil leaks.

6. Install oil pressure switch with sealant.



Oil Pump


REMOVAL

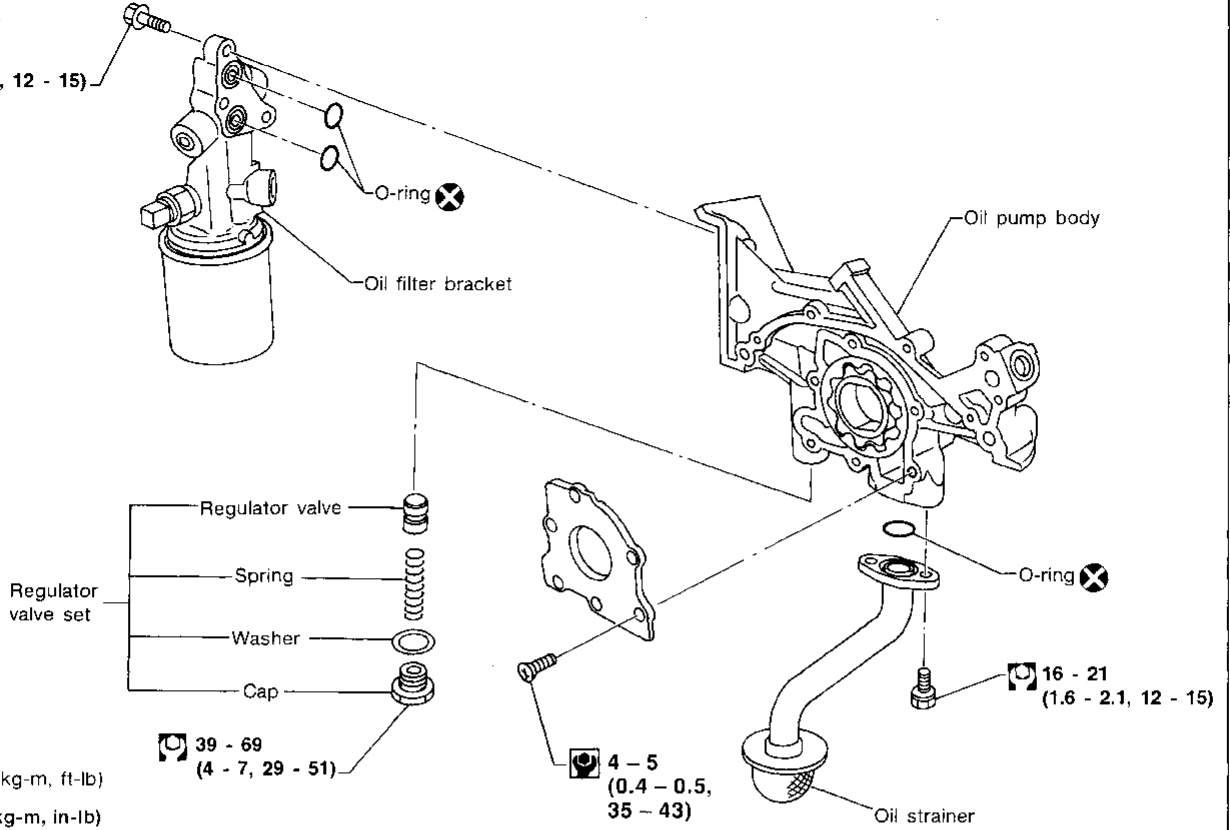
1. Drain engine oil.
2. Remove oil pan. Refer to EM section ("Removal", "OIL PAN").
3. After removing oil pan, install center member assembly and engine mounting insulator bolts and nuts.
4. Remove timing belt. Refer to EM section ("Removal", "TIMING BELT").
5. Remove timing belt tensioner.
6. Remove crankshaft sprocket and timing belt plate.
7. Remove oil pump assembly and gasket.

ENGINE LUBRICATION SYSTEM

Oil Pump (Cont'd) DISASSEMBLY AND ASSEMBLY

SEC.150A

 16 - 21
(1.6 - 2.1, 12 - 15)



ALC045

ENGINE LUBRICATION SYSTEM

Oil Pump (Cont'd)

OIL PUMP INSPECTION

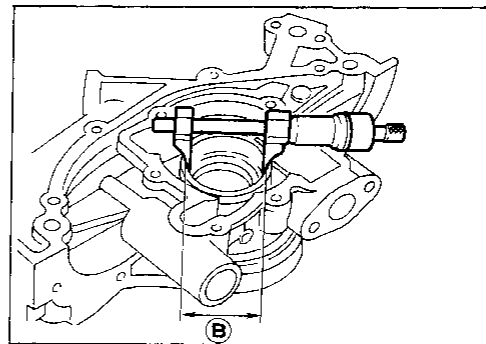
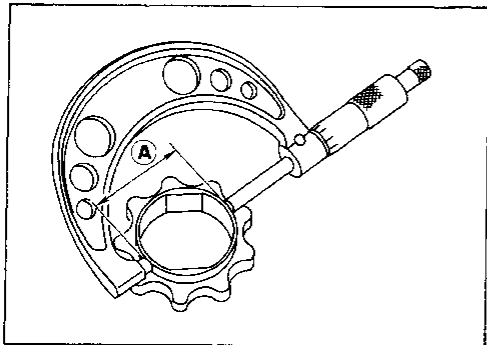
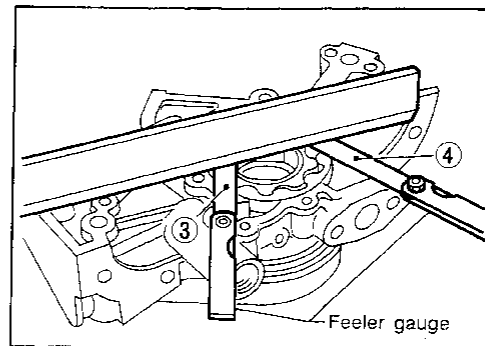
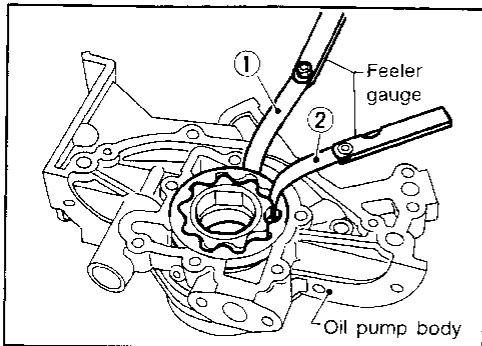
Using a feeler gauge, check the following clearances:

Standard clearance:

Unit: mm (in)

Body to outer gear clearance ①	0.114 - 0.200 (0.0045 - 0.0079)
Inner gear to outer gear tip clearance ②	Below 0.18 (0.0071)
Body to inner gear clearance ③	0.05 - 0.09 (0.0020 - 0.0035)
Body to outer gear clearance ④	0.05 - 0.11 (0.0020 - 0.0043)
Inner gear to brazed portion of housing clearance ⑤	0.045 - 0.091 (0.0018 - 0.0036)

- If the tip clearance (②) exceeds the limit, replace gear set.
- If body to gear clearances (①, ③, ④, ⑤) exceed the limit, replace front cover assembly.



$$\textcircled{B} - \textcircled{A} = \textcircled{5}$$

SLC686A

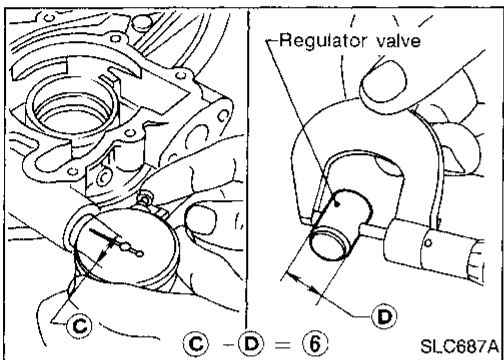
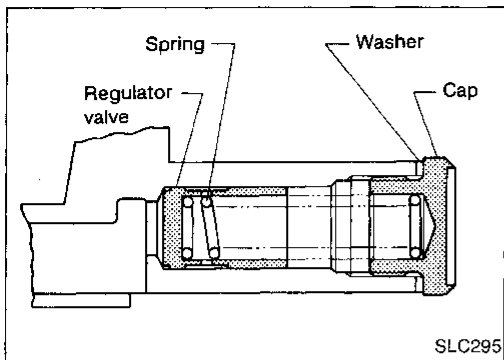
ENGINE LUBRICATION SYSTEM

Oil Pump (Cont'd)

REGULATOR VALVE INSPECTION

1. Visually inspect components for wear and damage.
2. Check oil pressure regulator valve sliding surface and valve spring.
3. Coat regulator valve with engine oil. Check that it falls smoothly into the valve hole by its own weight.

If damaged, replace regulator valve set or oil pump assembly.



4. Check regulator valve to oil pump cover clearance.

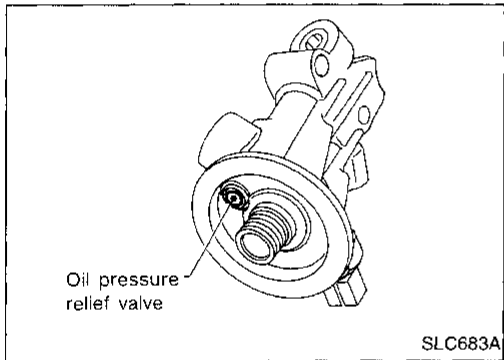
Clearance:

⑥ : 0.040 - 0.097 mm (0.0016 - 0.0038 in)

If it exceeds the limit, replace oil pump assembly.

OIL PRESSURE RELIEF VALVE INSPECTION

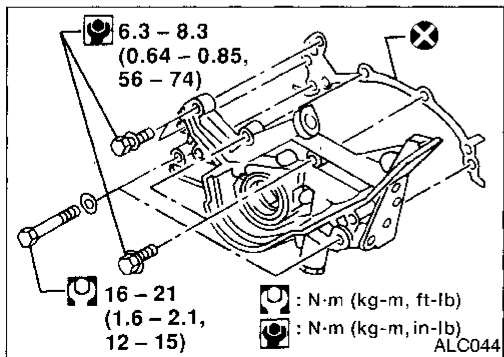
Inspect oil pressure relief valve for movement, cracks and breaks by pushing the ball. If replacement is necessary, remove valve by prying it out with a suitable tool. Install a new valve by tapping it in place.



INSTALLATION

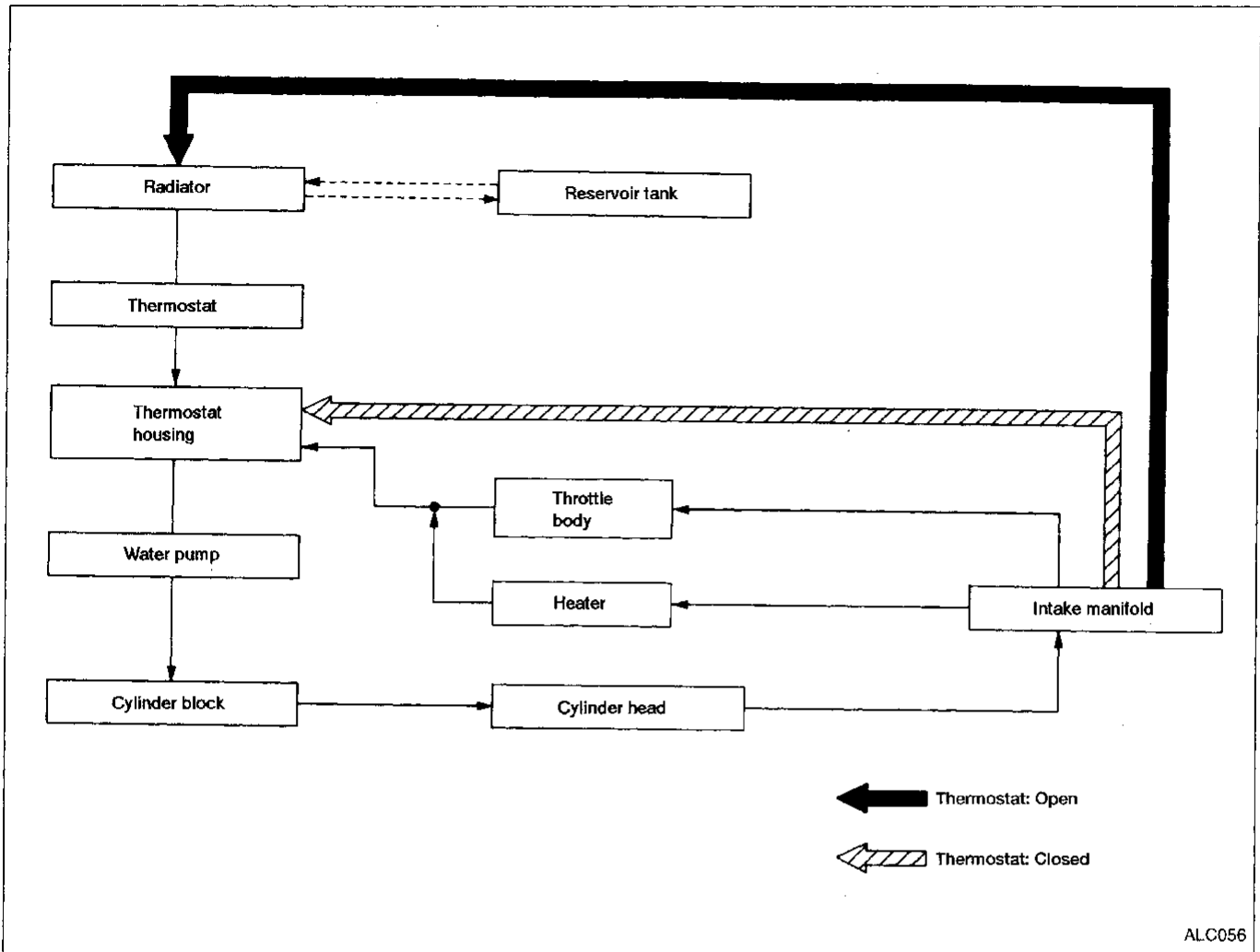
- Always replace oil seal and O-ring with new ones. Refer to EM section ("FRONT OIL SEAL", "Oil Seal Replacement").
- When installing oil pump, apply new engine oil to gears.
- Be sure that O-rings are properly fitted.

1. Install oil pump assembly with new gasket.
2. Install timing belt plate and crankshaft sprocket.
3. Install timing belt tensioner.
4. Install timing belt. Refer to EM section ("Installation", "TIMING BELT").
5. Install oil pan. Refer to EM section ("Installation", "OIL PAN").
6. Fill engine with new engine oil. Refer to MA section ("Changing Engine Oil", "ENGINE MAINTENANCE").



ENGINE COOLING SYSTEM

Cooling Circuit



System Check

WARNING:

Never remove the radiator cap when the engine is hot. Serious burns could occur from high pressure coolant escaping from the radiator.

Wrap a thick cloth around the cap. Slowly turn it a quarter turn to allow built-up pressure to escape. Carefully remove the cap by turning it all the way.

CHECKING COOLING SYSTEM HOSES

Check hoses for the following:

- Improper attachment
- Leaks
- Cracks
- Damage
- Chafing
- Deterioration

ENGINE COOLING SYSTEM

System Check (Cont'd)

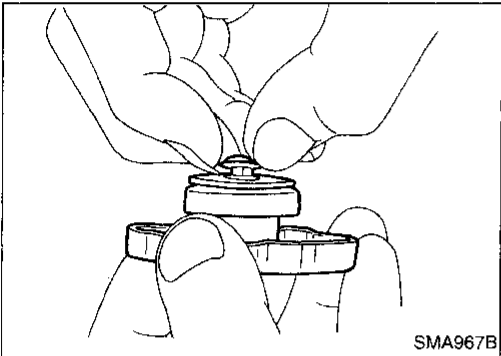
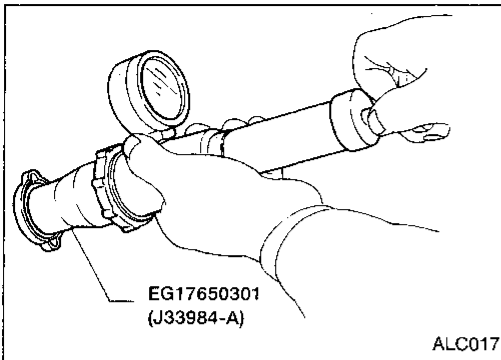
CHECKING RADIATOR CAP

To check radiator cap, apply pressure to cap with a tester.

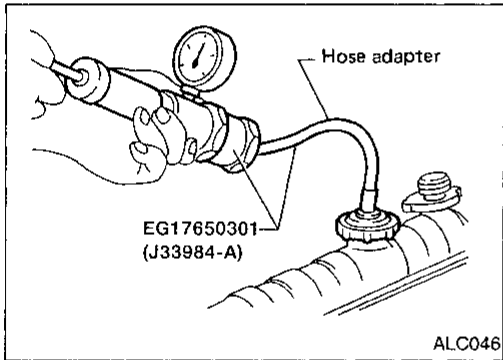
Radiator cap relief pressure:

81.4 - 108.9 kPa

(0.83 - 1.11 kg/cm², 11.8 - 15.8 psi)



Pull the negative pressure valve to open it.
Check that it closes completely when released.



CHECKING COOLING SYSTEM FOR LEAKS

To check for leakage, apply pressure to the cooling system with a tester.

Testing pressure:

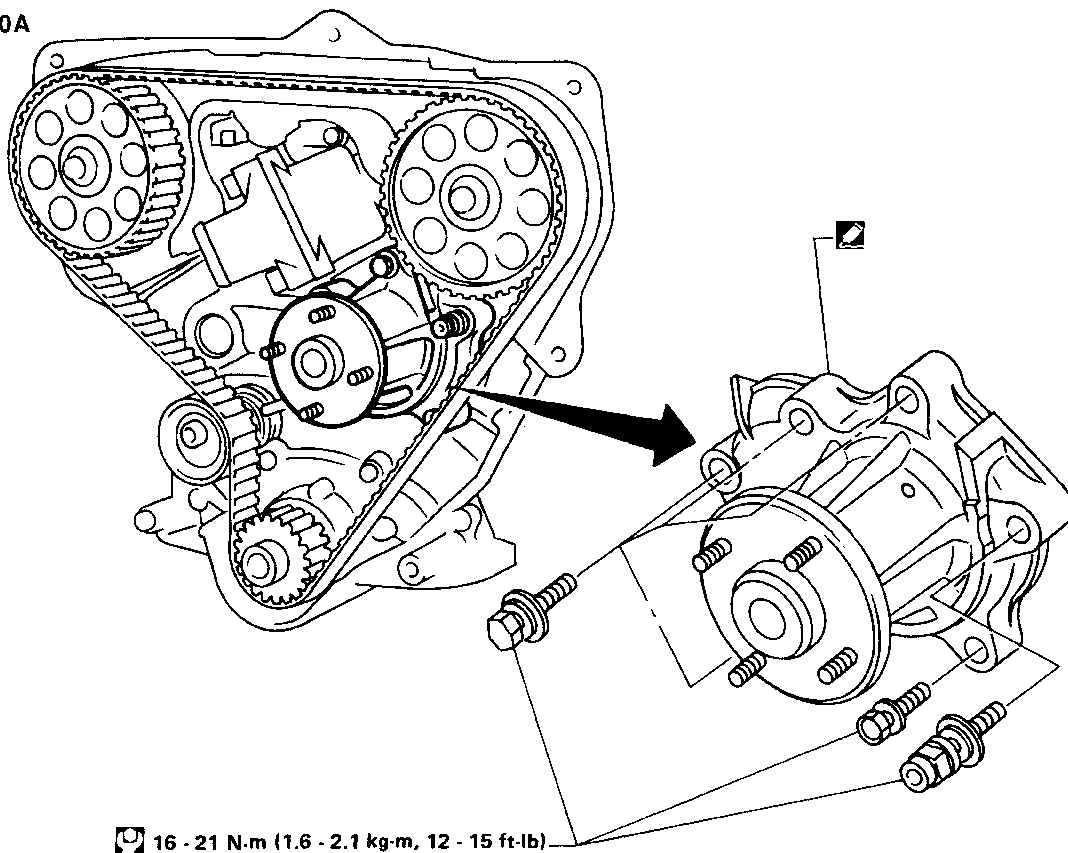
157 kPa (1.6 kg/cm², 23 psi)

CAUTION:

Higher pressure than specified may cause radiator damage.

Water Pump

SEC.210A



16 - 21 N·m (1.6 - 2.1 kg·m, 12 - 15 ft·lb)

: Apply liquid gasket

ALC047

CAUTION:

- When removing water pump assembly, be careful not to get coolant on timing belt.
- Water pump cannot be disassembled and should be replaced as a unit.
- After installing water pump, connect hose and clamps securely, then check for leaks using radiator cap tester.

REMOVAL

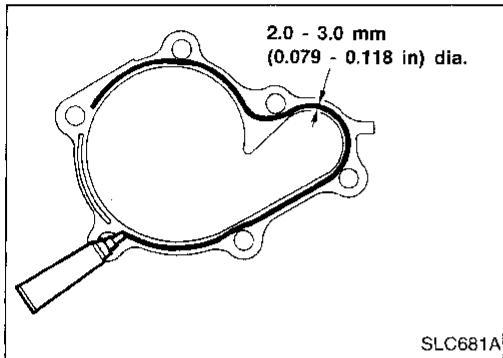
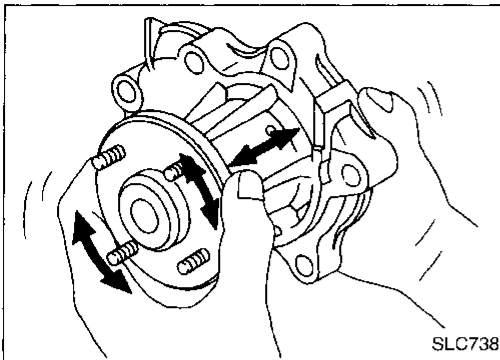
1. Drain coolant from radiator and cylinder block. Refer to MA section ("DRAINING ENGINE COOLANT", "Changing Engine Coolant").
2. Remove drive belts.
3. Remove crank pulley.
4. Remove timing belt covers.
5. Remove water pump.

ENGINE COOLING SYSTEM

Water Pump (Cont'd)

INSPECTION

- Check body assembly and vane for rust or corrosion.
- Check for rough operation due to excessive end play.



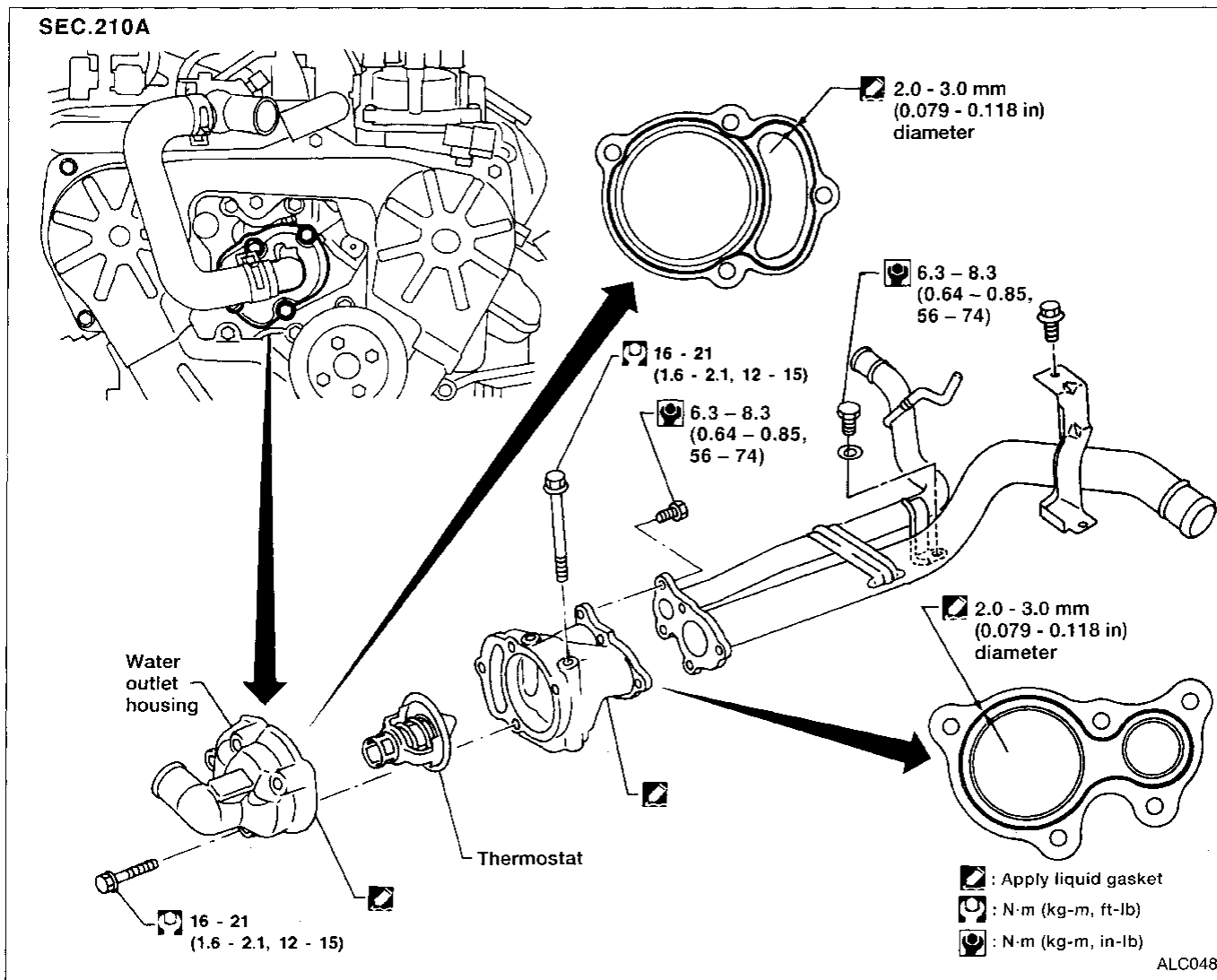
INSTALLATION

1. Use a scraper to remove old liquid gasket from water pump.
 - **Also remove old liquid gasket from mating surface of cylinder block.**
2. Apply a continuous bead of liquid gasket to mating surface of water pump.
 - **Use Genuine Liquid Gasket or equivalent.**
3. Install water pump.
4. Install remaining parts in reverse order of removal.

When installing drive belts, refer to MA section (“Checking Drive Belts”, “ENGINE MAINTENANCE”).

When filling radiator with coolant, refer to MA section (“REFILLING ENGINE COOLANT”, “Changing Engine Coolant”).

Thermostat



Be careful not to spill coolant over engine compartment.
Use a rag to absorb coolant.

REMOVAL

1. Drain engine coolant. Refer to MA section ("DRAINING ENGINE COOLANT", "Changing Engine Coolant").
2. Remove water hose from water outlet housing.
3. Remove water outlet housing, then take out thermostat.

ENGINE COOLING SYSTEM

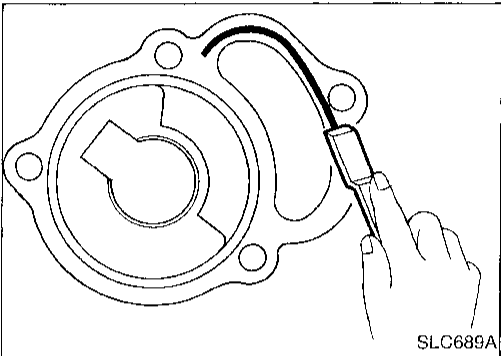
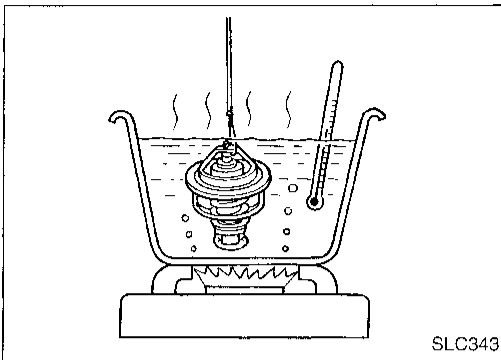
Thermostat (Cont'd)

INSPECTION

1. Check for valve seating condition at normal room temperature. It should seat tightly.
2. Check valve opening temperature and valve lift.

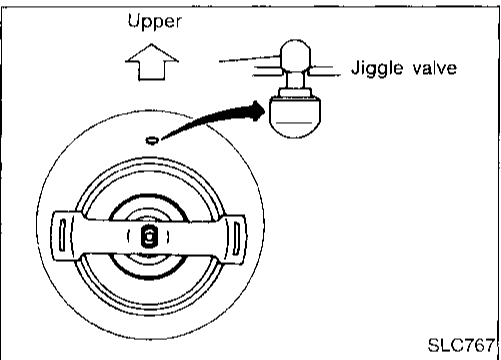
Valve opening temperature	°C (°F)	82 (180)
Valve lift	mm/°C (in/°F)	More than 10/90 (0.39/194)

3. Then check if valve closes at 5°C (9°F) below valve opening temperature.



INSTALLATION

1. Use a scraper to remove old liquid gasket from water outlet housing.
 2. Apply a continuous bead of liquid gasket to mating surface of water outlet housing.
- **Use Genuine Liquid Gasket or equivalent.**



3. Install thermostat with jiggle valve or air bleeder at upper side.
 4. Install water outlet housing.
 5. Install water hose to water outlet housing.
 6. Refill engine coolant. Refer to MA section ("REFILLING ENGINE COOLANT", "Changing Engine Coolant").
- **After installation, run engine for a few minutes, and check for leaks.**

ENGINE COOLING SYSTEM

Radiator

REMOVAL AND INSTALLATION

- Radiators are manufactured with saw cuts in the upper and lower center supports. Do not replace radiators because they have saw cuts in them.
1. Remove under cover.
 2. Drain coolant from radiator.
 3. Disconnect radiator upper and lower hoses.
 4. Remove A/T oil cooler hoses.
 5. Disconnect reservoir tank hose.
 6. Remove right bolt from fuse box and position fuse box aside.
 7. Disconnect cooling fan harness connector.
 8. Remove radiator.
 9. After repairing or replacing radiator, install all parts in reverse order of removal.
 10. Fill radiator with engine coolant.
Refer to MA section ("REFILLING ENGINE COOLANT", "Changing Engine Coolant").
- Proper heater performance and engine cooling requires accurately following "REFILLING ENGINE COOLANT" procedure.

GI

MA

EW

LC

EC

FE

AT

FA

RA

BR

ST

RS

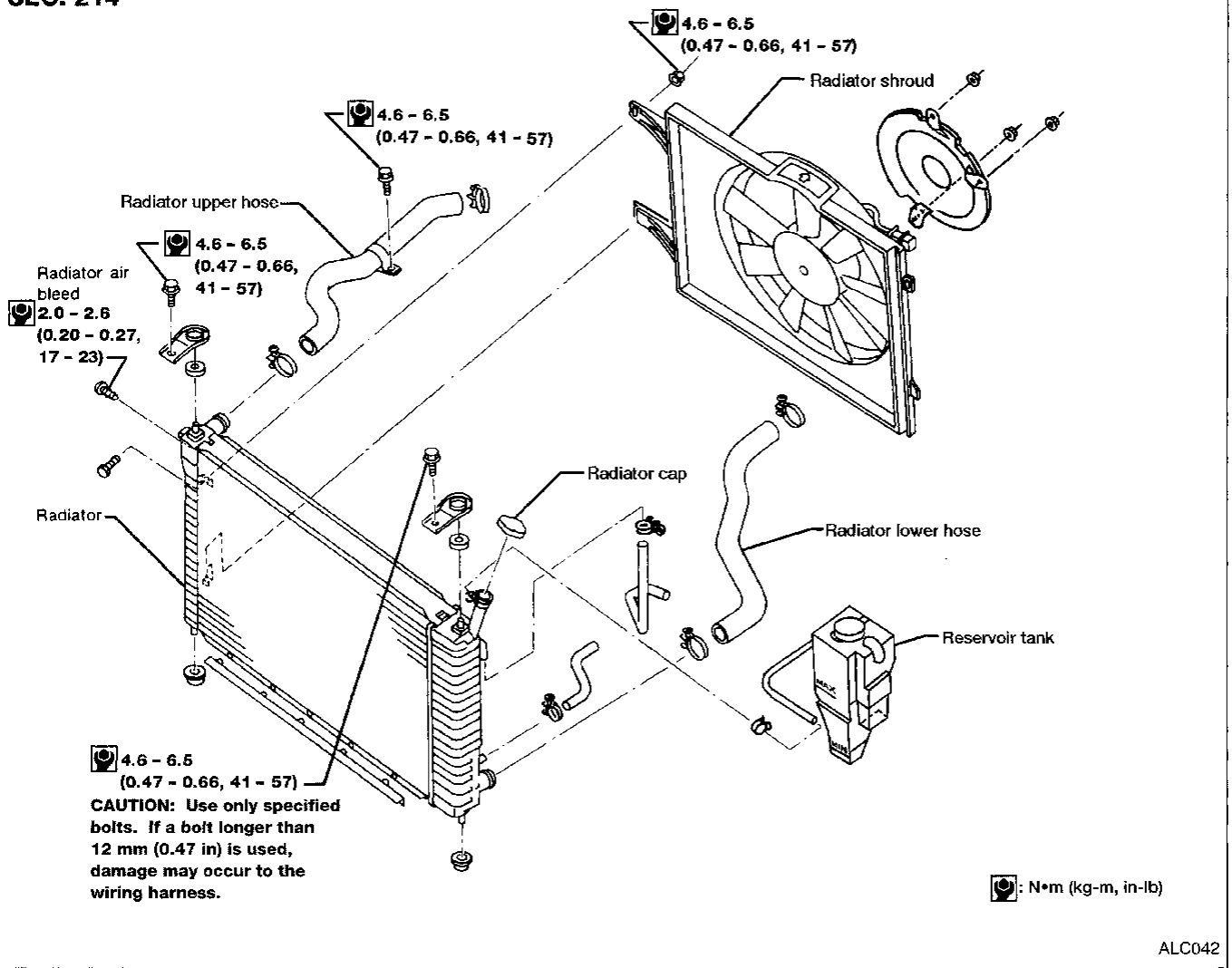
BT

HA

EL

IDX

SEC. 214



ALC042

Cooling Fan Control System

Cooling fan is controlled by the ECM.

For details, refer to EC section ("Cooling Fan (DTC: 1308)", "TROUBLE DIAGNOSIS FOR DTC P1900").

SERVICE DATA AND SPECIFICATIONS (SDS)

Engine Lubrication System

Oil pressure check

Engine rpm	Approximate discharge pressure kPa (kg/cm ² , psi)
Idle speed	More than 118 (1.2, 17)
3,200	392 - 481 (4.0 - 4.9, 57 - 70)

Regulator valve inspection

Unit: mm (in)

Regulator valve to oil pump clearance	0.040 - 0.097 (0.0016 - 0.0038)
---------------------------------------	---------------------------------

Oil pump

Unit: mm (in)

Body to outer gear clearance	0.114 - 0.200 (0.0045 - 0.0079)
Inner gear to outer gear tip clearance	Below 0.18 (0.0071)
Body to inner gear clearance	0.05 - 0.09 (0.0020 - 0.0035)
Body to outer gear clearance	0.05 - 0.11 (0.0020 - 0.0043)
Inner gear to brazed portion of housing clearance	0.045 - 0.091 (0.0018 - 0.0036)

Engine Cooling System

Thermostat

Valve opening temperature	°C (°F)	82 (180)
Valve lift	mm/°C (in/°F)	More than 10/90 (0.39/194)

Radiator

Unit: kPa (kg/cm², psi)

Cap relief pressure	81.4 - 108.9 (0.83 - 1.11, 11.8 - 15.8)
Leakage test pressure	157 (1.6, 23)

GI

MA

EM

LC

EC

FE

AT

FA

RA

BR

ST

RS

BT

HA

EL

IDX