

SECTION **SE**
SEAT

A
B
C
D
E
F
G
H
SE
J
K
L
M

CONTENTS

PRECAUTIONS	3	REVERSE TILT MIRROR	16
Precautions for Supplemental Restraint System (SRS) "AIR BAG" and "SEAT BELT PRE-TENSIONER"	3	KEYFOB INTERLOCK OPERATION	16
Precautions for Work	3	CAN Communication System Description	16
PREPARATION	4	Schematic	17
Special Service Tool	4	Wiring Diagram — AUT/DP —	19
Commercial Service Tool	4	Terminals and Reference Values for BCM	28
SQUEAK AND RATTLE TROUBLE DIAGNOSES	5	Terminals and Reference Values for Driver Seat Control Unit	28
Work Flow	5	Terminals and Reference Values for Automatic Drive Positioner Control Unit	30
CUSTOMER INTERVIEW	5	Work Flow	32
DUPLICATE THE NOISE AND TEST DRIVE	6	Preliminary Check	33
CHECK RELATED SERVICE BULLETINS	6	SETTING CHANGE FUNCTION	33
LOCATE THE NOISE AND IDENTIFY THE ROOT CAUSE	6	POWER SUPPLY AND GROUND CIRCUIT INSPECTION	33
REPAIR THE CAUSE	6	CONSULT-II Function (AUTO DRIVE POS.)	36
CONFIRM THE REPAIR	7	CONSULT-II INSPECTION PROCEDURE	36
Generic Squeak and Rattle Troubleshooting	7	SELF-DIAGNOSIS RESULTS	38
INSTRUMENT PANEL	7	DATA MONITOR	38
CENTER CONSOLE	7	ACTIVE TEST	39
DOORS	7	CAN Communication Inspection Using CONSULT-II (Self-Diagnosis)	40
TRUNK	8	Symptom Chart	40
SUNROOF/HEADLINER	8	Sliding Motor Circuit Inspection	42
OVERHEAD CONSOLE (FRONT AND REAR).....	8	Reclining Motor LH Circuit Inspection	43
SEATS	8	Lifting Motor (Front) Circuit Inspection	44
UNDERHOOD	8	Lifting Motor (Rear) Circuit Inspection	46
Diagnostic Worksheet	9	Pedal Adjusting Motor Circuit Inspection	47
AUTOMATIC DRIVE POSITIONER	11	Mirror Motor LH Circuit Check	49
Component Parts And Harness Connector Location	11	Mirror Motor RH Circuit Check	50
Manual Operation	12	Sliding Sensor Circuit Inspection	53
Automatic Operation	12	Reclining Sensor Circuit Inspection	54
System Description	12	Lifting Sensor (Front) Circuit Inspection	55
FAIL- SAFE MODE	12	Lifting Sensor (Rear) Circuit Inspection	56
CANCEL OF FAIL-SAFE MODE	13	Pedal Adjusting Sensor Circuit Inspection	57
MEMORY STORING AND KEYFOB INTER-LOCK STORING	14	Mirror Sensor LH Circuit Check	58
MEMORY OPERATION	15	Mirror Sensor RH Circuit Check	60
ENTRY OPERATION	15	Sliding Switch Circuit Inspection	62
EXITING OPERATION	15	Reclining Switch Inspection	63
		Lifting Switch (Front) Circuit Inspection	65

Lifting Switch (Rear) Circuit Inspection	66	HEATED SEAT	86
Power Seat Switch Ground Inspection	67	Description	86
Pedal Adjusting Switch Circuit Inspection	68	Wiring Diagram — HSEAT —	87
Door Mirror Switch (Changeover Switch) Circuit Check	70	FRONT SEAT	89
Door Mirror Switch (Mirror Switch) Circuit Check ...	71	Removal and Installation	89
Door Mirror Switch Ground Circuit Inspection	72	REMOVAL	96
Seat Memory Switch Circuit Inspection	73	INSTALLATION	96
Seat Memory Indicator Lamp Circuit Inspection	75	Disassembly and Assembly	96
Door Mirror Sensor Power Supply and Ground Cir- cuit inspection	76	SEATBACK TRIM AND PAD	96
A/T Device (Park Switch) Circuit Inspection	77	REMOVAL OF SEATBACK ASSEMBLY	98
Front Door Switch LH Circuit Inspection	78	INSTALLATION OF SEATBACK ASSEMBLY	98
UART Communication Line Circuit Inspection	79	SEAT CUSHION TRIM AND PAD	98
Removal and Installation	81	REAR SEAT	100
POWER SEAT	82	Removal and Installation	100
Schematic	82	SECOND ROW	100
Wiring Diagram — SEAT —	83	THIRD ROW	100
		Disassembly and Assembly	101

PRECAUTIONS

PRECAUTIONS

PF0:00001

Precautions for Supplemental Restraint System (SRS) “AIR BAG” and “SEAT BELT PRE-TENSIONER”

EIS001WD

The Supplemental Restraint System such as “AIR BAG” and “SEAT BELT PRE-TENSIONER”, used along with a front seat belt, helps to reduce the risk or severity of injury to the driver and front passenger for certain types of collision. This system includes seat belt switch inputs and dual stage front air bag modules. The SRS system uses the seat belt switches to determine the front air bag deployment, and may only deploy one front air bag, depending on the severity of a collision and whether the front occupants are belted or unbelted. Information necessary to service the system safely is included in the SRS and SB section of this Service Manual.

WARNING:

- To avoid rendering the SRS inoperative, which could increase the risk of personal injury or death in the event of a collision which would result in air bag inflation, all maintenance must be performed by an authorized NISSAN/INFINITI dealer.
- Improper maintenance, including incorrect removal and installation of the SRS, can lead to personal injury caused by unintentional activation of the system. For removal of Spiral Cable and Air Bag Module, see the SRS section.
- Do not use electrical test equipment on any circuit related to the SRS unless instructed to in this Service Manual. SRS wiring harnesses can be identified by yellow and/or orange harnesses or harness connectors.

Precautions for Work

EIS001WE

- When removing or disassembling each component, be careful not to damage or deform it. If a component may be subject to interference, be sure to protect it with a shop cloth.
- When removing (disengaging) components with a screwdriver or similar tool, be sure to wrap the component with a shop cloth or vinyl tape to protect it.
- Protect the removed parts with a shop cloth and keep them.
- Replace a deformed or damaged clip.
- If a part is specified as a non-reusable part, always replace it with new one.
- Be sure to tighten bolts and nuts securely to the specified torque.
- After re-installation is completed, be sure to check that each part works normally.
- Follow the steps below to clean components.
 - Water soluble foul: Dip a soft cloth into lukewarm water, and wring the water out of the cloth to wipe the fouled area. Then rub with a soft and dry cloth.
 - Oily foul: Dip a soft cloth into lukewarm water with mild detergent (concentration: within 2 to 3%), and wipe the fouled area. Then dip a cloth into fresh water, and wring the water out of the cloth to wipe the detergent off. Then rub with a soft and dry cloth.
- Do not use organic solvent such as thinner, benzene, alcohol, or gasoline.
- For genuine leather seats, use a genuine leather seat cleaner.

PREPARATION

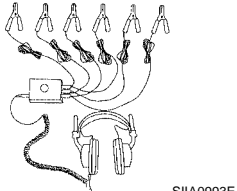
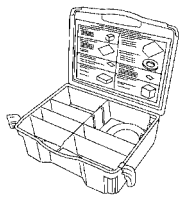
PREPARATION

PFP:00002

Special Service Tool

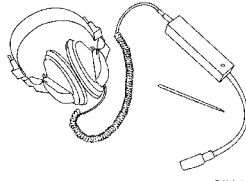
EIS0030Z

The actual shapes of Kent-Moore tools may differ from those of special service tools illustrated here.

Tool number (Kent-Moore No.) Tool name		Description
— (J-39570) Chassis ear	 <p style="text-align: right; font-size: small;">SIA0993E</p>	Locating the noise
— (J-43980) NISSAN Squeak and Rattle Kit	 <p style="text-align: right; font-size: small;">SIA0994E</p>	Repairing the cause of noise

Commercial Service Tool

EIS003P0

(Kent-Moore No.) Tool name		Description
(J-39565) Engine ear	 <p style="text-align: right; font-size: small;">SIA0995E</p>	Locating the noise

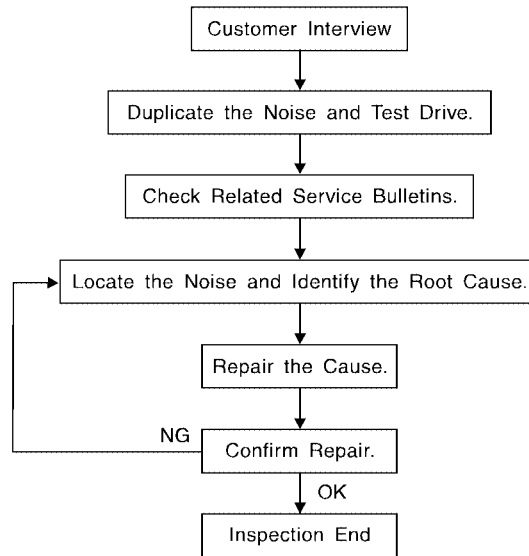
SQUEAK AND RATTLE TROUBLE DIAGNOSES

SQUEAK AND RATTLE TROUBLE DIAGNOSES

PF0:0000

Work Flow

EIS001WH



SBT842

CUSTOMER INTERVIEW

Interview the customer if possible, to determine the conditions that exist when the noise occurs. Use the Diagnostic Worksheet during the interview to document the facts and conditions when the noise occurs and any customer's comments; refer to [SE-9, "Diagnostic Worksheet"](#). This information is necessary to duplicate the conditions that exist when the noise occurs.

- The customer may not be able to provide a detailed description or the location of the noise. Attempt to obtain all the facts and conditions that exist when the noise occurs (or does not occur).
- If there is more than one noise in the vehicle, be sure to diagnose and repair the noise that the customer is concerned about. This can be accomplished by test driving the vehicle with the customer.
- After identifying the type of noise, isolate the noise in terms of its characteristics. The noise characteristics are provided so the customer, service adviser and technician are all speaking the same language when defining the noise.
- Squeak —(Like tennis shoes on a clean floor)
Squeak characteristics include the light contact/fast movement/brought on by road conditions/hard surfaces = higher pitch noise/softer surfaces = lower pitch noises/edge to surface = chirping
- Creak—(Like walking on an old wooden floor)
Creak characteristics include firm contact/slow movement/twisting with a rotational movement/pitch dependent on materials/often brought on by activity.
- Rattle—(Like shaking a baby rattle)
Rattle characteristics include the fast repeated contact/vibration or similar movement/loose parts/missing clip or fastener/incorrect clearance.
- Knock —(Like a knock on a door)
Knock characteristics include hollow sounding/sometimes repeating/often brought on by driver action.
- Tick—(Like a clock second hand)
Tick characteristics include gentle contacting of light materials/loose components/can be caused by driver action or road conditions.
- Thump—(Heavy, muffled knock noise)
Thump characteristics include softer knock/dead sound often brought on by activity.
- Buzz—(Like a bumble bee)
Buzz characteristics include high frequency rattle/firm contact.
- Often the degree of acceptable noise level will vary depending upon the person. A noise that you may judge as acceptable may be very irritating to the customer.
- Weather conditions, especially humidity and temperature, may have a great affect on noise level.

SQUEAK AND RATTLE TROUBLE DIAGNOSES

DUPLICATE THE NOISE AND TEST DRIVE

If possible, drive the vehicle with the customer until the noise is duplicated. Note any additional information on the Diagnostic Worksheet regarding the conditions or location of the noise. This information can be used to duplicate the same conditions when you confirm the repair.

If the noise can be duplicated easily during the test drive, to help identify the source of the noise, try to duplicate the noise with the vehicle stopped by doing one or all of the following:

- 1) Close a door.
 - 2) Tap or push/pull around the area where the noise appears to be coming from.
 - 3) Rev the engine.
 - 4) Use a floor jack to recreate vehicle "twist".
 - 5) At idle, apply engine load (electrical load, half-clutch on M/T model, drive position on A/T model).
 - 6) Raise the vehicle on a hoist and hit a tire with a rubber hammer.
- Drive the vehicle and attempt to duplicate the conditions the customer states exist when the noise occurs.
 - If it is difficult to duplicate the noise, drive the vehicle slowly on an undulating or rough road to stress the vehicle body.

CHECK RELATED SERVICE BULLETINS

After verifying the customer concern or symptom, check ASIST for Technical Service Bulletins (TSBs) related to that concern or symptom.

If a TSB relates to the symptom, follow the procedure to repair the noise.

LOCATE THE NOISE AND IDENTIFY THE ROOT CAUSE

1. Narrow down the noise to a general area. To help pinpoint the source of the noise, use a listening tool (Chassis Ear: J-39570, Engine Ear: J-39565 and mechanic's stethoscope).
2. Narrow down the noise to a more specific area and identify the cause of the noise by:
 - removing the components in the area that you suspect the noise is coming from. Do not use too much force when removing clips and fasteners, otherwise clips and fasteners can be broken or lost during the repair, resulting in the creation of new noise.
 - tapping or pushing/pulling the component that you suspect is causing the noise. Do not tap or push/pull the component with excessive force, otherwise the noise will be eliminated only temporarily.
 - feeling for a vibration with your hand by touching the component(s) that you suspect is (are) causing the noise.
 - placing a piece of paper between components that you suspect are causing the noise.
 - looking for loose components and contact marks.
Refer to [SE-7, "Generic Squeak and Rattle Troubleshooting"](#).

REPAIR THE CAUSE

- If the cause is a loose component, tighten the component securely.
- If the cause is insufficient clearance between components:
 - separate components by repositioning or loosening and retightening the component, if possible.
 - insulate components with a suitable insulator such as urethane pads, foam blocks, felt cloth tape or urethane tape. A NISSAN Squeak and Rattle Kit (J-43980) is available through your authorized Nissan Parts Department.

CAUTION:

Do not use excessive force as many components are constructed of plastic and may be damaged.

Always check with the Parts Department for the latest parts information.

The following materials are contained in the NISSAN Squeak and Rattle Kit (J-43980). Each item can be ordered separately as needed.

URETHANE PADS [1.5 mm (0.059 in) thick]

Insulates connectors, harness, etc.

76268-9E005: 100×135 mm (3.94×5.31 in)/76884-71L01: 60×85 mm (2.36×3.35 in)/76884-71L02: 15×25mm(0.59×0.98 in)

INSULATOR (Foam blocks)

Insulates components from contact. Can be used to fill space behind a panel.

73982-9E000: 45 mm (1.77 in) thick, 50×50 mm (1.97×1.97 in)/73982-50Y00: 10 mm (0.39 in) thick, 50×50 mm (1.97×1.97 in)

INSULATOR (Light foam block)

SQUEAK AND RATTLE TROUBLE DIAGNOSES

80845-71L00: 30 mm (1.18 in) thick, 30×50 mm (1.18×1.97 in)

FELT CLOTH TAPE

Used to insulate where movement does not occur. Ideal for instrument panel applications.

68370-4B000: 15×25 mm (0.59×0.98 in) pad/68239-13E00: 5 mm (0.20 in) wide tape roll. The following materials, not found in the kit can also be used to repair squeaks and rattles.

UHMW (TEFLON) TAPE

Insulates where slight movement is present. Ideal for instrument panel applications.

SILICONE GREASE

Used in place of UHMW tape that will be visible or not fit.

Note: Will only last a few months.

SILICONE SPRAY

Use when grease cannot be applied.

DUCT TAPE

Use to eliminate movement.

CONFIRM THE REPAIR

Confirm that the cause of a noise is repaired by test driving the vehicle. Operate the vehicle under the same conditions as when the noise originally occurred. Refer to the notes on the Diagnostic Worksheet.

Generic Squeak and Rattle Troubleshooting

EIS001WI

Refer to Table of Contents for specific component removal and installation information.

INSTRUMENT PANEL

Most incidents are caused by contact and movement between:

1. The cluster lid A and instrument panel
2. Acrylic lens and combination meter housing
3. Instrument panel to front pillar garnish
4. Instrument panel to windshield
5. Instrument panel mounting pins
6. Wiring harnesses behind the combination meter
7. A/C defroster duct and duct joint

These incidents can usually be located by tapping or moving the components to duplicate the noise or by pressing on the components while driving to stop the noise. Most of these incidents can be repaired by applying felt cloth tape or silicone spray (in hard to reach areas). Urethane pads can be used to insulate wiring harness.

CAUTION:

Do not use silicone spray to isolate a squeak or rattle. If you saturate the area with silicone, you will not be able to recheck the repair.

CENTER CONSOLE

Components to pay attention to include:

1. Shifter assembly cover to finisher
2. A/C control unit and cluster lid C
3. Wiring harnesses behind audio and A/C control unit

The instrument panel repair and isolation procedures also apply to the center console.

DOORS

Pay attention to the:

1. Finisher and inner panel making a slapping noise
2. Inside handle escutcheon to door finisher
3. Wiring harnesses tapping
4. Door striker out of alignment causing a popping noise on starts and stops

Tapping or moving the components or pressing on them while driving to duplicate the conditions can isolate many of these incidents. You can usually insulate the areas with felt cloth tape or insulator foam blocks from the NISSAN Squeak and Rattle Kit (J-43980) to repair the noise.

SQUEAK AND RATTLE TROUBLE DIAGNOSES

TRUNK

Trunk noises are often caused by a loose jack or loose items put into the trunk by the owner. In addition look for:

1. Trunk lid bumpers out of adjustment
2. Trunk lid striker out of adjustment
3. The trunk lid torsion bars knocking together
4. A loose license plate or bracket

Most of these incidents can be repaired by adjusting, securing or insulating the item(s) or component(s) causing the noise.

SUNROOF/HEADLINER

Noises in the sunroof/headliner area can often be traced to one of the following:

1. Sunroof lid, rail, linkage or seals making a rattle or light knocking noise
2. Sunvisor shaft shaking in the holder
3. Front or rear windshield touching headliner and squeaking

Again, pressing on the components to stop the noise while duplicating the conditions can isolate most of these incidents. Repairs usually consist of insulating with felt cloth tape.

OVERHEAD CONSOLE (FRONT AND REAR)

Overhead console noises are often caused by the console panel clips not being engaged correctly. Most of these incidents are repaired by pushing up on the console at the clip locations until the clips engage.

In addition look for:

1. Loose harness or harness connectors.
2. Front console map/reading lamp lense loose.
3. Loose screws at console attachment points.

SEATS

When isolating seat noise it is important to note the position the seat is in and the load placed on the seat when the noise is present. These conditions should be duplicated when verifying and isolating the cause of the noise.

Cause of seat noise include:

1. Headrest rods and holder
2. A squeak between the seat pad cushion and frame
3. The rear seatback lock and bracket

These noises can be isolated by moving or pressing on the suspected components while duplicating the conditions under which the noise occurs. Most of these incidents can be repaired by repositioning the component or applying urethane tape to the contact area.

UNDERHOOD

Some interior noise may be caused by components under the hood or on the engine wall. The noise is then transmitted into the passenger compartment.

Causes of transmitted underhood noise include:

1. Any component mounted to the engine wall
2. Components that pass through the engine wall
3. Engine wall mounts and connectors
4. Loose radiator mounting pins
5. Hood bumpers out of adjustment
6. Hood striker out of adjustment

These noises can be difficult to isolate since they cannot be reached from the interior of the vehicle. The best method is to secure, move or insulate one component at a time and test drive the vehicle. Also, engine RPM or load can be changed to isolate the noise. Repairs can usually be made by moving, adjusting, securing, or insulating the component causing the noise.

SQUEAK AND RATTLE TROUBLE DIAGNOSES

Diagnostic Worksheet

EIS001WJ



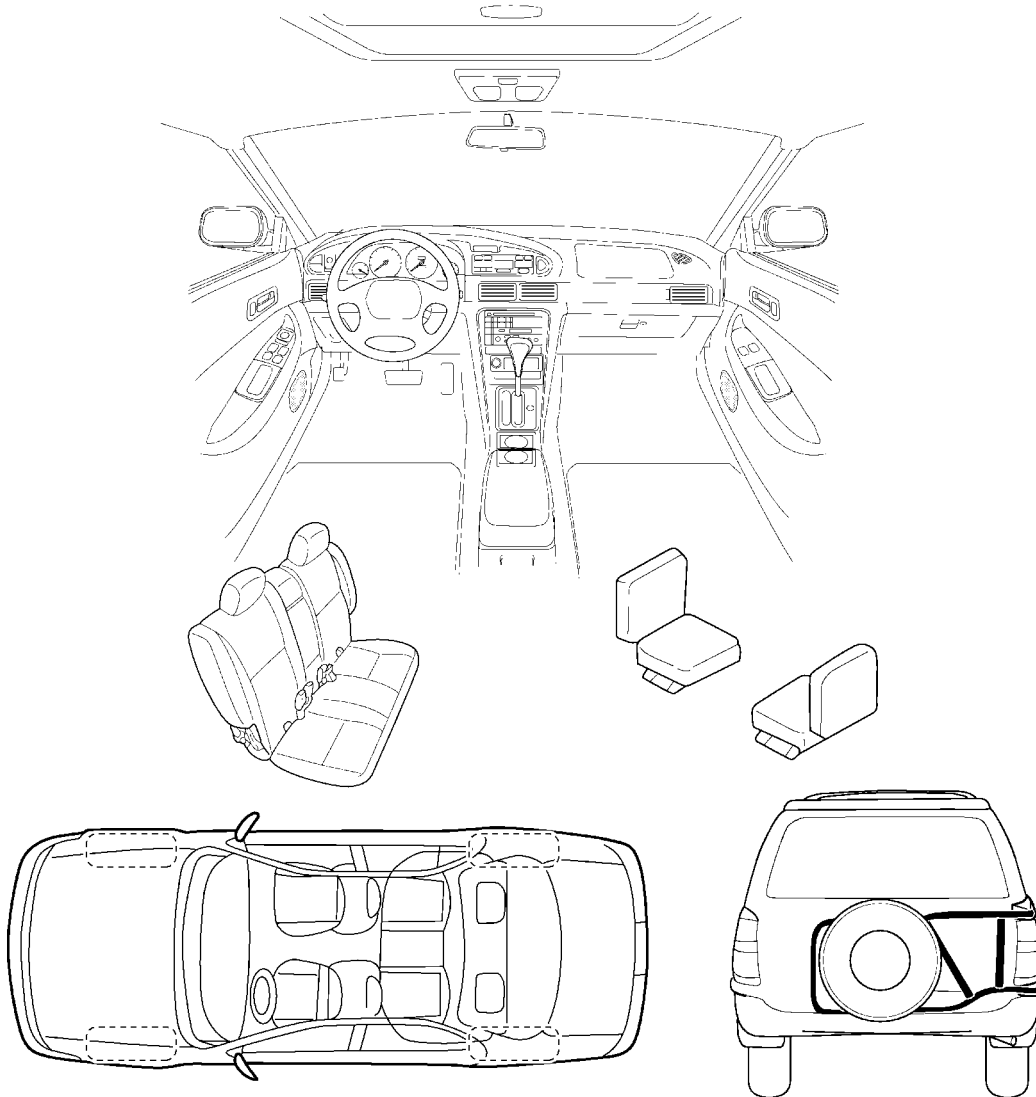
SQUEAK & RATTLE DIAGNOSTIC WORKSHEET

Dear Nissan Customer:

We are concerned about your satisfaction with your Nissan vehicle. Repairing a squeak or rattle sometimes can be very difficult. To help us fix your Nissan right the first time, please take a moment to note the area of the vehicle where the squeak or rattle occurs and under what conditions. You may be asked to take a test drive with a service advisor or technician to ensure we confirm the noise you are hearing.

I. WHERE DOES THE NOISE COME FROM? (circle the area of the vehicle)

The illustrations are for reference only, and may not reflect the actual configuration of your vehicle.



Continue to the back of the worksheet and briefly describe the location of the noise or rattle. In addition, please indicate the conditions which are present when the noise occurs.

LIWA0276E

A
B
C
D
E
F
G
H
SE
J
K
L
M

SQUEAK AND RATTLE TROUBLE DIAGNOSES

SQUEAK & RATTLE DIAGNOSTIC WORKSHEET- page 2

Briefly describe the location where the noise occurs:

II. WHEN DOES IT OCCUR? (check the boxes that apply)

- | | |
|--|---|
| <input type="checkbox"/> anytime | <input type="checkbox"/> after sitting out in the sun |
| <input type="checkbox"/> 1 st time in the morning | <input type="checkbox"/> when it is raining or wet |
| <input type="checkbox"/> only when it is cold outside | <input type="checkbox"/> dry or dusty conditions |
| <input type="checkbox"/> only when it is hot outside | <input type="checkbox"/> other: _____ |

III. WHEN DRIVING:

- through driveways
- over rough roads
- over speed bumps
- only at about ____ mph
- on acceleration
- coming to a stop
- on turns : left, right or either (circle)
- with passengers or cargo
- other: _____
- after driving ____ miles or ____ minutes

IV. WHAT TYPE OF NOISE?

- squeak (like tennis shoes on a clean floor)
- creak (like walking on an old wooden floor)
- rattle (like shaking a baby rattle)
- knock (like a knock on a door)
- tick (like a clock second hand)
- thump (heavy, muffled knock noise)
- buzz (like a bumble bee)

TO BE COMPLETED BY DEALERSHIP PERSONNEL

Test Drive Notes:

	<u>YES</u>	<u>NO</u>	<u>Initials of person performing</u>
Vehicle test driven with customer	<input type="checkbox"/>	<input type="checkbox"/>	_____
- Noise verified on test drive	<input type="checkbox"/>	<input type="checkbox"/>	_____
- Noise source located and repaired	<input type="checkbox"/>	<input type="checkbox"/>	_____
- Follow up test drive performed to confirm repair	<input type="checkbox"/>	<input type="checkbox"/>	_____

VIN: _____ Customer Name: _____

W.O. #: _____ Date: _____

SBT844

This form must be attached to Work Order

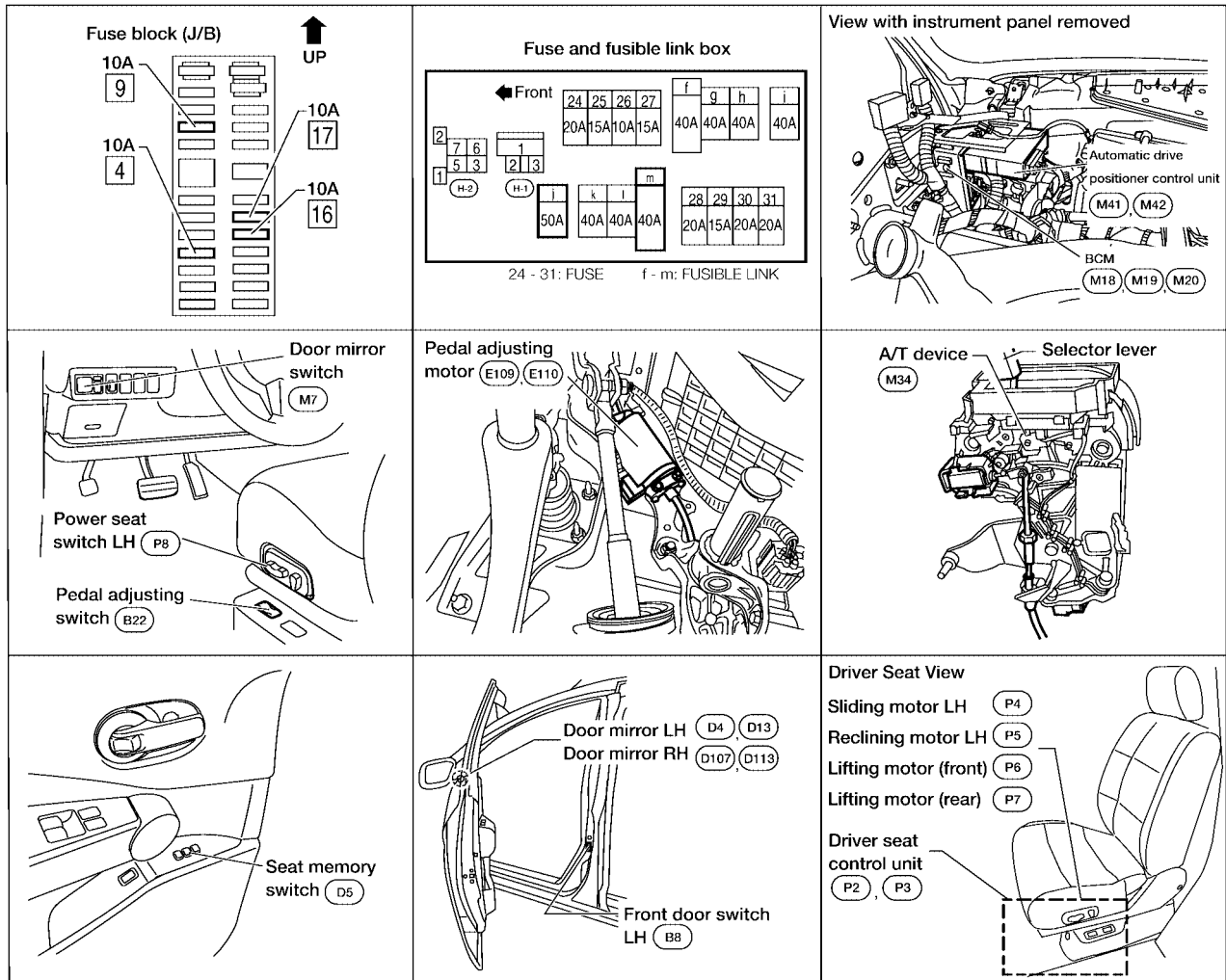
AUTOMATIC DRIVE POSITIONER

PFP:28491

AUTOMATIC DRIVE POSITIONER

Component Parts And Harness Connector Location

EIS001ZD



A
B
C
D
E
F
G
H
SE
J
K
L
M

AUTOMATIC DRIVE POSITIONER

Manual Operation

EIS001ZA

The driving position [seat position, pedal position (accelerator, brake) and door mirror position] can be adjusted with the power seat switch LH or pedal adjusting switch or door mirror switch.

NOTE:

- The door mirrors can be manually operated with the ignition switch turned to ACC or ON.
- Only when A/T selector lever is in P position, adjusting pedal operates (except when ignition switch turned to OFF).
- If A/T device (park switch) error is detected, manual adjustable pedal operation cannot be performed when ignition switch turns ON.

Automatic Operation

EIS001ZB

Function		Description
Memory operation		The seat, pedal (accelerator, brake) and door mirror move to the stored driving position by pushing seat memory switch (1 or 2).
Entry/Exiting function	Exiting operation	At Exit, the seat moves backward. (Exiting position)
	Entry operation	At entry, the seat returns from Exiting position to the previous driving position before the Exiting operation.
Keyfob interlock operation		Perform memory operation, turnout operation and return operation by pressing keyfob unlock button.

NOTE:

- Disconnecting the battery erases the stored memory.
- After connecting the battery, insert the key into the ignition cylinder and turn the front door switch LH ON (open)→OFF (close)→ON (open), the Entry/Exiting function becomes possible.
- After Exiting operation is carried out, return operation can be operated.

Auto operation temporary stop conditions.	When ignition switch is turned to START during seat memory switch operation and return operation, seat memory switch operation and return operation is stopped.
Auto operation stop conditions.	<ul style="list-style-type: none">● When the vehicle speed becomes 7 km/h (4 MPH) or higher (memory switch operation and entry operation).● When the setting switch, seat memory switch 1 or 2 are pressed.● When A/T selector lever is in any position other than P.● When the door mirror switch is operated (when ignition switch turned to ON).● When power seat switch turned ON.● When pedal adjusting switch turned ON.● When front seat sliding Entry/Exiting setting is OFF (entry/exiting operation).

NOTE:

During automatic operation, if the ignition switch is turned ON→START, the automatic operation is suspended. When the ignition switch returns to ON, it resumes.

System Description

EIS001ZC

- The system automatically moves the front seat to facilitate entry/exit to/from the vehicle. The driver seat control unit can also store the optimum driving positions (front seat, pedal position and door mirror position) for 2 people. If the front seat is changed, one-touch operation allows changing to the other driving position.
- The settings (ON/OFF) of the automatic sliding seat (Entry/Exiting operation) at entry/exit can be changed as desired, using the display unit in the center of the instrument panel. The set content is transmitted by CAN communication, from display unit (without NAVI) or display control unit (with NAVI) to driver seat control unit.
- Using CONSULT-II, the seat slide amount at entry/exit setting can be changed.

FAIL- SAFE MODE

When any manual and automatic operations are not performed, if any motor operations of seats or pedals are detected for T2 or more, status is judged "Output error".

AUTOMATIC DRIVE POSITIONER

OPERATED PORTION	T2
Seat sliding	Approx. 0.1 sec.
Seat reclining	Same as above
Seat lifting (Front)	Same as above
Seat lifting (Rear)	Same as above
Pedal adjust	Same as above

CANCEL OF FAIL-SAFE MODE

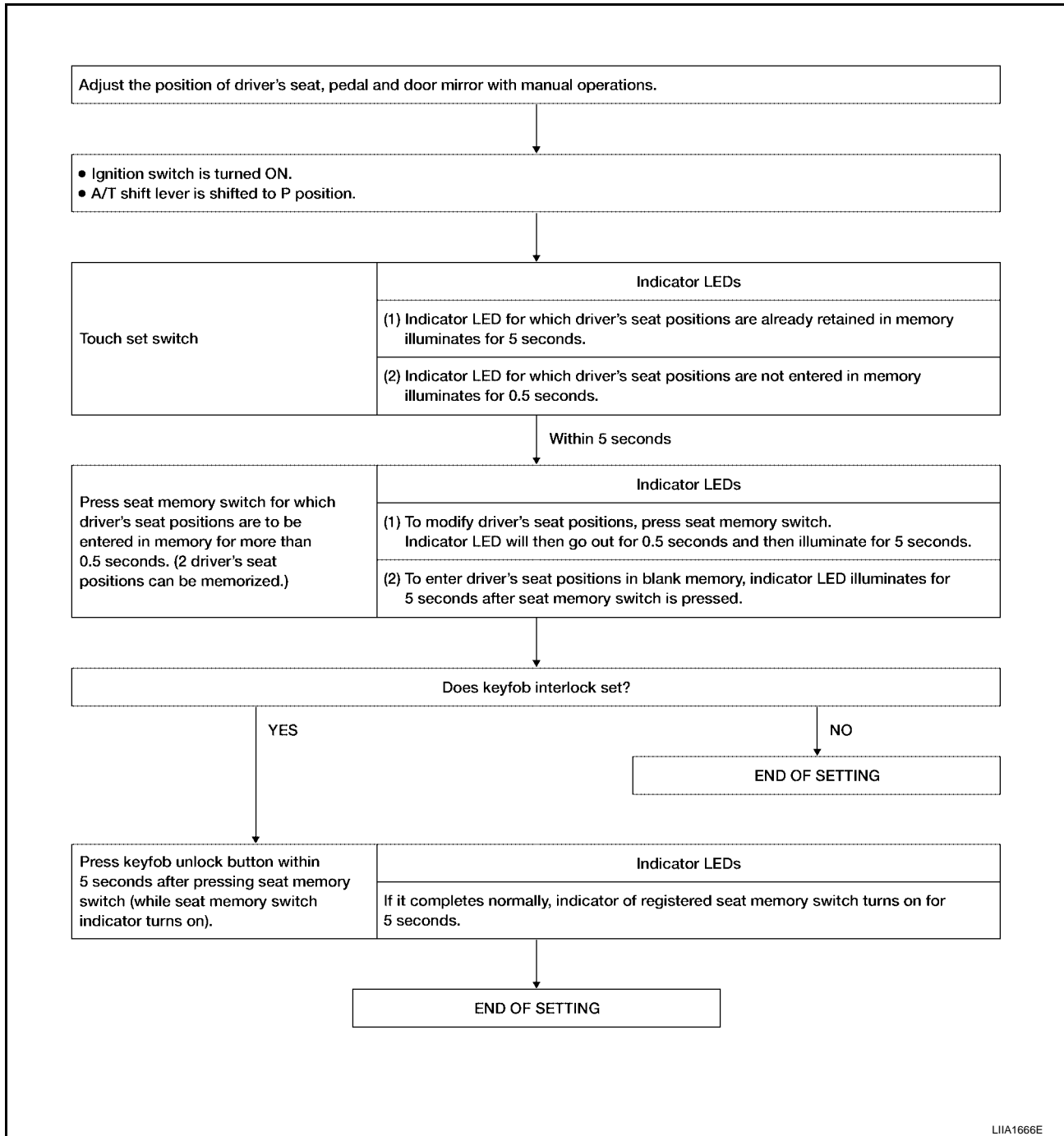
The mode is cancelled when the A/T selector lever is shifted to P position from any other position.

A
B
C
D
E
F
G
H
SE
J
K
L
M

AUTOMATIC DRIVE POSITIONER

MEMORY STORING AND KEYFOB INTERLOCK STORING

- Store the 2 driving positions and shifts to the stored driving position with the memory switch.
- Keyfob interlock function is set simultaneously with setting driving position memory. It can set driving position to memory position.



LIIA1666E

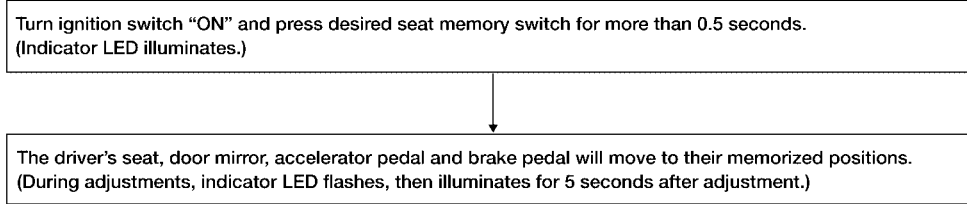
NOTE:

- If another keyfob inter lock function setting is performed by same key, the newly registered setting is valid.
- If a new memory string is performed to memory switch that already set keyfob interlock function, keyfob interlock function setting is reset.
- If the keyfob has not been previously programmed to the vehicle, keyfob interlock function cannot set.

AUTOMATIC DRIVE POSITIONER

MEMORY OPERATION

Selecting the memorized position.



LIIA0693E

NOTE:

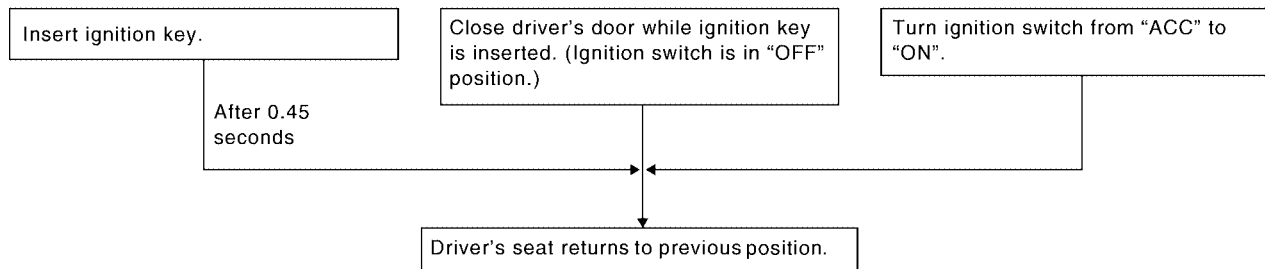
The front seat position and pedal adjustment functions (see the following table) operate simultaneously in the order of priority.

Priority	Function	Priority	Function
1	Seat sliding, (door mirror LH/RH)*	4	Seat lifter-FR
2	Pedal	5	Seat lifter-RR
3	Seat reclining		

*: In conjunction with sliding the seat, the door mirrors are positioned.

ENTRY OPERATION

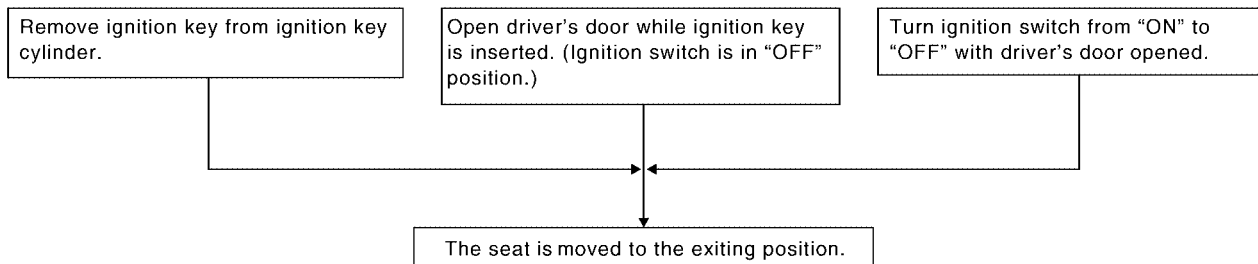
When the seat is in the exiting positions, the following operation moves the seat to the previous position before the exiting operation.



LIIA0855E

EXITING OPERATION

At Entry/Exiting, the seat is automatically moved to the exiting position.



LIIA0856E

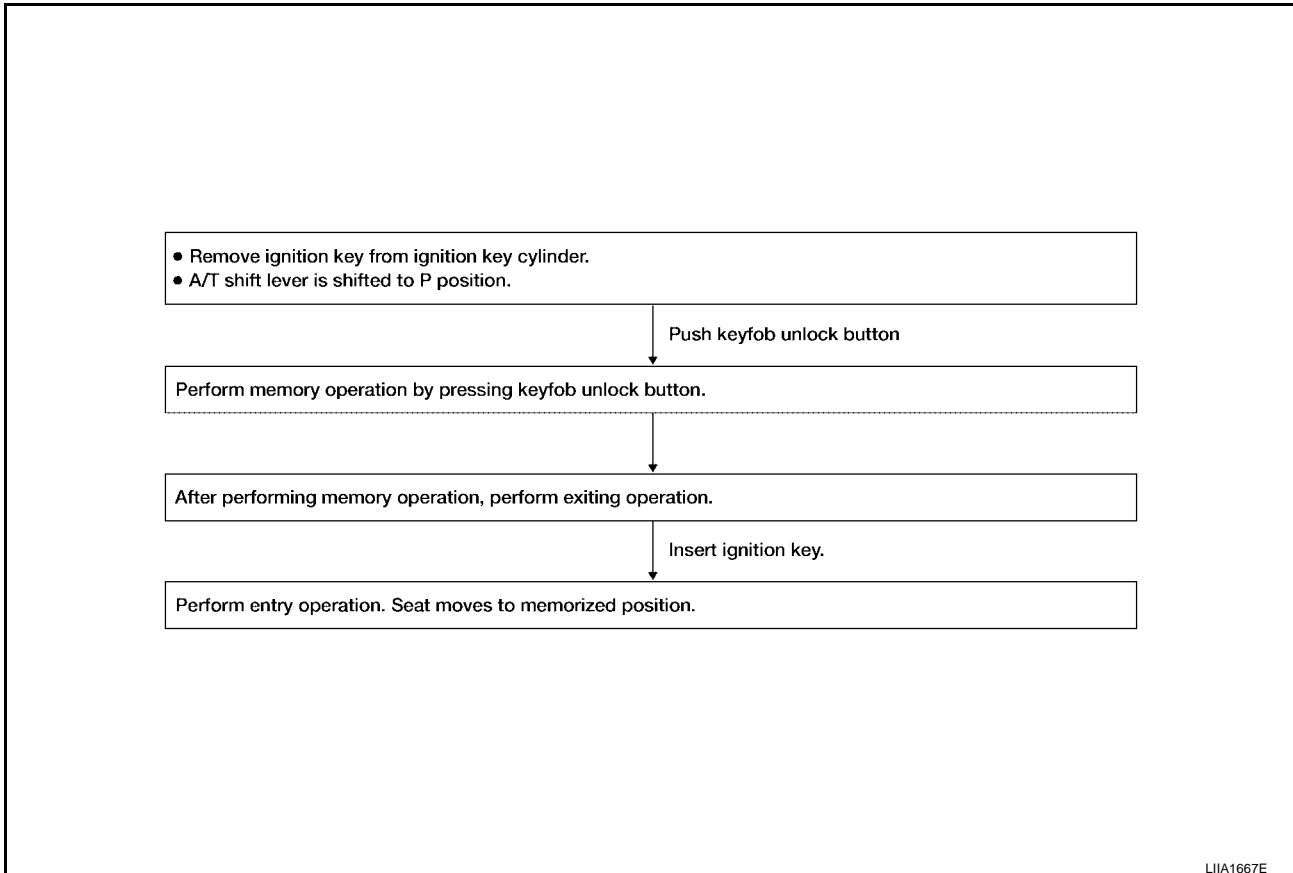
AUTOMATIC DRIVE POSITIONER

REVERSE TILT MIRROR

When the door mirror switch is set to L or R and the transmission is shifted into reverse, the selected door mirror will tilt downward. The door mirror will return to the original position when the transmission is shifted to any position other than reverse, the door mirror switch is set to N or the ignition switch is turned OFF.

KEYFOB INTERLOCK OPERATION

- The system performs memory operation, exiting operation and return operation by pressing keyfob unlock button.



NOTE:

- If Entry/Exiting operation is cancelled, the system performs memory operation only.
- If ignition switch turns ON in the middle of memory operation, the system does not perform exiting operation after memory operation.
- If ignition switch turns ON in the middle of exiting operation, entry operation starts at that time.

CAN Communication System Description

EIS001ZE

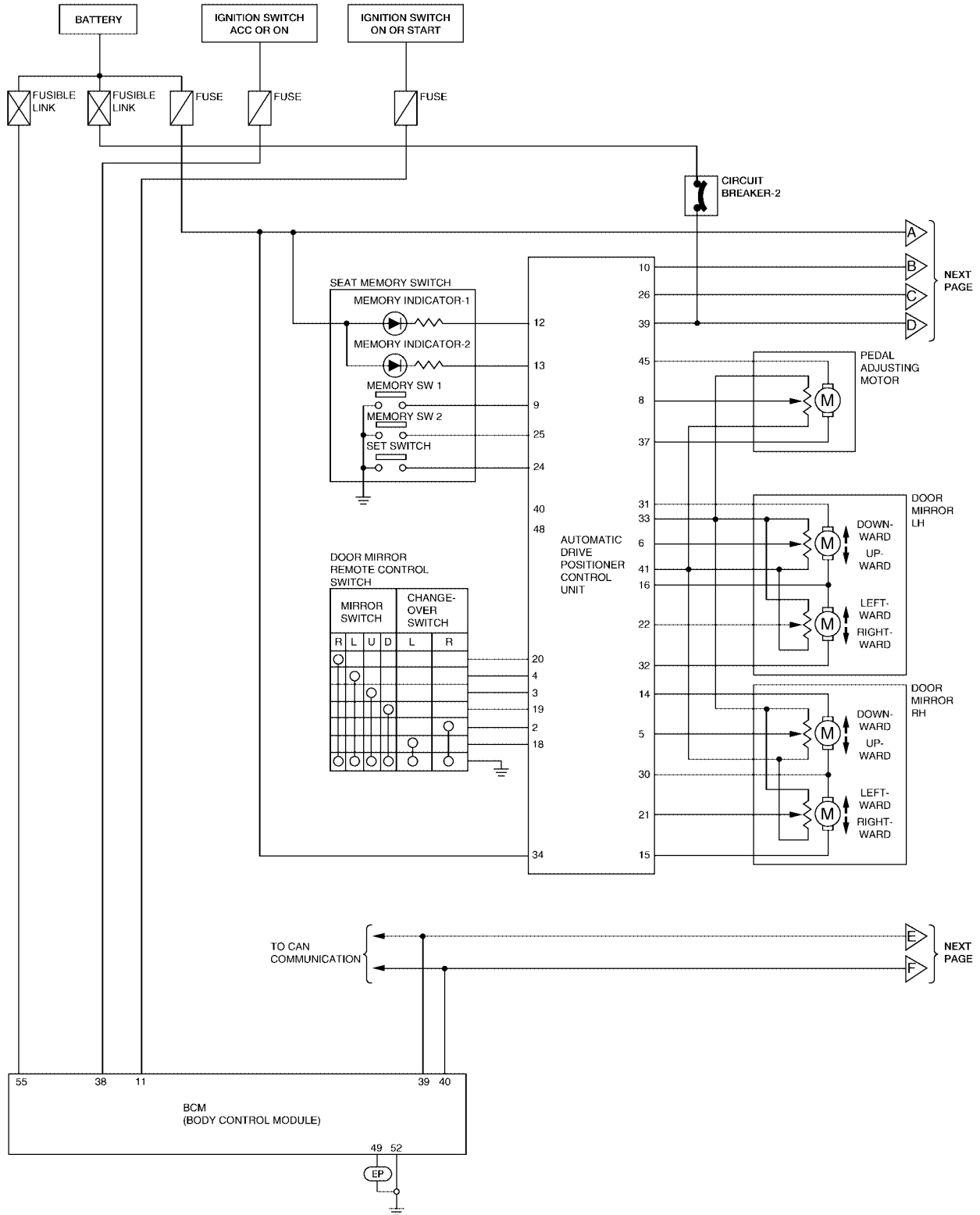
Refer to [LAN-6. "CAN COMMUNICATION"](#).

AUTOMATIC DRIVE POSITIONER

Schematic

EIS001XX

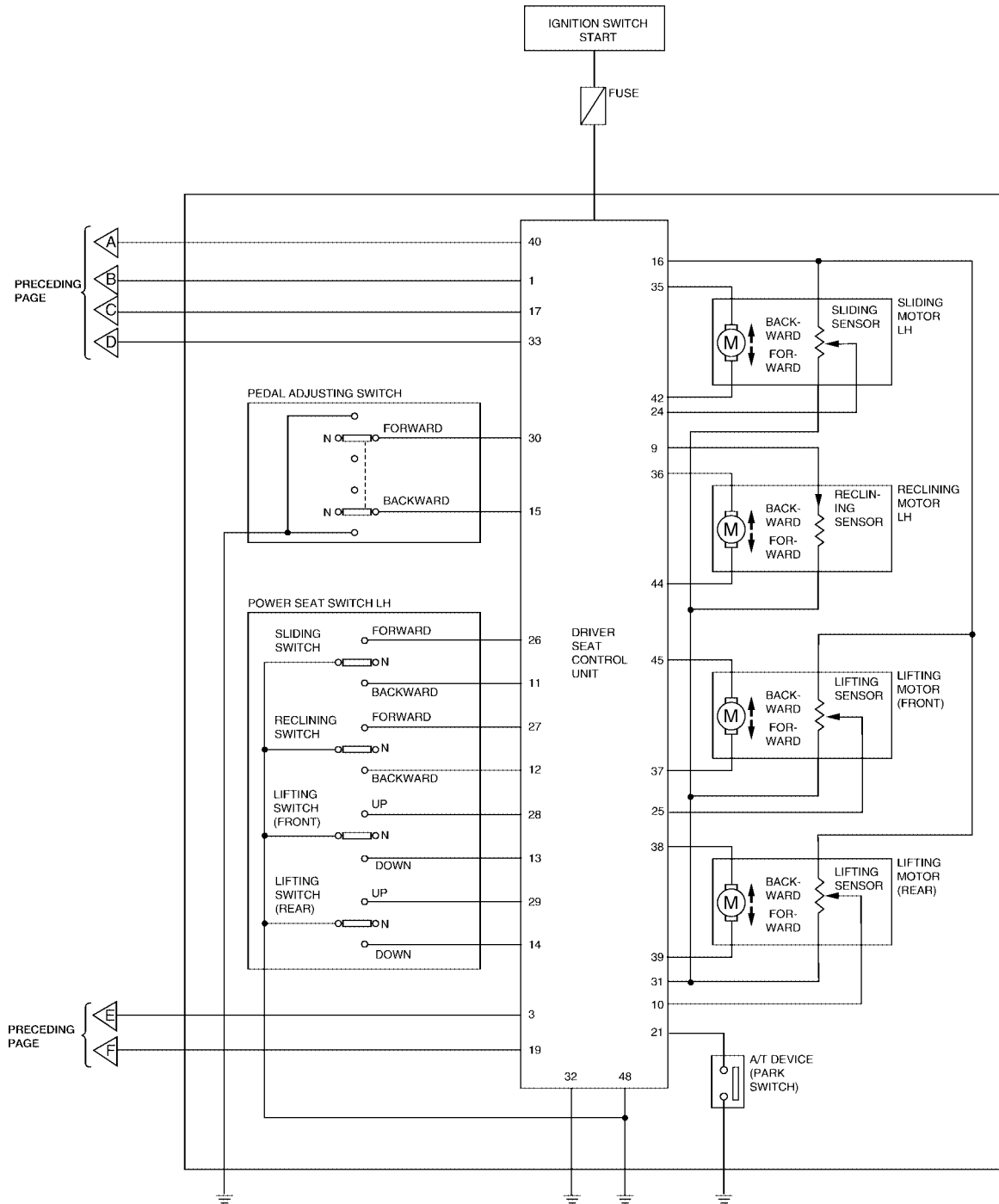
(EP) : EARLY PRODUCTION



A
B
C
D
E
F
G
H
SE
J
K
L
M

WIWA0889E

AUTOMATIC DRIVE POSITIONER

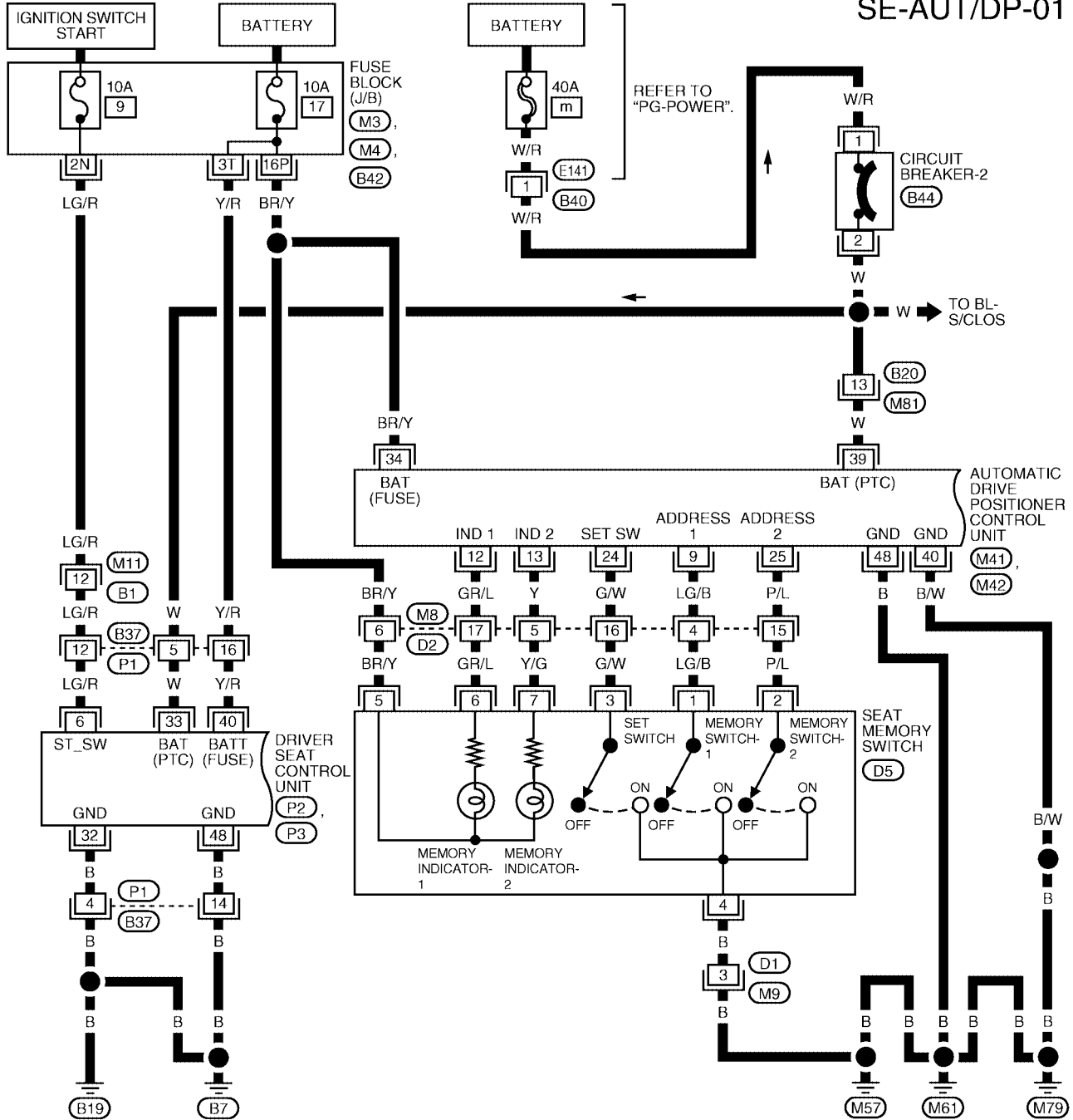


LIWA0181E

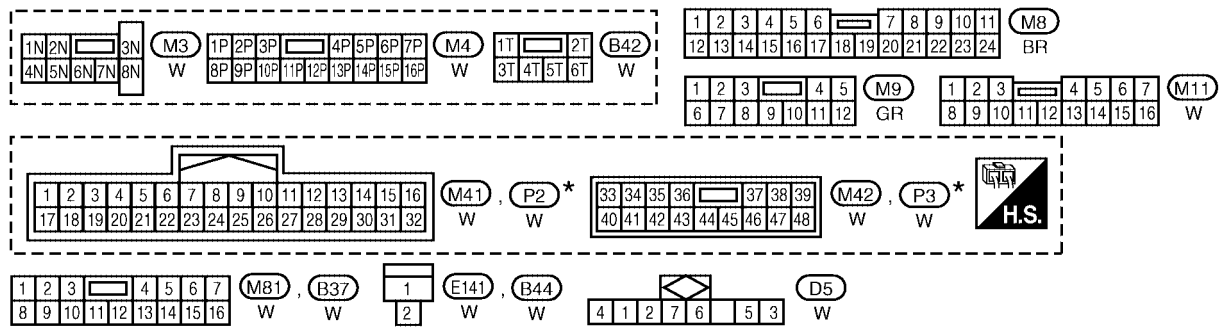
AUTOMATIC DRIVE POSITIONER

Wiring Diagram — AUT/DP —

EIS001XY



A
B
C
D
E
F
G
H
SE
J
K
L
M

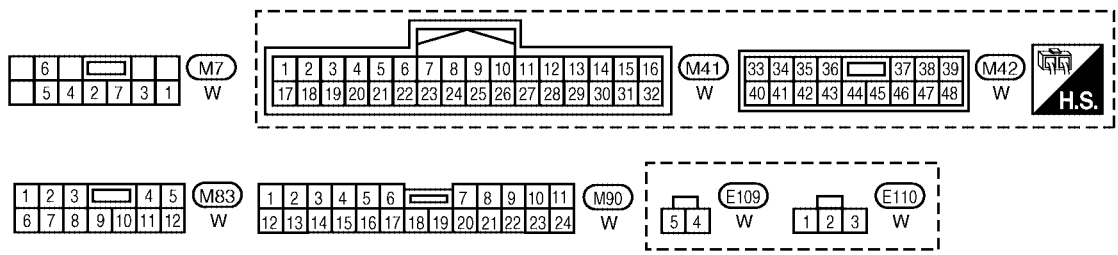
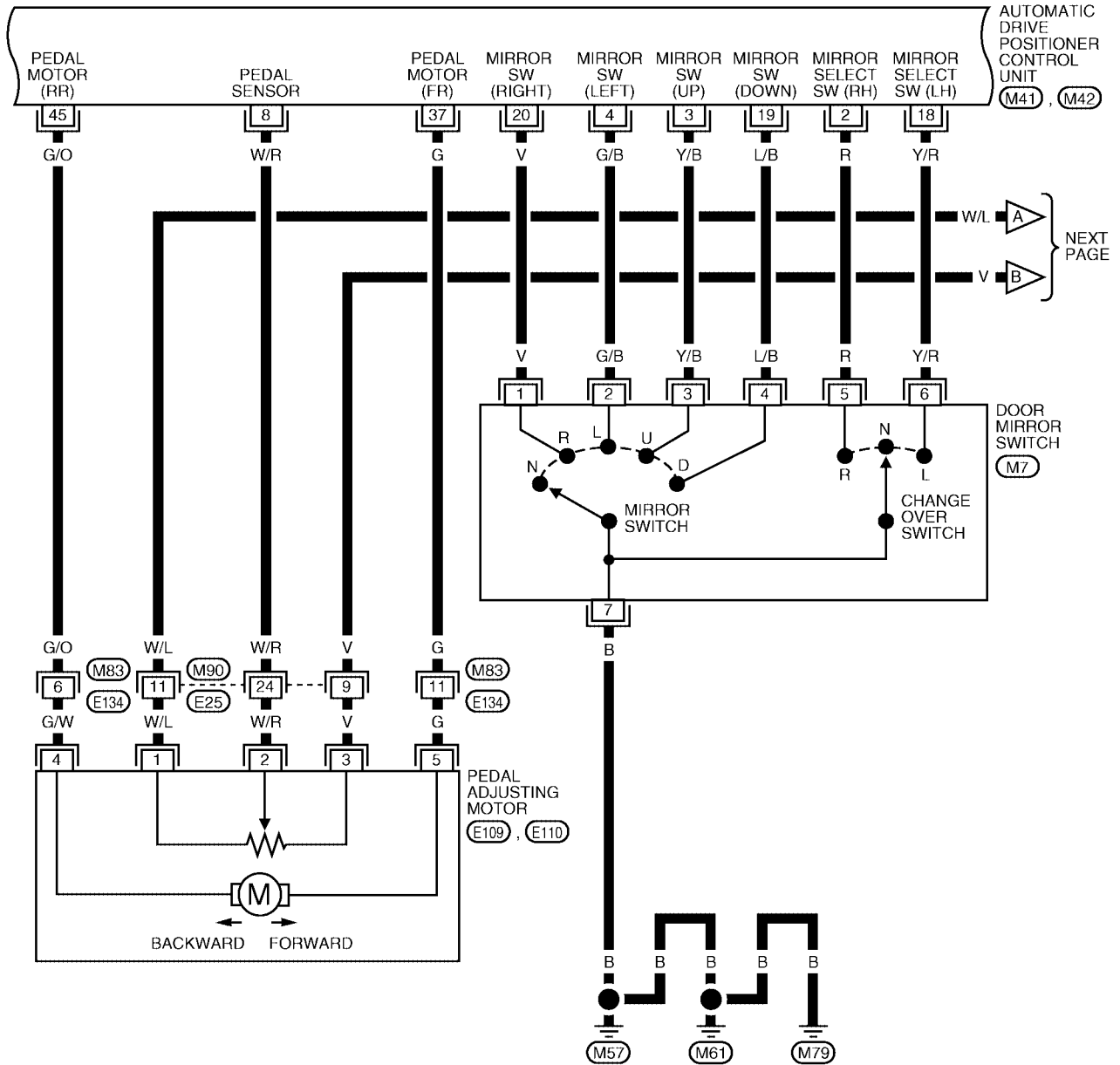


*: THIS CONNECTOR IS NOT SHOWN IN "HARNESS LAYOUT" OF PG SECTION.

WIIWA0442E

AUTOMATIC DRIVE POSITIONER

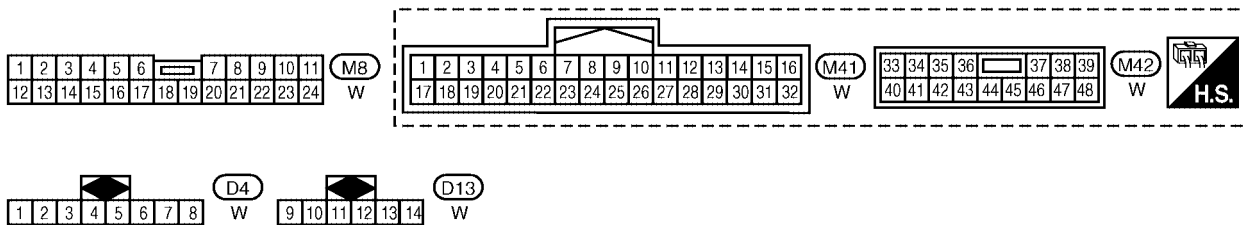
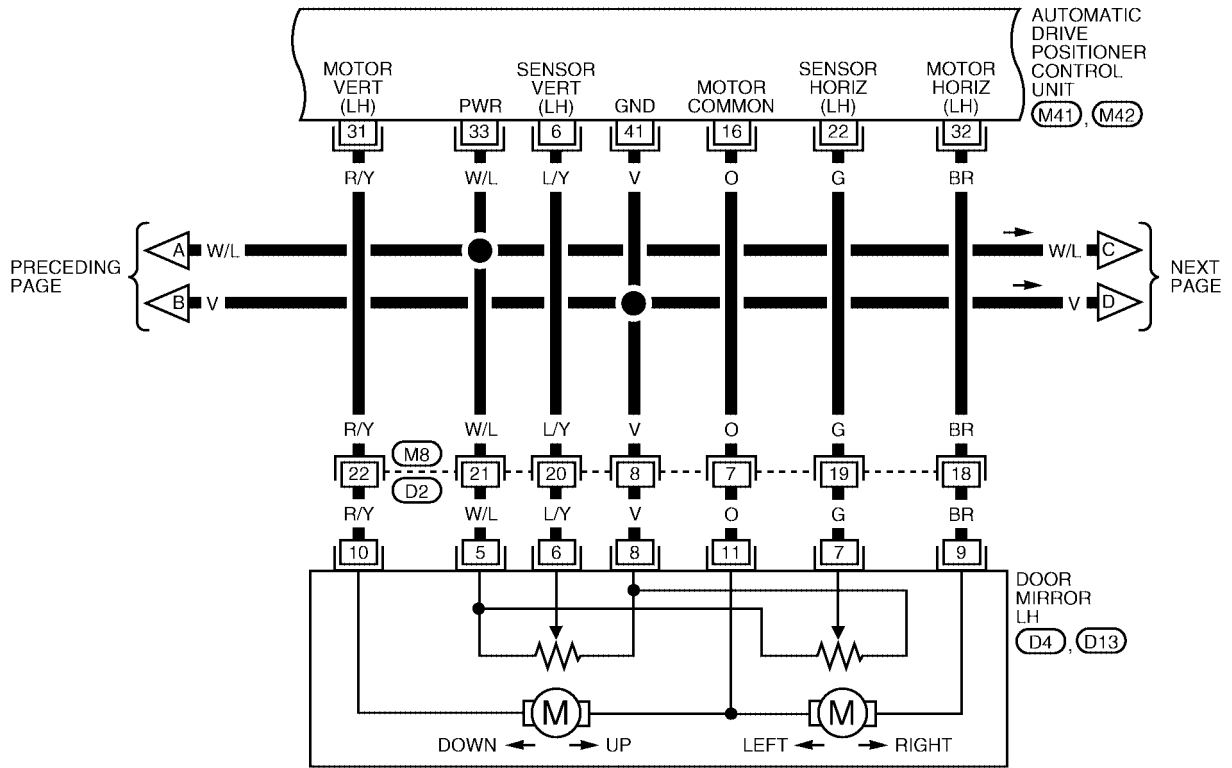
SE-AUT/DP-02



LIWA0481E

AUTOMATIC DRIVE POSITIONER

SE-AUT/DP-03

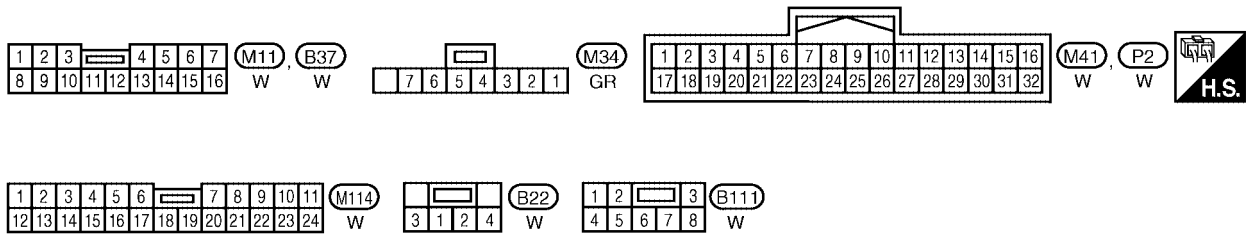
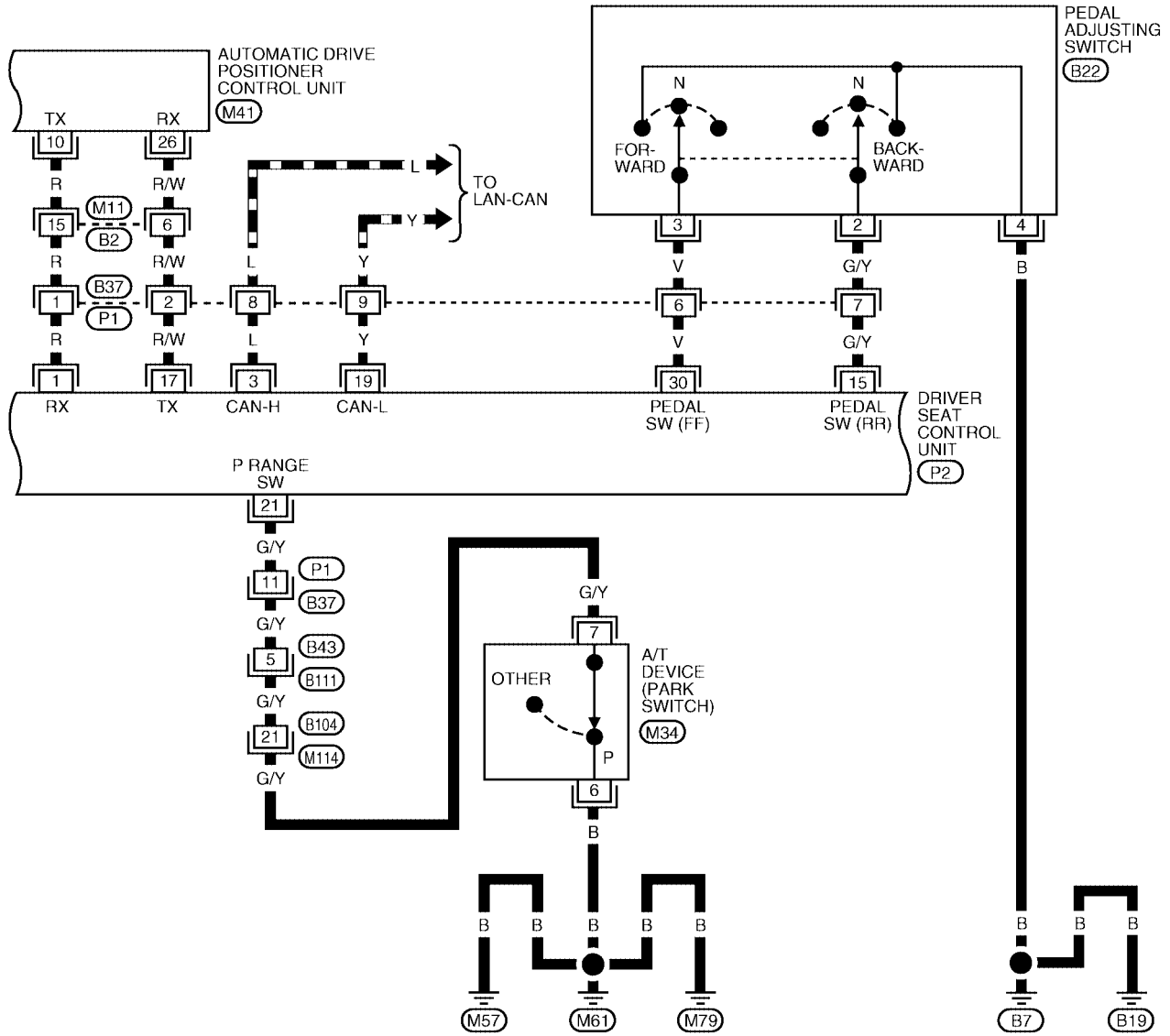


LIWA0482E

AUTOMATIC DRIVE POSITIONER

SE-AUT/DP-05

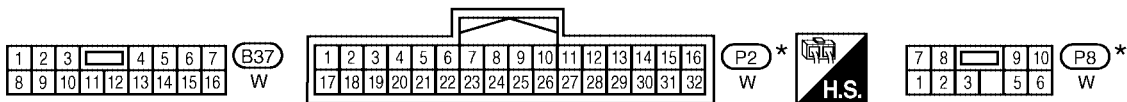
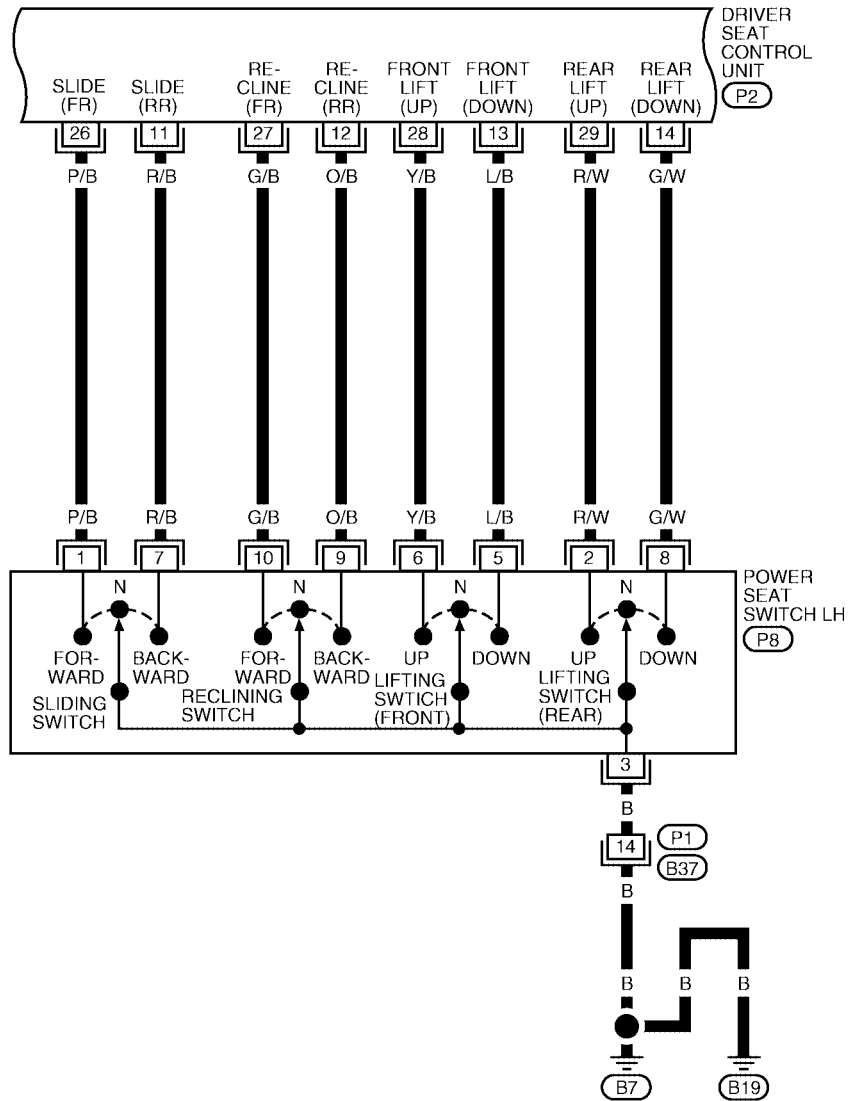
▬ : DATA LINE



LIWA0484E

AUTOMATIC DRIVE POSITIONER

SE-AUT/DP-06

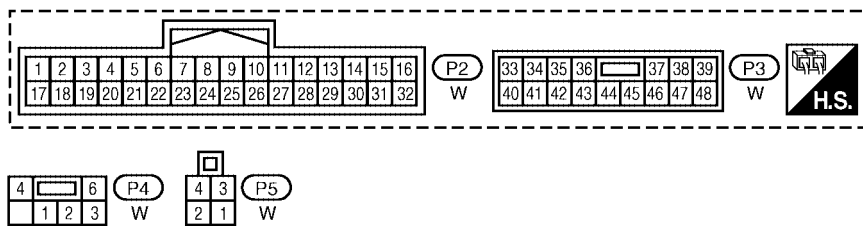
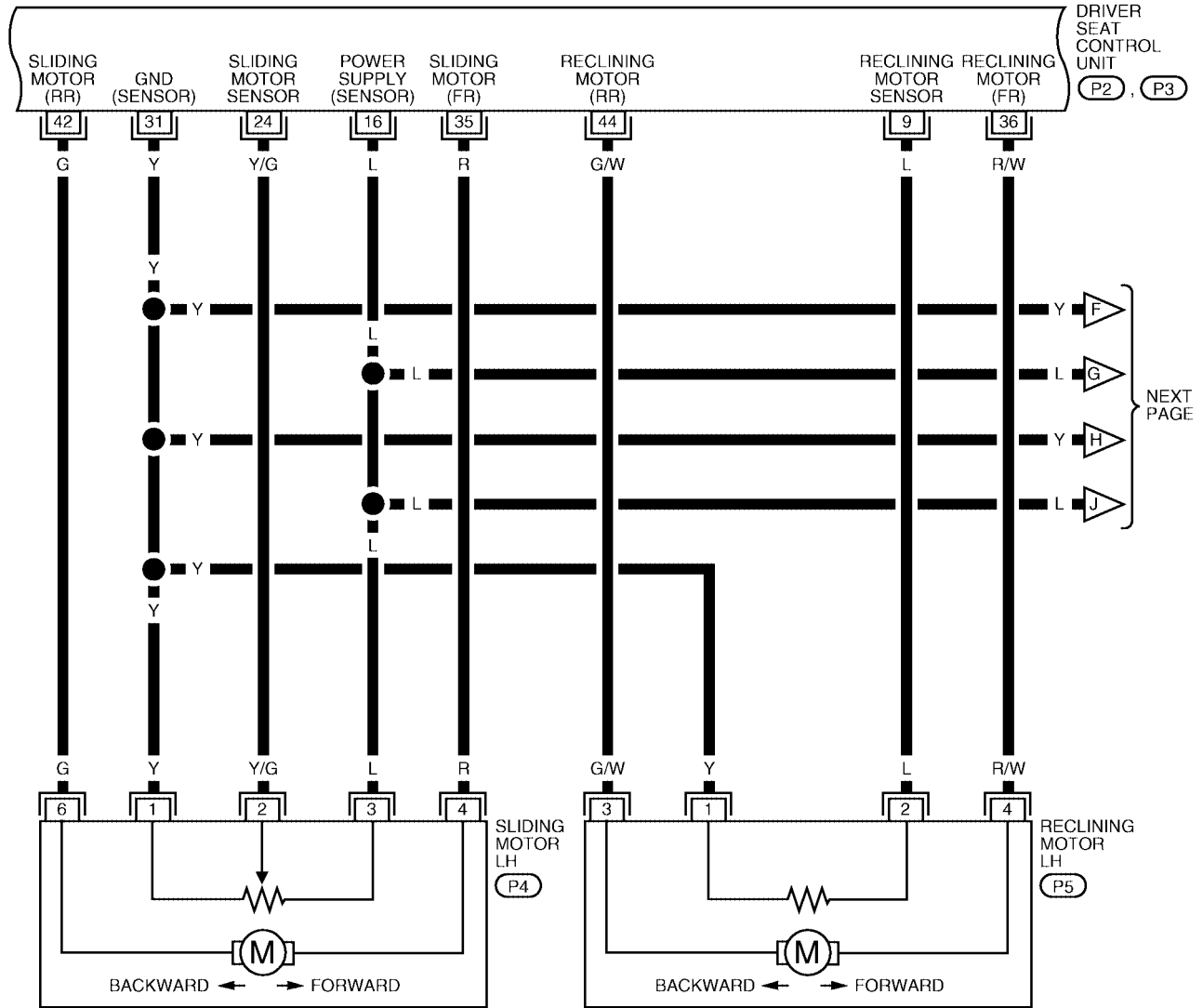


*: THIS CONNECTOR IS NOT SHOWN IN "HARNESS LAYOUT" OF PG SECTION.

LIWA0485E

AUTOMATIC DRIVE POSITIONER

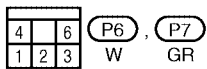
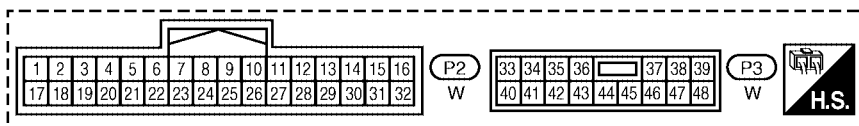
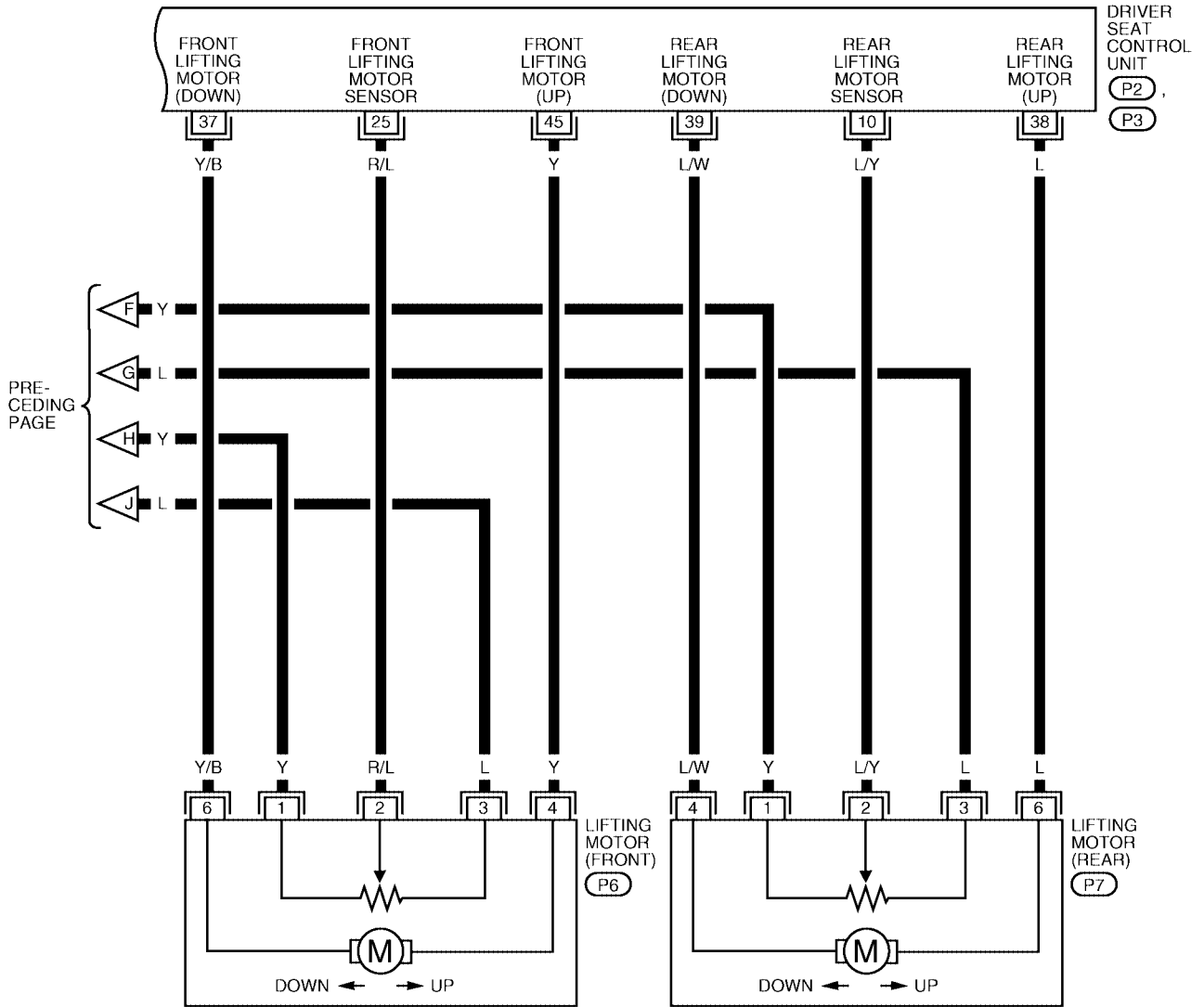
SE-AUT/DP-07



LIWA0486E

AUTOMATIC DRIVE POSITIONER

SE-AUT/DP-08

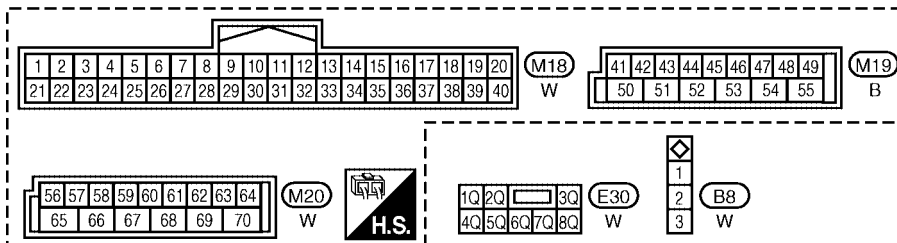
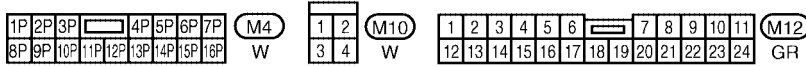
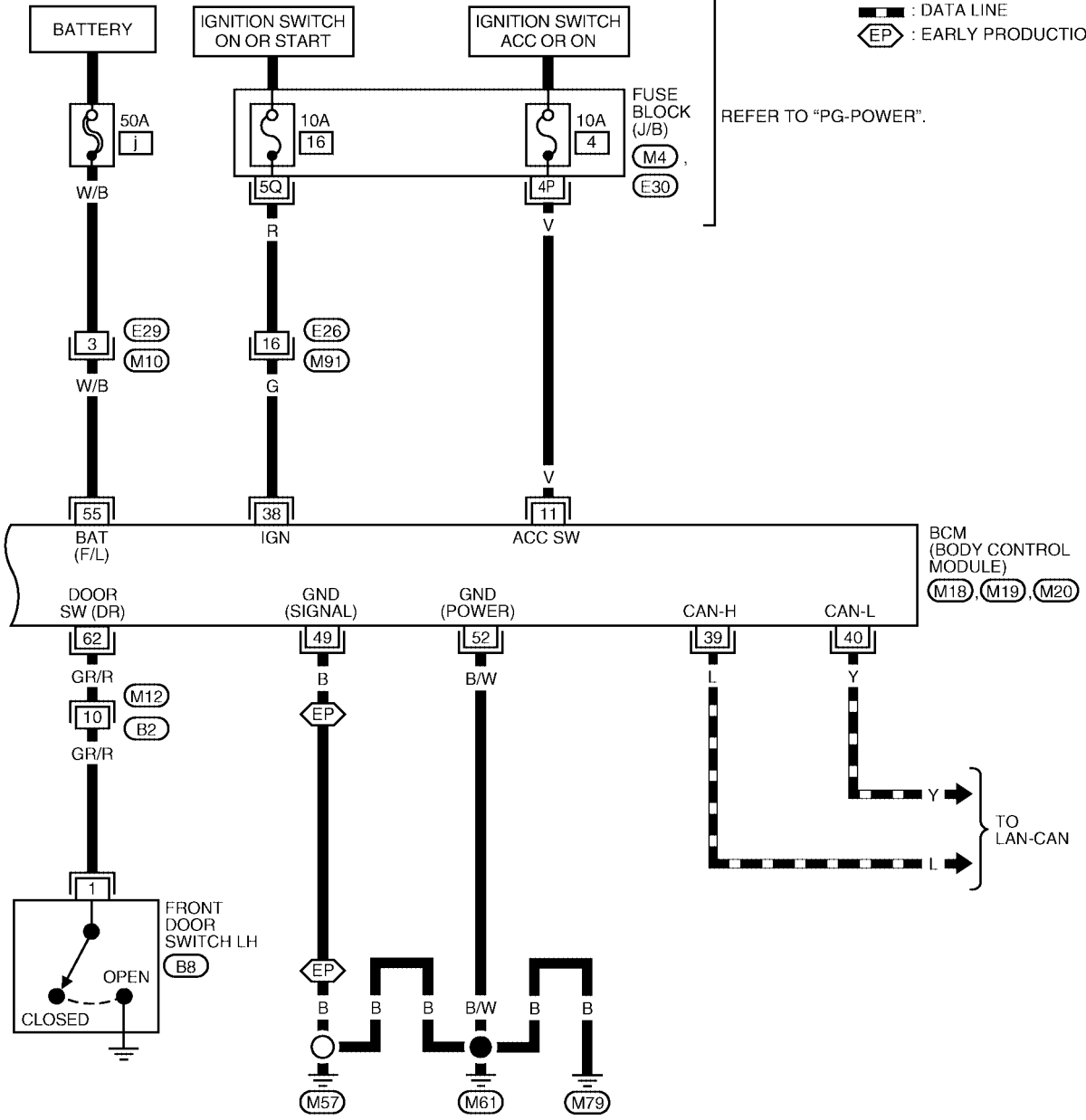


L1WA0487E

AUTOMATIC DRIVE POSITIONER

SE-AUT/DP-09

: DATA LINE
EP : EARLY PRODUCTION



W1WA0244E

AUTOMATIC DRIVE POSITIONER

Terminals and Reference Values for BCM

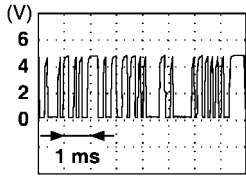
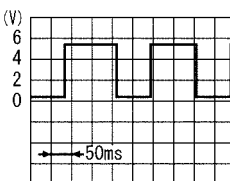
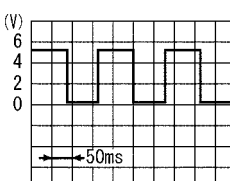
EIS001XZ

TERMINAL	WIRE COLOR	ITEM	CONDITION	VOLTAGE (V) (Approx.)
11	V	Ignition switch (ACC or ON)	Ignition switch (ACC or ON position)	Battery voltage
38	R	Ignition switch (ON or START)	Ignition switch (ON or START position)	Battery voltage
39	L	CAN-H	—	—
40	Y	CAN-L	—	—
49*	B	Ground (signal)	—	0
52	B/W	Ground (power)	—	0
55	W/B	Battery power supply (Fusible link)	—	Battery voltage
62	GR/R	Front door switch LH	ON (Open) → OFF (Closed)	0 → Battery voltage

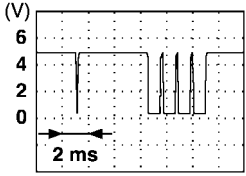
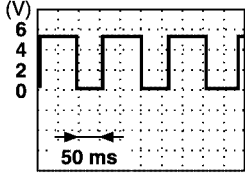
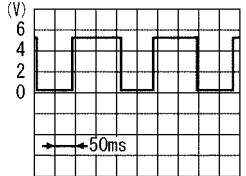
*: Early production

Terminals and Reference Values for Driver Seat Control Unit

EIS001ZH

TERMINAL	WIRE COLOR	ITEM	CONDITION	VOLTAGE (V) (Approx.)
1	R	UART LINE (RX)	Pedal adjusting switch ON (FORWARD or BACKWARD operation)	 <p style="text-align: right; font-size: small;">PIIA4813E</p>
3	L	CAN-H	—	—
6	LG/R	Ignition switch (START)	Ignition switch (START position)	Battery voltage
9	L	Reclining sensor signal	ON (seat reclining motor operation)	 <p style="text-align: right; font-size: small;">SIIA0692J</p>
			Other than above	0 or 5
10	L/Y	Rear lifting sensor signal	ON (rear lifting motor operation)	 <p style="text-align: right; font-size: small;">SIIA0693J</p>
			Other than above	0 or 5
11	R/B	Sliding switch BACKWARD signal	ON (seat sliding switch BACKWARD operation)	0
			Other than above	Battery voltage
12	O/B	Reclining switch BACKWARD signal	ON (seat reclining switch BACKWARD operation)	0
			Other than above	Battery voltage

AUTOMATIC DRIVE POSITIONER

TERMINAL	WIRE COLOR	ITEM	CONDITION	VOLTAGE (V) (Approx.)
13	L/B	Front lifting switch DOWN signal	ON (front lifting switch DOWN operation)	0
			Other than above	Battery voltage
14	G/W	Rear lifting switch DOWN signal	ON (rear lifting switch DOWN operation)	0
			Other than above	Battery voltage
15	G/Y	Pedal adjusting switch BACKWARD signal	ON (pedal adjusting switch BACKWARD operation)	0
			Other than above	Battery voltage
16	L	Seat sensor power	Ignition switch (ACC or ON position)	5
17	R/W	UART LINE (TX)	Pedal adjusting switch ON (FORWARD or BACKWARD operation)	 <p style="text-align: right; font-size: small;">PIIA4814E</p>
19	Y	CAN-L	—	—
21	G/Y	A/T device (park switch) signal	A/T selector lever in P position	0
			A/T selector lever in other than P position with key in ignition cylinder	Battery voltage
24	G	Seat sliding sensor signal	ON (seat sliding motor operation)	 <p style="text-align: right; font-size: small;">PIIA3277E</p>
			Other than above	0 or 5
25	R/L	Front lifting sensor signal	ON (front lifting motor operation)	 <p style="text-align: right; font-size: small;">SIIA0691J</p>
			Other than above.	0 or 5
26	P/B	Seat sliding switch FORWARD signal	ON (seat sliding switch FORWARD operation)	0
			Other than above	Battery voltage
27	G/B	Seat reclining switch FORWARD signal	ON (seat reclining switch FORWARD operation)	0
			Other than above	Battery voltage
28	Y/B	Front lifting switch UP signal	ON (front lifting switch UP operation)	0
			Other than above	Battery voltage

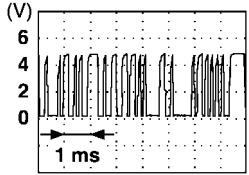
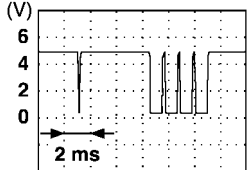
AUTOMATIC DRIVE POSITIONER

TERMINAL	WIRE COLOR	ITEM	CONDITION	VOLTAGE (V) (Approx.)
29	R/W	Rear lifting switch UP signal	ON (rear lifting switch UP operation)	0
			Other than above	Battery voltage
30	V	Pedal adjusting switch FORWARD signal	ON (pedal adjusting switch FORWARD operation)	0
			Other than above	Battery voltage
31	Y	Sensor ground	—	0
32	B	Ground	—	0
33	W	Battery power supply	—	Battery voltage
35	R	Sliding motor FORWARD output signal	Sliding switch FORWARD operation (Motor operated)	Battery voltage
			Other than above	0
36	R/W	Reclining motor FORWARD output signal	Reclining switch FORWARD operation (Motor operated)	Battery voltage
			Other than above	0
37	Y/B	Front lifting motor DOWN output signal	Front lifting switch DOWN operation (Motor operated)	Battery voltage
			Other than above	0
38	L	Rear lifting motor UP output signal	Rear end lifting switch UP operation (Motor operated)	Battery voltage
			Other than above	0
39	L/W	Rear lifting motor DOWN output signal	Rear end lifting switch DOWN operation (Motor operated)	Battery voltage
			Other than above	0
40	Y/R	Battery power supply	—	Battery voltage
42	G	Sliding motor BACKWARD output signal	Sliding switch BACKWARD operation (Motor operated)	Battery voltage
			Other than above	0
44	G/W	Reclining motor BACKWARD output signal	Reclining switch BACKWARD operation (Motor operated)	Battery voltage
			Other than above	0
45	Y	Front lifting motor UP output signal	Front lifting switch UP operation (Motor operated)	Battery voltage
			Other than above	0
48	B	Ground	—	0

Terminals and Reference Values for Automatic Drive Positioner Control Unit EIS001Z1

TERMINAL	WIRE COLOR	ITEM	CONDITION	VOLTAGE (V) (Approx.)
2	L/R	Changeover switch RH signal	Changeover switch in RH position	0
			Other than above	5
3	Y/B	Mirror switch UP signal	Mirror switch in UP position	0
			Other than above	5
4	G/B	Mirror switch LEFT signal	Mirror switch in LEFT position	0
			Other than above	5
5	R/B	Mirror sensor (RH vertical) signal	Mirror motor RH is UP or DOWN operation	Changes between 3.4 (close to peak) 0.6 (close to valley)

AUTOMATIC DRIVE POSITIONER

TERMINAL	WIRE COLOR	ITEM	CONDITION	VOLTAGE (V) (Approx.)
6	L/Y	Mirror sensor (LH vertical) signal	Mirror motor LH is UP or DOWN operation	Changes between 3.4 (close to peak) 0.6 (close to valley)
8	W/R	Pedal sensor input signal	Pedal position front end	0.5
			Pedal position rear end	4.5
9	LG/B	Power seat memory switch 1 signal	Memory switch 1 ON	0
			Memory switch 1 OFF	5
10	R	UART LINE (TX)	Pedal adjusting switch ON (FORWARD or BACKWARD operation)	 PIIA4813E
12	GR/L	Power seat memory switch inductor 1 signal	Memory switch 1 ON	0
			Memory switch 1 OFF	Battery voltage
13	Y	Power seat memory switch inductor 2 signal	Memory switch 2 ON	0
			Memory switch 2 OFF	Battery voltage
14	GR/R	Mirror motor RH UP signal	Mirror motor RH UP operation	1.5 - Battery voltage
			Other than above	0
15	V/W	Mirror motor RH LEFT signal	Mirror motor RH LEFT operation	1.5 - Battery voltage
			Other than above	0
16	O	Mirror motor LH DOWN signal	Mirror motor LH DOWN operation	1.5 - Battery voltage
			Other than above	0
		Mirror motor LH RIGHT signal	Mirror motor LH RIGHT operation	1.5 - Battery voltage
			Other than above	0
18	Y/R	Changeover switch LH signal	Changeover switch in LH position	0
			Other than above	5
19	L/B	Mirror switch DOWN signal	Mirror switch in DOWN position	0
			Other than above	5
20	V	Mirror switch RIGHT signal	Mirror switch in RIGHT position	0
			Other than above	5
21	L/W	Mirror sensor (RH horizontal) signal	Mirror motor RH is LEFT or RIGHT operation	Changes between 3.4 (close to left edge) 0.6 (close to right edge)
22	G	Mirror sensor (LH horizontal) signal	Mirror motor LH is LEFT or RIGHT operation	Changes between 3.4 (close to left edge) 0.6 (close to right edge)
24	G/W	Power seat set switch signal	Set switch 1 ON	0
			Set switch 1 OFF	5
25	P/L	Power seat memory switch 2 signal	Memory switch 2 ON	0
			Memory switch 2 OFF	5
26	R/W	UART LINE (RX)	Pedal adjusting switch ON (FORWARD or BACKWARD operation)	 PIIA4814E

A
B
C
D
E
F
G
H
I
J
K
L
M

SE

AUTOMATIC DRIVE POSITIONER

TERMINAL	WIRE COLOR	ITEM	CONDITION	VOLTAGE (V) (Approx.)
30	SB	Mirror motor RH DOWN signal	Mirror motor RH DOWN operation	1.5 - Battery voltage
			Other than above	0
		Mirror motor RH RIGHT signal	Mirror motor RH RIGHT operation	1.5 - Battery voltage
			Other than above	0
31	R/Y	Mirror motor LH UP signal	Mirror motor LH UP operation	1.5 - Battery voltage
			Other than above	0
32	BR	Mirror motor LH LEFT signal	Mirror motor LH LEFT operation	1.5 - Battery voltage
			Other than above	0
33	W/L	Sensor power supply	—	5
34	BR/Y	Battery power supply	—	Battery voltage
37	G	Pedal adjust motor FORWARD signal	Pedal adjust motor FORWARD operation (Motor operated)	Battery voltage
			Other than above	0
39	W	Battery power supply	—	Battery voltage
40	B/W	Ground	—	0
41	V	Sensor ground	—	0
45	G/O	Pedal adjust motor BACKWARD signal	Pedal adjust motor BACKWARD operation (Motor operated)	Battery voltage
			Other than above	0
48	B	Ground	—	0

Work Flow

EIS001ZJ

1. Check the symptom and customer's requests.
2. Understand the system description. Refer to [SE-12, "System Description"](#) .
3. Perform the preliminary check. Refer to [SE-33, "Preliminary Check"](#) .
4. Check the self-diagnosis, results using CONSULT-II. Refer to [SE-36, "CONSULT-II Function \(AUTO DRIVE POS.\)"](#) .
5. Repair or replace depending on the self-diagnostic results.
6. Based on the trouble diagnosis chart, repair or replace the cause of the malfunction. Refer to [SE-40, "Symptom Chart"](#) .
7. Does the automatic drive positioner system operate normally?
If it is normal, GO TO 8.
If it is not normal, GO TO 3.
8. Inspection End.

AUTOMATIC DRIVE POSITIONER

Preliminary Check SETTING CHANGE FUNCTION

EIS001ZK

The settings of the automatic driving positioner system can be changed, using CONSULT-II and the display in the center of the instrument panel.

×: Applicable –: Not applicable

Setting item	Content	CONSULT-II (WORK SUPPORT)	Display unit	Default setting	Factory setting
SEAT SLIDE VOLUME SET	The distance at exiting operation can be selected from the following 3 modes.	40mm	—	×	×
		80mm		—	—
		150mm		—	—
Sliding Front Seat When Entry/Exiting Vehicle	The seat sliding turnout and return at entry/exit can be selected: ON (operated)—OFF (not operated)	ON	ON: Indicator lamp ON	—	×
		OFF	OFF: Indicator lamp OFF	×	—
Reset custom settings*	All settings to default.	—	Default: Setting button ON	—	—

It is possible to set sliding front seat for entry/exit of vehicle by pressing set switch.

Content	Setting change operation	Indicator LEDs
The seat sliding turnout and return at entry/exit can be operated.	Press the set switch for more than 10 seconds	Blinking twice
The seat sliding turnout and return at entry/exit cannot be operated.		Blinking once

*: Setting of sliding front seat for entry/exit of vehicle is ON at factory-shipment. But if custom settings are reset, setting turns OFF.

NOTE:

After the setting is registered, the new setting is effective, even if the battery is disconnected.

POWER SUPPLY AND GROUND CIRCUIT INSPECTION

1. CHECK BCM FUSES

Check if any of the following fuses for the BCM are blown.

Unit	Power source	Fuse No.
BCM	Battery power supply	j (50A)
	ON or START power supply	16 (10A)
	ACC or ON power supply	4 (10A)

NOTE:

Refer to [SE-11, "Component Parts And Harness Connector Location"](#).

OK or NG

OK >> GO TO 2.

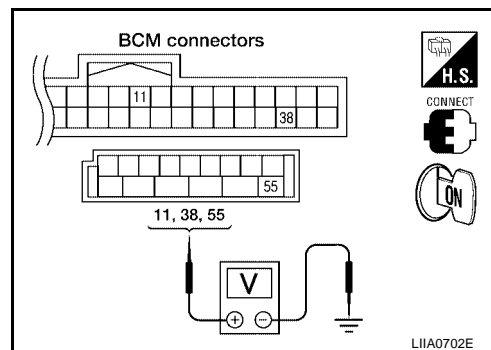
NG >> If fuse is blown, be sure to eliminate cause of malfunction before installing new fuse. Refer to [SE-11, "Component Parts And Harness Connector Location"](#).

AUTOMATIC DRIVE POSITIONER

2. CHECK BCM POWER SUPPLY CIRCUIT

1. Disconnect BCM connector.
2. Check voltage between BCM connector and ground.

Connector	Terminals (Wire color)		Power source	Condition	Voltage (V) (Approx.)
	(+)	(-)			
M20	55 (W/B)	Ground	Battery power supply	Ignition switch OFF	Battery voltage
M19	38 (R)	Ground	Ignition power supply	Ignition switch ON or START	Battery voltage
	11 (V)	Ground	ACC power supply	Ignition switch ACC or ON	Battery voltage



OK or NG

- OK >> GO TO 3.
- NG >> Repair or replace harness.

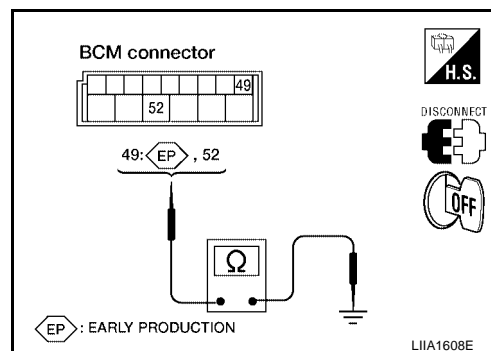
3. CHECK BCM GROUND CIRCUIT

1. Turn ignition switch OFF.
2. Check continuity between BCM connector M19 terminals 49 (early production), 52 and ground.

49 (B) – Ground : Continuity should exist.
52 (B) – Ground : Continuity should exist.

OK or NG

- OK >> BCM circuit is OK. Check the driver seat control unit. GO TO 4.
- NG >> Repair or replace harness.



4. CHECK FUSES

Check if any of the following fuses for the driver seat control unit and automatic drive positioner control unit are blown.

Unit	Power source	Fuse No.
Driver seat control unit	START power supply	9 (10A)
	Battery power supply	17 (10A)
	Battery power supply	m (40A)

NOTE:

Refer to [SE-11. "Component Parts And Harness Connector Location"](#) .

OK or NG

- OK >> GO TO 5.
- NG >> If fuse is blown, be sure to eliminate cause of malfunction before installing new fuse. Refer to [SE-11. "Component Parts And Harness Connector Location"](#) .

AUTOMATIC DRIVE POSITIONER

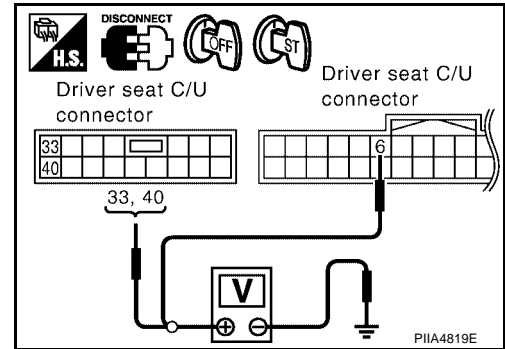
5. CHECK DRIVER SEAT CONTROL UNIT POWER SUPPLY CIRCUIT

1. Disconnect driver seat control unit connector.
2. Check voltage between driver seat control unit connector and ground.

Connector	Terminals (Wire color)		Power source	Condition	Voltage (V) (Approx.)
	(+)	(-)			
P3	33 (W), 40 (Y/R)	Ground	Battery power supply	Ignition switch OFF	Battery voltage
P2	6 (LG/R)	Ground	START power supply	Ignition switch START	Battery voltage

OK or NG

- OK >> GO TO 6.
 NG >> Repair or replace harness.



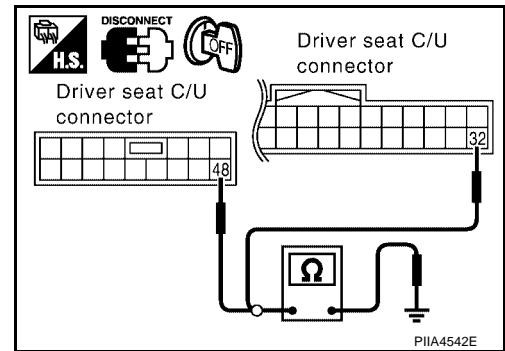
6. CHECK DRIVER SEAT CONTROL UNIT GROUND CIRCUIT

1. Turn ignition switch OFF.
2. Check continuity between the driver seat control unit connector P2 terminals 32, 48 and ground.

- 32 (B) – Ground : Continuity should exist.**
48 (B) – Ground : Continuity should exist.

OK or NG

- OK >> Driver seat control unit circuit check is OK, GO TO 7.
 NG >> Repair or replace harness.



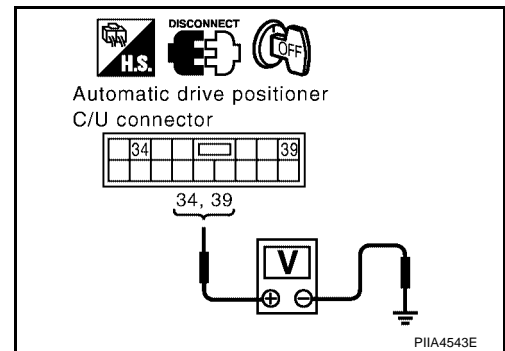
7. CHECK AUTOMATIC DRIVE POSITIONER CONTROL UNIT POWER SUPPLY CIRCUIT

1. Disconnect automatic drive positioner control unit connector.
2. Check voltage between automatic drive positioner control unit connector M42 terminals 34, 39 and ground.

Connector	Terminals (Wire color)		Condition	Voltage (V) (Approx.)
	(+)	(-)		
M42	34 (BR/Y)	Ground	Ignition switch OFF	Battery voltage
	39 (W)	Ground	Ignition switch OFF	Battery voltage

OK or NG

- OK >> GO TO 8.
 NG >> Repair or replace harness.



AUTOMATIC DRIVE POSITIONER

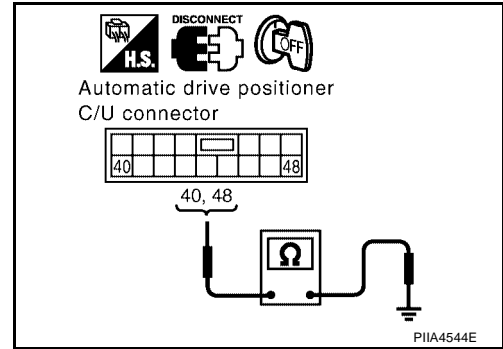
8. CHECK AUTOMATIC DRIVE POSITIONER CONTROL UNIT GROUND CIRCUIT

Check continuity between the automatic drive positioner control unit connector M42 terminals 40, 48 and ground.

- 40 (B/W) – Ground : Continuity should exist.**
- 48 (B) – Ground : Continuity should exist.**

OK or NG

- OK >> Automatic drive positioner control unit circuit is OK.
- NG >> Repair or replace harness.



CONSULT-II Function (AUTO DRIVE POS.)

EIS001ZL

CONSULT-II can display each diagnostic item using the diagnostic test modes shown following.

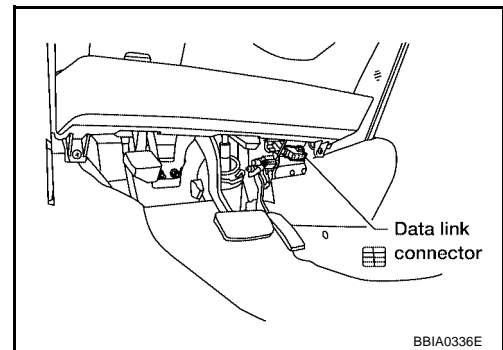
AUTO DRIVE POS. diagnostic mode	Description
WORK SUPPORT	Supports inspections and adjustments. Commands are transmitted to the driver seat control unit for setting the status suitable for required operation, input/output signals are received from the driver seat control unit and received data is displayed.
SELF-DIAG RESULTS	Displays driver seat control unit self-diagnosis results.
DATA MONITOR	Displays driver seat control unit input/output data in real time.
CAN DIAG SUPPORT MNTR	The result of transmit/receive diagnosis of CAN communication can be read.
ACTIVE TEST	Operation of electrical loads can be checked by sending drive signal to them.
ECU PART NUMBER	Driver seat control unit part number can be read.

CONSULT-II INSPECTION PROCEDURE

CAUTION:

If CONSULT-II is used with no connection of CONSULT-II CONVERTER, malfunctions might be detected in self-diagnosis depending on control unit which carries out CAN communication.

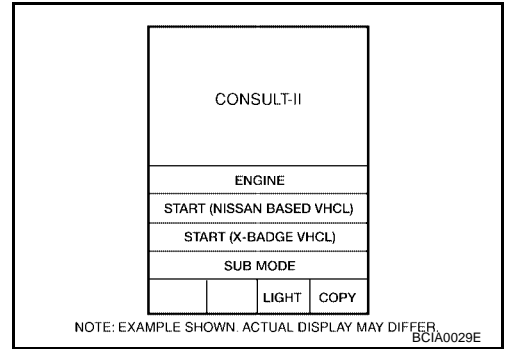
1. Turn ignition switch OFF.
2. Connect CONSULT-II and CONSULT-II CONVERTER to the data link connector.



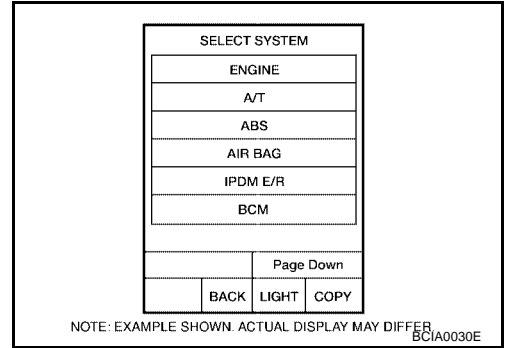
3. Turn ignition switch ON.

AUTOMATIC DRIVE POSITIONER

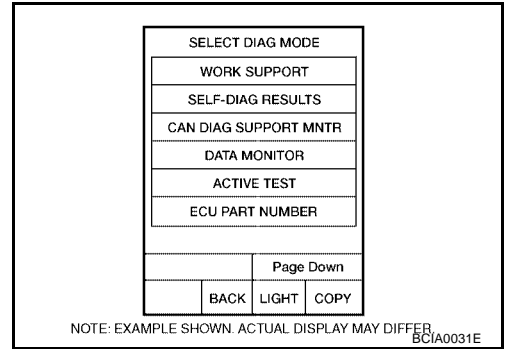
4. Touch "START (NISSAN BASED VHCL)".



5. Touch "AUTO DRIVE POS".
 If "AUTO DRIVE POS." is not indicated, refer to [GI-37, "CONSULT-II Data Link Connector \(DLC\) Circuit"](#).



6. Select diagnosis mode.
 "DATA MONITOR", "ACTIVE TEST", "SELF-DIAG RESULTS",
 "ECU PART NUMBER" and "WORK SUPPORT" are available.



A
B
C
D
E
F
G
H
J
K
L
M

SE

AUTOMATIC DRIVE POSITIONER

SELF-DIAGNOSIS RESULTS

DISPLAY ITEM LIST

CONSULT-II display	Item	Malfunction is detected when...	Reference page
CAN COMM CIRC [U1000]	CAN communication	Malfunction is detected in CAN communication.	SE-40
SEAT SLIDE [B2112]	Seat slide motor	When any manual and automatic operations are not performed, if any motor operations of seat slide is detected for 0.1 second or more, status is judged "Output error".	SE-42 SE-53
SEAT RECLINING [B2113]	Seat reclining motor	When any manual and automatic operations are not performed, if any motor operations of seat reclining is detected for 0.1 second or more, status is judged "Output error".	SE-43 SE-54
SEAT LIFTER FR [B2114]	Seat lifting FR motor	When any manual and automatic operations are not performed, if any motor operations of seat lifting FR is detected for 0.1 second or more, status is judged "Output error".	SE-44 SE-55
SEAT LIFTER RR [B2115]	Seat lifting RR motor	When any manual and automatic operations are not performed, if any motor operations of seat lifting RR is detected for 0.1 second or more, status is judged "Output error".	SE-46 SE-56
ADJ PEDAL MOTOR [B2117]	Pedal adjust motor	When any manual and automatic operations are not performed, if motor operations of seat pedal is detected for 0.1 second or more, status is judged "Output error".	SE-47 SE-57
ADJ PEDAL SENSOR [B2120]	Pedal adjust sensor	When pedal adjust sensor detects 0.5V or lower, or 4.5V or higher, for 0.5 seconds or more.	SE-57
DETENT SW [B2126]	Park SW	With the A/T selector lever in P position (Park switch OFF), if the vehicle speed of 7 km/h (4 MPH) or higher was input the park switch input system is judged malfunctioning.	SE-77
UART COMM [B2128]	UART communication	Malfunction is detected in UART communication.	SE-79

NOTE:

- If park switch error is detected, manual adjustable pedal operation cannot be performed when ignition switch turns ON.
- The displays of CAN communication and park switch display error detecting condition from memory erase to the present on "TIME".
 - If error is detected in the past and present error is detected, "CRNT" is displayed.
 - If error is detected in the past and present error is not detected, "PAST" is displayed.
 - If error has never been detected, nothing is displayed on "TIME".
- Any items other than CAN communication and park switch count error detection frequency occurred after erase history to "1-127".
 - If error was detected in the past, error detection frequency from memory erase to the present is displayed on "TIME".
 - If error has never been detected, nothing is displayed on "TIME".
 - Can clear the detected memory.
 - Normal: Clear memory in normal condition, history is erased and nothing is displayed on "TIME".
 - Error: Clear memory in error condition, error is detected again and "1" is displayed on "TIME".

DATA MONITOR

CAN DIAGNOSIS SUPPORT MONITOR

Monitor item [UNIT]		Contents
INITIAL DIAG	[OK/NG]	When CAN communication circuit is malfunctioning, it displays "NG".
TRANSMIT DIAG	[OK/UNKWN]	Displays [OK/UNKWN] condition of the CAN communication judged by each signal input.
BCM	[OK/UNKWN]	
METER/M&A	[OK/UNKWN]	
ECM	[OK/UNKWN]	

AUTOMATIC DRIVE POSITIONER

SELECTION FROM MEMU

Monitor item [OPERATION or UNIT]		Contents
SLIDE SW-FR	"ON/OFF"	ON/OFF status judged from the sliding switch (FR) signal is displayed.
SLIDE SW-RR	"ON/OFF"	ON/OFF status judged from the sliding switch (RR) signal is displayed.
RECLN SW-FR	"ON/OFF"	ON/OFF status judged from the reclining switch (FR) signal is displayed.
RECLN SW-RR	"ON/OFF"	ON/OFF status judged from the reclining switch (RR) signal is displayed.
LIFT FR SW-UP	"ON/OFF"	ON/OFF status judged from the FR lifter switch (UP) signal is displayed.
LIFT FR SW-DN	"ON/OFF"	ON/OFF status judged from the FR lifter switch (DOWN) signal is displayed.
LIFT RR SW-UP	"ON/OFF"	ON/OFF status judged from the RR lifter switch (UP) signal is displayed.
LIFT RR SW-DN	"ON/OFF"	ON/OFF status judged from the RR lifter switch (DOWN) signal is displayed.
MIR CON SW-UP	"ON/OFF"	ON/OFF status judged from the door mirror switch (UP) signal is displayed.
MIR CON SW-DN	"ON/OFF"	ON/OFF status judged from the door mirror switch (DOWN) signal is displayed.
MIR CON SW-RH	"ON/OFF"	ON/OFF status judged from the door mirror switch (RIGHT) signal is displayed.
MIR CON SW-LH	"ON/OFF"	ON/OFF status judged from the door mirror switch (LEFT) signal is displayed.
MIR CHNG SW-R	"ON/OFF"	ON/OFF status judged from the door mirror switch (switching to RIGHT) signal is displayed.
MIR CHNG SW-L	"ON/OFF"	ON/OFF status judged from the door mirror switch (switching to LEFT) signal is displayed.
SET SW	"ON/OFF"	ON/OFF status judged from the setting switch signal is displayed.
PEDAL SW-FR	"ON/OFF"	ON/OFF status judged from the pedal adjusting switch (FR) signal is displayed.
PEDAL SW-RR	"ON/OFF"	ON/OFF status judged from the pedal adjusting switch (RR) signal is displayed.
MEMORY SW1	"ON/OFF"	ON/OFF status judged from the seat memory switch 1 signal is displayed.
MEMORY SW2	"ON/OFF"	ON/OFF status judged from the seat memory switch 2 signal is displayed.
DETENT SW	"ON/OFF"	The A/T selector lever position "OFF (P position) / ON (other than P position)" judged from the park switch signal is displayed.
STARTER SW	"ON/OFF"	Ignition key switch ON (START, ON) /OFF (ignition switch IGN, ACC, or OFF) status judged from the ignition switch signal is displayed.
SLIDE PULSE	—	Value (32768) when battery connects is as standard. If it moves BACKWARD, the value increases. If it moves FORWARD, the value decreases.
RECLN PULSE	—	Value (32768) when battery connects is as standard. If it moves BACKWARD, the value increases. If it moves FORWARD, the value decreases.
LIFT FR PULSE	—	Value (32768) when battery connects is as standard. If it moves DOWN, the value increases. If it moves UP, the value decreases.
LIFT RR PULSE	—	Value (32768) when battery connects is as standard. If it moves DOWN, the value increases. If it moves UP, the value decreases.
MIR/SEN RH R-L	"V"	Voltage output from RH door mirror sensor (LH/RH) is displayed.
MIR/SEN RH U-D	"V"	Voltage output from RH door mirror sensor (UP/DOWN) is displayed.
MIR/SEN LH R-L	"V"	Voltage output from LH door mirror sensor (LH/RH) is displayed.
MIR/SEN LH U-D	"V"	Voltage output from LH door mirror sensor (UP/DOWN) is displayed.
PEDAL SEN	"V"	The pedal position (voltage) judged from the pedal adjust sensor signal is displayed.

ACTIVE TEST

CAUTION:

During vehicle driving, do not perform active test.

NOTE:

If active test is performed, reset seat memory and keyfob interlock drive positioner after performing work.

DISPLAY ITEM LIST

AUTOMATIC DRIVE POSITIONER

Test item	Description
SEAT SLIDE	The sliding motor is activated by receiving the drive signal.
SEAT RECLINING	The reclining motor is activated by receiving the drive signal.
SEAT LIFTER FR	The front end lifter motor is activated by receiving the drive signal.
SEAT LIFTER RR	The rear end lifter motor is activated by receiving the drive signal.
PEDAL MOTOR	The pedal adjust motor is activated by receiving the drive signal.
MEMORY SW INDCTR	The memory switch indicator is lit by receiving the drive signal.
MIRROR MOTOR RH	The RH mirror motor moves the mirror UP/DOWN and LEFT/RIGHT by receiving the drive signal.
MIRROR MOTOR LH	The LH mirror motor moves the mirror UP/DOWN and LEFT/RIGHT by receiving the drive signal.

CAN Communication Inspection Using CONSULT-II (Self-Diagnosis)

EIS001ZM

1. SELF-DIAGNOSTIC RESULT CHECK

CAUTION:

If **CONSULT-II** is used with no connection of **CONSULT-II CONVERTER**, malfunctions might be detected in self-diagnosis depending on control unit which carries out CAN communication.

1. Connect to CONSULT-II, and select "AUTO DRIVE POS" on the "SELECT SYSTEM" screen.
2. Select "SELF-DIAG RESULTS" on "SELECT DIAG MODE" screen.
3. Check U1000 displayed in self-diagnostic results.

OK or NG

- OK >> Inspection end.
 NG >> Refer to [LAN-4, "Precautions When Using CONSULT-II"](#) .

Symptom Chart

EIS001ZN

Symptom	Diagnoses / service procedure	Refer to page	
Only setting change function cannot be set with display.	1. Preliminary check	SE-33	
	2. CAN communication inspection using CONSULT-II (self-diagnosis)	SE-40	
	3. If the above systems are normal, check display system	Integrated display system (with out NAVI)	AV-89
		Navigation system (with NAVI)	AV-118
A part of seat system does not operate (both automatically and manually).	1. Sliding motor circuit inspection	SE-42	
	2. Reclining motor circuit inspection	SE-43	
	3. Lifting motor (front) circuit inspection	SE-44	
	4. Lifting motor (rear) circuit inspection	SE-46	
	5. If the above systems are normal, replace the driver seat control unit	SE-11	
A part of pedal adjust and door mirror does not operate (both automatically and manually).	1. Pedal adjusting motor circuit inspection	SE-47	
	2. Mirror motor LH circuit check	SE-49	
	3. Mirror motor RH circuit check	SE-50	
	4. If the above systems are normal, replace the automatic drive positioner control unit.	SE-11	

AUTOMATIC DRIVE POSITIONER

Symptom	Diagnoses / service procedure	Refer to page	
A part of seat system does not operate (only automatic operation).	1. Sliding sensor circuit inspection	SE-53	A
	2. Reclining sensor circuit inspection	SE-54	B
	3. Lifting sensor (front) circuit inspection	SE-55	C
	4. Lifting sensor (rear) circuit inspection	SE-56	D
	5. If the above systems are normal, replace the driver seat control unit	SE-11	E
A part of door mirror system does not operate (only automatic operation).	1. Mirror sensor LH circuit check	SE-58	F
	2. Mirror sensor RH circuit check	SE-60	G
	3. If the above systems are normal, replace the automatic drive positioner control unit.	SE-11	H
All of the automatic operations do not operate.	1. Park switch circuit inspection	SE-77	I
	2. UART communication line circuit inspection	SE-79	J
	3. Pedal adjusting sensor circuit inspection	SE-57	K
	4. If all the above systems are normal, replace the automatic drive positioner control unit.	SE-11	L
A part of seat system does not operate (only manual operation).	1. Sliding switch circuit inspection	SE-62	M
	2. Reclining switch circuit inspection	SE-63	N
	3. Lifting switch (front) circuit inspection	SE-65	O
	4. Lifting switch (rear) circuit inspection	SE-66	P
	5. If the above systems are normal, replace the driver seat control unit	SE-11	Q
A part of pedal adjust and door mirror does not operate (only manual operation).	1. Pedal adjusting switch circuit inspection	SE-68	R
	2. Door mirror switch (change over switch) circuit inspection	SE-70	S
	3. Door mirror switch (mirror switch) switching circuit inspection	SE-71	T
	4. If the above systems are normal, replace the automatic drive positioner control unit	SE-11	U
Only memory switch operation.	1. Seat memory switch circuit inspection	SE-73	V
	2. If the above systems are normal, replace the driver seat control unit	SE-11	W
Seat memory indicator lamps 1 and 2 do not illuminate.	1. Seat memory indicator lamp circuit inspection	SE-75	X
	2. If all the above systems are normal, replace the driver seat control unit.	SE-11	Y
The Entry/Exiting does not operate when door is opened and closed. (The Entry/Exiting operates with key switch)	1. Front door switch circuit inspection	SE-78	Z
	2. If all the above systems are normal, replace the BCM.	BCS-19	AA
Only door mirror system does not operate (only manual operation).	1. Door mirror switch ground circuit inspection	SE-72	AB
Only door mirror system does not operate (only automatic operation).	1. Door mirror sensor power supply and ground circuit inspection	SE-76	AC
Only seat system does not operate (only manual operation).	1. Power seat switch ground circuit inspection	SE-67	AD
Reverse tilt mirrors do not operate.	1. Mirror switch is not in L or R position.	—	AE
	2. CAN communication inspection using CONSULT-II (self-diagnosis)	SE-40	AF
	3. Door mirror sensor power supply and ground circuit inspection	SE-76	AG

AUTOMATIC DRIVE POSITIONER

EIS001ZO

Sliding Motor Circuit Inspection

1. CHECK SEAT SLIDING MECHANISM

Check the following.

- Operation malfunction caused by sliding rail deformation, pinched harness or other foreign materials
- Operation malfunction caused by foreign materials adhered to the sliding motor LH or sliding rail connector rod
- Operation malfunction and interference with other parts by poor installation

OK or NG

OK >> GO TO 2.

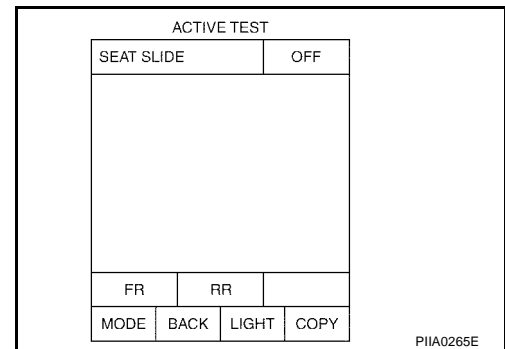
NG >> Repair the malfunctioning part and check again.

2. CHECK FUNCTION

Ⓟ With CONSULT-II

Check operation with "SEAT SLIDE" in ACTIVE TEST.

Test item	Description
SEAT SLIDE	The sliding motor is activated by receiving the drive signal.



⊗ Without CONSULT-II

GO TO 3.

OK or NG

OK >> Sliding motor circuit is OK.

NG >> GO TO 3.

3. CHECK SLIDING MOTOR CIRCUIT HARNESS CONTINUITY

1. Turn ignition switch OFF.
2. Disconnect driver seat control unit and sliding motor LH.
3. Check continuity between driver seat control unit connector P3 terminals 35, 42 and sliding motor connector B307 terminals 4, 6.

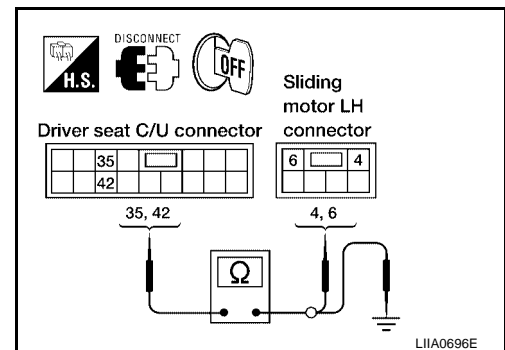
35 (R) – 4 (R) : Continuity should exist.

42 (G) – 6 (G) : Continuity should exist.

4. Check continuity between driver seat control unit connector P3 terminals 35, 42 and ground.

35 (R) – Ground : Continuity should not exist.

42 (G) – Ground : Continuity should not exist.



OK or NG

OK >> GO TO 4.

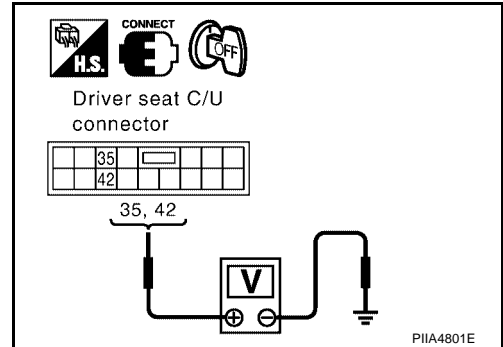
NG >> Repair or replace harness.

AUTOMATIC DRIVE POSITIONER

4. CHECK DRIVER SEAT CONTROL UNIT OUTPUT SIGNAL

1. Connect the driver seat control unit and sliding motor LH.
2. Check voltage between driver seat control unit connector and ground.

Connector	Terminals (Wire color)		Condition	Voltage (V) (Approx.)
	(+)	(-)		
P3	35 (R)	Ground	Sliding switch ON (FORWARD operation)	Battery voltage
			Other than above	0
	42 (G)		Sliding switch ON (BACKWARD operation)	Battery voltage
			Other than above	0



OK or NG

- OK >> Replace sliding motor. Refer to [SE-89, "FRONT SEAT"](#).
- NG >> Replace driver seat control unit. Refer to [SE-89, "FRONT SEAT"](#).

Reclining Motor LH Circuit Inspection

EIS001ZP

1. CHECK SEAT RECLINING MECHANISM

Check the following.

- Operation malfunction caused by an interference with the center pillar or center console
- Operation malfunction and interference with other parts by poor installation

OK or NG

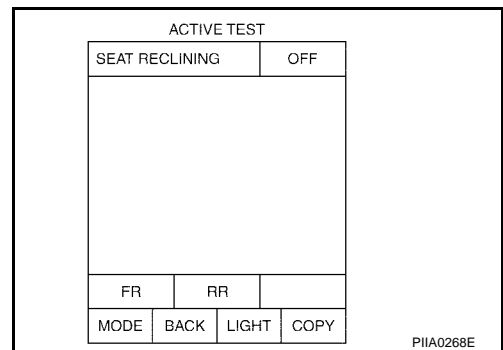
- OK >> GO TO 2.
- NG >> Repair the malfunctioning part and check again.

2. CHECK FUNCTION

With CONSULT-II

Check operation with "SEAT RECLINING" in ACTIVE TEST.

Test item	Description
SEAT RECLINING	The reclining motor LH is activated by receiving the drive signal.



Without CONSULT-II

GO TO 3.

OK or NG

- OK >> Reclining motor LH circuit is OK.
- NG >> GO TO 3.

AUTOMATIC DRIVE POSITIONER

3. CHECK RECLINING MOTOR CIRCUIT HARNESS CONTINUITY

1. Turn ignition switch OFF.
2. Disconnect driver seat control unit and reclining motor LH.
3. Check continuity between driver seat control unit connector P3 terminals 36, 44 and reclining motor LH connector P5 terminals 3, 4.

36 (R/W) – 4 (R/W) : Continuity should exist.

44 (G/W) – 3 (G/W) : Continuity should exist.

4. Check continuity between driver seat control unit connector P3 terminals 36, 44 and ground.

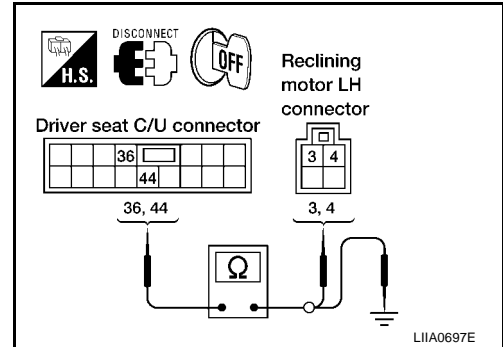
36 (R/W) – Ground : Continuity should not exist.

44 (G/W) – Ground : Continuity should not exist.

OK or NG

OK >> GO TO 4.

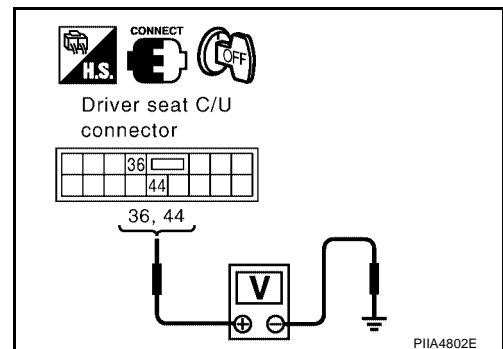
NG >> Repair or replace harness.



4. CHECK DRIVER SEAT CONTROL UNIT OUTPUT SIGNAL

1. Connect the driver seat control unit and reclining motor LH.
2. Check voltage between driver seat control unit connector and ground.

Connector	Terminals (Wire color)		Condition	Voltage (V) (Approx.)
	(+)	(-)		
P3	36 (R/W)	Ground	Reclining switch ON (FORWARD operation)	Battery voltage
			Other than above	0
	44 (G/W)		Reclining switch ON (BACKWARD operation)	Battery voltage
			Other than above	0



OK or NG

OK >> Replace reclining motor. Refer to [SE-89, "FRONT SEAT"](#) .

NG >> Replace driver seat control unit. Refer to [SE-89, "FRONT SEAT"](#) .

Lifting Motor (Front) Circuit Inspection

EIS001ZQ

1. CHECK FRONT END SEAT LIFTING MECHANISM

Check the following.

- Operation malfunction caused by lifter mechanism deformation, pinched harness or other foreign materials
- Operation malfunction caused by foreign materials adhered to the lifting motor (front) or lead screws
- Operation malfunction and interference with other parts by installation

OK or NG

OK >> GO TO 2.

NG >> Repair the malfunctioning part and check again.

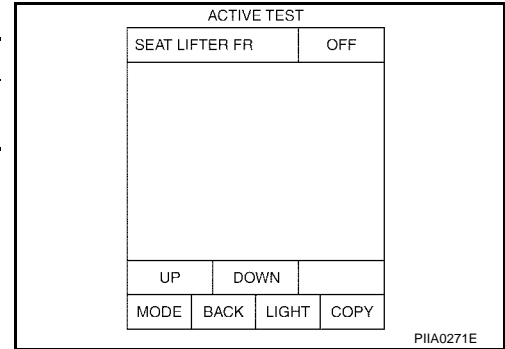
AUTOMATIC DRIVE POSITIONER

2. CHECK FUNCTION

With CONSULT-II

Check operation with "SEAT LIFTER FR" in ACTIVE TEST.

Test item	Description
SEAT LIFTER FR	The lifting motor (front) is activated by receiving the drive signal.



Without CONSULT-II

GO TO 3.

OK or NG

- OK >> Lifting motor (front) circuit is OK.
- NG >> GO TO 3.

3. CHECK LIFTING MOTOR (FRONT) CIRCUIT HARNESS CONTINUITY

1. Turn ignition switch OFF.
2. Disconnect driver seat control unit and lifting motor (front).
3. Check continuity between driver seat control unit connector P3 terminals 37, 45 and lifting motor (front) connector P6 terminals 4, 6.

37 (Y/B) – 6 (Y/B) : Continuity should exist.

45 (Y) – 4 (Y) : Continuity should exist.

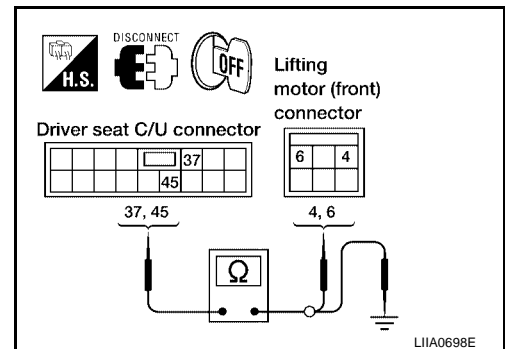
4. Check continuity between driver seat control unit connector P3 terminals 37, 45 and ground.

37 (Y/B) – Ground : Continuity should not exist.

45 (Y) – Ground : Continuity should not exist.

OK or NG

- OK >> GO TO 4.
- NG >> Repair or replace harness.

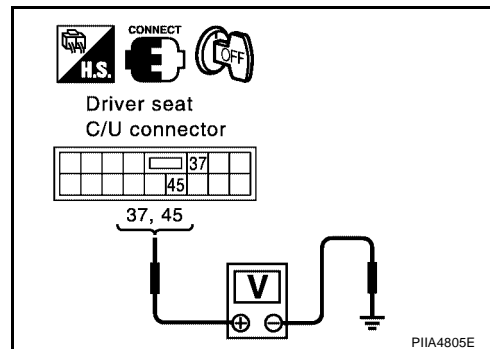


AUTOMATIC DRIVE POSITIONER

4. CHECK DRIVER SEAT CONTROL UNIT OUTPUT SIGNAL

1. Connect the driver seat control unit and lifting motor (front).
2. Check voltage between driver seat control unit connector and ground.

Connector	Terminals (Wire color)		Condition	Voltage (V) (Approx.)
	(+)	(-)		
P3	37 (Y/B)	Ground	Lifting switch (front) ON (DOWN operation)	Battery voltage
			Other than above	0
	45 (Y)		Lifting switch (front) ON (UP operation)	Battery voltage
			Other than above	0



OK or NG

- OK >> Replace lifting motor (front). Refer to [SE-89, "FRONT SEAT"](#) .
 NG >> Replace driver seat control unit. Refer to [SE-89, "FRONT SEAT"](#) .

Lifting Motor (Rear) Circuit Inspection

EIS001ZR

1. CHECK REAR SEAT LIFTING MECHANISM

Check the following.

- Operation malfunction caused by lifter mechanism deformation or pinched harness or other foreign materials
- Operation malfunction caused by foreign materials adhered to the lifting motor (rear) or lead screws
- Operation malfunction and interference with other parts by poor installation

OK or NG

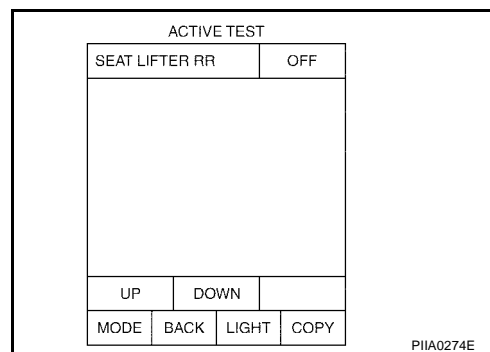
- OK >> GO TO 2.
 NG >> Repair the malfunctioning part and check again.

2. CHECK FUNCTION

With CONSULT-II

Check operation with "SEAT LIFTER RR" in ACTIVE TEST.

Test item	Description
SEAT LIFTER RR	The lifting motor (rear) is activated by receiving the drive signal.



Without CONSULT-II

GO TO 3.

OK or NG

- OK >> Lifting motor (rear) circuit is OK.
 NG >> GO TO 3.

AUTOMATIC DRIVE POSITIONER

3. CHECK LIFTING MOTOR (REAR) CIRCUIT HARNESS CONTINUITY

1. Turn ignition switch OFF.
2. Disconnect driver seat control unit and lifting motor (rear).
3. Check continuity between driver seat control unit connector P3 terminals 38, 39 and lifting motor (rear) connector P7 terminals 4, 6.

38 (L) – 6 (L) : Continuity should exist.

39 (L/W) – 4 (L/W) : Continuity should exist.

4. Check continuity between driver seat control unit P3 terminals 38, 39 and ground.

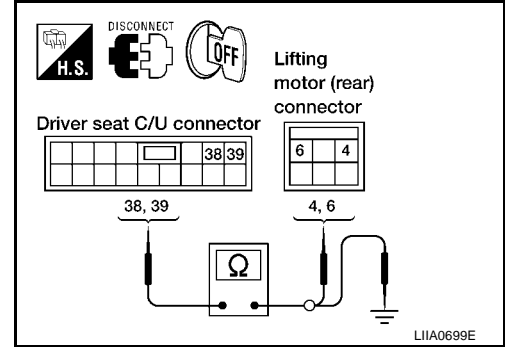
38 (L) – Ground : Continuity should not exist.

39 (L/W) – Ground : Continuity should not exist.

OK or NG

OK >> GO TO 4.

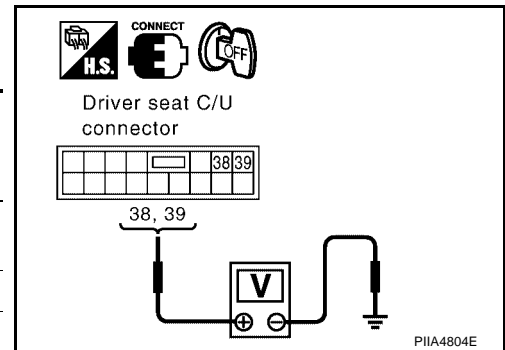
NG >> Repair or replace harness.



4. CHECK DRIVER SEAT CONTROL UNIT OUTPUT SIGNAL

1. Connect the driver seat control unit and lifting motor (rear).
2. Check voltage between driver seat control unit connector and ground.

Connector	Terminals (Wire color)		Condition	Voltage (V) (Approx.)
	(+)	(-)		
P3	38 (L)	Ground	Lifting switch (rear) ON (UP operation)	Battery voltage
			Other than above	0
	39 (L/W)		Lifting switch (rear) ON (DOWN operation)	Battery voltage
			Other than above	0



OK or NG

OK >> Replace lifting motor (rear). Refer to [SE-89, "FRONT SEAT"](#) .

NG >> Replace driver seat control unit. Refer to [SE-89, "FRONT SEAT"](#) .

Pedal Adjusting Motor Circuit Inspection

EIS001ZS

1. CHECK PEDAL ADJUSTING MECHANISM

Check the following.

- Operation malfunction caused by pedal adjusting mechanism deformation or pinched harness or other foreign materials
- Operation malfunction and interference with other parts by poor installation

OK or NG

OK >> GO TO 2.

NG >> Repair the malfunctioning part and check again.

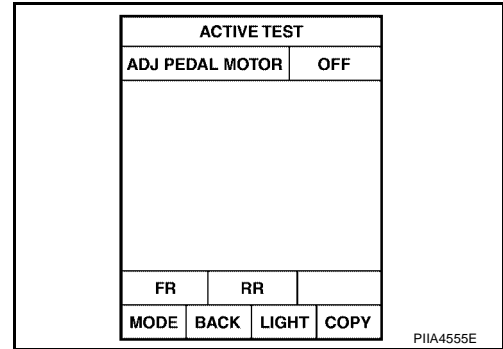
AUTOMATIC DRIVE POSITIONER

2. CHECK FUNCTION

With CONSULT-II

Check operation with "PEDAL" in ACTIVE TEST.

Test item	Description
ADJ PEDAL MOTOR	The pedal adjusting motor is activated by receiving the drive signal.



Without CONSULT-II

GO TO 3.

OK or NG

- OK >> Pedal adjusting motor circuit is OK.
- NG >> GO TO 3.

3. CHECK PEDAL ADJUSTING MOTOR CIRCUIT HARNESS CONTINUITY

- Turn ignition switch OFF.
- Disconnect automatic drive positioner control unit and pedal adjusting motor.
- Check continuity between automatic drive positioner control unit connector M42 terminals 37, 45 and pedal adjusting motor connector E109 terminals 4, 5.

37 (G) – 5 (G) : Continuity should exist.

45 (G/O) – 4 (G/W) : Continuity should exist.

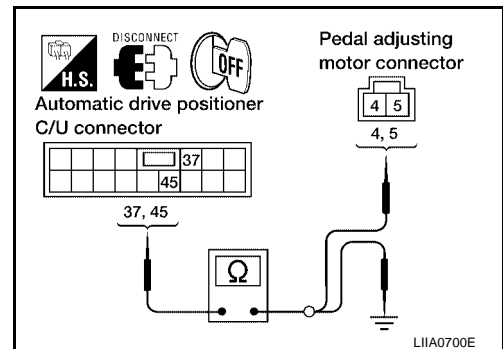
- Check continuity between automatic drive positioner control unit connector M42 terminals 37, 45 and ground.

37 (G) – Ground : Continuity should not exist.

45 (G/O) – Ground : Continuity should not exist.

OK or NG

- OK >> GO TO 4.
- NG >> Repair or replace harness.



AUTOMATIC DRIVE POSITIONER

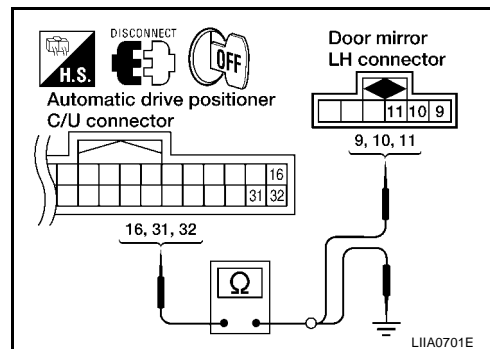
3. CHECK MIRROR MOTOR LH CIRCUIT HARNESS CONTINUITY

1. Turn ignition switch OFF.
2. Disconnect automatic drive positioner control unit and door mirror LH.
3. Check continuity between automatic drive positioner control unit connector M41 terminals 16, 31, 32 and door mirror LH connector D13 terminals 9, 10, 11.

16 (O) – 11 (O) : Continuity should exist.
31 (R/Y) – 10 (R/Y) : Continuity should exist.
32 (BR) – 9 (BR) : Continuity should exist.

4. Check continuity between automatic drive positioner control unit connector M41 terminals 16, 31, 32 and ground.

16 (O) – Ground : Continuity should not exist.
31 (R/Y) – Ground : Continuity should not exist.
32 (BR) – Ground : Continuity should not exist.



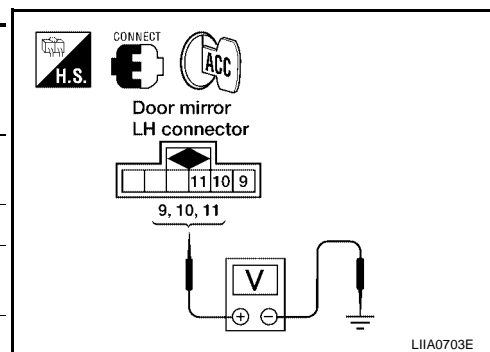
OK or NG

- OK >> GO TO 4.
 NG >> Repair or replace harness.

4. CHECK MIRROR MOTOR SIGNAL

1. Turn ignition switch to ACC.
2. Check voltage between door mirror LH connector and ground.

Connector	Terminals (Wire color)		Condition	Voltage (V) (Approx.)
	(+)	(-)		
D13	10 (R/Y)	Ground	Mirror motor is operated UP	1.5 - Battery voltage
			Other than above	0
	9 (BR)		Mirror motor is operated LEFT	1.5 - Battery voltage
			Other than above	0
	11 (O)		Mirror motor is operated DOWN or RIGHT	1.5 - Battery voltage
			Other than above	0



OK or NG

- OK >> Replace door mirror LH. Refer to [GW-108, "Door Mirror Assembly"](#).
 NG >> Repair or replace harness.

Mirror Motor RH Circuit Check

EIS001ZU

1. CHECK DOOR MIRROR RH MECHANISM

Check the following items.
 Operation malfunction caused by a foreign object caught in door mirror face edge.

OK or NG

- OK >> GO TO 2.
 NG >> Repair the malfunctioning parts, and check the symptom again.

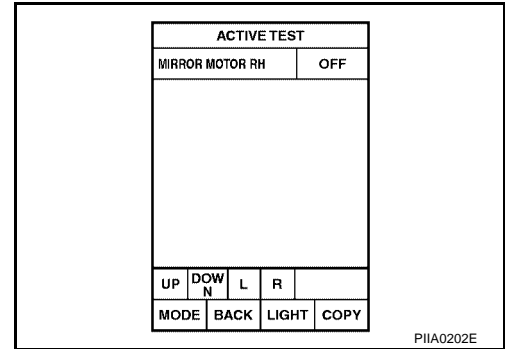
AUTOMATIC DRIVE POSITIONER

2. CHECK FUNCTION

With CONSULT-II

Check the operation with "MIRROR MOTOR RH" in the ACTIVE TEST.

Test item	Description
MIRROR MOTOR RH	The mirror motor RH moves the mirror UP/DOWN and LEFT/RIGHT by receiving the drive signal.



Without CONSULT-II

GO TO 3.

OK or NG

- OK >> Mirror motor RH circuit is OK.
- NG >> GO TO 3.

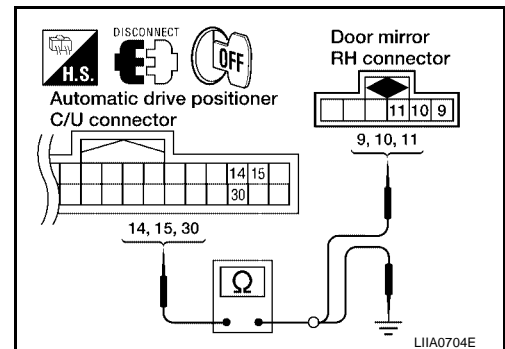
3. CHECK DOOR MIRROR RH CIRCUIT HARNESS CONTINUITY

- Turn ignition switch OFF.
- Disconnect automatic drive positioner control unit and door mirror RH connector.
- Check continuity between automatic drive positioner control unit connector M41 terminals 14, 15, 30 and door mirror RH connector D113 terminals 9, 10, 11.

- 14 (GR/R) – 10 (GR/R) : Continuity should exist.**
- 15 (V/W) – 9 (V/W) : Continuity should exist.**
- 30 (SB) – 11 (SB) : Continuity should exist.**

- Check continuity between automatic drive positioner control unit connector M41 terminals 14, 15, 30 and ground.

- 14 (GR/R) – Ground : Continuity should not exist.**
- 15 (V/W) – Ground : Continuity should not exist.**
- 30 (SB) – Ground : Continuity should not exist.**



OK or NG

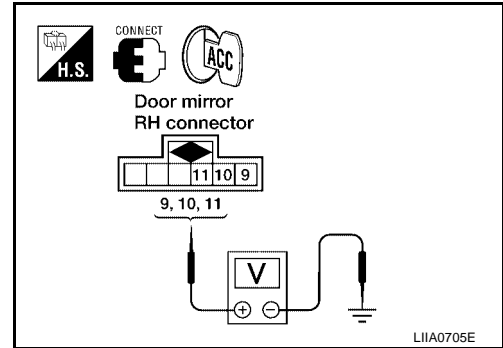
- OK >> GO TO 4.
- NG >> Repair or replace harness.

AUTOMATIC DRIVE POSITIONER

4. CHECK MIRROR MOTOR SIGNAL

1. Turn ignition switch to ACC.
2. Check voltage between door mirror RH connector and ground.

Connector	Terminals (Wire color)		Condition	Voltage (V) (Approx.)
	(+)	(-)		
D113	10 (GR/R)	Ground	Mirror motor is operated UP	1.5 - Battery voltage
			Other than above	0
	9 (V/W)		Mirror motor is operated LEFT	1.5 - Battery voltage
			Other than above	0
	11 (SB)		Mirror motor is operated DOWN or RIGHT	1.5 - Battery voltage
			Other than above	0



OK or NG

- OK >> Replace door mirror motor RH. Refer to [GW-108, "Door Mirror Assembly"](#) .
- NG >> Repair or replace harness.

AUTOMATIC DRIVE POSITIONER

EIS001ZV

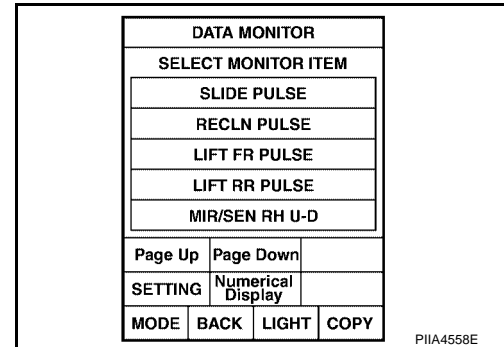
Sliding Sensor Circuit Inspection

1. CHECK FUNCTION

With CONSULT-II

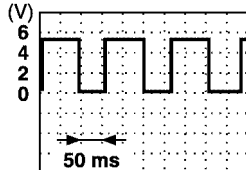
Check operation with "SLIDE PULSE" on the DATA MONITOR to make sure the pulse changes.

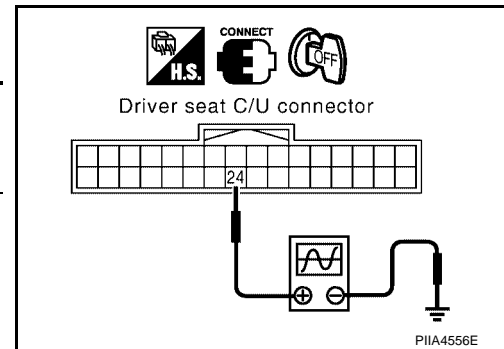
Monitor item [OPERATION or UNIT]	Contents	
SLIDE PULSE	—	The seat sliding position (pulse) judged from the sliding sensor signal is displayed



Without CONSULT-II

- Turn ignition switch OFF.
- Check signal between driver seat control unit connector and ground, with oscilloscope.

Connector	Terminals (Wire color)		Condition	Signal
	(+)	(-)		
P2	24 (Y/G)	Ground	Sliding motor operation	 <p style="text-align: right;">PIIA3277E</p>



OK or NG

- OK >> Sliding sensor circuit is OK.
- NG >> GO TO 2.

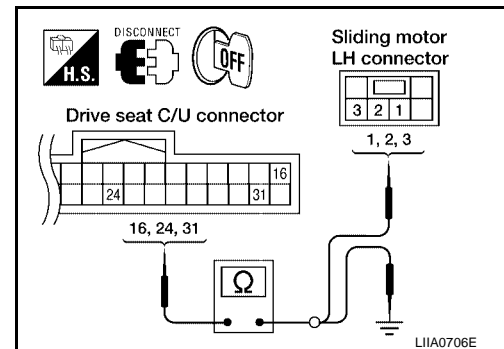
2. CHECK SLIDING SENSOR CIRCUIT HARNESS CONTINUITY

- Disconnect driver seat control unit connector and sliding motor LH connector.
- Check continuity between driver seat control unit connector P2 terminals 16, 24, 31 and sliding motor P4 terminals 1, 2, 3.

- 16 (L) – 3 (L) : Continuity should exist.**
- 24 (Y/G) – 2 (Y/G) : Continuity should exist.**
- 31 (Y) – 1 (Y) : Continuity should exist.**

- Check continuity between driver seat control unit P2 terminals 16, 24, 31 and ground.

- 16 (L) – Ground : Continuity should not exist.**
- 24 (Y/G) – Ground : Continuity should not exist.**
- 31 (Y) – Ground : Continuity should not exist.**



OK or NG

- OK >> Replace sliding motor. Refer to [SE-89, "FRONT SEAT"](#).
- NG >> Repair or replace harness.

AUTOMATIC DRIVE POSITIONER

EIS001ZW

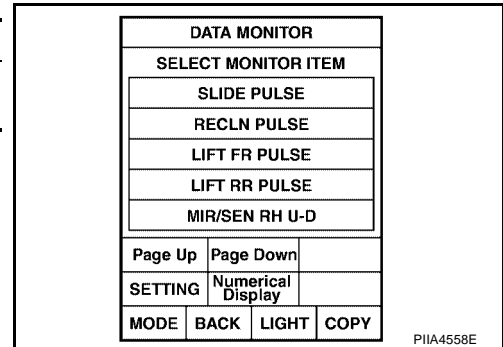
Reclining Sensor Circuit Inspection

1. CHECK FUNCTION

With CONSULT-II

Check operation with "RECLN PULSE" on the DATA MONITOR to make sure the pulse changes.

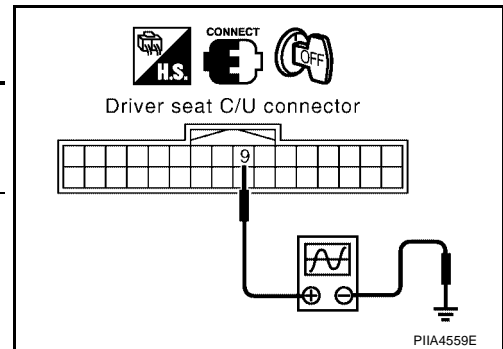
Monitor item [POERATION or UNIT]	Contents	
RECLN PULSE	—	The seat reclining position (pulse) judged from the reclining sensor is displayed



Without CONSULT-II

- Turn ignition switch OFF.
- Check signal between driver seat control unit connector and ground, with oscilloscope.

Connector	Terminals (Wire color)		Condition	Signal
	(+)	(-)		
P2	9 (L)	Ground	Reclining motor operation	



OK or NG

- OK >> Reclining sensor circuit is OK.
- NG >> GO TO 2.

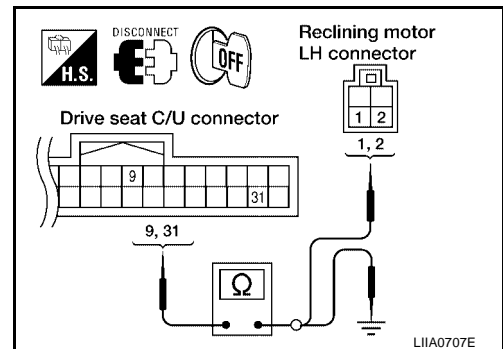
2. CHECK RECLINING SENSOR CIRCUIT HARNESS CONTINUITY

- Disconnect driver seat control unit and reclining motor LH.
- Check continuity between driver seat control unit connector P2 terminals 9, 31 and reclining motor LH connector B311 terminals 1, 2.

- 9 (L) – 2 (L) : Continuity should exist.**
- 31 (Y) – 1 (Y) : Continuity should exist.**

- Check continuity between driver seat control unit connector P2 terminals 9, 31 and ground.

- 9 (L) – Ground : Continuity should not exist.**
- 31 (Y) – Ground : Continuity should not exist.**



OK or NG

- OK >> Replace reclining motor. Refer to [SE-89, "FRONT SEAT"](#).
- NG >> Repair or replace harness.

AUTOMATIC DRIVE POSITIONER

Lifting Sensor (Front) Circuit Inspection

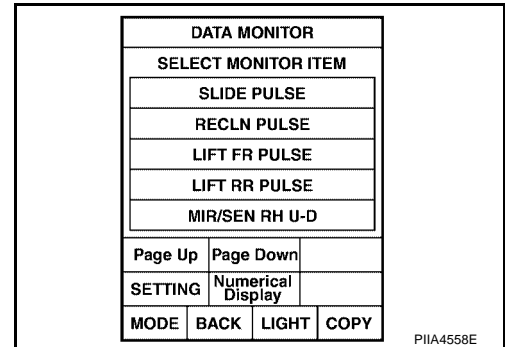
EIS001ZX

1. CHECK FUNCTION

With CONSULT-II

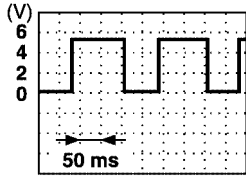
Check operation with "LIFT FR PULSE" on the DATA MONITOR to make sure the pulse changes.

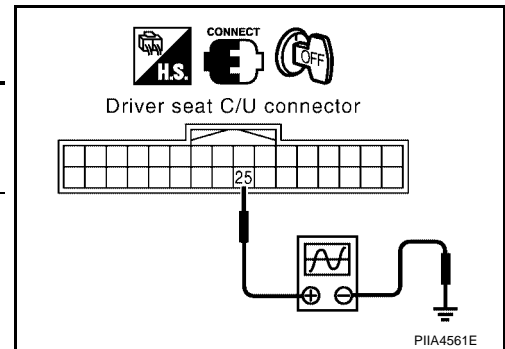
Monitor item [OPERATION or UNIT]	Contents
LIFT FR PULSE	—
	The front lifting position (pulse) judged from the lifting sensor (front) is displayed



Without CONSULT-II

- Turn ignition switch OFF.
- Check signal between driver seat control unit connector and ground, with oscilloscope.

Connector	Terminals (Wire color)		Condition	Signal
	(+)	(-)		
P2	25 (R/L)	Ground	Lifting motor (front) operation	 <p>50 ms</p>



OK or NG

- OK >> Front lifting sensor is OK.
- NG >> GO TO 2.

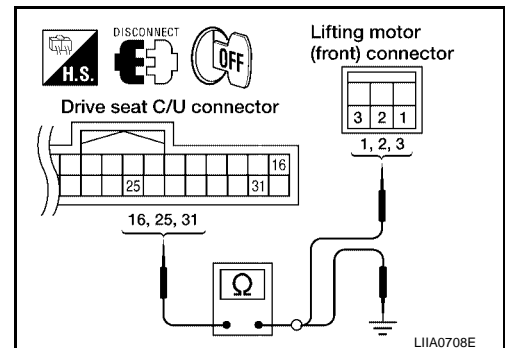
2. CHECK FRONT LIFTING SENSOR CIRCUIT HARNESS CONTINUITY

- Disconnect driver seat control unit and lifting motor (front).
- Check continuity between driver seat control unit connector P2 terminals 16, 25, 31 and lifting motor (front) connector P6 terminals 1, 2, 3.

- 16 (L) – 3 (L) : Continuity should exist.**
- 25 (R/L) – 2 (R/L) : Continuity should exist.**
- 31 (Y) – 1 (Y) : Continuity should exist.**

- Check continuity between driver seat control unit connector P2 terminals 16, 25, 31 and ground.

- 16 (L) – Ground : Continuity should not exist.**
- 25 (R/L) – Ground : Continuity should not exist.**
- 31 (Y) – Ground : Continuity should not exist.**



OK or NG

- OK >> Replace lifting motor (front). Refer to [SE-89, "FRONT SEAT"](#).
- NG >> Repair or replace harness.

AUTOMATIC DRIVE POSITIONER

EIS001ZY

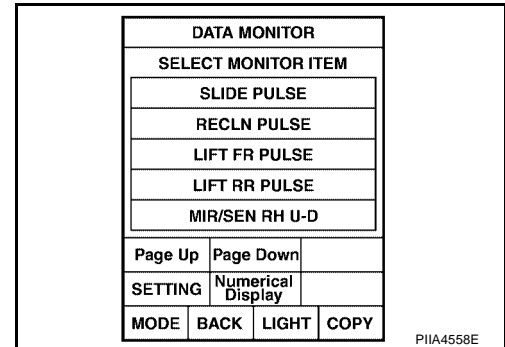
Lifting Sensor (Rear) Circuit Inspection

1. CHECK REAR END LIFTING SENSOR INPUT/OUTPUT SIGNAL

With CONSULT-II

Check operation with "LIFT RR PULSE" on the DATA MONITOR to make sure pulse changes.

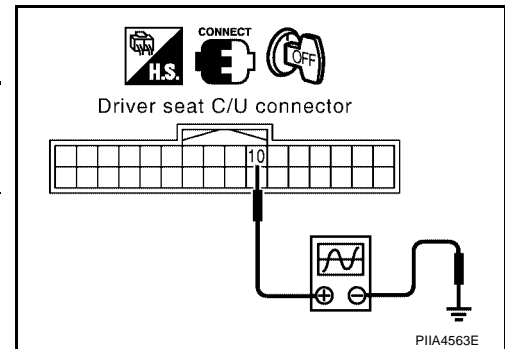
Monitor item [OPERATION or UNIT]		
LIFT RR PULSE	—	The rear lifting position (pulse) judged from the lifting sensor (rear) is displayed.



Without CONSULT-II

- Turn ignition switch OFF.
- Check signal between driver seat control unit connector and ground, with oscilloscope.

Connector	Terminals (Wire color)		Condition	Signal
	(+)	(-)		
P2	10 (L/Y)	Ground	Lifting motor (rear) operation	



OK or NG

- OK >> Rear lifting sensor circuit is OK.
- NG >> GO TO 2.

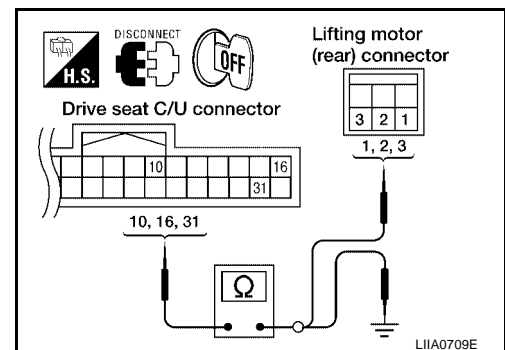
2. CHECK REAR LIFTING SENSOR CIRCUIT HARNESS CONTINUITY

- Disconnect driver seat control unit and lifting motor (rear).
- Check continuity between driver seat control unit connector P2 terminals 10, 16, 31 and lifting motor (rear) connector P7 terminals 1, 2, 3.

- 10 (L/Y) – 2 (L/Y) : Continuity should exist.**
- 16 (L) – 3 (L) : Continuity should exist.**
- 31 (Y) – 1 (Y) : Continuity should exist.**

- Check continuity between driver seat control unit connector P2 terminals 10, 16, 31 and ground.

- 10 (L/Y) – Ground : Continuity should not exist.**
- 16 (L) – Ground : Continuity should not exist.**
- 31 (Y) – Ground : Continuity should not exist.**



OK or NG

- OK >> Replace lifting motor (rear). Refer to [SE-89, "FRONT SEAT"](#).
- NG >> Repair or replace harness.

AUTOMATIC DRIVE POSITIONER

EIS001ZZ

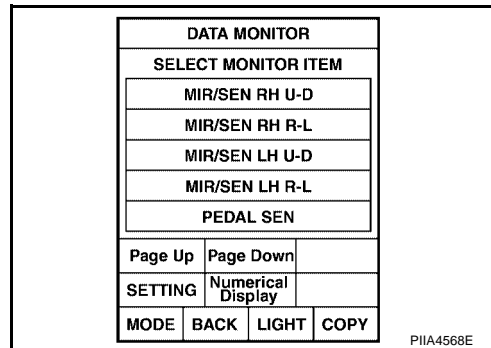
Pedal Adjusting Sensor Circuit Inspection

1. CHECK FUNCTION

④ With CONSULT-II

Operate the pedal adjusting switch with "PEDAL SEN" on the DATA MONITOR to make sure the voltage changes.

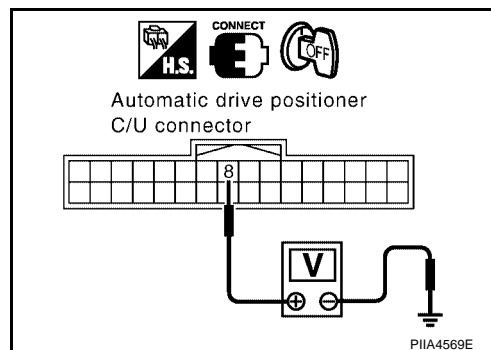
Monitor item [OPERATION or UNIT]		Contents
PEDAL SEN	"V"	The pedal adjusting position (voltage) judged from the pedal adjust sensor signal is displayed.



⊗ Without CONSULT-II

1. Turn ignition switch OFF.
2. Check voltage between automatic drive positioner control unit connector and ground.

Connector	Terminals (Wire color)		Condition	Voltage (V) (Approx.)
	(+)	(-)		
M41	8 (W/R)	Ground	Pedal front end position	0.5
			Pedal back end position	4.5



OK or NG

- OK >> Pedal adjusting sensor circuit is OK.
- NG >> GO TO 2.

AUTOMATIC DRIVE POSITIONER

2. CHECK PEDAL ADJUSTING SENSOR CIRCUIT HARNESS CONTINUITY

1. Disconnect automatic drive positioner control unit and pedal adjusting sensor.
2. Check continuity between automatic drive positioner connector M41, M42 terminals 8, 33, 41 and pedal adjusting sensor connector E110 terminals 1, 2, 3.

8 (W/R) – 2 (W/R) : Continuity should exist.

33 (W/L) – 1 (W/L) : Continuity should exist.

41 (V) – 3 (V) : Continuity should exist.

3. Check continuity between automatic drive positioner control unit connector M41, M42 terminals 8, 33, 41 and ground.

8 (W/R) – Ground : Continuity should not exist.

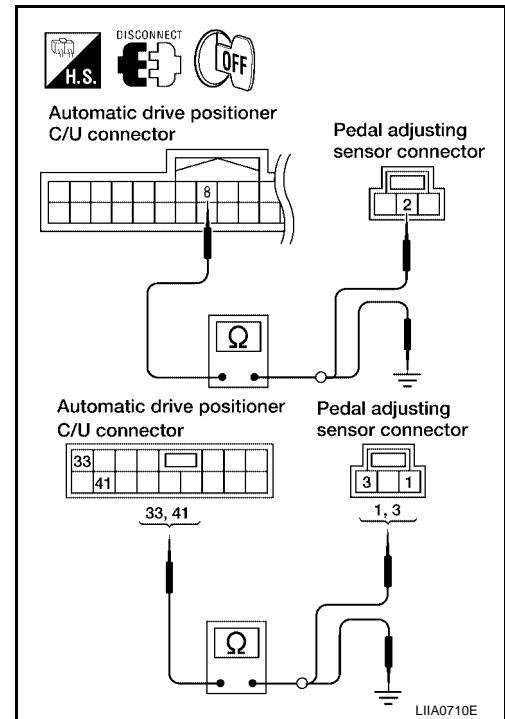
33 (W/L) – Ground : Continuity should not exist.

41 (V) – Ground : Continuity should not exist.

OK or NG

OK >> Replace pedal adjusting motor. Refer to [SE-81](#), "[Removal and Installation](#)".

NG >> Repair or replace harness.



LIA0710E

E/IS00200

Mirror Sensor LH Circuit Check

1. CHECK DOOR MIRROR FUNCTION

Check the following items.

Operation malfunction in memory control

NOTE:

If a door mirror face position is set to an implausible angle, the set position may not be reproduced.

OK or NG

OK >> GO TO 2.

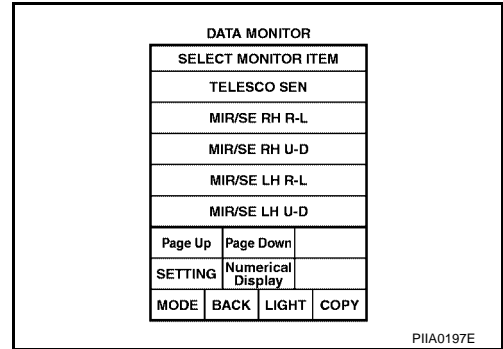
NG >> Repair the malfunctioning parts, and check the symptom again.

AUTOMATIC DRIVE POSITIONER

2. CHECK MIRROR SENSOR INSPECTION

With CONSULT-II

Check that "ON" is displayed on "MIR/SE LH R-L, MIR/SE LH U-D" in the DATA MONITOR.

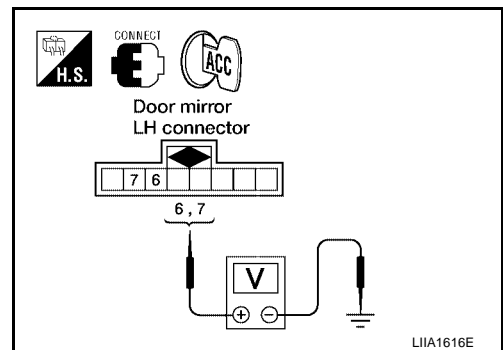


Monitor item [OPERATION or UNIT]		Contents
MIR/SEN LH R-L	"V"	Voltage output from door mirror LH sensor (LH/RH) is displayed.
MIR/SEN LH U-D	"V"	Voltage output from door mirror LH sensor (UP/DOWN) is displayed.

Without CONSULT-II

- Turn ignition switch to ACC.
- Check voltage between door mirror LH connector and ground.

Con-connector	Terminals (Wire color)		Condition	Voltage (V) (Approx.)
	(+)	(-)		
D4	7 (G)	Ground	When motor is LEFT or RIGHT operation	Changes between 3.4 (close to right edge) – 0.6 (close to left edge)
	6 (L/Y)		When motor is UP or DOWN operation	Changes between 3.4 (close to peak) – 0.6 (close to valley)



OK or NG

- OK >> Mirror sensor LH is OK.
- NG >> GO TO 3.

3. CHECK HARNESS CONTINUITY 1

- Disconnect automatic drive positioner control unit and door mirror LH.
- Check continuity between automatic drive positioner control unit connector M42 terminals 33, 41 and door mirror LH connector D2 terminals 5, 8.

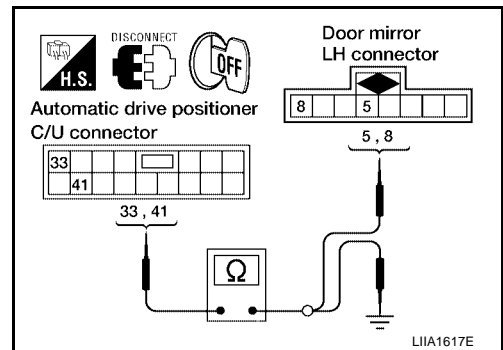
- 33 (W/L) – 5 (W/L) : Continuity should exist.**
- 41 (V) – 8 (V) : Continuity should exist.**

- Check continuity between automatic drive positioner control unit connector M42 terminals 33, 41 and ground.

- 33 (W/L) – Ground : Continuity should not exist.**
- 41 (V) – Ground : Continuity should not exist.**

OK or NG

- OK >> GO TO 4.
- NG >> Repair or replace harness.



AUTOMATIC DRIVE POSITIONER

4. CHECK HARNESS CONTINUITY 2

1. Disconnect automatic drive positioner control unit and door mirror LH.
2. Check continuity between automatic drive positioner control unit connector M41 terminals 6, 22 and door mirror LH connector D4 terminals 6, 7.

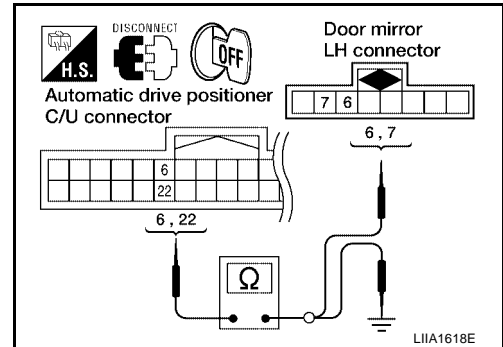
6 (L/Y) – 6 (L/Y) : Continuity should exist.
22 (G) – 7 (G) : Continuity should exist.

3. Check continuity between automatic drive positioner control unit connector M41 terminals 6, 22 and ground.

6 (L/Y) – Ground : Continuity should not exist.
22 (G) – Ground : Continuity should not exist.

OK or NG

- OK >> Replace door mirror LH. Refer to [GW-108, "Door Mirror Assembly"](#).
 NG >> Repair or replace harness.



Mirror Sensor RH Circuit Check

EIS00201

1. CHECK DOOR MIRROR FUNCTION

Check the following items.
 Operation malfunction in memory control

NOTE:

If a door mirror face position is set to an implausible angle, the set position may not be reproduced.

OK or NG

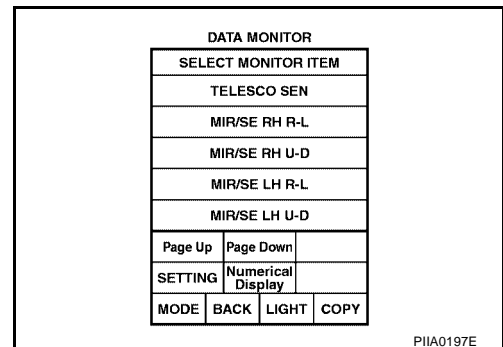
- OK >> GO TO 2.
 NG >> Repair the malfunctioning parts, and check the symptom again.

2. CHECK MIRROR SENSOR INSPECTION

Ⓟ With CONSULT-II

Check that "ON" is displayed on "MIR/SE RH R-L, MIR/SE RH U-D" in the DATA MONITOR.

Monitor item [OPERATION or UNIT]		Contents
MIR/SEN RH R-L	"V"	Voltage output from door mirror RH sensor (LH/RH) is displayed.
MIR/SEN RH U-D	"V"	Voltage output from door mirror RH sensor (UP/DOWN) is displayed.



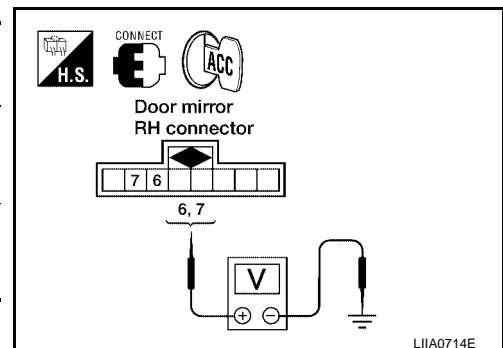
ⓧ Without CONSULT-II

1. Turn ignition switch to ACC.
2. Check voltage between door mirror RH connector and ground.

Con-connector	Terminals (Wire color)		Condition	Voltage(V) (Approx.)
	(+)	(-)		
D107	7 (L/W)	Ground	When motor is LEFT or RIGHT operation	Changes between 3.4 (close to left edge) – 0.6 (close to right edge)
	6 (R/B)		When motor is UP or DOWN operation	Changes between 3.4 (close to peak) – 0.6 (close to valley)

OK or NG

- OK >> Mirror sensor RH is OK.
 NG >> GO TO 3.



AUTOMATIC DRIVE POSITIONER

3. CHECK HARNESS CONTINUITY 1

1. Disconnect automatic drive positioner control unit and door mirror RH.
2. Check continuity between automatic drive positioner control unit connector M42 terminals 33, 41 and door mirror RH connector D107 terminals 5, 8.

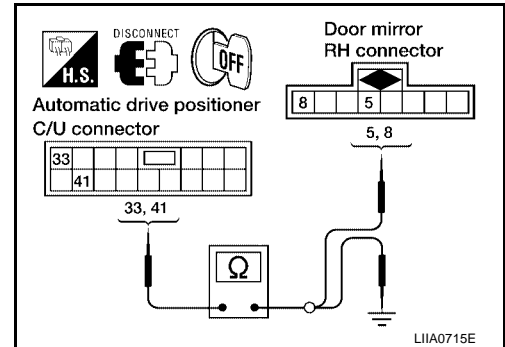
33 (W/L) – 5 (W/L) : Continuity should exist.
41 (V) – 8 (V) : Continuity should exist.

3. Check continuity between automatic drive positioner control unit connector M42 terminals 33, 41 and ground.

33 (W/L) – Ground : Continuity should not exist.
41 (V) – Ground : Continuity should not exist.

OK or NG

- OK >> GO TO 4.
NG >> Repair or replace harness.



4. CHECK HARNESS CONTINUITY 2

1. Disconnect automatic drive positioner control unit and door mirror RH.
2. Check continuity between automatic drive positioner control unit connector M41 terminals 5, 21 and door mirror RH connector D107 terminals 6, 7.

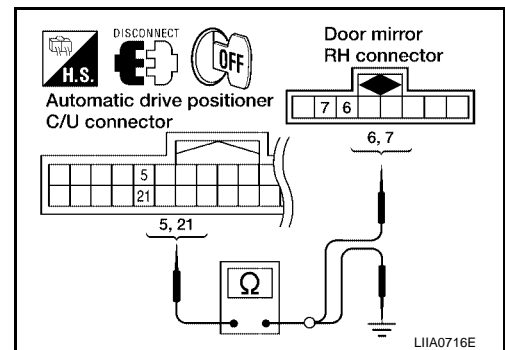
5 (R/B) – 6 (R/B) : Continuity should exist.
21 (L/W) – 7 (L/W) : Continuity should exist.

3. Check continuity between automatic drive positioner control unit connector M41 terminals 5, 21 and ground.

5 (R/B) – Ground : Continuity should not exist.
21 (L/W) – Ground : Continuity should not exist.

OK or NG

- OK >> Replace door mirror RH. Refer to [GW-108, "Door Mirror Assembly"](#).
NG >> Repair or replace harness.



AUTOMATIC DRIVE POSITIONER

EIS00202

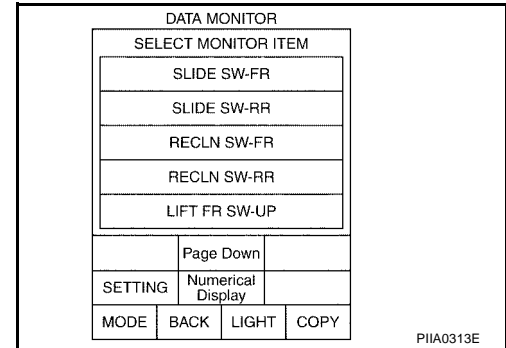
Sliding Switch Circuit Inspection

1. CHECK FUNCTION

④ With CONSULT-II

With "SLIDE SW-FR, SLIDE SW-RR" on the DATA MONITOR, operate the sliding switch to check ON/OFF operation.

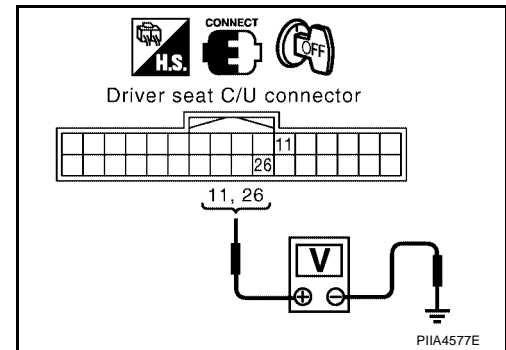
Monitor item [OPERATION or UNIT]		Contents
SLIDE SW-FR	"ON/OFF"	ON / OFF status judged from the sliding switch (FR) signal is displayed.
SLIDE SW-RR	"ON/OFF"	ON / OFF status judged from the sliding switch (RR) signal is displayed.



⊗ Without CONSULT-II

1. Turn ignition switch OFF.
2. Check voltage between driver seat control unit connector and ground.

Connector	Terminal (Wire color)		Condition	Voltage (V) (Approx.)
	(+)	(-)		
P2	11 (R/B)	Ground	Sliding switch ON (BACKWARD operation)	0
			Other than above	Battery voltage
	26 (P/B)		Sliding switch ON (FORWARD operation)	0
			Other than above	Battery voltage



OK or NG

- OK >> Sliding switch circuit is OK.
 NG >> GO TO 2.

2. CHECK SLIDING SWITCH CIRCUIT HARNESS CONTINUITY

1. Disconnect driver seat control unit connector and power seat switch LH connector.
2. Check continuity between driver seat control unit connector P2 terminals 11, 26 and power seat switch LH connector P8 terminals 1, 7.

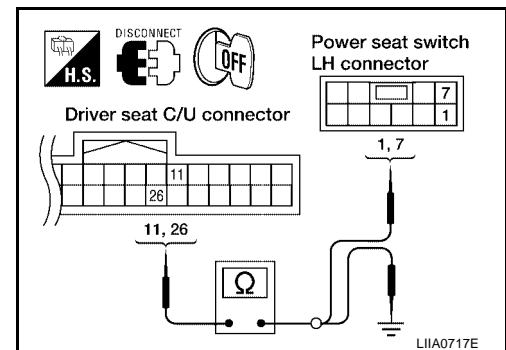
11 (R/B) – 7 (R/B) : Continuity should exist.

26 (P/B) – 1 (P/B) : Continuity should exist.

3. Check continuity between driver seat control unit connector P2 terminals 11, 26 and ground.

11 (R/B) – Ground : Continuity should not exist.

26 (P/B) – Ground : Continuity should not exist.



OK or NG

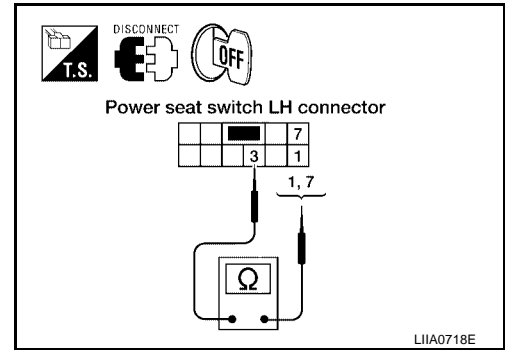
- OK >> GO TO 3.
 NG >> Repair or replace harness.

AUTOMATIC DRIVE POSITIONER

3. CHECK SLIDING SWITCH

Check continuity between power seat switch LH as follows.

Connector	Terminal		Condition	Continuity
	(+)	(-)		
P8	7	3	Sliding switch ON (BACKWARD operation)	Yes
			Other than above	No
	1		Sliding switch ON (FORWARD operation)	Yes
			Other than above	No



OK or NG

- OK >> Check the condition of the harness and connector.
- NG >> Replace power seat switch LH. Refer to [SE-89, "FRONT SEAT"](#).

Reclining Switch Inspection

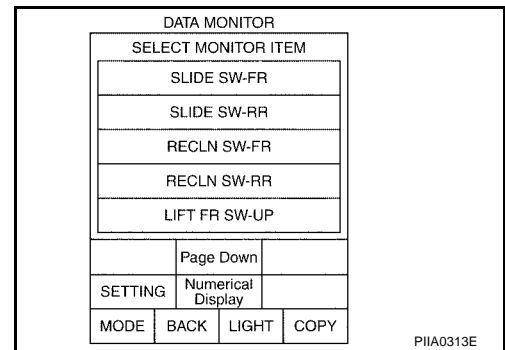
E/S00203

1. CHECK FUNCTION

Ⓜ With CONSULT-II

With "RECLN SW-FR, RECLN SW-RR" on the DATA MONITOR, operate the reclining switch to check ON/OFF operation.

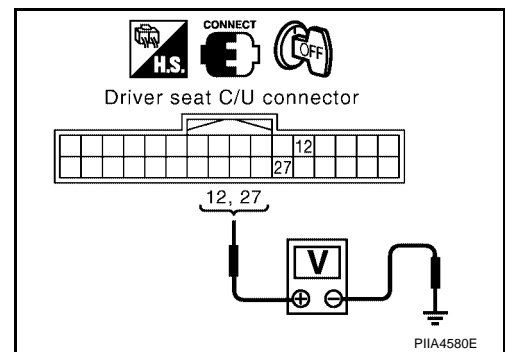
Monitor item [OPERATION or UNIT]		Contents
RECLN SW-FR	"ON/OFF"	ON/OFF status judged from the reclining switch (FR) signal is displayed.
RECLN SW-RR	"ON/OFF"	ON/OFF status judged from the reclining switch (RR) signal is displayed.



⊗ Without CONSULT-II

1. Turn ignition switch OFF.
2. Check voltage between driver seat control unit connector and ground.

Connector	Terminals (Wire color)		Condition	Voltage (V) (Approx.)
	(+)	(-)		
P2	12 (O/B)	Ground	Reclining switch ON (BACKWARD operation)	0
			Other than above	Battery voltage
	27 (G/B)		Reclining switch ON (FORWARD operation)	0
			Other than above	Battery voltage



OK or NG

- OK >> Reclining switch circuit is OK.
- NG >> GO TO 2.

AUTOMATIC DRIVE POSITIONER

2. CHECK RECLINING SWITCH CIRCUIT HARNESS CONTINUITY

1. Disconnect driver seat control unit and power seat switch LH.
2. Check continuity between driver seat control unit connector P2 terminals 12, 27 and power seat switch LH connector P8 terminals 9, 10.

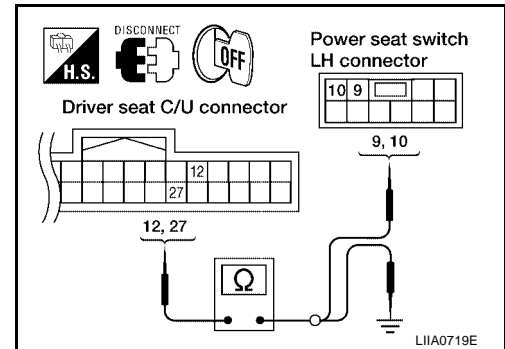
12 (O/B) – 9 (O/B) : Continuity should exist.

27 (G/B) – 10 (G/B) : Continuity should exist.

3. Check continuity between driver seat control unit connector P2 terminals 12, 27 and ground.

12 (O/B) – Ground : Continuity should not exist.

27 (G/B) – Ground : Continuity should not exist.



OK or NG

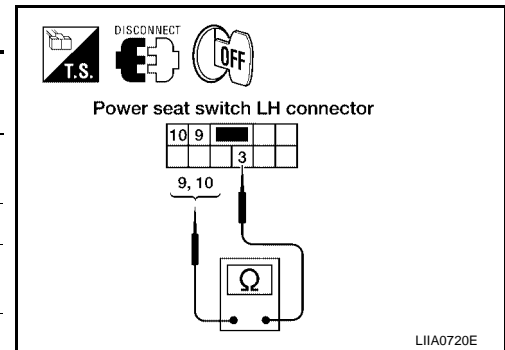
OK >> GO TO 3.

NG >> Repair or replace harness.

3. RECLINING SWITCH INSPECTION

Check continuity between power seat switch LH as follows.

Connector	Terminal		Condition	Continuity
	(+)	(-)		
P8	9	3	Reclining switch ON (BACKWARD operation)	Yes
			Other than above	No
	10		Reclining switch ON (FORWARD operation)	Yes
			Other than above	No



OK or NG

OK >> Check the condition of the harness and connector.

NG >> Replace power seat switch LH. Refer to [SE-89, "FRONT SEAT"](#) .

AUTOMATIC DRIVE POSITIONER

EIS00204

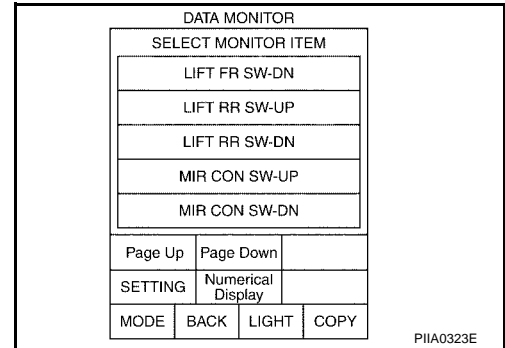
Lifting Switch (Front) Circuit Inspection

1. CHECK FUNCTION

With CONSULT-II

With "LIFT FR SW-UP, LIFT FR SW-DN" on the DATA MONITOR, operate the lifting switch (front) to check ON/OFF operation.

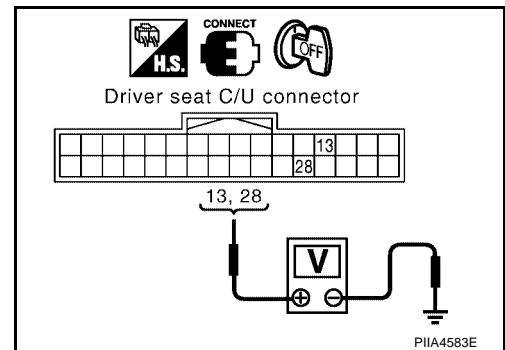
Monitor item [OPERATION or UNIT]		Contents
LIFT FR SW-DN	"ON/OFF"	ON / OFF status judged from the FR lifter switch (DOWN) signal is displayed.
LIFT RR SW-UP	"ON/OFF"	ON / OFF status judged from the RR lifter switch (UP) signal is displayed.



Without CONSULT-II

- Turn ignition switch OFF.
- Check voltage between driver seat control unit connector and ground.

Connector	Terminals (Wire color)		Condition	Voltage (V) (Approx.)
	(+)	(-)		
P2	13 (L/B)	Ground	Lifting switch (front) ON (DOWN operation)	0
			Other than above	Battery voltage
	28 (Y/B)		Lifting switch (front) ON (UP operation)	0
			Other than above	Battery voltage



OK or NG

- OK >> Lifting switch (front) circuit is OK.
 NG >> GO TO 2.

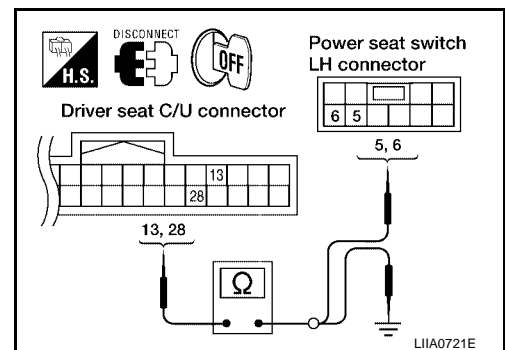
2. CHECK LIFTING SWITCH (FRONT) CIRCUIT HARNESS CONTINUITY

- Disconnect driver seat control unit and power seat switch LH.
- Check continuity between driver seat control unit connector P2 terminals 13, 28 and power seat switch LH connector P2 terminals 5, 6.

- 13 (L/B) – 5 (L/B) : Continuity should exist.**
28 (Y/B) – 6 (Y/B) : Continuity should exist.

- Check continuity between driver seat control unit connector P2 terminals 13, 28 and ground

- 13 (L/B) – Ground : Continuity should not exist.**
28 (Y/B) – Ground : Continuity should not exist.



OK or NG

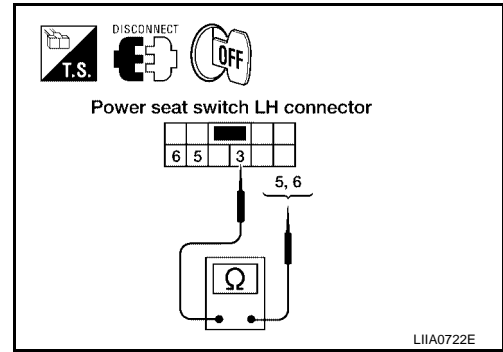
- OK >> GO TO 3.
 NG >> Repair or replace harness.

AUTOMATIC DRIVE POSITIONER

3. CHECK LIFTING SWITCH (FRONT)

Check continuity between power seat switch LH as follows.

Connector	Terminals		Condition	Continuity
	(+)	(-)		
P8	5	3	Lifting switch (front) ON (DOWN operation)	Yes
			Other than above	No
	6		Lifting switch (front) ON (UP operation)	Yes
			Other than above	No



OK or NG

- OK >> Check the condition of the harness and connector.
- NG >> Replace power seat switch LH. Refer to [SE-89, "FRONT SEAT"](#) .

Lifting Switch (Rear) Circuit Inspection

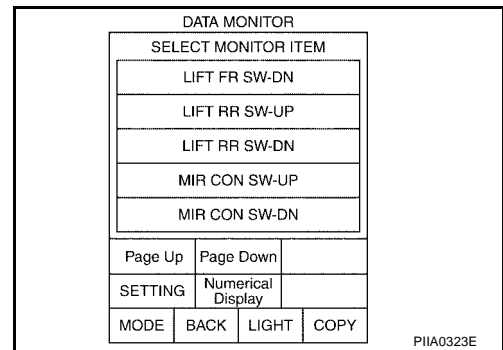
EIS00205

1. CHECK FUNCTION

Ⓟ With CONSULT-II

With "LIFT RR SW-UP, LIFT RR SW-DN" on the DATA MONITOR, operate the rear lifting switch to check ON/OFF operation.

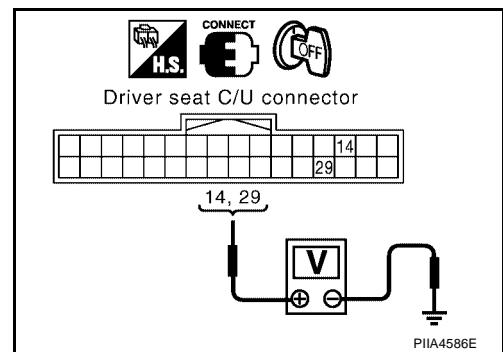
Monitor item [OPERATION or UNIT]		Contents
LIFT RR SW-UP	"ON/OFF"	Operation (ON)/open (OFF) status judged from the RR lifter switch (UP) signal is displayed.
LIFT RR SW-DN	"ON/OFF"	Operation (ON)/open (OFF) status judged from the RR lifter switch (DOWN) signal is displayed.



⊗ Without CONSULT-II

1. Turn ignition switch OFF.
2. Check voltage between driver seat control unit connector and ground.

Connector	Terminals (Wire color)		Condition	Voltage (V) (Approx.)
	(+)	(-)		
P2	14 (G/W)	Ground	Lifting switch (rear) ON (DOWN operation)	0
			Other than above	Battery voltage
	29 (R/W)		Lifting switch (rear) ON (UP operation)	0
			Other than above	Battery voltage



OK or NG

- OK >> Rear lifting switch circuit is OK.
- NG >> GO TO 2.

AUTOMATIC DRIVE POSITIONER

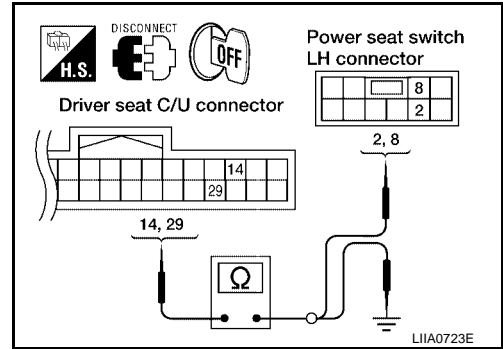
2. CHECK LIFTING SWITCH (REAR) CIRCUIT HARNESS CONTINUITY

1. Disconnect driver seat control unit and power seat switch LH.
2. Check continuity between driver seat control unit connector P2 terminals 14, 29 and power seat switch connector P8 terminals 2, 8.

14 (G/W) – 8 (G/W) : Continuity should exist.
29 (R/W) – 2 (R/W) : Continuity should exist.

3. Check continuity between driver seat control unit connector P2 terminals 14, 29 and ground.

14 (G/W) – Ground : Continuity should not exist.
29 (R/W) – Ground : Continuity should not exist.



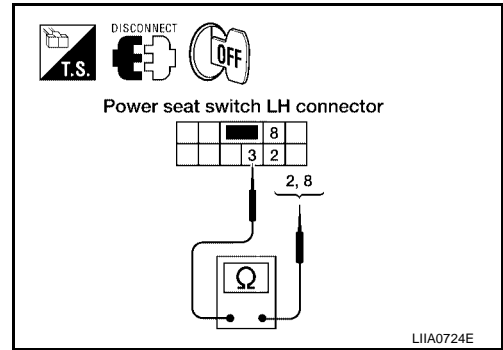
OK or NG

- OK >> GO TO 3.
- NG >> Repair or replace harness.

3. CHECK LIFTING SWITCH (REAR)

Check continuity between power seat switch LH as follows.

Connector	Terminals		Condition	Continuity
	(+)	(-)		
P8	8	3	Lifting switch (rear) ON (DOWN operation)	Yes
			Other than above	No
	2		Lifting switch (rear) ON (UP operation)	Yes
			Other than above	No



OK or NG

- OK >> Check the condition of the harness and connector.
- NG >> Replace power seat switch LH. Refer to [SE-89, "FRONT SEAT"](#).

Power Seat Switch Ground Inspection

EIS00206

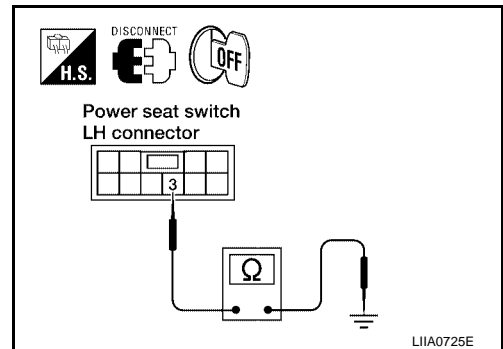
1. CHECK POWER SEAT SWITCH GROUND CIRCUIT

Check continuity between power seat switch LH connector B305 terminal 3 and ground.

3 (B) – Ground : Continuity should exist.

OK or NG

- OK >> Check the condition of the harness and connector.
- NG >> Repair or replace harness.



AUTOMATIC DRIVE POSITIONER

EIS00207

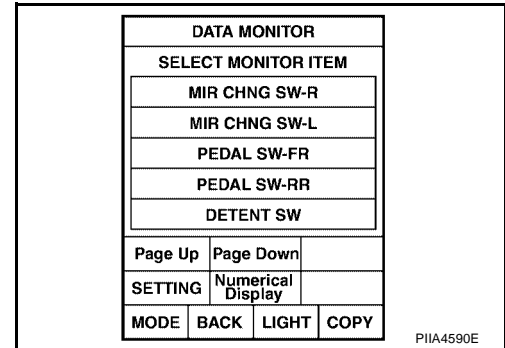
Pedal Adjusting Switch Circuit Inspection

1. CHECK FUNCTION

④ With CONSULT-II

With "PEDAL SW-FR, PEDAL SW-RR" on the DATA MONITOR, operate the pedal adjusting switch to check ON/OFF operation.

Monitor item [OPERATION or UNIT]		Contents
PEDAL SW-FR	"ON/OFF"	Operation (ON)/open (OFF) status judged from the pedal adjusting switch (FR) signal is displayed.
PEDAL SW-RR	"ON/OFF"	Operation (ON)/open (OFF) status judged from the pedal adjusting switch (RR) signal is displayed.

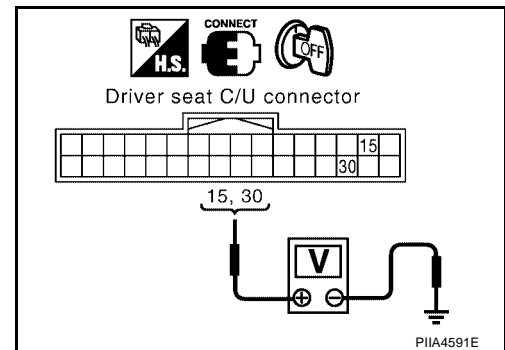


PIA4590E

⊗ Without CONSULT-II

- Turn ignition switch OFF.
- Check voltage between driver seat control unit connector and ground.

Connector	Terminals (Wire color)		Condition	Voltage (V) (Approx.)
	(+)	(-)		
P2	15 (G/Y)	Ground	Pedal adjusting switch ON (BACKWARD operation)	0
			Other than above	Battery voltage
	30 (V)		Pedal adjusting switch ON (FORWARD operation)	0
			Other than above	Battery voltage



OK or NG

- OK >> Pedal adjusting switch circuit is OK.
 NG >> GO TO 2.

2. CHECK PEDAL ADJUSTING SWITCH CIRCUIT HARNESS CONTINUITY

- Disconnect driver seat control unit and pedal adjusting switch.
- Check continuity between driver seat control unit connector P2 terminals 15, 30 and pedal adjusting switch connector B22 terminals 2, 3.

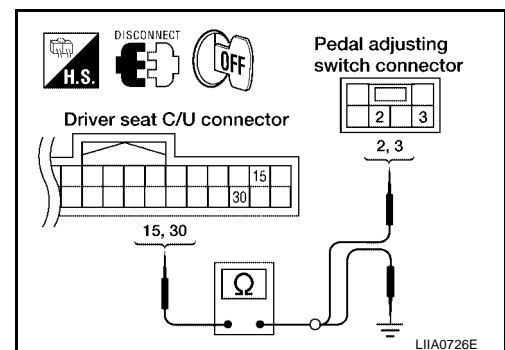
15 (G/Y) – 2 (G/Y) : Continuity should exist.

30 (V) – 3 (V) : Continuity should exist.

- Check continuity between driver seat control unit connector P2 terminals 15, 30 and ground.

15 (G/Y) – Ground : Continuity should not exist.

30 (V) – Ground : Continuity should not exist.



OK or NG

- OK >> GO TO 3.
 NG >> Repair or replace harness.

AUTOMATIC DRIVE POSITIONER

3. CHECK PEDAL ADJUSTING SWITCH

Check continuity between pedal adjusting switch terminals as follows.

Connector	Terminals		Condition	Continuity
	(+)	(-)		
B22	2	4	Pedal adjusting switch ON (BACKWARD operation)	Yes
			Other than above	No
	3		Pedal adjusting switch ON (FORWARD operation)	Yes
			Other than above	No

OK or NG

OK >> GO TO 4.

NG >> Replace pedal adjusting switch.

4. CHECK PEDAL ADJUSTING SWITCH GROUND CIRCUIT

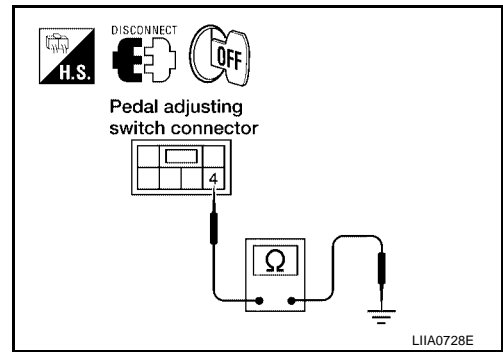
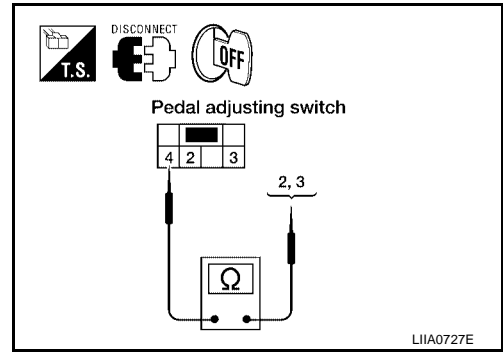
Check continuity between pedal adjusting switch connector B22 terminal 4 and ground.

4 (B) – Ground : Continuity should exist.

OK or NG

OK >> Check the condition of the harness and connector.

NG >> Repair or replace harness.



AUTOMATIC DRIVE POSITIONER

EIS00208

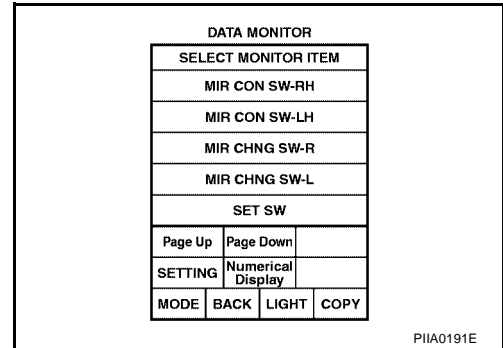
Door Mirror Switch (Changeover Switch) Circuit Check

1. CHECK FUNCTION

Ⓜ With CONSULT-II

Check the operation on "MIR CHNG SW-R" or "MIR CHNG SW-L" in the DATA MONITOR.

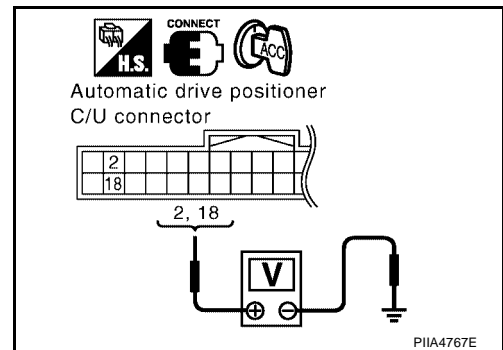
Monitor item [OPERATION or UNIT]		Contents
MIR CHNG SW-R	"ON/OFF"	ON/OFF status judged from the door mirror switch (switching to RIGHT) signal is displayed.
MIR CHNG SW-L	"ON/OFF"	ON/OFF status judged from the door mirror switch (switching to LEFT) signal is displayed.



⊗ Without CONSULT-II

1. Turn ignition switch to ACC.
2. Check voltage between automatic drive positioner control unit connector and ground.

Connector	Terminals (Wire color)		Condition	Voltage (V) (Approx.)
	(+)	(-)		
M41	2 (L/R)	Ground	Changeover switch RIGHT position	0
			Other than above	5
	18 (Y)		Changeover switch LEFT position	0
			Other than above	5



OK or NG

- OK >> Door mirror switch (changeover switch) is OK.
- NG >> GO TO 2.

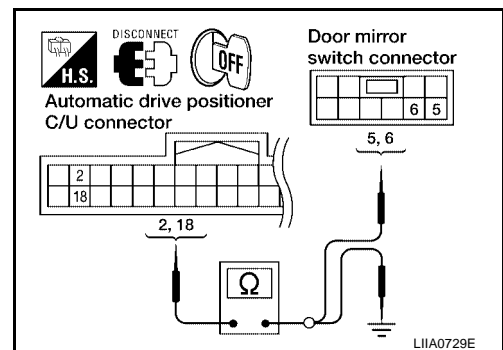
2. CHECK DOOR MIRROR SWITCH CIRCUIT HARNESS CONTINUITY

1. Turn ignition switch OFF.
2. Disconnect automatic drive positioner control unit and door mirror switch .
3. Check continuity between automatic drive positioner control unit connector M41 terminals 2, 18 and door mirror switch connector M7 terminals 5, 6.

2 (L/R) – 5 (L/R) : Continuity should exist.
18 (Y/R) – 6 (Y/R) : Continuity should exist.

4. Check continuity between automatic drive positioner control unit connector M41 terminals 2, 18 and ground.

2 (L/R) – Ground : Continuity should not exist.
18 (Y/R) – Ground : Continuity should not exist.



OK or NG

- OK >> GO TO 3.
- NG >> Repair or replace harness.

AUTOMATIC DRIVE POSITIONER

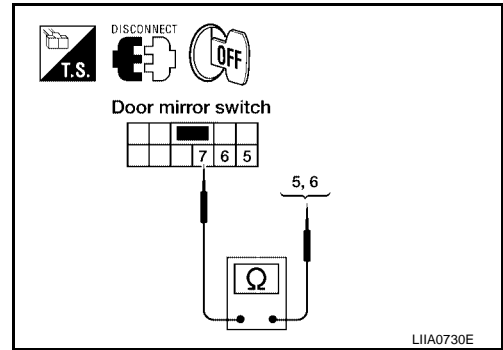
3. CHECK DOOR MIRROR SWITCH (CHANGEOVER SWITCH)

Check continuity between door mirror switch terminals as follows.

Connector	Terminals		Condition	Continuity
	(+)	(-)		
M7	5	7	Changeover switch RIGHT position	Yes
			Other than above	No
	6		Changeover switch LEFT position	Yes
			Other than above	No

OK or NG

- OK >> Check the condition of the harness and the connector.
- NG >> Replace door mirror switch.



Door Mirror Switch (Mirror Switch) Circuit Check

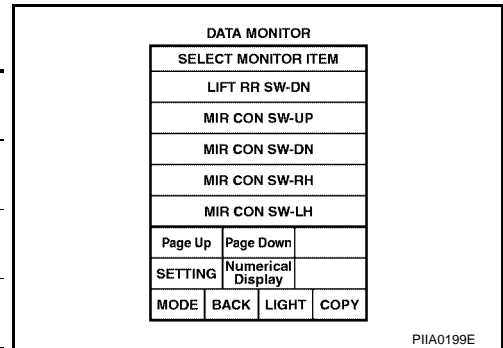
E/S00209

1. CHECK DOOR MIRROR SWITCH (MIRROR SWITCH) SIGNAL

Ⓜ With CONSULT-II

Check the operation on “MIR CON SW-UP/DN” and “MIR CON SW-RH/LH” in the DATA MONITOR.

Monitor item [OPERATION or UNIT]	Contents
MIR CON SW-UP	“ON/OFF” ON/OFF status judged from the door mirror switch (UP) signal is displayed.
MIR CON SW-DN	“ON/OFF” ON/OFF status judged from the door mirror switch (DOWN) signal is displayed.
MIR CON SW-RH	“ON/OFF” ON/OFF status judged from the door mirror switch (RIGHT) signal is displayed.
MIR CON SW-LH	“ON/OFF” ON/OFF status judged from the door mirror switch (LEFT) signal is displayed.



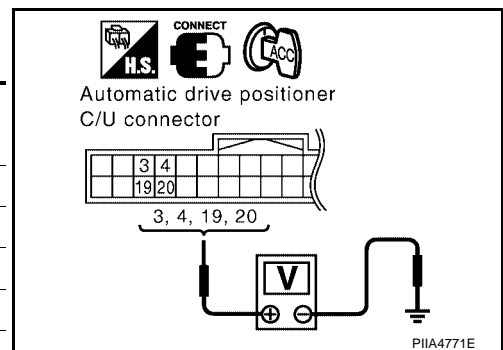
⊗ Without CONSULT-II

- Turn ignition switch to ACC.
- Check voltage between automatic drive positioner control unit connector and ground.

Connector	Terminals (Wire color)		Condition	Voltage (V) (Approx.)
	(+)	(-)		
M41	3 (Y/B)	Ground	Mirror switch UP operation	0
			Other than above	5
	4 (G/B)		Mirror switch LEFT operation	0
			Other than above	5
	19 (L/B)		Mirror switch DOWN operation	0
			Other than above	5
	20 (V)		Mirror switch RIGHT operation	0
			Other than above	5

OK or NG

- OK >> Door mirror switch (mirror switch) circuit is OK.
- NG >> GO TO 2.



AUTOMATIC DRIVE POSITIONER

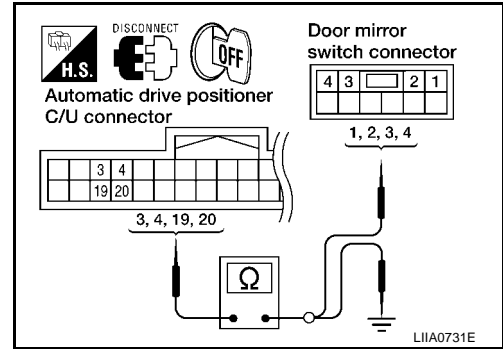
2. CHECK HARNESS CONTINUITY

1. Turn ignition switch OFF.
2. Disconnect automatic drive positioner control unit and door mirror switch.
3. Check continuity between automatic drive positioner control unit connector M41 terminals 3, 4, 19, 20 and door mirror switch connector M66 terminals 1, 2, 3, 4.

- 3 (Y/B) – 3 (Y/B) : Continuity should exist.**
4 (G/B) – 2 (G/B) : Continuity should exist.
19 (L/B) – 4 (L/B) : Continuity should exist.
20 (V) – 1 (V) : Continuity should exist.

4. Check continuity between automatic drive positioner control unit connector M41 terminals 3, 4, 19, 20 and ground.

- 3 (Y/B) – Ground : Continuity should not exist.**
4 (G/B) – Ground : Continuity should not exist.
19 (L/B) – Ground : Continuity should not exist.
20 (V) – Ground : Continuity should not exist.



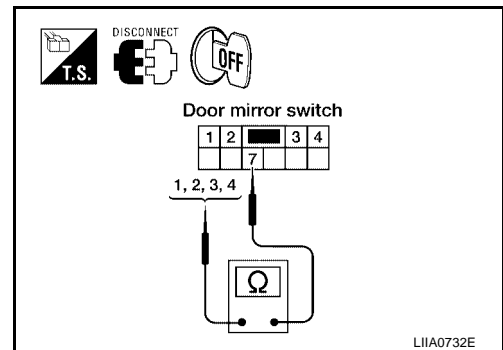
OK or NG

- OK >> GO TO 3.
 NG >> Repair or replace harness.

3. CHECK DOOR MIRROR SWITCH (MIRROR SWITCH)

Check continuity between door mirror switch terminals as follows.

Connector	Terminals	Switch condition	Continuity
M7	1	Mirror switch RIGHT operation	Yes
		Other than above	No
	2	Mirror switch LEFT operation	Yes
		Other than above	No
	3	Mirror switch UP operation	Yes
		Other than above	No
	4	Mirror switch DOWN operation	Yes
		Other than above	No



OK or NG

- OK >> Check the condition of the harness and connector.
 NG >> Replace door mirror switch.

Door Mirror Switch Ground Circuit Inspection

EIS0020A

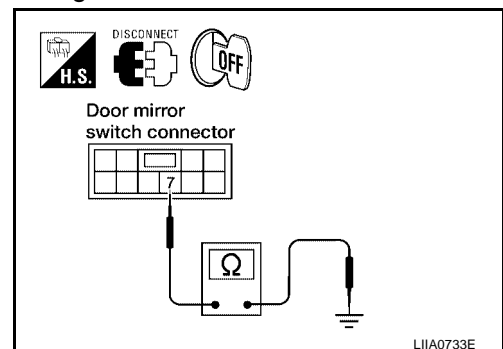
1. CHECK DOOR MIRROR SWITCH GROUND CIRCUIT

Check continuity between door mirror switch connector M7 terminal 7 and ground.

- 7 (B) - Ground : Continuity should exist.**

OK or NG

- OK >> GO TO 2.
 NG >> Repair or replace harness.

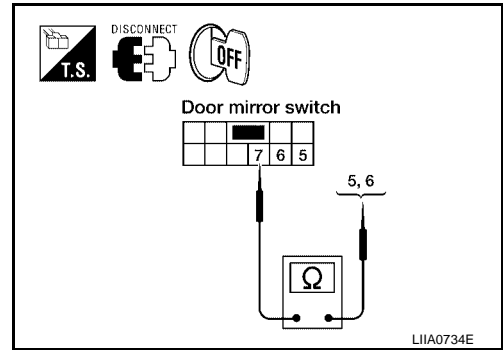


AUTOMATIC DRIVE POSITIONER

2. CHECK DOOR MIRROR SWITCH (CHANGEOVER SWITCH)

Check continuity between door mirror switch terminals as follows.

Connector	Terminals		Condition	Continuity
	(+)	(-)		
M7	5	7	Changeover switch RIGHT position	Yes
			Other than above	No
	6		Changeover switch LEFT position	Yes
			Other than above	No



OK or NG

- OK >> Check the condition of the harness and the connector.
- NG >> Replace door mirror switch.

Seat Memory Switch Circuit Inspection

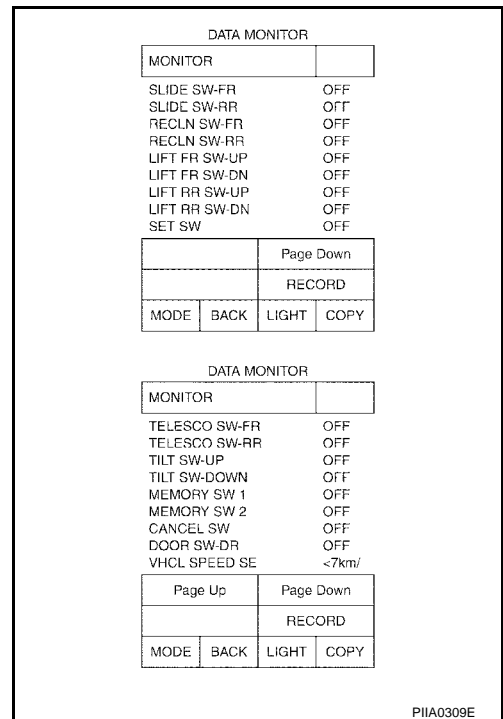
EIS0020B

1. CHECK FUNCTION

Ⓜ With CONSULT-II

With "SET SW, MEMORY SW 1, MEMORY SW 2" on the DATA MONITOR, operate the switch to check ON/OFF operation.

Monitor item [OPERATION or UNIT]	Contents
MEMORY SW 1 "ON/OFF"	ON/OFF status judged from the seat memory switch 1 signal is displayed.
MEMORY SW 2 "ON/OFF"	ON/OFF status judged from the seat memory switch 2 signal is displayed.
SET SW "ON/OFF"	ON/OFF status judged from the setting switch signal is displayed.



⊗ Without CONSULT-II

GO TO 2.

OK or NG

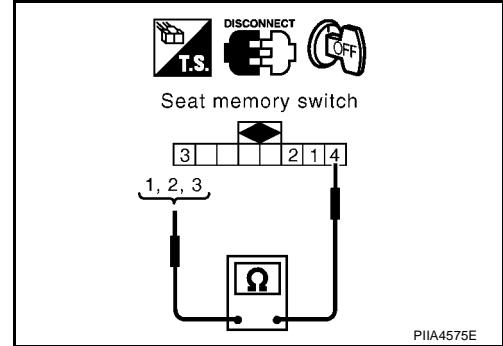
- OK >> Seat memory switch circuit is OK.
- NG >> GO TO 2.

AUTOMATIC DRIVE POSITIONER

2. CHECK SEAT MEMORY SWITCH

1. Turn ignition switch OFF.
2. Disconnect seat memory switch.
3. Operate the setting switch and seat memory switch.
4. Check continuity between seat memory switch terminals as follows.

Con- nector	Terminal		Condition	Continuity
	(+)	(-)		
D5	1	4	Memory switch 1 ON	Yes
			Memory switch 1: OFF	No
	2		Memory switch 2: ON	Yes
			Memory switch 2: OFF	No
	3		Set switch: ON	Yes
			Set switch: OFF	No



OK or NG

- OK >> GO TO 3.
 NG >> Replace seat memory switch. Refer to [EI-28, "Front Door"](#).

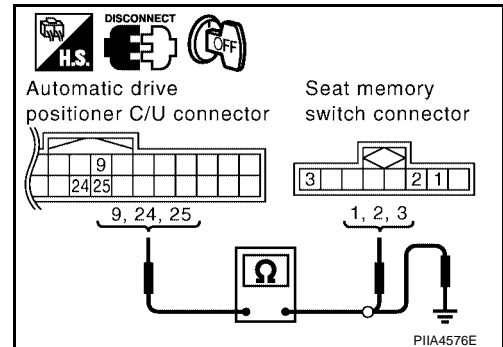
3. CHECK HARNESS CONTINUITY

1. Disconnect automatic drive positioner control unit.
2. Check continuity between automatic drive positioner control unit connector M41 terminals 9, 24, 25 and seat memory switch connector D5 terminals 1, 2, 3.

- 9 (LG/B) – 1 (LG/B) : Continuity should exist.**
24 (G/W) – 3 (G/W) : Continuity should exist.
25 (P/L) – 2 (P/L) : Continuity should exist.

3. Check continuity between automatic drive positioner control unit connector M41 terminals 9, 24, 25 and ground.

- 9 (LG/B) – Ground : Continuity should not exist.**
24 (G/W) – Ground : Continuity should not exist.
25 (P/L) – Ground : Continuity should not exist.



OK or NG

- OK >> GO TO 4.
 NG >> Repair or replace harness.

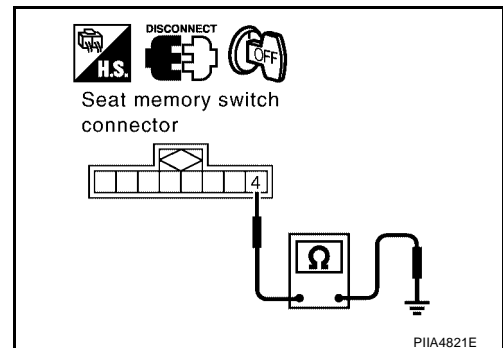
4. CHECK SEAT MEMORY SWITCH GROUND CIRCUIT

Check continuity between seat memory switch D5 terminal 4 and ground.

- 4 (B) – Ground : Continuity should exist.**

OK or NG

- OK >> Replace automatic drive positioner control unit.
 NG >> Repair or replace harness.



AUTOMATIC DRIVE POSITIONER

Seat Memory Indicator Lamp Circuit Inspection

EIS0020C

1. CHECK FUNCTION

With CONSULT-II

With "MEMORY SW INDCTR" in ACTIVE TEST, check operation.

Test item	Description
MEMORY SW INDCTR	The memory switch indicator is lit by receiving the drive signal.

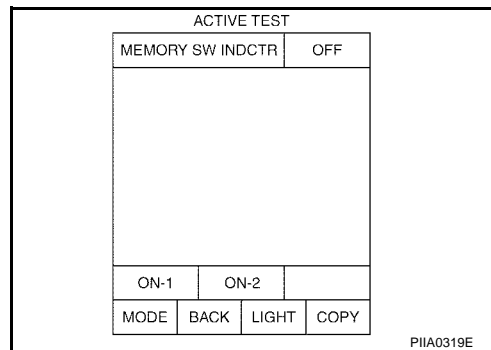
Without CONSULT-II

GO TO 2.

OK or NG

OK >> Seat memory switch indicator lamp circuit is OK.

NG >> GO TO 2.



2. CHECK SEAT MEMORY SWITCH POWER SUPPLY CIRCUIT

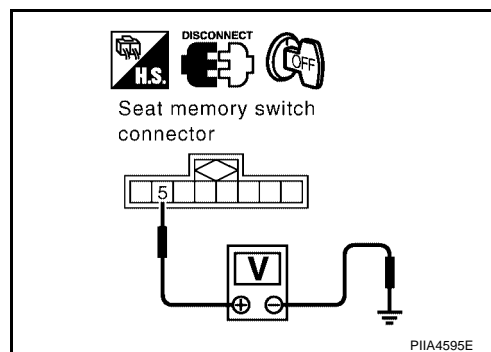
1. Turn ignition switch OFF.
2. Disconnect seat memory switch.
3. Turn ignition switch ON.
4. Check voltage between seat memory switch connector D5 terminal 5 and ground.

5 (BR/Y) – Ground : Battery voltage

OK or NG

OK >> GO TO 3.

NG >> Repair or replace harness.



3. CHECK SEAT MEMORY INDICATOR CIRCUIT HARNESS CONTINUITY

1. Disconnect automatic drive positioner control unit.
2. Check continuity between automatic drive positioner control unit connector M41 terminals 12, 13 and seat memory switch connector D5 terminals 6, 7.

12 (GR/L) – 6 (GR/L) : Continuity should exist.

13 (Y) – 7 (Y/G) : Continuity should exist.

3. Check continuity between automatic drive positioner control unit connector M41 terminals 12, 13 and ground.

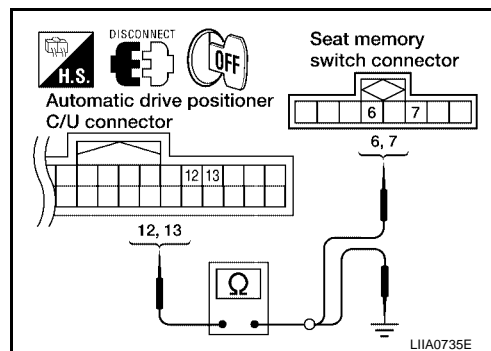
12 (GR/L) – Ground : Continuity should not exist.

13 (Y) – Ground : Continuity should not exist.

OK or NG

OK >> GO TO 4.

NG >> Repair or replace harness.



AUTOMATIC DRIVE POSITIONER

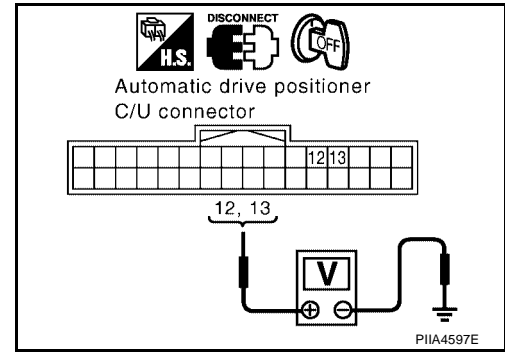
4. CHECK SEAT MEMORY SWITCH INDICATOR SIGNAL

Check voltage between automatic drive positioner control unit connector M41 terminals 12, 13 and ground.

- 12 (GR/L) – Ground : Battery voltage**
13 (Y) – Ground : Battery voltage

OK or NG

- OK >> Replace automatic drive positioner control unit.
NG >> Replace seat memory switch. Refer to [EI-28, "Front Door"](#).



Door Mirror Sensor Power Supply and Ground Circuit inspection

EIS0020D

1. CHECK DOOR MIRROR SENSOR CIRCUIT HARNESS CONTINUITY

1. Disconnect automatic drive positioner control unit and door mirror (LH and RH).
2. Check continuity between automatic drive positioner control unit connector M42 terminals 33, 41 and door mirror LH connector D4 LH, D107 RH terminals 5, 8.

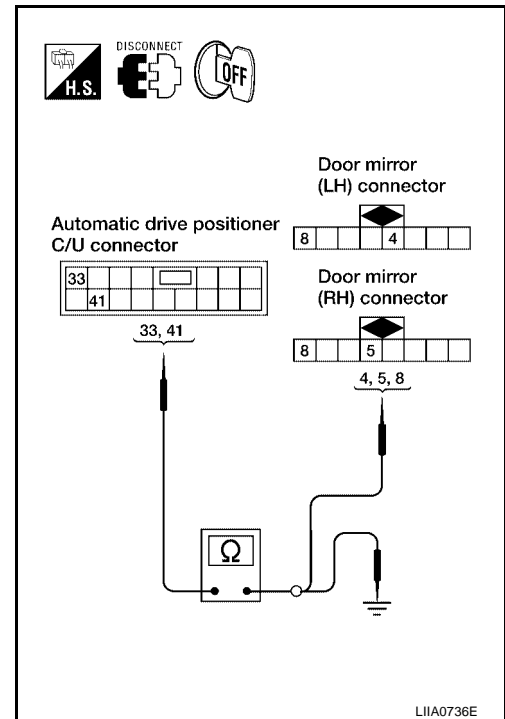
- 33 (W/L) - 5 (W/L) : Continuity should exist.**
41 (V) - 8 (V) : Continuity should exist.

3. Check continuity between automatic drive positioner control unit connector M42 terminals 33, 41 and ground.

- 33 (W/L) - Ground : Continuity should not exist.**
41 (V) - Ground : Continuity should not exist.

OK or NG

- OK >> GO TO 2.
NG >> Repair or replace harness.



2. CHECK MIRROR SENSOR POWER SUPPLY

1. Connect automatic drive positioner control unit and door mirror LH.
2. Turn ignition switch to ACC.
3. Check voltage between automatic drive positioner control unit connector M42 terminal 33 and ground.

- 33 (W/L) - Ground : Approx. 5V**

OK or NG

- OK >> GO TO 3.
NG >> Replace automatic drive positioner control unit.

AUTOMATIC DRIVE POSITIONER

3. CHECK MIRROR SENSOR GROUND CIRCUIT

1. Turn ignition switch OFF.
2. Check continuity between automatic drive positioner control unit connector M42 terminal 41 and ground.

41 (V) - Ground : Continuity should exist.

OK or NG

- OK >> Check the condition of the harness and connector.
 NG >> Replace automatic drive positioner control unit.

A/T Device (Park Switch) Circuit Inspection

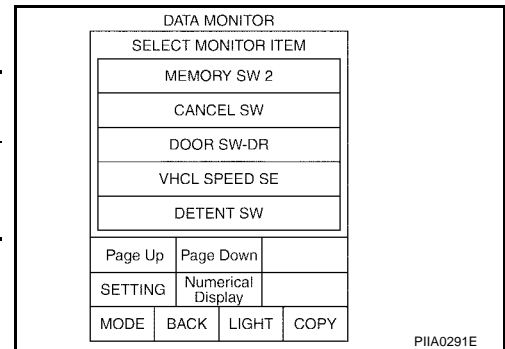
EIS0020E

1. CHECK FUNCTION

Ⓜ With CONSULT-II

Check that when the A/T selector lever is in P position, "DETENT SW" on the DATA MONITOR becomes OFF.

Monitor item [OPERATION or UNIT]	Contents
DETENT SW "ON/ OFF"	The A/T selector lever position "P position (OFF)/other than P position (ON)" judged from the park switch signal is displayed.



ⓧ Without CONSULT-II

GO TO 2.

OK or NG

- OK >> A/T device (park switch) circuit is OK.
 NG >> GO TO 2.

2. CHECK A/T DEVICE (PARK SWITCH) HARNESS

1. Turn ignition switch OFF.
2. Disconnect A/T device and driver seat control unit.
3. Check continuity between A/T device (park switch) connector M34 terminal 7 and driver seat control unit connector P2 terminal 21.

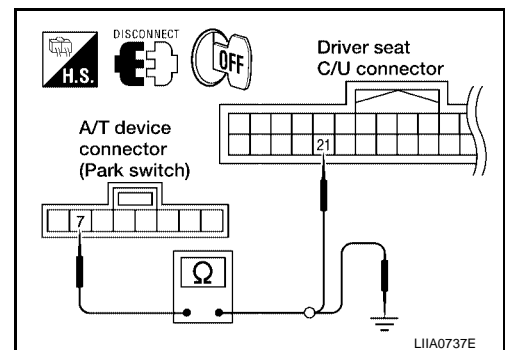
7 (G/Y) – 21 (G/Y) : Continuity should exist.

4. Check continuity between A/T device (park switch) connector M57 terminal 5 and ground.

7 (G/Y) – Ground : Continuity should not exist.

OK or NG

- OK >> GO TO 3.
 NG >> Repair or replace harness.



AUTOMATIC DRIVE POSITIONER

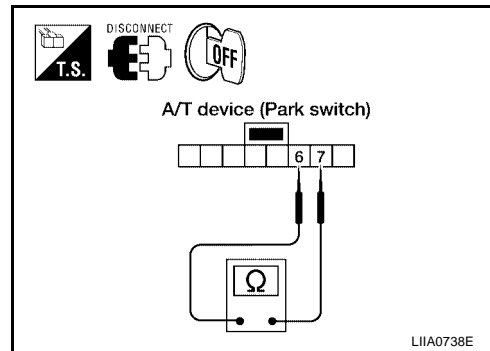
3. CHECK DETENTION SWITCH

Check continuity between A/T device (park switch) terminals as follows.

Connector	Terminals		Condition	Continuity
	(+)	(-)		
M34	6	7	P position	No
			Other than P position	Yes

OK or NG

- OK >> A/T device is OK.
- NG >> Replace A/T device.



Front Door Switch LH Circuit Inspection

EIS0020G

1. CHECK FUNCTION

Ⓜ With CONSULT-II

Touch "BCM" with "DOOR SW-DR" on the DATA MONITOR, check ON/OFF operation when the front door is open and closed.

Monitor item [OPERATION or UNIT]	Contents	
DOOR SW-DR	"ON/OFF"	Door open (ON)/door closed (OFF) status judged from the front door switch is displayed.

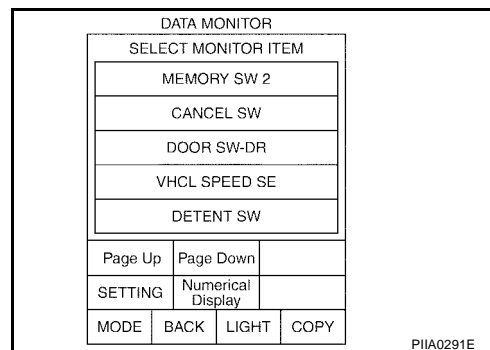
*:Refer to SE-38, "DATA MONITOR" .

ⓧ Without CONSULT-II

GO TO 2.

OK or NG

- OK >> Front door switch LH circuit is OK.
- NG >> GO TO 2.



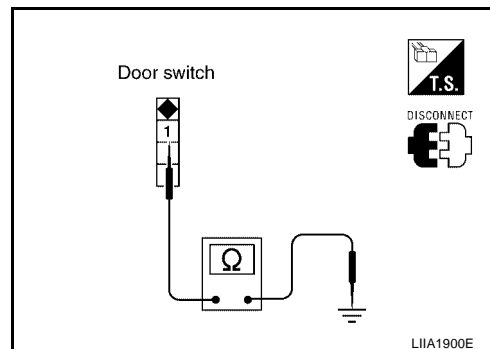
2. CHECK FRONT DOOR SWITCH LH

1. Turn ignition switch OFF.
2. Disconnect front door switch.
3. Check continuity between front door switch LH terminal i and ground part of door switch as follows.

Connector	Terminals		Condition	Continuity
	(+)	(-)		
B8	1	Ground	With the front door switch LH pressed	No
			With the front door switch LH released	Yes

OK or NG

- OK >> GO TO 3.
- NG >> Replace front door switch LH.



AUTOMATIC DRIVE POSITIONER

3. CHECK HARNESS CONTINUITY

1. Disconnect BCM.
2. Check continuity between BCM connector M20 terminal 62 and front door switch LH connector B8 terminal 1.

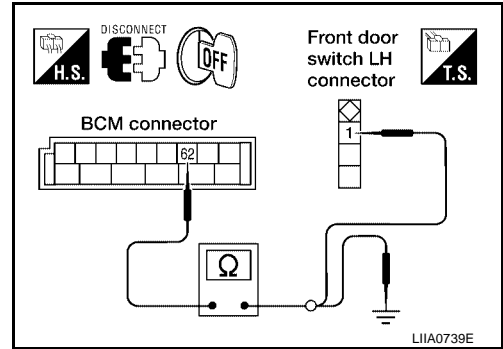
62 (GR/R) – 1 (GR/R) : Continuity should exist.

3. Check continuity between BCM connector M20 terminal 62 and ground.

62 (GR/R) – Ground : Continuity should not exist.

OK or NG

- OK >> Front door switch LH circuit is OK.
 NG >> Repair or replace harness.



UART Communication Line Circuit Inspection

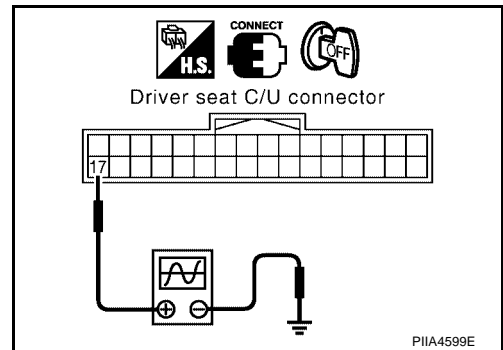
EIS0020H

1. CHECK UART LINE INPUT/OUTPUT SIGNAL 1

1. Turn ignition switch OFF.
2. Check signal between driver seat control unit connector and ground, with oscilloscope.

Connector	Terminals (Wire color)		Condition	Signal
	(+)	(-)		
P2	17 (R/W)	Ground	Pedal adjusting switch ON (FORWARD or BACKWARD operation)	

PIIA4814E



PIIA4599E

OK or NG

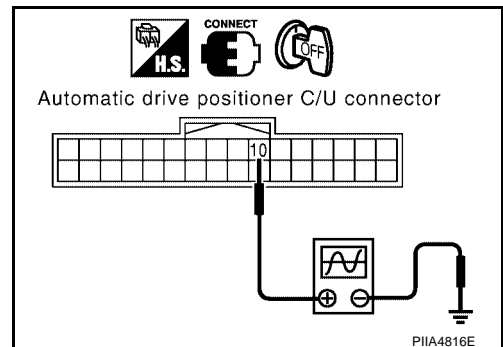
- OK >> GO TO 2.
 NG >> Check the following.
- When voltage wave form does not appear with a constant voltage (approx. 5V), replace driver seat control unit.
 - When voltage wave form does not appear with a constant voltage (approx. 0V), replace automatic driver seat control unit.

2. CHECK UART LINE INPUT/OUTPUT SIGNAL 2

Check signal between automatic front positioner control unit connector ground, with oscilloscope.

Connector	Terminals (Wire color)		Condition	Signal
	(+)	(-)		
M41	10 (R)	Ground	Pedal adjusting switch ON (FORWARD or BACKWARD operation)	

PIIA4813E



PIIA4816E

AUTOMATIC DRIVE POSITIONER

OK or NG

OK >> GO TO 3.

NG >> Check the following.

- When voltage wave form does not appear with a constant voltage (approx. 5V), replace automatic drive positioner control unit.
- When voltage wave form does not appear with a constant voltage (approx. 0V), replace driver seat control unit.

3. CHECK UART LINE HARNESS

1. Disconnect driver seat control unit and automatic drive positioner control unit.
2. Check continuity between driver seat control unit connector P2 terminals 1, 17 and automatic drive positioner connector M41 terminals 10, 26.

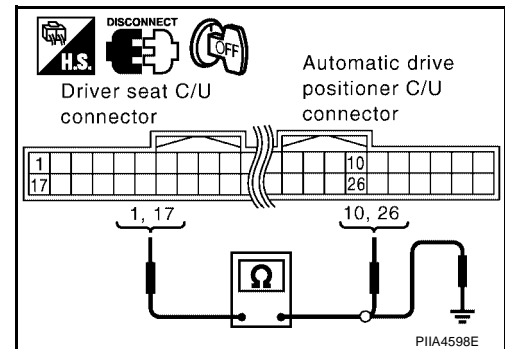
1 (R) – 10 (R) : Continuity should exist.

17 (R/W) – 26 (R/W) : Continuity should exist.

3. Check continuity between driver seat control unit connector P2 terminals 1, 17 and ground.

1 (R) – Ground : Continuity should not exist.

17 (R/W) – Ground : Continuity should not exist.



OK or NG

OK >> GO TO 4.

NG >> Repair or replace harness.

4. CHECK DRIVER SEAT CONTROL UNIT

Does the automatic drive positioner operate when the driver seat control unit is exchanged?

OK or NG

OK >> Replace driver seat control unit.

NG >> Replace automatic drive positioner control unit.

AUTOMATIC DRIVE POSITIONER

Removal and Installation

EIS0022M

Refer to [ACC-2, "ACCELERATOR CONTROL SYSTEM"](#) and [BR-6, "BRAKE PEDAL"](#) .

A

B

C

D

E

F

G

H

SE

J

K

L

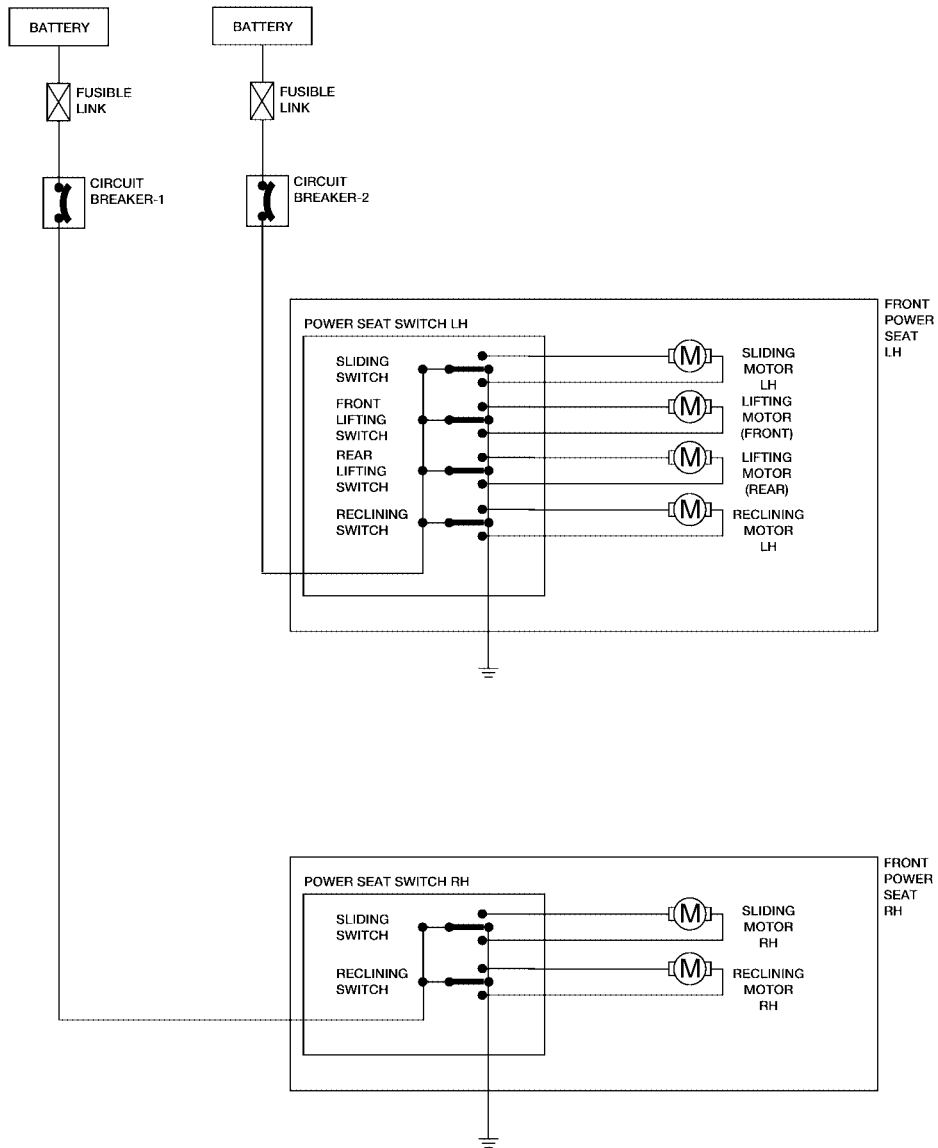
M

POWER SEAT

POWER SEAT Schematic

PFP:87016

EIS001WS



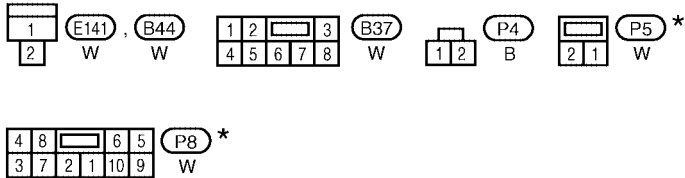
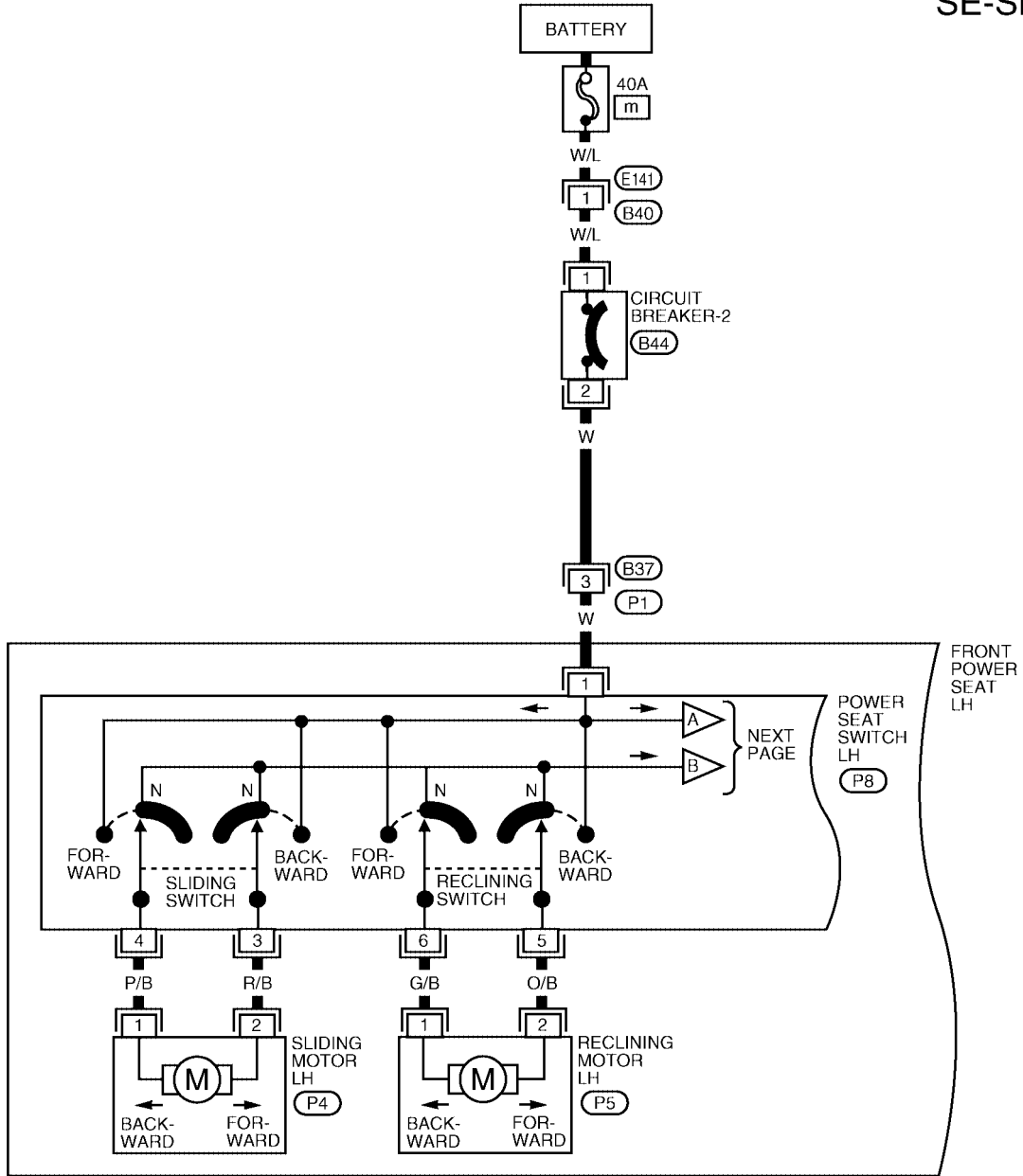
W1WA0890E

POWER SEAT

Wiring Diagram — SEAT —

EIS001WT

SE-SEAT-01

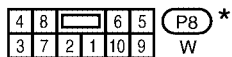
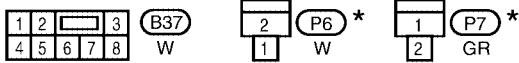
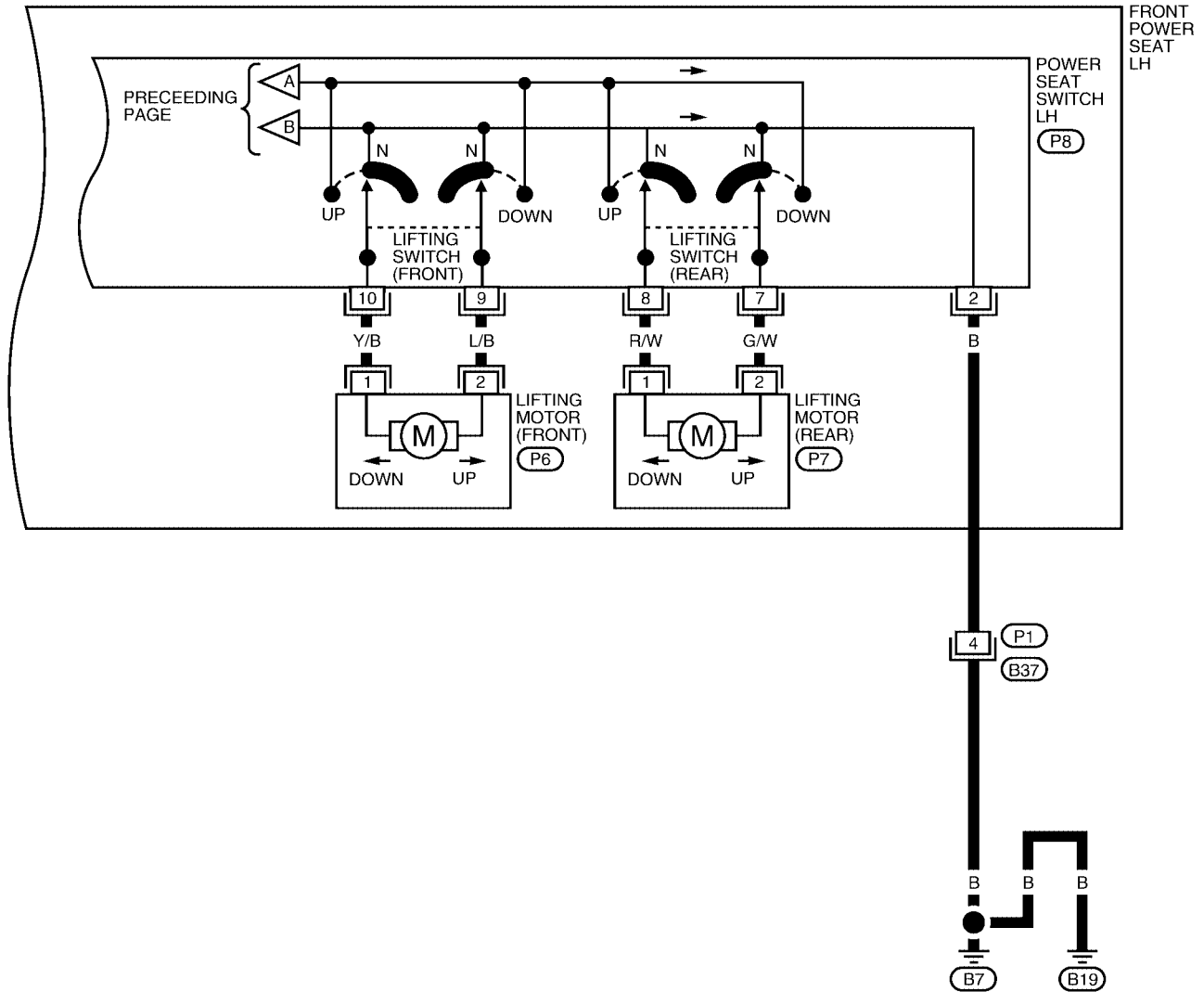


* : THIS CONNECTOR IS NOT SHOWN IN "HARNES LAYOUT" OF PG SECTION.

LWIA0489E

POWER SEAT

SE-SEAT-02

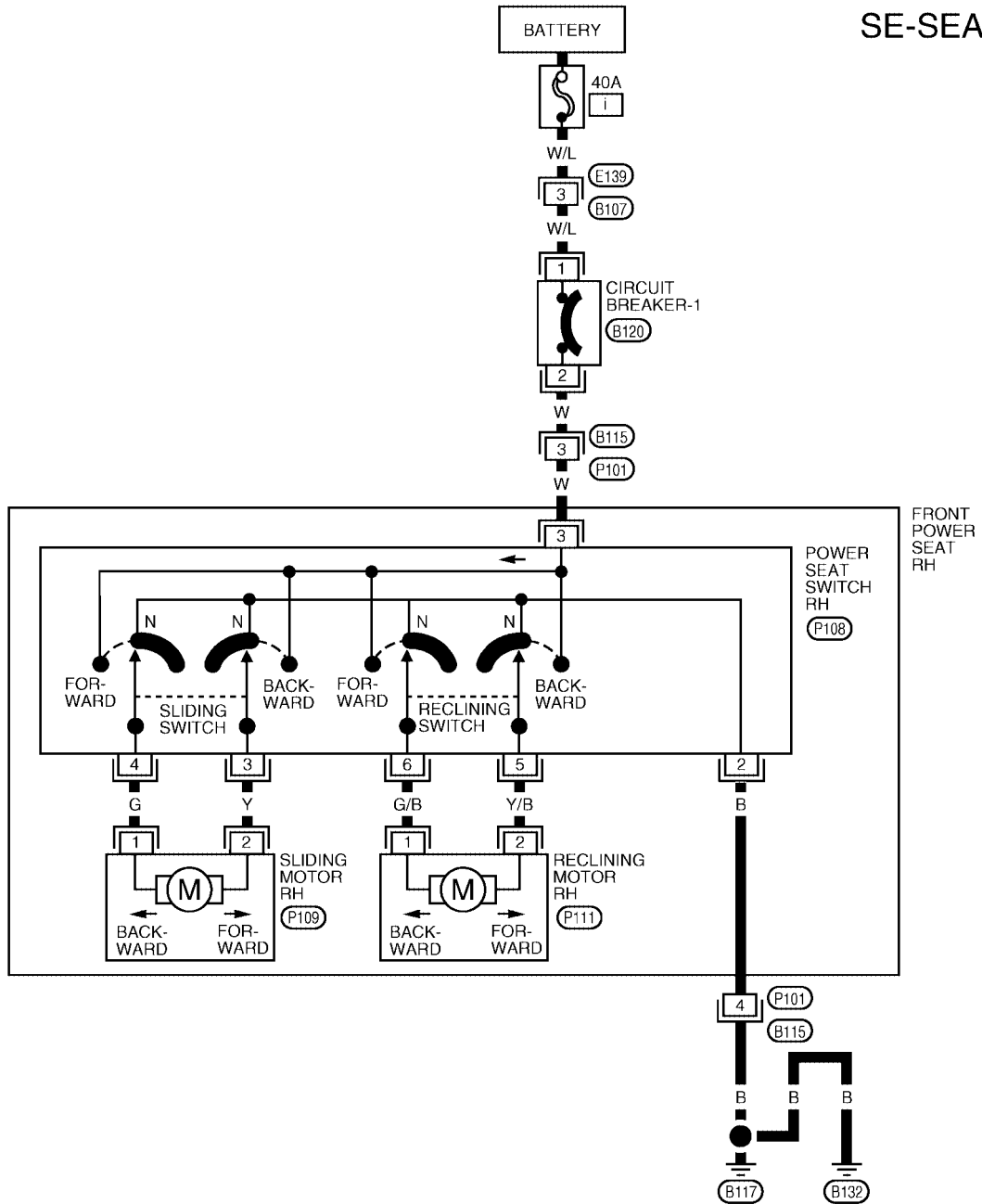


*: THIS CONNECTOR IS NOT SHOWN IN "HARNESS LAYOUT" OF PG SECTION.

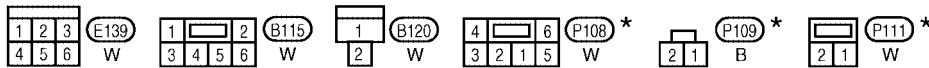
WIIWA0891E

POWER SEAT

SE-SEAT-03



A
B
C
D
E
F
G
H
SE
J
K
L
M



*: THIS CONNECTOR IS NOT SHOWN IN "HARNESS LAYOUT" OF PG SECTION.

LIWA0514E

HEATED SEAT

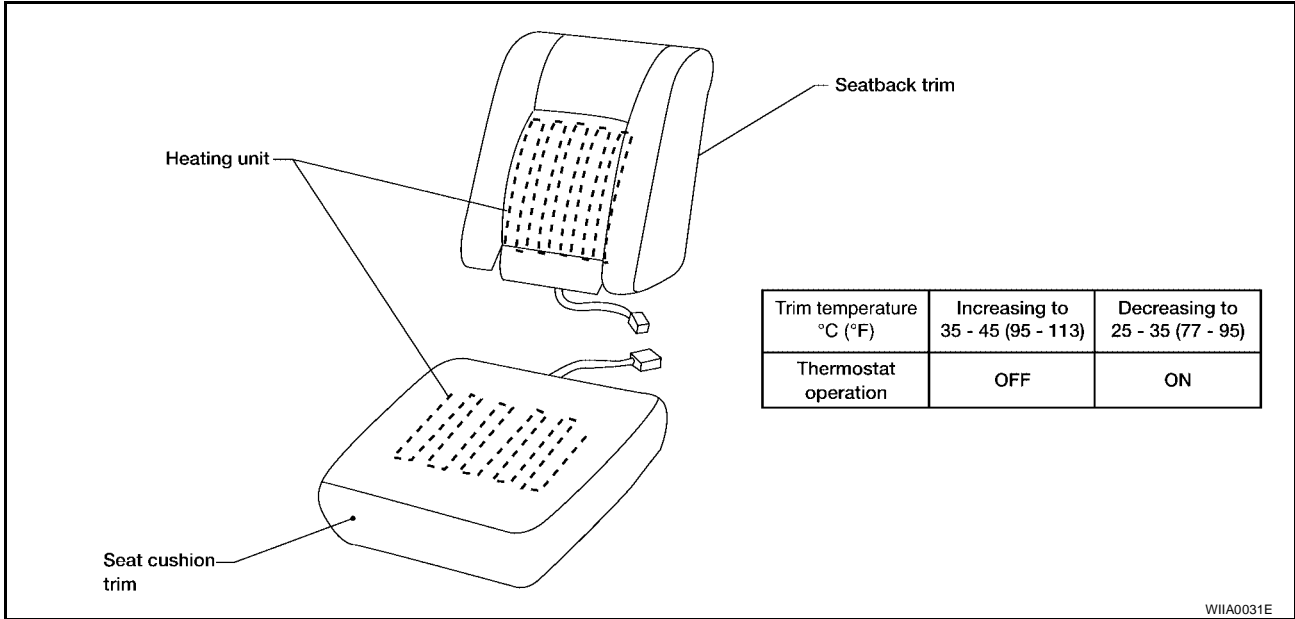
PFP:87335

HEATED SEAT

Description

EIS001WU

- When handling seat, be extremely careful not to scratch heating unit.
- To replace heating unit, seat trim and pad should be separated.
- Do not use any organic solvent, such as thinner, benzene, alcohol, etc. to clean trim.



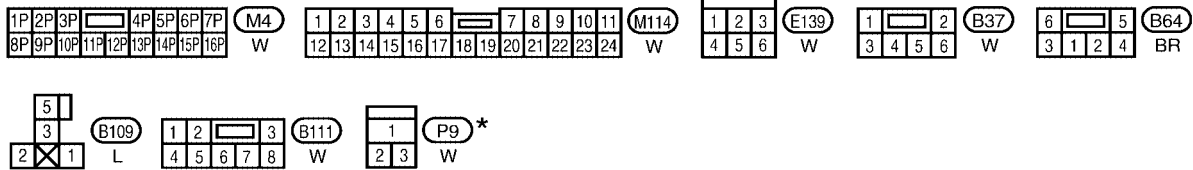
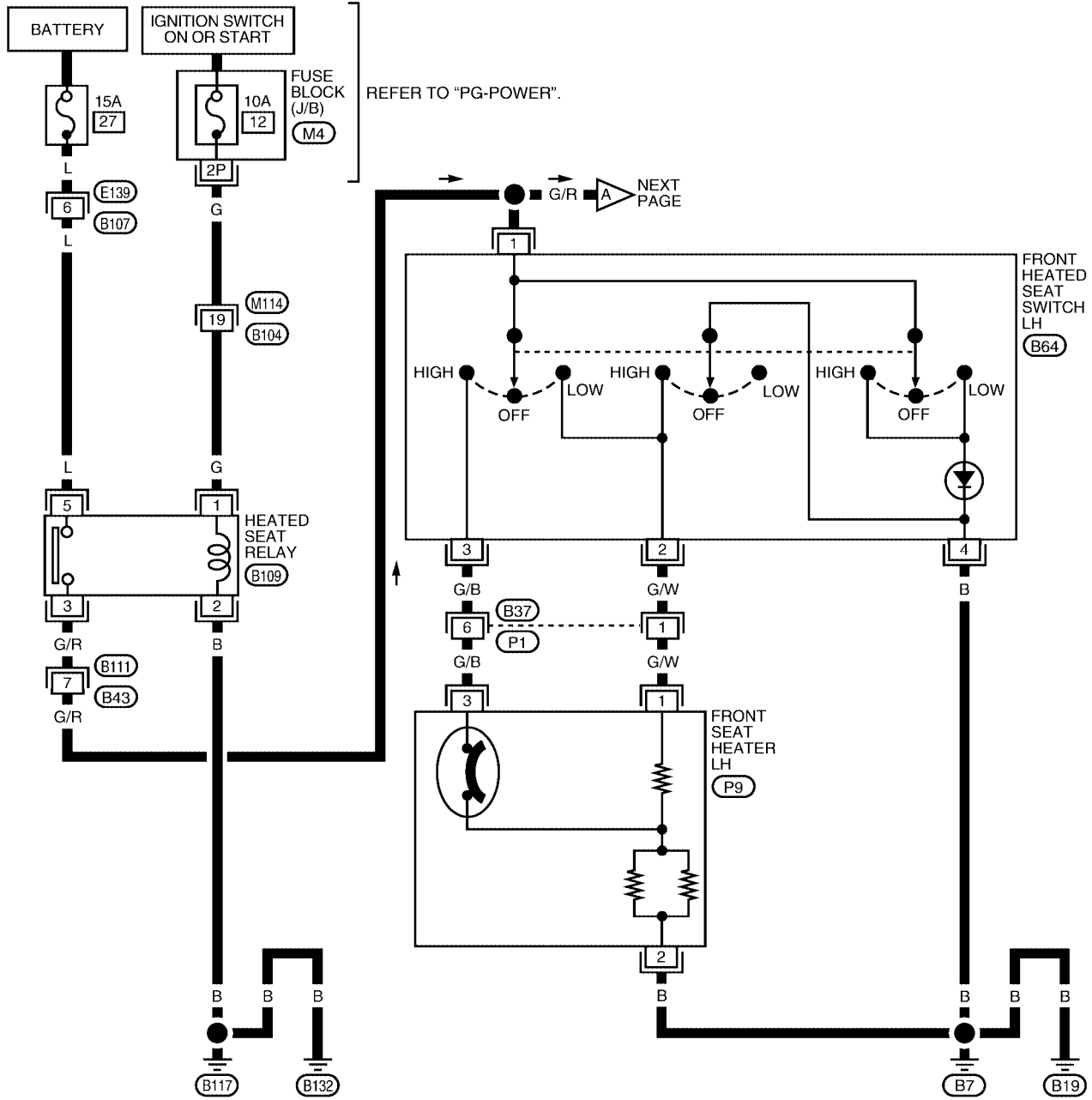
WIIA0031E

HEATED SEAT

Wiring Diagram — HSEAT —

EIS001WW

SE-HSEAT-01

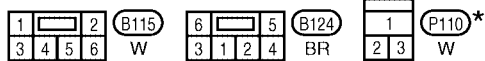
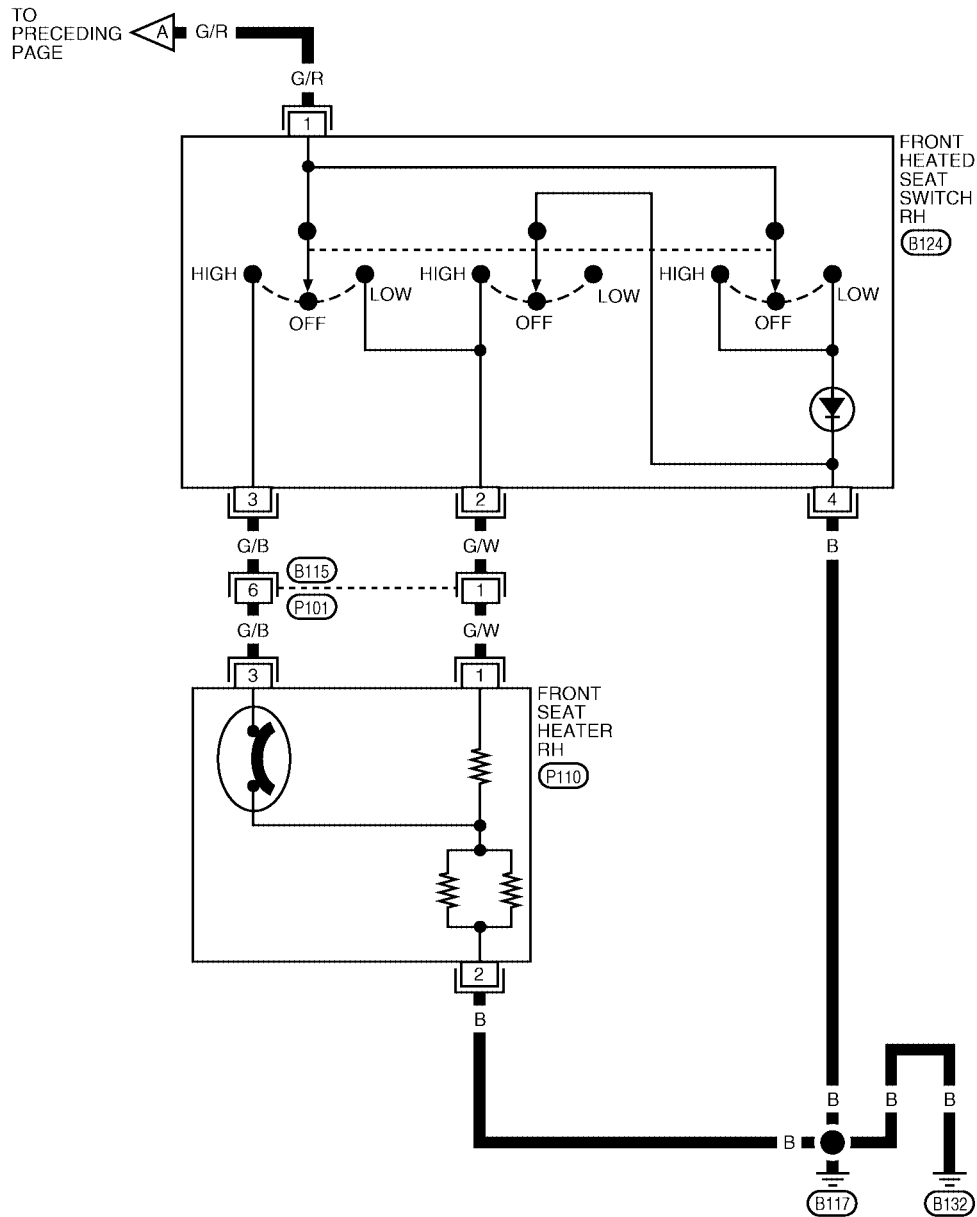


* : THIS CONNECTOR IS NOT SHOWN IN "HARNESS LAYOUT" OF PG SECTION.

WIWA0892E

HEATED SEAT

SE-HSEAT-02



* : THIS CONNECTOR IS NOT SHOWN IN "HARNESS LAYOUT" OF PG SECTION.

LIWA0490E

FRONT SEAT

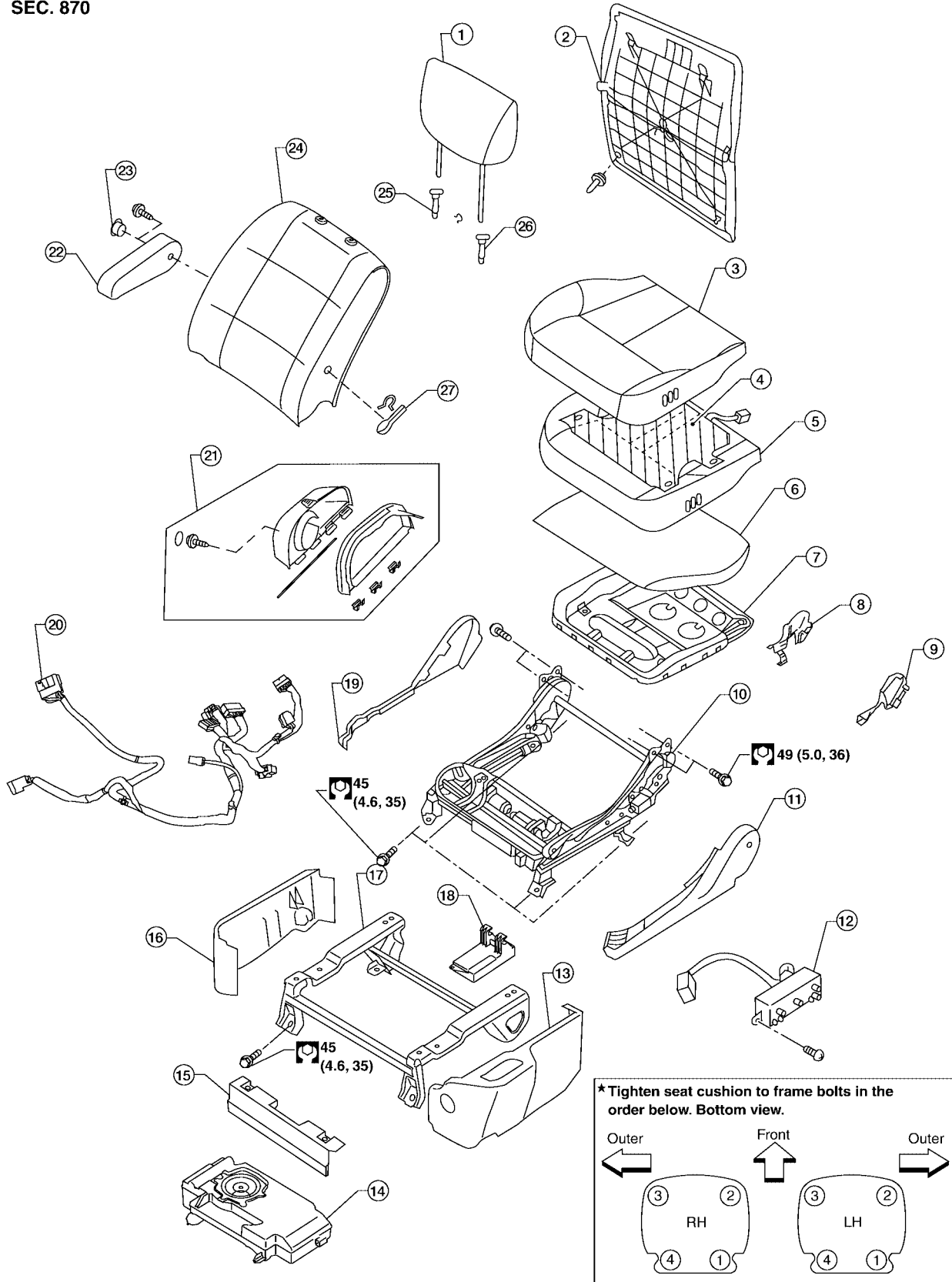
FRONT SEAT Removal and Installation

PFP:87000

EIS001WX

Power Driver Seat

SEC. 870



N·m (kg-m, ft-lb)

LIA0686E

A
B
C
D
E
F
G
H
SE
J
K
L
M

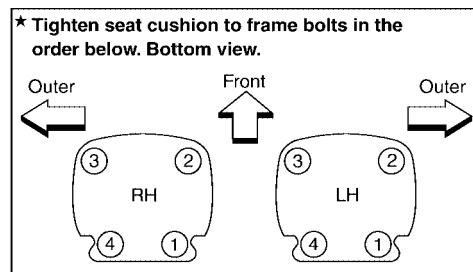
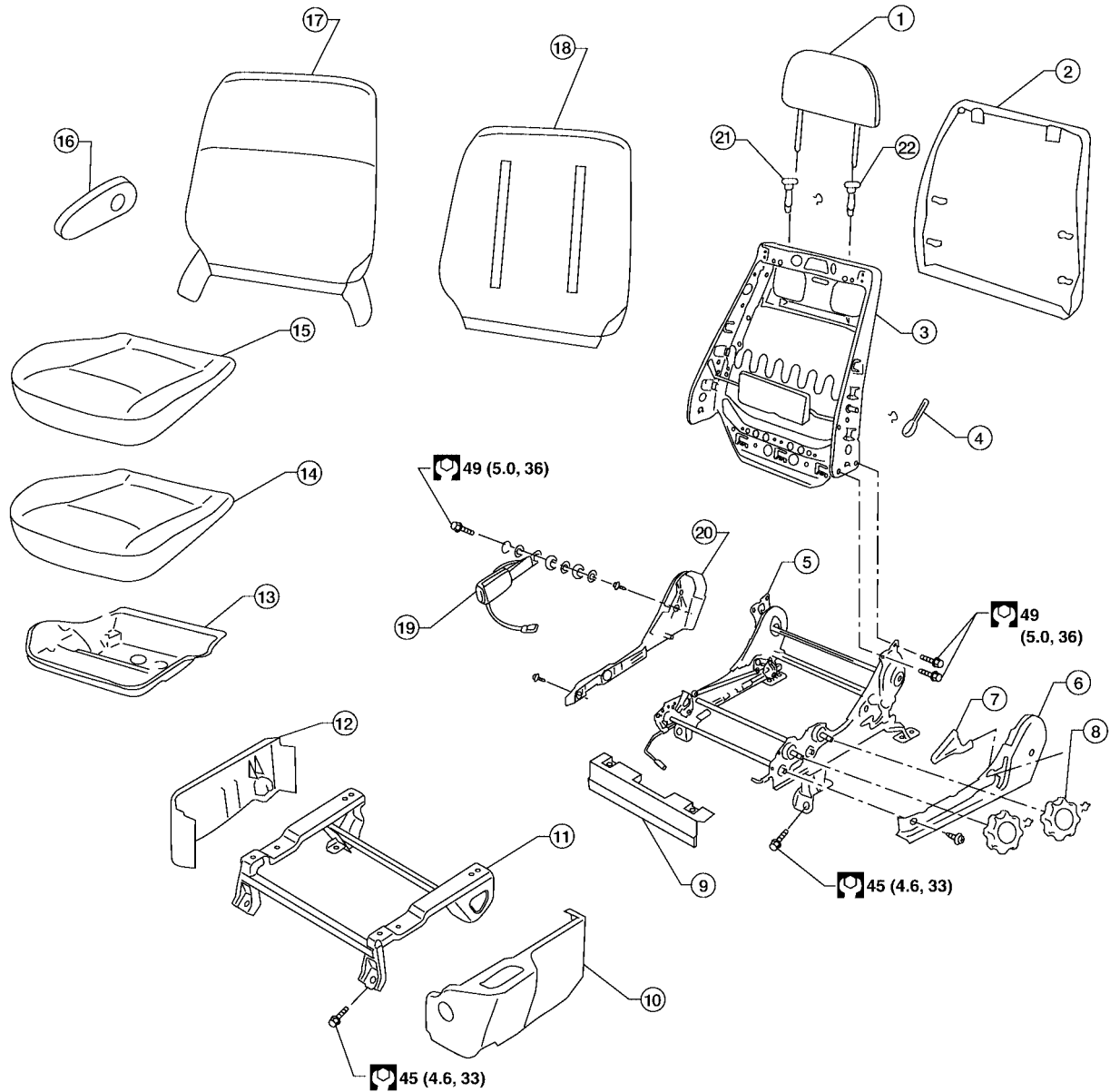
FRONT SEAT

- | | | |
|---------------------------------------|--|---------------------------------|
| 1. Headrest | 2. Seatback board | 3. Seat cushion trim cover |
| 4. Seat cushion heater unit | 5. Seat cushion pad | 6. Silk film bag |
| 7. Seat cushion frame | 8. RH inner hinge cover | 9. LH inner hinge cover |
| 10. Driver seat power frame assembly | 11. Seat cushion outer finisher | 12. Power seat switch |
| 13. Outer pedestal finisher | 14. Sub woofer | 15. Seat cushion front finisher |
| 16. Inner pedestal finisher | 17. Pedestal | 18. Driver seat control unit |
| 19. Seat cushion inner finisher | 20. Driver seat wiring harness | 21. Cup holder assembly |
| 22. Armrest assembly | 23. Armrest bolt cover | 24. Seatback assembly |
| 25. Headrest holder with locking clip | 26. Headrest holder with multi position lock | 27. Lumbar support lever knob |

FRONT SEAT

Manual Driver Seat

SEC. 870



: N-m (kg-m, ft-lb)

- 1. Headrest
- 4. Lumbar support lever knob

- 2. Seatback board
- 5. Driver seat frame assembly

- 3. Seatback frame
- 6. Seat cushion outer finisher

LIA0687E

A
B
C
D
E
F
G
H
SE
J
K
L
M

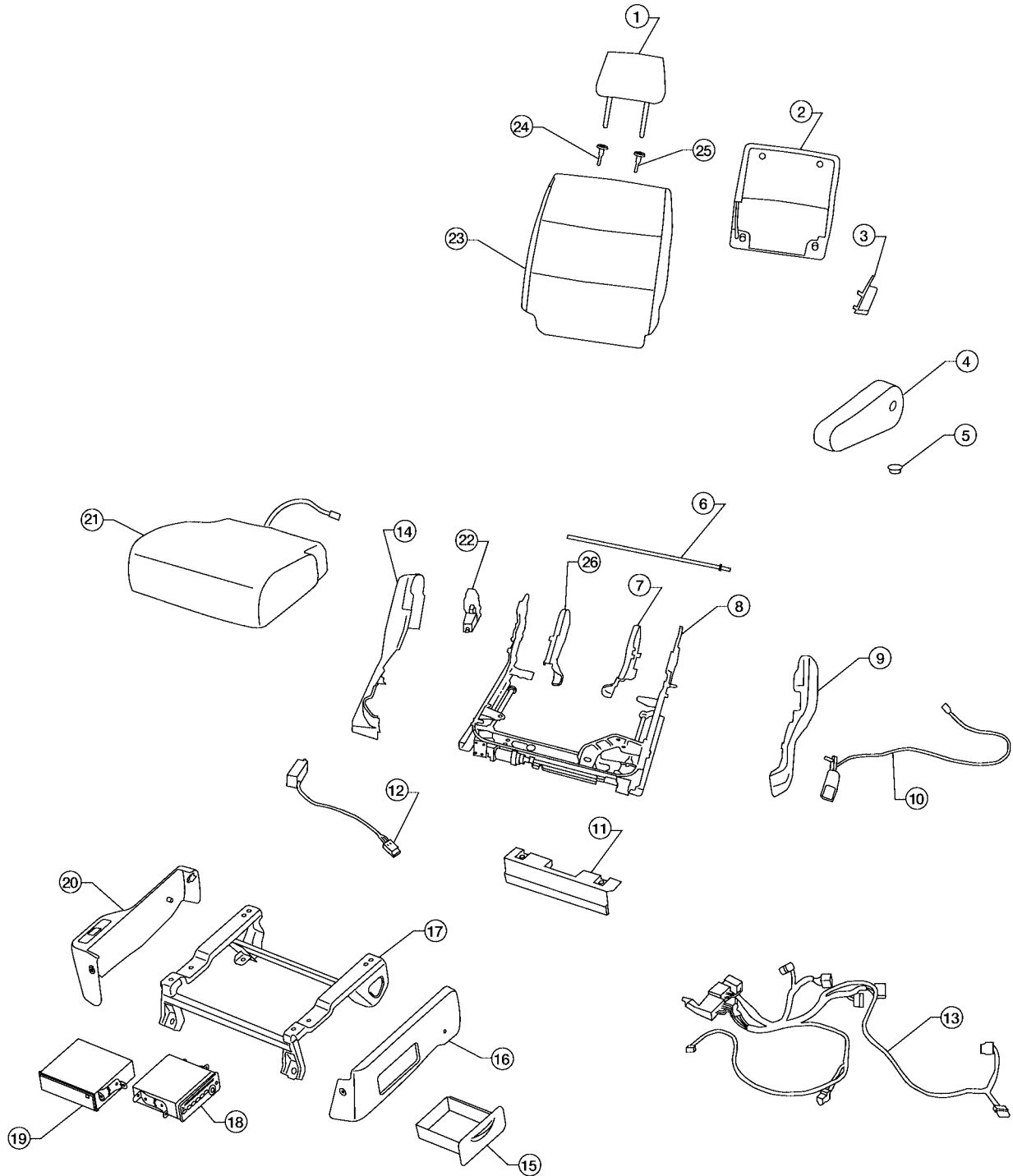
FRONT SEAT

- | | | |
|--|---------------------------------|---------------------------------------|
| 7. Recliner release handle | 8. Seat cushion adjusting knobs | 9. Seat cushion front finisher |
| 10. Outer pedestal finisher | 11. Pedestal | 12. Inner pedestal finisher |
| 13. Seat cushion frame | 14. Seat cushion pad | 15. Seat cushion trim cover |
| 16. Armrest assembly | 17. Seatback trim cover | 18. Seatback pad |
| 19. Seat belt buckle assembly | 20. Seat cushion inner finisher | 21. Headrest holder with locking clip |
| 22. Headrest holder with multi position lock | | |

FRONT SEAT

Power Passenger Seat

SEC. 870



A
B
C
D
E
F
G
H
SE
J
K
L
M

- 1. Headrest
- 4. Armrest assembly

- 2. Seatback board
- 5. Armrest bolt cover

- 3. Purse hook
- 6. Recliner link bar

LIA0688E

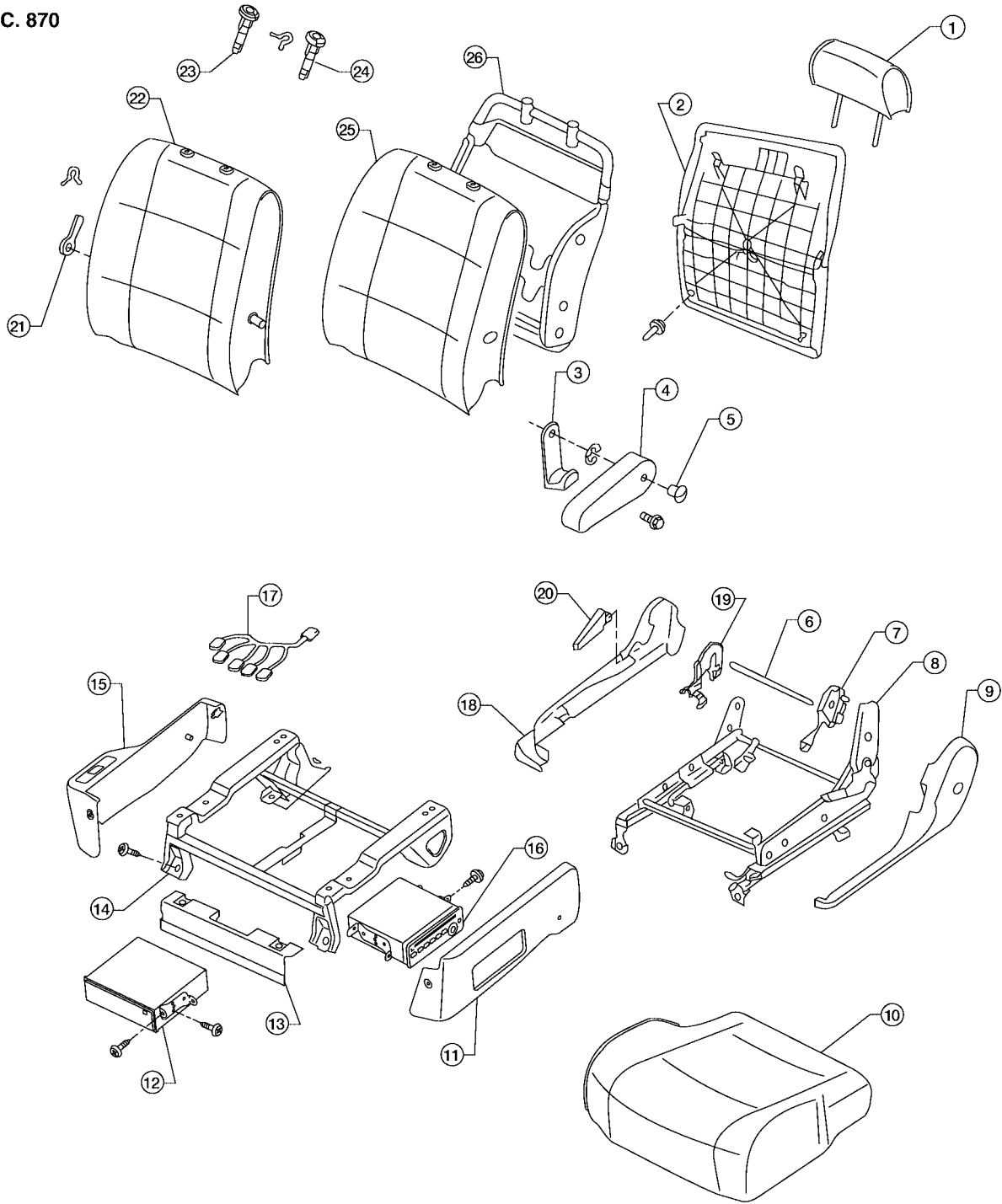
FRONT SEAT

- | | | |
|--|--|---------------------------------------|
| 7. RH inner hinge cover | 8. Passenger seat power frame assembly | 9. Seat cushion inner finisher |
| 10. Seat belt assembly | 11. Seat cushion front finisher | 12. Power seat switch |
| 13. Passenger power seat harness | 14. Seat cushion outer finisher | 15. Storage bin |
| 16. Inner pedestal finisher | 17. Pedestal | 18. DVD player |
| 19. NAVI control unit | 20. Outer pedestal finisher | 21. Seat cushion assembly |
| 22. Recliner motor | 23. Seatback assembly | 24. Headrest holder with locking clip |
| 25. Headrest holder with multi position lock | 26. LH inner hinge cover | |

FRONT SEAT

Manual Passenger Seat

SEC. 870



A
B
C
D
E
F
G
H
SE
J
K
L
M

- 1. Headrest
- 4. Armrest assembly

- 2. Seatback board
- 5. Armrest bolt cover

- 3. Purse hook
- 6. Recliner link bar

LIA0689E

FRONT SEAT

- | | | |
|---------------------------------|---------------------------------------|--|
| 7. LH inner hinge cover | 8. Seat frame assembly | 9. Seat cushion inner finisher |
| 10. Seat cushion assembly | 11. Inner pedestal finisher | 12. NAVI control unit |
| 13. Seat cushion front finisher | 14. Pedestal | 15. Outer pedestal finisher |
| 16. DVD player | 17. Wiring harness | 18. Seat cushion outer finisher |
| 19. RH inner hinge cover | 20. Recliner handle | 21. Lumbar support handle |
| 22. Seatback trim cover | 23. Headrest holder with locking clip | 24. Headrest holder with multi position lock |
| 25. Seatback pad | 26. Seatback frame | |

REMOVAL

When removing or installing the seat trim, handle it carefully to keep dirt out and avoid damage.

CAUTION:

- Before removing the front seat, turn the ignition switch off, disconnect both battery cables and wait at least 3 minutes.
- When checking the power seat circuit for continuity using a circuit tester, do not confuse its connector with the side air bag module connector. Such an error may cause the air bag to deploy.
- Do not drop, tilt, or bump the side air bag module while installing the seat. Always handle it with care.
- After front side air bag module inflates, front seatback assembly must be replaced.
- Front passenger seat is equipped with an Occupant Classification System sensor and control module. Do not disassemble front passenger seat cushion assembly or remove the trim as this will affect the Occupant Classification System calibration.
- Always replace passenger seat cushion as an assembly.

1. Slide the seat until the four body mounting bolts are visible and a tool can be inserted.

NOTE:

- If disassembling the seat after removal, set the front/rear cushion lifters to the top position.
2. Disconnect both battery cables and wait at least 3 minutes.
 3. Disconnect the side air bag module harness connector.
 4. Remove the four body mounting bolts.
 5. Disconnect the power seat harness connectors and remove the seat from the vehicle.

NOTE:

When removing and installing the seat, use shop cloths to protect the vehicle from damage.

INSTALLATION

Installation is in the reverse order of removal.

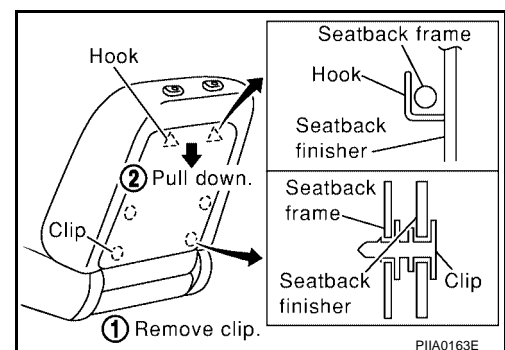
Disassembly and Assembly SEATBACK TRIM AND PAD

EIS001WY

NOTE:

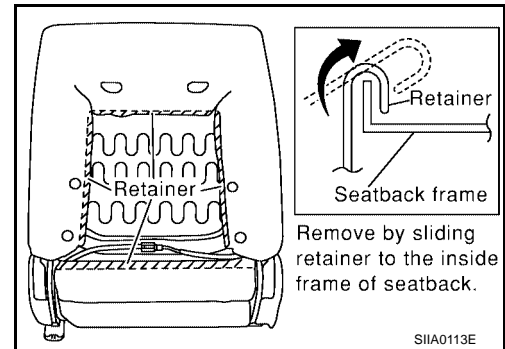
Only complete seatback assemblies can be replaced on vehicles equipped with side air bags. Be sure to set the front/rear cushion lifter to the top position.

1. Remove the seatback board from the back of the seatback.



FRONT SEAT

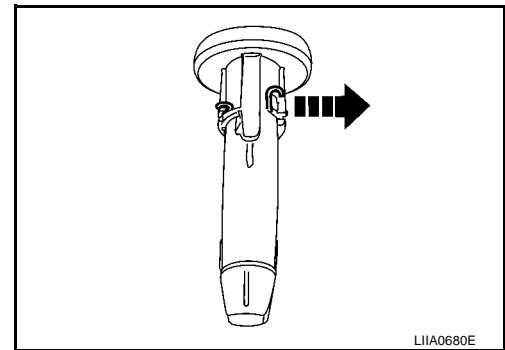
- Remove the retainer.



- Remove the headrest.

NOTE:

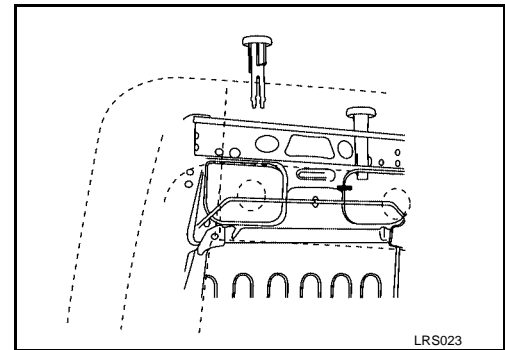
The spring clip on the RH headrest holder must be released to remove the headrest from the seat back.



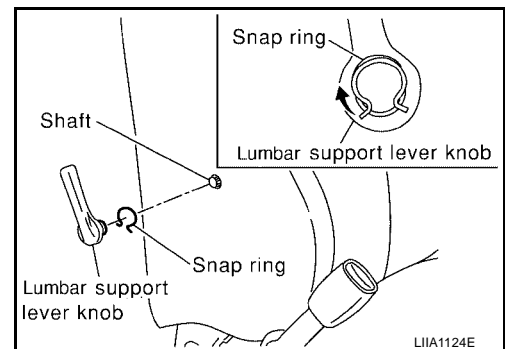
- From inside of the seatback, squeeze the headrest holder tabs at the base of the stay pipe and pull the up to remove.

NOTE:

Before installing the headrest holder, check its orientation (front/rear and right/left).



- Remove the snap ring and the lumbar support lever knob.



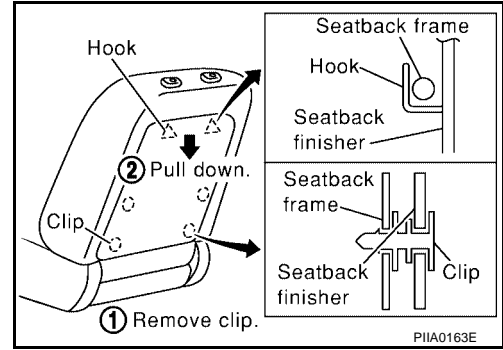
- Disconnect the seatback heater harness. On seats not equipped with side air bags, remove the seatback trim and pad assembly. Remove the hog ring to separate the seatback trim from the pad and the heater unit.

A
B
C
D
E
F
G
H
SE
J
K
L
M

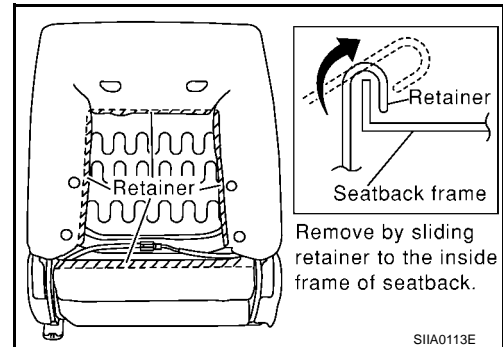
FRONT SEAT

REMOVAL OF SEATBACK ASSEMBLY

1. Remove the seatback board from the back of the seatback.



2. Remove the retainer.
3. Remove the side air bag harness connector from the seat cushion.
4. Remove the mounting bolts (2 for each side) and seatback assembly.



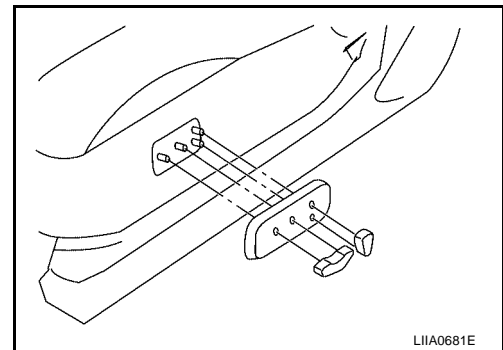
INSTALLATION OF SEATBACK ASSEMBLY

Installation is in the reverse order of removal.

SEAT CUSHION TRIM AND PAD

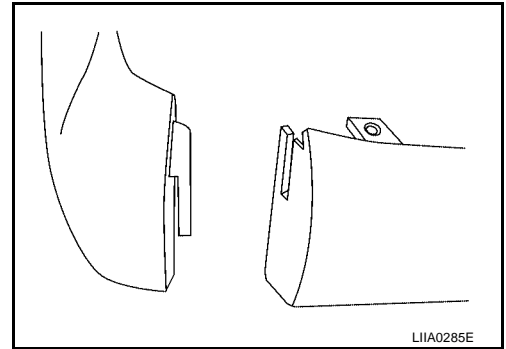
CAUTION:

- Front passenger seat is equipped with an Occupant Classification System sensor and control module. Do not disassemble front passenger seat cushion assembly or remove the trim as this will affect the Occupant Classification System calibration.
 - Always replace passenger seat cushion as an assembly.
 - When removed, the passenger seat cushion must always be placed pan side UP to prevent damage.
 - During installation, the wire harness clips must be reinstalled in the holes they were originally in. Do not add additional clips.
 - The Occupant Classification System control module can only be replaced as part of the seat cushion assembly.
1. Remove the power seat switch knobs and trim plate (or recline knobs on manual seat).

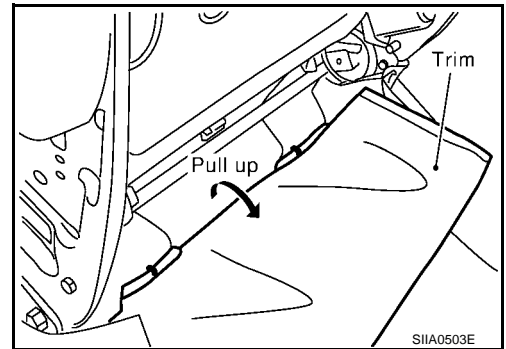


FRONT SEAT

2. Remove the front seat cushion finisher (inner).



3. Remove the power seat switch screws (or lift knobs on manual seats).
4. Remove four bolts and the seat cushion assembly.
5. Release the trim retainer from the seat cushion frame, then remove the harness connector for the seat heater.
6. For driver seat only, after removing the seat cushion assembly, remove the hog rings to separate the trim cover from the pad and seat cushion heater unit.



A
B
C
D
E
F
G
H

SE

J
K
L
M

REAR SEAT

REAR SEAT

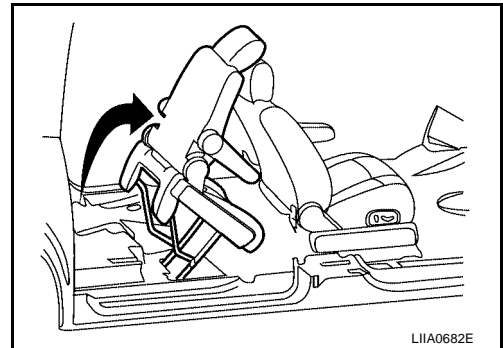
PFP:88300

Removal and Installation SECOND ROW

EIS001WZ

Removal

1. Lift handle and tilt seat forward.
2. Remove seat base trim cover.
3. Remove seat anchor bolts and seat assembly.
4. Remove seat striker covers and seat strikers.



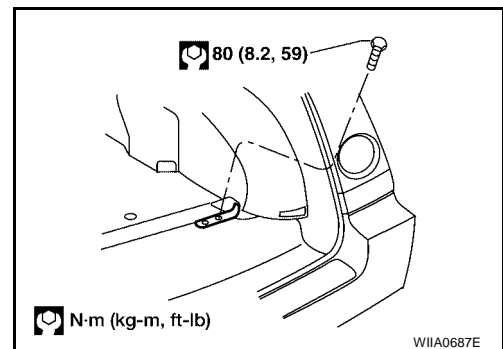
Installation

Installation is in the reverse order of removal.

THIRD ROW

Removal

1. Retract the seat into the cargo floor position.
2. Remove the hinge bolts from the seat assembly.
3. Remove the seat assembly.



Installation

Installation is in the reverse order of removal.

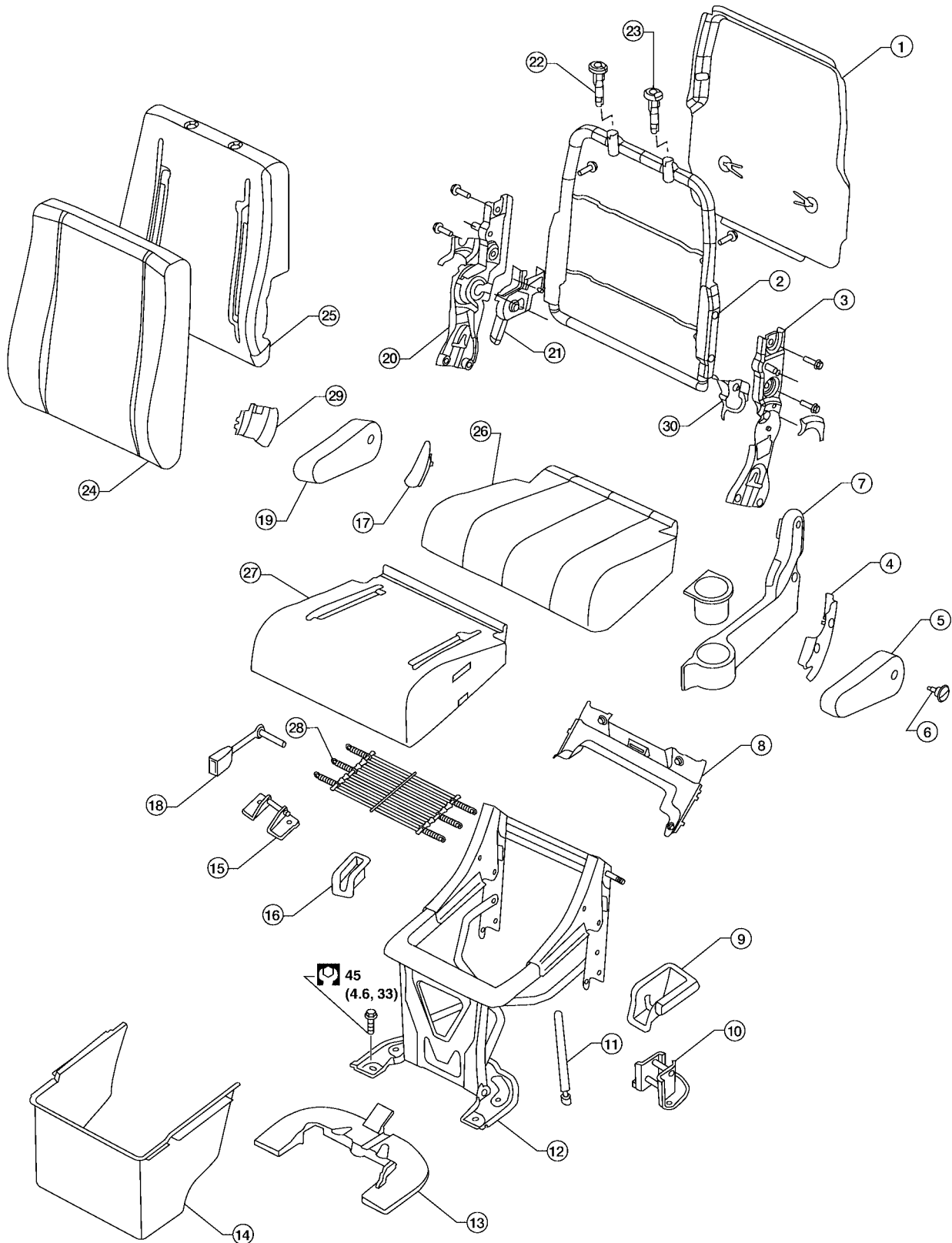
REAR SEAT


Disassembly and Assembly

EIS001X0

Second row

SEC. 880



 : N·m (kg·m, ft·lb)

LIA0684E

A
B
C
D
E
F
G
H
SE
J
K
L
M

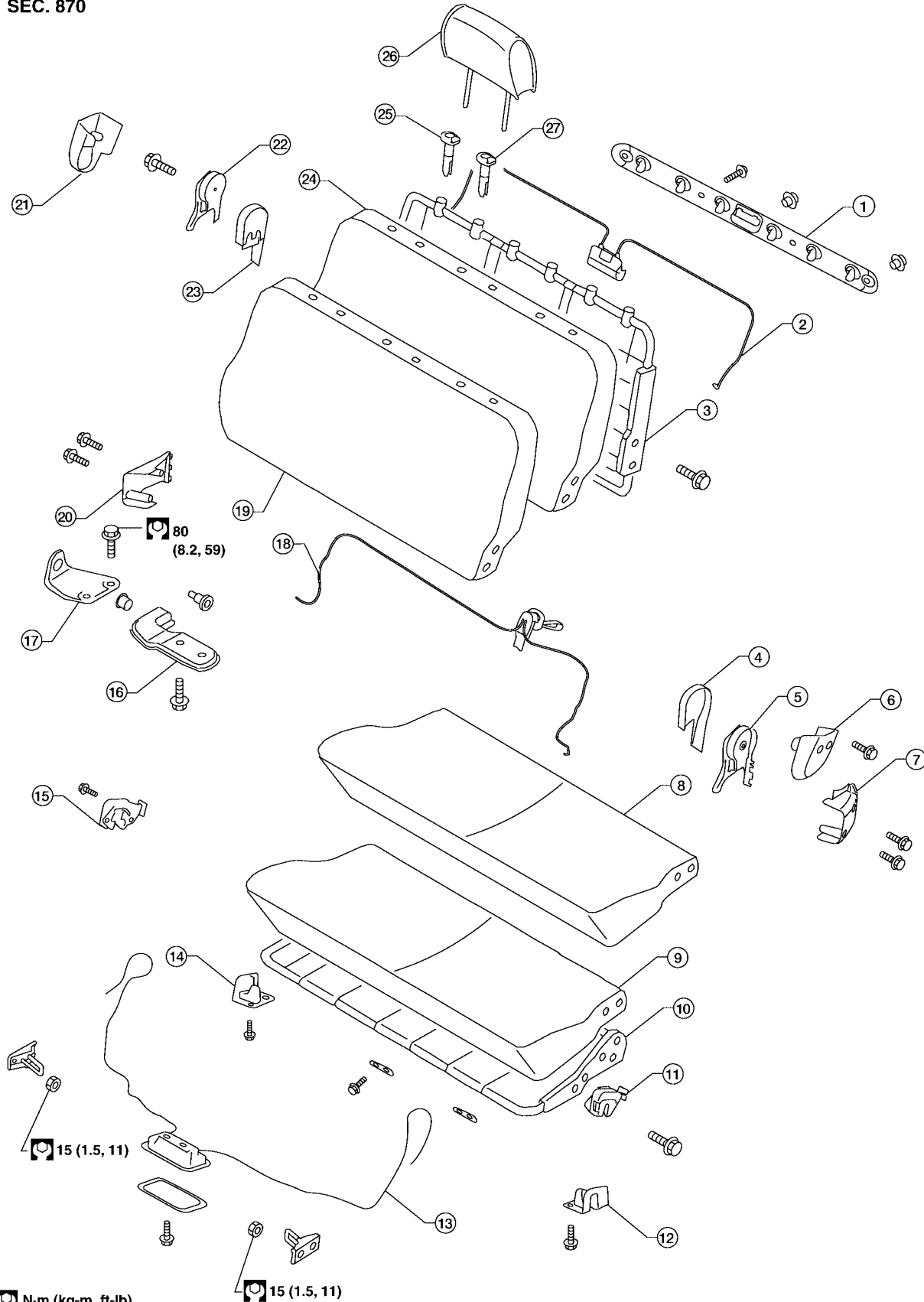
REAR SEAT

- | | | |
|----------------------------|-----------------------------|----------------------------------|
| 1. Seatback | 2. Seatback frame | 3. Seatback hinge LH |
| 4. LH seatback hinge cover | 5. LH arm rest | 6. Armrest bolt cover |
| 7. LH cushion hinge cover | 8. Isofix cover | 9. LH seat anchor cover |
| 10. LH seat anchor striker | 11. Lift assist cylinder | 12. Seat base and hinge assembly |
| 13. Seat base trim cover | 14. Seat base apron | 15. RH seat anchor striker |
| 16. RH seat anchor cover | 17. RH cushion hinge cover | 18. Seat belt buckle |
| 19. RH armrest | 20. RH hinge | 21. RH inner recliner cover |
| 22. RH headrest guide | 23. LH headrest guide | 24. Seatback trim cover |
| 25. Seatback pad | 26. Seat cushion trim cover | 27. Seat cushion pad |
| 28. Flexmat assembly | 29. RH seatback hinge cover | 30. LH inner recliner cover |

REAR SEAT

Third row

SEC. 870



N-m (kg-m, ft-lb)

15 (1.5, 11)

- | | | |
|-------------------------|--------------------------------------|----------------------------|
| 1. Hook assembly | 2. Seatback release handle and cable | 3. Seatback frame assembly |
| 4. Inner LH hinge cover | 5. LH seatback hinge | 6. LH upper hinge cover |

W11A0685E

A
B
C
D
E
F
G
H
SE
J
K
L
M

REAR SEAT

- | | | |
|---------------------------------|--------------------------------|---------------------------------------|
| 7. LH lower hinge cover | 8. Seat cushion trim cover | 9. Seat cushion pad |
| 10. Seat cushion frame assembly | 11. LH seat lock assembly | 12. LH seat lock cover |
| 13. Seat lock cable assembly | 14. RH seat lock cover | 15. RH seat lock assembly |
| 16. Seat assembly hinge | 17. Seat assembly hinge anchor | 18. Assist strap and release assembly |
| 19. Seatback trim cover | 20. RH lower hinge cover | 21. RH upper hinge cover |
| 22. RH seatback hinge | 23. Inner RH hinge cover | 24. Seatback pad |
| 25. Locking headrest guide | 26. Headrest guide | 27. Headrests |