

SECTION **DAS**

DRIVER ASSISTANCE SYSTEM

A
B
C

CONTENTS

D
E

<p style="text-align: center;">BSW</p> <p>PRECAUTION 4</p> <p>PRECAUTIONS 4</p> <p style="padding-left: 20px;">Precaution for Supplemental Restraint System (SRS) "AIR BAG" and "SEAT BELT PRE-TENSIONER"4</p> <p style="padding-left: 20px;">Precautions for Removing Battery Terminal4</p> <p style="padding-left: 20px;">Precaution for BSW System Service4</p> <p>SYSTEM DESCRIPTION 6</p> <p>COMPONENT PARTS 6</p> <p style="padding-left: 20px;">Component Parts Location6</p> <p style="padding-left: 20px;">BSW Control Module7</p> <p style="padding-left: 20px;">Side Radar LH/RH7</p> <p style="padding-left: 20px;">BSW Indicator LH/RH8</p> <p style="padding-left: 20px;">BSW Switch8</p> <p style="padding-left: 20px;">Combination Meter8</p> <p style="padding-left: 20px;">ABS Actuator and Electric Unit (Control Unit)8</p> <p style="padding-left: 20px;">BCM8</p> <p style="padding-left: 20px;">TCM8</p> <p style="padding-left: 20px;">ECM8</p> <p>SYSTEM 9</p> <p style="padding-left: 20px;">System Description9</p> <p style="padding-left: 20px;">Circuit Diagram13</p> <p style="padding-left: 20px;">Fail-safe (BSW Control Module)13</p> <p style="padding-left: 20px;">Fail-safe (Side Radar)14</p> <p>OPERATION15</p> <p style="padding-left: 20px;">Switch Name and Function15</p> <p style="padding-left: 20px;">System Display and Warning15</p> <p>HANDLING PRECAUTION17</p> <p style="padding-left: 20px;">Precautions for Blind Spot Warning17</p> <p>DIAGNOSIS SYSTEM (BSW CONTROL MODULE)18</p> <p style="padding-left: 20px;">CONSULT Function (BSW)18</p>	<p>DIAGNOSIS SYSTEM (SIDE RADAR LH)20</p> <p style="padding-left: 20px;">CONSULT Function (SIDE RADAR LEFT)20</p> <p>DIAGNOSIS SYSTEM (SIDE RADAR RH)21</p> <p style="padding-left: 20px;">CONSULT Function (SIDE RADAR RIGHT)21</p> <p>ECU DIAGNOSIS INFORMATION22</p> <p>BSW CONTROL MODULE22</p> <p style="padding-left: 20px;">Reference Value22</p> <p style="padding-left: 20px;">Fail-safe23</p> <p style="padding-left: 20px;">DTC Inspection Priority Chart23</p> <p style="padding-left: 20px;">DTC Index23</p> <p>SIDE RADAR LH25</p> <p style="padding-left: 20px;">Reference Value25</p> <p style="padding-left: 20px;">Fail-safe26</p> <p style="padding-left: 20px;">DTC Inspection Priority Chart26</p> <p style="padding-left: 20px;">DTC Index26</p> <p>SIDE RADAR RH27</p> <p style="padding-left: 20px;">Reference Value27</p> <p style="padding-left: 20px;">Fail-safe28</p> <p style="padding-left: 20px;">DTC Inspection Priority Chart28</p> <p style="padding-left: 20px;">DTC Index28</p> <p>WIRING DIAGRAM29</p> <p>BLIND SPOT WARNING29</p> <p style="padding-left: 20px;">Wiring Diagram29</p> <p>BASIC INSPECTION37</p> <p>DIAGNOSIS AND REPAIR WORK FLOW37</p> <p style="padding-left: 20px;">Work Flow37</p> <p>PRE-INSPECTION FOR DIAGNOSIS39</p> <p style="padding-left: 20px;">Inspection Procedure39</p> <p>ACTION TEST40</p> <p style="padding-left: 20px;">Description40</p> <p style="padding-left: 20px;">Work Procedure40</p>
---	--

F
G
H
I
J
K
L
M

DAS

P

DTC/CIRCUIT DIAGNOSIS	42	SIDE RADAR LH : Description	55
C1A00 CONTROL UNIT	42	SIDE RADAR LH : DTC Logic	55
DTC Logic	42	SIDE RADAR LH : Diagnosis Procedure	55
Diagnosis Procedure	42	SIDE RADAR RH	55
C1A01 POWER SUPPLY CIRCUIT 1, C1A02		SIDE RADAR RH : Description	55
POWER SUPPLY CIRCUIT 2	43	SIDE RADAR RH : DTC Logic	55
DTC Logic	43	SIDE RADAR RH : Diagnosis Procedure	55
Diagnosis Procedure	43	BSW CONTROL MODULE	55
C1A03 VEHICLE SPEED SENSOR	44	BSW CONTROL MODULE : Description	55
DTC Logic	44	BSW CONTROL MODULE : DTC Logic	56
Diagnosis Procedure	44	BSW CONTROL MODULE : Diagnosis Procedure	56
C1B50 SIDE RADAR MALFUNCTION	45	U0104 ADAS CAN 1	57
DTC LOGIC	45	DTC Logic	57
Diagnosis Procedure	45	Diagnosis Procedure	57
C1B51 BSW/BSI INDICATOR SHORT CIR-		U0121 VDC CAN 2	58
CUIT	46	DTC Logic	58
DTC Logic	46	Diagnosis Procedure	58
Diagnosis Procedure	46	U0401 ECM CAN 1	59
C1B52 BSW/BSI INDICATOR OPEN CIR-		DTC Logic	59
CUIT	47	Diagnosis Procedure	59
DTC Logic	47	U0402 TCM CAN 1	60
Diagnosis Procedure	47	DTC Logic	60
C1B53 SIDE RADAR RIGHT MALFUNCTION..	49	Diagnosis Procedure	60
DTC Logic	49	U0405 ADAS CAN 2	61
Diagnosis Procedure	49	DTC Logic	61
C1B54 SIDE RADAR LEFT MALFUNCTION ...	50	Diagnosis Procedure	61
DTC Logic	50	U0415 VDC CAN 1	62
Diagnosis Procedure	50	DTC Logic	62
C1B55 RADAR BLOCKAGE	51	Diagnosis Procedure	62
DTC Logic	51	U150B ECM CAN 3	63
Diagnosis Procedure	51	DTC Logic	63
U1000 CAN COMM CIRCUIT	52	Diagnosis Procedure	63
SIDE RADAR LH	52	U150C VDC CAN 3	64
SIDE RADAR LH : Description	52	DTC Logic	64
SIDE RADAR LH : DTC Logic	52	Diagnosis Procedure	64
SIDE RADAR LH : Diagnosis Procedure	52	U150D TCM CAN 3	65
SIDE RADAR RH	52	DTC Logic	65
SIDE RADAR RH : Description	52	Diagnosis Procedure	65
SIDE RADAR RH : DTC Logic	53	U150E BCM CAN 3	66
SIDE RADAR RH : Diagnosis Procedure	53	DTC Logic	66
BSW CONTROL MODULE	53	Diagnosis Procedure	66
BSW CONTROL MODULE : Description	53	U1503 SIDE RDR L CAN 2	67
BSW CONTROL MODULE : DTC Logic	53	DTC Logic	67
BSW CONTROL MODULE : Diagnosis Procedure	53	Diagnosis Procedure	67
U1010 CONTROL UNIT (CAN)	55	U1504 SIDE RDR L CAN 1	68
SIDE RADAR LH	55	DTC Logic	68
		Diagnosis Procedure	68

U1505 SIDE RDR R CAN 2	69	SIDE RADAR RH	76	
DTC Logic	69	SIDE RADAR RH : Diagnosis Procedure	76	A
Diagnosis Procedure	69	BSW SWITCH CIRCUIT	78	
U1506 SIDE RDR R CAN 1	70	Component Function Check	78	B
DTC Logic	70	Diagnosis Procedure	78	
Diagnosis Procedure	70	Component Inspection	79	
U1507 LOST COMM(SIDE RDR R)	71	BSW ON INDICATOR CIRCUIT	80	C
DTC Logic	71	Diagnosis Procedure	80	
Diagnosis Procedure	71	Component Inspection	80	
U1508 LOST COMM(SIDE RDR L)	72	SYMPTOM DIAGNOSIS	82	D
DTC Logic	72	BSW SYSTEM SYMPTOMS	82	
Diagnosis Procedure	72	Symptom Table	82	E
U1518 SIDE RDR L CAN 3	73	NORMAL OPERATING CONDITION	83	
DTC Logic	73	Description	83	F
Diagnosis Procedure	73	REMOVAL AND INSTALLATION	84	
U1519 SIDE RDR R CAN 3	74	BSW CONTROL MODULE	84	G
DTC Logic	74	Removal and Installation	84	
Diagnosis Procedure	74	SIDE RADAR	85	
POWER SUPPLY AND GROUND CIRCUIT	75	Removal and Installation	85	H
BSW CONTROL MODULE	75	BSW INDICATOR	87	
BSW CONTROL MODULE : Diagnosis Procedure	75	Exploded View	87	I
SIDE RADAR LH	75	BSW SWITCH	88	
SIDE RADAR LH : Diagnosis Procedure	75	Removal and Installation	88	J

PRECAUTIONS

[BSW]

< PRECAUTION >

PRECAUTION

PRECAUTIONS

Precaution for Supplemental Restraint System (SRS) "AIR BAG" and "SEAT BELT PRE-TENSIONER"

INFOID:000000009940654

The Supplemental Restraint System such as "AIR BAG" and "SEAT BELT PRE-TENSIONER", used along with a front seat belt, helps to reduce the risk or severity of injury to the driver and front passenger for certain types of collision. This system includes seat belt switch inputs and dual stage front air bag modules. The SRS system uses the seat belt switches to determine the front air bag deployment, and may only deploy one front air bag, depending on the severity of a collision and whether the front occupants are belted or unbelted. Information necessary to service the system safely is included in the "SRS AIR BAG" and "SEAT BELT" of this Service Manual.

WARNING:

Always observe the following items for preventing accidental activation.

- To avoid rendering the SRS inoperative, which could increase the risk of personal injury or death in the event of a collision that would result in air bag inflation, all maintenance must be performed by an authorized NISSAN/INFINITI dealer.
- Improper maintenance, including incorrect removal and installation of the SRS, can lead to personal injury caused by unintentional activation of the system. For removal of Spiral Cable and Air Bag Module, see "SRS AIR BAG".
- Never use electrical test equipment on any circuit related to the SRS unless instructed to in this Service Manual. SRS wiring harnesses can be identified by yellow and/or orange harnesses or harness connectors.

PRECAUTIONS WHEN USING POWER TOOLS (AIR OR ELECTRIC) AND HAMMERS

WARNING:

Always observe the following items for preventing accidental activation.

- When working near the Air Bag Diagnosis Sensor Unit or other Air Bag System sensors with the ignition ON or engine running, never use air or electric power tools or strike near the sensor(s) with a hammer. Heavy vibration could activate the sensor(s) and deploy the air bag(s), possibly causing serious injury.
- When using air or electric power tools or hammers, always switch the ignition OFF, disconnect the battery, and wait at least 3 minutes before performing any service.

Precautions for Removing Battery Terminal

INFOID:000000009969425

- When removing the 12V battery terminal, turn OFF the ignition switch and wait at least 30 seconds.

NOTE:

ECU may be active for several tens of seconds after the ignition switch is turned OFF. If the battery terminal is removed before ECU stops, then a DTC detection error or ECU data corruption may occur.

- For vehicles with the 2-batteries, be sure to connect the main battery and the sub battery before turning ON the ignition switch.

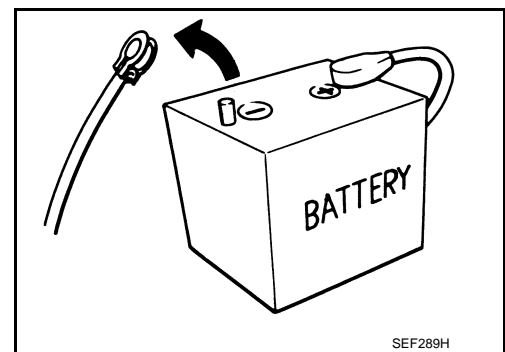
NOTE:

If the ignition switch is turned ON with any one of the terminals of main battery and sub battery disconnected, then DTC may be detected.

- After installing the 12V battery, always check "Self Diagnosis Result" of all ECUs and erase DTC.

NOTE:

The removal of 12V battery may cause a DTC detection error.



Precaution for BSW System Service

INFOID:000000009940655

WARNING:

Be careful of traffic conditions and safety around the vehicle when performing road test.

CAUTION:

- Never perform the active test while driving.

PRECAUTIONS

[BSW]

< PRECAUTION >

- **Never change BSW initial state ON ⇒ OFF without the consent of the customer.**

TO KEEP THE BSW SYSTEM OPERATING PROPERLY, BE SURE TO OBSERVE THE FOLLOWING ITEMS:

System Maintenance

The two side radar for the BSW system are located near the rear bumper.

- Always keep the area near the side radar clean.
- Do not attach stickers (including transparent material), install accessories or apply additional paint near the side radar.
- Do not strike or damage the area around the side radar.

A

B

C

D

E

F

G

H

I

J

K

L

M

N

DAS

P

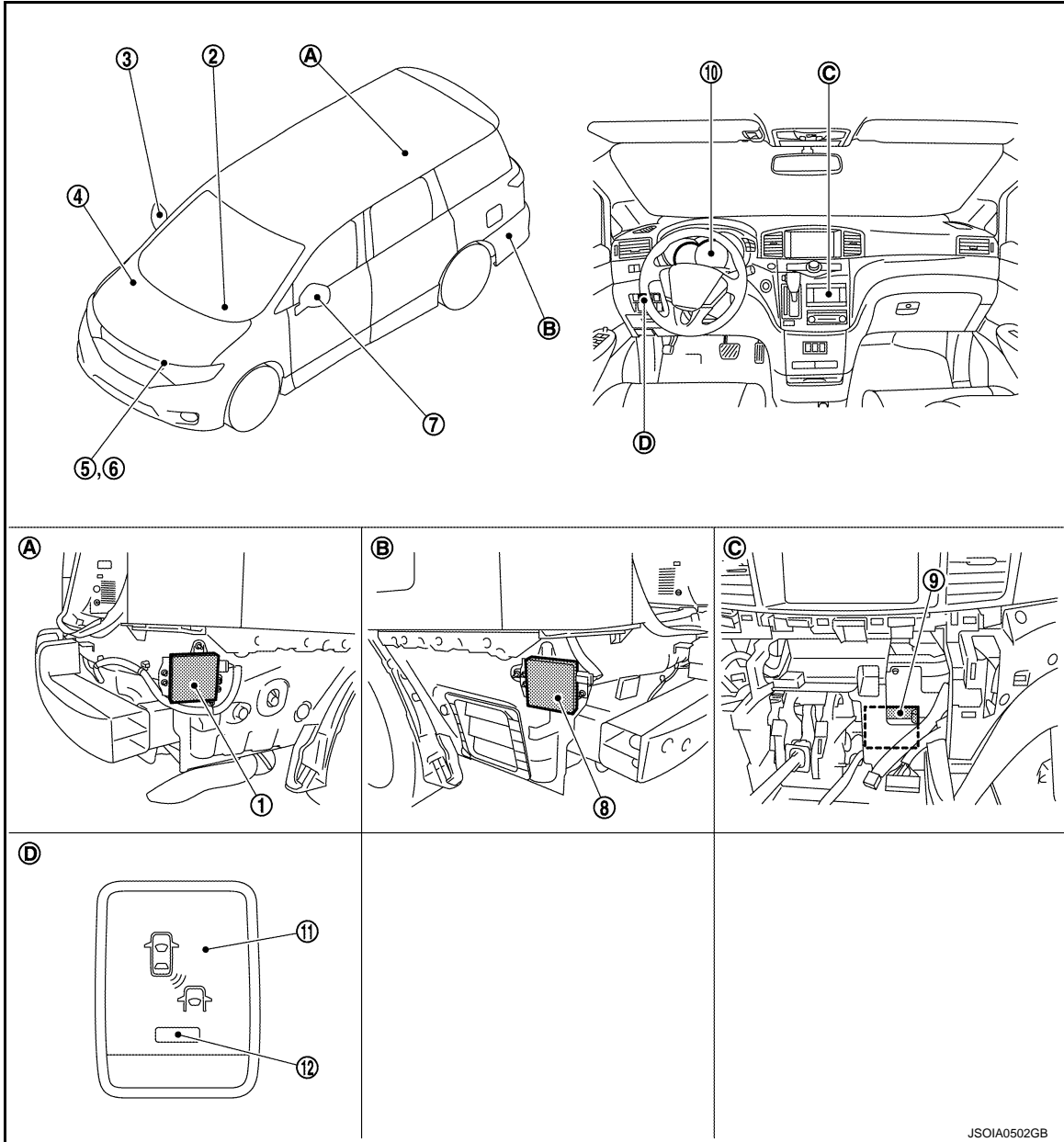
< SYSTEM DESCRIPTION >

SYSTEM DESCRIPTION

COMPONENT PARTS

Component Parts Location

INFOID:000000009940656



- A. Rear bumper removed condition (RH)
- B. Rear bumper removed condition (LH)
- C. Center of the instrument panel
- D. Instrument lower panel (LH)

No.	Component	Function
1	Side radar RH	Refer to DAS-7, "Side Radar LH/RH"
2	BCM	Refer to DAS-8, "BCM" Refer to BCS-4, "BODY CONTROL SYSTEM : Component Parts Location" for detailed installation location
3	BSW indicator RH	Refer to DAS-8, "BSW Indicator LH/RH"

COMPONENT PARTS

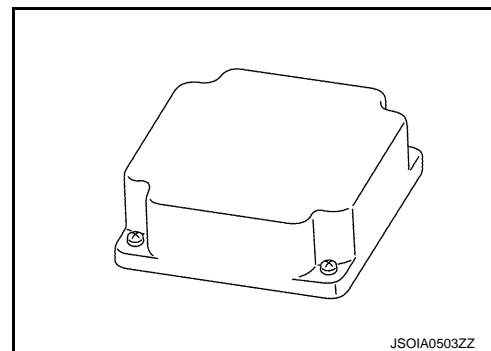
< SYSTEM DESCRIPTION >

[BSW]

No.	Component	Function
4	ABS actuator and electric unit (control unit)	Refer to DAS-8, "ABS Actuator and Electric Unit (Control Unit)" Refer to BRC-9, "Component Parts Location" for detailed installation location
5	TCM	Refer to DAS-8, "TCM" Refer to TM-10, "CVT CONTROL SYSTEM : Component Parts Location" for detailed installation location
6	ECM	Refer to DAS-8, "ECM" Refer to EC-15, "ENGINE CONTROL SYSTEM : Component Parts Location" for detailed installation location
7	BSW indicator LH	Refer to DAS-8, "BSW Indicator LH/RH"
8	Side radar LH	Refer to DAS-7, "Side Radar LH/RH"
9	BSW control module	Refer to DAS-7, "BSW Control Module"
10	Combination meter	<ul style="list-style-type: none"> Description: Refer to DAS-8, "Combination Meter" System display and warning: DAS-15, "System Display and Warning" Refer to MWI-6, "METER SYSTEM : Component Parts Location" for detailed installation location
11	BSW switch	<ul style="list-style-type: none"> Description: Refer to DAS-8, "BSW Switch" System display and warning: DAS-15, "Switch Name and Function"
12	BSW ON indicator (On the BSW switch)	Refer to DAS-15, "System Display and Warning"

BSW Control Module

INFOID:000000009940657

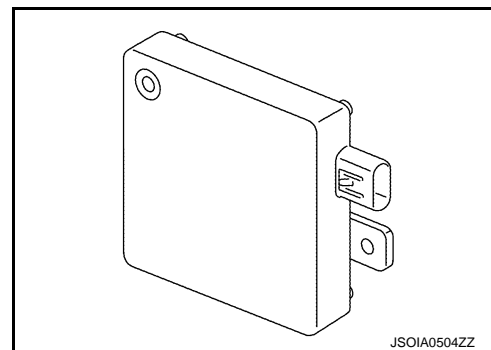


JSOIA0503ZZ

- Controls the BSW system, based on received signals.
- Communicates with each control unit via CAN communication.
- Connected with the side radar (LH and RH) via BSW communication, BSW control module receives a vehicle detection signal and transmits a BSW indicator signal and a BSW indicator dimmer signal to the side radar.
- Receives a BSW switch signal from the BSW switch.
- Transmits a buzzer output signal to the combination meter via CAN communication.

Side Radar LH/RH

INFOID:000000009940658



JSOIA0504ZZ

- Installed near the rear bumper, the side radar detects vehicles in the adjacent lane.
- Connected with the BSW control module via BSW communication, the side radar transmits a vehicle detection signal.
- Receives a BSW indicator signal and a BSW indicator dimmer signal from the BSW control module and transmits an indicator operation signal to the BSW indicator LH/RH.

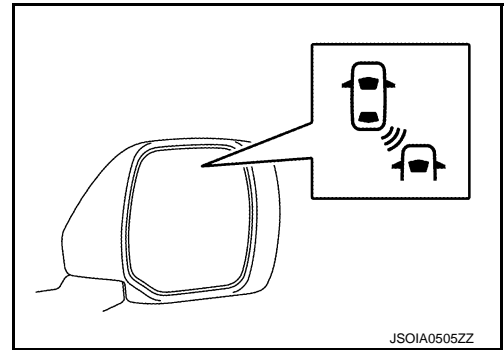
A
B
C
D
E
F
G
H
I
J
K
L
M
N
P

DAS

< SYSTEM DESCRIPTION >

BSW Indicator LH/RH

INFOID:000000009940659



JSOIA0505ZZ

- Installed on the door mirror surface, the BSW indicator warns the driver by lighting/blinking.
- Receives a BSW indicator operation signal from the side radar LH/RH and blinks or turns ON/OFF the BSW indicator lamp.

BSW Switch

INFOID:000000009940660

- Installed to the instrument lower panel, the BSW switch is used to activate/deactivate the BSW system.
- Transmits a BSW switch signal to the BSW control module.

Combination Meter

INFOID:000000009940661

- Receives BSW warning lamp signal and buzzer output signal from BSW control module via CAN communication.
- Turns the BSW warning lamp ON/OFF according to the signals from the BSW control module
- Operates the buzzer according to the signal from the BSW control module

ABS Actuator and Electric Unit (Control Unit)

INFOID:000000009940662

Transmits vehicle speed signal to BSW control module via CAN communication.

BCM

INFOID:000000009940663

- Transmits turn indicator signal to BSW control module via CAN communication.
- Transmits dimmer signal to BSW control module via CAN communication.

TCM

INFOID:000000009940664

Transmits shift position signal to BSW control module via CAN communication.

ECM

INFOID:000000009940665

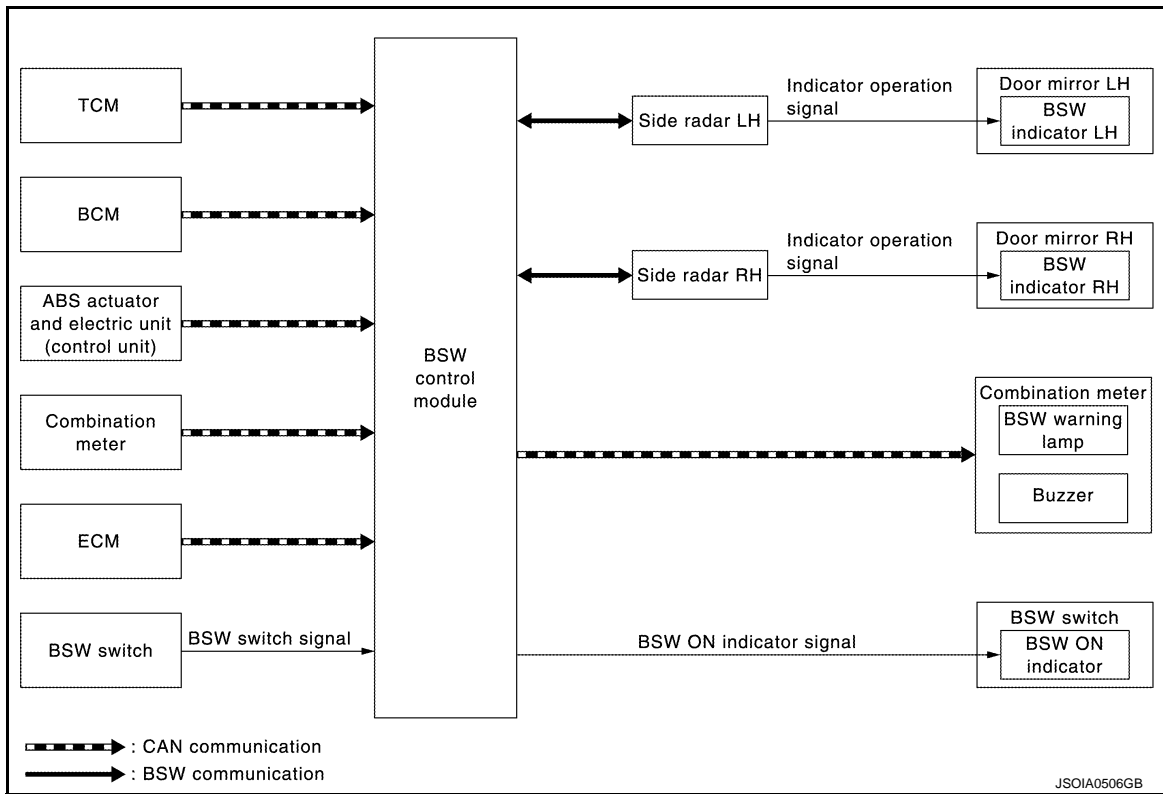
Transmits engine speed signal to BSW control module via CAN communication.

SYSTEM

System Description

INFOID:000000009940666

SYSTEM DIAGRAM



BSW CONTROL MODULE INPUT/OUTPUT SIGNAL ITEM

Input Signal Item

Transmit unit	Signal name	Description
TCM	CAN communication Shift position signal	Receives a selector lever position
ABS actuator and electric unit (control unit)	CAN communication Vehicle speed signal (ABS)	Receives wheel speeds of four wheels
BCM	CAN communication Turn indicator signal	Receives an operational state of the turn signal lamp and the hazard lamp
	Dimmer signal	Receives an ON/OFF state of dimmer signal
Side radar LH, RH	BSW communication Vehicle detection signal	Receives vehicle detection condition of detection zone
ECM	CAN communication Engine speed signal	Receives an engine speed
BSW switch	BSW switch signal	Receives an ON/OFF state of the BSW switch

Output Signal Item

Reception unit	Signal name	Description
Combination meter	CAN communication BSW warning lamp signal	Transmits a BSW warning lamp signal to turn ON the BSW warning lamp
	Buzzer output signal	Transmits a buzzer output signal to activate buzzer

SYSTEM

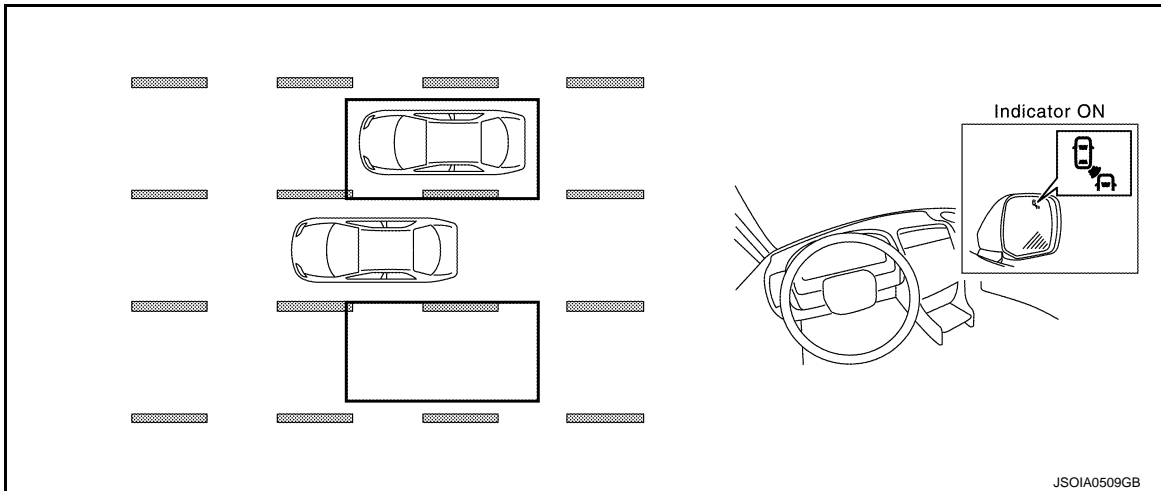
[BSW]

< SYSTEM DESCRIPTION >

Reception unit	Signal name	Description
Side radar LH, RH	BSW indicator signal	Transmits a BSW indicator signal to turn ON the BSW indicator
	BSW indicator dimmer signal	Transmits a BSW indicator dimmer signal to dimmer BSW indicator
	Vehicle speed signal	Transmits a vehicle speed calculated by the BSW control module
BSW ON indicator	BSW ON indicator signal	Turns ON the BSW ON indicator

FUNCTION DESCRIPTION

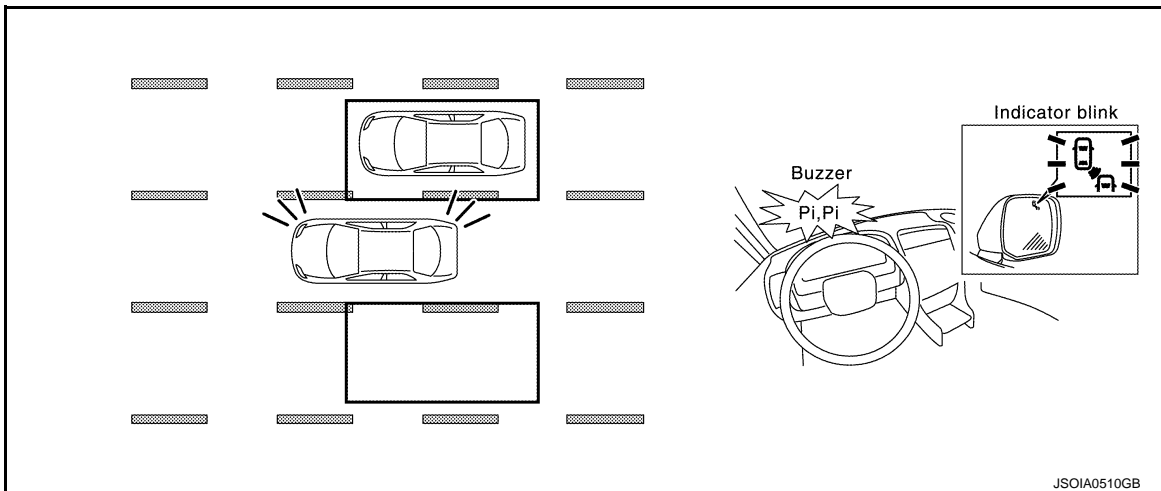
- The BSW system can help alert the driver of other vehicles in adjacent lanes when changing lanes.
- The BSW system uses side radar installed near the rear bumper to detect vehicles in an adjacent lane.
- The side radar can detect vehicles on either side of vehicle within the detection zone shown as illustrated.
- This detection zone starts from the outside mirror of vehicle and extends approximately 10 ft (3.0 m) behind the rear bumper, and approximately 10 ft (3.0 m) sideways.
- The BSW system operates above approximately 32 km/h (20 MPH).
- If the side radar detects vehicles in the detection zone, the BSW indicator illuminates.



- If the driver then activates the turn signal, a buzzer will sound twice and the BSW indicator will blink.

NOTE:

A buzzer sounds if the side radar have already detected vehicles when the driver activates the turn signal. If a vehicle comes into the detection zone after the driver activates the turn signal, then only the BSW indicator blinks and no buzzer sounds.



BSW SYSTEM OPERATION DESCRIPTION

- BSW control module enables BSW system.
- The BSW control module turns on the BSW system when the BSW switch is turned ON.

SYSTEM

[BSW]

< SYSTEM DESCRIPTION >

- Side radar detects a vehicle in the adjacent lane, and transmits the vehicle detection signal to BSW control module via BSW communication.
- BSW control module starts the control as follows, based on a vehicle detection signal, turn signal and dimmer signal transmitted from BCM via CAN communication:
 - Buzzer output signal transmission to combination meter via CAN communication.
 - BSW indicator signal and BSW indicator dimmer signal transmission to side radar via BSW communication.
- Side radar transmits an indicator operation signal to the BSW indicator according to BSW indicator signal and BSW indicator dimmer signal.

Operation Condition of BSW System

BSW control module performs the control when the following conditions are satisfied.

- When the BSW switch is turned ON.
- When the vehicle drives at approximately 32 km/h (20 MPH) or more to the forward direction.

NOTE:

- After the operating conditions of warning are satisfied, the warning continues until the vehicle speed reaches approximately 29 km/h (18 MPH)
- The BSW system may not function properly, depending on the situation. Refer to [DAS-17, "Precautions for Blind Spot Warning"](#).

BULB CHECK ACTION AND FAIL-SAFE INDICATION

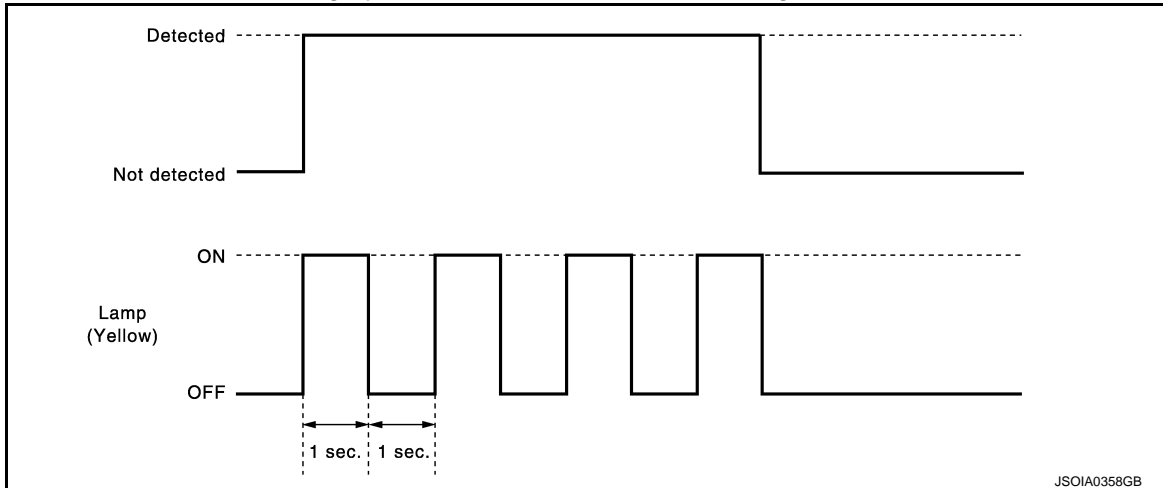
Vehicle condition/Driver's operation	BSW indicator	BSW ON indicator	Indication on the combination meter
Ignition switch: OFF ⇒ ON	Approx. 2 sec. ON	Approx. 5 sec. ON*	<p>(Yellow) ON</p> <p>JSOIA0374GB</p>
When DTC is detected	OFF	ON	<p>(Yellow) ON</p> <p>JSOIA0254GB</p>
When radar blockage is detected	OFF	ON	<p>(Yellow) Blink</p> <p>JSOIA0255GB</p>

*: If BSW initial state is ON, BSW ON indicator continues turned ON.

A
B
C
D
E
F
G
H
I
J
K
L
M
N
P

DAS

Blinking cycle when the side radar blockage condition



NOTE:

Time shown in the figure is approximate time.

BSW INITIAL STATE CHANGE

CAUTION:

Never change BSW initial state “ON” ⇒ “OFF” without the consent of the customer.

BSW initial state can be changed.

- BSW initial ON* - BSW function is automatically turned ON, when the ignition switch OFF ⇒ ON.
- BSW initial OFF - BSW function is still OFF when the ignition switch OFF ⇒ ON.

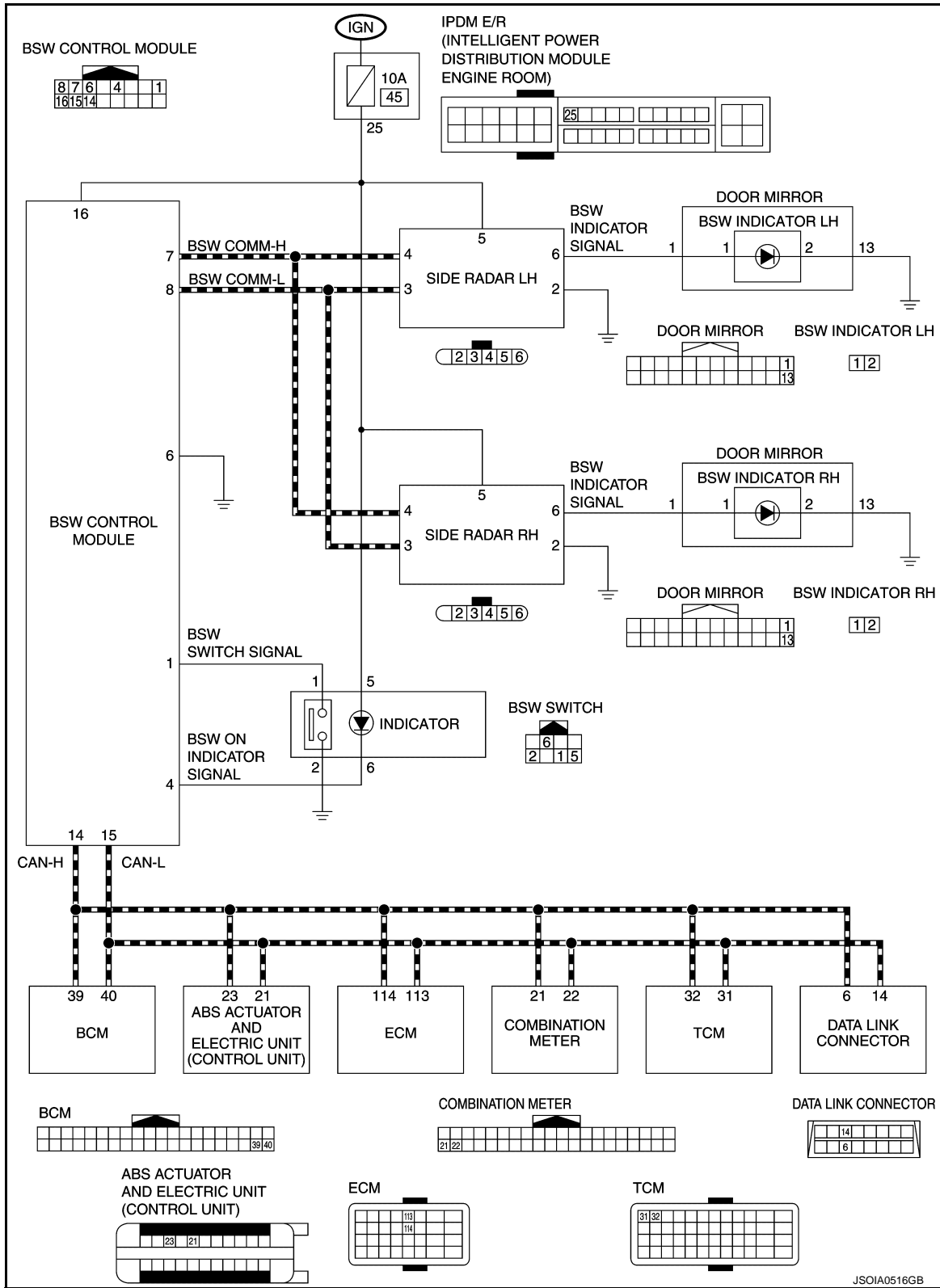
*: Factory setting

How to change BSW initial state

1. Turn ignition switch ON.
2. Switch BSW functions to OFF.
3. Push and hold BSW switch for more than 4 seconds.
4. Buzzer sounds and blinking of the BSW ON indicator informs that the BSW initial state changes completed.

Circuit Diagram

INFOID:000000009940667



A
B
C
D
E
F
G
H
I
J
K
L
M
N
P

DAS

Fail-safe (BSW Control Module)

INFOID:000000009940668

If a malfunction occurs in the system, BSW control module cancels the control. Then the BSW warning lamp in the combination meter illuminates.

Fail-safe (Side Radar)

INFOID:000000009940669

FAIL-SAFE CONTROL BY DTC

If a malfunction occurs in the side radar, BSW control module cancels the control. Then the BSW warning lamp in the combination meter illuminates.

TEMPORARY DISABLED STATUS AT BLOCKAGE

When the side radar is blocked, the operation is temporarily cancelled. Then BSW warning lamp in combination meter blinks. Also, under the following conditions, the operation may be temporarily cancelled.

- The side radar may be blocked by temporary ambient conditions such as splashing water, mist or fog.
- The blocked condition may also be caused by objects such as ice, frost or dirt obstructing the side radar.

OPERATION

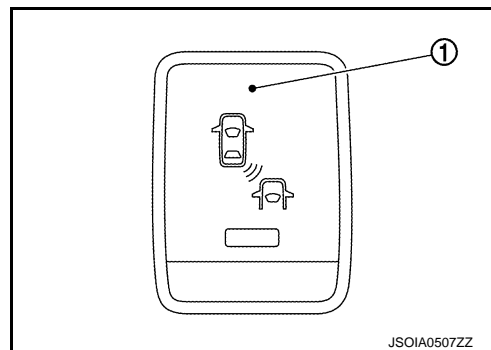
< SYSTEM DESCRIPTION >

[BSW]

OPERATION

Switch Name and Function

INFOID:000000009940670



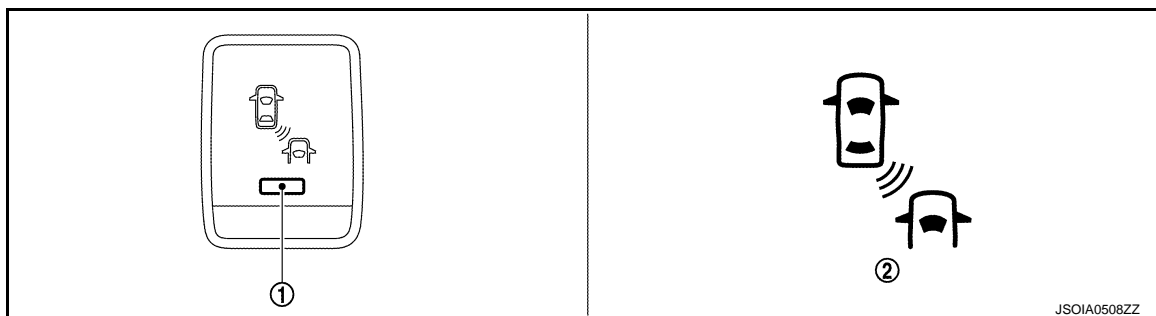
JSOIA0507ZZ

No.	Name	Function
1	BSW switch	Turns BSW system ON/OFF

System Display and Warning

INFOID:000000009940671

INDICATOR AND WARNING LAMP



JSOIA0508ZZ

No.	Name	Description
1	BSW ON indicator	Turns ON while BSW system is ON
2	BSW warning lamp (In the combination meter)	<ul style="list-style-type: none"> • Turns ON when BSW system is malfunctioning • Blinks when radar blockage is detected

DISPLAY AND WARNING OPERATION

Vehicle condition/ Driver's operation				Action	
BSW ON indicator	Vehicle speed (Approx.) [km/h (MPH)]	Turn signal condition	Status of vehicle detection within detection area	Indication on the BSW indicator	Buzzer
OFF	—	—	—	OFF	OFF

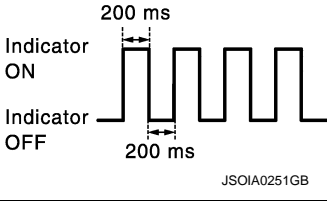
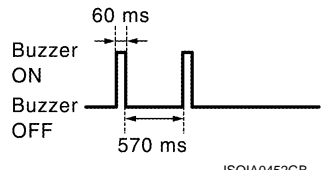
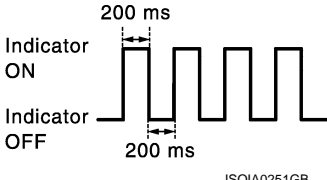
A
B
C
D
E
F
G
H
I
J
K
L
M
N
P

DAS

OPERATION

< SYSTEM DESCRIPTION >

[BSW]

Vehicle condition/ Driver's operation				Action	
BSW ON indicator	Vehicle speed (Approx.) [km/h (MPH)]	Turn signal condition	Status of vehicle detection within detection area	Indication on the BSW indicator	Buzzer
ON	Less than approx. 29 (18)	—	—	OFF	OFF
	Approx. 32 (20) or more	—	Vehicle is absent	OFF	OFF
		OFF	Vehicle is detected	ON	OFF
		ON (Vehicle detected direction)	Before turn signal operates Vehicle is detected	Blink 	Short continuous beep 
ON (Vehicle detected direction)	Vehicle is detected after turn signal operates	Blink 	OFF		

NOTE:

- If vehicle speed exceeds approximately 32 km/h (20MPH), BSW function operates until the vehicle speed becomes lower than approximately 29km/h (18MPH).
- Time shown in the figure is approximate time.

HANDLING PRECAUTION

Precautions for Blind Spot Warning

INFOID:000000009940672

SIDE RADAR HANDLING

- Side radar for BSW system is located inside the rear bumper.
- Always keep the rear bumper near the side radar clean.
- Do not attach a sticker (including transparent material), install an accessory or paintwork near the side radar.
- Do not strike or damage the areas around the side radar.
- Do not strike, damage, and scratch the side radar, especially the vent seal (gray circular) area, under repair.

PRECAUTIONS FOR BLIND SPOT WARNING

- The BSW system is not a replacement for proper driving procedure and are not designed to prevent contact with vehicles or objects. When changing lanes, always use the side and rear mirrors and turn and look in the direction driver will move to ensure it is safe to change lanes. Never rely solely on the BSW system.
- The BSW system may not provide a warning for vehicles that pass through the detection zone quickly.
- Do not use the BSW system when towing a trailer because the system may not function properly.
- Excessive noise (e.g. audio system volume, open vehicle window) will interfere with the chime sound, and it may not be heard.
- The side radar may not be able to detect and activate BSW when certain objects are present such as:
 - Pedestrians, bicycles, animals.
 - Several types of vehicles such as motorcycles.
 - Oncoming vehicles.
 - Vehicles remaining in the detection zone when driver accelerate from a stop.
 - A vehicle merging into an adjacent lane at a speed approximately the same as vehicle.
 - A vehicle approaching rapidly from behind.
 - A vehicle which vehicle overtakes rapidly.
- Severe weather or road spray conditions may reduce the ability of the side radar to detect other vehicles.
- The side radar detection zone is designed based on a standard lane width. When driving in a wider lane, the side radar may not detect vehicles in an adjacent lane. When driving in a narrow lane, the side radar may detect vehicles driving two lanes away.
- The side radar are designed to ignore most stationary objects, however objects such as guardrails, walls, foliage and parked vehicles may occasionally be detected. This is a normal operating condition.

A
B
C
D
E
F
G
H
I
J
K
L
M
N
P

DAS

DIAGNOSIS SYSTEM (BSW CONTROL MODULE)

[BSW]

< SYSTEM DESCRIPTION >

DIAGNOSIS SYSTEM (BSW CONTROL MODULE)

CONSULT Function (BSW)

INFOID:000000009940673

APPLICATION ITEMS

CONSULT performs the following functions via CAN communication using BSW control module.

Diagnosis mode	Description
Self Diagnostic Result	Displays the name of a malfunctioning system stored in the BSW control module
Data Monitor	Displays BSW control module input/output data in real time
Active Test	Enables an operational check of a load by transmitting a driving signal from the BSW control module to the load
Ecu Identification	Displays BSW control module part number
CAN Diag Support Monitor	Displays a reception/transmission state of CAN communication and BSW communication

SELF DIAGNOSTIC RESULT

Refer to [DAS-23. "DTC Index"](#).

DATA MONITOR

NOTE:

- The following table includes information (items) inapplicable to this vehicle. For information (items) applicable to this vehicle, refer to CONSULT display items.
- SIGNAL B, SIGNAL C are displayed, but not used.

Monitored item [Unit]	SIGNAL A	BSW MAIN SIGNAL	Description
VHCL SPEED SE [km/h] or [mph]	×	×	Indicates vehicle speed calculated from BSW control module through CAN communication [ABS actuator and electric unit (control unit) transmits vehicle speed signal (wheel speed) through CAN communication]
BUZZER O/P [On/Off]	×		Indicates [On/Off] status of BSW warning chime output
Shift position [Off, P, R, N, D]		×	Indicates shift position read from BSW control module through CAN communication (TCM transmits shift position signal through CAN communication)
Turn signal [OFF/LH/RH/LH&RH]		×	Indicates turn signal operation status read from BSW control module through CAN communication (BCM transmits turn indicator signal through CAN communication)
WARN SYS SW [On/Off]	×	×	Indicates [On/Off] status of BSW switch
BSW/BSI WARN LMP [On/Off]		×	Indicates [On/Off] status of BSW warning lamp output
BSW SYSTEM ON [On/Off]		×	Indicates [On/Off] status of BSW system

ACTIVE TEST

CAUTION:

- **Never perform "Active Test" while driving the vehicle.**
- **The "Active Test" cannot be performed when the BSW warning lamp is illuminated.**
- **Shift the selector lever to "P" position, and then perform the test.**

Test item	Description
ICC BUZZER	Sounds a buzzer used for BSW system by arbitrarily operating ON/OFF
BSW/BSI WARNING LAMP	The BSW warning lamp can be illuminated by ON/OFF operations as necessary

DIAGNOSIS SYSTEM (BSW CONTROL MODULE)

< SYSTEM DESCRIPTION >

[BSW]

ICC BUZZER

Test item	Operation	Description	BSW warning chime operation sound
ICC BUZZER	MODE1	Transmits the buzzer output signals to the combination meter via CAN communication	Intermittent beep sound
	Test start	Starts the tests of "MODE1"	—
	Reset	Stops transmitting the buzzer output signal below to end the test	—
	End	Returns to the "SELECT TEST ITEM" screen	—

BSW/BSI WARNING LAMP

Test item	Operation	Description	BSW warning lamp
BSW/BSI WARNING LAMP	Off	Stops transmitting the BSW warning lamp signal below to end the test	—
	On	Transmits the BSW warning lamp signal to the combination meter via CAN communication	ON

A
B
C
D
E
F
G
H
I
J
K
L
M
N
P

DAS

DIAGNOSIS SYSTEM (SIDE RADAR LH)

[BSW]

< SYSTEM DESCRIPTION >

DIAGNOSIS SYSTEM (SIDE RADAR LH)

CONSULT Function (SIDE RADAR LEFT)

INFOID:000000009940674

DESCRIPTION

CONSULT performs the following functions by communicating with the side radar LH.

Select diag mode	Function
Self Diagnostic Result	Displays memorized DTC in the side radar
Data Monitor	Displays real-time data of side radar
Active Test	Enables operation check of electrical loads by sending driving signal to them
Ecu Identification	Displays part number of side radar

SELF DIAGNOSTIC RESULT

Self Diagnostic Result

Displays memorized DTC in side radar LH. Refer to [DAS-26. "DTC Index"](#).

FFD (Freeze Frame Data)

The side radar records the following data when the malfunction is detected.

Freeze Frame Data item	Description
VHCL SP from ADAS	The vehicle speed (from BSW control module) at the moment a malfunction is detected is displayed
TURN SIG STATUS	Turn signal status at the moment a malfunction is detected is displayed

DATA MONITOR

NOTE:

The following table includes information (items) inapplicable to this vehicle. For information (items) applicable to this vehicle, refer to CONSULT display items.

Monitored item [Unit]	Description
BEAM DISTANCE [—]	NOTE: The item is displayed, but it is not used
BEAM POSITION [—]	NOTE: The item is displayed, but it is not used
SIDE RADAR MALF [On/Off]	Indicates [On/Off] status of side radar malfunction
BLOCKAGE COND [On/Off]	Indicates [On/Off] status of side radar blockage
ACTIVATE OPE [—]	NOTE: The item is displayed, but it is not used
VEHICLE DETECT [On/Off]	Indicates [On/Off] status of vehicle detection

ACTIVE TEST

CAUTION:

- Never perform the active test while driving.
- Active test cannot be started while the BSW indicator is illuminated.

Active test item	Operation	Description
BSW/BSI INDICATOR DRIVE	On	Outputs the voltage to illuminate the BSW indicator
	Off	Stops the voltage to illuminate the BSW indicator

DIAGNOSIS SYSTEM (SIDE RADAR RH)

[BSW]

< SYSTEM DESCRIPTION >

DIAGNOSIS SYSTEM (SIDE RADAR RH)

CONSULT Function (SIDE RADAR RIGHT)

INFOID:000000009940675

DESCRIPTION

CONSULT performs the following functions by communicating with the side radar RH.

Select diag mode	Function
Self Diagnostic Result	Displays memorized DTC in the side radar
Data Monitor	Displays real-time data of side radar
Active Test	Enables operation check of electrical loads by sending driving signal to them
Ecu Identification	Displays part number of side radar

SELF DIAGNOSTIC RESULT

Self Diagnostic Result

Displays memorized DTC in side radar RH. Refer to [DAS-28. "DTC Index"](#).

FFD (Freeze Frame Data)

The side radar records the following data when the malfunction is detected.

Freeze Frame Data item	Description
VHCL SP from ADAS	The vehicle speed (from BSW control module) at the moment a malfunction is detected is displayed
TURN SIG STATUS	Turn signal status at the moment a malfunction is detected is displayed

DATA MONITOR

NOTE:

The following table includes information (items) inapplicable to this vehicle. For information (items) applicable to this vehicle, refer to CONSULT display items.

Monitored item [Unit]	Description
BEAM DISTANCE [—]	NOTE: The item is displayed, but it is not used
BEAM POSITION [—]	NOTE: The item is displayed, but it is not used
SIDE RADAR MALF [On/Off]	Indicates [On/Off] status of side radar malfunction
BLOCKAGE COND [On/Off]	Indicates [On/Off] status of side radar blockage
ACTIVATE OPE [—]	NOTE: The item is displayed, but it is not used
VEHICLE DETECT [On/Off]	Indicates [On/Off] status of vehicle detection

ACTIVE TEST

CAUTION:

- Never perform the active test while driving.
- Active test cannot be started while the BSW indicator is illuminated.

Active test item	Operation	Description
BSW/BSI INDICATOR DRIVE	On	Outputs the voltage to illuminate the BSW indicator
	Off	Stops the voltage to illuminate the BSW indicator

BSW CONTROL MODULE

< ECU DIAGNOSIS INFORMATION >

[BSW]

ECU DIAGNOSIS INFORMATION

BSW CONTROL MODULE

Reference Value

INFOID:000000009940676

VALUES ON THE DIAGNOSIS TOOL

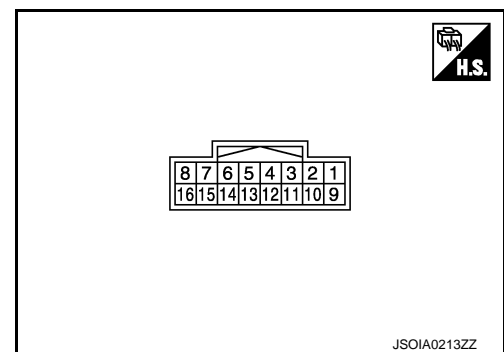
NOTE:

The following table includes information (items) inapplicable to this vehicle. For information (items) applicable to this vehicle, refer to CONSULT display items.

Monitor item	Condition		Value/Status
VHCL SPEED SE	While driving		Displays the vehicle speed calculated by BSW control module
BUZZER O/P	Engine running	When the buzzer of the BSW system operates	On
		When the buzzer of the BSW system not operates	Off
Shift position	<ul style="list-style-type: none"> • Engine running • While driving 		Displays the shift position
Turn signal	Turn signal lamps OFF		Off
	Turn signal lamp LH blinking		LH
	Turn signal lamp RH blinking		RH
	Turn signal lamp LH and RH blinking		LH&RH
WARN SYS SW	Ignition switch ON	When BSW switch is pressed	On
		When BSW switch is not pressed	Off
BSW/BSI WARN LMP	Ignition switch ON	BSW warning lamp ON	On
		BSW warning lamp OFF	Off
BSW SYSTEM ON	Ignition switch ON	When the BSW system is ON (BSW ON indicator ON)	On
		When the BSW system is OFF (BSW ON indicator OFF)	Off

TERMINAL LAYOUT

PHYSICAL VALUES



Terminal No. (Wire color)		Description		Condition	Standard value	Reference value (Approx.)
+	-	Signal name	Input/ Output			
1 (BR)	6 (B/W)	BSW switch signal	Input	BSW switch	Pressed	0 - 0.1 V
					Released	9.5 - 16 V
4 (Y)	6 (B/W)	BSW ON indicator signal	Output	BSW ON indicator	Illuminated	0 - 0.1 V
					OFF	9.5 - 16 V

BSW CONTROL MODULE

[BSW]

< ECU DIAGNOSIS INFORMATION >

Terminal No. (Wire color)		Description		Condition	Standard value	Reference value (Approx.)
+	-	Signal name	Input/ Output			
6 (B/W)	Ground	Ground	—	Ignition switch ON	0 - 0.1 V	0 V
7 (L)	6 (B/W)	BSW communication-H	—	—	—	—
8 (Y)		BSW communication-L	—	—	—	—
14 (L)		CAN -H	—	—	—	—
15 (P)		CAN -L	—	—	—	—
16 (G)		Ignition power supply	Input	Ignition switch ON	9.5 - 16 V	Battery Voltage

Fail-safe

INFOID:000000009940677

If a malfunction occurs in the system, BSW control module cancels the control. Then the BSW warning lamp in the combination meter illuminates.

DTC Inspection Priority Chart

INFOID:000000009940678

If multiple DTCs are detected simultaneously, check them one by one depending on the following DTC inspection priority chart.

Priority	Detected items (DTC)
1	<ul style="list-style-type: none"> U1508: LOST COMM (SIDE RDR L)
2	<ul style="list-style-type: none"> U1000: CAN COMM CIRCUIT U1010: CONTROL UNIT (CAN) U1507: LOST COMM (SIDE RDR R)
3	<ul style="list-style-type: none"> C1B53: SIDE RDR R MALF C1B54: SIDE RDR L MALF
4	<ul style="list-style-type: none"> C1A01: POWER SUPPLY CIR C1A02: POWER SUPPLY CIR 2 U0121: VDC CAN CIR 2 U0401: ECM CAN CIR 1 U0402: TCM CAN CIR 1 U0415: VDC CAN CIR 1 U150B: ECM CAN CIRC 3 U150C: VDC CAN CIRC 3 U150D: TCM CAN CIRC 3 U150E: BCM CAN CIRC 3 U1503: SIDE RDR L CAN CIR 2 U1504: SIDE RDR L CAN CIR 1 U1505: SIDE RDR R CAN CIR 2 U1506: SIDE RDR R CAN CIR 1 U1518: SIDE RDR L CAN CIRC 3 U1519: SIDE RDR R CAN CIRC 3
5	<ul style="list-style-type: none"> C1A03: VHCL SPEED SE CIRC
6	<ul style="list-style-type: none"> C1A00: CONTROL UNIT

DTC Index

INFOID:000000009940679

NOTE:

- The details of time display are as per the following.
 - CRNT: A malfunction is detected now
 - PAST: A malfunction was detected in the past

BSW CONTROL MODULE

[BSW]

< ECU DIAGNOSIS INFORMATION >

- IGN counter is displayed on FFD (Freeze Frame Data).
- 0: The malfunctions that are detected now
CAN communication system (U1000, U1010)
- 1 - 39: It increases like 0 → 1 → 2 ... 38 → 39 after returning to the normal condition whenever the ignition switch OFF → ON. It returns to 0 when a malfunction is detected again in the process.
- If it is over 39, it is fixed to 39 until the self-diagnosis results are erased.
Other than CAN communication system (Other than U1000, U1010)
- 1 - 49: It increases like 0 → 1 → 2 ... 38 → 49 after returning to the normal condition whenever the ignition switch OFF → ON. It returns to 0 when a malfunction is detected again in the process.
- If it is over 49, it is fixed to 49 until the self-diagnosis results are erased.

×: Applicable

DTC		BSW warning lamp	Fail-safe	Reference
C1A00	CONTROL UNIT	ON	×	DAS-42
C1A01	POWER SUPPLY CIR	ON	×	DAS-43
C1A02	POWER SUPPLY CIR 2	ON	×	DAS-43
C1A03	VHCL SPEED SE CIRC	ON	×	DAS-44
C1B53	SIDE RDR R MALF	ON	×	DAS-49
C1B54	SIDE RDR L MALF	ON	×	DAS-50
NO DTC IS DETECTED. FURTHER TESTING MAY BE REQUIRED	NO DTC IS DETECTED. FURTHER TESTING MAY BE REQUIRED	—	—	—
U1000	CAN COMM CIRCUIT	ON	×	DAS-53
U1010	CONTROL UNIT (CAN)	ON	×	DAS-56
U0121	VDC CAN CIR 2	ON	×	DAS-58
U0401	ECM CAN CIR 1	ON	×	DAS-59
U0402	TCM CAN CIR 1	ON	×	DAS-60
U0415	VDC CAN CIR 1	ON	×	DAS-62
U150B	ECM CAN CIRC 3	ON	×	DAS-63
U150C	VDC CAN CIRC 3	ON	×	DAS-64
U150D	TCM CAN CIRC 3	ON	×	DAS-65
U150E	BCM CAN CIRC 3	ON	×	DAS-66
U1503	SIDE RDR L CAN CIR 2	ON	×	DAS-67
U1504	SIDE RDR L CAN CIR 1	ON	×	DAS-68
U1505	SIDE RDR R CAN CIR 2	ON	×	DAS-69
U1506	SIDE RDR R CAN CIR 1	ON	×	DAS-70
U1507	LOST COMM (SIDE RDR R)	ON	×	DAS-71
U1508	LOST COMM (SIDE RDR L)	ON	×	DAS-72
U1518	SIDE RDR L CAN CIRC 3	ON	×	DAS-73
U1519	SIDE RDR R CAN CIRC 3	ON	×	DAS-74

SIDE RADAR LH

< ECU DIAGNOSIS INFORMATION >

[BSW]

SIDE RADAR LH

Reference Value

INFOID:000000009940680

VALUES ON THE DIAGNOSIS TOOL

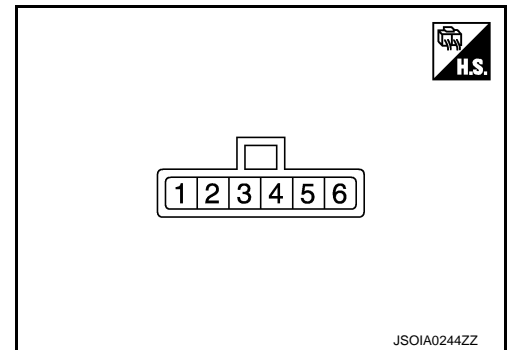
NOTE:

The following table includes information (items) inapplicable to this vehicle. For information (items) applicable to this vehicle, refer to CONSULT display items.

CONSULT MONITOR ITEM

Monitor Item	Condition	Value/Status
BEAM DISTANCE	NOTE: The item is displayed, but it is not used.	—
BEAM POSITION	NOTE: The item is displayed, but it is not used.	—
SIDE RADAR MALF	Side radar is normal.	Off
	Side radar is malfunctioning.	On
BLOCKAGE COND	Side radar is not blocked.	Off
	Side radar is blocked.	On
ACTIVATE OPE	NOTE: The item is displayed, but it is not used.	—
VEHICLE DETECT	Side radar does not detect a vehicle.	Off
	Side radar detects a vehicle.	On

TERMINAL LAYOUT



PHYSICAL VALUES

Terminal No. (Wire color)		Description		Condition	Standard value	Reference value (Approx.)
+	-	Signal name	Input/ Output			
2 (B)	Ground	Ground	—	—	0 - 0.1 V	0 V
3 (Y)	2 (B)	BSW communication-L	—	—	—	—
4 (L)		BSW communication-H	—	—	—	—
5 (V)		Ignition power supply	Input	Ignition switch ON	10 - 16 V	Battery voltage
6 (W)		BSW indicator	Output	Approx. 2 sec. after ignition switch OFF ⇒ ON (bulb check)	5.5 - 16 V	6 V

Fail-safe

INFOID:000000009940681

FAIL-SAFE CONTROL BY DTC

If a malfunction occurs in the side radar, BSW control module cancels the control. Then the BSW warning lamp in the combination meter illuminates.

TEMPORARY DISABLED STATUS AT BLOCKAGE

When the side radar is blocked, the operation is temporarily cancelled. Then BSW warning lamp in combination meter blinks. Also, under the following conditions, the operation may be temporarily cancelled.

- The side radar may be blocked by temporary ambient conditions such as splashing water, mist or fog.
- The blocked condition may also be caused by objects such as ice, frost or dirt obstructing the side radar.

DTC Inspection Priority Chart

INFOID:000000009940682

If some DTCs are displayed at the same time, perform inspections one by one based on the following priority chart.

Priority	Detected items (DTC)
1	<ul style="list-style-type: none"> • U1000: CAN COMM CIRCUIT • U1010: CONTROL UNIT (CAN)
2	<ul style="list-style-type: none"> • U0104: ADAS CAN CIR 1 • U0405: ADAS CAN CIR 2
3	C1B50: SIDE RDR MALFUNCTION
4	<ul style="list-style-type: none"> • C1B51: BSW/BSI IND SHORT CIR • C1B52: BSW/BSI IND OPEN CIR • C1B55: RADAR BLOCKAGE

DTC Index

INFOID:000000009940683

DTC		BSW warning lamp	Fail-safe	Reference page
C1B50	SIDE RDR MALFUNCTION	ON	×	DAS-45
C1B51	BSW/BSI IND SHORT CIR	ON	×	DAS-46
C1B52	BSW/BSI IND OPEN CIR	ON	×	DAS-47
C1B55	RADAR BLOCKAGE	Blink	×	DAS-51
U1000	CAN COMM CIRCUIT	ON	×	DAS-52
U1010	CONTROL UNIT (CAN)	ON	×	DAS-55
U0104	ADAS CAN CIR1	ON	×	DAS-57
U0405	ADAS CAN CIR2	ON	×	DAS-61

×: Applicable

SIDE RADAR RH

< ECU DIAGNOSIS INFORMATION >

[BSW]

SIDE RADAR RH

Reference Value

INFOID:000000009940684

VALUES ON THE DIAGNOSIS TOOL

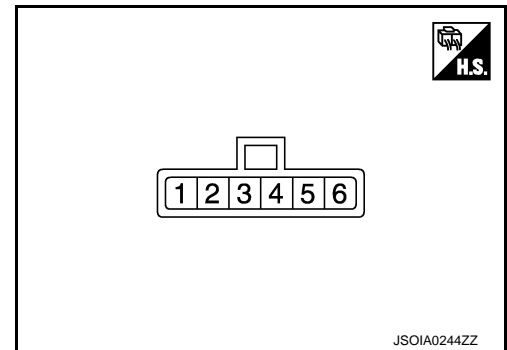
NOTE:

The following table includes information (items) inapplicable to this vehicle. For information (items) applicable to this vehicle, refer to CONSULT display items.

CONSULT MONITOR ITEM

Monitor Item	Condition	Value/Status
BEAM DISTANCE	NOTE: The item is displayed, but it is not used.	—
BEAM POSITION	NOTE: The item is displayed, but it is not used.	—
SIDE RADAR MALF	Side radar is normal.	Off
	Side radar is malfunctioning.	On
BLOCKAGE COND	Side radar is not blocked.	Off
	Side radar is blocked.	On
ACTIVATE OPE	NOTE: The item is displayed, but it is not used.	—
VEHICLE DETECT	Side radar does not detect a vehicle.	Off
	Side radar detects a vehicle.	On

TERMINAL LAYOUT



PHYSICAL VALUES

Terminal No. (Wire color)		Description		Condition	Standard value	Reference value (Approx.)
+	-	Signal name	Input/ Output			
2 (B)	Ground	Ground	—	—	0 - 0.1 V	0 V
3 (Y)	2 (B)	BSW communication-L	—	—	—	—
4 (L)		BSW communication-H	—	—	—	—
5 (G)		Ignition power supply	Input	Ignition switch ON	10 - 16 V	Battery voltage
6 (W)		BSW indicator	Output	Approx. 2 sec. after ignition switch OFF ⇒ ON (bulb check)	5.5 - 16 V	6 V

Fail-safe

INFOID:000000009940685

FAIL-SAFE CONTROL BY DTC

If a malfunction occurs in the side radar, BSW control module cancels the control. Then the BSW warning lamp in the combination meter illuminates.

TEMPORARY DISABLED STATUS AT BLOCKAGE

When the side radar is blocked, the operation is temporarily cancelled. Then BSW warning lamp in combination meter blinks. Also, under the following conditions, the operation may be temporarily cancelled.

- The side radar may be blocked by temporary ambient conditions such as splashing water, mist or fog.
- The blocked condition may also be caused by objects such as ice, frost or dirt obstructing the side radar.

DTC Inspection Priority Chart

INFOID:000000009940686

If some DTCs are displayed at the same time, perform inspections one by one based on the following priority chart.

Priority	Detected items (DTC)
1	<ul style="list-style-type: none"> • U1000: CAN COMM CIRCUIT • U1010: CONTROL UNIT (CAN)
2	<ul style="list-style-type: none"> • U0104: ADAS CAN CIR 1 • U0405: ADAS CAN CIR 2
3	C1B50: SIDE RDR MALFUNCTION
4	<ul style="list-style-type: none"> • C1B51: BSW/BSI IND SHORT CIR • C1B52: BSW/BSI IND OPEN CIR • C1B55: RADAR BLOCKAGE

DTC Index

INFOID:000000009940687

DTC		BSW warning lamp	Fail-safe	Reference page
C1B50	SIDE RDR MALFUNCTION	ON	×	DAS-45
C1B51	BSW/BSI IND SHORT CIR	ON	×	DAS-46
C1B52	BSW/BSI IND OPEN CIR	ON	×	DAS-47
C1B55	RADAR BLOCKAGE	Blink	×	DAS-51
U1000	CAN COMM CIRCUIT	ON	×	DAS-53
U1010	CONTROL UNIT (CAN)	ON	×	DAS-55
U0104	ADAS CAN CIR1	ON	×	DAS-57
U0405	ADAS CAN CIR2	ON	×	DAS-61

×: Applicable

BLIND SPOT WARNING

[BSW]

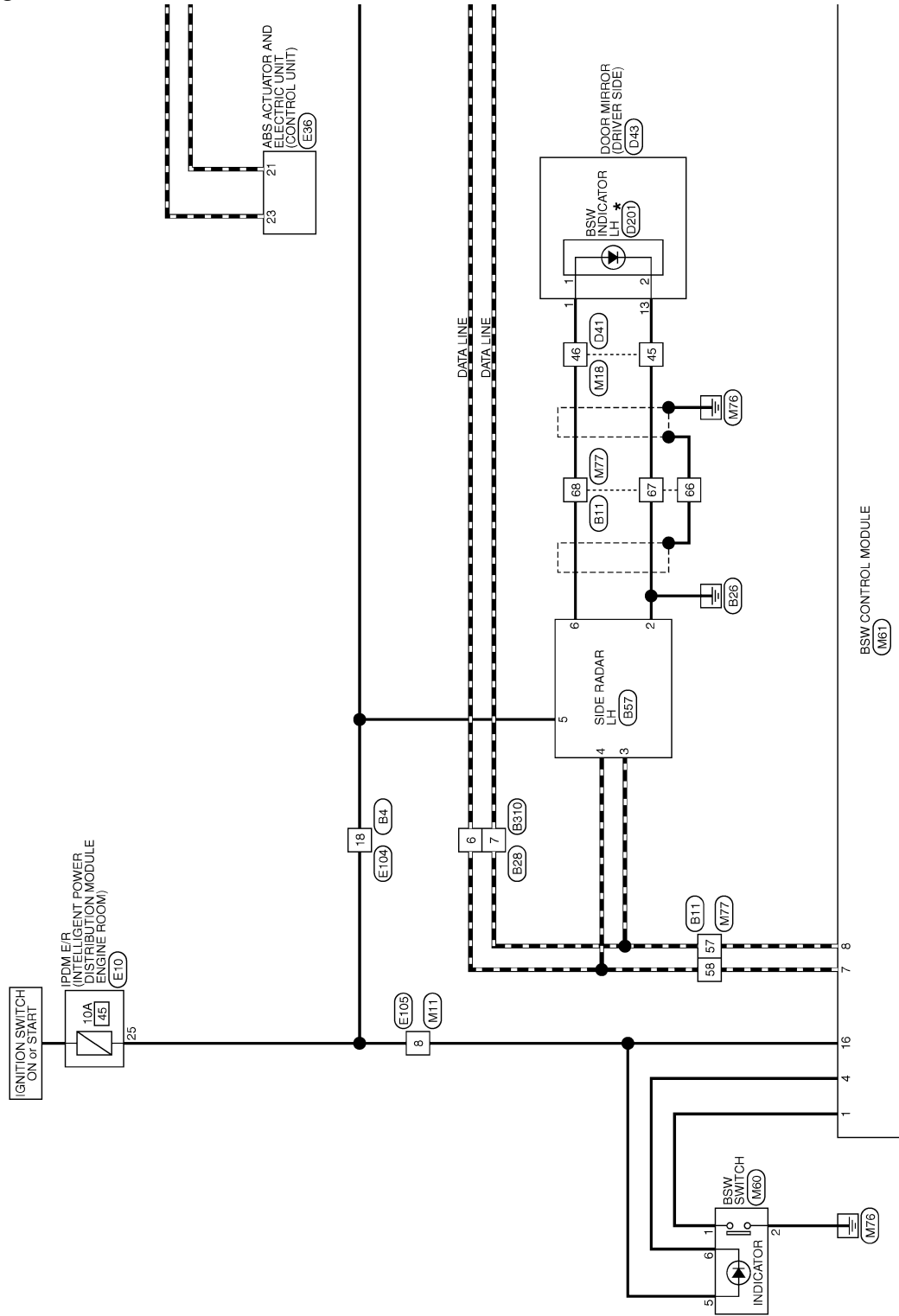
< WIRING DIAGRAM >

WIRING DIAGRAM

BLIND SPOT WARNING

Wiring Diagram

BLIND SPOT WARNING



INFOID:000000009940688

*: This connector is not shown in "Harness Layout".

2013/07/10

JROWC1147GB

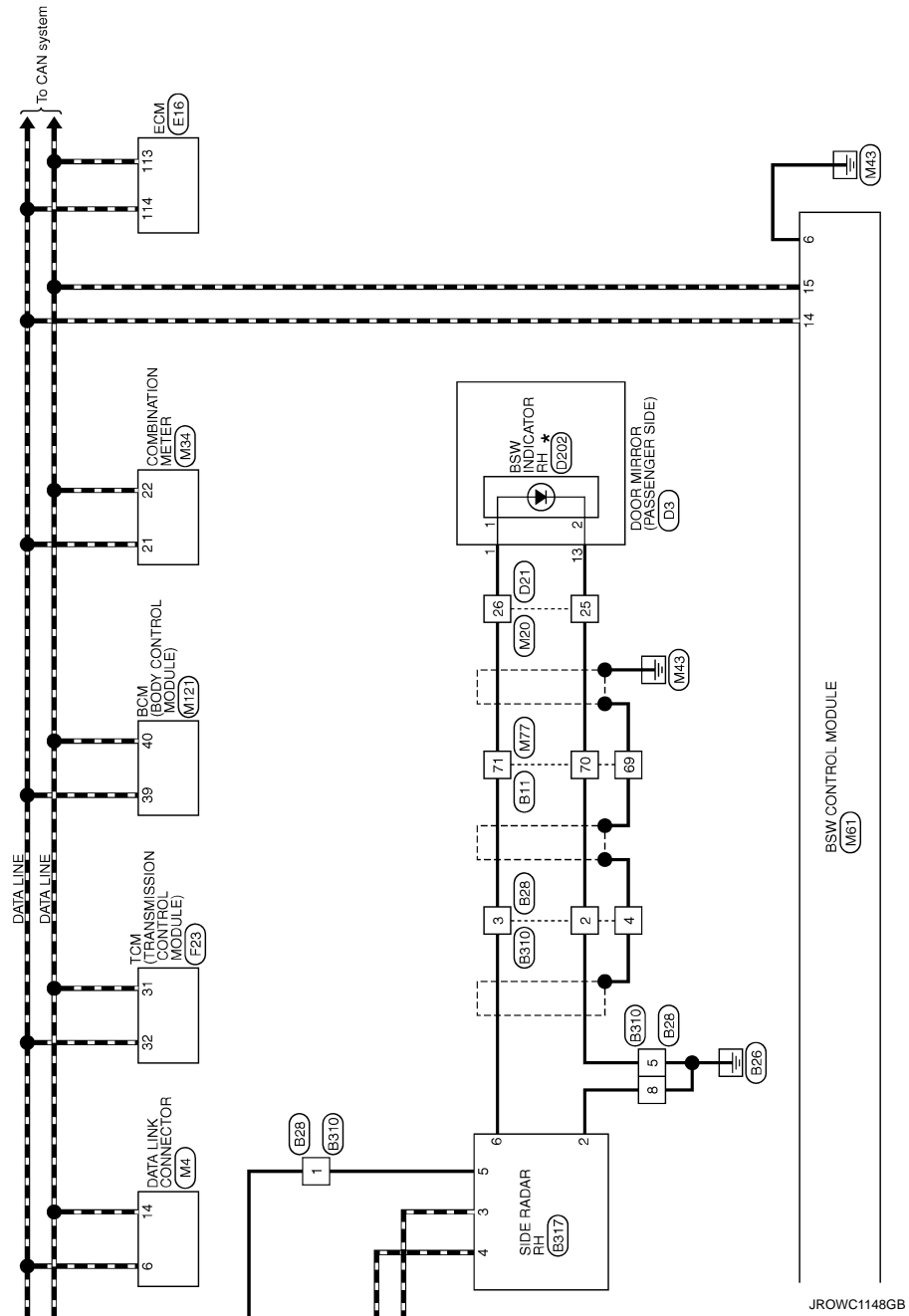
A
B
C
D
E
F
G
H
I
J
K
L
M
N
P

DAS

BLIND SPOT WARNING

< WIRING DIAGRAM >

[BSW]



JROWC1148GB

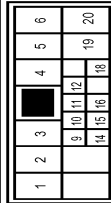
BLIND SPOT WARNING

< WIRING DIAGRAM >

[BSW]

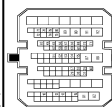
BLIND SPOT WARNING

Connector No.	B14
Connector Name	WIRE TO WIRE
Connector Type	TH16MM-CSI9



Terminal No.	Color Of Wire	Signal Name [Specification]
1	BR	-
2	O	-
3	LG	-
4	P	-
5	W	-
6	R	-
9	R	-
10	L	-
11	V	-
12	P	-
14	LG	-
15	V	-
18	O	-
19	G	-
20	SB	-

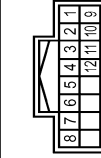
Connector No.	B11
Connector Name	WIRE TO WIRE
Connector Type	TH16MM-CSI9



Terminal No.	Color Of Wire	Signal Name [Specification]
10	LG	-
12	Y	-
13	P	-

15	L	-
28	GR	-
30	W	-
31	BR	-
32	SHIELD	-
33	BL	-
34	BL	-
38	BL	-
40	B/W	-
51	O	-
52	B/P	-
53	V	-
54	P	-
55	L	-
57	Y	-
58	L	-
59	V	-
60	O	-
61	B	-
62	W	-
63	Y	-
64	W	-
65	R	-
66	SHIELD	-
67	B	-
68	W	-
69	SHIELD	-
70	W/R	-
71	B/R	-
72	P	-
74	BR	-
75	SR	-
76	LG	-
78	LG	-
80	R	-
81	SR	-
82	V	-
83	BR	-
88	P	-
89	BR	-
90	LG	- [Without automatic drive positioner]
90	P	- [With automatic drive positioner]
91	O	-
92	G	-

Connector No.	B28
Connector Name	WIRE TO WIRE
Connector Type	TH16FH-WH



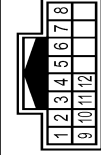
Terminal No.	Color Of Wire	Signal Name [Specification]
1	V	-
2	W/R	-
3	B/R	-
4	SHIELD	-
5	B/W	-
6	L	-
7	Y	-
8	B/W	-
9	R	-
10	W	-
11	GR	-
12	LG	-

Connector No.	B57
Connector Name	SIDE RADAR LH
Connector Type	AA-C26FB-WF-5P



Terminal No.	Color Of Wire	Signal Name [Specification]
2	B	GROUND
3	Y	BSW COMM-L
4	L	BSW COMM-H
5	V	IGNITION
6	W	BSW INDICATOR

Connector No.	B510
Connector Name	WIRE TO WIRE
Connector Type	TH16MM-WH



Terminal No.	Color Of Wire	Signal Name [Specification]
1	G	-
2	B	-
3	W	-
4	SHIELD	-
5	B	-
6	L	-
7	Y	-
8	B	-
9	R	-
10	W	-
11	P	-
12	LG	-

Connector No.	B517
Connector Name	SIDE RADAR RH
Connector Type	AA-C26FB-WF-5P



Terminal No.	Color Of Wire	Signal Name [Specification]
2	B	GROUND
3	Y	BSW COMM-L
4	L	BSW COMM-H
5	G	IGNITION
6	W	BSW INDICATOR

A
B
C
D
E
F
G
H
I
J
K
L
M
N
P

DAS

BLIND SPOT WARNING

< WIRING DIAGRAM >

[BSW]

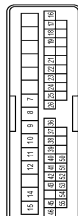
BLIND SPOT WARNING

Connector No.	D03
Connector Name	DOOR MIRROR (PASSENGER SIDE)
Connector Type	TH24MY-NH



Terminal No.	Color Of Wire	Signal Name [Specification]
1	L	-
5	W	-
6	R	-
7	LG	-
10	BR	-
11	SB	-
12	V	-
13	G	-
17	SHIELD	-
18	B	-
19	B	-
20	O	-
21	Y	-
22	G	-
23	Y	-
24	Y	-
25	Y	-
26	Y	-
27	Y	-
28	Y	-
29	Y	-
30	Y	-
31	Y	-
32	Y	-
33	Y	-
34	Y	-
35	Y	-
36	Y	-
37	Y	-
38	Y	-
39	Y	-
40	Y	-
41	Y	-
42	Y	-
43	Y	-
44	Y	-
45	Y	-
46	Y	-
47	Y	-
48	Y	-
49	Y	-
50	Y	-
51	Y	-
52	Y	-
53	Y	-
54	Y	-
55	Y	-

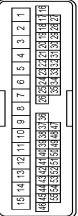
Connector No.	D021
Connector Name	WIRE TO WIRE
Connector Type	TH40FW-CS15



Terminal No.	Color Of Wire	Signal Name [Specification]
7	W	-
8	P	- [Without passenger power window anti-pinch system]
8	V	- [With front power window anti-pinch system]
9	BR	- [Without passenger power window anti-pinch system]
9	BR	- [With front power window anti-pinch system]

9	L	- [With front power window anti-pinch system]
10	LG	-
11	LG	-
12	LG	-
14	B	-
15	W	-
16	P	-
17	Y	-
18	R	-
19	W	-
21	R	- [With front power window anti-pinch system]
22	B	- [Without passenger power window anti-pinch system]
23	W	-
24	SHIELD	-
25	G	-
26	L	-
36	LG	-
37	Y	-
38	L	-
39	O	-
40	B	-
41	W	-
42	R	-
43	P	-
45	G	-
46	GR	-
48	GR	-
50	BR	-
51	V	-
52	SB	-
53	SHIELD	-
54	G	-
55	R	-

Connector No.	D041
Connector Name	WIRE TO WIRE
Connector Type	TH40FW-CS15



Terminal No.	Color Of Wire	Signal Name [Specification]
7	B	-
8	G	-
9	SB	-
10	SB	-
11	W	-
12	W	-
13	W	-
14	W	-
15	W	-
16	P	-
17	R	-
18	L	-
19	LG	-
20	GR	-
21	Y	-
22	BR	-
23	R	-
24	B	-
25	W	-
26	SHIELD	-
27	SB	-
28	G	-
29	W	-
30	W	-
31	O	-
32	LG	-
33	V	-
34	BR	-
35	P	-
36	SB	-
37	GR	-
38	L	-
39	V	-
40	BR	-
41	P	-
42	V	-
43	Y	-
44	B	-
45	B	- [Without automatic drive positioner]
45	P	- [With automatic drive positioner]
46	GR	- [Without automatic drive positioner]
46	GR	- [With automatic drive positioner]

Connector No.	D043
Connector Name	DOOR MIRROR (DRIVER SIDE)
Connector Type	TH24MY-NH



Terminal No.	Color Of Wire	Signal Name [Specification]
1	W	-
8	W	-
9	R	-
10	P	-
11	Y	-
12	BR	-
13	B	-
17	SHIELD	-
18	B	-
19	B	-
20	V	-
21	LG	-
22	R	-
23	GR	-
24	L	-

BLIND SPOT WARNING

[BSW]

< WIRING DIAGRAM >

BLIND SPOT WARNING

Connector No.	D201
Connector Name	BSW INDICATOR LH
Connector Type	Imola, 5109P-0200



12



Terminal No.	Color Of Wire	Signal Name [Specification]
1	O	-
2	YB	-

Connector No.	D202
Connector Name	BSW INDICATOR RH
Connector Type	Imola, 5109P-0200



12

Terminal No.	Color Of Wire	Signal Name [Specification]
1	O	-
2	YB	-

Connector No.	E10
Connector Name	INTELLIGENT POWER DISTRIBUTION MODULE ENGINE ROOM
Connector Type	TH207N-CS12-M4-1V



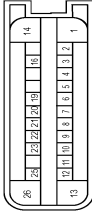
Terminal No.	Color Of Wire	Signal Name [Specification]
4	LG	-
5	Y	-
6	G	-
7	BR	-
10	P	-
12	B	-
13	G	-
15	L	-
16	R	-
18	P	-
19	V	-
20	W	-
21	O	-
22	SB	-
23	GR	-
24	G	-
25	GR	-
26	GR	-
27	LG	-
34	O	-
35	P	-
36	G	-
38	GR	-

Connector No.	E16
Connector Name	ECM
Connector Type	HR24FY-RZ8-L-LH



Terminal No.	Color Of Wire	Signal Name [Specification]
97	W	ACCELERATOR PEDAL POSITION SENSOR 1
98	O	ACCELERATOR PEDAL POSITION SENSOR 2
99	P	SENSOR POWER SUPPLY
100	B	SENSOR GROUND
101	Y	ASC&D STEERING SWITCH
102	LG	E/VAP CONTROL SYSTEM PRESSURE SENSOR
103	GR	SENSOR POWER SUPPLY
104	LG	DATA LINK CONNECTOR
106	V	E/VAP CANISTER VENT CONTROL VALVE
107	W	SENSOR POWER SUPPLY
108	BR	SENSOR GROUND
109	G	IGNITION SWITCH
111	Y	FUEL TANK TEMPERATURE SENSOR
112	V	SENSOR GROUND
113	P	CAN COMMUNICATION LINE
114	L	CAN COMMUNICATION LINE
116	G	SENSOR GROUND
118	G	SENSOR GROUND
119	SB	TP SIGNAL
120	SB	POWER SUPPLY FOR ECM
121	LG	STOP LAMP SWITCH
122	SB	ECM GROUND
123	B	ECM GROUND
124	B	ECM GROUND
126	BR	ASC&D BRAKE SWITCH
127	B	ECM GROUND
128	B	ECM GROUND

Connector No.	E36
Connector Name	ABS ACTUATOR AND ELECTRIC UNIT (CONTROL UNIT)
Connector Type	MEZ2FB-AJZ4-LH



Terminal No.	Color Of Wire	Signal Name [Specification]
1	R	VALVE BATTERY
2	Y	RR LH WHEEL SENSOR SIGNAL
3	L	RR LH WHEEL SENSOR POWER SUPPLY
4	G	G SENSOR POWER SUPPLY
5	B	FR RH WHEEL SENSOR SIGNAL
6	W	FR RH WHEEL SENSOR POWER SUPPLY
7	R	FR RH WHEEL LEVEL SWITCH SIGNAL
8	LG	FR LH WHEEL SENSORE SIGNAL
9	L	FR LH WHEEL SENSOR POWER SUPPLY
10	B	G SENSOR GND
11	V	RR RH WHEEL SENSOR POWER SUPPLY
12	P	RR RH WHEEL SENSORE SIGNAL
13	B	GROUND
14	G	MOTOR BATTERY
16	SB	STOP LAMP SWITCH SIGNAL
19	Y	G SENSOR SIGNAL (+)
20	GR	GR
21	GR	GR
22	BR	VDC OFF SWITCH SIGNAL
23	L	CAN-LH
24	O	G SENSOR SIGNAL (-)
26	B	GROUND

A
B
C
D
E
F
G
H
I
J
K
L
M
N
P

DAS

JROWC1151GB

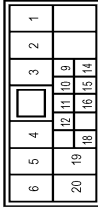
BLIND SPOT WARNING

[BSW]

< WIRING DIAGRAM >

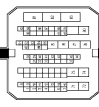
BLIND SPOT WARNING

Connector No. E104
 Connector Name WIRE TO WIRE
 Connector Type INT10PW-CS10



Terminal No.	Color Of Wire	Signal Name [Specification]
1	Y	
2	GR	
3	BR	
4	L	
5	R	
6	LG	
9	Y	
10	L	
11	P	
12	V	
14	LG	
15	V	
16	W	
18	GR	
19	SB	
20	V	

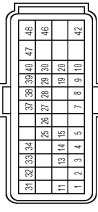
Connector No. E105
 Connector Name WIRE TO WIRE
 Connector Type INT10MW-CS10-M3



Terminal No.	Color Of Wire	Signal Name [Specification]
1	SHIELD	
2	W	
3	B	
4	R	

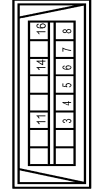
5	LG	
6	AS	
8	SB	
10	BR	
11	Y	
12	O	
13	W	
14	L	
15	P	
31	GR	
32	R	
33	W	
37	BR	
38	G	
39	V	
40	P	
41	L	
42	LG	
43	O	
45	GR	
46	SB	
47	V	
49	L	
51	BR	
52	G	
53	B	
54	O	
55	O	
56	SHIELD	
61	L	
62	LG	
63	W/L	
64	W/BR	
66	W	
67	Y	
69	SB	
70	LG	
71	R	
72	L	
73	GR	
74	Y	
75	SB	
76	Y	
77	G	
78	O	
80	R	
81	L	
82	LG	
83	R	

Connector No. F23
 Connector Name TCM (TRANSMISSION CONTROL MODULE)
 Connector Type RH40FB-RZ8-L-RH



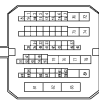
Terminal No.	Color Of Wire	Signal Name [Specification]
1	P/B	TRANSMISSION RANGE SWITCH 2
2	P/L	TRANSMISSION RANGE SWITCH 3
3	G/O	TRANSMISSION RANGE SWITCH 4
4	GR	TRANSMISSION RANGE SWITCH 3 (MONITOR)
5	B	GROUND
7	W	SENSOR GROUND
8	G/W	ROM ASSY (SEL 2)
9	L/R	ROM ASSY (SEL 1)
10	BR/R	ROM ASSY (SEL 3)
11	BR/W	TRANSMISSION RANGE SWITCH 1
13	V	CVT FLUID TEMPERATURE SENSOR
14	R/W	PRIMARY PRESSURE SENSOR
15	V/W	SECONDARY PRESSURE SENSOR
19	G/B	BACK-UP LAMP RELAY
20	R/B	STARTER RELAY
23	W/R	SENSOR GROUND
25	R/O	SENSOR GROUND
26	R	STEP MOTOR C
28	GR	STEP MOTOR B
29	O/BR	STEP MOTOR B
30	G/R	STEP MOTOR A
31	P	CAN-H
32	L	CAN-L
33	LG	PRIMARY SPEED SENSOR
34	LG/R	SECONDARY SPEED SENSOR
37	V/R	LOCK-UP SELECT SOLENOID VALVE
38	L/W	TORQUE CONVERTER CLUTCH SOLENOID VALVE
39	W/B	SECONDARY PRESSURE SOLENOID VALVE
40	R/Y	LINE PRESSURE SOLENOID VALVE
42	B	GROUND
46	Y	IGNITION POWER SUPPLY
47	L/R	BATTERY POWER SUPPLY (MEMORY BACK-UP)
48	Y	IGNITION POWER SUPPLY

Connector No. M4
 Connector Name DATA LINK CONNECTOR
 Connector Type BD15FW



Terminal No.	Color Of Wire	Signal Name [Specification]
3	LG	
4	B/R	
5	B/R	
6	L	
7	R	
8	G	
11	SB	
14	P	
16	O	

Connector No. M11
 Connector Name WIRE TO WIRE
 Connector Type INT10PW-CS10-M3



Terminal No.	Color Of Wire	Signal Name [Specification]
1	SHIELD	
2	W	
3	B	
4	R	
6	O	
7	G	
8	G	
9	B	
10	R	
11	W	
12	LG	

JROWC1152GB

BLIND SPOT WARNING

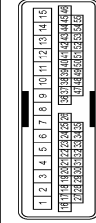
[BSW]

< WIRING DIAGRAM >

BLIND SPOT WARNING

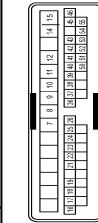
13	Y	--
14	L	--
15	P	--
16	P	--
17	R	--
18	R	--
19	R	--
20	Y	--
21	BR	--
22	BR	--
23	BR	--
24	Y	--
25	P	--
26	L	--
27	G	--
28	LG	--
29	LG	--
30	V	--
31	SB	--
32	Y	--
33	P	--
34	R/W	--
35	GR	--
36	W	--
37	W	--
38	P	--
39	Y	--
40	BR	--
41	L	--
42	G	--
43	W	--
44	LG	--
45	V	--
46	LG	--
47	LG	--
48	V	--
49	G	--
50	Y	--
51	SB	--
52	GR	--
53	B	--
54	R	--
55	L	--
56	SHIELD	--
61	BR	--
62	LG	--
63	W/L	--
64	W/R	--
66	O	--
67	SB	--
68	Y	--
70	R	--
71	R	--
72	R	--
73	R	--
74	Y	--
75	G	--
76	V	--
77	P	--
78	W	--
80	Y	--
81	W	--
82	L	--
83	R	--

Connector No.	MT8
Connector Name	WIRE TO WIRE
Connector Type	TH40MW-2S15



Terminal No.	Color Of Wire	Signal Name [Specification]
1	B/W	--
2	R	--
3	W	--
4	Y	--
5	SB	--
6	BR	--
7	LG	--
8	L	--
9	GR	--
10	P	--
11	V	--
12	G	--
13	O	--
14	BR	--
14	G	--
15	R	--
16	R	--
17	SB	--
18	V	--
19	Y	--
20	Y	--
21	W	--
22	G	--
23	R	--
24	B	--
25	W	--
26	SHIELD	--
27	GR	--
28	G	--
29	O	--
30	LG	--
31	R	--
32	G	--
33	Y	--
34	R/W	--
35	GR	--

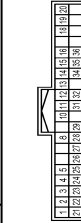
Connector No.	M20
Connector Name	WIRE TO WIRE
Connector Type	TH40MW-2S15



Terminal No.	Color Of Wire	Signal Name [Specification]
7	B/W	--
8	L	-- [Without passenger power window anti-pinch system]
8	P	-- [With front power window anti-pinch system]
9	BR	-- [Without passenger power window anti-pinch system]
9	GR	-- [With front power window anti-pinch system]
10	LG	--
11	SB	--
12	V	--
14	B	--
15	W	--
16	BR	--

17	P	--
18	R	--
19	R	--
20	R	--
21	R	--
22	B	--
23	W	--
24	SHIELD	--
25	W/L	--
26	W/R	--
28	W/L	--
28	W/R	--
36	LG	--
37	W	--
38	P	--
39	G	--
40	B	--
41	R	--
42	L	--
43	GR	--
45	BR	--
46	GR	--
50	V	--
51	BR	-- [With automatic drive positioner]
51	LG	-- [Without automatic drive positioner]
52	W	--
53	SHIELD	--
54	B/Y	--
55	LG	--

Connector No.	M34
Connector Name	COMBINATION METER
Connector Type	TH40PW-3H



Terminal No.	Color Of Wire	Signal Name [Specification]
1	O	BATTERY POWER SUPPLY
2	Y	IGNITION SIGNAL
3	B	GROUND
4	B	GROUND
5	B/P	ILLUMINATION CONTROL SIGNAL
8	SB	TRIP RESET SWITCH SIGNAL
10	P	METER CONTROL SWITCH GROUND
11	G	ENTER SWITCH SIGNAL

A
B
C
D
E
F
G
H
I
J
K
L
M
N
P

DAS

JROWC1153GB

BLIND SPOT WARNING

[BSW]

< WIRING DIAGRAM >

BLIND SPOT WARNING

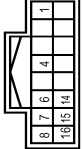
12	BR	SELECT SWITCH SIGNAL
13	Y	ILLUMINATION CONTROL SWITCH SIGNAL (1)
14	Y	ILLUMINATION CONTROL SWITCH SIGNAL (2)
15	BR	AMBIENT SENSOR SIGNAL
16	BR	ENGINE COOLANT TEMPERATURE SIGNAL
18	LG	AMBIENT SENSOR SIGNAL
19	R	A/C AUTO AMP CONNECTION POSITION SIGNAL
20	Y	AMBIENT SENSOR SIGNAL
21	L	CAN-H
22	P	GROUND
23	B	GROUND
24	B	FUEL LEVEL SENSOR GROUND
25	BR	ALTERNATOR SIGNAL
26	BR	PARKING BRAKE SWITCH SIGNAL
27	Y	BRAKE FLUID LEVEL SWITCH SIGNAL
28	V	SECURITY SIGNAL
29	G	WASHER LEVEL SWITCH SIGNAL
31	SB	VEHICLE SPEED SIGNAL (8-PULSE)
32	P	OVERDRIVE CONTROL SWITCH SIGNAL
34	O	FUEL LEVEL SENSOR SIGNAL
35	P	SEAT BELT BUCKLE SWITCH SIGNAL (DRIVER SEAT)
36	BR	PASSENGER SEAT BELT WARNING SIGNAL

Connector No.	M60
Connector Name	BSW SWITCH
Connector Type	TH08FL-NH



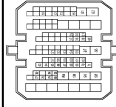
Terminal No.	Color Of Wire	Signal Name [Specification]
1	BR	-
2	B	-
3	R/L	-
4	B/R	-
5	G	-
6	Y	-

Connector No.	M61
Connector Name	BSW CONTROL MODULE
Connector Type	TH16FW-NH



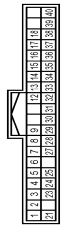
Terminal No.	Color Of Wire	Signal Name [Specification]
1	BR	BSW SWITCH
4	Y	BSW ON IND
6	B/W	GROUND
7	L	BSW COMM-H
8	Y	BSW COMM-L
14	L	CAN-H
15	P	CAN-L
16	G	IGNITION

Connector No.	M77
Connector Name	WIRE TO WIRE
Connector Type	TH86FW-CS19



Terminal No.	Color Of Wire	Signal Name [Specification]
10	GR	-
12	V	-
13	W	-
15	Y	-
29	L	-
30	P	-
31	BR	-
37	SHIELD	-
38	B	- [Without automatic drive positioner]
38	W	- [With automatic drive positioner]
39	B	- [Without automatic drive positioner]
39	W	- [With automatic drive positioner]

Connector No.	M121
Connector Name	BCM (BODY CONTROL MODULE)
Connector Type	TH46FB-NH



Terminal No.	Color Of Wire	Signal Name [Specification]
1	W	REAR WINDOW DEF RELAY COM1
2	LG	COMBI SW INPUT 5
3	Y	COMBI SW INPUT 4
4	O	COMBI SW INPUT 3
5	G	COMBI SW INPUT 2
6	L	COMBI SW INPUT 1
7	W	KEY CYL UNLOCK SW
8	GR	PW SW COMM [With automatic sliding door]
8	Y	KEY CYL LOCK SW [Without automatic sliding door]
9	V	STOP LAMP SW 1
12	GR	DOOR LK & UNLK SW LOCK
13	BR	DOOR LK & UNLK SW UNLOCK
14	L	OPTICAL SENS
15	W	REAR WINDOW DEF SW
16	O	DIMMER
17	O	SEUS TRAIL SW
18	R	REAR SEUS TRAIL SW
21	R	REAR SEUS TRAIL SW
23	V	SECURITY IND COM1
24	B	DOMBLE UNLK
25	W	NATS ANT AMP
27	O	A/C ON
28	BR	BLOWER FAN ON
29	P	HAZARD SW
30	L	BR DOOR OPNR SW
31	O	DR DOOR UNLK SENS
32	Y	COMBI SW OUTPUT 5
33	W	COMBI SW OUTPUT 4
34	GR	COMBI SW OUTPUT 3
35	SB	COMBI SW OUTPUT 2
36	R	COMBI SW OUTPUT 1
37	G	DETENT SW
38	SB	RECEIVER COMM
39	L	CAN-H
40	P	CAN-L

40	R	-
51	V	-
52	B	-
53	O	-
54	P	-
55	L	-
56	Y	-
57	Y	-
58	L	-
59	O	-
60	G	-
61	LG	-
62	V	-
63	SB	-
64	R	-
65	G	-
66	SHIELD	-
67	W/L	-
68	GR/V	-
69	SHIELD	-
70	W/L	-
71	W/R	-
72	LG	-
74	GR	-
75	G	-
77	O	-
78	LG	-
79	R	-
80	G	-
81	L	-
82	W	-
83	Y	-
84	R	-
88	Y	-
90	P	- [Without automatic drive positioner]
90	R	- [With automatic drive positioner]
91	SB	-
92	P	-

JROWC1154GB

DIAGNOSIS AND REPAIR WORK FLOW

[BSW]

< BASIC INSPECTION >

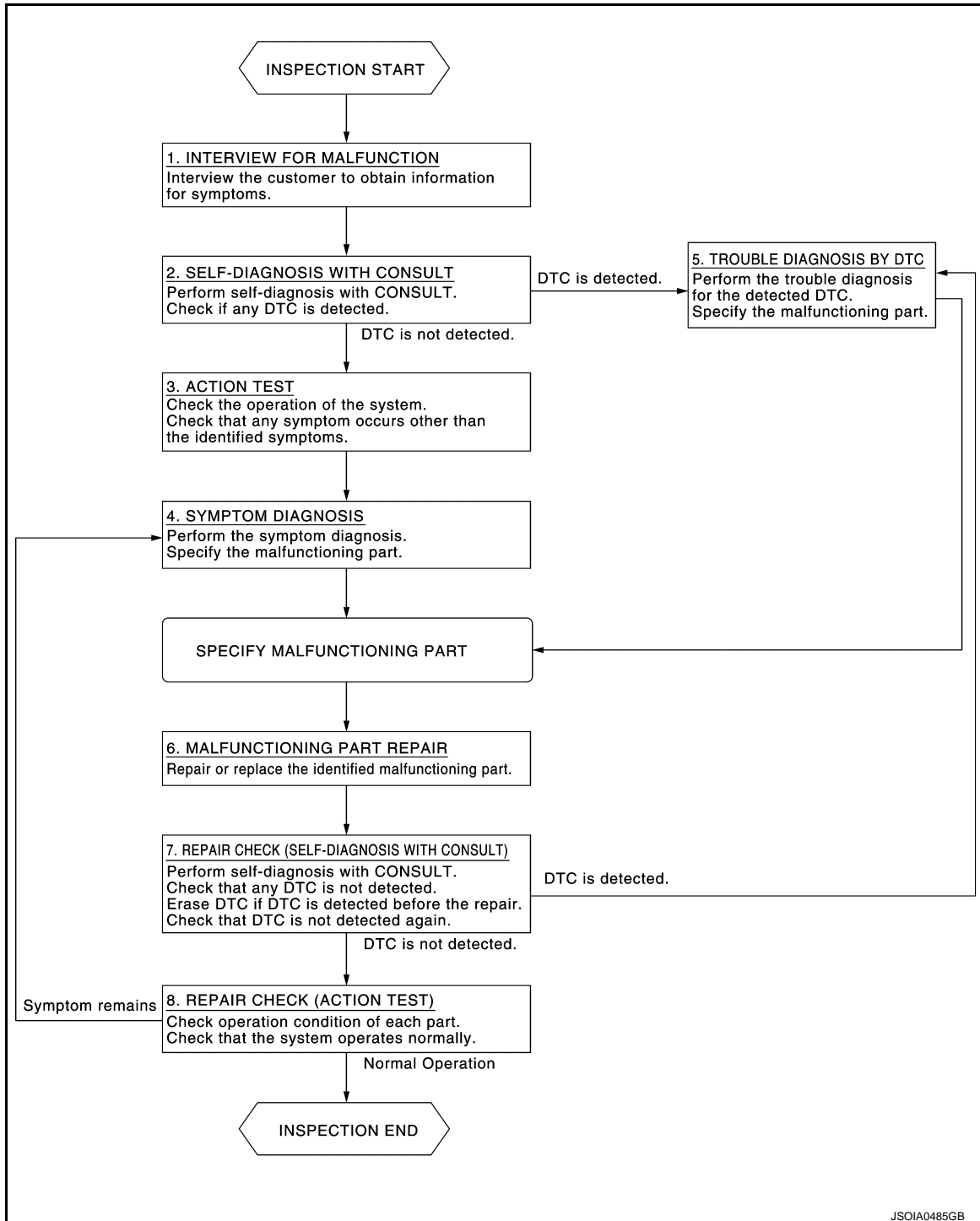
BASIC INSPECTION

DIAGNOSIS AND REPAIR WORK FLOW

Work Flow

INFOID:000000009940689

OVERALL SEQUENCE



DETAILED FLOW

1. INTERVIEW FOR MALFUNCTION

It is also important to clarify the customer concerns before starting the inspection. Interview the customer about the concerns carefully and understand the symptoms fully.

NOTE:

A
B
C
D
E
F
G
H
I
J
K
L
M
N
P

DAS

DIAGNOSIS AND REPAIR WORK FLOW

[BSW]

< BASIC INSPECTION >

The customers are not professionals. Never assume that “maybe the customer means...” or “maybe the customer mentioned this symptom”.

>> GO TO 2.

2. SELF-DIAGNOSIS WITH CONSULT

1. Perform “All DTC Reading” with CONSULT.
2. Check if the DTC is detected on the self-diagnosis results of “SIDE RADAR LEFT/RIGHT” and/or “BSW”.

Is any DTC detected?

YES >> GO TO 5.

NO >> GO TO 3.

3. PRE-INSPECTION FOR DIAGNOSIS

Perform pre-inspection for diagnosis. Refer to [DAS-39, "Inspection Procedure"](#).

>> GO TO 4.

4. ACTION TEST

Perform BSW system action test to check the operation status. Refer to [DAS-40, "Description"](#).
Check if any other malfunctions occur.

>> GO TO 6.

5. TROUBLE DIAGNOSIS BY DTC

1. Check the DTC in the self-diagnosis results.
2. Perform trouble diagnosis for the detected DTC. Refer to [DAS-26, "DTC Index"](#) (SIDE RADAR LEFT) or [DAS-28, "DTC Index"](#) (SIDE RADAR RIGHT) and/or [DAS-23, "DTC Index"](#) (BSW).

NOTE:

If “DTC: U1000” is detected, first diagnose the CAN communication system or BSW communication system.

>> GO TO 7.

6. SYMPTOM DIAGNOSIS

Perform the applicable diagnosis according to the diagnosis chart by symptom. Refer to [DAS-82, "Symptom Table"](#).

>> GO TO 7.

7. MALFUNCTIONING PART REPAIR

Repair or replace the identified malfunctioning parts.

>> GO TO 8.

8. REPAIR CHECK (SELF-DIAGNOSIS WITH CONSULT)

1. Erases self-diagnosis results.
2. Perform “All DTC Reading” again after repairing or replacing the specific items.
3. Check if any DTC is detected in self-diagnosis results of “SIDE RADAR LEFT/RIGHT” and “BSW”.

Is any DTC detected?

YES >> GO TO 5.

NO >> GO TO 9.

9. REPAIR CHECK (ACTION TEST)

Perform the BSW system action test. Check that the malfunction symptom is solved or no other symptoms occur.

Is there a malfunction symptom?

YES >> GO TO 4.

NO >> INSPECTION END

PRE-INSPECTION FOR DIAGNOSIS

< BASIC INSPECTION >

[BSW]

PRE-INSPECTION FOR DIAGNOSIS

Inspection Procedure

INFOID:000000009940690

1.CHECK REAR BUMPER NEAR THE SIDE RADAR

Are rear bumper near the side radar contaminated with foreign materials?

YES >> Clean the rear bumper.

NO >> GO TO 2.

2.CHECK SIDE RADAR AND THE SIDE RADAR OUTSKIRTS

Are side radar and the side radar outskirts contaminated with foreign materials?

YES >> Clean the side radar or side radar outskirts.

NO >> GO TO 3.

3.CHECK SIDE RADAR INSTALLATION CONDITION

Check side radar installation condition (installation position, properly tightened, a bent bracket).

Is it properly installed?

YES >> INSPECTION END

NO >> Install side radar properly.

A
B
C
D
E
F
G
H
I
J
K
L
M
N
P

DAS

ACTION TEST

[BSW]

< BASIC INSPECTION >

ACTION TEST

Description

INFOID:000000009940691

Always perform the BSW system action test to check that the system operates normally after replacing the side radar LH/RH, or repairing any BSW system malfunction.

WARNING:

Be careful of traffic conditions and safety around the vehicle when performing road test.

CAUTION:

Fully understand the following items well before the road test;

- Precautions: Refer to [DAS-4, "Precaution for BSW System Service"](#).
- System description: Refer to [DAS-9, "System Description"](#).
- Normal operating condition: Refer to [DAS-83, "Description"](#).

Work Procedure

INFOID:000000009940692

WARNING:

Be careful of traffic conditions and safety around the vehicle when performing road test.

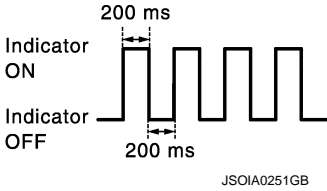
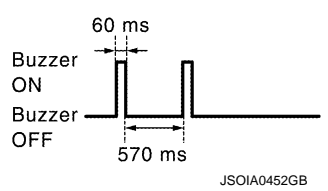
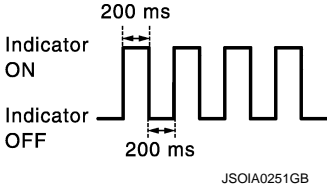
CAUTION:

Fully understand the following items well before the road test;

- Precautions: Refer to [DAS-4, "Precaution for BSW System Service"](#).
- System description: Refer to [DAS-9, "System Description"](#).
- Normal operating condition: Refer to [DAS-83, "Description"](#).

1. BSW SYSTEM ACTION TEST

1. Drive the vehicle.
2. Turn BSW switch ON (BSW ON indicator is ON).
3. Check BSW operation according to the following table.

Vehicle condition/ Driver's operation				Action	
BSW ON indicator	Vehicle speed (Approx.) [km/h (MPH)]	Turn signal condition	Status of vehicle detection within detection area	Indication on the BSW indicator	Buzzer
OFF	—	—	—	OFF	OFF
ON	Less than approx. 29 (18)	—	—	OFF	OFF
		—	Vehicle is absent	OFF	OFF
	Approx. 32 (20) or more	OFF	Vehicle is detected	ON	OFF
		ON (Vehicle detected direction)	Before turn signal operates Vehicle is detected	<p style="text-align: center;">Blink</p> 	<p style="text-align: center;">Short continuous beep</p> 
ON (Vehicle detected direction)	Vehicle is detected after turn signal operates	<p style="text-align: center;">Blink</p> 	OFF		

ACTION TEST

< BASIC INSPECTION >

[BSW]

NOTE:

- If vehicle speed exceeds approximately 32 km/h (20MPH), BSW function operates until the vehicle speed becomes lower than approximately 29km/h (18MPH).
- Time shown in the figure is approximate time.

>> INSPECTION END

A
B
C
D
E
F
G
H
I
J
K
L
M
N
P

DAS

DTC/CIRCUIT DIAGNOSIS

C1A00 CONTROL UNIT

DTC Logic

INFOID:000000009940693

DTC DETECTION LOGIC

DTC	Trouble diagnosis name	DTC detecting condition	Possible causes
C1A00	CONTROL UNIT	BSW control module internal malfunction	BSW control module

DTC CONFIRMATION PROCEDURE

1. PERFORM DTC CONFIRMATION PROCEDURE

1. Start the engine.
2. Perform "All DTC Reading" with CONSULT.
3. Check if the "C1A00" is detected as the current malfunction in "Self Diagnostic Result" of "BSW".

Is "C1A00" detected as the current malfunction?

- YES >> Refer to [DAS-42, "Diagnosis Procedure"](#).
NO >> INSPECTION END

Diagnosis Procedure

INFOID:000000009940694

1. CHECK SELF-DIAGNOSIS RESULTS

Check if any DTC other than "C1A00" is detected in "Self Diagnostic Result" of "BSW".

Is any DTC detected?

- YES >> Perform diagnosis on the detected DTC and repair or replace the malfunctioning parts. Refer to [DAS-23, "DTC Index"](#).
NO >> Replace the BSW control module. Refer to [DAS-84, "Removal and Installation"](#).

C1A01 POWER SUPPLY CIRCUIT 1, C1A02 POWER SUPPLY CIRCUIT 2

< DTC/CIRCUIT DIAGNOSIS >

[BSW]

C1A01 POWER SUPPLY CIRCUIT 1, C1A02 POWER SUPPLY CIRCUIT 2

DTC Logic

INFOID:000000009940695

DTC DETECTION LOGIC

DTC	Trouble diagnosis name	DTC detecting condition	Possible causes
C1A01	POWER SUPPLY CIR	The battery voltage sent to BSW control module remains less than 7.9 V for 5 seconds	<ul style="list-style-type: none">• Connector, harness, fuse• BSW control module
C1A02	POWER SUPPLY CIR 2	The battery voltage sent to BSW control module remains more than 19.3 V for 5 seconds	

DTC CONFIRMATION PROCEDURE

1. PERFORM DTC CONFIRMATION PROCEDURE

1. Start the engine.
2. Turn the BSW system ON.
3. Perform "All DTC Reading" with CONSULT.
4. Check if the "C1A01" or "C1A02" is detected as the current malfunction in "Self Diagnostic Result" of "BSW".

Is "C1A01" or "C1A02" detected as the current malfunction?

- YES >> Refer to [DAS-43. "Diagnosis Procedure"](#).
NO >> Refer to [GI-42. "Intermittent Incident"](#).

Diagnosis Procedure

INFOID:000000009940696

1. CHECK BSW CONTROL MODULE POWER SUPPLY AND GROUND CIRCUIT

Check power supply and ground circuit of BSW control module. Refer to [DAS-75. "BSW CONTROL MODULE : Diagnosis Procedure"](#).

Is the inspection result normal?

- YES >> Replace the BSW control module. Refer to [DAS-84. "Removal and Installation"](#).
NO >> Repair or replace the malfunctioning parts.

DAS

C1A03 VEHICLE SPEED SENSOR

< DTC/CIRCUIT DIAGNOSIS >

[BSW]

C1A03 VEHICLE SPEED SENSOR

DTC Logic

INFOID:000000009940697

DTC DETECTION LOGIC

DTC	Trouble diagnosis name	DTC detecting condition	Possible causes
C1A03	VHCL SPEED SE CIRC	If the vehicle speed signal (wheel speed) from ABS actuator and electric unit (control unit) received by the BSW control module via CAN communication, are inconsistent	<ul style="list-style-type: none">• Wheel speed sensor• ABS actuator and electric unit (control unit)• BSW control module

NOTE:

If DTC "C1A03" is detected along with DTC "U1000", first diagnose the DTC "U1000". Refer to [DAS-53. "BSW CONTROL MODULE : DTC Logic"](#)

DTC CONFIRMATION PROCEDURE

1. PERFORM DTC CONFIRMATION PROCEDURE

1. Start the engine.
2. Turn the BSW system ON.
3. Drive the vehicle at 30 km/h (19 MPH) or more.

CAUTION:

Always drive safely.

4. Stop the vehicle.
5. Perform "All DTC Reading" with CONSULT.
6. Check if the "C1A03" is detected as the current malfunction in "Self Diagnostic Result" of "BSW".

Is "C1A03" detected as the current malfunction?

YES >> Refer to [DAS-44. "Diagnosis Procedure"](#).

NO >> Refer to [GI-42. "Intermittent Incident"](#).

Diagnosis Procedure

INFOID:000000009940698

1. CHECK SELF-DIAGNOSIS RESULTS

Check if "U1000" is detected other than "C1A03" in "Self Diagnostic Result" of "BSW".

Is "U1000" detected?

YES >> Perform the CAN communication system inspection. Repair or replace the malfunctioning parts. Refer to [DAS-53. "BSW CONTROL MODULE : DTC Logic"](#).

NO >> GO TO 2.

2. CHECK ABS ACTUATOR AND ELECTRIC UNIT (CONTROL UNIT) SELF-DIAGNOSIS RESULTS

Check if any DTC is detected in "Self Diagnostic Result" of "ABS".

Is any DTC detected?

YES >> Perform diagnosis on the detected DTC and repair or replace the malfunctioning parts. Refer to [BRC-38. "DTC Index"](#).

NO >> Replace the BSW control module. Refer to [DAS-84. "Removal and Installation"](#).

C1B50 SIDE RADAR MALFUNCTION

< DTC/CIRCUIT DIAGNOSIS >

[BSW]

C1B50 SIDE RADAR MALFUNCTION

DTC LOGIC

INFOID:000000009940699

DTC DETECTION LOGIC

DTC	Trouble diagnosis name	DTC detecting condition	Possible causes
C1B50	SIDE RDR MALFUNCTION	Side radar malfunction	Side radar

DTC CONFIRMATION PROCEDURE

1. PERFORM DTC CONFIRMATION PROCEDURE

1. Start the engine.
2. Perform "All DTC Reading" with CONSULT.
3. Check if the "C1B50" is detected as the current malfunction in "Self Diagnostic Result" of "SIDE RADAR RIGHT/LEFT".

Is the "C1B50" detected as the current malfunction?

- YES >> Refer to [DAS-45, "Diagnosis Procedure"](#).
NO >> INSPECTION END

Diagnosis Procedure

INFOID:000000009940700

1. CHECK SELF-DIAGNOSIS RESULT

Check if any DTC other than "C1B50" is detected in "Self Diagnostic Result" of "SIDE RADAR LEFT/RIGHT"

Is any DTC detected?

- YES >> Perform diagnosis on the detected DTC and repair or replace the malfunction part. Refer to [DAS-28, "DTC Index"](#) (SIDE RADAR RIGHT) or [DAS-26, "DTC Index"](#) (SIDE RADAR LEFT).
NO >> Replace the side radar. Refer to [DAS-85, "Removal and Installation"](#).

A
B
C
D
E
F
G
H
I
J
K
L
M
N
P

DAS

C1B51 BSW/BSI INDICATOR SHORT CIRCUIT

< DTC/CIRCUIT DIAGNOSIS >

[BSW]

C1B51 BSW/BSI INDICATOR SHORT CIRCUIT

DTC Logic

INFOID:000000009940701

DTC DETECTION LOGIC

DTC	Trouble diagnosis name	DTC detecting condition	Possible cause
C1B51	BSW/BSI IND SHORT CIR	Short circuit in BSW indicator circuit is detected. (Over current is detected)	<ul style="list-style-type: none">• BSW indicator circuit• BSW indicator• Side radar

DTC CONFIRMATION PROCEDURE

1. PERFORM DTC CONFIRMATION PROCEDURE

1. Start the engine.
2. Perform "All DTC Reading" with CONSULT.
3. Check if the "C1B51" is detected as the current malfunction in "Self Diagnostic Result" of "SIDE RADAR RIGHT/LEFT".

Is the "C1B51" detected as the current malfunction?

- YES >> Refer to [DAS-46, "Diagnosis Procedure"](#).
NO >> INSPECTION END

Diagnosis Procedure

INFOID:000000009940702

1. CHECK BSW INDICATOR CIRCUIT FOR SHORT

1. Turn ignition switch OFF.
2. Disconnect side radar harness connector and BSW indicator harness connector.
3. Check continuity between side radar harness connector and ground.

Side radar		Ground	Continuity
Connector	Terminal		
B57 (LH)	6		Not existed
B317 (RH)			

Is the inspection result normal?

- YES >> GO TO 2.
NO >> Repair the harnesses or connectors.

2. REPLACE THE SIDE RADAR

1. Replace the side radar.
2. Perform "All DTC Reading" with CONSULT.
3. Check if the "C1B51" is detected in "Self Diagnostic Result" of "SIDE RADAR RIGHT/LEFT"

Is the DTC "C1B51" detected?

- YES >> Replace the side radar. Refer to [DAS-85, "Removal and Installation"](#).
NO >> INSPECTION END

C1B52 BSW/BSI INDICATOR OPEN CIRCUIT

< DTC/CIRCUIT DIAGNOSIS >

[BSW]

C1B52 BSW/BSI INDICATOR OPEN CIRCUIT

DTC Logic

INFOID:000000009940703

DTC DETECTION LOGIC

DTC	Trouble diagnosis name	DTC detecting condition	Possible cause
C1B52	BSW/BSI IND OPEN CIR	Open circuit in BSW indicator circuit is detected.	<ul style="list-style-type: none">• BSW indicator circuit• BSW indicator• Side radar

DTC CONFIRMATION PROCEDURE

1. PERFORM DTC CONFIRMATION PROCEDURE

1. Start the engine.
2. Turn the BSW system ON.
3. Perform "All DTC Reading" with CONSULT.
4. Check if the "C1B52" is detected as the current malfunction in "Self Diagnostic Result" of "SIDE RADAR RIGHT/LEFT".

Is the "C1B52" detected as the current malfunction?

- YES >> Refer to [DAS-47, "Diagnosis Procedure"](#).
NO >> INSPECTION END

Diagnosis Procedure

INFOID:000000009940704

1. CHECK BSW INDICATOR CIRCUIT FOR OPEN 1

1. Turn ignition switch OFF.
2. Disconnect side radar harness connector and door mirror harness connector.
3. Check continuity between side radar harness connector and door mirror harness connector.

Side radar		Door mirror		Continuity
Connector	Terminal	Connector	Terminal	
B57 (LH)	6	D43 (LH)	1	Existed
B317 (RH)		D3 (RH)		

Is the inspection result normal?

- YES >> GO TO 2.
NO >> Repair the harnesses or connectors.

2. CHECK BSW INDICATOR CIRCUIT FOR OPEN 2

1. Disconnect BSW indicator harness connector.
2. Check continuity between door mirror harness connector and BSW indicator harness connector.

Door mirror		BSW indicator		Continuity
Connector	Terminal	Connector	Terminal	
D43 (LH)	1	D201 (LH)	1	Existed
D3 (RH)		D202 (RH)		
D43 (LH)	13	D201 (LH)	2	
D3 (RH)		D202 (RH)		

Is the inspection result normal?

- YES >> GO TO 3.
NO >> Repair the harnesses or connectors.

3. CHECK BSW INDICATOR CIRCUIT FOR OPEN 3

Check continuity between door mirror harness connector and ground.

A
B
C
D
E
F
G
H
I
J
K
L
M
N

DAS

P

C1B52 BSW/BSI INDICATOR OPEN CIRCUIT

< DTC/CIRCUIT DIAGNOSIS >

[BSW]

Door mirror		Ground	Continuity
Connector	Terminal		
D43 (LH)	13		Existed
D3 (RH)			

Is the inspection result normal?

YES >> GO TO 4.

NO >> Repair the harnesses or connectors.

4. CHECK SIDE RADAR VOLTAGE OUTPUT

1. Connect side radar harness connector.
2. Check voltage between door mirror harness connector and ground.

Door mirror		Ground	Condition	Standard voltage	Reference voltage (Approx.)
Connector	Terminal				
D43 (LH)	1		Ignition switch OFF ⇒ ON (Approx. 2 sec.)	5.5 - 16 V	6 V
D3 (RH)					

Is the inspection result normal?

YES >> Replace glass mirror.

NO >> Replace side radar. Refer to [DAS-85. "Removal and Installation"](#).

C1B53 SIDE RADAR RIGHT MALFUNCTION

< DTC/CIRCUIT DIAGNOSIS >

[BSW]

C1B53 SIDE RADAR RIGHT MALFUNCTION

DTC Logic

INFOID:000000009940705

DTC DETECTION LOGIC

DTC	Trouble diagnosis name	DTC detecting condition	Possible cause
C1B53	SIDE RDR R MALF	BSW control module detects that side radar RH has a malfunction.	Side radar RH

DTC CONFIRMATION PROCEDURE

1. PERFORM DTC CONFIRMATION PROCEDURE

1. Start the engine.
2. Turn the BSW system ON.
3. Perform "All DTC Reading" with CONSULT.
4. Check if the "C1B53" is detected as the current malfunction in "Self Diagnostic Result" of "BSW".

Is "C1B53" detected as the current malfunction?

- YES >> Refer to [DAS-49, "Diagnosis Procedure"](#).
NO >> Refer to [GI-42, "Intermittent Incident"](#).

Diagnosis Procedure

INFOID:000000009940706

1. CHECK SELF-DIAGNOSIS RESULTS

Check if "U1000" is detected other than "C1B53" in "Self Diagnostic Result" of "BSW".

Is "U1000" detected?

- YES >> Perform the CAN communication system inspection. Repair or replace the malfunctioning parts. Refer to [DAS-53, "BSW CONTROL MODULE : DTC Logic"](#).
NO >> GO TO 2.

2. CHECK SELF-DIAGNOSIS RESULTS

Check if any DTC is detected in "Self Diagnostic Result" of "SIDE RADAR RIGHT".

Is any DTC detected?

- YES >> Perform diagnosis on the detected DTC and repair or replace the malfunctioning parts. Refer to [DAS-28, "DTC Index"](#) (SIDE RADAR RIGHT).
NO >> Replace the BSW control module. Refer to [DAS-84, "Removal and Installation"](#).

A
B
C
D
E
F
G
H
I
J
K
L
M
N
P

DAS

C1B54 SIDE RADAR LEFT MALFUNCTION

< DTC/CIRCUIT DIAGNOSIS >

[BSW]

C1B54 SIDE RADAR LEFT MALFUNCTION

DTC Logic

INFOID:000000009940707

DTC DETECTION LOGIC

DTC	Trouble diagnosis name	DTC detecting condition	Possible cause
C1B54	SIDE RDR L MALF	BSW control module detects that side radar LH has a malfunction.	Side radar LH

DTC CONFIRMATION PROCEDURE

1. PERFORM DTC CONFIRMATION PROCEDURE

1. Start the engine.
2. Turn the BSW system ON.
3. Perform "All DTC Reading" with CONSULT.
4. Check if the "C1B54" is detected as the current malfunction in "Self Diagnostic Result" of "BSW".

Is "C1B54" detected as the current malfunction?

- YES >> Refer to [DAS-50, "Diagnosis Procedure"](#).
NO >> Refer to [GI-42, "Intermittent Incident"](#).

Diagnosis Procedure

INFOID:000000009940708

1. CHECK SELF-DIAGNOSIS RESULTS

Check if "U1000" is detected other than "C1B54" in "Self Diagnostic Result" of "BSW".

Is "U1000" detected?

- YES >> Perform the CAN communication system inspection. Repair or replace the malfunctioning parts.
Refer to [DAS-53, "BSW CONTROL MODULE : DTC Logic"](#).
NO >> GO TO 2.

2. CHECK SELF-DIAGNOSIS RESULTS

Check if any DTC is detected in "Self Diagnostic Result" of "SIDE RADAR LEFT".

Is any DTC detected?

- YES >> Perform diagnosis on the detected DTC and repair or replace the malfunctioning parts. Refer to [DAS-26, "DTC Index"](#) (SIDE RADAR LEFT).
NO >> Replace the BSW control module. Refer to [DAS-84, "Removal and Installation"](#).

C1B55 RADAR BLOCKAGE

< DTC/CIRCUIT DIAGNOSIS >

[BSW]

C1B55 RADAR BLOCKAGE

DTC Logic

INFOID:000000009940709

DTC DETECTION LOGIC

DTC No.	Trouble diagnosis name	DTC detecting condition	Possible cause
C1B55	RADAR BLOCKAGE	Side radar is blocked.	Stain or foreign materials is deposited.

NOTE:

DTC "C1B55" may be detected under the following conditions except for possible cause. (Explain to the customer about the difference between the contamination detection function and the indication when the malfunction is detected and tell them "This is not malfunction".)

- The side radar may be blocked by temporary ambient conditions such as splashing water, mist or fog.
- The blocked condition may also be caused by objects such as ice, frost or dirt obstructing the side radar.
- Due to the nature of radar technology it is possible to get a blockage warning and not actually be blocked. This is rare and is known as a false blockage warning. A false blocked condition either self-clears or clears after an ignition cycle.

Diagnosis Procedure

INFOID:000000009940710

1.CHECK THE REAR BUMPER

Check rear bumper near the side radar contaminated with foreign materials.

>> GO TO 2.

2.CHECK THE SIDE RADAR

Check side radar and the side radar outskirts contaminated with foreign materials.

>> GO TO 3.

3.CHECK THE SIDE RADAR INSTALL CONDITION

Check side radar installation condition (installation position, properly tightened, a bent bracket).

>> GO TO 4.

4.INTERVIEW

1. Ask if there is stain or foreign materials.
2. Ask if there is any temporary ambient condition such as splashing water, mist or fog.
3. Ask if there is any object such as ice, frost or dirt obstructing the side radar.

Is any of above conditions seen?

- YES >> Explain to the customer about the difference between the blockage detection function and the indication when the malfunction is detected and tell them "This is not malfunction".
- NO >> INSPECTION END

A
B
C
D
E
F
G
H
I
J
K
L
M
N
P

DAS

U1000 CAN COMM CIRCUIT

SIDE RADAR LH

SIDE RADAR LH : Description

INFOID:000000009940711

CAN COMMUNICATION

CAN (Controller Area Network) is a serial communication line for real time applications. It is an on-vehicle multiplex communication line with high data communication speed and excellent error detection ability. Modern vehicle is equipped with many electronic control units, and each control unit shares information and links with other control units during operation (not independent). In CAN communication, control units are connected with 2 communication lines (CAN-H, CAN-L) allowing a high rate of information transmission with less wiring. Each control unit transmits/receives data but selectively reads the required data only.

CAN communication signal chart. Refer to [LAN-32. "CAN COMMUNICATION SYSTEM : CAN Communication Signal Chart"](#).

BSW COMMUNICATION

- BSW communication is a multiplex communication system. This enables the system to transmit and receive large quantities of data at high speed by connecting control units with 2 communication lines.
- BSW communication lines adopt twisted-pair line style (two lines twisted) for noise immunity.

SIDE RADAR LH : DTC Logic

INFOID:000000009940712

DTC DETECTION LOGIC

DTC	Trouble diagnosis name	DTC detecting condition	Possible causes
U1000	CAN COMM CIRCUIT	If side radar LH is not transmitting or receiving BSW communication signal for 2 seconds or more	BSW communication system

SIDE RADAR LH : Diagnosis Procedure

INFOID:000000009940713

1. PERFORM THE SELF-DIAGNOSIS

1. Start the engine.
2. Turn the BSW system ON, and then wait for 2 seconds or more.
3. Perform "All DTC Reading" with CONSULT.
4. Check if the "U1000" is detected as the current malfunction in "Self Diagnostic Result" of "SIDE RADAR LEFT".

Is "U1000" detected as the current malfunction?

- YES >> Refer to [LAN-17. "Trouble Diagnosis Flow Chart"](#).
 NO >> Refer to [GI-42. "Intermittent Incident"](#).

SIDE RADAR RH

SIDE RADAR RH : Description

INFOID:000000009940714

CAN COMMUNICATION

CAN (Controller Area Network) is a serial communication line for real time applications. It is an on-vehicle multiplex communication line with high data communication speed and excellent error detection ability. Modern vehicle is equipped with many electronic control units, and each control unit shares information and links with other control units during operation (not independent). In CAN communication, control units are connected with 2 communication lines (CAN-H, CAN-L) allowing a high rate of information transmission with less wiring. Each control unit transmits/receives data but selectively reads the required data only.

CAN communication signal chart. Refer to [LAN-32. "CAN COMMUNICATION SYSTEM : CAN Communication Signal Chart"](#).

BSW COMMUNICATION

- BSW communication is a multiplex communication system. This enables the system to transmit and receive large quantities of data at high speed by connecting control units with 2 communication lines.
- BSW communication lines adopt twisted-pair line style (two lines twisted) for noise immunity.

U1000 CAN COMM CIRCUIT

< DTC/CIRCUIT DIAGNOSIS >

[BSW]

SIDE RADAR RH : DTC Logic

INFOID:000000009940715

DTC DETECTION LOGIC

DTC	Trouble diagnosis name	DTC detecting condition	Possible causes
U1000	CAN COMM CIRCUIT	If Side radar RH is not transmitting or receiving BSW communication signal for 2 seconds or more	BSW communication system

SIDE RADAR RH : Diagnosis Procedure

INFOID:000000009940716

1. PERFORM THE SELF-DIAGNOSIS

1. Start the engine.
2. Turn the BSW system ON, and then wait for 2 seconds or more.
3. Perform "All DTC Reading" with CONSULT.
4. Check if the "U1000" is detected as the current malfunction in "Self Diagnostic Result" of "SIDE RADAR RIGHT".

Is "U1000" detected as the current malfunction?

YES >> Refer to [LAN-17, "Trouble Diagnosis Flow Chart"](#).

NO >> Refer to [GI-42, "Intermittent Incident"](#).

BSW CONTROL MODULE

BSW CONTROL MODULE : Description

INFOID:000000009940717

CAN COMMUNICATION

CAN (Controller Area Network) is a serial communication line for real time applications. It is an on-vehicle multiplex communication line with high data communication speed and excellent error detection ability. Modern vehicle is equipped with many electronic control units, and each control unit shares information and links with other control units during operation (not independent). In CAN communication, control units are connected with 2 communication lines (CAN-H, CAN-L) allowing a high rate of information transmission with less wiring. Each control unit transmits/receives data but selectively reads the required data only.

CAN communication signal chart. Refer to [LAN-32, "CAN COMMUNICATION SYSTEM : CAN Communication Signal Chart"](#).

BSW COMMUNICATION

- BSW communication is a multiplex communication system. This enables the system to transmit and receive large quantities of data at high speed by connecting control units with 2 communication lines.
- BSW communication lines adopt twisted-pair line style (two lines twisted) for noise immunity.

BSW CONTROL MODULE : DTC Logic

INFOID:000000009940718

DTC DETECTION LOGIC

DTC	Trouble diagnosis name	DTC detecting condition	Possible causes
U1000	CAN COMM CIRCUIT	If BSW control module is not transmitting or receiving CAN communication signal or BSW communication signal for 2 seconds or more	<ul style="list-style-type: none">• CAN communication system• BSW communication system

NOTE:

If "U1000" is detected, first diagnose the CAN communication system.

BSW CONTROL MODULE : Diagnosis Procedure

INFOID:000000009940719

1. PERFORM THE SELF-DIAGNOSIS

1. Turn the ignition switch ON.
2. Turn the BSW system ON, and then wait for 2 seconds or more.
3. Perform "All DTC Reading" with CONSULT.
4. Check if the "U1000" is detected as the current malfunction in "Self Diagnostic Result" of "BSW".

Is "U1000" detected as the current malfunction?

U1000 CAN COMM CIRCUIT

< DTC/CIRCUIT DIAGNOSIS >

[BSW]

-
- YES >> Refer to [LAN-17, "Trouble Diagnosis Flow Chart"](#).
NO >> Refer to [GI-42, "Intermittent Incident"](#).

U1010 CONTROL UNIT (CAN)

[BSW]

< DTC/CIRCUIT DIAGNOSIS >

U1010 CONTROL UNIT (CAN)

SIDE RADAR LH

SIDE RADAR LH : Description

INFOID:000000009940720

CAN controller controls the communication of BSW communication signal and the error detection.

SIDE RADAR LH : DTC Logic

INFOID:000000009940721

DTC DETECTION LOGIC

DTC	Trouble diagnosis name	DTC detecting condition	Possible cause
U1010	CONTROL UNIT (CAN)	If side radar LH detects malfunction by CAN controller initial diagnosis.	Side radar LH

SIDE RADAR LH : Diagnosis Procedure

INFOID:000000009940722

1.CHECK SELF-DIAGNOSIS RESULT

1. Turn the BSW system ON.
2. Perform "All DTC Reading" with CONSULT.
3. Check if the "U1010" is detected as the current malfunction in "Self Diagnostic Result" of "SIDE RADAR LEFT".

Is "U1010" detected as the current malfunction?

YES >> Replace the side radar LH. Refer to [DAS-85, "Removal and Installation"](#).

NO >> INSPECTION END

SIDE RADAR RH

SIDE RADAR RH : Description

INFOID:000000009940723

CAN controller controls the communication of BSW communication signal and the error detection.

SIDE RADAR RH : DTC Logic

INFOID:000000009940724

DTC DETECTION LOGIC

DTC	Trouble diagnosis name	DTC detecting condition	Possible cause
U1010	CONTROL UNIT (CAN)	If Side radar RH detects malfunction by CAN controller initial diagnosis.	Side radar RH

SIDE RADAR RH : Diagnosis Procedure

INFOID:000000009940725

1.CHECK SELF-DIAGNOSIS RESULT

1. Turn the BSW system ON.
2. Perform "All DTC Reading" with CONSULT.
3. Check if the "U1010" is detected as the current malfunction in "Self Diagnostic Result" of "SIDE RADAR RIGHT".

Is "U1010" detected as the current malfunction?

YES >> Replace the side radar RH. Refer to [DAS-85, "Removal and Installation"](#).

NO >> INSPECTION END

BSW CONTROL MODULE

BSW CONTROL MODULE : Description

INFOID:000000009940726

CAN controller controls the communication of CAN communication signal and BSW communication signal, and the error detection.

A
B
C
D
E
F
G
H
I
J
K
L
M
N
P

DAS

U1010 CONTROL UNIT (CAN)

[BSW]

< DTC/CIRCUIT DIAGNOSIS >

BSW CONTROL MODULE : DTC Logic

INFOID:000000009940727

DTC DETECTION LOGIC

DTC	Trouble diagnosis name	DTC detecting condition	Possible causes
U1010	CONTROL UNIT (CAN)	If BSW control module detects malfunction by CAN controller initial diagnosis	BSW control module

BSW CONTROL MODULE : Diagnosis Procedure

INFOID:000000009940728

1. PERFORM DTC CONFIRMATION PROCEDURE

1. Turn the BSW system ON.
2. Perform "All DTC Reading" with CONSULT.
3. Check if the "U1010" is detected as the current malfunction in "Self Diagnostic Result" of "BSW".

Is "U1010" detected as the current malfunction?

- YES >> Replace the BSW control module. Refer to [DAS-84. "Removal and Installation"](#).
- NO >> INSPECTION END

U0104 ADAS CAN 1

< DTC/CIRCUIT DIAGNOSIS >

[BSW]

U0104 ADAS CAN 1

DTC Logic

INFOID:000000009940729

DTC DETECTION LOGIC

DTC	Trouble diagnosis name	DTC detecting condition	Possible cause
U0104	ADAS CAN CIR1	Side radar detected an error of BSW communication signal that was received from BSW control module.	BSW control module

NOTE:

If DTC "U0104" is detected along with DTC "U1000", first diagnose the DTC "U1000". Refer to [DAS-52, "SIDE RADAR LH : DTC Logic"](#) (SIDE RADAR LEFT), [DAS-53, "SIDE RADAR RH : DTC Logic"](#) (SIDE RADAR RIGHT).

DTC CONFIRMATION PROCEDURE

1. PERFORM DTC CONFIRMATION PROCEDURE

1. Start the engine.
2. Turn the BSW system ON.
3. Perform "All DTC Reading" with CONSULT
4. Check if the U0104 is detected as the current malfunction in "Self Diagnostic Result" of "SIDE RADAR RIGHT/LEFT".

Is the DTC "U0104" detected?

- YES >> Refer to [DAS-57, "Diagnosis Procedure"](#).
- NO >> Refer to [GI-42, "Intermittent Incident"](#).

Diagnosis Procedure

INFOID:000000009940730

1. CHECK SELF-DIAGNOSIS RESULTS

Check if "U1000" is detected other than "U0104" in "Self Diagnostic Result" of "SIDE RADAR RIGHT/LEFT".

Is "U1000" detected?

- YES >> Perform the CAN communication system inspection. Repair or replace the malfunctioning parts. Refer to [DAS-52, "SIDE RADAR LH : DTC Logic"](#) (SIDE RADAR LEFT), [DAS-53, "SIDE RADAR RH : DTC Logic"](#) (SIDE RADAR RIGHT).
- NO >> GO TO 2.

2. CHECK BSW CONTROL MODULE SELF-DIAGNOSIS RESULTS

Check if any DTC is detected in "Self Diagnostic Result" of "BSW".

Is any DTC detected?

- YES >> Perform diagnosis on the detected DTC and repair or replace the malfunctioning parts. Refer to [DAS-23, "DTC Index"](#).
- NO >> Replace side radar LH or RH. Refer to [DAS-85, "Removal and Installation"](#).

A
B
C
D
E
F
G
H
I
J
K
L
M
N
P

DAS

U0121 VDC CAN 2

[BSW]

< DTC/CIRCUIT DIAGNOSIS >

U0121 VDC CAN 2

DTC Logic

INFOID:000000009940731

DTC DETECTION LOGIC

DTC	Trouble diagnosis name	DTC detecting condition	Possible causes
U0121	VDC CAN CIR2	If BSW control module detects an error signal that is received from ABS actuator and electric unit (control unit) via CAN communication	ABS actuator and electric unit (control unit)

NOTE:

If DTC "U0121" is detected along with DTC "U1000", first diagnose the DTC "U1000". Refer to [DAS-53, "BSW CONTROL MODULE : DTC Logic"](#).

DTC CONFIRMATION PROCEDURE

1. PERFORM DTC CONFIRMATION PROCEDURE

1. Start the engine.
2. Turn the BSW system ON.
3. Perform "All DTC Reading" with CONSULT.
4. Check if the "U0121" is detected as the current malfunction in "Self Diagnostic Result" of "BSW".

Is "U0121" detected as the current malfunction?

- YES >> Refer to [DAS-58, "Diagnosis Procedure"](#).
NO >> Refer to [GI-42, "Intermittent Incident"](#).

Diagnosis Procedure

INFOID:000000009940732

1. CHECK SELF-DIAGNOSIS RESULTS

Check if "U1000" is detected other than "U0121" in "Self Diagnostic Result" of "BSW".

Is "U1000" detected?

- YES >> Perform the CAN communication system inspection. Repair or replace the malfunctioning parts. Refer to [DAS-53, "BSW CONTROL MODULE : DTC Logic"](#).
NO >> GO TO 2.

2. CHECK ABS ACTUATOR AND ELECTRIC UNIT (CONTROL UNIT) SELF-DIAGNOSIS RESULTS

Check if any DTC is detected in "Self Diagnostic Result" of "ABS".

Is any DTC detected?

- YES >> Perform diagnosis on the detected DTC and repair or replace the malfunctioning parts. Refer to [BRC-38, "DTC Index"](#).
NO >> Replace the BSW control module. Refer to [DAS-84, "Removal and Installation"](#).

U0401 ECM CAN 1

[BSW]

< DTC/CIRCUIT DIAGNOSIS >

U0401 ECM CAN 1

DTC Logic

INFOID:000000009940733

DTC DETECTION LOGIC

DTC	Trouble diagnosis name	DTC detecting condition	Possible causes
U0401	ECM CAN CIR1	If BSW control module detects an error signal that is received from ECM via CAN communication	ECM

NOTE:

If DTC "U0401" is detected along with DTC "U1000", first diagnose the DTC "U1000". Refer to [DAS-53, "BSW CONTROL MODULE : DTC Logic"](#).

DTC CONFIRMATION PROCEDURE

1. PERFORM DTC CONFIRMATION PROCEDURE

1. Start the engine.
2. Turn the BSW system ON.
3. Perform "All DTC Reading" with CONSULT.
4. Check if the "U0401" is detected as the current malfunction in "Self Diagnostic Result" of "BSW".

Is "U0401" detected as the current malfunction?

- YES >> Refer to [DAS-59, "Diagnosis Procedure"](#).
NO >> Refer to [GI-42, "Intermittent Incident"](#).

Diagnosis Procedure

INFOID:000000009940734

1. CHECK SELF-DIAGNOSIS RESULTS

Check if "U1000" is detected other than "U0401" in "Self Diagnostic Result" of "BSW".

Is "U1000" detected?

- YES >> Perform the CAN communication system inspection. Repair or replace the malfunctioning parts. Refer to [DAS-53, "BSW CONTROL MODULE : DTC Logic"](#).
NO >> GO TO 2.

2. CHECK ECM SELF-DIAGNOSIS RESULTS

Check if any DTC is detected in "Self Diagnostic Result" of "ENGINE".

Is any DTC detected?

- YES >> Perform diagnosis on the detected DTC and repair or replace the malfunctioning parts. Refer to [EC-96, "DTC Index"](#).
NO >> Replace the BSW control module. Refer to [DAS-84, "Removal and Installation"](#).

A
B
C
D
E
F
G
H
I
J
K
L
M
N
P

DAS

U0402 TCM CAN 1

DTC Logic

INFOID:000000009940735

DTC DETECTION LOGIC

DTC	Trouble diagnosis name	DTC detecting condition	Possible causes
U0402	TCM CAN CIRC1	If BSW control module detects an error signal that is received from TCM via CAN communication	TCM

NOTE:

If DTC "U0402" is detected along with DTC "U1000", first diagnose the DTC "U1000". Refer to [DAS-53, "BSW CONTROL MODULE : DTC Logic"](#).

DTC CONFIRMATION PROCEDURE

1. PERFORM DTC CONFIRMATION PROCEDURE

1. Start the engine.
2. Turn the BSW system ON.
3. Perform "All DTC Reading" with CONSULT.
4. Check if the "U0402" is detected as the current malfunction in "Self Diagnostic Result" of "BSW".

Is "U0402" detected as the current malfunction?

- YES >> Refer to [DAS-60, "Diagnosis Procedure"](#).
- NO >> Refer to [GI-42, "Intermittent Incident"](#).

Diagnosis Procedure

INFOID:000000009940736

1. CHECK SELF-DIAGNOSIS RESULTS

Check if "U1000" is detected other than "U0402" in "Self Diagnostic Result" of "BSW".

Is "U1000" detected?

- YES >> Perform the CAN communication system inspection. Repair or replace the malfunctioning parts. Refer to [DAS-53, "BSW CONTROL MODULE : DTC Logic"](#).
- NO >> GO TO 2.

2. CHECK TCM SELF-DIAGNOSIS RESULTS

Check if any DTC is detected in "Self Diagnostic Result" of "TRANSMISSION".

Is any DTC detected?

- YES >> Perform diagnosis on the detected DTC and repair or replace the malfunctioning parts. Refer to [TM-48, "DTC Index"](#).
- NO >> Replace the BSW control module. Refer to [DAS-84, "Removal and Installation"](#).

U0405 ADAS CAN 2

DTC Logic

INFOID:000000009940737

DTC DETECTION LOGIC

DTC	Trouble diagnosis name	DTC detecting condition	Possible cause
U0405	ADAS CAN CIR2	Side radar detected an error of BSW communication signal that was received from BSW control module.	BSW control module

NOTE:

If DTC "U0405" is detected along with DTC "U1000", first diagnose the DTC "U1000". Refer to [DAS-52, "SIDE RADAR LH : DTC Logic"](#) (SIDE RADAR LEFT), [DAS-52, "SIDE RADAR LH : DTC Logic"](#) (SIDE RADAR RIGHT).

DTC CONFIRMATION PROCEDURE

1.PERFORM DTC CONFIRMATION PROCEDURE

1. Start the engine.
2. Turn the BSW system ON.
3. Perform "All DTC Reading" with CONSULT.
4. Check if the U0405 is detected as the current malfunction in "Self Diagnostic Result" of "SIDE RADAR RIGHT/LEFT".

Is the DTC "U0405" detected?

- YES >> Refer to [DAS-61, "Diagnosis Procedure"](#).
- NO >> Refer to [GI-42, "Intermittent Incident"](#).

Diagnosis Procedure

INFOID:000000009940738

1.CHECK SELF-DIAGNOSIS RESULTS

Check if "U1000" is detected other than "U0405" in "Self Diagnostic Result" of "SIDE RADAR RIGHT/LEFT".

Is "U1000" detected?

- YES >> Perform the CAN communication system inspection. Repair or replace the malfunctioning parts. Refer to [DAS-52, "SIDE RADAR LH : DTC Logic"](#) (SIDE RADAR LEFT), [DAS-53, "SIDE RADAR RH : DTC Logic"](#) (SIDE RADAR RIGHT).
- NO >> GO TO 2.

2.CHECK BSW CONTROL MODULE SELF-DIAGNOSIS RESULTS

Check if any DTC is detected in "Self Diagnostic Result" of "BSW".

Is any DTC detected?

- YES >> Perform diagnosis on the detected DTC and repair or replace the malfunctioning parts. Refer to [DAS-23, "DTC Index"](#).
- NO >> Replace side radar LH or RH. Refer to [DAS-85, "Removal and Installation"](#).



U0415 VDC CAN 1

< DTC/CIRCUIT DIAGNOSIS >

[BSW]

U0415 VDC CAN 1

DTC Logic

INFOID:000000009940739

DTC DETECTION LOGIC

DTC	Trouble diagnosis name	DTC detecting condition	Possible causes
U0415	VDC CAN CIR1	If BSW control module detects an error signal that is received from ABS actuator and electric unit (control unit) via CAN communication	ABS actuator and electric unit (control unit)

NOTE:

If DTC "U0415" is detected along with DTC "U1000", first diagnose the DTC "U1000". Refer to [DAS-53, "BSW CONTROL MODULE : DTC Logic"](#).

DTC CONFIRMATION PROCEDURE

1. PERFORM DTC CONFIRMATION PROCEDURE

1. Start the engine.
2. Turn the BSW system ON.
3. Perform "All DTC Reading" with CONSULT.
4. Check if the "U0415" is detected as the current malfunction in "Self Diagnostic Result" of "BSW".

Is "U0415" detected as the current malfunction?

- YES >> Refer to [DAS-62, "Diagnosis Procedure"](#).
NO >> Refer to [GI-42, "Intermittent Incident"](#).

Diagnosis Procedure

INFOID:000000009940740

1. CHECK SELF-DIAGNOSIS RESULTS

Check if "U1000" is detected other than "U0415" in "Self Diagnostic Result" of "BSW".

Is "U1000" detected?

- YES >> Perform the CAN communication system inspection. Repair or replace the malfunctioning parts.
Refer to [DAS-53, "BSW CONTROL MODULE : DTC Logic"](#).
NO >> GO TO 2.

2. CHECK ABS ACTUATOR AND ELECTRIC UNIT (CONTROL UNIT) SELF-DIAGNOSIS RESULTS

Check if any DTC is detected in "Self Diagnostic Result" of "ABS".

Is any DTC detected?

- YES >> Perform diagnosis on the detected DTC and repair or replace the malfunctioning parts. Refer to [BRC-38, "DTC Index"](#).
NO >> Replace the BSW control module. Refer to [DAS-84, "Removal and Installation"](#).

U150B ECM CAN 3

< DTC/CIRCUIT DIAGNOSIS >

[BSW]

U150B ECM CAN 3

DTC Logic

INFOID:000000009940741

DTC DETECTION LOGIC

DTC	Trouble diagnosis name	DTC detecting condition	Possible causes
U150B	ECM CAN CIRC 3	BSW control module detects an error signal that is received from ECM via CAN communication	ECM

NOTE:

If DTC "U150B" is detected along with DTC "U1000", first diagnose the DTC "U1000". Refer to [DAS-53, "BSW CONTROL MODULE : DTC Logic"](#).

DTC CONFIRMATION PROCEDURE

1. PERFORM DTC CONFIRMATION PROCEDURE

1. Start the engine.
2. Turn the BSW system ON.
3. Perform "All DTC Reading" with CONSULT.
4. Check if the "U150B" is detected as the current malfunction in "Self Diagnostic Result" of "BSW".

Is "U150B" detected as the current malfunction?

- YES >> Refer to [DAS-63, "Diagnosis Procedure"](#).
NO >> Refer to [GI-42, "Intermittent Incident"](#).

Diagnosis Procedure

INFOID:000000009940742

1. CHECK SELF-DIAGNOSIS RESULTS

Check if "U1000" is detected other than "U150B" in "Self Diagnostic Result" of "BSW".

Is "U1000" detected?

- YES >> Perform the CAN communication system inspection. Repair or replace the malfunctioning parts. Refer to [DAS-53, "BSW CONTROL MODULE : DTC Logic"](#).
NO >> GO TO 2.

2. CHECK ECM SELF-DIAGNOSIS RESULTS

Check if any DTC is detected in "Self Diagnostic Result" of "ENGINE".

Is any DTC detected?

- YES >> Perform diagnosis on the detected DTC and repair or replace the malfunctioning parts. Refer to [EC-96, "DTC Index"](#).
NO >> Replace the BSW control module. Refer to [DAS-84, "Removal and Installation"](#).

A
B
C
D
E
F
G
H
I
J
K
L
M
N
P

DAS

U150C VDC CAN 3

[BSW]

< DTC/CIRCUIT DIAGNOSIS >

U150C VDC CAN 3

DTC Logic

INFOID:000000009940743

DTC DETECTION LOGIC

DTC	Trouble diagnosis name	DTC detecting condition	Possible causes
U150C	VDC CAN CIRC 3	BSW control module detects an error signal that is received from ABS actuator and electric unit (control unit) via CAN communication	ABS actuator and electric unit (control unit)

NOTE:

If DTC "U150C" is detected along with DTC "U1000", first diagnose the DTC "U1000". Refer to [DAS-53, "BSW CONTROL MODULE : DTC Logic"](#).

DTC CONFIRMATION PROCEDURE

1. PERFORM DTC CONFIRMATION PROCEDURE

1. Start the engine.
2. Turn the BSW system ON.
3. Perform "All DTC Reading" with CONSULT.
4. Check if the "U150C" is detected as the current malfunction in "Self Diagnostic Result" of "BSW".

Is "U150C" detected as the current malfunction?

- YES >> Refer to [DAS-64, "Diagnosis Procedure"](#).
NO >> Refer to [GI-42, "Intermittent Incident"](#).

Diagnosis Procedure

INFOID:000000009940744

1. CHECK SELF-DIAGNOSIS RESULTS

Check if "U1000" is detected other than "U150C" in "Self Diagnostic Result" of "BSW".

Is "U1000" detected?

- YES >> Perform the CAN communication system inspection. Repair or replace the malfunctioning parts.
Refer to [DAS-53, "BSW CONTROL MODULE : DTC Logic"](#).
NO >> GO TO 2.

2. CHECK ABS ACTUATOR AND ELECTRIC UNIT (CONTROL UNIT) SELF-DIAGNOSIS RESULTS

Check if any DTC is detected in "Self Diagnostic Result" of "ABS".

Is any DTC detected?

- YES >> Perform diagnosis on the detected DTC and repair or replace the malfunctioning parts. Refer to [BRC-38, "DTC Index"](#).
NO >> Replace the BSW control module. Refer to [DAS-84, "Removal and Installation"](#).

U150D TCM CAN 3

[BSW]

< DTC/CIRCUIT DIAGNOSIS >

U150D TCM CAN 3

DTC Logic

INFOID:000000009940745

DTC DETECTION LOGIC

DTC	Trouble diagnosis name	DTC detecting condition	Possible causes
U150D	TCM CAN CIRC 3	BSW control module detects an error signal that is received from TCM via CAN communication	TCM

NOTE:

If DTC "U150D" is detected along with DTC "U1000", first diagnose the DTC "U1000". Refer to [DAS-53, "BSW CONTROL MODULE : DTC Logic"](#).

DTC CONFIRMATION PROCEDURE

1. PERFORM DTC CONFIRMATION PROCEDURE

1. Start the engine.
2. Turn the BSW system ON.
3. Perform "All DTC Reading" with CONSULT.
4. Check if the "U150D" is detected as the current malfunction in "Self Diagnostic Result" of "BSW".

Is "U150D" detected as the current malfunction?

- YES >> Refer to [DAS-65, "Diagnosis Procedure"](#).
NO >> Refer to [GI-42, "Intermittent Incident"](#).

Diagnosis Procedure

INFOID:000000009940746

1. CHECK SELF-DIAGNOSIS RESULTS

Check if "U1000" is detected other than "U150D" in "Self Diagnostic Result" of "BSW".

Is "U1000" detected?

- YES >> Perform the CAN communication system inspection. Repair or replace the malfunctioning parts. Refer to [DAS-53, "BSW CONTROL MODULE : DTC Logic"](#).
NO >> GO TO 2.

2. CHECK TCM SELF-DIAGNOSIS RESULTS

Check if any DTC is detected in "Self Diagnostic Result" of "TRANSMISSION".

Is any DTC detected?

- YES >> Perform diagnosis on the detected DTC and repair or replace the malfunctioning parts. Refer to [TM-48, "DTC Index"](#).
NO >> Replace the BSW control module. Refer to [DAS-84, "Removal and Installation"](#).

A
B
C
D
E
F
G
H
I
J
K
L
M
N
P

DAS

U150E BCM CAN 3

< DTC/CIRCUIT DIAGNOSIS >

[BSW]

U150E BCM CAN 3

DTC Logic

INFOID:000000009940747

DTC DETECTION LOGIC

DTC	Trouble diagnosis name	DTC detecting condition	Possible causes
U150E	BCM CAN CIRC 3	BSW control module detects an error signal that is received from BCM via CAN communication	BCM

NOTE:

If DTC "U150E" is detected along with DTC "U1000", first diagnose the DTC "U1000". Refer to [DAS-53, "BSW CONTROL MODULE : DTC Logic"](#).

DTC CONFIRMATION PROCEDURE

1. PERFORM DTC CONFIRMATION PROCEDURE

1. Start the engine.
2. Turn the BSW system ON.
3. Perform "All DTC Reading" with CONSULT.
4. Check if the "U150E" is detected as the current malfunction in "Self Diagnostic Result" of "BSW".

Is "U150E" detected as the current malfunction?

- YES >> Refer to [DAS-66, "Diagnosis Procedure"](#).
NO >> Refer to [GI-42, "Intermittent Incident"](#).

Diagnosis Procedure

INFOID:000000009940748

1. CHECK SELF-DIAGNOSIS RESULTS

Check if "U1000" is detected other than "U150E" in "Self Diagnostic Result" of "BSW".

Is "U1000" detected?

- YES >> Perform the CAN communication system inspection. Repair or replace the malfunctioning parts. Refer to [DAS-53, "BSW CONTROL MODULE : DTC Logic"](#).
NO >> GO TO 2.

2. CHECK BCM SELF-DIAGNOSIS RESULTS

Check if any DTC is detected in "Self Diagnostic Result" of "BCM".

Is any DTC detected?

- YES >> Perform diagnosis on the detected DTC and repair or replace the malfunctioning parts. Refer to [BCS-63, "DTC Index"](#).
NO >> Replace the BSW control module. Refer to [DAS-84, "Removal and Installation"](#).

U1503 SIDE RDR L CAN 2

[BSW]

< DTC/CIRCUIT DIAGNOSIS >

U1503 SIDE RDR L CAN 2

DTC Logic

INFOID:000000009940749

DTC DETECTION LOGIC

DTC	Trouble diagnosis name	DTC detecting condition	Possible causes
U1503	SIDE RDR L CAN CIR 2	BSW control module detects an error signal that is received from side radar LH via BSW communication	Side radar LH

NOTE:

If DTC "U1503" is detected along with DTC "U1000", or "U1508", first diagnose the DTC "U1000" or "U1508".

- Refer to [DAS-53, "BSW CONTROL MODULE : DTC Logic"](#) for DTC "U1000".
- Refer to [DAS-72, "DTC Logic"](#) for DTC "U1508".

DTC CONFIRMATION PROCEDURE

1. PERFORM DTC CONFIRMATION PROCEDURE

1. Start the engine.
2. Turn the BSW system ON.
3. Perform "All DTC Reading" with CONSULT.
4. Check if the "U1503" is detected as the current malfunction in "Self Diagnostic Result" of "BSW".

Is "U1503" detected as the current malfunction?

- YES >> Refer to [DAS-67, "Diagnosis Procedure"](#).
NO >> Refer to [GI-42, "Intermittent Incident"](#).

Diagnosis Procedure

INFOID:000000009940750

1. CHECK SELF-DIAGNOSIS RESULTS

Check if "U1000" or "U1508" is detected other than "U1503" in "Self Diagnostic Result" of "BSW".

Is "U1000" or "U1508" detected?

- YES-1 >> U1000 detected: Perform the CAN communication system inspection. Repair or replace the malfunctioning parts. Refer to [DAS-53, "BSW CONTROL MODULE : DTC Logic"](#).
YES-2 >> U1508 detected: Refer to [DAS-72, "DTC Logic"](#).
NO >> GO TO 2.

2. CHECK SIDE RADAR LH SELF-DIAGNOSIS RESULTS

Check if any DTC is detected in "Self Diagnostic Result" of "SIDE RADAR LEFT".

Is any DTC detected?

- YES >> Perform diagnosis on the detected DTC and repair or replace the malfunctioning parts. Refer to [DAS-26, "DTC Index"](#).
NO >> Replace the BSW control module. Refer to [DAS-84, "Removal and Installation"](#).

A
B
C
D
E
F
G
H
I
J
K
L
M
N
P

DAS

U1504 SIDE RDR L CAN 1

< DTC/CIRCUIT DIAGNOSIS >

[BSW]

U1504 SIDE RDR L CAN 1

DTC Logic

INFOID:000000009940751

DTC DETECTION LOGIC

DTC	Trouble diagnosis name	DTC detecting condition	Possible causes
U1504	SIDE RDR L CAN CIR 1	BSW control module detects an error signal that is received from side radar LH via BSW communication	Side radar LH

NOTE:

If DTC "U1504" is detected along with DTC "U1000", or "U1508", first diagnose the DTC "U1000" or "U1508".

- Refer to [DAS-52, "SIDE RADAR LH : DTC Logic"](#) for DTC "U1000".
- Refer to [DAS-72, "DTC Logic"](#) for DTC "U1508".

DTC CONFIRMATION PROCEDURE

1. PERFORM DTC CONFIRMATION PROCEDURE

1. Start the engine.
2. Turn the BSW system ON.
3. Perform "All DTC Reading" with CONSULT.
4. Check if the "U1504" is detected as the current malfunction in "Self Diagnostic Result" of "BSW".

Is "U1504" detected as the current malfunction?

- YES >> Refer to [DAS-68, "Diagnosis Procedure"](#).
NO >> Refer to [GI-42, "Intermittent Incident"](#).

Diagnosis Procedure

INFOID:000000009940752

1. CHECK SELF-DIAGNOSIS RESULTS

Check if "U1000" or "U1508" is detected other than "U1504" in "Self Diagnostic Result" of "BSW".

Is "U1000" or "U1508" detected?

- YES-1 >> U1000 detected: Perform the CAN communication system inspection. Repair or replace the malfunctioning parts. Refer to [DAS-53, "BSW CONTROL MODULE : DTC Logic"](#).
YES-2 >> U1508 detected: Refer to [DAS-72, "DTC Logic"](#).
NO >> GO TO 2.

2. CHECK SIDE RADAR LH SELF-DIAGNOSIS RESULTS

Check if any DTC is detected in "Self Diagnostic Result" of "SIDE RADAR LEFT".

Is any DTC detected?

- YES >> Perform diagnosis on the detected DTC and repair or replace the malfunctioning parts. Refer to [DAS-26, "DTC Index"](#).
NO >> Replace the BSW control module. Refer to [DAS-84, "Removal and Installation"](#).

U1505 SIDE RDR R CAN 2

< DTC/CIRCUIT DIAGNOSIS >

[BSW]

U1505 SIDE RDR R CAN 2

DTC Logic

INFOID:000000009940753

DTC DETECTION LOGIC

DTC	Trouble diagnosis name	DTC detecting condition	Possible causes
U1505	SIDE RDR R CAN CIR 2	BSW control module detects an error signal that is received from side radar RH via BSW communication	Side radar RH

NOTE:

If DTC "U1505" is detected along with DTC "U1000", first diagnose the DTC "U1000". Refer to [DAS-53, "BSW CONTROL MODULE : DTC Logic"](#).

DTC CONFIRMATION PROCEDURE

1. PERFORM DTC CONFIRMATION PROCEDURE

1. Start the engine.
2. Turn the BSW system ON.
3. Perform "All DTC Reading" with CONSULT.
4. Check if the "U1505" is detected as the current malfunction in "Self Diagnostic Result" of "BSW".

Is "U1505" detected as the current malfunction?

- YES >> Refer to [DAS-69, "Diagnosis Procedure"](#).
NO >> Refer to [GI-42, "Intermittent Incident"](#).

Diagnosis Procedure

INFOID:000000009940754

1. CHECK SELF-DIAGNOSIS RESULTS

Check if "U1000" is detected other than "U1505" in "Self Diagnostic Result" of "BSW".

Is "U1000" detected?

- YES >> Perform the CAN communication system inspection. Repair or replace the malfunctioning parts. Refer to [DAS-53, "BSW CONTROL MODULE : DTC Logic"](#).
NO >> GO TO 2.

2. CHECK SIDE RADAR RH SELF-DIAGNOSIS RESULTS

Check if any DTC is detected in "Self Diagnostic Result" of "SIDE RADAR RIGHT".

Is any DTC detected?

- YES >> Perform diagnosis on the detected DTC and repair or replace the malfunctioning parts. Refer to [DAS-28, "DTC Index"](#).
NO >> Replace the BSW control module. Refer to [DAS-84, "Removal and Installation"](#).

A
B
C
D
E
F
G
H
I
J
K
L
M
N
P

DAS

U1506 SIDE RDR R CAN 1

< DTC/CIRCUIT DIAGNOSIS >

[BSW]

U1506 SIDE RDR R CAN 1

DTC Logic

INFOID:000000009940755

DTC DETECTION LOGIC

DTC	Trouble diagnosis name	DTC detecting condition	Possible causes
U1506	SIDE RDR R CAN CIR 1	BSW control module detects an error signal that is received from side radar RH via BSW communication	Side radar RH

NOTE:

If DTC "U1506" is detected along with DTC "U1000", first diagnose the DTC "U1000". Refer to [DAS-53, "BSW CONTROL MODULE : DTC Logic"](#).

DTC CONFIRMATION PROCEDURE

1. PERFORM DTC CONFIRMATION PROCEDURE

1. Start the engine.
2. Turn the BSW system ON.
3. Perform "All DTC Reading" with CONSULT.
4. Check if the "U1506" is detected as the current malfunction in "Self Diagnostic Result" of "BSW".

Is "U1506" detected as the current malfunction?

- YES >> Refer to [DAS-70, "Diagnosis Procedure"](#).
NO >> Refer to [GI-42, "Intermittent Incident"](#).

Diagnosis Procedure

INFOID:000000009940756

1. CHECK SELF-DIAGNOSIS RESULTS

Check if "U1000" is detected other than "U1506" in "Self Diagnostic Result" of "BSW".

Is "U1000" detected?

- YES >> Perform the CAN communication system inspection. Repair or replace the malfunctioning parts. Refer to [DAS-53, "BSW CONTROL MODULE : DTC Logic"](#).
NO >> GO TO 2.

2. CHECK SIDE RADAR RH SELF-DIAGNOSIS RESULTS

Check if any DTC is detected in "Self Diagnostic Result" of "SIDE RADAR RIGHT".

Is any DTC detected?

- YES >> Perform diagnosis on the detected DTC and repair or replace the malfunctioning parts. Refer to [DAS-28, "DTC Index"](#).
NO >> Replace the BSW control module. Refer to [DAS-84, "Removal and Installation"](#).

U1507 LOST COMM(SIDE RDR R)

< DTC/CIRCUIT DIAGNOSIS >

[BSW]

U1507 LOST COMM(SIDE RDR R)

DTC Logic

INFOID:000000009940757

DTC DETECTION LOGIC

DTC	Trouble diagnosis name	DTC detecting condition	Possible causes
U1507	LOST COMM(SIDE RDR R)	BSW control module cannot receive BSW communication signal from side radar RH for 2 seconds or more	<ul style="list-style-type: none">• BSW communication system• Side radar RH

NOTE:

If DTC "U1507" is detected along with DTC "U1000", first diagnose the DTC "U1000". Refer to [DAS-53, "BSW CONTROL MODULE : DTC Logic"](#)

DTC CONFIRMATION PROCEDURE

1. PERFORM DTC CONFIRMATION PROCEDURE

1. Start the engine.
2. Turn the BSW system ON.
3. Perform "All DTC Reading" with CONSULT.
4. Check if the "U1507" is detected as the current malfunction in "Self Diagnostic Result" of "BSW".

Is "U1507" detected as the current malfunction?

YES >> Refer to [DAS-71, "Diagnosis Procedure"](#).

NO >> Refer to [GI-42, "Intermittent Incident"](#).

Diagnosis Procedure

INFOID:000000009940758

1. CHECK SELF-DIAGNOSIS RESULTS

Check if "U1000" is detected other than "U1507" in "Self Diagnostic Result" of "BSW".

Is "U1000" detected?

YES >> Perform the CAN communication system inspection. Repair or replace the malfunctioning parts. Refer to [DAS-53, "BSW CONTROL MODULE : DTC Logic"](#).

NO >> GO TO 2.

2. CHECK SIDE RADAR RH SELF-DIAGNOSIS RESULTS

Check if any DTC is detected in "Self Diagnostic Result" of "SIDE RADAR RIGHT".

Is any DTC detected?

YES >> Perform diagnosis on the detected DTC and repair or replace the malfunctioning parts. Refer to [DAS-28, "DTC Index"](#).

NO >> Replace the BSW control module. Refer to [DAS-84, "Removal and Installation"](#).

A
B
C
D
E
F
G
H
I
J
K
L
M
N
P

DAS

U1508 LOST COMM(SIDE RDR L)

< DTC/CIRCUIT DIAGNOSIS >

[BSW]

U1508 LOST COMM(SIDE RDR L)

DTC Logic

INFOID:000000009940759

DTC DETECTION LOGIC

DTC	Trouble diagnosis name	DTC detecting condition	Possible causes
U1508	LOST COMM(SIDE RDR L)	BSW control module cannot receive BSW communication signal from side radar LH for 2 seconds or more	<ul style="list-style-type: none">• Side radar LH harness connector• BSW communication system• Side radar LH

NOTE:

DTC "U1508" is detected along with DTC "U1000", first diagnose the DTC "U1508".

DTC CONFIRMATION PROCEDURE

1. PERFORM DTC CONFIRMATION PROCEDURE

1. Start the engine.
2. Turn the BSW system ON.
3. Perform "All DTC Reading" with CONSULT.
4. Check if the "U1508" is detected as the current malfunction in "Self Diagnostic Result" of "BSW".

Is "U1508" detected as the current malfunction?

- YES >> Refer to [DAS-72, "Diagnosis Procedure"](#).
NO >> Refer to [GI-42, "Intermittent Incident"](#).

Diagnosis Procedure

INFOID:000000009940760

1. CHECK SIDE RADAR HARNESS CONNECTOR

1. Turn the ignition switch OFF.
2. Check the terminals and connectors of the side radar LH for damage, bend and short (unit side and connector side).

Is the inspection result normal?

- YES >> Perform the CAN communication system inspection. Repair or replace the malfunctioning parts.
Refer to [LAN-17, "Trouble Diagnosis Flow Chart"](#).
NO >> Repair the terminal or connector.

U1518 SIDE RDR L CAN 3

[BSW]

< DTC/CIRCUIT DIAGNOSIS >

U1518 SIDE RDR L CAN 3

DTC Logic

INFOID:000000009940761

DTC DETECTION LOGIC

DTC	Trouble diagnosis name	DTC detecting condition	Possible causes
U1518	SIDE RDR L CAN CIRC 3	BSW control module detects an error signal that is received from side radar LH via BSW communication	Side radar LH

NOTE:

If DTC "U1518" is detected along with DTC "U1000", or "U1508", first diagnose the DTC "U1000" or "U1508".

- Refer to [DAS-53, "BSW CONTROL MODULE : DTC Logic"](#) for DTC "U1000".
- Refer to [DAS-72, "DTC Logic"](#) for DTC "U1508".

DTC CONFIRMATION PROCEDURE

1. PERFORM DTC CONFIRMATION PROCEDURE

1. Start the engine.
2. Turn the BSW system ON.
3. Perform "All DTC Reading" with CONSULT.
4. Check if the "U1518" is detected as the current malfunction in "Self Diagnostic Result" of "BSW".

Is "U1518" detected as the current malfunction?

- YES >> Refer to [DAS-73, "Diagnosis Procedure"](#).
NO >> Refer to [GI-42, "Intermittent Incident"](#).

Diagnosis Procedure

INFOID:000000009940762

1. CHECK SELF-DIAGNOSIS RESULTS

Check if "U1000" or "U1508" is detected other than "U1518" in "Self Diagnostic Result" of "BSW".

Is "U1000" or "U1508" detected?

- YES-1 >> U1000 detected: Perform the CAN communication system inspection. Repair or replace the malfunctioning parts. Refer to [DAS-53, "BSW CONTROL MODULE : DTC Logic"](#).
YES-2 >> U1508 detected: Refer to [DAS-72, "DTC Logic"](#).
NO >> GO TO 2.

2. CHECK SIDE RADAR LH SELF-DIAGNOSIS RESULTS

Check if any DTC is detected in "Self Diagnostic Result" of "SIDE RADAR LEFT".

Is any DTC detected?

- YES >> Perform diagnosis on the detected DTC and repair or replace the malfunctioning parts. Refer to [DAS-26, "DTC Index"](#).
NO >> Replace the BSW control module. Refer to [DAS-84, "Removal and Installation"](#).

A
B
C
D
E
F
G
H
I
J
K
L
M
N
P

DAS

U1519 SIDE RDR R CAN 3

< DTC/CIRCUIT DIAGNOSIS >

[BSW]

U1519 SIDE RDR R CAN 3

DTC Logic

INFOID:000000009940763

DTC DETECTION LOGIC

DTC	Trouble diagnosis name	DTC detecting condition	Possible causes
U1519	SIDE RDR R CAN CIRC 3	BSW control module detects an error signal that is received from side radar RH via BSW communication	Side radar RH

NOTE:

If DTC "U1519" is detected along with DTC "U1000", first diagnose the DTC "U1000". Refer to [DAS-53, "BSW CONTROL MODULE : DTC Logic"](#).

DTC CONFIRMATION PROCEDURE

1. PERFORM DTC CONFIRMATION PROCEDURE

1. Start the engine.
2. Turn the BSW system ON.
3. Perform "All DTC Reading" with CONSULT.
4. Check if the "U1519" is detected as the current malfunction in "Self Diagnostic Result" of "BSW".

Is "U1519" detected as the current malfunction?

- YES >> Refer to [DAS-74, "Diagnosis Procedure"](#).
NO >> Refer to [GI-42, "Intermittent Incident"](#).

Diagnosis Procedure

INFOID:000000009940764

1. CHECK SELF-DIAGNOSIS RESULTS

Check if "U1000" is detected other than "U1519" in "Self Diagnostic Result" of "BSW".

Is "U1000" detected?

- YES >> Perform the CAN communication system inspection. Repair or replace the malfunctioning parts. Refer to [DAS-53, "BSW CONTROL MODULE : DTC Logic"](#).
NO >> GO TO 2.

2. CHECK SIDE RADAR RH SELF-DIAGNOSIS RESULTS

Check if any DTC is detected in "Self Diagnostic Result" of "SIDE RADAR RIGHT".

Is any DTC detected?

- YES >> Perform diagnosis on the detected DTC and repair or replace the malfunctioning parts. Refer to [DAS-28, "DTC Index"](#).
NO >> Replace the BSW control module. Refer to [DAS-84, "Removal and Installation"](#).

POWER SUPPLY AND GROUND CIRCUIT

[BSW]

< DTC/CIRCUIT DIAGNOSIS >

POWER SUPPLY AND GROUND CIRCUIT BSW CONTROL MODULE

BSW CONTROL MODULE : Diagnosis Procedure

INFOID:000000009940765

1. CHECK FUSES

Check if any of the following fuses are blown:

Signal name	Fuse No.
Ignition power supply	45

Is the inspection result normal?

YES >> GO TO 2.

NO >> Replace the blown fuse after repairing the affected circuit if a fuse is blown.

2. CHECK BSW CONTROL MODULE POWER SUPPLY CIRCUIT

Check voltage between BSW control module harness connector and ground.

Terminal		Condition	Standard voltage	Reference voltage (Approx.)
(+)	(-)			
BSW control module		Ignition switch	0 - 0.1 V	0 V
Connector	Terminal			
M61	16	OFF	0 - 0.1 V	0 V
		ON	9.5 - 16 V	Battery voltage

Is the inspection result normal?

YES >> GO TO 3.

NO >> Repair the BSW control module power supply circuit.

3. CHECK BSW CONTROL MODULE GROUND CIRCUIT

1. Turn the ignition switch OFF.
2. Disconnect the BSW control module connector.
3. Check for continuity between BSW control module harness connector and ground.

BSW control module		Ground	Continuity
Connector	Terminal		
M61	6		Existed

Is the inspection result normal?

YES >> INSPECTION END

NO >> Repair the BSW control module ground circuit.

SIDE RADAR LH

SIDE RADAR LH : Diagnosis Procedure

INFOID:000000009940766

1. CHECK FUSES

Check if any of the following fuses are blown:

Signal name	Fuse No.
Ignition power supply	45

Is the inspection result normal?

YES >> GO TO 2.

NO >> Replace the blown fuse after repairing the affected circuit if a fuse is blown.

A
B
C
D
E
F
G
H
I
J
K
L
M
N
P

DAS

POWER SUPPLY AND GROUND CIRCUIT

[BSW]

< DTC/CIRCUIT DIAGNOSIS >

2. CHECK POWER SUPPLY CIRCUIT

1. Turn ignition switch OFF.
2. Disconnect the side radar LH connector.
3. Check voltage between side radar LH harness connector and ground.

Terminals		Condition	Standard voltage	Reference voltage (Approx.)
(+)	(-)			
Side radar LH		Ignition switch	0 - 0.1 V	0 V
Connector	Terminal			
B57	5	Ground	OFF	0 - 0.1 V
		ON	10 - 16 V	Battery voltage

Is the inspection result normal?

YES >> GO TO 3.

NO >> Repair the side radar LH power supply circuit.

3. CHECK GROUND CIRCUIT

Check continuity between side radar LH harness connectors and ground.

Side radar LH		Ground	Continuity
Connector	Terminal		
B57	2		Existed

Is the inspection result normal?

YES >> INSPECTION END

NO >> Repair the side radar LH ground circuit.

SIDE RADAR RH

SIDE RADAR RH : Diagnosis Procedure

INFOID:000000009940767

1. CHECK FUSES

Check if any of the following fuses are blown:

Signal name	Fuse No.
Ignition power supply	45

Is the inspection result normal?

YES >> GO TO 2.

NO >> Replace the blown fuse after repairing the affected circuit if a fuse is blown.

2. CHECK POWER SUPPLY CIRCUIT

1. Turn ignition switch OFF.
2. Disconnect the side radar RH connector.
3. Check voltage between side radar RH harness connector and ground.

Terminals		Condition	Standard voltage	Reference voltage (Approx.)
(+)	(-)			
Side radar RH		Ignition switch	0 - 0.1 V	0 V
Connector	Terminal			
B317	5	Ground	OFF	0 - 0.1 V
		ON	10 - 16 V	Battery voltage

Is the inspection result normal?

POWER SUPPLY AND GROUND CIRCUIT

[BSW]

< DTC/CIRCUIT DIAGNOSIS >

- YES >> GO TO 3.
- NO >> Repair the side radar RH power supply circuit.

3.CHECK GROUND CIRCUIT

Check continuity between side radar RH harness connectors and ground.

Side radar RH		Ground	Continuity
Connector	Terminal		
B317	2		Existed

Is the inspection result normal?

- YES >> INSPECTION END
- NO >> Repair the side radar RH ground circuit.

A
B
C
D
E
F
G
H
I
J
K
L
M
N
P

DAS

BSW SWITCH CIRCUIT

[BSW]

< DTC/CIRCUIT DIAGNOSIS >

BSW SWITCH CIRCUIT

Component Function Check

INFOID:000000009940768

1.CHECK BSW SWITCH INPUT SIGNAL

1. Turn the ignition switch ON.
2. Select the DATA MONITOR item "WARN SYS SW" of "BSW" with CONSULT.
3. With operating the BSW switch, check the monitor status.

Monitor item	Condition	Monitor status
WARN SYS SW	BSW switch is pressed	On
	BSW switch is not pressed	OFF

Is the inspection result normal?

- YES >> BSW switch circuit is normal.
NO >> Refer to [DAS-78. "Diagnosis Procedure"](#).

Diagnosis Procedure

INFOID:000000009940769

1.CHECK BSW SWITCH SIGNAL INPUT

1. Turn the ignition switch ON.
2. With operating the BSW switch, check voltage between BSW control module harness connector and ground.

Terminals		Condition	Voltage (Approx.)	
(+)	(-)			
BSW control module		BSW switch		
Connector	Terminal			
M61	1	Pressed		0 V
		Released		12 V

Is the inspection result normal?

- YES >> Replace the BSW control module. Refer to [DAS-84. "Removal and Installation"](#).
NO >> GO TO 2.

2.CHECK BSW SWITCH

1. Turn ignition switch OFF.
2. Remove BSW switch.
3. Check BSW switch. Refer to [DAS-88. "Removal and Installation"](#).

Is the inspection result normal?

- YES >> GO TO 3.
NO >> Replace the BSW switch. Refer to [DAS-88. "Removal and Installation"](#).

3.CHECK BSW SWITCH GROUND CIRCUIT

Check continuity between BSW switch harness connector and the ground.

BSW switch		Ground	Continuity
Connector	Terminal		
M60	2		Existed

Is the inspection result normal?

- YES >> GO TO 4.
NO >> Repair harness or connector.

4.CHECK BSW SWITCH SIGNAL INPUT CIRCUIT FOR OPEN

1. Disconnect the BSW control module connector.

BSW SWITCH CIRCUIT

[BSW]

< DTC/CIRCUIT DIAGNOSIS >

2. Check continuity between the BSW control module harness connector and BSW switch harness connector.

BSW control module		BSW switch		Continuity
Connector	Terminal	Connector	Terminal	
M61	1	M60	1	Existed

Is the inspection result normal?

YES >> GO TO 5.

NO >> Repair the harnesses or connectors.

5.CHECK BSW SWITCH SIGNAL INPUT CIRCUIT FOR SHORT

Check continuity between the BSW control module harness connector and ground.

BSW control module		Ground	Continuity
Connector	Terminal		
M61	1		Not existed

Is the inspection result normal?

YES >> Replace the BSW control module. Refer to [DAS-84, "Removal and Installation"](#).

NO >> Repair the harnesses or connectors.

Component Inspection

INFOID:000000009940770

1.CHECK BSW SWITCH

Check continuity of BSW switch.

Terminal		Condition	Continuity
1	2	When BSW switch is pressed	Existed
		When BSW switch is released	Not existed

Is the inspection result normal?

YES >> INSPECTION END

NO >> Replace BSW switch.

DAS

BSW ON INDICATOR CIRCUIT

[BSW]

< DTC/CIRCUIT DIAGNOSIS >

BSW ON INDICATOR CIRCUIT

Diagnosis Procedure

INFOID:000000009940771

1. CHECK BSW ON INDICATOR POWER SUPPLY CIRCUIT

1. Turn ignition switch OFF.
2. Disconnect BSW switch connector.
3. Turn ignition switch ON.
4. Check voltage between BSW switch harness connector and ground.

Terminals		Voltage (Approx.)
(+)	(-)	
BSW switch		Ground
Connector	Terminal	
M60	5	
		Battery voltage

Is the inspection result normal?

YES >> GO TO 2.

NO >> Repair the BSW ON indicator power supply circuit.

2. CHECK BSW ON INDICATOR SIGNAL FOR OPEN

1. Turn ignition switch OFF.
2. Disconnect the BSW control module harness connector.
3. Check continuity between the BSW control module harness connector and BSW switch harness connector.

BSW control module		BSW switch		Continuity
Connector	Terminal	Connector	Terminal	
M61	4	M60	6	Existed

Is the inspection result normal?

YES >> GO TO 3.

NO >> Repair the harnesses or connectors.

3. CHECK BSW ON INDICATOR SIGNAL CIRCUIT FOR SHORT

Check continuity between the BSW control module harness connector and ground.

BSW control module		Ground	Continuity
Connector	Terminal		
M61	4		Not existed

Is the inspection result normal?

YES >> GO TO 4.

NO >> Repair the harnesses or connectors.

4. CHECK BSW ON INDICATOR

Check the BSW ON indicator. Refer to [DAS-80, "Component Inspection"](#).

Is the inspection result normal?

YES >> Replace the BSW control module. Refer to [DAS-84, "Removal and Installation"](#).

NO >> Replace BSW switch. [DAS-88, "Removal and Installation"](#).

Component Inspection

INFOID:000000009940772

1. CHECK BSW ON INDICATOR

Apply battery voltage to BSW switch terminals 5 and 6, and then check if the BSW ON indicator illuminates.

BSW ON INDICATOR CIRCUIT

< DTC/CIRCUIT DIAGNOSIS >

[BSW]

Terminals		Condition	BSW ON indicator
(+)	(-)		
5	6	When the battery voltage is applied	On
		When the battery voltage is not applied	Off

Is the inspection result normal?

YES >> INSPECTION END

NO >> Replace the BSW switch. Refer to [DAS-88. "Removal and Installation"](#).

A
B
C
D
E
F
G
H
I
J
K
L
M
N
P

DAS

SYMPTOM DIAGNOSIS

BSW SYSTEM SYMPTOMS

Symptom Table

INFOID:000000009940773

CAUTION:

Perform the self-diagnosis with CONSULT before the symptom diagnosis. Perform the trouble diagnosis if any DTC is detected.

NOTE:

For the operational conditions of BSW, refer to [DAS-9, "System Description"](#).

Symptom	Possible cause	Inspection item/Reference page	
Indicator/warning lamps do not illuminate when ignition switch OFF ⇒ ON.	<ul style="list-style-type: none"> • BSW warning lamp signal (CAN) - Combination meter - BSW control module • BSW warning lamp (combination meter) 	<ul style="list-style-type: none"> • Power supply and ground circuit of BSW control module Refer to DAS-75, "BSW CONTROL MODULE : Diagnosis Procedure" • BSW control module Active test "BSW/BSI WARNING LAMP" Refer to DAS-18, "CONSULT Function (BSW)". • BSW control module Data monitor "BSW/BSI WARNING LAMP" Refer to DAS-18, "CONSULT Function (BSW)" • Combination meter Data monitor "BSW W/L" Refer to MWI-35, "CONSULT Function" 	
	BSW ON indicator (on the BSW switch) does not illuminate	<ul style="list-style-type: none"> • Harness between BSW control module and BSW switch • BSW switch • BSW control module 	BSW ON indicator circuit Refer to DAS-80, "Diagnosis Procedure"
	BSW indicator does not turn ON	<ul style="list-style-type: none"> • Harness between side radar and BSW indicator • Side radar LH/RH • BSW indicator 	Perform self-diagnosis of side radar Refer to DAS-20, "CONSULT Function (SIDE RADAR LEFT)" or DAS-21, "CONSULT Function (SIDE RADAR RIGHT)"
BSW system is not activated. (Indicator/warning lamps illuminate when ignition switch OFF ⇒ ON.)	BSW ON indicator is not turned ON ⇔ OFF when operating BSW switch	<ul style="list-style-type: none"> • Harness between BSW control module and BSW switch • Harness between BSW switch and ground • BSW control module • BSW switch 	BSW ON indicator circuit Refer to DAS-80, "Diagnosis Procedure"
	Buzzer is not sounding	<ul style="list-style-type: none"> • BSW control module • Combination meter 	Meter buzzer circuit Refer to WCS-40, "Component Function Check"

NORMAL OPERATING CONDITION

< SYMPTOM DIAGNOSIS >

[BSW]

NORMAL OPERATING CONDITION

Description

INFOID:000000009940774

PRECAUTIONS FOR BLIND SPOT WARNING (BSW)

- The BSW system is not a replacement for proper driving procedure and are not designed to prevent contact with vehicles or objects. When changing lanes, always use the side and rear mirrors and turn and look in the direction driver will move to ensure it is safe to change lanes. Never rely solely on the BSW system.
- The BSW system may not provide a warning for vehicles that pass through the detection zone quickly.
- Do not use the BSW system when towing a trailer because the system may not function properly.
- Excessive noise (e.g. audio system volume, open vehicle window) will interfere with the chime sound, and it may not be heard.
- The side radar may not be able to detect and activate BSW when certain objects are present such as:
 - Pedestrians, bicycles, animals.
 - Several types of vehicles such as motorcycles.
 - Oncoming vehicles.
 - Vehicles remaining in the detection zone when driver accelerate from a stop.
 - A vehicle merging into an adjacent lane at a speed approximately the same as vehicle.
 - A vehicle approaching rapidly from behind.
 - A vehicle which vehicle overtakes rapidly.
- Severe weather or road spray conditions may reduce the ability of the side radar to detect other vehicles.
- The side radar detection zone is designed based on a standard lane width. When driving in a wider lane, the side radar may not detect vehicles in an adjacent lane. When driving in a narrow lane, the side radar may detect vehicles driving two lanes away.
- The side radar are designed to ignore most stationary objects, however objects such as guardrails, walls, foliage and parked vehicles may occasionally be detected. This is a normal operating condition.

A

B

C

D

E

F

G

H

I

J

K

L

M

N

DAS

P

REMOVAL AND INSTALLATION

BSW CONTROL MODULE

Removal and Installation

INFOID:000000009940775

REMOVAL

1. Remove cluster lid C. Refer to [JP-14, "Removal and Installation"](#).
2. Remove mounting bolts from BSW control module.
3. Disconnect BSW control module connector.
4. Remove BSW control module.

INSTALLATION

Install in the reverse order of removal.

SIDE RADAR

[BSW]

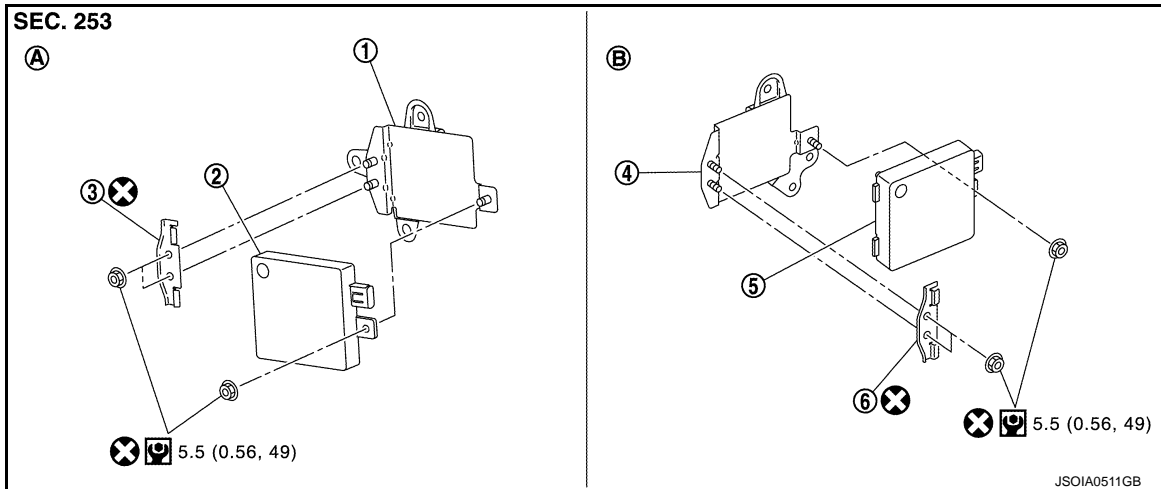
< REMOVAL AND INSTALLATION >

SIDE RADAR

Removal and Installation

INFOID:000000009940776

EXPLODED VIEW



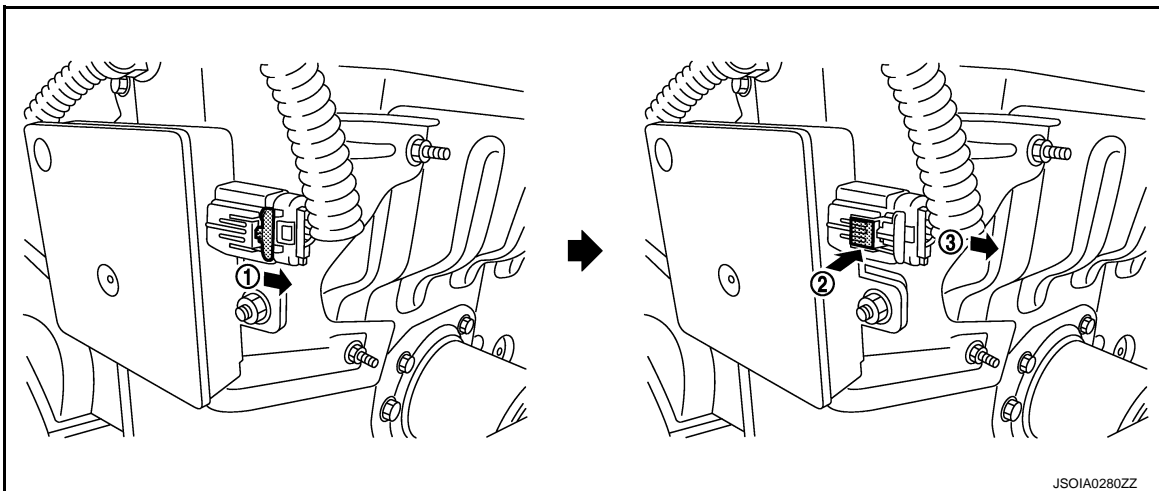
- | | | |
|------------|------------------|------------|
| 1. Bracket | 2. Side radar LH | 3. Bracket |
| 4. Bracket | 5. Side radar RH | 6. Bracket |
| A. LH side | B. RH side | |

Refer to [GI-4. "Components"](#) for symbol makes in the figure.

REMOVAL AND INSTALLATION

Removal

1. Remove the rear bumper fascia assembly. Refer to [EXT-16. "REAR BUMPER : Removal and Installation"](#).
2. Remove the side radar connector.



NOTE:

This illustration is an example.

3. Remove the mounting nuts to remove the side radar RH/LH from bracket.

Installation

Note the following, and install in the reverse order of removal.

A
B
C
D
E
F
G
H
I
J
K
L
M
N
P

DAS

SIDE RADAR

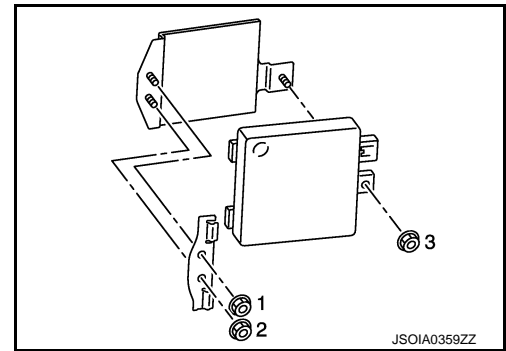
[BSW]

< REMOVAL AND INSTALLATION >

- Tighten mounting nuts in the numerical order as shown in the figure.
- Always lock the side radar connector.

CAUTION:

Since right side radar and left side radar are similar in shape, never confuse right with left.



BSW INDICATOR

< REMOVAL AND INSTALLATION >

[BSW]

BSW INDICATOR

Exploded View

INFOID:000000009940777

BSW indicator is installed on the door mirror surface. Refer to [MIR-37. "GLASS MIRROR : Removal and Installation"](#).

NOTE:

Always remove BSW indicator together with glass mirror.

A
B
C
D
E
F
G
H
I
J
K
L
M
N
P

DAS

BSW SWITCH

< REMOVAL AND INSTALLATION >

[BSW]

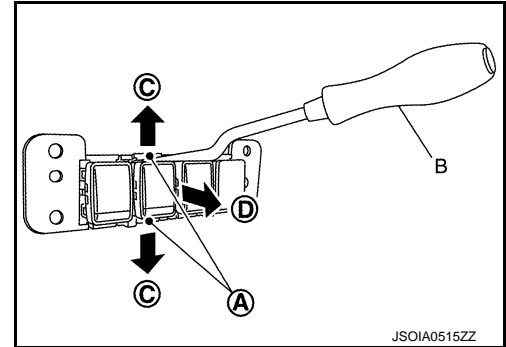
BSW SWITCH

Removal and Installation

INFOID:000000009940778

REMOVAL

1. Remove the instrument lower panel (LH). Refer to [IP-14. "Removal and Installation"](#).
2. Remove the bracket for BSW switch and other switches from instrument driver lower panel.
3. Insert remover tool (B) in pawl (A) of the bracket and widen the pawl in (C) direction to release the fit.
4. Remove BSW switch from the bracket in (D) direction.



INSTALLATION

Install in the reverse order of removal.