

SECTION MA

GI

MA

EM

LC

EC

FE

AT

AX

SU

BR

ST

RS

BT

HA

SC

EL

IDX

CONTENTS

PRECAUTIONS	2	CHASSIS AND BODY MAINTENANCE	23
Precautions for Supplemental Restraint System (SRS) "AIR BAG"	2	Checking Exhaust System.....	23
PREPARATION	3	Checking A/T Fluid	23
Special Service Tool	3	Changing A/T Fluid	24
Commercial Service Tool.....	3	Balancing Wheels	24
Preparation for Changing Engine Coolant	3	Tire Rotation	24
GENERAL MAINTENANCE	4	Checking Brake Fluid Level and Leaks.....	24
PERIODIC MAINTENANCE	6	Checking Brake Lines and Cables.....	25
Schedule 1	7	Checking Disc Brake	25
EMISSION CONTROL SYSTEM MAINTENANCE	7	ROTOR.....	25
CHASSIS AND BODY MAINTENANCE.....	8	CALIPER.....	25
Schedule 2.....	9	PAD.....	25
EMISSION CONTROL SYSTEM MAINTENANCE	9	Checking Drum Brake	25
CHASSIS AND BODY MAINTENANCE.....	10	WHEEL CYLINDER.....	25
RECOMMENDED FLUIDS AND LUBRICANTS	11	DRUM.....	25
Fluids and Lubricants	11	LINING.....	26
SAE Viscosity Number	12	TEMPORARY METHOD FOR CHECKING LINING WEAR.....	26
GASOLINE ENGINE OIL	12	Checking Steering Gear, Linkage.....	26
Anti-freeze Coolant Mixture Ratio	12	STEERING GEAR.....	26
ENGINE MAINTENANCE	13	STEERING LINKAGE.....	26
Checking Drive Belts	13	Checking Power Steering Fluid and Lines	26
Changing Engine Coolant.....	14	CHECKING FLUID LEVEL.....	26
Flushing Cooling System.....	18	CHECKING LINES	26
Checking Fuel Lines	18	Lubricating Locks, Hinges and Hood Latches.....	27
Changing Fuel Filter	18	Checking Seat Belts, Buckles, Retractors, Anchors and Adjusters.....	28
Ⓜ WITH CONSULT.....	18	SERVICE DATA AND SPECIFICATIONS (SDS)	29
Ⓧ WITHOUT CONSULT	19	Engine Maintenance	29
Changing Air Cleaner Filter	19	DRIVE BELT DEFLECTION	29
VISCOUS PAPER TYPE.....	19	DRIVE BELT TENSION	29
Changing Engine Oil.....	19	SPARK PLUG TYPE	29
Changing Oil Filter.....	20	Chassis and Body Maintenance.....	29
Changing Spark Plugs.....	21	WHEEL BALANCE	29
Checking EVAP Vapor Lines	22		

PRECAUTIONS

Precautions for Supplemental Restraint System (SRS) "AIR BAG"

Precautions for Supplemental Restraint System (SRS) "AIR BAG"

The Supplemental Restraint System "AIR BAG", used along with a seat belt, helps to reduce the risk or severity of injury to the driver and front passenger in a frontal collision. The Supplemental Restraint System consists of air bag modules (located in the center of the steering wheel and on the instrument panel on the passenger side), a diagnosis sensor unit, warning lamp, wiring harness and spiral cable. Information necessary to service the system safely is included in the **RS section** of this Service Manual. NDMA0001

WARNING:

- To avoid rendering the SRS inoperative, which could increase the risk of personal injury or death in the event of a collision which would result in air bag inflation, all maintenance should be performed by an authorized NISSAN dealer.
- Improper maintenance, including incorrect removal and installation of the SRS, can lead to personal injury caused by unintentional activation of the system.
- Do not use electrical test equipment on any circuit related to the SRS unless instructed to in this Service Manual. SRS wiring harnesses are covered with yellow insulation either just before the harness connectors or for the complete harness, for easy identification.

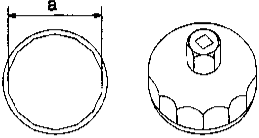
PREPARATION

Special Service Tool

Special Service Tool

NDMA0002

The actual shapes of Kent-Moore tools may differ from those of special service tools illustrated here.

Tool number (Kent-Moore No.) Tool name	Description
KV10115801 (J38956) Oil filter cap wrench	 <p>Removing oil filter a: 64.3 mm (2.531 in)</p> <p>NT375</p>

GI

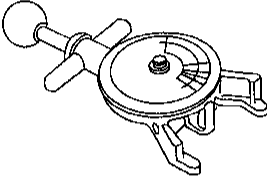
MA

EM

LC

Commercial Service Tool

NDMA0011

Tool name (Kent-Moore No.)	Description
Belt tension gauge (BT3373-F)	 <p>Measuring drive belt tension</p> <p>AMA126</p>

EC

FE

AT

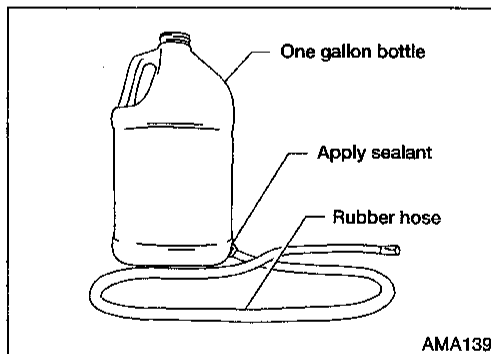
AX

SU

BR

ST

RS



Preparation for Changing Engine Coolant

NDMA0012

Prepare an empty one gallon bottle, such as used for windshield washer fluid. Obtain a 1371mm (54in) length of hose with the same inner diameter as the coolant reservoir hose. Modify a one gallon bottle by making a hole at the bottom of the bottle slightly smaller than the hose outer diameter that will be covered by fluid when filled.

- Insert the hose in the bottom of the bottle.
- Seal the hose to the bottle so it will not leak.

BT

HA

SC

EL

IDX

GENERAL MAINTENANCE

General maintenance includes those items which should be checked during the normal day-to-day operation of the vehicle. They are essential if the vehicle is to continue operating properly. The owners can perform checks and inspections themselves or they can have their NISSAN dealers do them.

OUTSIDE THE VEHICLE

The maintenance items listed here should be performed from time to time, unless otherwise specified.

Item	Reference page	
Tires	Check the pressure with a gauge periodically when at a service station, including the spare, and adjust to the specified pressure if necessary. Check carefully for damage, cuts or excessive wear.	—
Wheel nuts	When checking the tires, make sure no nuts are missing, and check for any loose nuts. Tighten if necessary.	—
Tire rotation	Tires should be rotated every 12,000 km (7,500 miles).	MA-24
Wheel alignment and balance	If the vehicle pulls to either side while driving on a straight and level road, or if you detect uneven or abnormal tire wear, there may be a need for wheel alignment. If the steering wheel or seat vibrates at normal highway speeds, wheel balancing may be needed.	MA-24, "Front Wheel Alignment" in SU section
Windshield wiper blades	Check for cracks or wear if they do not wipe properly.	—
Doors and engine hood	Check that all doors and the engine hood operate smoothly as well as the trunk lid and back hatch. Also make sure that all latches lock securely. Lubricate if necessary. Make sure that the secondary latch keeps the hood from opening when the primary latch is released. When driving in areas using road salt or other corrosive materials, check lubrication frequently.	MA-27

INSIDE THE VEHICLE

The maintenance items listed here should be checked on a regular basis, such as when performing periodic maintenance, cleaning the vehicle, etc.

Item	Reference page	
Lamps	Make sure that the headlamps, stop lamps, tail lamps, turn signal lamps, and other lamps are all operating properly and installed securely. Also check headlamp aim.	—
Warning lamps and buzzers/chimes	Make sure that all warning lamps and buzzers/chimes are operating properly.	—
Windshield wiper and washer	Check that the wipers and washer operate properly and that the wipers do not streak.	—
Windshield defroster	Check that the air comes out of the defroster outlets properly and in sufficient quantity when operating the heater or air conditioning.	—
Steering wheel	Check that it has the specified play. Be sure to check for changes in the steering condition, such as excessive play, hard steering or strange noises. Free play: Less than 35 mm (1.38 in)	—
Seats	Check seat position controls such as seat adjusters, seatback recliner, etc. to make sure they operate smoothly and that all latches lock securely in every position. Check that the head restraints move up and down smoothly and that the locks (if equipped) hold securely in all latched positions. Check that the latches lock securely for folding-down rear seatbacks.	—
Seat belts	Check that all parts of the seat belt system (e.g. buckles, anchors, adjusters and retractors) operate properly and smoothly and are installed securely. Check the belt webbing for cuts, fraying, wear or damage.	MA-28 "Seat Belt Inspection" in RS section
Brakes	Check that the brakes do not pull the vehicle to one side when applied.	—
Accelerator pedal	Check the pedal for smooth operation and make sure the pedal does not catch or require uneven effort. Keep the floor mats away from the pedal.	"Accelerator control system" in FE section

GENERAL MAINTENANCE

Item		Reference page
Brake pedal and booster	Check the pedal for smooth operation and make sure it has the proper distance under it when depressed fully. Check the brake booster function. Be sure to keep floor mats away from the pedal.	"Brake Pedal and Bracket" and "Brake Booster" in BR section
Parking brake	Check that the lever has the proper travel and make sure that the vehicle is held securely on a fairly steep hill when only the parking brake is applied.	"Parking Brake Control" in BR section
Automatic transaxle "Park" mechanism	Check that the brake pedal must be depressed for the selector lever to be moved from the "P" position. On a fairly steep hill, check that the vehicle is held securely with the selector lever in the "P" position without applying any brakes.	—

UNDER THE HOOD AND VEHICLE

The maintenance items listed here should be checked periodically (e.g. each time you check the engine oil or refuel).

Item		Reference page
Windshield washer fluid	Check that there is adequate fluid in the tank.	—
Engine coolant level	Check the coolant level when the engine is cold.	MA-14
Radiator and hoses	Check the front of the radiator and clean off any dirt, insects, leaves, etc., that may have accumulated. Make sure the hoses have no cracks, deformation, deterioration or loose connections.	—
Brake fluid level	Make sure that the brake fluid level is between the "MAX" and "MIN" lines on the reservoir.	MA-24,
Battery	Check the fluid level in each cell. It should be between the "MAX" and "MIN" lines.	—
Engine drive belts	Make sure that no belt is frayed, worn, cracked or oily.	MA-13
Engine oil level	Check the level on the dipstick after parking the vehicle on a level spot with the engine off for at least 30 seconds.	MA-19
Power steering fluid level and lines	Check the level on the dipstick with the engine off. Check the lines for improper attachment, leaks, cracks, etc.	MA-26
Automatic transaxle fluid level	Check the level on the dipstick after putting the selector lever in "P" with the engine idling.	MA-23
Exhaust system	Make sure there are no loose supports, cracks or holes. If the sound of the exhaust seems unusual or there is a smell of exhaust fumes, immediately locate the trouble and correct it.	MA-23
Underbody	The underbody is frequently exposed to corrosive substances such as those used on icy roads or to control dust. It is very important to remove these substances, otherwise rust will form on the floor pan, frame, fuel lines and around the exhaust system. At the end of winter, the underbody should be thoroughly flushed with plain water, being careful to clean those areas where mud and dirt can easily accumulate.	—
Fluid leaks	Check under the vehicle for fuel, oil, water or other fluid leaks after the vehicle has been parked for a while. Water dripping from the air conditioner after use is normal. If you should notice any leaks or gasoline fumes are evident, check for the cause and correct it immediately.	—

PERIODIC MAINTENANCE

Two different maintenance schedules are provided, and should be used, depending upon the conditions in which the vehicle is usually operated. **After 60,000 miles (96,000 km) or 48 months, continue the periodic maintenance at the same mileage/time intervals.**

Schedule 1	Follow Periodic Maintenance Schedule 1 if owner's driving habits frequently includes one or more of the following driving conditions: <ul style="list-style-type: none"> ● Repeated short trips of less than 5 miles (8 km). ● Repeated short trips of less than 10 miles (16 km) with outside temperatures remaining below freezing. ● Operating in hot weather in stop-and-go "rush hour" traffic. ● Extensive idling and/or low speed driving for long distances, such as police, taxi or door-to-door delivery use. ● Driving in dusty conditions. ● Driving on rough, muddy, or salted roads. ● Towing a trailer, using a camper or a car-top carrier. 	Emission Control System Maintenance	MA-7
		Chassis and Body Maintenance	MA-8
Schedule 2	Follow Periodic Maintenance Schedule 2 if none of the driving conditions shown in Schedule 1 apply to owner's driving habits.	Emission Control System Maintenance	MA-9
		Chassis and Body Maintenance	MA-10

PERIODIC MAINTENANCE

Schedule 1

Schedule 1

EMISSION CONTROL SYSTEM MAINTENANCE

NDMA0004S01

NDMA0004S0101

GI

MA

EM

LC

EC

FE

AT

AX

SU

BR

ST

RS

BT

HA

SC

EL

IDX

Abbreviations: R = Replace. I = Inspect. Correct or replace if necessary. []: At the mileage intervals only

MAINTENANCE OPERATION		MAINTENANCE INTERVAL												Reference Section - Page or Content Title				
Perform at number of miles, kilometers or months, whichever comes first.	Miles x 1,000 (km x 1,000) Months	3.75 (6) 3	7.5 (12) 6	11.25 (18) 9	15 (24) 12	18.75 (30) 15	22.5 (36) 18	26.25 (42) 21	30 (48) 24	33.75 (54) 27	37.5 (60) 30	41.25 (66) 33	45 (72) 36	48.75 (78) 39	52.5 (84) 42	56.25 (90) 45	60 (96) 48	MA-13
Drive belts	NOTE (1)																	I*
Air cleaner filter	NOTE (2)								[R]									[R]
EVAP vapor lines									I*									I*
Fuel lines									I*									I*
Fuel filter*	NOTE (3)																	MA-18
Engine coolant		Replace every 30,000 miles (48,000 km) or 36 months.*												MA-14				
Engine oil		R	R	R	R	R	R	R	R	R	R	R	R	R	R	R	R	MA-19
Engine oil filter (Use part No. 15208-31U00 or equivalent.)		R	R	R	R	R	R	R	R	R	R	R	R	R	R	R	R	MA-20
Spark plugs		Replace every 105,000 miles (168,000km)												MA-21				
Timing belt		Replace every 105,000 miles (168,000 km)												EM - Timing Belt				

NOTE:

- (1) After 60,000 miles (96,000 km) or 48 months, inspect every 15,000 miles (24,000 km) or 12 months.
 - (2) If operating mainly in dust conditions, more frequent maintenance may be required.
 - (3) If vehicle is operated under extremely adverse weather conditions or in areas where ambient temperatures are either extremely low or extremely high, the filters might become clogged. In such an event, replace them immediately.
- ★ Maintenance items and intervals with "*" are recommended by NISSAN for reliable vehicle operation. The owner need not perform such maintenance in order to maintain the emission warranty or manufacturer recall liability. Other maintenance items and intervals are required.

Schedule 2

EMISSION CONTROL SYSTEM MAINTENANCE

NDMA0004S02

NDMA0004S0201

Abbreviations: R = Replace. I = Inspect. Correct or replace if necessary. []: At the mileage intervals only

MAINTENANCE OPERATION	Miles x 1,000 (km x 1,000) Months	MAINTENANCE INTERVAL										Reference Section - Page or - Content Title
		7.5 (12) 6	15 (24) 12	22.5 (36) 18	30 (48) 24	37.5 (60) 30	45 (72) 36	52.5 (84) 42	60 (96) 48			
Perform at number of miles, kilometers or months, whichever comes first.												
Drive belts	NOTE (1)											I*
Air cleaner filter					[R]							[R]
EVAP vapor lines					I*							I*
Fuel lines					I*							I*
Fuel filter*	NOTE (2)											
Engine coolant		Replace every 30,000 miles (48,000 km) or 36 months.*										MA-14
Engine oil		R	R	R	R	R	R	R	R	R	R	R
Engine oil filter (Use part No. 15208-31U00 or equivalent.)		R	R	R	R	R	R	R	R	R	R	R
Spark plugs		Replace every 105,000 miles (168,000 km)										MA-20
Timing belt		Replace every 105,000 miles (168,000 km)										MA-21
												EM - Timing Belt

NOTE:

- (1) After 60,000 miles (96,000 km) or 48 months, inspect every 15,000 miles (24,000 km) or 12 months.
 - (2) If vehicle is operated under extremely adverse weather conditions or in areas where ambient temperatures are either extremely low or extremely high, the filters might become clogged. In such an event, replace them immediately.
- ★ Maintenance items and intervals with "*" are recommended by NISSAN for reliable vehicle operation. The owner need not perform such maintenance in order to maintain the emission warranty or manufacturer recall liability. Other maintenance items and intervals are required.

GI
MA
EM
LC
EC
FE
AT
AX
SU
BR
ST
RS
BT
HA
SC
EL
IDX

PERIODIC MAINTENANCE

Schedule 2 (Cont'd)

CHASSIS AND BODY MAINTENANCE

NDMA0004S0202

Abbreviations: R = Replace. I = Inspect. Correct or replace if necessary. L = Lubricate.

MAINTENANCE OPERATION	Miles x 1,000 (km x 1,000) Months	MAINTENANCE INTERVAL								Reference Section - Page or - Content Title
		7.5 (12) 6	15 (24) 12	22.5 (36) 18	30 (48) 24	37.5 (60) 30	45 (72) 36	52.5 (84) 42	60 (96) 48	
Perform at number of miles, kilometers or months, whichever comes first.										
Brake lines & cables		I	I		I		I		I	MA-25
Brake pads, rotors, drums & linings		I	I		I		I		I	MA-25, 25
Automatic transaxle fluid		I	I		I		I		I	MA-23
Ventilation air filter		R	R		R		R		R	HA - Ventilation air filter
Steering gear, linkage, axle & suspension parts					I				I	MA-26 NOTE (2)
Drive shaft boots		I	I		I		I		I	AX - Drive Shaft
Exhaust system					I				I	MA-23
Air bag system	NOTE (1)									RS - Maintenance Item

NOTE:

- (1) Inspect the air bag system 10 years after the date of manufacture noted on the FMVSS certification label.
- (2) Refer to "Front Suspension Parts" in SU section, "Rear Suspension Parts" in AX section, "Front Axle Parts" and "Rear Axle Parts" in AX section.

RECOMMENDED FLUIDS AND LUBRICANTS

NDMA0005

Fluids and Lubricants

Fluids and Lubricants

NDMA0005S01

			Capacity (Approximate)			Recommended Fluids/Lubricants
			US mea- sure	Imp mea- sure	Liter	
Engine Oil	Drain and Refill	With oil filter	4 qt	3-3/8 qt	3.8	<ul style="list-style-type: none"> ● API Certification Mark*1 ● API grade SG/SH, energy Conserving II or API grade SJ, Energy Conserving*1 ● ILSAC grade GF-II*1
		Without oil filter	3-7/8 qt	3-1/8 qt	3.6	
	Dry engine (engine over-haul)		4-1/2 qt	3-3/4 qt	4.3	
Cooling system (Reservoir tank included)			11-1/4 qt	9-3/8 qt	10.6	50 %Genuine NISSAN Anti-freeze coolant or equivalent 50% demineralized water or distilled water
Automatic transaxle fluid			10 qt	8-1/4 qt	9.4	Nissan Matic "D" (Continental U.S. and Alaska) or Genuine Nissan Automatic Transmission Fluid (Canada). *3
Power steering fluid			1-1/8 qt	1 qt	1.1	Type F Automatic Transmission Fluid
Brake fluid			—	—	—	Genuine Nissan Brake Fluid*2 or equivalent DOT 3 (US FMVSS No. 116)
Multi-purpose grease			—	—	—	NLGI No. 2 (Lithium soap base)
Air conditioning system	With rear A/C	Lubricant	11.0 oz	11.5 oz	325 ml	Nissan A/C System Lubricant PAG Type F or equivalent *4
		Refrigerant	3.375 lb	—	1.531 kg	R-134a
	Front A/C only	Lubricant	7.0 oz	7.3 oz	207 ml	Nissan A/C System Lubricant PAG Type F or equivalent *4
		Refrigerant	2.0 lb	—	0.907 kg	R-134a

*1: For further details, see "SAE Viscosity Number".

*2: Available in mainland U.S.A. through your NISSAN dealer.

*3: Dexron™ III/Mercon™ or equivalent may also be used. Outside the continental United States and Alaska contact a NISSAN dealership for more information regarding suitable fluids, including recommended brand(s) of Dexron™ III/Mercon™ Automatic Transmission Fluid.

*4: Suniso 5GS is not acceptable for use in this vehicle.

GI

MA

EM

LC

EC

FE

AT

AX

SU

BR

ST

RS

BT

HA

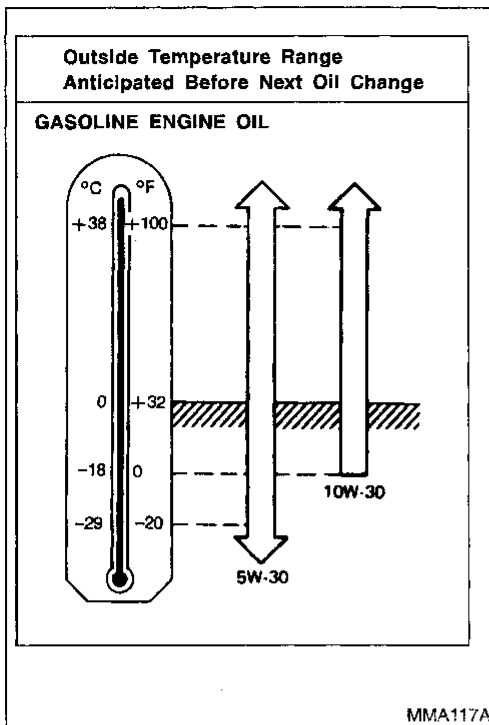
SC

EL

IDX

RECOMMENDED FLUIDS AND LUBRICANTS

SAE Viscosity Number



SAE Viscosity Number

GASOLINE ENGINE OIL

NDMA0005S02

NDMA0005S0201

SAE 5W-30 viscosity oil is preferred for all temperatures. SAE 10W-30 viscosity oil may be used if the ambient temperature is above -18°C (0°F).

Anti-freeze Coolant Mixture Ratio

NDMA0005S03

The engine cooling system is filled at the factory with a high-quality, year-round, anti-freeze coolant solution. The anti-freeze solution contains rust and corrosion inhibitors. Therefore, additional cooling system additives are not necessary.

CAUTION:

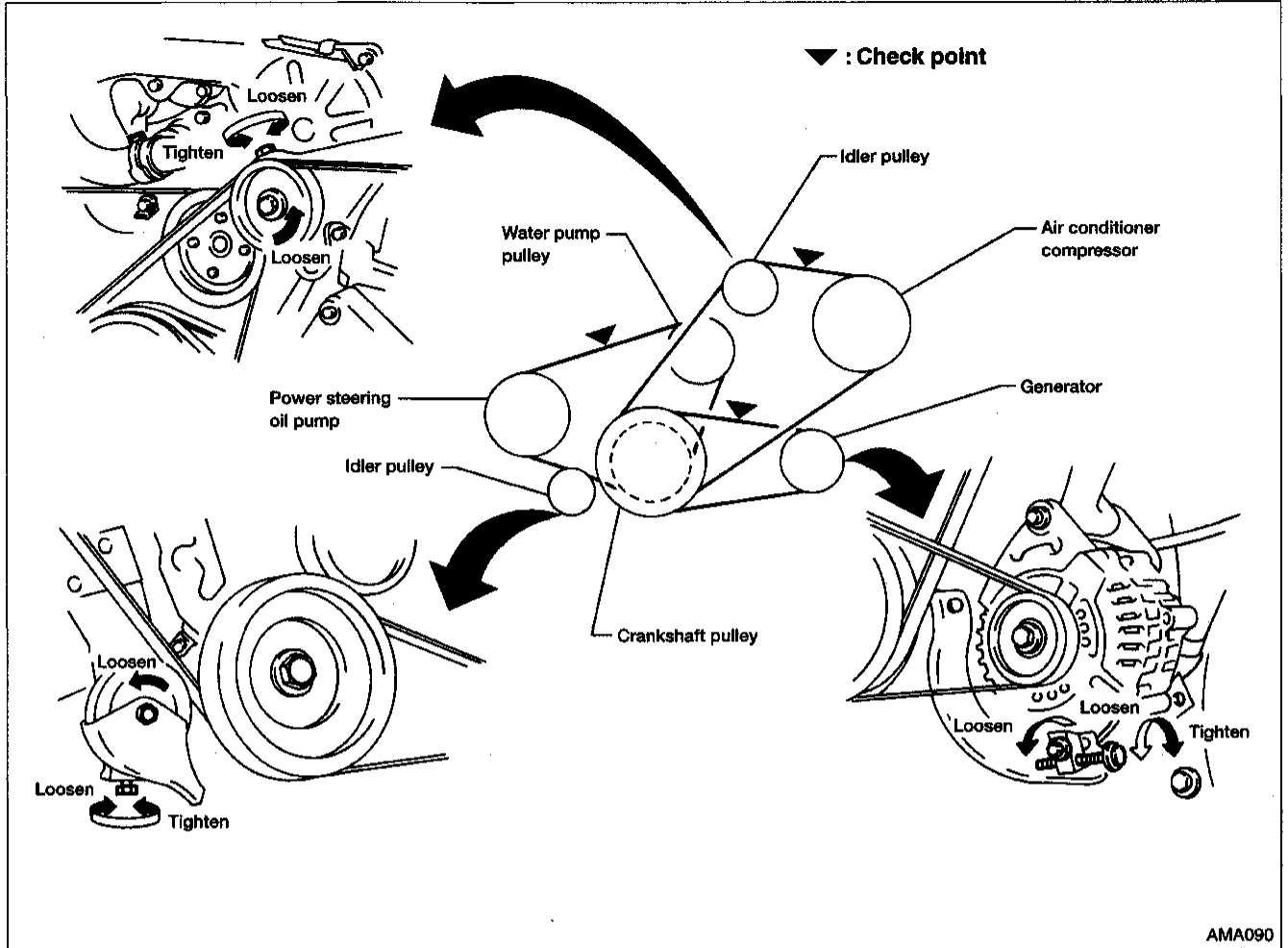
When adding or replacing coolant, be sure to use only a **Genuine Nissan Anti-freeze Coolant** or equivalent with the proper mixture ratio of 50% anti-freeze and 50% demineralized water or distilled water.

Outside temperature down to		Genuine Nissan Anti-freeze Cool- ant or equivalent	Demineralized water or distilled water
$^{\circ}\text{C}$	$^{\circ}\text{F}$		
-35	-30	50%	50%

Other types of coolant solutions may damage your cooling system.

Checking Drive Belts

NDMA0006S01



AMA090

1. Inspect belt for cracks, fraying, wear and oil. If necessary, replace.
2. Inspect drive belt deflection or tension at a point on the belt midway between pulleys.
3. Check belt tension using belt tension gauge (BT3373-F or equivalent).

Inspect drive belt deflection or tension when engine is cold. Adjust if belt deflections exceed the limit or if belt tension is not within specifications.

Drive belt tension can be checked at other points on the belt.

GI
MA
EM
LC
EC
FE
AT
AX
SU
BR
ST
RS
BT
HA
SC
EL
IDX

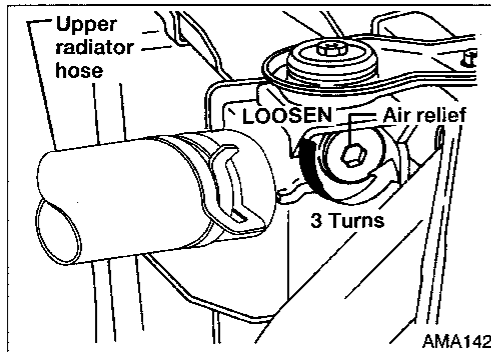
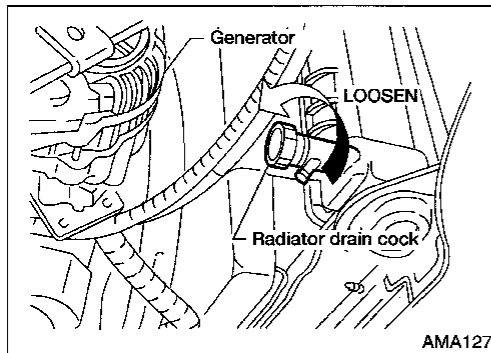
ENGINE MAINTENANCE

Checking Drive Belts (Cont'd)

Belt deflection and tension

	Deflection adjustment		Unit: mm (in)	Tension adjustment *1		Unit :N (kg, lb)
	Used belt		New belt	Used belt		New belt
	Limit	After adjustment		Limit	After adjustment	
Generator	12 (0.47)	7.5 - 8.5 (0.295 - 0.335)	6.5 - 7.5 (0.256 - 0.295)	324 (33, 75)	647 - 736 (66 - 75, 145 - 165)	755 - 853 (77 - 87, 170 - 190)
Air conditioner compressor	10 (0.39)	5 - 7 (0.20 - 0.28)	4 - 6 (0.16 - 0.24)	294 (30, 65)	549 - 647 (56 - 66, 125 - 145)	677 - 755 (69 - 77, 150 - 170)
Power steering oil pump	16 (0.63)	10 - 12 (0.39 - 0.47)	8 - 10 (0.31 - 0.39)	294 (30, 65)	549 - 647 (56 - 66, 125 - 145)	677 - 755 (69 - 77, 150 - 170)
Applied pushing force	98 N (10 kg, 22 lb)			—		

*1 If belt tension gauge cannot be installed at check points shown, check drive belt tension at a different location on the belt.



Changing Engine Coolant

NDMA0006S02

WARNING:

- To avoid the danger of being scalded, never change the coolant when the engine is hot.
- Wrap a thick cloth around radiator cap and carefully remove the cap. At first, turn the cap a quarter of a turn to release built up pressure. Then turn the cap all the way.

NOTE:

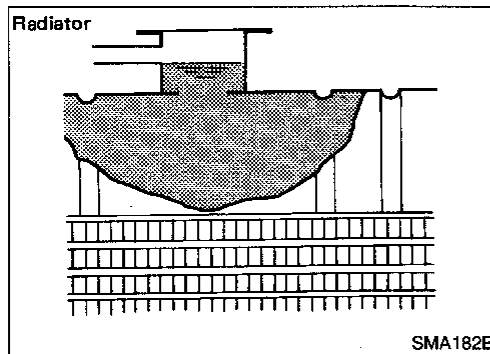
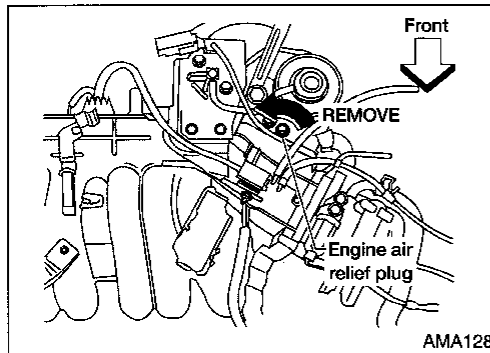
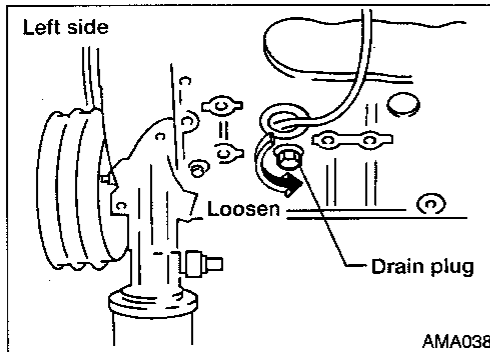
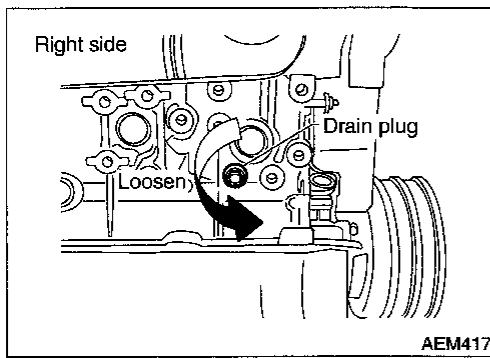
Refer to "Preparation for Changing Engine Coolant", MA-3.

—DRAINING ENGINE COOLANT—

1. Open the radiator drain at bottom of radiator and remove radiator filler cap. Loosen air relief plug from radiator.
 2. Remove reservoir tank, drain coolant, then clean reservoir tank. Install it temporarily.
- Be careful not to allow coolant to contact drive belts.

ENGINE MAINTENANCE

Changing Engine Coolant (Cont'd)



3. Open drain plugs on both sides of cylinder block.

4. Remove engine air relief plug.

5. Check drained coolant for contaminants such as rust corrosion or discoloration.

If contaminated, flush engine cooling system.

Refer to "FLUSHING COOLING SYSTEM" MA-18

—REFILLING ENGINE COOLANT—

6. Install reservoir tank, radiator drain plug, radiator air relief plug and cylinder block drain plugs.

- Apply sealant to the thread of cylinder block drain plug.

⊞ : 34 - 44 N·m (3.5 - 4.5 kg·m, 25 - 33 ft·lb)

7. Slowly fill radiator with proper mixture of coolant at speed of less than 3 ℓ (3-1/8 US qt, 2-5/8 Imp qt)/min.

Pour coolant through filler neck slowly to allow air in system to escape. Fill until coolant fills the radiator neck.

- Use Genuine NISSAN Anti-freeze coolant or equivalent mixed with demineralized water or distilled water. Refer to RECOMMENDED FLUIDS AND LUBRICANTS, GO TO 5.

Coolant capacity (without reservoir tank):

9.5 ℓ (10 US qt, 8-3/8 Imp qt)

Reservoir tank capacity (for MAX level):

1.1 ℓ (1-1/8 US qt, 1 Imp qt)

8. Pour more coolant into radiator while gently squeezing upper radiator hose.

- Slowly fill radiator until coolant level no longer lowers in filler neck.

GI

MA

EM

LC

EC

FE

AT

AX

SU

BR

ST

RS

BT

HA

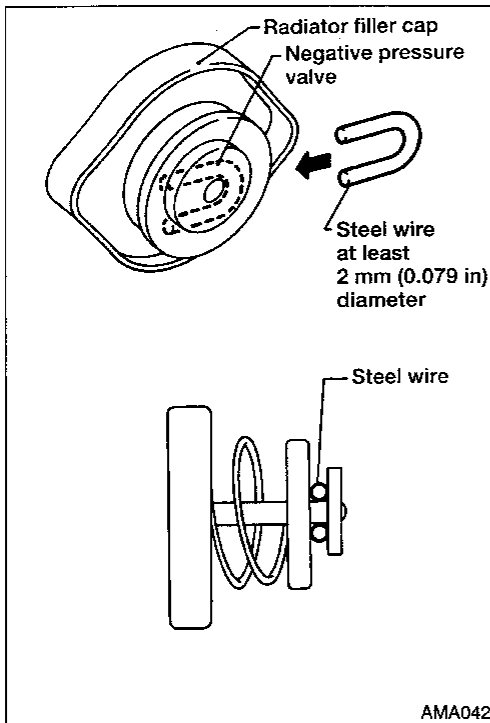
SC

EL

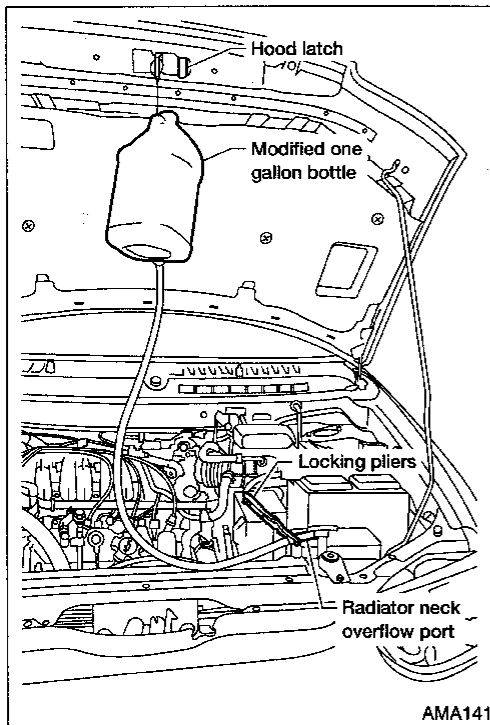
IDX

ENGINE MAINTENANCE

Changing Engine Coolant (Cont'd)



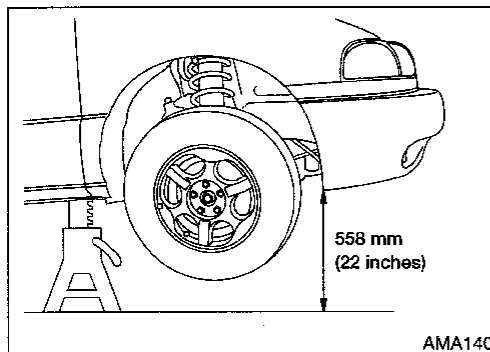
9. Install a wire under radiator filler cap negative pressure valve to allow flow of air and coolant regardless of pressure.
10. Install radiator cap.
11. Disconnect the coolant reservoir hose from the radiator neck overflow port.



12. Attach the hose from the modified one gallon bottle to the radiator neck overflow port. Refer to "Preparation for Changing Engine Coolant", MA-3.
13. Using locking pliers, clamp off the hose from the modified one gallon bottle.
14. Fill the modified one gallon bottle with the proper mixture of coolant and hang the bottle from the hood striker assembly.
15. Remove the locking pliers from the coolant hose to the modified one gallon bottle and allow the coolant to flow until coolant comes out of the engine air relief hole.
16. Using the locking pliers, reclamp the coolant hose from the modified one gallon bottle.
17. Install and tighten the engine air relief plug.

Air relief plug:

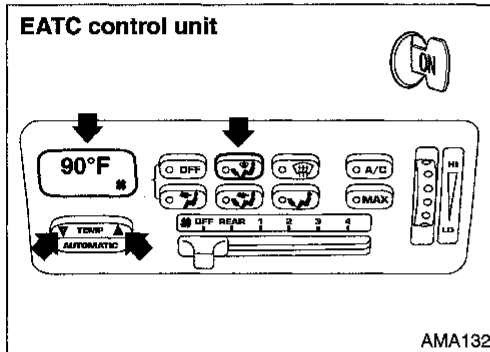
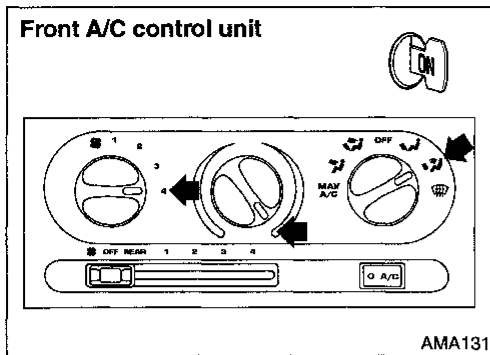
20-26 N-m (2.0 — 2.7 kg-m, 14 — 20 ft-lb)



18. Raise the front of the vehicle so that the bottom of the front fascia is 558 mm (22 inches) from the ground.

CAUTION:

Fix rear tires with tire stopper. Support front garage jack point and put safety stands to front safety stand points.



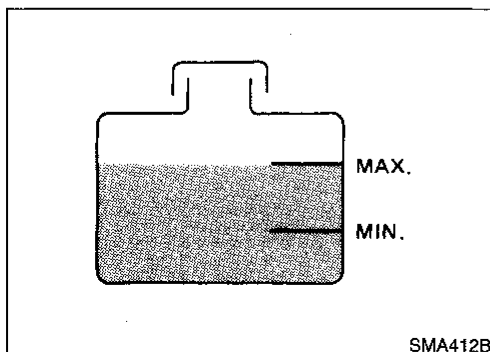
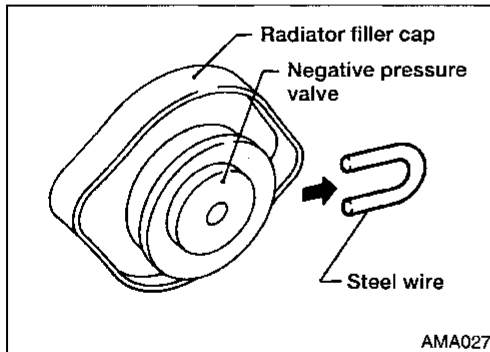
Manual air conditioner models

Set the heater controls to full warm and the fan speed to high.

Automatic air conditioner models

Set the heater controls temperature to 90°F and fan speed to high.

19. Remove the locking pliers from the coolant hose to the modified one gallon bottle.
20. Start the engine and maintain 1500 RPM until the cooling fan turns on. (approximately 20–25 minutes)
21. Turn off the engine.
22. Let engine cool until the radiator cap can be removed safely.
23. Lower the front of the vehicle to ground level.
24. Using the locking pliers, reclamp the coolant hose from the modified one gallon bottle.
25. Remove the radiator cap.
26. Remove the modified one gallon bottle and coolant hose from the radiator neck overflow port.
27. Install the coolant reservoir hose to the radiator neck overflow port.



28. Remove the wire from the radiator cap.
29. Completely fill radiator until coolant level no longer lowers in filler neck.
30. Install the radiator cap.
31. Fill coolant reservoir bottle to MAX level.
32. Reinstall coolant reservoir cap.
33. Clean excess coolant from engine block.
34. Check cooling system for leaks with engine running.

GI
MA
EM
LC
EC
FE
AT
AX
SU
BR
ST
RS
BT
HA
SC
EL
IDX

ENGINE MAINTENANCE

Flushing Cooling System

NDMA0006S0201

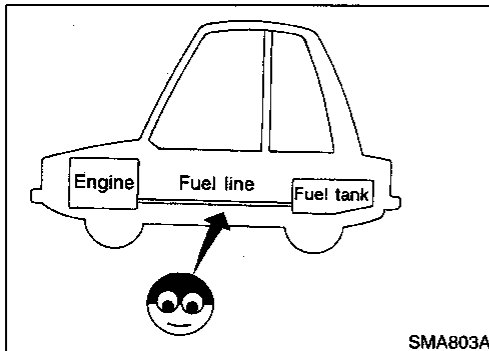
1. Open radiator air relief plug.
2. Fill radiator with water until water spills from the radiator air relief hole then close air relief plug. Fill radiator and reservoir tank with water and reinstall radiator cap.
3. Run engine and warm it up sufficiently (until lower radiator hose becomes warm).
4. Rev engine 2 or 3 times under no-load.
5. Stop engine and wait until it cools down (cool down with a fan to reduce time).
6. Drain water.
7. Repeat steps 1 through 6 until clear water begins to drain from radiator.

Coolant capacity (without reservoir tank):

9.5 ℓ (10 US qt, 8-3/8 Imp qt)

Reservoir tank capacity (for MAX level):

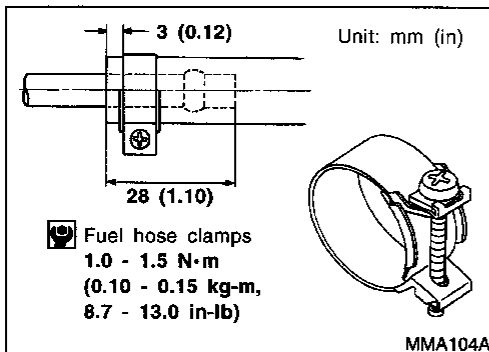
1.1 ℓ (1-1/8 US qt, 1 Imp qt)



Checking Fuel Lines

NDMA0006S03

Inspect fuel lines and tank for improper attachment, leaks, cracks, damage, loose connections, chafing or deterioration. If necessary, repair or replace faulty parts.

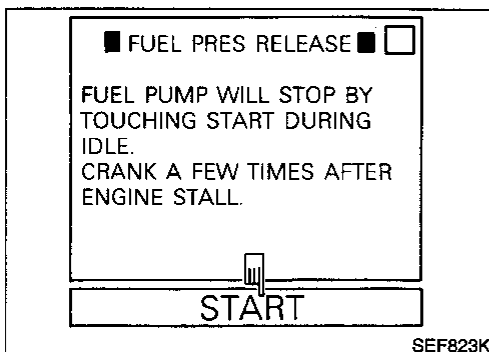


CAUTION:

Tighten high-pressure rubber hose clamp so that clamp end is 3 mm (0.12 in) from hose end.

Tightening torque specifications are the same for all rubber hose clamps.

Ensure that screw does not contact adjacent parts.



Changing Fuel Filter

NDMA0006S04

WARNING:

Before removing fuel filter, release fuel pressure from fuel line.

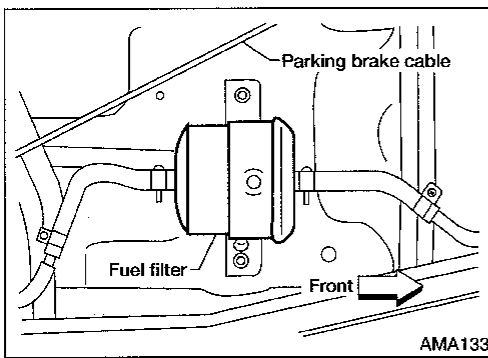
① WITH CONSULT

NDMA0006S0401

1. Start engine.
2. Perform "FUEL PRESSURE RELEASE" in "WORK SUPPORT" mode to release fuel pressure to zero.
3. After engine stalls, crank engine two or three times to make sure that fuel pressure is released.
4. Turn ignition switch OFF.

ENGINE MAINTENANCE

Changing Fuel Filter (Cont'd)



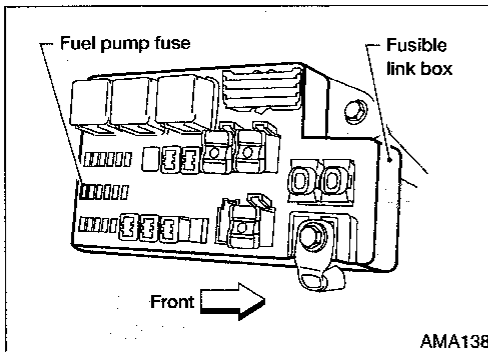
5. Loosen fuel hose clamps.
 6. Replace fuel filter.
- Be careful not to spill fuel over engine compartment. Place a shop towel to absorb fuel.
 - Use a high-pressure type fuel filter. Do not use a synthetic resinous fuel filter.
 - When tightening fuel hose clamps, refer to "Checking Fuel Lines".

GI

MA

EM

LC



⊗ WITHOUT CONSULT

NDMA0006S0402

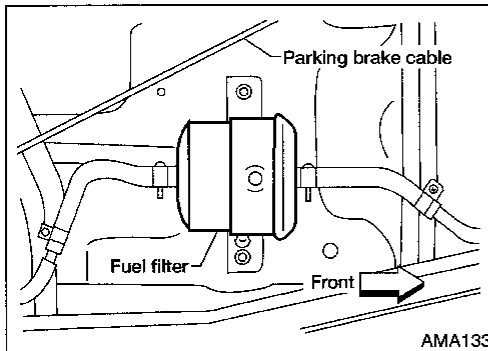
1. Remove fuel pump fuse.
2. Start engine.
3. After engine stalls, crank engine two or three times to make sure that fuel pressure is released.
4. Turn ignition switch OFF and install fuel pump fuse.

EC

FE

AT

AX



5. Loosen fuel hose clamps.

6. Replace fuel filter.

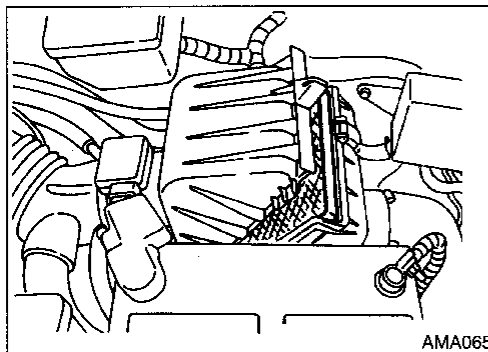
- Be careful not to spill fuel over engine compartment. Place a shop towel to absorb fuel.
- Use a high-pressure type fuel filter. Do not use a synthetic resinous fuel filter.
- When tightening fuel hose clamps, refer to "Checking Fuel Lines".

SU

BR

ST

RS



Changing Air Cleaner Filter

NDMA0006S05

VISCOUS PAPER TYPE

NDMA0006S0501

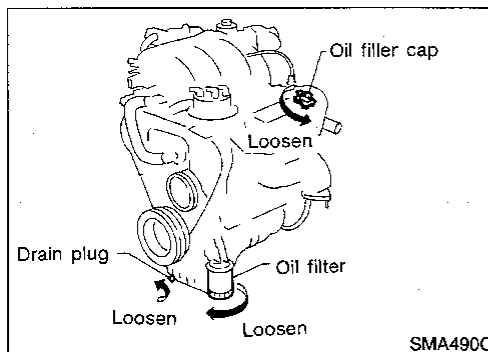
The viscous paper type filter does not need cleaning between replacement intervals.

BT

HA

SC

EL



Changing Engine Oil

NDMA0006S06

WARNING:

- Be careful not to burn yourself, as the engine oil is hot.
- Prolonged and repeated contact with used engine oil may cause skin cancer; try to avoid direct skin contact with used oil. If skin contact is made, wash thoroughly with soap or hand cleaner as soon as possible.

1. Warm up engine, and check for oil leakage from engine components.
2. Stop engine.
3. Remove drain plug and oil filler cap.

IDX

ENGINE MAINTENANCE

Changing Engine Oil (Cont'd)

4. Drain oil and refill with new engine oil.

Oil specification and viscosity

- API Certification Mark
- API grade SG/SH Energy Conserving II or API grade SJ, Energy Conserving
- ILSAL grade GF-II
- See "RECOMMENDED FLUIDS AND LUBRICANTS", MA-11.

Oil capacity (Approximately) :


Unit: ℓ (US qt, Imp qt)

	Unit: ℓ (US qt, Imp qt)
Drain and refill	
With oil filter change	3.8 (4, 3-3/8)
Without oil filter change	3.6 (3-7/8, 3-1/8)
Dry engine (engine overhaul)	4.3 (4-1/2, 3-3/4)

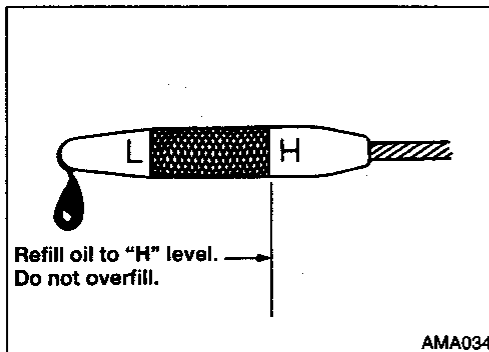
CAUTION:

- Be sure to clean drain plug and install with new washer.

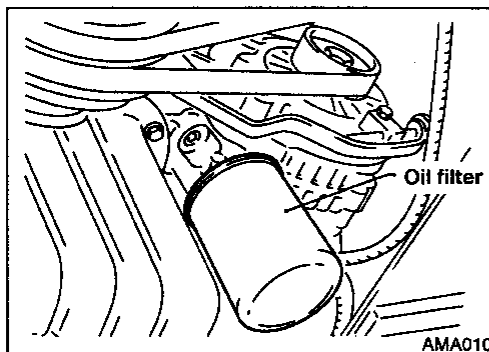
Oil pan drain plug:

 : 29 - 39 N·m (3.0 - 4.0 kg·m, 22 - 29 ft·lb)

- The refill capacity depends on the oil temperature and drain time; use these specifications for reference only. Always use the dipstick to determine when the proper amount of oil is in the engine.



5. Warm up engine and check area around drain plug and oil filter for oil leakage.
6. Stop engine.
7. Check oil level.



Changing Oil Filter

NDMA0006S07

1. Remove oil filter with Tool.

WARNING:

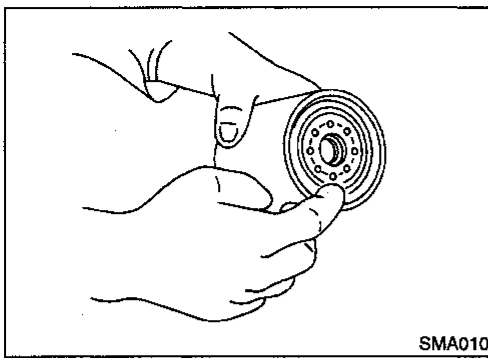
Be careful not to burn yourself, as the engine and engine oil are hot.

The filter is a full-flow cartridge type and is provided with a relief valve.

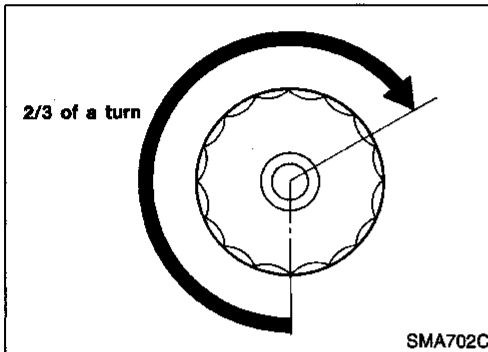
Refer to LC section ("Oil Filter", "ENGINE LUBRICATION SYSTEM").

ENGINE MAINTENANCE

Changing Oil Filter (Cont'd)



2. Clean oil filter mounting surface on cylinder block. Coat rubber seal of new oil filter with engine oil.

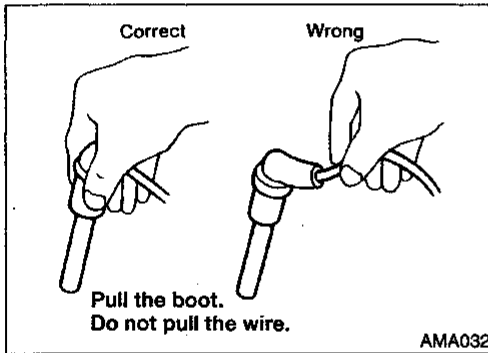


3. Screw in the oil filter until a slight resistance is felt, then tighten an additional 2/3 turn.

4. Add engine oil.

Refer to Changing Engine Oil.

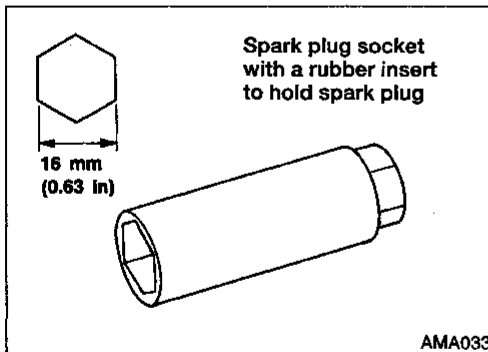
- Clean excess oil from engine.



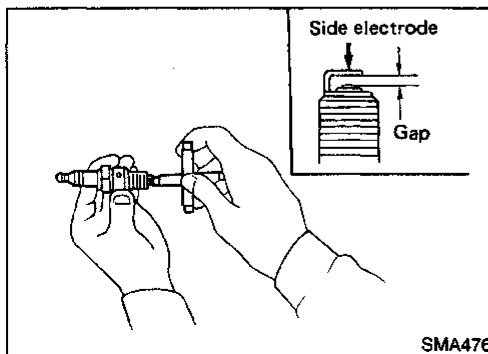
Changing Spark Plugs

NDMA0006508

1. Disconnect ignition wires from spark plugs at boot. Do not pull on the wire.



2. Remove spark plugs with a spark plug socket.



3. Check type and gap of new spark plug.

Spark plug type:

	Symbol	Make
Standard type	PFR5G-11	NGK
Cold type	PFR6G-11	NGK
Hot type	PFR4G-11	NGK

GI

MA

EM

LC

EC

FE

AT

AX

SU

BR

ST

RS

BT

HA

SC

EL

IDX

ENGINE MAINTENANCE

Changing Spark Plugs (Cont'd)

Use standard type spark plug for normal condition.

The hot type spark plug is suitable when fouling may occur with the standard type spark plug such as:

- frequent engine starts
- low ambient temperatures

The cold type spark plug is suitable when spark knock may occur with the standard type spark plug such as:

- extended highway driving
- frequent high engine revolution


Spark plug gap:

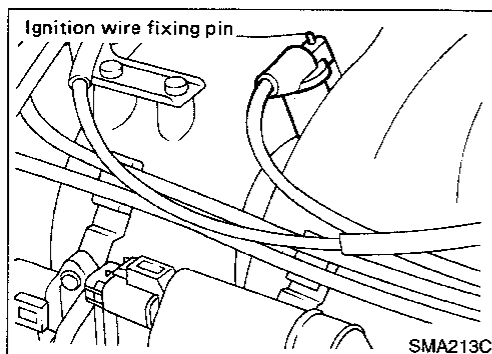
1.0 - 1.1 mm (0.039 - 0.043 in)

- Use a wire brush for cleaning, if necessary.

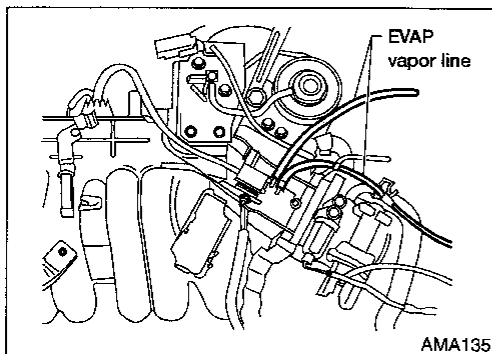
4. Install spark plugs. Reconnect spark plug wires according to numbers indicated on them.

Spark plug:

 : 20 - 29 N·m (2.0 - 3.0 kg·m, 14 - 22 ft·lb)



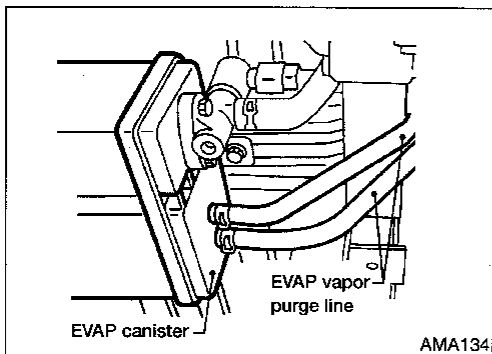
5. When installing spark plugs wires to No. 2 and 4 cylinders, securely fit each ignition wire mounting hole onto the ignition wire fixing pin.

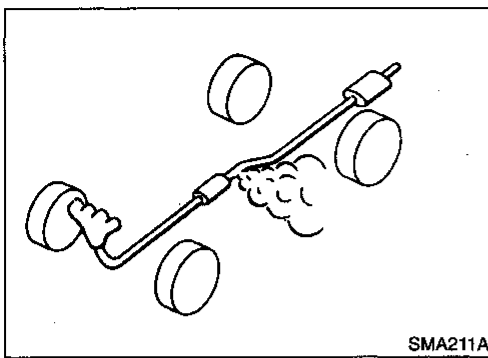


Checking EVAP Vapor Lines

1. Visually inspect EVAP vapor lines for improper attachment, cracks, damage, loose connections, chafing or deterioration. NDMA0006309
2. Inspect vacuum relief valve of fuel tank filler cap for clogging, sticking, etc.

Refer to EC section ("EVAPORATIVE EMISSION SYSTEM").





Checking Exhaust System

Check exhaust pipes, muffler and mounting for improper attachment, leaks, cracks, damage, loose connections, chafing or deterioration.

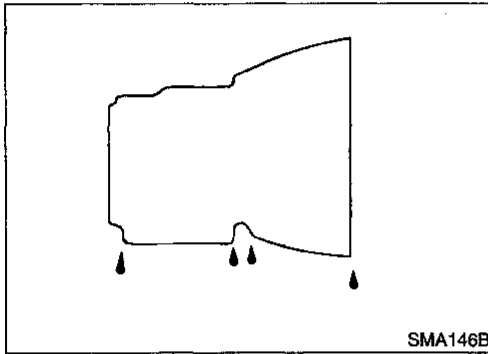
NDMA0007S01

GI

MA

EM

LC



Checking A/T Fluid

1. Warm up engine.
2. Check for fluid leakage.
3. Before driving, fluid level can be checked at fluid temperatures of 21 to 35°C (70 to 95°F) using "COLD" range on dipstick. However, fluid level must be rechecked using hot range.
 - a. Park vehicle on level surface and set parking brake.
 - b. Start engine and move selector lever through each gear position. Return selector lever to PARK position.
 - c. Check fluid level with engine idling.
 - d. Remove dipstick and wipe clean with lint-free paper.
 - e. Reinsert dipstick as far as it will go into charging pipe.
 - f. Remove dipstick and note reading. If reading is at low side, add fluid to the charging pipe.

NDMA0007S06

EC

FE

AT

AX

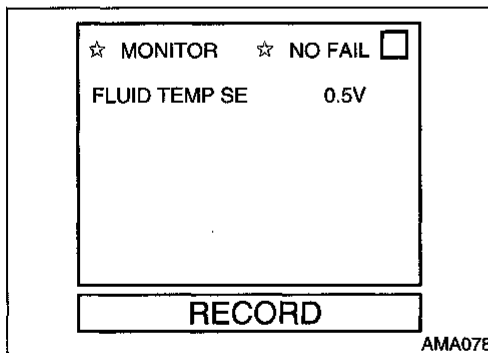
SU

Do not overfill.

BR

ST

RS



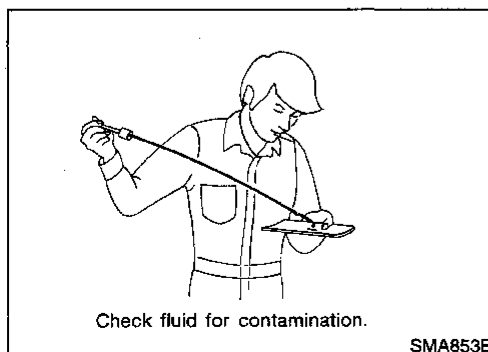
4. Drive vehicle for approximately 15 minutes in urban areas.
5. Determine A/T fluid temperature using CONSULT.

BT

HA

SC

EL

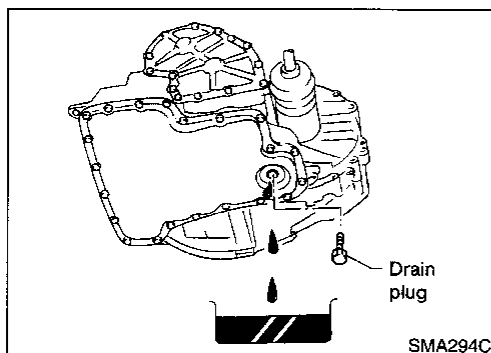


6. Check fluid condition.
 - If fluid is very dark or smells burned, refer to AT section for checking operation of A/T. Flush cooling system after repair of A/T.
 - If A/T fluid contains frictional material (clutches, bands, etc.), replace radiator and flush cooler line using cleaning solvent and compressed air after repair of A/T. Refer to LC section ("Radiator", "ENGINE COOLING SYSTEM").

IDX

CHASSIS AND BODY MAINTENANCE

Changing A/T Fluid



Changing A/T Fluid

NDMA0007S07

1. Warm up A/T fluid.
2. Stop engine.
3. Drain A/T fluid from drain plug and refill with new A/T fluid. Measure amount of fluid drained and refill with equal amount of new fluid.


Fluid grade:

Nissan Matic "D" (Continental U.S. and Alaska) or Genuine Nissan Automatic Transmission Fluid (Canada). Refer to "RECOMMENDED FLUIDS AND LUBRICANTS", MA-11.

Fluid capacity (With torque converter):

9.4 l (10 US qt, 8-1/4 Imp qt)

Drain plug:

 : 29 - 39 N·m (3.0 - 4.0 kg·m, 22 - 29 ft·lb)

4. Run engine at idle speed for 5 minutes.
5. Check fluid level and condition. Refer to "Checking A/T Fluid", MA-23. If fluid is still dirty, repeat steps 2 through 5.

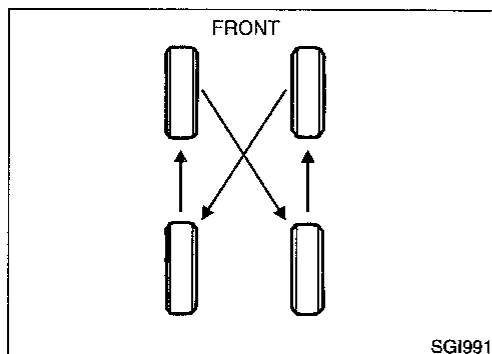
Balancing Wheels

NDMA0007S14

Adjust wheel balance using the road wheel center.

Wheel balance (Maximum allowable unbalance):

Refer to SDS, MA-29.




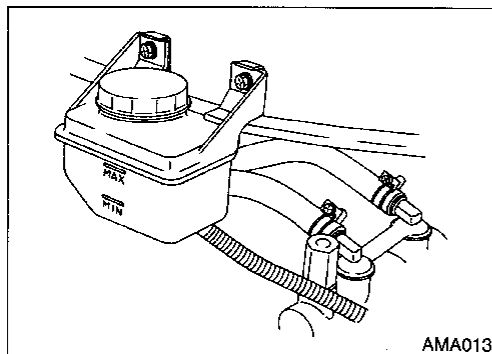
Tire Rotation

NDMA0007S15

- After rotating the tires, adjust the tire pressure.
- Retighten the wheel nuts after the aluminum wheel has been run for the first 1,000 km (600 miles) (also in cases of a flat tire, etc.).

Wheel nuts:

 : 98 - 118 N·m (10 - 12 kg·m, 72 - 87 ft·lb)



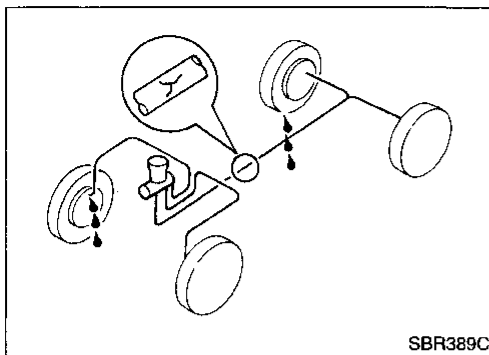
Checking Brake Fluid Level and Leaks

NDMA0007S16

If fluid level is extremely low, check brake system for leaks.

CHASSIS AND BODY MAINTENANCE

Checking Brake Lines and Cables



Checking Brake Lines and Cables

NDMA0007S17

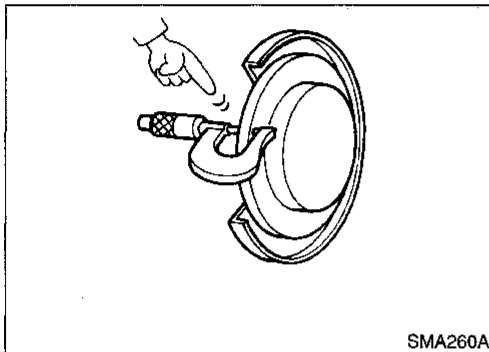
Check brake fluid lines and parking brake cables for improper attachment, leaks, chafing, abrasions and deterioration.

GI

MA

EM

LC



Checking Disc Brake ROTOR

NDMA0007S18

NDMA0007S1801

Check condition and thickness.

Standard thickness:

26 mm (1.02 in)

Minimum thickness:

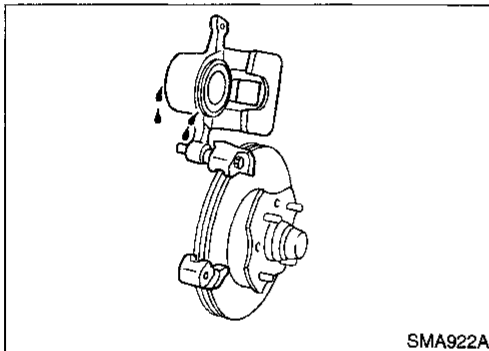
24 mm (0.94 in)

EC

FE

AT

AX



CALIPER

Check for leakage.

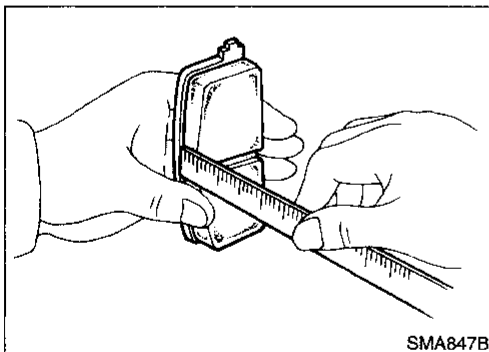
NDMA0007S1802

SU

BR

ST

RS



PAD

Check wear or damage.

Standard thickness:

9.53 mm (0.375 in)

Minimum thickness: 2.0 mm (0.079 in)

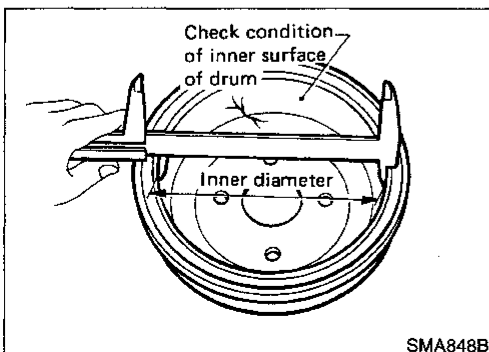
NDMA0007S1803

BT

HA

SC

EL



Checking Drum Brake WHEEL CYLINDER

NDMA0007S19

NDMA0007S1901

Check for leakage.

DRUM

Check condition and inner surface.

Standard inner diameter:

250 mm (9.84 in)

Drum repair limit (Inner diameter):

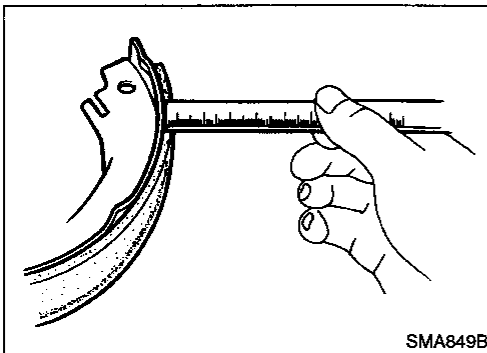
251.5 mm (9.90 in)

NDMA0007S1902

IDX

CHASSIS AND BODY MAINTENANCE

Checking Drum Brake (Cont'd)



LINING

Check wear or damage.

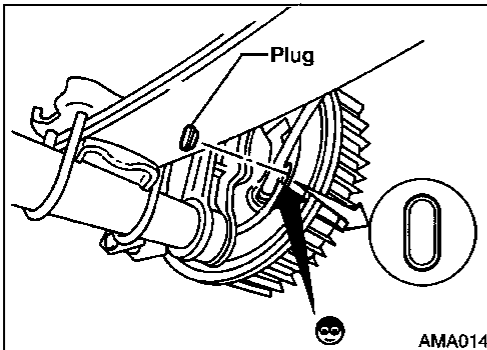
Standard thickness:

5.9 mm (0.232 in)

Lining wear limit (Minimum thickness):

2.0 mm (0.079 in)

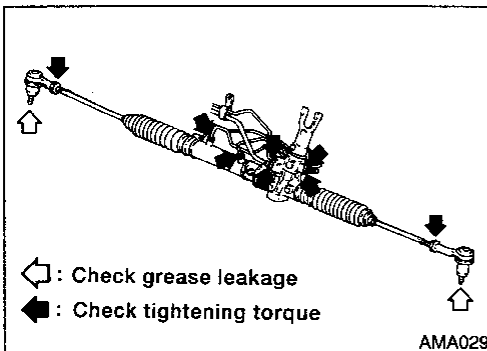
NDMA0007S1903



TEMPORARY METHOD FOR CHECKING LINING WEAR

Remove inspection hole plug and check for lining wear.

NDMA0007S1904



Checking Steering Gear, Linkage

STEERING GEAR

- Check gear housing and boots for looseness, damage and grease leakage.
- Check connection with steering column for looseness.

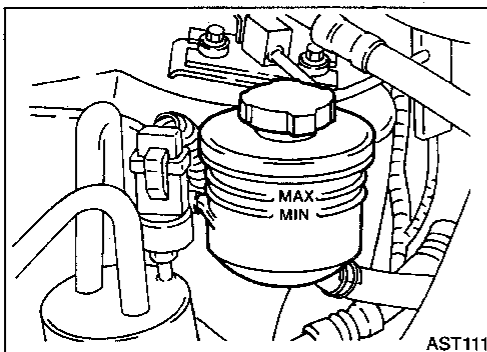
STEERING LINKAGE

- Check ball joint, dust cover and other component parts for looseness, wear, damage and grease leakage.

NDMA0007S20

NDMA0007S2001

NDMA0007S2002



Checking Power Steering Fluid and Lines

CHECKING FLUID LEVEL

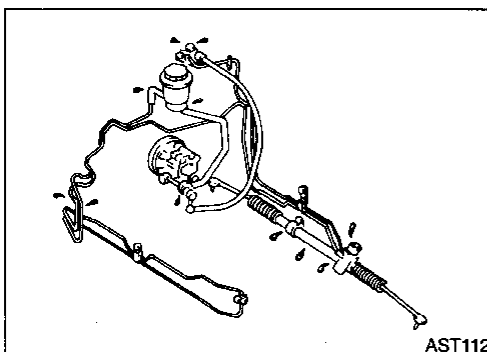
- Check fluid level with engine off.
- Check fluid level with dipstick on reservoir cap. Use "HOT" range at fluid temperatures of 50 to 80°C (122 to 176°F). Use "COLD" range at fluid temperatures of 0 to 30°C (32 to 86°F).

CAUTION:

- Do not overfill.
- Recommended fluid is Automatic Transmission Fluid type DEXRON™III or equivalent.

NDMA0007S21

NDMA0007S2101



CHECKING LINES

- Check lines for improper attachment, leaks, cracks, damage, loose connections, chafing and deterioration.
- Check rack boots for accumulation of power steering fluid.

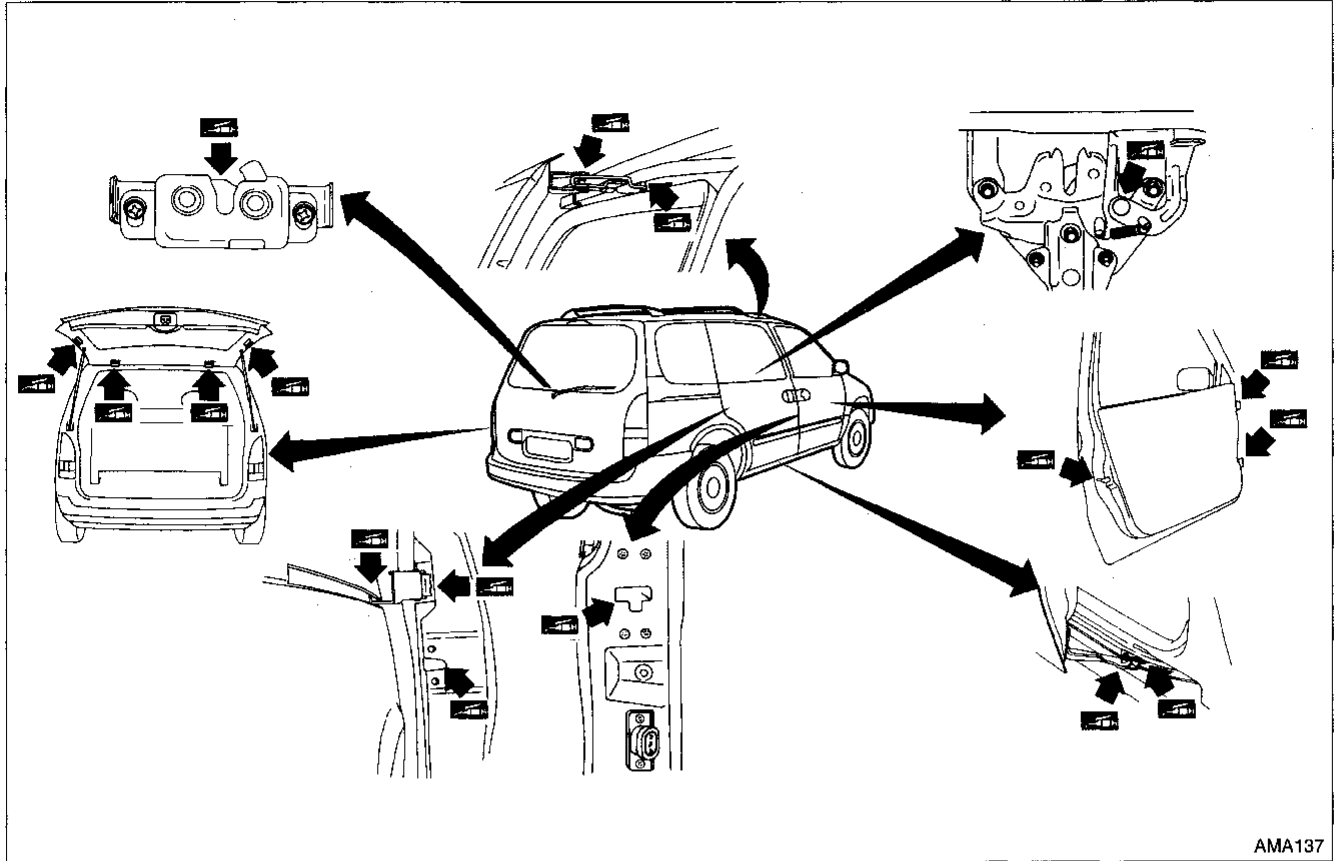
NDMA0007S2102

CHASSIS AND BODY MAINTENANCE

Lubricating Locks, Hinges and Hood Latches

Lubricating Locks, Hinges and Hood Latches

NDMA0007S22



GI

MA

EM

LC

EC

FE

AT

AX

SU

BR

ST

RS

BT

HA

SC

EL

IDX

CHASSIS AND BODY MAINTENANCE

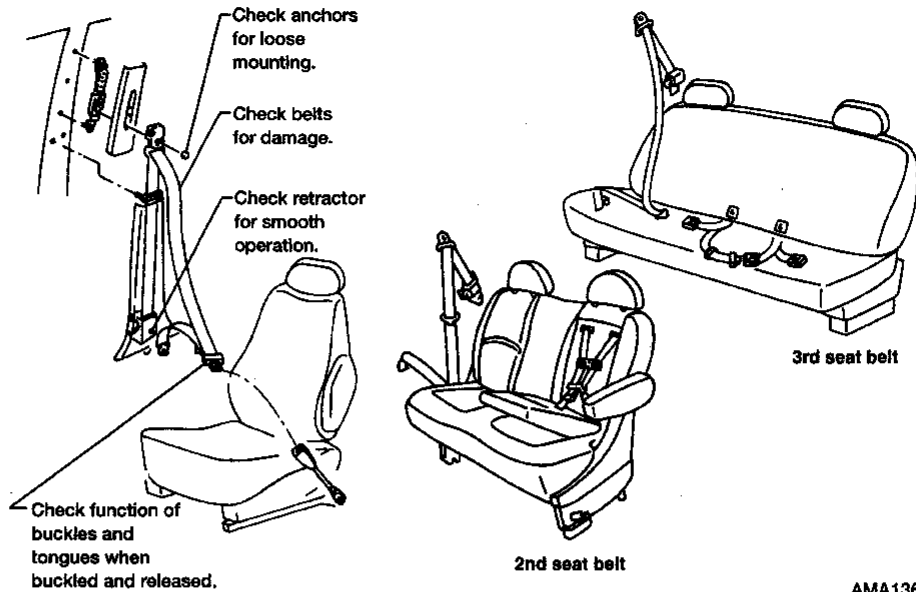
Checking Seat Belts, Buckles, Retractors, Anchors and Adjusters

Checking Seat Belts, Buckles, Retractors, Anchors and Adjusters

NDMA0007S23

CAUTION:

- After any collision, inspect all seat belt assemblies, including retractors and other attached hardware. NISSAN recommends replacement of all seat belt assemblies in use during a collision, unless not damaged and properly operating after a minor collision. Also inspect seat belt assemblies not in use during a collision, and replace if damaged or improperly operating.
- If any component of seat belt assembly is questionable, do not repair. Replace as seat belt assembly.
- If webbing is cut, frayed, or damaged, replace belt assembly.
- Never oil tongue and buckle.
- Use a NISSAN genuine seat belt assembly.
- For anchor bolt tightening torque, refer to RS section.
- For details, refer to "Seat Belt Inspection" "SEAT BELTS" in RS section



AMA136

SERVICE DATA AND SPECIFICATIONS (SDS)

Engine Maintenance

Engine Maintenance

DRIVE BELT DEFLECTION

NDMA0008

NDMA0008S01
Unit: mm (in)

	Used belt		New belt
	Limit	After adjustment	
Generator	12 (0.47)	7.5 - 8.5 (0.295 - 0.335)	6.5 - 7.5 (0.256 - 0.295)
Air conditioner compressor	10 (0.39)	5 - 7 (0.20 - 0.28)	4 - 6 (0.16 - 0.24)
Power steering oil pump	16 (0.63)	10 - 12 (0.39 - 0.47)	8 - 10 (0.31 - 0.39)
Applied pushing force	98 N (10 kg, 22 lb)		

DRIVE BELT TENSION

NDMA0008S03
Unit: N (kg, lb)

	Used belt		New belt
	Limit	After adjustment	
Generator	324 (33, 75)	647 - 736 (66 - 75, 145 - 165)	755 - 853 (77 - 87, 170 - 190)
Air conditioner compressor	294 (30, 65)	549 - 647 (56 - 66, 125 - 145)	677 - 755 (69 - 77, 150 - 170)
Power steering oil pump	294 (30, 65)	549 - 647 (56 - 66, 125 - 145)	677 - 755 (69 - 77, 150 - 170)

SPARK PLUG TYPE

NDMA0008S02

Standard type	PFR5G-11 (NGK)
Cold type	PFR6G-11 (NGK)
Hot type	PFR4G-11 (NGK)
Plug gap	1.0 - 1.1 mm (0.039 - 0.043 in)

Chassis and Body Maintenance

WHEEL BALANCE

NDMA0009

NDMA0009S01

Maximum allowable unbalance	Dynamic (At rim flange) g (oz)	10 (0.35) (one side)
	Static g (oz)	20 (0.71)