

SECTION **FL**  
FUEL SYSTEM

A  
FL  
C  
D  
E  
F  
G  
H  
I  
J  
K  
L  
M

CONTENTS

<b>PREPARATION</b> .....	<b>2</b>	<b>FUEL TANK</b> .....	<b>7</b>
Special Service Tools .....	2	Removal and Installation .....	7
Commercial Service Tools .....	2	REMOVAL .....	7
<b>FUEL SYSTEM</b> .....	<b>3</b>	INSTALLATION .....	9
Checking Fuel Lines .....	3	INSPECTION AFTER INSTALLATION .....	10
General Precautions .....	3	<b>SERVICE DATA AND SPECIFICATIONS (SDS)</b> .....	<b>11</b>
<b>FUEL LEVEL SENSOR UNIT, FUEL FILTER AND</b>		Standard and Limit .....	11
<b>FUEL PUMP ASSEMBLY</b> .....	<b>4</b>		
Removal and Installation .....	4		
REMOVAL .....	4		
INSPECTION AFTER REMOVAL .....	5		
INSTALLATION .....	5		
INSPECTION AFTER INSTALLATION .....	6		

# PREPARATION

## PREPARATION

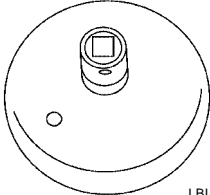
PFP:00002

### Special Service Tools

EBS00GJ2

The actual shapes of the Kent-Moore tools may differ from those of the special tools illustrated here.

Tool number (Kent-Moore No.) Tool name	Description
— (J-46214) Fuel tank lock ring tool	Removing and installing fuel tank lock ring

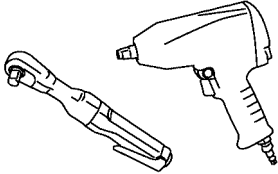


LBI/A0353E

### Commercial Service Tools

EBS00GJ3

Tool name	Description
Power tools	Loosening bolts and nuts

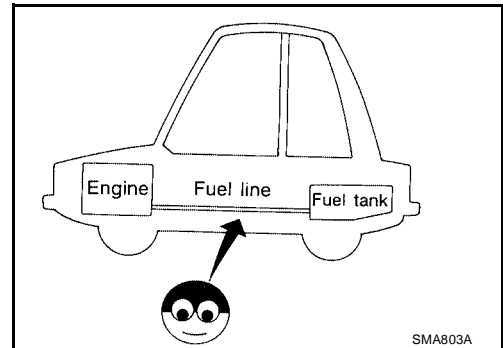


PBIC0190E

## FUEL SYSTEM

### Checking Fuel Lines

Inspect fuel lines, filler cap and tank for improper attachment, leaks, cracks, damage, loose connections, chafing or deterioration. Repair or replace faulty parts as necessary.



### General Precautions

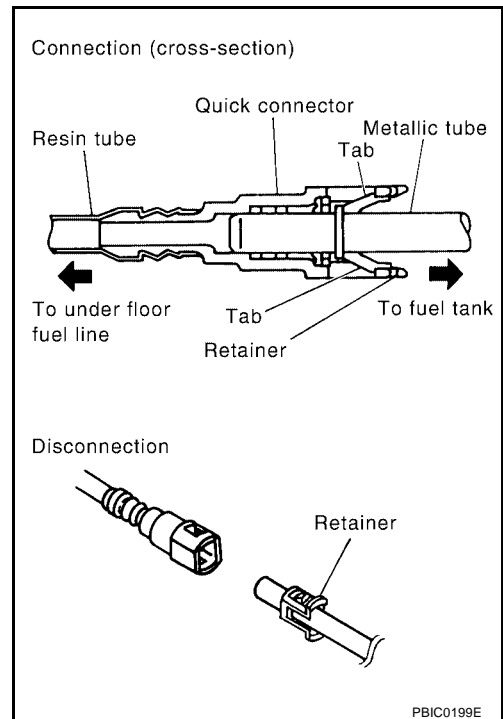
#### WARNING:

When replacing fuel line parts, be sure to observe the following:

- Put a “CAUTION: INFLAMMABLE” sign in the work area.
- Be sure to work in a well ventilated area and have a CO<sup>2</sup> fire extinguisher.
- Do not smoke while working on the fuel system. Keep open flames and sparks away from the work area.

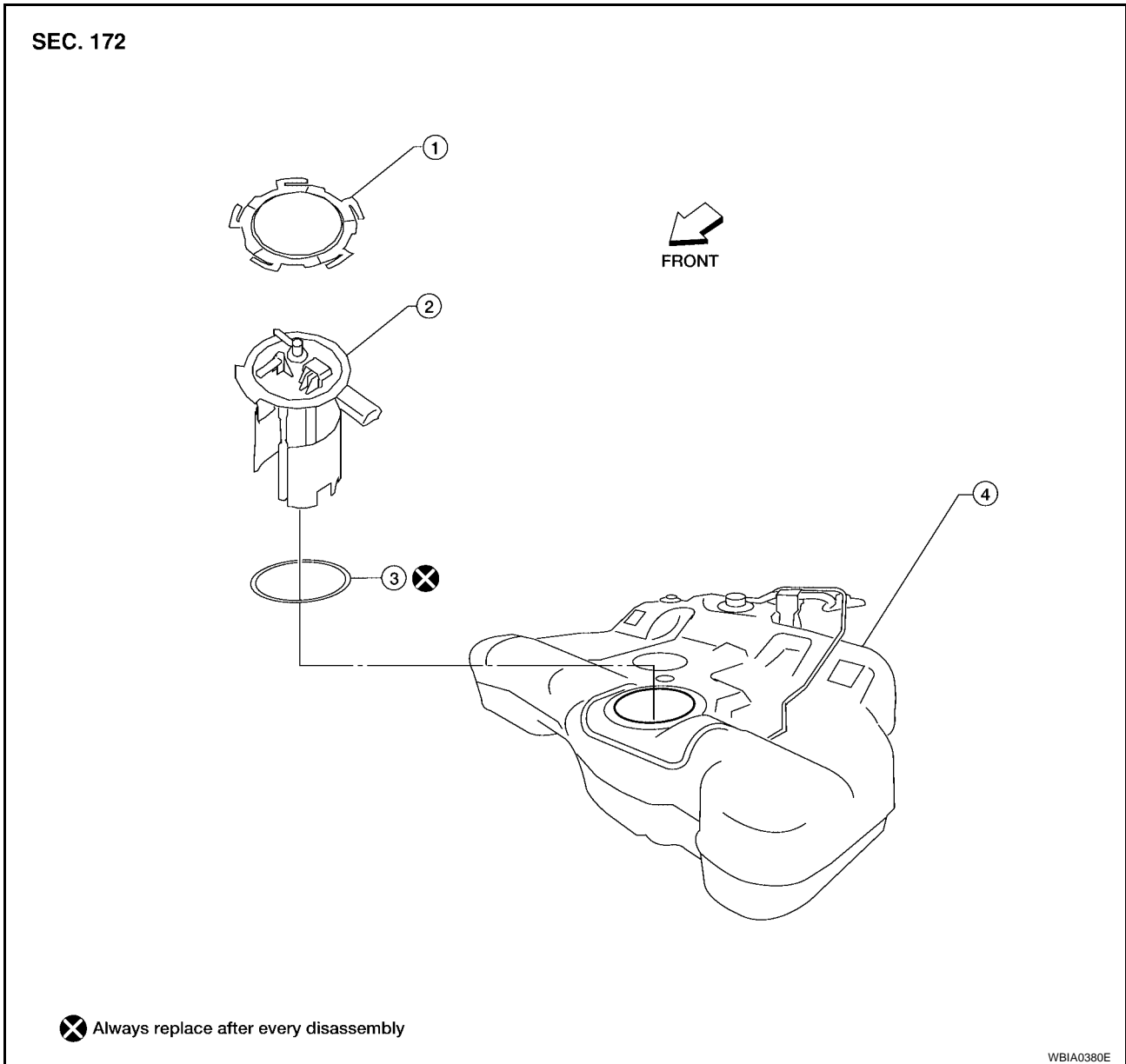
#### CAUTION:

- Before removing fuel line parts, carry out the following procedures:
  - Put drained fuel in an explosion-proof container and put the lid on securely. Keep the container in safe area.
  - Release fuel pressure from the fuel lines. Refer to [EC-50, "FUEL PRESSURE RELEASE"](#).
  - Disconnect the battery ground cable.
- Always replace O-rings and clamps with new ones.
- Do not kink or twist tubes when they are being installed.
- After connecting the fuel tube quick connectors, make sure the quick connectors are secure. Ensure that the connector and resin tube do not contact any adjacent parts.
- After installing the tubes, run the engine and check for fuel leaks at the connections using the following steps:
  - a) Apply fuel pressure to the fuel lines by turning the ignition switch to ON (without starting the engine). Then check for fuel leaks at the fuel tube connections.
  - b) Start the engine and rev the engine, then check for fuel leaks at the fuel tube connections.
- Use only a Genuine NISSAN fuel filler cap as a replacement. If an incorrect fuel filler cap is used, the MIL may come on.
- For servicing “Evaporative Emission System” parts, refer to [EC-700, "EVAPORATIVE EMISSION SYSTEM"](#).
- For servicing “On Board Refueling Vapor Recovery (ORVR)” parts, refer to [EC-707, "ON BOARD REFUELING VAPOR RECOVERY \(ORVR\)"](#).



### Removal and Installation

EBS00GJ6



1. Lock ring
2. Fuel level sensor unit, fuel filter, and fuel pump assembly
3. O-ring
4. Fuel tank

### REMOVAL

#### **WARNING:**

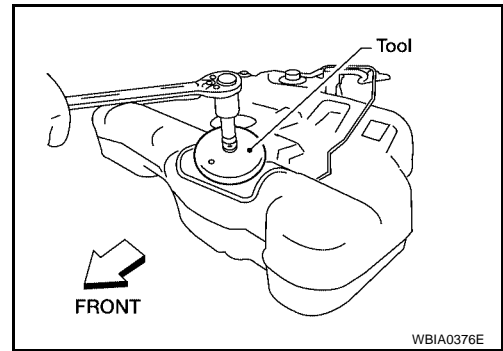
Read "General Precautions" before working on the fuel system.  
Refer to [FL-3, "General Precautions"](#).

1. Remove the fuel tank. Refer to [FL-7, "REMOVAL"](#).

# FUEL LEVEL SENSOR UNIT, FUEL FILTER AND FUEL PUMP ASSEMBLY

2. Remove the lock ring using a socket drive handle and Tool.

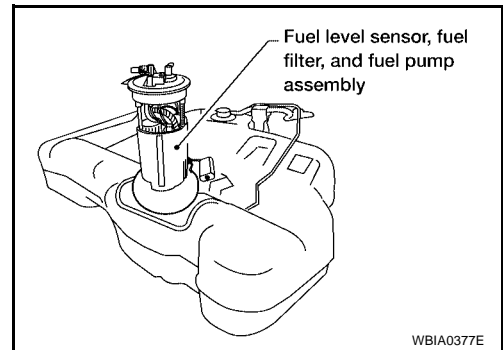
**Tool number** : — (J-46214)



3. Remove the fuel level sensor, fuel filter, and fuel pump assembly from the fuel tank.

**CAUTION:**

- Do not bend the float arm during removal.



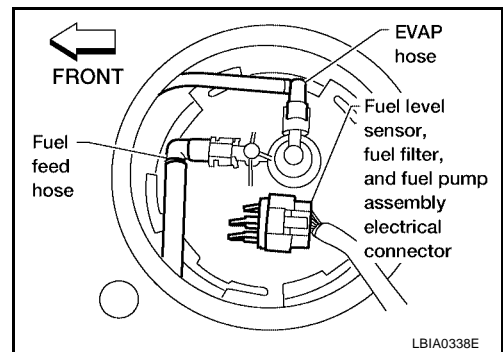
## INSPECTION AFTER REMOVAL

Make sure the fuel level sensor, fuel filter, and fuel pump is free from defects and foreign materials.

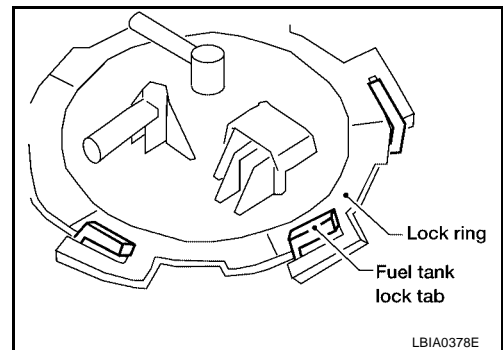
## INSTALLATION

Installation is in the reverse order of removal.

- Install the fuel level sensor, fuel filter, and fuel pump assembly with the fuel feed hose facing the front of the vehicle.

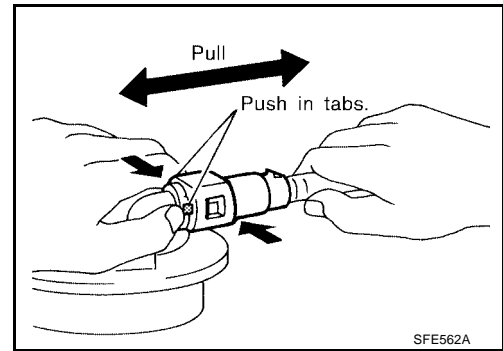


- Turn the lock ring until the lock ring is fully rotated into the fuel tank lock tabs as shown.

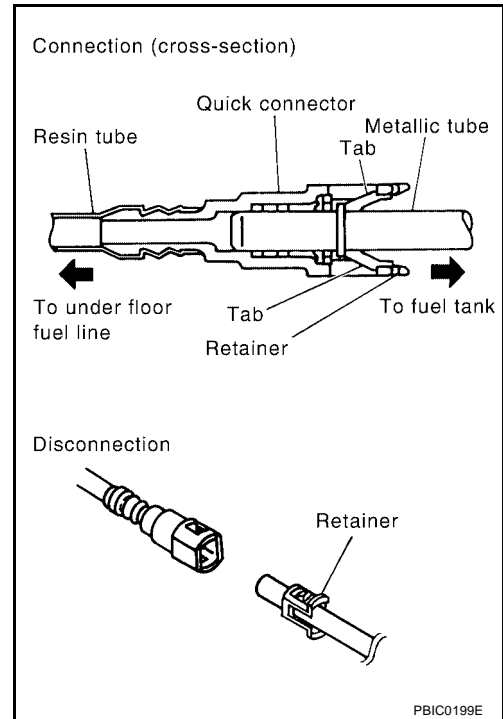


# FUEL LEVEL SENSOR UNIT, FUEL FILTER AND FUEL PUMP ASSEMBLY

- Connect the quick connector as follows:
  - Check the connection for damage or any foreign materials.
  - Align the connector with the tube, then insert the connector straight into the tube until a click is heard.
  - After the tube is connected, make sure the connection is secure by pulling on the tube and the connector to make sure they are securely connected.



- Visually confirm that the two retainer tabs are connected to the quick connector.



## INSPECTION AFTER INSTALLATION

Use the following procedure to check for fuel leaks:

1. Turn the ignition switch to ON (without starting the engine) to check the connections for fuel leaks with the electric fuel pump applying fuel pressure to the fuel piping.
2. Start the engine and let it idle to check that there are no fuel leaks at the fuel system tube and hose connections.

# FUEL TANK

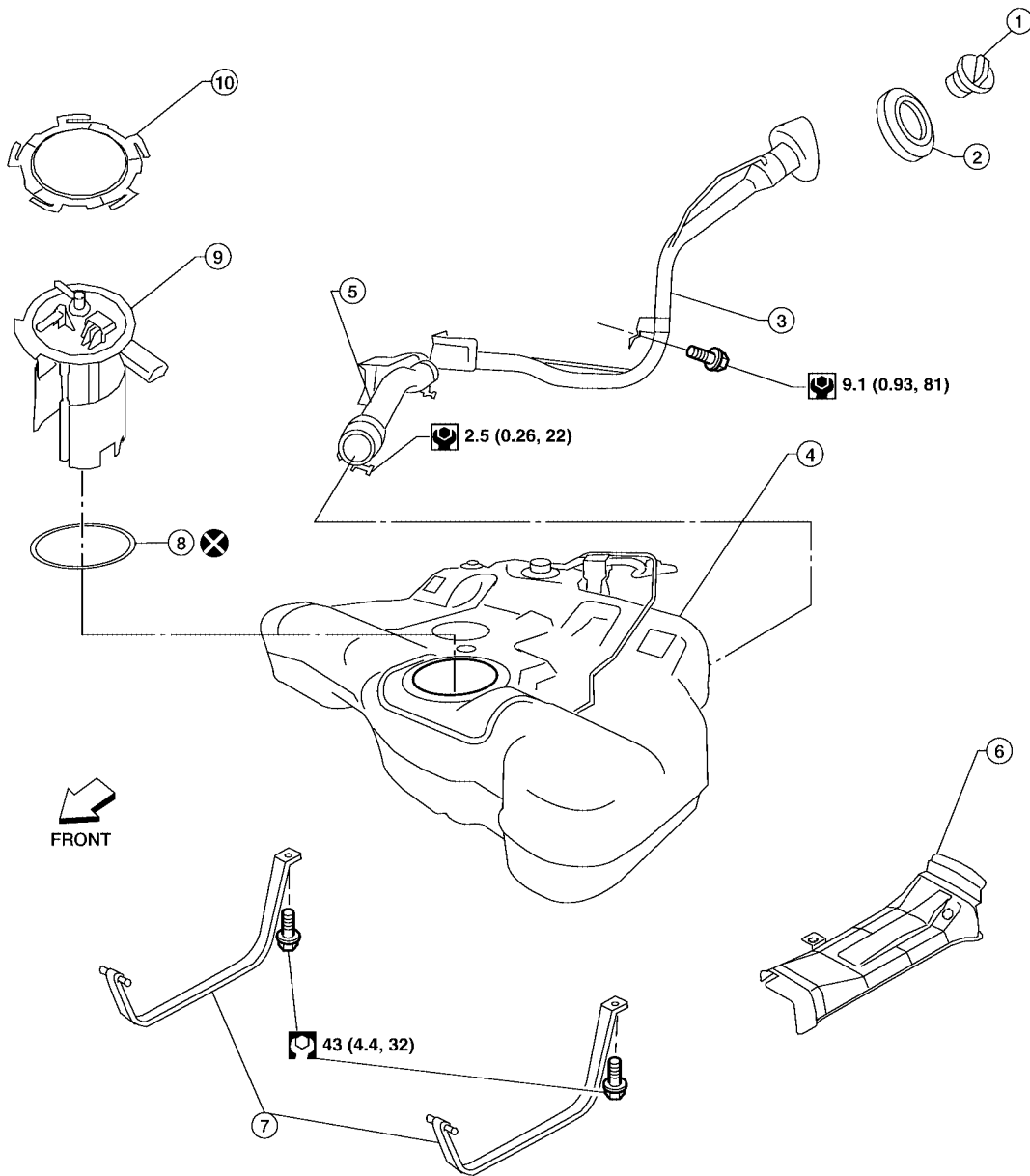
PFP:17202

EBS00GJ7

## FUEL TANK

### Removal and Installation

SEC. 172



N-m (kg-m, in-lb)

N-m (kg-m, ft-lb)

Always replace after every disassembly

- |                              |                     |  |
|------------------------------|---------------------|--|
| 1. Fuel filler cap           | 2. Grommet          | 3. Fuel filler tube  |
| 4. Fuel tank                 | 5. Fuel filler hose | 6. Fuel tank protector   |
| 7. Fuel tank mounting straps | 8. O-ring           | 9. Fuel level sensor unit, fuel filter, and fuel pump assembly |
| 10. Lock ring                |                     |  |

WBIA0606E

### REMOVAL

#### **WARNING:**

Read "General Precautions" before working on the fuel system.  
Refer to [FL-3, "General Precautions"](#).

# FUEL TANK

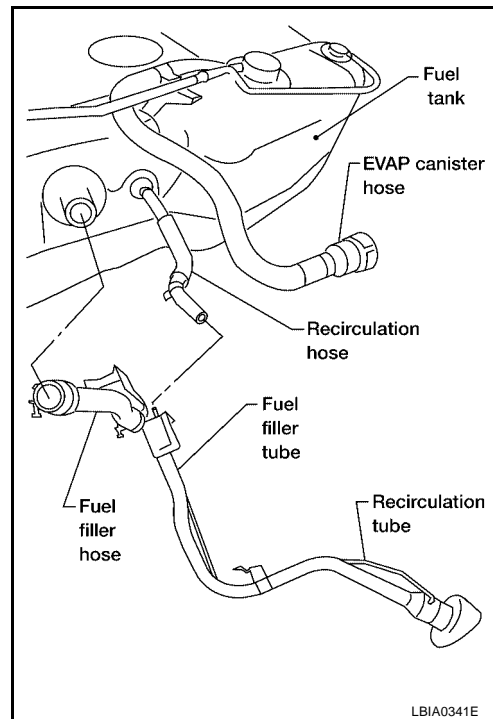
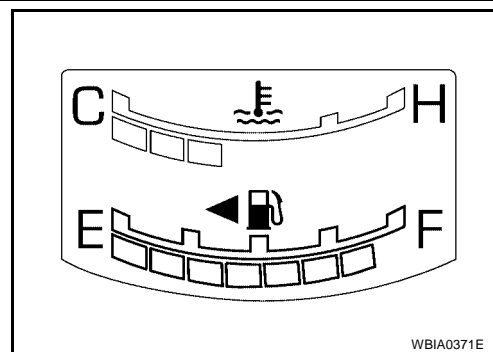
1. Check the fuel level with the vehicle on a level surface. If the fuel gauge indicates more than the level as shown (7/8 full), drain the fuel from the fuel tank until the fuel gauge indicates a level at or below as shown (7/8 full).

- In case the fuel pump does not operate, use the following procedure.

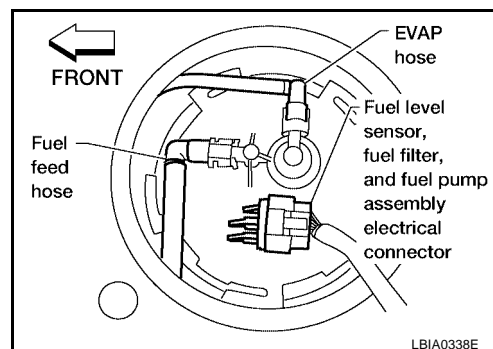
- a. Insert fuel tubing of less than 25 mm (0.98 in) diameter into the fuel filler tube through the fuel filler opening to drain fuel from the fuel filler tube.
- b. Disconnect the fuel filler hose from the fuel filler tube.
- c. Insert fuel tubing into the fuel tank through the fuel filler hose to drain fuel from the fuel tank.

- As a guide, the fuel level reaches or is less than the level on the fuel gauge as shown, when approximately 10 ℓ (2 5/8 US gal, 2 1/4 Imp gal) of fuel is drained from a full fuel tank.

2. Open the fuel filler lid and unscrew the fuel filler cap to release the pressure inside the fuel tank.
3. Release the fuel pressure from the fuel lines. Refer to [EC-50, "FUEL PRESSURE RELEASE"](#).
4. Disconnect the negative battery terminal.
5. Remove the center exhaust tube, with mufflers. Refer to [EX-3, "Removal and Installation"](#).
6. Disconnect the parking brake cables from the equalizer, then disconnect the three parking brake cable mounting brackets on each cable and position the cables out of the way. Refer to [PB-3, "Components"](#).
7. Remove the fuel tank protector.
8. Disconnect the fuel filler hose, recirculation hose and EVAP canister hose at the fuel tank as shown.
9. Disconnect the fuel tank mounting straps while supporting the fuel tank.
10. Lower the fuel tank to access the top of the fuel level sensor unit, fuel filter, and fuel pump assembly.



11. Disconnect the fuel level sensor unit, fuel filter, and fuel pump assembly electrical connector, and the fuel feed hose from the fuel level sensor unit, fuel filter, and fuel pump assembly.





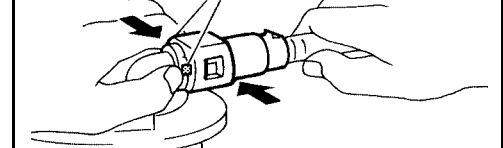
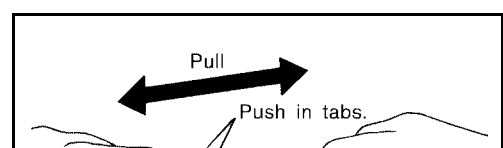
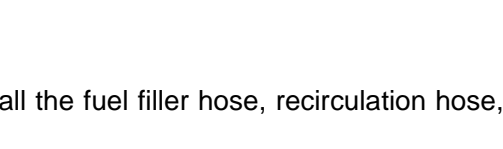
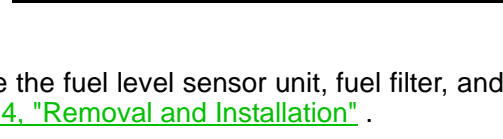
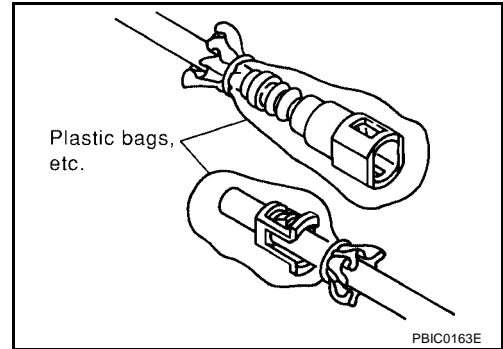
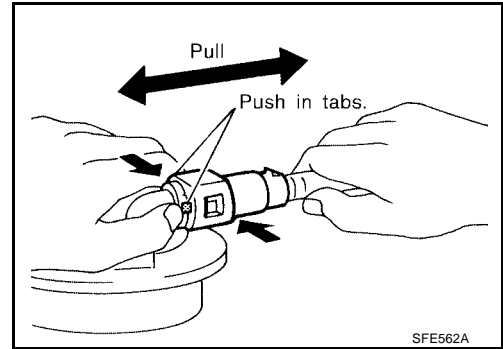
# FUEL TANK

a. Disconnect the quick connectors as follows:

- Hold the sides of the connector, push in tabs and pull out the tube.
- If the connector and the tube are stuck together, push and pull several times until they start to move. Then disconnect them by pulling.

**CAUTION:**

- The tube can be removed when the tabs are completely depressed. Do not twist it more than necessary.
- Do not use any tools to remove the quick connector.
- Keep the resin tube away from heat. Be especially careful when welding near the tube.
- Prevent liquid acids, such as battery electrolyte, from getting on the resin tube.
- Do not bend or twist the tube during installation and removal.
- Only when the tube is replaced, remove the remaining retainer on the tube or fuel level sensor, fuel filter, and fuel pump assembly.
- When the tube or fuel level sensor, fuel filter, and fuel pump assembly is replaced, also replace the retainer with a new one (green colored retainer).
- To keep the connecting portion clean and to avoid damage and foreign materials, cover them completely with plastic bags or something similar.



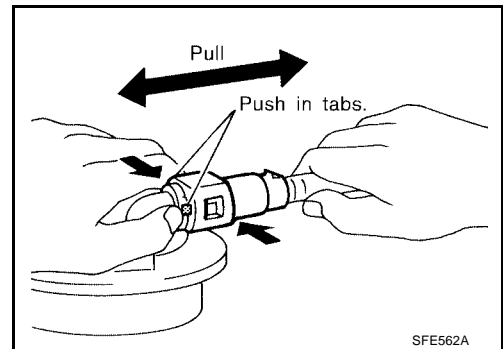
12. Remove the fuel tank.

13. If replacing the fuel tank, disconnect the EVAP hose and remove the fuel level sensor unit, fuel filter, and fuel pump assembly to transfer to the new fuel tank. Refer to [FL-4, "Removal and Installation"](#).

## INSTALLATION

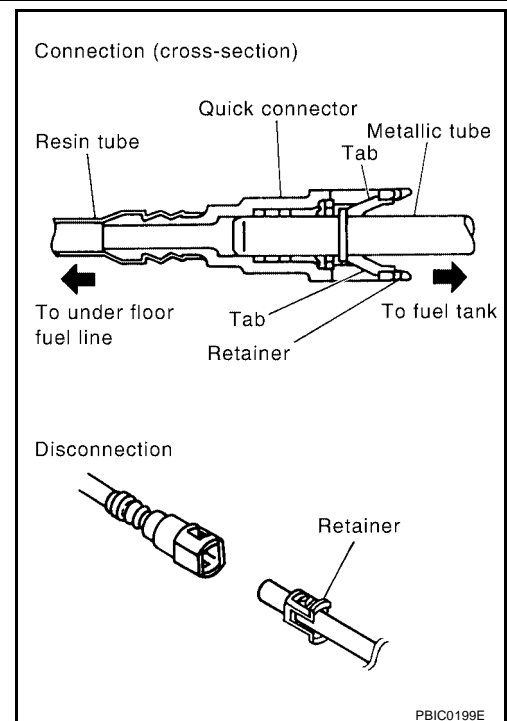
Installation is in the reverse order of removal.

- Before tightening the fuel tank mounting straps, temporarily install the fuel filler hose, recirculation hose, and EVAP canister hose. Tighten all fasteners to specification.
- Connect the quick connector as follows:
  - Check the connection for damage or any foreign materials.
  - Align the connector with the tube, then insert the connector straight into the tube until a click is heard.
  - After the tube is connected, make sure the connection is secure by pulling on the tube and the connector to make sure they are securely connected.



## FUEL TANK

- Visually confirm that the two retainer tabs are connected to the quick connector.
- Check the parking brake for proper operation. Adjust the parking brake as necessary. Refer to [PB-2, "ADJUSTMENT"](#) .



### INSPECTION AFTER INSTALLATION

Use the following procedure to check for fuel leaks:

1. Turn the ignition switch to ON (without starting the engine) to check the connections for fuel leaks with the electric fuel pump applying fuel pressure to the fuel piping.
2. Start the engine and let it idle to check that there are no fuel leaks at the fuel system tube and hose connections.

# SERVICE DATA AND SPECIFICATIONS (SDS)

## SERVICE DATA AND SPECIFICATIONS (SDS)

PFP:00030

### Standard and Limit Fuel Tank

EBS00GJ8

unit: ℓ (US gal, Imp gal)

Fuel tank capacity	75.6 (20, 16 5/8)
--------------------	-------------------

A

FL

C

D

E

F

G

H

I

J

K

L

M

## SERVICE DATA AND SPECIFICATIONS (SDS)

---