

Edition: August 2008
Revision: October 2008
Publication No. SM9E-1V42U0

QUICK REFERENCE INDEX

**NISSAN
QUEST**
MODEL V42 SERIES

A GENERAL INFORMATION	GI General Information
B ENGINE	EM Engine Mechanical
	LU Engine Lubrication System
	CO Engine Cooling System
	EC Engine Control System
	FL Fuel System
	EX Exhaust System
	ACC Accelerator Control System
	AT Automatic Transaxle
C TRANSMISSION/ TRANSAXLE	
D DRIVELINE/AXLE	FAX Front Axle
	RAX Rear Axle
E SUSPENSION	FSU Front Suspension
	RSU Rear Suspension
	WT Road Wheels & Tires
F BRAKES	BR Brake System
	PB Parking Brake System
	BRC Brake Control System
G STEERING	PS Power Steering System
H RESTRAINTS	SB Seat Belts
	SRS Supplemental Restraint System (SRS)
I BODY	BL Body, Lock & Security System
	GW Glasses, Window System & Mirrors
	RF Roof
	EI Exterior & Interior
	IP Instrument Panel
	SE Seat
	AP Adjustable Pedal
J AIR CONDITIONER	ATC Automatic Air Conditioner
	MTC Manual Air Conditioner
K ELECTRICAL	SC Starting & Charging System
	LT Lighting System
	DI Driver Information System
	WW Wiper, Washer & Horn
	BCS Body Control System
	LAN LAN System
	AV Audio Visual, Navigation & Telephone System
	ACS Auto Cruise Control System
	PG Power Supply, Ground & Circuit Elements
	L MAINTENANCE

A
B
C
D
E
F
G
H
I
J
K
L

FOREWORD

This manual contains maintenance and repair procedures for the 2009 NISSAN QUEST.

In order to assure your safety and the efficient functioning of the vehicle, this manual should be read thoroughly. It is especially important that the PRECAUTIONS in the GI section be completely understood before starting any repair task.

All information in this manual is based on the latest product information at the time of publication. The right is reserved to make changes in specifications and methods at any time without notice.

IMPORTANT SAFETY NOTICE

The proper performance of service is essential for both the safety of the technician and the efficient functioning of the vehicle.

The service methods in this Service Manual are described in such a manner that the service may be performed safely and accurately. Service varies with the procedures used, the skills of the technician and the tools and parts available. Accordingly, anyone using service procedures, tools or parts which are not specifically recommended by NISSAN must first be completely satisfied that neither personal safety nor the vehicle's safety will be jeopardized by the service method selected.



NISSAN NORTH AMERICA, INC.
Technical Publications Department



PLEASE HELP MAKE THIS SERVICE MANUAL BETTER!

Your comments are important to NISSAN and will help us to improve our Service Manuals.
Use this form to report any issues or comments you may have regarding our Service Manuals.

Please print this form and type or write your comments below. Mail or fax to:

Nissan North America, Inc.
Technical Service Information
39001 Sunrise Drive, P.O. Box 9200
Farmington Hills, MI USA 48331
FAX: (248) 488-3910

SERVICE MANUAL: Model: _____ **Year:** _____

PUBLICATION NO. (Refer to Quick Reference Index): _____

Please describe any Service Manual issues or problems in detail:

Page number(s) _____ *Note: Please include a copy of each page, marked with your comments.*

Are the trouble diagnosis procedures logical and easy to use? (circle your answer) YES NO

If no, what page number(s)? _____ *Note: Please include a copy of each page, marked with your comments.*

Please describe the issue or problem in detail: _____

Is the organization of the manual clear and easy to follow? (circle your answer) YES NO

Please comment: _____

What information should be included in NISSAN Service Manuals to better support you in servicing or repairing customer vehicles?

DATE: _____ YOUR NAME: _____ POSITION: _____

DEALER: _____ DEALER NO.: _____ ADDRESS: _____

CITY: _____ STATE/PROV./COUNTRY: _____ ZIP/POSTAL CODE: _____

QUICK REFERENCE CHART: QUEST

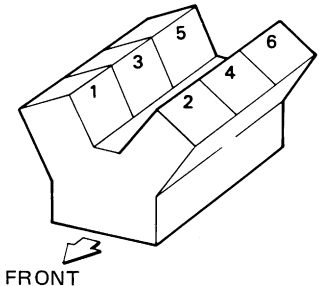
Engine Tune-up Data

INFOID:000000003332592

GENERAL SPECIFICATIONS

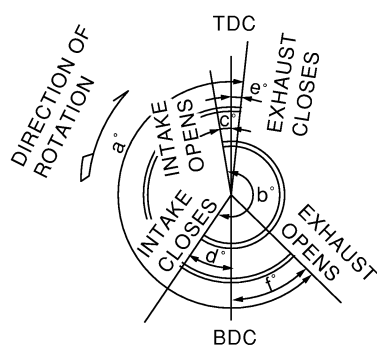
Cylinder arrangement		V-6
Displacement cm ³ (cu in)		3,498 (213.45)
Bore and stroke mm (in)		95.5 x 81.4 (3.760 x 3.205)
Valve arrangement		DOHC
Firing order		1-2-3-4-5-6
Number of piston rings	Compression	2
	Oil	1
Number of main bearings		4
Compression ratio		10.0:1
Compression pressure (kg/cm ² , psi)/300 rpm	Standard	1,275 (13.0, 185)
	Minimum	981 (10.0, 142)
	Differential limit between cylinders	98 (1.0, 14)

Cylinder number



SEM713A

Valve timing (IVTC - OFF)



PBIC0187E

Unit: degree					
a	b	c	d	e	f
240°	238°	- 6°	64°	8°	52°

SPARK PLUG

QUICK REFERENCE CHART: QUEST

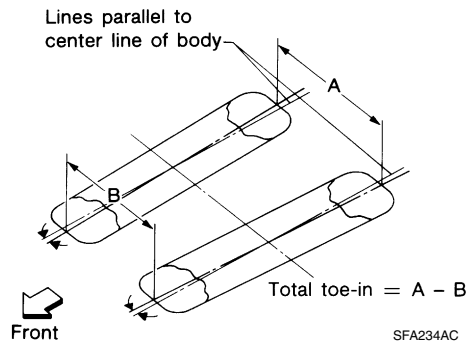
2009

Make	NGK
Standard type	PLFR5A-11
Hot type	PLFR4A-11
Cold type	PLFR6A-11
Gap (nominal)	1.1 mm (0.043 in)

Front Wheel Alignment (Unladen*1)

INFOID:000000003332591

Market		United States and Canada	Mexico
Camber degree minute (decimal degree)	Minimum	-1° 15' (-1.25°)	-0° 4' (-0.07°)
	Nominal	-0° 30' (-0.50°)	-0° 4' (-0.07°)
	Maximum	0° 15' (0.25°)	0° 41' (0.68°)
	Left and right difference	0° 45' (0.75°) or less	0° 45' (0.75°) or less
Caster degree minute (decimal degree)	Minimum	1° 57' (1.95°)	2° 27' (2.45°)
	Nominal	2° 42' (2.70°)	2° 27' (2.45°)
	Maximum	3° 27' (3.45°)	3° 12' (3.20°)
	Left and right difference	0° 45' (0.75°) or less	0° 45' (0.75°) or less
Kingpin inclination degree minute (decimal degree)	Minimum	13° 39' (13.65°)	13° 42' (13.70°)
	Nominal	14° 24' (14.40°)	13° 42' (13.70°)
	Maximum	15° 09' (15.15°)	14° 27' (14.45°)



Total toe-in	Distance (A - B) mm (in)	Minimum	-0.75 (-0.0295)	-0.75 (-0.0295)
		Nominal	0.25 (0.0098)	0.25 (0.0098)
		Maximum	1.25 (0.0492)	1.25 (0.0492)
	Angle (left plus right) degree minute (decimal degree)	Minimum	-0° 1' 54" (-0.03°)	-0° 1' 54" (-0.03°)
		Nominal	0° 0' 36" (0.01°)	0° 0' 36" (0.01°)
		Maximum	0° 3' 6" (0.05°)	0° 3' 6" (0.05°)
Wheel turning angle full turn*2	Inside degree minute (decimal degree)	Minimum	35° 15' (35.25°)	38° 00' (38.00°)
		Nominal	38° 45' (38.75°)	41° 30' (41.50°)
		Maximum	39° 45' (39.75°)	42° 30' (42.50°)
	Outside degree minute (decimal degree)	Nominal	32° 30' (32.5°)	33° 24' (33.4°)

*1: Fuel, engine coolant and engine oil full. Spare tire, jack, hand tools and mats in designated positions.

*2: On power steering models, wheel turning force (at circumference of steering wheel) of 98 to 147 N (10 to 15 kg-f, 22 to 33 lb-f) with engine idle.

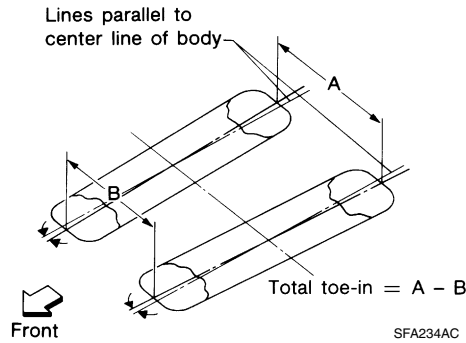
QUICK REFERENCE CHART: QUEST

2009

Rear Wheel Alignment (Unladen*)

INFOID:000000003332589

Market		United States and Canada	Mexico
Camber Degree minute (Decimal degree)	Minimum	-1° 3' (-1.05°)	0° 3' (0.05°)
	Nominal	-0° 33' (-0.55°)	0° 33' (0.55°)
	Maximum	-0° 3' (-0.05°)	1° 3' (1.05°)



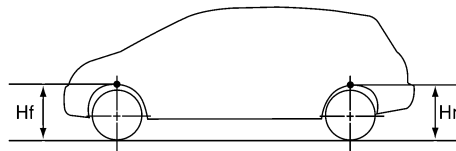
Total toe-in	Distance ("A" - "B") mm (in)	Minimum	1.6 (0.063)	1.6 (0.063)
		Nominal	3.2 (0.126)	3.2 (0.126)
		Maximum	4.8 (0.189)	4.8 (0.189)
	Difference between LH, RH	Minimum	-2.0 (-0.079)	-2.0 (-0.079)
		Nominal	0 (0)	0 (0)
		Maximum	2.0 (0.079)	2.0 (0.079)
	Angle (left plus right) Degree minute (Decimal degree)	Minimum	0° 3' 35" (0.06°)	0° 3' 35" (0.06°)
		Nominal	0° 7' 48" (0.13°)	0° 7' 48" (0.13°)
		Maximum	0° 12' 0" (0.20°)	0° 12' 0" (0.20°)

*: Fuel, engine coolant, and engine oil are full. Spare tire, jack, hand tools and mats in designated positions.

Wheelarch Height (Unladen*)

INFOID:000000003332590

Unit: mm (in)



WEIA0030E

Market	United States and Canada	Mexico
Front (Hf)	740 (29.13)	770 (30.31)
Rear (Hr)	749 (29.49)	779 (30.67)

*: Fuel, engine coolant, and engine oil are full. Spare tire, jack, hand tools and mats in designated positions.

QUICK REFERENCE CHART: QUEST

2009

Brake Specification

INFOID:000000003332586

Unit: mm (in)

Front brake	Brake model		AD35VB disc brake
	Cylinder bore diameter		47.62 (1.87)
	Pad Length × width × thickness		132.0 × 53.5 × 10 (5.20 × 2.11 × 0.39)
	Rotor outer diameter × thickness		290 × 28 (11.42 × 1.10)
Rear brake	Brake model		AD14VE disc brake
	Cylinder bore diameter		42.86 (1.69)
	Pad Length × width × thickness		83.0 × 33.0 × 8.5 (3.27 × 1.30 × 0.33)
	Rotor outer diameter × thickness		308 × 16 (12.13 × 0.63)
Master cylinder	Cylinder bore diameter		25.4 (1.00)
Brake booster	Booster model		M245T
	Diaphragm diameter	Primary	252 (9.92)
		Secondary	230 (9.06)
Recommended brake fluid			Genuine NISSAN Super Heavy Duty Brake Fluid or equivalent, DOT 3 (US FMVSS No. 116)

Disc Brake

INFOID:000000003332587

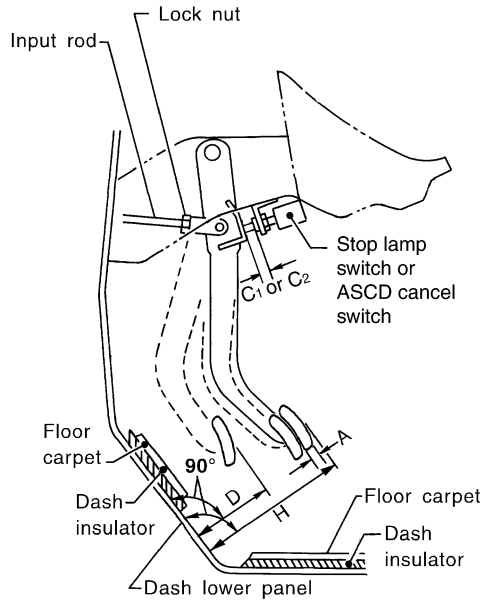
Unit: mm (in)

Brake model		AD35VB (Front)	AD14VE (Rear)
Pad wear limit	Minimum thickness	2.0 (0.079)	2.0 (0.079)
	Maximum runout	0.04 (0.0016)	0.05 (0.0020)
Rotor repair limit	Minimum thickness	26.0 (1.02)	14.0 (0.55)
	Maximum thickness variation (measured at 8 positions)	0.015 (0.0006) or less	

Brake Pedal

INFOID:000000003332588

Unit: mm (in)



WFIA0160E

Free height "H" *	156.3 - 166.3 (6.15 - 6.55)
Depressed pedal height "D" [under a force of 490 N (50 kg, 110 lb) with engine running] *	more than 90.3 (3.55)
Clearance "C1" or "C2" between pedal stopper and threaded end of stop lamp switch or ASCD switch	0.74 - 1.96 (0.029 - 0.077)
Pedal play "A"	3 - 11 (0.12 - 0.43)

*: Measured from surface of dash reinforcement panel to surface of pedal pad

Fluids and Lubricants

INFOID:000000003332585

Description	Capacity (Approximate)		
	Metric	US measure	Imp measure
Fuel	75.6 ℓ	20 gal	16 5/8 gal
Engine oil Drain and refill	With oil filter change	4.0 ℓ	4 1/4 qt
	Without oil filter change	3.7 ℓ	3 7/8 qt
Dry engine (engine overhaul)	5.0 ℓ	5 1/4 qt	4 3/8 qt
Cooling system	With reservoir at "MAX" level	10.5 ℓ	2 3/4 gal
Automatic transaxle fluid (ATF)	7.4 ℓ	7 7/8 qt	6 1/2 qt
Power steering fluid (PSF)	1.0 ℓ	2 1/8 pt	1 3/4 pt
Brake fluid	—	—	—
Multi-purpose grease	—	—	—
Brake grease	—	—	—
Windshield washer fluid	4.5 ℓ	1 1/4 gal	1 gal
Air conditioning system refrigerant	900 ± 50 g	1.98 ± 0.11 lb	1.98 ± 0.11 lb
Air conditioning system oil	220 m ℓ	7.44 fl oz	7.7 fl oz