

SECTION **EX**  
EXHAUST SYSTEM



CONTENTS

<b>PRECAUTION</b> .....	2	<b>EXHAUST SYSTEM</b> .....	4	F
<b>PRECAUTIONS</b> .....	2	Inspection .....	4	
Removal and Installation .....	2	<b>REMOVAL AND INSTALLATION</b> .....	5	G
<b>PREPARATION</b> .....	3	<b>EXHAUST SYSTEM</b> .....	5	
<b>PREPARATION</b> .....	3	Exploded View .....	5	H
Commercial Service Tool .....	3	Removal and Installation .....	6	
<b>PERIODIC MAINTENANCE</b> .....	4	Inspection .....	6	I
				J
				K
				L
				M
				N
				O
				P

## PRECAUTIONS

< PRECAUTION >

---

### PRECAUTION

#### PRECAUTIONS

##### Removal and Installation

INFOID:000000007073088

**CAUTION:**

- Be sure to use genuine exhaust system parts or equivalents which are specially designed for heat resistance, corrosion resistance, and shape.
- Perform the operation with the exhaust system fully cooled down because the system will be hot just after engine stops.
- Be careful not to cut your hand on the heat insulator edge.

# PREPARATION

< PREPARATION >

## PREPARATION

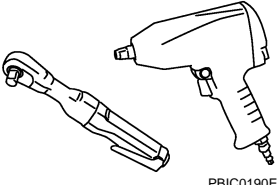
### PREPARATION

#### Commercial Service Tool

INFOID:000000007073089

A

EX

Tool name	Description
<p data-bbox="162 411 272 436">Power tool</p>  <p data-bbox="828 630 901 646">PBIC0190E</p>	<p data-bbox="1015 411 1266 436">Loosening nuts and bolts</p>

C

D

E

F

G

H

I

J

K

L

M

N

O

P

# EXHAUST SYSTEM

< PERIODIC MAINTENANCE >

## PERIODIC MAINTENANCE

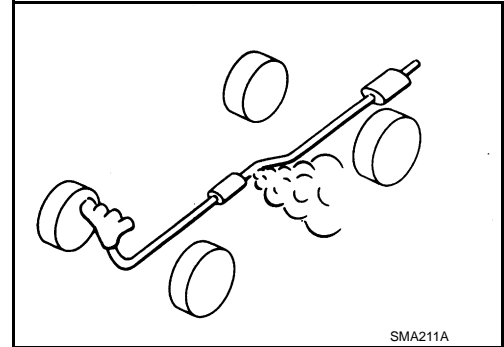
### EXHAUST SYSTEM

#### Inspection

INFOID:000000007073090

Check exhaust pipes, muffler, and mounting for improper attachment, leakage, cracks, damage or deterioration.

- If anything is found, repair or replace damaged parts.



# EXHAUST SYSTEM

< REMOVAL AND INSTALLATION >

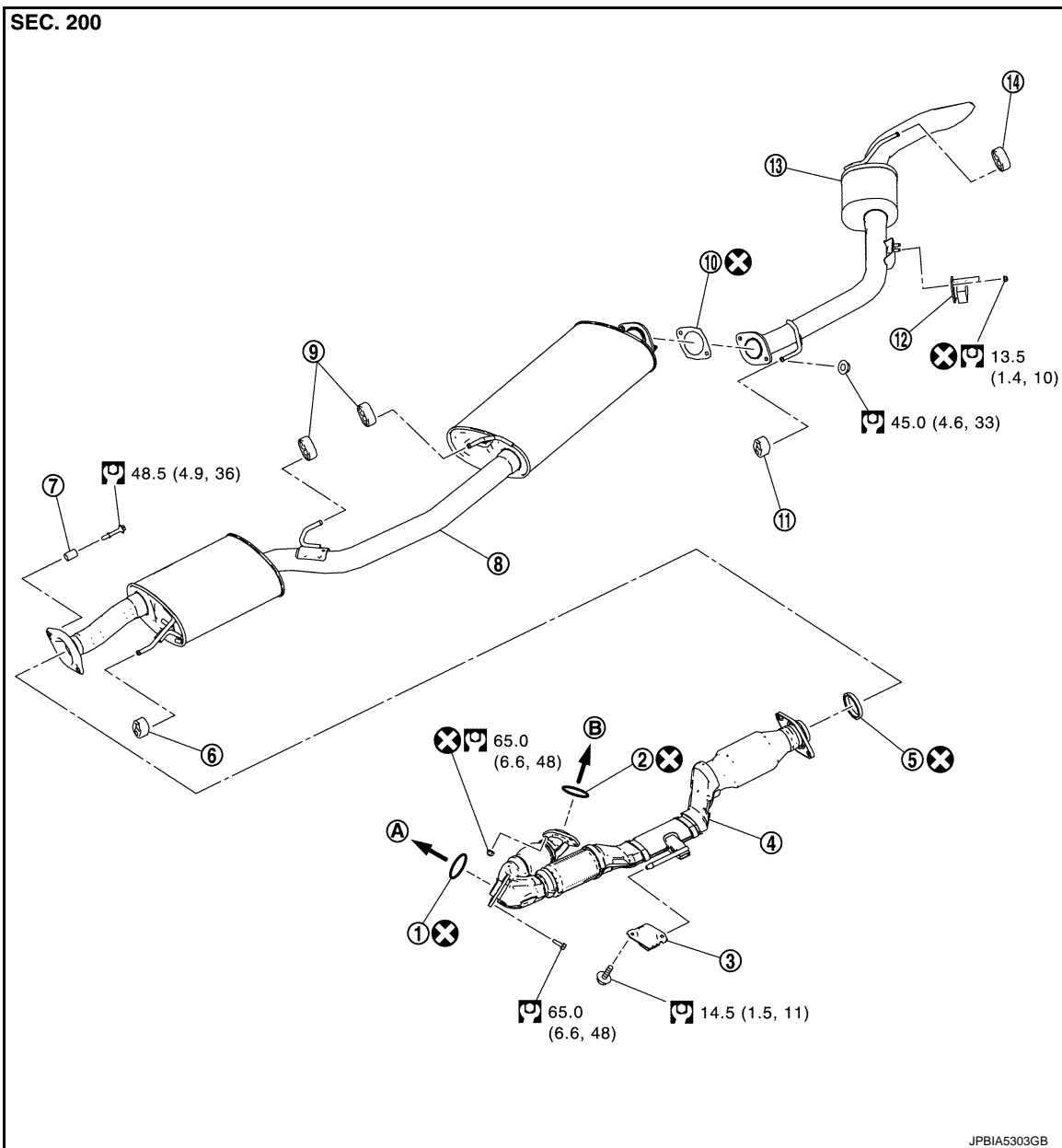
## REMOVAL AND INSTALLATION

### EXHAUST SYSTEM

Exploded View

INFOID:000000007073091

EX



- |                       |                     |                     |
|-----------------------|---------------------|---------------------|
| 1. Gasket             | 2. Gasket           | 3. Mounting rubber  |
| 4. Exhaust front tube | 5. Seal bearing     | 6. Mounting rubber  |
| 7. Spring             | 8. Center muffler   | 9. Mounting rubber  |
| 10. Gasket            | 11. Mounting rubber | 12. Dynamic damper* |
| 13. Rear muffler      | 14. Mounting rubber |                     |
- A. To exhaust manifold (bank2)      B. To exhaust manifold (bank1)

⊗ : Always replace after every disassembly.

⊞ : N·m (kg·m, ft·lb)

\* : Applied to vehicles manufactured by mid - December 2010

# EXHAUST SYSTEM

## < REMOVAL AND INSTALLATION >

### Removal and Installation

INFOID:000000007073092

#### REMOVAL

Disconnect each joint and mounting using power tool.

#### INSTALLATION

Note the following, and install in the reverse order of removal.

#### CAUTION:

- Always replace exhaust tube gaskets with new ones when reassembling.
- If heat insulator is badly deformed, repair or replace it. If deposits such as mud pile up on the heat insulator, remove them.
- When installing heat insulator avoid large gaps or interference between heat insulator and each exhaust pipe.
- Remove deposits from the sealing surface of each connection. Connect them securely to avoid gases leakage.
- Temporarily tighten mounting nuts and bolts. Check each part for unusual interference, and then tighten them to the specified torque.
- When installing each mounting rubber, avoid twisting or unusual extension in up/down and right/left directions.

#### Exhaust Front Tube to Center Muffler

1. Securely insert seal bearing (2) into exhaust front tube (1) side in the direction shown in the figure.

- 3 : Spring
- 4 : Bolt
- 5 : Center muffler

#### CAUTION:

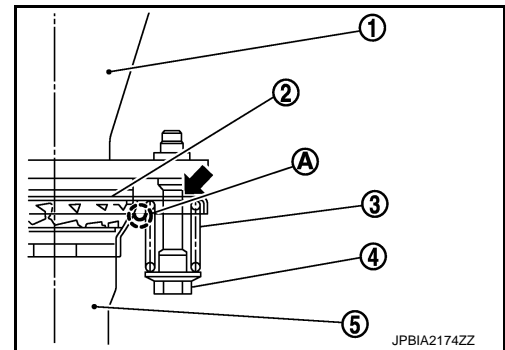
Be careful not to damage seal bearing surface when installing.

2. With spring, tighten bolt.

#### CAUTION:

- Ensure springs are seated correctly on the flange and not sitting on (A).
- Be careful that bolt does not interfere with mounting hole of center muffler (←).

3. After installing, check that bolt does not interfere with mounting hole of center muffler.



#### Inspection

INFOID:000000007073093

#### INSPECTION AFTER INSTALLATION

- Check clearance between tail tube and rear bumper is even.
- With engine running, check exhaust tube joints for gas leakage and unusual noises.
- Check to ensure that mounting brackets and mounting rubbers are installed properly and free from undue stress. Improper installation could result in excessive noise and vibration.