

**WT**  
**SECTION**  
**ROAD WHEELS & TIRES**

A  
B  
C  
D

WT

**CONTENTS**

|  |   |  |
|--|---|--|
| <p><b>PRECAUTION</b> ..... 3</p> <p><b>PRECAUTIONS</b> ..... 3</p> <p style="padding-left: 20px;">Precaution for Supplemental Restraint System (SRS) "AIR BAG" and "SEAT BELT PRE-TENSIONER" .....3</p> <p style="padding-left: 20px;">Service Notice and Precautions for TPMS .....3</p> <p style="padding-left: 20px;">Service Notice and Precautions for Road Wheel .....4</p> <p><b>PREPARATION</b> ..... 5</p> <p><b>PREPARATION</b> ..... 5</p> <p style="padding-left: 20px;">Special Service Tool .....5</p> <p style="padding-left: 20px;">Commercial Service Tool .....5</p> <p><b>SYSTEM DESCRIPTION</b> ..... 6</p> <p><b>COMPONENT PARTS</b> ..... 6</p> <p style="padding-left: 20px;">Component Parts Location .....6</p> <p style="padding-left: 20px;">BCM .....6</p> <p style="padding-left: 20px;">Tire Pressure Sensor .....7</p> <p style="padding-left: 20px;">Tire Pressure Receiver .....7</p> <p style="padding-left: 20px;">Information Display .....7</p> <p><b>TPMS</b> ..... 8</p> <p style="padding-left: 20px;">System Description .....8</p> <p style="padding-left: 20px;">Circuit Diagram .....9</p> <p style="padding-left: 20px;">Easy Fill Tire Alert Function .....9</p> <p><b>DIAGNOSIS SYSTEM (BCM)</b> .....11</p> <p><b>COMMON ITEM</b> .....11</p> <p style="padding-left: 20px;">COMMON ITEM : CONSULT Function (BCM - COMMON ITEM) ..... 11</p> <p><b>AIR PRESSURE MONITOR</b> .....12</p> <p style="padding-left: 20px;">AIR PRESSURE MONITOR : CONSULT Function (BCM - AIR PRESSURE MONITOR) ..... 12</p> <p><b>ECU DIAGNOSIS INFORMATION</b> .....15</p> <p><b>BCM</b> .....15</p> <p style="padding-left: 20px;">List of ECU Reference ..... 15</p> | <p><b>WIRING DIAGRAM</b> .....16</p> <p><b>TIRE PRESSURE MONITORING SYSTEM</b> .....16</p> <p style="padding-left: 20px;">Wiring Diagram .....16</p> <p><b>BASIC INSPECTION</b> .....20</p> <p><b>DIAGNOSIS AND REPAIR WORK FLOW</b> .....20</p> <p style="padding-left: 20px;">Work Flow .....20</p> <p><b>ADDITIONAL SERVICE WHEN REPLACING BCM</b> .....22</p> <p style="padding-left: 20px;">Description .....22</p> <p style="padding-left: 20px;">Work Procedure .....22</p> <p><b>TIRE PRESSURE SENSOR ID REGISTRATION</b> .....23</p> <p style="padding-left: 20px;">Description .....23</p> <p style="padding-left: 20px;">Work Procedure .....23</p> <p><b>DTC/CIRCUIT DIAGNOSIS</b> .....25</p> <p><b>C1704, C1705, C1706, C1707 LOW TIRE PRESSURE</b> .....25</p> <p style="padding-left: 20px;">DTC Logic .....25</p> <p style="padding-left: 20px;">Diagnosis Procedure .....25</p> <p><b>C1708, C1709, C1710, C1711 TIRE PRESSURE SENSOR</b> .....27</p> <p style="padding-left: 20px;">DTC Logic .....27</p> <p style="padding-left: 20px;">Diagnosis Procedure .....27</p> <p><b>C1716, C1717, C1718, C1719 TIRE PRESSURE SENSOR</b> .....29</p> <p style="padding-left: 20px;">DTC Logic .....29</p> <p style="padding-left: 20px;">Diagnosis Procedure .....29</p> <p><b>C1729 VEHICLE SPEED SIGNAL</b> .....31</p> <p style="padding-left: 20px;">DTC Logic .....31</p> <p style="padding-left: 20px;">Diagnosis Procedure .....31</p> <p><b>POWER SUPPLY AND GROUND CIRCUIT</b> ....32</p> | <p>F<br/>G<br/>H<br/>I<br/>J<br/>K<br/>L<br/>M<br/>N<br/>O<br/>P</p> |
|--|---|--|

|  |           |  |           |
|--|-----------|--|-----------|
| Diagnosis Procedure .....                  | 32        | <b>NOISE, VIBRATION AND HARSHNESS</b>  |           |
| <b>SYMPTOM DIAGNOSIS .....</b>             | <b>33</b> | <b>(NVH) TROUBLESHOOTING .....</b>     | <b>42</b> |
|  |           | NVH Troubleshooting Chart .....        | 42        |
| <b>TPMS .....</b>                          | <b>33</b> | <b>PERIODIC MAINTENANCE .....</b>      | <b>43</b> |
| Symptom Table .....                        | 33        | <b>ROAD WHEEL .....</b>                | <b>43</b> |
|  |           | Inspection .....                       | 43        |
| <b>LOW TIRE PRESSURE WARNING LAMP</b>      |           | Wheel Balance Adjustment .....         | 43        |
| <b>DOES NOT TURN ON .....</b>              | <b>36</b> | Tire Rotation .....                    | 45        |
| Description .....                          | 36        | <b>REMOVAL AND INSTALLATION .....</b>  | <b>46</b> |
| Diagnosis Procedure .....                  | 36        | <b>ROAD WHEEL TIRE ASSEMBLY .....</b>  | <b>46</b> |
|  |           | Exploded View .....                    | 46        |
| <b>LOW TIRE PRESSURE WARNING LAMP</b>      |           | Removal and Installation .....         | 46        |
| <b>DOES NOT TURN OFF .....</b>             | <b>37</b> | Inspection .....                       | 46        |
| Description .....                          | 37        | <b>TIRE PRESSURE SENSOR .....</b>      | <b>48</b> |
| Diagnosis Procedure .....                  | 37        | Exploded View .....                    | 48        |
|  |           | Removal and Installation .....         | 48        |
| <b>LOW TIRE PRESSURE WARNING LAMP</b>      |           | <b>TIRE PRESSURE RECEIVER .....</b>    | <b>50</b> |
| <b>BLINKS .....</b>                        | <b>38</b> | Removal and Installation .....         | 50        |
| Description .....                          | 38        | <b>SERVICE DATA AND SPECIFICATIONS</b> |           |
| Diagnosis Procedure .....                  | 38        | <b>(SDS) .....</b>                     | <b>51</b> |
|  |           | <b>SERVICE DATA AND SPECIFICATIONS</b> |           |
| <b>EASY FILL TIRE ALERT DOES NOT ACTI-</b> |           | <b>(SDS) .....</b>                     | <b>51</b> |
| <b>VATE .....</b>                          | <b>39</b> | Road Wheel .....                       | 51        |
| Description .....                          | 39        | Tire Air Pressure .....                | 51        |
| Diagnosis Procedure .....                  | 39        |  |           |
|  |           |  |           |
| <b>TIRE PRESSURE SENSOR ID REGISTRA-</b>   |           |  |           |
| <b>TION CANNOT BE COMPLETED .....</b>      | <b>41</b> |  |           |
| Description .....                          | 41        |  |           |
| Diagnosis Procedure .....                  | 41        |  |           |

# PRECAUTIONS

< PRECAUTION >

## PRECAUTION

### PRECAUTIONS

#### Precaution for Supplemental Restraint System (SRS) "AIR BAG" and "SEAT BELT PRE-TENSIONER"

INFOID:000000007154477

The Supplemental Restraint System such as "AIR BAG" and "SEAT BELT PRE-TENSIONER", used along with a front seat belt, helps to reduce the risk or severity of injury to the driver and front passenger for certain types of collision. This system includes seat belt switch inputs and dual stage front air bag modules. The SRS system uses the seat belt switches to determine the front air bag deployment, and may only deploy one front air bag, depending on the severity of a collision and whether the front occupants are belted or unbelted. Information necessary to service the system safely is included in the "SRS AIR BAG" and "SEAT BELT" of this Service Manual.

#### **WARNING:**

Always observe the following items for preventing accidental activation.

- To avoid rendering the SRS inoperative, which could increase the risk of personal injury or death in the event of a collision that would result in air bag inflation, all maintenance must be performed by an authorized NISSAN/INFINITI dealer.
- Improper maintenance, including incorrect removal and installation of the SRS, can lead to personal injury caused by unintentional activation of the system. For removal of Spiral Cable and Air Bag Module, see "SRS AIR BAG".
- Never use electrical test equipment on any circuit related to the SRS unless instructed to in this Service Manual. SRS wiring harnesses can be identified by yellow and/or orange harnesses or harness connectors.

#### PRECAUTIONS WHEN USING POWER TOOLS (AIR OR ELECTRIC) AND HAMMERS

#### **WARNING:**

Always observe the following items for preventing accidental activation.

- When working near the Air Bag Diagnosis Sensor Unit or other Air Bag System sensors with the ignition ON or engine running, never use air or electric power tools or strike near the sensor(s) with a hammer. Heavy vibration could activate the sensor(s) and deploy the air bag(s), possibly causing serious injury.
- When using air or electric power tools or hammers, always switch the ignition OFF, disconnect the battery, and wait at least 3 minutes before performing any service.

#### Service Notice and Precautions for TPMS

INFOID:000000006884775

- Low tire pressure warning lamp blinks for 1min, then turns ON when occurring any malfunction except low tire pressure. Erase the self-diagnosis memories for Tire Pressure Monitoring System (TPMS), or register the ID to turn low tire pressure warning lamp OFF. For ID registration, refer to [WT-23. "Work Procedure"](#).
- ID registration is required when replacing or rotating wheels, replacing tire pressure sensor or BCM. Refer to [WT-23. "Work Procedure"](#).
- For easy fill tire alert function, refer to the following.
  - When inflating the tires, park the vehicle in the safe area and ensure the safety of the working area.
  - Read and understand the easy fill tire alert function prior to use.
  - Inflate the tires one at a time.
  - If there is no response for approximately 15 seconds or more after inflating the tires, cancel the use of the easy fill tire alert function or move the vehicle approximately 1 m (3.2 ft) backward or forward to try again. The air filler pressure may be weak or out of service area.
  - Despite the high-precision TPMS pressure sensor, an indicated value may differ from that of the pressure gauge.
  - Air pressure is measured rather high due to the rise in tire air temperature after driving.
  - If TPMS is malfunctioning, the easy fill tire alert is unusable.
- Replace grommet seal, valve core and valve cap of tire pressure sensor in TPMS, when replacing each tire by reaching the wear limit. Refer to [WT-48. "Exploded View"](#).
- Because the tire pressure sensor conforms to North America radio law, the following items must be observed.
  - The sensor may be used only in North America.
  - It may not be used in any method other than the specified method.
  - It must not be disassembled or modified.

# PRECAUTIONS

< PRECAUTION >

---

## Service Notice and Precautions for Road Wheel

INFOID:000000006884776

- Genuine NISSAN aluminum wheel is designed for each type of vehicle. Use it on the specified vehicle only.
- Use Genuine NISSAN parts for the road wheels, valve caps and wheel nuts.
- Always use them after adjusting the wheel balance. For the balance weights, use Genuine NISSAN aluminum wheel weights.
- Use caution when handling the aluminum wheels, because they can be easily scratched. When removing dirt, do not use any abrasives, a wire brush, or other items that may scratch the coating. Use a neutral detergent if a detergent is needed.
- After driving on roads scattered with anti-icing salts, wash off the wheels completely.
- When installing road wheels onto the vehicle, always wipe off any dirt or foreign substances to prevent them from being trapped between the contact surfaces of wheel.
- Never apply oil to nut and bolt threads.
- When tightening the valve cap there is a risk of damaging the valve cap if a tool is used. Tighten by hand.

# PREPARATION

< PREPARATION >

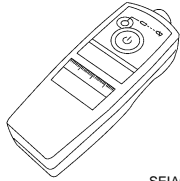
## PREPARATION

### PREPARATION

#### Special Service Tool

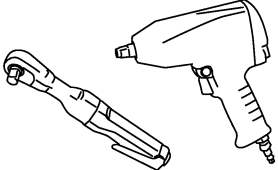
INFOID:000000006884777

The actual shapes of Kent-Moore tools may differ from those of special service tools illustrated here.

| Tool number<br>(Kent-Moore No.)<br>Tool name  | Description     |
|---|-----------------|
| KV48105500<br>(J-45295)<br>Tire pressure sensor activation tool<br><br>SEIA0462E | ID registration |

#### Commercial Service Tool

INFOID:000000006884778

| Tool name   | Description              |
|---|--------------------------|
| Power tool<br><br>PBIC0190E | Loosening bolts and nuts |

# COMPONENT PARTS

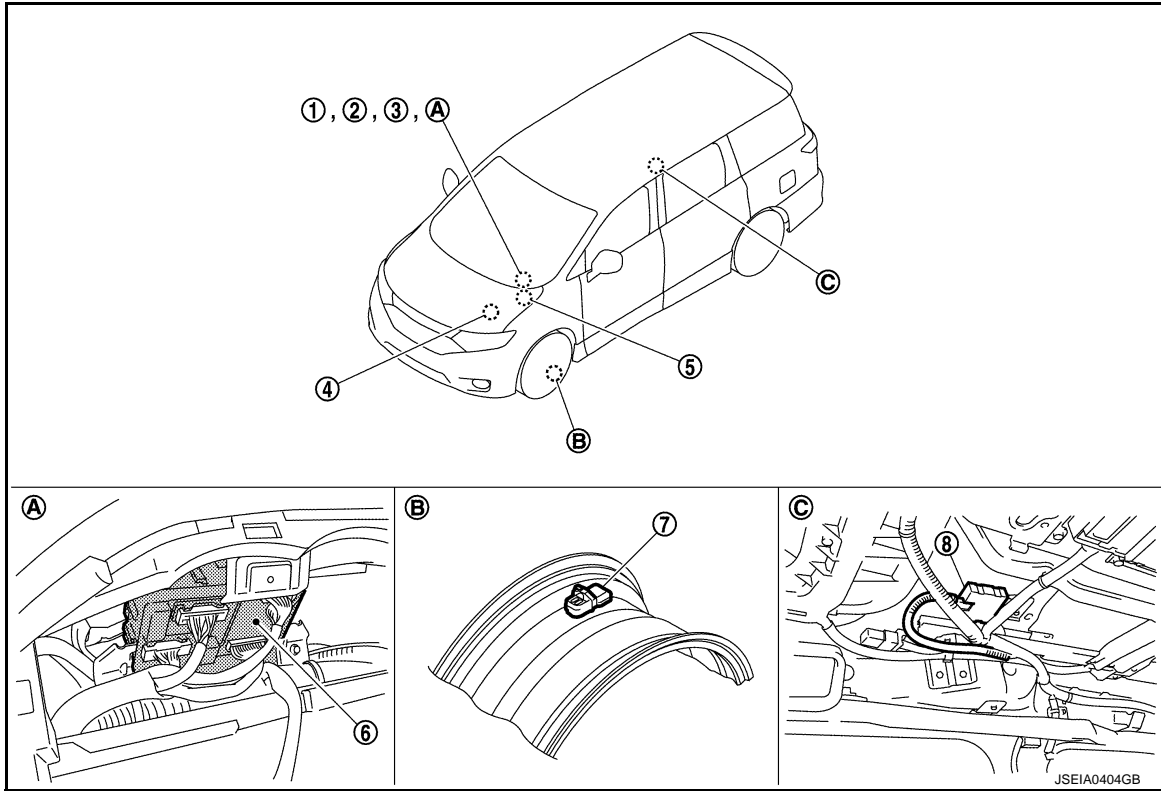
< SYSTEM DESCRIPTION >

## SYSTEM DESCRIPTION

### COMPONENT PARTS

#### Component Parts Location

INFOID:000000007138729



A. Behind of combination meter

B. Wheel

C. View with roof finisher removed

| No. | Component parts   | Function  |
|-----|---|---|
| 1.  | Low tire pressure warning lamp<br>(in combination meter)  | <a href="#">WT-8. "System Description"</a>  |
| 2.  | Information display<br>(in combination meter)             | <a href="#">WT-7. "Information Display"</a>   |
| 3.  | Combination meter   | Mainly receives the following signals from BCM via CAN communication. <ul style="list-style-type: none"> <li>• Low tire pressure warning lamp signal</li> <li>• TPMS malfunction warning lamp signal</li> </ul> |
| 4.  | TCM   | Mainly transmits the following signals to BCM via CAN communication. <ul style="list-style-type: none"> <li>• P range signal</li> </ul>   |
| 5.  | ABS actuator and electric unit (control unit)             | Mainly transmits the following signals to BCM via CAN communication. <ul style="list-style-type: none"> <li>• Vehicle speed signal</li> </ul>   |
| 6.  | BCM   | <a href="#">WT-6. "BCM"</a>   |
| 7.  | Tire pressure sensor                                      | <a href="#">WT-7. "Tire Pressure Sensor"</a>  |
| 8.  | Remote keyless entry receiver<br>(tire pressure receiver) | <a href="#">WT-7. "Tire Pressure Receiver"</a>  |

#### BCM

INFOID:000000007138730

- The BCM reads the air pressure signal received by the tire pressure receiver, controls the low tire pressure warning lamp, hazard warning lamp, and horn operation. It also has a judgment function to detect a system malfunction.
- Controls easy fill tire alert function. Refer to [WT-9. "Easy Fill Tire Alert Function"](#).

# COMPONENT PARTS

## < SYSTEM DESCRIPTION >

### Tire Pressure Sensor

INFOID:000000007138731

The tire pressure sensor integrated with a valve is installed on a wheel, and transmits a detected air pressure signal by radio wave.

### Tire Pressure Receiver

INFOID:000000007138732

- Tire pressure receiver is incorporated into remote keyless entry receiver.
- The tire pressure receiver receives the air pressure signal transmitted by the tire pressure sensor in each wheel.

### Information Display

INFOID:000000007138781

The vehicle information display is shown when a low tire pressure warning lamp signal is transmitted from BCM to combination meter. via CAN communication.

| Condition           |  | Vehicle information display |
|---------------------|--|-----------------------------|
| Ignition switch OFF |  | Not indicated               |
| Ignition switch ON  | Low tire pressure warning lamp remains ON after blinking for one minute. [Tire Pressure Monitoring System (TPMS) malfunction.] | Not indicated               |
| Ignition switch ON  | Low tire pressure warning lamp remains ON. (low tire pressure)   | Indicated                   |

WT

F

G

H

I

J

K

L

M

N

O

P

# TPMS

## < SYSTEM DESCRIPTION >

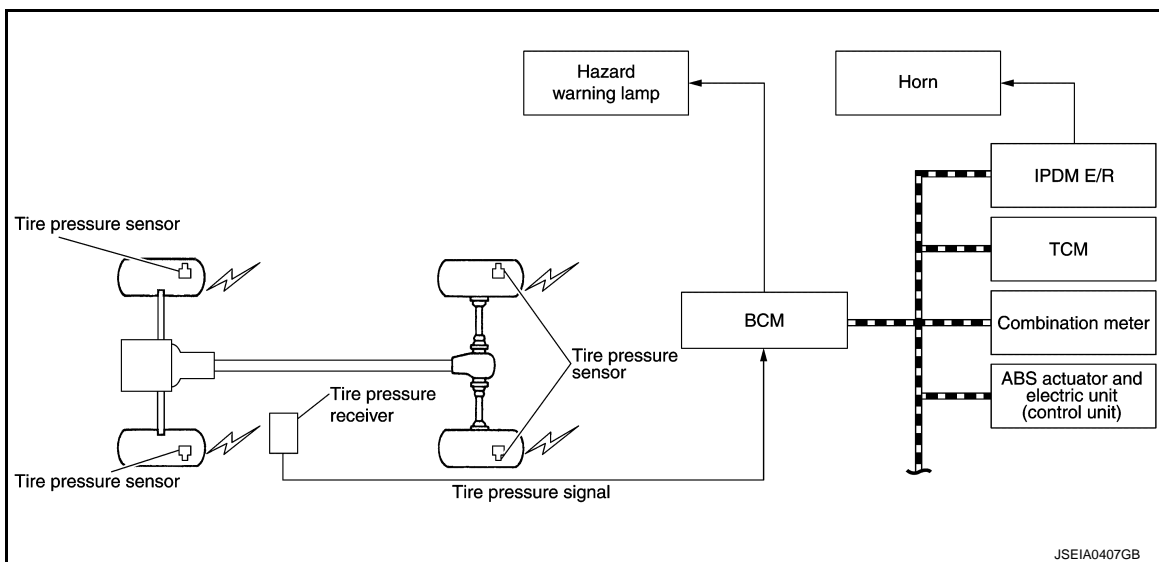
### TPMS

#### System Description

INFOID:000000007138733

- During driving, the TPMS (Tire Pressure Monitoring System) receives the signal transmitted from tire pressure sensor installed in each wheel. The BCM (Body Control Module) of this system has pressure judgment and trouble diagnosis functions. When the tire pressure monitoring system detects low inflation pressure or another unusual symptom, the low tire pressure warning lamps in the combination meter comes on.
- If the tire pressure is less than the specified value, the low tire pressure warning lamp illuminates that the tire pressure is less than the specified value.
- Activates the TPMS (Tire Pressure Monitoring System) when the vehicle speed is 40 km/h (25 MPH) or more.
- Added easy fill tire alert function to TPMS (Tire Pressure Monitoring System). Refer to [WT-9, "Easy Fill Tire Alert Function"](#).

#### SYSTEM DIAGRAM



#### INPUT/OUTPUT SIGNAL

Major signal transmission between each unit via communication lines is shown in the following table.

| Component parts                               | Signal item   |
|---|---|
| Combination meter                             | Mainly receives the following signals from BCM via CAN communication. <ul style="list-style-type: none"> <li>• Low tire pressure warning lamp signal</li> <li>• TPMS malfunction warning lamp signal</li> </ul> |
| ABS actuator and electric unit (control unit) | Mainly transmits the following signals to BCM via CAN communication. <ul style="list-style-type: none"> <li>• Vehicle speed signal</li> </ul>   |
| TCM   | Mainly transmits the following signals to BCM via CAN communication. <ul style="list-style-type: none"> <li>• P range signal</li> </ul>   |
| IPDM E/R                                      | Mainly receives the following signals from BCM via CAN communication. <ul style="list-style-type: none"> <li>• Horn remainder signal</li> </ul>   |

#### LOW TIRE PRESSURE WARNING LAMP INDICATION CONDITION

Uses CAN communication from the BCM to illuminate the low tire pressure warning lamp on the combination meter.

| Condition                          | Low tire pressure warning lamp                     |
|------------------------------------|--|
| Ignition switch OFF                | OFF  |
| Ignition switch ON (system normal) | Warning lamp turns on for 1second, then turns off. |



# TPMS

## < SYSTEM DESCRIPTION >

| Condition  | Low tire pressure warning lamp            |
|--|---|
| Low tire pressure  | ON  |
| Tire pressure sensor ID not registered in BCM                          |   |
| Tire pressure monitoring system malfunction<br>(Other diagnostic item) | Warning lamp blinks 1 min, then turns on. |

### HAZARD WARNING LAMP INDICATION CONDITION

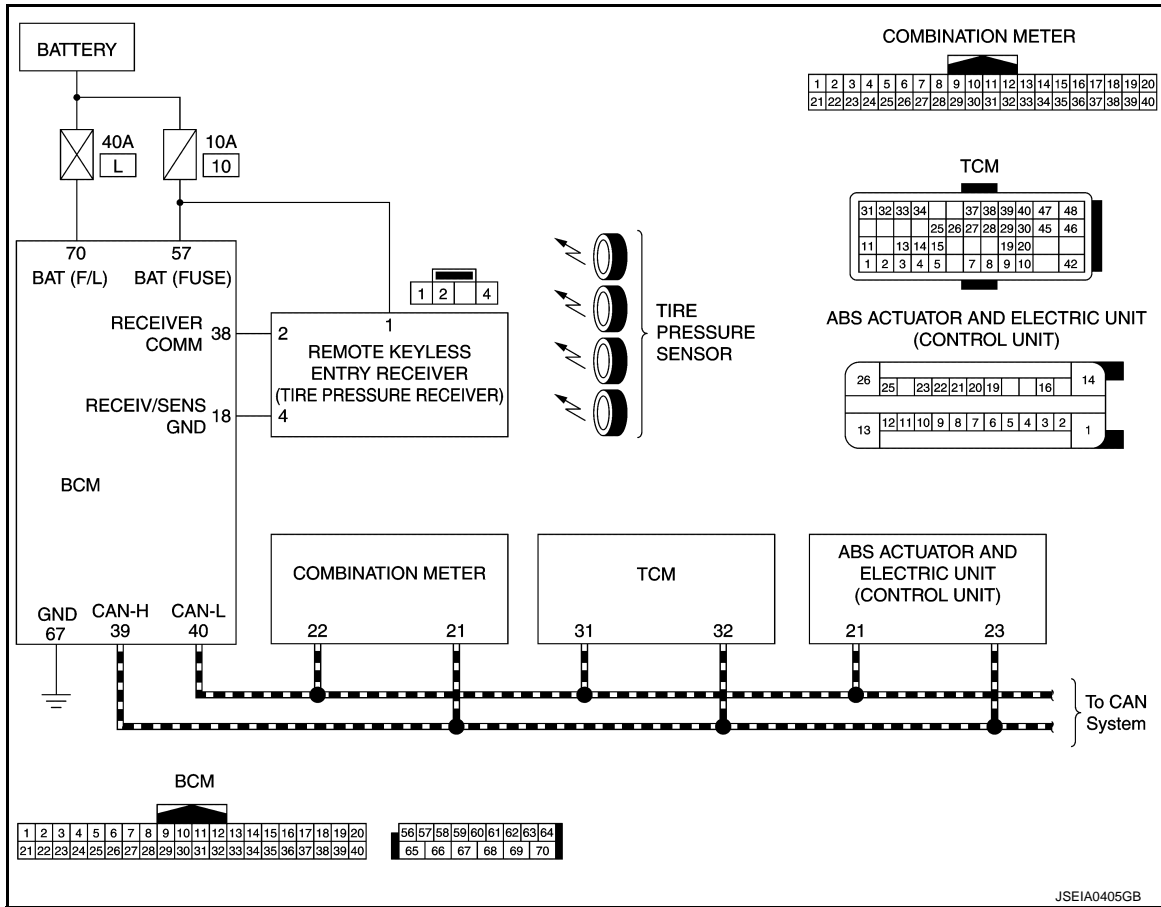
The hazard warning lamp blinks under the following conditions.

- When ID registration is completed. Refer to [WT-23, "Work Procedure"](#).
- During the use of the easy fill tire alert function.

### HORN CONTROL CONDITION

During the use of easy fill tire alert function.

### Circuit Diagram



### Easy Fill Tire Alert Function

INFOID:000000007138735

- This function operates only when the select lever position is in P-range with the ignition switch ON.

#### **CAUTION:**

**Never start the engine.**

#### **NOTE:**

The easy fill tire alert function is recommended to use with the ignition switch ON.

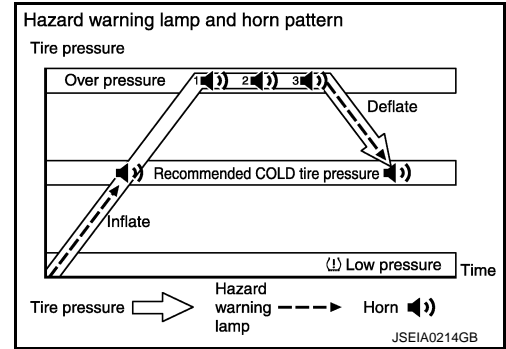
# TPMS

## < SYSTEM DESCRIPTION >

- This function informs the driver of the satisfaction of the recommended COLD tire pressure.  
The hazard warning lamp blinks when reaching the recommended COLD tire pressure during radio wave reception. After reaching the recommended COLD tire pressure, the horn sounds once and the hazard warning lamp stops blinking.
- When tire pressure becomes a value equal to or more than 30 kPa (0.31 kg/cm<sup>2</sup>, 4 psi) more than the recommended COLD tire pressure, the hazard warning lamp and the horn operates three times. After deflating the tire and reaching the recommended COLD tire pressure, the horn sounds only once and the hazard warning lamp stops blinking.

### NOTE:

- After starting to inflate the tire, it takes a few seconds for the easy fill tire alert to function.
- If there is no response for approximately 15 seconds or more after inflating the tires, cancel the use of the easy fill tire alert function or move the vehicle approximately 1 m (3.2 ft) backward or forward to try again. The air filler pressure may be weak or out of service area.



# DIAGNOSIS SYSTEM (BCM)

< SYSTEM DESCRIPTION >

## DIAGNOSIS SYSTEM (BCM)

### COMMON ITEM

### COMMON ITEM : CONSULT Function (BCM - COMMON ITEM)

INFOID:000000007154471

### APPLICATION ITEM

CONSULT performs the following functions via CAN communication with BCM.

| Diagnosis mode           | Function Description  |
|--------------------------|---|
| Work Support             | Changes the setting for each system function.   |
| Self Diagnostic Result   | Displays the diagnosis results judged by BCM.   |
| CAN Diag Support Monitor | Monitors the reception status of CAN communication viewed from BCM.   |
| Data Monitor             | The BCM input/output signals are displayed.   |
| Active Test              | The signals used to activate each device are forcibly supplied from BCM.  |
| Ecu Identification       | The BCM part number is displayed.   |
| Configuration            | <ul style="list-style-type: none"> <li>Read and save the vehicle specification.</li> <li>Write the vehicle specification when replacing BCM.</li> </ul> |

### SYSTEM APPLICATION

BCM can perform the following functions for each system.

#### NOTE:

It can perform the diagnosis modes except the following for all sub system selection items.

×: Applicable item

| System  | Sub system selection item | Diagnosis mode |              |             |
|---|---------------------------|----------------|--------------|-------------|
|   |                           | Work Support   | Data Monitor | Active Test |
| Door lock   | DOOR LOCK                 | ×              | ×            | ×           |
| Rear window defogger  | REAR DEFOGGER             |                | ×            | ×           |
| Warning chime   | BUZZER                    |                | ×            | ×           |
| Interior room lamp control system   | INT LAMP                  | ×              | ×            | ×           |
| Exterior lamp   | HEAD LAMP                 | ×              | ×            | ×           |
| Wiper and washer  | WIPER                     | ×              | ×            | ×           |
| Turn signal and hazard warning lamps  | FLASHER                   | ×              | ×            | ×           |
| Air conditioning control system   | AIR CONDITONER            |                | ×            | ×*          |
| <ul style="list-style-type: none"> <li>Intelligent Key system</li> <li>Engine start system</li> </ul> | INTELLIGENT KEY           | ×              | ×            | ×           |
| Combination switch  | COMB SW                   |                | ×            |             |
| Body control system   | BCM                       | ×              |              |             |
| NVIS  | IMMU                      | ×              | ×            | ×           |
| Interior room lamp battery saver  | BATTERY SAVER             | ×              | ×            | ×           |
| Back door open  | TRUNK                     |                | ×            |             |
| Vehicle security system   | THEFT ALM                 | ×              | ×            | ×           |
| RAP system  | RETAINED PWR              |                | ×            |             |
| Signal buffer system  | SIGNAL BUFFER             |                | ×            | ×           |
| TPMS  | AIR PRESSURE MONITOR      | ×              | ×            | ×           |

#### NOTE:

\*: For models with automatic air conditioning control system, this diagnosis mode is not used.

### FREEZE FRAME DATA (FFD)

The BCM records the following vehicle condition at the time a particular DTC is detected, and displays on CONSULT.

# DIAGNOSIS SYSTEM (BCM)

## < SYSTEM DESCRIPTION >

| CONSULT screen item | Indication/Unit                | Description  |   |
|---------------------|--------------------------------|--|---|
| Vehicle Speed       | km/h                           | Vehicle speed of the moment a particular DTC is detected   |   |
| Odo/Trip Meter      | km                             | Total mileage (Odometer value) of the moment a particular DTC is detected  |   |
| Vehicle Condition   | SLEEP>LOCK                     | Power position status of the moment a particular DTC is detected*  | While turning BCM status from low power consumption mode to normal mode [Power supply position is OFF (LOCK)] |
|                     | SLEEP>OFF                      |  | While turning BCM status from low power consumption mode to normal mode [Power supply position is OFF (OFF)]  |
|                     | LOCK>ACC                       |  | While turning power supply position from OFF (LOCK) to ACC  |
|                     | ACC>ON                         |  | While turning power supply position from ACC to ON  |
|                     | RUN>ACC                        |  | While turning power supply position from RUN to ACC (Except emergency stop operation)                         |
|                     | CRANK>RUN                      |  | While turning power supply position from CRANK to RUN   |
|                     | RUN>URGENT                     |  | While turning power supply position from RUN to ACC (Emergency stop operation)                                |
|                     | ACC>OFF                        |  | While turning power supply position from ACC to OFF (OFF)   |
|                     | OFF>LOCK                       |  | While turning power supply position from OFF (OFF) to OFF (LOCK)  |
|                     | OFF>ACC                        |  | While turning power supply position from OFF (OFF) to ACC   |
|                     | ON>CRANK                       |  | While turning power supply position from ON to CRANK  |
|                     | OFF>SLEEP                      |  | While turning BCM status from normal mode [Power supply position is OFF (OFF)] to low power consumption mode  |
|                     | LOCK>SLEEP                     |  | While turning BCM status from normal mode [Power supply position is OFF (LOCK)] to low power consumption mode |
|                     | LOCK                           |  | Power supply position is OFF (LOCK)   |
|                     | OFF                            |  | Power supply position is OFF (OFF)  |
|                     | ACC                            |  | Power supply position is ACC  |
|                     | ON                             |  | Power supply position is ON   |
| ENGINE RUN          | Power supply position is RUN   |  |   |
| CRANKING            | Power supply position is CRANK |  |   |
| IGN Counter         | 0 - 39                         | The number of times that ignition switch is turned ON after DTC is detected <ul style="list-style-type: none"> <li>• The number is 0 when a malfunction is detected now.</li> <li>• The number increases like 1 → 2 → 3...38 → 39 after returning to the normal condition whenever ignition switch OFF → ON.</li> <li>• The number is fixed to 39 until the self-diagnosis results are erased if it is over 39.</li> </ul> |   |

### NOTE:

\*: Refer to the following for details of the power supply position.

- OFF (OFF, LOCK): Ignition switch OFF
- ACC: Ignition switch ACC
- IGN: Ignition switch ON with engine stopped
- RUN: Ignition switch ON with engine running
- CRANK: At engine cranking

Power supply position shifts to "OFF (LOCK)" from "OFF (OFF)", when ignition switch is in the OFF position, shift position is in the P position, and any of the following conditions are met.

- Closing door
- Opening door
- Door is locked using door request switch
- Door is locked using Intelligent Key

The power supply position shifts to "ACC" when the push-button ignition switch (push switch) is pushed at "OFF (LOCK)".

## AIR PRESSURE MONITOR

### AIR PRESSURE MONITOR : CONSULT Function (BCM - AIR PRESSURE MONI-

# DIAGNOSIS SYSTEM (BCM)

< SYSTEM DESCRIPTION >

TOR)

INFOID:000000007138737

## APPLICATION ITEM

CONSULT performs the following functions via CAN communication with BCM.

| Diagnosis mode         | Function Description  |
|------------------------|---|
| Self Diagnostic Result | Retrieve DTC from ECU and display diagnostic items.                                       |
| Data Monitor           | Monitor the input/output signal of the control unit in real time.                         |
| Active Test            | Send the drive signal from CONSULT to the actuator. The operation check can be performed. |
| Work Support           | This mode enables a technician to adjust some devices faster and more accurately.         |

## SELF DIAGNOSTIC RESULT

Refer to [BCS-58, "DTC Index"](#).

## DATA MONITOR MODE

| Monitor item (Unit)                  | Remarks  |
|--------------------------------------|--|
| AIR PRESS FL<br>(kPa kg/cm2 or Psi)  | Tire pressure  |
| AIR PRESS FR<br>(kPa, kg/cm2 or Psi) |  |
| AIR PRESS RR<br>(kPa, kg/cm2 or Psi) |  |
| AIR PRESS RL<br>(kPa, kg/cm2 or Psi) |  |
| ID REGST FL1<br>(Yet, Done)          | Registration ID  |
| ID REGST FR1<br>(Yet, Done)          |  |
| ID REGST RR1<br>(Yet, Done)          |  |
| ID REGST RL1<br>(Yet, Done)          |  |
| WARNING LAMP<br>(On/Off)             | Low tire pressure warning lamp                                       |
| BUZZER<br>(On/Off)                   | <b>NOTE:</b><br>This item is displayed, but cannot be use this item. |

## ACTIVE TEST MODE

### NOTE:

After completing the work below, perform an active test.

1. Check ID registration state and perform self-diagnosis.
2. Erase the self-diagnosis result history.

| Item                   | Description  |
|------------------------|--|
| WARNING LAMP           | Low tire pressure warning lamp can be turned ON arbitrarily. |
| ID REGIST WARNING      | <b>NOTE:</b><br>Displayed but not used in TPMS.              |
| RUN FLAT TIRE W/L      | <b>NOTE:</b><br>Displayed but not used in TPMS.              |
| RUN FLAT/T WARN BUZZER | <b>NOTE:</b><br>Displayed but not used in TPMS.              |
| FLASHER                | Turn signal lamps can be turned ON arbitrarily.              |
| HORN                   | This test is able to check to check that the horn sounds.    |

## DIAGNOSIS SYSTEM (BCM)

< SYSTEM DESCRIPTION >

WORK SUPPORT

| Item      | Description  |
|-----------|--|
| ID READ   | Registered tire pressure sensor ID can be displayed. |
| ID REGIST | Tire pressure sensor ID can be registered.           |

# BCM

< ECU DIAGNOSIS INFORMATION >

## ECU DIAGNOSIS INFORMATION

BCM

List of ECU Reference

INFOID:000000007138738

| ECU | Reference   |
|-----|---|
| BCM | <a href="#">BCS-35, "Reference Value"</a>               |
|     | <a href="#">BCS-57, "Fail-safe"</a>                     |
|     | <a href="#">BCS-57, "DTC Inspection Priority Chart"</a> |
|     | <a href="#">BCS-58, "DTC Index"</a>                     |

A

B

C

D

WT

F

G

H

I

J

K

L

M

N

O

P

# TIRE PRESSURE MONITORING SYSTEM

< WIRING DIAGRAM >

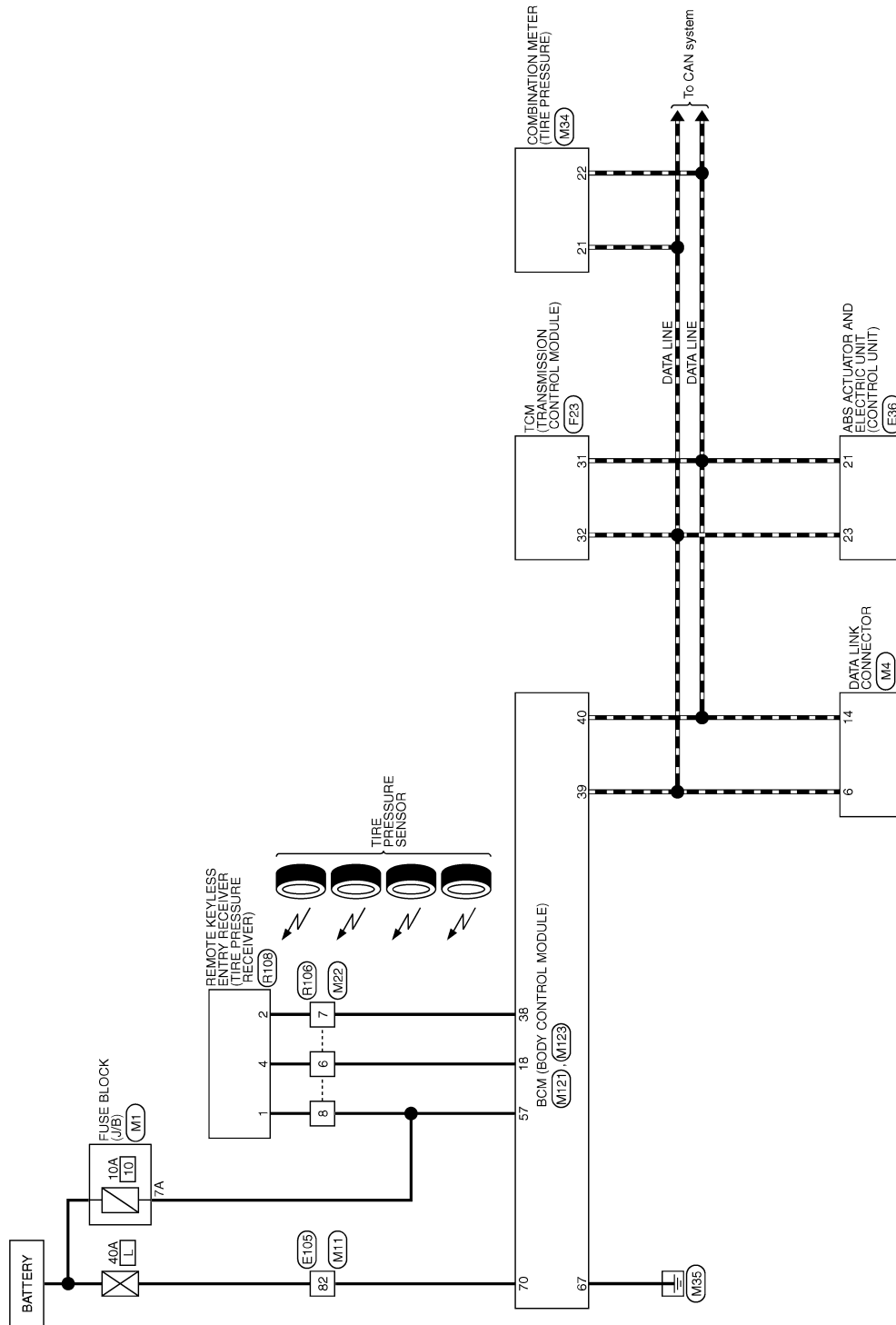
## WIRING DIAGRAM

### TIRE PRESSURE MONITORING SYSTEM

Wiring Diagram

INFOID:000000007138739

#### TIRE PRESSURE MONITORING SYSTEM



2010/12/13

JCEWA0241GB

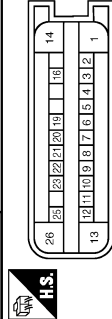


# TIRE PRESSURE MONITORING SYSTEM

< WIRING DIAGRAM >

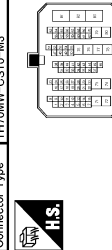
## TIRE PRESSURE MONITORING SYSTEM

|                |   |
|----------------|---|
| Connector No.  | E36   |
| Connector Name | ABS ACTUATOR AND ELECTRIC UNIT (CONTROL UNIT) |
| Connector Type | AEZ22FB-AJZ4-LH                               |



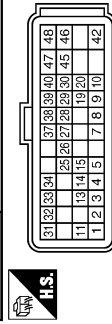
| Terminal No. | Color of Wire | Signal Name [Specification]     |
|--------------|---------------|---------------------------------|
| 1            | R             | VALVE BATTERY                   |
| 2            | Y             | RR LH WHEEL SENSOR SIGNAL       |
| 3            | L             | RR LH WHEEL SENSOR POWER SUPPLY |
| 4            | G             | LC SENSOR POWER SUPPLY          |
| 5            | B             | FR RH WHEEL SENSOR POWER SUPPLY |
| 6            | W             | FR RH WHEEL SENSOR SIGNAL       |
| 7            | R             | BRAKE FLUID LEVEL SWITCH SIGNAL |
| 8            | LG            | FR LH WHEEL SENSORE SIGNAL      |
| 9            | L             | FR LH WHEEL SENSOR POWER SUPPLY |
| 10           | B             | G SENSORE GND                   |
| 11           | V             | RR RH WHEEL SENSOR POWER SUPPLY |
| 12           | P             | RR RH WHEEL SENSORE SIGNAL      |
| 13           | B             | GND                             |
| 14           | G             | MOTOR BATTERY                   |
| 16           | SB            | STOP LAMP SWITCH SIGNAL         |
| 19           | Y             | G SENSOR SIGNAL (+)             |
| 20           | GR            | IGN                             |
| 21           | P             | CAN-L                           |
| 22           | BR            | VDC OFF SWITCH SIGNAL           |
| 23           | L             | CAN-H                           |
| 25           | O             | G SENSOR SIGNAL (-)             |
| 26           | B             | GND                             |

|                |                |
|----------------|----------------|
| Connector No.  | E105           |
| Connector Name | WIRE TO WIRE   |
| Connector Type | THY0MW-C510-M3 |



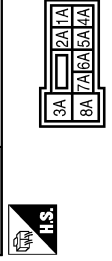
| Terminal No. | Color of Wire | Signal Name [Specification] |
|--------------|---------------|-----------------------------|
|--------------|---------------|-----------------------------|

|                |                                   |
|----------------|-----------------------------------|
| Connector No.  | F23                               |
| Connector Name | TGM (TRANSMISSION CONTROL MODULE) |
| Connector Type | FR40FB-R28-L-RH                   |



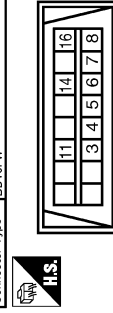
| Terminal No. | Color of Wire | Signal Name [Specification] |
|--------------|---------------|-----------------------------|
| 1            | P/B           | TRANSMISSION RANGE SW 2     |
| 2            | P/L           | TRANSMISSION RANGE SW 3     |
| 3            | G/O           | TRANSMISSION RANGE SW 4     |
| 4            | GR            | TRANSMISSION RANGE SW 3 MON |
| 5            | B             | GND                         |
| 6            | W             | SENSOR GND                  |
| 7            | C/W           | ROM ASSY (SEL 2)            |
| 8            | L/R           | ROM ASSY (SEL 1)            |
| 9            | BR/R          | ROM ASSY (SEL 3)            |
| 10           | BR/W          | TRANSMISSION RANGE SW 1     |
| 11           | V             | CVT FLUID TEMP SENSOR       |
| 13           | R/W           | PRI PRESS SENSOR            |
| 14           | V/W           | SEC PRESS SENSOR            |
| 15           | G/B           | BACK-UP LAMP RELAY          |
| 19           | W/R           | STARTER RELAY               |
| 25           | L/O           | SENSOR GND                  |
| 26           | R/G           | SENSOR POWER                |
| 27           | R             | STEP MOTOR D                |
| 28           | O/B           | STEP MOTOR C                |
| 29           | G/R           | STEP MOTOR B                |
| 31           | P             | STEP MOTOR A                |
| 32           | L             | CAN-L                       |
| 33           | LG            | CAN-H                       |
| 34           | LG/R          | PRI SPEED SENSOR            |
| 37           | V/R           | SEC SPEED SENSOR            |
| 38           | L/W           | L/U SELECT SOL              |
| 39           | W/B           | TORQUE CONV GLUTCH SOL      |
| 40           | R/Y           | SEC PRESS SOL               |
| 42           | B             | LINE PRESS SOL              |
| 46           | Y             | GND                         |
| 47           | L/R           | POWER SUPPLY (BUCK-UP)      |
| 48           | Y             | POWER SUPPLY                |

|                |                  |
|----------------|------------------|
| Connector No.  | M1               |
| Connector Name | FUSE BLOCK (J/B) |
| Connector Type | MS08FW-M2        |



| Terminal No. | Color of Wire | Signal Name [Specification] |
|--------------|---------------|-----------------------------|
| 1A           | O             |                             |
| 2A           | G             |                             |
| 3A           | L             |                             |
| 4A           | GR            |                             |
| 5A           | V             |                             |
| 7A           | GR            |                             |
| 8A           | L             |                             |

|                |                     |
|----------------|---------------------|
| Connector No.  | M4                  |
| Connector Name | DATA LINK CONNECTOR |
| Connector Type | BD16FW              |



| Terminal No. | Color of Wire | Signal Name [Specification] |
|--------------|---------------|-----------------------------|
| 3            | LG            |                             |
| 4            | B/R           |                             |
| 5            | B/R           |                             |
| 6            | L             |                             |
| 7            | R             |                             |
| 8            | G             |                             |
| 11           | SB            |                             |
| 14           | P             |                             |
| 16           | O             |                             |

| Terminal No. | Color of Wire | Signal Name [Specification] |
|--------------|---------------|-----------------------------|
| 6            | LG            |                             |
| 7            | R             |                             |
| 8            | GR            |                             |
| 9            | SB            |                             |
| 10           | BR            |                             |
| 11           | Y             |                             |
| 12           | O             |                             |
| 13           | W             |                             |
| 14           | L             |                             |
| 15           | P             |                             |
| 31           | GR            |                             |
| 32           | R             |                             |
| 33           | W             |                             |
| 37           | BR            |                             |
| 38           | G             |                             |
| 39           | V             |                             |
| 40           | P             |                             |
| 41           | L             |                             |
| 42           | LG            |                             |
| 43           | O             |                             |
| 44           | L             |                             |
| 45           | SB            |                             |
| 46           | SB            |                             |
| 47           | V             |                             |
| 48           | L             |                             |
| 51           | BR            |                             |
| 52           | G             |                             |
| 53           | B             |                             |
| 54           | O             |                             |
| 55           | Y             |                             |
| 56           | SHIELD        |                             |
| 61           | P             |                             |
| 82           | G             |                             |
| 83           | W/L           |                             |
| 84           | L/O           |                             |
| 86           | W             |                             |
| 87           | Y             |                             |
| 89           | SB            |                             |
| 70           | LG            |                             |
| 71           | R             |                             |
| 72           | L             |                             |
| 73           | GR            |                             |
| 74           | Y             |                             |
| 75           | SB            |                             |
| 76           | Y             |                             |
| 77           | G             |                             |
| 78           | O             |                             |
| 80           | R             |                             |
| 81           | L             |                             |
| 82           | LG            |                             |
| 83           | R             |                             |

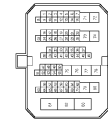
A  
B  
C  
D  
WT  
F  
G  
H  
I  
J  
K  
L  
M  
N  
O  
P

# TIRE PRESSURE MONITORING SYSTEM

< WIRING DIAGRAM >

## TIRE PRESSURE MONITORING SYSTEM

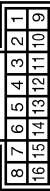
|                |                |
|----------------|----------------|
| Connector No.  | M11            |
| Connector Name | WIRE TO WIRE   |
| Connector Type | TH10FW-CS10-M3 |



| Terminal No. | Color of Wire | Signal Name [Specification] |
|--------------|---------------|-----------------------------|
| 6            | O             | -                           |
| 7            | G             | -                           |
| 8            | G             | -                           |
| 9            | B             | -                           |
| 10           | R             | -                           |
| 11           | W             | -                           |
| 12           | LG            | -                           |
| 13           | Y             | -                           |
| 14           | L             | -                           |
| 15           | P             | -                           |
| 31           | R             | -                           |
| 32           | V             | -                           |
| 33           | Y             | -                           |
| 37           | BR            | -                           |
| 38           | BR            | -                           |
| 39           | Y             | -                           |
| 40           | P             | -                           |
| 41           | L             | -                           |
| 42           | G             | -                           |
| 43           | W             | -                           |
| 45           | LG            | -                           |
| 46           | V             | -                           |
| 47           | LG            | -                           |
| 49           | G             | -                           |
| 51           | SB            | -                           |
| 52           | GR            | -                           |
| 53           | B             | -                           |
| 54           | R             | -                           |
| 55           | L             | -                           |
| 56           | SHIELD        | -                           |
| 61           | BR            | -                           |
| 62           | LG            | -                           |
| 63           | W/L           | -                           |
| 64           | L/O           | -                           |
| 66           | O             | -                           |
| 67           | SB            | -                           |
| 69           | Y             | -                           |
| 70           | R             | -                           |

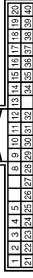
|    |   |   |
|----|---|---|
| 71 | R | - |
| 72 | L | - |
| 73 | R | - |
| 74 | Y | - |
| 75 | G | - |
| 76 | P | - |
| 77 | P | - |
| 78 | W | - |
| 80 | Y | - |
| 81 | W | - |
| 82 | L | - |
| 83 | R | - |

|                |              |
|----------------|--------------|
| Connector No.  | M22          |
| Connector Name | WIRE TO WIRE |
| Connector Type | TH16FW-NH    |



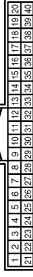
| Terminal No. | Color of Wire | Signal Name [Specification]       |
|--------------|---------------|-----------------------------------|
| 1            | BR            | -                                 |
| 2            | SB            | -                                 |
| 3            | G/W           | -                                 |
| 4            | O             | -                                 |
| 6            | R             | -                                 |
| 7            | SB            | -                                 |
| 8            | GR            | -                                 |
| 9            | P             | -                                 |
| 10           | R             | -                                 |
| 11           | B/W           | -                                 |
| 12           | B             | -                                 |
| 13           | R             | -                                 |
| 14           | Y             | - [With NAVI]<br>- [Without NAVI] |
| 15           | SHIELD        | -                                 |
| 16           | BR            | - [With NAVI]<br>- [Without NAVI] |

|                |                   |
|----------------|-------------------|
| Connector No.  | M34               |
| Connector Name | COMBINATION METER |
| Connector Type | TH40FW-NH         |



| Terminal No. | Color of Wire | Signal Name [Specification]                  |
|--------------|---------------|--|
| 1            | O             | BATTERY POWER SUPPLY                         |
| 2            | Y             | IGNITION SIGNAL                              |
| 3            | B             | GROUND                                       |
| 4            | B             | GROUND                                       |
| 5            | B/P           | ILLUMINATION CONTROL SIGNAL                  |
| 8            | SB            | TRIP RESET SWITCH SIGNAL                     |
| 10           | P             | METER CONTROL SWITCH SIGNAL                  |
| 11           | G             | METER CONTROL SWITCH GROUND                  |
| 12           | BR            | ENTER SWITCH SIGNAL                          |
| 13           | Y             | SELECT SWITCH SIGNAL                         |
| 14           | V             | ILLUMINATION CONTROL SWITCH SIGNAL (+)       |
| 15           | BR            | ILLUMINATION CONTROL SWITCH SIGNAL (-)       |
| 16           | L             | AIR BAG SIGNAL                               |
| 18           | LG            | ENGINE COOLANT TEMPERATURE SIGNAL            |
| 19           | R             | A/C AUTO AMP. CONNECTION RECOGNITION SIGNAL  |
| 20           | Y             | AMBIENT SENSOR SIGNAL                        |
| 21           | L             | AMBIENT SENSOR GROUND                        |
| 22           | P             | CAN-H  |
| 23           | B             | GROUND                                       |
| 24           | B             | FUEL LEVEL SENSOR GROUND                     |
| 25           | BR            | ALTERNATOR SIGNAL                            |
| 26           | BR            | PARKING BRAKE SWITCH SIGNAL                  |
| 27           | Y             | BRAKE FLUID LEVEL SWITCH SIGNAL              |
| 28           | V             | SECURITY SIGNAL                              |
| 29           | G             | WASHER LEVEL SWITCH SIGNAL                   |
| 31           | SB            | VEHICLE SPEED SIGNAL (PULSE)                 |
| 32           | P             | OVERDRIVE CONTROL SWITCH SIGNAL              |
| 34           | O             | FUEL LEVEL SENSOR SIGNAL                     |
| 35           | P             | SEAT BELT BUCKLE SWITCH SIGNAL (DRIVER SIDE) |
| 36           | BR            | PASSENGER SEAT BELT WARNING SIGNAL           |

|                |                           |
|----------------|---------------------------|
| Connector No.  | M121                      |
| Connector Name | BGM (BODY CONTROL MODULE) |
| Connector Type | TH40FB-NH                 |



| Terminal No. | Color of Wire | Signal Name [Specification]                      |
|--------------|---------------|--|
| 1            | W             | REAR WINDOW DEF RELAY CONT                       |
| 2            | LG            | COMBI SW INPUT 5                                 |
| 3            | Y             | COMBI SW INPUT 4                                 |
| 4            | O             | COMBI SW INPUT 3                                 |
| 5            | G             | COMBI SW INPUT 2                                 |
| 6            | L             | COMBI SW INPUT 1                                 |
| 7            | W             | KEY CYL UNLOCK SW                                |
| 8            | Y             | KEY CYL LOCK SW [Without automatic sliding door] |
| 9            | GR            | PH SW COMMA [With automatic sliding door]        |
| 12           | GR            | STOP LAMP SW 1                                   |
| 13           | BR            | DOOR LK & UNLK SW LOCK                           |
| 14           | L             | DOOR LK & UNLK SW UNLOCK                         |
| 15           | W             | REAR WINDOW DEF SW                               |
| 16           | Y             | DIMMER   |
| 17           | O             | SENS PWR SPLY                                    |
| 18           | R             | RECEIV/SENS GND                                  |
| 21           | R             | NATS ANT AMP.                                    |
| 23           | V             | SECURITY IND CONT                                |
| 24           | B             | DONBLE LINK                                      |
| 25           | W             | NATS ANT AMP.                                    |
| 27           | O             | A/C ON   |
| 28           | BR            | BLOWER FAN ON                                    |
| 29           | P             | HAZARD SW  |
| 30           | L             | BK DOOR OPNR SW                                  |
| 31           | O             | DR DOOR UNLK SENS                                |
| 32           | Y             | COMBI SW OUTPUT 5                                |
| 33           | W             | COMBI SW OUTPUT 4                                |
| 34           | GR            | COMBI SW OUTPUT 3                                |
| 35           | SB            | COMBI SW OUTPUT 2                                |
| 36           | R             | COMBI SW OUTPUT 1                                |
| 37           | G             | DETENT SW  |
| 38           | SB            | RECEIVER COMM                                    |
| 39           | L             | CAN-H  |
| 40           | P             | CAN-L  |

# TIRE PRESSURE MONITORING SYSTEM

< WIRING DIAGRAM >

## TIRE PRESSURE MONITORING SYSTEM

|                |                           |
|----------------|---------------------------|
| Connector No.  | M123                      |
| Connector Name | BCM (BODY CONTROL MODULE) |
| Connector Type | FEA09FW-FH4B-SA           |



|    |    |    |    |    |    |    |    |    |
|----|----|----|----|----|----|----|----|----|
| 56 | 57 | 58 | 59 | 60 | 61 | 62 | 63 | 64 |
| 65 | 66 | 67 | 68 | 69 | 70 |    |    |    |

| Terminal No. | Color of Wire | Signal Name [Specification] |
|--------------|---------------|-----------------------------|
| 56           | P             | INT ROOM LAMP PWR SPLY      |
| 57           | GR            | BAT                         |
| 58           | O             | AIR BAG                     |
| 59           | SB            | PASS DOGR UNLK OUTPUT       |
| 60           | V             | TURN SIG LH OUTPUT          |
| 61           | G             | TURN SIG RH OUTPUT          |
| 62           | W             | STEP LAMP CONT              |
| 63           | R             | INT ROOM LAMP CONT          |
| 64           | LG            | GRANK REQ                   |
| 65           | V             | ALL DOOR LOCK OUTPUT        |
| 66           | G             | DR DOOR UNLK OUTPUT         |
| 67           | B             | GND                         |
| 68           | L             | PW PWR SPLY (IGN)           |
| 69           | P             | PW PWR SPLY (BAT)           |
| 70           | L             | BAT                         |



|   |    |    |    |    |    |    |    |
|---|----|----|----|----|----|----|----|
| 1 | 2  | 3  | 4  | 5  | 6  | 7  | 8  |
| 9 | 10 | 11 | 12 | 13 | 14 | 15 | 16 |

| Terminal No. | Color of Wire | Signal Name [Specification] |
|--------------|---------------|-----------------------------|
| 1            | G             |                             |
| 2            | SB            |                             |
| 3            | P             |                             |
| 4            | LG            |                             |
| 6            | O             |                             |
| 7            | W             |                             |
| 8            | BR            |                             |

|    |        |  |
|----|--------|--|
| 9  | L      |  |
| 10 | LG     |  |
| 11 | B      |  |
| 12 | V      |  |
| 13 | Y      |  |
| 14 | Y      |  |
| 15 | SHIELD |  |
| 16 | BR     |  |

|                |                               |
|----------------|-------------------------------|
| Connector No.  | R108                          |
| Connector Name | REMOTE KEYLESS ENTRY RECEIVER |
| Connector Type | TH04FW-NH                     |



|   |   |   |   |
|---|---|---|---|
| 1 | 2 | 3 | 4 |
|---|---|---|---|

| Terminal No. | Color of Wire | Signal Name [Specification] |
|--------------|---------------|-----------------------------|
| 1            | BR            | BAT                         |
| 2            | W             | SIGNAL                      |
| 4            | O             | GND                         |

JCEWA0244GB

A  
B  
C  
D  
WT  
F  
G  
H  
I  
J  
K  
L  
M  
N  
O  
P

# DIAGNOSIS AND REPAIR WORK FLOW

< BASIC INSPECTION >

## BASIC INSPECTION

### DIAGNOSIS AND REPAIR WORK FLOW

#### Work Flow

INFOID:000000007138740

#### DETAILED FLOW

#### 1. COLLECT THE INFORMATION FROM THE CUSTOMER

It is also important to clarify customer concerns before starting the inspection. Reproduce the symptom, and understand it fully. Interview the customer about the concerns carefully. In some cases, it is necessary to check the symptoms by driving the vehicle with the customer.

#### **CAUTION:**

**Customers are not professionals. Never assume “maybe the customer means...” or “maybe the customer mentioned this symptom.”**

>> GO TO 2.

#### 2. BASIC INSPECTION

1. Turn the ignition switch ON.

#### **CAUTION:**

**Never start the engine.**

2. Check the tire pressure for all wheels and adjust to the specified value. Refer to [WT-51, "Tire Air Pressure"](#).

Is the inspection result normal?

YES >> GO TO 3.

NO >> Inspect or repair the tires or wheels.

#### 3. CHECK LOW TIRE PRESSURE WARNING LAMP

Check low tire pressure warning lamp display.

Does not low tire pressure warning lamp turn OFF?

YES >> GO TO 4.

NO >> GO TO 8.

#### 4. PERFORM SELF-DIAGNOSIS

#### **Ⓟ With CONSULT**

Perform “SELF-DIAG RESULTS” in “AIR PRESSURE MONITOR” of “BCM”.

Is any DTC detected?

YES >> GO TO 5.

NO >> GO TO 7.

#### 5. RECHECK THE SYMPTOM

#### **Ⓟ With CONSULT**

Perform “DTC CONFIRMATION PROCEDURE” with recorded DTC.

If two or more DTCs are detected, refer to [BCS-58, "DTC Index"](#) and determine trouble diagnosis order.

Is any DTC detected?

YES >> GO TO 6.

NO >> GO TO 7.

#### 6. REPAIR OR REPLACE ERROR-DETECTED PART

- Repair or replace error-detected parts.
- Reconnect part or connector after repairing or replacing.
- When DTC is detected, erase self-diagnostic result in “AIR PRESSURE MONITOR” of “BCM”.

>> GO TO 9.

#### 7. CRUISE FOR SYMPTOM CHECK

# DIAGNOSIS AND REPAIR WORK FLOW

## < BASIC INSPECTION >

---

1. Start the engine.
  2. Drive for 10 minutes at a speed of 40 km/h (25 MPH) or more, then stop the vehicle.
- CAUTION:**  
Total time driving at a speed of 40 km/h (25 MPH) or more must be 10 minutes.

A  
B

>> GO TO 8.

## 8. IDENTIFY ERROR-DETECTED SYSTEM BY SYMPTOM DIAGNOSIS

---

Estimate error-detected system based on symptom diagnosis.

C  
D

>> GO TO 10.

## 9. FINAL CHECK (WHEN DTC WAS DETECTED)

---

### With CONSULT

Perform "DTC CONFIRMATION PROCEDURE" with displayed DTC.

Is any DTC detected?

- YES >> GO TO 6.  
NO >> INSPECTION END

WT  
F

## 10. FINAL CHECK (WHEN SYMPTOM OCCURRED)

---

Make sure that the symptom is not detected.

Does symptom remain?

- YES >> GO TO 8.  
NO >> INSPECTION END

G  
H  
I  
J  
K  
L  
M  
N  
O  
P

## ADDITIONAL SERVICE WHEN REPLACING BCM

< BASIC INSPECTION >

---

### ADDITIONAL SERVICE WHEN REPLACING BCM

#### Description

INFOID:000000007138741

When replacing BCM, tire pressure sensor ID registration is required.

#### Work Procedure

INFOID:000000007138742

#### 1. PERFORM TIRE PRESSURE SENSOR ID REGISTRATION

---

Perform tire pressure sensor ID registration.

>> Refer to [WT-23. "Work Procedure"](#).

# TIRE PRESSURE SENSOR ID REGISTRATION

< BASIC INSPECTION >

## TIRE PRESSURE SENSOR ID REGISTRATION

### Description

INFOID:000000007138743

This procedure must be done after replacing or rotating wheels, replacing tire pressure sensor or BCM.

### Work Procedure

INFOID:000000007138744

#### 1. TIRE PRESSURE SENSOR ID REGISTRATION PROCEDURE

##### CAUTION:

- To perform ID registration, observe the following points:
- Never register ID in a place where radio waves are interfered (e.g. radio tower).
- Never register ID in a place close to vehicles including TPMS.

##### With CONSULT

1. Display the "WORK SUPPORT" screen and select "ID REGIST".

Is the tire pressure sensor activation tool (J-45295) used for the tire pressure sensor ID registration procedure?

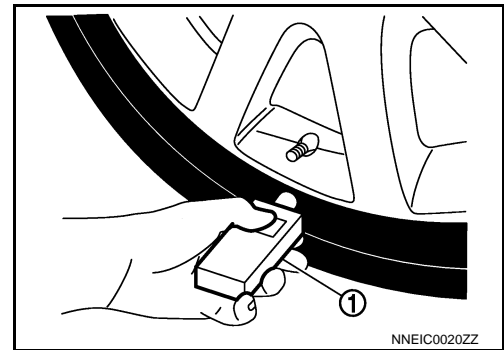
- YES >> GO TO 2.  
NO >> GO TO 3.

#### 2. TIRE PRESSURE SENSOR ID REGISTRATION PROCEDURE (WITH TIRE PRESSURE SENSOR ACTIVATION TOOL)

1. Turn the ignition switch ON.
2. Select the start button on the "ID REGIST" screen.
3. Contact the tire pressure sensor activation tool (J-45295) (1) to the side of the tire at the location to the tire pressure sensor.
4. Press and hold the tire pressure sensor activation tool button while pushing the tool to the tire surface. (approximately for 5 seconds)

##### CAUTION:

Perform the ID registration procedure starting from the vehicle front left wheel, then repeat the procedure in the order of the front right wheel, rear right wheel, and rear left wheel.



5. When ID registration is completed, check the following pattern at each wheel.

| Sequence | ID registration position | Turn signal lamp | CONSULT               |
|----------|--------------------------|------------------|-----------------------|
| 1        | Front left wheel         | 2 blinks         | "Red"<br>↓<br>"Green" |
| 2        | Front right wheel        |                  |                       |
| 3        | Rear right wheel         |                  |                       |
| 4        | Rear left wheel          |                  |                       |

6. After the ID registration procedure for all wheels is completed, press "END" to end ID registration, and check that ID registration for all wheels is completed.

Is the check result normal?

- YES >> ID registration END.  
NO >> Refer to [WT-41. "Diagnosis Procedure"](#).

#### 3. TIRE PRESSURE SENSOR ID REGISTRATION PROCEDURE (WITHOUT TIRE PRESSURE SENSOR ACTIVATION TOOL)

1. Adjust the tire pressure for all wheels to match the list below.

## TIRE PRESSURE SENSOR ID REGISTRATION

< BASIC INSPECTION >

| Tire position | Tire pressure kPa (kg/cm <sup>2</sup> , psi) |
|---------------|--|
| Front LH      | 240 (2.4, 35)                                |
| Front RH      | 220 (2.2, 31)                                |
| Rear RH       | 200 (2.0, 29)                                |
| Rear LH       | 180 (1.8, 26)                                |

2. Drive the vehicle at a speed at more than 40 km/h (25 MPH) for 3 minutes or more, then perform the tire pressure sensor ID registration procedure.
3. After ID registration for all wheels is completed, press "END" to end ID registration.

| ID registration position | CONSULT               |
|--------------------------|-----------------------|
| Front LH                 | "Red"<br>↓<br>"Green" |
| Front RH                 |                       |
| Rear RH                  |                       |
| Rear LH                  |                       |

4. Adjust the tire pressures for all wheels to the specified value. Refer to [WT-51. "Tire Air Pressure"](#).

Is ID registrations for all wheels completed?

YES >> ID registration END.

NO >> Performs trouble-diagnosis of the Tire Pressure Monitoring System (TPMS).



# C1704, C1705, C1706, C1707 LOW TIRE PRESSURE

< DTC/CIRCUIT DIAGNOSIS >

## DTC/CIRCUIT DIAGNOSIS

### C1704, C1705, C1706, C1707 LOW TIRE PRESSURE

#### DTC Logic

INFOID:000000007138745

#### DTC DETECTION LOGIC

| DTC   | Display Item    | Malfunction detected condition  | Possible causes   |
|-------|-----------------|---|-------------------|
| C1704 | LOW PRESSURE FL | Front LH tire pressure drops to * kPa (* kg/cm <sup>2</sup> , * psi) or less. | Low tire pressure |
| C1705 | LOW PRESSURE FR | Front RH tire pressure drops to * kPa (* kg/cm <sup>2</sup> , * psi) or less. |                   |
| C1706 | LOW PRESSURE RR | Rear RH tire pressure drops to * kPa (* kg/cm <sup>2</sup> , * psi) or less.  |                   |
| C1707 | LOW PRESSURE RL | Rear LH tire pressure drops to * kPa (* kg/cm <sup>2</sup> , * psi) or less.  |                   |

\*:189.6 kPa (1.9 kg/cm<sup>2</sup>, 27 psi) [Standard air pressure is for 240 kPa (2.4 kg/cm<sup>2</sup>, 35 psi) vehicles.]

#### DTC CONFIRMATION PROCEDURE

##### 1. PERFORM DTC CONFIRMATION

###### With CONSULT

1. Turn the ignition switch ON.

**CAUTION:**

**Never start the engine.**

2. Check the tire pressure for all wheels and adjust to the specified value. Refer to [WT-51, "Tire Air Pressure"](#).
3. Perform self-diagnosis for "AIR PRESSURE MONITOR".

Is DTC "C1704", "C1705", "C1706", or "C1707" detected?

- YES >> Proceed to [WT-25, "Diagnosis Procedure"](#).  
 NO >> INSPECTION END

#### Diagnosis Procedure

INFOID:000000007138746

##### 1. TIRE PRESSURE SENSOR ID REGISTRATION

Perform tire pressure sensor ID registration. Refer to [WT-23, "Work Procedure"](#).

Is tire pressure sensor ID registration completed?

- YES >> GO TO 2.  
 NO >> Replace applicable tire pressure sensor. Refer to [WT-48, "Removal and Installation"](#).

##### 2. CHECK TIRE PRESSURE

Check the air pressure of all wheels. Refer to [WT-51, "Tire Air Pressure"](#).

**CAUTION:**

**If the checked value is close to the standard, reduce the tire pressure, and then with the ignition switch ON, adjust the tire pressure again so that it is within the standard.**

Is the inspection result normal?

- YES >> Perform "DTC CONFIRMATION PROCEDURE" (self-diagnosis) again. Refer to [BCS-58, "DTC Index"](#).  
 NO >> After adjusting the air pressure, GO TO 3

##### 3. CHECK TIRE PRESSURE SIGNAL

###### With CONSULT

1. Select "DATA MONITOR" in "AIR PRESSURE MONITOR" of "BCM".
2. Check that the tire pressures match the standard value.

| Monitor item | Displayed value   |
|--------------|---|
| AIR PRESS FL | Approximately equal to the indication on tire gauge value for front LH tire |
| AIR PRESS FR | Approximately equal to the indication on tire gauge value for front RH tire |

## C1704, C1705, C1706, C1707 LOW TIRE PRESSURE

### < DTC/CIRCUIT DIAGNOSIS >

| Monitor item | Displayed value  |
|--------------|--|
| AIR PRESS RR | Approximately equal to the indication on tire gauge value for rear RH tire |
| AIR PRESS RL | Approximately equal to the indication on tire gauge value for rear LH tire |

### Is the inspection result normal?

- YES >> After erasing DTC record, INSPECTION END.
- NO >> Repair or replace error-detected parts.

# C1708, C1709, C1710, C1711 TIRE PRESSURE SENSOR

< DTC/CIRCUIT DIAGNOSIS >

## C1708, C1709, C1710, C1711 TIRE PRESSURE SENSOR

### DTC Logic

INFOID:000000007138747

### DTC DETECTION LOGIC

| DTC   | Display Item | Malfunction detected condition   | Possible causes   |
|-------|--------------|--|---|
| C1708 | [NO DATA] FL | Tire pressure data signal from the front LH wheel tire pressure sensor cannot be detected. | <ul style="list-style-type: none"><li>• Harness or connector (Tire pressure receiver, BCM)</li><li>• Tire pressure sensor ID registration incomplete</li><li>• Tire pressure sensor</li><li>• Tire pressure sensor battery voltage</li><li>• Driving in area where radio wave cannot be transmitted/received.</li></ul> |
| C1709 | [NO DATA] FR | Tire pressure data signal from the front RH wheel tire pressure sensor cannot be detected. |   |
| C1710 | [NO DATA] RR | Tire pressure data signal from the rear RH wheel tire pressure sensor cannot be detected.  |   |
| C1711 | [NO DATA] RL | Tire pressure data signal from the rear LH wheel tire pressure sensor cannot be detected.  |   |

### DTC CONFIRMATION PROCEDURE

#### 1. TIRE PRESSURE SENSOR ID REGISTRATION

Perform tire pressure sensor ID registration. Refer to [WT-23, "Work Procedure"](#).

>> GO TO 2.

#### 2. PERFORM DTC CONFIRMATION

##### With CONSULT

1. Drive the vehicle at 40 km/h (25 MPH) or more for 10 minutes.

##### **CAUTION:**

**Total time driving at a speed of 40 km/h (25 MPH) or more must be 10 minutes.**

##### **NOTE:**

Avoid driving in area where radio wave cannot be transmitted/received.

2. Stop the vehicle.
3. Perform self-diagnosis for "AIR PRESSURE MONITOR" of "BCM".

Is DTC "C1708", "C1709", "C1710" or "C1711" detected?

- YES >> Proceed to [WT-27, "Diagnosis Procedure"](#).  
NO >> INSPECTION END

### Diagnosis Procedure

INFOID:000000007138748

#### 1. CHECK TIRE PRESSURE SIGNAL

##### With CONSULT

1. Select "DATA MONITOR" in "AIR PRESSURE MONITOR" of "BCM".
2. Check the values that are displayed for "AIR PRESS FL", "AIR PRESS FR", "AIR PRESS RR", and "AIR PRESS RL".

Are all tire pressures displayed 0 kPa (psi)?

- YES >> GO TO 2.  
NO >> Replace applicable tire pressure sensor. Refer to [WT-48, "Removal and Installation"](#).

#### 2. CHECK RECEIVER CIRCUIT

1. Turn the ignition switch OFF.
2. Remove 10A fuse (#10).
3. Disconnect BCM harness connector and tire pressure receiver harness connector.
4. Check the continuity between BCM harness connector and tire pressure receiver harness connector.

# C1708, C1709, C1710, C1711 TIRE PRESSURE SENSOR

## < DTC/CIRCUIT DIAGNOSIS >

| BCM       |          | Tire pressure receiver |          | Continuity |
|-----------|----------|------------------------|----------|------------|
| Connector | Terminal | Connector              | Terminal |            |
| M121      | 18       | R108                   | 4        | Existed    |
|           | 38       |                        | 2        |            |
| M123      | 57       |                        | 1        |            |

5. Check the continuity between BCM harness connector and ground.

| BCM       |          | —      | Continuity  |
|-----------|----------|--------|-------------|
| Connector | Terminal |        |             |
| M121      | 18       | Ground | Not existed |
|           | 38       |        |             |
| M123      | 57       |        |             |

Is the inspection result normal?

YES >> GO TO 3.

NO >> Repair or replace error-detected parts.

### 3. CHECK TIRE PRESSURE RECEIVER IGNITION SUPPLY CIRCUIT

1. Connect tire pressure receiver harness connector.

2. Install 10A fuse (#10).

**CAUTION:**

**Check that the fuse is not blown, that there are no other abnormalities, and that the fuse is of the specified capacity.**

3. Check the voltage between tire pressure receiver harness connector and the ground when the ignition switch is turned ON and OFF.

**CAUTION:**

**Never start the engine.**

| Tire pressure receiver |          | —      | Voltage  |
|------------------------|----------|--------|----------|
| Connector              | Terminal |        |          |
| R108                   | 1        | Ground | 9 – 16 V |

Is the inspection result normal?

YES >> GO TO 4.

NO >> Repair or replace error-detected parts.

### 4. CHECK TIRE PRESSURE SIGNAL

Check the function tire pressure receiver. Refer to [DLK-259. "Component Function Check"](#).

Is the inspection result normal?

YES >> Replace the BCM.

NO >> Repair or replace error-detected parts.

# C1716, C1717, C1718, C1719 TIRE PRESSURE SENSOR

< DTC/CIRCUIT DIAGNOSIS >

## C1716, C1717, C1718, C1719 TIRE PRESSURE SENSOR

### DTC Logic

INFOID:000000007138749

### DTC DETECTION LOGIC

| DTC   | Display Item       | Malfunction detected condition  | Possible causes  |
|-------|--------------------|---|--|
| C1716 | [PRESSDATA ERR] FL | Malfunction in the tire pressure data from the front LH wheel tire pressure sensor. | <ul style="list-style-type: none"> <li>Excessive tire pressure</li> <li>Tire pressure sensor ID registration incomplete</li> <li>Tire pressure sensor</li> </ul> |
| C1717 | [PRESSDATA ERR] FR | Malfunction in the tire pressure data from the front RH wheel tire pressure sensor. |  |
| C1718 | [PRESSDATA ERR] RR | Malfunction in the tire pressure data from the rear RH wheel tire pressure sensor.  |  |
| C1719 | [PRESSDATA ERR] RL | Malfunction in the tire pressure data from the rear LH wheel tire pressure sensor.  |  |

### DTC CONFIRMATION PROCEDURE

#### 1. PERFORM DTC CONFIRMATION

##### With CONSULT

- Turn the ignition switch ON.

##### **CAUTION:**

**Never start the engine.**

- Check the tire pressure for all wheels and adjust to the specified value. Refer to [WT-51, "Tire Air Pressure"](#).

##### **CAUTION:**

**If the tire pressure before adjustment is close to the standard, reduce the tire pressure, and then with the ignition switch ON, adjust the tire pressure again so that it is within the standard.**

- Perform self-diagnosis in "AIR PRESSURE MONITOR" of "BCM".

Is DTC "C1716", "C1717", "C1718", or "C1719" detected?

YES >> GO TO 2.

NO >> INSPECTION END

#### 2. CHECK LOW TIRE PRESSURE WARNING LAMP

Check that after the ignition switch is turned ON, the low tire pressure warning lamp illuminates for approximately 1 second and then turns OFF.

Is the inspection result normal?

YES >> After erase DTC, INSPECTION END.

NO >> Leave the ignition switch ON and proceed to [WT-29, "Diagnosis Procedure"](#).

### Diagnosis Procedure

INFOID:000000007138750

#### 1. PERFORM TIRE PRESSURE SENSOR ID REGISTRATION

Perform tire pressure sensor ID registration for all wheels. Refer to [WT-23, "Work Procedure"](#).

Is tire pressure sensor ID registration completed?

YES >> GO TO 2.

NO >> Replace tire pressure sensor. Refer to [WT-48, "Removal and Installation"](#).

#### 2. CHECK TIRE PRESSURE SIGNAL

##### With CONSULT

- Check the tire pressure for all wheels and adjust to the specified value. Refer to [WT-51, "Tire Air Pressure"](#).
- Stop the vehicle.
- Select "DATA MONITOR" in "AIR PRESSURE MONITOR" of "BCM".
- Within 15 minutes after vehicle stopped, read the values that are displayed for "AIR PRESS FL", "AIR PRESS FR", "AIR PRESS RR", and "AIR PRESS RL".

Which tire pressures is displayed as 438.60 kPa (4.47 kg/cm<sup>2</sup>, 63.60 psi)?

## C1716, C1717, C1718, C1719 TIRE PRESSURE SENSOR

### < DTC/CIRCUIT DIAGNOSIS >

---

- YES >> Replace tire pressure sensor the tire pressure as 438.60 kPa (4.47 kg/cm<sup>2</sup>, 63.60 psi) displayed. Refer to [WT-48, "Removal and Installation"](#).
- NO >> Perform "DTC CONFIRMATION PROCEDURE" (self-diagnosis) again. Refer to [BCS-58, "DTC Index"](#).

# C1729 VEHICLE SPEED SIGNAL

< DTC/CIRCUIT DIAGNOSIS >

## C1729 VEHICLE SPEED SIGNAL

### DTC Logic

INFOID:000000007138751

### DTC DETECTION LOGIC

| DTC   | Display Item       | Malfunction detected condition     | Possible causes      |   |
|-------|--------------------|------------------------------------|----------------------|---|
| C1729 | VHCL SPEED SIG ERR | Vehicle speed signal not detected. | With intelligent key | <ul style="list-style-type: none"><li>• CAN communication</li><li>• BCM</li><li>• ABS actuator and electric unit (control unit) malfunction</li></ul> |

### DTC CONFIRMATION PROCEDURE

#### 1. DTC CONFIRMATION PROCEDURE

##### With CONSULT

1. Drive the vehicle.
2. Stop the vehicle.
3. Perform self-diagnosis in "AIR PRESSURE MONITOR" of "BCM".

##### Is DTC "C1729" detected?

YES >> Proceed to [WT-31, "Diagnosis Procedure"](#).

NO >> INSPECTION END

### Diagnosis Procedure

INFOID:000000007138752

#### 1. PERFORM ABS ACTUATOR AND ELECTRIC UNIT (CONTROL UNIT) SELF-DIAGNOSIS

##### With CONSULT

Perform self-diagnosis for "ABS".

##### Is any DTCs detected?

YES >> Check the DTCs.

NO >> GO TO 2.

#### 2. CHECK BCM INPUT/OUTPUT SIGNAL

Check BCM input/output signal values. Refer to [BCS-35, "Reference Value"](#).

##### Is the inspection result normal?

YES >> Check pin terminal and connection of each harness connector for malfunctioning conditions.

NO >> Replace the BCM. Refer to [BCS-82, "Removal and Installation"](#).

## POWER SUPPLY AND GROUND CIRCUIT

< DTC/CIRCUIT DIAGNOSIS >

---

### POWER SUPPLY AND GROUND CIRCUIT

#### Diagnosis Procedure

INFOID:000000007138753

#### 1. CHECK BCM POWER SUPPLY AND GROUND CIRCUIT

---

Check BCM power supply and ground. Refer to [BCS-75, "Diagnosis Procedure"](#).

Is the inspection result normal?

YES >> INSPECTION END

NO >> Repair open circuit or short to ground or short to power in harness or connectors.



< SYMPTOM DIAGNOSIS >

---

# SYMPTOM DIAGNOSIS

TPMS

Symptom Table

INFOID:000000007138754

LOW TIRE PRESSURE WARNING LAMP SYMPTOM CHART

A

B

C

D

**WT**

F

G

H

I

J

K

L

M
















N

O

P




# TPMS

## < SYMPTOM DIAGNOSIS >

| Diagnosis items                | Symptom (Ignition switch ON)  | Low tire pressure warning lamp  | Cause   | Action  |
|--------------------------------|---|---|---|---|
| Low tire pressure warning lamp | The low tire pressure warning lamp illuminates for 1 second, then turns OFF.                  |  <br>ON 1 sec > stays OFF<br><small>SEIA0592E</small>   | Wake-up operation for all tire pressure sensors at wheels is completed.     | No system malfunctions  |
|                                | The low tire pressure warning lamp repeats blinking ON for 2 seconds and OFF for 0.2 seconds. |  Blinks: <br>ON 2 sec > OFF 0.2 sec<br><small>SEIA0593E</small>   | Wake-up operation for all tire pressure sensors at wheels is not completed. | Perform the ID registration for all tire pressure sensors at wheels. Refer to <a href="#">WT-23, "Work Procedure"</a> .           |
|                                | The low tire pressure warning lamp blinks once.   | <br>Blinks 1 time<br>ON 0.3 sec > OFF 1.0 sec<br><small>JPEIC0090GB</small>  | The front left tire pressure sensor is not activated.                       | Perform the ID registration for the tire pressure sensor at front left wheel. Refer to <a href="#">WT-23, "Work Procedure"</a> .  |
|                                | The low tire pressure warning lamp repeats blinking twice.                                    |  <br>Blinks 2 times<br>ON 0.3 sec > OFF 0.3 sec<br><small>SEIA0595E</small>   | The front right tire pressure sensor is not activated.                      | Perform the ID registration for the tire pressure sensor at front right wheel. Refer to <a href="#">WT-23, "Work Procedure"</a> . |
|                                | The low tire pressure warning lamp repeats blinking for 3 times.                              |   <br>Blinks 3 times<br>ON 0.3 sec > OFF 0.3 sec<br><small>SEIA0596E</small>   | The rear right tire pressure sensor is not activated.                       | Perform the ID registration for the tire pressure sensor at rear right wheel. Refer to <a href="#">WT-23, "Work Procedure"</a> .  |
|                                | The low tire pressure warning lamp repeats blinking for 4 times.                              |    <br>Blinks 4 times<br>ON 0.3 sec > OFF 0.3 sec<br><small>SEIA0597E</small> | The rear left tire pressure sensor is not activated.                        | Perform the ID registration for the tire pressure sensor at rear left wheel. Refer to <a href="#">WT-23, "Work Procedure"</a> .   |
|                                | The low tire pressure warning lamp turns ON and stays illuminated.                            | <br>Comes ON and stays ON<br><small>SEIA0598E</small>  | Low tire pressure   | Check the tire pressure for all wheels and adjust to the specified value. Refer to <a href="#">WT-51, "Tire Air Pressure"</a> .   |

# TPMS

## < SYMPTOM DIAGNOSIS >

| Diagnosis items                | Symptom (Ignition switch ON)  | Low tire pressure warning lamp  | Cause  | Action   |
|--------------------------------|---|---|--|--|
| Low tire pressure warning lamp | The low tire pressure warning lamp repeats blinking at 0.5-second intervals for 1 minute, and then stays illuminated. |    <p style="text-align: center;">Blinks 1 min</p> <p style="text-align: center;">ON 0.5 sec &gt; OFF 0.5 sec and stays ON</p> <p style="text-align: center;"><small>SEIA0788E</small></p> | The combination meter fuse is open or removed (or pulled out).   | Check and install the combination meter fuse. If necessary, replace the fuse.          |
|                                |   |   | The BCM harness connector is removed.  | Check the connection conditions of the BCM harness connector, and repair if necessary. |
|                                |   | Tire Pressure Monitoring System (TPMS) malfunction.   | <ul style="list-style-type: none"> <li>Perform CONSULT self-diagnosis. Refer to <a href="#">WT-12, "AIR PRESSURE MONITOR : CONSULT Function (BCM - AIR PRESSURE MONITOR)"</a>.</li> <li>If necessary, perform tire pressure sensor ID registration. Refer to <a href="#">WT-23, "Work Procedure"</a>.</li> </ul> |  |

**NOTE:**

If tire pressure sensor wake-up operation is not completed for two or more tire pressure sensors, the applicable low tire pressure warning lamp blinking patterns are displayed continuously.  
 (Example: Blinks once/OFF/blinks 3 times = Wake-up operation is not completed at the front left wheel and rear right wheel tire pressure sensors.)

A  
B  
C  
D  
WT  
F  
G  
H  
I  
J  
K  
L  
M  
N  
O  
P

# LOW TIRE PRESSURE WARNING LAMP DOES NOT TURN ON

< SYMPTOM DIAGNOSIS >

---

## LOW TIRE PRESSURE WARNING LAMP DOES NOT TURN ON

### Description

INFOID:000000007138755

The low tire pressure warning lamp does not illuminate when the ignition switch is turned ON.

#### NOTE:

The low tire pressure warning lamp illuminates for approximately 1 second and then turns OFF when the ignition switch is turned ON. This is to check that no abnormal condition is present in the tire pressure monitoring system.

The lamp bulb may be burnt out or the tire pressure monitoring system may be malfunctioning if the low tire pressure warning lamp does not illuminate when the ignition switch is turned ON.

### Diagnosis Procedure

INFOID:000000007138756

---

#### 1. CHECK LOW TIRE PRESSURE WARNING LAMP SIGNAL

##### Ⓟ With CONSULT

1. Turn the ignition switch ON.

#### CAUTION:

**Never start the engine.**

2. Select "ACTIVE TEST" in "AIR PRESSURE MONITOR" of "BCM".
3. Touch "WARNING LAMP" to turn ON the low tire pressure warning lamp.

When "ACTIVE TEST" is performed, does the low tire pressure warning lamp in the combination meter turn ON?

YES >> GO TO 2.

NO >> GO TO 3.

---

#### 2. CHECK LOW TIRE PRESSURE WARNING LAMP OPERATION

Check that the low tire pressure warning lamp is turned OFF after turns ON for approximately 1 second, when the ignition switch is turned ON.

Is the inspection result normal?

YES >> Check intermittent incident. Refer to [GI-42, "Intermittent Incident"](#).

NO >> Replace the BCM. Refer to [BCS-82, "Removal and Installation"](#).

---

#### 3. CHECK COMBINATION METER POWER SUPPLY CIRCUIT

Perform the trouble diagnosis for combination meter power supply circuit. Refer to [WT-32, "Diagnosis Procedure"](#).

Is the inspection result normal?

YES-1 >> INSPECTION END

NO >> Repair or replace error-detected parts.

# LOW TIRE PRESSURE WARNING LAMP DOES NOT TURN OFF

< SYMPTOM DIAGNOSIS >

## LOW TIRE PRESSURE WARNING LAMP DOES NOT TURN OFF

### Description

INFOID:000000007138757

The low tire pressure warning lamp does not turn OFF after several seconds is passed after engine starts.

### Diagnosis Procedure

INFOID:000000007138758

#### 1. CHECK TIRE PRESSURE

1. Turn the ignition switch ON.

**CAUTION:**

**Never start the engine.**

2. Check the tire pressure for all wheels and adjust to the specified value. Refer to [WT-51, "Tire Air Pressure"](#).

Is the inspection result normal?

YES >> GO TO 2.

NO >> Inspect or repair the tires or wheels.

#### 2. CHECK LOW TIRE PRESSURE WARNING LAMP

Check low tire pressure warning lamp display.

Does not low tire pressure warning lamp turn OFF?

YES >> INSPECTION END

NO >> GO TO 3.

#### 3. CHECK BCM

 **With CONSULT**

Perform "SELF-DIAG RESULTS" in "AIR PRESSURE MONITOR" of "BCM".

Is any DTC detected?

YES >> Check the DTC. Refer to [BCS-58, "DTC Index"](#).

NO >> GO TO 4.

#### 4. CHECK BCM POWER SUPPLY AND GROUND CIRCUIT

Perform the trouble diagnosis for power supply and ground circuit. Refer to [WT-32, "Diagnosis Procedure"](#).

Is the inspection result normal?

YES >> Replace the BCM. Refer to [BCS-82, "Removal and Installation"](#).

NO >> Repair or replace error-detected parts.

A  
B  
C  
D  
WT  
F  
G  
H  
I  
J  
K  
L  
M  
N  
O  
P

# LOW TIRE PRESSURE WARNING LAMP BLINKS

< SYMPTOM DIAGNOSIS >

## LOW TIRE PRESSURE WARNING LAMP BLINKS

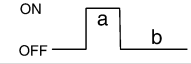
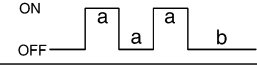
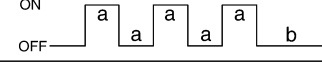
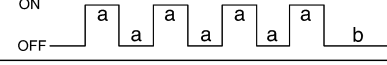
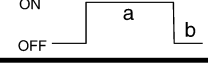
### Description

INFOID:000000007157937

The low tire pressure warning lamp blinks when the ignition switch is turned ON.

#### NOTE:

The position of an inactive tire pressure sensor can be identified by checking the blinking timing of the low tire pressure warning lamp.

| Low tire pressure warning lamp blinking timing   | Activation tire position                 |
|--|--|
| <br>ON<br>OFF | a : 0.3 sec.<br>b : 1.0 sec.<br>Front LH |
| <br>ON<br>OFF | a : 0.3 sec.<br>b : 1.0 sec.<br>Front RH |
| <br>ON<br>OFF | a : 0.3 sec.<br>b : 1.0 sec.<br>Rear RH  |
| <br>ON<br>OFF | a : 0.3 sec.<br>b : 1.0 sec.<br>Rear LH  |
| <br>ON<br>OFF | a : 2 sec.<br>b : 0.2 sec.<br>All tires  |

JPEIC0089GB

### Diagnosis Procedure

INFOID:000000007157938

#### 1. TIRE PRESSURE SENSOR ID REGISTRATION

Perform tire pressure sensor ID registration. Refer to [WT-23, "Work Procedure"](#).

Is tire pressure sensor ID registration completed?

YES >> INSPECTION END

NO >> Perform the self-diagnosis for "AIR PRESSURE MONITOR". Refer to [BCS-58, "DTC Index"](#).

# EASY FILL TIRE ALERT DOES NOT ACTIVATE

< SYMPTOM DIAGNOSIS >

## EASY FILL TIRE ALERT DOES NOT ACTIVATE

### Description

INFOID:000000007138759

The easy fill tire alert does not function while inflating a tire when the select lever position is in P-range with the ignition switch ON.

#### NOTE:

- After starting to inflate the tire, it takes a few seconds for the easy fill tire alert to function.
- If there is no response for approximately 15 seconds or more after inflating the tires, cancel the use of the easy fill tire alert function or move the vehicle approximately 1 m (3.2 ft) backward or forward to try again. The air filler pressure may be weak or out of service area.
- For easy fill tire alert, Refer to [WT-9, "Easy Fill Tire Alert Function"](#).

### Diagnosis Procedure

INFOID:000000007138760

#### 1. LOCATION CHANGE

Move the vehicle to other area and repeat the procedure of the easy fill tire alert function. Refer to [WT-9, "Easy Fill Tire Alert Function"](#).

Is the function normal?

- YES >> Normal (the easy fill tire alert may not operate, depending on reception condition.)  
NO >> GO TO 2.

#### 2. PERFORM BCM SELF-DIAGNOSIS

##### With CONSULT

Perform self-diagnosis for "AIR PRESSURE MONITOR".

Is any DTC detected?

- YES >> Perform trouble diagnosis for detected DTC. Refer to [BCS-58, "DTC Index"](#).  
NO >> GO TO 3.

#### 3. CHECK HAZARD WARNING LAMP OPERATION

Check hazard warning lamp operation with hazard switch.

Does the hazard warning lamp blink?

- YES >> GO TO 4.  
NO >> Perform trouble diagnosis for the hazard warning lamp. Refer to [EXL-84, "Diagnosis Procedure" \(XENON TYPE\)](#), [EXL-193, "Diagnosis Procedure" \(HALOGEN TYPE\)](#).

#### 4. PERFORM TCM SELF-DIAGNOSIS

##### With CONSULT

Perform self-diagnosis for "TRANSMISSION".

Is any DTC detected?

- YES >> Check malfunctioning circuit. Refer to [TM-48, "DTC Index"](#).  
NO >> GO TO 5.

#### 5. CHECK HORN OPERATION

Check horn operation. Refer to [SEC-120, "Component Function Check"](#).

Is the operation normal?

- YES >> GO TO 6.  
NO >> Repair or replace error-detected parts.

#### 6. PERFORM BCM SELF-DIAGNOSIS

##### With CONSULT

1. Drive for 10 minutes at a speed of 40 km/h (25 MPH) or more.

#### CAUTION:

**Total time driving at a speed of 40 km/h (25 MPH) or more must be 10 minutes.**

2. Stop the vehicle.

3. Perform self-diagnosis for "AIR PRESSURE MONITOR".

Is any DTC detected?

## EASY FILL TIRE ALERT DOES NOT ACTIVATE

### < SYMPTOM DIAGNOSIS >

---

- YES >> Check malfunctioning circuit. Refer to [BCS-58, "DTC Index"](#).
- NO >> Replace BCM. Refer to [BCS-82, "Removal and Installation"](#).



# TIRE PRESSURE SENSOR ID REGISTRATION CANNOT BE COMPLETED

< SYMPTOM DIAGNOSIS >

## TIRE PRESSURE SENSOR ID REGISTRATION CANNOT BE COMPLETED

### Description

INFOID:000000007138761

The ID of the tire pressure sensor installed in each wheel cannot be registered in the tire pressure monitoring system. Inspect the tire pressure sensor or the tire pressure monitoring system circuit.

### Diagnosis Procedure

INFOID:000000007138762

#### 1. CHECK TIRE PRESSURE SENSOR ACTIVATION TOOL

Check tire pressure sensor activation tool.

Is the inspection result normal?

YES >> GO TO 2.

NO >> Replace the battery of tire pressure sensor activation tool or repair/replace the tire pressure sensor activation tool.

#### 2. TIRE PRESSURE SENSOR ID REGISTRATION

Perform tire pressure sensor ID registration. Refer to [WT-23, "Work Procedure"](#).

##### **CAUTION:**

**To perform ID registration, observe the following points:**

- Never register ID in a place where radio waves are interfered (e.g. radio tower).
- Never register ID in a place close to vehicles including TPMS.

Is tire pressure sensor ID registration completed?

YES >> INSPECTION END

NO >> GO TO 3.

#### 3. CHECK TIRE PRESSURE SIGNAL

Change the work location and perform ID registration again.

##### **NOTE:**

Depending on the tire pressure sensor position\*, a blind spot exists, and the tire pressure receiver gets a poor reception. If an ID registration is performed under this condition, the registration may not be completed. In such case, follow the instructions below to improve the radio wave receiving environment.

- Rotate tire by 90°, 180°, or 270°. (This Step is to change tire pressure sensor position.)
- Open the door close to the tire of which ID registration is ongoing.

\*: Radio wave reception condition depends on vehicle architecture (e.g. body harness layout, tire wheel design) or environment.

When ID registration is performed, which wheels do not react?

All wheels react and ID registration is possible.>>INSPECTION END

Only certain wheel(s) do not react.>>Replace applicable tire pressure sensor. Refer to [WT-48, "Removal and Installation"](#).

All wheels do not react.>>Check the tire pressure receiver. Refer to [DLK-259, "Component Function Check"](#).

A  
B  
C  
D  
WT  
F  
G  
H  
I  
J  
K  
L  
M  
N  
O  
P

# NOISE, VIBRATION AND HARSHNESS (NVH) TROUBLESHOOTING

< SYMPTOM DIAGNOSIS >

## NOISE, VIBRATION AND HARSHNESS (NVH) TROUBLESHOOTING

### NVH Troubleshooting Chart

INFOID:000000007138763

Use the chart below to find the cause of the symptom. If necessary, repair or replace these parts.

| Symptom |            | Possible cause and SUSPECTED PARTS |              |           |                         |                  |                       |                |                     |                 |              |                                 |                               |      |             |             |       |          | Reference                          |   |
|---------|------------|------------------------------------|--------------|-----------|-------------------------|------------------|-----------------------|----------------|---------------------|-----------------|--------------|---------------------------------|-------------------------------|------|-------------|-------------|-------|----------|------------------------------------|---|
|         |            | Improper installation, looseness   | Out-of-round | Unbalance | Incorrect tire pressure | Uneven tire wear | Deformation or damage | Non-uniformity | Incorrect tire size | PROPELLER SHAFT | DIFFERENTIAL | FRONT AXLE AND FRONT SUSPENSION | REAR AXLE AND REAR SUSPENSION | TIRE | ROAD WHEELS | DRIVE SHAFT | BRAKE | STEERING |                                    |   |
| Symptom | TIRE       | Noise                              | x            | x         | x                       | x                | x                     | x              | x                   |                 | x            | x                               | x                             | x    |             | x           | x     | x        | x                                  | <a href="#">WT-46, "Exploded View"</a>            |
|         |            | Shake                              | x            | x         | x                       | x                | x                     | x              |                     | x               | x            |                                 | x                             | x    |             | x           | x     | x        | x                                  | <a href="#">WT-46, "Inspection"</a>               |
|         |            | Vibration                          |              |           |                         | x                |                       |                |                     | x               | x            |                                 | x                             | x    |             |             |       |          |                                    | <a href="#">WT-43, "Wheel Balance Adjustment"</a> |
|         |            | Shimmy                             | x            | x         | x                       | x                | x                     | x              | x                   | x               |              |                                 | x                             | x    |             | x           |       | x        | x                                  | <a href="#">WT-51, "Tire Air Pressure"</a>        |
|         |            | Judder                             | x            | x         | x                       | x                | x                     | x              |                     | x               |              |                                 | x                             | x    |             | x           |       | x        | x                                  | <a href="#">WT-43, "Inspection"</a>               |
|         |            | Poor quality ride or handling      | x            | x         | x                       | x                | x                     | x              |                     | x               |              |                                 | x                             |      | x           | x           |       |          |                                    |   |
|         | ROAD WHEEL | Noise                              | x            | x         | x                       |                  |                       | x              |                     |                 | x            | x                               | x                             | x    | x           |             | x     | x        | x                                  | —   |
|         |            | Shake                              | x            | x         | x                       |                  |                       | x              |                     |                 | x            |                                 | x                             | x    | x           |             | x     | x        | x                                  | <a href="#">WT-51, "Tire Air Pressure"</a>        |
|         |            | Shimmy, Judder                     | x            | x         | x                       |                  |                       | x              |                     |                 |              |                                 | x                             | x    | x           |             |       | x        | x                                  | NVH in DLN section.                               |
|         |            | Poor quality ride or handling      | x            | x         | x                       |                  |                       | x              |                     |                 |              |                                 | x                             | x    | x           |             |       |          |                                    | NVH in DLN section.                               |
|         |            |                                    |              |           |                         |                  |                       |                |                     |                 |              |                                 |                               |      |             |             |       |          | NVH in DLN section.                |   |
|         |            |                                    |              |           |                         |                  |                       |                |                     |                 |              |                                 |                               |      |             |             |       |          | NVH in DLN section.                |   |
|         |            |                                    |              |           |                         |                  |                       |                |                     |                 |              |                                 |                               |      |             |             |       |          | NVH in FAX and FSU sections.       |   |
|         |            |                                    |              |           |                         |                  |                       |                |                     |                 |              |                                 |                               |      |             |             |       |          | NVH in RAX and RSU sections.       |   |
|         |            |                                    |              |           |                         |                  |                       |                |                     |                 |              |                                 |                               |      |             |             |       |          | Refer to TIRE in this chart.       |   |
|         |            |                                    |              |           |                         |                  |                       |                |                     |                 |              |                                 |                               |      |             |             |       |          | Refer to ROAD WHEEL in this chart. |   |
|         |            |                                    |              |           |                         |                  |                       |                |                     |                 |              |                                 |                               |      |             |             |       |          | NVH in FAX, RAX section.           |   |
|         |            |                                    |              |           |                         |                  |                       |                |                     |                 |              |                                 |                               |      |             |             |       |          | NVH in BR section.                 |   |
|         |            |                                    |              |           |                         |                  |                       |                |                     |                 |              |                                 |                               |      |             |             |       |          | NVH in ST section.                 |   |

x: Applicable

# ROAD WHEEL

< PERIODIC MAINTENANCE >

## PERIODIC MAINTENANCE

### ROAD WHEEL

#### Inspection

INFOID:000000007138764

#### APPEARANCE

Check the road wheel for bend, damage, crack or wear.

#### Wheel Balance Adjustment

INFOID:000000007138765

#### PREPARATION BEFORE ADJUSTMENT

Using releasing agent, remove double-faced adhesive tape from the road wheel.

#### CAUTION:

- Be careful not to scratch the road wheel during removal.
- After removing double-faced adhesive tape, wipe clean traces of releasing agent from the road wheel.

#### ADJUSTMENT (ALUMINUM WHEEL)

- The details of the adjustment procedure are different for each model of wheel balancer. Therefore, refer to each instruction manual.
- If a tire balance machine has adhesion balance weight mode settings and drive-in weight mode setting, select and adjust a drive-in weight mode suitable for aluminum wheels.

1. Set road wheel on tire balance machine using the center hole as a guide. Start the tire balance machine.
2. When inner and outer unbalance values are shown on the tire balance machine indicator, multiply outer unbalance value by 5/3 to determine balance weight that should be used. Select the outer balance weight with a value closest to the calculated value above and install to the designated outer position of, or at the designated angle in relation to the road wheel.

#### CAUTION:

- Never install the inner balance weight before installing the outer balance weight.
- Before installing the balance weight, always clean the mating surface of the road wheel.

- a. Indicated unbalance value  $\times 5/3 =$  balance weight to be installed

#### Calculation example:

23 g (0.81 oz)  $\times 5/3 = 38.33$  g (1.35 oz)  $\Rightarrow 37.5$  g (1.32 oz) balance weight (closer to calculated balance weight value)

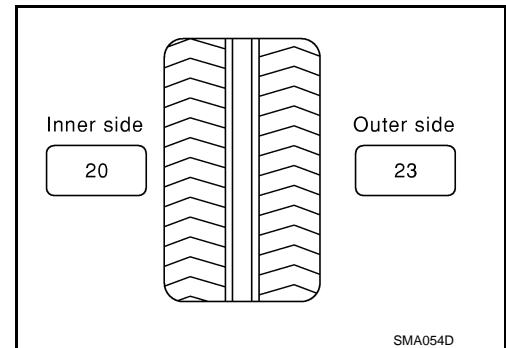
#### NOTE:

Note that balance weight value must be closer to the calculated balance weight value.

#### Example:

36.2  $\Rightarrow$  35 g (1.23 oz)

36.3  $\Rightarrow$  37.5 g (1.32 oz)



- b. Installed balance weight in the position.

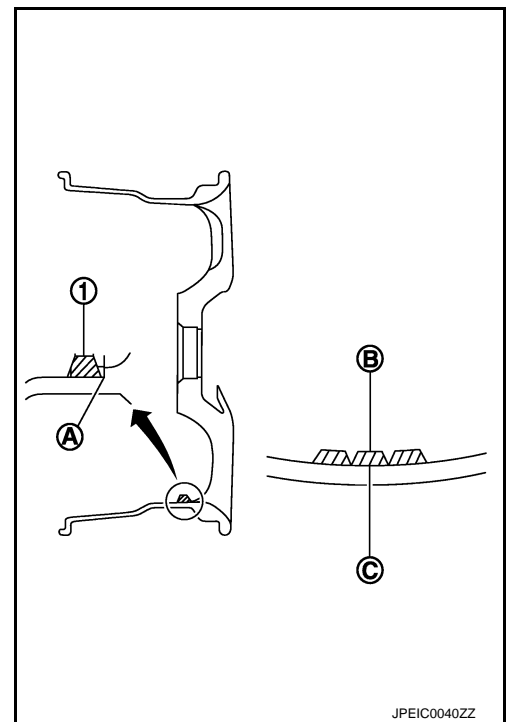
# ROAD WHEEL

## < PERIODIC MAINTENANCE >

- When installing balance weight (1) to road wheels, set it into the grooved area (A) on the inner wall of the road wheel as shown in the figure so that the balance weight center (B) is aligned with the tire balance machine indication position (angle) (C).

**CAUTION:**

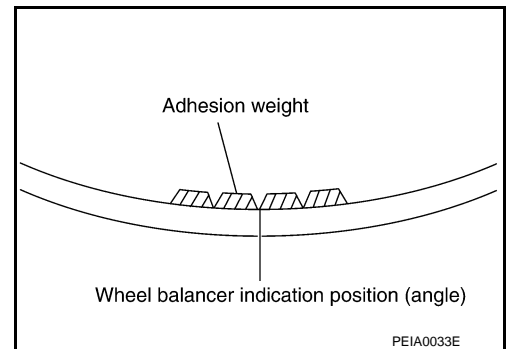
- Always use genuine NISSAN balance weights.
- Balance weights are non-reusable; always replace with new ones.
- Never install three or more sheets of balance weight.



- c. If calculated balance weight value exceeds 50 g (1.76 oz), install two balance weight sheets in line with each other as shown in the figure.

**CAUTION:**

**Never install one balance weight sheet on top of another.**



- Start the tire balance machine again.
- Install drive-in balance weight on inner side of road wheel in the tire balance machine indication position (angle).

**CAUTION:**

**Never install three or more balance weight.**

- Start the tire balance machine. Check that the inner and outer residual unbalance value is within the allowable unbalance value.

**CAUTION:**

**If either residual unbalance value exceeds limit, repeat installation procedures.**

### Allowable unbalance value

Dynamic (At flange) : Refer to [WT-51, "Road Wheel"](#).

Static (At flange) : Refer to [WT-51, "Road Wheel"](#).

## ADJUSTMENT (STEEL WHEEL)

### Preparation Before Adjustment

Remove balance weight from the road wheel.

### Wheel Balance Adjustment

- The details of the adjustment procedure are different for each model of wheel balancer. Therefore, refer to each instruction manual.
- If a tire balance machine has adhesion balance weight mode settings and drive-in weight mode setting, select and adjust a drive-in weight mode suitable for steel wheels.

# ROAD WHEEL

## < PERIODIC MAINTENANCE >

1. Set road wheel to wheel balancer, and then start wheel balancer.
2. Install balance weight to road wheel according to the unbalance and position (angle) displayed on wheel balancer.  
**CAUTION:**
  - **Never install three or more balance weights on one side.**
  - **Always use genuine NISSAN balance weights.**
  - **Balance weights are non-reusable; always replace with new ones.**
  - **Always use a plastic hammer when attaching the weight.**
3. Start the tire balance machine. Check that the inner and outer residual unbalance value is within the allowable unbalance value.  
**CAUTION:**  
**If either residual unbalance value exceeds limit, repeat installation procedures.**

### Allowable unbalance value

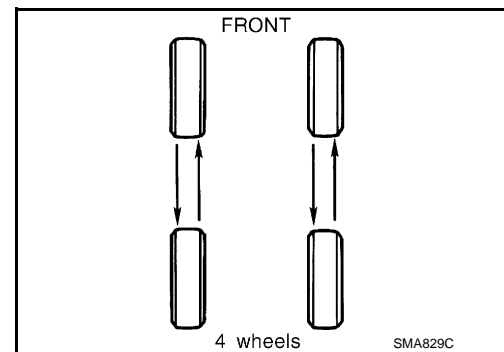
Dynamic (At flange) : Refer to [WT-51, "Road Wheel"](#).

Static (At flange) : Refer to [WT-51, "Road Wheel"](#).

## Tire Rotation

INFOID:000000007138766

- Follow the maintenance schedule for tire rotation service intervals. Refer to [MA-4, "Explanation of General Maintenance"](#).
- When installing the wheel, tighten wheel nuts to the specified torque. Refer to [WT-46, "Exploded View"](#).  
**CAUTION:**
  - **Never include the T-type spare tire when rotating the tires.**
  - **When installing wheels, tighten them diagonally by dividing the work two to three times in order to prevent the wheels from developing any distortion.**
  - **Be careful not to tighten wheel nut at torque exceeding the criteria.**
  - **Use NISSAN genuine wheel nut.**
- Perform the ID registration, after tire rotation. Refer to [WT-23, "Work Procedure"](#).



# ROAD WHEEL TIRE ASSEMBLY

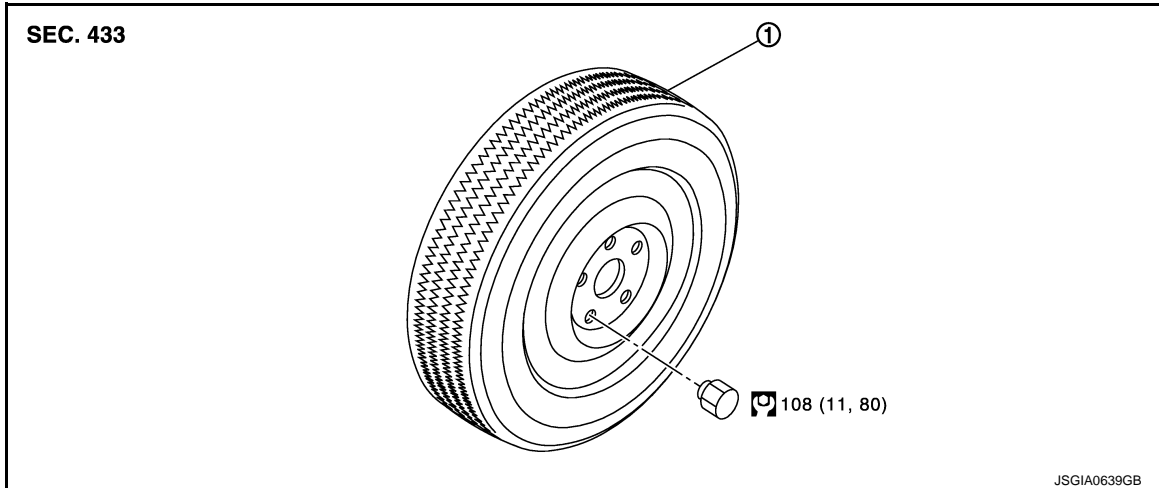
< REMOVAL AND INSTALLATION >

## REMOVAL AND INSTALLATION


### ROAD WHEEL TIRE ASSEMBLY

Exploded View

INFOID:000000007138774



1. Tire assembly

: N·m (kg·m, ft·lb)

### Removal and Installation

INFOID:000000007138775

#### REMOVAL

1. Remove wheel nuts.
2. Remove tire assembly.

#### INSTALLATION

Note the following, install in the reverse order of removal.

- When replacing or rotating wheels, perform the ID registration. Refer to [WT-23, "Work Procedure"](#).

#### Inspection

INFOID:000000007138776

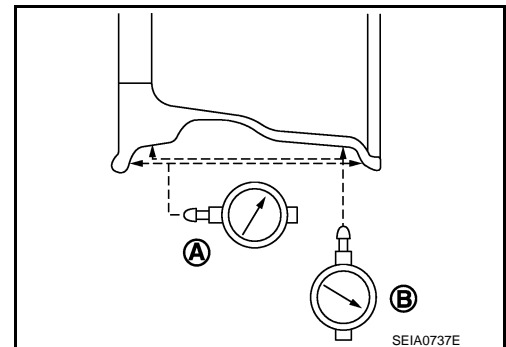
#### ALUMINUM WHEEL

1. Check tires for wear and improper inflation.
2. Check wheels for deformation, cracks and other damage. If deformed, remove wheel and check wheel runout.
  - a. Remove tire from aluminum wheel and mount on a tire balance machine.
  - b. Set dial indicator as shown in the figure.
  - c. Check runout, if the axial runout (A) or radial runout (B) exceeds the limit, replace aluminum wheel.

#### Limit

**Axial runout (A)** : Refer to [WT-51, "Road Wheel"](#).

**Radial runout (B)** : Refer to [WT-51, "Road Wheel"](#).



#### STEEL WHEEL

1. Check tires for wear and improper inflation.

# ROAD WHEEL TIRE ASSEMBLY

## < REMOVAL AND INSTALLATION >

2. Check wheels for deformation, cracks and other damage. If deformed, remove wheel and check wheel runout.
  - a. Remove tire from steel wheel and mount wheel on a tire balance machine.
  - b. Set two dial indicators as shown in the illustration.
  - c. Set each dial indicator to "0".
  - d. Rotate wheel and check dial indicators at several points around the circumference of the wheel.
  - e. Calculate runout at each point as shown below.

**Axial runout (A)** :  $(\textcircled{1} + \textcircled{2})/2$

**Radial runout (B)** :  $(\textcircled{3} + \textcircled{4})/2$

- f. Select maximum positive runout value and the maximum negative value. Add the two values to determine total runout.

**CAUTION:**

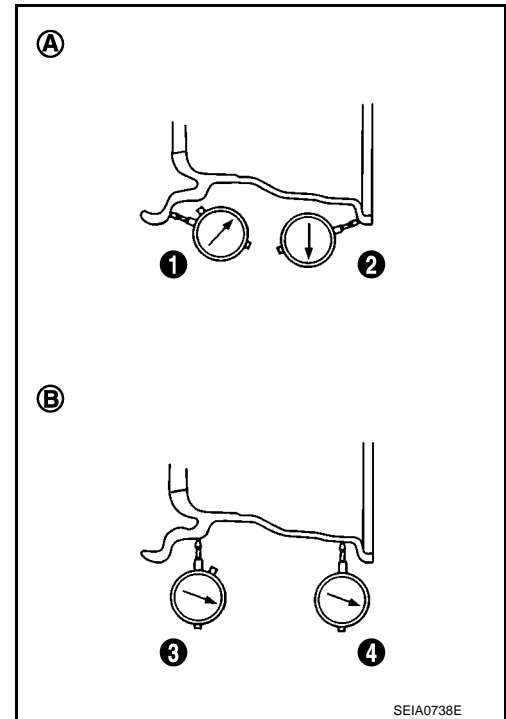
**In case a positive or negative value is not available, use the maximum value (negative or positive) for total runout.**

**Limit**

**A** : Refer to [WT-51, "Road Wheel"](#).

**B** : Refer to [WT-51, "Road Wheel"](#).

- g. If the total runout value exceeds limit, replace steel wheel.



A  
B  
C  
D  
WT  
F  
G  
H  
I  
J  
K  
L  
M  
N  
O  
P

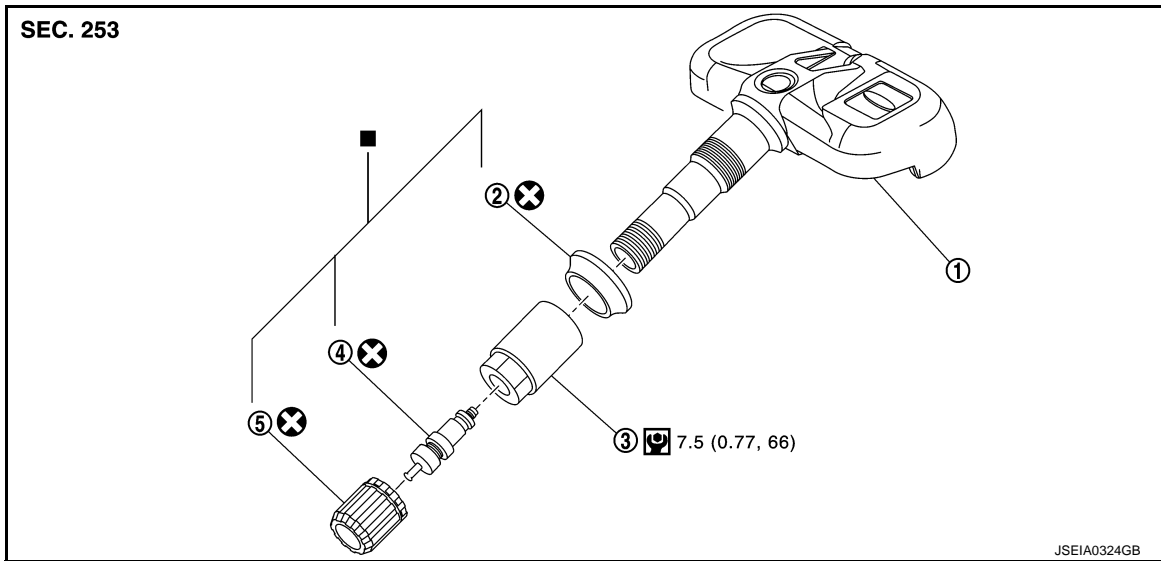
# TIRE PRESSURE SENSOR

< REMOVAL AND INSTALLATION >

## TIRE PRESSURE SENSOR

### Exploded View

INFOID:000000007138778



- |                         |                 |              |
|-------------------------|-----------------|--------------|
| 1. Tire pressure sensor | 2. Grommet seal | 3. Valve nut |
| 4. Valve core           | 5. Valve cap    |              |

: N-m (kg-m, in-lb)

: Always replace after every disassembly.

: Parts that are replaced as a set when the tire is replaced.

### Removal and Installation

INFOID:000000007138779

#### REMOVAL

1. Remove tire assembly. Refer to [WT-46, "Removal and Installation"](#).
2. Remove valve cap, valve core and then deflate tire.

#### NOTE:

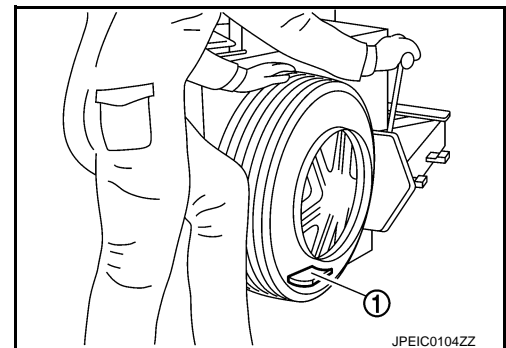
If the tire is reused, apply a matching mark to the position of the tire road wheel valve hole for the purpose of wheel balance adjustment after installation.

3. Remove valve nut retaining tire pressure sensor and allow tire pressure sensor to fall into tire.
4. Use the tire changer and disengage the tire beads.

#### CAUTION:

- Verify that the tire pressure sensor (1) is at the bottom of the tire while performing the above.
- Be sure not to damage the road wheel or tire pressure sensor.

5. Apply bead cream or an equivalent to the tire beads.
6. Set tire onto the tire changer turntable so that the tire pressure sensor inside the tire is located close to the road wheel valve hole.





# TIRE PRESSURE SENSOR

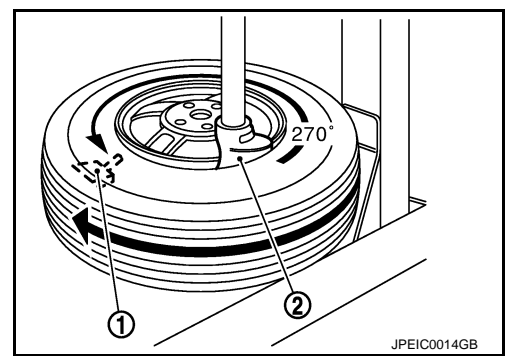
## < REMOVAL AND INSTALLATION >

- Turn tire so that valve hole is at bottom and bounce so that tire pressure sensor (1) is near valve hole. Carefully lift tire onto turntable and position valve hole (and tire pressure sensor) 270 degree from mounting/dismounting head (2).

**CAUTION:**

**Be sure not to damage the road wheel and tire pressure sensor.**

- Remove tire pressure sensor from tire.
- Remove the grommet seal.

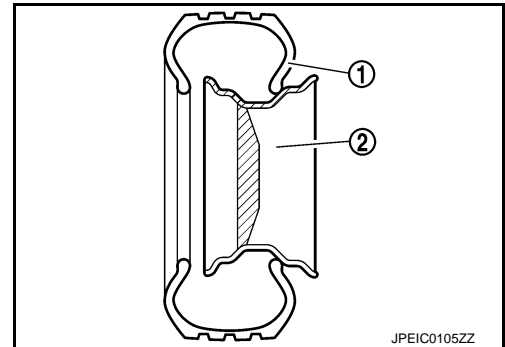


## INSTALLATION

- Apply bead cream or an equivalent to the tire beads.
- Install the tire inside beads (1) onto the road wheel (2) in the position shown in the figure.
- Install grommet seal to the tire pressure sensor.

**CAUTION:**

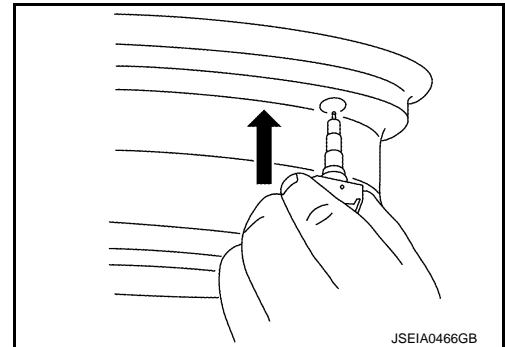
- Never reuse grommet seal.
- Insert grommet seal all the way to the base.



- Hold tire pressure sensor as shown in the figure, and press the sensor in the direction shown by arrow (←) to bring it into absolute contact with valve hole. After this, tighten valve nut to the specified torque.

**CAUTION:**

- Never reuse valve core and valve cap.
- Check that grommet seal is free of foreign matter.
- Check that grommet seal contacts horizontally with road wheel.
- Manually tighten valve nut all the way to the wheel. (Never use a power tool to avoid impact.)



- Set the tire onto the turntable so that the tire changer arm (2) is at a position approximately 270° from the tire pressure sensor (1).

**CAUTION:**

**Be sure that the arm does not contact the tire pressure sensor.**

- Install the tire outer side beads onto the road wheel.

**CAUTION:**

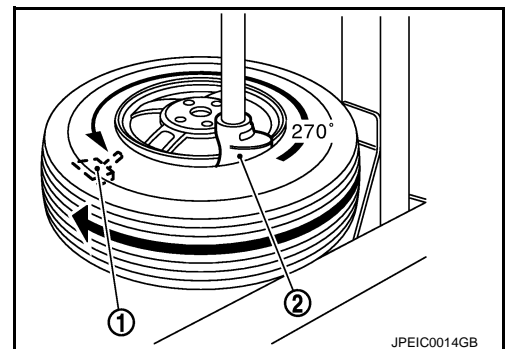
**When installing, check that the tire does not turn together with the road wheel.**

- Check the tire pressure for all wheels and adjust to the specified value. Refer to [WT-51, "Tire Air Pressure"](#).

**NOTE:**

Before adding air, align the tire with the position of the matching mark applied at the time of removal.

- Install tire to the vehicle. Refer to [WT-46, "Removal and Installation"](#).
- Perform tire pressure sensor ID registration. Refer to [WT-23, "Work Procedure"](#).



# TIRE PRESSURE RECEIVER

< REMOVAL AND INSTALLATION >

---

## TIRE PRESSURE RECEIVER

### Removal and Installation

INFOID:000000007138780

#### REMOVAL

1. Remove the remote keyless entry receiver. (The tire pressure receiver is incorporated into remote keyless entry receiver.) Refer to [DLK-485, "Removal and Installation"](#).

#### INSTALLATION

Install in the reverse order of removal.

## SERVICE DATA AND SPECIFICATIONS (SDS)

< SERVICE DATA AND SPECIFICATIONS (SDS)

# SERVICE DATA AND SPECIFICATIONS (SDS)

## SERVICE DATA AND SPECIFICATIONS (SDS)

### Road Wheel

INFOID:0000000006884826

#### ALUMINUM WHEEL

| Item                |                     | Limit                              |
|---------------------|---------------------|------------------------------------|
| Runout              | Axial runout        | Less than 0.3 mm (0.012 in)        |
|                     | Radial runout       |                                    |
| Allowable unbalance | Dynamic (At flange) | Less than 5 g (0.17 oz) (one side) |
|                     | Static (At flange)  | Less than 10 g (0.35 oz)           |

#### STEEL WHEEL

| Item                |                         | Limit                              |
|---------------------|-------------------------|------------------------------------|
| Runout              | Axial runout (Average)  | Less than 0.8 mm (0.031 in)        |
|                     | Radial runout (Average) | Less than 0.5 mm (0.020 in)        |
| Allowable unbalance | Dynamic (At flange)     | Less than 5 g (0.17 oz) (one side) |
|                     | Static (At flange)      | Less than 10 g (0.35 oz)           |

#### STEEL WHEEL (EMERGENCY)

| Item   |                         | Limit                       |
|--------|-------------------------|-----------------------------|
| Runout | Axial runout (Average)  | Less than 1.5 mm (0.059 in) |
|        | Radial runout (Average) |                             |

### Tire Air Pressure

INFOID:0000000006884827

Unit: kPa (kgf/cm<sup>2</sup>, psi)

| Item            | Standard      |      |
|-----------------|---------------|------|
|                 | Front         | Rear |
| P225/65R16 99T  | 240 (2.4, 35) |      |
| P235/55R18 99T  | 240 (2.4, 35) |      |
| T135/80D16 101M | 420 (4.2, 60) |      |
| T135/90D16 102M |               |      |