

SECTION **PWO**  
POWER OUTLET

A  
B  
C  
D  
E  
F  
G  
H  
I  
J  
K  
L  
P  
N  
O  
P

CONTENTS

<b>POWER SOCKET</b>	<b>SYSTEM DESCRIPTION</b> .....	10
<b>PRECAUTION</b> .....	<b>COMPONENT PARTS</b> .....	10
<b>PRECAUTIONS</b> .....	Component Parts Location .....	10
Precaution for Supplemental Restraint System (SRS) "AIR BAG" and "SEAT BELT PRE-TENSIONER" .....	AC 120 V Outlet Main Switch .....	10
	AC 120 V Outlet .....	11
	Inverter Unit .....	11
<b>WIRING DIAGRAM</b> .....	<b>SYSTEM</b> .....	12
<b>POWER SOCKET</b> .....	System Description .....	12
Wiring Diagram .....	Circuit Diagram .....	13
	Fail-safe .....	13
<b>REMOVAL AND INSTALLATION</b> .....	<b>ECU DIAGNOSIS INFORMATION</b> .....	15
<b>POWER SOCKET</b> .....	<b>INVERTER UNIT</b> .....	15
<b>FRONT POWER SOCKET</b> .....	Reference Value .....	15
FRONT POWER SOCKET : Exploded View .....	Fail-safe .....	16
FRONT POWER SOCKET : Removal and Installation .....	<b>WIRING DIAGRAM</b> .....	17
	<b>AC 120 V POWER OUTLET</b> .....	17
<b>LUGGAGE ROOM POWER SOCKET</b> .....	Wiring Diagram .....	17
LUGGAGE ROOM POWER SOCKET : Exploded View .....	<b>BASIC INSPECTION</b> .....	18
LUGGAGE ROOM POWER SOCKET : Removal and Installation .....	<b>DIAGNOSIS AND REPAIR WORK FLOW</b> .....	18
	Work Flow .....	18
<b>SERVICE DATA AND SPECIFICATIONS (SDS)</b> .....	<b>DTC/CIRCUIT DIAGNOSIS</b> .....	20
	<b>POWER SUPPLY AND GROUND CIRCUIT</b> ....	20
<b>SERVICE DATA AND SPECIFICATIONS (SDS)</b> .....	Diagnosis Procedure .....	20
Power Socket .....	<b>AC 120 V OUTLET MAIN SWITCH POWER SUPPLY CIRCUIT</b> .....	21
	Diagnosis Procedure .....	21
<b>AC 120 V OUTLET</b>	<b>AC 120 V OUTLET MAIN SWITCH INPUT SIGNAL CIRCUIT</b> .....	22
<b>PRECAUTION</b> .....	Diagnosis Procedure .....	22
<b>PRECAUTIONS</b> .....	Component Inspection .....	22
Precaution for Supplemental Restraint System (SRS) "AIR BAG" and "SEAT BELT PRE-TENSIONER" .....		

PWO

<b>AC 120 V POWER OUTPUT CIRCUIT</b> .....	24	<b>REMOVAL AND INSTALLATION</b> .....	31
Diagnosis Procedure .....	24	<b>INVERTER UNIT</b> .....	31
<b>AC 120 V OUTLET MAIN SWITCH INDICA-</b>		Removal and Installation .....	31
<b>TOR CIRCUIT</b> .....	26	<b>AC 120V OUTLET MAIN SW</b> .....	32
Diagnosis Procedure .....	26	Removal and Installation .....	32
<b>SYMPTOM DIAGNOSIS</b> .....	28	<b>AC 120 V OUTLET</b> .....	33
<b>NO OUTPUT FROM AC 120 V OUTLET</b> .....	28	Removal and Installation .....	33
Diagnosis Procedure .....	28	<b>SERVICE DATA AND SPECIFICATIONS</b>	
<b>AC 120 V OUTLET MAIN SWITCH INDICA-</b>		<b>(SDS)</b> .....	34
<b>TOR DOES NOT TURN ON</b> .....	29	<b>SERVICE DATA AND SPECIFICATIONS</b>	
Diagnosis Procedure .....	29	<b>(SDS)</b> .....	34
<b>NORMAL OPERATING CONDITION</b> .....	30	AC 120 V Power Outlet .....	34
Description .....	30		

PRECAUTION

PRECAUTIONS

Precaution for Supplemental Restraint System (SRS) "AIR BAG" and "SEAT BELT PRE-TENSIONER"

INFOID:000000007495760

The Supplemental Restraint System such as "AIR BAG" and "SEAT BELT PRE-TENSIONER", used along with a front seat belt, helps to reduce the risk or severity of injury to the driver and front passenger for certain types of collision. This system includes seat belt switch inputs and dual stage front air bag modules. The SRS system uses the seat belt switches to determine the front air bag deployment, and may only deploy one front air bag, depending on the severity of a collision and whether the front occupants are belted or unbelted. Information necessary to service the system safely is included in the "SRS AIR BAG" and "SEAT BELT" of this Service Manual.

**WARNING:**

Always observe the following items for preventing accidental activation.

- To avoid rendering the SRS inoperative, which could increase the risk of personal injury or death in the event of a collision that would result in air bag inflation, all maintenance must be performed by an authorized NISSAN/INFINITI dealer.
- Improper maintenance, including incorrect removal and installation of the SRS, can lead to personal injury caused by unintentional activation of the system. For removal of Spiral Cable and Air Bag Module, see "SRS AIR BAG".
- Never use electrical test equipment on any circuit related to the SRS unless instructed to in this Service Manual. SRS wiring harnesses can be identified by yellow and/or orange harnesses or harness connectors.

PRECAUTIONS WHEN USING POWER TOOLS (AIR OR ELECTRIC) AND HAMMERS

**WARNING:**

Always observe the following items for preventing accidental activation.

- When working near the Air Bag Diagnosis Sensor Unit or other Air Bag System sensors with the ignition ON or engine running, never use air or electric power tools or strike near the sensor(s) with a hammer. Heavy vibration could activate the sensor(s) and deploy the air bag(s), possibly causing serious injury.
- When using air or electric power tools or hammers, always switch the ignition OFF, disconnect the battery, and wait at least 3 minutes before performing any service.

A  
B  
C  
D  
E  
F  
G  
H  
I  
J  
K  
L

PWO

N  
O  
P

# POWER SOCKET

< WIRING DIAGRAM >

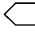
[POWER SOCKET]

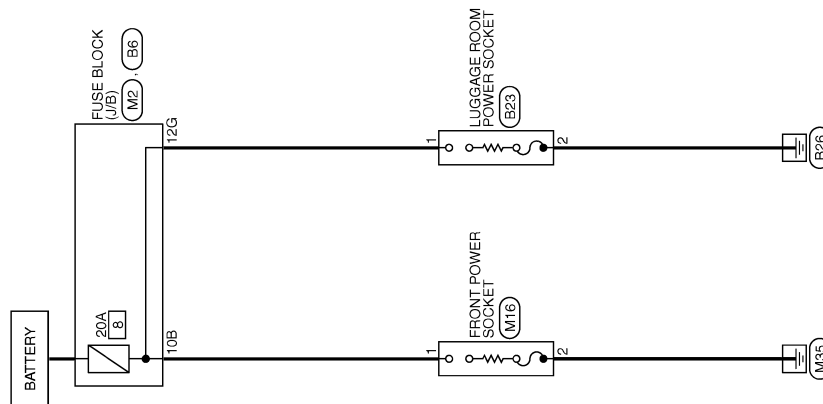
## WIRING DIAGRAM

### POWER SOCKET

#### Wiring Diagram

INFOID:000000007495761

For connector terminal arrangements, harness layouts, and alphabets in a  (option abbreviation; if not described in wiring diagram), refer to [GI-12. "Connector Information"](#).



POWER SOCKET

2010/12/13

JCMWA7649GB

REMOVAL AND INSTALLATION

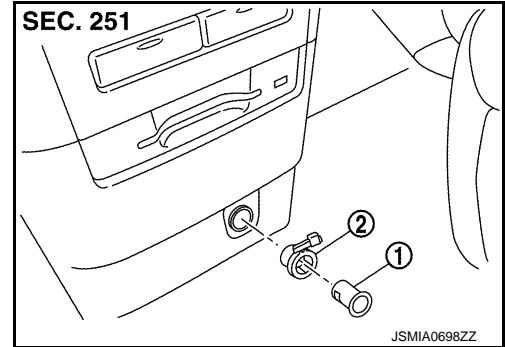
POWER SOCKET

FRONT POWER SOCKET

FRONT POWER SOCKET : Exploded View

INFOID:000000007495762

- 1 : Inner socket
- 2 : Ring

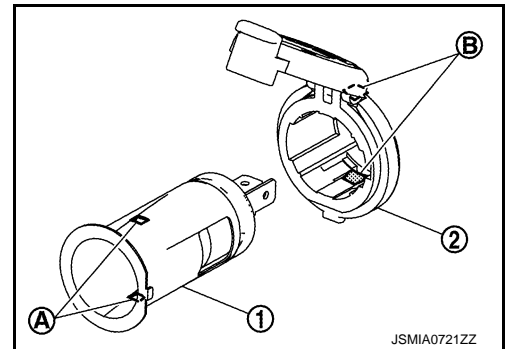


FRONT POWER SOCKET : Removal and Installation


INFOID:000000007495763

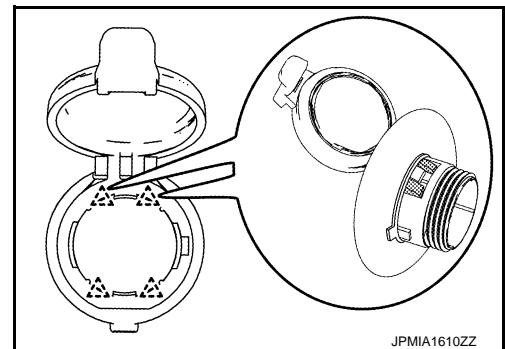
REMOVAL

1. Remove instrument lower cover center. Refer to [JP-13. "Removal and Installation"](#).
2. Pull out inner socket (1) by pushing the pawl (B) of the ring (2) from the inner socket hole (square) (A).



3. Press the ring pawl from the back of the instrument lower cover center to remove the ring.

 : Pawl



INSTALLATION

Note the following, and install in the reverse order of removal.

A  
B  
C  
D  
E  
F  
G  
H  
I  
J  
K  
L  
PWO  
N  
O  
P

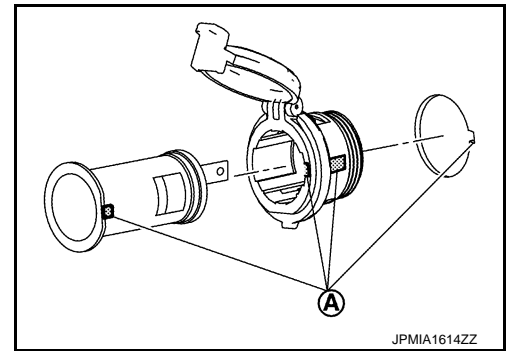
# POWER SOCKET

## < REMOVAL AND INSTALLATION >

[POWER SOCKET]

Align the cut outs of inner socket, ring and instrument lower cover center.

A : Cut out



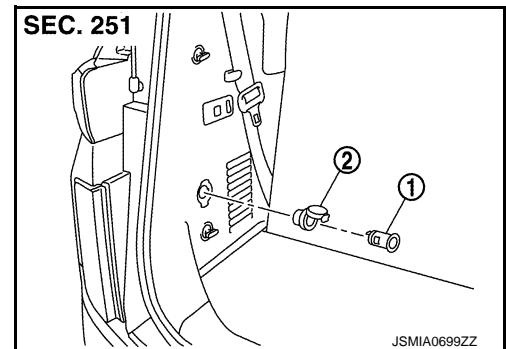
## LUGGAGE ROOM POWER SOCKET

### LUGGAGE ROOM POWER SOCKET : Exploded View

INFOID:000000007495764

1 : Inner socket

2 : Ring

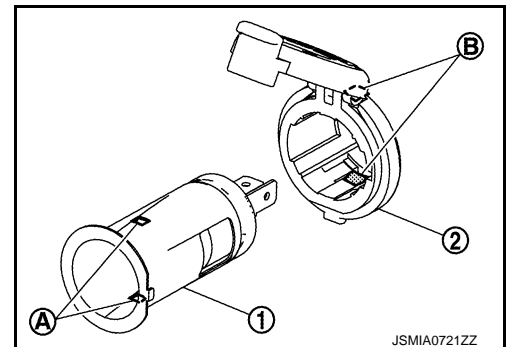


### LUGGAGE ROOM POWER SOCKET : Removal and Installation

INFOID:000000007495765

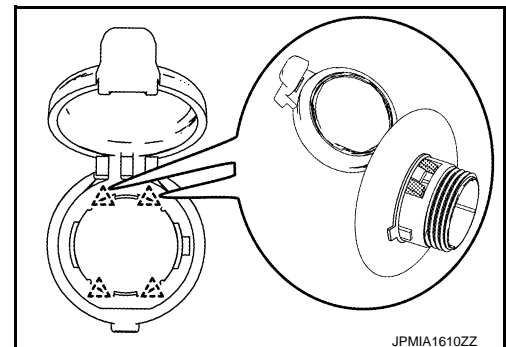
#### REMOVAL

1. Remove clips on the rear side of the luggage side lower finisher (LH) to obtain space for work. Refer to [INT-42. "LUGGAGE SIDE LOWER FINISHER : Removal and Installation"](#).
2. Disconnect power socket connector.
3. Pull out inner socket (1) by pushing the pawl (B) of the ring (2) from the inner socket hole (square) (A).



4. Press the ring pawl from the back of the luggage side lower finisher (LH) to remove the ring.

△ : Pawl



#### INSTALLATION

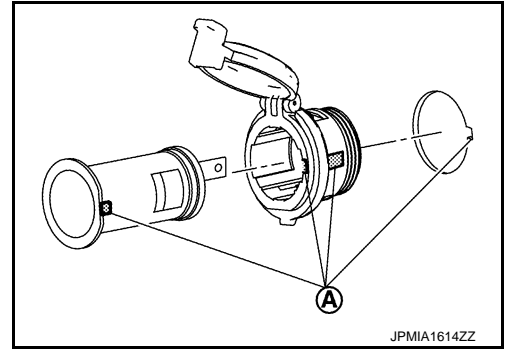
# POWER SOCKET

## < REMOVAL AND INSTALLATION >

[POWER SOCKET]

Note the following, and install in the reverse order of removal.  
Align the cut outs of inner socket, ring and luggage side lower finisher (LH).

A : Cut out



A  
B  
C  
D  
E  
F  
G  
H  
I  
J  
K  
L  
N  
O  
P

PWO

# SERVICE DATA AND SPECIFICATIONS (SDS)

< SERVICE DATA AND SPECIFICATIONS (SDS)

[POWER SOCKET]

## SERVICE DATA AND SPECIFICATIONS (SDS)

### SERVICE DATA AND SPECIFICATIONS (SDS)

Power Socket

INFOID:000000007495766

Rated voltage	DC 12 V
Maximum electric capacity	120 W or less (Total)
Maximum current	10 A or less (Total)



PRECAUTION

PRECAUTIONS

Precaution for Supplemental Restraint System (SRS) "AIR BAG" and "SEAT BELT PRE-TENSIONER"

INFOID:000000007495767

The Supplemental Restraint System such as "AIR BAG" and "SEAT BELT PRE-TENSIONER", used along with a front seat belt, helps to reduce the risk or severity of injury to the driver and front passenger for certain types of collision. This system includes seat belt switch inputs and dual stage front air bag modules. The SRS system uses the seat belt switches to determine the front air bag deployment, and may only deploy one front air bag, depending on the severity of a collision and whether the front occupants are belted or unbelted. Information necessary to service the system safely is included in the "SRS AIR BAG" and "SEAT BELT" of this Service Manual.

**WARNING:**

Always observe the following items for preventing accidental activation.

- To avoid rendering the SRS inoperative, which could increase the risk of personal injury or death in the event of a collision that would result in air bag inflation, all maintenance must be performed by an authorized NISSAN/INFINITI dealer.
- Improper maintenance, including incorrect removal and installation of the SRS, can lead to personal injury caused by unintentional activation of the system. For removal of Spiral Cable and Air Bag Module, see "SRS AIR BAG".
- Never use electrical test equipment on any circuit related to the SRS unless instructed to in this Service Manual. SRS wiring harnesses can be identified by yellow and/or orange harnesses or harness connectors.

PRECAUTIONS WHEN USING POWER TOOLS (AIR OR ELECTRIC) AND HAMMERS

**WARNING:**

Always observe the following items for preventing accidental activation.

- When working near the Air Bag Diagnosis Sensor Unit or other Air Bag System sensors with the ignition ON or engine running, never use air or electric power tools or strike near the sensor(s) with a hammer. Heavy vibration could activate the sensor(s) and deploy the air bag(s), possibly causing serious injury.
- When using air or electric power tools or hammers, always switch the ignition OFF, disconnect the battery, and wait at least 3 minutes before performing any service.

A  
B  
C  
D  
E  
F  
G  
H  
I  
J  
K  
L

PWO

N  
O  
P

# COMPONENT PARTS

< SYSTEM DESCRIPTION >

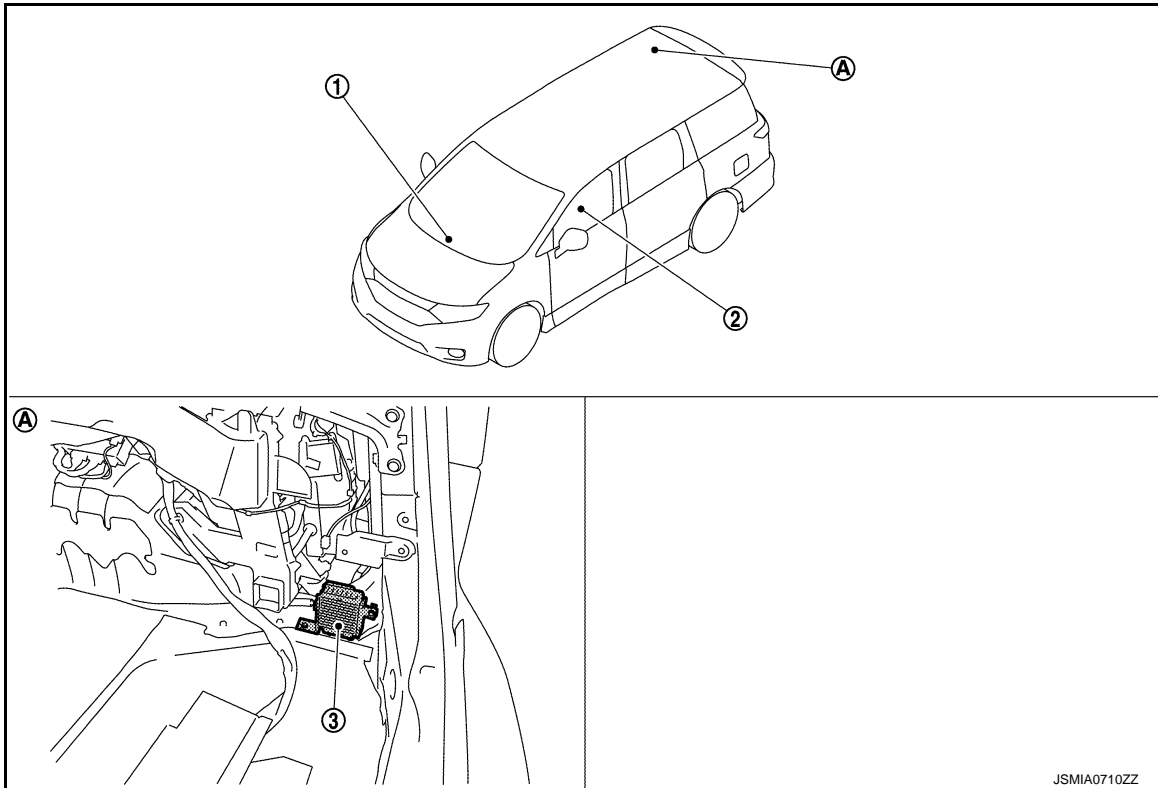
[AC 120 V OUTLET]

## SYSTEM DESCRIPTION

### COMPONENT PARTS

#### Component Parts Location

INFOID:000000007495768



JSMIA0710ZZ

- A. Luggage room finisher RH remove condition

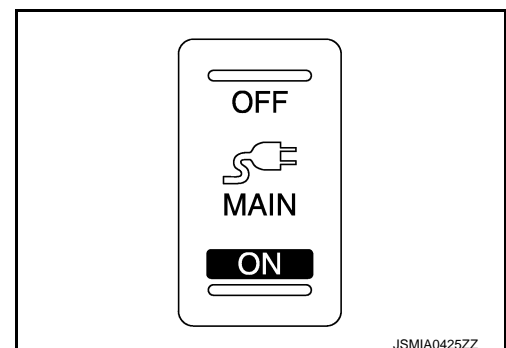
### COMPONENT PARTS DESCRIPTION

No.	Component	Function
1.	AC 120 V outlet main switch	<a href="#">PWO-10. "AC 120 V Outlet Main Switch"</a>
2.	AC 120 V outlet	<a href="#">PWO-11. "AC 120 V Outlet"</a>
3.	Inverter unit	<a href="#">PWO-11. "Inverter Unit"</a>

#### AC 120 V Outlet Main Switch

INFOID:000000007495769

The operation of the switch enables the inverter unit to activate/inactivate and turn ON/OFF AC 120 V output.



JSMIA0425ZZ

# COMPONENT PARTS

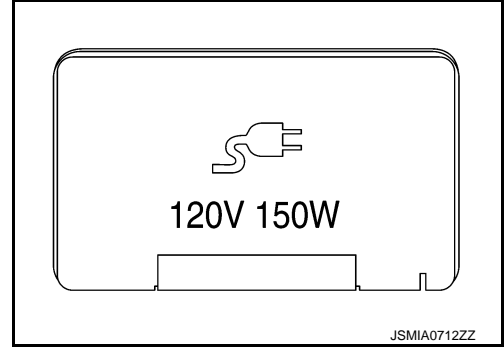
< SYSTEM DESCRIPTION >

[AC 120 V OUTLET]

## AC 120 V Outlet

INFOID:000000007495770

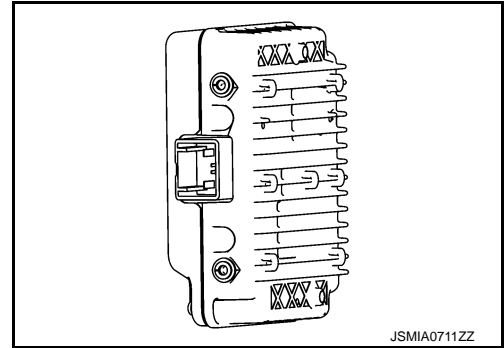
The AC 120 V outlet allows using AC 120 V converted in the inverter unit as an outlet.



## Inverter Unit

The inverter unit converts an applied power supply voltage (approximately DC 12 V) to AC 120 V and outputs the converted voltage.

INFOID:000000007495771



A  
B  
C  
D  
E  
F  
G  
H  
I  
J  
K  
L

PWO

N  
O  
P

# SYSTEM

< SYSTEM DESCRIPTION >

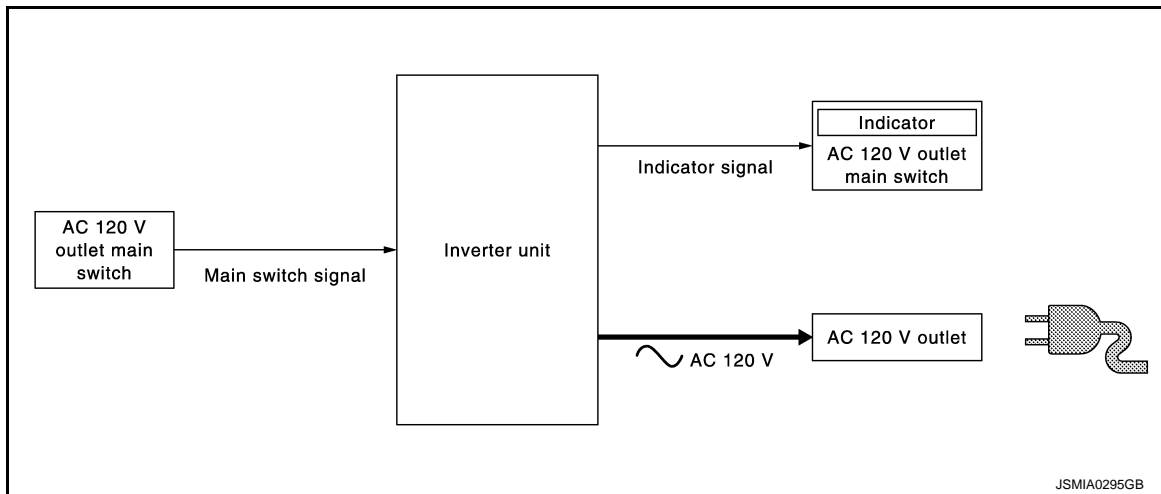
[AC 120 V OUTLET]

## SYSTEM

### System Description

INFOID:000000007495772

### SYSTEM DIAGRAM



### SYSTEM DESCRIPTION

- When turning ON the AC 120 V outlet main switch with the ignition switch ON, the indicator turns ON and the inverter unit is activated.
- The inverter unit converts power supply voltage to AC 120 V and outputs the converted voltage to the AC 120 V outlet two seconds after the AC 120 V outlet main switch is turned ON.

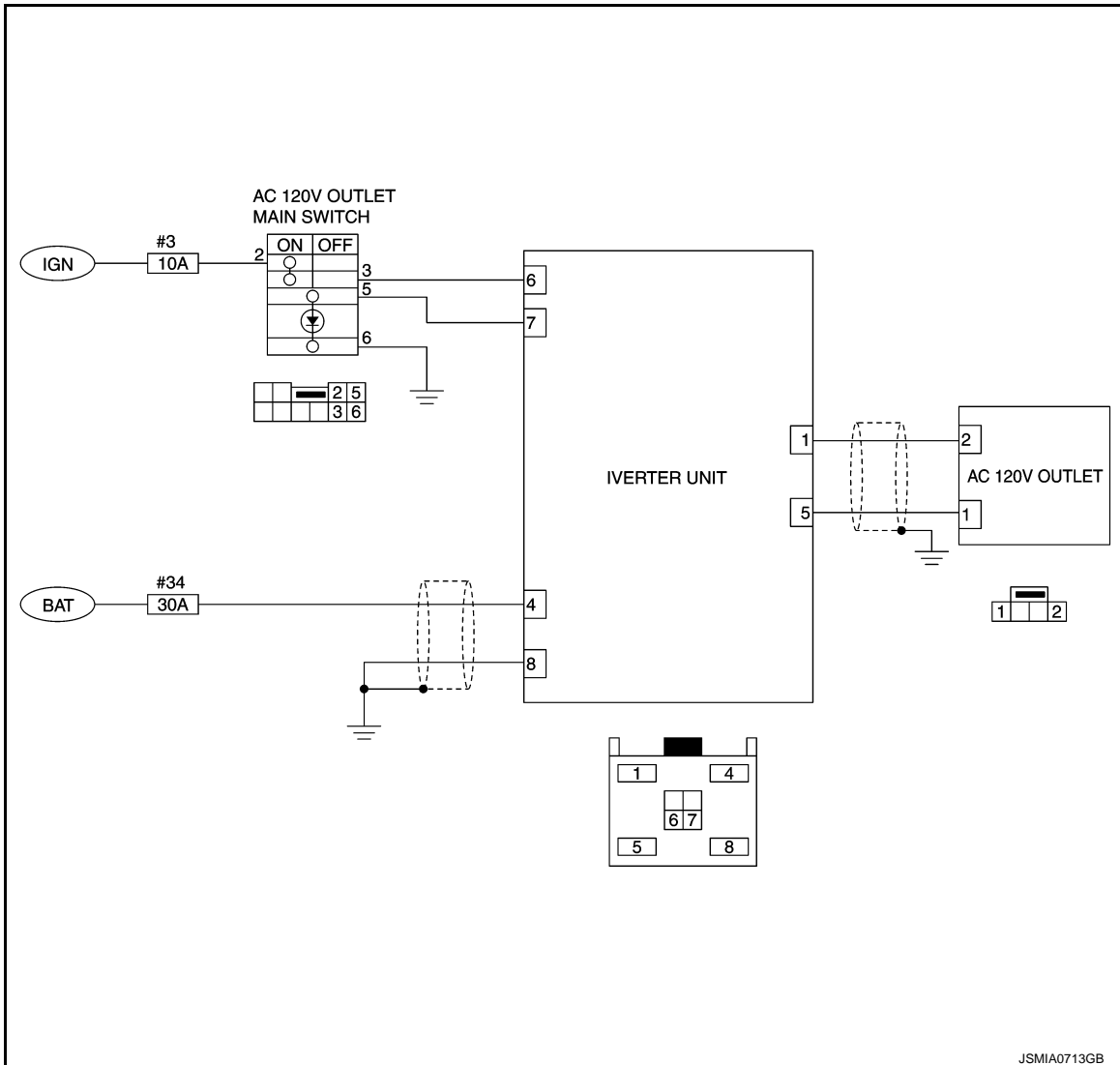
# SYSTEM

< SYSTEM DESCRIPTION >

[AC 120 V OUTLET]

## Circuit Diagram

INFOID:000000007495773



JSMIA0713GB

## Fail-safe

INFOID:000000007495774

When a malfunction listed below occurs, the inverter unit turns OFF the AC 120 V outlet main switch indicator and stops the output by operating the fail-safe.

Malfunction item	Fail-safe condition	Fail-safe cancellation condition
Inverter unit is overheated	When the inverter unit is overheated, the output stops to protect the inverter unit.	After the inverter unit temperature is lowered, the AC 120 V outlet main switch ON ⇒ OFF ⇒ ON operation allows normal return.
Inverter unit power supply voltage is 11.5 V or less	When inverter unit input voltage is lowered, the output stops to protect the battery from running out.	Automatic normal return when inverter unit power supply voltage reaches 11.5 V - 16 V.
Inverter unit power supply voltage is 16 V - 18 V	When inverter unit input voltage reaches 16 V - 18 V, the output stops to protect the inverter unit.	Automatic normal return when inverter unit power supply voltage reaches 11.5 V - 16 V.
Inverter unit power supply voltage is 18 V or more	When inverter unit input voltage reaches 18 V or more, the output stops to protect the inverter unit.	After the inverter unit power supply voltage reaches 11.5 V - 16 V, the AC 120V outlet main switch ON ⇒ OFF ⇒ ON operation allows normal return.

# SYSTEM

< SYSTEM DESCRIPTION >

[AC 120 V OUTLET]

Malfunction item	Fail-safe condition	Fail-safe cancellation condition
Inverter unit output current is 2.8 A or more	When inverter unit output current reaches 2.8 A or more, the output stops to prevent over current. (e.g. connecting an electric appliance exceeding rated output)	Automatic normal return when inverter output current reaches 2.8 A.
Inverter unit output signal (AC 120 V output signal) is shorted	When inverter unit output signal is shorted, the output stops.	After recovering from inverter unit output signal short, the AC 120 V outlet main switch ON ⇒ OFF ⇒ ON operation allows normal return.

# INVERTER UNIT

< ECU DIAGNOSIS INFORMATION >

[AC 120 V OUTLET]

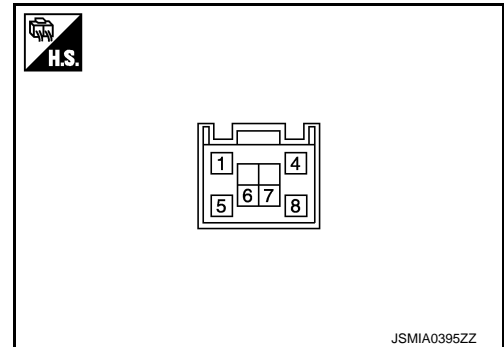
## ECU DIAGNOSIS INFORMATION

### INVERTER UNIT

Reference Value

INFOID:000000007495775

### TERMINAL LAYOUT



### PHYSICAL VALUES

Terminal No. (Wire color)		Description		Condition	Standard value	Value (Approx.)
+	-	Signal name	Input/ Output			
1 (B/W)	5 (L)	AC 120 V output	Output	Ignition switch OFF	—	0 V
				When AC 120 V outlet main switch ON (When using circuit tester)	108 – 132 V	AC 120 V
				When AC 120 V outlet main switch ON (When using oscilloscope)		<p>Reference value</p>
4 (W)	Ground	Battery power supply	Input	Ignition switch OFF	11.5 – 16 V	Battery power supply
5 (L)	1 (B/W)	AC 120 V output	Output	Ignition switch OFF	—	0 V
				When AC 120 V outlet main switch ON (When using circuit tester)	108 – 132 V	AC 120 V
				When AC 120 V outlet main switch ON (When using oscilloscope)		<p>Reference value</p>

# INVERTER UNIT

< ECU DIAGNOSIS INFORMATION >

[AC 120 V OUTLET]

Terminal No. (Wire color)		Description		Condition	Standard value	Value (Approx.)	
+	-	Signal name	Input/ Output				
6 (P)		AC 120 V outlet main switch	Input	Ignition switch ON	When AC 120 V outlet main switch OFF	—	0 V
					When AC 120 V outlet main switch ON	—	12 V
7 (BR)	Grou nd	AC 120 V outlet main switch indi- cator	Output	Ignition switch ON	When AC 120 V outlet main switch OFF	—	0 V
					When AC 120 V outlet main switch ON	—	5.2 V
8 (B)		Ground	—	Ignition switch ON		—	0 V

**CAUTION:**

- To measure AC 120 V output signal, always use the circuit tester or oscilloscope AC range.
- Never allow the probes to contact each other.
- Because of modified sine wave output of the AC 120 V output signal, voltage cannot be measured accurately without using a circuit tester that can measure true RMS (root mean square).

### Fail-safe

INFOID:000000007495776

When a malfunction listed below occurs, the inverter unit turns OFF the AC 120 V outlet main switch indicator and stops the output by operating the fail-safe.

Malfunction item	Fail-safe condition	Fail-safe cancellation condition
Inverter unit is overheat- ed	When the inverter unit is overheated, the output stops to protect the inverter unit.	After the inverter unit temperature is lowered, the AC 120 V outlet main switch ON ⇒ OFF ⇒ ON operation allows normal return.
Inverter unit power sup- ply voltage is 11.5 V or less	When inverter unit input voltage is lowered, the out- put stops to protect the battery from running out.	Automatic normal return when inverter unit power supply voltage reaches 11.5 V - 16 V.
Inverter unit power sup- ply voltage is 16 V - 18 V	When inverter unit input voltage reaches 16 V - 18 V, the output stops to protect the inverter unit.	Automatic normal return when inverter unit power supply voltage reaches 11.5 V - 16 V.
Inverter unit power sup- ply voltage is 18 V or more	When inverter unit input voltage reaches 18 V or more, the output stops to protect the inverter unit.	After the inverter unit power supply voltage reaches 11.5 V - 16 V, the AC 120V outlet main switch ON ⇒ OFF ⇒ ON operation allows normal return.
Inverter unit output cur- rent is 2.8 A or more	When inverter unit output current reaches 2.8 A or more, the output stops to prevent over current. (e.g. connecting an electric appliance exceeding rated output)	Automatic normal return when inverter output cur- rent reaches 2.8 A.
Inverter unit output signal (AC 120 V output signal) is shorted	When inverter unit output signal is shorted, the out- put stops.	After recovering from inverter unit output signal short, the AC 120 V outlet main switch ON ⇒ OFF ⇒ ON operation allows normal return.



# AC 120 V POWER OUTLET

< WIRING DIAGRAM >

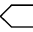
[AC 120 V OUTLET]

## WIRING DIAGRAM

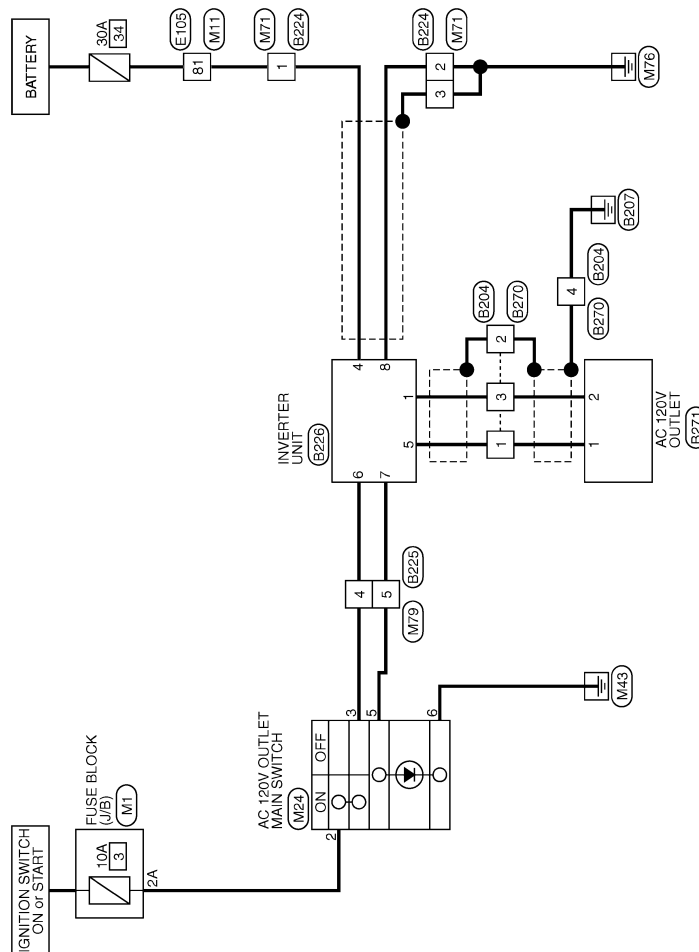
### AC 120 V POWER OUTLET

#### Wiring Diagram

INFOID:000000007495777

For connector terminal arrangements, harness layouts, and alphabets in a  (option abbreviation; if not described in wiring diagram), refer to [GI-12. "Connector Information"](#).

AC 120 V POWER OUTLET



A  
B  
C  
D  
E  
F  
G  
H  
I  
J  
K  
L  
PWO  
N  
O  
P

# DIAGNOSIS AND REPAIR WORK FLOW

< BASIC INSPECTION >

[AC 120 V OUTLET]

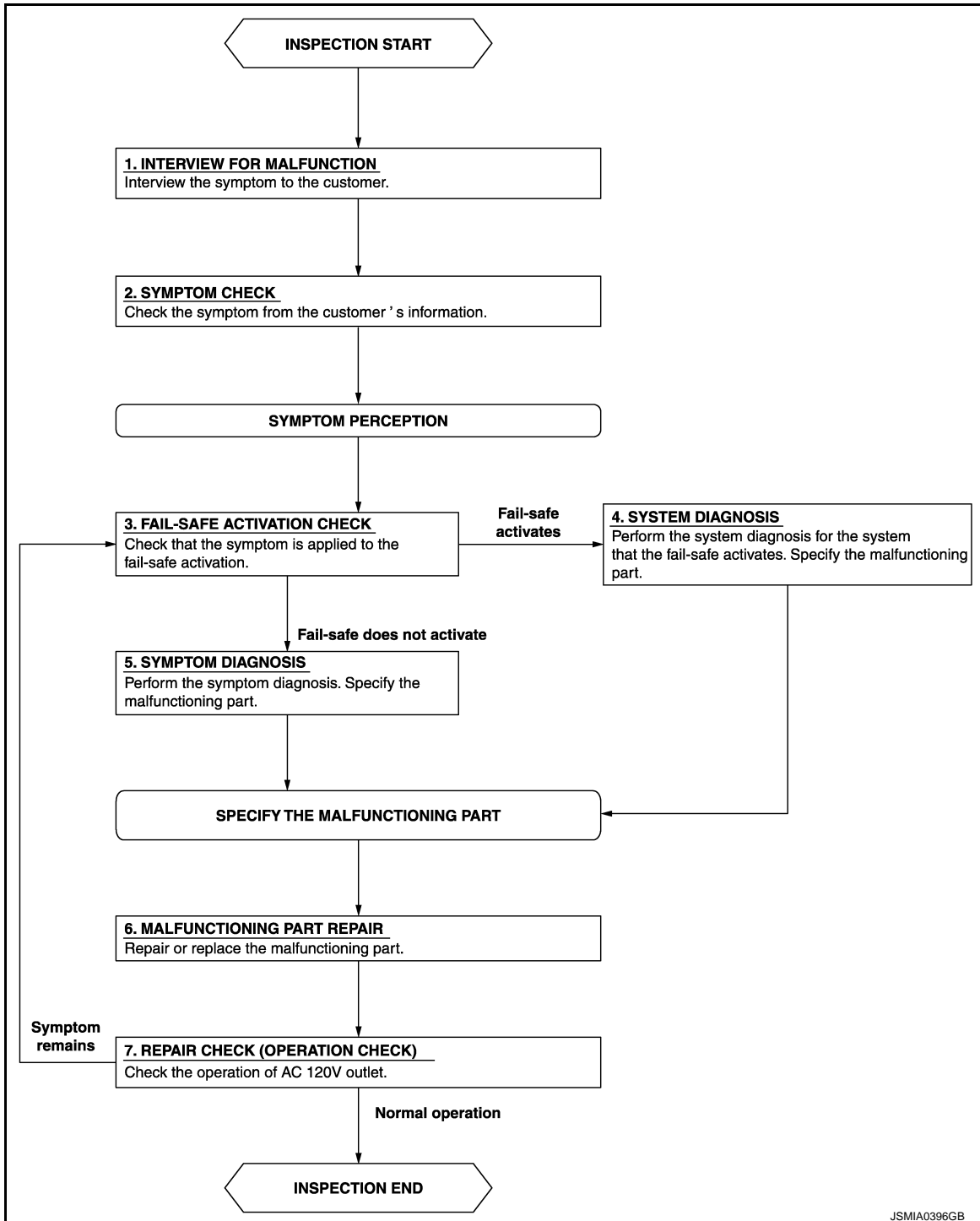
## BASIC INSPECTION

### DIAGNOSIS AND REPAIR WORK FLOW

Work Flow

INFOID:000000007495778

#### OVERALL SEQUENCE



#### DETAILED FLOW

##### 1. INTERVIEW FOR MALFUNCTION

Interview the symptom to the customer.

# DIAGNOSIS AND REPAIR WORK FLOW

< BASIC INSPECTION >

[AC 120 V OUTLET]

>> GO TO 2.

## 2. SYMPTOM CHECK

Check the symptom from the customer's information.

>> GO TO 3.

## 3. FAIL-SAFE ACTIVATION CHECK

Check that the symptom is applied to the fail-safe activation.

Does the fail-safe activate?

YES >> GO TO 4.

NO >> GO TO 5.

## 4. SYSTEM DIAGNOSIS

Perform the system diagnosis for the system that the fail-safe activates. Specify the malfunctioning part.

>> GO TO 6.

## 5. SYMPTOM DIAGNOSIS

Perform the symptom diagnosis. Specify the malfunctioning part.

>> GO TO 6.

## 6. MALFUNCTIONING PART REPAIR

Repair or replace the malfunctioning part.

>> GO TO 7.

## 7. REPAIR CHECK (OPERATION CHECK)

Check the operation of AC 120 V outlet.

Does it operate normally?

YES >> INSPECTION END

NO >> GO TO 3.

A  
B  
C  
D  
E  
F  
G  
H  
I  
J  
K  
L  
N  
O  
P

PWO

# POWER SUPPLY AND GROUND CIRCUIT

< DTC/CIRCUIT DIAGNOSIS >

[AC 120 V OUTLET]

## DTC/CIRCUIT DIAGNOSIS

### POWER SUPPLY AND GROUND CIRCUIT

#### Diagnosis Procedure

INFOID:000000007495779

#### 1. CHECK FUSE

Check that the following fuse is not blown.

Signal name	Fuse No.
Battery power supply	34

Is the fuse fusing?

YES >> Replace the blown fuse after repairing the affected circuit if a fuse is blown.

NO >> GO TO 2.

#### 2. CHECK INVERTER UNIT POWER SUPPLY CIRCUIT

Check voltage between inverter unit harness connector and ground.

Terminal		Condition	Standard value	Voltage (Approx.)
(+)	(-)			
Inverter unit		Ignition switch	11.5 – 16 V	Battery voltage
Connector	Terminal			
B226	4	OFF		

Is the inspection result normal?

YES >> GO TO 3.

NO >> Repair or replace the inverter unit power supply circuit.

#### 3. CHECK INVERTER UNIT GROUND CIRCUIT

1. Turn the ignition switch OFF.
2. Disconnect the inverter unit connector.
3. Check for continuity between inverter unit harness connector and ground.

Inverter unit		Ground	Continuity
Connector	Terminal		
B226	8		Existed

Is the inspection result normal?

YES >> INSPECTION END

NO >> Repair or replace the inverter unit ground circuit.

# AC 120 V OUTLET MAIN SWITCH POWER SUPPLY CIRCUIT

< DTC/CIRCUIT DIAGNOSIS >

[AC 120 V OUTLET]

## AC 120 V OUTLET MAIN SWITCH POWER SUPPLY CIRCUIT

### Diagnosis Procedure

INFOID:000000007495780

#### 1. CHECK FUSE

Check that the following fuse is not blown.

Signal name	Fuse No.
Ignition power supply	3

Is the fuse fusing?

YES >> Replace the blown fuse after repairing the affected circuit if a fuse is blown.

NO >> GO TO 2.

#### 2. CHECK POWER SUPPLY FOR AC 120 V OUTLET MAIN SWITCH

1. Turn ignition switch ON.
2. Check for voltage between the AC 120 V main switch harness connector and ground.

Terminals		Condition	Voltage (Approx.)
(+)	(-)		
AC 120 V outlet main switch		Ignition switch	0 V
Connector	Terminal		
M24	2	OFF	
		ON	Battery voltage

Is the inspection result normal?

YES >> INSPECTION END

NO >> Repair the AC 120 V main switch power supply circuit.

A  
B  
C  
D  
E  
F  
G  
H  
I  
J  
K  
L  
N  
O  
P

PWO

# AC 120 V OUTLET MAIN SWITCH INPUT SIGNAL CIRCUIT

< DTC/CIRCUIT DIAGNOSIS >

[AC 120 V OUTLET]

## AC 120 V OUTLET MAIN SWITCH INPUT SIGNAL CIRCUIT

### Diagnosis Procedure

INFOID:000000007495781

#### 1. CHECK HARNESS BETWEEN INVERTER UNIT AND AC 120 V OUTLET MAIN SWITCH

1. Turn ignition switch OFF.
2. Disconnect inverter unit connector and AC 120 V outlet main switch connector.
3. Check for continuity between the inverter unit harness connector and AC 120 V outlet main switch harness connector.

Inverter unit		AC 120 V outlet main switch		Continuity
Connector	Terminal	Connector	Terminal	
B226	6	M24	3	Existed

4. Check for continuity between inverter unit harness connector and ground.

Inverter unit		Ground	Continuity
Connector	Terminal		
B226	6		Not existed

Is the inspection result normal?

YES >> GO TO 2.

NO >> Repair the harnesses or connectors.

#### 2. CHECK AC 120 V OUTLET MAIN SWITCH INPUT SIGNAL

1. Connect inverter unit connector and AC 120 V outlet main switch connector.
2. Turn ignition switch ON.
3. AC 120 V outlet main switch ON.
4. Check for voltage between the inverter unit harness connector and ground.

Terminals		Condition	Voltage (Approx.)
(+)	(-)		
Inverter unit		AC 120 V outlet main switch	
Connector	Terminal		
B226	6		
		ON	12 V

Is the inspection result normal?

YES >> INSPECTION END

NO >> GO TO 3.

#### 3. CHECK AC 120 V OUTLET MAIN SWITCH

1. Turn ignition switch OFF.
2. Remove AC 120 V outlet main switch.
3. Check AC 120 V outlet main switch. Refer to [PWO-22. "Component Inspection"](#).

Is the inspection result normal?

YES >> INSPECTION END

NO >> Replace AC 120 V outlet main switch.

### Component Inspection

INFOID:000000007495782

#### 1. CHECK AC 120 V OUTLET MAIN SWITCH

Check continuity of AC 120 V outlet main switch.

# AC 120 V OUTLET MAIN SWITCH INPUT SIGNAL CIRCUIT

< DTC/CIRCUIT DIAGNOSIS >

[AC 120 V OUTLET]

Terminal		Condition	Continuity
1	3	When AC 120 V outlet main switch is ON	Existed
		When AC 120 V outlet main switch is OFF	Not existed

Is the inspection result normal?

YES >> INSPECTION END

NO >> Replace AC 120 V outlet main switch.

A

B

C

D

E

F

G

H

I

J

K

L

PWO

N

O

P

# AC 120 V POWER OUTPUT CIRCUIT

< DTC/CIRCUIT DIAGNOSIS >

[AC 120 V OUTLET]

## AC 120 V POWER OUTPUT CIRCUIT

### Diagnosis Procedure

INFOID:000000007495783

#### 1. CHECK HARNESS BETWEEN INVERTER UNIT AND AC 120 V OUTLET

1. Turn ignition switch OFF.
2. Disconnect inverter unit connector and AC 120 V outlet connector.
3. Check for continuity between the inverter unit harness connector and AC 120 V outlet harness connector.

Inverter unit		AC 120 V outlet		Continuity
Connector	Terminal	Connector	Terminal	
B226	5	B271	1	Existed
	1		2	

4. Check for continuity between inverter unit harness connector and ground.

Inverter unit		Ground	Continuity
Connector	Terminal		
B226	5		Not existed
	1		

5. Check for continuity between inverter unit harness connector.

Inverter unit			Continuity
Connector	Terminal		
B226	5	1	Not existed
	1		

Is the inspection result normal?

- YES >> GO TO 2.  
 NO >> Repair or replace the harnesses or connectors.

#### 2. CHECK INVERTER UNIT OUTPUT SIGNAL

1. Connect inverter unit connector and AC 120 V outlet connector.
2. Turn ignition switch ON.
3. AC 120 V outlet main switch ON. (AC 120 V outlet main switch indicator ON)
4. Check voltage between inverter unit harness connector.

Terminals				Condition	Standard value	Voltage (Approx.)
(+)		(-)				
Inverter unit		Inverter unit		AC 120 V outlet main switch		
Connector	Terminal	Connector	Terminal			
B226	5	B226	1	OFF	Approx. 0 V	0 V
				ON	AC 108 – 132 V	AC 120 V

**CAUTION:**

- To measure AC 120 V output signal, always use the circuit tester AC range.
- Never allow the probes to contact each other.

Is the inspection result normal?

- YES >> GO TO 3  
 NO >> Replace inverter unit.

#### 3. CHECK AC 120 V OUTLET VOLTAGE

1. AC 120 V outlet main switch ON. (AC 120 V outlet main switch indicator ON)
2. Check voltage between AC 120 V outlet.



# AC 120 V POWER OUTPUT CIRCUIT

< DTC/CIRCUIT DIAGNOSIS >

[AC 120 V OUTLET]

Terminals		Condition	Standard value	Voltage (Approx.)
(+)	(-)			
AC 120 V outlet		AC 120 V outlet main switch		
Terminal				
1	2	OFF	Approx. 0 V	0 V
		ON	AC 108 – 132 V	AC 120 V

**CAUTION:**

- To measure AC 120 V output signal, always use the circuit tester AC range.
- Never allow the probes to contact each other.

Is the inspection result normal?

- YES >> INSPECTION END  
 NO >> Replace AC 120 V outlet.

A  
B  
C  
D  
E  
F  
G  
H  
I  
J  
K  
L  
N  
O  
P

PWO

# AC 120 V OUTLET MAIN SWITCH INDICATOR CIRCUIT

< DTC/CIRCUIT DIAGNOSIS >

[AC 120 V OUTLET]

## AC 120 V OUTLET MAIN SWITCH INDICATOR CIRCUIT

### Diagnosis Procedure

INFOID:000000007495784

#### 1. CHECK HARNESS BETWEEN INVERTER UNIT AND AC 120 V OUTLET MAIN SWITCH

1. Turn ignition switch OFF.
2. Disconnect inverter unit connector and AC 120 V outlet main switch connector.
3. Check continuity between inverter unit harness connector and AC 120 V main switch harness connector.

Inverter unit		AC 120 V outlet main switch		Continuity
Connector	Terminal	Connector	Terminal	
B226	7	M24	5	Existed

4. Check continuity between inverter unit harness connector and ground.

Inverter unit		Ground	Continuity
Connector	Terminal		
B226	7		Not existed

Is the inspection result normal?

YES >> GO TO 2.

NO >> Repair the harnesses or connectors.

#### 2. CHECK AC 120 V OUTLET MAIN SWITCH GROUND CIRCUIT

Check continuity between AC 120 V outlet main switch harness connector and ground.

AC 120 V outlet main switch		Ground	Continuity
Connector	Terminal		
M24	6		Existed

Is the inspection result normal?

YES >> GO TO 3.

NO >> Repair the harnesses or connectors.

#### 3. CHECK AC 120 V OUTLET MAIN SWITCH INDICATOR OUTPUT SIGNAL

1. Connect AC 120 V outlet main switch connector and inverter unit connector.
2. Turn ignition switch ON.
3. AC 120 V outlet main switch ON. (AC 120 V output is normal)
4. Check for voltage between the inverter unit harness connector and ground.

Terminals		Condition	Voltage (Approx.)
(+)	(-)		
Inverter unit		AC 120 V outlet main switch	
Connector	Terminal		
B226	7		
		OFF	0 V
		ON	5.2 V

Is the inspection result normal?

YES >> GO TO 4.

NO >> Replace inverter unit.

#### 4. CHECK AC 120 V OUTLET MAIN SWITCH INDICATOR

1. AC 120 V outlet main switch ON. (AC 120 V output is normal)
2. Check that AC 120 V outlet main switch indicator is illuminated.

Is the inspection result normal?

# AC 120 V OUTLET MAIN SWITCH INDICATOR CIRCUIT

< DTC/CIRCUIT DIAGNOSIS >

[AC 120 V OUTLET]

YES >> INSPECTION END  
NO >> Replace AC 120 V outlet main switch.

A  
B  
C  
D  
E  
F  
G  
H  
I  
J  
K  
L  
PWO  
N  
O  
P

## SYMPTOM DIAGNOSIS

### NO OUTPUT FROM AC 120 V OUTLET

#### Diagnosis Procedure

INFOID:000000007495785

#### 1. CHECK FAIL-SAFE ACTIVATION

---

Check if the symptom is caused by a fail-safe operation. Refer to [PWO-16, "Fail-safe"](#).

Is fail-safe operating?

YES >> Repair the part causing fail-safe operation.

NO >> GO TO 2.

#### 2. CHECK INVERTER UNIT POWER SUPPLY CIRCUIT

---

Check inverter unit power supply circuit. Refer to [PWO-20, "Diagnosis Procedure"](#).

Is the inspection result normal?

YES >> GO TO 3.

NO >> Repair or replace the malfunctioning parts.

#### 3. CHECK AC 120 V OUTLET MAIN SWITCH POWER SUPPLY CIRCUIT

---

Check AC 120 V outlet main switch power supply circuit. Refer to [PWO-21, "Diagnosis Procedure"](#).

Is the inspection result normal?

YES >> GO TO 4.

NO >> Repair or replace the malfunctioning parts.

#### 4. CHECK AC 120 V OUTLET MAIN SWITCH INPUT SIGNAL CIRCUIT

---

Check AC 120 V outlet main switch input signal circuit. Refer to [PWO-22, "Diagnosis Procedure"](#).

Is the inspection result normal?

YES >> GO TO 5.

NO >> Repair or replace the malfunctioning parts.

#### 5. CHECK INVERTER UNIT POWER OUTPUT CIRCUIT

---

Check inverter unit power output circuit. Refer to [PWO-24, "Diagnosis Procedure"](#).

Is the inspection result normal?

YES >> Refer to [GI-42, "Intermittent Incident"](#).

NO >> Repair or replace the malfunctioning parts.

# AC 120 V OUTLET MAIN SWITCH INDICATOR DOES NOT TURN ON

< SYMPTOM DIAGNOSIS >

[AC 120 V OUTLET]

## AC 120 V OUTLET MAIN SWITCH INDICATOR DOES NOT TURN ON

### Diagnosis Procedure

INFOID:000000007495786

#### 1. CHECK FAIL-SAFE ACTIVATION

Check if the symptom is caused by a fail-safe operation. Refer to [PWO-16, "Fail-safe"](#).

Is fail-safe operating?

- YES >> Repair the part causing fail-safe operation.
- NO >> GO TO 2.

#### 2. CHECK INVERTER UNIT POWER SUPPLY CIRCUIT

Check inverter unit power supply circuit. Refer to [PWO-20, "Diagnosis Procedure"](#).

Is the inspection result normal?

- YES >> GO TO 3.
- NO >> Repair or replace the malfunctioning parts.

#### 3. CHECK AC 120 V OUTLET MAIN SWITCH POWER SUPPLY CIRCUIT

Check AC 120 V outlet main switch power supply circuit. Refer to [PWO-21, "Diagnosis Procedure"](#).

Is the inspection result normal?

- YES >> GO TO 4.
- NO >> Repair or replace the malfunctioning parts.

#### 4. CHECK AC 120 V OUTLET MAIN SWITCH INPUT SIGNAL CIRCUIT

Check AC 120 V outlet main switch input signal circuit. Refer to [PWO-22, "Diagnosis Procedure"](#).

Is the inspection result normal?

- YES >> GO TO 5.
- NO >> Repair or replace the malfunctioning parts.

#### 5. CHECK AC 120 V OUTLET MAIN SWITCH INDICATOR CIRCUIT

Check AC 120 V outlet main switch indicator circuit. Refer to [PWO-26, "Diagnosis Procedure"](#).

Is the inspection result normal?

- YES >> Refer to [GI-42, "Intermittent Incident"](#).
- NO >> Repair or replace the malfunctioning parts.

A  
B  
C  
D  
E  
F  
G  
H  
I  
J  
K  
L  
N  
O  
P

PWO

## NORMAL OPERATING CONDITION

< SYMPTOM DIAGNOSIS >

[AC 120 V OUTLET]

---

### NORMAL OPERATING CONDITION

#### Description

INFOID:000000007495787

Because of modified sine wave output, the AC 120 V outlet may not operate normally for electric appliance of which electric power consumption is 150 W or less.

- Electric appliances requiring a large amount of electric power consumption at startup (e.g. CRT-based TV, power tool)
- Measuring instruments for data requiring accuracy (e.g. medical equipment, measuring instrument)
- Microprocessor-controlled appliances (e.g. microprocessor-controlled blanket)

Noise may be caused in radio or TV, depending on an electric appliance.

# REMOVAL AND INSTALLATION

## INVERTER UNIT

### Removal and Installation

INFOID:000000007495788

#### REMOVAL

1. Remove luggage side lower finisher (RH). Refer to [INT-42. "LUGGAGE SIDE LOWER FINISHER : Removal and Installation"](#).
2. Disconnect inverter unit connector.
3. Remove mounting bolt.
4. Remove inverter unit.

#### INSTALLATION

Install in the reverse order of removal.

A  
B  
C  
D  
E  
F  
G  
H  
I  
J  
K  
L

PWO

N  
O  
P

## AC 120V OUTLET MAIN SW

< REMOVAL AND INSTALLATION >

[AC 120 V OUTLET]

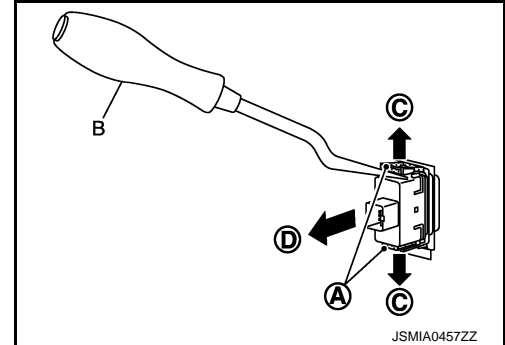
### AC 120V OUTLET MAIN SW

#### Removal and Installation

INFOID:000000007495789

#### REMOVAL

1. Remove instrument lower panel center. Refer to [IP-13. "Removal and Installation"](#).
2. Insert remover tool (B) into pawl (A) of instrument lower panel center and press the pawl toward direction (C) to release the pawl.
3. Remove AC 120 V main switch from instrument lower panel center in direction (D).



#### INSTALLATION

Install in the reverse order of removal.



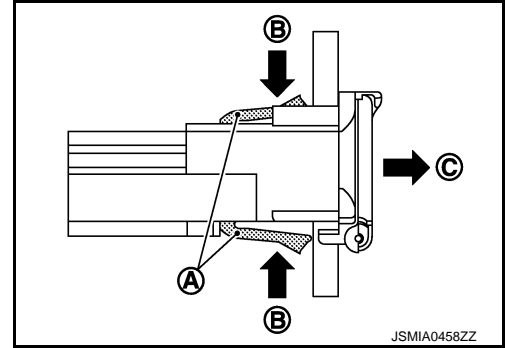
## AC 120 V OUTLET

### Removal and Installation

INFOID:000000007495790

#### REMOVAL

1. Remove center console upper finisher. Refer to [IP-26, "Removal and Installation"](#).
2. Press pawl (A) in direction (B) from the back of center console upper finisher to remove AC 120 V outlet in direction (C).



#### INSTALLATION

Install in the reverse order of removal.

A  
B  
C  
D  
E  
F  
G  
H  
I  
J  
K  
L

PWO

N  
O  
P

## SERVICE DATA AND SPECIFICATIONS (SDS)

< SERVICE DATA AND SPECIFICATIONS (SDS)

[AC 120 V OUTLET]

## SERVICE DATA AND SPECIFICATIONS (SDS)

### SERVICE DATA AND SPECIFICATIONS (SDS)

#### AC 120 V Power Outlet

INFOID:000000007495791

Rated voltage	AC 120 V
Maximum electric capacity	150 W or less (Total)
Maximum current	1.25 A or less (Total)