

SECTION **EX**
EXHAUST SYSTEM

A
EX
C
D
E
F
G
H
I
J
K
L
M
N
O
P

CONTENTS

PRECAUTION	2	PERIODIC MAINTENANCE	4
PRECAUTIONS	2	EXHAUST SYSTEM	4
Removal and Installation	2	Inspection	4
Precautions for Removing Battery Terminal	2	REMOVAL AND INSTALLATION	5
PREPARATION	3	EXHAUST SYSTEM	5
PREPARATION	3	Exploded View	5
Commercial Service Tool	3	Removal and Installation	6
		Inspection	7

PRECAUTIONS

< PRECAUTION >

PRECAUTION

PRECAUTIONS

Removal and Installation

INFOID:000000009650907

CAUTION:

- Be sure to use genuine exhaust system parts or equivalents which are specially designed for heat resistance, corrosion resistance, and shape.
- Perform the operation with the exhaust system fully cooled down because the system will be hot just after engine stops.
- Be careful not to cut your hand on the heat insulator edge.

Precautions for Removing Battery Terminal

INFOID:000000009962138

- When removing the 12V battery terminal, turn OFF the ignition switch and wait at least 30 seconds.

NOTE:

ECU may be active for several tens of seconds after the ignition switch is turned OFF. If the battery terminal is removed before ECU stops, then a DTC detection error or ECU data corruption may occur.

- For vehicles with the 2-batteries, be sure to connect the main battery and the sub battery before turning ON the ignition switch.

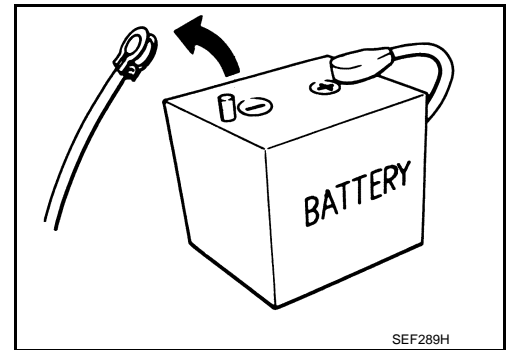
NOTE:

If the ignition switch is turned ON with any one of the terminals of main battery and sub battery disconnected, then DTC may be detected.

- After installing the 12V battery, always check "Self Diagnosis Result" of all ECUs and erase DTC.

NOTE:

The removal of 12V battery may cause a DTC detection error.



PREPARATION

< PREPARATION >

PREPARATION

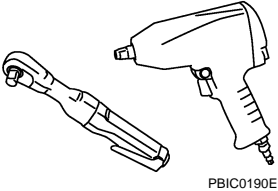
PREPARATION

Commercial Service Tool

INFOID:000000009650908

A

EX

Tool name	Description
<p data-bbox="162 411 272 438">Power tool</p>  <p data-bbox="828 630 901 646">PBIC0190E</p>	<p data-bbox="1015 411 1266 438">Loosening nuts and bolts</p>

C

D

E

F

G

H

I

J

K

L

M

N

O

P

EXHAUST SYSTEM

< PERIODIC MAINTENANCE >

PERIODIC MAINTENANCE

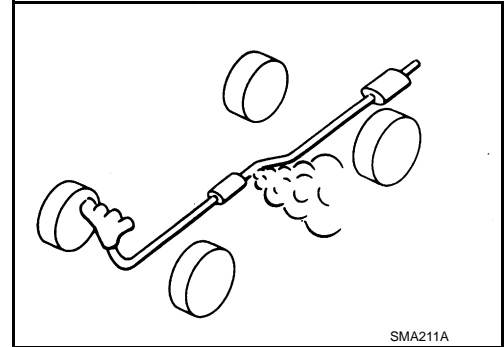
EXHAUST SYSTEM

Inspection

INFOID:000000009650909

Check exhaust pipes, muffler, and mounting for improper attachment, leakage, cracks, damage or deterioration.

- If anything is found, repair or replace damaged parts.



SMA211A

EXHAUST SYSTEM

< REMOVAL AND INSTALLATION >

REMOVAL AND INSTALLATION

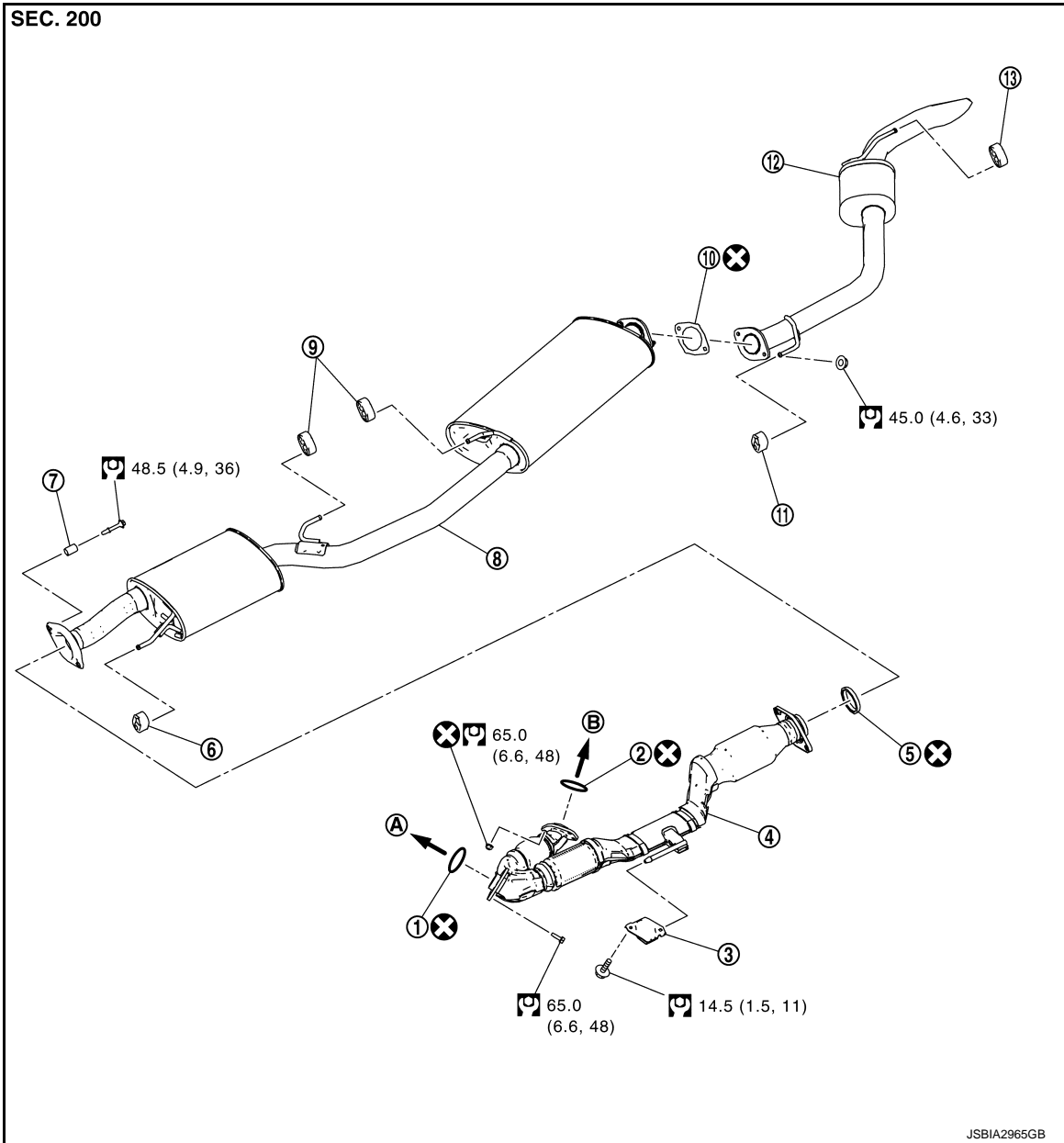
EXHAUST SYSTEM

Exploded View

INFOID:000000009650910

A

EX



C

D

E

F

G

H

I

J

K

L

M

N

- | | | |
|--------------------------------|--------------------------------|--------------------|
| 1. Gasket | 2. Gasket | 3. Mounting rubber |
| 4. Exhaust front tube | 5. Seal bearing | 6. Mounting rubber |
| 7. Spring | 8. Center muffler | 9. Mounting rubber |
| 10. Gasket | 11. Mounting rubber | 12. Rear muffler |
| 13. Mounting rubber | | |
| A. To exhaust manifold (bank2) | B. To exhaust manifold (bank1) | |

O

P

⊗ : Always replace after every disassembly.

⊞ : N·m (kg·m, ft·lb)

EXHAUST SYSTEM

< REMOVAL AND INSTALLATION >

Removal and Installation

INFOID:000000009650911

REMOVAL

Disconnect each joint and mounting using power tool.

INSTALLATION

Note the following, and install in the reverse order of removal.

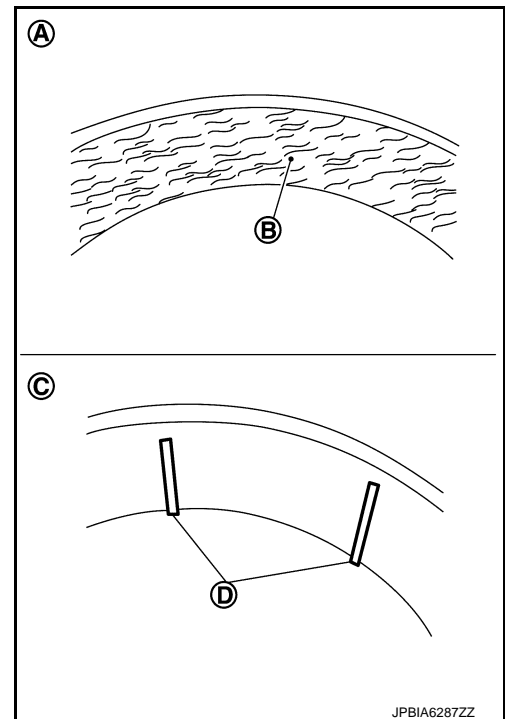
CAUTION:

- Always replace exhaust tube gaskets with new ones when reassembling.
- If heat insulator is badly deformed, repair or replace it. If deposits such as mud pile up on the heat insulator, remove them.
- When installing heat insulator avoid large gaps or interference between heat insulator and each exhaust pipe.
- Remove deposits from the sealing surface of each connection. Connect them securely to avoid gas leakage.
- Temporarily tighten mounting nuts and bolts. Check each part for unusual interference, and then tighten them to the specified torque.
- When installing each mounting rubber, avoid twisting or unusual extension in up/down and right/left directions.
- Install seal bearing according to the following instructions.

CAUTION:

The structure of seal bearing depends on the mounting portion. When installing seal bearings, be careful not to install wrong one.

- Ⓐ : Exhaust manifold side
- Ⓑ : Mesh
- Ⓒ : Exhaust front tube side
- Ⓓ : Pawl (projection)



Exhaust Front Tube to Center Muffler

1. Securely insert seal bearing (2) into exhaust front tube (1) side in the direction shown in the figure.

- 3 : Spring
- 4 : Bolt
- 5 : Center muffler

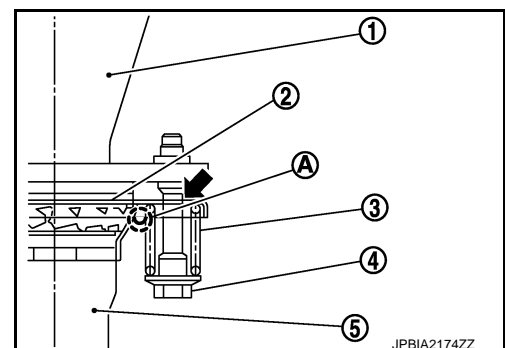
CAUTION:

Be careful not to damage seal bearing surface when installing.

2. With spring, tighten bolt.

CAUTION:

- Ensure springs are seated correctly on the flange and not sitting on (A).
- Be careful that bolt does not interfere with mounting hole of center muffler (←).



EXHAUST SYSTEM

< REMOVAL AND INSTALLATION >

3. After installing, check that bolt does not interfere with mounting hole of center muffler.

Inspection

INFOID:000000009650912

A

INSPECTION AFTER INSTALLATION

- Check clearance between tail tube and rear bumper is even at right and left.
- With engine running, check exhaust tube joints for gas leakage and unusual noises.
- Check to ensure that mounting brackets and mounting rubbers are installed properly and free from undue stress. Improper installation could result in excessive noise and vibration.

EX

C

D

E

F

G

H

I

J

K

L

M

N

O

P